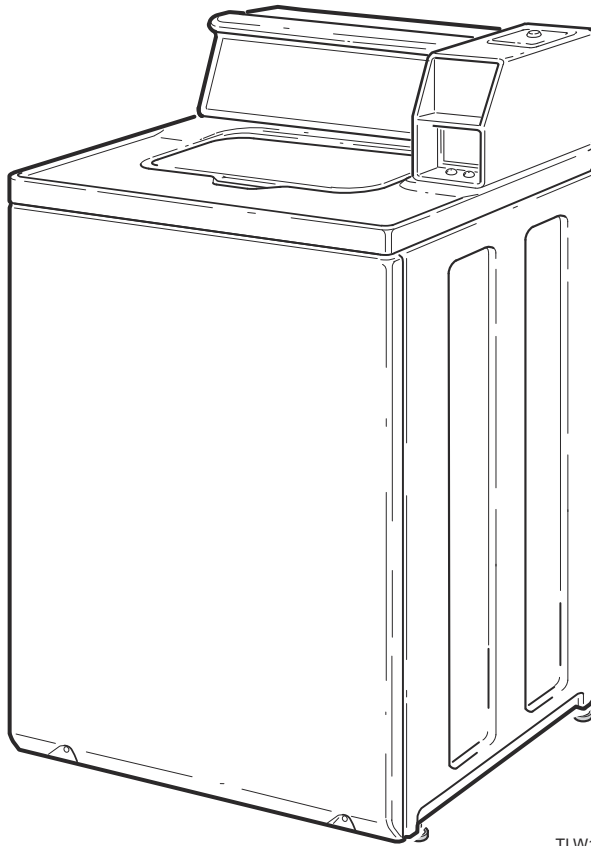


Commercial Topload Washers

Metered and Nonmetered
Refer to Page 3 for Model Numbers



TLW13C_203385

Table of Contents

Title	Page
Parts Ordering Information.....	2
Serial Plate Location	2
Model Identification	3
Meter Case Assembly (Drawing 1 of 2)	4
Meter Case Assembly (Drawing 2 of 2)	6
Non-Electronic Coin Drop	8
Electronic Coin Drop	10
Control Panel, Control Hood and Controls (Drawing 1 of 10)	12
Control Panel, Control Hood and Controls (Drawing 2 of 10)	14
Control Panel, Control Hood and Controls (Drawing 3 of 10)	16
Control Panel, Control Hood and Controls (Drawing 4 of 10)	18
Control Panel, Control Hood and Controls (Drawing 5 of 10)	20
Control Panel, Control Hood and Controls (Drawing 6 of 10)	22
Control Panel, Control Hood and Controls (Drawing 7 of 10)	24
Control Panel, Control Hood and Controls (Drawing 8 of 10)	26
Control Panel, Control Hood and Controls (Drawing 9 of 10)	28
Control Panel, Control Hood and Controls (Drawing 10 of 10)	30
Lid	32
Cabinet Top	34
Lid, Lid Lock and Cabinet Top	36
Lid Switch.....	38
Mixing Valve-to-Tub Cover Hose and Mixing Valve (Drawing 1 of 2)	40
Mixing Valve-to-Tub Cover Hose and Mixing Valve (Drawing 2 of 2)	42
Fill Hose	44
Motor, Belt, Pump and Idler Assembly (Drawing 1 of 2)	46
Motor, Belt, Pump and Idler Assembly (Drawing 2 of 2)	48
Agitator, Drive Bell, Hub and Lip Seal Kit and Washtub	50
Outer Tub, Cover, Bearing and Seal Housing	52
Leg Springs, Pressure Hose and Counterweight.....	54
Transmission Assembly	56
Drain Hoses and Siphon Break Kit	58
Weldment and Bearing Assembly, Brake and Pulley.....	60
Front Panel, Base Assembly and Cabinet Kit.....	62
Mixing Valve and Motor Disconnect Blocks, Terminals and Terminal Extractor Tool	64
Lead-In Cord	66
Terminals	68
Shipping Materials and Special Tools	70
Special Tools	72
Output Board, Wire Harnesses and Wires	74
Sound Sensor	76
Parts Index.....	79

© Copyright 2023, Alliance Laundry Systems LLC

All rights reserved. No part of the contents of this book may be reproduced or transmitted in any form or by any means without the expressed written consent of the publisher.

Parts Ordering Information

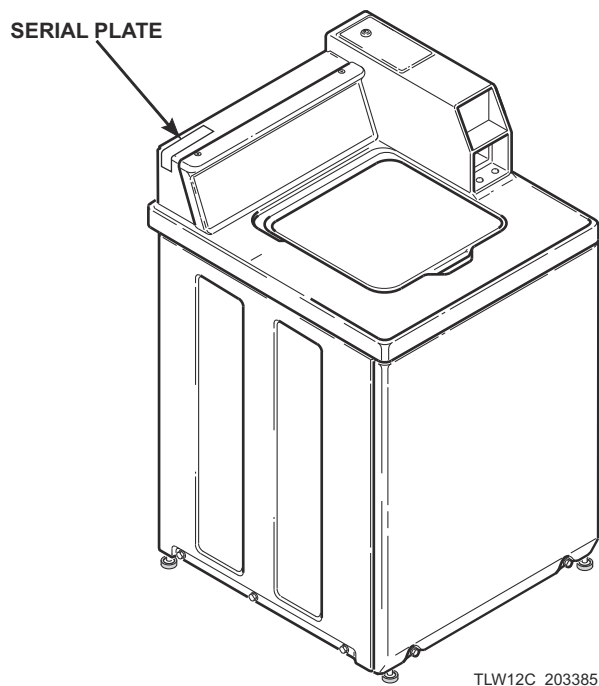
If literature or replacement parts are required, contact the source from whom the machine was purchased or contact Alliance Laundry Systems at (920) 748-3950 for the name and address of the nearest authorized parts distributor.

For technical assistance, call the number listed below:

(920) 748-3121 Ripon, Wisconsin

Serial Plate Location

When calling or writing about your product, be sure to mention model and serial numbers. Model and serial numbers are located on serial plate(s) as shown.



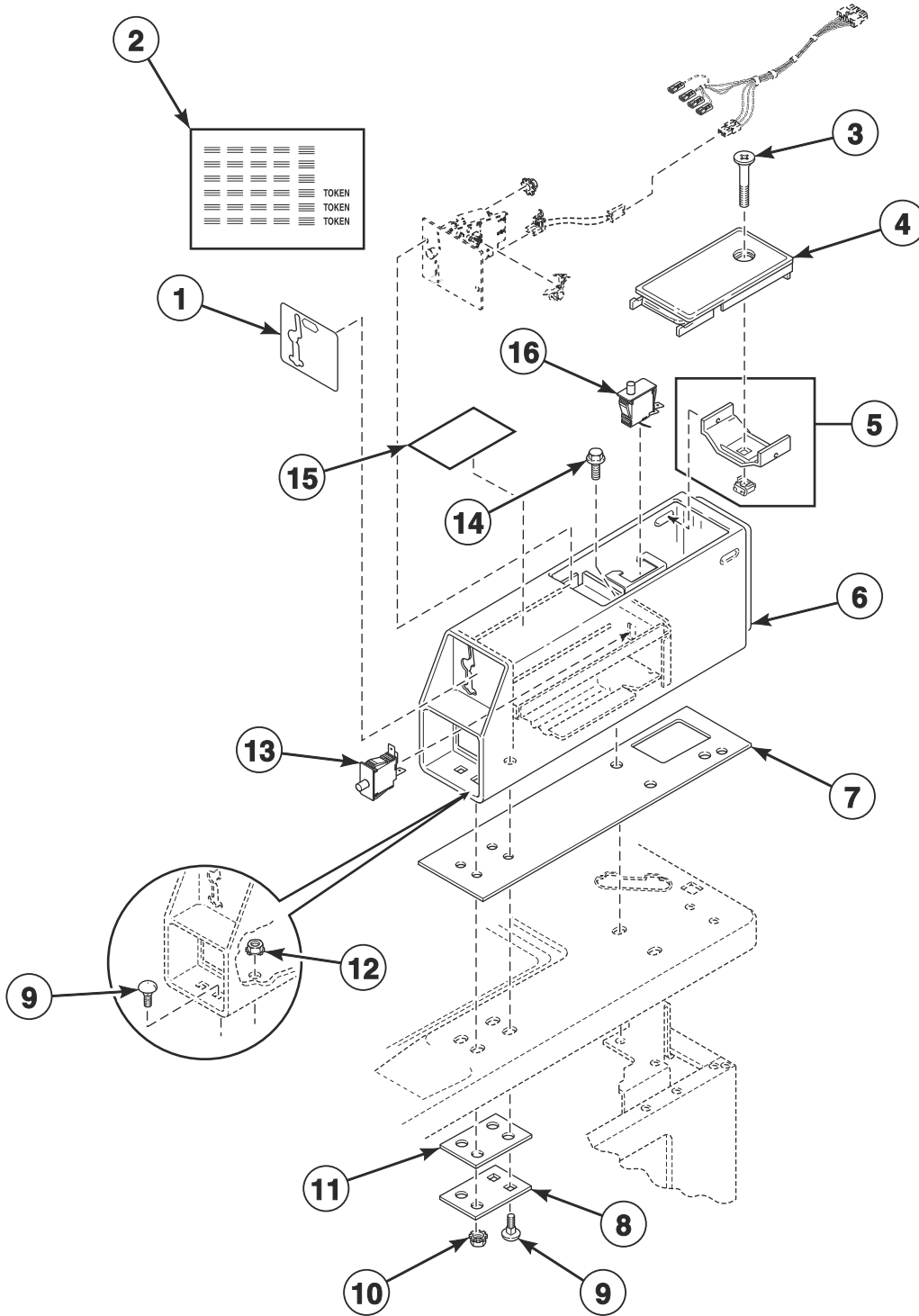
Model Identification

Information in this manual is applicable to these washer models:

HWNNE2AP113CW01	SWNNC2SP113TQ01	SWNNY2AP113TW01
HWNNE2AP113CW04	SWNNC2SP113TW01	SWNNY2AP113TW04
HWNNE2HP113CW01	SWNNC2SP113TW02	SWNNY2HP113CW04
HWNNE2HP113CW04	SWNNC2SP115TQ01	SWNNY2HP113TW01
HWNNE2HP115CW01	SWNNC2SP115TW01	SWNNY2HP113TW04
HWNNE2HP116CW01	SWNNC2SP115TW02	SWNNY2HP115CW01
HWNNE2SP113CW01	SWNNC2SP116TW01	SWNNY2HP115TW01
HWNNE2SP115CW01	SWNNC2SP116TWSS	SWNNY2HP116TW01
HWNNE2SP116CW01	SWNNE2HP113CW15	SWNNY2PP113TW01
HWNNX2HP113CW01	SWNNE2HP115CW02	SWNNY2SP113CW01
HWNNX2HP113CW04	SWNNE2SP113CW02	SWNNY2SP113TW01
HWNNX2HP115CW01	SWNNE2SP115CW02	SWNNY2SP115CW01
HWNNX2HP116CW01	SWNNX2AP113TW02	SWNNY2SP115TW01
HWNNX2SP113CW01	SWNNX2AP113TW15	SWNNY2SP116TW01
HWNNX2SP115CW01	SWNNX2HP113CW15	SWNNY2SP116TWSS
HWNNX2SP116CW01	SWNNX2HP113TW01	SWNNY2SP303NW22
HWNNX2SP116CWSS	SWNNX2HP113TW02	SWNNY2SP303UW01
HWNNX2SP123DW01	SWNNX2HP113TW04	SWNNZ2SP113NW22
HWNNX2SP543DW01	SWNNX2HP113TW15	SWNWC2HP115TW42
HWNNY2HP113CW01	SWNNX2HP115CW02	SWNWX2HP113TW15
HWNNY2HP113CW04	SWNNX2HP115TW01	SWNWX2HP115TW02
HWNNY2HP116CW01	SWNNX2HP115TW02	SWNWX2SP113TW02
HWNNY2SP113CW01	SWNNX2HP116TW01	SWNWX2SP115TW02
HWNNY2SP115CW01	SWNNX2PP113TW02	SWNWX2SP303BW01
HWNNY2SP116CW01	SWNNX2SP103JW01	SWNWY2AP113TW01
HWNNY2SP116CWSS	SWNNX2SP113CW02	SWNWY2AP113TW04
NWNNX2SP125MW01	SWNNX2SP113JW01	SWNWY2HP113TW01
NWNNX2SP303ZW01	SWNNX2SP113TW01	SWNWY2HP113TW04
SWNNC2AP113TW01	SWNNX2SP113TW02	SWNWY2HP115TW01
SWNNC2AP113TW02	SWNNX2SP115CW02	SWNWY2HP115TW41
SWNNC2AP113TW04	SWNNX2SP115TW01	SWNWY2SP113TW01
SWNNC2AP113TW15	SWNNX2SP115TW02	SWNWY2SP115TW01
SWNNC2HP113TQ01	SWNNX2SP116TW01	
SWNNC2HP113TQ04	SWNNX2SP123DW01	
SWNNC2HP113TW01	SWNNX2SP123MW01	
SWNNC2HP113TW02	SWNNX2SP303AW01	
SWNNC2HP113TW04	SWNNX2SP303LW01	
SWNNC2HP113TW15	SWNNX2SP543DW01	
SWNNC2HP115TQ01	SWNNX2SP543NW23	
SWNNC2HP115TW01	SWNNX2SP543PW01	
SWNNC2HP115TW02		
SWNNC2HP116TW01		
SWNNC2PP113TW01		
SWNNC2PP113TW02		

Meter Case Assembly (Drawing 1 of 2)

Coin Models



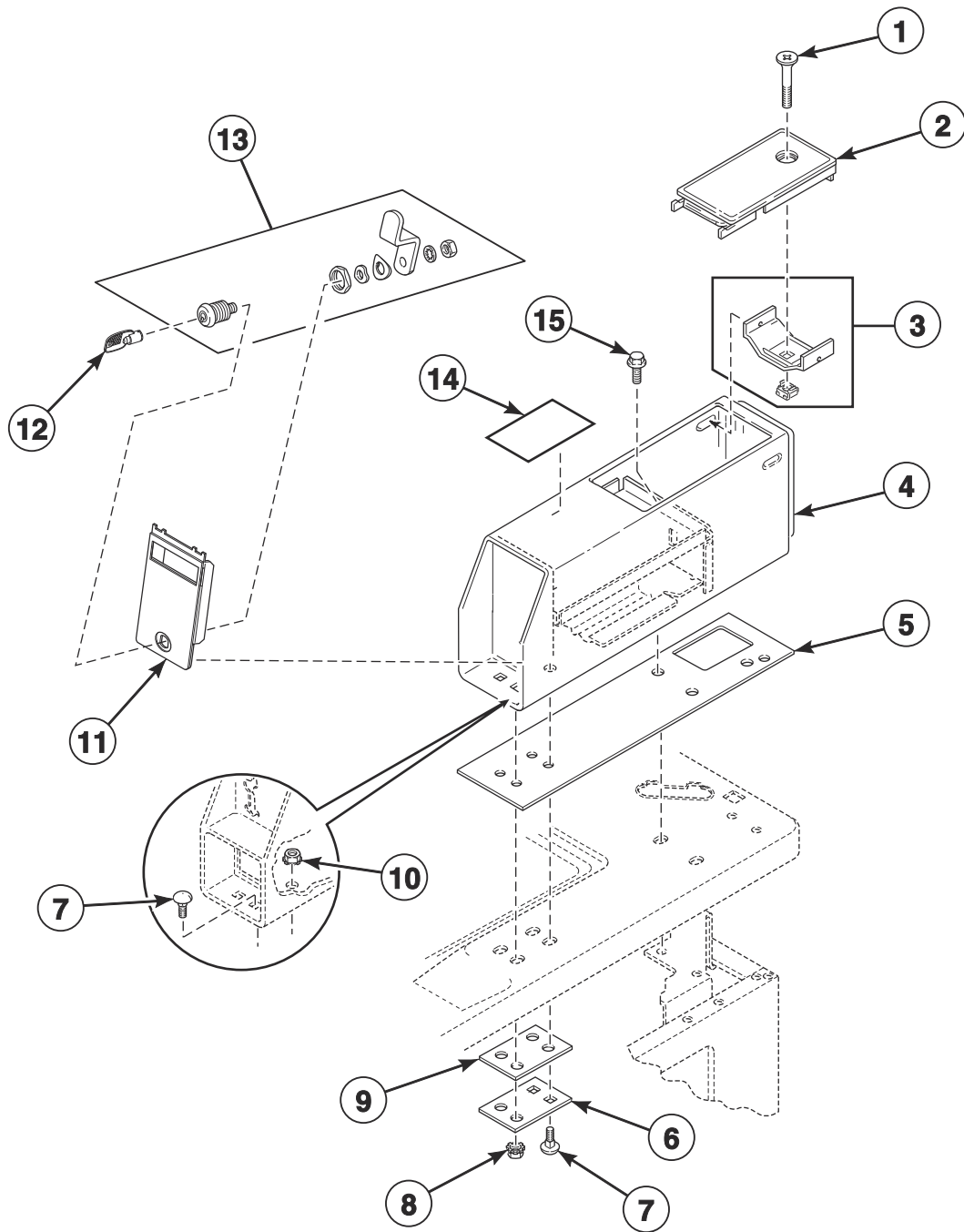
TLW1741P_203385

Meter Case Assembly (Drawing 1 of 2)

REF	PART NO.	DESCRIPTION	COMMENTS
1	38717	Single Overlay	\$.25
	38676	Overlay Kit	Dual; Includes item 2
	39073	Dual Overlay	\$.25 and \$1.00
2	38725	Coin Identification Paper	
3	D503673	Screw	
4	39874WP	Service Door Assembly	White
	39874QP	Service Door Assembly	Bisque
5	204616	Meter Case Locking Bracket Kit	
6	807406W	Meter Case Assembly	White; Models HWNNE2AP113CW01, HWNNE2AP113CW04, HWNNE2HP113CW01, HWNNE2HP113CW04, HWNNE2HP115CW01, HWNNE2HP116CW01, HWNNE2SP113CW01, HWNNE2SP115CW01 and HWNNE2SP116CW01; High capacity
	205123W	Meter Case Assembly	Models SWNNC2HP116TW01, SWNNC2SP116TW01 and SWNNC2SP116TWSS
	202877W	Meter Case Assembly	White; All other models; Standard capacity
	202877Q	Meter Case Assembly	Bisque; All other models; Standard capacity
	807401W	Meter Case Assembly Kit	White; All other models; High capacity; Includes switch and harness
	803578P	Coin Box Extension Kit	Use high capacity meter cases to extend shorter 7 inch coin boxes
7	205265	Meter Case Gasket	Models HWNNE2HP116CW01, HWNNE2SP116CW01, HWNNX2HP116CW01, HWNNX2SP116CW01, HWNNX2SP116CWSS, SWNNX2HP116TW01 and SWNNX2SP116TW01
	26354	Meter Case Gasket	All other models
8	35525	Meter Case Lockdown Bracket	
9	203798	Bolt	
10	29786	Nut	
11	35526	Meter Case Bracket Gasket	
12	802337	Nut	
13	D512973	Switch	Through Serial No. 1810000001
	70529301	Switch	Starting Serial No. 1810000001
14	36048	Screw	
15	203152	Operation Instruction Label	
16	D512973	Switch	Used through Serial No. 1810000001

Meter Case Assembly (Drawing 2 of 2)

Model SWNNZ2SP113NW2



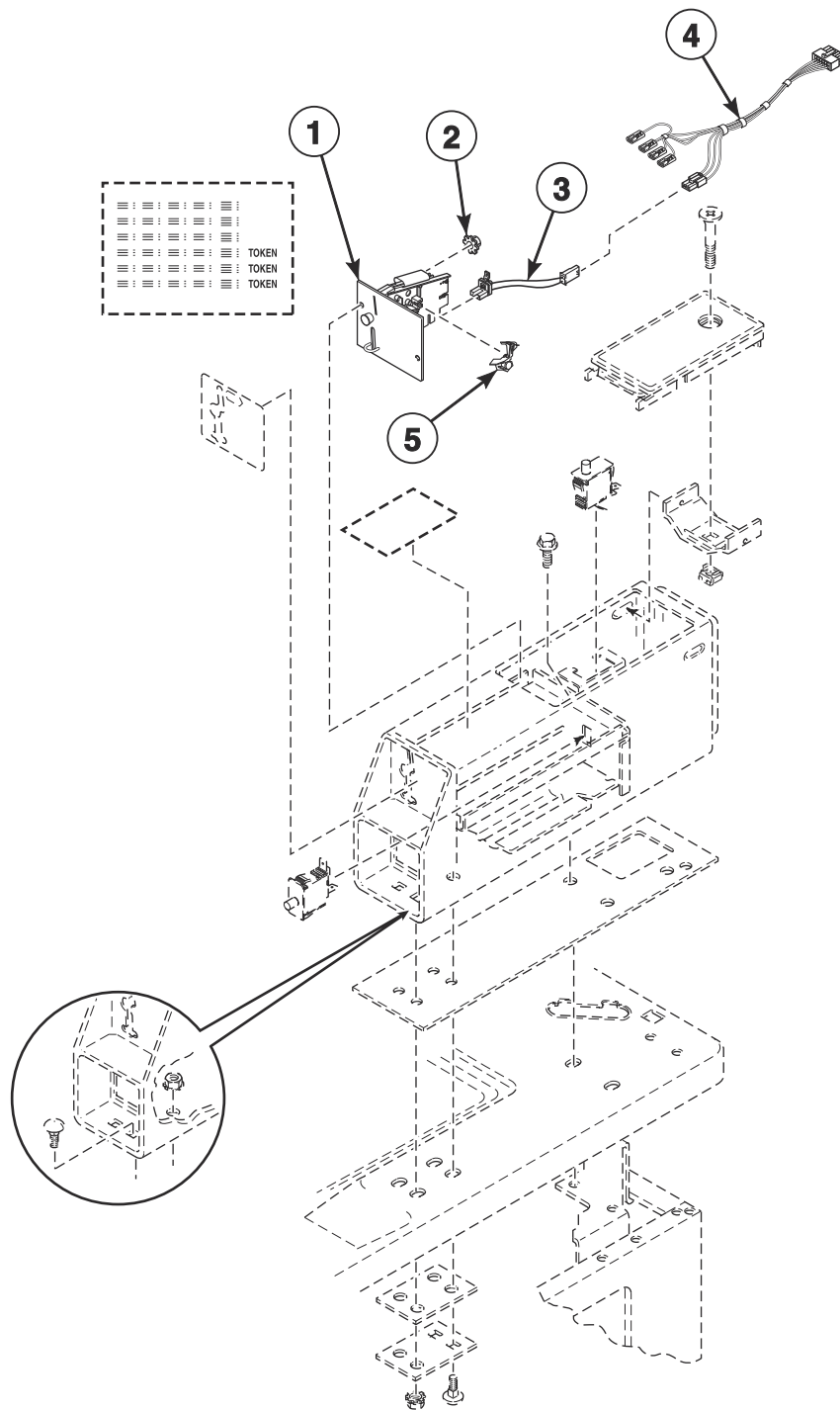
TLW1884P_203385

Meter Case Assembly (Drawing 2 of 2)

REF	PART NO.	DESCRIPTION	COMMENTS
1	D503673	Screw	
2	39874WP	Service Door Assembly	White
	39874QP	Service Door Assembly	Bisque
3	204616	Meter Case Locking Bracket Kit	
4	204597W	Meter Case Assembly	
5	26354	Meter Case Gasket	
6	35525	Meter Case Lockdown Bracket	
7	203798	Bolt	
8	29786	Nut	
9	35526	Meter Case Bracket Gasket	
10	802337	Nut	
11	204296W	Front Panel	
12	54612	Key	GR800
13	804339P	Lock Assembly	
14	203152	Operation Instruction Label	
15	36048	Screw	

Non-Electronic Coin Drop

Coin Models



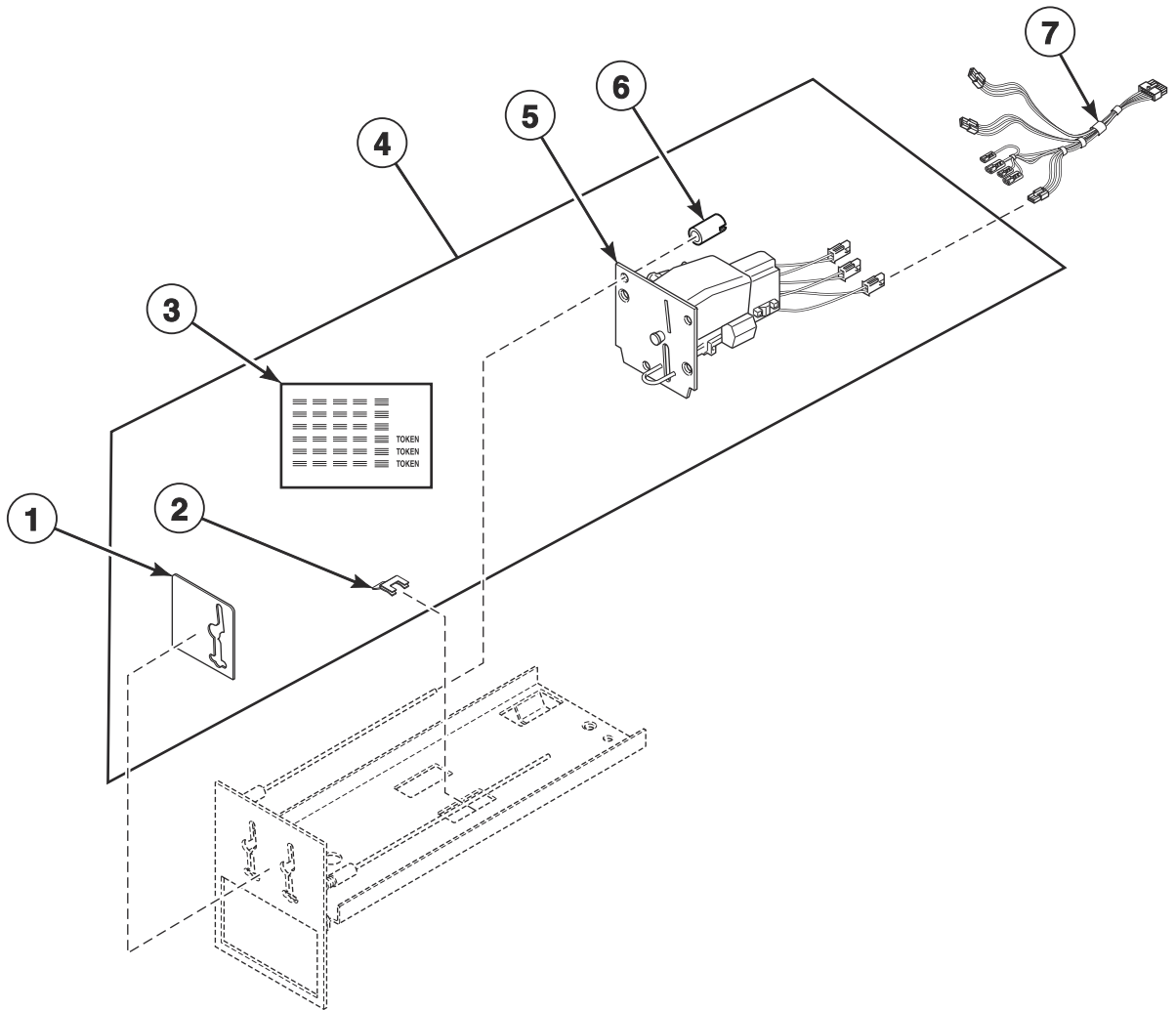
TLW1741PA_203385

Non-Electronic Coin Drop

REF	PART NO.	DESCRIPTION	COMMENTS	
1	70441601P	Coin Drop	Single; U.S.A.; \$.25	
	CK090	Coin Drop Kit	Single; U.S.A.; \$1.00	
	70441603	Coin Drop	Dual; U.S.A.; \$.25 and \$1.00	
	38467	Coin Drop Assembly	Dual; Australia; .20 and 1.00	
	70447301	Coin Drop Assembly	Dual; Australia; 1.00 and 2.00	
	38464P	Coin Drop Assembly	Single; Canada; .25	
	70441602	Coin Drop Assembly	Dual; Canada; .25 and 1.00	
	38472	Coin Drop Assembly	Dual; England; 20 pence and 1 pound	
	38519	Coin Drop Assembly	Dual; Japan; 100 yen and 500 yen	
	38521	Coin Drop Assembly	Dual; Korea; 100 won and 500 won	
	CK114	Coin Drop Assembly	Single; Singapore; Old 1.00	
	CK123	Coin Drop Kit	Single; Singapore; New 1.00	
	70482401	Coin Drop Assembly	Dual; New Zealand; 1.00 and 2.00	
	38462P	Coin Drop Assembly	Single; Token; STD-118-1	
	38463	Coin Drop Assembly	Single; Token; STD 118-5	
	38963P	Coin Drop	Single; Token 118-16 not available; Replacement for 38963P Coin Drop only	
2	29786	Nut		
3	200674P	Opto Coupler		
4	202870	Single Coin Harness Assembly	Models SWNNC2AP113TW01, SWNNC2AP113TW02, SWNNC2AP113TW04, SWNNC2AP113TW15, SWNNC2HP113TQ01, SWNNC2HP113TQ04, SWNNC2HP113TW01, SWNNC2HP113TW02, SWNNC2HP113TW04, SWNNC2HP113TW15, SWNNC2HP115TQ01, SWNNC2HP115TW01, SWNNC2HP115TW02, SWNNC2PP113TW01, SWNNC2PP113TW02, SWNNC2SP113TQ01, SWNNC2SP113TW01, SWNNC2SP113TW02, SWNNC2SP115TQ01, SWNNC2SP115TW01, SWNNC2SP115TW02 and SWNWC2HP115TW42; Through Serial No. 1810000001	
	806826	Single Coin Harness Assembly	Models SWNNC2AP113TW01, SWNNC2AP113TW02, SWNNC2AP113TW04, SWNNC2AP113TW15, SWNNC2HP113TQ01, SWNNC2HP113TQ04, SWNNC2HP113TW01, SWNNC2HP113TW02, SWNNC2HP113TW04, SWNNC2HP113TW15, SWNNC2HP115TQ01, SWNNC2HP115TW01, SWNNC2HP115TW02, SWNNC2HP116TW01, SWNNC2PP113TW01, SWNNC2PP113TW02, SWNNC2SP113TQ01, SWNNC2SP113TW01, SWNNC2SP113TW02, SWNNC2SP115TQ01, SWNNC2SP115TW01, SWNNC2SP115TW02 and SWNWC2HP115TW42; Starting Serial No. 1810000001	
	204914	Single Coin Harness Assembly	Models SWNNC2HP116TW01, SWNNC2SP116TW01 and SWNNC2SP116TWSS	
	204915	Dual Coin Harness Assembly	Models HWNNE2HP116CW01, HWNNE2SP116CW01, HWNNX2HP116CW01, HWNNX2SP116CW01, HWNNX2SP116CWSS, SWNNX2HP116TW01 and SWNNX2SP116TW01	
	202871	Dual Coin Harness Assembly	All other models; Through Serial No. 1809999999	
	806827	Dual Coin Harness Assembly	All other models; Starting Serial No. 1810000001	
	5	201595P	Wire Guard	Anti-stringing security device

Electronic Coin Drop

Coin Models



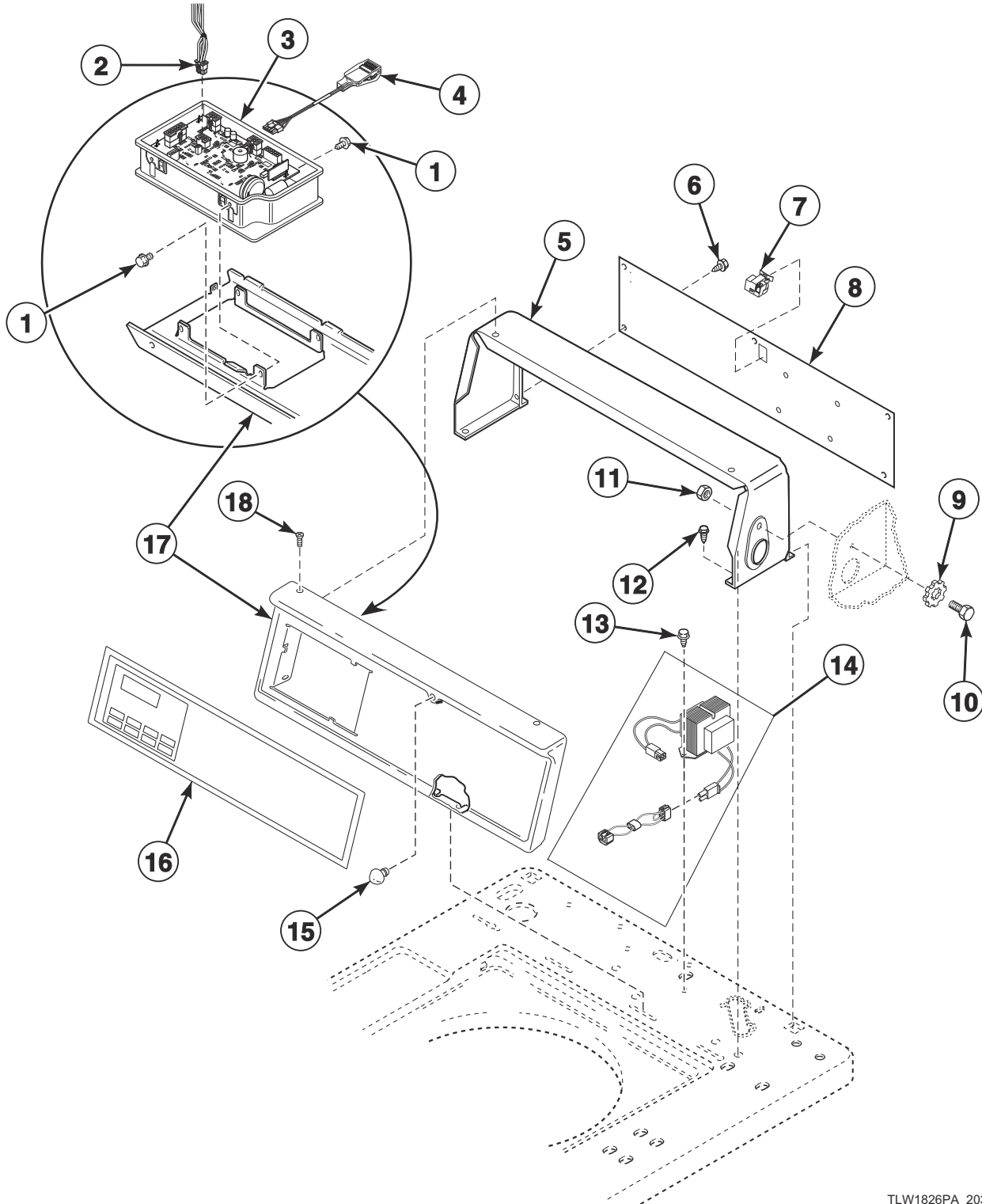
FLW1769P_203385

Electronic Coin Drop

REF	PART NO.	DESCRIPTION	COMMENTS
1	201091	Overlay	
2	201572	Clip	
3	38725	Coin Identification Paper	
4	CK115	Electronic Coin Drop Kit	Includes items 1-3 and 5-7; United States and Canada coins; Models SWNNC2AP113TW01, SWNNC2AP113TW02, SWNNC2AP113TW04, SWNNC2AP113TW15, SWNNC2HP113TQ04, SWNNC2HP113TW01, SWNNC2HP113TW02, SWNNC2HP113TW04, SWNNC2HP113TW15, SWNNC2HP115TQ01, SWNNC2HP115TW01, SWNNC2HP115TW02, SWNNC2HP116TW01, SWNNC2PP113TW01, SWNNC2PP113TW02, SWNNC2SP113TQ01, SWNNC2SP113TW01, SWNNC2SP113TW02, SWNNC2SP115TQ01, SWNNC2SP115TW01, SWNNC2SP115TW02, SWNNC2SP116TW01 and SWNNC2SP116TWSS
	CK099	Electronic Coin Drop Kit	Includes items 1-3 and 5-7; Australia, New Zealand, Hong Kong and South Korea coins
	CK100	Electronic Coin Drop Kit	Includes items 1-3 and 5-7; Euro and Great Britain coins
	CK101	Electronic Coin Drop Kit	Includes items 1-3 and 5-7; Euro, Denmark and Norway coins
	CK103	Electronic Coin Drop Kit	Includes items 1-3 and 5-7; Euro, Lithuania and Latvia coins
	CK106	Electronic Coin Drop Kit	Includes items 1-3 and 5-7; Malaysia, China, Russia and Singapore coins
	CK108	Electronic Coin Drop Kit	Includes items 1-3 and 5-7; South African 1, 2, 5 rand coins
	CK109	Electronic Coin Drop Kit	Includes items 1-3 and 5-7; Euro coins
	CK110	Electronic Coin Drop Kit	Includes items 1-3 and 5-7; Mexico, Ecuador and United States coins
	CK113	Electronic Coin Drop Kit	Includes items 1-3 and 5-7; Japan and Taiwan coins
	CK120	Electronic Coin Drop Kit	Includes items 1-3 and 5-7; Chile coins
	CK121	Electronic Coin Drop Kit	Includes items 1-3 and 5-7; Singapore coins
5	70513302	Electronic Coin Drop Assembly	Euro and Great Britain coins
	70294122	Electronic Coin Drop Assembly	Great Britain coins
	70294104	Electronic Coin Drop Assembly	Euro, Denmark and Norway coins
	70294107	Electronic Coin Drop Assembly	Euro, Lithuania and Latvia coins
	70294109	Electronic Coin Drop Assembly	Malaysia, China, Russia and Singapore coins
	70294110	Electronic Coin Drop Assembly	South African 1, 2, 5 rand coins
	70294111	Electronic Coin Drop Assembly	Euro coins
	70513306	Electronic Coin Drop Assembly	Mexico, Ecuador and United States coins
	70294120	Electronic Coin Drop Assembly	Chile coins
	70294121	Electronic Coin Drop Assembly	Singapore coins
6	201216	Nut	
7	202871	Dual Coin Harness Assembly	Through Serial No. 1810000001
	806827	Dual Coin Harness Assembly	Starting Serial No. 1810000001

Control Panel, Control Hood and Controls (Drawing 1 of 10)

Models HWNNE2AP113CW01, HWNNE2AP113CW04, HWNNE2HP113CW01, HWNNE2HP113CW04, HWNNE2HP115CW01, HWNNE2SP113CW01, HWNNE2SP115CW01, HWNNX2HP113CW01, HWNNX2HP113CW04, HWNNX2HP115CW01, HWNNX2SP113CW01, HWNNX2SP115CW01, HWNNX2SP123DW01, SWNNC2AP113TW01, SWNNC2AP113TW02, SWNNC2AP113TW04, SWNNC2AP113TW15, SWNNC2HP113TQ01, SWNNC2HP113TQ04, SWNNC2HP113TW01, SWNNC2HP113TW02, SWNNC2HP113TW04, SWNNC2HP113TW15, SWNNC2HP115TQ01, SWNNC2HP115TW01, SWNNC2HP115TW02, SWNNC2PP113TW01, SWNNC2PP113TW02 and SWNNC2SP113TQ01



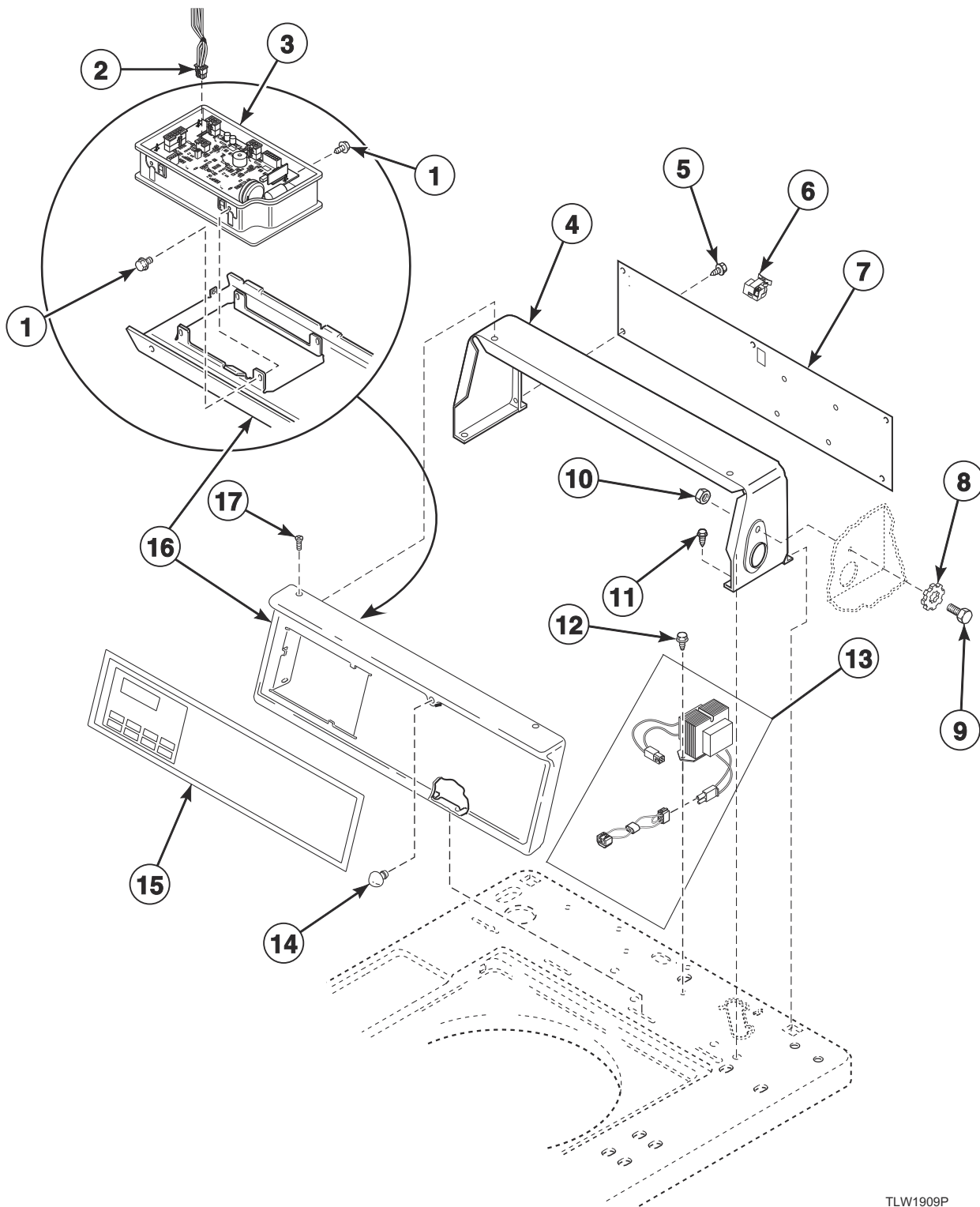
TLW1826PA_203385

Control Panel, Control Hood and Controls (Drawing 1 of 10)

REF	PART NO.	DESCRIPTION	COMMENTS
	203328	Network Retrofit Kit	Wired
	NK220	Network Controller Kit	Wired
	204689	Wireless Network Kit	
	NK320	Ethernet Gateway Kit	Wireless
	NK330	USB Gateway Kit	Wireless
1	804608	Screw	
2	805427	Central Pay Harness	
3	203564P	Control Assembly	
4	203361P	Machine ID Control Assembly	Model or serial number is required when ordering
5	37075Q	Control Hood	Bisque
	37075W	Control Hood	White
6	23222	Screw	
7	203843	Pressure Sensor	Mounted here through Serial No. 1806000001; Mounted to mixing valve bracket starting Serial No. 1806000001
8	202465	Hood Back Panel	
9	M400017	Washer	
10	02916	Screw	
11	44087101	Nut	
12	D501086	Screw	
13	D503661	Screw	
14	203423	Transformer Kit	120 volt; Includes transformer and harness
15	202469	Control Panel Bumper	
	M400795	Bumper	Extra thick
16	203076	Control Overlay	Models HWNNE2AP113CW01, HWNNE2AP113CW04, HWNNE2HP113CW01, HWNNE2HP113CW04, HWNNE2SP113CW01, HWNNX2HP113CW01, HWNNX2HP113CW04, HWNNX2SP113CW01 and HWNNX2SP123DW01
	203997	Control Overlay	Models HWNNE2HP115CW01, HWNNE2SP115CW01, HWNNX2HP115CW01 and HWNNX2SP115CW01
	203994	Control Overlay	Models SWNNC2HP115TQ01, SWNNC2HP115TW01 and SWNNC2HP115TW02
	202952	Control Overlay	All other models
17	210042Q	Control Panel Assembly	Bisque
	210042W	Control Panel Assembly	White
18	52864	Screw	Phillips head
	35528	Screw	Torx head

Control Panel, Control Hood and Controls (Drawing 2 of 10)

Models HWNNE2HP116CW01, HWNNE2SP116CW01, HWNNX2HP116CW01, HWNNX2SP116CW01, HWNNX2SP116CWSS and SWNNC2HP116TW01



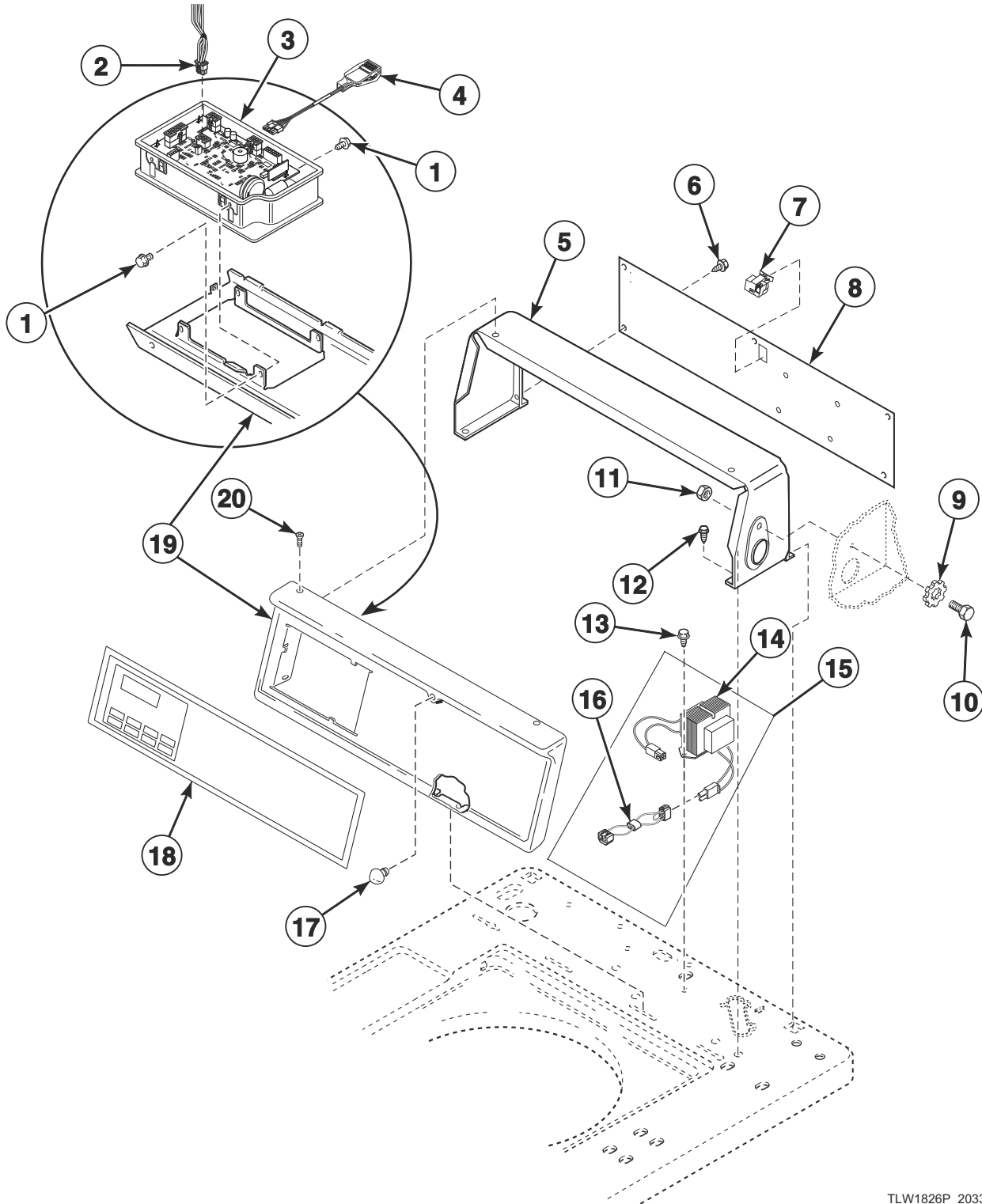
TLW1909P

Control Panel, Control Hood and Controls (Drawing 2 of 10)

REF	PART NO.	DESCRIPTION	COMMENTS
	204689	Wireless Network Kit	
	205391P	Gateway	
1	804608	Screw	
2	805427	Central Pay Harness	
3	205309	Control Assembly	
4	37075Q	Control Hood	Bisque
	37075W	Control Hood	White
5	23222	Screw	
6	203843	Pressure Sensor	Mounted to mixing valve bracket
7	202465	Hood Back Panel	
8	M400017	Washer	
9	02916	Screw	
10	44087101	Nut	
11	D501086	Screw	
12	D503661	Screw	
13	203423	Transformer Kit	120 volt; Includes transformer and harness
14	202469	Control Panel Bumper	
	M400795	Bumper	Extra thick
15	205062	Control Overlay	Model SWNNC2HP116TW01
	205083	Control Overlay	Models HWNNE2HP116CW01, HWNNE2SP116CW01, HWNNX2HP116CW01, HWNNX2SP116CW01 and HWNNX2SP116CWSS
16	205117W	Control Panel Assembly	Models HWNNX2HP116CW01, HWNNX2SP116CW01, HWNNX2SP116CWSS and SWNNC2HP116TW01
	205120W	Control Panel Assembly	Models HWNNE2HP116CW01 and HWNNE2SP116CW01
17	52864	Screw	Phillips head
	35528	Screw	Torx head

Control Panel, Control Hood and Controls (Drawing 3 of 10)

Models NWNNX2SP125MW01, SWNNC2SP113TW01, SWNNC2SP113TW02, SWNNC2SP115TQ01, SWNNC2SP115TW01, SWNNC2SP115TW02, SWNNE2HP113CW15, SWNNE2HP115CW02, SWNNE2SP113CW02, SWNNE2SP115CW02, SWNNX2AP113TW02, SWNNX2AP113TW15, SWNNX2HP113CW15, SWNNX2HP113TW01, SWNNX2HP113TW02, SWNNX2HP113TW04, SWNNX2HP113TW15, SWNNX2HP115CW02, SWNNX2HP115TW01, SWNNX2HP115TW02, SWNNX2PP113TW02, SWNNX2SP113CW02, SWNNX2SP113TW01, SWNNX2SP113TW02, SWNNX2SP115CW02, SWNNX2SP115TW01, SWNNX2SP115TW02, SWNNX2SP543NW23 and SWNNZ2SP113NW22



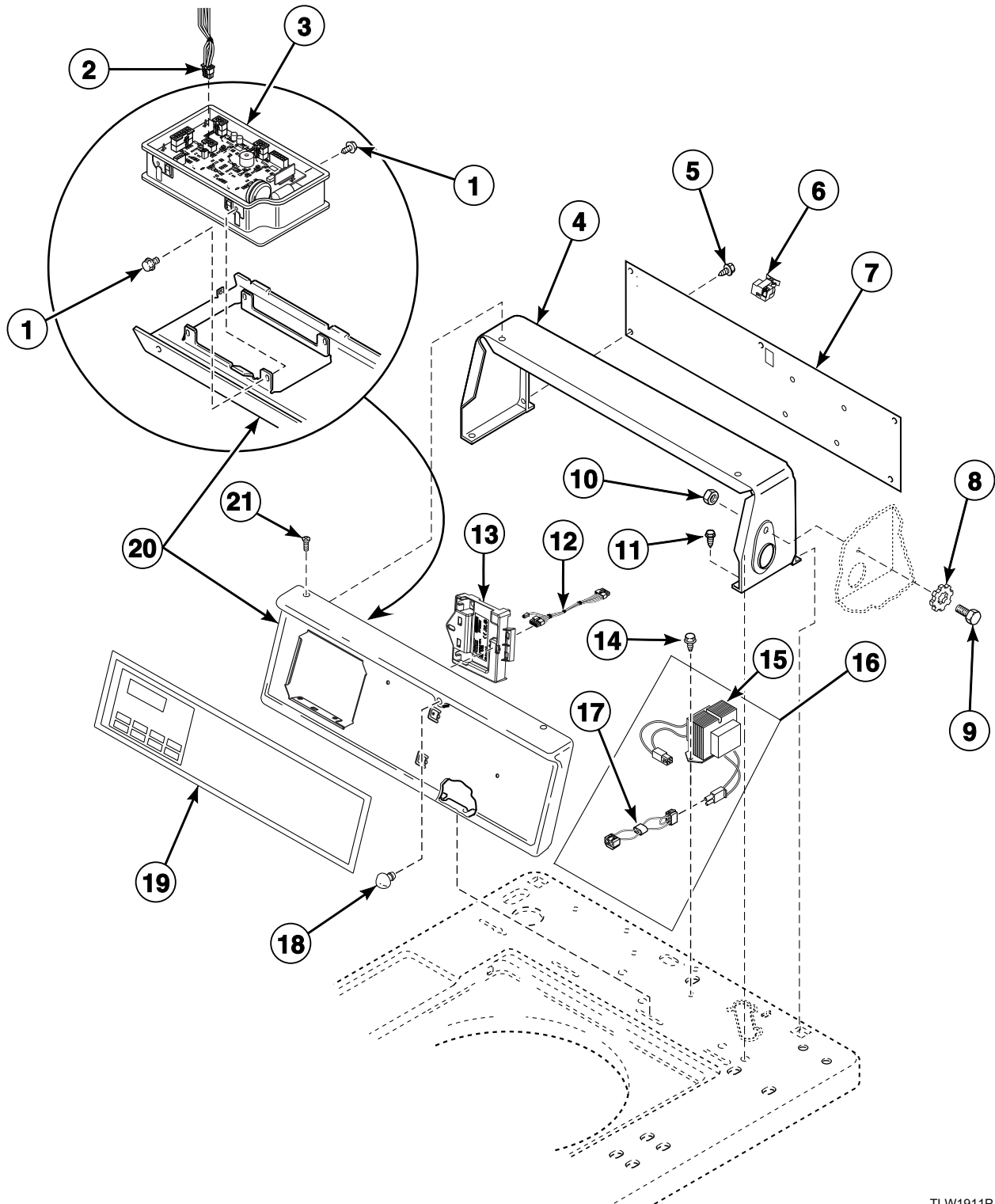
TLW1826P_203385

Control Panel, Control Hood and Controls (Drawing 3 of 10)

REF	PART NO.	DESCRIPTION	COMMENTS
	202869	Wiring Harness Assembly	Diagnostic; Model SWNNZ2SP113NW22
	203328	Network Retrofit Kit	Wired
	NK220	Network Controller Kit	Wired
	204689	Wireless Network Kit	
	NK320	Ethernet Gateway Kit	Wireless
	NK330	USB Gateway Kit	Wireless
1	804608	Screw	
2	805427	Central Pay Harness	
3	203564P	Control Assembly	
4	203361P	Machine ID Control Assembly	Model or serial number is required when ordering
5	37075Q	Control Hood	Bisque
	37075W	Control Hood	White
6	23222	Screw	
7	203843	Pressure Sensor	Mounted here through Serial No. 1806000001; Mounted to mixing valve bracket starting Serial No. 1806000001
8	202465	Hood Back Panel	
9	M400017	Washer	
10	02916	Screw	
11	44087101	Nut	
12	D501086	Screw	
13	D503661	Screw	
14	202757	Transformer	Models NWNNX2SP125MW01, SWNNX2AP113TW02, SWNNX2AP113TW15, SWNNX2HP113CW15, SWNNX2HP113TW01, SWNNX2HP113TW02, SWNNX2HP113TW04, SWNNX2HP113TW15, SWNNX2HP115CW02, SWNNX2HP115TW01, SWNNX2HP115TW02, SWNNX2PP113TW02, SWNNX2SP113CW02, SWNNX2SP113TW01, SWNNX2SP113TW02, SWNNX2SP115CW02, SWNNX2SP115TW01, SWNNX2SP115TW02 and SWNNZ2SP113NW22
15	203424	Transformer Kit	Model SWNNX2SP543NW23; 240 volt; Includes items 14 and 16
	203423	Transformer Kit	All other models; 120 volt; Includes items 14 and 16
16	804832	Harness	Models NWNNX2SP125MW01, SWNNX2AP113TW02, SWNNX2AP113TW15, SWNNX2HP113CW15, SWNNX2HP113TW01, SWNNX2HP113TW02, SWNNX2HP113TW04, SWNNX2HP113TW15, SWNNX2HP115CW02, SWNNX2HP115TW01, SWNNX2HP115TW02, SWNNX2PP113TW02, SWNNX2SP113CW02, SWNNX2SP113TW01, SWNNX2SP113TW02, SWNNX2SP115CW02, SWNNX2SP115TW01, SWNNX2SP115TW02 and SWNNZ2SP113NW22
17	202469	Control Panel Bumper	
	M400795	Bumper	Extra thick
18	203994	Control Overlay	Models SWNNC2SP115TQ01, SWNNC2SP115TW01, SWNNC2SP115TW02, SWNNE2HP115CW02, SWNNE2SP115CW02, SWNNX2HP115CW02, SWNNX2HP115TW01, SWNNX2HP115TW02, SWNNX2SP115CW02, SWNNX2SP115TW01 and SWNNX2SP115TW02
	204900	Control Overlay	Model NWNNX2SP125MW01
	202952	Control Overlay	All other models
19	210042Q	Control Panel Assembly	Bisque
	210042W	Control Panel Assembly	White
20	52864	Screw	Phillips head
	35528	Screw	Torx head

Control Panel, Control Hood and Controls (Drawing 4 of 10)

Models SWNNC2SP116TW01, SWNNC2SP116TWSS, SWNNX2HP116TW01 and SWNNX2SP116TW01



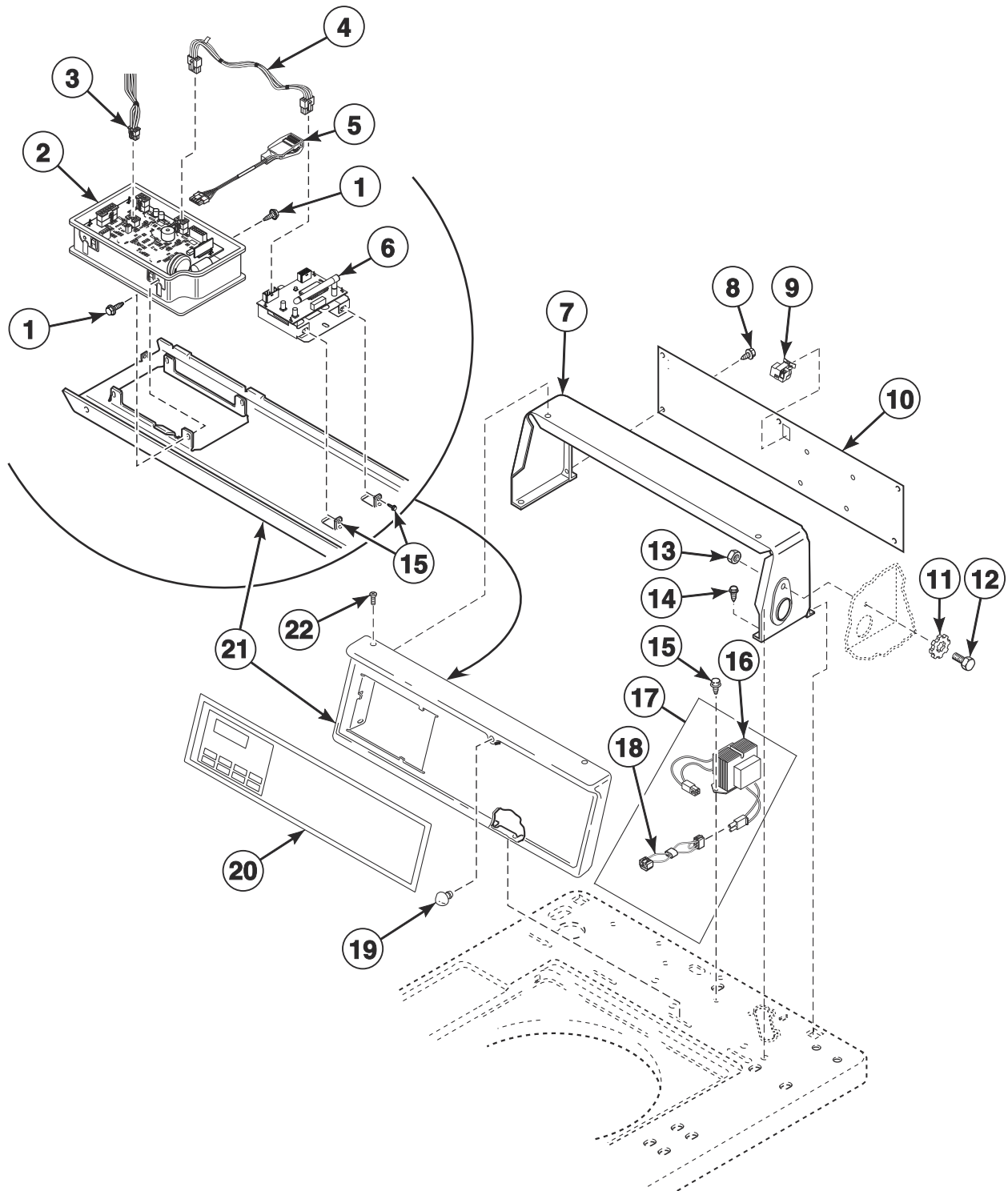
TLW1911P

Control Panel, Control Hood and Controls (Drawing 4 of 10)

REF	PART NO.	DESCRIPTION	COMMENTS
	204689	Wireless Network Kit	
1	804608	Screw	
2	805427	Central Pay Harness	
3	205309	Control Assembly	
4	37075Q	Control Hood	Bisque
	37075W	Control Hood	White
5	23222	Screw	
6	203843	Pressure Sensor	Mounted to mixing valve bracket
7	202465	Hood Back Panel	
8	M400017	Washer	
9	02916	Screw	
10	44087101	Nut	
11	D501086	Screw	
12	F8713906	Serial Pay Harness	
13	807714	Serial Pay Control Assembly	
14	D503661	Screw	
15	202757	Transformer	Models SWNNX2HP116TW01 and SWNNX2SP116TW01
16	203423	Transformer Kit	120 volt; Includes items 14 and 16
17	804832	Harness	Models SWNNX2HP116TW01 and SWNNX2SP116TW01
18	202469	Control Panel Bumper	
	M400795	Bumper	Extra thick
19	205062	Control Overlay	
20	205117W	Control Panel Assembly	Includes items 3, 12, 13 and 14
21	52864	Screw	Phillips head
	35528	Screw	Torx head

Control Panel, Control Hood and Controls (Drawing 5 of 10)

Models SWNWC2HP115TW42, SWNWX2HP113TW15, SWNWX2HP115TW02, SWNWX2SP113TW02 and SWNWX2SP115TW02



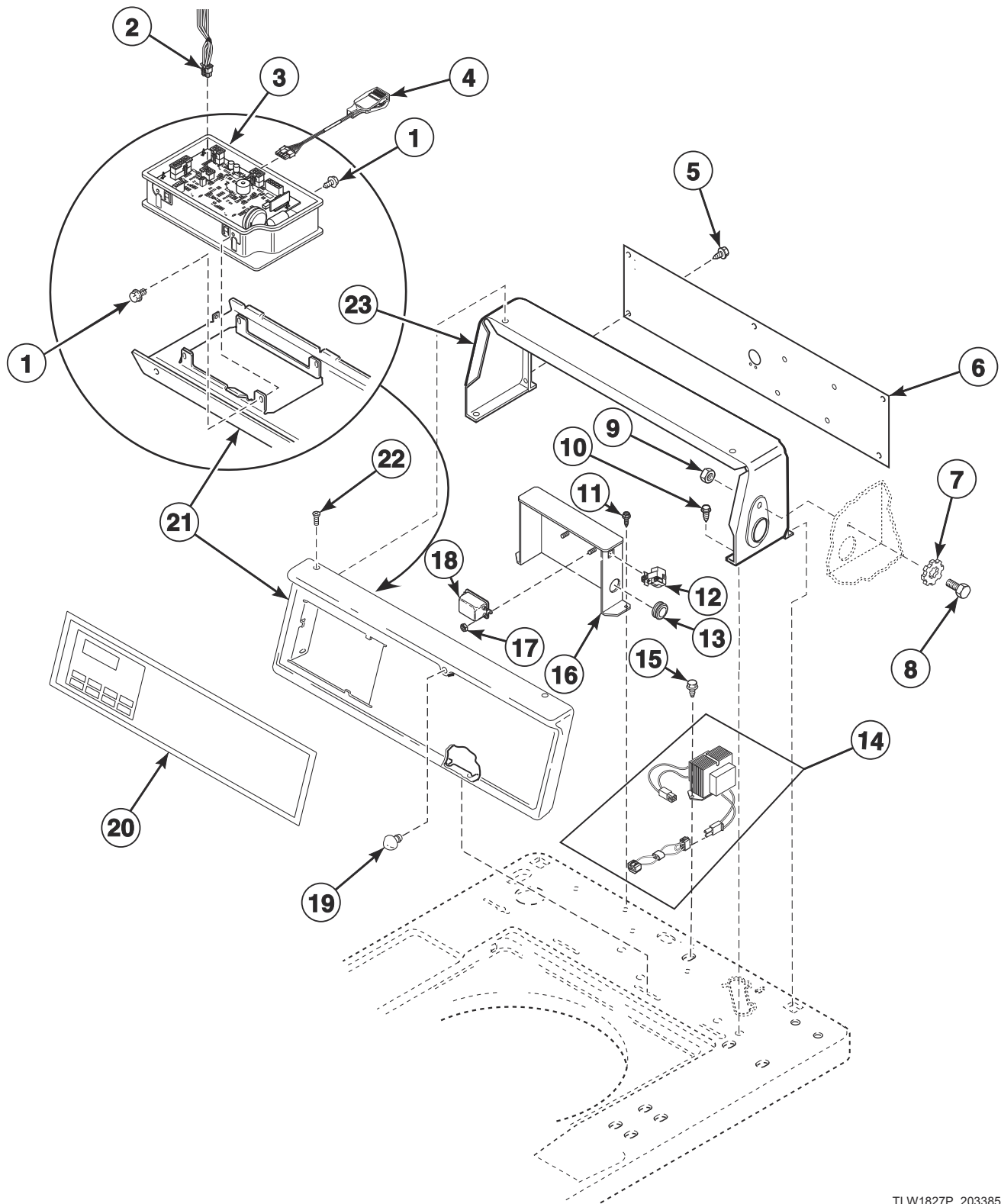
TLW1866P_203385

Control Panel, Control Hood and Controls (Drawing 5 of 10)

REF	PART NO.	DESCRIPTION	COMMENTS
	NK320	Ethernet Gateway Kit	Wireless
	NK330	USB Gateway Kit	Wireless
1	804608	Screw	
2	203564P	Control Assembly	
3	805427	Central Pay Harness	
4	F8536002	Wireless Network Board Harness	Through Serial No. 1902000001
	F8674006	Wireless Network Harness	Starting Serial No. 1902000001
5	203361P	Machine ID Control Assembly	Model or serial number is required when ordering
6	203532	Wireless Network Control Assembly	Through Serial No. 1902000001
	807211	Wireless Network Control Assembly	Starting Serial No. 1902000001
7	37075W	Control Hood	
8	23222	Screw	
9	203843	Pressure Sensor	Mounted here through Serial No. 1806000001; Mounted to mixing valve bracket starting Serial No. 1806000001
10	202465	Hood Back Panel	
11	M400017	Washer	
12	02916	Screw	
13	44087101	Nut	
14	D501086	Screw	
15	D503661	Screw	
16	202757	Transformer	
17	203423	Transformer Kit	Includes items 16 and 18
18	804832	Harness	
19	202469	Control Panel Bumper	
	M400795	Bumper	Extra thick
20	203994	Control Overlay	
21	210042W	Control Panel Assembly	
22	52864	Screw	Phillips head
	35528	Screw	Torx head

Control Panel, Control Hood and Controls (Drawing 6 of 10)

Models HWNNX2SP123DW01, HWNNX2SP543DW01, NWNNX2SP303ZW01, SWNNX2SP103JW01,
SWNNX2SP113JW01, SWNNX2SP123DW01, SWNNX2SP123MW01, SWNNX2SP303AW01,
SWNNX2SP303LW01, SWNNX2SP543DW01 and SWNNX2SP543PW01



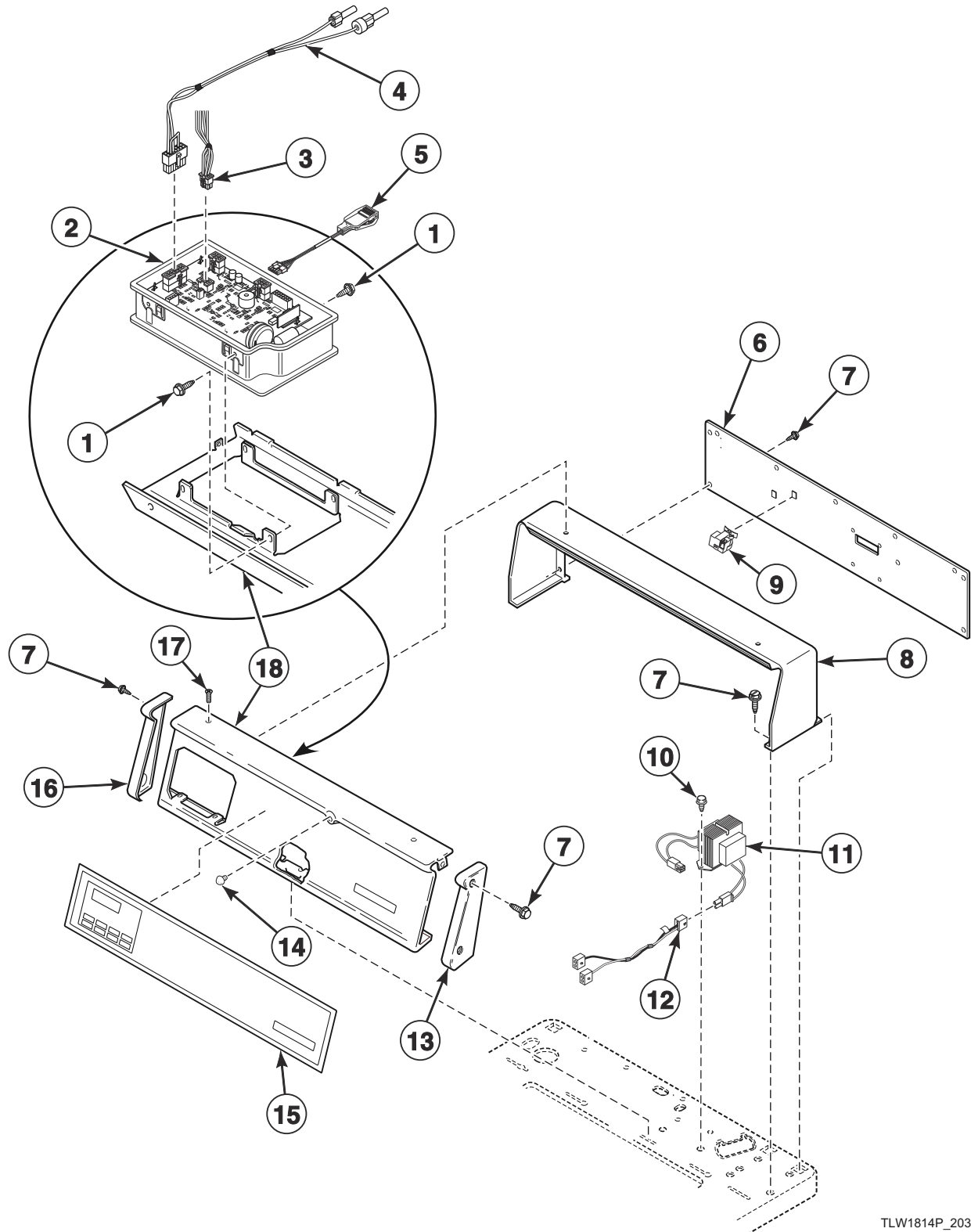
TLW1827P_203385

Control Panel, Control Hood and Controls (Drawing 6 of 10)

REF	PART NO.	DESCRIPTION	COMMENTS
	203328	Network Retrofit Kit	Wired
	NK220	Network Controller Kit	Wired
	204689	Wireless Network Kit	
	NK320	Ethernet Gateway Kit	Wireless
	NK330	USB Gateway Kit	Wireless
	804724	Cable Tie	Used to fix power cord to junction box
1	804608	Screw	
2	805427	Central Pay Harness	
3	203564P	Control Assembly	
4	203361P	Machine ID Control Assembly	Model or serial number is required when ordering
5	23222	Screw	
6	202465	Hood Back Panel	
7	M400017	Washer	
8	02916	Screw	
9	44087101	Nut	
10	D501086	Screw	
11	800258	Screw	
12	203843	Pressure Sensor	Mounted here through Serial No. 1806000001; Mounted to mixing valve bracket starting Serial No. 1806000001
13	80262	Grommet	
14	203423	Transformer Kit	120 volt; Models HWNNX2SP123DW01, SWNNX2SP103JW01, SWNNX2SP113JW01, SWNNX2SP123DW01 and SWNNX2SP123MW01
	203424	Transformer Kit	240 volt; All other models
15	D503661	Screw	
16	203068	Junction Box	
17	29787	Nut	
18	804864	Line Filter	
19	202469	Control Panel Bumper	
	M400795	Bumper	Extra thick
20	203076	Control Overlay	Models HWNNX2SP123DW01 and HWNNX2SP543DW01
	204900	Control Overlay	Model NWNNX2SP303ZW01
	204988	Control Overlay	Model SWNNX2SP123MW01
	202952	Control Overlay	All other models
21	210042W	Control Panel Assembly	
22	52864	Screw	Phillips head
	35528	Screw	Torx head
23	37075W	Control Hood	

Control Panel, Control Hood and Controls (Drawing 7 of 10)

Models HWNNY2HP113CW01, HWNNY2HP113CW04, HWNNY2SP113CW01, HWNNY2SP115CW01,
SWNNY2AP113TW01, SWNNY2AP113TW04, SWNNY2HP113CW04, SWNNY2HP113TW01,
SWNNY2HP113TW04, SWNNY2HP115CW01, SWNNY2HP115TW01, SWNNY2PP113TW01,
SWNNY2SP113CW01, SWNNY2SP113TW01, SWNNY2SP115CW01, SWNNY2SP115TW01 and
SWNNY2SP303NW22



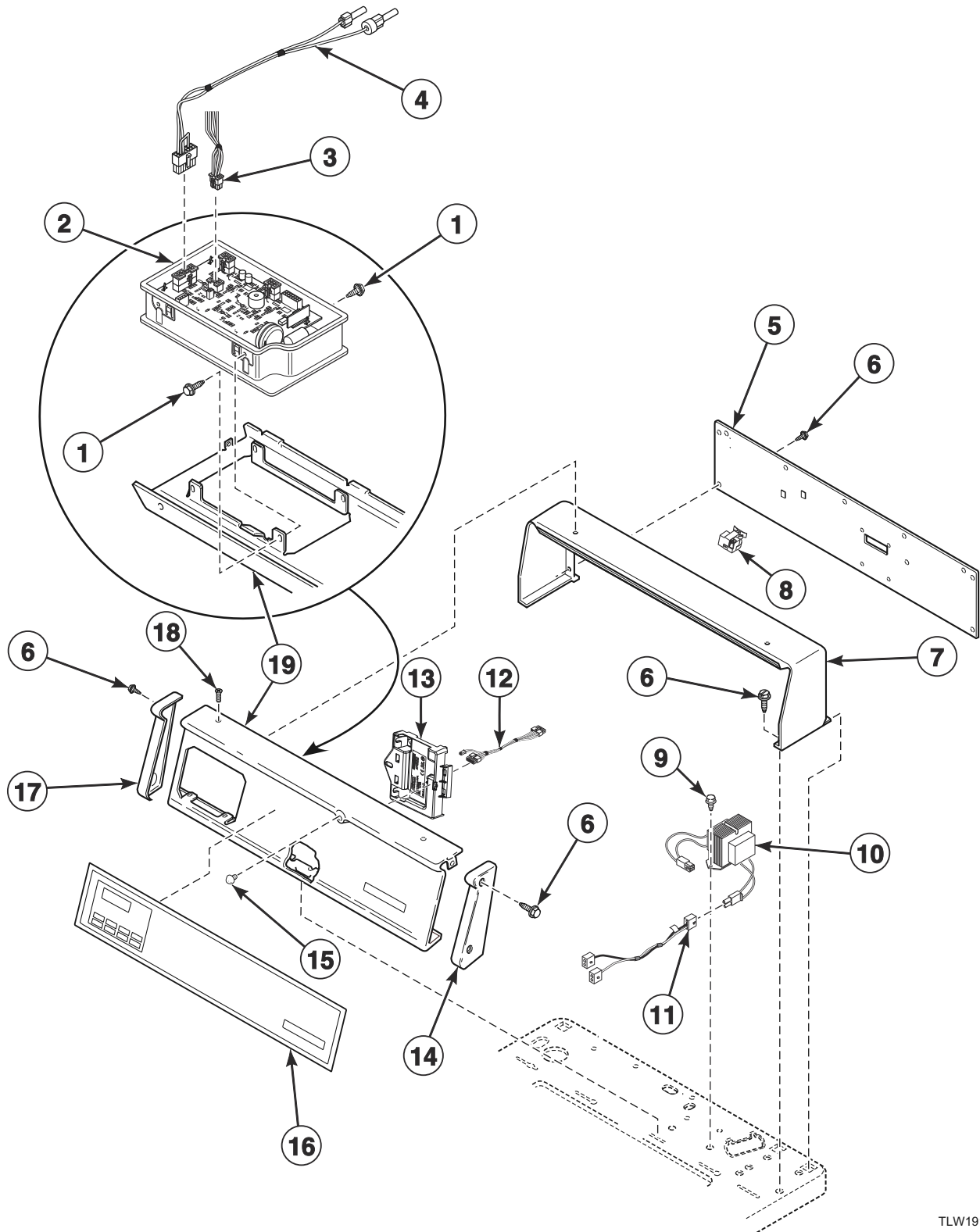
TLW1814P_203385

Control Panel, Control Hood and Controls (Drawing 7 of 10)

REF	PART NO.	DESCRIPTION	COMMENTS
	203328	Network Retrofit Kit	Wired
	NK220	Network Controller Kit	Wired
	204689	Wireless Network Kit	
	NK320	Ethernet Gateway Kit	Wireless
	NK330	USB Gateway Kit	Wireless
1	804608	Screw	
2	203564P	Control Assembly	
3	805427	Central Pay Harness	
4	202869	Wiring Harness Assembly	Diagnostic
5	203361P	Machine ID Control Assembly	Model or serial number is required when ordering
6	210143	Rear Panel	
7	D501086	Screw	
8	210142W	Control Hood	
9	203843	Pressure Sensor	Mounted here through Serial No. 1806000001; Mounted to mixing valve bracket starting Serial No. 1806000001
10	D503661	Screw	
11	204380	Transformer	Model SWNNY2SP303NW22
	202757	Transformer	All other models
12	203244	Harness	Model SWNNY2SP303NW22
	804832	Harness	All other models
13	210108W	End Cap	Right
14	202469	Control Panel Bumper	
	M400795	Bumper	Extra thick
15	202973	Control Overlay	Models HWNNY2HP113CW01, HWNNY2HP113CW04 and HWNNY2SP113CW01
	203998	Control Overlay	Model HWNNY2SP115CW01
	203996	Control Overlay	Models SWNNY2HP115CW01, SWNNY2HP115TW01, SWNNY2SP115CW01 and SWNNY2SP115TW01
	202951	Control Overlay	All other models
16	210109W	End Cap	Left
17	52864	Screw	
18	210137W	Control Panel Assembly	

Control Panel, Control Hood and Controls (Drawing 8 of 10)

Models HWNNY2HP116CW01, HWNNY2SP116CW01, HWNNY2SP116CWSS, SWNNY2HP116TW01, SWNNY2SP116TW01 and SWNNY2SP116TWSS



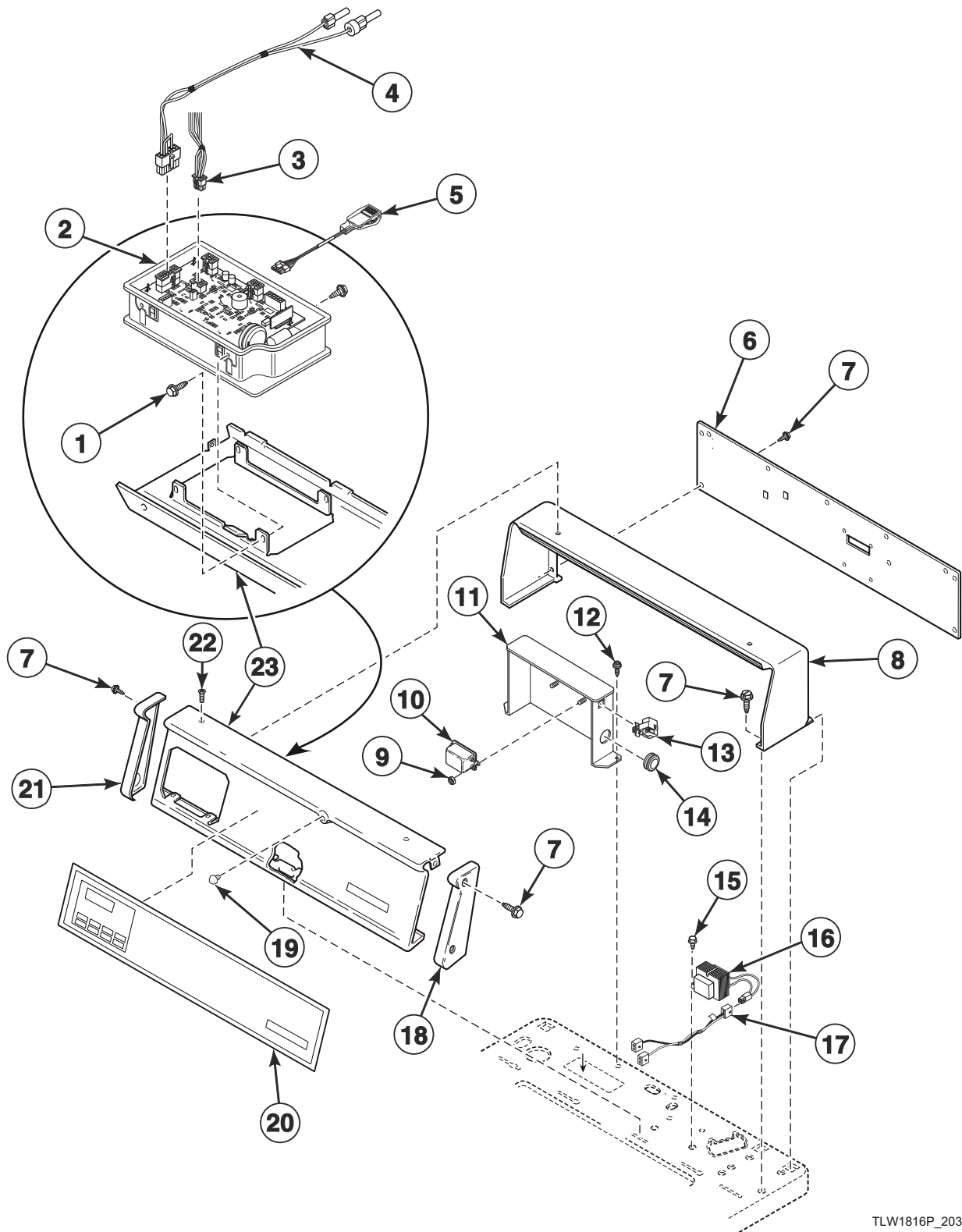
TLW1912P

Control Panel, Control Hood and Controls (Drawing 8 of 10)

REF	PART NO.	DESCRIPTION	COMMENTS
	204689	Wireless Network Kit	
1	804608	Screw	
2	205309	Control Assembly	
3	805427	Central Pay Harness	
4	204916	Wiring Harness Assembly	Diagnostic
5	210143	Rear Panel	
6	D501086	Screw	
7	210142W	Control Hood	
8	203843	Pressure Sensor	Mounted to mixing valve bracket
9	D503661	Screw	
10	202757	Transformer	
11	804832	Harness	
12	F8713906	Serial Pay Harness	
13	807714	Serial Pay Control Assembly	
14	210108W	End Cap	Right
15	202469	Control Panel Bumper	
	M400795	Bumper	Extra thick
16	205082	Control Overlay	Models SWNNY2HP116TW01, SWNNY2SP116TW01 and SWNNY2SP116TWSS
	205084	Control Overlay	Models HWNNY2HP116CW01, HWNNY2SP116CW01 and HWNNY2SP116CWSS
17	210109W	End Cap	Left
18	52864	Screw	
19	205124W	Control Panel Assembly	Includes items 2, 9, 12 and 13

Control Panel, Control Hood and Controls (Drawing 9 of 10)

Model SWNNY2SP303UW01



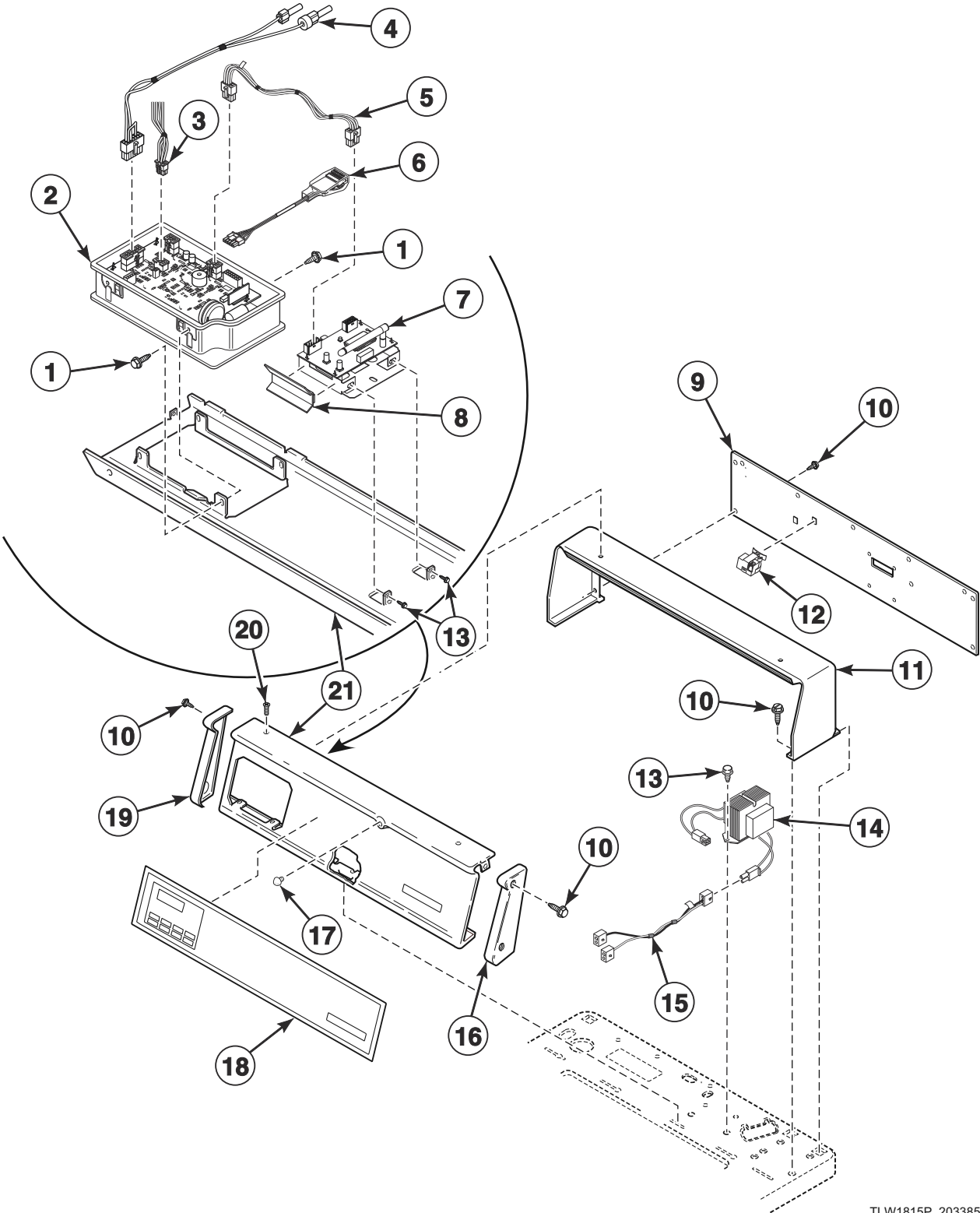
TLW1816P_203385

Control Panel, Control Hood and Controls (Drawing 9 of 10)

REF	PART NO.	DESCRIPTION	COMMENTS
	203328	Network Retrofit Kit	Wired
	NK220	Network Controller Kit	Wired
	204689	Wireless Network Kit	
	NK320	Ethernet Gateway Kit	Wireless
	NK330	USB Gateway Kit	Wireless
	804724	Cable Tie	Used to fix power cord to junction box
1	804608	Screw	
2	203564P	Control Assembly	
3	805427	Central Pay Harness	
4	202869	Wiring Harness Assembly	Diagnostic
5	203361P	Machine ID Control Assembly	Model or serial number is required when ordering
6	210143	Rear Panel	
7	D501086	Screw	
8	210142W	Control Hood	
9	29787	Nut	
10	804864	Line Filter	
11	203068	Junction Box	
12	800258	Screw	
13	203843	Pressure Sensor	Mounted here through Serial No. 1806000001; Mounted to mixing valve bracket starting Serial No. 1806000001
14	80262	Grommet	
15	D503661	Screw	
16	204380	Transformer	
17	203244	Harness	
18	210108W	End Cap	Right
19	202469	Control Panel Bumper	
	M400795	Bumper	Extra thick
20	203245	Overlay	
21	210109W	End Cap	Left
22	52864	Screw	
23	210137W	Control Panel Assembly	

Control Panel, Control Hood and Controls (Drawing 10 of 10)

Models SWNWX2SP303BW01, SWNWX2AP113TW01, SWNWX2AP113TW04, SWNWX2HP113TW01, SWNWX2HP113TW04, SWNWX2HP115TW01, SWNWX2HP115TW41, SWNWX2SP113TW01 and SWNWX2SP115TW01



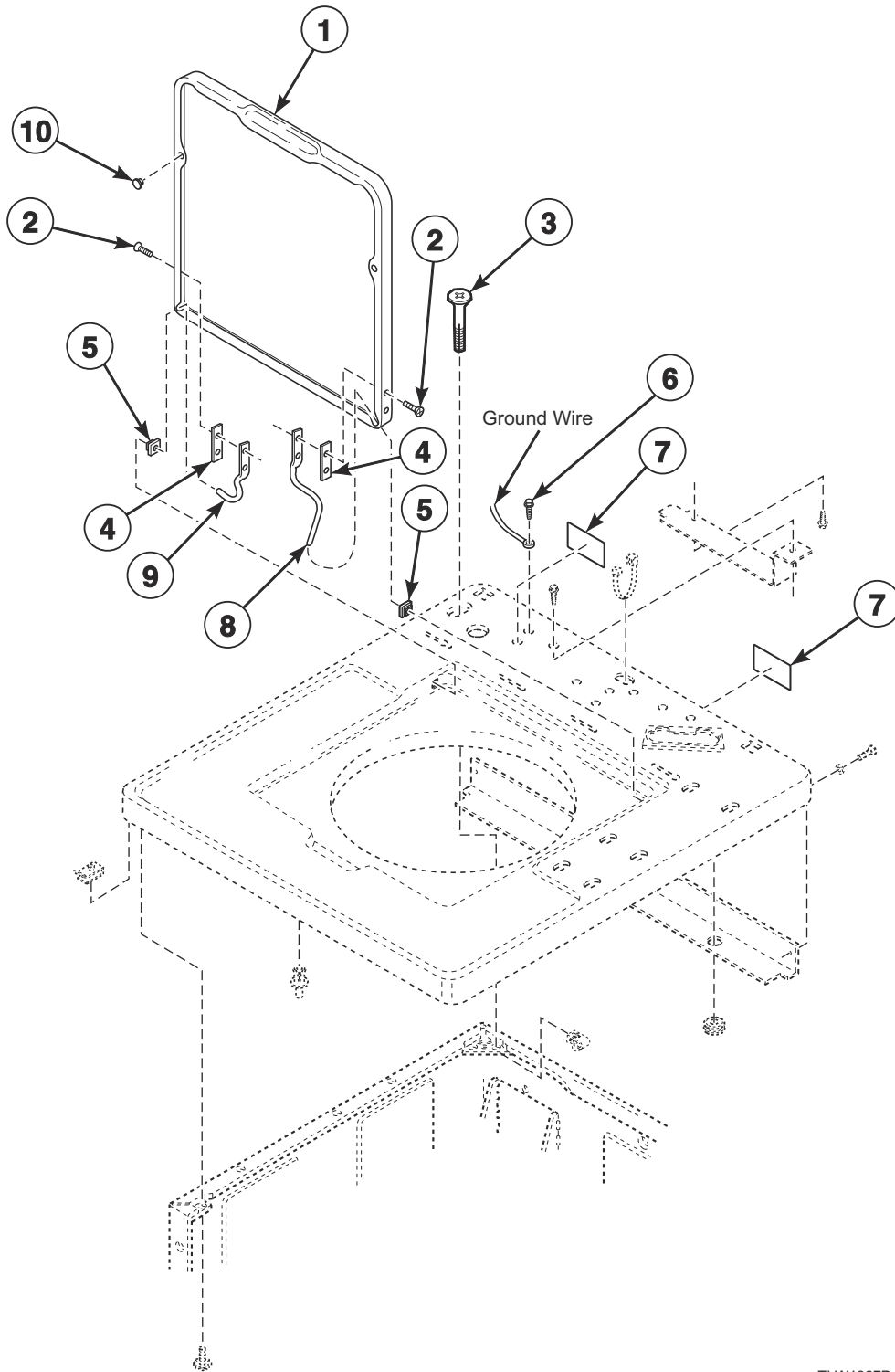
TLW1815P_203385

Control Panel, Control Hood and Controls (Drawing 10 of 10)

REF	PART NO.	DESCRIPTION	COMMENTS
	NK320	Ethernet Gateway Kit	Wireless
	NK330	USB Gateway Kit	Wireless
1	D503661	Screw	Model SWNWX2SP303BW01
	804608	Screw	All other models
2	807211	Wireless Network Control Assembly	Model SWNWX2SP303BW01
	203564P	Control Assembly	All other models
3	805427	Central Pay Harness	
4	202869	Wiring Harness Assembly	Diagnostic
5	F8536002	Wireless Network Board Harness	Through Serial No. 1902000001
	F8674006	Wireless Network Harness	Starting Serial No. 1902000001
6	203361P	Machine ID Control Assembly	Model or serial number is required when ordering
7	203532	Wireless Network Control Assembly	Through Serial No. 1902000001
	807211	Wireless Network Control Assembly	Starting Serial No. 1902000001
8	D501441	Electronic Control Shield	Used through Serial Nos. beginning 1607
9	210143	Rear Panel	
10	D501086	Screw	
11	210142W	Control Hood	
12	203843	Pressure Sensor	Mounted here through Serial No. 1806000001; Mounted to mixing valve bracket starting Serial No. 1806000001
13	D503661	Screw	
14	202757	Transformer	
15	804832	Harness	
16	210108W	End Cap	Right
17	202469	Control Panel Bumper	
	M400795	Bumper	Extra thick
18	203996	Control Overlay	Models SWNWX2HP115TW01, SWNWX2HP115TW41 and SWNWX2SP115TW01
	204988	Control Overlay	Model SWNWX2SP303BW01
	202951	Control Overlay	All other models
19	210109W	End Cap	Left
20	52864	Screw	
21	210137W	Control Panel Assembly	

Lid

All Models Except SWNNY2SP303UW01



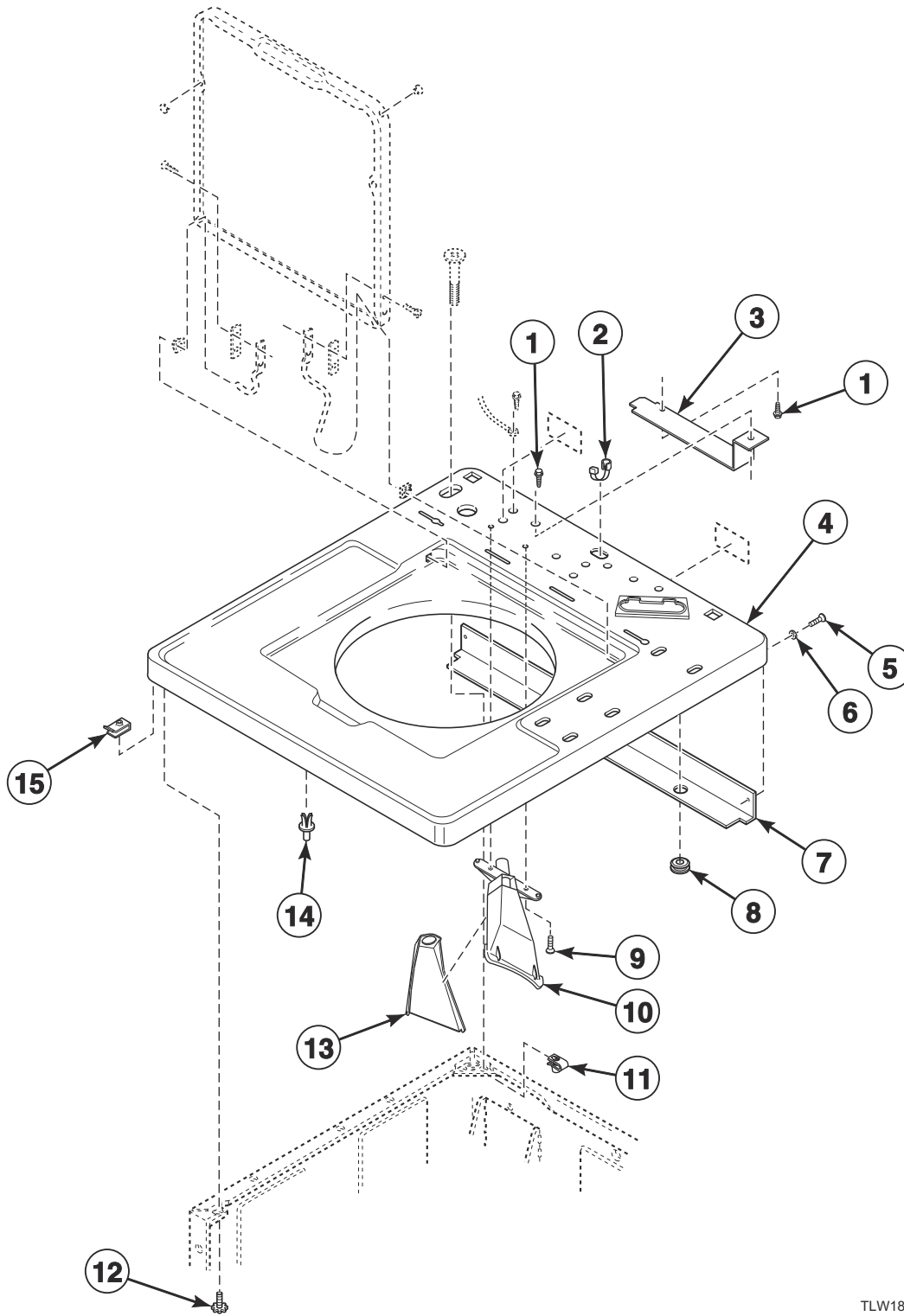
TLW1867P_203385

Lid

REF	PART NO.	DESCRIPTION	COMMENTS
1	204615W	Lid	
	203045	Lid Warning Label	
2	34337	Screw	
3	D503673	Screw	Optional; For added security
4	34338	Hinge Gasket	
5	33446	Bushing	
6	52909	Screw	
7	D500316	Warning Label	English/French
	F8614201	Shock Warning Label	Icon
	D505281	Disconnect Power Warning Label	English
8	36437	Lid Hinge	Right
9	36438	Lid Hinge	Left
10	21685	Bumper	

Cabinet Top

All Models Except SWNNY2SP303UW01



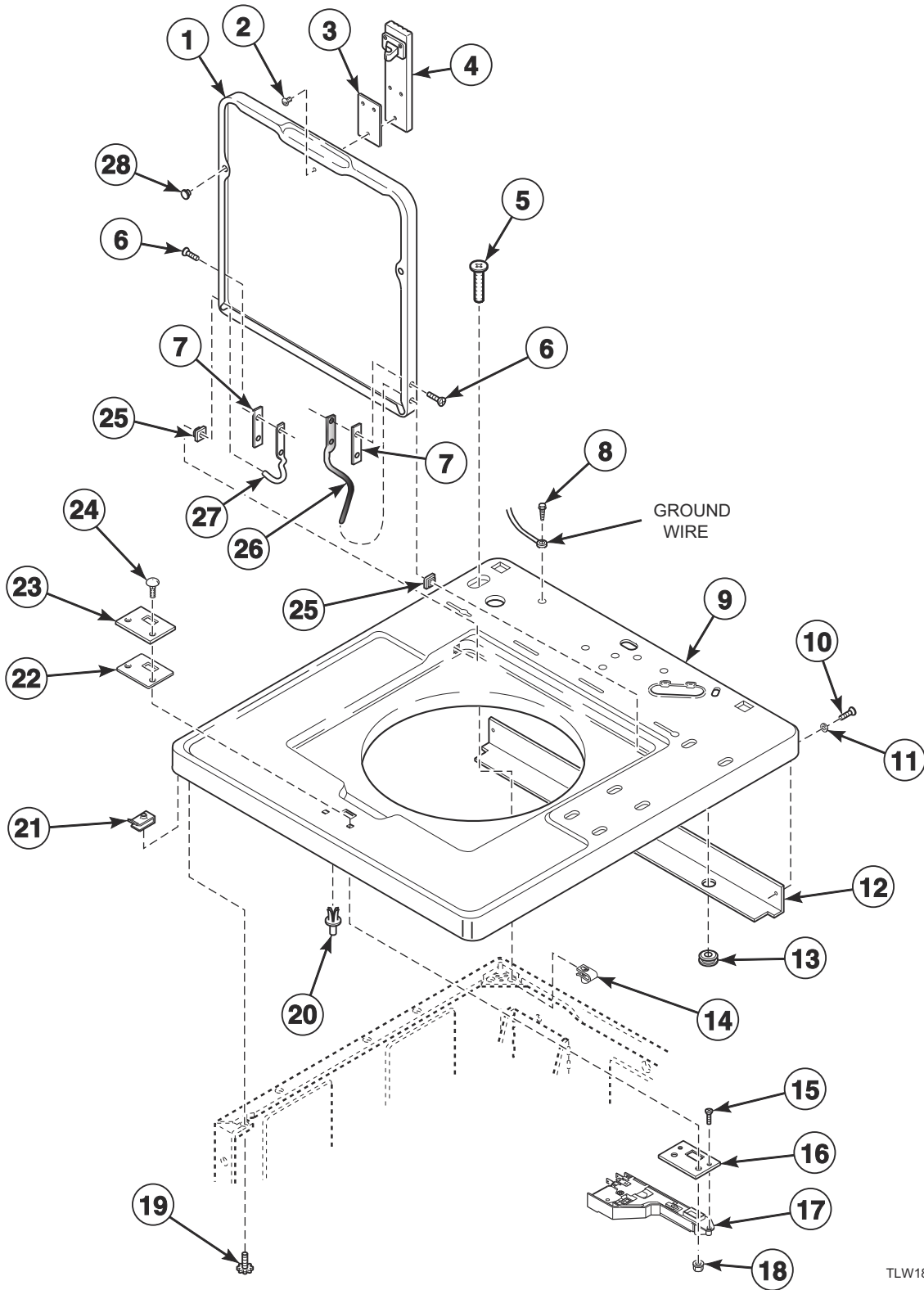
TLW1832PA_203385

Cabinet Top

REF	PART NO.	DESCRIPTION	COMMENTS
1	23962	Screw	
2	38384	Strain Relief	
3	202083	Bracket	All models except HWNNX2SP123DW01, HWNNX2SP543DW01, NWNNX2SP303ZW01, SWNNX2SP103JW01, SWNNX2SP113JW01, SWNNX2SP123DW01, SWNNX2SP123MW01, SWNNX2SP303AW01, SWNNX2SP303LW01, SWNNX2SP543DW01, SWNNX2SP543PW01 and SWNWX2SP303BW01
4	210173WP	Top Assembly	Models HWNNY2HP113CW01, HWNNY2HP113CW04, HWNNY2HP116CW01, HWNNY2SP113CW01, HWNNY2SP115CW01, HWNNY2SP116CW01, HWNNY2SP116CWSS, SWNNY2AP113TW01, SWNNY2AP113TW04, SWNNY2HP113CW04, SWNNY2HP113TW01, SWNNY2HP113TW04, SWNNY2HP115CW01, SWNNY2HP115TW01, SWNNY2HP116TW01, SWNNY2PP113TW01, SWNNY2SP113CW01, SWNNY2SP113TW01, SWNNY2SP115CW01, SWNNY2SP115TW01, SWNNY2SP116TW01, SWNNY2SP116TWSS, SWNNY2SP303NW22, SWNNY2AP113TW01, SWNNY2AP113TW04, SWNNY2HP113TW01, SWNNY2HP113TW04, SWNNY2HP115TW01, SWNNY2HP115TW41, SWNNY2SP113TW01 and SWNNY2SP115TW01
	39167QP	Top	Bisque; All other models
	39167WP	Top	White; All other models
5	431287	Screw	Models HWNNX2SP123DW01, HWNNX2SP543DW01, NWNNX2SP303ZW01, SWNNX2SP103JW01, SWNNX2SP113JW01, SWNNX2SP123DW01, SWNNX2SP123MW01, SWNNX2SP303AW01, SWNNX2SP303LW01, SWNNX2SP543DW01, SWNNX2SP543PW01 and SWNWX2SP303BW01
6	39249	Washer	Models HWNNX2SP123DW01, HWNNX2SP543DW01, NWNNX2SP303ZW01, SWNNX2SP103JW01, SWNNX2SP113JW01, SWNNX2SP123DW01, SWNNX2SP123MW01, SWNNX2SP303AW01, SWNNX2SP303LW01, SWNNX2SP543DW01, SWNNX2SP543PW01 and SWNWX2SP303BW01
7	203947	Top Shield	Models HWNNX2SP123DW01, HWNNX2SP543DW01, NWNNX2SP303ZW01, SWNNX2SP103JW01, SWNNX2SP113JW01, SWNNX2SP123DW01, SWNNX2SP123MW01, SWNNX2SP303AW01, SWNNX2SP303LW01, SWNNX2SP543DW01, SWNNX2SP543PW01 and SWNWX2SP303BW01
8	80262	Grommet	Models HWNNX2SP123DW01, HWNNX2SP543DW01, NWNNX2SP303ZW01, SWNNX2SP103JW01, SWNNX2SP113JW01, SWNNX2SP123DW01, SWNNX2SP123MW01, SWNNX2SP303AW01, SWNNX2SP303LW01, SWNNX2SP543DW01, SWNNX2SP543PW01 and SWNWX2SP303BW01
9	23962	Screw	
10	203509	Inlet Deflector	
11	27222	Nut	Optional; For added security
12	23008	Screw	
13	202894	Inlet Cover	
14	56534	Support Barrel	
15	36020	Nut	

Lid, Lid Lock and Cabinet Top

Model SWNNY2SP303UW01

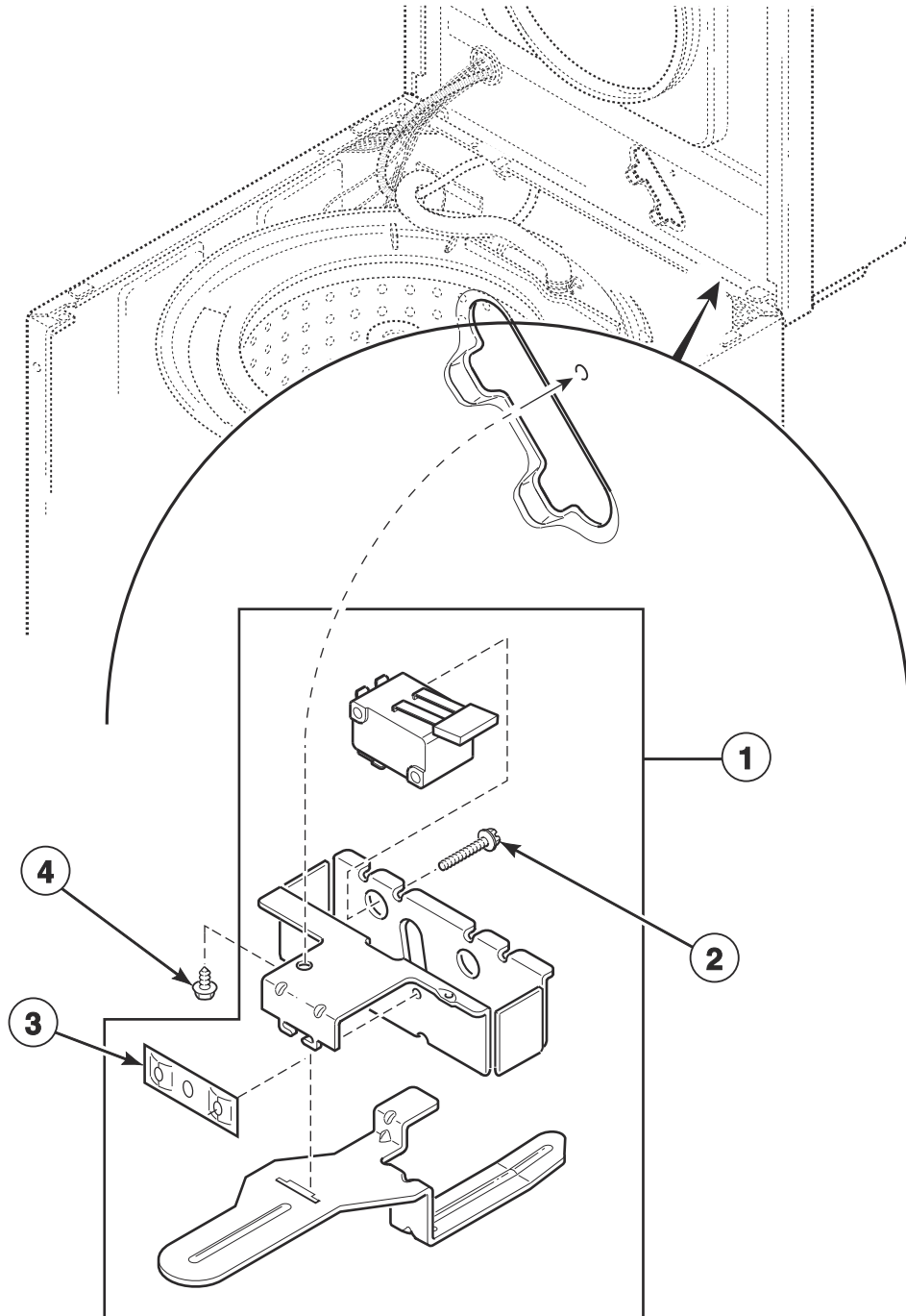


TLW1817P_203385

Lid, Lid Lock and Cabinet Top

REF	PART NO.	DESCRIPTION	COMMENTS
	837P3	Lid Lock Kit	Includes items 4, 15 and 17
1	200892WP	Lid	
	203045	Lid Warning Label	
2	201415	Screw	
3	201414	Door Lock Spacer	
4	201307P	Lid Lock Catch Assembly	Includes item 3
5	D503673	Screw	Optional; For added security
6	34337	Screw	
7	34338	Hinge Gasket	
8	52909	Screw	
9	203316W	Top	
10	431287	Screw	
11	39249	Washer	
12	39744	Top Shield	
13	80262	Grommet	
14	27222	Nut	Optional; For added security
15	202623	Screw	
16	29676	Switch Mounting Plate	
17	202434	Lid Lock	
18	22001	Nut	
19	23008	Screw	
20	56534	Support Barrel	
21	36020	Nut	
22	30378	Lid Lock Gasket	
23	37828P	Cover Plate	
24	32184	Bolt	
25	33446	Bushing	
26	36437	Lid Hinge	Right
27	36438	Lid Hinge	Left
28	21685	Bumper	

Lid Switch



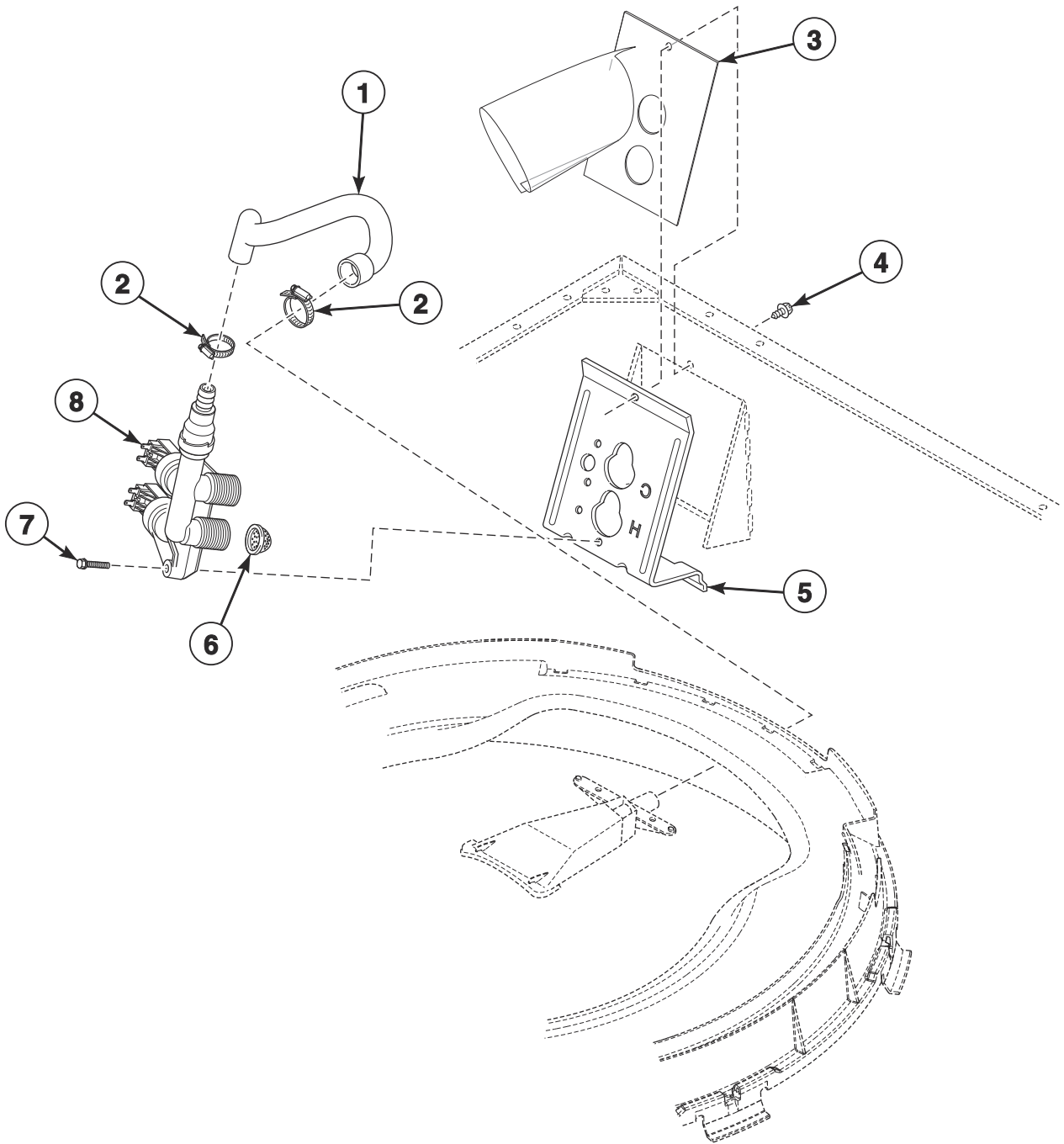
TLW1893P

Lid Switch

REF	PART NO.	DESCRIPTION	COMMENTS
	202697	Lid Switch Shield	Models HWNNX2SP123DW01, HWNNX2SP543DW01, NWNNX2SP303ZW01, SWNNX2SP103JW01, SWNNX2SP113JW01, SWNNX2SP123DW01, SWNNX2SP123MW01, SWNNX2SP303AW01, SWNNX2SP303LW01, SWNNX2SP543DW01, SWNNX2SP543PW01, SWNNY2SP303UW01 and SWNWX2SP303BW01; Through Serial No. 1810000001
	204538	Lid Switch Drip Shield	Models HWNNX2SP123DW01, HWNNX2SP543DW01, NWNNX2SP303ZW01, SWNNX2SP103JW01, SWNNX2SP113JW01, SWNNX2SP123DW01, SWNNX2SP123MW01, SWNNX2SP303AW01, SWNNX2SP303LW01, SWNNX2SP543DW01, SWNNX2SP543PW01, SWNNY2SP303UW01 and SWNWX2SP303BW01
1	204696	Lid Switch Kit	
2	M402574	Screw	Use with single switch
	204656	Screw	Use with dual switch
3	M400981	Nut	Use with single switch
	M400979	Nut	Use with dual switch
4	23962	Screw	

Mixing Valve-to-Tub Cover Hose and Mixing Valve (Drawing 1 of 2)

Models SWNNX2SP103JW01 and SWNNX2SP113JW01



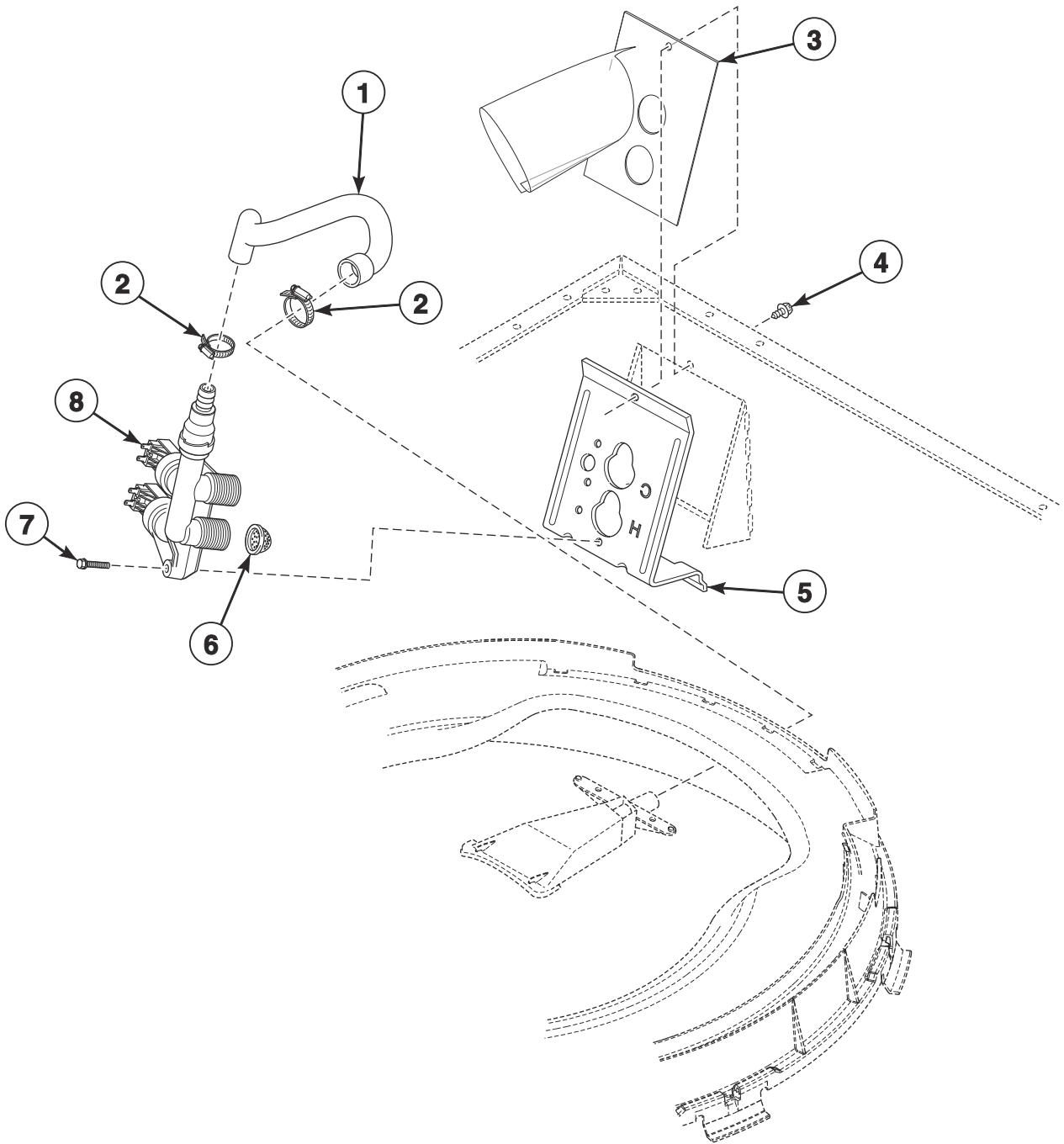
TLW1836P

Mixing Valve-to-Tub Cover Hose and Mixing Valve (Drawing 1 of 2)

REF	PART NO.	DESCRIPTION	COMMENTS
1	202884	Valve to Inlet Hose	Through Serial No. 1809999999
	204400	Valve to Inlet Hose	Starting Serial No. 1810000001
2	36801	Hose Clamp	
3	202899	Mixing Valve Shield	
4	33562	Screw	
5	204117	Mixing Valve Mounting Bracket	Through Serial No. 1809999999
	203558	Mixing Valve Mounting Bracket	Starting Serial No. 1810000001; Pressure sensor mounted here
6	24122	Mixing Valve Screen	
7	39397	Screw	
8	203144P	Mixing Valve	Model SWNNX2SP113JW01 through Serial No. 1712999999
	205547P	Mixing Valve	Model SWNNX2SP113JW01 starting Serial No. 1801000001 and continuing through 1809999999
	203927	Mixing Valve	Model SWNNX2SP103JW01; Model SWNNX2SP113JW01 starting Serial No. 1810000001

Mixing Valve-to-Tub Cover Hose and Mixing Valve (Drawing 2 of 2)

All Models Except SWNNX2SP103JW01 and SWNNX2SP113JW01

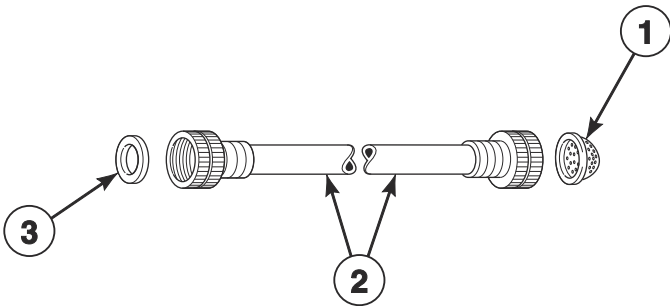


TLW1836P

Mixing Valve-to-Tub Cover Hose and Mixing Valve (Drawing 2 of 2)

REF	PART NO.	DESCRIPTION	COMMENTS
1	202884	Valve to Inlet Hose	Models HWNNX2SP543DW01, NWNNX2SP125MW01, NWNNX2SP303ZW01, SWNNX2SP123DW01, SWNNX2SP123MW01, SWNNX2SP303AW01, SWNNX2SP303LW01, SWNNX2SP543DW01, SWNNX2SP543NW23, SWNNX2SP543PW01, SWNNY2SP303NW22, SWNNY2SP303UW01, SWNNZ2SP113NW22 and SWNWX2SP303BW01 through Serial No. 1809999999; All other models through Serial No. 1812016076
	204400	Valve to Inlet Hose	Models HWNNX2SP543DW01, NWNNX2SP125MW01, NWNNX2SP303ZW01, SWNNX2SP123DW01, SWNNX2SP123MW01, SWNNX2SP303AW01, SWNNX2SP303LW01, SWNNX2SP543DW01, SWNNX2SP543NW23, SWNNX2SP543PW01, SWNNY2SP303NW22, SWNNY2SP303UW01, SWNNZ2SP113NW22 and SWNWX2SP303BW01 starting Serial No. 1810000001; All other models starting Serial No. 1812016077
2	36801	Hose Clamp	
3	202899	Mixing Valve Shield	Models HWNNX2SP123DW01, HWNNX2SP543DW01, NWNNX2SP303ZW01, SWNNX2SP123DW01, SWNNX2SP123MW01, SWNNX2SP303AW01, SWNNX2SP303LW01, SWNNX2SP543DW01, SWNNX2SP543PW01, SWNNY2SP303UW01 and SWNWX2SP303BW01
4	33562	Screw	
5	204117	Mixing Valve Mounting Bracket	Models HWNNX2SP543DW01, NWNNX2SP125MW01, NWNNX2SP303ZW01, SWNNX2SP123DW01, SWNNX2SP123MW01, SWNNX2SP303AW01, SWNNX2SP303LW01, SWNNX2SP543DW01, SWNNX2SP543NW23, SWNNX2SP543PW01, SWNNY2SP303NW22, SWNNY2SP303UW01, SWNNZ2SP113NW22 and SWNWX2SP303BW01 through Serial No. 1809999999; All other models through Serial No. 1812016076
	203558	Mixing Valve Mounting Bracket	Models HWNNX2SP543DW01, NWNNX2SP125MW01, NWNNX2SP303ZW01, SWNNX2SP123DW01, SWNNX2SP123MW01, SWNNX2SP303AW01, SWNNX2SP303LW01, SWNNX2SP543DW01, SWNNX2SP543NW23, SWNNX2SP543PW01, SWNNY2SP303NW22, SWNNY2SP303UW01, SWNNZ2SP113NW22 and SWNWX2SP303BW01 starting Serial No. 1810000001; All other models starting Serial No. 1812016077; Pressure sensor mounted here
6	24122	Mixing Valve Screen	
7	39397	Screw	
8	202396P	Mixing Valve	Models HWNNX2SP543DW01, NWNNX2SP303ZW01, SWNNX2SP303AW01, SWNNX2SP303LW01, SWNNX2SP543DW01, SWNNX2SP543NW23, SWNNX2SP543PW01, SWNNY2SP303NW22, SWNNY2SP303UW01 and SWNWX2SP303BW01 through Serial No. 1410999999; and starting Serial No. 1805000001 through Serial No. 1809999999
	203145P	Mixing Valve	Models HWNNX2SP543DW01, NWNNX2SP303ZW01, SWNNX2SP303AW01, SWNNX2SP303LW01, SWNNX2SP543DW01, SWNNX2SP543NW23, SWNNX2SP543PW01, SWNNY2SP303NW22, SWNNY2SP303UW01 and SWNWX2SP303BW01 starting Serial No. 1411000001 through Serial No. 1804999999
203928	Mixing Valve	Models HWNNX2SP543DW01, NWNNX2SP303ZW01, SWNNX2SP303AW01, SWNNX2SP303LW01, SWNNX2SP543DW01, SWNNX2SP543NW23, SWNNX2SP543PW01, SWNNY2SP303NW22, SWNNY2SP303UW01 and SWNWX2SP303BW01 starting Serial No. 1810000001	
203742	Mixing Valve	Model SWNNX2SP543DW01	
205547P	Mixing Valve	Models NWNNX2SP125MW01, SWNNX2SP123DW01, SWNNX2SP123MW01 and SWNNZ2SP113NW22 through Serial No. 1809999999; All other models through Serial No. 1812016076	
203741	Mixing Valve	Models NWNNX2SP125MW01, SWNNX2SP123DW01, SWNNX2SP123MW01 and SWNNZ2SP113NW22 starting Serial No. 1810000001; All other models starting Serial No. 1812016077	

Fill Hose

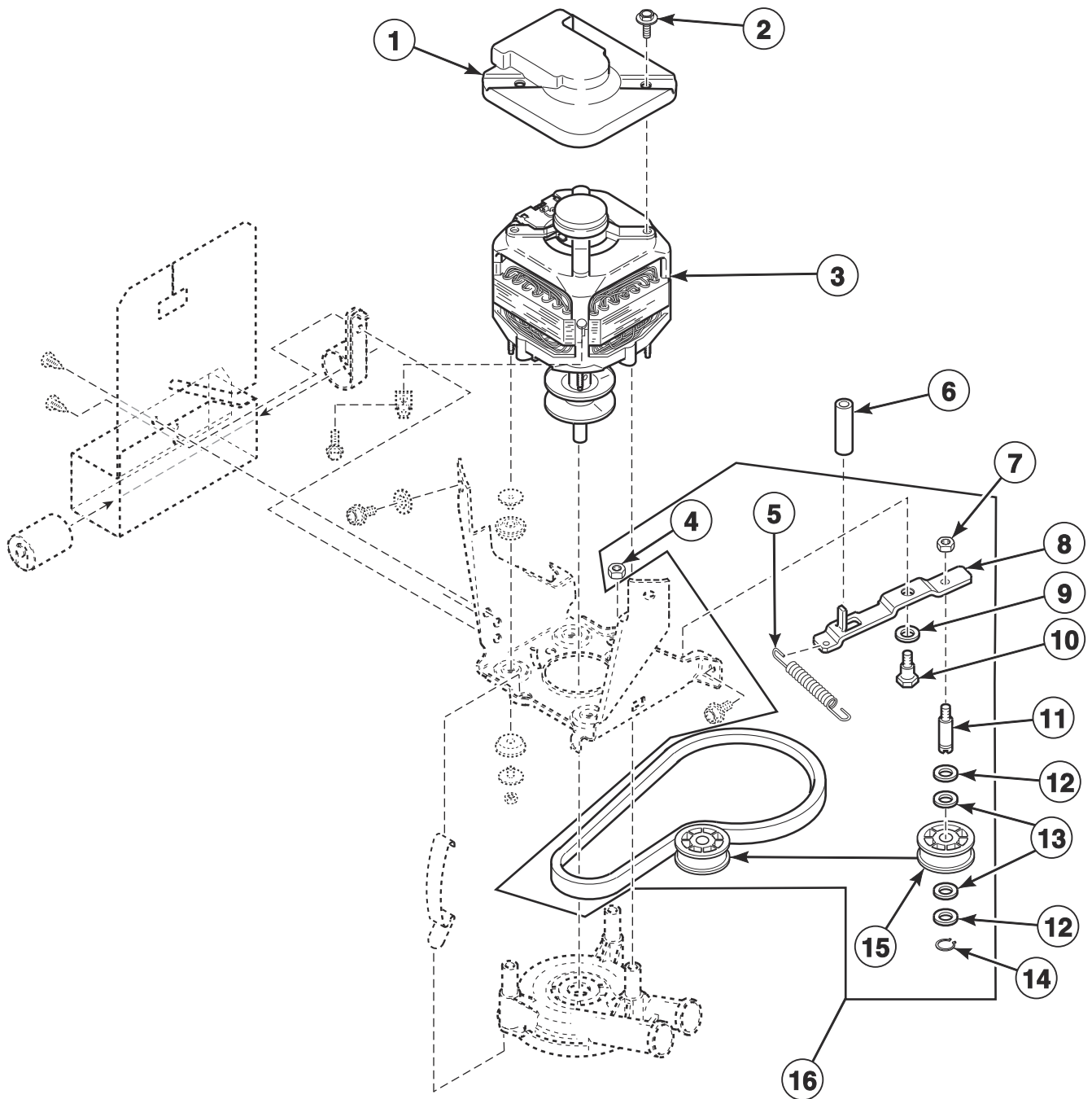


TLW1833P_203385

Fill Hose

REF	PART NO.	DESCRIPTION	COMMENTS
1	803615	Washer	Filter screen
	802254	Washer	Flow restrictor; Water pressure reducer; Available for water pressure up to but not exceeding 120 psi
2	203720	Fill Hose	Marked for cold water; 4 feet; 2 GHT thread hose couplings
	203719	Fill Hose	Marked for hot water; 4 feet; 2 GHT thread hose couplings
	203750	Fill Hose	Marked for cold water; 4 feet; 1 GHT thread and 1 BSPP thread hose coupling
	203718	Fill Hose	Marked for hot water; 4 feet; 1 GHT thread and 1 BSPP thread hose coupling
	204103	Fill Hose	Marked for cold water; 4 feet; 2 BSPP thread hose couplings
	204102	Fill Hose	Marked for hot water; 4 feet; 2 BSPP thread hose couplings
3	20290	Washer	

Motor, Belt, Pump and Idler Assembly (Drawing 1 of 2)

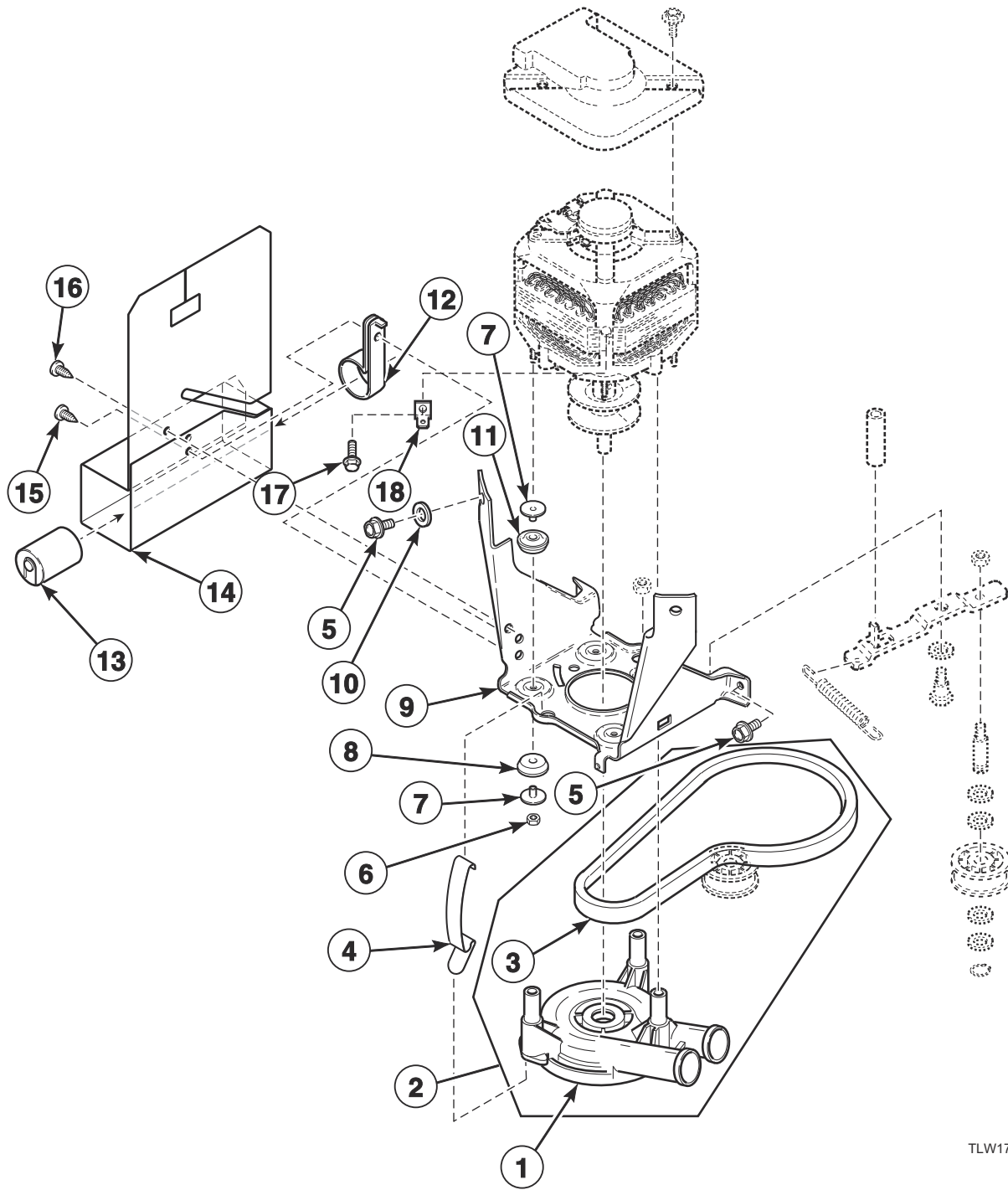


TLW1768P_203385

Motor, Belt, Pump and Idler Assembly (Drawing 1 of 2)

REF	PART NO.	DESCRIPTION	COMMENTS
1	34754	Motor Shield	
2	31645	Screw	
3	202544P	Motor Assembly	220-240 Volt/50 Hertz; 2 speed; Models NWNNX2SP303ZW01, SWNNX2SP303AW01, SWNNX2SP303LW01, SWNNY2SP303NW22, SWNNY2SP303UW01 and SWNWX2SP303BW01
	202960	Motor Assembly	240 Volt/60 Hertz; 2 speed; Models HWNNX2SP543DW01, SWNNX2SP543DW01, SWNNX2SP543NW23 and SWNNX2SP543PW01
	202961	Motor Assembly	120 Volt/50 Hertz; 2 speed; Model SWNNX2SP103JW01
	202971	Motor Assembly	127 Volt/60 Hertz; 2 speed; Models HWNNX2SP123DW01, SWNNX2SP123DW01 and SWNNX2SP123MW01
	38034P	Motor Kit	115 Volt/60 Hertz; 2 speed; All other models
4	52566	Nut	
5	201189	Idler Lever Spring	Models NWNNX2SP303ZW01, SWNNX2SP303AW01, SWNNX2SP303LW01, SWNNY2SP303NW22, SWNNY2SP303UW01 and SWNWX2SP303BW01
	202032	Idler Lever Spring	All other models
6	202333	Tube	Models NWNNX2SP303ZW01, SWNNX2SP303AW01, SWNNX2SP303LW01 and SWNWX2SP303BW01
7	28803	Nut	
8	38011	Idler Lever	
9	81392	Washer	
10	27229	Screw	
11	210186	Idler Shaft	Included in item 16
12	D504082	Washer	
13	52549	Washer	Nylatron
14	23748	Retaining Ring	
15	38225P	Idler Pulley	
16	202972	Idler Lever and Belt Kit	Includes items 4, 5, 7-15 and belt; Models NWNNX2SP303ZW01, SWNNX2SP303AW01, SWNNX2SP303LW01, SWNNY2SP303NW22, SWNNY2SP303UW01 and SWNWX2SP303BW01
	959P3	Idler Lever Kit	Includes items 4-6, 8-15 and belt; All other models

Motor, Belt, Pump and Idler Assembly (Drawing 2 of 2)

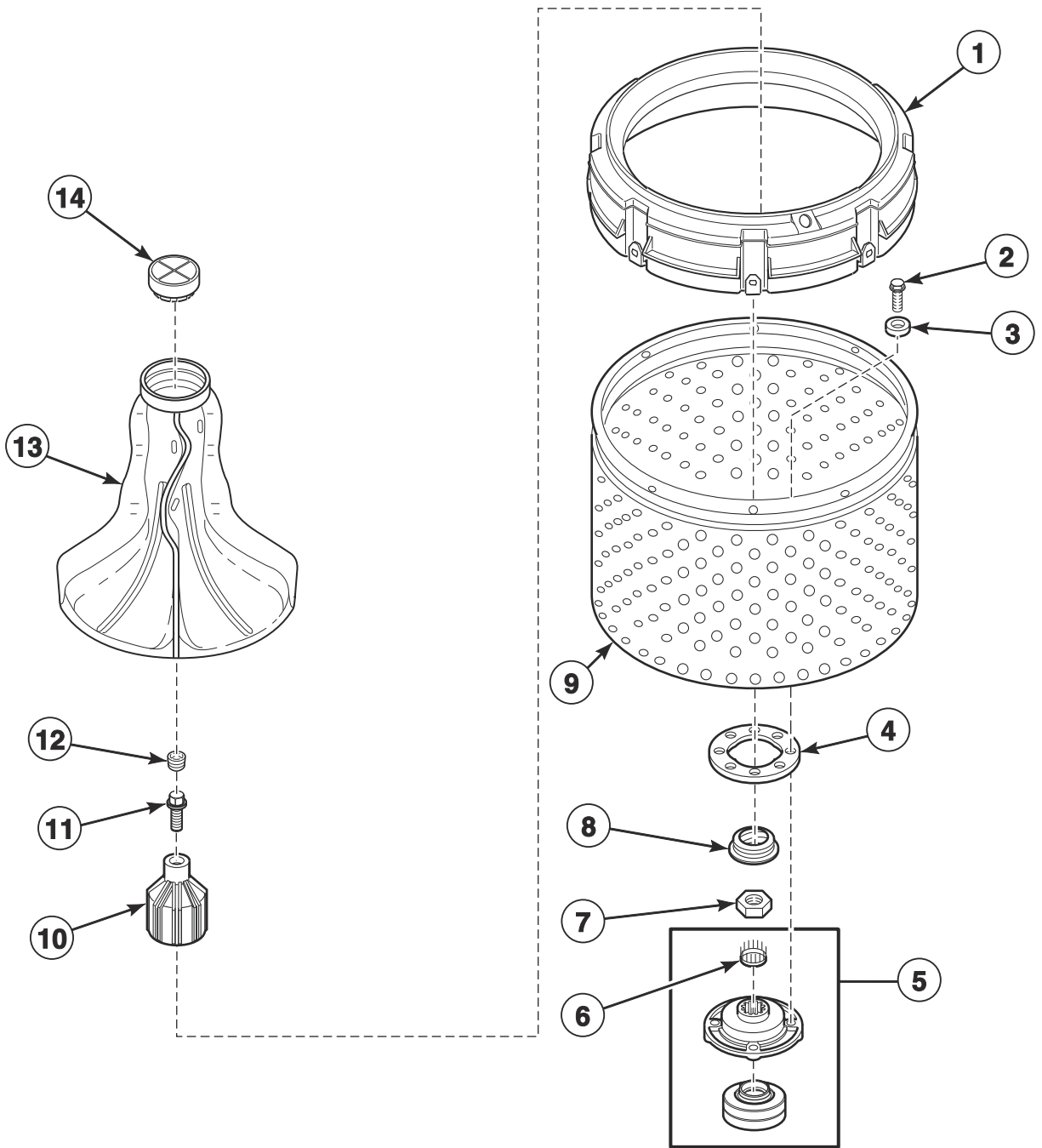


TLW1768PA_203385

Motor, Belt, Pump and Idler Assembly (Drawing 2 of 2)

REF	PART NO.	DESCRIPTION	COMMENTS
1	205217P	Pump	
	205218P	Pump Assembly Kit	Heavy duty
2	RB150003	Belt and Pump Kit	Includes items 1 and 3 (38174 Belt)
3	200923	Agitate and Spin Belt	Models NWNNX2SP303ZW01, SWNNX2SP103JW01, SWNNX2SP303AW01, SWNNX2SP303LW01, SWNNY2SP303NW22, SWNNY2SP303UW01 and SWNWX2SP303BW01
	38174	Agitate and Spin Belt	All other models
4	210202	Spring Clip	
5	35369	Screw	
6	35423	Nut	
7	204449	Motor Mount	Includes items 8 and 11
8	204062	Motor Mount and Isolator Assembly	Lower
9	200941	Motor Mount Bracket	
10	37772	Washer	
11	204063	Motor Mount and Isolator Assembly	Upper
12	37535	Capacitor Clamp	All models except HWNNX2SP543DW01 and SWNNX2SP543DW01
13	203140	Capacitor	Models HWNNX2SP543DW01, NWNNX2SP303ZW01, SWNNX2SP303AW01, SWNNX2SP303LW01, SWNNX2SP543DW01, SWNNX2SP543PW01, SWNNY2SP303UW01 and SWNWX2SP303BW01
	39259P	Capacitor and Clamp Kit	Models SWNNX2SP543NW23 and SWNNY2SP303NW22
	203141	Capacitor	Models HWNNX2SP123DW01, SWNNX2SP103JW01, SWNNX2SP113JW01 and SWNNX2SP123DW01
	37377	Capacitor	All other models
14	203053	Motor Drip Shield	Through Serial No. 181100001
15	52909	Screw	
16	31645	Screw	
17	20530	Screw	Models NWNNX2SP303ZW01, SWNNX2SP303AW01, SWNNX2SP303LW01, SWNNY2SP303NW22, SWNNY2SP303UW01 and SWNWX2SP303BW01
18	00177	Male Tab Terminal	Models NWNNX2SP303ZW01, SWNNX2SP303AW01, SWNNX2SP303LW01, SWNNY2SP303NW22, SWNNY2SP303UW01 and SWNWX2SP303BW01

Agitator, Drive Bell, Hub and Lip Seal Kit and Washtub

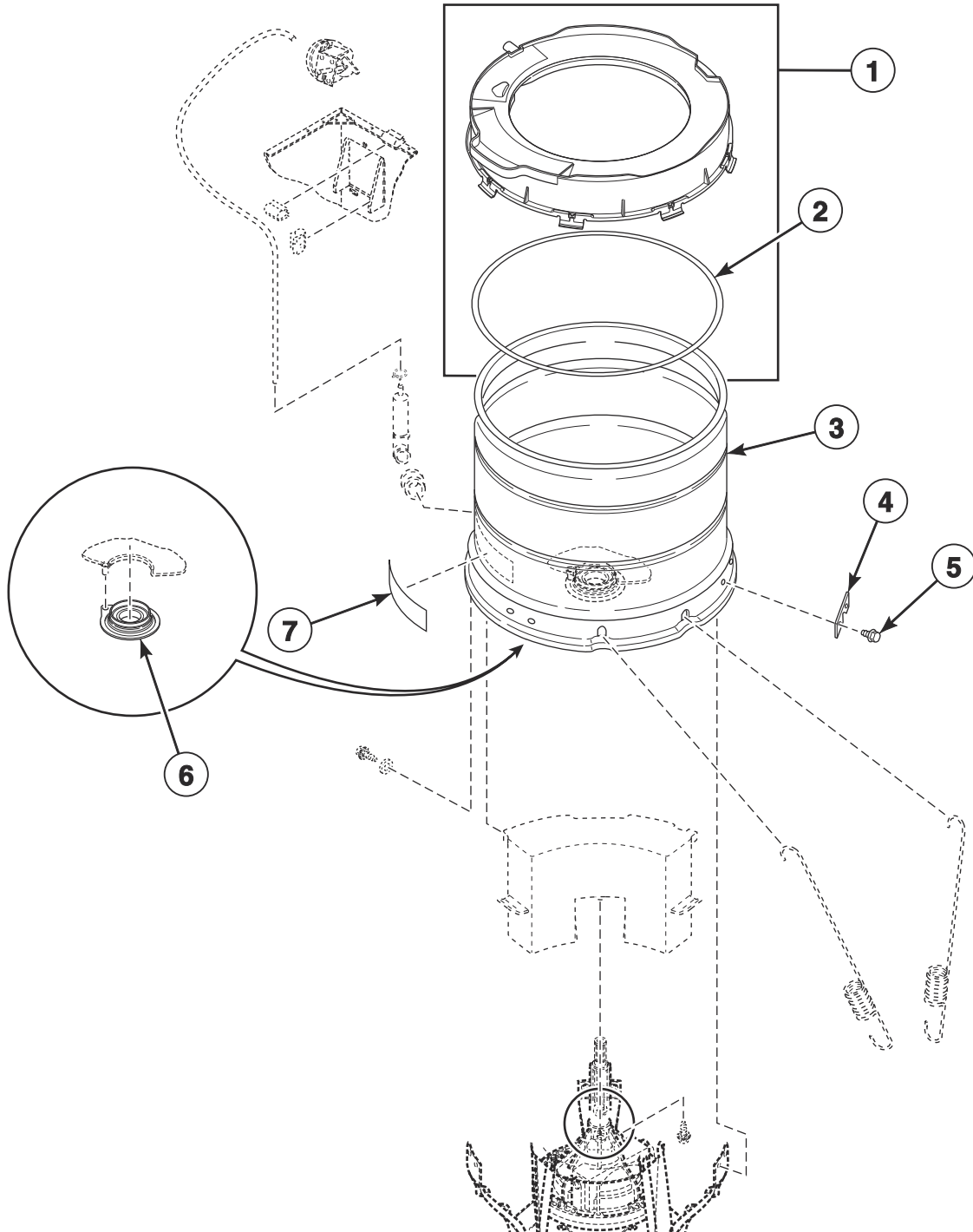


TLW1483P

Agitator, Drive Bell, Hub and Lip Seal Kit and Washtub

REF	PART NO.	DESCRIPTION	COMMENTS
	200996P	Sealant	Use with hub and lip seal kit
1	39837	Balance Ring Assembly	
2	27202	Screw	
3	28094	Washer	Rubber; Use with porcelain washtub
4	39122	Washtub Gasket	
5	766P3A	Hub and Lip Seal Kit	DO NOT use any sealant other than 200996P Sealant; Includes installation tool
6	29728	Spline Insert	
7	29220	Nut	
8	36425	Bell and Transmission Tube Seal	
	36765P	Grease	Use with bell and transmission tube seal
9	203882P	Tub Kit	Blue porcelain; Models SWNNC2PP113TW01, SWNNC2PP113TW02, SWNNX2PP113TW02 and SWNNY2PP113TW01
	204429P	Tub Assembly	Models HWNNE2AP113CW01, HWNNE2AP113CW04, HWNNE2HP113CW01, HWNNE2HP113CW04, HWNNE2HP115CW01, HWNNE2HP116CW01, HWNNX2HP113CW01, HWNNX2HP113CW04, HWNNX2HP115CW01, HWNNX2HP116CW01, HWNNY2HP113CW01, HWNNY2HP113CW04, HWNNY2HP116CW01, SWNNC2AP113TW01, SWNNC2AP113TW02, SWNNC2AP113TW04, SWNNC2AP113TW15, SWNNC2HP113TQ01, SWNNC2HP113TQ04, SWNNC2HP113TW01, SWNNC2HP113TW02, SWNNC2HP113TW04, SWNNC2HP113TW15, SWNNC2HP115TQ01, SWNNC2HP115TW01, SWNNC2HP115TW02, SWNNC2HP116TW01, SWNNE2HP113CW15, SWNNE2HP115CW02, SWNNX2AP113TW02, SWNNX2AP113TW15, SWNNX2HP113CW15, SWNNX2HP113TW01, SWNNX2HP113TW02, SWNNX2HP113TW04, SWNNX2HP113TW15, SWNNX2HP115CW02, SWNNX2HP115TW01, SWNNX2HP115TW02, SWNNX2HP116TW01, SWNNY2AP113TW01, SWNNY2AP113TW04, SWNNY2HP113CW04, SWNNY2HP113TW01, SWNNY2HP113TW04, SWNNY2HP115CW01, SWNNY2HP115TW01, SWNNY2HP116TW01, SWNWC2HP115TW42, SWNWX2HP113TW15, SWNWX2HP115TW02, SWNWX2HP113TW01, SWNWX2HP113TW04, SWNWX2HP115TW01 and SWNWX2HP115TW41
	719P3	Washtub Kit	Stainless steel; All other models
10	39508P	Drive Bell and Seal Kit	Includes items 8, 11 and 12
11	39432	Screw	
12	36511	Bell Plug	
13	33174	Agitator	
14	36515	Agitator Cap	

Outer Tub, Cover, Bearing and Seal Housing

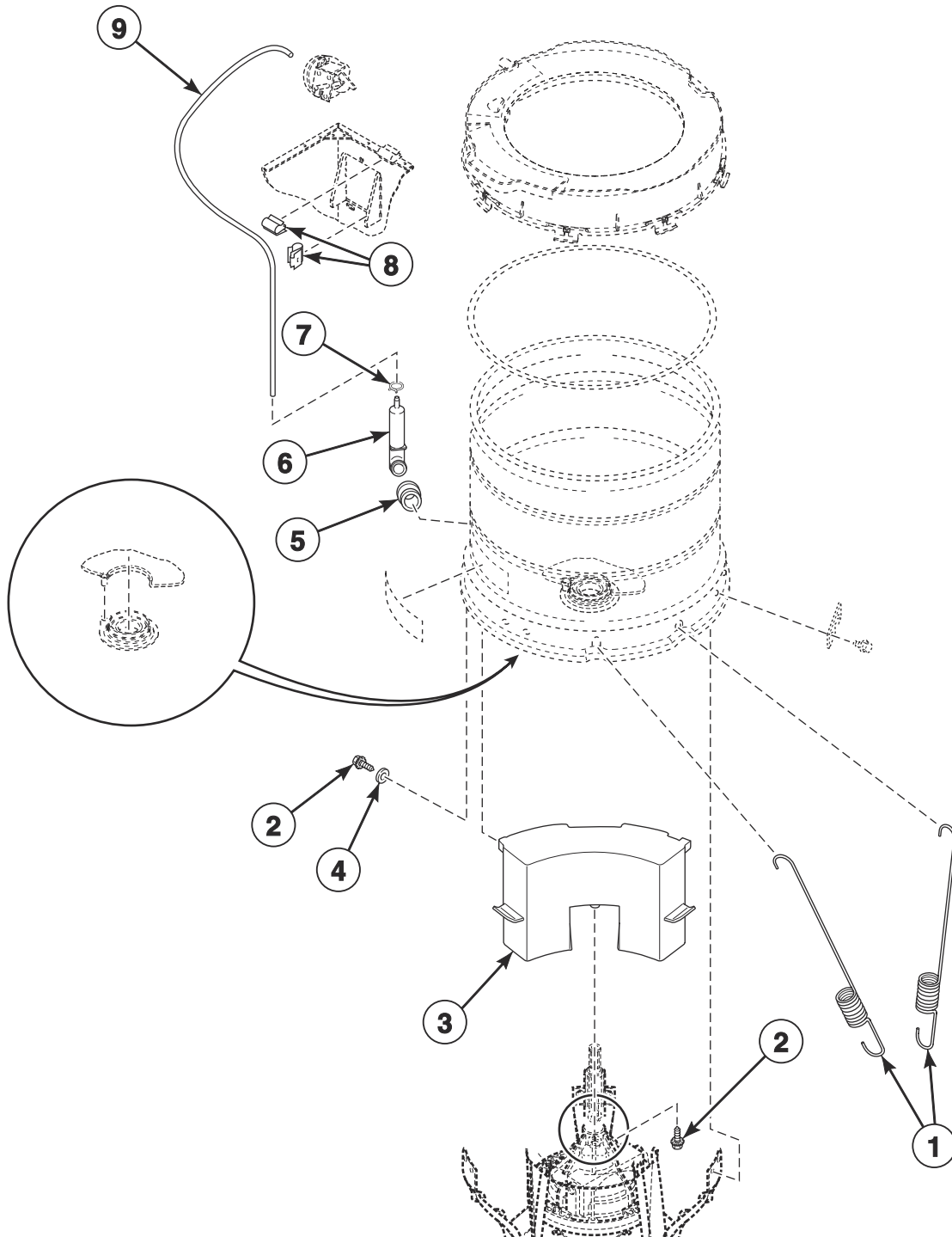


TLW1804P_203385

Outer Tub, Cover, Bearing and Seal Housing

REF	PART NO.	DESCRIPTION	COMMENTS
1	205300	Tub Cover Assembly	Models HWNNE2HP115CW01, HWNNE2HP116CW01, HWNNE2SP115CW01, HWNNE2SP116CW01, HWNNX2HP115CW01, HWNNX2HP116CW01, HWNNX2SP115CW01, HWNNX2SP116CW01, HWNNX2SP116CWSS, HWNNY2HP116CW01, HWNNY2SP115CW01, HWNNY2SP116CW01, NWNNX2SP125MW01, SWNNC2HP115TQ01, SWNNC2HP115TW01, SWNNC2HP115TW02, SWNNC2SP115TQ01, SWNNC2SP115TW01, SWNNC2SP115TW02, SWNNE2HP115CW02, SWNNE2SP115CW02, SWNNX2HP115CW02, SWNNX2HP115TW01, SWNNX2HP115TW02, SWNNX2HP116TW01, SWNNX2SP115CW02, SWNNX2SP115TW01, SWNNX2SP115TW02, SWNNX2SP116TW01, SWNNY2HP115CW01, SWNNY2HP115TW01, SWNNY2SP115CW01, SWNNY2SP115TW01, SWNWC2HP115TW42, SWNWX2HP115TW02, SWNWX2SP115TW02, SWNWX2HP115TW01, SWNWX2HP115TW41 and SWNWX2SP115TW01; All other models starting Serial Nos. beginning 1801
	202461	Tub Cover Assembly	All other models through Serial Nos. beginning 1801
2	38359	Tub Cover Gasket	
3	203604P	Outer Tub Assembly	Models HWNNE2AP113CW01, HWNNE2AP113CW04, HWNNE2HP113CW01, HWNNE2HP113CW04, HWNNE2HP115CW01, HWNNE2HP116CW01, HWNNX2HP113CW01, HWNNX2HP113CW04, HWNNX2HP115CW01, HWNNX2HP116CW01, HWNNY2HP113CW01, HWNNY2HP113CW04, HWNNY2HP116CW01, SWNNC2AP113TW01, SWNNC2AP113TW02, SWNNC2AP113TW04, SWNNC2AP113TW15, SWNNC2HP113TQ01, SWNNC2HP113TQ04, SWNNC2HP113TW01, SWNNC2HP113TW02, SWNNC2HP113TW04, SWNNC2HP113TW15, SWNNC2HP115TQ01, SWNNC2HP115TW01, SWNNC2HP115TW02, SWNNC2HP116TW01, SWNNE2HP113CW15, SWNNE2HP115CW02, SWNNX2AP113TW02, SWNNX2AP113TW15, SWNNX2HP113CW15, SWNNX2HP113TW01, SWNNX2HP113TW02, SWNNX2HP113TW04, SWNNX2HP113TW15, SWNNX2HP115CW02, SWNNX2HP115TW01, SWNNX2HP115TW02, SWNNX2HP116TW01, SWNNY2AP113TW01, SWNNY2AP113TW04, SWNNY2HP113CW04, SWNNY2HP113TW01, SWNNY2HP113TW04, SWNNY2HP115CW01, SWNNY2HP115TW01, SWNNY2HP116TW01, SWNWC2HP115TW42, SWNWX2HP113TW15, SWNWX2HP115TW02, SWNWX2AP113TW01, SWNWX2AP113TW04, SWNWX2HP113TW01, SWNWX2HP113TW04, SWNWX2HP115TW01 and SWNWX2HP115TW41
	203603P	Outer Tub Assembly	All other models
4	27926	Leg Plate	
5	35369	Screw	
6	766P3A	Hub and Lip Seal Kit	
	200996P	Sealant	Use with hub and lip seal kit
7	D500314	Warning Label	English/French
	F8615701	Pinch Warning Label	Icon
	F8614201	Shock Warning Label	Icon
	D500049	Warning Label	English

Leg Springs, Pressure Hose and Counterweight

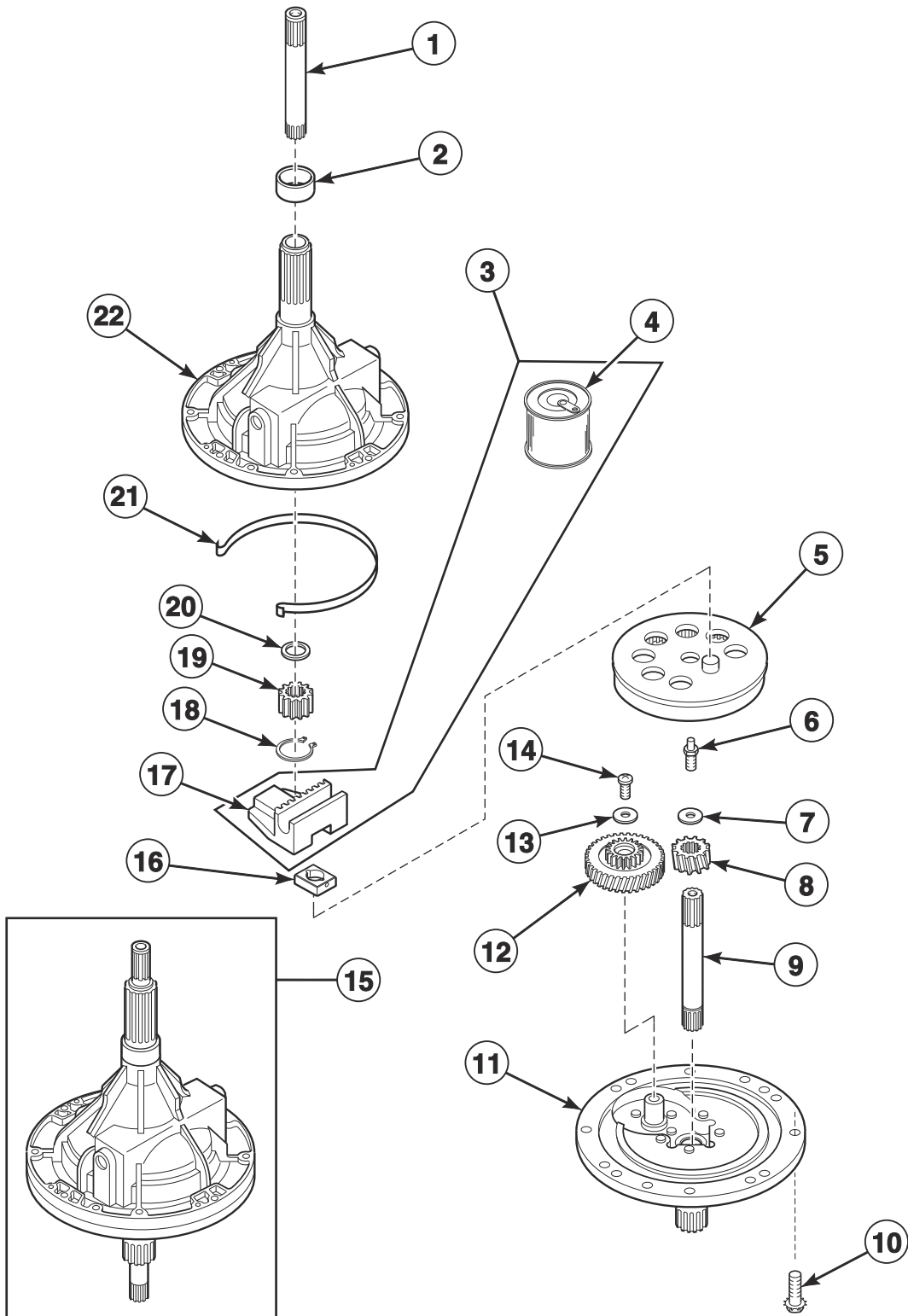


TLW1804PA_203385

Leg Springs, Pressure Hose and Counterweight

REF	PART NO.	DESCRIPTION	COMMENTS
1	201521	Leg Spring	Marked with green paint; Use to replace the two rear springs closest to counterweight; Models HWNNX2SP123DW01, HWNNX2SP543DW01, NWNNX2SP303ZW01, SWNNX2SP123DW01, SWNNX2SP123MW01, SWNNX2SP303AW01, SWNNX2SP303LW01, SWNNX2SP543DW01, SWNNX2SP543NW23, SWNNX2SP543PW01, SWNNY2SP303NW22, SWNNY2SP303UW01 and SWNWX2SP303BW01
	37576	Leg Spring	Models HWNNE2AP113CW01, HWNNE2AP113CW04, HWNNE2HP113CW01, HWNNE2HP113CW04, HWNNE2HP115CW01, HWNNE2HP116CW01, HWNNX2HP113CW01, HWNNX2HP113CW04, HWNNX2HP115CW01, HWNNX2HP116CW01, HWNNY2HP113CW01, HWNNY2HP113CW04, HWNNY2HP116CW01, SWNNC2AP113TW01, SWNNC2AP113TW02, SWNNC2AP113TW04, SWNNC2AP113TW15, SWNNC2HP113TQ01, SWNNC2HP113TQ04, SWNNC2HP113TW01, SWNNC2HP113TW02, SWNNC2HP113TW04, SWNNC2HP113TW15, SWNNC2HP115TQ01, SWNNC2HP115TW01, SWNNC2HP115TW02, SWNNC2HP116TW01, SWNNE2HP113CW15, SWNNE2HP115CW02, SWNNX2AP113TW02, SWNNX2AP113TW15, SWNNX2HP113CW15, SWNNX2HP113TW01, SWNNX2HP113TW02, SWNNX2HP113TW04, SWNNX2HP113TW15, SWNNX2HP115CW02, SWNNX2HP115TW01, SWNNX2HP115TW02, SWNNX2HP116TW01, SWNNY2AP113TW01, SWNNY2AP113TW04, SWNNY2HP113CW04, SWNNY2HP113TW01, SWNNY2HP113TW04, SWNNY2HP115CW01, SWNNY2HP115TW01, SWNNY2HP116TW01, SWNWC2HP115TW42, SWNWX2HP113TW15, SWNWX2HP115TW02, SWNWX2HP115TW04, SWNWX2HP113TW01, SWNWX2HP113TW04, SWNWX2HP115TW01 and SWNWX2HP115TW41
	37575	Leg Spring	Models HWNNE2SP113CW01, HWNNE2SP115CW01, HWNNE2SP116CW01, HWNNX2SP113CW01, HWNNX2SP115CW01, HWNNX2SP116CW01, HWNNX2SP116CWSS, HWNNX2SP123DW01, HWNNX2SP543DW01, HWNNY2SP113CW01, HWNNY2SP115CW01, HWNNY2SP116CW01, HWNNY2SP116CWSS, NWNNX2SP125MW01, NWNNX2SP303ZW01, SWNNC2PP113TW01, SWNNC2PP113TW02, SWNNC2SP113TQ01, SWNNC2SP113TW01, SWNNC2SP113TW02, SWNNC2SP115TQ01, SWNNC2SP115TW01, SWNNC2SP115TW02, SWNNC2SP116TW01, SWNNC2SP116TWSS, SWNNE2SP113CW02, SWNNE2SP115CW02, SWNNX2PP113TW02, SWNNX2SP103JW01, SWNNX2SP113CW02, SWNNX2SP113JW01, SWNNX2SP113TW01, SWNNX2SP113TW02, SWNNX2SP115CW02, SWNNX2SP115TW01, SWNNX2SP115TW02, SWNNX2SP116TW01, SWNNX2SP123DW01, SWNNX2SP123MW01, SWNNX2SP303AW01, SWNNX2SP303LW01, SWNNX2SP543DW01, SWNNX2SP543NW23, SWNNX2SP543PW01, SWNNY2PP113TW01, SWNNY2SP113CW01, SWNNY2SP113TW01, SWNNY2SP115CW01, SWNNY2SP115TW01, SWNNY2SP116TW01, SWNNY2SP116TWSS, SWNNY2SP303NW22, SWNNY2SP303UW01, SWNNZ2SP113NW22, SWNWX2SP113TW02, SWNWX2SP115TW02, SWNWX2SP303BW01, SWNWX2SP113TW01 and SWNWX2SP115TW01
2	39566	Screw	
3	38769	Counterweight Assembly	
4	39249	Washer	
5	29175	Grommet	
6	205241	Pressure Bulb	
7	39282	Hose Clamp	
8	36985	Hose Clip	
9	202700	Tubing	Through Serial No. 1806000001
	203802	Tubing	Starting Serial No. 1806000001

Transmission Assembly

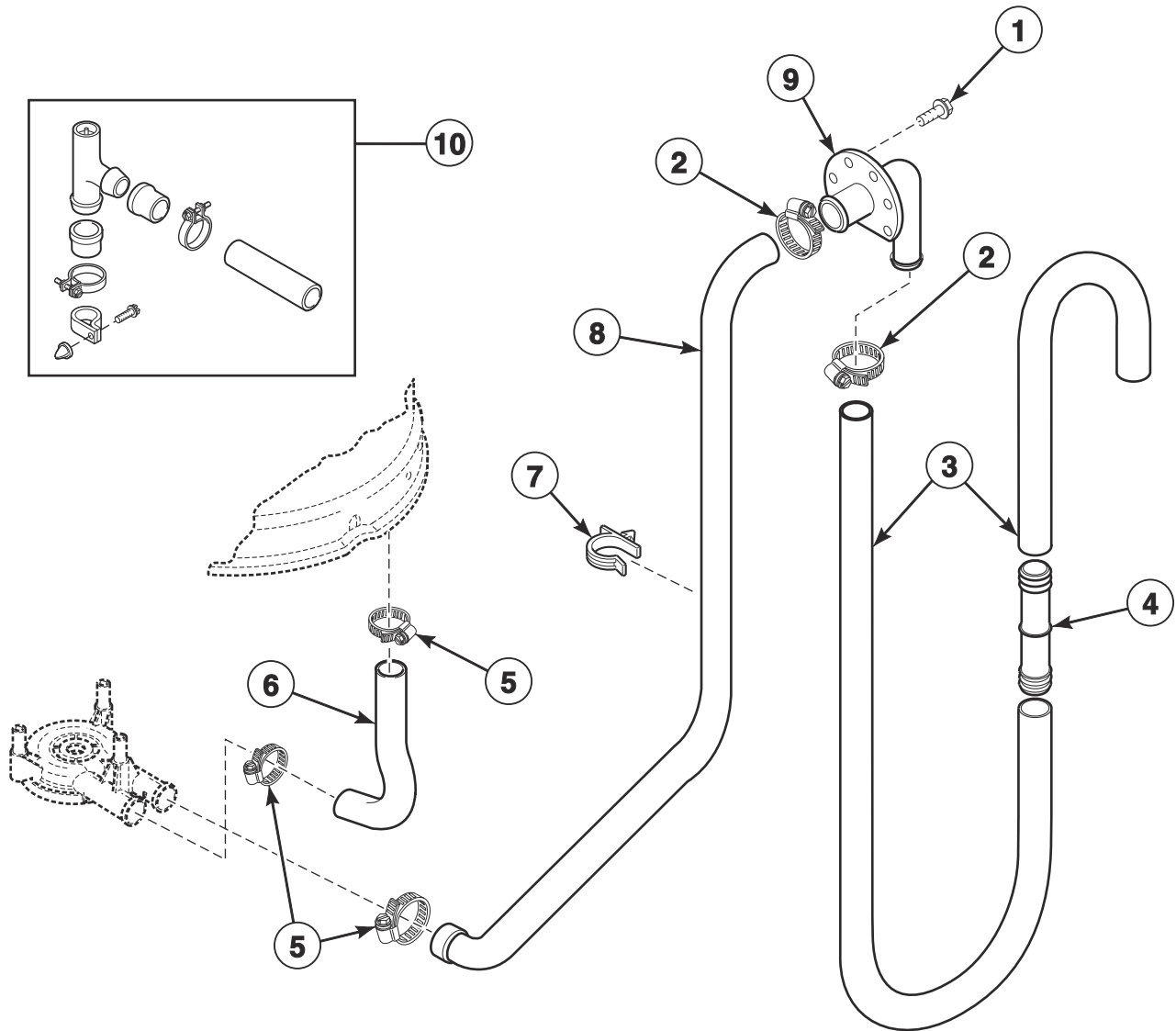


TLW1720P_203385

Transmission Assembly

REF	PART NO.	DESCRIPTION	COMMENTS
	27604P	Anti-Seize Compound	Apply to the smooth area of both the upper and lower transmission shafts
	37577P	Transmission Sealant	Use between transmission case and cover
1	36570P	Output Shaft	
2	201212	Hub Spacer	
3	RB150004	Transmission Rebuild Kit	Includes 37577P Transmission Sealant
4	27243P	Transmission Oil	1 fill
5	26577	Gear and Stud Assembly	
6	201773	Screw	
7	26509	Washer	
8	37405	Drive Pinion	
9	38268P	Input Shaft	
10	32814	Screw	
11	37471	Transmission Cover Assembly	
12	37404P	Reduction Gear	
13	29260	Washer	
14	29273	Screw	
15	38165P	Transmission Assembly	
16	26493	Slide	
17	201664	Rack	
18	27197	Retaining Ring	
19	27003	Agitator Pinion	
20	35092	Washer	
21	38864	Gear Sleeve	
22	33223P	Transmission Case Assembly	

Drain Hoses and Siphon Break Kit

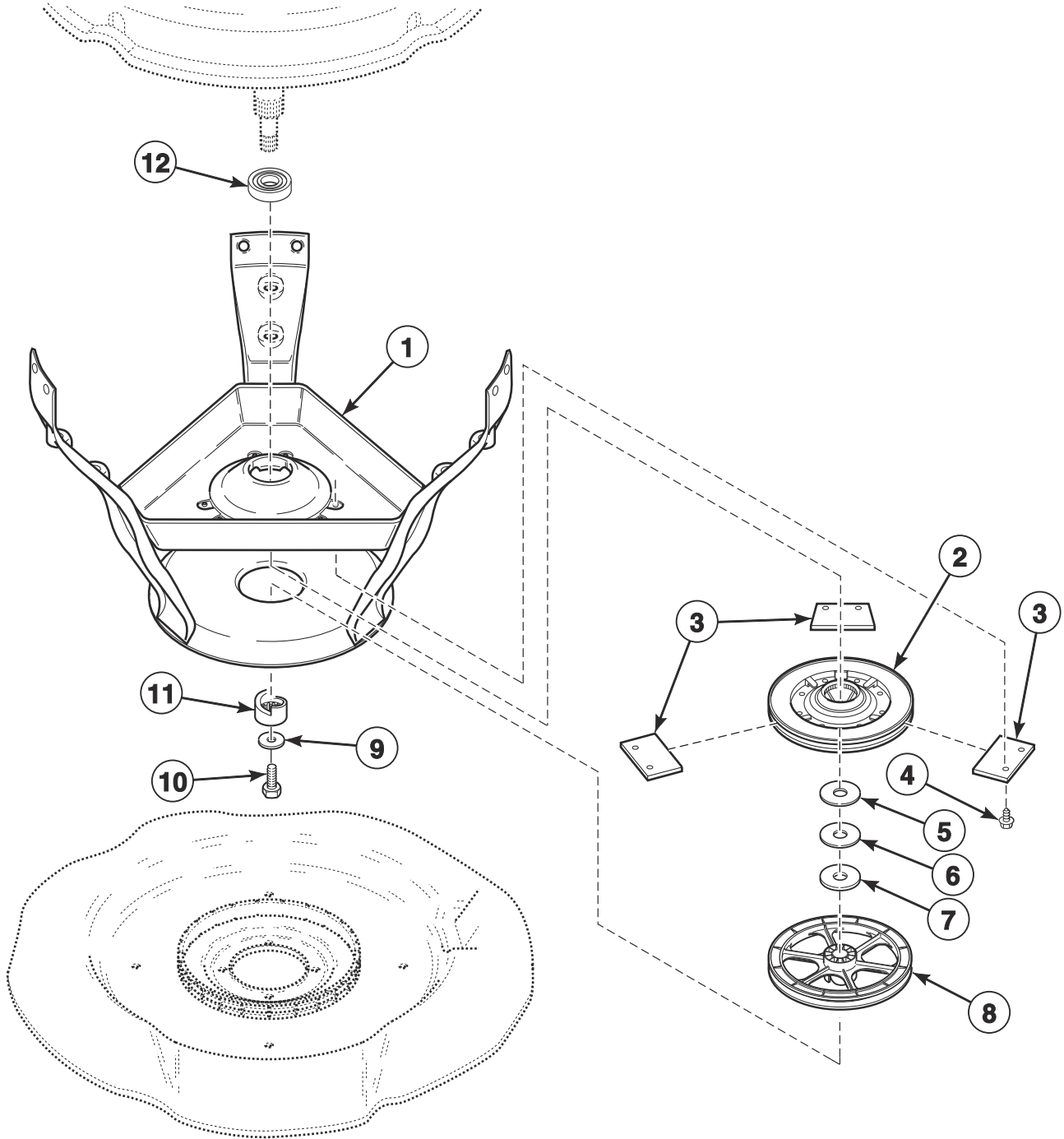


W354P_203385

Drain Hoses and Siphon Break Kit

REF	PART NO.	DESCRIPTION	COMMENTS
	451P3	Drain Extension Kit	
1	52909	Screw	
2	20211	Hose Clamp	
3	28293	Drain Hose	
4	25863	Hose Coupler	If drain hose must be shortened, cut hose between molded end and molded elbow; Use (1) 25863 Hose Coupler to splice hose
5	F200204	Hose Clamp	
6	38351	Tub-to-Pump Hose	
7	36014	Retainer Clip	
8	38273	Pump-to-Drain Elbow Hose	
9	35766	Drain Hose Elbow	Models NWNNX2SP303ZW01, SWNNX2SP303AW01, SWNNX2SP303LW01, SWNNY2SP303NW22, SWNNY2SP303UW01 and SWNWX2SP303BW01
	36990	Drain Hose Elbow	All other models
10	562P3	Siphon Break Kit	Siphon break kit must be installed in drain hose if drain receptacle is lower than cabinet top of washer

Weldment and Bearing Assembly, Brake and Pulley

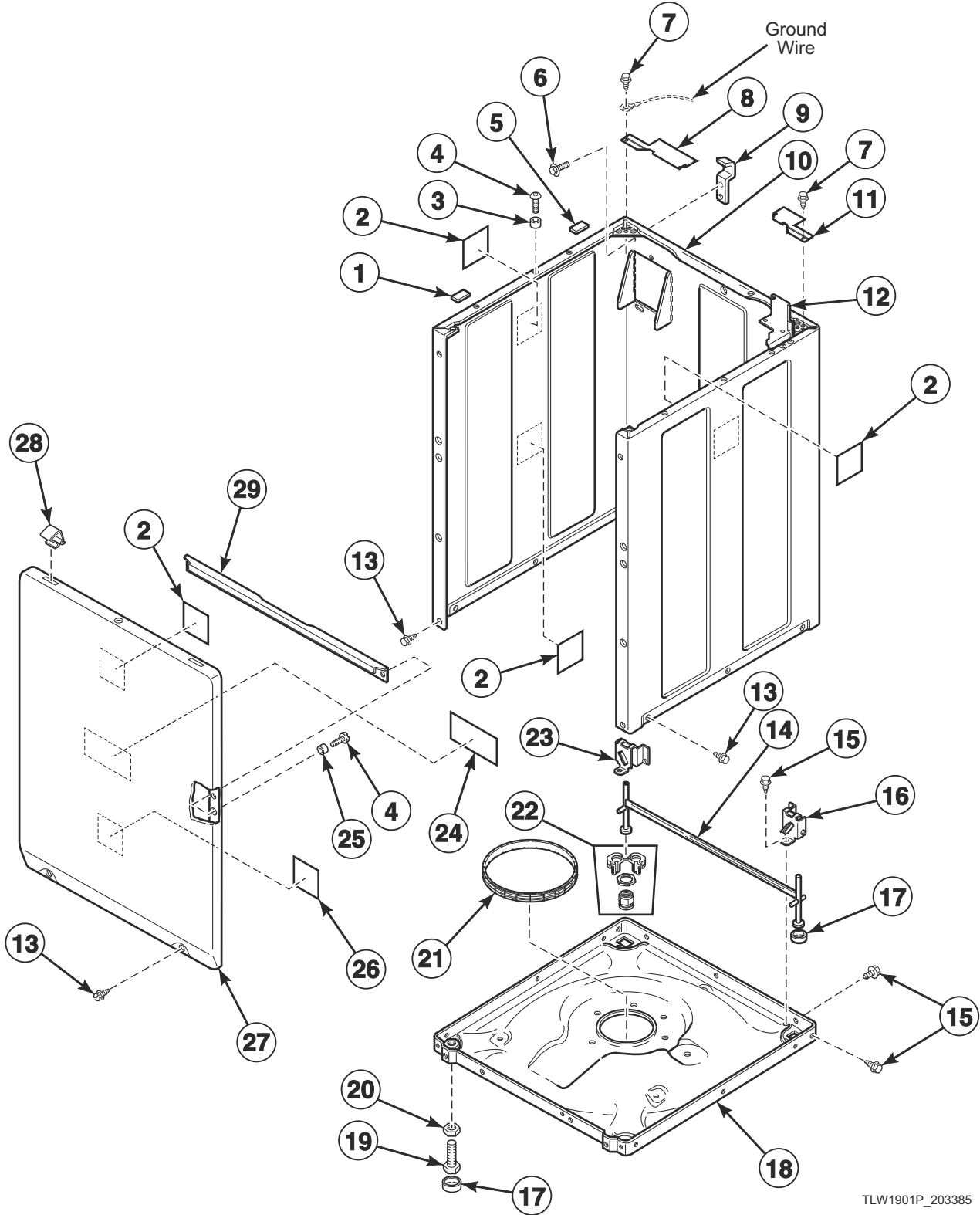


TLW1841P_203385

Weldment and Bearing Assembly, Brake and Pulley

REF	PART NO.	DESCRIPTION	COMMENTS
1	39254	Weldment and Bearing Assembly	Models HWNNE2AP113CW01, HWNNE2AP113CW04, HWNNE2HP113CW01, HWNNE2HP113CW04, HWNNE2HP115CW01, HWNNE2HP116CW01, HWNNX2HP113CW01, HWNNX2HP113CW04, HWNNX2HP115CW01, HWNNX2HP116CW01, HWNNY2HP113CW01, HWNNY2HP113CW04, HWNNY2HP116CW01, SWNNC2AP113TW01, SWNNC2AP113TW02, SWNNC2AP113TW04, SWNNC2AP113TW15, SWNNC2HP113TQ01, SWNNC2HP113TQ04, SWNNC2HP113TW01, SWNNC2HP113TW02, SWNNC2HP113TW04, SWNNC2HP113TW15, SWNNC2HP115TQ01, SWNNC2HP115TW01, SWNNC2HP115TW02, SWNNC2HP116TW01, SWNNE2HP113CW15, SWNNE2HP115CW02, SWNNX2AP113TW02, SWNNX2AP113TW15, SWNNX2HP113CW15, SWNNX2HP113TW01, SWNNX2HP113TW02, SWNNX2HP113TW04, SWNNX2HP113TW15, SWNNX2HP115CW02, SWNNX2HP115TW01, SWNNX2HP115TW02, SWNNX2HP116TW01, SWNNY2AP113TW01, SWNNY2AP113TW04, SWNNY2HP113CW04, SWNNY2HP113TW01, SWNNY2HP113TW04, SWNNY2HP115CW01, SWNNY2HP115TW01, SWNNY2HP116TW01, SWNWC2HP115TW42, SWNWX2HP113TW15, SWNWX2HP115TW02, SWNWX2HP113TW01, SWNWX2HP113TW04, SWNWX2HP113TW01, SWNWX2HP115TW01 and SWNWX2HP115TW41
	39253	Weldment and Bearing Assembly	All other models
2	38505P	Brake Kit	
3	735P3	Brake Pad Kit	Includes 3 pads
	204253	Silicone Grease	Apply small amount to each new brake pad
4	39739	Screw	
5	35535	Washer	Thin
6	27015	Washer	Thick
7	35535	Washer	For machines experiencing squeaking during agitation; Through Serial Nos. beginning 1612
	203950	Washer	Starting Serial Nos. beginning 1701
	204253	Silicone Grease	Apply small amount to washer
8	204942	Pulley	Models NWNXX2SP303ZW01, SWNNX2SP303AW01, SWNNX2SP303LW01, SWNNY2SP303NW22, SWNNY2SP303UW01 and SWNWX2SP303BW01
	204486	Pulley	All other models
9	26509	Washer	
10	27220	Screw	
11	38008	Helix	
12	28944RP	Lower Bearing	

Front Panel, Base Assembly and Cabinet Kit

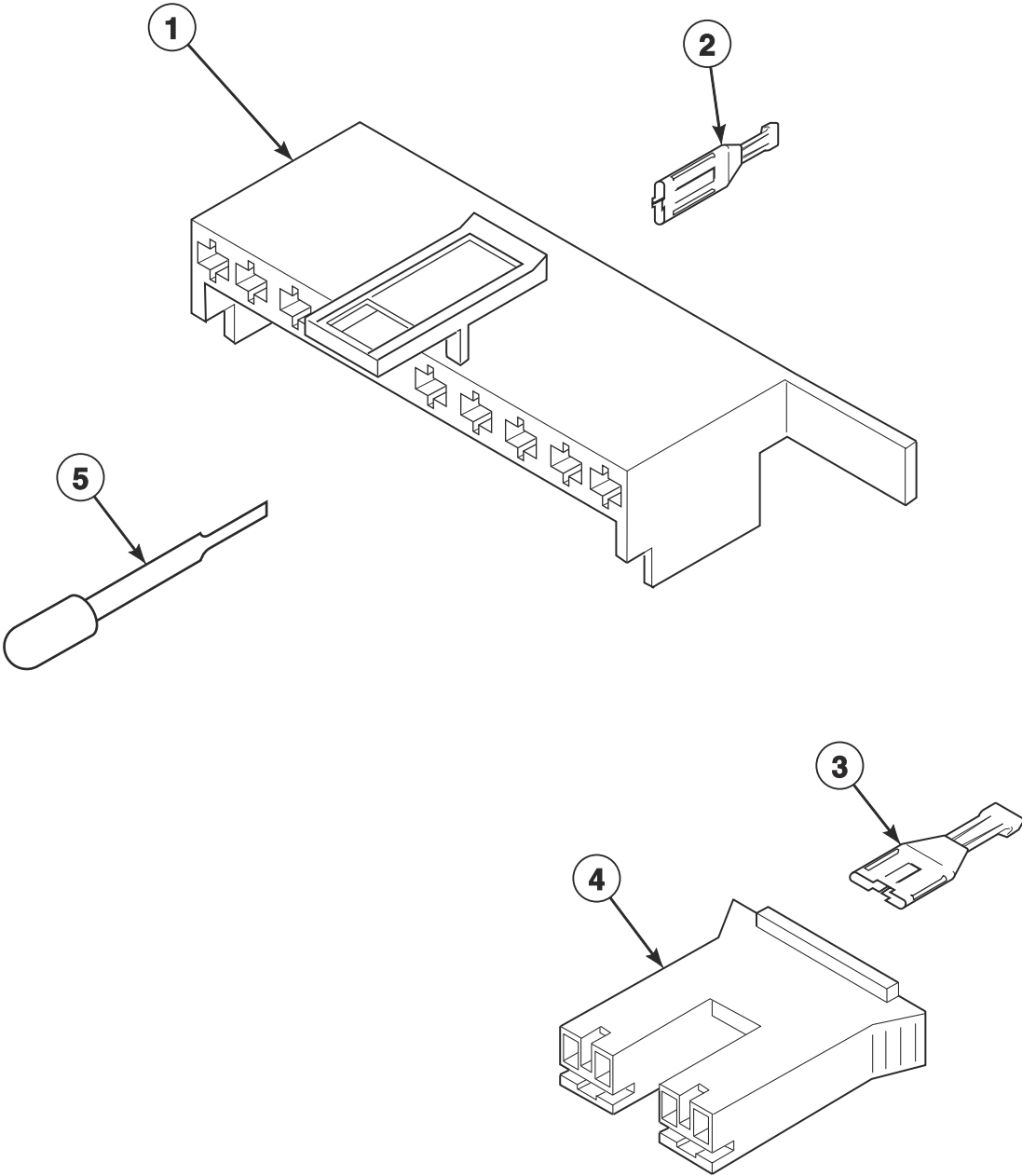


TLW1901P_203385

Front Panel, Base Assembly and Cabinet Kit

REF	PART NO.	DESCRIPTION	COMMENTS
	122P4P	Porcelain Touch-Up Paint	White
	370P4P	Porcelain Touch-Up Paint	Bisque
1	56128	Bumper Pad	
2	39480	Foam Pad	
3	56079	Panel Locator	
4	39733	Screw	
5	36226	Bumper Pad	
6	D501524	Screw	
7	D501086	Screw	
8	204245	EMI Bracket	Left; Model SWNNY2SP303UW01 starting Serial No. 2001000001
9	204155	Hold-Down Lug Hinge	
10	38612WP	Service Cabinet Kit	White
	38612QP	Service Cabinet Kit	Bisque
11	204246	EMI Bracket	Right; Model SWNNY2SP303UW01 starting Serial No. 2001000001
12	35915	Meter Case Mounting Bracket Assembly	
13	27196	Screw	Slotted hex head
	431287	Screw	Torx head
14	34443	Leg and Stabilizer Assembly	
15	35148	Screw	
16	36036	Bracket	Right
17	34318	Rubber Foot	
18	39788	Base Assembly	
19	34319	Leveling Leg	
20	21899	Nut	
21	37937	Friction Ring	
22	566P3	Adjustable Leg Extension Kit	Provides adjustment capabilities to rear self-leveling legs
23	36037	Bracket	Left
24	36204	Front Panel Pad	
25	28102	Panel Locator	
26	203484	Foam Pad	
27	204870	Front Panel	White
	38335QP	Front Panel	Bisque
28	35865	Hold-Down Clip	
29	35097	Front Panel Brace	

Mixing Valve and Motor Disconnect Blocks, Terminals and Terminal Extractor Tool

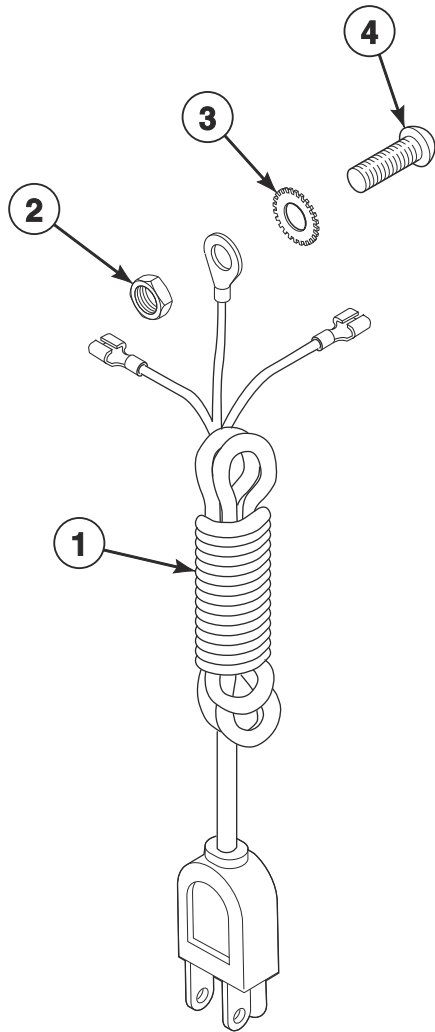


W134PZ3A_203385

Mixing Valve and Motor Disconnect Blocks, Terminals and Terminal Extractor Tool

REF	PART NO.	DESCRIPTION	COMMENTS
1	34677	10 Circuit Plug	Motor
2	00188	Female Terminal	For 1 or 2 wire application
3	00121	Female Spade Terminal	1/4 inch
4	34675	Mixing Valve Plug	Natural
	34676	Mixing Valve Plug	Red
5	283P4	Terminal Extractor Tool	

Lead-In Cord

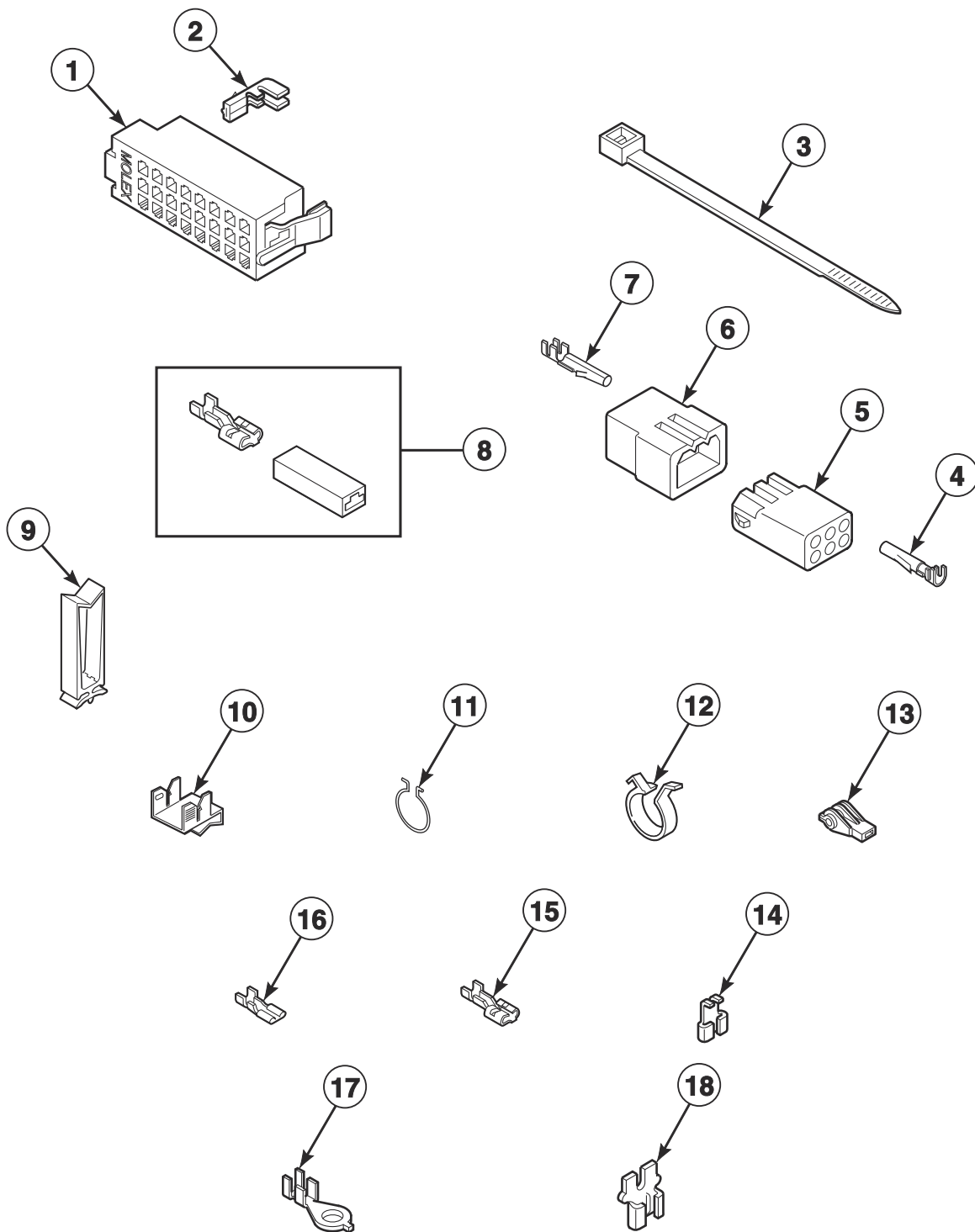


TLW1089P_203385

Lead-In Cord

REF	PART NO.	DESCRIPTION	COMMENTS
1	203106	Lead-In Cord Assembly	Models HWNNX2SP123DW01, HWNNX2SP543DW01, SWNNX2SP123MW01 and SWNNX2SP543DW01
	203309	Lead-In Cord	Models SWNNX2SP103JW01 and SWNNX2SP113JW01
	203120	Lead-In Cord	Model SWNNX2SP303AW01
	203344	Lead-In Cord	Model SWNNX2SP543NW23
	203121	Lead-In Cord	Models NWNNX2SP303ZW01 and SWNNX2SP543PW01
	203412	Lead-In Cord	Model SWNNY2SP303NW22
	203208	Lead-In Cord	Model SWNNY2SP303UW01
	203315	Lead-In Cord	Model SWNNX2SP303LW01
	205335	Lead-In Cord	Model SWNWX2SP303BW01
	203122	Lead-In Cord	Model SWNNX2SP123DW01
	202777	Lead-In Cord	All other models
2	03673	Nut	
3	21735	Washer	
4	20267	Screw	

Terminals

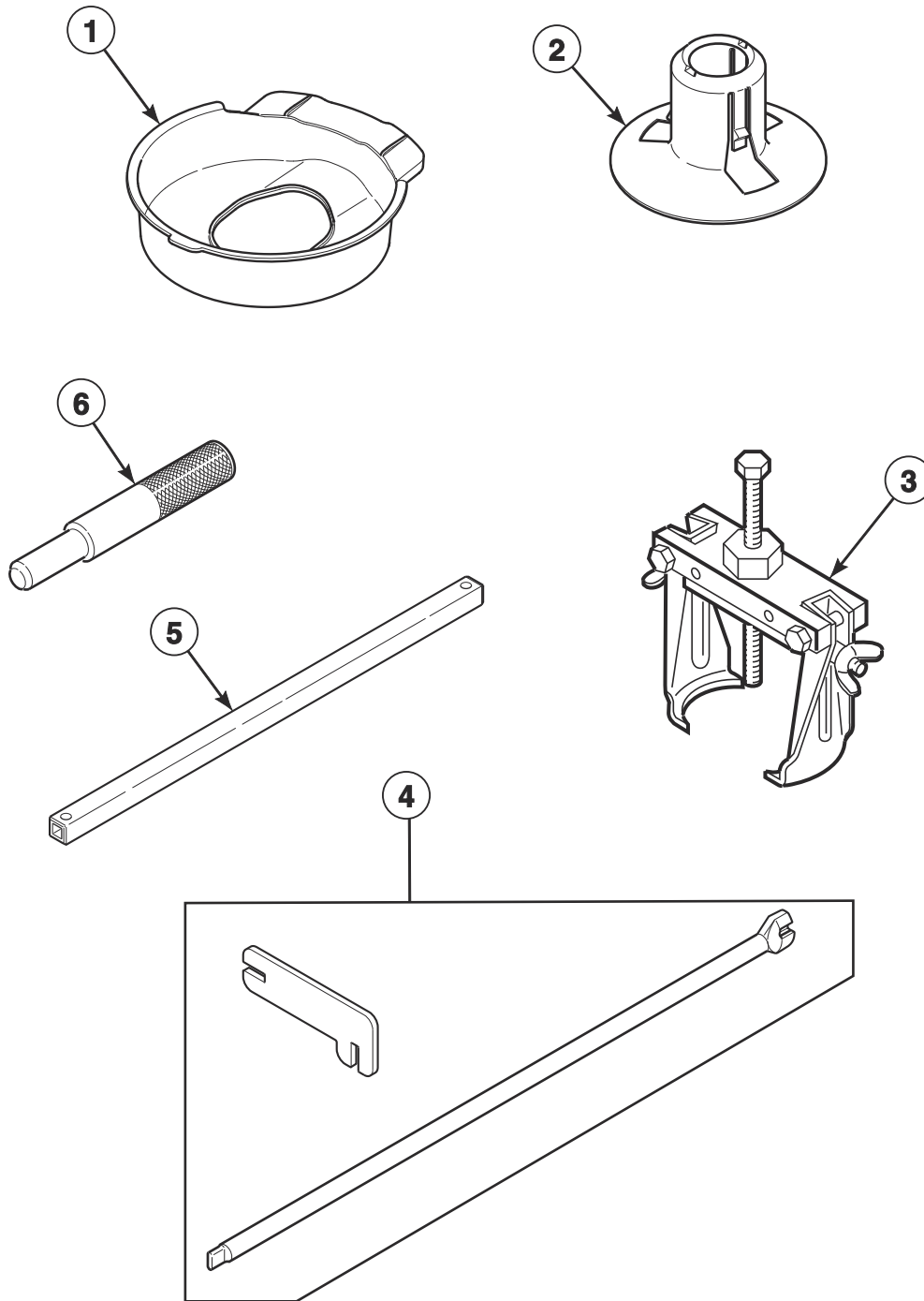


TLW1769P_203385

Terminals

REF	PART NO.	DESCRIPTION	COMMENTS
1	32746	24 Position Housing	Right; Black
	34123	24 Position Housing	Left; White
2	00188	Female Terminal	Used for 1 or 2 wire application
	00568SG	Terminal	
3	55881	Harness Strap	4 inches
4	00117	Female Pin Terminal	
	00574SG	Female Pin Terminal	
5	26708	6 Circuit Receptacle	
6	23041	6 Circuit Plug	
7	00577	Terminal Tab	
8	00359	Insulated Female Spade Terminal	
9	70296701	Wire Tie	
10	00350	Grounding Clip	
	00569SG	Terminal Grounding Clip	
11	51291	Wire Clip	
12	D504034	Wire Clip	
13	70210	Insulator	
14	00120	Female Flag Terminal	
15	00223	Female Spade Terminal	Large spade
16	00112	Female Spade Terminal	Small spade
17	00319	Ring Terminal	Small shank
18	F140562	Connector	

Shipping Materials and Special Tools

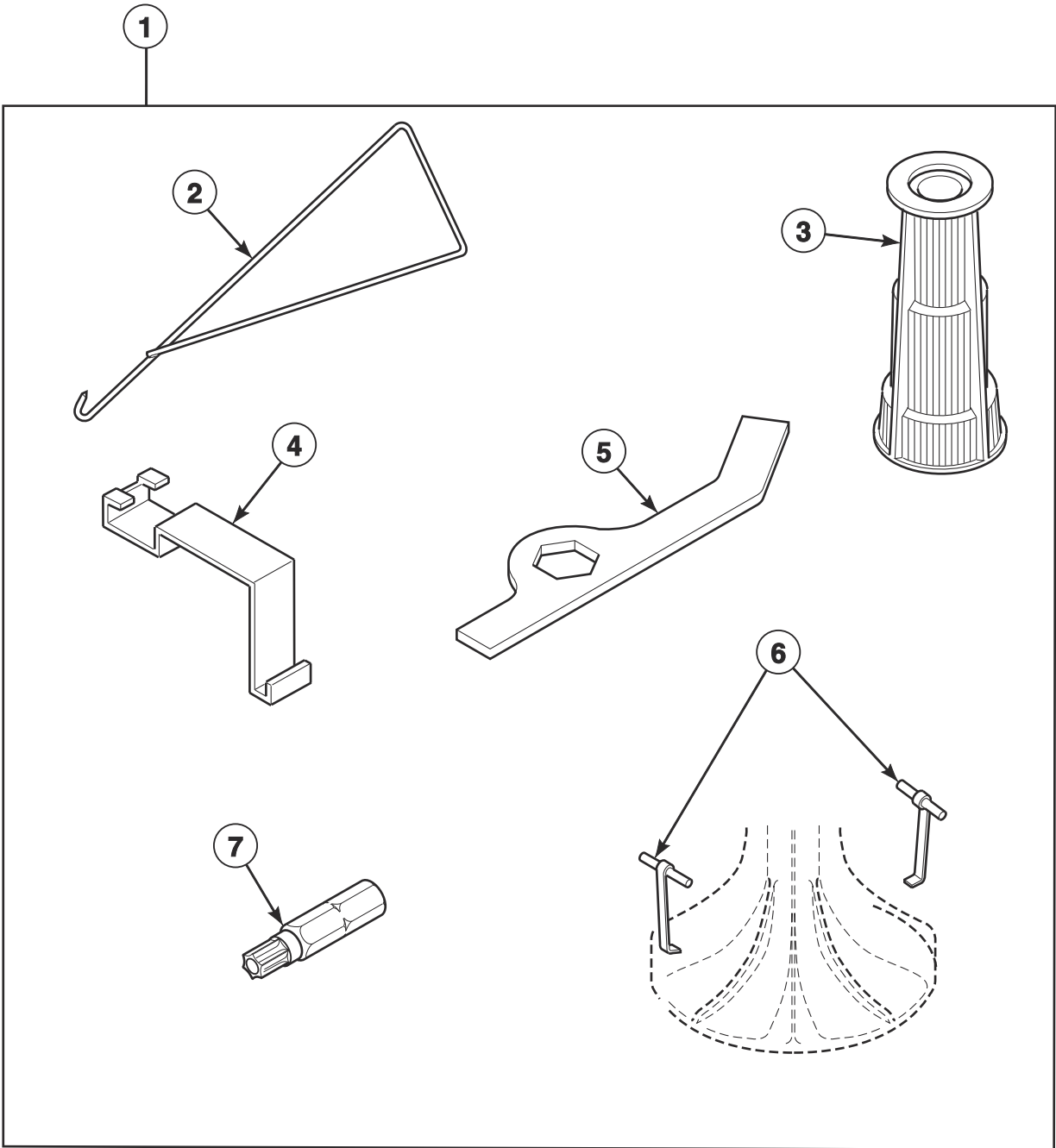


TLW1834P_203385

Shipping Materials and Special Tools

REF	PART NO.	DESCRIPTION	COMMENTS
1	203517	Shipping Brace	Install whenever moving washer; Remove before use
2	38149	Shipping Plug	Install whenever moving washer; Remove before use
3	294P4	Agitator Drive Bell Puller	For removal and installation of drive bell to transmission shaft
4	CK096	Mounting Tool Kit	Use to install and remove electronic coin drops
5	310P4	Ratchet Extension Tool	1/4 inch; Use to install and remove non-electronic coin drops
6	305P4	Transmission Pin Tool	Use pin tools in place of dowel pins when reassembling transmission cover and case; 2 required

Special Tools

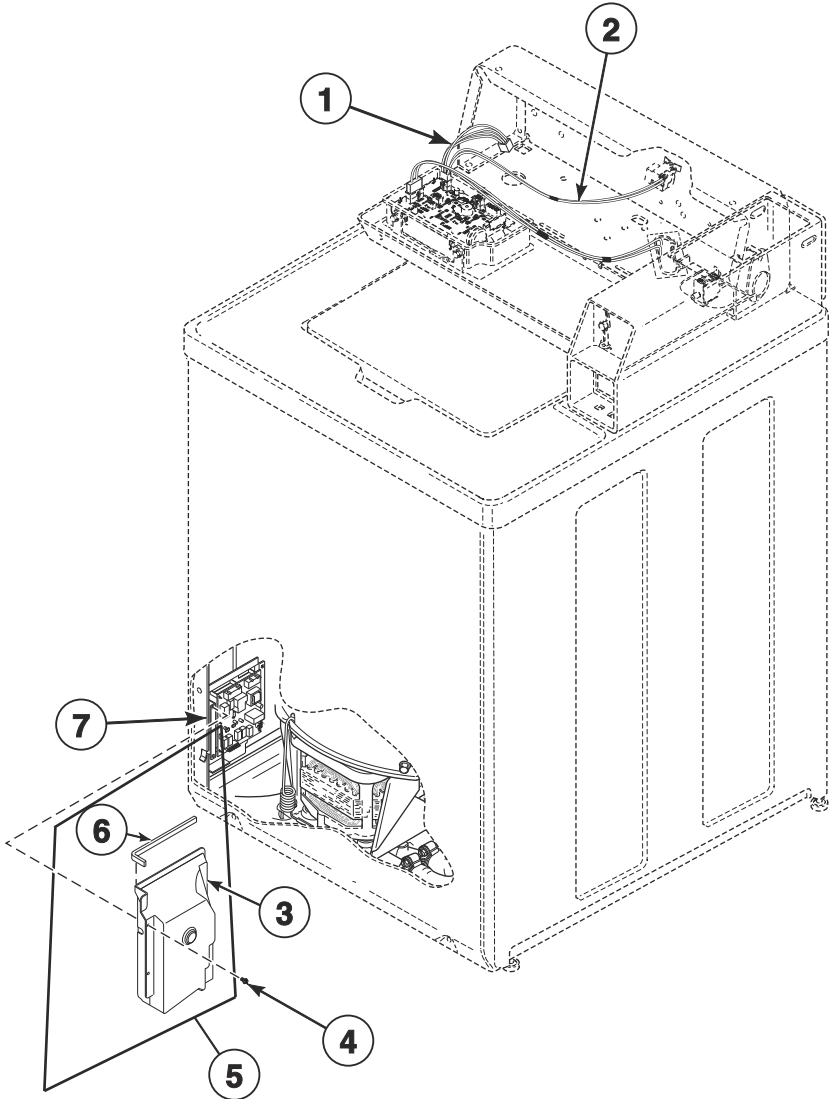


TLW1818P_203385

Special Tools

REF	PART NO.	DESCRIPTION	COMMENTS
	392P4	Wrench	
1	725P3	Tool Kit	Includes items 2-7
2	321P4	Spring Hook Tool	For removal of centering springs from outer tub
3	293P4	Drive Bell Seal Tool	For installation of 36426 Bell and Transmission Tube Seal
4	273P4	Tub Cover Removal Tool	Use to install 38359 Tub Cover Gasket in outer tub cover
5	306P4	Hex Wrench Tool	For removal of locknut from washtub hub
6	254P4P	Agitator Hook	Use to remove agitator from drive bell; Set of 2
7	281P4	Torx Bit	T15; For removal and installation of control hood security screws
	282P4	Torx Bit	T25; For removal and installation of front panel security screws

Output Board, Wire Harnesses and Wires



TLW1770P_203385

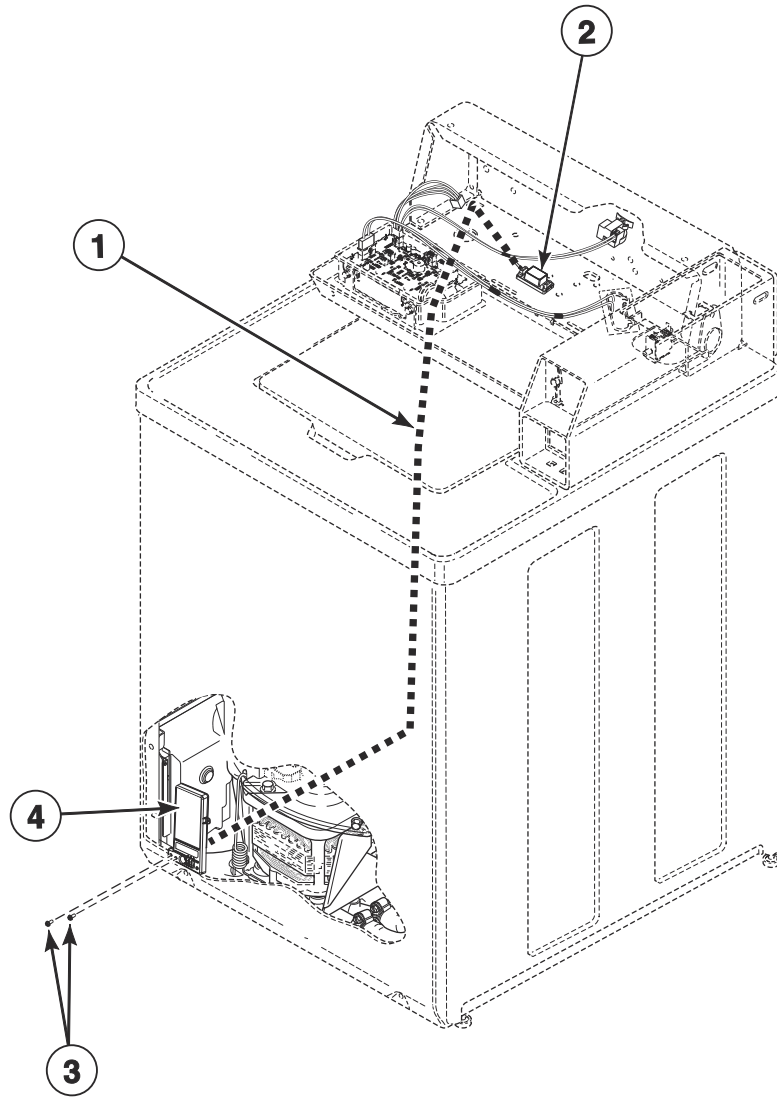
Output Board, Wire Harnesses and Wires

REF	PART NO.	DESCRIPTION	COMMENTS
	45001	18 Gauge Wire	Black; Order wire by foot and terminals as required
	45380	12 Gauge Wire	Orange; Order wire by foot and terminals as required
1	203079	Wire Harness Assembly	Models HWNNX2SP123DW01, HWNNX2SP543DW01, SWNNX2SP113JW01, SWNNX2SP123DW01, SWNNX2SP123MW01, SWNNX2SP543DW01 and SWNNX2SP543PW01 through Serial No. 1912999999
	203472	Control Harness	Model SWNNY2SP303UW01 through Serial No. 1912999999
	204713	Control Harness	Models HWNNX2SP123DW01, HWNNX2SP543DW01, NWNNX2SP303ZW01, SWNNX2SP103JW01, SWNNX2SP113JW01, SWNNX2SP123DW01, SWNNX2SP543DW01 and SWNNX2SP543PW01 starting Serial No. 2001000001
	204710	Control Harness	Models SWNNX2SP543NW23, SWNNY2SP303NW22 and SWNNZ2SP113NW22 starting Serial No. 2001000001; All other models through Serial No. 1912999999
	204711	Control Harness	Models NWNNX2SP303ZW01, SWNNX2SP303AW01, SWNNX2SP303LW01 and SWNWX2SP303BW01 through Serial No. 1912999999; Models SWNNX2SP303AW01, SWNNX2SP303LW01 and SWNWX2SP303BW01 starting Serial No. 2001000001
	204795	Control Harness	Model SWNNY2SP303UW01 starting Serial No. 2001000001
	204714	Control Harness	All other models starting Serial No. 2001000001
2	204913	Pressure Sensor Harness	Models HWNNE2HP116CW01, HWNNE2SP116CW01, HWNNX2HP116CW01, HWNNX2SP116CW01, HWNNX2SP116CWSS, HWNNY2HP116CW01, HWNNY2SP116CW01, HWNNY2SP116CWSS, SWNNC2HP116TW01, SWNNC2SP116TW01, SWNNC2SP116TWSS, SWNNX2HP116TW01, SWNNX2SP116TW01, SWNNY2HP116TW01, SWNNY2SP116TW01 and SWNNY2SP116TWSS
	804432	Pressure Sensor Harness	All other models
3	202939	Output Control Shield	
4	804667	Screw	
5	202965	Shield Assembly	Includes items 3 and 6
6	202964	Output Board Cover Gasket	
7	202508P	Output Board Control Assembly	Through Serial No. 1912999999
	204782	Output Board Control Assembly	Model SWNNY2SP303UW01 starting Serial No. 2001000001
	204783	Output Board Control Assembly	All other models starting Serial No. 2001000001

NOTE: Individual wires are not available separately. Order complete harness, or order wire by the foot. When applying terminals to wires, it is recommended that the terminals be soldered to the wires.

Sound Sensor

Models HWNNX2SP116CWSS, HWNNY2SP116CWSS, SWNNC2SP116TWSS and SWNNY2SP116TWSS



TLW1907P

Sound Sensor

REF	PART NO.	DESCRIPTION	COMMENTS
	205466	Tape	Double sided
1	205451	Control Harness	
2	205428	Power Supply Assembly	Use with 205466 tape
3	203799	Screw	
4	205574	Sound Sensor	

Parts Index

A

Adjustable Leg Extension Kit	
566P3	63
Agitate and Spin Belt	
200923	49
38174	49
Agitator	
33174	51
Agitator Cap	
36515	51
Agitator Drive Bell Puller	
294P4	71
Agitator Hook	
254P4P	73
Agitator Pinion	
27003	57
Anti-Seize Compound	
27604P	57

B

Balance Ring Assembly	
39837	51
Base Assembly	
39788	63
Bell and Transmission Tube Seal	
36425	51
Bell Plug	
36511	51
Belt and Pump Kit	
RB150003	49
Bolt	
203798	5, 7
32184	37
Bracket	
202083	35
36036	63
36037	63
Brake Kit	
38505P	61
Brake Pad Kit	
735P3	61
Bumper	
M400795	13, 15, 17, 19, 21, 23, 25, 27, 29, 31
21685	33, 37
Bumper Pad	
36226	63
56128	63
Bushing	
33446	33, 37

C

Cable Tie	
804724	23, 29

Capacitor	
203140	49
203141	49
37377	49
Capacitor and Clamp Kit	
39259P	49
Capacitor Clamp	
37535	49
Central Pay Harness	
805427	13, 15, 17, 19, 21, 23, 25, 27, 29, 31
Clip	
201572	11
Coin Box Extension Kit	
803578P	5
Coin Drop	
38963P	9
70441601P	9
70441603	9
Coin Drop Assembly	
CK114	9
38462P	9
38463	9
38464P	9
38467	9
38472	9
38519	9
38521	9
70441602	9
70447301	9
70482401	9
Coin Drop Kit	
CK090	9
CK123	9
Coin Identification Paper	
38725	5, 11
Connector	
F140562	69
Control Assembly	
203564P	13, 17, 21, 23, 25, 29, 31
205309	15, 19, 27
Control Harness	
203472	75
204710	75
204711	75
204713	75
204714	75
204795	75
205451	77
Control Hood	
210142W	25, 27, 29, 31
37075Q	13, 15, 17, 19
37075W	13, 15, 17, 19, 21, 23
Control Overlay	
202951	25, 31
202952	13, 17, 23
202973	25
203076	13, 23
203994	13, 17, 21
203996	25, 31
203997	13
203998	25
204900	17, 23
204988	23, 31

N/A items do not appear in index.

205062	15, 19
205082	27
205083	15
205084	27
Control Panel Assembly	
205117W	15, 19
205120W	15
205124W	27
210042Q	13, 17
210042W	13, 17, 21, 23
210137W	25, 29, 31
Control Panel Bumper	
202469	13, 15, 17, 19, 21, 23, 25, 27, 29, 31
Counterweight Assembly	
38769	55
Cover Plate	
37828P	37

D

Disconnect Power Warning Label	
D505281	33
Door Lock Spacer	
201414	37
Drain Extension Kit	
451P3	59
Drain Hose	
28293	59
Drain Hose Elbow	
35766	59
36990	59
Drive Bell and Seal Kit	
39508P	51
Drive Bell Seal Tool	
293P4	73
Drive Pinion	
37405	57
Dual Coin Harness Assembly	
202871	9, 11
204915	9
806827	9, 11
Dual Overlay	
39073	5

E

Electronic Coin Drop Assembly	
70294104	11
70294107	11
70294109	11
70294110	11
70294111	11
70294120	11
70294121	11
70294122	11
70513302	11
70513306	11
Electronic Coin Drop Kit	
CK099	11
CK100	11
CK101	11
CK103	11
CK106	11

CK108	11
CK109	11
CK110	11
CK113	11
CK115	11
CK120	11
CK121	11
Electronic Control Shield	
D501441	31
EMI Bracket	
204245	63
204246	63
End Cap	
210108W	25, 27, 29, 31
210109W	25, 27, 29, 31
Ethernet Gateway Kit	
NK320	13, 17, 21, 23, 25, 29, 31

F

Female Flag Terminal	
00120	69
Female Pin Terminal	
00117	69
00574SG	69
Female Spade Terminal	
00112	69
00121	65
00223	69
Female Terminal	
00188	65, 69
Fill Hose	
203718	45
203719	45
203720	45
203750	45
204102	45
204103	45
Foam Pad	
203484	63
39480	63
Friction Ring	
37937	63
Front Panel	
204296W	7
204870	63
38335QP	63
Front Panel Brace	
35097	63
Front Panel Pad	
36204	63

G

Gateway	
205391P	15
Gear and Stud Assembly	
26577	57
Gear Sleeve	
38864	57
Grease	
36765P	51

N/A items do not appear in index.

Grommet	
29175	55
80262	23, 29, 35, 37
Grounding Clip	
00350	69

H

Harness	
203244	25, 29
804832	17, 19, 21, 25, 27, 31
Harness Strap	
55881	69
Helix	
38008	61
Hex Wrench Tool	
306P4	73
Hinge Gasket	
34338	33, 37
Hold-Down Clip	
35865	63
Hold-Down Lug Hinge	
204155	63
Hood Back Panel	
202465	13, 15, 17, 19, 21, 23
Hose Clamp	
F200204	59
20211	59
36801	41, 43
39282	55
Hose Clip	
36985	55
Hose Coupler	
25863	59
Housing, 24 Position	
32746	69
34123	69
Hub and Lip Seal Kit	
766P3A	51, 53
Hub Spacer	
201212	57

I

Idler Lever	
38011	47
Idler Lever and Belt Kit	
202972	47
Idler Lever Kit	
959P3	47
Idler Lever Spring	
201189	47
202032	47
Idler Pulley	
38225P	47
Idler Shaft	
210186	47
Inlet Cover	
202894	35
Inlet Deflector	
203509	35

Input Shaft	
38268P	57
Insulated Female Spade Terminal	
00359	69
Insulator	
70210	69
Isolator Assembly	
204062	49

J

Junction Box	
203068	23, 29

K

Key	
54612	7

L

Lead-In Cord	
202777	67
203120	67
203121	67
203122	67
203208	67
203309	67
203315	67
203344	67
203412	67
205335	67
Lead-In Cord Assembly	
203106	67
Leg and Stabilizer Assembly	
34443	63
Leg Plate	
27926	53
Leg Spring	
201521	55
37575	55
37576	55
Leveling Leg	
34319	63
Lid	
200892WP	37
204615W	33
Lid Hinge	
36437	33, 37
36438	33, 37
Lid Lock	
202434	37
Lid Lock Catch Assembly	
201307P	37
Lid Lock Gasket	
30378	37
Lid Lock Kit	
837P3	37
Lid Switch Drip Shield	
204538	39

N/A items do not appear in index.

Lid Switch Kit	
204696	39
Lid Switch Shield	
202697	39
Lid Warning Label	
203045	33, 37
Line Filter	
804864	23, 29
Lock Assembly	
804339P	7
Lower Bearing	
28944RP	61

M

Machine ID Control Assembly	
203361P	13, 17, 21, 23, 25, 29, 31
Male Tab Terminal	
00177	49
Meter Case Assembly	
202877Q	5
202877W	5
204597W	7
205123W	5
807406W	5
Meter Case Assembly Kit	
807401W	5
Meter Case Bracket Gasket	
35526	5, 7
Meter Case Gasket	
205265	5
26354	5, 7
Meter Case Lockdown Bracket	
35525	5, 7
Meter Case Locking Bracket Kit	
204616	5, 7
Meter Case Mounting Bracket Assembly	
35915	63
Mixing Valve	
202396P	43
203144P	41
203145P	43
203741	43
203742	43
203927	41
203928	43
205547P	41, 43
Mixing Valve Mounting Bracket	
203558	41, 43
204117	41, 43
Mixing Valve Plug	
34675	65
34676	65
Mixing Valve Screen	
24122	41, 43
Mixing Valve Shield	
202899	41, 43
Motor Assembly	
202544P	47
202960	47
202961	47
202971	47
Motor Drip Shield	
203053	49

N/A items do not appear in index.

Motor Kit	
38034P	47
Motor Mount	
204449	49
Motor Mount and Isolator Assembly	
204063	49
Motor Mount Bracket	
200941	49
Motor Shield	
34754	47
Mounting Tool Kit	
CK096	71

N

Network Controller Kit	
NK220	13, 17, 23, 25, 29
Network Retrofit Kit	
203328	13, 17, 23, 25, 29
Nut	
M400979	39
M400981	39
03673	67
201216	11
21899	63
22001	37
27222	35, 37
28803	47
29220	51
29786	5, 7, 9
29787	23, 29
35423	49
36020	35, 37
44087101	13, 15, 17, 19, 21, 23
52566	47
802337	5, 7

O

Operation Instruction Label	
203152	5, 7
Opto Coupler	
200674P	9
Outer Tub Assembly	
203603P	53
203604P	53
Output Board Control Assembly	
202508P	75
204782	75
204783	75
Output Board Cover Gasket	
202964	75
Output Control Shield	
202939	75
Output Shaft	
36570P	57
Overlay	
201091	11
203245	29
Overlay Kit	
38676	5

P

Panel Locator	
28102	63
56079	63
Pinch Warning Label	
F8615701	53
Plug, 10 Circuit	
34677	65
Plug, 6 Circuit	
23041	69
Porcelain Touch-Up Paint	
122P4P	63
370P4P	63
Power Supply Assembly	
205428	77
Pressure Bulb	
205241	55
Pressure Sensor	
203843	13, 15, 17, 19, 21, 23, 25, 27, 29, 31
Pressure Sensor Harness	
204913	75
804432	75
Pulley	
204486	61
204942	61
Pump	
205217P	49
Pump Assembly Kit	
205218P	49
Pump-to-Drain Elbow Hose	
38273	59

R

Rack	
201664	57
Ratchet Extension Tool	
310P4	71
Rear Panel	
210143	25, 27, 29, 31
Receptacle, 6 Circuit	
26708	69
Reduction Gear	
37404P	57
Retainer Clip	
36014	59
Retaining Ring	
23748	47
27197	57
Ring Terminal	
00319	69
Rubber Foot	
34318	63

S

Screw	
D501086	13, 15, 17, 19, 21, 23, 25, 27, 29, 31, 63
D501524	63

D503661	13, 15, 17, 19, 21, 23, 25, 27, 29, 31
D503673	5, 7, 33, 37
M402574	39
02916	13, 15, 17, 19, 21, 23
201415	37
201773	57
202623	37
20267	67
203799	77
204656	39
20530	49
23008	35, 37
23222	13, 15, 17, 19, 21, 23
23962	35, 39
27196	63
27202	51
27220	61
27229	47
29273	57
31645	47, 49
32814	57
33562	41, 43
34337	33, 37
35148	63
35369	49, 53
35528	13, 15, 17, 19, 21, 23
36048	5, 7
39397	41, 43
39432	51
39566	55
39733	63
39739	61
431287	35, 37, 63
52864	13, 15, 17, 19, 21, 23, 25, 27, 29, 31
52909	33, 37, 49, 59
8002588	23, 29
804608	13, 15, 17, 19, 21, 23, 25, 27, 29, 31
804667	75

Sealant	
200996P	51, 53
Serial Pay Control Assembly	
807714	19, 27
Serial Pay Harness	
F8713906	19, 27
Service Cabinet Kit	
38612QP	63
38612WP	63
Service Door Assembly	
39874QP	5, 7
39874WP	5, 7
Shield Assembly	
202965	75
Shipping Brace	
203517	71
Shipping Plug	
38149	71
Shock Warning Label	
F8614201	33, 53
Silicone Grease	
204253	61
Single Coin Harness Assembly	
202870	9
204914	9
806826	9
Single Overlay	
38717	5

N/A items do not appear in index.

Siphon Break Kit 562P3	59
Slide 26493	57
Sound Sensor 205574	77
Spline Insert 29728	51
Spring Clip 210202	49
Spring Hook Tool 321P4	73
Strain Relief 38384	35
Support Barrel 56534	35, 37
Switch D512973	5
70529301	5
Switch Mounting Plate 29676	37

T

Tape 205466	77
Terminal 00568SG	69
Terminal Extractor Tool 283P4	65
Terminal Grounding Clip 00569SG	69
Terminal Tab 00577	69
Tool Kit 725P3	73
Top 203316W	37
39167QP	35
39167WP	35
Top Assembly 210173WP	35
Top Shield 203947	35
39744	37
Torx Bit 281P4	73
282P4	73
Transformer 202757	17, 19, 21, 25, 27, 31
204380	25, 29
Transformer Kit 203423	13, 15, 17, 19, 21, 23
203424	17, 23
Transmission Assembly 38165P	57
Transmission Case Assembly 33223P	57
Transmission Cover Assembly 37471	57
Transmission Oil 27243P	57

Transmission Pin Tool 305P4	71
Transmission Rebuild Kit RB150004	57
Transmission Sealant 37577P	57
Tub Assembly 204429P	51
Tub Cover Assembly 202461	53
205300	53
Tub Cover Gasket 38359	53
Tub Cover Removal Tool 273P4	73
Tub Kit 203882P	51
Tube 202333	47
Tubing 202700	55
203802	55
Tub-to-Pump Hose 38351	59

U

USB Gateway Kit NK330	13, 17, 21, 23, 25, 29, 31
--------------------------------	----------------------------

V

Valve to Inlet Hose 202884	41, 43
204400	41, 43

W

Warning Label D500049	53
D500314	53
D500316	33
Washer D504082	47
M400017	13, 15, 17, 19, 21, 23
20290	45
203950	61
21735	67
26509	57, 61
27015	61
28094	51
29260	57
35092	57
35535	61
37772	49
39249	35, 37, 55
52549	47
802254	45
803615	45
81392	47
Washtub Gasket 39122	51

N/A items do not appear in index.

Washtub Kit	
719P3	51
Weldment and Bearing Assembly	
39253	61
39254	61
Wire Clip	
D504034	69
51291	69
Wire Guard	
201595P	9
Wire Harness Assembly	
203079	75
Wire Tie	
70296701	69
Wireless Network Board Harness	
F8536002	21, 31
Wireless Network Control Assembly	
203532	21, 31
807211	21, 31
Wireless Network Harness	
F8674006	21, 31
Wireless Network Kit	
204689	13, 15, 17, 19, 23, 25, 27, 29
Wire, 12 Gauge	
45380	75
Wire, 18 Gauge	
45001	75
Wiring Harness Assembly	
202869	17, 25, 29, 31
204916	27
Wrench	
392P4	73
