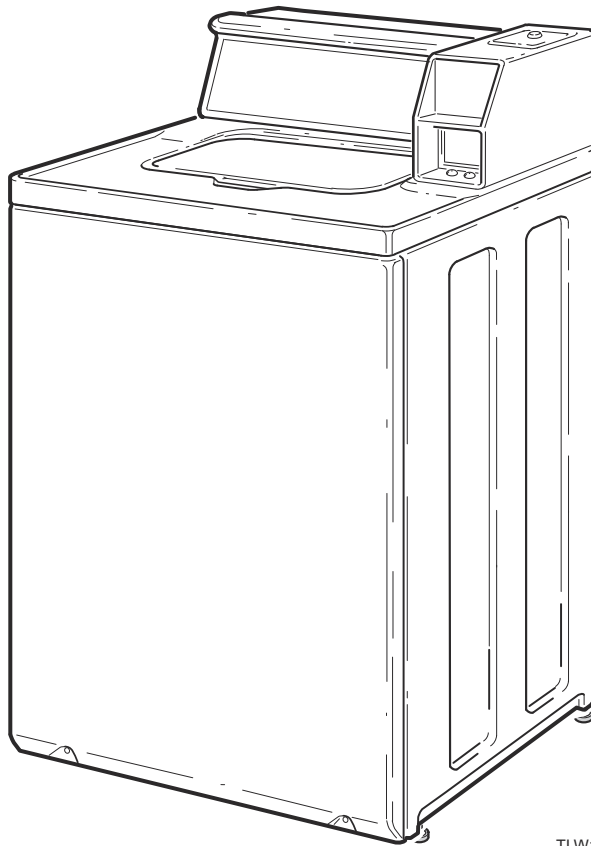


Commercial Topload Washers

Metered and Nonmetered
Refer to Page 3 for Model Numbers



TLW13C_204515

Table of Contents

Title	Page
Parts Ordering Information.....	2
Serial Plate Location	2
Model Identification	3
Meter Case Assembly	4
Non-Electronic Coin Drop	6
Electronic Coin Drop	8
Control Panel, Control Hood and Controls (Drawing 1 of 4)	10
Control Panel, Control Hood and Controls (Drawing 2 of 4)	12
Control Panel, Control Hood and Controls (Drawing 3 of 4)	14
Control Panel, Control Hood and Controls (Drawing 4 of 4)	16
Lid and Cabinet Top.....	18
Lid Switch Assembly	20
Mixing Valve and Valve-to-Inlet Hose	22
Fill Hose	24
Motor, Belt, Pump and Idler Assembly.....	26
Agitator, Drive Bell, Hub and Lip Seal Kit and Washtub	28
Outer Tub, Cover, Bearing and Seal Housing and Counterweight	30
Transmission Assembly	32
Drain Hoses and Siphon Break Kit	34
Weldment and Bearing Assembly, Brake and Pulley.....	36
Front Panel, Base Assembly and Cabinet Kit.....	38
Mixing Valve and Motor Disconnect Blocks, Terminals and Terminal Extractor Tool	40
Lead-In Cord	42
Terminals	44
Shipping Materials and Special Tools	46
Special Tools	48
Output Board, Wire Harnesses and Wires	50
Parts Index.....	53

© Copyright 2023, Alliance Laundry Systems LLC

All rights reserved. No part of the contents of this book may be reproduced or transmitted in any form or by any means without the expressed written consent of the publisher.

Parts Ordering Information

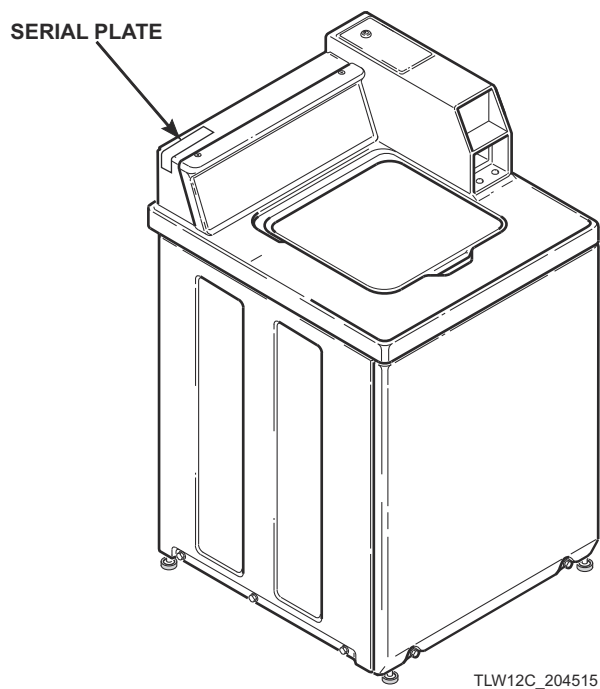
If literature or replacement parts are required, contact the source from whom the machine was purchased or contact Alliance Laundry Systems at (920) 748-3950 for the name and address of the nearest authorized parts distributor.

For technical assistance, call the number listed below:

(920) 748-3121 Ripon, Wisconsin

Serial Plate Location

When calling or writing about your product, be sure to mention model and serial numbers. Model and serial numbers are located on serial plate(s) as shown.



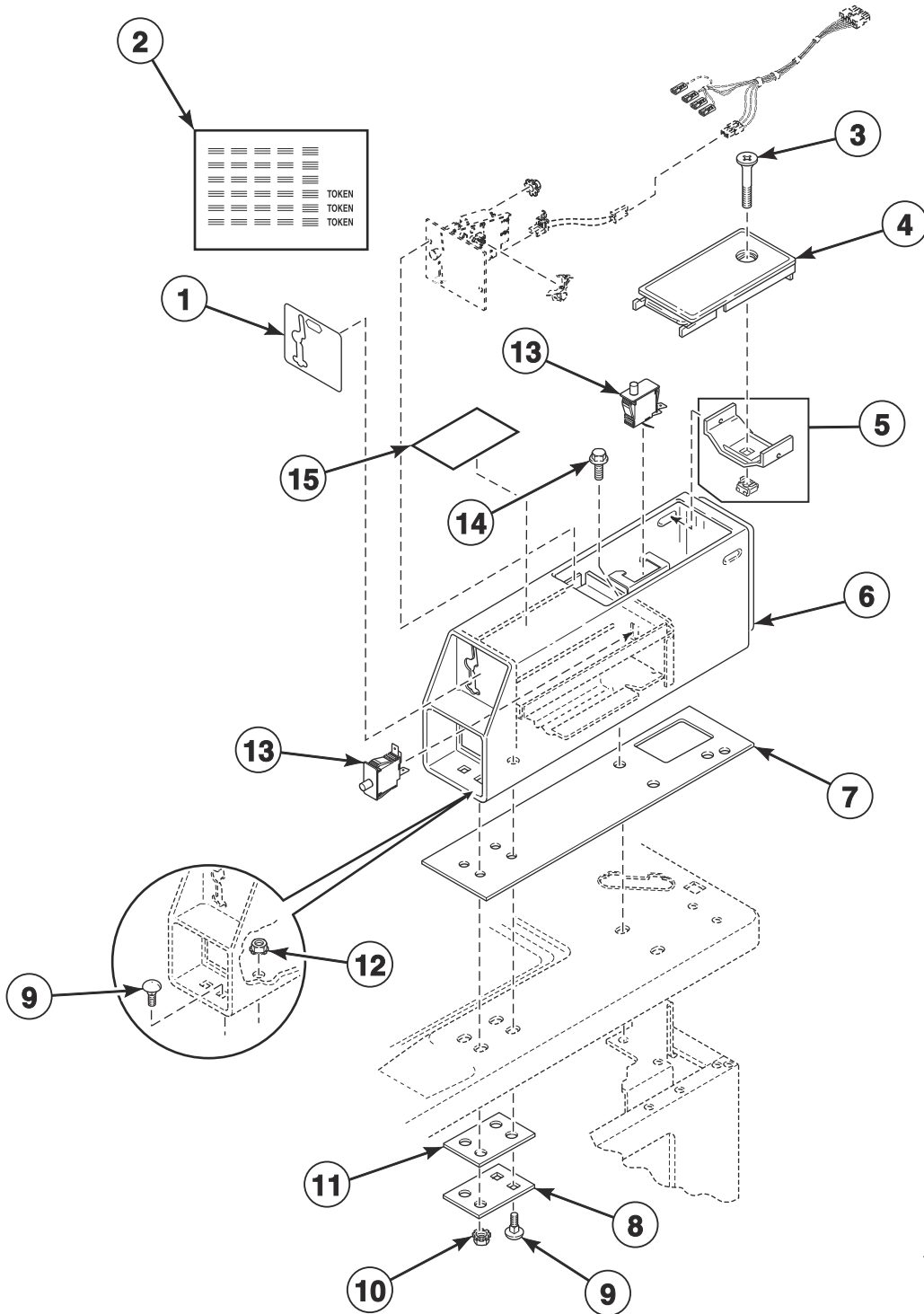
Model Identification

Information in this manual is applicable to these washer models:

SWNDC2HP113TW02
SWNDC2HP115TW02
SWNDC2SP113TW01
SWNDC2SP113TW02
SWNDC2SP115TW02
SWNDX2HP113TW02
SWNDX2HP115TW02
SWNDX2SP113TW02
SWNDX2SP115TW02
SWNDY2HP115TW01
SWNDY2SP115TW01
SWNYC2HP115TW02
SWNYC2SP115TW02
SWNYE2HP115CW02
SWNYE2SP115CW02
SWNYX2SP115CW02
SWNYY2HP115CW01
SWNYY2HP115TW01
SWNYY2SP115CW01
SWNYY2SP115TW01

Meter Case Assembly

Models SWNDC2HP113TW02, SWNDC2HP115TW02, SWNDC2SP113TW01, SWNDC2SP113TW02, SWNDC2SP115TW02, SWNDX2HP113TW02, SWNDX2HP115TW02, SWNDX2SP113TW02, SWNDX2SP115TW02, SWNYC2HP115TW02, SWNYC2SP115TW02, SWNYE2HP115CW02, SWNYE2SP115CW02 and SWNYX2SP115CW02



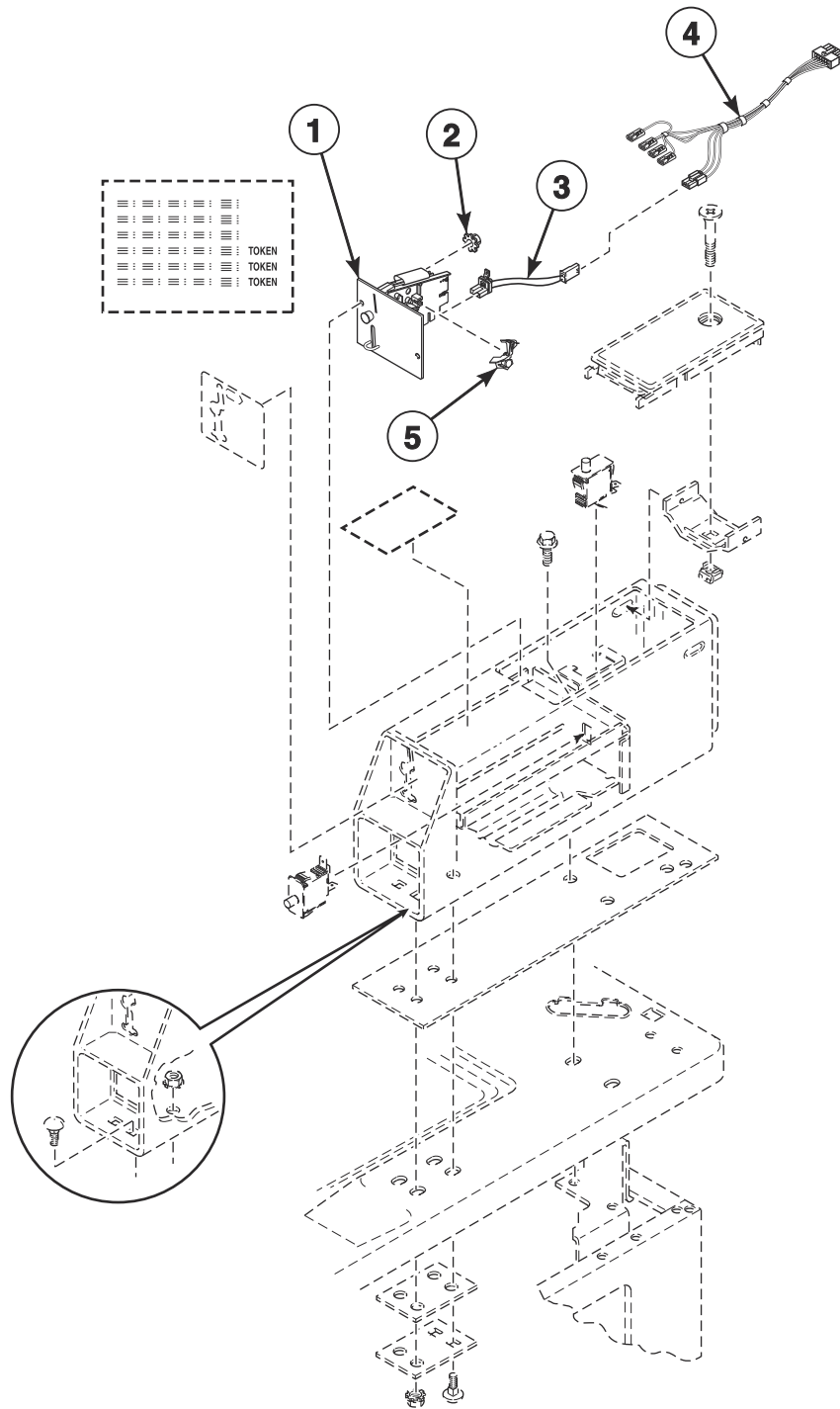
TLW1741P_204515

Meter Case Assembly

REF	PART NO.	DESCRIPTION	COMMENTS
1	38717	Single Overlay	\$.25
	38676	Overlay Kit	Dual; Includes item 2
	39073	Dual Overlay	\$.25 and \$1.00
2	38725	Coin Identification Paper	
3	D503673	Screw	
4	39874WP	Service Door Assembly	
5	204616	Meter Case Locking Bracket Kit	
6	803050W	Meter Case Assembly	Models SWNYE2HP115CW02 and SWNYE2SP115CW02
	807401W	Meter Case Assembly Kit	All other models
	803578P	Coin Box Extension Kit	Use with 803063W Meter Case Assembly to extend shorter 7 inch coin boxes; All other models
7	26354	Meter Case Gasket	
8	35525	Meter Case Lockdown Bracket	
9	203798	Bolt	
10	29786	Nut	
11	35526	Meter Case Bracket Gasket	
12	802337	Nut	
13	D512973	Switch	
14	36048	Screw	
15	203152	Operation Instruction Label	

Non-Electronic Coin Drop

Models SWNDC2HP113TW02, SWNDC2HP115TW02, SWNDC2SP113TW01, SWNDC2SP113TW02, SWNDC2SP115TW02, SWNDX2HP113TW02, SWNDX2HP115TW02, SWNDX2SP113TW02, SWNDX2SP115TW02, SWNYC2HP115TW02, SWNYC2SP115TW02, SWNYE2HP115CW02, SWNYE2SP115CW02 and SWNYX2SP115CW02



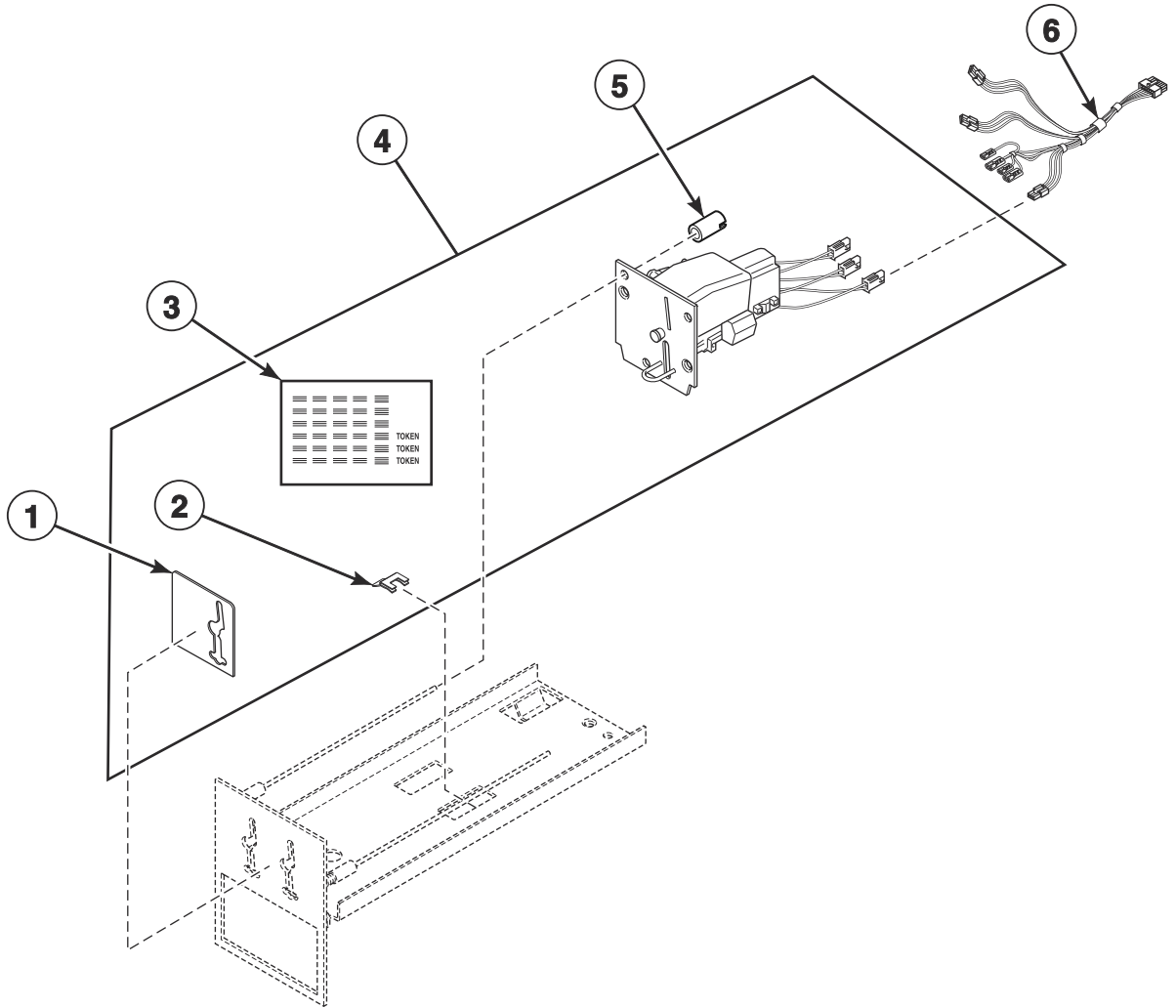
TLW1741PA_204515

Non-Electronic Coin Drop

REF	PART NO.	DESCRIPTION	COMMENTS
1	70441601P	Coin Drop	Single; U.S.A.; \$.25
	70441603	Coin Drop	Dual; U.S.A.; \$.25 and \$1.00
	38464P	Coin Drop Assembly	Single; Canada; .25
	70441602	Coin Drop Assembly	Dual; Canada; .25 and 1.00
	38462P	Coin Drop Assembly	Single; Token; STD-118-1
	38463	Coin Drop Assembly	Single; Token; STD 118-5
	38963P	Coin Drop	Single; Token 118-16 not available; Replacement for 38963P Coin Drop only
2	29786	Nut	
3	200674P	Opto Coupler	
4	202870	Single Coin Harness Assembly	
5	201595P	Wire Guard	Anti-stringing security device

Electronic Coin Drop

Models SWNDC2HP113TW02, SWNDC2HP115TW02, SWNDC2SP113TW01, SWNDC2SP113TW02, SWNDC2SP115TW02, SWNDX2HP113TW02, SWNDX2HP115TW02, SWNDX2SP113TW02, SWNDX2SP115TW02, SWNYC2HP115TW02, SWNYC2SP115TW02, SWNYE2HP115CW02, SWNYE2SP115CW02 and SWNYX2SP115CW02



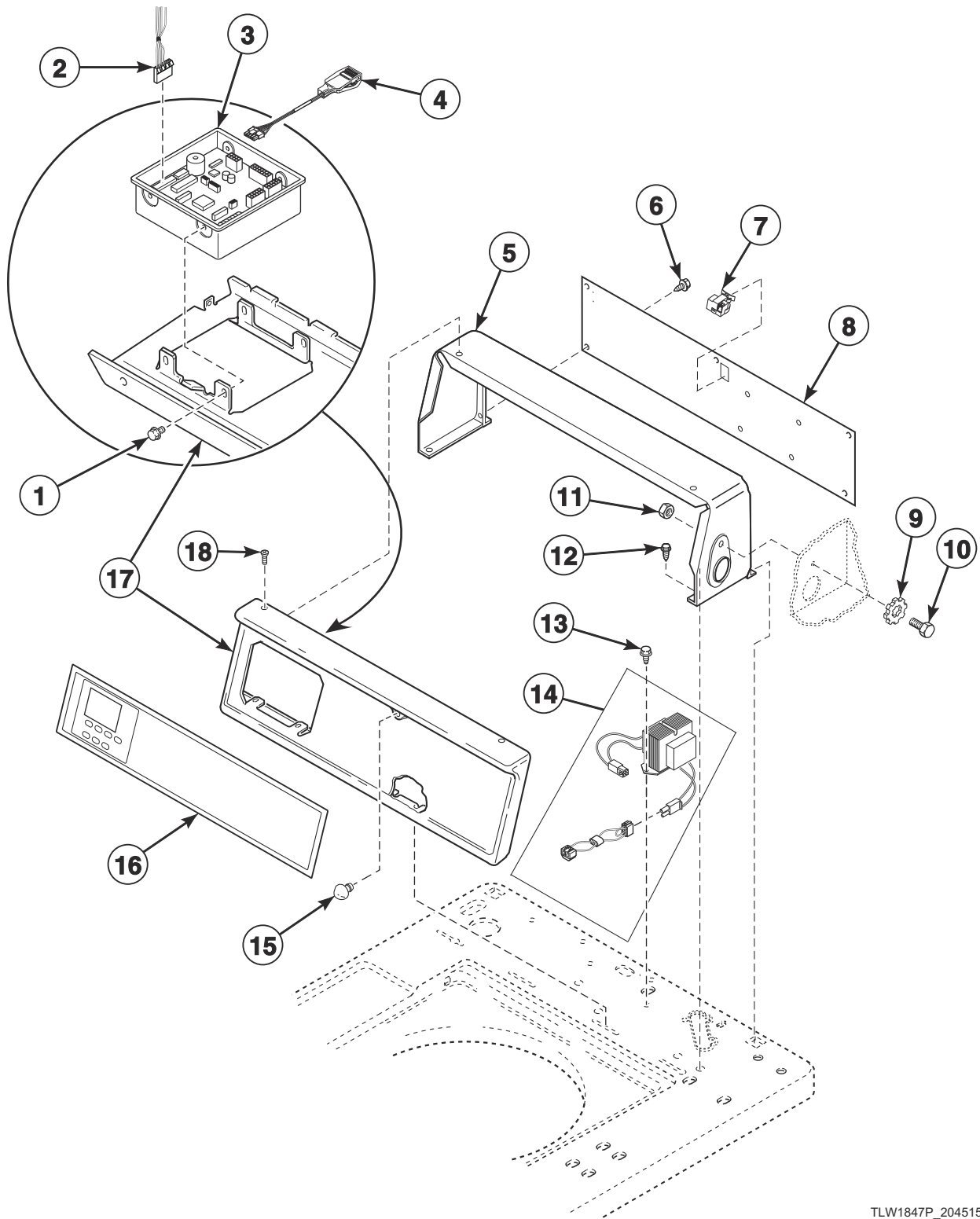
FLW1769P_204515

Electronic Coin Drop

REF	PART NO.	DESCRIPTION	COMMENTS
1	201091	Overlay	
2	201572	Clip	
3	38725	Coin Identification Paper	
4	CK115	Electronic Coin Drop Kit	Includes items 1-3, 5 and 6; United States and Canada coins; Must also order 203423 Transformer Kit
5	201216	Nut	
6	202871	Dual Coin Harness Assembly	

Control Panel, Control Hood and Controls (Drawing 1 of 4)

Models SWNDC2HP113TW02, SWNDC2HP115TW02, SWNDC2SP113TW01, SWNDC2SP113TW02, SWNDC2SP115TW02, SWNDX2HP113TW02, SWNDX2HP115TW02, SWNDX2SP113TW02 and SWNDX2SP115TW02



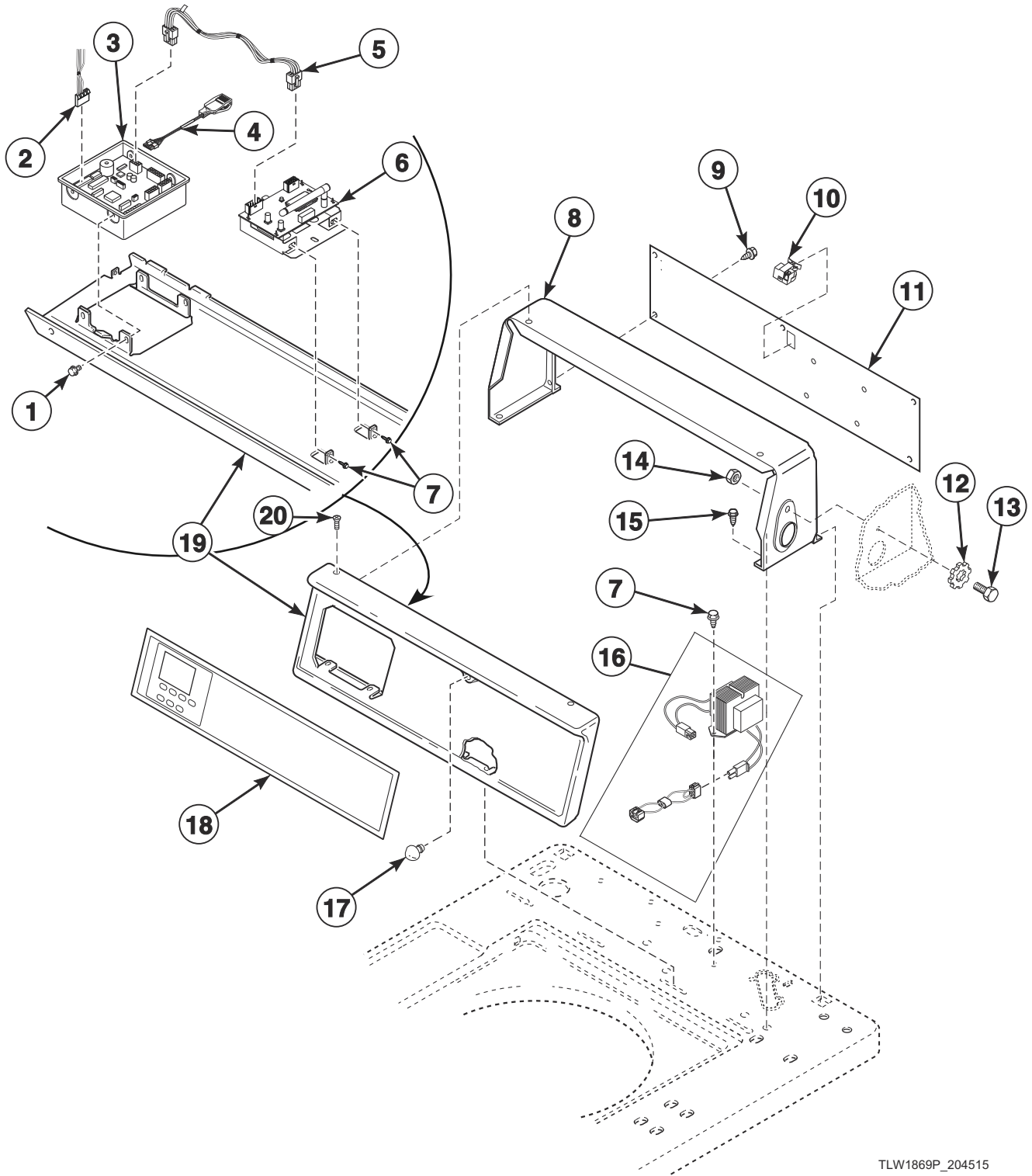
TLW1847P_204515

Control Panel, Control Hood and Controls (Drawing 1 of 4)

REF	PART NO.	DESCRIPTION	COMMENTS
	NK320	Ethernet Gateway Kit	Wireless
	NK330	USB Gateway Kit	Wireless
1	804608	Screw	
2	805427	Central Pay Harness	
3	203746	Control Assembly	
4	203361P	Machine ID Control Assembly	Model or serial number is required when ordering
5	37075W	Control Hood	White
6	23222	Screw	
7	203843	Pressure Sensor	
8	202465	Hood Back Panel	
9	M400017	Washer	
10	02916	Screw	
11	44087101	Nut	
12	D501086	Screw	
13	D503661	Screw	
14	203423	Transformer Kit	120 Volt
15	202469	Control Panel Bumper	
	M400795	Bumper	Extra thick
16	204521	Control Overlay	
17	203355W	Control Panel Assembly	White
18	52864	Screw	Phillips head
	35528	Screw	Torx head

Control Panel, Control Hood and Controls (Drawing 2 of 4)

Models SWNYC2HP115TW02, SWNYC2SP115TW02, SWNYE2HP115CW02, SWNYE2SP115CW02 and SWNYX2SP115CW02



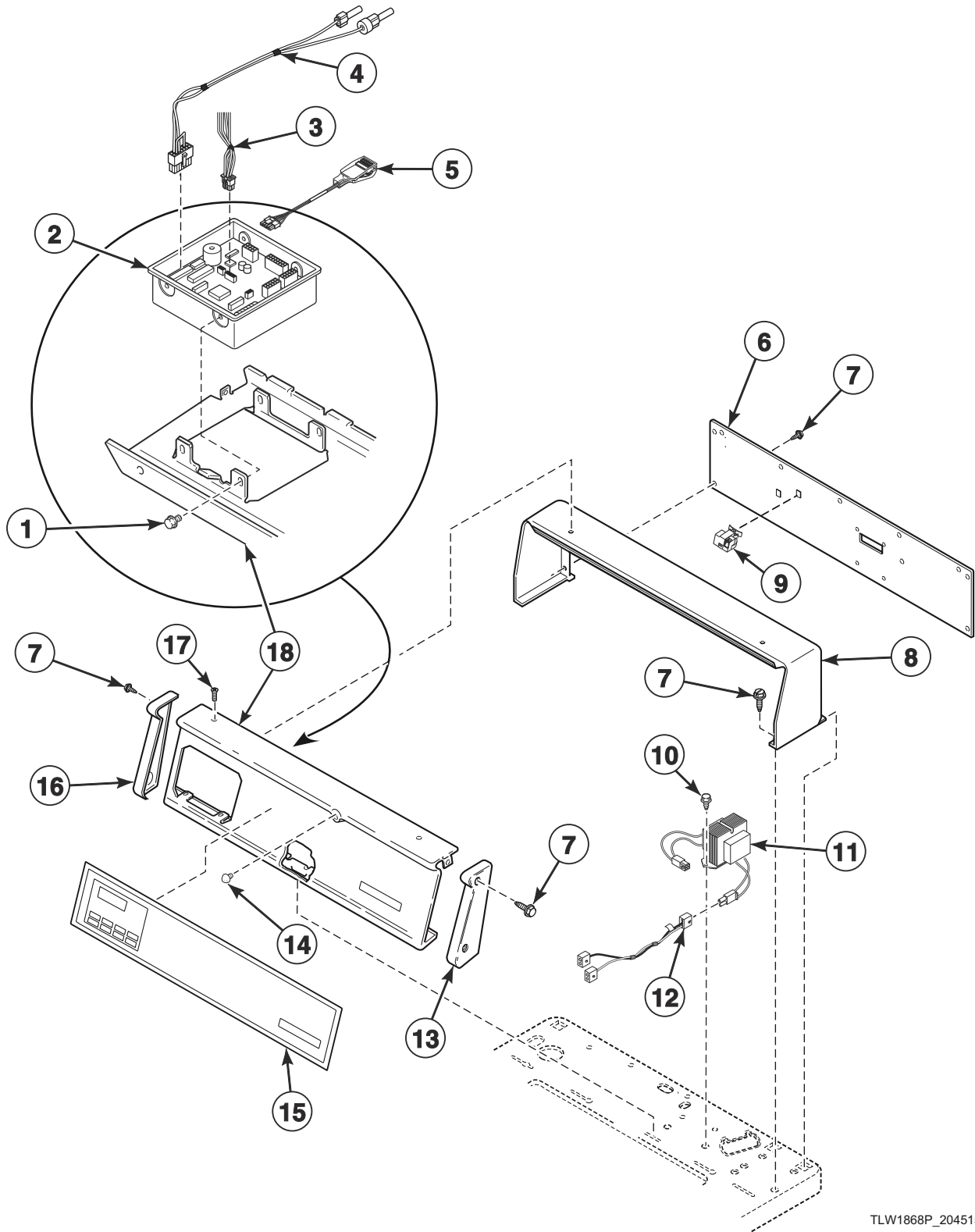
TLW1869P_204515

Control Panel, Control Hood and Controls (Drawing 2 of 4)

REF	PART NO.	DESCRIPTION	COMMENTS
	203328	Network Retrofit Kit	Wired
	NK220	Network Controller Kit	Wired
	204689	Wireless Network Kit	
	NK320	Ethernet Gateway Kit	Wireless
	NK330	USB Gateway Kit	Wireless
1	804608	Screw	
2	805427	Central Pay Harness	
3	203746	Control Assembly	
4	203361P	Machine ID Control Assembly	Model or serial number is required when ordering
5	F8536002	Wireless Network Board Harness	Through Serial No. 1902000001
	F8674006	Wireless Network Harness	Starting Serial No. 1902000001
6	203532	Wireless Network Control Assembly	Through Serial No. 1902000001
	807211	Wireless Network Control Assembly	Starting Serial No. 1902000001
7	D503661	Screw	
8	37075W	Control Hood	White
9	23222	Screw	
10	203843	Pressure Sensor	
11	202465	Hood Back Panel	
12	M400017	Washer	
13	02916	Screw	
14	44087101	Nut	
15	D501086	Screw	
16	203423	Transformer Kit	120 Volt
17	202469	Control Panel Bumper	
	M400795	Bumper	Extra thick
18	204521	Control Overlay	
19	203355W	Control Panel Assembly	White
20	52864	Screw	Phillips head
	35528	Screw	Torx head

Control Panel, Control Hood and Controls (Drawing 3 of 4)

Models SWNDY2HP115TW01 and SWNDY2SP115TW01



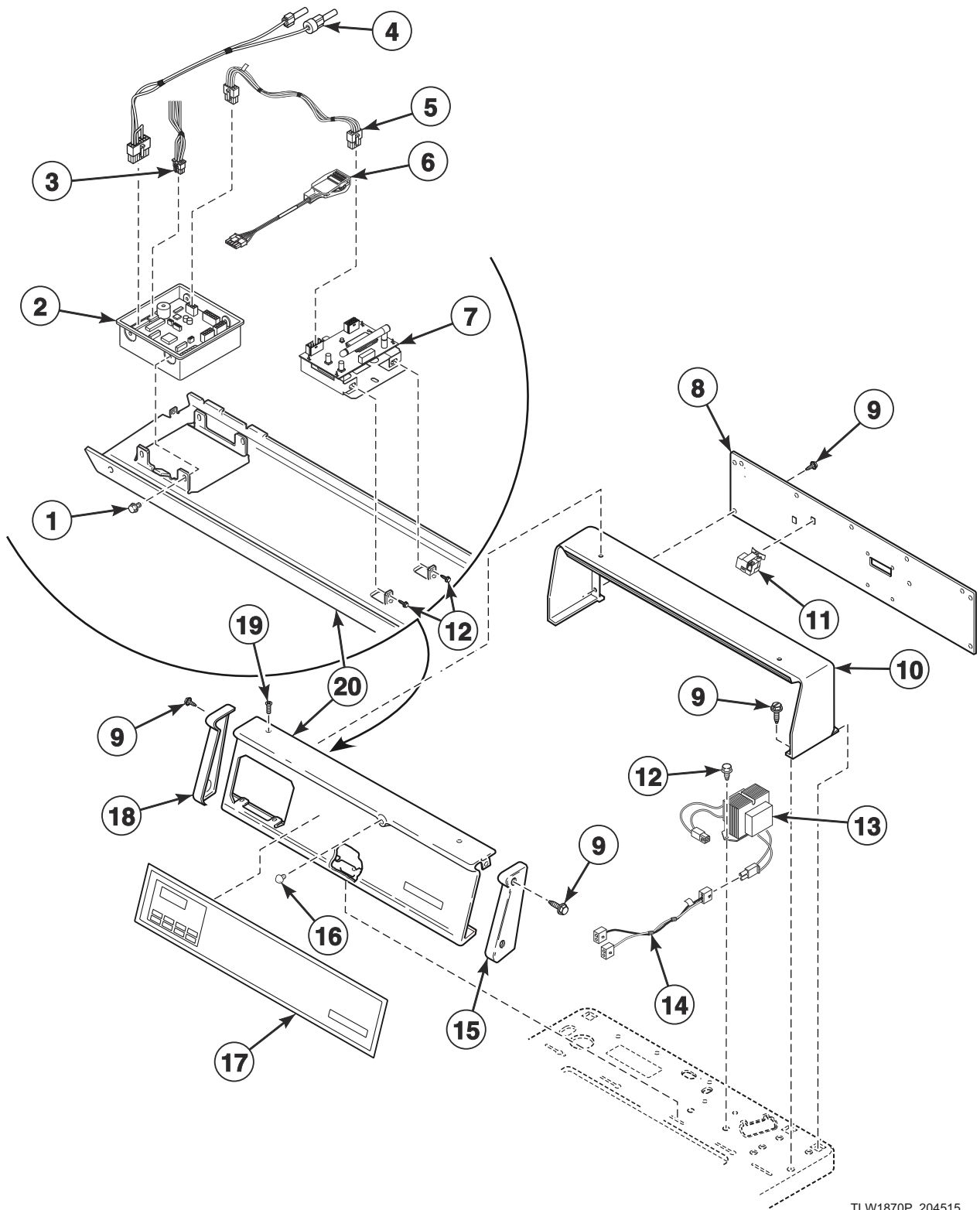
TLW1868P_204515

Control Panel, Control Hood and Controls (Drawing 3 of 4)

REF	PART NO.	DESCRIPTION	COMMENTS
	203328	Network Retrofit Kit	Wired
	NK220	Network Controller Kit	Wired
	204689	Wireless Network Kit	
	NK320	Ethernet Gateway Kit	Wireless
	NK330	USB Gateway Kit	Wireless
1	804608	Screw	
2	203746	Control Assembly	
3	805427	Central Pay Harness	
4	202869	Wiring Harness Assembly	Diagnostic
5	203361P	Machine ID Control Assembly	Model or serial number is required when ordering
6	210143	Rear Panel	
7	D501086	Screw	
8	210142W	Control Hood	
9	203843	Pressure Sensor	
10	D503661	Screw	
11	202757	Transformer	
12	804832	Harness	
13	210108W	End Cap	Right
14	202469	Control Panel Bumper	
	M400795	Bumper	Extra thick
15	204522	Control Overlay	
16	210109W	End Cap	Left
17	52864	Screw	
18	203585W	Control Panel Assembly	

Control Panel, Control Hood and Controls (Drawing 4 of 4)

Models SWNYY2HP115CW01, SWNYY2HP115TW01, SWNYY2SP115CW01 and SWNYY2SP115TW01

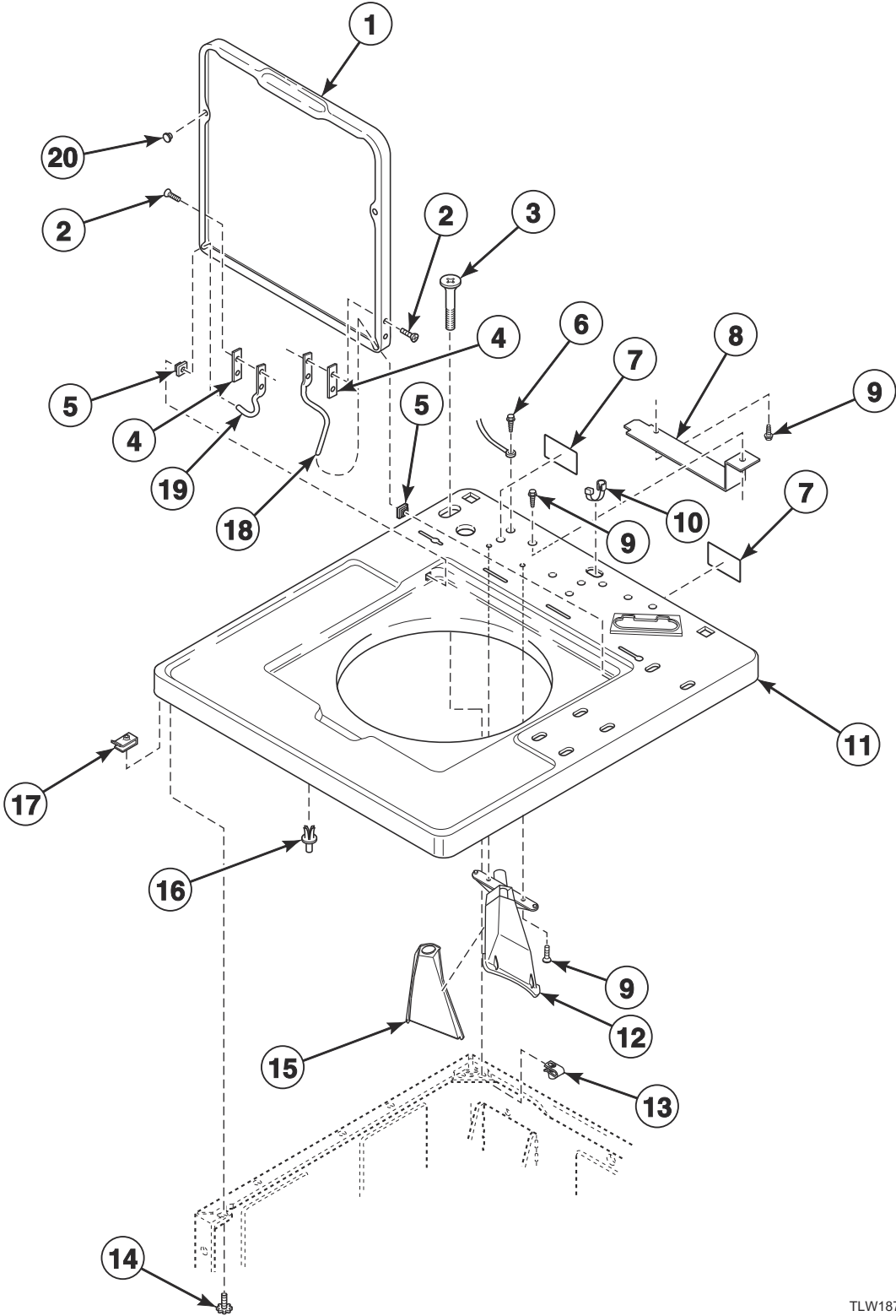


TLW1870P_204515

Control Panel, Control Hood and Controls (Drawing 4 of 4)

REF	PART NO.	DESCRIPTION	COMMENTS
	NK320	Ethernet Gateway Kit	Wireless
	NK330	USB Gateway Kit	Wireless
1	804608	Screw	
2	203746	Control Assembly	
3	805427	Central Pay Harness	
4	202869	Wiring Harness Assembly	Diagnostic
5	F8536002	Wireless Network Board Harness	Through Serial No. 1902000001
	F8674006	Wireless Network Harness	Starting Serial No. 1902000001
6	203361P	Machine ID Control Assembly	Model or serial number is required when ordering
7	203532	Wireless Network Control Assembly	Through Serial No. 1902000001
	807211	Wireless Network Control Assembly	Starting Serial No. 1902000001
8	210143	Rear Panel	
9	D501086	Screw	
10	210142W	Control Hood	
11	203843	Pressure Sensor	
12	D503661	Screw	
13	202757	Transformer	
14	804832	Harness	
15	210108W	End Cap	Right
16	202469	Control Panel Bumper	
	M400795	Bumper	Extra thick
17	204522	Control Overlay	
18	210109W	End Cap	Left
19	52864	Screw	
20	203585W	Control Panel Assembly	

Lid and Cabinet Top

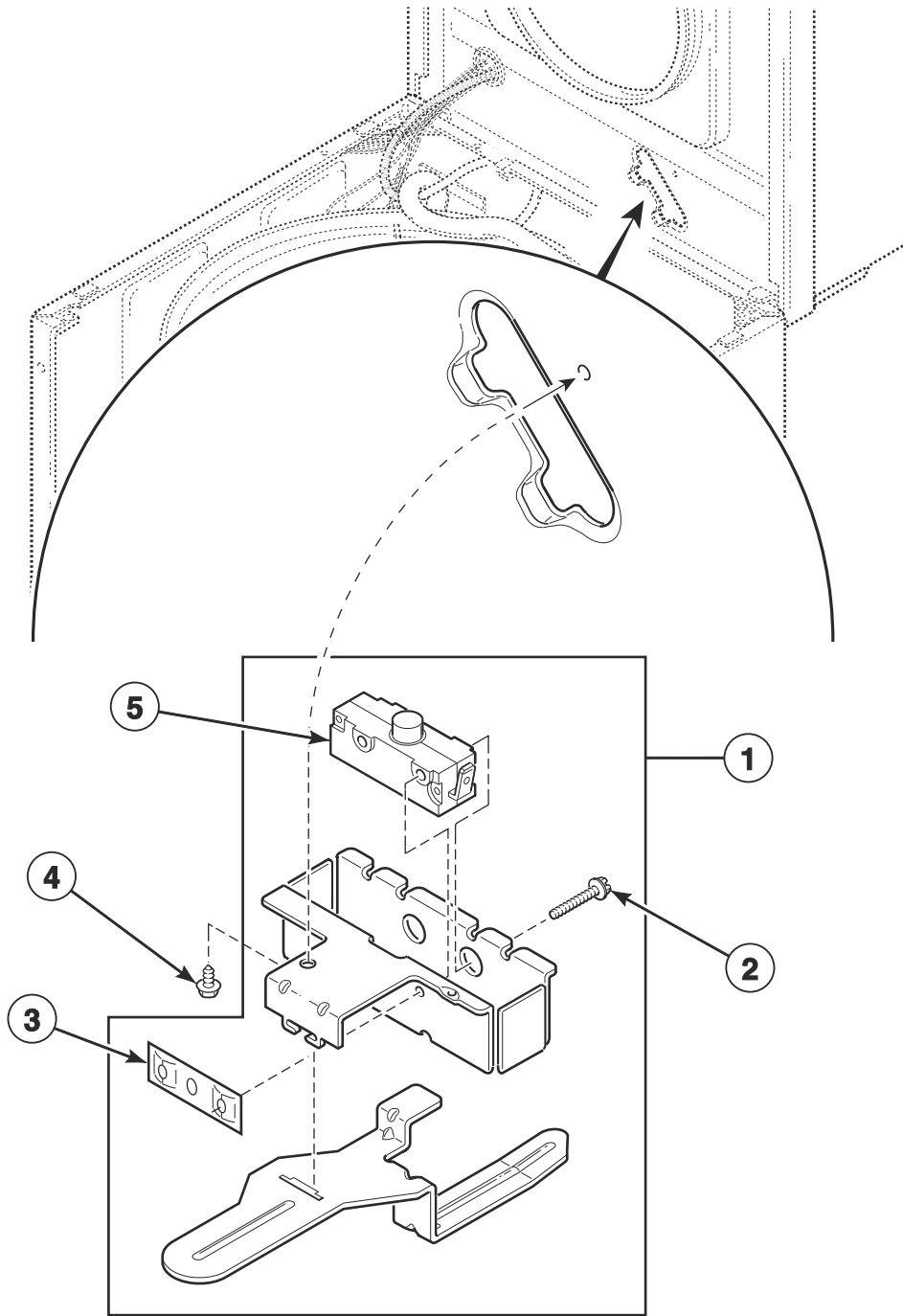


TLW1871P_204515

Lid and Cabinet Top

REF	PART NO.	DESCRIPTION	COMMENTS
1	204615W	Lid	
	203045	Lid Warning Label	
2	34337	Screw	
3	D503673	Screw	Optional; For added security
4	34338	Hinge Gasket	
5	33446	Bushing	
6	52909	Screw	
7	D500316	Warning Label	English/French
	D505281	Disconnect Power Warning Label	English
8	202083	Bracket	
9	23962	Screw	
10	38384	Strain Relief	
11	39167WP	Top	
12	203509	Inlet Deflector	
13	27222	Nut	Optional; For added security
14	23008	Screw	
15	202894	Inlet Cover	
16	56534	Support Barrel	
17	36020	Nut	
18	36437	Lid Hinge	Right
19	36438	Lid Hinge	Left
20	21685	Bumper	

Lid Switch Assembly

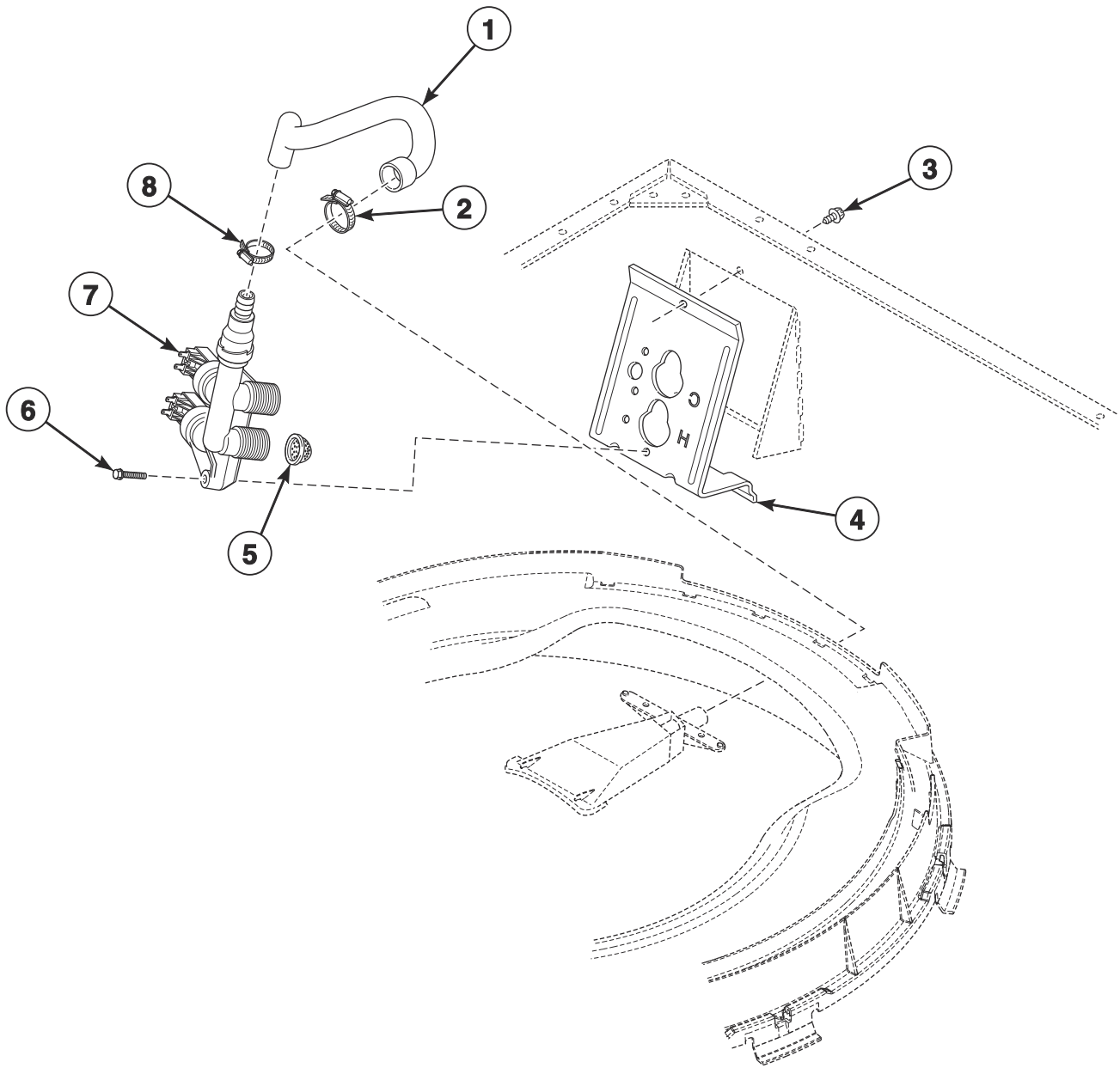


TLW1832B_204515

Lid Switch Assembly

REF	PART NO.	DESCRIPTION	COMMENTS
1	204979	Lid Switch Assembly	
2	M402574	Screw	
3	M400981	Nut	
4	23962	Screw	
5	33445	Switch	

Mixing Valve and Valve-to-Inlet Hose

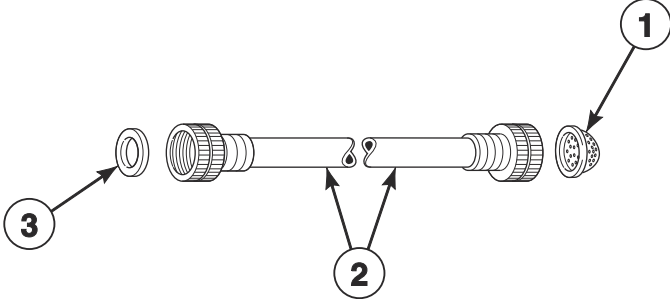


TLW1872P_204515

Mixing Valve and Valve-to-Inlet Hose

REF	PART NO.	DESCRIPTION	COMMENTS
1	202884	Valve to Inlet Hose	Through Serial No. 1812016076
	204400	Valve to Inlet Hose	Starting Serial No. 1812016077
2	800803	Hose Clamp	
3	33562	Screw	
4	39407	Mixing Valve Mounting Bracket	Through Serial No. 1812016076
	203558	Mixing Valve Mounting Bracket	Starting Serial No. 1812016077
5	24122	Mixing Valve Screen	
6	39397	Screw	
7	202395P	Mixing Valve	Through Serial No. 1812016076
	203741	Mixing Valve	Starting Serial No. 1812016077
8	36801	Hose Clamp	

Fill Hose

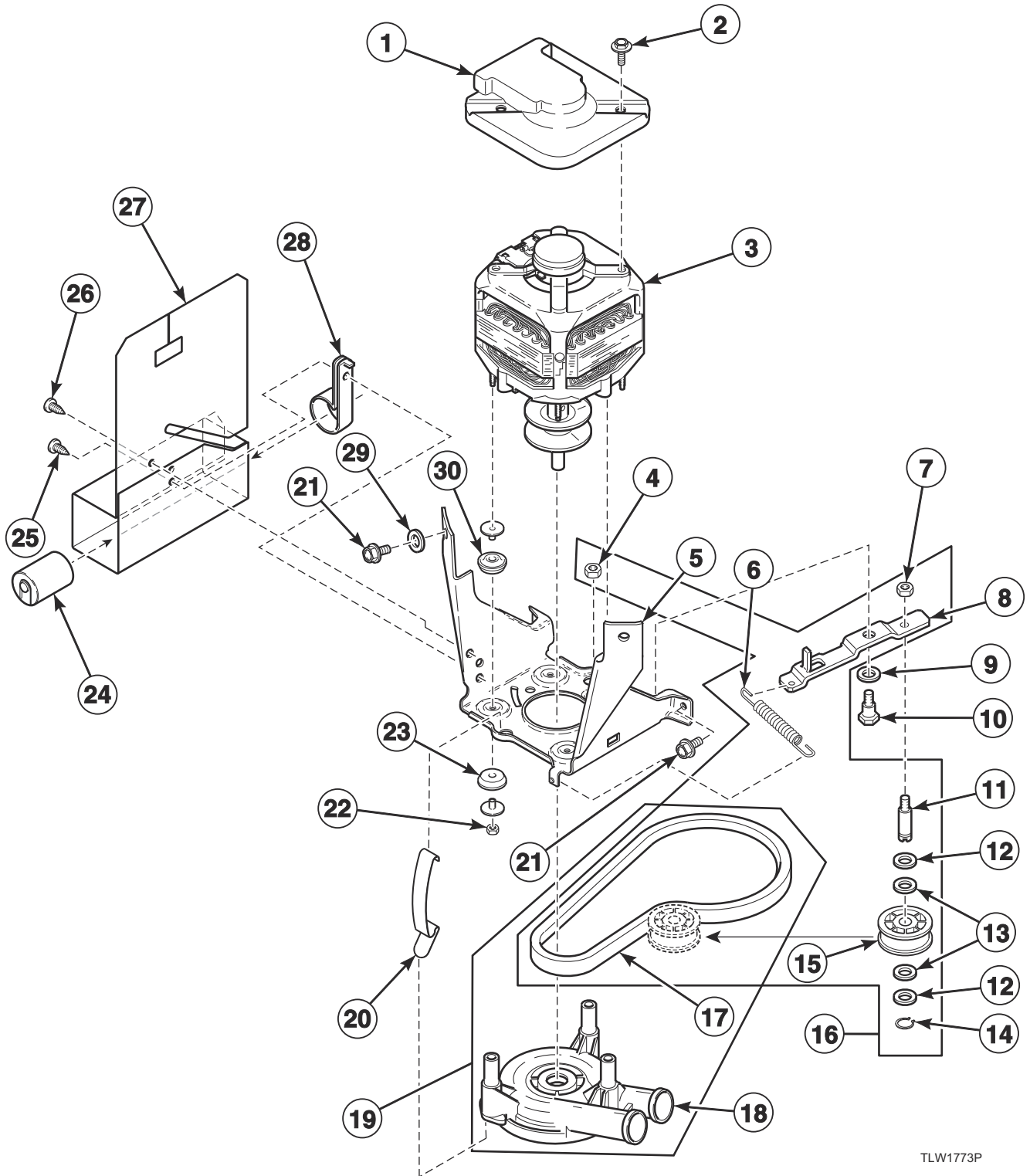


TLW1833P_204515

Fill Hose

REF	PART NO.	DESCRIPTION	COMMENTS
1	803615	Washer	Filter screen
	802254	Washer	Flow restrictor; Water pressure reducer; Available for water pressure up to but not exceeding 120 psi
2	203720	Fill Hose	Marked for cold water; 4 feet; 2 GHT thread hose couplings
	203719	Fill Hose	Marked for hot water; 4 feet; 2 GHT thread hose couplings
3	20290	Washer	

Motor, Belt, Pump and Idler Assembly

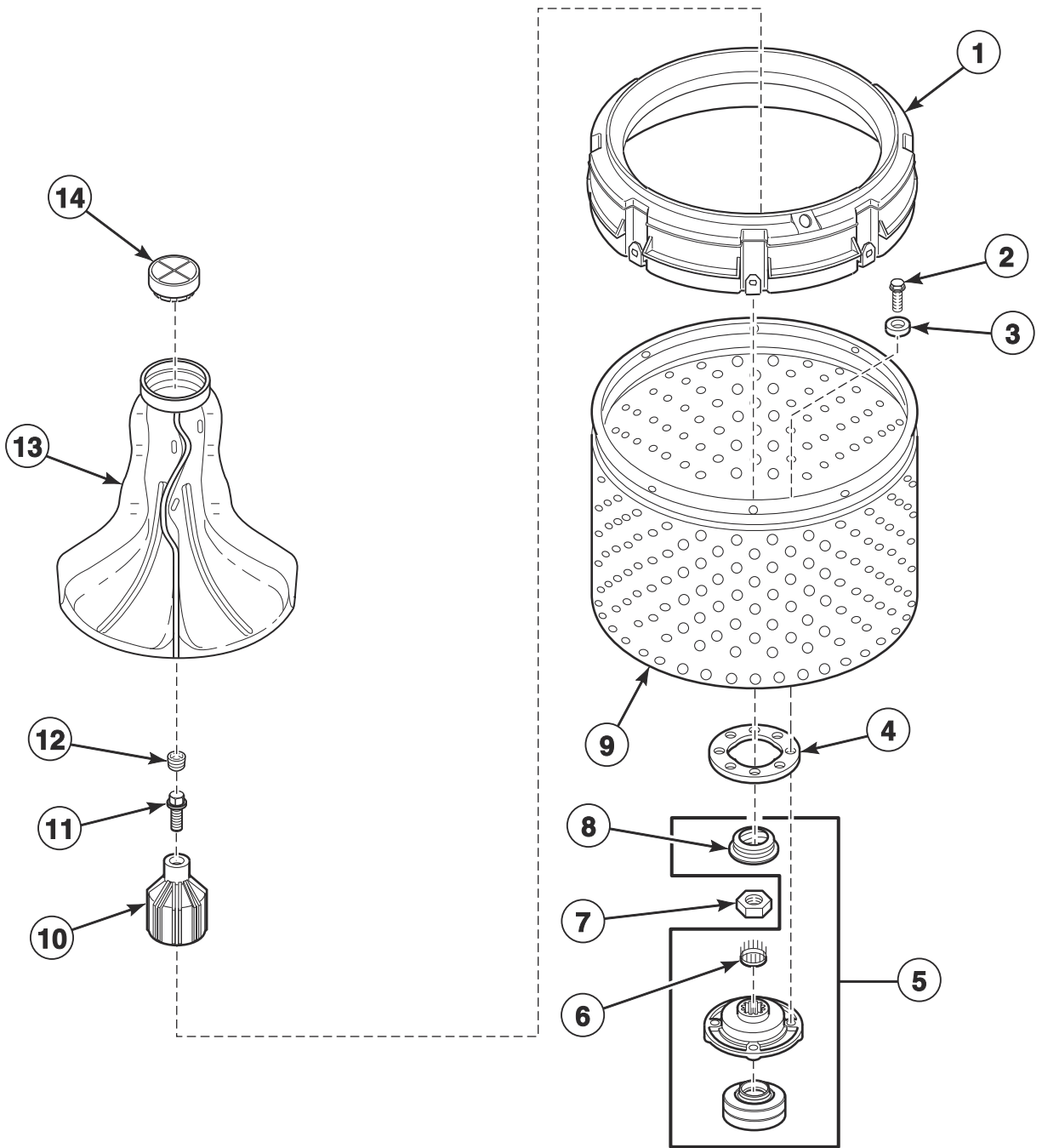


TLW1773P

Motor, Belt, Pump and Idler Assembly

REF	PART NO.	DESCRIPTION	COMMENTS
1	34754	Motor Shield	
2	31645	Screw	
3	38034P	Motor Kit	2 speed
4	52566	Nut	
5	200941	Motor Mount Bracket	
6	201189	Idler Lever Spring	
	202032	Idler Lever Spring	Use on units experiencing low RPM
7	28803	Nut	
8	38011	Idler Lever	
9	81392	Washer	
10	27229	Screw	
11	210186	Idler Shaft	
12	D504082	Washer	
13	52549	Washer	Nylatron
14	23748	Retaining Ring	
15	38225P	Idler Pulley	
16	959P3	Idler Lever Kit	Includes items 4, 6-8, 11-15 and 17
17	38174	Agitate and Spin Belt	
18	205217P	Pump	
	205218P	Pump Assembly Kit	Heavy duty
19	RB150003	Belt and Pump Kit	Includes items 17 and 18
20	210202	Spring Clip	
21	35369	Screw	
22	35423	Nut	
23	204062	Motor Mount and Isolator Assembly	
24	37377	Capacitor	
25	52909	Screw	
26	31645	Screw	
27	203053	Motor Drip Shield	Through Serial No. 1811000001
28	37535	Capacitor Clamp	
29	37772	Washer	
30	204449	Motor Mount	Includes isolator post

Agitator, Drive Bell, Hub and Lip Seal Kit and Washtub

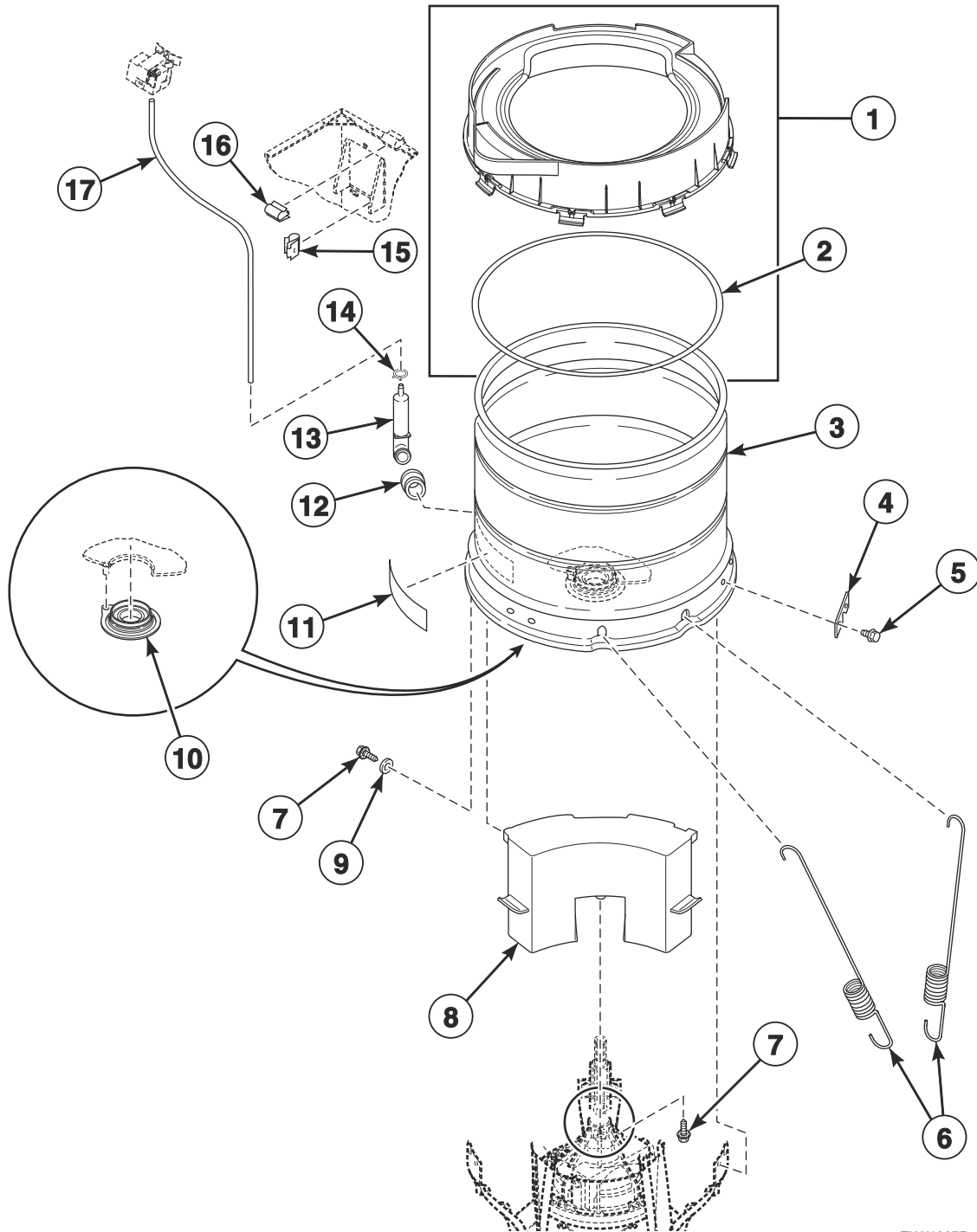


TLW1483P_204515

Agitator, Drive Bell, Hub and Lip Seal Kit and Washtub

REF	PART NO.	DESCRIPTION	COMMENTS
1	39837	Balance Ring Assembly	
2	27202	Screw	
3	28094	Washer	Rubber; Use with porcelain washtub
4	39122	Washtub Gasket	
5	766P3A	Hub and Lip Seal Kit	DO NOT use any sealant other than 200996P Sealant; Includes item 10 and installation tool
	200996P	Sealant	Use with hub and lip seal kit
6	29728	Spline Insert	
7	29220	Nut	
8	36425	Bell and Transmission Tube Seal	
	36765P	Grease	Use with bell and transmission tube seal
9	204429P	Tub Assembly	Stainless steel; Models SWNDC2HP113TW02, SWNDC2HP115TW02, SWNDX2HP113TW02, SWNDX2HP115TW02, SWNDY2HP115TW01, SWNYC2HP115TW02, SWNYE2HP115CW02, SWNYY2HP115CW01 and SWNYY2HP115TW01
	719P3	Washtub Kit	Stainless steel; All other models
10	39508P	Drive Bell and Seal Kit	Includes items 8, 11 and 12
11	39432	Screw	
12	36511	Bell Plug	
13	33174	Agitator	
14	36515	Agitator Cap	

Outer Tub, Cover, Bearing and Seal Housing and Counterweight

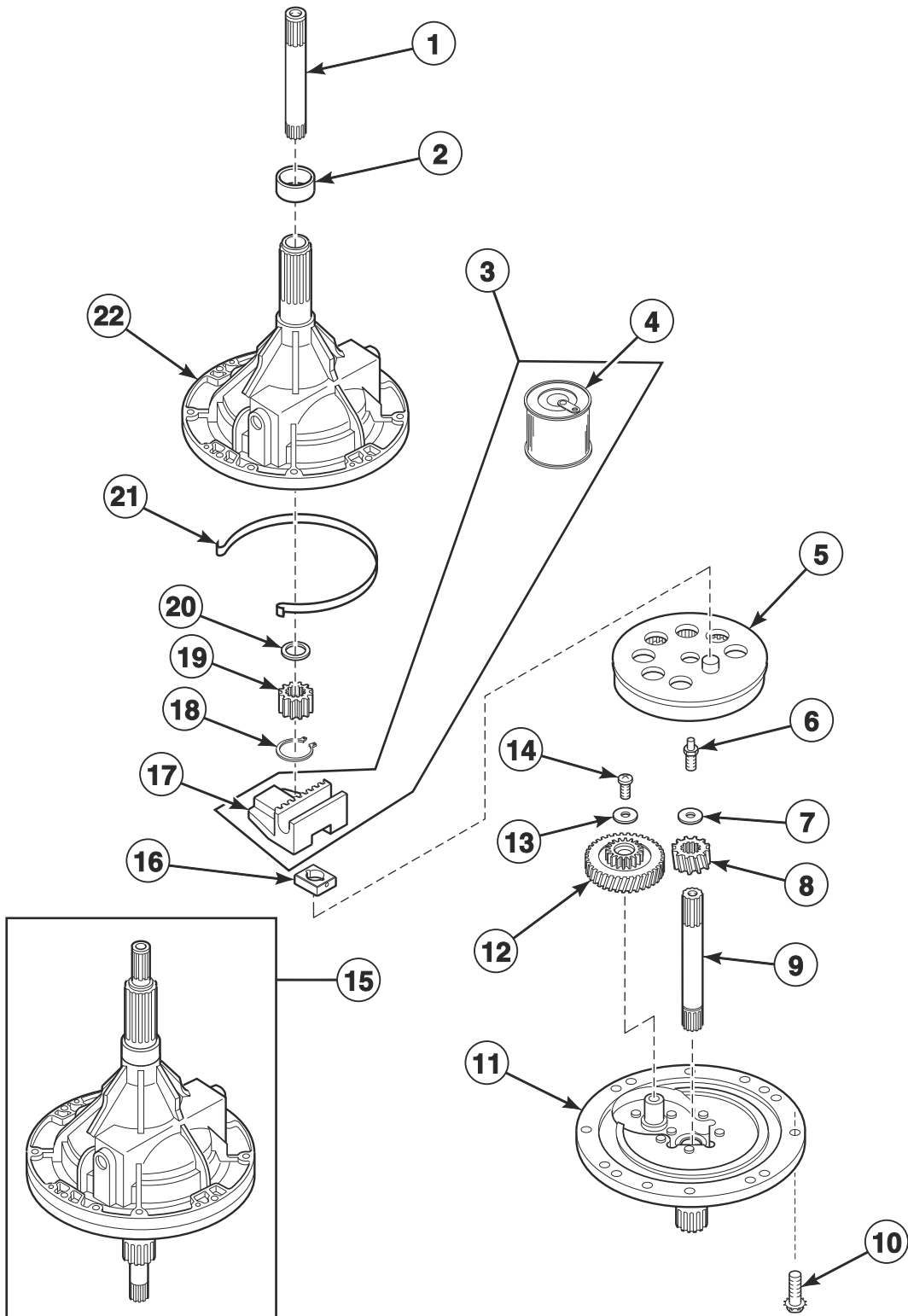


TLW1837P_204515

Outer Tub, Cover, Bearing and Seal Housing and Counterweight

REF	PART NO.	DESCRIPTION	COMMENTS
1	205300	Tub Cover Assembly	
2	38359	Tub Cover Gasket	
3	203604P	Outer Tub Assembly	Models SWNDC2HP113TW02, SWNDC2HP115TW02, SWNDX2HP113TW02, SWNDX2HP115TW02, SWNDY2HP115TW01, SWNYC2HP115TW02, SWNYY2HP115CW02, SWNYY2HP115CW01 and SWNYY2HP115TW01
	203603P	Outer Tub Assembly	All other models
4	27926	Leg Plate	
5	35369	Screw	
6	37576	Leg Spring	Models SWNDC2HP113TW02, SWNDC2HP115TW02, SWNDX2HP113TW02, SWNDX2HP115TW02, SWNDY2HP115TW01, SWNYC2HP115TW02, SWNYY2HP115CW02, SWNYY2HP115CW01 and SWNYY2HP115TW01
	37575	Leg Spring	All other models
7	39566	Screw	
8	38769	Counterweight Assembly	
9	39249	Washer	
10	766P3A	Hub and Lip Seal Kit	
	200996P	Sealant	Use with hub and lip seal kit
11	D500314	Warning Label	English/French
	D500049	Warning Label	English
12	29175	Grommet	
13	205241	Pressure Bulb	
14	39282	Hose Clamp	
15	36985	Hose Clip	
16	21036	Cable Clip	
17	202700	Tubing	

Transmission Assembly

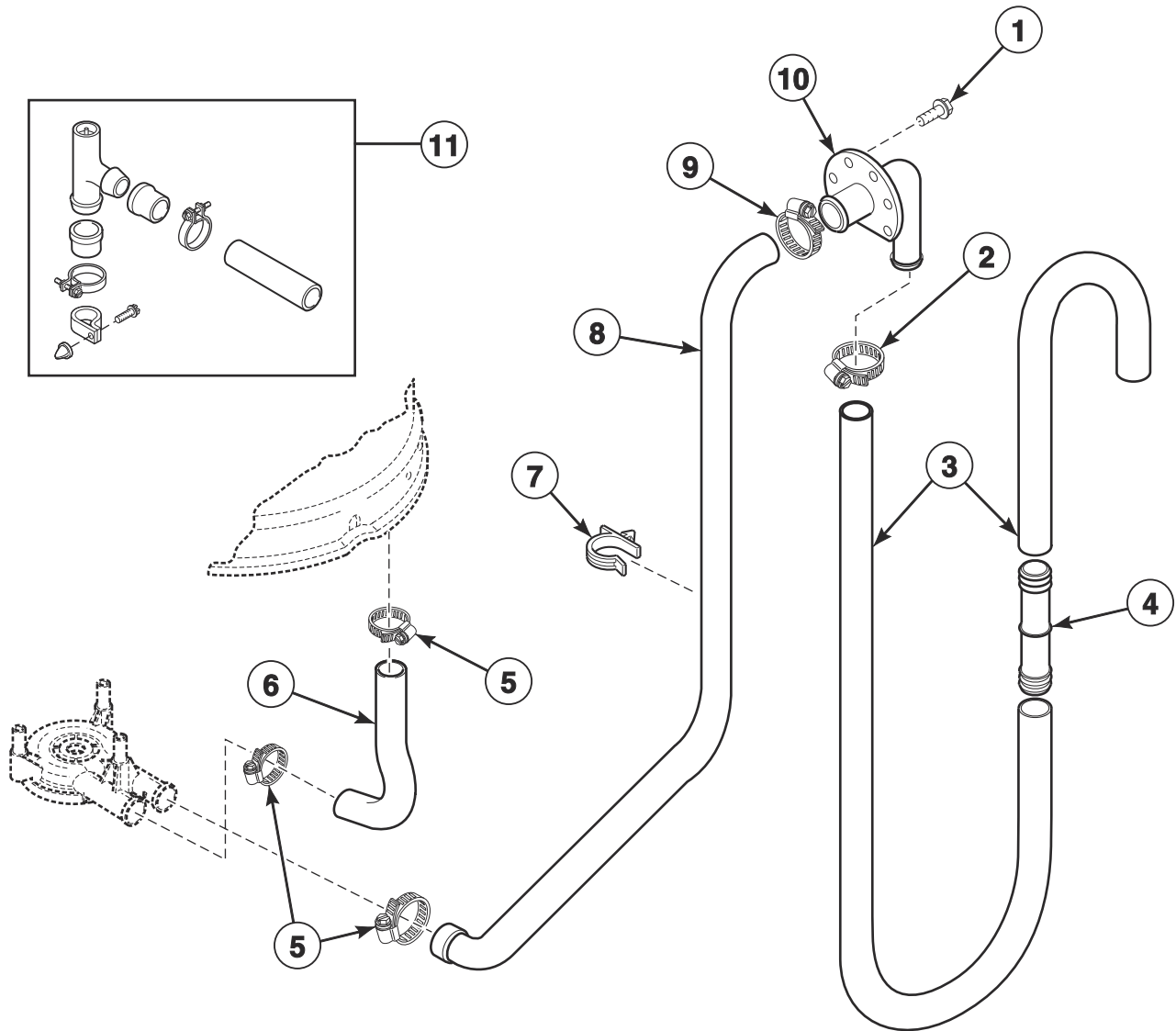


TLW1720P_204515

Transmission Assembly

REF	PART NO.	DESCRIPTION	COMMENTS
	27604P	Anti-Seize Compound	Apply to the smooth area of both the upper and lower transmission shafts
	37577P	Transmission Sealant	Use between transmission case and cover
1	36570P	Output Shaft	
2	201212	Hub Spacer	
3	RB150004	Transmission Rebuild Kit	Includes 37577P Transmission Sealant
4	27243P	Transmission Oil	1 fill
5	26577	Gear and Stud Assembly	
6	201773	Screw	
7	26509	Washer	
8	37405	Drive Pinion	
9	38268P	Input Shaft	
10	32814	Screw	
11	37471	Transmission Cover Assembly	
12	37404P	Reduction Gear	
13	29260	Washer	
14	29273	Screw	
15	38165P	Transmission Assembly	
16	26493	Slide	
17	201664	Rack	
18	27197	Retaining Ring	
19	27003	Agitator Pinion	
20	35092	Washer	
21	38864	Gear Sleeve	
22	33223P	Transmission Case Assembly	

Drain Hoses and Siphon Break Kit

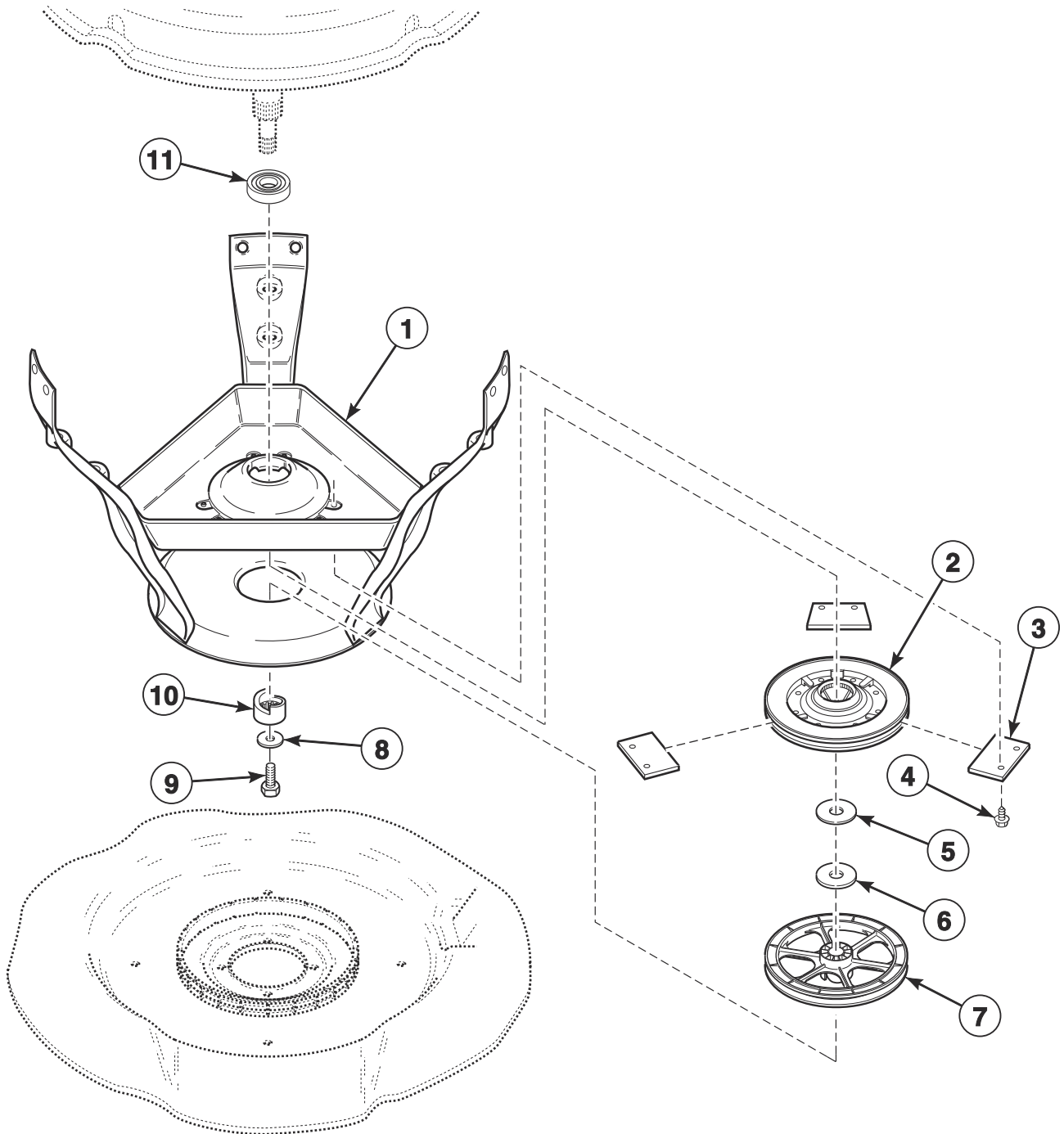


W354P_204515

Drain Hoses and Siphon Break Kit

REF	PART NO.	DESCRIPTION	COMMENTS
	451P3	Drain Extension Kit	
1	52909	Screw	
2	20211	Hose Clamp	
3	28293	Drain Hose	
4	25863	Hose Coupler	If drain hose must be shortened, cut hose between molded end and molded elbow; Use (1) 25863 Hose Coupler to splice hose
5	F200204	Hose Clamp	
6	38351	Tub-to-Pump Hose	
7	36014	Retainer Clip	
8	38273	Pump-to-Drain Elbow Hose	
9	20391	Hose Clamp	
10	36990	Drain Hose Elbow	
11	562P3	Siphon Break Kit	Siphon break kit must be installed in drain hose if drain receptacle is lower than cabinet top of washer

Weldment and Bearing Assembly, Brake and Pulley

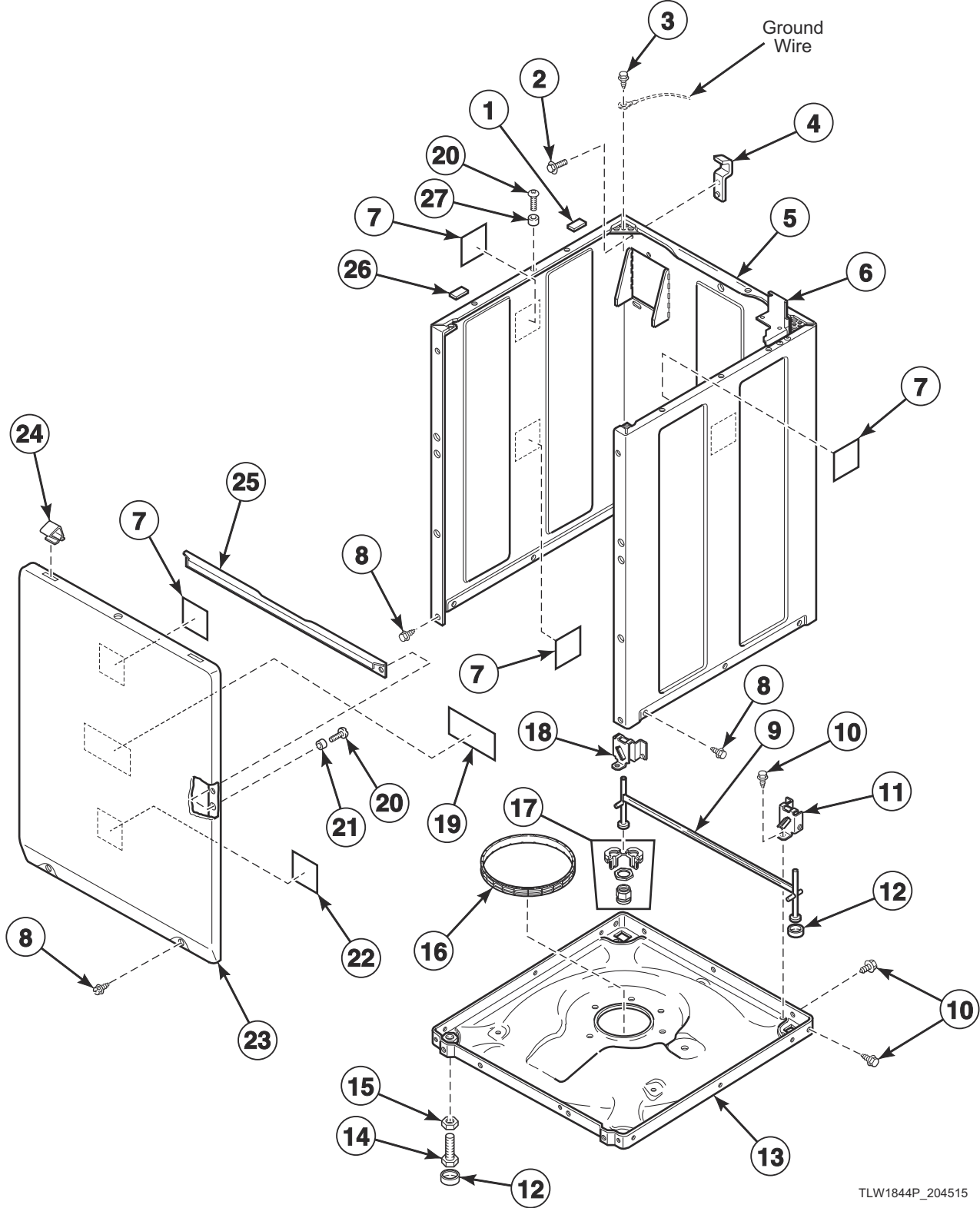


W333P_204515

Weldment and Bearing Assembly, Brake and Pulley

REF	PART NO.	DESCRIPTION	COMMENTS
1	39254	Weldment and Bearing Assembly	Models SWNDC2HP113TW02, SWNDC2HP115TW02, SWNDX2HP113TW02, SWNDX2HP115TW02, SWNDY2HP115TW01, SWNYC2HP115TW02, SWNYE2HP115CW02, SWNYY2HP115CW01 and SWNYY2HP115TW01
	39253	Weldment and Bearing Assembly	All other models
2	38505P	Brake Kit	
3	735P3	Brake Pad Kit	Includes 3 pads
	204253	Silicone Grease	Apply small amount to each new brake pad
4	39739	Screw	
5	35535	Washer	Thin
6	27015	Washer	Thick
7	204486	Pulley	
8	26509	Washer	
9	27220	Screw	
10	38008	Helix	
11	28944RP	Lower Bearing	

Front Panel, Base Assembly and Cabinet Kit

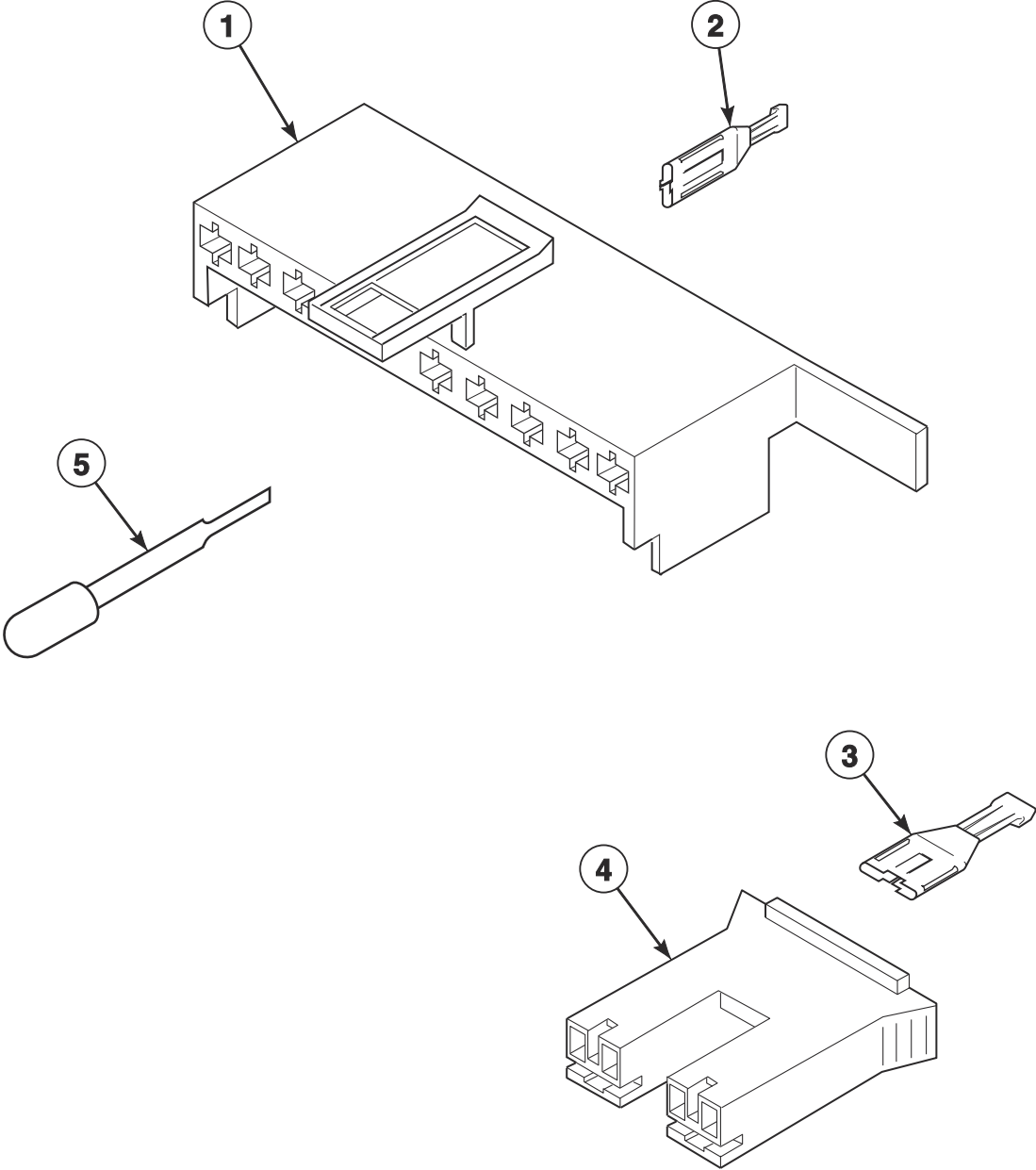


TLW1844P_204515

Front Panel, Base Assembly and Cabinet Kit

REF	PART NO.	DESCRIPTION	COMMENTS
	122P4P	Porcelain Touch-Up Paint	White
	803260	Warning Label	Disconnect power
1	36226	Bumper Pad	
2	D501524	Screw	
3	52909	Screw	
4	27103	Hold-Down Lug Hinge	
5	38612WP	Service Cabinet Kit	
6	35915	Meter Case Mounting Bracket Assembly	
7	39480	Foam Pad	
8	27196	Screw	Slotted hex head
	431287	Screw	Torx head
9	34443	Leg and Stabilizer Assembly	
10	35148	Screw	
11	36036	Bracket	Right
12	34318	Rubber Foot	
13	39788	Base Assembly	
14	34319	Leveling Leg	
15	21899	Nut	
16	37937	Friction Ring	
17	566P3	Adjustable Leg Extension Kit	Provides adjustment capabilities to rear self-leveling legs
18	36037	Bracket	Left
19	36204	Front Panel Pad	
20	39733	Screw	
21	28102	Panel Locator	
22	203484	Foam Pad	
23	204870	Front Panel	
24	35865	Hold-Down Clip	
25	35097	Front Panel Brace	
26	56128	Bumper Pad	
27	56079	Panel Locator	

Mixing Valve and Motor Disconnect Blocks, Terminals and Terminal Extractor Tool

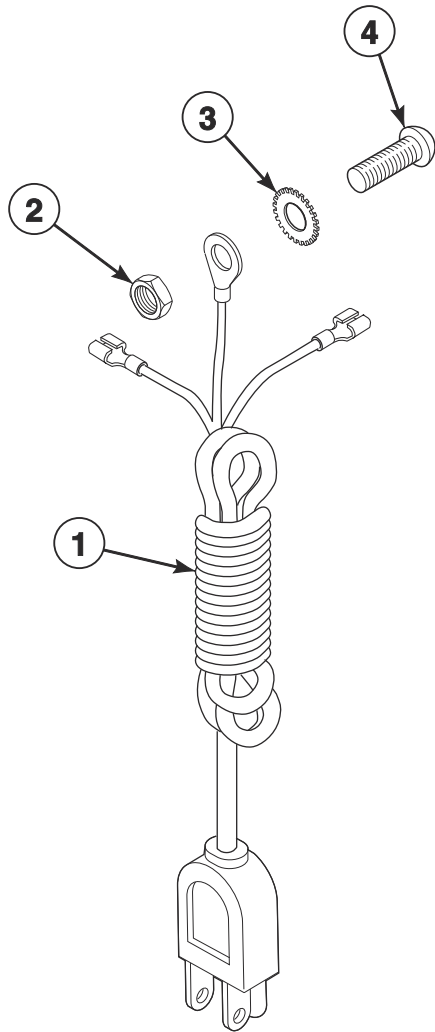


W134PZ3A_204515

Mixing Valve and Motor Disconnect Blocks, Terminals and Terminal Extractor Tool

REF	PART NO.	DESCRIPTION	COMMENTS
1	34677	10 Circuit Plug	Motor
2	00188	Female Terminal	For 1 or 2 wire application
3	00121	Female Spade Terminal	1/4 inch
4	34675	Mixing Valve Plug	Natural
	34676	Mixing Valve Plug	Red
5	283P4	Terminal Extractor Tool	

Lead-In Cord

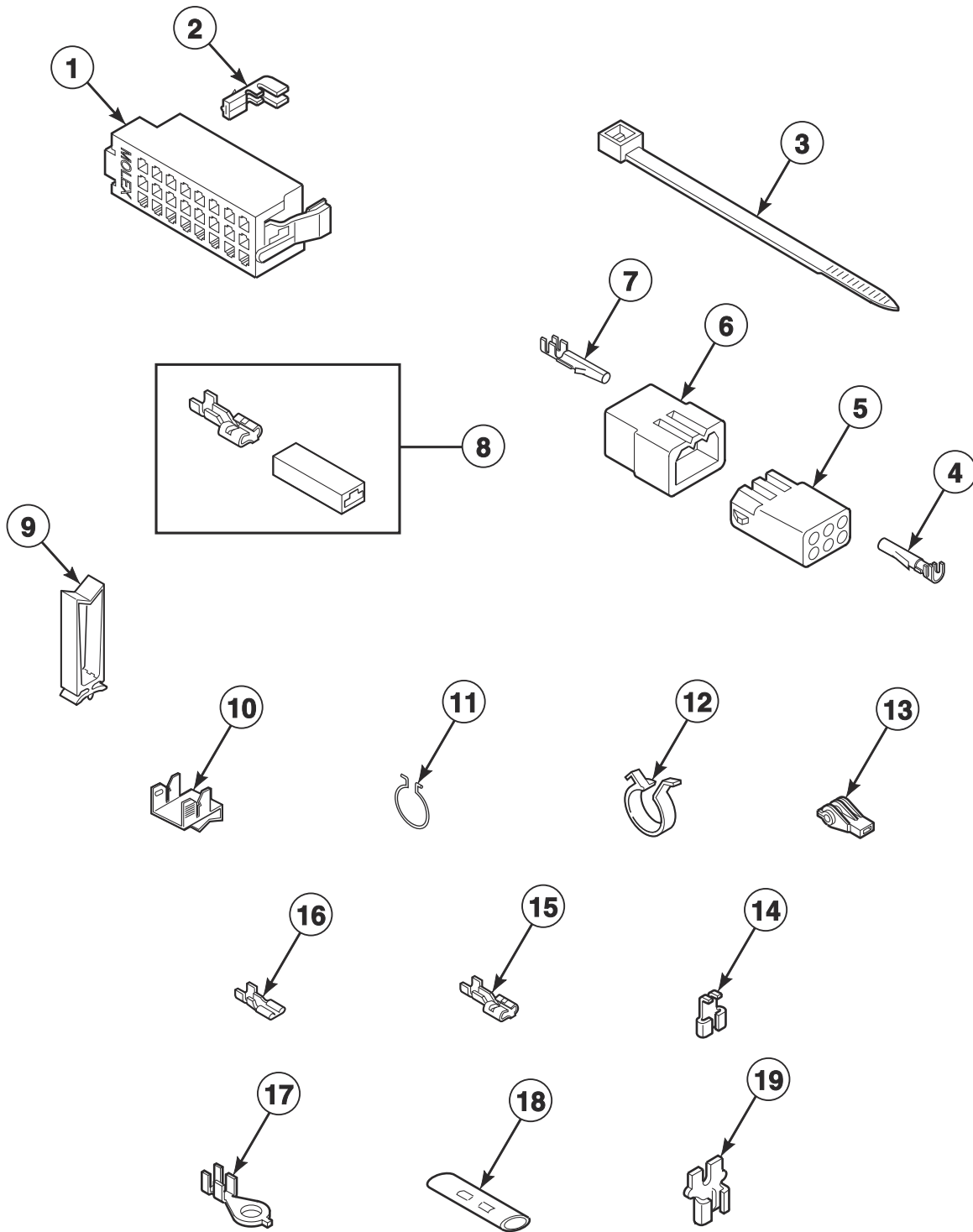


TLW1089P_204515

Lead-In Cord

REF	PART NO.	DESCRIPTION	COMMENTS
1	202777	Lead-In Cord	
2	03673	Nut	
3	21735	Washer	
4	20267	Screw	

Terminals

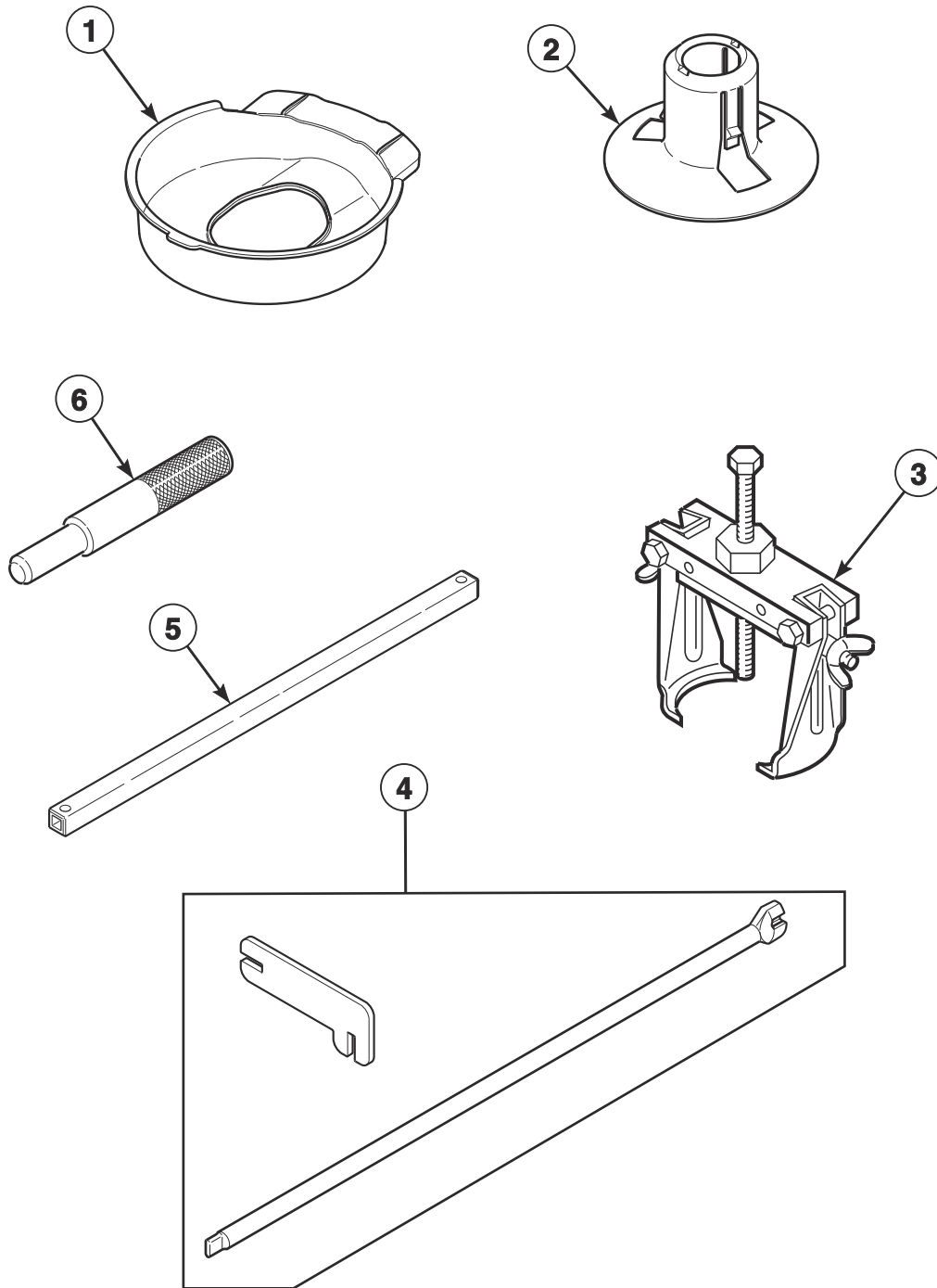


TLW1645P_204515

Terminals

REF	PART NO.	DESCRIPTION	COMMENTS
1	32746	24 Position Housing	Right; Black
	34123	24 Position Housing	Left; White
2	00188	Female Terminal	Used for 1 or 2 wire application
3	55881	Harness Strap	4 inches
	M405829	Cable Tie	Push-mount; 6.13 inches
4	00117	Female Pin Terminal	
5	26301	1 Circuit Receptacle	
	26708	6 Circuit Receptacle	
	26163	9 Circuit Receptacle	
6	44370401	1 Circuit Plug Housing	
	23041	6 Circuit Plug	
	23033	9 Circuit Plug	
7	00116	Male Pin Terminal	
8	00359	Insulated Female Spade Terminal	
9	70366201	Wire Clip	
10	00161	Grounding Clip	
11	51291	Wire Clip	
12	D504034	Wire Clip	
13	70210	Insulator	
14	00120	Female Flag Terminal	
15	00223	Female Spade Terminal	Large spade
16	00112	Female Spade Terminal	Small spade
17	00110	Ring Terminal	Small shank
18	21091	Connector	
19	F140562	Connector	

Shipping Materials and Special Tools

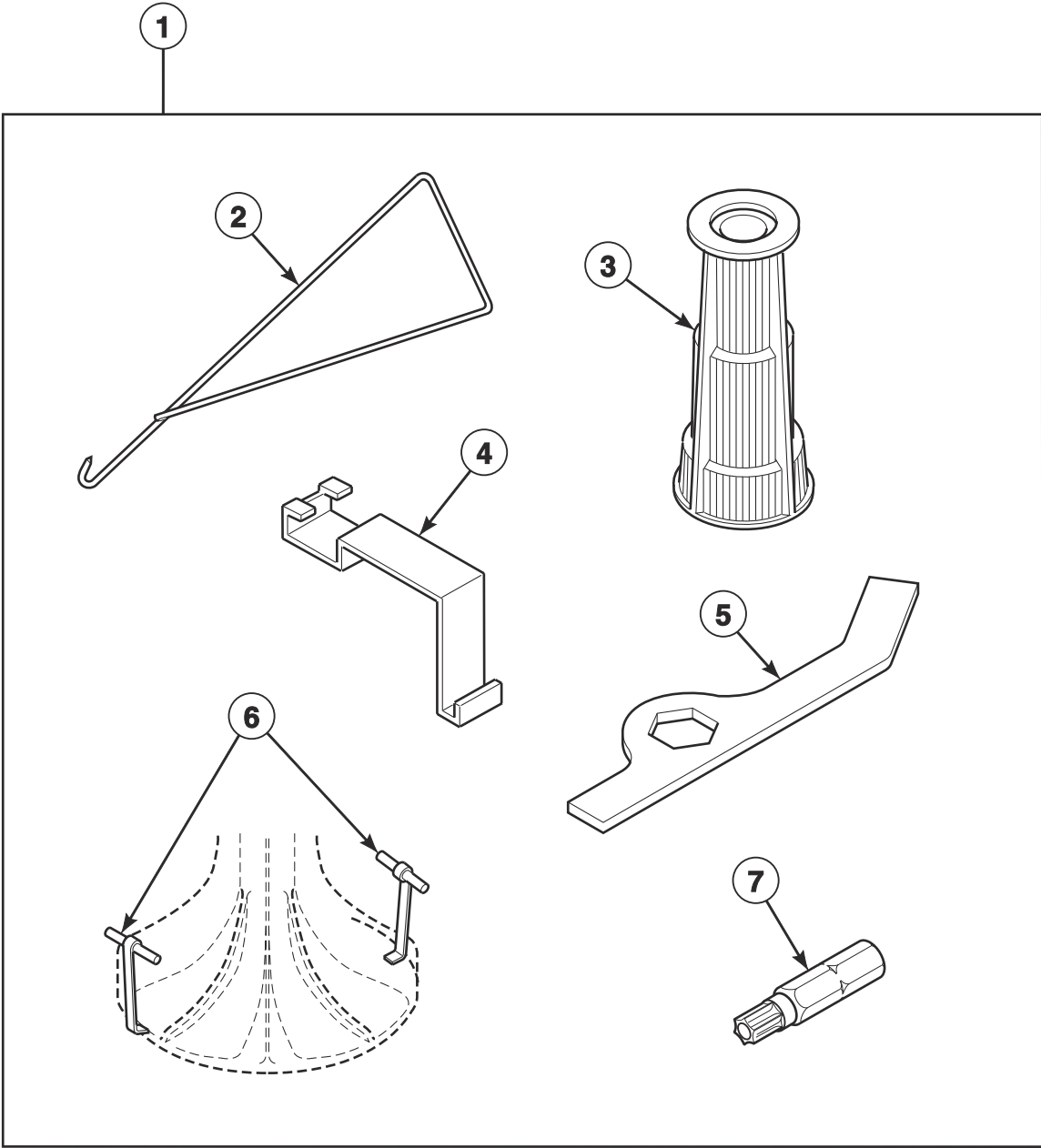


TLW1834P_204515

Shipping Materials and Special Tools

REF	PART NO.	DESCRIPTION	COMMENTS
1	203517	Shipping Brace	Install whenever moving washer; Remove before use
2	38149	Shipping Plug	Install whenever moving washer; Remove before use
3	294P4	Agitator Drive Bell Puller	For removal and installation of drive bell to transmission shaft
4	CK096	Mounting Tool Kit	Use to install and remove electronic coin drops
5	310P4	Ratchet Extension Tool	1/4 inch; Use to install and remove non-electronic coin drops
6	305P4	Transmission Pin Tool	Use pin tools in place of dowel pins when reassembling transmission cover and case; 2 required

Special Tools

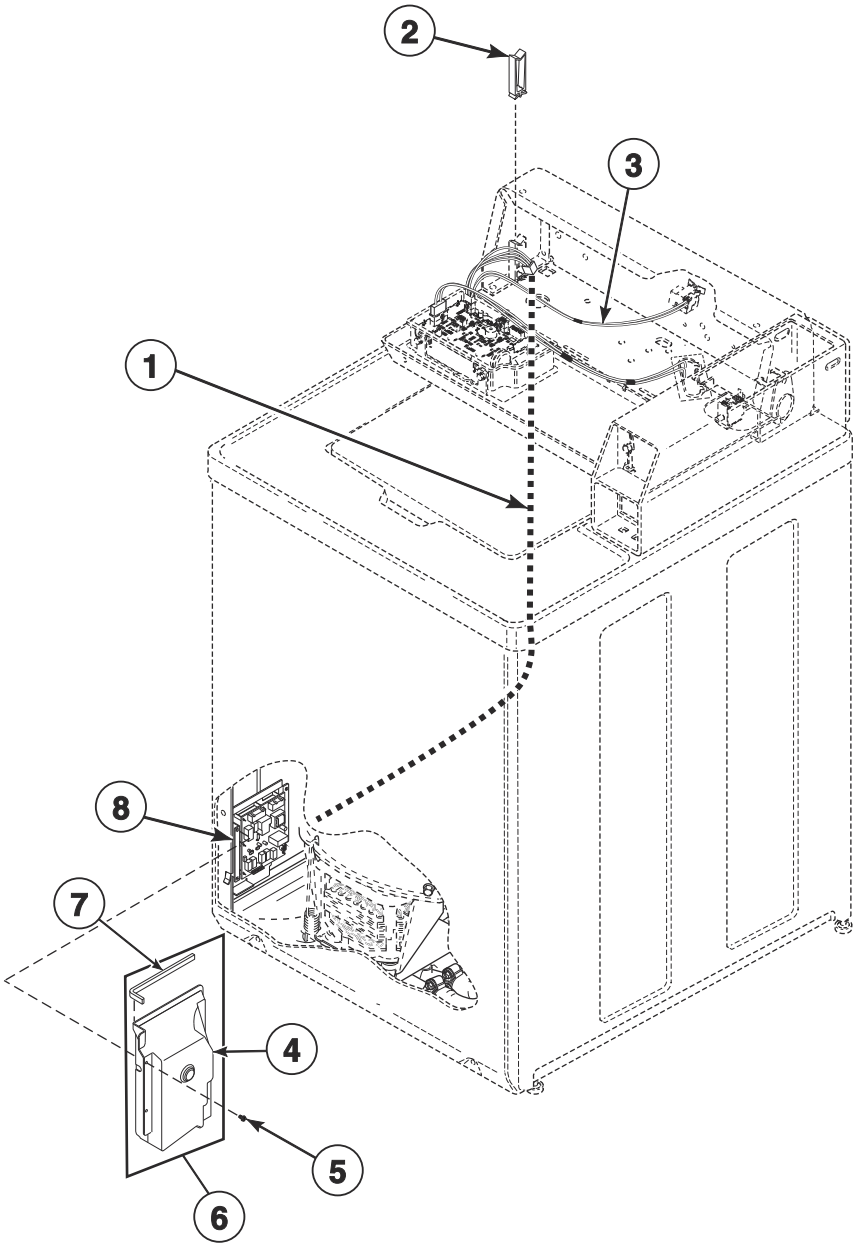


TLW1845P_204515

Special Tools

REF	PART NO.	DESCRIPTION	COMMENTS
1	725P3	Tool Kit	Includes items 2-7
2	321P4	Spring Hook Tool	For removal of centering springs from outer tub
3	293P4	Drive Bell Seal Tool	For installation of 36426 Bell and Transmission Tube Seal
4	273P4	Tub Cover Removal Tool	Use to install 38359 Tub Cover Gasket in outer tub cover
5	306P4	Hex Wrench Tool	For removal of locknut from washtub hub
6	254P4P	Agitator Hook	Use to remove agitator from drive bell; Set of 2
7	281P4	Torx Bit	T15; For removal and installation of control hood security screws
	282P4	Torx Bit	T25; For removal and installation of front panel security screws

Output Board, Wire Harnesses and Wires



TLW1873P_204515

Output Board, Wire Harnesses and Wires

REF	PART NO.	DESCRIPTION	COMMENTS
	45001	18 Gauge Wire	Black; Order wire by foot and terminals as required
	45380	12 Gauge Wire	Orange; Order wire by foot and terminals as required
1	204710	Control Harness	
2	70366201	Wire Clip	
3	804432	Pressure Sensor Harness	
4	202939	Output Control Shield	
5	804667	Screw	
6	202965	Shield Assembly	Includes items 4 and 7
7	202964	Output Board Cover Gasket	
8	202508P	Output Board Control Assembly	

NOTE: Individual wires are not available separately. Order complete harness, or order wire by the foot. When applying terminals to wires, it is recommended that the terminals be soldered to the wires.

Parts Index

A

Adjustable Leg Extension Kit 566P3	39
Agitate and Spin Belt 38174	27
Agitator 33174	29
Agitator Cap 36515	29
Agitator Drive Bell Puller 294P4	47
Agitator Hook 254P4P	49
Agitator Pinion 27003	33
Anti-Seize Compound 27604P	33

B

Balance Ring Assembly 39837	29
Base Assembly 39788	39
Bell and Transmission Tube Seal 36425	29
Bell Plug 36511	29
Belt and Pump Kit RB150003	27
Bolt 203798	5
Bracket 202083	19
36036	39
36037	39
Brake Kit 38505P	37
Brake Pad Kit 735P3	37
Bumper M400795	11, 13, 15, 17
21685	19
Bumper Pad 36226	39
56128	39
Bushing 33446	19

C

Cable Clip 21036	31
Cable Tie M405829	45

Capacitor 37377	27
Capacitor Clamp 37535	27
Central Pay Harness 805427	11, 13, 15, 17
Clip 201572	9
Coin Box Extension Kit 803578P	5
Coin Drop 38963P	7
70441601P	7
70441603	7
Coin Drop Assembly 38462P	7
38463	7
38464P	7
70441602	7
Coin Identification Paper 38725	5, 9
Connector F140562	45
21091	45
Control Assembly 203746	11, 13, 15, 17
Control Harness 204710	51
Control Hood 210142W	15, 17
37075W	11, 13
Control Overlay 204521	11, 13
204522	15, 17
Control Panel Assembly 203355W	11, 13
203585W	15, 17
Control Panel Bumper 202469	11, 13, 15, 17
Counterweight Assembly 38769	31

D

Disconnect Power Warning Label D505281	19
Drain Extension Kit 451P3	35
Drain Hose 28293	35
Drain Hose Elbow 36990	35
Drive Bell and Seal Kit 39508P	29
Drive Bell Seal Tool 293P4	49
Drive Pinion 37405	33
Dual Coin Harness Assembly 202871	9

N/A items do not appear in index.

Dual Overlay 39073	5
-----------------------------	---

E

Electronic Coin Drop Kit CK115	9
End Cap 210108W.....	15, 17
210109W.....	15, 17
Ethernet Gateway Kit NK320	11, 13, 15, 17

F

Female Flag Terminal 00120	45
Female Pin Terminal 00117	45
Female Spade Terminal 00112	45
00121	41
00223	45
Female Terminal 00188	41, 45
Fill Hose 203719	25
203720	25
Foam Pad 203484	39
39480	39
Friction Ring 37937	39
Front Panel 204870	39
Front Panel Brace 35097	39
Front Panel Pad 36204	39

G

Gear and Stud Assembly 26577	33
Gear Sleeve 38864	33
Grease 36765P.....	29
Grommet 29175	31
Grounding Clip 00161	45

H

Harness 804832	15, 17
Harness Strap 55881	45

Helix 38008	37
Hex Wrench Tool 306P4	49
Hinge Gasket 34338	19
Hold-Down Clip 35865	39
Hold-Down Lug Hinge 27103	39
Hood Back Panel 202465	11, 13
Hose Clamp F200204	35
20211.....	35
20391	35
36801	23
39282	31
800803	23
Hose Clip 36985	31
Hose Coupler 25863	35
Hose Retainer Clip 36014	35
Housing, 24 Position 32746	45
34123	45
Hub and Lip Seal Kit 766P3A.....	29, 31
Hub Spacer 201212	33

I

Idler Lever 38011.....	27
Idler Lever Kit 959P3.....	27
Idler Lever Spring 201189.....	27
202032	27
Idler Pulley 38225P	27
Idler Shaft 210186	27
Inlet Cover 202894	19
Inlet Deflector 203509	19
Input Shaft 38268P	33
Insulated Female Spade Terminal 00359	45
Insulator 70210	45

L

Lead-In Cord 202777	43
------------------------------	----

N/A items do not appear in index.

Leg and Stabilizer Assembly 34443	39
Leg Plate 27926	31
Leg Spring 37575	31
37576	31
Leveling Leg 34319	39
Lid 204615W	19
Lid Hinge 36437	19
36438	19
Lid Switch Assembly 204979	21
Lid Warning Label 203045	19
Lower Bearing 28944RP	37

M

Machine ID Control Assembly 203361P	11, 13, 15, 17
Male Pin Terminal 00116	45
Meter Case Assembly 803050W	5
Meter Case Assembly Kit 807401W	5
Meter Case Bracket Gasket 35526	5
Meter Case Gasket 26354	5
Meter Case Lockdown Bracket 35525	5
Meter Case Locking Bracket Kit 204616	5
Meter Case Mounting Bracket Assembly 35915	39
Mixing Valve 202395P	23
203741	23
Mixing Valve Mounting Bracket 203558	23
39407	23
Mixing Valve Plug 34675	41
34676	41
Mixing Valve Screen 24122	23
Motor Drip Shield 203053	27
Motor Kit 38034P	27
Motor Mount 204449	27
Motor Mount and Isolator Assembly 204062	27
Motor Mount Bracket 200941	27

Motor Shield 34754	27
Mounting Tool Kit CK096	47

N

Network Controller Kit NK220	13, 15
Network Retrofit Kit 203328	13, 15
Nut M400981	21
03673	43
201216	9
21899	39
27222	19
28803	27
29220	29
29786	5, 7
35423	27
36020	19
44087101	11, 13
52566	27
802337	5

O

Operation Instruction Label 203152	5
Opto Coupler 200674P	7
Outer Tub Assembly 203603P	31
203604P	31
Output Board Control Assembly 202508P	51
Output Board Cover Gasket 202964	51
Output Control Shield 202939	51
Output Shaft 36570P	33
Overlay 201091	9
Overlay Kit 38676	5

P

Panel Locator 28102	39
56079	39
Plug Housing, 1 Circuit 44370401	45
Plug, 10 Circuit 34677	41
Plug, 6 Circuit 23041	45
Plug, 9 Circuit 23033	45

N/A items do not appear in index.

Porcelain Touch-Up Paint 122P4P	39
Pressure Bulb 205241	31
Pressure Sensor 203843	11, 13, 15, 17
Pressure Sensor Harness 804432	51
Pulley 204486	37
Pump 205217P	27
Pump Assembly Kit 205218P	27
Pump-to-Drain Elbow Hose 38273	35

R

Rack 201664	33
Ratchet Extension Tool 310P4	47
Rear Panel 210143	15, 17
Receptacle, 1 Circuit 26301	45
Receptacle, 6 Circuit 26708	45
Receptacle, 9 Circuit 26163	45
Reduction Gear 37404P	33
Retaining Ring 23748	27
27197	33
Ring Terminal 00110	45
Rubber Foot 34318	39

S

Screw	
D501086	11, 13, 15, 17
D501524	39
D503661	11, 13, 15, 17
D503673	5, 19
M402574	21
02916	11, 13
201773	33
20267	43
23008	19
23222	11, 13
23962	19, 21
27196	39
27202	29
27220	37
27229	27
29273	33
31645	27
32814	33
33562	23

34337	19
35148	39
35369	27, 31
35528	11, 13
36048	5
39397	23
39432	29
39566	31
39733	39
39739	37
431287	39
52864	11, 13, 15, 17
52909	19, 27, 35, 39
804608	11, 13, 15, 17
804667	51

Sealant 200996P	29, 31
Service Cabinet Kit 38612WP	39
Service Door Assembly 39874WP	5
Shield Assembly 202965	51
Shipping Brace 203517	47
Shipping Plug 38149	47
Silicone Grease 204253	37
Single Coin Harness Assembly 202870	7
Single Overlay 38717	5
Siphon Break Kit 562P3	35
Slide 26493	33
Spline Insert 29728	29
Spring Clip 210202	27
Spring Hook Tool 321P4	49
Strain Relief 38384	19
Support Barrel 56534	19
Switch D512973	5
33445	21

T

Terminal Extractor Tool 283P4	41
Tool Kit 725P3	49
Top 39167WP	19
Torx Bit 281P4	49
282P4	49

N/A items do not appear in index.

Transformer	
202757	15, 17
Transformer Kit	
203423	11, 13
Transmission Assembly	
38165P	33
Transmission Case Assembly	
33223P	33
Transmission Cover Assembly	
37471	33
Transmission Oil	
27243P	33
Transmission Pin Tool	
305P4	47
Transmission Rebuild Kit	
RB150004	33
Transmission Sealant	
37577P	33
Tub Assembly	
204429P	29
Tub Cover Assembly	
205300	31
Tub Cover Gasket	
38359	31
Tub Cover Removal Tool	
273P4	49
Tubing	
202700	31
Tub-to-Pump Hose	
38351	35

U

USB Gateway Kit	
NK330	11, 13, 15, 17

V

Valve to Inlet Hose	
202884	23
204400	23

W

Warning Label	
D500049	31
D500314	31
D500316	19
803260	39
Washer	
D504082	27
M400017	11, 13
20290	25
21735	43
26509	33, 37
27015	37
28094	29
29260	33
35092	33
35535	37
37772	27

39249	31
52549	27
802254	25
803615	25
81392	27
Washtub Gasket	
39122	29
Washtub Kit	
719P3	29
Weldment and Bearing Assembly	
39253	37
39254	37
Wire Clip	
D504034	45
51291	45
70366201	45, 51
Wire Guard	
201595P	7
Wireless Network Board Harness	
F8536002	13, 17
Wireless Network Control Assembly	
203532	13, 17
807211	13, 17
Wireless Network Harness	
F8674006	13, 17
Wireless Network Kit	
204689	13, 15
Wire, 12 Gauge	
45380	51
Wire, 18 Gauge	
45001	51
Wiring Harness Assembly	
202869	15, 17

N/A items do not appear in index.

