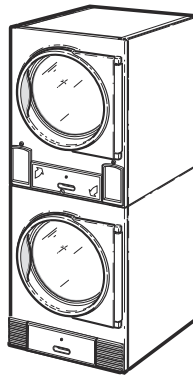


Tumble Dryers

Stacked 30 Pound Capacity
18 Digit Model Numbers with 3 and 5 in 13th Position
Refer to Page 5 for Model Numbers



TMB1285C_70591601

Table of Contents

Title	Page
Parts Ordering Information.....	3
Serial Plate Location	3
Machine Identification	5
Product Overview - Heat Source and Voltage	6
Product Overview - FN Control Suffix	8
Product Overview - DN and NN Control Suffixes.....	10
Product Overview - B, N and W Control Suffixes.....	12
Dual Digital Control	14
Electronic Display Control - Vend Models with B in the 7th Position	16
Electronic Display Control Overlays - Vend Models with B in the 7th Position	18
Electronic Display Control - Vend Models with N or W in the 7th Position.....	20
Electronic Display Control Overlays - Vend Models with N or W in the 7th Position (Drawing 1 of 2).....	22
Electronic Display Control Overlays - Vend Models with N or W in the 7th Position (Drawing 2 of 2).....	24
Electronic Display Control - OPL Models with N in the 7th Position	26
3.5 Inch Graphical Control	28
Coin Drops	30
Coin Drop Kits.....	32
Network Board, Central Pay and Card Reader Components.....	34
Door Assemblies.....	36
Door Components.....	38
Hinge Components - Design 3 Models	40
Hinge Components - Design 5 Models	42
Upper Front Panel Assemblies and False Fronts - Design 3 Models	44
Lower Front Panel Assemblies - Design 3 Models	46
Front Panel Assemblies and False Fronts - Design 5 Models	48
Upper Cabinet Front Components - Design 3 Models (Drawing 1 of 2).....	50
Upper Cabinet Front Components - Design 3 Models (Drawing 2 of 2).....	52
Lower Cabinet Front Components - Design 3 Models	54
Cabinet Front Components - Design 5 Models.....	56
Emergency Stop Button - OPL Models	58
Lint Drawer Components - Design 3 Models	60
Lint Drawer Overlays - Design 3 Models.....	62
Lint Drawer Components - Design 5 Models	64
Cylinder and Trunnion Components	66
Moisture Sensing Components	68
Bearing Components	70
Cabinet Components - Design 3 Models	72
Cabinet Components - Design 5 Models	74
Drive Motor Components	76
Exhaust Components.....	78
Blower Components.....	80

© Copyright 2023, Alliance Laundry Systems LLC

All rights reserved. No part of the contents of this book may be reproduced or transmitted in any form or by any means without the expressed written consent of the publisher.

Airflow Switch.....	82
Gas Burner Housing and Secondary Stove Limit	84
Gas Valve and Piping	86
Burner Orifices	88
Electric Heater Components	90
Steam Heater Components	92
Control Tray and Accessory Box	94
Labels	96
Harnesses.....	97
Parts Index.....	99

Parts Ordering Information

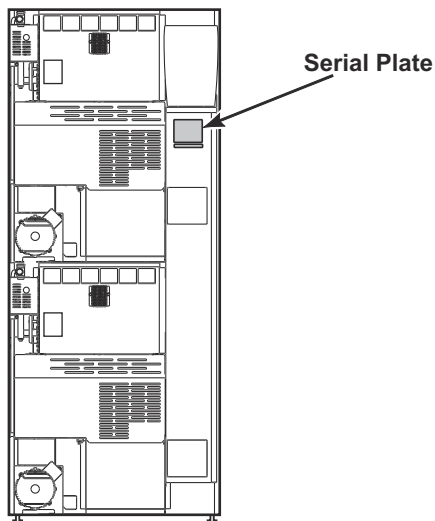
If literature or replacement parts are required, contact the source from whom the machine was purchased or contact Alliance Laundry Systems at (920) 748-3950 for the name and address of the nearest authorized parts distributor.

For technical assistance, call the number listed below:

(920) 748-3121 Ripon, Wisconsin

Serial Plate Location

When calling or writing about your product, be sure to mention model and serial numbers. Model and serial numbers are located on serial plate(s) as shown.



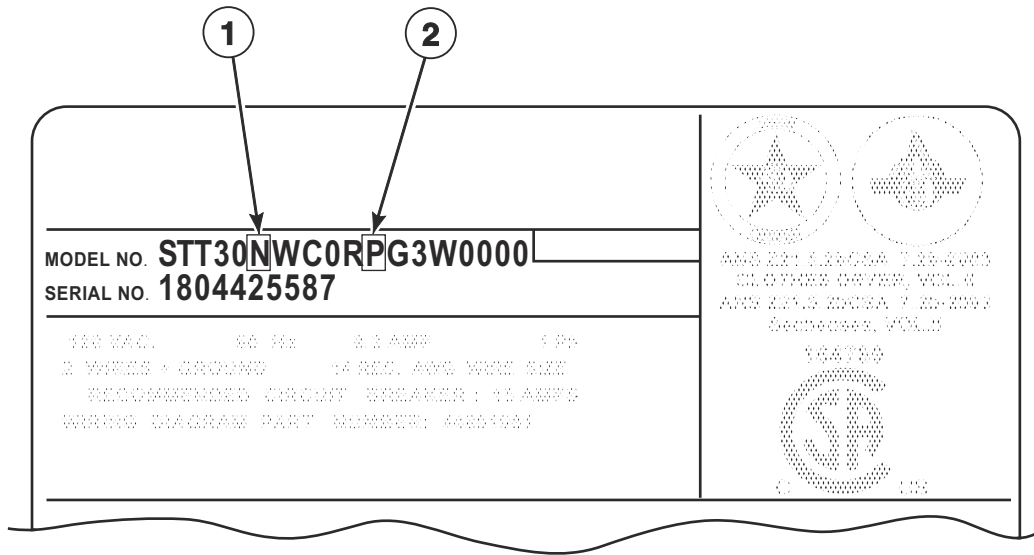
TMB3565P_70591601

Machine Identification

Information in this manual is applicable to these machines:

BAT30E	HAT30E	JUT30E	SAT30E	UAT30E
BAT30F	HAT30F	JUT30N	SAT30F	UAT30F
BAT30L	HAT30L	PAT30E	SAT30L	UAT30L
BAT30N	HAT30N	PAT30L	SAT30N	UAT30N
BAT30R	HAT30R	PAT30N	SAT30R	UAT30R
BAT30S	HAT30S	PAT30S	SAT30S	UAT30S
BGT30D	HGT30D	PGT30E	SGT30D	UGT30D
BGT30E	HGT30E	PGT30L	SGT30E	UGT30E
BGT30F	HGT30F	PGT30N	SGT30F	UGT30F
BGT30L	HGT30L	PGT30S	SGT30L	UGT30L
BGT30N	HGT30N	PHT30E	SGT30N	UGT30N
BGT30R	HGT30R	PHT30L	SGT30R	UGT30R
BGT30S	HGT30S	PHT30N	SGT30S	UGT30S
BHT30E	HHT30E	PHT30S	SHT30E	UHT30E
BHT30F	HHT30F	PJT30E	SHT30F	UHT30F
BHT30L	HHT30L	PJT30L	SHT30L	UHT30L
BHT30N	HHT30N	PJT30N	SHT30N	UHT30N
BHT30R	HHT30R	PJT30S	SHT30R	UHT30R
BHT30S	HHT30S	PKT30E	SHT30S	UHT30S
BJT30D	HJT30D	PKT30L	SJT30D	UJT30D
BJT30E	HJT30E	PKT30N	SJT30E	UJT30E
BJT30F	HJT30F	PLT30E	SJT30F	UJT30F
BJT30L	HJT30L	PLT30L	SJT30L	UJT30L
BJT30N	HJT30N	PRT30E	SJT30N	UJT30N
BJT30R	HJT30R	PRT30S	SJT30R	UJT30R
BJT30S	HJT30S	PTT30E	SJT30S	UJT30S
BKT30E	HKT30E	PTT30L	SKT30E	UKT30E
BKT30F	HKT30F	PTT30N	SKT30F	UKT30F
BKT30L	HKT30L	PTT30S	SKT30L	UKT30L
BKT30N	HKT30N	PUT30E	SKT30N	UKT30N
BKT30R	HKT30R	PUT30L	SKT30R	UKT30R
BLT30E	HLT30E	PUT30N	SLT30E	ULT30E
BLT30L	HLT30L	PUT30S	SLT30L	ULT30L
BRT30E	HRT30E		SRT30E	URT30E
BRT30S	HRT30S		SRT30S	URT30S
BUT30E	HTT30E		STT30E	UTT30E
BUT30F	HTT30F		STT30F	UTT30F
BUT30L	HTT30L		STT30L	UTT30L
BUT30N	HTT30N		STT30N	UTT30N
BUT30R	HTT30R		STT30R	UTT30R
BUT30S	HTT30S		STT30S	UTT30S
	HUT30E		SUT30E	UUT30E
	HUT30F		SUT30F	UUT30F
	HUT30L		SUT30L	UUT30L
	HUT30N		SUT30N	UUT30N
	HUT30R		SUT30R	UUT30R
	HUT30S		SUT30S	UUT30S

Product Overview - Heat Source and Voltage



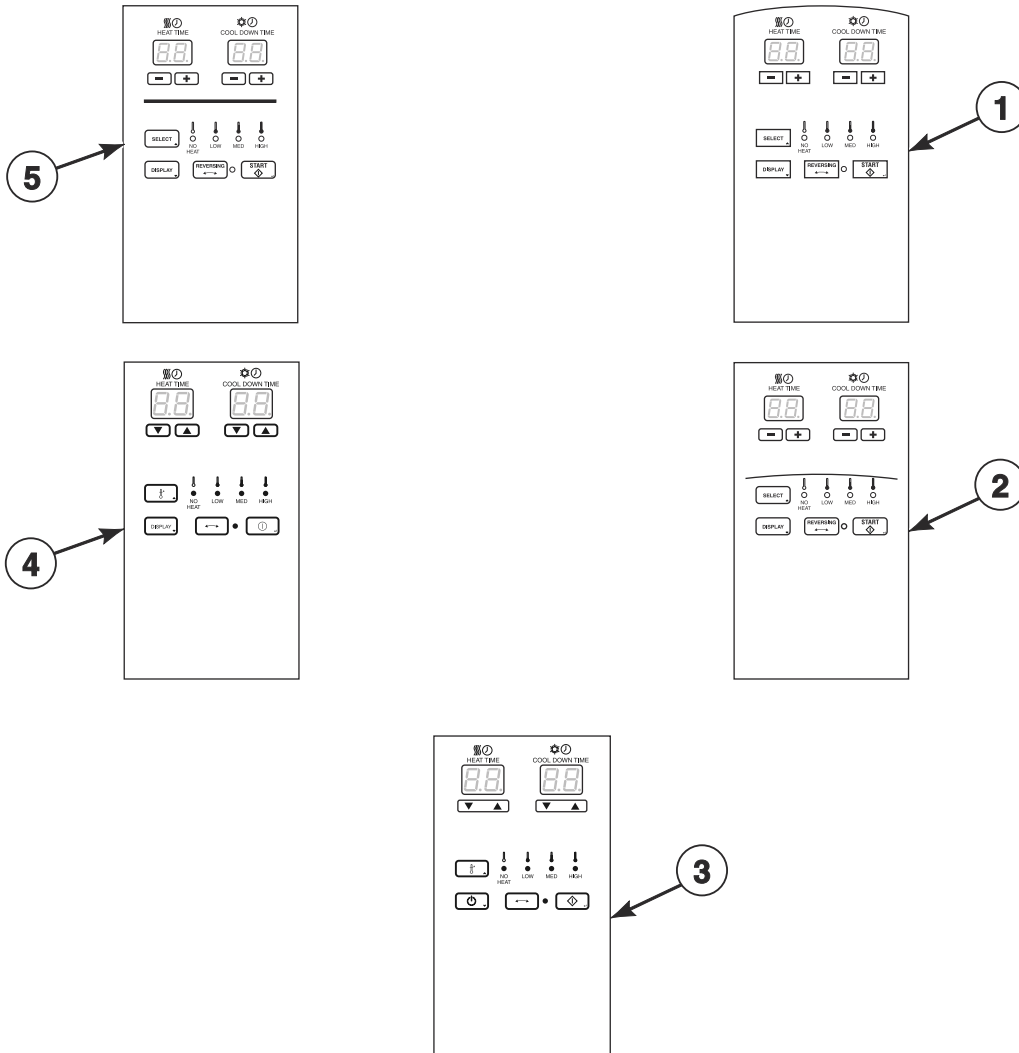
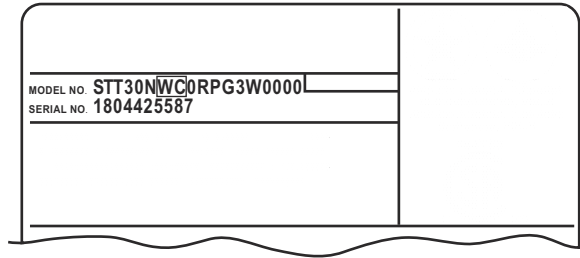
TMB3566P_70591601

Product Overview - Heat Source and Voltage

REF	PART NO.	DESCRIPTION	COMMENTS
1	-	Heat Source	D: Liquid Petroleum Gas (L.P) E: Electric F: Reduced Electric (Eco Line) L: Liquid Petroleum Gas (L.P.) N: Natural Gas (N.G.) R: Reduced Gas, Natural Gas (Eco Line) S: Steam
2	-	Voltage	B: 100-120 Volt/50-60 Hertz/1 Phase; Gas and steam models F: 200-208 Volt/50-60 Hertz/3 Phase; Electric models G: 230-240 Volt/50-60 Hertz/3 Phase; Electric models H: 380 Volt/50-60 Hertz/3 Phase; Electric models J: 400-415 Volt/50-60 Hertz/3 Phase; Electric models K: 440 Volt/50-60 Hertz/3 Phase; Electric models L: 460-480 Volt/50-60 Hertz/3 Phase; Electric models N: 440-480 Volt/50-60 Hertz/3 Phase; Gas and steam models P: 380-415 Volt/50-60 Hertz/3 Phase; Gas and steam models X: 200-240 Volt/50-60 Hertz/1-3 Phase; Gas and steam models

Product Overview - FN Control Suffix

OPL



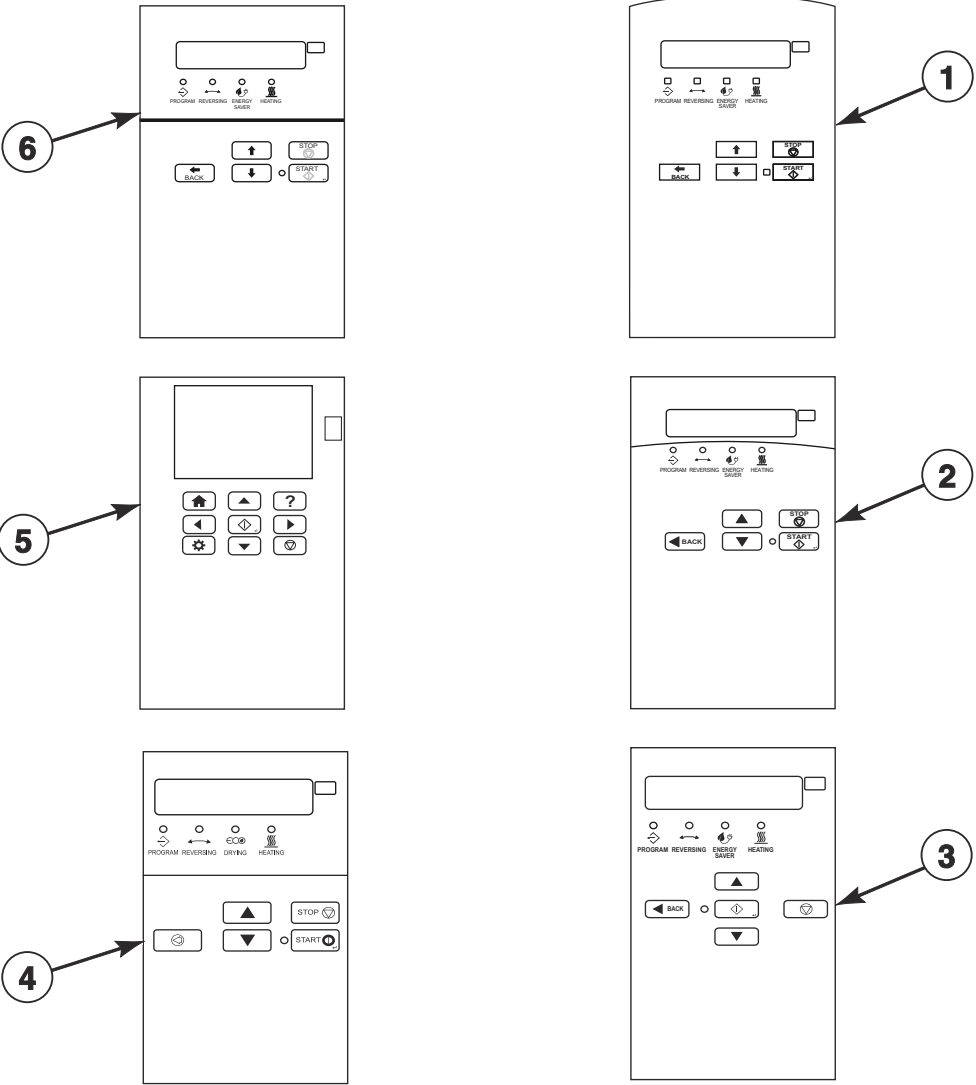
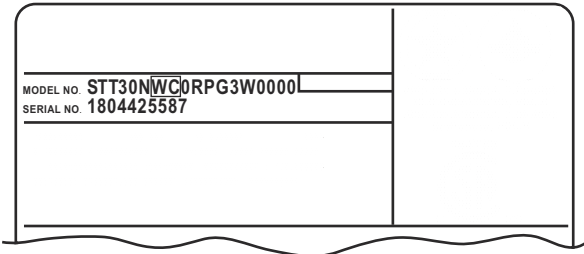
TMB3567P_70591601

Product Overview - FN Control Suffix

REF	PART NO.	DESCRIPTION	COMMENTS
1	-	Dual Digital Control	H models
2	-	Dual Digital Control	U models
3	-	Dual Digital Control	B models
4	-	Dual Digital Control	P models
5	-	Dual Digital Control	S models

Product Overview - DN and NN Control Suffixes

OPL



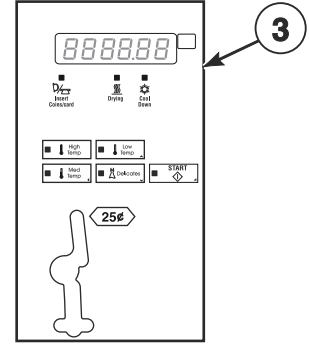
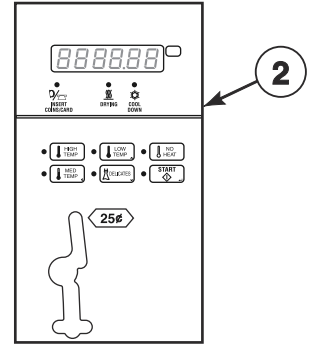
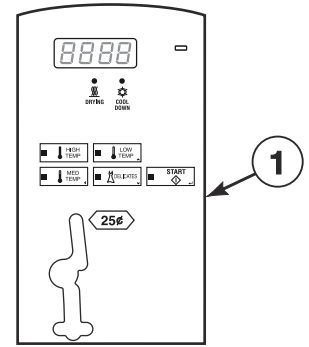
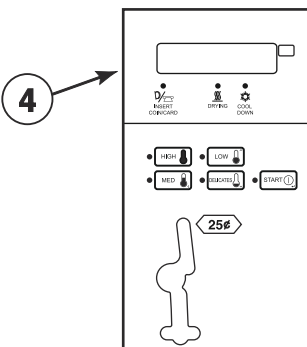
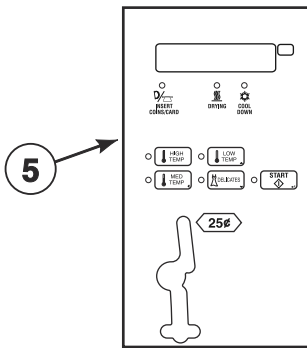
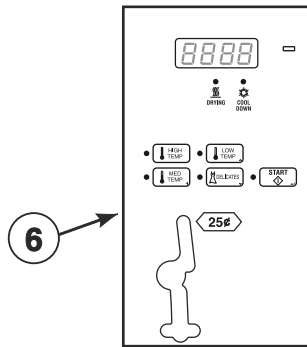
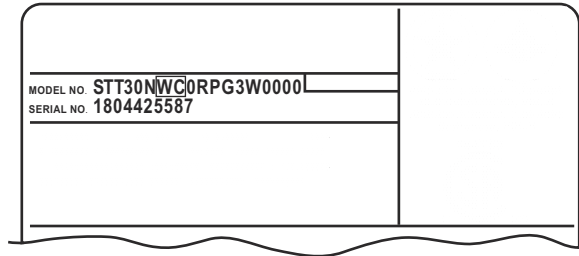
TMB3568P_70591601

Product Overview - DN and NN Control Suffixes

REF	PART NO.	DESCRIPTION	COMMENTS
1	-	Galaxy Control	H models
2	-	M-Series Control	U models
3	-	OPTimum Control	B models
4	-	OPL Micro Control	P models
5	-	UniLinc Control	U models
6	-	Quantum Gold Control	S models

Product Overview - B, N and W Control Suffixes

7th Position of the Model Number; Vend



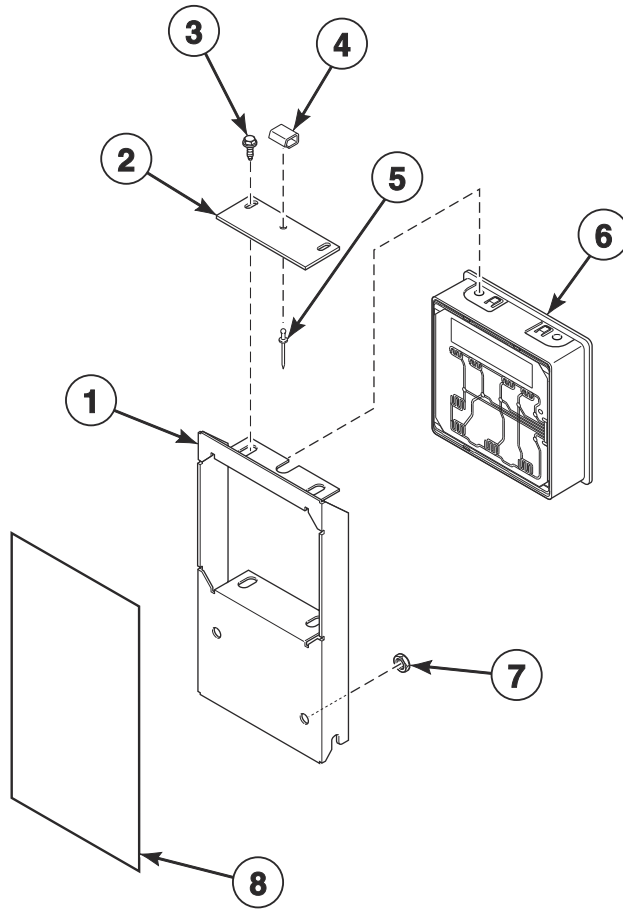
TMB3569P_70591601

Product Overview - B, N and W Control Suffixes

REF	PART NO.	DESCRIPTION	COMMENTS
1	-	Basic Electronic Control	H models
2	-	Quantum Gold Control	S models
3	-	Galaxy 600	H models
4	-	XQ Control	P models
5	-	EVO7S Control	B and J models
6	-	MDC II Control	S models

Dual Digital Control

Models with F in the 7th Position



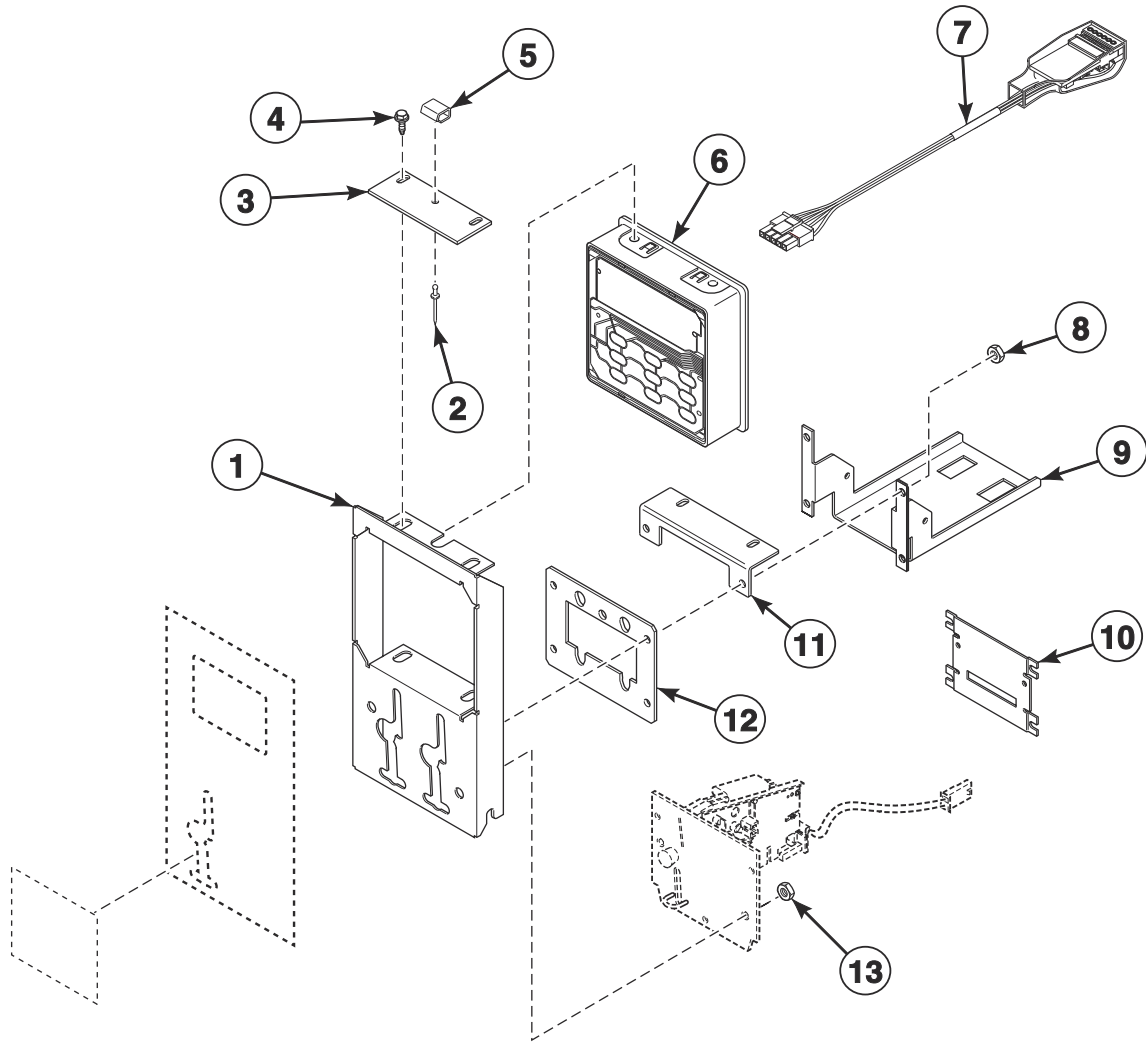
TMB3570P_70591601

Dual Digital Control

REF	PART NO.	DESCRIPTION	COMMENTS
	70577101	Vend Activation Harness	
1	70558601	Control Door and Studs Assembly	H models; Design 3
	70558501	Control Door and Studs Assembly	All other models; Design 3
	70641803	Control Door and Studs Assembly	Design 5 models
2	70184501	Latch Mounting Bracket	Design 3 models
	70634401	Control Latch Plate	Design 5 models
3	D501524	Screw	4 required
4	431318	Control Door Latch	
5	M400003	Pop Rivet	
6	70523101	Control Assembly	P models; Blue
	70479801	Control Assembly	H, S and U models; Green
	70479901	Control Assembly	B models; Red
7	44087101	Nut	2 required
8	70539002	Overlay	B models; Nonreversing
	70539001	Overlay	B models; Reversing
	70517902	Overlay	H models; Nonreversing; Design 3
	70517901	Overlay	H models; Reversing; Design 3
	70638002	Overlay	H models; Nonreversing; Upper; Design 5
	70638102	Overlay	H models; Nonreversing; Lower; Design 5
	70638001	Overlay	H models; Reversing; Upper; Design 5
	70638101	Overlay	H models; Reversing; Lower; Design 5
	70545402	Overlay	P models; Nonreversing
	70545401	Overlay	P models; Reversing
	70516901	Overlay	S models; Nonreversing; Design 3
	70516902	Overlay	S models; Reversing; Design 3
	70637202	Overlay	S models; Nonreversing; Upper; Design 5
	70637302	Overlay	S models; Nonreversing; Lower; Design 5
	70637201	Overlay	S models; Reversing; Upper; Design 5
	70637301	Overlay	S models; Reversing; Lower; Design 5
	70519102	Overlay	U models; Nonreversing; Design 3
	70519101	Overlay	U models; Reversing; Design 3
	70635902	Overlay	U models; Nonreversing; Upper; Design 5
	70636002	Overlay	U models; Nonreversing; Lower; Design 5
	70635901	Overlay	U models; Reversing; Upper; Design 5
	70636001	Overlay	U models; Reversing; Lower; Design 5

Electronic Display Control - Vend Models with B in the 7th Position

H and S Models



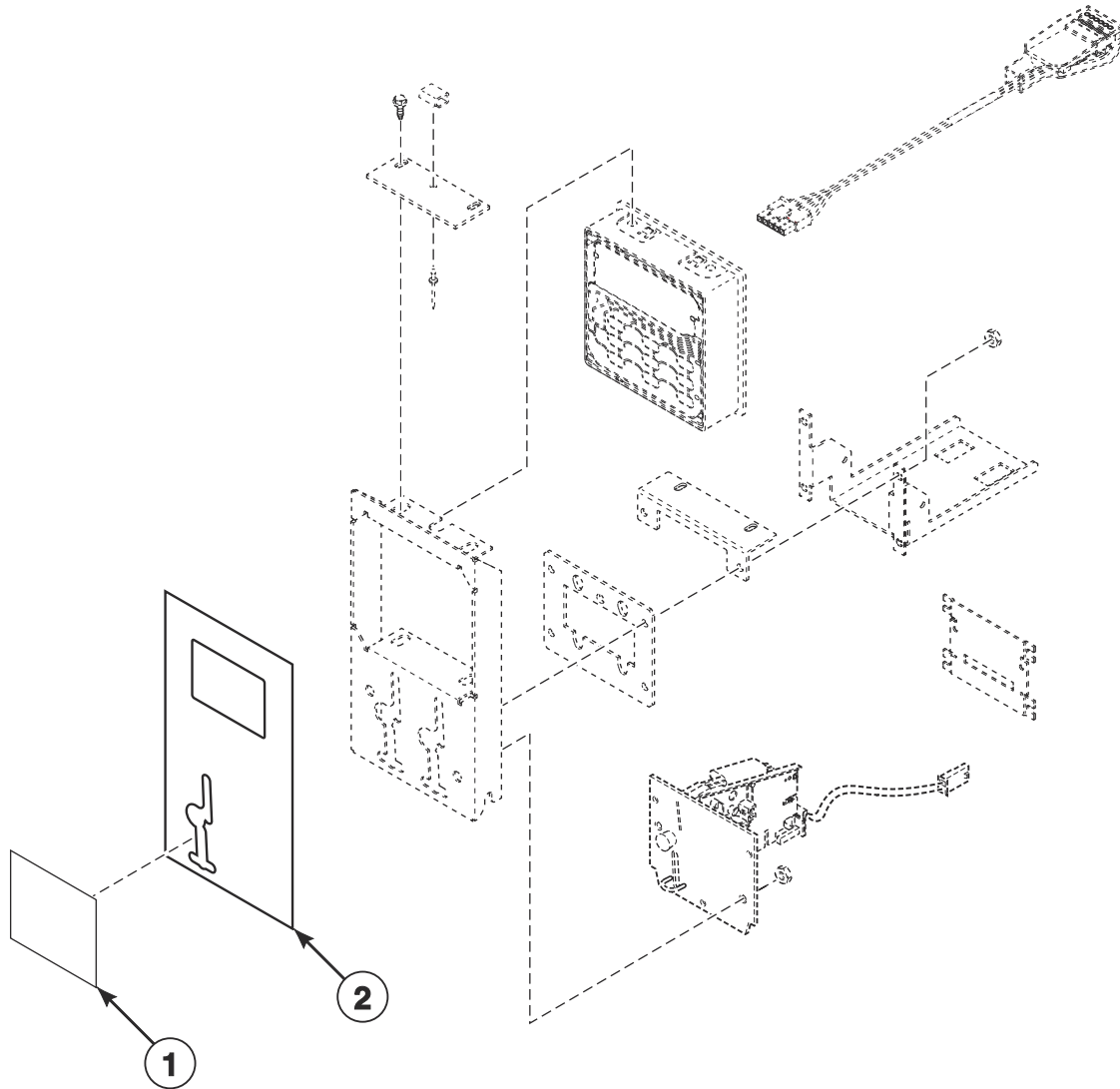
TMB3819P_70591601

Electronic Display Control - Vend Models with B in the 7th Position

REF	PART NO.	DESCRIPTION	COMMENTS
	70577101	Vend Activation Harness	
	44342803	Central Pay Harness	Models through November 2018
1	70498201P	Control Plate Kit	H models; Coin; Design 3
	70498401	Control Door and Studs Assembly	H models; Prep for card; Design 3
	70558601	Control Door and Studs Assembly	H models; Central pay; Design 3
	70497801	Control Door and Studs Assembly	S models; Coin; Design 3
	70497401	Control Door and Studs Assembly	S models; Prep for card; Design 3
	70558501	Control Door and Studs Assembly	S models; Central pay; Design 3
	70641801	Control Door and Studs Assembly	Coin; Design 5 models
	70641802	Control Door and Studs Assembly	Prep for card; Design 5 models
	70641803	Control Door and Studs Assembly	Central pay; Design 5 models
2	M400003	Pop Rivet	
3	70184501	Latch Mounting Bracket	Design 3 models
	70634401	Control Latch Plate	Design 5 models
4	D501524	Screw	8 required
5	431318	Control Door Latch	
6	70478801P	Control Assembly	
7	203361P	Machine ID Control Assembly	Model or serial number is required when ordering
8	70054	Nut	4 required
9	70119001	Chassis Mounting Bracket	
10	44089501	Slot Card Plate Assembly	Included in literature packet
11	70658501	Control Stiffening Bracket	Prep for card
12	70208801	Mounting Plate	
13	44087101	Nut	2 required

Electronic Display Control Overlays - Vend Models with B in the 7th Position

H and S Models



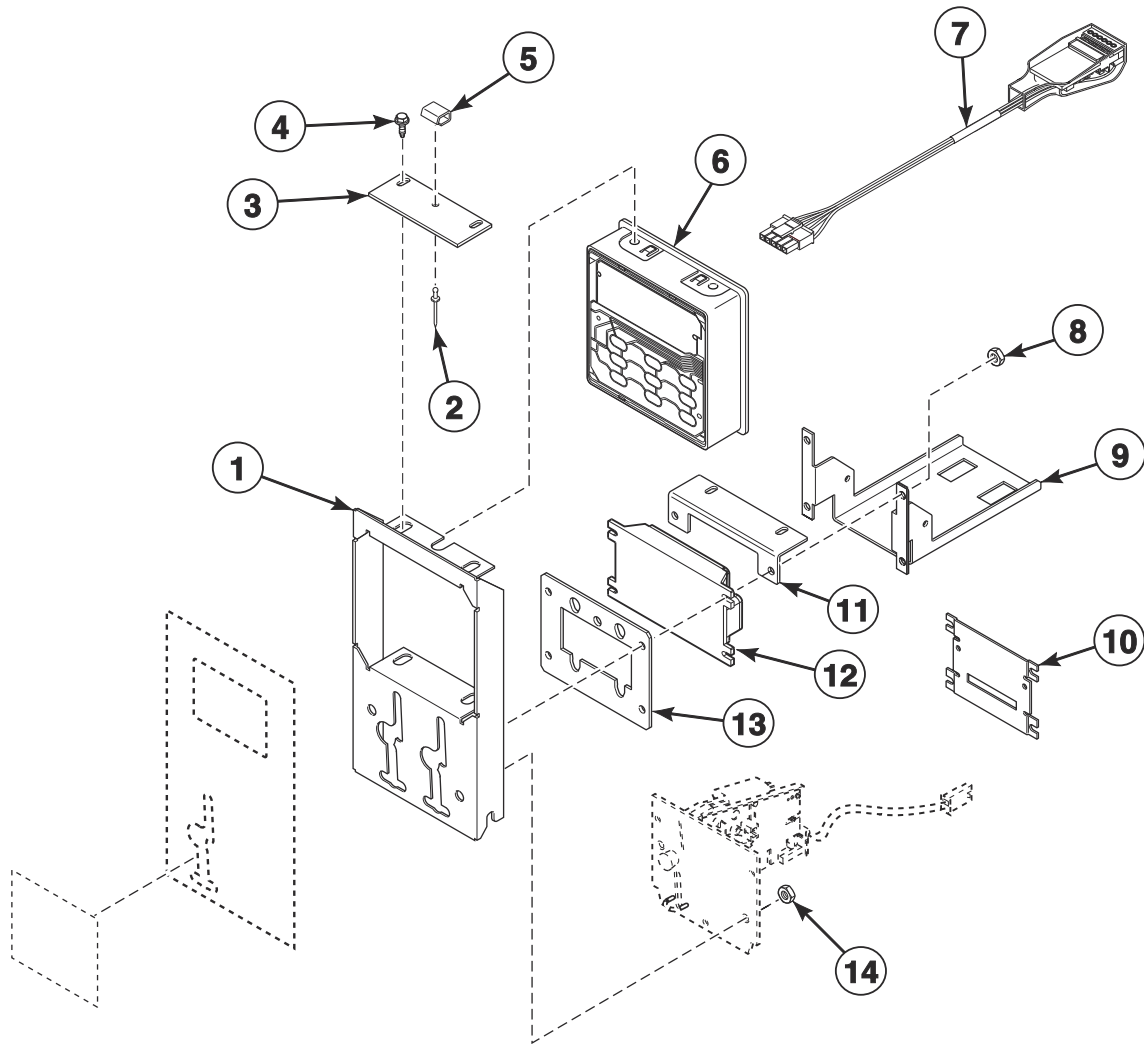
TMB3819PA_70591601

Electronic Display Control Overlays - Vend Models with B in the 7th Position

REF	PART NO.	DESCRIPTION	COMMENTS	
1	F8205101	Overlay	Black; Single drop; Left; Design 3 models	
	F8696101	Overlay	Black; Single drop; Left; Design 5 models	
	70556501	Overlay	H models; Prep for card; Design 3	
	70556502	Overlay	H models; Central pay; Design 3	
	70646001	Overlay	H models; Card ready; Design 5	
	70646002	Overlay	H models; Central pay; Design 5	
	70557001	Overlay	S models; Prep for card; Design 3	
	70557002	Overlay	S models; Central pay; Design 3	
	F8696301	Overlay	S models; Prep for card; Design 5	
	F8696302	Overlay	S models; Central pay; Design 5	
	2	70570401	Overlay	H models; Single drop; Design 3
		70570402	Overlay	H models; Dual drop; Design 3
		70570501	Overlay	H models; Card ready; Design 3
		70647401	Overlay	H models; Single drop; Upper; Design 5
70647501		Overlay	H models; Single drop; Lower; Design 5	
70647402		Overlay	H models; Dual drop; Upper; Design 5	
70647502		Overlay	H models; Dual drop; Lower; Design 5	
70647403		Overlay	H models; Card ready; Upper; Design 5	
70647503		Overlay	H models; Card ready; Lower; Design 5	
70544801		Overlay	S models; Single drop; Design 3	
70544802		Overlay	S models; Dual drop; Design 3	
70547101		Overlay	S models; Card ready; Design 3	
70647201		Overlay	S models; Single drop; Upper; Design 5	
70647301		Overlay	S models; Single drop; Lower; Design 5	
70647202		Overlay	S models; Dual drop; Upper; Design 5	
70647302		Overlay	S models; Dual drop; Lower; Design 5	
70647203		Overlay	S models; Card ready; Upper; Design 5	
70647303		Overlay	S models; Card ready; Lower; Design 5	

Electronic Display Control - Vend Models with N or W in the 7th Position

B, H, J, P and S Models



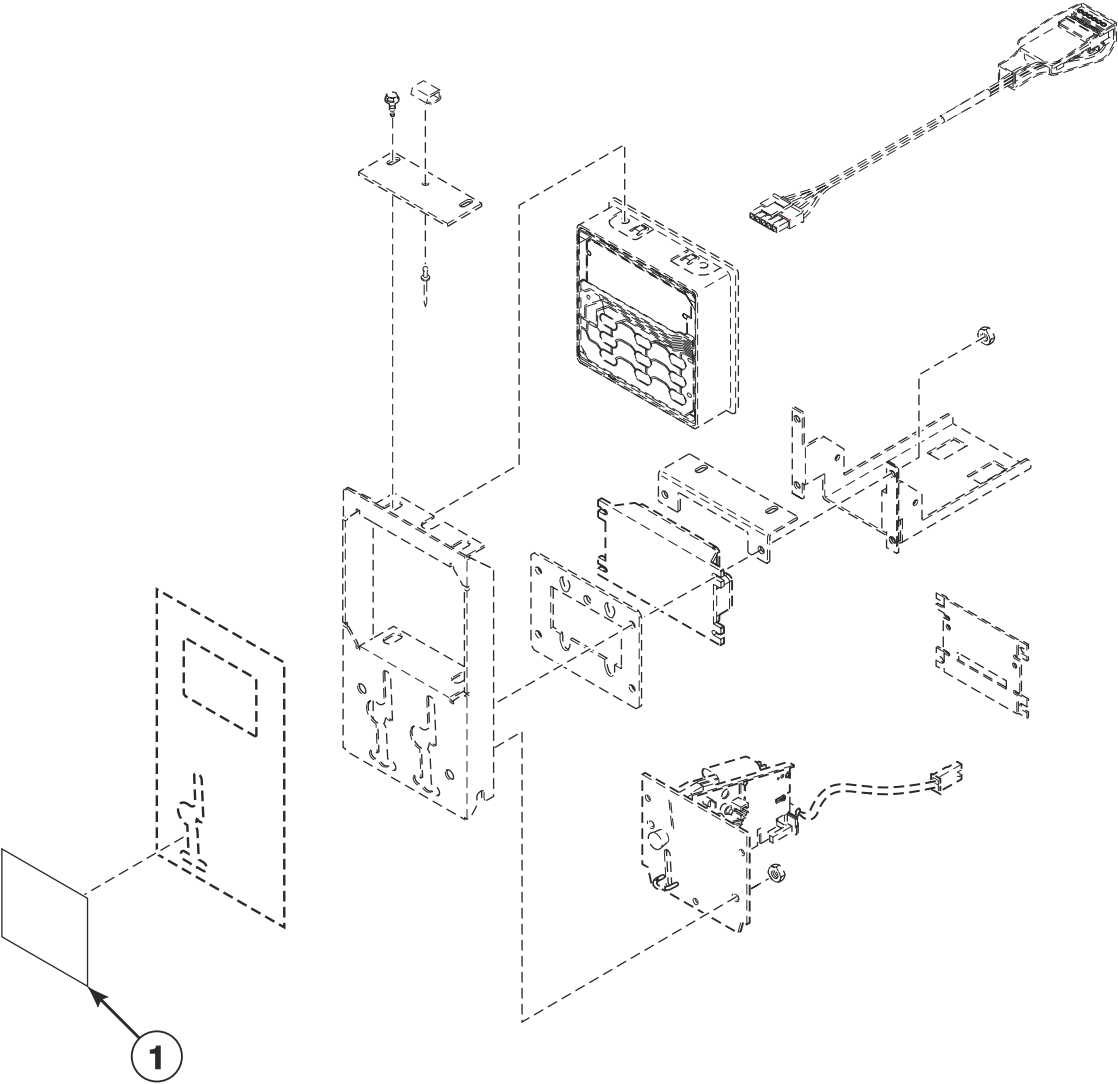
TMB3936P

Electronic Display Control - Vend Models with N or W in the 7th Position

REF	PART NO.	DESCRIPTION	COMMENTS
	70577101	Vend Activation Harness	
	F8719301	Fob Communication Harness	
1	70498201P	Control Plate Kit	H models; Coin; Design 3
	70498401	Control Door and Studs Assembly	H models; Prep for card and FOB; Design 3
	70558601	Control Door and Studs Assembly	H models; Central pay and OPL; Design 3
	70497801	Control Door and Studs Assembly	B, P and S models; Coin; Design 3
	70497401	Control Door and Studs Assembly	B, P and S models; Prep for card and FOB; Design 3
	70558501	Control Door and Studs Assembly	B, P and S models; Central pay and OPL; Design 3
	70641801	Control Door and Studs Assembly	Coin; Design 5 models
	70641802	Control Door and Studs Assembly	Prep for card and FOB; Design 5 models
	70641803	Control Door and Studs Assembly	Central pay; Design 5 models
2	M400003	Pop Rivet	
3	70184501	Latch Mounting Bracket	Design 3 models
	70634401	Control Latch Plate	Design 5 models
4	D501524	Screw	8 required
5	431318	Control Door Latch	
6	70523001	Control Assembly	P models; Blue
	70478801P	Control Assembly	H and S models; Green
	70478901	Control Assembly	B and J models; Red
7	203361P	Machine ID Control Assembly	Model or serial number is required when ordering
8	70054	Nut	4 required
9	70119001	Chassis Mounting Bracket	
10	44089501	Slot Card Plate Assembly	
11	70658501	Control Stiffening Bracket	Prep for card
12	205135	Fob Reader Control Assembly	
13	70208801	Mounting Plate	
14	44087101	Nut	2 required

Electronic Display Control Overlays - Vend Models with N or W in the 7th Position (Drawing 1 of 2)

B, H, J, P and S Models



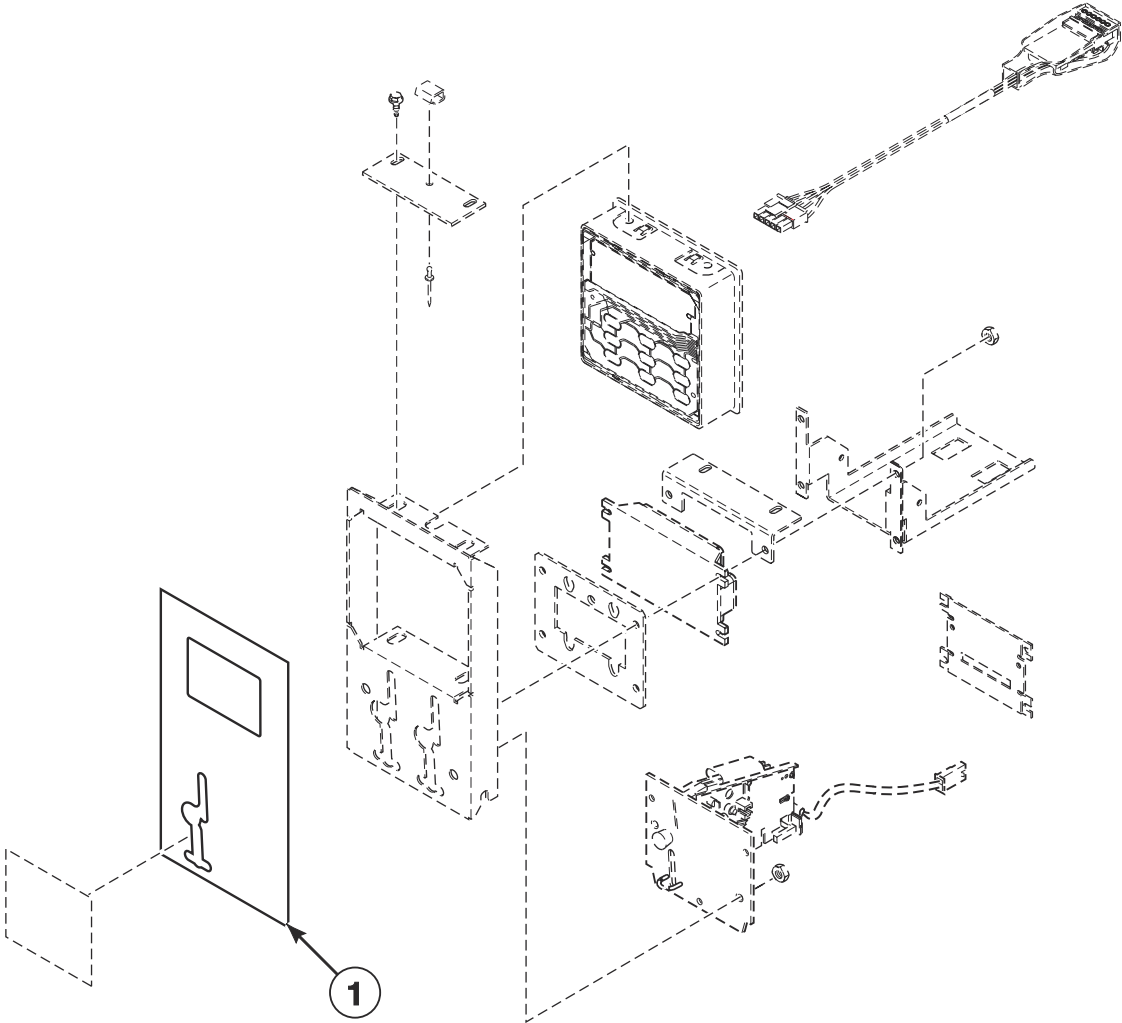
TMB3936PB

Electronic Display Control Overlays - Vend Models with N or W in the 7th Position (Drawing 1 of 2)

REF	PART NO.	DESCRIPTION	COMMENTS
1	F8205101	Overlay	S models; Single drop; Left; Design 3
	70557001	Overlay	B and S models; Prep for card; Design 3
	70557002	Overlay	B and S models; Central pay; Design 3
	70295101	Overlay	S models; World drop; Design 3
	F8696101	Overlay	S models; Single drop; Left; Design 5
	F8696301	Overlay	S models; Prep for card; Design 5
	F8696302	Overlay	S models; Central pay; Design 5
	F8696201	Overlay	S models; World drop; Design 5
	70556801	Overlay	H models; World drop; Design 3
	70556501	Overlay	H models; Prep for card; Design 3
	70556502	Overlay	H models; Central pay; Design 3
	70556601	Overlay	H models; Single drop; Left; Design 3
	70556901	Overlay	H models; Citron; World drop; Design 3
	70518101	Overlay	H models; Citron; Prep for card; Design 3
	70518102	Overlay	H models; Citron; Central pay; Design 3
	70556701	Overlay	H models; Citron; Left; Design 3
	70646001	Overlay	H models; Card ready; Design 5
	70646002	Overlay	H models; Central pay; Design 5
	70645901	Overlay	H models; World drop; Design 5
	70645601	Overlay	H models; Single drop; Left; Design 5
	70645801	Overlay	H models; Citron; World drop; Design 5
	70646101	Overlay	H models; Citron; Card ready; Design 5
	70645701	Overlay	H models; Citron; Single drop; Left; Design 5
	70646102	Overlay	H models; Citron; Central pay; Design 5
	70556201	Overlay	P models; Single drop; Right
	70556401	Overlay	P models; Prep for card
	70556402	Overlay	P models; Central pay
	70556301	Overlay	P models; Single drop; Left
	F8733901	Overlay	S models; FOB
	F8734201	Overlay	H models; FOB
	F8736501	Overlay	H models; Citron; FOB

Electronic Display Control Overlays - Vend Models with N or W in the 7th Position (Drawing 2 of 2)

B, H, J, P and S Models

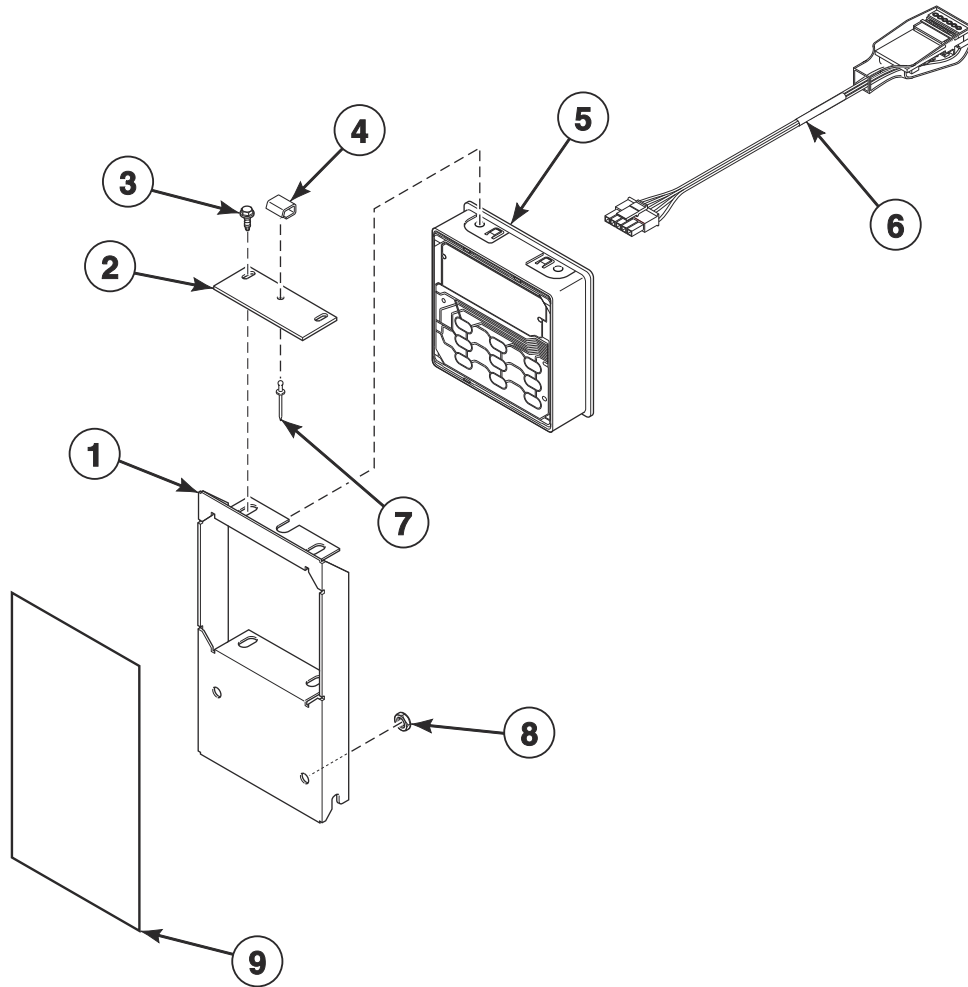


TMB3936PA

Electronic Display Control Overlays - Vend Models with N or W in the 7th Position (Drawing 2 of 2)

REF	PART NO.	DESCRIPTION	COMMENTS
1	70571201	Overlay	B models; Single drop
	70571202	Overlay	B models; Dual drop
	70571301	Overlay	B models; Card ready
	70517101	Overlay	H models; Single drop; Design 3
	70517102	Overlay	H models; Dual drop; Design 3
	70517201	Overlay	H models; Card ready; Design 3
	70517104	Overlay	H models; Central pay; Design 3
	70517105	Overlay	H models; World drop; Design 3
	70634501	Overlay	H models; Upper; Single drop; Design 5
	70634502	Overlay	H models; Upper; Dual drop; Design 5
	70634503	Overlay	H models; Upper; Card ready; Design 5
	70634504	Overlay	H models; Upper; Central pay; Design 5
	70634505	Overlay	H models; Upper; World drop; Design 5
	70634601	Overlay	H models; Lower; Single drop; Design 5
	70634602	Overlay	H models; Lower; Dual drop; Design 5
	70634603	Overlay	H models; Lower; Card ready; Design 5
	70634604	Overlay	H models; Lower; Central pay; Design 5
	70634605	Overlay	H models; Lower; World drop; Design 5
	70637401	Overlay	H models; Citron; Lower; Single drop; Design 5
	70637402	Overlay	H models; Citron; Lower; Dual drop; Design 5
	70637403	Overlay	H models; Citron; Lower; Card ready; Design 5
	70637501	Overlay	H models; Citron; Upper; Single drop; Design 5
	70637502	Overlay	H models; Citron; Upper; Dual drop; Design 5
	70637503	Overlay	H models; Citron; Upper; Card ready; Design 5
	70540901	Overlay	P models; Single drop
	70540902	Overlay	P models; Dual drop
	70541001	Overlay	P models; Card ready
	70511701	Overlay	S models; Single drop; Design 3
	70511702	Overlay	S models; Dual drop; Design 3
	70514501	Overlay	S models; Card ready; Design 3
	70511705	Overlay	S models; Central pay; Design 3
	70511706	Overlay	S models; World drop; Design 3
	70637801	Overlay	S models; Upper; Single drop; Design 5
	70637802	Overlay	S models; Upper; Dual drop; Design 5
	70637803	Overlay	S models; Upper; Card ready; Design 5
	70637804	Overlay	S models; Upper; Central pay; Design 5
	70637805	Overlay	S models; Upper; World drop; Design 5
	70637901	Overlay	S models; Lower; Single drop; Design 5
	70637902	Overlay	S models; Lower; Dual drop; Design 5
	70637903	Overlay	S models; Lower; Card ready; Design 5
	70637904	Overlay	S models; Lower; Central pay; Design 5
	70637905	Overlay	S models; Lower; World drop; Design 5
	70558801	Overlay	Models SGT30D and SJT30D; Upper
	70558901	Overlay	Models SGT30D and SJT30D; Lower
	70685301	Overlay	J models; Upper; Electronic drop
	70685401	Overlay	J models; Lower; Electronic drop

Electronic Display Control - OPL Models with N in the 7th Position



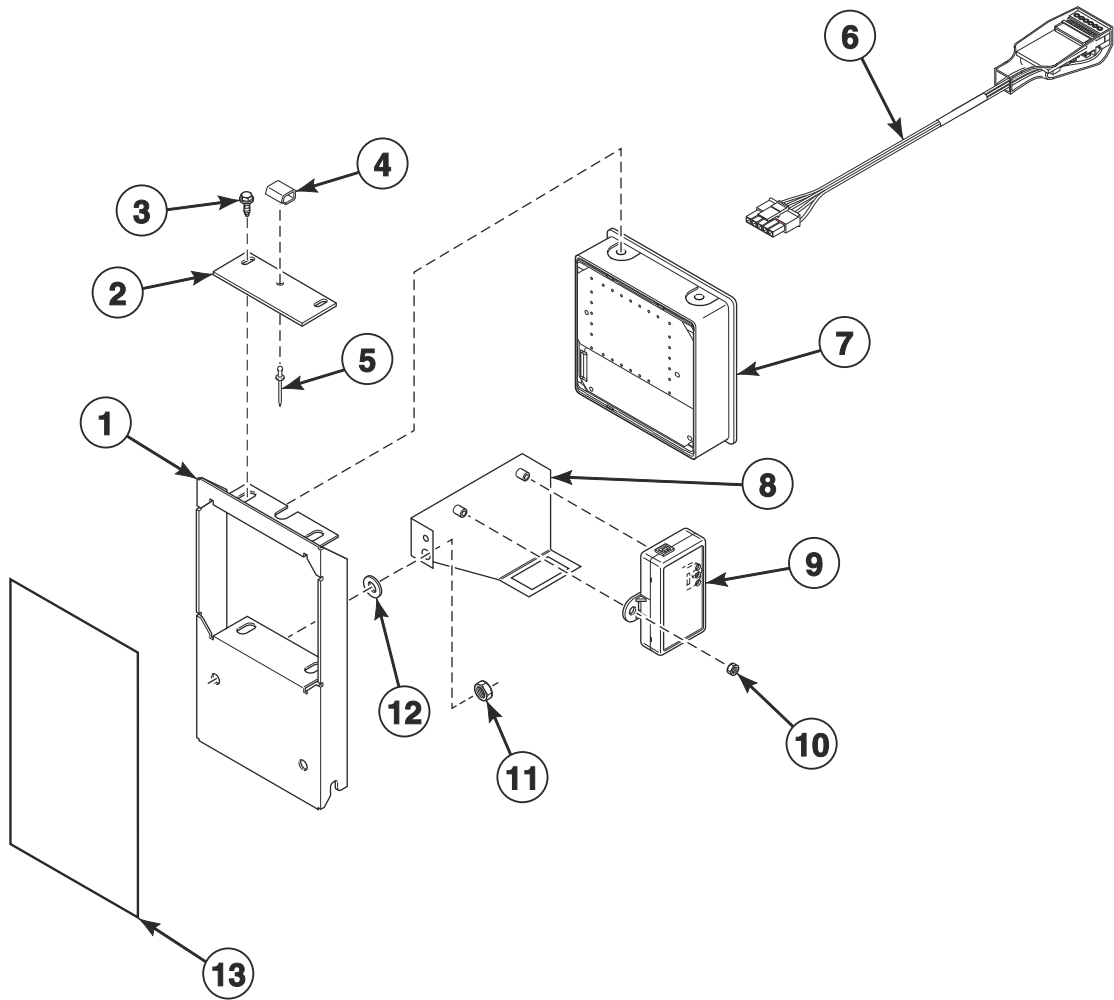
TMB3686P_70591601

Electronic Display Control - OPL Models with N in the 7th Position

REF	PART NO.	DESCRIPTION	COMMENTS
	70577101	Vend Activation Harness	
1	70558601	Control Door and Studs Assembly	H models; Design 3
	70558501	Control Door and Studs Assembly	All other models; Design 3
	70641803	Control Door and Studs Assembly	Design 5 models
2	70184501	Latch Mounting Bracket	Design 3 models
	70634401	Control Latch Plate	Design 5 models
3	D501524	Screw	
4	431318	Control Door Latch	
5	70523002	Control Assembly	P models; Blue
	70478802	Control Assembly	H, S and U models; Green
	70478902	Control Assembly	B models; Red
6	203361P	Machine ID Control Assembly	Model or serial number is required when ordering
7	M400003	Pop Rivet	
8	44087101	Nut	
9	70548901	Overlay	B models; Reversing
	70548902	Overlay	B models; Nonreversing
	70570901	Overlay	H models; Reversing; Design 3
	70570902	Overlay	H models; Nonreversing; Design 3
	70637101	Overlay	H models; Reversing; Upper; Design 5
	70637001	Overlay	H models; Reversing; Lower; Design 5
	70637102	Overlay	H models; Nonreversing; Upper; Design 5
	70637002	Overlay	H models; Nonreversing; Lower; Design 5
	70571701	Overlay	P models; Reversing
	70571702	Overlay	P models; Nonreversing
	70570701	Overlay	S models; Reversing; Design 3
	70570702	Overlay	S models; Nonreversing; Design 3
	70638501	Overlay	S models; Reversing; Upper; Design 5
	70638601	Overlay	S models; Reversing; Lower; Design 5
	70638502	Overlay	S models; Nonreversing; Upper; Design 5
	70638602	Overlay	S models; Nonreversing; Lower; Design 5
	70571501	Overlay	U models; Reversing; Design 3
	70571502	Overlay	U models; Nonreversing; Design 3
	70635701	Overlay	U models; Reversing; Upper; Design 5
	70635801	Overlay	U models; Reversing; Lower; Design 5
	70635702	Overlay	U models; Nonreversing; Upper; Design 5
	70635802	Overlay	U models; Nonreversing; Lower; Design 5

3.5 Inch Graphical Control

U Models with D in the 7th Position



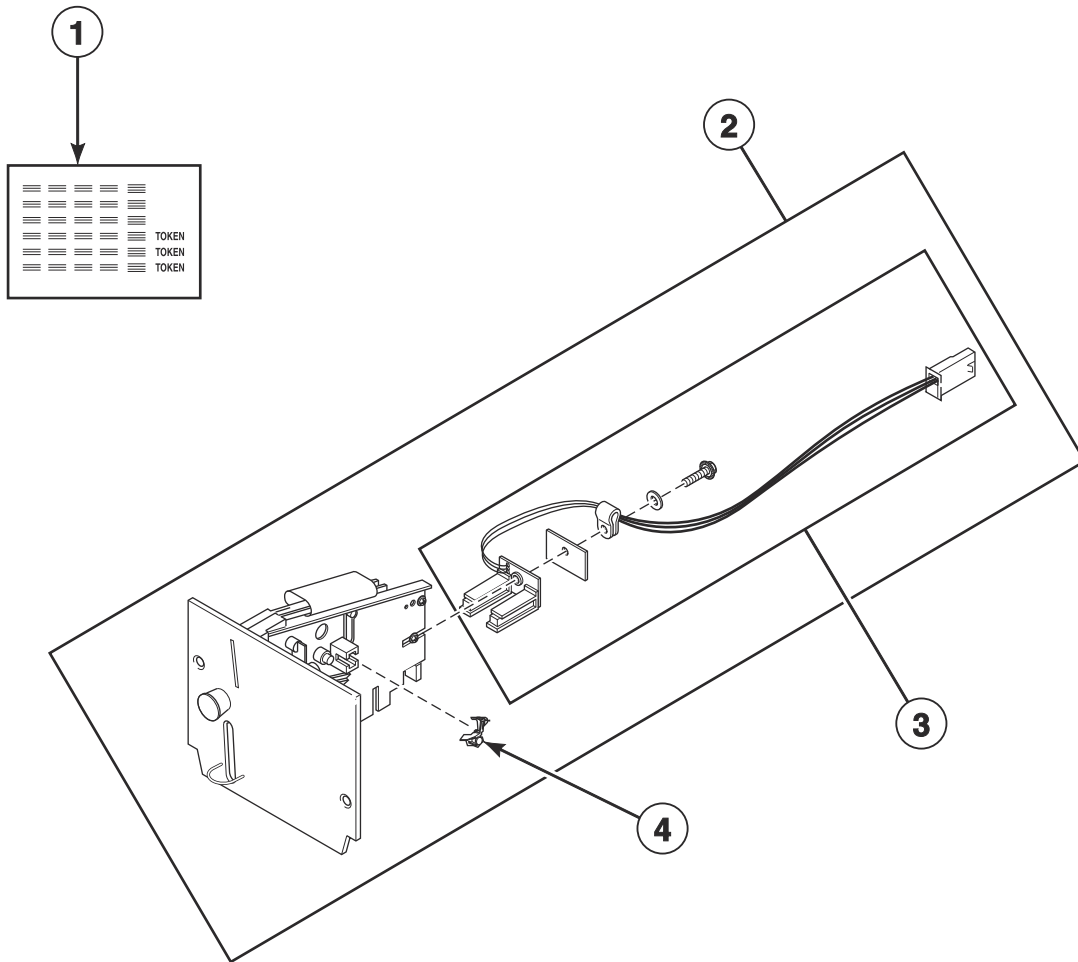
TMB3687P_70591601

3.5 Inch Graphical Control

REF	PART NO.	DESCRIPTION	COMMENTS
	F8617901	Harness	USB
1	70558501	Control Door and Studs Assembly	Design 3 models
	70641803	Control Door and Studs Assembly	Design 5 models
2	70184501	Latch Mounting Bracket	Design 3 models
	70634401	Control Latch Plate	Design 5 models
3	D501524	Screw	
4	431318	Control Door Latch	
5	M400003	Pop Rivet	
6	203361P	Machine ID Control Assembly	Model or serial number is required when ordering
7	70543104	Control Assembly	
8	70569701	Bracket Assembly	Design 3 models
8	70653901	USB Bracket	Design 5 models
9	203440	USB-Serial Interface Assembly	
10	44071201	Nut	2 required
11	44087101	Nut	
12	70292801	Washer	Design 3 models
13	70595201	Overlay	Design 3 models
	70635501	Overlay	Upper; Design 5 models
	70635601	Overlay	Lower; Design 5 models

Coin Drops

All Models Except U Models



TMB3510P_70591601

Coin Drops

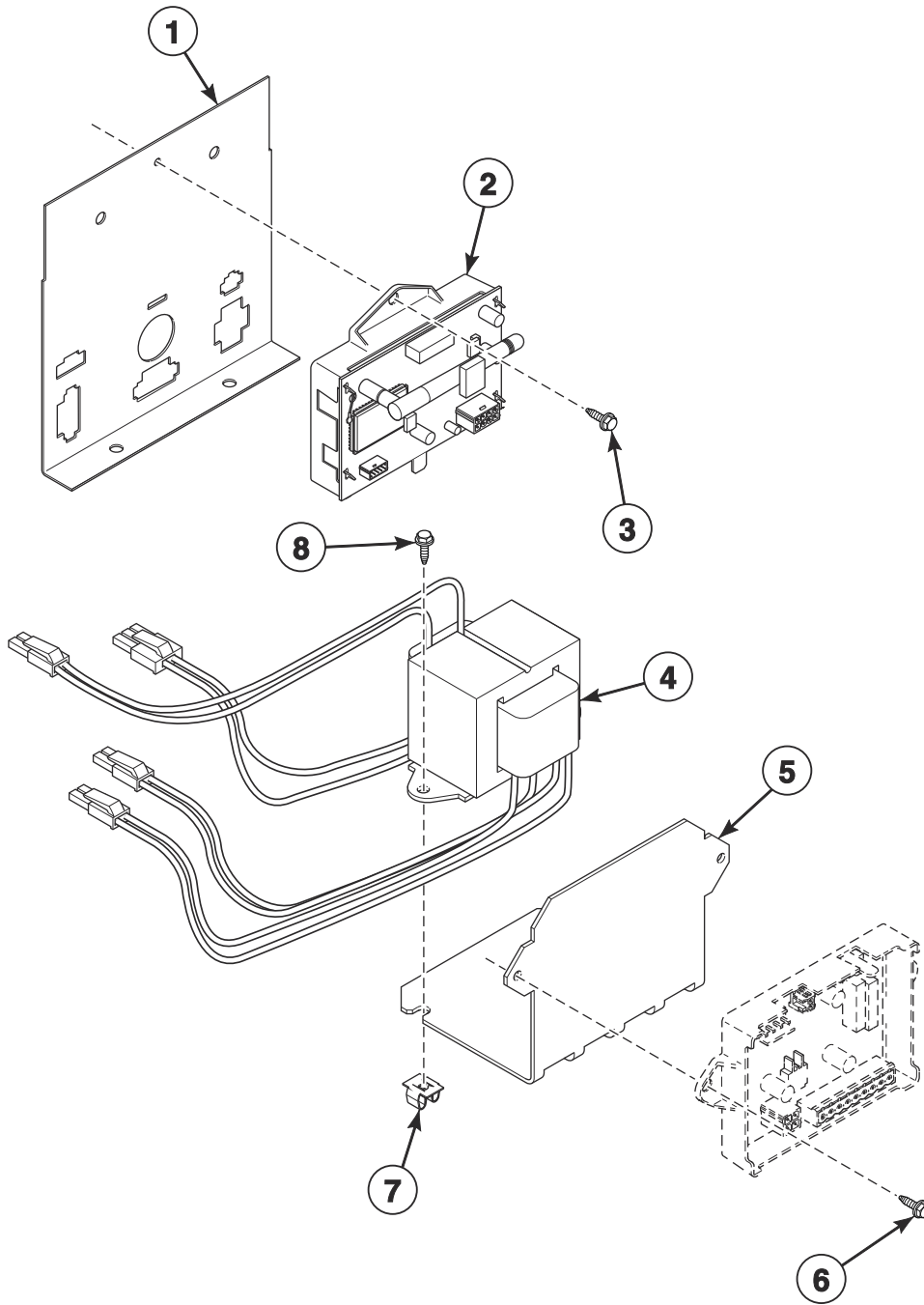
REF	PART NO.	DESCRIPTION	COMMENTS
1	38725	Coin Identification Paper	
2	70441601P	Coin Drop	Single; U.S.A.; \$.25
	38475	Coin Drop Assembly	Single; Japan; 100 yen
	38464P	Coin Drop Assembly	Single; Canada; .25
	CK077	Coin Drop Kit	Single; Taiwan; 10 NT
	70506901	Coin Drop Assembly	Single; Singapore; \$1.00 NEW
	70441603	Coin Drop	Dual; U.S.A.; \$.25 and \$1.00
	38519	Coin Drop Assembly	Dual; Japan; 100 yen and 500 yen
	70441602	Coin Drop Assembly	Dual; Canada; .25 and 1.00
	38467	Coin Drop Assembly	Dual; Australia; \$0.20 and \$1.00
	70447301	Coin Drop Assembly	Dual; Australia; \$1.00 and \$2.00
	70283102	Coin Drop Assembly	Dual; 0.20 and 0.50 Euro
	210195	Coin Drop Assembly	Dual; 0.20 and 1.00 Euro
	210196	Coin Drop Assembly	Dual; 0.50 and 1.00 Euro
	F0160737-00	Coin Meter	Dual; 0.50 and 2.00 Euro
	70281102	Coin Drop Assembly	Dual; Taiwan; 10 and 50 NT
	70482401	Coin Drop Assembly	Dual; New Zealand ; \$1.00 and \$2.00
	38462P	Coin Drop Assembly	Single; Token; STD 118-1
	38463	Coin Drop Assembly	Single; Token; STD 118-5
	38963P	Coin Drop	Single; Token STD 118-16
	39748	Coin Drop	Single; Jeton 08MS
	201141	Coin Drop Assembly	Single; Token; Jeton wh121
	70471601	Coin Drop Assembly	Single; Token; 7K
	70513302	Electronic Coin Drop Assembly	Euro and Great Britain coins
	70513310	Electronic Coin Drop Assembly	Japan and Thailand coins
	70513304	Electronic Coin Drop Assembly	Australia, New Zealand, Hong Kong and South Korea coins
	70513303	Electronic Coin Drop Assembly	Denmark, Norway and Euro coins
	70513306	Electronic Coin Drop Assembly	Mexico, Ecuador and U.S.A. coins
	70294107	Electronic Coin Drop Assembly	Lithuania, Latvia and Euro coins
	70513311	Electronic Coin Drop Assembly	China and Malaysia coins
	70513308	Electronic Coin Drop Assembly	South African 1, 2 and 5 rand coins
	70513309	Electronic Coin Drop Assembly	Euro coins
	70513312	Electronic Coin Drop Assembly	Russia coins
	70513313	Electronic Coin Drop Assembly	Phillipines coins
	70513314	Electronic Coin Drop Assembly	Thailand coins
	70513315	Electronic Coin Drop Assembly	Chile coins
	70513316	Electronic Coin Drop Assembly	Singapore coins
3	200674P	Opto Coupler	
4	201595P	Wire Guard	

Coin Drop Kits

REF	PART NO.	DESCRIPTION	COMMENTS
	CK115	Electronic Coin Drop Kit	United States and Canada
	CK099	Electronic Coin Drop Kit	Australia (default), New Zealand, Hong Kong, South Korea and Malaysia
	CK100	Electronic Coin Drop Kit	United Kingdom (default) and Europe
	CK101	Electronic Coin Drop Kit	Europe (default), Denmark and Norway
	CK108	Electronic Coin Drop Kit	South Africa
	CK109	Electronic Coin Drop Kit	Euro
	CK110	Electronic Coin Drop Kit	Mexico (default), Ecuador and United States
	CK113	Electronic Coin Drop Kit	Japan and Taiwan
	CK116	Electronic Coin Drop Kit	Malaysia (default) and China
	CK117	Electronic Coin Drop Kit	Russia
	CK118	Electronic Coin Drop Kit	Philippine
	CK119	Electronic Coin Drop Kit	Thailand
	CK120	Electronic Coin Drop Kit	Chile
	CK121	Electronic Coin Drop Kit	Singapore
	CK122	Coin Drop Kit	New Zealand; 1.00 and 2.00

Network Board, Central Pay and Card Reader Components

Central Pay Starting December 2018

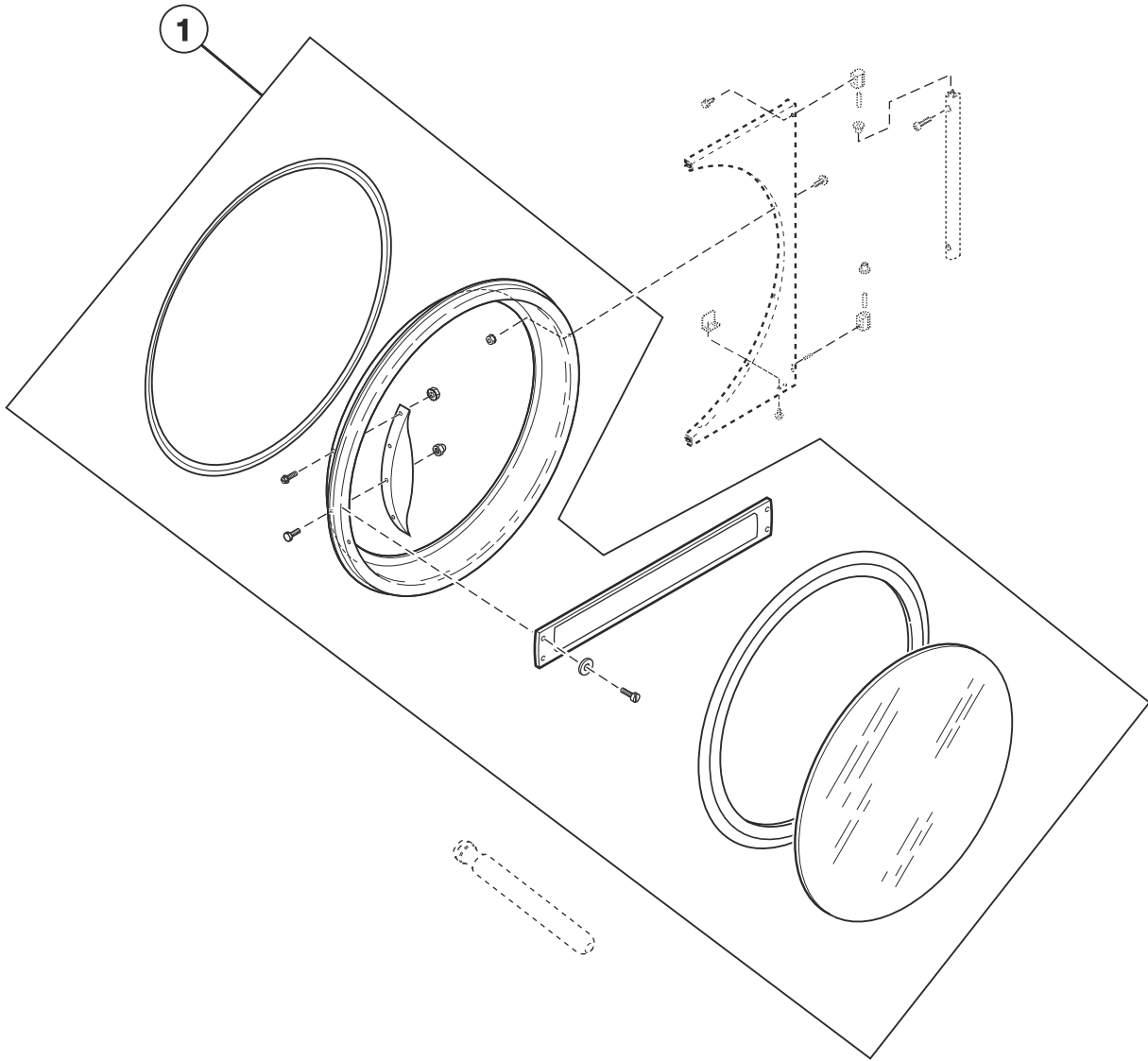


TMB3677P_70591601

Network Board, Central Pay and Card Reader Components

REF	PART NO.	DESCRIPTION	COMMENTS
	70596302	Wireless Network Kit	H and U models through 1/31/19; S models through 5/12/19
	70609801	Wireless Network Kit	H models starting 2/1/19; S models starting 5/13/19
	F8536002	Wireless Network Board Harness	H and U models through 1/31/19; S models through 5/12/19
	F8613201	FCC-IC Label	HT and U models through 1/31/19; ST models through 5/12/19
	F8674007	Wireless Network Harness	H models starting 2/1/19; S models starting 5/13/19
	204692	Wireless Control Label	H models starting 2/1/19; S models starting 5/13/19
	NK320	Ethernet Gateway Kit	S models through 5/12/19
	NK330	USB Gateway Kit	S models through 5/12/19
	203346	USB IR Interface Kit	
	70666807	Fob Reader Kit	
	44355603	Central Pay Harness	Routes from central pay board to upper control tray
	44272304	Transformer Harness	100-120 Volt; Routes from transformer to I/O Control Assembly; Card and central pay
	44272305	Transformer Harness	200-480 Volt; Routes from transformer to I/O Control Assembly; Card and central pay
	44355604	Central Pay Board Harness	Routes from central pay board to transformer
	44355605	Central Pay Harness	Routes from central pay board to front end control
	44272303	Power Supply Transformer Harness	
	44272306	Supply Harness	24 Volt; Lower
1	70307004	Control Housing Cover	OPL
	70307006	Control Housing Cover	Coin
	70307005	Control Housing Cover	Prep for card and central pay
2	203532	Wireless Network Control Assembly	H and U models through 1/31/19; S models through 5/12/19
	807211	Wireless Network Control Assembly	H models starting 2/1/19; S models starting 5/13/19
3	F8206901	Screw	4 required
4	202757	Transformer	100-120 Volt; Card and central pay
	202758	Transformer	200-480 Volt; Card and central pay
5	70604001	Mounting Bracket	2 required
6	51780	Screw	4 required
7	70030501	Expansion Clip	4 required
8	M411072	Screw	

Door Assemblies

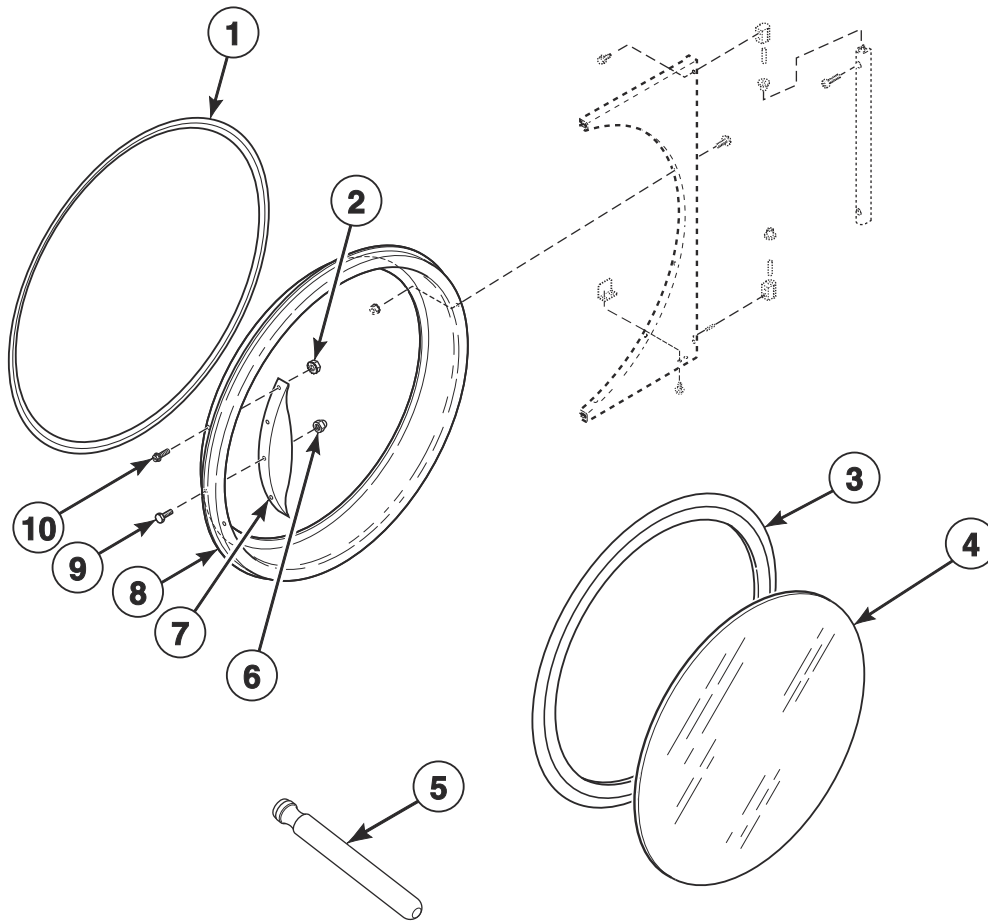


TMB3152P_70591601

Door Assemblies

REF	PART NO.	DESCRIPTION	COMMENTS
1	70212300	Door Assembly	S models; Stainless steel; Design 3
	70597701	Door Assembly	S models; Stainless steel; Design 5
	70212302P	Door Assembly	S models; Chrome; Design 3
	70597702	Door Assembly	S models; Chrome; Design 5
	70496501	Door Assembly	U models; Stainless steel; Design 3
	70597703	Door Assembly	U models; Stainless steel; Design 5
	70496502P	Door Assembly	U models; Chrome; Design 3
	70597704	Door Assembly	U models; Chrome; Design 5
	44058005	Door Assembly	H models; Stainless steel; Design 3
	70597705	Door Assembly	H models; Stainless steel; Design 5
	44058007	Door Assembly	H models; Stainless steel with green trim; Design 3
	70597707	Door Assembly	H models; Stainless steel with green trim; Design 5
	44058006	Door Assembly	H models; Chrome; Design 3
	70597706	Door Assembly	H models; Chrome; Design 5
	44058008	Door Assembly	H models; Chrome with green trim; Design 3
	70597708	Door Assembly	H models; Chrome with green trim; Design 5
	70212301	Door Assembly	B models; Black; Design 3
	44287801LGP	Door Assembly	P models; Light gray; Design 3
	70597709	Door Assembly	B, J and P models; Black; Design 5
	44287801B	Door Assembly	P models; Use with stainless steel front panel

Door Components

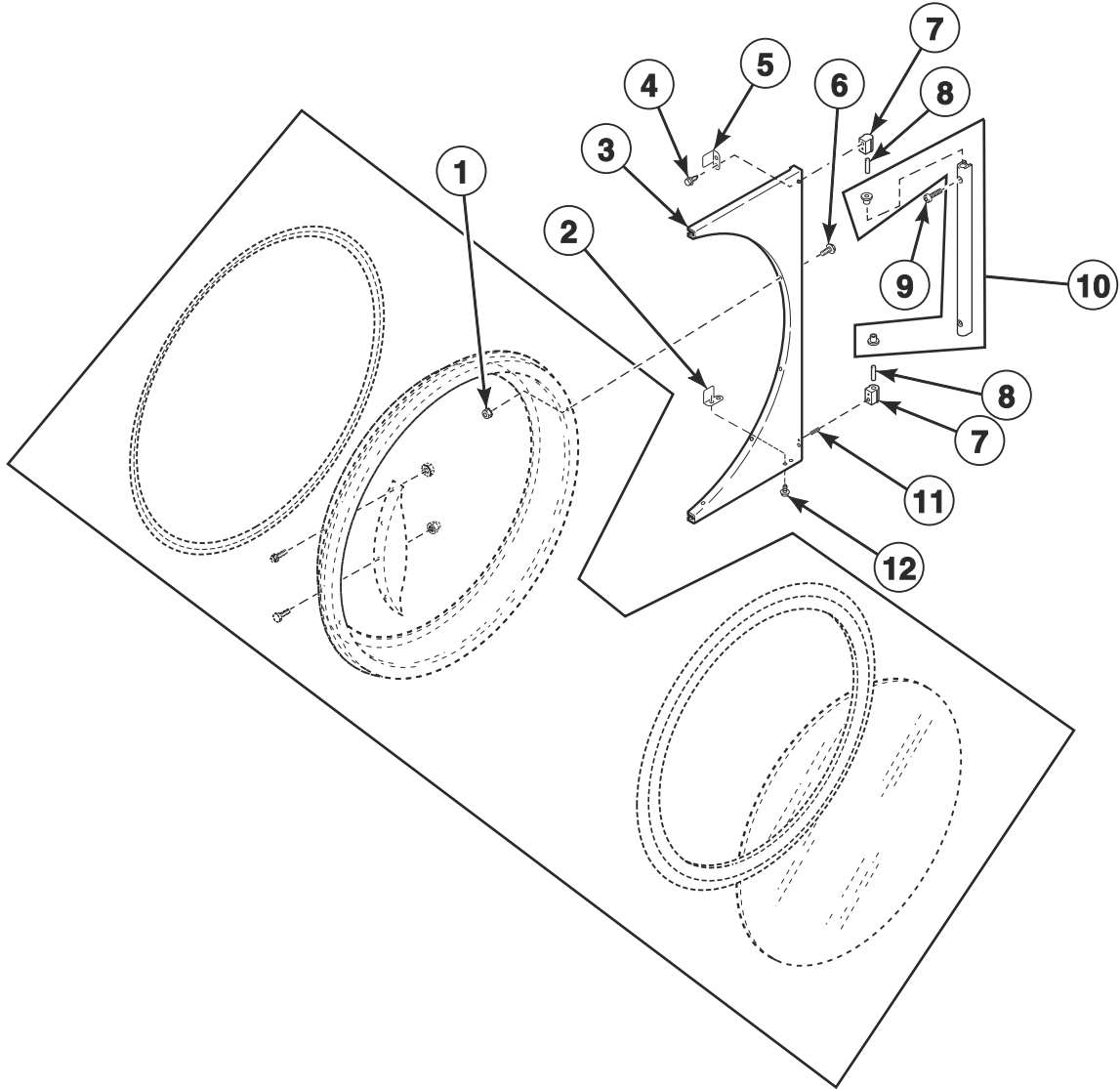


TMB3550P_70591601

Door Components

REF	PART NO.	DESCRIPTION	COMMENTS
	70650401	Door Glass Label	H models; Design 5
	70707701	Door Glass Label	S models
	70707501	Max Fill Line Label	
1	70296801	Door Ring Gasket	
2	44088001	Nut	B, H and S models; 4 required
3	70211901P	Door Glass Seal Kit	Use Loctite 414 for seal
4	70133601P	Door Glass	H models; Design 3
	70133602	Door Glass	H models; Green trim; Design 3
	70133604	Door Glass	H models; Green trim; Design 5
	M400784P	Door Glass	All other models; Design 5 H models
5	M4221P4	Door Glass Installation Tool	
6	M414215	Nut	For door strike; Mounts between door strike screw and door handle
7	44007902P	Door Handle	B, J and S models; Design 5 P models
	44263801	Door Handle	U models; Use 901620 Screw, 800465 Washer, 803871 Screw and 44088001 Nut to attach
	70521101	Door Handle	H models; Design 3
	44370602	Door Handle	H models; Design 5
8	70543901	Door Ring Assembly	H and S models; Stainless steel; Design 3
	70543905	Door Ring Assembly	H and S models; Chrome; Design 3
	70543902	Door Ring Assembly	U models; Design 3
	70543906	Door Ring Assembly	U models; Chrome; Design 3
	70543904B	Door Ring Assembly	B models; Design 3
	70543907LG	Door Ring and Handle Assembly	P models; Includes handle; Design 3
	70543907B	Door Ring and Handle Assembly	P models; Includes handle; Use with stainless steel and white front panel
	70597507B	Door Ring Assembly	B, J and P models; Design 5
9	M400661	Screw	Door Strike
10	70442101	Screw	B, H, J, P and S models; 4 required

Hinge Components - Design 3 Models



TMB3459P_70591601

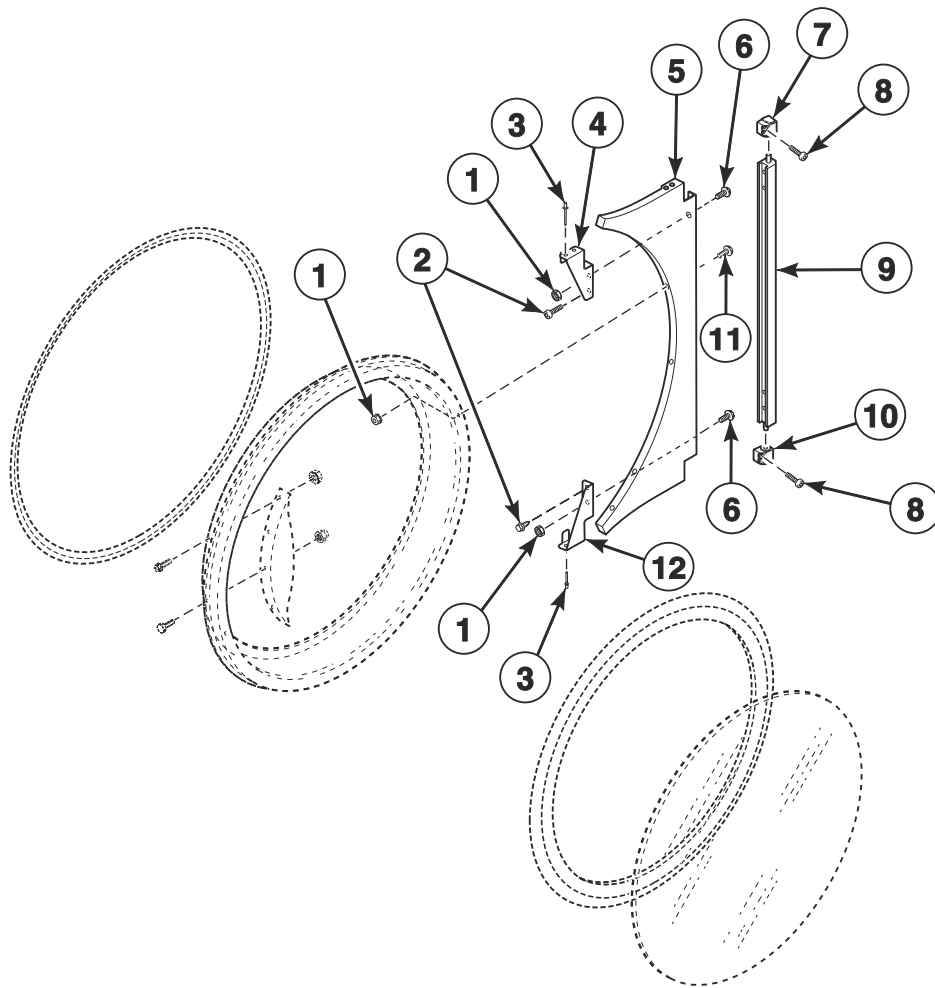
Hinge Components - Design 3 Models

REF	PART NO.	DESCRIPTION	COMMENTS
1	44088001	Nut	
2	70532101	Door Switch Actuator	Bottom
3	70115901W	Door Hinge	H, S and U models
	70115904	Door Hinge	H, S and U models; Stainless steel
	70115903LG	Door Hinge	Light gray; P and U models
	70115903B	Door Hinge	Black; B models; P models with white and stainless steel front panel
4	70576101	Screw	
5	70532102	Door Switch Actuator	Top
6	M400044	Screw	
7	M4772P3	Hinge Cam Kit	H, P, S and U models
	M4773P3	Hinge Cam Kit	Black; B models; P models with white and stainless steel front panel
8	70071401	Pin	
9	70033502	Screw	H, P, S and U models
	70407301	Screw	Black; B models; P models with white and stainless steel front panel
10	44035001	Door Hinge Lug Assembly	H, P, S and U models
	44035002	Door Hinge Lug Assembly	Black; B models; P models with white and stainless steel front panel
11	70436301	Screw	
12	70058501	Pop Rivet	

* Add Letter To Designate Color. Q - Bisque W - White

Hinge Components - Design 5 Models

B, H, J, P, S and U Models

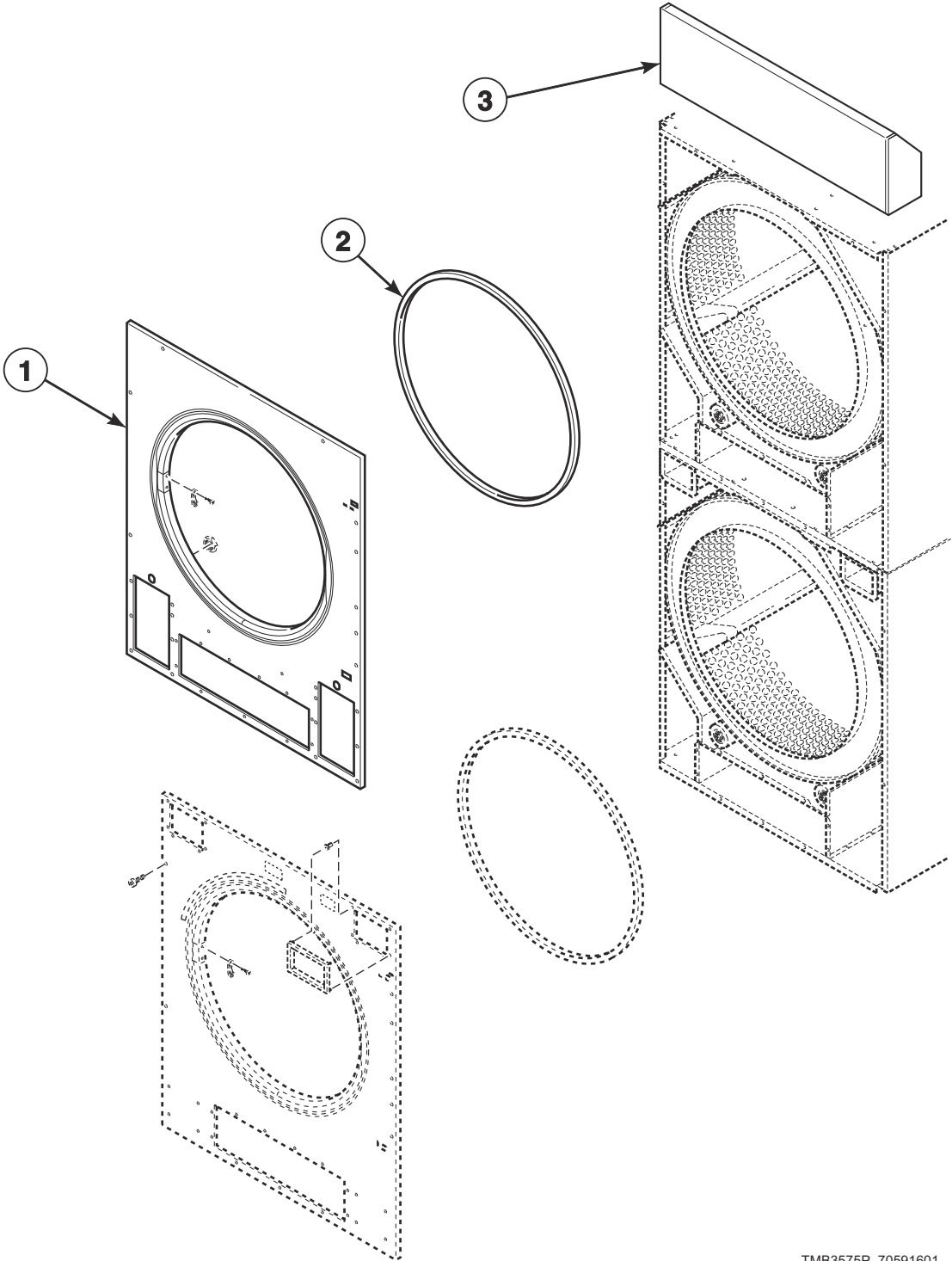


TMB3805P_70591601

Hinge Components - Design 5 Models

REF	PART NO.	DESCRIPTION	COMMENTS
1	44088001	Nut	
2	802822	Screw	
3	70058501	Pop Rivet	
4	70632001	Upper Hinge Gusset	
5	70632704	Door Hinge	Stainless steel; H, S and U models
	70632710B	Door Hinge	Black; B, J and P models
	70632708	Door Hinge	Chrome; H, S and U models through 3/31/21
	70632712	Door Hinge	Mirror polish; H, S and U models starting 4/1/21
	70632706LG	Door Hinge	Light gray; U models
	70632706W	Door Hinge	White; H, S and U models through 3/31/21
	70632702W	Door Hinge	White; H, S and U models starting 4/1/21
6	70640201	Screw	
7	70639301	Upper Lug Assembly	Use with 2 of item 8; H, S and U models
	70639303	Upper Lug Assembly	Use with 2 of item 8; B, J and P models
8	70640301	Screw	H, S and U models
	F8458801	Screw	B, J and P models
9	70640402	Center Hinge Lug Assembly	
10	70639302	Lower Lug Assembly	Use with 2 of item 8; H, S and U models
	70639304	Lower Lug Assembly	Use with 2 of item 8; B, J and P models
11	44349101	Screw	
12	70632002	Lower Hinge Gusset	

Upper Front Panel Assemblies and False Fronts - Design 3 Models



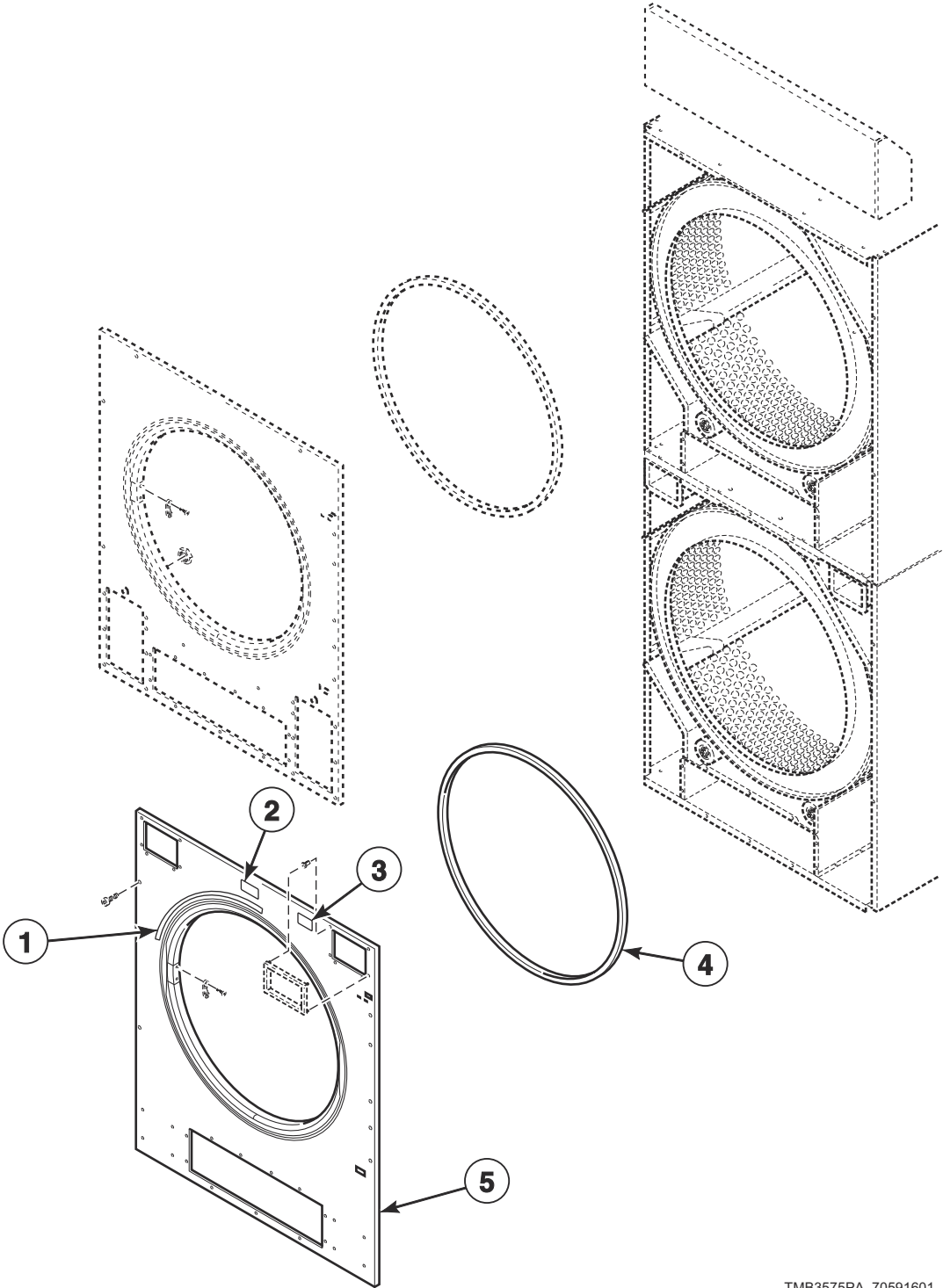
TMB3575P_70591601

Upper Front Panel Assemblies and False Fronts - Design 3 Models

REF	PART NO.	DESCRIPTION	COMMENTS
1	70619401*	Upper Front Panel Assembly	B, H, S and U models; P models with white front panel; Models through 3/31/21
	70619402W	Upper Front Panel Assembly	B, H, P, S and U models starting 4/1/21
	70618601	Upper Front Panel Assembly	Stainless steel
	70391305	Upper Front Panel Assembly	P models; Stainless steel
	70619501DG	Upper Front Panel Assembly	P models; Dark gray
	70619501LG	Upper Front Panel Assembly	U models; Light gray
2	70173401P	Front Panel Seal	Requires D511637P Adhesive
3	70371701*P	False Front Kit	B, H, S and U models; To match T45 height; Includes 2 screws
	70371704	False Front	B, H, S and U models; Stainless steel; To match T45 height
	70371703DG	False Front	P models; To match T45 height; Dark gray
	70371703LG	False Front	U models; To match T45 height; Light gray

* Add Letter To Designate Color. Q - Bisque W - White

Lower Front Panel Assemblies - Design 3 Models



TMB3575PA_70591601

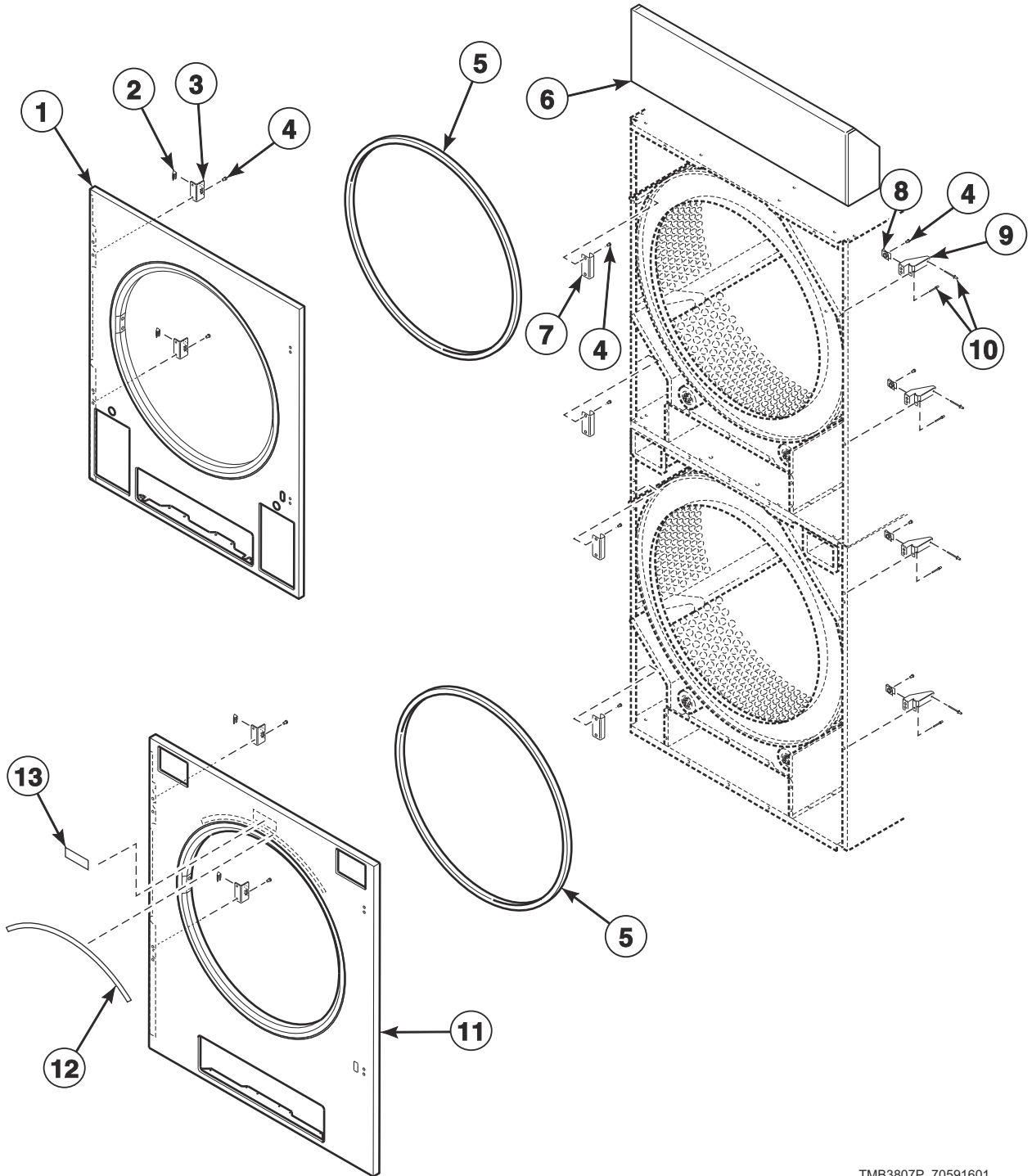
Lower Front Panel Assemblies - Design 3 Models

REF	PART NO.	DESCRIPTION	COMMENTS
1	70534301	Warning Label	English
	70534302	Warning Label	French
	70534300	Label Kit	Warning; IEC models
2	70472801	Label	U models
3	562738	Label	U models
4	70173401P	Front Panel Seal	Requires D511637P Adhesive
5	70619601*	Lower Front Panel	All models except P and U models; Coin; Models through 3/31/21
	70619602W	Lower Front Panel	All models except P and U models; Coin; Models starting 4/1/21
	70619801DG	Lower Front Panel	P models; Coin; Dark gray
	70618801	Lower Front Panel	All models except P and U models; Coin; Stainless steel
	70619701W	Lower Front Panel	All models except P and U card and central pay models; OPL models without e-stop starting 4/1/21
	70619701DG	Lower Front Panel	P models; Card and central pay; Dark gray
	70391208	Lower Front Panel	All models except P and U card and central pay models; OPL models without e-stop; Stainless steel
	70619901*	Lower Front Panel	OPL; With e-stop; Models through 3/31/21
	70619902W	Lower Front Panel	OPL; With e-stop; Models starting 4/1/21
	70616801DG	Lower Front Panel	P models; OPL; Dark gray; With e-stop
	70616801LG	Lower Front Panel	U models; OPL; Light gray; With e-stop
	70619001	Lower Front Panel	OPL; Stainless steel; With e-stop
	70524003*	Lower Front Panel	OPL; Without e-stop; Models through 3/31/21
	70524007DG	Lower Front Panel	P models; OPL; Dark gray; Without e-stop
	70524007LG	Lower Front Panel	U models; OPL; Light gray; Without e-stop

* Add Letter To Designate Color. Q - Bisque W - White

Front Panel Assemblies and False Fronts - Design 5 Models

B, H, J, P, S and U Models

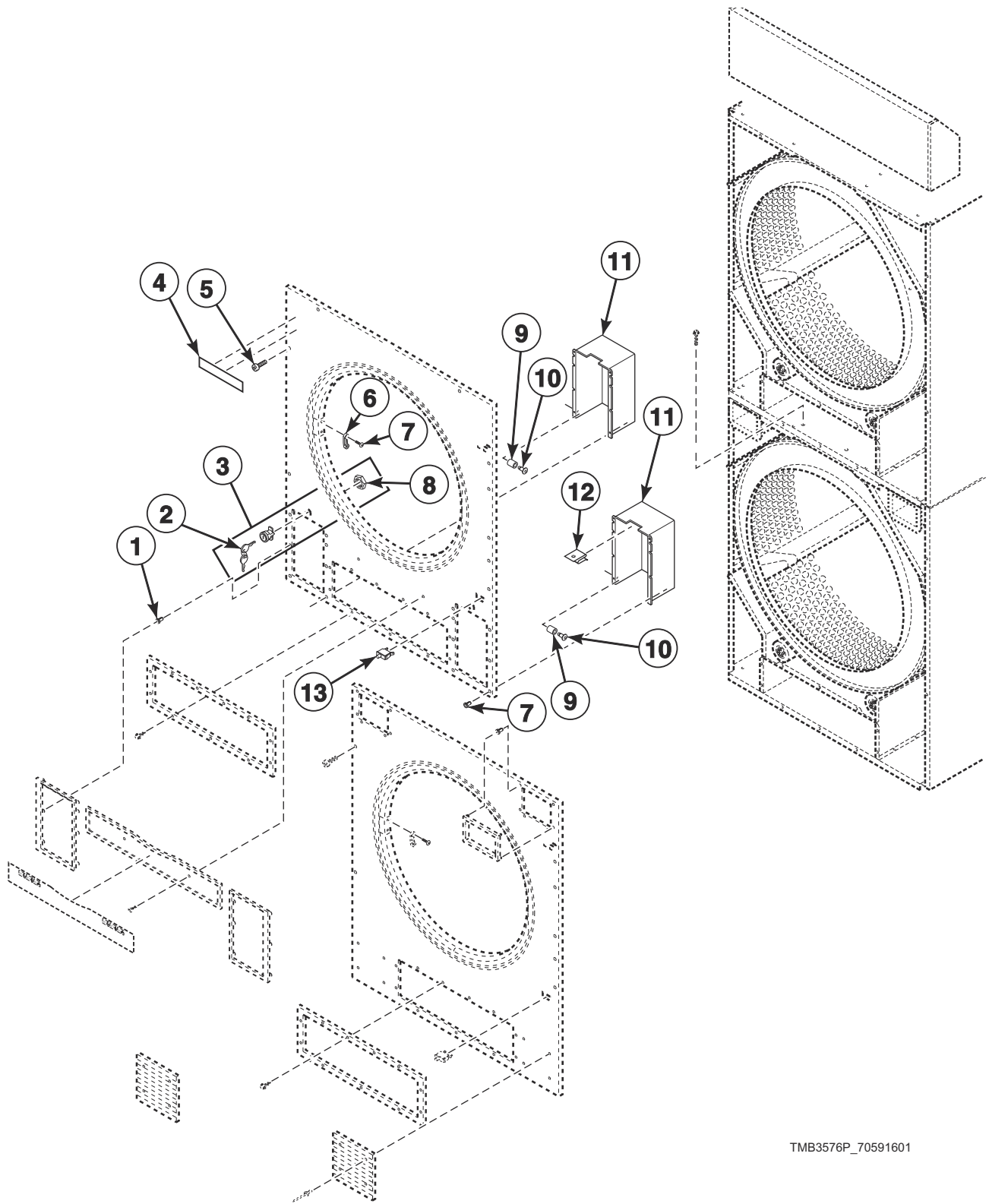


TMB3807P_70591601

Front Panel Assemblies and False Fronts - Design 5 Models

REF	PART NO.	DESCRIPTION	COMMENTS
	70289101P	Gasket	Sold per foot; Used behind items 1 and 11
1	70703504	Upper Front Panel Assembly	Stainless steel
	70633902LG	Upper Front Panel	U models; Light gray
	70703504W	Upper Front Panel Assembly	
2	35865	Hold-Down Clip	2 required
3	70604801	Clip Mount Bracket	2 required
4	70058501	Pop Rivet	
5	70173401P	Front Panel Seal	Requires D511637P Adhesive
6	70371704	False Front	Stainless steel; To match T45 height
7	70604901	Clip Keeper Bracket	2 required
8	70030401	Nut	2 required
9	70634201	Bracket	
10	70614201	Rivet	
11	70703501	Lower Front Panel Assembly	Stainless steel; Coin
	70703502	Lower Front Panel Assembly	Stainless steel; Card, central pay and OPL
	70634005LG	Lower Front Panel	U models; Light gray; OPL
	70703501W	Lower Front Panel Assembly	Coin
	70703502W	Lower Front Panel Assembly	Card, central pay and OPL
	70703503W	Lower Front Panel Assembly	OPL; With e-stop
12	70534301	Warning Label	English
	70534302	Warning Label	French
13	70472801	Label	U models

Upper Cabinet Front Components - Design 3 Models (Drawing 1 of 2)

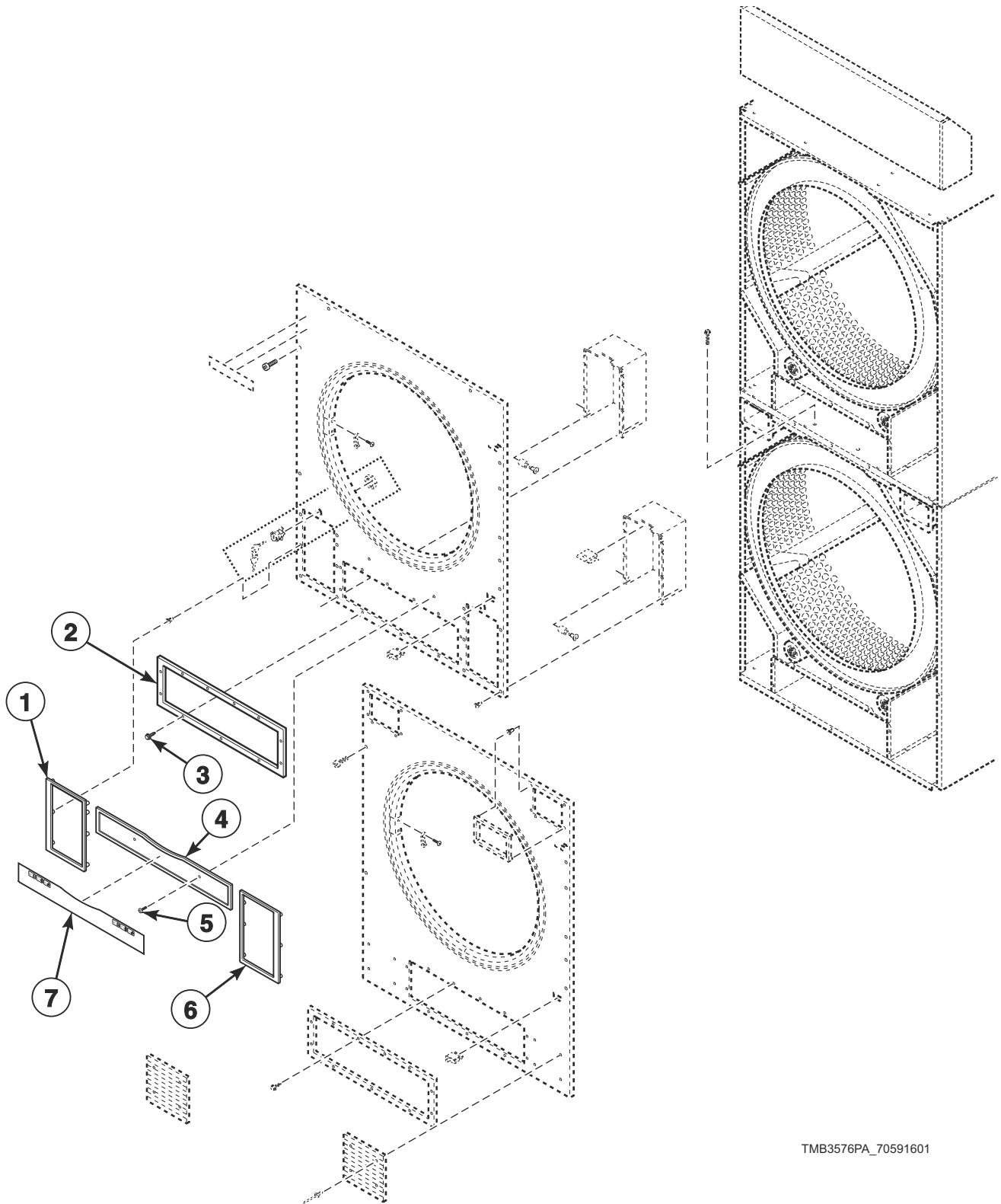


TMB3576P_70591601

Upper Cabinet Front Components - Design 3 Models (Drawing 1 of 2)

REF	PART NO.	DESCRIPTION	COMMENTS
	44334102	Coin Vault Switch Harness	
	44334103	Bypass Harness	
1	M400972	Shadow Box Clip	6 required per coin vault trim
2	70155601	Key	RL001
3	44089301P	Lock, Key and Nut Kit	RL001
	44089304	Panel Lock	RL001; Chrome
4	B12389801	Nameplate	B models
	F8443105	Nameplate	U models
5	70033502	Screw	For white front panels
	70182601	Screw	For all other front panels
6	M401223	Door Latch	
7	44166601	Pop Rivet	2 required for item 6; 4 required for item 12
8	44088801	Nut	Panel lock
9	431264	Spacer	2 required
10	44251101	Pop Rivet	2 required
11	70119901	Control Housing	
12	M406494	Panel Clip	2 required per control housing
13	70413301	Pushbutton Switch	Door switch

Upper Cabinet Front Components - Design 3 Models (Drawing 2 of 2)

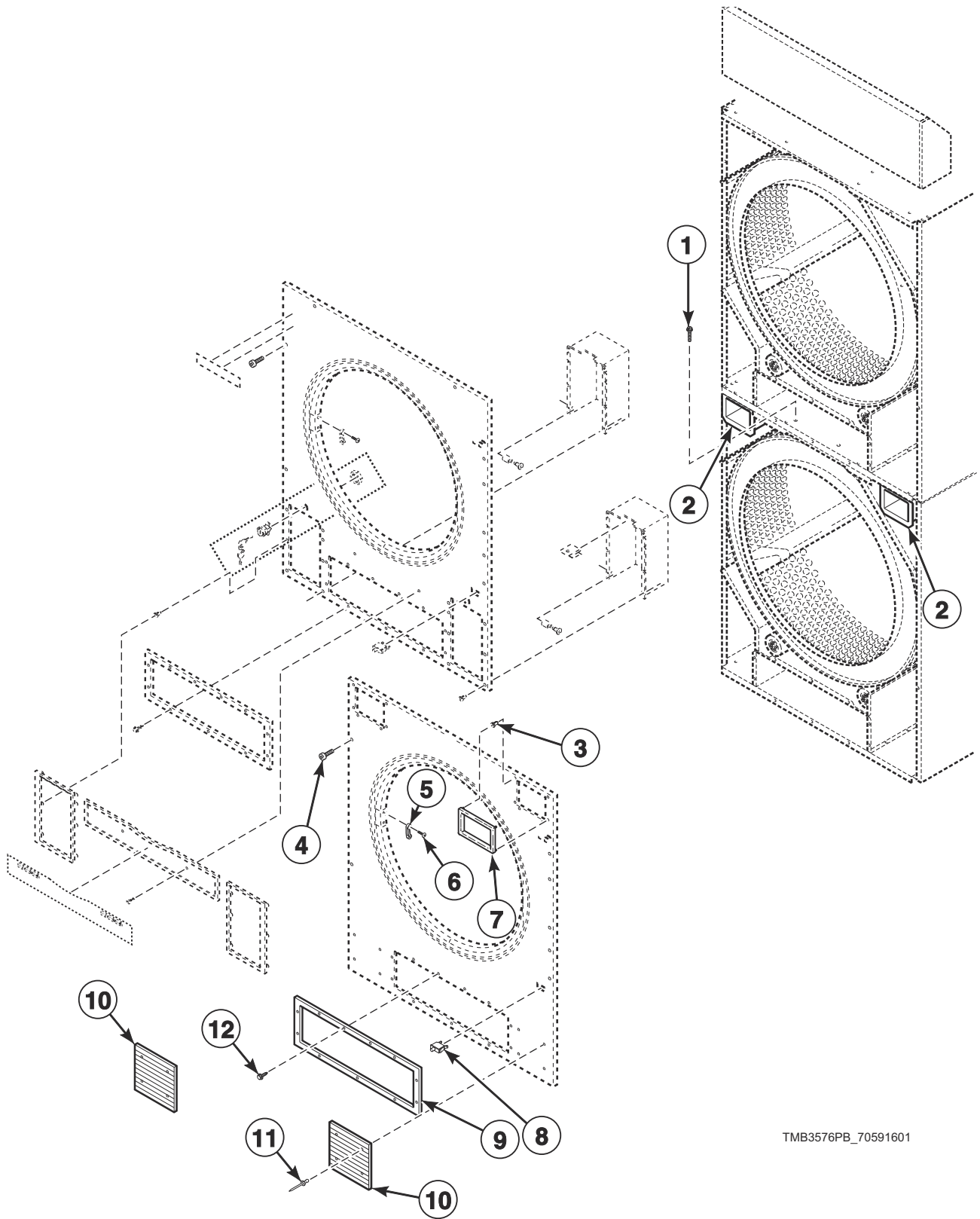


TMB3576PA_70591601

Upper Cabinet Front Components - Design 3 Models (Drawing 2 of 2)

REF	PART NO.	DESCRIPTION	COMMENTS
	70017301	Front Panel Baffle Seal	2 required
	70534301	Warning Label	
1	70117002	Control Trim	H models; Gray; Left
	70116906	Control Trim	U models; Gray; Left
	70116902	Control Trim	All other models; Black; Left
2	70117901P	Lint Drawer Gasket	
3	70275801	Screw	8 required
4	70120501	Control Trim	P models; Center
5	M405188	Screw	P models; 2 required
6	70117002	Control Trim	H models; Gray; Right
	70116905	Control Trim	U models; Gray; Right
	70116901	Control Trim	All other models; Black; Right
7	70542001	Overlay	P models; Coin
	70554501	Overlay	P models; OPL

Lower Cabinet Front Components - Design 3 Models



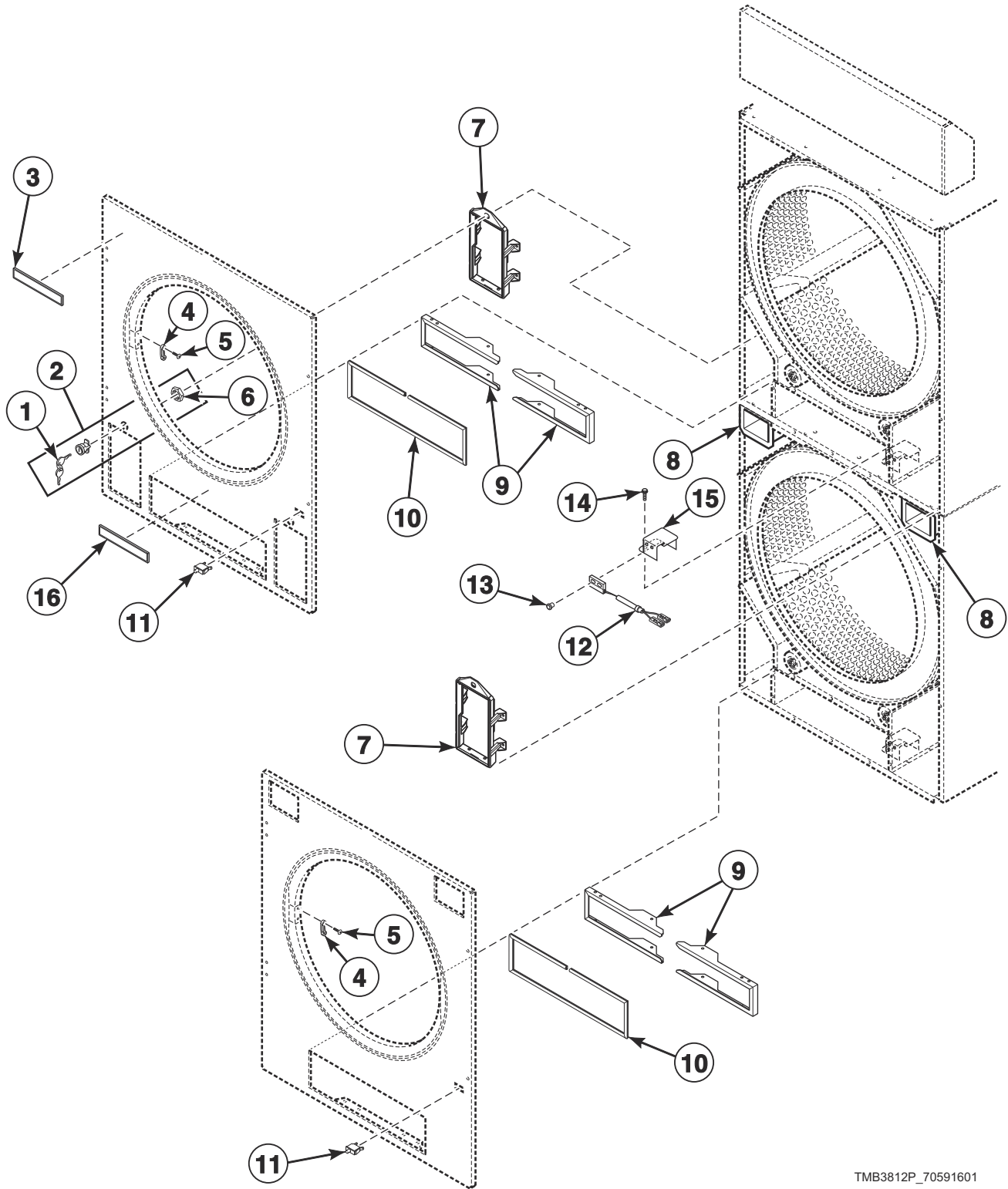
TMB3576PB_70591601

Lower Cabinet Front Components - Design 3 Models

REF	PART NO.	DESCRIPTION	COMMENTS
	M4379P4	Tumbler Dolly Kit	
	70534301	Warning Label	
	70017301	Front Panel Baffle Seal	2 required
1	70069901	Screw	
2	70529501	Coin Vault Assembly	
	70529503	Coin Vault and Emergency Stop Mount Assembly	Models with emergency stop
3	M400972	Shadow Box Clip	6 required per coin vault trim
4	70033502	Screw	For white front panels
	70182601	Screw	For all other front panels
5	M401223	Door Latch	
6	44166601	Pop Rivet	2 required per latch; 4 required per control housing
7	70117501	Coin Vault Trim	H models; Gray
	70117502	Coin Vault Trim	All models except U models; Black
8	70413301	Pushbutton Switch	Door switch
9	70117901P	Lint Drawer Gasket	
10	70117618	Kickplate	H and U models; Gray
	70117605	Kickplate	All other models; Black
11	70126401	Pop Rivet	H and U models; 4 required per kickplate; Gray
	70126301	Pop Rivet	All other models; 4 required per kickplate; Black
12	70275801	Screw	8 required

Cabinet Front Components - Design 5 Models

B, H, J, P, S and U Models



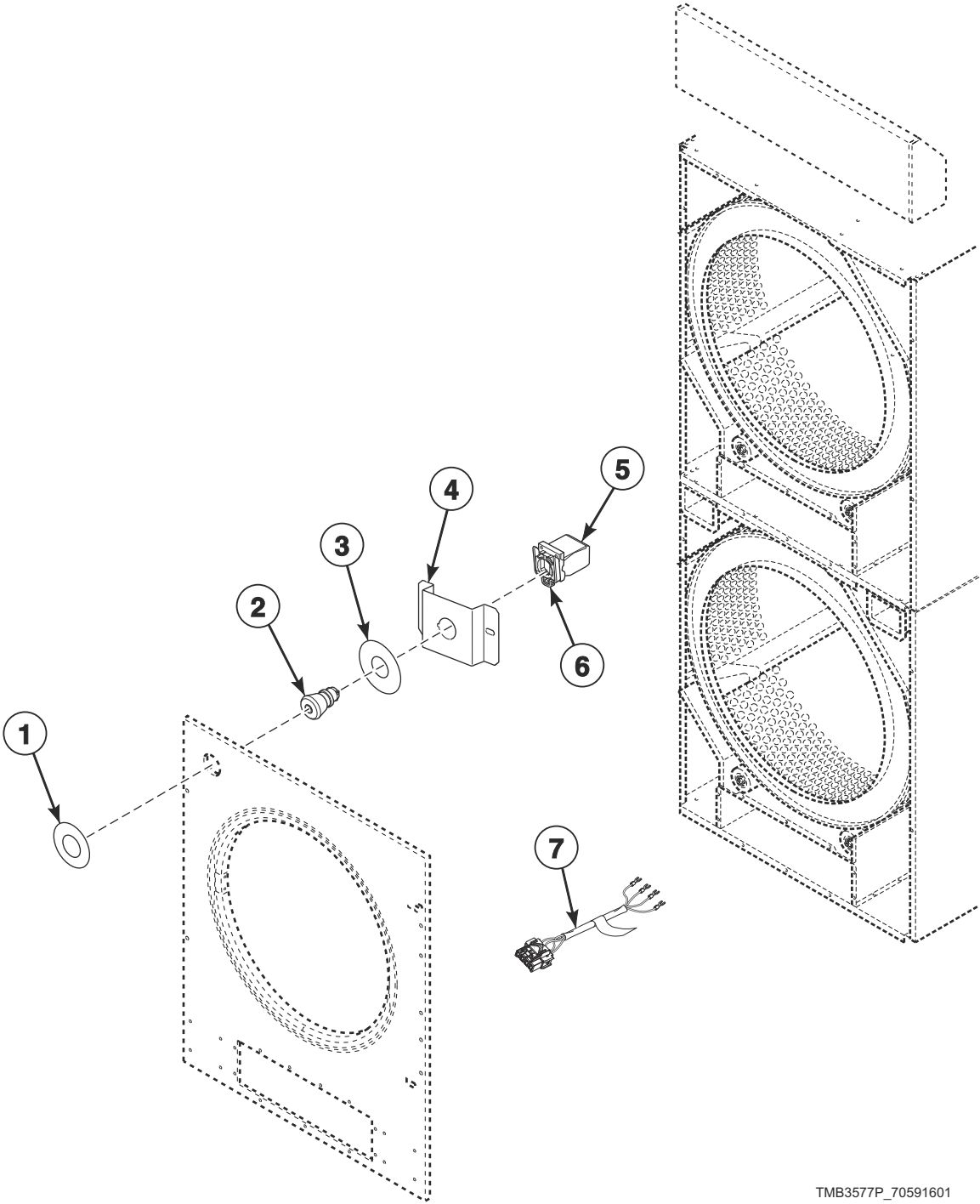
TMB3812P_70591601

Cabinet Front Components - Design 5 Models

REF	PART NO.	DESCRIPTION	COMMENTS
	44334102	Coin Vault Switch Harness	
	44334103	Bypass Harness	Card
	70117605	Kickplate	J models; Black
	70126301	Pop Rivet	J models; 4 required per kickplate; Black
1	70155601	Key	RL001
2	44089301P	Lock, Key and Nut Kit	RL001; Black
	44089304	Panel Lock	RL001; Chrome
3	B8443105	Nameplate	U models
4	M401223	Door Latch	
5	44166601	Pop Rivet	2 required for item 4
6	44088801	Nut	Panel lock
7	70642001	Control Bezel	
8	70529501	Coin Vault Assembly	
9	70605701	Lint Seal Shoulder Bracket	
10	70593901	Lint Box Gasket	
11	70413301	Pushbutton Switch	Door switch
12	F8066804	Reed Switch Assembly	
13	F8245101	Blind Rivet	
14	430497	Screw	
15	70606301	Reed Switch Box	
16	F8688901	Nameplate	S models
	F8688001	Nameplate	H models
	567923	Nameplate	B models
	567887	Nameplate	P models
	70685901	Nameplate	J models

Emergency Stop Button - OPL Models

A, H, J, K, L, R and U in the 2nd Position
G and T in the 2nd Position Through 12/31/18

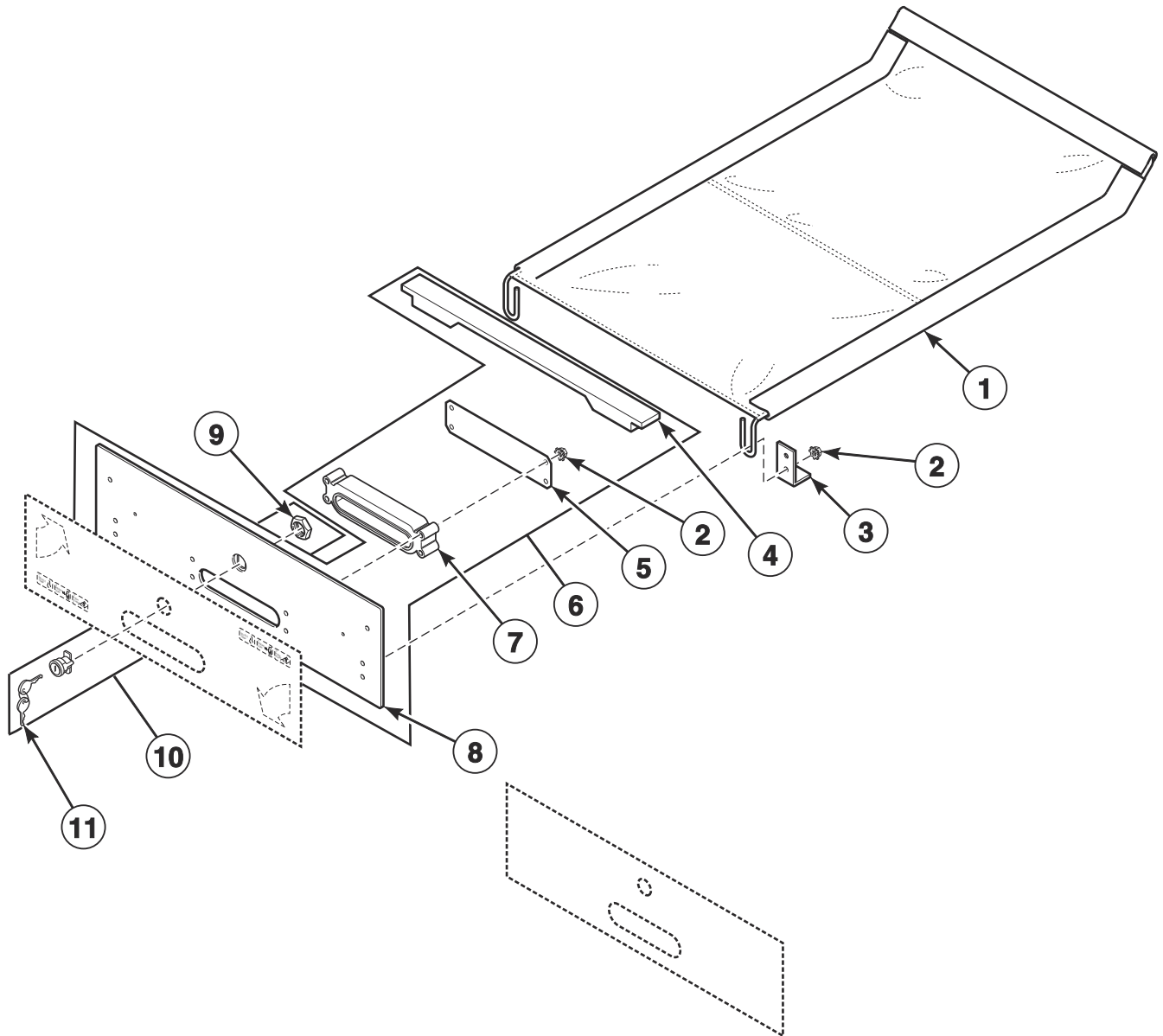


TMB3577P_70591601

Emergency Stop Button - OPL Models

REF	PART NO.	DESCRIPTION	COMMENTS
	70580301	Emergency Stop Button Kit	Includes items 2-4
	F8519403	Emergency Stop Bypass Harness	Coin, card and central pay
	44272105	Interconnect Harness	
1	44012903	Emergency Stop Label	
2	F200233500	Emergency Stop Pushbutton	
3	44012901	Emergency Stop Label	
4	70550401	Emergency Stop Mounting Bracket	
5	F8069501	Contact Switch	4 required
6	F8538101	Contact Base	
7	44272401	Emergency Stop Harness	Primary
	44272402	Emergency Stop Harness	Supplementary

Lint Drawer Components - Design 3 Models

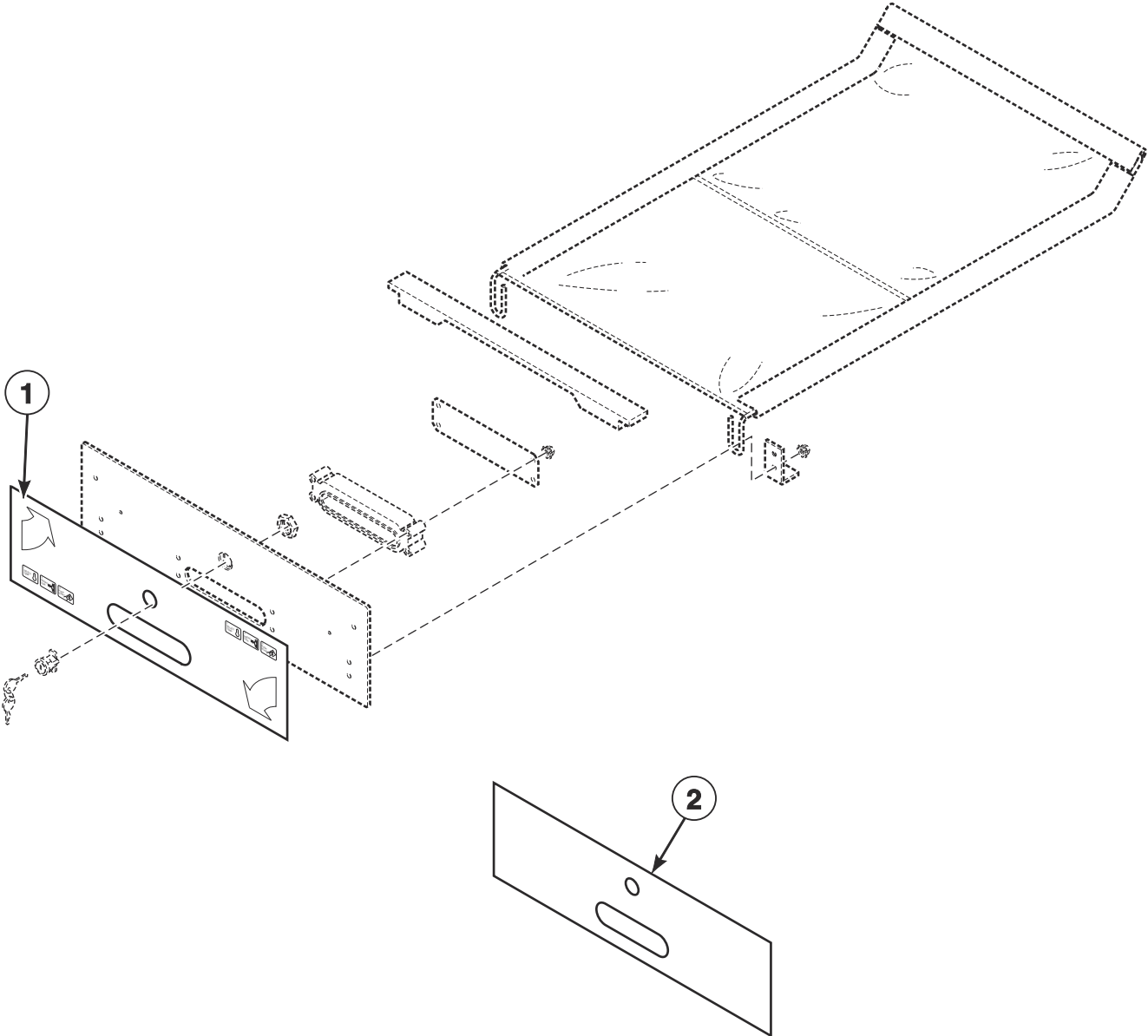


TMB3578P_70591601

Lint Drawer Components - Design 3 Models

REF	PART NO.	DESCRIPTION	COMMENTS
	70342401	Lock Shim	Black
	70342402	Lock Shim	Gray
1	70290601	Lint Screen Assembly	
2	44087101	Nut	6 required
3	70026901	Lint Screen Bracket	2 required
4	70333101	Lint Frame Gasket	
5	70323201	Lint Drawer Handle Plate	
6	70322901P	Lint Drawer Front Kit	Black; Includes 70342401 Lock Shim
	70322902P	Lint Drawer Front Kit	Gray; Includes 70342402 Lock Shim
7	70320801	Lint Drawer Handle	Black
	70320802	Lint Drawer Handle	Gray
8	70322906	Lint Panel and Studs Assembly	Gray
	70322903	Lint Panel and Studs Assembly	Black
9	44088801	Nut	
10	70722301	Lock, Key and Nut Kit	RL002
	44390902	Panel Lock	RL002; Black
11	70155602	Key	RL002

Lint Drawer Overlays - Design 3 Models



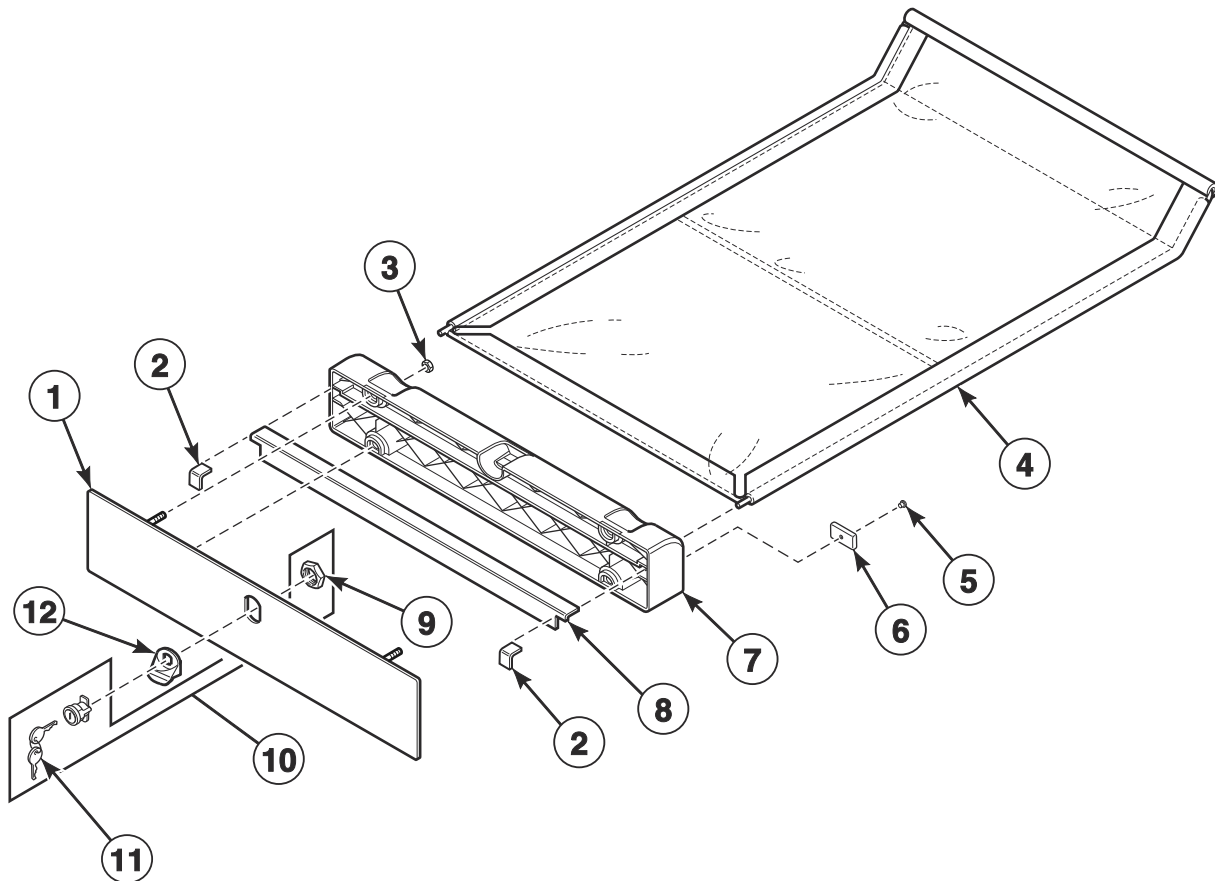
TMB3578PA_70591601

Lint Drawer Overlays - Design 3 Models

REF	PART NO.	DESCRIPTION	COMMENTS
1	70285001	Overlay	B models; Upper lint drawer; Icon
	70573101	Overlay	B models; Upper lint drawer; Vend
	70572001	Overlay	H models; Gray/Green; Upper lint drawer
	70572201	Overlay	H models; Green; Upper lint drawer
	70509001	Overlay	H models; Gray; Upper lint drawer; OPL
	70518401	Overlay	H models; Gray; Upper lint drawer; Vend
	70545201	Overlay	P models; Upper lint drawer
	70569101	Overlay	S models; Upper lint drawer; OPL
	70569301	Overlay	S models; Upper lint drawer; Vend
	70626401	Overlay	S models; Upper lint drawer; Vend; English/Spansih
	70519401	Overlay	U models; Upper lint drawer
2	70136401	Overlay	B, P and S models; Lower lint drawer
	70552701	Overlay	H and U models; Lower lint drawer

Lint Drawer Components - Design 5 Models

B, H, J, P, S and U Models

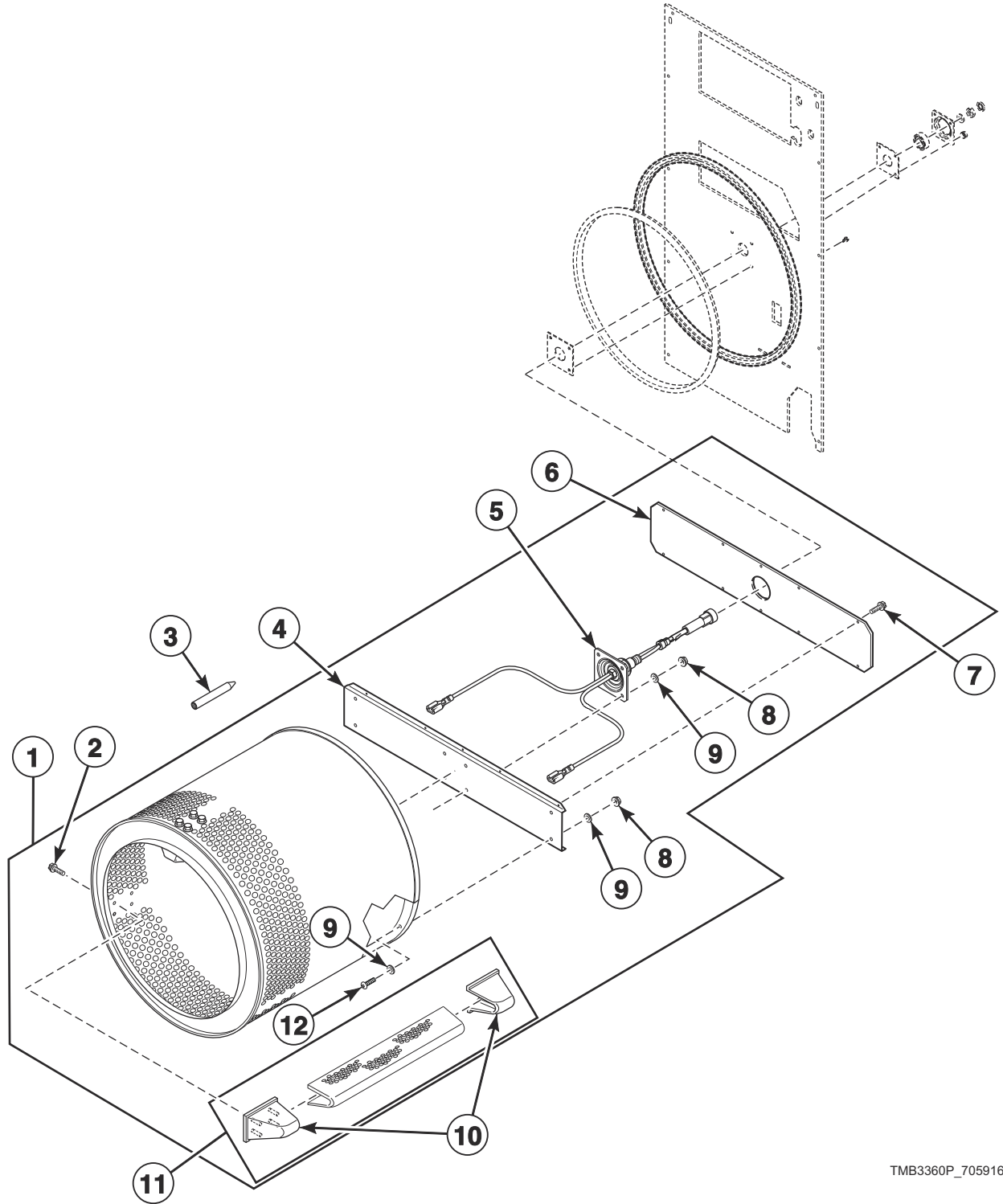


TMB3813P_70591601

Lint Drawer Components - Design 5 Models

REF	PART NO.	DESCRIPTION	COMMENTS
	70598101	Foam Gasket	
	430497	Screw	
1	70567401	Lint Front Assembly	Stainless steel; S models
	70567403LG	Lint Front Assembly	Light gray; U models
	70567402W	Lint Front Assembly	Models through 3/31/21
	70567403W	Lint Front Assembly	Models starting 4/1/21
2	70605601	Lint Screen Shim	
3	44087101	Nut	
4	70596102	Lint Screen Assembly	
5	F8245101	Blind Rivet	
6	70343101	Magnet	
7	70598201	Lint Door Support	
8	70595702	Lint Screen Bracket	
9	44088801	Nut	
10	70722301	Lock, Key and Nut Kit	RL002
	44390902	Panel Lock	RL002; Black
11	70155602	Key	RL002
12	70642201	Lock Pull	Vend

Cylinder and Trunnion Components

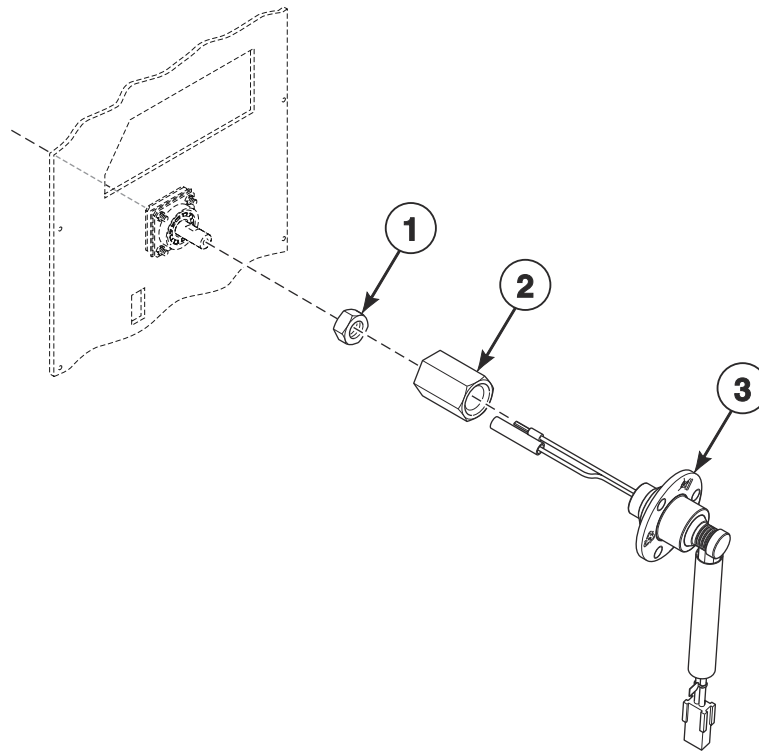


TMB3360P_70591601

Cylinder and Trunnion Components

REF	PART NO.	DESCRIPTION	COMMENTS
	70343101P	Drywall Screw Magnet Kit	Includes 6 magnets and 6 screws
1	70372501P	Cylinder Assembly	Galvanized; Non-moisture sensing
	70372502P	Cylinder Assembly	Stainless steel; Non-moisture sensing
	70443901P	Cylinder and Trunnion Assembly	Galvanized; Moisture sensing
	70443902	Cylinder and Trunnion Assembly	Stainless steel; Moisture sensing
2	62588	Screw	
3	263P4	Cylinder Guide Tool	
4	70257101	Rear Cylinder Channel	Non-moisture sensing
	70257102	Rear Cylinder Channel	Moisture sensing
5	70564803	Trunnion and Seal Kit	Non-moisture sensing
	70564804	Trunnion and Seal Kit	Moisture sensing; Includes 70454601 Trunnion and Wire Assembly
6	70257201	Rear Cylinder Channel Plate	
7	430497	Screw	10 required
8	M412986	Nut	
9	70411301	Washer	
10	70070101	End Cap	Non-moisture sensing
	70070102	End Cap	Moisture sensing
11	70433002	Cylinder Rib Assembly	Moisture sensing
12	70391101	Screw	8 required

Moisture Sensing Components

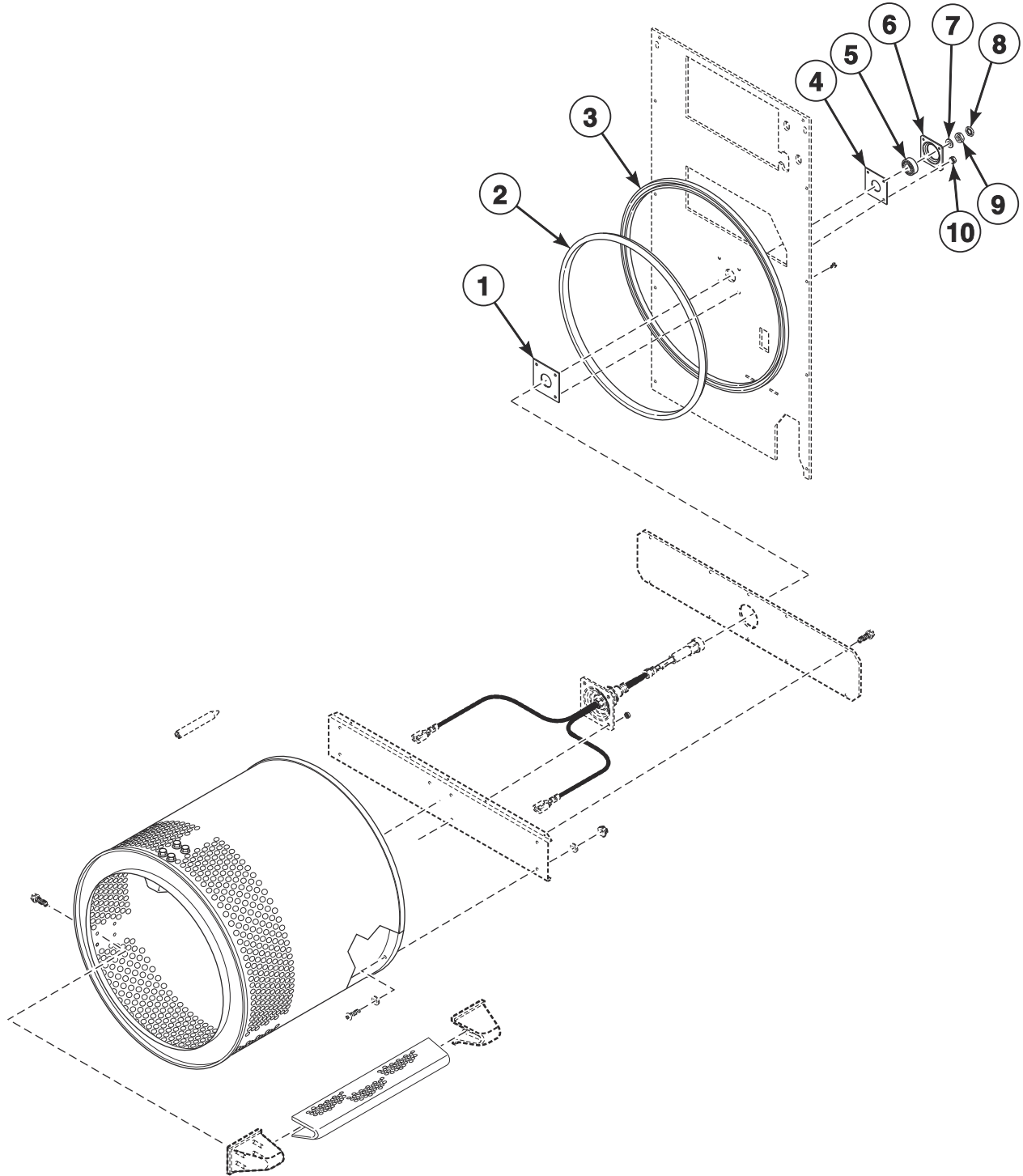


TMB3579P_70591601

Moisture Sensing Components

REF	PART NO.	DESCRIPTION	COMMENTS
1	M400035	Nut	
2	70455401	Slip Ring Holder	
3	44222702	Slip Ring Assembly	

Bearing Components

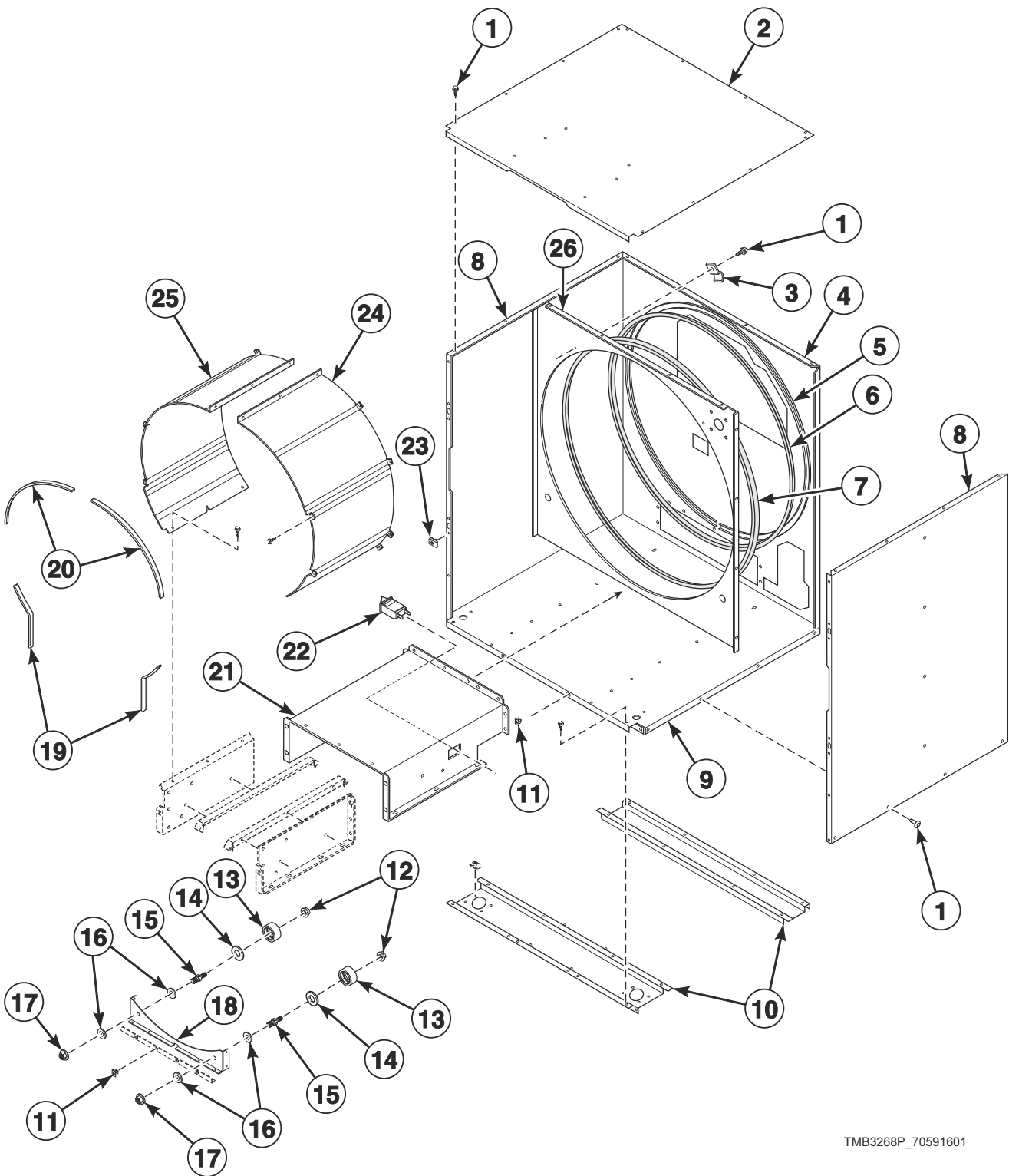


TMB3163PA_70591601

Bearing Components

REF	PART NO.	DESCRIPTION	COMMENTS
1	430352	Cylinder Bearing Stud Plate Assembly	
2	70013701P	Rear Cylinder Seal	Requires D511637P Adhesive
3	70506402	Rear Cylinder Seal Support	
4	70355001	Rear Bearing Shim	
5	70448701	Support Bearing	
6	70013901	Rear Cylinder Bearing Housing	
7	M400991	Washer	
8	M400034	Nut	
9	M400022	Nut	
10	M412986	Nut	

Cabinet Components - Design 3 Models



TMB3268P_70591601

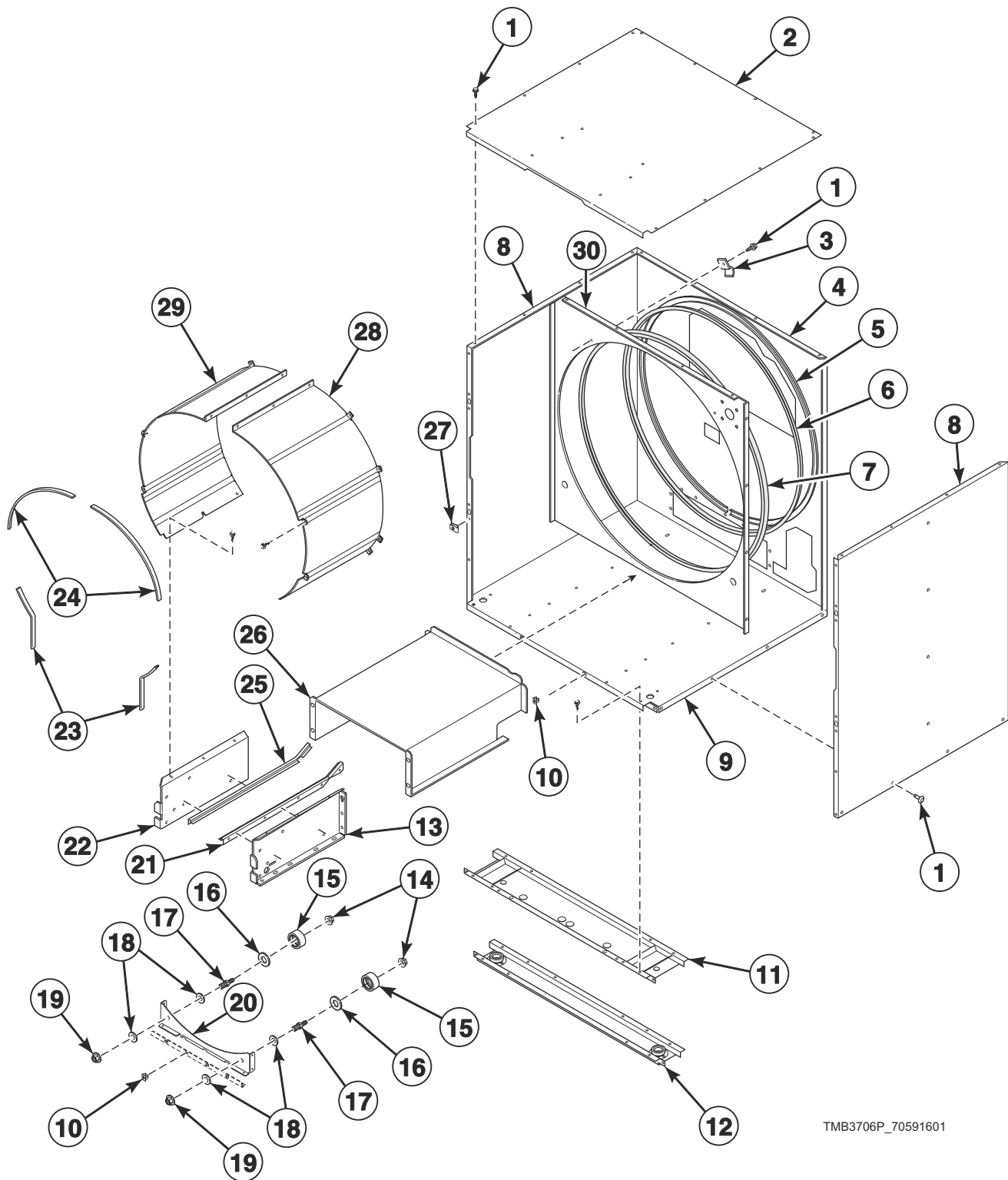
Cabinet Components - Design 3 Models

REF	PART NO.	DESCRIPTION	COMMENTS
	298P4P	Spray Paint	White
	381P4	Spray Paint	Bisque
	122P4P	Porcelain Touch-Up Paint	White
	370P4P	Porcelain Touch-Up Paint	Bisque
	430352	Cylinder Bearing Stud Plate Assembly	
	70058501	Pop Rivet	
	21899	Nut	For leveling legs
	70247701	Screw	For leveling legs
1	430497	Screw	
2	70339601	Top Panel	Upper
3	70226701	Clip	
4	70580701	Rear Panel	Gas models
	70580702	Rear Panel	Electric and steam models
5	70506402	Rear Cylinder Seal Support	
6	70013701P	Rear Cylinder Seal	Requires D511637P Adhesive
7	70066003	Center Cylinder Seal	Includes center cylinder seal support and center cylinder seal
8	70231803LG	Side Panel	U models; Light gray
	70231801DG	Side Panel	P models; Dark gray; Models through 3/31/21
	70231801*P	Side Panel	All other models through 3/31/21
	70231803DG	Side Panel	P models starting 4/1/21; Dark gray
	70231803W	Side Panel	All other models starting 4/1/21
9	70339501	Top Panel	Lower
10	70288201	Channel Base Assembly	
11	70030501	Expansion Clip	
12	430576	Nut	
13	70616701	Roller and Seal Kit	
14	70443601	Roller Seal	
15	70249501	Roller Shaft	
16	70261401	Washer	
17	70288801	Nut	
18	70339001	Roller Support Bracket	
19	70015711	Sheet Metal Edge Gasket	Lower
20	70015712	Sheet Metal Edge Gasket	Upper
21	70500101	Air Duct	Rear
22	431159	Switch	For lint drawer
23	70030401	Nut	
24	70339301	Cylinder Shroud	Right
25	70339302	Cylinder Shroud	Left
26	70639201	Center Partition	

* Add Letter To Designate Color. Q - Bisque W - White

Cabinet Components - Design 5 Models

B, H, J, P, S and U Models

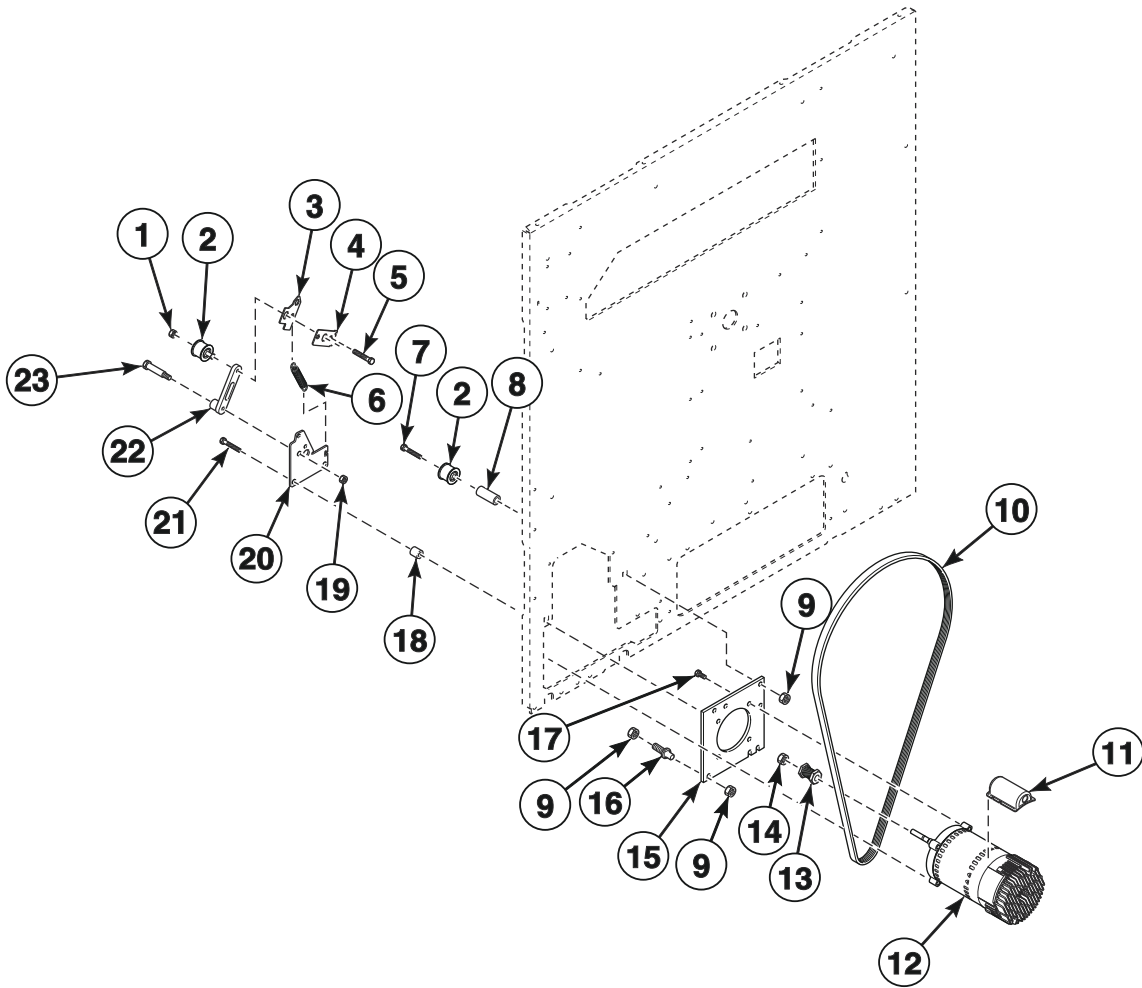


TMB3706P_70591601

Cabinet Components - Design 5 Models

REF	PART NO.	DESCRIPTION	COMMENTS
	298P4P	Spray Paint	White
	122P4P	Porcelain Touch-Up Paint	White
	430352	Cylinder Bearing Stud Plate Assembly	
	70058501	Pop Rivet	
	21899	Nut	For leveling legs
	70247701	Screw	For leveling legs
	70626801	Top Panel	Top pan of lower pocket
	70606201	Lower Pan	Lower pan of lower pocket
1	430497	Screw	
2	70605801	Top Panel	Upper pocket
3	70226701	Clip	
4	70580701	Rear Panel	Gas models
	70580702	Rear Panel	Electric and steam models
5	70506402	Rear Cylinder Seal Support	
6	70013701P	Rear Cylinder Seal	Requires D511637P Adhesive
7	70066003	Center Cylinder Seal	Includes center cylinder seal support and center cylinder seal
8	70639501LG	Side Panel	U models; Light gray; Models through 3/31/21
	70639501W	Side Panel	All models except J and P models through 3/31/21
	70639501DG	Side Panel	P models through 3/31/21; Dark gray
	70639502LG	Side Panel	U models starting 4/1/21; Light gray
	70639502W	Side Panel	All models except P models starting 4/1/21
	70639502DG	Side Panel	P models starting 4/1/21; Dark gray
9	70606001	Center Pan	Lower pan of top pocket
10	M400984	Clip	
11	70606101	Center Pan Channel	Located under center pan
12	70288201	Channel Base Assembly	Lower pocket
13	70573701	Front Air Duct	Right
14	430576	Nut	
15	70616701	Roller and Seal Kit	
16	70443601	Roller Seal	
17	70249501	Roller Shaft	
18	70261401	Washer	
19	70288801	Nut	
20	70584901	Roller Support Bracket	
21	70580901	Lint Tray Rail	Right
22	70573702	Front Air Duct	Left
23	70015711	Sheet Metal Edge Gasket	Lower
24	70015712	Sheet Metal Edge Gasket	Upper
25	70580902	Lint Tray Rail	Left
26	70580801	Air Duct	Rear
27	70030401	Nut	
28	70339301	Cylinder Shroud	Right
29	70339302	Cylinder Shroud	Left
30	70639201	Center Partition	

Drive Motor Components

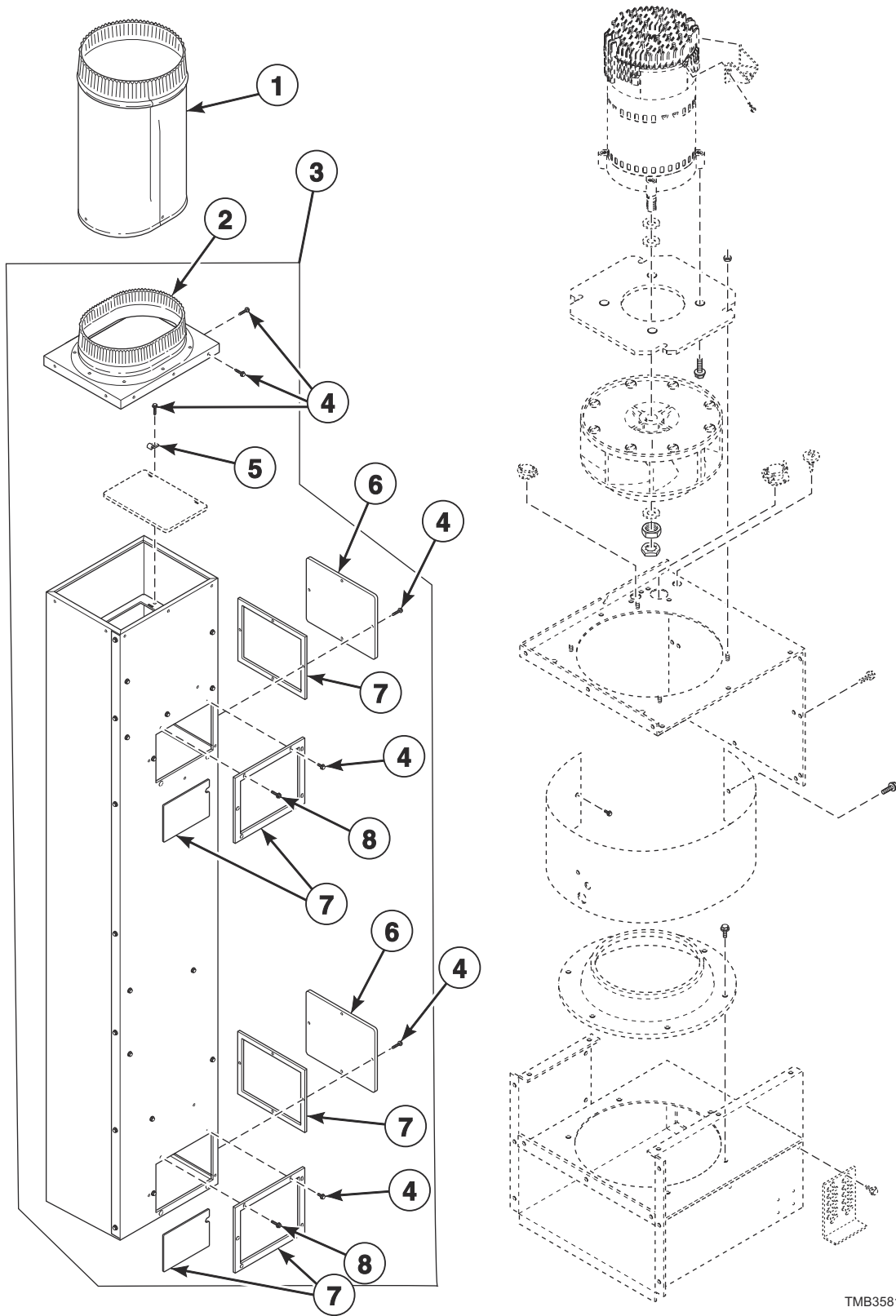


TMB3967P

Drive Motor Components

REF	PART NO.	DESCRIPTION	COMMENTS
1	56156	Nut	
2	70050401P	Idler Wheel Assembly	
3	70569501	Tensioning Bracket	
4	70543401	Spring Catch Bracket	
5	70508301	Screw	
6	70571801	Spring	
7	F430144	Screw	
8	70569603	Standoff	
9	44087201	Nut	
10	70655102	Lever Arm and Belt Kit	
11	70521901	Motor Conduit Mounting Bracket	
12	70478601P	Drive Motor	.33 HP; 120, 230 Volt/1 Phase
	70485001P	Drive Motor	.33 HP; 380-460 Volt/3 Phase
13	70559101	Motor Pulley	
14	44333202	Nut	
15	70564201	Motor Mount Plate	
16	70334701	Double Ended Stud	
17	70126104	Screw	
18	70488403	Spacer	
19	44087301	Nut	
20	70571901	Drive Plate	
21	70546301	Screw	
22	70653801	Lever Arm and Bushing Assembly	
23	70501301	Screw	

Exhaust Components

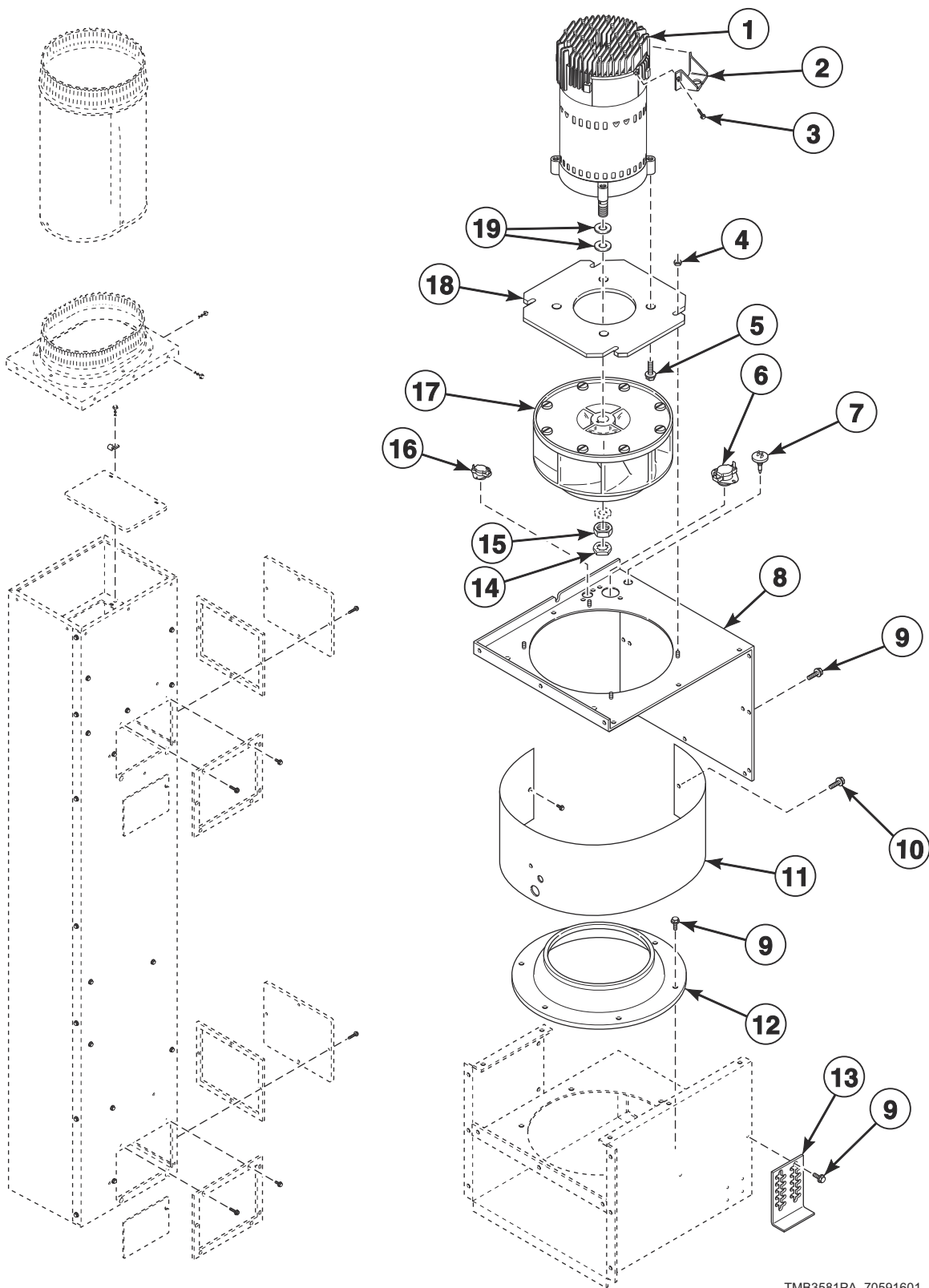


TMB3581P_70591601

Exhaust Components

REF	PART NO.	DESCRIPTION	COMMENTS
	70289101P	Gasket	Sold per foot
1	44154301	Exhaust Pipe	IEC models
2	70207501	Duct Cover	Classic models; Top
	70478101	Duct Cover	Eco models; Top
3	70528301	Exhaust Duct Assembly	North America models
	70528302	Exhaust Duct Assembly	IEC models
	70662606	Exhaust Duct Assembly	Eco models
4	430497	Screw	12 required
5	70226701	Clip	
6	70340201	Duct Cover	2 required; Bottom
7	70340401	Exhaust Duct Gaskets Assembly	2 required
8	M411072	Screw	2 required

Blower Components

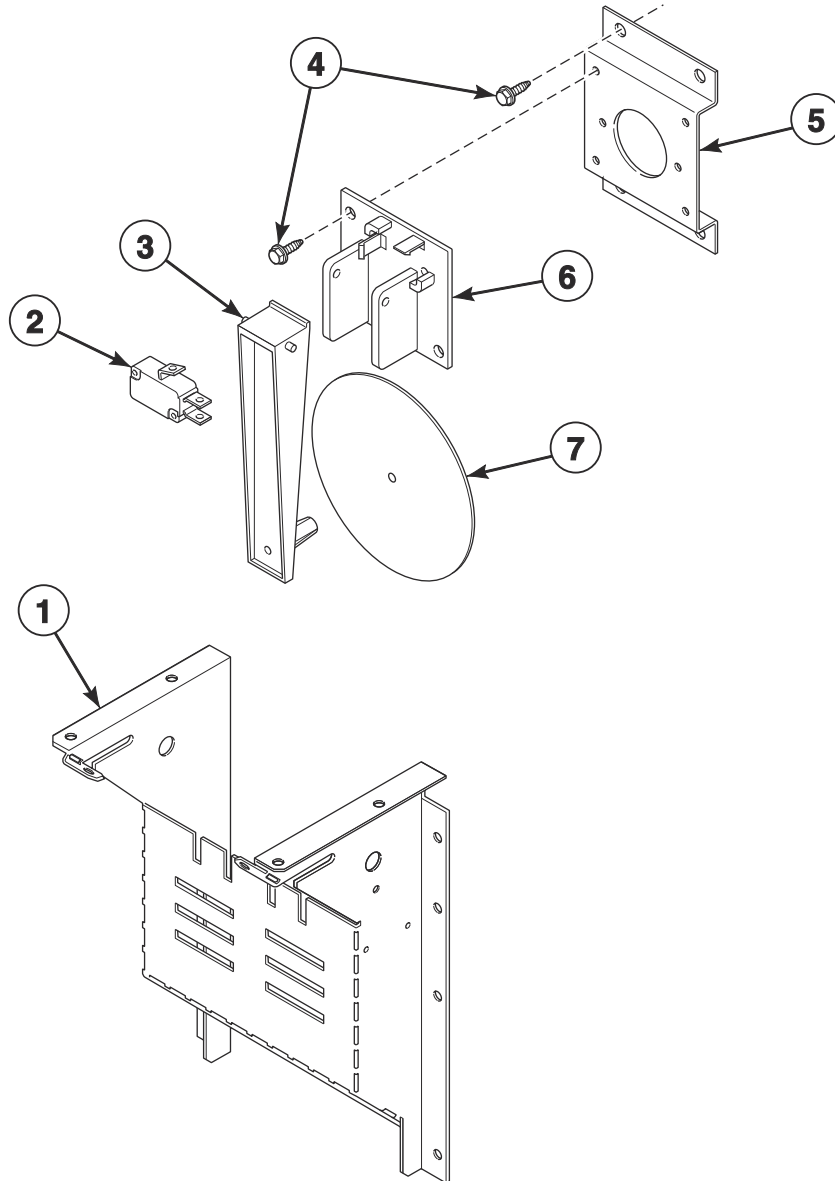


TMB3581PA_70591601

Blower Components

REF	PART NO.	DESCRIPTION	COMMENTS
	70392701P	Gasket	For blower housing opening
	70144101	Key	Use with item 1
1	70478701P	Fan Motor	.50 HP; 120, 230 Volt/1 Phase
	70484901P	Fan Motor	.50 HP; 380-460 Volt/3 Phase
2	44317901	Motor Conduit Bracket	
3	23222	Screw	
4	29786	Nut	4 required
5	70126101	Screw	4 required
6	44328001	Limit Thermostat	
7	M414704	Thermistor	
8	70341402	Blower Housing Cover Assembly	
9	430497	Screw	12 required
10	51780	Screw	
11	70340801	Blower Housing Scroll	
12	70014101	Blower Inlet Cone	
13	70200301	Rear Stabilizer Bracket	
14	M400034	Nut	
15	M400022	Nut	
16	70530901	Limit Thermostat	
17	70359801P	Blower Assembly	
18	70341001	Blower Motor Mounting Plate	
19	M400991	Washer	3 required

Airflow Switch

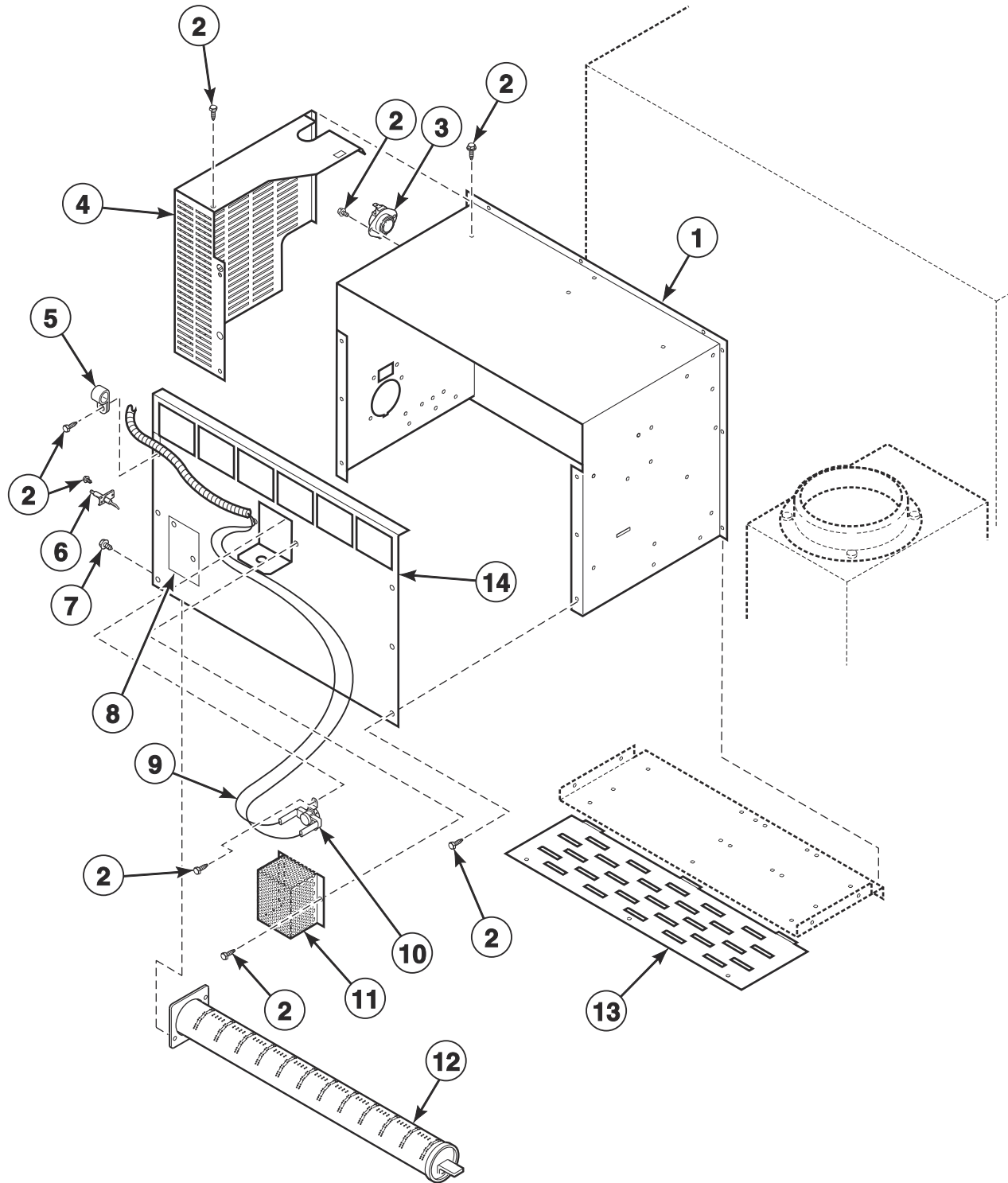


TMB3582P_70591601

Airflow Switch

REF	PART NO.	DESCRIPTION	COMMENTS
	70429601P	Airflow Switch Kit	Includes items 2-3, 6 and 7
1	70356101	Airflow Switch Wrapper	
2	70411901	Switch	
3	70319401	Airflow Switch Arm	
4	430757	Screw	
5	70356301	Switch Bracket	
6	70319602	Airflow Switch and Arm Bracket	
7	70319201	Airflow Switch Vane	

Gas Burner Housing and Secondary Stove Limit

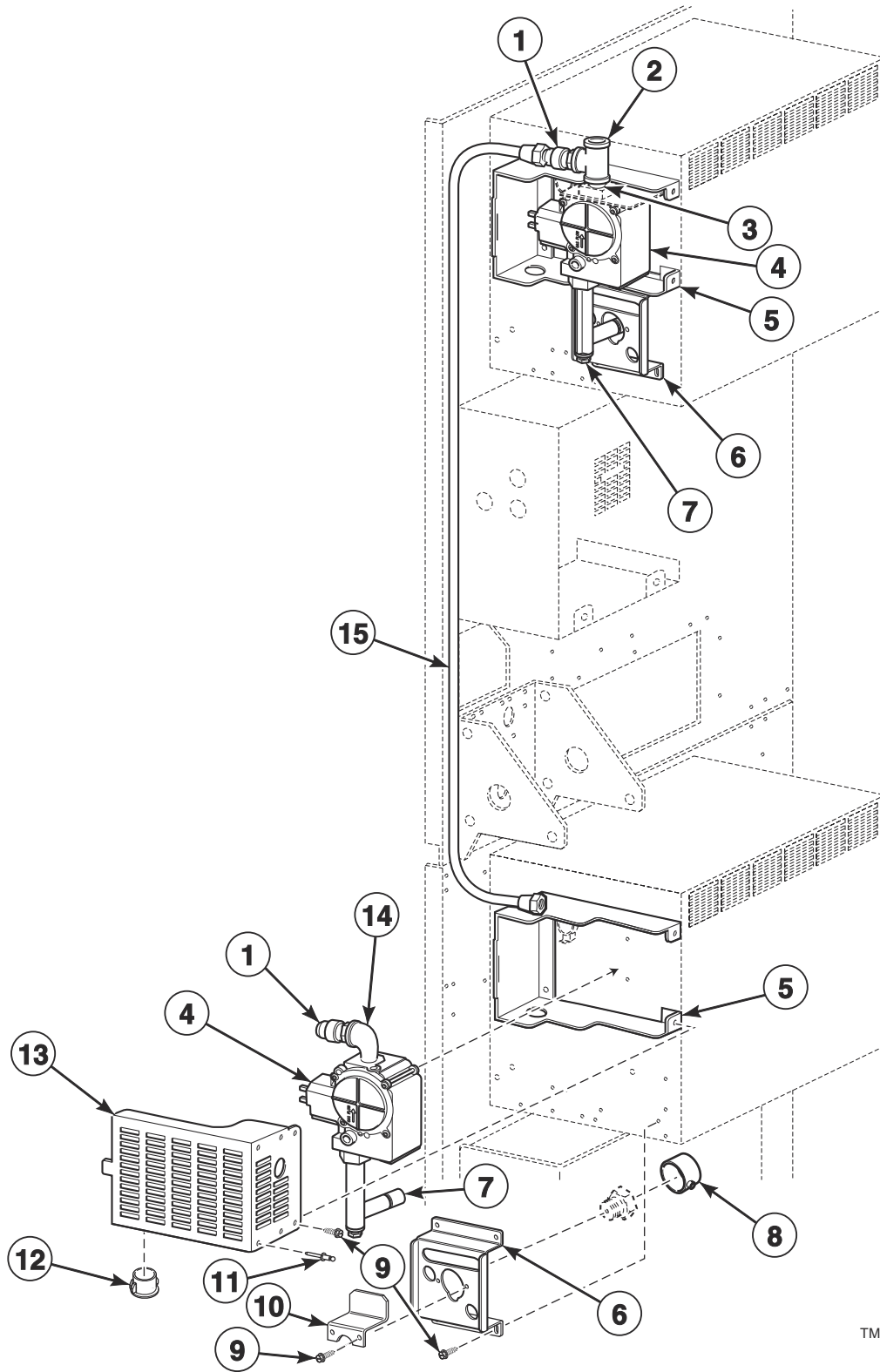


TMB2315P_70591601

Gas Burner Housing and Secondary Stove Limit

REF	PART NO.	DESCRIPTION	COMMENTS
	44239701	High Voltage Suppression Cable	
1	70333401	Stove Top and Sides	
2	430497	Screw	
3	44328005	Limit Thermostat	Side
4	70233401	Gas Valve Cover	IEC models
5	70203701	Pipe Clip	
6	70548701P	Spark Electrode	
7	05161	Screw	
8	70159601	Igniter Cover	
9	70564301	Stove Limit Harness	
10	44328104	Limit Thermostat	Rear
11	M414477	Thermostat Cover	
12	70229801P	Gas Burner	
	70546701	Anti-Rattle Burner Assembly	Includes 70229801P Gas Burner, 431318 Control Door Latch and M400003 Pop Rivet
13	70188801	Burner Grill	
14	70371501	Stove Back	

Gas Valve and Piping

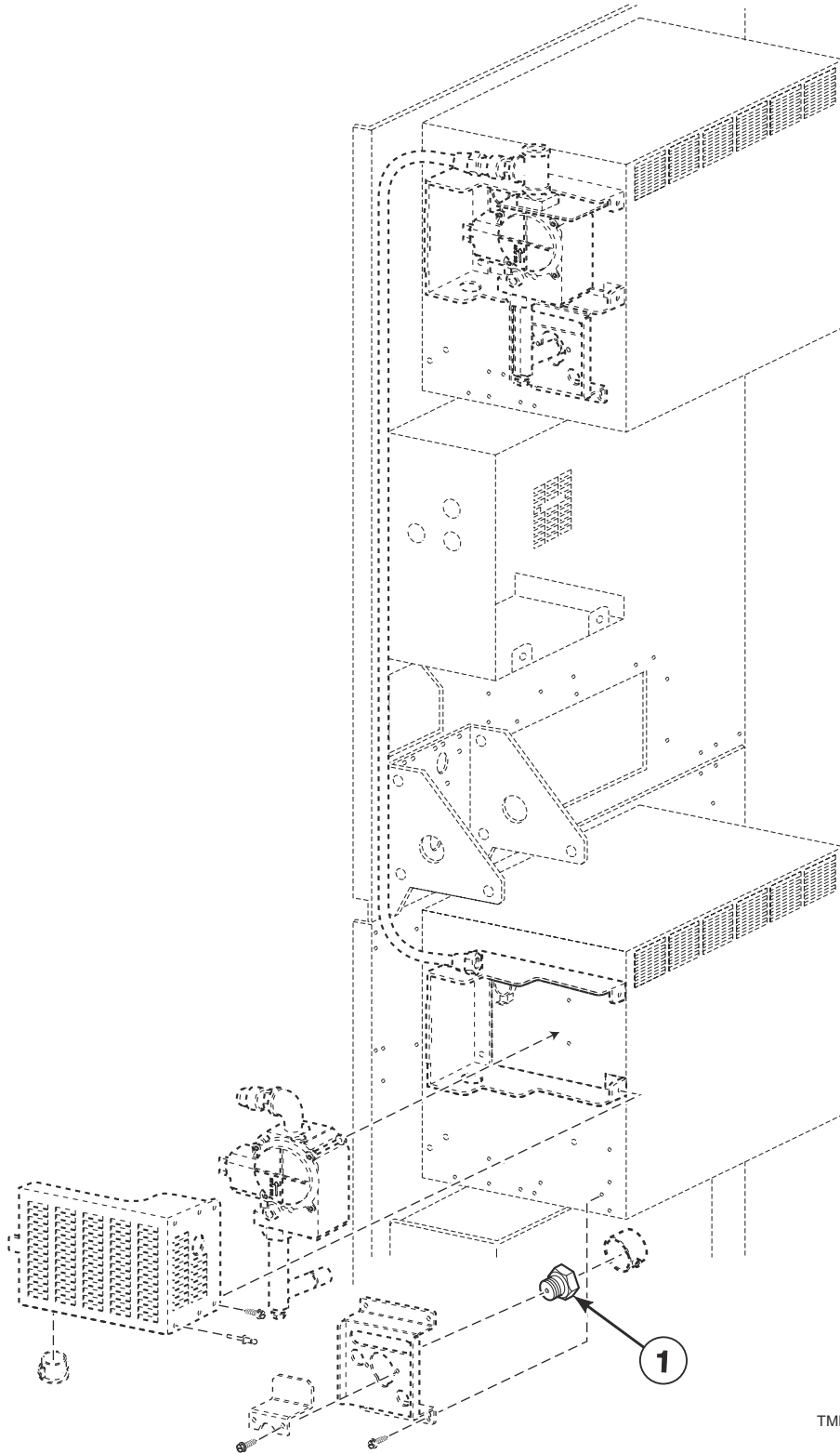


TMB3583P_70591601

Gas Valve and Piping

REF	PART NO.	DESCRIPTION	COMMENTS
	70550205	L.P. Conversion Kit	North America and Australian models; Natural Gas (N.G.); 0-2,000 feet
	70551905	L.P. Conversion Kit	IEC models; N.G.; 0-2,000 feet
	44239701	High Voltage Suppression Cable	
	70131901	Adapter	IEC models; BPT/NPT
	70167601	Plug	
	70500601	Power Harness	
	44273501	Gas Valve Harness	
	70564301	Stove Limit Harness	
	70535901	Notice Label	Australian models; N.G.
	70544901	Notice Label	Australian models; Liquid Petroleum (L.P.)
1	70262601	Pipe	
2	70071801	Tee	T market models
	F422208	Tee	All other models
3	70435601	Pipe Nipple	T market models
	70612603	Pipe Nipple	All other models
4	44154503	N.G. Valve	North America models
	44154504	L.P. Valve	North America models
	44154507	Gas Valve	IEC models; N.G.
	44154508	Gas Valve	IEC models; L.P.
5	70328201	Forward Valve Cover	
6	70248901	Orifice Holder Bracket	
7	70552801P	Orifice Adapter	
8	70239801	Primary Air Adjustment Sleeve	
9	430497	Screw	
10	70539901	Ignition Keeper Orifice Bracket	
11	70058501	Pop Rivet	3/16 inch
12	M400770	Snap Bushing	
13	70282401	Rear Valve Cover	
14	H86070034	Street Elbow	T market models
	70612501	Street Elbow	All other models
15	70281601	Tube	

Burner Orifices



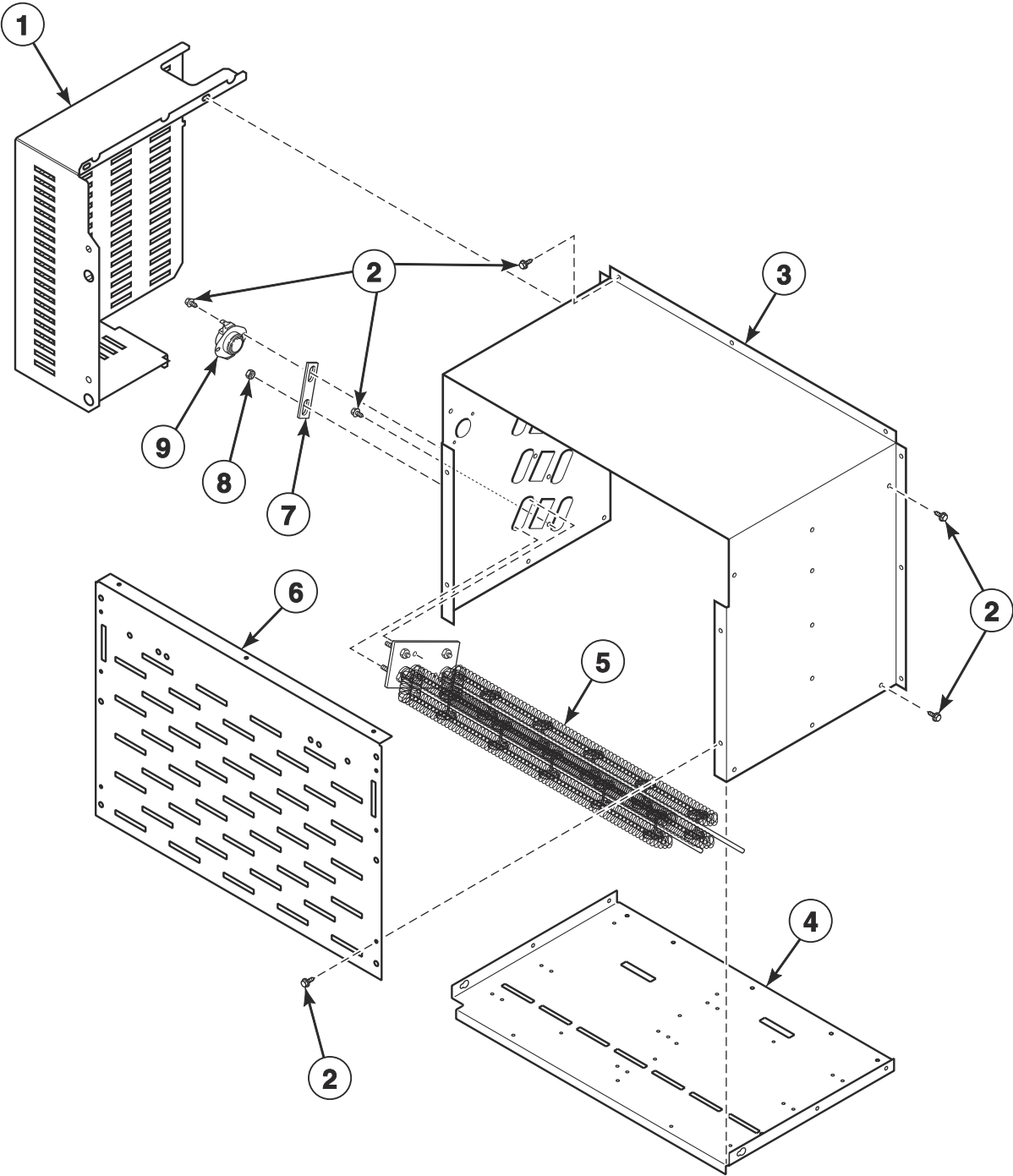
TMB3583PA_70591601

Burner Orifices

REF	PART NO.	DESCRIPTION	COMMENTS
	70609909	High Altitude Orifice Kit	North America Natural Gas (N.G.) models
	70609910	High Altitude Orifice Kit	North America Liquid Petroleum Gas (L.P.) models
1	70684142	Burner Orifice	Classic models; N.G.; Drill no. 20 (4.09 mm); 0-2,000 feet
	70684139	Burner Orifice	Classic models; N.G.; Drill no. 23 (3.91 mm); 2,001-4,000 feet
	70684137	Burner Orifice	Classic models; N.G.; Drill no. 25 (3.80 mm); 4,001-6,000 feet
	70684135	Burner Orifice	Classic models; N.G.; Drill no. 27 (3.66 mm); 6,001-8,000 feet
	70684133	Burner Orifice	Classic models; N.G.; 3.50 mm; 8,001-10,000 feet
	70684116	Burner Orifice	Classic models with 2nd digit A, G, H, J, K, L and T; L.P.; Drill no. 40 (2.49 mm); 0-2,000 feet
	70684114	Burner Orifice	Classic models with 2nd digit A, G, H, J, K, L and T; L.P.; Drill no. 42 (2.37 mm); 2,001-4,000 feet
	70684113	Burner Orifice	Classic models with 2nd digit A, G, H, J, K, L and T; L.P.; 2.30 mm; 4,001-6,000 feet
	70684111	Burner Orifice	Classic models with 2nd digit A, G, H, J, K, L and T; L.P.; 2.20 mm; 6,001-8,000 feet
	70684109	Burner Orifice	Classic models with 2nd digit A, G, H, J, K, L and T; L.P.; Drill no. 45 (2.08 mm); 8,001-10,000 feet
	70684110	Burner Orifice	CE classic models; L.P.; Drill no. 44 (2.18 mm); 0-2,000 feet
	70684109	Burner Orifice	CE classic models; L.P.; Drill no. 45 (2.08 mm); 2,001-4,000 feet
	70684107	Burner Orifice	CE classic models; L.P.; Drill no. 47 (1.99 mm); 4,001-6,000 feet
	70684106	Burner Orifice	CE classic models; L.P.; Drill no. 48 (1.93 mm); 6,001-8,000 feet
	70684105	Burner Orifice	CE classic models; L.P.; Drill no. 49 (1.85 mm); 8,001-10,000 feet
	70684111	Burner Orifice	Classic J market models; L.P.; 2.20 mm; 0-2,000 feet
	70684109	Burner Orifice	Classic J market models; L.P.; Drill no. 45; (2.08 mm); 2,001-4,000 feet
	70684108	Burner Orifice	Classic J market models; L.P.; Drill no. 46; (2.06 mm); 4,001-6,000 feet
	70684106	Burner Orifice	Classic J market models; L.P.; Drill no. 48; (1.93 mm); 6,001-8,000 feet
	70684105	Burner Orifice	Classic J market models; L.P.; Drill no. 49; (1.85 mm); 8,001-10,000 feet
	70684132	Burner Orifice	Eco models; N.G.; Drill no. 29 (3.45 mm); 0-2,000 feet
	70684130	Burner Orifice	Eco models; N.G.; 3.30 mm; 2,001-4,000 feet
	70684128	Burner Orifice	Eco models; N.G.; Drill no. 1/8 (3.18 mm); 4,001-6,000 feet
	70684126	Burner Orifice	Eco models; N.G.; Drill no. 31 (3.05 mm); 6,001-8,000 feet
	70684125	Burner Orifice	Eco models; N.G.; Drill no. 32 (2.95 mm); 8,001-10,000 feet

* NOTE: One orifice required per pocket

Electric Heater Components

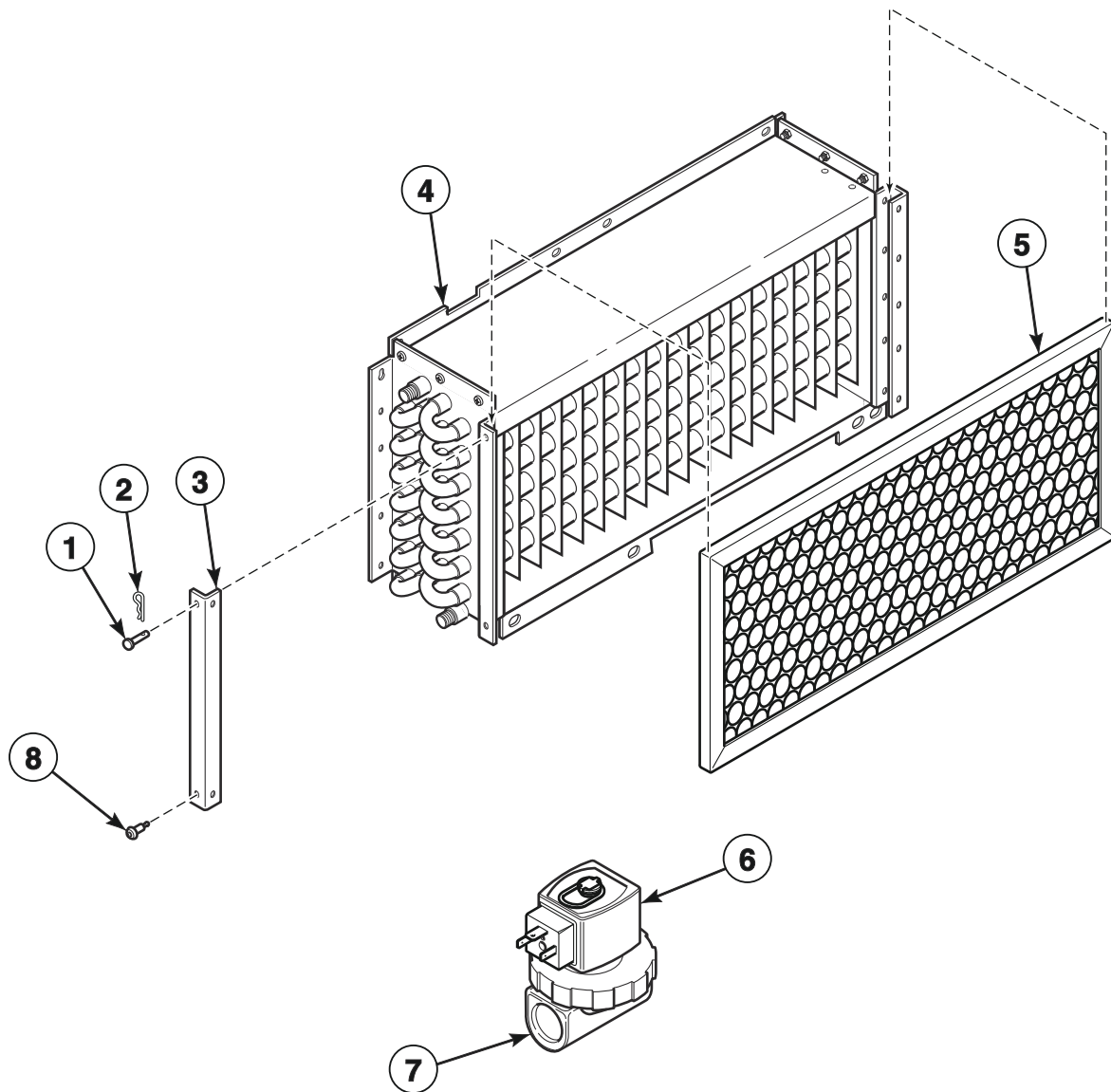


TMB3584P_70591601

Electric Heater Components

REF	PART NO.	DESCRIPTION	COMMENTS
	70564303	Stove Limit Harness	
	70500506	Jumper Harness	3 inch; 8 required for 380 and 400-415 Volt
	70500505	Jumper Harness	9 inch; 2 required for 440 and 460-480 Volt
1	70525701	Connector Cover	
2	430497	Screw	
3	70525601	Stove Top and Sides	
4	70357201	Stove Partition	
5	70034401P	Heater Element	Classic models; 3 required; 7 kW; 208 Volt heater element for 200-208 Volt/3 Phase
	70034402P	Heater Element	Classic models; 3 required; 7 kW; 220 Volt heater element for 380 and 440 Volt/3 Phase
	70034403P	Heater Element	Classic models; 3 required; 7 kW; 240 Volt heater element for 230-240 Volt/3 Phase and 400-415 and 460-480 Volt/3 Phase
	70034415P	Heater Element	Eco models; 3 required; 4 kW; 208 Volt heater element for 200-208 Volt/3 Phase
	70034414P	Heater Element	Eco models; 3 required; 4 kW; 220 Volt heater element for 380 and 440 Volt/3 Phase
	70034416P	Heater Element	Eco models; 3 required; 4 kW; 240 Volt heater element for 230-240 Volt/3 Phase and 400-415 and 460-480 Volt/3 Phase
6	70214901	Stove Grill	
7	M400869	Jumper Strip	12 required for 200-208 and 230-240 Volt; 6 required for all other voltages
	70066501	Jumper Bar	4 required for 440 and 460-480 Volt
8	70054	Nut	
9	44328007	Limit Thermostat	

Steam Heater Components

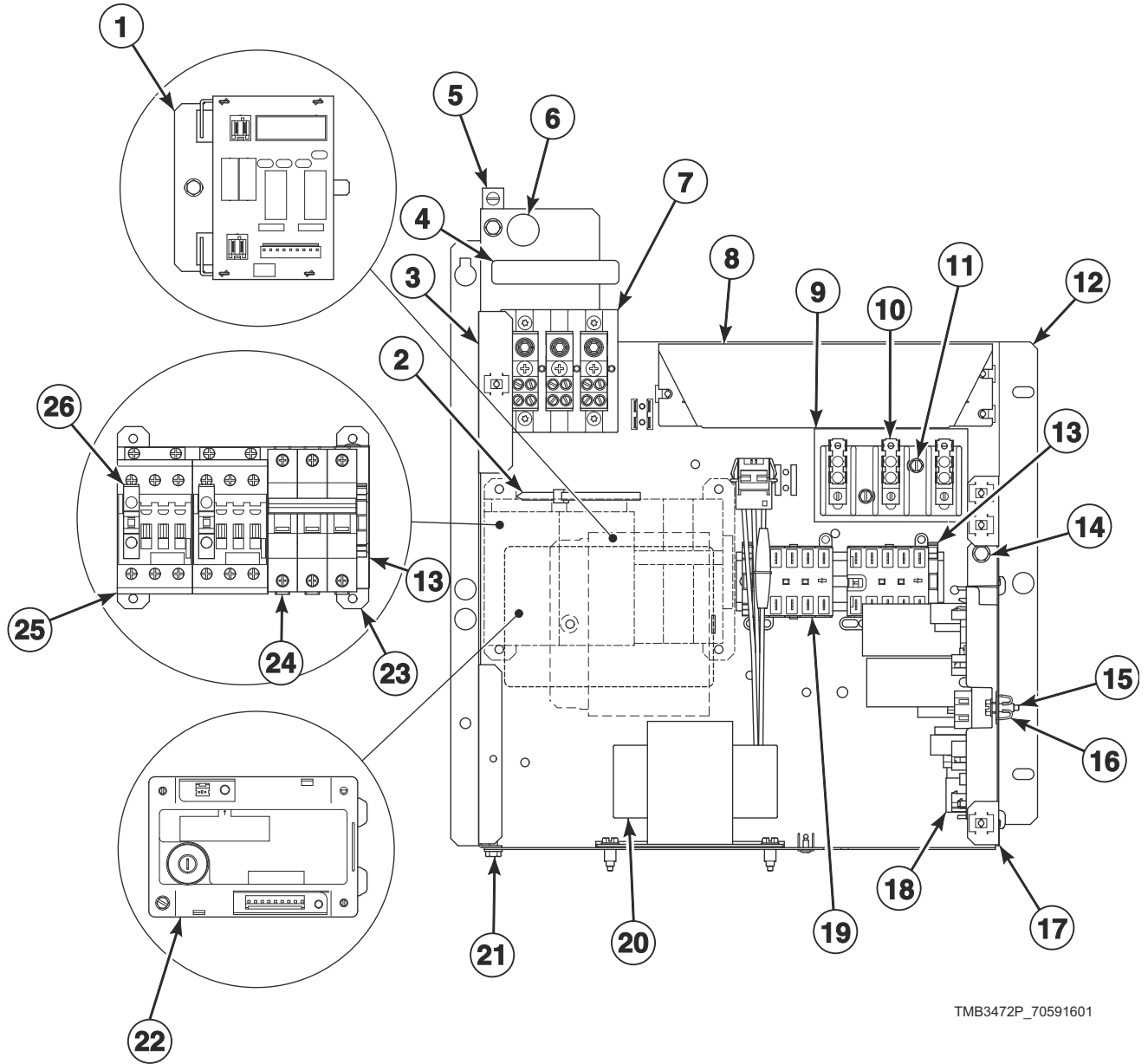


TMB3522P_70591601

Steam Heater Components

REF	PART NO.	DESCRIPTION	COMMENTS
	F8382301	DIN Valve Adapter Kit	Use with item 7
	70564302	Stove Limit Bypass Harness	
	F8520703	Steam Valve Harness	
	44304801	Strain Relief	
	70529601	Steam Adapter Kit	IEC models
1	70389201	Clevis Pin	
2	70389301	Hairpin Cotter	
3	70369301	Steam Filter Holder	
4	70369101P	Steam Coil	4 rows
5	70429401	Filter	IEC models
	70036001	Air Filter	CSA models
6	F8514701	Coil	120 Volt
	F8514601P	Coil	240 Volt
7	F8322904P	Steam Valve	120 Volt
	F8322906P	Valve	240 Volt
8	70058502	Pop Rivet	

Control Tray and Accessory Box



TMB3472P_70591601

Control Tray and Accessory Box

REF	PART NO.	DESCRIPTION	COMMENTS
	44071501	Snap Bushing	Gas models; Use with item 3; 7/8 inch
	70476001	Snap Bushing	Gas models; Use with item 3; 1/2 inch
	70500601	Power Harness	
	M413862	Insulator	Use with item 7, 9 and 10
	70610101	EMI Filter Kit	North America gas and steam models; 100-240 Volt
	70610102	EMI Filter Kit	North America gas and steam models; 380-480 Volt
	70610103	EMI Filter Kit	North America electric models; 200-240 Volt
	70610104	EMI Filter Kit	North America electric models; 380-480 Volt
	70559304	Conversion Kit	X to B voltage
1	70501801	Steam Control Assembly	Steam models
2	70335601	Cable Tie	
3	70520601	Junction Box Side	Electric models; Left side
	70526401	Junction Box Side	Gas models; Left side
	70536801	Junction Box Side	Steam models; Left side
4	44286803	Label	Wire L1, L2, L3
	44286801	Label	Wire L1, N
	44286804	Wire Label	Wire L1 L2, L1 N, L1 L2 L3
5	M411283	Ground Lug Connector	Attach with 685837 Screw
6	D516100	Label	
7	M413865	Power Distribution Block	Electric models; Attach with 39733 Screw
	44014901P	Power Distribution Block Cover	Electric models; Attach with 39733 Screw
	430642	Terminal Block	Gas and steam models; Attach with 51783 Screw
	70333001	Terminal Block Shield	Gas and steam models; Attach with 51783 Screw
8	F8591601	EMI Filter	IEC models; 100-120 and 200-240 Volt
	F8637501	EMI Filter	IEC models; 380-480 Volt
9	70333001	Terminal Block Shield	IEC models
10	430642	Terminal Block	IEC models
11	51783	Screw	IEC models
12	70531501	Junction Box Base Assembly	Electric models
	70531401	Junction Box Base Assembly	Gas and steam models
13	F8449801	End Stop	Electric models 3 required; Gas and steam models 2 required
14	430497	Screw	
15	F8206901	Screw	
16	70030501	Expansion Clip	
17	70520801	Control Board Tray	
18	70479201P	I/O Control Assembly	
19	70482601	Contactor	1 required for 120-240 Volt; 2 required for 380-480 Volt
20	F8491101	Transformer	380-480 Volt
21	51780	Screw	
22	70482002	Ignition Control	IEC gas models
	70482001	Ignition Control	North America gas models
23	70531701	Bracket Assembly	Electric models
24	70488101	Circuit Breaker	Electric models; 380-480 Volt
	70488102	Circuit Breaker	Electric models; 200-240 Volt
25	70482701	Contactor	Electric models
26	44313201	Auxiliary Contact Block	Electric models

Labels

PART NO.	DESCRIPTION	COMMENTS
70535101	Caution Label	Vent/install
F8614501	Danger Label	Shock; English/French
F8614301	Hot Surface Warning Label	English/French
F8609001	Hot Surface Warning Label	Icon
F8611601	Warning Label	
F8614500	Label Kit	Shock
F8605500	Label Kit	
44321501	Notice Label	120/240 Volt
70539601	Notice Label	
70534201	Notice Label	
F8609501	Notice Label	
D516073	Notice Label	Read instructions; Icon
70538401	Pinch Warning Label	English/French
F8615701	Pinch Warning Label	Icon
F8614401	Shock Warning Label	English/French
F8614201	Shock Warning Label	Icon
70536301	Warning Label	Lint
44324101	Warning Label	Fire; Australian models
70534305	Warning Label	Fire; Colombian Spanish; Australian models
44321601	Warning Label	Risk of fire; Icon

Harnesses

PART NO.	DESCRIPTION	COMMENTS
44316009	Filter Output Power Harness	1 Phase; Power distribution block to RFI filter
44316010	Filter Output Power Harness	3 Phase; Power distribution block to RFI filter
70608501	Base Harness	Design 3
70609001	Base Harness	Design 5
44280007	Configuration Harness	120 Volt; Cylinder
44280006	Configuration Harness	120 Volt; Fan
44334604	Heat Control Harness	Gas and steam models
44334605	Heat Control Harness	Electric models
44316005	Harness	Electric models; 200-240 Volt; Control circuit breaker to EMI filter
44316006	Harness	Electric models; 380-480 Volt; Control circuit breaker to EMI filter
44309005	Harness	Electric North America models; 200-240 Volt; Power distribution block to control circuit breaker
44309006	Harness	Electric North America models; 380-480 Volt; Power distribution block to control circuit breaker
44309015	Harness	Electric IEC models; 200-240 Volt; Power distribution block to control circuit breaker
44309016	Harness	Electric IEC models; 380-480 Volt; Power distribution block to control circuit breaker
70500504	Harness	Electric models; Contactor to element
70500503	Harness	Electric models; Contactor to element; 200-240 Volt
44334702	Inverter Contactor Coil Harness	Secondary; 380-480 Volt
44335303	Inverter Motor Harness	
70561501	Junction Box Harness	
44316003	Filter Input Power Harness	Gas and steam models; 1 Phase; Power distribution block to filter
44316004	Filter Input Power Harness	Gas and steam models; 3 Phase; Power distribution block to filter
70608401	Main Harness	
44280009	Motor Contactor Power Harness	Electric models; 3 Phase
44280004	Motor Contactor Power Harness	Gas and steam models; 3 Phase
44280008	Motor Contactor Power Harness	Electric models; 1 Phase
44280011	Motor Contactor Power Harness	1 Phase; EMI
44280013	Motor Contactor Power Harness	3 Phase; EMI
44280002	Motor Contactor Power Harness	Gas and steam models; 1 Phase
44280103	Power Harness	Electric models; 380-480 Volt
44280102	Power Harness	Gas and steam models; 380-480 Volt
44272103	Power Harness	Electric models; 100-240 Volt
44272102	Power Harness	Gas models; 100-240 Volt
44273602	Steam Control Harness	
204454	Ferrite	Korean models; EMI; Motor circuit, inverter communication circuit

Parts Index

A

Adapter	
70131901	87
Air Duct	
70500101	73
70580801	75
Air Filter	
70036001	93
Airflow Switch and Arm Bracket	
70319602	83
Airflow Switch Arm	
70319401	83
Airflow Switch Kit	
70429601P	83
Airflow Switch Vane	
70319201	83
Airflow Switch Wrapper	
70356101	83
Anti-Rattle Burner Assembly	
70546701	85
Auxiliary Contact Block	
44313201	95

B

Base Harness	
70608501	97
70609001	97
Blind Rivet	
F8245101	57, 65
Blower Assembly	
70359801P	81
Blower Housing Cover Assembly	
70341402	81
Blower Housing Scroll	
70340801	81
Blower Inlet Cone	
70014101	81
Blower Motor Mounting Plate	
70341001	81
Bracket	
70634201	49
Bracket Assembly	
70531701	95
70569701	29
Burner Grill	
70188801	85
Burner Orifice	
70684105	89
70684106	89
70684107	89
70684108	89
70684109	89
70684110	89
70684111	89
70684113	89
70684114	89
70684116	89

70684125	89
70684126	89
70684128	89
70684130	89
70684132	89
70684133	89
70684135	89
70684137	89
70684139	89
70684142	89
Bypass Harness	
44334103	51, 57

C

Cable Tie	
70335601	95
Caution Label	
70535101	96
Center Cylinder Seal	
70066003	73, 75
Center Hinge Lug Assembly	
70640402	43
Center Pan	
70606001	75
Center Pan Channel	
70606101	75
Center Partition	
70639201	73, 75
Central Pay Board Harness	
44355604	35
Central Pay Harness	
44342803	17
44355603	35
44355605	35
Channel Base Assembly	
70288201	73, 75
Chassis Mounting Bracket	
70119001	17, 21
Circuit Breaker	
70488101	95
70488102	95
Clevis Pin	
70389201	93
Clip	
M400984	75
70226701	73, 75, 79
Clip Keeper Bracket	
70604901	49
Clip Mount Bracket	
70604801	49
Coil	
F8514601P	93
F8514701	93
Coin Drop	
38963P	31
39748	31
70441601	31
70441603	31

N/A items do not appear in index.

70597704	37
70597705	37
70597706	37
70597707	37
70597708	37
70597709	37
Door Glass	
M400784P	39
70133601P	39
70133602	39
70133604	39
Door Glass Installation Tool	
M4221P4	39
Door Glass Label	
70650401	39
70707701	39
Door Glass Seal Kit	
70211901P	39
Door Handle	
44007902P	39
44263801	39
44370602	39
70521101	39
Door Hinge	
70115901W	41
70115903B	41
70115903LG	41
70115904	41
70632702W	43
70632704	43
70632706LG	43
70632706W	43
70632708	43
70632710B	43
70632712	43
Door Hinge Lug Assembly	
44035001	41
44035002	41
Door Latch	
M401223	51, 55, 57
Door Ring and Handle Assembly	
70543907B	39
70543907LG	39
Door Ring Assembly	
70543901	39
70543902	39
70543904B	39
70543905	39
70543906	39
70597507B	39
Door Ring Gasket	
70296801	39
Door Switch Actuator	
70532101	41
70532102	41
Double Ended Stud	
70334701	77
Drive Motor	
70478601P	77
70485001P	77
Drive Plate	
70571901	77
Drywall Screw Magnet Kit	
70343101P	67
Duct Cover	
70207501	79

70340201	79
70478101	79

E

Electronic Coin Drop Assembly	
70294107	31
70513302	31
70513303	31
70513304	31
70513306	31
70513308	31
70513309	31
70513310	31
70513311	31
70513312	31
70513313	31
70513314	31
70513315	31
70513316	31
Electronic Coin Drop Kit	
CK099	33
CK100	33
CK101	33
CK108	33
CK109	33
CK110	33
CK113	33
CK115	33
CK116	33
CK117	33
CK118	33
CK119	33
CK120	33
CK121	33
Emergency Stop Button Kit	
70580301	59
Emergency Stop Bypass Harness	
F8519403	59
Emergency Stop Harness	
44272401	59
44272402	59
Emergency Stop Label	
44012901	59
44012903	59
Emergency Stop Mounting Bracket	
70550401	59
Emergency Stop Pushbutton	
F200233500	59
EMI Filter	
F8591601	95
F8637501	95
EMI Filter Kit	
70610101	95
70610102	95
70610103	95
70610104	95
End Cap	
70070101	67
70070102	67
End Stop	
F8449801	95
Ethernet Gateway Kit	
NK320	35

N/A items do not appear in index.

Exhaust Duct Assembly	
70528301	79
70528302	79
70662606	79
Exhaust Duct Gaskets Assembly	
70340401	79
Exhaust Pipe	
44154301	79
Expansion Clip	
70030501	35, 73, 95

F

False Front	
70371703DG	45
70371703LG	45
70371704	45, 49
False Front Kit	
70371701*P	45
Fan Motor	
70478701P	81
70484901P	81
FCC-IC Label	
F8613201	35
Ferrite	
204454	97
Filter	
70429401	93
Filter Input Power Harness	
44316003	97
44316004	97
Filter Output Power Harness	
44316009	97
44316010	97
Foam Gasket	
70598101	65
Fob Communication Harness	
F8719301	21
Fob Reader Control Assembly	
205135	21
Fob Reader Kit	
70666807	35
Forward Valve Cover	
70328201	87
Front Air Duct	
70573701	75
70573702	75
Front Panel Baffle Seal	
70017301	53, 55
Front Panel Seal	
70173401P	45, 47, 49

G

Gas Burner	
70229801P	85
Gas Valve	
44154507	87
44154508	87
Gas Valve Cover	
70233401	85

Gas Valve Harness	
44273501	87
Gasket	
70289101P	49, 79
70392701P	81
Ground Lug Connector	
M411283	95

H

Hairpin Cotter	
70389301	93
Harness	
F8617901	29
44309005	97
44309006	97
44309015	97
44309016	97
44316005	97
44316006	97
70500503	97
70500504	97
Heat Control Harness	
44334604	97
44334605	97
Heater Element	
70034401P	91
70034402P	91
70034403P	91
70034414P	91
70034415P	91
70034416P	91
High Altitude Orifice Kit	
70609909	89
70609910	89
High Voltage Suppression Cable	
44239701	85, 87
Hinge Cam Kit	
M4772P3	41
M4773P3	41
Hold-Down Clip	
35865	49
Hot Surface Warning Label	
F8609001	96
F8614301	96

I

Idler Wheel Assembly	
70050401P	77
Igniter Cover	
70159601	85
Ignition Control	
70482001	95
70482002	95
Ignition Keeper Orifice Bracket	
70539901	87
Insulator	
M413862	95
Interconnect Harness	
44272105	59
Inverter Contactor Coil Harness	
44334702	97

N/A items do not appear in index.

Inverter Motor Harness 44335303	97
I/O Control Assembly 70479201P	95

J

Jumper Bar 70066501	91
Jumper Harness 70500505	91
70500506	91
Jumper Strip M400869	91
Junction Box Base Assembly 70531401	95
70531501	95
Junction Box Harness 70561501	97
Junction Box Side 70520601	95
70526401	95
70536801	95

K

Key 70144101	81
70155601	51, 57
70155602	61, 65
Kickplate 70117605	55, 57
70117618	55

L

Label D516100	95
44286801	95
44286803	95
562738	47
70472801	47, 49
Label Kit F8605500	96
F8614500	96
70534300	47
Latch Mounting Bracket 70184501	15, 17, 21, 27, 29
Lever Arm and Belt Kit 70655102	77
Lever Arm and Bushing Assembly 70653801	77
Limit Thermostat 44328001	81
44328005	85
44328007	91
44328104	85
70530901	81
Lint Box Gasket 70593901	57

Lint Door Support 70598201	65
Lint Drawer Front Kit 70322901P	61
70322902P	61
Lint Drawer Gasket 70117901P	53, 55
Lint Drawer Handle 70320801	61
70320802	61
Lint Drawer Handle Plate 70323201	61
Lint Frame Gasket 70333101	61
Lint Front Assembly 70567401	65
70567402W	65
70567403LG	65
70567403W	65
Lint Panel and Studs Assembly 70322903	61
70322906	61
Lint Screen Assembly 70290601	61
70596102	65
Lint Screen Bracket 70026901	61
70595702	65
Lint Screen Shim 70605601	65
Lint Seal Shoulder Bracket 70605701	57
Lint Tray Rail 70580901	75
70580902	75
Lock Pull 70642201	65
Lock Shim 70342401	61
70342402	61
Lock, Key and Nut Kit 44089301P	51, 57
70722301	61, 65
Lower Front Panel 70391208	47
70524003	47
70524007DG	47
70524007LG	47
70616801DG	47
70616801LG	47
70618801	47
70619001	47
70619601*	47
70619602W	47
70619701DG	47
70619701W	47
70619801DG	47
70619901*	47
70619902W	47
70634005LG	49
Lower Front Panel Assembly 70703501	49
70703501W	49
70703502	49
70703502W	49
70703503W	49

N/A items do not appear in index.

Lower Hinge Gusset	
70632002	43
Lower Lug Assembly	
70639302	43
70639304	43
Lower Pan	
70606201	75
L.P. Conversion Kit	
70550205	87
70551905	87
L.P. Valve	
44154504	87

M

Machine ID Control Assembly	
203361P	17, 21, 27, 29
Magnet	
70343101	65
Main Harness	
70608401	97
Max Fill Line Label	
70707501	39
Motor Conduit Bracket	
44317901	81
Motor Conduit Mounting Bracket	
70521901	77
Motor Contactor Power Harness	
44280002	97
44280004	97
44280008	97
44280009	97
44280011	97
44280013	97
Motor Mount Plate	
70564201	77
Motor Pulley	
70559101	77
Mounting Bracket	
70604001	35
Mounting Plate	
70208801	17, 21

N

Nameplate	
B12389801	51
B8443105	57
F8443105	51
F8688001	57
F8688901	57
567887	57
567923	57
70685901	57
Notice Label	
D516073	96
F8609501	96
44321501	96
70534201	96
70535901	87
70539601	96
70544901	87

Nut	
M400022	71, 81
M400034	71, 81
M400035	69
M412986	67, 71
M414215	39
Q6163	91
21899	73, 75
29786	81
430576	73, 75
44071201	29
44087101	15, 17, 21, 27, 29, 61, 65
44087201	77
44087301	77
44088001	39, 41, 43
44088801	51, 57, 61, 65
44333202	77
56156	77
70030401	49, 73, 75
70054	17, 21
70288801	73, 75
N.G. Valve	
44154503	87

O

Opto Coupler	
200674P	31
Orifice Adapter	
70552801P	87
Orifice Holder Bracket	
70248901	87
Overlay	
F8205101	19, 23
F8696101	19, 23
F8696201	23
F8696301	19, 23
F8696302	19, 23
F8733901	23
F8734201	23
F8736501	23
70136401	63
70285001	63
70295101	23
70509001	63
70511701	25
70511702	25
70511705	25
70511706	25
70514501	25
70516901	15
70516902	15
70517101	25
70517102	25
70517104	25
70517105	25
70517201	25
70517901	15
70517902	15
70518101	23
70518102	23
70518401	63
70519101	15
70519102	15
70519401	63
70539001	15
70539002	15

N/A items do not appear in index.

70540901	25	70637002	27
70540902	25	70637101	27
70541001	25	70637102	27
70542001	53	70637201	15
70544801	19	70637202	15
70544802	19	70637301	15
70545201	63	70637302	15
70545401	15	70637401	25
70545402	15	70637402	25
70547101	19	70637403	25
70548901	27	70637501	25
70548902	27	70637502	25
70552701	63	70637503	25
70554501	53	70637801	25
70556201	23	70637802	25
70556301	23	70637803	25
70556401	23	70637804	25
70556402	23	70637805	25
70556501	19, 23	70637901	25
70556502	19, 23	70637902	25
70556601	23	70637903	25
70556701	23	70637904	25
70556801	23	706379805	25
70556901	23	70638001	15
70557001	19, 23	70638002	15
70557002	19, 23	70638101	15
70558801	25	70638102	15
70569101	63	70638501	27
70569301	63	70638502	27
70570401	19	70638601	27
70570402	19	70638602	27
70570501	19	70645601	23
70570701	27	70645701	23
70570702	27	70645801	23
70570901	27	70645901	23
70570902	27	70646001	19, 23
70571201	25	70646002	19, 23
70571202	25	70646101	23
70571301	25	70646102	23
70571501	27	70647201	19
70571502	27	70647202	19
70571701	27	70647203	19
70571702	27	70647301	19
70572001	63	70647302	19
70572201	63	70647303	19
70573101	63	70647401	19
70595201	29	70647402	19
70626401	63	70647403	19
70634501	25	70647501	19
70634502	25	70647502	19
70634503	25	70647503	19
70634504	25	70685301	25
70634505	25	70685401	25
70634601	25		
70634602	25		
70634603	25		
70634604	25		
70634605	25		
70635501	29		
70635601	29		
70635701	27		
70635702	27		
70635801	27		
70635802	27		
70635901	15		
70635902	15		
70636001	15		
70636002	15		
70637001	27		

P	
Panel Clip	
M406494	51
Panel Lock	
44089304	51, 57
44390902	61, 65
Pin	
70071401	41
Pinch Warning Label	
F8615701	96
70538401	96

N/A items do not appear in index.

Pipe	70262601	87
Pipe Clip	70203701	85
Pipe Nipple	70435601	87
	70612603	87
Plug	70167601	87
Pop Rivet	M400003	15, 17, 21, 27, 29
	44166601	51, 55, 57
	44251101	51
	70058501	41, 43, 49, 73, 75, 87
	70058502	93
	70126301	55, 57
	70126401	55
Porcelain Touch-Up Paint	122P4P	73, 75
	370P4P	73
Power Distribution Block	M413865	95
Power Distribution Block Cover	44014901	95
Power Harness	44272102	97
	44272103	97
	44280102	97
	44280103	97
	70500601	87, 95
Power Supply Transformer Harness	44272303	35
Primary Air Adjustment Sleeve	70239801	87
Pushbutton Switch	70413301	51, 55, 57

R

Rear Bearing Shim	70355001	71
Rear Cylinder Bearing Housing	70013901	71
Rear Cylinder Channel	70257101	67
	70257102	67
Rear Cylinder Channel Plate	70257201	67
Rear Cylinder Seal	70013701P	71, 73, 75
Rear Cylinder Seal Support	70506402	71, 73, 75
Rear Panel	70580701	73, 75
	70580702	73, 75
Rear Stabilizer Bracket	70200301	81
Rear Valve Cover	70282401	87
Reed Switch Assembly	F8066804	57
Reed Switch Box	70606301	57

Rivet	70614201	49
Roller and Seal Kit	70616701	73, 75
Roller Seal	70443601	73, 75
Roller Shaft	70249501	73, 75
Roller Support Bracket	70339001	73
	70584901	75

S

Screw	D501524	15, 17, 21, 27, 29
	F430144	77
	F8206901	35, 95
	F8458801	43
	M400044	41
	M400661	39
	M405188	53
	M411072	35, 79
	05161	85
	23222	81
	430497	57, 65, 67, 73, 75, 79, 81, 85, 87, 91, 95
	430757	83
	44349101	43
	51780	35, 81, 95
	51783	95
	62588	67
	70033502	41, 51, 55
	70069901	55
	70126101	81
	70126104	77
	70182601	51, 55
	70247701	73, 75
	70275801	53, 55
	70391101	67
	70407301	41
	70436301	41
	70442101	39
	70501301	77
	70508301	77
	70546301	77
	70576101	41
	70640201	43
	70640301	43
	802822	43
Shadow Box Clip	M400972	51, 55
Sheet Metal Edge Gasket	70015711	73, 75
	70015712	73, 75
Shock Warning Label	F8614201	96
	F8614401	96
Side Panel	70231801DG	73
	70231801*P	73
	70231803DG	73
	70231803LG	73
	70639501DG	75
	70639501LG	75
	70639501W	75
	70639502DG	75

N/A items do not appear in index.

70639502LG	75
70639502W	75
Slip Ring Assembly 44222702	69
Slip Ring Holder 70455401	69
Slot Card Plate Assembly 44089501	17, 21
Snap Bushing M400770	87
44071501	95
70476001	95
Spacer 431264	51
70488403	77
Spark Electrode 70548701P	85
Spray Paint 298P4P	73, 75
381P4	73
Spring 70571801	77
Spring Catch Bracket 70543401	77
Standoff 70569603	77
Steam Adapter Kit 70529601	93
Steam Coil 70369101P	93
Steam Control Assembly 70501801	95
Steam Control Harness 44273602	97
Steam Filter Holder 70369301	93
Steam Valve F8322904P	93
Steam Valve Harness F8520703	93
Stove Back 70371501	85
Stove Grill 70214901	91
Stove Limit Bypass Harness 70564302	93
Stove Limit Harness 70564301	85, 87
70564303	91
Stove Partition 70357201	91
Stove Top and Sides 70333401	85
70525601	91
Strain Relief 44304801	93
Street Elbow H86070034	87
70612501	87
Supply Harness 44272306	35
Support Bearing 70448701	71

Switch 431159	73
70411901	83
Switch Bracket 70356301	83

T

Tee F422208	87
70071801	87
Tensioning Bracket 70569501	77
Terminal Block 430642	95
Terminal Block Shield 70333001	95
Thermistor M414704	81
Thermostat Cover M414477	85
Top Panel 70339501	73
70339601	73
70605801	75
70626801	75
Transformer F8491101	95
202757	35
202758	35
Transformer Harness 44272304	35
44272305	35
Trunnion and Seal Kit 70564803	67
70564804	67
Tube 70281601	87
Tumbler Dolly Kit M4379P4	55

U

Upper Front Panel 70633902LG	49
Upper Front Panel Assembly 70391305	45
70618601	45
70619401*	45
70619402W	45
70619501DG	45
70619501LG	45
70703504	49
70703504W	49
Upper Hinge Gusset 70632001	43
Upper Lug Assembly 70639301	43
70639303	43
USB Bracket 70653901	29

N/A items do not appear in index.

USB IR Interface Kit	
203346	35
USBGateway Kit	
NK330	35
USB-Serial Interface Assembly	
203440	29

V

Valve	
F8322906P	93
Vend Activation Harness	
70577101	15, 17, 21, 27

W

Warning Label	
F8611601	96
44321601	96
44324101	96
70534301	47, 49, 53, 55
70534302	47, 49
70534305	96
70536301	96
Washer	
M400991	71, 81
70261401	73, 75
70292801	29
70411301	67
Wire Guard	
201595P	31
Wire Label	
44286804	95
Wireless Control Label	
204692	35
Wireless Network Board Harness	
F8536002	35
Wireless Network Control Assembly	
203532	35
807211	35
Wireless Network Harness	
F8674007	35
Wireless Network Kit	
70596302	35
70609801	35
