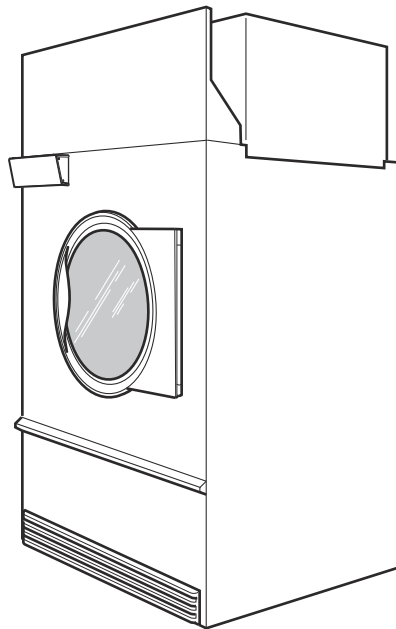


Tumble Dryer

120 Pound Capacity

18 Digit Model Numbers with 3 and 5 in 13th Position

Refer to Page 3 for Model Numbers



TMB1282C_70592001

Table of Contents

Title	Page
Parts Ordering Information.....	2
Serial Plate Location	2
Machine Identification	3
Product Overview - Heat Source and Voltage	4
Product Overview - FN Control Suffix	6
Product Overview - DN and NN Control Suffixes.....	8
Interior Control Box	10
Dual Digital Control - F in the 7th Position (Drawing 1 of 2).....	12
Dual Digital Control - F in the 7th Position (Drawing 2 of 2).....	14
Electronic Display Control - N in the 7th Position (Drawing 1 of 2).....	16
Electronic Display Control - N in the 7th Position (Drawing 2 of 2).....	18
3.5 Inch Graphical Control - D in the 7th Position	20
Fire Suppression System Control Box	22
Front Panel Components	24
Access Panel and Nameplates	26
Door Components.....	28
Hinge Components - Design 3 Models	30
Hinge Components - Design 5 Models	32
Lint Panel Components.....	34
Cabinet and Frame Assembly.....	36
Rear Panel Components.....	38
Cylinder and Trunnion Assembly	40
Trunnion Bearings.....	42
Moisture Sensing Components	44
Cylinder Motor Components	46
Blower and Exhaust Components.....	48
Airflow Switch.....	50
Gas Heater Components	52
Burner Orifices	56
Steam Heater Components	58
Steam Valve.....	60
Electric Heater Components	62
Control Tray	64
Accessory Box - Electric 200-240 Volt Models	66
Accessory Box - Electric 380-480 Volt Models	68
Labels	71
Harnesses.....	72
Parts Index.....	73

© Copyright 2023, Alliance Laundry Systems LLC

All rights reserved. No part of the contents of this book may be reproduced or transmitted in any form or by any means without the expressed written consent of the publisher.

Parts Ordering Information

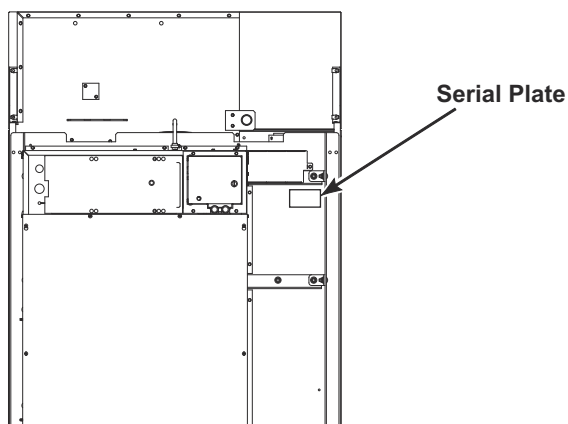
If literature or replacement parts are required, contact the source from whom the machine was purchased or contact Alliance Laundry Systems at (920) 748-3950 for the name and address of the nearest authorized parts distributor.

For technical assistance, call the number listed below:

(920) 748-3121 Ripon, Wisconsin

Serial Plate Location

When calling or writing about your product, be sure to mention model and serial numbers. Model and serial numbers are located on serial plate(s) as shown.



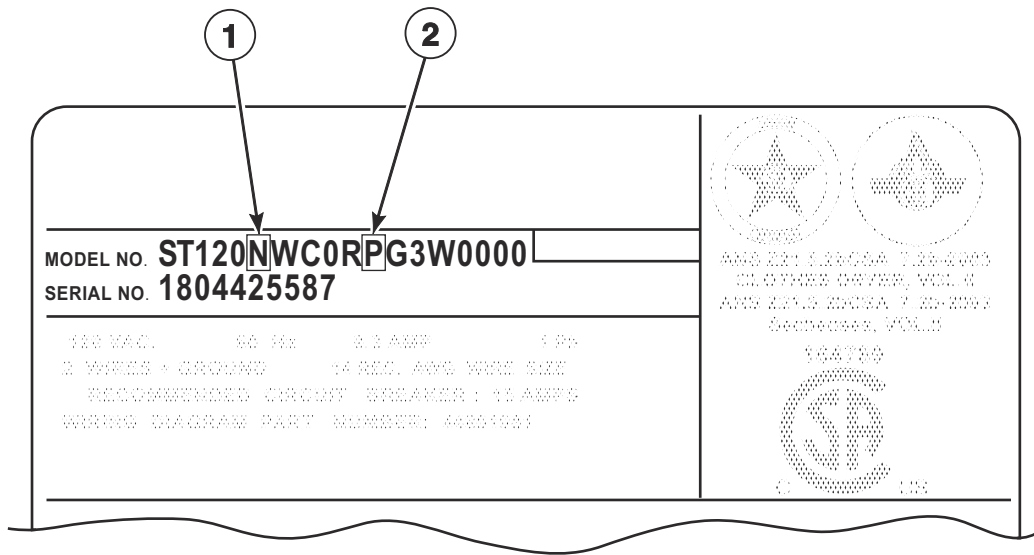
TMB3615P_70592001

Machine Identification

Information in this manual is applicable to these machines:

BA120E	HA120E	NA120E	PA120E	SA120E	UA120E
BA120L	HA120L	NA120L	PA120L	SA120L	UA120L
BA120N	HA120N	NA120N	PA120N	SA120N	UA120N
BA120S	HA120S	NA120S	PA120S	SA120S	UA120S
BG120E	HG120E	NG120E	PG120E	SG120E	UG120E
BG120L	HG120L	NG120L	PG120L	SG120L	UG120L
BG120N	HG120N	NG120N	PG120N	SG120N	UG120N
BG120S	HG120S	NG120S	PG120S	SG120S	UG120S
BH120E	HH120E	NH120E	PH120E	SH120E	UH120E
BH120L	HH120L	NH120L	PH120L	SH120L	UH120L
BH120N	HH120N	NH120N	PH120N	SH120N	UH120N
BH120S	HH120S	NH120S	PH120S	SH120S	UH120S
BJ120E	HJ120E	NJ120E	PJ120E	SJ120E	UJ120E
BJ120L	HJ120L	NJ120L	PJ120L	SJ120L	UJ120L
BJ120N	HJ120N	NJ120N	PJ120N	SJ120N	UJ120N
BJ120S	HJ120S	NJ120S	PJ120S	SJ120S	UJ120S
BK120E	HK120E	NK120E	PK120E	SK120E	UK120E
BK120L	HK120L	NK120L	PK120L	SK120L	UK120L
BK120N	HK120N	NK120N	PK120N	SK120N	UK120N
BR120E	HR120E	NR120E	PR120E	SR120E	UR120E
BR120S	HR120S	NR120S	PR120S	SR120S	UR120S
BU120E	HT120C	NT120E	PT120C	ST120C	UT120C
BU120L	HT120E	NT120L	PT120E	ST120E	UT120E
BU120N	HT120L	NT120N	PT120L	ST120L	UT120L
BU120S	HT120N	NT120S	PT120N	ST120N	UT120N
GA120E	HT120S	NU120E	PT120S	ST120S	UT120S
GA120L	HU120E	NU120L	PU120E	SU120E	UU120E
GA120N	HU120L	NU120N	PU120L	SU120L	UU120L
GA120S	HU120N	NU120S	PU120N	SU120N	UU120N
GG120E	HU120S		PU120S	SU120S	UU120S
GG120L	KT120E				
GG120N	KT120L				
GG120S	KT120N				
GH120E	KT120S				
GH120L					
GH120N					
GH120S					
GJ120E					
GJ120L					
GJ120N					
GJ120S					
GK120E					
GK120L					
GK120N					
GU120E					
GU120L					
GU120N					
GU120S					

Product Overview - Heat Source and Voltage

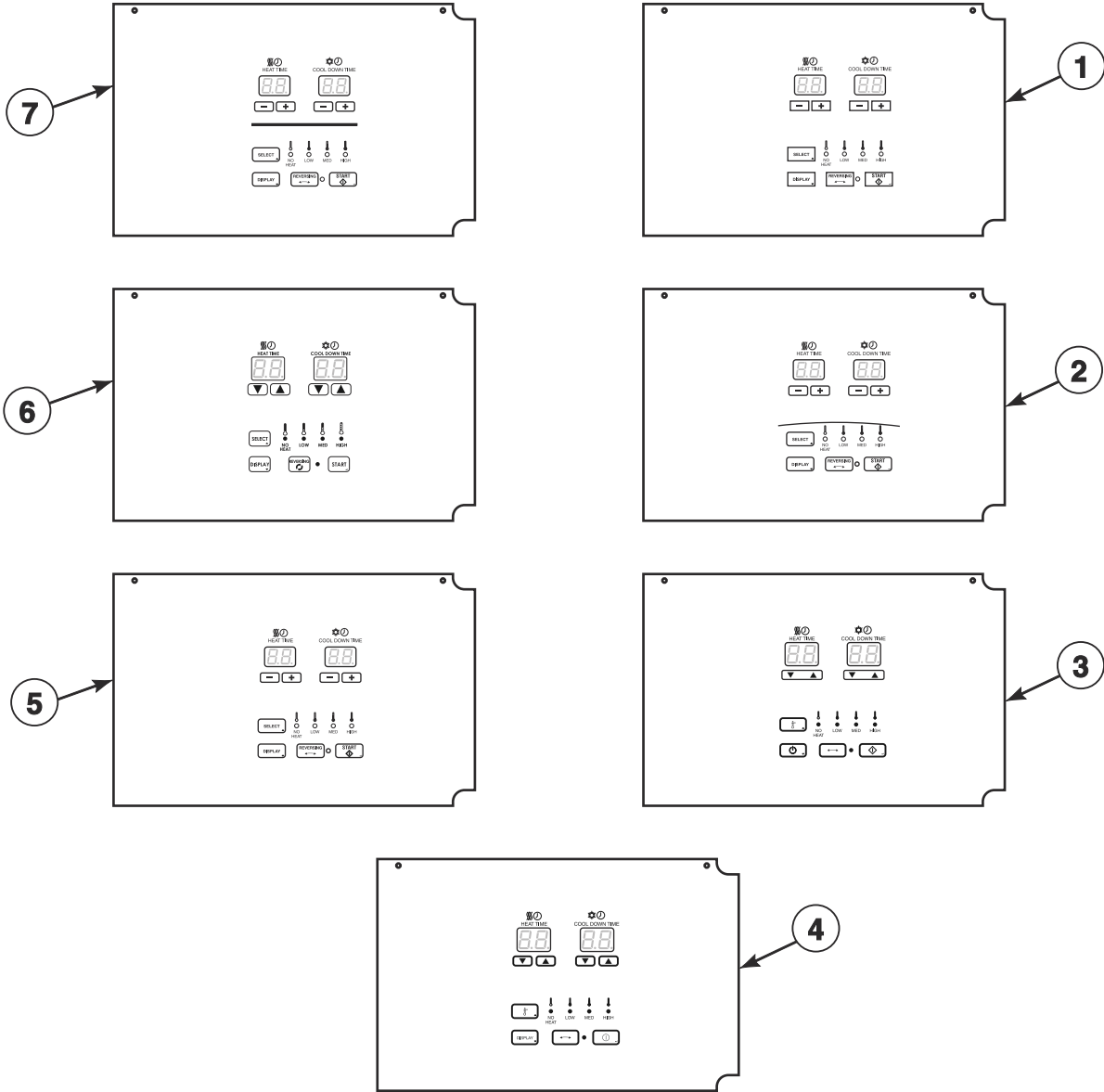
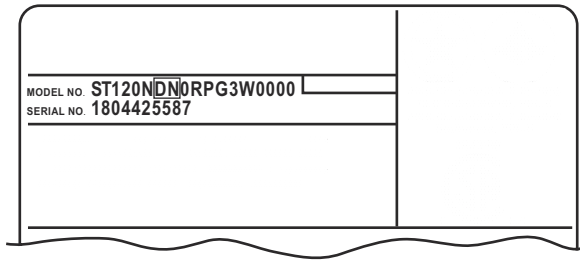


TMB3616P_70592001

Product Overview - Heat Source and Voltage

REF	PART NO.	DESCRIPTION	COMMENTS
1	-	Heat Source	C: Steam (CRN) E: Electric L: Liquid Petroleum Gas (L.P.) N: Natural Gas (N.G.) S: Steam
2	-	Voltage	G: 230-240 Volt/50-60 Hertz/3 Phase; Electric models H: 380 Volt/50-60 Hertz/3 Phase; Electric models J: 400-415 Volt/50-60 Hertz/3 Phase; Electric models L: 460-480 Volt/50-60 Hertz/3 Phase; Electric models N: 440-480 Volt/50-60 Hertz/3 Phase; Gas and steam models P: 380-415 Volt/50-60 Hertz/3 Phase; Gas and steam models Q: 200-240 Volt/50-60 Hertz/3Phase; Gas and steam models

Product Overview - FN Control Suffix

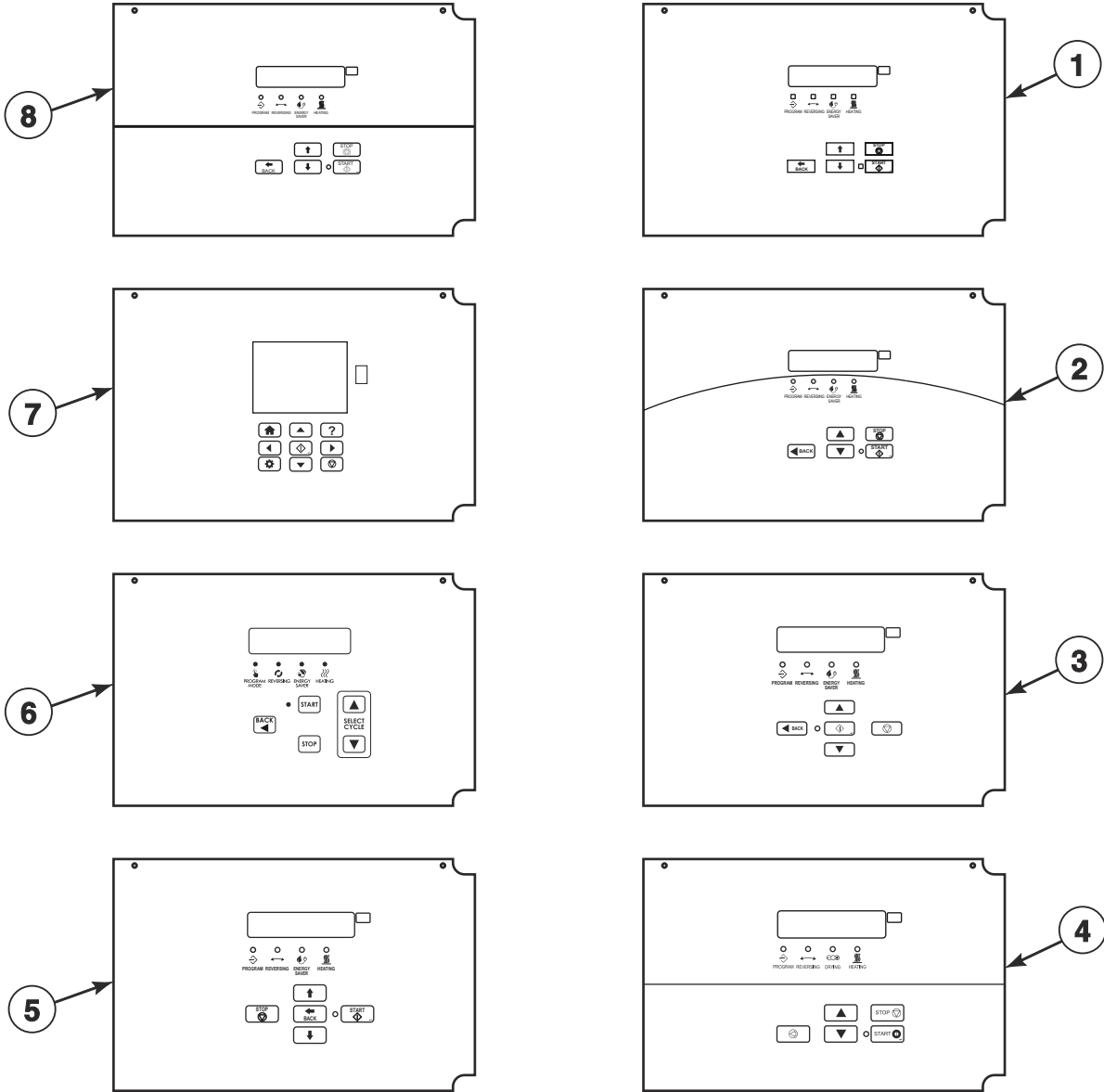
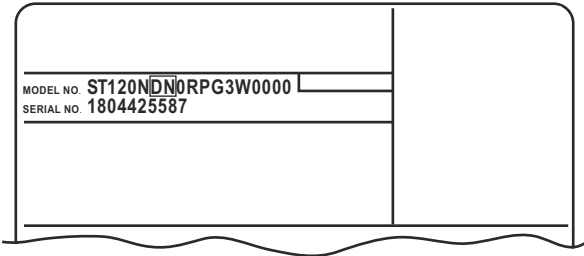


TMB3617P_70592001

Product Overview - FN Control Suffix

REF	PART NO.	DESCRIPTION	COMMENTS
1	-	Dual Digital Control	H models
2	-	Dual Digital Control	U models
3	-	Dual Digital Control	B models
4	-	Dual Digital Control	P models
5	-	Dual Digital Control	N models
6	-	Dual Digital Control	G and K models
7	-	Dual Digital Control	S models

Product Overview - DN and NN Control Suffixes

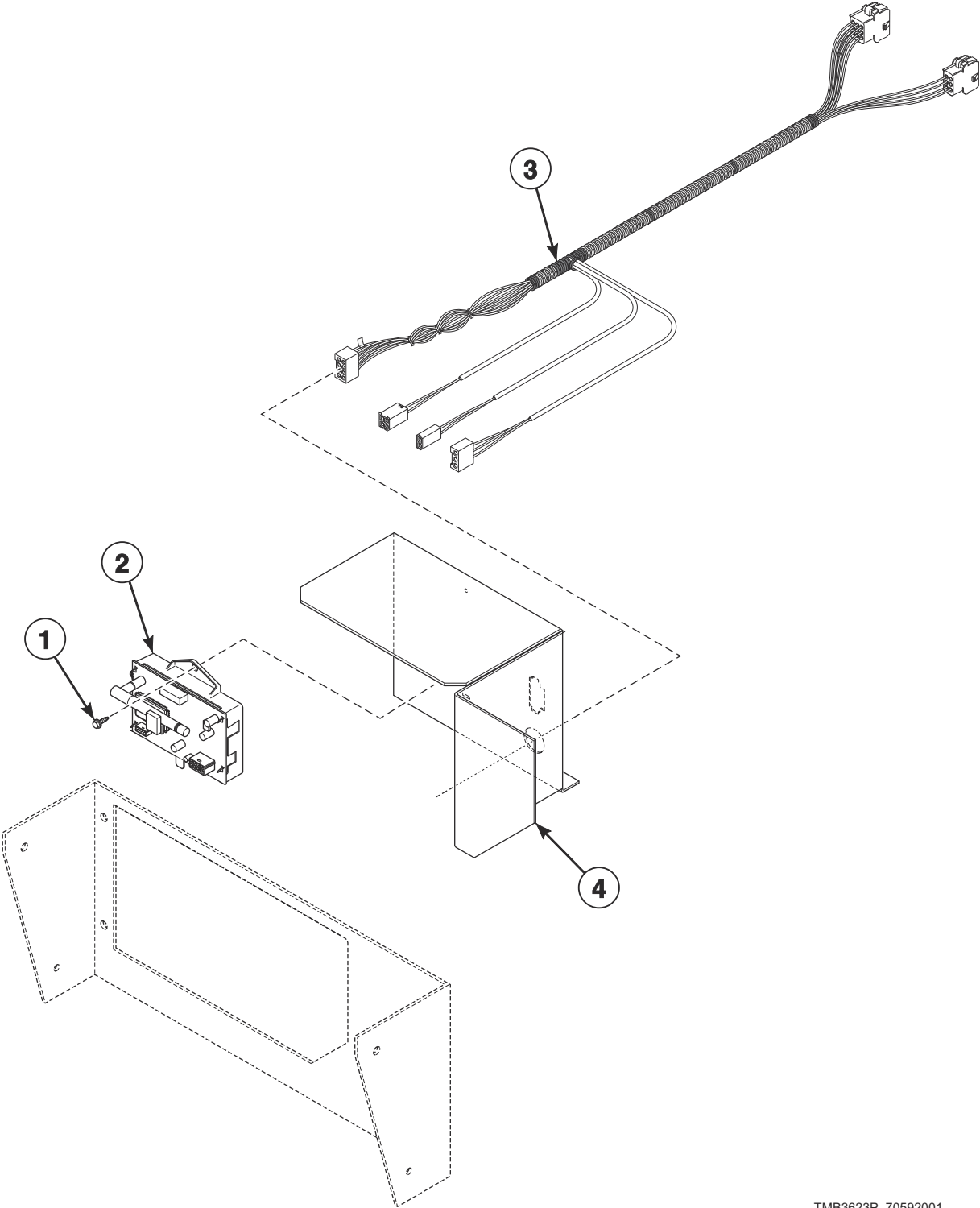


TMB3618P_70592001

Product Overview - DN and NN Control Suffixes

REF	PART NO.	DESCRIPTION	COMMENTS
1	-	Galaxy Control	H models
2	-	M-Series Control	U models
3	-	OPTimum Control	B models
4	-	OPL Micro Control	P models
5	-	OPL Micro Control	N models
6	-	OPL Micro Control	G and K models
7	-	UniLinc Control	U models
8	-	Quantum Gold Control	S models

Interior Control Box

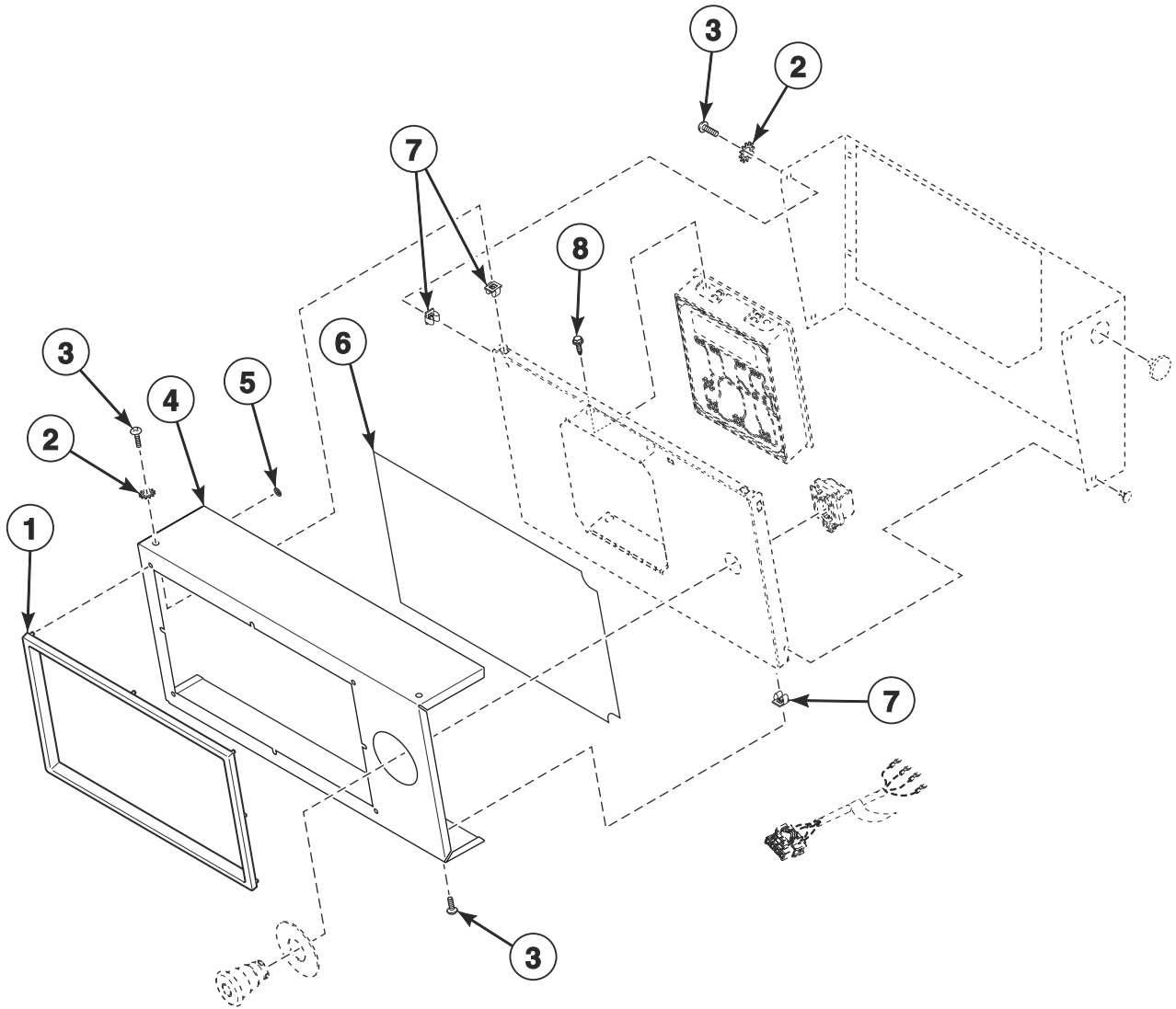


TMB3623P_70592001

Interior Control Box

REF	PART NO.	DESCRIPTION	COMMENTS
	70596301	Wireless Network Kit	D in the 7th position of the model number
1	430497	Screw	
2	203532	Wireless Network Control Assembly	
3	44334202	Main Harness	
4	44311101	Front Control Box	

Dual Digital Control - F in the 7th Position (Drawing 1 of 2)



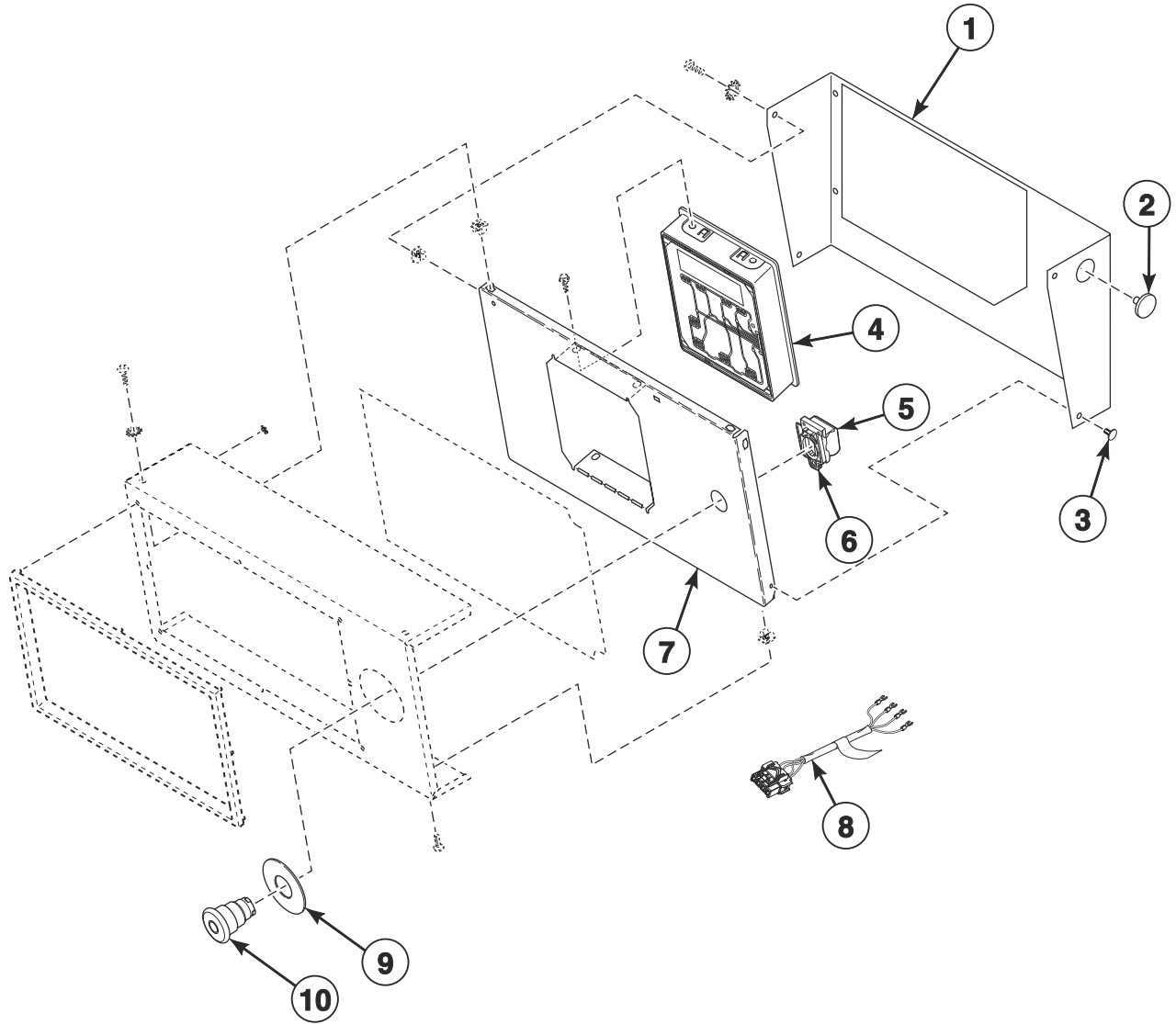
TMB3619P_70592001

Dual Digital Control - F in the 7th Position (Drawing 1 of 2)

REF	PART NO.	DESCRIPTION	COMMENTS
1	44016403	Control Trim	H models; Gray
	44016401	Control Trim	P and S models; Black
2	03815	Washer	
3	800930	Screw	
4	44330802	Control Cover	IEC B, P and U models; CSA B, P and U models through 12/31/18; Stainless steel; No trim
	44330805	Control Cover	IEC H, P and S models; CSA H, P and S models through 12/31/18; Stainless steel
	44330801*	Control Cover	IEC B and U models; CSA B and U models through 12/31/18
	44330806DG	Control Cover	IEC P models; CSA P models through 12/31/18; Dark gray
	44330804*	Control Cover	IEC H, N, P and S models; CSA H, N, P and S models through 12/31/18
	44330801B	Control Cover	IEC G and K models; CSA G and K models through 12/31/18; Black
	44330803LG	Control Cover	IEC U models; CSA U models through 12/31/18; Light gray
	44330811	Control Cover	CSA B, P and U models starting 1/1/19; Stainless steel; No trim; Design 3
	44330814	Control Cover	CSA H, P and S models starting 1/1/19; Stainless steel
	44330810*	Control Cover	CSA B and U models starting 1/1/19
	44330815DG	Control Cover	CSA P models starting 1/1/19; Dark gray
	44330813*	Control Cover	CSA H, N, P and S models starting 1/1/19
	44330810B	Control Cover	CSA G and K models starting 1/1/19; Black
	44330812LG	Control Cover	CSA U models starting 1/1/19; Light gray
5	M400977	Nut	8 required
6	70539101	Overlay	B models; Reversing
	70547501	Overlay	G and K models; Reversing
	70517801	Overlay	H models; Reversing; Design 3
	70636501	Overlay	H models; Reversing; Design 5
	70545501	Overlay	P models; Reversing
	70516801	Overlay	N models; Design 3 S models; Reversing
	70636801	Overlay	S models; Reversing; Design 5
	70519001	Overlay	U models; Reversing; Design 3
70638801	Overlay	U models; Reversing; Design 5	
7	70030501	Expansion Clip	
8	804608	Screw	4 required

* Add Letter To Designate Color. Q - Bisque W - White

Dual Digital Control - F in the 7th Position (Drawing 2 of 2)



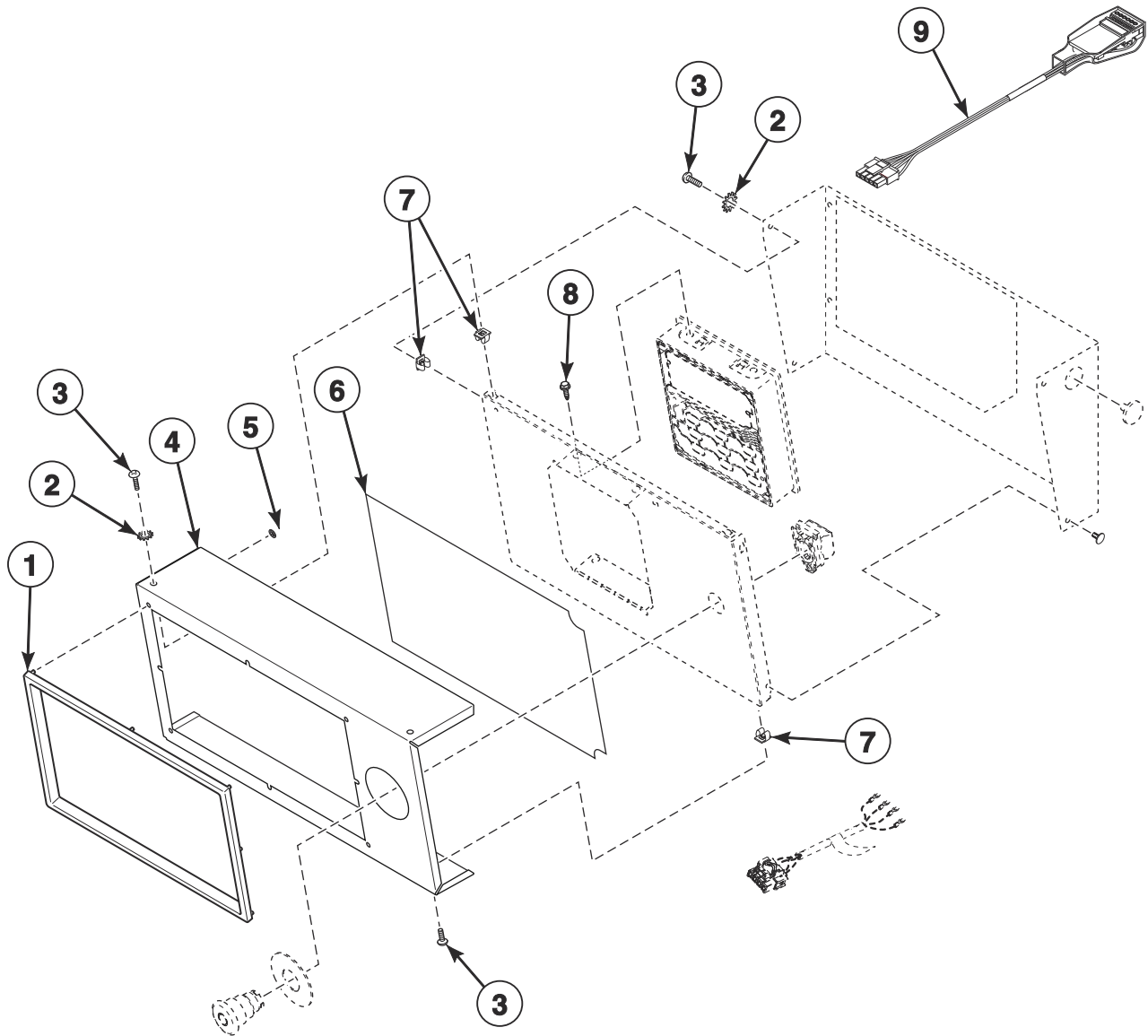
TMB3619PA_70592001

Dual Digital Control - F in the 7th Position (Drawing 2 of 2)

REF	PART NO.	DESCRIPTION	COMMENTS
1	44331005	Control Bracket	B, H, P and S models; Stainless steel
	44331006DG	Control Bracket	P models; Dark gray
	44331006W	Control Bracket	B, H, N, P, S and U models
	44331006B	Control Bracket	G and K models; Black
	44331006LG	Control Bracket	U models; Light gray
2	M400985	Plug	
3	430725	Pop Rivet	
4	70523101	Control Assembly	P models; Blue
	70479801	Control Assembly	G, H, K, N, S and U models; Green
	70479901	Control Assembly	B models; Red
5	F8069501	Contact Switch	2 required
6	F8538101	Contact Base	
7	44330901	Mounting Plate	
8	44272401	Emergency Stop Harness	
9	44012901	Emergency Stop Label	
10	F200233500	Emergency Stop Pushbutton	

* Add Letter To Designate Color. Q - Bisque W - White

Electronic Display Control - N in the 7th Position (Drawing 1 of 2)



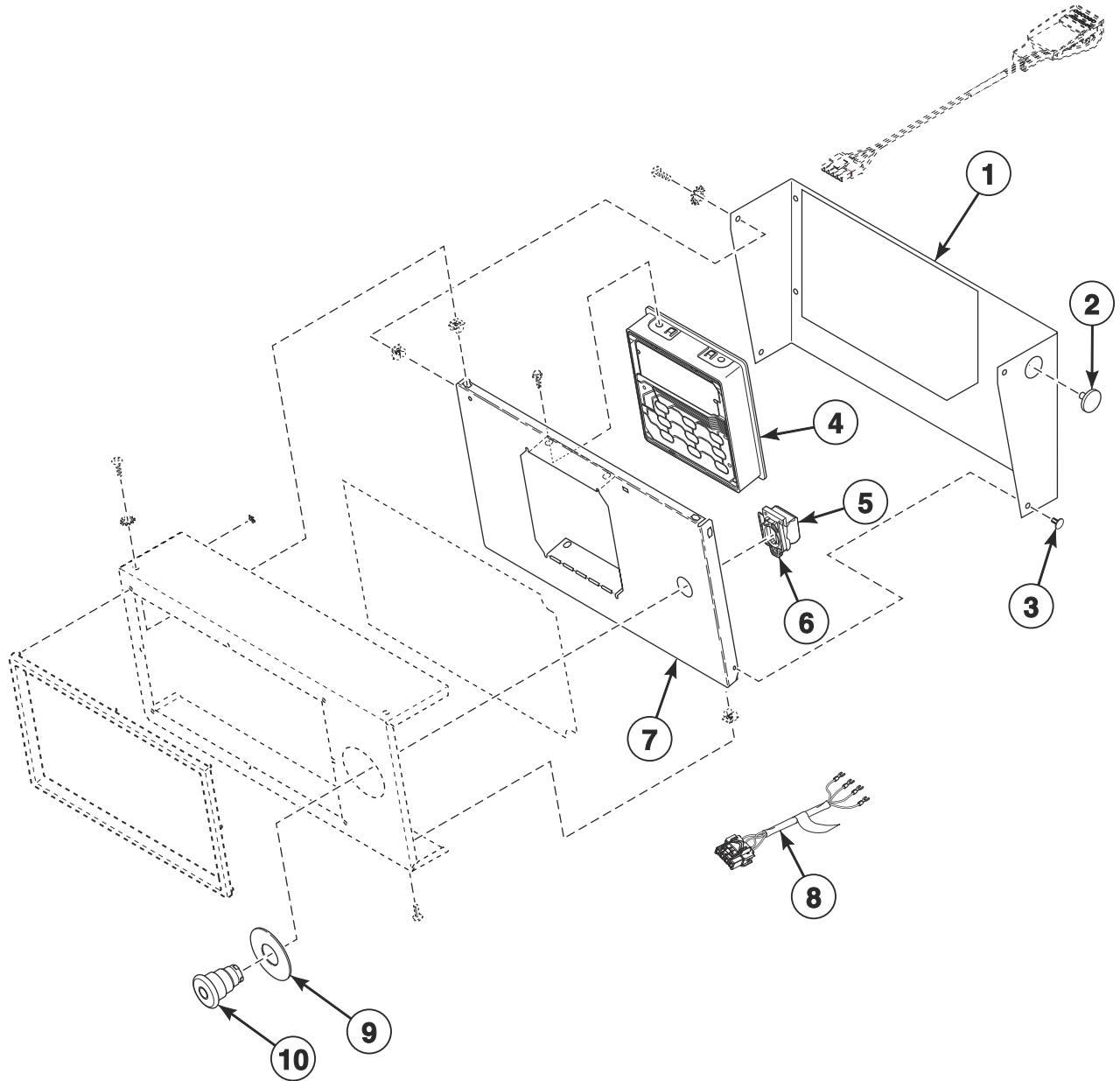
TMB3620P_70592001

Electronic Display Control - N in the 7th Position (Drawing 1 of 2)

REF	PART NO.	DESCRIPTION	COMMENTS
1	44016403	Control Trim	H models; Gray
	44016401	Control Trim	P and S models; Black
2	03815	Washer	
3	800930	Screw	
4	44330802	Control Cover	IEC B, P and U models; CSA B, P and U models through 12/31/18; Stainless steel; No trim
	44330805	Control Cover	IEC H, P and S models; CSA H, P and S models through 12/31/18; Stainless steel
	44330801*	Control Cover	IEC B and U models; CSA B and U models through 12/31/18
	44330806DG	Control Cover	IEC P models; CSA P models through 12/31/18; Dark gray
	44330804*	Control Cover	IEC H, N, P and S models; CSA H, N, P and S models through 12/31/18
	44330801B	Control Cover	IEC G and K models; CSA G and K models through 12/31/18; Black
	44330803LG	Control Cover	IEC U models; CSA U models through 12/31/18; Light gray
	44330811	Control Cover	CSA B, P and U models starting 1/1/19; Stainless steel; No trim; Design 3
	44330814	Control Cover	CSA H, P and S models starting 1/1/19; Stainless steel
	44330810*	Control Cover	CSA B and U models starting 1/1/19
	44330815DG	Control Cover	CSA P models starting 1/1/19; Dark gray
	44330813*	Control Cover	CSA H, N, P and S models starting 1/1/19
	44330810B	Control Cover	CSA G and K models starting 1/1/19; Black
	44330812LG	Control Cover	CSA U models starting 1/1/19; Light gray
	5	M400977	Nut
6	70570601	Overlay	S models; Reversing; Design 3
	70638301	Overlay	S models; Reversing; Design 5
	70571401	Overlay	U models; Reversing; Design 3
	70638901	Overlay	U models; Reversing; Design 5
	70570801	Overlay	H models; Reversing; Design 3
	70636401	Overlay	H models; Reversing; Design 5
	70548801	Overlay	B models; Reversing
	70547801	Overlay	G and K models; Reversing
	70571601	Overlay	P models; Reversing
	70572401	Overlay	NT models through 10/9/19; All other N models; Reversing
	70570601	Overlay	NT models starting 10/10/19; Reversing
7	70030501	Expansion Clip	
8	804608	Screw	4 required
9	203361P	Machine ID Control Assembly	Model or serial number is required when ordering

* Add Letter To Designate Color. Q - Bisque W - White

Electronic Display Control - N in the 7th Position (Drawing 2 of 2)



TMB3620PA_70592001

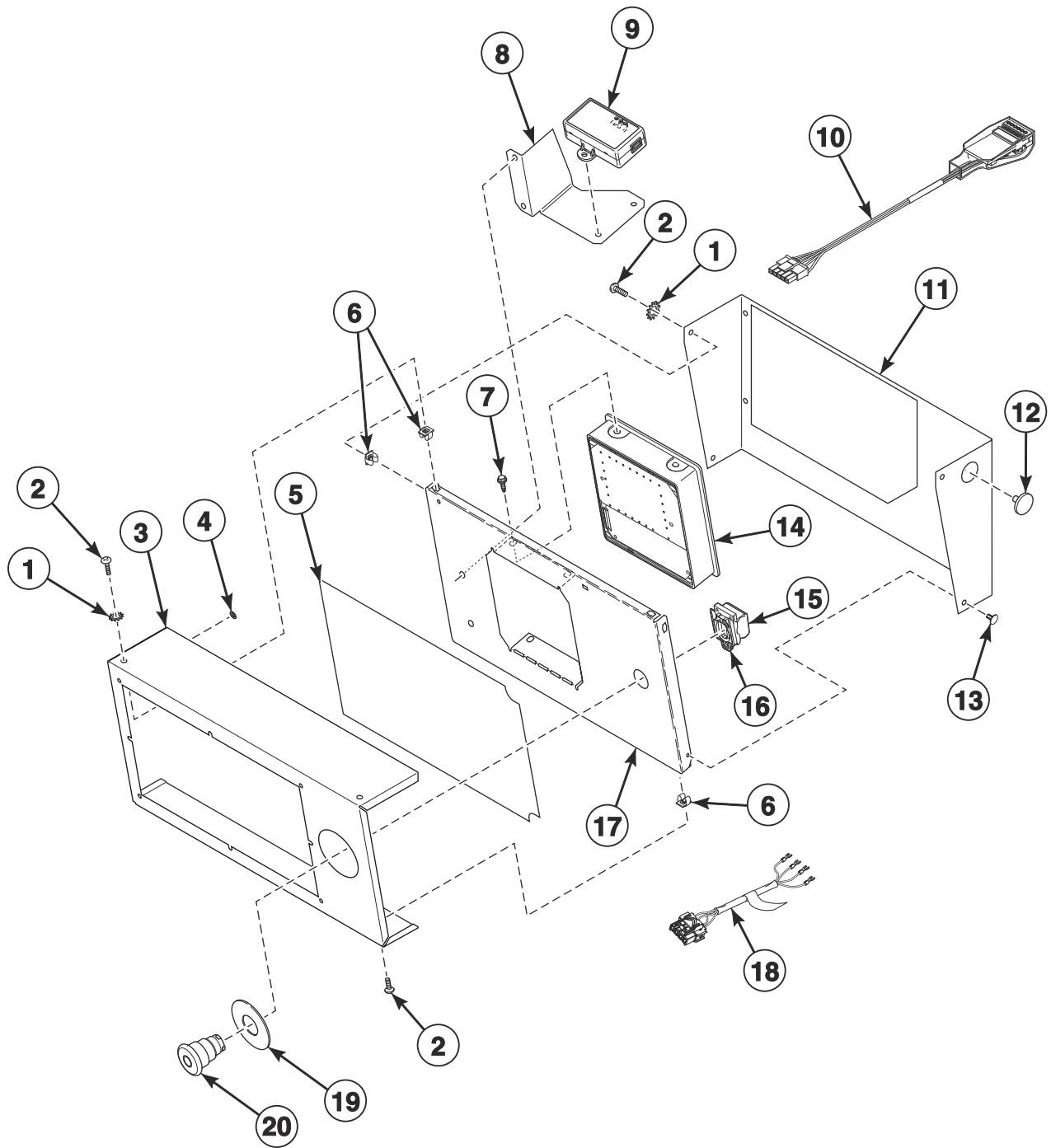
Electronic Display Control - N in the 7th Position (Drawing 2 of 2)

REF	PART NO.	DESCRIPTION	COMMENTS
1	44331005	Control Bracket	B, H, P and S models; Stainless steel
	44331006DG	Control Bracket	P models; Dark gray
	44331006W	Control Bracket	B, H, N, P, S and U models
	44331006B	Control Bracket	G and K models; Black
	44331006LG	Control Bracket	U models; Light gray
2	M400985	Plug	
3	430725	Pop Rivet	
4	70523002	Control Assembly	P models; Blue
	70478802	Control Assembly	G, H, K, N, S and U models; Green
	70478902	Control Assembly	B models; Red
5	F8069501	Contact Switch	2 required
6	F8538101	Contact Base	
7	44330901	Mounting Plate	
8	44272401	Emergency Stop Harness	
9	44012901	Emergency Stop Label	
10	F200233500	Emergency Stop Pushbutton	

* Add Letter To Designate Color. Q - Bisque W - White

3.5 Inch Graphical Control - D in the 7th Position

U Models



TMB3621P_70592001

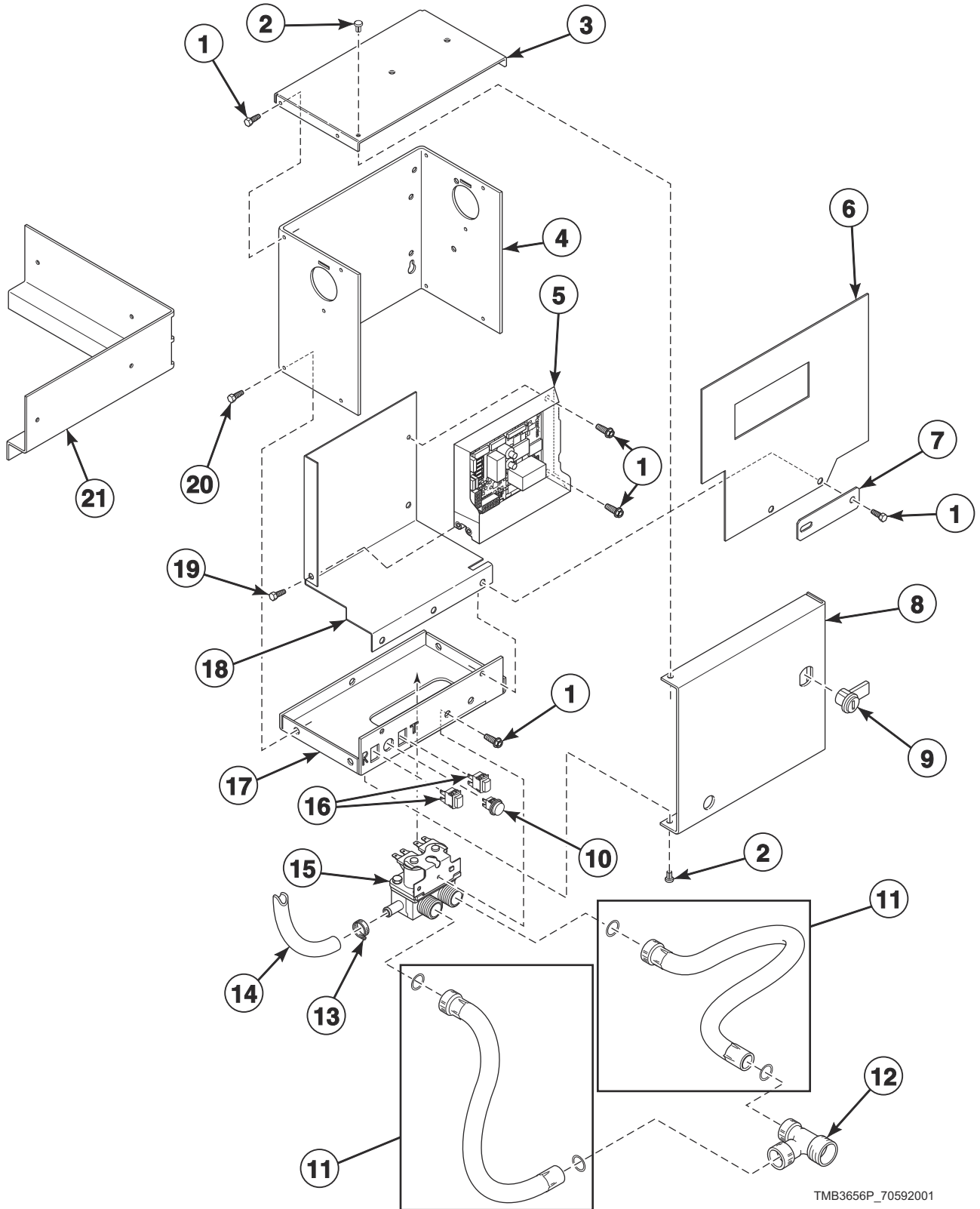
3.5 Inch Graphical Control - D in the 7th Position

REF	PART NO.	DESCRIPTION	COMMENTS
	70596301	Wireless Network Kit	
	F8536002	Wireless Network Board Harness	
	203346	USB IR Interface Kit	
	F8617901	Harness	USB
	F8613201	FCC-IC Label	UT models
	03815	Washer	2 required; Use to attach item 9
	430497	Screw	2 required; Use to attach item 9
1	03815	Washer	
2	800930	Screw	
3	44330802	Control Cover	IEC models; CSA models through 12/31/18; Stainless steel; No trim
	44330801*	Control Cover	IEC models; CSA models through 12/31/18
	44330803LG	Control Cover	IEC models; CSA models through 12/31/18; Light gray
	44330811	Control Cover	CSA models starting 1/1/19; Stainless steel; No trim; Design 3
	44330810*	Control Cover	CSA models starting 1/1/19
	44330812LG	Control Cover	CSA models starting 1/1/19; Light gray
4	M400977	Nut	8 required
5	70595401	Overlay	Design 3 models
	70639001	Overlay	Design 5 models
6	70030501	Expansion Clip	
7	804608	Screw	
8	44331101	Mounting Bracket	
9	203440	USB-Serial Interface Assembly	
10	203361P	Machine ID Control Assembly	Model or serial number is required when ordering
11	44331006W	Control Bracket	
	44331006LG	Control Bracket	Light gray
12	M400985	Plug	
13	430725	Pop Rivet	
14	70543104	Control Assembly	
15	F8069501	Contact Switch	2 required
16	F8538101	Contact Base	
17	44330901	Mounting Plate	
18	44272401	Emergency Stop Harness	
19	44012901	Emergency Stop Label	
20	F200233500	Emergency Stop Pushbutton	

* Add Letter To Designate Color. Q - Bisque W - White

Fire Suppression System Control Box

B, G, H, K, NT, P, S and U Gas and Steam Models

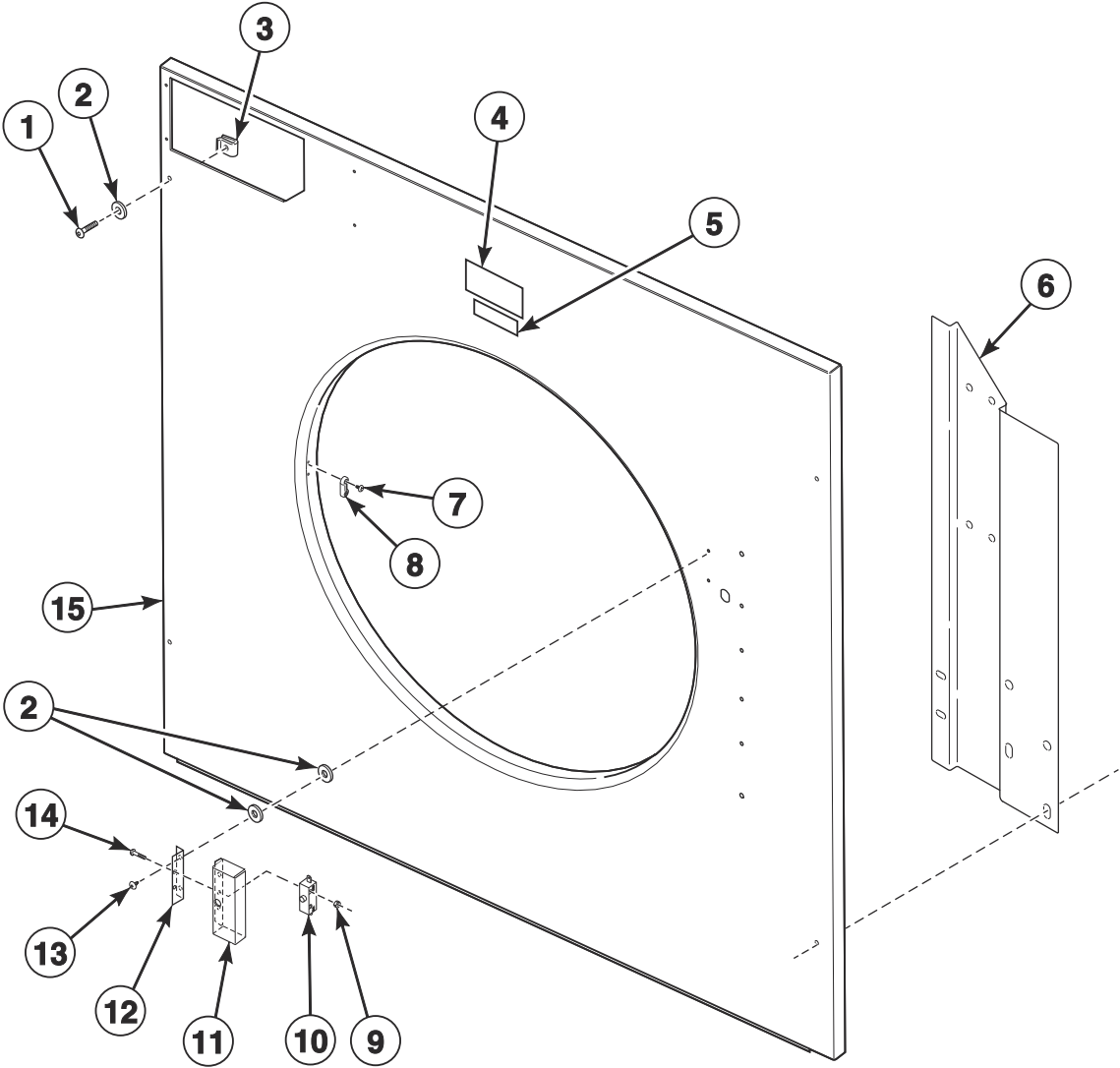


TMB3656P_70592001

Fire Suppression System Control Box

REF	PART NO.	DESCRIPTION	COMMENTS
	44340301	Cold Weather Kit	
	70155601	Key	RL001; Use with item 9
	44079601	Manifold	Gas models
	44079602	Manifold	Steam models
	44334404	Control Harness	
	44334405	Water Valve Harness	
	44334408	Power Sensor Harness	
	44334407	Sensor Harness	
	44334401	Interconnect Harness	
	44324501	Warning Label	F.S.S.; CSA models
	44324500	Label Kit	F.S.S.; IEC models
	F8614401	Shock Warning Label	CSA models
	F8614201	Shock Warning Label	IEC models
	44318200	Label Kit	IEC models
	44324502	Warning Label	
	44318201	Label	CSA models
1	430497	Screw	
2	M400713	Drive Rivet	
3	44307101	Control Box Top	
4	44306701	Control Box Housing	
5	70511601	Control	
6	44326801	Shield	
7	70551701	Filter Mounting Plate	
8	44065201	Control Box Cover	
9	44089301P	Lock, Key and Nut Kit	RL001 key code; Optional if same key is to be used for control lock
10	801432	Light	
11	202799	Fill Hose	2 required
12	44069101	Hose Fitting	CSA models
13	36801	Hose Clamp	
14	44073305	Hose	24.5 inches; Outlet hose
15	70519801	Mixing Valve	
16	801434W	Push-to-Start Switch	2 required
17	44065301	Control Box Base	
18	44306601	Mixing Valve Shield Bracket	
19	804608	Screw	
20	51780	Screw	
21	44310901	Support Bracket	

Front Panel Components



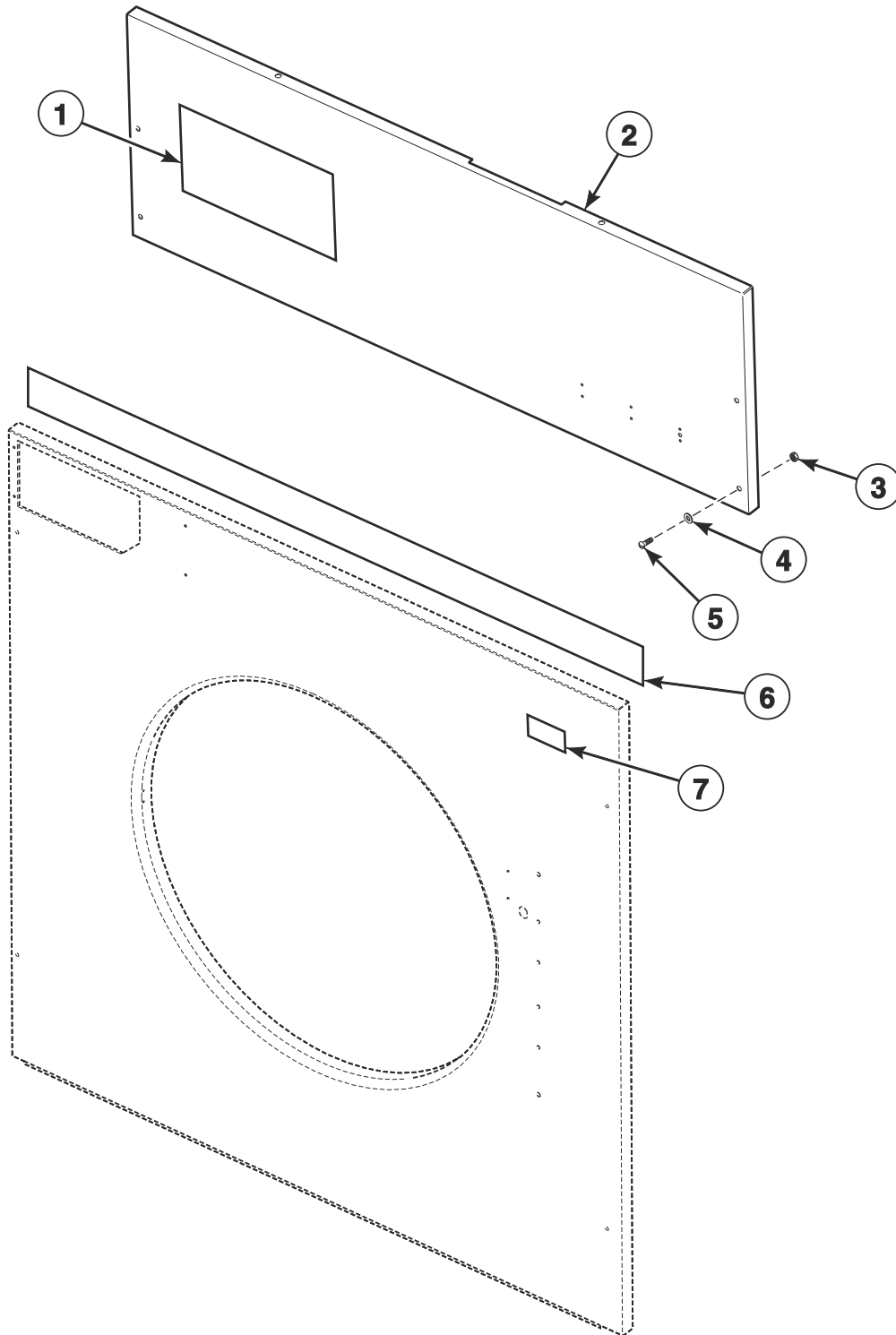
TMB3823P_70592001

Front Panel Components

REF	PART NO.	DESCRIPTION	COMMENTS
	298P4P	Spray Paint	White
	122P4P	Porcelain Touch-Up Paint	White
	370P4P	Porcelain Touch-Up Paint	Bisque
	44335203	Door Switch Harness	
	70482901	Door Catch Kit	
1	70182601	Screw	4 required per panel
2	800465	Washer	4 required per panel
3	70030401	Nut	Access and front panel attachment
4	70537001	Label	B, H, N, S and U models; C.A.R.E.
	70537101	Label	G and K models; F.S.S.
	44190901	Label	P models; Safe Tech
5	70472801	Label	U models
6	44286001	Door Switch Wire Channel	Design 3 models
	44368701	Upper Hinge/Wire Cover Bracket	Design 5 models
7	44166601	Pop Rivet	2 required
8	M401223	Door Latch	
9	29787	Nut	2 required
10	44312401	Switch	
11	44316301	Door Switch Cover	
12	44316601	Door Switch Shield	
13	431287	Screw	2 required
14	M402574	Screw	2 required
15	44292003DG	Front Panel	P models; Dark gray
	44292003LG	Front Panel	U models; Design 3; Light gray
	44292001*	Front Panel	Design 3 models.
	44292002	Front Panel	B, H, P, S and U models; Design 3; Stainless steel
	44368403	Front Panel	Design 5 H, S and U models; Stainless steel
	44368401W	Front Panel	Design 5 H, S and U models

* Add Letter To Designate Color. Q - Bisque W - White

Access Panel and Nameplates



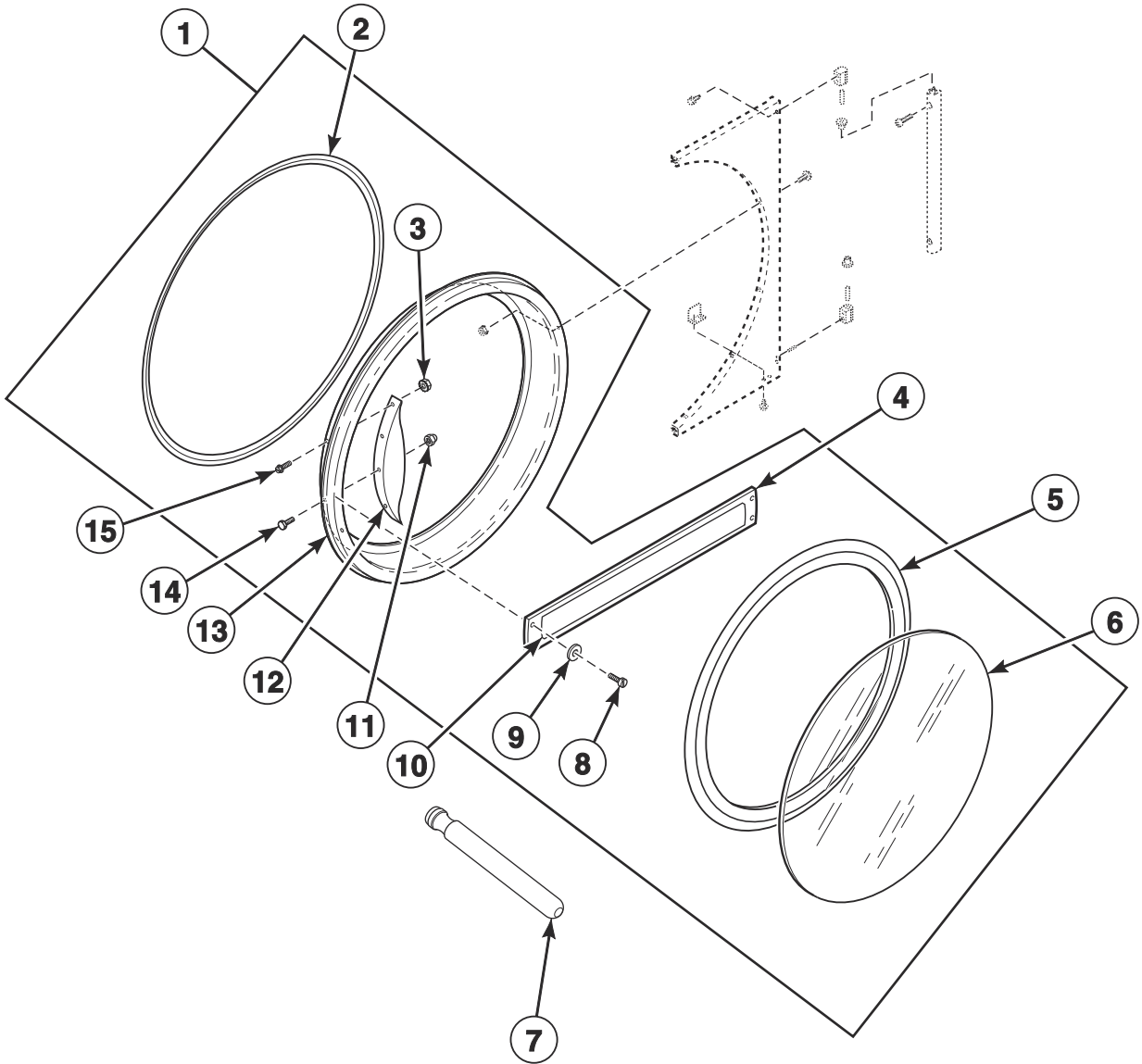
TMB3625P_70592001

Access Panel and Nameplates

REF	PART NO.	DESCRIPTION	COMMENTS
1	70410201	Nameplate Overlay	G models
	44130401	Nameplate Overlay	K models
	70472001	Nameplate	B models
	44010601	Nameplate	S models; Design 3
	F8688901	Nameplate	S models; Design 5
	F8688001	Nameplate	H models; Design 5
	F8443107	Nameplate	U models
2	44012609DG	Front Access Panel	P models; Dark gray
	44012609W	Front Access Panel	All models except B models; Design 3
	44012609B	Front Access Panel	B models
	44012609LG	Front Access Panel	U models; Light gray; Design 3
	44012612	Front Access Panel	H, P, S and U models; Stainless steel; Design 3
	44367201	Front Access Panel	Stainless steel; Design 5 models
	44367202W	Front Access Panel	Design 5 models
3	70030401	Nut	4 required
4	800465	Washer	4 required
5	70182601	Screw	4 required
6	70399403	Access Panel Trim	G and K models; Mounts over front panel assembly and control panel
7	567887	Nameplate	P models

* Add Letter To Designate Color. Q - Bisque W - White

Door Components

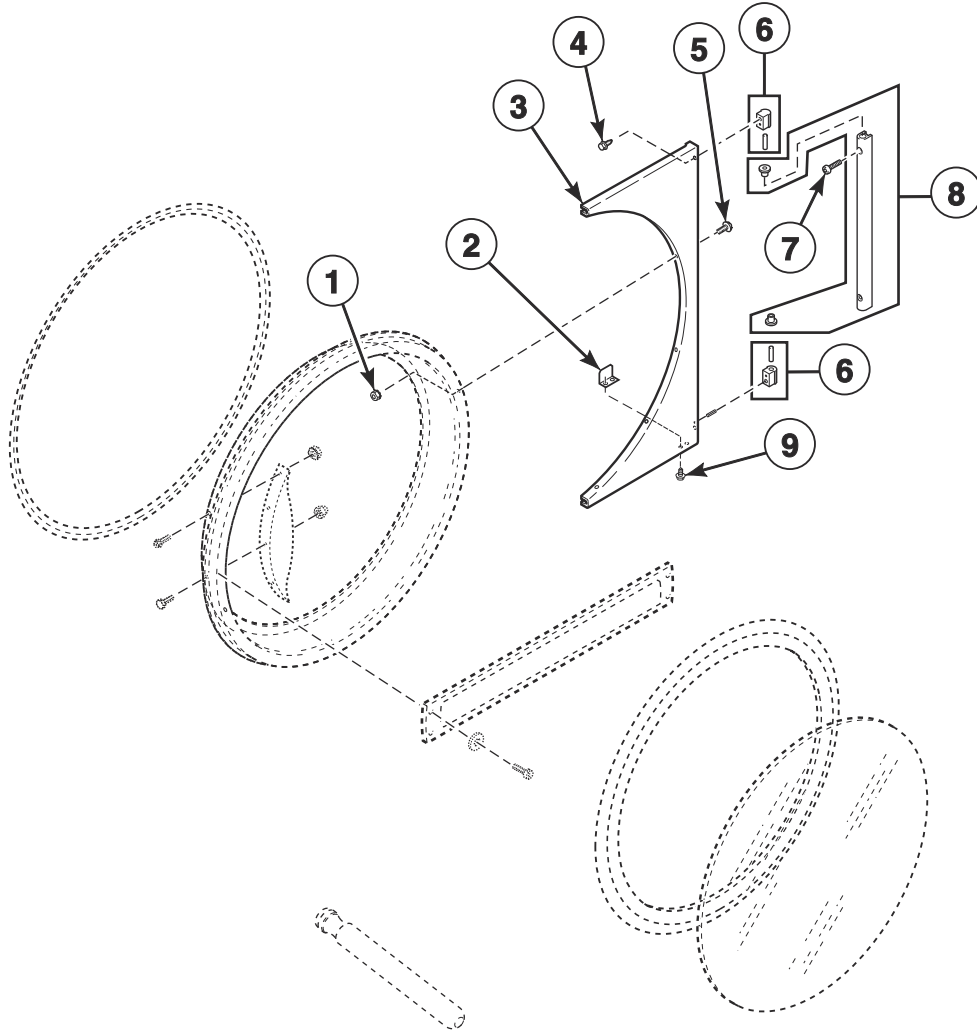


TMB3091P_70592001

Door Components

REF	PART NO.	DESCRIPTION	COMMENTS
	70650401	Door Glass Label	H models; Design 5
	70707701	Door Glass Label	S models
	70707501	Max Fill Line Label	
1	44058105	Door Assembly	H models; Stainless steel; Design 3
	44028906	Door Assembly	S models; Stainless steel; Design 3
	44266703	Door Assembly	U models; Stainless steel; Design 3
	44354705	Door Assembly	H models; Stainless steel; Design 5
	44354701	Door Assembly	S models; Stainless steel; Design 5
	44354703	Door Assembly	U models; Stainless steel; Design 5
	44028907	Door Assembly	B and N models
	44292302LG	Door Assembly	P models; Light gray
	44292302B	Door Assembly	P models; Use with stainless steel front panel; Black
	70407402	Door Assembly	G and K models
2	70296802	Door Ring Gasket	H models with chrome handle
	44008201P	Door Ring Gasket	All other models
3	44088001	Nut	B, H, N and S models; 4 required
4	70399501B	Handle Bar	G and K models
5	70211902P	Door Seal Kit	Use Loctite 414 for seal
6	44008402P	Door Glass	H models; Design 3
	44008401P	Door Glass	All other models; Design 5 H models
7	M4221P4	Door Glass Installation Tool	
8	70412601	Pop Rivet	G and K models; 4 required
9	70409301	Washer	G and K models; 2 required
10	70414001	Label	K models; Coin
11	M414215	Nut	
12	70521102	Door Handle	H models; Design 3
	44370601	Door Handle	H models; Design 5
	44007901	Door Handle	B, N and S models
	44263801	Door Handle	U models; Use 901620 Screw, 800465 Washer, 803871 Screw and 44088001 Nut to attach
13	44326001	Door Ring Assembly	H and S models; Stainless steel; Design 3
	44326002	Door Ring Assembly	U models; Design 3
	44326007LG	Door Ring and Handle Assembly	P models; Light gray
	44326007B	Door Ring and Handle Assembly	P models; Use with stainless steel and white front panel; Black
	44326004B	Door Ring Assembly	B and N models
	44326003B	Door Ring Assembly	G and K models
14	M400661	Screw	Door strike
15	70442101	Screw	B, H, N and S models; 4 required

Hinge Components - Design 3 Models



TMB3091PA_70592001

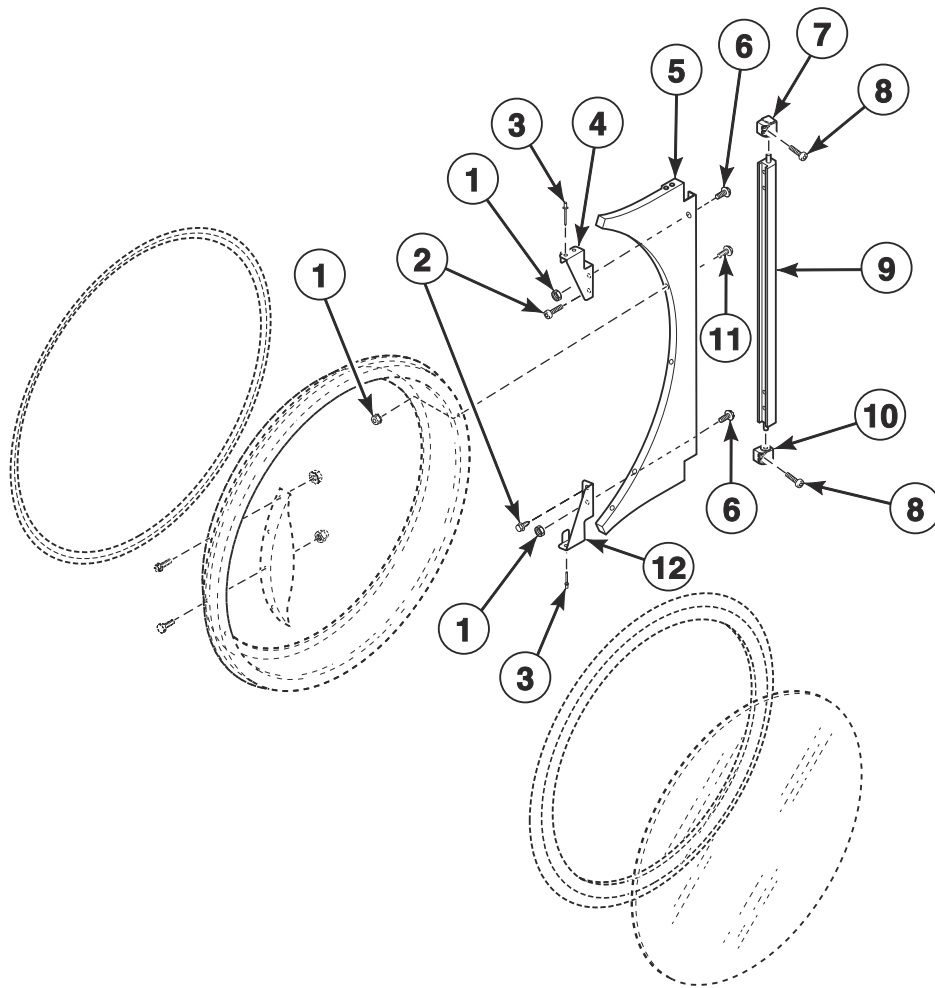
Hinge Components - Design 3 Models

REF	PART NO.	DESCRIPTION	COMMENTS
1	44088001	Nut	6 required
2	70215001P	Door Switch Actuator Kit	
3	44075207B	Door Hinge	Black; B, G, K and N models; P models with white and stainless steel front panels
	44075201*	Door Hinge Assembly	H, N, S and U models
	44075210	Door Hinge Assembly	H, S and U models; Stainless steel
	44075207LG	Door Hinge Assembly	P and U models; Light gray
4	70442101	Screw	3 required
5	M400044	Screw	6 required
6	M4773P3	Hinge Cam Kit	Black; B, G, K and N models; P models with white and stainless steel front panels
	M4772P3	Hinge Cam Kit	H, P, S and U models
7	70409801	Screw	Black; B, G, K and N models; P models with white and stainless steel front panels; 2 required
	70033502	Screw	H, P, S and U models; 2 required
8	44035002	Door Hinge Lug Assembly	Black; B, G, K and N models; P models with white and stainless steel front panels
	44035001	Door Hinge Lug Assembly	H, P, S and U models
9	70058501	Pop Rivet	2 required

* Add Letter To Designate Color. Q - Bisque W - White

Hinge Components - Design 5 Models

H, S and U Models

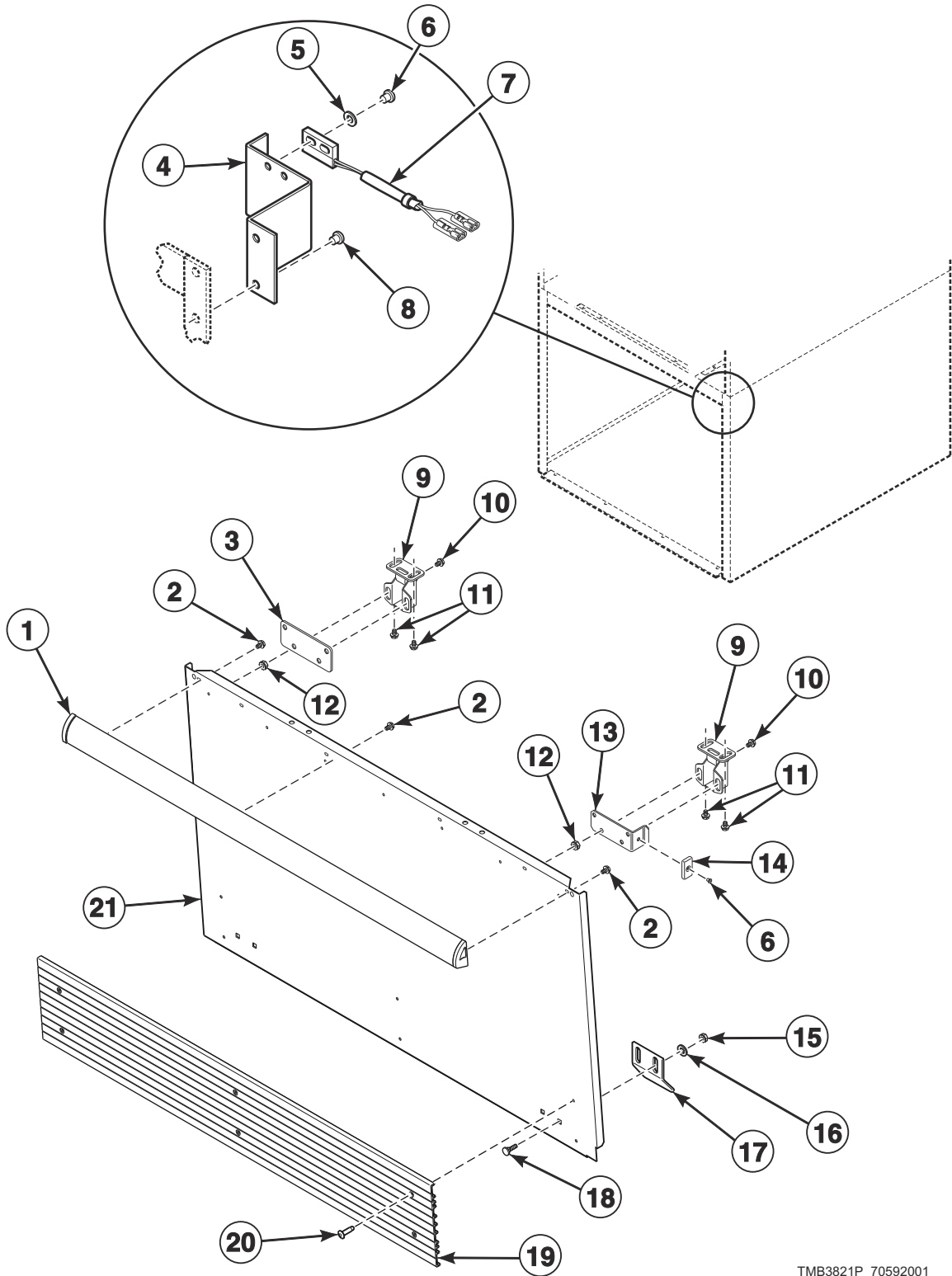


TMB3805P_70592001

Hinge Components - Design 5 Models

REF	PART NO.	DESCRIPTION	COMMENTS
1	44088001	Nut	
2	802822	Screw	
3	70058501	Pop Rivet	
4	44376501	Upper Hinge Gusset	
5	44366606W	Door Hinge Assembly	White
	44366604	Door Hinge Assembly	Stainless steel
	44366602LG	Door Hinge Assembly	Light gray; U models
	44366608	Door Hinge Assembly	Chrome
6	70640201	Screw	
7	70639301	Upper Lug Assembly	
8	70640301	Screw	
9	70640401	Center Hinge Lug Assembly	
10	70639302	Lower Lug Assembly	
11	44349101	Screw	
12	70632002	Lower Hinge Gusset	

Lint Panel Components



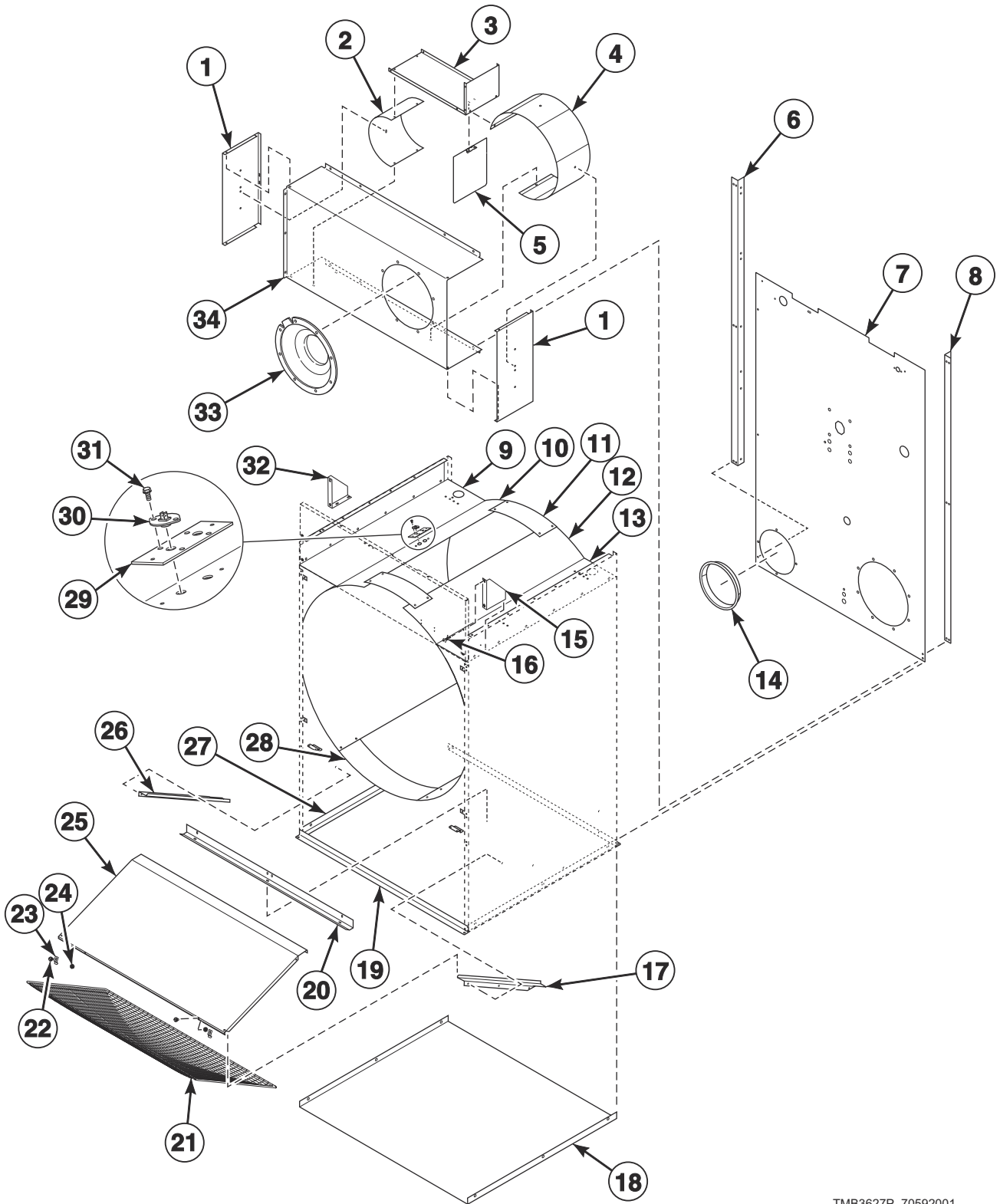
TMB3821P_70592001

Lint Panel Components

REF	PART NO.	DESCRIPTION	COMMENTS
1	44049901	Handle and Caps Assembly	B, N, S and U models; P models with white and stainless steel front panels; Black; Includes endcaps
	70407211	Handle Bumper	P models
	70154416	Handle and Caps Assembly	H and U models; Gray; Includes endcaps
	70407203	Handle Bumper	G and K models; Black and blue; Does not have endcaps
2	430757	Screw	6 required
3	44014001	Roller Catch Mounting Bracket	2 required
4	44296301	Switch Bracket	
5	F431125	Washer	2 required
6	F8245101	Blind Rivet	2 required
7	F8066804	Reed Switch Assembly	
8	430725	Pop Rivet	2 required
9	H87020202	Roller Catch	2 required; Includes strike
10	70442101	Screw	8 required
11	D501086	Screw	4 required
12	44088001	Nut	8 required
13	44288401	Mounting Plate	
14	70343101	Magnet	
15	44087101	Nut	4 required
16	M400080	Washer	Design 5 models
17	44017801	Lint Panel Clip	2 required
18	44017901	Bolt	Design 3 models
	203798	Bolt	Design 5 models
19	70117609	Kickplate	All models except H models; Black; Design 3
	70117620	Kickplate	H and U models; Gray; Design 3
20	70126301	Pop Rivet	Black; 6 required
	70126401	Pop Rivet	Gray; 6 required
21	44012204DG	Lint Panel	P models; Dark gray
	44012207	Lint Panel	P models; Stainless steel; Design 5 H, S and U models
	44012201*P	Lint Panel	Design 3 models
	44012208W	Lint Panel	Design 5 H, S and U models
	44012206	Lint Panel	All models except P models; Stainless steel; Design 3
	44012203LG	Lint Panel	U models; Light gray; Design 3
	44012204LG	Lint Panel	U models; Light gray; Design 5

* Add Letter To Designate Color. Q - Bisque W - White

Cabinet and Frame Assembly



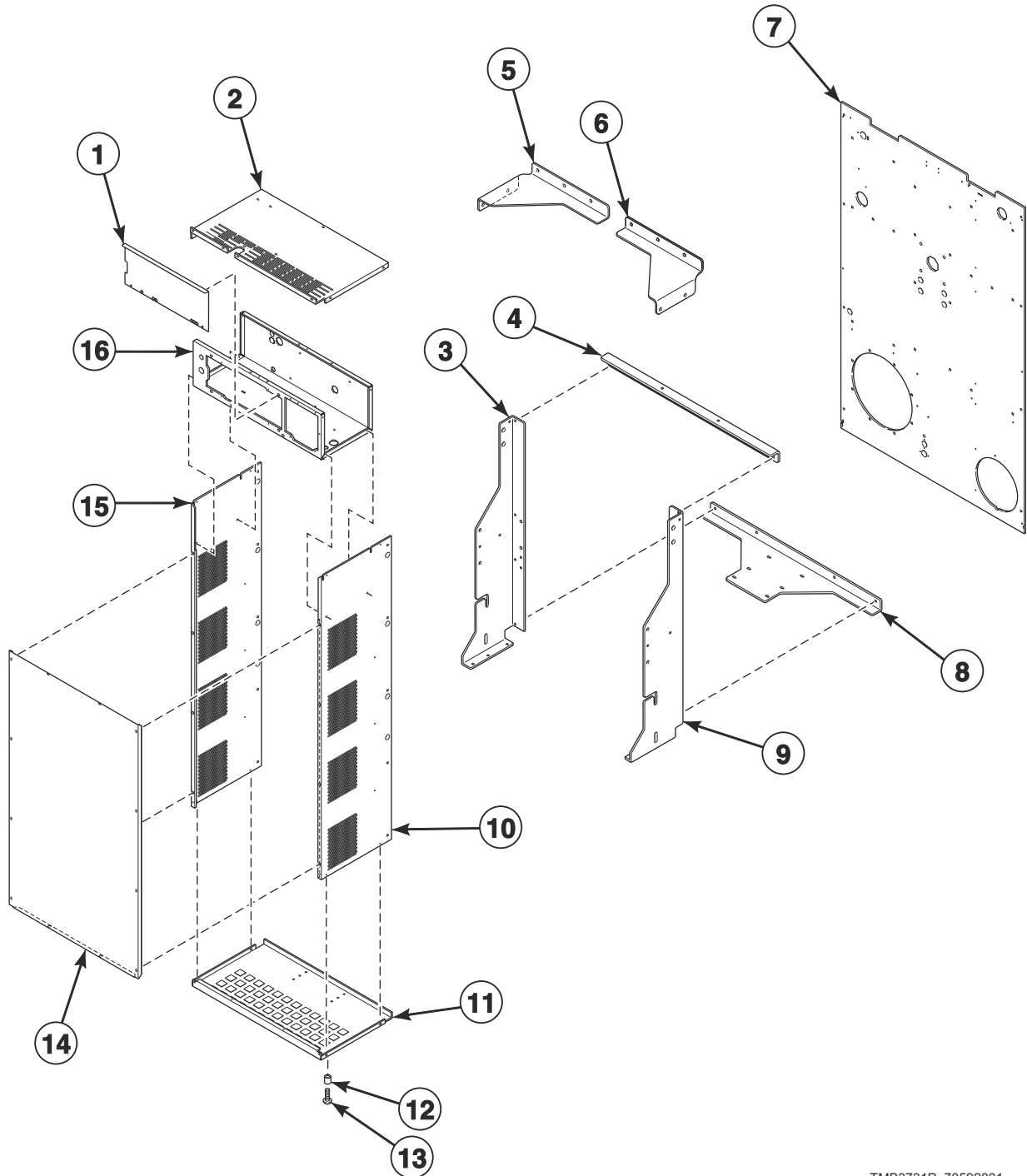
TMB3627P_70592001

Cabinet and Frame Assembly

REF	PART NO.	DESCRIPTION	COMMENTS
	M402144	Felt Pad	6 required; Behind front panel
1	44327701	Blower Housing Side Panel	2 required
2	44307401	Exhaust Deflector	
3	44285601	Top Deflector	
4	44307301	Blower Housing Scroll	
5	44280303	Damper Assembly	
6	44285402	Rear Panel Support	Left outer
7	44276601	Rear Panel	
8	44285401	Rear Panel Support	Right outer
9	44312602	Support Shelf	Left
10	44286601	Cylinder Shroud	Left
11	44286401	Cylinder Shroud	Top front and rear
12	44286701	Cylinder Shroud	Right
13	44312601	Support Shelf	Right
14	H96372164	Vent Collar	
15	44028201DG	Top Access Panel	Dark gray; P models; Right
	44028201LG	Top Access Panel Gusset	Light gray; U models; Right
	44028201*	Top Access Panel Gusset	Right
16	431287	Screw	4 required
17	44286201	Lint Screen Support	Right
18	M409911	Base Pan	
19	44319501	Base Support	Front and back
20	44307501	Lint Screen Support	Back
21	44063602	Lint Screen	
22	70442101	Screw	
23	H96418413	Lint Screen Clip	
24	44088001	Nut	
25	44286101	Lint Hood	
26	44286202	Lint Screen Support	Left
27	44319401	Base Support	Left and right
28	44286501	Cylinder Shroud	Bottom rear
29	44068101	Thermistor Plate	Without fire Suppression system
	44068102	Thermistor Plate	With fire Suppression system
30	44064701	Thermistor	2 required; For fire suppression system
31	51780	Screw	
32	44028202DG	Top Access Panel Gusset	Dark gray; P models; Left
	44028202LG	Top Access Panel Gusset	Light gray; U models; Left
	44028202*	Top Access Panel Gusset	Left
33	44266902	Blower Inlet Cone	
34	44285501	Rear Lint Panel	

* Add Letter To Designate Color. Q - Bisque W - White

Rear Panel Components

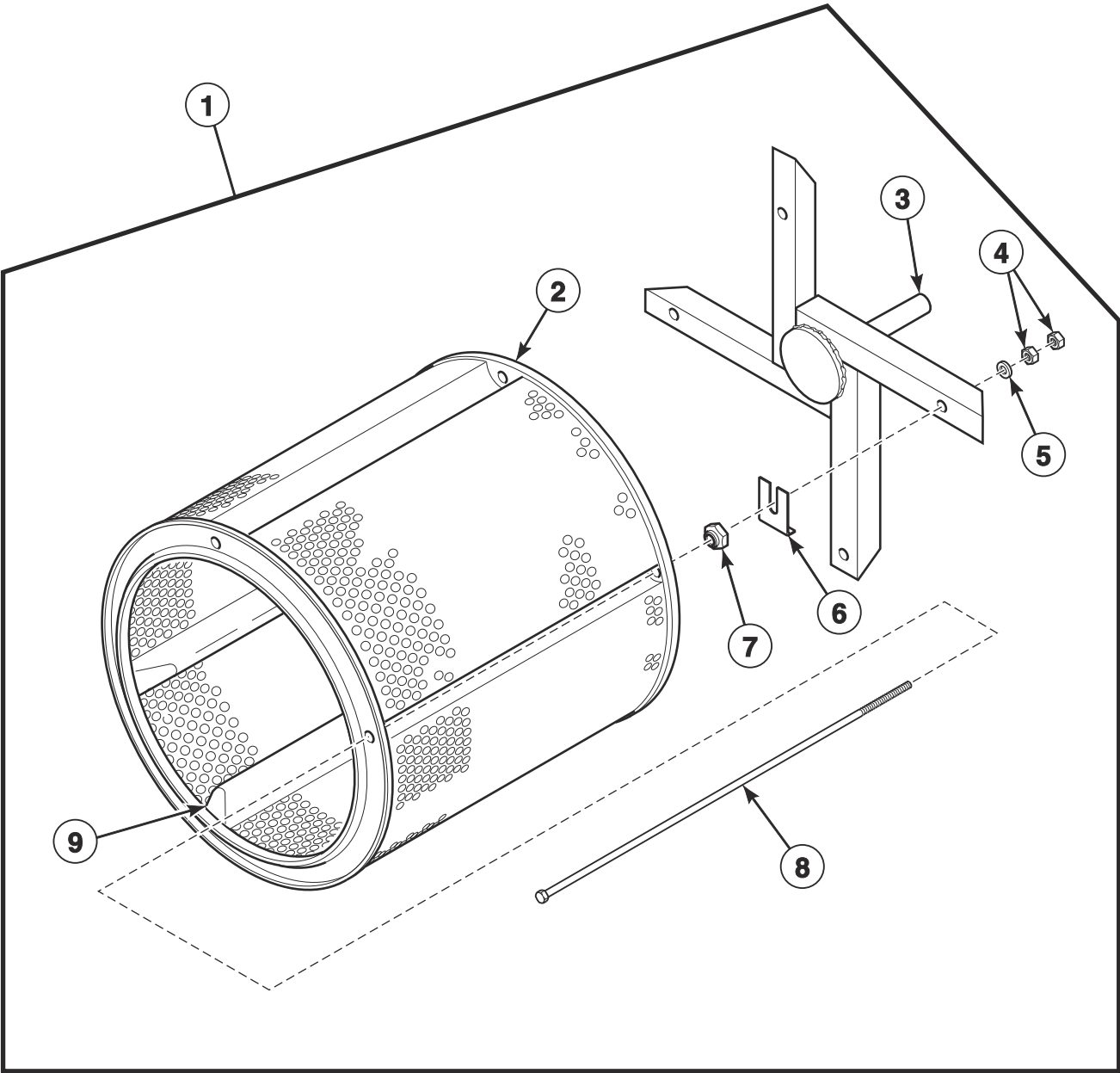


TMB3731P_70592001

Rear Panel Components

REF	PART NO.	DESCRIPTION	COMMENTS
1	70507501	Control Tray Cover	
2	44313801	Belt Guard	Top
3	44310301	Rear Panel Support	Right center
4	44277001	Rear Panel Support	Top
5	44300402	Rear Panel Support	Left inner
6	44300401	Rear Panel Support	Right inner
7	44276601	Rear Panel	
8	44310401	Rear Panel Brace	Bottom
9	44310302	Rear Panel Support	Left center
10	44277801	Belt Guard	Right
11	44277301	Belt Guard	Bottom
12	56079	Panel Locator	
13	70275801	Screw	
14	44277401	Belt Guard	Rear
15	44277802	Belt Guard	Left
16	44313701	Belt Guard	Center

Cylinder and Trunnion Assembly

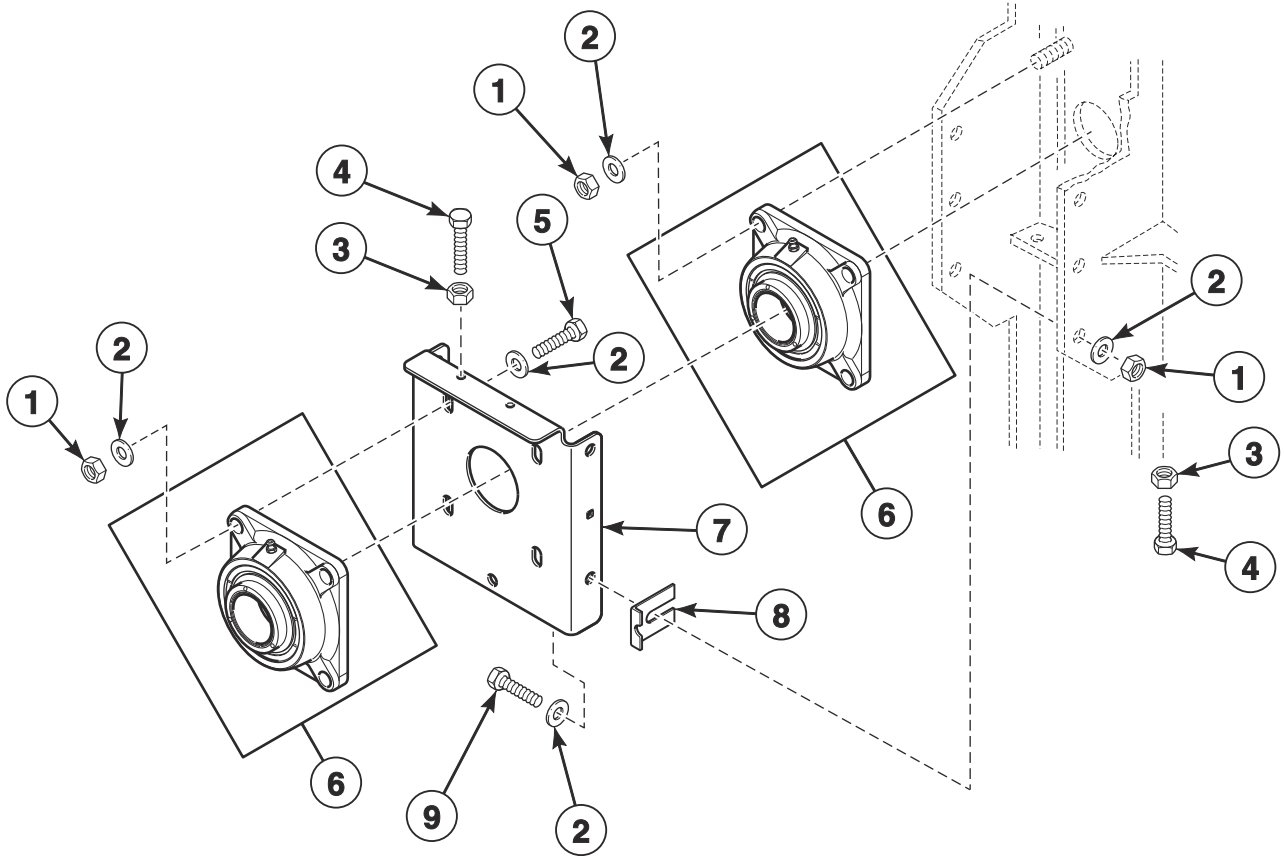


TMB1811B_70592001

Cylinder and Trunnion Assembly

REF	PART NO.	DESCRIPTION	COMMENTS
1	44054801	Cylinder and Trunnion Assembly	Galvanized; Non-moisture sensing
	44194101	Cylinder and Trunnion Assembly	Galvanized; Moisture sensing
	44054802	Cylinder and Trunnion Assembly	Stainless steel; Non-moisture sensing
	44194102	Cylinder and Trunnion Assembly	Stainless steel; Moisture sensing
2	H96427513	Cylinder Assembly	Galvanized; Includes items 4 and 8; Non-moisture sensing
	44193301	Cylinder Assembly	Galvanized; Moisture sensing
	M409788	Cylinder Assembly	Stainless steel; Includes items 4 and 8; Non-moisture sensing
	44193302	Cylinder Assembly	Stainless steel; Moisture sensing
3	44055501	Trunnion Assembly	Non-moisture sensing
	44055502	Trunnion Assembly	Moisture sensing
4	H88412101	Nut	8 required
5	70261401	Washer	4 required
6	M401402	Spacer	As required
7	M412334	Nut	4 required
8	H88301411	Bolt	4 required
9	44191203	Cylinder Rib Assembly	Moisture sensing

Trunnion Bearings

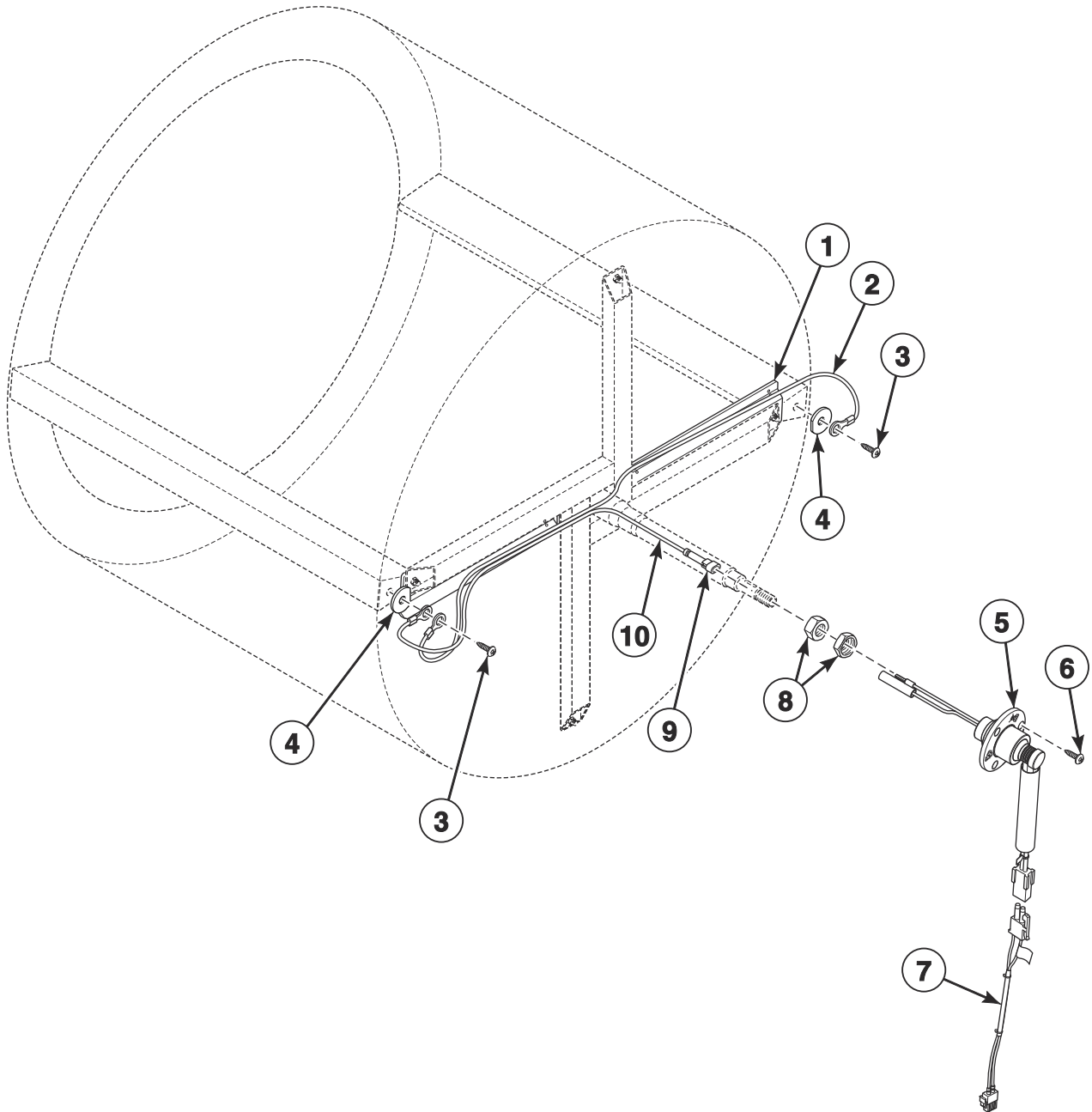


TMB3629P_70592001

Trunnion Bearings

REF	PART NO.	DESCRIPTION	COMMENTS
1	F8387701	Nut	
2	70261401	Washer	
3	20274	Nut	
4	800462	Screw	
5	M411165	Screw	
6	44048301P	Flange Bearing	
7	44301701	Bearing Mounting	
8	M401402	Spacer	As required
9	H88012034	Screw	

Moisture Sensing Components

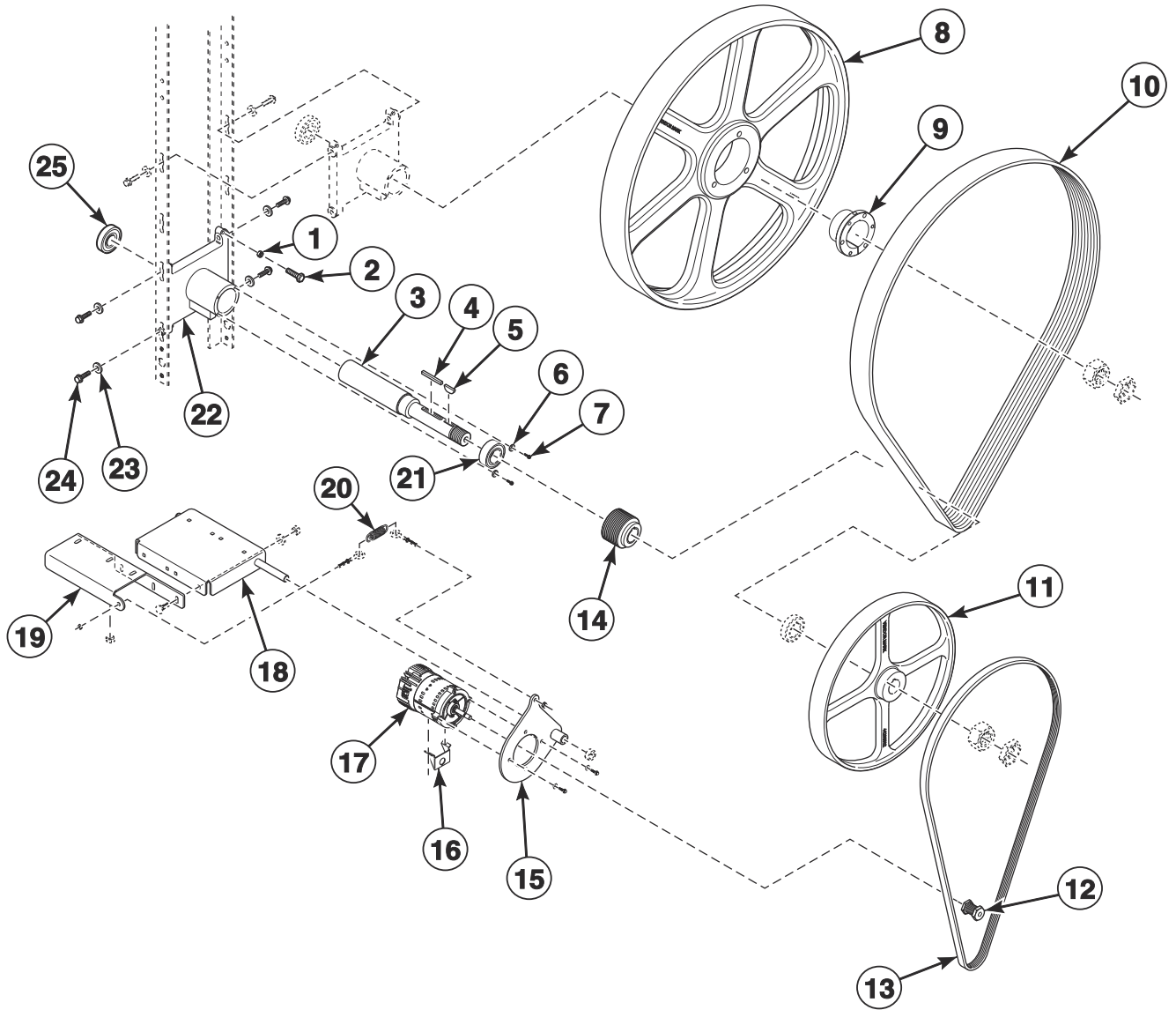


TMB3628P_70592001

Moisture Sensing Components

REF	PART NO.	DESCRIPTION	COMMENTS
1	44239001	Wireway Channel	
2	44208101	Rib Wire	
3	44338901	Screw	
4	44238902	Washer	
5	44222702	Slip Ring Assembly	
6	70442101	Screw	
7	44333903	Moisture Sensor Harness	Goes from item 5 to main harness
8	M400035	Nut	
9	44370401	1 Circuit Plug Housing	
10	44344703	Moisture Sensing Harness Kit	

Cylinder Motor Components

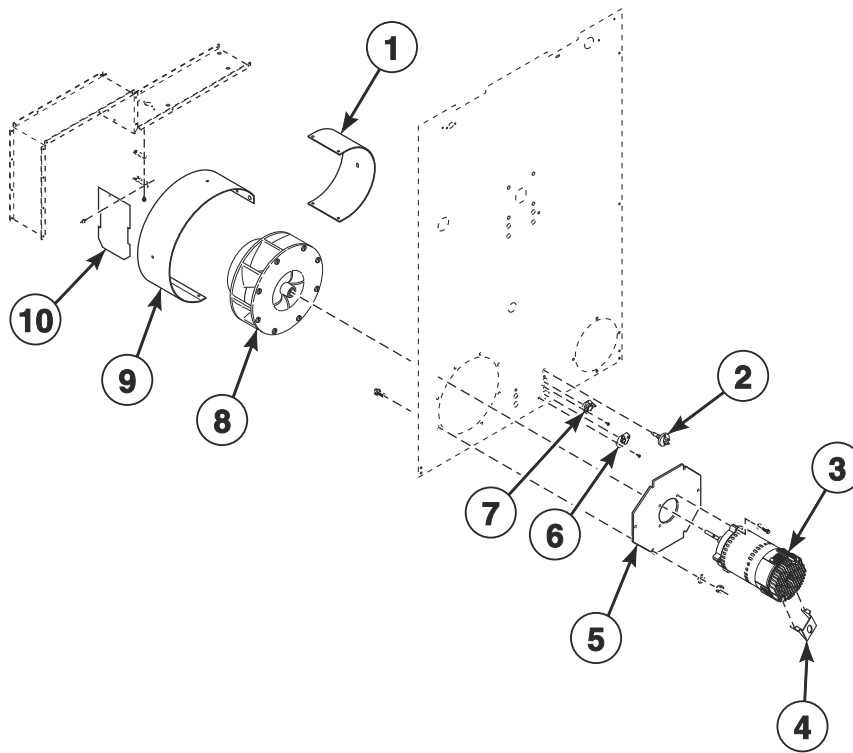


TMB3953P

Cylinder Motor Components

REF	PART NO.	DESCRIPTION	COMMENTS
	44335306	Inverter Motor Harness	Cylinder
	204454	Ferrite	Korean models; Applied to motor wires
	44375001	Trunnion Housing Assembly	Includes items 6, 7, 21, 22 and 25
1	M400026	Nut	
2	M400650	Bolt	
3	44303101	Idler Shaft	
4	M405232	Key	
5	M400008	Key	
6	20103	Washer	
7	70187201	Screw	
8	44289601	Pulley	
9	F280409P	Bushing	
10	44293702	V-Belt	
11	44289502	Pulley	
12	44267602	Motor Pulley	
13	44309402	V-Belt	
14	44302901	Micro V Pulley	
15	44311501	Motor Pivot Plate Weldment	
16	44317901	Motor Conduit Bracket	
17	44259701P	Drive Motor	1.5 HP; 230 Volt/3 Phase
	44259801P	Drive Motor	1.5 HP; 460 Volt/3 Phase
18	44310601	Motor Pivot Bracket Weldment	
19	44310701	Motor Pivot Brace	
20	F8440701	Extension Spring	
21	M413923P	Bearing	
22	M413826	Trunnion Housing	
23	70261401	Washer	
24	M400063	Screw	
25	44041901P	Ball Bearing	

Blower and Exhaust Components

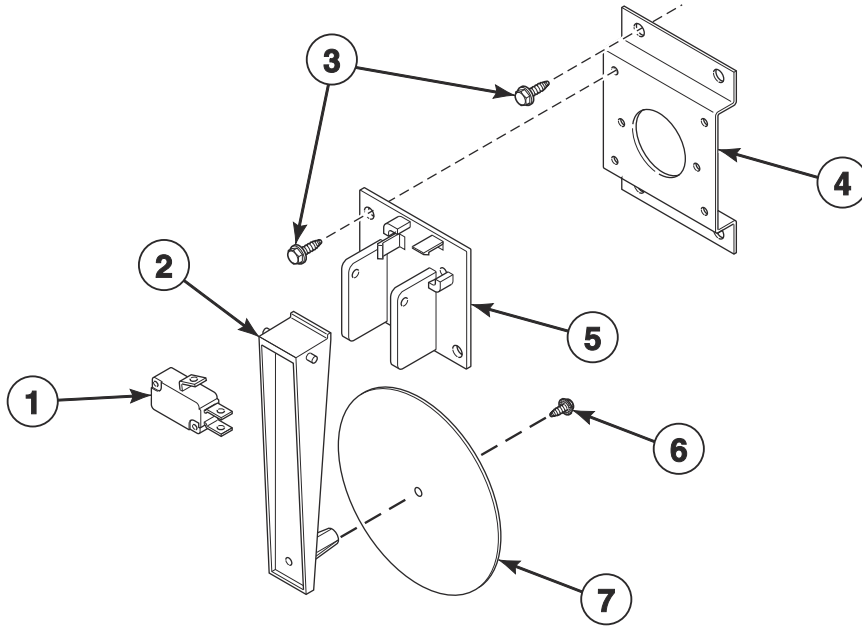


TMB3631P_70592001

Blower and Exhaust Components

REF	PART NO.	DESCRIPTION	COMMENTS
	44335307	Inverter Motor Harness	Fan
	204454	Ferrite	Korean models; Applied to motor wires
1	44307401	Exhaust Deflector	
2	M414704	Thermistor	
3	44259301P	Fan Motor	1.5 HP; 230 Volt/3 Phase
	44259401P	Fan Motor	1.5 HP; 460 Volt/3 Phase
4	44317901	Motor Conduit Bracket	
5	44311301	Blower Motor Mounting Plate	
6	70530905	Limit Thermostat	
7	44328002	Limit Thermostat	
8	44267201	Blower Assembly	
9	44307301	Blower Housing Scroll	
10	44280303	Damper Assembly	

Airflow Switch

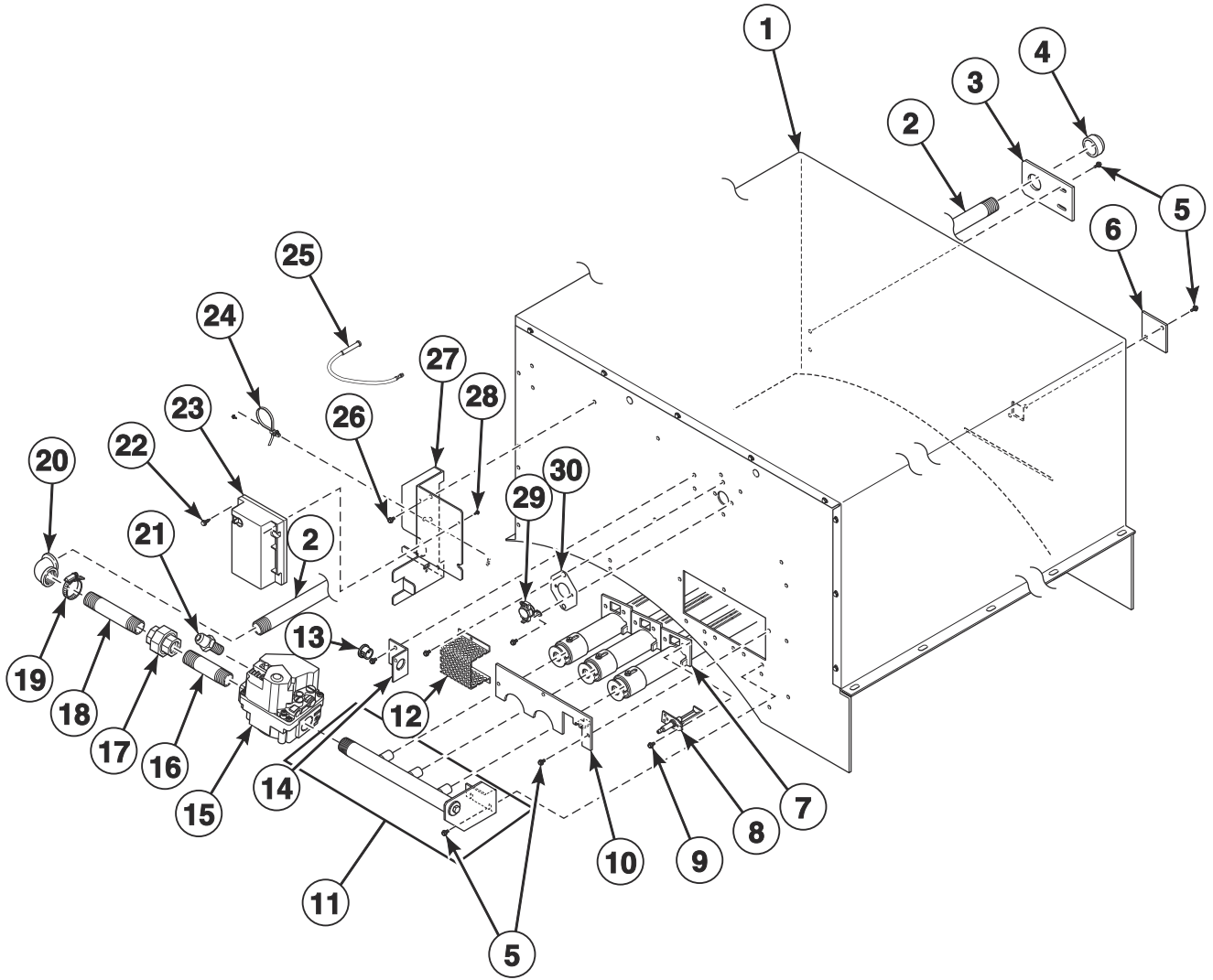


TMB3632P_70592001

Airflow Switch

REF	PART NO.	DESCRIPTION	COMMENTS
	70429601P	Airflow Switch Kit	Includes items 1, 2 and 5-7
1	70411901	Switch	
2	70319401	Airflow Switch Arm	
3	430497	Screw	
4	70356301	Switch Bracket	
5	70319602	Airflow Switch and Arm Bracket	
6	430757	Screw	
7	70319201	Airflow Switch Vane	

Gas Heater Components

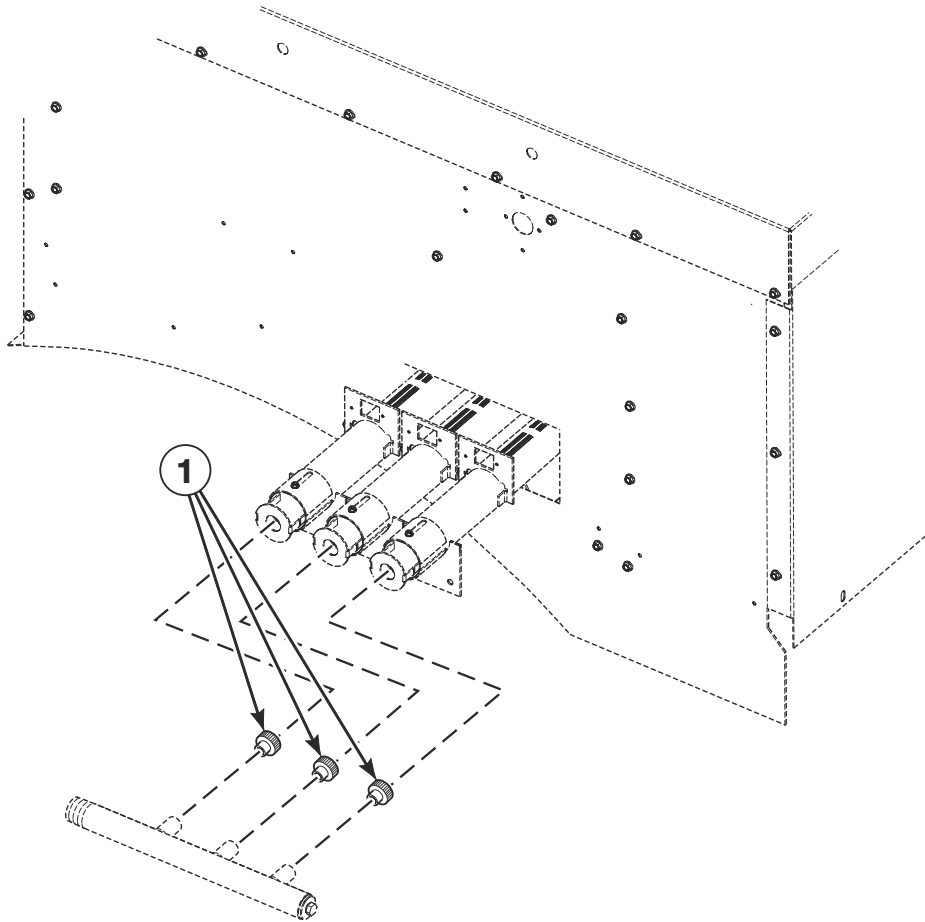


TMB3633P_70592001

Gas Heater Components

REF	PART NO.	DESCRIPTION	COMMENTS
	70564304	Stove Limit Harness	
	44334603	ICM Harness	
	44328804	L.P. Conversion Kit	A, T and G market models; 0-2,000 feet
	44330303	L.P. Conversion Kit	IEC models; 0-2,000 feet
	44273502	Gas Valve Harness	Double; CE models
	44273501	Gas Valve Harness	Single
	44333401	Gasket	2 required; Use with item 1
	44324201	Caution Label	Australian models; Repeat ignition reset
	D503887	Label	Australian models; Gas
	70535901	Notice Label	Australian models; Natural Gas (N.G.)
	70544901	Notice Label	Australian models; Liquid Petroleum Gas (L.P.)
	44178803	Adapter	IEC models; BPT/NPT
	44342901	Reducer	IEC models
	H85101608	Nipple	IEC models
	M413021	Bushing	IEC models
	44174201	Pipe Tee	IEC models
1	44248801	Gas Stove Assembly	
2	44252401	Pipe Nipple	
3	44249301	Pipe Bracket	
4	44087801	Pipe Cap	
5	430497	Screw	
6	70159601	Igniter Cover	
7	M412025P	Burner	3 required
8	44328701P	Spark Electrode	
9	51782	Screw	2 required
10	44315101	Burner Hole Cover	
11	44390001	Spud Holder Weldment	
12	M414477	Thermostat Cover	
13	M400770	Snap Bushing	
14	431078	Stove Limit Harness Bracket	
15	44316801	Gas Valve	CE models; N.G.
	44316802	Gas Valve	CE models; L.P.
	44166701	Gas Valve	T and G market models; N.G.
	44166702	Gas Valve	T and G market models; L.P.
	44166703	Gas Valve	All other models; N.G.
	44166704	Gas Valve	All other models; L.P.
16	44249501	Pipe Nipple	
17	M411419	Pipe Union	
18	44252301	Pipe Nipple	
19	20391	Hose Clamp	
20	44249401	Pipe Elbow	
21	44231601	Pressure Fitting	IEC models
22	51783	Screw	
23	70482001	Ignition Control	T and G market models
	70482002	Ignition Control	IEC models
24	M405829	Cable Tie	
25	44239704	High Voltage Suppression Cable	
26	51780	Screw	
27	44245701	Gas Valve Bracket	
28	38272	Screw	
29	44328105	Limit Thermostat	
30	44312501	Thermostat Opening Cover	

Burner Orifices

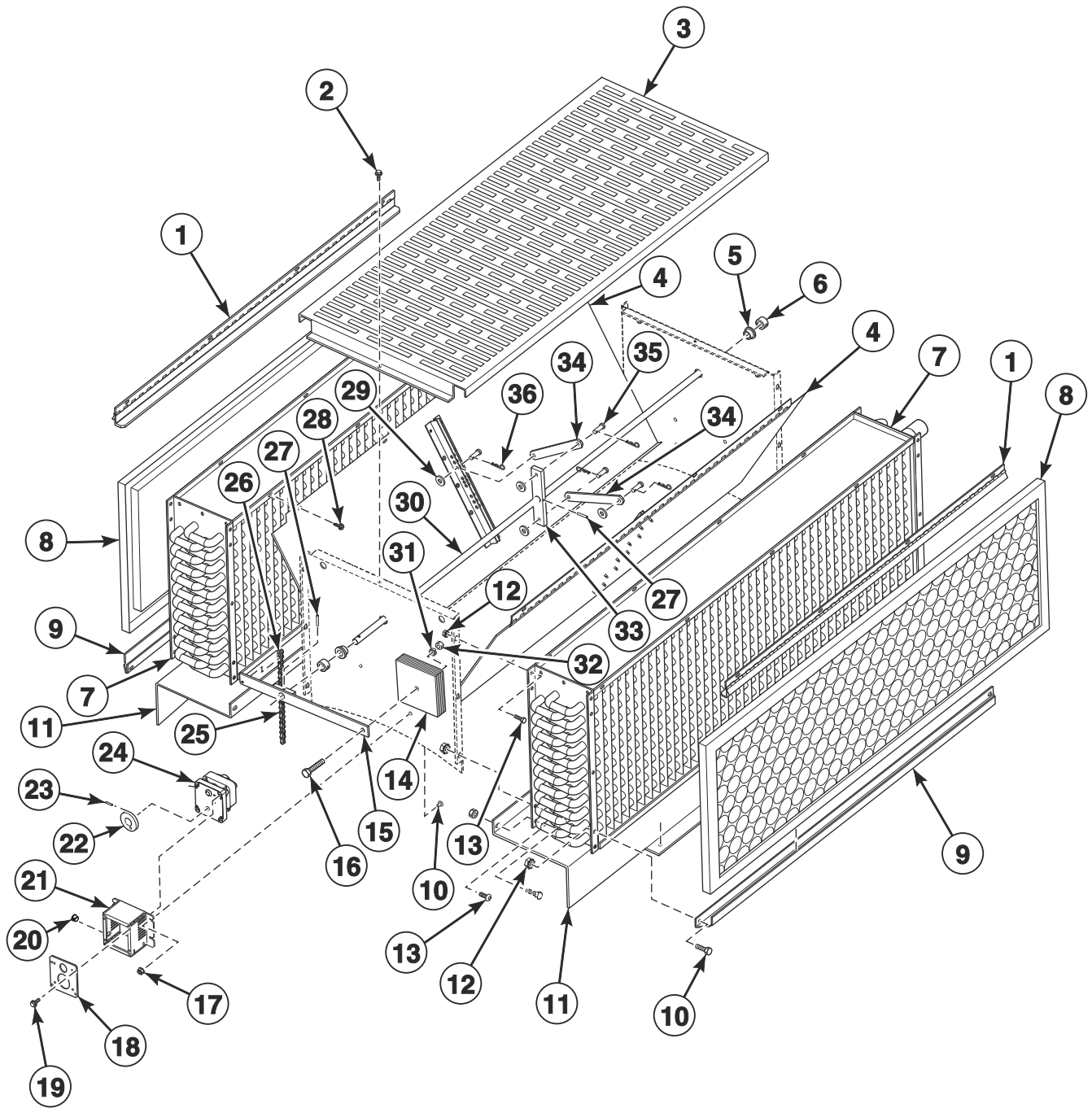


TMB3215P_70592001

Burner Orifices

REF	PART NO.	DESCRIPTION	COMMENTS
	44357507	High Altitude Orifice Kit	CSA Natural Gas (N.G.) models
	44357508	High Altitude Orifice Kit	CSA Liquid Petroleum Gas (L.P.) models
1	70684147	Burner Orifice	N.G. models; Drill no. 16 (4.50 mm); 0-2,000 feet
	70684144	Burner Orifice	N.G. models; Drill no. 18 (4.31 mm); 2,001-4,000 feet
	70684142	Burner Orifice	N.G. models; Drill no. 20 (4.09 mm); 4,001-6,000 feet
	70684140	Burner Orifice	N.G. models; Drill no. 22 (3.99 mm); 6,001-8,000 feet
	70684137	Burner Orifice	N.G. models; Drill no. 25 (3.80 mm); 8,001-10,000 feet
	70684122	Burner Orifice	Models with 2nd digit A, G, H, J, K, L and T; L.P.; Drill no. 35 (2.79 mm); 0-2,000 feet
	70684119	Burner Orifice	Models with 2nd digit A, G, H, J, K, L and T; L.P.; Drill no. 37 (2.64 mm); 2,001-4,000 feet
	70684118	Burner Orifice	Models with 2nd digit A, G, H, J, K, L and T; L.P.; Drill no. 38 (2.58 mm); 4,001-6,000 feet
	70684116	Burner Orifice	Models with 2nd digit A, G, H, J, K, L and T; L.P.; Drill no. 40 (2.49 mm); 6,001-8,000 feet
	70684114	Burner Orifice	Models with 2nd digit A, G, H, J, K, L and T; L.P.; Drill no. 42 (2.37 mm); 8,001-10,000 feet
	70684118	Burner Orifice	CE models; L.P.; Drill no. 38 (2.58 mm); 0-2,000 feet
	70684115	Burner Orifice	CE models; L.P.; Drill no. 41 (2.44 mm); 2,001-4,000 feet
	70684114	Burner Orifice	CE models; L.P.; Drill no. 42 (2.37 mm); 4,001-6,000 feet
	70684113	Burner Orifice	CE models; L.P.; 2.30 mm; 6,001-8,000 feet
	70684111	Burner Orifice	CE models; L.P.; 2.20 mm; 8,001-10,000 feet

Steam Heater Components

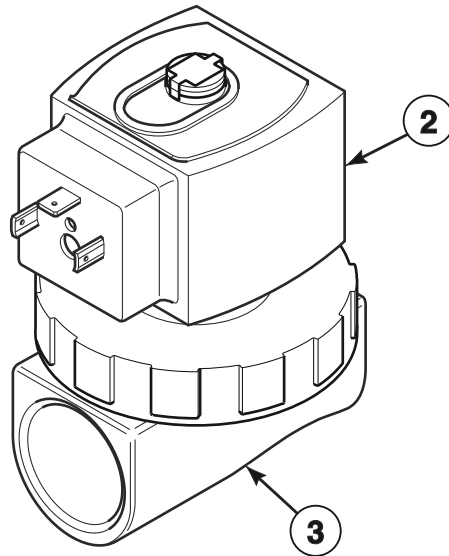
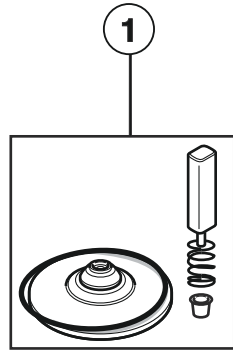


TMB3683P_70592001

Steam Heater Components

REF	PART NO.	DESCRIPTION	COMMENTS
	44273606	Damper Motor Harness	
	F8520703	Steam Valve Harness	
	70564302	Stove Limit Bypass Harness	
	70523301	Harness Adapter Plate	
	44314801	Steam Adapter Kit	IEC models
	44317501	Steam Heater Assembly	CRN models
	44317301	Steam Heater Assembly	All other models
1	44088101	Steam Filter Top Hinge Assembly	2 required
2	M405188	Screw	
3	44115101	Steam Cover	
4	H96387519	Damper	2 required; Use M405750 Pop Rivet
5	M414459	Bushing	2 required
6	M414451	Shaft Collar	2 required
7	44256401	Steam Coil	CRN models; 2 required
	H96382023P	Steam Coil	All other models; 2 required
8	44172201	Filter	IEC models; 2 required
	H96382106	Steam Coil Filter	CSA models; 2 required
9	H96388087	Filter Channel	2 required; Upper
10	801019	Screw	2 required
11	M411550	Steam Coil Support	3 required
12	29786	Nut	3 required
13	02422	Screw	3 required
14	44332601	Steam Damper Counterweight	6 required
15	44332701	Shaft Actuator Assembly	
16	H88010574	Screw	
17	23951	Nut	3 required
18	44327501	Damper Motor Plate	
19	61199	Screw	
20	M411826	Snap Bushing	
21	44327401	Damper Motor Cover	
22	H96388178	Drive Wheel	Damper
23	H88900683	Spring Pin	Damper
24	44308101	Damper Motor	
25	H96388186	Drive Chain	
26	H96382072P	Master Link	2 required
27	H88970256	Roll Pin	2 required
28	D501086	Screw	
29	800465	Washer	4 required
30	H96388079	Damper Shaft	
31	M400013	Washer	
32	70142	Nut	
33	44096401	Steam Damper Actuator	
34	44333001	Steam Damper Link	2 required
35	44091501	Clevis Pin	4 required
36	44091601	Hairpin Cotter	4 required

Steam Valve

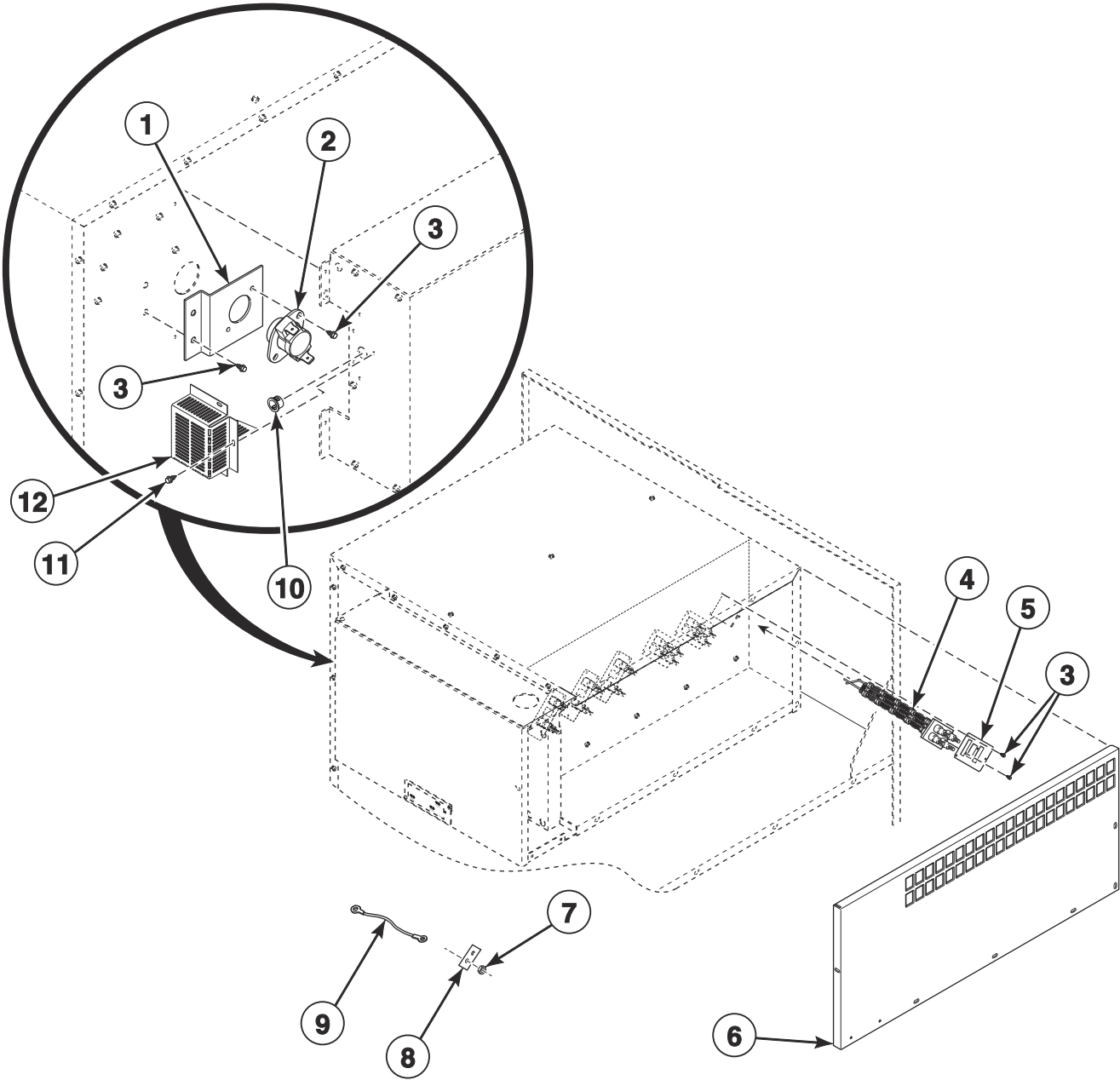


TMB3634P_70592001

Steam Valve

REF	PART NO.	DESCRIPTION	COMMENTS
	F8382301	DIN Valve Adapter Klt	
1	F8379502	Valve Rebuild Kit	
2	F8514601P	Coil	240 Volt
3	F8322906P	Valve	240 Volt

Electric Heater Components

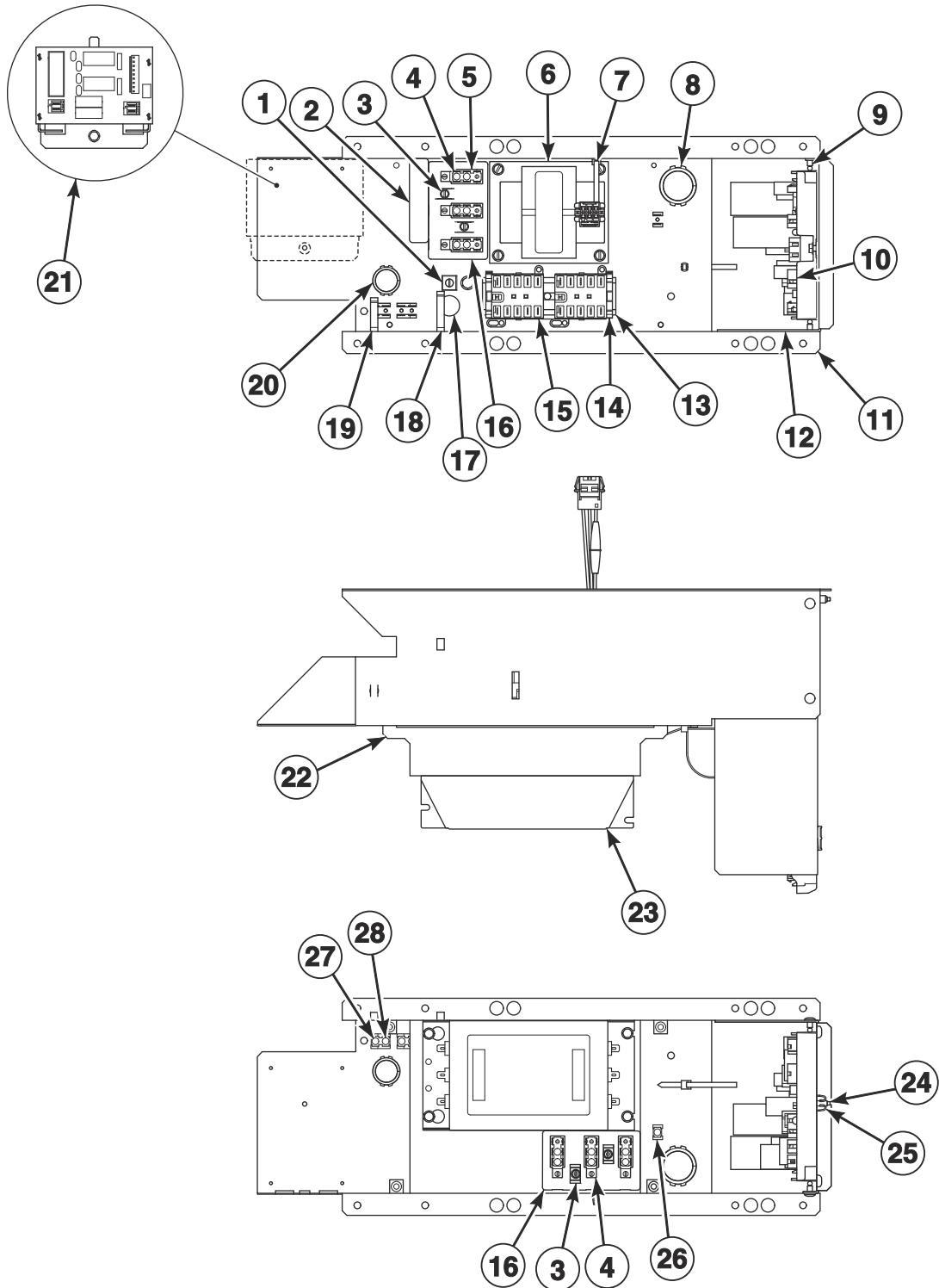


TMB3135P_70592001

Electric Heater Components

REF	PART NO.	DESCRIPTION	COMMENTS
	70564305	Stove Limit Harness	
1	44226101	Limit Offset Bracket	
2	44328004	Limit Thermostat	
3	430497	Screw	
4	M410939P	Heater Element	6 required; 10 kW; 240 Volt heater element for 230-240, 400-415 and 460-480 Volt
	M410941P	Heater Element	6 required; 10 kW; 220 Volt heater element for 380 and 440 Volt
5	44226001	Heater Element Sub-Plate	
6	44313101	Stove Cover	Left
7	70054	Nut	24 required
8	M400869	Jumper Strip	12 required for 230-240 volt; 6 required for 380-480 volt
9	44295412	Jumper Harness	8 required for 380 and 400-415 Volt; 4 required for 440-480 volt
	44295413	Jumper Harness	2 required for 440-480 Volt
10	44071501	Snap Bushing	
11	51780	Screw	
12	44318501	Stove Limit Cover	

Control Tray

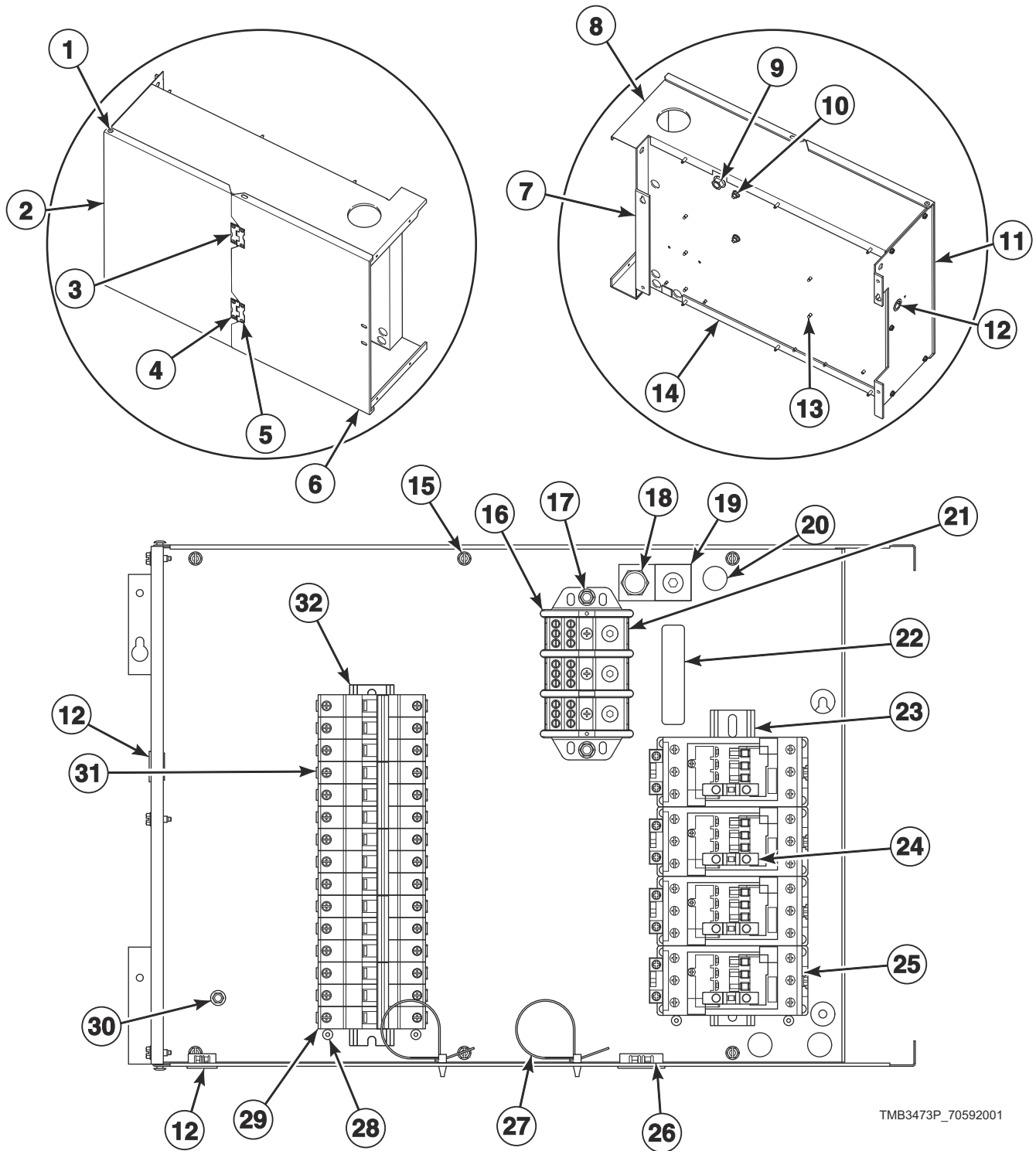


TMB3676P_70592001

Control Tray

REF	PART NO.	DESCRIPTION	COMMENTS
	685837	Screw	Use with item 1
	44088001	Nut	Use with item 1
	204454	Ferrite	Korean models; Applied to motor wires
	44272104	Emergency Stop Interconnect Harness	Routes from emergency stop to control tray
	44357403	EMI Filter Kit	CSA models; 200-240 Volt
	44357402	EMI Filter Kit	CSA models; 380-480 Volt
1	M411283	Ground Lug Connector	
2	44286803	Label	L1, L2, L3
3	51783	Screw	
4	430642	Terminal Block	
5	70333001	Terminal Block Shield	
6	F8491101	Transformer	380-480 Volt
7	70335601	Cable Tie	
8	70346501	Bushing	
9	70058501	Pop Rivet	
10	70479201P	I/O Control Assembly	
11	70492401	Control Tray	
12	70494901	Control Board Control Tray	
13	M412690	DIN Rail	
14	F8449801	End Stop	
15	70482601	Contactors	2 required
16	M413862	Insulator	
17	D516100	Label	
18	F8449501	Wire Clip	
19	F8449502	Wire Clip	
20	70178701	Snap Bushing	
21	70501801	Steam Control Assembly	Steam models
22	70533101	Filter Bracket	
23	F8591801	EMI Filter	200-240 Volt
	F8637501	EMI Filter	IEC models; 380-480 Volt
24	F8206901	Screw	
25	70030501	Expansion Clip	
26	00621SG	Male Tab Terminal	
27	M400003	Pop Rivet	
28	00622SG	Terminal	

Accessory Box - Electric 200-240 Volt Models

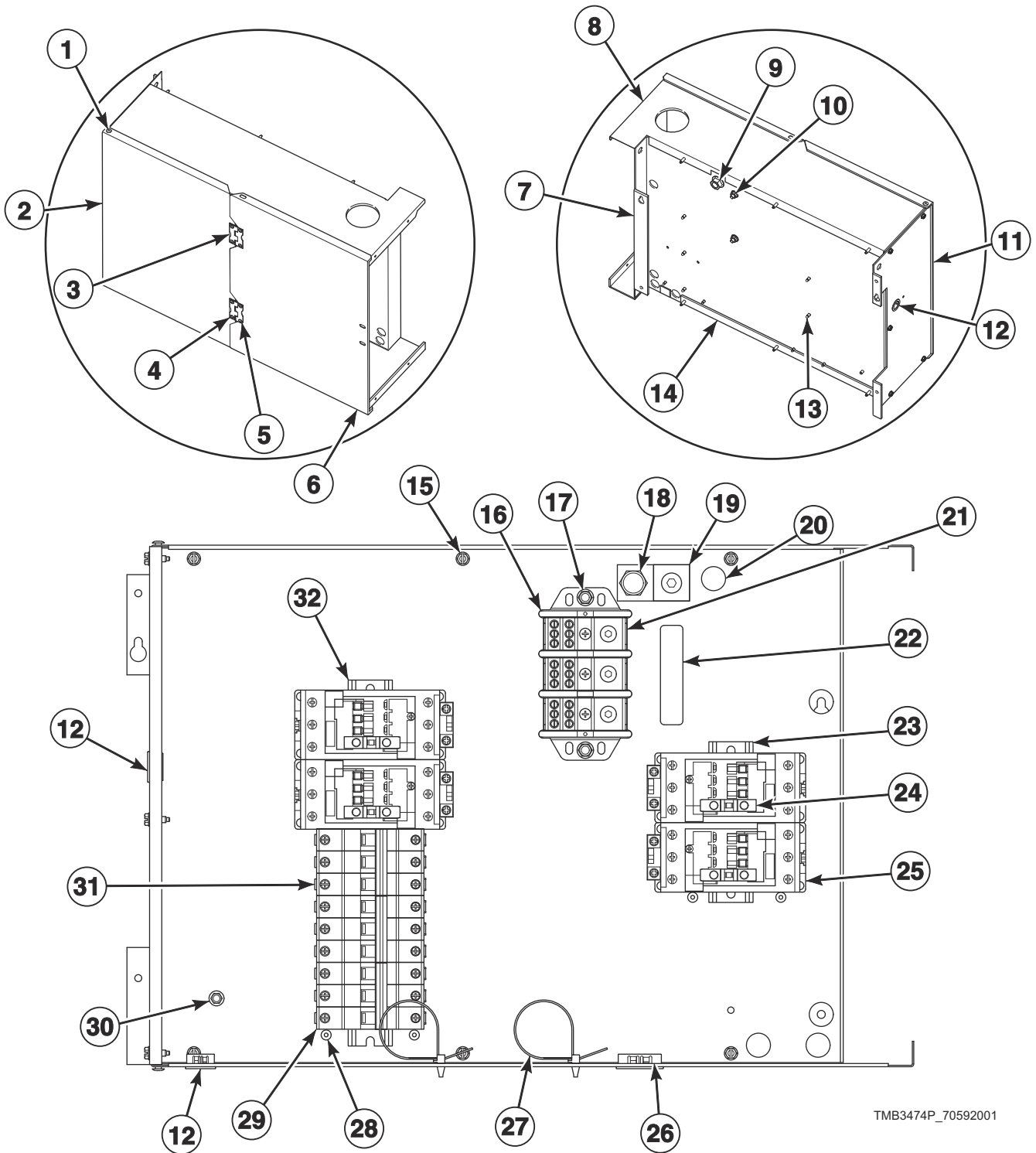


TMB3473P_70592001

Accessory Box - Electric 200-240 Volt Models

REF	PART NO.	DESCRIPTION	COMMENTS
	44309007	Harness	CSA models; Power distribution block to control circuit breaker
	44309017	Harness	IEC models; Power distribution block to control circuit breaker
	44295407	Harness	Circuit breaker/contactor to contactor (1 per contactor)
	44295409	Harness	Contactor to element (Long)
	44295408	Harness	Contactor to element (Short)
	44295411	Harness	200-240 Volt; Contactor to element (Long)
	44295410	Harness	200-240 Volt; Contactor to element (Short)
	44295401	Harness	200-240 Volt; Power distribution block L1 to element circuit breaker
	44295402	Harness	200-240 Volt; Power distribution block L2 to element circuit breaker
	44295403	Harness	200-240 Volt; Power distribution block L3 to element circuit breaker
1	70058502	Pop Rivet	
2	44288101	Control Box Front Cover Plate	Left
3	70220901	Damper Spacer	
4	D503676	Hinge	2 required
5	M405750	Pop Rivet	
6	44328401	Control Box Front Cover Plate	Right
7	44288001	Control Box Base Plate	
8	44287901	Control Box Top Plate	
9	70288801	Nut	
10	44087101	Nut	
11	44313001	Contacting Box Side	
12	M400770	Snap Bushing	2 required
13	70058501	Pop Rivet	
14	44288201	Control Box Bottom Plate	
15	F8206901	Screw	
16	44014902	Power Distribution Block Shield	
17	202175	Screw	
18	70244801	Screw	
19	44212301	Ground Lug Connector	
20	D516100	Label	
21	44211501	Power Distribution Block	
22	44286803	Label	
23	F8396501	DIN Rail	
24	44313201	Auxiliary Contact Block	4 required
25	70482801	Contacting	4 required
26	M402542	Snap Bushing	
27	70335601	Cable Tie	2 required
28	431264	Spacer	
	44251101	Pop Rivet	
29	70488101	Circuit Breaker	25 amp; 3 Phase
30	51780	Screw	
31	70488105	Circuit Breaker	4 required; 63 amp; 3 Phase
32	70512301	DIN Rail	

Accessory Box - Electric 380-480 Volt Models



TMB3474P_70592001

Accessory Box - Electric 380-480 Volt Models

REF	PART NO.	DESCRIPTION	COMMENTS
	44309007	Harness	CSA models; Power distribution block to control circuit breaker
	44309017	Harness	IEC models; Power distribution block to control circuit breaker
	44295407	Harness	Circuit breaker/contactor to contactor; 4 required
	44295409	Harness	Contactor to element (Long)
	44295408	Harness	Contactor to element (Short)
	44295404	Harness	380-480 Volt; Power distribution block L1 to element circuit breaker
	44295405	Harness	380-480 Volt; Power distribution block L2 to element circuit breaker
	44295406	Harness	380-480 Volt; Power distribution block L3 to element circuit breaker
1	70058502	Pop Rivet	
2	44288101	Control Box Front Cover Plate	Left
3	70220901	Damper Spacer	
4	D503676	Hinge	2 required
5	M405750	Pop Rivet	
6	44328401	Control Box Front Cover Plate	Right
7	44288001	Control Box Base Plate	
8	44287901	Control Box Top Plate	
9	70288801	Nut	
10	44087101	Nut	
11	44313001	Contact Box Side	
12	M400770	Snap Bushing	2 required
13	70058501	Pop Rivet	
14	44288201	Control Box Bottom Plate	
15	F8206901	Screw	
16	44014902	Power Distribution Block Shield	
17	202175	Screw	
18	70244801	Screw	
19	44212301	Ground Lug Connector	
20	D516100	Label	
21	44211501	Power Distribution Block	
22	44286803	Label	
23	M412690	DIN Rail	
24	44313201	Auxiliary Contact Block	4 required
25	70482801	Contacting	4 required
26	M402542	Snap Bushing	
27	70335601	Cable Tie	2 required
28	431264	Spacer	
	44251101	Pop Rivet	
29	70488101	Circuit Breaker	25 amp; 3 Phase
30	51780	Screw	
31	70488105	Circuit Breaker	2 required; 63 amp; 3 Phase
32	70512301	DIN Rail	

Labels

PART NO.	DESCRIPTION	COMMENTS
44318601	Caution Label	Vent/install
F8614501	Danger Label	Shock; English/French
D516100	Label	Earth ground
F8614301	Hot Surface Warning Label	English/French
F8609001	Hot Surface Warning Label	Icon
F8611601	Warning Label	
44318600	Label Kit	Vent/install
F8614500	Label Kit	Shock
70534400	Label Kit	Fire
F8605500	Label Kit	
44321501	Notice Label	120/240 Volt
70539601	Notice Label	
D516073	Notice Label	Read instructions; Icon
70538401	Pinch Warning Label	English/French
F8615701	Pinch Warning Label	Icon
F8615702	Pinch Warning Label	Icon
F8614202	Shock Warning Label	Icon
70536401	Warning Label	Lint; Australian models
44324101	Warning Label	Fire; Australian models
70534405	Warning Label	Fire; Colombian Spanish; Australian models
70534401	Warning Label	Fire; English; Australian models
70534402	Warning Label	Fire; French; Australian models
44321601	Warning Label	Risk of fire; Icon
44324001	Warning Label	Shock/pinch
44324002	Warning Label	Shock/pinch

Harnesses

PART NO.	DESCRIPTION	COMMENTS
44334311	Coil Jumper Harness	Electric models
44334310	Auxiliary Contact Jumper Harness	Electric models
44316008	Harness	3 Phase; Auxiliary power distribution block to EMI filter
44334309	Contacto Coil Harness	Electric models
44334305	Control Power Harness	Electric models
44356405	Control Tray Harness Assembly	Steam models
44356406	Control Tray Harness Assembly	Gas models
44356409	Control Tray Harness Assembly	Electric models
44334702	Inverter Contactor Coil Harness	Secondary
44334312	Coil Jumper Harness	Electric models
44334313	Coil Jumper Harness	Electric models
44316002	Harness	3 Phase; Main power distribution block to EMI filter
44280012	Motor Contactor Power Harness	3 Phase; EMI
44280003	Motor Contactor Power Harness	3 Phase
44280101	Power Harness	380-480 Volt
44272101	Power Harness	200-240 Volt

Parts Index

A

Access Panel Trim 70399403	27
Adapter 44178803	53
Airflow Switch and Arm Bracket 70319602	51
Airflow Switch Arm 70319401	51
Airflow Switch Kit 70429601P	51
Airflow Switch Vane 70319201	51
Auxiliary Contact Block 44313201	65, 67
Auxiliary Contact Jumper Harness 44334310	69

B

Ball Bearing 44041901P	47
Base Pan M409911	37
Base Support 44319401	37
44319501	37
Bearing M413923P	47
Bearing Mounting 44301701	43
Belt Guard 44277301	39
44277401	39
44277801	39
44277802	39
44313701	39
44313801	39
Blind Rivet F8245101	35
Blower Assembly 44267201	49
Blower Housing Scroll 44307301	37
444307301	49
Blower Housing Side Panel 44327701	37
Blower Inlet Cone 44266902	37
Blower Motor Mounting Plate 44311301	49
Bolt H88301411	41
M400650	47
203798	35
44017901	35
Burner M412025P	53

Burner Hole Cover 44315101	53
Burner Orifice 70684111	55
70684113	55
70684114	55
70684115	55
70684116	55
70684118	55
70684119	55
70684122	55
70684137	55
70684140	55
70684142	55
70684144	55
70684147	55
Bushing F280409P	47
M413021	53
M414459	57
70346501	63

C

Cable Tie M405829	53
70335601	63, 65, 67
Caution Label 44318601	68
44324201	53
Center Hinge Lug Assembly 70640401	33
Circuit Breaker 70488101	65, 67
70488105	65, 67
Circuit Plug Housing, 1 44370401	45
Clevis Pin 44091501	57
Coil F8514601P	59
Coil Jumper Harness 44334311	69
44334312	69
44334313	69
Cold Weather Kit 44340301	23
Contact Base F8538101	15, 19, 21
Contact Switch F8069501	15, 19, 21
Contacto 70482601	63
70482801	65, 67
Contacto Box Side 44313001	65, 67
Contacto Coil Harness 44334309	69
Control 70511601	23

N/A items do not appear in index.

Control Assembly		44194101	41
70478802	19	44194102	41
70478902	19	Cylinder Assembly	
70479801	15	H96427513	41
70479901	15	M409788	41
70523002	19	44193301	41
70523101	15	44193302	41
70543104	21	Cylinder Rib Assembly	
Control Board Control Tray		44191203	41
70494901	63	Cylinder Shroud	
Control Box Base		44286401	37
44065301	23	44286501	37
Control Box Base Plate		44286601	37
44288001	65, 67	44286701	37
Control Box Bottom Plate			
44288201	65, 67		
Control Box Cover			
44065201	23		
Control Box Front Cover Plate		D	
44288101	65, 67	Damper	
44328401	65, 67	H96387519	57
Control Box Housing		Damper Assembly	
44306701	23	44280303	37, 49
Control Box Top		Damper Motor	
44307101	23	44308101	57
Control Box Top Plate		Damper Motor Cover	
44287901	65, 67	44327401	57
Control Bracket		Damper Motor Harness	
44331005	15, 19	44273606	57
44331006B	15, 19	Damper Motor Plate	
44331006DG	15, 19	44327501	57
44331006LG	15, 19, 21	Damper Shaft	
44331006W	15, 19, 21	H96388079	57
Control Cover		Damper Spacer	
44330801B	13, 17	70220901	65, 67
44330801*	13, 17, 21	Danger Label	
44330802	13, 17, 21	F8614501	68
44330803LG	13, 17, 21	DIN Rail	
44330804*	13, 17	F8396501	65
44330805	13, 17	M412690	63, 67
44330806DG	13, 17	70512301	65, 67
44330810B	13, 17	DIN Valve Adapter Kit	
44330810*	13, 17, 21	F8382301	59
44330811	13, 17, 21	Door Assembly	
44330812LG	13, 17, 21	44028906	29
44330813*	13, 17	44028907	29
44330814	13, 17	44058105	29
44330815DG	13, 17	44266703	29
Control Harness		44292302B	29
44334404	23	44292302LG	29
Control Power Harness		44354701	29
44334305	69	44354703	29
Control Tray		44354705	29
70492401	63	70407402	29
Control Tray Cover		Door Catch Kit	
70507501	39	70482901	25
Control Tray Harness Assembly		Door Glass	
44334506	69	44008401P	29
44356405	69	44008402P	29
44356409	69	Door Glass Installation Tool	
Control Trim		M4221P4	29
44016401	13, 17	Door Glass Label	
44016403	13, 17	70650401	29
Cylinder and Trunnion Assembly		70707701	29
44054801	41	Door Handle	
44054802	41	44007901	29

N/A items do not appear in index.

44263801	29
44370601	29
70521102	29
Door Hinge	
44075207B	31
Door Hinge Assembly	
44075201*	31
44075207LG	31
44075210	31
44366602LG	33
44366604	33
44366608	33
Door Hinge Lug Assembly	
44035001	31
44035002	31
Door Hinge Assembly	
44366606W	33
Door Latch	
M401223	25
Door Ring and Handle Assembly	
44326007B	29
44326007LG	29
Door Ring Assembly	
44326001	29
44326002	29
44326003B	29
44326004B	29
Door Ring Gasket	
44008201P	29
70296802	29
Door Seal Kit	
70211902P	29
Door Switch Actuator Kit	
70215001P	31
Door Switch Cover	
44316301	25
Door Switch Harness	
44335203	25
Door Switch Shield	
44316601	25
Door Switch Wire Channel	
44286001	25
Drive Chain	
H96388186	57
Drive Motor	
44259701P	47
44259801P	47
Drive Rivet	
M400713	23
Drive Wheel	
H96388178	57

E

Emergency Stop Harness	
44272401	15, 19, 21
Emergency Stop Interconnect Harness	
44272104	63
Emergency Stop Label	
44012901	15, 19, 21
Emergency Stop Pushbutton	
F200233500	15, 19, 21

EMI Filter	
F8591801	63
F8637501	63
EMI Filter Kit	
44357402	63
44357403	63
End Stop	
F8449801	63
Exhaust Deflector	
44307401	37, 49
Expansion Clip	
70030501	13, 17, 21, 63
Extension Spring	
F8440701	47

F

Fan Motor	
44259301P	49
44259401P	49
FCC-IC Label	
F8613201	21
Felt Pad	
M402144	37
Ferrite	
204454	47, 49, 63
Fill Hose	
202799	23
Filter	
44172201	57
Filter Bracket	
70533101	63
Filter Channel	
H96388087	57
Filter Mounting Plate	
70551701	23
Flange Bearing	
44048301P	43
Front Access Panel	
44012609B	27
44012609DG	27
44012609LG	27
44012609W	27
44012612	27
44367201	27
44367202W	27
Front Control Box	
44311101	11
Front Panel	
44292001*	25
44292002	25
44292003DG	25
44292003LG	25
44368401W	25
44368403	25

G

Gas Stove Assembly	
44248801	53
Gas Valve	
44166701	53

N/A items do not appear in index.

44316801	53
44316802	53
Gas Valve Bracket	
44245701	53
Gas Valve Harness	
44273501	53
44273502	53
Gasket	
44333401	53
Ground Lug Connector	
M411283	63
44212301	65, 67

H

Hairpin Cotter	
44091601	57
Handle and Caps Assembly	
44049901	35
70154416	35
Handle Bar	
70399501B	29
Handle Bumper	
70407203	35
70407211	35
Harness	
F8617901	21
44295401	65
44295402	65
44295403	65
44295404	67
44295405	67
44295406	67
44295407	65, 67
44295408	65, 67
44295409	65, 67
44295410	65
44295411	65
44309007	65, 67
44309017	65, 67
44316002	69
44316008	69
Harness Adapter Plate	
70523301	57
Heater Element	
M410939P	61
M410941P	61
Heater Element Sub-Plate	
44226001	61
High Altitude Orifice Kit	
44357507	55
44357508	55
High Voltage Suppression Cable	
44239704	53
Hinge	
D503676	65, 67
Hinge Cam Kit	
M4772P3	31
M4773P3	31
Hose	
44073305	23
Hose Clamp	
20391	53
36801	23

Hose Fitting	
44069101	23
Hot Surface Warning Label	
F8609001	68
F8614301	68

I

ICM Harness	
44334603	53
Idler Shaft	
44303101	47
Igniter Cover	
70159601	53
Ignition Control	
70482001	53
70482002	53
Insulator	
M413862	63
Interconnect Harness	
44334401	23
Inverter Contactor Coil Harness	
44334702	69
Inverter Motor Harness	
44335306	47
44335307	49
I/O Control Assembly	
70479201P	63

J

J-Belt	
44293702	47
Jumper Harness	
44295412	61
44295413	61
Jumper Strip	
M400869	61

K

Key	
M400008	47
M405232	47
70155601	23
Kickplate	
70117609	35
70117620	35

L

Label	
D503887	53
D516100	63, 65, 67, 68
44190901	25
44286803	63, 65, 67
44318201	23
70414001	29
70472801	25
70537001	25

N/A items do not appear in index.

70537101	25
Label Kit	
F8605500	68
F8614500	68
44318200	23
44318600	68
44324500	23
70534400	68
Light	
801432	23
Limit Offset Bracket	
44226101	61
Limit Thermostat	
44328002	49
44328004	61
44328105	53
70530905	49
Lint Hood	
44286101	37
Lint Panel	
44012201*P	35
44012203LG	35
44012204DG	35
44012204LG	35
44012206	35
44012207	35
44012208W	35
Lint Panel Clip	
44017801	35
Lint Screen	
44063602	37
Lint Screen Clip	
H96418413	37
Lint Screen Support	
44286201	37
44286202	37
44307501	37
Lock, Key and Nut Kit	
44089301P	23
Lower Hinge Gusset	
70632002	33
Lower Lug Assembly	
70639302	33
L.P. Conversion Kit	
44328804	53
44330303	53

M

Machine ID Control Assembly	
203361P	17, 21
Magnet	
70343101	35
Main Harness	
44334202	11
Male Tab Terminal	
00621SG	63
Manifold	
44079601	23
44079602	23
Master Link	
H96382072P	57

Max Fill Line Label	
70707501	29
Micro V Pulley	
44302901	47
Mixing Valve	
70519801	23
Mixing Valve Shield Bracket	
44306601	23
Moisture Sensing Harness Kit	
44344703	45
Moisture Sensor Harness	
44333903	45
Motor Conduit Bracket	
44317901	47, 49
Motor Contactor Power Harness	
44280003	69
44280012	69
Motor Pivot Brace	
44310701	47
Motor Pivot Bracket Weldment	
44310601	47
Motor Pivot Plate Weldment	
44311501	47
Motor Pulley	
44267602	47
Mounting Bracket	
44331101	21
Mounting Plate	
44288401	35
44330901	15, 19, 21

N

Nameplate	
F8443107	27
F8688001	27
F8688901	27
44010601	27
567887	27
70472001	27
Nameplate Overlay	
44130401	27
70410201	27
Nipple	
H851016088	53
Notice Label	
D516073	68
44321501	68
70535901	53
70539601	68
70544901	53
Nut	
F8387701	43
H88412101	41
M400026	47
M400035	45
M400977	13, 17, 21
M412334	41
M414215	29
20274	43
23951	57
29786	57
29787	25
44087101	35, 65, 67

N/A items do not appear in index.

44088001	29, 31, 33, 35, 37, 63
70030401	25, 27
70054	61
70142	57
70288801	65, 67

O

Overlay

70516801	13
70517801	13
70519001	13
70539101	13
70545501	13
70547501	13
70547801	17
70548801	17
70570601	17
70570801	17
70571401	17
70571601	17
70572401	17
70595401	21
70636401	17
70636501	13
70636801	13
70638301	17
70638801	13
70638901	17
70639001	21

P

Panel Locator	
56079	39
Pinch Warning Label	
F8615701	68
F8615702	68
70538401	68
Pipe Bracket	
44249301	53
Pipe Cap	
44087801	53
Pipe Elbow	
44249401	53
Pipe Nipple	
44249501	53
44252301	53
44252401	53
Pipe Tee	
44174201	53
Pipe Union	
M411419	53
Plug	
M400985	15, 19, 21
Pop Rivet	
M400003	63
M405750	67
430725	15, 19, 21, 35
44166601	25
44251101	67
70058501	31, 33, 63, 65, 67
70058502	65, 67
70126301	35

70126401	35
70412601	29
Porcelain Touch-Up Paint	
122P4P	25
370P4P	25
Power Distribution Block	
44211501	65, 67
Power Distribution Block Shield	
44014902	65, 67
Power Harness	
44272101	69
44280101	69
Power Sensor Harness	
44334408	23
Pressure Fitting	
44231601	53
Pulley	
44289502	47
44289601	47
Push-to-Start Switch	
801434W	23

R

Rear Lint Panel	
44285501	37
Rear Panel	
44276601	37, 39
Rear Panel Brace	
44310401	39
Rear Panel Support	
44277001	39
44285401	37
44285402	37
44300401	39
44300402	39
44310301	39
44310302	39
Reducer	
44342901	53
Reed Switch Assembly	
F8066804	35
Rib Wire	
44208101	45
Rivet	
M405750	65
44251101	65
Roll Pin	
H88970256	57
Roller Catch	
H87020202	35
Roller Catch Mounting Bracket	
44014001	35

S

Screw	
D501086	35, 57
F8206901	63, 65, 67
H88010574	57
H88012034	43
M400044	31

N/A items do not appear in index.

M400063	47
M400661	29
M402574	25
M405188	57
M411165	43
02422	57
202175	65, 67
38272	53
430497	11, 21, 23, 51, 53, 61
430757	35, 51
431287	25, 37
44338901	45
44349101	33
51780	23, 37, 53, 61, 65, 67
51782	53
51783	53, 63
61199	57
685837	63
70033502	31
70182601	25, 27
70187201	47
70244801	65, 67
70275801	39
70409801	31
70442101	29, 31, 35, 37, 45
70640201	33
70640301	33
800462	43
800930	13, 17, 21
801019	57
802822	33
804608	13, 17, 21, 23
Sensor Harness 44334407	23
Shaft Actuator Assembly 44332701	57
Shaft Collar M414451	57
Shield 44326801	23
Shock Warning Label F8614201	23
F8614202	68
F8614401	23
Slip Ring Assembly 44222702	45
Snap Bushing M400770	53, 65, 67
M402542	65, 67
M411826	57
44071501	61
70178701	63
Spacer M401402	41, 43
431264	65, 67
Spark Electrode 44328701P	53
Spray Paint 298P4P	25
Spring Pin H88900683	57
Spud Holder Weldment 44390001	53
Steam Adapter Kit 44314801	57

Steam Coil H96382023P	57
44256401	57
Steam Coil Filter H96382106	57
Steam Coil Support M411550	57
Steam Control Assembly 70501801	63
Steam Cover 44115101	57
Steam Damper Actuator 44096401	57
Steam Damper Counterweight 44332601	57
Steam Damper Link 44333001	57
Steam Filter Top Hinge Assembly 44088101	57
Steam Heater Assembly 44317301	57
44317501	57
Steam Valve Harness F8520703	57
Stove Cover 44313101	61
Stove Limit Bypass Harness 70564302	57
Stove Limit Cover 44318501	61
Stove Limit Harness 70564304	53
70564305	61
Stove Limit Harness Bracket 431078	53
Support Bracket 44310901	23
Support Shelf 44312601	37
44312602	37
Switch 44312401	25
70411901	51
Switch Bracket 44296301	35
70356301	51

T

Terminal 00622SG	63
Terminal Block 430642	63
Terminal Block Shield 70333001	63
Thermistor M414704	49
44064701	37
Thermistor Plate 44068101	37
44068102	37
Thermostat Cover M414477	53

N/A items do not appear in index.

Thermostat Opening Cover	
44312501	53
Top Access Panel	
44028201DG	37
Top Access Panel Gusset	
44028201LG	37
44028201*	37
44028202DG	37
44028202LG	37
44028202*	37
Top Deflector	
44285601	37
Transformer	
F8491101	63
Trunnion Assembly	
44055501	41
44055502	41
Trunnion Housing	
M413826	47
Trunnion Housing Assembly	
44375001	47

U

Upper Hinge Gusset	
44376501	33
Upper Hinge/Wire Cover Bracket	
44368701	25
Upper Lug Assembly	
70639301	33
USB IR Interface Kit	
203346	21
USB-Serial Interface Assembly	
203440	21

V

Valve	
F8322906P	59
Valve Rebuild Kit	
F8379502	59
V-Belt	
44309401	47
Vent Collar	
H96372164	37

W

Warning68	
Warning Label	
44321601	68
44324001	68
44324002	68
44324101	68
44324501	23
44324502	23
70534401	68
70534402	68
70534405	68
70536401	68

Washer	
F431125	35
M400013	57
M400080	35
03815	13, 17, 21
20103	47
44238902	45
70261401	41, 43, 47
70409301	29
800465	25, 27, 57
Water Valve Harness	
44334405	23
Wire Clip	
F8449501	63
F8449502	63
Wireless Network Board Harness	
F8536002	21
Wireless Network Control Assembly	
203532	11
Wireless Network Kit	
70596301	11, 21
Wireway Channel	
44239001	45

N/A items do not appear in index.