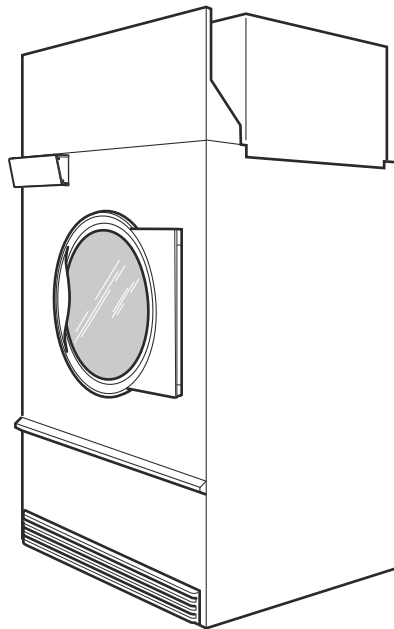


Tumble Dryer

170 Pound Capacity

18 Digit Model Numbers with 3 and 5 in 13th Position

Refer to Page 3 for Model Numbers



TMB1282C_70592101

Table of Contents

Title	Page
Parts Ordering Information.....	2
Serial Plate Location	2
Machine Identification	3
Product Overview - Heat Source and Voltage	4
Product Overview - FN Control Suffix	6
Product Overview - DN and NN Control Suffixes.....	8
Interior Control Box	10
Dual Digital Control - F in the 7th Position (Drawing 1 of 2).....	12
Dual Digital Control - F in the 7th Position (Drawing 2 of 2).....	14
Electronic Display Control - N in the 7th Position (Drawing 1 of 2).....	16
Electronic Display Control - N in the 7th Position (Drawing 2 of 2).....	18
3.5 Inch Graphical Control - D in the 7th Position	20
Fire Suppression System Control Box	22
Front Panel Components	24
Access Panel and Nameplates	26
Door Components.....	28
Hinge Components - Design 3 Models	30
Hinge Components - Design 5 Models	32
Lint Panel Components.....	34
Cabinet and Frame Assembly.....	36
Rear Panel Components.....	38
Cylinder and Trunnion Assembly	40
Trunnion Bearings.....	42
Moisture Sensing Components	44
Cylinder Motor Components	46
Blower and Exhaust Components.....	48
Airflow Switch.....	50
Gas Heater Components - Models with 2nd Digit A, G, H, J, K, R, and T	52
Gas Heater Components - Models with 2nd Digit U	54
Burner Orifices	56
Steam Heater Components	58
Steam Valve.....	60
Control Tray	62
Labels	64
Harnesses.....	65
Parts Index.....	67

© Copyright 2023, Alliance Laundry Systems LLC

All rights reserved. No part of the contents of this book may be reproduced or transmitted in any form or by any means without the expressed written consent of the publisher.

Parts Ordering Information

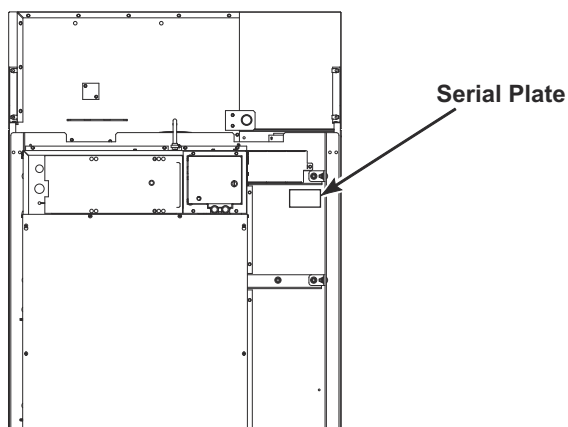
If literature or replacement parts are required, contact the source from whom the machine was purchased or contact Alliance Laundry Systems at (920) 748-3950 for the name and address of the nearest authorized parts distributor.

For technical assistance, call the number listed below:

(920) 748-3121 Ripon, Wisconsin

Serial Plate Location

When calling or writing about your product, be sure to mention model and serial numbers. Model and serial numbers are located on serial plate(s) as shown.



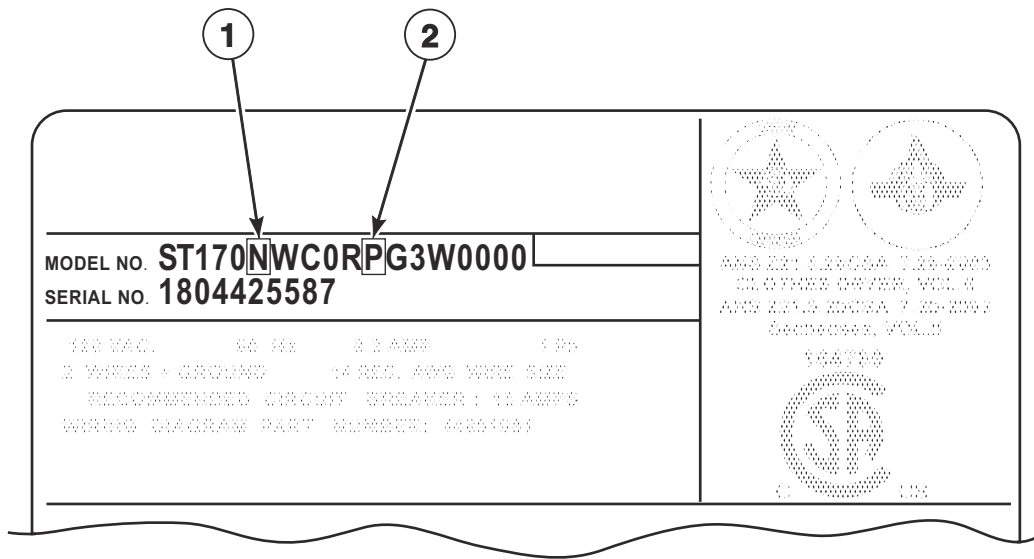
TMB3615P_70592101

Machine Identification

Information in this manual is applicable to these machines:

BA170L	HA170L	NA170L	SA170L	UA170L
BA170N	HA170N	NA170N	SA170N	UA170N
BA170S	HA170S	NA170S	SA170S	UA170S
BG170L	HG170L	NG170L	SG170L	UG170L
BG170N	HG170N	NG170N	SG170N	UG170N
BG170S	HG170S	NG170S	SG170S	UG170S
BH170L	HH170L	NH170L	SH170L	UH170L
BH170N	HH170N	NH170N	SH170N	UH170N
BH170S	HH170S	NH170S	SH170S	UH170S
BJ170L	HJ170L	NJ170L	SJ170L	UJ170L
BJ170N	HJ170N	NJ170N	SJ170N	UJ170N
BJ170S	HJ170S	NJ170S	SJ170S	UJ170S
BK170L	HK170L	NK170L	SK170L	UK170L
BK170N	HK170N	NK170N	SK170N	UK170N
BR170S	HR170S	NR170S	SR170S	UR170S
BU170L	HT170C	NT170L	ST170C	UT170C
BU170N	HT170L	NT170N	ST170L	UT170L
BU170S	HT170N	NT170S	ST170N	UT170N
GA170L	HT170S	NU170L	ST170S	UT170S
GA170N	HU170L	NU170N	SU170L	UU170L
GA170S	HU170N	NU170S	SU170N	UU170N
GG170L	HU170S	PA170L	SU170S	UU170S
GG170N	KT170L	PA170N		
GG170S	KT170N	PA170S		
GH170L	KT170S	PG170L		
GH170N		PG170N		
GH170S		PG170S		
GJ170L		PH170L		
GJ170N		PH170N		
GJ170S		PH170S		
GK170L		PJ170L		
GK170N		PJ170N		
GU170L		PJ170S		
GU170N		PK170L		
GU170S		PK170N		
		PR170S		
		PT170C		
		PT170L		
		PT170N		
		PT170S		
		PU170L		
		PU170N		
		PU170S		

Product Overview - Heat Source and Voltage

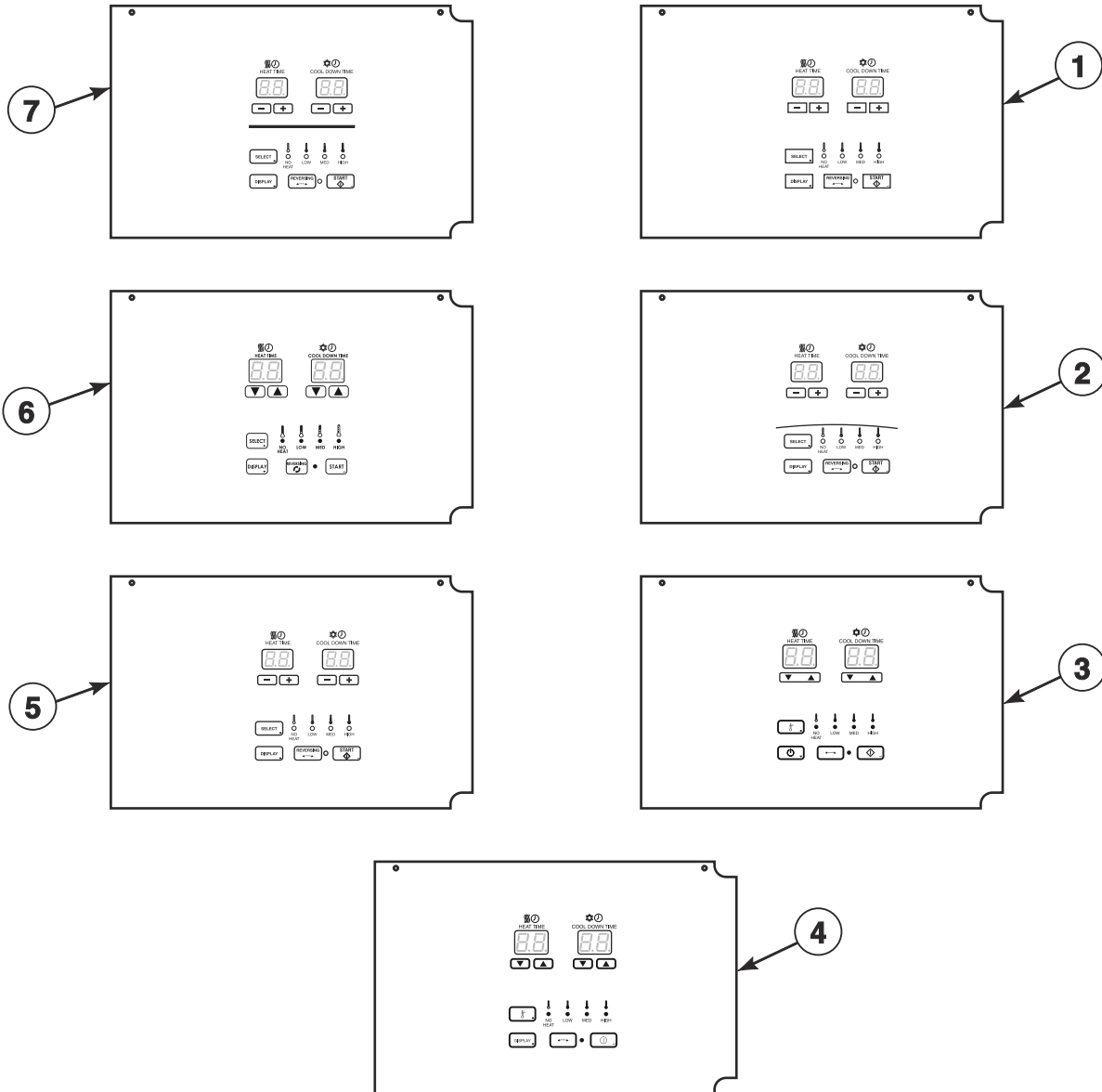
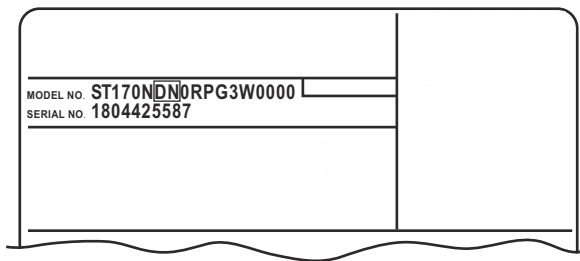


TMB3659P_70592101

Product Overview - Heat Source and Voltage

REF	PART NO.	DESCRIPTION	COMMENTS
1	-	Heat Source	C: Steam (CRN) L: Liquid Petroleum Gas (L.P.) N: Natural Gas (N.G.) S: Steam
2	-	Voltage	N: 440-480 Volt/50-60 Hertz/3 Phase P: 380-415 Volt/50-60 Hertz/3 Phase Q: 200-240 Volt/50-60 Hertz/3Phase

Product Overview - FN Control Suffix

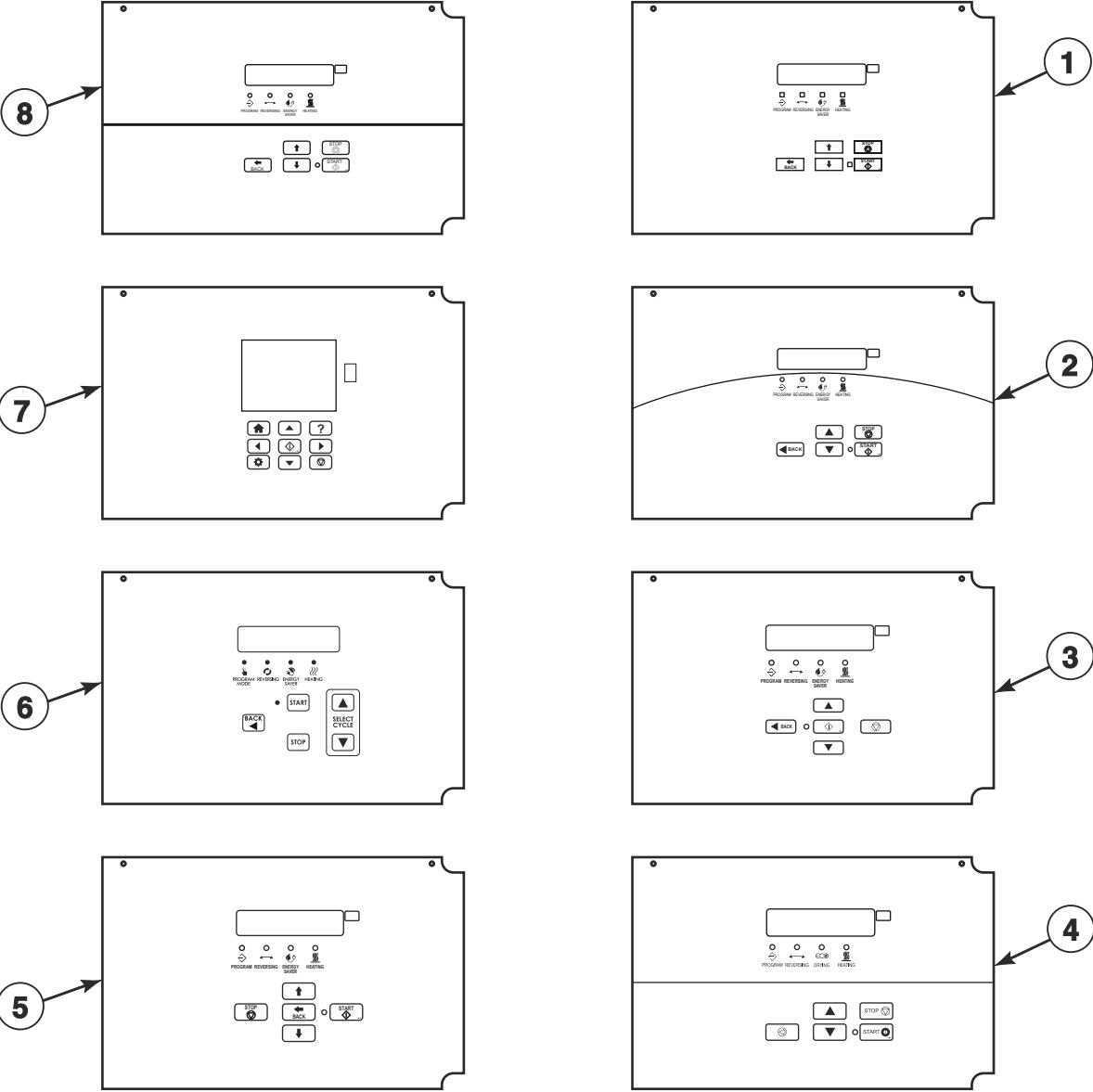
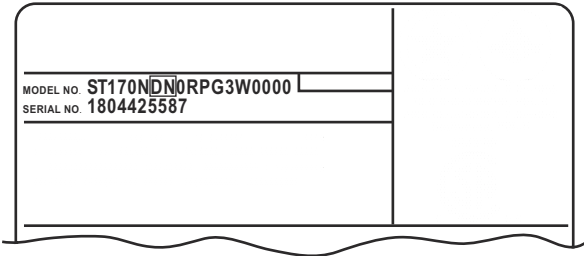


TMB3660P_70592101

Product Overview - FN Control Suffix

REF	PART NO.	DESCRIPTION	COMMENTS
1	-	Dual Digital Control	H models
2	-	Dual Digital Control	U models
3	-	Dual Digital Control	B models
4	-	Dual Digital Control	P models
5	-	Dual Digital Control	N models
6	-	Dual Digital Control	G and K models
7	-	Dual Digital Control	S models

Product Overview - DN and NN Control Suffixes

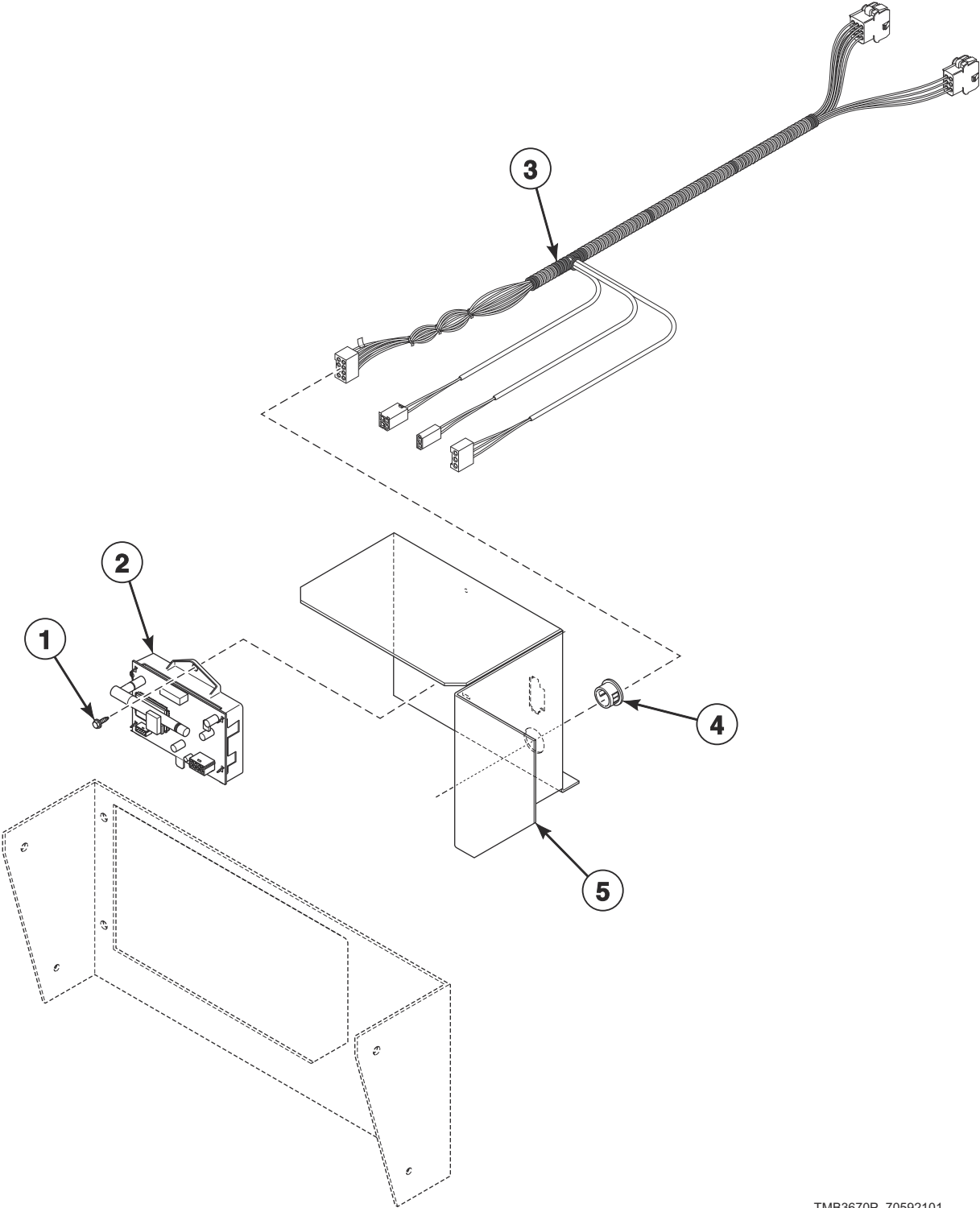


TMB3661P_70592101

Product Overview - DN and NN Control Suffixes

REF	PART NO.	DESCRIPTION	COMMENTS
1	-	Galaxy Control	H models
2	-	M-Series Control	U models
3	-	OPTimum Control	B models
4	-	OPL Micro Control	P models
5	-	OPL Micro Control	N models
6	-	OPL Micro Control	G and K models
7	-	UniLinc Control	U models
8	-	Quantum Gold Control	S models

Interior Control Box

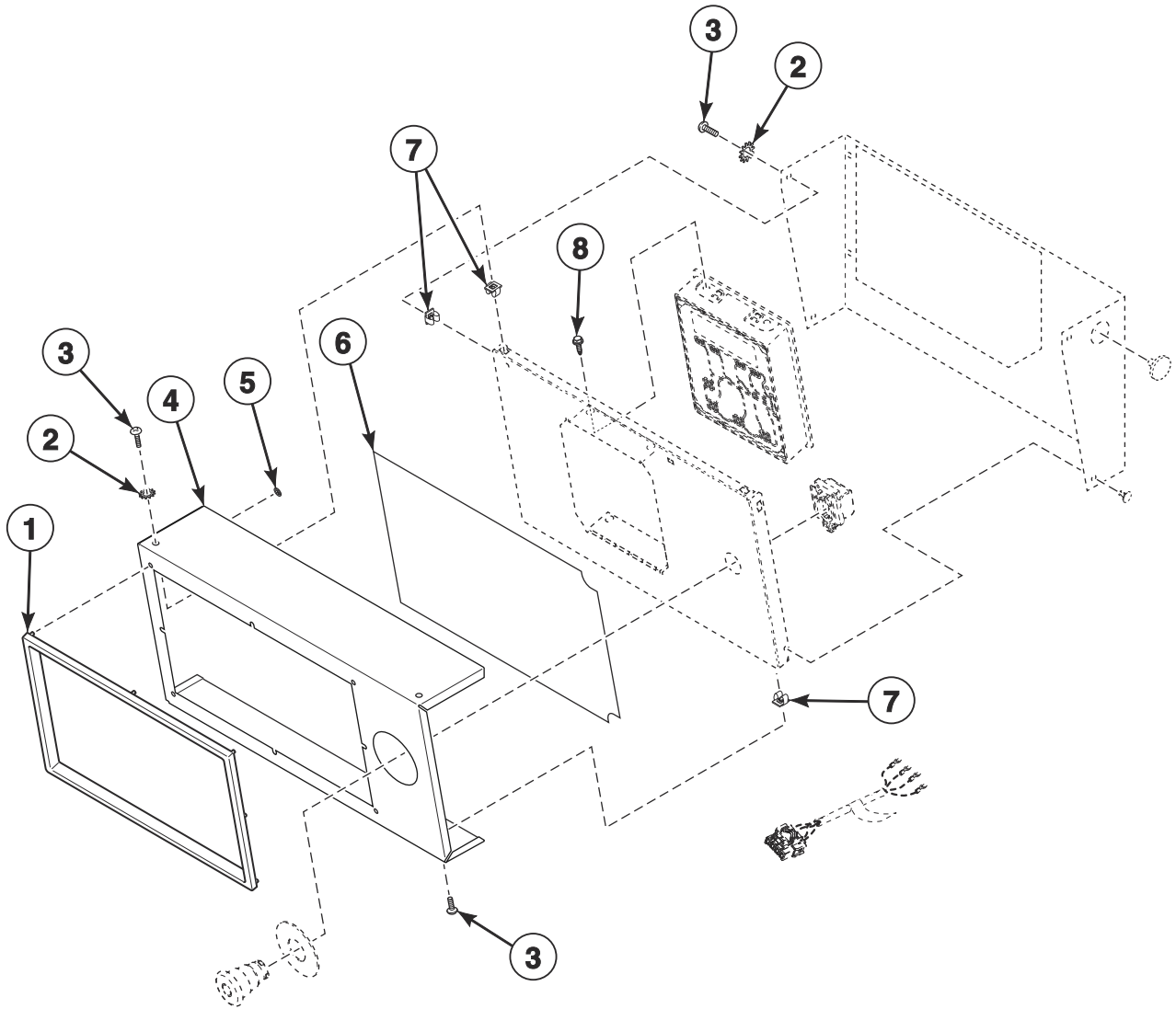


TMB3670P_70592101

Interior Control Box

REF	PART NO.	DESCRIPTION	COMMENTS
	70596301	Wireless Network Kit	D in the 7th position of model number
1	430497	Screw	
2	203532	Wireless Network Control Assembly	
3	44334202	Main Harness	
4	70178701	Snap Bushing	
5	44311101	Front Control Box	

Dual Digital Control - F in the 7th Position (Drawing 1 of 2)



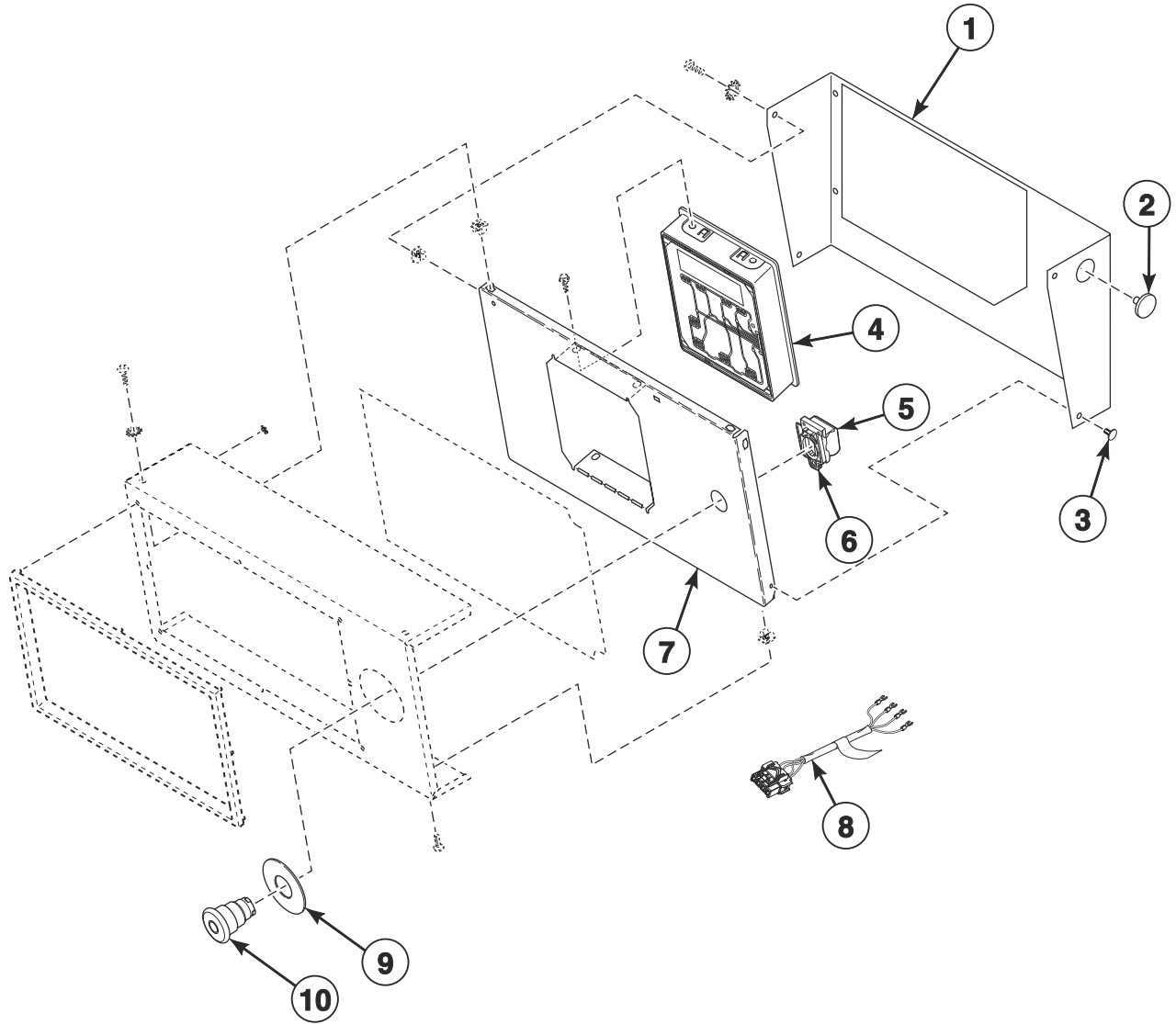
TMB3619P_70592101

Dual Digital Control - F in the 7th Position (Drawing 1 of 2)

REF	PART NO.	DESCRIPTION	COMMENTS
1	44016403	Control Trim	H models; Gray
	44016401	Control Trim	P and S models; Black
2	03815	Washer	
3	800930	Screw	
4	44330802	Control Cover	IEC B, P and U models; CSA B, P and U models through 12/31/18; Stainless steel; No trim
	44330805	Control Cover	IEC H, P and S models; CSA H, P and S models through 12/31/18; Stainless steel
	44330801*	Control Cover	IEC B and U models; CSA B and U models through 12/31/18
	44330806DG	Control Cover	IEC P models; CSA P models through 12/31/18; Dark gray
	44330804*	Control Cover	IEC H, N, P and S models; CSA H, N, P and S models through 12/31/18
	44330801B	Control Cover	IEC G and K models; CSA G and K models through 12/31/18; Black
	44330803LG	Control Cover	IEC U models; CSA U models through 12/31/18; Light gray
	44330811	Control Cover	CSA B, P and U models starting 1/1/19; Stainless steel; No trim; Design 3
	44330814	Control Cover	CSA H, P and S models starting 1/1/19; Stainless steel
	44330810*	Control Cover	CSA B and U models starting 1/1/19
	44330815DG	Control Cover	CSA P models starting 1/1/19; Dark gray
	44330813*	Control Cover	CSA H, N, P and S models starting 1/1/19
	44330810B	Control Cover	CSA G and K models starting 1/1/19; Black
	44330812LG	Control Cover	CSA U models starting 1/1/19; Light gray
5	M400977	Nut	8 required
6	70539101	Overlay	B models; Reversing
	70547501	Overlay	G and K models; Reversing
	70517801	Overlay	H models; Reversing; Design 3
	70636501	Overlay	H models; Reversing; Design 5
	70545501	Overlay	P models; Reversing
	70516801	Overlay	N models; Design 3 S models; Reversing
	70636801	Overlay	S models; Reversing; Design 5
	70519001	Overlay	U models; Reversing; Design 3
	70638801	Overlay	U models; Reversing; Design 5
7	70030501	Expansion Clip	
8	804608	Screw	4 required

* Add Letter To Designate Color. Q - Bisque W - White

Dual Digital Control - F in the 7th Position (Drawing 2 of 2)



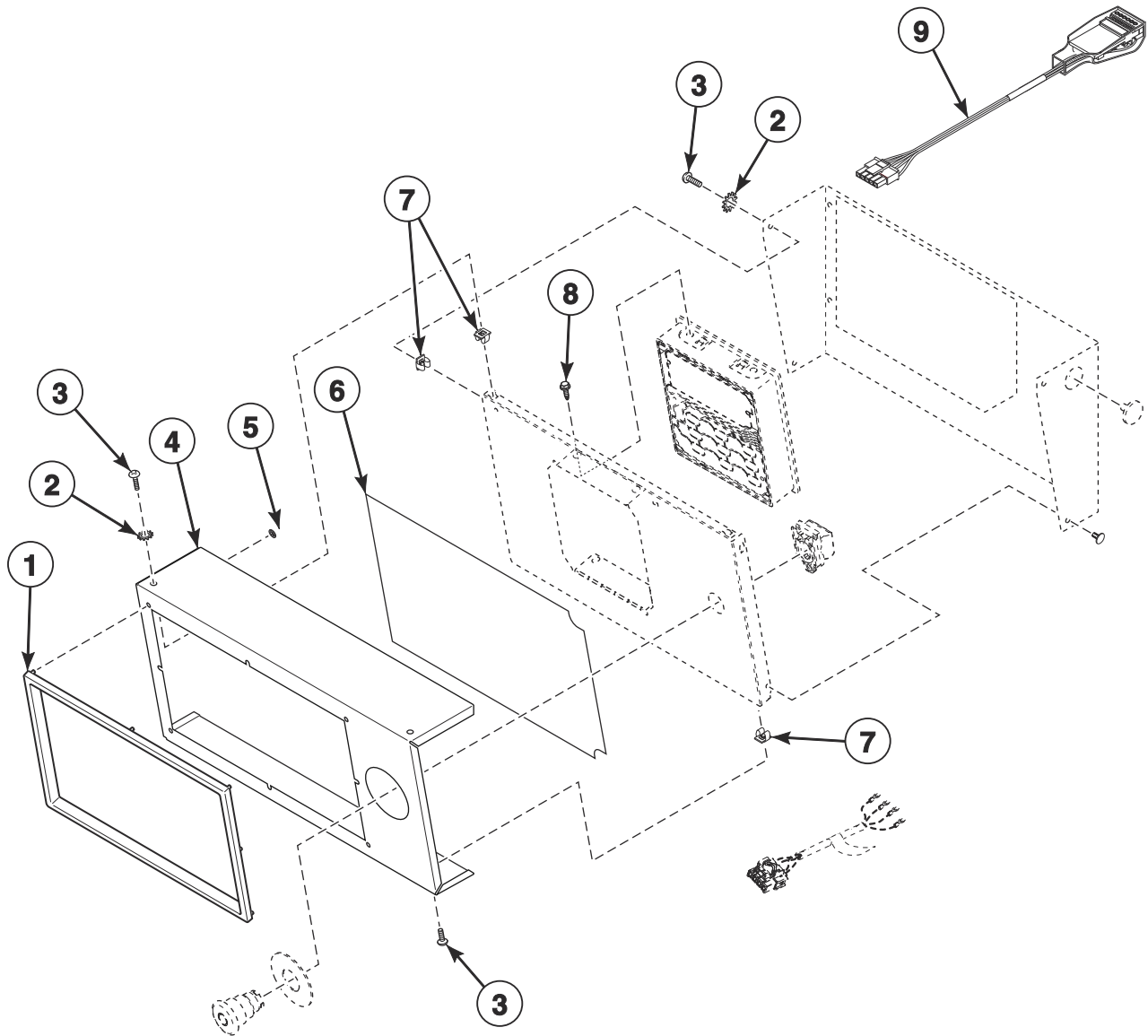
TMB3619PA_70592101

Dual Digital Control - F in the 7th Position (Drawing 2 of 2)

REF	PART NO.	DESCRIPTION	COMMENTS
1	44331005	Control Bracket	B, H, P and S models; Stainless steel
	44331006DG	Control Bracket	P models; Dark gray
	44331006W	Control Bracket	B, H, N, P, S and U models
	44331006B	Control Bracket	G and K models; Black
	44331006LG	Control Bracket	U models; Light gray
2	M400985	Plug	
3	430725	Pop Rivet	
4	70523101	Control Assembly	P models; Blue
	70479801	Control Assembly	G, H, K, N, S and U models; Green
	70479901	Control Assembly	B models; Red
5	F8069501	Contact Switch	2 required
6	F8538101	Contact Base	
7	44330901	Mounting Plate	
8	44272401	Emergency Stop Harness	
9	44012901	Emergency Stop Label	
10	F200233500	Emergency Stop Pushbutton	

* Add Letter To Designate Color. Q - Bisque W - White

Electronic Display Control - N in the 7th Position (Drawing 1 of 2)



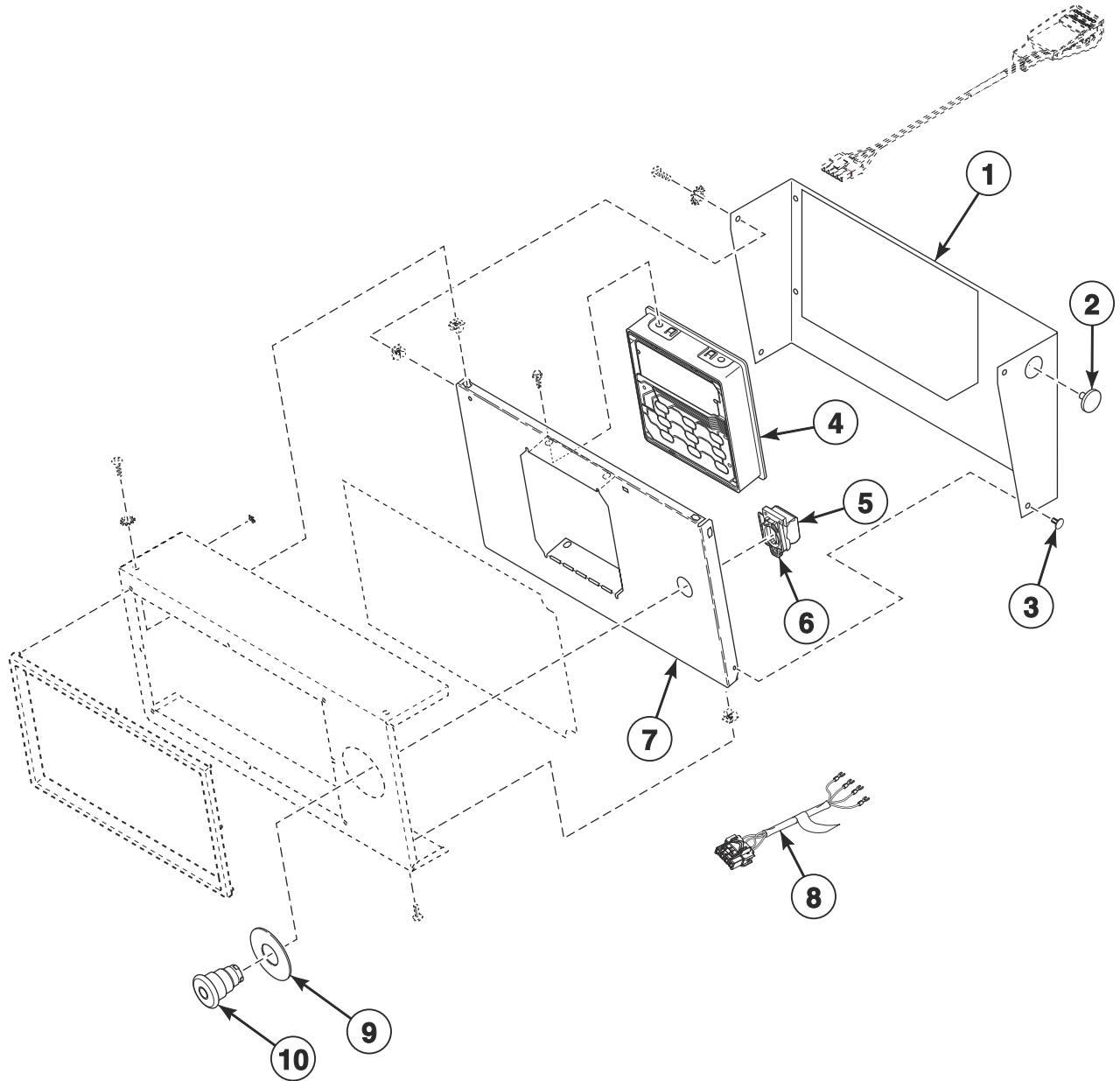
TMB3620P_70592101

Electronic Display Control - N in the 7th Position (Drawing 1 of 2)

REF	PART NO.	DESCRIPTION	COMMENTS
1	44016403	Control Trim	H models; Gray
	44016401	Control Trim	P and S models; Black
2	03815	Washer	
3	800930	Screw	
4	44330802	Control Cover	IEC B, P and U models; CSA B, P and U models through 12/31/18; Stainless steel; No trim
	44330805	Control Cover	IEC H, P and S models; CSA H, P and S models through 12/31/18; Stainless steel
	44330801*	Control Cover	IEC B and U models; CSA B and U models through 12/31/18
	44330806DG	Control Cover	IEC P models; CSA P models through 12/31/18; Dark gray
	44330804*	Control Cover	IEC H, N, P and S models; CSA H, N, P and S models through 12/31/18
	44330801B	Control Cover	IEC G and K models; CSA G and K models through 12/31/18; Black
	44330803LG	Control Cover	IEC U models; CSA U models through 12/31/18; Light gray
	44330811	Control Cover	CSA B, P and U models starting 1/1/19; Stainless steel; No trim; Design 3
	44330814	Control Cover	CSA H, P and S models starting 1/1/19; Stainless steel
	44330810*	Control Cover	CSA B and U models starting 1/1/19
	44330815DG	Control Cover	CSA P models starting 1/1/19; Dark gray
	44330813*	Control Cover	CSA H, N, P and S models starting 1/1/19
	44330810B	Control Cover	CSA G and K models starting 1/1/19; Black
	44330812LG	Control Cover	CSA U models starting 1/1/19; Light gray
5	M400977	Nut	8 required
6	70570601	Overlay	S models; Reversing; Design 3
	70638301	Overlay	S models; Reversing; Design 5
	70571401	Overlay	U models; Reversing; Design 3
	70638901	Overlay	U models; Reversing; Design 5
	70570801	Overlay	H models; Reversing; Design 3
	70636401	Overlay	H models; Reversing; Design 5
	70548801	Overlay	B models; Reversing
	70547801	Overlay	G and K models; Reversing
	70571601	Overlay	P models; Reversing
	70572401	Overlay	NT models through 10/9/19; All other N models; Reversing
	70570601	Overlay	NT models starting 10/10/19; Reversing
7	70030501	Expansion Clip	
8	804608	Screw	4 required
9	203361P	Machine ID Control Assembly	Model or serial number is required when ordering

* Add Letter To Designate Color. Q - Bisque W - White

Electronic Display Control - N in the 7th Position (Drawing 2 of 2)



TMB3620PA_70592101

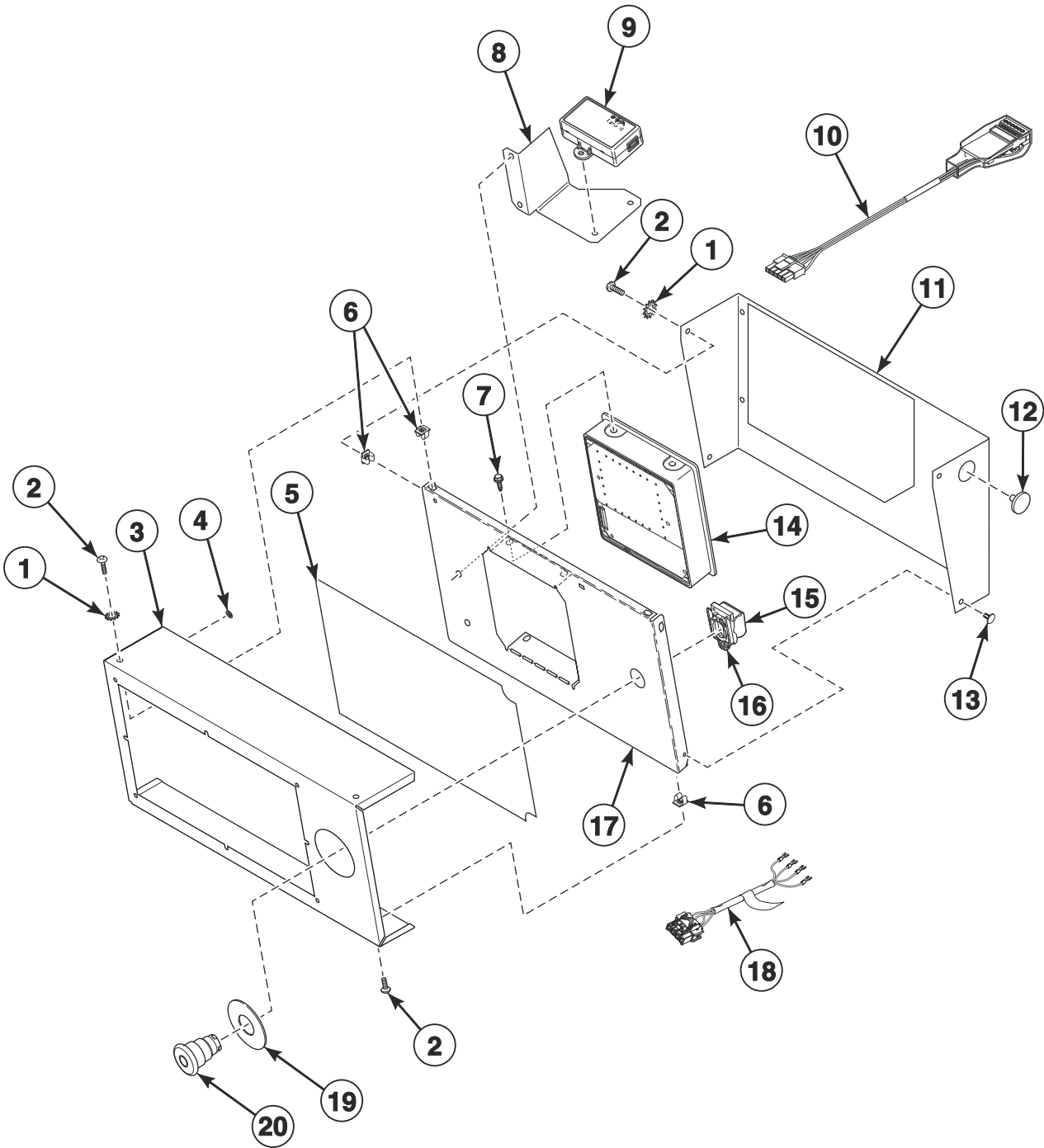
Electronic Display Control - N in the 7th Position (Drawing 2 of 2)

REF	PART NO.	DESCRIPTION	COMMENTS
1	44331005	Control Bracket	B, H, P and S models; Stainless steel
	44331006DG	Control Bracket	P models; Dark gray
	44331006W	Control Bracket	B, H, N, P, S and U models
	44331006B	Control Bracket	G and K models; Black
	44331006LG	Control Bracket	U models; Light gray
2	M400985	Plug	
3	430725	Pop Rivet	
4	70523002	Control Assembly	P models; Blue
	70478802	Control Assembly	G, H, K, N, S and U models; Green
	70478902	Control Assembly	B models; Red
5	F8069501	Contact Switch	2 required
6	F8538101	Contact Base	
7	44330901	Mounting Plate	
8	44272401	Emergency Stop Harness	
9	44012901	Emergency Stop Label	
10	F200233500	Emergency Stop Pushbutton	

* Add Letter To Designate Color. Q - Bisque W - White

3.5 Inch Graphical Control - D in the 7th Position

U Models



TMB3621P_70592101

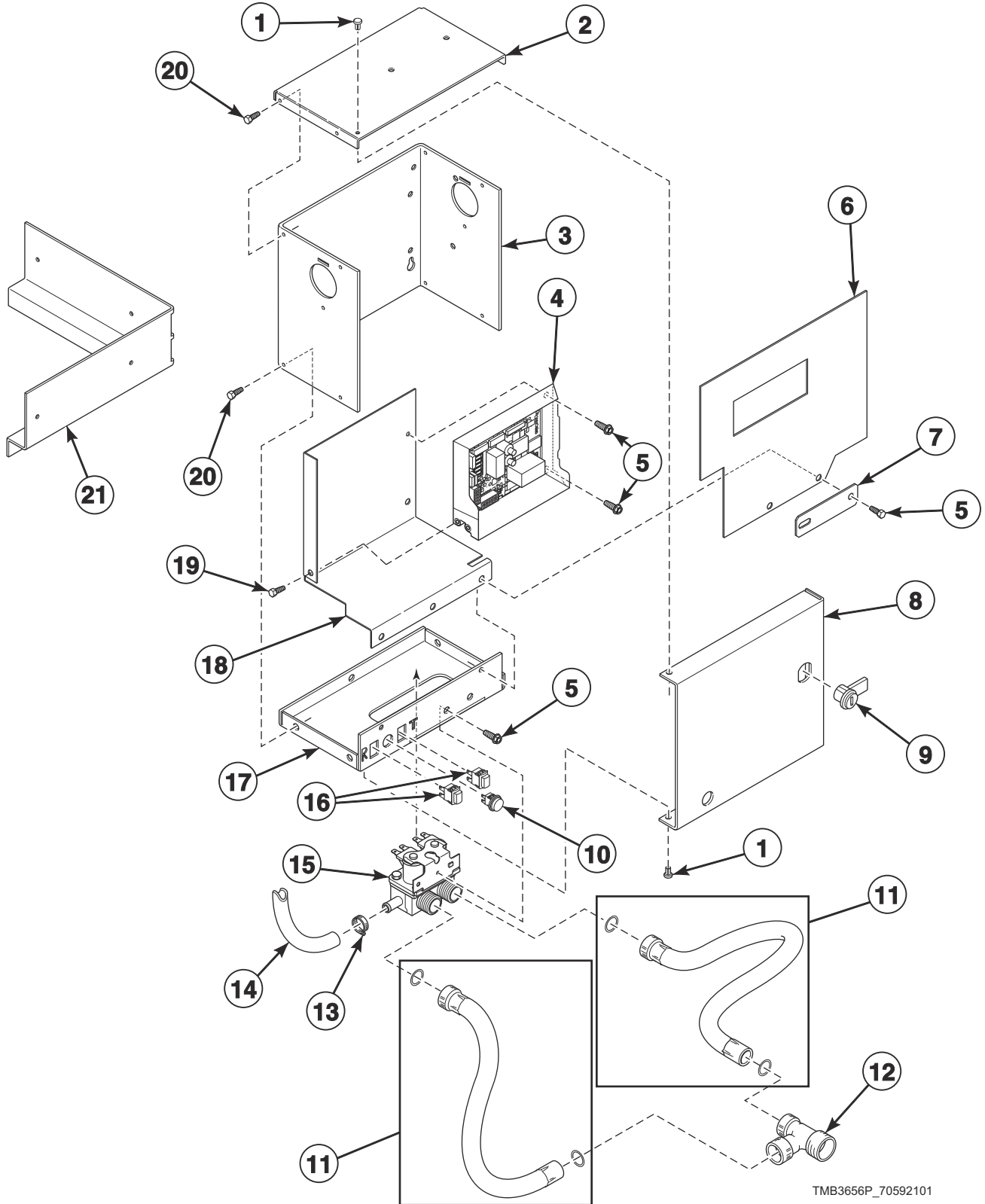
3.5 Inch Graphical Control - D in the 7th Position

REF	PART NO.	DESCRIPTION	COMMENTS
	70596301	Wireless Network Kit	
	F8536002	Wireless Network Board Harness	
	203346	USB IR Interface Kit	
	F8617901	Harness	USB
	F8613201	FCC-IC Label	UT models
	03815	Washer	2 required; Use to attach item 9
	430497	Screw	2 required; Use to attach item 9
1	03815	Washer	
2	800930	Screw	
3	44330802	Control Cover	IEC models; CSA models through 12/31/18; Stainless steel; No trim
	44330801*	Control Cover	IEC models; CSA models through 12/31/18
	44330803LG	Control Cover	IEC models; CSA models through 12/31/18; Light gray
	44330811	Control Cover	CSA models starting 1/1/19; Stainless steel; No trim; Design 3
	44330810*	Control Cover	CSA models starting 1/1/19
	44330812LG	Control Cover	CSA models starting 1/1/19; Light gray
4	M400977	Nut	8 required
5	70595401	Overlay	Design 3 models
	70639001	Overlay	Design 5 models
6	70030501	Expansion Clip	
7	804608	Screw	
8	44331101	Mounting Bracket	
9	203440	USB-Serial Interface Assembly	
10	203361P	Machine ID Control Assembly	Model or serial number is required when ordering
11	44331006W	Control Bracket	
	44331006LG	Control Bracket	Light gray
12	M400985	Plug	
13	430725	Pop Rivet	
14	70543104	Control Assembly	
15	F8069501	Contact Switch	2 required
16	F8538101	Contact Base	
17	44330901	Mounting Plate	
18	44272401	Emergency Stop Harness	
19	44012901	Emergency Stop Label	
20	F200233500	Emergency Stop Pushbutton	

* Add Letter To Designate Color. Q - Bisque W - White

Fire Suppression System Control Box

B, G, H, K, NT, P, S and U Models

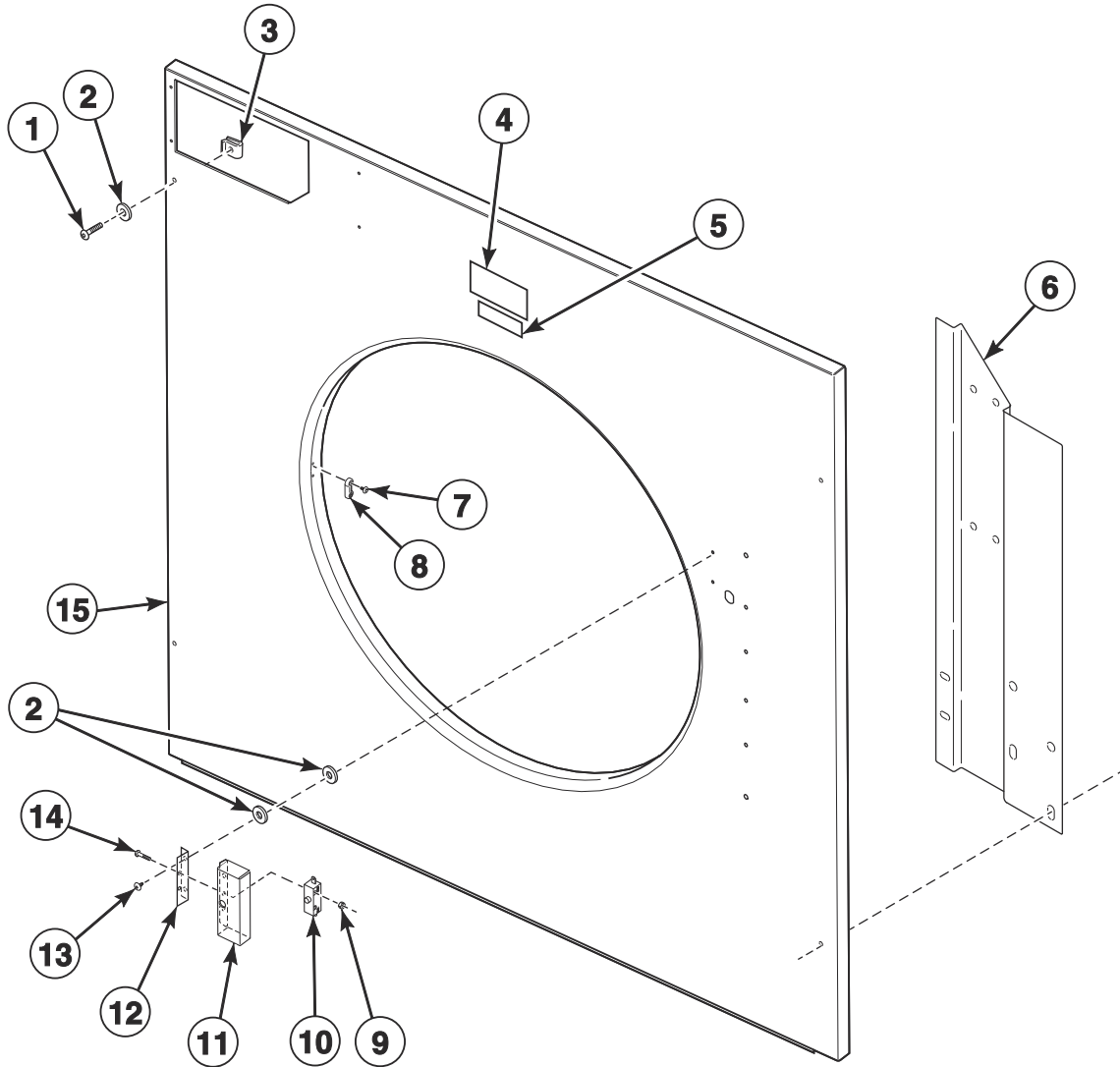


TMB3656P_70592101

Fire Suppression System Control Box

REF	PART NO.	DESCRIPTION	COMMENTS
	44340301	Cold Weather Kit	
	70155601	Key	RL001; Use with item 9
	44079602	Manifold	
	44334404	Control Harness	
	44334405	Water Valve Harness	
	44334408	Power Sensor Harness	
	44334407	Sensor Harness	
	44334401	Interconnect Harness	
	70346501	Bushing	
	44324501	Warning Label	F.S.S.; CSA models
	44324500	Label Kit	F.S.S.; IEC models
	F8614401	Shock Warning Label	CSA models
	F8614201	Shock Warning Label	IEC models
	44318200	Label Kit	IEC models
	44324502	Warning Label	
	44318201	Label	CSA models
1	M400713	Drive Rivet	
2	44307101	Control Box Top	
3	44306701	Control Box Housing	
4	70511601	Control	
5	430497	Screw	
6	44326801	Shield	
7	70551701	Filter Mounting Plate	
8	44065201	Control Box Cover	
9	44089301P	Lock, Key and Nut Kit	RL001 key code; Optional if same key is to be used for control lock
10	801432	Light	
11	202799	Fill Hose	2 required
12	44069101	Hose Fitting	CSA models
13	36801	Hose Clamp	
14	44073306	Hose	28.12 inches; Outlet hose
15	70519801	Mixing Valve	
16	801434W	Push-to-Start Switch	2 required
17	44065301	Control Box Base	
18	44306601	Mixing Valve Shield Bracket	
19	804608	Screw	
20	51780	Screw	
21	44310901	Support Bracket	

Front Panel Components



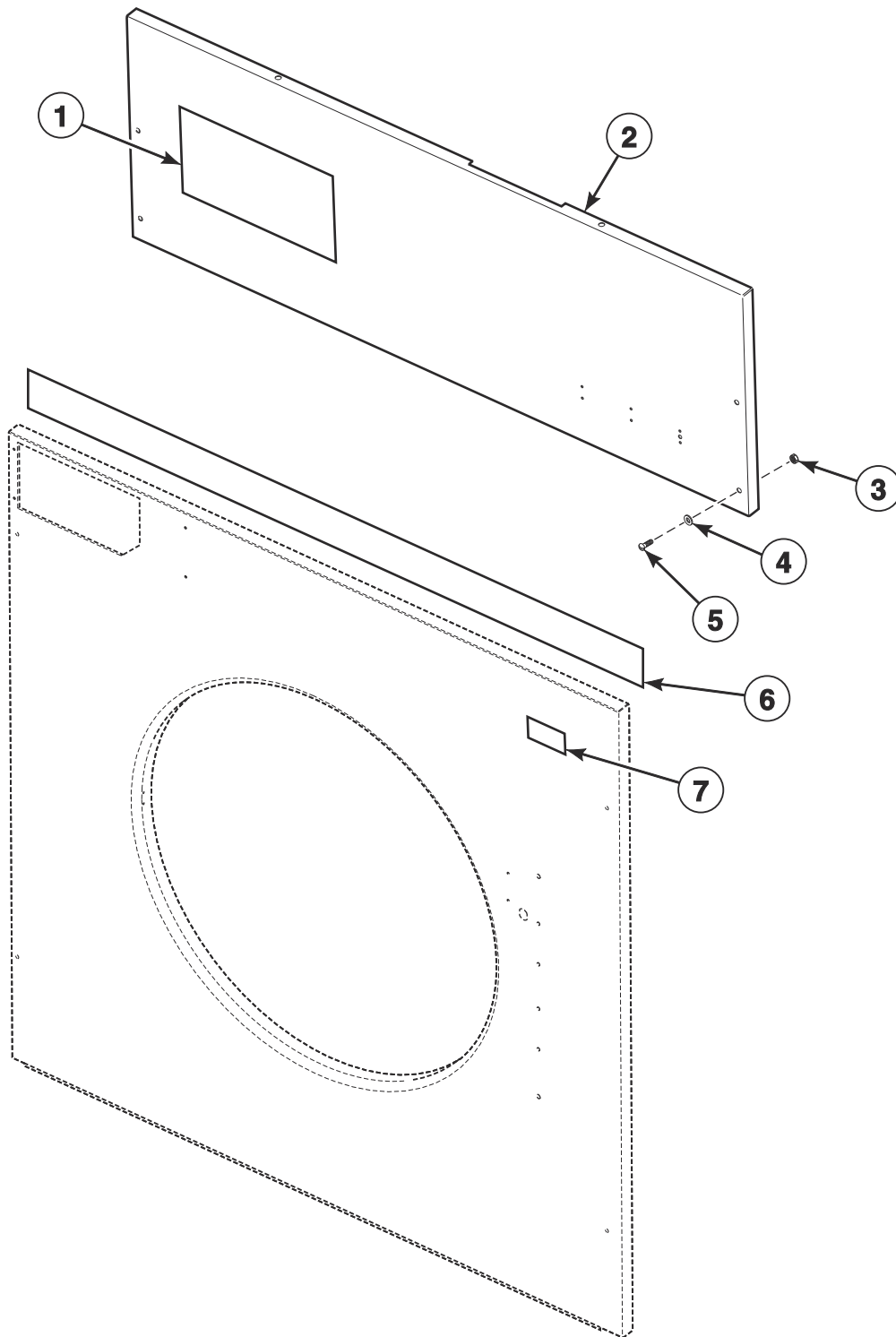
TMB3823P_70592101

Front Panel Components

REF	PART NO.	DESCRIPTION	COMMENTS
	298P4P	Spray Paint	White
	122P4P	Porcelain Touch-Up Paint	White
	370P4P	Porcelain Touch-Up Paint	Bisque
	44335203	Door Switch Harness	
	70482901	Door Catch Kit	
1	70182601	Screw	4 required per panel
2	800465	Washer	4 required per panel
3	70030401	Nut	Access and front panel attachment
4	70537001	Label	B, H, N, S and U models; C.A.R.E.
	70537101	Label	G and K models; F.S.S.
	44190901	Label	P models; Safe Tech
5	70472801	Label	U models
6	44286002	Door Switch Wire Channel	Design 3 models
	44368702	Upper Hinge/Wire Cover Bracket	Design 5 models
7	44166601	Pop Rivet	2 required
8	M401223	Door Latch	
9	29787	Nut	2 required
10	44312401	Switch	
11	44316301	Door Switch Cover	
12	44316601	Door Switch Shield	
13	431287	Screw	2 required
14	M402574	Screw	2 required
15	44291903DG	Front Panel	P models; Dark gray
	44291903LG	Front Panel	U models; Design 3; Light gray
	44291903W	Front Panel	Design 3 models
	44291902	Front Panel	B, H, P, S and U models; Design 3; Stainless steel
	44368503	Front Panel	Design 5 H, S and U models; Stainless steel
	44368501W	Front Panel	Design 5 H, S and U models

* Add Letter To Designate Color. Q - Bisque W - White

Access Panel and Nameplates

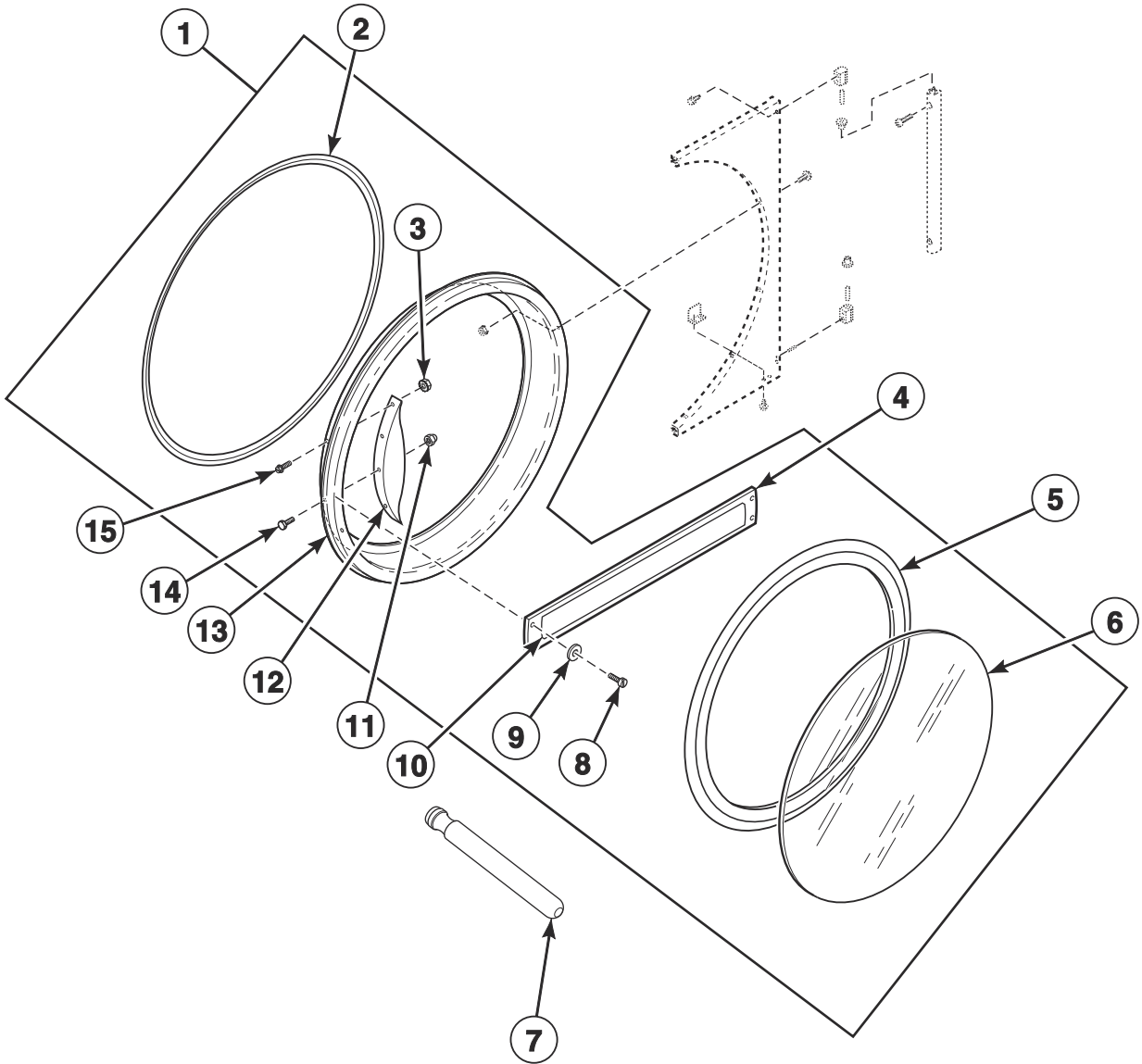


TMB3625P_70592101

Access Panel and Nameplates

REF	PART NO.	DESCRIPTION	COMMENTS
1	70410201	Nameplate Overlay	G models
	44130401	Nameplate Overlay	K models
	70472001	Nameplate	B models
	44010601	Nameplate	S models; Design 3
	F8688901	Nameplate	S models; Design 5
	F8688001	Nameplate	H models; Design 5
	F8443107	Nameplate	U models
2	44012709DG	Front Access Panel	P models; Dark gray
	44012707WP	Front Access Panel	All models except B models; Design 3
	44012709B	Front Access Panel	B models
	44012709LG	Front Access Panel	U models; Light gray; Design 3
	44012714	Front Access Panel	H, P, S and U models; Stainless steel; Design 3
	44367203	Front Access Panel	Stainless steel; Design 5 models
	44367204W	Front Access Panel	Design 5 models
3	70030401	Nut	4 required
4	800465	Washer	4 required
5	70182601	Screw	4 required
6	70399404	Access Panel Trim	G and K models; Mounts over front panel assembly and control panel
7	567887	Nameplate	P models

Door Components

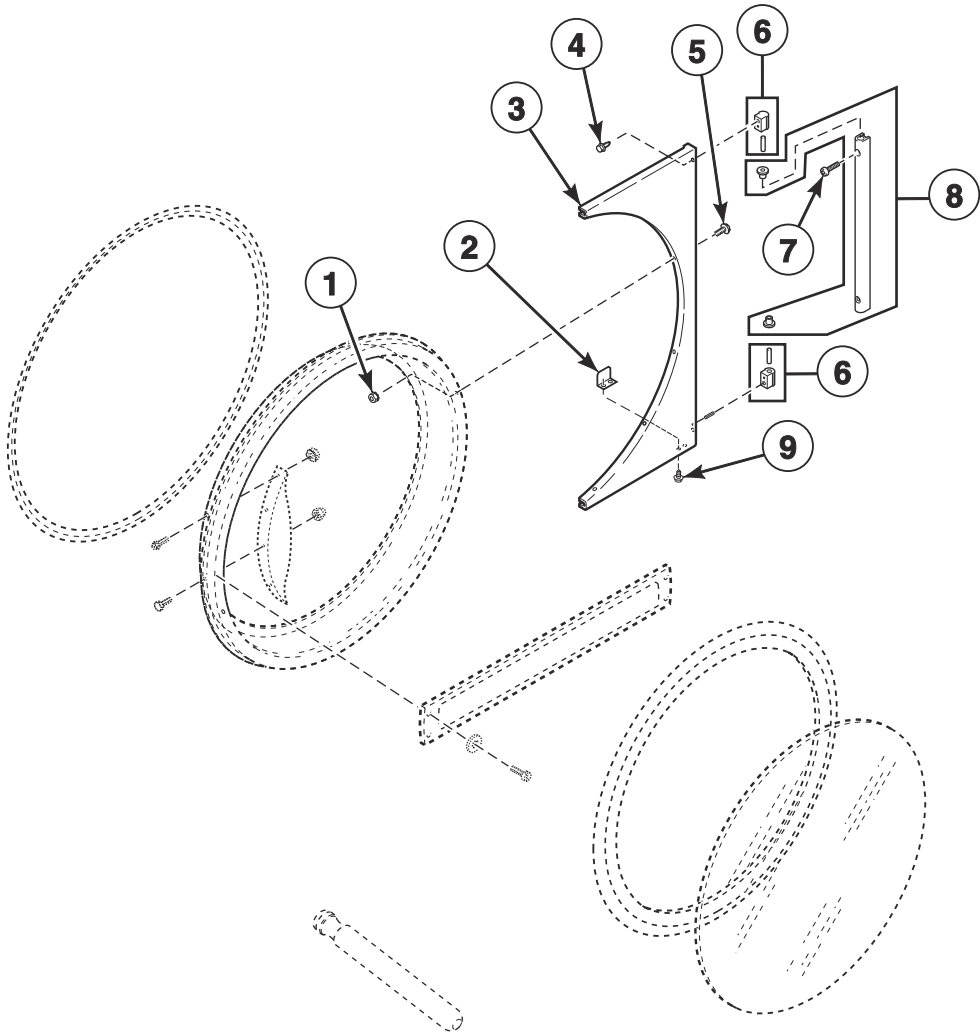


TMB3091P_70592101

Door Components

REF	PART NO.	DESCRIPTION	COMMENTS
	70650401	Door Glass Label	H models; Design 5
	70707701	Door Glass Label	S models
	70707501	Max Fill Line Label	
1	44058105	Door Assembly	H models; Stainless steel; Design 3
	44028906	Door Assembly	S models; Stainless steel; Design 3
	44266703	Door Assembly	U models; Stainless steel; Design 3
	44354705	Door Assembly	H models; Stainless steel; Design 5
	44354701	Door Assembly	S models; Stainless steel; Design 5
	44354703	Door Assembly	U models; Stainless steel; Design 5
	44028907	Door Assembly	B and N models
	44292302LG	Door Assembly	P models; Light gray
	44292302B	Door Assembly	P models; Use with stainless steel front panel; Black
	70407402	Door Assembly	G and K models
2	70296802	Door Ring Gasket	H models with chrome handle
	44008201P	Door Ring Gasket	All other models
3	44088001	Nut	B, H, N and S models; 4 required
4	70399501B	Handle Bar	G and K models
5	70211902P	Door Seal Kit	Use Loctite 414 for seal
6	44008402P	Door Glass	H models; Design 3
	44008401P	Door Glass	All other models; Design 5 H models
7	M4221P4	Door Glass Installation Tool	
8	70412601	Pop Rivet	G and K models; 4 required
9	70409301	Washer	G and K models; 2 required
10	70414001	Label	K models; Coin
11	M414215	Nut	
12	70521102	Door Handle	H models; Design 3
	44370601	Door Handle	H models; Design 5
	44007901	Door Handle	B, N and S models
	44263801	Door Handle	U models; Use 901620 Screw, 800465 Washer, 803871 Screw and 44088001 Nut to attach
13	44326001	Door Ring Assembly	H and S models; Stainless steel; Design 3
	44326002	Door Ring Assembly	U models; Design 3
	44326007LG	Door Ring and Handle Assembly	P models; Light gray
	44326007B	Door Ring and Handle Assembly	P models; Use with stainless steel and white front panel; Black
	44326004B	Door Ring Assembly	B and N models
	44326003B	Door Ring Assembly	G and K models
14	M400661	Screw	Door strike
15	70442101	Screw	B, H, N and S models; 4 required

Hinge Components - Design 3 Models



TMB3091PA_70592101

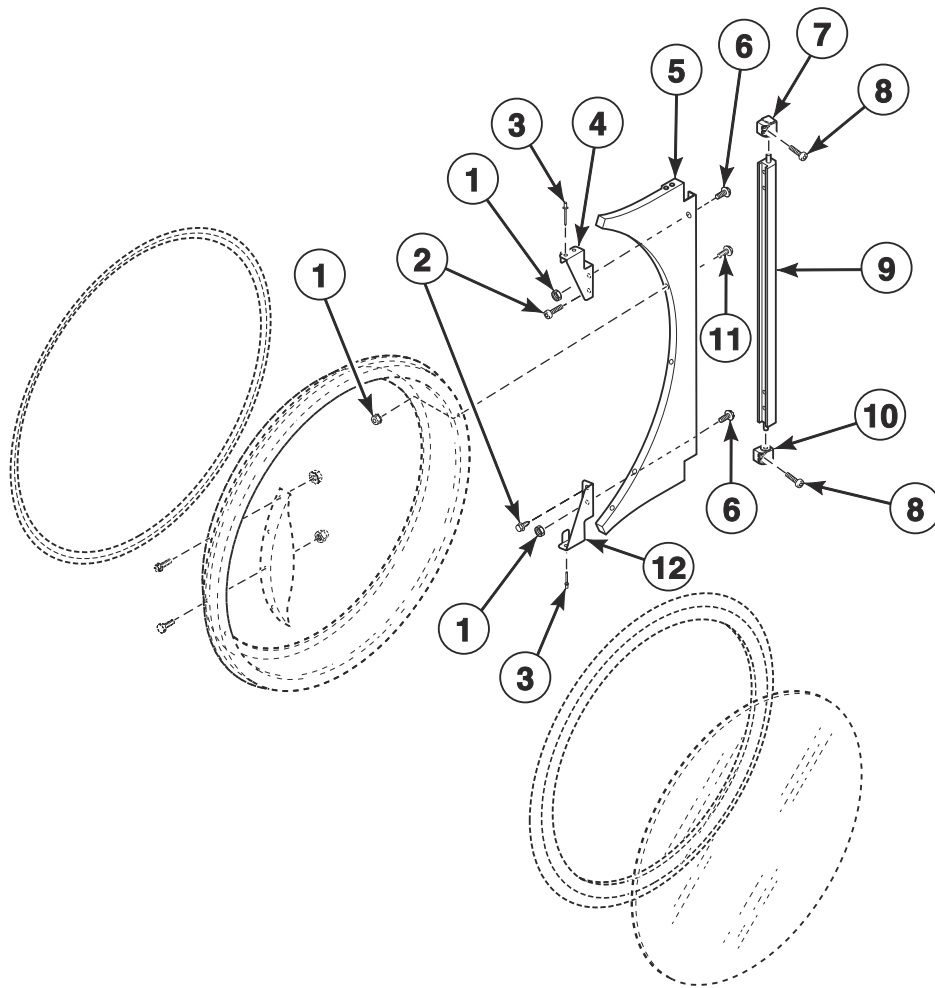
Hinge Components - Design 3 Models

REF	PART NO.	DESCRIPTION	COMMENTS
1	44088001	Nut	6 required
2	70215001P	Door Switch Actuator Kit	
3	44075207B	Door Hinge	Black; B, G, K and N models; P models with white and stainless steel front panels
	44075201*	Door Hinge Assembly	H, N, S and U models
	44075210	Door Hinge Assembly	H, S and U models; Stainless steel
	44075207LG	Door Hinge Assembly	P and U models; Light gray
4	70442101	Screw	3 required
5	M400044	Screw	6 required
6	M4773P3	Hinge Cam Kit	Black; B, G, K and N models; P models with white and stainless steel front panels
	M4772P3	Hinge Cam Kit	H, P, S and U models
7	70409801	Screw	Black; B, G, K and N models; P models with white and stainless steel front panels; 2 required
	70033502	Screw	H, P, S and U models; 2 required
8	44035002	Door Hinge Lug Assembly	Black; B, G, K and N models; P models with white and stainless steel front panels
	44035001	Door Hinge Lug Assembly	H, P, S and U models
9	70058501	Pop Rivet	2 required

* Add Letter To Designate Color. Q - Bisque W - White

Hinge Components - Design 5 Models

H, S and U Models

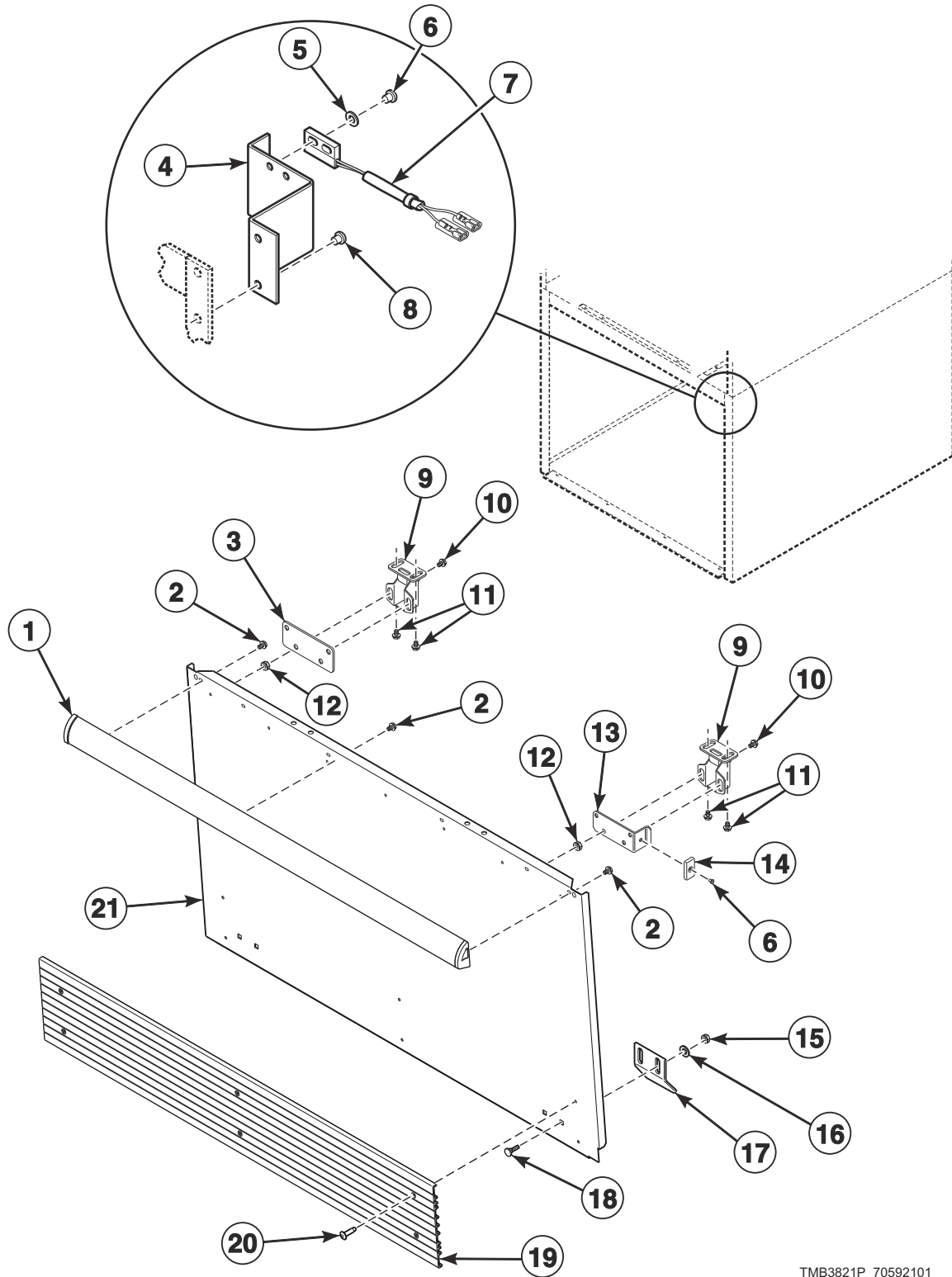


TMB3805P_70592101

Hinge Components - Design 5 Models

REF	PART NO.	DESCRIPTION	COMMENTS
1	44088001	Nut	
2	802822	Screw	
3	70058501	Pop Rivet	
4	44376501	Upper Hinge Gusset	
5	44366606W	Door Hinge Assembly	White
	44366604	Door Hinge Assembly	Stainless steel
	44366602LG	Door Hinge Assembly	Light gray; U models
	44366608	Door Hinge Assembly	Chrome
6	70640201	Screw	
7	70639301	Upper Lug Assembly	
8	70640301	Screw	
9	70640401	Center Hinge Lug Assembly	
10	70639302	Lower Lug Assembly	
11	44349101	Screw	
12	70632002	Lower Hinge Gusset	

Lint Panel Components



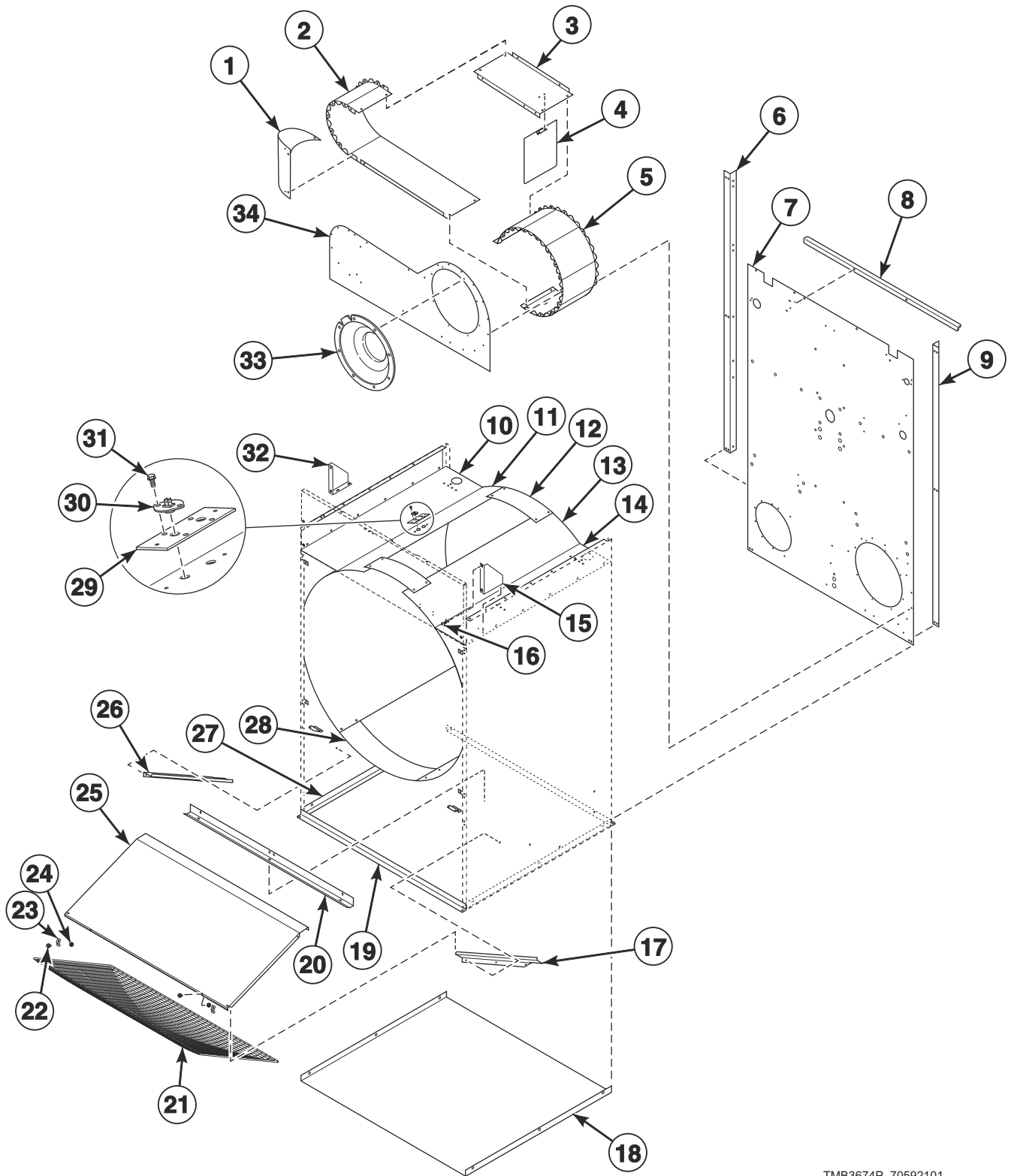
TMB3821P_70592101

Lint Panel Components

REF	PART NO.	DESCRIPTION	COMMENTS
1	44049903	Handle and Caps Assembly	B, N, S and U models; P models with white and stainless steel front panels; Black; Includes endcaps
	70407212	Handle Bumper	P models
	70154417	Handle and Caps Assembly	H and U models; Gray; Includes endcaps
	70407204	Handle Bumper	G and K models; Black and blue; Does not have endcaps
2	430757	Screw	6 required
3	44014001	Roller Catch Mounting Bracket	2 required
4	44296301	Switch Bracket	
5	F431125	Washer	2 required
6	F8245101	Blind Rivet	2 required
7	F8066804	Reed Switch Assembly	
8	430725	Pop Rivet	2 required
9	H87020202	Roller Catch	2 required; Includes strike
10	70442101	Screw	8 required
11	D501086	Screw	4 required
12	44088001	Nut	8 required
13	44288401	Mounting Plate	
14	70343101	Magnet	
15	44087101	Nut	4 required
16	M400080	Washer	Design 5 models
17	44017801	Lint Panel Clip	2 required
18	44017901	Bolt	Design 3 models
	203798	Bolt	Design 5 models
19	70117611	Kickplate	All models except H models; Black; Design 3
	70117621	Kickplate	H and U models; Gray; Design 3
20	70126301	Pop Rivet	Black; 6 required
	70126401	Pop Rivet	Gray; 6 required
21	44012304DG	Lint Panel	P models; Dark gray
	44012307	Lint Panel	P models; Stainless steel; Design 5 H, S and U models
	44012301*P	Lint Panel	Design 3 models
	44012308W	Lint Panel	Design 5 H, S and U models
	44012306	Lint Panel	All models except P models; Stainless steel; Design 3
	44012303LG	Lint Panel	U models; Light gray; Design 3
	44012304LG	Lint Panel	U models; Light gray; Design 5

* Add Letter To Designate Color. Q - Bisque W - White

Cabinet and Frame Assembly

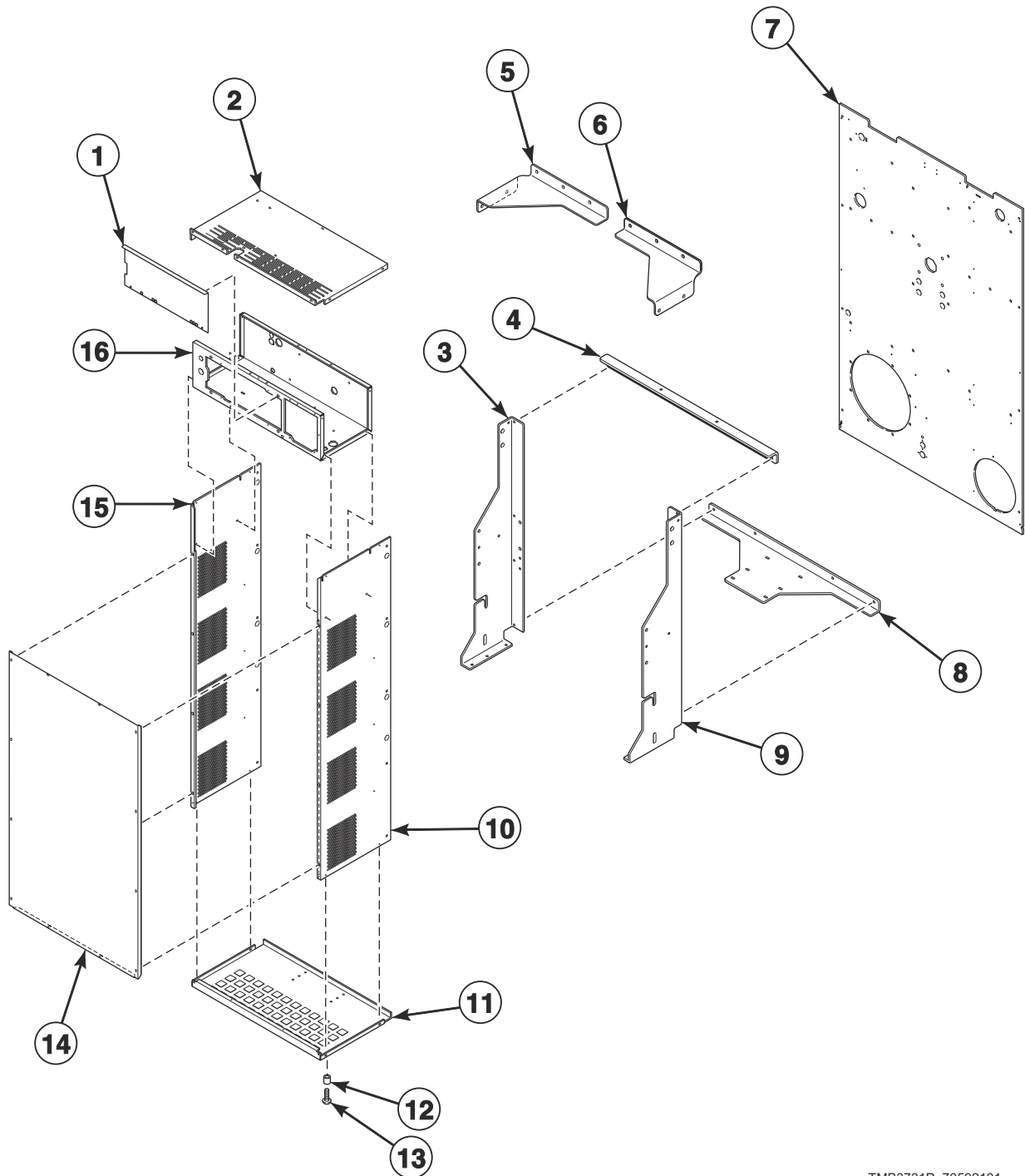


TMB3674P_70592101

Cabinet and Frame Assembly

REF	PART NO.	DESCRIPTION	COMMENTS
	M402144	Felt Pad	6 required; Behind front panel
1	44290301	Exhaust Deflector	
2	44289801	Blower Housing	Left
3	44289901	Blower Housing	Top
4	44280304	Damper Assembly	
5	44290001	Blower Housing Scroll	
6	44282802	Rear Panel Support	Left outer
7	44265901	Rear Panel	
8	44275801	Rear Panel Support	
9	44282801	Rear Panel Support	Right outer
10	44305802	Support Shelf	Left
11	44335501	Cylinder Shroud	Left
12	44335701	Cylinder Shroud	Top front and rear
13	44335601	Cylinder Shroud	Right
14	44305801	Support Shelf	Right
15	44028301DG	Top Access Panel Gusset	Dark gray; P models; Right
	44028301LG	Top Access Panel Gusset	Light gray; U models; Right
	44028301*	Top Access Panel Gusset	Right
16	431287	Screw	4 required
17	44291001	Lint Screen Support	Right
18	44279201	Bottom Pan	
19	44319502	Base Support	Front and back
20	44307901	Lint Screen Support	Back
21	44063603P	Lint Screen	
22	70442101	Screw	
23	H96418413	Lint Screen Clip	
24	44088001	Nut	
25	44290901	Lint Hood	
26	44291002	Lint Screen Support	Left
27	44319402	Base Support	Left and right
28	44335801	Cylinder Shroud	Bottom rear
29	44068101	Thermistor Plate	Without fire Suppression system
	44068102	Thermistor Plate	With fire Suppression system
30	44064701	Thermistor	2 required; For fire suppression system
31	51780	Screw	
32	44028302DG	Top Access Panel Gusset	Dark gray; P models; Left
	44028302LG	Top Access Panel Gusset	Light gray; U models; Left
	44028302*	Top Access Panel Gusset	Left
33	44266902	Blower Inlet Cone	
34	44289701	Blower Housing	Front

Rear Panel Components

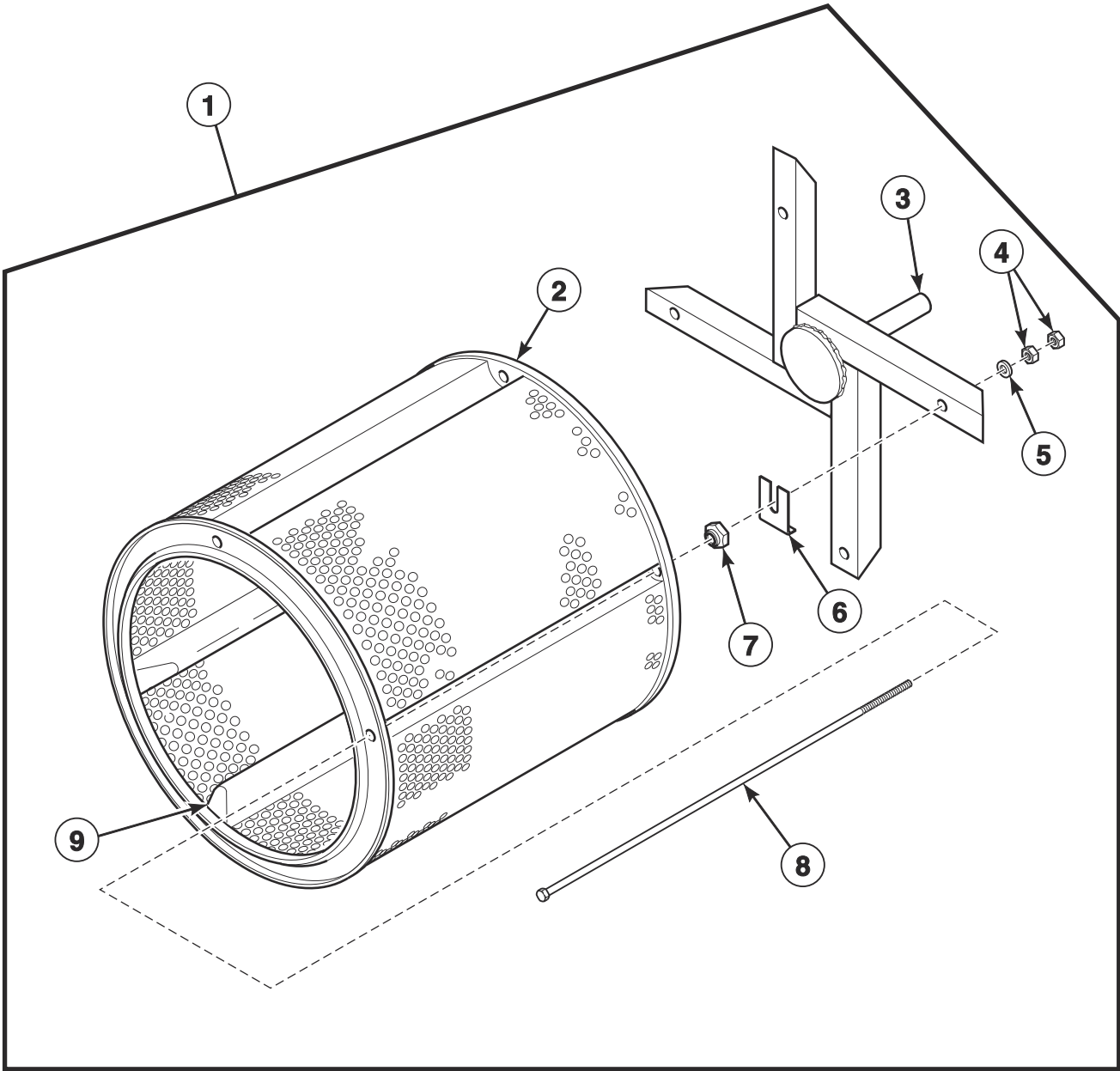


TMB3731P_70592101

Rear Panel Components

REF	PART NO.	DESCRIPTION	COMMENTS
1	70507501	Control Tray Cover	
2	44314101	Belt Guard	Top
3	44311601	Rear Panel Brace	Right center
4	44275801	Rear Panel Support	Top
5	44311702	Rear Panel Support	Left inner
6	44311701	Rear Panel Support	Right inner
7	44265901	Rear Panel	
8	44311801	Rear Panel Brace	Bottom
9	44311602	Rear Panel Brace	Left center
10	44264201	Belt Guard	Right
11	44169801	Belt Guard	Bottom
12	56079	Panel Locator	
13	70275801	Screw	
14	44169601	Belt Guard	Rear
15	44264202	Belt Guard	Left
16	44314201	Belt Guard	Center

Cylinder and Trunnion Assembly

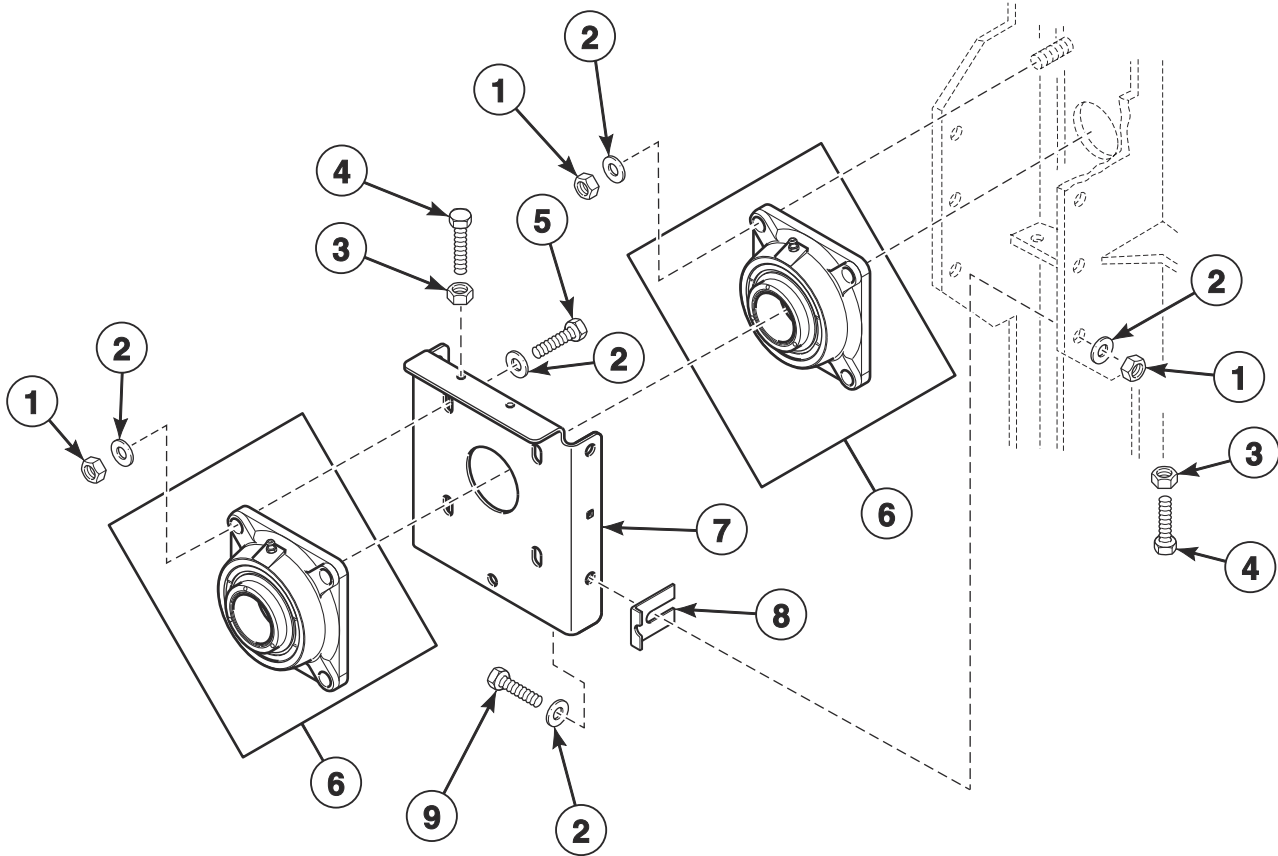


TMB1811B_70592101

Cylinder and Trunnion Assembly

REF	PART NO.	DESCRIPTION	COMMENTS
1	44054701	Cylinder and Trunnion Assembly	Galvanized; Non-moisture sensing
	44192001	Cylinder and Trunnion Assembly	Galvanized; Moisture sensing
	44054702	Cylinder and Trunnion Assembly	Stainless steel; Non-moisture sensing
	44192002	Cylinder and Trunnion Assembly	Stainless steel; Moisture sensing
2	H96367545	Cylinder Assembly	Galvanized; Includes items 4 and 8; Non-moisture sensing
	44191101	Cylinder Assembly	Galvanized; Moisture sensing
	M409826	Cylinder Assembly	Stainless steel; Includes items 4 and 8; Non-moisture sensing
	44191102	Cylinder Assembly	Stainless steel; Moisture sensing
3	44240801	Trunnion Assembly	Non-moisture sensing
	44240802	Trunnion Assembly	Moisture sensing
4	H88412101	Nut	8 required
5	70261401	Washer	4 required
6	M401402	Spacer	As required
7	M412334	Nut	4 required
8	H8830143H	Bolt	4 required
9	44191204	Cylinder Rib Assembly	Moisture sensing

Trunnion Bearings

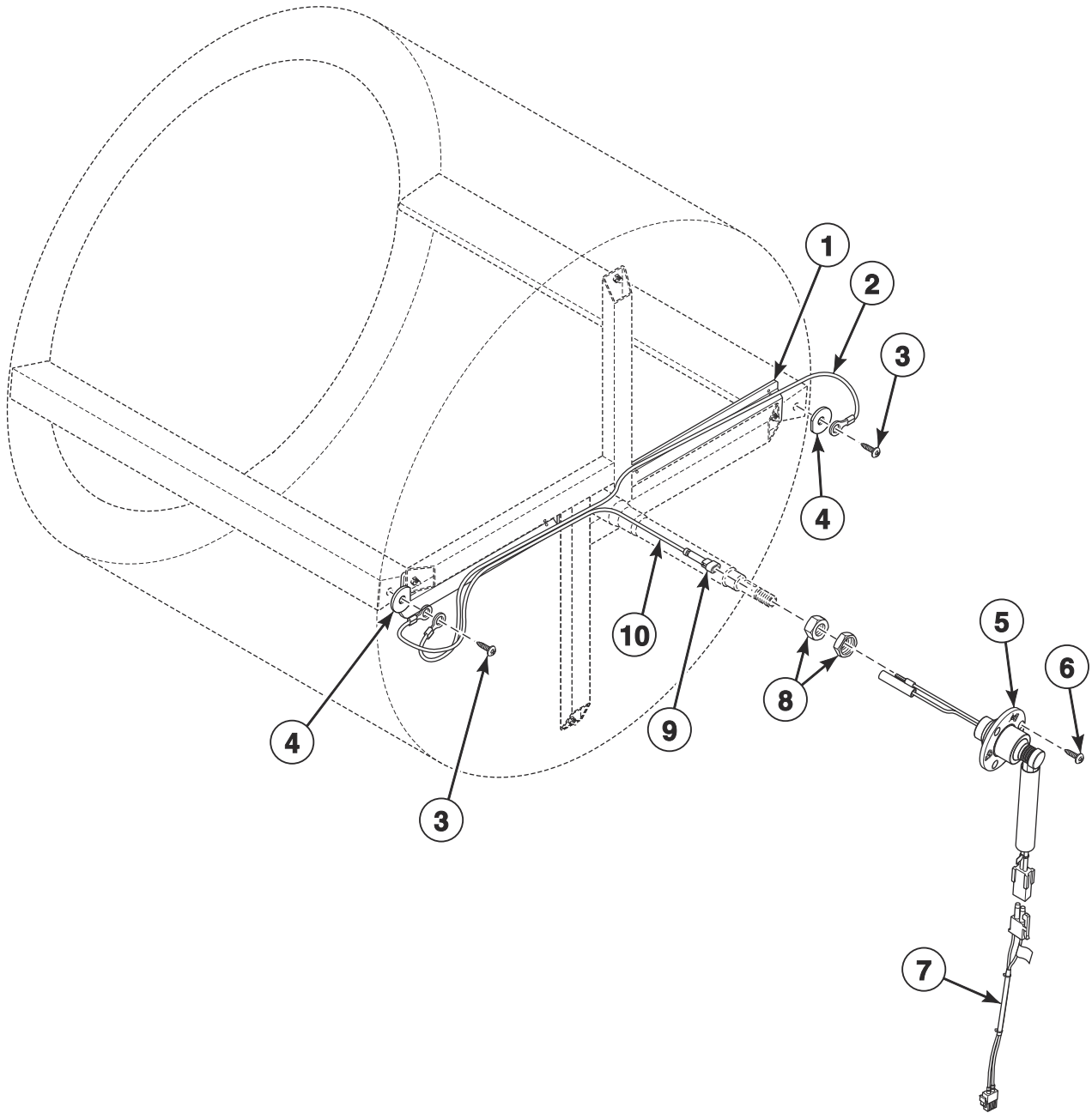


TMB3629P_70592101

Trunnion Bearings

REF	PART NO.	DESCRIPTION	COMMENTS
1	F8387701	Nut	
2	70261401	Washer	
3	20274	Nut	
4	800462	Screw	
5	M411165	Screw	
6	44048301P	Flange Bearing	
7	44301701	Bearing Mounting	
8	M401402	Spacer	As required
9	H88012034	Screw	

Moisture Sensing Components

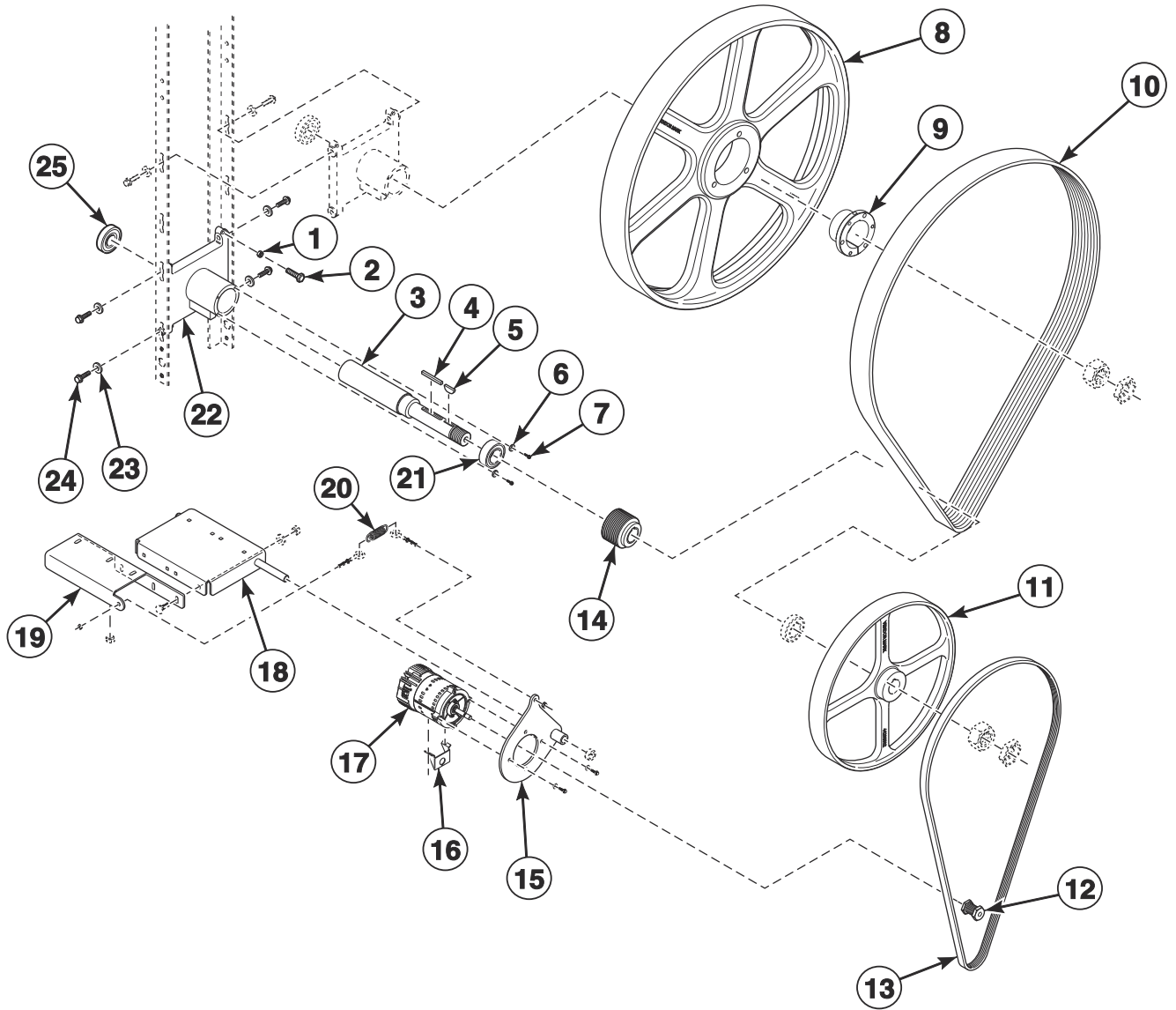


TMB3628P_70592101

Moisture Sensing Components

REF	PART NO.	DESCRIPTION	COMMENTS
1	44239002	Wireway Channel	
2	44208101	Rib Wire	
3	44338901	Screw	
4	44238902	Washer	
5	44222702	Slip Ring Assembly	
6	70442101	Screw	
7	44333903	Moisture Sensor Harness	Goes from item 5 to main harness
8	M400035	Nut	
9	44370401	1 Circuit Plug Housing	
10	44344703	Moisture Sensing Harness Kit	

Cylinder Motor Components

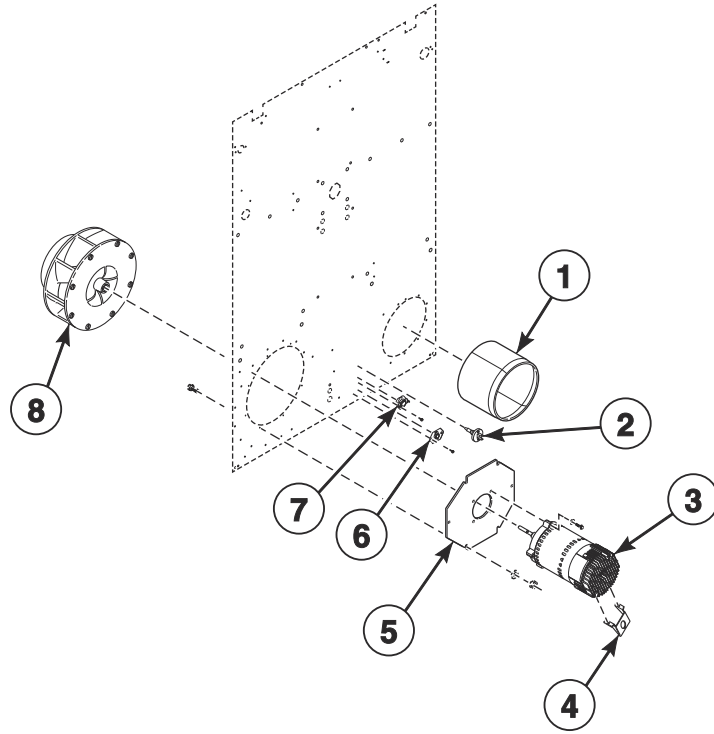


TMB3953P

Cylinder Motor Components

REF	PART NO.	DESCRIPTION	COMMENTS
	44335306	Inverter Motor Harness	Cylinder
	204454	Ferrite	Korean models; Applied to motor wires
	44375001	Trunnion Housing Assembly	Includes items 6, 7, 21, 22 and 25
1	M400026	Nut	
2	M400650	Bolt	
3	44303101	Idler Shaft	
4	M405232	Key	
5	M400008	Key	
6	20103	Washer	
7	70187201	Screw	
8	44289601	Pulley	
9	F280409P	Bushing	
10	44293702	V-Belt	
11	44289502	Pulley	
12	44267601	Motor Pulley	
13	44309402	V-Belt	
14	44302901	Micro V Pulley	
15	44311501	Motor Pivot Plate Weldment	
16	44317901	Motor Conduit Bracket	
17	44259701P	Drive Motor	1.5 HP; 230 Volt/3 Phase
	44259801P	Drive Motor	1.5 HP; 460 Volt/3 Phase
18	44310601	Motor Pivot Bracket Weldment	
19	44310701	Motor Pivot Brace	
20	F8440701	Extension Spring	
21	M413923P	Bearing	
22	M413826	Trunnion Housing	
23	70261401	Washer	
24	M400063	Screw	
25	44041901P	Ball Bearing	

Blower and Exhaust Components

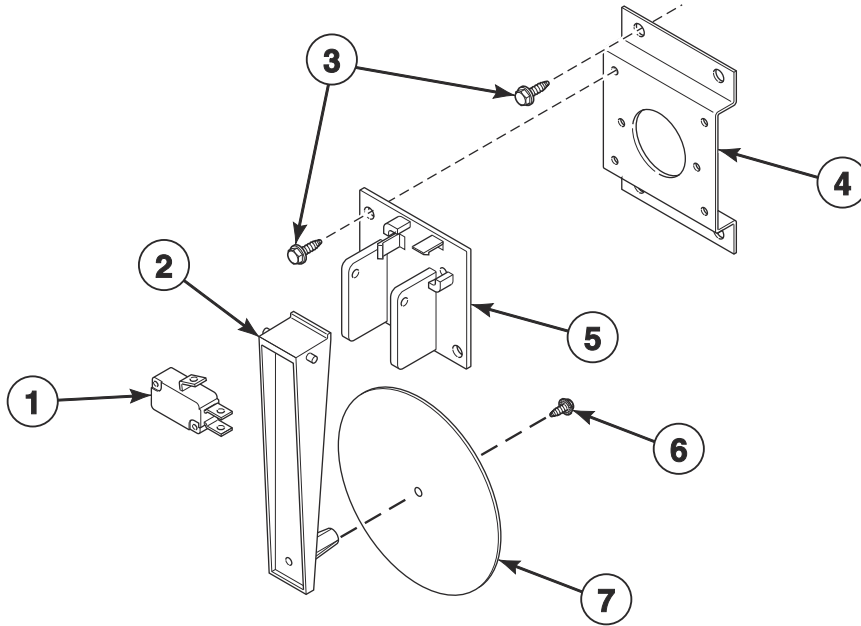


TMB3663P_70592101

Blower and Exhaust Components

REF	PART NO.	DESCRIPTION	COMMENTS
	44335307	Inverter Motor Harness	Fan
	204454	Ferrite	Korean models; Applied to motor wires
1	44305001	Exhaust Thimble Assembly	
2	M414704	Thermistor	
3	44259301P	Fan Motor	1.5 HP; 230 Volt/3 Phase
	44259401P	Fan Motor	1.5 HP; 460 Volt/3 Phase
4	44317901	Motor Conduit Bracket	
5	44311301	Blower Motor Mounting Plate	
6	70530905	Limit Thermostat	
7	44328002	Limit Thermostat	
8	44267201	Blower Assembly	

Airflow Switch

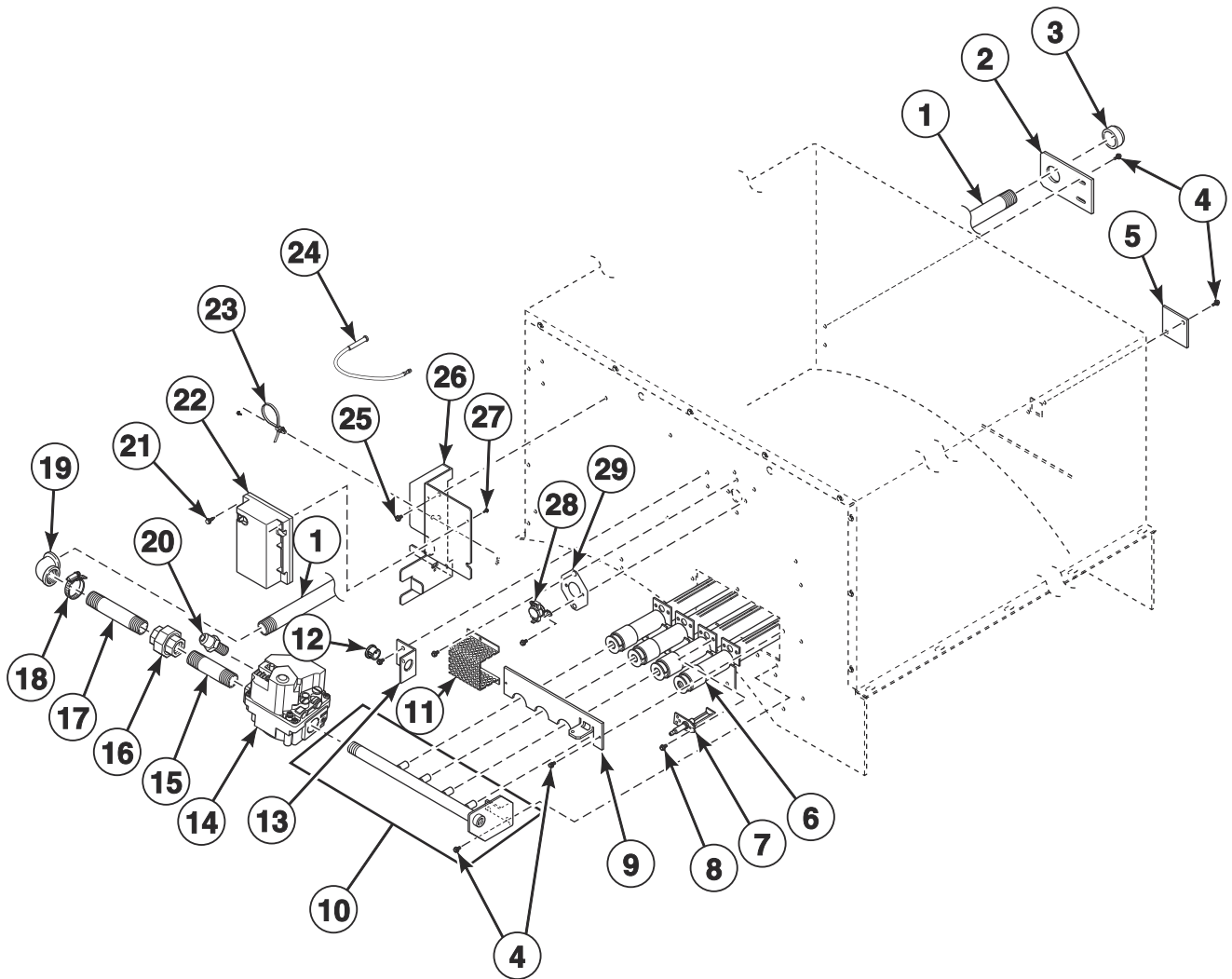


TMB3632P_70592101

Airflow Switch

REF	PART NO.	DESCRIPTION	COMMENTS
	70429601P	Airflow Switch Kit	Includes items 1, 2 and 5-7
1	70411901	Switch	
2	70319401	Airflow Switch Arm	
3	430497	Screw	
4	70356301	Switch Bracket	Gas models
5	70319602	Airflow Switch and Arm Bracket	
6	430757	Screw	
7	70319201	Airflow Switch Vane	

Gas Heater Components - Models with 2nd Digit A, G, H, J, K, R, and T

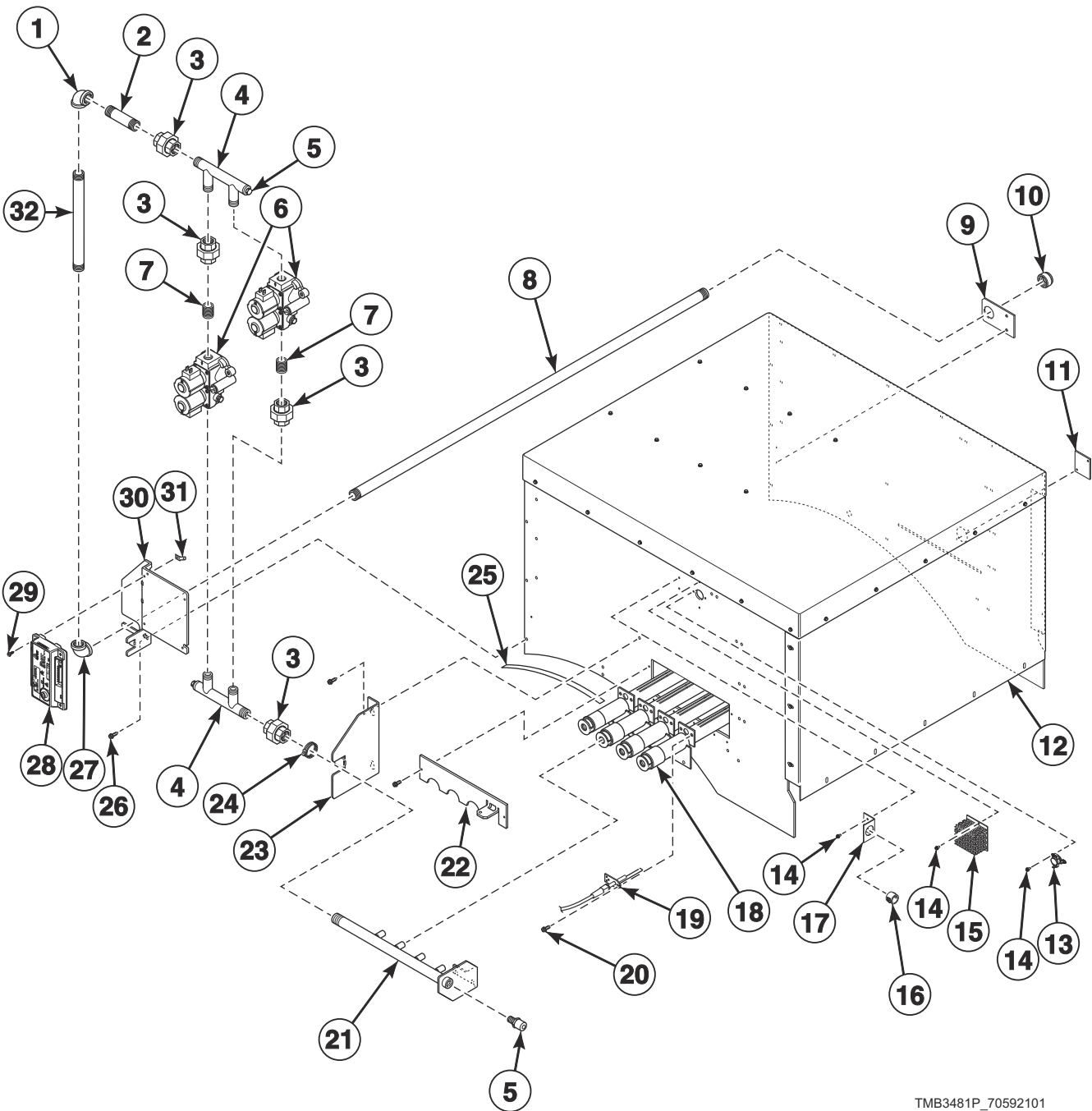


TMB3664P_70592101

Gas Heater Components - Models with 2nd Digit A, G, H, J, K, R, and T

REF	PART NO.	DESCRIPTION	COMMENTS
	70564304	Stove Limit Harness	
	44334603	ICM Harness	
	44328805	L.P. Conversion Kit	CSA models; 0-2,000 feet
	44328807	L.P. Conversion Kit	AGA models; 0-2,000 feet
	44330304	L.P. Conversion Kit	IEC models; 0-2,000 feet
	44273501	Gas Valve Harness	Single
	44324201	Caution Label	Australian models; Repeat ignition reset
	D503887	Label	Australian models; Gas
	70535901	Notice Label	Australian models; Natural Gas (N.G.)
	70544901	Notice Label	Australian models; Liquid Petroleum Gas (L.P.)
	44178803	Adapter	IEC models; BPT/NPT
	44342901	Reducer	IEC models
	H85101608	Nipple	IEC models
	M413021	Bushing	IEC models
	44174201	Pipe Tee	IEC models
1	44252401	Pipe Nipple	
2	44249301	Pipe Bracket	
3	44087801	Pipe Cap	
4	430497	Screw	
5	70159601	Igniter Cover	
6	M412025P	Burner	4 required
7	44328701P	Spark Electrode	
8	51782	Screw	2 required
9	44315201	Burner Hole Cover	
10	44390002	Spud Holder Weldment	
11	M414477	Thermostat Cover	
12	M400770	Snap Bushing	
13	431078	Stove Limit Harness Bracket	
14	44166701	Gas Valve	CSA models; N.G.
	44166702	Gas Valve	CSA models; L.P.
	44166703	Gas Valve	All other models; N.G.
	44166704	Gas Valve	All other models; L.P.
15	44249501	Pipe Nipple	
16	M411419	Pipe Union	
17	44252301	Pipe Nipple	
18	20391	Hose Clamp	
19	44249401	Pipe Elbow	
20	44231601	Pressure Fitting	IEC models
21	51783	Screw	
22	70482001	Ignition Control	CSA models
	70482002	Ignition Control	IEC models
23	M405829	Cable Tie	
24	44239704	High Voltage Suppression Cable	
25	51780	Screw	
26	44245701	Gas Valve Bracket	
27	38272	Screw	
28	44328102	Limit Thermostat	N.G. models
	44328103	Limit Thermostat	L.P. models
29	44312501	Thermostat Opening Cover	

Gas Heater Components - Models with 2nd Digit U

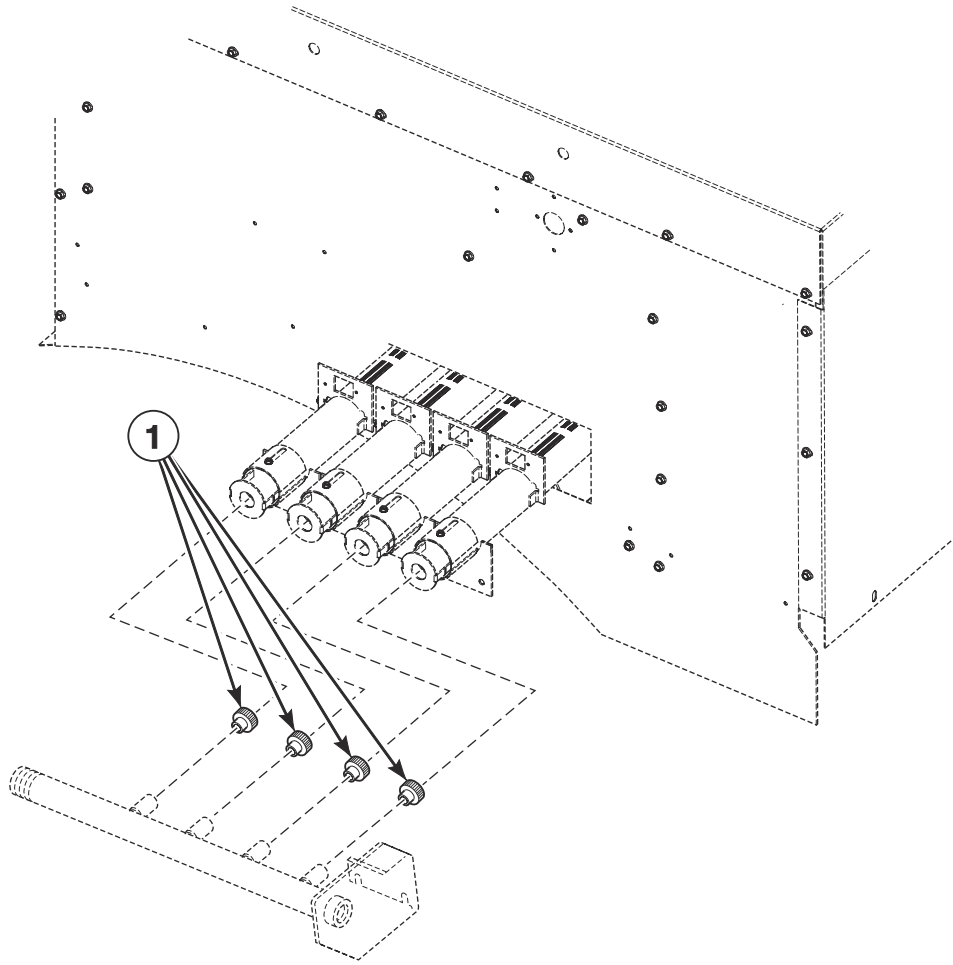


TMB3481P_70592101

Gas Heater Components - Models with 2nd Digit U

REF	PART NO.	DESCRIPTION	COMMENTS
	70564304	Stove Limit Harness	
	44334603	ICM Harness	
	44330304	L.P. Conversion Kit	0-2,000 feet
	44273503	Gas Valve Harness	
	44178803	Adapter	BPT/NPT
	44342901	Reducer	
	H85101608	Nipple	
	M413021	Bushing	
	44174201	Pipe Tee	
1	F421107	Elbow	
2	H85101673	Nipple	
3	M411419	Pipe Union	4 required
4	44315401	Pipe Adapter Weldment	2 required
5	44231601	Pressure Fitting	2 required
6	44316801	Gas Valve	2 required; Natural Gas (N.G.)
	44316802	Gas Valve	2 required; Liquid Petroleum (L.P.)
7	H85101608	Nipple	2 required
8	44252401	Pipe Nipple	
9	44249301	Pipe Bracket	
10	44087801	Pipe Cap	
11	70159601	Igniter Cover	
12	44282600	Heater Assembly	
13	44328102	Limit Thermostat	N.G. models
	44328103	Limit Thermostat	L.P. models
14	430497	Screw	
15	M414477	Thermostat Cover	
16	M400770	Snap Bushing	
17	431078	Stove Limit Harness Bracket	
18	M412025P	Burner	4 required
19	44328701P	Spark Electrode	
20	51782	Screw	
21	44390002	Spud Holder Weldment	
22	44315201	Burner Hole Cover	
23	44317201	Gas Valve Support Bracket	
24	20391	Hose Clamp	
25	44333402	Gasket	2 required
26	51783	Screw	
27	44249401	Pipe Elbow	
28	70482002	Ignition Control	
29	51780	Screw	
30	44245701	Gas Valve Bracket	
31	00177	Male Tab Terminal	
32	70543501	Pipe Nipple	

Burner Orifices

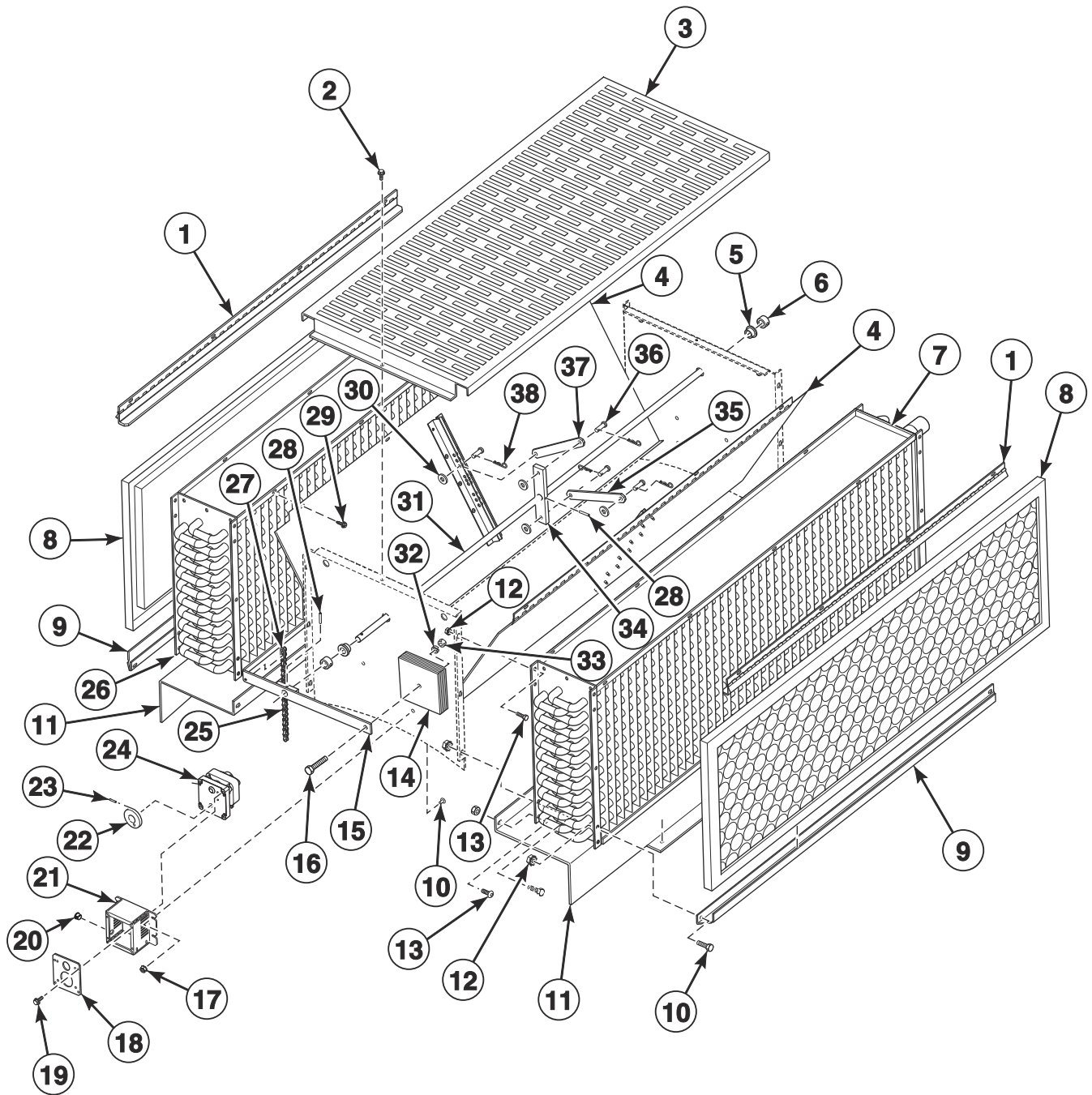


TMB3665P_70592101

Burner Orifices

REF	PART NO.	DESCRIPTION	COMMENTS
	44357509	High Altitude Orifice Kit	CSA Natural Gas (N.G.) models
	44357510	High Altitude Orifice Kit	CSA Liquid Petroleum Gas (L.P.) models
1	70684150	Burner Orifice	N.G. models; Drill no. 13 (4.70 mm); 0-2,000 feet
	70684147	Burner Orifice	N.G. models; Drill no. 16 (4.50 mm); 2,001-4,000 feet
	70684144	Burner Orifice	N.G. models; Drill no. 18 (4.31 mm); 4,001-6,000 feet
	70684143	Burner Orifice	N.G. models; Drill no. 19 (4.22 mm); 6,001-8,000 feet
	70684140	Burner Orifice	N.G. models; Drill no. 22 (3.99 mm); 8,001-10,000 feet
	70684130	Burner Orifice	Models with 2nd digit G, H, J, K and T; L.P.; 3.30 mm; 0-2,000 feet
	70684128	Burner Orifice	Models with 2nd digit G, H, J, K and T; L.P.; Drill no. 1/8 (3.18 mm); 2,001-4,000 feet
	70684126	Burner Orifice	Models with 2nd digit G, H, J, K and T; L.P.; Drill no. 31 (3.05 mm); 4,001-6,000 feet
	70684125	Burner Orifice	Models with 2nd digit G, H, J, K and T; L.P.; Drill no. 32 (2.95 mm); 6,001-8,000 feet
	70684123	Burner Orifice	Models with 2nd digit G, H, J, K and T; L.P.; Drill no. 34 (2.82 mm); 8,001-10,000 feet
	70684100	Burner Orifice	Blank; Models with 2nd digit G, H, J, K and T
	70684118	Burner Orifice	CE models; L.P.; Drill no. 38 (2.58 mm); 0-2,000 feet
	70684115	Burner Orifice	CE models; L.P.; Drill no. 41 (2.44 mm); 2,001-4,000 feet
	70684114	Burner Orifice	CE models; L.P.; Drill no. 42 (2.37 mm); 4,001-6,000 feet
	70684113	Burner Orifice	CE models; L.P.; 2.30 mm; 6,001-8,000 feet
	70684111	Burner Orifice	CE models; L.P.; 2.20 mm; 8,001-10,000 feet
	70684124	Burner Orifice	Australian models; L.P.; Drill no. 33 (2.87 mm); 0-2,000 feet
	70684120	Burner Orifice	Australian models; L.P.; Drill no. 36 (2.71 mm); 2,001-4,000 feet
	70684119	Burner Orifice	Australian models; L.P.; Drill no. 37 (2.64 mm); 4,001-6,000 feet
	70684117	Burner Orifice	Australian models; L.P.; Drill no. 39 (2.53 mm); 6,001-8,000 feet
	70684115	Burner Orifice	Australian models; L.P.; Drill no. 41 (2.44 mm); 8,001-10,000 feet

Steam Heater Components

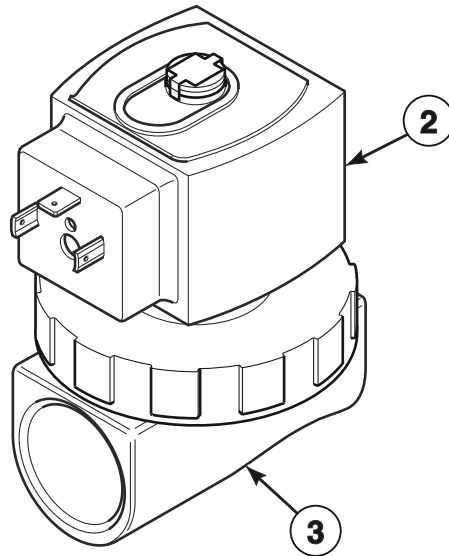
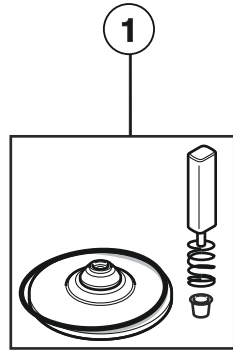


TMB3675P_70592101

Steam Heater Components

REF	PART NO.	DESCRIPTION	COMMENTS
	44273606	Damper Motor Harness	
	F8520703	Steam Valve Harness	
	70564302	Stove Limit Bypass Harness	
	70523301	Harness Adapter Plate	
	44314801	Steam Adapter Kit	IEC models
	44317101	Steam Heater Assembly	CRN models
	44316901	Steam Heater Assembly	All other models
1	44088101	Steam Filter Top Hinge Assembly	2 required
2	M405188	Screw	
3	44115101	Steam Cover	
4	H96387519	Damper	2 required; Use M405750 Pop Rivet
5	M414459	Bushing	2 required
6	M414451	Shaft Collar	2 required
7	44256601	Steam Coil	CRN models
	M409834P	Steam Coil	All other models
8	44172101	Filter	IEC models; 2 required
	H96362264	Coil Filter	CSA models; 2 required
9	H96388087	Filter Channel	2 required; Upper
10	801019	Screw	2 required
11	M411550	Steam Coil Support	3 required
12	29786	Nut	3 required
13	02422	Screw	3 required
14	44332601	Steam Damper Counterweight	6 required
15	44332701	Shaft Actuator Assembly	
16	H88010574	Screw	
17	23951	Nut	3 required
18	44327501	Damper Motor Plate	
19	61199	Screw	
20	M411826	Snap Bushing	
21	44327401	Damper Motor Cover	
22	H96388178	Drive Wheel	Damper
23	H88900683	Spring Pin	Damper
24	44308101	Damper Motor	
25	H96388186	Drive Chain	
26	44256501	Steam Coil	CRN models
	M409833P	Steam Coil	All other models
27	H96382072P	Master Link	2 required
28	H88970256	Roll Pin	2 required
29	D501086	Screw	
30	800465	Washer	4 required
31	H96388079	Damper Shaft	
32	M400013	Washer	
33	70142	Nut	
34	44096401	Steam Damper Actuator	
35	44333001	Steam Damper Link	
36	44091501	Clevis Pin	4 required
37	44332901	Steam Damper Link	
38	44091601	Hairpin Cotter	4 required

Steam Valve

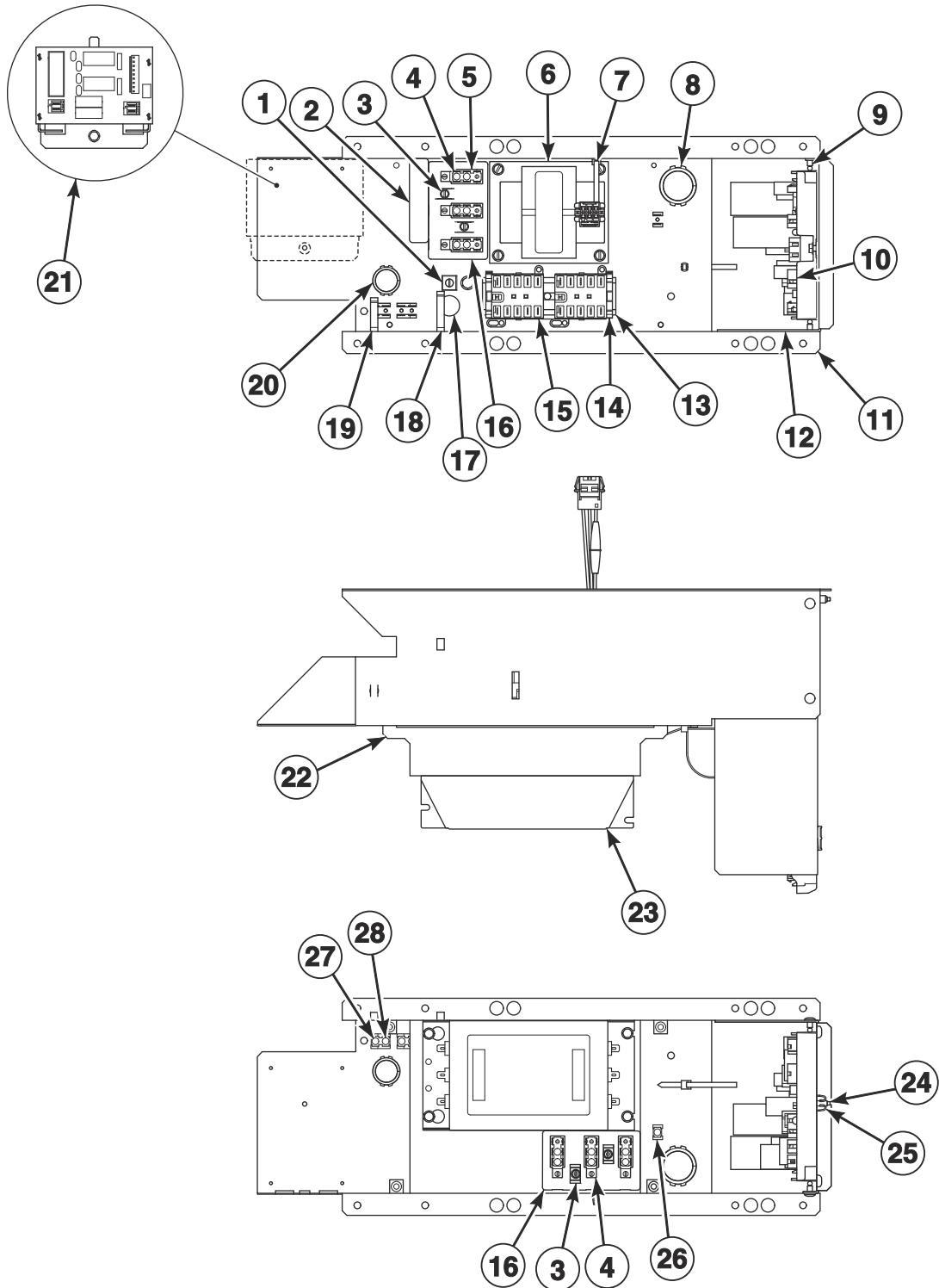


TMB3634P_70592101

Steam Valve

REF	PART NO.	DESCRIPTION	COMMENTS
	F8382301	DIN Valve Adapter Klt	
1	F8379502	Valve Rebuild Kit	
2	F8514601P	Coil	240 Volt
3	F8322906P	Valve	240 Volt

Control Tray



TMB3676P_70592101

Control Tray

REF	PART NO.	DESCRIPTION	COMMENTS
	685837	Screw	Use with item 1
	44088001	Nut	Use with item 1
	204454	Ferrite	Korean models; Applied to motor wires
	44272104	Emergency Stop Interconnect Harness	Routes from emergency stop to control tray
	44357403	EMI Filter Kit	CSA models; 200-240 Volt
	44357402	EMI Filter Kit	CSA models; 380-480 Volt
1	M411283	Ground Lug Connector	
2	44286803	Label	L1, L2, L3
3	51783	Screw	
4	430642	Terminal Block	
5	70333001	Terminal Block Shield	
6	F8491101	Transformer	380-480 Volt
7	70335601	Cable Tie	
8	70346501	Bushing	
9	70058501	Pop Rivet	
10	70479201P	I/O Control Assembly	
11	70492401	Control Tray	
12	70494901	Control Board Control Tray	
13	M412690	DIN Rail	
14	F8449801	End Stop	
15	70482601	Contactors	2 required
16	M413862	Insulator	
17	D516100	Label	
18	F8449501	Wire Clip	
19	F8449502	Wire Clip	
20	70178701	Snap Bushing	
21	70501801	Steam Control Assembly	Steam models
22	70533101	Filter Bracket	IEC models
23	F8591801	EMI Filter	IEC models; 200-240 Volt
	F8637501	EMI Filter	IEC models; 380-480 Volt
24	F8206901	Screw	
24	70030501	Expansion Clip	
25	00621SG	Male Tab Terminal	
27	M400003	Pop Rivet	
28	00622SG	Terminal	

Labels

PART NO.	DESCRIPTION	COMMENTS
44318601	Caution Label	Vent/install
F8614501	Danger Label	Shock; English/French
D516100	Label	Earth ground
F8614301	Hot Surface Warning Label	English/French
F8609001	Hot Surface Warning Label	Icon
F8611601	Warning Label	
44318600	Label Kit	Vent/install
F8614500	Label Kit	Shock
70534400	Label Kit	Fire
F8605500	Label Kit	
44321501	Notice Label	120/240 Volt
70539601	Notice Label	
D516073	Notice Label	Read instructions; Icon
70538401	Pinch Warning Label	English/French
F8615701	Pinch Warning Label	Icon
F8615702	Pinch Warning Label	Icon
F8614202	Shock Warning Label	Icon
70536401	Warning Label	Lint; Australian models
44324101	Warning Label	Fire; Australian models
70534405	Warning Label	Fire; Colombian Spanish; Australian models
70534401	Warning Label	Fire; English; Australian models
70534402	Warning Label	Fire; French; Australian models
44321601	Warning Label	Risk of fire; Icon
44324001	Warning Label	Shock/pinch
44324002	Warning Label	Shock/pinch

Harnesses

PART NO.	DESCRIPTION	COMMENTS
44316008	Harness	3 Phase; Auxiliary power distribution block to EMI filter
44356405	Control Tray Harness Assembly	Steam models
44356406	Control Tray Harness Assembly	Gas models
44334702	Inverter Contactor Coil Harness	Secondary
44316002	Harness	3 Phase; Main power distribution block to EMI filter
44280012	Motor Contactor Power Harness	3 Phase; EMI
44280003	Motor Contactor Power Harness	3 Phase
44280101	Power Harness	380-480 Volt
44272101	Power Harness	200-240 Volt

Parts Index

A

Access Panel Trim 70399404	27
Adapter 44178803	53, 55
Airflow Switch and Arm Bracket 70319602	51
Airflow Switch Arm 70319401	51
Airflow Switch Kit 70429601P	51
Airflow Switch Vane 70319201	51

B

Ball Bearing 44041901P	47
Base Support 44319402	37
44319502	37
Bearing M413923P	47
Bearing Mounting 44301701	43
Belt Guard 44169601	39
44169801	39
44264201	39
44264202	39
44314101	39
44314201	39
Blind Rivet F8245101	35
Blower Assembly 44267201	49
Blower Housing 44289701	37
44289801	37
44289901	37
Blower Housing Scroll 44290001	37
Blower Inlet Cone 44266902	37
Blower Motor Mounting Plate 44311301	49
Bolt H8830143H	41
M400650	47
203798	35
44017901	35
Bottom Pan 44279201	37
Burner M412025P	53, 55
Burner Hole Cover 44315201	53, 55

Burner Orifice 70684100	57
70684111	57
70684113	57
70684114	57
70684115	57
70684117	57
70684118	57
70684119	57
70684120	57
70684123	57
70684124	57
70684125	57
70684126	57
70684128	57
70684130	57
70684140	57
70684143	57
70684144	57
70684147	57
70684150	57

Bushing F280409P	47
M413021	53, 55
M414459	59
70346501	23, 63

C

Cable Tie M405829	53
70335601	63
Caution Label 44318601	64
44324201	53
Center Hinge Lug Assembly 70640401	33
Circuit Plug Housing, 1 44370401	45
Clevis Pin 44091501	59
Coil F8514601P	61
Coil Filter H96362264	59
Cold Weather Kit 44340301	23
Contact Base F8538101	15, 19, 21
Contact Switch F8069501	15, 19, 21
Contactactor 70482601	63
Control 70511601	23
Control Assembly 70478802	19
70478902	19
70479801	15
70479901	15
70523002	19
70523101	15

N/A items do not appear in index.

70543104	21
Control Board Control Tray 70494901	63
Control Box Base 44065301	23
Control Box Cover 44065201	23
Control Box Housing 44306701	23
Control Box Top 44307101	23
Control Bracket 44331005	15, 19
44331006B	15, 19
44331006DG	15, 19
44331006LG	15, 19, 21
44331006W	15, 19, 21
Control Cover 44330801B	13, 17
44330801*	13, 17, 21
44330802	13, 17, 21
44330803LG	13, 17, 21
44330804*	13, 17
44330805	13, 17
44330806DG	13, 17
44330810B	13, 17
44330810*	13, 17, 21
44330811	13, 17, 21
44330812LG	13, 17, 21
44330813*	13, 17
44330814	13, 17
44330815DG	13, 17
Control Harness 44334404	23
Control Tray 70492401	63
Control Tray Cover 70507501	39
Control Tray Harness Assembly 44334506	65
44356405	65
Control Trim 44016401	13, 17
44016403	13, 17
Cylinder and Trunnion Assembly 44054701	41
44054702	41
44192001	41
44192002	41
Cylinder Assembly H96367545	41
M409826	41
44191101	41
44191102	41
Cylinder Rib Assembly 44191204	41
Cylinder Shroud 44335501	37
44335601	37
44335701	37
44335801	37

D

Damper H96387519	59
Damper Assembly 44280304	37
Damper Motor 44308101	59
Damper Motor Cover 44327401	59
Damper Motor Harness 44273606	59
Damper Motor Plate 44327501	59
Damper Shaft H96388079	59
Danger Label F8614501	64
DIN Rail M412690	63
DIN Valve Adapter Kit F8382301	61
Door Assembly 44028906	29
44028907	29
44058105	29
44266703	29
44292302B	29
44292302LG	29
44354701	29
44354703	29
44354705	29
70407402	29
Door Catch Kit 70482901	25
Door Glass 44008401P	29
44008402P	29
Door Glass Installation Tool M4221P4	29
Door Glass Label 70650401	29
70707701	29
Door Handle 44007901	29
44263801	29
44370601	29
70521102	29
Door Hinge 44075207B	31
Door Hinge Assembly 44075201*	31
44075207LG	31
44075210	31
44366602LG	33
44366604	33
44366608	33
Door Hinge Lug Assembly 44035001	31
44035002	31
Door Hinge Assembly 44366606W	33
Door Latch M401223	25

N/A items do not appear in index.

Door Ring and Handle Assembly	
44326007B	29
44326007LG	29
Door Ring Assembly	
44326001	29
44326002	29
44326003B	29
44326004B	29
Door Ring Gasket	
44008201P	29
70296802	29
Door Seal Kit	
70211902P	29
Door Switch Actuator Kit	
70215001P	31
Door Switch Cover	
44316301	25
Door Switch Harness	
44335203	25
Door Switch Shield	
44316601	25
Door Switch Wire Channel	
44286002	25
Drive Chain	
H96388186	59
Drive Motor	
44259701P	47
44259801P	47
Drive Rivet	
M400713	23
Drive Wheel	
H96388178	59

E

Elbow	
F421107	55
Emergency Stop Harness	
44272401	15, 19, 21
Emergency Stop Interconnect Harness	
44272104	63
Emergency Stop Label	
44012901	15, 19, 21
Emergency Stop Pushbutton	
F200233500	15, 19, 21
EMI Filter	
F8591801	63
F8637501	63
EMI Filter Kit	
44357402	63
44357403	63
End Stop	
F8449801	63
Exhaust Deflector	
44290301	37
Exhaust Thimble Assembly	
44305001	49
Expansion Clip	
70030501	13, 17, 21, 63
Extension Spring	
F8440701	47

F

Fan Motor	
44259301P	49
44259401P	49
FCC-IC Label	
F8613201	21
Felt Pad	
M402144	37
Ferrite	
204454	47, 49, 63
Fill Hose	
202799	23
Filter	
44172101	59
Filter Bracket	
70533101	63
Filter Channel	
H96388087	59
Filter Mounting Plate	
70551701	23
Flange Bearing	
44048301P	43
Front Access Panel	
44012707WP	27
44012709B	27
44012709DG	27
44012709LG	27
44012714	27
44367203	27
44367204W	27
Front Control Box	
44311101	11
Front Panel	
44291902	25
44291903DG	25
44291903LG	25
44291903W	25
44368501W	25
44368503	25

G

Gas Valve	
44166701	53
44316801	55
44316802	55
Gas Valve Bracket	
44245701	53, 55
Gas Valve Harness	
44273501	53
44273503	55
Gas Valve Support Bracket	
44317201	55
Gasket	
44333402	55
Ground Lug Connector	
M411283	63

N/A items do not appear in index.

H

Hairpin Cotter	
44091601	59
Handle and Caps Assembly	
44049903	35
70154417	35
Handle Bar	
70399501B	29
Handle Bumper	
70407204	35
70407212	35
Harness	
F8617901	21
44316002	65
44316008	65
Harness Adapter Plate	
70523301	59
Heater Assembly	
44282600	55
High Altitude Orifice Kit	
44357509	57
44357510	57
High Voltage Suppression Cable	
44239704	53
Hinge Cam Kit	
M4772P3	31
M4773P3	31
Hose	
44073306	23
Hose Clamp	
20391	53, 55
36801	23
Hose Fitting	
44069101	23
Hot Surface Warning Label	
F8609001	64
F8614301	64

I

ICM Harness	
44334603	53, 55
Idler Shaft	
44303101	47
Igniter Cover	
70159601	53, 55
Ignition Control	
70482001	53
70482002	53, 55
Insulator	
M413862	63
Interconnect Harness	
44334401	23
Inverter Contactor Coil Harness	
44334702	65
Inverter Motor Harness	
44335306	47
44335307	49
I/O Control Assembly	
70479201P	63

J

J-Belt	
44293702	47

K

Key	
M400008	47
M405232	47
70155601	23
Kickplate	
70117611	35
70117621	35

L

Label	
D503887	53
D516100	63, 64
44190901	25
44286803	63
44318201	23
70414001	29
70472801	25
70537001	25
70537101	25
Label Kit	
F8605500	64
F8614500	64
44318200	23
44318600	64
44324500	23
70534400	64
Light	
801432	23
Limit Thermostat	
44328002	49
44328102	53, 55
44328103	53, 55
70530905	49
Lint Hood	
44290901	37
Lint Panel	
44012301W	35
44012303LG	35
44012304DG	35
44012304LG	35
44012306	35
44012307	35
44012308W	35
Lint Panel Clip	
44017801	35
Lint Screen	
44063603P	37
Lint Screen Clip	
H96418413	37
Lint Screen Support	
44291001	37
44291002	37
44307901	37

N/A items do not appear in index.

Lock, Key and Nut Kit 44089301P	23
Lower Hinge Gusset 70632002	33
Lower Lug Assembly 70639302	33
L.P. Conversion Kit 44328805	53
44328807	53
44330304	53, 55

M

Machine ID Control Assembly 203361P	17, 21
Magnet 70343101	35
Main Harness 44334202	11
Male Tab Terminal 00177	55
00621SG	63
Manifold 44079602	23
Master Link H96382072P	59
Max Fill Line Label 70707501	29
Micro V Pulley 44302901	47
Mixing Valve 70519801	23
Mixing Valve Shield Bracket 44306601	23
Moisture Sensing Harness Kit 44344703	45
Moisture Sensor Harness 44333903	45
Motor Conduit Bracket 44317901	47, 49
Motor Contactor Power Harness 44280003	65
44280012	65
Motor Pivot Brace 44310701	47
Motor Pivot Bracket Weldment 44310601	47
Motor Pivot Plate Weldment 44311501	47
Motor Pulley 44267601	47
Mounting Bracket 44331101	21
Mounting Plate 44288401	35
44330901	15, 19, 21

N

Nameplate F8443107	27
-----------------------------	----

F8688001	27
F8688901	27
44010601	27
567887	27
70472001	27
Nameplate Overlay 44130401	27
70410201	27
Nipple H85101608	55
H851016088	53, 55
H85101673	55
Notice Label D516073	64
44321501	64
70535901	53
70539601	64
70544901	53
Nut F8387701	43
H88412101	41
M400026	47
M400035	45
M400977	13, 17, 21
M412334	41
M414215	29
20274	43
23951	59
29786	59
29787	25
44087101	35
44088001	29, 31, 33, 35, 37, 63
70030401	25, 27
70142	59

O

Overlay 70516801	13
70517801	13
70519001	13
70539101	13
70545501	13
70547501	13
70547801	17
70548801	17
70570601	17
70570801	17
70571401	17
70571601	17
70572401	17
70595401	21
70636401	17
70636501	13
70636801	13
70638301	17
70638801	13
70638901	17
70639001	21

P

Panel Locator 56079	39
------------------------------	----

N/A items do not appear in index.

Pinch Warning Label	
F8615701	64
F8615702	64
70538401	64
Pipe Adapter Weldment	
44315401	55
Pipe Bracket	
44249301	53, 55
Pipe Cap	
44087801	53, 55
Pipe Elbow	
44249401	53, 55
Pipe Nipple	
44249501	53
44252301	53
44252401	53, 55
70543501	55
Pipe Tee	
44174201	53, 55
Pipe Union	
M411419	53, 55
Plug	
M400985	15, 19, 21
Pop Rivet	
M400003	63
430725	15, 19, 21, 35
44166601	25
70058501	31, 33, 63
70126301	35
70126401	35
70412601	29
Porcelain Touch-Up Paint	
122P4P	25
370P4P	25
Power Harness	
44272101	65
44280101	65
Power Sensor Harness	
44334408	23
Pressure Fitting	
44231601	53, 55
Pulley	
44289502	47
44289601	47
Push-to-Start Switch	
801434W	23

R

Rear Panel	
44265901	37, 39
Rear Panel Brace	
44311601	39
44311602	39
44311801	39
Rear Panel Support	
44275801	37, 39
44282801	37
44282802	37
44311701	39
44311702	39
Reducer	
44342901	53, 55

Reed Switch Assembly	
F8066804	35
Rib Wire	
44208101	45
Roll Pin	
H88970256	59
Roller Catch	
H87020202	35
Roller Catch Mounting Bracket	
44014001	35

S

Screw	
D501086	35, 59
F8206901	63
H88010574	59
H88012034	43
M400044	31
M400063	47
M400661	29
M402574	25
M405188	59
M411165	43
02422	59
38272	53
430497	11, 21, 23, 51, 53, 55
430757	35, 51
431287	25, 37
44338901	45
44349101	33
51780	23, 37, 53, 55
51782	53, 55
51783	53, 55, 63
61199	59
685837	63
70033502	31
70182601	25, 27
70187201	47
70275801	39
70409801	31
70442101	29, 31, 35, 37, 45
70640201	33
70640301	33
800462	43
800930	13, 17, 21
801019	59
802822	33
804608	13, 17, 21, 23
Sensor Harness	
44334407	23
Shaft Actuator Assembly	
44332701	59
Shaft Collar	
M414451	59
Shield	
44326801	23
Shock Warning Label	
F8614201	23
F8614202	64
F8614401	23
Slip Ring Assembly	
44222702	45
Snap Bushing	
M400770	53, 55

N/A items do not appear in index.

M411826	59
70178701	11, 63
Spacer	
M401402	41, 43
Spark Electrode	
44328701P	53, 55
Spray Paint	
298P4P	25
Spring Pin	
H88900683	59
Spud Holder Weldment	
44390002	53, 55
Steam Adapter Kit	
44314801	59
Steam Coil	
M409833P	59
M409834P	59
44256501	59
44256601	59
Steam Coil Support	
M411550	59
Steam Control Assembly	
70501801	63
Steam Cover	
44115101	59
Steam Damper Actuator	
44096401	59
Steam Damper Counterweight	
44332601	59
Steam Damper Link	
44332901	59
44333001	59
Steam Filter Top Hinge Assembly	
44088101	59
Steam Heater Assembly	
44316901	59
44317101	59
Steam Valve Harness	
F8520703	59
Stove Limit Bypass Harness	
70564302	59
Stove Limit Harness	
70564304	53, 55
Stove Limit Harness Bracket	
431078	53, 55
Support Bracket	
44310901	23
Support Shelf	
44305801	37
44305802	37
Switch	
44312401	25
70411901	51
Switch Bracket	
44296301	35
70356301	51

T

Terminal	
00622SG	63
Terminal Block	
430642	63

Terminal Block Shield	
70333001	63
Thermistor	
M414704	49
44064701	37
Thermistor Plate	
44068101	37
44068102	37
Thermostat Cover	
M414477	53, 55
Thermostat Opening Cover	
44312501	53
Top Access Panel Gusset	
44028301DG	37
44028301*	37
44028302DG	37
44028302*	37
Transformer	
F8491101	63
Trunnion Assembly	
44240801	41
44240802	41
Trunnion Housing	
M413826	47
Trunnion Housing Assembly	
44375001	47

U

Upper Hinge Gusset	
44376501	33
Upper Hinge/Wire Cover Bracket	
44368702	25
Upper Lug Assembly	
70639301	33
USB IR Interface Kit	
203346	21
USB-Serial Interface Assembly	
203440	21

V

Valve	
F8322906P	61
Valve Rebuild Kit	
F8379502	61
V-Belt	
44309401	47

W

Warning Label	
F8611601	64
44321601	64
44324001	64
44324002	64
44324101	64
44324501	23
44324502	23
70534401	64
70534402	64

N/A items do not appear in index.

70534405	64
70536401	64
Washer	
F431125	35
M400013	59
M400080	35
03815	13, 17, 21
20103	47
44238902	45
70261401	41, 43, 47
70409301	29
800465	25, 27, 59
Water Valve Harness	
44334405	23
Wire Clip	
F8449501	63
F8449502	63
Wireless Network Board Harness	
F8536002	21
Wireless Network Control Assembly	
203532	11
Wireless Network Kit	
70596301	11, 21
Wireway Channel	
44239002	45
