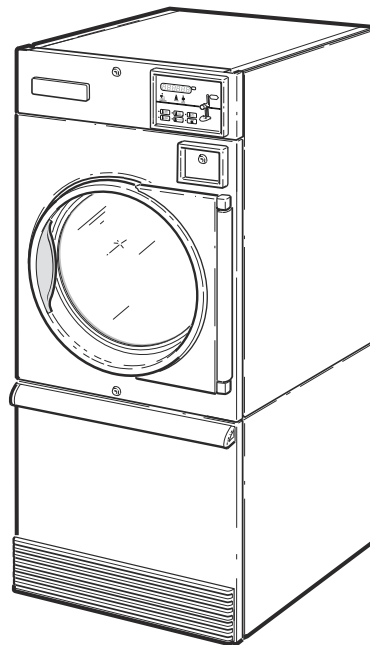


# Tumble Dryers

35 Pound Capacity

18 Digit Model Numbers with 3 in 13th Position

Refer to Page 5 for Model Numbers



TMB1283C\_70594901



# Table of Contents

Title	Page
Parts Ordering Information.....	3
Serial Plate Location .....	3
Model Identification .....	5
Product Overview - Heat Source and Voltage .....	6
Product Overview - FN Control Suffix .....	8
Product Overview - DN and NN Control Suffixes.....	10
Product Overview - B, N and W Control Suffixes.....	12
Dual Digital Control .....	14
Electronic Display Control - Vend Models with B in the 7th Position .....	16
Electronic Display Control - Vend Models with N or W in the 7th Position.....	18
Electronic Display Control - OPL Models with N in the 7th Position .....	20
Coin Drops .....	22
Coin Drop Kits .....	24
Central Pay and Card Reader Components .....	26
Door Assemblies.....	28
Door Components.....	30
Hinge Components .....	32
False Fronts .....	34
Control Panels .....	36
Front Panel Assemblies .....	38
Cabinet Front Components.....	40
Emergency Stop Button - OPL Models .....	42
Lower Cabinet Components .....	44
Cylinder and Trunnion Assembly .....	46
Moisture Sensing Components .....	48
Cylinder Components .....	50
Cabinet Components .....	52
Fire Suppression System Components .....	54
Fire Suppression System Control Box.....	56
Motor Components .....	58
Blower and Exhaust Components.....	60
Airflow Switch.....	62
Gas Heater Components .....	64
Burner Orifices .....	66
Electric Heater Components .....	68
Steam Heater Components .....	70
Control Tray .....	72
Accessory Box - Electric 200-240 Volt Models .....	74
Accessory Box - Electric 380-480 Volt Models .....	76
Harnesses.....	78
Labels .....	79

© Copyright 2021, Alliance Laundry Systems LLC

All rights reserved. No part of the contents of this book may be reproduced or transmitted in any form or by any means without the expressed written consent of the publisher.



## Parts Ordering Information

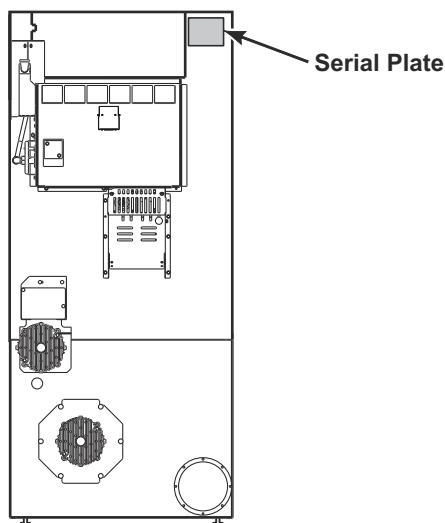
If literature or replacement parts are required, contact the source from whom the machine was purchased or contact Alliance Laundry Systems at (920) 748-3950 for the name and address of the nearest authorized parts distributor.

For technical assistance, call the number listed below:

(920) 748-3121 Ripon, Wisconsin

## Serial Plate Location

When calling or writing about your product, be sure to mention model and serial numbers. Model and serial numbers are located on serial plate(s) as shown.



TMB3500P\_70594901

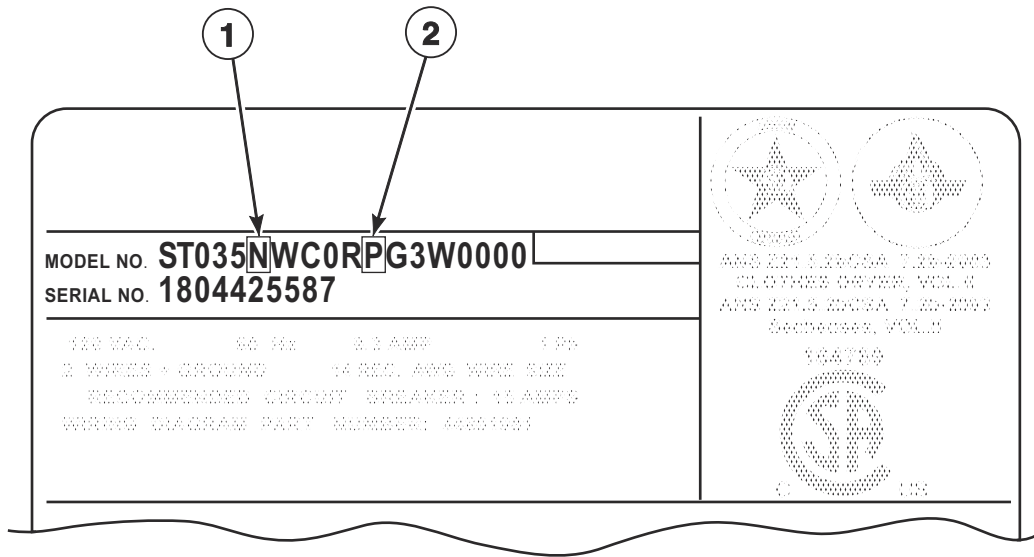


## Model Identification

Information in this manual is applicable to these tumbler models:

GA035E	KT035E	MG035D	NA035E
GA035L	KT035L	MG035E	NA035L
GA035M	KT035M	MG035F	NA035M
GA035N	KT035N	MG035L	NA035N
GA035S	KT035S	MG035M	NA035S
GG035E		MG035N	NG035E
GG035L		MG035R	NG035L
GG035M		MG035S	NG035M
GG035N		MJ035D	NG035N
GG035S		MJ035E	NG035S
GH035E		MJ035F	NH035E
GH035L		MJ035L	NH035L
GH035M		MJ035M	NH035M
GH035N		MJ035N	NH035N
GH035S		MJ035R	NH035S
GJ035E		MJ035S	NJ035E
GJ035L			NJ035L
GJ035M			NJ035M
GJ035N			NJ035N
GJ035S			NJ035S
GK035E			NK035E
GK035L			NK035L
GK035N			NK035N
GU035E			NR035E
GU035L			NR035L
GU035M			NR035M
GU035N			NR035N
GU035S			NR035S
			NT035E
			NT035L
			NT035M
			NT035N
			NT035S
			NU035E
			NU035L
			NU035M
			NU035N
			NU035S

# Product Overview - Heat Source and Voltage



TMB3529P\_70594901

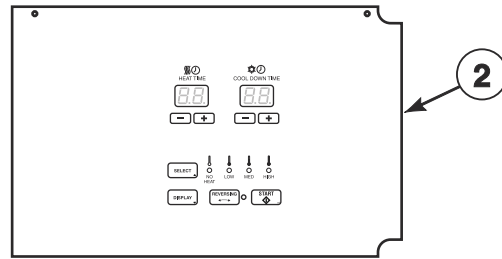
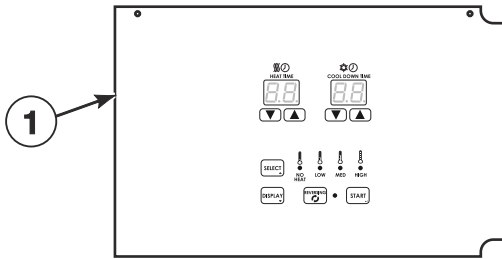
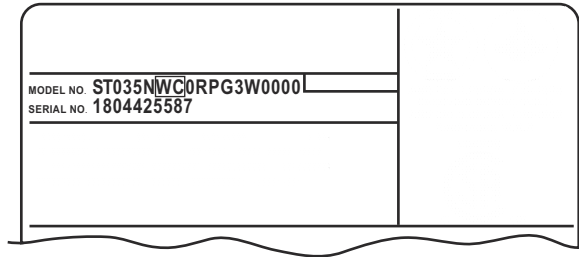


# Product Overview - Heat Source and Voltage

REF	PART NO.	DESCRIPTION	COMMENTS
1	-	Heat Source	D: Liquid Petroleum Gas (L.P) E: Electric F: Reduced Electric (Eco Line) L: Liquid Petroleum Gas (L.P.) M: Medium Electric N: Natural Gas (N.G.) R: Reduced Gas, Natural Gas (Eco Line) S: Steam
2	-	Voltage	B: 100-120 Volt/50-60 Hertz/1 Phase; Gas and steam models D: 200-208 Volt/50-60 Hertz/1 Phase; Electric models E: 230-240 Volt/50-60 Hertz/1 Phase; Electric models F: 200-208 Volt/50-60 Hertz/3 Phase; Electric models G: 230-240 Volt/50-60 Hertz/3 Phase; Electric models H: 380 Volt/50-60 Hertz/3 Phase; Electric models J: 400-415 Volt/50-60 Hertz/3 Phase; Electric models K: 440 Volt/50-60 Hertz/3 Phase; Electric models L: 460-480 Volt/50-60 Hertz/3 Phase; Electric models N: 440-480 Volt/50-60 Hertz/3 Phase; Gas and steam models P: 380-415 Volt/50-60 Hertz/3 Phase; Gas and steam models X: 200-240 Volt/50-60 Hertz/1-3 Phase; Gas and steam models

# Product Overview - FN Control Suffix

G, K and N Models; OPL



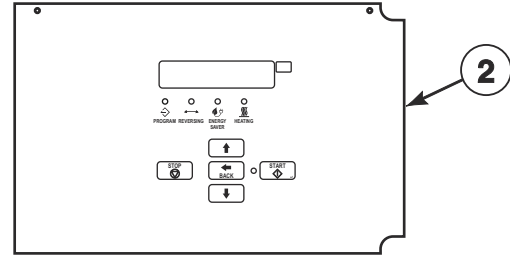
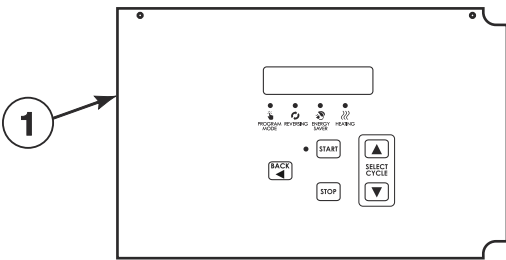
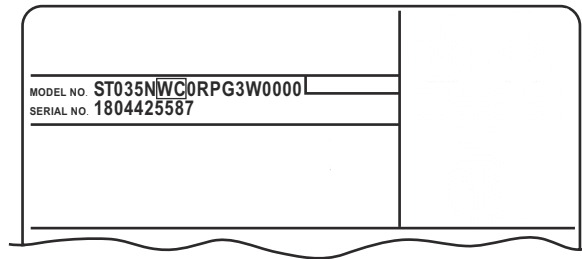
TMB3552P\_70594901

## Product Overview - FN Control Suffix

REF	PART NO.	DESCRIPTION	COMMENTS
1	-	Dual Digital Control	G and K models
2	-	Dual Digital Control	N models

# Product Overview - DN and NN Control Suffixes

G, K and N Models; OPL



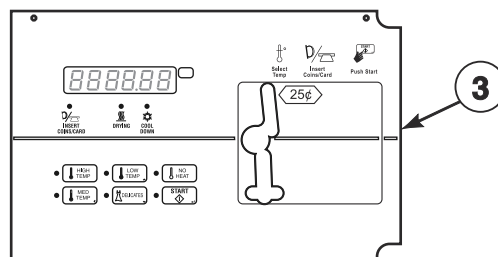
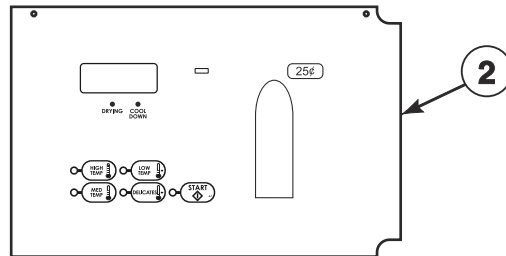
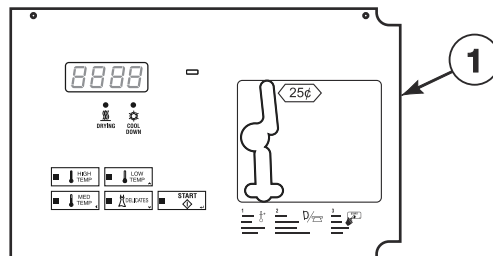
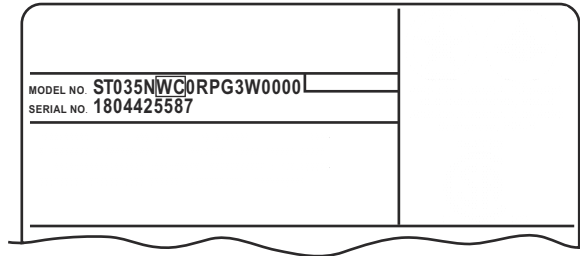
TMB3553P\_70594901

## Product Overview - DN and NN Control Suffixes

REF	PART NO.	DESCRIPTION	COMMENTS
1	-	OPL Micro Control	G and K models
2	-	OPL Micro Control	N models

# Product Overview - B, N and W Control Suffixes

7th Position of the Model Number; All Models Except NT Models; Vend



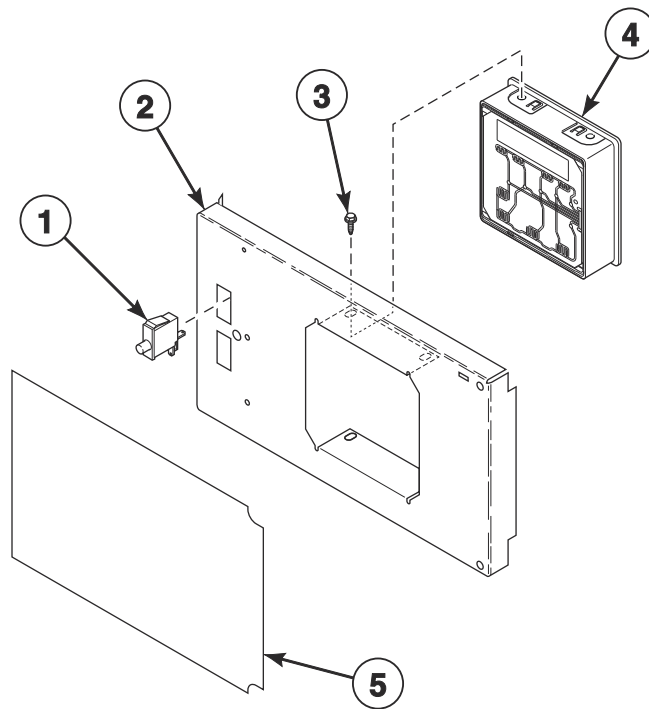
TMB3554P\_70594901

## Product Overview - B, N and W Control Suffixes

REF	PART NO.	DESCRIPTION	COMMENTS
1	-	Basic Electronic Control	N models
2	-	Basic Electronic Control	G and K models
3	-	Quantum Gold Control	M models

# Dual Digital Control

G, K and N Models with F in the 7th Position



TMB3505P\_70594901

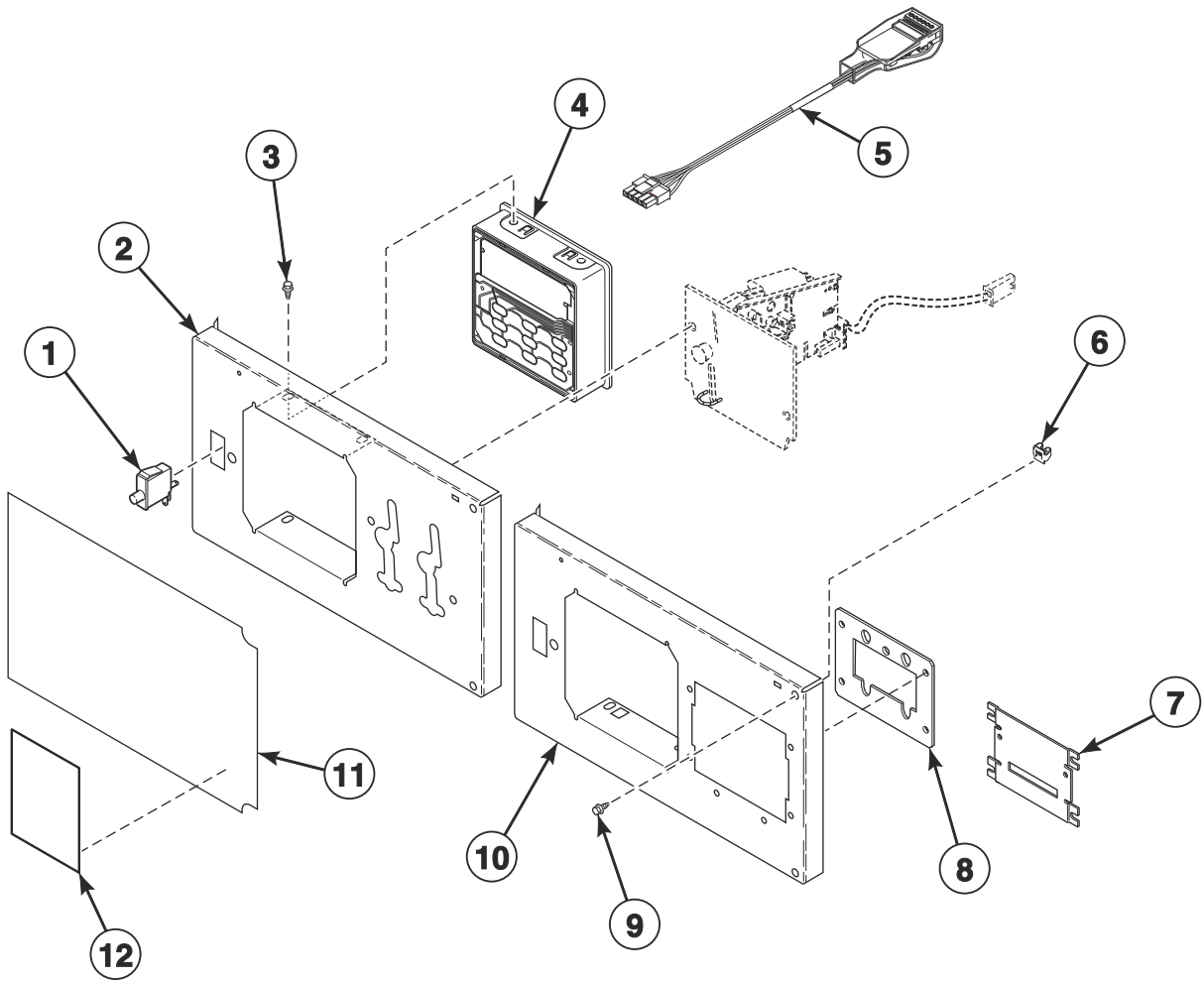


# Dual Digital Control

REF	PART NO.	DESCRIPTION	COMMENTS
	44334004	Vend Activation Harness	
1	70413301	Pushbutton Switch	
2	70497101	Control Plate	
3	804608	Screw	4 required
4	70479801	Control Assembly	
5	70547502	Overlay	G and K models; Nonreversing
	70547501	Overlay	G and K models; Reversing
	70516802	Overlay	N models; Nonreversing
	70516801	Overlay	N models; Reversing

# Electronic Display Control - Vend Models with B in the 7th Position

G, K and N Models



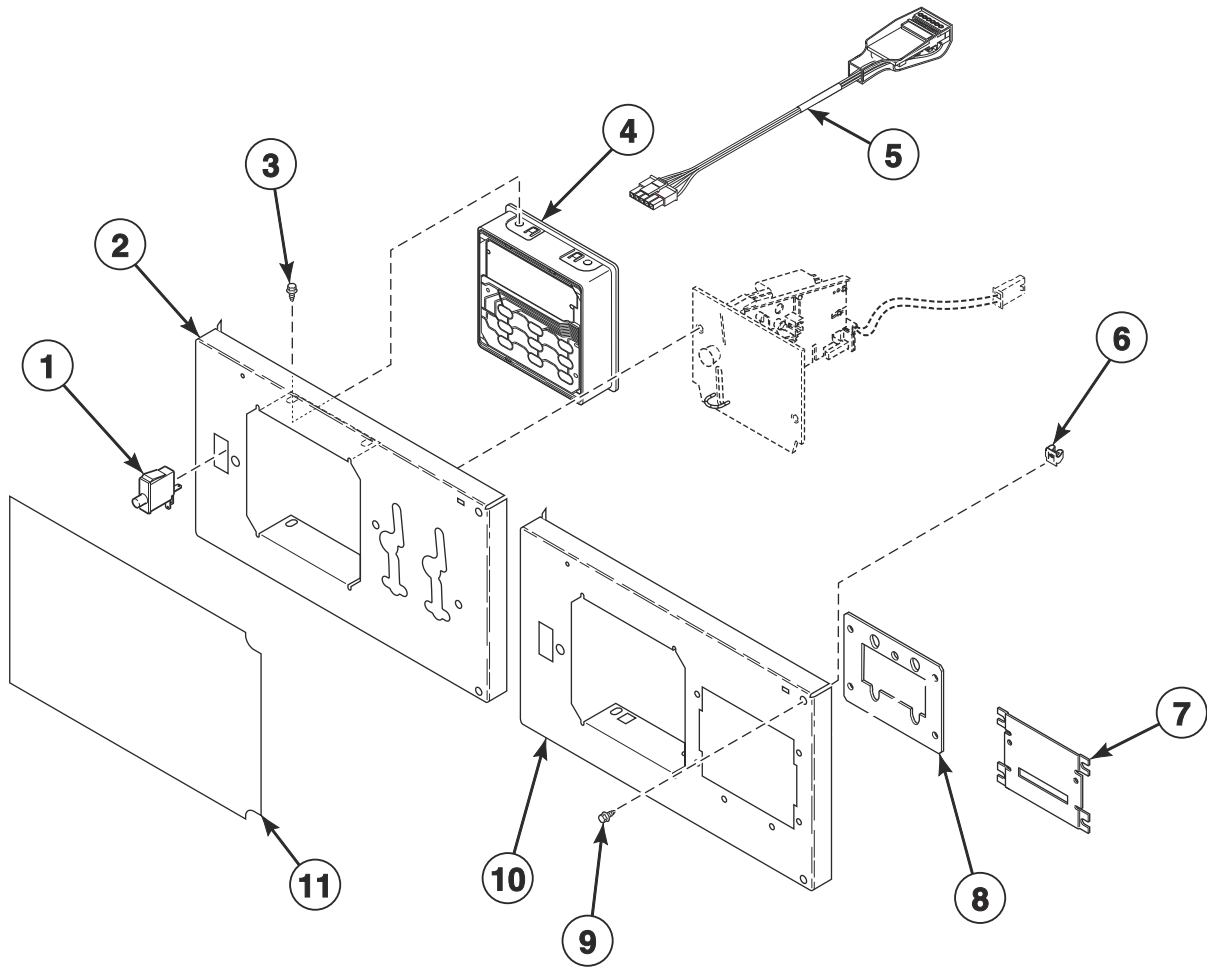
TMB3678P\_70594901

# Electronic Display Control - Vend Models with B in the 7th Position

REF	PART NO.	DESCRIPTION	COMMENTS
	44334004	Vend Activation Harness	
	44342801	Central Pay Harness	Models through November 2018
<b>1</b>	70413301	Pushbutton Switch	
<b>2</b>	70496601	Control Plate and Studs Assembly	Coin and central pay
<b>3</b>	804608	Screw	4 required
<b>4</b>	70478801P	Control Assembly	
<b>5</b>	203361P	Machine ID Control Assembly	Model or serial number is required when ordering
<b>6</b>	70030501	Expansion Clip	2 required
<b>7</b>	44089501	Slot Card Plate Assembly	N models; Included in literature packet
<b>8</b>	70208801	Mounting Plate	
<b>9</b>	M411072	Screw	2 required
<b>10</b>	70497201	Control Plate Assembly	Card and card ready
<b>11</b>	70544701	Overlay	N models; Single drop
	70544702	Overlay	N models; Dual drop
	70544703	Overlay	N models; Card ready
	70547401	Overlay	G and K models; Single drop
	70547402	Overlay	G and K models; Dual drop
	70548101	Overlay	G and K models; Card ready
<b>12</b>	F8205101	Overlay	Black; Single drop; Left
	70557001	Overlay	N models; Prep for card
	70557002	Overlay	N models; Central pay

# Electronic Display Control - Vend Models with N or W in the 7th Position

G, K and M Models



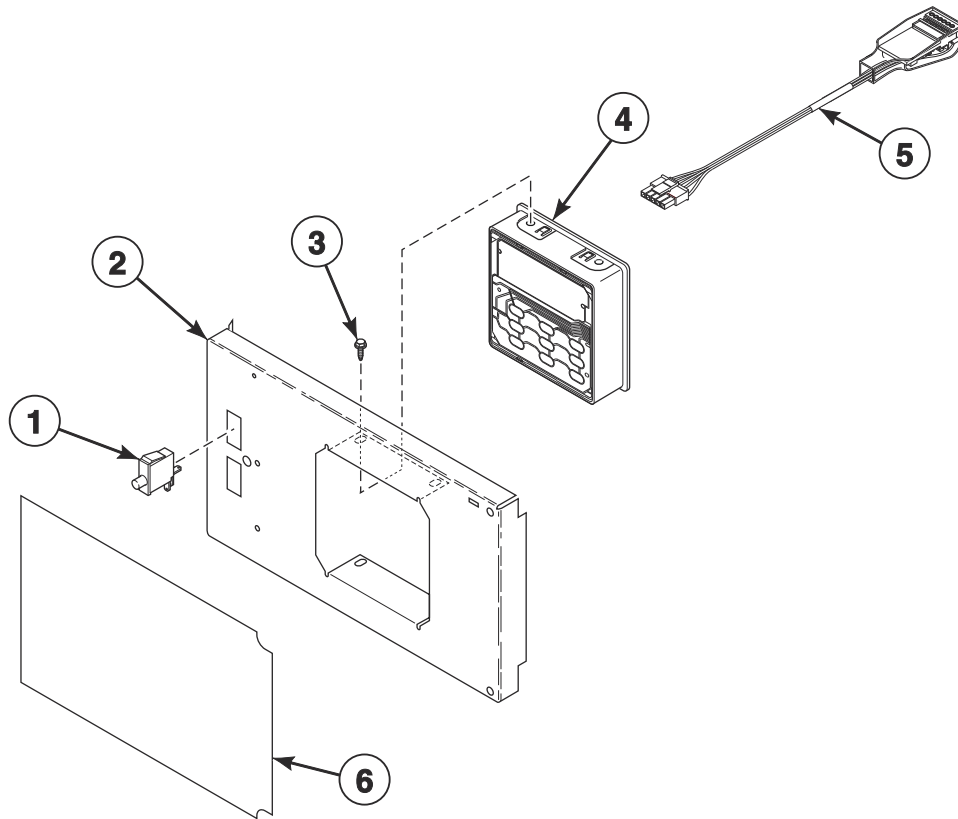
TMB3682P\_70594901

## Electronic Display Control - Vend Models with N or W in the 7th Position

REF	PART NO.	DESCRIPTION	COMMENTS
	44334004	Vend Activation Harness	
1	70413301	Pushbutton Switch	
2	70496601	Control Plate and Studs Assembly	Coin and central pay
3	804608	Screw	4 required
4	70478801P	Control Assembly	
5	203361P	Machine ID Control Assembly	Model or serial number is required when ordering
6	70030501	Expansion Clip	
7	44089501	Slot Card Plate Assembly	
8	70208801	Mounting Plate	
9	M411072	Screw	
10	70497201	Control Plate Assembly	Card and card ready
11	70572601	Overlay	M models
	70626001	Overlay	G and K models; Single drop
	70626002	Overlay	G and K models; Dual drop
	70626101	Overlay	G and K models; Card ready

# Electronic Display Control - OPL Models with N in the 7th Position

G, K and N Models



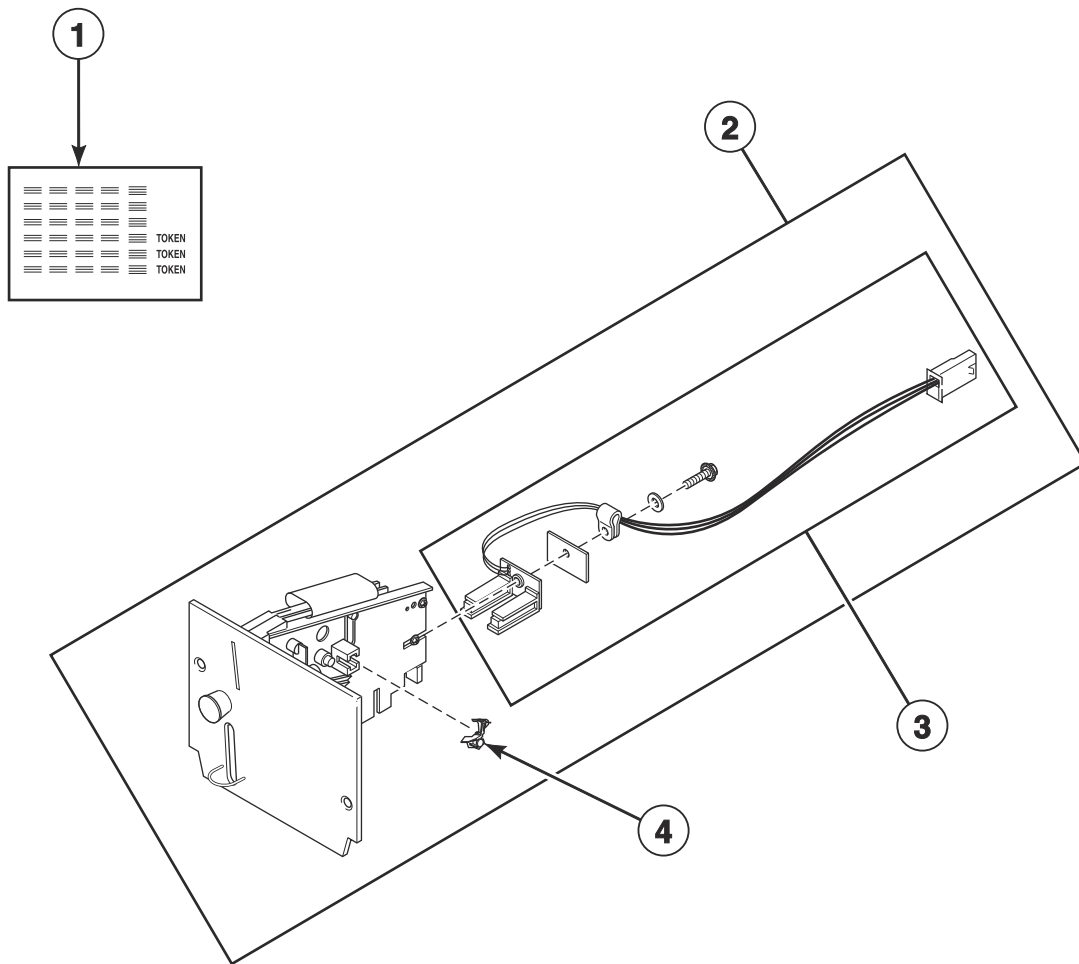
TMB3680P\_70594901

## Electronic Display Control - OPL Models with N in the 7th Position

REF	PART NO.	DESCRIPTION	COMMENTS
	44334004	Vend Activation Harness	
1	70413301	Pushbutton Switch	
2	70497101	Control Plate	
3	804608	Screw	4 required
4	70478802	Control Assembly	
5	203361P	Machine ID Control Assembly	Model or serial number is required when ordering
6	70547801	Overlay	G and K models; Reversing
	70547802	Overlay	G and K models; Nonreversing
	70572401	Overlay	NT models through 10/9/19; All other N models; Reversing
	70572402	Overlay	NT models through 10/9/19; All other N models; Nonreversing
	70570601	Overlay	NT models starting 10/10/19; Reversing
	70570602	Overlay	NT models starting 10/10/19; Nonreversing

# Coin Drops

All Models Except NT Models



TMB3510P\_70594901

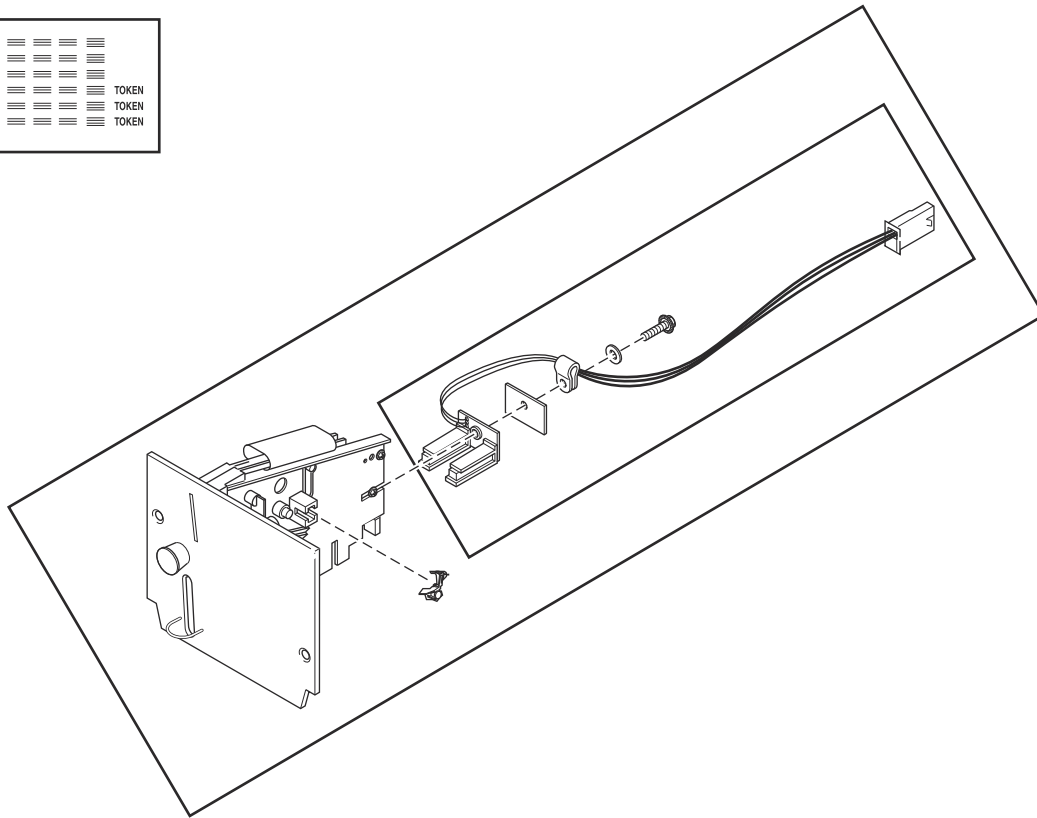
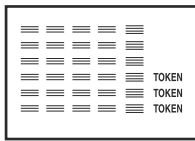


# Coin Drops

REF	PART NO.	DESCRIPTION	COMMENTS
1	38725	Coin Identification Paper	
	70441601P	Coin Drop	Single; U.S.A.; \$.25
	38475	Coin Drop Assembly	Single; Japan; 100 yen
	38464P	Coin Drop Assembly	Single; Canada; .25
	CK077	Coin Drop Kit	Single; Taiwan; 10 NT
	70506901	Coin Drop Assembly	Single; Singapore; \$1.00 NEW
	70441603	Coin Drop	Dual; U.S.A.; \$.25 and \$1.00
	38519	Coin Drop Assembly	Dual; Japan; 100 yen and 500 yen
	70441602	Coin Drop Assembly	Dual; Canada; .25 and 1.00
	38467	Coin Drop Assembly	Dual; Australia; \$0.20 and \$1.00
	70447301	Coin Drop Assembly	Dual; Australia; \$1.00 and \$2.00
	70283102	Coin Drop Assembly	Dual; 0.20 and 0.50 Euro
	210195	Coin Drop Assembly	Dual; 0.20 and 1.00 Euro
	210196	Coin Drop Assembly	Dual; 0.50 and 1.00 Euro
	F0160737-00	Coin Meter	Dual; 0.50 and 2.00 Euro
	70281102	Coin Drop Assembly	Dual; Taiwan; 10 and 50 NT
	70482401	Coin Drop Assembly	Dual; New Zealand ; \$1.00 and \$2.00
	38462P	Coin Drop Assembly	Single; Token; STD 118-1
	38463	Coin Drop Assembly	Single; Token; STD 118-5
	38963P	Coin Drop	Single; Token STD 118-16
	39748	Coin Drop	Single; Jeton 08MS
	201141	Coin Drop Assembly	Single; Token; Jeton wh121
	70471601	Coin Drop Assembly	Single; Token; 7K
	70513302	Electronic Coin Drop Assembly	Euro and Great Britain coins
	70513310	Electronic Coin Drop Assembly	Japan and Thailand coins
	70513304	Electronic Coin Drop Assembly	Australia, New Zealand, Hong Kong and South Korea coins
	70513303	Electronic Coin Drop Assembly	Denmark, Norway and Euro coins
	70513306	Electronic Coin Drop Assembly	Mexico, Ecuador and U.S.A. coins
	70294107	Electronic Coin Drop Assembly	Lithuania, Latvia and Euro coins
	70513311	Electronic Coin Drop Assembly	China and Malaysia coins
	70513308	Electronic Coin Drop Assembly	South African 1, 2 and 5 rand coins
	70513309	Electronic Coin Drop Assembly	Euro coins
	70513312	Electronic Coin Drop Assembly	Russia coins
	70513313	Electronic Coin Drop Assembly	Phillipines coins
	70513314	Electronic Coin Drop Assembly	Thailand coins
	70513315	Electronic Coin Drop Assembly	Chile coins
	70513316	Electronic Coin Drop Assembly	Singapore coins
3	200674P	Opto Coupler	
4	201595P	Wire Guard	

# Coin Drop Kits

All Models Except NT Models



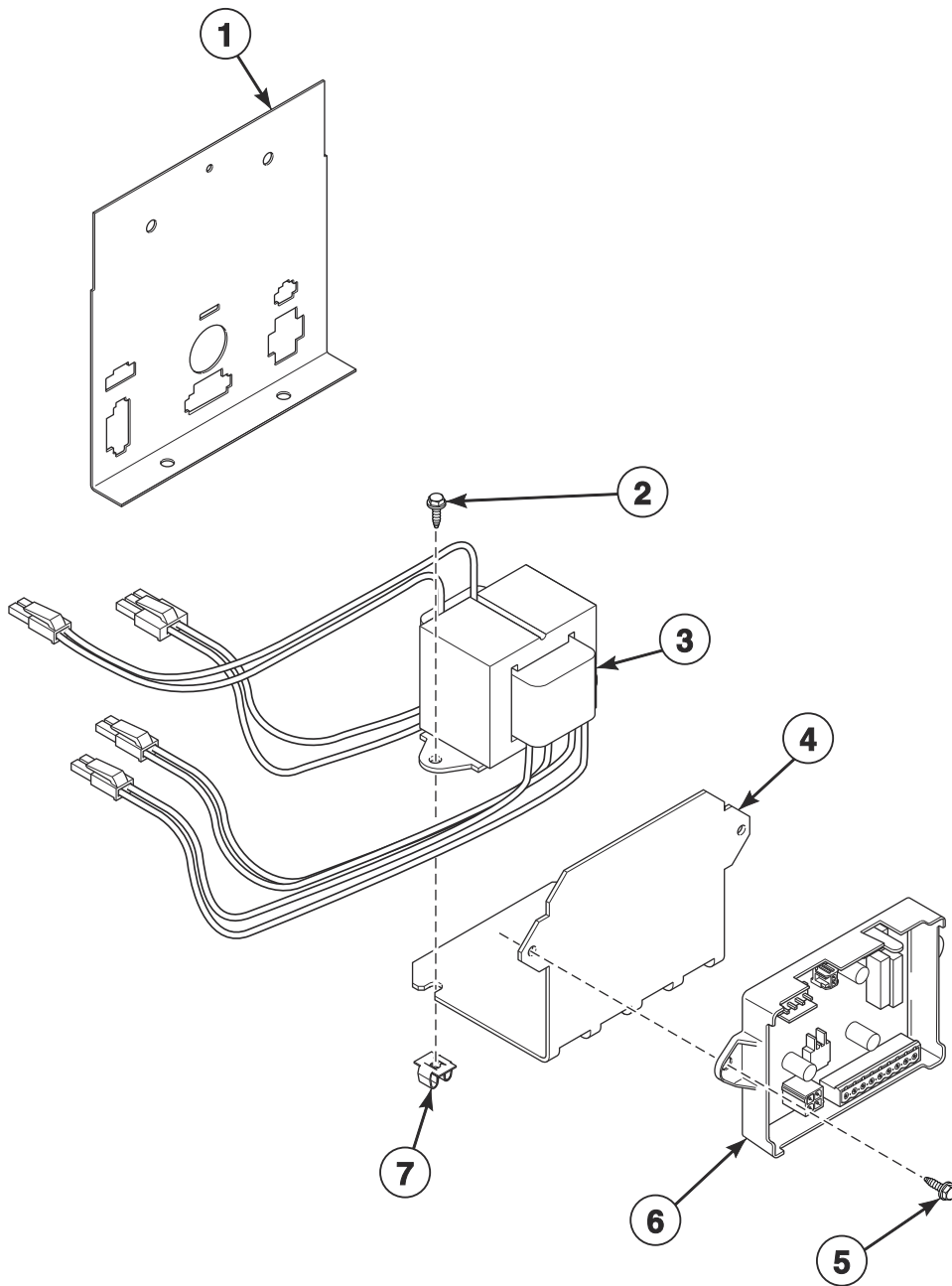
TMB3510PA\_70594901

## Coin Drop Kits

REF	PART NO.	DESCRIPTION	COMMENTS
	CK115	Electronic Coin Drop Kit	United States and Canada
	CK099	Electronic Coin Drop Kit	Australia (default), New Zealand, Hong Kong, South Korea and Malaysia
	CK100	Electronic Coin Drop Kit	United Kingdom (default) and Europe
	CK101	Electronic Coin Drop Kit	Europe (default), Denmark and Norway
	CK108	Electronic Coin Drop Kit	South Africa
	CK109	Electronic Coin Drop Kit	Euro
	CK110	Electronic Coin Drop Kit	Mexico (default), Ecuador and United States
	CK113	Electronic Coin Drop Kit	Japan and Taiwan
	CK116	Electronic Coin Drop Kit	Malaysia (default) and China
	CK117	Electronic Coin Drop Kit	Russia
	CK118	Electronic Coin Drop Kit	Philippine
	CK119	Electronic Coin Drop Kit	Thailand
	CK120	Electronic Coin Drop Kit	Chile
	CK121	Electronic Coin Drop Kit	Singapore
	CK122	Coin Drop Kit	New Zealand; 1.00 and 2.00

# Central Pay and Card Reader Components

All Models Except NT Models; Central Pay Starting December 2018

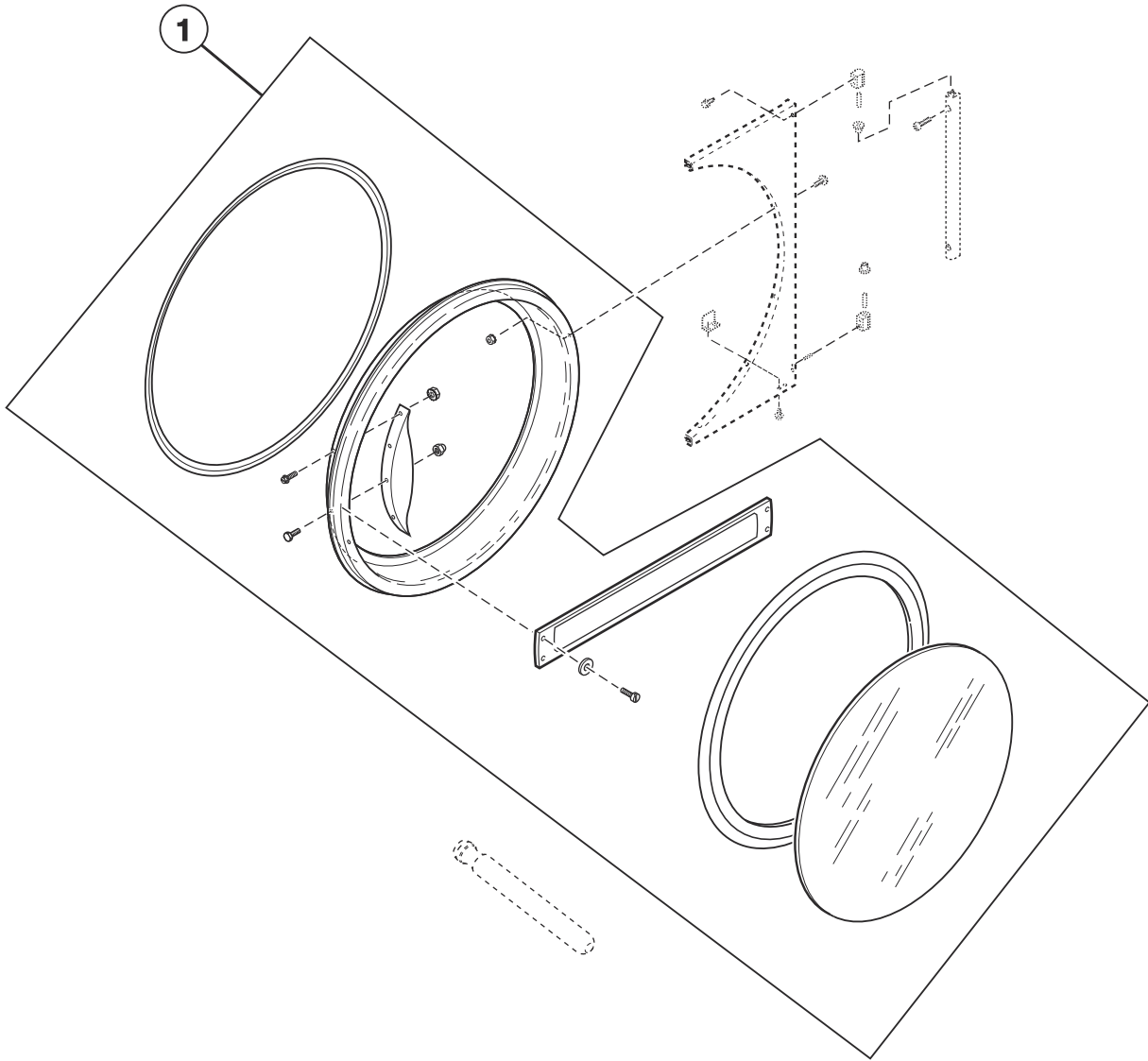


TMB3720P\_70594901

## Central Pay and Card Reader Components

REF	PART NO.	DESCRIPTION	COMMENTS
	44355601	Central Pay Harness	Routes from central pay board to control tray
	44272301	Transformer Harness	100-120 Volt; Routes from transformer to I/O Control Assembly; Card and central pay
	44272302	Transformer Harness	200-480 Volt; Routes from transformer to I/O Control Assembly; Card and central pay
	44355604	Central Pay Board Harness	Routes from central pay board to transformer
	44355605	Central Pay Harness	Routes from central pay board to front end control
	70612701	Central Pay Kit	100-120 Volt
	70612703	Central Pay Kit	200-480 Volt
<b>1</b>	70307007	Harness Mounting Plate	
<b>2</b>	F8206901	Screw	
<b>3</b>	202757	Transformer	100-120 Volt; Card and central pay
	202758	Transformer	200-480 Volt; Card and central pay
<b>4</b>	70604001	Mounting Bracket	
<b>5</b>	51780	Screw	2 required
<b>6</b>	204779	Central Pay Control Assembly	
<b>7</b>	70030501	Expansion Clip	2 required

# Door Assemblies

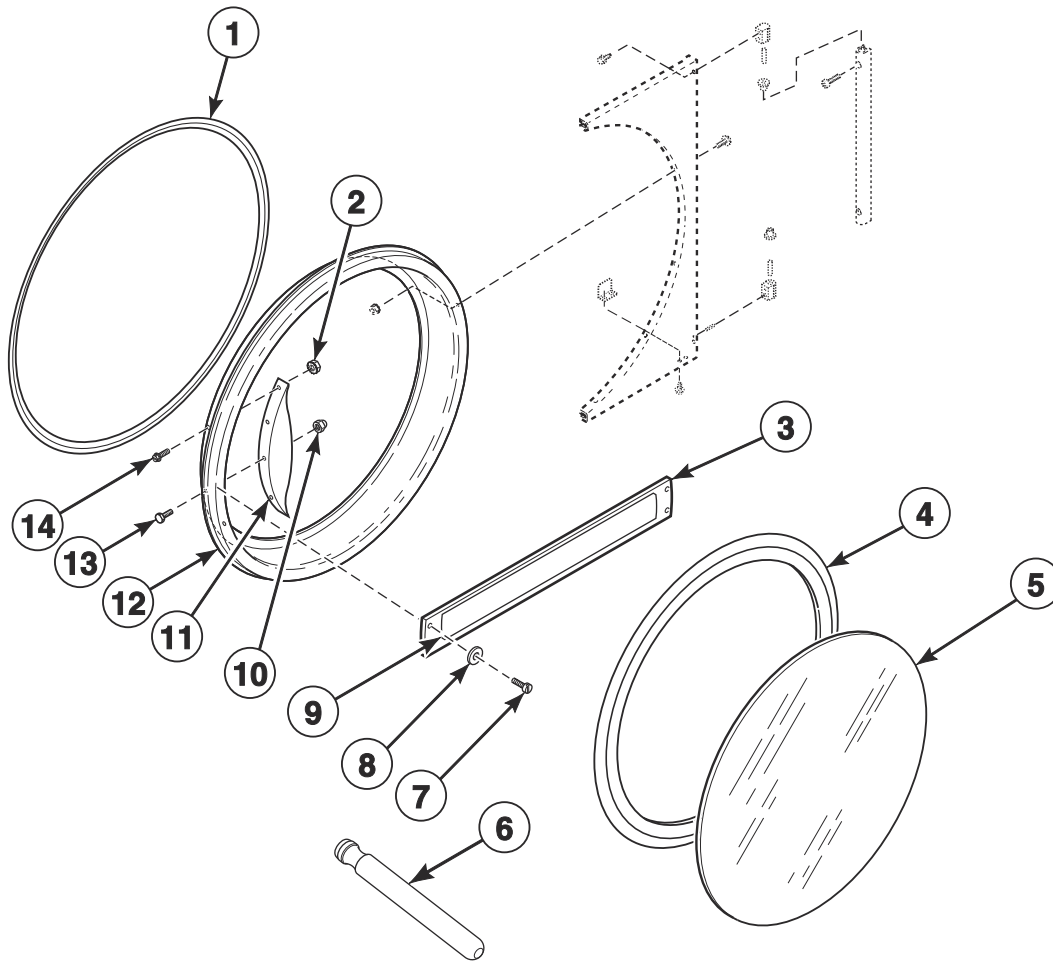


TMB3152P\_70594901

## Door Assemblies

REF	PART NO.	DESCRIPTION	COMMENTS
1	70212300	Door Assembly	M models; Stainless steel
	70212301	Door Assembly	N models
	70212302P	Door Assembly	M models; Chrome
	70408901	Door Assembly	G and K models; Includes handle

# Door Components



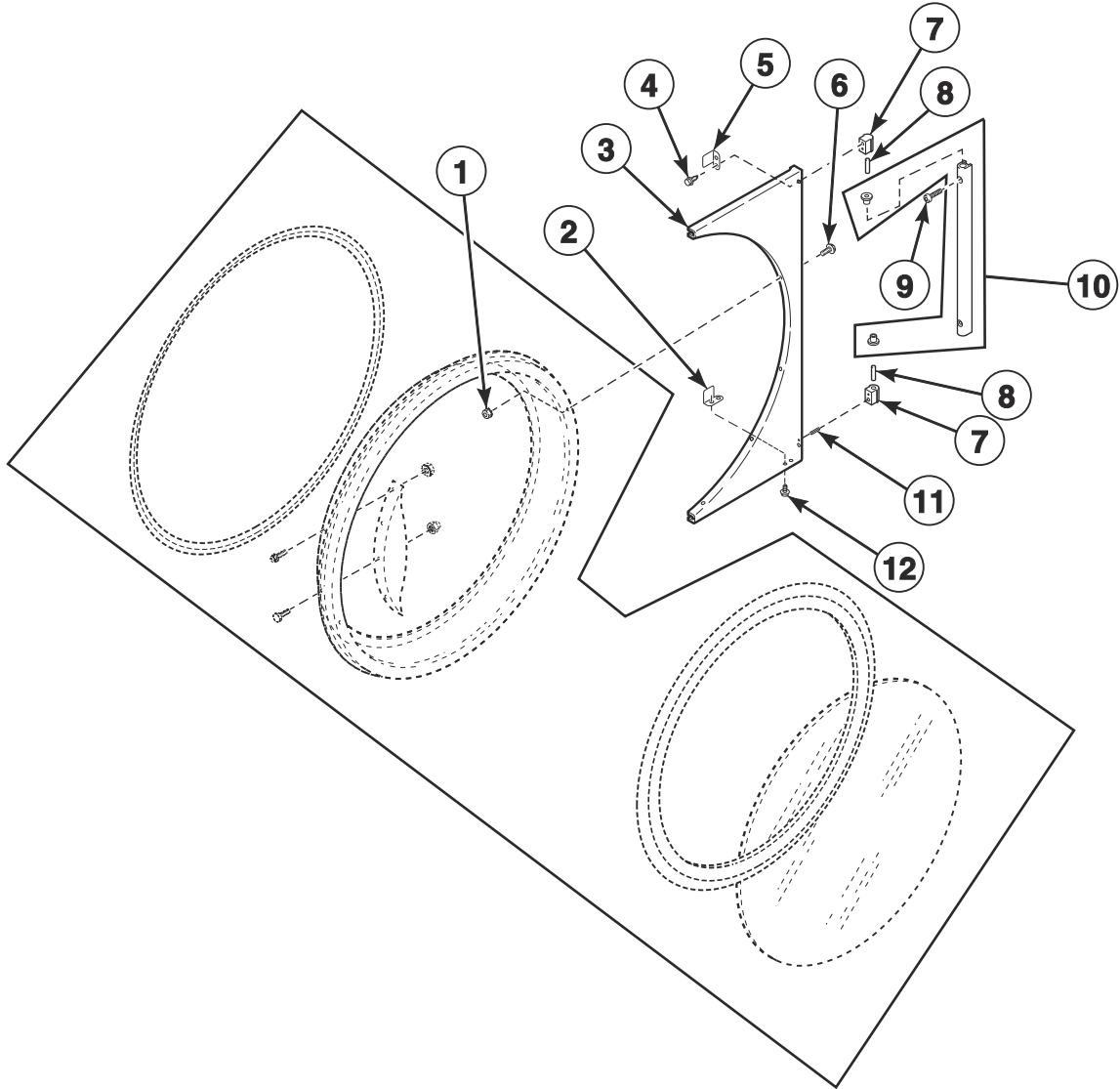
TMB3152PA\_70594901



# Door Components

REF	PART NO.	DESCRIPTION	COMMENTS
1	70296801	Door Ring Gasket	
2	44088001	Nut	M and N models; 4 required
3	70399502B	Handle Bar	G and K models
4	70211901P	Door Glass Seal Kit	Use Loctite 414 for seal
5	M400784P	Door Glass	
6	M4221P4	Door Glass Installation Tool	
7	70412601	Pop Rivet	G and K models; Attaches door handle to door ring
8	70409301	Washer	G and K models
9	70414001	Label	G and K models; Coin
10	M414215	Nut	For door strike; Mounts between door strike screw and door handle
11	44007902P	Door Handle	M and N models
12	70543904B	Door Ring Assembly	N models
	70543905	Door Ring Assembly	M models; Chrome
	70543903B	Door Ring	G and K models
	70543901	Door Ring Assembly	M models; Stainless steel
13	M400661	Screw	Door Strike
14	70442101	Screw	M and N models; 4 required

# Hinge Components



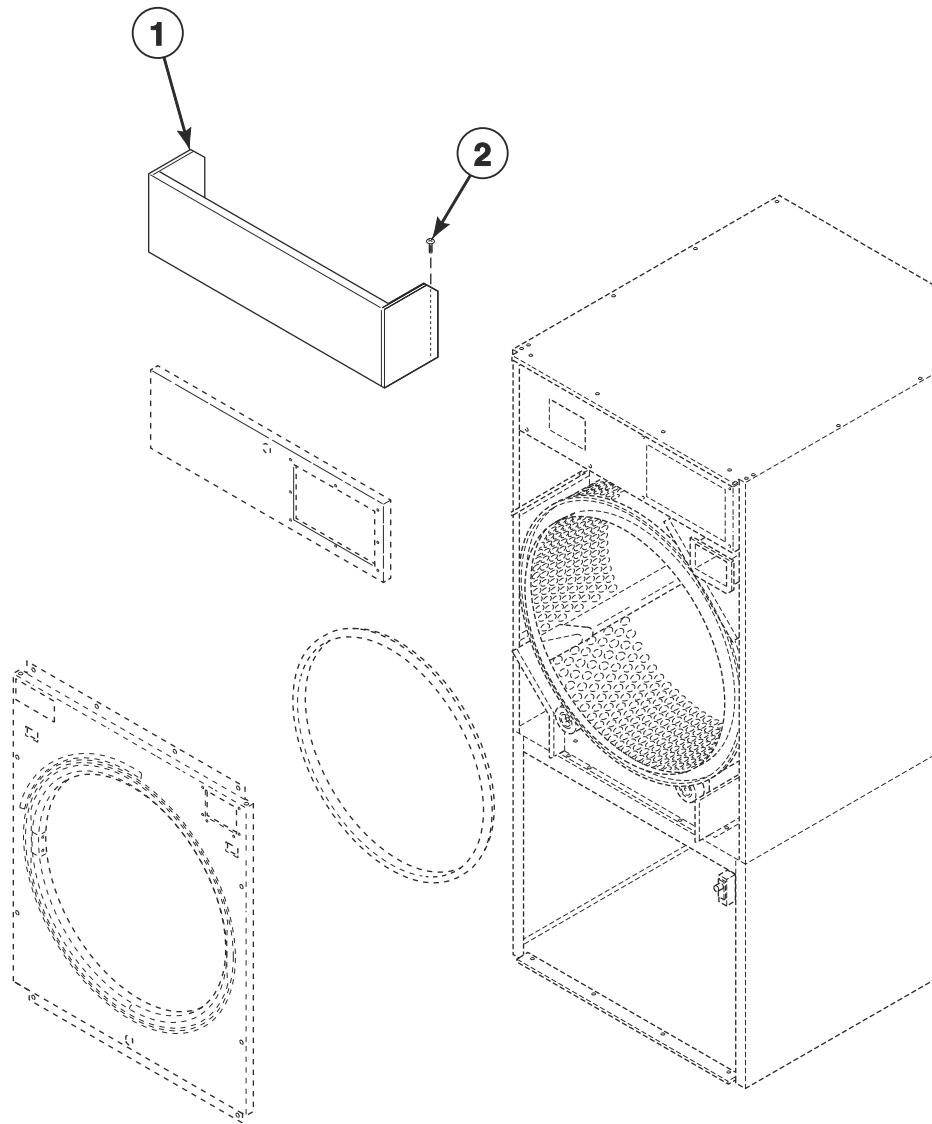
TMB3459P\_70594901

# Hinge Components

REF	PART NO.	DESCRIPTION	COMMENTS
1	44088001	Nut	
2	70532101	Door Switch Actuator	Bottom
3	70115901*	Door Hinge	M and N models
	70115904	Door Hinge	M models; Stainless steel
	70115903B	Door Hinge	Black; G, K and N models
4	70576101	Screw	
5	70532102	Door Switch Actuator	Top
6	M400044	Screw	
7	M4772P3	Hinge Cam Kit	M models
	M4773P3	Hinge Cam Kit	Black; G, K and N models
8	70071401	Pin	
9	70033502	Screw	M models
	70407301	Screw	Black; G, K and N models
10	44035001	Door Hinge Lug Assembly	M models
	44035002	Door Hinge Lug Assembly	Black; G, K and N models
11	70436301	Screw	
12	70058501	Pop Rivet	

\* Add Letter To Designate Color. Q - Bisque W - White

# False Fronts



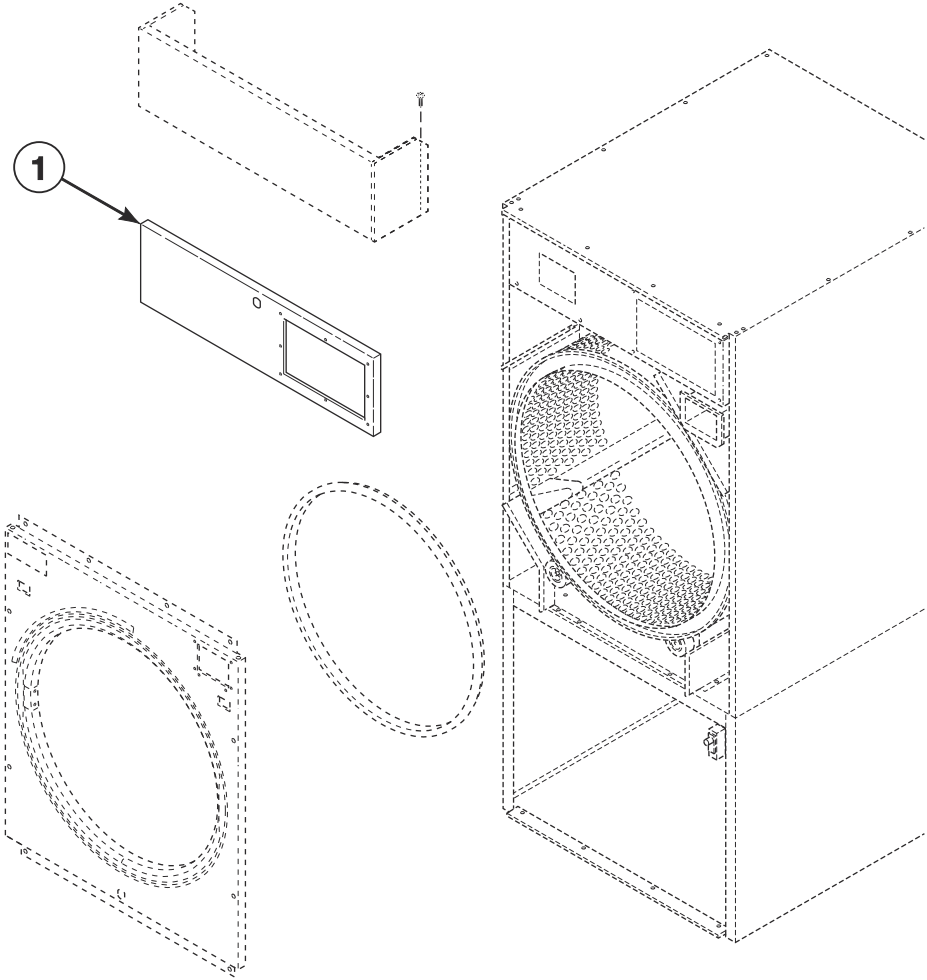
TMB3511P\_70594901

# False Fronts

REF	PART NO.	DESCRIPTION	COMMENTS
1	70021101WP	False Front	72 inches
	70021104	False Front	72 inches; Stainless steel
	70024001*P	False Front Assembly	76 inches
	70024004	False Front	76 inches; Stainless steel
2	M405188	Screw	4 required

\* Add Letter To Designate Color. Q - Bisque W - White

# Control Panels



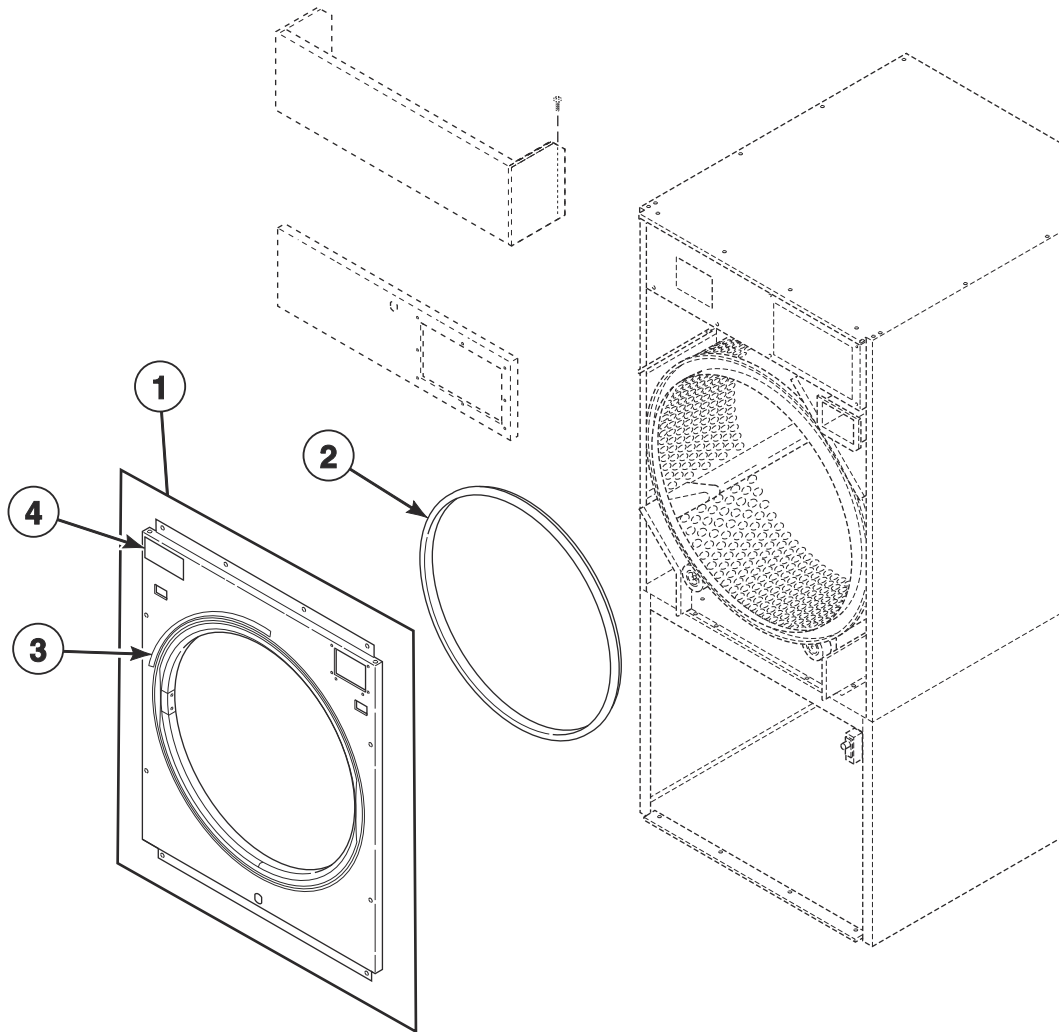
TMB3511PA\_70594901

# Control Panels

REF	PART NO.	DESCRIPTION	COMMENTS
1	70273405*	Control Panel	G and K models
	70273414	Control Panel	G and K models; Stainless steel
	70121305*	Control Panel	M and N models
	70121309	Control Panel	M and N models; Stainless steel

\* Add Letter To Designate Color. Q - Bisque W - White

# Front Panel Assemblies



TMB3511PB\_70594901

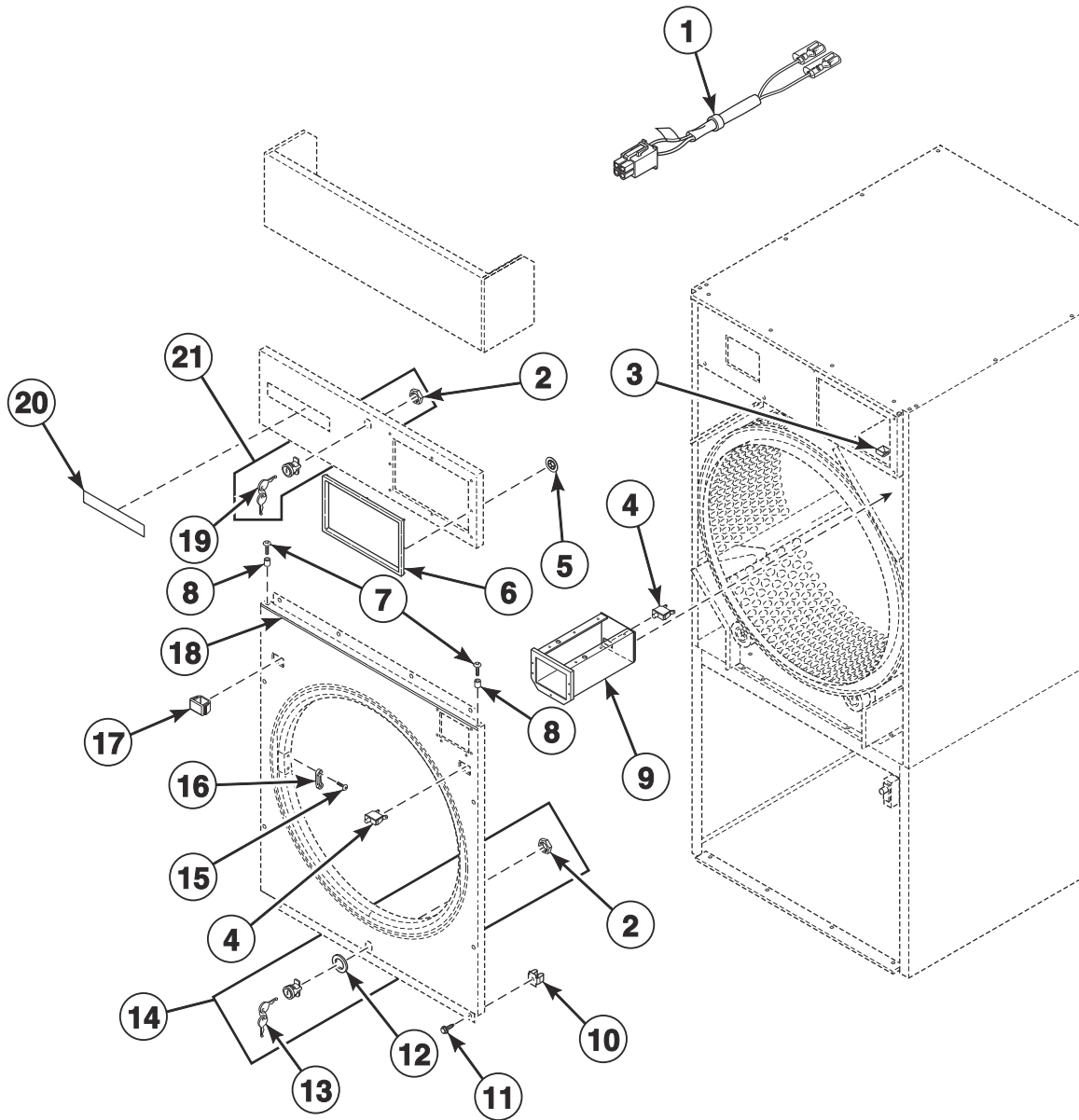


## Front Panel Assemblies

REF	PART NO.	DESCRIPTION	COMMENTS
1	70622901*	Front Panel	All models except NT models; Coin
	70622501	Front Panel Assembly	All models except NT models; Coin; Stainless steel
	70623001*	Front Panel	All models except NT models; Card and central pay
	70622601	Front Panel Assembly	All models except NT models; Card and central pay; Stainless steel
	70623601*	Front Panel	OPL; With e-stop
	70524221	Front Panel	OPL; Stainless steel; With e-stop
	70524205*	Front Panel	OPL; Without e-stop
	70622701	Front Panel	OPL; Stainless steel; Without e-stop
2	70173401P	Front Panel Seal	
3	70534301	Warning Label	English
	70534302	Warning Label	French
	70534300	Label Kit	Warning; IEC models
4	70537001	Label	M and N models; C.A.R.E.
	70537101	Label	G and K models; F.S.S.

\* Add Letter To Designate Color. Q - Bisque W - White

# Cabinet Front Components



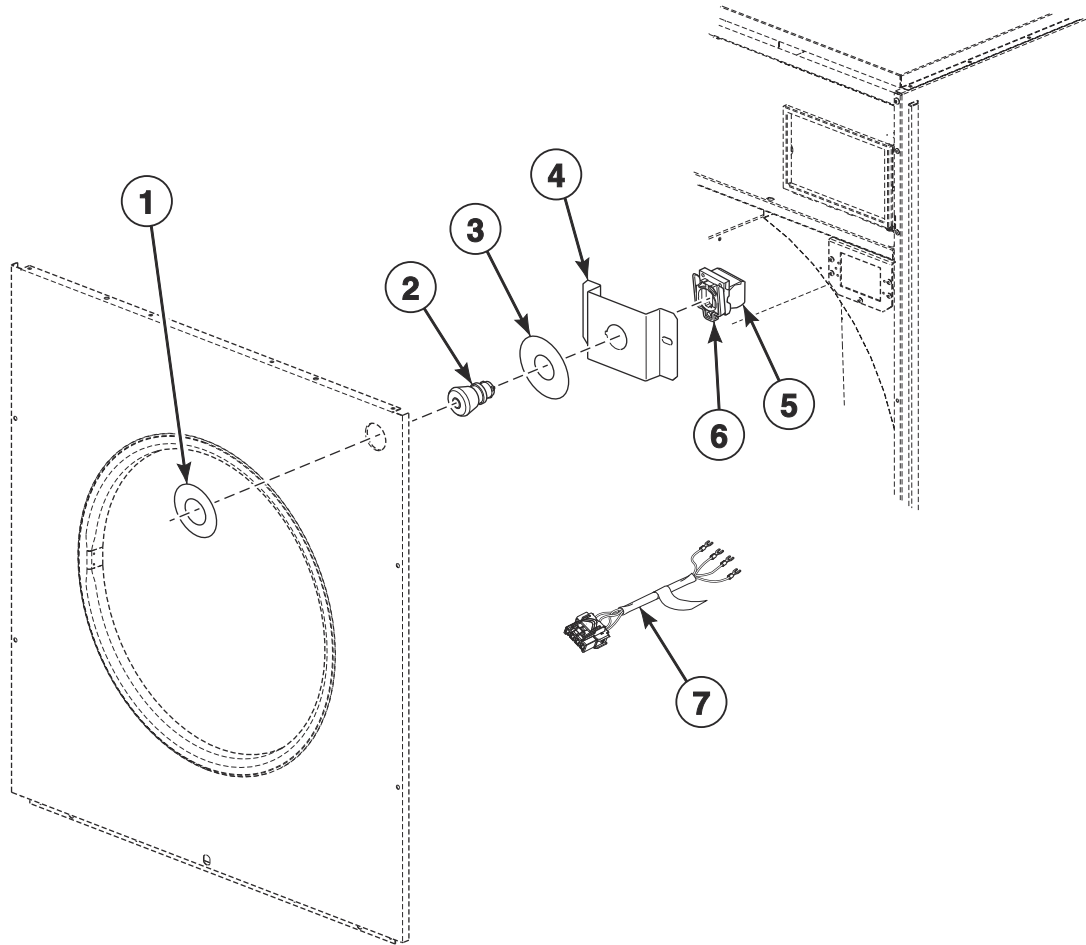
TMB3556P\_70594901

## Cabinet Front Components

REF	PART NO.	DESCRIPTION	COMMENTS
	44334103	Bypass Harness	Card and central pay
	D511476	Jumper Harness	Card reader present
<b>1</b>	44334101	Coin Vault Switch Harness	
<b>2</b>	44088801	Nut	
<b>3</b>	70296401	Coin Chute Assembly	
<b>4</b>	70413301	Pushbutton Switch	
<b>5</b>	M400977	Nut	6 required
<b>6</b>	44016401	Control Trim	K, M and N models; Black
<b>7</b>	39733	Screw	
<b>8</b>	56079	Panel Locator	9 required
<b>9</b>	70529501	Coin Vault Assembly	
	70529502	Coin Vault and Emergency Stop Mount Assembly	Models with emergency stop
	F160673P	Coin Box	Optional equipment; Includes lock and key
<b>10</b>	70030501	Expansion Clip	8 required
<b>11</b>	M411072	Screw	8 required
<b>12</b>	70342401	Lock Shim	
<b>13</b>	70155602	Key	RL002
<b>14</b>	44089302P	Lock, Key and Nut Kit	RL002
	44089305	Panel Lock	RL002; Chrome
<b>15</b>	44166601	Pop Rivet	
<b>16</b>	M401223	Door Latch	
<b>17</b>	44057801W	Switch Hole Plug	White
	44057801Q	Switch Hole Plug	Bisque
	44057801B	Switch Hole Plug	Black
<b>18</b>	70399401	Access Panel Trim	G and K models
	70399412	Access Panel Trim	G and K models; Coin
<b>19</b>	70155601	Key	RL001
<b>20</b>	70411401	Nameplate Overlay	G models; Coin
	70410201	Nameplate Overlay	G models; OPL
	44144401	Nameplate Overlay	K models; Coin
	44130201	Nameplate Overlay	K models; OPL
<b>21</b>	44089301P	Lock, Key and Nut Kit	RL001
	44089304	Panel Lock	RL001; Chrome

# Emergency Stop Button - OPL Models

A, H, J, K, R and U in the 2nd Position, G and T in the 2nd Position Through 12/31/18

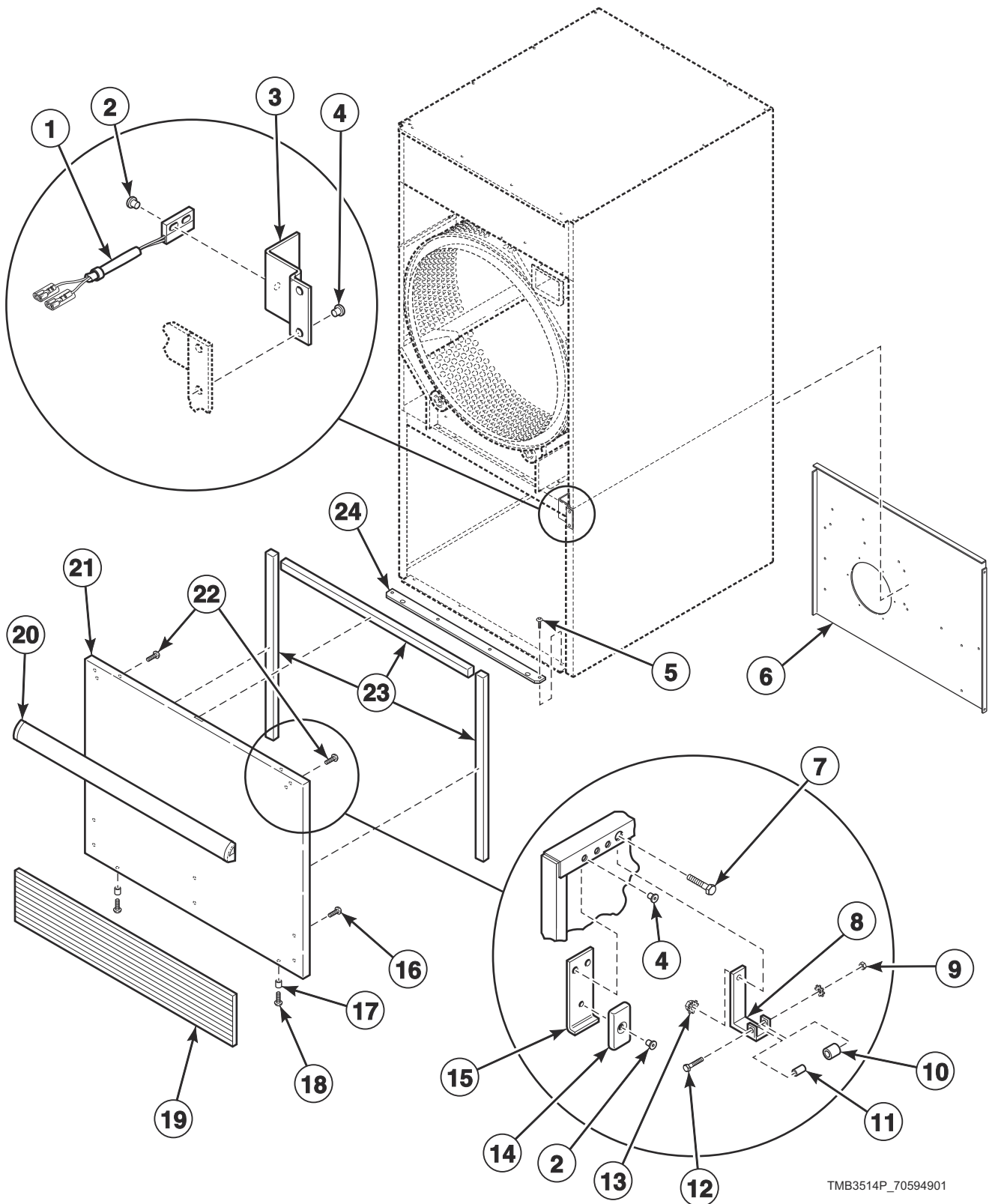


TMB3513P\_70594901

## Emergency Stop Button - OPL Models

REF	PART NO.	DESCRIPTION	COMMENTS
	70580301	Emergency Stop Button Kit	Includes items 2-4
	F8519403	Emergency Stop Bypass Harness	Coin, card and central pay
1	44012903	Emergency Stop Label	
2	F200233500	Emergency Stop Pushbutton	
3	44012901	Emergency Stop Label	
4	70550401	Emergency Stop Mounting Bracket	
5	F8069501	Contact Switch	2 required
6	F8538101	Contact Base	
7	44272401	Emergency Stop Harness	

# Lower Cabinet Components



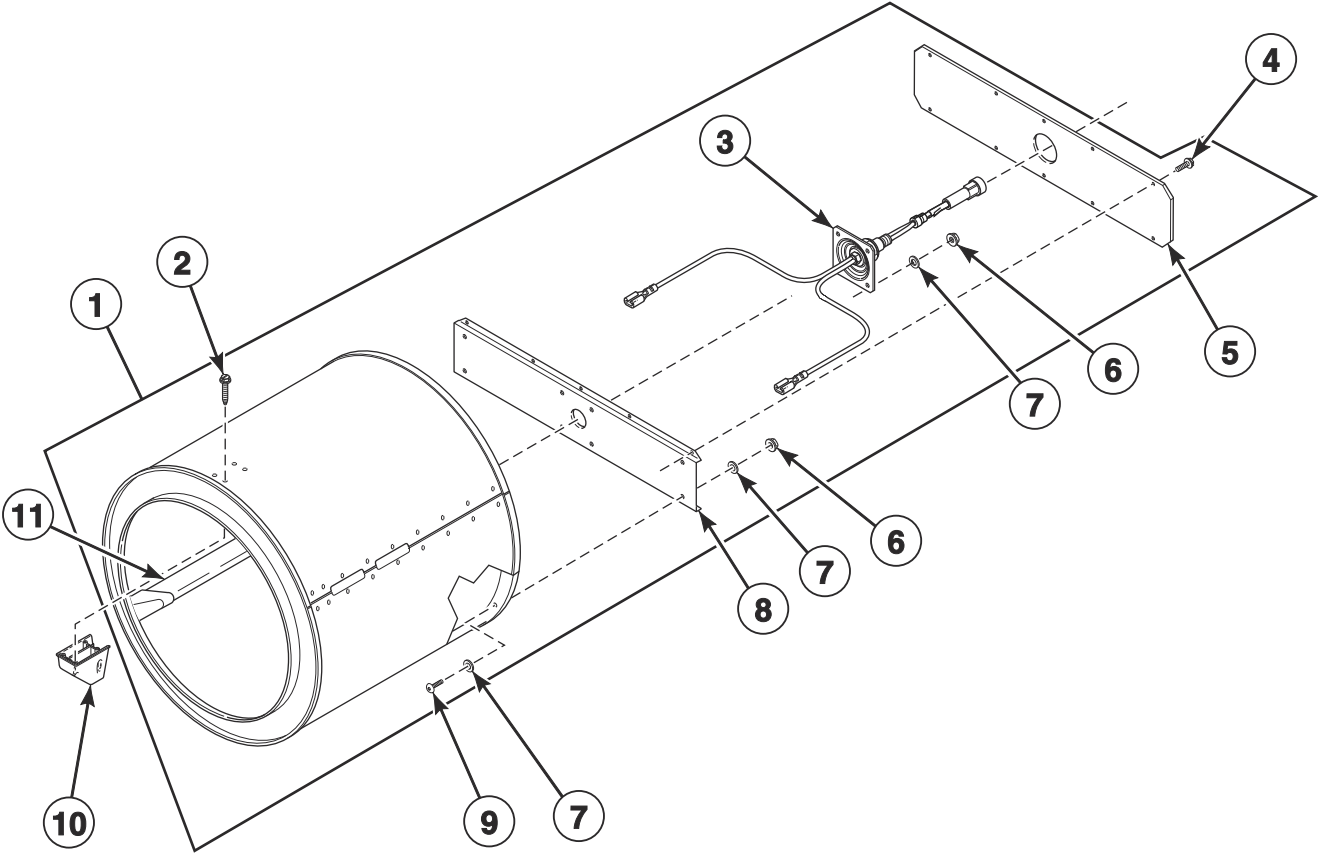
TMB3514P\_70594901

## Lower Cabinet Components

REF	PART NO.	DESCRIPTION	COMMENTS
1	F8066804	Reed Switch Assembly	
2	F8245101	Blind Rivet	
3	70508501	Switch Bracket	
4	70058501	Pop Rivet	
5	430497	Screw	
6	70564401	Rear Lint Panel	
7	70132301	Screw	Attaching roller catch
8	70030301	Roller Catch Arm	
9	23951	Nut	
10	70297601	Roller Catch Wheel	
11	70030201	Roller Catch Spacer	
12	70072801	Screw	
13	51236	Nut	Attaching roller catch
14	70343101	Magnet	
15	44290501	Magnet Bracket	
16	70126301	Pop Rivet	For attaching kickplate; Black; 6 required
	70126401	Pop Rivet	For attaching kickplate; Gray; 6 required
17	56079	Panel Locator	
18	39733	Screw	
19	70117603	Kickplate	Black
20	70154403	Handle and Caps Assembly	M and N models; Black
	70407201	Handle Bumper	G and K models
21	70515501*	Lint Panel	
	70515502	Lint Panel	Stainless steel
22	430757	Screw	For attaching handle; 6 required
23	70289101P	Gasket	Sold per foot
24	70016701	Lint Panel Pivot Plate	

\* Add Letter To Designate Color. Q - Bisque W - White

# Cylinder and Trunnion Assembly



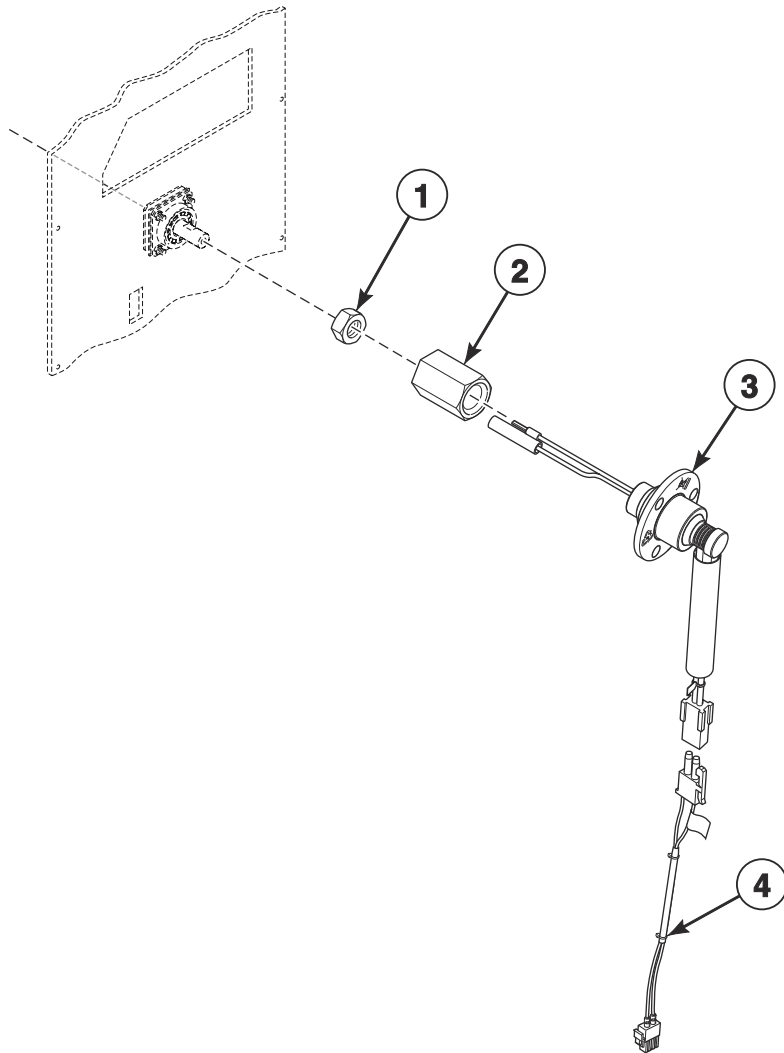
TMB3358P\_70594901



## Cylinder and Trunnion Assembly

REF	PART NO.	DESCRIPTION	COMMENTS
	70343101P	Drywall Screw Magnet Kit	
1	70372603P	Cylinder Assembly	G and K models; Non-moisture sensing
	70435203	Cylinder and Trunnion Assembly	G and K models; Moisture sensing
	70372601P	Cylinder Assembly	M and N models; Galvanized; Non-moisture sensing
	70435201	Cylinder and Trunnion Assembly	M and N models; Galvanized; Moisture sensing
	70372602P	Cylinder Assembly	M and N models; Stainless steel; Non-moisture sensing
	70435202	Cylinder and Trunnion Assembly	M and N models; Stainless steel; Moisture sensing
2	62588	Screw	12 required
3	70564803	Trunnion and Seal Kit	Includes 70013702 Rear Cylinder Seal; Non-moisture sensing
	70564804	Trunnion and Seal Kit	Moisture sensing; Includes 70454601 Trunnion and Wire Assembly
4	430497	Screw	10 required
5	70257201	Rear Cylinder Channel Plate	
6	44087201	Nut	8 required
7	70411301	Washer	
8	70257101	Rear Cylinder Channel	Non-moisture sensing
	70257102	Rear Cylinder Channel	Moisture sensing
9	70391101	Screw	8 required
10	70070101	End Cap	Non-moisture sensing
	70070102	End Cap	Moisture sensing
11	70433001	Cylinder Rib Assembly	Moisture sensing

# Moisture Sensing Components

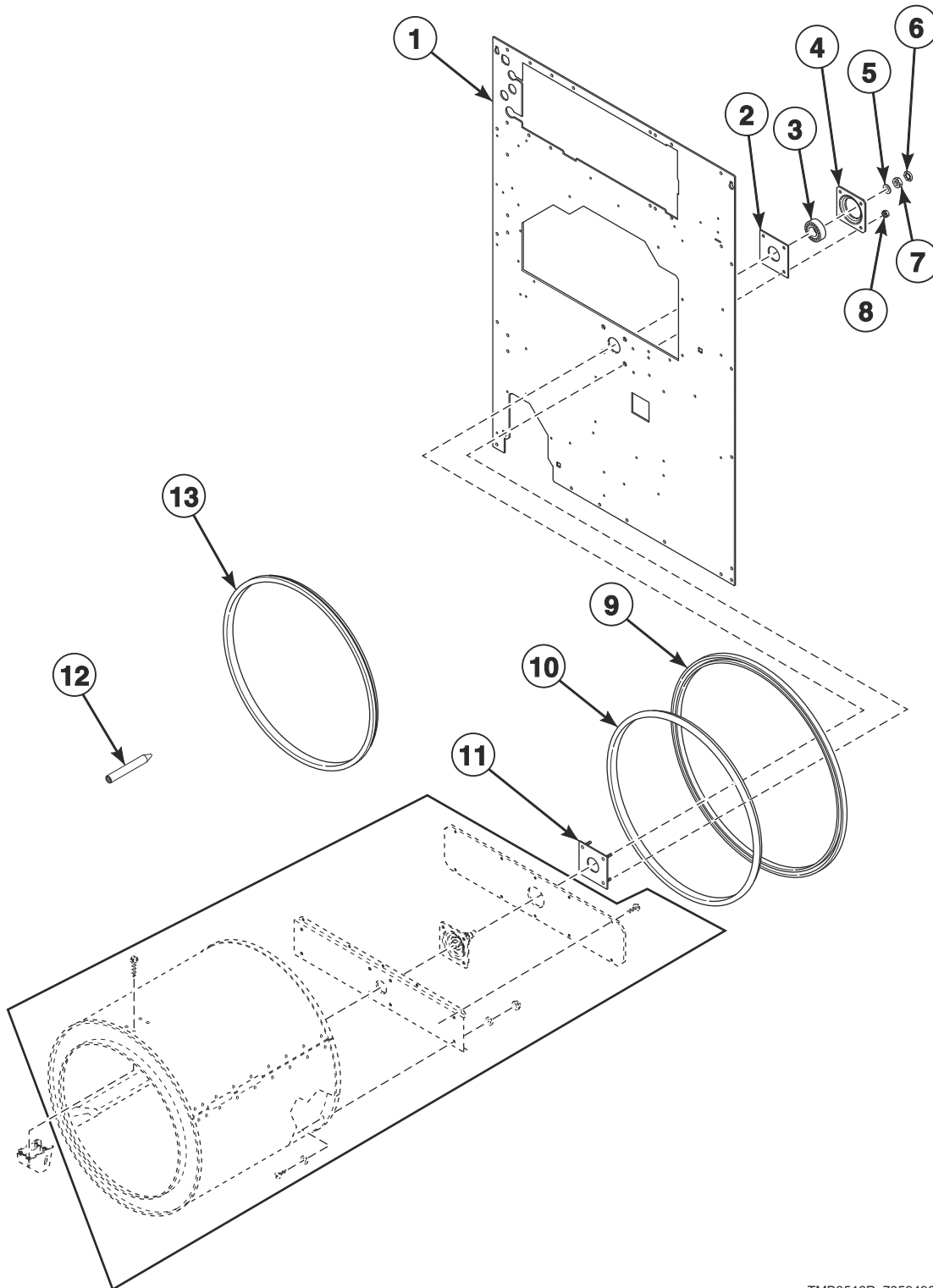


TMB3147P\_70594901

# Moisture Sensing Components

REF	PART NO.	DESCRIPTION	COMMENTS
1	M400022	Nut	
2	70455401	Slip Ring Holder	
3	44344703	Moisture Sensing Harness Kit	
4	44333903	Moisture Sensor Harness	

# Cylinder Components

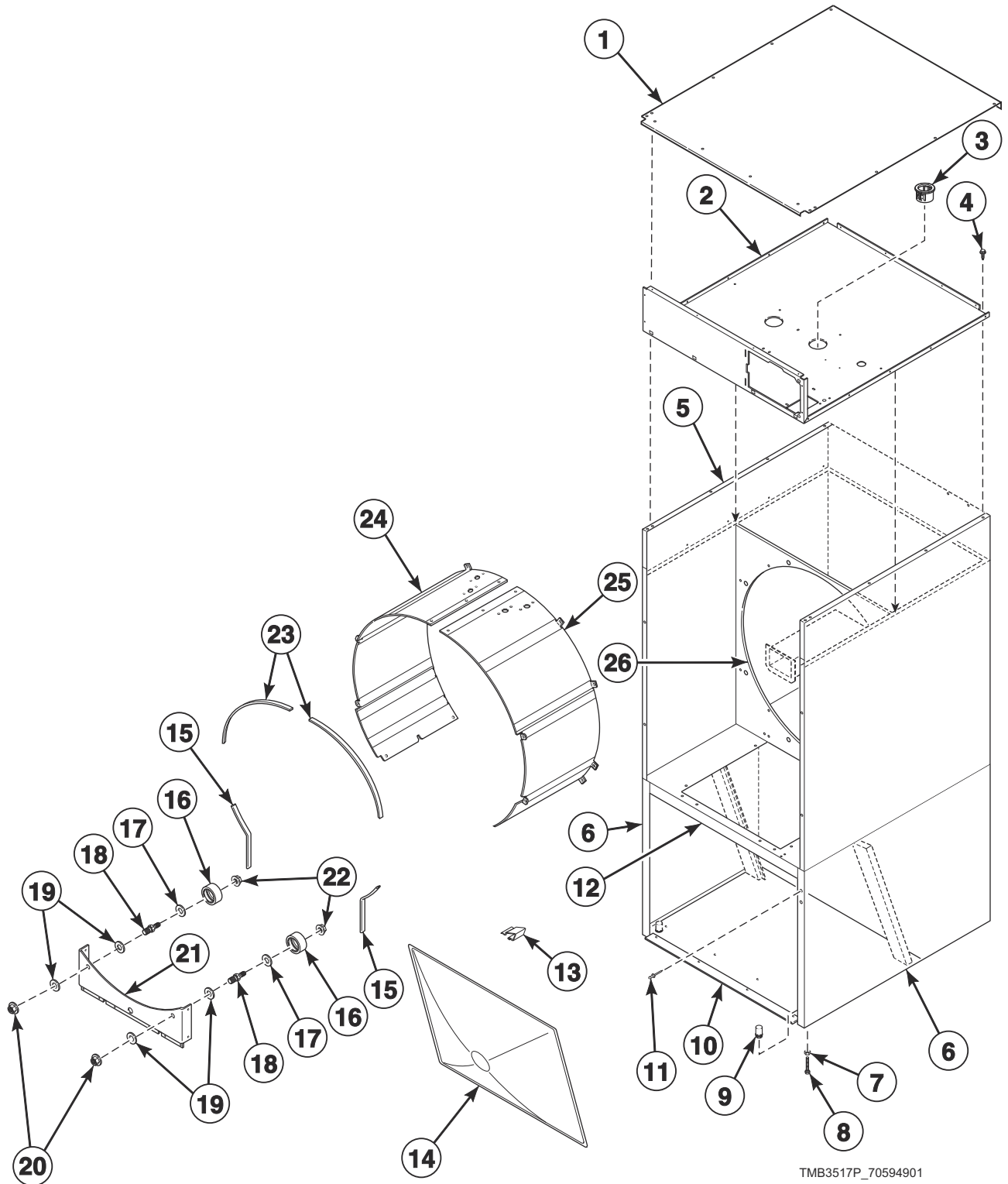


TMB3516P\_70594901

# Cylinder Components

REF	PART NO.	DESCRIPTION	COMMENTS
	70343101P	Drywall Screw Magnet Kit	
	430260P	Support Housing Bearing Assembly	Includes items 3, 4 and Loctite
<b>1</b>	70564701	Rear Panel	Gas models
	70564703	Rear Panel	Gas models; With fire suppression
	70564702	Rear Panel	Electric and steam models
	70564704	Rear Panel	Steam models; With fire suppression
<b>2</b>	70355001	Rear Bearing Shim	
<b>3</b>	70448701	Support Bearing	
<b>4</b>	70013901	Rear Cylinder Bearing Housing	
<b>5</b>	M400991	Washer	
<b>6</b>	M400034	Nut	
<b>7</b>	M400022	Nut	
<b>8</b>	M412986	Nut	4 required
<b>9</b>	70506402	Rear Cylinder Seal Support	
<b>10</b>	70013701P	Rear Cylinder Seal	Use with D511637P Adhesive
<b>11</b>	430352	Cylinder Bearing Stud Plate Assembly	
<b>12</b>	263P4	Cylinder Guide Tool	
<b>13</b>	70066003	Center Cylinder Seal	

# Cabinet Components



TMB3517P\_70594901

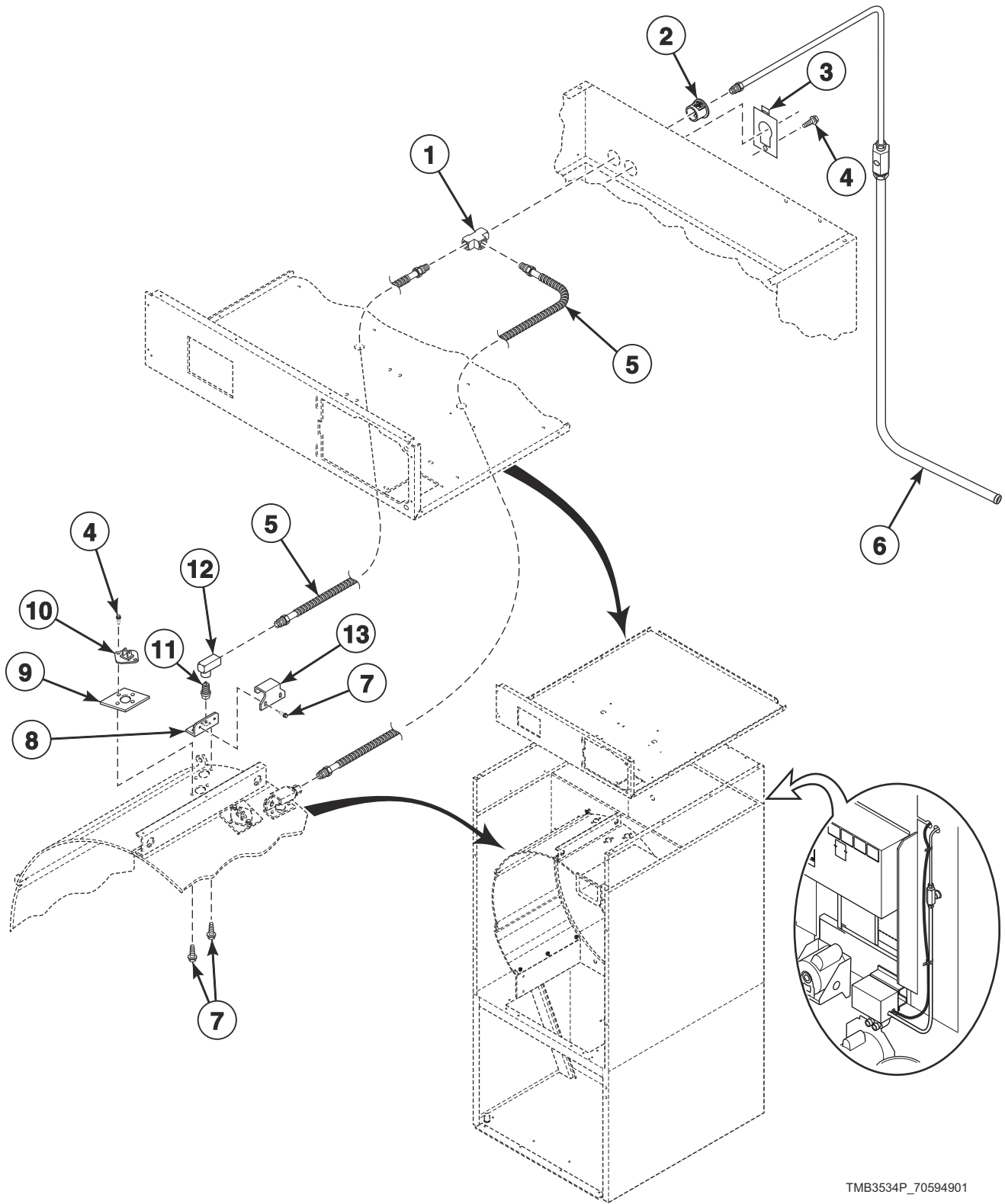
# Cabinet Components

REF	PART NO.	DESCRIPTION	COMMENTS
	M4379P4	Tumbler Dolly Kit	
	298P4P	Spray Paint	White
	381P4	Spray Paint	Bisque
	122P4P	Porcelain Touch-Up Paint	White
	370P4P	Porcelain Touch-Up Paint	Bisque
1	70557701	Flat Top	
2	70555401	Top Pan	
3	70346501	Bushing	
4	430497	Screw	
5	70021502*P	Side Panel	Upper
6	70253801*P	Side Panel	Lower
7	21899	Nut	
8	70247701	Screw	
9	70063201	Hole Plug	
10	70326601	Lower Pan	
11	70058501	Pop Rivet	16 required; Upper side panel
12	70564501	Center Pan	
13	35865	Hold-Down Clip	
14	70325601	Lint Screen	
15	70015711	Sheet Metal Edge Gasket	Lower
16	70616701	Roller and Seal Kit	
17	70443601	Roller Seal	
18	70249501	Roller Shaft	
19	70261401	Washer	
20	M404993	Nut	
21	70328301	Roller Support Bracket	
22	430576	Nut	
23	70015710	Sheet Metal Edge Gasket	Upper
24	70432306	Cylinder Shroud	Left; With fire suppression
	70347002	Cylinder Shroud	Left
25	70432305	Cylinder Shroud	Right; With fire suppression
	70347001	Cylinder Shroud	Right
26	70252601	Center Partition	

\* Add Letter To Designate Color. Q - Bisque W - White

# Fire Suppression System Components

G, K and NT Gas and Steam Models



TMB3534P\_70594901

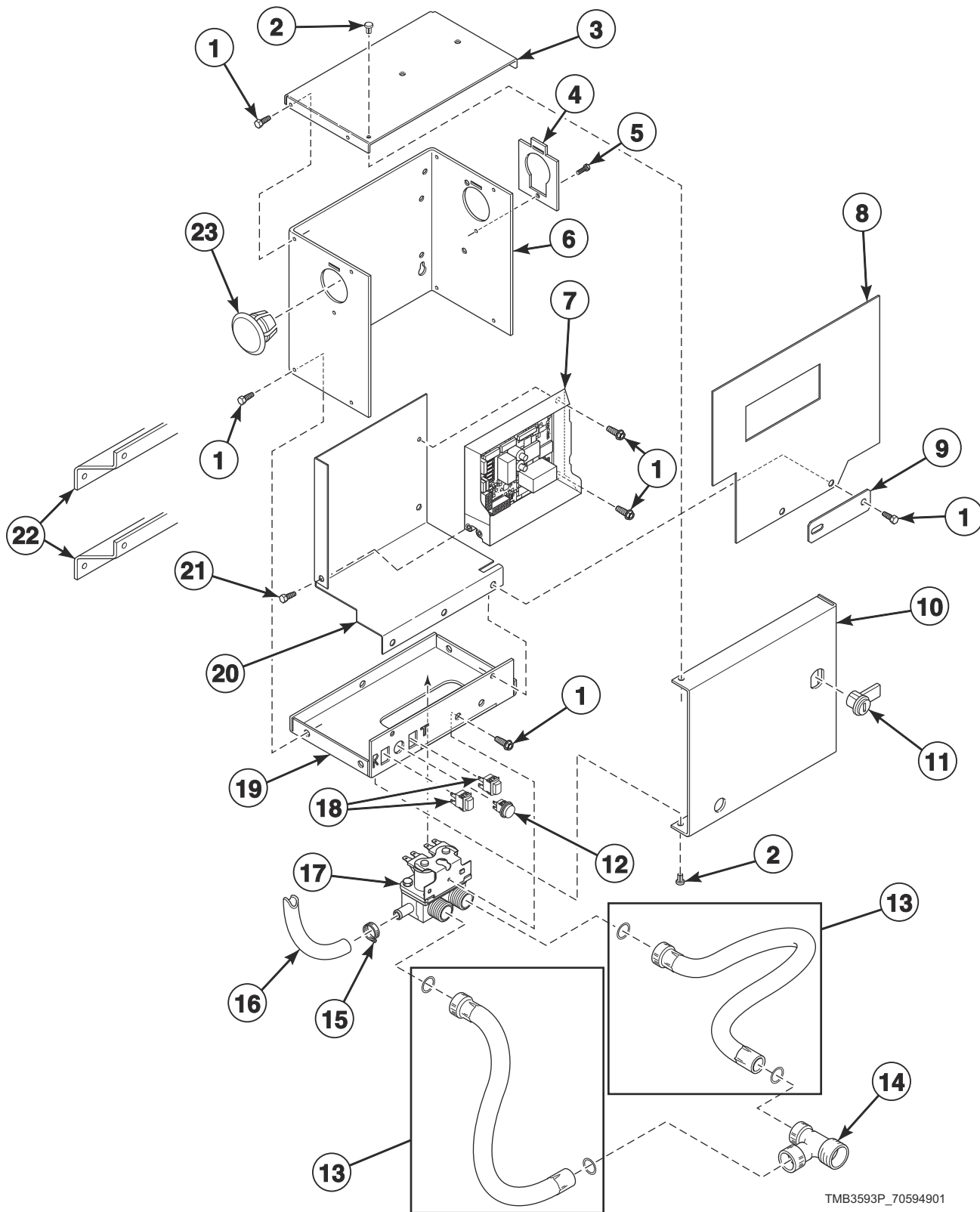


## Fire Suppression System Components

REF	PART NO.	DESCRIPTION	COMMENTS
1	70427901	Union Tee	
2	70178701	Snap Bushing	
3	70523301	Harness Adapter Plate	
4	51780	Screw	4 required
5	70427701	Spray Nozzle Hose	2 required
6	70427601	Tube Assembly	
7	430497	Screw	12 required
8	70424201	Nozzle Bracket	2 required
9	70424401	Thermistor Plate	2 required
10	44064701	Thermistor	2 required
11	70427801	Spray Nozzle	2 required
12	70428101	Elbow	2 required
13	70428601	Nozzle Bracket	2 required

# Fire Suppression System Control Box

G, K and NT Gas and Steam Models

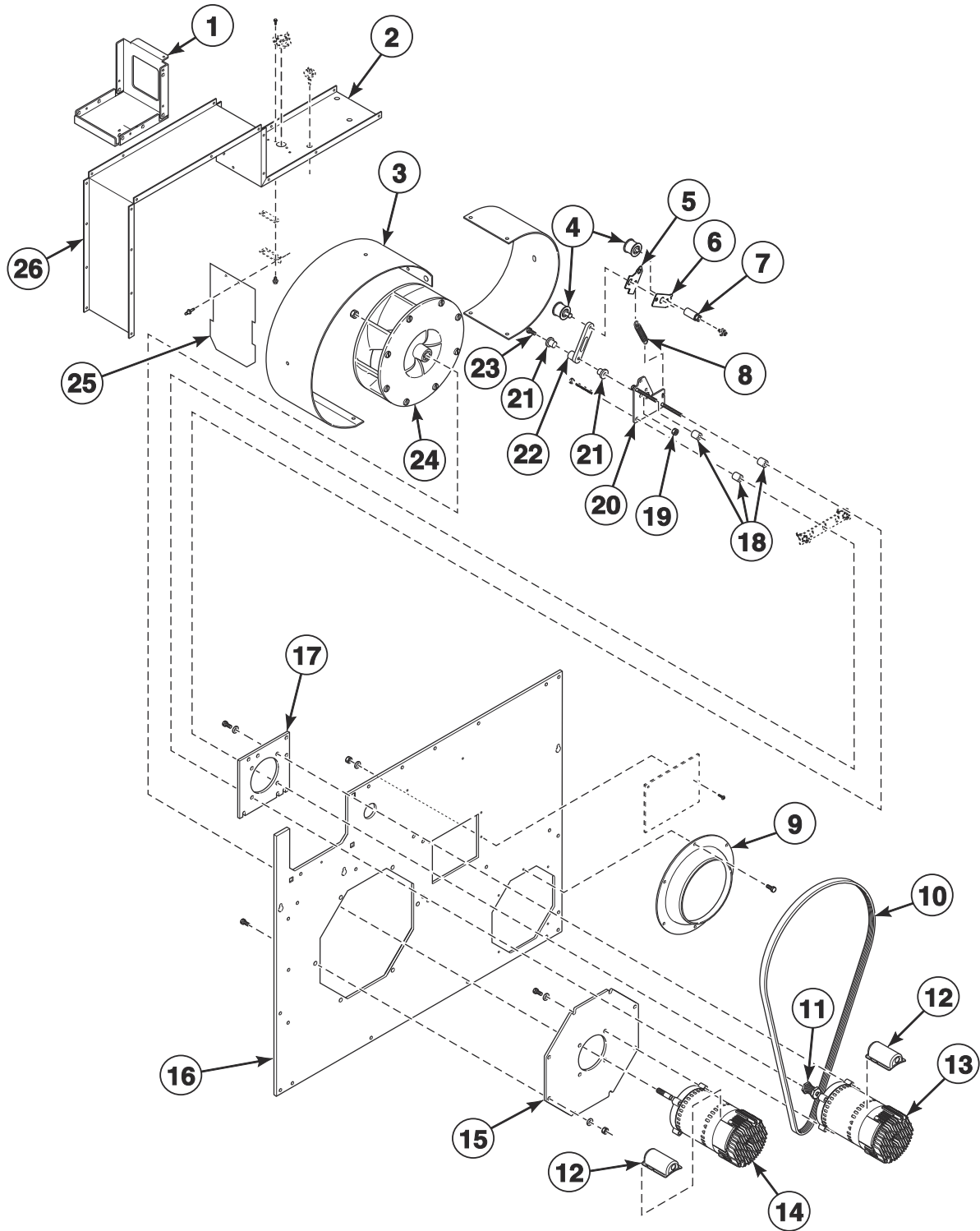


TMB3593P\_70594901

# Fire Suppression System Control Box

REF	PART NO.	DESCRIPTION	COMMENTS
	44340301	Cold Weather Kit	
	70155601	Key	RL001; Use with item 11
	44334404	Control Harness	
	44334405	Water Valve Harness	
	44334402	Power Sensor Harness	
	44334401	Interconnect Harness	
	44334406	Sensor Harness	
	44324501	Warning Label	F.S.S.; CSA models
	44324500	Label Kit	F.S.S.; IEC models
	F8614401	Shock Warning Label	CSA models
	F8614201	Shock Warning Label	IEC models
	44318200	Label Kit	IEC models
	44324502	Warning Label	
	44318201	Label	CSA models
<b>1</b>	430497	Screw	
<b>2</b>	M400713	Drive Rivet	
<b>3</b>	44307101	Control Box Top	
<b>4</b>	70523301	Harness Adapter Plate	
<b>5</b>	51780	Screw	
<b>6</b>	44306701	Control Box Housing	
<b>7</b>	70511601	Control	
<b>8</b>	44326801	Shield	
<b>9</b>	70551701	Filter Mounting Plate	
<b>10</b>	44065201	Control Box Cover	
<b>11</b>	44089301P	Lock, Key and Nut Kit	RL001 key code; Optional if same key is to be used for control lock
<b>12</b>	801432	Light	
<b>13</b>	202799	Fill Hose	2 required
<b>14</b>	44069101	Hose Fitting	CSA models
<b>15</b>	36801	Hose Clamp	
<b>16</b>	44073304	Hose	14 inches; Outlet hose
<b>17</b>	70519801	Mixing Valve	
<b>18</b>	801434W	Push-to-Start Switch	2 required
<b>19</b>	44065301	Control Box Base	
<b>20</b>	44306601	Mixing Valve Shield Bracket	
<b>21</b>	804608	Screw	
<b>22</b>	70601401	Mounting Bracket	
<b>23</b>	70180001	Plug	

# Motor Components

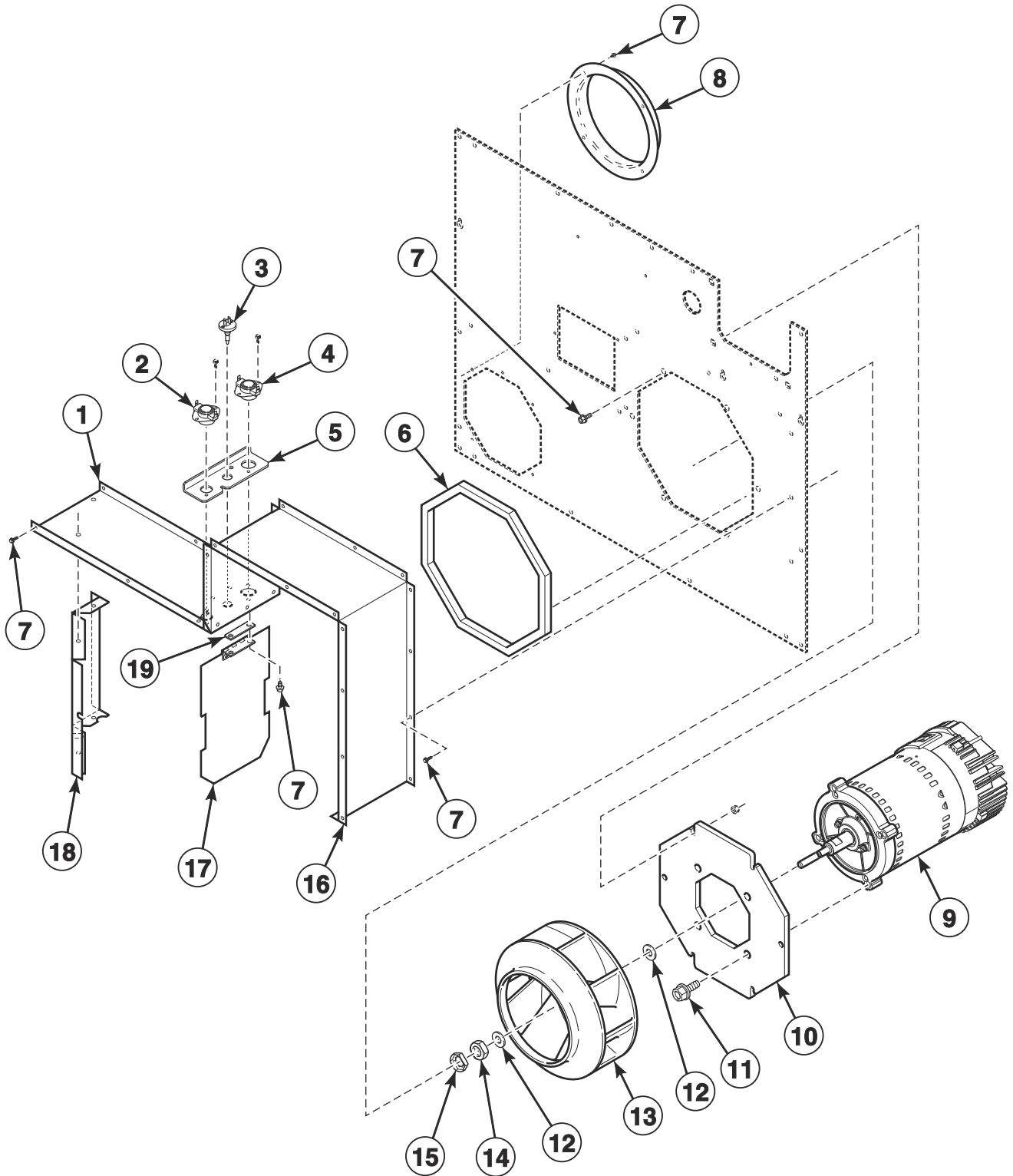


TMB3797P\_70594901

# Motor Components

REF	PART NO.	DESCRIPTION	COMMENTS
	44333202	Nut	Use with item 11
	70144101	Key	Use with idler shaft
	70554901	Limit Access Bracket	Use with idler shaft
	44335301	Inverter Motor Harness	Cylinder
	44335302	Inverter Motor Harness	Fan
	70608602	EMC Shield	Korean gas models
<b>1</b>	70564101	Motor Mount Bracket	
<b>2</b>	70554701	Blower Housing	Top
<b>3</b>	70016301	Blower Housing Scroll	
<b>4</b>	70050401P	Idler Wheel Assembly	
<b>5</b>	70569501	Tensioning Bracket	
<b>6</b>	70543401	Spring Catch Bracket	
<b>7</b>	70569603	Standoff	
<b>8</b>	70571801	Spring	
<b>9</b>	70477901	Exhaust Adapter	Eco models; 8 inch to 6 inch
	70015601	Exhaust Thimble	Standard models; 8 inch
<b>10</b>	70276208	J-Belt	
<b>11</b>	70559101	Motor Pulley	
<b>12</b>	70521901	Motor Conduit Mounting Bracket	
<b>13</b>	70478601P	Drive Motor	.33 HP; 120, 230 Volt/1 Phase
	70485001P	Drive Motor	.33 HP; 380-460 Volt/3 Phase
<b>14</b>	70478701P	Fan Motor	.50 HP; 120, 230 Volt/1 Phase
	70484901P	Fan Motor	.50 HP; 380-460 Volt/3 Phase
<b>15</b>	70349601	Blower Motor Mounting Plate	
<b>16</b>	70500801	Lower Rear Assembly	
<b>17</b>	70564201	Motor Mount Plate	
<b>18</b>	70488403	Spacer	
<b>19</b>	44087301	Nut	
<b>20</b>	70571901	Drive Plate	
<b>21</b>	70542801	Bushing	
<b>22</b>	70543301	Pivot Arm Lever	
<b>23</b>	70501301	Screw	
<b>24</b>	70359801P	Blower Assembly	
<b>25</b>	70209501	Damper and Hinge Exhaust Assembly	
<b>26</b>	70215101	Blower Housing	

# Blower and Exhaust Components

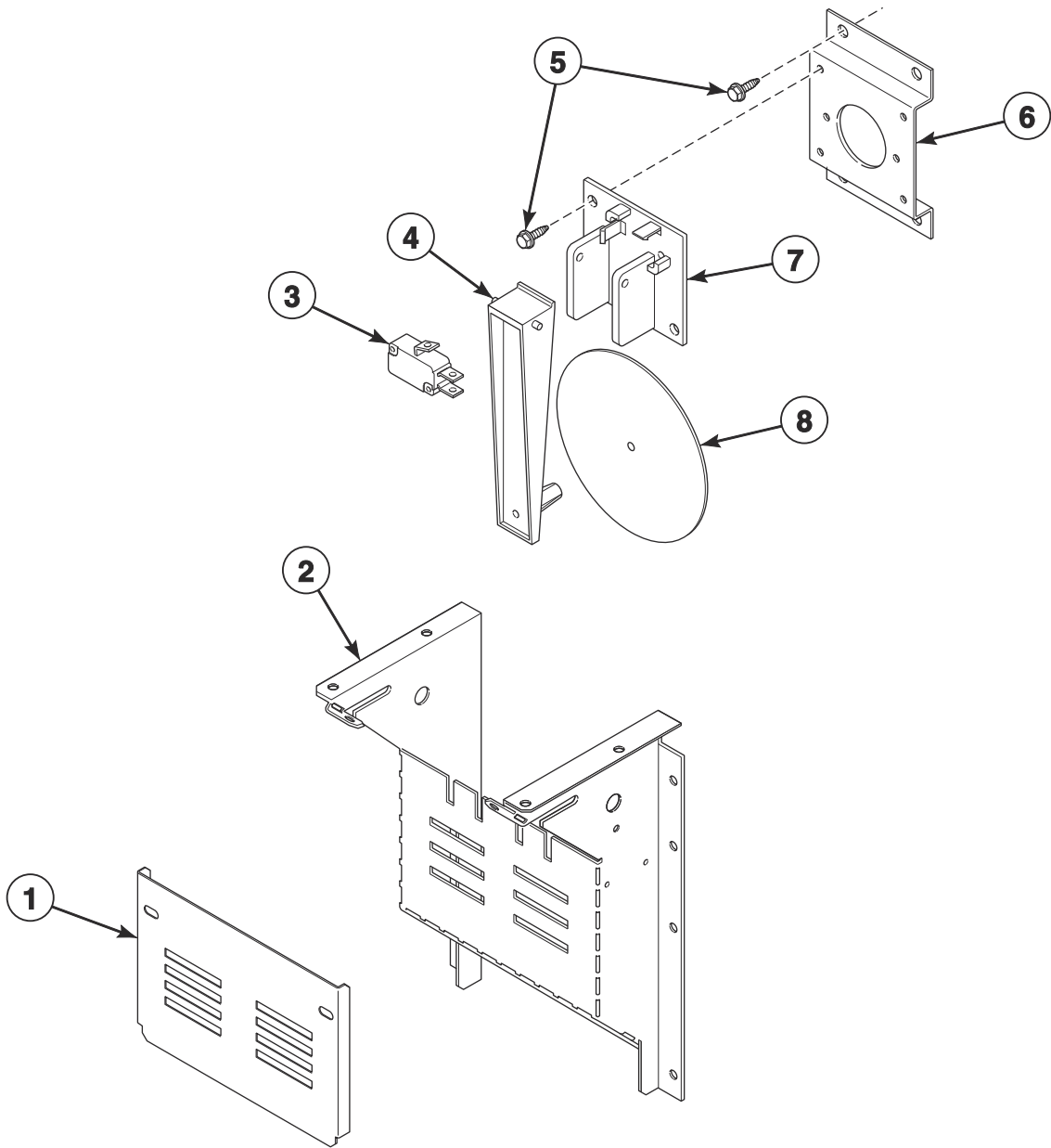


TMB3533P\_70594901

## Blower and Exhaust Components

REF	PART NO.	DESCRIPTION	COMMENTS
1	70554701	Blower Housing	Top
2	70530901	Limit Thermostat	Manual reset
3	M414704	Thermistor	
4	44328001	Limit Thermostat	Auto reset
5	70554901	Limit Access Bracket	
6	70392701P	Gasket	For blower housing opening
7	430497	Screw	
8	70014101	Blower Inlet Cone	
9	70478701P	Fan Motor	.50 HP; 120, 230 Volt/1 Phase
	70484901P	Fan Motor	.50 HP; 380-460 Volt/3 Phase
10	70349601	Blower Motor Mounting Plate	
11	70126101	Screw	
12	M400991	Washer	
13	70359801P	Blower Assembly	
14	M400022	Nut	
15	M400034	Nut	
16	70215101	Blower Housing	
17	70209501	Damper and Hinge Exhaust Assembly	
18	70020301	Blower Housing	Left
19	70220901	Damper Spacer	

# Airflow Switch



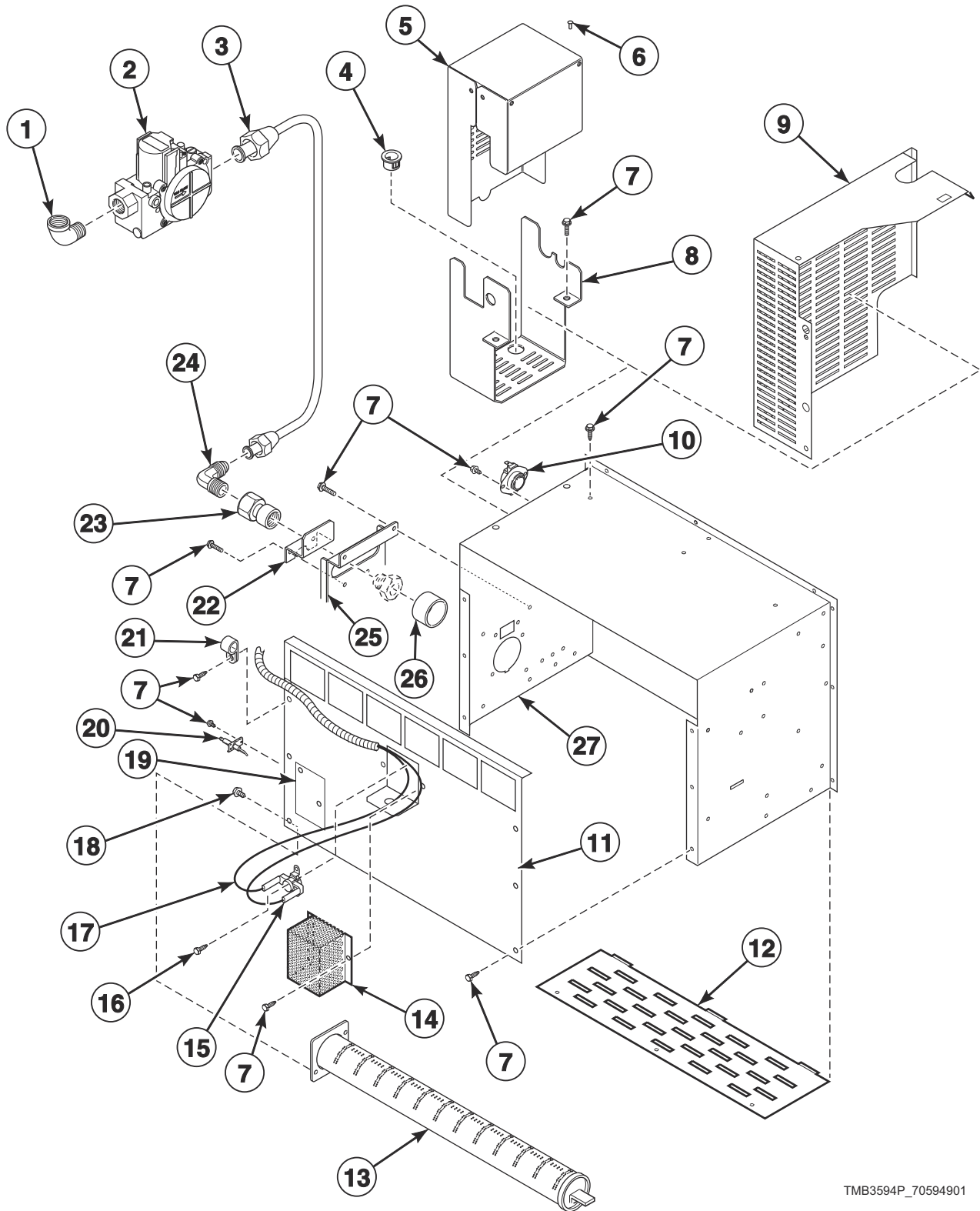
TMB3126P\_70594901



# Airflow Switch

REF	PART NO.	DESCRIPTION	COMMENTS
1	70356601	Airflow Switch Cover	Non-moisture sensing
	70465701	Airflow Switch Cover	Moisture sensing
2	70356101	Airflow Switch Wrapper	
3	70411901	Switch	
4	70319401	Airflow Switch Arm	
5	430497	Screw	
6	70356301	Switch Bracket	
7	70319602	Airflow Switch and Arm Bracket	
8	70319201	Airflow Switch Vane	

# Gas Heater Components

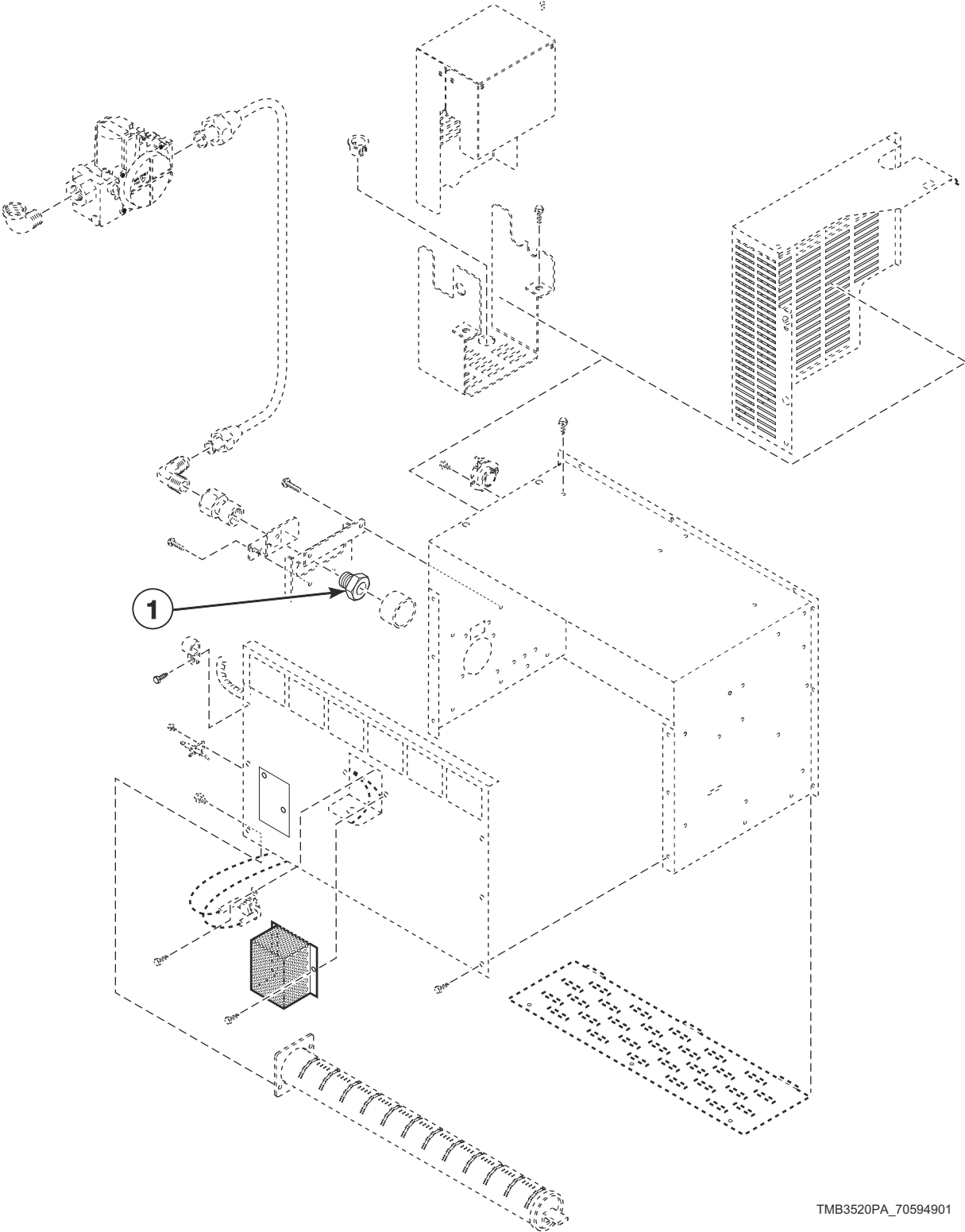


TMB3594P\_70594901

# Gas Heater Components

REF	PART NO.	DESCRIPTION	COMMENTS
	44273501	Gas Valve Harness	
	44239702	High Voltage Suppression Cable	
	70346801	Pipe Plug	
	70550203	L.P. Conversion Kit	CSA and AGA models; Natural Gas (N.G.); 0-2,000 feet
	70551903	L.P. Conversion Kit	IEC models; N.G.; 0-2,000 feet
	70131901	Adapter	IEC models; BPT/NPT
	70167601	Plug	IEC models
	70535901	Notice Label	Australian models; N.G.
	70544901	Notice Label	Australian models; Liquid Petroleum (L.P.) Gas
<b>1</b>	H86070034	Street Elbow	T market models
	F422304	Street Elbow	All other models
<b>2</b>	44154503	N.G. Valve	CSA models
	44154504	L.P. Valve	CSA models
	44154507	Gas Valve	IEC models; N.G.; 1/2 NPT
	44154508	Gas Valve	IEC models; L.P.; 1/2 NPT
<b>3</b>	70271201	Gas Line Assembly	
<b>4</b>	M400770	Snap Bushing	
<b>5</b>	70429901	Gas Valve Cover	
<b>6</b>	M405750	Pop Rivet	4 required
<b>7</b>	430497	Screw	10 required
<b>8</b>	70504101	Gas Valve Bracket	
<b>9</b>	70429901	Gas Valve Cover	IEC models
<b>10</b>	44328004	Limit Thermostat	Side
<b>11</b>	70371501	Stove Back	
<b>12</b>	70188801	Burner Grill	
<b>13</b>	70229801P	Gas Burner	
	70546701	Anti-Rattle Burner Assembly	Includes 70229801P Gas Burner, 431318 Control Door Latch and M400003 Pop Rivet
<b>14</b>	M414477	Thermostat Cover	
<b>15</b>	44328101	Limit Thermostat	Rear
<b>16</b>	M405188	Screw	2 required
<b>17</b>	70564301	Stove Limit Harness	
<b>18</b>	05161	Screw	
<b>19</b>	70159601	Igniter Cover	
<b>20</b>	70548701P	Spark Electrode	
<b>21</b>	70203701	Pipe Clip	
<b>22</b>	70539901	Ignition Keeper Orifice Bracket	
<b>23</b>	70379301	Orifice Adapter	
<b>24</b>	70208701	Elbow	2 required
<b>25</b>	70248901	Orifice Holder Bracket	
<b>26</b>	70239801	Primary Air Adjustment Sleeve	L.P. models
<b>27</b>	70333401	Stove Top and Sides	

# Burner Orifices

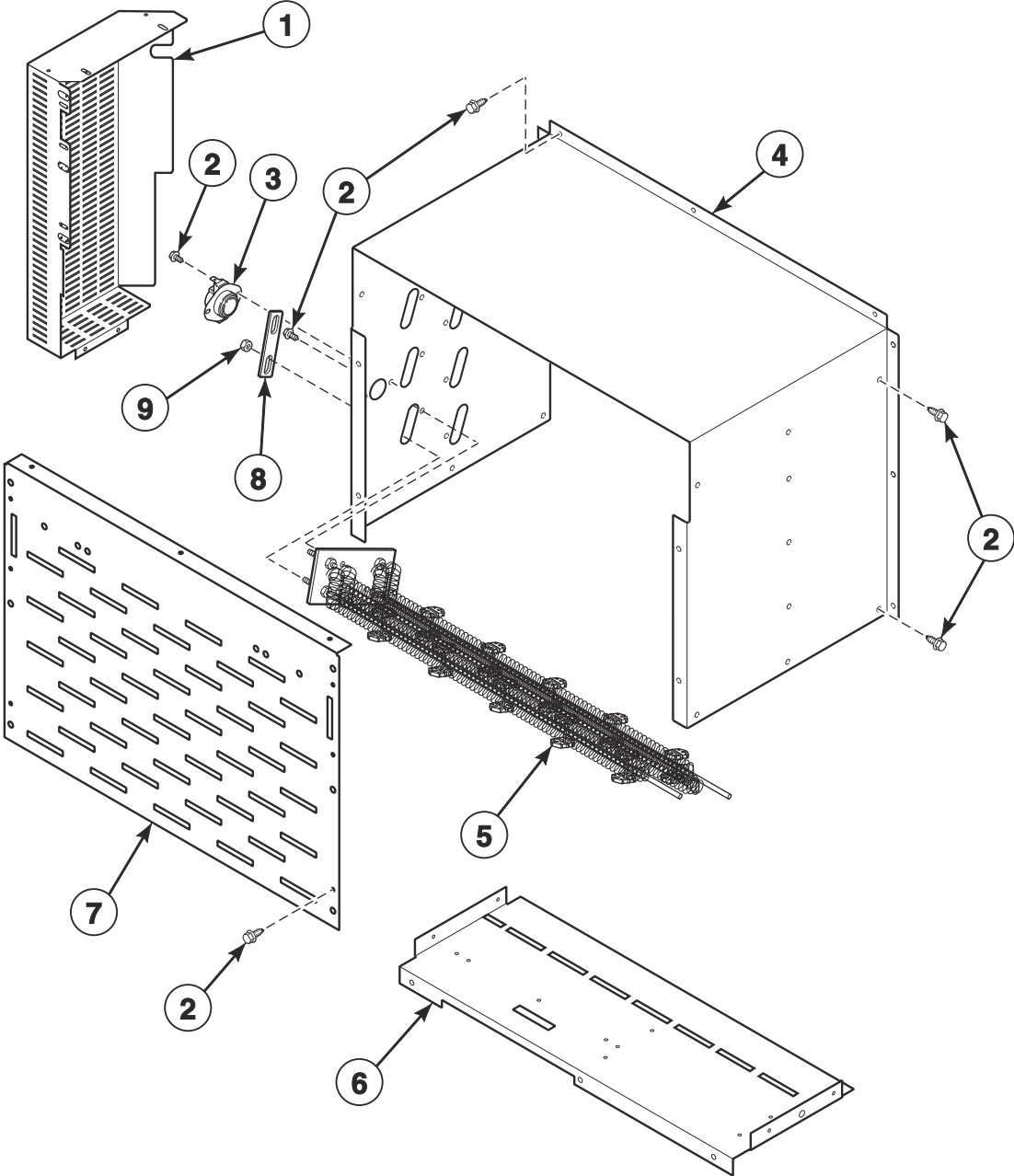


TMB3520PA\_70594901

## Burner Orifices

REF	PART NO.	DESCRIPTION	COMMENTS
	70609905	High Altitude Orifice Kit	CSA Natural Gas (N.G.) models
	70609906	High Altitude Orifice Kit	CSA Liquid Petroleum Gas (L.P.) models
1	70684148	Burner Orifice	Standard models; N.G.; Drill no. 15 (4.57 mm); 0-2,000 feet
	70684145	Burner Orifice	Standard models; N.G.; Drill no. 11/64 (4.37 mm); 2,001-4,000 feet
	70684143	Burner Orifice	Standard models; N.G.; Drill no. 19 (4.22 mm); 4,001-6,000 feet
	70684142	Burner Orifice	Standard models; N.G.; Drill no. 20 (4.09 mm); 6,001-8,000 feet
	70684139	Burner Orifice	Standard models; N.G.; Drill no. 23 (3.91 mm); 8,001-10,000 feet
	70684123	Burner Orifice	Standard models with 2nd digit A, G, H, J, K and T; L.P.; Drill no. 34 (2.82 mm); 0-2,000 feet
	70684120	Burner Orifice	Standard models with 2nd digit A, G, H, J, K and T; L.P.; Drill no. 36 (2.71 mm); 2,001-4,000 feet
	70684118	Burner Orifice	Standard models with 2nd digit A, G, H, J, K and T; L.P.; Drill no. 38 (2.58 mm); 4,001-6,000 feet
	70684116	Burner Orifice	Standard models with 2nd digit A, G, H, J, K and T; L.P.; Drill no. 40 (2.49 mm); 6,001-8,000 feet
	70684114	Burner Orifice	Standard models with 2nd digit A, G, H, J, K and T; L.P.; Drill no. 42 (2.37 mm); 8,001-10,000 feet
	70684116	Burner Orifice	CE standard models; L.P.; Drill no. 40 (2.49 mm); 0-2,000 feet
	70684114	Burner Orifice	CE standard models; L.P.; Drill no. 42 (2.37 mm); 2,001-4,000 feet
	70684113	Burner Orifice	CE standard models; L.P.; 2.3 mm; 4,001-6,000 feet
	70684111	Burner Orifice	CE standard models; L.P.; 2.2 mm; 6,001-8,000 feet
	70684109	Burner Orifice	CE standard models; L.P.; Drill no. 45 (2.08); 8,001-10,000 feet
	70684117	Burner Orifice	Model MJ035D; L.P.; Drill no. 39 (2.53 mm); 0-2,000 feet
	70684114	Burner Orifice	Model MJ035D; L.P.; Drill no. 42 (2.37 mm); 2,001-4,000 feet
	70684113	Burner Orifice	Model MJ035D; L.P.; 2.3 mm; 4,001-6,000 feet
	70684112	Burner Orifice	Model MJ035D; L.P.; Drill no. 43 (2.26 mm); 6,001-8,000 feet
	70684110	Burner Orifice	Model MJ035D; L.P.; Drill no. 44 (2.18 mm); 8,001-10,000 feet
	70684139	Burner Orifice	Eco models; N.G.; Drill no. 23 (3.91 mm); 0-2,000 feet
	70684136	Burner Orifice	Eco models; N.G.; Drill no. 26 (3.73 mm); 2,001-4,000 feet
	70684134	Burner Orifice	Eco models; N.G.; Drill no. 28 (3.57 mm); 4,001-6,000 feet
	70684133	Burner Orifice	Eco models; N.G.; 3.50 mm; 6,001-8,000 feet
	70684130	Burner Orifice	Eco models; N.G.; 3.30 mm; 8,001-10,000 feet

# Electric Heater Components

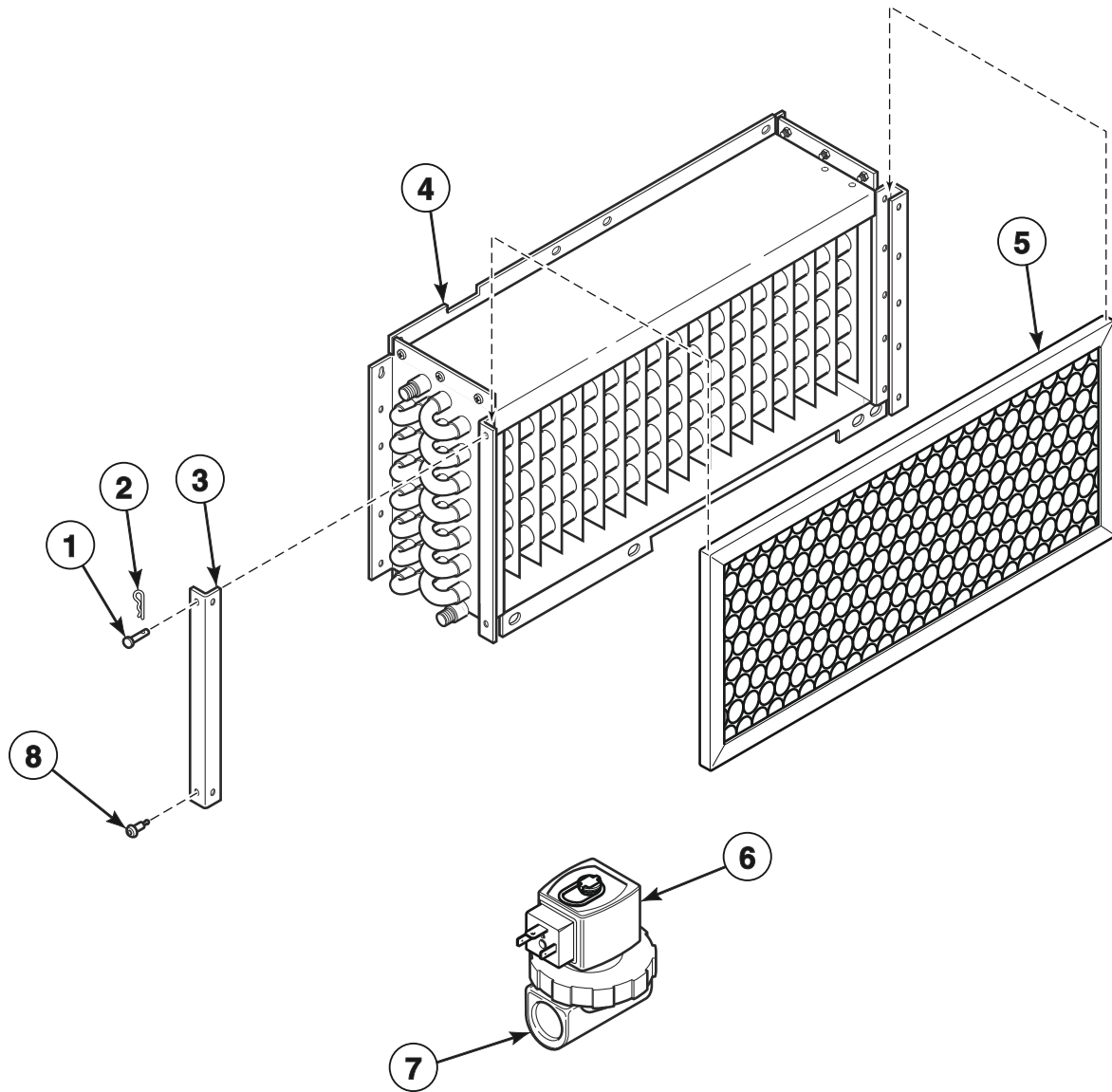


TMB3521P\_70594901

## Electric Heater Components

REF	PART NO.	DESCRIPTION	COMMENTS
	70564303	Stove Limit Harness	
	44281709	Jumper Harness	Use with 440-480 Volt
	44295412	Jumper Harness	Use with 380-415 Volt; 4 required
<b>1</b>	70365201	Stove Connectors Cover	
<b>2</b>	430497	Screw	
<b>3</b>	44328006	Limit Thermostat	
<b>4</b>	70525601	Stove Top and Sides	
<b>5</b>	70034404P	Heater Element	Standard models; 3 required; 8 kW; 208 Volt heater element for 200-208 Volt/1 or 3 Phase
	70034405P	Heater Element	Standard models; 3 required; 8 kW; 220 Volt heater element for 380 and 440 Volt/3 Phase
	70034406P	Heater Element	Standard models; 3 required; 8 kW; 240 Volt heater element for 230-240 Volt/1 or 3 Phase and 400-415 and 460-480 Volt/3 Phase
	70034414P	Heater Element	Eco models; 3 required; 4 kW; 220 Volt heater element for 380 and 440 Volt/3 Phase
	70034416P	Heater Element	Eco models; 3 required; 4 kW; 240 Volt heater element for 230-240, 400-415 or 460-480 Volt/3 Phase
	70034415P	Heater Element	Eco models; 3 required; 4 kW; 208 Volt heater element for 200-208 Volt/3 Phase
	70034412P	Heater Element	Medium electric models; 3 required; 6 kW; 240 Volt heater element for 230-240 Volt/1 or 3 Phase, 400-415 and 460-480 Volt/3 Phase
	70034410P	Heater Element	Medium electric models; 3 required; 6 kW; 208 Volt heater element for 200-208 Volt/1 or 3 Phase
	70034411	Heater Element	Medium electric models; 3 required; 6 kW; 220 Volt heater element for 380 and 440 Volt/3 Phase
<b>6</b>	70357201	Stove Partition	
<b>7</b>	70214901	Stove Grill	
<b>8</b>	70066501	Jumper Bar	2 required for 440-480 Volt
	M400869	Jumper Strip	3 required for 380-415 and 440-480 Volt; 6 required for 200-240 Volt
<b>9</b>	70054	Nut	

# Steam Heater Components



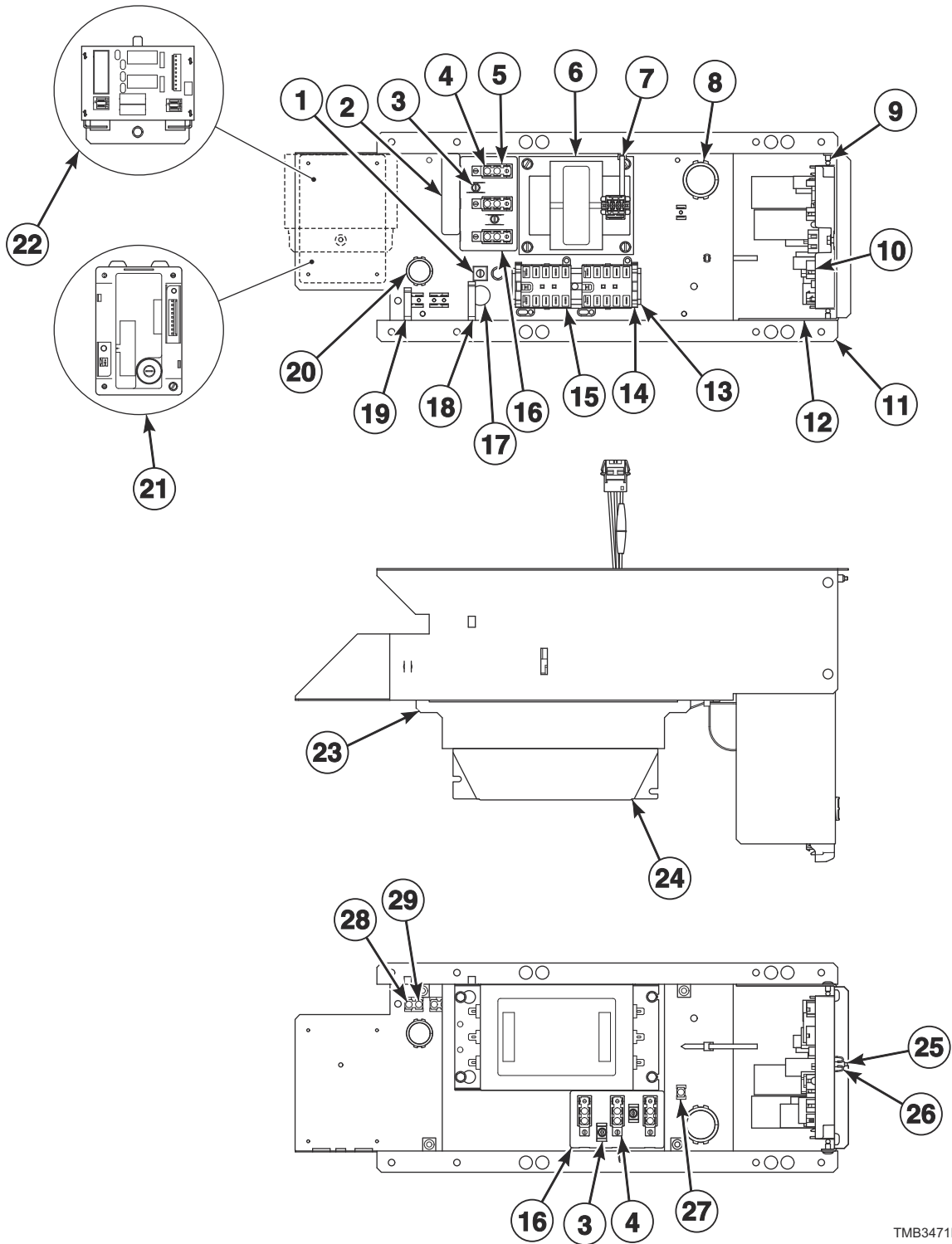
TMB3522P\_70594901



## Steam Heater Components

REF	PART NO.	DESCRIPTION	COMMENTS
	F8382301	DIN Valve Adapter Kit	Use with item 7
	70564302	Stove Limit Bypass Harness	
	F8520703	Steam Valve Harness	
	44304801	Strain Relief	
	70529601	Steam Adapter Kit	IEC models
1	70389201	Clevis Pin	
2	70389301	Hairpin Cotter	
3	70369301	Steam Filter Holder	
4	70369101P	Steam Coil	4 rows
5	70429401	Filter	IEC models
	70036001	Air Filter	CSA models
6	F8514701	Coil	120 Volt
	F8514601P	Coil	240 Volt
7	F8322904P	Steam Valve	120 Volt
	F8322906P	Valve	240 Volt
8	70058501	Pop Rivet	

# Control Tray

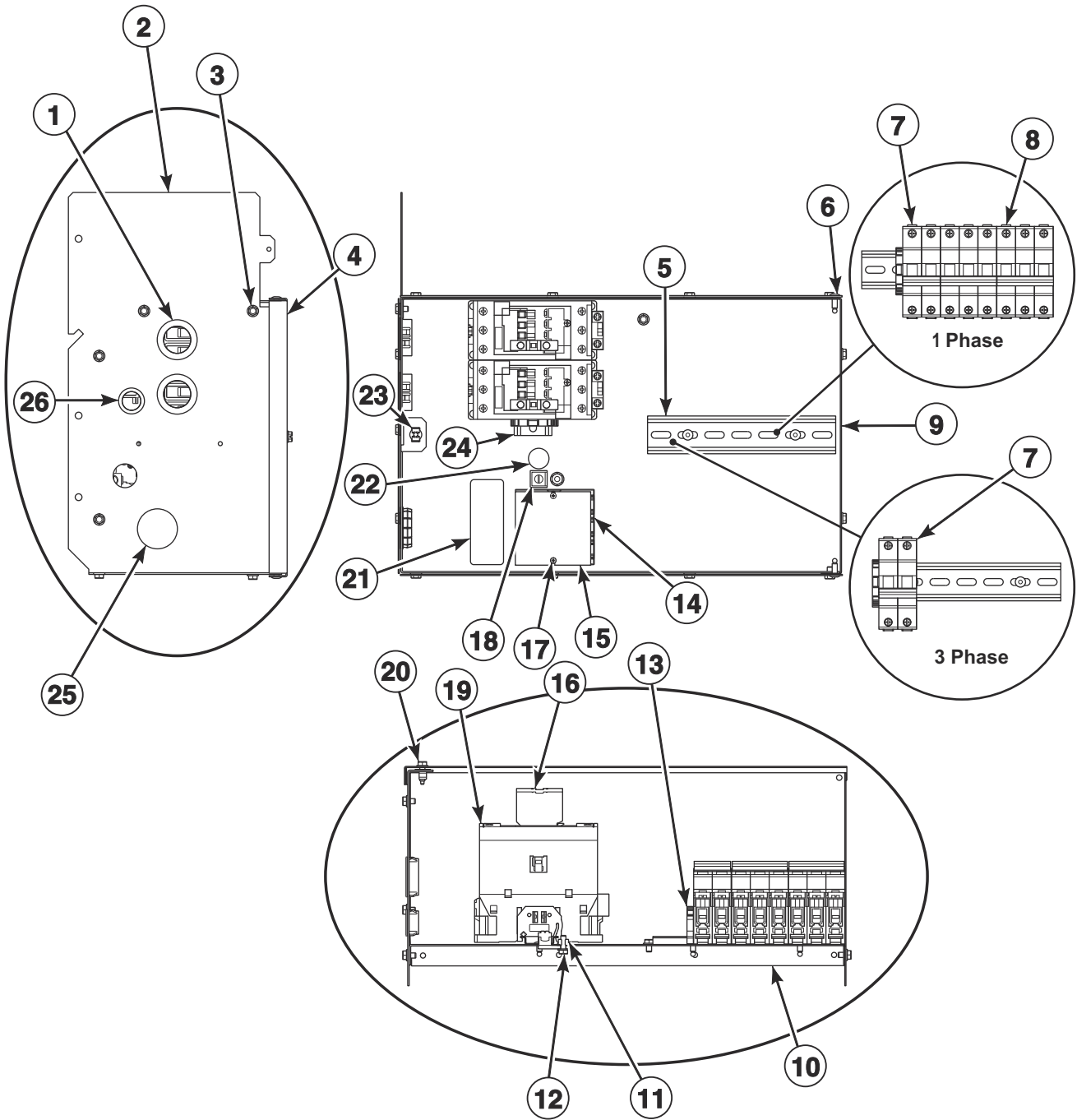


TMB3471P\_70594901

# Control Tray

REF	PART NO.	DESCRIPTION	COMMENTS
	685837	Screw	Use with item 1
	44088001	Nut	Use with item 1
	70507501	Control Tray Cover	
	70559301	Conversion Kit	X to B voltage
	44357401	EMI Filter Kit	CSA models; 100-240 Volt
	44357402	EMI Filter Kit	CSA models; 380-480 Volt
<b>1</b>	M411283	Ground Lug Connector	
<b>2</b>	44286803	Label	L1, L2, L3
	44286801	Label	L1, N
	44286802	Wire Label	L1 L2, L1 N
	44286804	Wire Label	L1 L2, L1 N, L1 L2 L3
<b>3</b>	51783	Screw	
<b>4</b>	430642	Terminal Block	
<b>5</b>	70333001	Terminal Block Shield	
<b>6</b>	F8491101	Transformer	380-480 Volt
<b>7</b>	70335601	Cable Tie	
<b>8</b>	70346501	Bushing	
<b>9</b>	70058501	Pop Rivet	
<b>10</b>	70479201P	I/O Control Assembly	
<b>11</b>	70492401	Control Tray	
<b>12</b>	70494901	Control Board Control Tray	
<b>13</b>	M412690	DIN Rail	
<b>14</b>	F8449801	End Stop	
<b>15</b>	70482601	Contactors	240 Volt or less: 1 required; 380 Volt or higher: 2 required
<b>16</b>	M413862	Insulator	
<b>17</b>	D516100	Label	
<b>18</b>	F8449501	Wire Clip	
<b>19</b>	F8449502	Wire Clip	
<b>20</b>	70178701	Snap Bushing	
<b>21</b>	70482002	Ignition Control	IEC gas models
	70482001	Ignition Control	CSA gas models
<b>22</b>	70501801	Steam Control Assembly	Steam models
<b>23</b>	70533101	Filter Bracket	
<b>24</b>	F8591601	EMI Filter	IEC models; 100-200 and 200-240 Volt/1 Phase
	F8637501	EMI Filter	IEC models; 380-480 Volt
<b>25</b>	F8206901	Screw	
<b>26</b>	70030501	Expansion Clip	
<b>27</b>	00621SG	Male Tab Terminal	
<b>28</b>	M400003	Pop Rivet	
<b>29</b>	00622SG	Terminal	

# Accessory Box - Electric 200-240 Volt Models

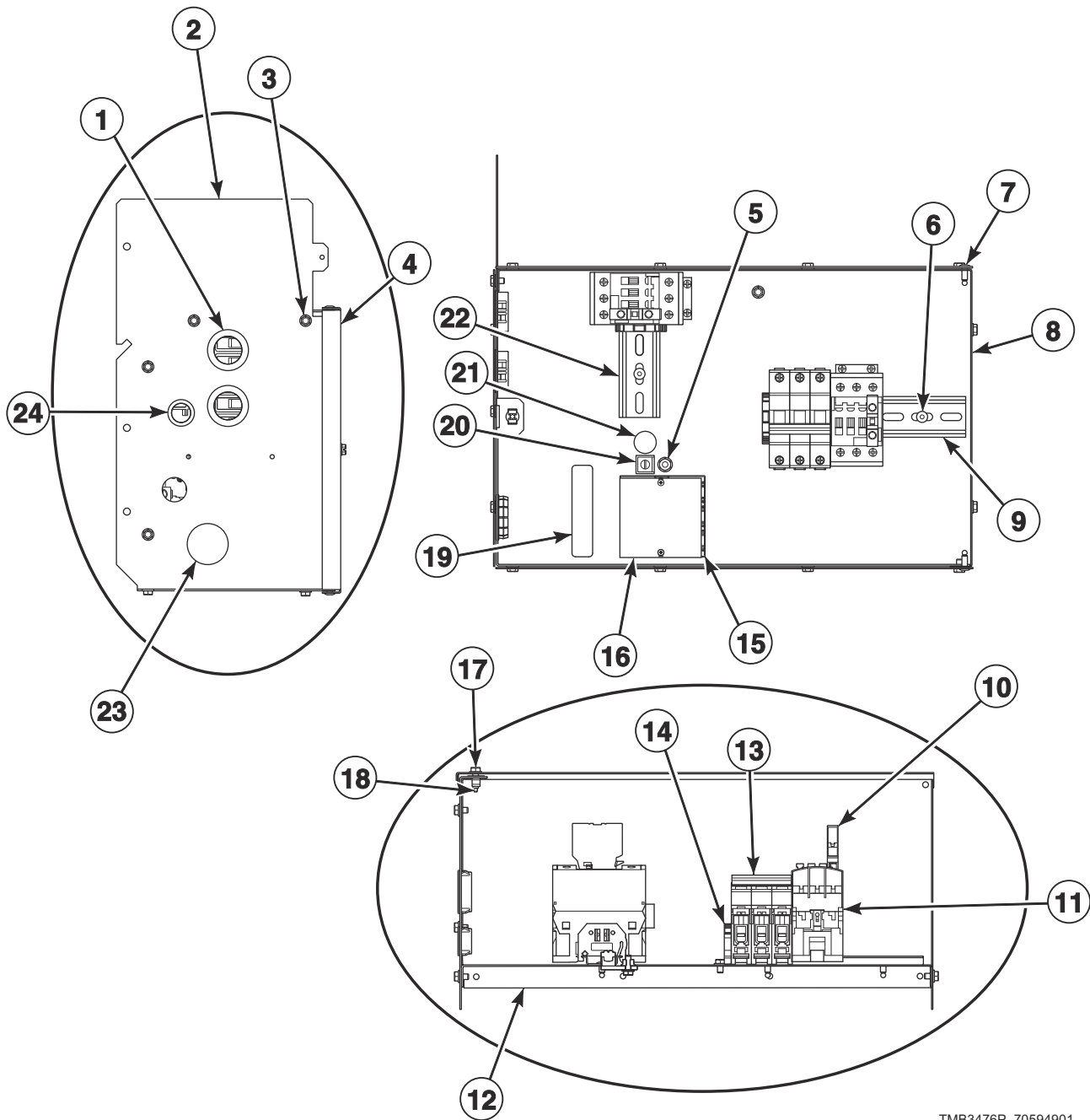


TMB3475P\_70594901

## Accessory Box - Electric 200-240 Volt Models

REF	PART NO.	DESCRIPTION	COMMENTS
	F8611600	Warning Label Kit	IEC models
	F8611601	Warning Label	
	44334307	Contactora Coil Harness	
	44309001	Harness	CSA models; Power distribution block to control circuit breaker
	44309011	Harness	IEC models; Power distribution block to control circuit breaker
	70516106	Harness	Contactora to element
	70516105	Harness	Contactora to element
	70516103	Harness	1 Phase; Power distribution block to circuit breaker/contactora
	70516104	Harness	Power distribution block to circuit breaker/contactora
	70516101	Harness	Power distribution block to circuit breaker/contactora
	70516102	Harness	1 Phase; Power distribution block to circuit breaker/contacto
<b>1</b>	M402542	Snap Bushing	2 required
<b>2</b>	70540601	Accessory Box Side	Left
<b>3</b>	51780	Screw	
<b>4</b>	70358401	Accessory Box Cover	
<b>5</b>	F8134001	DIN Rail	
<b>6</b>	70058502	Pop Rivet	
<b>7</b>	70488102	Circuit Breaker	25 amp
<b>8</b>	70488104	Circuit Breaker	2 required; 50 amp; 200-208 and 230-240 Volt/1 Phase
<b>9</b>	70540701	Accessory Box Side	Right
<b>10</b>	70540501	Accessory Box Back	
<b>11</b>	44088001	Nut	
<b>12</b>	685837	Screw	
<b>13</b>	F8449801	End Stop	2 required
<b>14</b>	M413865	Power Distribution Block	
<b>15</b>	44014901P	Power Distribution Block Cover	
<b>16</b>	44313201	Auxiliary Contact Block	2 required
<b>17</b>	39733	Screw	
<b>18</b>	M411283	Ground Lug Connector	
<b>19</b>	70482801	Contactora	2 required
<b>20</b>	F8206901	Screw	
<b>21</b>	44286802	Wire Label	1 Phase
	44286803	Label	3 Phase
<b>22</b>	D516100	Label	
<b>23</b>	70030501	Expansion Clip	
<b>24</b>	M412690	DIN Rail	
<b>25</b>	70180001	Plug	
<b>26</b>	M400770	Snap Bushing	

# Accessory Box - Electric 380-480 Volt Models



TMB3476P\_70594901

## Accessory Box - Electric 380-480 Volt Models

REF	PART NO.	DESCRIPTION	COMMENTS
	F8611600	Warning Label Kit	IEC models
	F8611601	Warning Label	
	44334307	Contactora Coil Harness	
	44334302	Control Harness	3 Phase
	44309002	Harness	CSA models; Power distribution block to control circuit breaker
	44309012	Harness	IEC models; Power distribution block to control circuit breaker
	70516106	Harness	Contactora to element
	70516103	Harness	2 required; Power distribution block to circuit breaker/contactora
<b>1</b>	M402542	Snap Bushing	2 required
<b>2</b>	70540601	Accessory Box Side	Left
<b>3</b>	51780	Screw	
<b>4</b>	70358401	Accessory Box Cover	
<b>5</b>	685837	Screw	
	44088001	Nut	
<b>6</b>	70058501	Pop Rivet	
<b>7</b>	70058502	Pop Rivet	
<b>8</b>	70540701	Accessory Box Side	Right
<b>9</b>	F8134001	DIN Rail	
<b>10</b>	44313201	Auxiliary Contact Block	2 required
<b>11</b>	70482701	Contactora	2 required
<b>12</b>	70540501	Accessory Box Back	
<b>13</b>	70488101	Circuit Breaker	25 amp
<b>14</b>	F8449801	End Stop	2 required
<b>15</b>	M413865	Power Distribution Block	
<b>16</b>	44014901P	Power Distribution Block Cover	
<b>17</b>	F8206901	Screw	
<b>18</b>	70030501	Expansion Clip	
<b>19</b>	44286803	Label	
<b>20</b>	M411283	Ground Lug Connector	
<b>21</b>	D516100	Label	
<b>22</b>	M412690	DIN Rail	
<b>23</b>	70180001	Plug	
<b>24</b>	M400770	Snap Bushing	

# Harnesses

<b>PART NO.</b>	<b>DESCRIPTION</b>	<b>COMMENTS</b>
44316007	Harness	IEC models; 1 Phase; Auxiliary power distribution block to filter harness
44316008	Harness	IEC models; 3 Phase; Auxiliary power distribution block to filter harness
44280007	Configuration Harness	100-120 Volt; Cylinder
44280006	Configuration Harness	100-120 Volt; Fan
44356402	Control Tray Harness Assembly	Electric models
44356401	Control Tray Harness Assembly	Gas models
44356407	Control Tray Harness Assembly	Steam models
44334702	Inverter Contactor Coil Harness	Secondary; 380-480 Volt
44316001	Harness	IEC models; 1 Phase; Main power distribution block to EMI filter harness
44316002	Harness	IEC models; 3 Phase; Main power distribution block to EMI filter harness
44280005	Configuration Harness	3 Phase
44280010	Motor Contactor Power Harness	IEC models; 1 Phase
44280012	Motor Contactor Power Harness	IEC models; 3 Phase
44280001	Motor Contactor Power Harness	CSA models; 1 Phase
44280003	Motor Contactor Power Harness	CSA models; 3 Phase
44280101	Power Harness	Control and emergency stop connection; 380-480 Volt
44272101	Power Harness	Control and emergency stop connection; 100-120 and 200-240 Volt
204454	Ferrite	Korean models; EMI; Motor circuit, inverter communication circuit



# Labels

<b>PART NO.</b>	<b>DESCRIPTION</b>	<b>COMMENTS</b>
44324201	Caution Label	Australian models; Repeat Ignition Reset
70535101	Caution Label	Vent/install
F8614501	Danger Label	Shock; English/French
F8614301	Hot Surface Warning Label	English/French
F8609001	Hot Surface Warning Label	Icon
F8611601	Warning Label	
70535100	Label Kit	Vent/install
F8614500	Label Kit	Shock
70539601	Notice Label	
F8609501	Notice Label	
D516073	Notice Label	Read instructions; Icon
70538401	Pinch Warning Label	English/French
F8615701	Pinch Warning Label	Icon
F8614201	Shock Warning Label	Icon
70536301	Warning Label	Lint; Australian models
44324101	Warning Label	Fire; Australian models
70534305	Warning Label	Fire; Colombian Spanish; Australian models
44321601	Warning Label	Risk of fire; Icon



# Parts Index

## A

Access Panel Trim	
70399401 .....	41
70399412 .....	41
Accessory Box Back	
70540501 .....	75, 77
Accessory Box Cover	
70358401 .....	75, 77
Accessory Box Side	
70540601 .....	75, 77
70540701 .....	75, 77
Adapter	
70131901 .....	65
Air Filter	
70036001 .....	71
Airflow Switch and Arm Bracket	
70319602 .....	63
Airflow Switch Arm	
70319401 .....	63
Airflow Switch Cover	
70356601 .....	63
70465701 .....	63
Airflow Switch Vane	
70319201 .....	63
Airflow Switch Wrapper	
70356101 .....	63
Anti-Rattle Burner Assembly	
70546701 .....	65
Auxiliary Contact Block	
44313201 .....	75, 77

## B

Blind Rivet	
F8245101 .....	45
Blower Assembly	
70359801P .....	59, 61
Blower Housing	
70020301 .....	61
70215101 .....	59, 61
70554701 .....	59, 61
Blower Housing Scroll	
70016301 .....	59
Blower Inlet Cone	
70014101 .....	61
Blower Motor Mounting Plate	
70349601 .....	59, 61
Burner Grill	
70188801 .....	65
Burner Orifice	
70684109 .....	67
70684110 .....	67
70684111 .....	67
70684112 .....	67
70684113 .....	67
70684114 .....	67
70684116 .....	67
70684117 .....	67

70684118 .....	67
70684120 .....	67
70684123 .....	67
70684130 .....	67
70684133 .....	67
70684134 .....	67
70684136 .....	67
70684139 .....	67
70684142 .....	67
70684143 .....	67
70684145 .....	67
70684148 .....	67
Bushing	
70346501 .....	53, 73
70542801 .....	59
Bypass Harness	
44334103 .....	41

## C

Cable Tie	
70335601 .....	73
Caution Label	
44324201 .....	79
70535101 .....	79
Center Cylinder Seal	
70066003 .....	51
Center Pan	
70564501 .....	53
Center Partition	
70252601 .....	53
Central Pay Board Harness	
44355604 .....	27
Central Pay Control Assembly	
204779 .....	27
Central Pay Harness	
44342801 .....	17
44355601 .....	27
44355605 .....	27
Central Pay Kit	
70612701 .....	27
70612703 .....	27
Circuit Breaker	
70488101 .....	77
70488102 .....	75
70488105 .....	75
Clevis Pin	
70389201 .....	71
Coil	
F8514601P .....	71
F8514701 .....	71
Coin Box	
F160673P .....	41
Coin Chute Assembly	
70296401 .....	41
Coin Drop	
38963P .....	23
39748 .....	23
70441601 .....	23
70441603 .....	23

N/A items do not appear in index.

Coin Drop Assembly		Control Panel	
201141 .....	23	70121305* .....	37
210195 .....	23	70121309 .....	37
210196 .....	23	70273405* .....	37
38462P .....	23	70273414 .....	37
38463 .....	23	Control Plate	
38467 .....	23	70497101 .....	15, 21
38519 .....	23	Control Plate and Studs Assembly	
70281102 .....	23	70496601 .....	17, 19
70283102 .....	23	Control Plate Assembly	
70441602 .....	23	70497201 .....	17, 19
70447301 .....	23	Control Tray	
70471601 .....	23	70492401 .....	73
70482401 .....	23	Control Tray Cover	
70506901 .....	23	70507501 .....	73
Coin Drop Kit		Control Tray Harness Assembly	
CK077 .....	23	44356401 .....	78
CK122 .....	25	44356402 .....	78
Coin Identification Paper		44356407 .....	78
38464P .....	23	Control Trim	
38475 .....	23	44016401 .....	41
38725 .....	23	Conversion Kit	
Coin Meter		70559301 .....	73
F0160737-00 .....	23	Cylinder and Trunnion Assembly	
Coin Vault and Emergency Stop Mount Assembly		70435201 .....	47
70529502 .....	41	70435202 .....	47
Coin Vault Assembly		70435203 .....	47
70529501 .....	41	Cylinder Assembly	
Coin Vault Switch Harness		70372601P .....	47
44334101 .....	41	70372602P .....	47
Cold Weather Kit		70372603P .....	47
44340301 .....	57	Cylinder Bearing Stud Plate Assembly	
Configuration Harness		430352 .....	51
44280005 .....	78	Cylinder Guide Tool	
44280006 .....	78	263P4 .....	51
44280007 .....	78	Cylinder Rib Assembly	
Contact Base		70433001 .....	47
F8538101 .....	43	Cylinder Shroud	
Contact Switch		70347001 .....	53
F8069501 .....	43	70347002 .....	53
Contactork		70432305 .....	53
70482601 .....	73	70432306 .....	53
70482701 .....	77		
70482801 .....	75		
Contactork Coil Harness			
44334307 .....	75, 77		
Control			
70511601 .....	57		
Control Assembly			
70478801P .....	17, 19		
70478802 .....	21		
70479801 .....	15		
Control Board Control Tray			
70494901 .....	73		
Control Box Base			
44065301 .....	57		
Control Box Cover			
44065201 .....	57		
Control Box Housing			
44306701 .....	57		
Control Box Top			
44307101 .....	57		
Control Harness			
44334302 .....	77		
44334404 .....	57		
		<b>D</b>	
		Damper and Hinge Exhaust Assembly	
		70209501 .....	59, 61
		Damper Spacer	
		70220901 .....	61
		Danger Label	
		F8614501 .....	79
		DIN Rail	
		F8134001 .....	75, 77
		M412690 .....	73, 75, 77
		DIN Valve Adapter Kit	
		F8382301 .....	71
		Door Assembly	
		70212300 .....	29
		70212301 .....	29
		70212302P .....	29
		70408901 .....	29
		Door Glass	
		M400784P .....	31

N/A items do not appear in index.

Door Glass Installation Tool M4221P4.....	31
Door Glass Seal Kit 70211901P.....	31
Door Handle 44007902P.....	31
Door Hinge 70115901*.....	33
70115903B.....	33
70115904.....	33
Door Hinge Lug Assembly 44035001.....	33
44035002.....	33
Door Latch M401223.....	41
Door Ring 70543903B.....	31
Door Ring Assembly 70543901.....	31
70543904B.....	31
70543905.....	31
Door Ring Gasket 70296801.....	31
Door Switch Actuator 70532101.....	33
70532102.....	33
Drive Motor 70478601P.....	59
70485001P.....	59
Drive Plate 70571901.....	59
Drive Rivet M400713.....	57
Drywall Screw Magnet Kit 70343101P.....	47, 51

## E

Elbow 70208701.....	65
70428101.....	55
Electronic Coin Drop Assembly 70294107.....	23
70513302.....	23
70513303.....	23
70513304.....	23
70513306.....	23
70513308.....	23
70513309.....	23
70513310.....	23
70513311.....	23
70513312.....	23
70513313.....	23
70513314.....	23
70513315.....	23
70513316.....	23
Electronic Coin Drop Kit CK099.....	25
CK100.....	25
CK101.....	25
CK108.....	25
CK109.....	25
CK110.....	25
CK113.....	25
CK115.....	25

CK116.....	25
CK117.....	25
CK118.....	25
CK119.....	25
CK120.....	25
CK121.....	25
EMC Shield 70608602.....	59
Emergency Stop Button Kit 70580301.....	43
Emergency Stop Bypass Harness F8519403.....	43
Emergency Stop Harness 44272401.....	43
Emergency Stop Label 44012901.....	43
44012903.....	43
Emergency Stop Mounting Bracket 70550401.....	43
Emergency Stop Pushbutton F200233500.....	43
EMI Filter F8591601.....	73
F8637501.....	73
EMI Filter Kit 44357401.....	73
44357402.....	73
End Cap 70070101.....	47
70070102.....	47
End Stop F8449801.....	73, 75, 77
Exhaust Adapter 70477901.....	59
Exhaust Thimble 70015601.....	59
Expansion Clip 70030501.....	17, 19, 27, 41, 73, 75, 77

## F

False Front 70021101WP.....	35
70021104.....	35
70024004.....	35
False Front Assembly 70024001*P.....	35
Fan Motor 70478701P.....	59, 61
70484901P.....	59, 61
Ferrite 204454.....	78
Fill Hose 202799.....	57
Filter 70429401.....	71
Filter Bracket 70533101.....	73
Filter Mounting Plate 70551701.....	57
Flat Top 70557701.....	53

N/A items do not appear in index.

Front Panel	
70524205*	39
70524221	39
70622701	39
70622901*	39
70623001*	39
70623601*	39
Front Panel Assembly	
70622501	39
70622601	39
Front Panel Seal	
70173401P	39

## G

Gas Burner	
70229801P	65
Gas Line Assembly	
70271201	65
Gas Valve	
44154507	65
44154508	65
Gas Valve Bracket	
70504101	65
Gas Valve Cover	
70429901	65
Gas Valve Harness	
44273501	65
Gasket	
70289101P	45
70392701P	61
Ground Lug Connector	
M411283	73, 75, 77

## H

Hairpin Cotter	
70389301	71
Handle and Caps Assembly	
70154403	45
Handle Bar	
70399502B	31
Handle Bumper	
70407201	45
Harness	
44309001	75
44309002	77
44309011	75
44309012	77
44316001	78
44316002	78
44316007	78
44316008	78
70516101	75
70516102	75
70516103	75, 77
70516104	75
70516105	75
70516106	75, 77
Harness Adapter Plate	
70523301	55, 57
Harness Mounting Plate	
70307007	27

Heater Element	
70034404P	69
70034405P	69
70034406P	69
70034410P	69
70034411	69
70034412P	69
70034414P	69
70034415P	69
70034416P	69
High Altitude Orifice Kit	
70609905	67
70609906	67
High Voltage Suppression Cable	
44239702	65
Hinge Cam Kit	
M4772P3	33
M4773P3	33
Hold-Down Clip	
35865	53
Hole Plug	
70063201	53
Hose	
44073304	57
Hose Clamp	
36801	57
Hose Fitting	
44069101	57
Hot Surface Warning Label	
F8609001	79
F8614301	79

## I

Idler Wheel Assembly	
70050401P	59
Igniter Cover	
70159601	65
Ignition Control	
70482001	73
70482002	73
Ignition Keeper Orifice Bracket	
70539901	65
Insulator	
M413862	73
Interconnect Harness	
44334401	57
Inverter Contactor Coil Harness	
44334702	78
Inverter Motor Harness	
44335301	59
I/O Control Assembly	
70479201P	73

## J

J-Belt	
70276208	59
Jumper Bar	
70066501	69
Jumper Harness	
D511476	41

N/A items do not appear in index.

442295412 .....	69
44281709 .....	69
Jumper Strip	
M400869 .....	69

## K

Key	
70144101 .....	59
70155601 .....	41, 57
70155602 .....	41
Kickplate	
70117603 .....	45

## L

Label	
D516100 .....	73, 75, 77
44108201 .....	39
44286801 .....	73
44286803 .....	73, 75, 77
44318201 .....	57
70414001 .....	31
70537101 .....	39
Label Kit	
F8614500 .....	79
44318200 .....	57
44324500 .....	57
70534300 .....	39
70535100 .....	79
Light	
801432 .....	57
Limit Access Bracket	
70554901 .....	59, 61
Limit Thermostat	
44328001 .....	61
44328004 .....	65
44328006 .....	69
44328101 .....	65
70530901 .....	61
Lint Panel	
70515501* .....	45
70515502 .....	45
Lint Panel Pivot Plate	
70016701 .....	45
Lint Screen	
70325601 .....	53
Lock Shim	
70342401 .....	41
Lock, Key and Nut Kit	
44089301P .....	41, 57
44089302P .....	41
Lower Pan	
70326601 .....	53
Lower Rear Assembly	
70500801 .....	59
L.P. Conversion Kit	
70550203 .....	65
70551903 .....	65
L.P. Valve	
44154504 .....	65

## M

Machine ID Control Assembly	
203361P .....	17, 19, 21
Magnet	
70343101 .....	45
Magnet Bracket	
44290501 .....	45
Male Tab Terminal	
00621SG .....	73
Mixing Valve	
70519801 .....	57
Mixing Valve Shield Bracket	
44306601 .....	57
Moisture Sensing Harness Kit	
44344703 .....	49
Moisture Sensor Harness	
44333903 .....	49
Motor Conduit Mounting Bracket	
70521901 .....	59
Motor Contactor Power Harness	
44280001 .....	78
44280003 .....	78
44280010 .....	78
44280012 .....	78
Motor Mount Bracket	
70564101 .....	59
Motor Mount Plate	
70564201 .....	59
Motor Pulley	
70559101 .....	59
Mounting Bracket	
70601401 .....	57
70604001 .....	27
Mounting Plate	
70208801 .....	17, 19

## N

Nameplate Overlay	
44130201 .....	41
44144401 .....	41
70410201 .....	41
70411401 .....	41
Notice Label	
D516073 .....	79
F8609501 .....	79
70535901 .....	65
70539601 .....	79
70544901 .....	65
Nozzle Bracket	
70424201 .....	55
70428601 .....	55
Nut	
M400022 .....	49, 51, 61
M400034 .....	51, 61
M404993 .....	53
M412986 .....	51
M414215 .....	31
21899 .....	53
23951 .....	45
430576 .....	53
44087201 .....	47

N/A items do not appear in index.

44087301 .....	59
44088001 .....	31, 33, 73, 75, 77
44088801 .....	41
44333202 .....	59
51236 .....	45
70054 .....	69
<b>N.G. Valve</b>	
44154503 .....	65

## O

<b>Opto Coupler</b>	
200674P .....	23
<b>Orifice Adapter</b>	
70379301 .....	65
<b>Orifice Holder Bracket</b>	
70248901 .....	65
<b>Overlay</b>	
F8205101 .....	17
70516801 .....	15
70516802 .....	15
70544701 .....	17
70544702 .....	17
70544703 .....	17
70547401 .....	17
70547402 .....	17
70547501 .....	15
70547502 .....	15
70547801 .....	21
70547802 .....	21
70548101 .....	17
70557001 .....	17
70557002 .....	17
70570601 .....	21
70570602 .....	21
70572401 .....	21
70572402 .....	21
70572601 .....	19
70626001 .....	19
70626002 .....	19
70626101 .....	19

## P

<b>Panel Locator</b>	
56079 .....	41, 45
<b>Panel Lock</b>	
44089304 .....	41
44089305 .....	41
<b>Pin</b>	
70071401 .....	33
<b>Pinch Warning Label</b>	
F8615701 .....	79
70538401 .....	79
<b>Pipe Clip</b>	
70203701 .....	65
<b>Pipe Plug</b>	
70346801 .....	65
<b>Pivot Arm Lever</b>	
70543301 .....	59
<b>Plug</b>	
70167601 .....	65
70180001 .....	57, 75, 77

<b>Pop Rivet</b>	
M400003 .....	73
M405750 .....	65
44166601 .....	41
70058501 .....	33, 45, 53, 71, 73, 77
70058502 .....	75, 77
70126301 .....	45
70126401 .....	45
70412601 .....	31

<b>Porcelain Touch-Up Paint</b>	
122P4P .....	53
370P4P .....	53
<b>Power Distribution Block</b>	
M413865 .....	75, 77
<b>Power Distribution Block Cover</b>	
44014901P .....	75, 77
<b>Power Harness</b>	
44272101 .....	78
44280101 .....	78
<b>Power Sensor Harness</b>	
44334402 .....	57
<b>Primary Air Adjustment Sleeve</b>	
70239801 .....	65
<b>Pushbutton Switch</b>	
70413301 .....	15, 17, 19, 21, 41
<b>Push-to-Start Switch</b>	
801434W .....	57

## R

<b>Rear Bearing Shim</b>	
70355001 .....	51
<b>Rear Cylinder Bearing Housing</b>	
70013901 .....	51
<b>Rear Cylinder Channel</b>	
70257101 .....	47
70257102 .....	47
<b>Rear Cylinder Channel Plate</b>	
70257201 .....	47
<b>Rear Cylinder Seal</b>	
70013701P .....	51
<b>Rear Cylinder Seal Support</b>	
70506402 .....	51
<b>Rear Lint Panel</b>	
70564401 .....	45
<b>Rear Panel</b>	
70564701 .....	51
70564702 .....	51
70564703 .....	51
70564704 .....	51
<b>Reed Switch Assembly</b>	
F8066804 .....	45
<b>Roller and Seal Kit</b>	
70616701 .....	53
<b>Roller Catch Arm</b>	
70030301 .....	45
<b>Roller Catch Spacer</b>	
70030201 .....	45
<b>Roller Catch Wheel</b>	
70297601 .....	45
<b>Roller Seal</b>	
70443601 .....	53

N/A items do not appear in index.



Roller Shaft	
70249501 .....	53
Roller Support Bracket	
70328301 .....	53

## S

Screw	
F8206901 .....	27, 73, 75, 77
M400044 .....	33
M400661 .....	31
M405188 .....	35, 65
M411072 .....	17, 19, 41
05161 .....	65
39733 .....	41, 45, 75
430497 .....	45, 47, 53, 55, 57, 61, 63, 65, 69
430757 .....	45
51780 .....	27, 55, 57, 75, 77
51783 .....	73
62588 .....	47
685837 .....	73, 75, 77
70033502 .....	33
70072801 .....	45
70126101 .....	61
70132301 .....	45
70247701 .....	53
70391101 .....	47
70407301 .....	33
70436301 .....	33
70442101 .....	31
70501301 .....	59
70576101 .....	33
804608 .....	15, 17, 19, 21, 57
Sensor Harness	
44334406 .....	57
Sheet Metal Edge Gasket	
70015710 .....	53
70015711 .....	53
Shield	
44326801 .....	57
Shock Warning Label	
F8614201 .....	57, 79
F8614401 .....	57
Side Panel	
70021502*P .....	53
70253801*P .....	53
Slip Ring Holder	
70455401 .....	49
Slot Card Plate Assembly	
44089501 .....	17, 19
Snap Bushing	
M400770 .....	65, 75, 77
M402542 .....	75, 77
70178701 .....	55, 73
Spacer	
70488403 .....	59
Spark Electrode	
70548701P .....	65
Spray Nozzle	
70427801 .....	55
Spray Nozzle Hose	
70427701 .....	55
Spray Paint	
298P4P .....	53
381P4 .....	53

Spring	
70571801 .....	59
Spring Catch Bracket	
70543401 .....	59
Standoff	
70569603 .....	59
Steam Adapter Kit	
70529601 .....	71
Steam Coil	
70369101P .....	71
Steam Control Assembly	
70501801 .....	73
Steam Filter Holder	
70369301 .....	71
Steam Valve	
F8322904P .....	71
Steam Valve Harness	
F8520703 .....	71
Stove Back	
70371501 .....	65
Stove Connectors Cover	
70365201 .....	69
Stove Grill	
70214901 .....	69
Stove Limit Bypass Harness	
70564302 .....	71
Stove Limit Harness	
70564301 .....	65
70564303 .....	69
Stove Partition	
70357201 .....	69
Stove Top and Sides	
70333401 .....	65
7052601 .....	69
Strain Relief	
44304801 .....	71
Street Elbow	
F422304 .....	65
H86070034 .....	65
Support Bearing	
70448701 .....	51
Support Housing Bearing Assembly	
430260P .....	51
Switch	
70411901 .....	63
Switch Bracket	
70356301 .....	63
70508501 .....	45
Switch Hole Plug	
44057801B .....	41
44057801Q .....	41
44057801W .....	41

## T

Tensioning Bracket	
70569501 .....	59
Terminal	
00622SG .....	73
Terminal Block	
430642 .....	73
Terminal Block Shield	
70333001 .....	73

N/A items do not appear in index.

Thermistor	
M414704 .....	61
44064701 .....	55
Thermistor Plate	
70424401 .....	55
Thermostat Cover	
M414477 .....	65
Top Pan	
70555401 .....	53
Transformer	
F8491101 .....	73
202757 .....	27
202758 .....	27
Transformer Harness	
44272301 .....	27
44272302 .....	27
Trunnion and Seal Kit	
70564803 .....	47
70564804 .....	47
Tube Assembly	
70427601 .....	55
Tumbler Dolly Kit	
M4379P4 .....	53

Wire Guard	
201595P .....	23
Wire Label	
44286802 .....	73, 75
44286804 .....	73

---

## U

Union Tee	
70427901 .....	55

---

## V

Valve	
F8322906P .....	71
Vend Activation Harness	
44334004 .....	15, 17, 19, 21

---

## W

Warning Label	
F8611601 .....	75, 77, 79
44321601 .....	79
44324101 .....	79
44324501 .....	57
44324502 .....	57
70534301 .....	39
70534302 .....	39
70534305 .....	79
70536301 .....	79
Warning Label Kit	
F8611600 .....	75, 77
Washer	
M400991 .....	51, 61
70261401 .....	53
70409301 .....	31
70411301 .....	47
Water Valve Harness	
44334405 .....	57
Wire Clip	
F8449501 .....	73
F8449502 .....	73

N/A items do not appear in index.