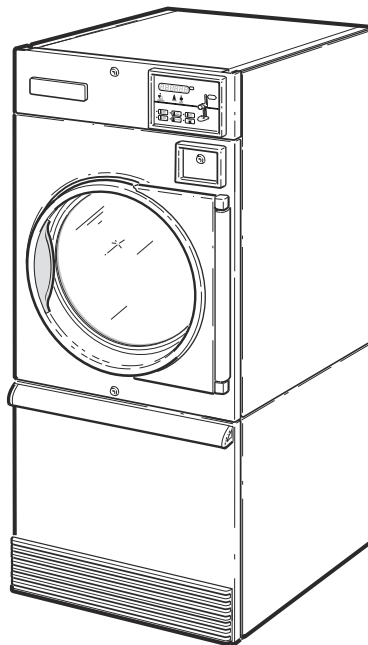


Tumble Dryers

25 Pound Capacity

18 Digit Model Numbers with 3 in 13th Position

Refer to Page 3 for Model Numbers



TMB1283C_70600401

Table of Contents

Title	Page
Parts Ordering Information	2
Serial Plate Location.....	2
Model Identification.....	3
Product Overview - Heat Source and Voltage.....	4
Product Overview - FN Control Suffix.....	6
Product Overview - DN and NN Control Suffixes	8
Product Overview - B, N and W Control Suffixes	10
Dual Digital Control.....	12
Electronic Display Control - Vend Models with B in the 7th Position.....	14
Electronic Display Control - Vend Models with N or W in the 7th Position.....	16
Electronic Display Control - OPL Models with N in the 7th Position.....	18
Coin Drops.....	20
Coin Drop Kits	22
Central Pay and Card Reader Components.....	24
Door Assemblies	26
Door Components	28
Hinge Components.....	30
False Fronts.....	32
Control Panels	34
Front Panel Assemblies.....	36
Cabinet Front Components	38
Emergency Stop Button - OPL Models.....	40
Lower Cabinet Components	42
Cylinder and Trunnion Assembly.....	44
Moisture Sensing Components	46
Cylinder Components.....	48
Cabinet Components.....	50
Fire Suppression System Components.....	52
Fire Suppression System Control Box.....	54
Motor Components.....	56
Blower and Exhaust Components	58
Airflow Switch	60
Gas Heater Components.....	62
Burner Orifices.....	64
Electric Heater Components.....	66
Steam Heater Components	68
Control Tray.....	70
Accessory Box - Electric 200-240 Volt Models.....	72
Accessory Box - Electric 380-480 Volt Models.....	74
Harnesses	76
Labels.....	77
Parts Index	79

© Copyright 2023, Alliance Laundry Systems LLC

All rights reserved. No part of the contents of this book may be reproduced or transmitted in any form or by any means without the expressed written consent of the publisher.

Parts Ordering Information

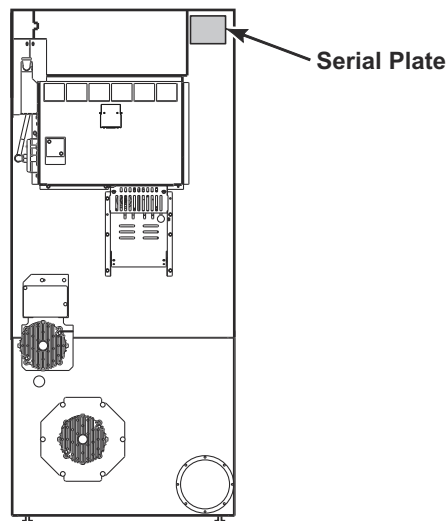
If literature or replacement parts are required, contact the source from whom the machine was purchased or contact Alliance Laundry Systems at (920) 748-3950 for the name and address of the nearest authorized parts distributor.

For technical assistance, call the number listed below:

(920) 748-3121 Ripon, Wisconsin

Serial Plate Location

When calling or writing about your product, be sure to mention model and serial numbers. Model and serial numbers are located on serial plate(s) as shown.



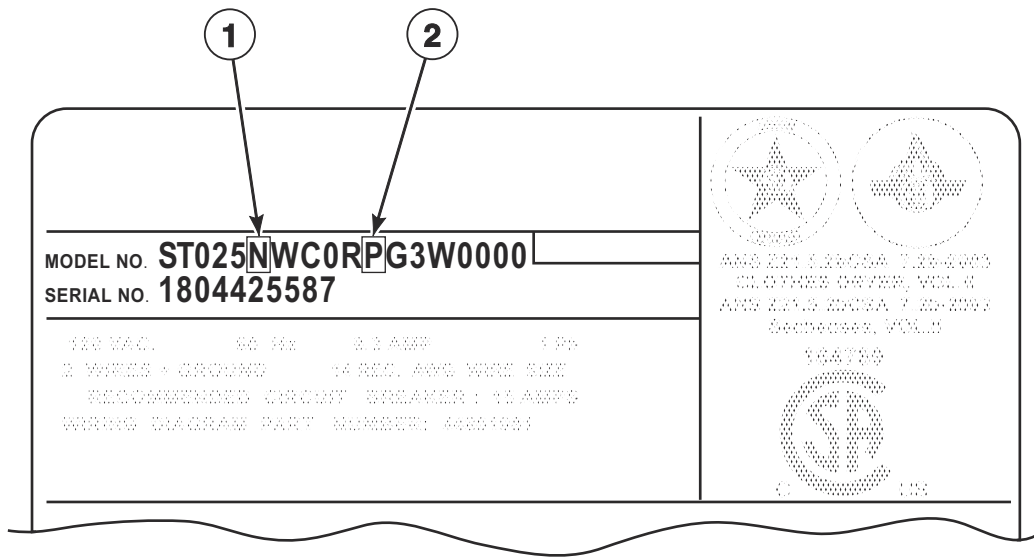
TMB3500P_70600401

Model Identification

Information in this manual is applicable to these tumbler models:

GA025E	KT025E	MG025D	NA025E
GA025L	KT025L	MG025E	NA025L
GA025N	KT025N	MG025F	NA025N
GA025S	KT025S	MG025L	NA025S
GG025E		MG025N	NG025E
GG025L		MG025R	NG025L
GG025N		MG025S	NG025N
GG025S		MJ025D	NG025S
GH025E		MJ025E	NH025E
GH025L		MJ025F	NH025L
GH025N		MJ025L	NH025N
GH025S		MJ025N	NH025S
GJ025E		MJ025R	NJ025E
GJ025L		MJ025S	NJ025L
GJ025N			NJ025N
GJ025S			NJ025S
GK025E			NK025E
GK025L			NK025L
GK025N			NK025N
GU025E			NR025E
GU025L			NR025S
GU025N			NT025E
GU025S			NT025L
			NT025N
			NT025S
			NU025E
			NU025L
			NU025N
			NU025S

Product Overview - Heat Source and Voltage



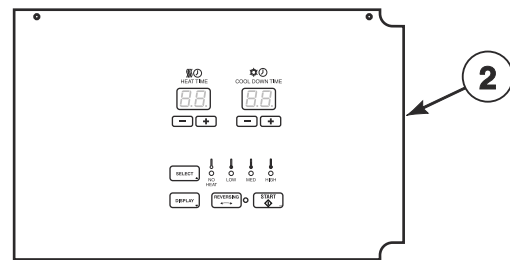
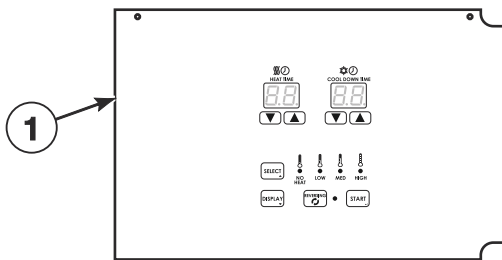
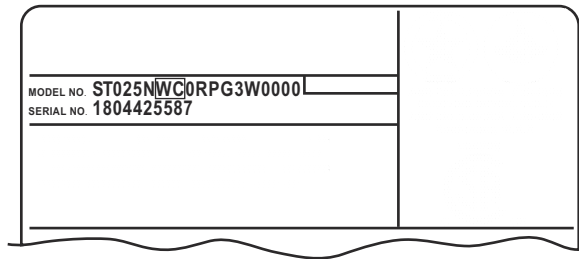
TMB3501P_70600401

Product Overview - Heat Source and Voltage

REF	PART NO.	DESCRIPTION	COMMENTS
1	-	Heat Source	D: Liquid Petroleum Gas (L.P) E: Electric F: Reduced Electric (Eco Line) L: Liquid Petroleum Gas (L.P.) N: Natural Gas (N.G.) R: Reduced Gas, Natural Gas (Eco Line) S: Steam
2	-	Voltage	B: 100-120 Volt/50-60 Hertz/1 Phase; Gas and steam models D: 200-208 Volt/50-60 Hertz/1 Phase; Electric models E: 230-240 Volt/50-60 Hertz/1 Phase; Electric models F: 200-208 Volt/50-60 Hertz/3 Phase; Electric models G: 230-240 Volt/50-60 Hertz/3 Phase; Electric models H: 380 Volt/50-60 Hertz/3 Phase; Electric models J: 400-415 Volt/50-60 Hertz/3 Phase; Electric models K: 440 Volt/50-60 Hertz/3 Phase; Electric models L: 460-480 Volt/50-60 Hertz/3 Phase; Electric models N: 440-480 Volt/50-60 Hertz/3 Phase; Gas and steam models P: 380-415 Volt/50-60 Hertz/3 Phase; Gas and steam models X: 200-240 Volt/50-60 Hertz/1-3 Phase; Gas and steam models

Product Overview - FN Control Suffix

G, K and N Models; OPL



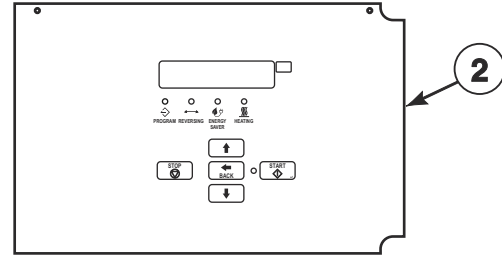
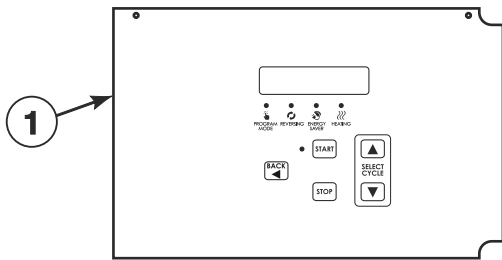
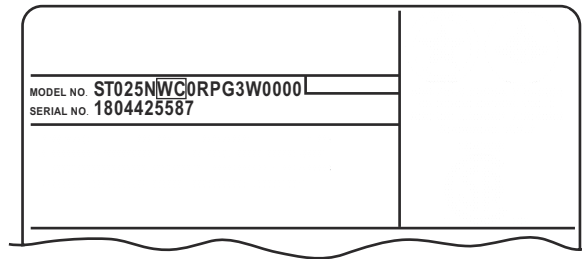
TMB3646P_70600401

Product Overview - FN Control Suffix

REF	PART NO.	DESCRIPTION	COMMENTS
1	-	Dual Digital Control	G and K models
2	-	Dual Digital Control	N models

Product Overview - DN and NN Control Suffixes

G, K and N Models; OPL



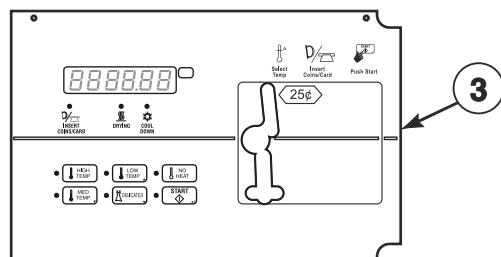
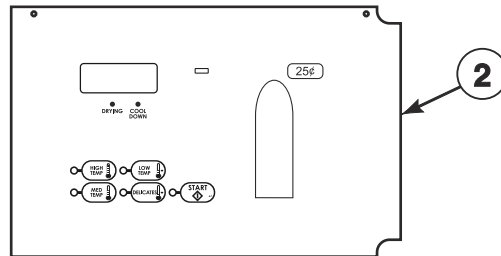
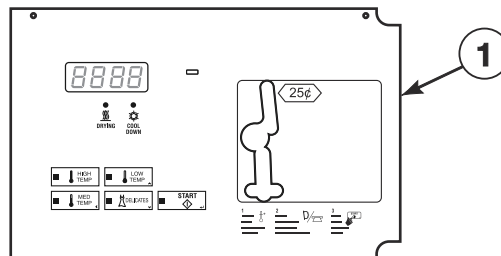
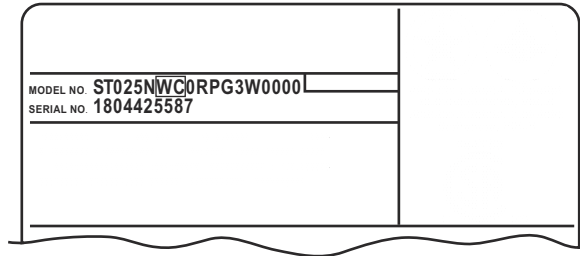
TMB3647P_70600401

Product Overview - DN and NN Control Suffixes

REF	PART NO.	DESCRIPTION	COMMENTS
1	-	OPL Micro Control	G and K models
2	-	OPL Micro Control	N models

Product Overview - B, N and W Control Suffixes

7th Position of the Model Number; All Models Except NT Models; Vend



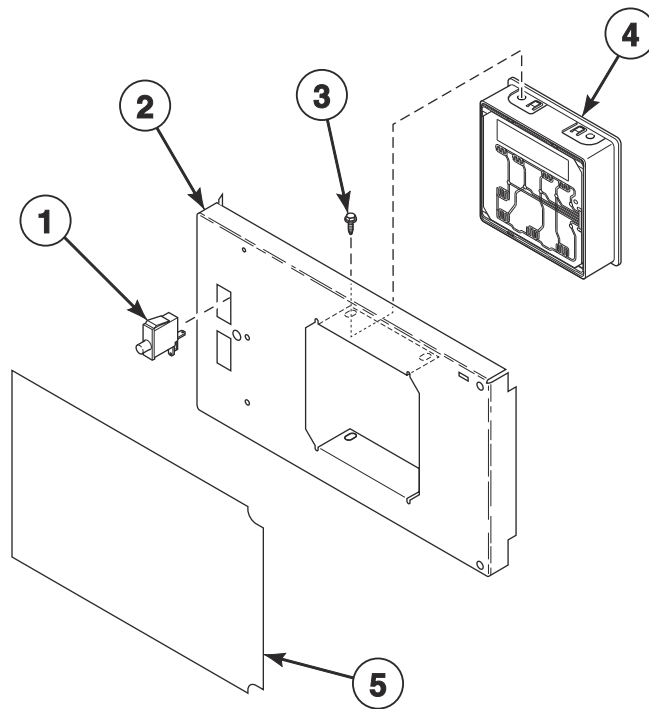
TMB3648P_70600401

Product Overview - B, N and W Control Suffixes

REF	PART NO.	DESCRIPTION	COMMENTS
1	-	Basic Electronic Control	N models
2	-	Basic Electronic Control	G and K models
3	-	Quantum Gold Control	M models

Dual Digital Control

G, K and N Models with F in the 7th Position



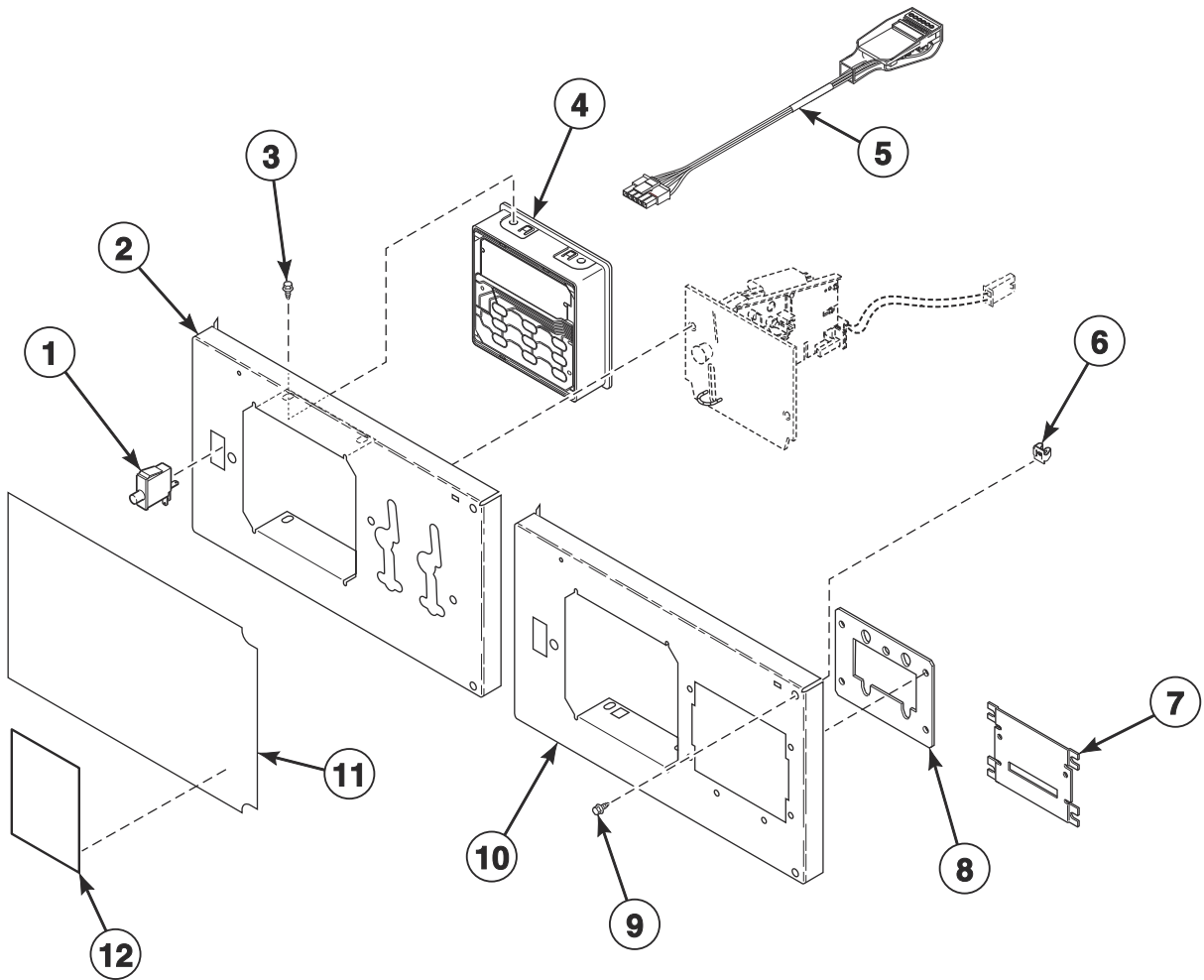
TMB3505P_70600401

Dual Digital Control

REF	PART NO.	DESCRIPTION	COMMENTS
	44334004	Vend Activation Harness	
1	70413301	Pushbutton Switch	
2	70497101	Control Plate	
3	804608	Screw	4 required
4	70479801	Control Assembly	Green
5	70547502	Overlay	G and K models; Nonreversing
	70547501	Overlay	G and K models; Reversing
	70516802	Overlay	N models; Nonreversing
	70516801	Overlay	N models; Reversing

Electronic Display Control - Vend Models with B in the 7th Position

G, K and N Models



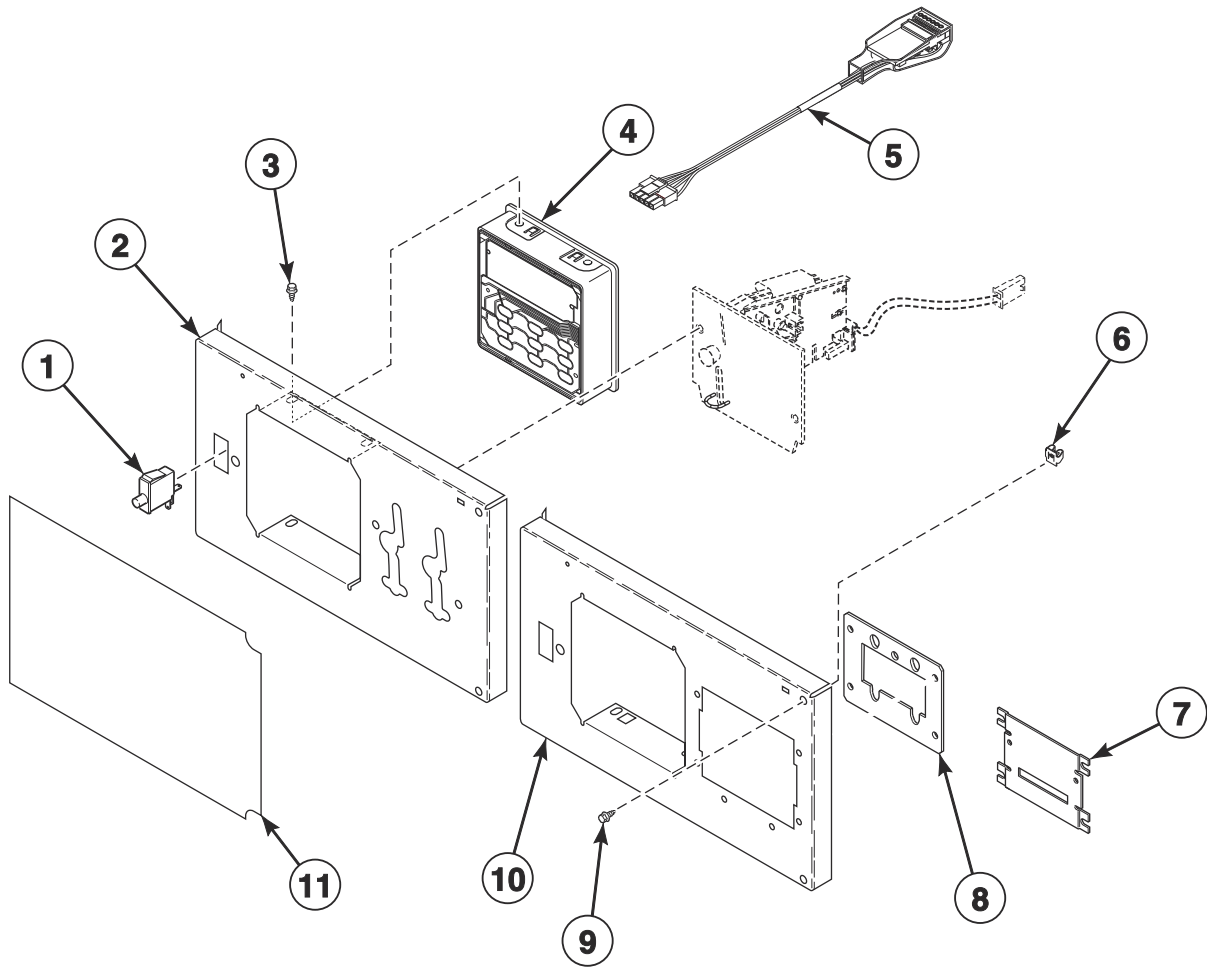
TMB3678P_70600401

Electronic Display Control - Vend Models with B in the 7th Position

REF	PART NO.	DESCRIPTION	COMMENTS
	44334004	Vend Activation Harness	
	44342801	Central Pay Harness	Models through November 2018
1	70413301	Pushbutton Switch	
2	70496601	Control Plate and Studs Assembly	Coin and central pay
3	804608	Screw	4 required
4	70478801P	Control Assembly	
5	203361P	Machine ID Control Assembly	Model or serial number is required when ordering
6	70030501	Expansion Clip	2 required
7	44089501	Slot Card Plate Assembly	N models; Included in literature packet
8	70208801	Mounting Plate	
9	M411072	Screw	2 required
10	70497201	Control Plate Assembly	Card and card ready
11	70544701	Overlay	N models; Single drop
	70544702	Overlay	N models; Dual drop
	70544703	Overlay	N models; Card ready
	70547401	Overlay	G and K models; Single drop
	70547402	Overlay	G and K models; Dual drop
	70548101	Overlay	G and K models; Card ready
12	F8205101	Overlay	Black; Single drop; Left
	70557001	Overlay	N models; Prep for card
	70557002	Overlay	N models; Central pay

Electronic Display Control - Vend Models with N or W in the 7th Position

G, K and M Models



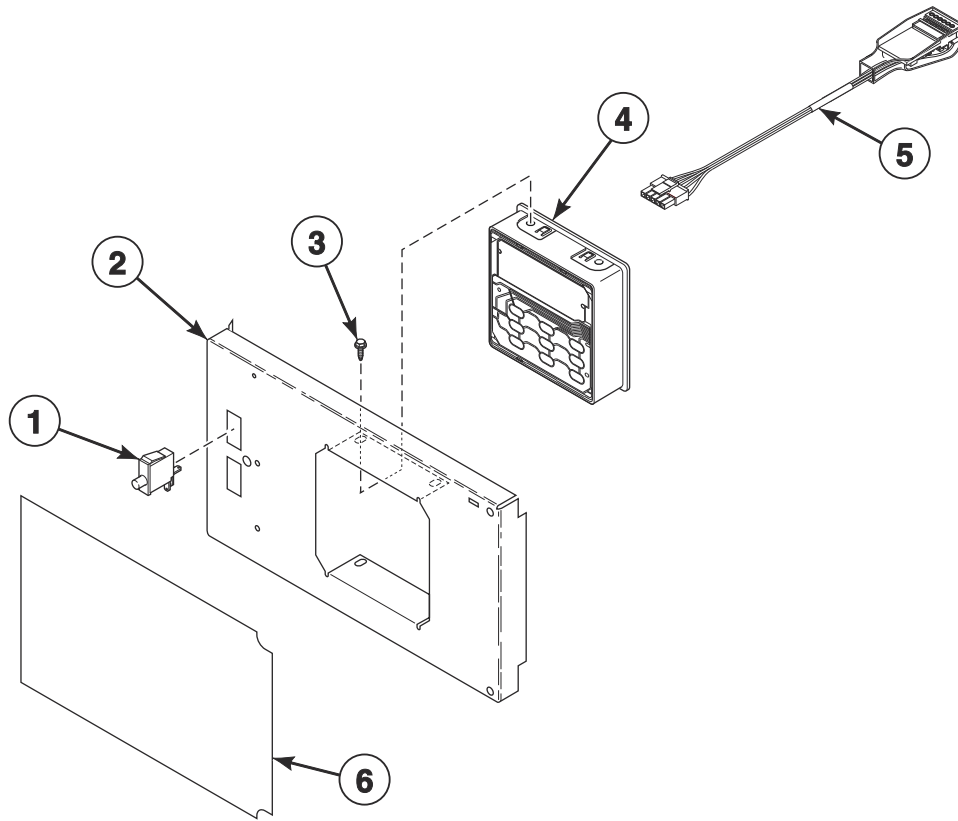
TMB3682P_70600401

Electronic Display Control - Vend Models with N or W in the 7th Position

REF	PART NO.	DESCRIPTION	COMMENTS
	44334004	Vend Activation Harness	
1	70413301	Pushbutton Switch	
2	70496601	Control Plate and Studs Assembly	Coin and central pay
3	804608	Screw	4 required
4	70478801P	Control Assembly	Green
5	203361P	Machine ID Control Assembly	Model or serial number is required when ordering
6	70030501	Expansion Clip	
7	44089501	Slot Card Plate Assembly	
8	70208801	Mounting Plate	
9	M411072	Screw	
10	70497201	Control Plate Assembly	Card and card ready
11	70572601	Overlay	M models
	70626001	Overlay	G and K models; Single drop
	70626002	Overlay	G and K models; Dual drop
	70626101	Overlay	G and K models; Card ready

Electronic Display Control - OPL Models with N in the 7th Position

G, K and N Models



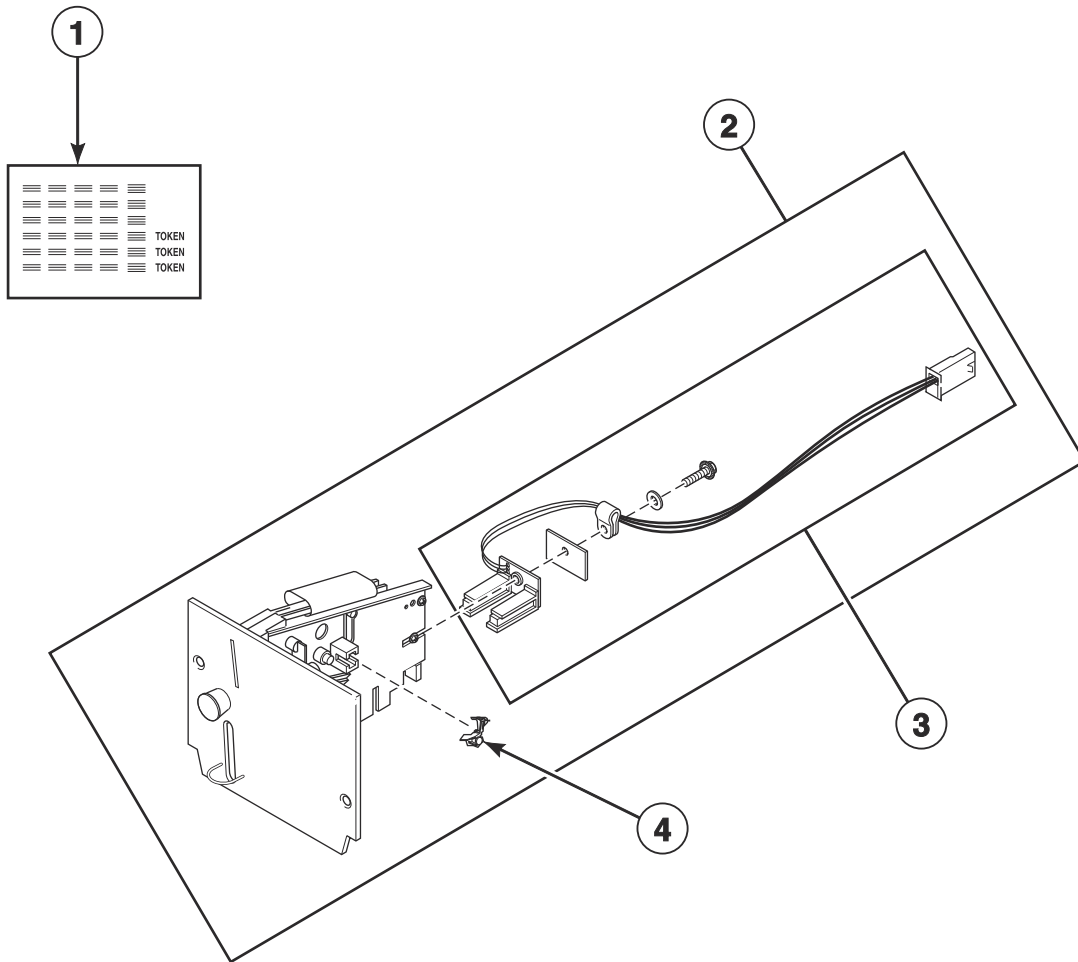
TMB3680P_70600401

Electronic Display Control - OPL Models with N in the 7th Position

REF	PART NO.	DESCRIPTION	COMMENTS
	44334004	Vend Activation Harness	
1	70413301	Pushbutton Switch	
2	70497101	Control Plate	
3	804608	Screw	4 required
4	70478802	Control Assembly	Green
5	203361P	Machine ID Control Assembly	Model or serial number is required when ordering
6	70547801	Overlay	G and K models; Reversing
	70547802	Overlay	G and K models; Nonreversing
	70572401	Overlay	NT models through 10/9/19; All other N models; Reversing
	70572401	Overlay	NT models through 10/9/19; All other N models; Reversing
	70570601	Overlay	NT models starting 10/10/19; Reversing
	70570602	Overlay	NT models starting 10/10/19; Nonreversing

Coin Drops

All Models Except NT Models



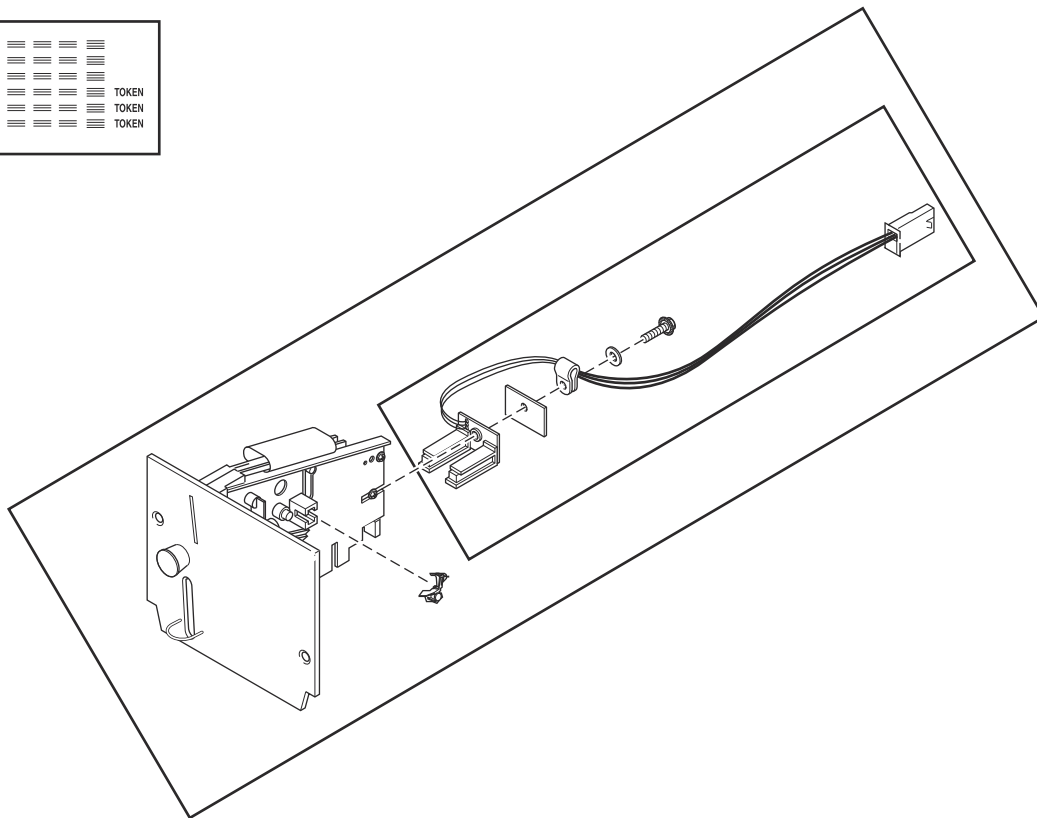
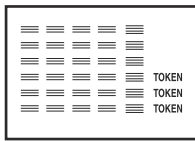
TMB3510P_70600401

Coin Drops

REF	PART NO.	DESCRIPTION	COMMENTS
1	38725	Coin Identification Paper	
2	70441601P	Coin Drop	Single; U.S.A.; \$.25
	38475	Coin Drop Assembly	Single; Japan; 100 yen
	38464P	Coin Drop Assembly	Single; Canada; .25
	CK077	Coin Drop Kit	Single; Taiwan; 10 NT
	70506901	Coin Drop Assembly	Single; Singapore; \$1.00 NEW
	70441603	Coin Drop	Dual; U.S.A.; \$.25 and \$1.00
	38519	Coin Drop Assembly	Dual; Japan; 100 yen and 500 yen
	70441602	Coin Drop Assembly	Dual; Canada; .25 and 1.00
	38467	Coin Drop Assembly	Dual; Australia; \$0.20 and \$1.00
	70447301	Coin Drop Assembly	Dual; Australia; \$1.00 and \$2.00
	70283102	Coin Drop Assembly	Dual; 0.20 and 0.50 Euro
	210195	Coin Drop Assembly	Dual; 0.20 and 1.00 Euro
	210196	Coin Drop Assembly	Dual; 0.50 and 1.00 Euro
	F0160737-00	Coin Meter	Dual; 0.50 and 2.00 Euro
	70281102	Coin Drop Assembly	Dual; Taiwan; 10 and 50 NT
	70482401	Coin Drop Assembly	Dual; New Zealand ; \$1.00 and \$2.00
	38462P	Coin Drop Assembly	Single; Token; STD 118-1
	38463	Coin Drop Assembly	Single; Token; STD 118-5
	38963P	Coin Drop	Single; Token STD 118-16
	39748	Coin Drop	Single; Jeton 08MS
	201141	Coin Drop Assembly	Single; Token; Jeton wh121
	70471601	Coin Drop Assembly	Single; Token; 7K
	70513302	Electronic Coin Drop Assembly	Euro and Great Britain coins
	70513310	Electronic Coin Drop Assembly	Japan and Thailand coins
	70513304	Electronic Coin Drop Assembly	Australia, New Zealand, Hong Kong and South Korea coins
	70513303	Electronic Coin Drop Assembly	Denmark, Norway and Euro coins
	70513306	Electronic Coin Drop Assembly	Mexico, Ecuador and U.S.A. coins
	70294107	Electronic Coin Drop Assembly	Lithuania, Latvia and Euro coins
	70513311	Electronic Coin Drop Assembly	China and Malaysia coins
	70513308	Electronic Coin Drop Assembly	South African 1, 2 and 5 rand coins
	70513309	Electronic Coin Drop Assembly	Euro coins
	70513312	Electronic Coin Drop Assembly	Russia coins
	70513313	Electronic Coin Drop Assembly	Phillipines coins
	70513314	Electronic Coin Drop Assembly	Thailand coins
	70513315	Electronic Coin Drop Assembly	Chile coins
	70513316	Electronic Coin Drop Assembly	Singapore coins
3	200674P	Opto Coupler	
4	201595P	Wire Guard	

Coin Drop Kits

All Models Except NT Models



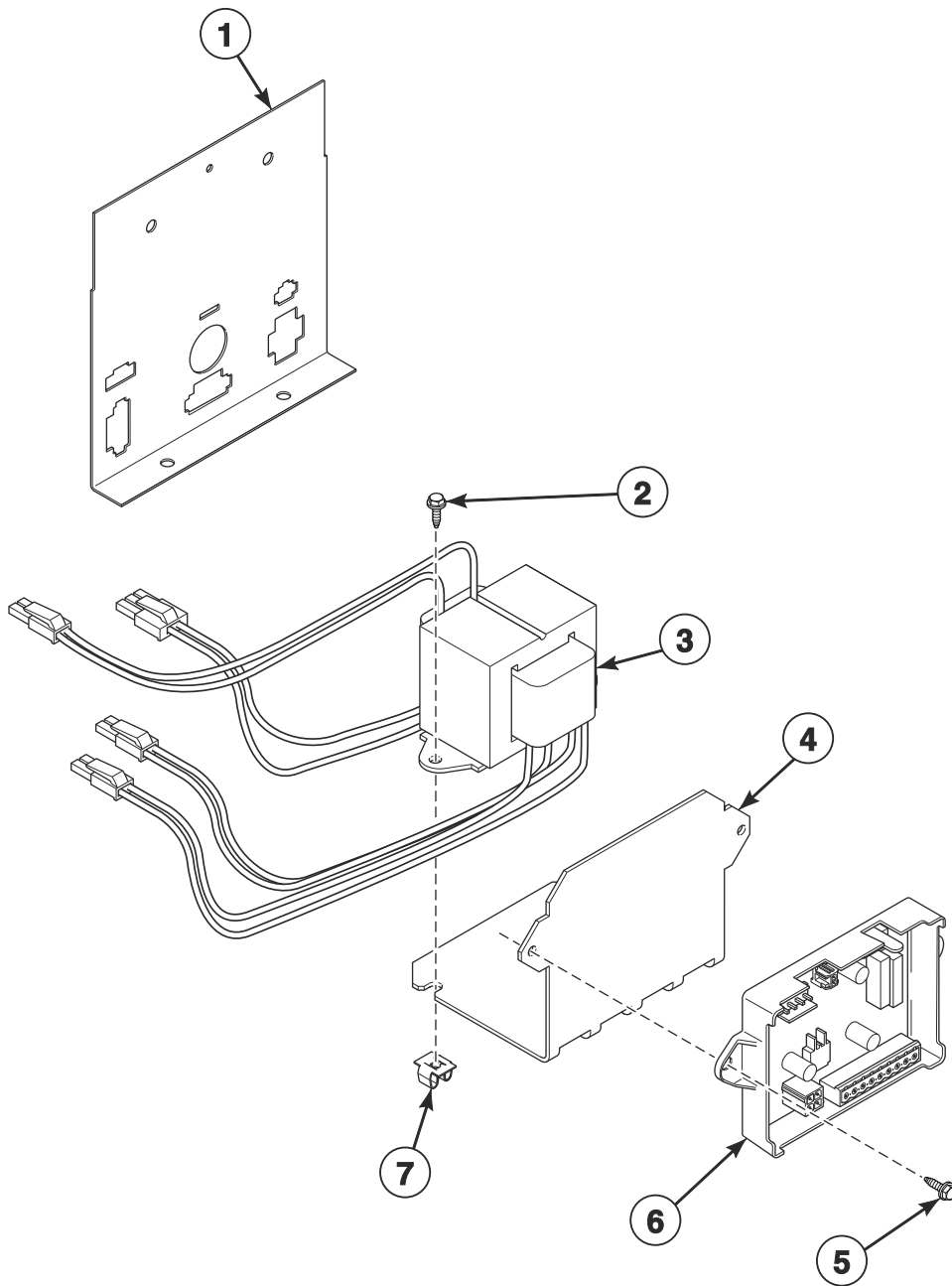
TMB3510PA_70600401

Coin Drop Kits

REF	PART NO.	DESCRIPTION	COMMENTS
	CK115	Electronic Coin Drop Kit	United States and Canada
	CK099	Electronic Coin Drop Kit	Australia (default), New Zealand, Hong Kong, South Korea and Malaysia
	CK100	Electronic Coin Drop Kit	United Kingdom (default) and Europe
	CK101	Electronic Coin Drop Kit	Europe (default), Denmark and Norway
	CK108	Electronic Coin Drop Kit	South Africa
	CK109	Electronic Coin Drop Kit	Euro
	CK110	Electronic Coin Drop Kit	Mexico (default), Ecuador and United States
	CK113	Electronic Coin Drop Kit	Japan and Taiwan
	CK116	Electronic Coin Drop Kit	Malaysia (default) and China
	CK117	Electronic Coin Drop Kit	Russia
	CK118	Electronic Coin Drop Kit	Philippine
	CK119	Electronic Coin Drop Kit	Thailand
	CK120	Electronic Coin Drop Kit	Chile
	CK121	Electronic Coin Drop Kit	Singapore
	CK122	Coin Drop Kit	New Zealand; 1.00 and 2.00

Central Pay and Card Reader Components

All Models Except NT Models; Central Pay Starting December 2018

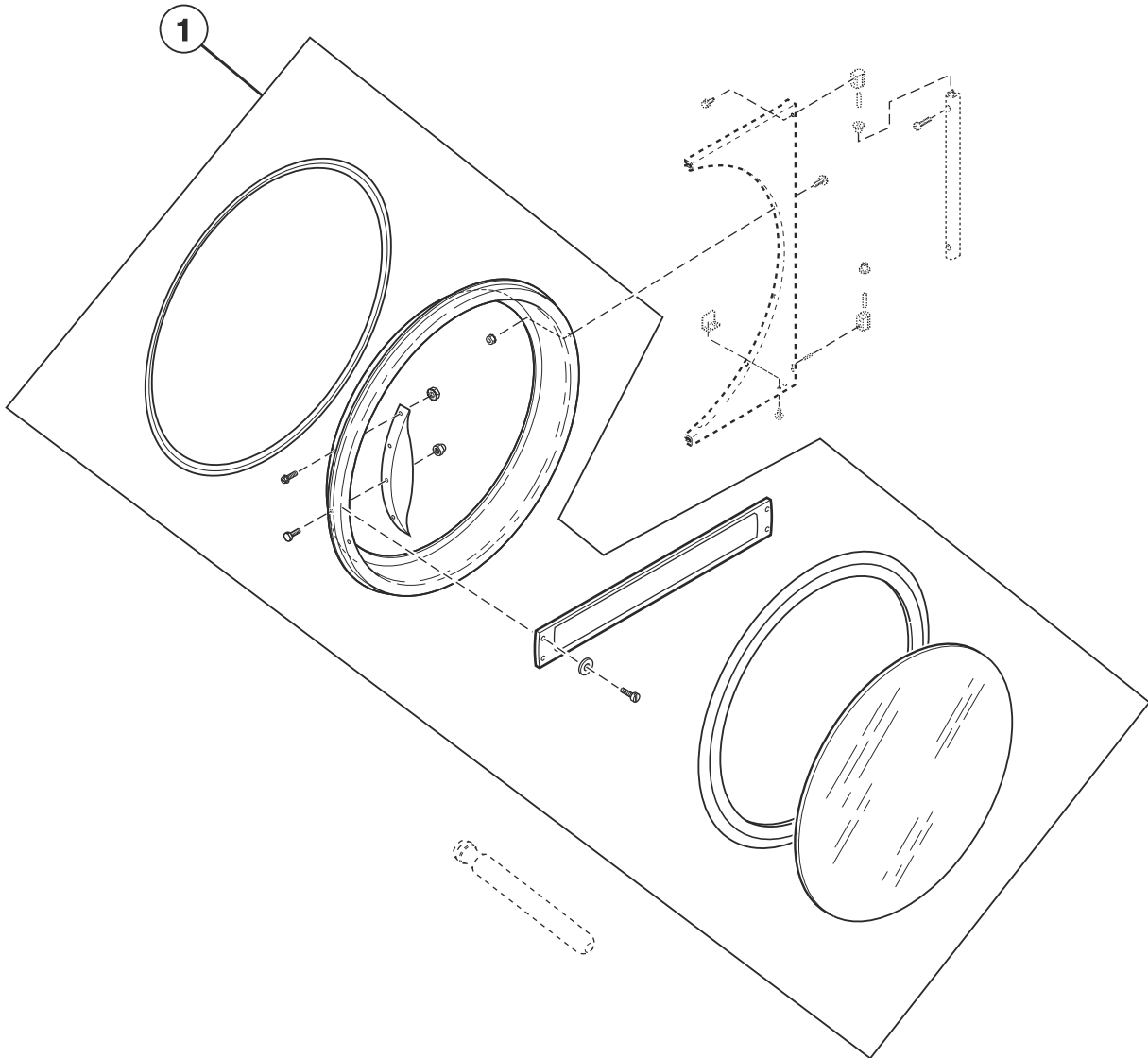


TMB3720P_70600401

Central Pay and Card Reader Components

REF	PART NO.	DESCRIPTION	COMMENTS
	44355601	Central Pay Harness	Routes from central pay board to control tray
	44272301	Transformer Harness	100-120 Volt; Routes from transformer to I/O Control Assembly; Card and central pay
	44272302	Transformer Harness	200-480 Volt; Routes from transformer to I/O Control Assembly; Card and central pay
	44355604	Central Pay Board Harness	Routes from central pay board to transformer
	44355605	Central Pay Harness	Routes from central pay board to front end control
	70612701	Central Pay Kit	100-120 Volt
	70612703	Central Pay Kit	200-480 Volt
1	70307007	Harness Mounting Plate	
2	F8206901	Screw	
3	202757	Transformer	100-120 Volt; Card and central pay
	202758	Transformer	200-480 Volt; Card and central pay
4	70604001	Mounting Bracket	
5	51780	Screw	2 required
6	204779	Central Pay Control Assembly	
7	70030501	Expansion Clip	2 required

Door Assemblies

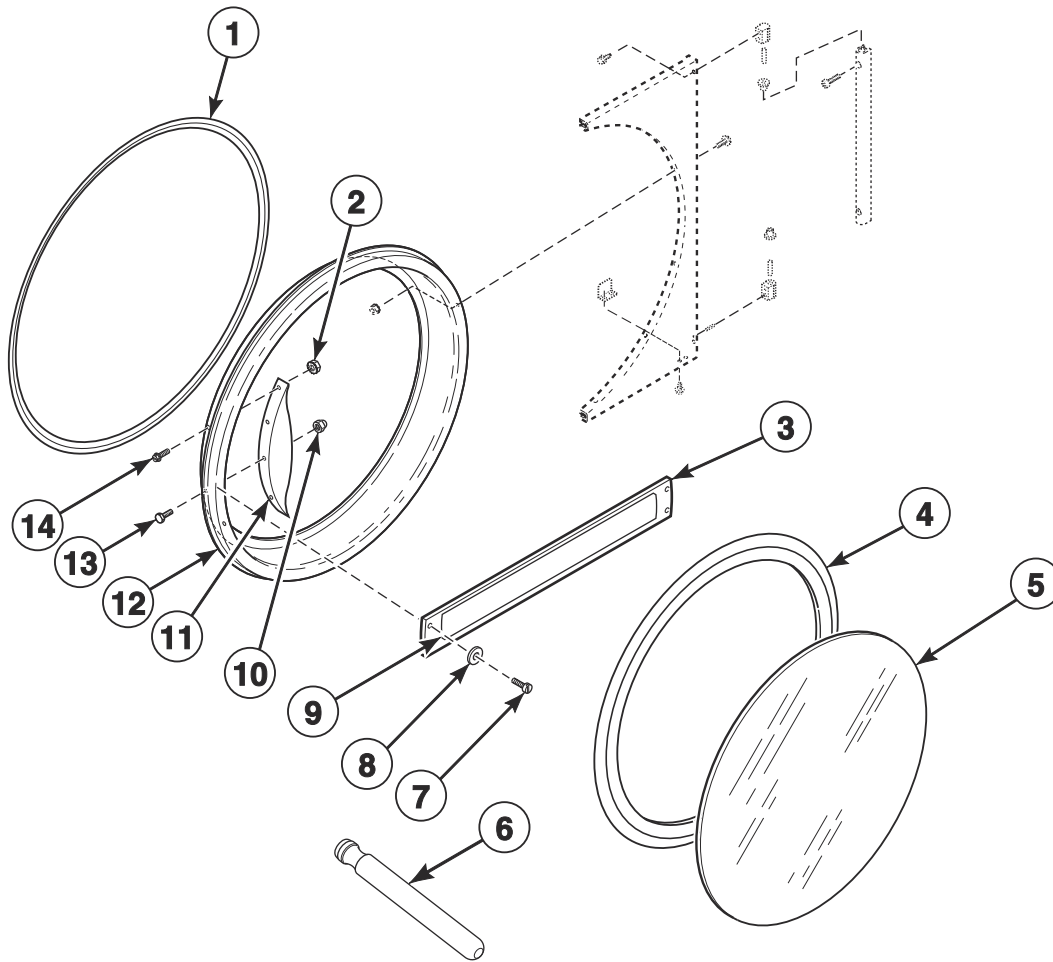


TMB3152P_70600401

Door Assemblies

REF	PART NO.	DESCRIPTION	COMMENTS
1	70212300	Door Assembly	M models; Stainless steel
	70212301	Door Assembly	N models
	70212302P	Door Assembly	M models; Chrome
	70408901	Door Assembly	G and K models; Includes handle

Door Components

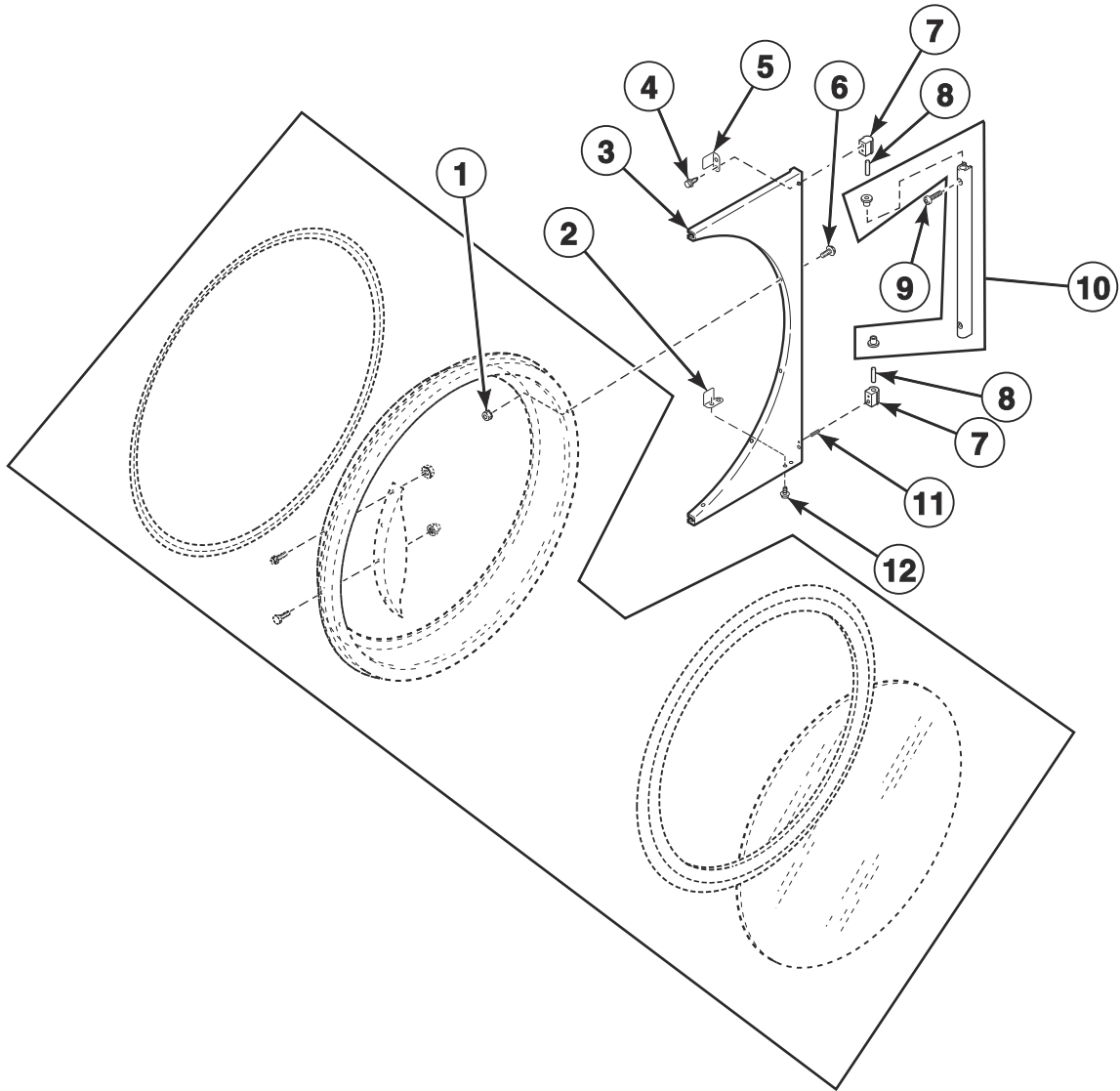


TMB3152PA_70600401

Door Components

REF	PART NO.	DESCRIPTION	COMMENTS
1	70296801	Door Ring Gasket	
2	44088001	Nut	M and N models; 4 required
3	70399502B	Handle Bar	G and K models
4	70211901P	Door Glass Seal Kit	Use Loctite 414 for seal
5	M400784P	Door Glass	
6	M4221P4	Door Glass Installation Tool	
7	70412601	Pop Rivet	G and K models; Attaches door handle to door ring
8	70409301	Washer	G and K models
9	70414001	Label	G and K models; Coin
10	M414215	Nut	For door strike; Mounts between door strike screw and door handle
11	44007902P	Door Handle	M and N models
12	70543904B	Door Ring Assembly	N models
	70543905	Door Ring Assembly	M models; Chrome
	70543903B	Door Ring	G and K models
	70543901	Door Ring Assembly	M models; Stainless steel
13	M400661	Screw	Door Strike
14	70442101	Screw	M and N models; 4 required

Hinge Components



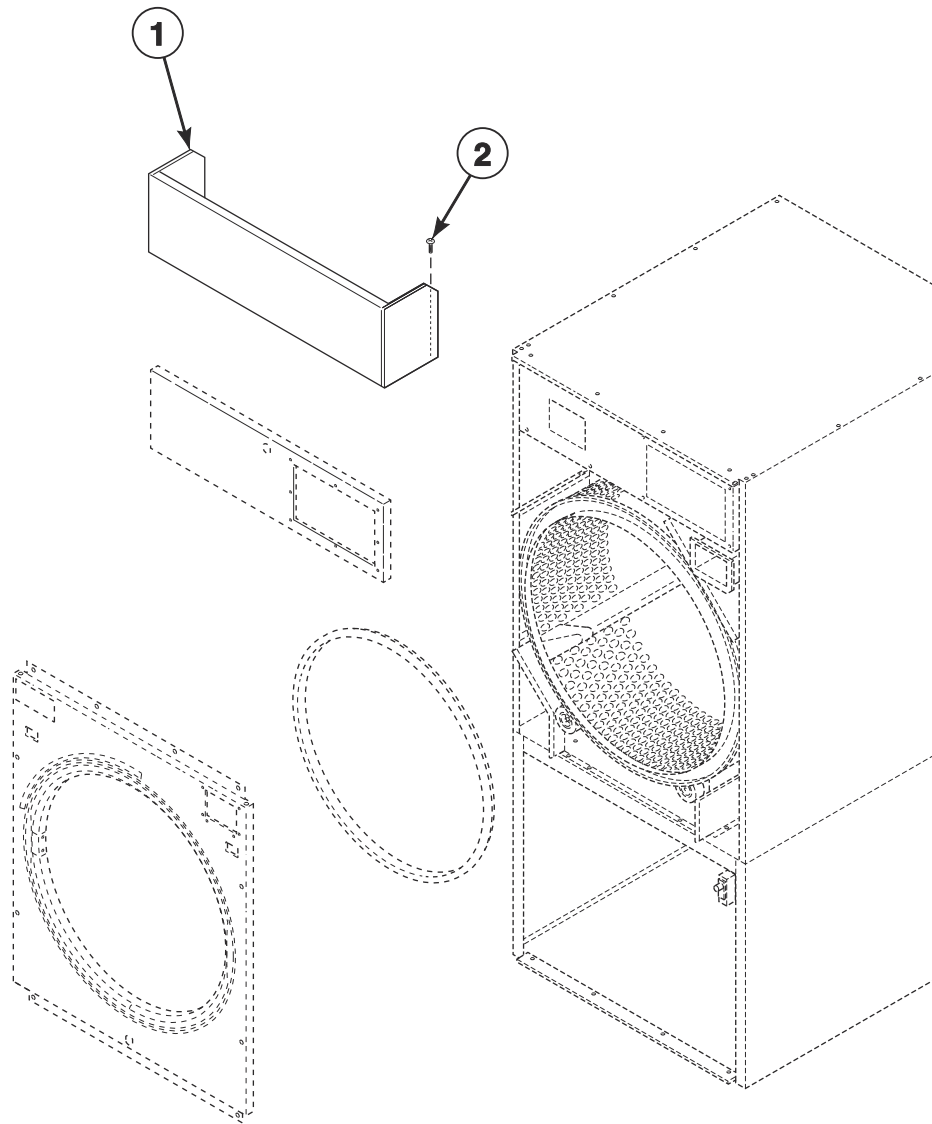
TMB3459P_70600401

Hinge Components

REF	PART NO.	DESCRIPTION	COMMENTS
1	44088001	Nut	
2	70532101	Door Switch Actuator	Bottom
3	70116003*	Door Hinge	M and N models
	70116006	Door Hinge	M models; Stainless steel
	70116005B	Door Hinge	Black; G, K and N models
4	70576101	Screw	
5	70532102	Door Switch Actuator	Top
6	M400044	Screw	
7	M4772P3	Hinge Cam Kit	M models
	M4773P3	Hinge Cam Kit	Black; G, K and N models
8	70071401	Pin	
9	70033502	Screw	M models
	70407301	Screw	Black; G, K and N models
10	44035001	Door Hinge Lug Assembly	M models
	44035002	Door Hinge Lug Assembly	Black; G, K and N models
11	70436301	Screw	
12	70058501	Pop Rivet	

* Add Letter To Designate Color. Q - Bisque W - White

False Fronts



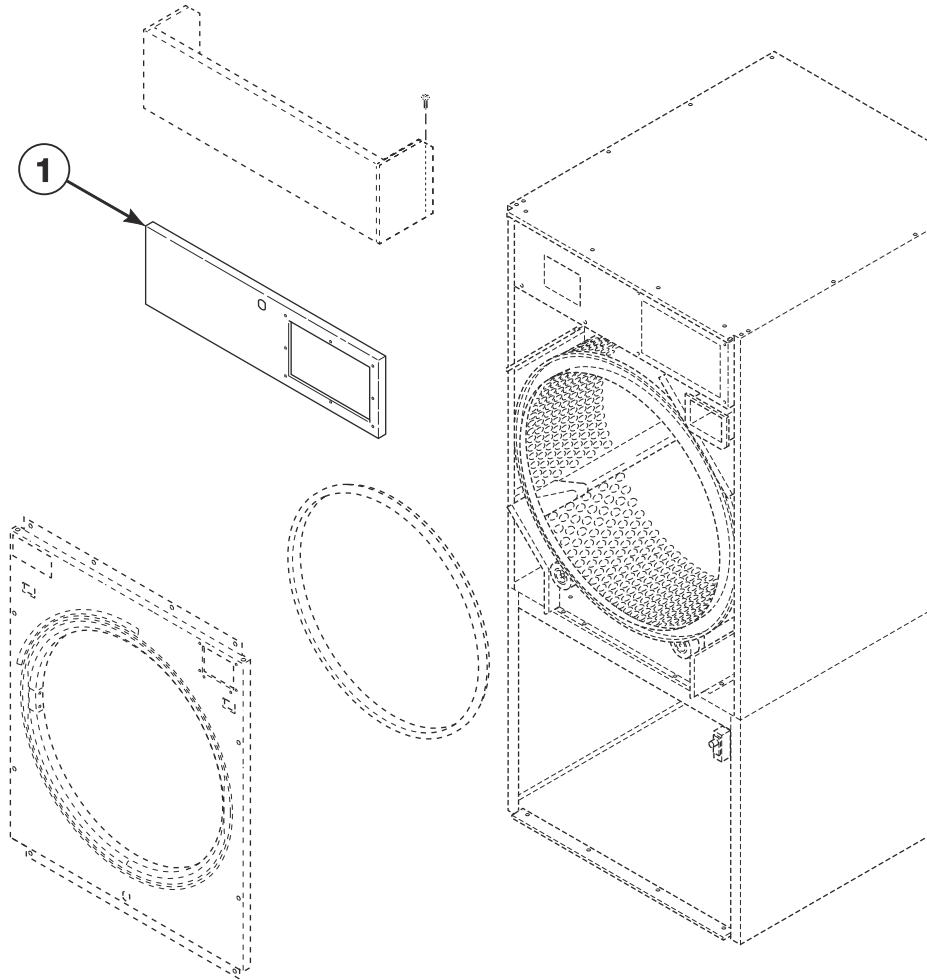
TMB3511P_70600401

False Fronts

REF	PART NO.	DESCRIPTION	COMMENTS
1	70000501*P	False Front	72 inches
	70000504	False Front	72 inches; Stainless steel
	70024201*P	False Front Assembly	76 inches
	70024204	False Front	76 inches; Stainless steel
2	M405188	Screw	4 required

* Add Letter To Designate Color. Q - Bisque W - White

Control Panels



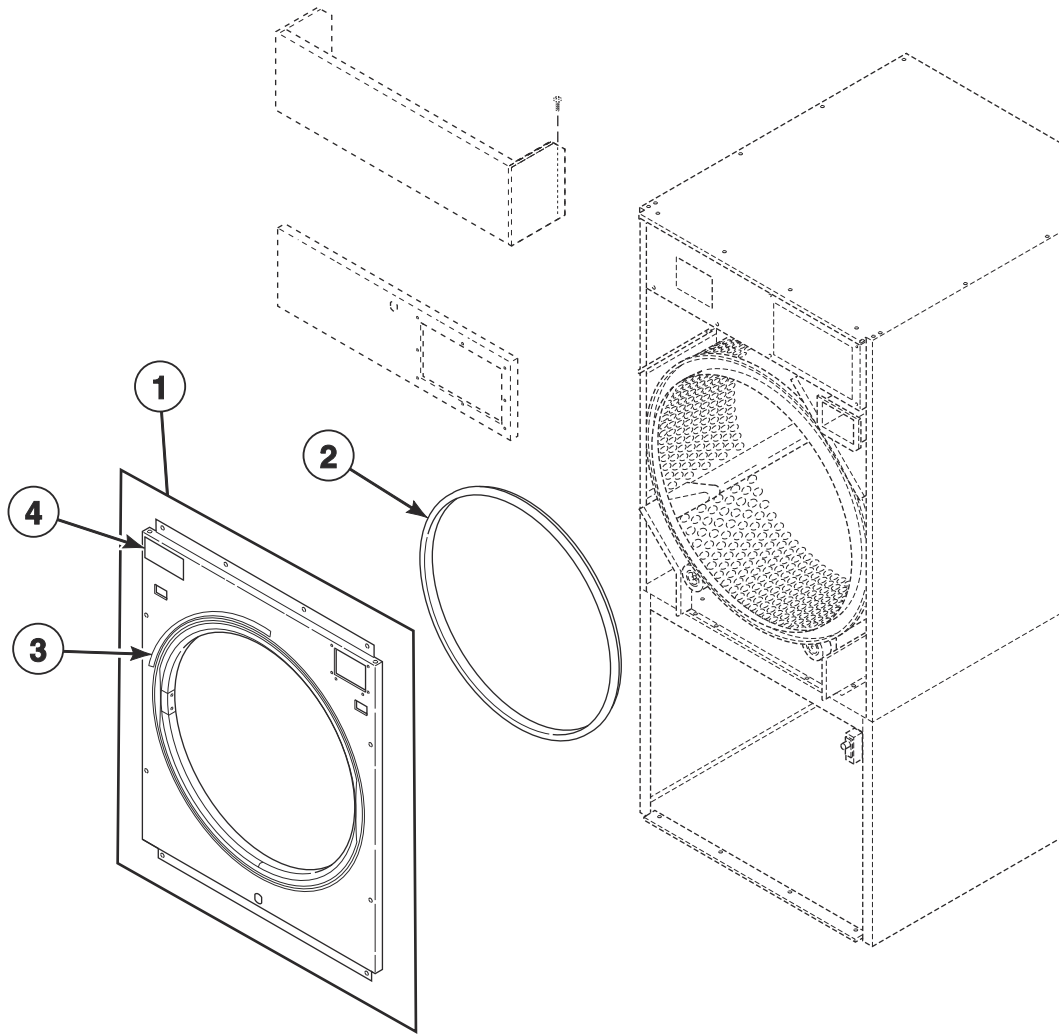
TMB3511PA_70600401

Control Panels

REF	PART NO.	DESCRIPTION	COMMENTS
1	70273305*	Control Panel	G and K models
	70273313	Control Panel	G and K models; Stainless steel
	70121505*	Control Panel	M and N models
	70121509	Control Panel	M and N models; Stainless steel

* Add Letter To Designate Color. Q - Bisque W - White

Front Panel Assemblies



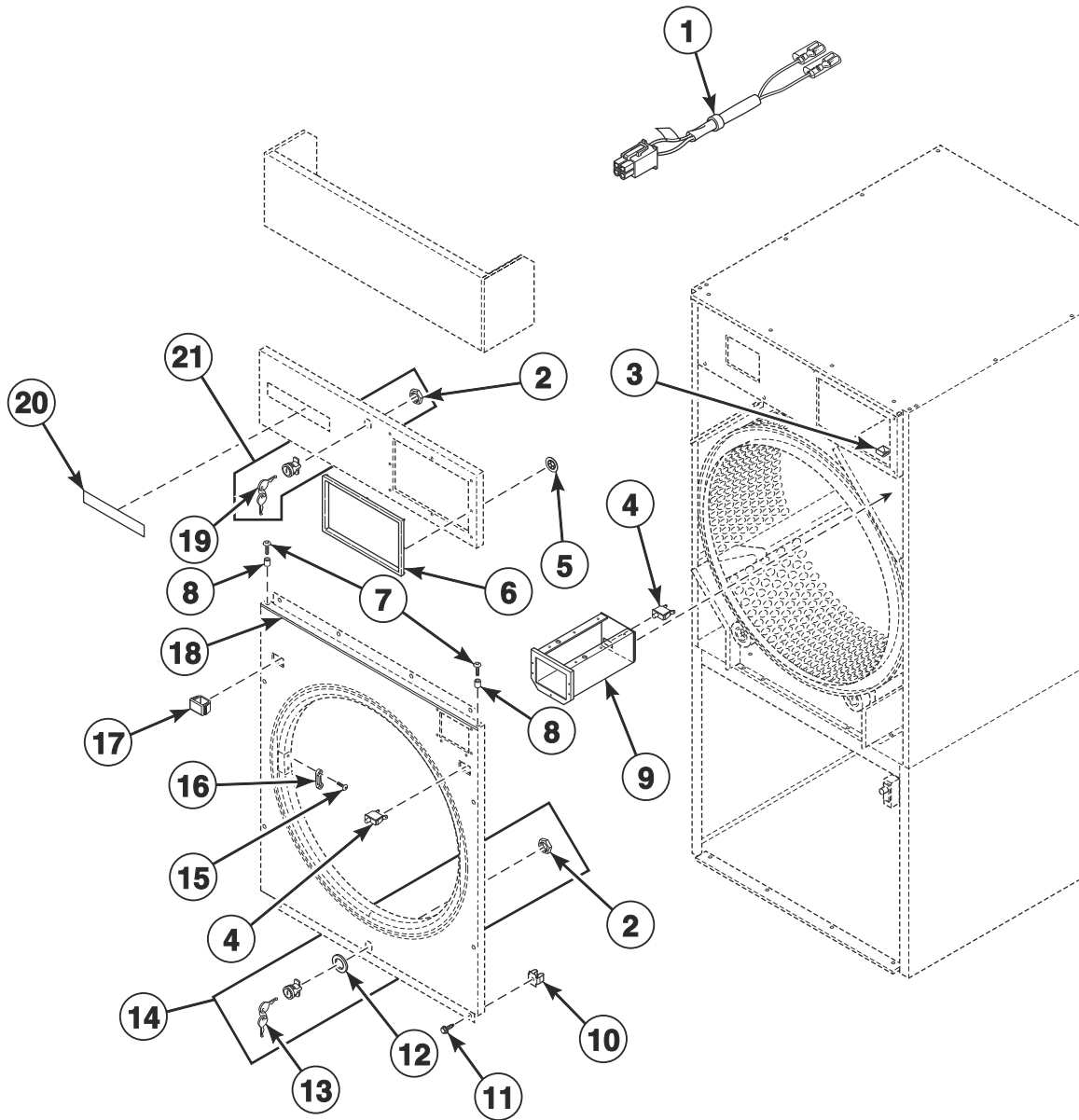
TMB3511PB_70600401

Front Panel Assemblies

REF	PART NO.	DESCRIPTION	COMMENTS
1	70602001*	Front Panel	All models except NT models; Coin
	70601501	Front Panel Assembly	All models except NT models; Coin; Stainless steel
	70602101*	Front Panel	All models except NT models; Card and central pay
	70601601	Front Panel Assembly	All models except NT models; Card and central pay; Stainless steel
	70602701*	Front Panel	OPL; With e-stop
	70601901	Front Panel Assembly	OPL; Stainless steel; With e-stop
	70524105*	Front Panel	OPL; Without e-stop
	70524106	Front Panel	OPL; Stainless steel; Without e-stop
2	70173401P	Front Panel Seal	
3	70534301	Warning Label	English
	70534302	Warning Label	French
	70534300	Label Kit	Warning; IEC models
4	70537001	Label	M and N models; C.A.R.E.
	70537101	Label	G and K models; F.S.S.

* Add Letter To Designate Color. Q - Bisque W - White

Cabinet Front Components



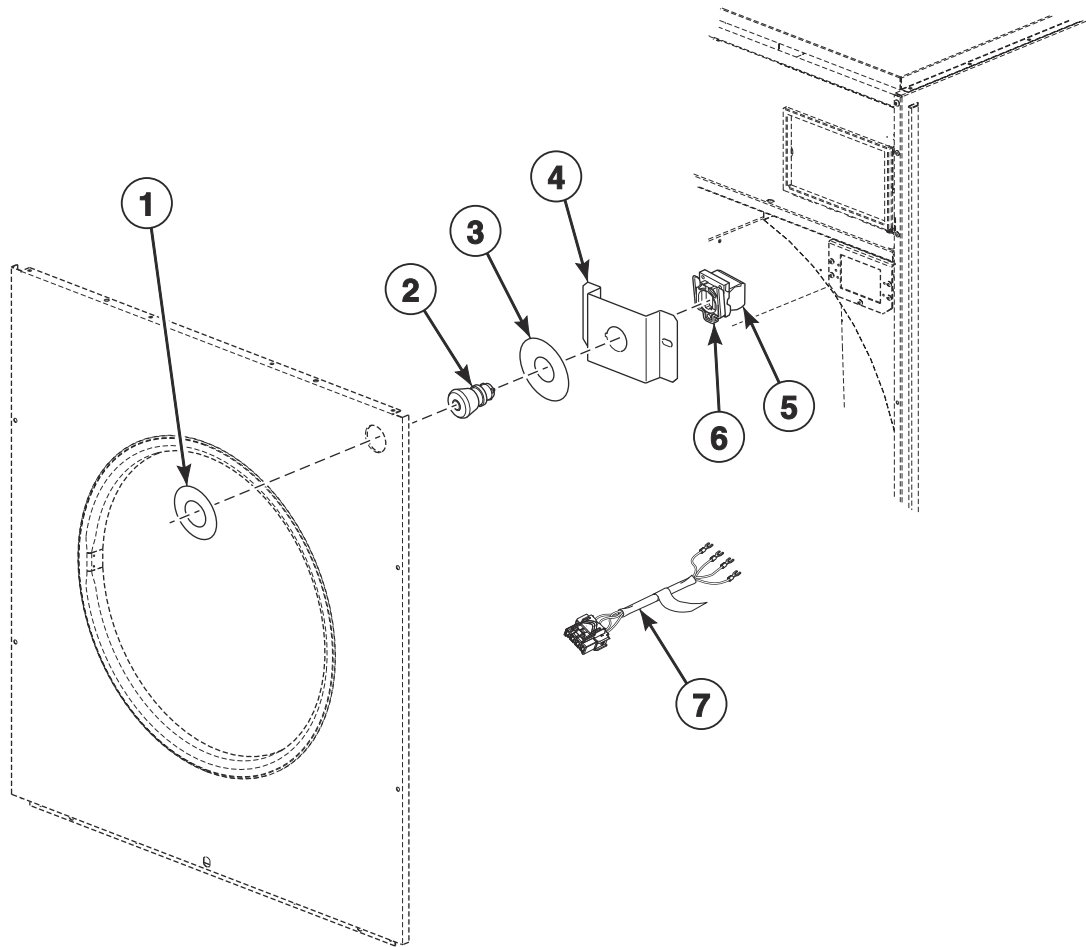
TMB3556P_70600401

Cabinet Front Components

REF	PART NO.	DESCRIPTION	COMMENTS
	44334103	Bypass Harness	Card and central pay
	D511476	Jumper Harness	Card reader present
1	44334101	Coin Vault Switch Harness	
2	44088801	Nut	
3	70296401	Coin Chute Assembly	
4	70413301	Pushbutton Switch	
5	M400977	Nut	6 required
6	44016401	Control Trim	K, M and N models; Black
7	39733	Screw	
8	56079	Panel Locator	9 required
9	70529501	Coin Vault Assembly	
	70529502	Coin Vault and Emergency Stop Mount Assembly	Models with emergency stop
	F160673P	Coin Box	Optional equipment; Includes lock and key
10	70030501	Expansion Clip	8 required
11	M411072	Screw	8 required
12	70342401	Lock Shim	
13	70155602	Key	RL002
14	44089302P	Lock, Key and Nut Kit	RL002
	44089305	Panel Lock	RL002; Chrome
15	44166601	Pop Rivet	
16	M401223	Door Latch	
17	44057801W	Switch Hole Plug	White
	44057801Q	Switch Hole Plug	Bisque
	44057801B	Switch Hole Plug	Black
18	70399405	Access Panel Trim	G and K models
	70399411	Access Panel Trim	G and K models; Coin
19	70155601	Key	RL001
20	70411401	Nameplate Overlay	G models; Coin
	70410201	Nameplate Overlay	G models; OPL
	44144401	Nameplate Overlay	K models; Coin
	44130101	Nameplate Overlay	K models; OPL
21	44089301P	Lock, Key and Nut Kit	RL001
	44089304	Panel Lock	RL001; Chrome

Emergency Stop Button - OPL Models

A, H, J, K, R and U in the 2nd Position, G and T in the 2nd Position Through 12/31/18

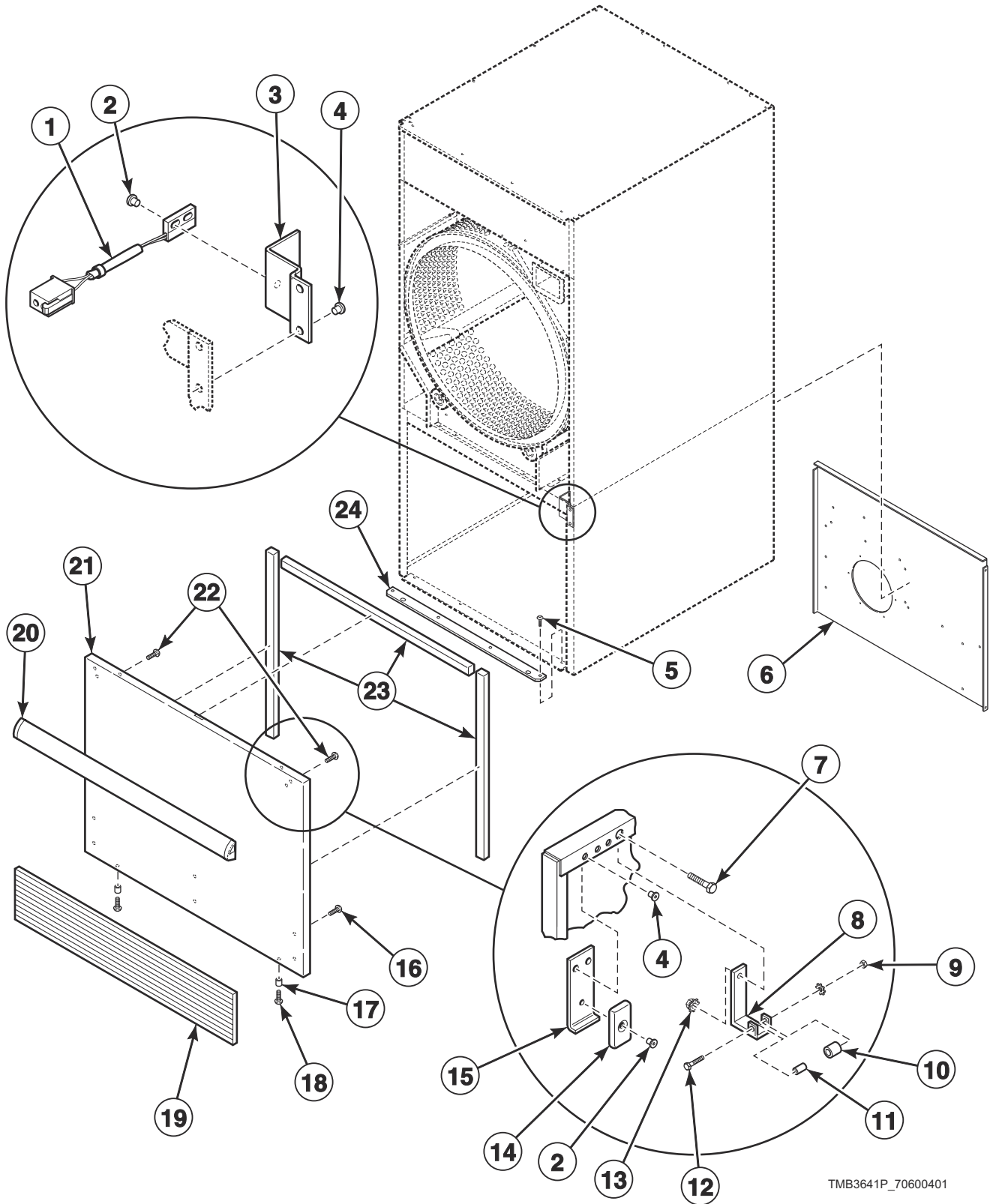


TMB3513P_70600401

Emergency Stop Button - OPL Models

REF	PART NO.	DESCRIPTION	COMMENTS
	70580301	Emergency Stop Button Kit	Includes items 2-4
	F8519403	Emergency Stop Bypass Harness	Coin, card and central pay
1	44012903	Emergency Stop Label	
2	F200233500	Emergency Stop Pushbutton	
3	44012901	Emergency Stop Label	
4	70550401	Emergency Stop Mounting Bracket	
5	F8069501	Contact Switch	2 required
6	F8538101	Contact Base	
7	44272401	Emergency Stop Harness	

Lower Cabinet Components



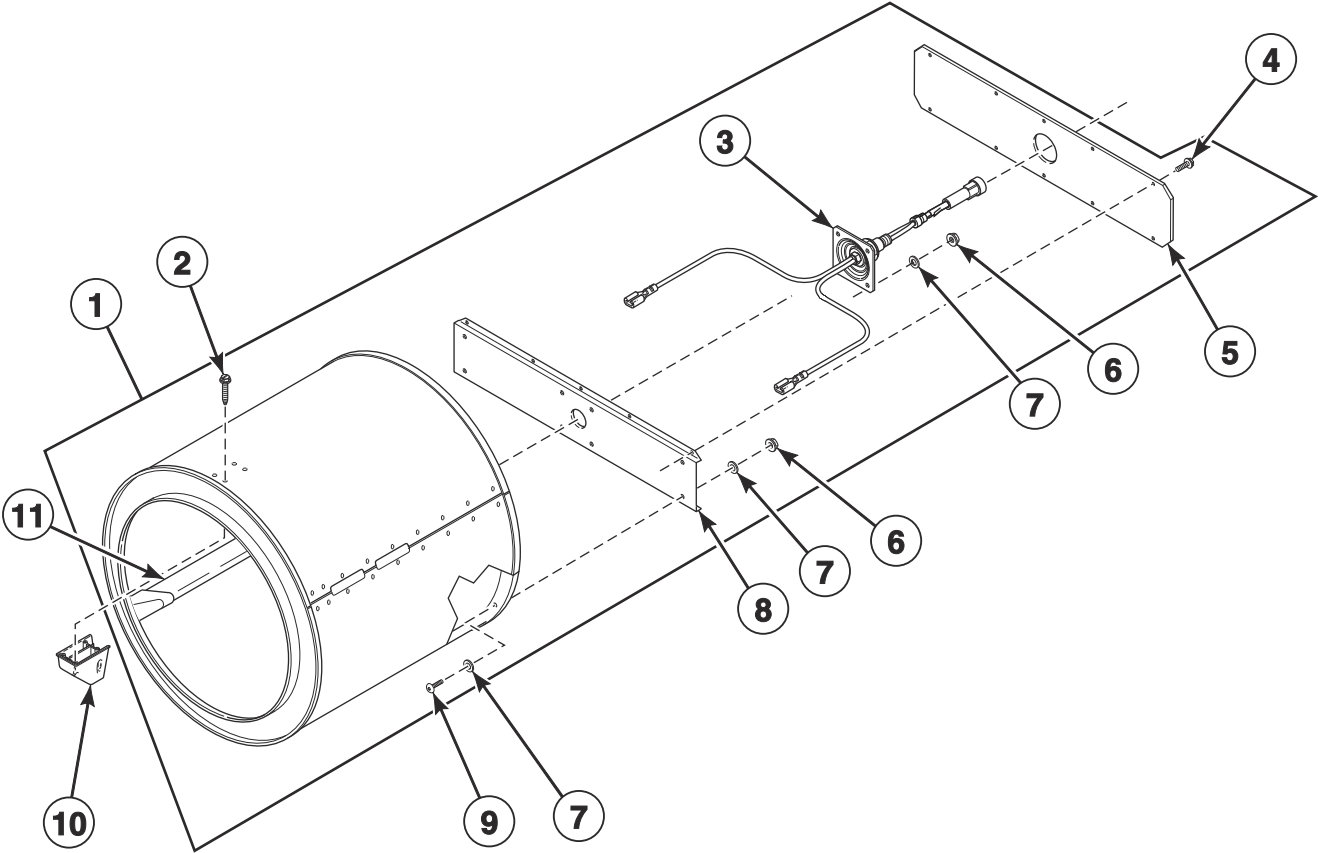
TMB3641P_70600401

Lower Cabinet Components

REF	PART NO.	DESCRIPTION	COMMENTS
1	F8066804	Reed Switch Assembly	
2	F8245101	Blind Rivet	
3	70508501	Switch Bracket	
4	70058501	Pop Rivet	
5	430497	Screw	
6	70565301	Rear Lint Panel	
7	70132301	Screw	Attaching roller catch
8	70030301	Roller Catch Arm	
9	23951	Nut	
10	70297601	Roller Catch Wheel	
11	70030201	Roller Catch Spacer	
12	70072801	Screw	
13	51236	Nut	Attaching roller catch
14	70343101	Magnet	
15	44290501	Magnet Bracket	
16	70126301	Pop Rivet	For attaching kickplate; Black; 6 required
	70126401	Pop Rivet	For attaching kickplate; Gray; 6 required
17	56079	Panel Locator	
18	39733	Screw	
19	70117601	Kickplate	Black
20	70154401	Handle and Caps Assembly	M and N models; Black
	70407205	Handle Bumper	G and K models
21	70515401*	Lint Panel	
	70515402	Lint Panel	Stainless steel
22	430757	Screw	For attaching handle; 6 required
23	70289101P	Gasket	Sold per foot
24	70017901	Lint Panel Pivot Plate	

* Add Letter To Designate Color. Q - Bisque W - White

Cylinder and Trunnion Assembly

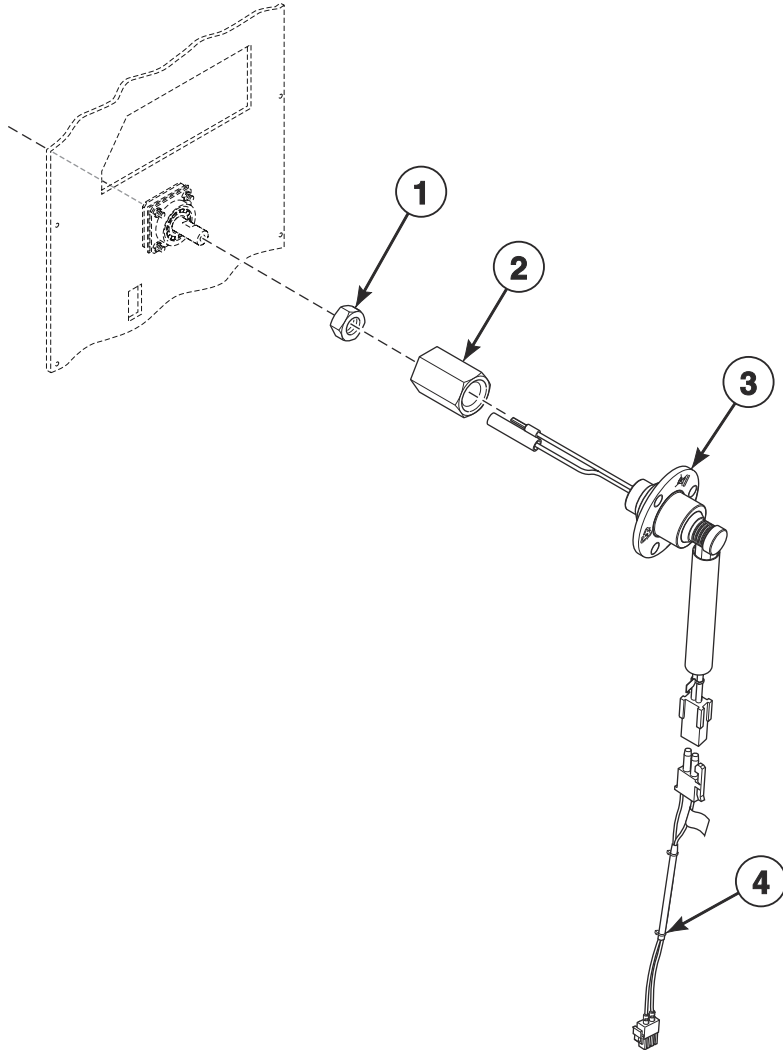


TMB3358P_70600401

Cylinder and Trunnion Assembly

REF	PART NO.	DESCRIPTION	COMMENTS
	70343101P	Drywall Screw Magnet Kit	
1	70372803	Cylinder Assembly	G and K models; Non-moisture sensing
	70443703	Cylinder and Trunnion Assembly	G and K models; Moisture sensing
	70372801P	Cylinder Assembly	M and N models; Galvanized; Non-moisture sensing
	70443701	Cylinder and Trunnion Assembly	M and N models; Galvanized; Moisture sensing
	70372802P	Cylinder Assembly	M and N models; Stainless steel; Non-moisture sensing
	70443702	Cylinder and Trunnion Assembly	M and N models; Stainless steel; Moisture sensing
2	62588	Screw	12 required
3	70564801	Trunnion and Seal Kit	Includes 70013702 Rear Cylinder Seal; Non-moisture sensing
	70564802	Trunnion and Seal Kit	Moisture sensing; Includes 70454601 Trunnion and Wire Assembly
4	430497	Screw	10 required
5	70257401	Rear Cylinder Channel Plate	
6	44087201	Nut	8 required
7	70411301	Washer	
8	70257301	Rear Cylinder Channel	Non-moisture sensing
	70257302	Rear Cylinder Channel	Moisture sensing
9	70391101	Screw	8 required
10	70070101	End Cap	Non-moisture sensing
	70070102	End Cap	Moisture sensing
11	70433003	Cylinder Rib Assembly	Moisture sensing

Moisture Sensing Components



TMB3147P_70600401

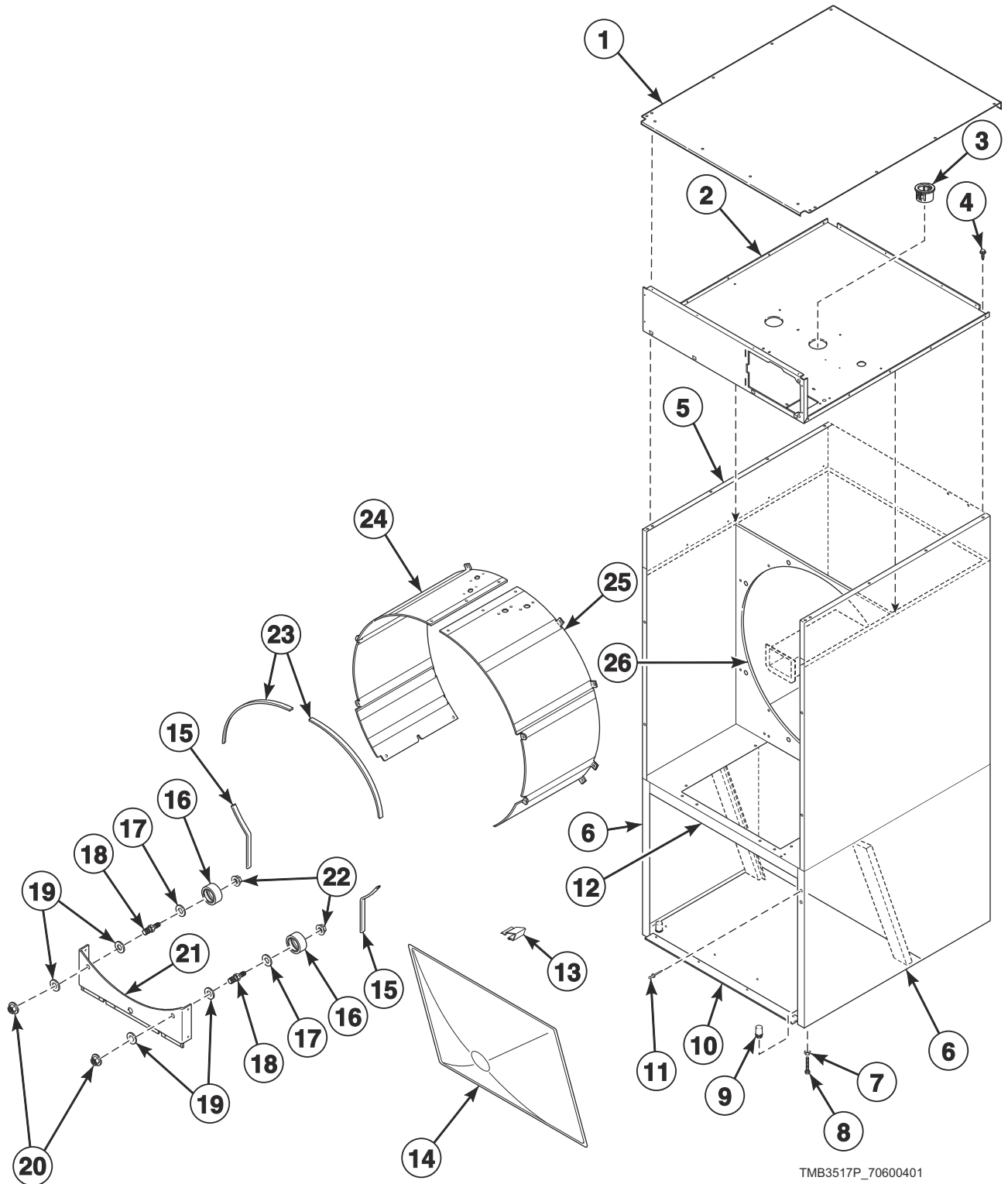
Moisture Sensing Components

REF	PART NO.	DESCRIPTION	COMMENTS
1	M400022	Nut	
2	70455401	Slip Ring Holder	
3	44222702	Slip Ring Assembly	
4	44333903	Moisture Sensor Harness	

Cylinder Components

REF	PART NO.	DESCRIPTION	COMMENTS
	70343101P	Drywall Screw Magnet Kit	
	430260P	Support Housing Bearing Assembly	Includes items 3, 4 and Loctite
1	70564901	Rear Panel	Gas models
	70564903	Rear Panel	Gas models; With fire suppression
	70564902	Rear Panel	Electric and steam models
	70564904	Rear Panel	Steam models; With fire suppression
2	70355001	Rear Bearing Shim	
3	70448701	Support Bearing	
4	70013901	Rear Cylinder Bearing Housing	
5	M400991	Washer	
6	M400034	Nut	
7	M400022	Nut	
8	M412986	Nut	4 required
9	70506401	Rear Cylinder Seal Support	
10	70013702	Rear Cylinder Seal	Use with D511637P Adhesive
11	430352	Cylinder Bearing Stud Plate Assembly	
12	263P4	Cylinder Guide Tool	
13	70066004	Center Cylinder Seal	

Cabinet Components



TMB3517P_70600401

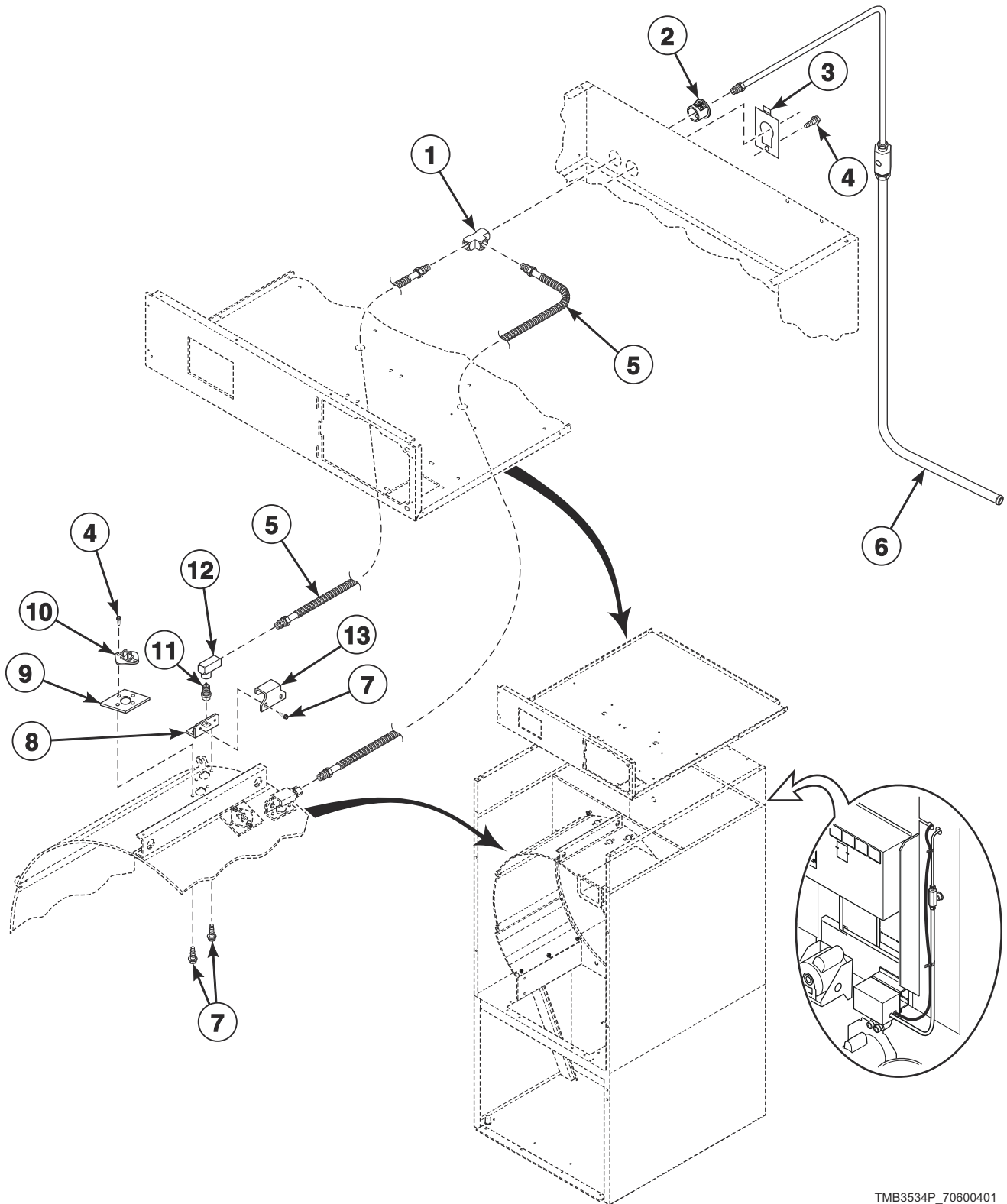
Cabinet Components

REF	PART NO.	DESCRIPTION	COMMENTS
	M4379P4	Tumbler Dolly Kit	
	298P4P	Spray Paint	White
	381P4	Spray Paint	Bisque
	122P4P	Porcelain Touch-Up Paint	White
	370P4P	Porcelain Touch-Up Paint	Bisque
1	70557501	Top Panel	
2	70555201	Top Pan	
3	70346501	Bushing	
4	430497	Screw	
5	70060102*P	Side Panel	Upper
6	70253901*P	Side Panel	Lower
7	21899	Nut	
8	70247701	Screw	
9	70063201	Hole Plug	
10	70326201	Lower Pan	
11	70058501	Pop Rivet	16 required; Upper side panel
12	70565101	Center Pan	
13	35865	Hold-Down Clip	
14	70325601	Lint Screen	
15	70015709	Sheet Metal Edge Gasket	Lower
16	70616701	Roller and Seal Kit	
17	70443601	Roller Seal	
18	70249501	Roller Shaft	
19	70261401	Washer	
20	M404993	Nut	
21	70328301	Roller Support Bracket	
22	430576	Nut	
23	70015710	Sheet Metal Edge Gasket	Upper
24	70427202	Cylinder Shroud	Left; With fire suppression
	70347402	Cylinder Shroud	Left
25	70427201	Cylinder Shroud	Right; With fire suppression
	70347401	Cylinder Shroud	Right
26	70252601	Center Partition	

* Add Letter To Designate Color. Q - Bisque W - White

Fire Suppression System Components

G, K and NT Gas and Steam Models



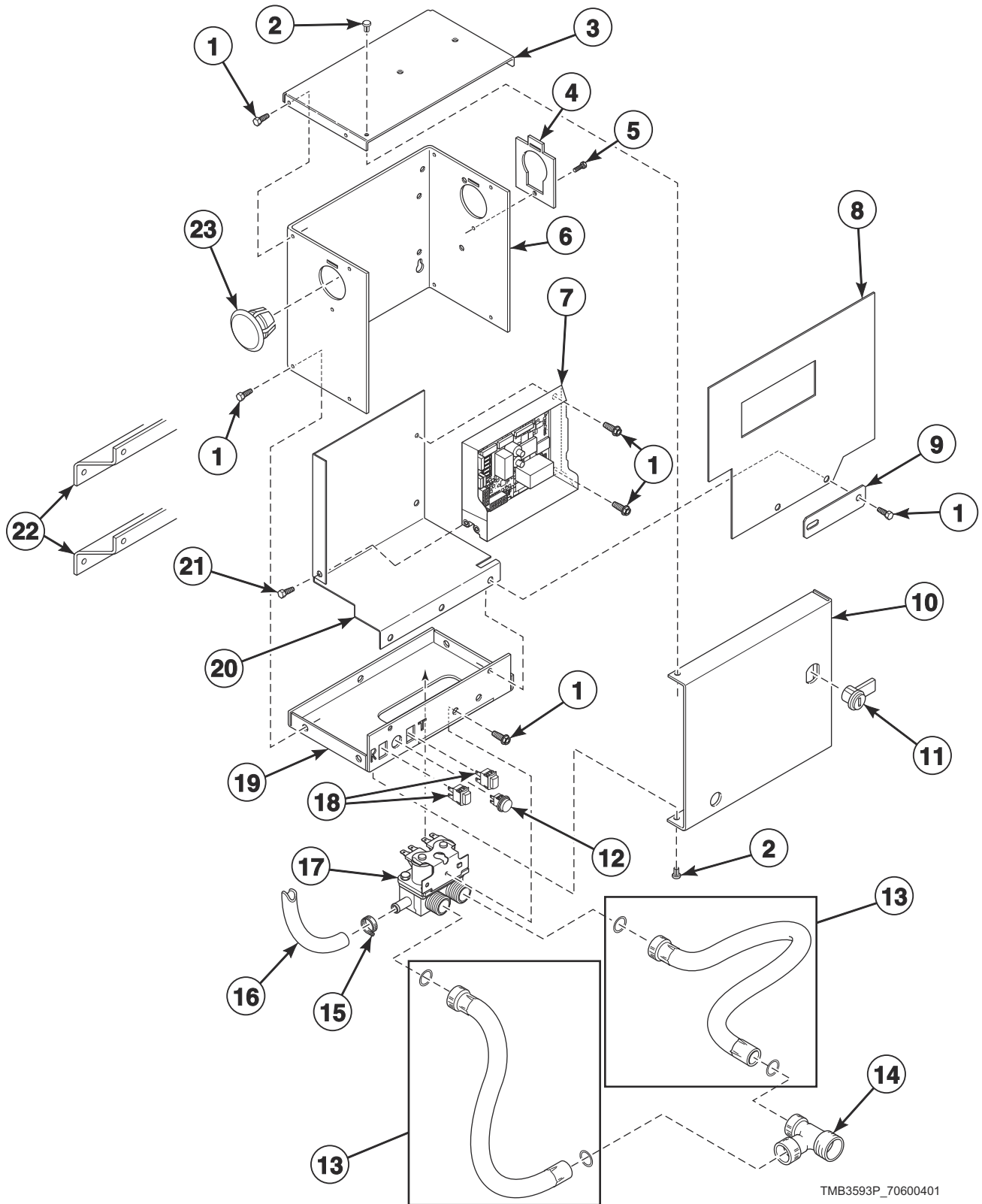
TMB3534P_70600401

Fire Suppression System Components

REF	PART NO.	DESCRIPTION	COMMENTS
1	70427901	Union Tee	
2	70178701	Snap Bushing	
3	70523301	Harness Adapter Plate	
4	51780	Screw	4 required
5	70427701	Spray Nozzle Hose	2 required
6	70427601	Tube Assembly	
7	430497	Screw	12 required
8	70424201	Nozzle Bracket	2 required
9	70424401	Thermistor Plate	2 required
10	44064701	Thermistor	2 required
11	70427801	Spray Nozzle	2 required
12	70428101	Elbow	2 required
13	70428601	Nozzle Bracket	2 required

Fire Suppression System Control Box

G, K and NT Gas and Steam Models

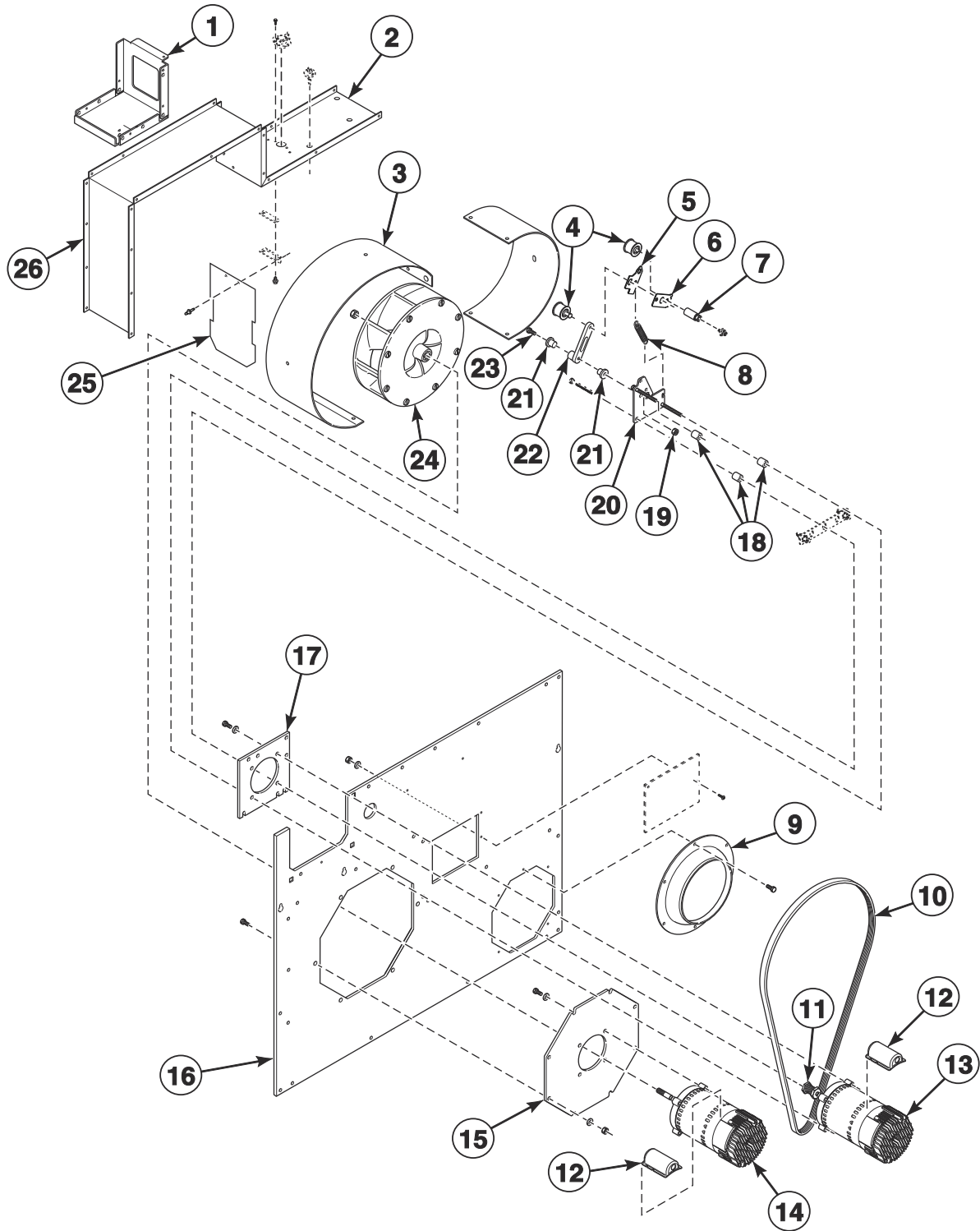


TMB3593P_70600401

Fire Suppression System Control Box

REF	PART NO.	DESCRIPTION	COMMENTS
	44340301	Cold Weather Kit	
	70155601	Key	RL001; Use with item 11
	44334404	Control Harness	
	44334405	Water Valve Harness	
	44334402	Power Sensor Harness	
	44334401	Interconnect Harness	
	44334406	Sensor Harness	
	44324501	Warning Label	F.S.S.; CSA models
	44324500	Label Kit	F.S.S.; IEC models
	F8614401	Shock Warning Label	CSA models
	F8614201	Shock Warning Label	IEC models
	44318200	Label Kit	IEC models
	44324502	Warning Label	
	44318201	Label	CSA models
1	430497	Screw	
2	M400713	Drive Rivet	
3	44307101	Control Box Top	
4	70523301	Harness Adapter Plate	
5	51780	Screw	
6	44306701	Control Box Housing	
7	70511601	Control	
8	44326801	Shield	
9	70551701	Filter Mounting Plate	
10	44065201	Control Box Cover	
11	44089301P	Lock, Key and Nut Kit	RL001 key code; Optional if same key is to be used for control lock
12	801432	Light	
13	202799	Fill Hose	2 required
14	44069101	Hose Fitting	CSA models
15	36801	Hose Clamp	
16	44073304	Hose	14 inches; Outlet hose
17	70519801	Mixing Valve	
18	801434W	Push-to-Start Switch	2 required
19	44065301	Control Box Base	
20	44306601	Mixing Valve Shield Bracket	
21	804608	Screw	
22	70601401	Mounting Bracket	
23	70180001	Plug	

Motor Components

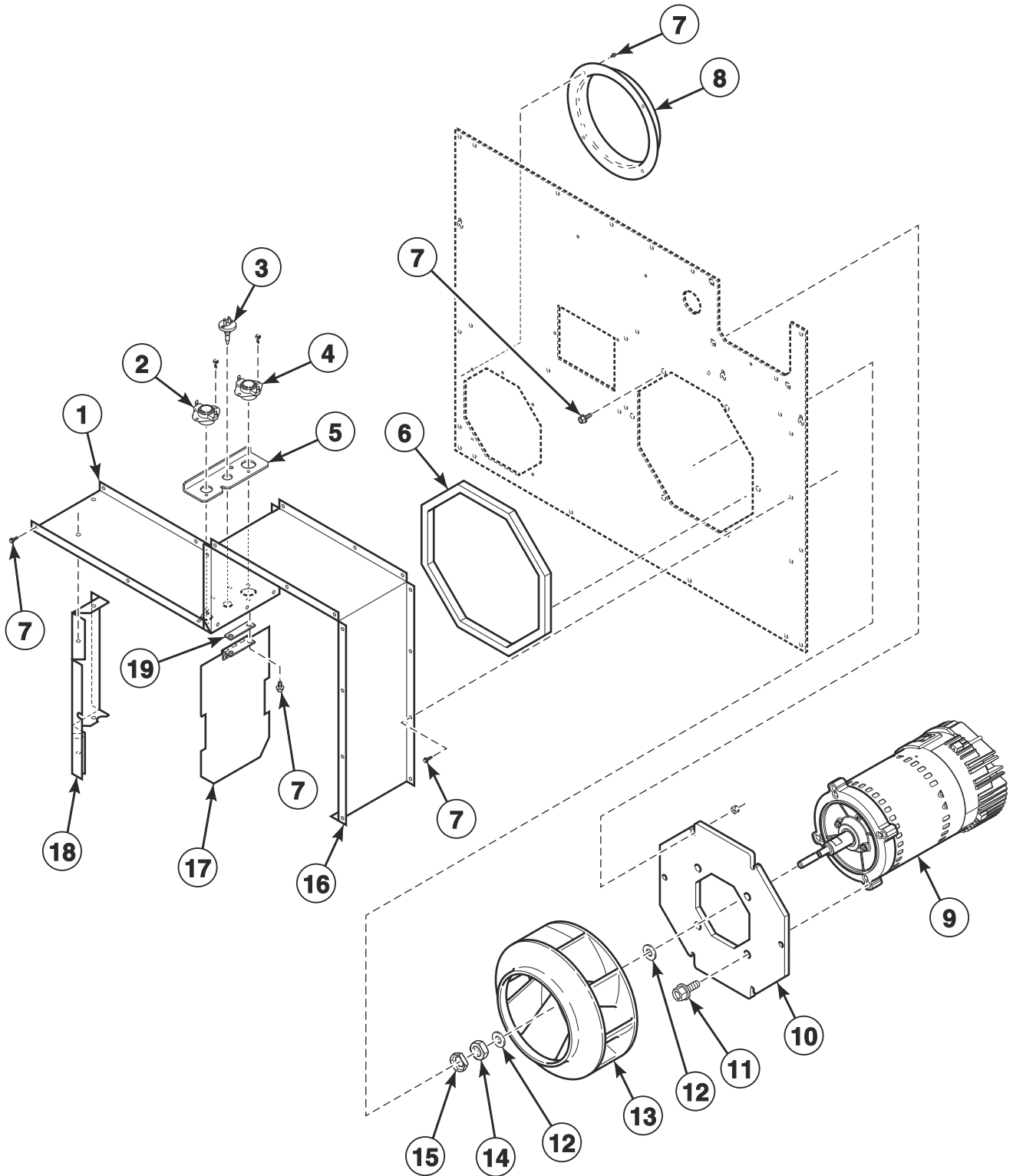


TMB3797P_70600401

Motor Components

REF	PART NO.	DESCRIPTION	COMMENTS
	44333202	Nut	Use with item 11
	70144101	Key	Use with idler shaft
	70554901	Limit Access Bracket	Use with idler shaft
	44335301	Inverter Motor Harness	Cylinder
	44335302	Inverter Motor Harness	Fan
	70608601	EMC Shield	Gas and steam Korean models
1	70564101	Motor Mount Bracket	
2	70554701	Blower Housing	Top
3	70016301	Blower Housing Scroll	
4	70050401P	Idler Wheel Assembly	
5	70569501	Tensioning Bracket	
6	70543401	Spring Catch Bracket	
7	70569603	Standoff	
8	70571801	Spring	
9	70017801	Exhaust Thimble	Standard models; 6 inch
	70478001	Exhaust Adapter	Eco models; 6 inch to 4 inch
10	70276205P	Belt	
11	70559101	Motor Pulley	
12	70521901	Motor Conduit Mounting Bracket	
13	70478601P	Drive Motor	.33 HP; 120, 230 Volt/1 Phase
	70485001P	Drive Motor	.33 HP; 380-460 Volt/3 Phase
14	70478701P	Fan Motor	.50 HP; 120, 230 Volt/1 Phase
	70484901P	Fan Motor	.50 HP; 380-460 Volt/3 Phase
15	70349601	Blower Motor Mounting Plate	
16	70493301	Lower Rear Assembly	
17	70564201	Motor Mount Plate	
18	70488403	Spacer	
19	44087301	Nut	
20	70571901	Drive Plate	
21	70542801	Bushing	
22	70543301	Pivot Arm Lever	
23	70501301	Screw	
24	70359801P	Blower Assembly	
25	70209501	Damper and Hinge Exhaust Assembly	
26	70215101	Blower Housing	

Blower and Exhaust Components

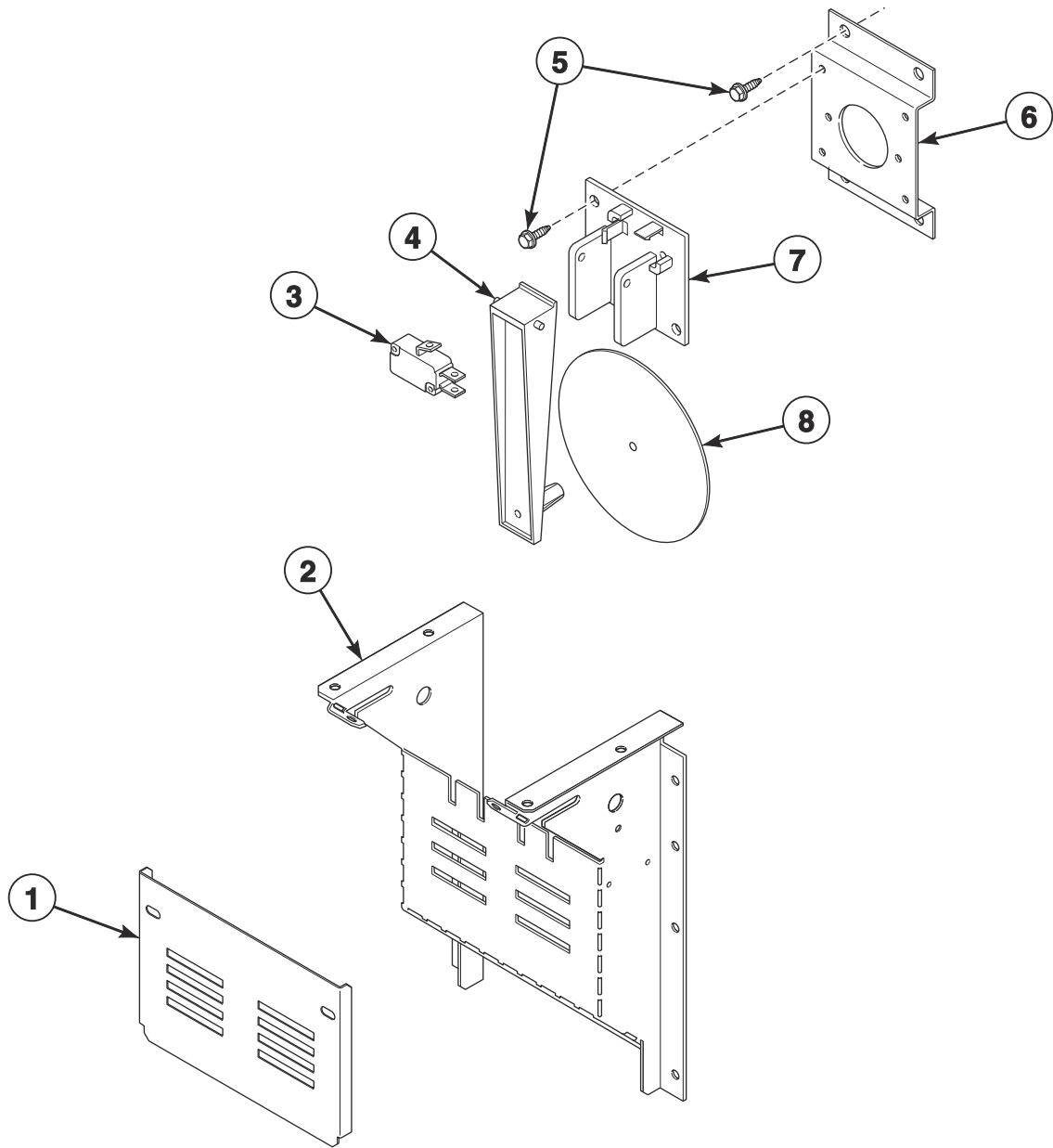


TMB3533P_70600401

Blower and Exhaust Components

REF	PART NO.	DESCRIPTION	COMMENTS
1	70554701	Blower Housing	Top
2	70530901	Limit Thermostat	Manual reset
3	M414704	Thermistor	
4	44328001	Limit Thermostat	Auto reset
5	70554901	Limit Access Bracket	
6	70392701P	Gasket	For blower housing opening
7	430497	Screw	
8	70014101	Blower Inlet Cone	
9	70478701P	Fan Motor	.50 HP; 120, 230 Volt/1 Phase
	70484901P	Fan Motor	.50 HP; 380-460 Volt/3 Phase
10	70349601	Blower Motor Mounting Plate	
11	70126101	Screw	
12	M400991	Washer	
13	70359801P	Blower Assembly	
14	M400022	Nut	
15	M400034	Nut	
16	70215101	Blower Housing	
17	70209501	Damper and Hinge Exhaust Assembly	
18	70020301	Blower Housing	Left
19	70220901	Damper Spacer	

Airflow Switch

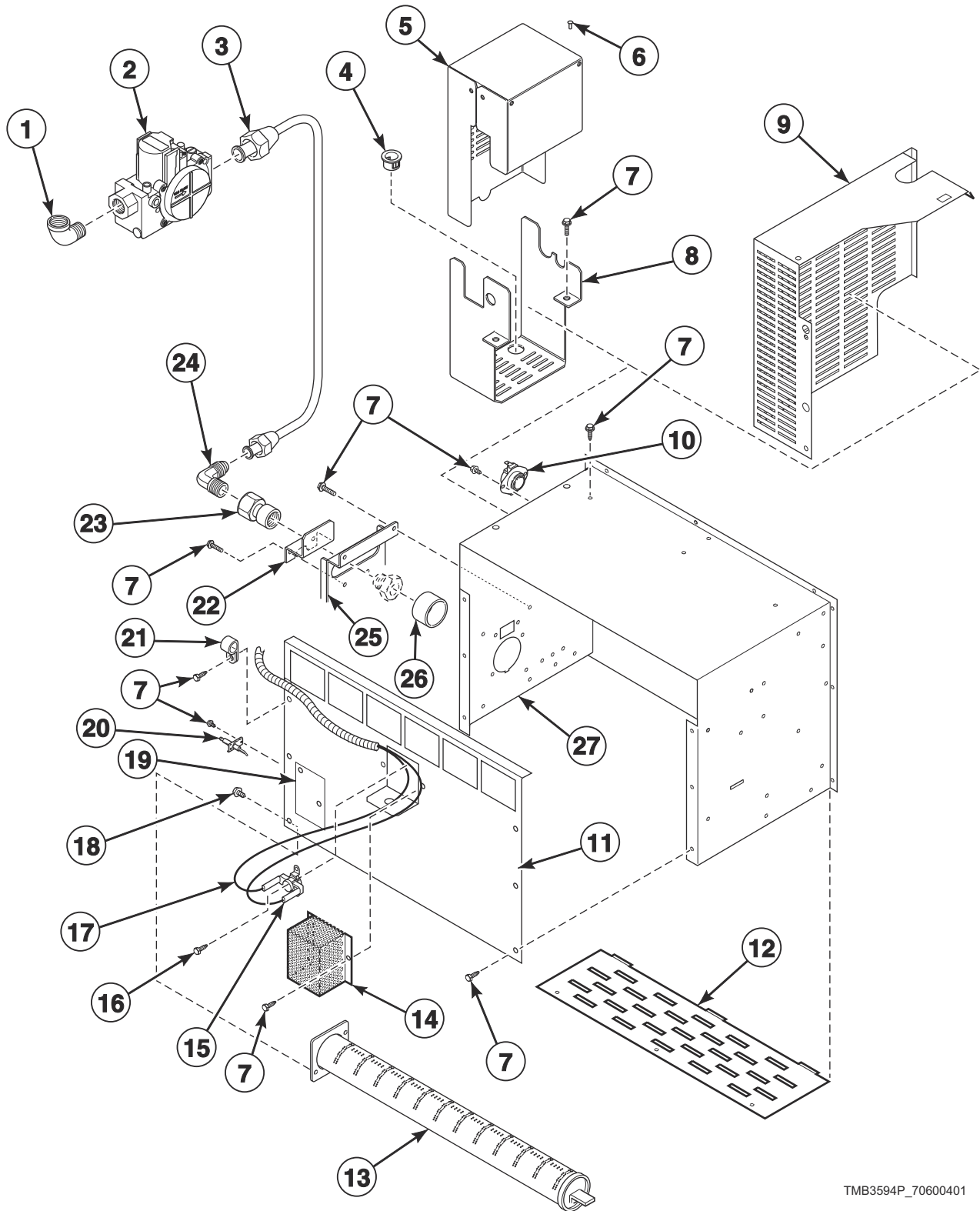


TMB3126P_70600401

Airflow Switch

REF	PART NO.	DESCRIPTION	COMMENTS
1	70356601	Airflow Switch Cover	Non-moisture sensing
	70465701	Airflow Switch Cover	Moisture sensing
2	70356101	Airflow Switch Wrapper	
3	70411901	Switch	
4	70319401	Airflow Switch Arm	
5	430497	Screw	
6	70356301	Switch Bracket	
7	70319602	Airflow Switch and Arm Bracket	
8	70319201	Airflow Switch Vane	

Gas Heater Components

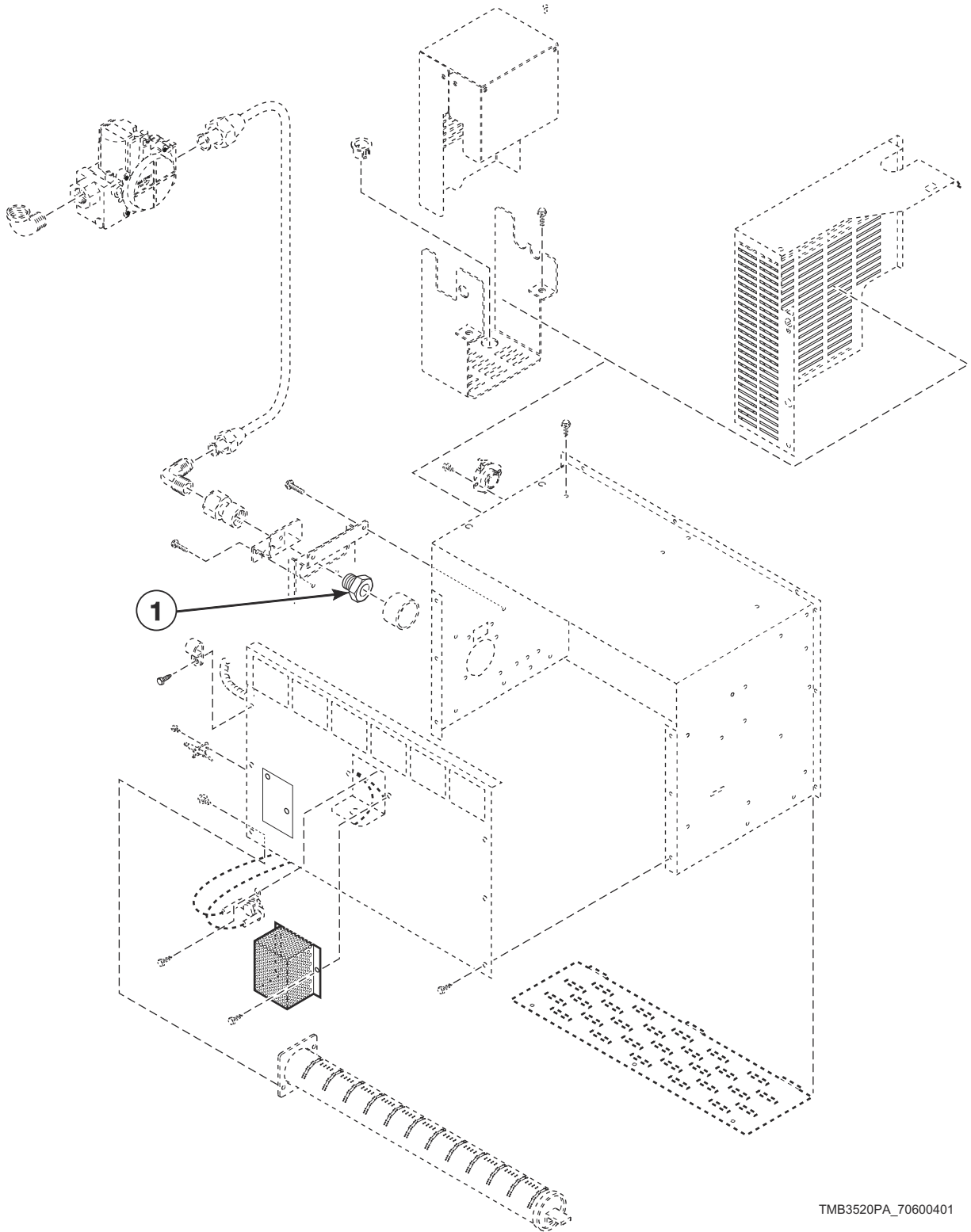


TMB3594P_70600401

Gas Heater Components

REF	PART NO.	DESCRIPTION	COMMENTS
	44273501	Gas Valve Harness	
	44239702	High Voltage Suppression Cable	
	70346801	Pipe Plug	
	70550201	L.P. Conversion Kit	CSA and AGA models; Natural Gas (N.G.); 0-2,000 feet
	70551901	L.P. Conversion Kit	IEC models; N.G.; 0-2,000 feet
	70609901	High Altitude Orifice Kit	CSA N.G. models
	70609902	High Altitude Orifice Kit	CSA Liquid Petroleum (L.P.) Gas models
	70131901	Adapter	IEC models; BPT/NPT
	70167601	Plug	IEC models
	70535901	Notice Label	Australian models; N.G.
	70544901	Notice Label	Australian models; Liquid Petroleum (L.P.) Gas
1	H86070034	Street Elbow	T market models
	F422304	Street Elbow	All other models
2	44154503	N.G. Valve	CSA models
	44154504	L.P. Valve	CSA models
	44154507	Gas Valve	IEC models; N.G.; 1/2 NPT
	44154508	Gas Valve	IEC models; L.P.; 1/2 NPT
3	70271201	Gas Line Assembly	
4	M400770	Snap Bushing	
5	70429901	Gas Valve Cover	
6	M405750	Pop Rivet	4 required
7	430497	Screw	10 required
8	70504101	Gas Valve Bracket	
9	70429901	Gas Valve Cover	IEC models
10	44328004	Limit Thermostat	Side
11	70371501	Stove Back	
12	70188801	Burner Grill	
13	70229801P	Gas Burner	
	70546701	Anti-Rattle Burner Assembly	Includes 70229801P Gas Burner, 431318 Control Door Latch and M400003 Pop Rivet
14	M414477	Thermostat Cover	
15	44328104	Limit Thermostat	Rear
16	M405188	Screw	2 required
17	70564301	Stove Limit Harness	
18	05161	Screw	
19	70159601	Igniter Cover	
20	70548701P	Spark Electrode	
21	70203701	Pipe Clip	
22	70539901	Ignition Keeper Orifice Bracket	
23	70379301	Orifice Adapter	
24	70208701	Elbow	2 required
25	70248901	Orifice Holder Bracket	
26	70239801	Primary Air Adjustment Sleeve	L.P. models
27	70333401	Stove Top and Sides	

Burner Orifices

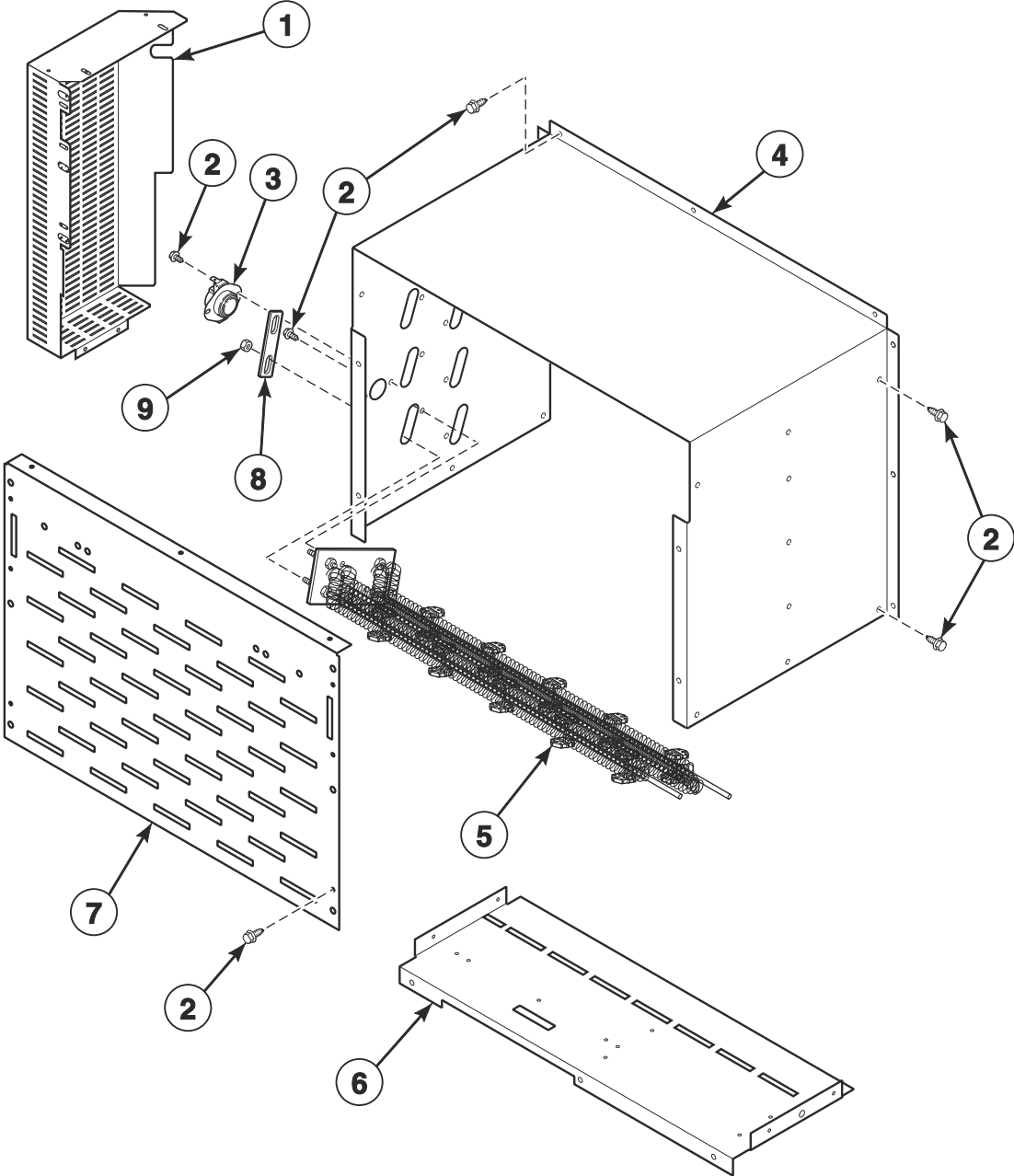


TMB3520PA_70600401

Burner Orifices

REF	PART NO.	DESCRIPTION	COMMENTS
1	70684138	Burner Orifice	Standard models; Natural Gas (N.G.); Drill no. 24 (3.86 mm); 0-2,000 feet
	70684135	Burner Orifice	Standard models; N.G.; Drill no. 27 (3.66 mm); 2,001-4,000 feet
	70684134	Burner Orifice	Standard models; N.G.; Drill no. 28 (3.57 mm); 4,001-6,000 feet
	70684132	Burner Orifice	Standard models; N.G.; Drill no. 29 (3.45 mm); 6,001-8,000 feet
	70684130	Burner Orifice	Standard models; N.G.; 3.3 mm; 8,001-10,000 feet
	70684113	Burner Orifice	Standard models with 2nd digit A, G, H, J, K, L and T; Liquid Petroleum Gas (L.P.); 2.30 mm; 0-2,000 feet
	70684110	Burner Orifice	Standard models with 2nd digit A, G, H, J, K, L and T; L.P.; Drill no. 44 (2.18 mm); 2,001-4,000 feet
	70684109	Burner Orifice	Standard models with 2nd digit A, G, H, J, K, L and T; L.P.; Drill no. 45 (2.08 mm); 4,001-6,000 feet
	70684108	Burner Orifice	Standard models with 2nd digit A, G, H, J, K, L and T; L.P.; Drill no. 46 (2.06 mm); 6,001-8,000 feet
	70684106	Burner Orifice	Standard models with 2nd digit A, G, H, J, K, L and T; L.P.; Drill no. 48 (1.93 mm); 8,001-10,000 feet
	70684108	Burner Orifice	CE standard models; L.P.; Drill no. 46 (2.06 mm); 0-2,000 feet
	70684106	Burner Orifice	CE standard models; L.P.; Drill no. 48 (1.93 mm); 2,001-6,000 feet
	70684105	Burner Orifice	CE standard models; L.P.; Drill no. 49 (1.85 mm); 6,001-8,000 feet
	70684104	Burner Orifice	CE standard models; L.P.; Drill no. 50 (1.78 mm); 8,001-10,000 feet
	70684108	Burner Orifice	Standard J market models; L.P.; Drill no. 46 (2.06 mm); 0-2,000 feet
	70684106	Burner Orifice	Standard J market models; L.P.; Drill no. 48 (1.93 mm); 2,001-6,000 feet
	70684105	Burner Orifice	Standard J market models; L.P.; Drill no. 49 (1.85 mm); 6,001-8,000 feet
	70684104	Burner Orifice	Standard J market models; L.P.; Drill no. 50 (1.78 mm); 8,001-10,000 feet
	70684134	Burner Orifice	Eco models; N.G.; Drill no. 28 (3.57 mm); 0-2,000 feet
	70684131	Burner Orifice	Eco models; N.G.; 3.40 mm; 2,001-4,000 feet
	70684130	Burner Orifice	Eco models; N.G.; 3.30 mm; 4,001-6,000 feet
	70684128	Burner Orifice	Eco models; N.G.; Drill no. 1/8 (3.18 mm); 6,001-8,000 feet
	70684126	Burner Orifice	Eco models; N.G.; Drill no. 31 (3.05 mm); 8,001-10,000 feet

Electric Heater Components

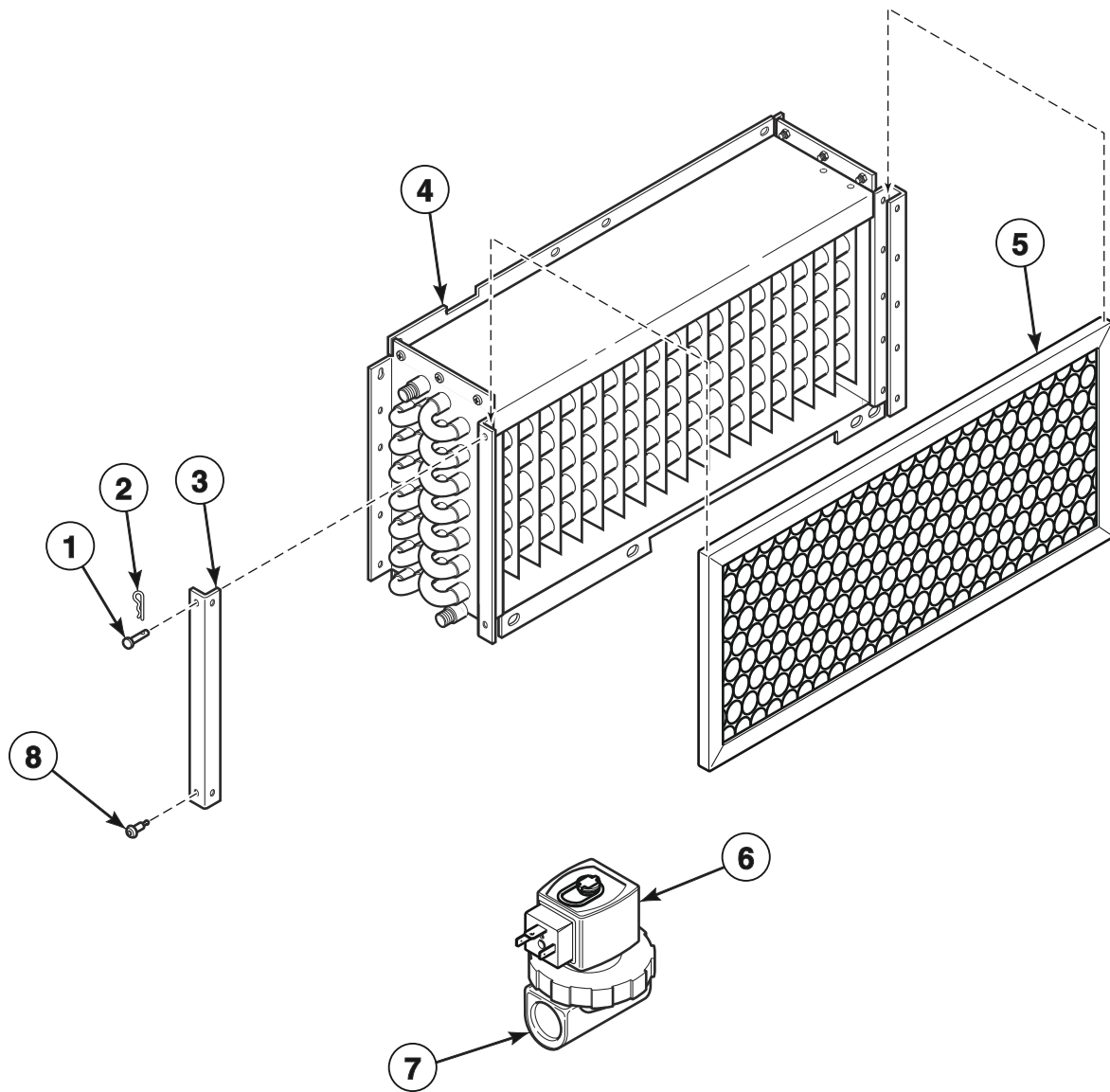


TMB3521P_70600401

Electric Heater Components

REF	PART NO.	DESCRIPTION	COMMENTS
	70564303	Stove Limit Harness	
	44281709	Jumper Harness	Use with 440-480 Volt
	44295412	Jumper Harness	Use with 380-415 Volt; 4 required
1	70365201	Stove Connectors Cover	
2	430497	Screw	
3	44328004	Limit Thermostat	
4	70525601	Stove Top and Sides	
5	70034414P	Heater Element	Standard models; 3 required; 4 kW; 220 Volt heater element for 380 and 440 Volt/3 Phase
	70034415P	Heater Element	Standard models; 3 required; 4 kW; 208 Volt heater element for 200-208 Volt/1 or 3 Phase
	70034416P	Heater Element	Standard models; 3 required; 4 kW; 240 Volt heater element for 230-240 Volt/1 or 3 Phase and 400-415 and 460-480 Volt/3 Phase
	70034413P	Heater Element	Eco models; 3 required; 3 kW; 220 Volt heater element for 380 and 440 Volt/3 Phase
	70034417	Heater Element	Eco models; 3 required; 3 kW; 240 Volt heater element for 400-415 Volt/50 Hertz or 240 and 460-480 Volt/60 Hertz
	70034418P	Heater Element	Eco models; 3 required; 3 kW; 208 Volt heater element for 200-208 Volt/3 Phase
6	70357201	Stove Partition	
7	70214901	Stove Grill	
8	70066501	Jumper Bar	2 required for 440-480 Volt
	M400869	Jumper Strip	3 required for 380-415 and 440-480 Volt; 6 required for 200-240 Volt
9	70054	Nut	

Steam Heater Components

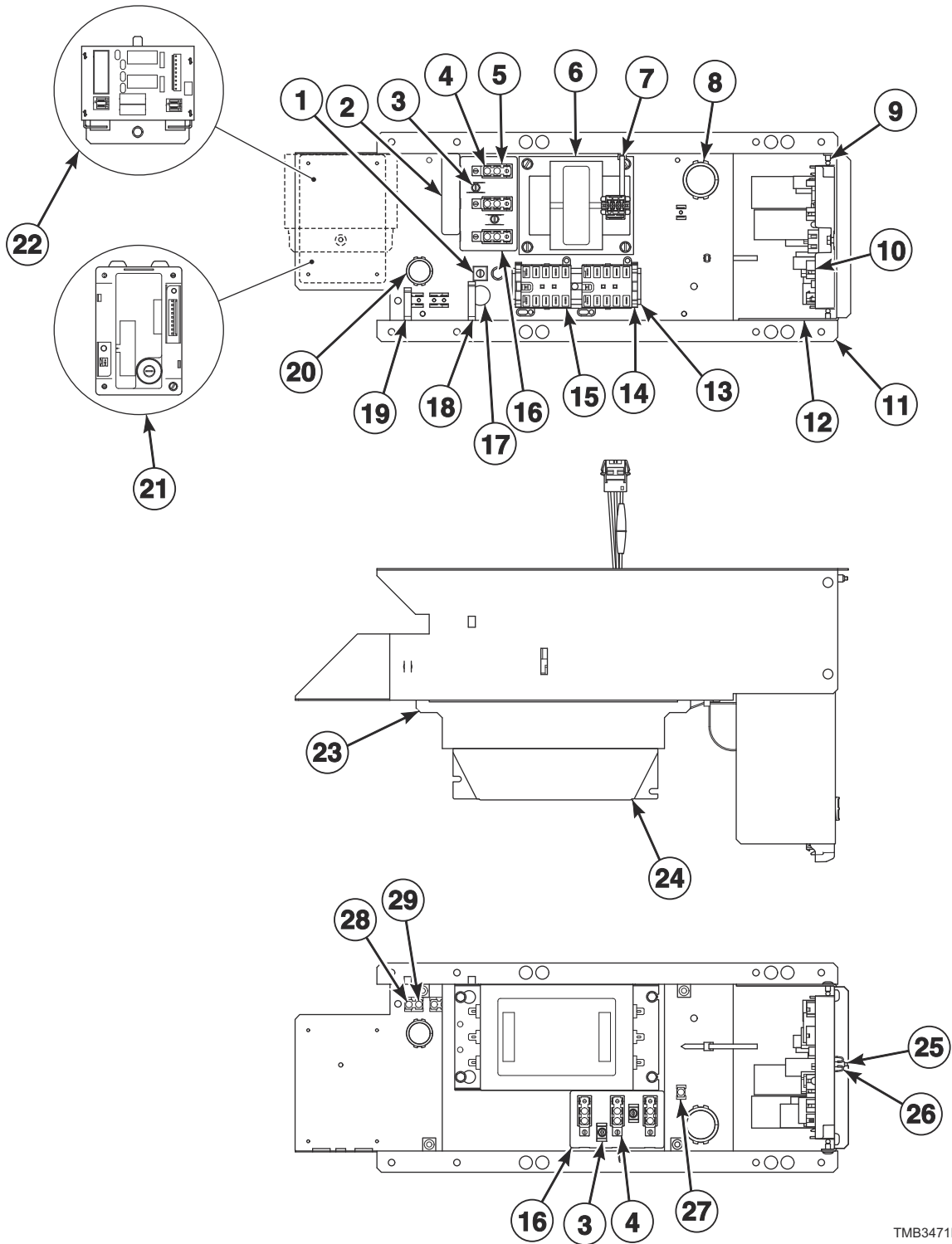


TMB3522P_70600401

Steam Heater Components

REF	PART NO.	DESCRIPTION	COMMENTS
	F8382301	DIN Valve Adapter Kit	Use with item 7
	70564302	Stove Limit Bypass Harness	
	F8520703	Steam Valve Harness	
	44304801	Strain Relief	
	70529601	Steam Adapter Kit	IEC models
1	70389201	Clevis Pin	
2	70389301	Hairpin Cotter	
3	70369301	Steam Filter Holder	
4	70369101P	Steam Coil	4 rows
5	70429401	Filter	IEC models
	70036001	Air Filter	CSA models
6	F8514701	Coil	120 Volt
	F8514601P	Coil	240 Volt
7	F8322904P	Steam Valve	120 Volt
	F8322906P	Valve	240 Volt
8	70058501	Pop Rivet	

Control Tray

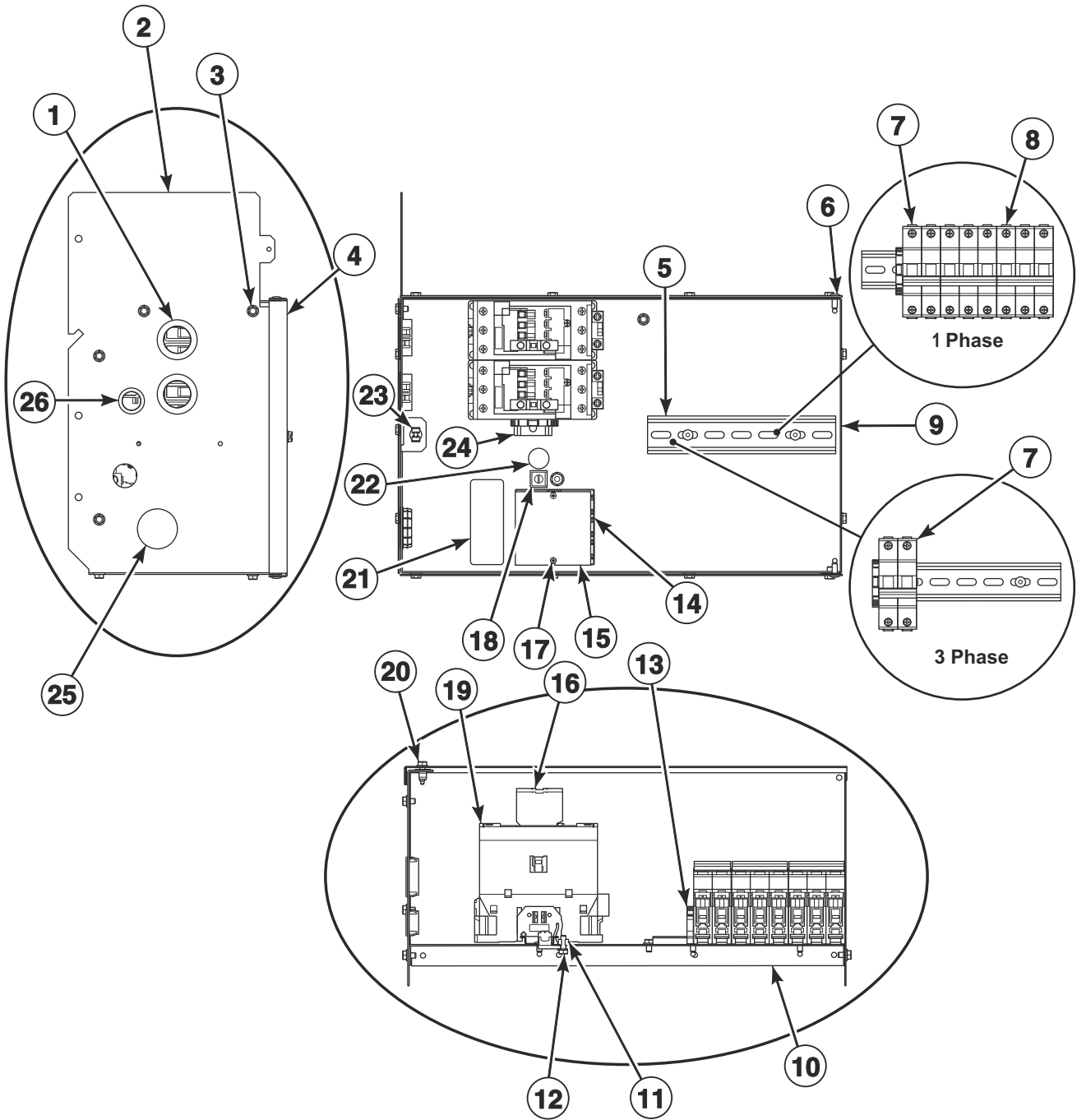


TMB3471P_70600401

Control Tray

REF	PART NO.	DESCRIPTION	COMMENTS
	685837	Screw	Use with item 1
	44088001	Nut	Use with item 1
	70507501	Control Tray Cover	
	70559301	Conversion Kit	X to B voltage
	44357401	EMI Filter Kit	CSA models; 100-240 Volt
	44357402	EMI Filter Kit	CSA models; 380-480 Volt
1	M411283	Ground Lug Connector	
2	44286803	Label	L1, L2, L3
	44286801	Label	L1, N
	44286802	Wire Label	L1 L2, L1 N
	44286804	Wire Label	L1 L2, L1 N, L1 L2 L3
3	51783	Screw	
4	430642	Terminal Block	
5	70333001	Terminal Block Shield	
6	F8491101	Transformer	380-480 Volt
7	70335601	Cable Tie	
8	70346501	Bushing	
9	70058501	Pop Rivet	
10	70479201P	I/O Control Assembly	
11	70492401	Control Tray	
12	70494901	Control Board Control Tray	
13	M412690	DIN Rail	
14	F8449801	End Stop	
15	70482601	Contactors	240 Volt or less: 1 required; 380 Volt or higher: 2 required
16	M413862	Insulator	
17	D516100	Label	
18	F8449501	Wire Clip	
19	F8449502	Wire Clip	
20	70178701	Snap Bushing	
21	70482002	Ignition Control	IEC gas models
	70482001	Ignition Control	CSA gas models
22	70501801	Steam Control Assembly	Steam models
23	70533101	Filter Bracket	
24	F8591601	EMI Filter	IEC models; 100-200 and 200-240 Volt/1 Phase
	F8637501	EMI Filter	IEC models; 380-480 Volt
25	F8206901	Screw	
26	70030501	Expansion Clip	
27	00621SG	Male Tab Terminal	
28	M400003	Pop Rivet	
29	00622SG	Terminal	

Accessory Box - Electric 200-240 Volt Models

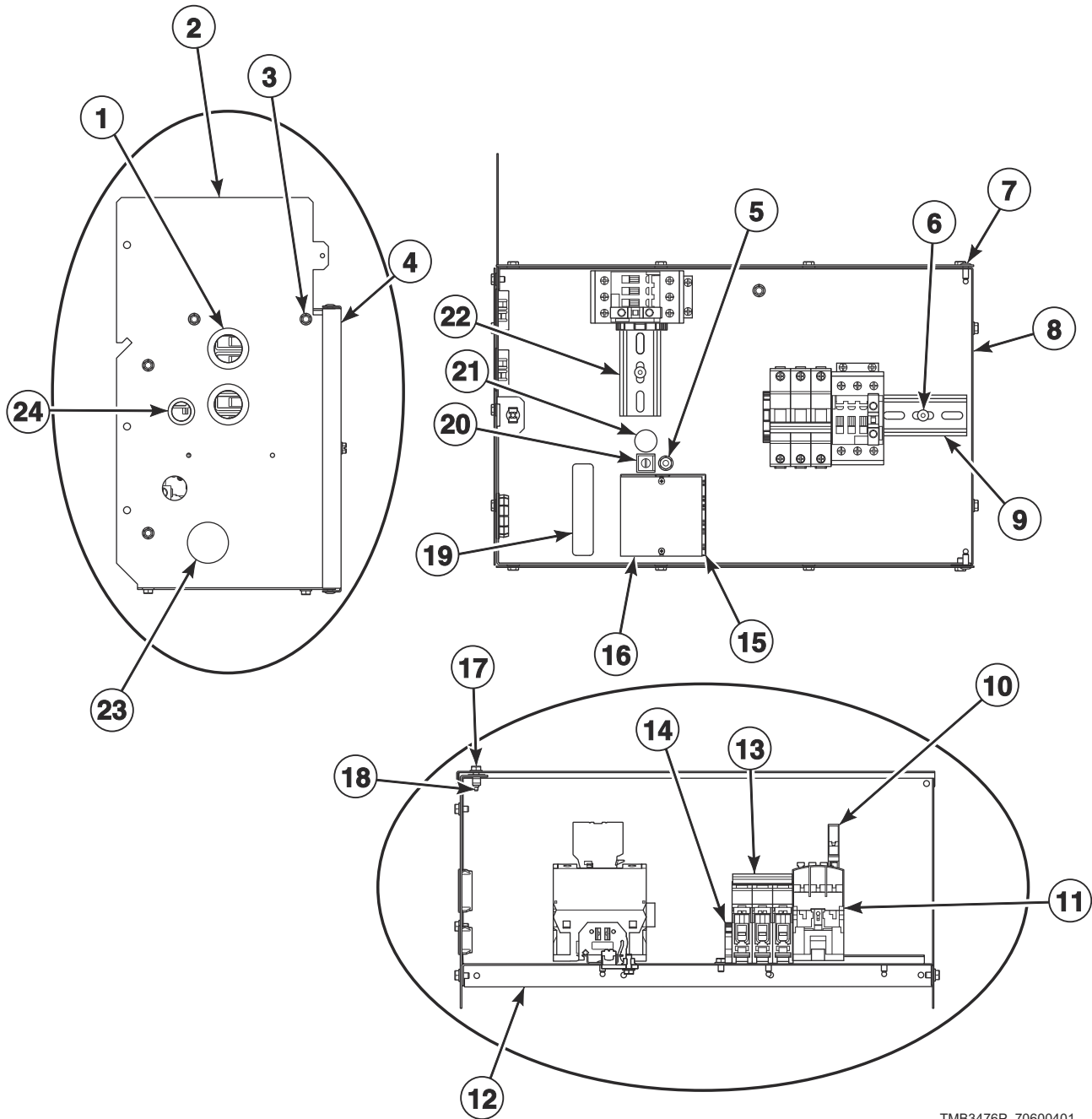


TMB3475P_70600401

Accessory Box - Electric 200-240 Volt Models

REF	PART NO.	DESCRIPTION	COMMENTS
	F8611600	Warning Label Kit	IEC models
	F8611601	Warning Label	
	44334307	Contactora Coil Harness	
	44309001	Harness	CSA models; Power distribution block to control circuit breaker
	44309011	Harness	IEC models; Power distribution block to control circuit breaker
	70516106	Harness	Contactora to element
	70516105	Harness	Contactora to element
	70516103	Harness	1 Phase; Power distribution block to circuit breaker/contactora
	70516104	Harness	Power distribution block to circuit breaker/contactora
	70516101	Harness	Power distribution block to circuit breaker/contactora
	70516102	Harness	1 Phase; Power distribution block to circuit breaker/contactora
1	M402542	Snap Bushing	2 required
2	70540601	Accessory Box Side	Left
3	51780	Screw	
4	70358401	Accessory Box Cover	
5	F8134001	DIN Rail	
6	70058502	Pop Rivet	
7	70488102	Circuit Breaker	25 amp
8	70488104	Circuit Breaker	2 required; 50 amp; 200-208 and 230-240 Volt/1 Phase
9	70540701	Accessory Box Side	Right
10	70540501	Accessory Box Back	
11	44088001	Nut	
12	685837	Screw	
13	F8449801	End Stop	2 required
14	M413865	Power Distribution Block	
15	44014901P	Power Distribution Block Cover	
16	44313201	Auxiliary Contact Block	2 required
17	39733	Screw	
18	M411283	Ground Lug Connector	
19	70482801	Contactora	2 required
20	F8206901	Screw	
21	44286802	Wire Label	1 Phase
	44286803	Label	3 Phase
22	D516100	Label	
23	70030501	Expansion Clip	
24	M412690	DIN Rail	
25	70180001	Plug	
26	M400770	Snap Bushing	

Accessory Box - Electric 380-480 Volt Models



TMB3476P_70600401

Accessory Box - Electric 380-480 Volt Models

REF	PART NO.	DESCRIPTION	COMMENTS
	F8611600	Warning Label Kit	IEC models
	F8611601	Warning Label	
	44334307	Contactora Coil Harness	
	44334302	Control Harness	3 Phase
	44309002	Harness	CSA models; Power distribution block to control circuit breaker
	44309012	Harness	IEC models; Power distribution block to control circuit breaker
	70516106	Harness	Contactora to element
	70516103	Harness	2 required; Power distribution block to circuit breaker/contactora
1	M402542	Snap Bushing	2 required
2	70540601	Accessory Box Side	Left
3	51780	Screw	
4	70358401	Accessory Box Cover	
5	685837	Screw	
	44088001	Nut	
6	70058501	Pop Rivet	
7	70058502	Pop Rivet	
8	70540701	Accessory Box Side	Right
9	F8134001	DIN Rail	
10	44313201	Auxiliary Contact Block	2 required
11	70482701	Contactora	2 required
12	70540501	Accessory Box Back	
13	70488101	Circuit Breaker	25 amp
14	F8449801	End Stop	2 required
15	M413865	Power Distribution Block	
16	44014901P	Power Distribution Block Cover	
17	F8206901	Screw	
18	70030501	Expansion Clip	
19	44286803	Label	
20	M411283	Ground Lug Connector	
21	D516100	Label	
22	M412690	DIN Rail	
23	70180001	Plug	
24	M400770	Snap Bushing	

Harnesses

PART NO.	DESCRIPTION	COMMENTS
44316007	Harness	IEC models; 1 Phase; Auxiliary power distribution block to filter harness
44316008	Harness	IEC models; 3 Phase; Auxiliary power distribution block to filter harness
44280007	Configuration Harness	100-120 Volt; Cylinder
44280006	Configuration Harness	100-120 Volt; Fan
44356402	Control Tray Harness Assembly	Electric models
44356401	Control Tray Harness Assembly	Gas models
44356407	Control Tray Harness Assembly	Steam models
44334702	Inverter Contactor Coil Harness	Secondary; 380-480 Volt
44316001	Harness	IEC models; 1 Phase; Main power distribution block to EMI filter harness
44316002	Harness	IEC models; 3 Phase; Main power distribution block to EMI filter harness
44280005	Configuration Harness	3 Phase
44280010	Motor Contactor Power Harness	IEC models; 1 Phase
44280012	Motor Contactor Power Harness	IEC models; 3 Phase
44280001	Motor Contactor Power Harness	CSA models; 1 Phase
44280003	Motor Contactor Power Harness	CSA models; 3 Phase
44280101	Power Harness	Control and emergency stop connection; 380-480 Volt
44272101	Power Harness	Control and emergency stop connection; 100-120 and 200-240 Volt
204454	Ferrite	Korean models; EMI; Motor circuit, inverter communication circuit

Labels

PART NO.	DESCRIPTION	COMMENTS
44324201	Caution Label	Australian models; Repeat Ignition Reset
70535101	Caution Label	Vent/install
F8614501	Danger Label	Shock; English/French
F8614301	Hot Surface Warning Label	English/French
F8609001	Hot Surface Warning Label	Icon
F8611601	Warning Label	
70535100	Label Kit	Vent/install
F8614500	Label Kit	Shock
70539601	Notice Label	
F8609501	Notice Label	
D516073	Notice Label	Read instructions; Icon
70538401	Pinch Warning Label	English/French
F8615701	Pinch Warning Label	Icon
F8614201	Shock Warning Label	Icon
70536301	Warning Label	Lint; Australian models
44324101	Warning Label	Fire; Australian models
70534305	Warning Label	Fire; Colombian Spanish; Australian models
44321601	Warning Label	Risk of fire; Icon

Parts Index

A

Access Panel Trim	
70399405	39
70399411	39
Accessory Box Back	
70540501	73, 75
Accessory Box Cover	
70358401	73, 75
Accessory Box Side	
70540601	73, 75
70540701	73, 75
Adapter	
70131901	63
Air Filter	
70036001	69
Airflow Switch and Arm Bracket	
70319602	61
Airflow Switch Arm	
70319401	61
Airflow Switch Cover	
70356601	61
70465701	61
Airflow Switch Vane	
70319201	61
Airflow Switch Wrapper	
70356101	61
Anti-Rattle Burner Assembly	
70546701	63
Auxiliary Contact Block	
44313201	73, 75

B

Belt	
70276205P	57
Blind Rivet	
F8245101	43
Blower Assembly	
70359801P	57, 59
Blower Housing	
70020301	59
70215101	57, 59
70554701	57, 59
Blower Housing Scroll	
70016301	57
Blower Inlet Cone	
70014101	59
Blower Motor Mounting Plate	
70349601	57, 59
Burner Grill	
70188801	63
Burner Orifice	
70684104	65
70684105	65
70684106	65
70684108	65
70684109	65
70684110	65

70684113	65
70684126	65
70684128	65
70684130	65
70684131	65
70684132	65
70684134	65
70684135	65
70684138	65
Bushing	
70346501	51, 71
70542801	57
Bypass Harness	
44334103	39

C

Cable Tie	
70335601	71
Caution Label	
44324201	77
70535101	77
Center Cylinder Seal	
70066004	49
Center Pan	
70565101	51
Center Partition	
70252601	51
Central Pay Board Harness	
44355604	25
Central Pay Control Assembly	
204779	25
Central Pay Harness	
44342801	15
44355601	25
44355605	25
Central Pay Kit	
70612701	25
70612703	25
Circuit Breaker	
70488101	75
70488102	73
70488105	73
Clevis Pin	
70389201	69
Coil	
F8514601P	69
F8514701	69
Coin Box	
F160673P	39
Coin Chute Assembly	
70296401	39
Coin Drop	
38963P	21
39748	21
70441601	21
70441603	21
Coin Drop Assembly	
201141	21
210195	21
210196	21

N/A items do not appear in index.

38462P.....	21	70273313	35
38463	21	Control Plate	
38467	21	70497101	13, 19
38519	21	Control Plate and Studs Assembly	
70281102	21	70496601	15, 17
70283102	21	Control Plate Assembly	
70441602	21	70497201	15, 17
70447301	21	Control Tray	
70471601	21	70492401	71
70482401	21	Control Tray Cover	
70506901	21	70507501	71
Coin Drop Kit		Control Tray Harness Assembly	
CK077	21	44356401	76
CK122	23	44356402	76
Coin Identification Paper		44356407	76
38464P.....	21	Control Trim	
38475	21	44016401	39
38725	21	Conversion Kit	
Coin Meter		70559301	71
F0160737-00.....	21	Cylinder and Trunnion Assembly	
Coin Vault and Emergency Stop Mount Assembly		70443701	45
70529502	39	70443702	45
Coin Vault Assembly		70443703	45
70529501	39	Cylinder Assembly	
Coin Vault Switch Harness		70372801P.....	45
44334101	39	70372802P.....	45
Cold Weather Kit		70372803	45
44340301	55	Cylinder Bearing Stud Plate Assembly	
Configuration Harness		430352	49
44280005	76	Cylinder Guide Tool	
44280006	76	263P4	49
44280007	76	Cylinder Rib Assembly	
Contact Base		70433003	45
F8538101	41	Cylinder Shroud	
Contact Switch		70347401	51
F8069501	41	70347402	51
Contactactor		70427201	51
70482601	71	70427202	51
70482701	75		
70482801	73		
Contactactor Coil Harness			
44334307	73, 75		
Control			
70511601	55		
Control Assembly			
70478801P.....	15, 17		
70478802	19		
70479801	13		
Control Board Control Tray			
70494901	71		
Control Box Base			
44065301	55		
Control Box Cover			
44065201	55		
Control Box Housing			
44306701	55		
Control Box Top			
44307101	55		
Control Harness			
44334302	75		
44334404	55		
Control Panel			
70121505*	35		
70121509	35		
70273305*	35		

D

Damper and Hinge Exhaust Assembly	
70209501	57, 59
Damper Spacer	
70220901	59
Danger Label	
F8614501	77
DIN Rail	
F8134001	73, 75
M412690	71, 73, 75
DIN Valve Adapter Kit	
F8382301	69
Door Assembly	
70212300	27
70212301	27
70212302P.....	27
70408901	27
Door Glass	
M400784P.....	29
Door Glass Installation Tool	
M4221P4	29
Door Glass Seal Kit	
70211901P.....	29

N/A items do not appear in index.

Door Handle	
44007902P	29
Door Hinge	
70116003*	31
70116005B	31
70116006	31
Door Hinge Lug Assembly	
44035001	31
44035002	31
Door Latch	
M401223	39
Door Ring	
70543903B	29
Door Ring Assembly	
70543901	29
70543904B	29
70543905	29
Door Ring Gasket	
70296801	29
Door Switch Actuator	
70532101	31
70532102	31
Drive Motor	
70478601P	57
70485001P	57
Drive Plate	
70571901	57
Drive Rivet	
M400713	55
Drywall Screw Magnet Kit	
70343101P	45, 49

E

Elbow	
70208701	63
70428101	53
Electronic Coin Drop Assembly	
70294107	21
70513302	21
70513303	21
70513304	21
70513306	21
70513308	21
70513309	21
70513310	21
70513311	21
70513312	21
70513313	21
70513314	21
70513315	21
70513316	21
Electronic Coin Drop Kit	
CK099	23
CK100	23
CK101	23
CK108	23
CK109	23
CK110	23
CK113	23
CK115	23
CK116	23
CK117	23
CK118	23
CK119	23

CK120	23
CK121	23
EMC Shield	
70608601	57
Emergency Stop Button Kit	
70580301	41
Emergency Stop Bypass Harness	
F8519403	41
Emergency Stop Harness	
44272401	41
Emergency Stop Label	
44012901	41
44012903	41
Emergency Stop Mounting Bracket	
70550401	41
Emergency Stop Pushbutton	
F200233500	41
EMI Filter	
F8591601	71
F8637501	71
EMI Filter Kit	
44357401	71
44357402	71
End Cap	
70070101	45
70070102	45
End Stop	
F8449801	71, 73, 75
Exhaust Adapter	
70478001	57
Exhaust Thimble	
70017801	57
Expansion Clip	
70030501	15, 17, 25, 39, 71, 73, 75

F

False Front	
70000501*P	33
70000504	33
70024204	33
False Front Assembly	
70024201*P	33
Fan Motor	
70478701P	57, 59
70484901P	57, 59
Ferrite	
204454	76
Fill Hose	
202799	55
Filter	
70429401	69
Filter Bracket	
70533101	71
Filter Mounting Plate	
70551701	55
Front Panel	
70524105*	37
70524106	37
70602001*	37
70602101*	37
70602701*	37

N/A items do not appear in index.

Front Panel Assembly	
70601501	37
70601601	37
70601901	37
Front Panel Seal	
70173401P	37

G

Gas Burner	
70229801P	63
Gas Line Assembly	
70271201	63
Gas Valve	
44154507	63
44154508	63
Gas Valve Bracket	
70504101	63
Gas Valve Cover	
70429901	63
Gas Valve Harness	
44273501	63
Gasket	
70289101P	43
70392701P	59
Ground Lug Connector	
M411283	71, 73, 75

H

Hairpin Cotter	
70389301	69
Handle and Caps Assembly	
70154401	43
Handle Bar	
70399502B	29
Handle Bumper	
70407205	43
Harness	
44309001	73
44309002	75
44309011	73
44309012	75
44316001	76
44316002	76
44316007	76
44316008	76
70516101	73
70516102	73
70516103	73, 75
70516104	73
70516105	73
70516106	73, 75
Harness Adapter Plate	
70523301	53, 55
Harness Mounting Plate	
70307007	25
Heater Element	
70034413P	67
70034414P	67
70034415P	67
70034416P	67
70034417	67

70034418P	67
High Altitude Orifice Kit	
70609901	63
70609902	63
High Voltage Suppression Cable	
44239702	63
Hinge Cam Kit	
M4772P3	31
M4773P3	31
Hold-Down Clip	
35865	51
Hole Plug	
70063201	51
Hose	
44073304	55
Hose Clamp	
36801	55
Hose Fitting	
44069101	55
Hot Surface Warning Label	
F8609001	77
F8614301	77

I

Idle Wheel Assembly	
70050401P	57
Igniter Cover	
70159601	63
Ignition Control	
70482001	71
70482002	71
Ignition Keeper Orifice Bracket	
70539901	63
Insulator	
M413862	71
Interconnect Harness	
44334401	55
Inverter Contactor Coil Harness	
44334702	76
Inverter Motor Harness	
44335301	57
I/O Control Assembly	
70479201P	71

J

Jumper Bar	
70066501	67
Jumper Harness	
D511476	39
442295412	67
44281709	67
Jumper Strip	
M400869	67

K

Key	
70144101	57

N/A items do not appear in index.

70155601	39, 55
70155602	39
Kickplate	
70117601	43

L

Label	
D516100	71, 73, 75
44108201	37
44286801	71
44286803	71, 73, 75
44318201	55
70414001	29
70537101	37
Label Kit	
F8614500	77
44318200	55
44324500	55
70534300	37
70535100	77
Light	
801432	55
Limit Access Bracket	
70554901	57, 59
Limit Thermostat	
44328001	59
44328004	63, 67
44328104	63
70530901	59
Lint Panel	
70515401*	43
70515402	43
Lint Panel Pivot Plate	
70017901	43
Lint Screen	
70325601	51
Lock Shim	
70342401	39
Lock, Key and Nut Kit	
44089301P	39, 55
44089302P	39
Lower Pan	
70326201	51
Lower Rear Assembly	
70493301	57
L.P. Conversion Kit	
70550201	63
70551901	63
L.P. Valve	
44154504	63

M

Machine ID Control Assembly	
203361P	15, 17, 19
Magnet	
70343101	43
Magnet Bracket	
44290501	43
Male Tab Terminal	
00621SG	71

Mixing Valve	
70519801	55
Mixing Valve Shield Bracket	
44306601	55
Moisture Sensor Harness	
44333903	47
Motor Conduit Mounting Bracket	
70521901	57
Motor Contactor Power Harness	
44280001	76
44280003	76
44280010	76
44280012	76
Motor Mount Bracket	
70564101	57
Motor Mount Plate	
70564201	57
Motor Pulley	
70559101	57
Mounting Bracket	
70601401	55
70604001	25
Mounting Plate	
70208801	15, 17

N

Nameplate Overlay	
44130101	39
44144401	39
70410201	39
70411401	39
Notice Label	
D516073	77
F8609501	77
70535901	63
70539601	77
70544901	63
Nozzle Bracket	
70424201	53
70428601	53
Nut	
M400022	47, 49, 59
M400034	49, 59
M404993	51
M412986	49
M414215	29
21899	51
23951	43
430576	51
44087201	45
44087301	57
44088001	29, 31, 71, 73, 75
44088801	39
44333202	57
51236	43
70054	67
N.G. Valve	
44154503	63

N/A items do not appear in index.

O

Opto Coupler	
200674P	21
Orifice Adapter	
70379301	63
Orifice Holder Bracket	
70248901	63
Overlay	
F8205101	15
70516801	13
70516802	13
70544701	15
70544702	15
70544703	15
70547401	15
70547402	15
70547501	13
70547502	13
70547801	19
70547802	19
70548101	15
70557001	15
70557002	15
70570601	19
70570602	19
70572401	19
70572601	17
70626001	17
70626002	17
70626101	17

P

Panel Locator	
56079	39, 43
Panel Lock	
44089304	39
44089305	39
Pin	
70071401	31
Pinch Warning Label	
F8615701	77
70538401	77
Pipe Clip	
70203701	63
Pipe Plug	
70346801	63
Pivot Arm Lever	
70543301	57
Plug	
70167601	63
70180001	55, 73, 75
Pop Rivet	
M400003	71
M405750	63
44166601	39
70058501	31, 43, 51, 69, 71, 75
70058502	73, 75
70126301	43
70126401	43
70412601	29
Porcelain Touch-Up Paint	
122P4P	51

370P4P	51
Power Distribution Block	
M413865	73, 75
Power Distribution Block Cover	
44014901P	73, 75
Power Harness	
44272101	76
44280101	76
Power Sensor Harness	
44334402	55
Primary Air Adjustment Sleeve	
70239801	63
Pushbutton Switch	
70413301	13, 15, 17, 19, 39
Push-to-Start Switch	
801434W	55

R

Rear Bearing Shim	
70355001	49
Rear Cylinder Bearing Housing	
70013901	49
Rear Cylinder Channel	
70257301	45
70257302	45
Rear Cylinder Channel Plate	
70257401	45
Rear Cylinder Seal	
70013702	49
Rear Cylinder Seal Support	
70506401	49
Rear Lint Panel	
70565301	43
Rear Panel	
70564901	49
70564902	49
70564903	49
70564904	49
Reed Switch Assembly	
F8066804	43
Roller and Seal Kit	
70616701	51
Roller Catch Arm	
70030301	43
Roller Catch Spacer	
70030201	43
Roller Catch Wheel	
70297601	43
Roller Seal	
70443601	51
Roller Shaft	
70249501	51
Roller Support Bracket	
70328301	51

S

Screw	
F8206901	25, 71, 73, 75
M400044	31

N/A items do not appear in index.

M400661	29	Steam Coil	
M405188	33, 63	70369101P	69
M411072	15, 17, 39	Steam Control Assembly	
05161	63	70501801	71
39733	39, 43, 73	Steam Filter Holder	
430497	43, 45, 51, 53, 55, 59, 61, 63, 67	70369301	69
430757	43	Steam Valve	
51780	25, 53, 55, 73, 75	F8322904P	69
51783	71	Steam Valve Harness	
62588	45	F8520703	69
685837	71, 73, 75	Stove Back	
70033502	31	70371501	63
70072801	43	Stove Connectors Cover	
70126101	59	70365201	67
70132301	43	Stove Grill	
70247701	51	70214901	67
70391101	45	Stove Limit bypass Harness	
70407301	31	70564302	69
70436301	31	Stove Limit Harness	
70442101	29	70564301	63
70501301	57	70564303	67
70576101	31	Stove Partition	
804608	13, 15, 17, 19, 55	70357201	67
Sensor Harness		Stove Top and Sides	
44334406	55	70333401	63
Sheet Metal Edge Gasket		7052601	67
70015709	51	Strain Relief	
70015710	51	44304801	69
Shield		Street Elbow	
44326801	55	F422304	63
Shock Warning Label		H86070034	63
F8614201	55, 77	Support Bearing	
F8614401	55	70448701	49
Side Panel		Support Housing Bearing Assembly	
70060102*P	51	430260P	49
70253901*P	51	Switch	
Slip Ring Assembly		70411901	61
44222702	47	Switch Bracket	
Slip Ring Holder		70356301	61
70455401	47	70508501	43
Slot Card Plate Assembly		Switch Hole Plug	
44089501	15, 17	44057801B	39
Snap Bushing		44057801Q	39
M400770	63, 73, 75	44057801W	39
M402542	73, 75		
70178701	53, 71		
Spacer			
70488403	57		
Spark Electrode			
70548701P	63		
Spray Nozzle			
70427801	53		
Spray Nozzle Hose			
70427701	53		
Spray Paint			
298P4P	51		
381P4	51		
Spring			
70571801	57		
Spring Catch Bracket			
70543401	57		
Standoff			
70569603	57		
Steam Adapter Kit			
70529601	69		

T

Tensioning Bracket	
70569501	57
Terminal	
00622SG	71
Terminal Block	
430642	71
Terminal Block Shield	
70333001	71
Thermistor	
M414704	59
44064701	53
Thermistor Plate	
70424401	53
Thermostat Cover	
M414477	63

N/A items do not appear in index.

Top Pan	
70555201	51
Top Panel	
70557501	51
Transformer	
F8491101	71
202757	25
202758	25
Transformer Harness	
44272301	25
44272302	25
Trunion and Seal Kit	
70564801	45
70564802	45
Tube Assembly	
70427601	53
Tumbler Dolly Kit	
M4379P4.....	51

U

Union Tee	
70427901	53

V

Valve	
F8322906P	69
Vend Activation Harness	
44334004	13, 15, 17, 19

W

Warning Label	
F8611601	73, 75, 77
44321601	77
44324101	77
44324501	55
44324502	55
70534301	37
70534302	37
70534305	77
70536301	77
Warning Label Kit	
F8611600	73, 75
Washer	
M400991	49, 59
70261401	51
70409301	29
70411301	45
Water Valve Harness	
44334405	55
Wire Clip	
F8449501	71
F8449502	71
Wire Guard	
201595P.....	21
Wire Label	
44286802	71, 73
44286804	71

N/A items do not appear in index.