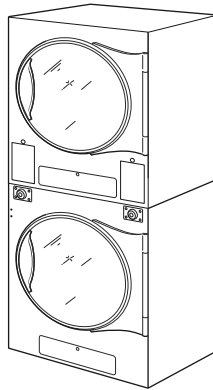


# Tumble Dryers

Stacked 45 Pound Capacity  
18 Digit Model Numbers with 4 and 5 in 13th Position  
Refer to Page 3 for Model Numbers



TMB1289C\_70621601



# Table of Contents

Title	Page
Parts Ordering Information.....	2
Serial Plate Location .....	2
Machine Identification .....	3
Product Overview - Heat Source and Voltage .....	4
Touch Control - Vend Models with V in the 7th Position .....	6
Touch Control - OPL Models with V in the 7th Position .....	8
Coin Drops .....	10
Coin Drop Kits .....	12
Central Pay and Card Reader Components .....	14
Door and Hinge Components - Design 4 H and S Models.....	16
Door and Hinge Components - Design 5 Models .....	18
Front Panel Assemblies - Design 4 H and S Models .....	20
Front Panel Assemblies - Design 5 Models .....	22
Cabinet Front Components.....	24
Emergency Stop Button - OPL Models .....	26
Lint Drawer Components .....	28
Cylinder and Trunnion Components .....	30
Bearing Components .....	32
Cabinet Components .....	34
Drive Motor Components .....	36
Exhaust Components.....	38
Blower Components.....	40
Airflow Switch.....	42
Gas Burner Housing and Secondary Stove Limit .....	44
Gas Valve and Piping .....	46
Burner Orifices .....	48
Control Tray and Accessory Box .....	50
Labels .....	52
Harnesses.....	53
Parts Index.....	55

© Copyright 2023, Alliance Laundry Systems LLC

All rights reserved. No part of the contents of this book may be reproduced or transmitted in any form or by any means without the expressed written consent of the publisher.

## Parts Ordering Information

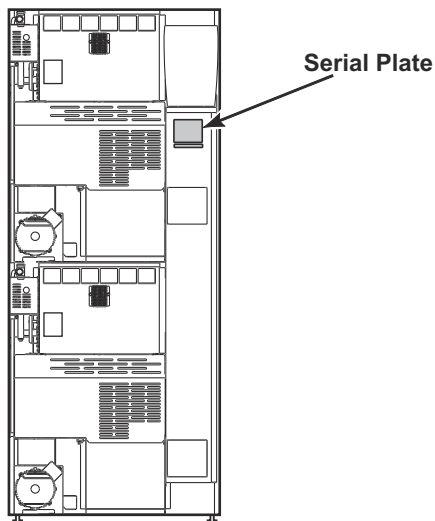
If literature or replacement parts are required, contact the source from whom the machine was purchased or contact Alliance Laundry Systems at (920) 748-3950 for the name and address of the nearest authorized parts distributor.

For technical assistance, call the number listed below:

(920) 748-3121 Ripon, Wisconsin

## Serial Plate Location

When calling or writing about your product, be sure to mention model and serial numbers. Model and serial numbers are located on serial plate(s) as shown.



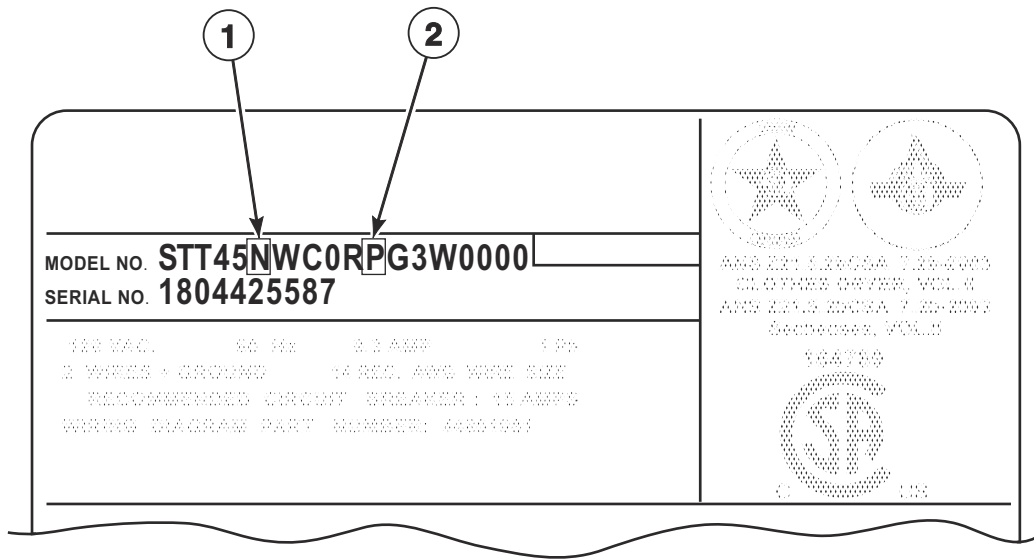
TMB3565P\_70621601

## Machine Identification

Information in this manual is applicable to these machines:

BGT45D	HAT45L	JUT45N	SAT45L
BGT45L	HAT45N	PGT45L	SAT45N
BGT45N	HAT45R	PGT45N	SAT45R
BGT45R	HGT45D	PUT45L	SGT45D
BUT45L	HGT45L	PUT45N	SGT45L
BUT45N	HGT45N		SGT45N
BUT45R	HGT45R		SGT45R
	HHT45L		SHT45L
	HHT45N		SHT45N
	HHT45R		SHT45R
	HJT45D		SJT45D
	HJT45L		SJT45L
	HJT45N		SJT45N
	HJT45R		SJT45R
	HKT45L		SKT45L
	HKT45N		SKT45N
	HKT45R		SKT45R
	HLT45L		SLT45L
	HTT45L		STT45L
	HTT45N		STT45N
	HTT45R		STT45R
	HUT45L		SUT45L
	HUT45N		SUT45N
	HUT45R		SUT45R

# Product Overview - Heat Source and Voltage



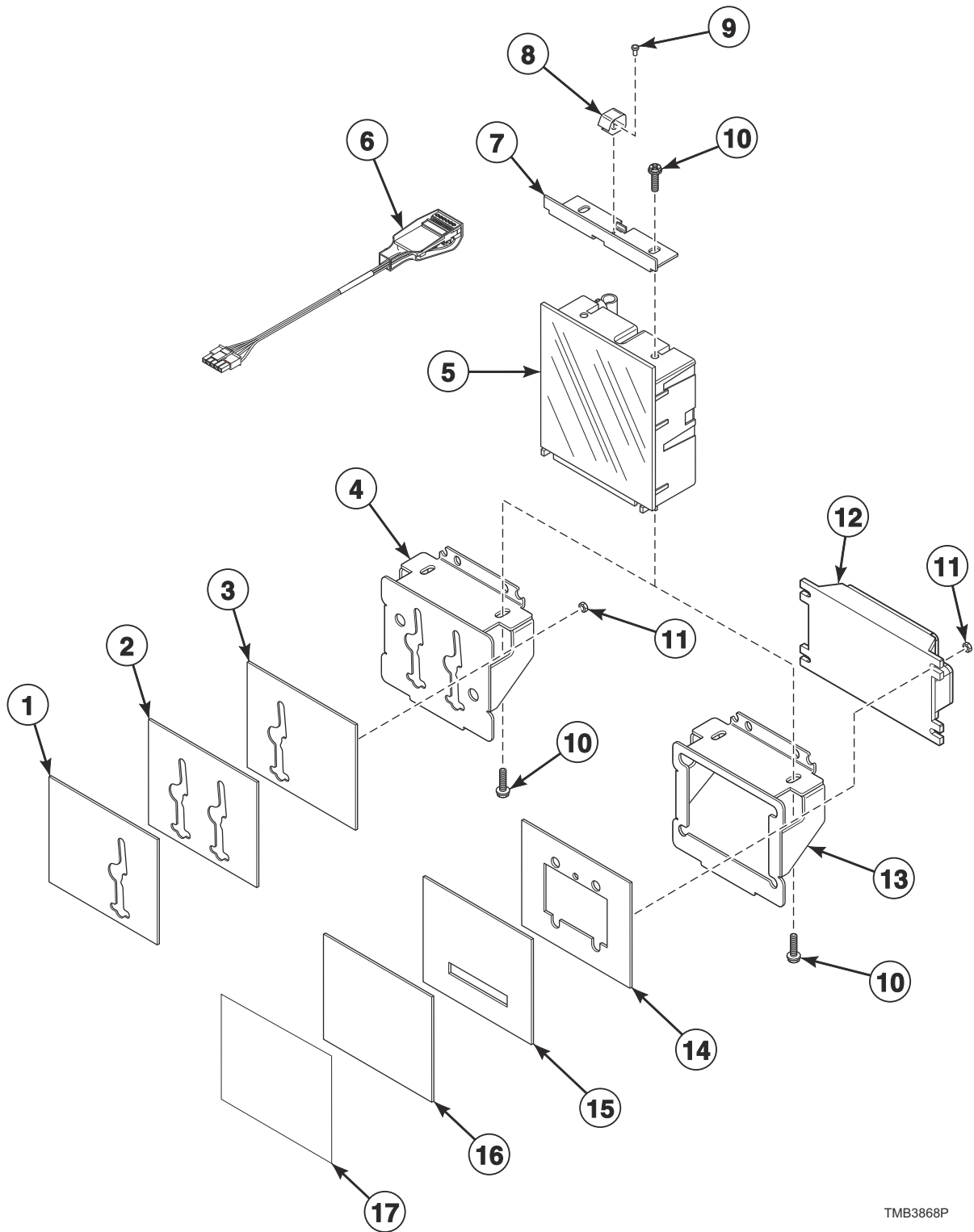
TMB3601P\_70621601

## Product Overview - Heat Source and Voltage

REF	PART NO.	DESCRIPTION	COMMENTS
1	-	Heat Source	D: Liquid Petroleum Gas (L.P) L: Liquid Petroleum Gas (L.P.) N: Natural Gas (N.G.) R: Reduced Gas, Natural Gas (Eco Line)
2	-	Voltage	N: 440-480 Volt/50-60 Hertz/3 Phase P: 380-415 Volt/50-60 Hertz/3 Phase X: 200-240 Volt/50-60 Hertz/1-3 Phase

# Touch Control - Vend Models with V in the 7th Position

B, H, P and S Models



TMB3868P

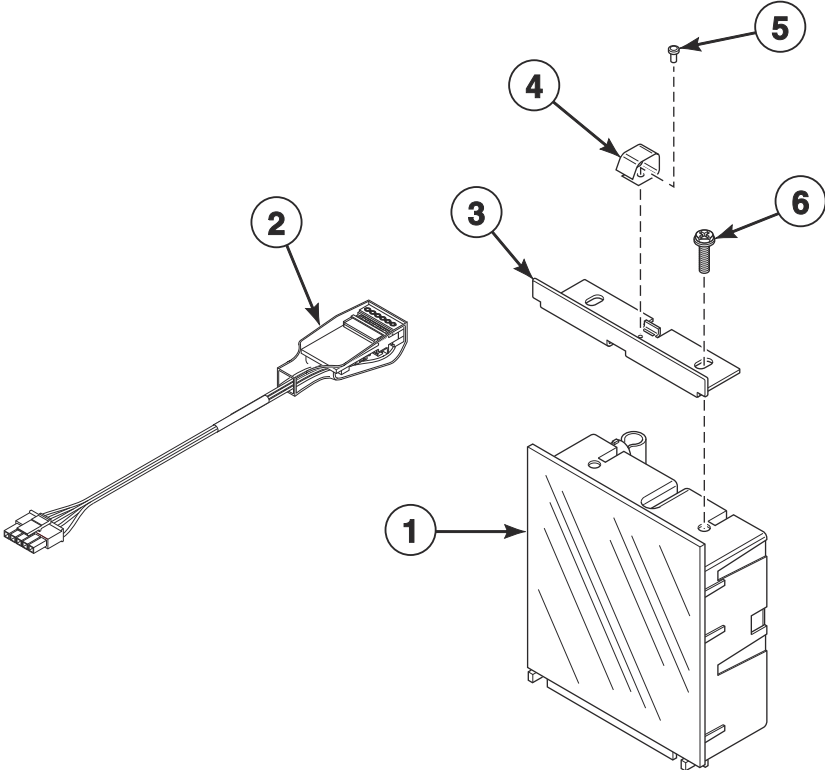


## Touch Control - Vend Models with V in the 7th Position

REF	PART NO.	DESCRIPTION	COMMENTS
	70577101	Vend Activation Harness	
	F8719302	Fob Communication Harness	
	203440	USB-Serial Interface Assembly	
	44374701	App Pay Overlay Kit	
	70576501P	Replacement Screen Kit	
<b>1</b>	70633005	Plate Assembly	Coin; Right
<b>2</b>	70633003	Plate Assembly	Dual drop
<b>3</b>	70633002	Plate Assembly	Coin; Left
<b>4</b>	70581001	Control Bracket	Lower; Coin
<b>5</b>	70576201P	Control Assembly	
<b>6</b>	203361P	Machine ID Control Assembly	
<b>7</b>	70581101	Control Bracket	Upper
<b>8</b>	431318	Control Door Latch	2 required
<b>9</b>	M400003	Pop Rivet	
<b>10</b>	203799	Screw	
<b>11</b>	44087101	Nut	
	70054	Nut	Use with FOB
<b>12</b>	205135	Fob Reader Control Assembly	
<b>13</b>	70581002	Control Bracket	Lower; Card and central pay
	70581003	Control Bracket	Lower; FOB
<b>14</b>	70633006	Plate Assembly	Card slide
	70666701	Plate Assembly	FOB
<b>15</b>	70633004	Plate Assembly	Card slot
<b>16</b>	70633001	Plate Assembly	Central pay
<b>17</b>	F8734101	Overlay	S models; FOB
	F8734401	Overlay	H models; FOB
	F8736701	Overlay	H models; Citron; FOB

# Touch Control - OPL Models with V in the 7th Position

B, J and P Models

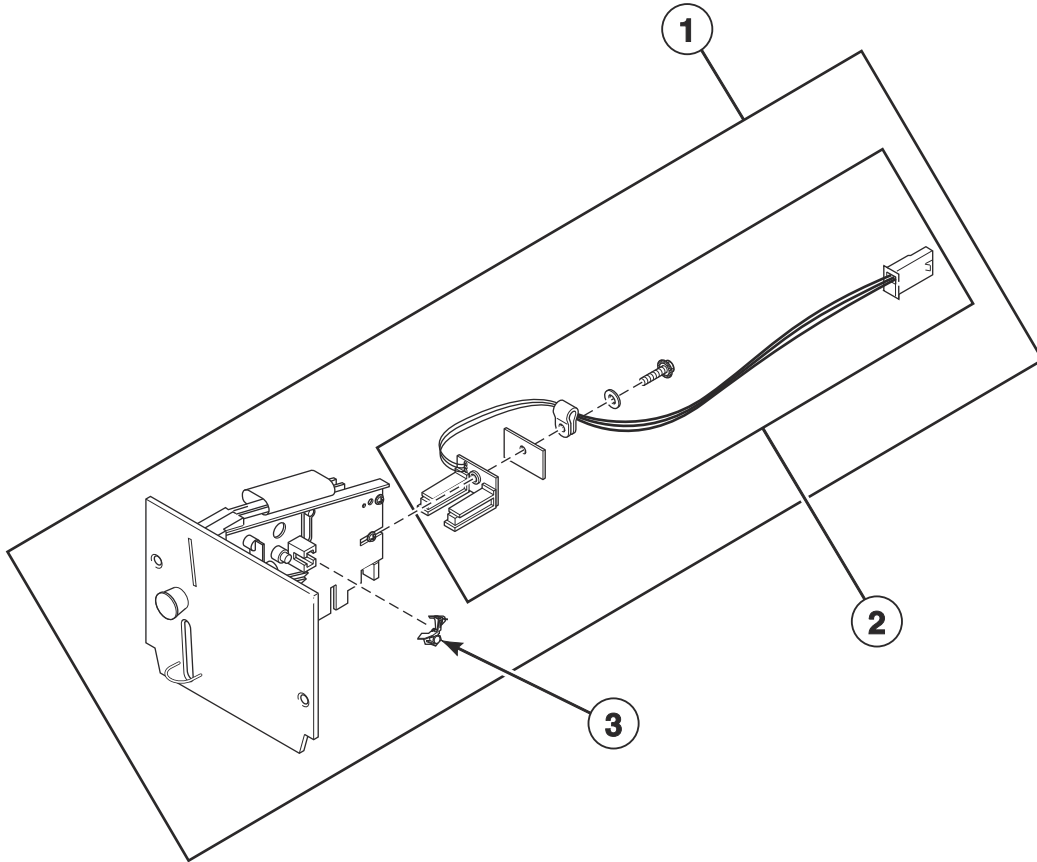


TMB3829P\_70621601

## Touch Control - OPL Models with V in the 7th Position

REF	PART NO.	DESCRIPTION	COMMENTS
	70577101	Vend Activation Harness	
	203440	USB-Serial Interface Assembly	
	44374701	App Pay Overlay Kit	
	70576501P	Replacement Screen Kit	
1	70697102	Control Assembly	
2	203361P	Machine ID Control Assembly	
3	70581101	Control Bracket	Upper
4	431318	Control Door Latch	2 required
5	M400003	Pop Rivet	
6	203799	Screw	

# Coin Drops

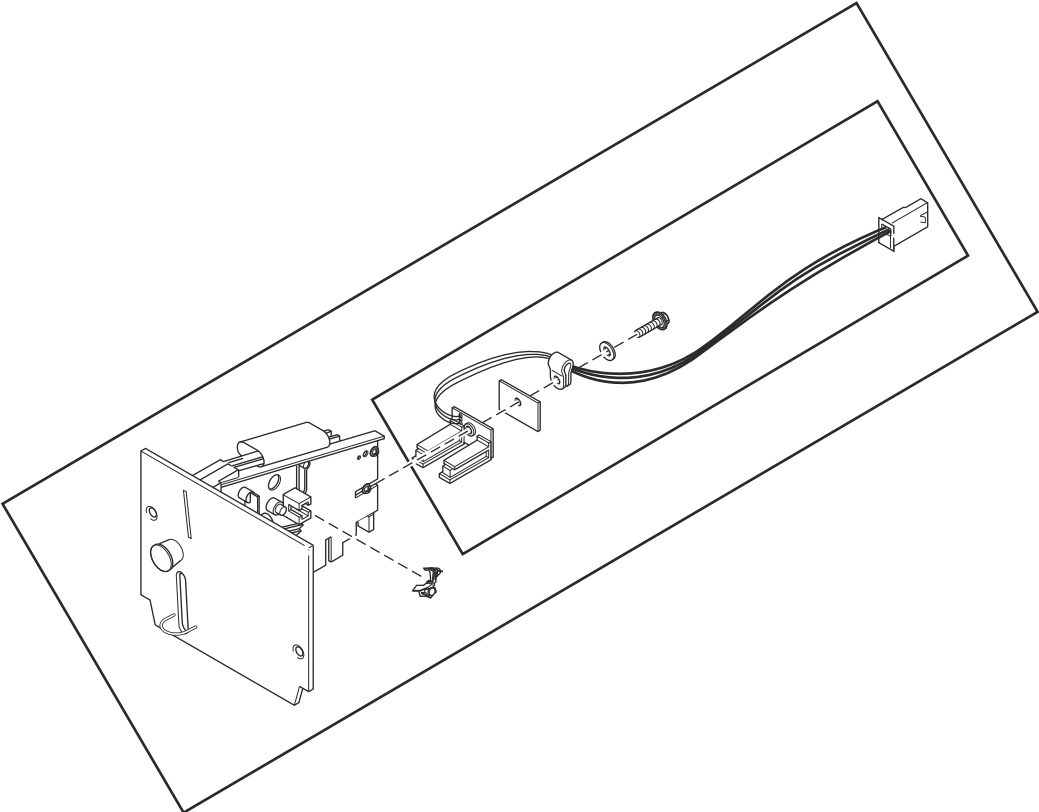


TMB3699P\_70621601

# Coin Drops

REF	PART NO.	DESCRIPTION	COMMENTS
1	70441601P	Coin Drop	Single; U.S.A.; \$.25
	38475	Coin Drop Assembly	Single; Japan; 100 yen
	38464P	Coin Drop Assembly	Single; Canada; .25
	CK077	Coin Drop Kit	Single; Taiwan; 10 NT
	70506901	Coin Drop Assembly	Single; Singapore; \$1.00 NEW
	70441603	Coin Drop	Dual; U.S.A.; \$.25 and \$1.00
	38519	Coin Drop Assembly	Dual; Japan; 100 yen and 500 yen
	70441602	Coin Drop Assembly	Dual; Canada; .25 and 1.00
	38467	Coin Drop Assembly	Dual; Australia; \$0.20 and \$1.00
	70447301	Coin Drop Assembly	Dual; Australia; \$1.00 and \$2.00
	70283102	Coin Drop Assembly	Dual; 0.20 and 0.50 Euro
	210195	Coin Drop Assembly	Dual; 0.20 and 1.00 Euro
	210196	Coin Drop Assembly	Dual; 0.50 and 1.00 Euro
	F0160737-00	Coin Meter	Dual; 0.50 and 2.00 Euro
	70281102	Coin Drop Assembly	Dual; Taiwan; 10 and 50 NT
	70482401	Coin Drop Assembly	Dual; New Zealand ; \$1.00 and \$2.00
	38462P	Coin Drop Assembly	Single; Token; STD 118-1
	38463	Coin Drop Assembly	Single; Token; STD 118-5
	38963P	Coin Drop	Single; Token STD 118-16
	39748	Coin Drop	Single; Jeton 08MS
	201141	Coin Drop Assembly	Single; Token; Jeton wh121
	70471601	Coin Drop Assembly	Single; Token; 7K
	70513302	Electronic Coin Drop Assembly	Euro and Great Britain coins
	70513310	Electronic Coin Drop Assembly	Japan and Thailand coins
	70513304	Electronic Coin Drop Assembly	Australia, New Zealand, Hong Kong and South Korea coins
	70513303	Electronic Coin Drop Assembly	Denmark, Norway and Euro coins
	70513306	Electronic Coin Drop Assembly	Mexico, Ecuador and U.S.A. coins
	70294107	Electronic Coin Drop Assembly	Lithuania, Latvia and Euro coins
	70513311	Electronic Coin Drop Assembly	China and Malaysia coins
	70513308	Electronic Coin Drop Assembly	South African 1, 2 and 5 rand coins
	70513309	Electronic Coin Drop Assembly	Euro coins
	70513312	Electronic Coin Drop Assembly	Russia coins
	70513313	Electronic Coin Drop Assembly	Phillipines coins
70513314	Electronic Coin Drop Assembly	Thailand coins	
70513315	Electronic Coin Drop Assembly	Chile coins	
70513316	Electronic Coin Drop Assembly	Singapore coins	
2	200674P	Opto Coupler	
3	201595P	Wire Guard	

# Coin Drop Kits

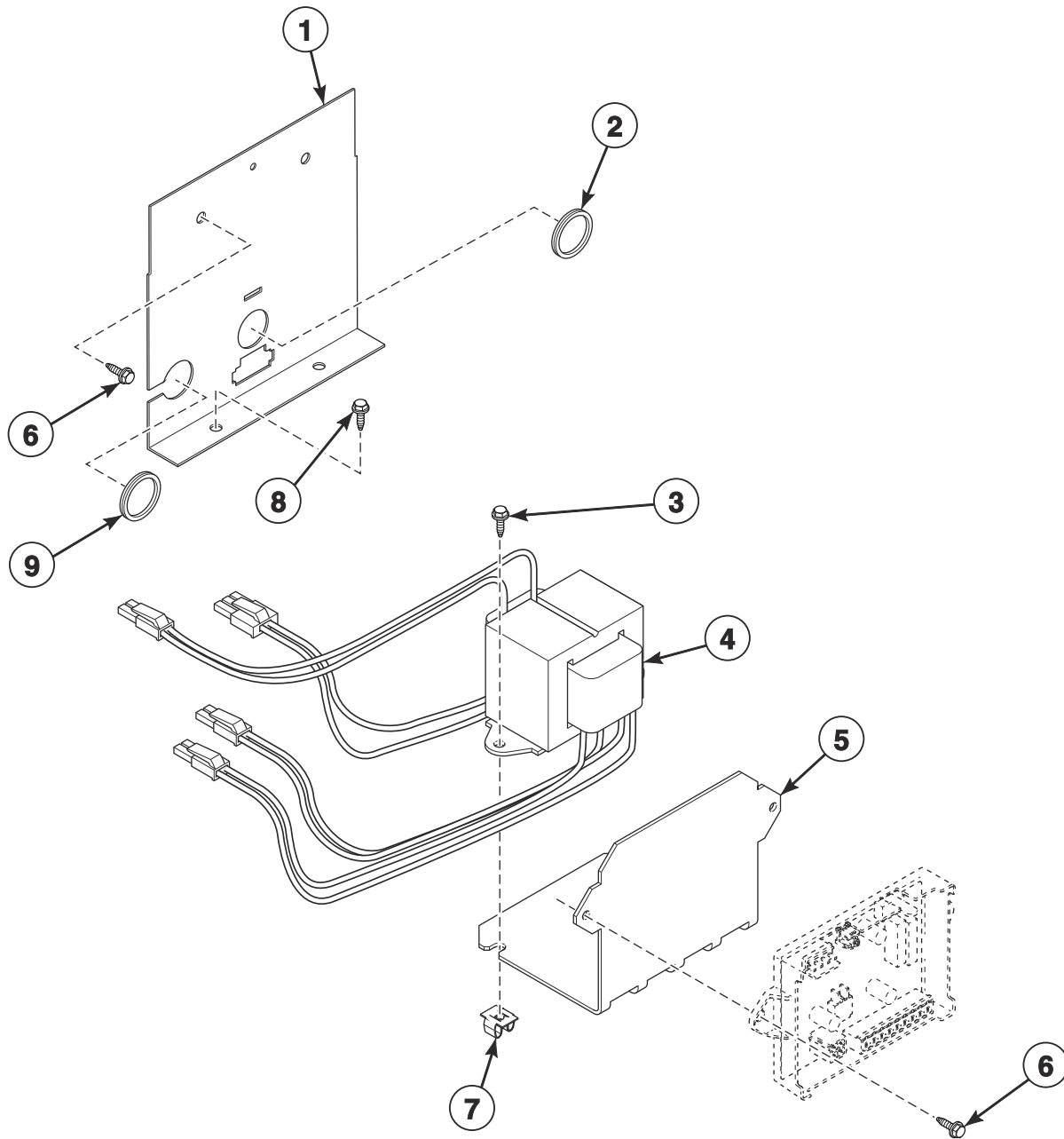


TMB3699PA\_70621601

# Coin Drop Kits

REF	PART NO.	DESCRIPTION	COMMENTS
	CK115	Electronic Coin Drop Kit	United States and Canada
	CK099	Electronic Coin Drop Kit	Australia (default), New Zealand, Hong Kong, South Korea and Malaysia
	CK100	Electronic Coin Drop Kit	United Kingdom (default) and Europe
	CK101	Electronic Coin Drop Kit	Europe (default), Denmark and Norway
	CK108	Electronic Coin Drop Kit	South Africa
	CK109	Electronic Coin Drop Kit	Euro
	CK110	Electronic Coin Drop Kit	Mexico (default), Ecuador and United States
	CK113	Electronic Coin Drop Kit	Japan and Taiwan
	CK116	Electronic Coin Drop Kit	Malaysia (default) and China
	CK117	Electronic Coin Drop Kit	Russia
	CK118	Electronic Coin Drop Kit	Philippine
	CK119	Electronic Coin Drop Kit	Thailand
	CK120	Electronic Coin Drop Kit	Chile
	CK121	Electronic Coin Drop Kit	Singapore
	CK122	Coin Drop Kit	New Zealand; 1.00 and 2.00

# Central Pay and Card Reader Components



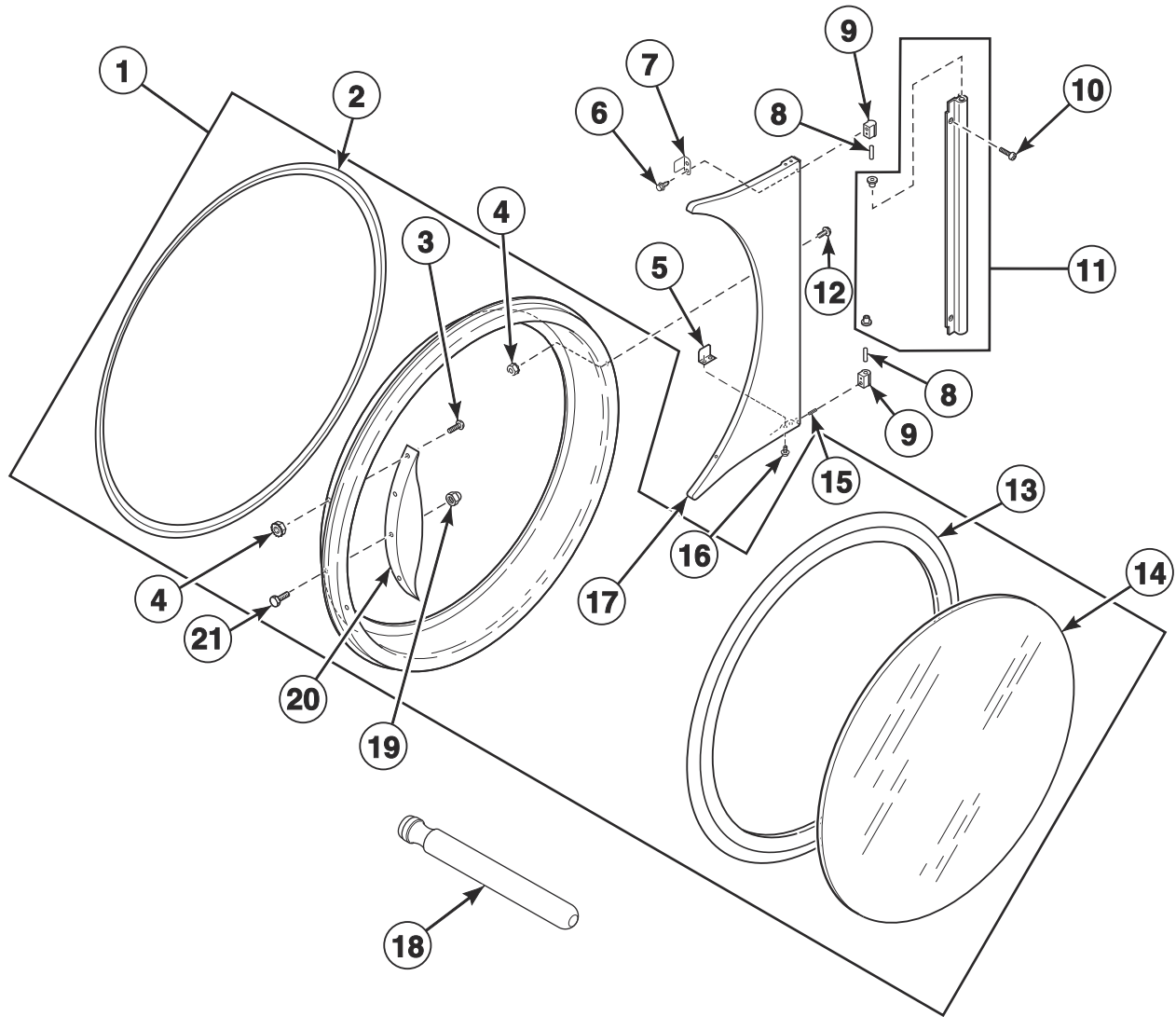
TMB3701P\_70621601



## Central Pay and Card Reader Components

REF	PART NO.	DESCRIPTION	COMMENTS
	44355603	Central Pay Harness	Routes from central pay board to upper control tray
	44272305	Transformer Harness	200-480 Volt; Routes from transformer to I/O Control Assembly; Card and central pay
	44355604	Central Pay Board Harness	Routes from central pay board to transformer
	44355605	Central Pay Harness	Routes from central pay board to front end control
	44272303	Power Supply Transformer Harness	
	44272306	Supply Harness	24 Volt; Lower
	70366201	Wire Clip	
	203346	USB IR Interface Kit	
	70666805	Fob Reader Kit	
<b>1</b>	70307006	Control Housing Cover	Coin
	70307005	Control Housing Cover	Prep for card and central pay
<b>2</b>	44052701	Bushing	Prep for card and coin
<b>3</b>	M411072	Screw	4 required
<b>4</b>	202758	Transformer	200-480 Volt; Card and central pay
<b>5</b>	70604001	Mounting Bracket	2 required
<b>6</b>	51780	Screw	
<b>7</b>	70030501	Expansion Clip	4 required
<b>8</b>	430497	Screw	
<b>9</b>	44071501	Snap Bushing	

# Door and Hinge Components - Design 4 H and S Models



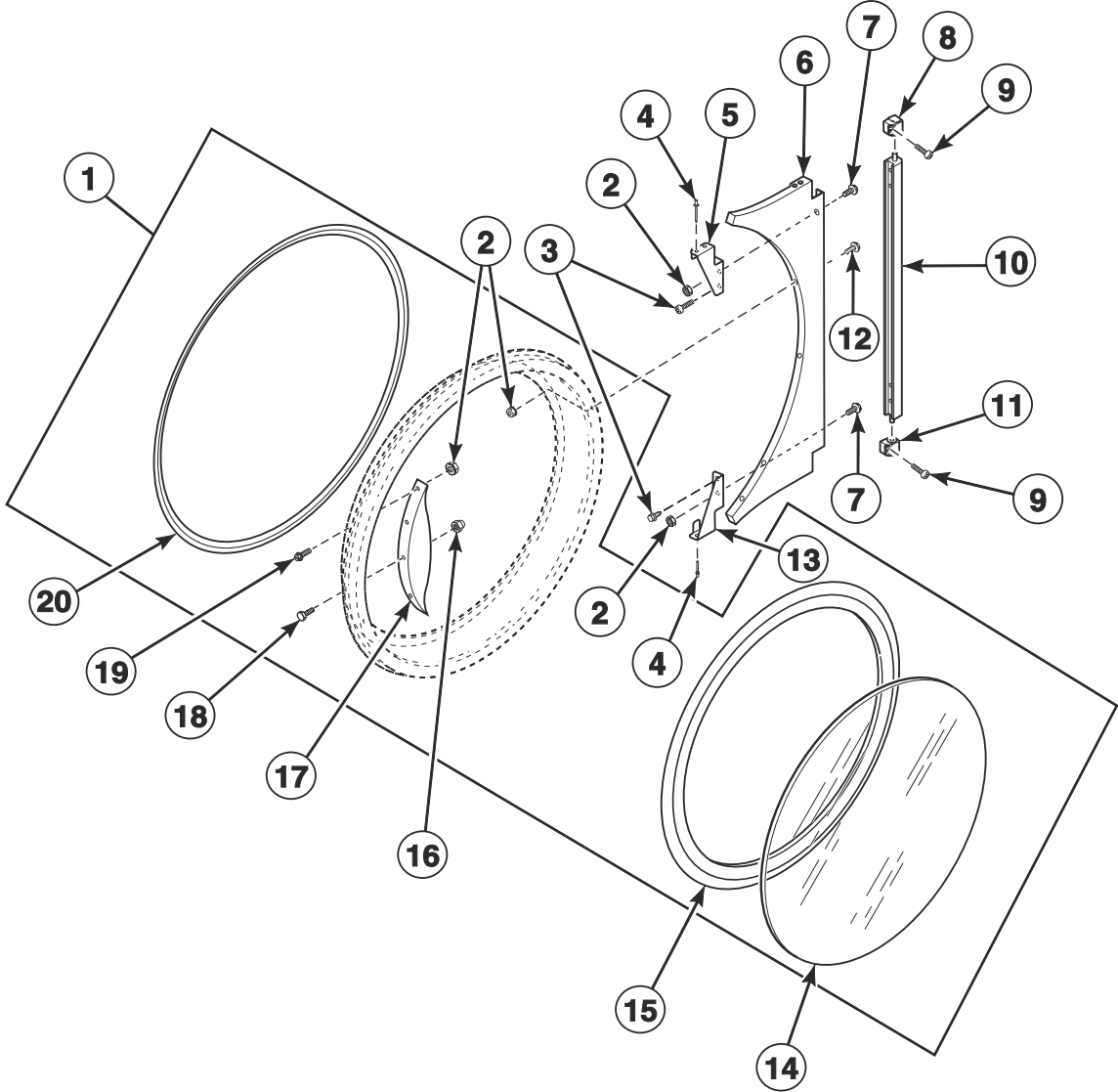
TMB3690P\_70621601

## Door and Hinge Components - Design 4 H and S Models

REF	PART NO.	DESCRIPTION	COMMENTS
	70650401	Door Glass Label	H models
	70707701	Door Glass Label	S models
	70707501	Max Fill Line Label	
<b>1</b>	44354702	Door Assembly	Chrome
<b>2</b>	70296802	Door Ring Gasket	
<b>3</b>	70442101	Screw	4 required
<b>4</b>	44088001	Nut	
<b>5</b>	70532101	Door Switch Actuator	Bottom
<b>6</b>	70576101	Screw	
<b>7</b>	70532102	Door Switch Actuator	Top
<b>8</b>	70071401	Pin	
<b>9</b>	70622401	Hinge Cam Kit	Chrome
<b>10</b>	FR004022	Screw	
<b>11</b>	70601005	Door Hinge Lug Assembly	Chrome
<b>12</b>	44349101	Screw	
<b>13</b>	70211902P	Door Seal Kit	Use Loctite 414 for seal
<b>14</b>	44008401P	Door Glass	
<b>15</b>	70436301	Screw	
<b>16</b>	70058501	Pop Rivet	
<b>17</b>	70596601	Door Hinge Assembly	Chrome
<b>18</b>	M4221P4	Door Glass Installation Tool	
<b>19</b>	M414215	Nut	For door strike; Mounts between door strike screw and door handle
<b>20</b>	44007901	Door Handle	
<b>21</b>	M400661	Screw	Door Strike

# Door and Hinge Components - Design 5 Models

BG, BU, HG, HT, JU, PG, PU, SG and ST Models

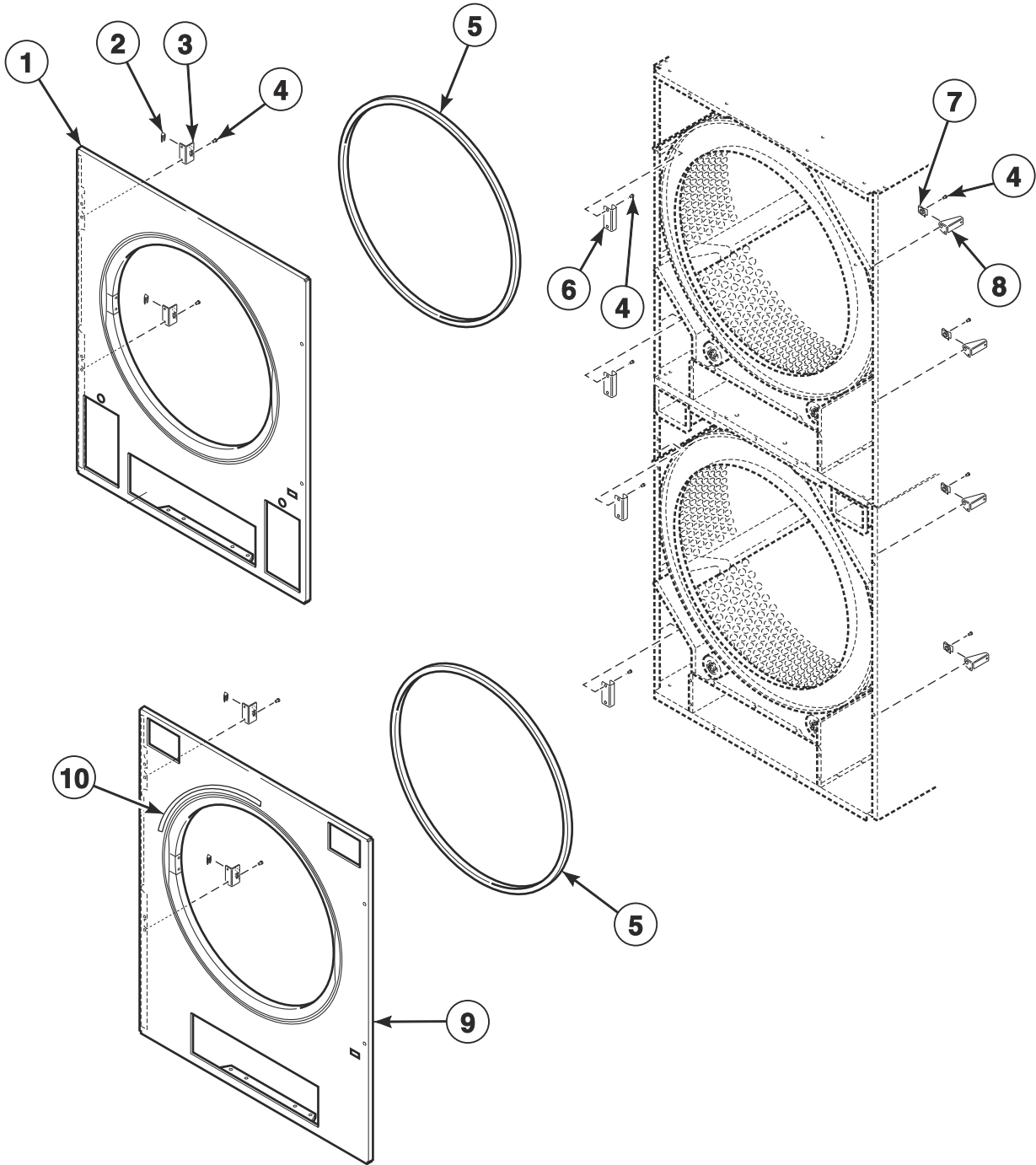


TMB3805P\_70621601

## Door and Hinge Components - Design 5 Models

REF	PART NO.	DESCRIPTION	COMMENTS
	70650401	Door Glass Label	H models
	70707701	Door Glass Label	S models
	70707501	Max Fill Line Label	
<b>1</b>	44354706	Door Assembly	Chrome; H models
	44354702	Door Assembly	Chrome; S models
	44354709	Door Assembly	Black; B, J and P models
<b>2</b>	44088001	Nut	
<b>3</b>	802822	Screw	
<b>4</b>	70058501	Pop Rivet	
<b>5</b>	70632001	Upper Hinge Gusset	
<b>6</b>	44366605W	Door Hinge Assembly	White; H and S models
	44366603	Door Hinge Assembly	Stainless steel; H and S models
	44366607	Door Hinge Assembly	Chrome; H and S models
	44366609B	Door Hinge Assembly	Black; B, J and P models
<b>7</b>	70640201	Screw	
<b>8</b>	70639301	Upper Lug Assembly	Use with 2 of item 9; H and S models
	70639303	Upper Lug Assembly	Use with 2 of item 9; B, J and P models
<b>9</b>	70640301	Screw	H and S models
	F8458801	Screw	B, J and P models
<b>10</b>	70640401	Center Hinge Lug Assembly	
<b>11</b>	70639302	Lower Lug Assembly	Use with 2 of item 9; H and S models
	70639304	Lower Lug Assembly	Use with 2 of item 9; B, J and P models
<b>12</b>	44349101	Screw	
<b>13</b>	70632002	Lower Hinge Gusset	
<b>14</b>	44008401P	Door Glass	
<b>15</b>	70211902P	Door Seal Kit	Use Loctite 414 for seal
<b>16</b>	M414215	Nut	For door strike; Mounts between door strike screw and door handle
<b>17</b>	44007901	Door Handle	
<b>18</b>	M400661	Screw	Door Strike
<b>19</b>	70442101	Screw	4 required
<b>20</b>	44008201P	Door Ring Gasket	

# Front Panel Assemblies - Design 4 H and S Models



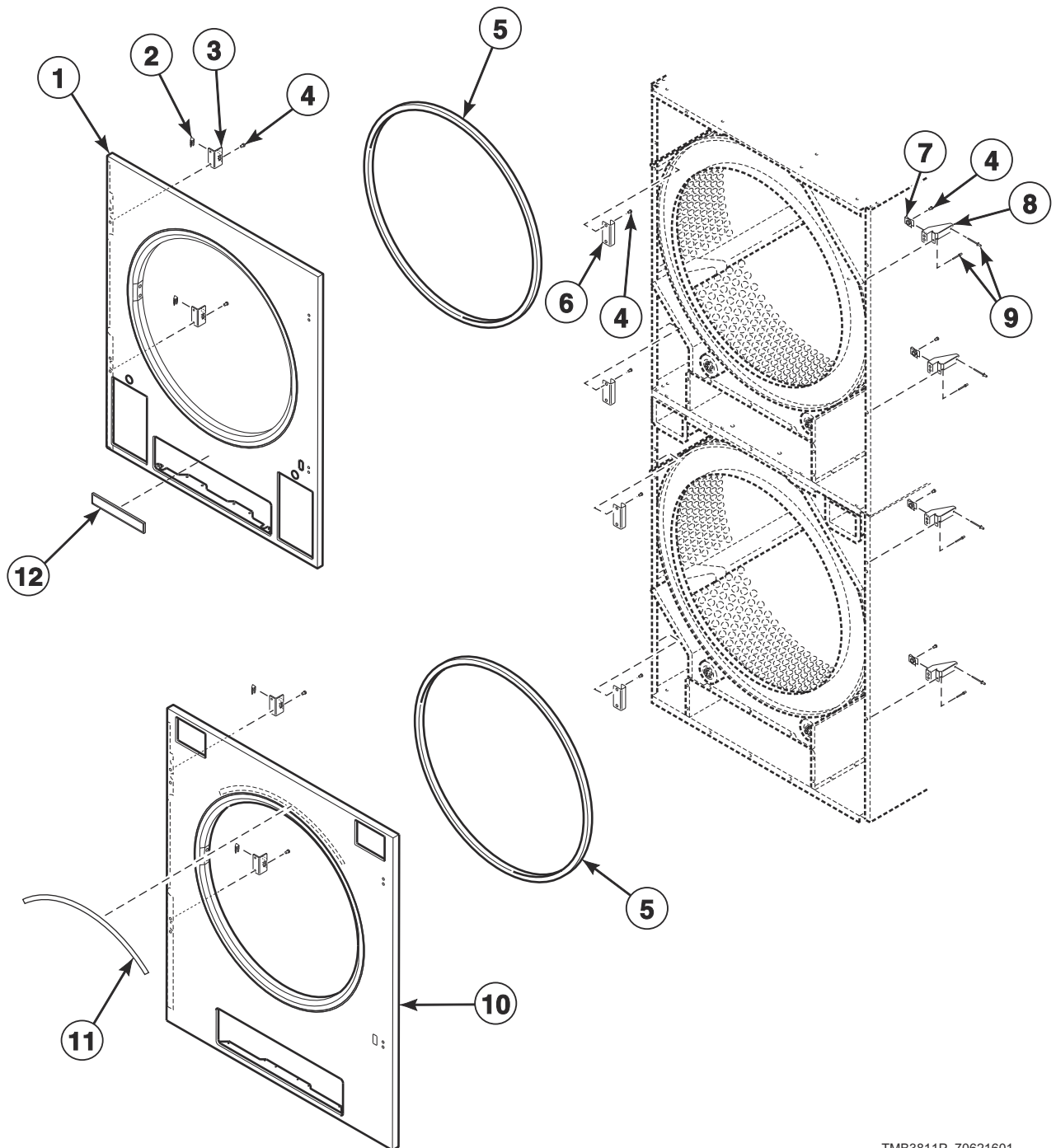
TMB3708P\_70621601

## Front Panel Assemblies - Design 4 H and S Models

REF	PART NO.	DESCRIPTION	COMMENTS
	70289101P	Gasket	Sold per foot; Used behind items 1 and 9
<b>1</b>	70643401	Upper Front Panel	Stainless steel
<b>2</b>	35865	Hold-Down Clip	2 required
<b>3</b>	70604801	Clip Mount Bracket	2 required
<b>4</b>	70058501	Pop Rivet	
<b>5</b>	70173402	Front Cylinder Seal	Requires D511637P Adhesive
<b>6</b>	70604901	Clip Keeper Bracket	2 required
<b>7</b>	70030401	Nut	2 required
<b>8</b>	70610501	Bracket	2 required
<b>9</b>	70643301	Lower Front Panel	Coin; Stainless steel
	70643302	Lower Front Panel	Card and central pay; Stainless steel
<b>10</b>	70534301	Warning Label	English
	70534302	Warning Label	French
	70534300	Label Kit	Warning; IEC models

# Front Panel Assemblies - Design 5 Models

BG, BU, HG, HT, JU, PG, PU, SG and ST Models



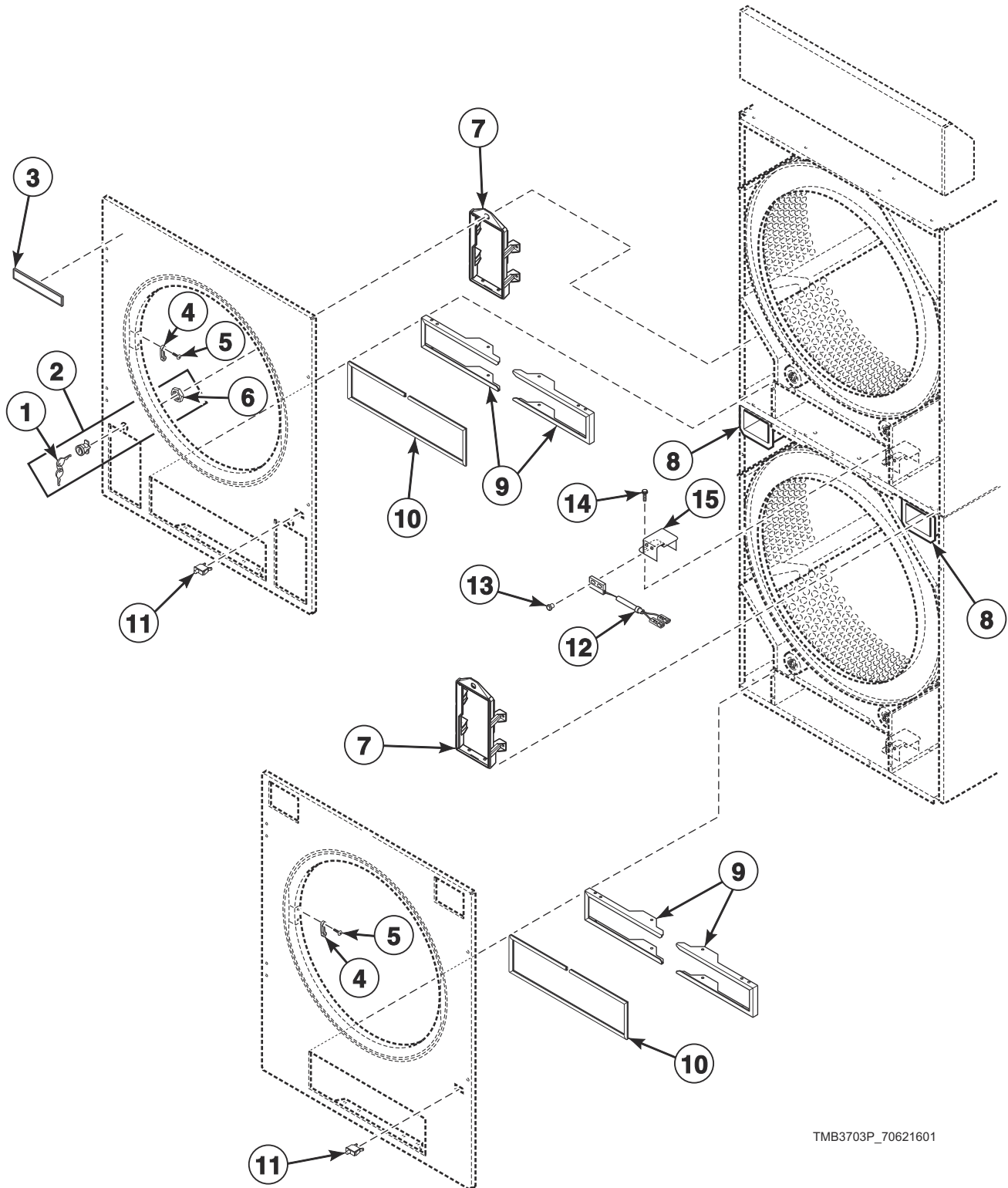
TMB3811P\_70621601



## Front Panel Assemblies - Design 5 Models

REF	PART NO.	DESCRIPTION	COMMENTS
	70289101P	Gasket	Sold per foot; Used behind items 1 and 10
	70117605	Kickplate	J models; Black
	70126301	Pop Rivet	J models; 4 required for kickplate; Black
<b>1</b>	70702304	Upper Front Panel Assembly	Stainless steel
	70702304W	Upper Front Panel Assembly	
<b>2</b>	35865	Hold-Down Clip	2 required
<b>3</b>	70604801	Clip Mount Bracket	2 required
<b>4</b>	70058501	Pop Rivet	
<b>5</b>	70173402	Front Cylinder Seal	Requires D511637P Adhesive
<b>6</b>	70604901	Clip Keeper Bracket	2 required
<b>7</b>	70030401	Nut	2 required
<b>8</b>	70634201	Bracket	
<b>9</b>	70614201	Rivet	
<b>10</b>	70702301	Lower Front Panel Assembly	Coin; Stainless steel; B, H, P and S models
	70702302	Lower Front Panel Assembly	Card, central pay and OPL; Without e-stop; Stainless steel; BG, BR, H, PG, PR and S models
	70702303	Lower Front Panel Assembly	OPL; With e-stop; Stainless steel; BU, JU and PU models
	70702301W	Lower Front Panel Assembly	Coin; H and S models
	70702302W	Lower Front Panel Assembly	Card and central pay; H and S models
<b>11</b>	70534301	Warning Label	English
	70534302	Warning Label	French
<b>12</b>	F8688001	Nameplate	H models
	F8688901	Nameplate	S models
	567293	Nameplate	B models
	567887	Nameplate	P models

# Cabinet Front Components



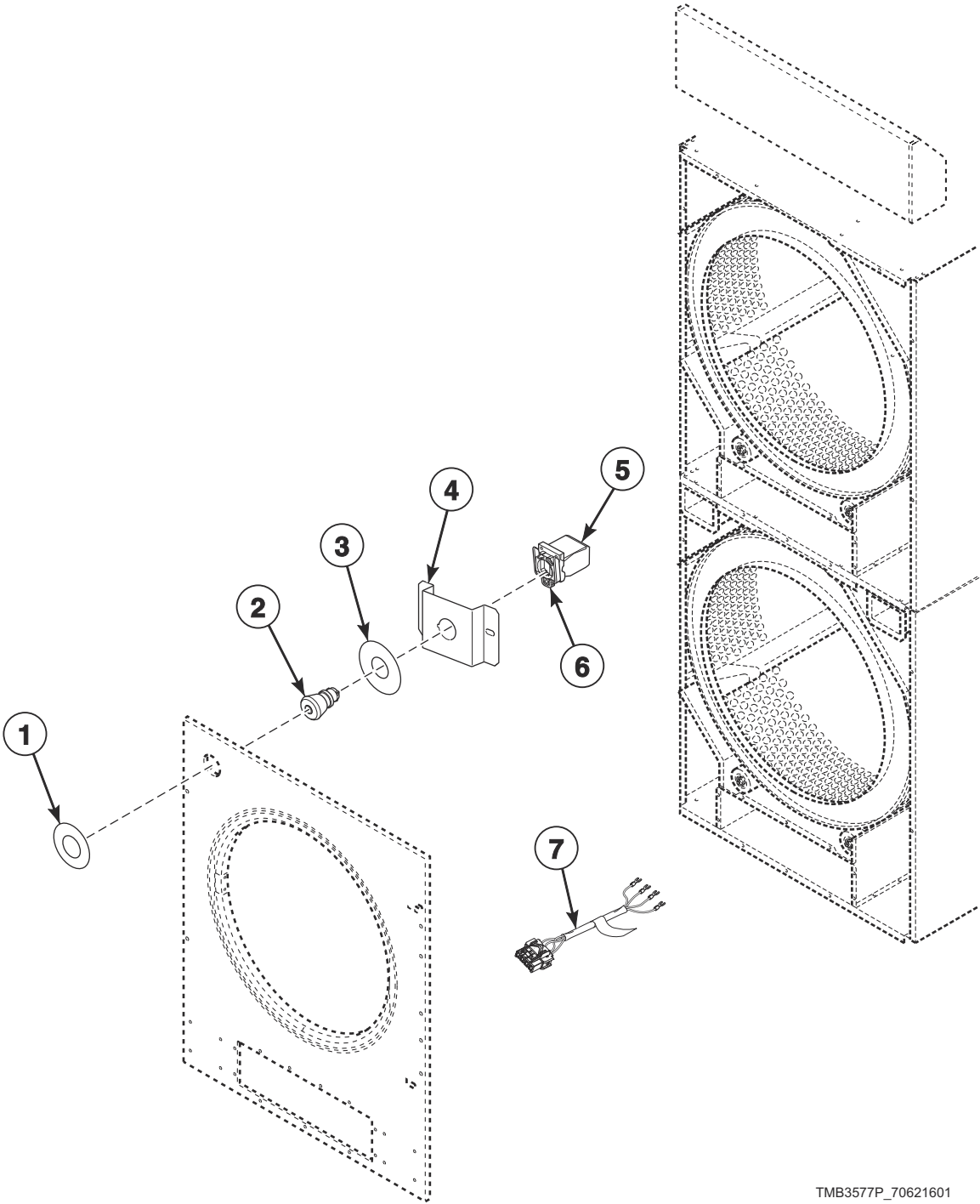
TMB3703P\_70621601

## Cabinet Front Components

REF	PART NO.	DESCRIPTION	COMMENTS
	44334102	Coin Vault Switch Harness	
	44334103	Bypass Harness	Card
	70482901	Door Catch Kit	
<b>1</b>	70155601	Key	RL001
<b>2</b>	44089301P	Lock, Key and Nut Kit	RL001
	44089304	Panel Lock	RL001; Chrome
<b>3</b>	F8664901	Nameplate	Design 4 S models
	F8688001	Nameplate	H models
	70686201	Nameplate	J models
<b>4</b>	M401223	Door Latch	
<b>5</b>	44166601	Pop Rivet	2 required for item 4
<b>6</b>	44088801	Nut	Panel lock
<b>7</b>	70642001	Control Bezel	
<b>8</b>	70529501	Coin Vault Assembly	
<b>9</b>	70606401	Lint Seal Shoulder Bracket	
<b>10</b>	70593902	Lint Box Gasket	
<b>11</b>	70413301	Pushbutton Switch	Door switch
<b>12</b>	F8066804	Reed Switch Assembly	
<b>13</b>	F8245101	Blind Rivet	
<b>14</b>	430497	Screw	
<b>15</b>	70606301	Reed Switch Box	

# Emergency Stop Button - OPL Models

B, J and P Models

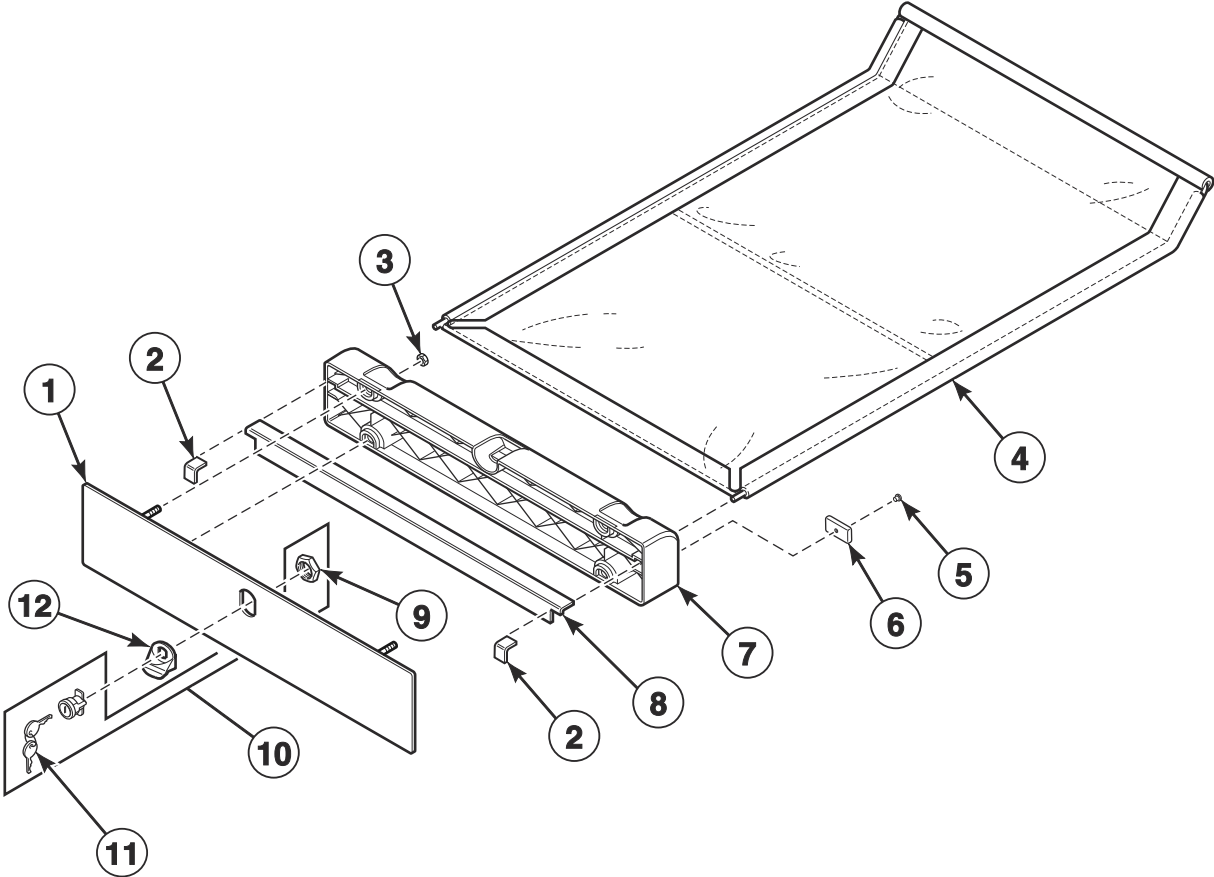


TMB3577P\_70621601

## Emergency Stop Button - OPL Models

REF	PART NO.	DESCRIPTION	COMMENTS
	70580301	Emergency Stop Button Kit	Includes items 2-4
	F8519403	Emergency Stop Bypass Harness	Coin, card and central pay
	44272105	Interconnect Harness	
1	44012903	Emergency Stop Label	
2	F200233500	Emergency Stop Pushbutton	
3	44012901	Emergency Stop Label	
4	70550401	Emergency Stop Mounting Bracket	
5	F8069501	Contact Switch	4 required
6	F8538101	Contact Base	
7	44272401	Emergency Stop Harness	Primary
	44272402	Emergency Stop Harness	Supplementary

# Lint Drawer Components

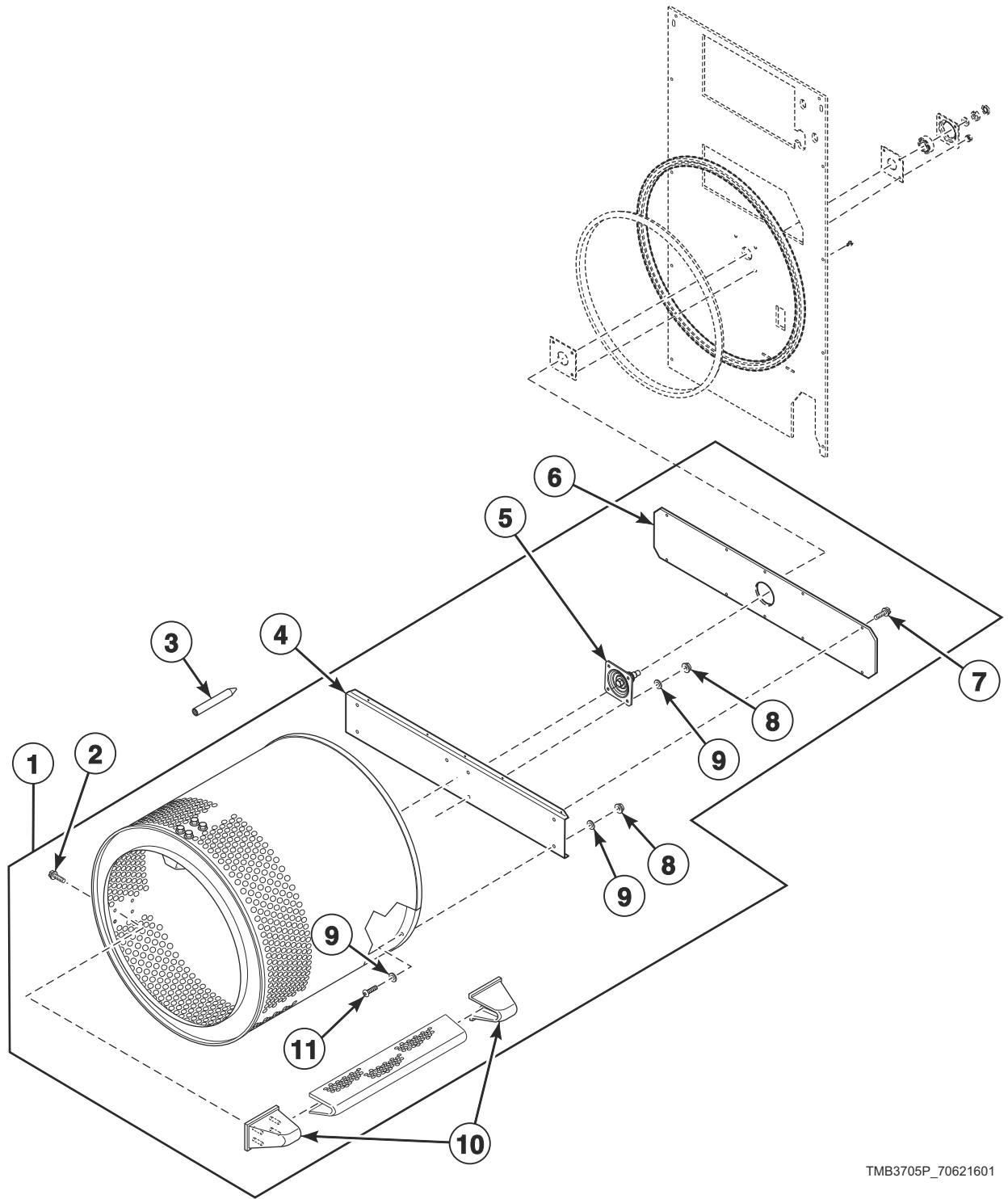


TMB3813P\_70621601

## Lint Drawer Components

REF	PART NO.	DESCRIPTION	COMMENTS
	70598101	Foam Gasket	
	430497	Screw	
<b>1</b>	70588101	Lint Front Assembly	Stainless steel
	70588102W	Lint Front Assembly	Design 5 H and S models
<b>2</b>	70605601	Lint Screen Shim	
<b>3</b>	44087101	Nut	
<b>4</b>	70596101	Lint Screen Assembly	
<b>5</b>	F8245101	Blind Rivet	
<b>6</b>	70343101	Magnet	
<b>7</b>	70594401	Lint Door Support	
<b>8</b>	70595701	Lint Screen Bracket	
<b>9</b>	44088801	Nut	
<b>10</b>	44390902P	Lock, Key and Nut Kit	RL002
	44390902	Panel Lock	RL002; Black
<b>11</b>	70155602	Key	RL002
<b>12</b>	70642201	Lock Pull	Vend

# Cylinder and Trunnion Components



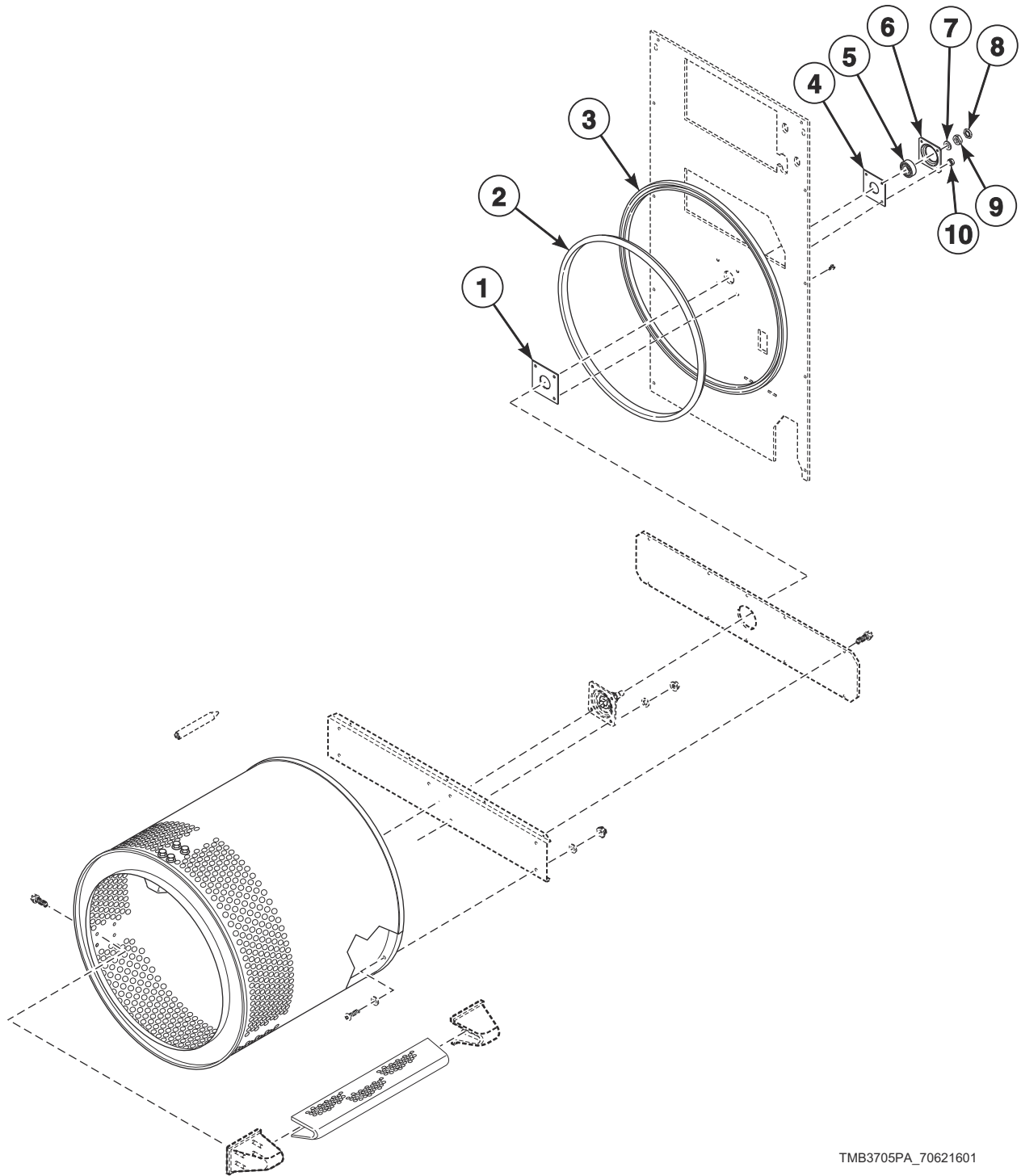
TMB3705P\_70621601



## Cylinder and Trunnion Components

REF	PART NO.	DESCRIPTION	COMMENTS
	70343101P	Drywall Screw Magnet Kit	Includes 6 magnets and 6 screws
1	70372901P	Cylinder Assembly	Galvanized
	70372902P	Cylinder Assembly	Stainless steel
2	62588	Screw	
3	263P4	Cylinder Guide Tool	
4	70305201	Rear Cylinder Channel	
5	70564805	Trunnion and Seal Kit	
6	70305301	Rear Cylinder Channel Plate	
7	430497	Screw	10 required
8	M412986	Nut	
9	70411301	Washer	
10	70070101	End Cap	
11	70391101	Screw	8 required

# Bearing Components

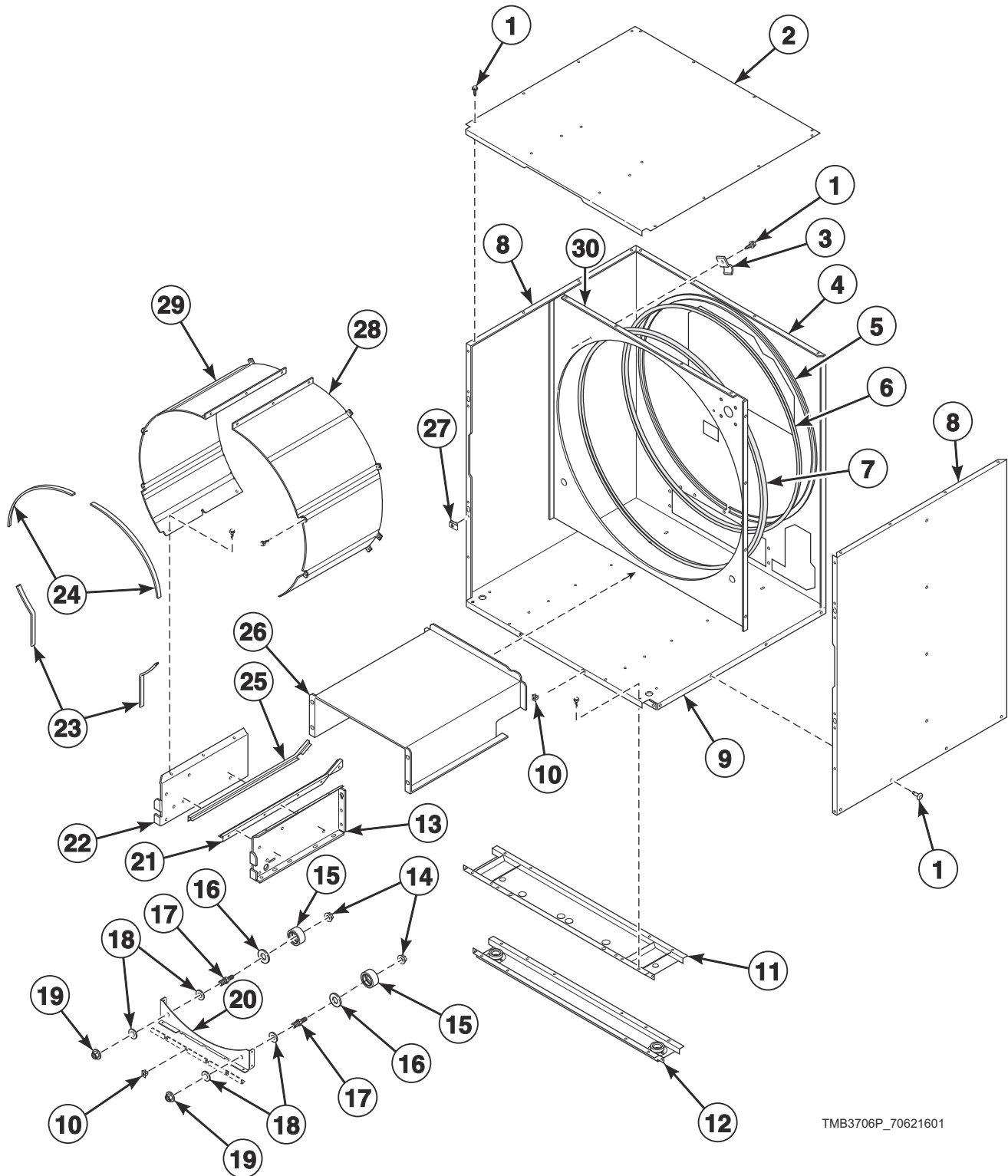


TMB3705PA\_70621601

# Bearing Components

REF	PART NO.	DESCRIPTION	COMMENTS
1	430352	Cylinder Bearing Stud Plate Assembly	
2	70013701P	Rear Cylinder Seal	Requires D511637P Adhesive
3	70506402	Rear Cylinder Seal Support	
4	70355001	Rear Bearing Shim	
5	70448701	Support Bearing	
6	70013901	Rear Cylinder Bearing Housing	
7	M400991	Washer	
8	M400034	Nut	
9	M400022	Nut	
10	M412986	Nut	

# Cabinet Components

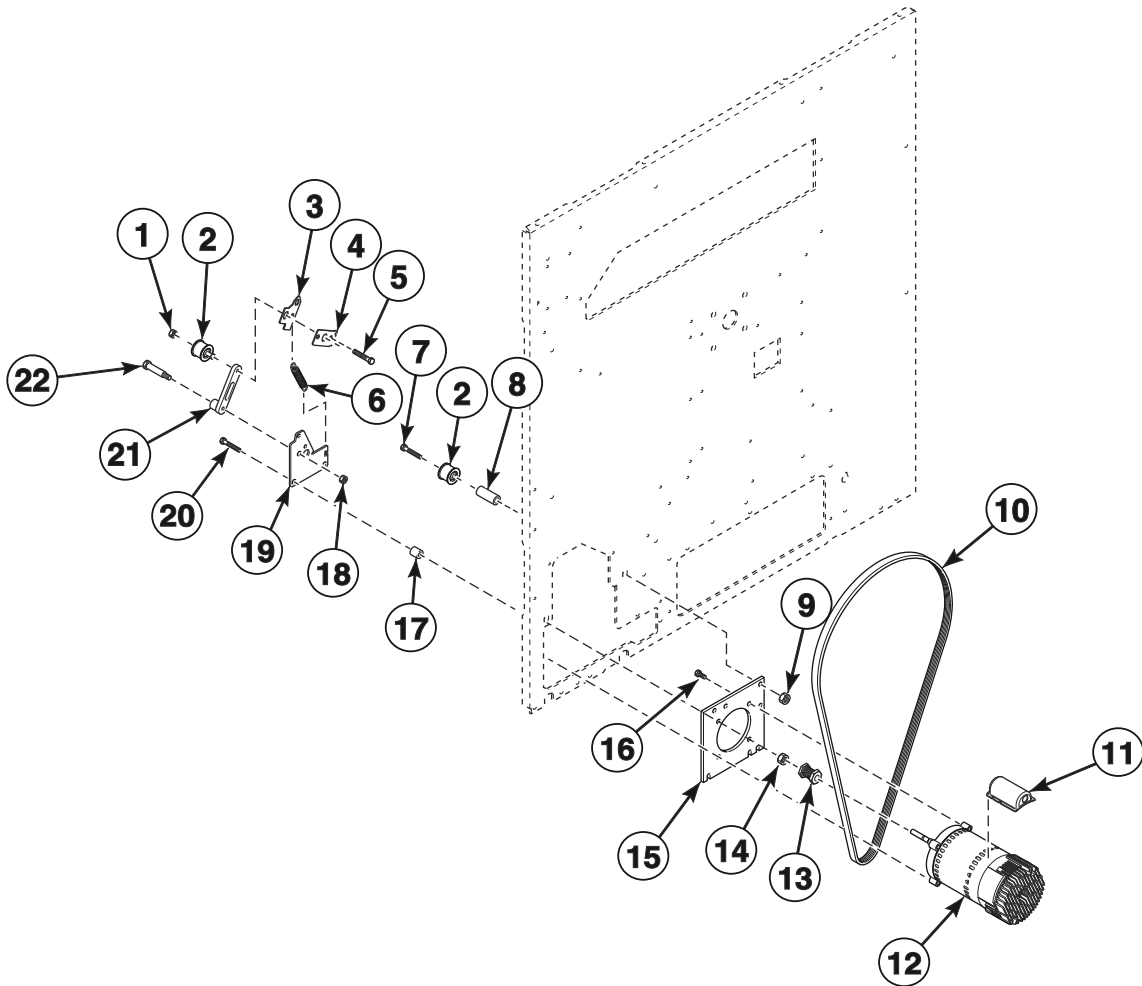


TMB3706P\_70621601

# Cabinet Components

REF	PART NO.	DESCRIPTION	COMMENTS
	298P4P	Spray Paint	White
	122P4P	Porcelain Touch-Up Paint	White
	430352	Cylinder Bearing Stud Plate Assembly	
	70058501	Pop Rivet	
	21899	Nut	For leveling legs
	70247701	Screw	For leveling legs
	70626901	Top Panel	Top pan of lower pocket
	70606901	Lower Pan	Lower pan of lower pocket
<b>1</b>	430497	Screw	
<b>2</b>	70606501	Top Panel	Upper pocket
<b>3</b>	70226701	Clip	
<b>4</b>	70588501	Rear Panel	
<b>5</b>	70506403	Rear Cylinder Seal Support	
<b>6</b>	70013703P	Rear Cylinder Seal	Requires D511637P Adhesive
<b>7</b>	70066005	Center Cylinder Seal	Includes center cylinder seal support and center cylinder seal
<b>8</b>	70607501W	Side Panel	Design 4 S models
	70639601W	Side Panel	Design 5 H and S models
	70639601DG	Side Panel	Dark gray; B and P models
	70639602DG	Side Panel	Dark gray; J models
<b>9</b>	70606701	Center Pan	Lower pan of top pocket
<b>10</b>	M400984	Clip	
<b>11</b>	70606801	Center Pan Channel	Located under center pan
<b>12</b>	70300601	Channel Base Assembly	Lower pocket
<b>13</b>	70588301	Front Air Duct	Right
<b>14</b>	430576	Nut	
<b>15</b>	70616701	Roller and Seal Kit	
<b>16</b>	70443601	Roller Seal	
<b>17</b>	70249501	Roller Shaft	
<b>18</b>	70261401	Washer	
<b>19</b>	70288801	Nut	
<b>20</b>	70588901	Roller Support Bracket	
<b>21</b>	70588701	Lint Tray Rail	Right
<b>22</b>	70588302	Front Air Duct	Left
<b>23</b>	70015707	Sheet Metal Edge Gasket	Lower
<b>24</b>	70015708	Sheet Metal Edge Gasket	Upper
<b>25</b>	70588702	Lint Tray Rail	Left
<b>26</b>	70588601	Air Duct	Rear
<b>27</b>	70030401	Nut	
<b>28</b>	70301901	Cylinder Shroud	Right
<b>29</b>	70301902	Cylinder Shroud	Left
<b>30</b>	70639101	Center Partition	

# Drive Motor Components

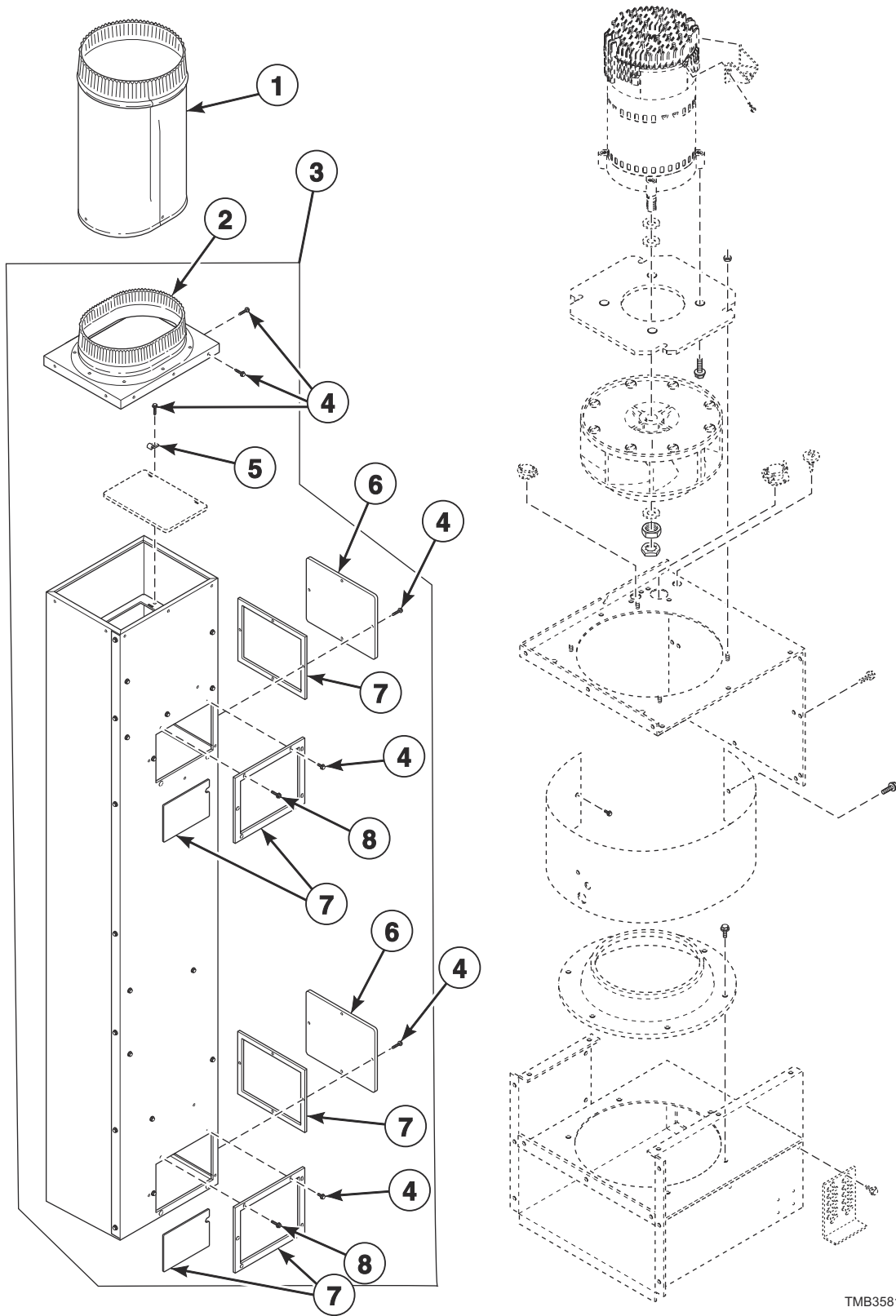


TMB3817P\_70621601

## Drive Motor Components

REF	PART NO.	DESCRIPTION	COMMENTS
1	56156	Nut	
2	70050401P	Idler Wheel Assembly	
3	70569501	Tensioning Bracket	
4	70543401	Spring Catch Bracket	
5	70508301	Screw	
6	70571801	Spring	
7	F430144	Screw	
8	70569603	Standoff	
9	44087201	Nut	
10	70655103	Lever Arm and Belt Kit	
11	70521901	Motor Conduit Mounting Bracket	
12	44259501P	Drive Motor	.50 HP; 120, 230 Volt/1 Phase
	44259601P	Drive Motor	.50 HP; 380-460 Volt/3 Phase
13	70559101	Motor Pulley	
14	44333202	Nut	
15	70564201	Motor Mount Plate	
16	70126104	Screw	
17	70488403	Spacer	
18	44087301	Nut	
19	70571901	Drive Plate	
20	70546301	Screw	
21	70653801	Lever Arm and Bushing Assembly	
22	70501301	Screw	

# Exhaust Components



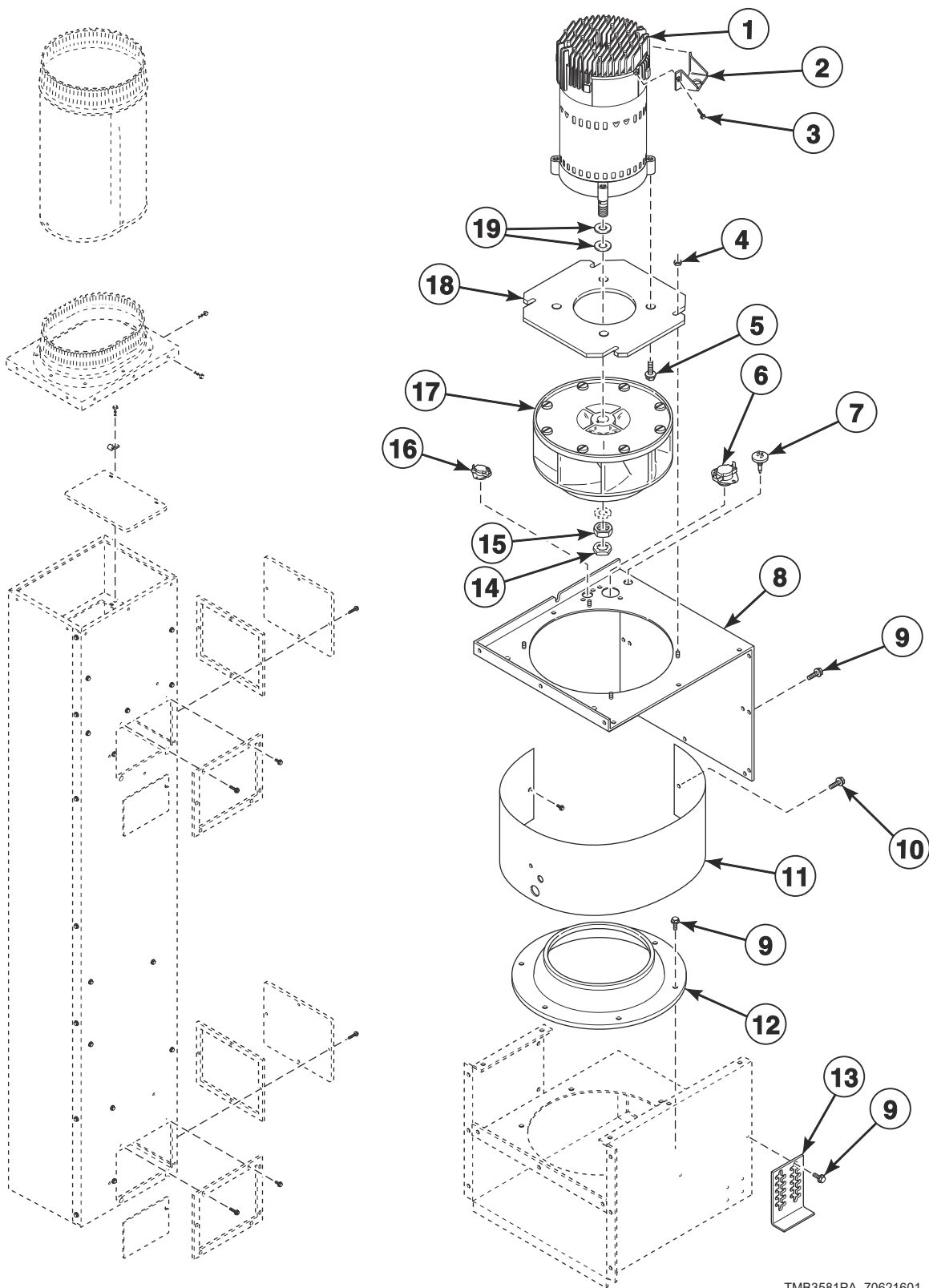
TMB3581P\_70621601



# Exhaust Components

REF	PART NO.	DESCRIPTION	COMMENTS
	70289101P	Gasket	Sold per foot
1	70425801	Exhaust Pipe Assembly	IEC models
2	70307601	Duct Cover	Top
3	70528501	Exhaust Duct Assembly	North America models
	70528502	Exhaust Duct Assembly	IEC models
4	430497	Screw	12 required
5	70226701	Clip	
6	70308701	Duct Access Cover	2 required; Bottom
7	70302801P	Exhaust Duct Gaskets Assembly	2 required
8	M411072	Screw	2 required

# Blower Components

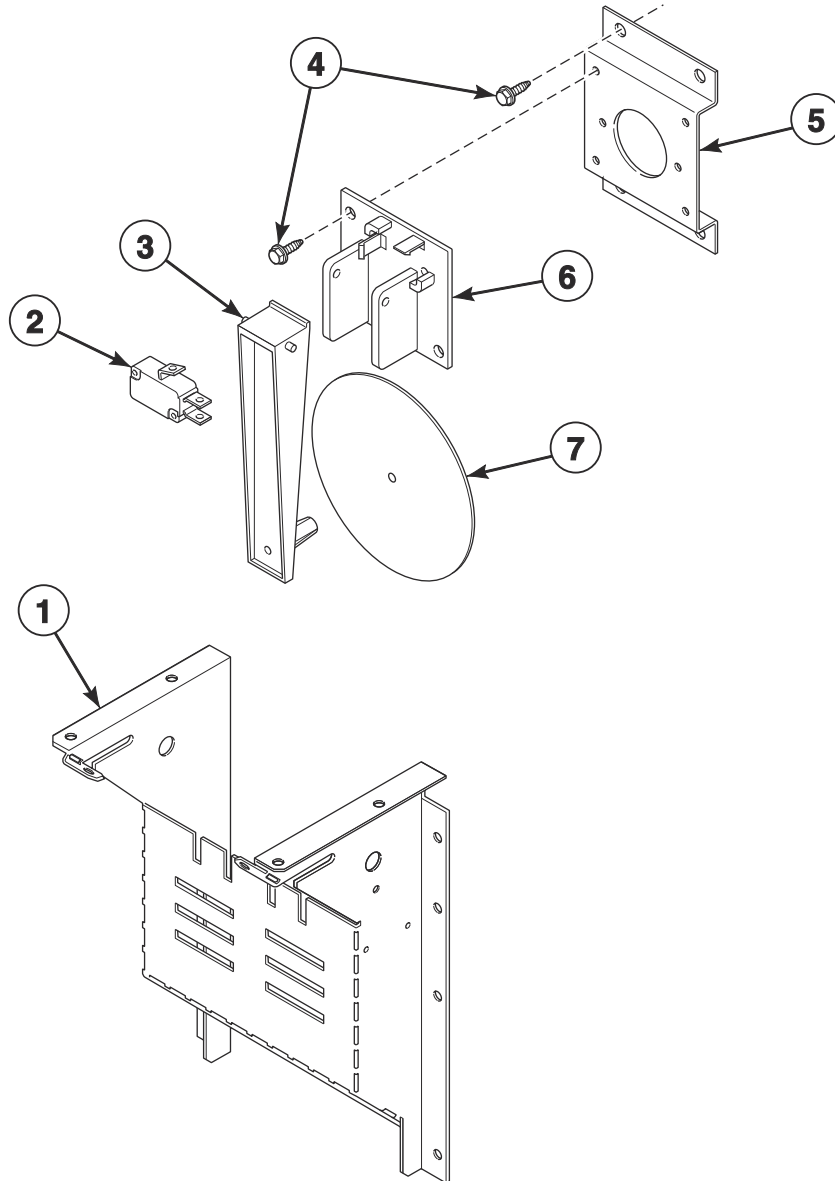


TMB3581PA\_70621601

# Blower Components

REF	PART NO.	DESCRIPTION	COMMENTS
	70392701P	Gasket	For blower housing opening
1	70478701P	Fan Motor	.50 HP; 120, 230 Volt/1 Phase
	70484901P	Fan Motor	.50 HP; 380-460 Volt/3 Phase
2	44317901	Motor Conduit Bracket	
3	23222	Screw	
4	29786	Nut	4 required
5	70126101	Screw	4 required
6	44328001	Limit Thermostat	
7	M414704	Thermistor	
8	70322802	Blower Housing Cover Assembly	
9	430497	Screw	12 required
10	51780	Screw	
11	70340801	Blower Housing Scroll	
12	70303101	Blower Inlet Cone	
13	70200301	Rear Stabilizer Bracket	
14	M400034	Nut	
15	M400022	Nut	
16	70530901	Limit Thermostat	
17	70302201P	Blower Assembly	
18	70341001	Blower Motor Mounting Plate	
19	M400991	Washer	3 required

# Airflow Switch

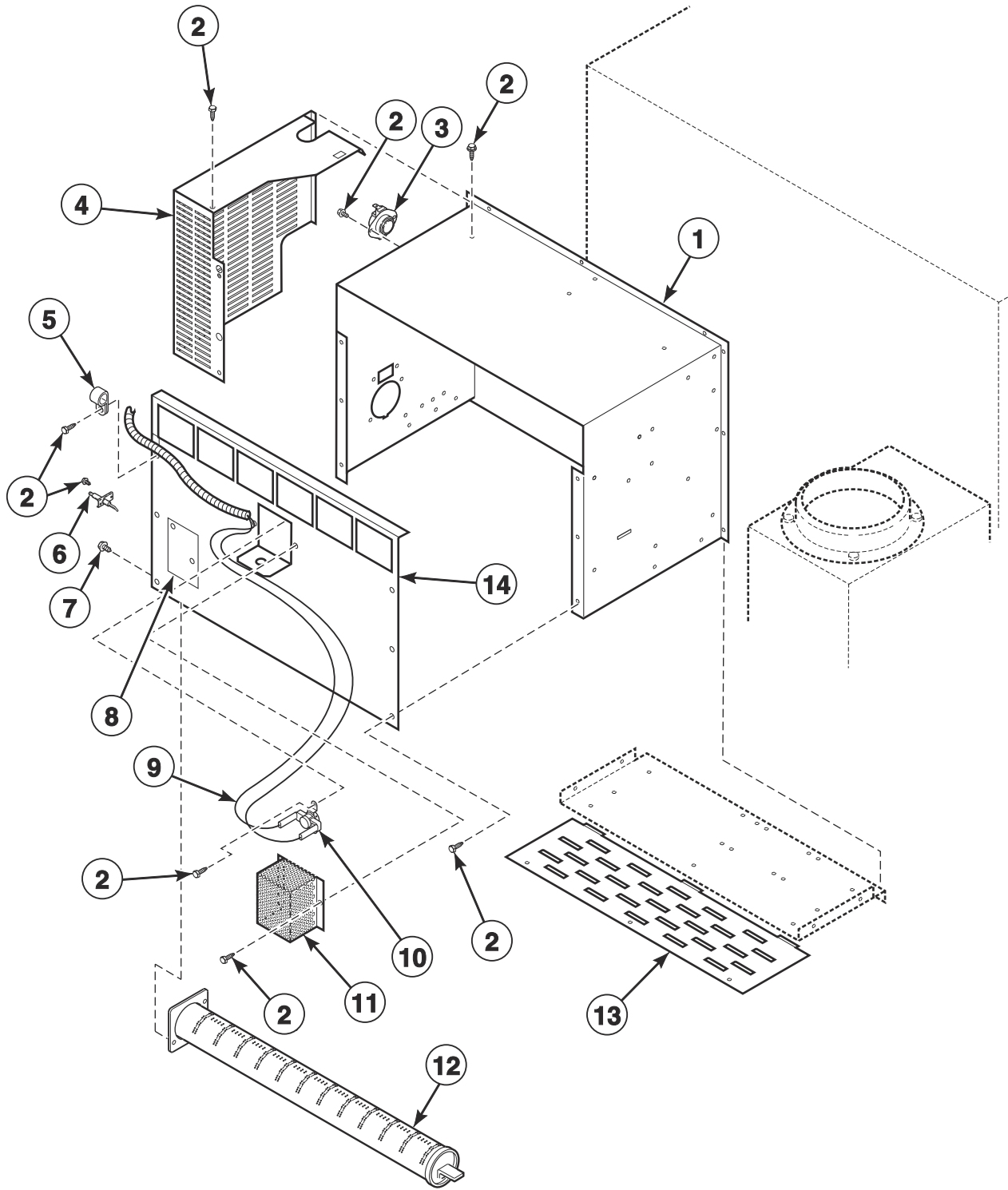


TMB3582P\_70621601

# Airflow Switch

REF	PART NO.	DESCRIPTION	COMMENTS
1	70356101	Airflow Switch Wrapper	
2	70411901	Switch	
3	70319401	Airflow Switch Arm	
4	430757	Screw	
5	70356301	Switch Bracket	
6	70319602	Airflow Switch and Arm Bracket	
7	70319201	Airflow Switch Vane	

# Gas Burner Housing and Secondary Stove Limit

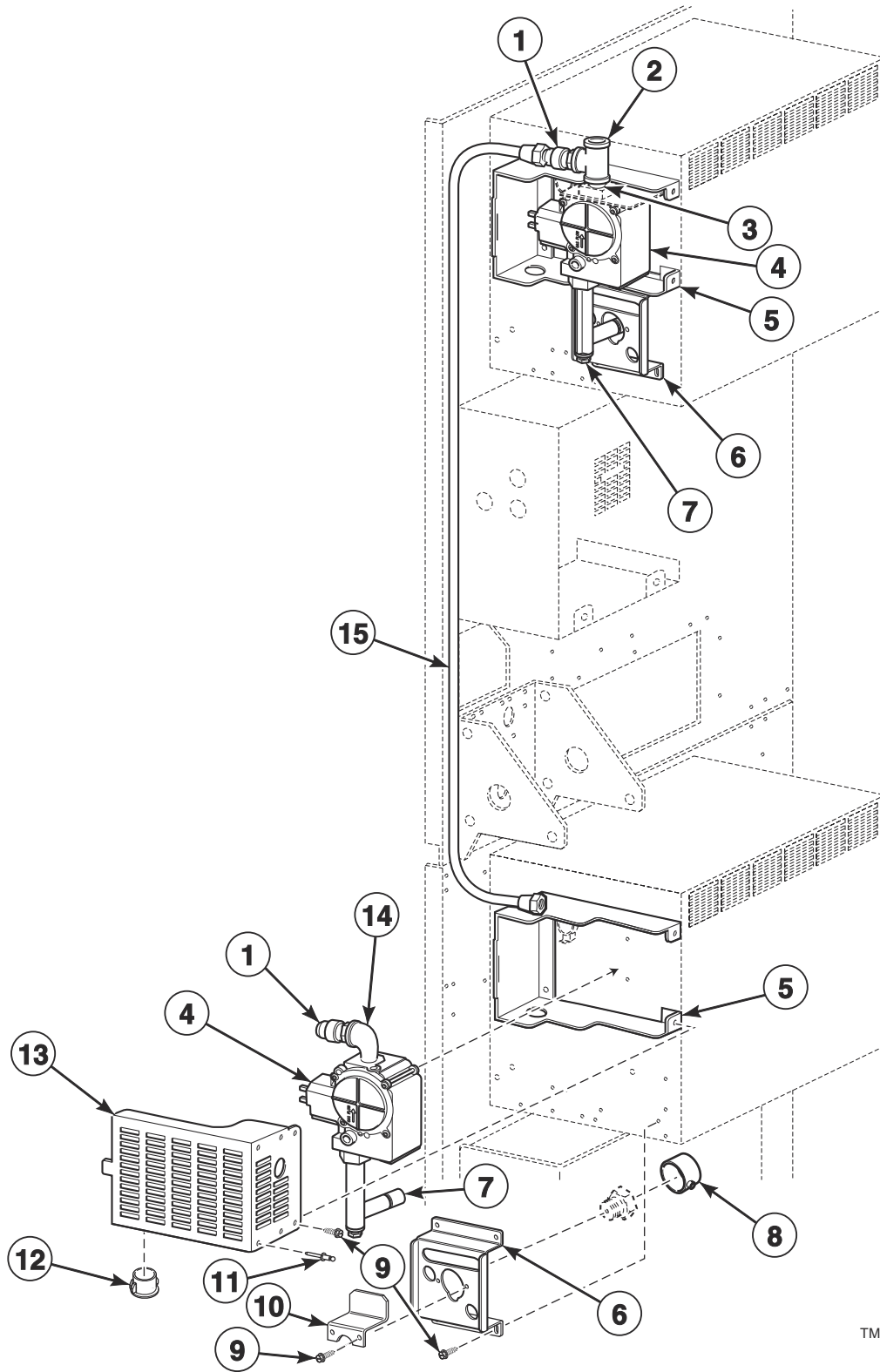


TMB2315P\_70621601

## Gas Burner Housing and Secondary Stove Limit

REF	PART NO.	DESCRIPTION	COMMENTS
1	70306001	Stove Top and Sides	
2	430497	Screw	
3	44328005	Limit Thermostat	Side
4	70233401	Gas Valve Cover	IEC models
5	70203701	Pipe Clip	
6	70548701P	Spark Electrode	
7	05161	Screw	
8	70159601	Igniter Cover	
9	70564301	Stove Limit Harness	
10	44328104	Limit Thermostat	Rear
11	M414477	Thermostat Cover	
12	70229801P	Gas Burner	
	70546701	Anti-Rattle Burner Assembly	Includes 70229801P Gas Burner, 431318 Control Door Latch and M400003 Pop Rivet
13	70306501	Burner Grill	
14	70375201	Stove Back	

# Gas Valve and Piping



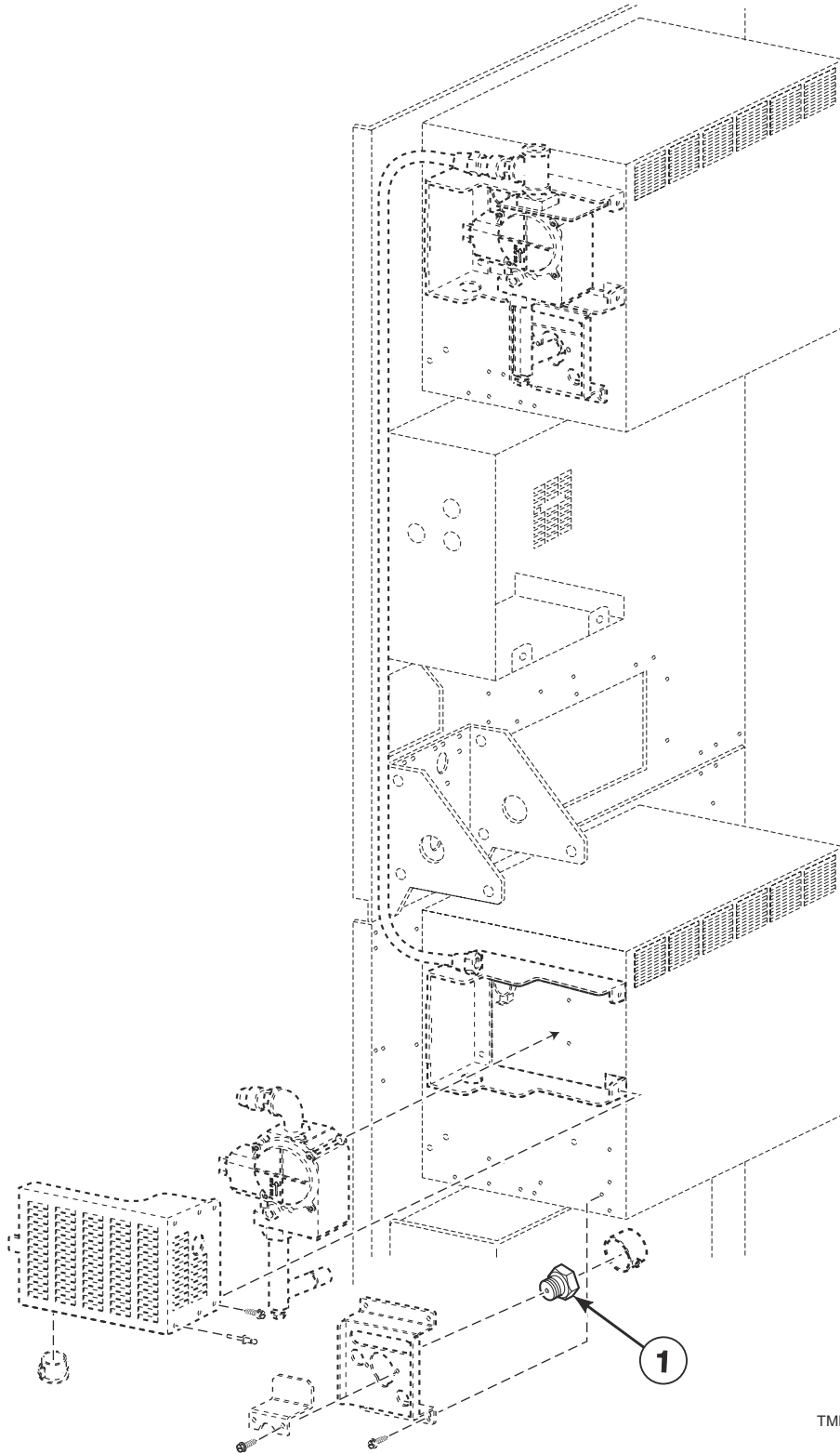
TMB3583P\_70621601



## Gas Valve and Piping

REF	PART NO.	DESCRIPTION	COMMENTS
	70550206	L.P. Conversion Kit	A, T and G market models; Natural Gas (N.G.); 0-2,000 feet
	70551906	L.P. Conversion Kit	IEC models; N.G.; 0-2,000 feet
	44239701	High Voltage Suppression Cable	
	70131901	Adapter	IEC models; BPT/NPT
	70131902	Adapter	T and G market models; BPT/NPT
	70167601	Plug	
	70500601	Power Harness	
	44273501	Gas Valve Harness	
	70564301	Stove Limit Harness	
	70535901	Notice Label	Australian models; N.G.
	70544901	Notice Label	Australian models; Liquid Petroleum (L.P.)
<b>1</b>	70262601	Pipe	
<b>2</b>	70071801	Tee	T market models
	F422208	Tee	All other models
<b>3</b>	70435601	Pipe Nipple	T market models
	70612603	Pipe Nipple	All other models
<b>4</b>	44154503	N.G. Valve	T and G market models
	44154504	L.P. Valve	T and G market models
	44154507	Gas Valve	IEC models; N.G.
	44154508	Gas Valve	IEC models; L.P.
<b>5</b>	70328201	Forward Valve Cover	
<b>6</b>	70248901	Orifice Holder Bracket	
<b>7</b>	70552801P	Orifice Adapter	
<b>8</b>	70239801	Primary Air Adjustment Sleeve	
<b>9</b>	430497	Screw	
<b>10</b>	70539901	Ignition Keeper Orifice Bracket	
<b>11</b>	70058501	Pop Rivet	3/16 inch
<b>12</b>	M400770	Snap Bushing	
<b>13</b>	70282401	Rear Valve Cover	
<b>14</b>	H86070034	Street Elbow	T market models
	70612501	Street Elbow	All other models
<b>15</b>	70281602	Tube	

# Burner Orifices



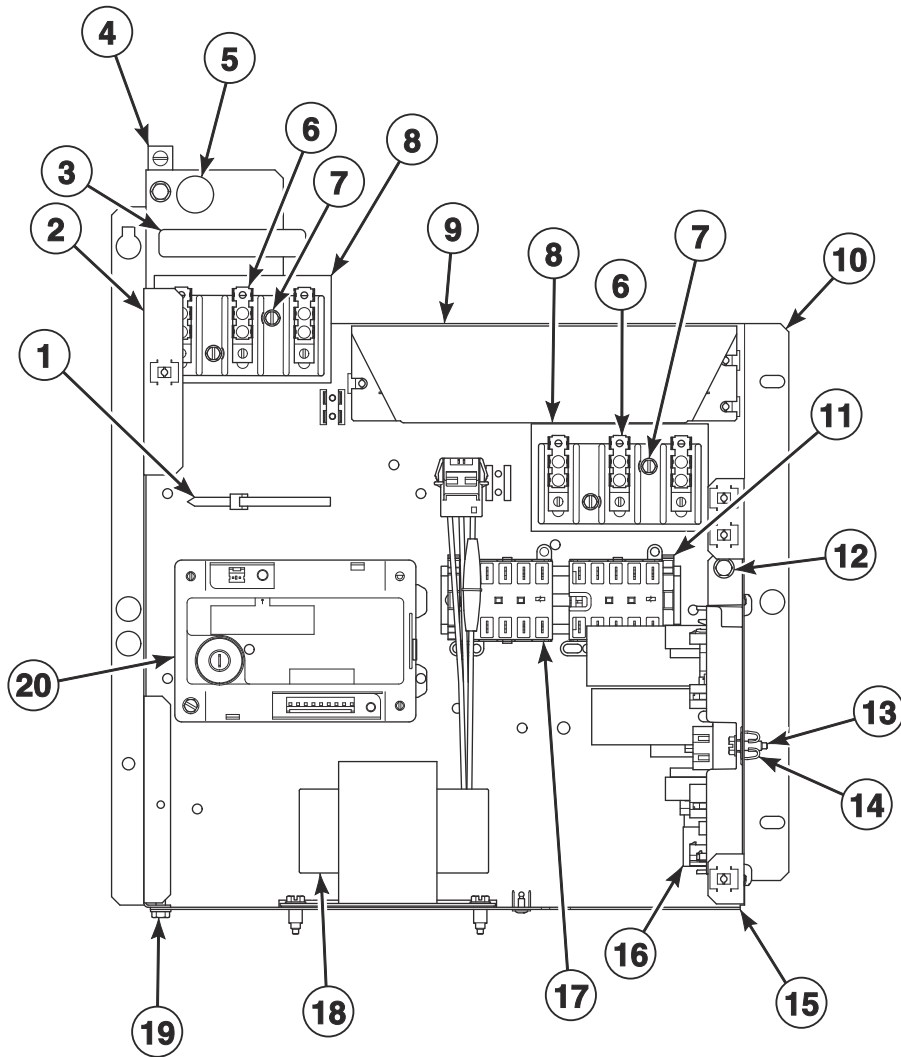
TMB3583PA\_70621601

# Burner Orifices

REF	PART NO.	DESCRIPTION	COMMENTS
	70609911	High Altitude Orifice Kit	North America Natural Gas (N.G.) models
	70609912	High Altitude Orifice Kit	North America Liquid Petroleum Gas (L.P.) models
1	70684149	Burner Orifice	Standard models; N.G.; Drill no. 14 (4.62 mm); 0-2,000 feet
	70684146	Burner Orifice	Standard models; N.G.; Drill no. 17 (4.39 mm); 2,001-4,000 feet
	70684144	Burner Orifice	Standard models; N.G.; Drill no. 18 (4.31 mm); 4,001-6,000 feet
	70684142	Burner Orifice	Standard models; N.G.; Drill no. 20 (4.09 mm); 6,001-8,000 feet
	70684139	Burner Orifice	Standard models; N.G.; Drill no. 23 (3.91 mm); 8,001-10,000 feet
	70684123	Burner Orifice	Standard models with 2nd digit G, H, J, K, L and T; L.P.; Drill no. 34 (2.82 mm); 0-2,000 feet
	70684120	Burner Orifice	Standard models with 2nd digit G, H, J, K, L and T; L.P.; Drill no. 36 (2.71 mm); 2,001-4,000 feet
	70684118	Burner Orifice	Standard models with 2nd digit G, H, J, K, L and T; L.P.; Drill no. 38 (2.58 mm); 4,001-6,000 feet
	70684116	Burner Orifice	Standard models with 2nd digit G, H, J, K, L and T; L.P.; Drill no. 40 (2.49 mm); 6,001-8,000 feet
	70684114	Burner Orifice	Standard models with 2nd digit G, H, J, K, L and T; L.P.; Drill no. 42 (2.37 mm); 8,001-10,000 feet
	70684120	Burner Orifice	Standard Australian models; L.P.; Drill no. 36 (2.71 mm); 0-2,000 feet
	70684118	Burner Orifice	Standard Australian models; L.P.; Drill no. 38 (2.58 mm); 2,001-4,000 feet
	70684116	Burner Orifice	Standard Australian models; L.P.; Drill no. 40 (2.49 mm); 4,001-6,000 feet
	70684114	Burner Orifice	Standard Australian models; L.P.; Drill no. 42 (2.37 mm); 6,001-8,000 feet
	70684113	Burner Orifice	Standard Australian models; L.P.; 2.30 mm; 8,001-10,000 feet
	70684110	Burner Orifice	CE standard models; L.P.; Drill no. 44 (2.18 mm); 0-2,000 feet
	70684109	Burner Orifice	CE standard models; L.P.; Drill no. 45 (2.08 mm); 2,001-4,000 feet
	70684107	Burner Orifice	CE standard models; L.P.; Drill no. 47 (1.99 mm); 4,001-6,000 feet
	70684106	Burner Orifice	CE standard models; L.P.; Drill no. 48 (1.93 mm); 6,001-8,000 feet
	70684105	Burner Orifice	CE standard models; L.P.; Drill no. 49 (1.85 mm); 8,001-10,000 feet
	70684117	Burner Orifice	Standard J market models; L.P.; Drill no. 39 (2.53 mm); 0-2,000 feet
	70684114	Burner Orifice	Standard J market models; L.P.; Drill no. 42 (2.37 mm); 2,001-4,000 feet
	70684113	Burner Orifice	Standard J market models; L.P.; 2.3 mm; 4,001-6,000 feet
	70684112	Burner Orifice	Standard J market models; L.P.; Drill no. 43 (2.26 mm); 6,001-8,000 feet
	70684110	Burner Orifice	Standard J market models; L.P.; Drill no. 44 (2.18 mm); 8,001-10,000 feet
	70684143	Burner Orifice	Eco models; N.G.; Drill no. 19 (4.22 mm); 0-2,000 feet
	70684140	Burner Orifice	Eco models; N.G.; Drill no. 22 (3.99 mm) 2,001-4,000 feet
	70684139	Burner Orifice	Eco models; N.G.; Drill no. 23 (3.91 mm); 4,001-6,000 feet
	70684136	Burner Orifice	Eco models; N.G.; Drill no. 26 (3.73 mm); 6,001-8,000 feet
	70684134	Burner Orifice	Eco models; N.G.; Drill no. 28 (3.57 mm); 8,001-10,000 feet

\* NOTE: One orifice required per pocket

# Control Tray and Accessory Box



TMB3719P\_70621601

## Control Tray and Accessory Box

REF	PART NO.	DESCRIPTION	COMMENTS
	44071501	Snap Bushing	Use with item 2; 7/8 inch
	70476001	Snap Bushing	Use with item 2; 1/2 inch
	685837	Screw	Use with item 4
	70610101	EMI Filter Kit	North America models; 100-240 Volt
	70610102	EMI Filter Kit	North America models; 380-480 Volt
	70500601	Power Harness	
	M413862	Insulator	Use with item 6 and 8
<b>1</b>	70335601	Cable Tie	
<b>2</b>	70527001	Junction Box Side	Left side
<b>3</b>	44286803	Label	Wire L1, L2, L3
	44286801	Label	Wire L1, N
	44286804	Wire Label	Wire L1 L2, L1 N, L1 L2 L3
<b>4</b>	M411283	Ground Lug Connector	
<b>5</b>	D516100	Label	
<b>6</b>	430642	Terminal Block	IEC models
<b>7</b>	51783	Screw	IEC models
<b>8</b>	70333001	Terminal Block Shield	IEC models
<b>9</b>	F8591601	EMI Filter	IEC models; 100-120 and 200-240 Volt
	F8637501	EMI Filter	IEC models; 380-480 Volt
<b>10</b>	70607201	Junction Box Base Assembly	
<b>11</b>	F8449801	End Stop	2 required
<b>12</b>	430497	Screw	
<b>13</b>	F8206901	Screw	
<b>14</b>	70030501	Expansion Clip	
<b>15</b>	70527101	Control Board Tray	
<b>16</b>	70479201P	I/O Control Assembly	
<b>17</b>	70482601	Contactora	1 required for 120-240 Volt; 2 required for 380-480 Volt
<b>18</b>	F8491101	Transformer	380-480 Volt
<b>19</b>	51780	Screw	
<b>20</b>	70482002	Ignition Control	IEC models
	70482001	Ignition Control	North America models

## Labels

<b>PART NO.</b>	<b>DESCRIPTION</b>	<b>COMMENTS</b>
70535101	Caution Label	Vent/install
F8614501	Danger Label	Shock; English/French
F8614301	Hot Surface Warning Label	English/French
F8609001	Hot Surface Warning Label	Icon
F8611601	Warning Label	
F8614500	Label Kit	Shock
F8605500	Label Kit	
44321501	Notice Label	120/240 Volt
70539601	Notice Label	
70534201	Notice Label	
F8609501	Notice Label	
D516073	Notice Label	Read instructions; Icon
70538401	Pinch Warning Label	English/French
F8615701	Pinch Warning Label	Icon
F8614401	Shock Warning Label	English/French
F8614201	Shock Warning Label	Icon
70536401	Warning Label	Lint
44324101	Warning Label	Fire; Australian models
70534405	Warning Label	Fire; Colombian Spanish; Australian models
44321601	Warning Label	Risk of fire; Icon

# Harnesses

<b>PART NO.</b>	<b>DESCRIPTION</b>	<b>COMMENTS</b>
44316009	Filter Output Power Harness	1 Phase; Power distribution block to RFI filter
44316010	Filter Output Power Harness	3 Phase; Power distribution block to RFI filter
70609001	Base Harness	
44334604	Heat Control Harness	
44335303	Inverter Motor Harness	
44334702	Inverter Contactor Coil Harness	Secondary; 380-480 Volt
70561501	Junction Box Harness	
44316003	Filter Input Power Harness	1 Phase; Power distribution block to filter
44316004	Filter Input Power Harness	3 Phase; Power distribution block to filter
70608901	Main Harness	
44280004	Motor Contactor Power Harness	3 Phase
44280011	Motor Contactor Power Harness	1 Phase; EMI
44280013	Motor Contactor Power Harness	3 Phase; EMI
44280002	Motor Contactor Power Harness	1 Phase
44280102	Power Harness	380-480 Volt
44272102	Power Harness	100-240 Volt
204454	Ferrite	EMI; Motor circuit, inverter communication circuit





# Parts Index

## A

Adapter	
70131901 .....	47
70131902 .....	47
Air Duct	
70588601 .....	35
Airflow Switch and Arm Bracket	
70319602 .....	43
Airflow Switch Arm	
70319401 .....	43
Airflow Switch Vane	
70319201 .....	43
Airflow Switch Wrapper	
70356101 .....	43
Anti-Rattle Burner Assembly	
70546701 .....	45
App Pay Overlay Kit	
44374701 .....	7, 9

## B

Base Harness	
70609001 .....	53
Blind Rivet	
F8245101 .....	25, 29
Blower Assembly	
70302201P .....	41
Blower Housing Cover Assembly	
70322802 .....	41
Blower Housing Scroll	
70340801 .....	41
Blower Inlet Cone	
70303101 .....	41
Blower Motor Mounting Plate	
70341001 .....	41
Bracket	
70610501 .....	21
70634201 .....	23
Burner Grill	
70306501 .....	45
Burner Orifice	
70684105 .....	49
70684106 .....	49
70684107 .....	49
70684109 .....	49
70684110 .....	49
70684112 .....	49
70684113 .....	49
70684114 .....	49
70684116 .....	49
70684117 .....	49
70684118 .....	49
70684120 .....	49
70684123 .....	49
70684134 .....	49
70684136 .....	49
70684139 .....	49
70684140 .....	49
70684142 .....	49

70684143 .....	49
70684144 .....	49
70684146 .....	49
70684149 .....	49
Bushing	
44052701 .....	15
Bypass Harness	
44334103 .....	25

## C

Cable Tie	
70335601 .....	51
Caution Label	
70535101 .....	52
Center Cylinder Seal	
70066005 .....	35
Center Hinge Lug Assembly	
70640401 .....	19
Center Pan	
70606701 .....	35
Center Pan Channel	
70606801 .....	35
Center Partition	
70639101 .....	35
Central Pay Board Harness	
44355604 .....	15
Central Pay Harness	
44355603 .....	15
44355605 .....	15
Channel Base Assembly	
70300601 .....	35
Clip	
M400984 .....	35
70226701 .....	35, 39
Clip Keeper Bracket	
70604901 .....	21, 23
Clip Mount Bracket	
70604801 .....	21, 23
Coin Drop	
38963P .....	11
39748 .....	11
70441601 .....	11
70441603 .....	11
Coin Drop Assembly	
201141 .....	11
210195 .....	11
210196 .....	11
38462P .....	11
38463 .....	11
38467 .....	11
38519 .....	11
70281102 .....	11
70283102 .....	11
70441602 .....	11
70447301 .....	11
70471601 .....	11
70482401 .....	11
70506901 .....	11
Coin Drop Kit	
CK077 .....	11

N/A items do not appear in index.

CK122 .....	13
Coin Identification Paper	
38464P .....	11
38475 .....	11
Coin Meter	
F0160737-00 .....	11
Coin Vault Assembly	
70529501 .....	25
Coin Vault Switch Harness	
44334102 .....	25
Contact Base	
F8538101 .....	27
Contact Switch	
F8069501 .....	27
Contactor	
70482601 .....	51
Control Assembly	
70576201P .....	7
70697102 .....	9
Control Bezel	
70642001 .....	25
Control Board Tray	
70527101 .....	51
Control Bracket	
70581001 .....	7
70581002 .....	7
70581003 .....	7
70581101 .....	7, 9
Control Door Latch	
431318 .....	7, 9
Control Housing Cover	
70307005 .....	15
70307006 .....	15
Cylinder Assembly	
70372901P .....	31
70372902P .....	31
Cylinder Bearing Stud Plate Assembly	
430352 .....	33, 35
Cylinder Guide Tool	
263P4 .....	31
Cylinder Shroud	
70301901 .....	35
70301902 .....	35

## D

Danger Label	
F8614501 .....	52
Door Assembly	
44354702 .....	17, 19
44354706 .....	19
44354709 .....	19
Door Catch Kit	
70482901 .....	25
Door Glass	
44008401P .....	17, 19
Door Glass Installation Tool	
M4221P4 .....	17
Door Glass Label	
70650401 .....	17, 19
70707701 .....	17, 19
Door Handle	
44007901 .....	17, 19

N/A items do not appear in index.

Door Hinge Assembly	
44366603 .....	19
44366605W .....	19
44366607 .....	19
44366609B .....	19
70596601 .....	17
Door Hinge Lug Assembly	
70601005 .....	17
Door Latch	
M401223 .....	25
Door Ring Gasket	
44008201P .....	19
70296802 .....	17
Door Seal Kit	
70211902P .....	17, 19
Door Switch Actuator	
70532101 .....	17
70532102 .....	17
Drive Motor	
44259501P .....	37
44259601P .....	37
Drive Plate	
70571901 .....	37
Drywall Screw Magnet Kit	
70343101P .....	31
Duct Access Cover	
70308701 .....	39
Duct Cover	
70307601 .....	39

## E

Electronic Coin Drop Assembly	
70294107 .....	11
70513302 .....	11
70513303 .....	11
70513304 .....	11
70513306 .....	11
70513308 .....	11
70513309 .....	11
70513310 .....	11
70513311 .....	11
70513312 .....	11
70513313 .....	11
70513314 .....	11
70513315 .....	11
70513316 .....	11

Electronic Coin Drop Kit	
CK099 .....	13
CK100 .....	13
CK101 .....	13
CK108 .....	13
CK109 .....	13
CK110 .....	13
CK113 .....	13
CK115 .....	13
CK116 .....	13
CK117 .....	13
CK118 .....	13
CK119 .....	13
CK120 .....	13
CK121 .....	13

Emergency Stop Button Kit	
70580301 .....	27

Emergency Stop Bypass Harness F8519403 .....	27
Emergency Stop Harness 44272401 .....	27
44272402 .....	27
Emergency Stop Label 44012901 .....	27
44012903 .....	27
Emergency Stop Mounting Bracket 70550401 .....	27
Emergency Stop Pushbutton F200233500 .....	27
EMI Filter F8591601 .....	51
F8637501 .....	51
EMI Filter Kit 70610101 .....	51
70610102 .....	51
End Cap 70070101 .....	31
End Stop F8449801 .....	51
Exhaust Duct Assembly 70528501 .....	39
70528502 .....	39
Exhaust Duct Gaskets Assembly 70302801P .....	39
Exhaust Pipe Assembly 70425801 .....	39
Expansion Clip 70030501 .....	15, 51

## F

Fan Motor 70478701P .....	41
70484901P .....	41
Ferrite 204454 .....	53
Filter Input Power Harness 44316003 .....	53
44316004 .....	53
Filter Output Power Harness 44316009 .....	53
44316010 .....	53
Foam Gasket 70598101 .....	29
Fob Communication Harness F8719302 .....	7
Fob Reader Control Assembly 205135 .....	7
Fob Reader Kit 70666805 .....	15
Forward Valve Cover 70328201 .....	47
Front Air Duct 70588301 .....	35
70588302 .....	35
Front Cylinder Seal 70173402 .....	21, 23

## G

Gas Burner 70229801P .....	45
Gas Valve 44154507 .....	47
44154508 .....	47
Gas Valve Cover 70233401 .....	45
Gas Valve Harness 44273501 .....	47
Gasket 70289101P .....	21, 23, 39
70392701P .....	41
Ground Lug Connector M411283 .....	51

## H

Heat Control Harness 44334604 .....	53
High Altitude Orifice Kit 70609911 .....	49
70609912 .....	49
High Voltage Suppression Cable 44239701 .....	47
Hinge Cam Kit 70622401 .....	17
Hold-Down Clip 35865 .....	21, 23
Hot Surface Warning Label F8609001 .....	52
F8614301 .....	52

## I

Idler Wheel Assembly 70050401P .....	37
Igniter Cover 70159601 .....	45
Ignition Control 70482001 .....	51
70482002 .....	51
Ignition Keeper Orifice Bracket 70539901 .....	47
Insulator M413862 .....	51
Interconnect Harness 44272105 .....	27
Inverter Contactor Coil Harness 44334702 .....	53
Inverter Motor Harness 44335303 .....	53
I/O Control Assembly 70479201P .....	51

N/A items do not appear in index.

---

**J**

Junction Box Base Assembly	
70607201 .....	51
Junction Box Harness	
70561501 .....	53
Junction Box Side	
70527001 .....	51

---

**K**

Key	
70155601 .....	25
70155602 .....	29
Kickplate	
70117605 .....	23

---

**L**

Label	
D516100 .....	51
44286801 .....	51
44286803 .....	51
Label Kit	
F8605500 .....	52
F8614500 .....	52
70534300 .....	21
Lever Arm and Belt Kit	
70655103 .....	37
Lever Arm and Bushing Assembly	
70653801 .....	37
Limit Thermostat	
44328001 .....	41
44328005 .....	45
44328104 .....	45
70530901 .....	41
Lint Box Gasket	
70593902 .....	25
Lint Door Support	
70594401 .....	29
Lint Front Assembly	
70588101 .....	29
70588102W .....	29
Lint Screen Assembly	
70596101 .....	29
Lint Screen Bracket	
70595701 .....	29
Lint Screen Shim	
70605601 .....	29
Lint Seal Shoulder Bracket	
70606401 .....	25
Lint Tray Rail	
70588701 .....	35
70588702 .....	35
Lock Pull	
70642201 .....	29
Lock, Key and Nut Kit	
44089301P .....	25
44390902P .....	29
Lower Front Panel	
70643301 .....	21

70643302 .....	21
Lower Front Panel Assembly	
70702301 .....	23
70702301W .....	23
70702302 .....	23
70702302W .....	23
70702303 .....	23
Lower Hinge Gusset	
70632002 .....	19
Lower Lug Assembly	
70639302 .....	19
70639304 .....	19
Lower Pan	
70606901 .....	35
L.P. Conversion Kit	
70550206 .....	47
70551906 .....	47
L.P. Valve	
44154504 .....	47

---

**M**

Machine ID Control Assembly	
203361P .....	7, 9
Magnet	
70343101 .....	29
Main Harness	
70608901 .....	53
Max Fill Line Label	
70707501 .....	17, 19
Motor Conduit Bracket	
44317901 .....	41
Motor Conduit Mounting Bracket	
70521901 .....	37
Motor Contactor Power Harness	
44280002 .....	53
44280004 .....	53
44280011 .....	53
44280013 .....	53
Motor Mount Plate	
70564201 .....	37
Motor Pulley	
70559101 .....	37
Mounting Bracket	
70604001 .....	15

---

**N**

Nameplate	
F8664901 .....	25
F8688001 .....	23, 25
F8688901 .....	23
567293 .....	23
567887 .....	23
70686201 .....	25
Notice Label	
D516073 .....	52
F8609501 .....	52
44321501 .....	52
70534201 .....	52
70535901 .....	47
70539601 .....	52
70544901 .....	47

N/A items do not appear in index.

Nut	
M400022	33, 41
M400034	33, 41
M412986	31, 33
M414215	17, 19
21899	35
29786	41
430576	35
44087101	7, 29
44087201	37
44087301	37
44088001	17, 19
44088801	25, 29
44333202	37
56156	37
70030401	21, 23, 35
70054	7
70288801	35
N.G. Valve	
44154503	47

## O

Opto Coupler	
200674P	11
Orifice Adapter	
70552801P	47
Orifice Holder Bracket	
70248901	47
Overlay	
F8734101	7
F8734401	7
F8736701	7

## P

Panel Lock	
44089304	25
44390902	29
Pin	
70071401	17
Pinch Warning Label	
F8615701	52
70538401	52
Pipe	
70262601	47
Pipe Clip	
70203701	45
Pipe Nipple	
70435601	47
70612603	47
Plate Assembly	
70633001	7
70633002	7
70633003	7
70633004	7
70633005	7
70633006	7
70666701	7
Plug	
70167601	47
Pop Rivet	
M400003	7, 9

44166601	25
70058501	17, 19, 21, 23, 35, 47
70126301	23
Porcelain Touch-Up Paint	
122P4P	35
Power Harness	
44272102	53
44280102	53
70500601	47, 51
Power Supply Transformer Harness	
44272303	15
Primary Air Adjustment Sleeve	
70239801	47
Pushbutton Switch	
70413301	25

## R

Rear Bearing Shim	
70355001	33
Rear Cylinder Bearing Housing	
70013901	33
Rear Cylinder Channel	
70305201	31
Rear Cylinder Channel Plate	
70305301	31
Rear Cylinder Seal	
70013701P	33
70013703P	35
Rear Cylinder Seal Support	
70506402	33
70506403	35
Rear Panel	
70588501	35
Rear Stabilizer Bracket	
70200301	41
Rear Valve Cover	
70282401	47
Reed Switch Assembly	
F8066804	25
Reed Switch Box	
70606301	25
Replacement Screen Kit	
70576501P	7, 9
Rivet	
70614201	23
Roller and Seal Kit	
70616701	35
Roller Seal	
70443601	35
Roller Shaft	
70249501	35
Roller Support Bracket	
70588901	35

## S

Screw	
FR004022	17
F430144	37
F8206901	51
F8458801	19

N/A items do not appear in index.

M400661 .....	17, 19
M411072 .....	15, 39
05161 .....	45
203799 .....	7, 9
23222 .....	41
430497 .....	15, 25, 29, 31, 35, 39, 41, 45, 47, 51
430757 .....	43
44349101 .....	17, 19
51780 .....	15, 41, 51
51783 .....	51
62588 .....	31
685837 .....	51
70126101 .....	41
70126104 .....	37
70247701 .....	35
70391101 .....	31
70436301 .....	17
70442101 .....	17, 19
70501301 .....	37
70508301 .....	37
70546301 .....	37
70576101 .....	17
70640201 .....	19
70640301 .....	19
802822 .....	19
Sheet Metal Edge Gasket	
70015707 .....	35
70015708 .....	35
Shock Warning Label	
F8614201 .....	52
F8614401 .....	52
Side Panel	
70607501W .....	35
70639601DG .....	35
70639601W .....	35
70639602DG .....	35
Snap Bushing	
M400770 .....	47
44071501 .....	15, 51
70476001 .....	51
Spacer	
70488403 .....	37
Spark Electrode	
70548701P .....	45
Spray Paint	
298P4P .....	35
Spring	
70571801 .....	37
Spring Catch Bracket	
70543401 .....	37
Standoff	
70569603 .....	37
Stove Back	
70375201 .....	45
Stove Limit Harness	
70564301 .....	45, 47
Stove Top and Sides	
70306001 .....	45
Street Elbow	
H86070034 .....	47
70612501 .....	47
Supply Harness	
44272306 .....	15
Support Bearing	
70448701 .....	33

Switch	
70411901 .....	43
Switch Bracket	
70356301 .....	43
<hr/>	
<b>T</b>	
Tee	
F422208 .....	47
70071801 .....	47
Tensioning Bracket	
70569501 .....	37
Terminal Block	
430642 .....	51
Terminal Block Shield	
70333001 .....	51
Thermistor	
M414704 .....	41
Thermostat Cover	
M414477 .....	45
Top Panel	
70606501 .....	35
70626901 .....	35
Transformer	
F8491101 .....	51
202758 .....	15
Transformer Harness	
44272305 .....	15
Trunnion and Seal Kit	
70564805 .....	31
Tube	
70281602 .....	47
<hr/>	
<b>U</b>	
Upper Front Panel	
70643401 .....	21
Upper Front Panel Assembly	
70702304 .....	23
70702304W .....	23
Upper Hinge Gusset	
70632001 .....	19
Upper Lug Assembly	
70639301 .....	19
70639303 .....	19
USB IR Interface Kit	
203346 .....	15
USB-Serial Interface Assembly	
203440 .....	7, 9
<hr/>	
<b>V</b>	
Vend Activation Harness	
70577101 .....	7, 9
<hr/>	
<b>W</b>	
Warning Label	
F8611601 .....	52

N/A items do not appear in index.

44321601 .....	52
44324101 .....	52
70534301 .....	21, 23
70534302 .....	21, 23
70534405 .....	52
70536401 .....	52
Washer	
M400991 .....	33, 41
70261401 .....	35
70411301 .....	31
Wire Clip	
70366201 .....	15
Wire Guard	
201595P .....	11
Wire Label	
44286804 .....	51

---

