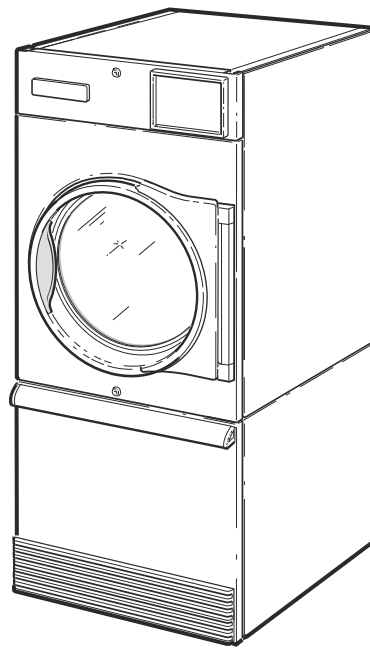


Tumble Dryers

30 Pound Capacity

18 Digit Model Numbers with 6 in 13th Position

Refer to Page 5 for Model Numbers



TMB1293C

Table of Contents

Title	Page
Parts Ordering Information.....	3
Serial Plate Location	3
Machine Identification	5
Product Overview - Heat Source and Voltage	6
Product Overview - FN Control Suffix	8
Product Overview - DN and NN Control Suffixes.....	10
Product Overview - N and W Control Suffixes	12
Product Overview - V Control Suffix	14
Dual Digital Control.....	16
Electronic Display Control - Vend Models with N or W in the 7th Position.....	18
Electronic Display Control Overlays - Vend Models with N or W in the 7th Position	20
Electronic Display Control - OPL Models with N in the 7th Position	22
3.5 Inch Graphical Control	24
Touch Control - Vend Models with V in the 7th Position.....	26
Touch Control - OPL Models with V in the 7th Position	28
Coin Drops	30
Coin Drop Kits.....	32
Network Board Components.....	34
Door Assemblies.....	36
Door Components.....	38
Hinge Components	40
Control Panels	42
Front Panel Assemblies	44
Cabinet Front Components.....	46
Emergency Stop Button - IEC OPL Models	48
Lower Cabinet Components	50
Cylinder and Trunnion Assembly	52
Moisture Sensing Components.....	54
Cylinder Components	56
Cabinet Components	58
Rear Panels	60
Fire Suppression System Components	62
Fire Suppression System Control Box.....	64
Motor Components	66
Blower and Exhaust Components.....	68
Inverter Tray Components	70
Airflow Switch.....	72
Gas Heater Components	74
Burner Orifices	76
Electric Heater Components	78
Control Tray	80

© Copyright 2023, Alliance Laundry Systems LLC

All rights reserved. No part of the contents of this book may be reproduced or transmitted in any form or by any means without the expressed written consent of the publisher.

Accessory Box - Electric Models.....	82
Accessory Box Harnesses - Electric Models.....	84
Accessory Box - Gas Models.....	86
Labels	88
Parts Index.....	89

Parts Ordering Information

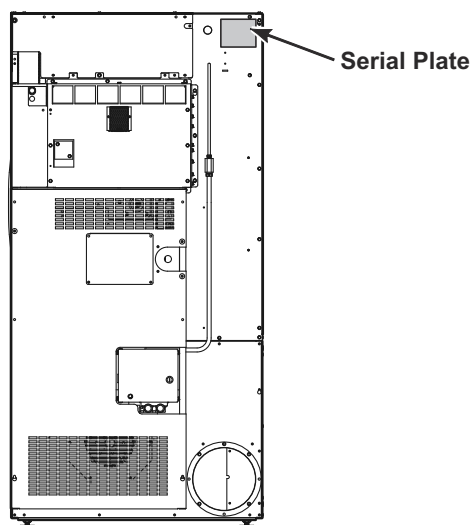
If literature or replacement parts are required, contact the source from whom the machine was purchased or contact Alliance Laundry Systems at (920) 748-3950 for the name and address of the nearest authorized parts distributor.

For technical assistance, call the number listed below:

(920) 748-3121 Ripon, Wisconsin

Serial Plate Location

When calling or writing about your product, be sure to mention model and serial numbers. Model and serial numbers are located on serial plate(s) as shown.



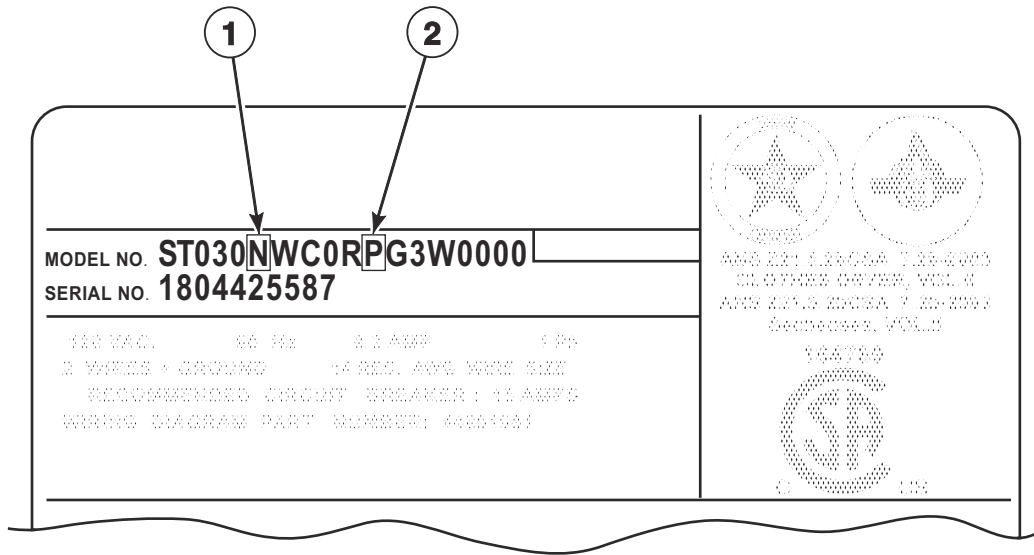
TMB3830P

Machine Identification

Information in this manual is applicable to these machines:

BA030E	HA030E	JU030E	SA030E	UA030E
BA030L	HA030L	JU030N	SA030L	UA030L
BA030N	HA030N	PA030E	SA030N	UA030N
BG030D	HG030D	PA030L	SG030D	UG030D
BG030E	HG030E	PA030N	SG030E	UG030E
BG030L	HG030L	PG030E	SG030L	UG030L
BG030N	HG030N	PG030L	SG030N	UG030N
BH030E	HH030E	PG030N	SH030E	UH030E
BH030N	HH030N	PH030E	SH030N	UH030N
BJ030D	HJ030D	PH030N	SJ030D	UJ030D
BJ030E	HJ030E	PJ030E	SJ030E	UJ030E
BJ030N	HJ030N	PJ030N	SJ030N	UJ030N
BK030E	HK030E	PK030E	SK030E	UK030E
BK030L	HK030L	PK030L	SK030L	UK030L
BK030N	HK030N	PK030N	SK030N	UK030N
BL030E	HL030E	PR030E	SL030E	UL030E
BL030L	HL030L	PT030E	SL030L	UL030L
BR030E	HR030E	PT030N	SR030E	UR030E
BT030D	HT030D	PU030E	ST030D	UT030D
BT030E	HT030E	PU030F	ST030E	UT030E
BT030L	HT030N	PU030N	ST030N	UT030N
BT030N	HU030E	PU030R	SU030E	UU030E
BU030E	HU030F		SU030F	UU030F
BU030F	HU030L		SU030N	UU030N
BU030N	HU030N		SU030R	UU030R
BU030R	HU030R			

Product Overview - Heat Source and Voltage



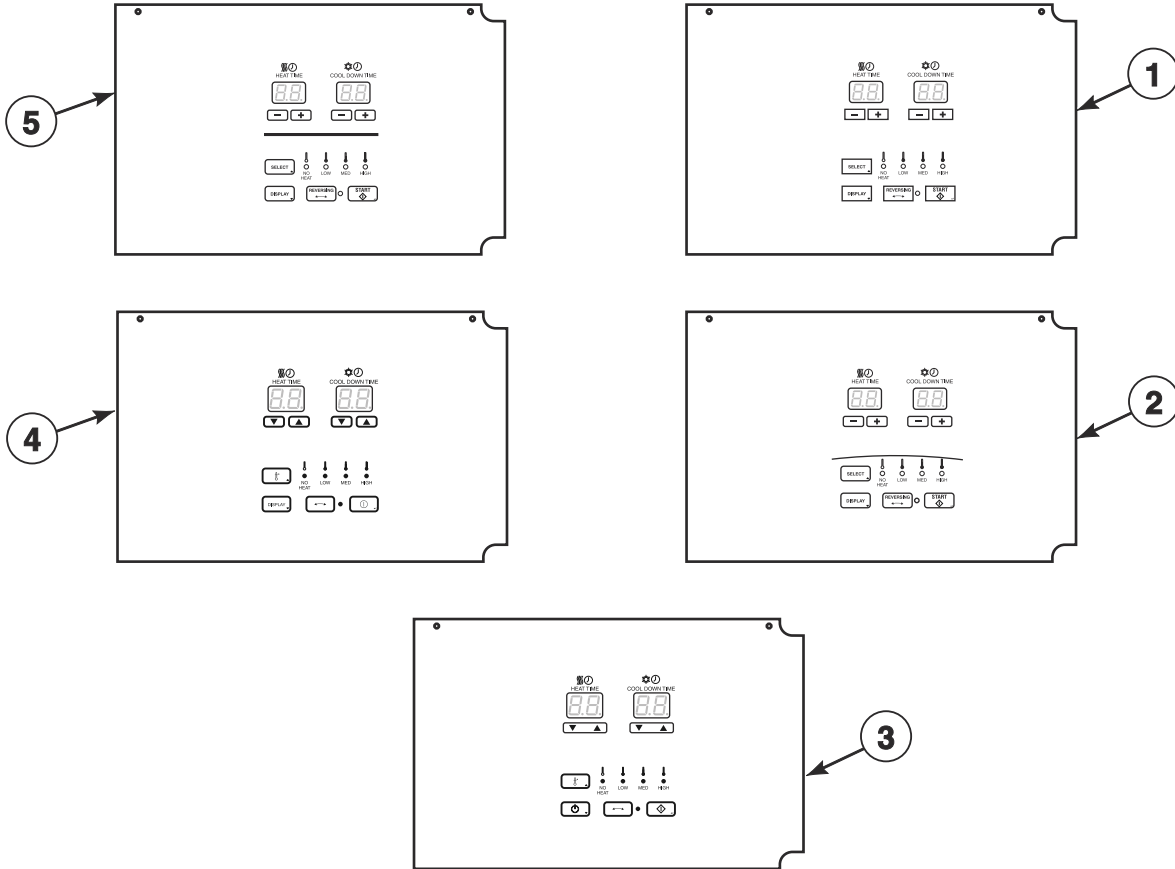
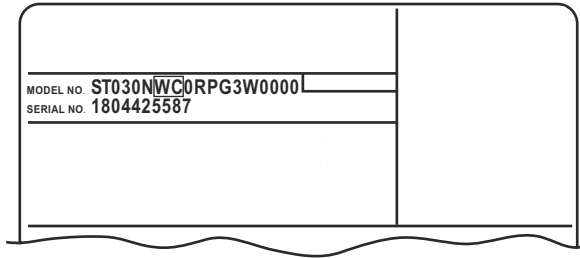
TMB3525P

Product Overview - Heat Source and Voltage

REF	PART NO.	DESCRIPTION	COMMENTS
1	-	Heat Source	D: Liquid Petroleum Gas (L.P) E: Electric F: Reduced Electric (Eco Line) L: Liquid Petroleum Gas (L.P.) N: Natural Gas (N.G.) R: Reduced Gas, Natural Gas (Eco Line)
2	-	Voltage	B: 100-120 Volt/50-60 Hertz/1 Phase; Gas models D: 200-208 Volt/50-60 Hertz/1 Phase; Electric models E: 230-240 Volt/50-60 Hertz/1 Phase; Electric models F: 200-208 Volt/50-60 Hertz/3 Phase; Electric models G: 230-240 Volt/50-60 Hertz/3 Phase; Electric models H: 380 Volt/50-60 Hertz/3 Phase; Electric models J: 400-415 Volt/50-60 Hertz/3 Phase; Electric models K: 440 Volt/50-60 Hertz/3 Phase; Electric models L: 460-480 Volt/50-60 Hertz/3 Phase; Electric models N: 440-480 Volt/50-60 Hertz/3 Phase; Gas models P: 380-415 Volt/50-60 Hertz/3 Phase; Gas models X: 200-240 Volt/50-60 Hertz/1-3 Phase; Gas models

Product Overview - FN Control Suffix

All Models Except J Models; OPL



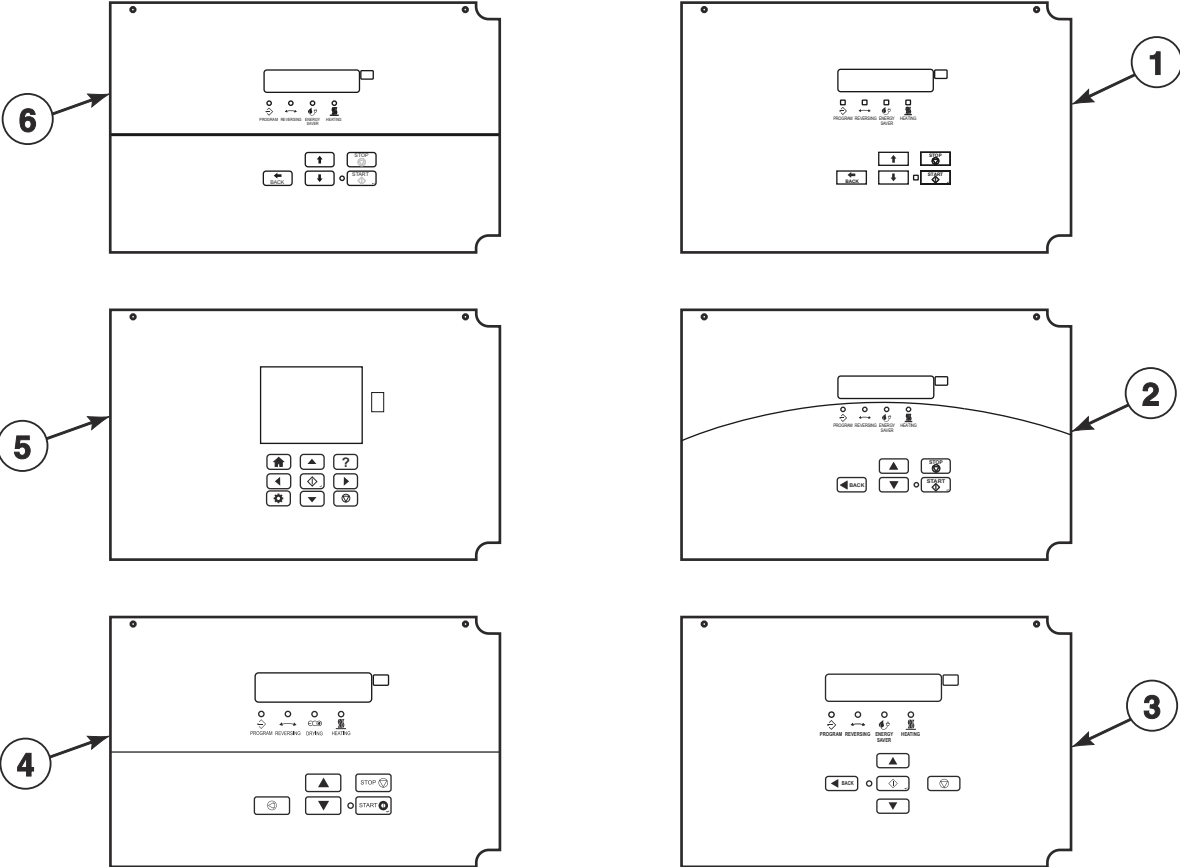
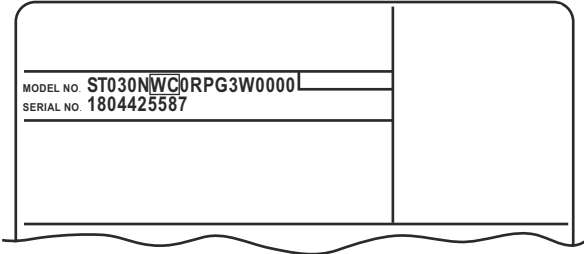
TMB3649P

Product Overview - FN Control Suffix

REF	PART NO.	DESCRIPTION	COMMENTS
1	-	Dual Digital Control	H models
2	-	Dual Digital Control	U models
3	-	Dual Digital Control	B models
4	-	Dual Digital Control	P models
5	-	Dual Digital Control	S models

Product Overview - DN and NN Control Suffixes

All Models Except J Models; OPL



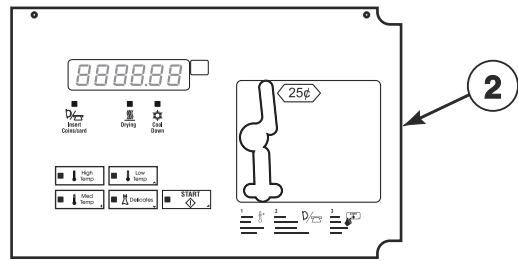
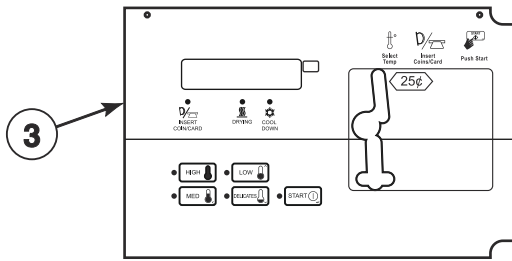
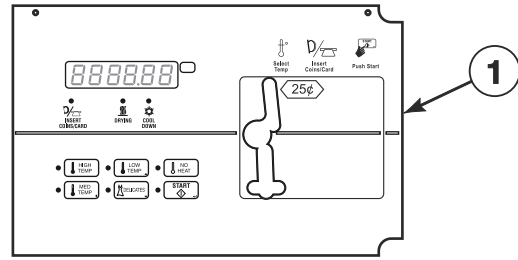
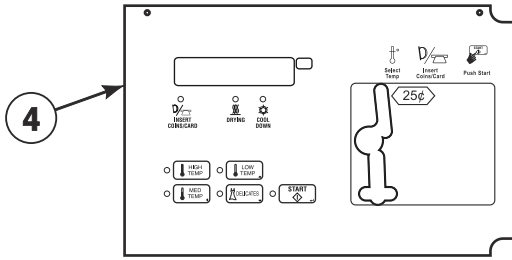
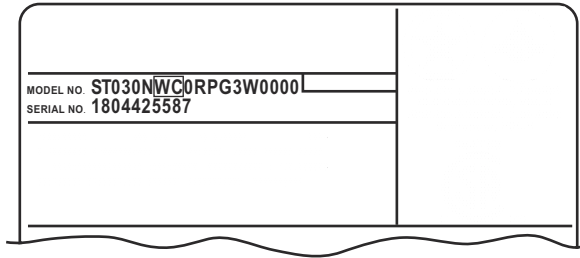
TMB3650P

Product Overview - DN and NN Control Suffixes

REF	PART NO.	DESCRIPTION	COMMENTS
1	-	Galaxy Control	H models
2	-	M-Series Control	U models
3	-	OPTimum Control	B models
4	-	OPL Micro Control	P models
5	-	UniLinc Control	U models
6	-	Quantum Gold Control	S models

Product Overview - N and W Control Suffixes

7th Position of the Model Number; All Models Except U Models; Vend



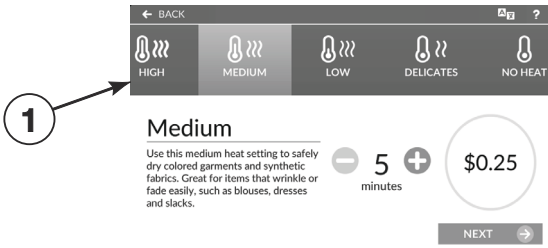
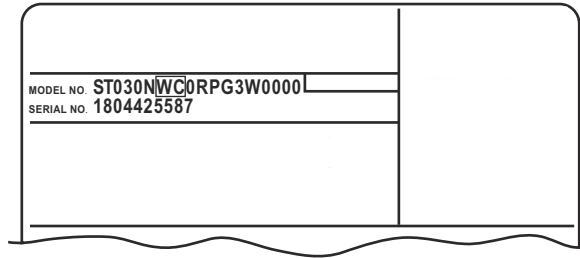
TMB3853P

Product Overview - N and W Control Suffixes

REF	PART NO.	DESCRIPTION	COMMENTS
1	-	Quantum Gold Control	S models
2	-	Galaxy 600	H models
3	-	XQ Control	P models
4	-	EVO7S Control	B and J models

Product Overview - V Control Suffix

7th Position of the Model Number; Vend and OPL



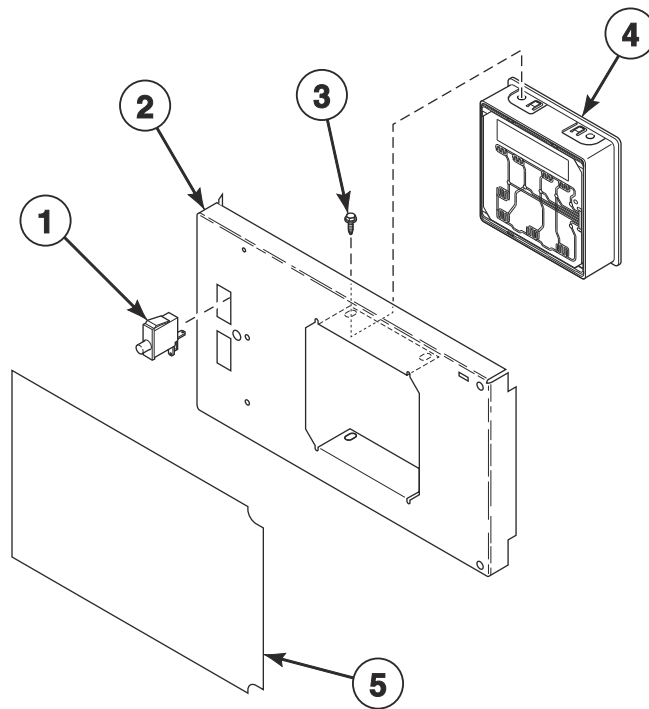
TMB3831P

Product Overview - V Control Suffix

REF	PART NO.	DESCRIPTION	COMMENTS
1	-	Touch Control	B, H, P and S models; Vend
2	-	Touch Control	B, J, P and U models; OPL

Dual Digital Control

Models with F in the 7th Position; All Models Except J Models



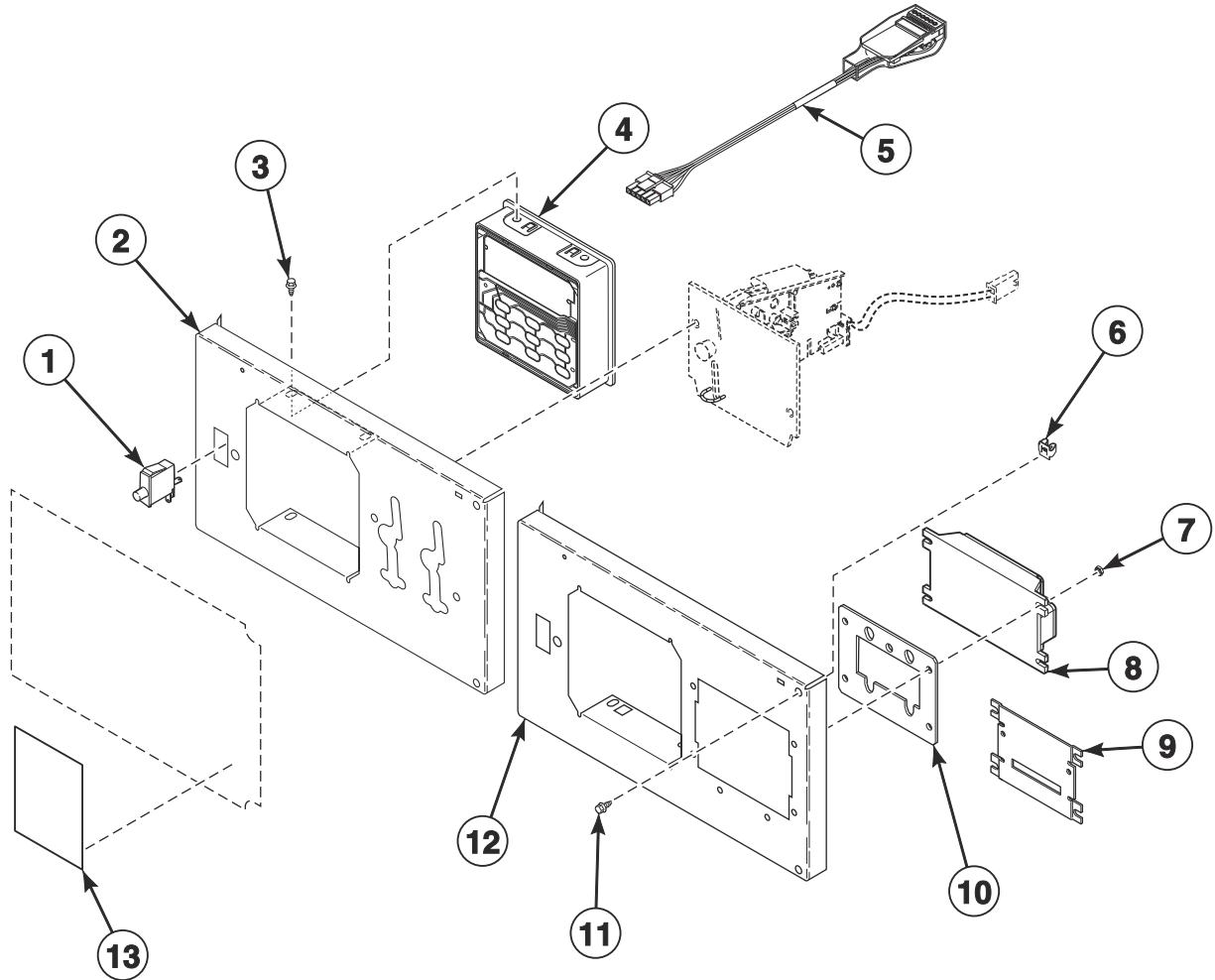
TMB3505P

Dual Digital Control

REF	PART NO.	DESCRIPTION	COMMENTS
	44334004	Vend Activation Harness	
	70707901	Main Harness	
1	70413301	Pushbutton Switch	
2	70497101	Control Plate	All models except S models
3	804608	Screw	4 required
4	70523101	Control Assembly	P models; Blue
	70479801	Control Assembly	H, S and U models; Green
	70479901	Control Assembly	B models; Red
5	70539101	Overlay	B models; Reversing
	70691301	Overlay	H models; Reversing
	70545501	Overlay	P models; Reversing
	70675001	Overlay	S models; Reversing
	70519001	Overlay	U models; Reversing

Electronic Display Control - Vend Models with N or W in the 7th Position

All Models Except U Models



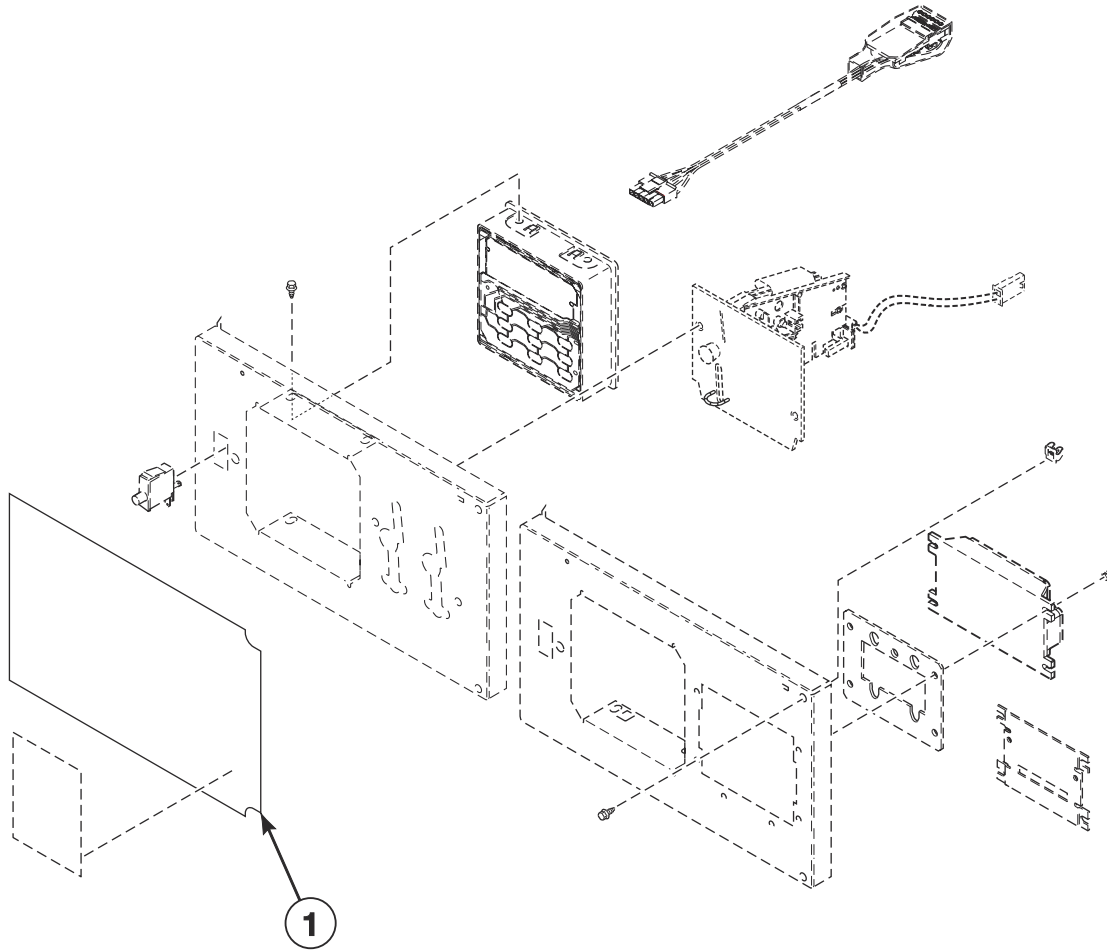
TMB3832P

Electronic Display Control - Vend Models with N or W in the 7th Position

REF	PART NO.	DESCRIPTION	COMMENTS
	44334004	Vend Activation Harness	
	44334103	Bypass Harness	Vault Switch
	44334104	Coin Vault Switch Harness	
	44378102	Interface Harness	Central pay to front end control
	70707901	Main Harness	
	F8519403	Emergency Stop Bypass Harness	T and G market models
	F8719301	Fob Communication Harness	
1	70413301	Pushbutton Switch	
2	70496601	Control Plate and Studs Assembly	Coin and central pay; All models except S models
3	804608	Screw	4 required
4	70523001	Control Assembly	P models; Blue
	70478801P	Control Assembly	H and S models; Green
	70478901	Control Assembly	B and J models; Red
5	203361P	Machine ID Control Assembly	Model or serial number is required when ordering
6	70030501	Expansion Clip	
7	70054	Nut	
8	205135	Fob Reader Control Assembly	
9	44089501	Slot Card Plate Assembly	
10	70208801	Mounting Plate	
11	M411072	Screw	
12	70497201	Control Plate Assembly	Card and FOB; All models except S models
13	F8205101	Overlay	S models; Single drop; Left
	70557001	Overlay	B and S models; Prep for card
	70557002	Overlay	B and S models; Central pay
	70295101	Overlay	S models; World drop
	70556801	Overlay	H models; World drop
	70556501	Overlay	H models; Prep for card
	70556502	Overlay	H models; Central pay
	70556601	Overlay	H models; Single drop; Left
	70556901	Overlay	H models; Citron; World drop
	70518101	Overlay	H models; Citron; Prep for card
	70518102	Overlay	H models; Citron; Central pay
	70556701	Overlay	H models; Citron; Left
	70556201	Overlay	P models; Single drop; Right
	70556401	Overlay	P models; Prep for card
	70556402	Overlay	P models; Central pay
	70556301	Overlay	P models; Single drop; Left
	F8733901	Overlay	S models; FOB
	F8734201	Overlay	H models; FOB
	F8736501	Overlay	H models; Citron; FOB

Electronic Display Control Overlays - Vend Models with N or W in the 7th Position

All Models Except U Models



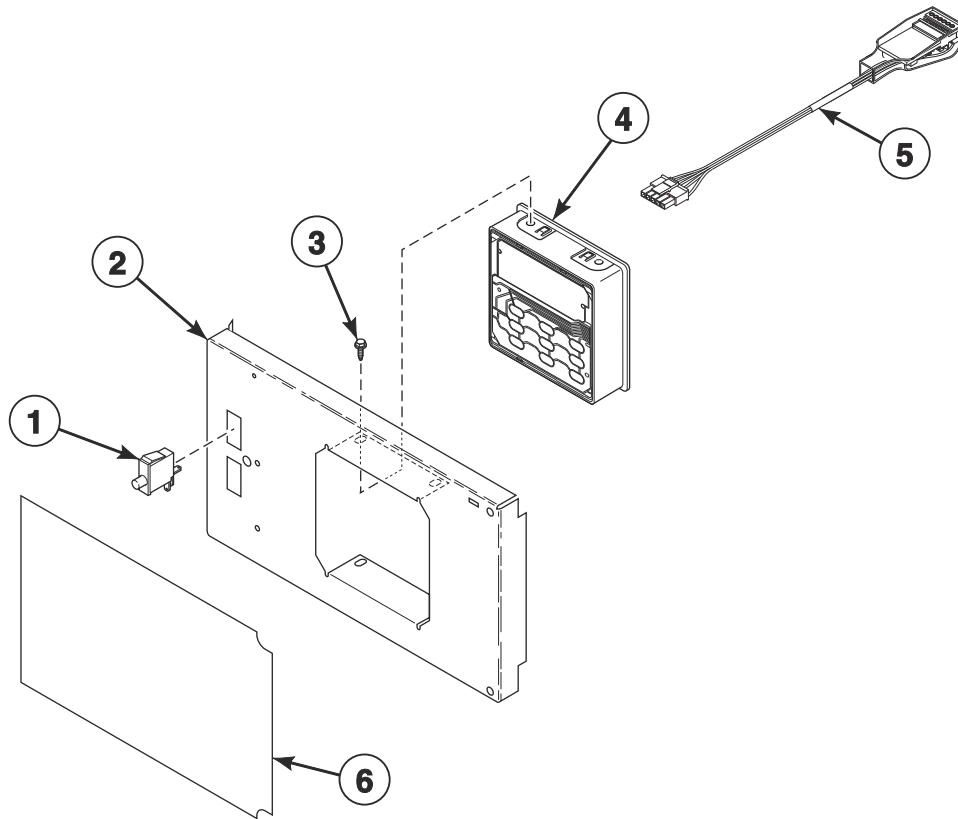
TMB3832PA

Electronic Display Control Overlays - Vend Models with N or W in the 7th Position

REF	PART NO.	DESCRIPTION	COMMENTS
1	70681701	Overlay	S models; Single drop
	70681702	Overlay	S models; Dual drop
	70681703	Overlay	S models; Card ready
	70681704	Overlay	S models; Central pay
	70681705	Overlay	S models; World drop
	70705701	Overlay	S models
	70690401	Overlay	H models; Single drop
	70690402	Overlay	H models; Dual drop
	70690403	Overlay	H models; Card ready
	70690404	Overlay	H models; Central pay
	70690405	Overlay	H models; World drop
	70690701	Overlay	H models; Single drop; Citron
	70690702	Overlay	H models; Dual drop; Citron
	70690703	Overlay	H models; Card ready; Citron
	70571101	Overlay	B models; Single drop
	70571102	Overlay	B models; Dual drop
	70571103	Overlay	B models; Card ready
	70541201	Overlay	P models; Single drop
	70541202	Overlay	P models; Dual drop
	70541203	Overlay	P models; Card ready
	70571104	Overlay	J models; Electronic drop

Electronic Display Control - OPL Models with N in the 7th Position

All Models Except J Models



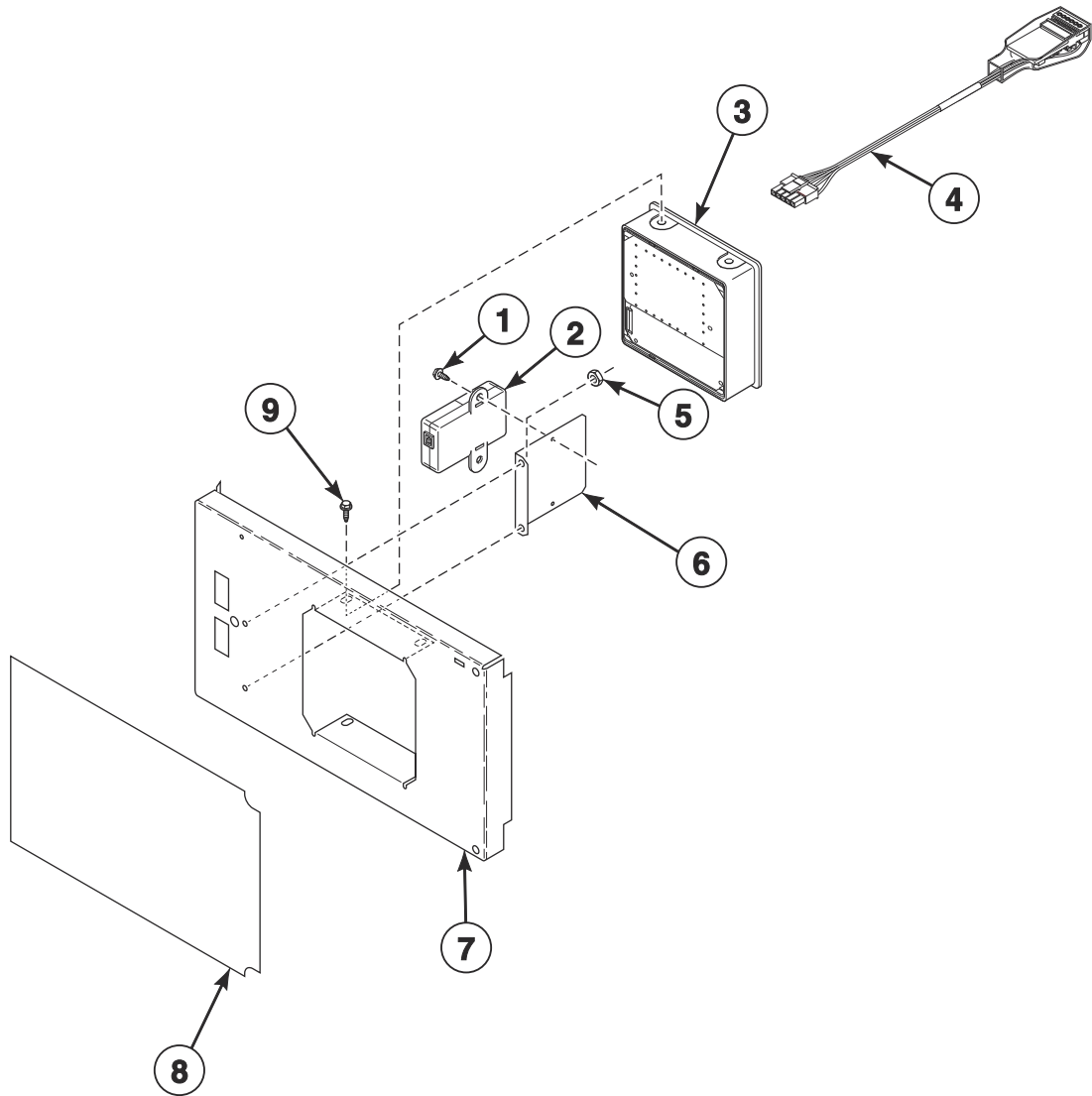
TMB3680P

Electronic Display Control - OPL Models with N in the 7th Position

REF	PART NO.	DESCRIPTION	COMMENTS
	44334004	Vend Activation Harness	
	70707901	Main Harness	
1	70413301	Pushbutton Switch	
2	70497101	Control Plate	All models except S models
3	804608	Screw	4 required
4	70523002	Control Assembly	P models; Blue
	70478802	Control Assembly	H, S and U models; Green
	70478902	Control Assembly	B models; Red
5	203361P	Machine ID Control Assembly	Model or serial number is required when ordering
6	70673301	Overlay	S models; Reversing
	70571401	Overlay	U models; Reversing
	70691001	Overlay	H models; Reversing
	70548801	Overlay	B models; Reversing
	70571601	Overlay	P models; Reversing

3.5 Inch Graphical Control

U Models with D in the 7th Position



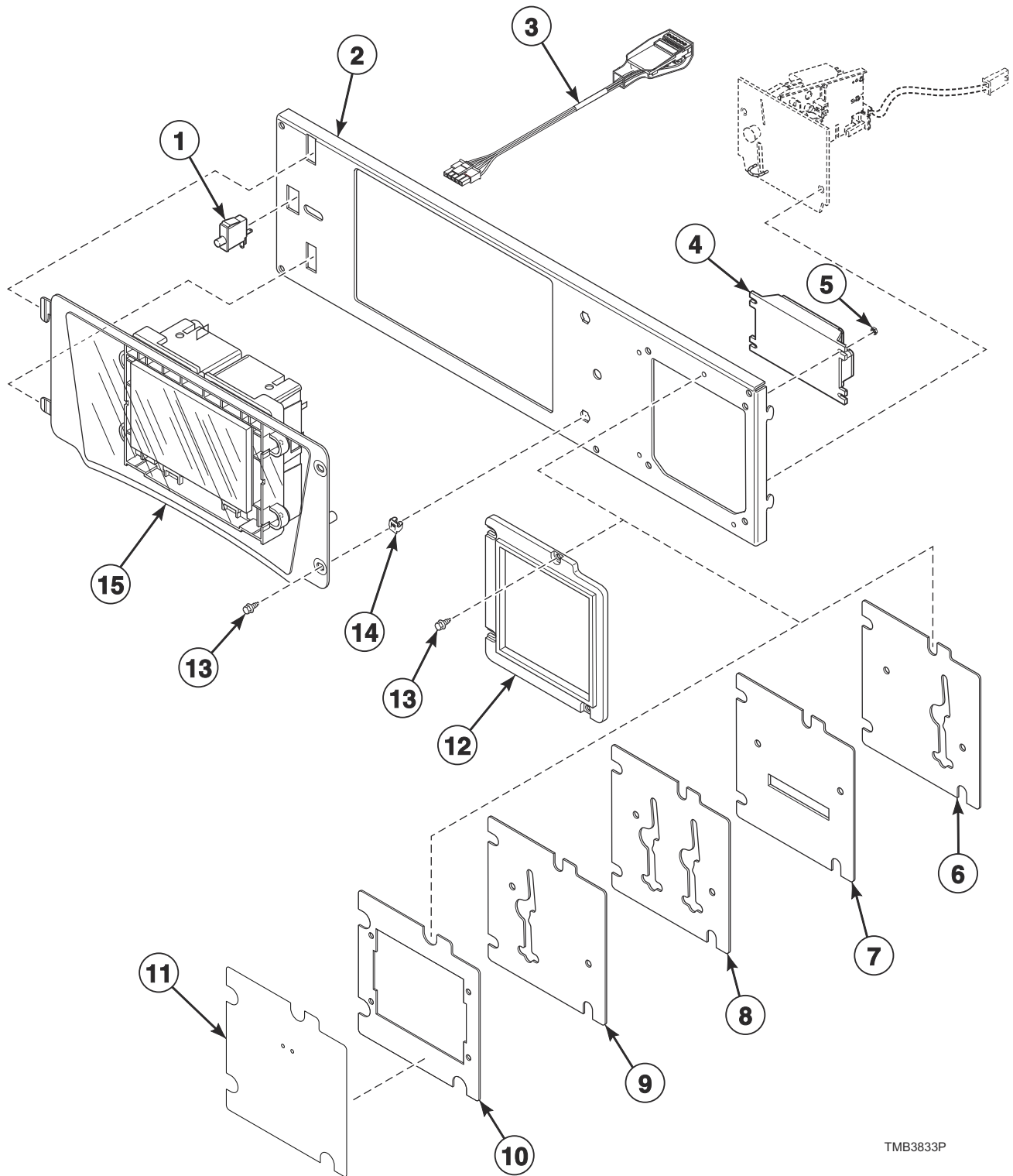
TMB3681P

3.5 Inch Graphical Control

REF	PART NO.	DESCRIPTION	COMMENTS
	F8617901	Harness	USB
	70707901	Main Harness	USB
1	51780	Screw	
2	203440	USB-Serial Interface Assembly	
3	70543104	Control Assembly	
4	203361P	Machine ID Control Assembly	Model or serial number is required when ordering
5	44071201	Nut	2 required
6	70547001	USB Bracket	
7	70570201	Control Door and Studs Assembly	
8	70595401	Overlay	
9	804608	Screw	4 required

Touch Control - Vend Models with V in the 7th Position

B, H P and S Models



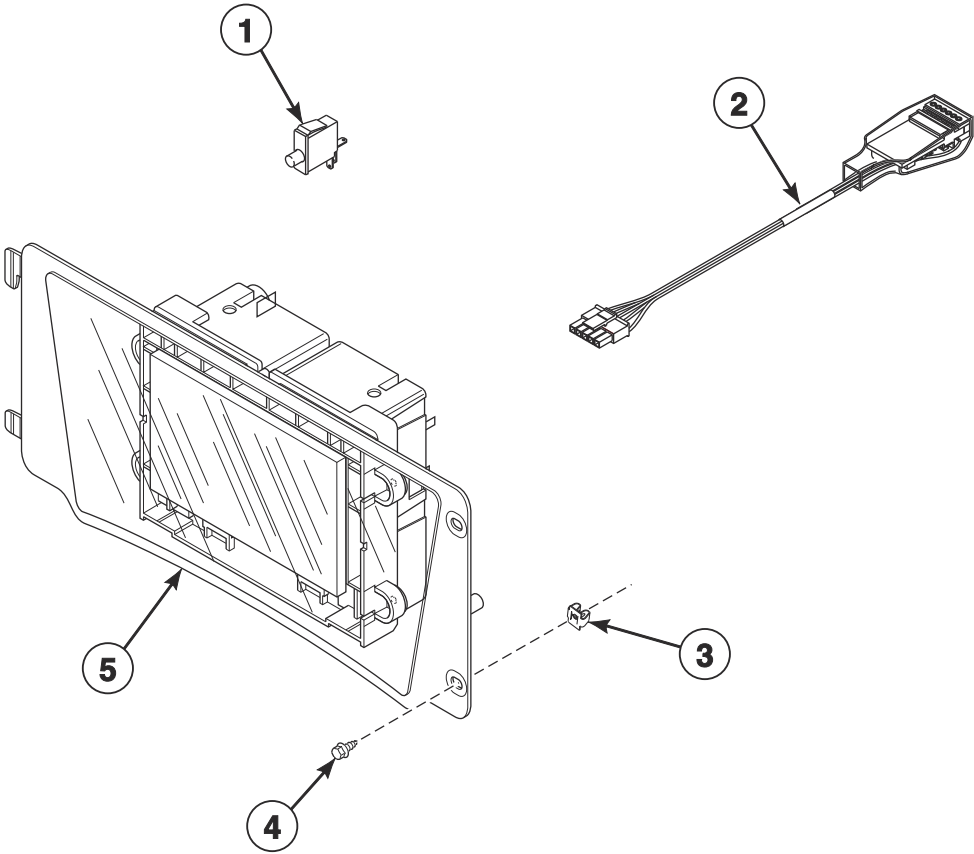
TMB3833P

Touch Control - Vend Models with V in the 7th Position

REF	PART NO.	DESCRIPTION	COMMENTS
	44334002	Vend Activation Harness	
	44087101	Nut	2 required
	204692	Wireless Control Label	2 required
	203440	USB-Serial Interface Assembly	
	44374701	App Pay Overlay Kit	
	70576501P	Replacement Screen Kit	
	F8519403	Emergency Stop Bypass Harness	T and G market models
	70707901	Main Harness	
	F8719302	Fob Communication Harness	
	44378102	Interface Harness	Central pay to front end control
	F8713906	Serial Pay Harness	Card
	44334103	Bypass Harness	Vault switch
	44334104	Coin Vault Switch Harness	
1	70413301	Pushbutton Switch	
2	70598601	Control Mounting Bracket	
3	203361P	Machine ID Control Assembly	
4	205135	Fob Reader Control Assembly	
5	70054	Nut	
6	F8574205	Accessory Plate Assembly	World drop
7	F8574204	Card Reader Plate	Card
8	F8574203	Accessory Plate Assembly	Dual drop
9	F8574202	Accessory Plate Assembly	Single drop
10	F8734601	Accessory Plate Assembly	FOB
11	F8734001	Overlay	S models; FOB
	F8734301	Overlay	H models; FOB
	F8736601	Overlay	H models; Citron; FOB
12	F8632501	Vend Plate	
13	39733	Screw	
14	70030501	Expansion Clip	2 required
15	70597801P	Control Assembly	

Touch Control - OPL Models with V in the 7th Position

B, J, P and U Models



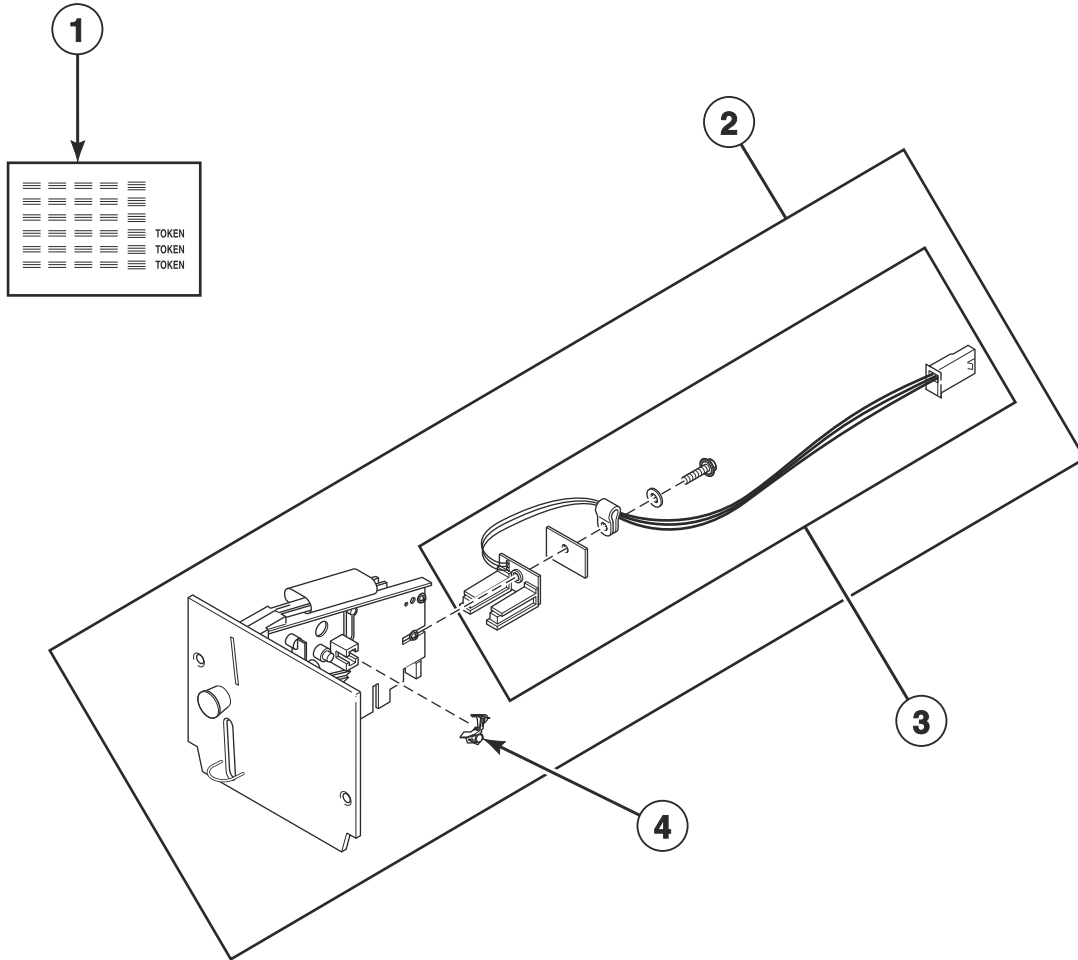
TMB3828P

Touch Control - OPL Models with V in the 7th Position

REF	PART NO.	DESCRIPTION	COMMENTS
	44087101	Nut	2 required
	204692	Wireless Control Label	2 required
	203440	USB-Serial Interface Assembly	
	44374701	App Pay Overlay Kit	
	70576501P	Replacement Screen Kit	
	70707901	Main Harness	
	51780	Screw	U models; Use with 70547001 USB Bracket
	70547001	USB Bracket	U models
	F8617901	Harness	U models; USB
1	70413301	Pushbutton Switch	
2	203361P	Machine ID Control Assembly	
3	70030501	Expansion Clip	2 required
4	39733	Screw	
5	70597803	Control Assembly	B, J and P models
	70697004	Control Assembly	U models

Coin Drops

All Models Except U Models



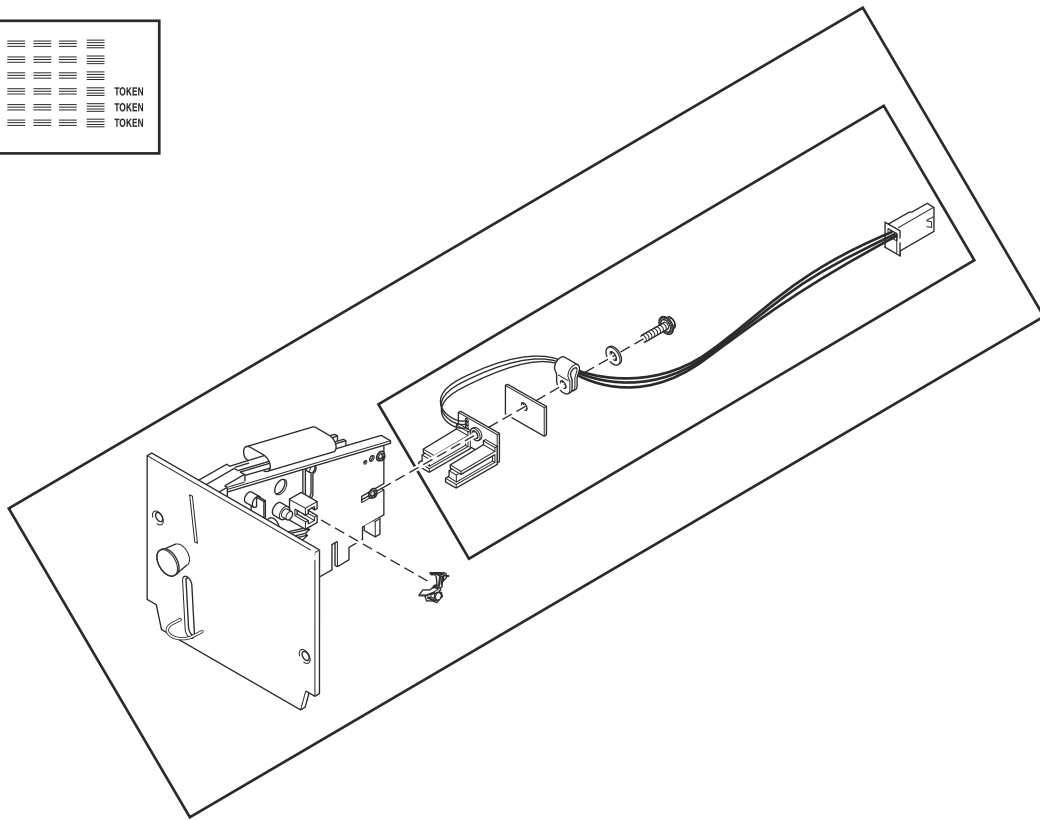
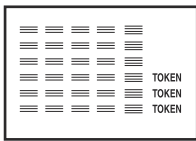
TMB3510P

Coin Drops

REF	PART NO.	DESCRIPTION	COMMENTS
1	38725	Coin Identification Paper	
2	70441601P	Coin Drop	Single; U.S.A.; \$.25
	38475	Coin Drop Assembly	Single; Japan; 100 yen
	38464P	Coin Drop Assembly	Single; Canada; .25
	CK077	Coin Drop Kit	Single; Taiwan; 10 NT
	70506901	Coin Drop Assembly	Single; Singapore; \$1.00 NEW
	70441603	Coin Drop	Dual; U.S.A.; \$.25 and \$1.00
	38519	Coin Drop Assembly	Dual; Japan; 100 yen and 500 yen
	70441602	Coin Drop Assembly	Dual; Canada; .25 and 1.00
	38467	Coin Drop Assembly	Dual; Australia; \$0.20 and \$1.00
	70447301	Coin Drop Assembly	Dual; Australia; \$1.00 and \$2.00
	70283102	Coin Drop Assembly	Dual; 0.20 and 0.50 Euro
	210195	Coin Drop Assembly	Dual; 0.20 and 1.00 Euro
	210196	Coin Drop Assembly	Dual; 0.50 and 1.00 Euro
	F0160737-00	Coin Meter	Dual; 0.50 and 2.00 Euro
	70281102	Coin Drop Assembly	Dual; Taiwan; 10 and 50 NT
	70482401	Coin Drop Assembly	Dual; New Zealand; \$1.00 and \$2.00
	38462P	Coin Drop Assembly	Single; Token; STD 118-1
	38463	Coin Drop Assembly	Single; Token; STD 118-5
	38963P	Coin Drop	Single; Token STD 118-16
	39748	Coin Drop	Single; Jeton 08MS
	201141	Coin Drop Assembly	Single; Token; Jeton wh121
	70471601	Coin Drop Assembly	Single; Token; 7K
	70513302	Electronic Coin Drop Assembly	Euro and Great Britain coins
	70513310	Electronic Coin Drop Assembly	Japan and Thailand coins
	70513304	Electronic Coin Drop Assembly	Australia, New Zealand, Hong Kong and South Korea coins
	70513303	Electronic Coin Drop Assembly	Denmark, Norway and Euro coins
	70513306	Electronic Coin Drop Assembly	Mexico, Ecuador and U.S.A. coins
	70294107	Electronic Coin Drop Assembly	Lithuania, Latvia and Euro coins
	70513311	Electronic Coin Drop Assembly	China and Malaysia coins
	70513308	Electronic Coin Drop Assembly	South African 1, 2 and 5 rand coins
	70513309	Electronic Coin Drop Assembly	Euro coins
	70513312	Electronic Coin Drop Assembly	Russia coins
	70513313	Electronic Coin Drop Assembly	Philippines coins
	70513314	Electronic Coin Drop Assembly	Thailand coins
	70513315	Electronic Coin Drop Assembly	Chile coins
	70513316	Electronic Coin Drop Assembly	Singapore coins
3	200674P	Opto Coupler	
4	201595P	Wire Guard	

Coin Drop Kits

All Models Except U Models

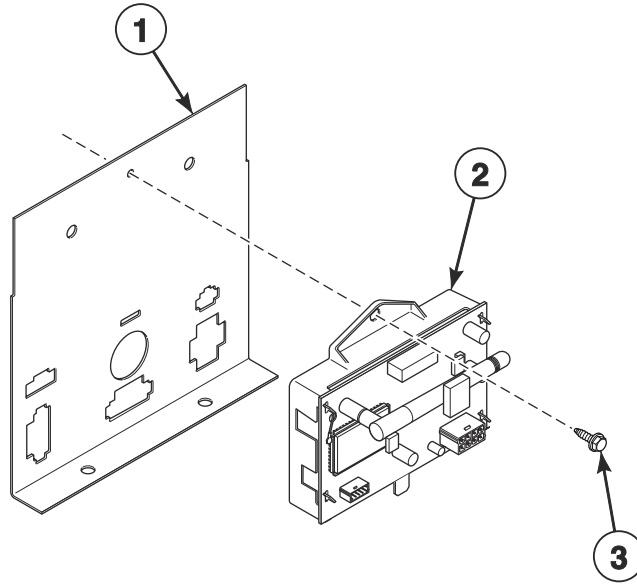


TMB3510PA

Coin Drop Kits

REF	PART NO.	DESCRIPTION	COMMENTS
	CK115	Electronic Coin Drop Kit	United States and Canada
	CK099	Electronic Coin Drop Kit	Australia (default), New Zealand, Hong Kong, South Korea and Malaysia
	CK100	Electronic Coin Drop Kit	United Kingdom (default) and Europe
	CK101	Electronic Coin Drop Kit	Europe (default), Denmark and Norway
	CK108	Electronic Coin Drop Kit	South Africa
	CK109	Electronic Coin Drop Kit	Euro
	CK110	Electronic Coin Drop Kit	Mexico (default), Ecuador and United States
	CK113	Electronic Coin Drop Kit	Japan and Taiwan
	CK116	Electronic Coin Drop Kit	Malaysia (default) and China
	CK117	Electronic Coin Drop Kit	Russia
	CK118	Electronic Coin Drop Kit	Philippine
	CK119	Electronic Coin Drop Kit	Thailand
	CK120	Electronic Coin Drop Kit	Chile
	CK121	Electronic Coin Drop Kit	Singapore
	CK122	Coin Drop Kit	New Zealand; 1.00 and 2.00

Network Board Components

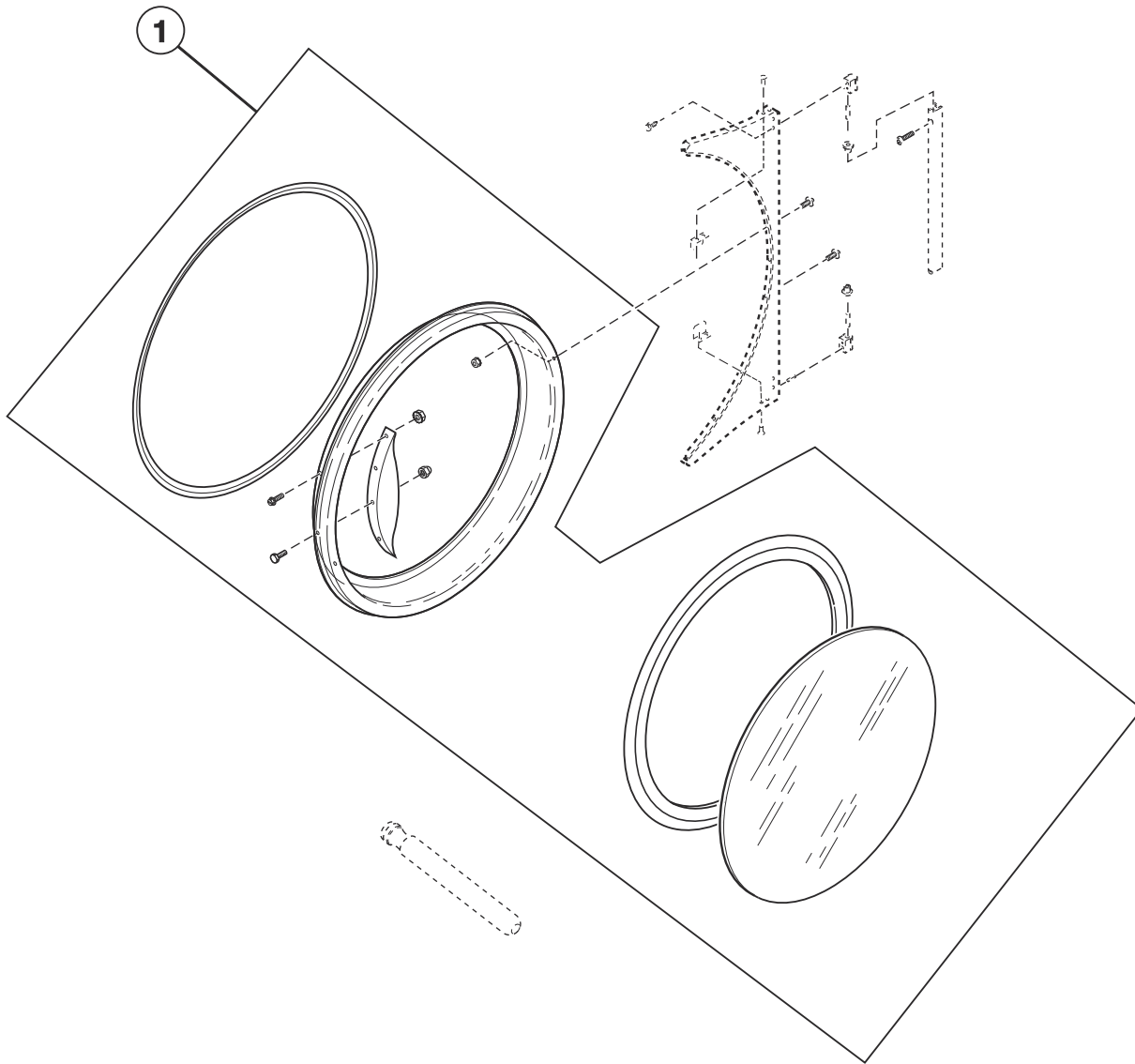


TMB3834P

Network Board Components

REF	PART NO.	DESCRIPTION	COMMENTS
	70609701	Wireless Network Kit	
	F8674006	Wireless Network Harness	
	204692	Wireless Control Label	
	203346	USB IR Interface Kit	
	70666806	Fob Reader Kit	
1	70307007	Harness Mounting Plate	
2	807211	Wireless Network Control Assembly	
3	F8206901	Screw	

Door Assemblies

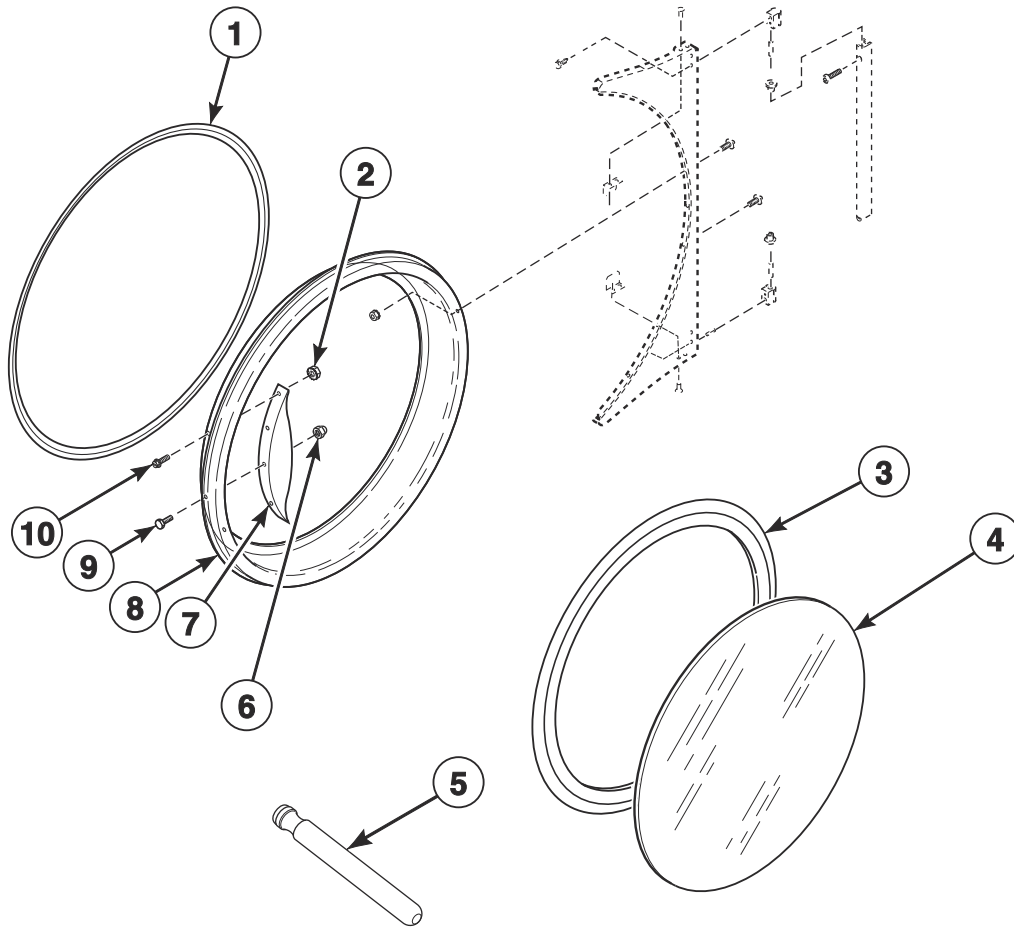


TMB3835P

Door Assemblies

REF	PART NO.	DESCRIPTION	COMMENTS
1	70597701	Door Assembly	S models; Stainless steel
	70597702	Door Assembly	S models; Chrome
	70597703	Door Assembly	U models; Stainless steel
	70597704	Door Assembly	U models; Chrome
	70597705	Door Assembly	H models; Stainless steel
	70597707	Door Assembly	H models; Stainless steel with green trim
	70597706	Door Assembly	H models; Chrome
	70597708	Door Assembly	H models; Chrome with green trim
	70597709	Door Assembly	B, J and P models; Black
	70597710LG	Door Assembly	P models; Light gray

Door Components

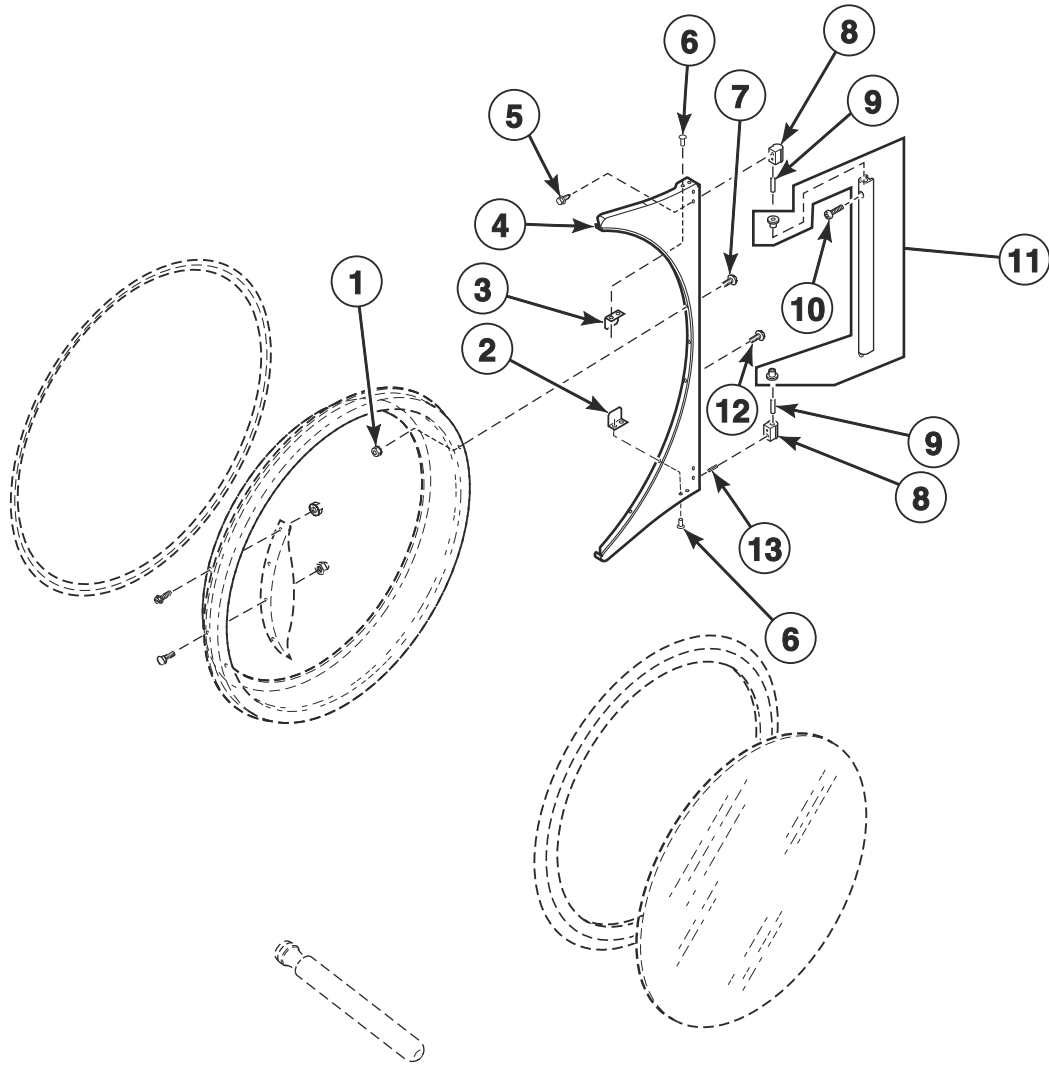


TMB3835PA

Door Components

REF	PART NO.	DESCRIPTION	COMMENTS
	70650401	Door Glass Label	H models
	70707701	Door Glass Label	S models
	70707501	Max Fill Line Label	
1	70296801	Door Ring Gasket	
2	44088001	Nut	B, H and S models; 4 required
3	70211901P	Door Glass Seal Kit	Use Loctite 414 for seal
4	70133604	Door Glass	H models; Green trim
	M400784P	Door Glass	
5	M4221P4	Door Glass Installation Tool	
6	M414215	Nut	For door strike; Mounts between door strike screw and door handle
7	44007902P	Door Handle	B, J, P and S models
	44263801	Door Handle	U models; Use 901620 Screw, 800465 Washer, 803871 Screw and 44088001 Nut to attach
	44370602	Door Handle	H models
8	70597501	Door Ring Assembly	H and S models; Stainless steel
	70597502	Door Ring Assembly	H and S models; Chrome
	70597503	Door Ring Assembly	U models
	70597504	Door Ring Assembly	U models; Chrome
	70597508LG	Door Ring Assembly	P models; Includes handle; Light gray
	70597507B	Door Ring Assembly	B, J and P models; Black
9	M400661	Screw	Door Strike
10	70442101	Screw	B, H, J, P and S models; 4 required

Hinge Components

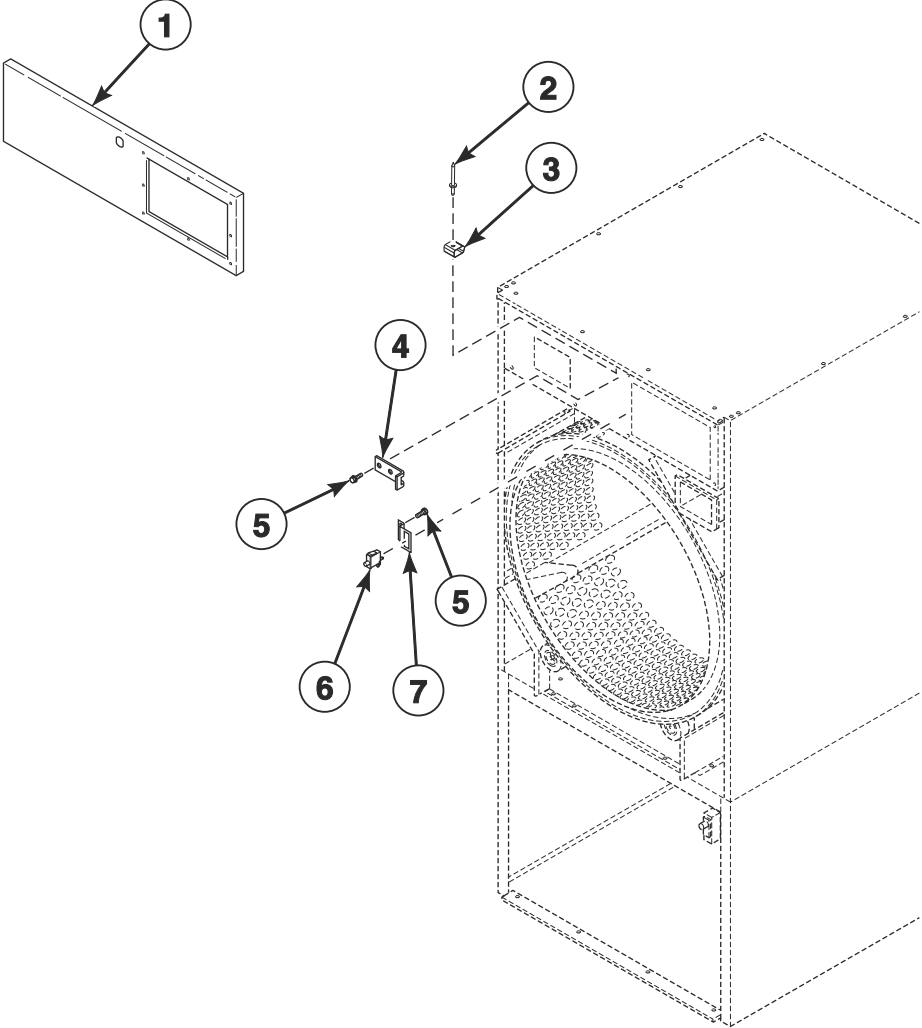


TMB3835PB

Hinge Components

REF	PART NO.	DESCRIPTION	COMMENTS
1	44088001	Nut	
2	70532101	Door Switch Actuator	Bottom
3	70532102	Door Switch Actuator	Top
4	70595509W	Door Hinge	H, S and U models
	70595503	Door Hinge	H, S and U models; Stainless steel
	70595501	Door Hinge	H and S models; Chrome
	70595509LG	Door Hinge	P models; Light gray
	70595509B	Door Hinge	B, J and P models; Black
5	70576101	Screw	
6	70058501	Pop Rivet	
7	44349101	Screw	5 required
8	M4772P3	Hinge Cam Kit	H, P, S and U models
	70622401	Hinge Cam Kit	H and S models; Chrome
	M4773P3	Hinge Cam Kit	B, J and P models; Black
9	70071401	Pin	
10	70033502	Screw	H, P, S and U models
	70407301	Screw	B, J and P models; Black
11	44035001	Door Hinge Lug Assembly	H, P, S and U models
	44035002	Door Hinge Lug Assembly	B, J and P models; Black
	44035003	Door Hinge Lug Assembly	H and S models; Chrome
12	70689401	Screw	
13	70436301	Screw	

Control Panels

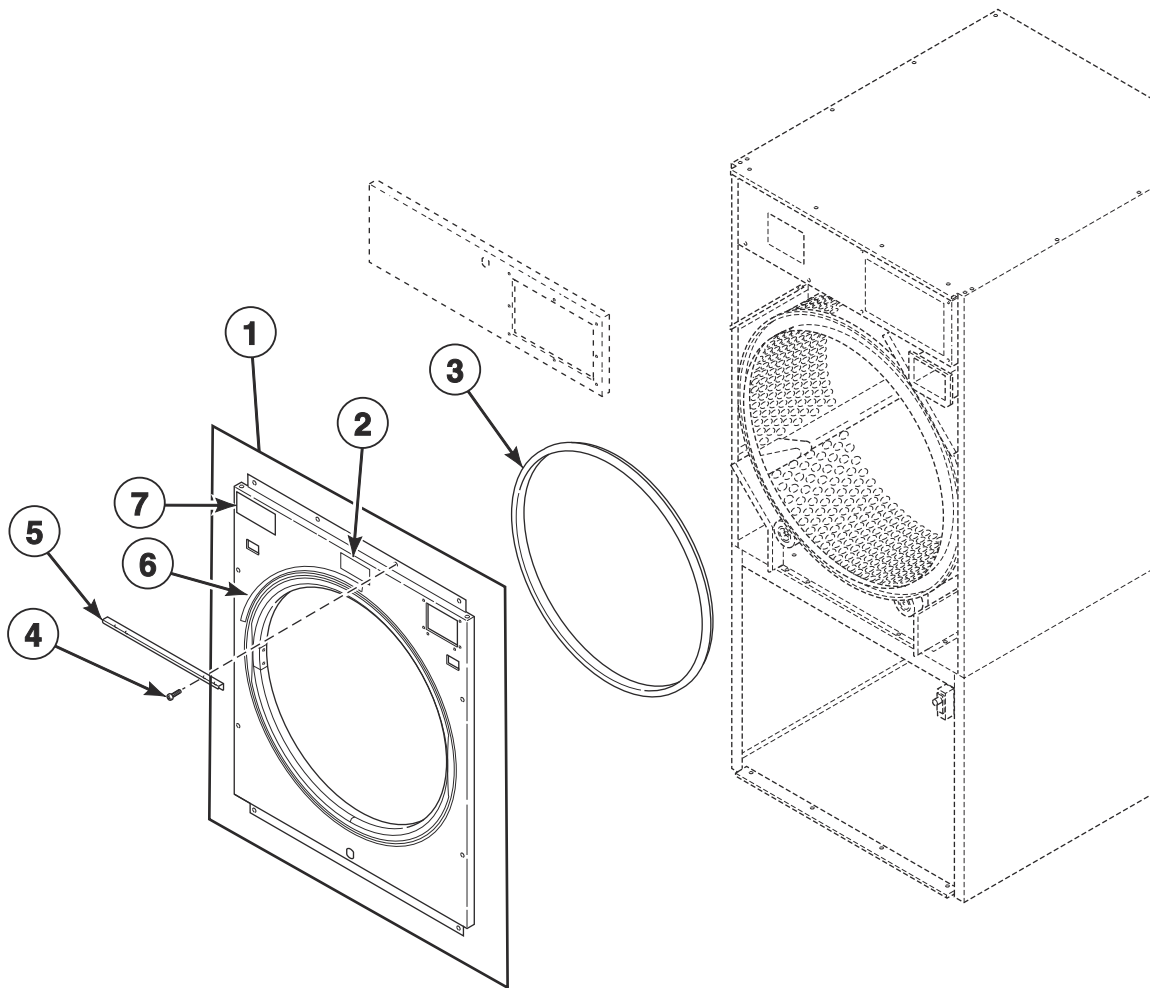


TMB3836P

Control Panels

REF	PART NO.	DESCRIPTION	COMMENTS
1	70273315W	Control Panel	B, J and U models; Models with D, F, N and W in 7th position
	70273313	Control Panel	B and U models; Stainless steel; Models with D, F, N and W in 7th position
	70689703W	Control Panel Assembly	S models; Coin and central pay; Models with N and W in 7th position
	70689701	Control Panel Assembly	S models; Stainless steel; Coin and central pay; Models with N and W in 7th position
	70121514DG	Control Panel	P models; Dark gray; Models with F, N and W in 7th position
	70121514W	Control Panel	H models; Models with F, N and W in 7th position
	70121509	Control Panel	H and P models; Stainless steel; Models with F, N and W in 7th position
	70689702	Control Panel Assembly	S models; Stainless steel; Card; Models with N and W in 7th position
	70689704W	Control Panel Assembly	S models; Card; Models with N and W in 7th position
	70689603	Control Panel Assembly	S models; Stainless steel; OPL; Models with F, N and W in 7th position
	70689606W	Control Panel Assembly	S models; OPL; Models with F, N and W in 7th position
	70582901	Control Panel	B, H, P and S models; Coin and card models with V in 7th position
	70582902	Control Panel	B, H, J, P and S models; Central pay and OPL models with V in 7th position
	70695601W	Control Panel	U models; Models with V in 7th position
	70695602	Control Panel	U models; Stainless steel; Models with V in 7th position
2	M400003	Pop Rivet	
3	431318	Control Door Latch	Models with D, F, N and W in 7th position
4	70654501	Lock Catch Bracket	Models with V in 7th position
5	430497	Screw	
6	70413301	Pushbutton Switch	
7	70641601	Control Panel Switch Bracket	

Front Panel Assemblies

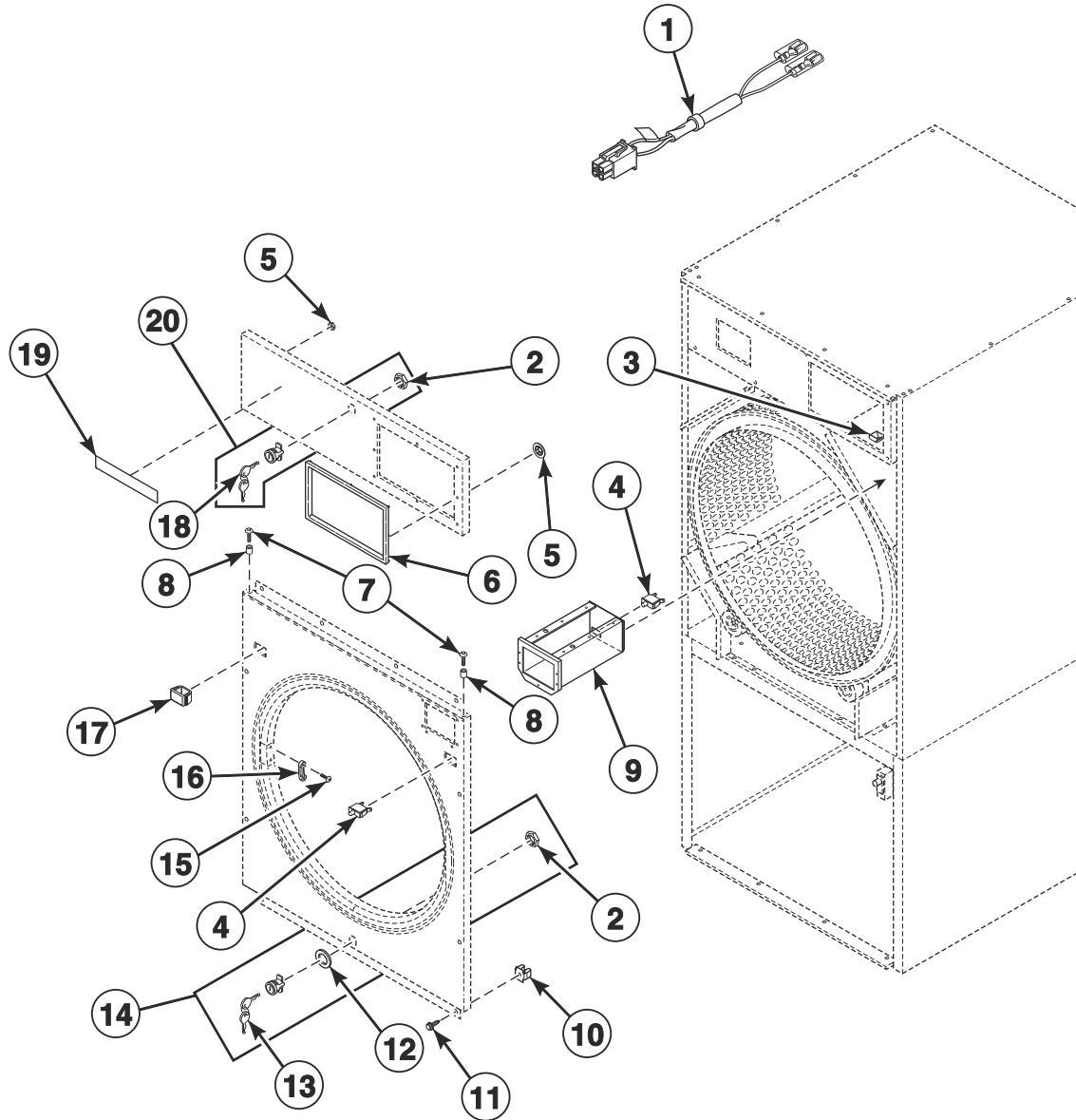


TMB3837P

Front Panel Assemblies

REF	PART NO.	DESCRIPTION	COMMENTS
1	70602002W	Front Panel Assembly	All models except U models; Coin
	70602501DG	Front Panel Assembly	P models; Coin; Dark gray
	70601501	Front Panel Assembly	B, H, P and S models; Coin; Stainless steel
	70602102W	Front Panel Assembly	B, H, P and S models; Card and central pay
	70576002DG	Front Panel Assembly	P models; Card and central pay; Dark gray
	70601601	Front Panel Assembly	B, H, P and S models; Card and central pay; Stainless steel
	70602702W	Front Panel Assembly	All models except J models; OPL; With e-stop
	70602801DG	Front Panel Assembly	P models; OPL; Dark gray; With e-stop
	70601901	Front Panel Assembly	OPL; Stainless steel; With e-stop
	70602202W	Front Panel Assembly	All models except J models; OPL; Without e-stop
	70576003DG	Front Panel Assembly	P models; OPL; Dark gray; Without e-stop
	44115902	Front Panel Assembly	All models except J models; OPL; Stainless steel; Without e-stop
2	70472801	Label	U models
3	70173401P	Front Panel Seal	
4	M411072	Screw	
5	70641501	Control Panel Stand Bracket	S models; Models with F, N and W in the 7th position
6	70534301	Warning Label	English
	70534302	Warning Label	French
	70534300	Label Kit	Warning; IEC models
7	70537001	Label	B, H, S and U models; C.A.R.E.
	44190901	Label	P models; Safe Tech

Cabinet Front Components



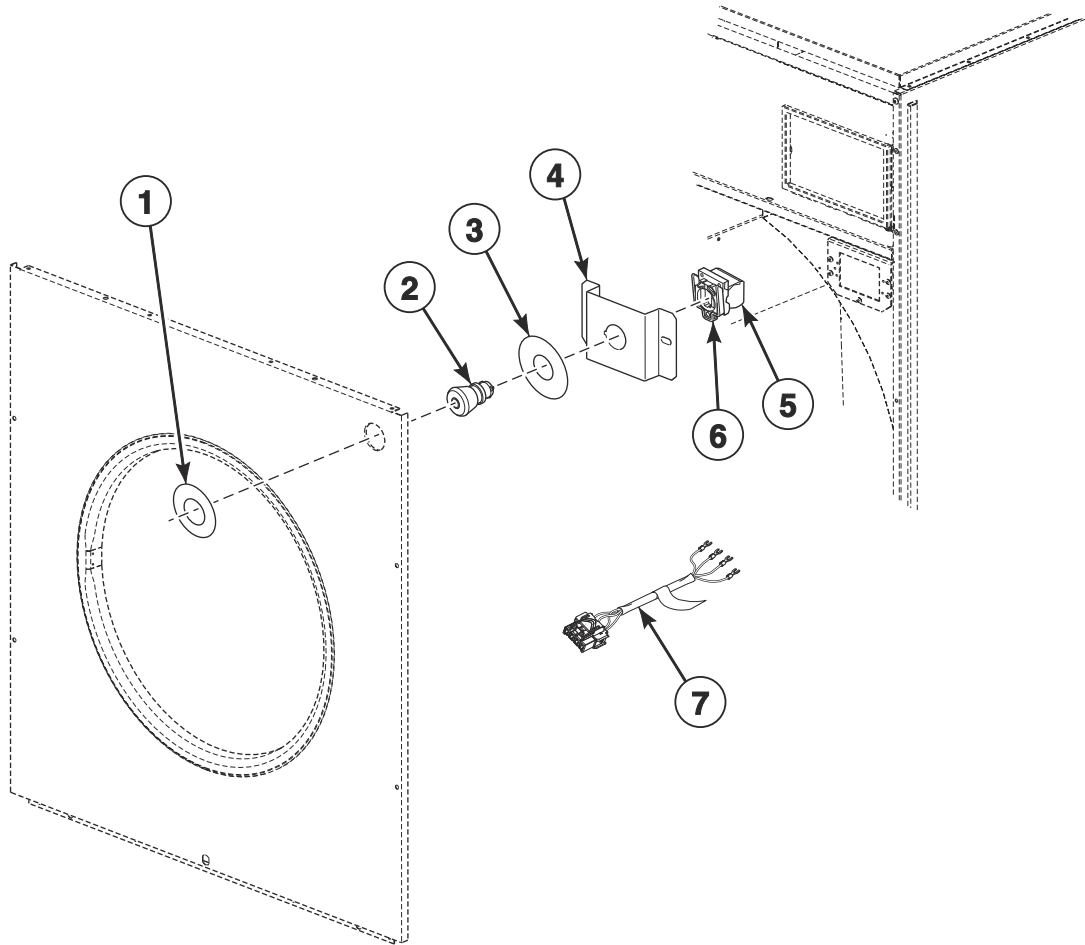
TMB3838P

Cabinet Front Components

REF	PART NO.	DESCRIPTION	COMMENTS
	44334103	Bypass Harness	Card and central pay
	D511476	Jumper Harness	Card reader present
	70482901	Door Catch Kit	
1	44334101	Coin Vault Switch Harness	
2	44088801	Nut	
3	70296401	Coin Chute Assembly	
4	70413301	Pushbutton Switch	
5	M400977	Nut	
6	70529401	Control Trim	H models; Gray
	44016401	Control Trim	P models; Black
7	39733	Screw	
8	56079	Panel Locator	9 required
9	70529501	Coin Vault Assembly	
	70529502	Coin Vault and Emergency Stop Mount Assembly	Models with emergency stop
	F160673P	Coin Box	Optional equipment; Includes lock and key
10	70030501	Expansion Clip	8 required
11	M411072	Screw	8 required
12	70342401	Lock Shim	
13	70155602	Key	RL002
14	44089302P	Lock, Key and Nut Kit	RL002; Black
15	44166601	Pop Rivet	
16	M401223	Door Latch	
17	44057801W	Switch Hole Plug	White
	44057801B	Switch Hole Plug	Black
18	70155601	Key	RL001
19	F8688801	Nameplate	S models
	F8687701	Decal	H models
	F8443105	Nameplate	U models
	567293	Nameplate	B models
	567887	Nameplate	P models
	70685701	Nameplate	J models
	70685801	Nameplate	J models; SAFE
	562738	Label	B, P and S models; Softwash
20	44089301P	Lock, Key and Nut Kit	RL001; Black

Emergency Stop Button - IEC OPL Models

A, H, J, K, L, R and U in the 2nd Position

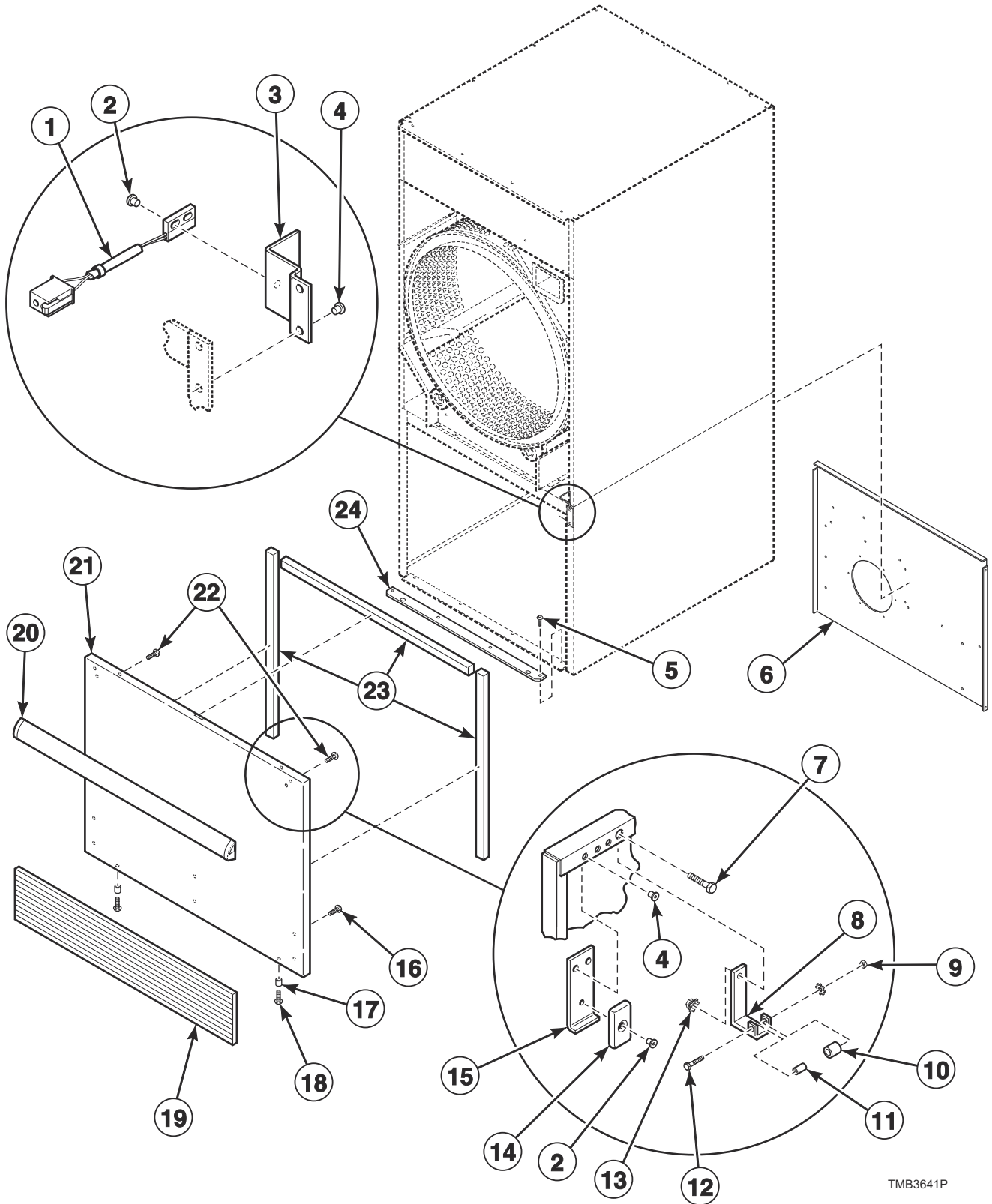


TMB3513P

Emergency Stop Button - IEC OPL Models

REF	PART NO.	DESCRIPTION	COMMENTS
	70580301	Emergency Stop Button Kit	Includes items 2-4
	70631101	Emergency Stop Interconnect Harness	
1	44012903	Emergency Stop Label	
2	F200233500	Emergency Stop Pushbutton	
3	44012901	Emergency Stop Label	
4	70550401	Emergency Stop Mounting Bracket	
5	F8069501	Contact Switch	2 required
6	F8538101	Contact Base	
7	44272401	Emergency Stop Harness	

Lower Cabinet Components

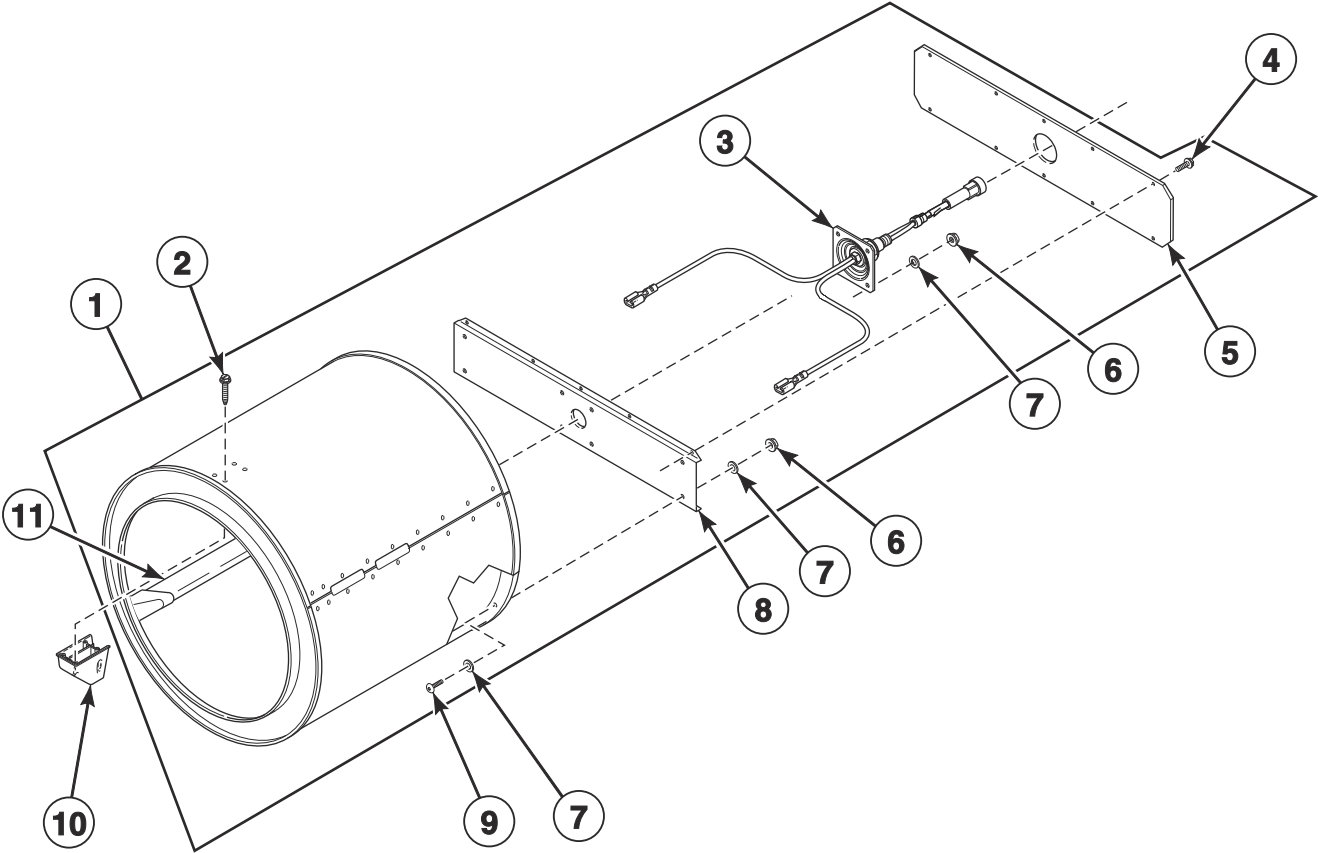


TMB3641P

Lower Cabinet Components

REF	PART NO.	DESCRIPTION	COMMENTS
1	F8066804	Reed Switch Assembly	
2	F8245101	Blind Rivet	
3	70508501	Switch Bracket	
4	70058501	Pop Rivet	
5	430497	Screw	
6	70565301	Rear Lint Panel	
7	70132301	Screw	Attaching roller catch
8	70030301	Roller Catch Arm	
9	23951	Nut	
10	70297601	Roller Catch Wheel	
11	70030201	Roller Catch Spacer	
12	70072801	Screw	
13	51236	Nut	Attaching roller catch
14	70343101	Magnet	
15	44290501	Magnet Bracket	
16	70126301	Pop Rivet	For attaching kickplate; Black; 6 required
	70126401	Pop Rivet	For attaching kickplate; Gray; 6 required
17	56079	Panel Locator	
18	39733	Screw	
19	70117616	Kickplate	H and U models; Dark gray
	70117601	Kickplate	All models except H models; Black
20	70154401	Handle and Caps Assembly	B, J, S and U models; Black
	70407207	Handle Bumper	P models; Silver
	70154413	Handle and Caps Assembly	H and U models; Dark gray
21	70515403W	Lint Panel	B, H, S and U models; With kickplate
	70515404DG	Lint Panel	P models; Dark gray
	70515402	Lint Panel	Stainless steel; With kickplate
	70515405	Lint Panel	All models except J models; Stainless steel; No kickplate
	70515404W	Lint Panel	All models except P models; No kickplate
22	430757	Screw	For attaching handle; 6 required
23	70289101P	Gasket	Sold per foot
24	70017901	Lint Panel Pivot Plate	

Cylinder and Trunnion Assembly

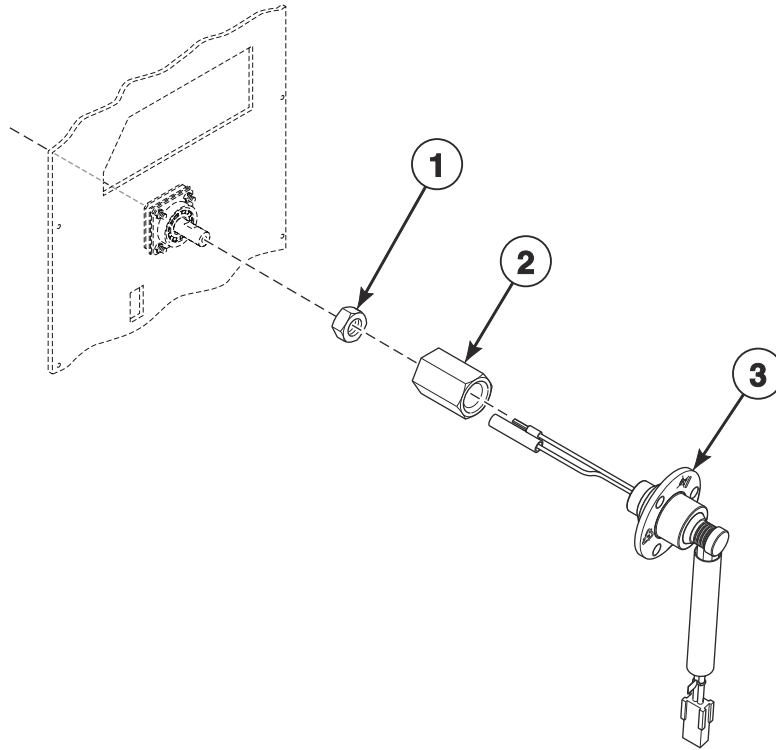


TMB3358P

Cylinder and Trunnion Assembly

REF	PART NO.	DESCRIPTION	COMMENTS
	70343101P	Drywall Screw Magnet Kit	
1	70372701P	Cylinder Assembly	Galvanized; Non-moisture sensing
	70443801	Cylinder and Trunnion Assembly	Galvanized; Moisture sensing
	70372702P	Cylinder Assembly	Stainless steel; Non-moisture sensing
	70443802	Cylinder and Trunnion Assembly	Stainless steel; Moisture sensing
2	62588	Screw	12 required
3	70564801	Trunnion and Seal Kit	Includes 70013702 Rear Cylinder Seal; Non-moisture sensing
	70564802	Trunnion and Seal Kit	Moisture sensing; Includes 70454601 Trunnion and Wire Assembly
4	430497	Screw	10 required
5	70257401	Rear Cylinder Channel Plate	
6	44087201	Nut	8 required
7	70411301	Washer	
8	70257301	Rear Cylinder Channel	Non-moisture sensing
	70257302	Rear Cylinder Channel	Moisture sensing
9	70391101	Screw	8 required
10	70070101	End Cap	Non-moisture sensing
	70070102	End Cap	Moisture sensing
11	70433001	Cylinder Rib Assembly	Moisture sensing

Moisture Sensing Components

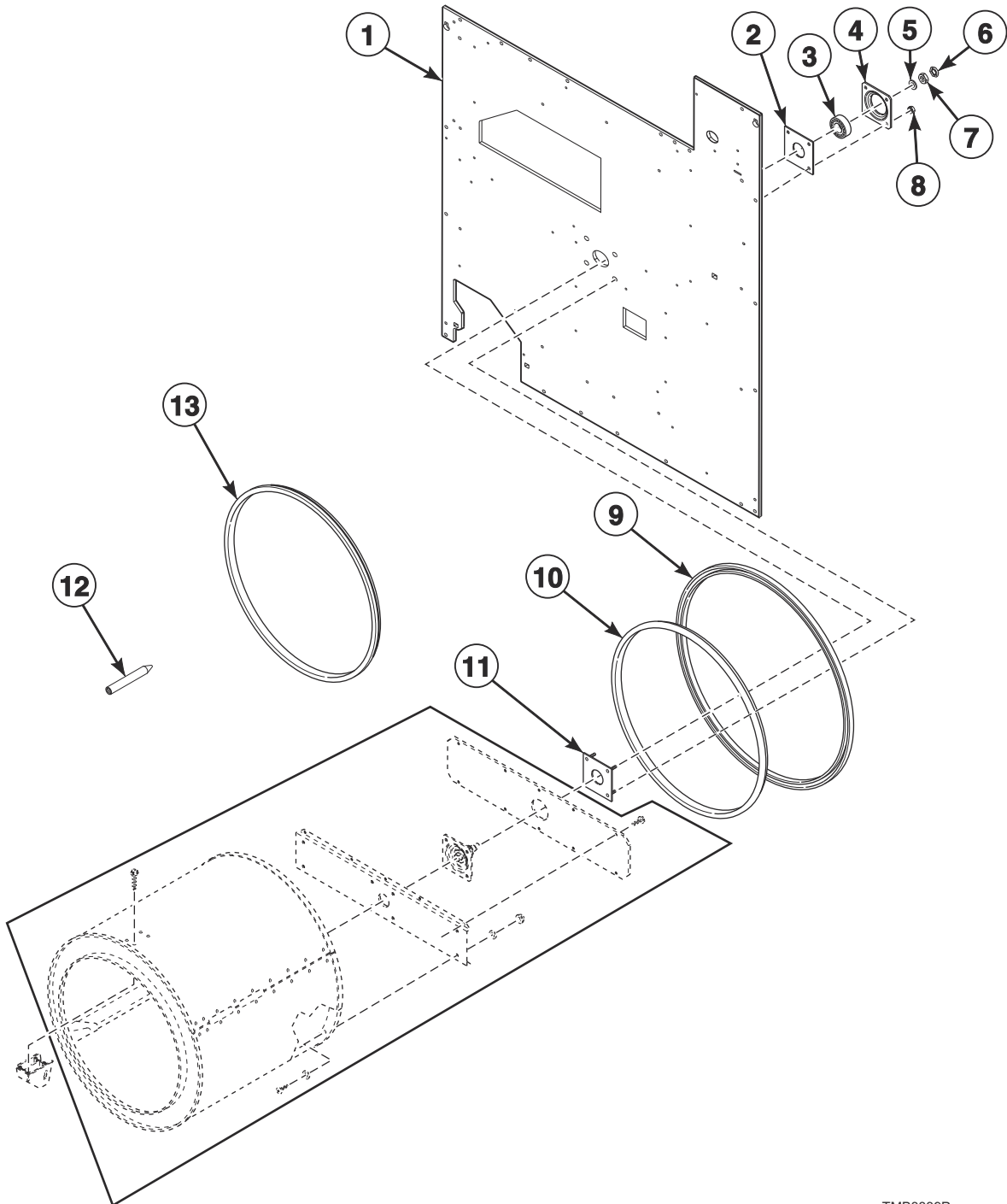


TMB3843P

Moisture Sensing Components

REF	PART NO.	DESCRIPTION	COMMENTS
	70631203	Moisture Sensor/Airflow Switch Harness	
1	M400022	Nut	
2	70455401	Slip Ring Holder	
3	44222702	Slip Ring Assembly	

Cylinder Components

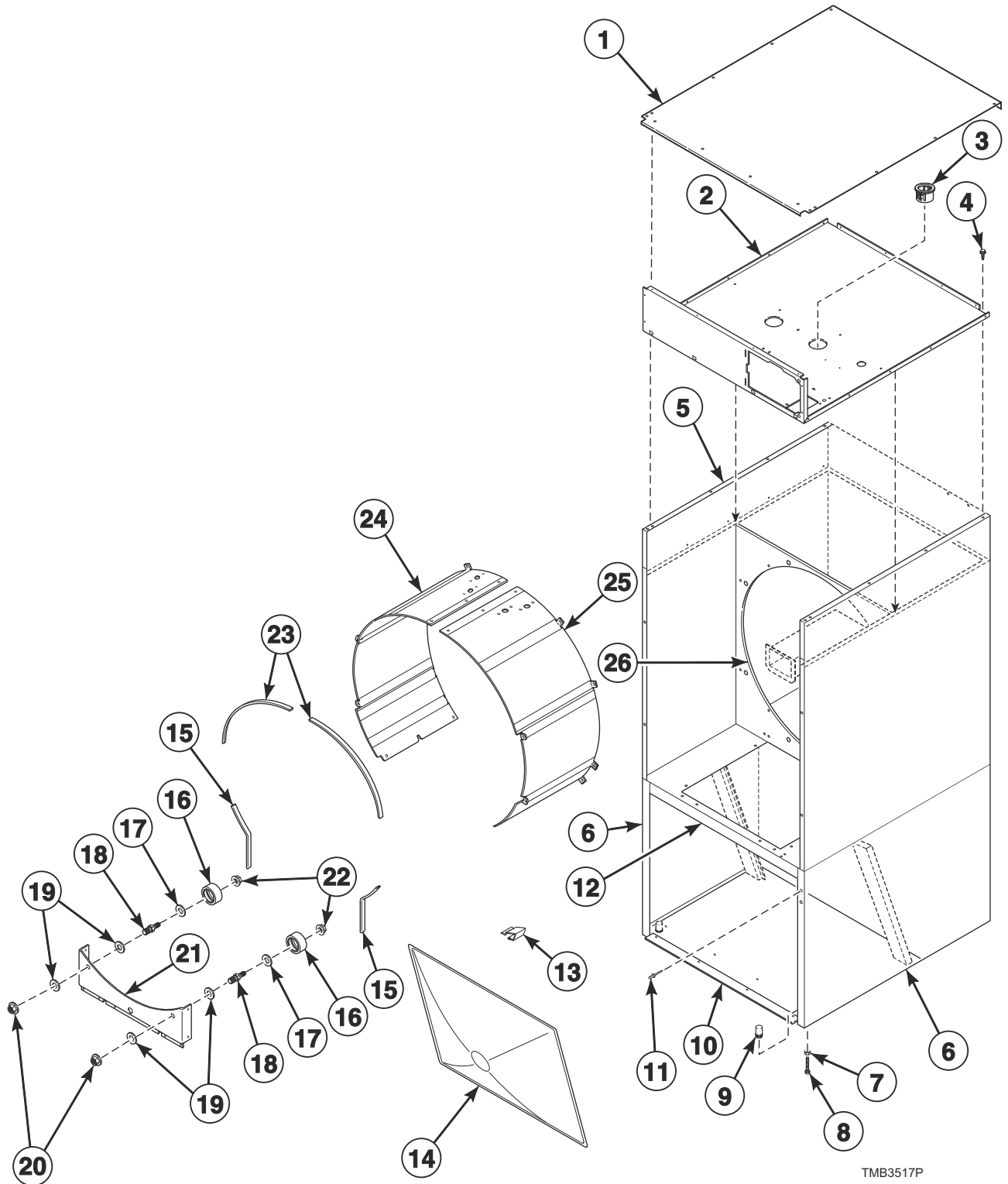


TMB3839P

Cylinder Components

REF	PART NO.	DESCRIPTION	COMMENTS
	70343101P	Drywall Screw Magnet Kit	
	430260P	Support Housing Bearing Assembly	Includes items 3, 4 and Loctite
1	70651201	Rear Panel	Gas models
	70651203	Rear Panel	Gas models; With fire suppression
	70651202	Rear Panel	Electric models
2	70355001	Rear Bearing Shim	
3	70448701	Support Bearing	
4	70013901	Rear Cylinder Bearing Housing	
5	M400991	Washer	
6	M400034	Nut	
7	M400022	Nut	
8	M412986	Nut	4 required
9	70506401	Rear Cylinder Seal Support	
10	70013702	Rear Cylinder Seal	Use with D511637P Adhesive
11	430352	Cylinder Bearing Stud Plate Assembly	
12	263P4	Cylinder Guide Tool	
13	70066004	Center Cylinder Seal	

Cabinet Components

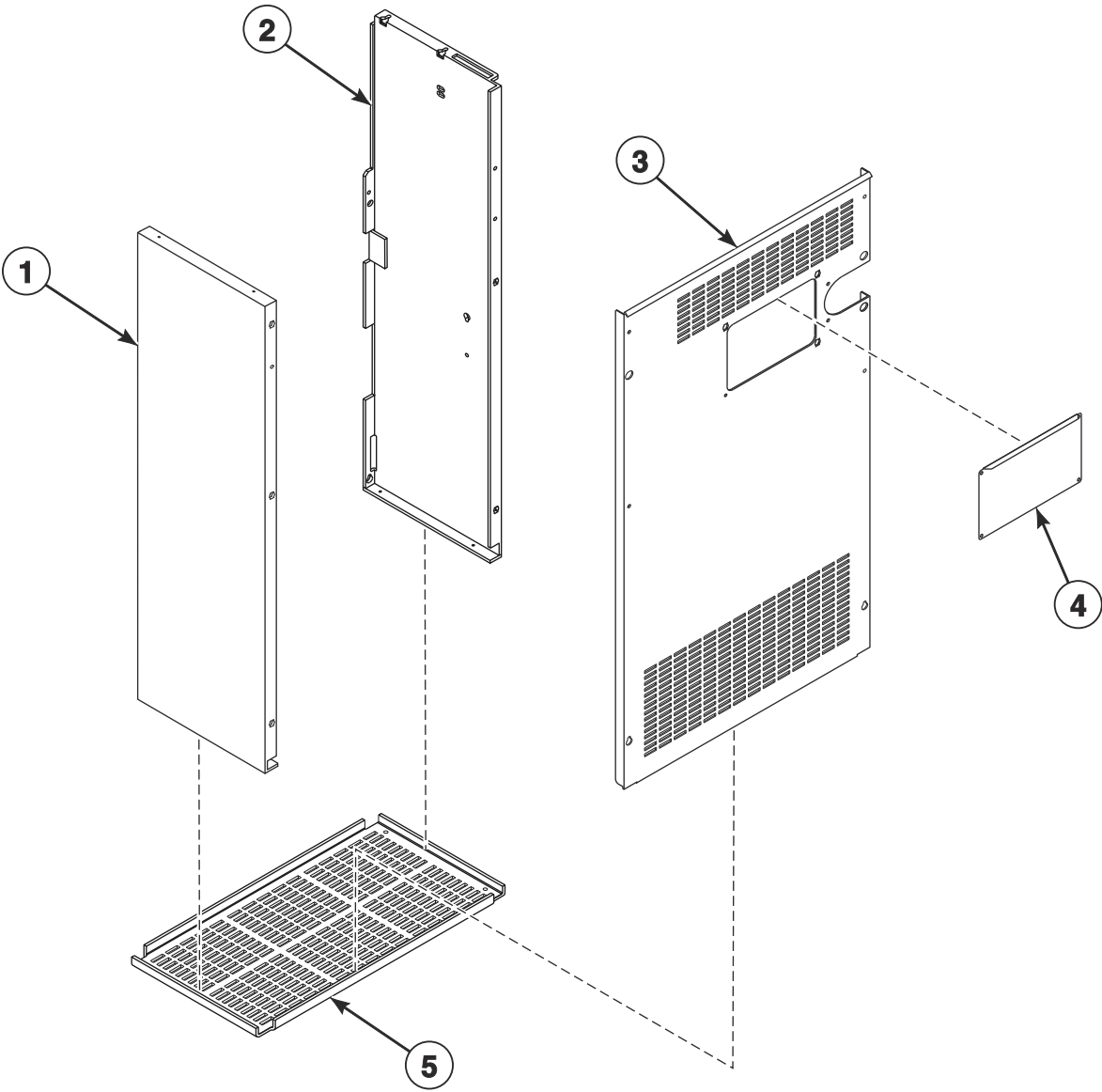


TMB3517P

Cabinet Components

REF	PART NO.	DESCRIPTION	COMMENTS
	M4379P4	Tumbler Dolly Kit	
	298P4P	Spray Paint	White
	122P4P	Porcelain Touch-Up Paint	White
1	70557601	Flat Top	Models with D, F, N and W in 7th position
	70586401	Top Panel	S models with V in 7th position
2	70671501	Top Pan	Models with D, F, N or W in 7th position
	70680401	Top Pan	Models with V in 7th position
3	70346501	Bushing	
4	430497	Screw	
5	70021504DG	Side Panel	B and P models; Dark gray; Upper
	70021504W	Side Panel	Upper
6	70253802DG	Side Panel	B and P models; Dark gray; Lower
	70253802W	Side Panel	Lower
7	21899	Nut	
8	70247701	Screw	
9	70063201	Hole Plug	
10	70332401P	Lower Pan	
11	70058501	Pop Rivet	16 required; Upper side panel
12	70565201	Center Pan	
13	35865	Hold-Down Clip	
14	70325601	Lint Screen	
15	70015709	Sheet Metal Edge Gasket	Lower
16	70616701	Roller and Seal Kit	
17	70443601	Roller Seal	
18	70249501	Roller Shaft	
19	70261401	Washer	
20	M404993	Nut	
21	70328301	Roller Support Bracket	
22	430576	Nut	
23	70015710	Sheet Metal Edge Gasket	Upper
24	70432303	Cylinder Shroud	Left; With fire suppression
	70347202	Cylinder Shroud	Left
25	70432304	Cylinder Shroud	Right; With fire suppression
	70347201	Cylinder Shroud	Right
26	70252601	Center Partition	

Rear Panels



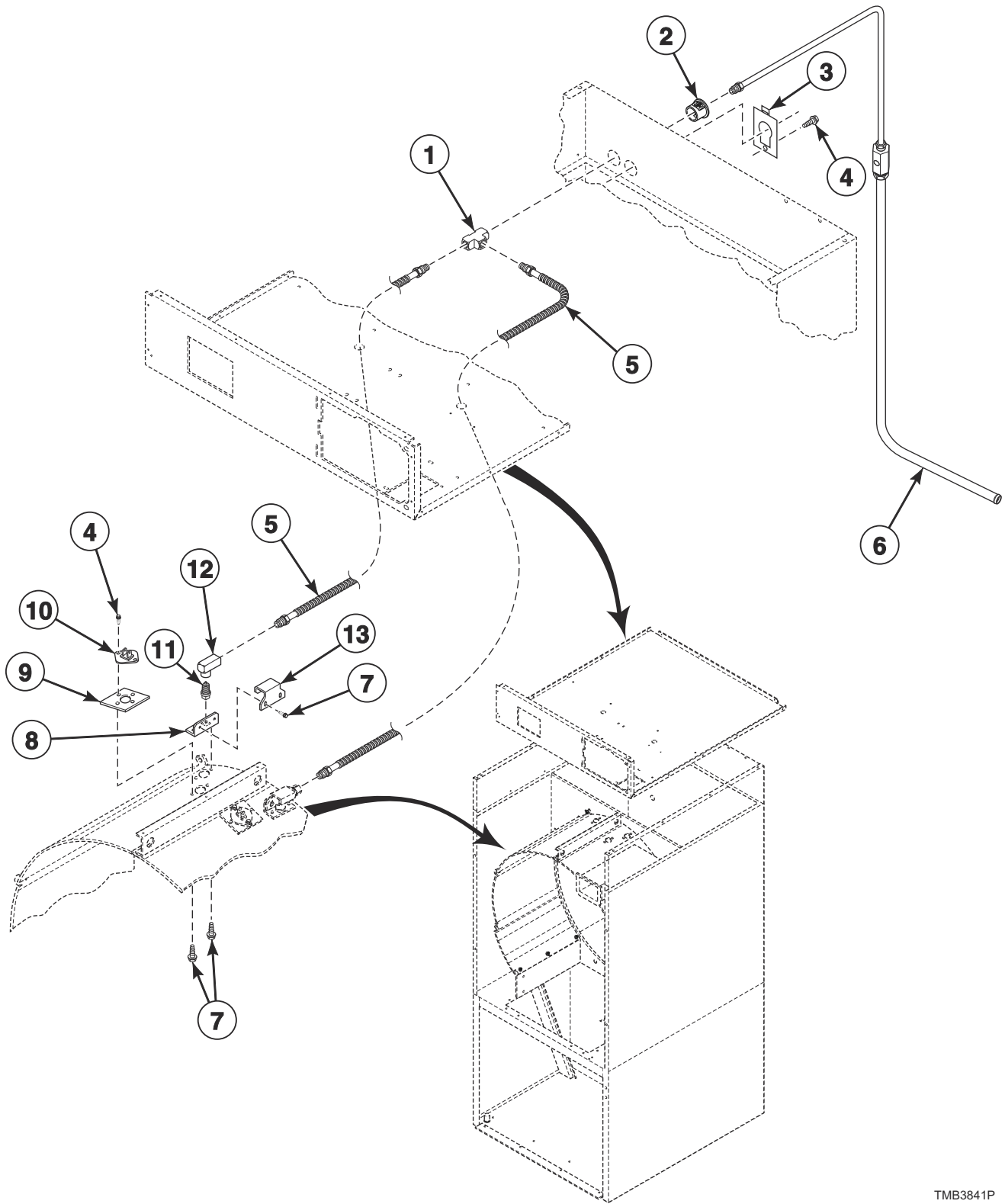
TMB3840P

Rear Panels

REF	PART NO.	DESCRIPTION	COMMENTS
1	70648201	Side Guard	Right
2	70648101	Side Guard	Left
3	70651002	Rear Guard	
	70651001	Rear Guard	With fire suppression
4	70650901	Rear Cover	
5	70661001	Bottom Guard	

Fire Suppression System Components

Gas Models



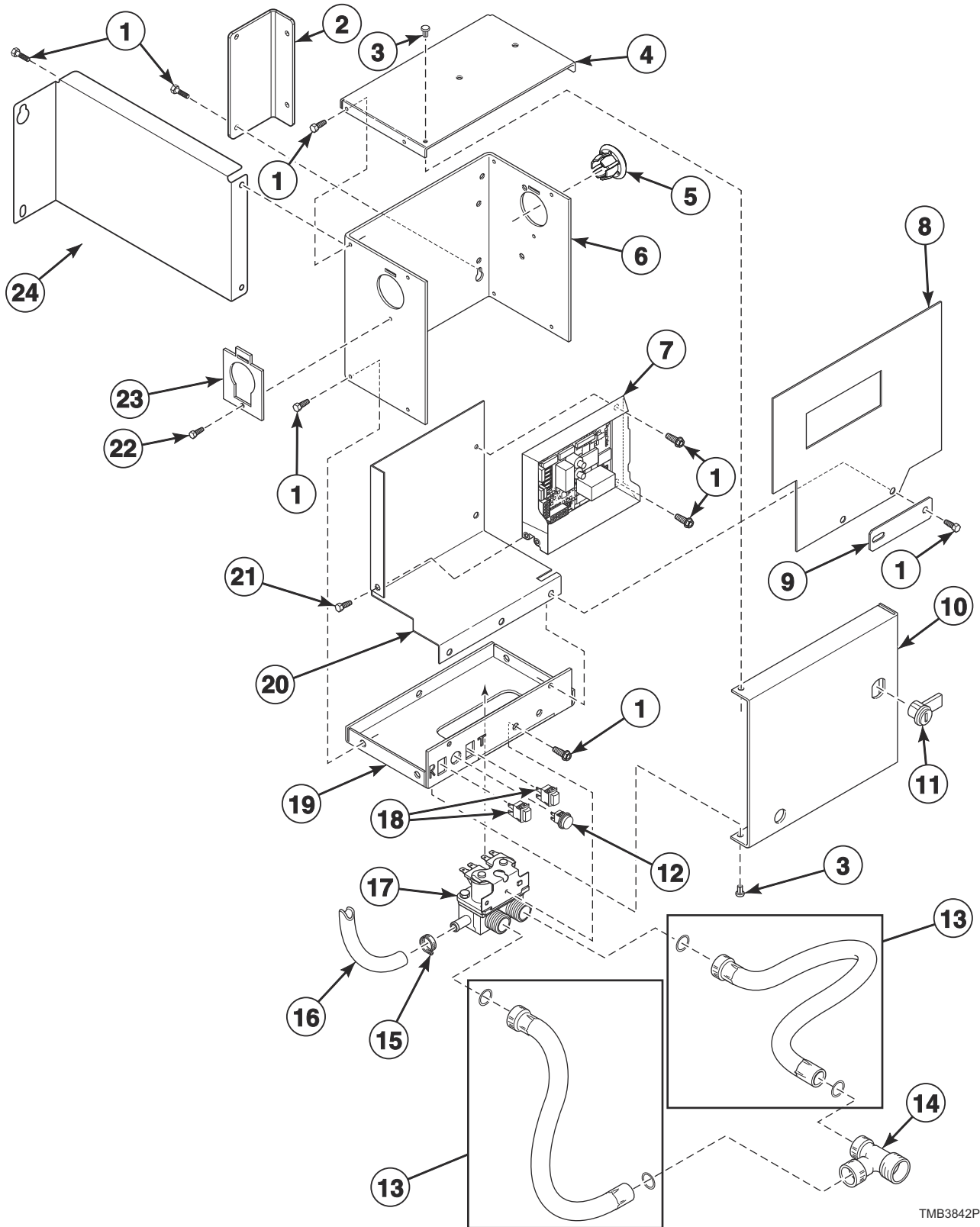
TMB3841P

Fire Suppression System Components

REF	PART NO.	DESCRIPTION	COMMENTS
1	70427901	Union Tee	
2	70178701	Snap Bushing	
3	70523301	Harness Adapter Plate	
4	51780	Screw	4 required
5	70427701	Spray Nozzle Hose	2 required
6	70427601	Tube Assembly	
7	430497	Screw	12 required
8	70424201	Nozzle Bracket	2 required
9	70424401	Thermistor Plate	2 required
10	44064701	Thermistor	2 required
11	70427801	Spray Nozzle	2 required
12	70428101	Elbow	2 required
13	70428601	Nozzle Bracket	2 required

Fire Suppression System Control Box

Gas Models

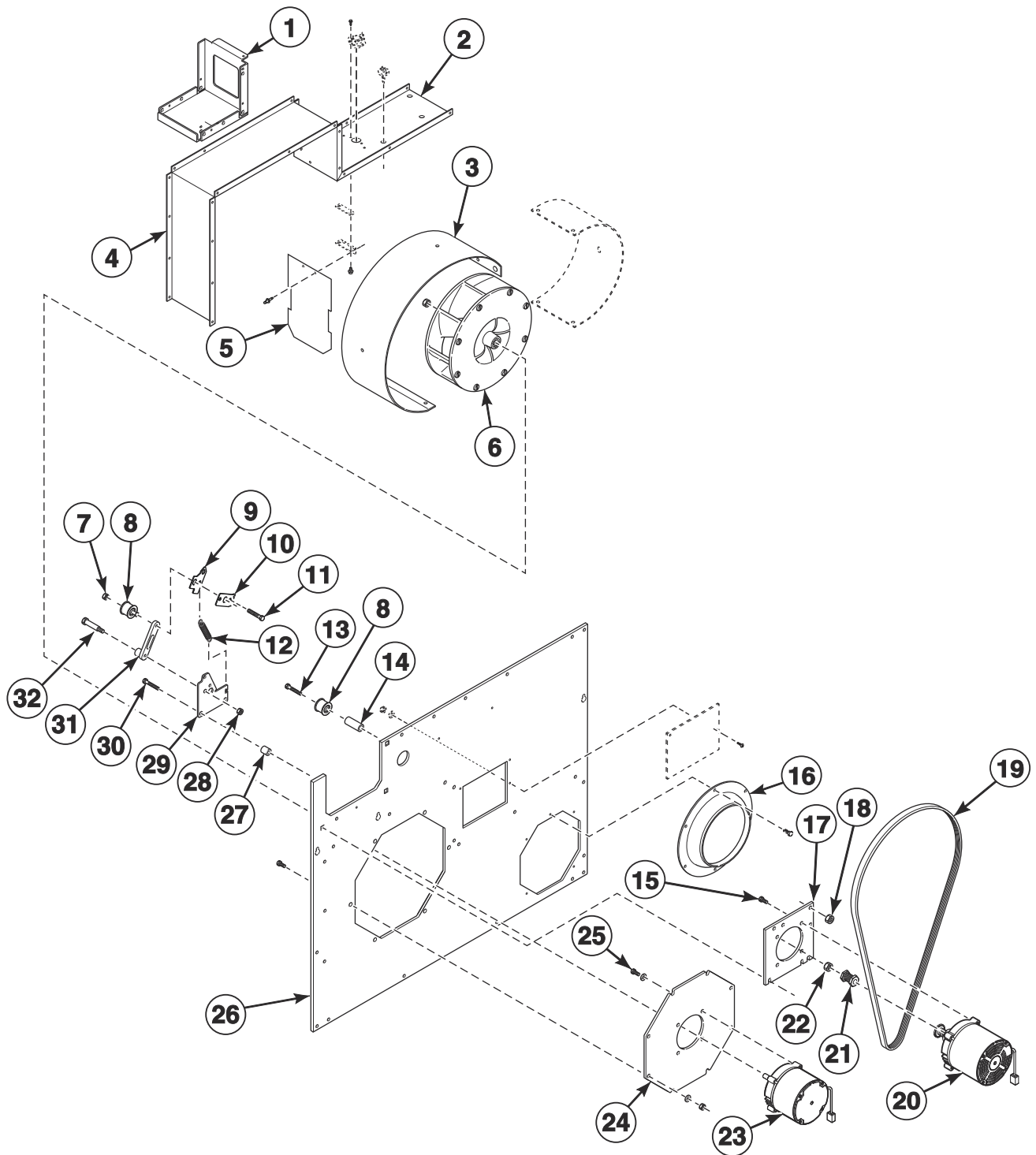


TMB3842P

Fire Suppression System Control Box

REF	PART NO.	DESCRIPTION	COMMENTS
	44340301	Cold Weather Kit	
	70155601	Key	RL001; Use with item 11
	44375604	Control Harness	
	44375605	Water Valve Harness	
	44375602	Power Sensor Harness	
	44375601	Interconnect Harness	
	44375606	Sensor Harness	
	44324501	Warning Label	F.S.S.; T and G market models
	44324500	Label Kit	F.S.S.; IEC models
	F8614401	Shock Warning Label	T and G market models
	F8614201	Shock Warning Label	IEC models
	44318200	Label Kit	IEC models
	44324502	Warning Label	
	44318201	Label	T and G market models
1	430497	Screw	
2	70658601	Side Bracket	
3	M400713	Drive Rivet	
4	44307101	Control Box Top	
5	70180001	Plug	
6	44306701	Control Box Housing	
7	70511601	Control	
8	44326801	Shield	
9	70551701	Filter Mounting Plate	
10	44065201	Control Box Cover	
11	44089301P	Lock, Key and Nut Kit	RL001 key code; Optional if same key is to be used for control lock
12	801432	Light	
13	202799	Fill Hose	2 required
14	44069101	Hose Fitting	T and G market models
15	36801	Hose Clamp	
16	44073304	Hose	14 inches; Outlet hose
17	70519801	Mixing Valve	
18	801434W	Push-to-Start Switch	2 required
19	44065301	Control Box Base	
20	44306601	Mixing Valve Shield Bracket	
21	804608	Screw	
22	51780	Screw	
23	70523301	Harness Adapter Plate	
24	70654401	Rear Bracket	

Motor Components

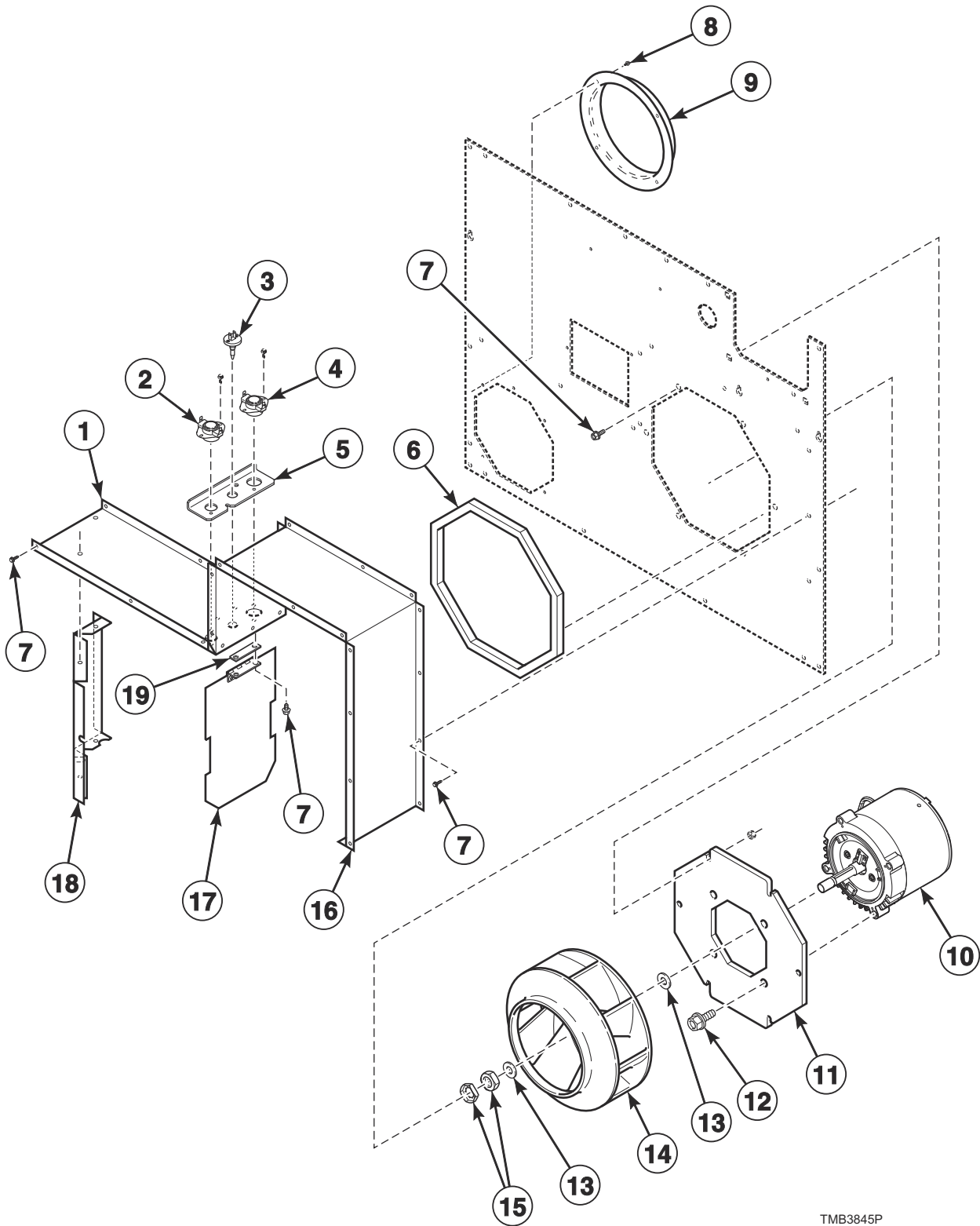


TMB3844P

Motor Components

REF	PART NO.	DESCRIPTION	COMMENTS
	70662801	Drive Access Cover	
	70599301	Fan Spacer	
1	70564101	Motor Mount Bracket	
2	70554701	Blower Housing	Top
3	70016301	Blower Housing Scroll	
4	70215101	Blower Housing	
5	70209501	Damper and Hinge Exhaust Assembly	
6	70359801P	Blower Assembly	
7	56156	Nut	
8	70050401P	Idler Wheel Assembly	
9	70569501	Tensioning Bracket	
10	70543401	Spring Catch Bracket	
11	70508301	Screw	
12	70571801	Spring	
13	F430144	Screw	
14	70569603	Standoff	
15	44364603	Screw	3 required; Also qty 1 of 44364601 screw
16	70017801	Exhaust Thimble	
17	70564201	Motor Mount Plate	
18	44087201	Nut	
19	70655101	Lever Arm and Belt Kit	
20	44355001	Drive Motor	.50 HP; 120-240 Volt
	44355002	Drive Motor	.50 HP; 480 Volt
21	70559101	Motor Pulley	
22	44333202	Nut	
23	44354901	Fan Motor	.50 HP; 240 Volt
	44354903	Fan Motor	.50 HP; 480 Volt
24	70349601	Blower Motor Mounting Plate	
25	44364601	Screw	
26	70667601	Lower Rear Assembly	
27	70488403	Spacer	
28	44087301	Nut	
29	70571901	Drive Plate	
30	70546301	Screw	
31	70653801	Lever Arm and Bushing Assembly	
32	70501301	Screw	

Blower and Exhaust Components

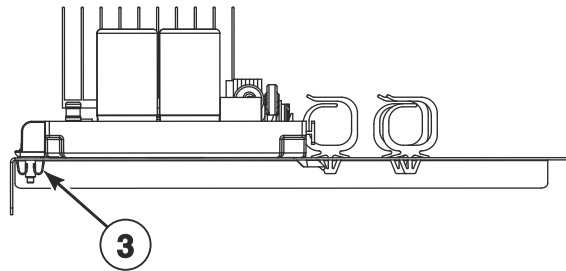
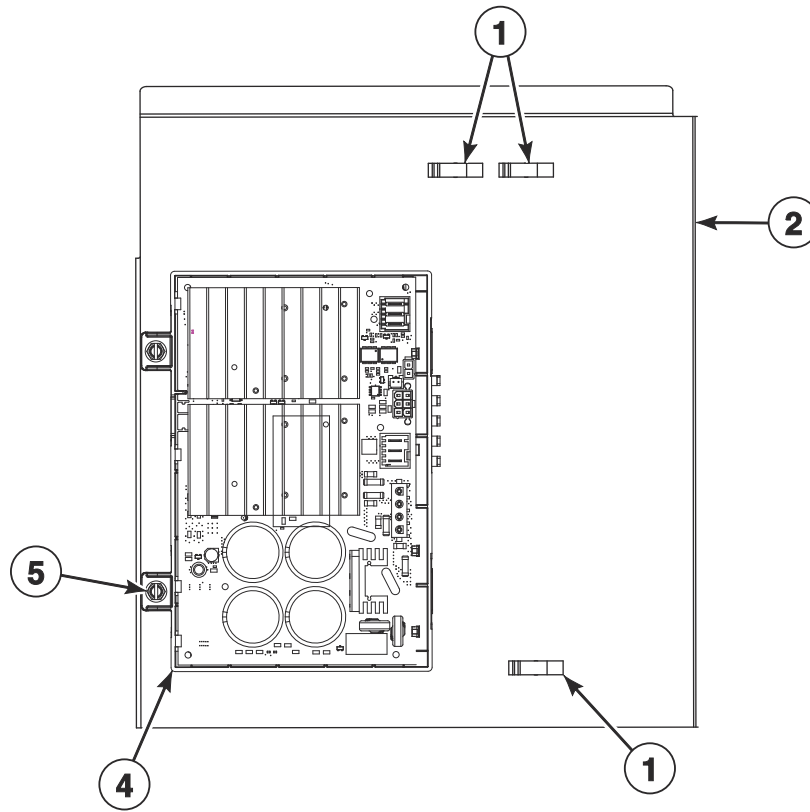


TMB3845P

Blower and Exhaust Components

REF	PART NO.	DESCRIPTION	COMMENTS
	70631202	Thermostat/Lint Switch Interconnect Harness	
1	70554701	Blower Housing	Top
2	70530901	Limit Thermostat	Manual reset
3	M414704	Thermistor	
4	44328001	Limit Thermostat	Auto reset
5	70554901	Limit Access Bracket	
6	70392701P	Gasket	For blower housing opening
7	430497	Screw	
8	51780	Screw	
9	70014101	Blower Inlet Cone	
10	44354901	Fan Motor	.50 HP; 240 Volt
	44354903	Fan Motor	.50 HP; 480 Volt
11	70349601	Blower Motor Mounting Plate	
12	70126101	Screw	
13	M400991	Washer	
14	70359801P	Blower Assembly	
15	70660601	Nut	2 required
16	70215101	Blower Housing	
17	70209501	Damper and Hinge Exhaust Assembly	
18	70020301	Blower Housing	Left
19	70220901	Damper Spacer	

Inverter Tray Components

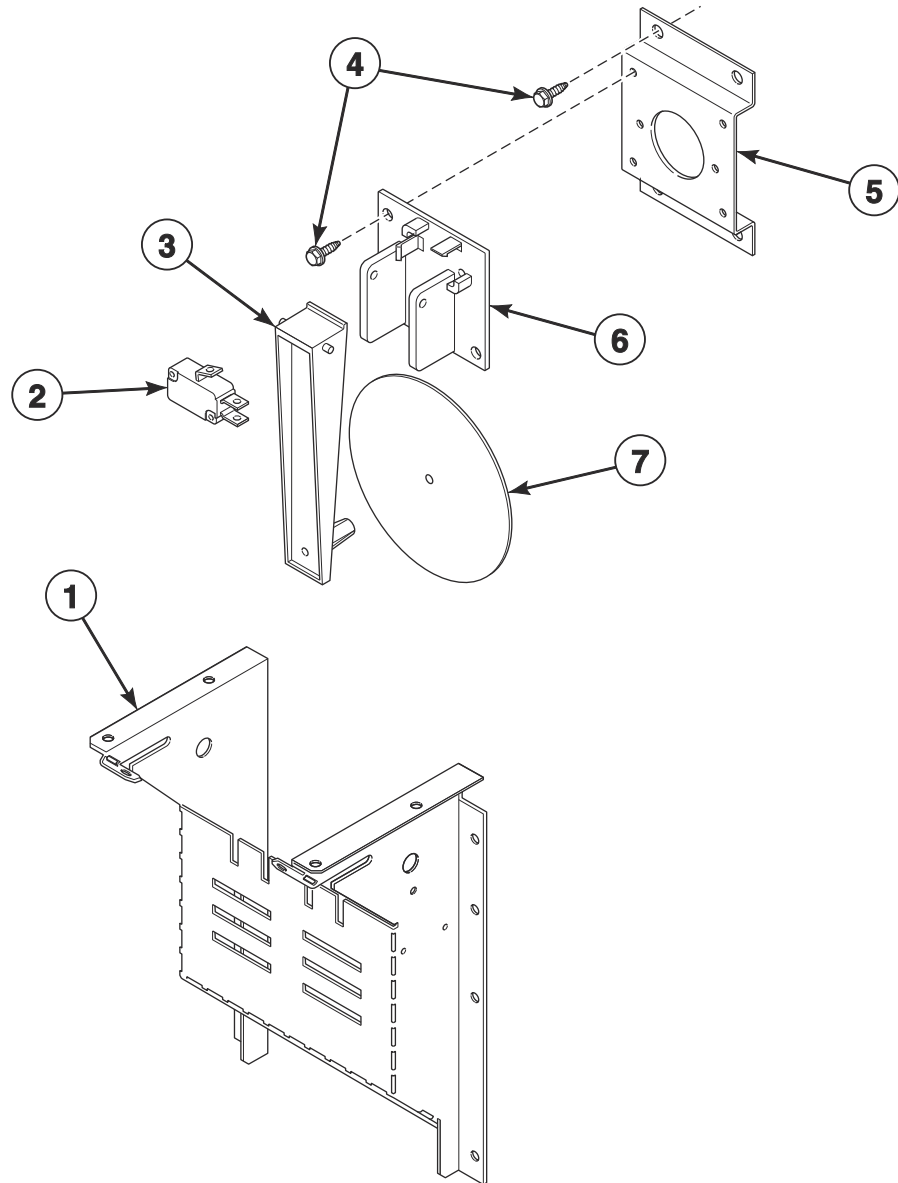


TMB3846P

Inverter Tray Components

REF	PART NO.	DESCRIPTION	COMMENTS
	70635401	Inverter to Motor Harness	120, 240 Volt; T and G market models
	70635402	Inverter to Motor Harness	380-480 Volt; T and G market models
	70635403	Inverter to Motor Harness	120, 240 Volt/1 Phase; IEC models
	70635404	Inverter to Motor Harness	380-480 Volt; IEC models
1	F8449502	Wire Clip	
2	70648601	Drive Support Bracket	
3	70030501	Expansion Clip	
4	70603001	Inverter Control Assembly	1 HP; 120, 240 Volt/1 Phase
	70603201	Inverter Control Assembly	1 HP; 480 Volt/3 Phase
5	F8206901	Screw	

Airflow Switch

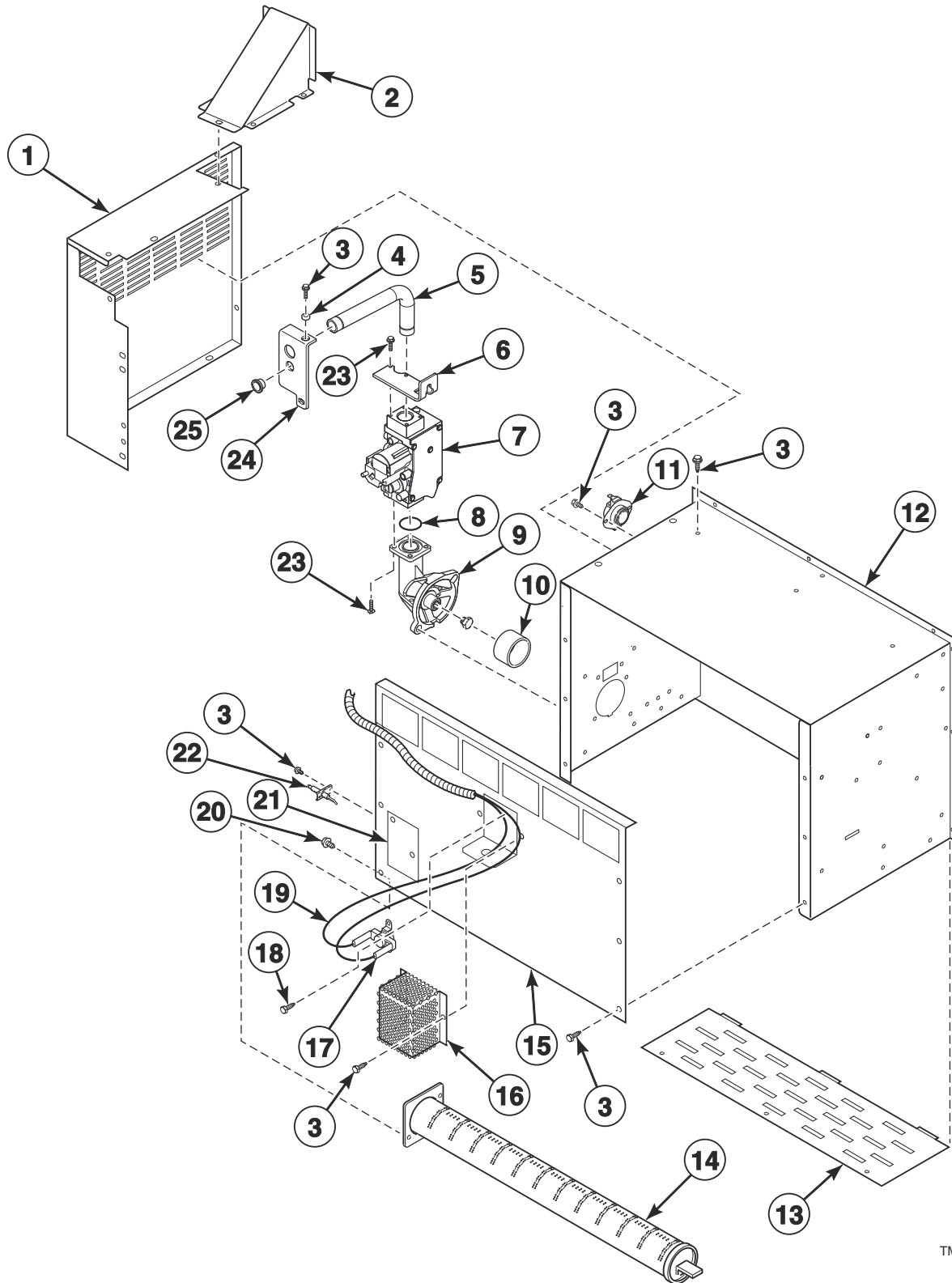


TMB3847P

Airflow Switch

REF	PART NO.	DESCRIPTION	COMMENTS
1	70356101	Airflow Switch Wrapper	
2	70411901	Switch	
3	70319401	Airflow Switch Arm	
4	430497	Screw	
5	70356301	Switch Bracket	
6	70319602	Airflow Switch and Arm Bracket	
7	70319201	Airflow Switch Vane	

Gas Heater Components

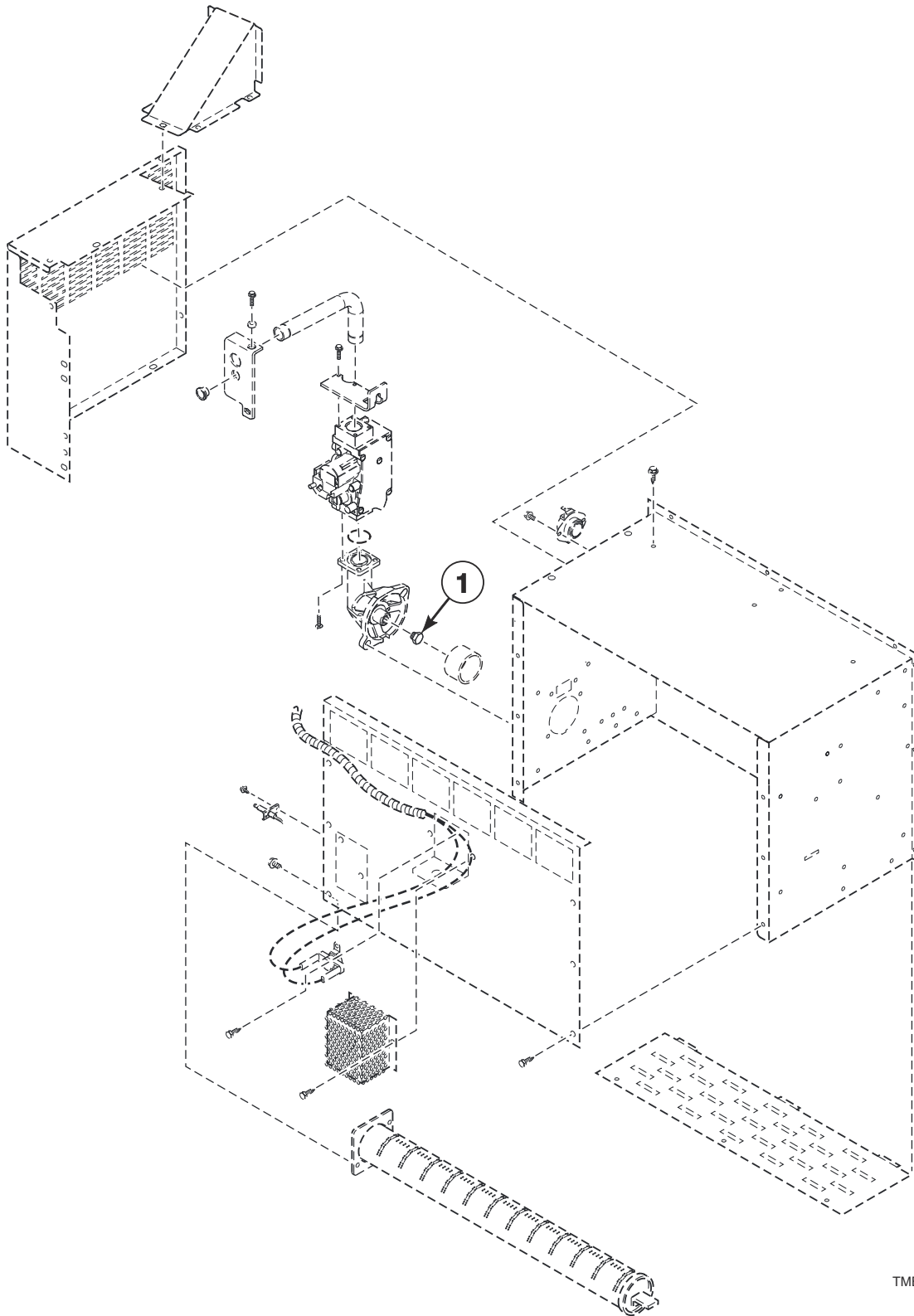


TMB3848P

Gas Heater Components

REF	PART NO.	DESCRIPTION	COMMENTS
	44273501	Gas Valve Harness	
	44239702	High Voltage Suppression Cable	
	70550202	L.P. Conversion Kit	T and G market models; Natural Gas (N.G.); 0-2,000 feet
	70550214	L.P. Conversion Kit	Australian models; N.G.; 0-2,000 feet
	70551902	L.P. Conversion Kit	IEC models; N.G.; 0-2,000 feet
	70131901	Adapter	IEC models; BPT/NPT
	70167601	Plug	
	70535901	Notice Label	Australian models; N.G.
	70544901	Notice Label	Australian models; (L.P.) Gas
1	70671101	Side Stove Guard	
2	70670901	Guard Bracket	
3	430497	Screw	
4	70030501	Expansion Clip	
5	70661401	Lead-In Pipe	A, K and U market models
	70661501	Lead-In Pipe	All other models
6	70645401	Gas Valve Bracket	
7	44154503	N.G. Valve	T and G market models
	44154504	L.P. Valve	T and G market models
	44154507	Gas Valve	IEC models; N.G.; 1/2 NPT
	44154508	Gas Valve	IEC models; L.P.; 1/2 NPT
8	431482	O-Ring	
9	70659201	Gas Valve Manifold	
10	70239801	Primary Air Adjustment Sleeve	L.P. models
11	44328004	Limit Thermostat	Side
12	70647101	Stove Top and Sides	
13	70188801	Burner Grill	
14	70229801P	Gas Burner	
	70546701	Anti-Rattle Burner Assembly	Includes 70229801P Gas Burner, 431318 Control Door Latch and M400003 Pop Rivet
15	70371501	Stove Back	
16	M414477	Thermostat Cover	
17	44328104	Limit Thermostat	Rear
18	M405188	Screw	2 required
19	70564301	Stove Limit Harness	
20	05161	Screw	
21	70159601	Igniter Cover	
22	70654201	Spark Electrode	
23	70672501	Screw	
24	70653701	Pipe Bracket	
25	M411826	Snap Bushing	

Burner Orifices

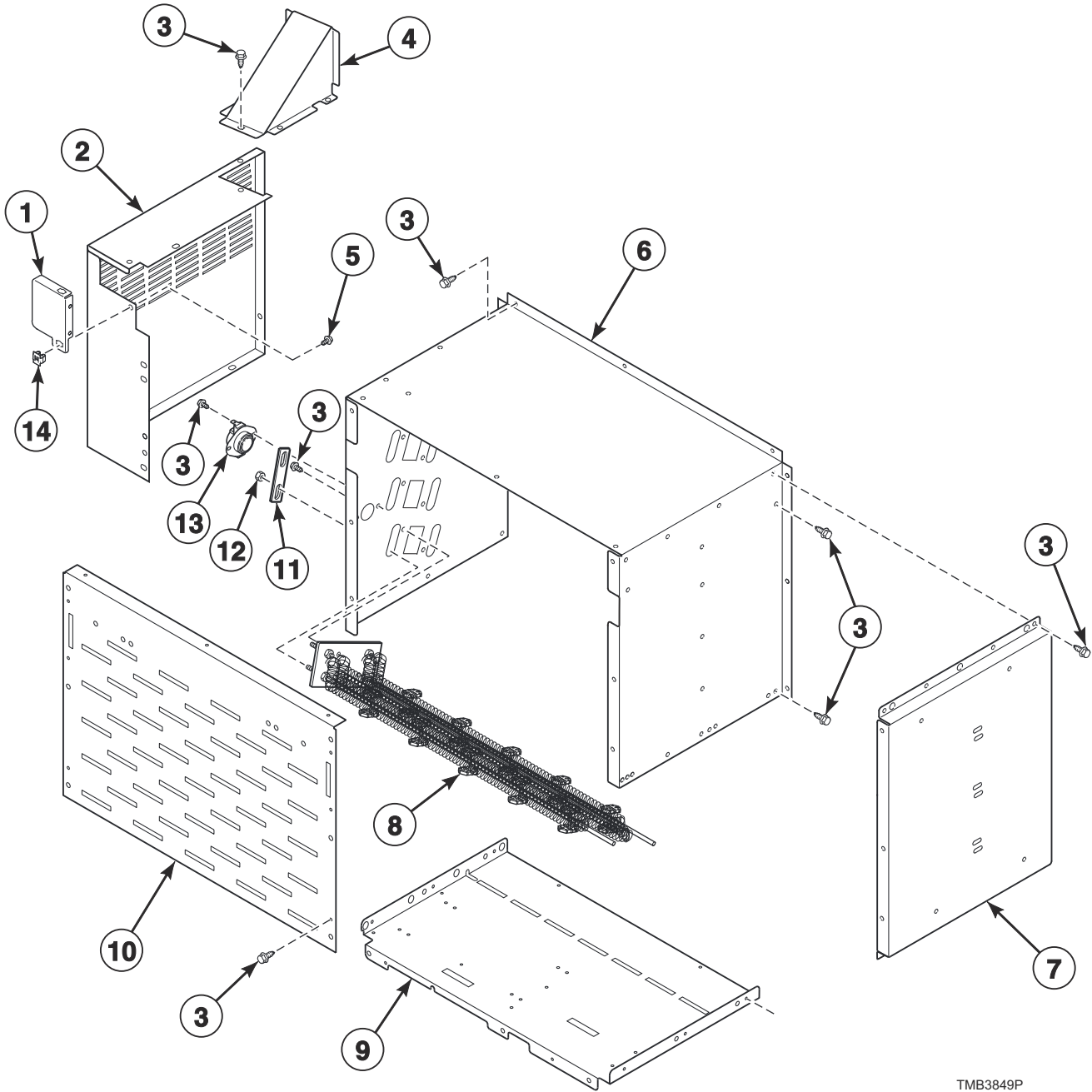


TMB3848PA

Burner Orifices

REF	PART NO.	DESCRIPTION	COMMENTS
	70609903	High Altitude Orifice Kit	Natural Gas (N.G.) models
	70609904	High Altitude Orifice Kit	Liquid Petroleum (L.P.) Gas models with A, G, H, K, L and T in the 2nd position
1	70684142	Burner Orifice	N.G. models; Drill no. 20 (4.09 mm); 0-2,000 feet
	70684139	Burner Orifice	N.G. models; Drill no. 23 (3.91 mm); 2,001-4,000 feet
	70684137	Burner Orifice	N.G. models; Drill no. 25 (3.80 mm); 4,001-6,000 feet
	70684135	Burner Orifice	N.G. models; Drill no. 27 (3.66 mm); 6,001-8,000 feet
	70684133	Burner Orifice	N.G. models; 3.50 mm; 8,001-10,000 feet
	70684116	Burner Orifice	Models with 2nd digit A, G, J, K, L and T; L.P.; Drill no. 40 (2.49 mm); 0-2,000 feet
	70684114	Burner Orifice	Models with 2nd digit A, G, J, K, L and T; L.P.; Drill no. 42 (2.37 mm); 2,001-4,000 feet
	70684113	Burner Orifice	Models with 2nd digit A, G, J, K, L and T; L.P.; 2.30 mm; 4,001-6,000 feet
	70684111	Burner Orifice	Models with 2nd digit A, G, J, K, L and T; L.P.; 2.20 mm; 6,001-8,000 feet
	70684109	Burner Orifice	Models with 2nd digit A, G, J, K, L and T; L.P.; Drill no. 45 (2.08 mm); 8,001-10,000 feet
	70684110	Burner Orifice	CE models; L.P.; Drill no. 44 (2.18 mm); 0-2,000 feet
	70684109	Burner Orifice	CE models; L.P.; Drill no. 45 (2.08 mm); 2,001-4,000 feet
	70684107	Burner Orifice	CE models; L.P.; Drill no. 47 (1.99 mm); 4,001-6,000 feet
	70684106	Burner Orifice	CE models; L.P.; Drill no. 48 (1.93 mm); 6,001-8,000 feet
	70684105	Burner Orifice	CE models; L.P.; Drill no. 49 (1.85 mm); 8,001-10,000 feet
	70684111	Burner Orifice	J market models; L.P.; 2.20 mm; 0-2,000 feet
	70684109	Burner Orifice	J market models; L.P.; Drill no. 45 (2.08 mm); 2,001-4,000 feet
	70684108	Burner Orifice	J market models; L.P.; Drill no. 46 (2.06 mm); 4,001-6,000 feet
	70684106	Burner Orifice	J market models; L.P.; Drill no. 48 (1.93 mm); 6,001-8,000 feet
	70684105	Burner Orifice	J market models; L.P.; Drill no. 49 (1.85 mm); 8,001-10,000 feet
	70684134	Burner Orifice	Eco models; N.G.; Drill no. 28 (3.57 mm); 0-2,000 feet
	70684131	Burner Orifice	Eco models; N.G.; 3.40 mm; 2,001-4,000 feet
	70684130	Burner Orifice	Eco models; N.G.; 3.30 mm; 4,001-6,000 feet
	70684128	Burner Orifice	Eco models; N.G.; Drill no. 1/8 (3.18 mm); 6,100-8,000 feet
	70684126	Burner Orifice	Eco models; N.G.; Drill no. 31 (3.05 mm); 8,001-10,000 feet

Electric Heater Components

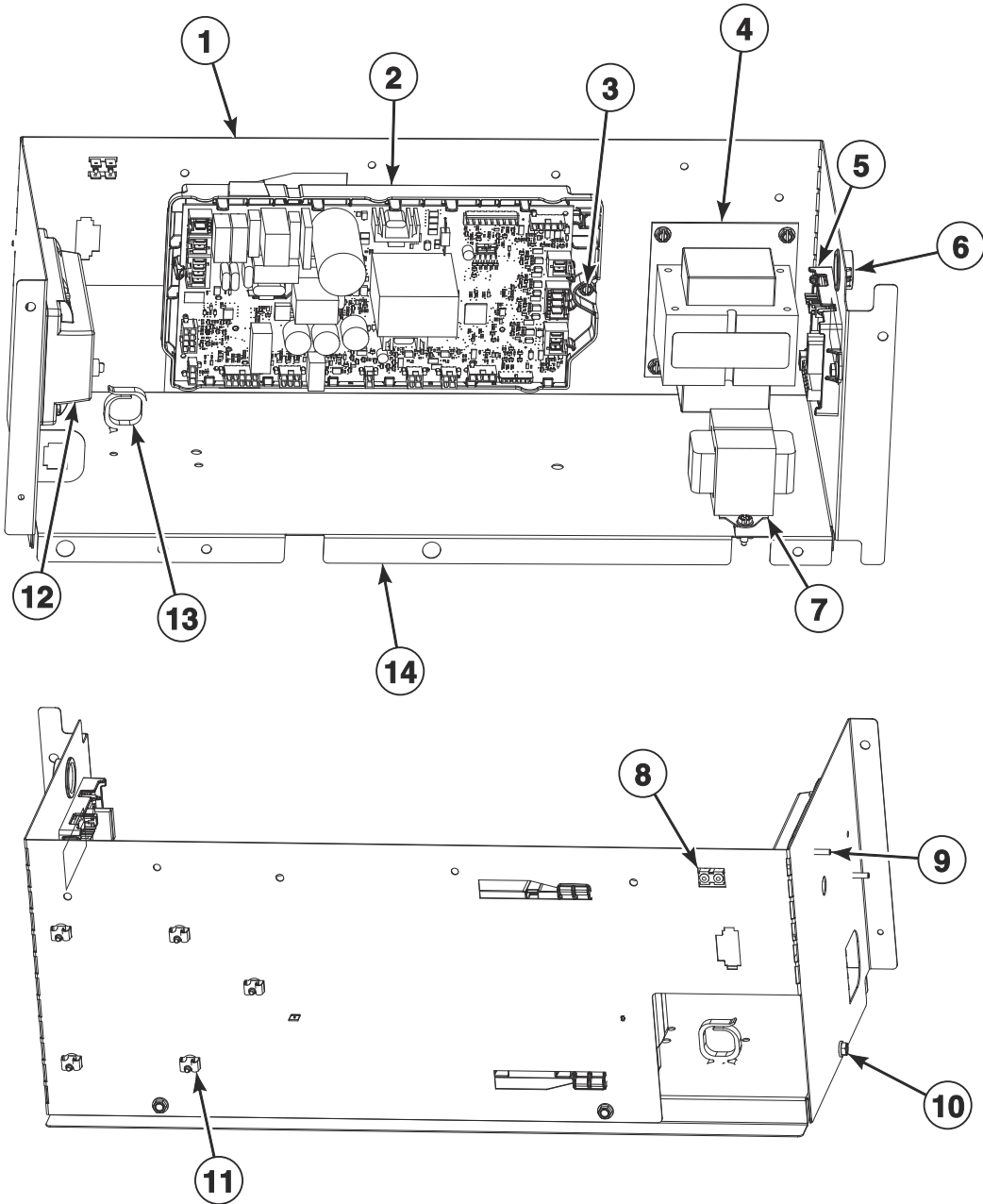


TMB3849P

Electric Heater Components

REF	PART NO.	DESCRIPTION	COMMENTS
	70564303	Stove Limit Harness	
	70641710	Jumper Harness	Use with 440-480 Volt
	70641709	Jumper Harness	Use with 380-415 Volt
	44391002	Conversion Kit	240V/3Ph to 208V/3Ph
1	70653703	Bracket	
2	70671101	Side Stove Guard	
3	430497	Screw	
4	70670901	Guard Bracket	
5	F8206901	Screw	
6	70654001	Stove Top and Sides	
7	70652001	Stove Shield	
8	70034401P	Heater Element	Standard models; 3 required; 7 kW; 208 Volt heater element for 200-208 Volt/1 or 3 Phase
	70034402P	Heater Element	Standard models; 3 required; 7 kW; 220 Volt heater element for 380 and 440 Volt/3 Phase
	70034403P	Heater Element	Standard models; 3 required; 7 kW; 240 Volt heater element for 230-240 Volt/1 or 3 Phase and 400-415 and 460-480 Volt/3 Phase
	70034415P	Heater Element	Eco models; 3 required; 4 kW; 208 Volt heater element for 200-208 Volt/3 Phase
	70034414P	Heater Element	Eco models; 3 required; 4 kW; 220 Volt heater element for 380 and 440 Volt/3 Phase
	70034416P	Heater Element	Eco models; 3 required; 4 kW; 240 Volt heater element for 400-415 Volt/50 Hertz or 240 and 460-480 Volt/60 Hertz
9	70652301	Stove Cover	
10	70214901	Stove Grill	
11	70066501	Jumper Bar	2 required for 440-480 Volt
	M400869	Jumper Strip	3 required for 380-415 and 440-480 Volt; 6 required for 200-240 Volt
12	70054	Nut	
13	44328006	Limit Thermostat	
14	70030501	Expansion Clip	

Control Tray

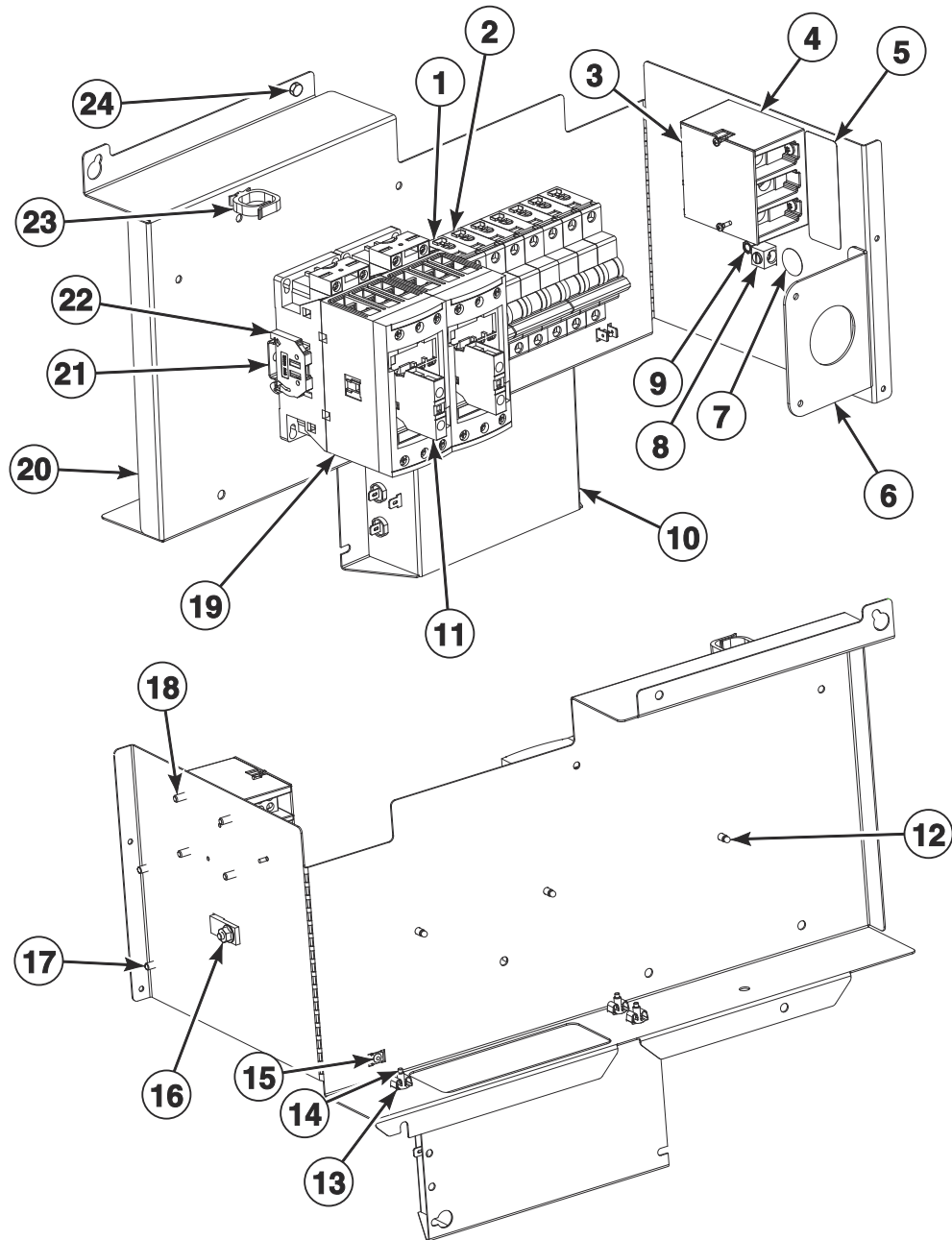


TMB3850P

Control Tray

REF	PART NO.	DESCRIPTION	COMMENTS
	70631201	Rear Main Harness	
	44374901	Heat Control Harness	Gas models
	70642101	Control Tray Power Harness	120-240 Volt
	70642102	Control Tray Power Harness	380-480 Volt
	70631701	Primary Transformer Vend Harness	120 Volt; Card reader
	70631702	Primary Transformer Vend Harness	240 Volt; Card reader
	70631705	Central Pay Board Power Supply Harness	24V
	70630901	Contactor Interconnect Harness	Electric models
	70649001	Tray Cover	
	70696801	Conversion Kit	X to B voltage; Models with D, F, N or W in the 7th position
	70696805	Conversion Kit	X to B voltage; Models with V in the 7th position
1	70648901	Tray Wrap	
2	70671701	I/O Control Assembly	
3	F8206901	Screw	
4	F8491101	Transformer	380-480 Volt
5	204779	Central Pay Control Assembly	
6	70178701	Snap Bushing	
7	202757	Transformer	100-120 Volt; Card and central pay
	202758	Transformer	200-480 Volt; Card and central pay
8	M400003	Pop Rivet	
9	51783	Screw	
10	430497	Screw	
11	70030501	Expansion Clip	
12	70482002	Ignition Control	IEC gas models
	70482001	Ignition Control	T and G market gas models
13	F8449502	Wire Clip	
14	70649101	Tray Base	

Accessory Box - Electric Models

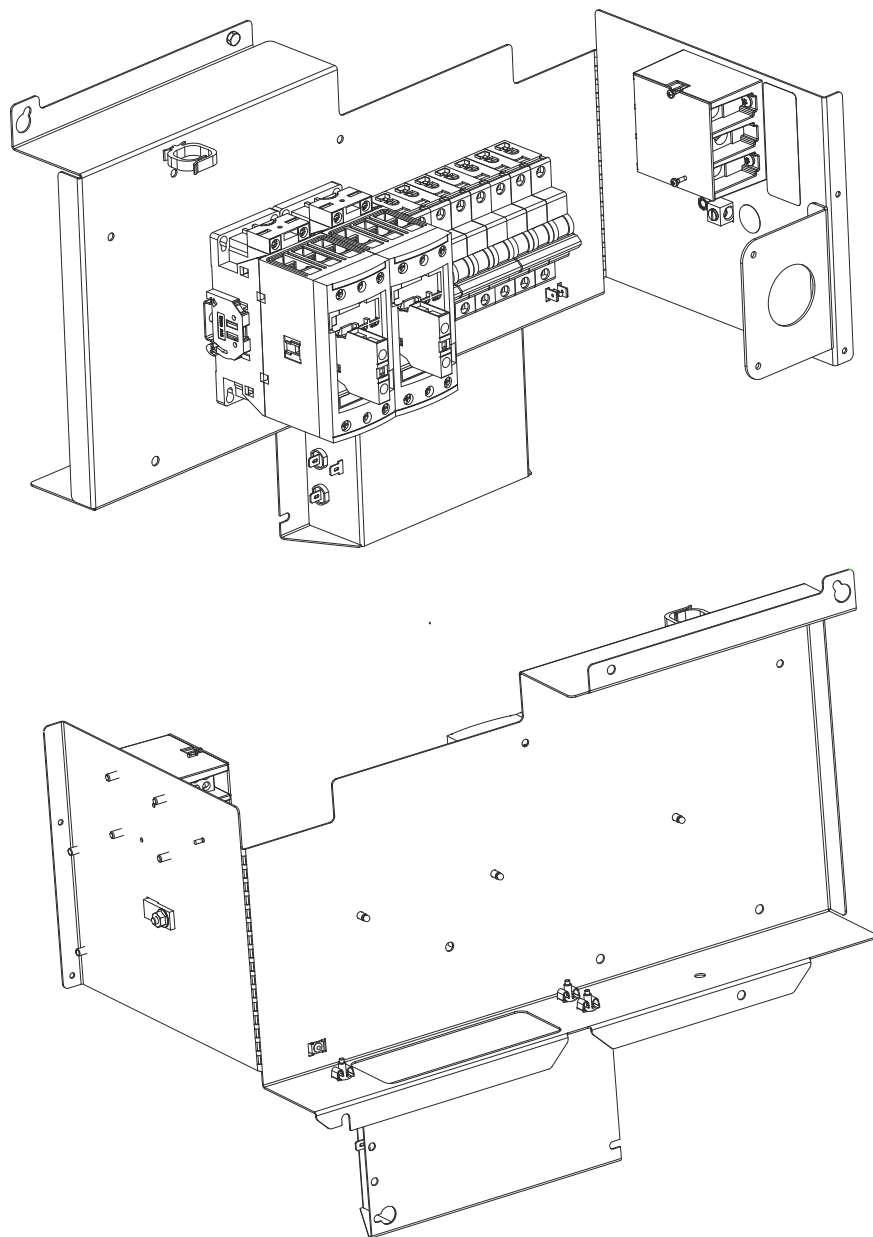


TMB3851P

Accessory Box - Electric Models

REF	PART NO.	DESCRIPTION	COMMENTS
1	70488102	Circuit Breaker	25 amp
2	70488104	Circuit Breaker	2 required; 50 amp; 200-208 and 230-240 Volt/1 Phase
3	44014901P	Power Distribution Block Cover	
4	M413865	Power Distribution Block	
5	44286803	Label	L1, L2, L3
	44286801	Label	L1, N
	44286802	Wire Label	L1 L2, L1 N
	44286804	Wire Label	L1 L2, L1 N, L1 L2 L3
6	70615503	Conduit Plate	
7	D516100	Label	
8	M411283	Ground Lug Connector	
9	685837	Screw	
10	F8591601	EMI Filter	IEC models; 100-200 and 200-240 Volt/1 Phase
	F8637501	EMI Filter	IEC models; 380-480 Volt
11	44313201	Auxiliary Contact Block	2 required
12	70058501	Pop Rivet	
13	70030501	Expansion Clip	
14	F8206901	Screw	
15	M400003	Pop Rivet	
16	44088001	Nut	
17	51780	Screw	
18	39733	Screw	
19	70482801	Contactor	2 required
20	70659001	Accessory Bracket	
21	44229701	DIN Rail	
22	F8449801	End Stop	2 required
23	F8449502	Wire Clip	
24	430497	Screw	

Accessory Box Harnesses - Electric Models

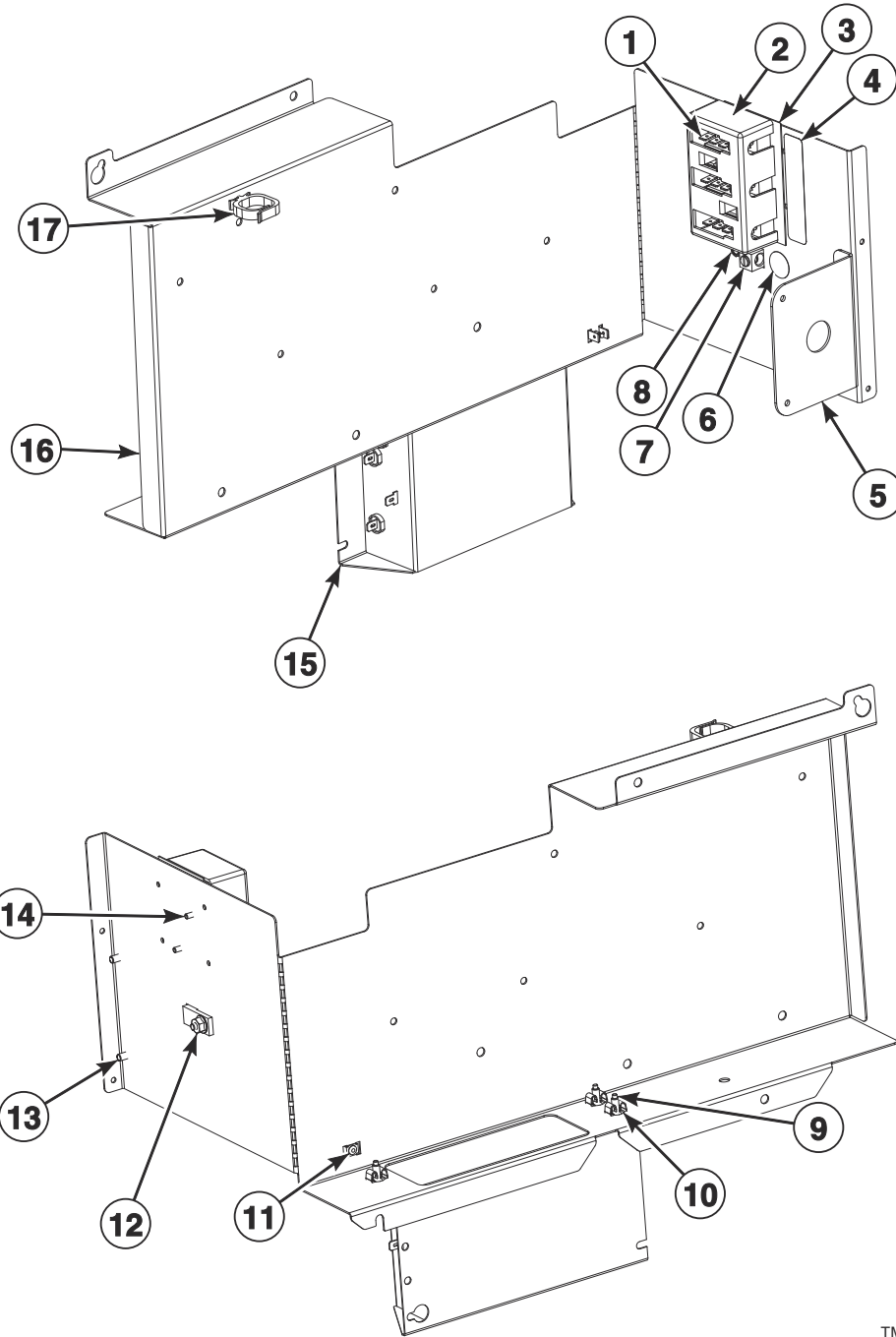


TMB3851PA

Accessory Box Harnesses - Electric Models

REF	PART NO.	DESCRIPTION	COMMENTS
	70636703	Harness	IEC models; 120-240 Volt; EMI filter to inverter/control tray
	70636701	Harness	IEC models; 380-480 Volt; EMI filter to inverter/control tray
	70639801	Harness	200-240 Volt; Power distribution block to contactor block; 1 phase; Right
	70639802	Harness	200-240 Volt; Power distribution block to contactor block; 1 phase; Left
	70639806	Harness	200-240 Volt; Power distribution block to contactor; 3 phase
	70639807	Harness	200-240 Volt; Power distribution block to contactor; 3 phase
	70639805	Harness	200-240 Volt; Contactor block to HC
	70639810	Harness	200-240 Volt; Contactor to element H1-H3
	70639811	Harness	200-240 Volt; Contactor to element H4-H6
	70641704	Harness	380-415 Volt; Power distribution block to contactor
	70641705	Harness	380-415 Volt; Contactor to contactor
	70641708	Harness	380-415 Volt; Contactor to element
	70632201	Contactor Coil Harness	
	70630902	Contactor Monitor Harness	
	70649605	Harness	T and G market models; 1 phase; Power distribution block to control contactor block
	70649606	Harness	T and G market models; 3 phase; Power distribution block to control contactor block
	70649607	Harness	IEC models; 1 phase; Power distribution block to control contactor block
	70649608	Harness	IEC models; 3 phase; Power distribution block to control contactor block
	70636705	Harness	T and G market models; 240 Volt; Control contactor block to inverter/control tray
	70636706	Harness	T and G market models; 380-480 Volt; Control contactor block to inverter/control tray
	70649603	Harness	1 phase; Control contactor block to EMI filter
	70649604	Harness	3 phase; Control contactor block to EMI filter

Accessory Box - Gas Models



TMB3852P

Accessory Box - Gas Models

REF	PART NO.	DESCRIPTION	COMMENTS
	70636701	Harness	T and G market models; 120-240 Volt; Power distribution block to inverter/control tray
	70636702	Harness	T and G market models; 380-480 Volt; Power distribution block to inverter/control tray
	70649601	Harness	1 phase; Power distribution block to EMI filter
	70649602	Harness	3 phase; Power distribution block to EMI filter
	70636703	Harness	IEC models; 120-240 Volt; EMI filter to inverter/control tray
	70636704	Harness	IEC models; 380-480 Volt; EMI filter to inverter/control tray
	00621SG	Male Tab Terminal	
1	430642	Terminal Block	
2	70333001	Terminal Block Shield	
3	M413862	Insulator	
4	44286803	Label	L1, L2, L3
	44286801	Label	L1, N
	44286802	Wire Label	L1 L2, L1 N
	44286804	Wire Label	L1 L2, L1 N, L1 L2 L3
5	70615501	Conduit Plate	
6	D516100	Label	
7	M411283	Ground Lug Connector	
8	685837	Screw	
9	F8206901	Screw	
10	70030501	Expansion Clip	
11	M400003	Pop Rivet	
12	44088001	Nut	
13	430497	Screw	
14	51783	Screw	
15	F8591601	EMI Filter	IEC models; 100-200 and 200-240 Volt/1 Phase
	F8637501	EMI Filter	IEC models; 380-480 Volt
16	70659001	Accessory Bracket	
17	F8449502	Wire Clip	

Labels

PART NO.	DESCRIPTION	COMMENTS
44324201	Caution Label	Australian models; Repeat Ignition Reset
70696901	Caution Label	Vent/install
F8614501	Danger Label	Shock; English/French
F8614301	Hot Surface Warning Label	English/French
F8609001	Hot Surface Warning Label	Icon
F8611601	Warning Label	
70535100	Label Kit	Vent/install; IEC models
F8614500	Label Kit	Shock; IEC models
70539601	Notice Label	
F8609501	Notice Label	
D516073	Notice Label	Read instructions; Icon
70538401	Pinch Warning Label	English/French
F8615701	Pinch Warning Label	Icon
F8614201	Shock Warning Label	Icon
70536301	Warning Label	Lint; Australian models
44324101	Warning Label	Fire; Australian models
70534305	Warning Label	Fire; Colombian Spanish
44321601	Warning Label	Risk of fire; Icon
D503887	Label	Australian models

Parts Index

A

Accessory Bracket	
70659001	83, 87
Accessory Plate Assembly	
F8574202	27
F8574203	27
F8574205	27
F8734601	27
Adapter	
70131901	75
Airflow Switch and Arm Bracket	
70319602	73
Airflow Switch Arm	
70319401	73
Airflow Switch Vane	
70319201	73
Airflow Switch Wrapper	
70356101	73
Anti-Rattle Burner Assembly	
70546701	75
App Pay Overlay Kit	
44374701	27, 29
Auxiliary Contact Block	
44313201	83

B

Blind Rivet	
F8245101	51
Blower Assembly	
70359801P	67, 69
Blower Housing	
70020301	69
70215101	67, 69
70554701	67, 69
Blower Housing Scroll	
70016301	67
Blower Inlet Cone	
70014101	69
Blower Motor Mounting Plate	
70349601	67, 69
Bottom Guard	
70661001	61
Bracket	
70653703	79
Burner Grill	
70188801	75
Burner Orifice	
70684105	77
70684106	77
70684107	77
70684108	77
70684109	77
70684110	77
70684111	77
70684113	77
70684114	77
70684116	77

70684126	77
70684128	77
70684130	77
70684131	77
70684133	77
70684134	77
70684135	77
70684137	77
70684139	77
70684142	77
Bushing	
70346501	59
Bypass Harness	
44334103	19, 27, 47

C

Card Reader Plate	
F8574204	27
Caution Label	
44324201	88
70696901	88
Center Cylinder Seal	
70066004	57
Center Pan	
70565201	59
Center Partition	
70252601	59
Central Pay Board Power Supply Harness	
70631705	81
Central Pay Control Assembly	
204779	81
Circuit Breaker	
70488102	83
70488104	83
Coin Box	
F160673P	47
Coin Chute Assembly	
70296401	47
Coin Drop	
38963P	31
39748	31
70441601	31
70441603	31
Coin Drop Assembly	
201141	31
210195	31
210196	31
38462P	31
38463	31
38467	31
38519	31
70281102	31
70283102	31
70441602	31
70447301	31
70471601	31
70482401	31
70506901	31
Coin Drop Kit	
CK077	31

N/A items do not appear in index.

CK122	33
Coin Identification Paper	
38464P	31
38475	31
38725	31
Coin Meter	
F0160737-00	31
Coin Vault and Emergency Stop Mount Assembly	
70529502	47
Coin Vault Assembly	
70529501	47
Coin Vault Switch Harness	
44334101	47
44334104	19, 27
Cold Weather Kit	
44340301	65
Conduit Plate	
70615501	87
70615503	83
Contact Base	
F8538101	49
Contact Switch	
F8069501	49
Contacto	
70482801	83
Contacto Coil Harness	
70632201	85
Contacto Interconnect Harness	
70630901	81
Contacto Monitor Harness	
70630902	85
Control	
70511601	65
Control Assembly	
70478801P	19
70478802	23
70478901	19
70478902	23
70479801	17
70479901	17
70523001	19
70523002	23
70523101	17
70543104	25
70597801P	27
70597803	29
70697004	29
Control Box Base	
44065301	65
Control Box Cover	
44065201	65
Control Box Housing	
44306701	65
Control Box Top	
44307101	65
Control Door and Studs Assembly	
70570201	25
Control Door Latch	
431318	43
Control Harness	
44375604	65
Control Mounting Bracket	
70598601	27

Control Panel	
70121509	43
70121514DG	43
70121514W	43
70273313	43
70273315W	43
70582901	43
70582902	43
70695601W	43
70695602	43
Control Panel Assembly	
70689603	43
70689606W	43
70689701	43
70689702	43
70689703W	43
70689704W	43
Control Panel Stand Bracket	
70641501	45
Control Panel Switch Bracket	
70641601	43
Control Plate	
70497101	17, 23
Control Plate and Studs Assembly	
70496601	19
Control Plate Assembly	
70497201	19
Control Tray Power Harness	
70642101	81
70642102	81
Control Trim	
44016401	47
70529401	47
Conversion Kit	
44391002	79
70696801	81
70696805	81
Cylinder and Trunnion Assembly	
70443801	53
70443802	53
Cylinder Assembly	
70372701P	53
70372702P	53
Cylinder Bearing Stud Plate Assembly	
430352	57
Cylinder Guide Tool	
263P4	57
Cylinder Rib Assembly	
70433001	53
Cylinder Shroud	
70347201	59
70347202	59
70432303	59
70432304	59

D

Damper and Hinge Exhaust Assembly	
70209501	67, 69
Damper Spacer	
70220901	69
Danger Label	
F8614501	88

N/A items do not appear in index.

Decal	
F8687701	47
DIN Rail	
44229701	83
Door Assembly	
70597701	37
70597702	37
70597703	37
70597704	37
70597705	37
70597706	37
70597707	37
70597708	37
70597709	37
70597710LG	37
Door Catch Kit	
70482901	47
Door Glass	
M400784P	39
70133604	39
Door Glass Installation Tool	
M4221P4	39
Door Glass Label	
70650401	39
70707701	39
Door Glass Seal Kit	
70211901P	39
Door Handle	
44007902P	39
44263801	39
44370602	39
Door Hinge	
70595501	41
70595503	41
70595509B	41
70595509LG	41
70595509W	41
Door Hinge Lug Assembly	
44035001	41
44035002	41
44035003	41
Door Latch	
M401223	47
Door Ring Assembly	
70597501	39
70597502	39
70597503	39
70597504	39
70597507B	39
70597508LG	39
Door Ring Gasket	
70296801	39
Door Switch Actuator	
70532101	41
70532102	41
Drive Access Cover	
70662801	67
Drive Motor	
44355001	67
44355002	67
Drive Plate	
70571901	67
Drive Rivet	
M400713	65

Drive Support Bracket	
70648601	71
Drywall Screw Magnet Kit	
70343101P	53, 57
<hr/>	
E	
Elbow	
70428101	63
Electronic Coin Drop Assembly	
70294107	31
70513302	31
70513303	31
70513304	31
70513306	31
70513308	31
70513309	31
70513310	31
70513311	31
70513312	31
70513313	31
70513314	31
70513315	31
70513316	31
Electronic Coin Drop Kit	
CK099	33
CK100	33
CK101	33
CK108	33
CK109	33
CK110	33
CK113	33
CK115	33
CK116	33
CK117	33
CK118	33
CK119	33
CK120	33
CK121	33
Emergency Stop Button Kit	
70580301	49
Emergency Stop Bypass Harness	
F8519403	19, 27
Emergency Stop Harness	
44272401	49
Emergency Stop Interconnect Harness	
70631101	49
Emergency Stop Label	
44012901	49
44012903	49
Emergency Stop Mounting Bracket	
70550401	49
Emergency Stop Pushbutton	
F200233500	49
EMI Filter	
F8591601	83, 87
F8637501	83, 87
End Cap	
70070101	53
70070102	53
End Stop	
F8449801	83
Exhaust Thimble	
70017801	67

N/A items do not appear in index.

Expansion Clip	
70030501	19, 27, 29, 47, 71, 75, 79, 81, 83, 87

F

Fan Motor	
44354901	67, 69
44354903	67, 69
Fan Spacer	
70599301	67
Fill Hose	
202799	65
Filter Mounting Plate	
70551701	65
Flat Topl	
70557601	59
Fob Communication Harness	
F8519403	27
F8719301	19
Fob Reader Control Assembly	
205135	19, 27
Fob Reader Kit	
70666806	35
Front Panel Assembly	
44115902	45
70576002DG	45
70576003DG	45
70601501	45
70601601	45
70601901	45
70602002W	45
70602102W	45
70602202W	45
70602501DG	45
70602702W	45
70602801DG	45
Front Panel Seal	
70173401P	45

G

Gas Burner	
70229801P	75
Gas Valve	
44154507	75
44154508	75
Gas Valve Bracket	
70645401	75
Gas Valve Harness	
44273501	75
Gas Valve Manifold	
70659201	75
Gasket	
70289101P	51
70392701P	69
Ground Lug Connector	
M411283	83, 87
Guard Bracket	
70670901	75, 79

H

Handle and Caps Assembly	
70154401	51
70154413	51
Handle Bumper	
70407207	51
Harness	
F8617901	25, 29
70636701	85, 87
70636702	87
70636703	85, 87
70636704	87
70636705	85
70636706	85
70639801	85
70639802	85
70639805	85
70639806	85
70639807	85
70639810	85
70639811	85
70641704	85
70641705	85
70641708	85
70649601	87
70649602	87
70649603	85
70649604	85
70649605	85
70649606	85
70649607	85
70649608	85
Harness Adapter Plate	
70523301	63, 65
Harness Mounting Plate	
70307007	35
Heat Control Harness	
44374901	81
Heater Element	
70034401P	79
70034402P	79
70034403P	79
70034414P	79
70034415P	79
70034416P	79
High Altitude Orifice Kit	
70609903	77
70609904	77
High Voltage Suppression Cable	
44239702	75
Hinge Cam Kit	
M4772P3	41
M4773P3	41
70622401	41
Hold-Down Clip	
35865	59
Hole Plug	
70063201	59
Hose	
44073304	65
Hose Clamp	
36801	65
Hose Fitting	
44069101	65

N/A items do not appear in index.

Hot Surface Warning Label	
F8609001	88
F8614301	88

I

Idler Wheel Assembly	
70050401P	67
Igniter Cover	
70159601	75
Ignition Control	
70482001	81
70482002	81
Insulator	
M413862	87
Interconnect Harness	
44375601	65
Interface Harness	
44378102	19, 27
Inverter Control Assembly	
70603001	71
70603201	71
Inverter to Motor Harness	
70635401	71
70635402	71
70635403	71
70635404	71
I/O Control Assembly	
70671701	81

J

Jumper Bar	
70066501	79
Jumper Harness	
D511476	47
70641709	79
70641710	79
Jumper Strip	
M400869	79

K

Key	
70155601	47, 65
70155602	47
Kickplate	
70117601	51
70117616	51

L

Label	
D503887	88
D516100	83, 87
44108201	45
44190901	45
44286801	83, 87
44286803	83, 87
44318201	65

562738	47
70472801	45
Label Kit	
F8614500	88
44318200	65
44324500	65
70534300	45
70535100	88
Lead-In Pipe	
70661401	75
70661501	75
Lever Arm and Belt Kit	
70655101	67
Lever Arm and Bushing Assembly	
70653801	67
Light	
801432	65
Limit Access Bracket	
70554901	69
Limit Thermostat	
44328001	69
44328004	75
44328006	79
44328104	75
70530901	69
Lint Panel	
70515402	51
70515403W	51
70515404DG	51
70515404W	51
70515405	51
Lint Panel Pivot Plate	
70017901	51
Lint Screen	
70325601	59
Lock Catch Bracket	
70654501	43
Lock Shim	
70342401	47
Lock, Key and Nut Kit	
44089301P	47, 65
44089302P	47
Lower Pan	
70332401P	59
Lower Rear Assembly	
70667601	67
L.P. Conversion Kit	
70550202	75
70550214	75
70551902	75
L.P. Valve	
44154504	75

M

Machine ID Control Assembly	
203361P	19, 23, 25, 27, 29
Magnet	
70343101	51
Magnet Bracket	
44290501	51
Main Harness	
70707901	17, 19, 23, 25, 27, 29

N/A items do not appear in index.

Male Tab Terminal 00621SG	87
Max Fill Line Label 70707501	39
Mixing Valve 70519801	65
Mixing Valve Shield Bracket 44306601	65
Moisture Sensor/Airflow Switch Harness 70631203	55
Motor Mount Bracket 70564101	67
Motor Mount Plate 70564201	67
Motor Pulley 70559101	67
Mounting Plate 70208801	19

N

Nameplate F8443105	47
567293	47
567887	47
70685701	47
70685801	47
Nameplate1 F8688801	47
Notice Label D516073	88
F8609501	88
70535901	75
70539601	88
70544901	75
Nozzle Bracket 70424201	63
70428601	63
Nut M400022	55, 57
M400034	57
M404993	59
M412986	57
M414215	39
21899	59
23951	51
430576	59
44071201	25
44087101	27, 29
44087201	53, 67
44087301	67
44088001	39, 41, 83, 87
44088801	47
44333202	67
51236	51
56156	67
70054	19, 27, 79
70660601	69
N.G. Valve 44154503	75

O

Opto Coupler 200674P	31
O-Ring 431482	75
Overlay F8205101	19
F8733901	19
F8734001	27
F8734201	19
F8734301	27
F8736501	19
F8736601	27
70295101	19
70518101	19
70518102	19
70519001	17
70539101	17
70541201	21
70541202	21
70541203	21
70545501	17
70548801	23
70556201	19
70556301	19
70556401	19
70556402	19
70556501	19
70556502	19
70556601	19
70556701	19
70556801	19
70556901	19
70557001	19
70557002	19
70571101	21
70571102	21
70571103	21
70571104	21
70571401	23
70571601	23
70595401	25
70673301	23
70675001	17
70681701	21
70681702	21
70681703	21
70681704	21
70681705	21
70690401	21
70690402	21
70690403	21
70690404	21
70690405	21
70690701	21
70690702	21
70690703	21
70691001	23
70691301	17
70705701	21

P

Panel Locator 56079	47, 51
------------------------------	--------

N/A items do not appear in index.

Pin	70071401	41
Pinch Warning Label	F8615701	88
	70538401	88
Pipe Bracket	70653701	75
Plug	70167601	75
	70180001	65
Pop Rivet	M400003	43, 81, 83, 87
	44166601	47
	70058501	41, 51, 59, 83
	70126301	51
	70126401	51
Porcelain Touch-Up Paint	122P4P	59
Power Distribution Block	M413865	83
Power Distribution Block Cover	44014901P	83
Power Sensor Harness	44375602	65
Primary Air Adjustment Sleeve	70239801	75
Primary Transformer Vend Harness	70631701	81
	70631702	81
Pushbutton Switch	70413301	17, 19, 23, 27, 29, 43, 47
Push-to-Start Switch	801434W	65

R

Rear Bearing Shim	70355001	57
Rear Bracket	70654401	65
Rear Cover	70650901	61
Rear Cylinder Bearing Housing	70013901	57
Rear Cylinder Channel	70257301	53
	70257302	53
Rear Cylinder Channel Plate	70257401	53
Rear Cylinder Seal	70013702	57
Rear Cylinder Seal Support	70506401	57
Rear Guard	70651001	61
	70651002	61
Rear Lint Panel	70565301	51
Rear Main Harness	70631201	81
Rear Panel	70651201	57
	70651202	57

	70651203	57
Reed Switch Assembly	F8066804	51
Replacement Screen Kit	70576501P	27, 29
Roller and Seal Kit	70616701	59
Roller Catch Arm	70030301	51
Roller Catch Spacer	70030201	51
Roller Catch Wheel	70297601	51
Roller Seal	70443601	59
Roller Shaft	70249501	59
Roller Support Bracket	70328301	59

S

Screw	F430144	67
	F8206901	35, 71, 79, 81, 83, 87
	M400661	39
	M405188	75
	M411072	19, 45, 47
	05161	75
	39733	27, 29, 47, 51, 83
	430497	43, 51, 53, 59, 63, 65, 69, 73, 75, 79, 81, 83, 87
	430757	51
	44349101	41
	44364601	67
	44364603	67
	51780	25, 29, 63, 65, 69, 83
	51783	81, 87
	62588	53
	685837	83, 87
	70033502	41
	70072801	51
	70126101	69
	70132301	51
	70247701	59
	70391101	53
	70407301	41
	70436301	41
	70442101	39
	70501301	67
	70508301	67
	70546301	67
	70576101	41
	70672501	75
	70689401	41
	804608	17, 19, 23, 25, 65
Sensor Harness	44375606	65
Serial Pay Harness	F8713906	27
Sheet Metal Edge Gasket	70015709	59
	70015710	59
Shield	44326801	65

N/A items do not appear in index.

Shock Warning Label	
F8614201	65, 88
F8614401	65
Side Bracket	
70658601	65
Side Guard	
70648101	61
70648201	61
Side Panel	
70021504DG	59
70021504W	59
70253802DG	59
70253802W	59
Side Stove Guard	
70671101	75, 79
Slip Ring Assembly	
44222702	55
Slip Ring Holder	
70455401	55
Slot Card Plate Assembly	
44089501	19
Snap Bushing	
M411826	75
70178701	63, 81
Spacer	
70488403	67
Spark Electrode	
70654201	75
Spray Nozzle	
70427801	63
Spray Nozzle Hose	
70427701	63
Spray Paint	
298P4P	59
Spring	
70571801	67
Spring Catch Bracket	
70543401	67
Standoff	
70569603	67
Stove Back	
70371501	75
Stove Cover	
70652301	79
Stove Grill	
70214901	79
Stove Limit Harness	
70564301	75
70564303	79
Stove Shield	
70652001	79
Stove Top and Sides	
70647101	75
70654001	79
Support Bearing	
70448701	57
Support Housing Bearing Assembly	
430260P	57
Switch	
70411901	73
Switch Bracket	
70356301	73
70508501	51

Switch Hole Plug	
44057801B	47
44057801W	47

T

Tensioning Bracket	
70569501	67
Terminal Block	
430642	87
Terminal Block Shield	
70333001	87
Thermistor	
M414704	69
44064701	63
Thermistor Plate	
70424401	63
Thermostat Cover	
M414477	75
Thermostat/Lint Switch Interconnect Harness	
70631202	69
Top Pan	
70671501	59
70680401	59
Top Panel	
70586401	59
Transformer	
F8491101	81
202757	81
202758	81
Tray Base	
70649101	81
Tray Cover	
70649001	81
Tray Wrap	
70648901	81
Trunnion and Seal Kit	
70564801	53
70564802	53
Tube Assembly	
70427601	63
Tumbler Dolly Kit	
M4379P4	59

U

Union Tee	
70427901	63
USB Bracket	
70547001	25, 29
USB IR Interface Kit	
203346	35
USB-Serial Interface Assembly	
203440	25, 27, 29

V

Vend Activation Harness	
44334002	27
44334004	17, 19, 23

N/A items do not appear in index.

Vend Plate	
F8632501	27

W

Warning Label	
F8611601	88
44321601	88
44324101	88
44324501	65
44324502	65
70534301	45
70534302	45
70534305	88
70536301	88
Washer	
M400991	57, 69
70261401	59
70411301	53
Water Valve Harness	
44375605	65
Wire Clip	
F8449502	71, 81, 83, 87
Wire Guard	
201595P	31
Wire Label	
44286802	83, 87
44286804	83, 87
Wireless Control Label	
204692	27, 29, 35
Wireless Network Control Assembly	
807211	35
Wireless Network Harness	
F8674006	35
Wireless Network Kit	
70609701	35
