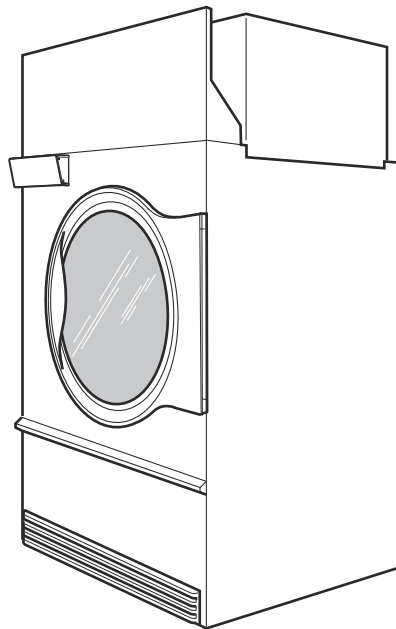


Tumble Dryer

170 Pound Capacity

18 Digit Model Numbers with 6 in 13th Position

Refer to Page 3 for Model Numbers



TMB1291C

Table of Contents

Title	Page
Parts Ordering Information.....	2
Serial Plate Location	2
Machine Identification	3
Product Overview - Heat Source and Voltage	4
Product Overview - FN Control Suffix	6
Product Overview - DN and NN Control Suffixes.....	8
Product Overview - VN Control Suffix.....	10
Interior Control Box	12
Dual Digital Control - F in the 7th Position (Drawing 1 of 2).....	14
Dual Digital Control - F in the 7th Position (Drawing 2 of 2).....	16
Electronic Display Control - N in the 7th Position (Drawing 1 of 2).....	18
Electronic Display Control - N in the 7th Position (Drawing 2 of 2).....	20
3.5 Inch Graphical Control - D in the 7th Position	22
Touch Control - V in the 7th Position	24
Fire Suppression System Control Box.....	26
Front Panel Components	28
Access Panel and Nameplates	30
Door Components.....	32
Hinge Components	34
Lint Panel Components.....	36
Cabinet and Frame Assembly.....	38
Rear Panel Components.....	40
Cylinder and Trunnion Assembly	42
Trunnion Bearings.....	44
Moisture Sensing Components	46
Cylinder Motor Components	48
Blower and Exhaust Components.....	50
Inverter Tray Components	52
Airflow Switch.....	54
Gas Heater Components - Models with 2nd Digit A, G, H, J, K, R, and T.....	56
Gas Heater Components - Models with 2nd Digit U	58
Burner Orifices	60
Steam Heater Components	62
Steam Valve.....	64
Control Tray	66
Labels	68
Parts Index.....	69

© Copyright 2023, Alliance Laundry Systems LLC

All rights reserved. No part of the contents of this book may be reproduced or transmitted in any form or by any means without the expressed written consent of the publisher.

Parts Ordering Information

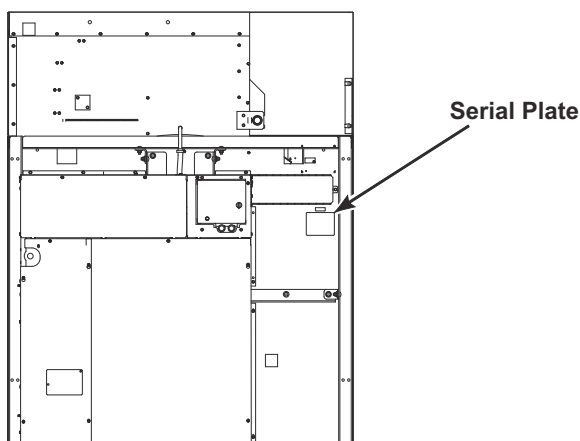
If literature or replacement parts are required, contact the source from whom the machine was purchased or contact Alliance Laundry Systems at (920) 748-3950 for the name and address of the nearest authorized parts distributor.

For technical assistance, call the number listed below:

(920) 748-3121 Ripon, Wisconsin

Serial Plate Location

When calling or writing about your product, be sure to mention model and serial numbers. Model and serial numbers are located on serial plate(s) as shown.



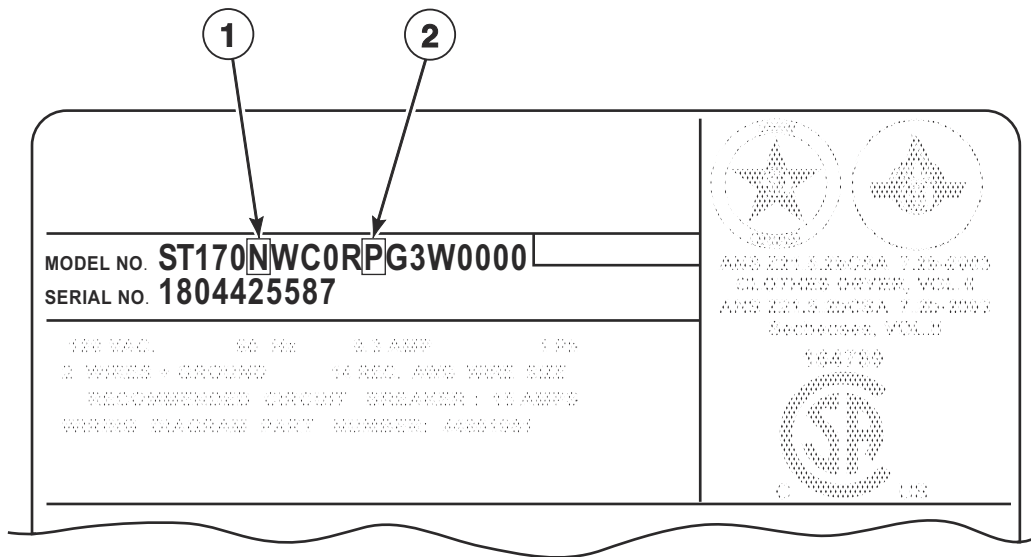
TMB3920P

Machine Identification

Information in this manual is applicable to these machines:

BA170L	HA170L	NA170L	SA170L	UA170L
BA170N	HA170N	NA170N	SA170N	UA170N
BA170S	HA170S	NA170S	SA170S	UA170S
BG170L	HG170L	NG170L	SG170L	UG170L
BG170N	HG170N	NG170N	SG170N	UG170N
BG170S	HG170S	NG170S	SG170S	UG170S
BH170L	HH170L	NH170L	SH170L	UH170L
BH170N	HH170N	NH170N	SH170N	UH170N
BH170S	HH170S	NH170S	SH170S	UH170S
BJ170L	HJ170L	NJ170L	SJ170L	UJ170L
BJ170N	HJ170N	NJ170N	SJ170N	UJ170N
BJ170S	HJ170S	NJ170S	SJ170S	UJ170S
BK170L	HK170L	NK170L	SK170L	UK170L
BK170N	HK170N	NK170N	SK170N	UK170N
BR170S	HR170S	NR170S	SR170S	UR170S
BT170L	HT170C	NT170L	ST170C	UT170C
BT170N	HT170L	NT170N	ST170L	UT170L
BT170S	HT170N	NT170S	ST170N	UT170N
BU170L	HT170S	NU170L	ST170S	UT170S
BU170N	HU170L	NU170N	SU170L	UU170L
BU170S	HU170N	NU170S	SU170N	UU170N
GA170L	HU170S	PA170L	SU170S	UU170S
GA170N	KT170L	PA170N		
GA170S	KT170N	PA170S		
GG170L	KT170S	PG170L		
GG170N		PG170N		
GG170S		PG170S		
GH170L		PH170L		
GH170N		PH170N		
GH170S		PH170S		
GJ170L		PJ170L		
GJ170N		PJ170N		
GJ170S		PJ170S		
GK170L		PK170L		
GK170N		PK170N		
GT170L		PR170S		
GT170N		PT170C		
GT170S		PT170L		
GU170L		PT170N		
GU170N		PT170S		
GU170S		PU170L		
		PU170N		
		PU170S		

Product Overview - Heat Source and Voltage

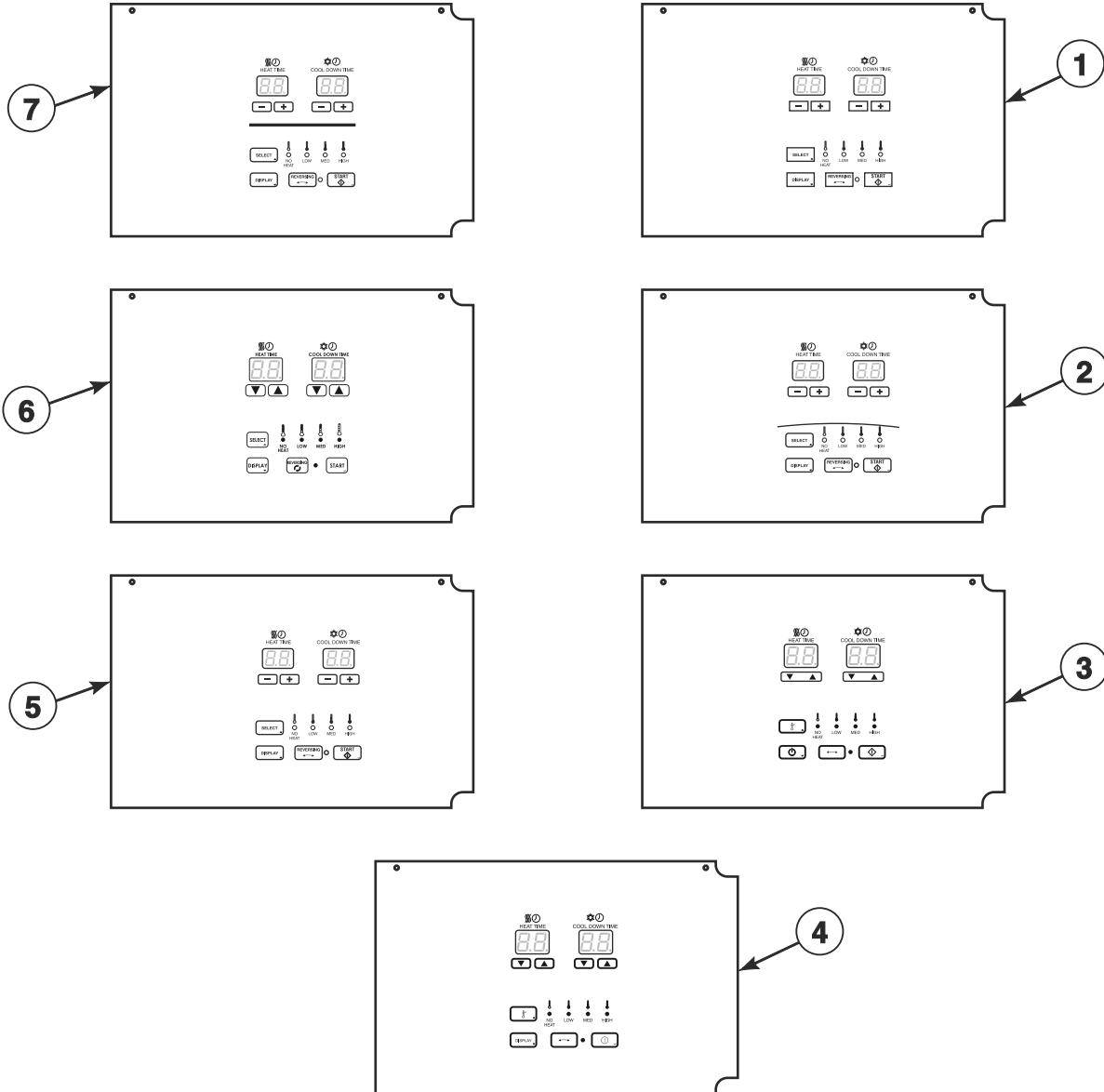
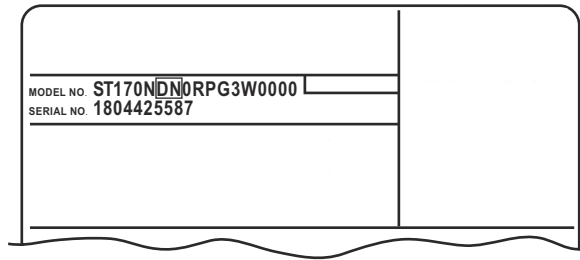


TMB3659P

Product Overview - Heat Source and Voltage

REF	PART NO.	DESCRIPTION	COMMENTS
1	-	Heat Source	C: Steam (CRN) L: Liquid Petroleum Gas (L.P.) N: Natural Gas (N.G.) S: Steam
2	-	Voltage	N: 440-480 Volt/50-60 Hertz/3 Phase P: 380-415 Volt/50-60 Hertz/3 Phase Q: 200-240 Volt/50-60 Hertz/3Phase

Product Overview - FN Control Suffix

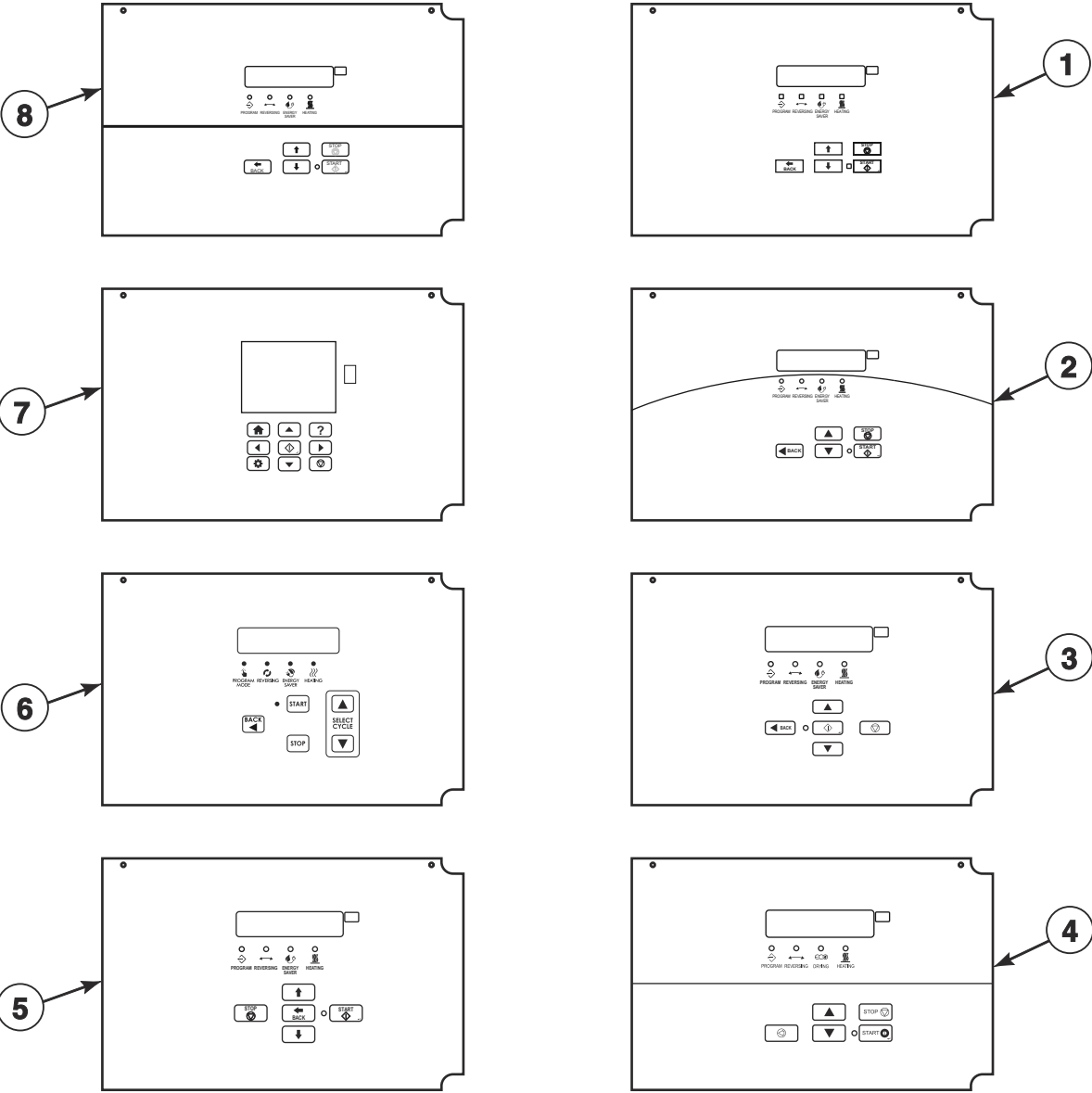
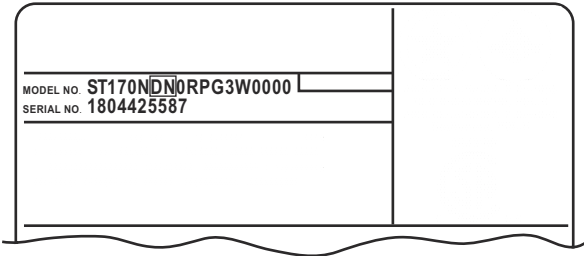


TMB3660P

Product Overview - FN Control Suffix

REF	PART NO.	DESCRIPTION	COMMENTS
1	-	Dual Digital Control	H models
2	-	Dual Digital Control	U models
3	-	Dual Digital Control	B models
4	-	Dual Digital Control	P models
5	-	Dual Digital Control	N models
6	-	Dual Digital Control	G and K models
7	-	Dual Digital Control	S models

Product Overview - DN and NN Control Suffixes



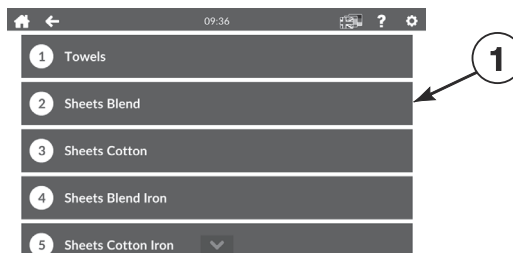
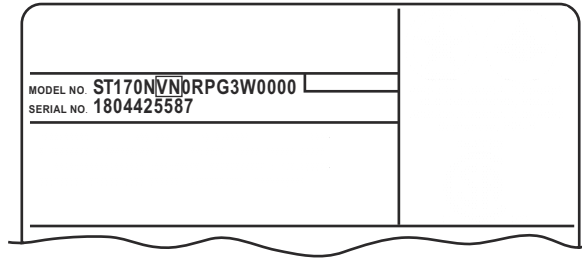
TMB3661P

Product Overview - DN and NN Control Suffixes

REF	PART NO.	DESCRIPTION	COMMENTS
1	-	Galaxy Control	H models
2	-	M-Series Control	U models
3	-	OPTimum Control	B models
4	-	OPL Micro Control	P models
5	-	OPL Micro Control	N models
6	-	OPL Micro Control	G and K models
7	-	UniLinc Control	U models
8	-	Quantum Gold Control	S models

Product Overview - VN Control Suffix

U Models

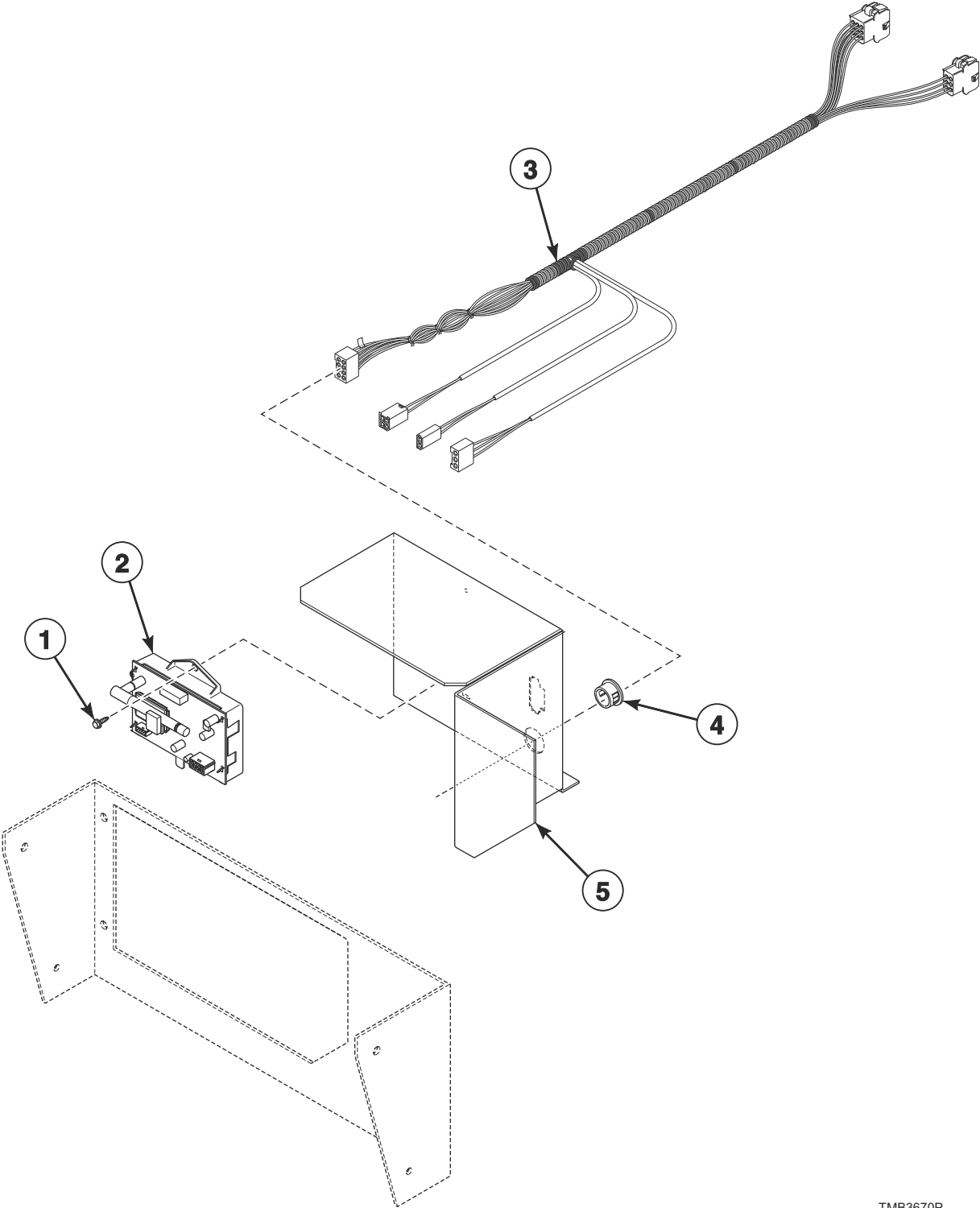


TMB3941P

Product Overview - VN Control Suffix

REF	PART NO.	DESCRIPTION	COMMENTS
1	-	UniLinc Touch Control	

Interior Control Box

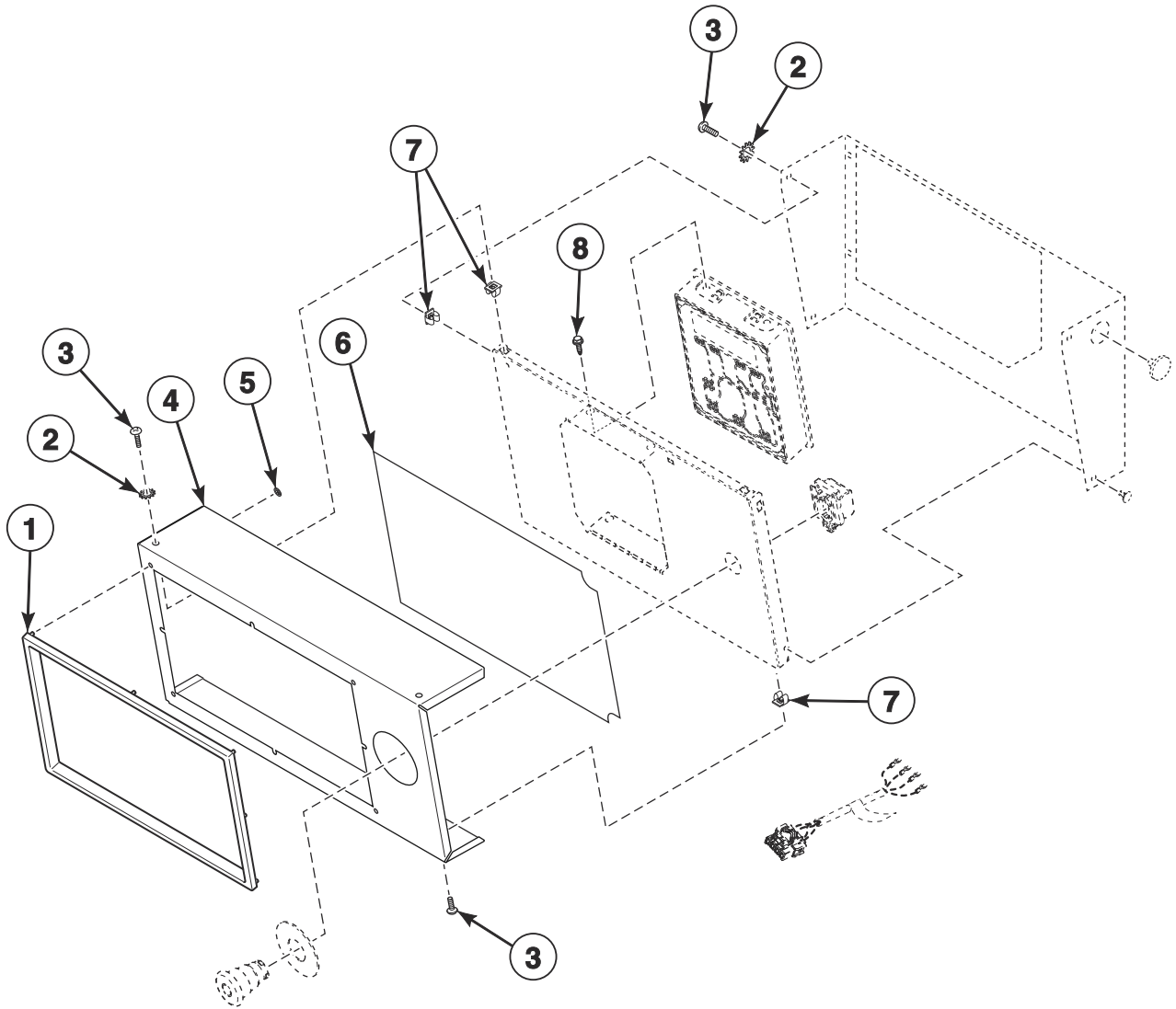


TMB3670P

Interior Control Box

REF	PART NO.	DESCRIPTION	COMMENTS
	70596301	Wireless Network Kit	D in the 7th position of model number
1	430497	Screw	
2	203532	Wireless Network Control Assembly	
3	44375101	Main Harness	
4	70178701	Snap Bushing	
5	44311101	Front Control Box	

Dual Digital Control - F in the 7th Position (Drawing 1 of 2)

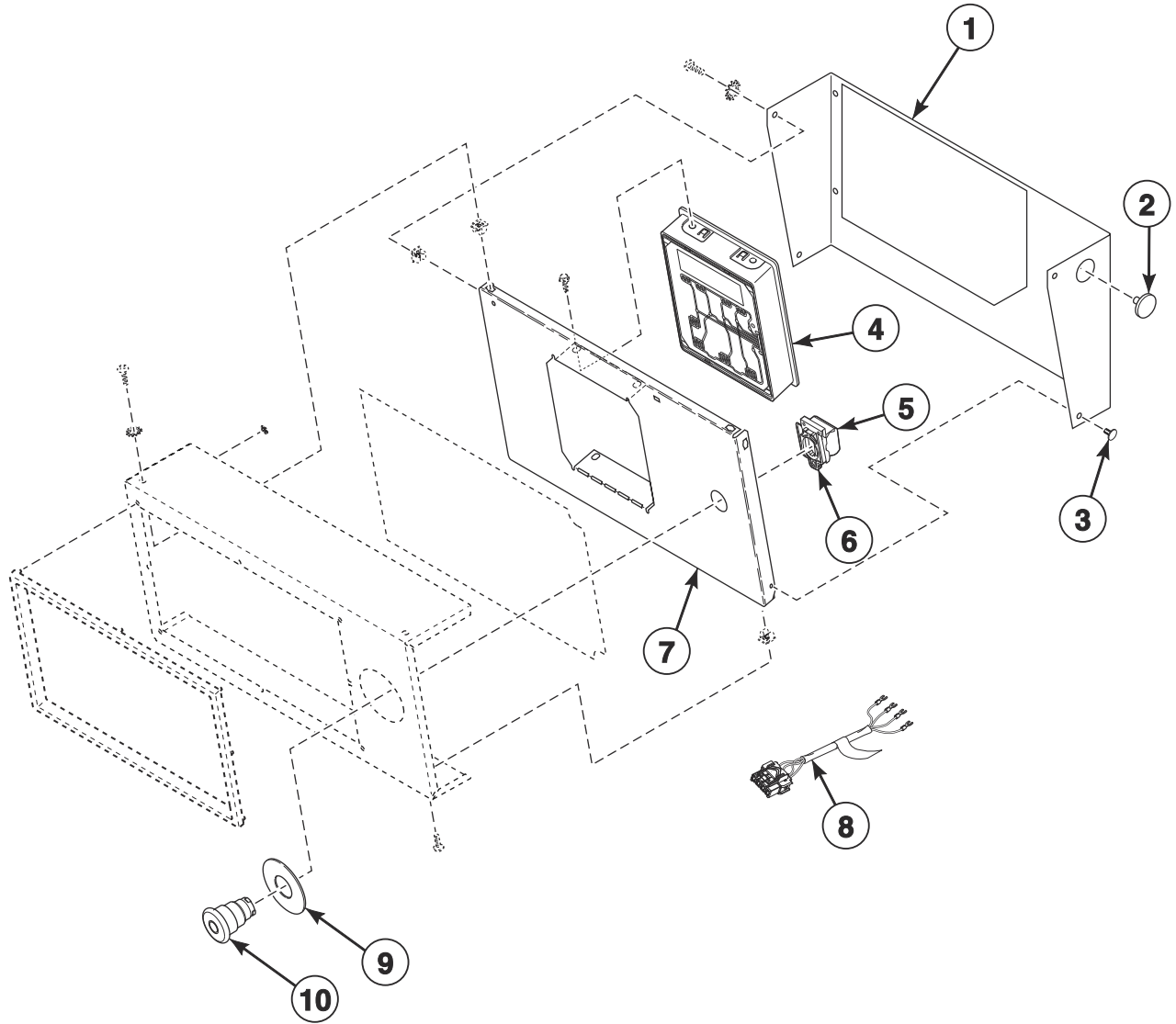


TMB3619P

Dual Digital Control - F in the 7th Position (Drawing 1 of 2)

REF	PART NO.	DESCRIPTION	COMMENTS
1	44016403	Control Trim	H models; Gray
	44016401	Control Trim	N, P and S models; Black
2	03815	Washer	
3	800930	Screw	
4	44330802	Control Cover	IEC B and U models; Stainless steel; No trim
	44330805	Control Cover	IEC H, N, P and S models; Stainless steel
	44330803W	Control Cover	IEC B and U models; No trim
	44330806DG	Control Cover	IEC P models; Dark gray
	44330806W	Control Cover	IEC H, N, P and S models
	44330803B	Control Cover	IEC G and K models; Black; No trim
	44330803LG	Control Cover	IEC U models; Light gray; No trim
	44330811	Control Cover	T and G market B and U models; Stainless steel; No trim
	44330814	Control Cover	T and G market H, N, P and S models; Stainless steel
	44330812W	Control Cover	T and G market B and U models ; No trim
	44330815DG	Control Cover	T and G market P models; Dark gray
	44330815W	Control Cover	T and G market H, N, P and S models
	44330812B	Control Cover	T and G market G and K models; Black; No trim
	44330812LG	Control Cover	T and G market U models; Light gray; No trim
5	M400977	Nut	8 required
6	70539101	Overlay	B models; Reversing
	70547501	Overlay	G and K models; Reversing
	70691301	Overlay	H models; Reversing
	70545501	Overlay	P models; Reversing
	70516801	Overlay	N and S models; Reversing
	70519001	Overlay	U models; Reversing
7	70030501	Expansion Clip	
8	804608	Screw	4 required

Dual Digital Control - F in the 7th Position (Drawing 2 of 2)

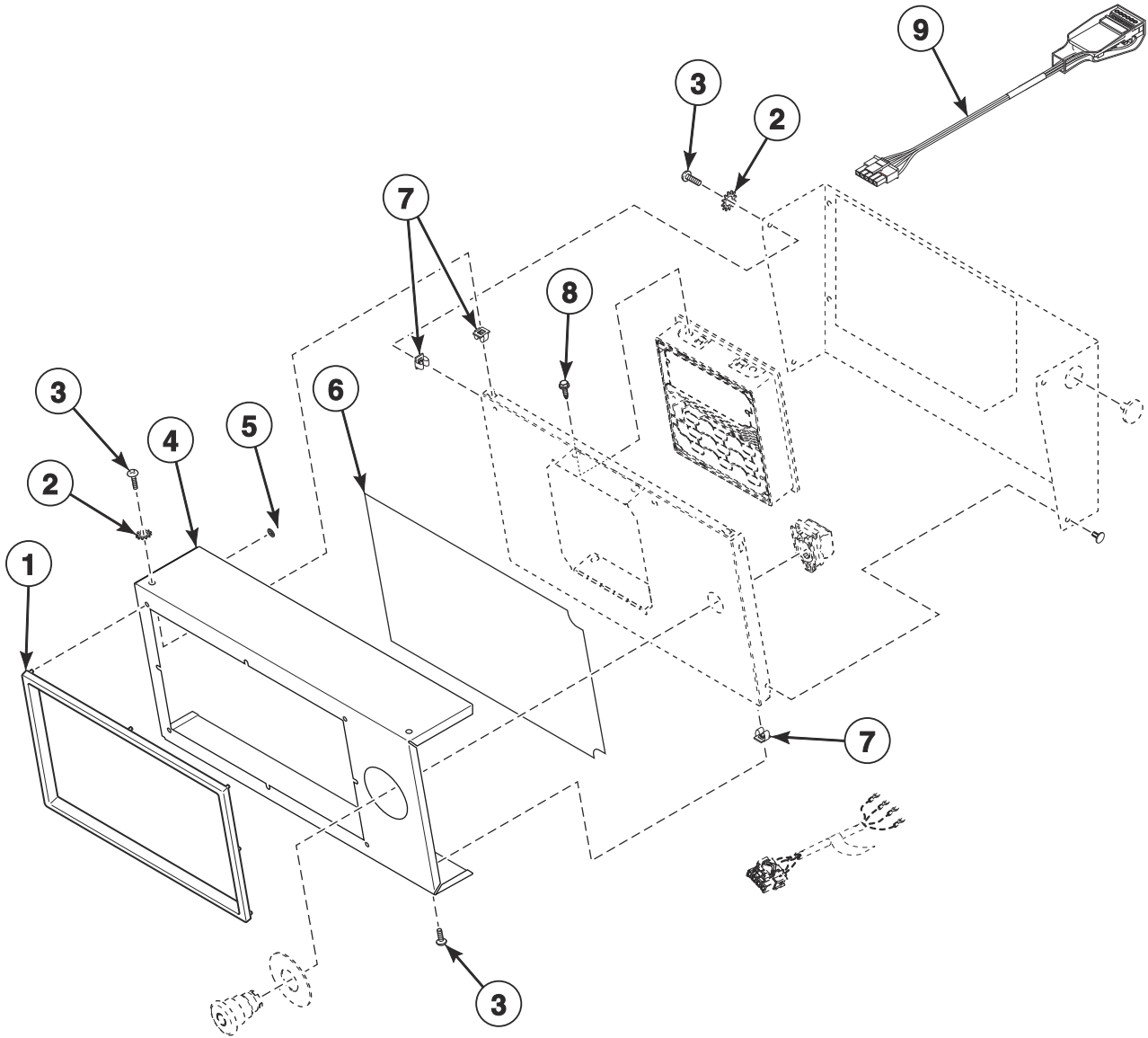


TMB3619PA

Dual Digital Control - F in the 7th Position (Drawing 2 of 2)

REF	PART NO.	DESCRIPTION	COMMENTS
	70631103	Emergency Stop Interconnect Harness	
	F8519403	Emergency Stop Bypass Harness	Models without e-stop
1	44331005	Control Bracket	B, H, N, P, S and U models; Stainless steel
	44331006DG	Control Bracket	P models; Dark gray
	44331006W	Control Bracket	B, H, N, P, S and U models
	44331006B	Control Bracket	G and K models; Black
	44331006LG	Control Bracket	U models; Light gray
2	M400985	Plug	
3	430725	Pop Rivet	
4	70523101	Control Assembly	P models; Blue
	70479801	Control Assembly	G, H, K, N, S and U models; Green
	70479901	Control Assembly	B models; Red
5	F8069501	Contact Switch	2 required
6	F8538101	Contact Base	
7	44330901	Mounting Plate	
8	44272401	Emergency Stop Harness	
9	44012901	Emergency Stop Label	
10	F200233500	Emergency Stop Pushbutton	

Electronic Display Control - N in the 7th Position (Drawing 1 of 2)

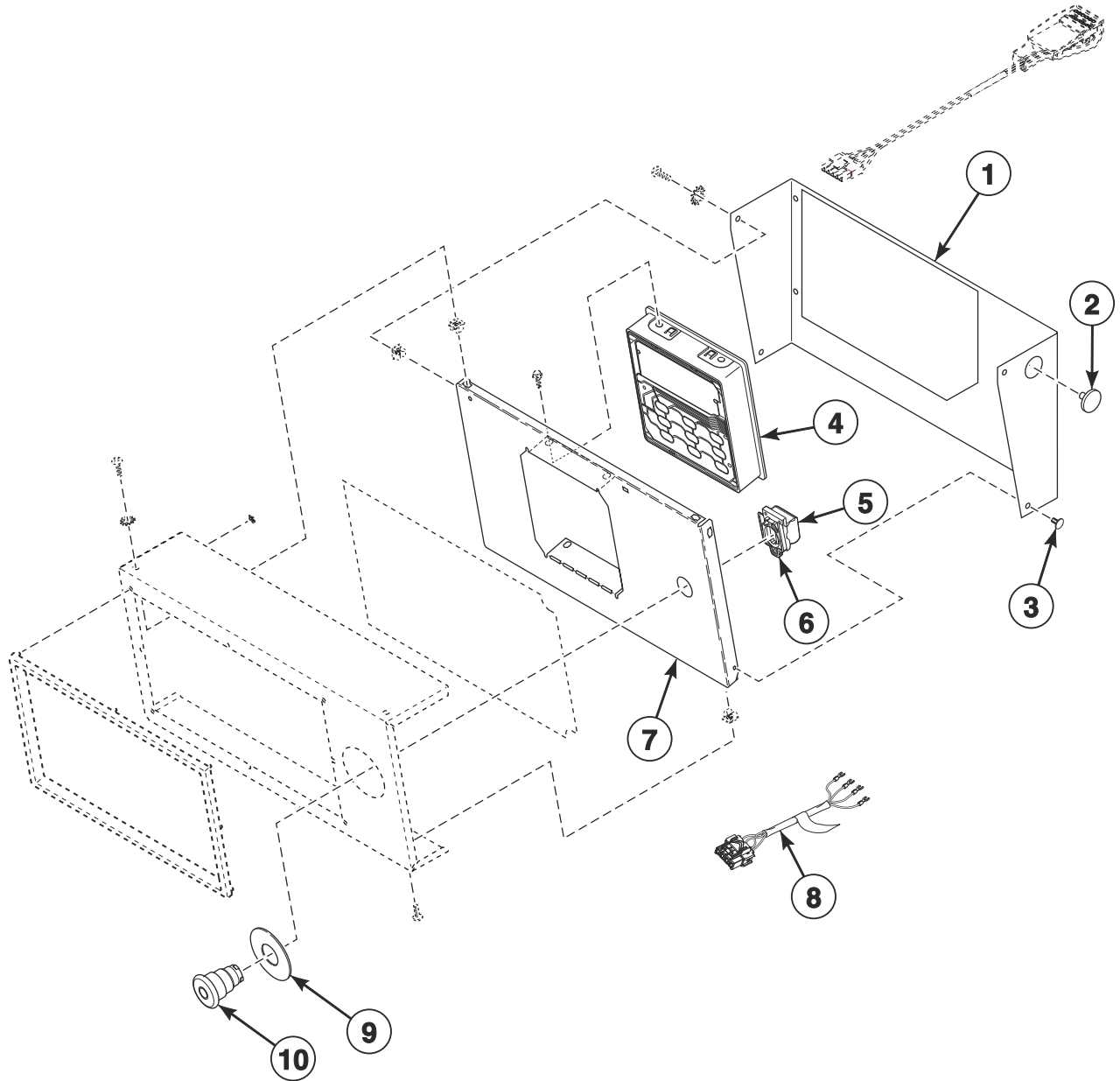


TMB3620P

Electronic Display Control - N in the 7th Position (Drawing 1 of 2)

REF	PART NO.	DESCRIPTION	COMMENTS
1	44016403	Control Trim	H models; Gray
	44016401	Control Trim	N, P and S models; Black
2	03815	Washer	
3	800930	Screw	
4	44330802	Control Cover	IEC B and U models; Stainless steel; No trim
	44330805	Control Cover	IEC H, N, P and S models; Stainless steel
	44330803W	Control Cover	IEC B and U models; No trim
	44330806DG	Control Cover	IEC P models; Dark gray
	44330806W	Control Cover	IEC H, N, P and S models
	44330803B	Control Cover	IEC G and K models; Black; No trim
	44330803LG	Control Cover	IEC U models; Light gray; No trim
	44330811	Control Cover	T and G market B and U models; Stainless steel; No trim
	44330814	Control Cover	T and G market H, N, P and S models; Stainless steel
	44330812W	Control Cover	T and G market B and U models; No trim
	44330815DG	Control Cover	T and G market P models; Dark gray
	44330815W	Control Cover	T and G market H, N, P and S models
	44330812B	Control Cover	T and G market G and K models; Black; No trim
	44330812LG	Control Cover	T and G market U models; Light gray; No trim
5	M400977	Nut	8 required
6	70570601	Overlay	S models; Reversing
	70571401	Overlay	U models; Reversing
	70691001	Overlay	H models; Reversing
	70548801	Overlay	B and N models; Reversing
	70547801	Overlay	G and K models; Reversing
	70571601	Overlay	P models; Reversing
7	70030501	Expansion Clip	
8	804608	Screw	4 required
9	203361P	Machine ID Control Assembly	Model or serial number is required when ordering

Electronic Display Control - N in the 7th Position (Drawing 2 of 2)



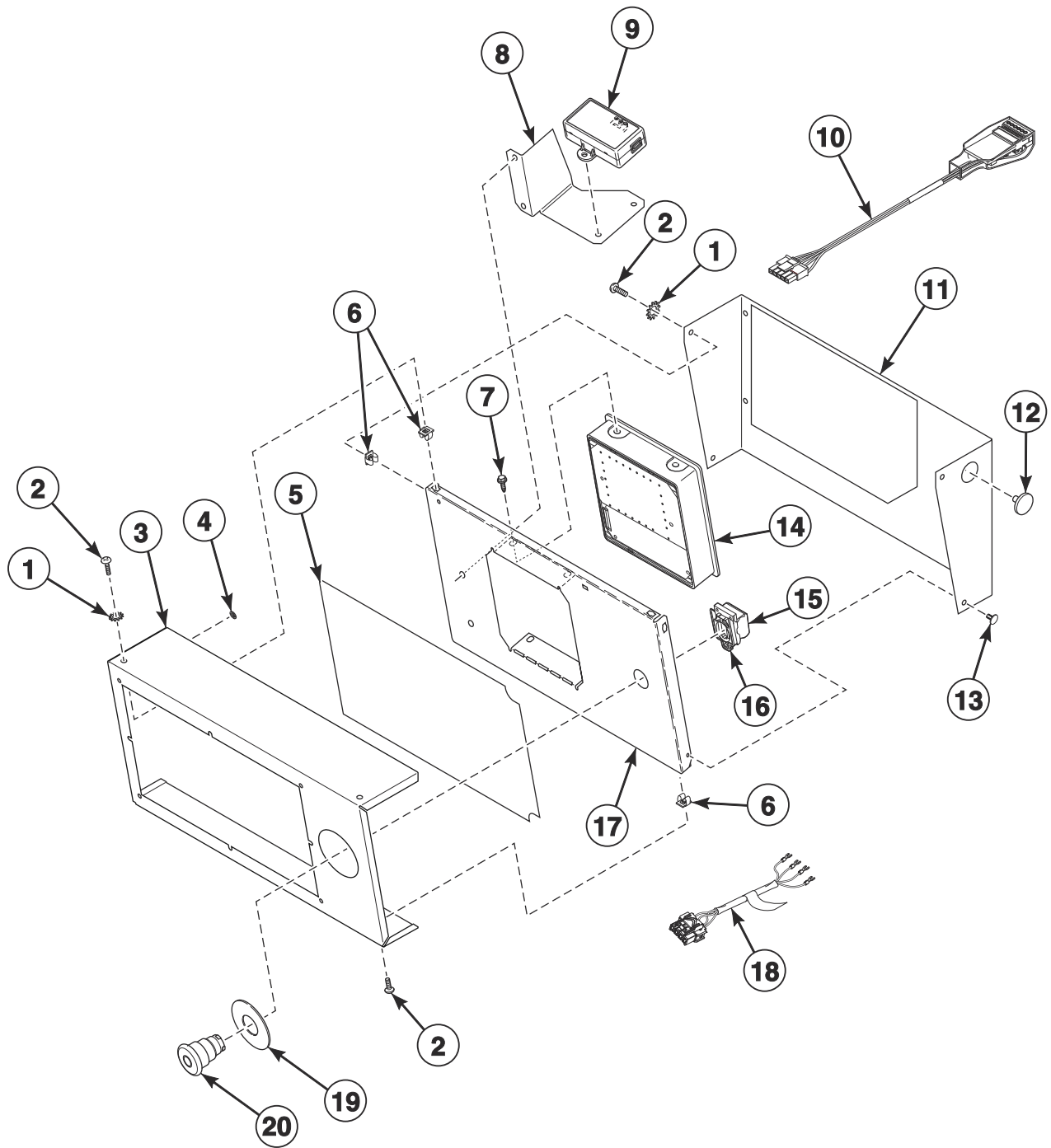
TMB3620PA

Electronic Display Control - N in the 7th Position (Drawing 2 of 2)

REF	PART NO.	DESCRIPTION	COMMENTS
	70631103	Emergency Stop Interconnect Harness	
	F8519403	Emergency Stop Bypass Harness	Models without e-stop
1	44331005	Control Bracket	B, H, N, P, S and U models; Stainless steel
	44331006DG	Control Bracket	P models; Dark gray
	44331006W	Control Bracket	B, H, N, P, S and U models
	44331006B	Control Bracket	G and K models; Black
	44331006LG	Control Bracket	U models; Light gray
2	M400985	Plug	
3	430725	Pop Rivet	
4	70523002	Control Assembly	P models; Blue
	70478802	Control Assembly	G, H, K, N, S and U models; Green
	70478902	Control Assembly	B models; Red
5	F8069501	Contact Switch	2 required
6	F8538101	Contact Base	
7	44330901	Mounting Plate	
8	44272401	Emergency Stop Harness	
9	44012901	Emergency Stop Label	
10	F200233500	Emergency Stop Pushbutton	

3.5 Inch Graphical Control - D in the 7th Position

U Models



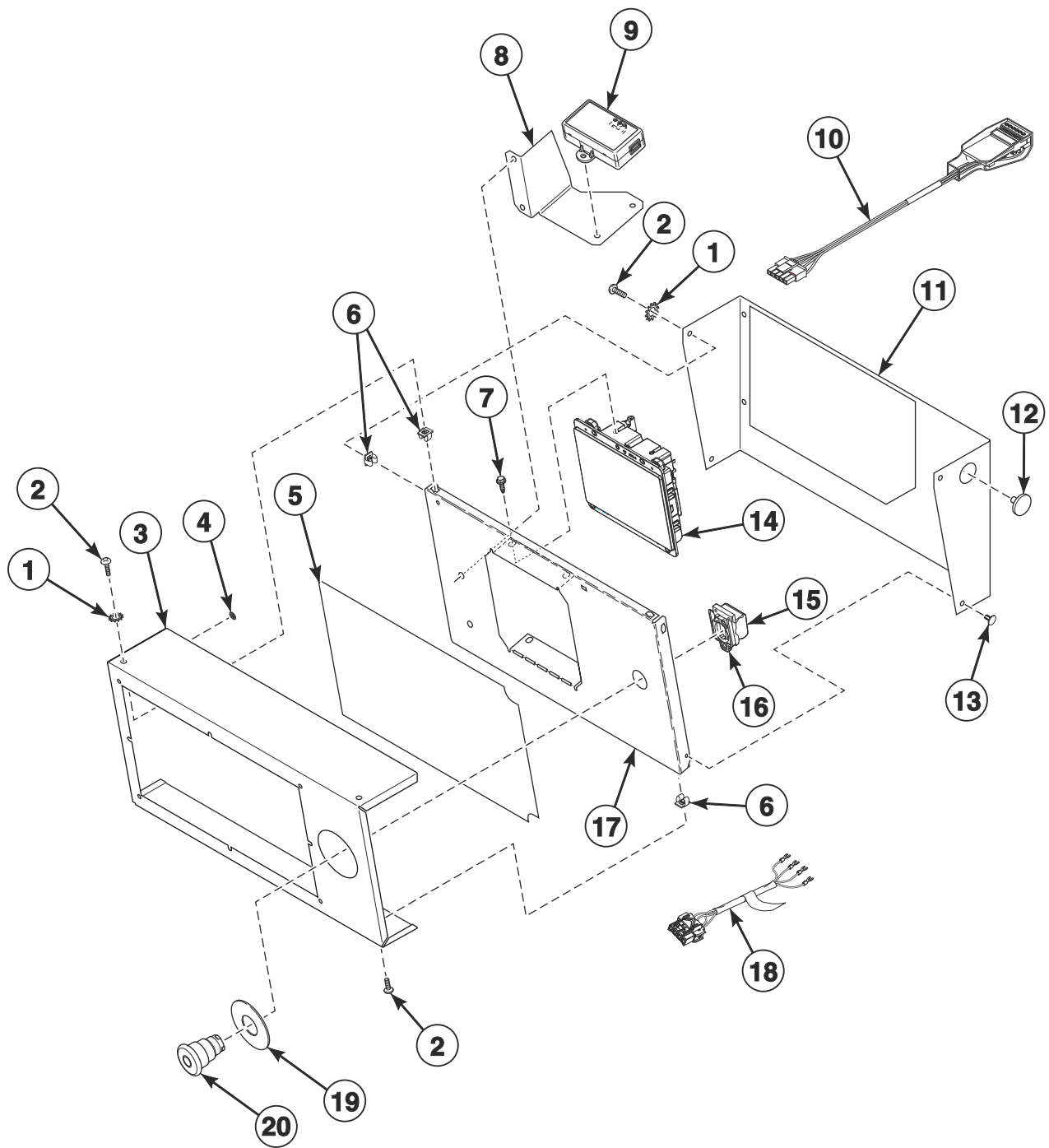
TMB3621P

3.5 Inch Graphical Control - D in the 7th Position

REF	PART NO.	DESCRIPTION	COMMENTS
	70596301	Wireless Network Kit	
	F8536002	Wireless Network Board Harness	
	203346	USB IR Interface Kit	
	F8617901	Harness	USB
	F8613201	FCC-IC Label	UT models
	03815	Washer	2 required; Use to attach item 9
	70631103	Emergency Stop Interconnect Harness	
	F8519403	Emergency Stop Bypass Harness	Models without e-stop
	430497	Screw	2 required; Use to attach item 9
1	03815	Washer	
2	800930	Screw	
3	44330802	Control Cover	IEC models; Stainless steel; No trim
	44330803W	Control Cover	IEC models; No trim
	44330803LG	Control Cover	IEC models; Light gray; No trim
	44330811	Control Cover	T and G market models; Stainless steel; No trim
	44330812W	Control Cover	T and G market models; No trim
	44330812LG	Control Cover	T and G market models; Light gray; No trim
4	M400977	Nut	8 required
5	70595401	Overlay	
6	70030501	Expansion Clip	
7	804608	Screw	
8	44331101	Mounting Bracket	
9	203440	USB-Serial Interface Assembly	
10	203361P	Machine ID Control Assembly	Model or serial number is required when ordering
11	44331005	Control Bracket	Stainless steel
	44331006W	Control Bracket	
	44331006LG	Control Bracket	Light gray
12	M400985	Plug	
13	430725	Pop Rivet	
14	70543104	Control Assembly	
15	F8069501	Contact Switch	2 required
16	F8538101	Contact Base	
17	44330901	Mounting Plate	
18	44272401	Emergency Stop Harness	
19	44012901	Emergency Stop Label	
20	F200233500	Emergency Stop Pushbutton	

Touch Control - V in the 7th Position

U Models

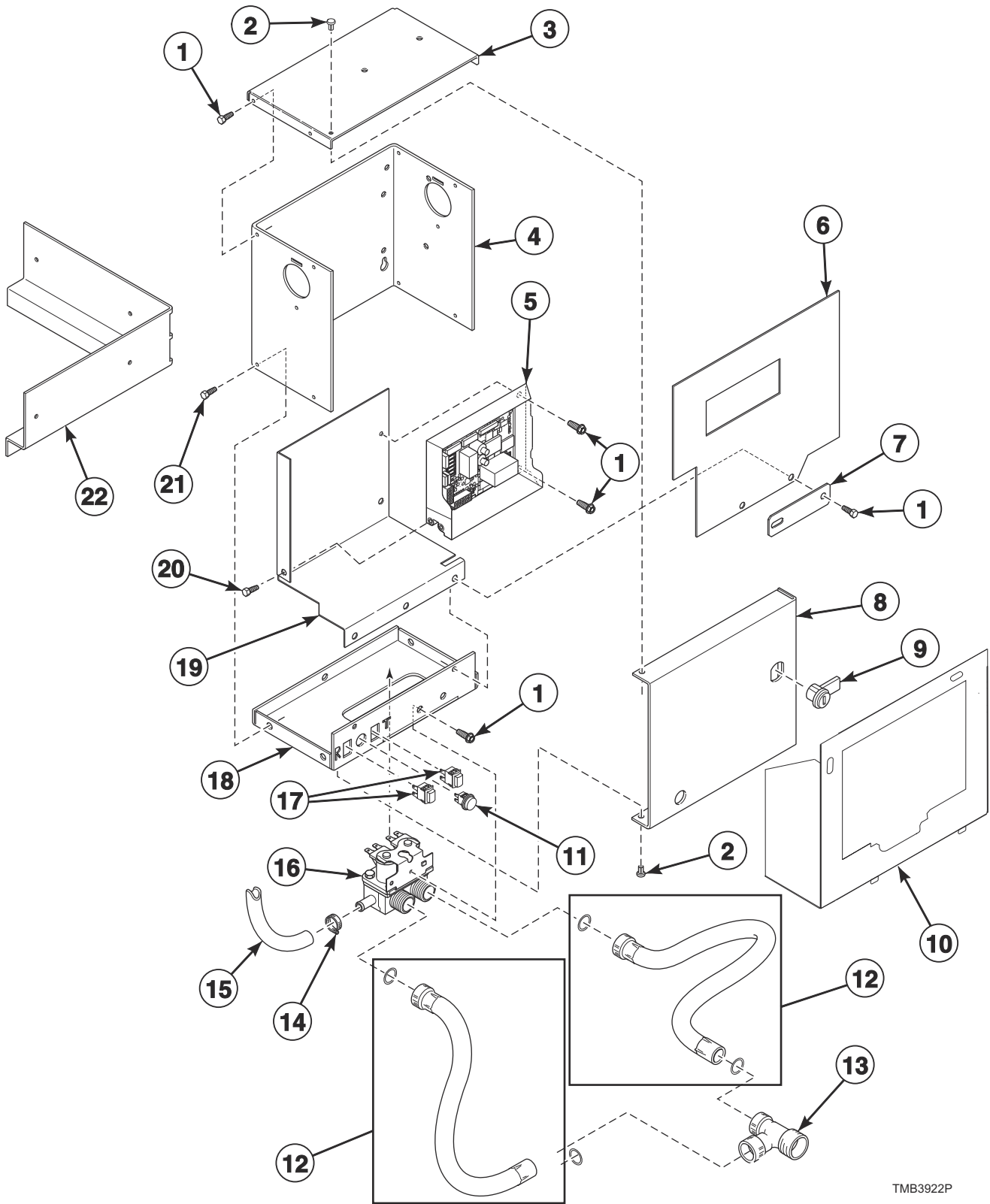


TMB3940P

Touch Control - V in the 7th Position

REF	PART NO.	DESCRIPTION	COMMENTS
	F8617901	Harness	USB
	F8613201	FCC-IC Label	UT models
	03815	Washer	2 required; Use to attach item 9
	70631103	Emergency Stop Interconnect Harness	
	F8519403	Emergency Stop Bypass Harness	Models without e-stop
	430497	Screw	2 required; Use to attach item 9
1	03815	Washer	
2	800930	Screw	
3	44330816	Control Cover	Stainless steel; No trim; With e-stop
	44330818W	Control Cover	No trim; With e-stop
	44330818LG	Control Cover	Light gray; No trim; With e-stop
	44330817	Control Cover	Stainless steel; No trim; No e-stop
	44330819W	Control Cover	No trim; No e-stop
	44330819LG	Control Cover	Light gray; No trim; No e-stop
4	M400977	Nut	8 required
5	70595401	Overlay	
6	70030501	Expansion Clip	
7	804608	Screw	
8	44331101	Mounting Bracket	
9	203440	USB-Serial Interface Assembly	
10	203361P	Machine ID Control Assembly	Model or serial number is required when ordering
11	44331005	Control Bracket	Stainless steel
	44331006W	Control Bracket	
	44331006LG	Control Bracket	Light gray
12	M400985	Plug	
13	430725	Pop Rivet	
14	70697004	Control Assembly	
15	F8069501	Contact Switch	2 required
16	F8538101	Contact Base	
17	44330901	Mounting Plate	
18	44272401	Emergency Stop Harness	
19	44012901	Emergency Stop Label	
20	F200233500	Emergency Stop Pushbutton	

Fire Suppression System Control Box

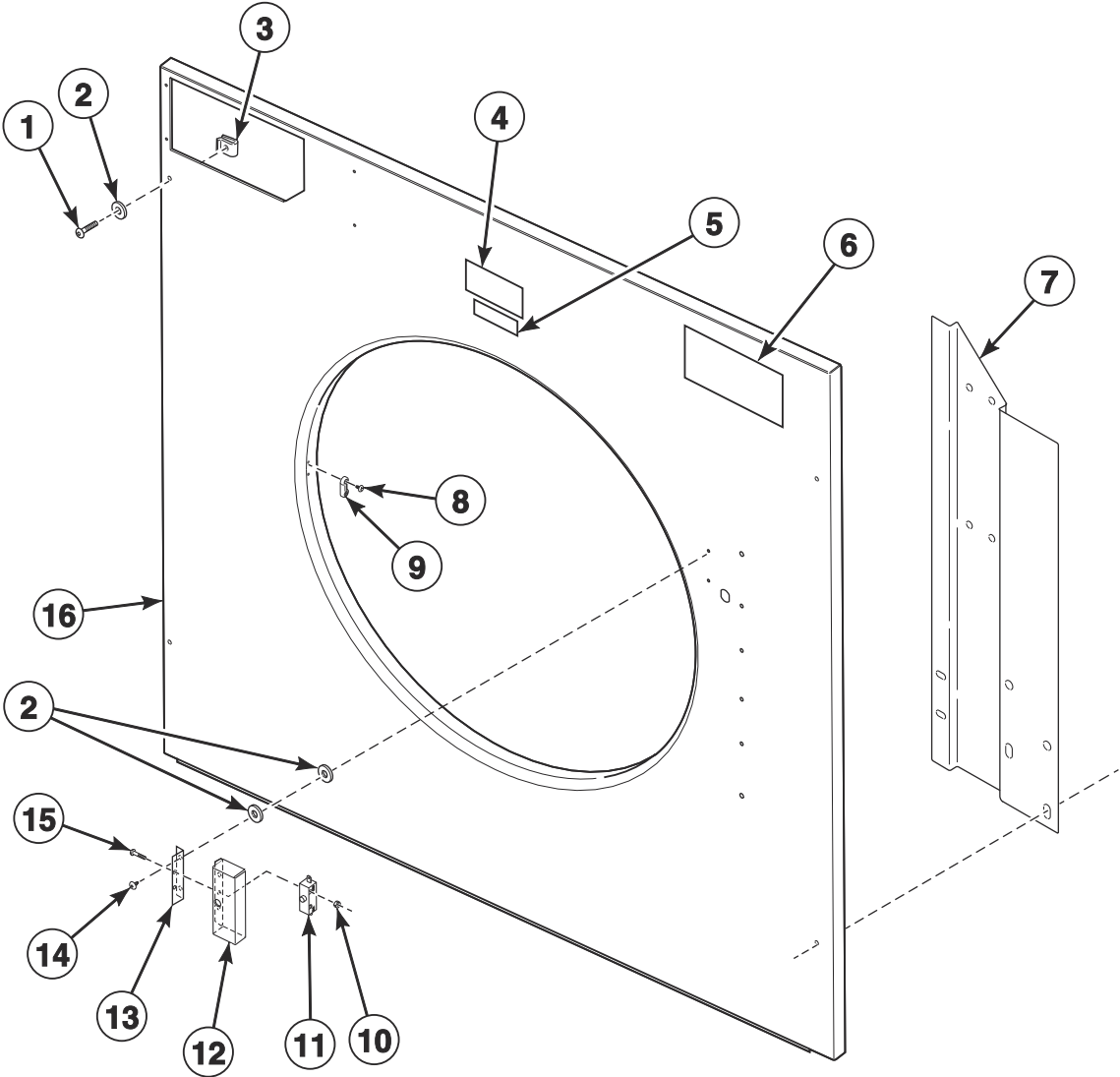


TMB3922P

Fire Suppression System Control Box

REF	PART NO.	DESCRIPTION	COMMENTS
	44340301	Cold Weather Kit	
	70155601	Key	RL001; Use with item 9
	44079602	Manifold	
	44375604	Control Harness	
	44375605	Water Valve Harness	
	44375608	Power Sensor Harness	
	44375607	Sensor Harness	
	44375601	Interconnect Harness	
	70346501	Bushing	
	44324501	Warning Label	T and G market models; F.S.S.
	44324500	Label Kit	IEC models; F.S.S.
	F8614401	Shock Warning Label	T and G market models
	F8614201	Shock Warning Label	IEC models
	44318200	Label Kit	IEC models
	44324502	Warning Label	
	44318201	Label	T and G market models
1	M400713	Drive Rivet	
2	44307101	Control Box Top	
3	44306701	Control Box Housing	
4	70511601	Control	
5	430497	Screw	
6	44326801	Shield	
7	70551701	Filter Mounting Plate	
8	44065201	Control Box Cover	
9	44089301P	Lock, Key and Nut Kit	RL001 key code; Optional if same key is to be used for control lock
10	44369601	Control Guard	Without fire suppression
	44369602	Control Guard	With fire suppression
11	801432	Light	
12	202799	Fill Hose	2 required
13	44069101	Hose Fitting	T and G market models
14	36801	Hose Clamp	
15	44073306	Hose	28.12 inches; Outlet hose
16	70519801	Mixing Valve	
17	801434W	Push-to-Start Switch	2 required
18	44065301	Control Box Base	
19	44306601	Mixing Valve Shield Bracket	
20	804608	Screw	
21	51780	Screw	
22	44310901	Support Bracket	

Front Panel Components

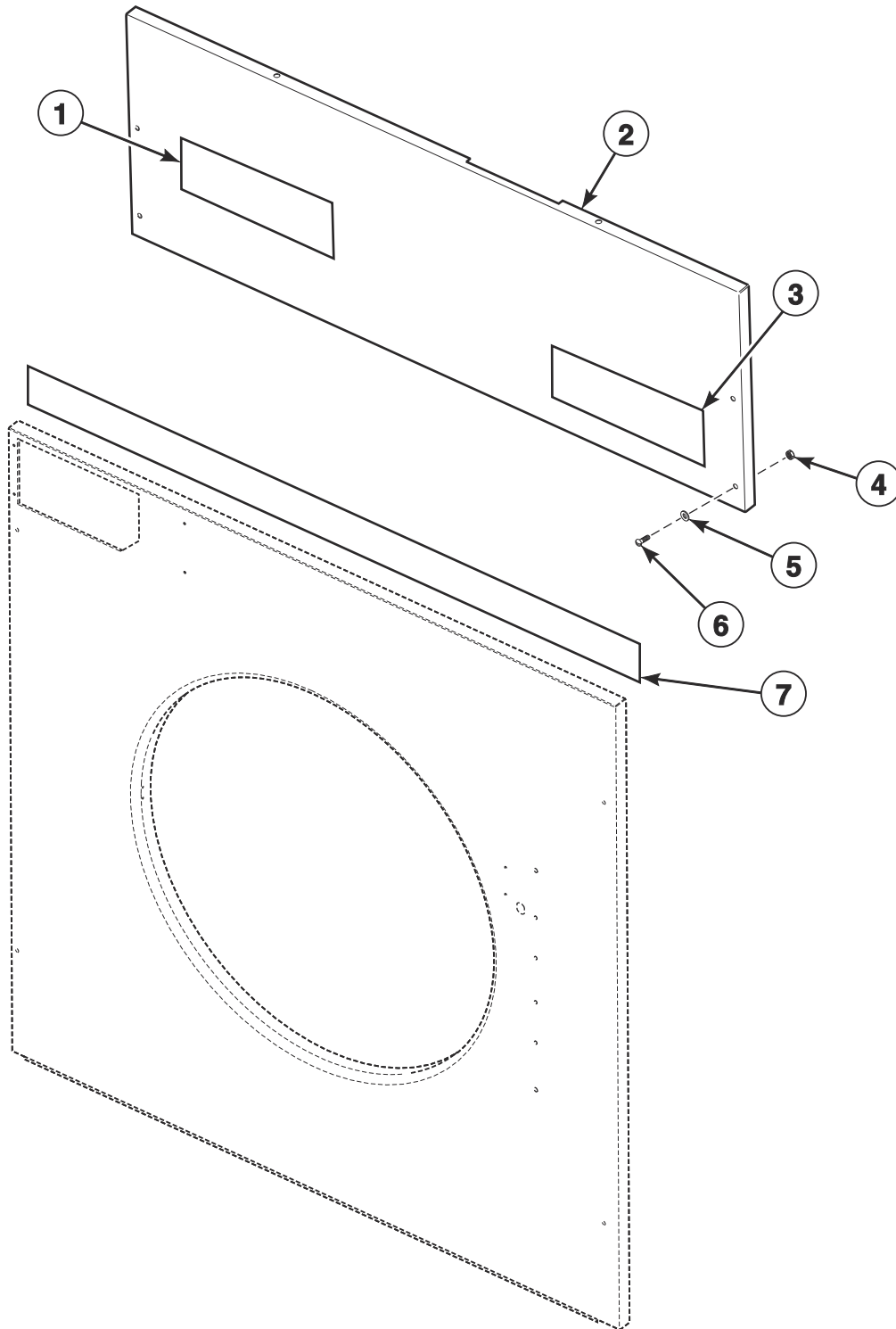


TMB3914P

Front Panel Components

REF	PART NO.	DESCRIPTION	COMMENTS
	298P4P	Spray Paint	White
	122P4P	Porcelain Touch-Up Paint	White
	44366202	Door Switch Harness	
	70482901	Door Catch Kit	
1	70182601	Screw	4 required per panel
2	800465	Washer	4 required per panel
3	70030401	Nut	Access and front panel attachment
4	70537001	Label	B, H, N, S and U models; C.A.R.E.
	70537101	Label	G and K models; F.S.S.
	44190901	Label	P models; Safe Tech
5	70472801	Label	U models
6	F8443107	Nameplate	U models
7	44286002	Door Switch Wire Channel	
8	44166601	Pop Rivet	2 required
9	M401223	Door Latch	
10	29787	Nut	2 required
11	44312401	Switch	
12	44316301	Door Switch Cover	
13	44316601	Door Switch Shield	
14	431287	Screw	2 required
15	M402574	Screw	2 required
16	44291903DG	Front Panel	P models; Dark gray
	44291903LG	Front Panel	U models; Light gray
	44291903W	Front Panel	
	44291902	Front Panel	Stainless steel

Access Panel and Nameplates

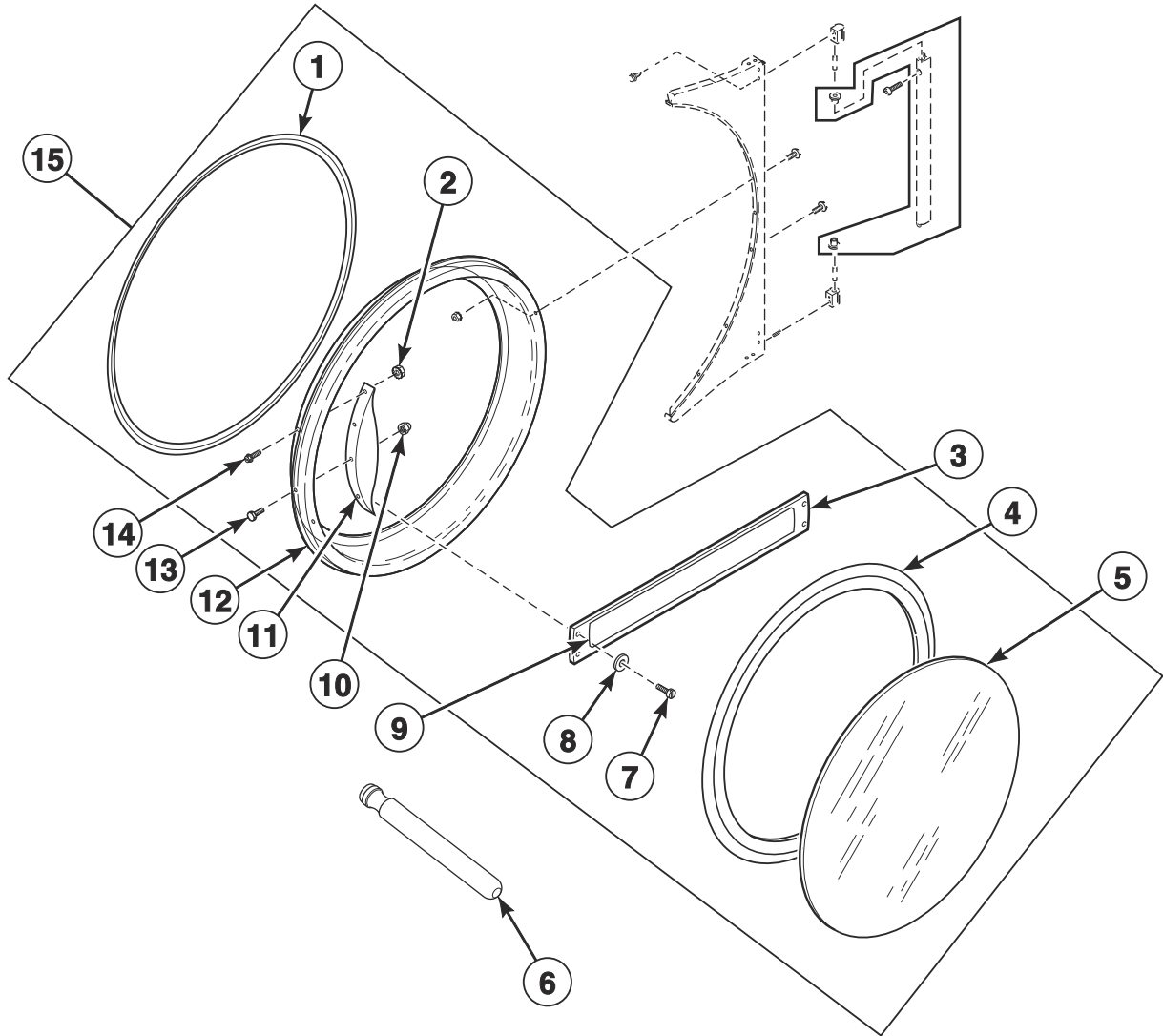


TMB3915P

Access Panel and Nameplates

REF	PART NO.	DESCRIPTION	COMMENTS
1	70410201	Nameplate Overlay	G models
	44130401	Nameplate Overlay	K models through 12/31/22
	44391401	Label	K models starting 1/1/23; ProDry2+
	70472001	Nameplate	B models
2	44012709DG	Front Access Panel	P models; Dark gray
	44012709W	Front Access Panel	
	44012709LG	Front Access Panel	U models; Light gray
	44012714	Front Access Panel	Stainless steel
3	F8688901	Nameplate	S models
	F8688001	Nameplate	H models
	567887	Nameplate	P models
4	70030401	Nut	4 required
5	800465	Washer	4 required
6	70182601	Screw	4 required
7	70399404	Access Panel Trim	G and K models; Mounts over front panel assembly and control panel

Door Components

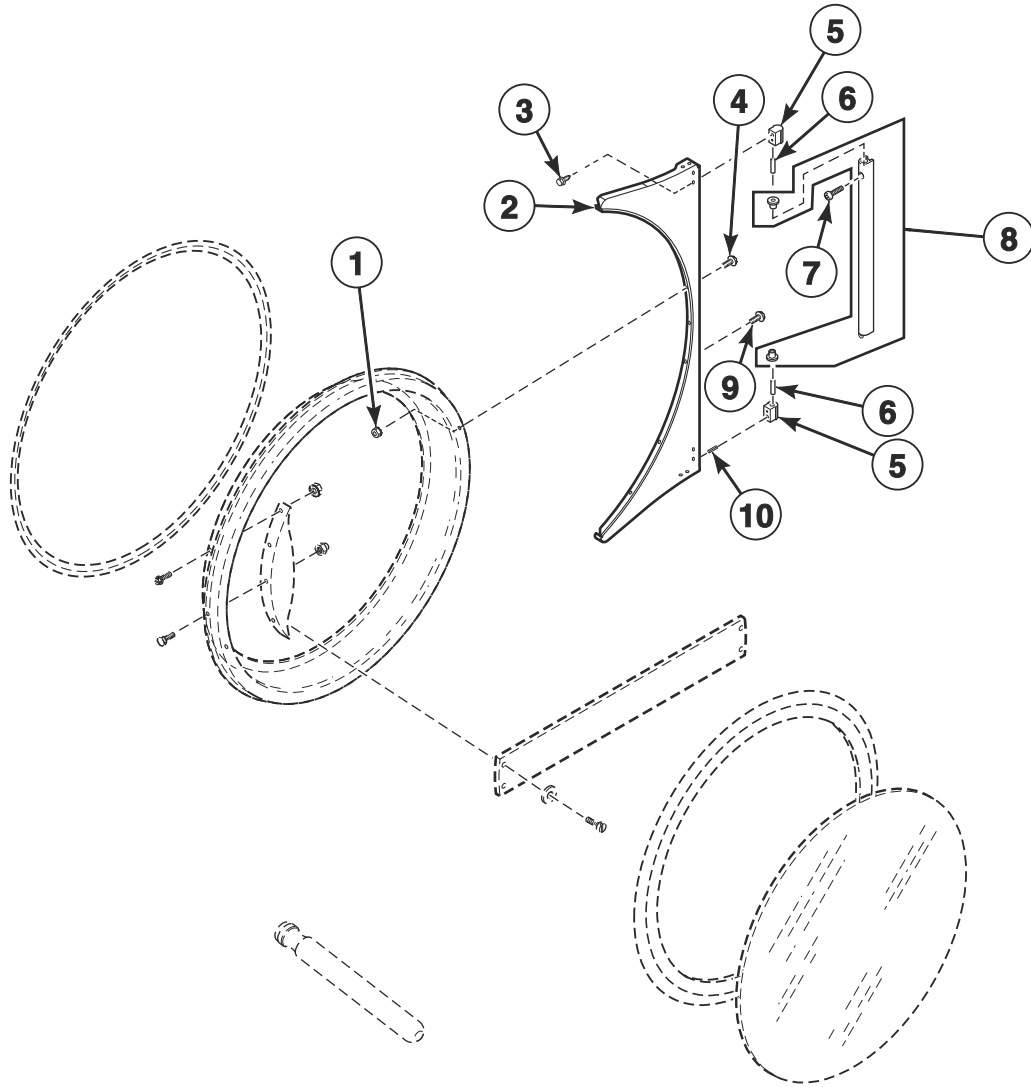


TMB3949P

Door Components

REF	PART NO.	DESCRIPTION	COMMENTS
	70650401	Door Glass Label	H models
	70707701	Door Glass Label	S models
	70707501	Max Fill Line Label	
1	70296802	Door Ring Gasket	H models
	44008201P	Door Ring Gasket	All other models
2	44088001	Nut	B, H, N and S models; 4 required
3	70399501B	Handle Bar	G and K models
4	70211902P	Door Seal Kit	Use Loctite 414 for seal
5	44008401P	Door Glass	
6	M4221P4	Door Glass Installation Tool	
7	70412601	Pop Rivet	G and K models; 4 required
8	70409301	Washer	G and K models; 2 required
9	44391201	Nameplate Overlay	K models starting 8/8/22
10	M414215	Nut	
11	44370601	Door Handle	H models
	44007901	Door Handle	B, N and S models
	44263801	Door Handle	U models; Use 901620 Screw, 800465 Washer, 803871 Screw and 44088001 Nut to attach
12	44354801	Door Ring Assembly	H and S models; Stainless steel
	44354803	Door Ring Assembly	U models
	44354808LG	Door Ring Assembly	P models; Light gray
	44326007B	Door Ring and Handle Assembly	P models; Black
	44326004B	Door Ring Assembly	B and N models
	44354809B	Door Ring Assembly	G and K models
13	M400661	Screw	Door strike
14	70442101	Screw	B, H, N, P and S models; 4 required
15	44354705	Door Assembly	H models; Stainless steel
	44354701	Door Assembly	S models; Stainless steel
	44354703	Door Assembly	U models; Stainless steel
	44028907	Door Assembly	B and N models
	44354710LG	Door Assembly	P models; Light gray
	44292302B	Door Assembly	P models; Black
	44354711B	Door Assembly	G and K models

Hinge Components

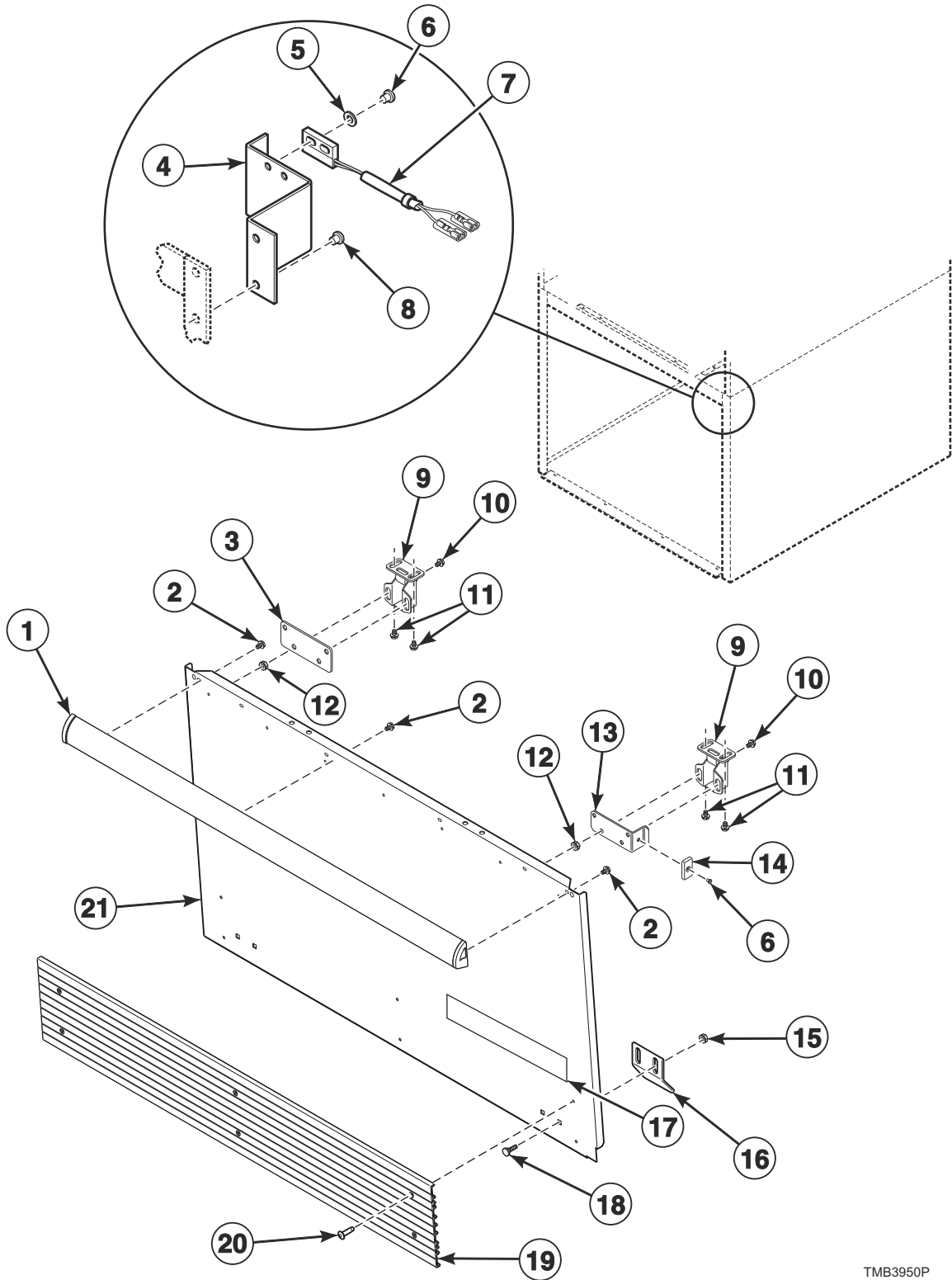


TMB3916PA

Hinge Components

REF	PART NO.	DESCRIPTION	COMMENTS
1	44088001	Nut	6 required
2	70596615B	Door Hinge Brace Assembly	B, G, K and P models; Black
	70596615W	Door Hinge Brace Assembly	H, N, S and U models
	70596606	Door Hinge Brace Assembly	H, N, S and U models; Stainless steel
	70596615LG	Door Hinge Brace Assembly	P and U models; Light gray
3	70576101	Screw	3 required
4	44349101	Screw	6 required
5	M4773P3	Hinge Cam Kit	B, G, K and P models; Black
	M4772P3	Hinge Cam Kit	H, N, P, S and U models
6	70071401	Pin	
7	70409801	Screw	B, G, K and P models; Black; 2 required
	70033504	Screw	H, N, P, S and U models; 2 required
8	70597603	Door Hinge Lug Assembly	B, G, K and P models; Black
	70597601	Door Hinge Lug Assembly	H, N, P, S and U models
9	70689401	Screw	
10	70436301	Screw	

Lint Panel Components

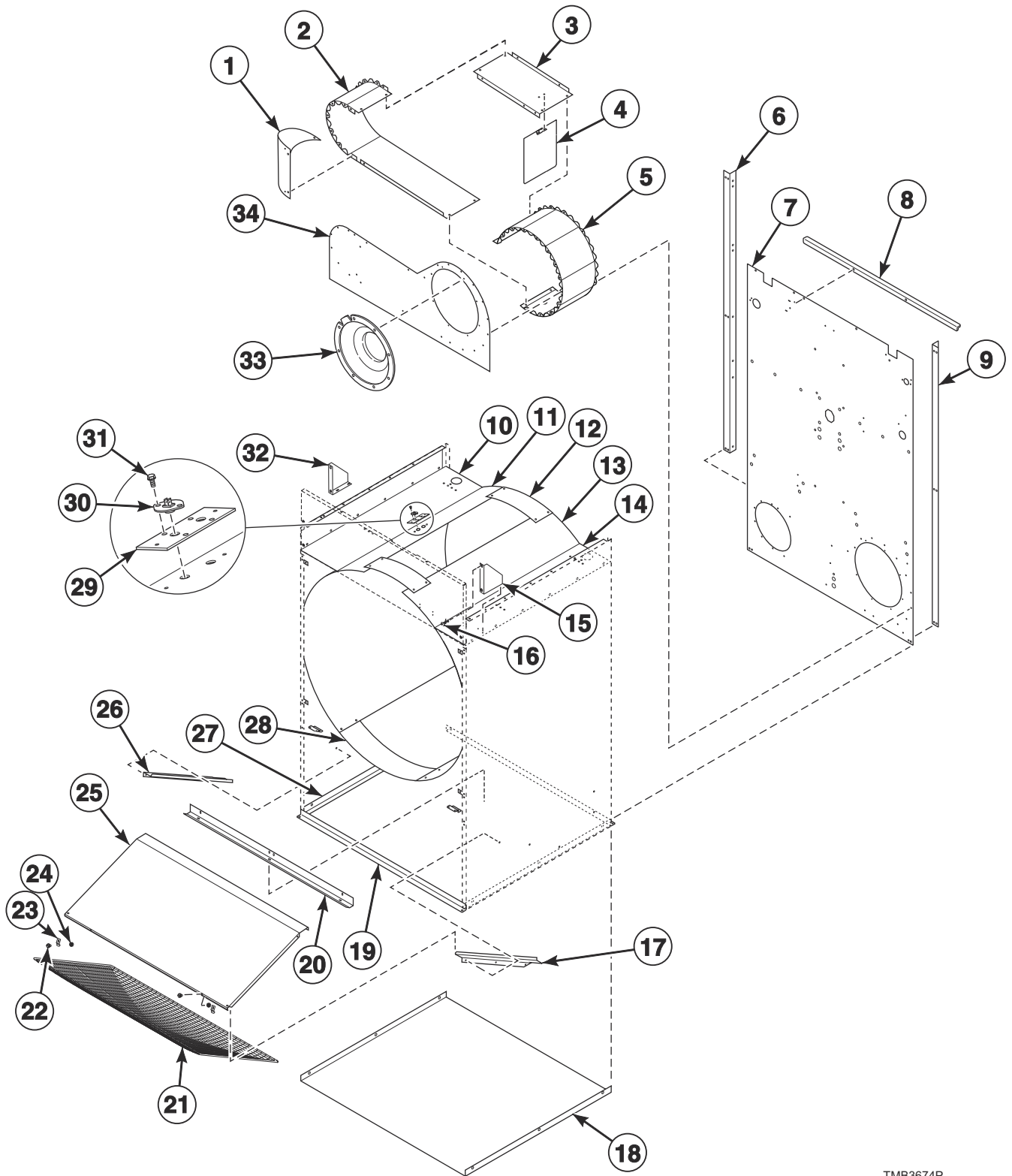


TMB3950P

Lint Panel Components

REF	PART NO.	DESCRIPTION	COMMENTS
1	44049903	Handle and Caps Assembly	B, N, P, S and U models; Black; Includes endcaps
	70407212	Handle Bumper	P models; Sliver
	70154417	Handle and Caps Assembly	H and U models; Gray; Includes endcaps
	70407204	Handle Bumper	G and K models; Black and blue; Does not have endcaps
2	430757	Screw	6 required
3	44014001	Roller Catch Mounting Bracket	2 required
4	44296301	Switch Bracket	
5	F431125	Washer	2 required
6	F8245101	Blind Rivet	2 required
7	F8066804	Reed Switch Assembly	
8	430725	Pop Rivet	2 required
9	H87020202	Roller Catch	2 required; Includes strike
10	70442101	Screw	8 required
11	D501086	Screw	4 required
12	44088001	Nut	8 required
13	44288401	Mounting Plate	
14	70343101	Magnet	
15	44087101	Nut	4 required
16	44017801	Lint Panel Clip	2 required
17	44391901	Label	K models starting 1/1/23; Capacity
18	44017901	Bolt	
19	70117611	Kickplate	All models except H models; Black
	70117621	Kickplate	H and U models; Gray
20	70126301	Pop Rivet	Black; 6 required
	70126401	Pop Rivet	Gray; 6 required
21	44012304DG	Lint Panel	P models; Dark gray; No kickplate
	44012307	Lint Panel	P models; Stainless steel; No kickplate
	44012303W	Lint Panel	
	44012306	Lint Panel	All models except P models; Stainless steel
	44012303LG	Lint Panel	U models; Light gray

Cabinet and Frame Assembly

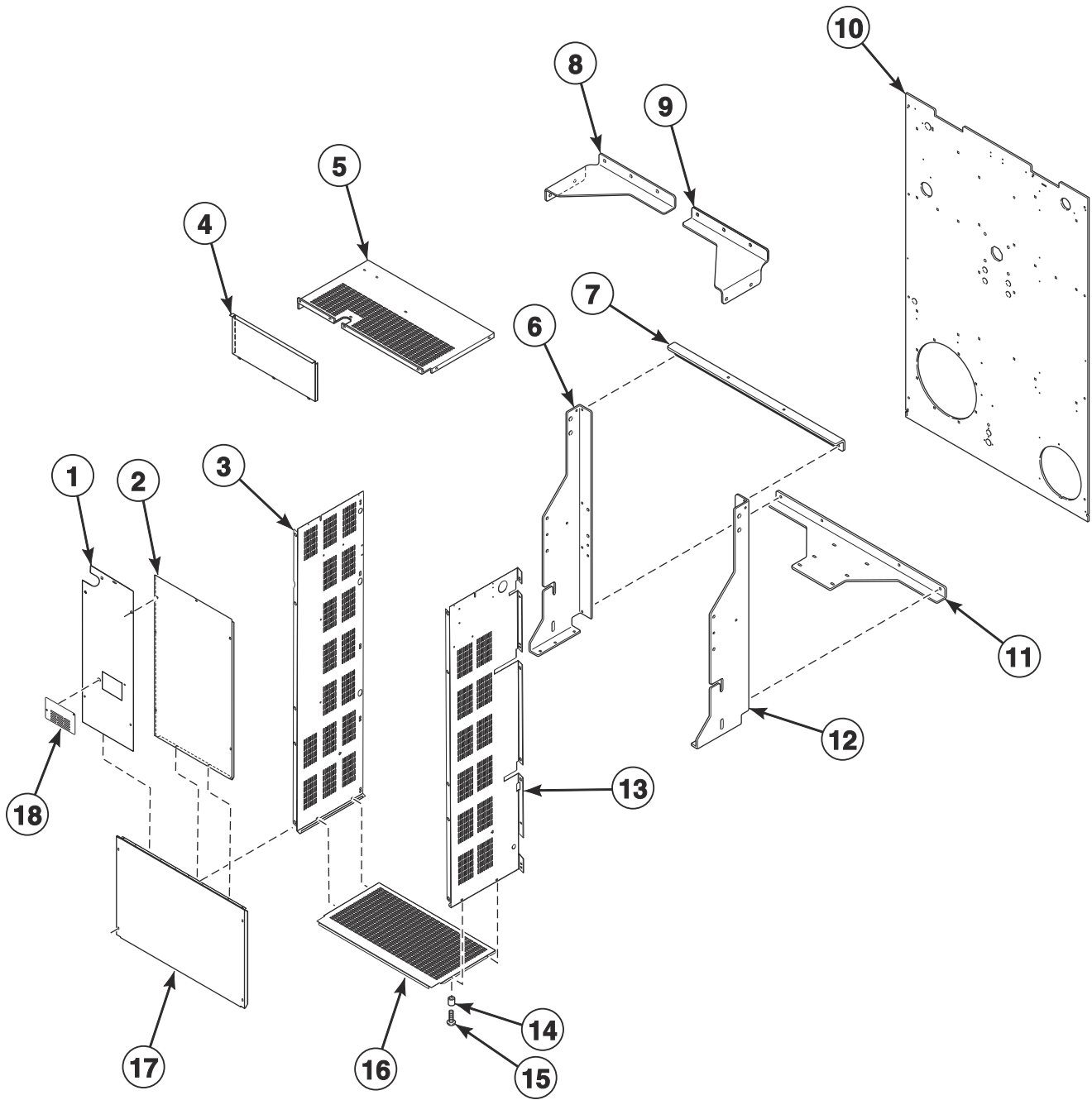


TMB3674P

Cabinet and Frame Assembly

REF	PART NO.	DESCRIPTION	COMMENTS
	M402144	Felt Pad	6 required; Behind front panel
1	44290301	Exhaust Deflector	
2	44289801	Blower Housing	Left
3	44289901	Blower Housing	Top
4	44280304	Damper Assembly	
5	44290001	Blower Housing Scroll	
6	44282802	Rear Panel Support	Left outer
7	44265901	Rear Panel	
8	44275801	Rear Panel Support	
9	44282801	Rear Panel Support	Right outer
10	44305802	Support Shelf	Left
11	44335501	Cylinder Shroud	Left
12	44335701	Cylinder Shroud	Top front and rear
13	44335601	Cylinder Shroud	Right
14	44305801	Support Shelf	Right
15	44028301DG	Top Access Panel Gusset	P models; Dark gray; Right
	44028301LG	Top Access Panel Gusset	U models; Light gray; Right
	44028301W	Top Access Panel Gusset	Right
16	431287	Screw	4 required
17	44291001	Lint Screen Support	Right
18	44279201	Bottom Pan	
19	44319502	Base Support	Front and back
20	44307901	Lint Screen Support	Back
21	44063603P	Lint Screen	
22	70442101	Screw	
23	H96418413	Lint Screen Clip	
24	44088001	Nut	
25	44290901	Lint Hood	
26	44291002	Lint Screen Support	Left
27	44319402	Base Support	Left and right
28	44335801	Cylinder Shroud	Bottom rear
29	44068101	Thermistor Plate	Without fire suppression system
	44068102	Thermistor Plate	With fire suppression system
30	44064701	Thermistor	2 required; For fire suppression system
31	51780	Screw	
32	44028302DG	Top Access Panel Gusset	Dark gray; P models; Left
	44028302LG	Top Access Panel Gusset	Light gray; U models; Left
	44028302W	Top Access Panel Gusset	Left
33	44266902	Blower Inlet Cone	
34	44289701	Blower Housing	Front

Rear Panel Components

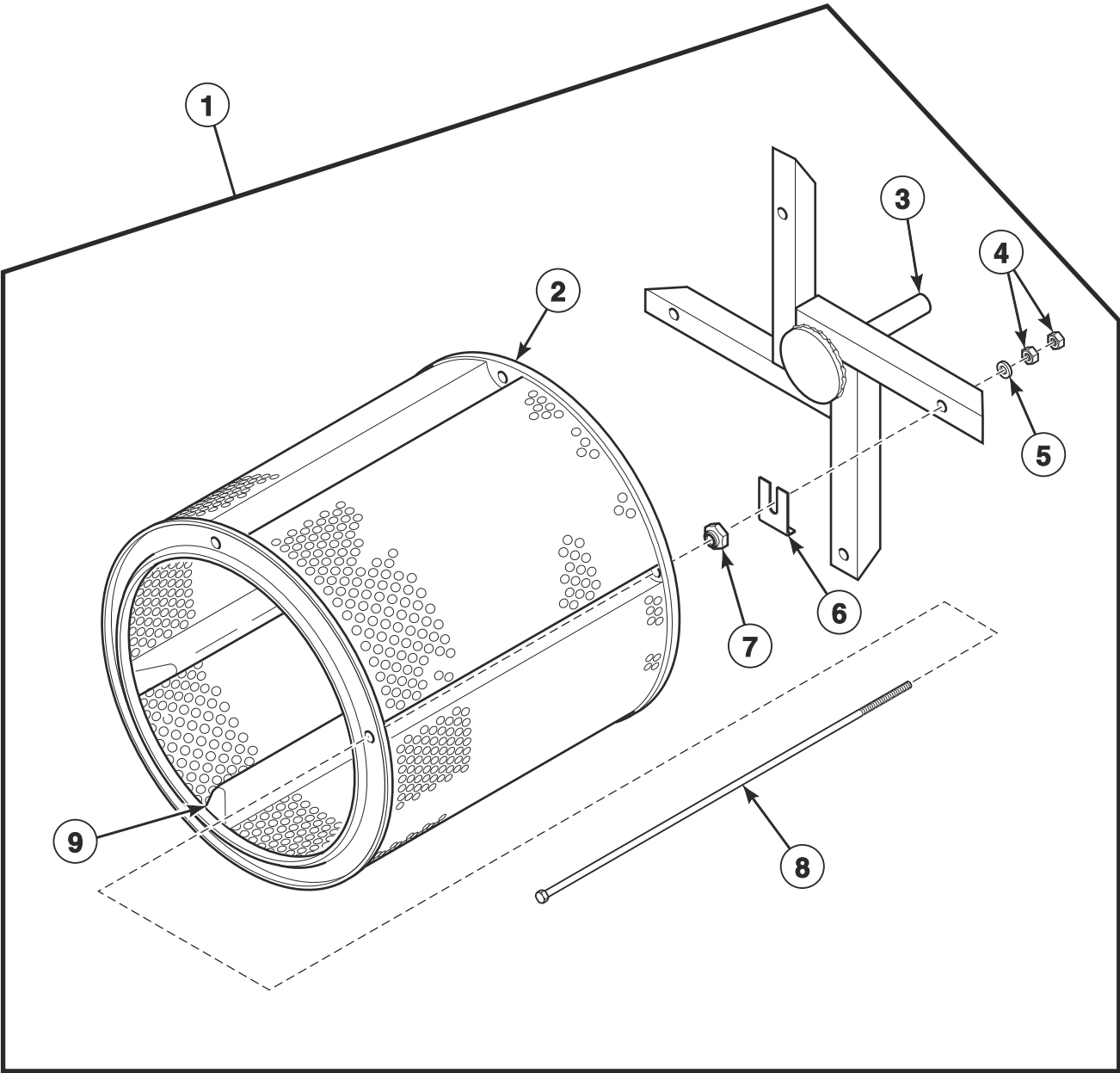


TMB3923P

Rear Panel Components

REF	PART NO.	DESCRIPTION	COMMENTS
1	44372001	Rear Guard	Inverter
2	44372401	Rear Guard	Belt
3	44369401	Guard	Left
4	44372501	Control Tray Guard	
5	44372601	Guard	Top
6	44311601	Rear Panel Brace	Right center
7	44275801	Rear Panel Support	Top
8	44311702	Rear Panel Support	Left inner
9	44311701	Rear Panel Support	Right inner
10	44265901	Rear Panel	
11	44311801	Rear Panel Brace	Bottom
12	44311602	Rear Panel Brace	Left center
13	44369301	Guard	Right
14	56079	Panel Locator	
15	70275801	Screw	
16	44377202	Guard	Bottom
17	44372301	Rear Guard	Lower
18	70202501	Drive Access Cover	

Cylinder and Trunnion Assembly

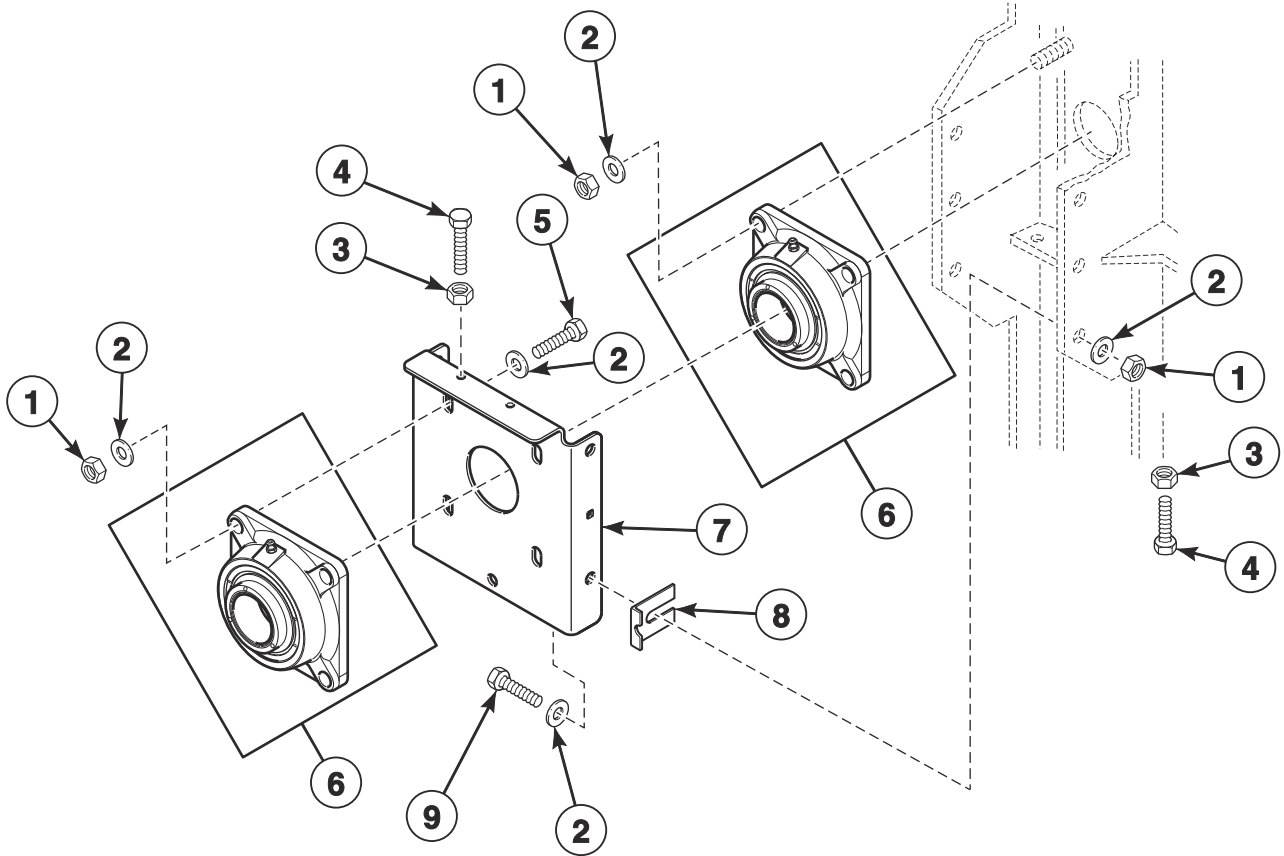


TMB1811B

Cylinder and Trunnion Assembly

REF	PART NO.	DESCRIPTION	COMMENTS
1	44054701	Cylinder and Trunnion Assembly	Galvanized; Non-moisture sensing
	44192001	Cylinder and Trunnion Assembly	Galvanized; Moisture sensing
	44054702	Cylinder and Trunnion Assembly	Stainless steel; Non-moisture sensing
	44192002	Cylinder and Trunnion Assembly	Stainless steel; Moisture sensing
2	H96367545	Cylinder Assembly	Galvanized; Includes items 4 and 8; Non-moisture sensing
	44191101	Cylinder Assembly	Galvanized; Moisture sensing
	M409826	Cylinder Assembly	Stainless steel; Includes items 4 and 8; Non-moisture sensing
	44191102	Cylinder Assembly	Stainless steel; Moisture sensing
3	44240801	Trunnion Assembly	Non-moisture sensing
	44240802	Trunnion Assembly	Moisture sensing
4	H88412101	Nut	8 required
5	70261401	Washer	4 required
6	M401402	Spacer	As required
7	M412334	Nut	4 required
8	H8830143H	Bolt	4 required
9	44191204	Cylinder Rib Assembly	Moisture sensing

Trunnion Bearings

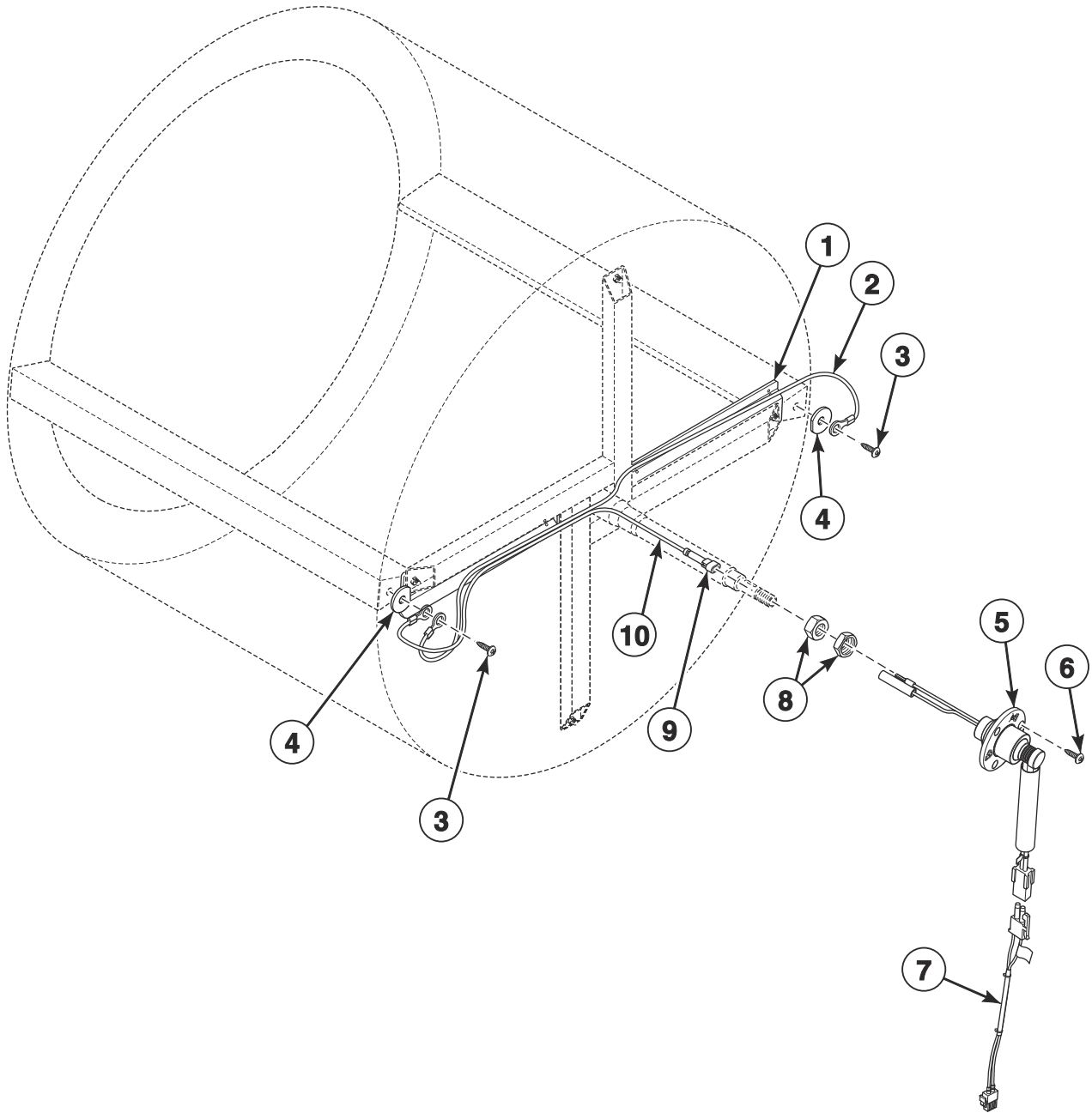


TMB3629P

Trunnion Bearings

REF	PART NO.	DESCRIPTION	COMMENTS
1	F8387701	Nut	
2	70261401	Washer	
3	20274	Nut	
4	800462	Screw	
5	M411165	Screw	
6	44048301P	Flange Bearing	
7	44301701	Bearing Mounting	
8	M401402	Spacer	As required
9	H88012034	Screw	

Moisture Sensing Components

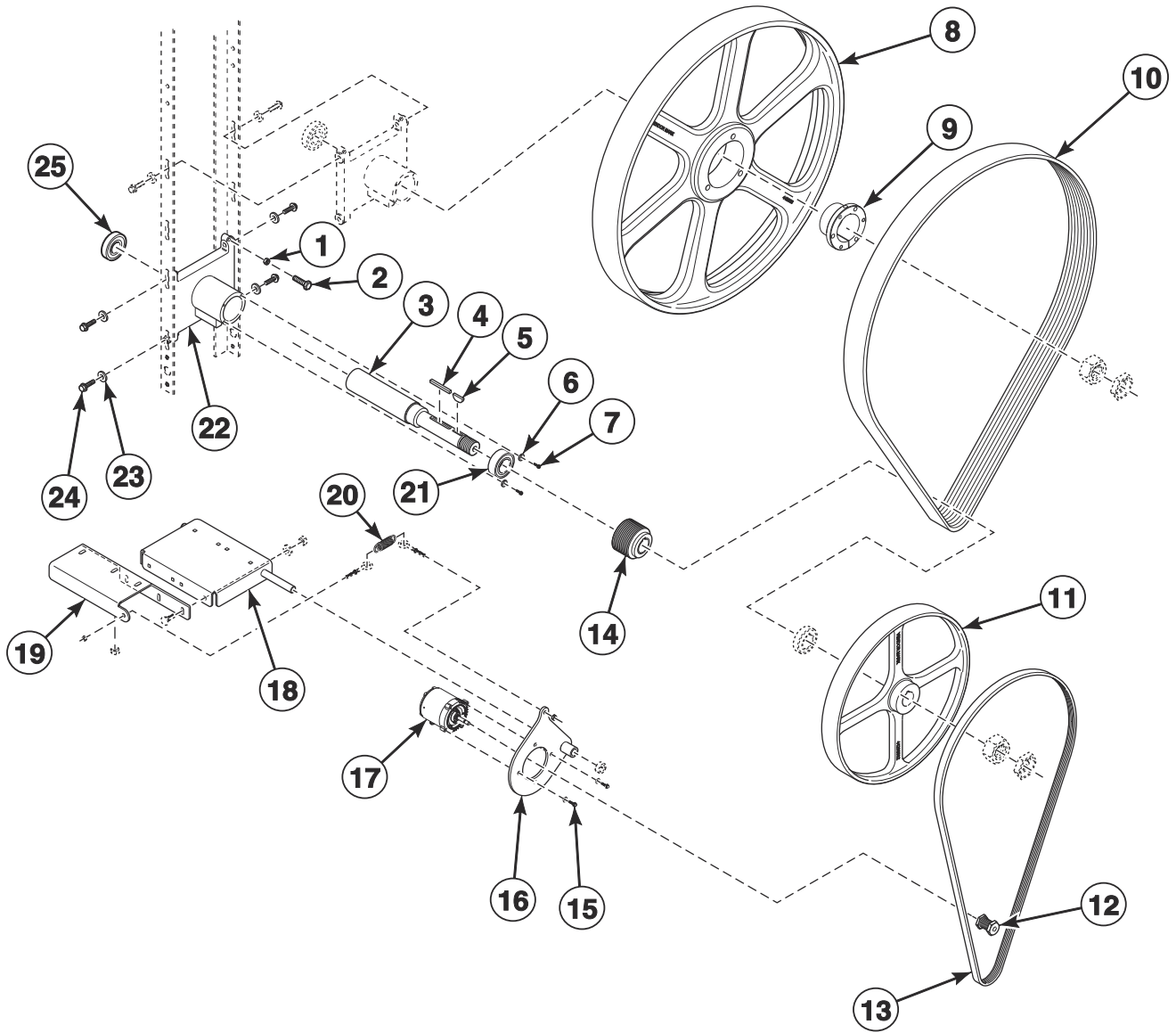


TMB3628P

Moisture Sensing Components

REF	PART NO.	DESCRIPTION	COMMENTS
	44375503	Adapter Harness	Goes to I/O Board
1	44239002	Wireway Channel	
2	44208101	Rib Wire	
3	44338901	Screw	
4	44238902	Washer	
5	44222702	Slip Ring Assembly	
6	70442101	Screw	
7	44375502	Moisture Sensor Harness	Goes from item 5 to 44375503 Adapter Harness
8	M400035	Nut	
9	44370401	1 Circuit Plug Housing	
10	44344703	Moisture Sensing Harness Kit	Includes shaft wire and items 2, 4 and 9

Cylinder Motor Components

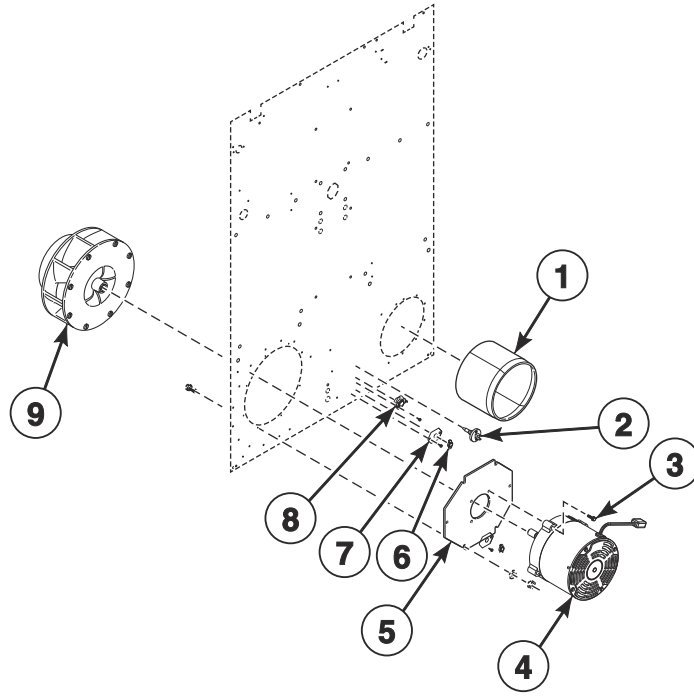


TMB3929P

Cylinder Motor Components

REF	PART NO.	DESCRIPTION	COMMENTS
	204454	Ferrite	Korean models; Applied to motor wires
	70635409	Inverter to Motor Harness	T and G market models; 120-240 Volt
	70635410	Inverter to Motor Harness	T and G market models; 380-480 Volt
	70635411	Inverter to Motor Harness	IEC models; 120-240 Volt
	70635412	Inverter to Motor Harness	IEC models; 380-480 Volt
	44375001	Trunnion Housing Assembly	Includes items 6, 7, 21, 22 and 25
1	M400026	Nut	
2	M400650	Bolt	
3	44303101	Idler Shaft	
4	44309301	Key	
5	M400008	Key	
6	20103	Washer	
7	70187201	Screw	
8	44289601	Pulley	
9	F280409P	Bushing	Includes 3 of 44079203 Screw (torque to 180 in-lbs [20.34 Nm]), 3 of M400013 Washer and 902094 Set Screw (torque to 87 in-lbs [9.83 Nm])
10	44293702	V-Belt	
11	44289502	Pulley	
12	44267601	Motor Pulley	
13	44309402	V-Belt	
14	44302901	Micro V Pulley	
15	44364602	Screw	
16	44311501	Motor Pivot Plate Weldment	
17	44355003	Drive Motor	1.5 HP; 240 Volt
	44355004	Drive Motor	1.5 HP; 480 Volt
18	44310601	Motor Pivot Bracket Weldment	
19	44310701	Motor Pivot Brace	
20	F8440701	Extension Spring	
21	M413923P	Bearing	
22	M413826	Trunnion Housing	
23	70261401	Washer	
24	M400063	Screw	
25	44041901P	Ball Bearing	

Blower and Exhaust Components

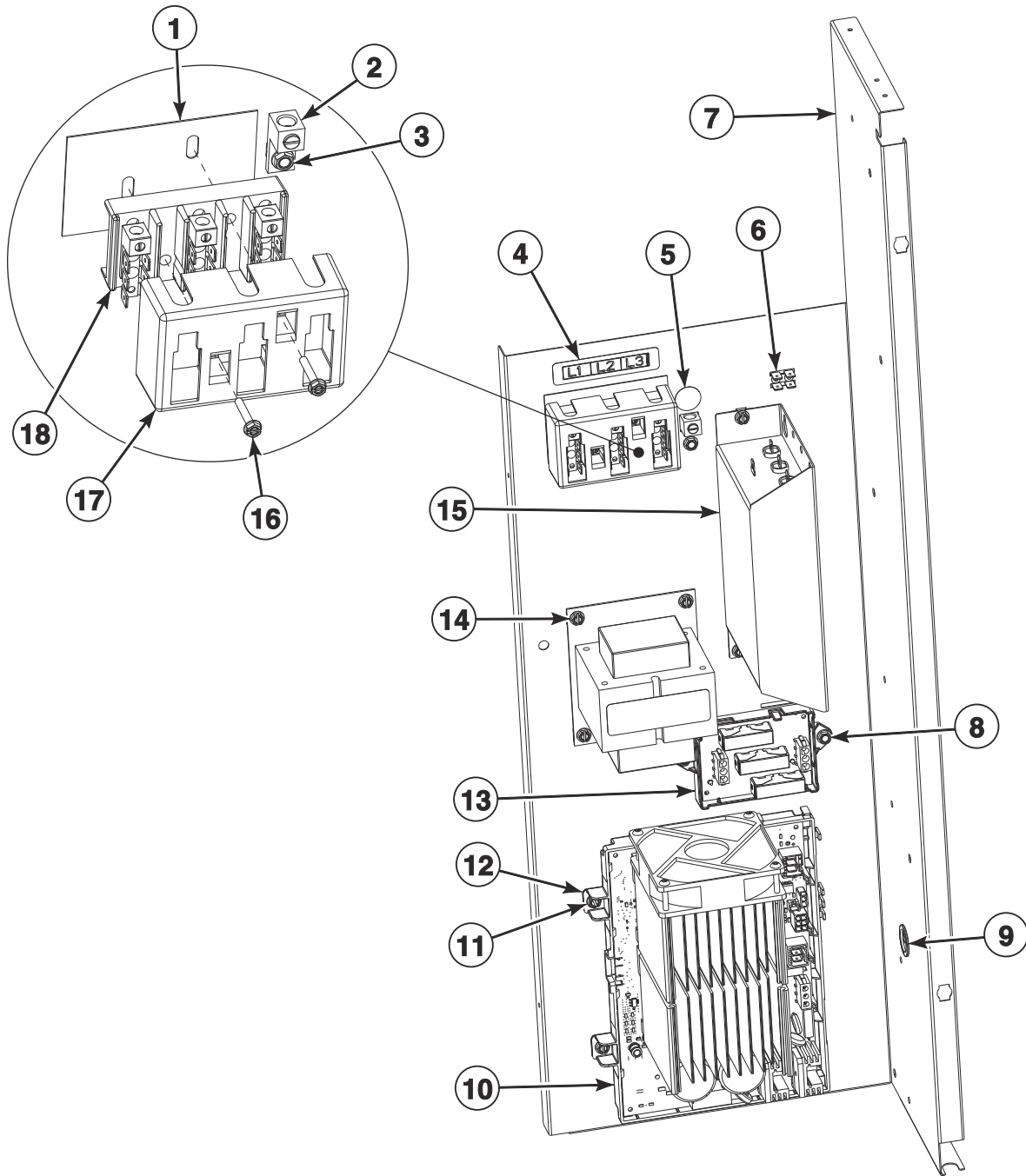


TMB3956P

Blower and Exhaust Components

REF	PART NO.	DESCRIPTION	COMMENTS
	204454	Ferrite	Korean models; Applied to motor wires
1	44305001	Exhaust Thimble Assembly	
2	M414704	Thermistor	
3	44364602	Screw	
4	44354902	Fan Motor	1.5 HP; 240 Volt
	44354904	Fan Motor	1.5 HP; 480 Volt
5	44311301	Blower Motor Mounting Plate	
6	70530905	Limit Thermostat	Manual reset
7	44312501	Thermostat Opening Cover	
8	44328002	Limit Thermostat	
9	44267201	Blower Assembly	

Inverter Tray Components

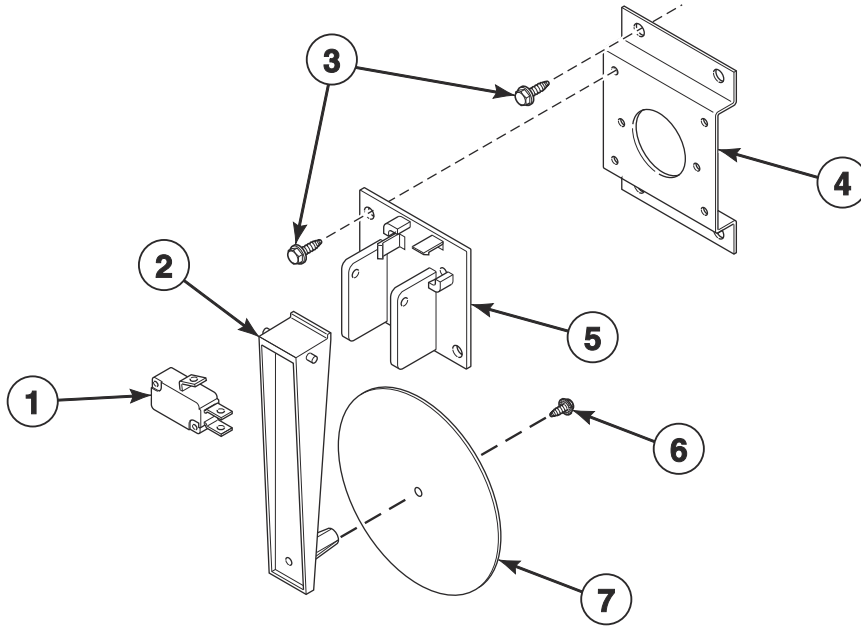


TMB3924P

Inverter Tray Components

REF	PART NO.	DESCRIPTION	COMMENTS
	44374801	Rear Main Harness	
	44388402	Fuse Board Control Power Harness	T and G market models; 200-240 Volt
	44388403	Fuse Board Control Power Harness	IEC models; 200-240 Volt
	44388502	Fuse Board to Inverter Harness	T and G market models; 200-240 Volt
	44388503	Fuse Board to Inverter Harness	IEC models; 200-240 Volt
	44374603	Inverter Control Power Harness	T and G market models; 380-480 Volt
	44374604	Inverter Control Power Harness	IEC models; 380-480 Volt
	44375402	Harness	IEC models; 380-480 Volt/3 Phase; Power distribution block to EMI filter
	F8449502	Wire Clip	380-480 Volt
1	M413862	Insulator	
2	M411283	Ground Lug Connector	
3	685837	Screw	Use with 44088001 Nut
4	44286803	Label	L1, L2, L3
5	D516100	Label	
6	00622SG	Terminal	
7	44370801	Inverter Drive Tray	
8	430497	Screw	
9	44071501	Snap Bushing	
10	70603401	Inverter Control Assembly	3 HP; 200-240 Volt
	70603601	Inverter Control Assembly	3 HP; 480 Volt
11	F8206901	Screw	
12	70030501	Expansion Clip	
13	70683201	Fuse Control Assembly	
14	F8491101	Transformer	380-480 Volt
15	F8591801	EMI Filter	IEC models; 200-240 Volt
	F8637501	EMI Filter	IEC models; 380-480 Volt
16	51783	Screw	
17	70333001	Terminal Block Shield	
18	430642	Terminal Block	

Airflow Switch

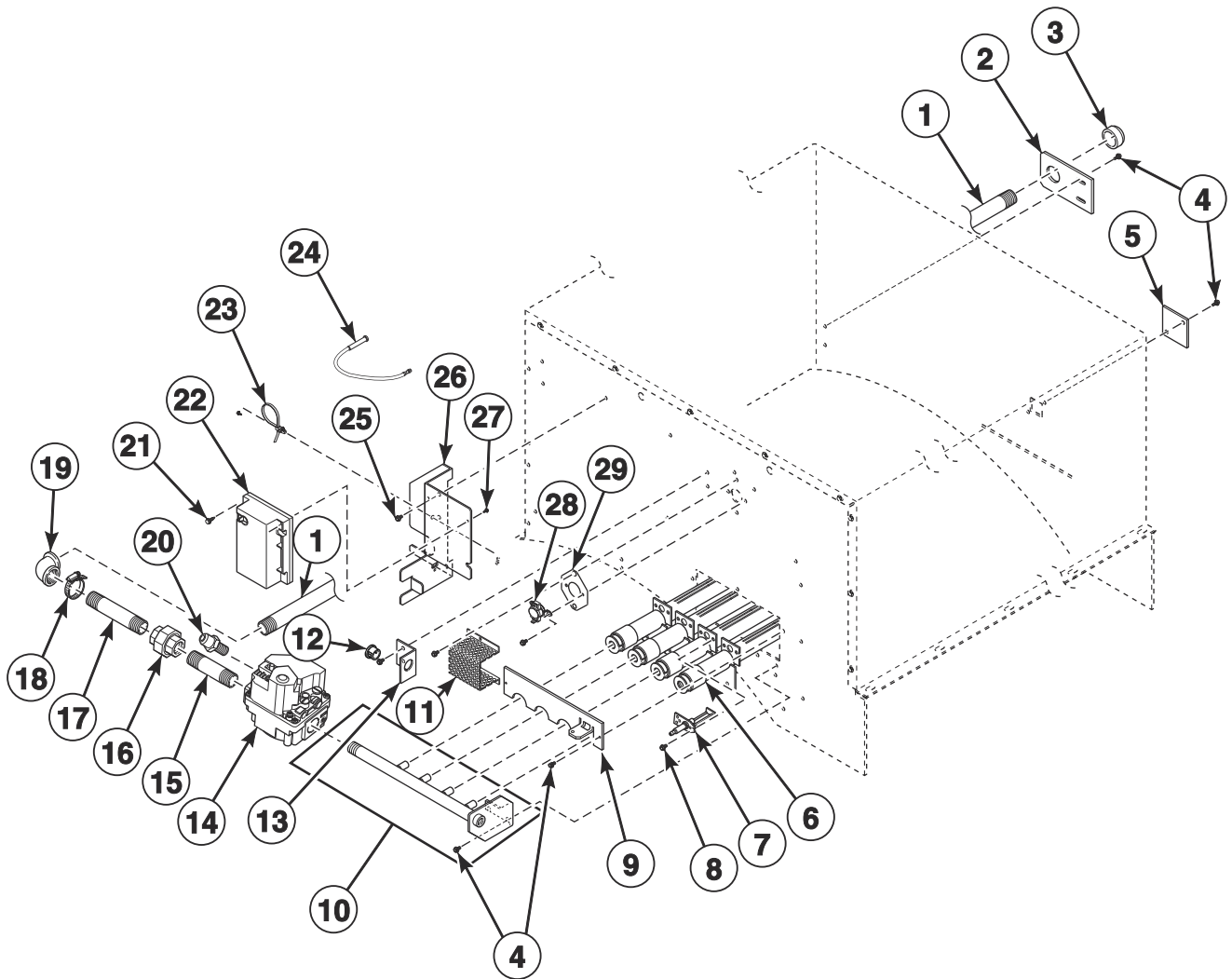


TMB3632P

Airflow Switch

REF	PART NO.	DESCRIPTION	COMMENTS
	70429601P	Airflow Switch Kit	Includes items 1, 2 and 5-7
1	70411901	Switch	
2	70319401	Airflow Switch Arm	
3	430497	Screw	
4	70356301	Switch Bracket	Gas models
5	70319602	Airflow Switch and Arm Bracket	
6	430757	Screw	
7	70319201	Airflow Switch Vane	

Gas Heater Components - Models with 2nd Digit A, G, H, J, K, R, and T

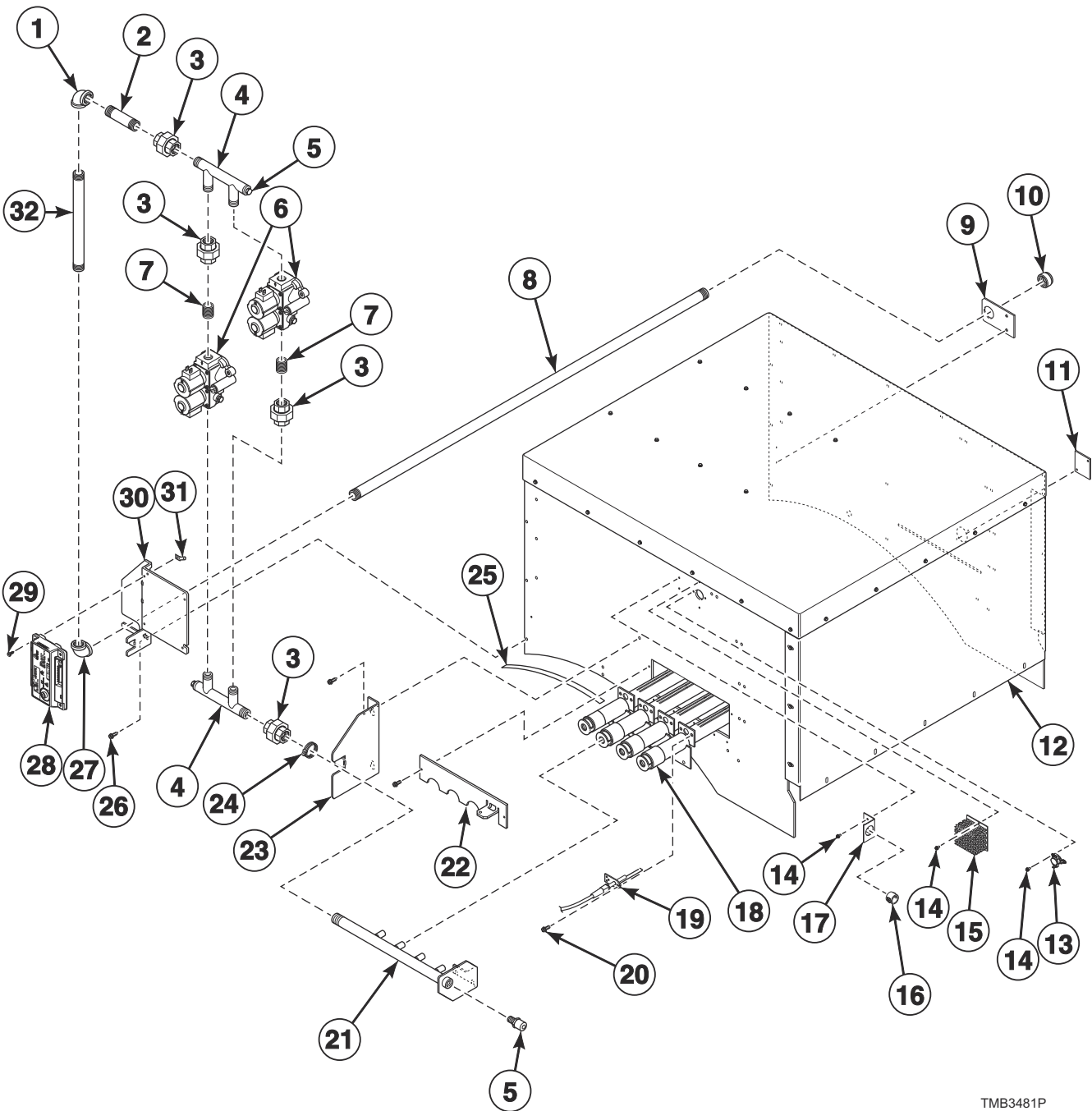


TMB3664P

Gas Heater Components - Models with 2nd Digit A, G, H, J, K, R, and T

REF	PART NO.	DESCRIPTION	COMMENTS
	70564304	Stove Limit Harness	
	44328805	L.P. Conversion Kit	T market models; 0-2,000 feet
	44328807	L.P. Conversion Kit	Australian models; 0-2,000 feet
	44330304	L.P. Conversion Kit	IEC models; 0-2,000 feet
	44273501	Gas Valve Harness	Single
	44374903	Extension Harness	
	44324201	Caution Label	Australian models; Repeat ignition reset
	D503887	Label	Australian models; Gas
	70535901	Notice Label	Australian models; Natural Gas (N.G.)
	70544901	Notice Label	Australian models; Liquid Petroleum Gas (L.P.)
	44178803	Adapter	IEC models; BPT/NPT
1	44252401	Pipe Nipple	
2	44249301	Pipe Bracket	
3	44087801	Pipe Cap	
4	430497	Screw	
5	70159601	Igniter Cover	
6	M412025P	Burner	4 required
7	44328701P	Spark Electrode	
8	51782	Screw	2 required
9	44315201	Burner Hole Cover	
10	44390002	Spud Holder Weldment	
11	M414477	Thermostat Cover	
12	M400770	Snap Bushing	
13	431078	Stove Limit Harness Bracket	
14	44166701	Gas Valve	T and G market models; N.G.
	44166702	Gas Valve	T and G market models; L.P.
	44166703	Gas Valve	All other models; N.G.
	44166704	Gas Valve	All other models; L.P.
15	44249501	Pipe Nipple	
16	M411419	Pipe Union	
17	44252301	Pipe Nipple	
18	20391	Hose Clamp	
19	44249401	Pipe Elbow	
20	44231601	Pressure Fitting	IEC models
21	51783	Screw	
22	70482001	Ignition Control	T and G market models
	70482002	Ignition Control	IEC models
23	M405829	Cable Tie	
24	44239704	High Voltage Suppression Cable	
25	51780	Screw	
26	44245701	Gas Valve Bracket	
27	38272	Screw	
28	44328102	Limit Thermostat	N.G. models
	44328103	Limit Thermostat	L.P. models
29	44312501	Thermostat Opening Cover	

Gas Heater Components - Models with 2nd Digit U

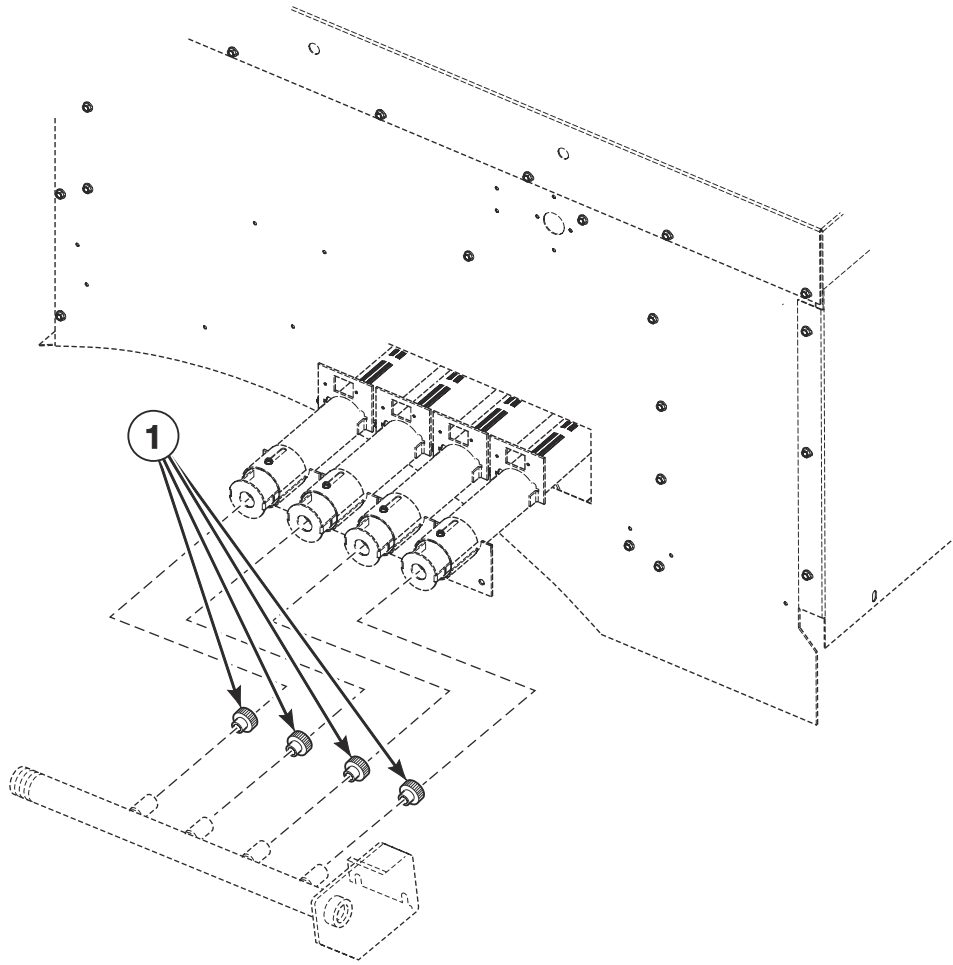


TMB3481P

Gas Heater Components - Models with 2nd Digit U

REF	PART NO.	DESCRIPTION	COMMENTS
	70564304	Stove Limit Harness	
	44330304	L.P. Conversion Kit	0-2,000 feet
	44273503	Gas Valve Harness	
	44374903	Extension Harness	
	44178803	Adapter	BPT/NPT
1	F421107	Elbow	
2	H85101673	Nipple	
3	M411419	Pipe Union	4 required
4	44315401	Pipe Adapter Weldment	2 required
5	44231601	Pressure Fitting	2 required
6	44316801	Gas Valve	2 required; Natural Gas (N.G.)
	44316802	Gas Valve	2 required; Liquid Petroleum (L.P.)
7	H85101608	Nipple	2 required
8	44252401	Pipe Nipple	
9	44249301	Pipe Bracket	
10	44087801	Pipe Cap	
11	70159601	Igniter Cover	
12	44282605	Heater Assembly	
13	44328102	Limit Thermostat	N.G. models
	44328103	Limit Thermostat	L.P. models
14	430497	Screw	
15	M414477	Thermostat Cover	
16	M400770	Snap Bushing	
17	431078	Stove Limit Harness Bracket	
18	M412025P	Burner	4 required
19	44328701P	Spark Electrode	
20	51782	Screw	
21	44390002	Spud Holder Weldment	
22	44315201	Burner Hole Cover	
23	44317201	Gas Valve Support Bracket	
24	20391	Hose Clamp	
25	44333402	Gasket	2 required
26	51783	Screw	
27	44249401	Pipe Elbow	
28	70482002	Ignition Control	
29	51780	Screw	
30	44245701	Gas Valve Bracket	
31	00177	Male Tab Terminal	
32	70543501	Pipe Nipple	

Burner Orifices

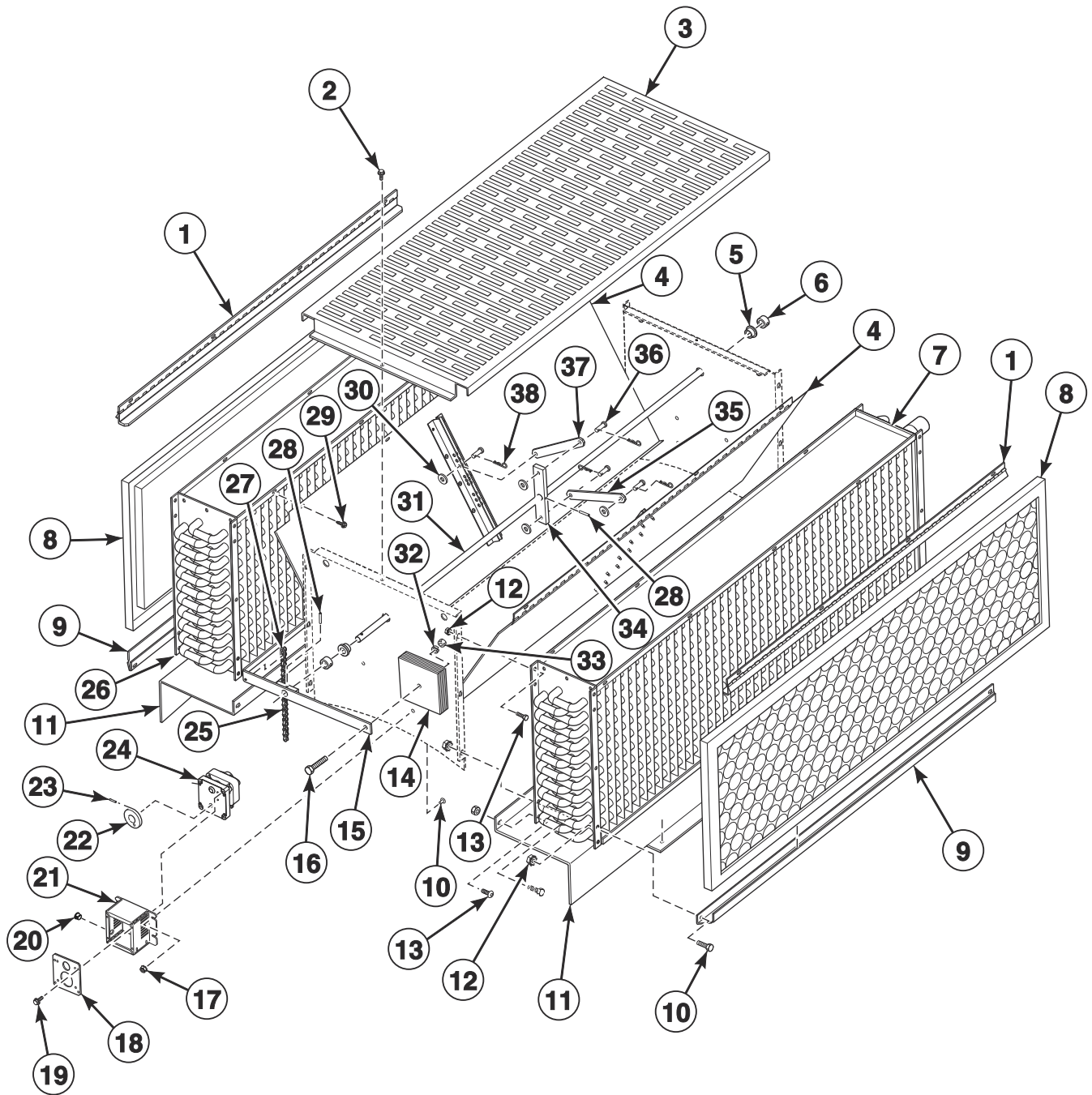


TMB3665P

Burner Orifices

REF	PART NO.	DESCRIPTION	COMMENTS
	44357509	High Altitude Orifice Kit	Natural Gas (N.G.) models
	44357510	High Altitude Orifice Kit	Liquid Petroleum Gas (L.P.) models
1	70684150	Burner Orifice	N.G. models; Drill no. 13 (4.70 mm); 0-2,000 feet
	70684147	Burner Orifice	N.G. models; Drill no. 16 (4.50 mm); 2,001-4,000 feet
	70684144	Burner Orifice	N.G. models; Drill no. 18 (4.31 mm); 4,001-6,000 feet
	70684143	Burner Orifice	N.G. models; Drill no. 19 (4.22 mm); 6,001-8,000 feet
	70684140	Burner Orifice	N.G. models; Drill no. 22 (3.99 mm); 8,001-10,000 feet
	70684130	Burner Orifice	Models with 2nd digit G, H, J, K and T; L.P.; 3.30 mm; 0-2,000 feet
	70684128	Burner Orifice	Models with 2nd digit G, H, J, K and T; L.P.; Drill no. 1/8 (3.18 mm); 2,001-4,000 feet
	70684126	Burner Orifice	Models with 2nd digit G, H, J, K and T; L.P.; Drill no. 31 (3.05 mm); 4,001-6,000 feet
	70684125	Burner Orifice	Models with 2nd digit G, H, J, K and T; L.P.; Drill no. 32 (2.95 mm); 6,001-8,000 feet
	70684123	Burner Orifice	Models with 2nd digit G, H, J, K and T; L.P.; Drill no. 34 (2.82 mm); 8,001-10,000 feet
	70684100	Burner Orifice	Blank; Models with 2nd digit G, H, J, K and T
	70684118	Burner Orifice	CE models; L.P.; Drill no. 38 (2.58 mm); 0-2,000 feet
	70684115	Burner Orifice	CE models; L.P.; Drill no. 41 (2.44 mm); 2,001-4,000 feet
	70684114	Burner Orifice	CE models; L.P.; Drill no. 42 (2.37 mm); 4,001-6,000 feet
	70684113	Burner Orifice	CE models; L.P.; 2.30 mm; 6,001-8,000 feet
	70684111	Burner Orifice	CE models; L.P.; 2.20 mm; 8,001-10,000 feet
	70684124	Burner Orifice	Australian models; L.P.; Drill no. 33 (2.87 mm); 0-2,000 feet
	70684120	Burner Orifice	Australian models; L.P.; Drill no. 36 (2.71 mm); 2,001-4,000 feet
	70684119	Burner Orifice	Australian models; L.P.; Drill no. 37 (2.64 mm); 4,001-6,000 feet
	70684117	Burner Orifice	Australian models; L.P.; Drill no. 39 (2.53 mm); 6,001-8,000 feet
	70684115	Burner Orifice	Australian models; L.P.; Drill no. 41 (2.44 mm); 8,001-10,000 feet

Steam Heater Components

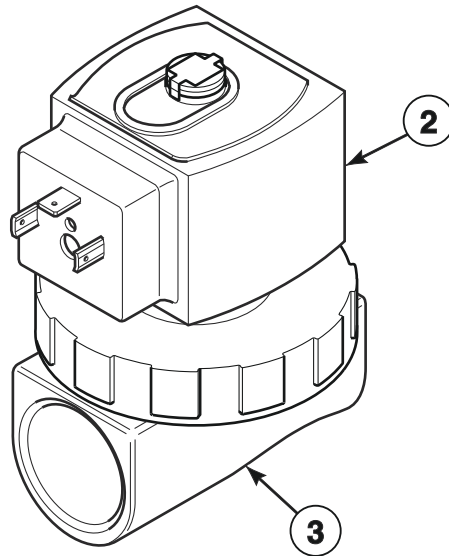
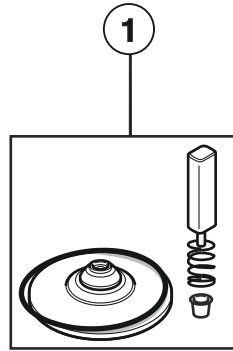


TMB3675P

Steam Heater Components

REF	PART NO.	DESCRIPTION	COMMENTS
	44378004	Damper Motor Harness	
	F8520703	Steam Valve Harness	
	70564302	Stove Limit Bypass Harness	
	70523301	Harness Adapter Plate	
	44314901	Steam Adapter Kit	IEC models
	44317101	Steam Heater Assembly	CRN models
	44316901	Steam Heater Assembly	All other models
1	44088101	Steam Filter Top Hinge Assembly	2 required
2	M405188	Screw	
3	44115101	Steam Cover	
4	H96387519	Damper	2 required; Use M405750 Pop Rivet
5	M414459	Bushing	2 required
6	M414451	Shaft Collar	2 required
7	44256601	Steam Coil	CRN models
	M409834P	Steam Coil	All other models
8	44172101	Filter	IEC models; 2 required
	H96362264	Coil Filter	T and G market models; 2 required
9	H96388087	Filter Channel	2 required; Upper
10	801019	Screw	2 required
11	M411550	Steam Coil Support	3 required
12	29786	Nut	3 required
13	02422	Screw	3 required
14	44332601	Steam Damper Counterweight	6 required
15	44332701	Shaft Actuator Assembly	
16	H88010574	Screw	
17	23951	Nut	3 required
18	44327501	Damper Motor Plate	
19	204342	Screw	
20	M411826	Snap Bushing	
21	44327401	Damper Motor Cover	
22	H96388178	Drive Wheel	Damper
23	H88900683	Spring Pin	Damper
24	44308101	Damper Motor	
25	H96388186	Drive Chain	
26	44256501	Steam Coil	CRN models
	M409833P	Steam Coil	All other models
27	H96382072P	Master Link	2 required
28	H88970256	Roll Pin	2 required
29	D501086	Screw	
30	800465	Washer	4 required
31	H96388079	Damper Shaft	
32	M400013	Washer	
33	70142	Nut	
34	44096401	Steam Damper Actuator	
35	44333001	Steam Damper Link	
36	44091501	Clevis Pin	4 required
37	44332901	Steam Damper Link	
38	44091601	Hairpin Cotter	4 required

Steam Valve

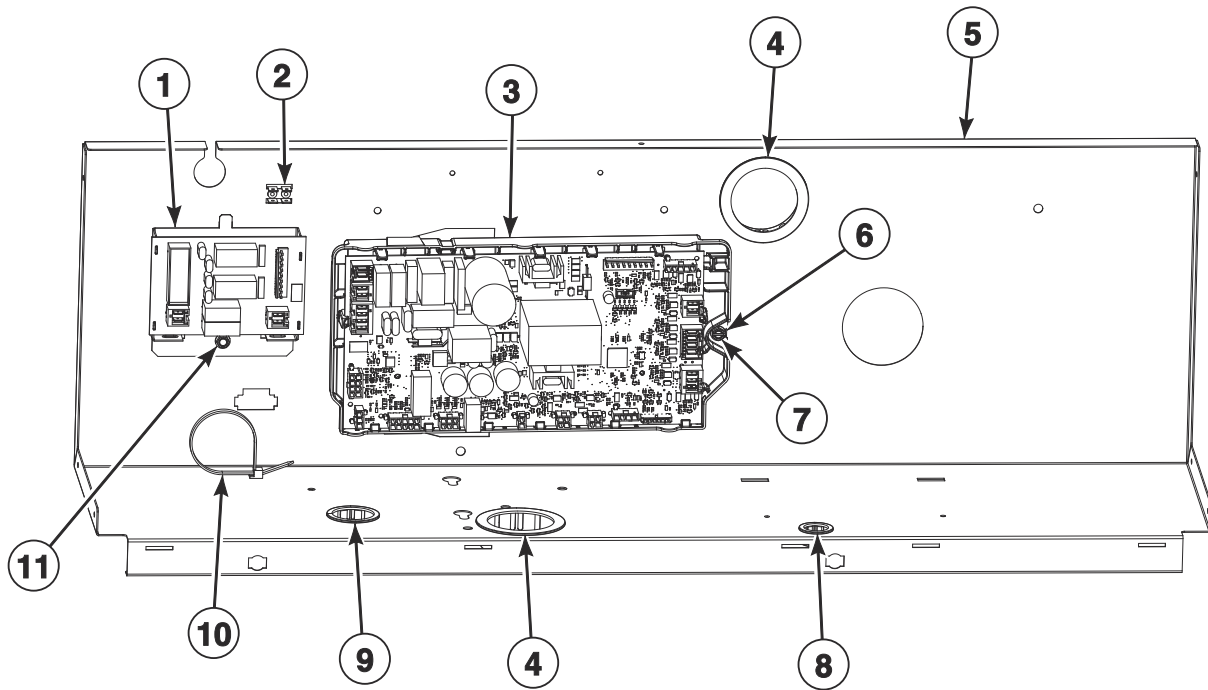


TMB3634P

Steam Valve

REF	PART NO.	DESCRIPTION	COMMENTS
	F8382301	DIN Valve Adapter Kit	
1	F8379502	Valve Rebuild Kit	
2	F8514601P	Coil	240 Volt
3	F8322906P	Valve	240 Volt

Control Tray



TMB3925P

Control Tray

REF	PART NO.	DESCRIPTION	COMMENTS
	44374901	Heat Control Harness	Steam models
	44374902	Interconnect Harness	Gas models
	44374903	Extension Harness	Gas models
	44378003	Steam Control Harness	Steam models
	M400003	Pop Rivet	Use with item 2
1	70501801	Steam Control Assembly	Steam models
2	00622SG	Terminal	
3	70671701	I/O Control Assembly	
4	D503235	Snap Bushing	2 required
5	44372701	Control Tray	
6	70030501	Expansion Clip	
7	F8206901	Screw	
8	M400770	Snap Bushing	
9	70346501	Bushing	
10	70335601	Cable Tie	
11	51780	Screw	

Labels

PART NO.	DESCRIPTION	COMMENTS
44318601	Caution Label	Vent/install
F8614501	Danger Label	Shock; English/French
D516100	Label	Earth ground
F8614301	Hot Surface Warning Label	English/French
F8609001	Hot Surface Warning Label	Icon
F8611601	Warning Label	
44318600	Label Kit	IEC models; Vent/install
F8614500	Label Kit	IEC models; Shock
70534400	Label Kit	IEC models; Fire
44321501	Notice Label	120/240 Volt
70539601	Notice Label	
D516073	Notice Label	Read instructions; Icon
70538401	Pinch Warning Label	English/French
F8615701	Pinch Warning Label	Icon
F8615702	Pinch Warning Label	Icon
F8614202	Shock Warning Label	Icon
70536401	Warning Label	Australian models; Lint
44324101	Warning Label	Australian models; Fire
70534405	Warning Label	Australian models; Fire; Colombian Spanish
70534401	Warning Label	Australian models; Fire; English
70534402	Warning Label	Australian models; Fire; French
44321601	Warning Label	Risk of fire; Icon
44324001	Warning Label	Shock/pinch
44324002	Warning Label	Shock/pinch

Parts Index

A

Access Panel Trim 70399404	31
Adapter 44178803	57, 59
Adapter Harness 44375503	47
Airflow Switch and Arm Bracket 70319602	55
Airflow Switch Arm 70319401	55
Airflow Switch Kit 70429601P	55
Airflow Switch Vane 70319201	55

B

Ball Bearing 44041901P	49
Base Support 44319402	39
44319502	39
Bearing M413923P	49
Bearing Mounting 44301701	45
Blind Rivet F8245101	37
Blower Assembly 44267201	51
Blower Housing 44289701	39
44289801	39
44289901	39
Blower Housing Scroll 44290001	39
Blower Inlet Cone 44266902	39
Blower Motor Mounting Plate 44311301	51
Bolt H8830143H	43
M400650	49
44017901	37
Bottom Pan 44279201	39
Burner M412025P	57, 59
Burner Hole Cover 44315201	57, 59
Burner Orifice 70684100	61
70684111	61
70684113	61
70684114	61
70684115	61
70684117	61

70684118	61
70684119	61
70684120	61
70684123	61
70684124	61
70684125	61
70684126	61
70684128	61
70684130	61
70684140	61
70684143	61
70684144	61
70684147	61
70684150	61
Bushing F280409P	49
M414459	63
70346501	27, 67

C

Cable Tie M405829	57
70335601	67
Caution Label 44318601	68
44324201	57
Circuit Plug Housing, 1 44370401	47
Clevis Pin 44091501	63
Coil F8514601P	65
Coil Filter H96362264	63
Cold Weather Kit 44340301	27
Contact Base F8538101	17, 21, 23, 25
Contact Switch F8069501	17, 21, 23, 25
Control 70511601	27
Control Assembly 70478802	21
70478902	21
70479801	17
70479901	17
70523002	21
70523101	17
70543104	23
70697004	25
Control Box Base 44065301	27
Control Box Cover 44065201	27
Control Box Housing 44306701	27
Control Box Top 44307101	27

N/A items do not appear in index.

Control Bracket		Damper Motor Cover	
44331005	17, 21, 23, 25	44327401	63
44331006B	17, 21	Damper Motor Harness	
44331006DG	17, 21	44378004	63
44331006LG	17, 21, 23, 25	Damper Motor Plate	
44331006W	17, 21, 23, 25	44327501	63
Control Cover		Damper Shaft	
44330801B	15	H96388079	63
44330802	15, 19, 23	Danger Label	
44330803B	19	F8614501	68
44330803LG	15, 19, 23	DIN Valve Adapter Kit	
44330803W	15, 19, 23	F8382301	65
44330805	15, 19	Door Assembly	
44330806DG	15, 19	44028907	33
44330806W	15, 19	44292302B	33
44330811	15, 19, 23	44354701	33
44330812B	15, 19	44354703	33
44330812LG	15, 19, 23	44354705	33
44330812W	15, 19, 23	44354710LG	33
44330814	15, 19	44354711B	33
44330815DG	15, 19	Door Catch Kit	
44330815W	15, 19	70482901	29
44330816	25	Door Glass	
44330817	25	44008401P	33
44330818LG	25	Door Glass Installation Tool	
44330818W	25	M4221P4	33
44330819LG	25	Door Glass Label	
44330819W	25	70650401	33
Control Guard		70707701	33
44369601	27	Door Handle	
Control Harness		44007901	33
44375604	27	44263801	33
Control Tray		44370601	33
44372701	67	Door Hinge Brace Assembly	
Control Tray Guard		70596606	35
44372501	41	70596615B	35
Control Trim		70596615LG	35
44016401	15, 19	70596615W	35
44016403	15, 19	Door Hinge Lug Assembly	
Cylinder and Trunnion Assembly		70597601	35
44054701	43	70597603	35
44054702	43	Door Latch	
44192001	43	M401223	29
44192002	43	Door Ring and Handle Assembly	
Cylinder Assembly		44326007B	33
H96367545	43	Door Ring Assembly	
M409826	43	44326004B	33
44191101	43	44354801	33
44191102	43	44354803	33
Cylinder Rib Assembly		44354808LG	33
44191204	43	44354809B	33
Cylinder Shroud		Door Ring Gasket	
44335501	39	44008201P	33
44335601	39	70296802	33
44335701	39	Door Seal Kit	
44335801	39	70211902P	33
		Door Switch Cover	
		44316301	29
		Door Switch Harness	
		44366202	29
		Door Switch Shield	
		44316601	29
		Door Switch Wire Channel	
		44286002	29

D

Damper	
H96387519	63
Damper Assembly	
44280304	39
Damper Motor	
44308101	63

N/A items do not appear in index.

Drive Access Cover	
70202501	41
Drive Chain	
H96388186	63
Drive Motor	
44355003	49
44355004	49
Drive Rivet	
M400713	27
Drive Wheel	
H96388178	63

E

Elbow	
F421107	59
Emergency Stop Bypass Harness	
F8519403	17, 21, 23, 25
Emergency Stop Harness	
44272401	17, 21, 23, 25
Emergency Stop Interconnect Harness	
70631103	17, 21, 23, 25
Emergency Stop Label	
44012901	17, 21, 23, 25
Emergency Stop Pushbutton	
F200233500	17, 21, 23, 25
EMI Filter	
F8591801	53
F8637501	53
Exhaust Deflector	
44290301	39
Exhaust Thimble Assembly	
44305001	51
Expansion Clip	
70030501	15, 19, 23, 25, 53, 67
Extension Harness	
44374903	57, 59, 67
Extension Spring	
F8440701	49

F

Fan Motor	
44354902	51
44354904	51
FCC-IC Label	
F8613201	23, 25
Felt Pad	
M402144	39
Ferrite	
204454	49, 51
Fill Hose	
202799	27
Filter	
44172101	63
Filter Channel	
H96388087	63
Filter Mounting Plate	
70551701	27
Flange Bearing	
44048301P	45

Front Access Panel	
44012709DG	31
44012709LG	31
44012709W	31
44012714	31
Front Control Box	
44311101	13
Front Panel	
44291902	29
44291903DG	29
44291903LG	29
44291903W	29
Fuse Board Control Power Harness	
44388402	53
44388403	53
Fuse Board to Inverter Harness	
44388502	53
44388503	53
Fuse Control Assembly	
70683201	53

G

Gas Valve	
44166701	57
44316801	59
44316802	59
Gas Valve Bracket	
44245701	57, 59
Gas Valve Harness	
44273501	57
44273503	59
Gas Valve Support Bracket	
44317201	59
Gasket	
44333402	59
Ground Lug Connector	
M411283	53
Guard	
44369301	41
44369401	41
44372601	41
44377202	41

H

Hairpin Cotter	
44091601	63
Handle and Caps Assembly	
44049903	37
70154417	37
Handle Bar	
70399501B	33
Handle Bumper	
70407204	37
70407212	37
Harness	
F8617901	23, 25
44375402	53
Harness Adapter Plate	
70523301	63

N/A items do not appear in index.

Heat Control Harness 44374901	67
Heater Assembly 44282605	59
High Altitude Orifice Kit 44357509	61
44357510	61
High Voltage Suppression Cable 44239704	57
Hinge Cam Kit M4772P3	35
M4773P3	35
Hose 44073306	27
Hose Clamp 20391	57, 59
36801	27
Hose Fitting 44069101	27
Hot Surface Warning Label F8609001	68
F8614301	68

I

Idler Shaft 44303101	49
Igniter Cover 70159601	57, 59
Ignition Control 70482001	57
70482002	57, 59
Insulator M413862	53
Interconnect Harness 44374902	67
44375601	27
Interver Control Power Harness 44374603	53
Inverter Control Assembly 70603401	53
70603601	53
Inverter Control Power Harness 44374604	53
Inverter Drive Tray 44370801	53
Inverter to Motor Harness 70635409	49
70635410	49
70635411	49
70635412	49
I/O Control Assembly 70671701	67

J

J-Belt 44293702	49
--------------------------	----

K

Key M400008	49
44309301	49
70155601	27
Kickplate 70117611	37
70117621	37

L

Label D503887	57
D516100	53, 68
44190901	29
44286803	53
44318201	27
44391401	31
44391901	37
70472801	29
70537001	29
70537101	29
Label Kit F8614500	68
44318200	27
44318600	68
44324500	27
70534400	68
Light 801432	27
Limit Thermostat 44328002	51
44328102	57, 59
44328103	57, 59
70530905	51
Lint Hood 44290901	39
Lint Panel 44012303LG	37
44012303W	37
44012304DG	37
44012306	37
44012307	37
Lint Panel Clip 44017801	37
Lint Screen 44063603P	39
Lint Screen Clip H96418413	39
Lint Screen Support 44291001	39
44291002	39
44307901	39
Lock, Key and Nut Kit 44089301P	27
L.P. Conversion Kit 44328805	57
44328807	57
44330304	57, 59

M

Machine ID Control Assembly	
203361P	19, 23, 25
Magnet	
70343101	37
Main Harness	
44375101	13
Male Tab Terminal	
00177	59
Manifold	
44079602	27
Master Link	
H96382072P	63
Max Fill Line Label	
70707501	33
Micro V Pulley	
44302901	49
Mixing Valve	
70519801	27
Mixing Valve Shield Bracket	
44306601	27
Moisture Sensing Harness Kit	
44344703	47
Moisture Sensor Harness	
44375502	47
Motor Pivot Brace	
44310701	49
Motor Pivot Bracket Weldment	
44310601	49
Motor Pivot Plate Weldment	
44311501	49
Motor Pulley	
44267601	49
Mounting Bracket	
44331101	23, 25
Mounting Plate	
44288401	37
44330901	17, 21, 23, 25

N

Nameplate	
F8443107	29
F8688001	31
F8688901	31
567887	31
70472001	31
Nameplate Overlay	
44130401	31
44391201	33
70410201	31
Nipple	
H85101608	59
H85101673	59
Notice Label	
D516073	68
44321501	68
70535901	57
70539601	68
70544901	57

Nut

F8387701	45
H88412101	43
M400026	49
M400035	47
M400977	15, 19, 23, 25
M412334	43
M414215	33
20274	45
23951	63
29786	63
29787	29
44087101	37
44088001	33, 35, 37, 39
70030401	29, 31
70142	63

O**Overlay**

70516801	15
70519001	15
70539101	15
70545501	15
70547501	15
70547801	19
70548801	19
70570601	19
70571401	19
70571601	19
70595401	23, 25
70691001	19
70691301	15

P

Panel Locator	
56079	41
Pin	
70071401	35
Pinch Warning Label	
F8615701	68
F8615702	68
70538401	68
Pipe Adapter Weldment	
44315401	59
Pipe Bracket	
44249301	57, 59
Pipe Cap	
44087801	57, 59
Pipe Elbow	
44249401	57, 59
Pipe Nipple	
44249501	57
44252301	57
44252401	57, 59
70543501	59
Pipe Union	
M411419	57, 59
Plug	
M400985	17, 21, 23, 25
Pop Rivet	
M400003	67
430725	17, 21, 23, 25, 37

N/A items do not appear in index.

44166601	29
70126301	37
70126401	37
70412601	33
Porcelain Touch-Up Paint	
122P4P	29
Power Sensor Harness	
44375608	27
Pressure Fitting	
44231601	57, 59
Pulley	
44289502	49
44289601	49
Push-to-Start Switch	
801434W	27

R

Rear Guard	
44372001	41
44372301	41
44372401	41
Rear Main Harness	
44374801	53
Rear Panel	
44265901	39, 41
Rear Panel Brace	
44311601	41
44311602	41
44311801	41
Rear Panel Support	
44275801	39, 41
44282801	39
44282802	39
44311701	41
44311702	41
Reed Switch Assembly	
F8066804	37
Rib Wire	
44208101	47
Roll Pin	
H88970256	63
Roller Catch	
H87020202	37
Roller Catch Mounting Bracket	
44014001	37

S

Screw	
D501086	37, 63
F8206901	53, 67
H88010574	63
H88012034	45
M400063	49
M400661	33
M402574	29
M405188	63
M411165	45
02422	63
204342	63
38272	57
430497	13, 23, 25, 27, 53, 55, 57, 59

430757	37, 55
431287	29, 39
44338901	47
44349101	35
44364602	49, 51
51780	27, 39, 57, 59, 67
51782	57, 59
51783	53, 57, 59
685837	53
70033504	35
70182601	29, 31
70187201	49
70275801	41
70409801	35
70436301	35
70442101	33, 37, 39, 47
70576101	35
70689401	35
800462	45
800930	15, 19, 23, 25
801019	63
804608	15, 19, 23, 25, 27
Sensor Harness	
44375607	27
Shaft Actuator Assembly	
44332701	63
Shaft Collar	
M414451	63
Shield	
44326801	27
Shock Warning Label	
F8614201	27
F8614202	68
F8614401	27
Slip Ring Assembly	
44222702	47
Snap Bushing	
D503235	67
M400770	57, 59, 67
M411826	63
44071501	53
70178701	13
Spacer	
M401402	43, 45
Spark Electrode	
44328701P	57, 59
Spray Paint	
298P4P	29
Spring Pin	
H88900683	63
Spud Holder Weldment	
44390002	57, 59
Steam Adapter Kit	
44314901	63
Steam Coil	
M409833P	63
M409834P	63
44256501	63
44256601	63
Steam Coil Support	
M411550	63
Steam Control Assembly	
70501801	67
Steam Control Harness	
44378003	67

N/A items do not appear in index.

Steam Cover 44115101	63
Steam Damper Actuator 44096401	63
Steam Damper Counterweight 44332601	63
Steam Damper Link 44332901	63
44333001	63
Steam Filter Top Hinge Assembly 44088101	63
Steam Heater Assembly 44316901	63
44317101	63
Steam Valve Harness F8520703	63
Stove Limit Bypass Harness 70564302	63
Stove Limit Harness 70564304	57, 59
Stove Limit Harness Bracket 431078	57, 59
Support Bracket 44310901	27
Support Shelf 44305801	39
44305802	39
Switch 44312401	29
70411901	55
Switch Bracket 44296301	37
70356301	55

T

Terminal 00622SG	53, 67
Terminal Block 430642	53
Terminal Block Shield 70333001	53
Thermistor M414704	51
44064701	39
Thermistor Plate 44068101	39
44068102	39
Thermostat Cover M414477	57, 59
Thermostat Opening Cover 44312501	51, 57
Top Access Panel Gusset 44028301DG	39
44028301LG	39
44028301W	39
44028302DG	39
44028302W	39
Transformer F8491101	53
Trunnion Assembly 44240801	43
44240802	43

Trunnion Housing M413826	49
Trunnion Housing Assembly 44375001	49

U

USB IR Interface Kit 203346	23
USB-Serial Interface Assembly 203440	23, 25

V

Valve F8322906P	65
Valve Rebuild Kit F8379502	65
V-Belt 44309401	49

W

Warning Label F8611601	68
44321601	68
44324001	68
44324002	68
44324101	68
44324501	27
44324502	27
70534401	68
70534402	68
70534405	68
70536401	68
Washer F431125	37
M400013	63
03815	15, 19, 23, 25
20103	49
44238902	47
70261401	43, 45, 49
70409301	33
800465	29, 31, 63
Water Valve Harness 44375605	27
Wire Clip F8449502	53
Wireless Network Board Harness F8536002	23
Wireless Network Control Assembly 203532	13
Wireless Network Kit 70596301	13, 23
Wireway Channel 44239002	47

N/A items do not appear in index.

