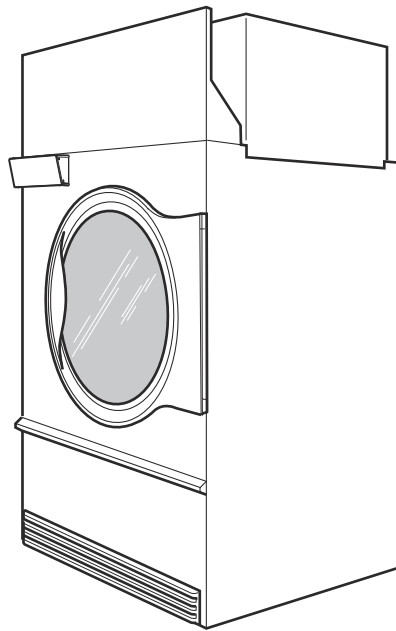


# Tumble Dryer

200 Pound Capacity

18 Digit Model Numbers with 6 in 13th Position

Refer to Page 3 for Model Numbers



TMB1291C



# Table of Contents

Title	Page
Parts Ordering Information.....	2
Serial Plate Location .....	2
Machine Identification .....	3
Product Overview - Heat Source and Voltage .....	4
Product Overview - FN Control Suffix .....	6
Product Overview - DN and NN Control Suffixes.....	8
Product Overview - VN Control Suffix.....	10
Interior Control Box .....	12
Dual Digital Control - F in the 7th Position (Drawing 1 of 2).....	14
Dual Digital Control - F in the 7th Position (Drawing 2 of 2).....	16
Electronic Display Control - N in the 7th Position (Drawing 1 of 2).....	18
Electronic Display Control - N in the 7th Position (Drawing 2 of 2).....	20
3.5 Inch Graphical Control - D in the 7th Position .....	22
Touch Control - V in the 7th Position .....	24
Fire Suppression System Control Box.....	26
Front Panel Components .....	28
Access Panel and Nameplates .....	30
Door Components.....	32
Hinge Components .....	34
Lint Panel Components.....	36
Cabinet and Frame Assembly.....	38
Rear Panel Components.....	40
Cylinder and Trunnion Assembly .....	42
Trunnion Bearings.....	44
Moisture Sensing Components .....	46
Cylinder Motor Components .....	48
Blower and Exhaust Components.....	50
Inverter Tray Components .....	52
Airflow Switch.....	54
Gas Heater Components .....	56
Burner Orifices .....	58
Steam Heater Components .....	60
Steam Valve.....	62
Control Tray .....	64
Labels .....	66
Parts Index.....	67

© Copyright 2022, Alliance Laundry Systems LLC

All rights reserved. No part of the contents of this book may be reproduced or transmitted in any form or by any means without the expressed written consent of the publisher.

## Parts Ordering Information

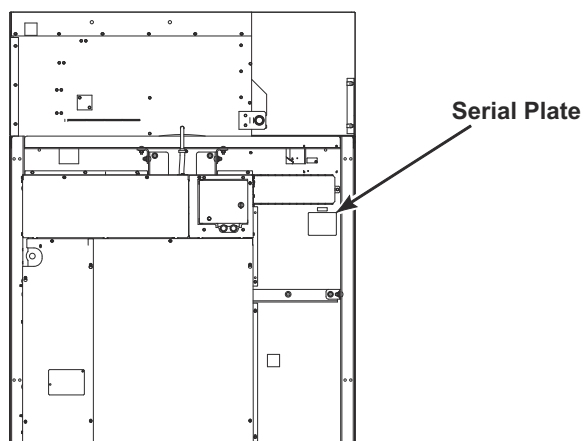
If literature or replacement parts are required, contact the source from whom the machine was purchased or contact Alliance Laundry Systems at (920) 748-3950 for the name and address of the nearest authorized parts distributor.

For technical assistance, call the number listed below:

(920) 748-3121 Ripon, Wisconsin

## Serial Plate Location

When calling or writing about your product, be sure to mention model and serial numbers. Model and serial numbers are located on serial plate(s) as shown.



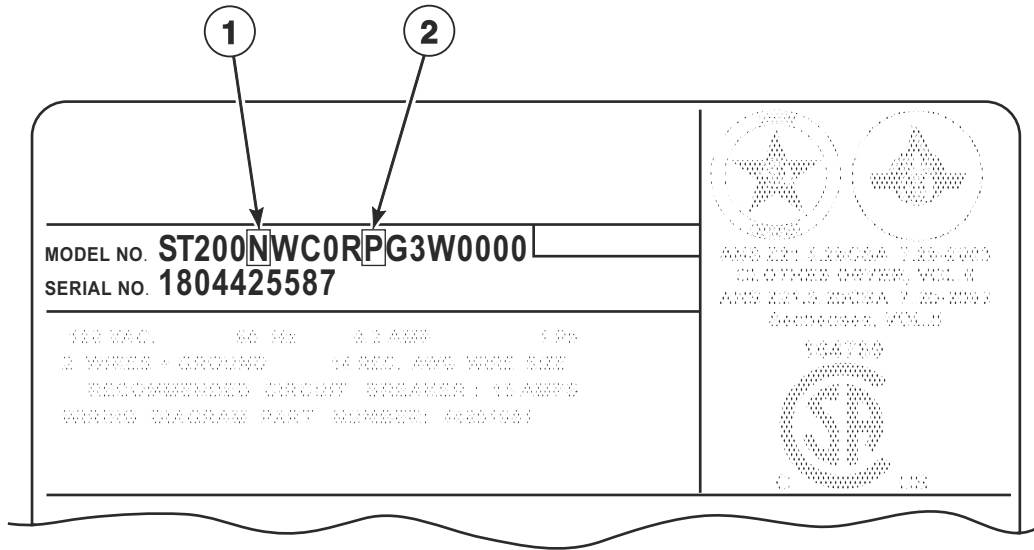
TMB3920P

# Machine Identification

Information in this manual is applicable to these machines:

BA200L	HA200L	NA200L	SA200L	UA200L
BA200N	HA200N	NA200N	SA200N	UA200N
BA200S	HA200S	NA200S	SA200S	UA200S
BG200L	HG200L	NG200L	SG200L	UG200L
BG200N	HG200N	NG200N	SG200N	UG200N
BG200S	HG200S	NG200S	SG200S	UG200S
BH200L	HH200L	NH200L	SH200L	UH200L
BH200N	HH200N	NH200N	SH200N	UH200N
BH200S	HH200S	NH200S	SH200S	UH200S
BJ200L	HJ200L	NJ200L	SJ200L	UJ200L
BJ200N	HJ200N	NJ200N	SJ200N	UJ200N
BJ200S	HJ200S	NJ200S	SJ200S	UJ200S
BK200L	HK200L	NK200L	SK200L	UK200L
BK200N	HK200N	NK200N	SK200N	UK200N
BR200S	HR200S	NR200S	SR200S	UR200S
BT200L	HT200C	NT200L	ST200C	UT200C
BT200N	HT200L	NT200N	ST200L	UT200L
BT200S	HT200N	NT200S	ST200N	UT200N
BU200L	HT200S	NU200L	ST200S	UT200S
BU200N	HU200L	NU200N	SU200L	UU200L
BU200S	HU200N	NU200S	SU200N	UU200N
GA200L	HU200S	PA200L	SU200S	UU200S
GA200N	KT200L	PA200N		
GA200S	KT200N	PA200S		
GG200L	KT200S	PG200L		
GG200N		PG200N		
GG200S		PG200S		
GH200L		PH200L		
GH200N		PH200N		
GH200S		PH200S		
GJ200L		PJ200L		
GJ200N		PJ200N		
GJ200S		PJ200S		
GK200L		PK200L		
GK200N		PK200N		
GU200L		PR200S		
GU200N		PT200C		
GU200S		PT200L		
		PT200N		
		PT200S		
		PU200L		
		PU200N		
		PU200S		

# Product Overview - Heat Source and Voltage

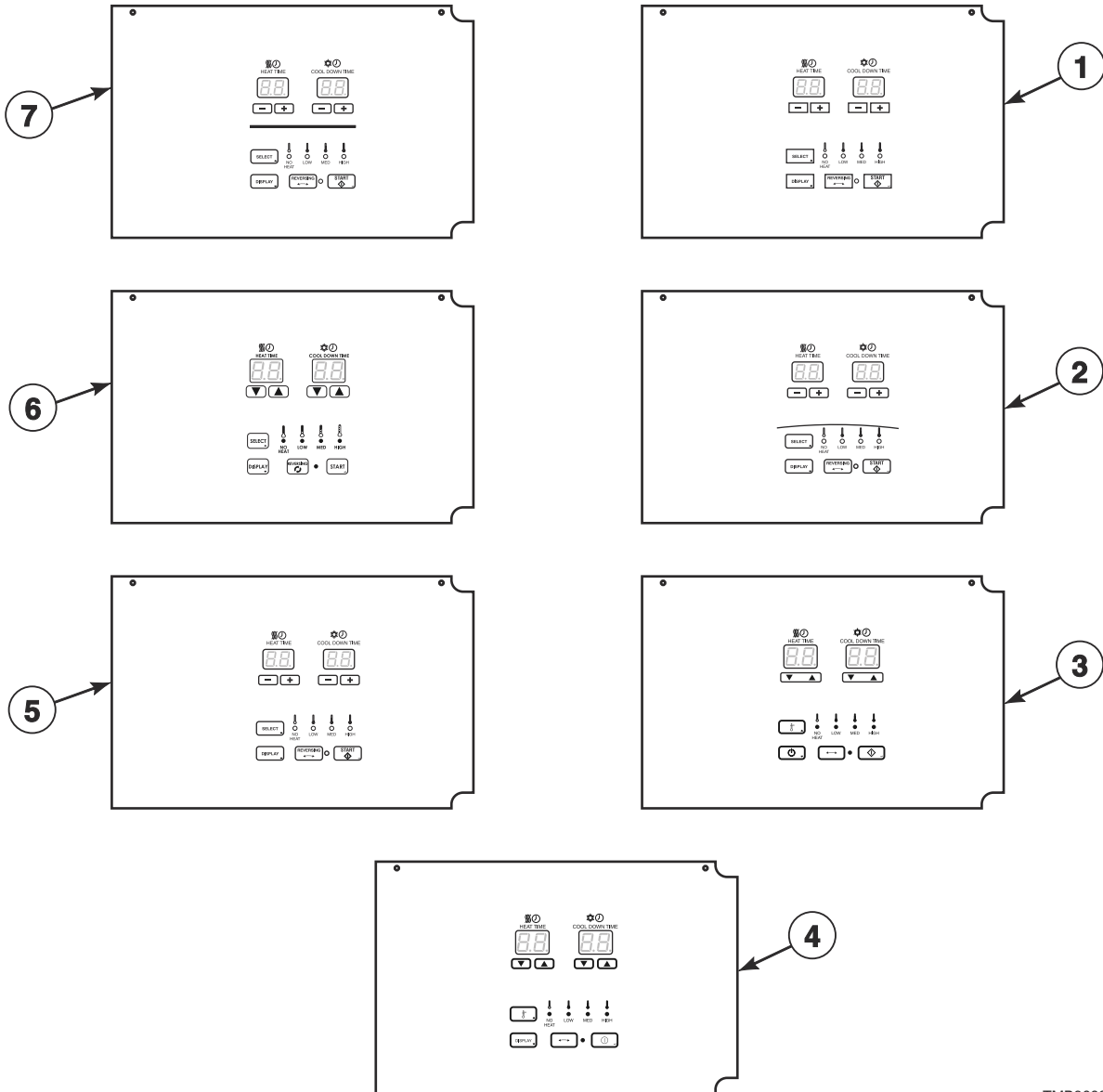
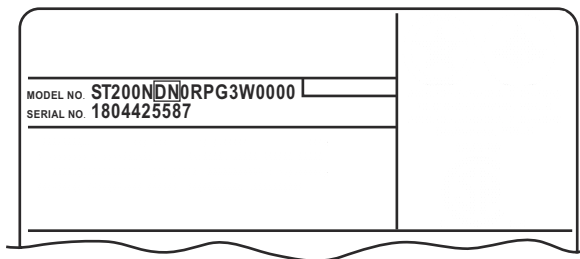


TMB3667P

## Product Overview - Heat Source and Voltage

REF	PART NO.	DESCRIPTION	COMMENTS
1	-	Heat Source	C: Steam (CRN) L: Liquid Petroleum Gas (L.P.) N: Natural Gas (N.G.) S: Steam
2	-	Voltage	N: 440-480 Volt/50-60 Hertz/3 Phase P: 380-415 Volt/50-60 Hertz/3 Phase Q: 200-240 Volt/50-60 Hertz/3Phase

# Product Overview - FN Control Suffix



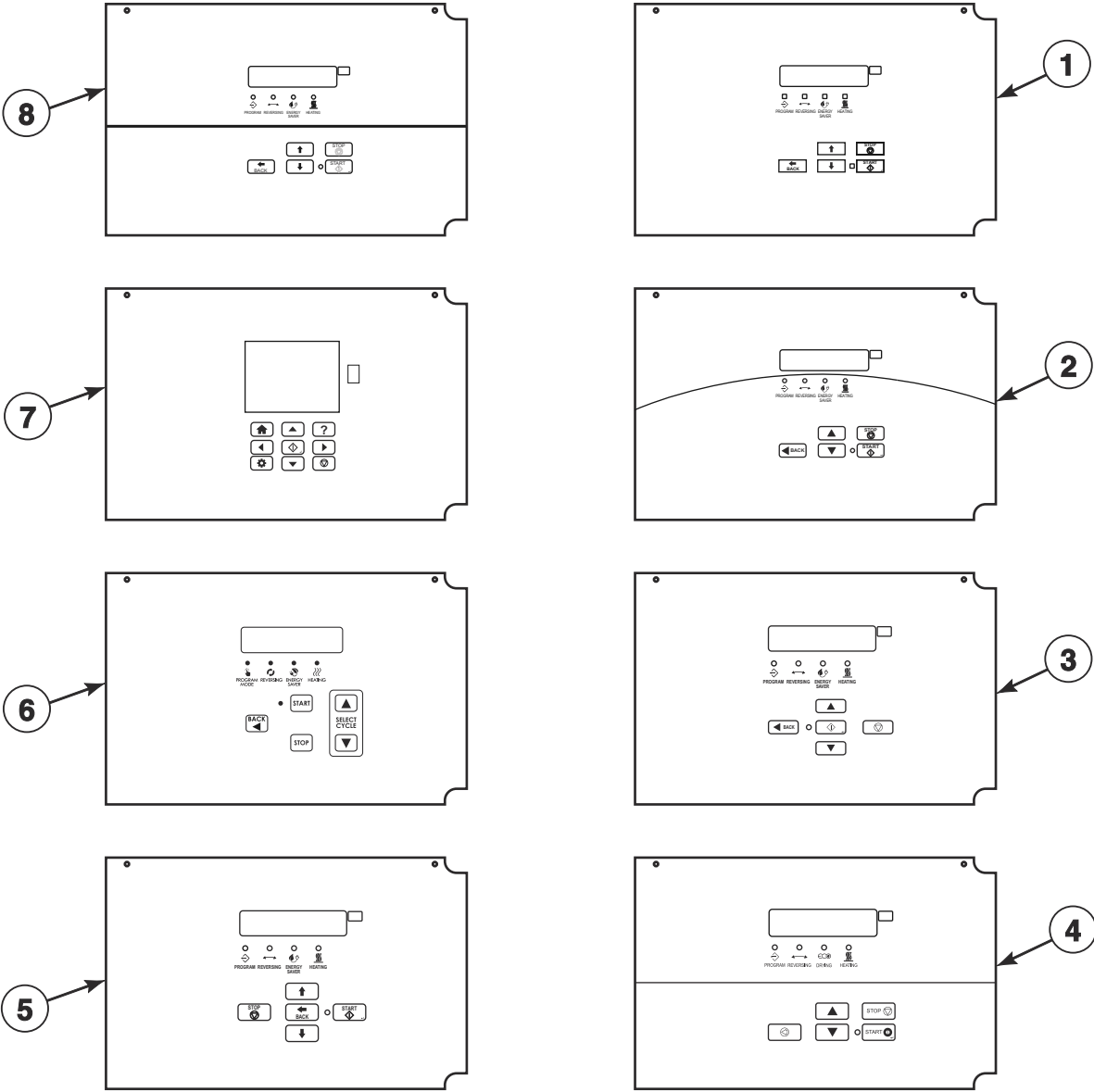
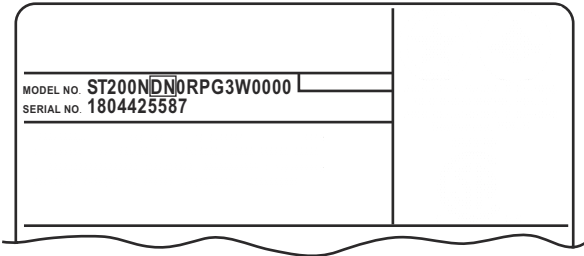
TMB3668P



## Product Overview - FN Control Suffix

REF	PART NO.	DESCRIPTION	COMMENTS
1	-	Dual Digital Control	H models
2	-	Dual Digital Control	U models
3	-	Dual Digital Control	B models
4	-	Dual Digital Control	P models
5	-	Dual Digital Control	N models
6	-	Dual Digital Control	G and K models
7	-	Dual Digital Control	S models

# Product Overview - DN and NN Control Suffixes



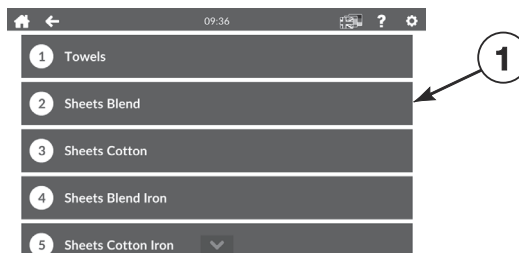
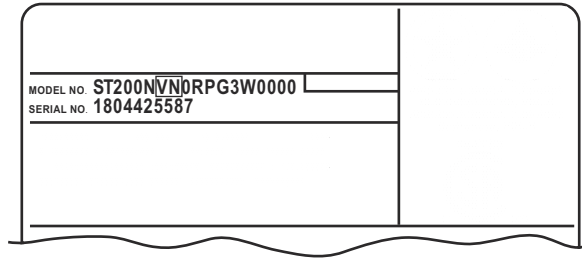
TMB3669P

## Product Overview - DN and NN Control Suffixes

REF	PART NO.	DESCRIPTION	COMMENTS
1	-	Galaxy Control	H models
2	-	M-Series Control	U models
3	-	OPTimum Control	B models
4	-	OPL Micro Control	P models
5	-	OPL Micro Control	N models
6	-	OPL Micro Control	G and K models
7	-	UniLinc Control	U models
8	-	Quantum Gold Control	S models

# Product Overview - VN Control Suffix

U Models

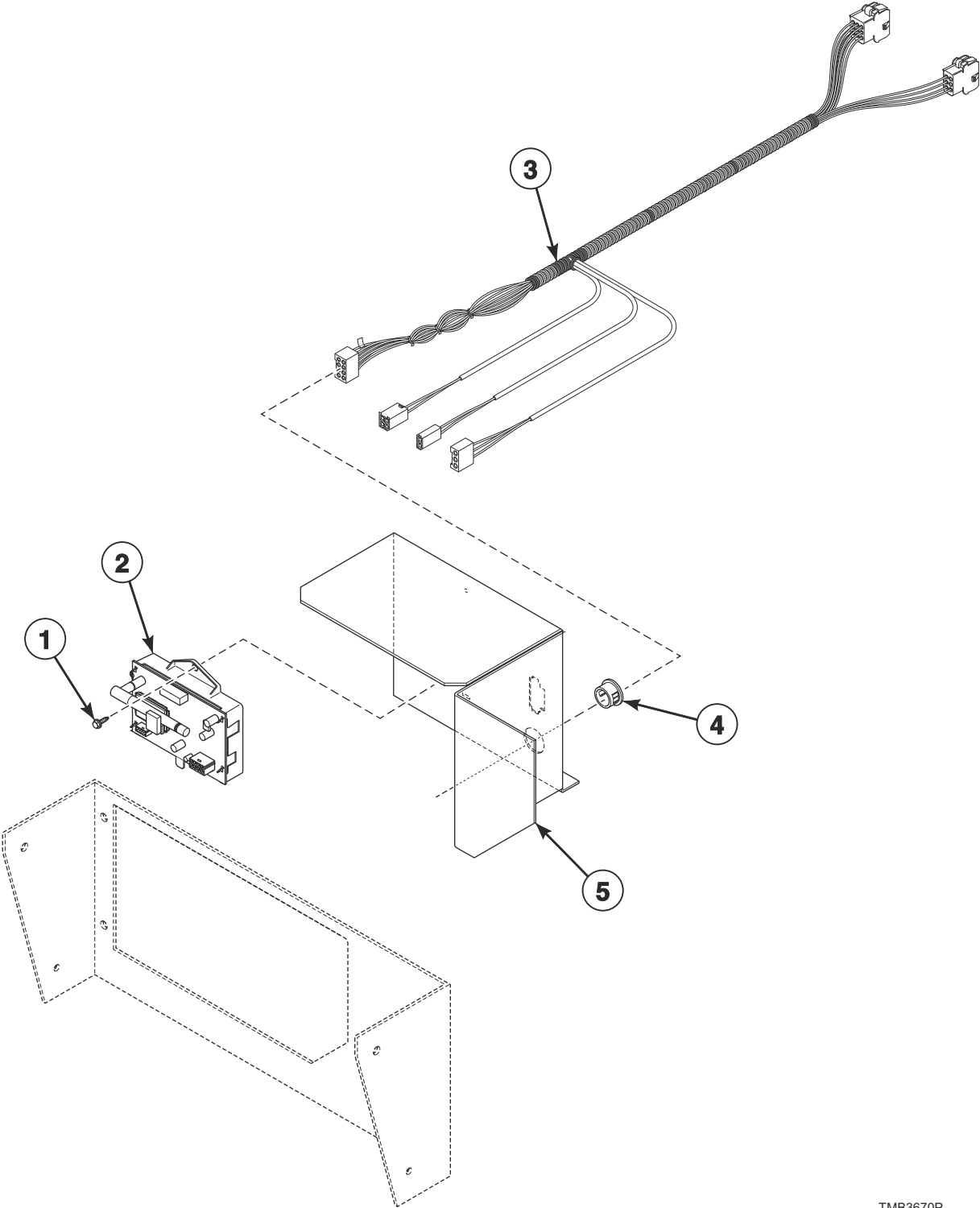


TMB3942P

# Product Overview - VN Control Suffix

REF	PART NO.	DESCRIPTION	COMMENTS
1	-	UniLinc Touch Control	

# Interior Control Box

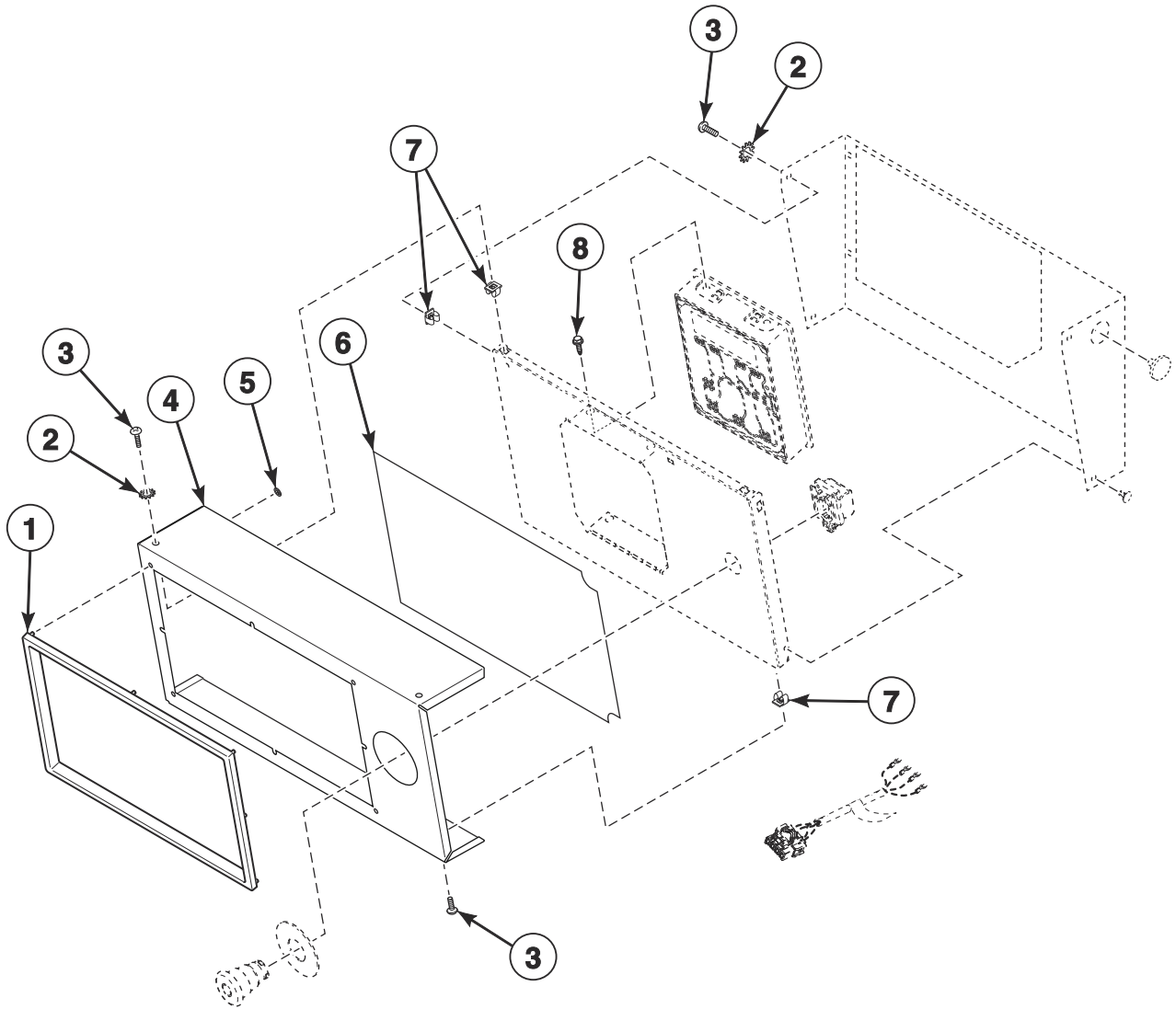


TMB3670P

## Interior Control Box

REF	PART NO.	DESCRIPTION	COMMENTS
	70596301	Wireless Network Kit	D in the 7th position of model number
1	430497	Screw	
2	203532	Wireless Network Control Assembly	
3	44375101	Main Harness	
4	70178701	Snap Bushing	
5	44311101	Front Control Box	

# Dual Digital Control - F in the 7th Position (Drawing 1 of 2)



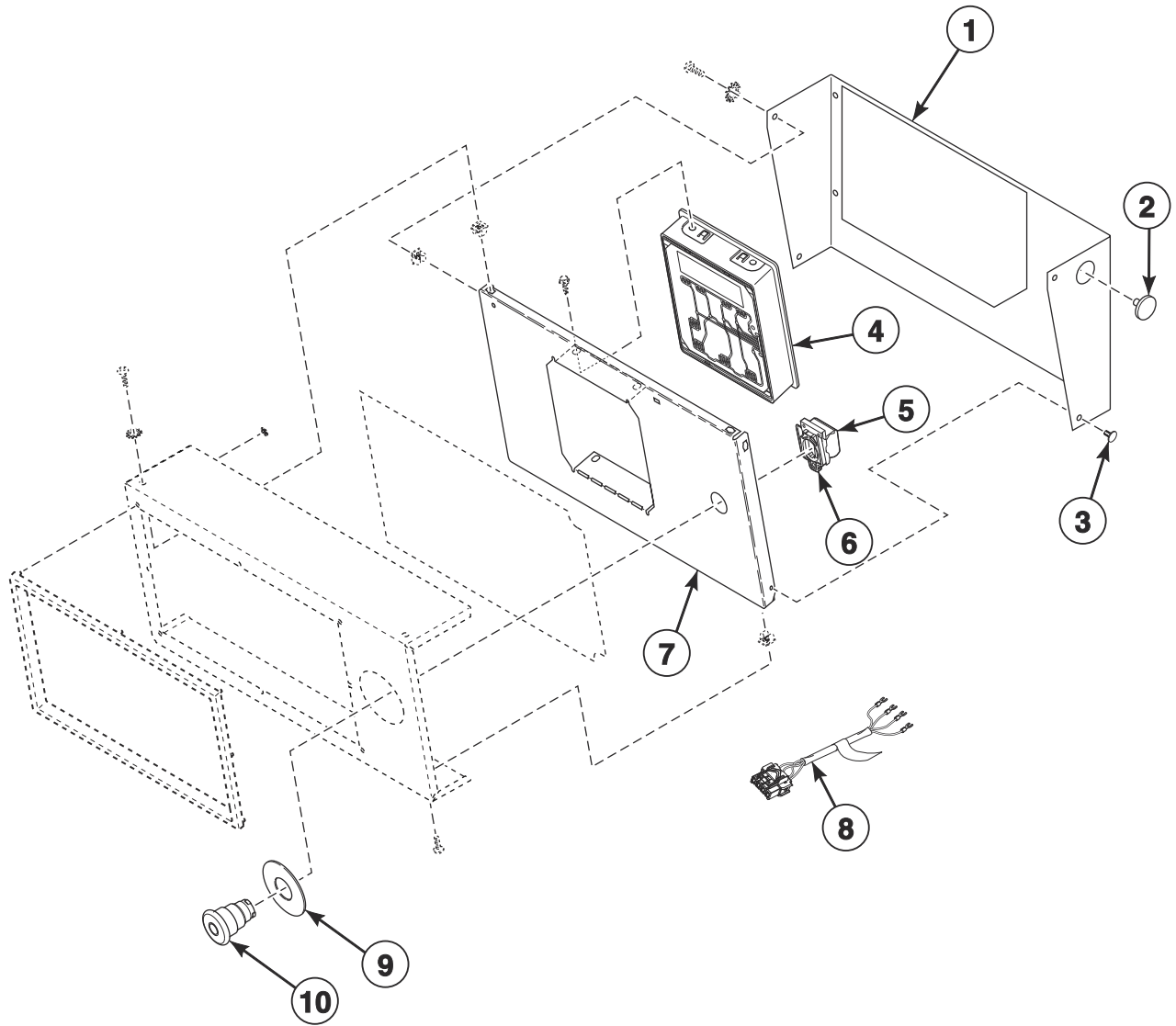
TMB3619P



## Dual Digital Control - F in the 7th Position (Drawing 1 of 2)

REF	PART NO.	DESCRIPTION	COMMENTS
1	44016403	Control Trim	H models; Gray
	44016401	Control Trim	N, P and S models; Black
2	03815	Washer	
3	800930	Screw	
4	44330802	Control Cover	IEC B and U models; Stainless steel; No trim
	44330805	Control Cover	IEC H, N, P and S models; Stainless steel
	44330803W	Control Cover	IEC B and U models; No trim
	44330806DG	Control Cover	IEC P models; Dark gray
	44330806W	Control Cover	IEC H, N, P and S models
	44330803B	Control Cover	IEC G and K models; Black; No trim
	44330803LG	Control Cover	IEC U models; Light gray; No trim
	44330811	Control Cover	T and G market B and U models; Stainless steel; No trim
	44330814	Control Cover	T and G market H, N, P and S models; Stainless steel
	44330812W	Control Cover	T and G market B and U models; No trim
	44330815DG	Control Cover	T and G market P models; Dark gray
	44330815W	Control Cover	T and G market H, N, P and S models
	44330812B	Control Cover	T and G market G and K models; Black; No trim
	44330812LG	Control Cover	T and G market U models; Light gray; No trim
	5	M400977	Nut
6	70539101	Overlay	B models; Reversing
	70547501	Overlay	G and K models; Reversing
	70691301	Overlay	H models; Reversing
	70545501	Overlay	P models; Reversing
	70516801	Overlay	N and S models; Reversing
	70519001	Overlay	U models; Reversing
7	70030501	Expansion Clip	
8	804608	Screw	4 required

# Dual Digital Control - F in the 7th Position (Drawing 2 of 2)

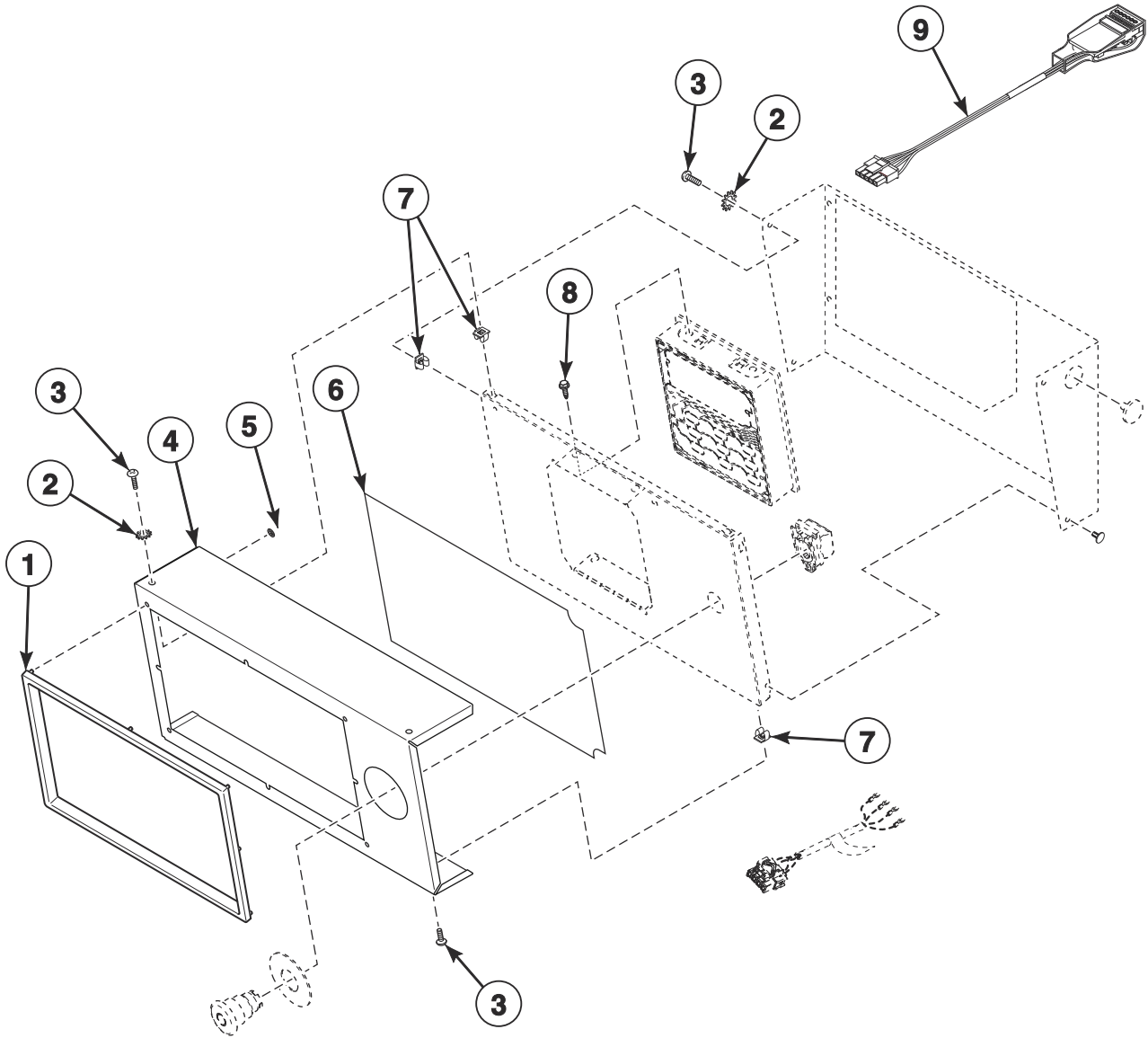


TMB3619PA

## Dual Digital Control - F in the 7th Position (Drawing 2 of 2)

REF	PART NO.	DESCRIPTION	COMMENTS
	70631103	Emergency Stop Interconnect Harness	
	F8519403	Emergency Stop Bypass Harness	Models without e-stop
<b>1</b>	44331005	Control Bracket	B, H, N, P, S and U models; Stainless steel
	44331006DG	Control Bracket	P models; Dark gray
	44331006W	Control Bracket	B, H, N, P, S and U models
	44331006B	Control Bracket	G and K models; Black
	44331006LG	Control Bracket	U models; Light gray
<b>2</b>	M400985	Plug	
<b>3</b>	430725	Pop Rivet	
<b>4</b>	70523101	Control Assembly	P models; Blue
	70479801	Control Assembly	G, H, K, N, S and U models; Green
	70479901	Control Assembly	B models; Red
<b>5</b>	F8069501	Contact Switch	2 required
<b>6</b>	F8538101	Contact Base	
<b>7</b>	44330901	Mounting Plate	
<b>8</b>	44272401	Emergency Stop Harness	
<b>9</b>	44012901	Emergency Stop Label	
<b>10</b>	F200233500	Emergency Stop Pushbutton	

# Electronic Display Control - N in the 7th Position (Drawing 1 of 2)

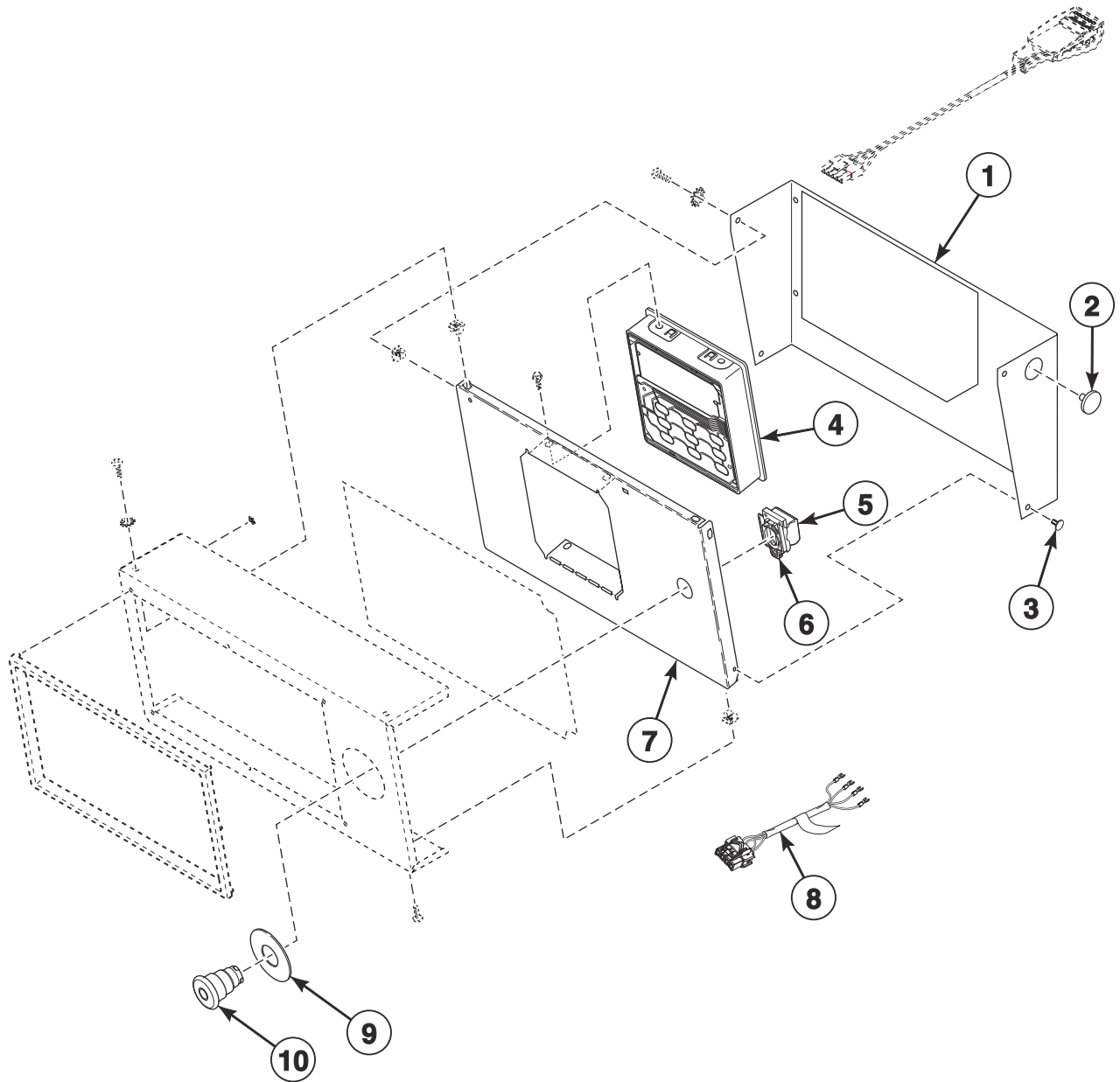


TMB3620P

## Electronic Display Control - N in the 7th Position (Drawing 1 of 2)

REF	PART NO.	DESCRIPTION	COMMENTS
1	44016403	Control Trim	H models; Gray
	44016401	Control Trim	N, P and S models; Black
2	03815	Washer	
3	800930	Screw	
4	44330802	Control Cover	IEC B and U models; Stainless steel; No trim
	44330805	Control Cover	IEC H, N, P and S models; Stainless steel
	44330803W	Control Cover	IEC B and U models; No trim
	44330806DG	Control Cover	IEC P models; Dark gray
	44330806W	Control Cover	IEC H, N, P and S models
	44330803B	Control Cover	IEC G and K models; Black; No trim
	44330803LG	Control Cover	IEC U models; Light gray; No trim
	44330811	Control Cover	T and G market B, P and U models; Stainless steel; No trim
	44330814	Control Cover	T and G market H, N, P and S models; Stainless steel
	44330812W	Control Cover	T and G market B and U models; No trim
	44330815DG	Control Cover	T and G market P models; Dark gray
	44330815W	Control Cover	T and G market H, N, P and S models
	44330812B	Control Cover	T and G market G and K models; Black; No trim
	44330812LG	Control Cover	T and G market U models; Light gray; No trim
	5	M400977	Nut
6	70570601	Overlay	S models; Reversing
	70571401	Overlay	U models; Reversing
	70691001	Overlay	H models; Reversing
	70548801	Overlay	B and N models; Reversing
	70547801	Overlay	G and K models; Reversing
	70571601	Overlay	P models; Reversing
7	70030501	Expansion Clip	
8	804608	Screw	4 required
9	203361P	Machine ID Control Assembly	Model or serial number is required when ordering

# Electronic Display Control - N in the 7th Position (Drawing 2 of 2)



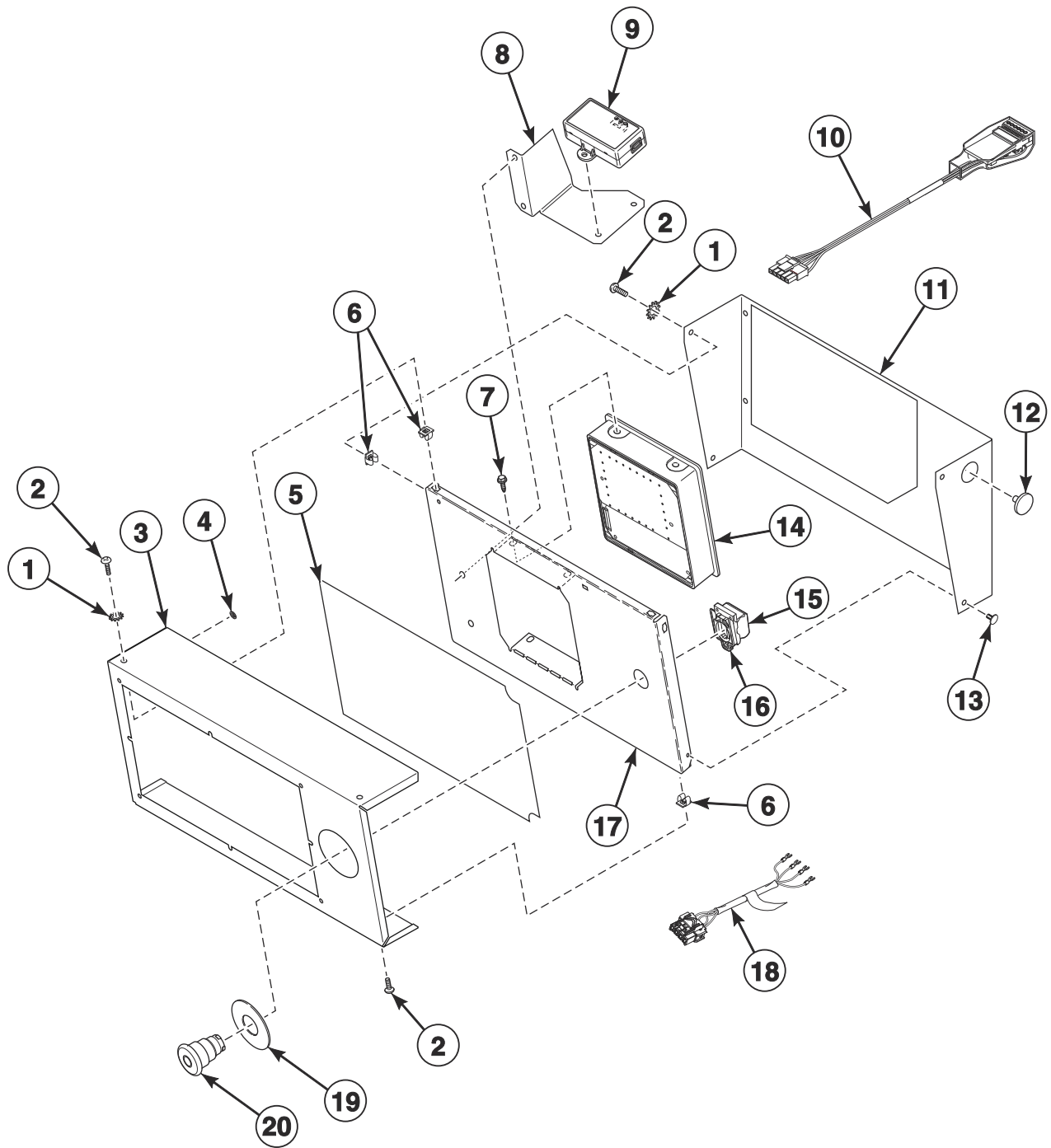
TMB3620PA

## Electronic Display Control - N in the 7th Position (Drawing 2 of 2)

REF	PART NO.	DESCRIPTION	COMMENTS
	70631103	Emergency Stop Interconnect Harness	
	F8519403	Emergency Stop Bypass Harness	Models without e-stop
<b>1</b>	44331005	Control Bracket	B, H, N, P, S and U models; Stainless steel
	44331006DG	Control Bracket	P models; Dark gray
	44331006W	Control Bracket	B, H, N, P, S and U models
	44331006B	Control Bracket	G and K models; Black
	44331006LG	Control Bracket	U models; Light gray
<b>2</b>	M400985	Plug	
<b>3</b>	430725	Pop Rivet	
<b>4</b>	70523002	Control Assembly	P models; Blue
	70478802	Control Assembly	G, H, K, N, S and U models; Green
	70478902	Control Assembly	B models; Red
<b>5</b>	F8069501	Contact Switch	2 required
<b>6</b>	F8538101	Contact Base	
<b>7</b>	44330901	Mounting Plate	
<b>8</b>	44272401	Emergency Stop Harness	
<b>9</b>	44012901	Emergency Stop Label	
<b>10</b>	F200233500	Emergency Stop Pushbutton	

# 3.5 Inch Graphical Control - D in the 7th Position

U Models



TMB3621P

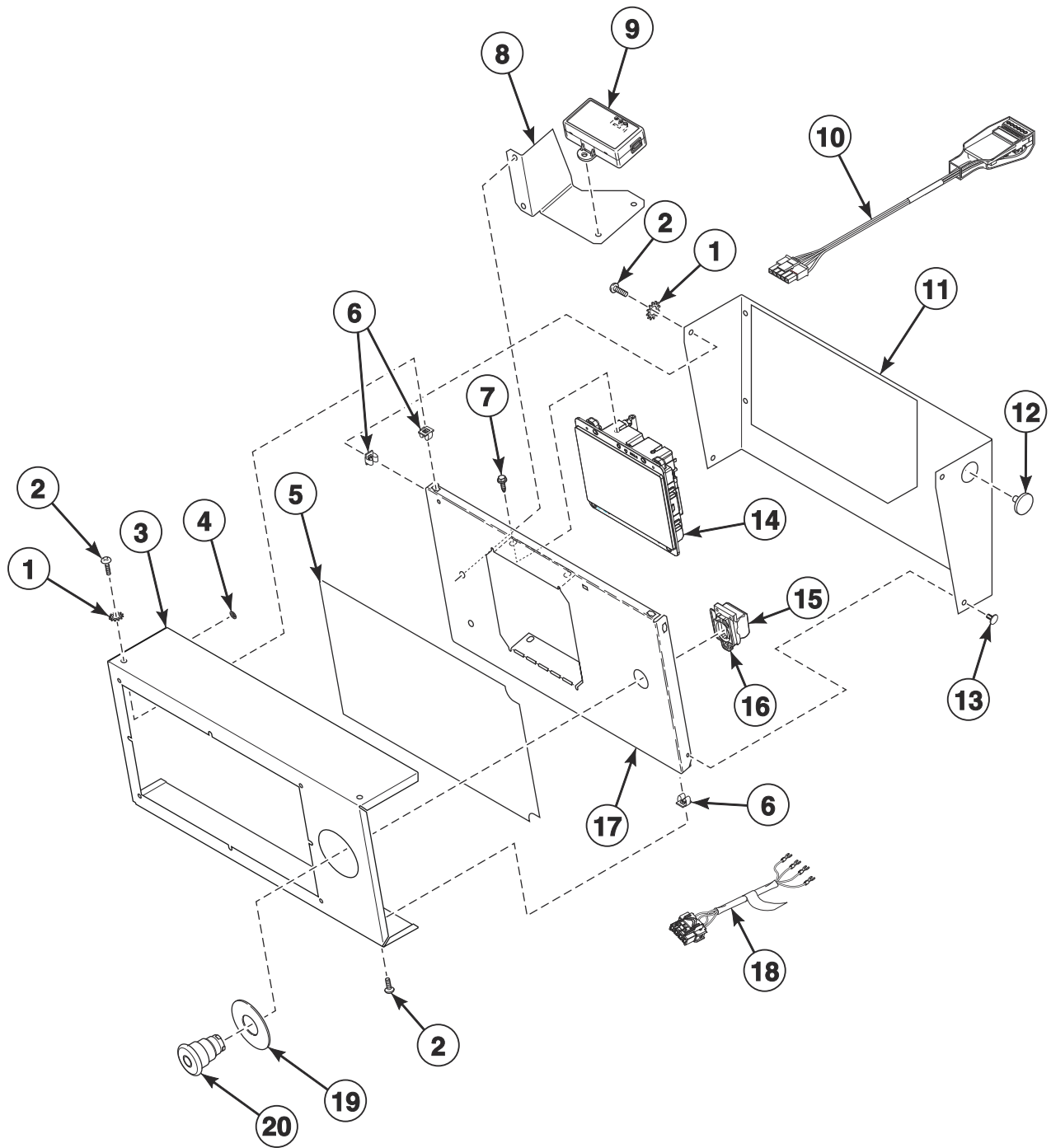


### 3.5 Inch Graphical Control - D in the 7th Position

REF	PART NO.	DESCRIPTION	COMMENTS
	70596301	Wireless Network Kit	
	F8536002	Wireless Network Board Harness	
	203346	USB IR Interface Kit	
	F8617901	Harness	USB
	F8613201	FCC-IC Label	UT models
	70631103	Emergency Stop Interconnect Harness	
	F8519403	Emergency Stop Bypass Harness	Models without e-stop
	03815	Washer	2 required; Use to attach item 9
	430497	Screw	2 required; Use to attach item 9
<b>1</b>	03815	Washer	
<b>2</b>	800930	Screw	
<b>3</b>	44330802	Control Cover	IEC models; Stainless steel; No trim
	44330803W	Control Cover	IEC models; No trim
	44330803LG	Control Cover	IEC models; Light gray; No trim
	44330811	Control Cover	T and G market models; Stainless steel; No trim
	44330812W	Control Cover	T and G market models; No trim
	44330812LG	Control Cover	T and G market models; Light gray; No trim
<b>4</b>	M400977	Nut	8 required
<b>5</b>	70595401	Overlay	
<b>6</b>	70030501	Expansion Clip	
<b>7</b>	804608	Screw	
<b>8</b>	44331101	Mounting Bracket	
<b>9</b>	203440	USB-Serial Interface Assembly	
<b>10</b>	203361P	Machine ID Control Assembly	Model or serial number is required when ordering
<b>11</b>	44331005	Control Bracket	Stainless steel
	44331006W	Control Bracket	
	44331006LG	Control Bracket	Light gray
<b>12</b>	M400985	Plug	
<b>13</b>	430725	Pop Rivet	
<b>14</b>	70543104	Control Assembly	
<b>15</b>	F8069501	Contact Switch	2 required
<b>16</b>	F8538101	Contact Base	
<b>17</b>	44330901	Mounting Plate	
<b>18</b>	44272401	Emergency Stop Harness	
<b>19</b>	44012901	Emergency Stop Label	
<b>20</b>	F200233500	Emergency Stop Pushbutton	

# Touch Control - V in the 7th Position

U Models

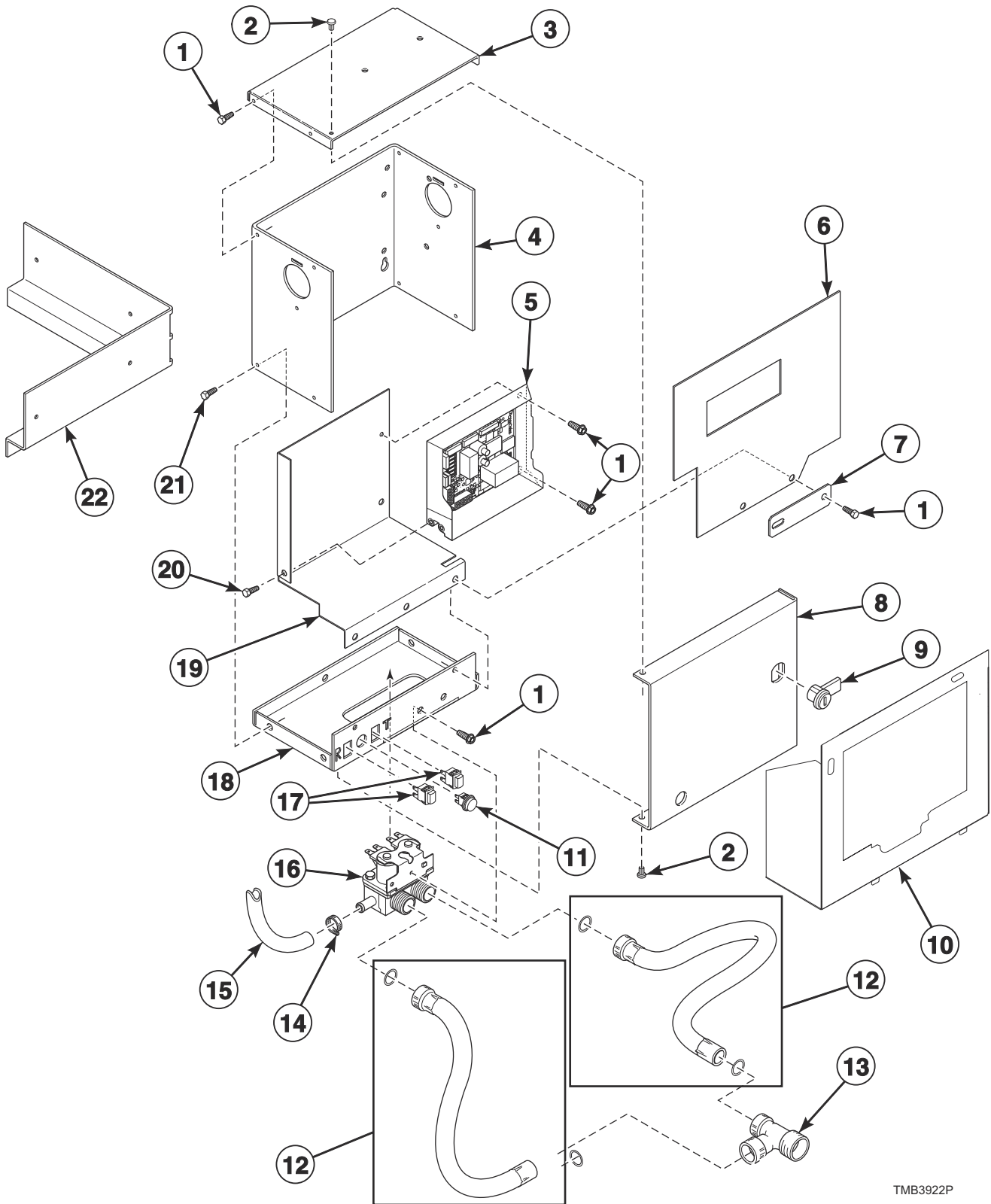


TMB3940P

## Touch Control - V in the 7th Position

REF	PART NO.	DESCRIPTION	COMMENTS
	F8617901	Harness	USB
	F8613201	FCC-IC Label	UT models
	70631103	Emergency Stop Interconnect Harness	
	F8519403	Emergency Stop Bypass Harness	Models without e-stop
	03815	Washer	2 required; Use to attach item 9
	430497	Screw	2 required; Use to attach item 9
<b>1</b>	03815	Washer	
<b>2</b>	800930	Screw	
<b>3</b>	44330816	Control Cover	Stainless steel; No trim; With e-stop
	44330818W	Control Cover	No trim; With e-stop
	44330818LG	Control Cover	Light gray; No trim; With e-stop
	44330817	Control Cover	Stainless steel; No trim; No e-stop
	44330819W	Control Cover	No trim; No e-stop
	44330819LG	Control Cover	Light gray; No trim; No e-stop
<b>4</b>	M400977	Nut	8 required
<b>5</b>	70595401	Overlay	
<b>6</b>	70030501	Expansion Clip	
<b>7</b>	804608	Screw	
<b>8</b>	44331101	Mounting Bracket	
<b>9</b>	203440	USB-Serial Interface Assembly	
<b>10</b>	203361P	Machine ID Control Assembly	Model or serial number is required when ordering
<b>11</b>	44331005	Control Bracket	Stainless steel
	44331006W	Control Bracket	
	44331006LG	Control Bracket	Light gray
<b>12</b>	M400985	Plug	
<b>13</b>	430725	Pop Rivet	
<b>14</b>	70697004	Control Assembly	
<b>15</b>	F8069501	Contact Switch	2 required
<b>16</b>	F8538101	Contact Base	
<b>17</b>	44330901	Mounting Plate	
<b>18</b>	44272401	Emergency Stop Harness	
<b>19</b>	44012901	Emergency Stop Label	
<b>20</b>	F200233500	Emergency Stop Pushbutton	

# Fire Suppression System Control Box

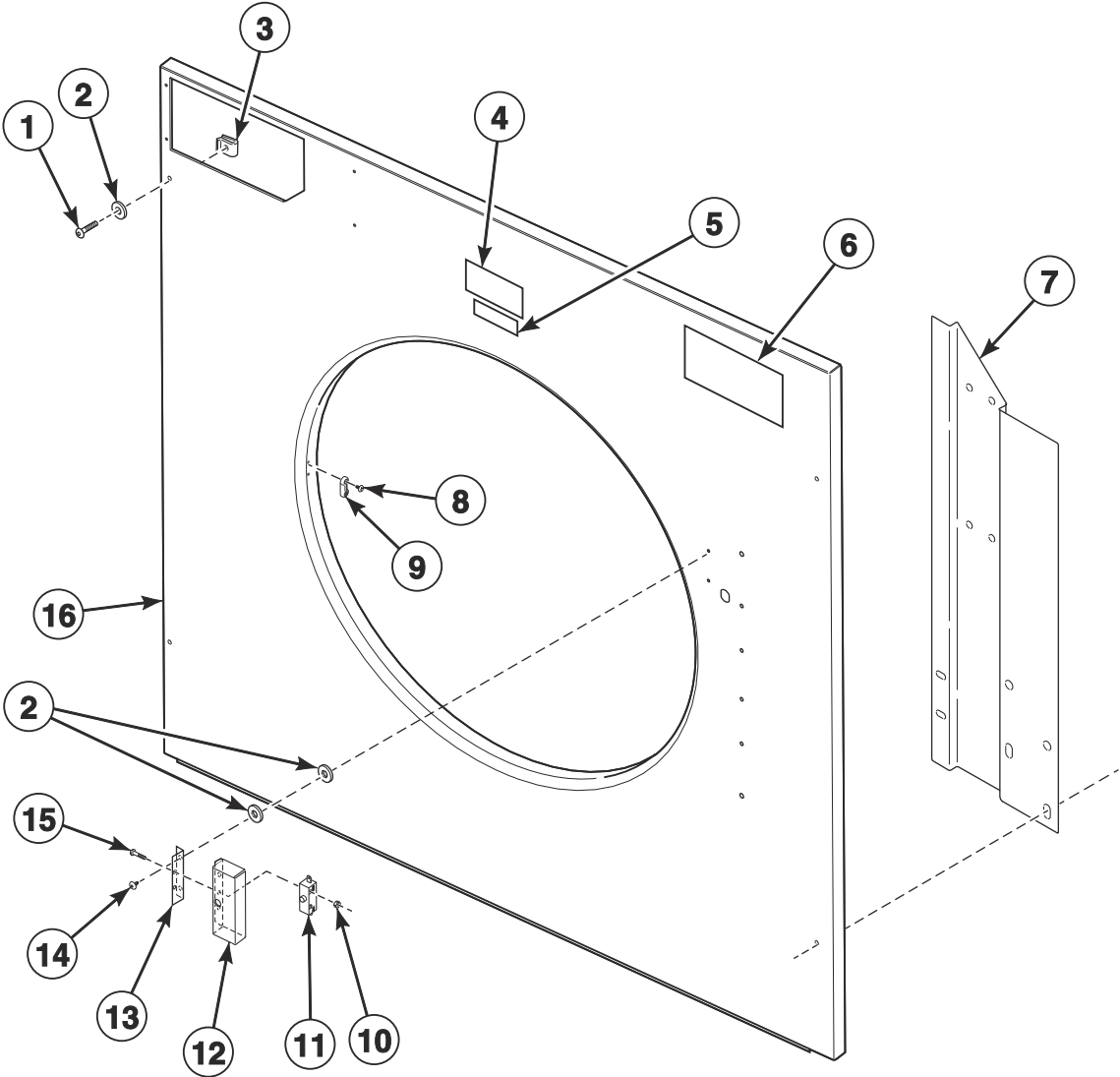


TMB3922P

# Fire Suppression System Control Box

REF	PART NO.	DESCRIPTION	COMMENTS
	44340301	Cold Weather Kit	
	70155601	Key	RL001; Use with item 9
	44079603	Manifold	
	44375604	Control Harness	
	44375605	Water Valve Harness	
	44375608	Power Sensor Harness	
	44375607	Sensor Harness	
	44375601	Interconnect Harness	
	70346501	Bushing	
	44324501	Warning Label	F.S.S.; T and G market models
	44324500	Label Kit	F.S.S.; IEC models
	F8614401	Shock Warning Label	T and G market models
	F8614201	Shock Warning Label	IEC models
	44318200	Label Kit	IEC models
	44324502	Warning Label	
	44318201	Label	T and G market models
<b>1</b>	M400713	Drive Rivet	
<b>2</b>	44307101	Control Box Top	
<b>3</b>	44306701	Control Box Housing	
<b>4</b>	70511601	Control	
<b>5</b>	430497	Screw	
<b>6</b>	44326801	Shield	
<b>7</b>	70551701	Filter Mounting Plate	
<b>8</b>	44065201	Control Box Cover	
<b>9</b>	44089301P	Lock, Key and Nut Kit	RL001 key code; Optional if same key is to be used for control lock
<b>10</b>	44369601	Control Guard	Without fire suppression
	44369602	Control Guard	With fire suppression
<b>11</b>	801432	Light	
<b>12</b>	202799	Fill Hose	2 required
<b>13</b>	44069101	Hose Fitting	T and G market models
<b>14</b>	36801	Hose Clamp	
<b>15</b>	44073306	Hose	28.12 inches; Outlet hose
<b>16</b>	70519801	Mixing Valve	
<b>17</b>	801434W	Push-to-Start Switch	2 required
<b>18</b>	44065301	Control Box Base	
<b>19</b>	44306601	Mixing Valve Shield Bracket	
<b>20</b>	804608	Screw	
<b>21</b>	51780	Screw	
<b>22</b>	44310901	Support Bracket	

# Front Panel Components

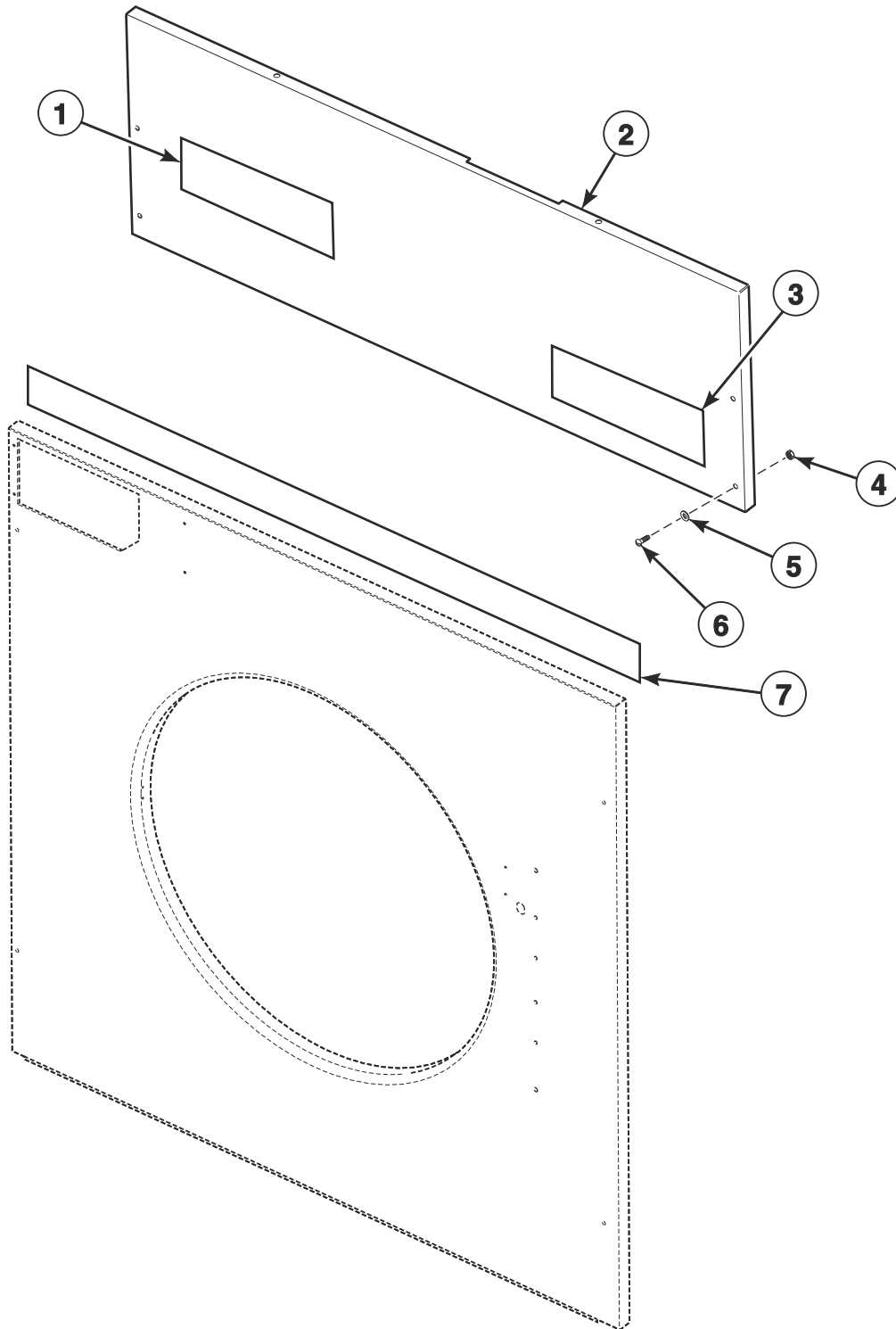


TMB3914P

## Front Panel Components

REF	PART NO.	DESCRIPTION	COMMENTS
	298P4P	Spray Paint	White
	122P4P	Porcelain Touch-Up Paint	White
	44366202	Door Switch Harness	
	70482901	Door Catch Kit	
<b>1</b>	70182601	Screw	4 required per panel
<b>2</b>	800465	Washer	4 required per panel
<b>3</b>	70030401	Nut	Access and front panel attachment
<b>4</b>	70537001	Label	B, H, N, S and U models; C.A.R.E.
	70537101	Label	G and K models; F.S.S.
	44190901	Label	P models; Safe Tech
<b>5</b>	70472801	Label	U models
<b>6</b>	F8443107	Nameplate	U models
<b>7</b>	44286002	Door Switch Wire Channel	
<b>8</b>	44166601	Pop Rivet	2 required
<b>9</b>	M401223	Door Latch	
<b>10</b>	29787	Nut	2 required
<b>11</b>	44312401	Switch	
<b>12</b>	44316301	Door Switch Cover	
<b>13</b>	44316601	Door Switch Shield	
<b>14</b>	431287	Screw	2 required
<b>15</b>	M402574	Screw	2 required
<b>16</b>	44291903DG	Front Panel	P models; Dark gray
	44291903LG	Front Panel	U models; Light gray
	44291903W	Front Panel	
	44291902	Front Panel	Stainless steel

# Access Panel and Nameplates



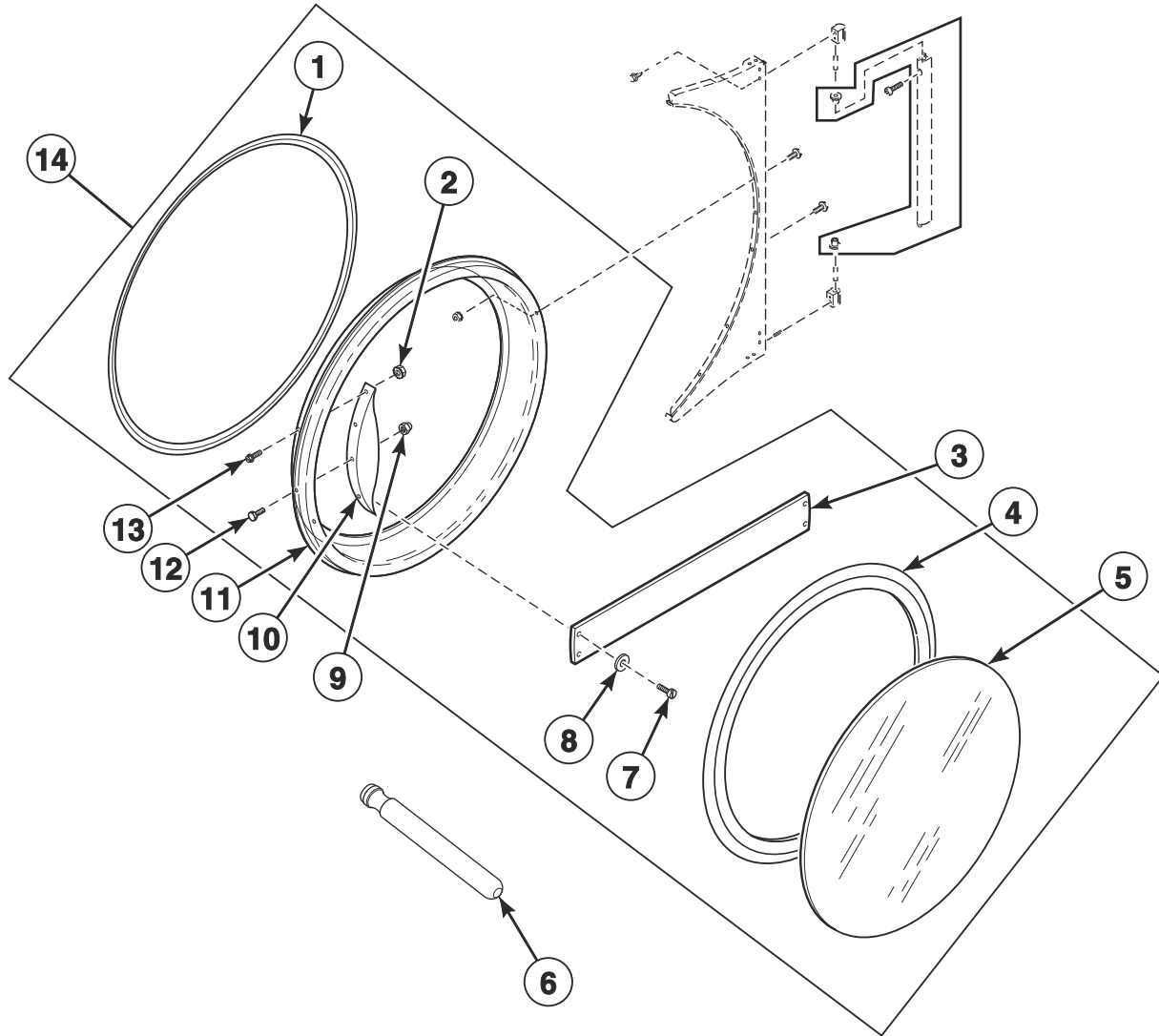
TMB3915P



## Access Panel and Nameplates

REF	PART NO.	DESCRIPTION	COMMENTS
1	70410201	Nameplate Overlay	G models
	44331401	Nameplate Overlay	K models
	70472001	Nameplate	B models
2	44012709DG	Front Access Panel	P models; Dark gray
	44012709W	Front Access Panel	
	44012709LG	Front Access Panel	U models; Light gray
	44012714	Front Access Panel	Stainless steel
3	F8688901	Nameplate	S models
	F8688001	Nameplate	H models
	567887	Logo Label	P models
4	70030401	Nut	4 required
5	800465	Washer	4 required
6	70182601	Screw	4 required
7	70399404	Access Panel Trim	G and K models; Mounts over front panel assembly and control panel

# Door Components

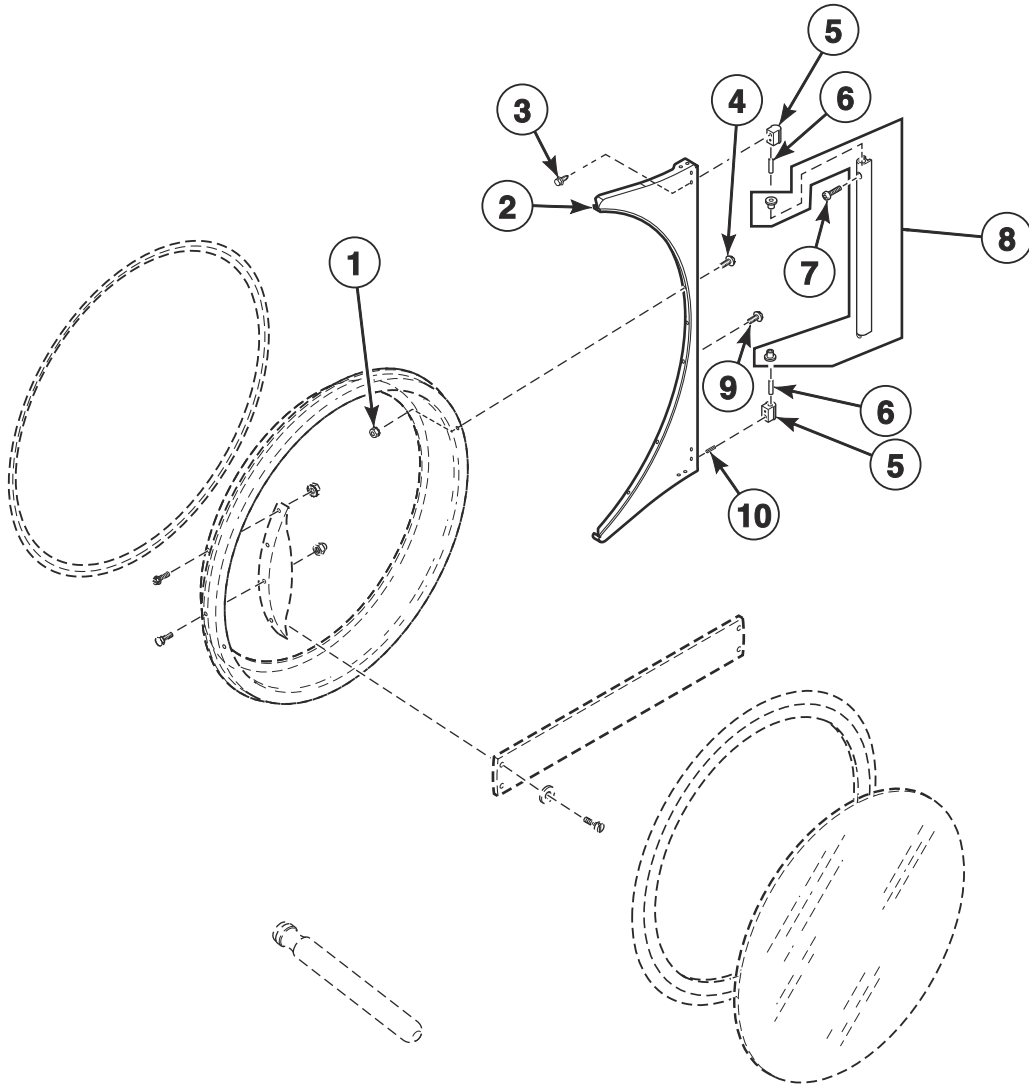


TMB3916P

## Door Components

REF	PART NO.	DESCRIPTION	COMMENTS
	70650401	Door Glass Label	H models
<b>1</b>	70296802	Door Ring Gasket	H models
	44008201P	Door Ring Gasket	All other models
<b>2</b>	44088001	Nut	B, H, N and S models; 4 required
<b>3</b>	70399501B	Handle Bar	G and K models
<b>4</b>	70211902P	Door Seal Kit	Use Loctite 414 for seal
<b>5</b>	44008401P	Door Glass	
<b>6</b>	M4221P4	Door Glass Installation Tool	
<b>7</b>	70412601	Pop Rivet	G and K models; 4 required
<b>8</b>	70409301	Washer	G and K models; 2 required
<b>9</b>	M414215	Nut	
<b>10</b>	44370601	Door Handle	H models
	44007901	Door Handle	B, N and S models
	44263801	Door Handle	U models; Use 901620 Screw, 800465 Washer, 803871 Screw and 44088001 Nut to attach
<b>11</b>	44354801	Door Ring Assembly	H and S models; Stainless steel
	44354808LG	Door Ring Assembly	P models; Light gray
	44294601B	Door Ring and Handle Assembly	P models; Black
	44354803	Door Ring Assembly	U models
	44247401B	Door Ring Assembly	B and N models
	44354809B	Door Ring Assembly	G and K models
<b>12</b>	M400661	Screw	Door strike
<b>13</b>	70442101	Screw	B, H, N, P and S models; 4 required
<b>14</b>	44354705	Door Assembly	H models; Stainless steel
	44354701	Door Assembly	S models; Stainless steel
	44354703	Door Assembly	U models; Stainless steel
	44248201	Door Assembly	B and N models
	44354710LG	Door Assembly	P models; Light gray
	44294501B	Door Assembly	P models; Black
	44354711B	Door Assembly	G and K models

# Hinge Components

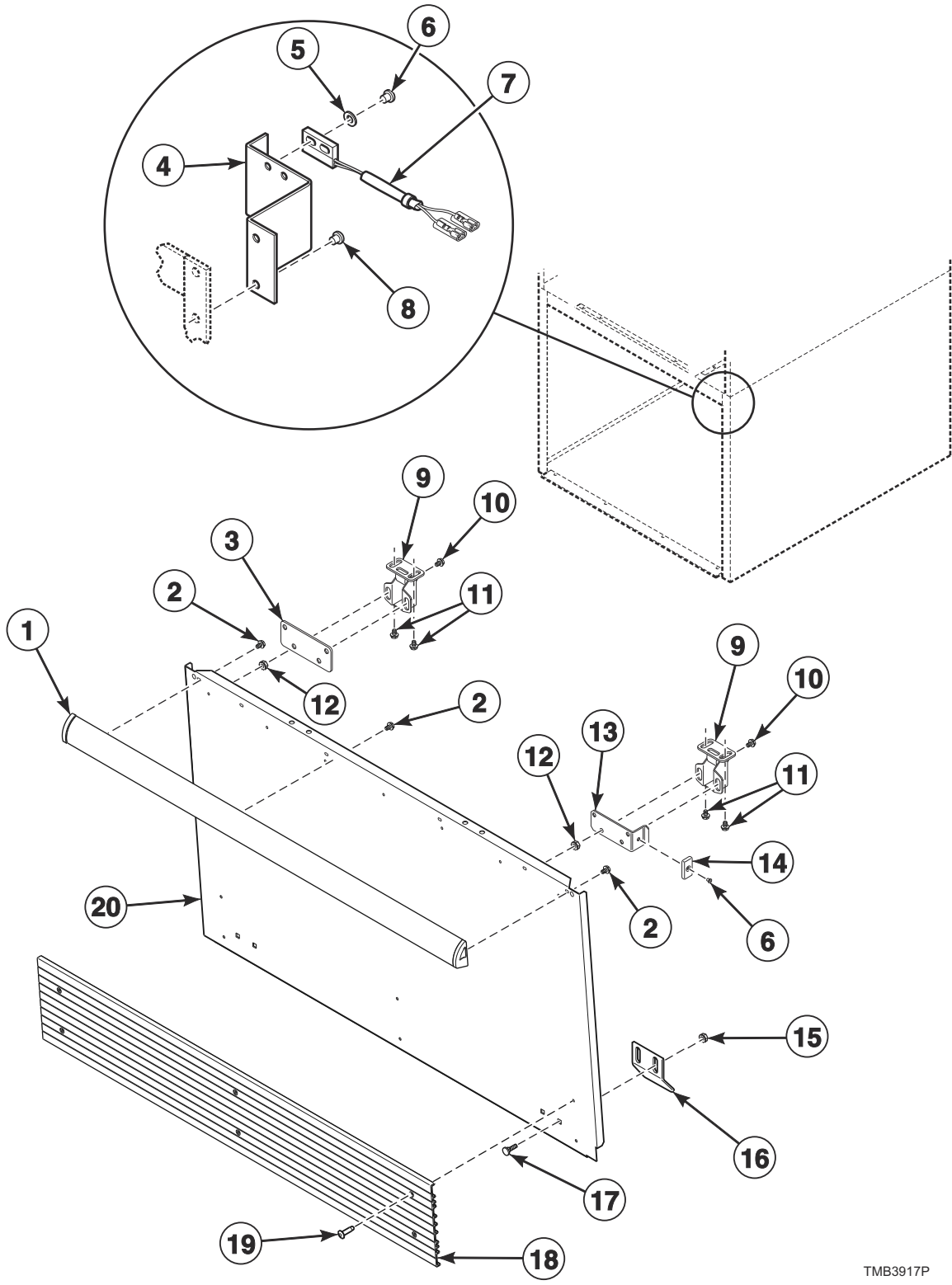


TMB3916PA

# Hinge Components

REF	PART NO.	DESCRIPTION	COMMENTS
1	44088001	Nut	8 required
2	70596615B	Door Hinge Brace Assembly	Black; B, G, K and P models
	70596615LG	Door Hinge Brace Assembly	P and U models; Light gray
	70596615W	Door Hinge Brace Assembly	H, N, S and U models
	70596606	Door Hinge Brace Assembly	H, N, S and U models; Stainless steel
3	70576101	Screw	3 required
4	44349101	Screw	8 required
5	M4773P3	Hinge Cam Kit	Black; B, G, K and P models
	M4772P3	Hinge Cam Kit	H, N, P, S and U models
6	70071401	Pin	
7	70409801	Screw	Black; B, G, K and P models; 2 required
	70033504	Screw	H, N, P, S and U models; 2 required
8	70597603	Door Hinge Lug Assembly	Black; B, G, K and P models
	70597601	Door Hinge Lug Assembly	H, N, P, S and U models
9	70689401	Screw	
10	70436301	Screw	

# Lint Panel Components

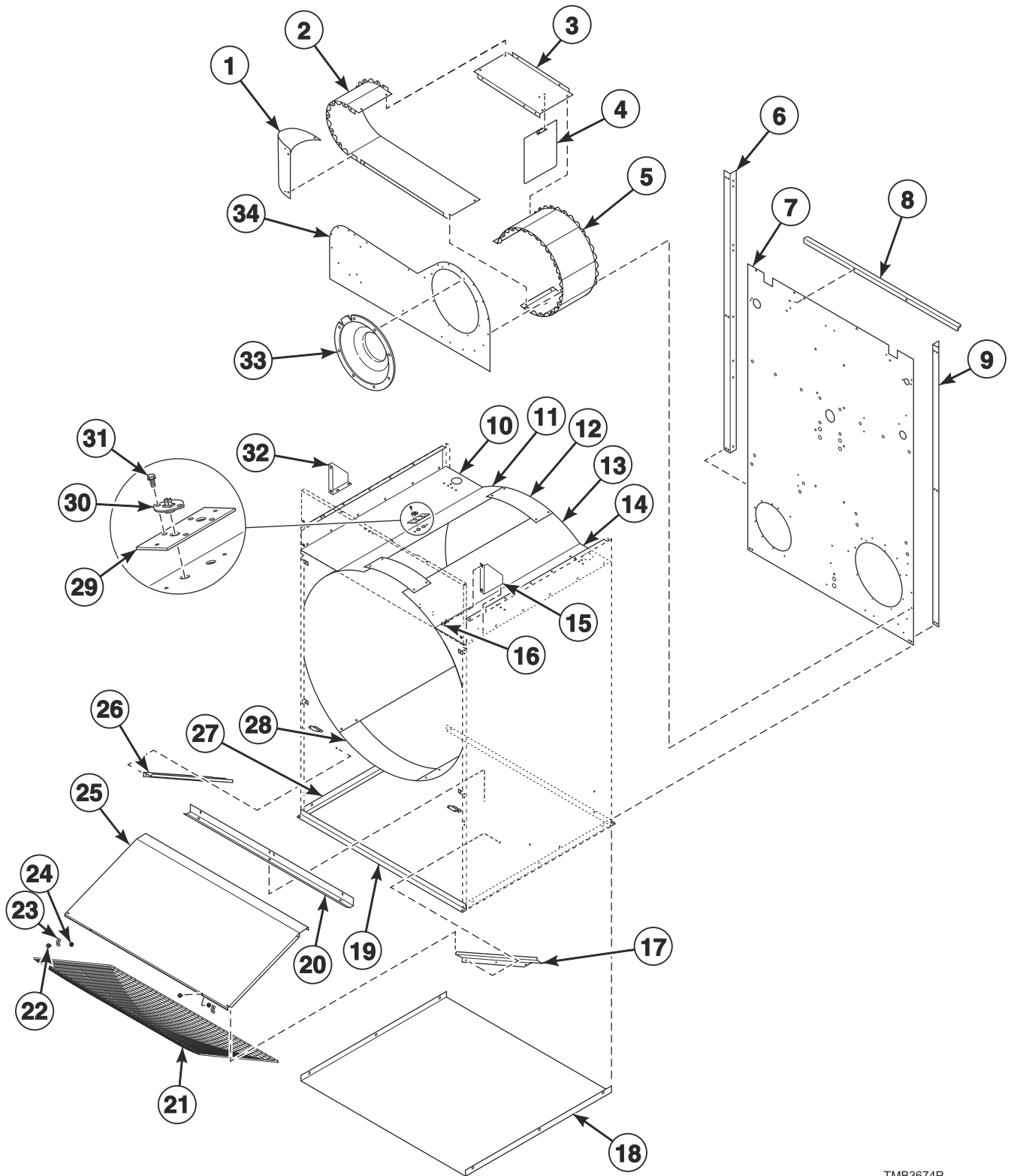


TMB3917P

## Lint Panel Components

REF	PART NO.	DESCRIPTION	COMMENTS
1	44049903	Handle and Caps Assembly	B, N, P, S and U models; Black; Includes endcaps
	70407212	Handle Bumper	P models; Silver
	70154417	Handle and Caps Assembly	H and U models; Gray; Includes endcaps
	70407204	Handle Bumper	G and K models; Black and blue; Does not have endcaps
2	430757	Screw	6 required
3	44014001	Roller Catch Mounting Bracket	2 required
4	44296301	Switch Bracket	
5	F431125	Washer	2 required
6	F8245101	Blind Rivet	2 required
7	F8066804	Reed Switch Assembly	
8	430725	Pop Rivet	2 required
9	H87020202	Roller Catch	2 required; Includes strike
10	70442101	Screw	8 required
11	D501086	Screw	4 required
12	44088001	Nut	8 required
13	44288401	Mounting Plate	
14	70343101	Magnet	
15	44087101	Nut	4 required
16	44017801	Lint Panel Clip	2 required
17	44017901	Bolt	
18	70117611	Kickplate	All models except H models; Black
	70117621	Kickplate	H and U models; Gray
19	70126301	Pop Rivet	Black; 6 required
	70126401	Pop Rivet	Gray; 6 required
20	44012304DG	Lint Panel	P models; Dark gray; No kickplate
	44012307	Lint Panel	P models; Stainless steel; No kickplate
	44012303W	Lint Panel	
	44012306	Lint Panel	All models except P models; Stainless steel
	44012303LG	Lint Panel	U models; Light gray

# Cabinet and Frame Assembly



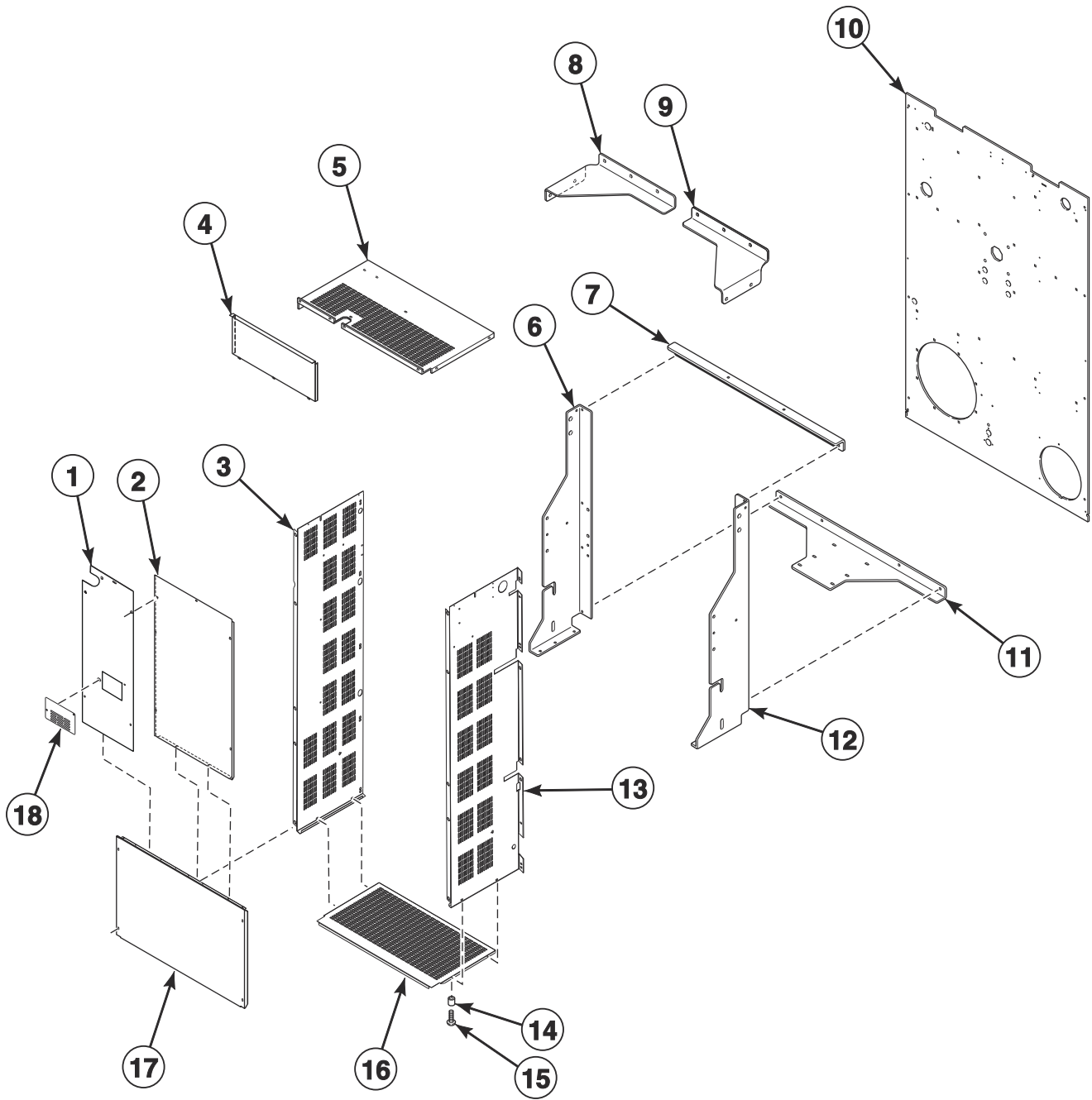
TMB3674P



## Cabinet and Frame Assembly

REF	PART NO.	DESCRIPTION	COMMENTS
	M402144	Felt Pad	6 required; Behind front panel
1	44290301	Exhaust Deflector	
2	44289801	Blower Housing	Left
3	44289901	Blower Housing	Top
4	44280304	Damper Assembly	
5	44290001	Blower Housing Scroll	
6	44282802	Rear Panel Support	Left outer
7	44265901	Rear Panel	
8	44275801	Rear Panel Support	
9	44282801	Rear Panel Support	Right outer
10	44305702	Support Shelf	Left
11	44335901	Cylinder Shroud	Left
12	44336101	Cylinder Shroud	Top front and rear
13	44336001	Cylinder Shroud	Right
14	44305701	Support Shelf	Right
15	44028301DG	Top Access Panel Gusset	Dark gray; P models; Right
	44028301LG	Top Access Panel Gusset	Light gray; U models; Right
	44028301W	Top Access Panel Gusset	Right
16	431287	Screw	4 required
17	44291001	Lint Screen Support	Right
18	44279001	Bottom Pan	
19	44319502	Base Support	Front and back
20	44307901	Lint Screen Support	Back
21	44063603P	Lint Screen	
22	70442101	Screw	
23	H96418413	Lint Screen Clip	
24	44088001	Nut	
25	44290901	Lint Hood	
26	44291002	Lint Screen Support	Left
27	44319403	Base Support	Left and right
28	44336201	Cylinder Shroud	Bottom rear
29	44068101	Thermistor Plate	Without fire suppression system
	44068102	Thermistor Plate	With fire suppression system
30	44064701	Thermistor	2 required; For fire suppression system
31	51780	Screw	
32	44028302DG	Top Access Panel Gusset	Dark gray; P models; Left
	44028302LG	Top Access Panel Gusset	Light gray; U models; Left
	44028302W	Top Access Panel Gusset	Left
33	44266902	Blower Inlet Cone	
34	44289701	Blower Housing	Front

# Rear Panel Components

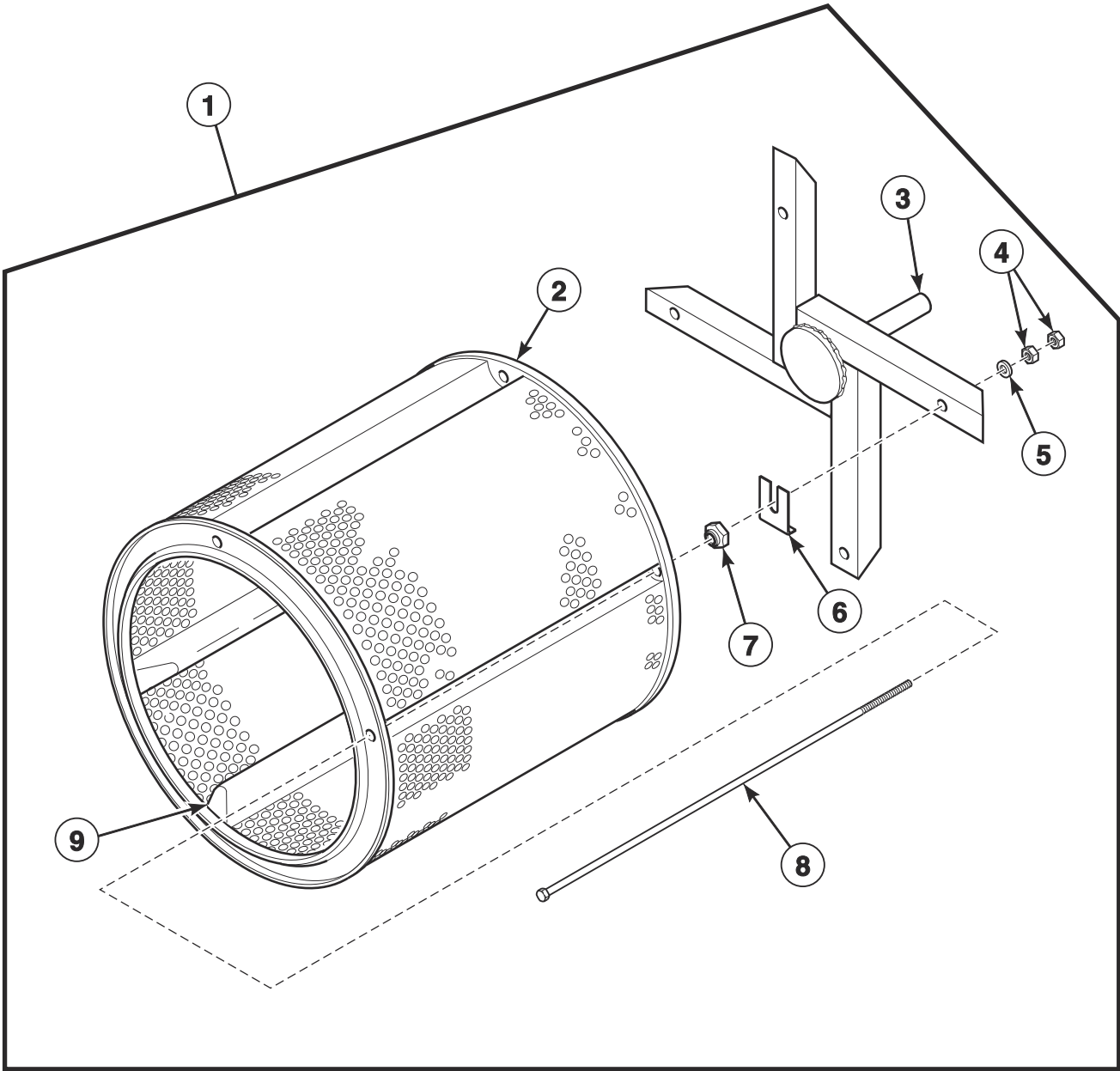


TMB3923P

## Rear Panel Components

REF	PART NO.	DESCRIPTION	COMMENTS
1	44372001	Rear Guard	Inverter
2	44372401	Rear Guard	Belt
3	44369401	Guard	Left
4	44372501	Control Tray Guard	
5	44372601	Guard	Top
6	44311601	Rear Panel Brace	Right center
7	44275801	Rear Panel Support	Top
8	44311702	Rear Panel Support	Left inner
9	44311701	Rear Panel Support	Right inner
10	44265901	Rear Panel	
11	44311801	Rear Panel Brace	Bottom
12	44311602	Rear Panel Brace	Left center
13	44369301	Guard	Right
14	56079	Panel Locator	
15	70275801	Screw	
16	44377202	Guard	Bottom
17	44372301	Rear Guard	Lower
18	70202501	Drive Access Cover	

# Cylinder and Trunnion Assembly

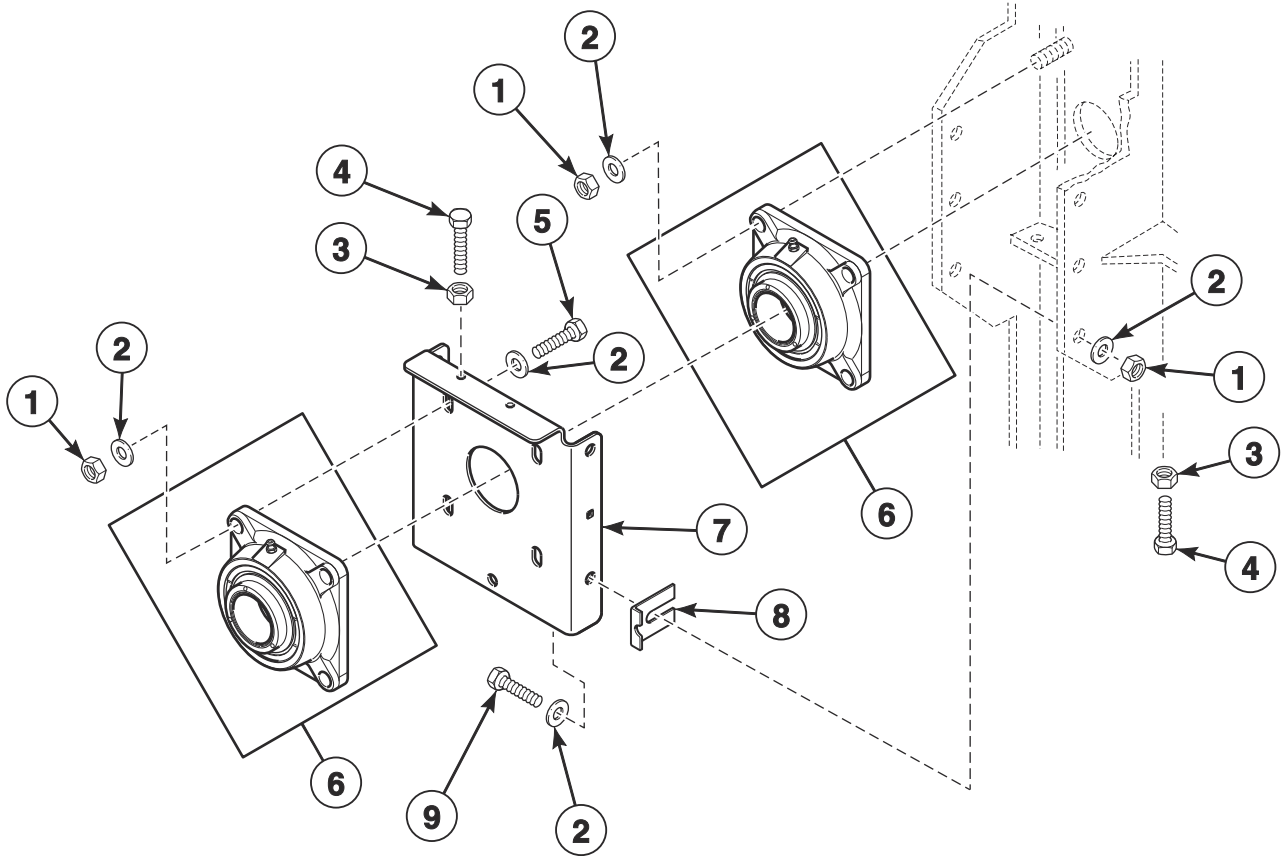


TMB1811B

## Cylinder and Trunnion Assembly

REF	PART NO.	DESCRIPTION	COMMENTS
1	44221601	Cylinder and Trunnion Assembly	Galvanized; Non-moisture sensing
	44214901	Cylinder and Trunnion Assembly	Galvanized; Moisture sensing
	44221602	Cylinder and Trunnion Assembly	Stainless steel; Non-moisture sensing
	44214902	Cylinder and Trunnion Assembly	Stainless steel; Moisture sensing
2	44221501	Cylinder Assembly	Galvanized; Non-moisture sensing
	44215001	Cylinder Assembly	Galvanized; Moisture sensing
	44221502	Cylinder Assembly	Stainless steel; Non-moisture sensing
	44215002	Cylinder Assembly	Stainless steel; Moisture sensing
3	44240801	Trunnion Assembly	Non-moisture sensing
	44240802	Trunnion Assembly	Moisture sensing
4	H88412101	Nut	8 required
5	70261401	Washer	4 required
6	M401402	Spacer	As required
7	M412334	Nut	4 required
8	44215501	Bolt	4 required
9	44191205	Cylinder Rib Assembly	Moisture sensing

# Trunnion Bearings

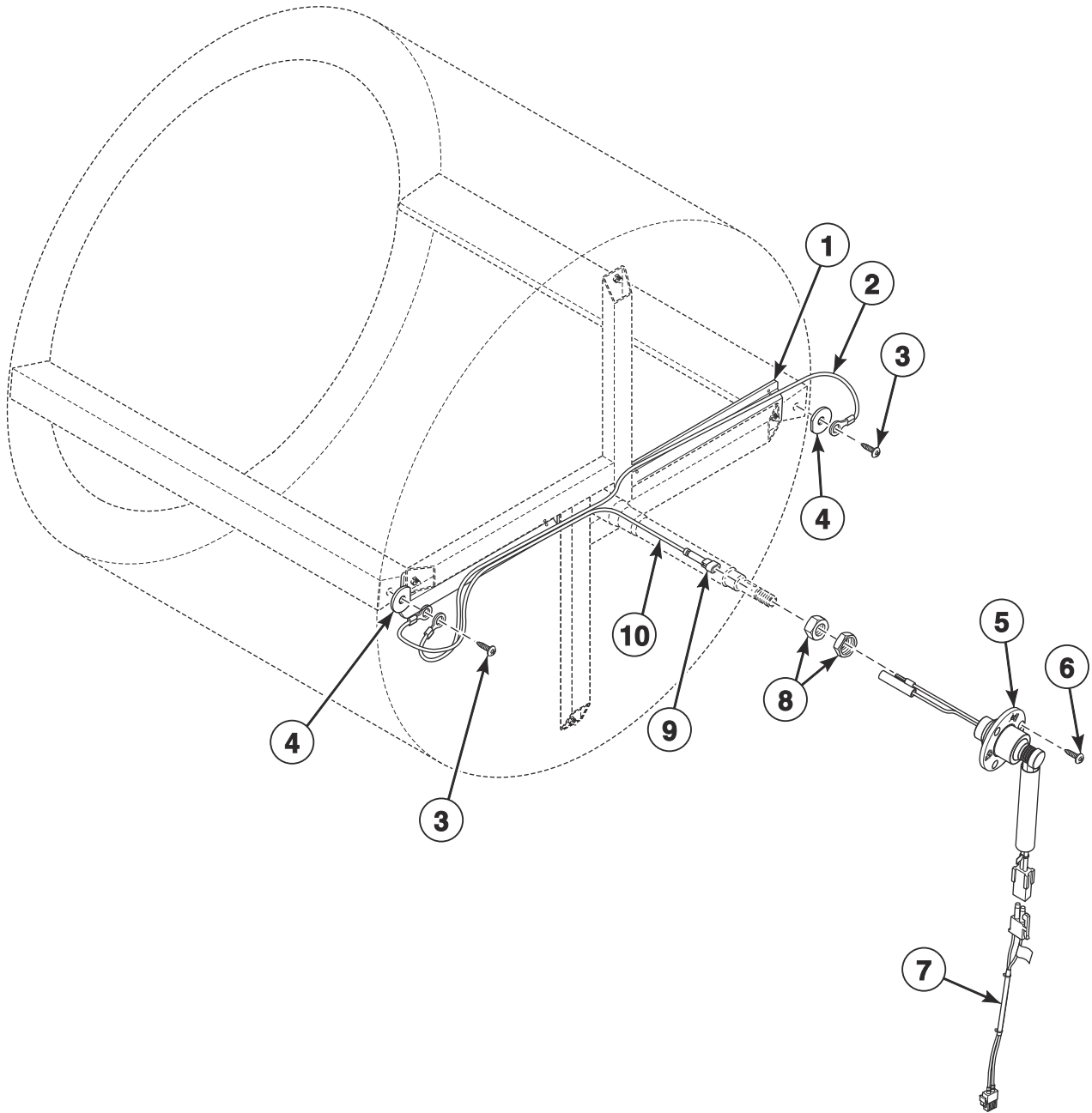


TMB3629P

# Trunnion Bearings

REF	PART NO.	DESCRIPTION	COMMENTS
1	F8387701	Nut	
2	70261401	Washer	
3	20274	Nut	
4	800462	Screw	
5	M411165	Screw	
6	44048301P	Flange Bearing	
7	44301701	Bearing Mounting	
8	M401402	Spacer	As required
9	H88012034	Screw	

# Moisture Sensing Components



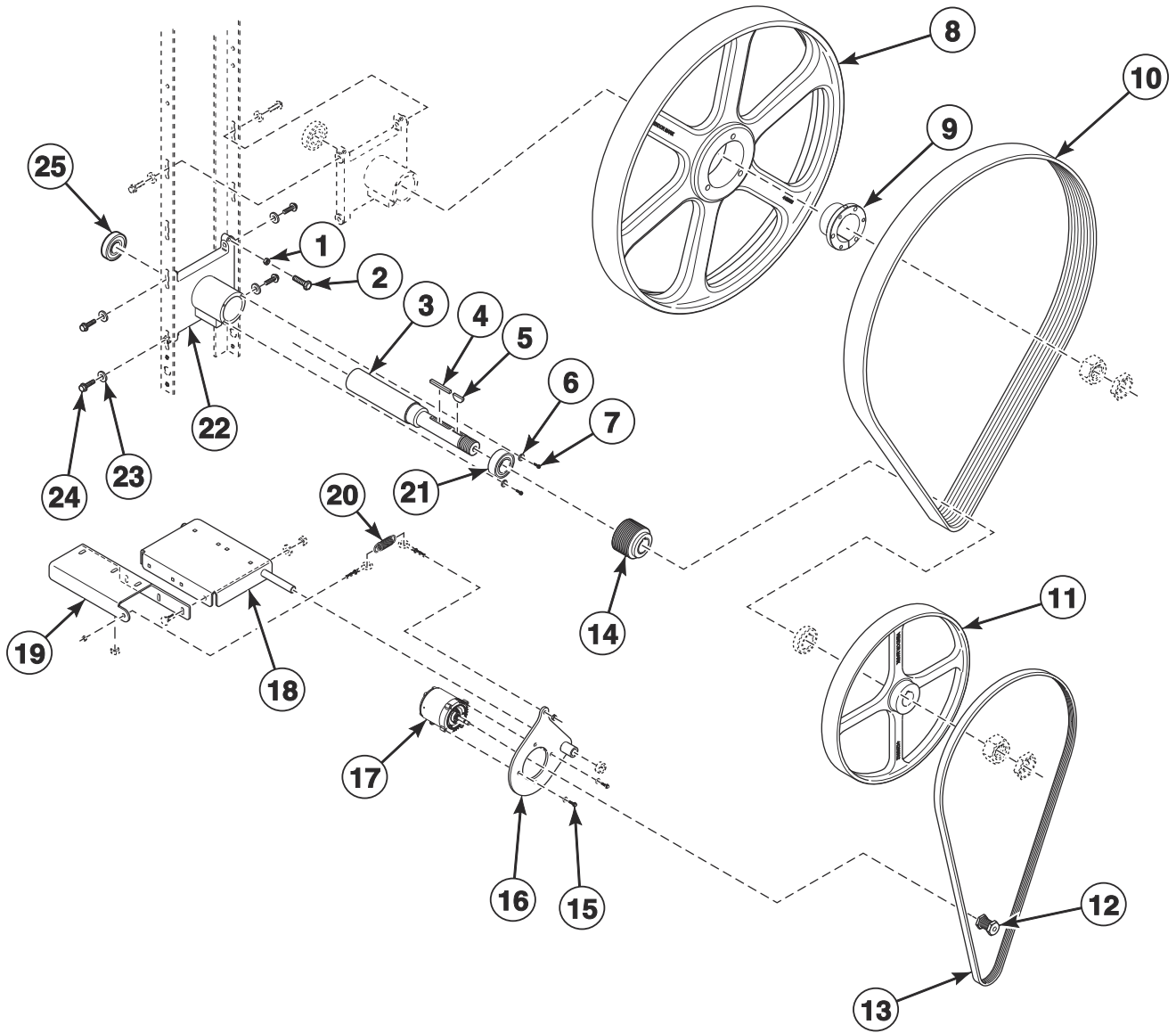
TMB3628P



## Moisture Sensing Components

REF	PART NO.	DESCRIPTION	COMMENTS
	44375503	Adapter Harness	Goes to I/O Board
1	44239002	Wireway Channel	
2	44208101	Rib Wire	
3	44338901	Screw	
4	44238902	Washer	
5	44222702	Slip Ring Assembly	
6	70442101	Screw	
7	44375502	Moisture Sensor Harness	Goes from item 5 to 44375503 Adapter Harness
8	M400035	Nut	
9	44370401	1 Circuit Plug Housing	
10	44344703	Moisture Sensing Harness Kit	Includes shaft wire and items 2, 4 and 9

# Cylinder Motor Components

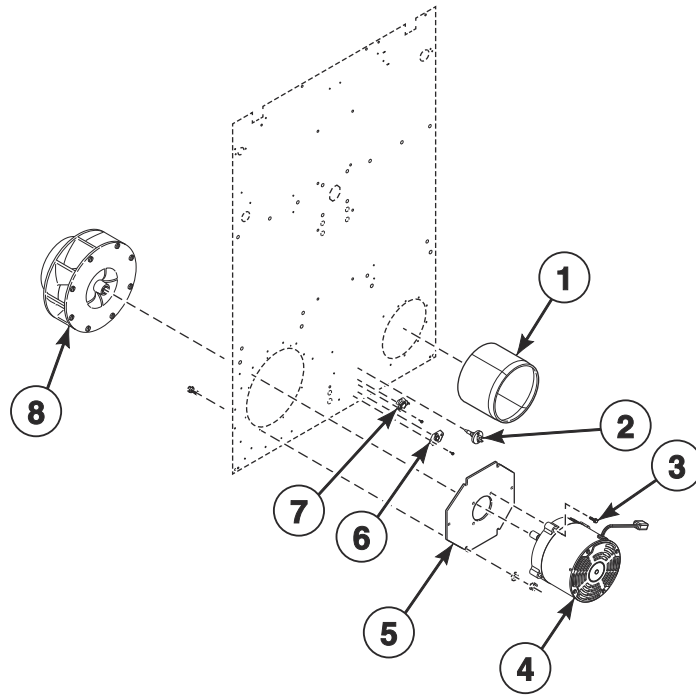


TMB3929P

# Cylinder Motor Components

REF	PART NO.	DESCRIPTION	COMMENTS
	204454	Ferrite	Korean models; Applied to motor wires
	70635409	Inverter to Motor Harness	T and G market models; 120-240 Volt
	70635410	Inverter to Motor Harness	T and G market models; 380-480 Volt
	70635411	Inverter to Motor Harness	IEC models; 120-240 Volt
	70635412	Inverter to Motor Harness	IEC models; 380-480 Volt
	44375001	Trunnion Housing Assembly	Includes items 6, 7, 21, 22 and 25
<b>1</b>	M400026	Nut	
<b>2</b>	M400650	Bolt	
<b>3</b>	44303101	Idler Shaft	
<b>4</b>	44309301	Key	
<b>5</b>	M400008	Key	
<b>6</b>	20103	Washer	
<b>7</b>	70187201	Screw	
<b>8</b>	44289601	Pulley	
<b>9</b>	F280409P	Bushing	
<b>10</b>	44293702	V-Belt	
<b>11</b>	44289502	Pulley	
<b>12</b>	44267601	Motor Pulley	
<b>13</b>	44309402	V-Belt	
<b>14</b>	44302901	Micro V Pulley	
<b>15</b>	44364602	Screw	
<b>16</b>	44311501	Motor Pivot Plate Weldment	
<b>17</b>	44355003	Drive Motor	1.5 HP; 240 Volt
	44355004	Drive Motor	1.5 HP; 480 Volt
<b>18</b>	44310601	Motor Pivot Bracket Weldment	
<b>19</b>	44310701	Motor Pivot Brace	
<b>20</b>	F8440701	Extension Spring	
<b>21</b>	M413923P	Bearing	
<b>22</b>	M413826	Trunnion Housing	
<b>23</b>	70261401	Washer	
<b>24</b>	M400063	Screw	
<b>25</b>	44041901P	Ball Bearing	

# Blower and Exhaust Components

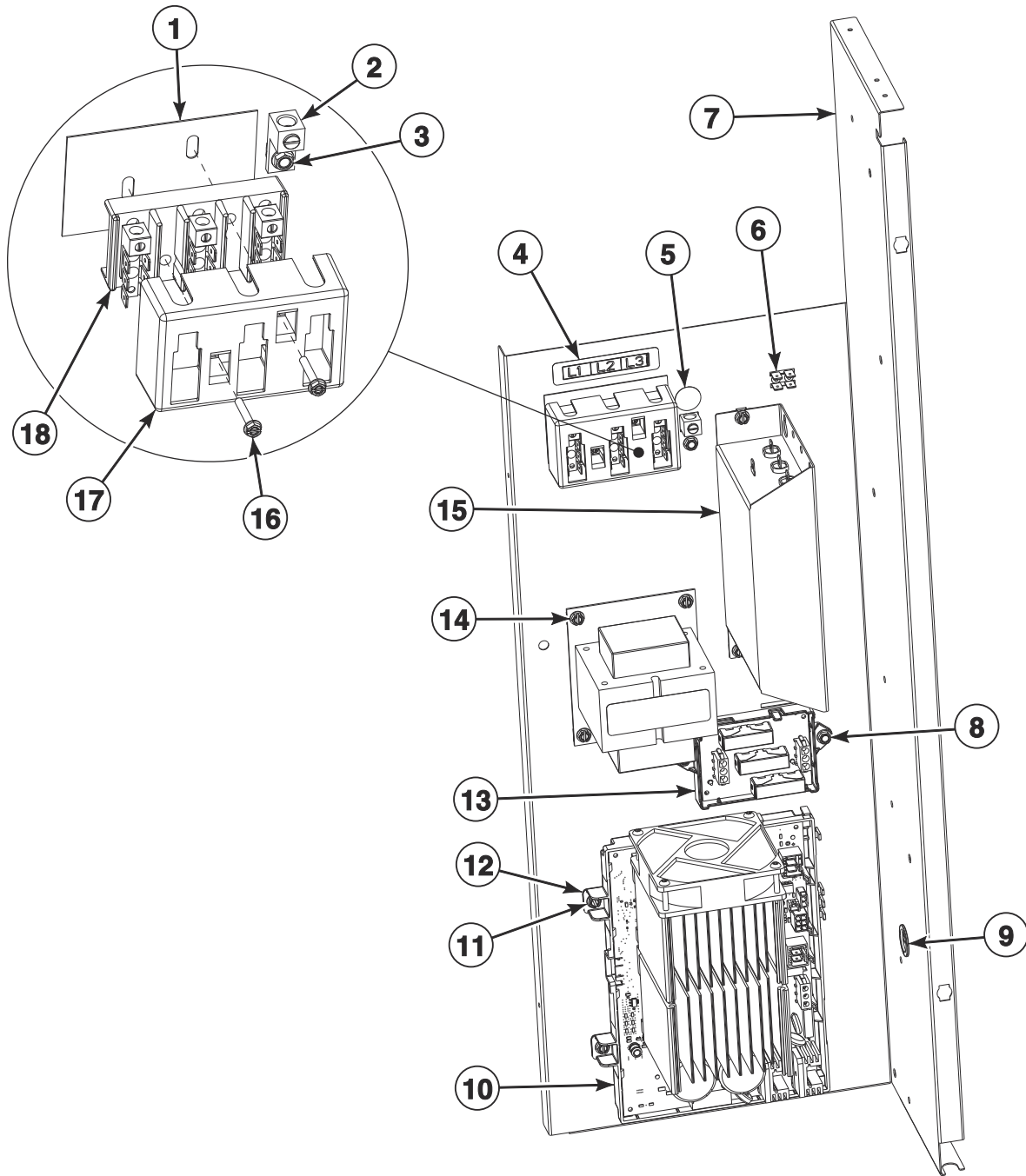


TMB3921P

## Blower and Exhaust Components

REF	PART NO.	DESCRIPTION	COMMENTS
	204454	Ferrite	Korean models; Applied to motor wires
1	44305001	Exhaust Thimble Assembly	
2	M414704	Thermistor	
3	44364602	Screw	
4	44354902	Fan Motor	1.5 HP; 240 Volt
	44354904	Fan Motor	1.5 HP; 480 Volt
5	44311301	Blower Motor Mounting Plate	
6	70530904	Limit Thermostat	
7	44328002	Limit Thermostat	
8	44267201	Blower Assembly	

# Inverter Tray Components

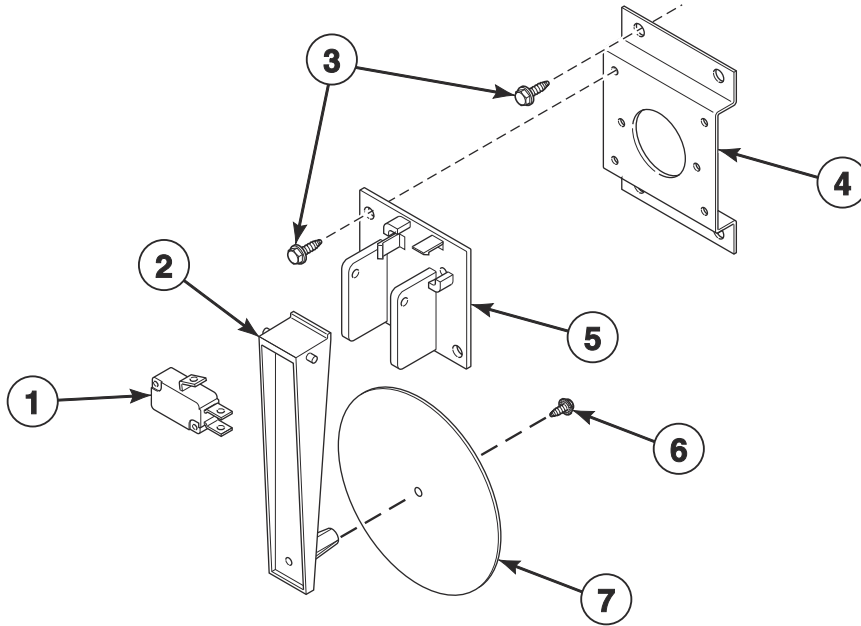


TMB3924P

## Inverter Tray Components

REF	PART NO.	DESCRIPTION	COMMENTS
	44374801	Rear Main Harness	
	44388402	Fuse Board Control Power Harness	T and G market models; 200-240 Volt
	44388403	Fuse Board Control Power Harness	IEC models; 200-240 Volt
	44388502	Fuse Board to Inverter Harness	T and G market models; 200-240 Volt
	44388503	Fuse Board to Inverter Harness	IEC models; 200-240 Volt
	44374603	Inverter Control Power Harness	T and G market models; 380-480 Volt
	44374604	Inverter Control Power Harness	IEC models; 380-480 Volt
	44375402	Harness	IEC models; 380-480 Volt/3 Phase; Power distribution block to EMI filter
	F8449502	Wire Clip	380-480 Volt
<b>1</b>	M413862	Insulator	
<b>2</b>	M411283	Ground Lug Connector	
<b>3</b>	685837	Screw	Use with 44088001 Nut
<b>4</b>	44286803	Label	L1, L2, L3
<b>5</b>	D516100	Label	
<b>6</b>	00622SG	Terminal	
<b>7</b>	44370801	Inverter Drive Tray	
<b>8</b>	430497	Screw	
<b>9</b>	44071501	Snap Bushing	
<b>10</b>	70603401	Inverter Control Assembly	3 HP; 200-240 Volt
	70603601	Inverter Control Assembly	3 HP; 480 Volt
<b>11</b>	F8206901	Screw	
<b>12</b>	70030501	Expansion Clip	
<b>13</b>	70683201	Fuse Control Assembly	
<b>14</b>	F8491101	Transformer	380-480 Volt
<b>15</b>	F8591801	EMI Filter	IEC models; 200-240 Volt
	F8637501	EMI Filter	IEC models; 380-480 Volt
<b>16</b>	51783	Screw	
<b>17</b>	70333001	Terminal Block Shield	
<b>18</b>	430642	Terminal Block	

# Airflow Switch



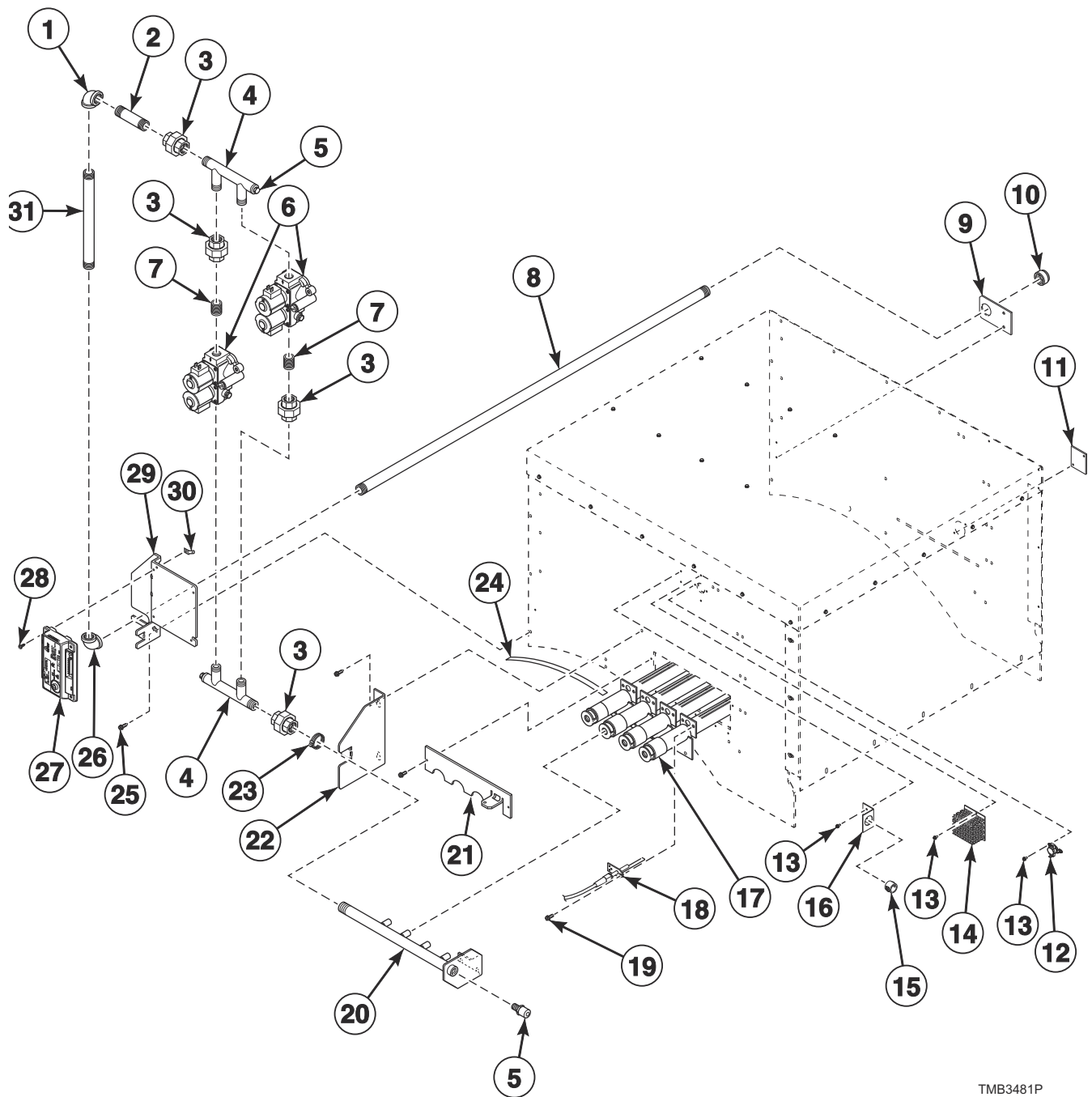
TMB3632P



# Airflow Switch

REF	PART NO.	DESCRIPTION	COMMENTS
	70429601P	Airflow Switch Kit	Includes items 1, 2 and 5-7
1	70411901	Switch	
2	70319401	Airflow Switch Arm	
3	430497	Screw	
4	70356301	Switch Bracket	Gas models
5	70319602	Airflow Switch and Arm Bracket	
6	430757	Screw	
7	70319201	Airflow Switch Vane	

# Gas Heater Components

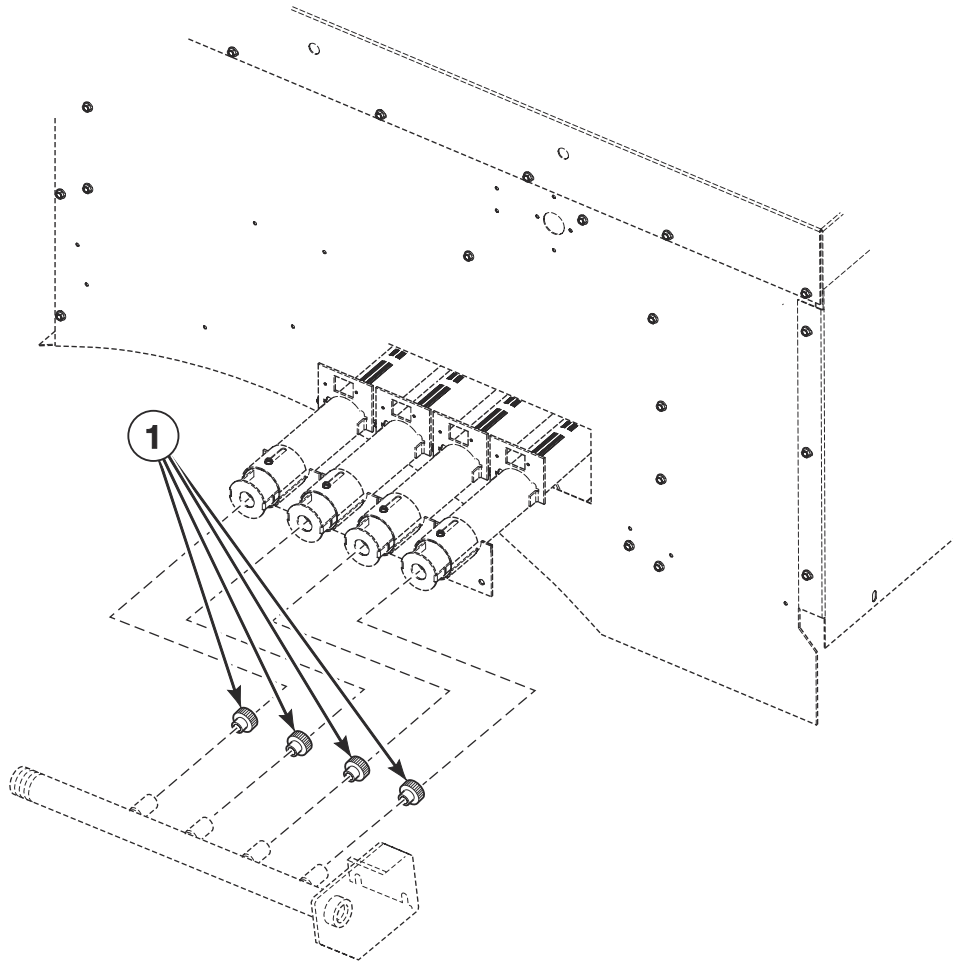


TMB3481P

# Gas Heater Components

REF	PART NO.	DESCRIPTION	COMMENTS
	70564304	Stove Limit Harness	
	44328806	L.P. Conversion Kit	North America models; 0-2,000 feet
	44328808	L.P. Conversion Kit	Australian models; 0-2,000 feet
	44330305	L.P. Conversion Kit	IEC models; 0-2,000 feet
	44374903	Extension Harness	
	44273503	Gas Valve Harness	
	44324201	Caution Label	Australian models; Repeat ignition reset
	D503887	Label	Australian models; Gas
	70535901	Notice Label	Australian models; Natural Gas (N.G.)
	70544901	Notice Label	Australian models; Liquid Petroleum Gas (L.P.)
	44178803	Adapter	IEC models; BPT/NPT
	44239704	High Voltage Suppression Cable	
<b>1</b>	F421107	Elbow	
<b>2</b>	H85101673	Nipple	
<b>3</b>	M411419	Pipe Union	4 required
<b>4</b>	44315401	Pipe Adapter Weldment	2 required
<b>5</b>	44231601	Pressure Fitting	2 required
<b>6</b>	44316801	Gas Valve	2 required; Natural Gas (N.G.)
	44316802	Gas Valve	2 required; Liquid Petroleum (L.P.)
<b>7</b>	H85101608	Nipple	2 required
<b>8</b>	44252401	Pipe Nipple	
<b>9</b>	44249301	Pipe Bracket	
<b>10</b>	44087801	Pipe Cap	
<b>11</b>	70159601	Igniter Cover	
<b>12</b>	44328104	Limit Thermostat	N.G. models
	44328103	Limit Thermostat	L.P. models
<b>13</b>	430497	Screw	
<b>14</b>	M414477	Thermostat Cover	
<b>15</b>	M400770	Snap Bushing	
<b>16</b>	431078	Stove Limit Harness Bracket	
<b>17</b>	M412025P	Burner	4 required
<b>18</b>	44328701P	Spark Electrode	
<b>19</b>	51782	Screw	
<b>20</b>	44390002	Spud Holder Weldment	
<b>21</b>	44315201	Burner Hole Cover	
<b>22</b>	44317201	Gas Valve Support Bracket	
<b>23</b>	20391	Hose Clamp	
<b>24</b>	44333402	Gasket	2 required
<b>25</b>	51783	Screw	
<b>26</b>	44249401	Pipe Elbow	
<b>27</b>	70482002	Ignition Control	IEC models
	70482001	Ignition Control	T and G market models
<b>28</b>	51780	Screw	
<b>29</b>	44245701	Gas Valve Bracket	
<b>30</b>	00177	Male Tab Terminal	
<b>31</b>	70543501	Pipe Nipple	

# Burner Orifices

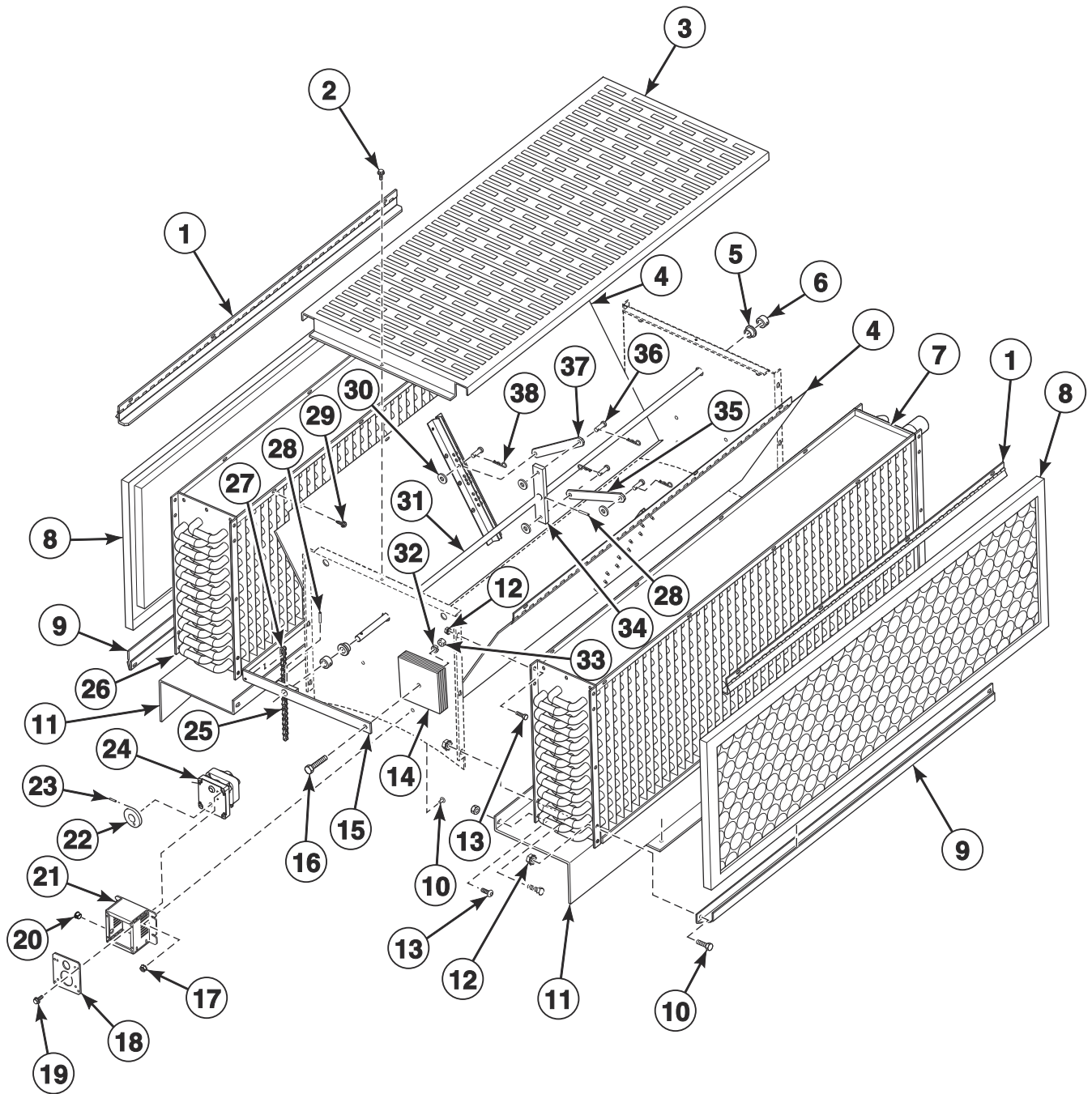


TMB3665P

## Burner Orifices

REF	PART NO.	DESCRIPTION	COMMENTS
	44357511	High Altitude Orifice Kit	Natural Gas (N.G.) models
	44357512	High Altitude Orifice Kit	Liquid Petroleum Gas (L.P.) models
1	70684153	Burner Orifice	N.G. models; Drill no. 10 (4.91 mm); 0-2,000 feet
	70684150	Burner Orifice	N.G. models; Drill no. 13 (4.70 mm); 2,001-4,000 feet
	70684147	Burner Orifice	N.G. models; Drill no. 16 (4.50 mm); 4,001-6,000 feet
	70684145	Burner Orifice	N.G. models; Drill no. 11/64 (4.37 mm); 6,001-8,000 feet
	70684143	Burner Orifice	N.G. models; Drill no. 19 (4.22 mm); 8,001-10,000 feet
	70684132	Burner Orifice	Models with 2nd digit G, H, J, K and T; L.P.; Drill no. 29 (3.45 mm); 0-2,000 feet
	70684130	Burner Orifice	Models with 2nd digit G, H, J, K and T; L.P.; 3.30 mm; 2,001-4,000 feet
	70684128	Burner Orifice	Models with 2nd digit G, H, J, K and T; L.P.; Drill no. 1/8 (3.18 mm); 4,001-6,000 feet
	70684126	Burner Orifice	Models with 2nd digit G, H, J, K and T; L.P.; Drill no. 31 (3.05 mm); 6,001-8,000 feet
	70684125	Burner Orifice	Models with 2nd digit G, H, J, K and T; L.P.; Drill no. 32 (2.95 mm); 8,001-10,000 feet
	70684100	Burner Orifice	Blank; Models with 2nd digit G, H, J, K and T
	70684120	Burner Orifice	CE models; L.P.; Drill no. 36 (2.71 mm); 0-2,000 feet
	70684118	Burner Orifice	CE models; L.P.; Drill no. 38 (2.58 mm); 2,001-4,000 feet
	70684116	Burner Orifice	CE models; L.P.; Drill no. 40 (2.49 mm); 4,001-6,000 feet
	70684114	Burner Orifice	CE models; L.P.; Drill no. 42 (2.37 mm); 6,001-8,000 feet
	70684113	Burner Orifice	CE models; L.P.; 2.30 mm; 8,001-10,000 feet
	70684125	Burner Orifice	Australian models; L.P.; Drill no. 32 (2.95 mm); 0-2,000 feet
	70684122	Burner Orifice	Australian models; L.P.; Drill no. 35 (2.79 mm); 2,001-4,000 feet
	70684120	Burner Orifice	Australian models; L.P.; Drill no. 36 (2.71 mm); 4,001-6,000 feet
	70684119	Burner Orifice	Australian models; L.P.; Drill no. 37 (2.64 mm); 6,001-8,000 feet
	70684117	Burner Orifice	Australian models; L.P.; Drill no. 39 (2.53 mm); 8,001-10,000 feet

# Steam Heater Components

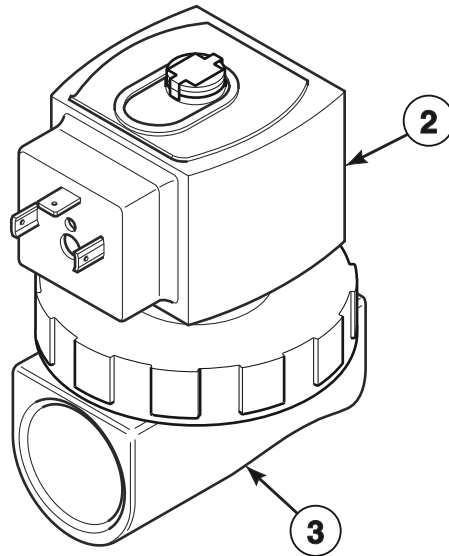
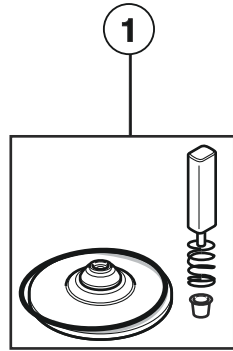


TMB3675P

# Steam Heater Components

REF	PART NO.	DESCRIPTION	COMMENTS
	44378004	Damper Motor Harness	
	F8520703	Steam Valve Harness	
	70564302	Stove Limit Bypass Harness	
	70523301	Harness Adapter Plate	
	44314901	Steam Adapter Kit	IEC models
	44317101	Steam Heater Assembly	CRN models
	44316901	Steam Heater Assembly	All other models
1	44088101	Steam Filter Top Hinge Assembly	2 required
2	M405188	Screw	
3	44115101	Steam Cover	
4	H96387519	Damper	2 required; Use M405750 Pop Rivet
5	M414459	Bushing	2 required
6	M414451	Shaft Collar	2 required
7	44256601	Steam Coil	CRN models
	M409834P	Steam Coil	All other models
8	44172101	Filter	IEC models; 2 required
	H96362264	Coil Filter	T and G market models; 2 required
9	H96388087	Filter Channel	2 required; Upper
10	801019	Screw	2 required
11	M411550	Steam Coil Support	3 required
12	29786	Nut	3 required
13	02422	Screw	3 required
14	44332601	Steam Damper Counterweight	6 required
15	44332701	Shaft Actuator Assembly	
16	H88010574	Screw	
17	23951	Nut	3 required
18	44327501	Damper Motor Plate	
19	204342	Screw	
20	M411826	Snap Bushing	
21	44327401	Damper Motor Cover	
22	H96388178	Drive Wheel	Damper
23	H88900683	Spring Pin	Damper
24	44308101	Damper Motor	
25	H96388186	Drive Chain	
26	44256501	Steam Coil	CRN models
	M409833P	Steam Coil	All other models
27	H96382072P	Master Link	2 required
28	H88970256	Roll Pin	2 required
29	D501086	Screw	
30	800465	Washer	4 required
31	H96388079	Damper Shaft	
32	M400013	Washer	
33	70142	Nut	
34	44096401	Steam Damper Actuator	
35	44333001	Steam Damper Link	
36	44091501	Clevis Pin	4 required
37	44332901	Steam Damper Link	
38	44091601	Hairpin Cotter	4 required

# Steam Valve



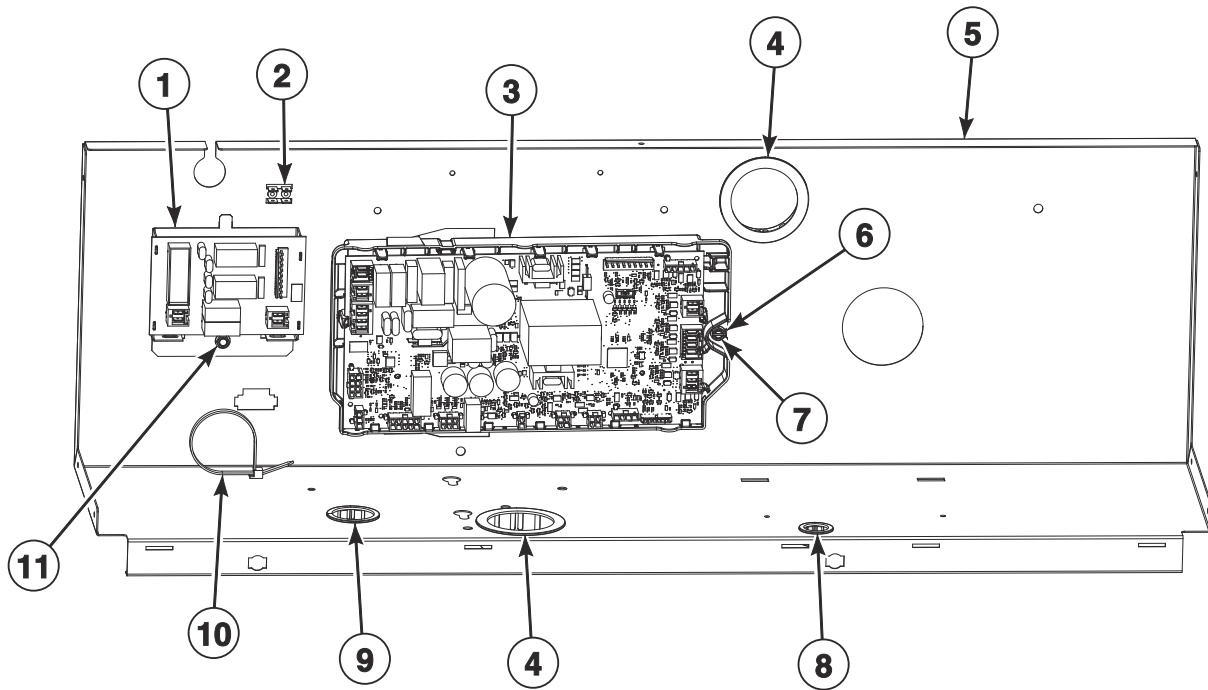
TMB3634P



# Steam Valve

REF	PART NO.	DESCRIPTION	COMMENTS
	F8382301	DIN Valve Adapter Kit	
1	F8379502	Valve Rebuild Kit	
2	F8514601P	Coil	240 Volt
3	F8322906P	Valve	240 Volt

# Control Tray



TMB3925P

# Control Tray

REF	PART NO.	DESCRIPTION	COMMENTS
	44374901	Heat Control Harness	Steam models
	44374902	Interconnect Harness	Gas models
	44374903	Extension Harness	Gas models
	44378003	Steam Control Harness	Steam models
	M400003	Pop Rivet	Use with item 2
<b>1</b>	70501801	Steam Control Assembly	Steam models
<b>2</b>	00622SG	Terminal	
<b>3</b>	70671701	I/O Control Assembly	
<b>4</b>	D503235	Snap Bushing	2 required
<b>5</b>	44372701	Control Tray	
<b>6</b>	70030501	Expansion Clip	
<b>7</b>	F8206901	Screw	
<b>8</b>	M400770	Snap Bushing	
<b>9</b>	70346501	Bushing	
<b>10</b>	70335601	Cable Tie	
<b>11</b>	51780	Screw	

## Labels

<b>PART NO.</b>	<b>DESCRIPTION</b>	<b>COMMENTS</b>
44318601	Caution Label	Vent/install
F8614501	Danger Label	Shock; English/French
D516100	Label	Earth ground
F8614301	Hot Surface Warning Label	English/French
F8609001	Hot Surface Warning Label	Icon
F8611601	Warning Label	
44318600	Label Kit	Vent/install; IEC models
F8614500	Label Kit	Shock; IEC models
70534400	Label Kit	Fire; IEC models
44321501	Notice Label	120/240 Volt
70539601	Notice Label	
D516073	Notice Label	Read instructions; Icon
70538401	Pinch Warning Label	English/French
F8615701	Pinch Warning Label	Icon
F8615702	Pinch Warning Label	Icon
F8614202	Shock Warning Label	Icon
70536401	Warning Label	Lint; Australian models
44324101	Warning Label	Fire; Australian models
70534405	Warning Label	Fire; Colombian Spanish; Australian models
70534401	Warning Label	Fire; English; Australian models
70534402	Warning Label	Fire; French; Australian models
44321601	Warning Label	Risk of fire; Icon
44324001	Warning Label	Shock/pinch
44324002	Warning Label	Shock/pinch

# Parts Index

## A

Access Panel Trim 70399404 .....	31
Adapter 44178803 .....	57
Adapter Harness 44375503 .....	47
Airflow Switch and Arm Bracket 70319602 .....	55
Airflow Switch Arm 70319401 .....	55
Airflow Switch Kit 70429601P .....	55
Airflow Switch Vane 70319201 .....	55

## B

Ball Bearing 44041901P .....	49
Base Support 44319403 .....	39
44319502 .....	39
Bearing 70187201P .....	49
Bearing Mounting 44301701 .....	45
Blind Rivet F8245101 .....	37
Blower Assembly 44267201 .....	51
Blower Housing 44289701 .....	39
44289801 .....	39
44289901 .....	39
Blower Housing Scroll 44290001 .....	39
Blower Inlet Cone 44266902 .....	39
Blower Motor Mounting Plate 44311301 .....	51
Bolt M400650 .....	49
44017901 .....	37
44215501 .....	43
Bottom Pan 44279001 .....	39
Burner M412025P .....	57
Burner Hole Cover 44315201 .....	57
Burner Orifice 70684100 .....	59
70684113 .....	59
70684114 .....	59
70684116 .....	59
70684117 .....	59
70684118 .....	59

70684119 .....	59
70684120 .....	59
70684122 .....	59
70684125 .....	59
70684126 .....	59
70684128 .....	59
70684130 .....	59
70684132 .....	59
70684143 .....	59
70684145 .....	59
70684147 .....	59
70684150 .....	59
70684153 .....	59
Bushing F280409P .....	49
M414459 .....	61
70346501 .....	27, 65

## C

Cable Tie 70335601 .....	65
Caution Label 44318601 .....	66
44324201 .....	57
Circuit Plug Housing, 1 44370401 .....	47
Clevis Pin 44091501 .....	61
Coil F8514601P .....	63
Coil Filter H96362264 .....	61
Cold Weather Kit 44340301 .....	27
Contact Base F8538101 .....	17, 21, 23, 25
Contact Switch F8069501 .....	17, 21, 23, 25
Control 70511601 .....	27
Control Assembly 70478802 .....	21
70478902 .....	21
70479801 .....	17
70479901 .....	17
70523002 .....	21
70523101 .....	17
70543104 .....	23
70697004 .....	25
Control Box Base 44065301 .....	27
Control Box Cover 44065201 .....	27
Control Box Housing 44306701 .....	27
Control Box Top 44307101 .....	27
Control Bracket 44331005 .....	17, 21, 23, 25
44331006B .....	17, 21

N/A items do not appear in index.

44331006DG.....	17, 21
44331006LG.....	17, 21, 23, 25
44331006W.....	17, 21, 23, 25
Control Cover	
44330802.....	15, 19, 23
44330803B.....	15, 19
44330803LG.....	15, 19, 23
44330803W.....	15, 19, 23
44330805.....	15, 19
44330806DG.....	15, 19
44330806W.....	15, 19
44330811.....	15, 19, 23
44330812B.....	15, 19
44330812LG.....	15, 19, 23
44330812W.....	15, 19, 23
44330814.....	15, 19
44330815DG.....	15, 19
44330815W.....	15, 19
44330816.....	25
44330817.....	25
44330818LG.....	25
44330818W.....	25
44330819LG.....	25
44330819W.....	25
Control Guard	
44369601.....	27
44369602.....	27
Control Harness	
44375604.....	27
Control Tray	
44372701.....	65
Control Tray Guard	
44372501.....	41
Control Trim	
44016401.....	15, 19
44016403.....	15, 19
Cylinder and Trunnion Assembly	
44214901.....	43
44214902.....	43
44221601.....	43
44221602.....	43
Cylinder Assembly	
44215001.....	43
44215002.....	43
44221501.....	43
44221502.....	43
Cylinder Rib Assembly	
44191205.....	43
Cylinder Shroud	
44335901.....	39
44336001.....	39
44336101.....	39
44336201.....	39

## D

Damper	
H96387519.....	61
Damper Assembly	
44280304.....	39
Damper Motor	
44308101.....	61
Damper Motor Cover	
44327401.....	61

Damper Motor Harness	
44378004.....	61
Damper Motor Plate	
44327501.....	61
Damper Shaft	
H96388079.....	61
Danger Label	
F8614501.....	66
DIN Valve Adapter Kit	
F8382301.....	63
Door Assembly	
44248201.....	33
44294501B.....	33
44354701.....	33
44354703.....	33
44354705.....	33
44354710LG.....	33
44354711B.....	33
Door Catch Kit	
70482901.....	29
Door Glass	
44008401P.....	33
Door Glass Installation Tool	
M4221P4.....	33
Door Glass Label	
70650401.....	33
Door Handle	
44007901.....	33
44263801.....	33
44370601.....	33
Door Hinge Brace Assembly	
70596606.....	35
70596615B.....	35
70596615LG.....	35
70596615W.....	35
Door Hinge Lug Assembly	
70597601.....	35
70597603.....	35
Door Latch	
M401223.....	29
Door Ring and Handle Assembly	
44294601B.....	33
Door Ring Assembly	
44247401B.....	33
44354801.....	33
44354803.....	33
44354808LG.....	33
44354809B.....	33
Door Ring Gasket	
44008201P.....	33
70296802.....	33
Door Seal Kit	
70211902P.....	33
Door Switch Cover	
44316301.....	29
Door Switch Harness	
44366202.....	29
Door Switch Shield	
44316601.....	29
Door Switch Wire Channel	
44286002.....	29
Drive Access Cover	
70202501.....	41
Drive Chain	
H96388186.....	61

N/A items do not appear in index.

Drive Motor	
44355003 .....	49
44355004 .....	49
Drive Rivet	
M400713 .....	27
Drive Wheel	
H96388178 .....	61

## E

Elbow	
F421107 .....	57
Emergency Stop Bypass Harness	
F8519403 .....	17, 21, 23, 25
Emergency Stop Harness	
44272401 .....	17, 21, 23, 25
Emergency Stop Interconnect Harness	
70631103 .....	17, 21, 23, 25
Emergency Stop Label	
44012901 .....	17, 21, 23, 25
Emergency Stop Pushbutton	
F200233500 .....	17, 21, 23, 25
EMI Filter	
F8591801 .....	53
F8637501 .....	53
Exhaust Deflector	
44290301 .....	39
Exhaust Thimble Assembly	
44305001 .....	51
Expansion Clip	
70030501 .....	15, 19, 23, 25, 53, 65
Extension Harness	
44374903 .....	57, 65
Extension Spring	
F8440701 .....	49

## F

Fan Motor	
44354902 .....	51
44354904 .....	51
FCC-IC Label	
F8613201 .....	23, 25
Felt Pad	
M402144 .....	39
Ferrite	
204454 .....	49, 51
Fill Hose	
202799 .....	27
Filter	
44172101 .....	61
Filter Channel	
H96388087 .....	61
Filter Mounting Plate	
70551701 .....	27
Flange Bearing	
44048301P .....	45
Front Access Panel	
44012709DG .....	31
44012709LG .....	31
44012709W .....	31

44012714 .....	31
Front Control Box	
44311101 .....	13
Front Panel	
44291902 .....	29
44291903DG .....	29
44291903LG .....	29
44291903W .....	29
Fuse Board Control Power Harness	
44388402 .....	53
44388403 .....	53
Fuse Board to Inverter Harness	
44388502 .....	53
44388503 .....	53
Fuse Control Assembly	
70683201 .....	53

## G

Gas Valve	
44316801 .....	57
44316802 .....	57
Gas Valve Bracket	
44245701 .....	57
Gas Valve Harness	
44273503 .....	57
Gas Valve Support Bracket	
44317201 .....	57
Gasket	
44333402 .....	57
Ground Lug Connector	
M411283 .....	53
Guard	
44369301 .....	41
44369401 .....	41
44372601 .....	41
44377202 .....	41

## H

Hairpin Cotter	
44091601 .....	61
Handle and Caps Assembly	
44049903 .....	37
70154417 .....	37
Handle Bar	
70399501B .....	33
Handle Bumper	
70407204 .....	37
70407212 .....	37
Harness	
F8617901 .....	23, 25
44375402 .....	53
Harness Adapter Plate	
70523301 .....	61
Heat Control Harness	
44374901 .....	65
High Altitude Orifice Kit	
44357511 .....	59
44357512 .....	59
High Voltage Suppression Cable	
44239704 .....	57

N/A items do not appear in index.

Hinge Cam Kit	
M4772P3 .....	35
M4773P3 .....	35
Hose	
44073306 .....	27
Hose Clamp	
20391 .....	57
36801 .....	27
Hose Fitting	
44069101 .....	27
Hot Surface Warning Label	
F8609001 .....	66
F8614301 .....	66

## I

Idler Shaft	
44303101 .....	49
Igniter Cover	
70159601 .....	57
Ignition Control	
70482001 .....	57
70482002 .....	57
Insulator	
M413862 .....	53
Interconnect Harness	
44374902 .....	65
44375601 .....	27
Inverter Control Assembly	
70603401 .....	53
70603601 .....	53
Inverter Control Power Harness	
44374603 .....	53
44374604 .....	53
Inverter Drive Tray	
44370801 .....	53
Inverter to Motor Harness	
70635409 .....	49
70635410 .....	49
70635411 .....	49
70635412 .....	49
I/O Control Assembly	
70671701 .....	65

## J

J-Belt	
44293702 .....	49

## K

Key	
M400008 .....	49
44309301 .....	49
70155601 .....	27
Kickplate	
70117611 .....	37
70117621 .....	37

## L

Label	
D503887 .....	57
D516100 .....	53, 66
44190901 .....	29
44286803 .....	53
44318201 .....	27
70472801 .....	29
70537001 .....	29
70537101 .....	29
Label Kit	
F8614500 .....	66
44318200 .....	27
44318600 .....	66
44324500 .....	27
70534400 .....	66
Light	
801432 .....	27
Limit Thermostat	
44328002 .....	51
44328103 .....	57
44328104 .....	57
70530904 .....	51
Lint Hood	
44290901 .....	39
Lint Panel	
44012303LG .....	37
44012303W .....	37
44012304DG .....	37
44012306 .....	37
44012307 .....	37
Lint Panel Clip	
44017801 .....	37
Lint Screen	
44063603P .....	39
Lint Screen Clip	
H96418413 .....	39
Lint Screen Support	
44291001 .....	39
44291002 .....	39
44307901 .....	39
Lock, Key and Nut Kit	
44089301P .....	27
Logo Label	
567887 .....	31
L.P. Conversion Kit	
44328806 .....	57
44328808 .....	57
44330305 .....	57

## M

Machine ID Control Assembly	
203361P .....	19, 23, 25
Magnet	
70343101 .....	37
Main Harness	
44375101 .....	13
Male Tab Terminal	
00177 .....	57
Manifold	
44079603 .....	27

N/A items do not appear in index.



Master Link	
H96382072P .....	61
Micro V Pulley	
44302901 .....	49
Mixing Valve	
70519801 .....	27
Mixing Valve Shield Bracket	
44306601 .....	27
Moisture Sensing Harness Kit	
44344703 .....	47
Moisture Sensor Harness	
44375502 .....	47
Motor Pivot Brace	
44310701 .....	49
Motor Pivot Bracket Weldment	
44310601 .....	49
Motor Pivot Plate Weldment	
44311501 .....	49
Motor Pulley	
44267601 .....	49
Mounting Bracket	
44331101 .....	23, 25
Mounting Plate	
44288401 .....	37
44330901 .....	17, 21, 23, 25

## N

Nameplate	
F8443107 .....	29
F8688001 .....	31
F8688901 .....	31
70472001 .....	31
Nameplate Overlay	
44331401 .....	31
70410201 .....	31
Nipple	
H85101608 .....	57
H85101673 .....	57
Notice Label	
D516073 .....	66
44321501 .....	66
70535901 .....	57
70539601 .....	66
70544901 .....	57
Nut	
F8387701 .....	45
H88412101 .....	43
M400026 .....	49
M400035 .....	47
M400977 .....	15, 19, 23, 25
M412334 .....	43
M414215 .....	33
20274 .....	45
23951 .....	61
29786 .....	61
29787 .....	29
44087101 .....	37
44088001 .....	33, 35, 37, 39
70030401 .....	29, 31
70142 .....	61

## O

Overlay	
70516801 .....	15
70519001 .....	15
70539101 .....	15
70545501 .....	15
70547501 .....	15
70547801 .....	19
70548801 .....	19
70570601 .....	19
70571401 .....	19
70571601 .....	19
70595401 .....	23, 25
70691001 .....	19
70691301 .....	15

## P

Panel Locator	
56079 .....	41
Pin	
70071401 .....	35
Pinch Warning Label	
F8615701 .....	66
F8615702 .....	66
70538401 .....	66
Pipe Adapter Weldment	
44315401 .....	57
Pipe Bracket	
44249301 .....	57
Pipe Cap	
44087801 .....	57
Pipe Elbow	
44249401 .....	57
Pipe Nipple	
44252401 .....	57
70543501 .....	57
Pipe Union	
M411419 .....	57
Plug	
M400985 .....	17, 21, 23, 25
Pop Rivet	
M400003 .....	65
430725 .....	17, 21, 23, 25, 37
44166601 .....	29
70126301 .....	37
70126401 .....	37
70412601 .....	33
Porcelain Touch-Up Paint	
122P4P .....	29
Power Sensor Harness	
44375608 .....	27
Pressure Fitting	
44231601 .....	57
Pulley	
44289502 .....	49
44289601 .....	49
Push-to-Start Switch	
801434W .....	27

N/A items do not appear in index.

---

## R

Rear Guard	
44372001 .....	41
44372301 .....	41
44372401 .....	41
Rear Main Harness	
44374801 .....	53
Rear Panel	
44265901 .....	39, 41
Rear Panel Brace	
44311601 .....	41
44311602 .....	41
44311801 .....	41
Rear Panel Support	
44275801 .....	39, 41
44282801 .....	39
44282802 .....	39
44311701 .....	41
44311702 .....	41
Reed Switch Assembly	
F8066804 .....	37
Rib Wire	
44208101 .....	47
Roll Pin	
H88970256 .....	61
Roller Catch	
H87020202 .....	37
Roller Catch Mounting Bracket	
44014001 .....	37

---

## S

Screw	
D501086 .....	37, 61
F8206901 .....	53, 65
H88010574 .....	61
H88012034 .....	45
M400063 .....	49
M400661 .....	33
M402574 .....	29
M405188 .....	61
M411165 .....	45
02422 .....	61
204342 .....	61
430497 .....	13, 23, 25, 27, 53, 55, 57
430757 .....	37, 55
431287 .....	29, 39
44338901 .....	47
44349101 .....	35
44364602 .....	49, 51
51780 .....	27, 39, 57, 65
51782 .....	57
51783 .....	53, 57
685837 .....	53
70033504 .....	35
70182601 .....	29, 31
70187201 .....	49
70275801 .....	41
70409801 .....	35
70436301 .....	35
70442101 .....	33, 37, 39, 47
70576101 .....	35
70689401 .....	35

800462 .....	45
800930 .....	15, 19, 23, 25
801019 .....	61
804608 .....	15, 19, 23, 25, 27
Sensor Harness	
44375607 .....	27
Shaft Actuator Assembly	
44332701 .....	61
Shaft Collar	
M414451 .....	61
Shield	
44326801 .....	27
Shock Warning Label	
F8614201 .....	27
F8614202 .....	66
F8614401 .....	27
Slip Ring Assembly	
44222702 .....	47
Snap Bushing	
D503235 .....	65
M400770 .....	57, 65
M411826 .....	61
44071501 .....	53
70178701 .....	13
Spacer	
M401402 .....	43, 45
Spark Electrode	
44328701P .....	57
Spray Paint	
298P4P .....	29
Spring Pin	
H88900683 .....	61
Spud Holder Weldment	
44390002 .....	57
Steam Adapter Kit	
44314901 .....	61
Steam Coil	
M409833P .....	61
M409834P .....	61
44256501 .....	61
44256601 .....	61
Steam Coil Support	
M411550 .....	61
Steam Control Assembly	
70501801 .....	65
Steam Control Harness	
44378003 .....	65
Steam Cover	
44115101 .....	61
Steam Damper Actuator	
44096401 .....	61
Steam Damper Counterweight	
44332601 .....	61
Steam Damper Link	
44332901 .....	61
44333001 .....	61
Steam Filter Top Hinge Assembly	
44088101 .....	61
Steam Heater Assembly	
44316901 .....	61
44317101 .....	61
Steam Valve Harness	
F8520703 .....	61

N/A items do not appear in index.

Stove Limit Bypass Harness 70564302 .....	61
Stove Limit Harness 70564304 .....	57
Stove Limit Harness Bracket 431078 .....	57
Support Bracket 44310901 .....	27
Support Shelf 44305701 .....	39
44305702 .....	39
Switch 44312401 .....	29
70411901 .....	55
Switch Bracket 44296301 .....	37
70356301 .....	55

## T

Terminal Block Shield 70333001 .....	53
Terminal 00622SG .....	53, 65
Terminal Block 430642 .....	53
Thermistor M414704 .....	51
44064701 .....	39
Thermistor Plate 44068101 .....	39
44068102 .....	39
Thermostat Cover M414477 .....	57
Top Access Panel Gusset 44028301DG .....	39
44028301W .....	39
44028302DG .....	39
44028302W .....	39
Transformer F8491101 .....	53
Trunnion Assembly 44240801 .....	43
44240802 .....	43
Trunnion Housing M413826 .....	49
Trunnion Housing Assembly 44375001 .....	49

## U

USB IR Interface Kit 203346 .....	23
USB-Serial Interface Assembly 203440 .....	23, 25

## V

Valve F8322906P .....	63
--------------------------	----

Valve Rebuild Kit F8379502 .....	63
V-Belt 44309401 .....	49

## W

Warning Label F8611601 .....	66
44321601 .....	66
44324001 .....	66
44324002 .....	66
44324101 .....	66
44324501 .....	27
44324502 .....	27
70534401 .....	66
70534402 .....	66
70534405 .....	66
70536401 .....	66
Washer F431125 .....	37
M400013 .....	61
03815 .....	15, 19, 23, 25
20103 .....	49
44238902 .....	47
70261401 .....	43, 45, 49
70409301 .....	33
800465 .....	29, 31, 61
Water Valve Harness 44375605 .....	27
Wire Clip F8449502 .....	53
Wireless Network Board Harness F8536002 .....	23
Wireless Network Control Assembly 203532 .....	13
Wireless Network Kit 70596301 .....	13, 23
Wireway Channel 44239002 .....	47

N/A items do not appear in index.

