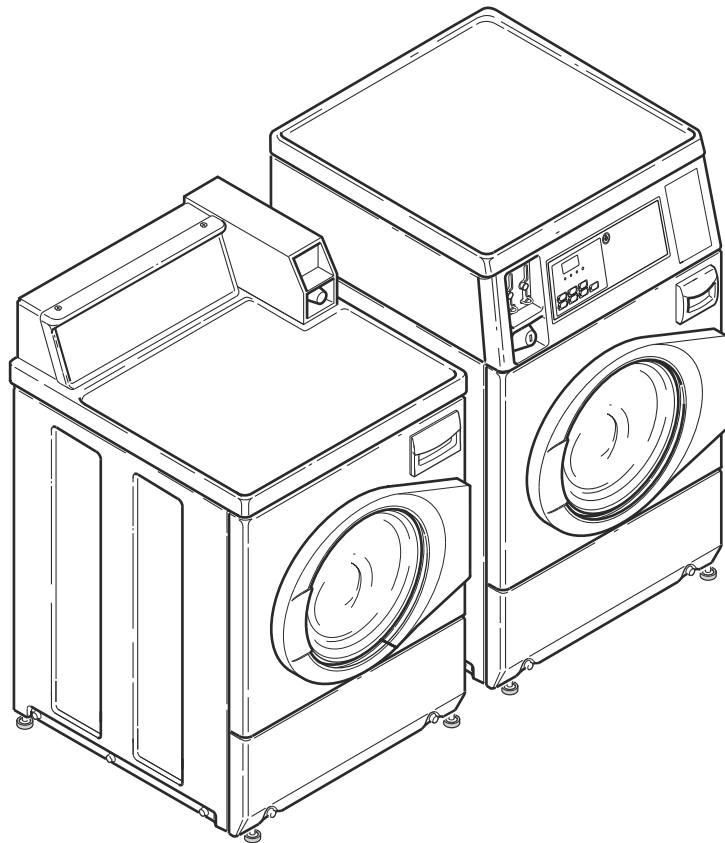


Commercial Frontload Washers

Refer to Page 3 for Model Numbers



FLW1551C_806117

Table of Contents

Title	Page
Parts Ordering Information.....	2
Serial Plate Location	2
Model Identification	3
Control Panel and Controls (Drawing 1 of 2)	4
Control Panel and Controls (Drawing 2 of 2)	6
Control Panel Overlay	8
Top Assembly	10
Electrical Access Panel and Filters	12
Network Board Assembly.....	14
Control Cabinet and Meter Case	16
Non-Electronic Coin Drop	18
Non-Electronic Coin Drop Harness.....	20
Electronic Coin Drop	22
Control Cabinet - Front Control Card Reader Ready Models	24
Control Cabinet - 45 Degree Front Control Models.....	26
Coin Drop, Meter Case and Service Door	28
Meter Case, Service Door and Cabinet Top	30
Coin Slide and Extension.....	32
Control Panel, Control Hood and Controls (Drawing 1 of 3)	34
Control Panel, Control Hood and Controls (Drawing 2 of 3)	36
Control Panel, Control Hood and Controls (Drawing 3 of 3)	38
Front Panel, Door Assembly and Door Seal	40
Front Panel Assembly	42
Dispenser Assembly	44
Mixing Valve, Inlet Hose and Dispenser Hose	46
Outer Tub, Clamp Ring and Shock Absorbers.....	48
Inner Basket, Trunnion, Bearing Housing and Pulley	50
Motor and Belt.....	52
Drain Hoses and Valve	54
Hoses and Pump	56
Base, Side Panels and Rear Panel.....	58
Junction Box and Power Cord	60
Shipping Materials	62
Wire Ties, Harness Clips and Lead-In Cord.....	64
Special Tools	66
Labels	68
Wire Harnesses and Wires	70
Parts Index.....	73

© Copyright 2023, Alliance Laundry Systems LLC

All rights reserved. No part of the contents of this book may be reproduced or transmitted in any form or by any means without the expressed written consent of the publisher.

Parts Ordering Information

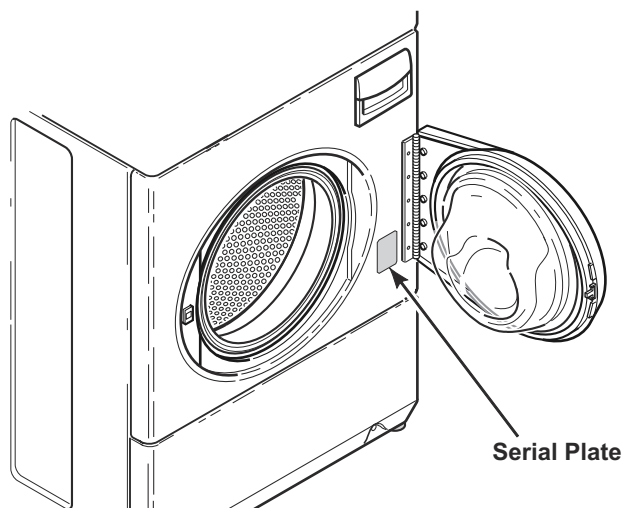
If literature or replacement parts are required, contact the source from whom the machine was purchased or contact Alliance Laundry Systems at (920) 748-3950 for the name and address of the nearest authorized parts distributor.

For technical assistance, call the number listed below:

(920) 748-3121 Ripon, Wisconsin

Serial Plate Location

When calling or writing about your product, be sure to mention model and serial numbers. Model and serial numbers are located on serial plate(s) as shown.



FLW2407N_806117

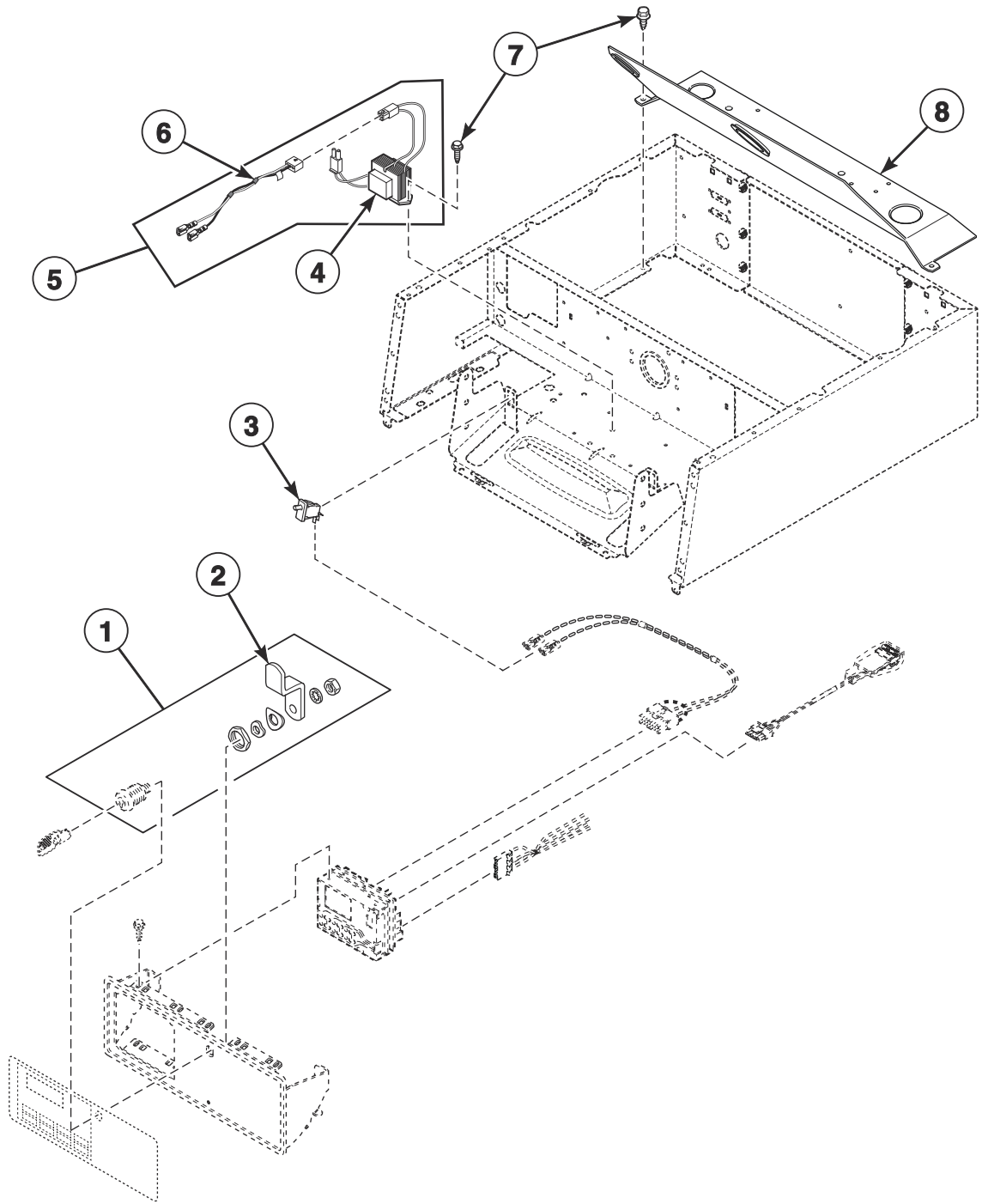
Model Identification

Information in this manual is applicable to these washer models:

BFNBCASG113TN01	HFNKCASG113TN01	HFNKXASG113CN01	SFNBCASG113TQ01
BFNBCASG113TW01	HFNKCASG113TN31	HFNKXASG113CN31	SFNBCASG113TW01
BFNBCASP113TW01	HFNKCASG113TN32	HFNKXASG113CN32	SFNBCASP113TQ01
BFNBEASP113CN01	HFNKCASG113TW01	HFNKXASG113CW01	SFNBCASP113TW01
BFNBEASP113CW01	HFNKCASG115TN01	HFNKXASG115CN01	SFNBCASP115TW01
BFNBLBSP303AW01	HFNKCASG115TN31	HFNKXASG115CN31	SFNBCRSP113TW01
BFNBLBSP543NW01	HFNKCASG115TN32	HFNKXASG115CN32	SFNBCRSP113TW02
BFNBXASP113FW01	HFNKCASG116TN01	HFNKXASG115CW01	SFNBXASG113JW01
BFNBXASP303AW01	HFNKCASG115TW01	HFNKXASP113CN01	SFNBXASG113TQ01
BFNBYASP113TW01	HFNKCASG116TW01	HFNKXASP113CN31	SFNBXASG113TW01
HFNBCASG113TN01	HFNKCASP113TN01	HFNKXASP113CN32	SFNBXASP113FW01
HFNBCASG113TQ01	HFNKCASP113TN31	HFNKXASP113CW01	SFNBXASP113TQ01
HFNBCASG113TW01	HFNKCASP113TN32	HFNKXASP115CN01	SFNBXASP113TW01
HFNBCASG115TQ01	HFNKCASP113TW01	HFNKXASP115CN31	SFNBXASP115TW01
HFNBCASG115TW01	HFNKCASP115TN01	HFNKXASP115CN32	SFNBXASP123DW01
HFNBCASP113TN01	HFNKCASP115TN31	HFNKXASP115CW01	SFNBXASP303AW01
HFNBCASP113TQ01	HFNKCASP115TN32	HFNKYASG113CN01	SFNBXASP303AW12
HFNBCASP113TW01	HFNKCASP116TN01	HFNKYASG113CN31	SFNBXASP303NW22
HFNBCASP115TQ01	HFNKCASP115TW01	HFNKYASG113CN32	SFNBXASP303ZQ01
HFNBCASP115TW01	HFNKCASP116TW01	HFNKYASG113CW01	SFNBXASP303ZW01
HFNBCRSP113TW01	HFNKDASG113CN01	HFNKYASG115CN01	SFNBXASP543DW01
HFNBCRSP115TW01	HFNKDASG113CN31	HFNKYASG115CN31	SFNBXRSP113TW01
HFNBDASG113CW01	HFNKDASG113CN32	HFNKYASG115CN32	SFNBXRSP113TW02
HFNBDASG115CW01	HFNKDASG113CW01	HFNKYASG116CN01	SFNBXRSP115TW02
HFNBDASP113CW01	HFNKDASG115CN01	HFNKYASG115CW01	SFNBYASG113TW01
HFNBDASP115CW01	HFNKDASG115CN31	HFNKYASP113CN01	SFNBYASP113TW01
HFNBDRSP113CW01	HFNKDASG115CN32	HFNKYASP113CN31	SFNBYASP115TW01
HFNBDRSP115CW01	HFNKDASG115CW01	HFNKYASP113CN32	SFNBYRSP113TW01
HFNBEASP113CW01	HFNKDASP113CN01	HFNKYASP113CW01	SFNBYRSP115TW01
HFNBEASP115CW01	HFNKDASP113CN31	HFNKYASP115CN01	SFNSXRSP113CW02
HFNBERSP113CW01	HFNKDASP113CN32	HFNKYASP115CN31	SFNSXRSP113TQ01
HFNBERSP115CW01	HFNKDASP113CW01	HFNKYASP115CN32	SFNSXRSP113TW01
HFNBXASP113CW01	HFNKDASP115CN01	HFNKYASP116CN01	SFNSXRSP113TW02
HFNBXASP113FQ01	HFNKDASP115CN31	HFNKYASP115CW01	SFNSXRSP115CW02
HFNBXASP113FW01	HFNKDASP115CN32	HFNSXRSP113CW01	SFNSXRSP115TW02
HFNBXASP115CW01	HFNKDASP115CW01	HFNSXRSP115CW01	
HFNBXASP123DW01		HFNZCASG113TN01	
HFNBXASP303NW22		HFNZCASG113TN31	
HFNBXASP543DW01		HFNZCASG115TN01	
HFNBXRSP113FW01		HFNZCASG115TN31	
HFNBYASG113CW01		HFNZCASP113TN01	
HFNBYASG115CW01		HFNZCASP113TN31	
HFNBYASP113CW01		HFNZCASP115TN01	
HFNBYASP115CW01		HFNZCASP115TN31	
HFNBYSRSP113CW01			
HFNBYSRSP115CW01			

Control Panel and Controls (Drawing 1 of 2)

10 Degree Front Control Models



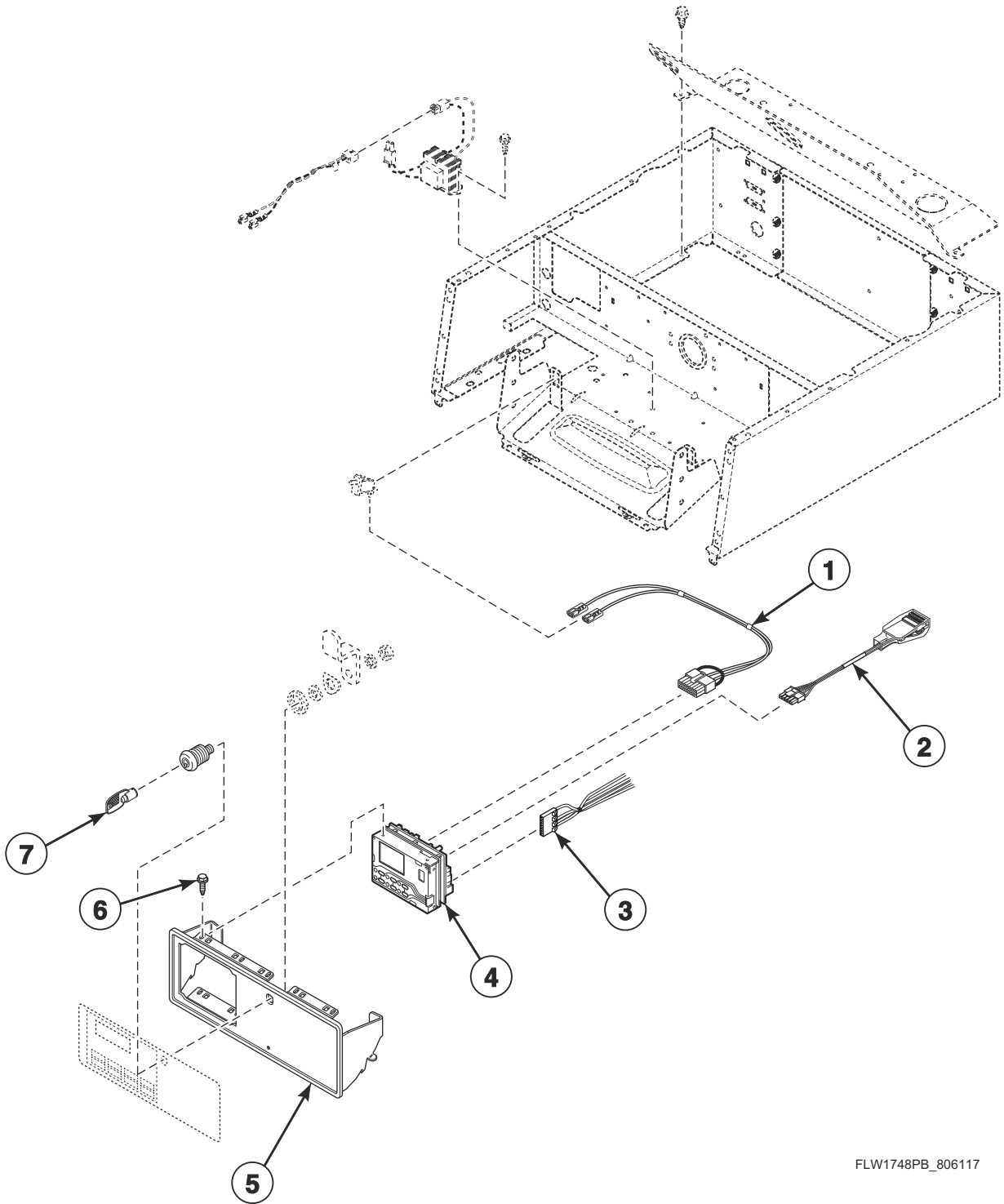
FLW1748P_806117

Control Panel and Controls (Drawing 1 of 2)

REF	PART NO.	DESCRIPTION	COMMENTS
	807173	Central Pay Kit	
1	804339P	Lock Assembly	
2	804338	Lock Cam	
3	D512973	Switch	
4	202757	Transformer	120 Volt
	202758	Transformer	240 Volt
5	203423	Transformer Kit	120 Volt; Includes items 4 and 6
	203424	Transformer Kit	240 Volt; Includes items 4 and 6
6	804795	Transformer Harness	120 Volt
	805428	Transformer Harness	240 Volt
7	D503688	Screw	
8	804363	Control Shield	

Control Panel and Controls (Drawing 2 of 2)

10 Degree Front Control Models



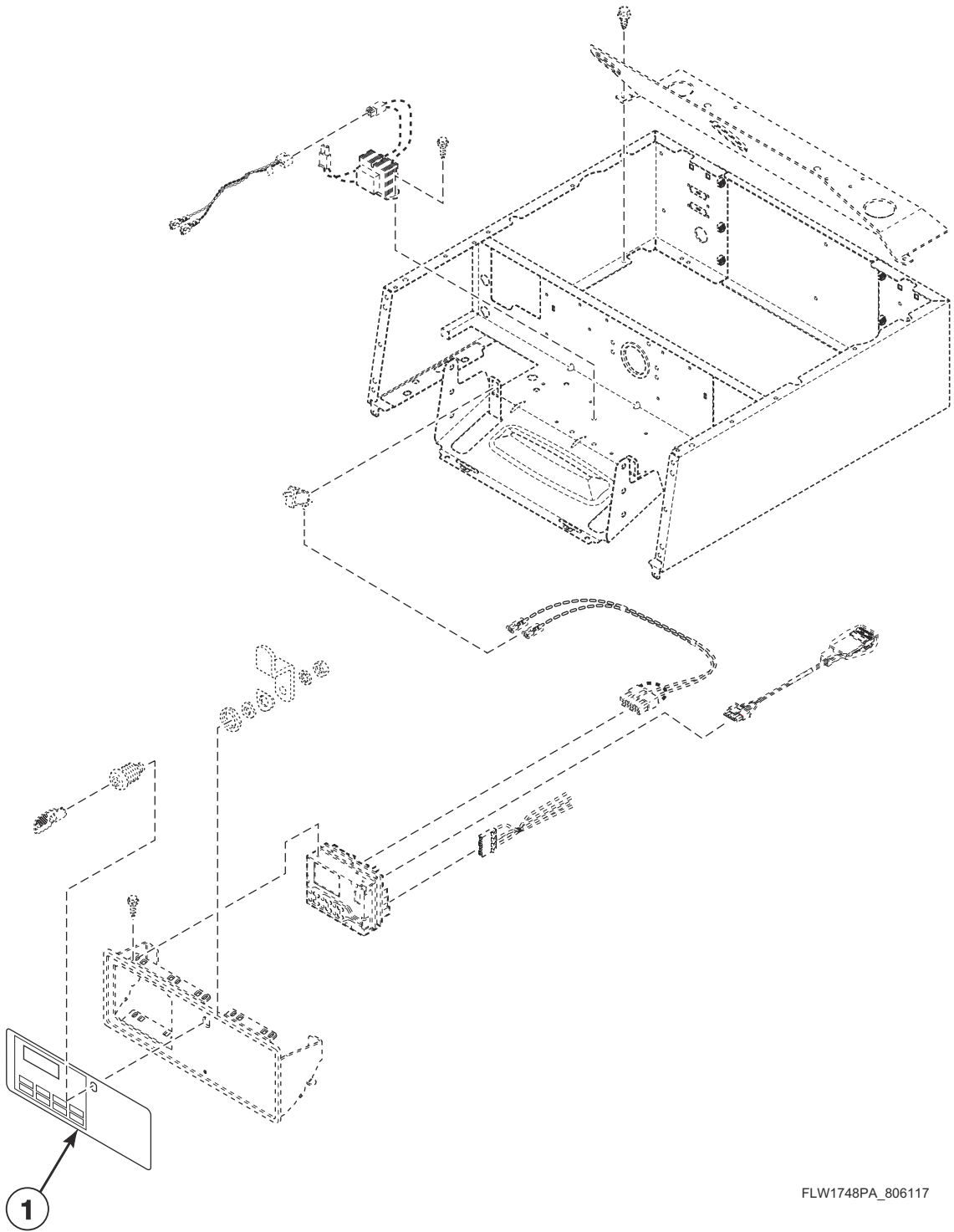
FLW1748PB_806117

Control Panel and Controls (Drawing 2 of 2)

REF	PART NO.	DESCRIPTION	COMMENTS
1	202868	Wiring Harness Assembly	Diagnostic; Models BFNBYASP113TW01, HFNBYASG113CW01, HFNBYASG115CW01, HFNBYASP113CW01, HFNBYASP115CW01, HFNKYASG113CN01, HFNKYASG113CN31, HFNKYASG113CN32, HFNKYASG113CW01, HFNKYASG115CN01, HFNKYASG115CN31, HFNKYASG115CN32, HFNKYASG115CW01, HFNKYASG116CN01, HFNKYASP113CN01, HFNKYASP113CN31, HFNKYASP113CN32, HFNKYASP113CW01, HFNKYASP115CN01, HFNKYASP115CN31, HFNKYASP115CN32, HFNKYASP115CW01, HFNKYASP116CN01, SFNBYASG113TW01, SFNBYASP113TW01 and SFNBYASP115TW01
2	203361P	Machine ID Control Assembly	All models except HFNKCASG116TN01, HFNKCASG116TW01, HFNKCASP116TN01, HFNKCASP116TW01, HFNKYASG116CN01 and HFNKYASP116CN01
3	805427	Central Pay Harness	
4	806268P	Control Assembly	Red LEDs; BFN models through Serial No. 2012999999
	807459	Control Assembly	Red LEDs; BFN models starting Serial No. 2101000001
	808121	Control Assembly	Models HFNKCASG116TN01, HFNKCASG116TW01, HFNKCASP116TN01, HFNKCASP116TW01, HFNKYASG116CN01 and HFNKYASP116CN01
	806267P	Control Assembly	Green LEDs; All other models through Serial No. 2012999999
	807458	Control Assembly	Green LEDs; All other models starting Serial No. 2101000001
5	804070Q	Control Panel Assembly	Bisque
	804070W	Control Panel Assembly	White
	804070B	Control Panel Assembly	Black
6	804647	Screw	
7	54612	Key	GR800

Control Panel Overlay

10 Degree Front Control Models



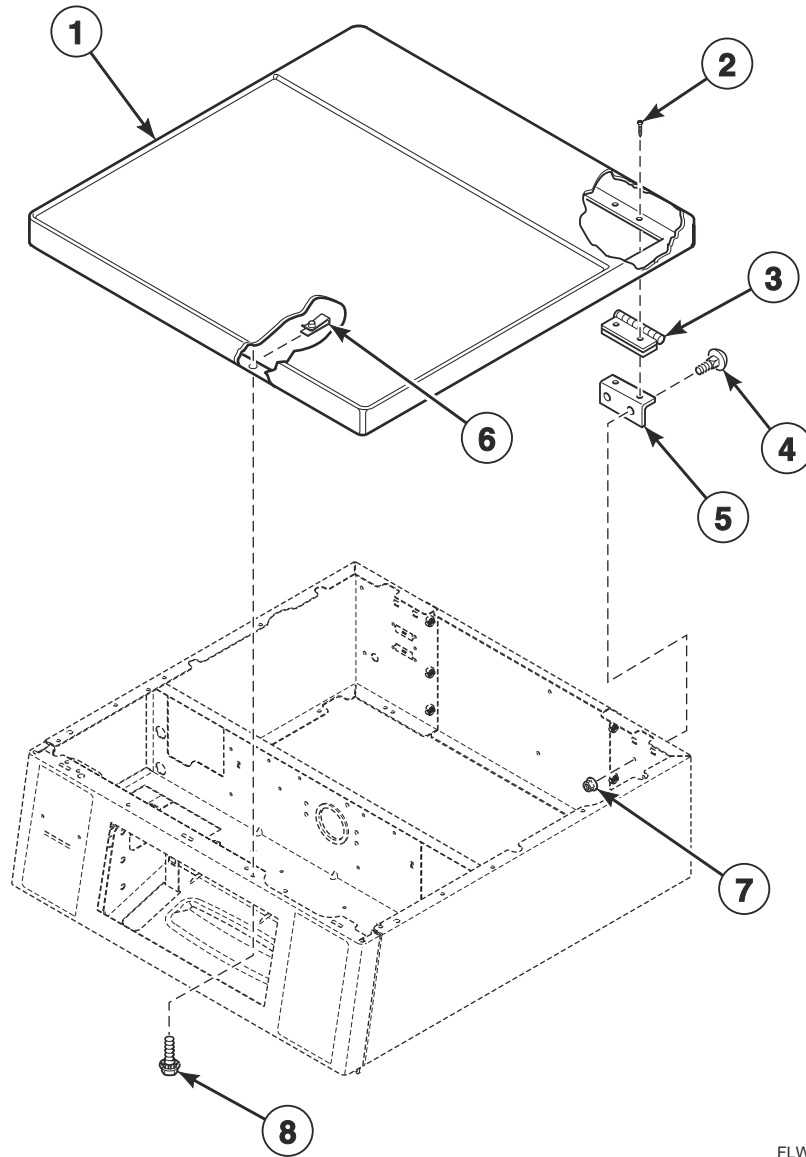
FLW1748PA_806117

Control Panel Overlay

REF	PART NO.	DESCRIPTION	COMMENTS
1	805735	Overlay	Models BFNBCASG113TN01, BFNBCASG113TW01, BFNBCASP113TW01, BFNBXASP303AW01 and BFNBYPASP113TW01
	805394	Overlay	Models BFNBASP113CN01, BFNBASP113CW01 and BFNBXASP113FW01
	805393	Overlay	Models HFNBCASG113TN01, HFNBCASG113TQ01, HFNBCASG113TW01, HFNBCASG115TQ01, HFNBCASG115TW01, HFNBCASP113TN01, HFNBCASP113TQ01, HFNBCASP113TW01, HFNBCASP115TQ01, HFNBCASP115TW01, HFNBDSG113CW01, HFNBDSG115CW01, HFNBDSG113CW01, HFNBDSG115CW01, HFNBASP113CW01, HFNBASP115CW01, HFNBXASP113CW01, HFNBXASP113FQ01, HFNBXASP113FW01, HFNBXASP115CW01, HFNBXASP123DW01, HFNBXASP303NW22, HFNBXASP543DW01, HFNBYPASG113CW01, HFNBYPASG115CW01, HFNBYPASP113CW01 and HFNBYPASP115CW01
	805034	Overlay	Models SFNBCASG113TQ01, SFNBCASG113TW01, SFNBCASP113TQ01, SFNBCASP113TW01, SFNBCASP115TW01, SFNBXASG113JW01, SFNBXASG113TQ01, SFNBXASG113TW01, SFNBXASP113FW01, SFNBXASP113TQ01, SFNBXASP113TW01, SFNBXASP115TW01, SFNBXASP123DW01, SFNBXASP303AW01, SFNBXASP303AW12, SFNBXASP303NW22, SFNBXASP303ZQ01, SFNBXASP303ZW01, SFNBXASP543DW01, SFNBYPASG113TW01, SFNBYPASP113TW01 and SFNBYPASP115TW01
	805616	Overlay	Models HFNKCASG113TN31, HFNKCASG115TN31, HFNKCASP113TN31, HFNKCASP115TN31, HFNKDSG113CN31, HFNKDSG115CN31, HFNKDASP113CN31, HFNKDASP115CN31, HFNKXASG113CN31, HFNKXASG115CN31, HFNKXASP113CN31, HFNKXASP115CN31, HFNKYASG113CN31, HFNKYASG115CN31, HFNKYASP113CN31 and HFNKYASP115CN31
	805615	Overlay	Models HFNKCASG113TN32, HFNKCASG115TN32, HFNKCASP113TN32, HFNKCASP115TN32, HFNKDSG113CN32, HFNKDSG115CN32, HFNKDASP113CN32, HFNKDASP115CN32, HFNKXASG113CN32, HFNKXASG115CN32, HFNKXASP113CN32, HFNKXASP115CN32, HFNKYASG113CN32, HFNKYASG115CN32, HFNKYASP113CN32 and HFNKYASP115CN32
	807754	Overlay	Models HFNKCASG116TN01, HFNKCASG116TW01, HFNKCASP116TN01, HFNKCASP116TW01, HFNKYASG116CN01 and HFNKYASP116CN01
	805614	Overlay	All other models

Top Assembly

10 Degree Front Control Models



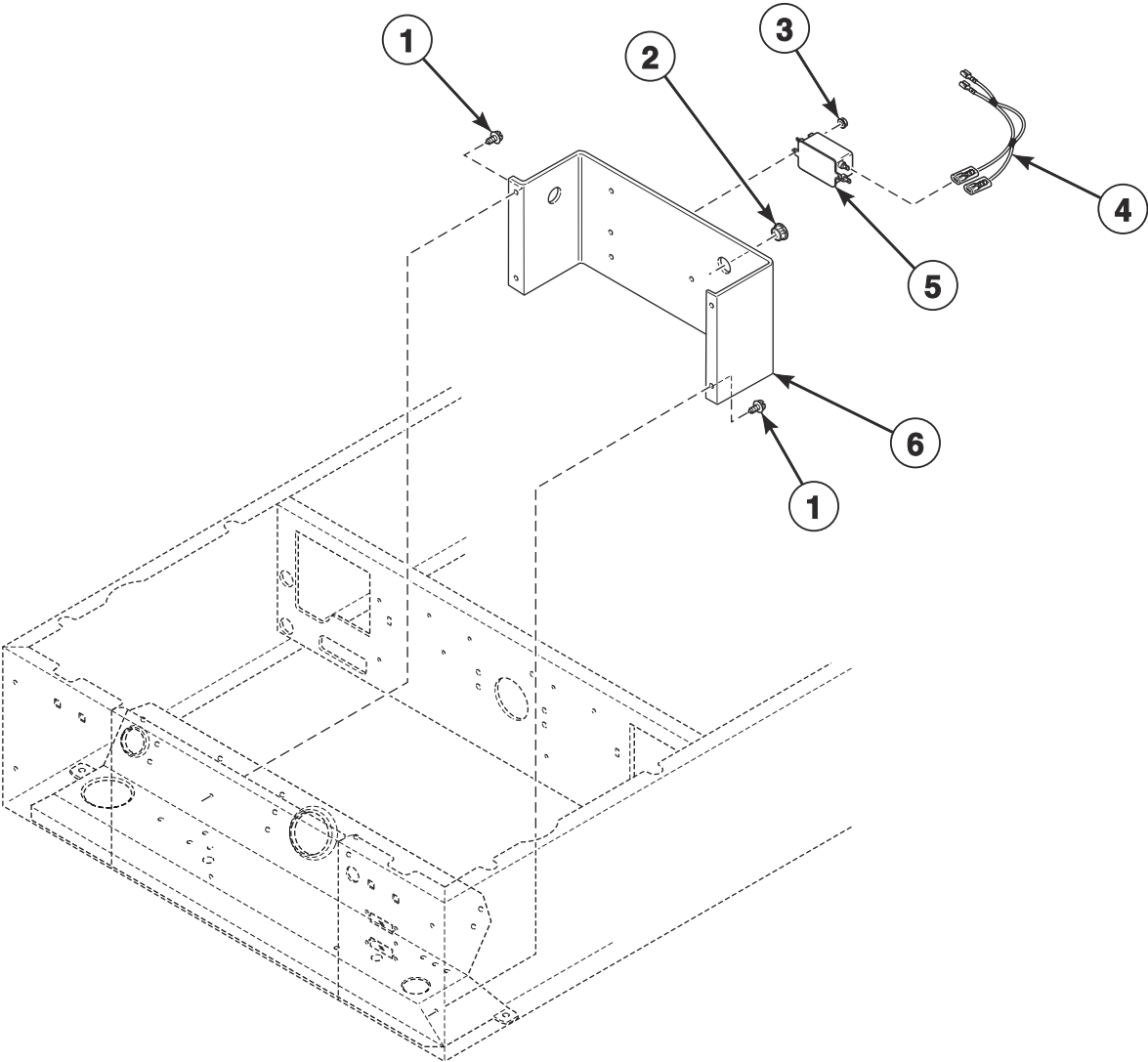
FLW1749P_806117

Top Assembly

REF	PART NO.	DESCRIPTION	COMMENTS
1	803868WP	Top Panel	White
	803868Q	Top Panel	Bisque
	803869	Top Panel	Stainless steel
2	685847	Pop Rivet	
3	D511036	Hinge	
4	29651	Bolt	
5	D504228	Top Mounting Bracket	
6	36020	Nut	
7	44087201	Nut	
8	23008	Screw	

Electrical Access Panel and Filters

Models BFNBLBSP303AW01, BFNBLBSP543NW01, BFNBXASP113FW01, BFNBXASP303AW01, HFNBXASP113FQ01, HFNBXASP113FW01, HFNBXASP123DW01, HFNBXASP303NW22, HFNBXASP543DW01, SFNBXASG113JW01, SFNBXASP113FW01, SFNBXASP123DW01, SFNBXASP303AW01, SFNBXASP303AW12, SFNBXASP303NW22, SFNBXASP303ZQ01, SFNBXASP303ZW01 and SFNBXASP543DW01
Models Through Serial Nos. Beginning 1610



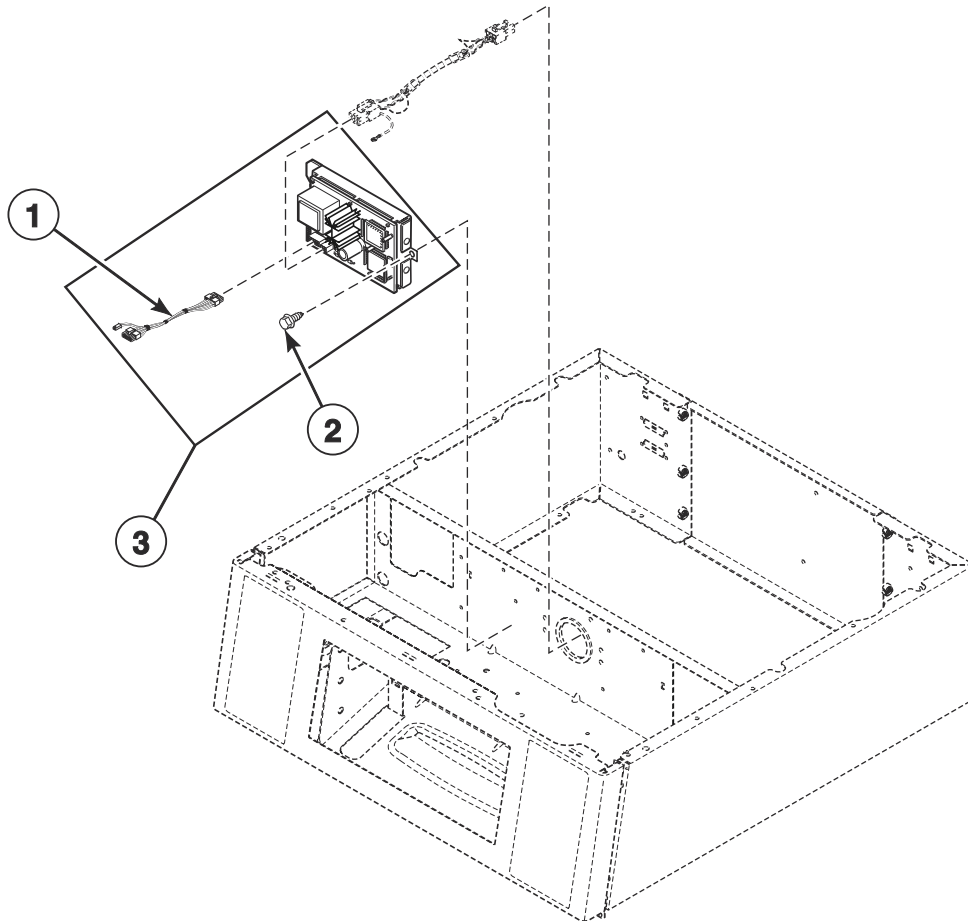
FLW1767P_806117

Electrical Access Panel and Filters

REF	PART NO.	DESCRIPTION	COMMENTS
1	D503661	Screw	
2	M400770	Snap Bushing	Models BFNBLBSP303AW01 and BFNBLBSP543NW01
	M402542	Snap Bushing	All other models
3	29787	Nut	
4	804797	Filter Harness	All models except SFNBXASG113JW01
5	805633	Line Filter	
6	804609	Terminal Block Panel	Models BFNBLBSP303AW01 and BFNBLBSP543NW01
	803988	Terminal Block Assembly	All other models

Network Board Assembly

Models HFNKCASG115TN01, HFNKCASG115TN31, HFNKCASG115TN32, HFNKCASG115TW01, HFNKCASG116TN01, HFNKCASG116TW01, HFNKCASP115TN01, HFNKCASP115TN31, HFNKCASP115TN32, HFNKCASP115TW01, HFNKCASP116TN01, HFNKCASP116TW01, HFNKDASG115CN01, HFNKDASG115CN31, HFNKDASG115CN32, HFNKDASG115CW01, HFNKDASP115CN01, HFNKDASP115CN31, HFNKDASP115CN32, HFNKDASP115CW01, HFNKXASG115CN01, HFNKXASG115CN31, HFNKXASG115CN32, HFNKXASG115CW01, HFNKXASP115CN01, HFNKXASP115CN31, HFNKXASP115CN32, HFNKXASP115CW01, HFNKYASG115CN01, HFNKYASG115CN31, HFNKYASG115CN32, HFNKYASG115CW01, HFNKYASG116CN01, HFNKYASP115CN01, HFNKYASP115CN31, HFNKYASP115CN32, HFNKYASP115CW01, HFNKYASP116CN01, HFNZCASG113TN01, HFNZCASG113TN31, HFNZCASG115TN01, HFNZCASG115TN31, HFNZCASP113TN01, HFNZCASP113TN31, HFNZCASP115TN01 and HFNZCASP115TN31



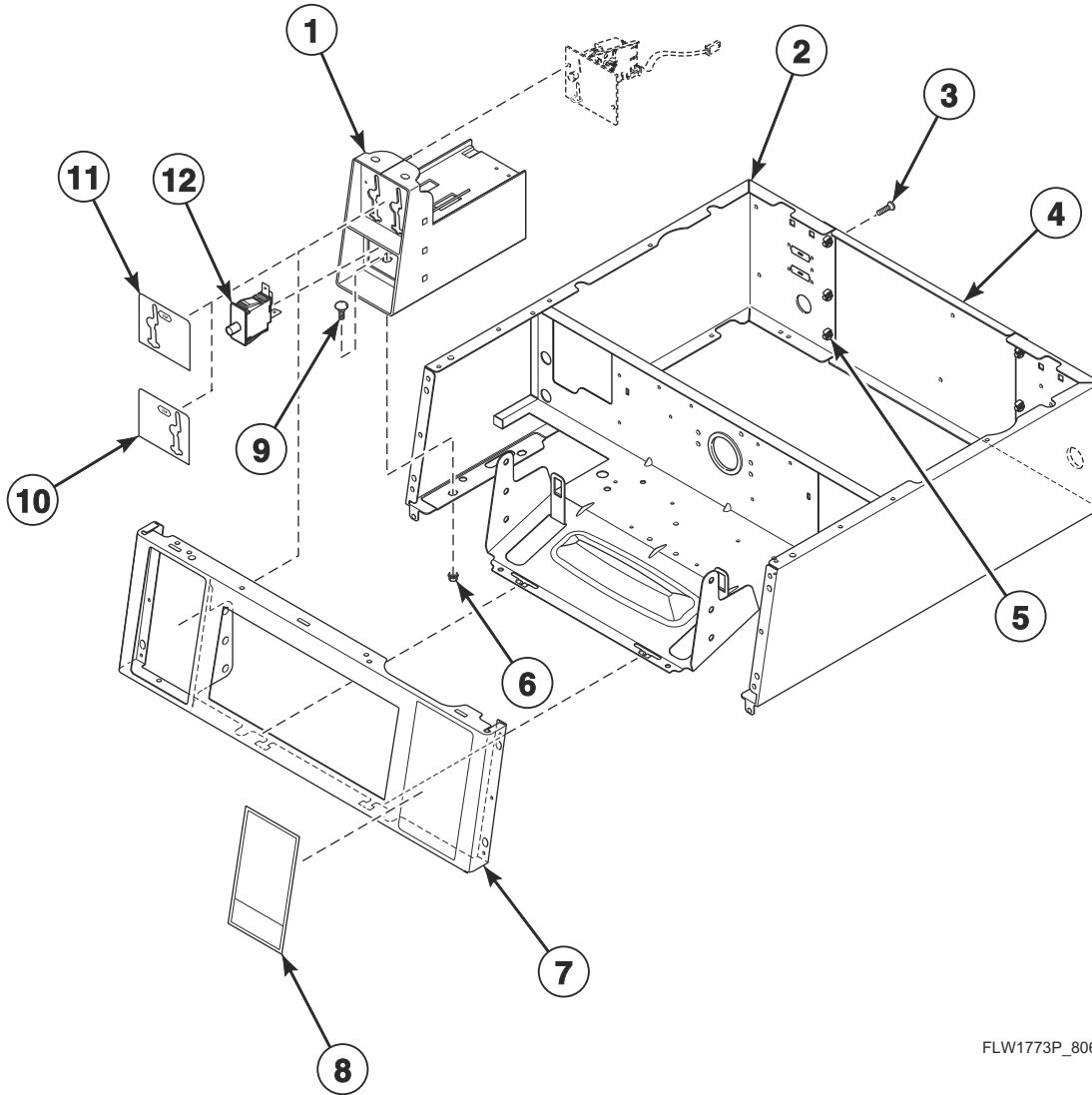
SWD1288P_806117

Network Board Assembly

REF	PART NO.	DESCRIPTION	COMMENTS
1	F8536002	Wireless Network Board Harness	
2	D503661	Screw	
3	204689	Wireless Network Kit	Includes items 1 and 2

Control Cabinet and Meter Case

Front Control Coin Models



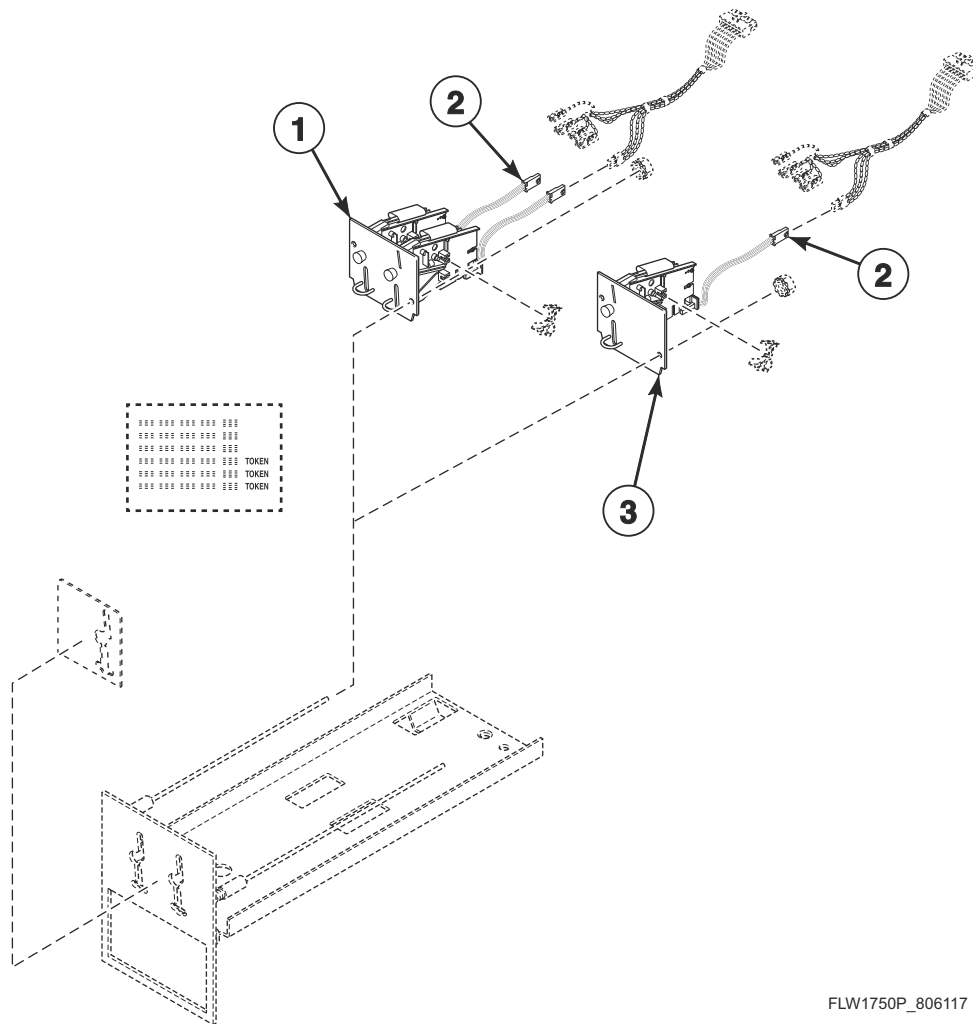
FLW1773P_806117

Control Cabinet and Meter Case

REF	PART NO.	DESCRIPTION	COMMENTS
1	807396B	Meter Case Assembly	Black
	804009Q	Meter Case Assembly	Bisque
	807396W	Meter Case Assembly	White
2	804104B	Wrapper Assembly	Black
	804104Q	Wrapper Assembly	Bisque
	804104W	Wrapper Assembly	White
3	70240301	Screw	6 required
4	803998	Rear Access Panel	
5	70030501	Expansion Clip	6 required
6	44087201	Nut	
7	803962BP	Control Panel	Black
	803962Q	Control Panel	Bisque
	803962WP	Control Panel	White
8	804846	Operating Instruction Label	Icon
	804327	Operating Instruction Label	English
9	29651	Bolt	
10	38717	Single Overlay	\$.25
	39073	Dual Overlay	\$.25/\$1.00
11	201091	Overlay	For electronic coin drops
12	D512973	Switch	

Non-Electronic Coin Drop

Coin Drop Models



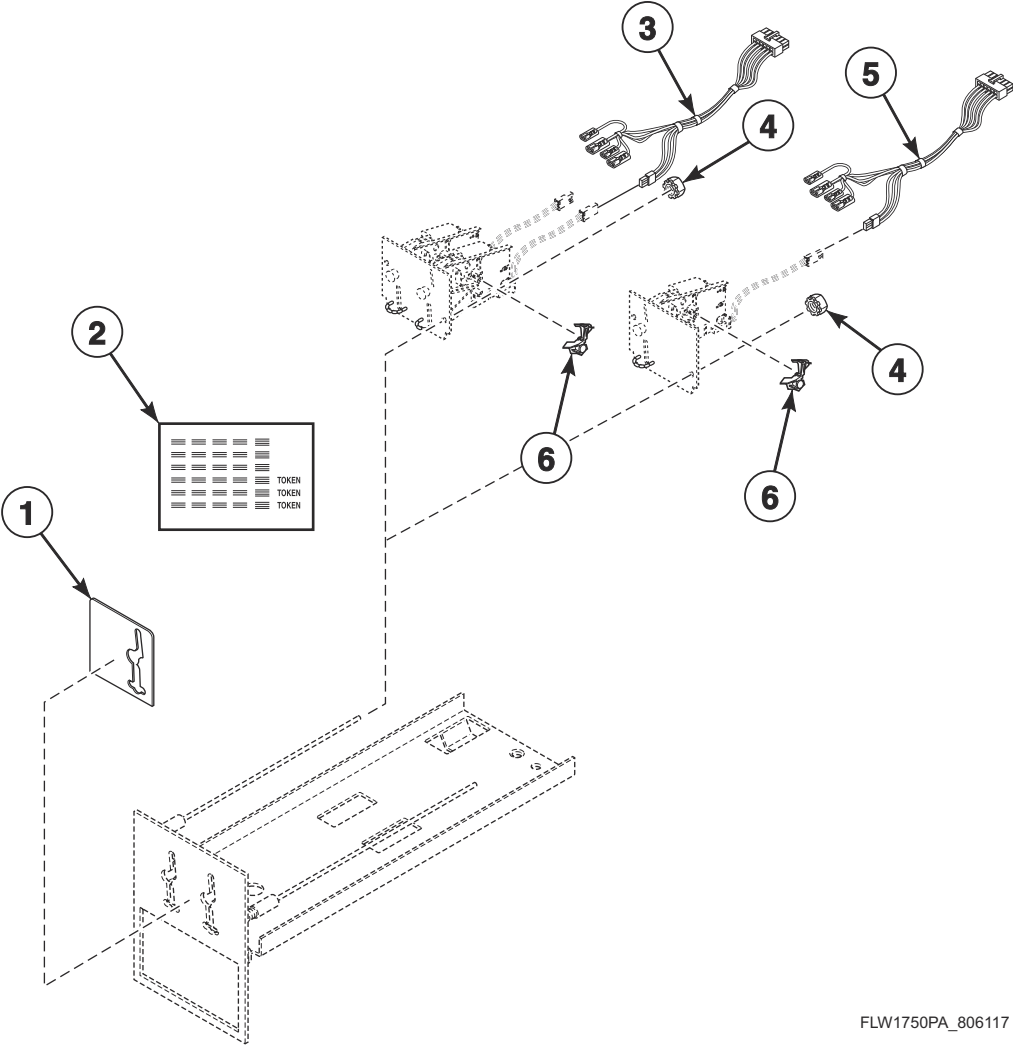
FLW1750P_806117

Non-Electronic Coin Drop

REF	PART NO.	DESCRIPTION	COMMENTS
1	70441603	Coin Drop	Dual; U.S.A.; \$.25 and \$1.00
	38467	Coin Drop Assembly	Dual; Australia; \$0.20 and \$1.00
	70447301	Coin Drop Assembly	Dual; Australia; \$1.00 and \$2.00
	70441602	Coin Drop Assembly	Dual; Canada; .25 and 1.00
	38472	Coin Drop Assembly	Dual; England; 20 pence and 1 pound
	38519	Coin Drop Assembly	Dual; Japan; 100 yen and 500 yen
	38521	Coin Drop Assembly	Dual; Korea; 100 won and 500 won
	70482401	Coin Drop Assembly	Dual; New Zealand; \$1.00 and \$2.00
	553192	Coin Drop Assembly	Dual; Danish Crown
	39157	Coin Drop Assembly	Dual; Israel; 1 and 5 Shekel
	210195	Coin Drop Assembly	Dual; 0.20 and 1.00 Euro
	210196	Coin Drop Assembly	Dual; 0.50 and 1.00 Euro
	70281102	Coin Drop Assembly	Dual; Taiwan; 10 and 50 NT
	572382	Coin Drop Assembly	10 Moroccan Dirham
	CK058	Coin Drop Kit	Dual; Canada; \$0.25 and \$1.00
	CK060	Coin Drop Kit	Dual; Australia; \$0.20 and \$1.00
	CK071	Coin Drop Kit	Dual; Japan; 100 yen and 500 yen
	CK086	Coin Drop Kit	Dual; Israel; 1 and 5 Shekel
	CK091	Coin Drop Kit	Dual; 0.20 and 1.00 Euro
	CK107	Coin Drop Kit	Dual; Taiwan; 10 and 50 NT
	CK111	Coin Drop Kit	Dual; Australia; \$1.00 and \$2.00
	CK122	Coin Drop Kit	Dual; New Zealand; \$1.00 and \$2.00
	2	200674P	Opto Coupler
3	70441601P	Coin Drop	Single; U.S.A.; \$.25
	200731	Coin Drop	Single; U.S.A.; \$1.00
	38464P	Coin Drop Assembly	Single; Canada; .25
	CK114	Coin Drop Assembly	Single; Singapore; Old \$1.00
	CK123	Coin Drop Kit	Single; Singapore; New \$1.00
	38462P	Coin Drop Assembly	Single; Token; STD 118-1
	38463	Coin Drop Assembly	Single; Token; STD 118-5
	38963P	Coin Drop	Single; Token STD 118-16
	38475	Coin Drop Assembly	Single; Japan; 100 yen
	70506901	Coin Drop Assembly	Single; Singapore; \$1.00 NEW
	39748	Coin Drop	Single; Jeton 08MS
	201141	Coin Drop Assembly	Single; Token; Jeton wh121
	CK055	Coin Drop Kit	Token STD 118-1
	CK056	Coin Drop Kit	Token STD 118-5
	CK057	Coin Drop Kit	Single; Canada; \$0.25
	CK077	Coin Drop Kit	Single; Taiwan; 10 NT
	CK078	Coin Drop Kit	Single; U.S.A.; \$0.25
	CK085	Coin Drop Kit	Single; Token STD 118-16
	CK089	Coin Drop Kit	Single; Japan; 100 yen
	CK090	Coin Drop Kit	Single; U.S.A.; \$1.00
	CK097	Coin Drop Kit	Single; Token; Jeton 08MS
	CK098	Coin Drop Kit	Single; Token; Jeton wh121

Non-Electronic Coin Drop Harness

Coin Drop Models



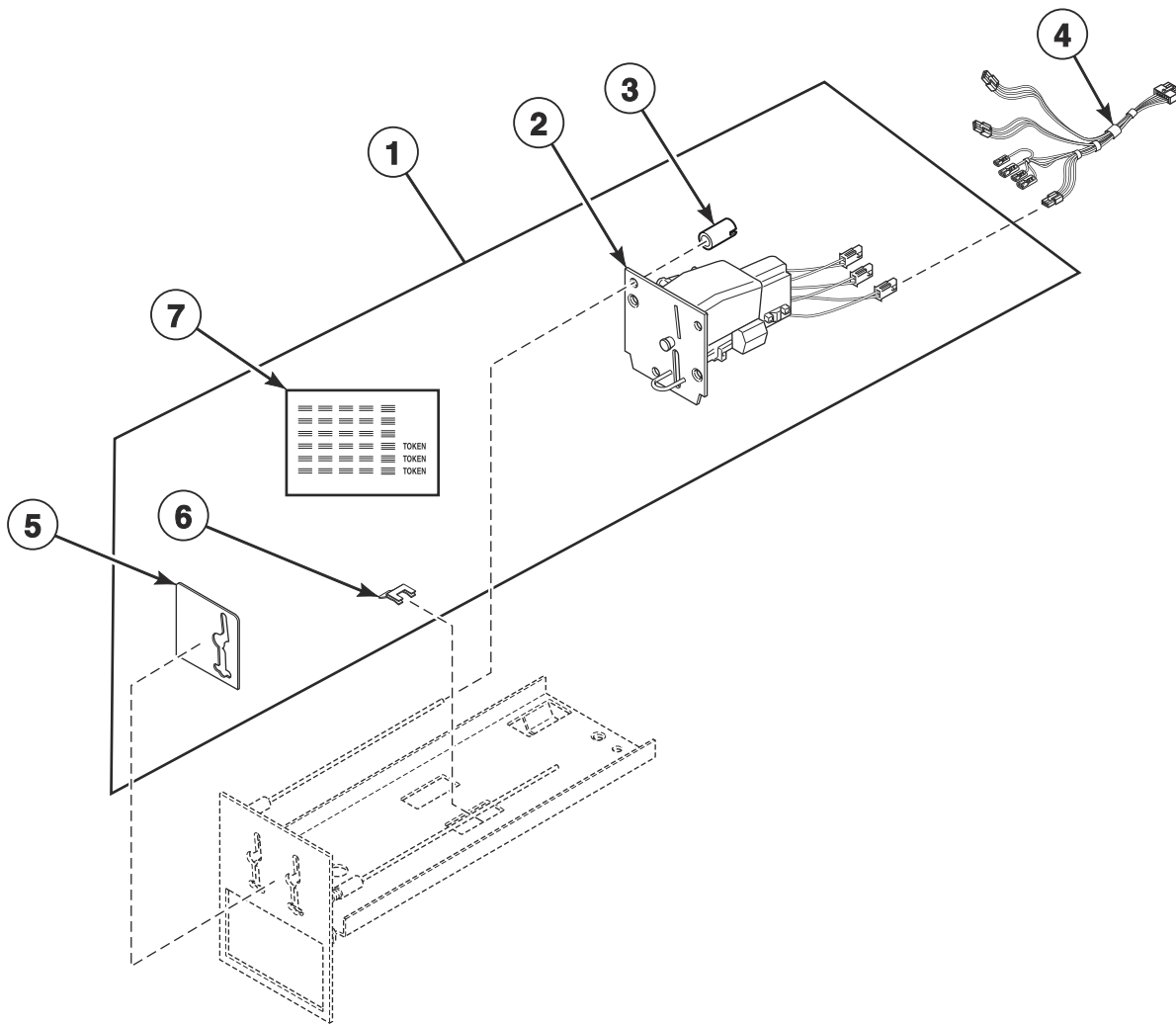
FLW1750PA_806117

Non-Electronic Coin Drop Harness

REF	PART NO.	DESCRIPTION	COMMENTS
1	38717	Single Overlay	
2	38725	Coin Identification Paper	
3	202871	Dual Coin Harness Assembly	Dual coin drop
4	29786	Nut	
5	202870	Single Coin Harness Assembly	Single coin drop
6	201595P	Wire Guard	Anti-stringing security device

Electronic Coin Drop

Coin Drop Models

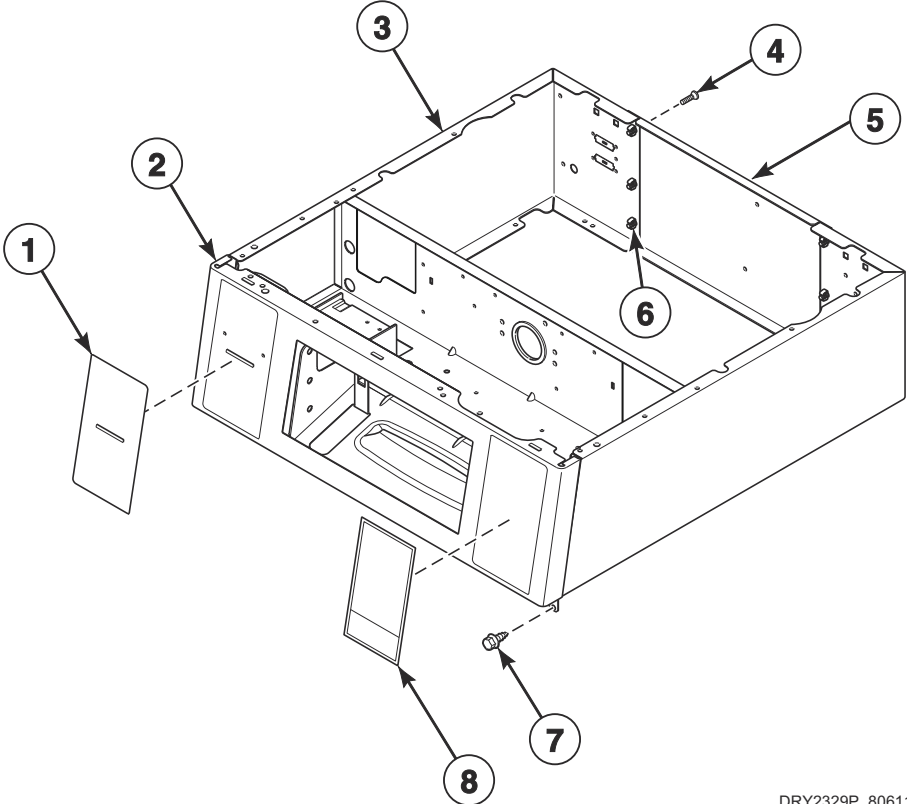


FLW1769P_806117

Electronic Coin Drop

REF	PART NO.	DESCRIPTION	COMMENTS
1	CK115	Electronic Coin Drop Kit	Includes items 2, 3 and 5-7; United States and Canada coins
	CK113	Electronic Coin Drop Kit	Includes items 2, 3 and 5-7; Japan and Taiwan coins
	CK099	Electronic Coin Drop Kit	Includes items 2, 3 and 5-7; Australia, New Zealand, Hong Kong and South Korea coins
	CK100	Electronic Coin Drop Kit	Includes items 2, 3 and 5-7; Euro and Great Britain coins
	CK101	Electronic Coin Drop Kit	Includes items 2, 3 and 5-7; Euro, Denmark and Norway coins
	CK103	Electronic Coin Drop Kit	Includes items 2, 3 and 5-7; Euro, Lithuania and Latvia coins
	CK108	Electronic Coin Drop Kit	Includes items 2, 3 and 5-7; South African 1, 2 and 5 rand coins
	CK109	Electronic Coin Drop Kit	Includes items 2, 3 and 5-7; Euro coins
	CK110	Electronic Coin Drop Kit	Includes items 2, 3 and 5-7; Mexico, Ecuador and United States coins
	CK116	Electronic Coin Drop Kit	Includes items 2, 3 and 5-7; Malaysia (old and new) and China coins
	CK117	Electronic Coin Drop Kit	Includes items 2, 3 and 5-7; Russian coins
	CK118	Electronic Coin Drop Kit	Includes items 2, 3 and 5-7; Philippine coins
	CK119	Electronic Coin Drop Kit	Includes items 2, 3 and 5-7; Thailand coins
	CK120	Electronic Coin Drop Kit	Includes items 2, 3 and 5-7; Chile coins
CK121	Electronic Coin Drop Kit	Includes items 2, 3 and 5-7; Singapore coins	
2	CK099	Electronic Coin Drop Kit	Australia, New Zealand, Hong Kong and South Korea coins
	70513302	Electronic Coin Drop Assembly	Euro and Great Britain coins
	70294104	Electronic Coin Drop Assembly	Euro, Denmark and Norway coins
	70294107	Electronic Coin Drop Assembly	Euro, Lithuania and Latvia coins
	70294109	Electronic Coin Drop Assembly	Malaysia, China, Russia and Singapore coins
	70294110	Electronic Coin Drop Assembly	South African 1, 2 and 5 rand coins
	70294111	Electronic Coin Drop Assembly	Euro coins
	70294122	Electronic Coin Drop Assembly	Great Britain and token coins
	70513306	Electronic Coin Drop Assembly	Mexico, Ecuador and United States coins
	70294120	Electronic Coin Drop Assembly	Chile coins
	70294121	Electronic Coin Drop Assembly	Singapore coins
	70294117	Electronic Coin Drop Assembly	Russia coins
70294103P	Electronic Coin Drop Assembly	Euro and Great Britain coins	
3	201216	Nut	Slotted nut; Rear control models
	29786	Nut	Hex nut; Front control models
4	204915	Dual Coin Harness Assembly	Model HFNKCASP116TW01; Electronic coin drop requires this harness. If unit is not factory-equipped with this harness, it must be ordered separately.
	202871	Dual Coin Harness Assembly	All models except HFNKCASP116TW01; ; Electronic coin drop requires this harness. If unit is not factory-equipped with this harness, it must be ordered separately.
5	201091	Overlay	
6	201572	Clip	
7	38725	Coin Identification Paper	

Control Cabinet - Front Control Card Reader Ready Models



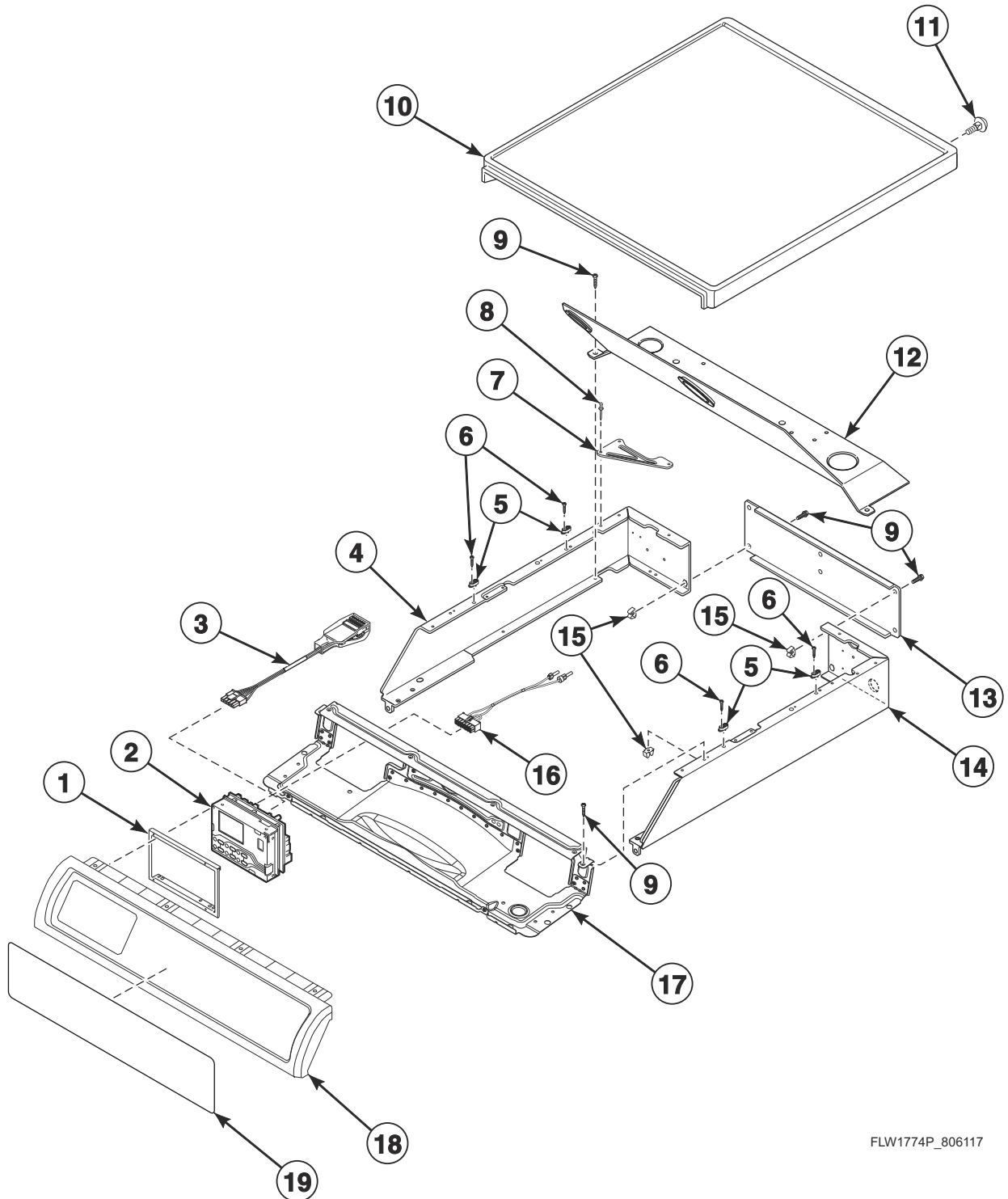
DRY2329P_806117

Control Cabinet - Front Control Card Reader Ready Models

REF	PART NO.	DESCRIPTION	COMMENTS
1	D514391	Card Insert Overlay	Black; Models BFNBYASP113TW01, SFNBYASG113TW01, SFNBYASP113TW01 and SFNBYASP115TW01
	D514873	Overlay	Gray; All other models
2	804149WP	Security Cabinet Assembly	White
	804149B	Security Cabinet Assembly	Black
3	804112W	Wrapper Assembly	White
	804112B	Wrapper Assembly	Black
4	70240301	Screw	
5	803998	Rear Access Panel	
6	70030501	Expansion Clip	
7	D503688	Screw	
8	804327	Operating Instruction Label	Models BFNBYASP113TW01, HFNBYASG113CW01, HFNBYASP113CW01, SFNBYASG113TW01, SFNBYASP113TW01 and SFNBYASP115TW01
	805912	Instruction Label	All other models

Control Cabinet - 45 Degree Front Control Models

Models BFNBLBSP303AW01 and BFNBLBSP543NW01



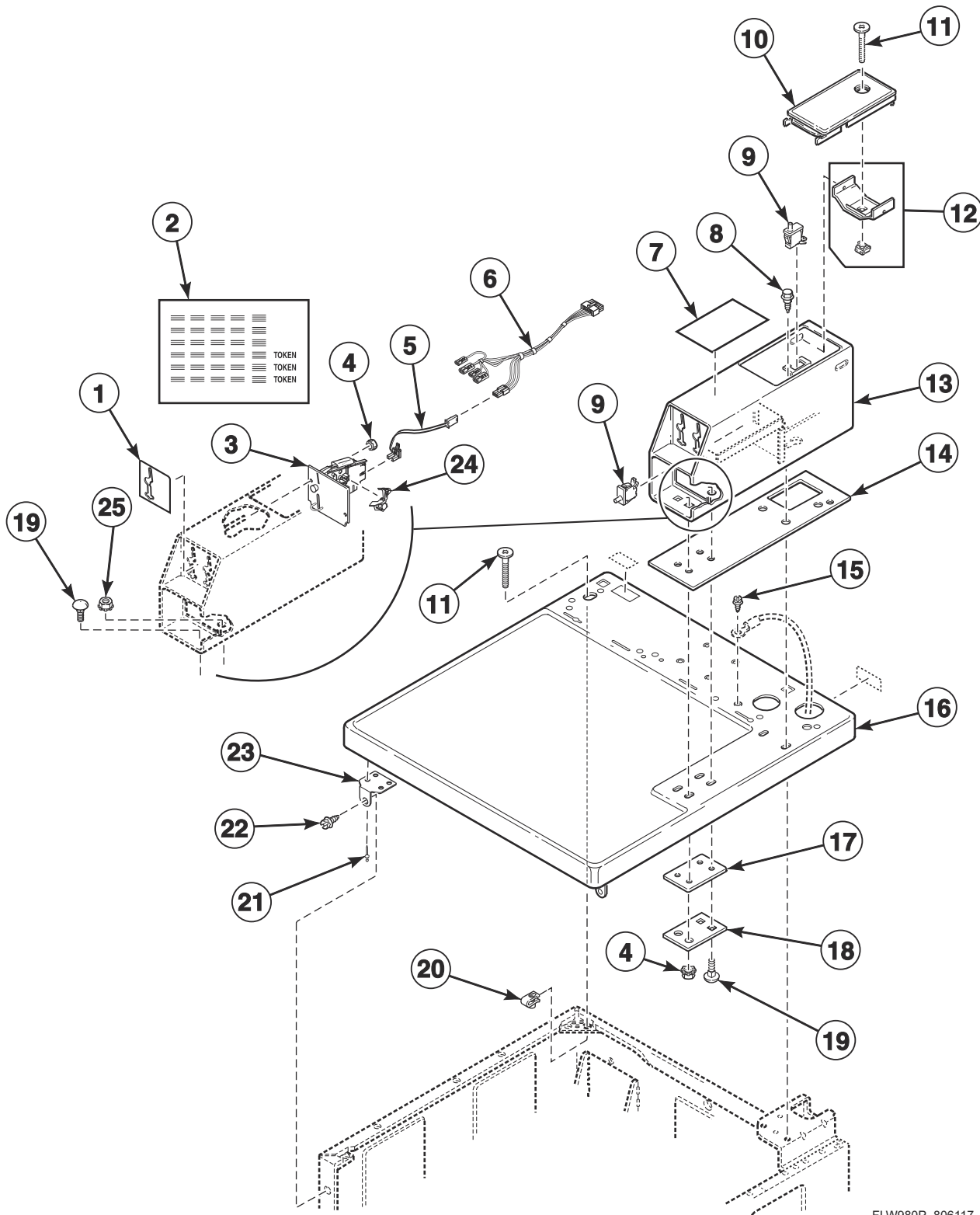
FLW1774P_806117

Control Cabinet - 45 Degree Front Control Models

REF	PART NO.	DESCRIPTION	COMMENTS
	807173	Central Pay Kit	
	36226	Bumper Pad	4 required
1	804612	Control Bracket	
2	806268P	Control Assembly	Through Serial No. 2012999999
	807459	Control Assembly	Starting Serial No. 2101000001
3	203361P	Machine ID Control Assembly	
4	804627W	Control Wrapper	White; Left
5	803761	Top Panel Guide	4 required
6	39733	Screw	4 required
7	805345	Rear Wrapper Brace	2 required
8	685847	Pop Rivet	
9	D503688	Screw	6 required
10	804685WP	Top Panel	White
11	29651	Bolt	
12	804363	Control Shield	
13	804614	Rear Access Panel	
14	804630W	Control Wrapper	White; Right
15	70030501	Expansion Clip	
16	202869	Wiring Harness Assembly	Diagnostic
17	804613	Top Panel Brace Assembly	
18	804962	Control Panel Assembly	White
19	805395	Overlay	Model BFNBLBSP543NW01; Model BFNBLBSP303AW01 through Serial Nos. beginning 1509
	806190	Overlay	Model BFNBLBSP303AW01 starting Serial Nos. beginning 1509

Coin Drop, Meter Case and Service Door

Models HFNBCRSP113TW01, HFNBCRSP115TW01, HFNBDRSP113CW01, HFNBDRSP115CW01, HFNBERSP113CW01, HFNBERSP115CW01, HFNBXRSP113FW01, SFNBCRSP113TW01, SFNBCRSP113TW02, SFNBXRSP113TW01, SFNBXRSP113TW02 and SFNBXRSP115TW02



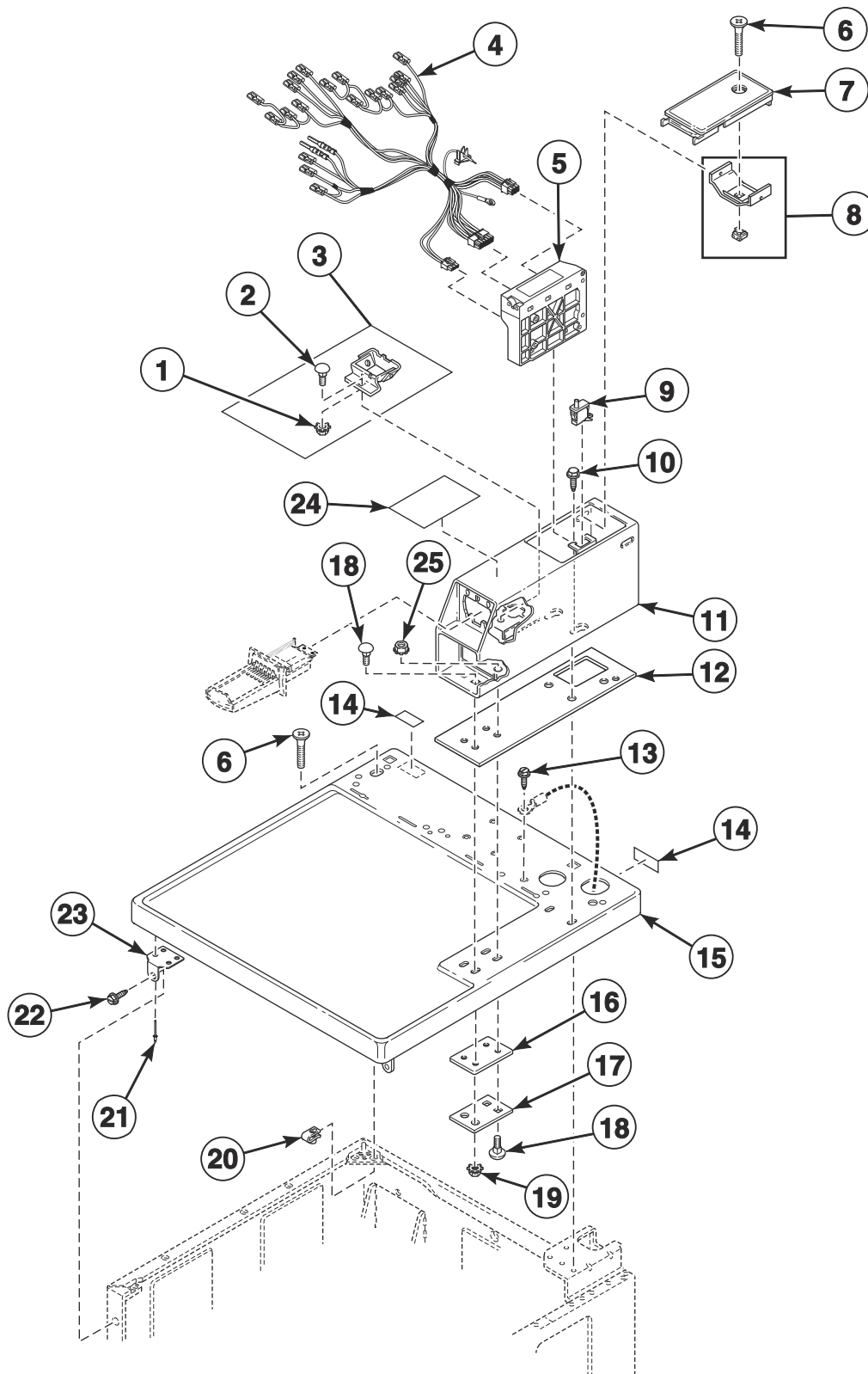
FLW980P_806117

Coin Drop, Meter Case and Service Door

REF	PART NO.	DESCRIPTION	COMMENTS
1	201091	Overlay	Models HFNBERSP113CW01 and HFNBERSP115CW01
	38717	Single Overlay	All other models
	39073	Dual Overlay	All other models
2	38725	Coin Identification Paper	
3	70441601P	Coin Drop	United States; \$.25
	70441602	Coin Drop Assembly	Canada; .25/1.00
	CK077	Coin Drop Kit	Taiwan; 10 NT
	70281102	Coin Drop Assembly	Taiwan; 10/50 NT
4	29786	Nut	
5	200674P	Opto Coupler	
6	202870	Single Coin Harness Assembly	
	202871	Dual Coin Harness Assembly	
7	805830	Rear Control Operating Instruction Label	
8	36048	Screw	
9	D512973	Switch	
10	39874WP	Service Door Assembly	White
11	D503673	Screw	
12	204616	Meter Case Locking Bracket Kit	
13	807406W	Meter Case Assembly	Models HFNBERSP113CW01 and HFNBERSP115CW01
	807401W	Meter Case Assembly Kit	Models SFNBXRSP113TW02, SFNBXRSP113TW02 and SFNBXRSP115TW02
	803578P	Coin Box Extension Kit	Models SFNBXRSP113TW02, SFNBXRSP113TW02 and SFNBXRSP115TW02; Use with 803063WP Meter Case Assembly Kit to extend shorter 7 inch coin boxes
	202877W	Meter Case Assembly	White; All other models
14	26354	Meter Case Gasket	
15	20530	Screw	
16	D511527WP	Top Kit	
17	35526	Meter Case Bracket Gasket	
18	35525	Meter Case Lockdown Bracket	
19	203798	Bolt	
20	27222	Nut	
21	70058501	Pop Rivet	
22	D503661	Screw	
23	D510146	Bracket	
24	201595P	Wire Guard	Anti-stringing security device
25	802337	Nut	

Meter Case, Service Door and Cabinet Top

Models HFNSXRSP113CW01, HFNSXRSP115CW01, SFNSXRSP113CW02, SFNSXRSP113TQ01, SFNSXRSP113TW01, SFNSXRSP113TW02, SFNSXRSP115CW02 and SFNSXRSP115TW02



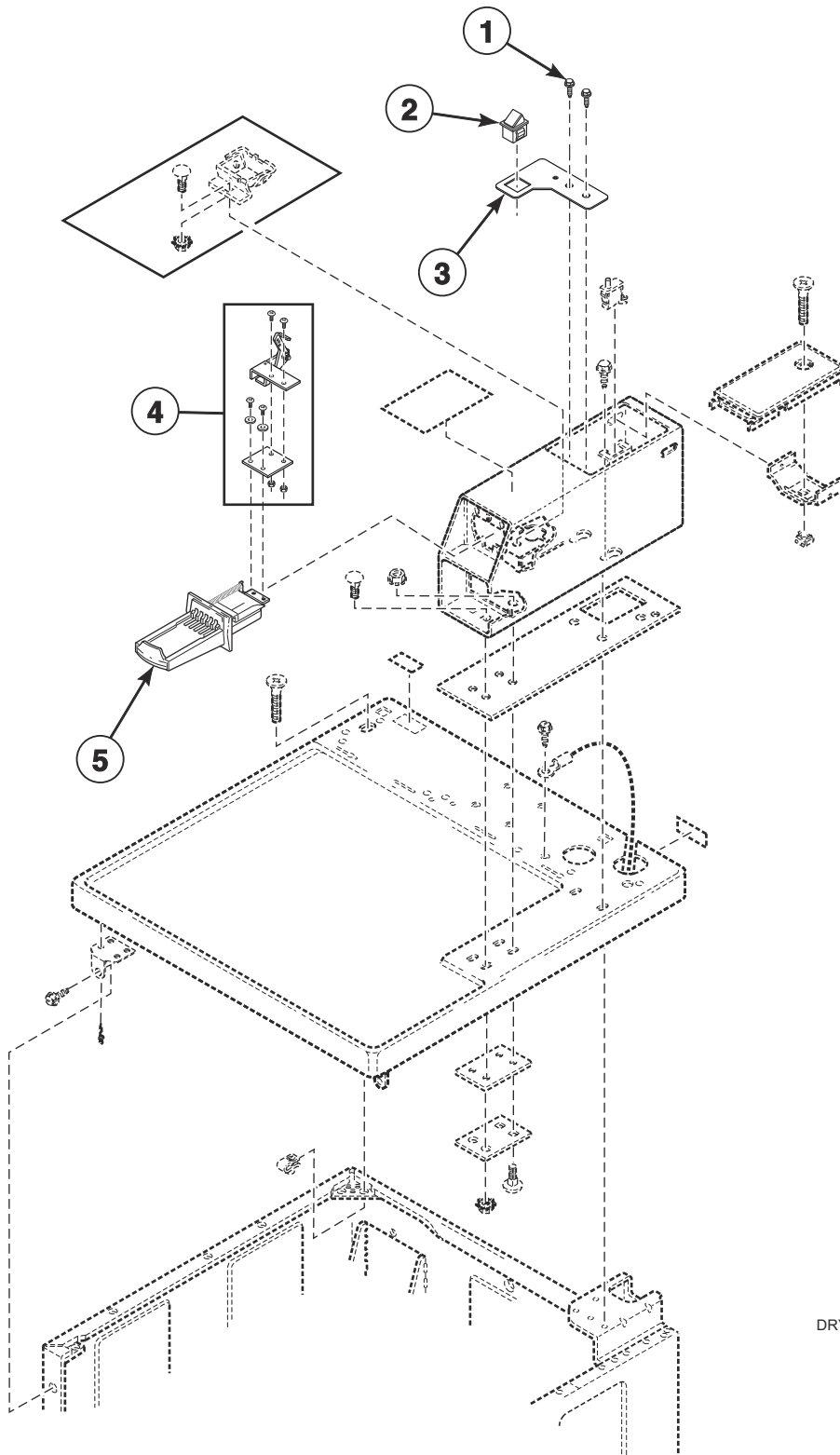
FLW1777P_806117

Meter Case, Service Door and Cabinet Top

REF	PART NO.	DESCRIPTION	COMMENTS
1	M412986	Nut	
2	29651	Bolt	
3	523P3	Coin Funnel Kit	
4	806961	Rear Control Harness	
5	804474P	Control Assembly	Through Serial No. 2012999999
	807462	Control Assembly	Starting Serial No. 2101000001
6	D503673	Screw	
7	39874WP	Service Door Assembly	White
	39874QP	Service Door Assembly	Bisque
8	204616	Meter Case Locking Bracket Kit	
9	D512973	Switch	Models HFNSXRSP113CW01, SFNSXRSP113CW02, SFNSXRSP113TQ01, SFNSXRSP113TW01 and SFNSXRSP113TW02
10	36048	Screw	
11	803576W	Meter Case Assembly	Models SFNSXRSP113CW02 and SFNSXRSP113TW02
	803575WP	Meter Case Assembly Kit	Models SFNSXRSP115CW02 and SFNSXRSP115TW02
	807398W	Meter Case Kit	Model HFNSXRSP115CW01
	801330W	Meter Case Assembly	White; All other models
	801330Q	Meter Case Assembly	Bisque; All other models
12	26354	Meter Case Gasket	
13	20530	Screw	
14	D500316	Warning Label	Models HFNSXRSP113CW01, HFNSXRSP115CW01, SFNSXRSP113CW02 and SFNSXRSP115CW02
	D505281	Disconnect Power Warning Label	All other models
15	D511527WP	Top Kit	White
	D511527QP	Top Kit	Bisque
16	35526	Meter Case Bracket Gasket	
17	35525	Meter Case Lockdown Bracket	
18	203798	Bolt	
19	29786	Nut	
20	27222	Nut	
21	70058501	Pop Rivet	
22	D503661	Screw	
23	D510146	Bracket	
24	805830	Rear Control Operating Instruction Label	
25	802337	Nut	

Coin Slide and Extension

Models HFNSXRSP113CW01, SFNSXRSP113CW02, SFNSXRSP113TQ01, SFNSXRSP113TW01 and SFNSXRSP113TW02



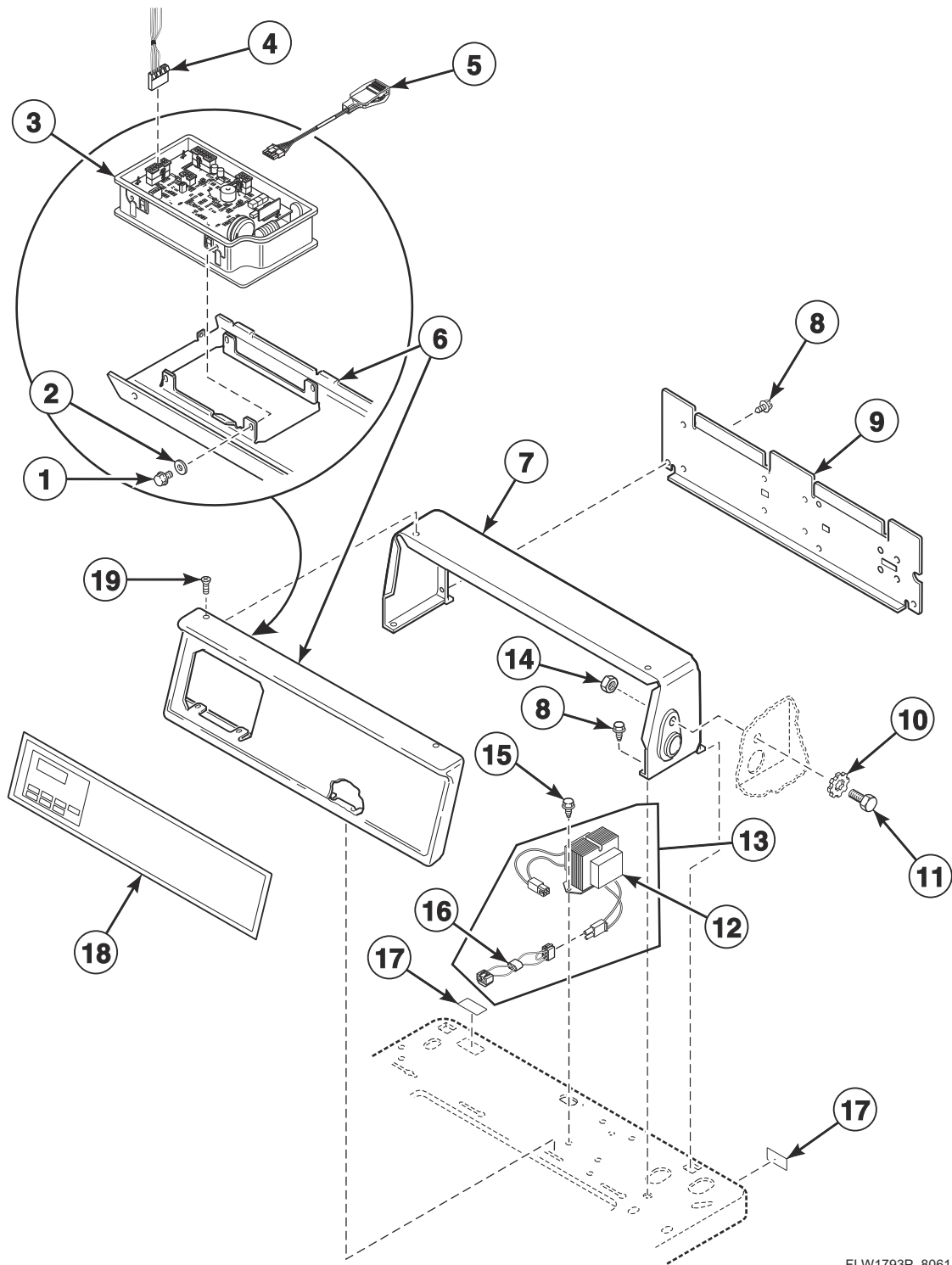
DRY2282P_806117

Coin Slide and Extension

REF	PART NO.	DESCRIPTION	COMMENTS
1	D503688	Screw	
2	70529301	Switch	
3	803662	Bracket	
4	200913	Coin Slide Extension Kit	Includes spring and items 2 and 3
	804794	Spring	
5	CK001	Coin Slide Kit	U.S.A.
	CK009	Coin Slide Kit	STD-118-1 Token
	CK010P	Coin Slide Kit	STD-118-5 Token
	CK011	Coin Slide Kit	STD-118-10 Token
	CK014	Coin Slide Kit	U.S.A.
	CK017	Coin Slide Kit	Chilly Willy Token
	CK027	Slide	Tokette

Control Panel, Control Hood and Controls (Drawing 1 of 3)

Models HFNBDRSP113TW01, HFNBDRSP115TW01, HFNBDRSP113CW01, HFNBDRSP115CW01, HFNBERSP113CW01, HFNBERSP115CW01, HFNBXRSP113FW01, SFNBDRSP113TW01, SFNBDRSP113TW02, SFNBXRSP113TW01, SFNBXRSP113TW02 and SFNBXRSP115TW02



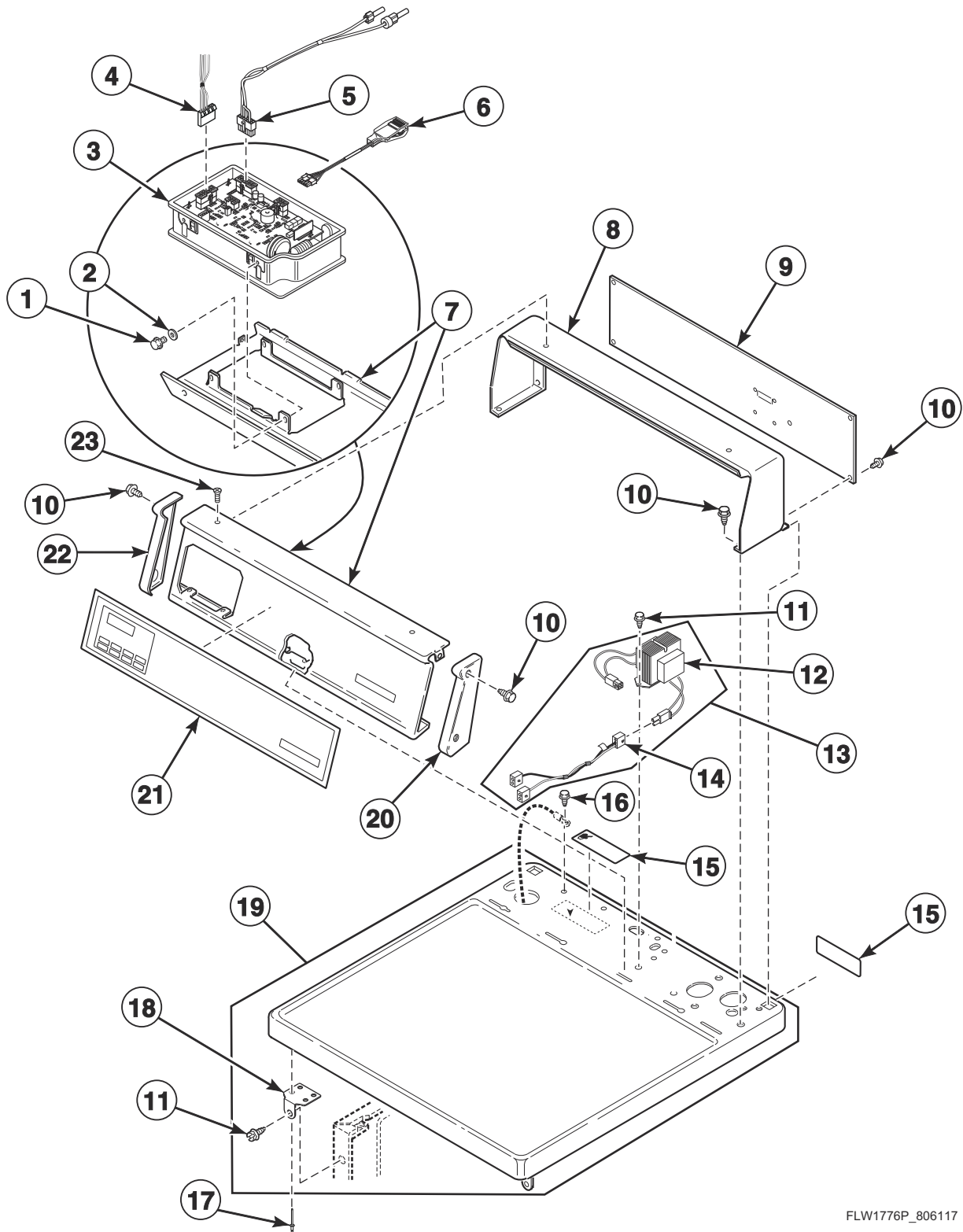
FLW1793P_806117

Control Panel, Control Hood and Controls (Drawing 1 of 3)

REF	PART NO.	DESCRIPTION	COMMENTS
1	D501524	Screw	
2	200608	Washer	
3	806267P	Control Assembly	Through Serial No. 2012999999
	807458	Control Assembly	Starting Serial No. 2101000001
4	805427	Central Pay Harness	
5	203361P	Machine ID Control Assembly	
6	800149W	Control Panel and Bracket Assembly	White
7	D502567W	Control Hood	White
8	D501086	Screw	
9	804886	Hood Back Panel	Models HFNBXRSP113FW01, SFNBXRSP113TW02 and SFNBXRSP115TW02
	804223	Hood Back Panel	All other models
10	M400017	Washer	
11	02916	Screw	
12	202757	Transformer	
13	203423	Transformer Kit	Includes items 12 and 16
14	44087101	Nut	
15	D503661	Screw	
16	804832	Harness	
17	D500316	Warning Label	Models HFNBDRSP113CW01, HFNBDRSP115CW01, HFNBERSP113CW01 and HFNBERSP115CW01
	D505281	Disconnect Power Warning Label	All other models
18	805388	Overlay	Models SFNBDRSP113TW01, SFNBDRSP113TW02, SFNBXRSP113TW01, SFNBXRSP113TW02 and SFNBXRSP115TW02
	805391	Overlay	All other models
19	52864	Screw	

Control Panel, Control Hood and Controls (Drawing 2 of 3)

Models HFNBYSRSP113CW01, HFNBYSRSP115CW01, SFNBYSRSP113TW01 and SFNBYSRSP115TW01



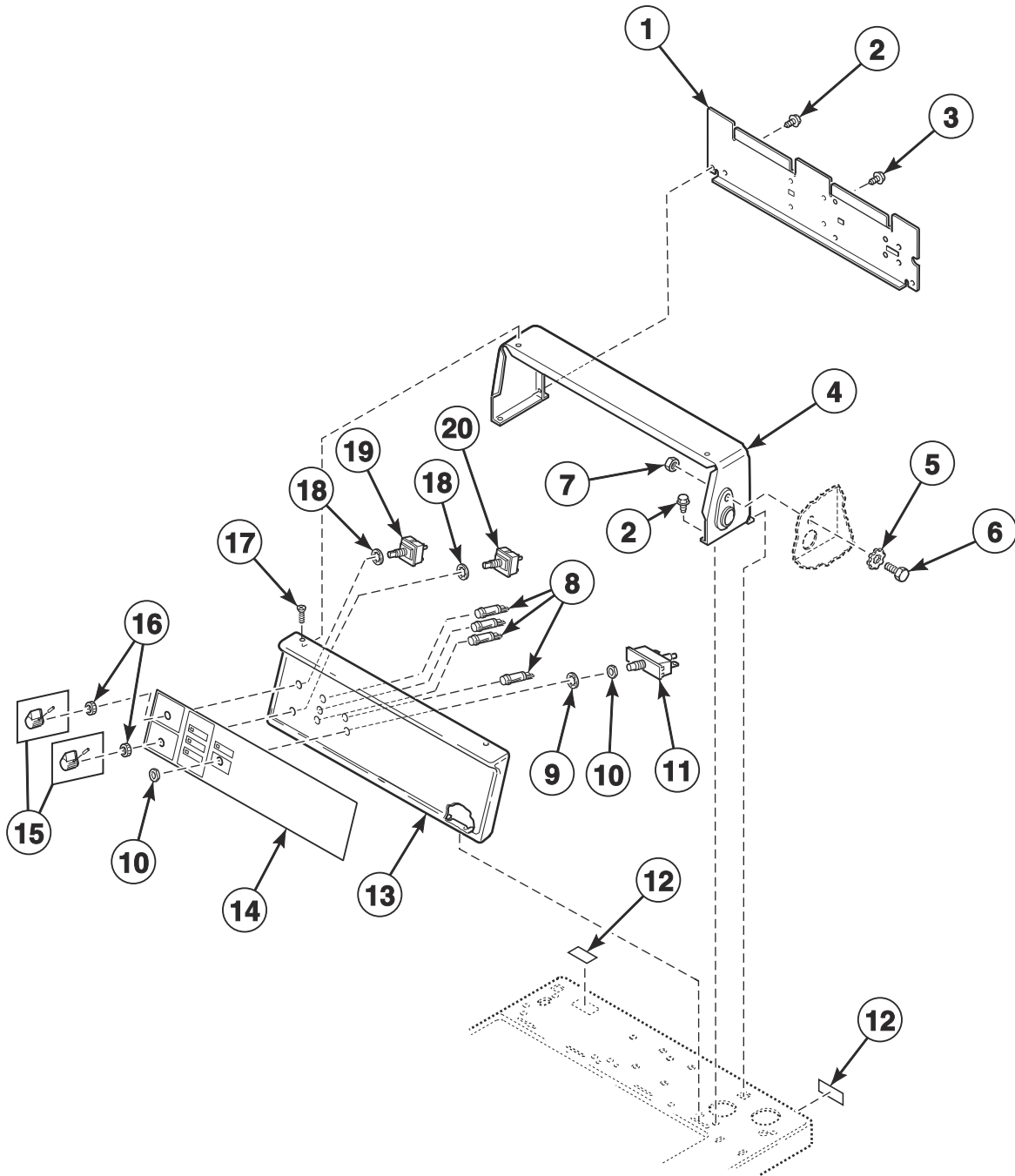
FLW1776P_806117

Control Panel, Control Hood and Controls (Drawing 2 of 3)

REF	PART NO.	DESCRIPTION	COMMENTS
1	D501524	Screw	
2	200608	Washer	
3	806267P	Control Assembly	Through Serial No. 2012999999
	807458	Control Assembly	Starting Serial No. 2101000001
4	805427	Central Pay Harness	
5	202869	Wiring Harness Assembly	Diagnostic
6	203361P	Machine ID Control Assembly	
7	800710W	Control Panel and Stud Assembly	White
8	D511253W	Control Hood	White
9	D511254	Rear Panel	
10	D501086	Screw	
11	D503661	Screw	
12	202757	Transformer	
13	203423	Transformer Kit	Includes items 12 and 14
14	804832	Harness	
15	D500316	Warning Label	Models HFNBYSRSP113CW01 and HFNBYSRSP115CW01
	D505281	Disconnect Power Warning Label	Models SFNBYSRSP113TW01 and SFNBYSRSP115TW01
16	20530	Screw	
17	70058501	Pop Rivet	
18	D510146	Bracket	
19	D511530WP	Top Panel Kit	Includes items 11 and 17
20	210108W	End Cap	Right
21	805389	Overlay	Models SFNBYSRSP113TW01 and SFNBYSRSP115TW01
	805392	Overlay	Models HFNBYSRSP113CW01 and HFNBYSRSP115CW01
22	210109W	End Cap	Left
23	52864	Screw	

Control Panel, Control Hood and Controls (Drawing 3 of 3)

Models HFNSXRSP113CW01, HFNSXRSP115CW01, SFNSXRSP113CW02, SFNSXRSP113TQ01, SFNSXRSP113TW01, SFNSXRSP113TW02, SFNSXRSP115CW02 and SFNSXRSP115TW02

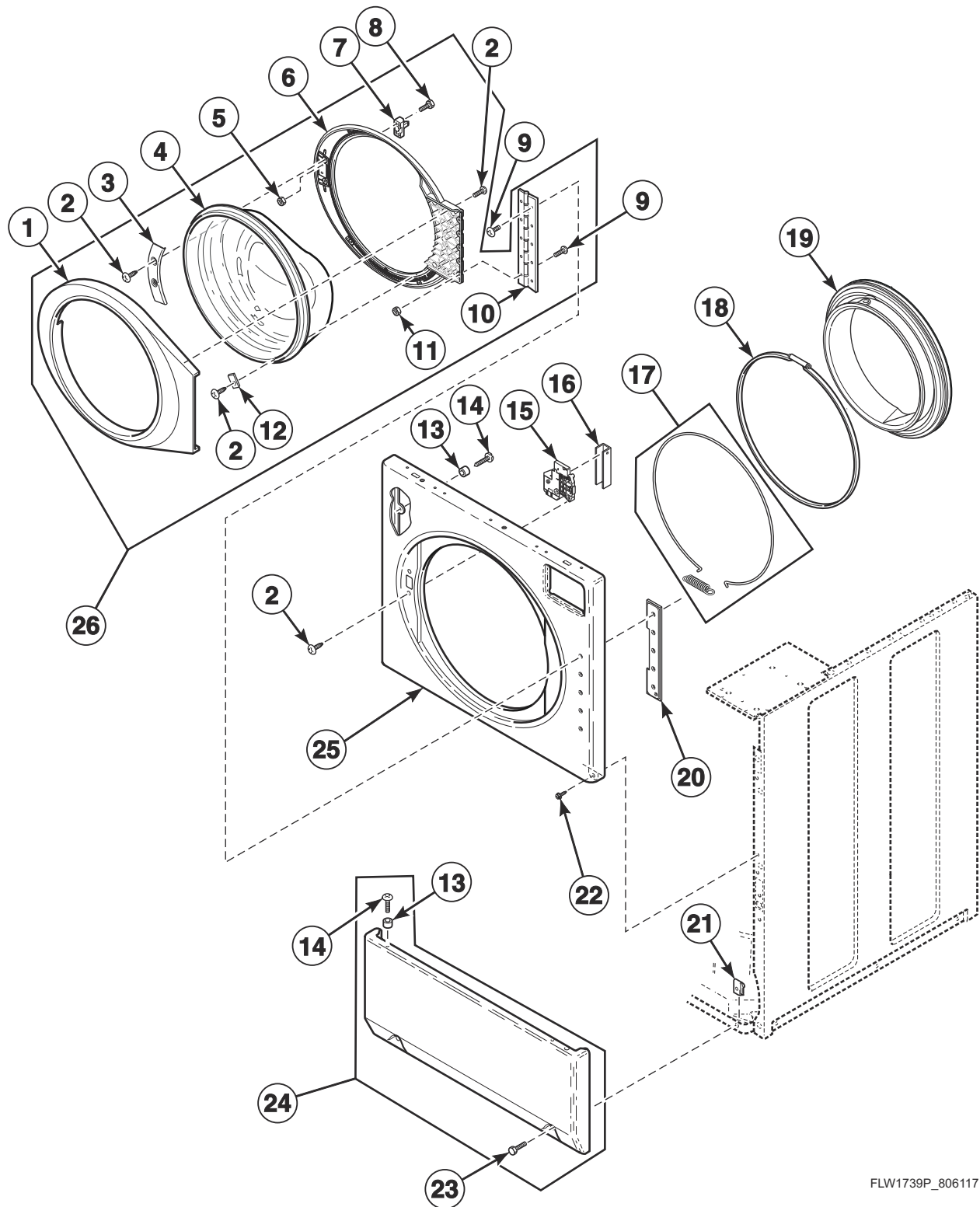


FLW1807P_806117

Control Panel, Control Hood and Controls (Drawing 3 of 3)

REF	PART NO.	DESCRIPTION	COMMENTS
1	804886	Hood Back Panel	
2	D501086	Screw	
3	804608	Screw	
4	D502567W	Control Hood	White
	D502567Q	Control Hood	Bisque
5	M400017	Washer	
6	02916	Screw	
7	44087101	Nut	
8	801431	Light	Green
9	25820	Washer	
10	52947	Nut	
11	55882	Switch Assembly	
12	D500316	Warning Label	Models HFNSXRSP113CW01, HFNSXRSP115CW01, SFNSXRSP113CW02 and SFNSXRSP115CW02
	D505281	Disconnect Power Warning Label	All other models
13	800142W	Control Panel and Bracket Assembly	White
	800142Q	Control Panel and Bracket Assembly	Bisque
14	805390	Overlay	Models HFNSXRSP113CW01 and HFNSXRSP115CW01
	804952	Overlay	All other models
15	39897	Switch Knob	
16	24205	Nut	
17	52864	Screw	
18	91029	Washer	
19	685595	Temperature Switch	
20	800404	Motor Speed Switch	

Front Panel, Door Assembly and Door Seal

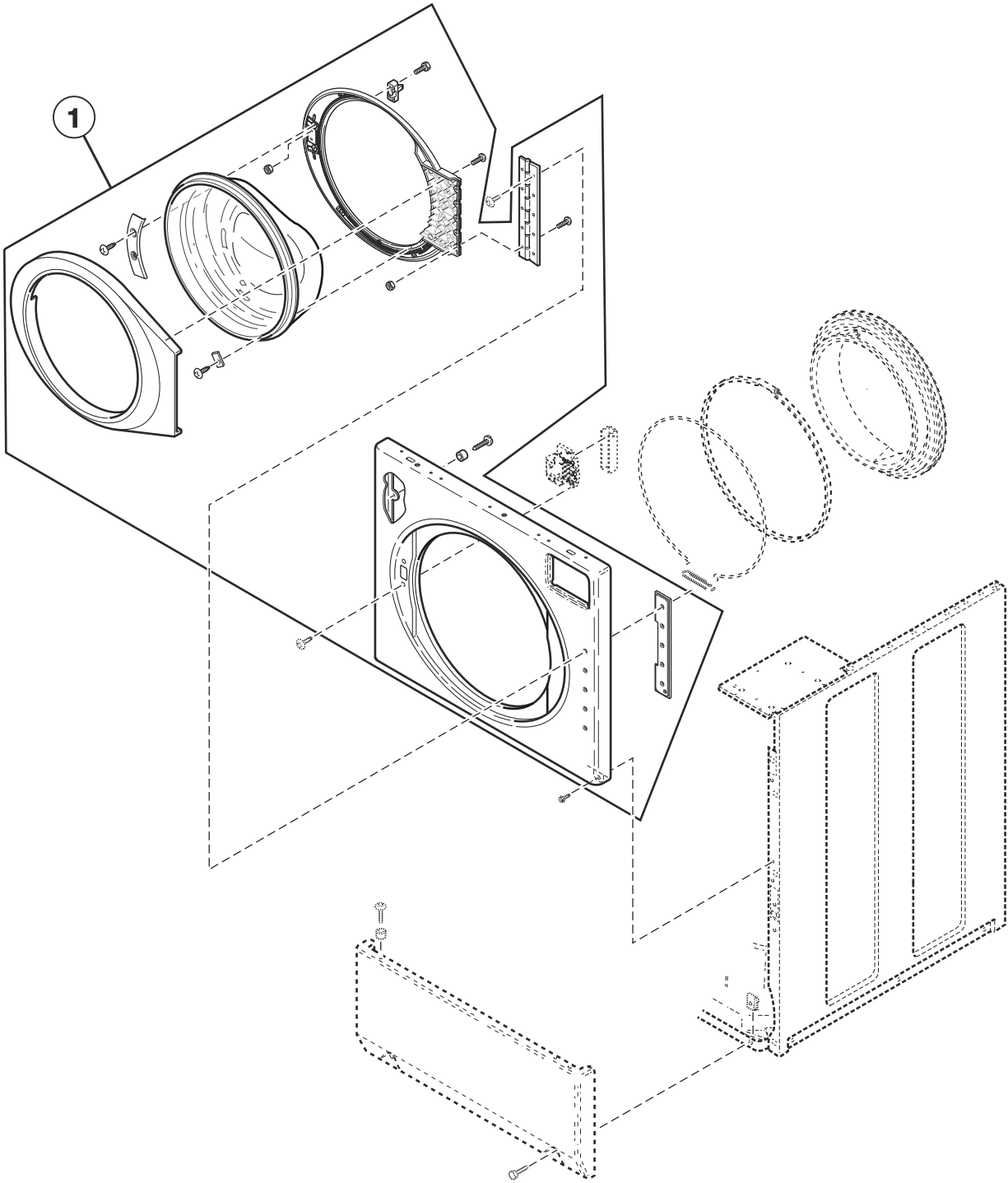


FLW1739P_806117

Front Panel, Door Assembly and Door Seal

REF	PART NO.	DESCRIPTION	COMMENTS
1	808094	Outer Door Bezel	White
	808092	Outer Door Bezel	Black
	808093	Outer Door Bezel	Bisque
	808091	Outer Door Bezel	Gray
2	800548	Screw	
3	806354	Door Glass Mounting Plate	
4	802695P	Door Glass	
5	685846	Nut	
6	808095	Inner Door Bezel Kit	White
	808096	Inner Door Bezel Kit	Gray
	808097	Inner Door Bezel	Glass filled polypropylene upgrade
7	802803	Door Catch Assembly	
8	801993	Screw	
9	807678	Screw	
10	802934	Door Hinge	
11	23951	Nut	
12	802700	Glass Mounting Clip	
13	56079	Panel Locator	
14	39733	Screw	Use with painted panels
	806086	Screw	Use with stainless steel panels
15	803920	Door Latch Assembly	
16	804784	Door Lock Drip Shield	Models BFNBLBSP303AW01, BFNBXASP113FW01, BFNBXASP303AW01, HFNBXASP113FQ01, HFNBXASP113FW01, HFNBXASP123DW01, HFNBXASP543DW01, SFNBXASG113JW01, SFNBXASP113FW01, SFNBXASP123DW01, SFNBXASP303AW01, SFNBXASP303AW12, SFNBXASP303ZQ01, SFNBXASP303ZW01 and SFNBXASP543DW01
17	806466	Wire Ring and Spring	
18	802281	Hose Clamp	
19	804428P	Door Seal	Black
	804429P	Door Seal Assembly	Gray
20	802206	Hinge Plate	
21	36020	Nut	
22	D503661	Screw	
23	801045	Screw	Use with painted panels
	D512921	Screw	Use with stainless steel panels
24	804617W	Access Panel Assembly	White
	804617Q	Access Panel Assembly	Bisque
	804618	Access Panel Assembly	Stainless steel
25	802277WP	Front Panel	White
	802277QP	Front Panel	Bisque
	802288P	Front Panel	Stainless steel
26	804083WP	Door Assembly	White; Includes items 1-8, 10-12
	804083QP	Door Assembly	Bisque; Includes items 1-8, 10-12
	805550P	Door Assembly	Black; Includes items 1-8, 10-12
	804210P	Door Assembly	Gray; Includes items 1-8, 10-12

Front Panel Assembly

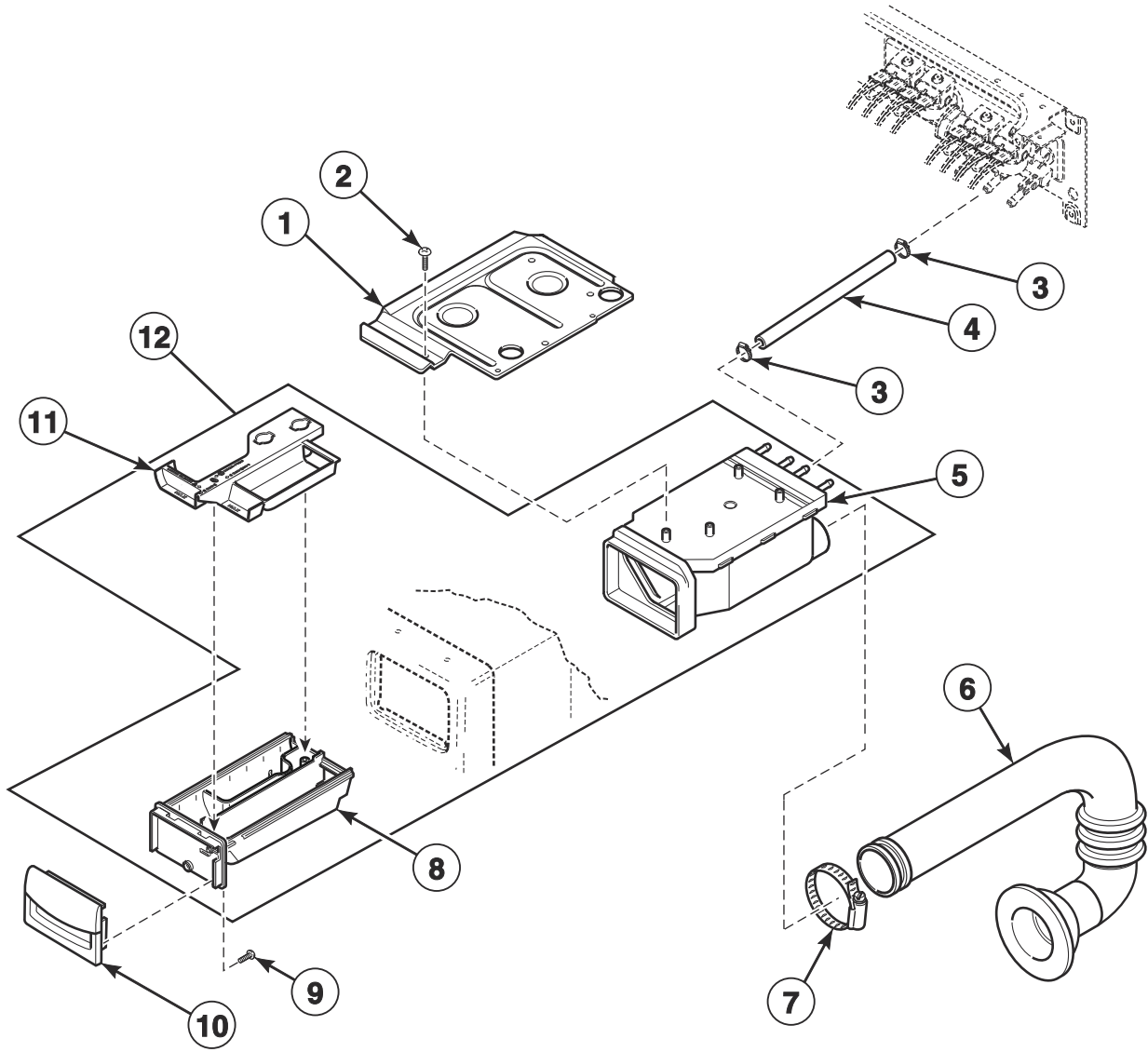


FLW1739PA_806117

Front Panel Assembly

REF	PART NO.	DESCRIPTION	COMMENTS
1	806505W	Front Panel Assembly Kit	White
	806560	Front Panel Assembly Kit	Stainless steel

Dispenser Assembly

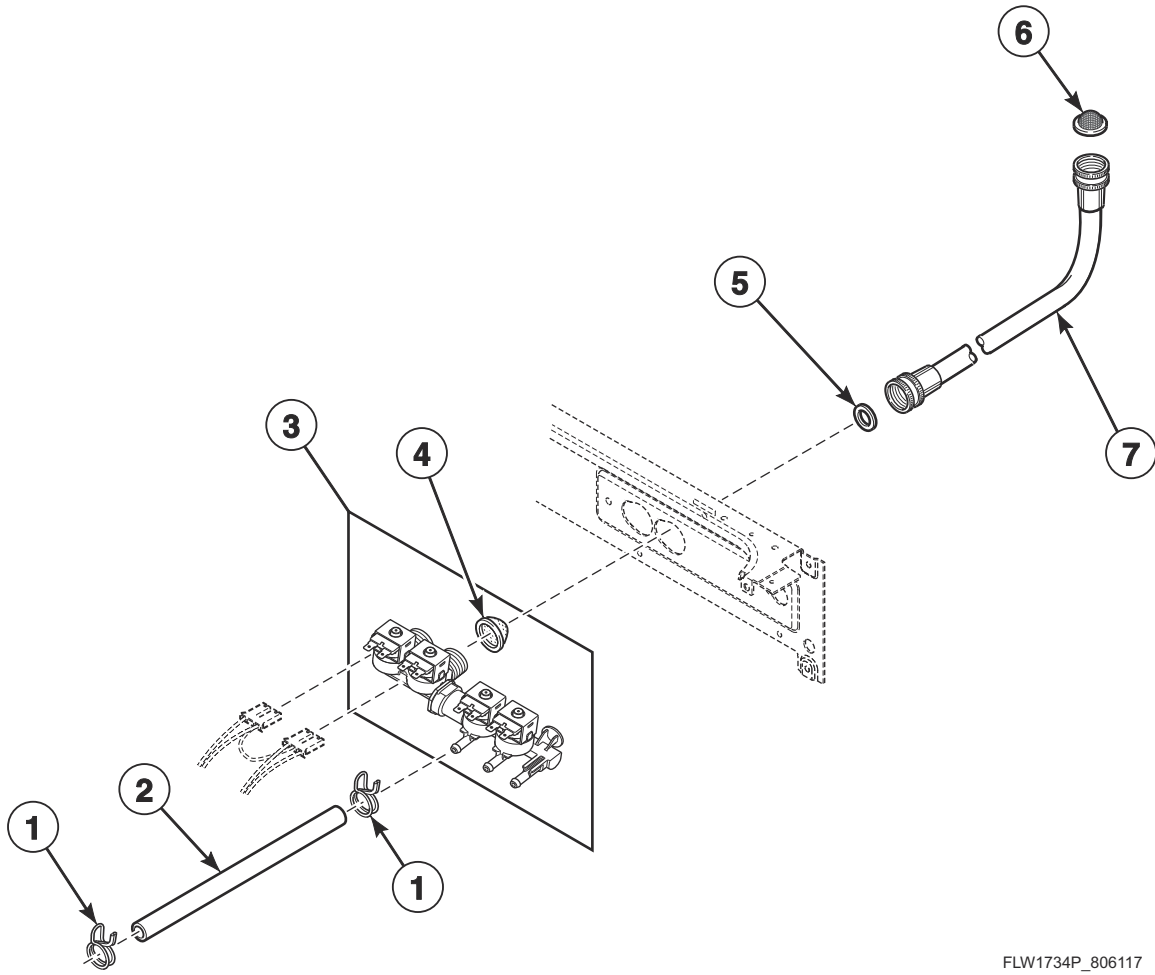


FLW1717P_806117

Dispenser Assembly

REF	PART NO.	DESCRIPTION	COMMENTS
	804875	Foam Pad	
	805772	Chemical Injection Conversion Kit	Card reader models through Serial No. 2012999999
	808078	Chemical Injection Conversion Kit	Card reader models starting Serial No. 2101000001
	805939	Chemical Injection Conversion Kit	All other models through Serial No. 2012999999
	808077	Chemical Injection Conversion Kit	All other models starting Serial No. 2101000001
1	803843	Dispenser Plate	
2	801001	Screw	
3	807386	Hose Clamp	
4	803849	Dispenser Inlet Hose	Through Serial No.1810000001
	807364	Dispenser Inlet Hose	Starting Serial No.1810000001
5	803698	Dispenser Assembly	
6	804717	Detergent Hose	
7	685725	Hose Clamp	
8	803667	Dispenser Drawer	
9	800548	Screw	
10	804227WP	Dispenser Handle	White
	804227B	Dispenser Handle	Black
	804227Q	Dispenser Handle	Bisque
11	803669	Compartment Cover	Models HFNKCASG113TN01, HFNKCASG113TN31, HFNKCASG113TN32, HFNKCASG113TW01, HFNKCASG115TN01, HFNKCASG115TN31, HFNKCASG115TN32, HFNKCASG115TW01, HFNKCASG116TN01, HFNKCASG116TW01, HFNKCASP113TN01, HFNKCASP113TN31, HFNKCASP113TN32, HFNKCASP113TW01, HFNKCASP115TN01, HFNKCASP115TN31, HFNKCASP115TN32, HFNKCASP115TW01, HFNKCASP116TN01, HFNKCASP116TW01, HFNKDASG113CN01, HFNKDASG113CN31, HFNKDASG113CN32, HFNKDASG113CW01, HFNKDASG115CN01, HFNKDASG115CN31, HFNKDASG115CN32, HFNKDASG115CW01, HFNKDASP113CN01, HFNKDASP113CN31, HFNKDASP113CN32, HFNKDASP113CW01, HFNKDASP115CN01, HFNKDASP115CN31, HFNKDASP115CN32, HFNKDASP115CW01, HFNKXASG113CN01, HFNKXASG113CN31, HFNKXASG113CN32, HFNKXASG113CW01, HFNKXASG115CN01, HFNKXASG115CN31, HFNKXASG115CN32, HFNKXASG115CW01, HFNKXASP113CN01, HFNKXASP113CN31, HFNKXASP113CN32, HFNKXASP113CW01, HFNKXASP115CN01, HFNKXASP115CN31, HFNKXASP115CN32, HFNKXASP115CW01, HFNKYASG113CN01, HFNKYASG113CN31, HFNKYASG113CN32, HFNKYASG113CW01, HFNKYASG115CN01, HFNKYASG115CN31, HFNKYASG115CN32, HFNKYASG115CW01, HFNKYASG116CN01, HFNKYASP113CN01, HFNKYASP113CN31, HFNKYASP113CN32, HFNKYASP113CW01, HFNKYASP115CN01, HFNKYASP115CN31, HFNKYASP115CN32, HFNKYASP115CW01 and HFNKYASP116CN01
	803670	Compartment Cover	All other models
12	805495P	Dispenser Assembly	Includes items 5, 8, 11 and 804875 Foam Pad

Mixing Valve, Inlet Hose and Dispenser Hose

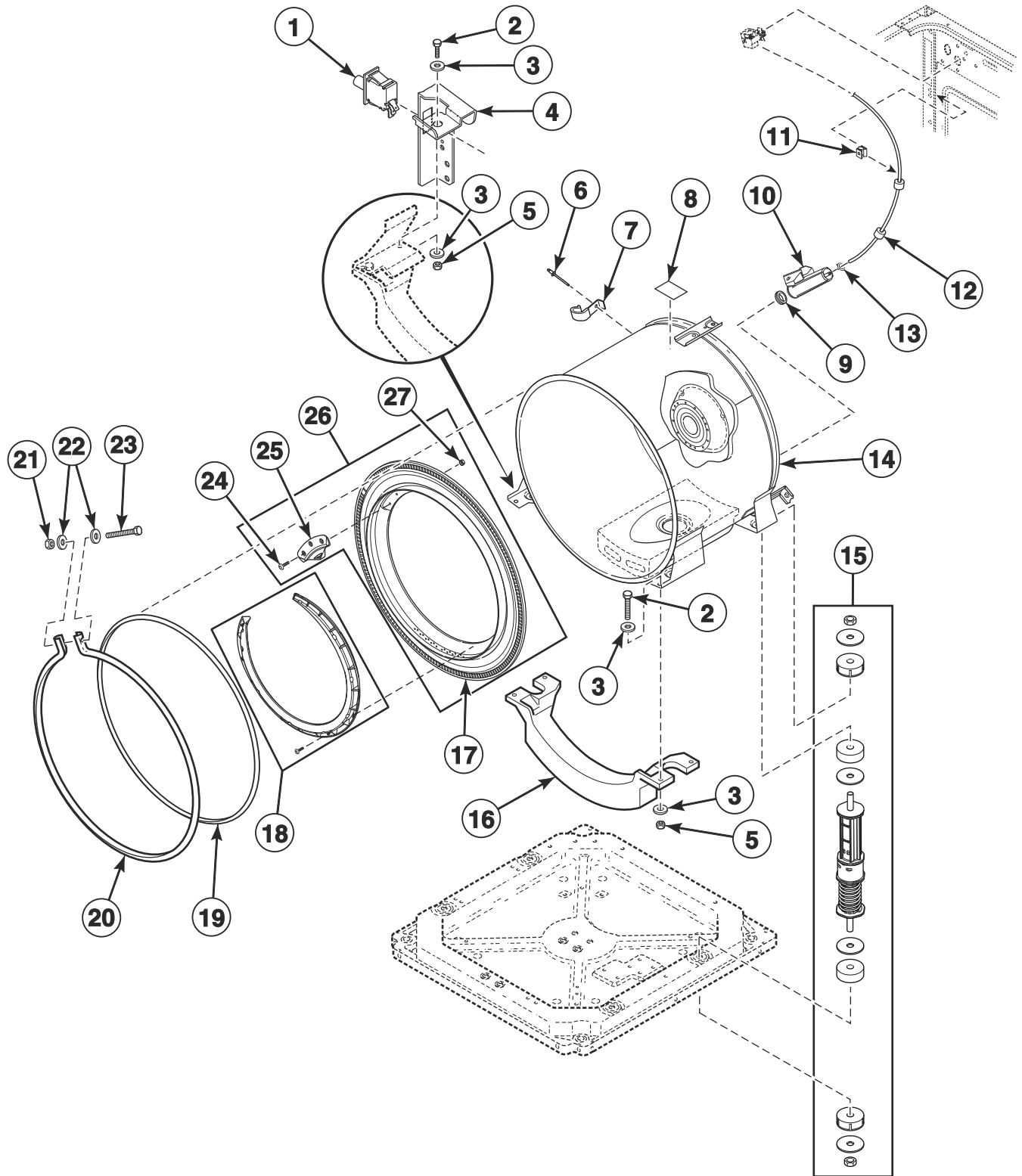


FLW1734P_806117

Mixing Valve, Inlet Hose and Dispenser Hose

REF	PART NO.	DESCRIPTION	COMMENTS
	804783	Mixing Valve Shield	Models BFNBLBSP303AW01, BFNBXASP113FW01, BFNBXASP303AW01, HFNBXASP113FQ01, HFNBXASP113FW01, HFNBXASP123DW01, HFNBXASP543DW01, SFNBXASG113JW01, SFNBXASP113FW01, SFNBXASP123DW01, SFNBXASP303AW01, SFNBXASP303AW12, SFNBXASP303ZQ01, SFNBXASP303ZW01 and SFNBXASP543DW01
1	807386	Hose Clamp	
2	803849	Dispenser Inlet Hose	Through Serial No.1810000001
	807364	Dispenser Inlet Hose	Starting Serial No.1810000001
3	807497P	Mixing Valve	220-240 Volt; BSPP thread; Models BFNBLBSP303AW01, BFNBLBSP543NW01, BFNBXASP303AW01, HFNBXASP303NW22, HFNBXASP543DW01, SFNBXASP303AW01, SFNBXASP303AW12, SFNBXASP303NW22, SFNBXASP303ZQ01, SFNBXASP303ZW01 and SFNBXASP543DW01
	806611P	Mixing Valve	100-127 Volt; BSPP thread; Model SFNBXASG113JW01; Starting Serial No. 1810000001
	807838	Mixing Valve	220-240 Volt; GNT thread; Models HFNBXASP543DW01 and SFNBXASP543DW01; Starting Serial No. 1810000001
	807837P	Mixing Valve	100-127 Volt; GHT thread
4	24122	Mixing Valve Screen	Steel mesh
	F8161201	Mixing Valve Screen	Plastic
5	20290	Washer	
6	803615	Washer	Filter screen
	802254	Washer	Flow restrictor; Water pressure reducer; Available for water pressure up to but not exceeding 120 psi
7	203720	Fill Hose	4 feet; Marked for cold water; 2 GHT thread hose couplings
	203719	Fill Hose	4 feet; Marked for hot water; 2 GHT thread hose couplings
	203750	Fill Hose	4 feet; Marked for cold water; 1 GHT thread and 1 BSPP thread hose coupling
	203718	Fill Hose	4 feet; Marked for hot water; 1 GHT thread and 1 BSPP thread hose coupling
	204103	Fill Hose	4 feet; Marked for cold water; 2 BSPP thread hose couplings
	204102	Fill Hose	4 feet; Marked for hot water; 2 BSPP thread hose couplings

Outer Tub, Clamp Ring and Shock Absorbers

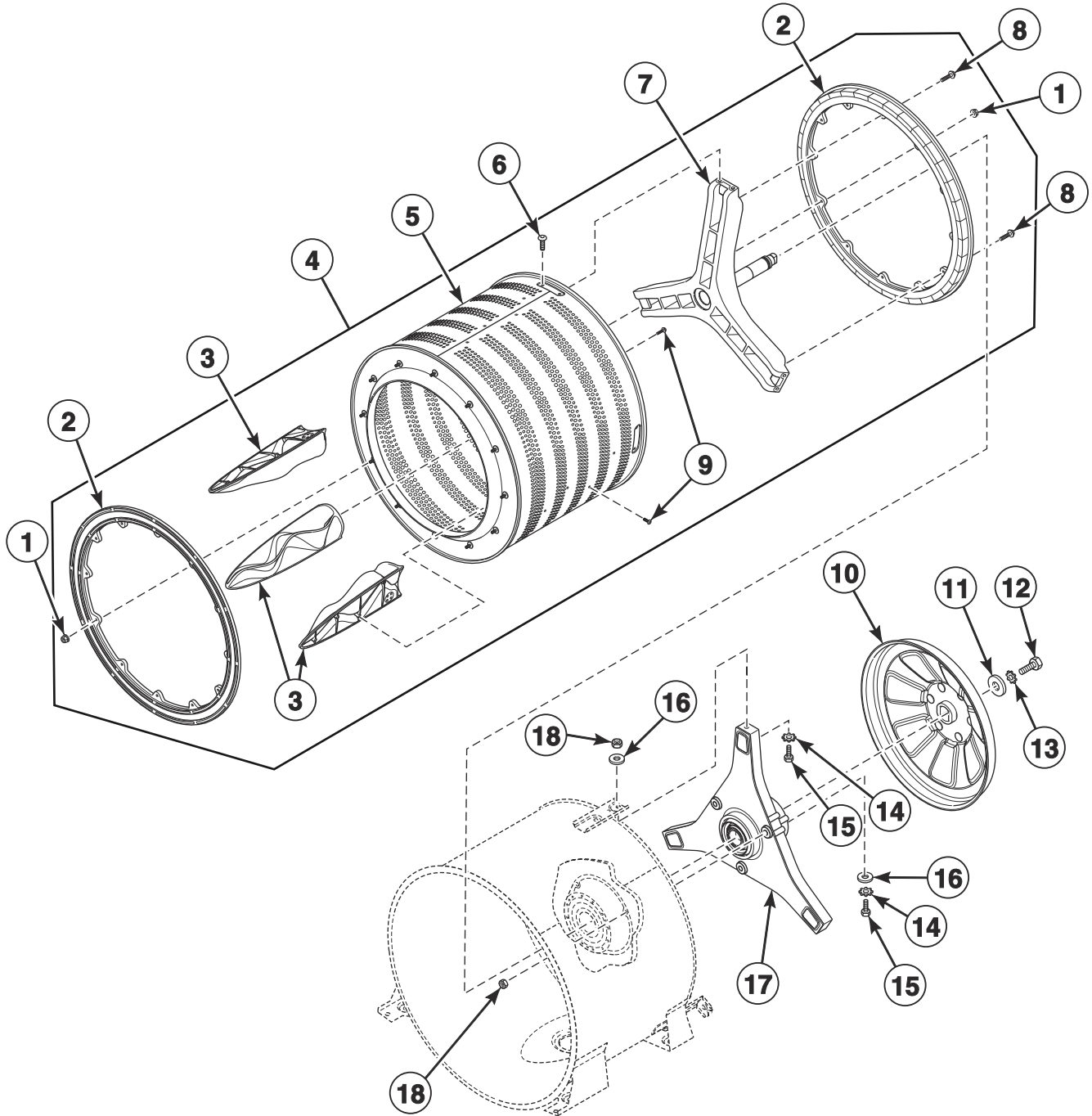


FLW1809P_806117

Outer Tub, Clamp Ring and Shock Absorbers

REF	PART NO.	DESCRIPTION	COMMENTS
1	803415	Out-of-Balance Switch Assembly	Through Serial No. 2012999999
	807384	Out-of-Balance Switch Assembly	Starting Serial No. 2101000001
2	800461	Screw	
3	804458	Washer	
4	804457	Out-of-Balance Switch Bracket	Through Serial No. 2012999999
	807280	Out-of-Balance Switch Bracket	Starting Serial No. 2101000001
5	800452	Nut	
6	685847	Pop Rivet	
7	800553	Hose Clip	
8	D500049	Warning Label	
9	29175	Grommet	
10	808013	Pressure Bulb	
11	36985	Hose Clip	
12	804483	Pressure Sensor Tube Assembly	
13	803891	Hose Clamp	
14	803864	Outer Tub Assembly	Through Serial No. 1910999999 except Serial Nos. 1908066087 to 1909000879
	807618	Outer Tub Assembly	Serial Nos. 1908066087 to 1909000879 and starting Serial No. 1911000001 to 2010999999
	807479	Outer Tub Assembly	Starting Serial No. 2011000001
15	803777P	Shock Assembly	Must replace all four
16	807476	Counterweight	
17	803770	Tub Front	
18	806308	Foreign Object Deflector	Black; Includes screws
	806313	Foreign Object Deflector	Gray; Includes screws
	806361	Foreign Object Deflector	Tall; Gray; Includes screws
19	803801	Tub Front Seal	
20	803802	Clamp Ring	
21	F430218	Nut	
22	M400081	Washer	8 required
23	800462	Screw	
24	802596	Screw	
25	804467	Clothes Guard Deflector	
	805548	Clothes Guard Deflector	Heavy duty
26	803879	Tub Front Assembly	Includes items 17, 24, 25 and 27
27	802343	Nut	

Inner Basket, Trunnion, Bearing Housing and Pulley

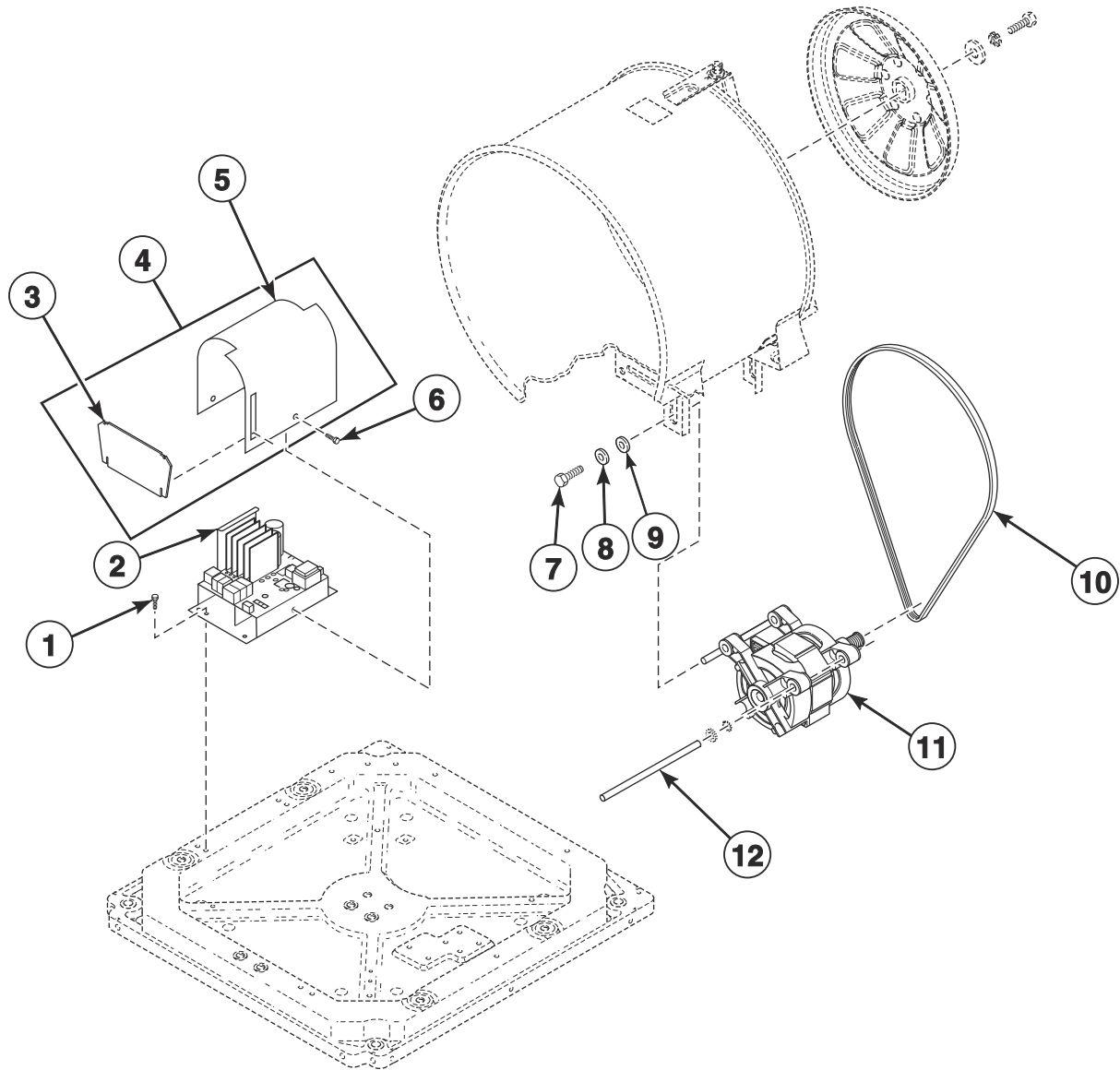


FLW1803P_806117

Inner Basket, Trunnion, Bearing Housing and Pulley

REF	PART NO.	DESCRIPTION	COMMENTS
	27604P	Anti-Seize Compound	Pulley to inner basket shaft
1	804418	Nut	
2	804393	Balance Ring Assembly	
3	804382	Lifter	
4	805485	Inner Basket Assembly	Model SFNBXASP303AW12
	804376P	Inner Basket Assembly Kit	All other models
5	804374P	Inner Basket Assembly	
6	804699	Screw	
7	806831	Trunnion Kit	Model SFNBXASP303AW12
	808043	Trunnion Shaft Kit	All other models; Includes hardware
8	804399	Screw	
9	800548	Screw	
10	808197	Pulley Assembly	
11	807679	Washer	
12	685831	Screw	Left hand thread
13	M403958	Washer	Used on models through Serial No. 1609046805
14	M403958	Washer	
15	M400043	Screw	
16	M400081	Washer	
17	805525	Bearing Housing Kit	Includes hardware and tool
18	800452	Nut	

Motor and Belt



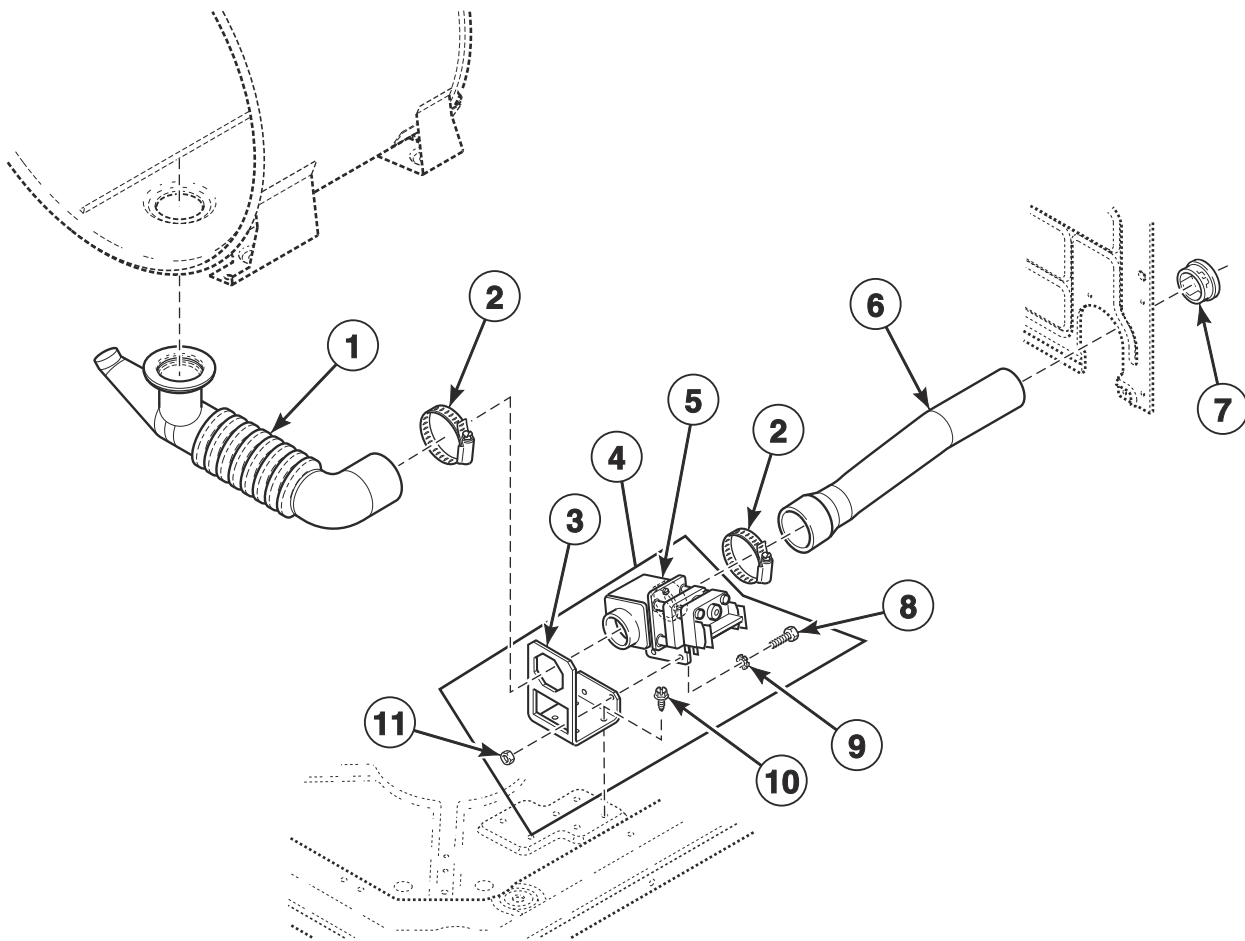
FLW1794P_806117

Motor and Belt

REF	PART NO.	DESCRIPTION	COMMENTS
	807441	Control Bracket	Starting Serial No. 2101000001
	F8206901	Screw	Starting Serial No. 2101000001; Use with 807441 Control Bracket
	807623	Belt Install Tool	
1	D503661	Screw	
2	807175P	Inverter Control Assembly	Through Serial No. 2012999999
	808149	Output Control Assembly	120 Volt; Without filter; Starting Serial No. 2101000001
	807243	Output Control Assembly	240 Volt; With filter; Starting Serial No. 2101000001
3	806258	End Shield	Models BFNBLBSP303AW01, BFNBXASP113FW01, BFNBXASP303AW01, HFNBXASP113FQ01, HFNBXASP113FW01, HFNBXASP123DW01, HFNBXASP543DW01, SFNBXASG113JW01, SFNBXASP113FW01, SFNBXASP123DW01, SFNBXASP303AW01, SFNBXASP303AW12, SFNBXASP303ZQ01, SFNBXASP303ZW01 and SFNBXASP543DW01
4	806498	Motor Control Shield	Includes items 3 and 5; Models BFNBLBSP303AW01, BFNBXASP113FW01, BFNBXASP303AW01, HFNBXASP113FQ01, HFNBXASP113FW01, HFNBXASP123DW01, HFNBXASP543DW01, SFNBXASG113JW01, SFNBXASP113FW01, SFNBXASP123DW01, SFNBXASP303AW01, SFNBXASP303AW12, SFNBXASP303ZQ01, SFNBXASP303ZW01 and SFNBXASP543DW01
5	804878	Motor Control Shield	Through Serial No. 2012999999
6	D501524	Screw	
7	M400057	Screw	Through Serial No. 2010999999
	02916	Screw	Starting Serial No. 2011000001
8	02834	Washer	Through Serial No. 2010999999
9	M400080	Washer	Through Serial No. 2010999999
10	804985	Drive Belt	Through Serial No. 1910999999 except Serial Nos. 1908066087 to 1909000879
	807429P	Belt Kit	Use with belt install tool; Serial Nos. 1908066087 to 1909000879 and starting Serial No. 1911000001
11	805726P	Motor and Rod Assembly Kit	Includes item 12; Through Serial No. 2010071306
	808034P	Motor and Rod Assembly Kit	Includes item 12; Starting Serial No. 2010071307 through Serial No. 2012999999
	808067P	Motor and Rod Assembly Kit	Includes item 12; Starting Serial No. 2101000001
12	803861	Motor Rod	Through Serial No. 2010999999
	807739	Motor Rod	Starting Serial No. 2011000001

Drain Hoses and Valve

Models BFNBCASG113TN01, BFNBCASG113TW01, HFNBCASG113TN01, HFNBCASG113TQ01, HFNBCASG113TW01, HFNBCASG115TQ01, HFNBCASG115TW01, HFNB DASG113CW01, HFNB DASG115CW01, HFNB YASG113CW01, HFNB YASG115CW01, HFNKCASG113TN01, HFNKCASG113TN31, HFNKCASG113TN32, HFNKCASG113TW01, HFNKCASG115TN01, HFNKCASG115TN31, HFNKCASG115TN32, HFNKCASG115TW01, HFNKCASG116TN01, HFNKCASG116TW01, HFNKDASG113CN01, HFNKDASG113CN31, HFNKDASG113CN32, HFNKDASG113CW01, HFNKDASG115CN01, HFNKDASG115CN31, HFNKDASG115CN32, HFNKDASG115CW01, HFNKXASG113CN01, HFNKXASG113CN31, HFNKXASG113CN32, HFNKXASG113CW01, HFNKXASG115CN01, HFNKXASG115CN31, HFNKXASG115CN32, HFNKXASG115CW01, HFNKXASG116CN01, HFNKYASG113CN01, HFNKYASG113CN31, HFNKYASG113CN32, HFNKYASG113CW01, HFNKYASG115CN01, HFNKYASG115CN31, HFNKYASG115CN32, HFNKYASG115CW01, HFNZCASG113TN01, HFNZCASG113TN31, HFNZCASG115TN01, HFNZCASG115TN31, SFNBCASG113TQ01, SFNBCASG113TW01, SFNBXASG113JW01, SFNBXASG113TQ01, SFNBXASG113TW01 and SFNB YASG113TW01



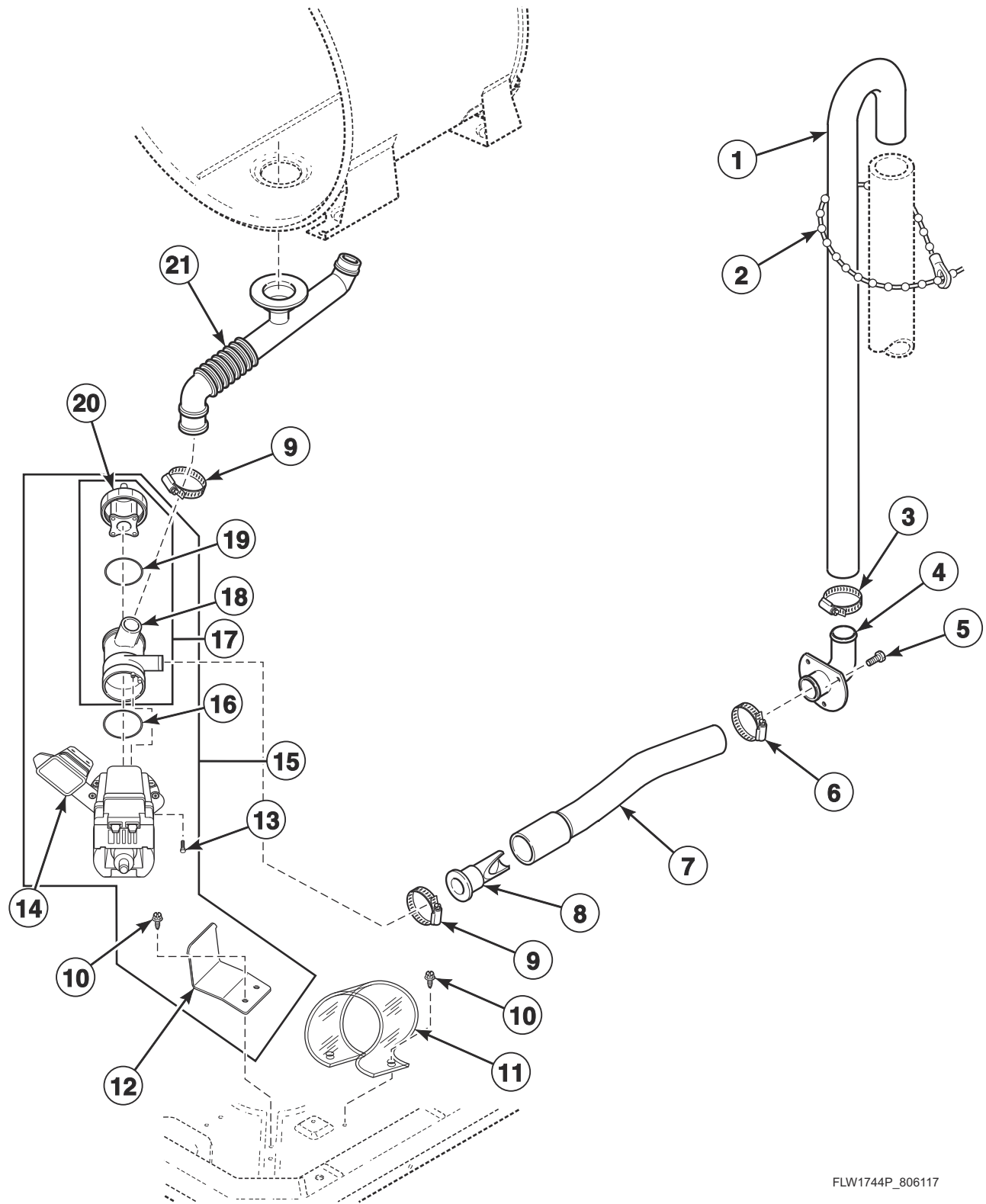
FLW1745P_806117

Drain Hoses and Valve

REF	PART NO.	DESCRIPTION	COMMENTS
1	803874	Tub-to-Gravity Drain Hose	
	27615P	Sealant	Tub-to-drain hose to outer tub
2	685725	Hose Clamp	
3	803291	Gravity Drain Bracket	
4	F975P3	Drain Valve Kit	Includes items 3, 5 and 8-11
5	803293P	Drain Valve	
6	800903	Drain-to-Cabinet Hose	
7	D503235	Snap Bushing	
8	02916	Screw	
9	M400017	Washer	
10	D503661	Screw	
11	29786	Nut	

Hoses and Pump

Pump Models

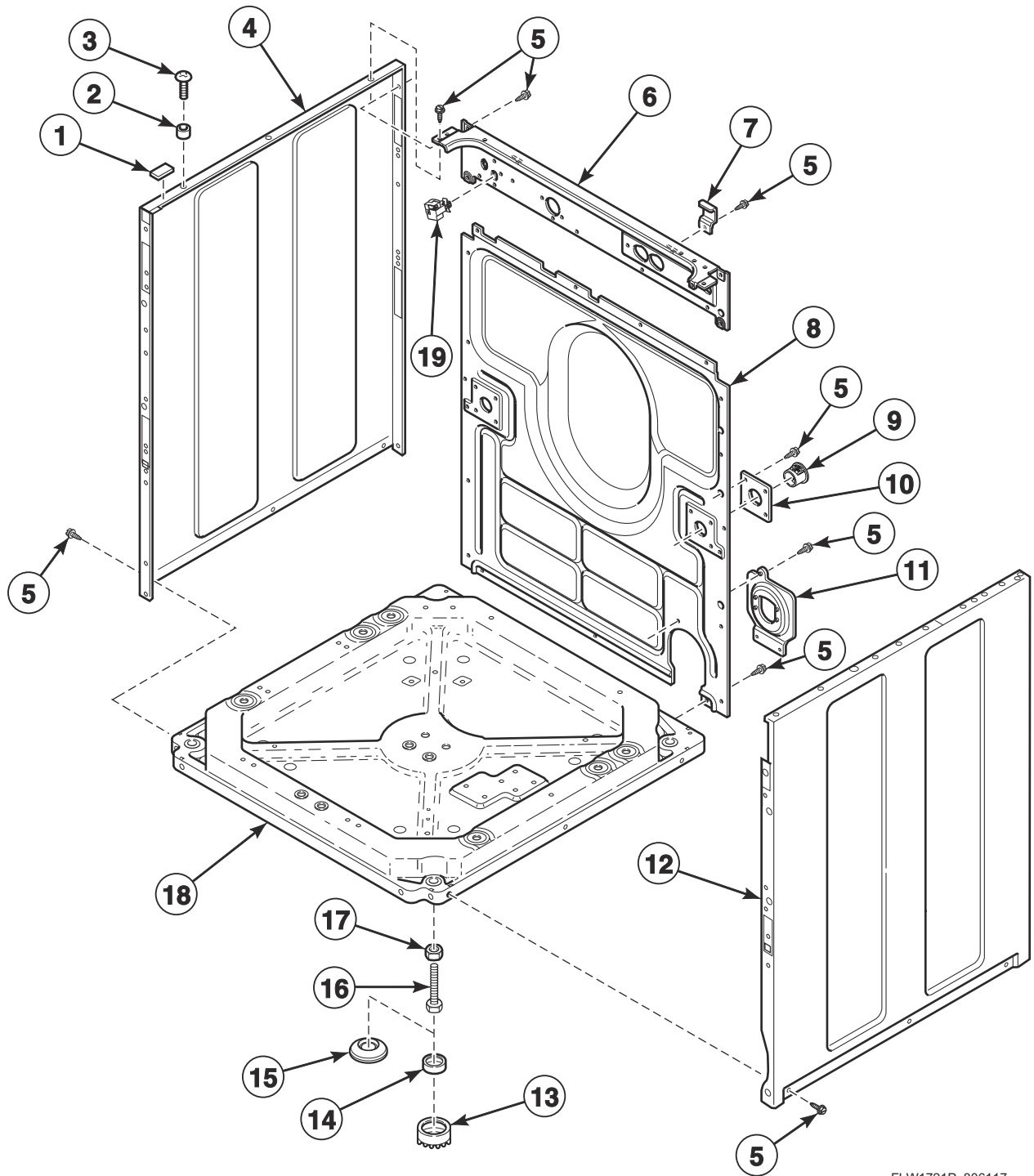


FLW1744P_806117

Hoses and Pump

REF	PART NO.	DESCRIPTION	COMMENTS
	805771	Pump-to-Gravity Drain Kit	120 Volt
	805770	Pump-to-Gravity Drain Kit	220 Volt
1	27154	Drain Hose	
2	33489	Standpipe Strap	
3	20211	Hose Clamp	
4	35766	Drain Hose Elbow	
5	52909	Screw	
6	20391	Hose Clamp	
7	803734	Pump-to-Elbow Hose	
8	800310	Backflow Preventer	
9	F200204	Hose Clamp	
10	D503661	Screw	
11	805561	Drain Pump Drip Shield	Models BFNBLBSP303AW01, BFNBXASP113FW01, BFNBXASP303AW01, HFNBXASP113FQ01, HFNBXASP113FW01, HFNBXASP123DW01, HFNBXASP543DW01, SFNBXASP113FW01, SFNBXASP123DW01, SFNBXASP303AW01, SFNBXASP303AW12, SFNBXASP303ZQ01, SFNBXASP303ZW01 and SFNBXASP543DW01
12	803814	Drain Base Bracket	
13	802431	Screw	
14	803815	Drain Pump Isolator	
15	808195P	Drain Pump Assembly	208-240 Volt; 60 Hertz; Models BFNBLBSP543NW01, HFNBXASP543DW01 and SFNBXASP543DW01
	803922	Drain Pump Assembly	220-240 Volt; 50 Hertz; Models BFNBLBSP303AW01, BFNBXASP303AW01, HFNBXASP303NW22, SFNBXASP303AW01, SFNBXASP303AW12, SFNBXASP303NW22, SFNBXASP303ZQ01 and SFNBXASP303ZW01
	805724P	Drain Pump Assembly	100-127 Volt; 60 Hertz; All other models
16	802429P	O-Ring	
17	802434P	Pump Housing Assembly	Includes items 14-16
18	802428	Pump Housing	
19	802427	Gasket	
20	802426P	Lid Assembly	Includes filter
21	803829	Tub-to-Pump Hose	
	27615P	Sealant	Tub-to-pump hose to outer tub

Base, Side Panels and Rear Panel



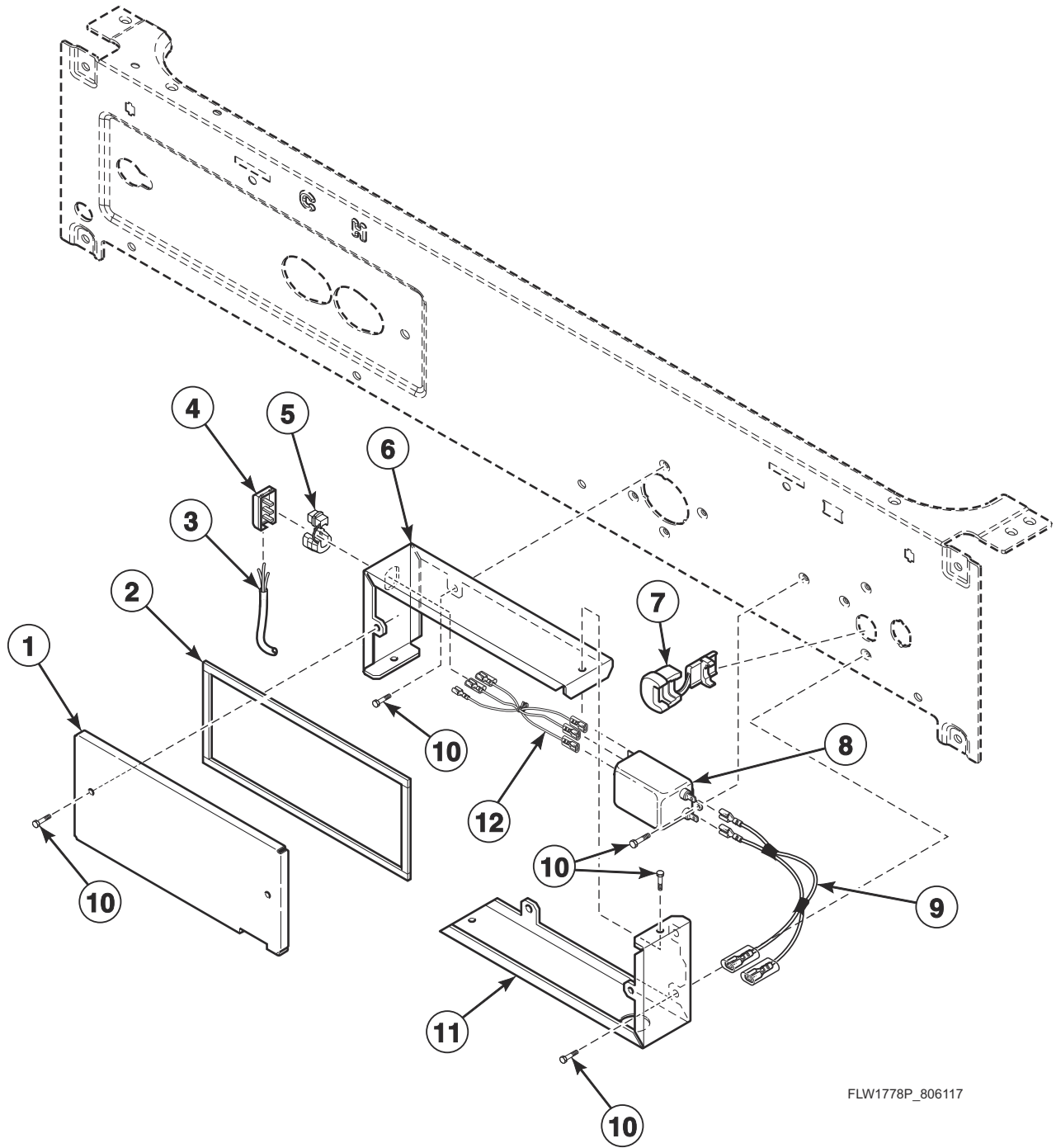
FLW1721P_806117

Base, Side Panels and Rear Panel

REF	PART NO.	DESCRIPTION	COMMENTS
	122P4P	Porcelain Touch-Up Paint	White
	370P4P	Porcelain Touch-Up Paint	Bisque
	806436P	Paint	Gray
1	36226	Bumper Pad	
2	56079	Panel Locator	
3	39733	Screw	Use with painted panels
	806086	Screw	Use with stainless steel panels
4	800004WP	Cabinet Panel Kit	Left; White; Includes corner gusset with hardware
	800004QP	Cabinet Panel Kit	Left; Bisque; Includes corner gusset with hardware
	800004DG	Cabinet Side Panel	Left; Gray
	802525P	Cabinet Side Panel	Left; Stainless steel
5	D503661	Screw	
6	803790	Rear Panel	Fixed; Through Serial No. 1810000001
	806716	Rear Panel	Fixed; Starting Serial No. 1810000001
7	D510136	Top Hinge	Rear control models
8	803789	Rear Panel	Removable
9	803859	Shipping Plug	
10	803851	Shipping Plate	
11	803833	Gravity Drain Bracket	
	803828	Drain Hose Bracket	
12	806492	Side Panel Kit	Right; White; Includes items 2, 3, dispenser plate and coin hardware kit
	800005QP	Side Panel Kit	Right; Bisque; Includes items 2, 3, dispenser plate and coin hardware kit
	800005DG	Cabinet Side Panel	Right; Gray
	802526P	Cabinet Side Panel	Right; Stainless steel
13	D501855	Rubber Foot	Use to prevent movement on smooth surface floor coverings; Install over 2 existing front rubber feet (item 14)
14	34318	Rubber Foot	
15	155P3	Anchor	Includes 4 rubber discs with adhesive backing
	802844P	Anchor Floor Mount Assembly	Includes 2 rubber discs with adhesive backing
16	34319	Leveling Leg	
17	21899	Nut	
18	803876	Base Assembly	
19	203843	Pressure Sensor	

Junction Box and Power Cord

Models BFNBLBSP303AW01, BFNBLBSP543NW01, BFNBXASP113FW01, BFNBXASP303AW01, HFNBXASP113FQ01, HFNBXASP113FW01, HFNBXASP123DW01, HFNBXASP303NW22, HFNBXASP543DW01, HFNBXRSP113FW01, SFNBXASG113JW01, SFNBXASP113FW01, SFNBXASP123DW01, SFNBXASP303AW01, SFNBXASP303AW12, SFNBXASP303NW22, SFNBXASP303ZQ01, SFNBXASP303ZW01 and SFNBXASP543DW01

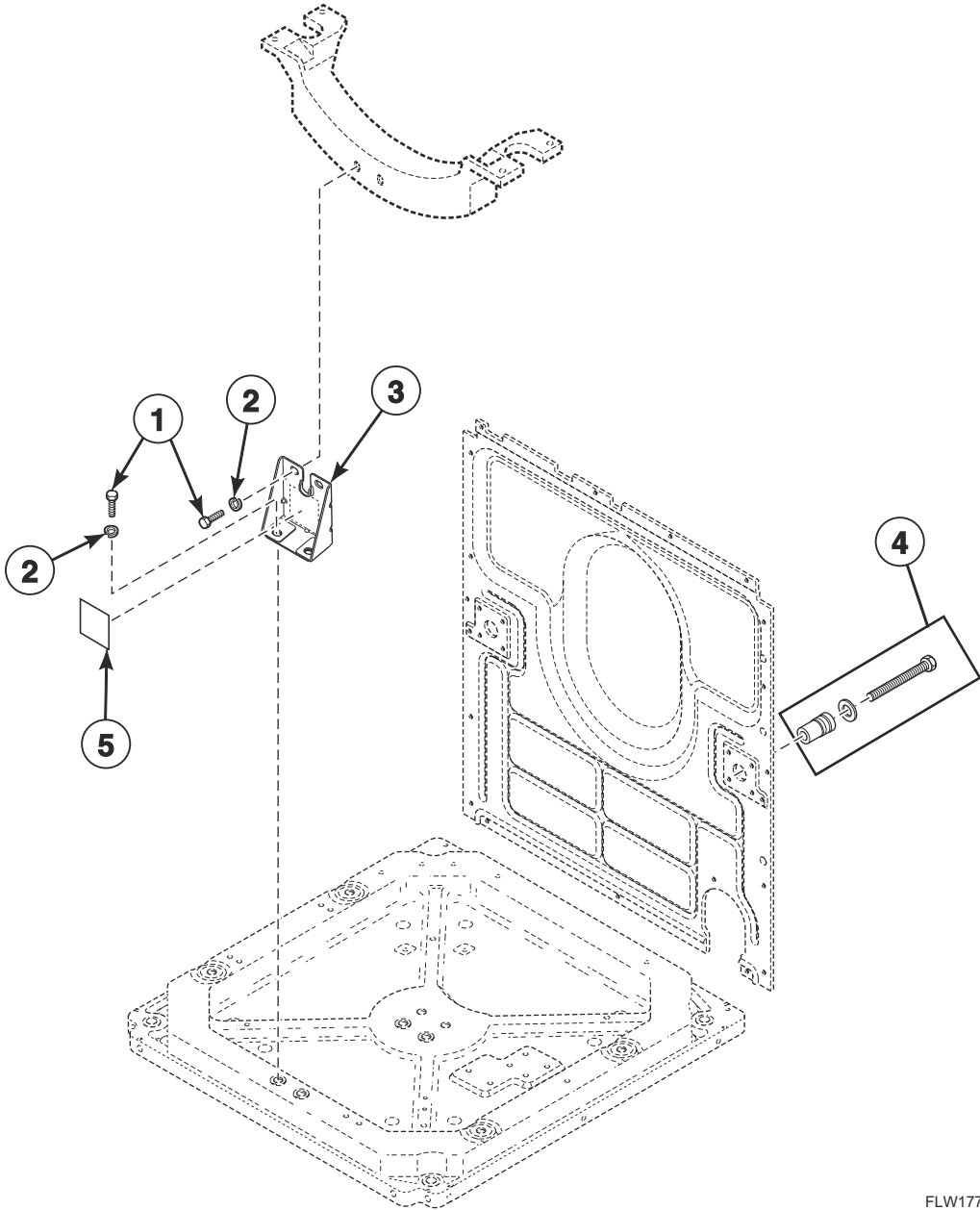


FLW1778P_806117

Junction Box and Power Cord

REF	PART NO.	DESCRIPTION	COMMENTS
1	803820	Junction Box Cover	
2	803832P	Junction Box Seal	4 required
3	808047	Power Cord Assembly	Models BFNBLBSP303AW01, BFNBXASP303AW01, SFNBXASP303AW01 and SFNBXASP303AW12
	802012	Power Cord Assembly	Models BFNBXASP113FW01, HFNBXASP113FQ01, HFNBXASP113FW01, HFNBXRSP113FW01 and SFNBXASP113FW01
	204061	Power Cord Assembly	Model SFNBXASG113JW01
	801450	Power Cord Assembly	Models BFNBLBSP543NW01, HFNBXASP303NW22, SFNBXASP303NW22, SFNBXASP303ZQ01 and SFNBXASP303ZW01
	804556	Lead-In Cord Assembly	Models HFNBXASP123DW01, HFNBXASP543DW01, SFNBXASP123DW01 and SFNBXASP543DW01
4	39922	Cable Connection Box	All models except SFNBXASG113JW01
5	60298	Strain Relief	Model SFNBXASG113JW01
6	803819	Junction Box	Lower
7	38384	Strain Relief	
8	807473	Line Filter	HFNBXRSP113FW01
9	804396	Filter Harness	Line filter to control harness; HFNBXRSP113FW01 and SFNBXASG113JW01; All other models starting Serial Nos. beginning 1610
10	D503661	Screw	
11	804559	Junction Box	Upper; Model SFNBXASG113JW01
	803818	Junction Box	Upper; All other models
12	808048	Filter Jumper Harness	Line filter to power cord terminal block; HFNBXRSP113FW01 and SFNBXASG113JW01; All other models starting Serial Nos. beginning 1610
	804805	Filter Jumper Harness	Line filter to power cord terminal block; All other models through Serial Nos. beginning 1610

Shipping Materials

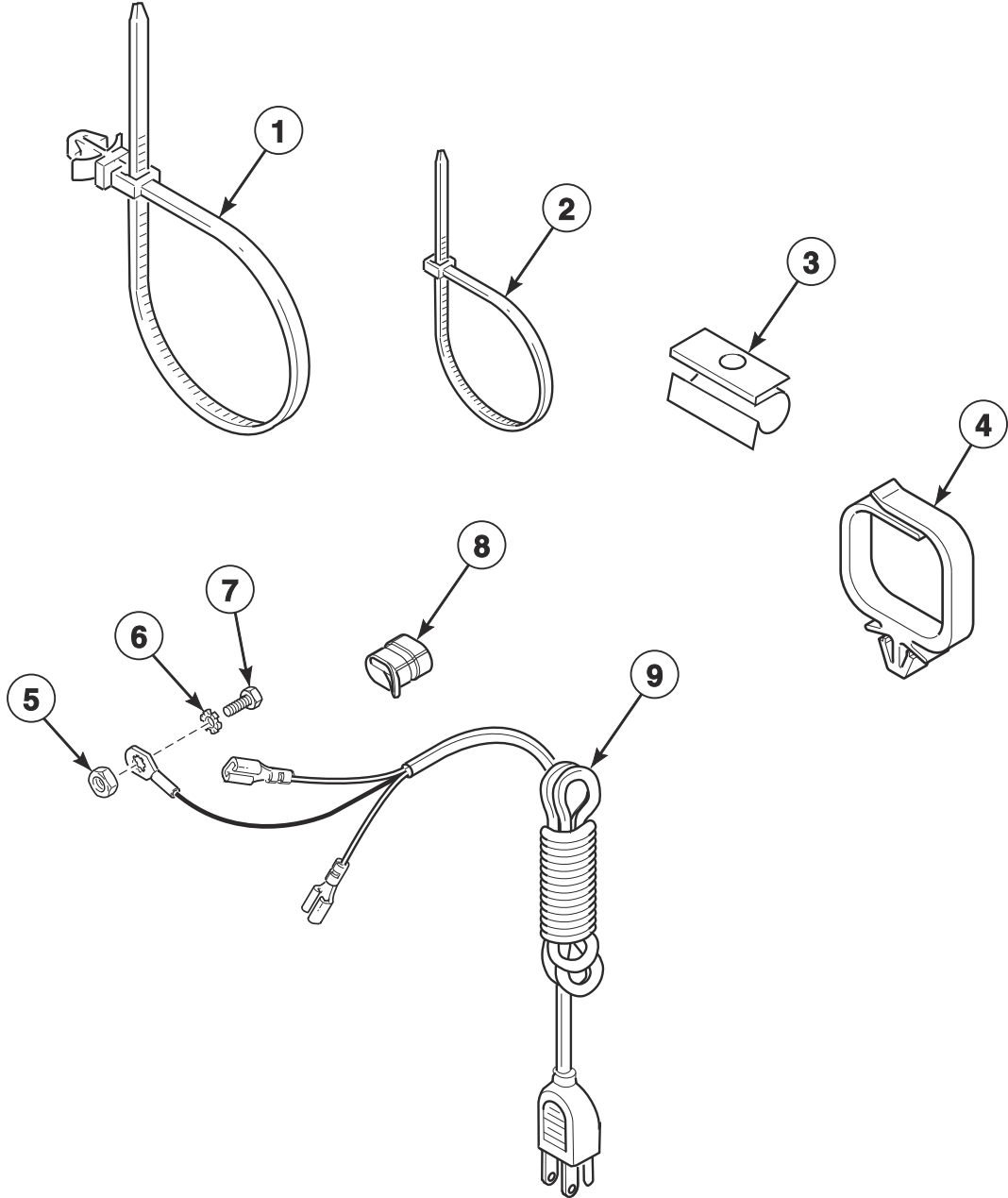


FLW1779P_806117

Shipping Materials

REF	PART NO.	DESCRIPTION	COMMENTS
	807550	Label	Remove shipping brace; Long tongue label
1	M400043	Screw	4 required
2	M400014	Washer	4 required
3	807448	Shipping Brace	
4	807452	Shipping Bolt Assembly	
5	807552	Shipping Bracket Label	Square label

Wire Ties, Harness Clips and Lead-In Cord

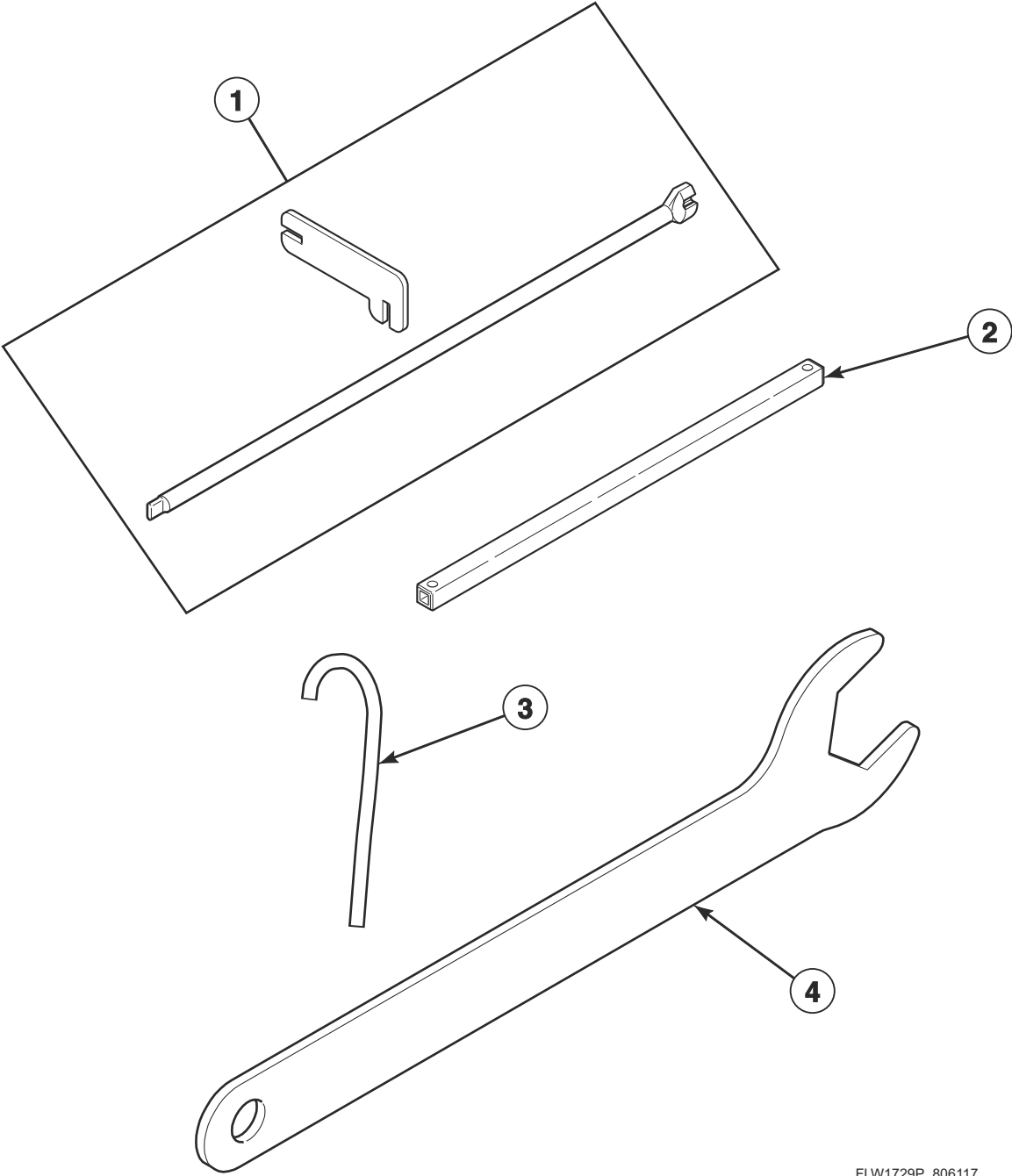


FLW1775P_806117

Wire Ties, Harness Clips and Lead-In Cord

REF	PART NO.	DESCRIPTION	COMMENTS
1	M405829	Cable Tie	6.13 inches
2	55881	Harness Strap	
3	36985	Hose Clip	
4	F8449502	Wire Clip	
5	03673	Nut	
6	03815	Washer	
7	20530	Screw	
8	38384	Strain Relief	
9	202777	Lead-In Cord	All models except BFNBLBSP303AW01, BFNBLBSP543NW01, BFNBXASP113FW01, BFNBXASP303AW01, HFNBXASP113FQ01, HFNBXASP113FW01, HFNBXASP123DW01, HFNBXASP303NW22, HFNBXASP543DW01, HFNBXRSP113FW01, SFNBXASG113JW01, SFNBXASP113FW01, SFNBXASP123DW01, SFNBXASP303AW01, SFNBXASP303AW12, SFNBXASP303NW22, SFNBXASP303ZQ01, SFNBXASP303ZW01 and SFNBXASP543DW01

Special Tools

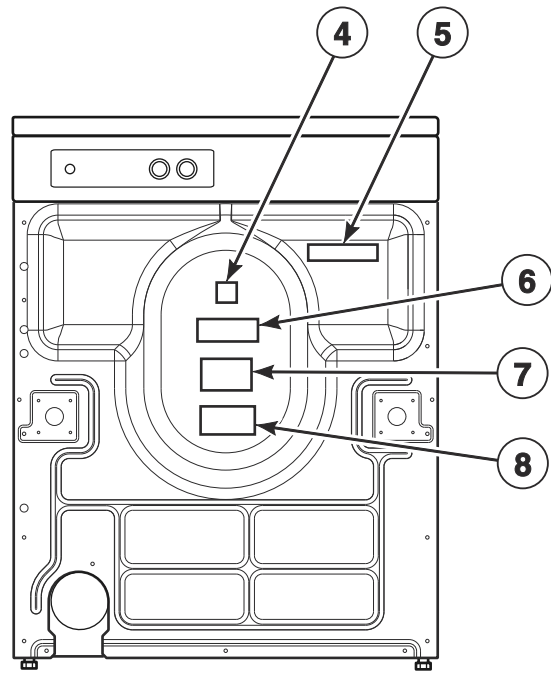
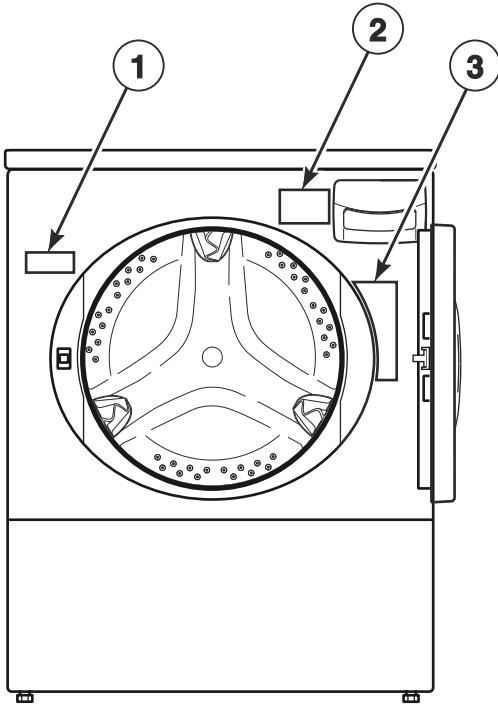


FLW1729P_806117

Special Tools

REF	PART NO.	DESCRIPTION	COMMENTS
	807623	Belt Install Tool	
1	CK096	Mounting Tool Kit	Use to install and remove electronic coin drop kits
2	310P4	Ratchet Extension Tool	1/4 inch; Use to install and remove non-electronic coin drops
3	802336	Pulley Bolt Tightening Fixture	Use to install inner basket
4	392P4	Wrench	Use for adjusting leveling leg nuts

Labels

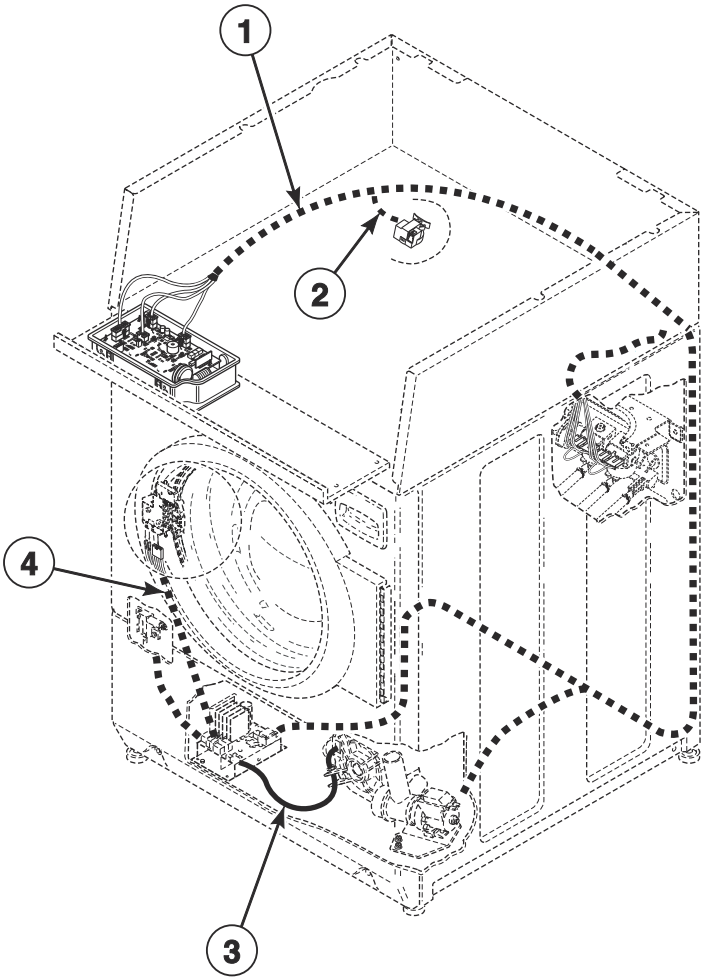


FLW1722P_806117

Labels

REF	PART NO.	DESCRIPTION	COMMENTS
1	803011	Notice Label	
2	802074	Oversudsing Label	English
	802838	Oversudsing Label	Spanish
3	802367	Warning Label	Reduce fire risk
4	D513371	Read Instructions Label	
5	D505281	Disconnect Power Warning Label	English
	D500316	Warning Label	English/French
	801706	Caution Label	Icon; Ground machine
6	685928	Left Hand Thread Label	Text
	804949	Left Hand Thread Label	Icon
7	803260	Warning Label	Disconnect Power
	F8211201	Electrical Shock Label	Icon
8	D500049	Warning Label	English
	D500314	Warning Label	English/French
	F8615701	Pinch Warning Label	Icon; Crush hazard

Wire Harnesses and Wires



FLW1780P_806117

Wire Harnesses and Wires

REF	PART NO.	DESCRIPTION	COMMENTS
	45001	18 Gauge Wire	Black; Order wire by foot and terminals and connectors as required
	807298	Power Harness	Starting Serial No. 2101000001
1	806030	Rear Control Harness	Models HFNBCRSP113TW01, HFNBCRSP115TW01, HFNBDRSP113CW01, HFNBDRSP115CW01, HFNBERSP113CW01, HFNBERSP115CW01, HFNBXRSP113FW01, HFNBYSRSP113CW01, HFNBYSRSP115CW01, SFNBCRSP113TW01, SFNBCRSP113TW02, SFNBXRSP113TW01, SFNBXRSP113TW02, SFNBXRSP115TW02, SFNBYSRSP113TW01, SFNBYSRSP115TW01 and SFNSXRSP115TW02 through Serial No. 2012999999
	807375	Rear Control Harness	Models HFNBCRSP113TW01, HFNBCRSP115TW01, HFNBDRSP113CW01, HFNBDRSP115CW01, HFNBERSP113CW01, HFNBERSP115CW01, HFNBXRSP113FW01, HFNBYSRSP113CW01, HFNBYSRSP115CW01, SFNBCRSP113TW01, SFNBCRSP113TW02, SFNBXRSP113TW01, SFNBXRSP113TW02, SFNBXRSP115TW02, SFNBYSRSP113TW01, SFNBYSRSP115TW01 and SFNSXRSP115TW02 starting Serial No. 2101000001
	806961	Rear Control Harness	Models HFNSXRSP113CW01, HFNSXRSP115CW01, SFNSXRSP113CW02, SFNSXRSP113TQ01, SFNSXRSP113TW01, SFNSXRSP113TW02 and SFNSXRSP115CW02
	806031	Front Control Harness	All other models through Serial No. 2012999999
	807346	Front Control Harness	All other models starting Serial No. 2101000001
2	804432	Pressure Sensor Harness	Models HFNBCRSP113TW01, HFNBCRSP115TW01, HFNBDRSP113CW01, HFNBDRSP115CW01, HFNBERSP113CW01, HFNBERSP115CW01, HFNBXRSP113FW01, HFNBYSRSP113CW01, HFNBYSRSP115CW01, SFNBCRSP113TW01, SFNBCRSP113TW02, SFNBXRSP113TW01, SFNBXRSP113TW02, SFNBXRSP115TW02, SFNBYSRSP113TW01 and SFNBYSRSP115TW01
	804833	Pressure Sensor Harness	Models HFNSXRSP113CW01, HFNSXRSP115CW01, SFNSXRSP113CW02, SFNSXRSP113TQ01, SFNSXRSP113TW01, SFNSXRSP113TW02, SFNSXRSP115CW02 and SFNSXRSP115TW02
	807656	Pressure Sensor Harness	Models HFNKCASG116TN01, HFNKCASG116TW01, HFNKCASP116TN01, HFNKCASP116TW01, HFNKYASG116CN01 and HFNKYASP116CN01
	804433	Pressure Sensor Harness	All other models
3	806029	Motor Harness	Through Serial No. 2012999999
	807294	Motor Harness	Starting Serial No. 2101000001
4	806028	Door Lock Harness Assembly	Through Serial No. 2012999999
	807293	Door Lock Harness Assembly	Starting Serial No. 2101000001

NOTE: Individual wires are not available separately. Order complete harness, or order wire by the foot. When applying terminals to wires, it is recommended that the terminals be soldered to the wires.

Parts Index

A

Access Panel Assembly	
804617Q	41
804617W	41
804618	41
Anchor	
155P3	59
Anchor Floor Mount Assembly	
802844P	59
Anti-Seize Compound	
27604P	51

B

Backflow Preventer	
800310	57
Balance Ring Assembly	
804393	51
Base Assembly	
803876	59
Bearing Housing Kit	
805525	51
Belt Install Tool	
807623	53, 67
Belt Kit	
807429P	53
Bolt	
203798	29, 31
29651	11, 17, 27, 31
Bracket	
D510146	29, 31, 37
803662	33
Bumper Pad	
36226	27, 59

C

Cabinet Panel Kit	
800004QP	59
800004WP	59
Cabinet Side Panel	
800004DG	59
800005DG	59
802525P	59
802526P	59
Cable Connection Box	
39922	61
Cable Tie	
M405829	65
Card Insert Overlay	
D514391	25
Caution Label	
801706	69
Central Pay Harness	
805427	7, 35, 37
Central Pay Kit	
807173	5, 27

Chemical Injection Conversion Kit	
805772	45
805939	45
808077	45
808078	45
Clamp Ring	
803802	49
Clip	
201572	23
Clothes Guard Deflector	
804467	49
805548	49
Coin Box Extension Kit	
803578P	29
Coin Drop	
200731	19
38963P	19
39748	19
70441601P	19, 29
70441603	19
Coin Drop Assembly	
CK114	19
201141	19
210195	19
210196	19
38462P	19
38463	19
38464P	19
38467	19
38472	19
38475	19
38519	19
38521	19
39157	19
553192	19
572382	19
70281102	19, 29
70441602	19, 29
70447301	19
70482401	19
70506901	19
Coin Drop Kit	
CK055	19
CK056	19
CK057	19
CK058	19
CK060	19
CK071	19
CK077	19, 29
CK078	19
CK085	19
CK086	19
CK089	19
CK090	19
CK091	19
CK097	19
CK098	19
CK107	19
CK111	19
CK122	19
CK123	19
Coin Funnel Kit	
523P3	31

N/A items do not appear in index.

Coin Identification Paper 38725	21, 23, 29	Dispenser Drawer 803667	45
Coin Slide Extension Kit 200913	33	Dispenser Handle 804227B	45
Coin Slide Kit CK001	33	804227Q	45
CK009	33	804227WP	45
CK010P	33	Dispenser Inlet Hose 803849	45, 47
CK011	33	807364	45, 47
CK014	33	Dispenser Plate 803843	45
CK017	33	Door Assembly 804083QP	41
Compartment Cover 803669	45	804083WP	41
803670	45	804210P	41
Control Assembly 804474P	31	805550P	41
806267P	7, 35, 37	Door Catch Assembly 802803	41
806268P	7, 27	Door Glass 802695P	41
807458	7, 35, 37	Door Glass Mounting Plate 806354	41
807459	7, 27	Door Hinge 802934	41
807462	31	Door Latch Assembly 803920	41
808121	7	Door Lock Drip Shield 804784	41
Control Bracket 804612	27	Door Lock Harness Assembly 806028	71
807441	53	807293	71
Control Hood D502567Q	39	Door Seal 804428P	41
D502567W	35, 39	Door Seal Assembly 804429P	41
D511253W	37	Drain Base Bracket 803814	57
Control Panel 803962BP	17	Drain Hose 27154	57
803962Q	17	Drain Hose Bracket 803828	59
803962WP	17	Drain Hose Elbow 35766	57
Control Panel and Bracket Assembly 800142Q	39	Drain Pump Assembly 803922	57
800142W	39	805724P	57
800149W	35	808195P	57
Control Panel and Stud Assembly 800710W	37	Drain Pump Drip Shield 805561	57
Control Panel Assembly 804070B	7	Drain Pump Isolator 803815	57
804070Q	7	Drain Valve 803293P	55
804070W	7	Drain Valve Kit F975P3	55
804962	27	Drain-to-Cabinet Hose 800903	55
Control Shield 804363	5, 27	Drive Belt 804985	53
Control Wrapper 804627W	27	Dual Coin Harness Assembly 202871	21, 23, 29
804630W	27	204915	23
Counterweight 807476	49	Dual Overlay 39073	17, 29
<hr/>			
D			
Detergent Hose 804717	45		
Diagnostic Wire Harness Assembly 202869	27		
Disconnect Power Warning Label D505281	31, 35, 37, 39, 69		
Dispenser Assembly 803698	45		
805495P	45		

N/A items do not appear in index.

E

Electrical Shock Label	
F8211201	69
Electronic Coin Drop Assembly	
70294103P	23
70294104	23
70294107	23
70294109	23
70294110	23
70294111	23
70294117	23
70294120	23
70294121	23
70294122	23
70513302	23
70513306	23
Electronic Coin Drop Kit	
CK099	23
CK100	23
CK101	23
CK103	23
CK108	23
CK109	23
CK110	23
CK113	23
CK115	23
CK116	23
CK117	23
CK118	23
CK119	23
CK120	23
CK121	23
End Cap	
210108W	37
210109W	37
End Shield	
806258	53
Expansion Clip	
70030501	17, 25, 27

F

Fill Hose	
203718	47
203719	47
203720	47
203750	47
204102	47
204103	47
Filter Harness	
804396	61
804797	13
Filter Jumper Harness	
804805	61
808048	61
Foam Pad	
804875	45
Foreign Object Deflector	
806308	49
806313	49
806361	49
Front Control Harness	
806031	71

807346	71
Front Panel	
802277WP	41
802288P	41
Front Panel Assembly Kit	
806505W	43
806560	43

G

Gasket	
802427	57
Glass Mounting Clip	
802700	41
Gravity Drain Bracket	
803291	55
803833	59
Grommet	
29175	49

H

Harness	
804832	35, 37
Harness Strap	
55881	65
Hinge	
D511036	11
Hinge Plate	
802206	41
Hood Back Panel	
804223	35
804886	35, 39
Hose Clamp	
F200204	57
20211	57
20391	57
685725	45, 55
802281	41
803891	49
807386	45, 47
Hose Clip	
36985	49, 65
800553	49

I

Inner Basket Assembly	
804374P	51
805485	51
Inner Basket Assembly Kit	
804376P	51
Inner Door Bezel	
808097	41
Inner Door Bezel Kit	
808095	41
808096	41
Instruction Label	
805912	25
Inverter Control Assembly	
807175P	53

N/A items do not appear in index.

J

Junction Box	
803818	61
803819	61
804559	61
Junction Box Cover	
803820	61
Junction Box Seal	
803832P	61

K

Key	
54612	7

L

Label	
807550	63
Lead-In Cord	
202777	65
Lead-In Cord Assembly	
804556	61
Left Hand Thread Label	
685928	69
804949	69
Leveling Leg	
34319	59
Lid Assembly	
802426P	57
Lifter	
804382	51
Light	
801431	39
Line Filter	
805633	13
807473	61
Lock Assembly	
804339P	5
Lock Cam	
804338	5

M

Machine ID Control Assembly	
203361P	7, 27, 35, 37
Meter Case Assembly	
202877W	29
801330Q	31
801330W	31
803576W	31
804009Q	17
807396B	17
807396W	17
807406W	29
Meter Case Assembly Kit	
803575WP	31
807401W	29

Meter Case Bracket Gasket	
35526	29, 31
Meter Case Gasket	
26354	29, 31
Meter Case Kit	
807398W	31
Meter Case Lockdown Bracket	
35525	29, 31
Meter Case Locking Bracket Kit	
204616	29, 31
Mixing Valve	
806611P	47
807497P	47
807837P	47
807838	47
Mixing Valve Screen	
F8161201	47
24122	47
Mixing Valve Shield	
804783	47
Motor and Rod Assembly Kit	
805726P	53
808034P	53
808067P	53
Motor Control Shield	
804878	53
806498	53
Motor Harness	
806029	71
807294	71
Motor Rod	
803861	53
807739	53
Motor Speed Switch	
800404	39
Mounting Tool Kit	
CK096	67

N

Notice Label	
803011	69
Nut	
F430218	49
M412986	31
03673	65
201216	23
21899	59
23951	41
24205	39
27222	29, 31
29786	21, 23, 29, 31, 55
29787	13
36020	11, 41
44087101	35, 39
44087201	11, 17
52947	39
685846	41
800452	49, 51
802337	29, 31
802343	49
804418	51

N/A items do not appear in index.

O

Operating Instruction Label	
804327	17, 25
804846	17
Opto Coupler	
200674P	19, 29
O-Ring	
802429P	57
Outer Door Bezel	
808091	41
808092	41
808093	41
808094	41
Outer Tub Assembly	
803864	49
807479	49
807618	49
Out-of-Balance Switch Assembly	
803415	49
807384	49
Out-of-Balance Switch Bracket	
804457	49
807280	49
Output Control Assembly	
807243	53
808149	53
Overlay	
D514873	25
201091	17, 23, 29
804952	39
805034	9
805388	35
805389	37
805390	39
805391	35
805392	37
805393	9
805394	9
805395	27
805614	9
805615	9
805616	9
805735	9
806190	27
807754	9
Oversudsing Label	
802074	69
802838	69

P

Paint	
806436P	59
Panel Locator	
56079	41, 59
Pinch Warning Label	
F8615701	69
Pop Rivet	
685847	11, 27, 49
70058501	29, 31, 37
Porcelain Touch-Up Paint	
122P4P	59
370P4P	59

Power Cord Assembly	
204061	61
801450	61
802012	61
808047	61
Power Harness	
807298	71
Pressure Bulb	
808013	49
Pressure Sensor	
203843	59
Pressure Sensor Harness	
804432	71
804433	71
804833	71
807656	71
Pressure Sensor Tube Assembly	
804483	49
Pulley Assembly	
808197	51
Pulley Bolt Tightening Fixture	
802336	67
Pump Housing	
802428	57
Pump Housing Assembly	
802434P	57
Pump-to-Elbow Hose	
803734	57
Pump-to-Gravity Drain Kit	
805770	57
805771	57

R

Ratchet Extension Tool	
310P4	67
Read Instructions Label	
D513371	69
Rear Access Panel	
803998	17, 25
804614	27
Rear Control Harness	
806030	71
806961	31, 71
807375	71
Rear Control Operating Instruction Label	
805830	29, 31
Rear Panel	
D511254	37
803789	59
803790	59
806716	59
Rear Wrapper Brace	
805345	27
Rubber Foot	
D501855	59
34318	59

S

Screw	
D501086	35, 37, 39

N/A items do not appear in index.

Tub-to-Pump Hose	
803829	57

W

Warning Label	
D500049	49, 69
D500314	69
D500316	31, 35, 37, 39, 69
802367	69
803260	69
Washer	
M400014	63
M400017	35, 39, 55
M400080	53
M400081	49, 51
M403958	51
02834	53
03815	65
200608	35, 37
20290	47
25820	39
802254	47
803615	47
804458	49
807679	51
91029	39
Wire Clamp Ring	
806466	41
Wire Clip	
F8449502	65
Wire Guard	
201595P	21, 29
Wireless Network Board Harness	
F8536002	15
Wireless Network Kit	
204689	15
Wire, 18 Gauge	
45001	71
Wiring Harness Assembly	
202868	7
202869	37
Wrapper Assembly	
804104B	17
804104Q	17
804104W	17
804112B	25
804112W	25
Wrench	
392P4	67
