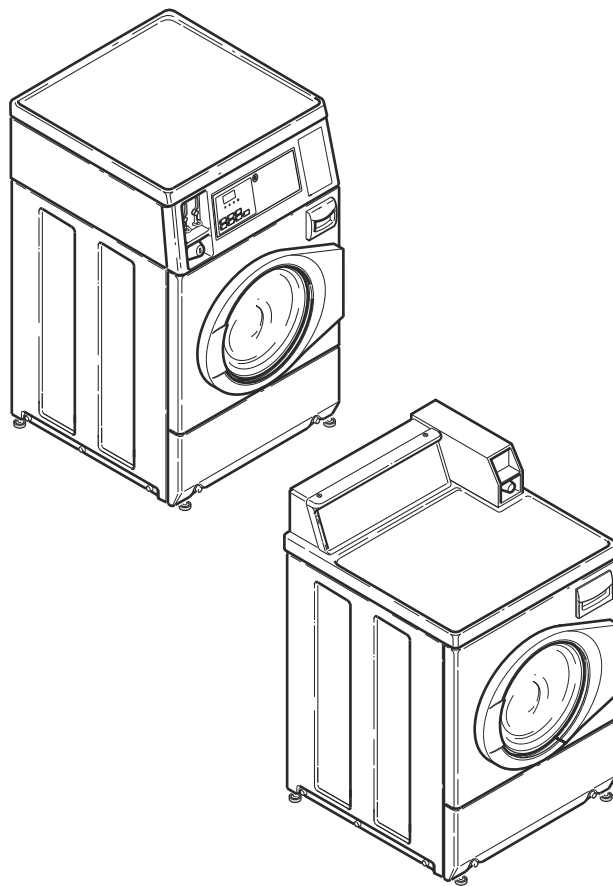


Commercial Frontload Washers

Refer to Page 3 for Model Numbers



FLW1550C_806540

Alliance[™]
Laundry Systems

www.alliancelandry.com

Part No. 806540R6
April 2023

Table of Contents

Title	Page
Parts Ordering Information.....	2
Serial Plate Location	2
Model Identification	3
Control Panel and Controls.....	4
Top Assembly	6
Network Board Assembly.....	8
Control Cabinet Controls - Front Control Coin Drop Models.....	10
Non-Electronic Coin Drop, Cabinet Front and Wrapper Assembly	12
Electronic Coin Drop	14
Control Cabinet Controls - Front Control Card Reader Ready Models.....	16
Control Cabinet - 45 Degree Front Control Models.....	18
Coin Drop, Meter Case and Cabinet Top.....	20
Control Panel, Control Hood and Controls (Drawing 1 of 2)	22
Control Panel, Control Hood and Controls (Drawing 2 of 2)	24
Front Panel, Door Assembly and Door Seal	26
Front Panel Assembly	28
Dispenser Assembly	30
Mixing Valve, Dispenser Hose and Fill Hose	32
Outer Tub, Clamp Ring and Shock Absorbers.....	34
Inner Basket, Trunnion, Bearing Housing and Pulley	36
Motor and Belt.....	38
Drain Hoses and Valve	40
Drain Hose and Pump.....	42
Side, Base and Rear Panels.....	44
Junction Box	46
Shipping Materials	48
Wire Ties, Harness Clips and Lead-In Cord.....	50
Special Tools	52
Washer Labels	54
Wire Harnesses and Wires	56
Parts Index.....	59

© Copyright 2023, Alliance Laundry Systems LLC

All rights reserved. No part of the contents of this book may be reproduced or transmitted in any form or by any means without the expressed written consent of the publisher.

Parts Ordering Information

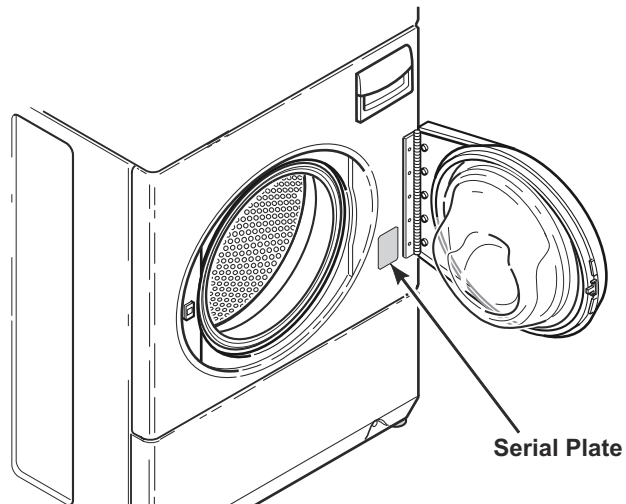
If literature or replacement parts are required, contact the source from whom the machine was purchased or contact Alliance Laundry Systems at (920) 748-3950 for the name and address of the nearest authorized parts distributor.

For technical assistance, call the number listed below:

(920) 748-3121 Ripon, Wisconsin

Serial Plate Location

When calling or writing about your product, be sure to mention model and serial numbers. Model and serial numbers are located on serial plate(s) as shown.



FLW2407N_806540

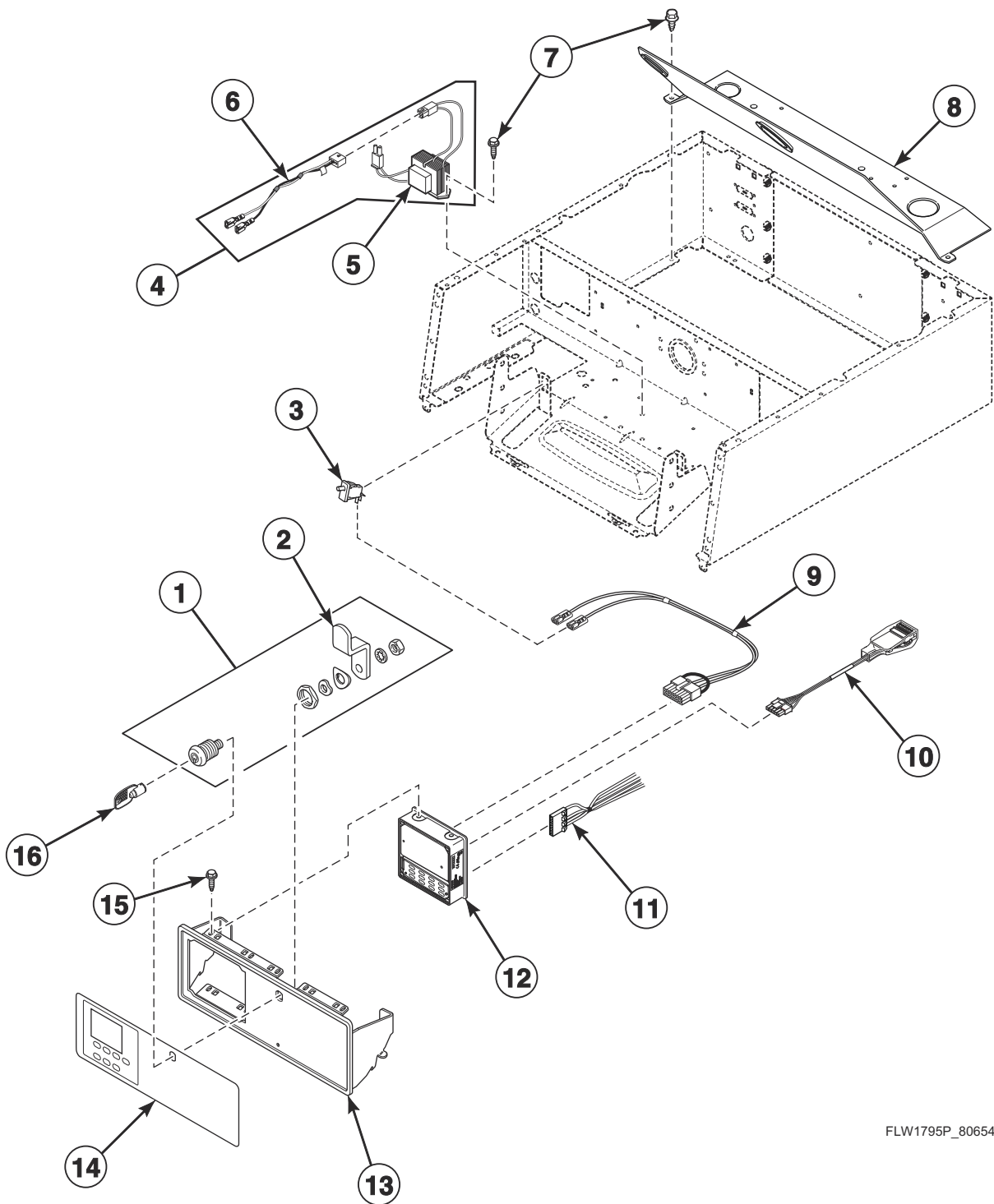
Model Identification

Information in this manual is applicable to these washer models:

SFNDCASG115TN01	SFN DYAJ P115TN01
SFNDCASG115TW01	SFN DYAJ P115TW01
SFNDCASP115TN01	SFN DYAS G115CW01
SFNDCASP115TW01	SFN DYAS G115TW01
SFNDCRSP113TW02	SFN DYAS P115CW01
SFNDCRSP115TW02	SFN DYAS P115TN01
SFNDEASG115CN01	SFN DYAS P115TW01
SFNDEASG115CW01	SFN DYBSP115CW01
SFNDEASP115CN01	SFN DYBSP115TW01
SFNDEASP115CW01	SFN DYRSP115CW01
SFNDEASP115TW02	SFN DYRSP115TW01
SFNDXAJ P115CN01	SFN YCAS G113TN01
SFNDXAJ P115CW01	SFN YCAS G115TN01
SFNDXAJ P115TN01	SFN YEAS G115CN01
SFNDXAJ P115TW01	SFN YXAS P115TW01
SFNDXAS G113TW01	SFN YYAS G115CW01
SFNDXAS G115CW01	SFN YYAS P115CW01
SFNDXAS G115TW01	SFN YYAS P115TW01
SFNDXAS P115CW01	
SFNDXAS P115TW01	
SFNDXRSP115CW02	
SFNDXRSP115TW02	

Control Panel and Controls

10 Degree Front Control Models



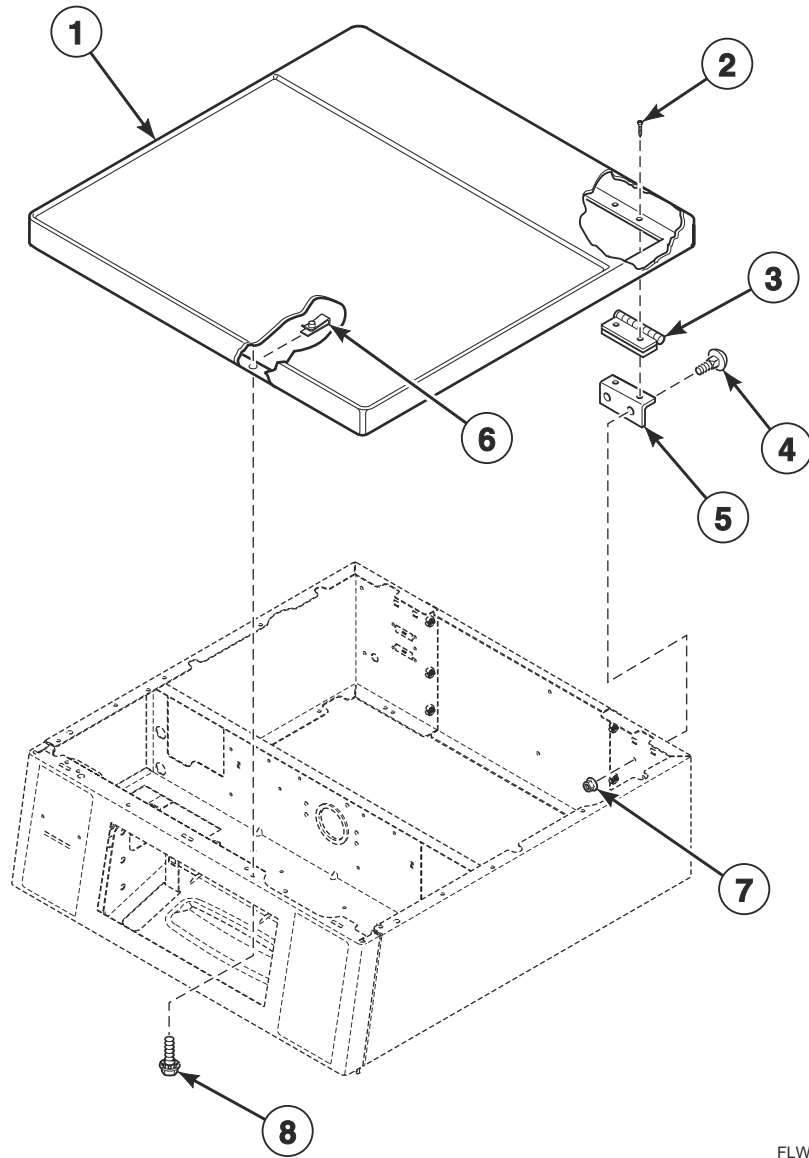
FLW1795P_806540

Control Panel and Controls

REF	PART NO.	DESCRIPTION	COMMENTS
	203328	Network Retrofit Kit	Wired
	NK220	Network Controller Kit	Wired
	204689	Wireless Network Kit	
	NK320	Ethernet Gateway Kit	Wireless
	203346	USB IR Interface Kit	
	NK330	USB Gateway Kit	Wireless
1	804339P	Lock Assembly	
2	804338	Lock Cam	
3	D512973	Switch	
4	203423	Transformer Kit	Includes items 5 and 6
5	202757	Transformer	
6	804795	Transformer Harness	
7	D503688	Screw	
8	804363	Control Shield	
9	202868	Wiring Harness Assembly	Diagnostic
10	203361P	Machine ID Control Assembly	Model or serial number is required when ordering
11	805427	Central Pay Harness	
12	806456	Control Assembly	
13	D513777W	Control Panel and Bracket Assembly	White
	D513777B	Control Panel and Bracket Assembly	Black
14	806114	Overlay	
15	804647	Screw	
16	54612	Key	GR800

Top Assembly

10 Degree Front Control Models



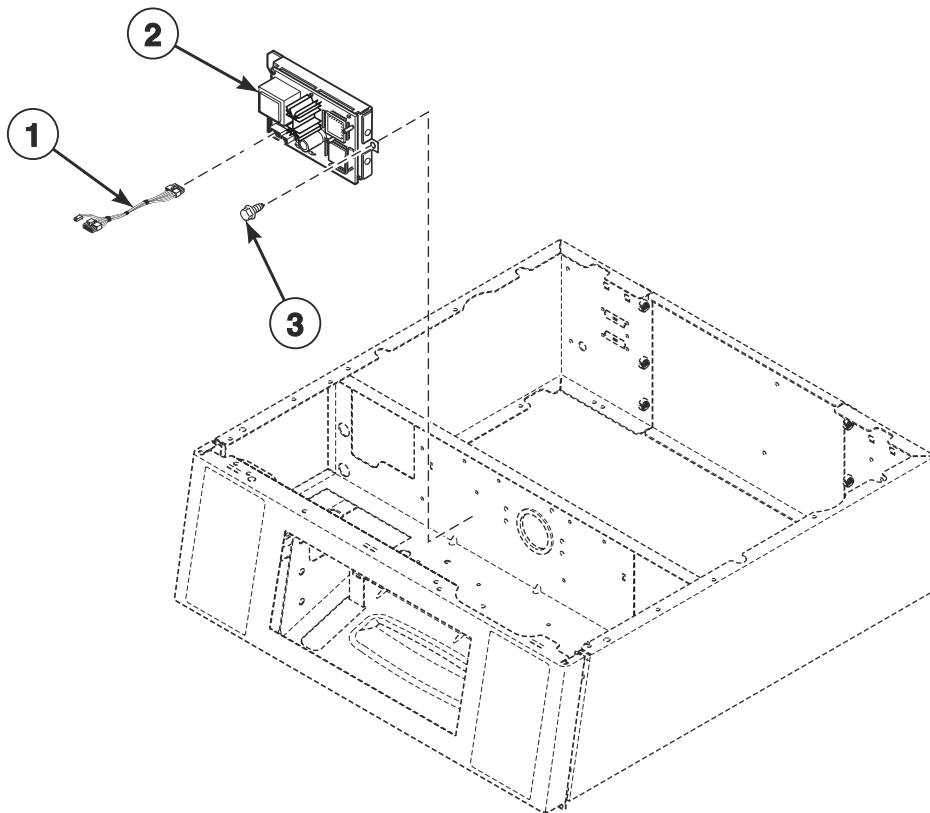
FLW1749P_806540

Top Assembly

REF	PART NO.	DESCRIPTION	COMMENTS
1	803868WP	Top Panel	White
	803869	Top Panel	Stainless steel
2	685847	Pop Rivet	
3	D511036	Hinge	
4	29651	Bolt	
5	D504228	Top Mounting Bracket	
6	36020	Nut	
7	44087201	Nut	
8	23008	Screw	

Network Board Assembly

Models SFNYCASG113TN01, SFNYCASG115TN01, SFNYEASG115CN01, SFNYXASP115TW01,
SFNYYASG115CW01, SFNYYASP115CW01 and SFNYYASP115TW01



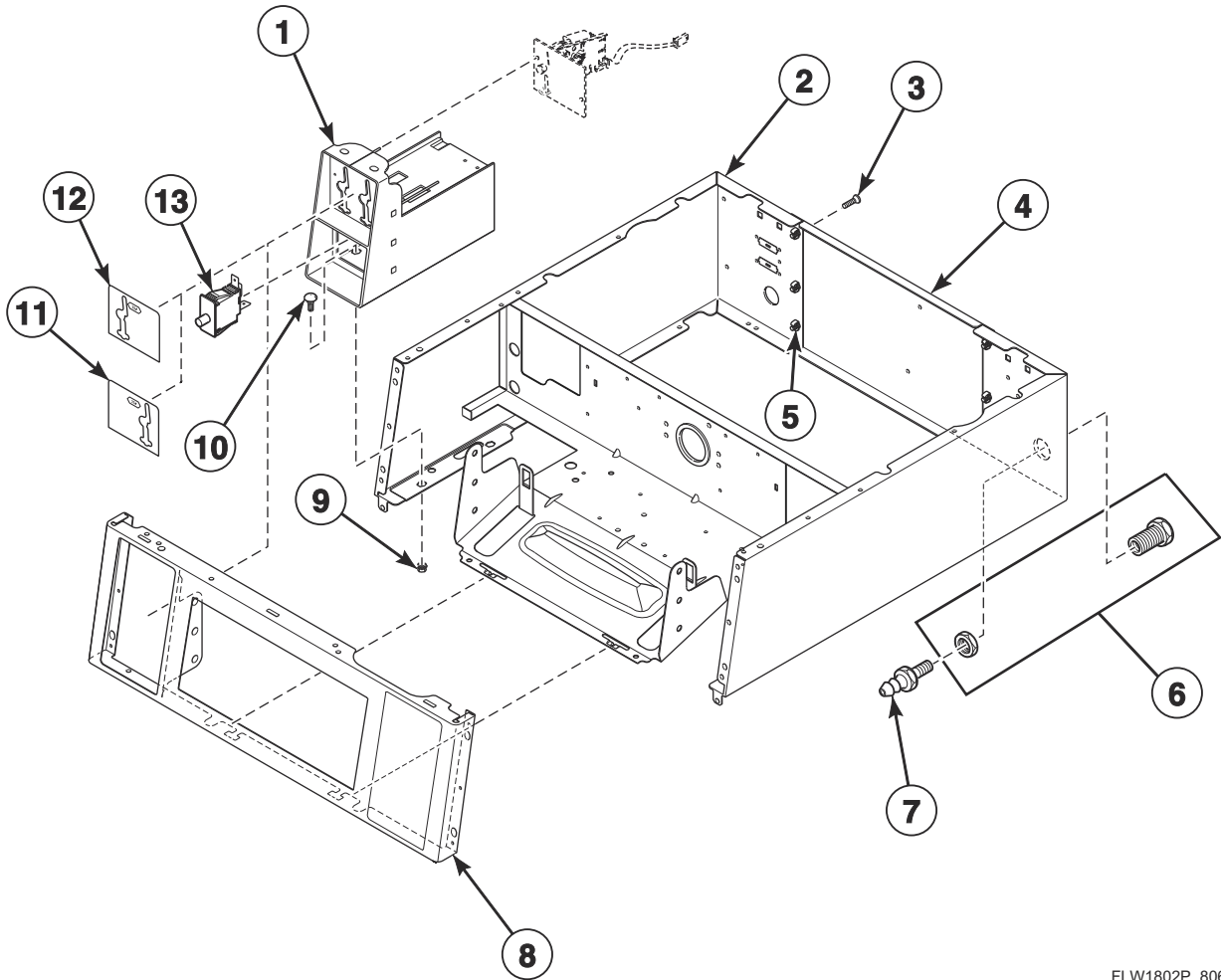
FLW1813P_806540

Network Board Assembly

REF	PART NO.	DESCRIPTION	COMMENTS
1	F8536002	Wireless Network Board Harness	Through Serial No. 1902000001
	F8674006	Wireless Network Harness	Starting Serial No. 1902000001
2	203532	Wireless Network Control Assembly	Through Serial No. 1902000001
	807211	Wireless Network Control Assembly	Starting Serial No. 1902000001
3	D503661	Screw	

Control Cabinet Controls - Front Control Coin Drop Models

Models SFNDCASG115TN01, SFNDCASG115TW01, SFNDCASP115TN01, SFNDCASP115TW01, SFNDEASG115CN01, SFNDEASG115CW01, SFNDEASP115CN01, SFNDEASP115CW01, SFNDXAJP115CN01, SFNDXAJP115CW01, SFNDXAJP115TN01, SFNDXAJP115TW01, SFNDXASG113TW01, SFNDXASG115CW01, SFNDXASG115TW01, SFNDXASP115CW01, SFNDXASP115TW01, SFNYCASG113TN01, SFNYCASG115TN01, SFNYEASG115CN01 and SFNYXASP115TW01



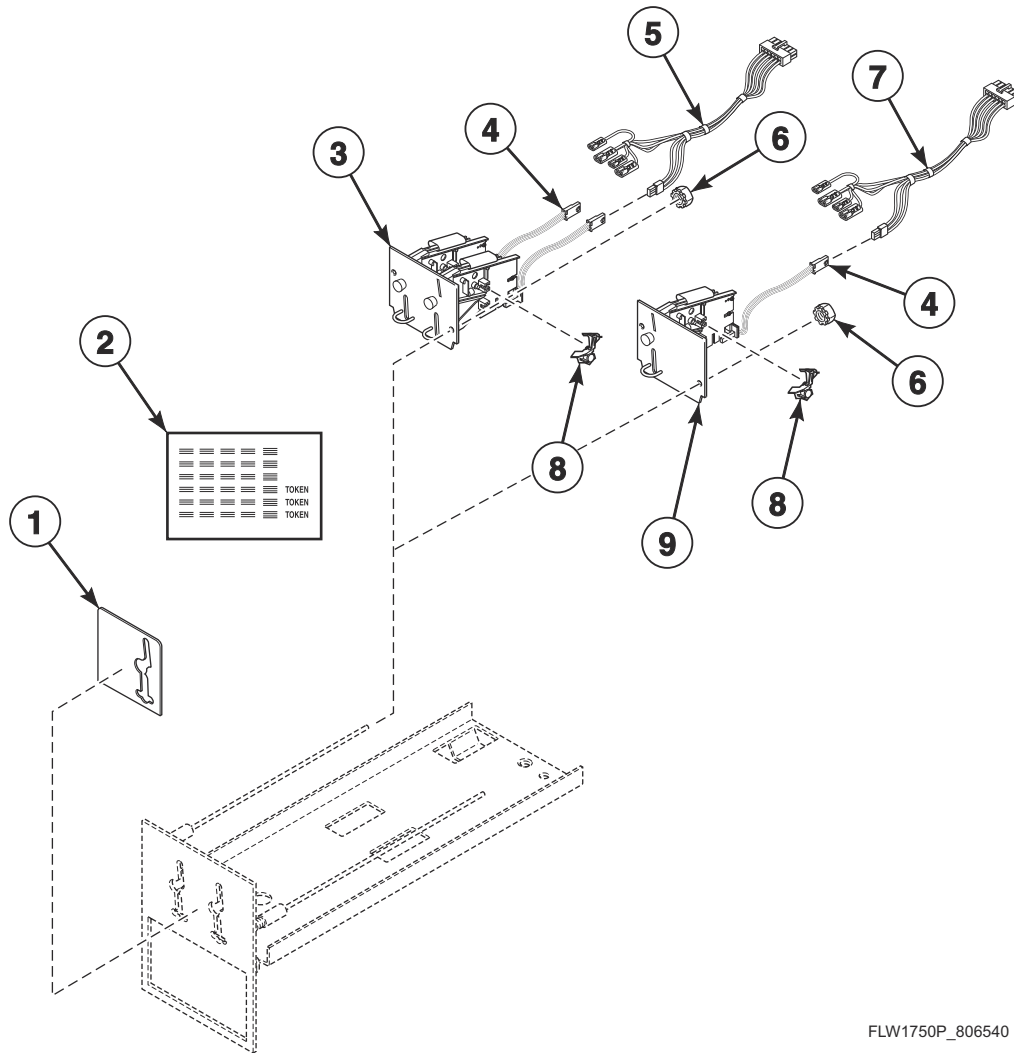
FLW1802P_806540

Control Cabinet Controls - Front Control Coin Drop Models

REF	PART NO.	DESCRIPTION	COMMENTS
1	807396B	Meter Case Assembly	Black
	807396W	Meter Case Assembly	White
2	804103W	Wrapper Assembly	White; Models SFNDXAJP115CW01 and SFNDXAJP115TW01
	804103B	Wrapper Assembly	Black; Models SFNDXAJP115CN01 and SFNDXAJP115TN01
	804104B	Wrapper Assembly	Black; All other models
	804104W	Wrapper Assembly	White; All other models
3	70240301	Screw	6 required
4	803998	Rear Access Panel	
5	70030501	Expansion Clip	6 required
6	801788	Union	Models SFNDXAJP115CN01 and SFNDXAJP115TW01
7	801789	Connector	Models SFNDXAJP115CN01 and SFNDXAJP115TW01
8	806541B	Control Panel	Black
	806541W	Control Panel	White
9	44087201	Nut	
10	29651	Bolt	
11	38717	Single Overlay	\$0.25
12	201091	Overlay	For electronic coin drops
13	D512973	Switch	

Non-Electronic Coin Drop, Cabinet Front and Wrapper Assembly

Coin Models



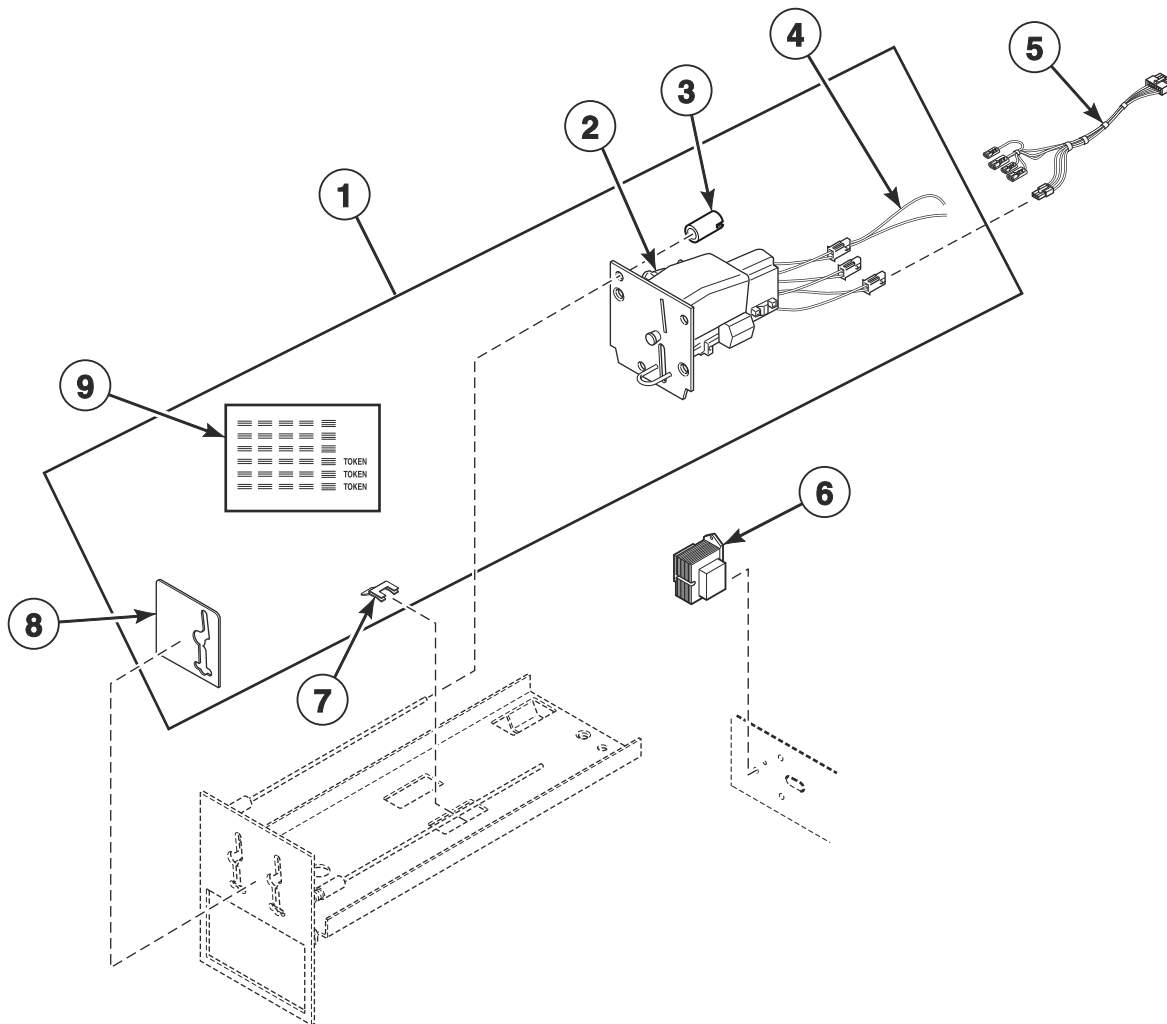
FLW1750P_806540

Non-Electronic Coin Drop, Cabinet Front and Wrapper Assembly

REF	PART NO.	DESCRIPTION	COMMENTS
1	38717	Single Overlay	
2	38725	Coin Identification Paper	
3	70441602	Coin Drop Assembly	Canada; .25 and 1.00
	70441603	Coin Drop	U.S.A.; \$.25 and \$1.00
	70482401	Coin Drop Assembly	New Zealand; 1.00 and 2.00
	38467	Coin Drop Assembly	Australia; .20 and 1.00
	38472	Coin Drop Assembly	England; 20 pence and 1 pound
	38519	Coin Drop Assembly	Japan; 100 yen and 500 yen
	38521	Coin Drop Assembly	Korea; 100 won and 500 won
4	200674P	Opto Coupler	
5	202871	Dual Coin Harness Assembly	
6	29786	Nut	
7	202870	Single Coin Harness Assembly	
8	201595P	Wire Guard	Anti-stringing security device
9	70441601P	Coin Drop	U.S.A.; \$.25
	38464P	Coin Drop Assembly	Canada; .25
	CK114	Coin Drop Assembly	Singapore; Old 1.00
	CK123	Coin Drop Kit	Singapore; New 1.00
	38462P	Coin Drop Assembly	Token; STD-118-1
	38463	Coin Drop Assembly	Token; STD-118-5
	38963P	Coin Drop	Token 118-16 not available. Replacement for 38963P Coin Drop only

Electronic Coin Drop

Coin Models



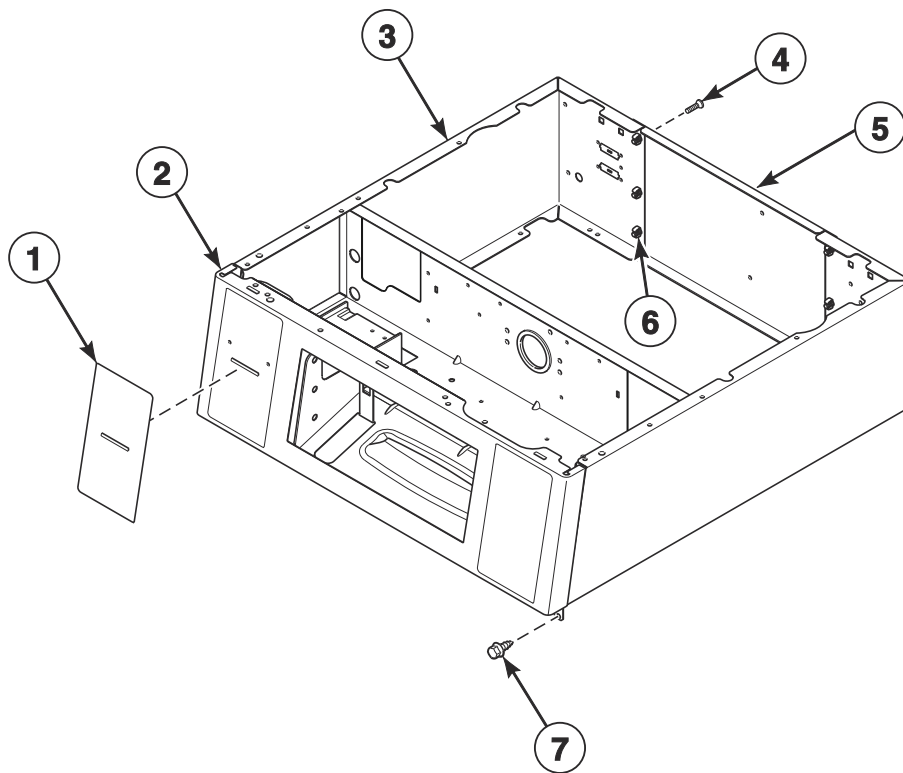
FLW1005P_806540

Electronic Coin Drop

REF	PART NO.	DESCRIPTION	COMMENTS
1	CK099	Electronic Coin Drop Kit	Includes items 2-4 and 7-9; Australia, New Zealand, Hong Kong, South Korea and Malaysia coins
	CK100	Electronic Coin Drop Kit	Includes items 2-4 and 7-9; Euro and Great Britain coins
	CK101	Electronic Coin Drop Kit	Includes items 2-4 and 7-9; Euro, Denmark and Norway coins
	CK103	Electronic Coin Drop Kit	Includes items 2-4 and 7-9; Euro, Lithuania and Latvia coins
	CK106	Electronic Coin Drop Kit	Includes items 2-4 and 7-9; Malaysia, China, Russia and Singapore coins
	CK108	Electronic Coin Drop Kit	Includes items 2-4 and 7-9; South African 1, 2 and 5 rand coins
	CK109	Electronic Coin Drop Kit	Includes items 2-4 and 7-9; Euro coins
	CK110	Electronic Coin Drop Kit	Includes items 2-4 and 7-9; Mexico, Ecuador and United States coins
	CK113	Electronic Coin Drop Kit	Includes items 2-4 and 7-9; Japan and Taiwan coins
	CK115	Electronic Coin Drop Kit	Includes items 2-4 and 7-9; United States and Canada coins
	CK120	Electronic Coin Drop Kit	Includes items 2-4 and 7-9; Chile coins
	CK121	Electronic Coin Drop Kit	Includes items 2-4 and 7-9; Singapore coins
2	70513302	Electronic Coin Drop Assembly	Euro and Great Britain coins
	70294104	Electronic Coin Drop Assembly	Euro, Denmark and Norway coins
	70294107	Electronic Coin Drop Assembly	Euro, Lithuania and Latvia coins
	70294109	Electronic Coin Drop Assembly	Malaysia, China, Russia and Singapore coins
	70294110	Electronic Coin Drop Assembly	South African 1, 2 and 5 rand coins
	70294111	Electronic Coin Drop Assembly	Euro coins
	70513306	Electronic Coin Drop Assembly	Mexico, Ecuador and United States coins
	70294122	Electronic Coin Drop Assembly	Great Britain and token coins
	70294120	Electronic Coin Drop Assembly	Chile coins
	70294121	Electronic Coin Drop Assembly	Singapore coins
3	201216	Nut	
	29786	Nut	Use on front control models with no guide rods
4	201104	Coin Drop Wire Harness	
5	802905	Harness Assembly	Electronic coin drop requires this harness. If unit is not factory-equipped with this harness, it must be ordered separately.
6	201375P	Transformer	Electronic coin drop requires this transformer. If unit is not factory-equipped with this transformer, it must be ordered separately.
7	201572	Clip	
8	201091	Overlay	
9	38725	Coin Identification Paper	

Control Cabinet Controls - Front Control Card Reader Ready Models

Models SFNDYAJP115TN01, SFNDYAJP115TW01, SFNDYASG115CW01, SFNDYASG115TW01, SFNDYASP115CW01, SFNDYASP115TN01, SFNDYASP115TW01, SFNYYASG115CW01, SFNYYASP115CW01 and SFNYYASP115TW01



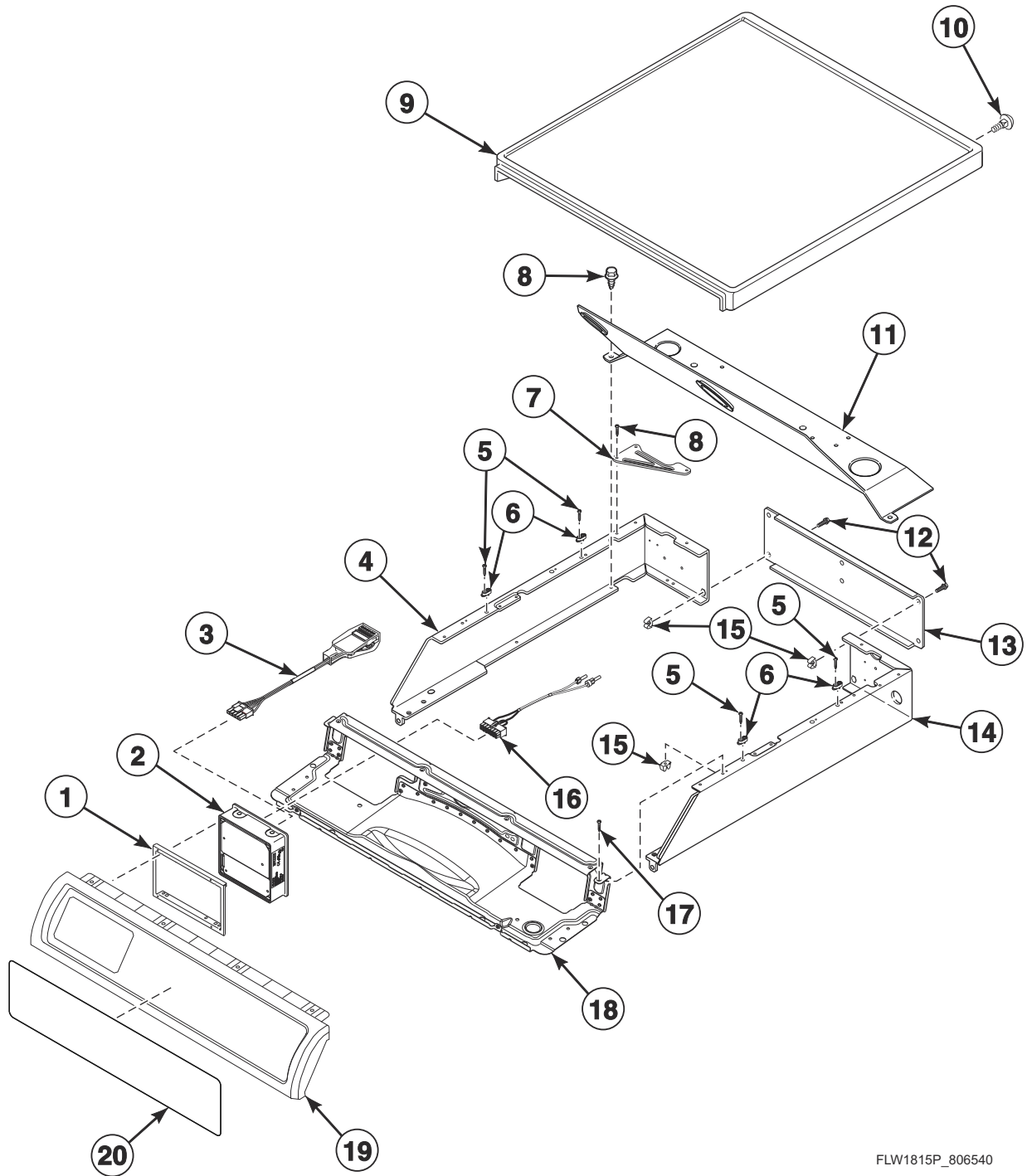
FLW1814P_806540

Control Cabinet Controls - Front Control Card Reader Ready Models

REF	PART NO.	DESCRIPTION	COMMENTS
1	D514391	Card Insert Overlay	
2	806542B	Security Cabinet Assembly	Black; Models SFNDYAJP115TN01 and SFNDYASP115TN01
	806542W	Security Cabinet Assembly	White; All other models
3	804112B	Wrapper Assembly	Black; Models SFNDYAJP115TN01 and SFNDYASP115TN01
	804112W	Wrapper Assembly	White; All other models
4	70240301	Screw	6 required
5	803998	Rear Access Panel	
6	70030501	Expansion Clip	6 required
7	D503688	Screw	

Control Cabinet - 45 Degree Front Control Models

Models SFNDYBSP115CW01 and SFNDYBSP115TW01



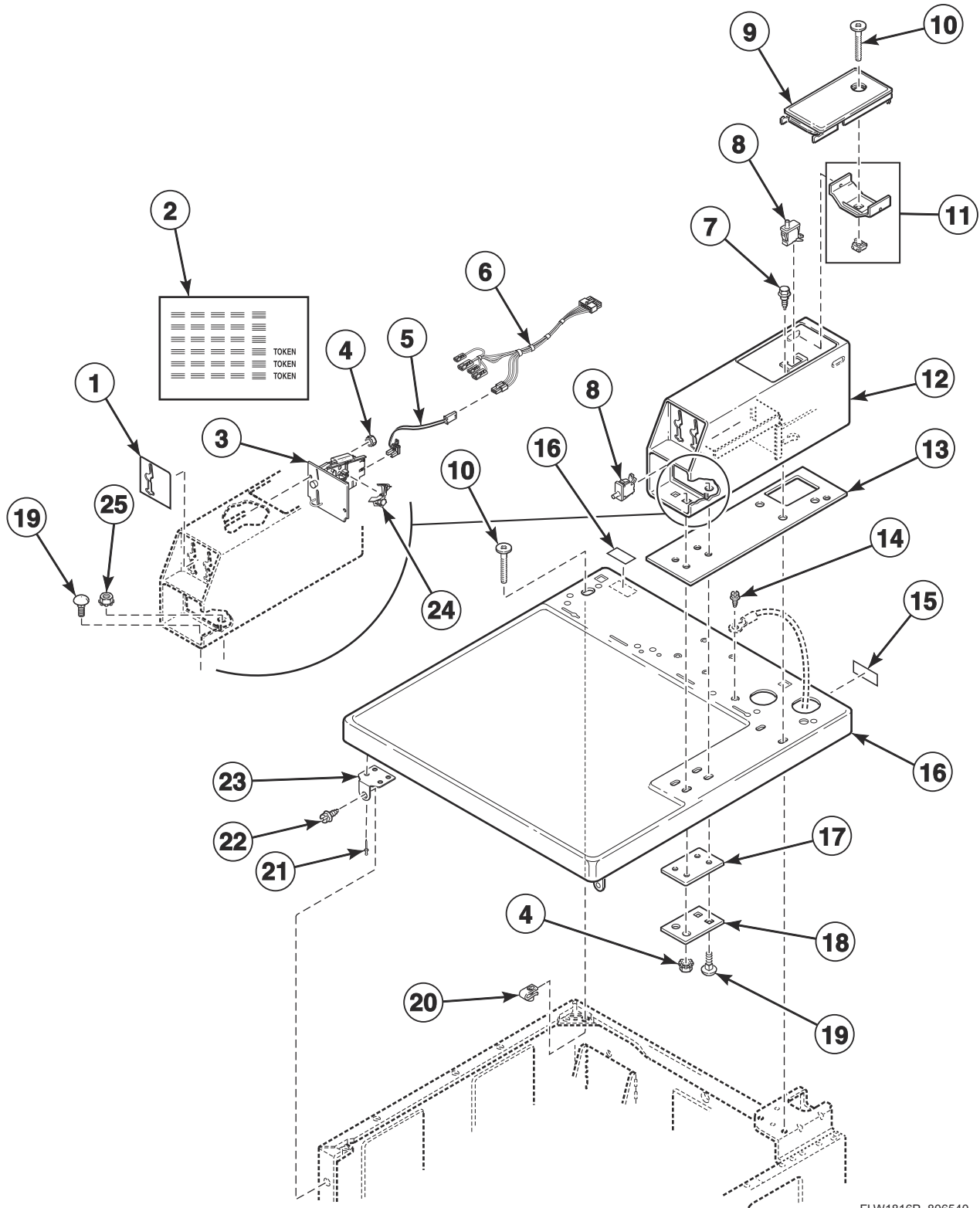
FLW1815P_806540

Control Cabinet - 45 Degree Front Control Models

REF	PART NO.	DESCRIPTION	COMMENTS
	36226	Bumper Pad	4 required
1	D514261	Control Bracket	
2	806456	Control Assembly	
3	203361P	Machine ID Control Assembly	Model or serial number is required when ordering
4	804627W	Control Wrapper	Left
5	39733	Screw	4 required
6	803761	Top Panel Guide	4 required
7	805345	Rear Wrapper Brace	2 required
8	D503688	Screw	6 required
9	804685WP	Top Panel	
10	29651	Bolt	
11	804363	Control Shield	
12	D503688	Screw	
13	804614	Rear Access Panel	
14	804630W	Control Wrapper	Right
15	70030501	Expansion Clip	
16	202869	Wiring Harness Assembly	Diagnostic
17	804667	Screw	
18	804613	Top Panel Brace Assembly	
19	D514287W	Control Panel Assembly	
20	806200	Control Overlay	

Coin Drop, Meter Case and Cabinet Top

Models SFNDCRSP113TW02, SFNDCRSP115TW02, SFNDCRSP115CW02, SFNDCRSP115CW02 and SFNDCRSP115TW02



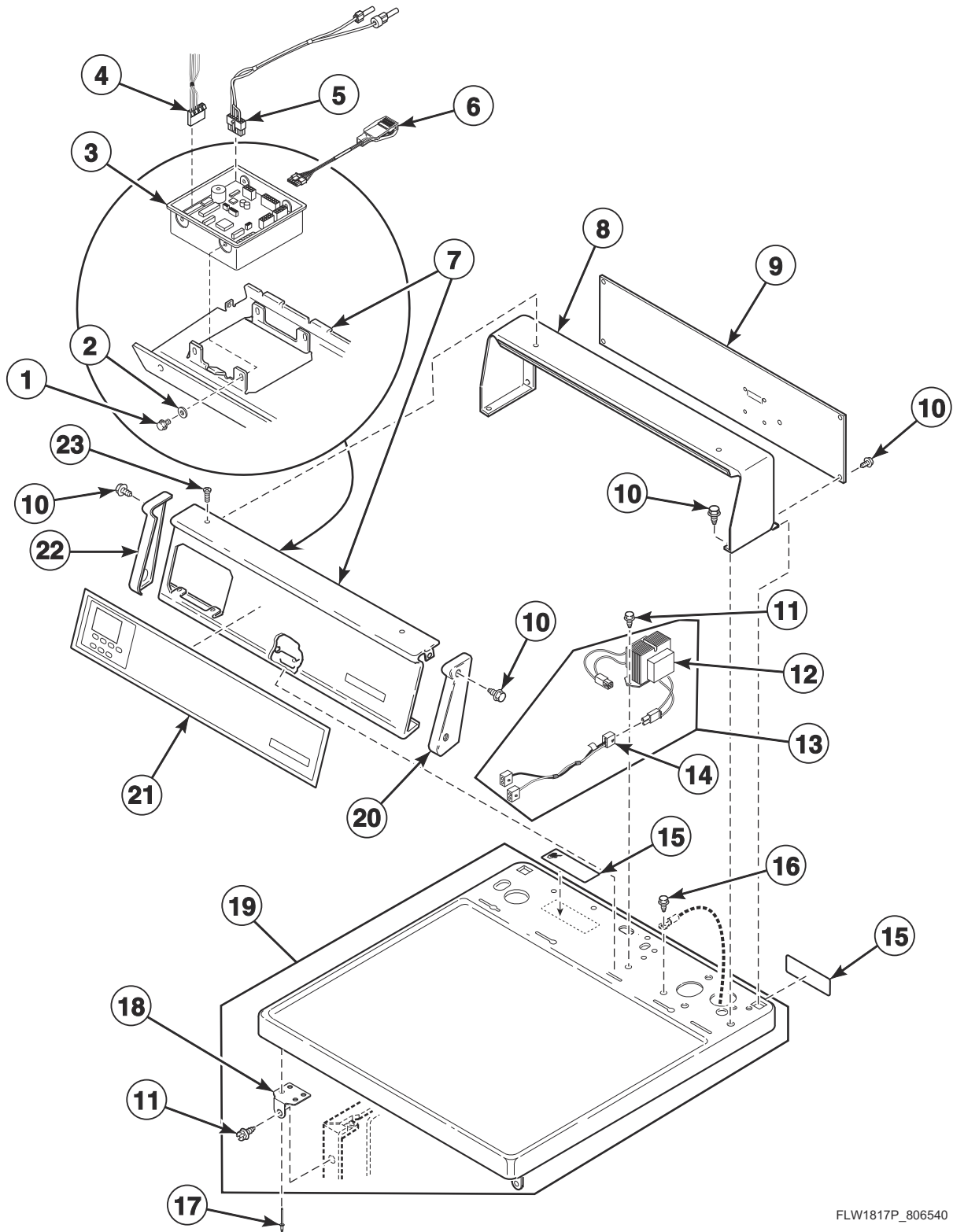
FLW1816P_806540

Coin Drop, Meter Case and Cabinet Top

REF	PART NO.	DESCRIPTION	COMMENTS
1	201091	Overlay	Model SFNDERSP115CW02
	38717	Single Overlay	All other models
2	38725	Coin Identification Paper	
3	70441601P	Coin Drop	U.S.A.; \$.25
	70441602	Coin Drop Assembly	Canada; .25 and 1.00
4	29786	Nut	
5	200674P	Opto Coupler	
6	202870	Single Coin Harness Assembly	
	202871	Dual Coin Harness Assembly	
7	36048	Screw	
8	D512973	Switch	
9	39874WP	Service Door Assembly	
10	D503673	Screw	
11	204616	Meter Case Locking Bracket Kit	
12	807406W	Meter Case Assembly	Model SFNDERSP115CW02
	807401W	Meter Case Assembly Kit	All other models
	803578P	Coin Box Extension Kit	Use with 803063W Meter Case Assembly to extend shorter 7 inch coin boxes; All other models
13	26354	Meter Case Gasket	
14	20530	Screw	
15	D505281	Disconnect Power Warning Label	English
	D500316	Warning Label	English/French
16	D511527WP	Top Kit	
17	35526	Meter Case Bracket Gasket	
18	35525	Meter Case Lockdown Bracket	
19	31645	Screw	
20	27222	Nut	
21	70058501	Pop Rivet	
22	D503661	Screw	
23	D510146	Bracket	
24	201595P	Wire Guard	Anti-stringing security device
25	802337	Nut	

Control Panel, Control Hood and Controls (Drawing 1 of 2)

Models SFNDYRSP115CW01 and SFNDYRSP115TW01



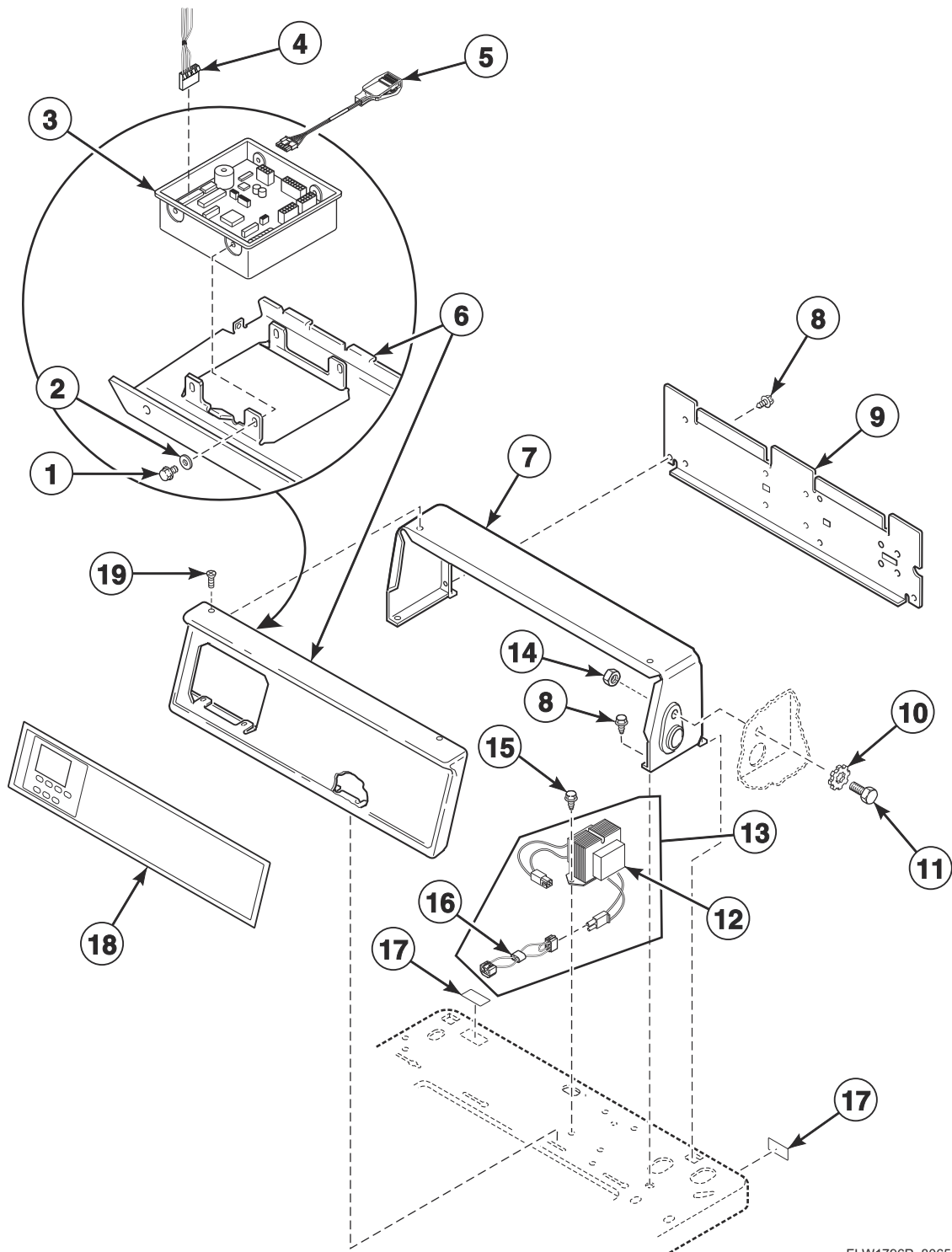
FLW1817P_806540

Control Panel, Control Hood and Controls (Drawing 1 of 2)

REF	PART NO.	DESCRIPTION	COMMENTS
	204689	Wireless Network Kit	
	203328	Network Retrofit Kit	Wired
	203346	USB IR Interface Kit	
	NK220	Network Controller Kit	Wired
	NK320	Ethernet Gateway Kit	Wireless
	NK330	USB Gateway Kit	Wireless
1	D501524	Screw	
2	200608	Washer	
3	806456	Control Assembly	
4	805427	Central Pay Harness	
5	202869	Wiring Harness Assembly	Diagnostic
6	203361P	Machine ID Control Assembly	Model or serial number is required when ordering
7	D511055W	Control Panel	
8	D511253W	Control Hood	
9	D511254	Rear Panel	
10	D501086	Screw	
11	D503661	Screw	
12	202757	Transformer	
13	203423	Transformer Kit	Includes item 12 and 14
14	804832	Harness	
15	D505281	Disconnect Power Warning Label	English
	D500316	Warning Label	English/French
16	20530	Screw	
17	70058501	Pop Rivet	
18	D510146	Bracket	
19	D511530WP	Top Panel Kit	Includes items 11 and 17
20	210108W	End Cap	Right
21	806199	Overlay	
22	210109W	End Cap	Left
23	52864	Screw	

Control Panel, Control Hood and Controls (Drawing 2 of 2)

Models SFNDCRSP113TW02, SFNDCRSP115TW02, SFNDRSP115CW02, SFNDXRSP115CW02 and SFNDXRSP115TW02

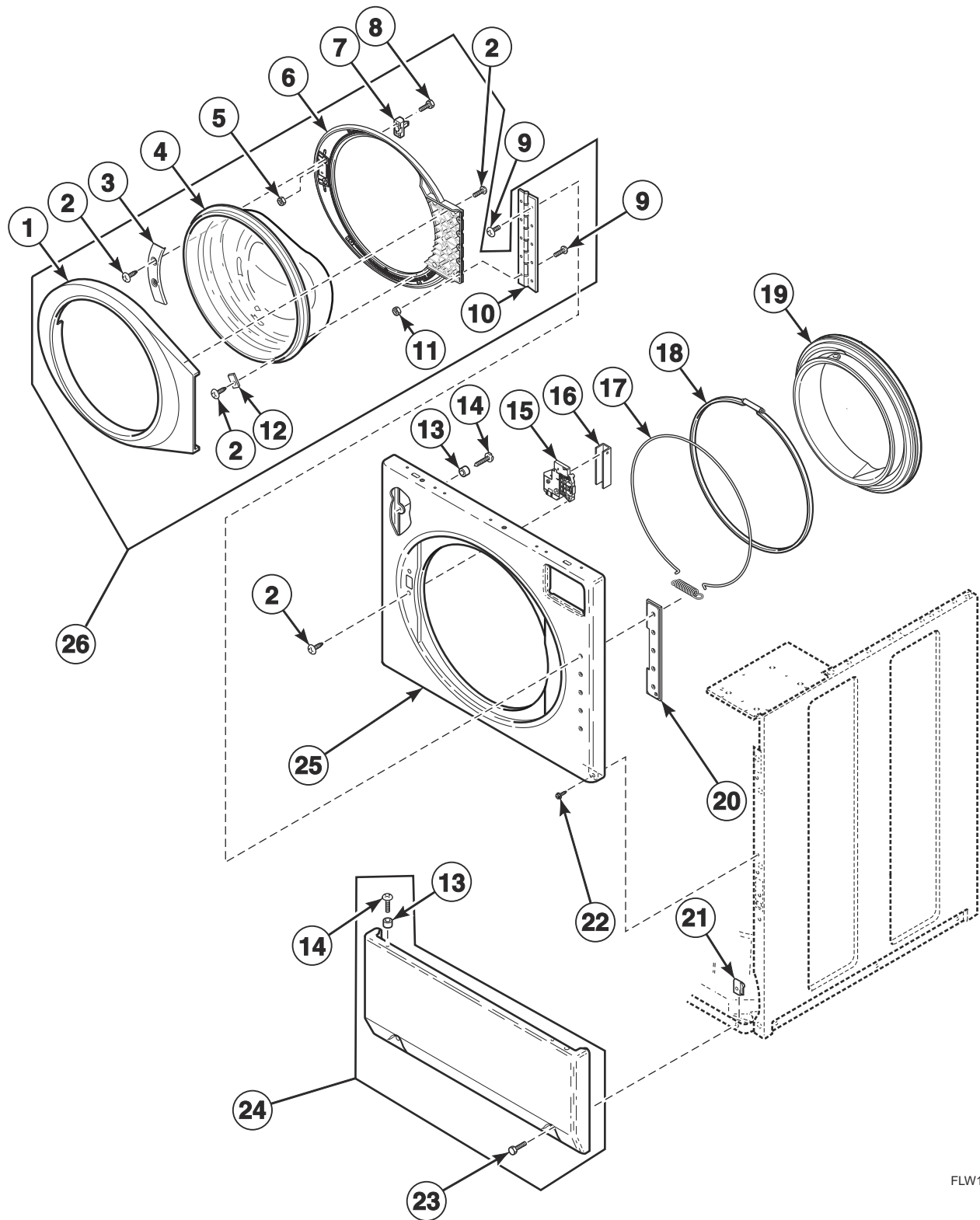


FLW1796P_806540

Control Panel, Control Hood and Controls (Drawing 2 of 2)

REF	PART NO.	DESCRIPTION	COMMENTS
	204689	Wireless Network Kit	
	203328	Network Retrofit Kit	Wired
	203346	USB IR Interface Kit	
	NK220	Network Controller Kit	Wired
	NK320	Ethernet Gateway Kit	Wireless
	NK330	USB Gateway Kit	Wireless
1	D501524	Screw	
2	200608	Washer	
3	806456	Control Assembly	
4	805427	Central Pay Harness	
5	203361P	Machine ID Control Assembly	Model or serial number is required when ordering
6	D510067W	Control Panel	
7	D502567W	Control Hood	
8	D501086	Screw	
9	804223	Hood Back Panel	
10	M400017	Washer	
11	02916	Screw	
12	202757	Transformer	
13	203423	Transformer Kit	Includes items 12 and 16
14	44087101	Nut	
15	D503661	Screw	
16	804832	Harness	
17	D505281	Disconnect Power Warning Label	English
	D500316	Warning Label	English/French
18	806198	Overlay	
19	52864	Screw	

Front Panel, Door Assembly and Door Seal

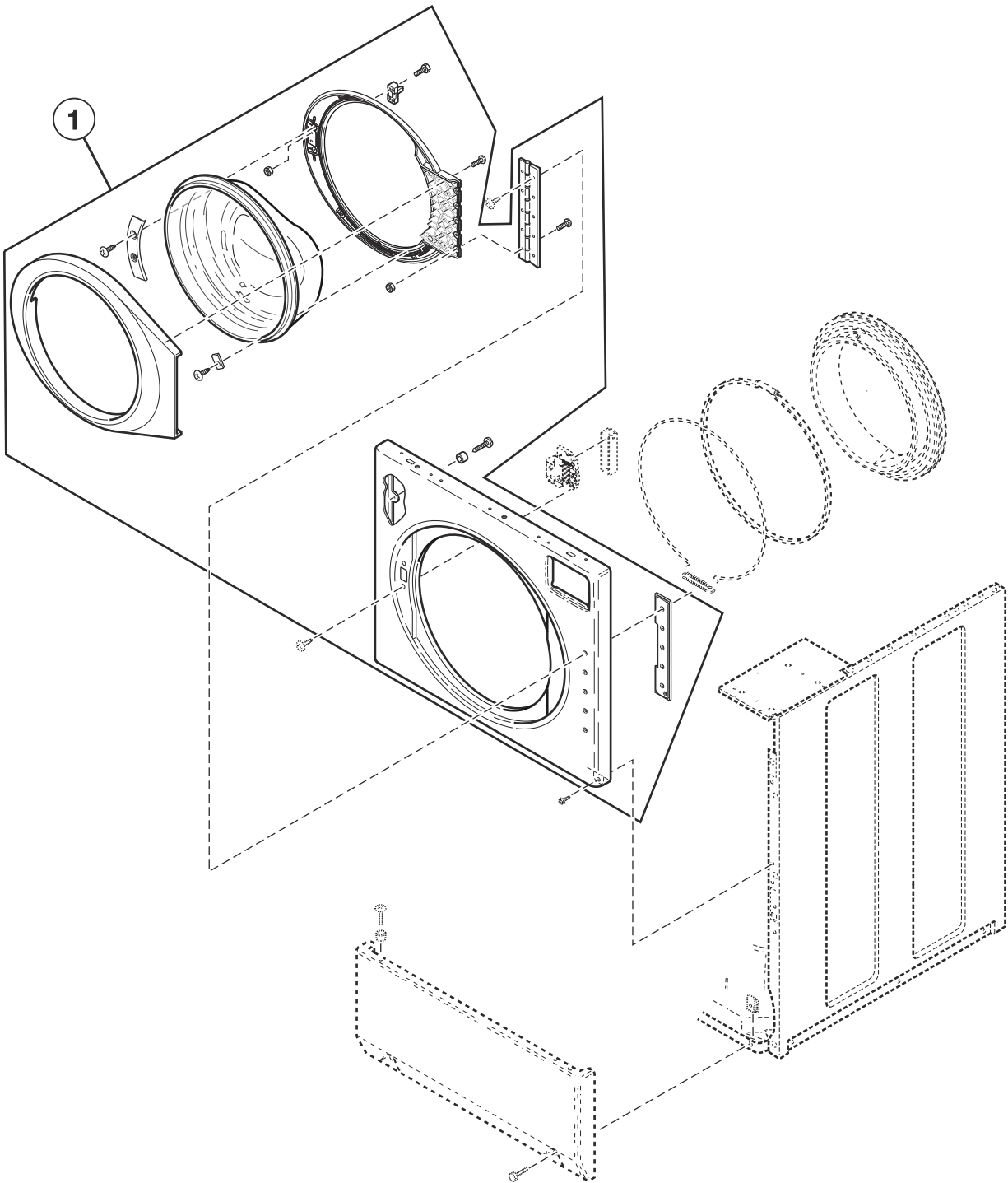


FLW1739P

Front Panel, Door Assembly and Door Seal

REF	PART NO.	DESCRIPTION	COMMENTS
1	808094	Outer Door Bezel	White
	808092	Outer Door Bezel	Black
2	800548	Screw	
3	806354	Door Glass Mounting Plate	
4	802695P	Door Glass	
5	685846	Nut	
6	808095	Inner Door Bezel Kit	White
	808096	Inner Door Bezel Kit	Gray
	808097	Inner Door Bezel	Glass filled polypropylene upgrade
7	802803	Door Catch Assembly	
8	801993	Screw	
9	807678	Screw	
10	802934	Door Hinge	
11	23951	Nut	
12	802700	Glass Mounting Clip	
13	56079	Panel Locator	
14	39733	Screw	Use with painted panels
	806086	Screw	Use with stainless steel panels
15	803920	Door Latch Assembly	
16	804784	Door Lock Drip Shield	
17	806466	Wire Ring and Spring	Includes spring
18	802281	Hose Clamp	
19	804428P	Door Seal	Black
	804429P	Door Seal Assembly	Gray
20	802206	Hinge Plate	
21	36020	Nut	
22	D503661	Screw	
23	801045	Screw	
24	804617W	Access Panel Assembly	White
	804618	Access Panel Assembly	Stainless steel
25	802277WP	Front Panel	White
	802288P	Front Panel	Stainless steel
26	804083WP	Door Assembly	White; Includes items 1-7, 9-12
	805550P	Door Assembly	Black; Includes items 1-7, 9-12

Front Panel Assembly

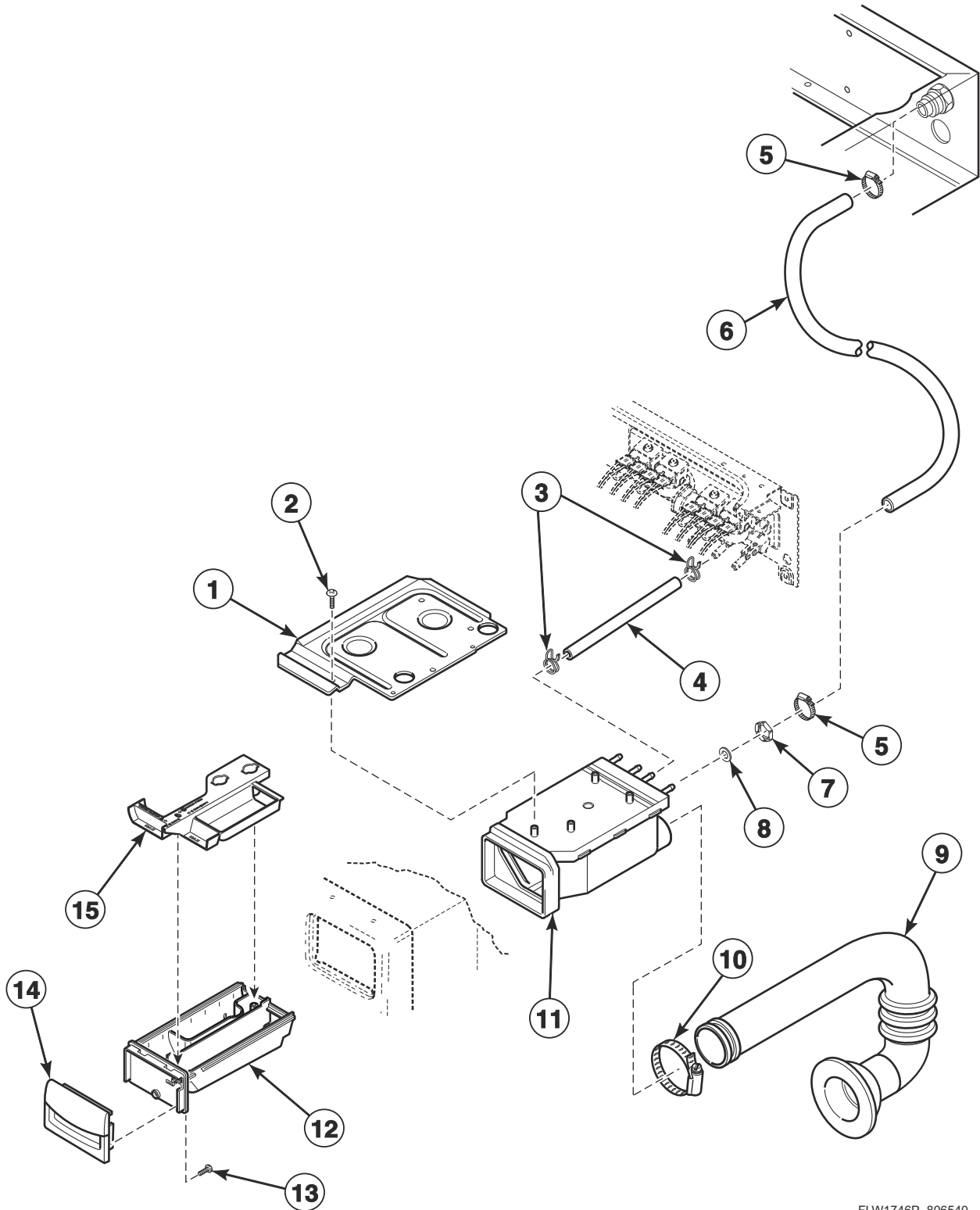


FLW1739PA_806540

Front Panel Assembly

REF	PART NO.	DESCRIPTION	COMMENTS
1	806505W	Front Panel Assembly Kit	White
	806560	Front Panel Assembly Kit	Stainless steel

Dispenser Assembly

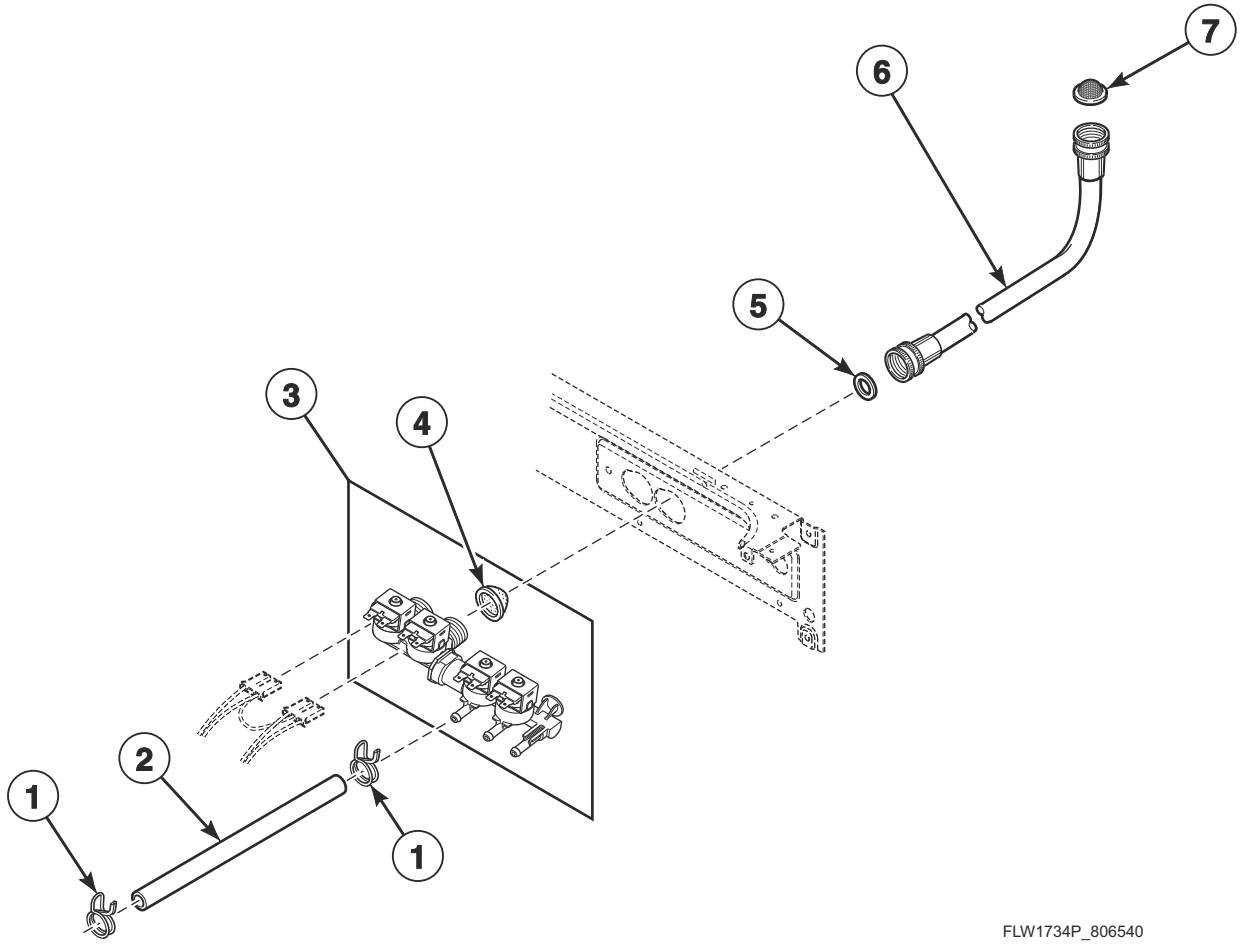


FLW1746P_806540

Dispenser Assembly

REF	PART NO.	DESCRIPTION	COMMENTS
	804875	Foam Pad	
	805938	Chemical Injection Conversion Kit	Includes 110 Volt/24 Volt transformer
1	803843	Dispenser Plate	
2	801001	Screw	
3	807386	Hose Clamp	
4	803849	Dispenser Inlet Hose	Through Serial No. 1810000001
	807364	Dispenser Inlet Hose	Starting Serial No. 1810000001
5	F200206	Hose Clamp	Models SFNDXAJ115CN01, SFNDXAJ115CW01, SFNDXAJ115TN01, SFNDXAJ115TW01, SFNDYAJ115TN01 and SFNDYAJ115TW01
6	801635	Tubing	Models SFNDXAJ115CN01, SFNDXAJ115CW01, SFNDXAJ115TN01, SFNDXAJ115TW01, SFNDYAJ115TN01 and SFNDYAJ115TW01
7	802292	Nut	Models SFNDXAJ115CN01, SFNDXAJ115CW01, SFNDXAJ115TN01, SFNDXAJ115TW01, SFNDYAJ115TN01 and SFNDYAJ115TW01
8	801632	O-Ring	Models SFNDXAJ115CN01, SFNDXAJ115CW01, SFNDXAJ115TN01, SFNDXAJ115TW01, SFNDYAJ115TN01 and SFNDYAJ115TW01
9	804717	Detergent Hose	
10	685725	Hose Clamp	
11	803698	Dispenser Assembly	
12	803667	Dispenser Drawer	
13	800548	Screw	
14	804227WP	Dispenser Handle	White
	804227B	Dispenser Handle	Black
15	803669	Compartment Cover	

Mixing Valve, Dispenser Hose and Fill Hose

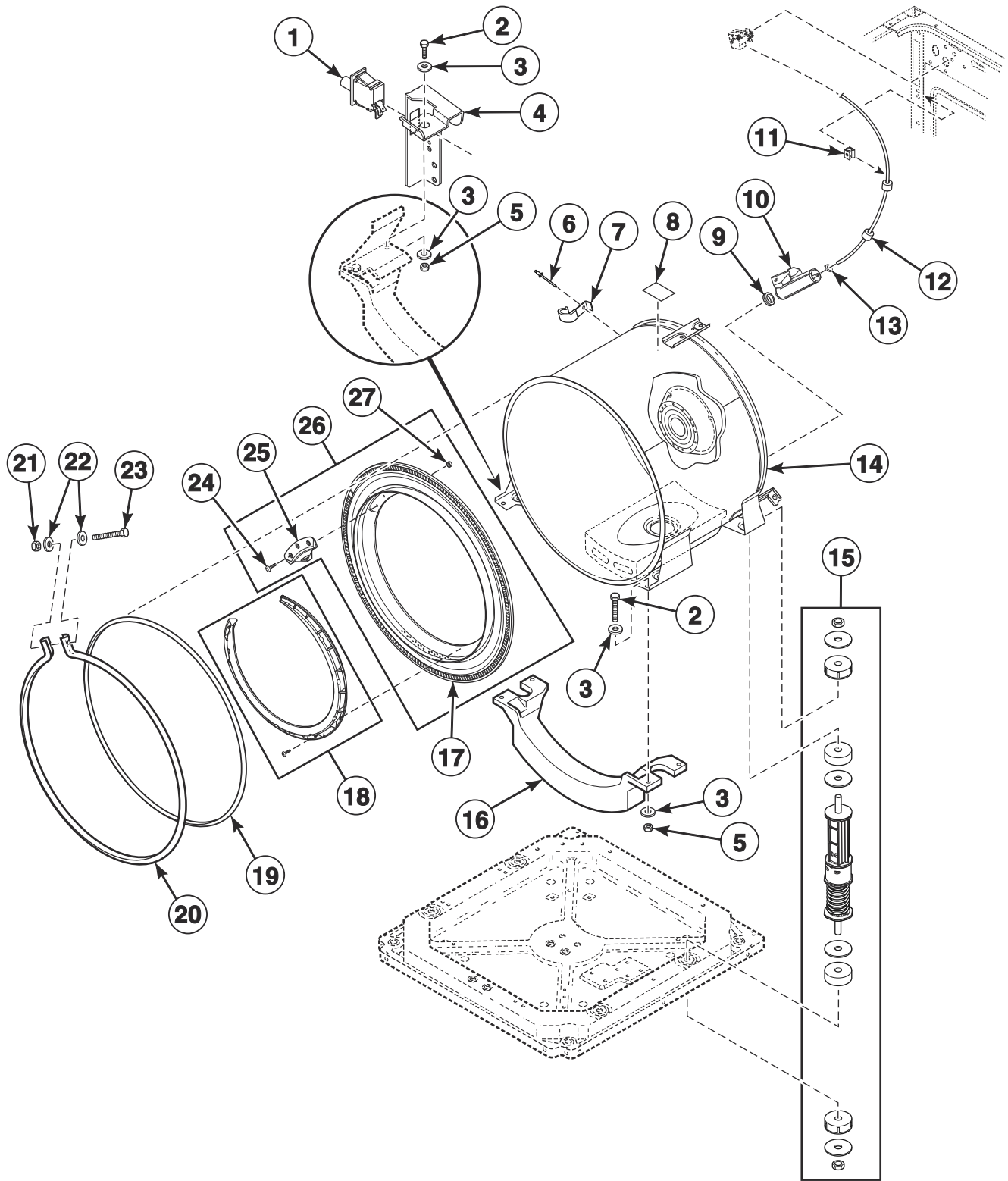


FLW1734P_806540

Mixing Valve, Dispenser Hose and Fill Hose

REF	PART NO.	DESCRIPTION	COMMENTS
1	807386	Hose Clamp	
2	803849	Dispenser Inlet Hose	Through Serial No. 1810000001
	807364	Dispenser Inlet Hose	Starting Serial No. 1810000001
3	807837P	Mixing Valve	
4	24122	Mixing Valve Screen	Steel mesh
	F8161201	Mixing Valve Screen	Plastic
5	20290	Washer	
6	203719	Fill Hose	4 feet; Marked for hot water; 2 standard thread hose couplings
	203720	Fill Hose	4 feet; Marked for cold water; 2 standard thread hose couplings
7	803615	Washer	Filter screen
	802254	Washer	Flow restrictor; Water pressure reducer; Available for water pressure up to but not exceeding 120 psi

Outer Tub, Clamp Ring and Shock Absorbers

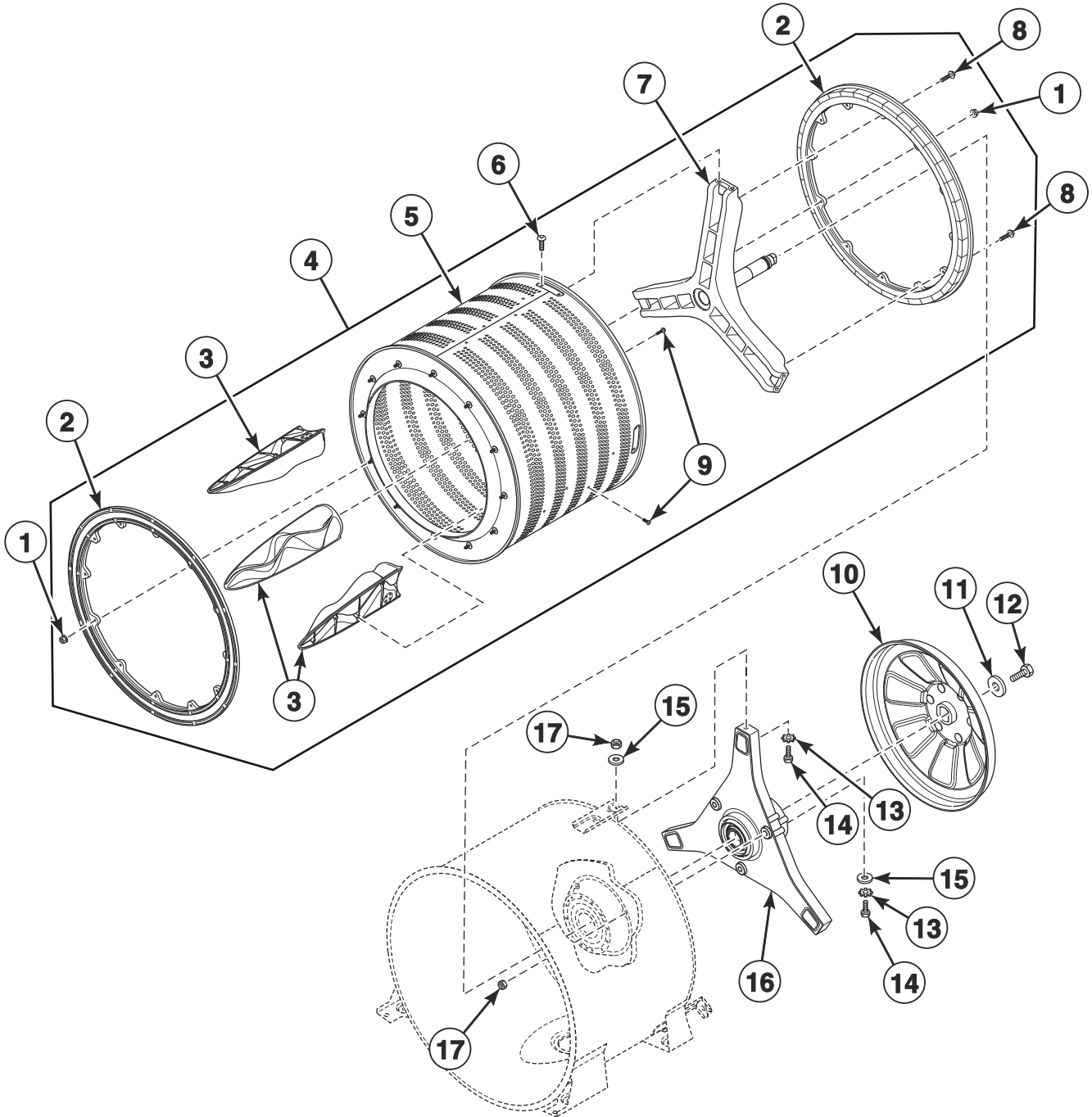


FLW1809P_806540

Outer Tub, Clamp Ring and Shock Absorbers

REF	PART NO.	DESCRIPTION	COMMENTS
1	803415	Out-of-Balance Switch Assembly	
2	800461	Screw	
3	804458	Washer	
4	804457	Out-of-Balance Switch Bracket	
5	800452	Nut	
6	685847	Pop Rivet	
7	800553	Hose Clip	
8	D500049	Warning Label	
9	29175	Grommet	
10	808013	Pressure Bulb	
11	36985	Hose Clip	
12	804483	Pressure Sensor Tube Assembly	
13	803891	Hose Clamp	
14	803864	Outer Tub Assembly	
15	803777P	Shock Assembly	Must replace all 4
16	807476	Counterweight	
17	803770	Tub Front	
18	806308	Foreign Object Deflector	Black; Includes screws
	806313	Foreign Object Deflector	Gray; Includes screws
	806361	Foreign Object Deflector	Tall; Gray; Includes screws
19	803801	Tub Front Seal	
20	803802	Clamp Ring	
21	F430218	Nut	
22	M400081	Washer	8 required
23	800462	Screw	
24	802596	Screw	
25	804467	Clothes Guard Deflector	
	805548	Clothes Guard Deflector	Heavy duty
26	803879	Tub Front Assembly	Includes items 17, 18, 24, 25 and 27
27	802343	Nut	

Inner Basket, Trunnion, Bearing Housing and Pulley

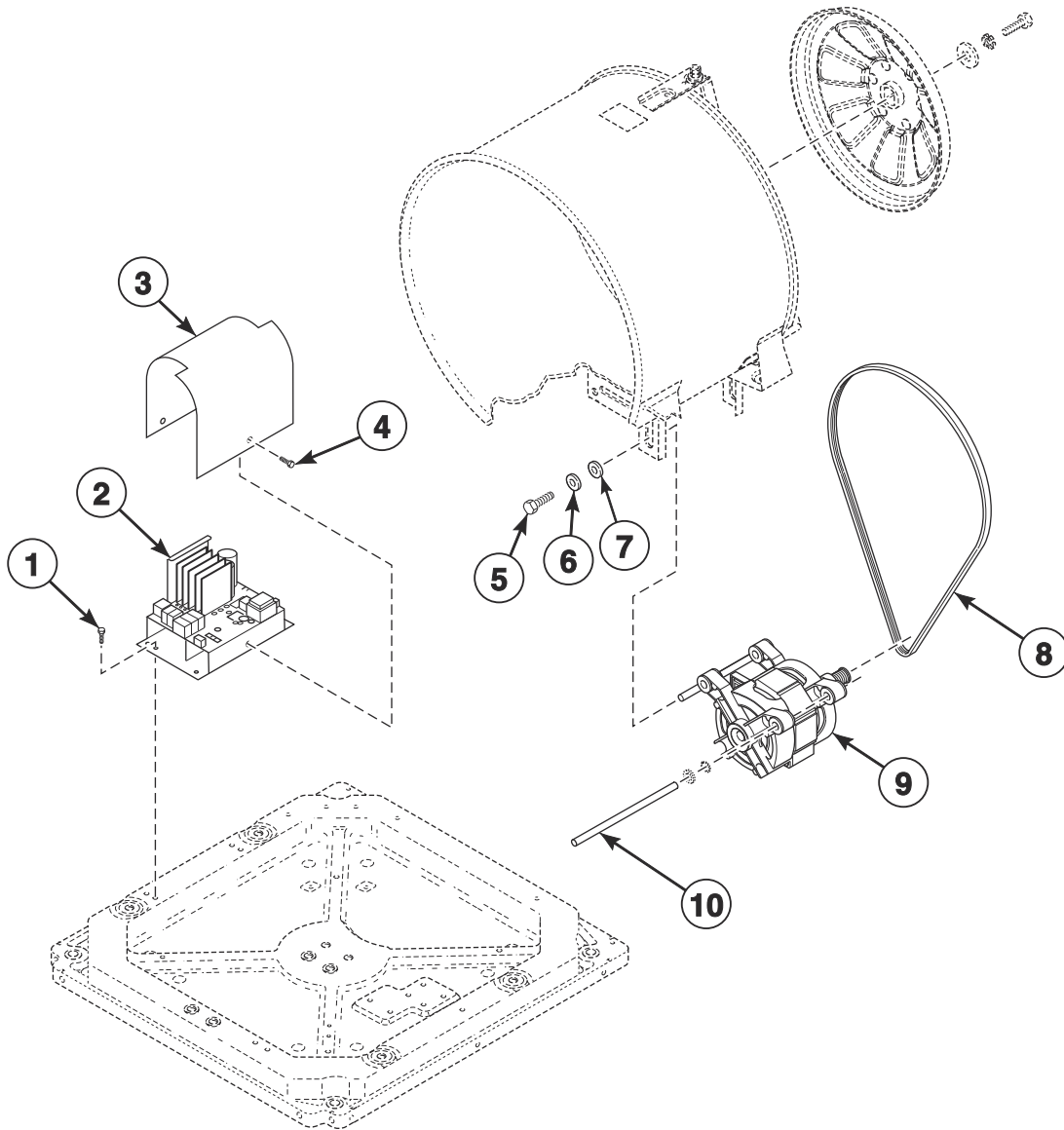


FLW1818P_806540

Inner Basket, Trunnion, Bearing Housing and Pulley

REF	PART NO.	DESCRIPTION	COMMENTS
	27604P	Anti-Seize Compound	Pulley to inner basket shaft
	805730	Bearing Kit	
1	804418	Nut	
2	804393	Balance Ring Assembly	
3	804382	Lifter	
4	804376P	Inner Basket Assembly Kit	
5	804374P	Inner Basket Assembly	
6	804699	Screw	
7	808043P	Trunnion Shaft Kit	Includes hardware
8	804399	Screw	
9	800548	Screw	
10	808197	Pulley Assembly	
11	807679	Washer	
12	685831	Screw	Left hand thread
13	M403958	Washer	
14	M400043	Screw	
15	800457	Washer	
16	805525	Bearing Housing Kit	Includes hardware and tool
17	800452	Nut	

Motor and Belt



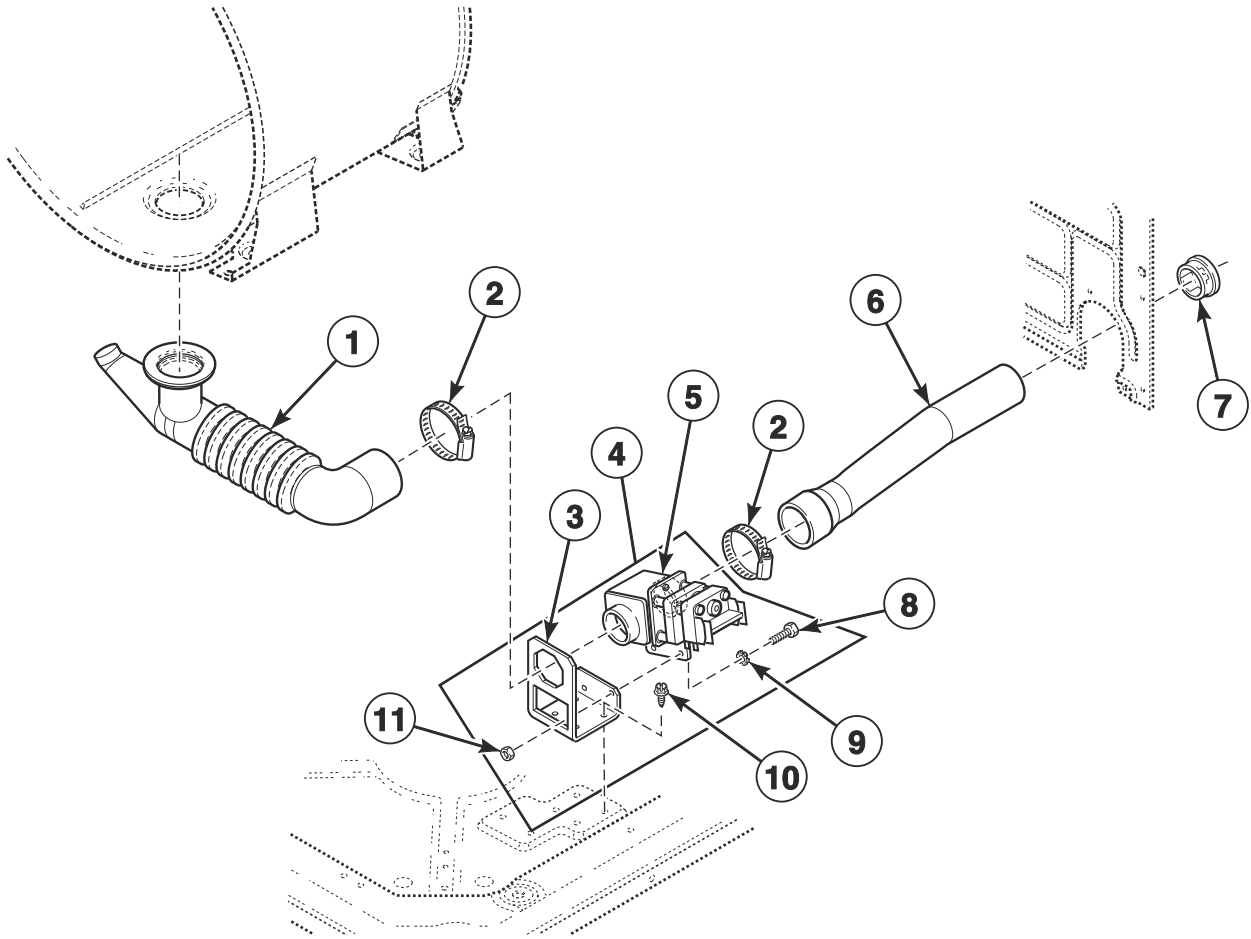
FLW1735P_806540

Motor and Belt

REF	PART NO.	DESCRIPTION	COMMENTS
1	D503661	Screw	
2	807175P	Inverter Control Assembly	
3	804878	Motor Control Shield	
4	D501524	Screw	
5	M400057	Screw	
6	02834	Washer	
7	M400080	Washer	
8	804985	Drive Belt	
9	805726P	Motor and Rod Assembly Kit	Through serial no. 2010071306; Includes item 10
	808034P	Motor and Rod Assembly Kit	Starting serial no. 2010071307 through serial no. 2012999999; Includes item 10
	808067P	Motor and Rod Assembly Kit	Starting serial no. 2010100001; Includes item 10
10	803861	Motor Rod	

Drain Hoses and Valve

Gravity Drain Models



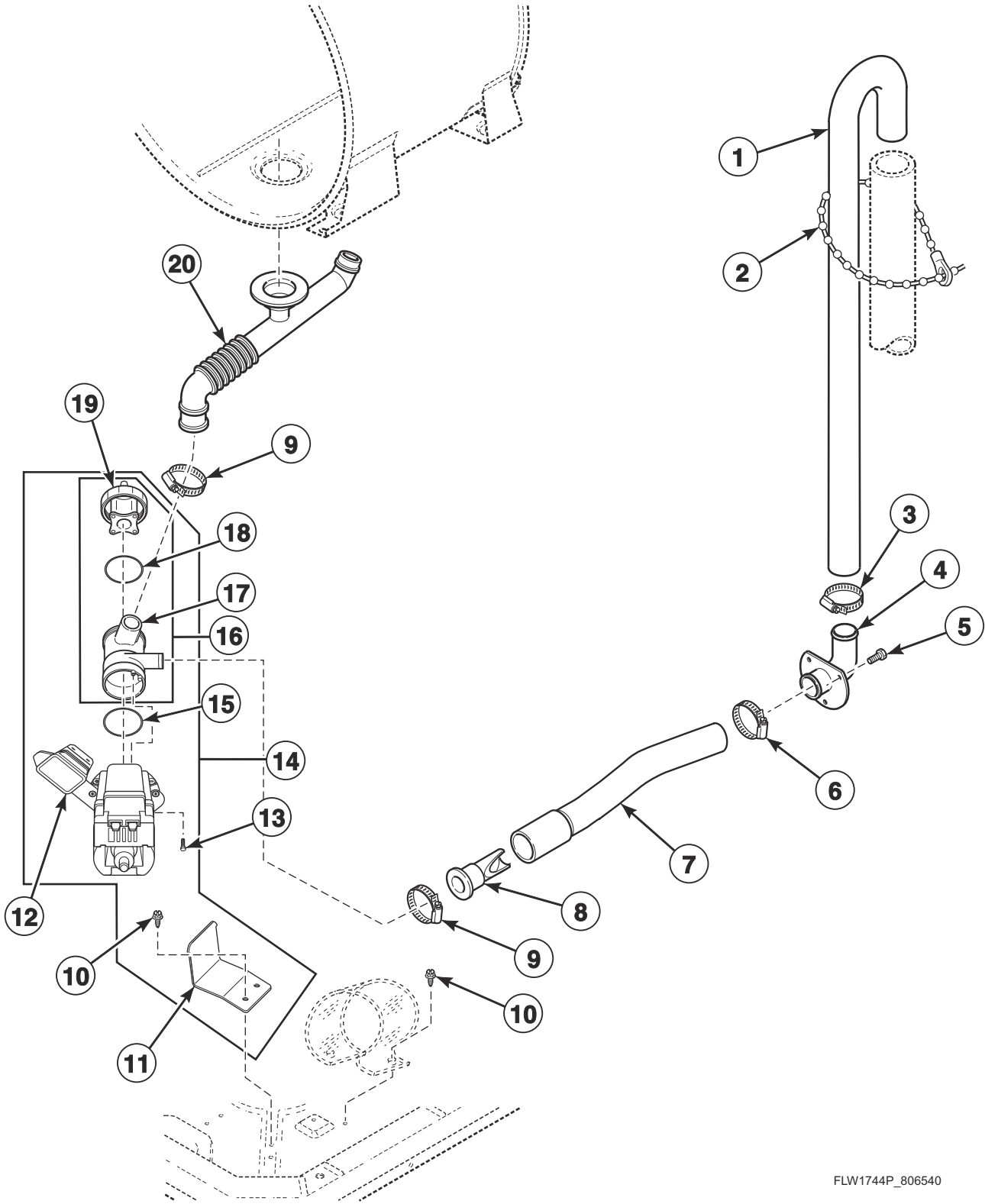
FLW1745P_806540

Drain Hoses and Valve

REF	PART NO.	DESCRIPTION	COMMENTS
1	803874	Tub-to-Gravity Drain Hose	
	27615P	Sealant	Tub-to-drain hose to outer tub
2	685725	Hose Clamp	
3	803291	Gravity Drain Bracket	
4	F975P3	Drain Valve Kit	Includes items 3, 5 and 8-11
5	803293P	Drain Valve	
6	800903	Drain-to-Cabinet Hose	
7	D503235	Snap Bushing	
8	02916	Screw	
9	M400017	Washer	
10	D503661	Screw	
11	29786	Nut	

Drain Hose and Pump

Pump Models

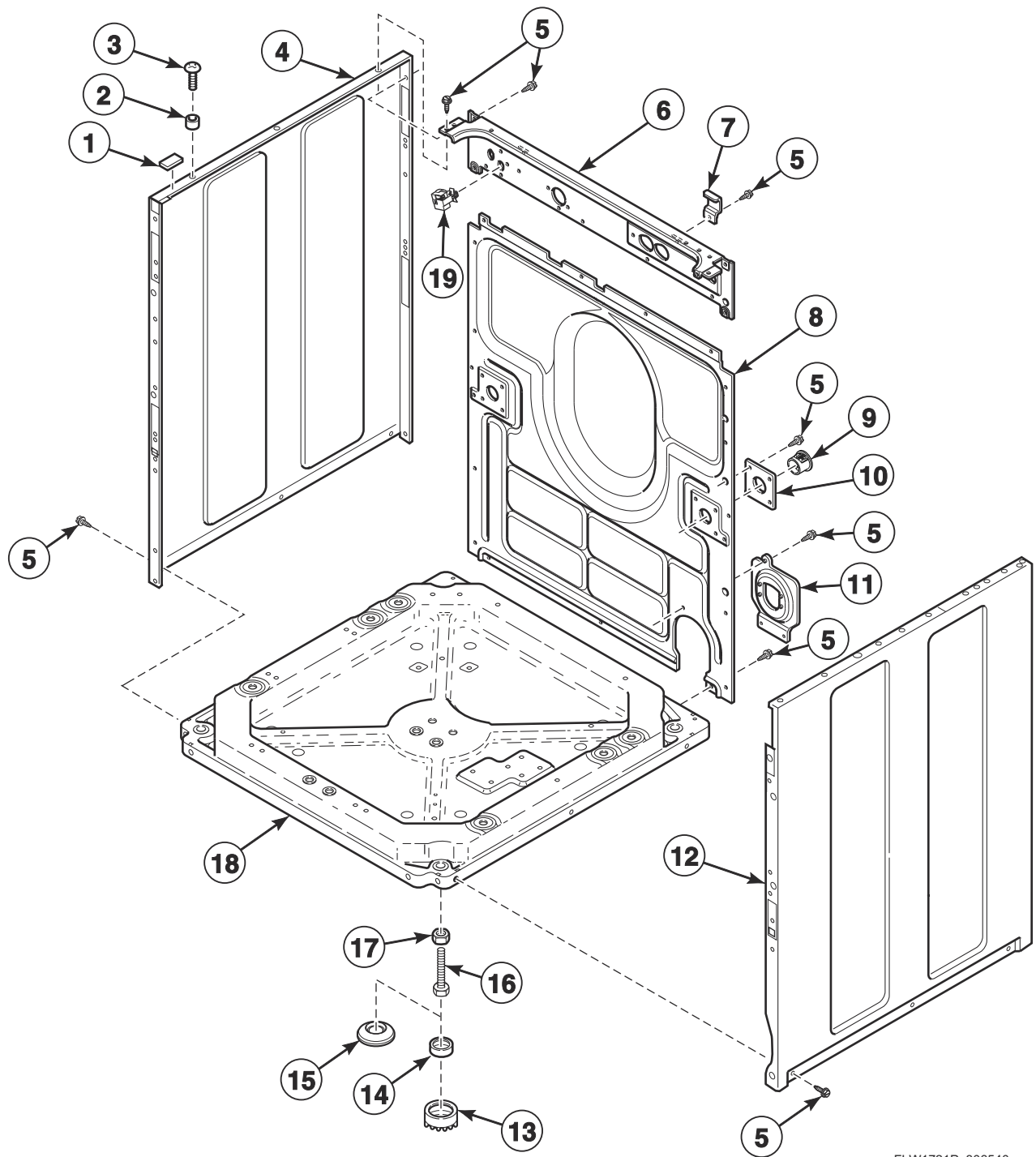


FLW1744P_806540

Drain Hose and Pump

REF	PART NO.	DESCRIPTION	COMMENTS
	805771	Pump-to-Gravity Drain Kit	
1	27154	Drain Hose	
2	33489	Standpipe Strap	
3	20211	Hose Clamp	
4	35766	Drain Hose Elbow	
5	52909	Screw	
6	20391	Hose Clamp	
7	803734	Pump-to-Elbow Hose	
8	800310	Backflow Preventer	
9	F200204	Hose Clamp	
10	D503661	Screw	
11	803814	Drain Base Bracket	
12	803815	Drain Pump Isolator	
13	802431	Screw	
14	805724P	Drain Pump Assembly	Includes items 11-13 and 15-19
15	802429P	O-Ring	
16	802434P	Pump Housing Assembly	Includes items 17-19
17	802428	Pump Housing	
18	802427	Gasket	
19	802426P	Lid Assembly	Includes filter
20	803829	Tub-to-Pump Hose	
	27615P	Sealant	Tub-to-pump hose to outer tub

Side, Base and Rear Panels



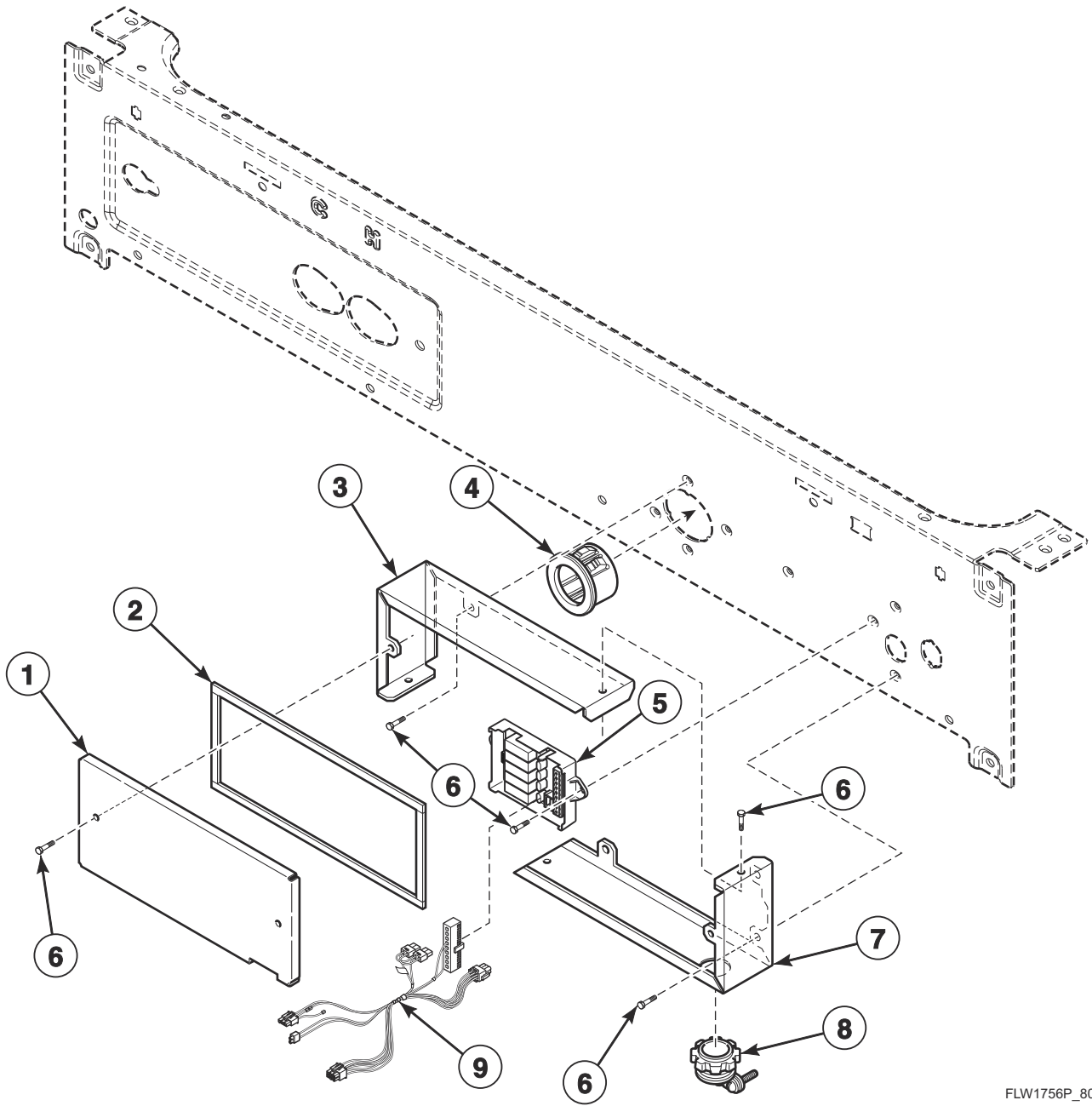
FLW1721P_806540

Side, Base and Rear Panels

REF	PART NO.	DESCRIPTION	COMMENTS
	122P4P	Porcelain Touch-Up Paint	White
	806436P	Paint	Dark gray
1	36226	Bumper Pad	
2	56079	Panel Locator	
3	39733	Screw	
4	800004WP	Cabinet Panel Kit	White; Left; Includes corner gusset with hardware
	800004DG	Cabinet Side Panel	Dark gray; Left
5	D503661	Screw	
6	803790	Rear Panel	Fixed; Through Serial No. 1810000001
	806716	Rear Panel	Fixed; Starting Serial No. 1810000001
7	D510136	Top Hinge	
8	803789	Rear Panel	Removable
9	803859	Shipping Plug	
10	803851	Shipping Plate	
11	803833	Gravity Drain Bracket	Models SFNDCASG115TN01, SFNDCASG115TW01, SFNDEASG115CN01, SFNDEASG115CW01, SFNDXASG113TW01, SFNDXASG115CW01, SFNDXASG115TW01, SFNDYASG115CW01, SFNDYASG115TW01, SFNYCASG113TN01, SFNYCASG115TN01, SFNYEASG115CN01 and SFNYASG115CW01
	803828	Drain Hose Bracket	All other models
12	800005DG	Cabinet Side Panel	Dark gray; Right
	806492	Side Panel Kit	White; Right
13	D501855	Rubber Foot	Use to prevent movement on smooth surface floor coverings; Install over 2 existing front rubber feet (item 14)
14	34318	Rubber Foot	
15	155P3	Anchor	Includes 4 rubber discs with adhesive backing
	802844P	Anchor Floor Mount Assembly	Includes 2 rubber discs with adhesive backing
16	34319	Leveling Leg	
17	21899	Nut	
18	803876	Base Assembly	
19	203843	Pressure Sensor	

Junction Box

Models SFNDXAJP115CN01, SFNDXAJP115CW01, SFNDXAJP115TN01, SFNDXAJP115TW01, SFNDYAJP115TN01 and SFNDYAJP115TW01

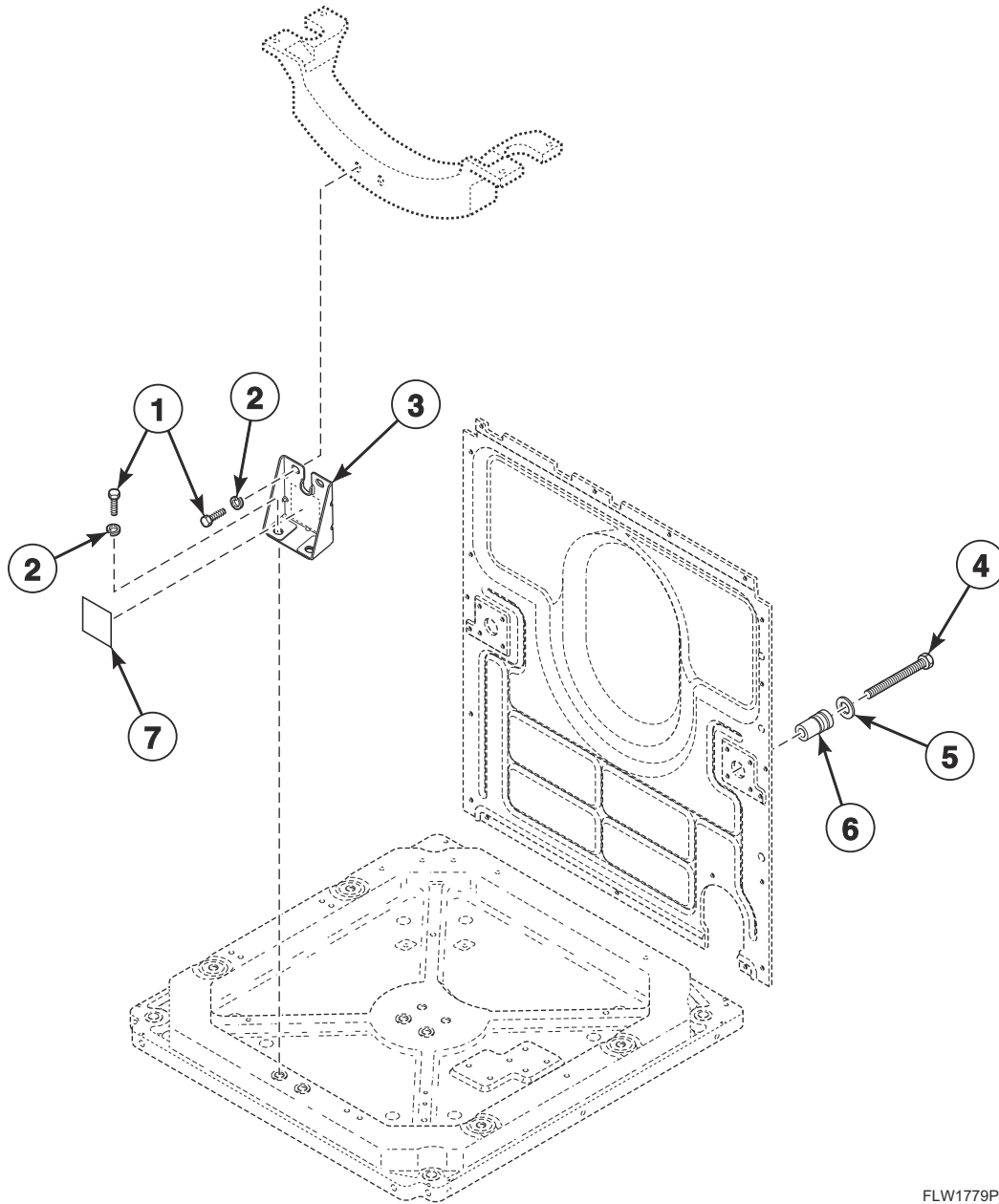


FLW1756P_806540

Junction Box

REF	PART NO.	DESCRIPTION	COMMENTS
1	803820	Junction Box Cover	
2	803832P	Junction Box Seal	
3	803827	Junction Box	Upper
4	M402542	Snap Bushing	
5	804528	Chemical Injection Control	
6	D503661	Screw	
7	804561	Junction Box	Lower
8	M400149	Connector	
9	804799	Supply Injection Wire Harness Assembly	

Shipping Materials

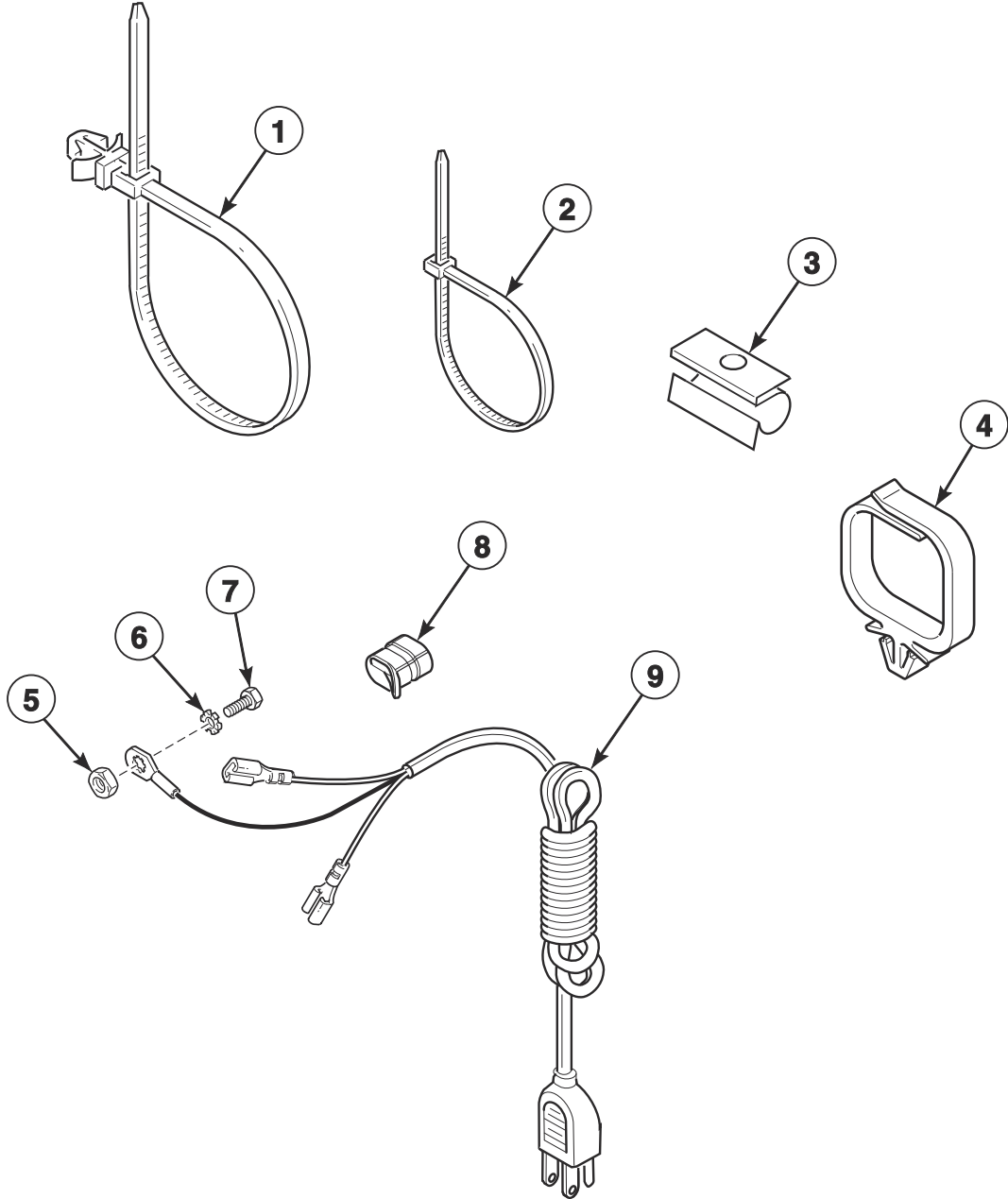


FLW1779P_806540

Shipping Materials

REF	PART NO.	DESCRIPTION	COMMENTS
1	M400043	Screw	
2	M400014	Washer	
3	807448	Shipping Brace	
4	800462	Screw	
5	800624	Washer	
6	803858	Shipping Spacer	
7	804488	Label	Shipping brace

Wire Ties, Harness Clips and Lead-In Cord

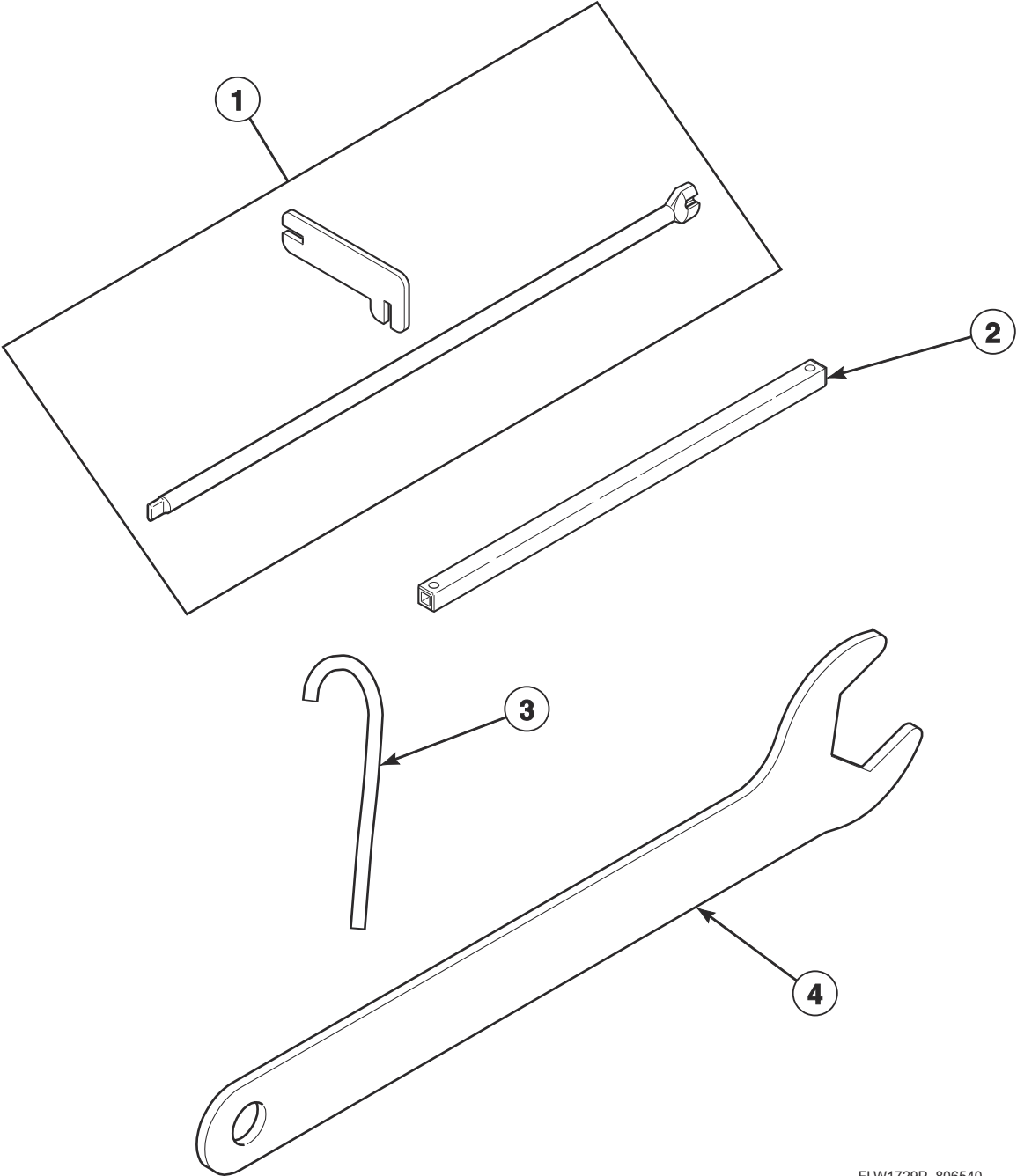


FLW1775P_806540

Wire Ties, Harness Clips and Lead-In Cord

REF	PART NO.	DESCRIPTION	COMMENTS
1	M405829	Cable Tie	6.13 inches
2	55881	Harness Strap	
3	36985	Hose Clip	
4	F8449502	Wire Clip	
5	03673	Nut	
6	03815	Washer	
7	20530	Screw	
8	38384	Strain Relief	
9	202777	Lead-In Cord	

Special Tools

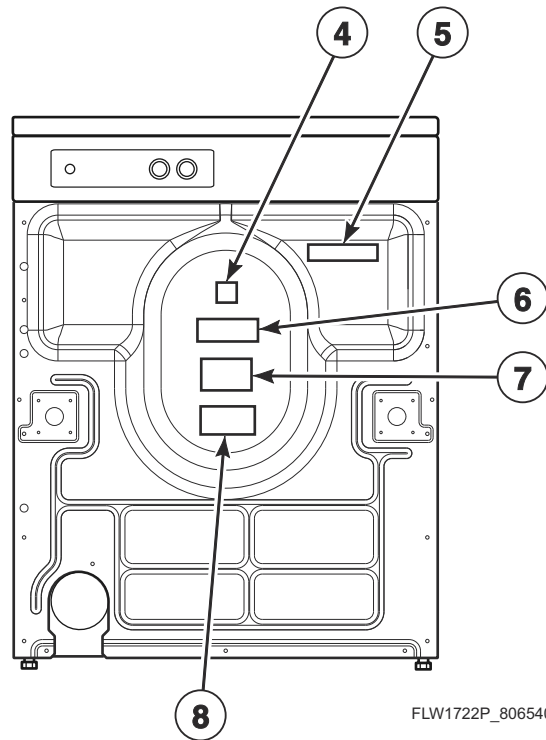
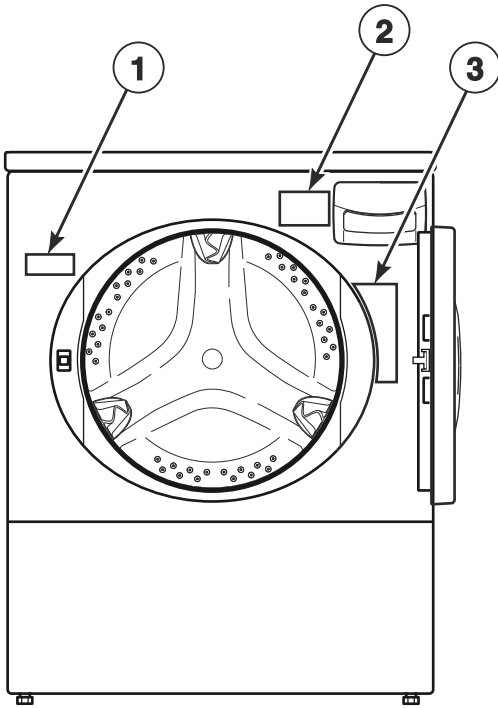


FLW1729P_806540

Special Tools

REF	PART NO.	DESCRIPTION	COMMENTS
1	CK096	Mounting Tool Kit	Use to install and remove electronic coin drop kits
2	310P4	Ratchet Extension Tool	1/4 inch; Use to install and remove non-electronic coin drops
3	802336	Pulley Bolt Tightening Fixture	Use to install inner basket
4	392P4	Wrench	Use for leveling leg locknuts

Washer Labels

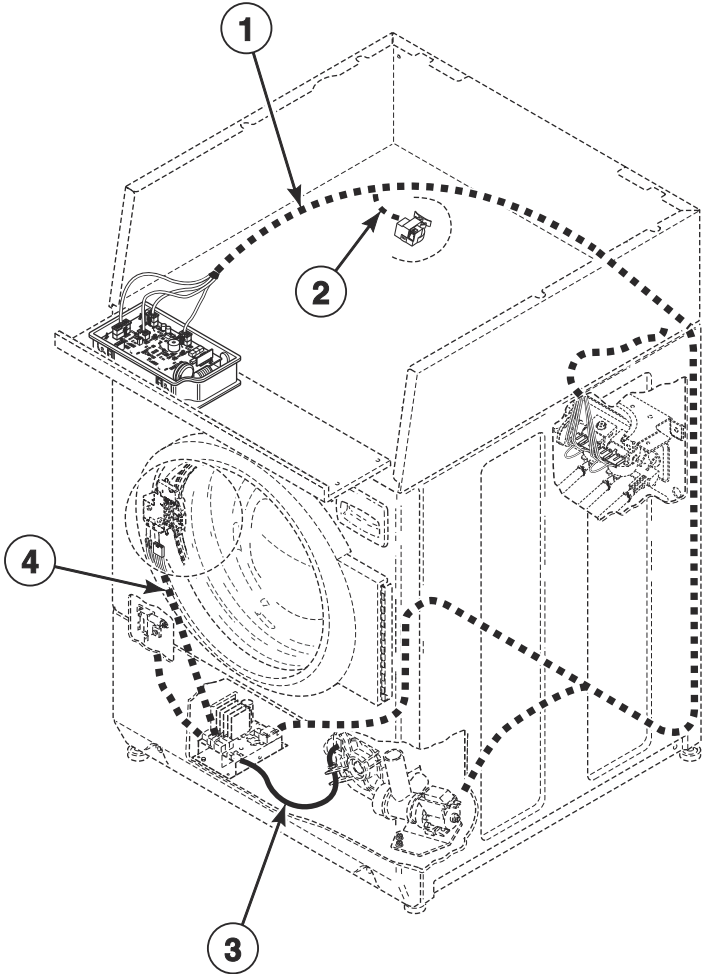


FLW1722P_806540

Washer Labels

REF	PART NO.	DESCRIPTION	COMMENTS
1	803011	Notice Label	
2	802074	Oversudsing Label	English
	802838	Oversudsing Label	Spanish
3	802367	Warning Label	Reduce Fire Risk
4	D513371	Read Instructions Label	
5	D505281	Disconnect Power Warning Label	English
	D500316	Warning Label	English/French; Disconnect Power
	801706	Caution Label	Icon; Ground Machine
6	685928	Left Hand Thread Label	Text
	804949	Left Hand Thread Label	Icon
7	803260	Warning Label	Disconnect Power
	F8211201	Electrical Shock Label	Icon
8	D500049	Warning Label	English
	D500314	Warning Label	English/French
	F8615701	Pinch Warning Label	Icon; Crush Hazard

Wire Harnesses and Wires



FLW1780P_806540

Wire Harnesses and Wires

REF	PART NO.	DESCRIPTION	COMMENTS
	45001	18 Gauge Wire	Black; Order wire by foot and terminals and connectors as required
1	806030	Rear Control Harness	Models SFNDCRSP113TW02, SFNDCRSP115TW02, SFNDERSP115CW02, SFNDXRSP115CW02, SFNDXRSP115TW02, SFNDYRSP115CW01 and SFNDYRSP115TW01
	806031	Front Control Harness	All other models
2	804433	Pressure Sensor Harness	
3	806029	Motor Harness	
4	806028	Door Lock Harness Assembly	

NOTE: Individual wires are not available separately. Order complete harness, or order wire by the foot. When applying terminals to wires, it is recommended that the terminals be soldered to the wires.

Parts Index

A

Access Panel Assembly	
804617W.....	27
804618.....	27
Anchor	
155P3.....	45
Anchor Floor Mount Assembly	
802844P.....	45
Anti-Seize Compound	
27604P.....	37

B

Backflow Preventer	
800310.....	43
Balance Ring Assembly	
804393.....	37
Base Assembly	
803876.....	45
Bearing Housing Kit	
805525.....	37
Bearing Kit	
805730.....	37
Bolt	
29651.....	7, 11, 19
Bracket	
D510146.....	21, 23
Bumper Pad	
36226.....	19, 45

C

Cabinet Panel Kit	
800004WP.....	45
Cabinet Side Panel	
800004DG.....	45
800005DG.....	45
Cabinet Top Kit	
802247QP.....	7
Cable Tie	
M405829.....	51
Card Insert Overlay	
D514391.....	17
Caution Label	
801706.....	55
Central Pay Harness	
805427.....	5, 23, 25
Chemical Injection Control	
804528.....	47
Chemical Injection Conversion Kit	
805938.....	31
Clamp Ring	
803802.....	35
Clip	
201572.....	15

Clothes Guard Deflector	
804467.....	35
805548.....	35
Coin Box Extension Kit	
803578P.....	21
Coin Drop	
38963P.....	13
70441601P.....	13, 21
Coin Drop Assembly	
CK114.....	13
38462P.....	13
38463.....	13
38464P.....	13
38467.....	13
38472.....	13
38519.....	13
38521.....	13
70441602.....	13, 21
70441603.....	13
70482401.....	13
Coin Drop Kit	
CK123.....	13
Coin Drop Wire Harness	
201104.....	15
Coin Identification Paper	
38725.....	13, 15, 21
Compartment Cover	
803669.....	31
Connector	
M400149.....	47
801789.....	11
Control Assembly	
806456.....	5, 19, 23, 25
Control Bracket	
D514261.....	19
Control Hood	
D502567W.....	25
D511253W.....	23
Control Overlay	
806200.....	19
Control Panel	
D510067W.....	25
D511055W.....	23
806541B.....	11
806541W.....	11
Control Panel and Bracket Assembly	
D513777B.....	5
D513777W.....	5
Control Panel Assembly	
D154287W.....	19
Control Shield	
804363.....	5, 19
Control Wrapper	
804627W.....	19
804630W.....	19
Counterweight	
807476.....	35

N/A items do not appear in index.

D

Detergent Hose	
804717	31
Diagnostic Wire Harness Assembly	
202869	19
Disconnect Power Warning Label	
D505281	21, 23, 25, 55
Dispenser Assembly	
803698	31
Dispenser Drawer	
803667	31
Dispenser Handle	
804227B	31
804227WP	31
Dispenser Inlet Hose	
803849	31, 33
807364	31, 33
Dispenser Plate	
803843	31
Door Assembly	
804083WP	27
805550P	27
Door Catch Assembly	
802803	27
Door Glass	
802695P	27
Door Glass Mounting Plate	
806354	27
Door Hinge	
802934	27
Door Latch Assembly	
803920	27
Door Lock Drip Shield	
804784	27
Door Lock Harness Assembly	
806028	57
Door Seal	
804428P	27
Door Seal Assembly	
804429P	27
Drain Base Bracket	
803814	43
Drain Hose	
27154	43
Drain Hose Bracket	
803828	45
Drain Hose Elbow	
35766	43
Drain Pump Assembly	
805724P	43
Drain Pump Isolator	
803815	43
Drain Valve	
803293P	41
Drain Valve Kit	
F975P3	41
Drain-to-Cabinet Hose	
800903	41
Drive Belt	
804985	39

Dual Coin Harness Assembly	
202871	13, 21

E

Electrical Shock Label	
F8211201	55
Electronic Coin Drop Assembly	
70294104	15
70294107	15
70294109	15
70294110	15
70294111	15
70294120	15
70294121	15
70294122	15
70513302	15
70513306	15
Electronic Coin Drop Kit	
CK099	15
CK100	15
CK101	15
CK103	15
CK106	15
CK108	15
CK109	15
CK110	15
CK113	15
CK115	15
CK120	15
CK121	15
End Cap	
210108W	23
210109W	23
Ethernet Gateway Kit	
NK320	5, 23, 25
Expansion Clip	
70030501	11, 17, 19

F

Fill Hose	
203719	33
203720	33
Foam Pad	
804875	31
Foreign Object Deflector	
806308	35
806313	35
806361	35
Front Control Harness	
806031	57
Front Panel	
802277WP	27
802288P	27
Front Panel Assembly Kit	
806505W	29
806560	29

N/A items do not appear in index.

G

Gasket	
802427	43
Glass Mounting Clip	
802700	27
Gravity Drain Bracket	
803291	41
803833	45
Grommet	
29175	35

H

Harness	
804832	23, 25
Harness Assembly	
802905	15
Harness Strap	
55881	51
Hinge	
D511036	7
Hinge Plate	
802206	27
Hood Back Panel	
804223	25
Hose Clamp	
F200204	43
F200206	31
20211	43
20391	43
685725	31, 41
802281	27
803891	35
807386	31, 33
Hose Clip	
36985	35, 51
800553	35

I

Inner Basket Assembly	
804374P	37
Inner Basket Assembly Kit	
804376P	37
Inner Door Bezel	
808097	27
Inner Door Bezel Kit	
808095	27
808096	27
Inverter Control Assembly	
807175P	39

J

Junction Box	
803827	47
804561	47
Junction Box Cover	
803820	47

Junction Box Seal	
803832P	47

K

Key	
54612	5

L

Label	
804488	49
Lead-In Cord	
202777	51
Left Hand Thread Label	
685928	55
804949	55
Leveling Leg	
34319	45
Lid Assembly	
802426P	43
Lifter	
804382	37
Lock Assembly	
804339P	5
Lock Cam	
804338	5

M

Machine ID Control Assembly	
203361P	5, 19, 23, 25
Meter Case Assembly	
807396B	11
807396W	11
807406W	21
Meter Case Assembly Kit	
807401W	21
Meter Case Bracket Gasket	
35526	21
Meter Case Gasket	
26354	21
Meter Case Lockdown Bracket	
35525	21
Meter Case Locking Bracket Kit	
204616	21
Mixing Valve	
807837P	33
Mixing Valve Screen	
F8161201	33
24122	33
Motor and Rod Assembly Kit	
805726P	39
808034P	39
808067P	39
Motor Control Shield	
804878	39
Motor Harness	
806029	57

N/A items do not appear in index.

Motor Rod	
803861	39
Mounting Tool Kit	
CK096	53

N

Network Controller Kit	
NK220	5, 23, 25
Network Retrofit Kit	
203328	5, 23, 25
Notice Label	
803011	55
Nut	
F430218	35
03673	51
201216	15
21899	45
23951	27
27222	21
29786	13, 15, 21, 41
36020	7, 27
44087101	25
44087201	7, 11
685846	27
800452	35, 37
802292	31
802337	21
802343	35
804418	37

O

Opto Coupler	
200674P	13, 21
O-Ring	
801632	31
802429P	43
Outer Door Bezel	
808092	27
808094	27
Outer Tub Assembly	
803864	35
Out-of-Balance Switch Assembly	
803415	35
Out-of-Balance Switch Bracket	
804457	35
Overlay	
201091	11, 15, 21
806114	5
806198	25
806199	23
Oversudsing Label	
802074	55
802838	55

P

Paint	
806436P	45
Panel Locator	
56079	27, 45

Pinch Warning Label	
F8615701	55
Pop Rivet	
685847	7, 35
70058501	21, 23
Porcelain Touch-Up Paint	
122P4P	45
Pressure Bulb	
808013	35
Pressure Sensor	
203843	45
Pressure Sensor Harness	
804433	57
Pressure Sensor Tube Assembly	
804483	35
Pulley Assembly	
808197	37
Pulley Bolt Tightening Fixture	
802336	53
Pump Housing	
802428	43
Pump Housing Assembly	
802434P	43
Pump-to-Elbow Hose	
803734	43
Pump-to-Gravity Drain Kit	
805771	43

R

Ratchet Extension Tool	
310P4	53
Read Instructions Label	
D513371	55
Rear Access Panel	
803998	11, 17
804614	19
Rear Control Harness	
806030	57
Rear Panel	
D511254	23
803789	45
803790	45
806716	45
Rear Wrapper Brace	
805345	19
Rubber Foot	
D501855	45
34318	45

S

Screw	
D501086	23, 25
D501524	23, 25, 39
D503661	9, 21, 23, 25, 27, 39, 41, 43, 45, 47
D503673	21
D503688	5, 17, 19
M400043	37, 49
M400057	39
02916	25, 41
20530	21, 23, 51

N/A items do not appear in index.

23008	7
31645	21
36048	21
39733	19, 27, 45
52864	23, 25
52909	43
685831	37
70240301	11, 17
800461	35
800462	35, 49
800548	27, 31, 37
801001	31
801045	27
801993	27
802431	43
802596	35
803527P	19
804399	37
804647	5
804699	37
806086	27
807678	27
Sealant	
27615P	41, 43
Security Cabinet Assembly	
806542B	17
806542W	17
Service Door Assembly	
39874WP	21
Shipping Brace	
807448	49
Shipping Plate	
803851	45
Shipping Plug	
803859	45
Shipping Spacer	
803858	49
Shock Assembly	
803777P	35
Side Panel Kit	
806492	45
Single Coin Harness Assembly	
202870	13, 21
Single Overlay	
38717	11, 13, 21
Snap Bushing	
D503235	41
M402542	47
Standpipe Strap	
33489	43
Strain Relief	
38384	51
Supply Injection Wire Harness Assembly	
804799	47
Switch	
D512973	5, 11, 21

T

Top Hinge	
D510136	45
Top Kit	
D511527WP	21

Top Mounting Bracket	
D504228	7
Top Panel	
803868WP	7
803869	7
804685WP	19
Top Panel Brace Assembly	
804613	19
Top Panel Guide	
803761	19
Top Panel Kit	
D511530WP	23
Transformer	
201375P	15
202757	5, 23, 25
Transformer Harness	
804795	5
Transformer Kit	
203423	5, 23, 25
Trunnion Shaft Kit	
808043P	37
Tub Front	
803770	35
Tub Front Assembly	
803879	35
Tub Front Seal	
803801	35
Tubing	
801635	31
Tub-to-Gravity Drain Hose	
803874	41
Tub-to-Pump Hose	
803829	43

U

Union	
801788	11
USB Gateway Kit	
NK330	5, 23, 25
USB IR Interface Kit	
203346	5, 23, 25

W

Warning Label	
D500049	35, 55
D500314	55
D500316	21, 23, 25, 55
802367	55
803260	55
Washer	
M400014	49
M400017	25, 41
M400080	39
M400081	35
M403958	37
02834	39
03815	51
200608	23, 25
20290	33
800457	37

N/A items do not appear in index.

800624	49
802254	33
803615	33
804458	35
807679	37
Wire Clip	
F8449502	51
Wire Guard	
201595P	13, 21
Wire Ring and Spring	
806466	27
Wireless Network Board Harness	
F8536002	9
Wireless Network Control Assembly	
203532	9
807211	9
Wireless Network Harness	
F8674006	9
Wireless Network Kit	
204689	5, 23, 25
Wire, 18 Gauge	
45001	57
Wiring Harness Assembly	
202868	5
202869	23
Wrapper Assembly	
804103B	11
804104B	11
804104DG	11
804104W	11
804108W	17
804112W	17
Wrench	
392P4	53
