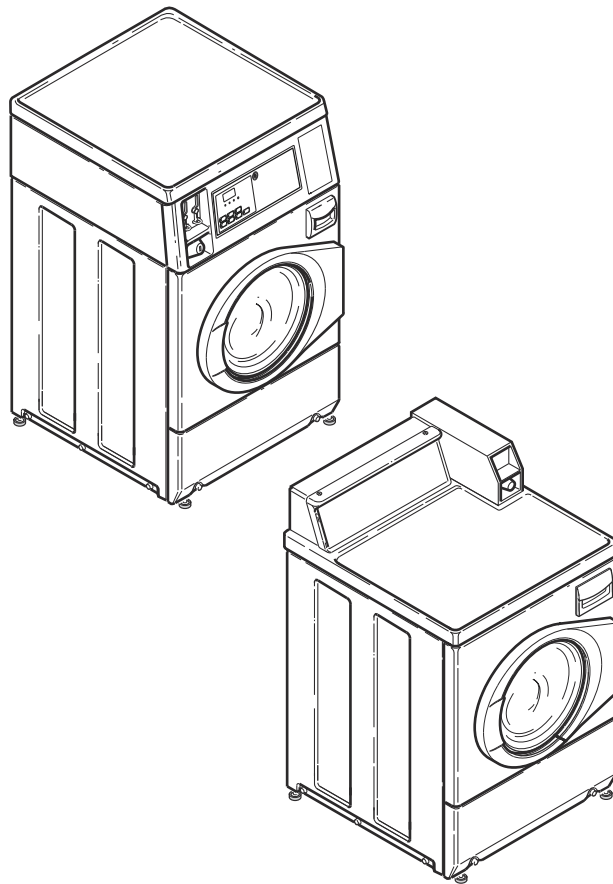


Commercial Frontload Washers

Refer to Page 3 for Model Numbers



FLW1550C_807224

Table of Contents

Title	Page
Parts Ordering Information.....	2
Serial Plate Location	2
Model Identification	3
Control Panel and Controls (Drawing 1 of 3)	4
Control Panel and Controls (Drawing 2 of 3)	6
Control Panel and Controls (Drawing 3 of 3)	8
Top Assembly	10
Network Board Assembly.....	12
Control Cabinet	14
Non-Electronic Coin Drop, Cabinet Front and Wrapper Assembly	16
Electronic Coin Drop	18
Control Cabinet Controls - Front Control Card Reader Ready Models.....	20
Control Cabinet - 45 Degree Front Control Models (Drawing 1 of 2).....	22
Control Cabinet - 45 Degree Front Control Models (Drawing 2 of 2).....	24
Coin Drop, Meter Case and Cabinet Top (Drawing 1 of 2).....	26
Coin Drop, Meter Case and Cabinet Top (Drawing 2 of 2).....	28
Control Panel, Control Hood and Controls (Drawing 1 of 3).....	30
Control Panel, Control Hood and Controls (Drawing 2 of 3).....	32
Control Panel, Control Hood and Controls (Drawing 3 of 3).....	34
Front Panel, Door Assembly and Door Seal	36
Front Panel Assembly	38
Dispenser Assembly	40
Mixing Valve, Dispenser Hose and Fill Hose	42
Outer Tub, Clamp Ring and Shock Absorbers.....	44
Inner Basket, Trunnion, Bearing Housing and Pulley	46
Motor and Belt.....	48
Drain Hoses and Valve	50
Drain Hose and Pump.....	52
Side, Base and Rear Panels.....	54
Junction Box	56
Shipping Materials	58
Wire Ties, Harness Clips and Lead-In Cord.....	60
Special Tools	62
Washer Labels	64
Wire Harnesses and Wires	66
Parts Index.....	69

© Copyright 2022, Alliance Laundry Systems LLC

All rights reserved. No part of the contents of this book may be reproduced or transmitted in any form or by any means without the expressed written consent of the publisher.

Parts Ordering Information

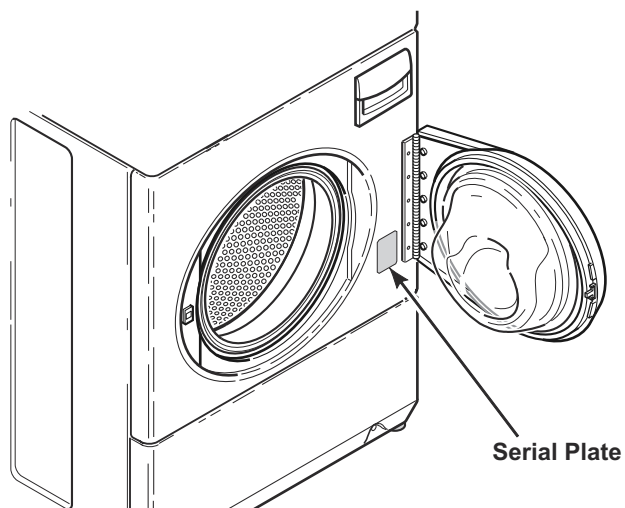
If literature or replacement parts are required, contact the source from whom the machine was purchased or contact Alliance Laundry Systems at (920) 748-3950 for the name and address of the nearest authorized parts distributor.

For technical assistance, call the number listed below:

(920) 748-3121 Ripon, Wisconsin

Serial Plate Location

When calling or writing about your product, be sure to mention model and serial numbers. Model and serial numbers are located on serial plate(s) as shown.



FLW2407N_807224

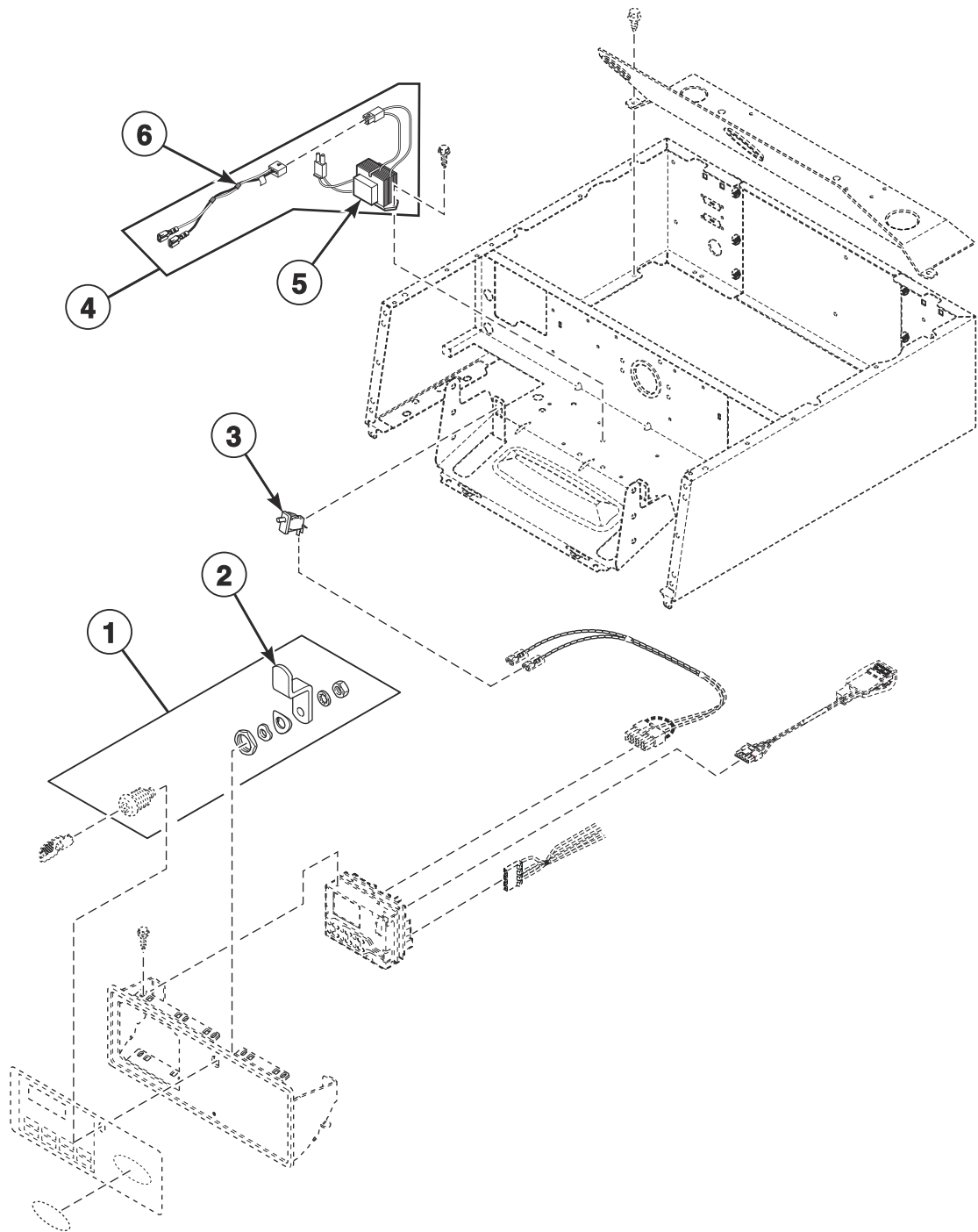
Model Identification

Information in this manual is applicable to these washer models:

HFNNEASP113CW01	PFNJXASP114CG01	SFNNXRSP113CW02
HFNNEASP115CW01	PFNJXASP114TG01	SFNNXRSP113TW02
HFNNERSP113CW01	PFNJXASP115CG01	SFNNXRSP115CW02
HFNNERSP115CW01	PFNJXASP115CW01	SFNNXRSP115TW02
HFNNERSP116CW01	PFNJXASP115TG01	SFNNXRSP116TW01
HFNNXASP113CN01	PFNJXASP115TW01	SFNNYAJP113TW01
HFNNXASP113CW01	SFNNCAJP113TW01	SFNNYAJP115TW01
HFNNXASP115CN01	SFNNCAJP115TW01	SFNNYASG113TN01
HFNNXASP115CW01	SFNNCASG113TN01	SFNNYASG113TW01
HFNNXASP116CW01	SFNNCASG113TQ01	SFNNYASG115TN01
HFNNXRSP113CW01	SFNNCASG113TW01	SFNNYASG115TW01
HFNNXRSP116CW01	SFNNCASG115TN01	SFNNYASG116TW01
HFNNYASP113CW01	SFNNCASG116TN01	SFNNYASP113CW01
HFNNYASP116CW01	SFNNCASG115TQ01	SFNNYASP113TN01
HFNNYBSP113CW01	SFNNCASG115TW01	SFNNYASP113TW01
HFNNYRSP113CW01	SFNNCASG116TW01	SFNNYASP115CW01
HFNNYRSP116CW01	SFNNCASP113TN01	SFNNYASP115TN01
PFNJCASG114TG01	SFNNCASP113TQ01	SFNNYASP115TW01
PFNJCASG114TN01	SFNNCASP113TW01	SFNNYASP116TW01
PFNJCASG115TG01	SFNNCASP115TN01	SFNNYBSP113TN01
PFNJCASG115TN01	SFNNCASP116TN01	SFNNYBSP113TW01
PFNJCASG115TW01	SFNNCASP115TQ01	SFNNYBSP115TN01
PFNJCASP114TG01	SFNNCASP115TW01	SFNNYBSP115TW01
PFNJCASP114TN01	SFNNCASP116TW01	SFNNYRSP113TW01
PFNJCASP115TG01	SFNNCRSP113TW01	SFNNYRSP115TW01
PFNJCASP115TN01	SFNNCRSP113TW02	SFNNYRSP116TW01
PFNJCASP115TW01	SFNNCRSP115TW02	SFNWCASG113TN01
PFNJEASG114CG01	SFNNCRSP116TW01	SFNWCASG115TN01
PFNJEASG114CN01	SFNNNEASG113CN01	SFNWCASP113TN01
PFNJEASG115CG01	SFNNNEASG113CW01	SFNWCASP115TN01
PFNJEASG115CN01	SFNNNEASG115CN01	SFNWCASP115TW41
PFNJEASG115CW01	SFNNNEASG115CW01	SFNWCRSP115TW42
PFNJEASP114CG01	SFNNNEASP113CW01	SFNWXASP113TW01
PFNJEASP114CN01	SFNNNEASP115CW01	SFNWXASP115TW01
PFNJEASP115CG01	SFNNERSP113CW02	SFNWXRSP113TW02
PFNJEASP115CN01	SFNNERSP115CW02	SFNWXRSP115TW02
PFNJEASP115CW01	SFNNXAJP113CN01	SFNWYASG113TN01
PFNJXASG114CG01	SFNNXAJP115CN01	SFNWYASG115TN01
PFNJXASG114CN01	SFNNXASG113TW01	SFNWYASP113TN01
PFNJXASG114TG01	SFNNXASG115TW01	SFNWYASP113TW01
PFNJXASG114TN01	SFNNXASP113CN01	SFNWYASP115TN01
PFNJXASG115CG01	SFNNXASP113CW01	SFNWYASP115TW01
PFNJXASG115CN01	SFNNXASP113TN01	SFNWYASP115TW41
PFNJXASG115CW01	SFNNXASP113TW01	SFNWYRSP113TW01
PFNJXASG115TG01	SFNNXASP115CN01	SFNWYRSP115TW01
PFNJXASG115TN01	SFNNXASP115CW01	SFNWYRSP115TW41
PFNJXASG115TW01	SFNNXASP115TN01	UFNBGBSP115TW81
	SFNNXASP115TW01	
	SFNNXASP116TW01	

Control Panel and Controls (Drawing 1 of 3)

10 Degree Front Control Models



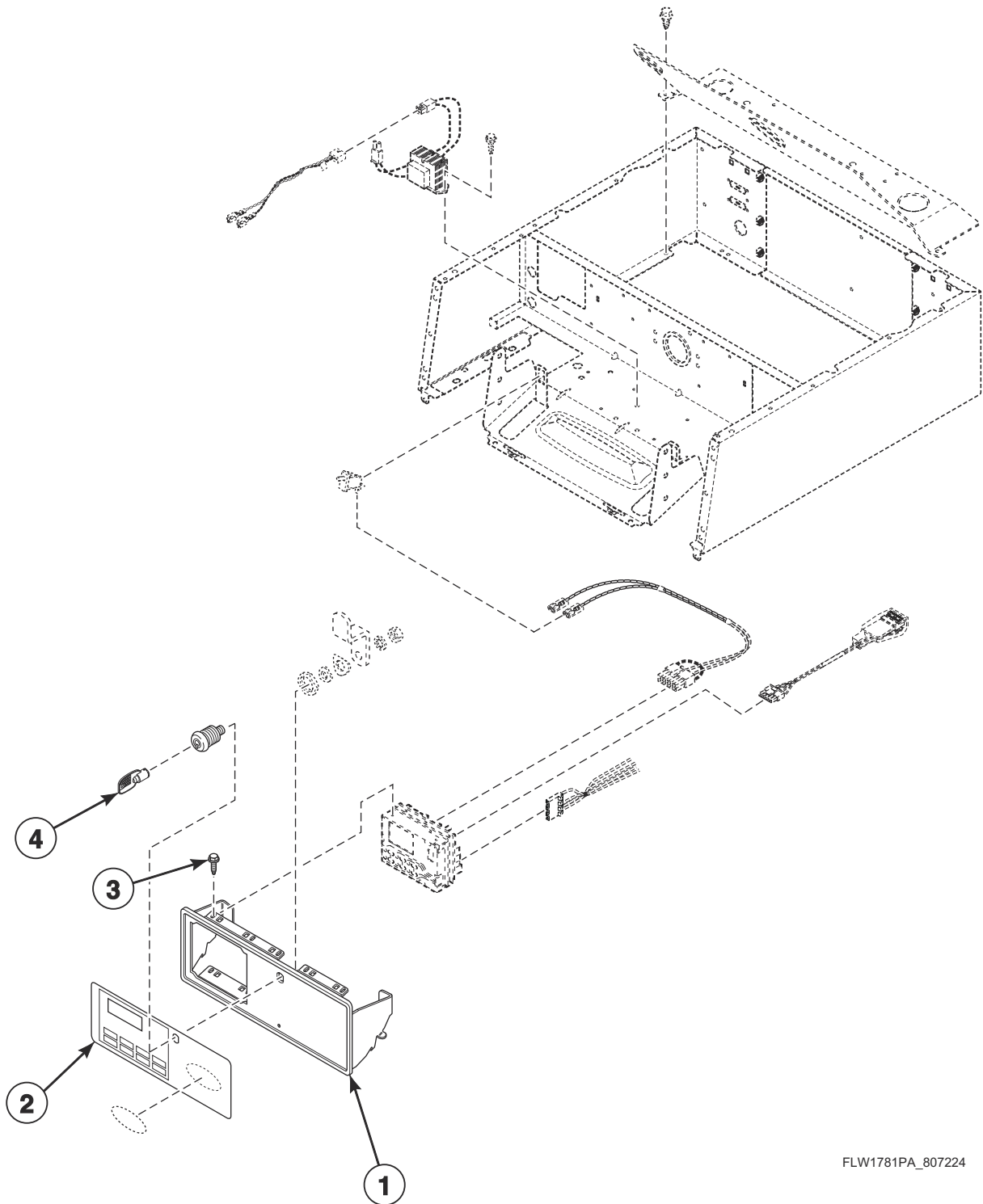
FLW1781P

Control Panel and Controls (Drawing 1 of 3)

REF	PART NO.	DESCRIPTION	COMMENTS
	203328	Network Retrofit Kit	Wired
	NK220	Network Controller Kit	Wired
	204689	Wireless Network Kit	
	NK320	Ethernet Gateway Kit	Wireless
	203346	USB IR Interface Kit	
	NK330	USB Gateway Kit	Wireless
	205067	Payment Center Kit	Includes printer; Models SFNNCAJP113TW01, SFNNCAJP115TW01, SFNNCASG113TN01, SFNNCASG113TQ01, SFNNCASG113TW01, SFNNCASG115TN01, SFNNCASG115TQ01, SFNNCASG115TW01, SFNNCASG116TN01, SFNNCASG116TW01, SFNNCASP113TN01, SFNNCASP113TQ01, SFNNCASP113TW01, SFNNCASP115TN01, SFNNCASP115TQ01, SFNNCASP115TW01, SFNNCASP116TN01, SFNNEASG113CN01, SFNNEASG113CW01, SFNNEASG115CN01, SFNNEASG115CW01, SFNNEASP113CW01, SFNNEASP115CW01, SFNNXAJP113CN01, SFNNXAJP115CN01, SFNNXASG113TW01, SFNNXASG115TW01, SFNNXASP113CN01, SFNNXASP113CW01, SFNNXASP113TN01, SFNNXASP113TW01, SFNNXASP115CN01, SFNNXASP115CW01, SFNNXASP115TN01, SFNNXASP115TW01, SFNNXASP116TW01, SFNNYAJP113TW01, SFNNYAJP115TW01, SFNNYASG113TN01, SFNNYASG113TW01, SFNNYASG115TN01, SFNNYASG115TW01, SFNNYASG116TW01, SFNNYASP113CW01, SFNNYASP113TN01, SFNNYASP113TW01, SFNNYASP115CW01, SFNNYASP115TN01, SFNNYASP115TW01, SFNNYASP116TW01, SFNWCASG113TN01, SFNWCASG115TN01, SFNWCASP113TN01, SFNWCASP115TN01, SFNWCASP115TW41, SFNWXASP113TW01, SFNWXASP115TW01, SFNXYASG113TN01, SFNXYASG115TN01, SFNXYASP113TN01, SFNXYASP113TW01, SFNXYASP115TN01, SFNXYASP115TW01 and SFNXYASP115TW41
	205068	Payment Center Kit	Models SFNNCAJP113TW01, SFNNCAJP115TW01, SFNNCASG113TN01, SFNNCASG113TQ01, SFNNCASG113TW01, SFNNCASG115TN01, SFNNCASG115TQ01, SFNNCASG115TW01, SFNNCASG116TN01, SFNNCASG116TW01, SFNNCASP113TN01, SFNNCASP113TQ01, SFNNCASP113TW01, SFNNCASP115TN01, SFNNCASP115TQ01, SFNNCASP115TW01, SFNNCASP116TN01, SFNNEASG113CN01, SFNNEASG113CW01, SFNNEASG115CN01, SFNNEASG115CW01, SFNNEASP113CW01, SFNNEASP115CW01, SFNNXAJP113CN01, SFNNXAJP115CN01, SFNNXASG113TW01, SFNNXASG115TW01, SFNNXASP113CN01, SFNNXASP113CW01, SFNNXASP113TN01, SFNNXASP113TW01, SFNNXASP115CN01, SFNNXASP115CW01, SFNNXASP115TN01, SFNNXASP115TW01, SFNNXASP116TW01, SFNNYAJP113TW01, SFNNYAJP115TW01, SFNNYASG113TN01, SFNNYASG113TW01, SFNNYASG115TN01, SFNNYASG115TW01, SFNNYASG116TW01, SFNNYASP113CW01, SFNNYASP113TN01, SFNNYASP113TW01, SFNNYASP115CW01, SFNNYASP115TN01, SFNNYASP115TW01, SFNNYASP116TW01, SFNWCASG113TN01, SFNWCASG115TN01, SFNWCASP113TN01, SFNWCASP115TN01, SFNWCASP115TW41, SFNWXASP113TW01, SFNWXASP115TW01, SFNXYASG113TN01, SFNXYASG115TN01, SFNXYASP113TN01, SFNXYASP113TW01, SFNXYASP115TN01, SFNXYASP115TW01 and SFNXYASP115TW41
1	804339P	Lock Assembly	
2	804338	Lock Cam	
3	D512973	Switch	
4	203423	Transformer Kit	120 Volt; Includes items 5 and 6
5	202757	Transformer	120 Volt
6	804795	Transformer Harness	120 Volt

Control Panel and Controls (Drawing 2 of 3)

10 Degree Front Control Models



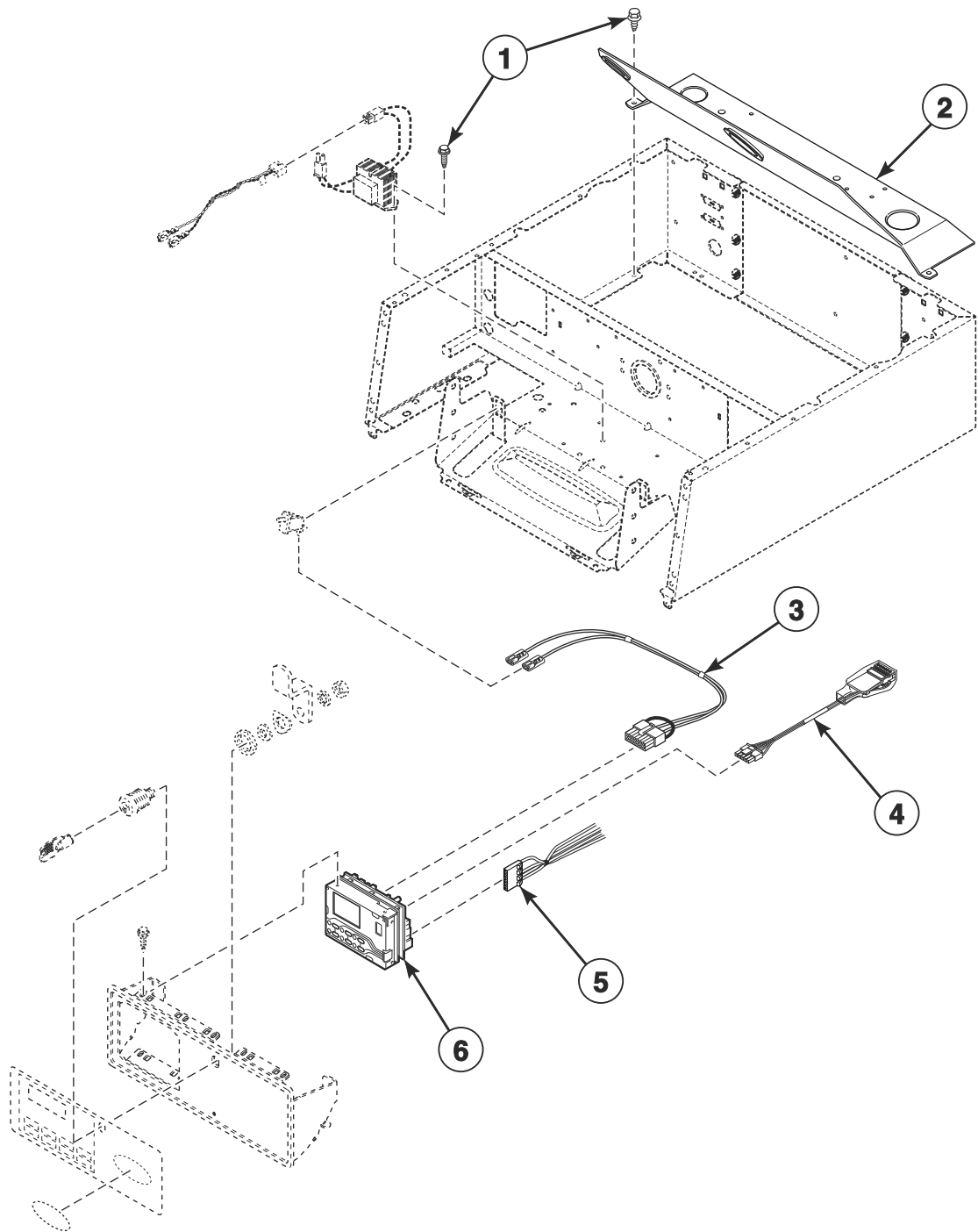
FLW1781PA_807224

Control Panel and Controls (Drawing 2 of 3)

REF	PART NO.	DESCRIPTION	COMMENTS
	203328	Network Retrofit Kit	Wired
	NK220	Network Controller Kit	Wired
	204689	Wireless Network Kit	
	NK320	Ethernet Gateway Kit	Wireless
	203346	USB IR Interface Kit	
	NK330	USB Gateway Kit	Wireless
	205069	Payment Center Kit	Includes printer; Models HFNNEASP113CW01, HFNNEASP115CW01, HFNNXASP113CN01, HFNNXASP113CW01, HFNNXASP115CN01, HFNNXASP115CW01, HFNNXASP116CW01, HFNNYASP113CW01 and HFNNYASP116CW01
	205070	Payment Center Kit	Models HFNNEASP113CW01, HFNNEASP115CW01, HFNNXASP113CN01, HFNNXASP113CW01, HFNNXASP115CN01, HFNNXASP115CW01, HFNNXASP116CW01, HFNNYASP113CW01 and HFNNYASP116CW01
	808121	Control Assembly	Models HFNNXASP116CW01, HFNNYASP116CW01, SFNNCASG116TN01, SFNNCASG116TW01, SFNNCASP116TN01, SFNNXASP116TW01, SFNNYASG116TW01 and SFNNYASP116TW01
	806267P	Control Assembly	Green LEDs; All other models
1	804070Q	Control Panel Assembly	Bisque
	804070W	Control Panel Assembly	White
	804070DG	Control Panel Assembly	Dark gray
	804070B	Control Panel Assembly	Black
2	805373	Overlay	Models HFNNEASP113CW01, HFNNEASP115CW01, HFNNXASP113CN01, HFNNXASP113CW01, HFNNXASP115CN01, HFNNXASP115CW01 and HFNNYASP113CW01
	806173	Overlay	Models PFNJCASG114TG01, PFNJCASG114TN01, PFNJCASG115TG01, PFNJCASG115TN01, PFNJCASG115TW01, PFNJCASP114TG01, PFNJCASP114TN01, PFNJCASP115TG01, PFNJCASP115TN01, PFNJCASP115TW01, PFNJEASG114CG01, PFNJEASG114CN01, PFNJEASG115CG01, PFNJEASG115CN01, PFNJEASG115CW01, PFNJEASP114CG01, PFNJEASP114CN01, PFNJEASP115CG01, PFNJEASP115CN01, PFNJEASP115CW01, PFNJXASG114CG01, PFNJXASG114CN01, PFNJXASG114TG01, PFNJXASG114TN01, PFNJXASG115CG01, PFNJXASG115CN01, PFNJXASG115CW01, PFNJXASG115TG01, PFNJXASG115TN01, PFNJXASG115TW01, PFNJXASP114CG01, PFNJXASP114TG01, PFNJXASP115CG01, PFNJXASP115CW01, PFNJXASP115TG01 and PFNJXASP115TW01
	807751	Control Overlay	Models HFNNXASP116CW01 and HFNNYASP116CW01
	807699	Control Overlay	Models SFNNCASG116TN01, SFNNCASG116TW01, SFNNCASP116TN01, SFNNXASP116TW01, SFNNYASG116TW01 and SFNNYASP116TW01
	804849	Overlay	All other models
3	804647	Screw	
4	54612	Key	GR800

Control Panel and Controls (Drawing 3 of 3)

10 Degree Front Control Models



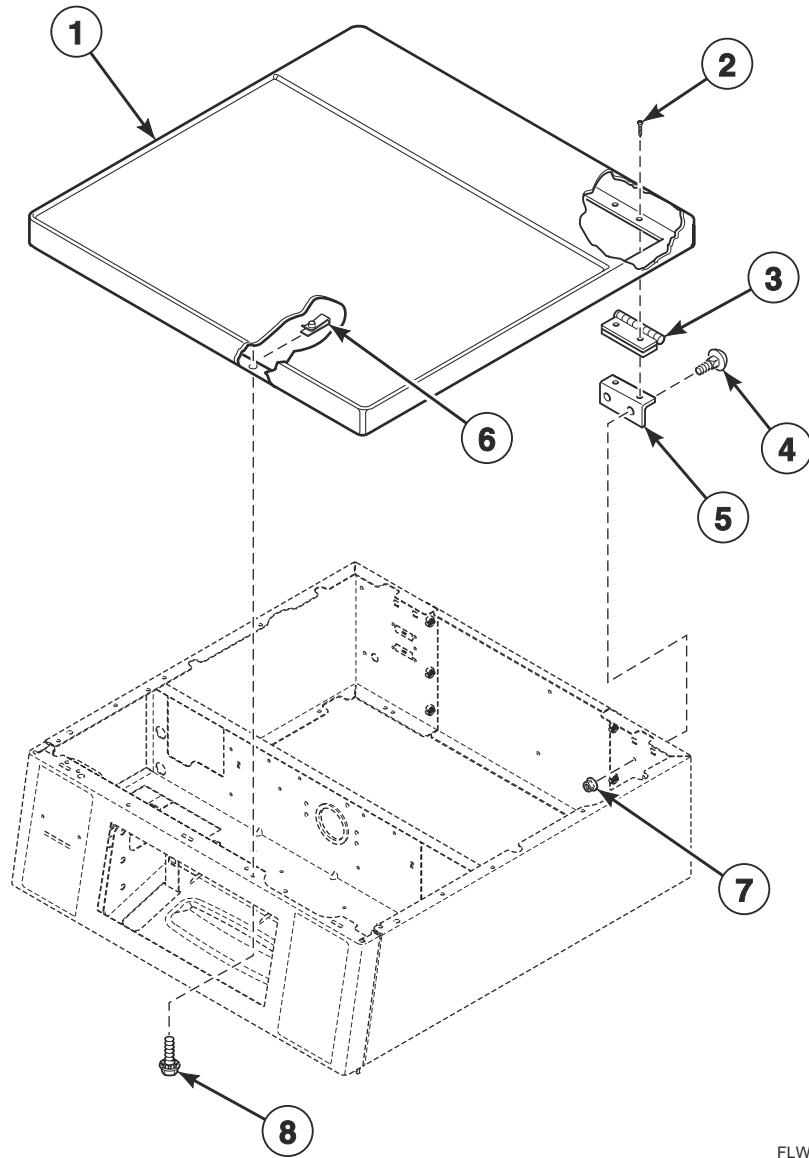
FLW1781PB

Control Panel and Controls (Drawing 3 of 3)

REF	PART NO.	DESCRIPTION	COMMENTS
	203328	Network Retrofit Kit	Wired
	NK220	Network Controller Kit	Wired
	204689	Wireless Network Kit	
	NK320	Ethernet Gateway Kit	Wireless
	203346	USB IR Interface Kit	
	NK330	USB Gateway Kit	Wireless
	205069	Payment Center Kit	Includes printer; Models HFNNEASP113CW01, HFNNEASP115CW01, HFNNXASP113CN01, HFNNXASP113CW01, HFNNXASP115CN01, HFNNXASP115CW01, HFNNYASP113CW01 and HFNNYASP116CW01
	205070	Payment Center Kit	Models HFNNEASP113CW01, HFNNEASP115CW01, HFNNXASP113CN01, HFNNXASP113CW01, HFNNXASP115CN01, HFNNXASP115CW01, HFNNYASP113CW01 and HFNNYASP116CW01
1	D503688	Screw	
2	804363	Control Shield	
3	202868	Wiring Harness Assembly	Diagnostic
4	203361P	Machine ID Control Assembly	Model or serial number is required when ordering
5	805427	Central Pay Harness	
6	806269P	Control Assembly	Blue LEDs; Models PFNJCASG114TG01, PFNJCASG114TN01, PFNJCASG115TG01, PFNJCASG115TN01, PFNJCASG115TW01, PFNJCASP114TG01, PFNJCASP114TN01, PFNJCASP115TG01, PFNJCASP115TN01, PFNJCASP115TW01, PFNJEASG114CG01, PFNJEASG114CN01, PFNJEASG115CG01, PFNJEASG115CN01, PFNJEASG115CW01, PFNJEASP114CG01, PFNJEASP114CN01, PFNJEASP115CG01, PFNJEASP115CN01, PFNJEASP115CW01, PFNJXASG114CG01, PFNJXASG114CN01, PFNJXASG114TG01, PFNJXASG114TN01, PFNJXASG115CG01, PFNJXASG115CN01, PFNJXASG115CW01, PFNJXASG115TG01, PFNJXASG115TN01, PFNJXASG115TW01, PFNJXASP114CG01, PFNJXASP114TG01, PFNJXASP115CG01, PFNJXASP115CW01, PFNJXASP115TG01 and PFNJXASP115TW01 through Serial No. 2012999999
	807460	Control Assembly	Blue LEDs; Models PFNJCASG114TG01, PFNJCASG114TN01, PFNJCASG115TG01, PFNJCASG115TN01, PFNJCASG115TW01, PFNJCASP114TG01, PFNJCASP114TN01, PFNJCASP115TG01, PFNJCASP115TN01, PFNJCASP115TW01, PFNJEASG114CG01, PFNJEASG114CN01, PFNJEASG115CG01, PFNJEASG115CN01, PFNJEASG115CW01, PFNJEASP114CG01, PFNJEASP114CN01, PFNJEASP115CG01, PFNJEASP115CN01, PFNJEASP115CW01, PFNJXASG114CG01, PFNJXASG114CN01, PFNJXASG114TG01, PFNJXASG114TN01, PFNJXASG115CG01, PFNJXASG115CN01, PFNJXASG115CW01, PFNJXASG115TG01, PFNJXASG115TN01, PFNJXASG115TW01, PFNJXASP114CG01, PFNJXASP114TG01, PFNJXASP115CG01, PFNJXASP115CW01, PFNJXASP115TG01 and PFNJXASP115TW01 starting Serial No. 2101000001
	806267P	Control Assembly	Green LEDs; All other models through Serial No. 2012999999
	807458	Control Assembly	Green LEDs; All other models starting Serial No. 2101000001

Top Assembly

10 Degree Front Control Models



FLW1749P_807224

Top Assembly

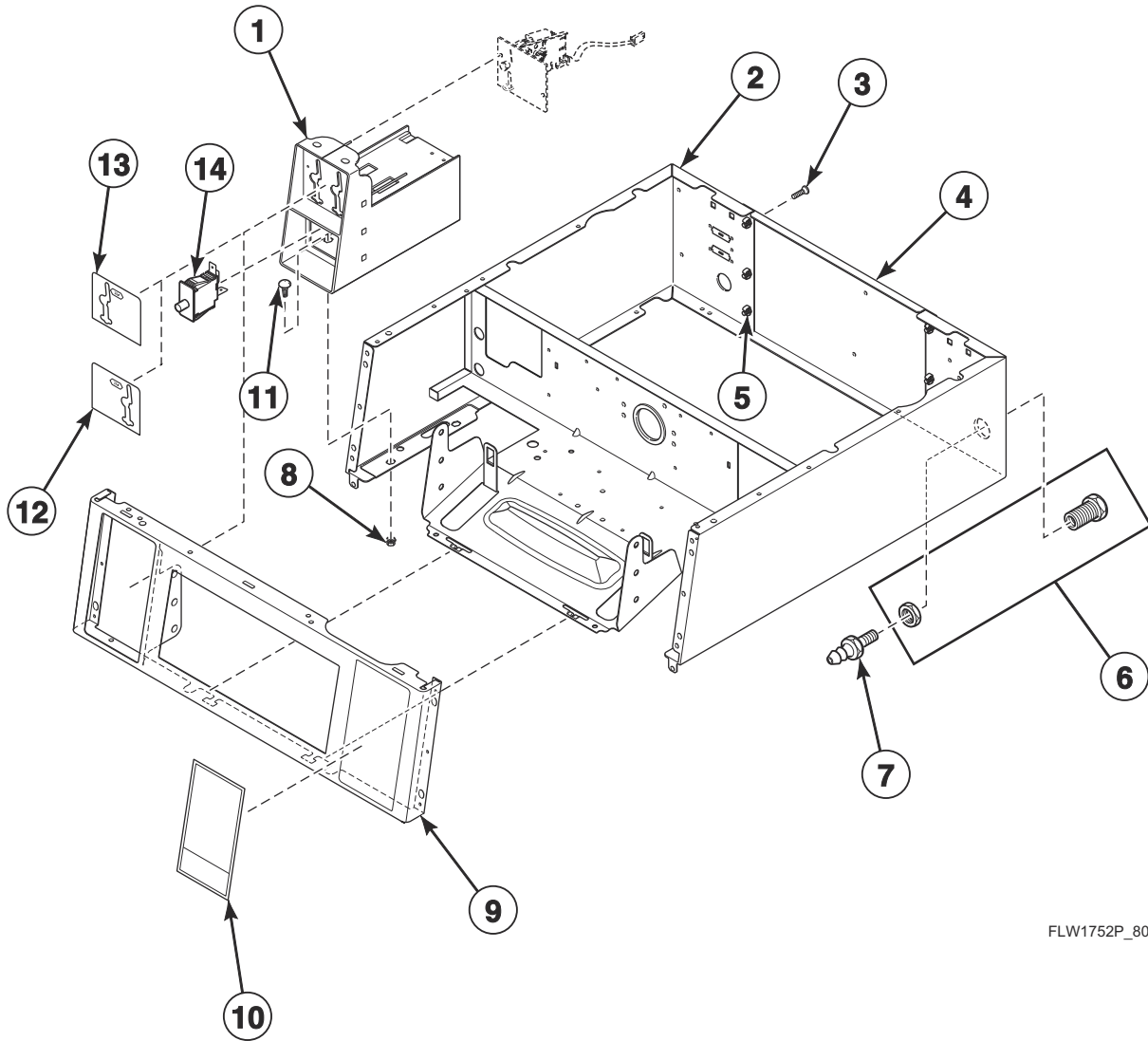
REF	PART NO.	DESCRIPTION	COMMENTS
1	803868WP	Top Panel	White
	803869	Top Panel	Stainless steel
	804023DG	Top Panel	Dark gray
	803868Q	Top Panel	Bisque
2	685847	Pop Rivet	
3	D511036	Hinge	
4	29651	Bolt	
5	D504228	Top Mounting Bracket	
6	36020	Nut	
7	44087201	Nut	
8	23008	Screw	

Network Board Assembly

REF	PART NO.	DESCRIPTION	COMMENTS
1	F8536002	Wireless Network Board Harness	
2	204689	Wireless Network Kit	
3	D503661	Screw	

Control Cabinet

Front Control Coin Drop Models



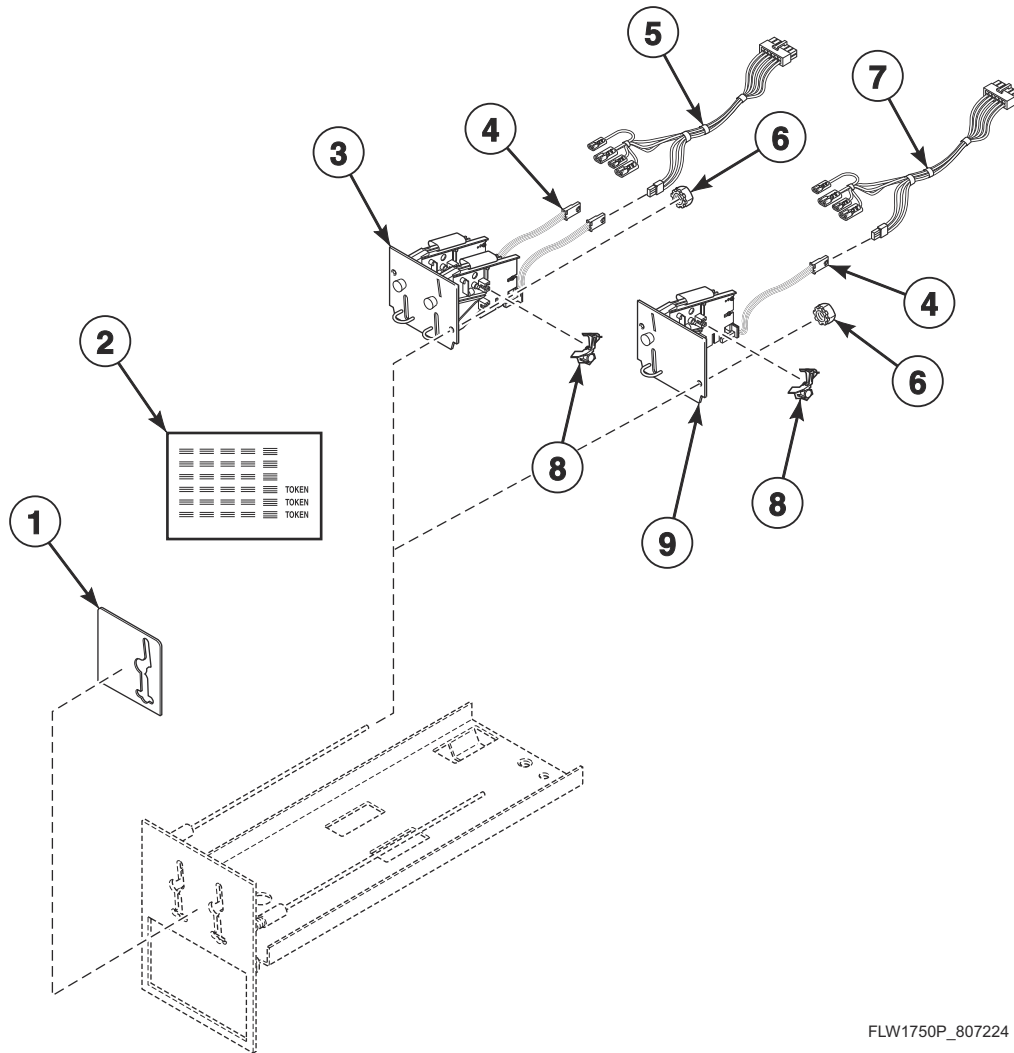
FLW1752P_807224

Control Cabinet

REF	PART NO.	DESCRIPTION	COMMENTS
1	807396B	Meter Case Assembly	Black
	807254DG	Meter Case Assembly	Dark gray
	807396W	Meter Case Assembly	White
2	804103W	Wrapper Assembly	White; Models SFNNCAJP113TW01 and SFNNCAJP115TW01
	804103B	Wrapper Assembly	Black; Models SFNNXAJP113CN01 and SFNNXAJP115CN01
	804104B	Wrapper Assembly	Black; All other models
	804104DG	Wrapper Assembly	Dark gray; All other models
	804104W	Wrapper Assembly	White; All other models
3	70240301	Screw	6 required
4	803998	Rear Access Panel	
5	70030501	Expansion Clip	6 required
6	801788	Union	Models SFNNCAJP113TW01, SFNNCAJP115TW01, SFNNXAJP113CN01 and SFNNXAJP115CN01
7	801789	Connector	Models SFNNCAJP113TW01, SFNNCAJP115TW01, SFNNXAJP113CN01 and SFNNXAJP115CN01
8	44087201	Nut	
9	803962BP	Control Panel	Black
	803962DG	Control Panel	Dark gray
	803962WP	Control Panel	White
10	806194	Operating Instruction Label	Models PFNJCASG114TG01, PFNJCASG114TN01, PFNJCASG115TG01, PFNJCASG115TN01, PFNJCASG115TW01, PFNJCASP114TG01, PFNJCASP114TN01, PFNJCASP115TG01, PFNJCASP115TN01, PFNJCASP115TW01, PFNJEASG114CG01, PFNJEASG114CN01, PFNJEASG115CG01, PFNJEASG115CN01, PFNJEASG115CW01, PFNJEASP114CG01, PFNJEASP114CN01, PFNJEASP115CG01, PFNJEASP115CN01, PFNJEASP115CW01, PFNJBXASG114CG01, PFNJBXASG114CN01, PFNJBXASG114TG01, PFNJBXASG114TN01, PFNJBXASG115CG01, PFNJBXASG115CN01, PFNJBXASG115CW01, PFNJBXASG115TG01, PFNJBXASG115TN01, PFNJBXASG115TW01, PFNJBXASP114CG01, PFNJBXASP114TG01, PFNJBXASP115CG01, PFNJBXASP115CW01, PFNJBXASP115TG01 and PFNJBXASP115TW01
	804327	Operating Instruction Label	All other models
11	29651	Bolt	
12	38717	Single Overlay	\$0.25
13	201091	Overlay	For electronic coin drops
14	D512973	Switch	

Non-Electronic Coin Drop, Cabinet Front and Wrapper Assembly

Coin Models



FLW1750P_807224

Non-Electronic Coin Drop, Cabinet Front and Wrapper Assembly

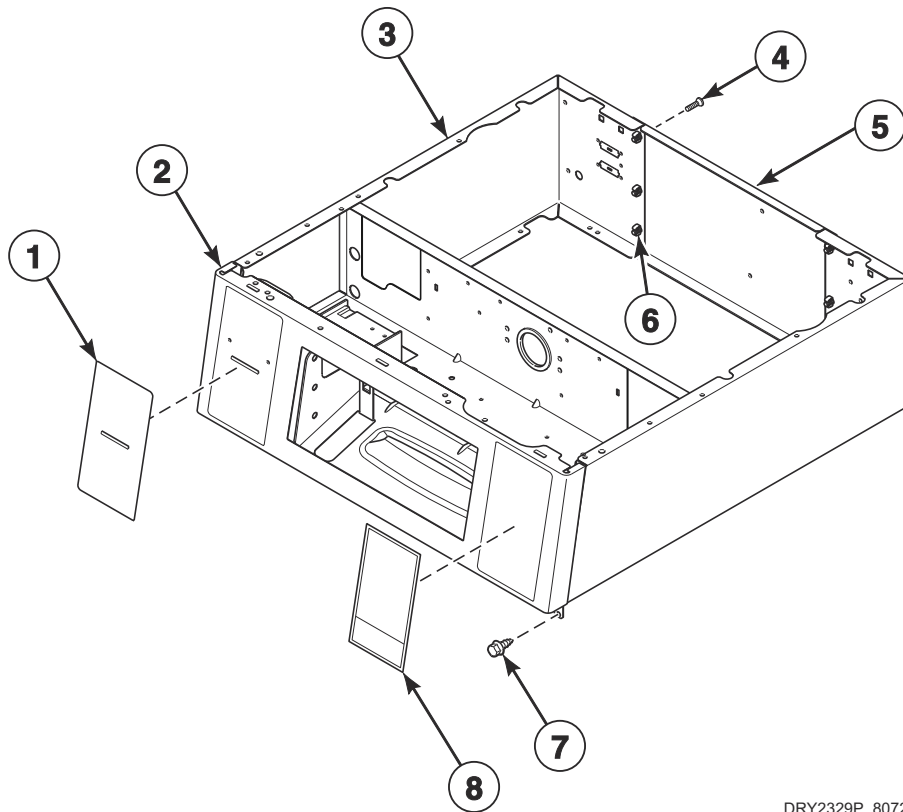
REF	PART NO.	DESCRIPTION	COMMENTS
1	38717	Single Overlay	
2	38725	Coin Identification Paper	
3	70441602	Coin Drop Assembly	Canada; .25 and 1.00
	70441603	Coin Drop	U.S.A.; \$.25 and \$1.00
4	200674P	Opto Coupler	
5	204915	Dual Coin Harness Assembly	Models HFNNXASP116CW01 and SFNNXASP116TW01
	202871	Dual Coin Harness Assembly	All other models
6	29786	Nut	
7	202870	Single Coin Harness Assembly	
8	201595P	Wire Guard	Anti-stringing security device
9	70441601P	Coin Drop	U.S.A.; \$.25
	38464P	Coin Drop Assembly	Canada; .25
	38462P	Coin Drop Assembly	Token; STD-118-1
	38463	Coin Drop Assembly	Token; STD-118-5
	38963P	Coin Drop	Token 118-16 not available. Replacement for 38963P Coin Drop only

Electronic Coin Drop

REF	PART NO.	DESCRIPTION	COMMENTS
1	CK110	Electronic Coin Drop Kit	Includes items 2-4 and 7-9; Mexico, Ecuador and United States coins
	CK115	Electronic Coin Drop Kit	Includes items 2-4 and 7-9; United States and Canada coins
2	70513306	Electronic Coin Drop Assembly	Mexico, Ecuador and United States coins
	70294122	Electronic Coin Drop Assembly	Great Britain and token coins
3	201216	Nut	
	29786	Nut	Use on front control models with no guide rods
4	201104	Coin Drop Wire Harness	
5	802905	Harness Assembly	Electronic coin drop requires this harness. If unit is not factory-equipped with this harness, it must be ordered separately.
6	201375P	Transformer	Electronic coin drop requires this transformer. If unit is not factory-equipped with this transformer, it must be ordered separately.
7	201572	Clip	
8	201091	Overlay	
9	38725	Coin Identification Paper	

Control Cabinet Controls - Front Control Card Reader Ready Models

Models HFNNYASP113CW01, HFNNYASP116CW01, SFNNYAJP113TW01, SFNNYAJP115TW01, SFNNYASG113TN01, SFNNYASG113TW01, SFNNYASG115TN01, SFNNYASG115TW01, SFNNYASG116TW01, SFNNYASP113CW01, SFNNYASP113TN01, SFNNYASP113TW01, SFNNYASP115CW01, SFNNYASP115TN01, SFNNYASP115TW01, SFNNYASP116TW01, SFNWWYASG113TN01, SFNWWYASG115TN01, SFNWWYASP113TN01, SFNWWYASP113TW01, SFNWWYASP115TN01, SFNWWYASP115TW01 and SFNWWYASP115TW41



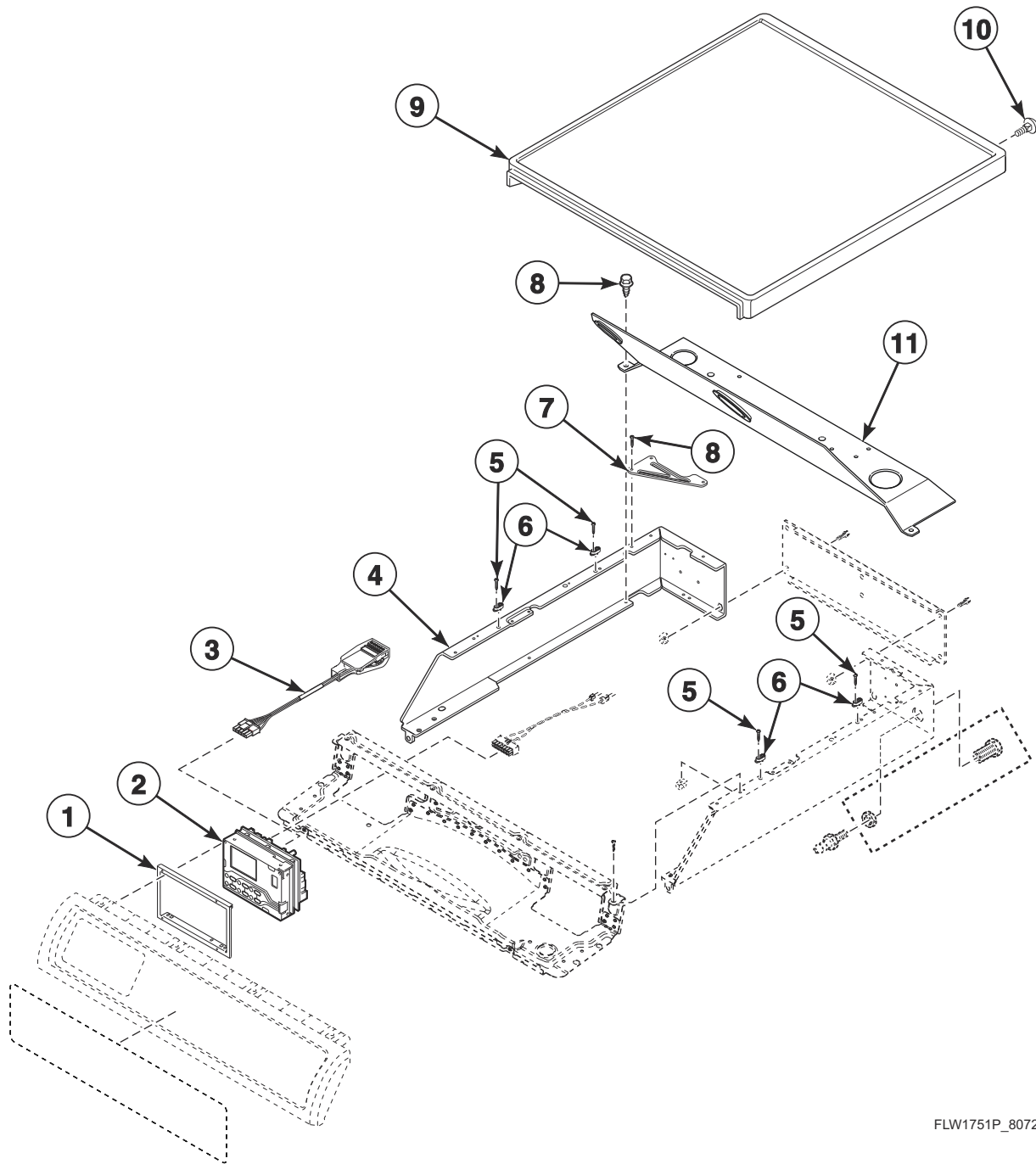
DRY2329P_807224

Control Cabinet Controls - Front Control Card Reader Ready Models

REF	PART NO.	DESCRIPTION	COMMENTS
1	D514873	Overlay	Gray; Models HFNNYASP113CW01 and HFNNYASP116CW01
	D514391	Card Insert Overlay	All other models
2	804149WP	Security Cabinet Assembly	White
	804149B	Security Cabinet Assembly	Black
3	804112W	Wrapper Assembly	White
	804112B	Wrapper Assembly	Black
4	70240301	Screw	6 required
5	803998	Rear Access Panel	
6	70030501	Expansion Clip	6 required
7	D503688	Screw	
8	804327	Operating Instruction Label	

Control Cabinet - 45 Degree Front Control Models (Drawing 1 of 2)

Models HFNNYBSP113CW01, SFNNYBSP113TN01, SFNNYBSP113TW01, SFNNYBSP115TN01, SFNNYBSP115TW01 and UFNGBBSP115TW81



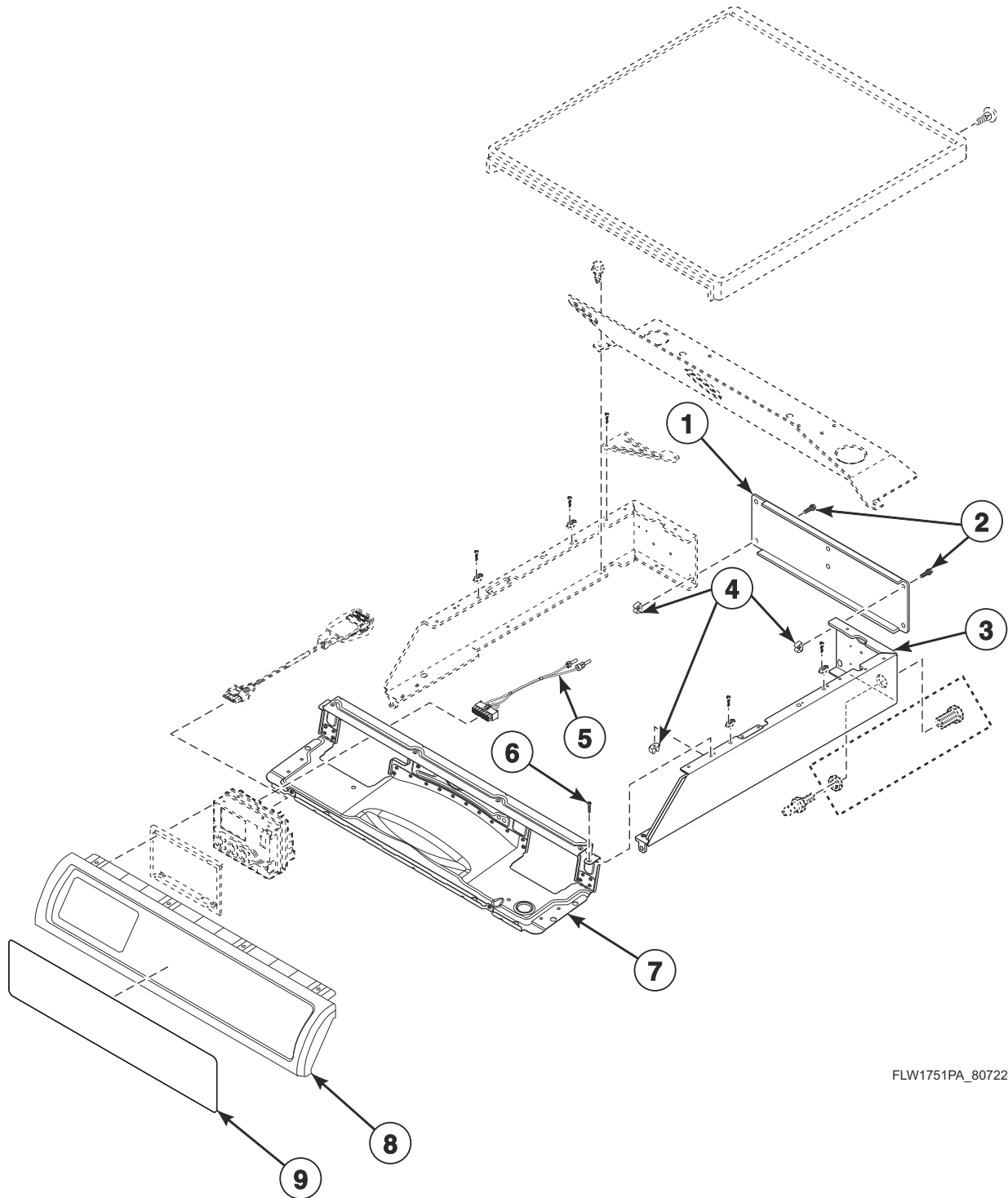
FLW1751P_807224

Control Cabinet - 45 Degree Front Control Models (Drawing 1 of 2)

REF	PART NO.	DESCRIPTION	COMMENTS
	36226	Bumper Pad	4 required
	205067	Payment Center Kit	Includes printer; Models SFNNYBSP113TN01, SFNNYBSP113TW01, SFNNYBSP115TN01 and SFNNYBSP115TW01
	205068	Payment Center Kit	Models SFNNYBSP113TN01, SFNNYBSP113TW01, SFNNYBSP115TN01 and SFNNYBSP115TW01
	205069	Payment Center Kit	Includes printer; Model HFNNYBSP113CW01
	205070	Payment Center Kit	Model HFNNYBSP113CW01
1	804612	Control Bracket	
2	806267P	Control Assembly	Through Serial No. 2012999999
	807458	Control Assembly	Starting Serial No. 2101000001
3	203361P	Machine ID Control Assembly	Model or serial number is required when ordering
4	804627W	Control Wrapper	Left; Models HFNNYBSP113CW01, SFNNYBSP113TW01, SFNNYBSP115TW01 and UFNGBSP115TW81
	804627B	Control Wrapper	Left; Models SFNNYBSP113TN01 and SFNNYBSP115TN01
5	39733	Screw	4 required
6	803761	Top Panel Guide	4 required
7	805345	Rear Wrapper Brace	2 required
8	D503688	Screw	6 required
9	804684	Top Panel	Stainless steel
	804685WP	Top Panel	White
10	29651	Bolt	
11	804363	Control Shield	

Control Cabinet - 45 Degree Front Control Models (Drawing 2 of 2)

Models HFNNYBSP113CW01, SFNNYBSP113TN01, SFNNYBSP113TW01, SFNNYBSP115TN01, SFNNYBSP115TW01 and UFNGBBSP115TW81



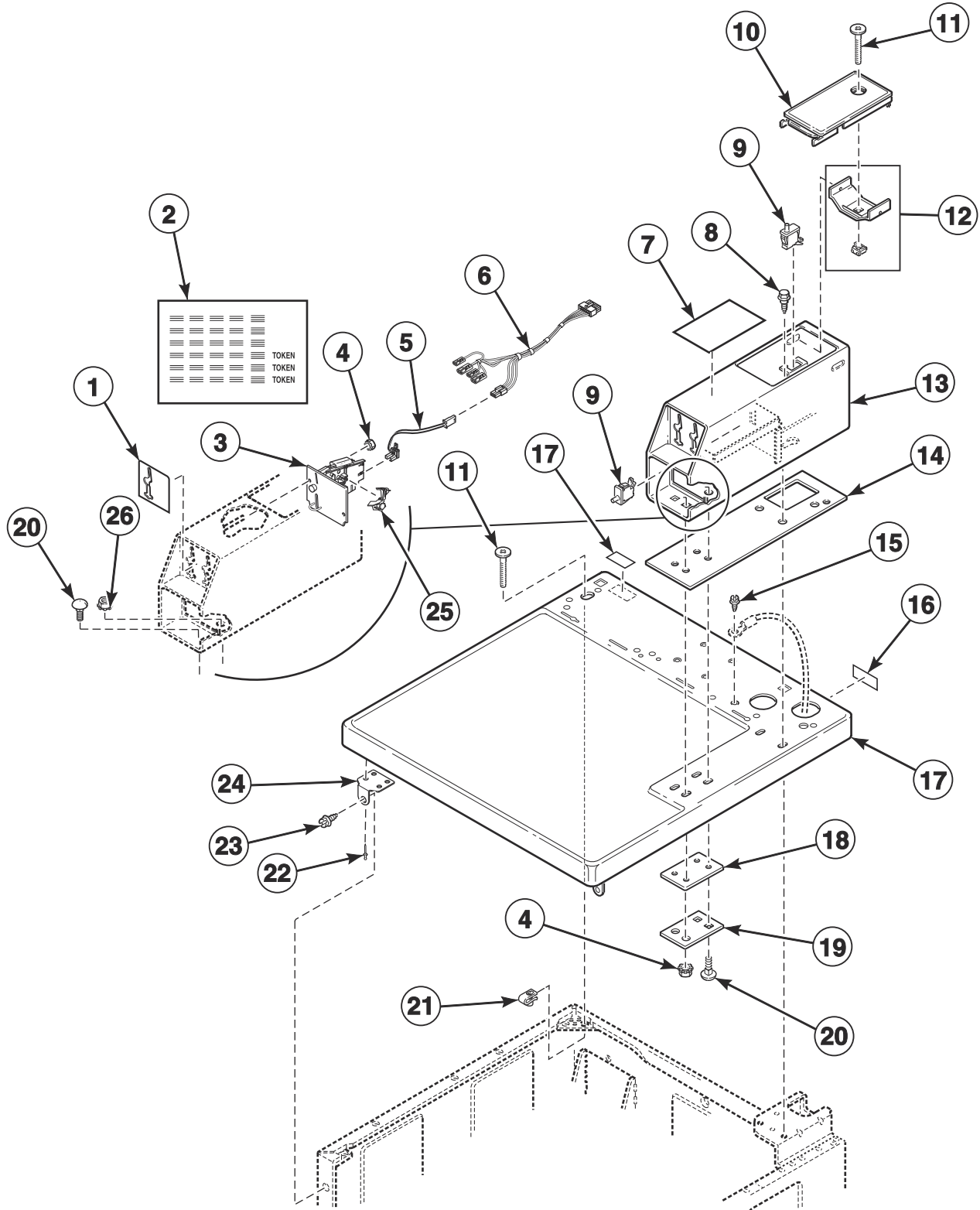
FLW1751PA_807224

Control Cabinet - 45 Degree Front Control Models (Drawing 2 of 2)

REF	PART NO.	DESCRIPTION	COMMENTS
	36226	Bumper Pad	4 required
1	804614	Rear Access Panel	
2	D503688	Screw	
3	804630W	Control Wrapper	White; Right
	804630B	Control Wrapper	Black; Right
4	70030501	Expansion Clip	
5	202869	Wiring Harness Assembly	Diagnostic
6	804667	Screw	
7	804613	Top Panel Brace Assembly	
8	804661W	Control Panel Assembly	Model UFNGBSP115TW81
	804963	Control Panel Assembly	Black; All other models
	804962	Control Panel Assembly	White; All other models
9	805675	Control Overlay	Models SFNNYBSP113TN01, SFNNYBSP113TW01, SFNNYBSP115TN01 and SFNNYBSP115TW01
	806042	Control Overlay	Model HFNNYBSP113CW01
	807388	Control Overlay	Model UFNGBSP115TW81

Coin Drop, Meter Case and Cabinet Top (Drawing 1 of 2)

Models HFNNERSP113CW01, HFNNERSP115CW01, HFNNXRSP113CW01, SFNNCRSP113TW01, SFNNCRSP113TW02, SFNNCRSP115TW02, SFNNERSP113CW02, SFNNERSP115CW02, SFNNXRSP113CW02, SFNNXRSP113TW02, SFNNXRSP115CW02, SFNNXRSP115TW02, SFNWCRSP115TW42, SFNWXRSP113TW02 and SFNWXRSP115TW02



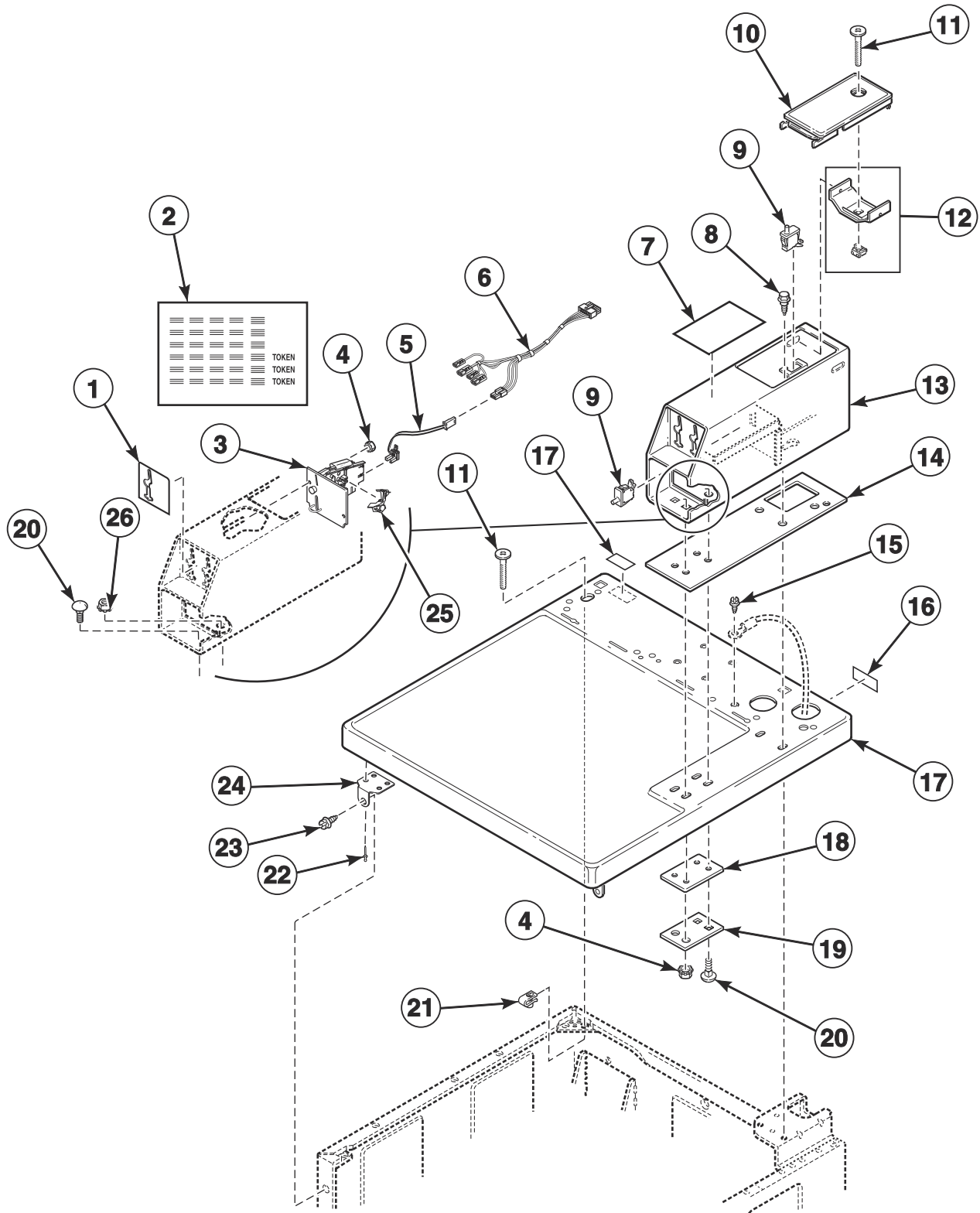
FLW980P_807224

Coin Drop, Meter Case and Cabinet Top (Drawing 1 of 2)

REF	PART NO.	DESCRIPTION	COMMENTS	
1	201091	Overlay	Models HFNNERSP113CW01, HFNNERSP115CW01, SFNNERSP113CW02 and SFNNERSP115CW02	
	38717	Single Overlay	All other models	
2	38725	Coin Identification Paper		
3	70441601P	Coin Drop	U.S.A.; \$.25	
	70441602	Coin Drop Assembly	Canada; .25 and 1.00	
4	29786	Nut		
5	200674P	Opto Coupler		
6	202870	Single Coin Harness Assembly		
	202871	Dual Coin Harness Assembly		
7	805830	Rear Control Operating Instruction Label		
8	36048	Screw		
9	D512973	Switch		
10	39874WP	Service Door Assembly		
11	D503673	Screw		
12	204616	Meter Case Locking Bracket Kit		
13	807401W	Meter Case Assembly Kit	Models SFNNCRSP113TW02, SFNNCRSP115TW02, SFNNXRSP113CW02, SFNNXRSP113TW02, SFNNXRSP115CW02, SFNNXRSP115TW02, SFNWCRSP115TW42, SFNWXRSP113TW02 and SFNWXRSP115TW02	
	803578P	Coin Box Extension Kit	Use with 803063W Meter Case Assembly to extend shorter 7 inch coin boxes; Models SFNNCRSP113TW02, SFNNCRSP115TW02, SFNNERSP113CW02, SFNNXRSP113CW02, SFNNXRSP113TW02, SFNNXRSP115CW02, SFNNXRSP115TW02, SFNWCRSP115TW42, SFNWXRSP113TW02 and SFNWXRSP115TW02	
	807406W	Meter Case Assembly	Models HFNNERSP113CW01 and HFNNERSP115CW01	
	803050W	Meter Case Assembly	Models SFNNERSP113CW02 and SFNNERSP115CW02	
	202877W	Meter Case Assembly	All other models	
	14	26354	Meter Case Gasket	
	15	20530	Screw	
16	D505281	Disconnect Power Warning Label	English	
	D500316	Warning Label	English/French	
17	D511527WP	Top Kit		
18	35526	Meter Case Bracket Gasket		
19	35525	Meter Case Lockdown Bracket		
20	203798	Bolt		
21	27222	Nut		
22	70058501	Pop Rivet		
23	D503661	Screw		
24	D510146	Bracket		
25	201595P	Wire Guard	Anti-stringing security device	
26	802337	Nut		

Coin Drop, Meter Case and Cabinet Top (Drawing 2 of 2)

Models HFNNERSP116CW01, HFNNXRSP116CW01, SFNNCASP116TW01, SFNNCRSP116TW01 and SFNNXRSP116TW01



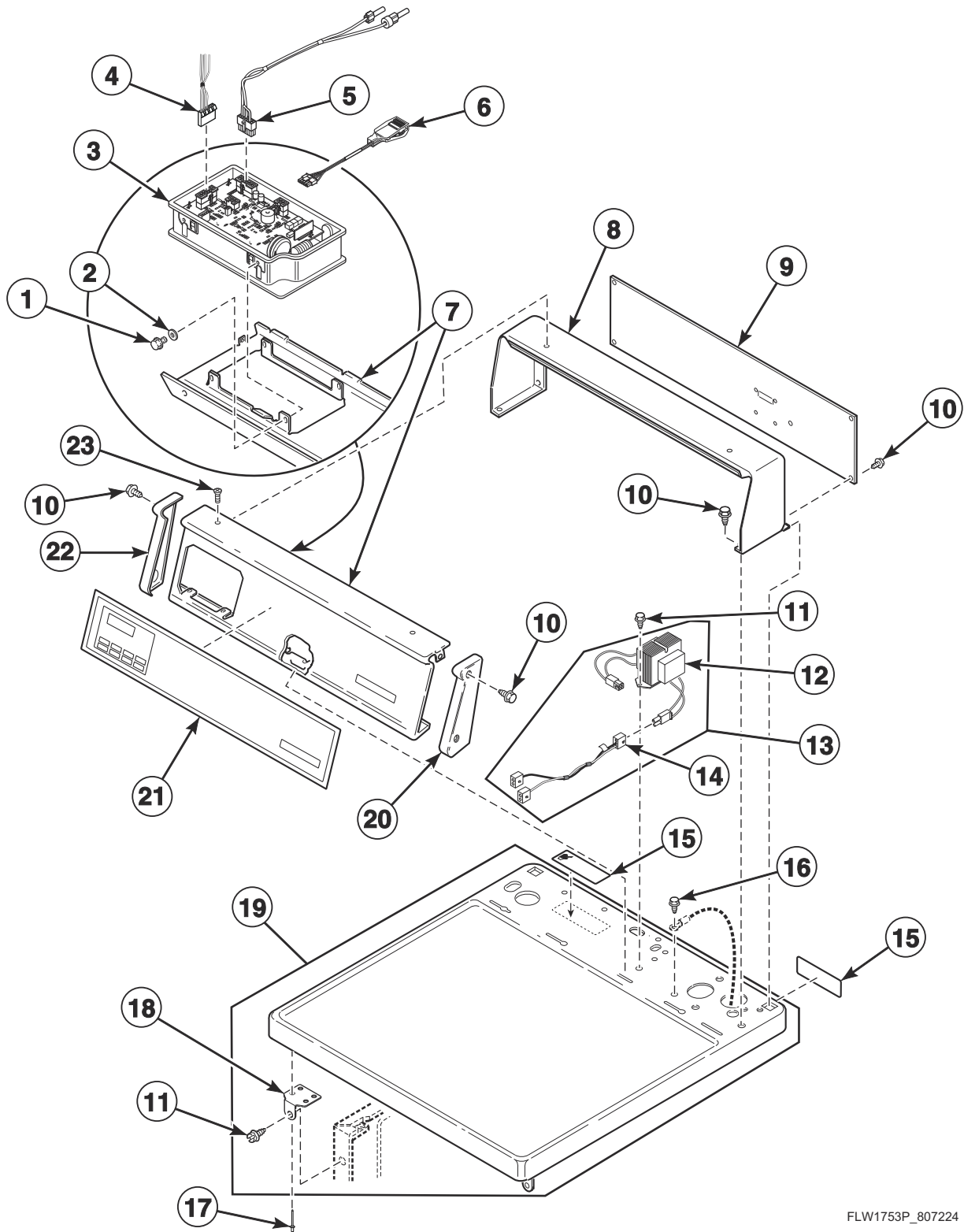
FLW980P_807224

Coin Drop, Meter Case and Cabinet Top (Drawing 2 of 2)

REF	PART NO.	DESCRIPTION	COMMENTS
1	201091	Overlay	Model HFNNERSP116CW01
	38717	Single Overlay	Models SFNNCASP116TW01 and SFNNCRSP116TW01
2	38725	Coin Identification Paper	
3	70441601P	Coin Drop	U.S.A.; \$.25
	70441602	Coin Drop Assembly	Canada; .25 and 1.00
4	29786	Nut	
5	200674P	Opto Coupler	
6	202870	Single Coin Harness Assembly	
	202871	Dual Coin Harness Assembly	
7	805830	Rear Control Operating Instruction Label	
8	36048	Screw	
9	D512973	Switch	
10	39874WP	Service Door Assembly	
11	D503673	Screw	
12	204616	Meter Case Locking Bracket Kit	
13	807401W	Meter Case Assembly Kit	Models HFNNXRSP116CW01, SFNNCASP116TW01 and SFNNXRSP116TW01
	803578P	Coin Box Extension Kit	Use with 803063W Meter Case Assembly to extend shorter 7 inch coin boxes; Models HFNNXRSP116CW01, SFNNCASP116TW01 and SFNNXRSP116TW01
	807406W	Meter Case Assembly	Model HFNNERSP116CW01
	205123W	Meter Case Assembly	Model SFNNCRSP116TW01
14	26354	Meter Case Gasket	
15	20530	Screw	
16	D505281	Disconnect Power Warning Label	English
	D500316	Warning Label	English/French
17	D511527WP	Top Kit	
18	35526	Meter Case Bracket Gasket	
19	35525	Meter Case Lockdown Bracket	
20	203798	Bolt	
21	27222	Nut	
22	70058501	Pop Rivet	
23	D503661	Screw	
24	D510146	Bracket	
25	201595P	Wire Guard	Anti-stringing security device
26	802337	Nut	

Control Panel, Control Hood and Controls (Drawing 1 of 3)

Models HFNNYRSP113CW01, HFNNYRSP116CW01, SFNNYRSP113TW01, SFNNYRSP115TW01, SFNNYRSP116TW01, SFNWYRSP113TW01, SFNWYRSP115TW01 and SFNWYRSP115TW41



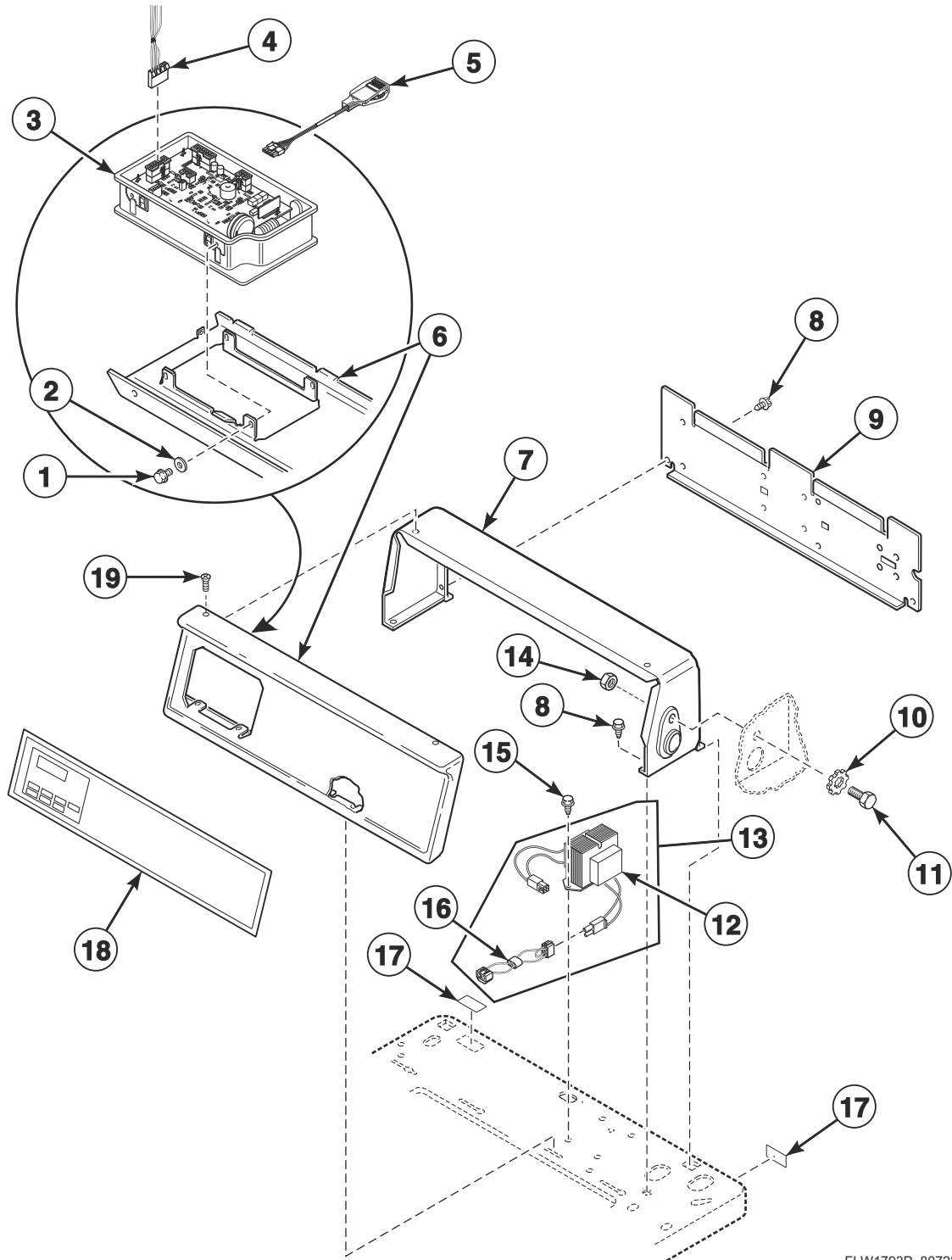
FLW1753P_807224

Control Panel, Control Hood and Controls (Drawing 1 of 3)

REF	PART NO.	DESCRIPTION	COMMENTS
	204689	Wireless Network Kit	
	203328	Network Retrofit Kit	Wired
	203346	USB IR Interface Kit	
	NK220	Network Controller Kit	Wired
	NK320	Ethernet Gateway Kit	Wireless
	NK330	USB Gateway Kit	Wireless
	205067	Payment Center Kit	Includes printer; Models SFNNYRSP113TW01, SFNNYRSP115TW01, SFNNYRSP116TW01, SFNWYRSP113TW01, SFNWYRSP115TW01 and SFNWYRSP115TW41
	205068	Payment Center Kit	Models SFNNYRSP113TW01, SFNNYRSP115TW01, SFNNYRSP116TW01, SFNWYRSP113TW01, SFNWYRSP115TW01 and SFNWYRSP115TW41
	205069	Payment Center Kit	Includes printer; Models HFNNYRSP113CW01 and HFNNYRSP116CW01
	205070	Payment Center Kit	Models HFNNYRSP113CW01 and HFNNYRSP116CW01
1	D501524	Screw	
2	200608	Washer	
3	808121	Control Assembly	Models HFNNYRSP116CW01 and SFNNYRSP116TW01
	806267P	Control Assembly	All other models through Serial No. 2012999999
	807458	Control Assembly	All other models starting Serial No. 2101000001
4	805427	Central Pay Harness	
5	202869	Wiring Harness Assembly	Diagnostic
6	203361P	Machine ID Control Assembly	Model or serial number is required when ordering
7	805512W	Control Panel and Stud Assembly	Models SFNWYRSP113TW01, SFNWYRSP115TW01 and SFNWYRSP115TW41
	800710W	Control Panel and Stud Assembly	Models HFNNYRSP113CW01, HFNNYRSP116CW01, SFNNYRSP113TW01, SFNNYRSP115TW01 and SFNNYRSP116TW01
8	D511253W	Control Hood	
9	D511254	Rear Panel	
10	D501086	Screw	
11	D503661	Screw	
12	202757	Transformer	
13	203423	Transformer Kit	Includes item 12 and 14
14	804832	Harness	
15	D505281	Disconnect Power Warning Label	Models HFNNYRSP116CW01, SFNNYRSP113TW01, SFNNYRSP115TW01, SFNNYRSP116TW01, SFNWYRSP113TW01, SFNWYRSP115TW01 and SFNWYRSP115TW41
	D500316	Warning Label	Model HFNNYRSP113CW01
16	20530	Screw	
17	70058501	Pop Rivet	
18	D510146	Bracket	
19	D511530WP	Top Panel Kit	Includes items 11 and 17
20	210108W	End Cap	Right
21	805370	Overlay	Models SFNNYRSP113TW01, SFNNYRSP115TW01, SFNWYRSP113TW01, SFNWYRSP115TW01 and SFNWYRSP115TW41
	805372	Control Overlay	Model HFNNYRSP113CW01
	807695	Control Overlay	Model SFNNYRSP116TW01
	808036	Control Overlay	Model HFNNYRSP116CW01
22	210109W	End Cap	Left
23	52864	Screw	

Control Panel, Control Hood and Controls (Drawing 2 of 3)

Models HFNNRSP113CW01, HFNNRSP115CW01, HFNNXRSP113CW01, SFNNCRSP113TW01, SFNNCRSP113TW02, SFNNCRSP115TW02, SFNNRSP113CW02, SFNNRSP115CW02, SFNNXRSP113CW02, SFNNXRSP113TW02, SFNNXRSP115CW02, SFNNXRSP115TW02, SFNWCSP115TW42, SFNWXRSP113TW02 and SFNWXRSP115TW02



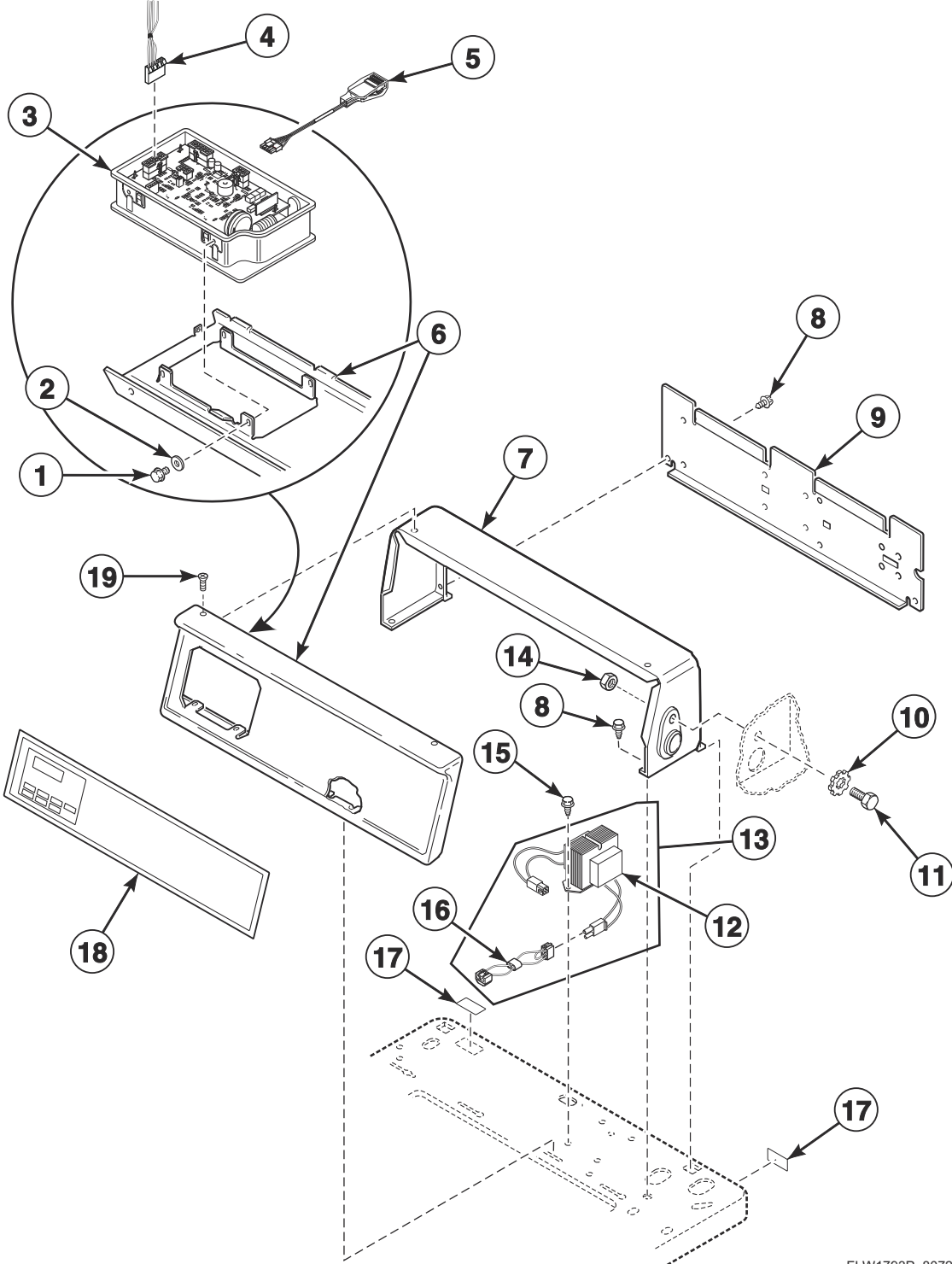
FLW1793P_807224

Control Panel, Control Hood and Controls (Drawing 2 of 3)

REF	PART NO.	DESCRIPTION	COMMENTS
	204689	Wireless Network Kit	
	203328	Network Retrofit Kit	Wired
	203346	USB IR Interface Kit	
	NK220	Network Controller Kit	Wired
	NK320	Ethernet Gateway Kit	Wireless
	NK330	USB Gateway Kit	Wireless
	205067	Payment Center Kit	Includes printer; Models SFNNCRSP113TW01, SFNNCRSP113TW02, SFNNCRSP115TW02, SFNNERSP113CW02, SFNNERSP115CW02, SFNNXRSP113CW02, SFNNXRSP113TW02, SFNNXRSP115CW02, SFNNXRSP115TW02, SFNWCRSP115TW42, SFNWXRSP113TW02 and SFNWXRSP115TW02
	205068	Payment Center Kit	Models SFNNCRSP113TW01, SFNNCRSP113TW02, SFNNCRSP115TW02, SFNNERSP113CW02, SFNNERSP115CW02, SFNNXRSP113CW02, SFNNXRSP113TW02, SFNNXRSP115CW02, SFNNXRSP115TW02, SFNWCRSP115TW42, SFNWXRSP113TW02 and SFNWXRSP115TW02
	205069	Payment Center Kit	Includes printer; Models HFNNERSP113CW01, HFNNERSP115CW01 and HFNNXRSP113CW01
	205070	Payment Center Kit	Models HFNNERSP113CW01, HFNNERSP115CW01 and HFNNXRSP113CW01
1	D501524	Screw	
2	200608	Washer	
3	806267P	Control Assembly	Through Serial No. 2012999999
	807458	Control Assembly	Starting Serial No. 2101000001
4	805427	Central Pay Harness	
5	203361P	Machine ID Control Assembly	Model or serial number is required when ordering
6	800149W	Control Panel and Bracket Assembly	
7	D502567W	Control Hood	
8	D501086	Screw	
9	804223	Hood Back Panel	
10	M400017	Washer	
11	02916	Screw	
12	202757	Transformer	120 Volt
13	203423	Transformer Kit	120 Volt; Includes items 12 and 16
14	44087101	Nut	
15	D503661	Screw	
16	804832	Harness	
17	D505281	Disconnect Power Warning Label	Models SFNNCRSP113TW01, SFNNCRSP113TW02, SFNNCRSP115TW02, SFNNERSP115CW02, SFNNXRSP113TW02, SFNNXRSP115CW02, SFNNXRSP115TW02, SFNWCRSP115TW42, SFNWXRSP113TW02 and SFNWXRSP115TW02
	D500316	Warning Label	Models HFNNERSP113CW01, HFNNERSP115CW01 and HFNNXRSP113CW01
18	804850	Overlay	Models SFNNCRSP113TW01, SFNNCRSP113TW02, SFNNCRSP115TW02, SFNNERSP113CW02, SFNNERSP115CW02, SFNNXRSP113CW02, SFNNXRSP113TW02, SFNNXRSP115CW02, SFNNXRSP115TW02, SFNWCRSP115TW42, SFNWXRSP113TW02 and SFNWXRSP115TW02
	805371	Control Overlay	Models HFNNERSP113CW01, HFNNERSP115CW01 and HFNNXRSP113CW01
19	52864	Screw	

Control Panel, Control Hood and Controls (Drawing 3 of 3)

Models HFNNERSP116CW01, HFNNXRSP116CW01, SFNNCASP116TW01, SFNNCRSP116TW01 and SFNNXRSP116TW01

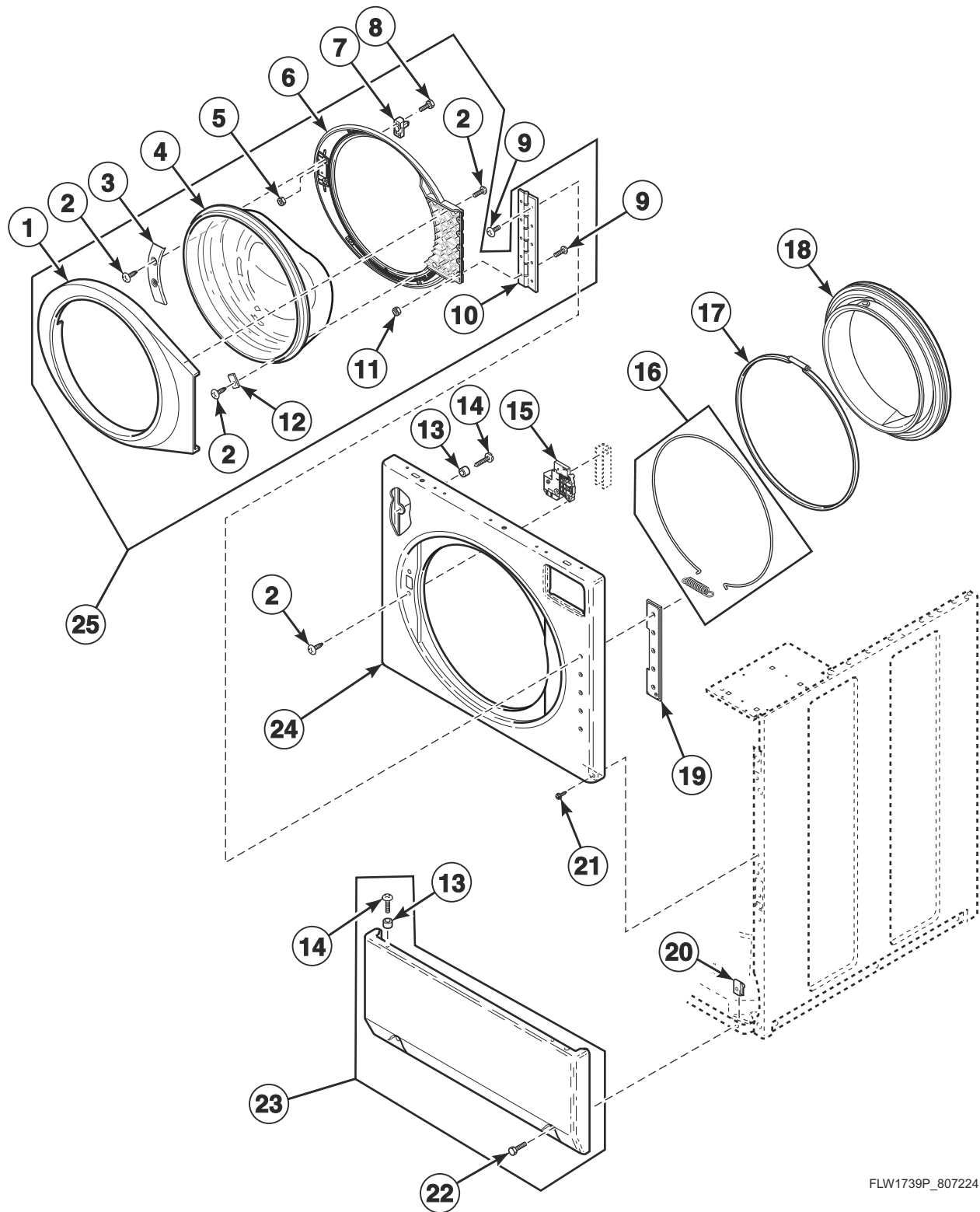


FLW1793P_807224

Control Panel, Control Hood and Controls (Drawing 3 of 3)

REF	PART NO.	DESCRIPTION	COMMENTS
	204689	Wireless Network Kit	
	203328	Network Retrofit Kit	Wired
	203346	USB IR Interface Kit	
	NK220	Network Controller Kit	Wired
	NK320	Ethernet Gateway Kit	Wireless
	NK330	USB Gateway Kit	Wireless
	205067	Payment Center Kit	Includes printer; All other models
	205068	Payment Center Kit	All other models
	205069	Payment Center Kit	Includes printer; Models HFNNERSP116CW01 and HFNNXRSP116CW01
	205070	Payment Center Kit	Models HFNNERSP116CW01 and HFNNXRSP116CW01
1	D501524	Screw	
2	200608	Washer	
3	808121	Control Assembly	
4	805427	Central Pay Harness	
5	203361P	Machine ID Control Assembly	Model or serial number is required when ordering
6	800149W	Control Panel and Bracket Assembly	
7	D502567W	Control Hood	
8	D501086	Screw	
9	804223	Hood Back Panel	
10	M400017	Washer	
11	02916	Screw	
12	202757	Transformer	120 Volt
13	203423	Transformer Kit	120 Volt; Includes items 12 and 16
14	44087101	Nut	
15	D503661	Screw	
16	804832	Harness	
17	D500316	Warning Label	Model HFNNERSP116CW01
	D505281	Disconnect Power Warning Label	All other models
18	807697	Control Overlay	Models SFNNCRSP116TW01 and SFNNXRSP116TW01
	807699	Control Overlay	Model SFNNCASP116TW01
	807750	Control Overlay	Models HFNNERSP116CW01 and HFNNXRSP116CW01
19	52864	Screw	

Front Panel, Door Assembly and Door Seal

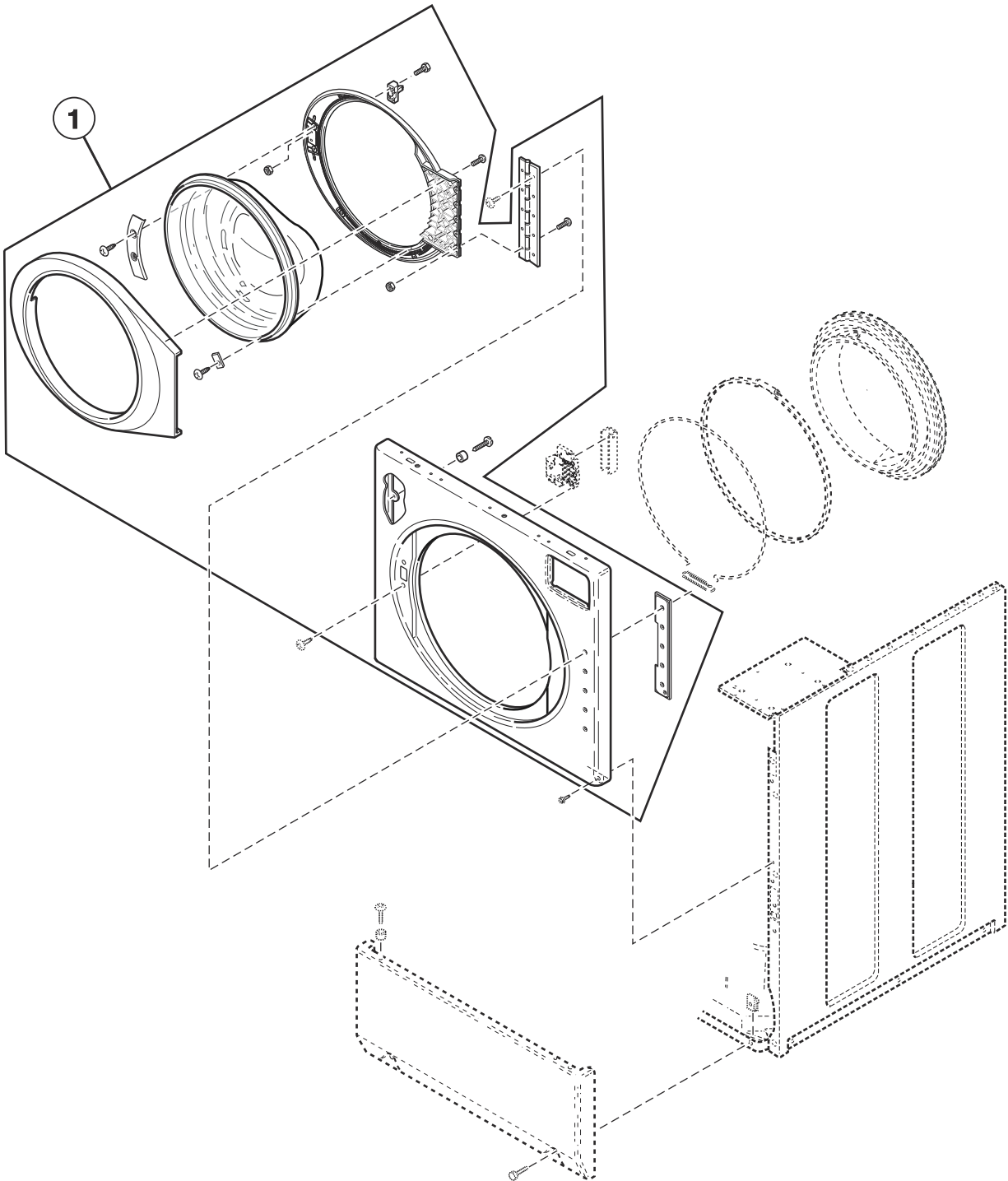


FLW1739P_807224

Front Panel, Door Assembly and Door Seal

REF	PART NO.	DESCRIPTION	COMMENTS
1	808094	Outer Door Bezel	White
	808091	Outer Door Bezel	Gray
	808092	Outer Door Bezel	Black
	808093	Outer Door Bezel	Bisque
2	800548	Screw	
3	806354	Door Glass Mounting Plate	
4	802695P	Door Glass	
5	685846	Nut	
6	808095	Inner Door Bezel Kit	White
	808096	Inner Door Bezel Kit	Gray
	808097	Inner Door Bezel	Glass filled polypropylene upgrade
7	802803	Door Catch Assembly	
8	801993	Screw	
9	801019	Screw	
10	802934	Door Hinge	
11	23951	Nut	
12	802700	Glass Mounting Clip	
13	56079	Panel Locator	
14	39733	Screw	Use with painted panels
	806086	Screw	Use with stainless steel panels
15	803920	Door Latch Assembly	
16	806466	Wire Ring and Spring	
17	802281	Hose Clamp	
18	804428P	Door Seal	Black
	804429P	Door Seal Assembly	Gray
19	802206	Hinge Plate	
20	36020	Nut	
21	D503661	Screw	
22	801045	Screw	
23	804617W	Access Panel Assembly	White
	804617Q	Access Panel Assembly	Bisque
	804618	Access Panel Assembly	Stainless steel
	804617DGP	Access Panel Assembly	Dark gray
24	802277WP	Front Panel	White
	802277QP	Front Panel	Bisque
	802277DG	Front Panel	Dark gray
	802288P	Front Panel	Stainless steel
25	804083WP	Door Assembly	White; Includes items 1-7, 9-12
	804083QP	Door Assembly	Bisque; Includes items 1-7, 9-12
	804210P	Door Assembly	Gray; Includes items 1-7, 9-12
	805550P	Door Assembly	Black; Includes items 1-7, 9-12

Front Panel Assembly

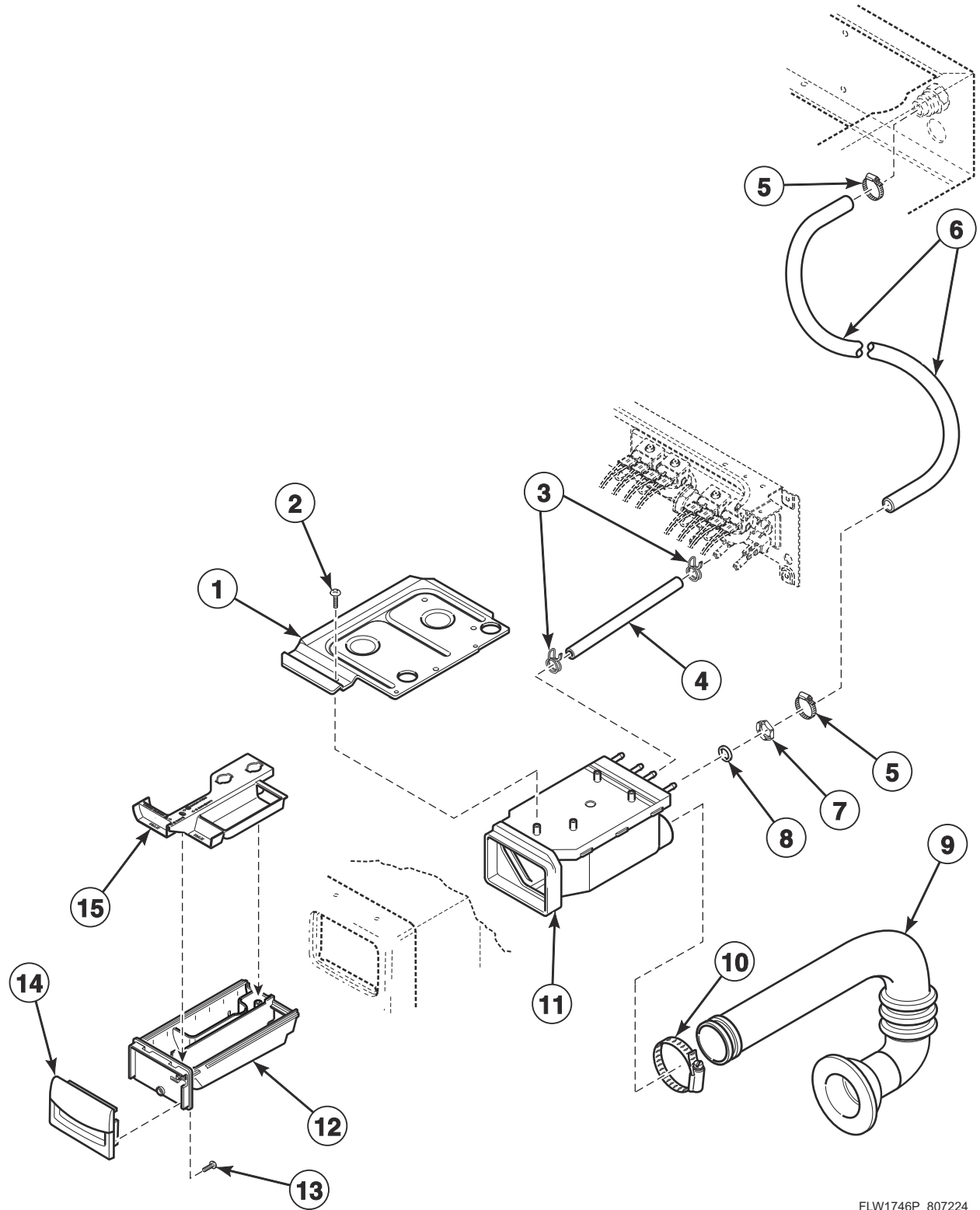


FLW1739PA_807224

Front Panel Assembly

REF	PART NO.	DESCRIPTION	COMMENTS
1	806505W	Front Panel Assembly Kit	White
	806560	Front Panel Assembly Kit	Stainless steel

Dispenser Assembly

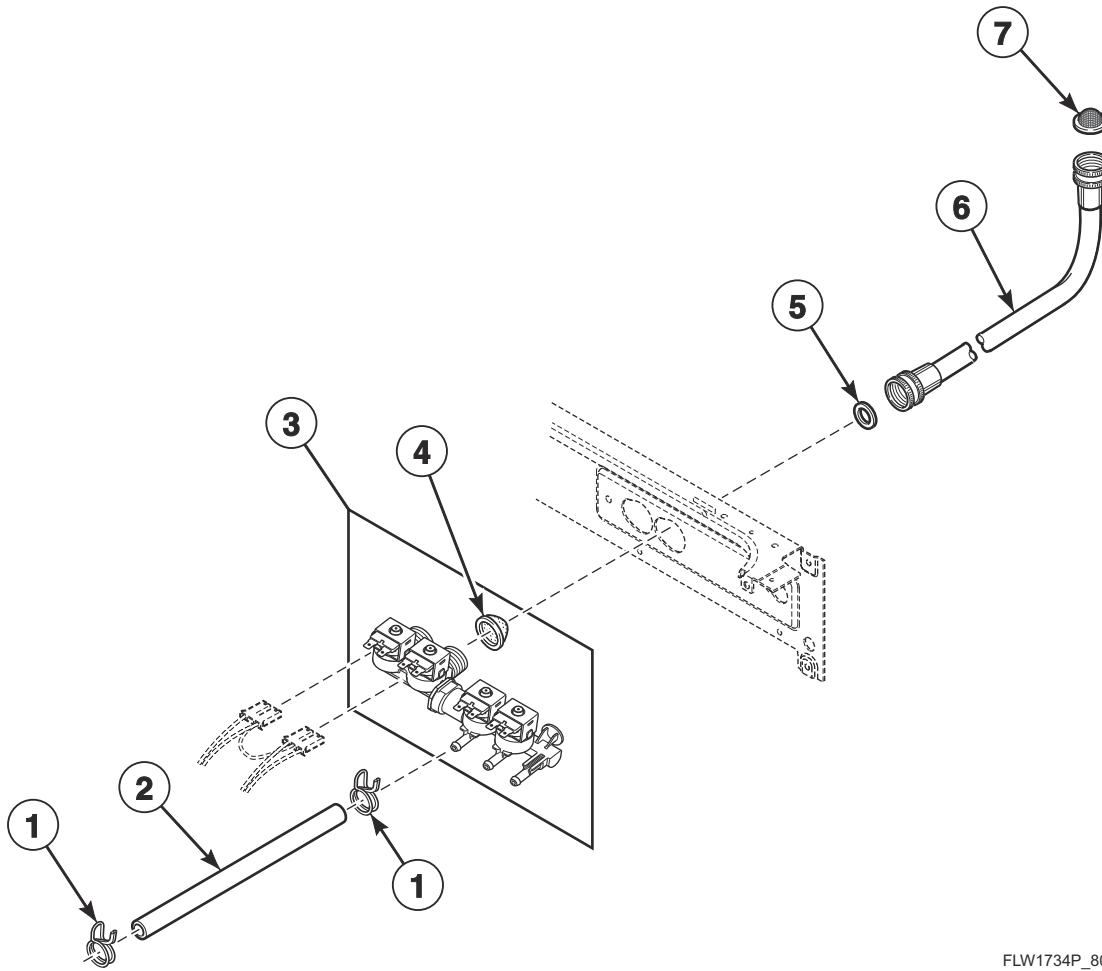


FLW1746P_807224

Dispenser Assembly

REF	PART NO.	DESCRIPTION	COMMENTS
	804875	Foam Pad	
	805938	Chemical Injection Conversion Kit	Includes 110 Volt/24 Volt transformer; Through Serial No. 2012999999
	805938	Chemical Injection Conversion Kit	Includes 110 Volt/24 Volt transformer; Starting Serial No. 2101000001
1	803843	Dispenser Plate	
2	801001	Screw	
3	807386	Hose Clamp	
4	803849	Dispenser Inlet Hose	Through Serial No. 1810000001
	807364	Dispenser Inlet Hose	Starting Serial No. 1810000001
5	F200206	Hose Clamp	Models SFNNCAJP113TW01, SFNNCAJP115TW01, SFNNXAJ113CN01, SFNNXAJ115CN01, SFNNYAJ113TW01 and SFNNYAJ115TW01
6	801635	Tubing	Models SFNNCAJP113TW01, SFNNCAJP115TW01, SFNNXAJ113CN01, SFNNXAJ115CN01, SFNNYAJ113TW01 and SFNNYAJ115TW01
7	802292	Nut	Models SFNNCAJP113TW01, SFNNCAJP115TW01, SFNNXAJ113CN01, SFNNXAJ115CN01, SFNNYAJ113TW01 and SFNNYAJ115TW01
8	801632	O-Ring	Models SFNNCAJP113TW01, SFNNCAJP115TW01, SFNNXAJ113CN01, SFNNXAJ115CN01, SFNNYAJ113TW01 and SFNNYAJ115TW01
9	804717	Detergent Hose	
10	685725	Hose Clamp	
11	803698	Dispenser Assembly	
12	803667	Dispenser Drawer	
13	800548	Screw	
14	804228	Dispenser Handle	Gray
	804227WP	Dispenser Handle	White
	804227B	Dispenser Handle	Black
15	803670	Compartment Cover	Model UFNGBSP115TW81
	803669	Compartment Cover	All other models

Mixing Valve, Dispenser Hose and Fill Hose

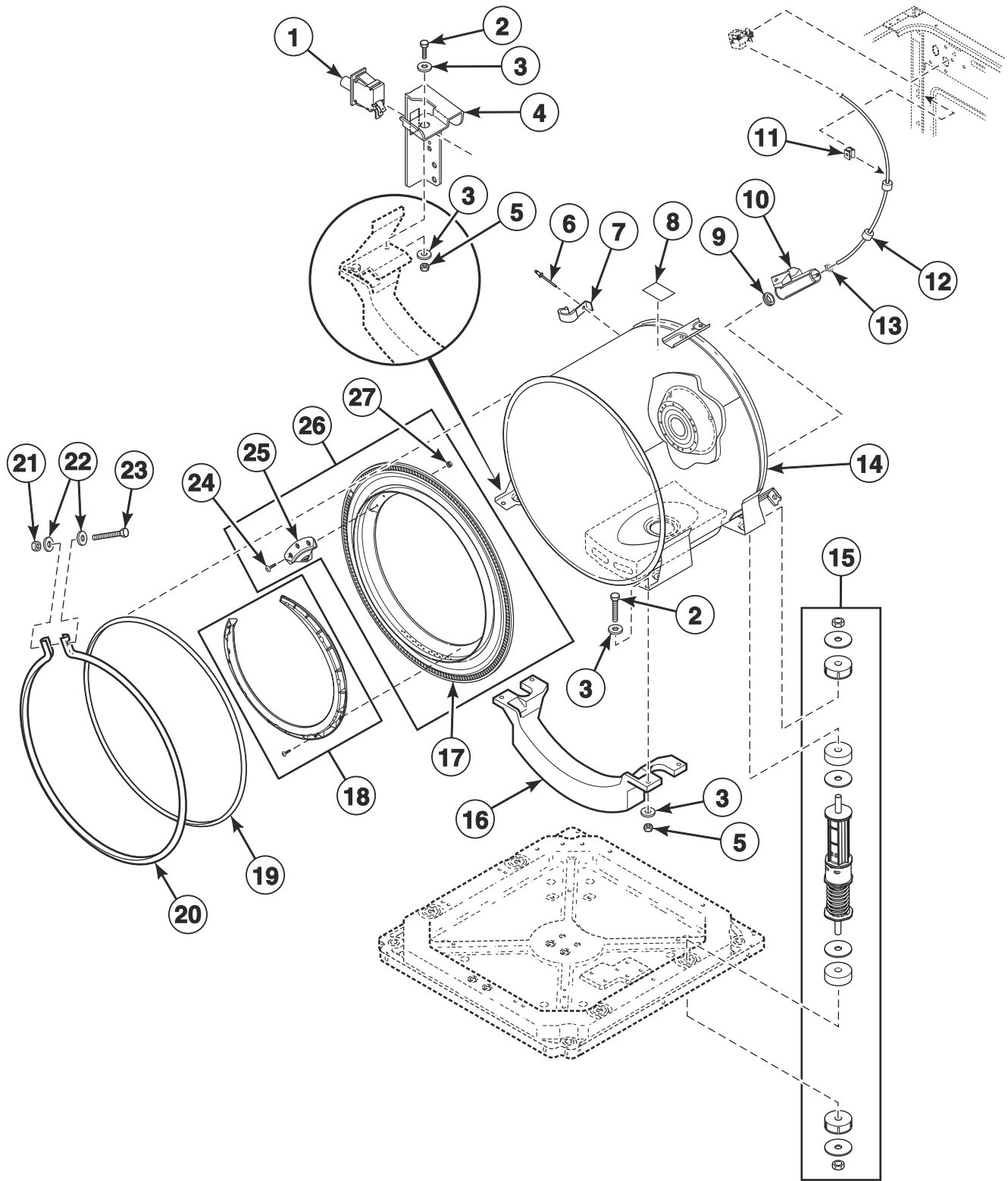


FLW1734P_807224

Mixing Valve, Dispenser Hose and Fill Hose

REF	PART NO.	DESCRIPTION	COMMENTS
1	807386	Hose Clamp	
2	803849	Dispenser Inlet Hose	Through Serial No. 1810000001
	807364	Dispenser Inlet Hose	Starting Serial No. 1810000001
3	807837P	Mixing Valve	
4	24122	Mixing Valve Screen	
5	20290	Washer	
6	203719	Fill Hose	4 feet; Marked for hot water; 2 standard thread hose couplings
	203720	Fill Hose	4 feet; Marked for cold water; 2 standard thread hose couplings
7	803615	Washer	Filter screen
	802254	Washer	Flow restrictor; Water pressure reducer; Available for water pressure up to but not exceeding 120 psi

Outer Tub, Clamp Ring and Shock Absorbers

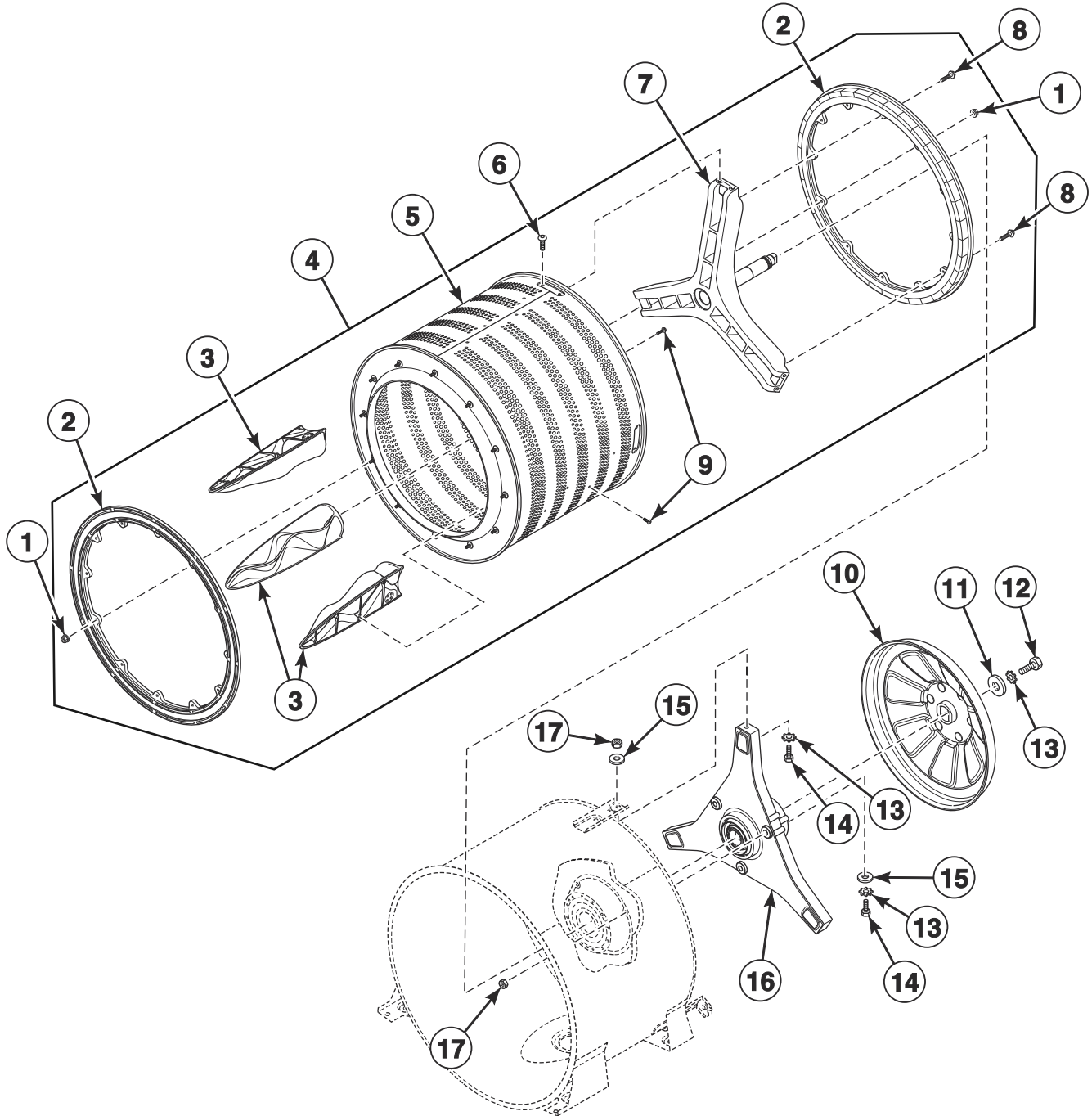


FLW1809P_807224

Outer Tub, Clamp Ring and Shock Absorbers

REF	PART NO.	DESCRIPTION	COMMENTS
1	803415	Out-of-Balance Switch Assembly	Through Serial No. 2012999999
	807384	Out-of-Balance Switch Assembly	Starting Serial No. 2101000001
2	800461	Screw	
3	804458	Washer	
4	804457	Out-of-Balance Switch Bracket	Through Serial No. 2012999999
	807280	Out-of-Balance Switch Bracket	Starting Serial No. 2101000001
5	800452	Nut	
6	685847	Pop Rivet	
7	800553	Hose Clip	
8	D500049	Warning Label	
9	29175	Grommet	
10	808013	Pressure Bulb	
11	36985	Hose Clip	
12	804483	Pressure Sensor Tube Assembly	
13	803891	Hose Clamp	
14	803864	Outer Tub Assembly	Through Serial No. 1910999999 except Serial Nos. 1908066087 to 1909000879
	807618	Outer Tub Assembly	Serial Nos. 1908066087 to 1909000879 and starting Serial No. 1911000001 to 2010999999
	807479	Outer Tub Assembly	Starting Serial No. 2011000001
15	803777P	Shock Assembly	Must replace all 4
16	807476	Counterweight	
17	803770	Tub Front	
18	806308	Foreign Object Deflector	Black; Includes screws
	806313	Foreign Object Deflector	Gray; Includes screws
	806361	Foreign Object Deflector	Tall; Gray; Includes screws
19	803801	Tub Front Seal	
20	803802	Clamp Ring	
21	F430218	Nut	
22	M400081	Washer	8 required
23	800462	Screw	
24	802596	Screw	
25	804467	Clothes Guard Deflector	
	805548	Clothes Guard Deflector	Heavy duty
26	803879	Tub Front Assembly	Includes items 17, 18, 24, 25 and 27
27	802343	Nut	

Inner Basket, Trunnion, Bearing Housing and Pulley

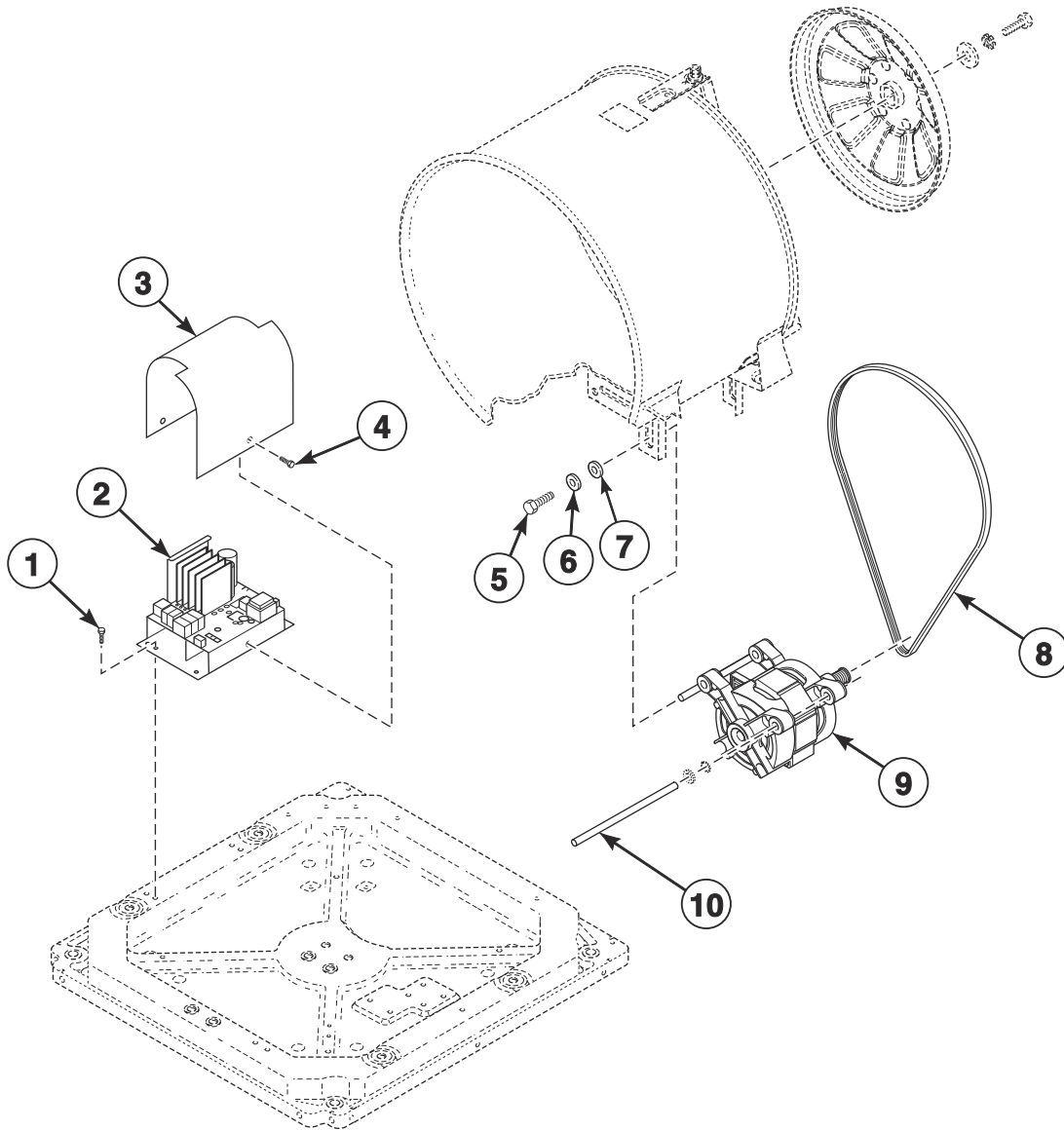


FLW1803P_807224

Inner Basket, Trunnion, Bearing Housing and Pulley

REF	PART NO.	DESCRIPTION	COMMENTS
	27604P	Anti-Seize Compound	Pulley to inner basket shaft
	805730	Bearing Kit	
1	804418	Nut	
2	804393	Balance Ring Assembly	
3	804382	Lifter	
4	804376P	Inner Basket Assembly Kit	
5	804374P	Inner Basket Assembly	
6	804699	Screw	
7	808043	Trunnion Shaft Kit	Includes hardware
8	804399	Screw	
9	800548	Screw	
10	803974	Pulley Assembly	
11	807679	Washer	
12	685831	Screw	Left hand thread
13	M403958	Washer	Used on pulley on models through Serial No. 1609046805
14	M400043	Screw	
15	800457	Washer	
16	805525	Bearing Housing Kit	Includes hardware and tool
17	800452	Nut	

Motor and Belt



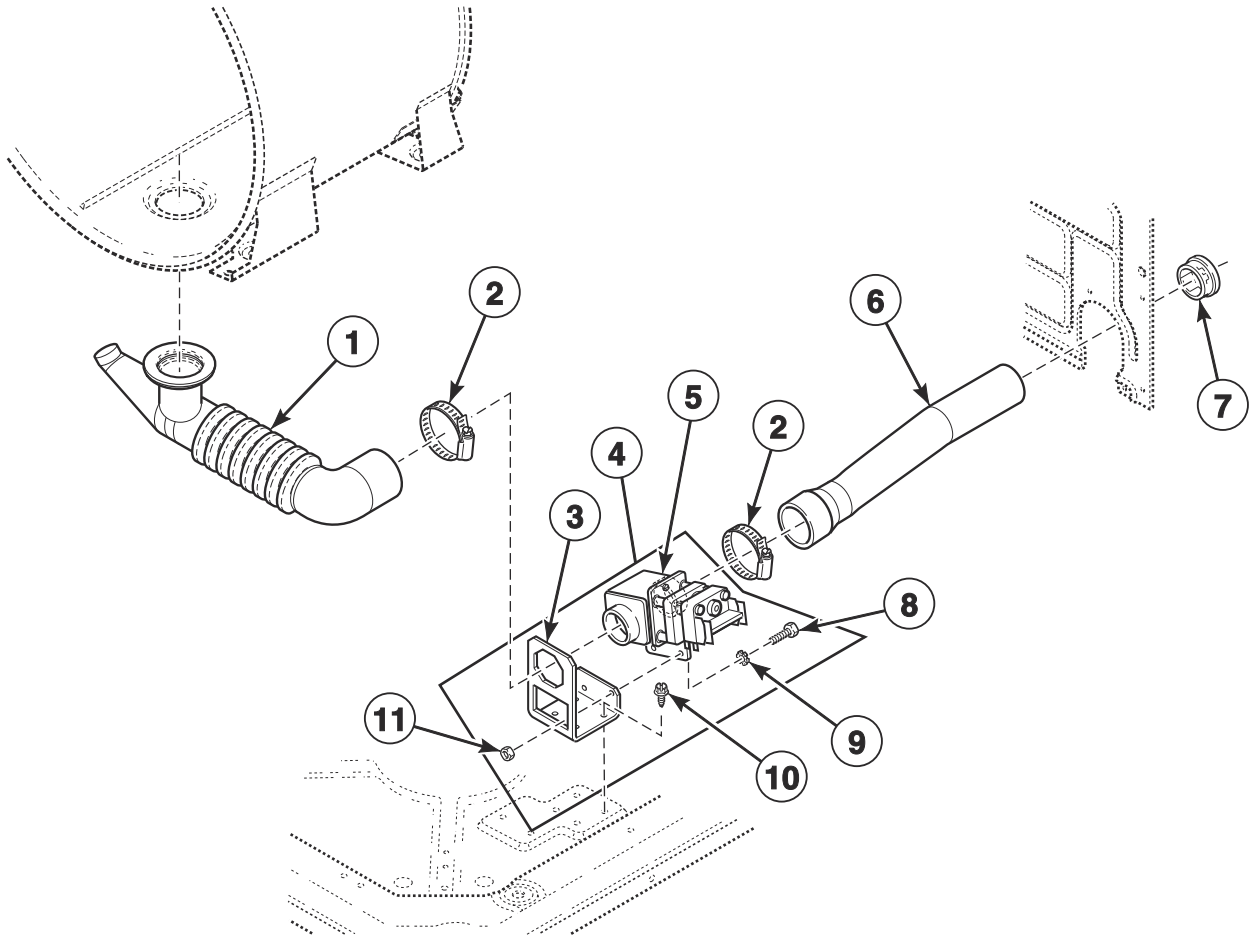
FLW1735P_807224

Motor and Belt

REF	PART NO.	DESCRIPTION	COMMENTS
	807441	Control Bracket	Starting Serial No. 2101000001
	F8206901	Screw	Starting Serial No. 2101000001; Use with 807441 Control Bracket
	807623	Belt Install Tool	
1	D503661	Screw	Through Serial No. 2012999999
2	807175P	Inverter Control Assembly	Through Serial No. 2012999999
	808149	Output Control Assembly	120 Volt; Without filter; Starting Serial No. 2101000001
	807243	Output Control Assembly	240 Volt; With filter; Starting Serial No. 2101000001
3	804878	Motor Control Shield	Through Serial No. 2012999999
4	D501524	Screw	
5	M400057	Screw	Through Serial No. 2010999999
	02916	Screw	Starting Serial No. 2011000001
6	02834	Washer	Through Serial No. 2010999999
7	M400080	Washer	Through Serial No. 2010999999
8	804985	Drive Belt	Through Serial No. 1910999999 except Serial Nos. 1908066087 to 1909000879
	807429P	Belt Kit	Use with 807623 Belt Install Tool; Serial Nos. 1908066087 to 1909000879 and starting Serial No. 1911000001
9	805726P	Motor and Rod Assembly Kit	Includes item 10; Through Serial No. 2010071306
	808034P	Motor and Rod Assembly Kit	Includes item 10; Starting Serial No. 2010071307 through Serial No. 2012999999
	808067P	Motor and Rod Assembly Kit	Includes item 10; Starting Serial No. 2101000001
10	803861	Motor Rod	Through Serial No. 2010999999
	807739	Motor Rod	Starting Serial No. 2011000001

Drain Hoses and Valve

Gravity Drain Models



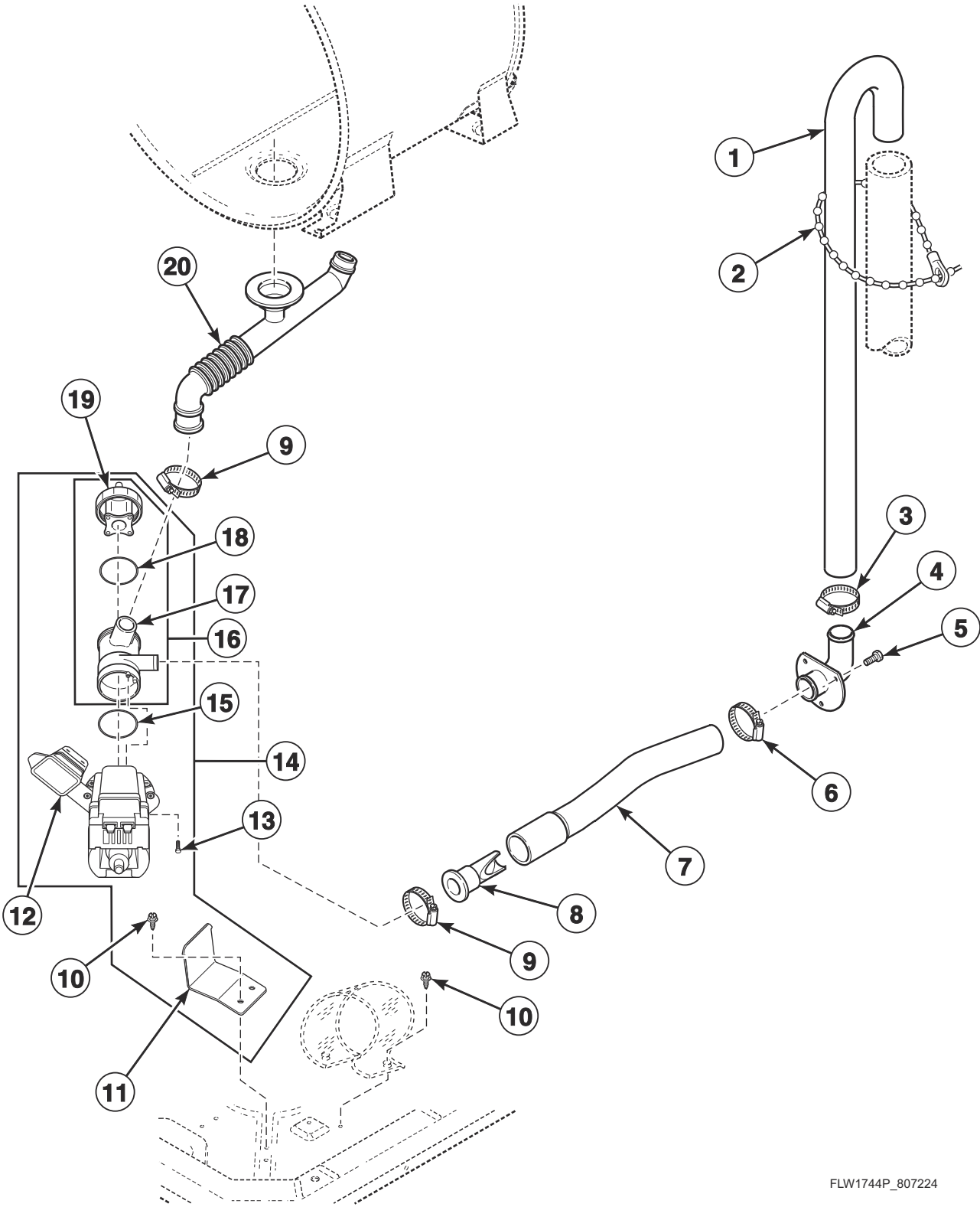
FLW1745P_807224

Drain Hoses and Valve

REF	PART NO.	DESCRIPTION	COMMENTS
1	803874	Tub-to-Gravity Drain Hose	
	27615P	Sealant	Tub-to-drain hose to outer tub
2	685725	Hose Clamp	
3	803291	Gravity Drain Bracket	
4	F975P3	Drain Valve Kit	120 Volt; Includes items 3, 5 and 8-11
5	803293P	Drain Valve	120 Volt
6	800903	Drain-to-Cabinet Hose	
7	D503235	Snap Bushing	
8	02916	Screw	
9	M400017	Washer	
10	D503661	Screw	
11	29786	Nut	

Drain Hose and Pump

Pump Models

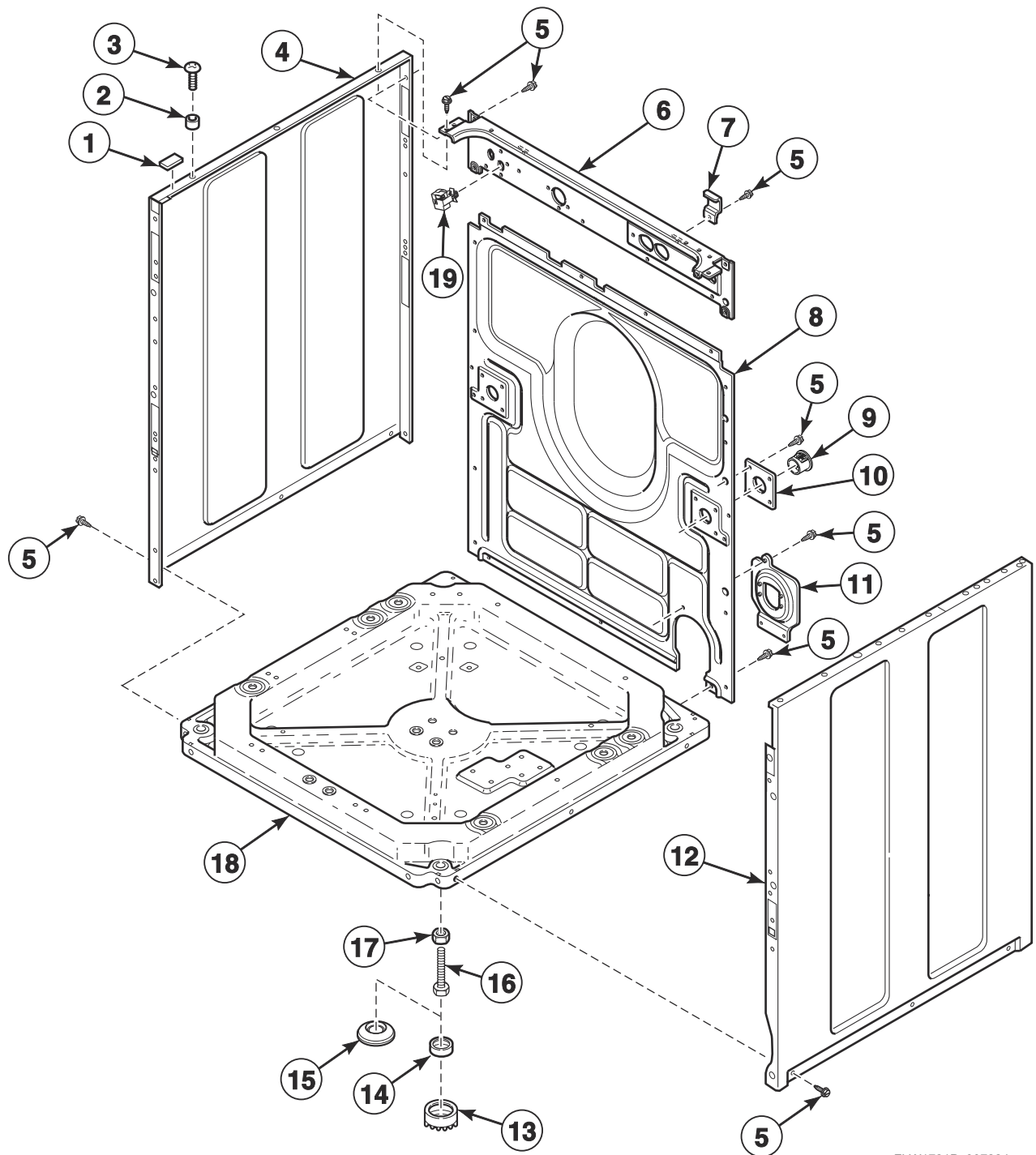


FLW1744P_807224

Drain Hose and Pump

REF	PART NO.	DESCRIPTION	COMMENTS
	805771	Pump-to-Gravity Drain Kit	120 Volt
1	27154	Drain Hose	
2	33489	Standpipe Strap	
3	20211	Hose Clamp	
4	35766	Drain Hose Elbow	
5	52909	Screw	
6	20391	Hose Clamp	
7	803734	Pump-to-Elbow Hose	
8	800310	Backflow Preventer	
9	F200204	Hose Clamp	
10	D503661	Screw	
11	803814	Drain Base Bracket	
12	803815	Drain Pump Isolator	
13	802431	Screw	
14	808196P	Drain Pump Assembly	120 Volt/60 Hertz; Includes items 11-13 and 15-19
15	802429P	O-Ring	
16	802434P	Pump Housing Assembly	Includes items 17-19
17	802428	Pump Housing	
18	802427	Gasket	
19	802426P	Lid Assembly	Includes filter
20	803829	Tub-to-Pump Hose	
	27615P	Sealant	Tub-to-pump hose to outer tub

Side, Base and Rear Panels



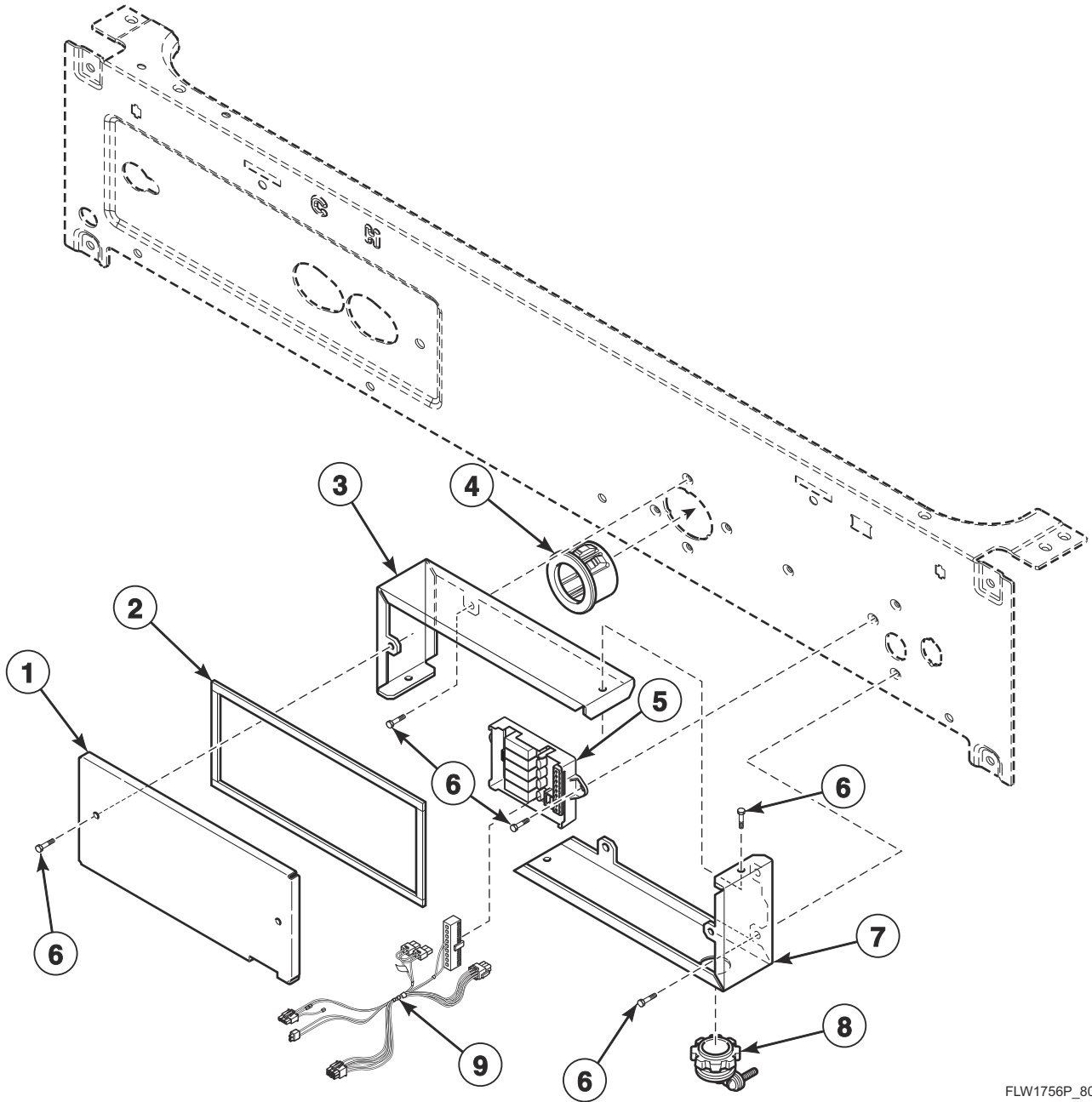
FLW1721P_807224

Side, Base and Rear Panels

REF	PART NO.	DESCRIPTION	COMMENTS
	122P4P	Porcelain Touch-Up Paint	White
	370P4P	Porcelain Touch-Up Paint	Bisque
	806436P	Paint	Dark gray
1	36226	Bumper Pad	
2	56079	Panel Locator	
3	39733	Screw	
4	800004WP	Cabinet Panel Kit	White; Left; Includes corner gusset with hardware
	800004QP	Cabinet Panel Kit	Bisque; Left; Includes corner gusset with hardware
	800004DG	Cabinet Side Panel	Dark gray; Left
5	D503661	Screw	
6	803790	Rear Panel	Fixed; Through Serial No. 1810000001
	806716	Rear Panel	Fixed; Starting Serial No. 1810000001
7	D510136	Top Hinge	
8	803789	Rear Panel	Removable
9	803859	Shipping Plug	
10	803851	Shipping Plate	
11	803833	Gravity Drain Bracket	Models PFNJCASG114TG01, PFNJCASG114TN01, PFNJCASG115TG01, PFNJCASG115TN01, PFNJCASG115TW01, PFNJEASG114CG01, PFNJEASG114CN01, PFNJEASG115CG01, PFNJEASG115CN01, PFNJEASG115CW01, PFNJBASG114CG01, PFNJBASG114CN01, PFNJBASG114TG01, PFNJBASG114TN01, PFNJBASG115CG01, PFNJBASG115CN01, PFNJBASG115CW01, PFNJBASG115TG01, PFNJBASG115TN01, PFNJBASG115TW01, SFNNCASG113TN01, SFNNCASG113TQ01, SFNNCASG113TW01, SFNNCASG115TN01, SFNNCASG115TQ01, SFNNCASG115TW01, SFNNCASG116TN01, SFNNCASG116TW01, SFNNEASG113CN01, SFNNEASG113CW01, SFNNEASG115CN01, SFNNEASG115CW01, SFNNXASG113TW01, SFNNXASG115TW01, SFNNYASG113TN01, SFNNYASG113TW01, SFNNYASG115TN01, SFNNYASG115TW01, SFNNYASG116TW01, SFNWCASG113TN01, SFNWCASG115TN01, SFNWWASG113TN01 and SFNWWASG115TN01
	803828	Drain Hose Bracket	All other models
12	800005DG	Cabinet Side Panel	Dark gray; Right
	806492	Side Panel Kit	White; Right
	800005QP	Side Panel Kit	Bisque; Right
13	D501855	Rubber Foot	Use to prevent movement on smooth surface floor coverings; Install over 2 existing front rubber feet (item 14)
14	34318	Rubber Foot	
15	155P3	Anchor	Includes 4 rubber discs with adhesive backing
	802844P	Anchor Floor Mount Assembly	Includes 2 rubber discs with adhesive backing
16	34319	Leveling Leg	
17	21899	Nut	
18	803876	Base Assembly	
19	203843	Pressure Sensor	

Junction Box

Models SFNCAJP113TW01, SFNCAJP115TW01, SFNNAJP113CN01, SFNNAJP115CN01, SFNNAJP113TW01 and SFNNAJP115TW01

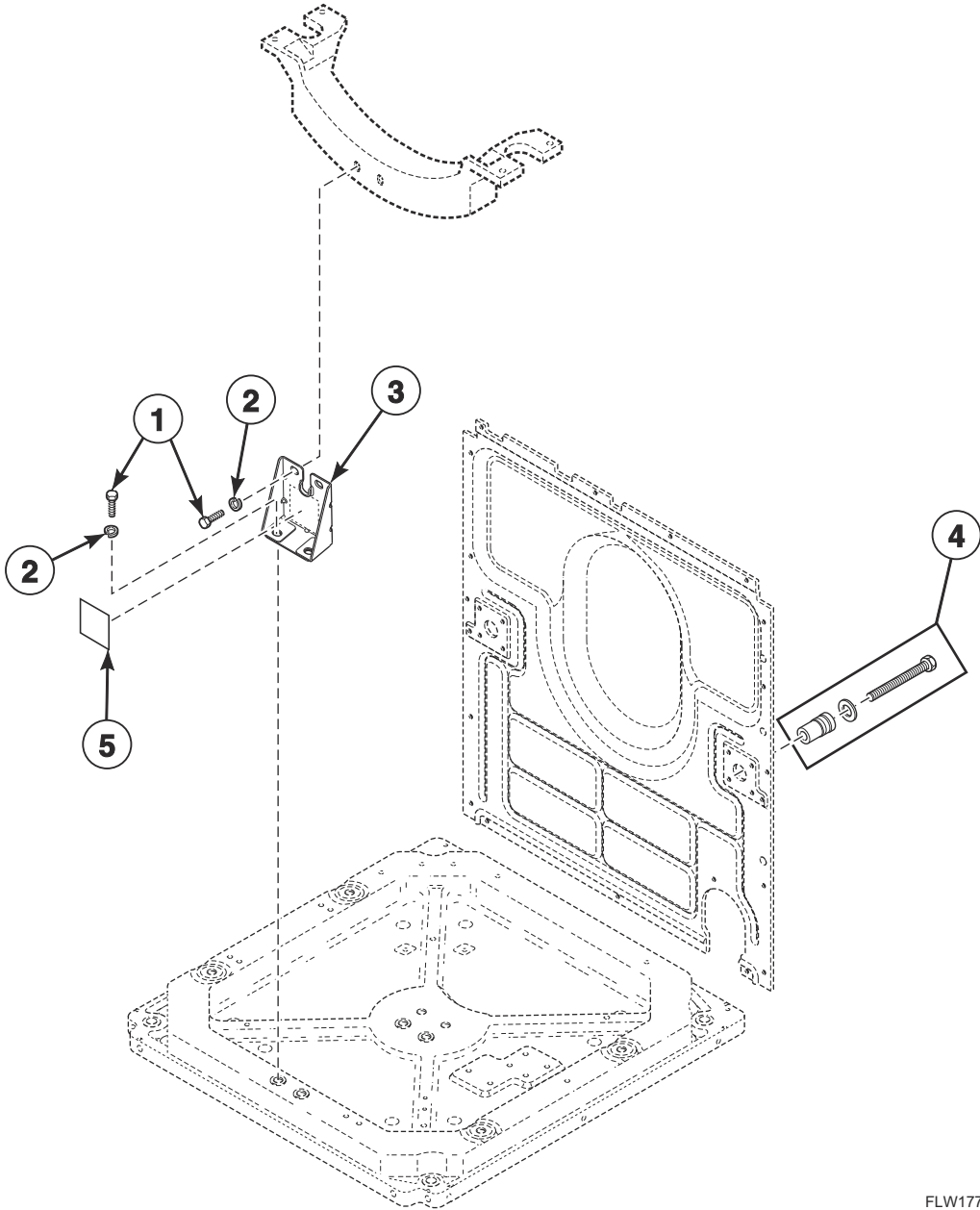


FLW1756P_807224

Junction Box

REF	PART NO.	DESCRIPTION	COMMENTS
1	803820	Junction Box Cover	
2	803832P	Junction Box Seal	
3	803827	Junction Box	Upper
4	M402542	Snap Bushing	
5	804528	Chemical Injection Control	
6	D503661	Screw	
7	804561	Junction Box	Lower
8	M400149	Connector	
9	804799	Supply Injection Wire Harness Assembly	Through Serial No. 2012999999
	807645	Supply Injection Wire Harness Assembly	Starting Serial No. 2101000001

Shipping Materials

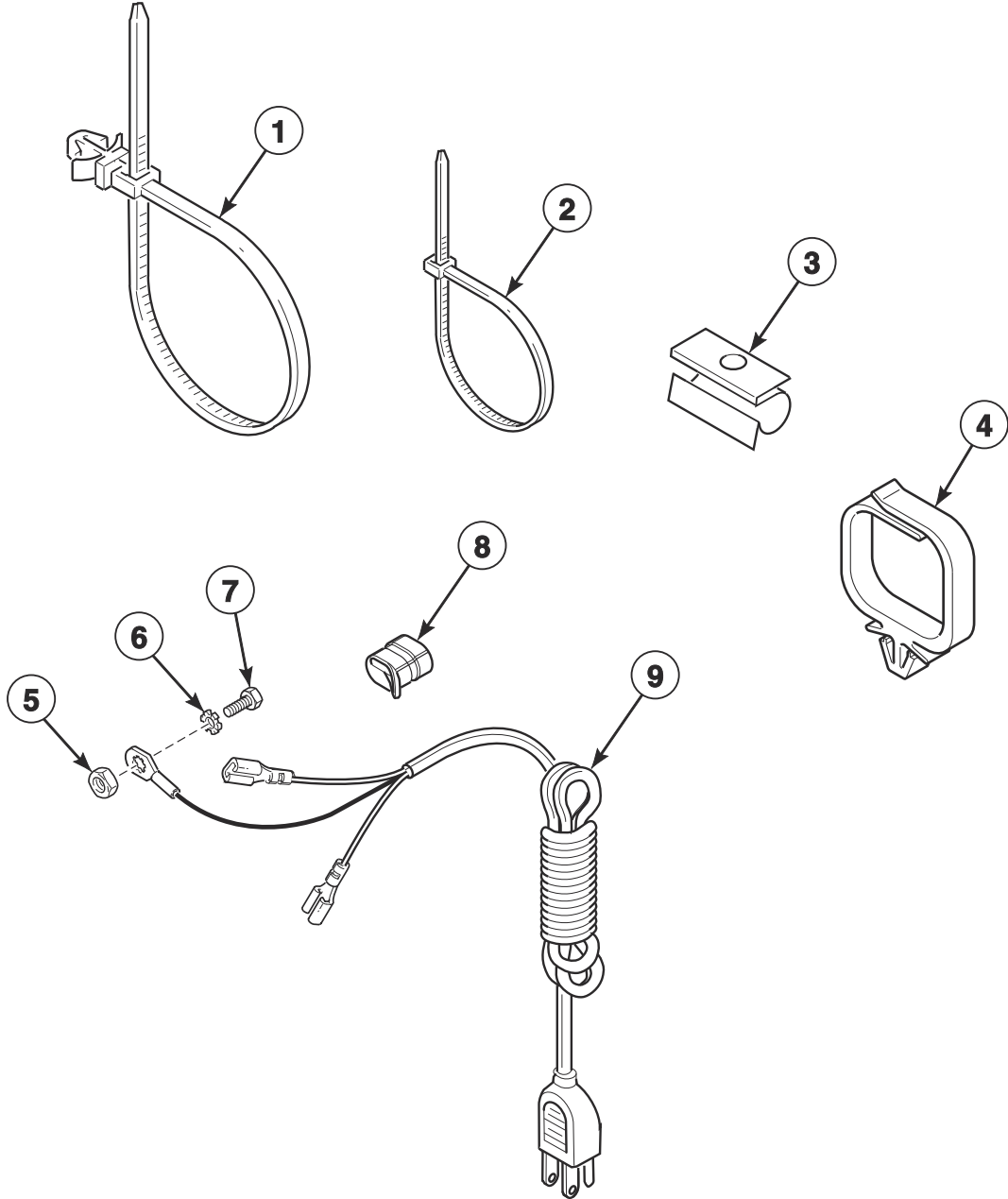


FLW1779P_807224

Shipping Materials

REF	PART NO.	DESCRIPTION	COMMENTS
	807550	Label	Remove shipping brace; Long tongue label
1	M400043	Screw	
2	M400014	Washer	
3	807448	Shipping Brace	
4	807452	Shipping Bolt Assembly	
5	807552	Shipping Bracket Label	Square label

Wire Ties, Harness Clips and Lead-In Cord

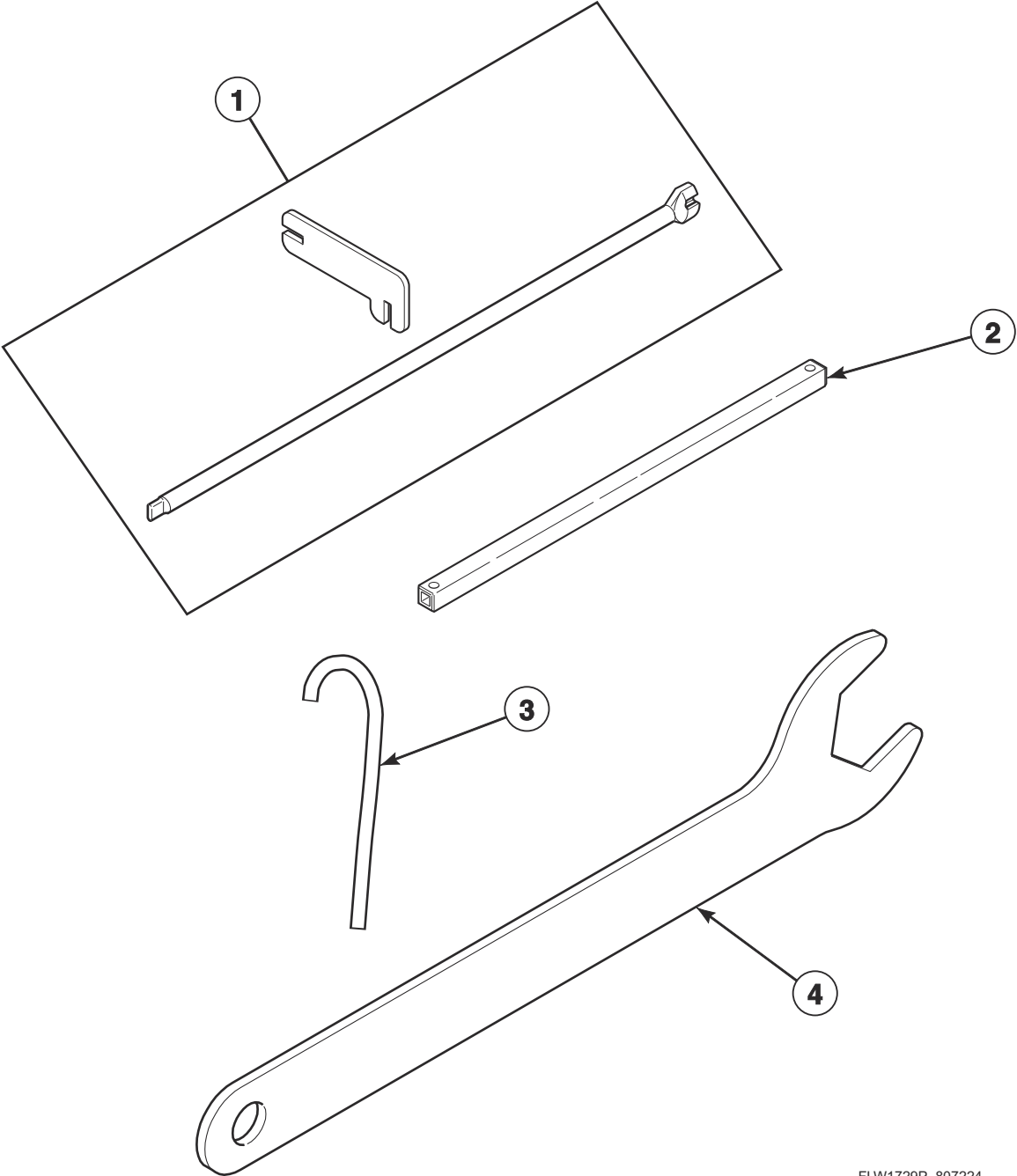


FLW1775P_807224

Wire Ties, Harness Clips and Lead-In Cord

REF	PART NO.	DESCRIPTION	COMMENTS
1	M405829	Cable Tie	6.13 inches
2	55881	Harness Strap	
3	36985	Hose Clip	
4	F8449502	Wire Clip	
5	03673	Nut	
6	03815	Washer	
7	20530	Screw	
8	38384	Strain Relief	
9	202777	Lead-In Cord	

Special Tools

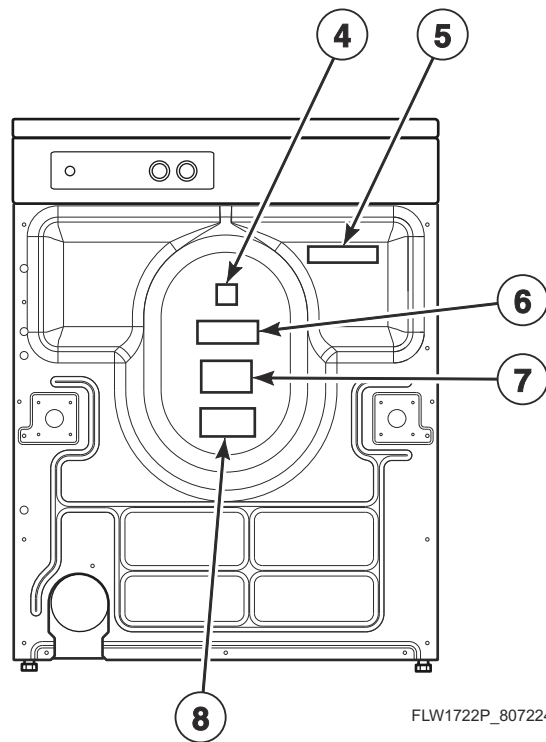
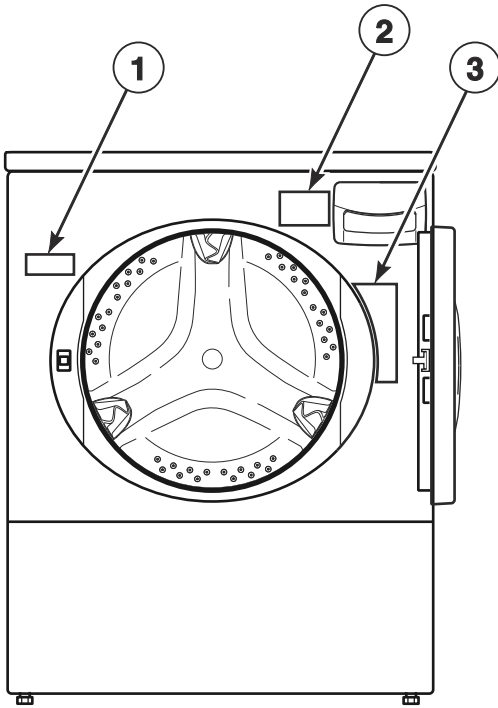


FLW1729P_807224

Special Tools

REF	PART NO.	DESCRIPTION	COMMENTS
	807623	Belt Install Tool	
1	CK096	Mounting Tool Kit	Use to install and remove electronic coin drop kits
2	310P4	Ratchet Extension Tool	1/4 inch; Use to install and remove non-electronic coin drops
3	802336	Pulley Bolt Tightening Fixture	Use to install inner basket
4	392P4	Wrench	Use for leveling leg locknuts

Washer Labels

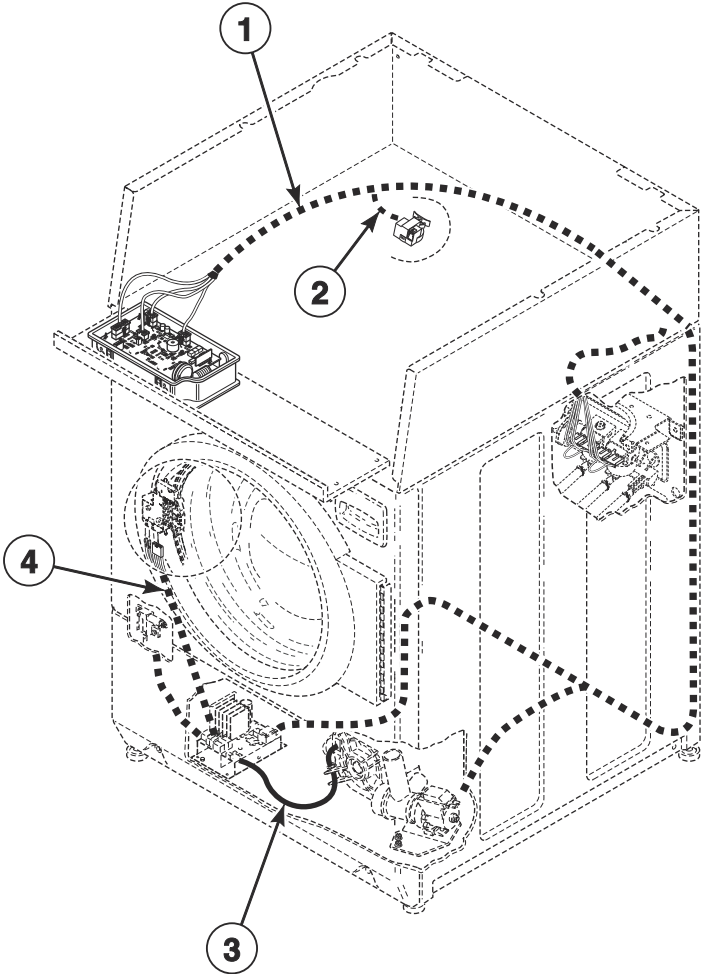


FLW1722P_807224

Washer Labels

REF	PART NO.	DESCRIPTION	COMMENTS
1	803011	Notice Label	
2	802074	Oversudsing Label	English
	802838	Oversudsing Label	Spanish
3	802367	Warning Label	Reduce Fire Risk; English
	806591	Warning Label	Reduce Fire Risk; English/Quebec French
4	D513371	Read Instructions Label	
5	D505281	Disconnect Power Warning Label	English
	D500316	Warning Label	English/French; Disconnect Power
	801706	Caution Label	Icon; Ground Machine
6	685928	Left Hand Thread Label	Text
	804949	Left Hand Thread Label	Icon
7	803260	Warning Label	Disconnect Power
	F8211201	Electrical Shock Label	Icon
8	D500049	Warning Label	English
	D500314	Warning Label	English/French
	F8615701	Pinch Warning Label	Icon; Crush Hazard

Wire Harnesses and Wires



FLW1780P_807224

Wire Harnesses and Wires

REF	PART NO.	DESCRIPTION	COMMENTS
	45001	18 Gauge Wire	Black; Order wire by foot and terminals and connectors as required
	807298	Power Harness	Starting Serial No. 2101000001
1	806030	Rear Control Harness	Models HFNNERSP113CW01, HFNNERSP115CW01, HFNNXRSP113CW01, HFNNYRSP113CW01, SFNNCRSP113TW01, SFNNCRSP113TW02, SFNNCRSP115TW02, SFNNERSP113CW02, SFNNERSP115CW02, SFNNXRSP113CW02, SFNNXRSP113TW02, SFNNXRSP115CW02, SFNNXRSP115TW02, SFNNYRSP113TW01, SFNNYRSP115TW01, SFNWCRSP115TW42, SFNWXRSP113TW02, SFNWXRSP115TW02, SFNWYRSP113TW01, SFNWYRSP115TW01 and SFNWYRSP115TW41 through Serial No. 2012999999
	807375	Rear Control Harness	Models HFNNERSP113CW01, HFNNERSP115CW01, HFNNERSP116CW01, HFNNXRSP113CW01, HFNNXRSP116CW01, HFNNYRSP113CW01, HFNNYRSP116CW01, SFNNCASP116TW01, SFNNCRSP113TW01, SFNNCRSP113TW02, SFNNCRSP115TW02, SFNNCRSP116TW01, SFNNERSP113CW02, SFNNERSP115CW02, SFNNXRSP113CW02, SFNNXRSP113TW02, SFNNXRSP115CW02, SFNNXRSP115TW02, SFNNXRSP116TW01, SFNNYRSP113TW01, SFNNYRSP115TW01, SFNNYRSP116TW01, SFNWCRSP115TW42, SFNWXRSP113TW02, SFNWXRSP115TW02, SFNWYRSP113TW01, SFNWYRSP115TW01 and SFNWYRSP115TW41 starting Serial No. 2101000001
	806031	Front Control Harness	All other models through Serial No. 2012999999
	807346	Front Control Harness	All other models starting Serial No. 2101000001
2	807656	Pressure Sensor Harness	Models HFNNXASP116CW01, HFNNYASP116CW01, SFNNCASG116TN01, SFNNCASG116TW01, SFNNCASP116TN01, SFNNCASP116TW01, SFNNXASP116TW01, SFNNYASG116TW01 and SFNNYASP116TW01
	807657	Pressure Sensor Harness	Models HFNNERSP116CW01, HFNNXRSP116CW01, HFNNYRSP116CW01, SFNNCRSP116TW01, SFNNXRSP116TW01 and SFNNYRSP116TW01
	804433	Pressure Sensor Harness	All other models
3	806029	Motor Harness	Through Serial No. 2012999999
	807294	Motor Harness	Starting Serial No. 2101000001
4	806028	Door Lock Harness Assembly	Through Serial No. 2012999999
	807293	Door Lock Harness Assembly	Starting Serial No. 2101000001

NOTE: Individual wires are not available separately. Order complete harness, or order wire by the foot. When applying terminals to wires, it is recommended that the terminals be soldered to the wires.

Parts Index

A

Access Panel Assembly	
804617DGP	37
804617Q	37
804617W	37
804618	37
Anchor	
155P3	55
Anchor Floor Mount Assembly	
802844P	55
Anti-Seize Compound	
27604P	47

B

Backflow Preventer	
800310	53
Balance Ring Assembly	
804393	47
Base Assembly	
803876	55
Bearing Housing Kit	
805525	47
Bearing Kit	
805730	47
Belt Install Tool	
807623	49, 63
Belt Kit	
807429P	49
Bolt	
203798	27, 29
29651	11, 15, 23
Bracket	
D510146	27, 29, 31
Bumper Pad	
36226	23, 25, 55

C

Cabinet Panel Kit	
800004QP	55
800004WP	55
Cabinet Side Panel	
800004DG	55
800005DG	55
Cabinet Top Kit	
802247QP	11
Cable Tie	
M405829	61
Card Insert Overlay	
D514391	21
Caution Label	
801706	65
Central Pay Harness	
805427	9, 31, 33, 35

Chemical Injection Control	
804528	57
Chemical Injection Conversion Kit	
805938	41
Clamp Ring	
803802	45
Clip	
201572	19
Clothes Guard Deflector	
804467	45
805548	45
Coin Box Extension Kit	
803578P	27, 29
Coin Drop	
38963P	17
70441601P	17, 27, 29
Coin Drop Assembly	
38462P	17
38463	17
38464P	17
70441602	17, 27, 29
70441603	17
Coin Drop Wire Harness	
201104	19
Coin Identification Paper	
38725	17, 19, 27, 29
Compartment Cover	
803669	41
803670	41
Connector	
M400149	57
801789	15
Control Assembly	
806267P	7, 9, 23, 31, 33
806269P	9
807458	9, 23, 31, 33
807460	9
808121	7, 31, 35
Control Bracket	
804612	23
807441	49
Control Hood	
D502567W	33, 35
D511253W	31
Control Overlay	
805371	33
805372	31
805675	25
806042	25
807388	25
807695	31
807697	35
807699	7, 35
807750	35
807751	7
808036	31
Control Panel	
803962BP	15
803962DG	15
803962WP	15
Control Panel and Bracket Assembly	
800149W	33, 35

N/A items do not appear in index.

Control Panel and Stud Assembly	
800710W.....	31
805512W.....	31
Control Panel Assembly	
804070B.....	7
804070DG.....	7
804070Q.....	7
804070W.....	7
804661W.....	25
804962.....	25
804963.....	25
Control Shield	
804363.....	9, 23
Control Wrapper	
804627W.....	23
804630B.....	25
804630W.....	25
Counterweight	
807476.....	45

D

Detergent Hose	
804717.....	41
Diagnostic Wire Harness Assembly	
202869.....	25
Disconnect Power Warning Label	
D505281.....	27, 29, 31, 33, 35, 65
Dispenser Assembly	
803698.....	41
Dispenser Drawer	
803667.....	41
Dispenser Handle	
804227B.....	41
804227WP.....	41
804228.....	41
Dispenser Inlet Hose	
803849.....	41, 43
807364.....	41, 43
Dispenser Plate	
803843.....	41
Door Assembly	
804083QP.....	37
804083WP.....	37
804210P.....	37
805550P.....	37
Door Catch Assembly	
802803.....	37
Door Glass	
802695P.....	37
Door Glass Mounting Plate	
806354.....	37
Door Hinge	
802934.....	37
Door Latch Assembly	
803920.....	37
Door Lock Harness Assembly	
806028.....	67
807293.....	67
Door Seal	
804428P.....	37
Door Seal Assembly	
804429P.....	37

Drain Base Bracket	
803814.....	53
Drain Hose	
27154.....	53
Drain Hose Bracket	
803828.....	55
Drain Hose Elbow	
35766.....	53
Drain Pump Assembly	
808196P.....	53
Drain Pump Isolator	
803815.....	53
Drain Valve	
803293P.....	51
Drain Valve Kit	
F975P3.....	51
Drain-to-Cabinet Hose	
800903.....	51
Drive Belt	
804985.....	49
Dual Coin Harness Assembly	
202871.....	17, 27, 29
204915.....	17

E

Electrical Shock Label	
F8211201.....	65
Electronic Coin Drop Assembly	
70294122.....	19
70513306.....	19
Electronic Coin Drop Kit	
CK110.....	19
CK115.....	19
End Cap	
210108W.....	31
210109W.....	31
Ethernet Gateway Kit	
NK320.....	5, 7, 9, 31, 33, 35
Expansion Clip	
70030501.....	15, 21, 25

F

Fill Hose	
203719.....	43
203720.....	43
Foam Pad	
804875.....	41
Foreign Object Deflector	
806308.....	45
806313.....	45
806361.....	45
Front Control Harness	
806031.....	67
Front Panel	
802277QP.....	37
802277WP.....	37
802288P.....	37
Front Panel Assembly Kit	
806505W.....	39
806560.....	39

N/A items do not appear in index.

G

Gasket	
802427	53
Glass Mounting Clip	
802700	37
Gravity Drain Bracket	
803291	51
803833	55
Grommet	
29175	45

H

Harness	
804832	31, 33, 35
Harness Assembly	
802905	19
Harness Strap	
55881	61
Hinge	
D511036	11
Hinge Plate	
802206	37
Hood Back Panel	
804223	33, 35
Hose Clamp	
F200204	53
F200206	41
20211	53
20391	53
685725	41, 51
802281	37
803891	45
807386	41, 43
Hose Clip	
36985	45, 61
800553	45

I

Inner Basket Assembly	
804374P	47
Inner Basket Assembly Kit	
804376P	47
Inner Door Bezel	
808097	37
Inner Door Bezel Kit	
808095	37
808096	37
Inverter Control Assembly	
807175P	49

J

Junction Box	
803827	57
804561	57
Junction Box Cover	
803820	57

Junction Box Seal	
803832P	57

K

Key	
54612	7

L

Label	
807550	59
Lead-In Cord	
202777	61
Left Hand Thread Label	
685928	65
804949	65
Leveling Leg	
34319	55
Lid Assembly	
802426P	53
Lifter	
804382	47
Lock Assembly	
804339P	5
Lock Cam	
804338	5

M

Machine ID Control Assembly	
203361P	9, 23, 31, 33, 35
Meter Case Assembly	
202877W	27
205123W	29
803050W	27
807254DG	15
807396B	15
807396W	15
807406W	27, 29
Meter Case Assembly Kit	
807401W	27, 29
Meter Case Bracket Gasket	
35526	27, 29
Meter Case Gasket	
26354	27, 29
Meter Case Lockdown Bracket	
35525	27, 29
Meter Case Locking Bracket Kit	
204616	27, 29
Mixing Valve	
807837P	43
Mixing Valve Screen	
24122	43
Motor and Rod Assembly Kit	
805726P	49
808034P	49
808067P	49
Motor Control Shield	
804878	49

N/A items do not appear in index.

Motor Harness	
806029	67
807294	67
Motor Rod	
803861	49
807739	49
Mounting Tool Kit	
CK096	63

N

Network Controller Kit	
NK220	5, 7, 9, 31, 33, 35
Network Retrofit Kit	
203328	5, 7, 9, 31, 33, 35
Notice Label	
803011	65
Nut	
F430218	45
03673	61
201216	19
21899	55
23951	37
27222	27, 29
29786	17, 19, 27, 29, 51
36020	11, 37
44087101	33, 35
44087201	11, 15
685846	37
800452	45, 47
802292	41
802337	27, 29
802343	45
804418	47

O

Operating Instruction Label	
804327	15, 21
806194	15
Opto Coupler	
200674P	17, 27, 29
O-Ring	
801632	41
802429P	53
Outer Door Bezel	
808091	37
808092	37
808093	37
808094	37
Outer Tub Assembly	
803864	45
807479	45
807618	45
Out-of-Balance Switch Assembly	
803415	45
807384	45
Out-of-Balance Switch Bracket	
804457	45
807280	45
Output Control Assembly	
807243	49
808149	49

Overlay	
D514873	21
201091	15, 19, 27, 29
804849	7
804850	33
805370	31
805373	7
806173	7
Oversudsing Label	
802074	65
802838	65

P

Paint	
806436P	55
Panel Locator	
56079	37, 55
Payment Center Kit	
205067	5, 23, 31, 33, 35
205068	5, 23, 31, 33, 35
205069	7, 9, 23, 31, 33, 35
205070	7, 9, 23, 31, 33, 35
Pinch Warning Label	
F8615701	65
Pop Rivet	
685847	11, 45
70058501	27, 29, 31
Porcelain Touch-Up Paint	
122P4P	55
370P4P	55
Power Harness	
807298	67
Pressure Bulb	
808013	45
Pressure Sensor	
203843	55
Pressure Sensor Harness	
804433	67
807656	67
807657	67
Pressure Sensor Tube Assembly	
804483	45
Pulley Assembly	
803974	47
Pulley Bolt Tightening Fixture	
802336	63
Pump Housing	
802428	53
Pump Housing Assembly	
802434P	53
Pump-to-Elbow Hose	
803734	53
Pump-to-Gravity Drain Kit	
805771	53

R

Ratchet Extension Tool	
310P4	63
Read Instructions Label	
D513371	65

N/A items do not appear in index.

Rear Access Panel	
803998	15, 21
804614	25
Rear Control Harness	
806030	67
807375	67
Rear Control Operating Instruction Label	
805830	27, 29
Rear Panel	
D511254	31
803789	55
803790	55
806716	55
Rear Wrapper Brace	
805345	23
Rubber Foot	
D501855	55
34318	55

S

Screw	
D501086	31, 33, 35
D501524	31, 33, 35, 49
D503661	13, 27, 29, 31, 33, 35, 37, 49, 51, 53, 55, 57
D503673	27, 29
D503688	9, 21, 23, 25
F8206901	49
M400043	47, 59
M400057	49
02916	33, 35, 49, 51
20530	27, 29, 31, 61
23008	11
36048	27, 29
39733	23, 37, 55
52864	31, 33, 35
52909	53
685831	47
70240301	15, 21
800461	45
800462	45
800548	37, 41, 47
801001	41
801019	37
801045	37
801993	37
802431	53
802596	45
803527P	25
804399	47
804647	7
804699	47
806086	37
Sealant	
27615P	51, 53
Security Cabinet Assembly	
804149B	21
804149WP	21
Service Door Assembly	
39874WP	27, 29
Shipping Bolt Assembly	
807452	59
Shipping Brace	
807448	59

Shipping Bracket Label	
807552	59
Shipping Plate	
803851	55
Shipping Plug	
803859	55
Shock Assembly	
803777P	45
Side Panel Kit	
800005QP	55
806492	55
Single Coin Harness Assembly	
202870	17, 27, 29
Single Overlay	
38717	15, 17, 27, 29
Snap Bushing	
D503235	51
M402542	57
Standpipe Strap	
33489	53
Strain Relief	
38384	61
Supply Injection Wire Harness Assembly	
804799	57
807645	57
Switch	
D512973	5, 15, 27, 29

T

Top Hinge	
D510136	55
Top Kit	
D511527WP	27, 29
Top Mounting Bracket	
D504228	11
Top Panel	
803868Q	11
803868WP	11
803869	11
804023DG	11
804684	23
804685WP	23
Top Panel Brace Assembly	
804613	25
Top Panel Guide	
803761	23
Top Panel Kit	
D511530WP	31
Transformer	
201375P	19
202757	5, 31, 33, 35
Transformer Harness	
804795	5
Transformer Kit	
203423	5, 31, 33, 35
Trunnion Shaft Kit	
808043	47
Tub Front	
803770	45
Tub Front Assembly	
803879	45

N/A items do not appear in index.

Tub Front Seal	
803801	45
Tubing	
801635	41
Tub-to-Gravity Drain Hose	
803874	51
Tub-to-Pump Hose	
803829	53

804112B	21
804112W	21
Wrench	
392P4	63

U

Union	
801788	15
USB Gateway Kit	
NK330	5, 7, 9, 31, 33, 35
USB IR Interface Kit	
203346	5, 7, 9, 31, 33, 35

W

Warning Label	
D500049	45, 65
D500314	65
D500316	27, 29, 31, 33, 35, 65
802367	65
803260	65
806591	65
Washer	
M400014	59
M400017	33, 35, 51
M400080	49
M400081	45
M403958	47
02834	49
03815	61
200608	31, 33, 35
20290	43
800457	47
802254	43
803615	43
804458	45
807679	47
Wire Clip	
F8449502	61
Wire Guard	
201595P	17, 27, 29
Wire Ring and Spring	
806466	37
Wireless Network Board Harness	
F8536002	13
Wireless Network Kit	
204689	5, 7, 9, 13, 31, 33, 35
Wire, 18 Gauge	
45001	67
Wiring Harness Assembly	
202868	9
202869	31
Wrapper Assembly	
804103B	15
804104B	15
804104DG	15
804104W	15

N/A items do not appear in index.