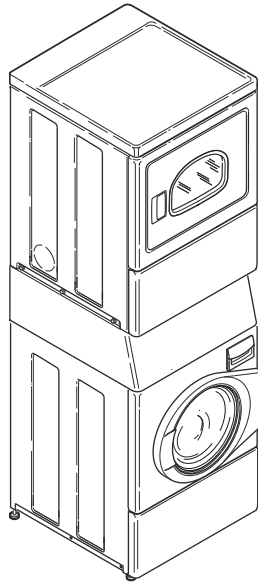


Commercial Stack Washer/Dryers

Refer to Page 5 for Model Numbers



SWD456C_807266

Table of Contents

Title	Page
Parts Ordering Information.....	3
Serial Plate Location	3
Model Identification	5
Control Panel (Drawing 1 of 2).....	6
Control Panel (Drawing 2 of 2).....	8
Controls.....	10
Control Panel Overlay and Shields	12
Network Board Assembly.....	14
Control Panel and Cabinet Wrapper	16
Control Cabinet Front and Wrapper.....	18
Non-Electronic Coin Drop	20
Electronic Coin Drop	22
Card Reader Control Cabinet	24
Control Cabinet Front and Wrapper.....	26
Front Panel, Door Assembly and Door Seal	28
Front Panel Assembly	30
Dispenser Assembly	32
Mixing Valve and Valve-to-Dispenser Hose.....	34
Outer Tub, Front and Clamp Ring.....	36
Inner Basket, Trunnion, Bearing Housing and Pulley	38
Motor and Belt.....	40
Drain Hose and Valve	42
Drain Hose and Pump.....	44
Washer Base, Side Panels and Rear Panel	46
Washer Lead-In Cord, Wire Ties and Harness Clips	48
Dryer Door Without Window	50
Dryer Door With Window	52
Access Panel, Front Panel and Seal	54
Motor, Exhaust Fan and Belt	56
Front Bulkhead, Felt Seal and Cylinder	58
Air Duct Assembly.....	60
Rear Bulkhead, Felt Seal, Cylinder Roller and Terminal Block.....	62
Heater Duct and Element Assembly	64
Heater Duct Assembly	66
Gas Valve, Igniter and Gas Conversion Kits - Gas Model Dryers Through Serial No. 1908000001	68
Gas Valve, Igniter and Gas Conversion Kits - Gas Model Dryers Starting Serial No. 1908000001	70
Burner Orifice Spuds - For Higher Elevations.....	72
Dryer Cabinet, Exhaust Duct and Base	74
Dryer Lead-In Cord	76
Dryer Terminals and Terminal Extractor Tools	78
Terminals	80

© Copyright 2023, Alliance Laundry Systems LLC

All rights reserved. No part of the contents of this book may be reproduced or transmitted in any form or by any means without the expressed written consent of the publisher.

Dryer Labels.....	82
Washer Labels	84
Shipping Materials	86
Special Tools	88
Wire Harnesses and Wires (Drawing 1 of 4).....	90
Wire Harnesses and Wires (Drawing 2 of 4).....	92
Wire Harnesses and Wires (Drawing 3 of 4).....	94
Wire Harnesses and Wires (Drawing 4 of 4).....	96
Parts Index.....	99

Parts Ordering Information

If literature or replacement parts are required, contact the source from whom the machine was purchased or contact Alliance Laundry Systems at (920) 748-3950 for the name and address of the nearest authorized parts distributor.

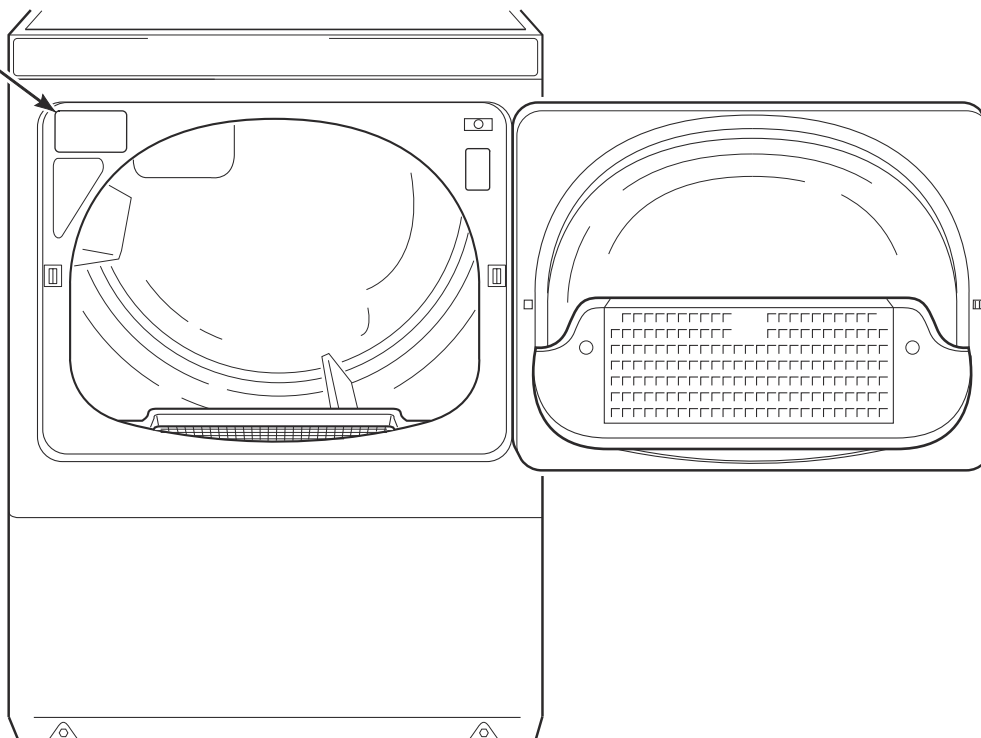
For technical assistance, call the number listed below:

(920) 748-3121 Ripon, Wisconsin

Serial Plate Location

When calling or writing about your product, be sure to mention model and serial numbers. Model and serial numbers are located on serial plate(s) as shown.

SERIAL PLATE



DRY2283P_807266

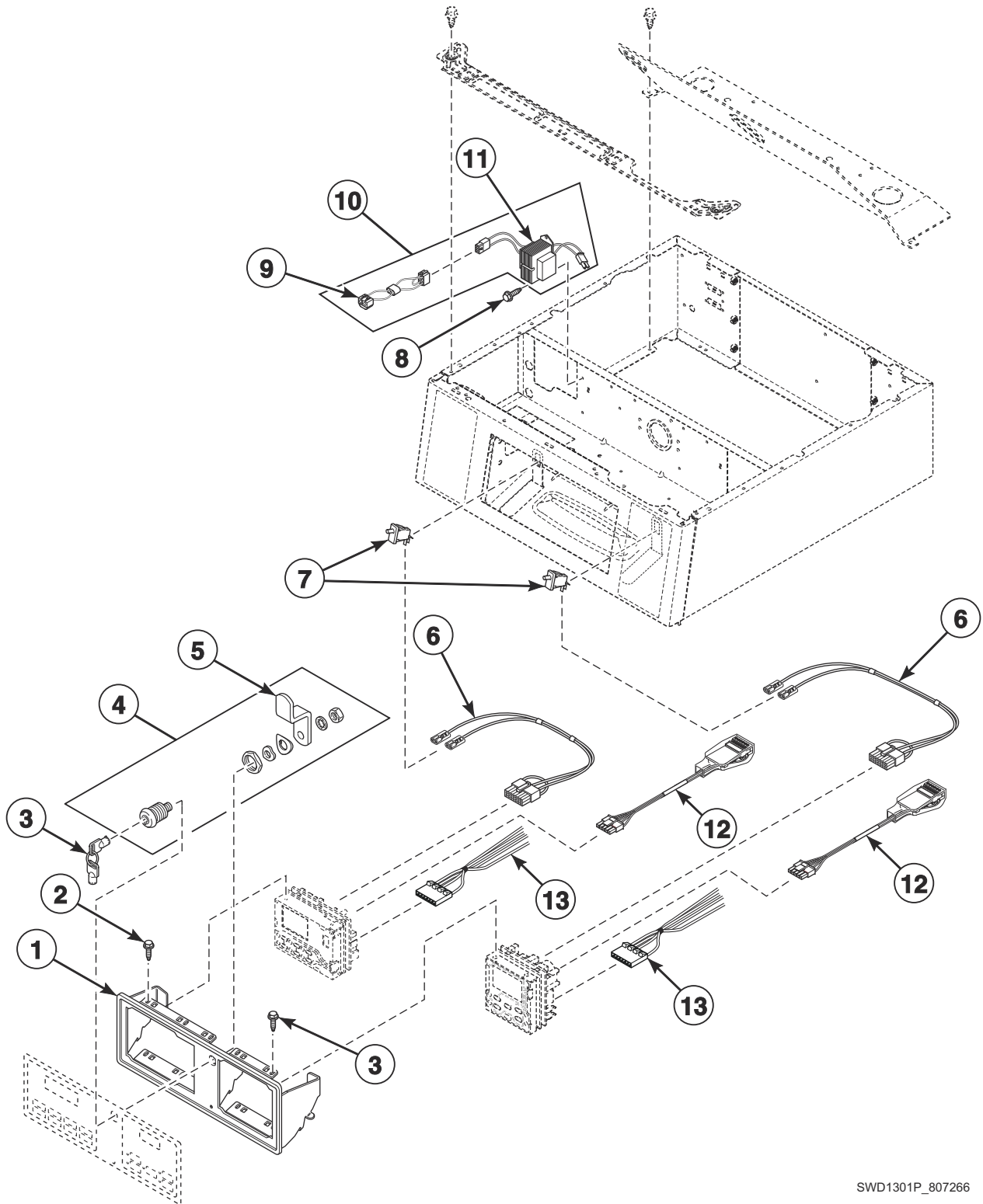
Model Identification

Information in this manual is applicable to these stack washer/dryer models:

HTENXASP285CW01	STENCASP175TW01	STGNCASP115TW01
HTENXASP286CW01	STENCASP176TW01	STGNCASP116TW01
HTENXASP295CW01	STENCFSP175TW01	STGNCFSP115TW01
HTENXFSP286CW01	STENCFSP176TW01	STGNCFSP116TW01
HTENYASP285CW01	STENEASP285CW01	STGNEASP095CW01
HTENYASP286CW01	STENEASP295CW01	STGNXASG115TW01
HTENYASP295CW01	STENXASP175TW01	STGNXASP095CW01
HTENYFSP286CW01	STENXASP176TW01	STGNXASP115TW01
HTGNXASP095CW01	STENXASP285CW01	STGNXASP116TW01
HTGNXASP096CW01	STENXASP295CW01	STGNXFSP115TW01
HTGNXFSP096CW01	STENXFSP175TW01	STGNXFSP116TW01
HTGNYASP096CW01	STENXFSP176TW01	STGNYASP095CW01
HTGNYFSP096CW01	STENYASP175TN01	STGNYASP115TN01
PTEJCASP175TG01	STENYASP175TW01	STGNYASP115TW01
PTEJCASP175TW01	STENYASP176TW01	STGNYASP116TW01
PTEJEASP285CG01	STENYASP285CW01	STGNYFSP115TW01
PTEJXASP175TG01	STENYASP295CW01	STGNYFSP116TW01
PTEJXASP285CG01	STENYFSP175TW01	STGWCASP115TW41
PTGJCASP115TG01	STENYFSP176TW01	STGWCASP115TW41
PTGJCASP115TW01	STEWASP175TW41	STGWXASP095CW01
PTGJEASP095CG01	STEWCFSP175TW41	STGWXASP115TW01
PTGJXASP095CG01	STEWXASP175TW01	STGWYASP115TW01
PTGJXASP115TG01	STEWXASP285CW01	STGWYASP115TW41
	STEWXASP295CW01	STGWYFSP115TW41
	STEWYASP175TW01	
	STEWYASP175TW41	
	STEWYFSP175TW41	

Control Panel (Drawing 1 of 2)

All Models Except HTENXASP286CW01, HTENXFSP286CW01, HTENYASP286CW01, HTENYFSP286CW01, HTGNXASP096CW01, HTGNXFSP096CW01, HTGNXFSP096CW01, HTGNXFSP096CW01, STENCASP176TW01, STENCFSP176TW01, STENXASP176TW01, STENYASP176TW01, STENYFSP176TW01, STGNCASP116TW01, STGNCFSP116TW01, STGNXASP116TW01, STGNXFSP116TW01, STGNXFSP116TW01, STGNXFSP116TW01, STGNYASP116TW01 and STGNYFSP116TW01



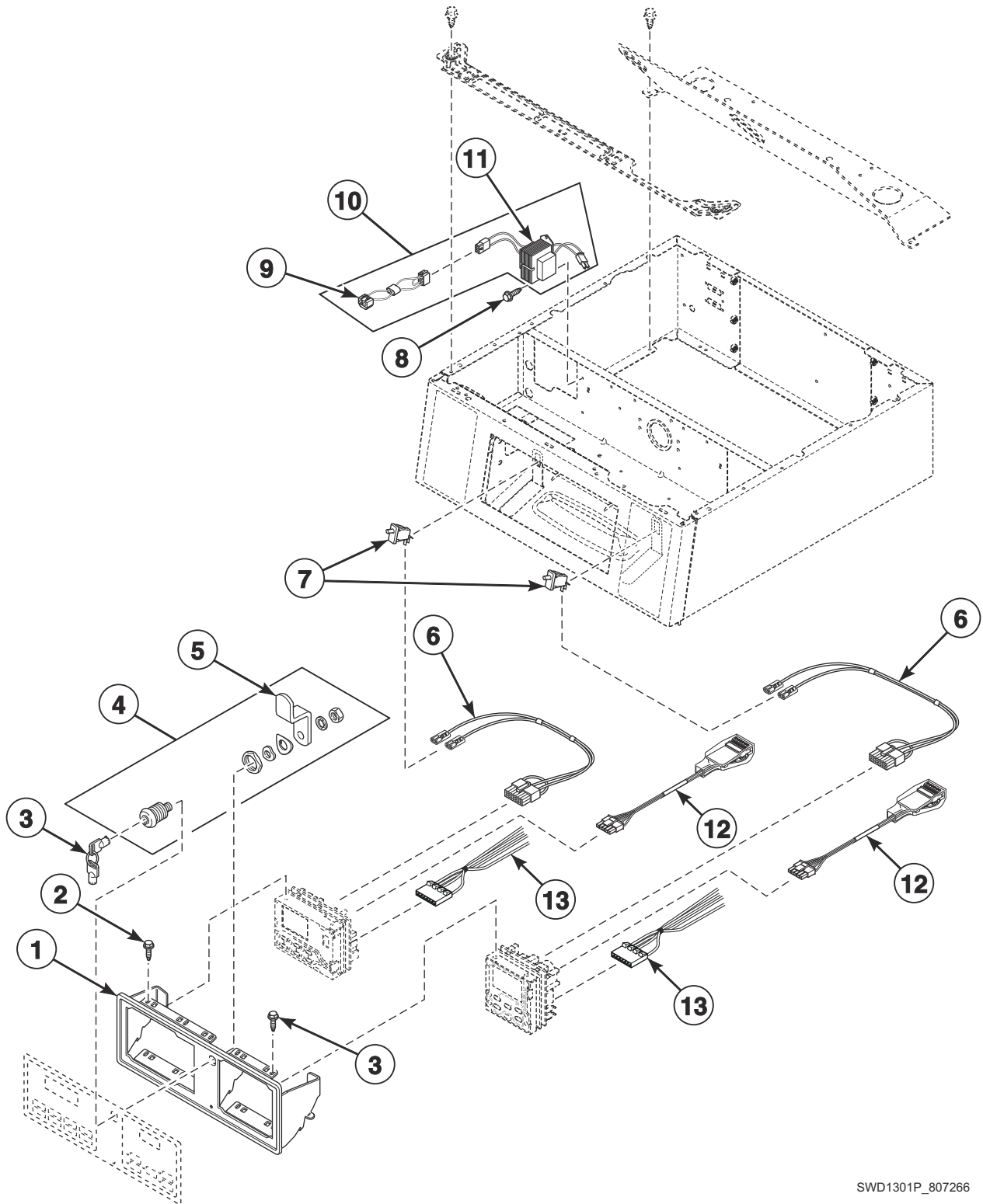
SWD1301P_807266

Control Panel (Drawing 1 of 2)

REF	PART NO.	DESCRIPTION	COMMENTS
1	800034W	Control Panel and Bracket Assembly	Models STENCFSP175TW01, STENXFSP175TW01, STENYFSP175TW01, STEWCFSP175TW41, STEWYFSP175TW41, STGNCFSP115TW01, STGNXFSP115TW01, STGNYFSP115TW01, STGWCFSF115TW41 and STGWYFSP115TW41
	807640W	Control Panel and Bracket Assembly	White; Model STENXFSP176TW01
	804069DG	Control Panel Assembly	Dark gray; All other models
	804069W	Control Panel Assembly	White; All other models
	804069B	Control Panel Assembly	Black; All other models
2	D501524	Screw	Models STENCFSP175TW01, STENXFSP175TW01, STENYFSP175TW01, STEWCFSP175TW41, STEWYFSP175TW41, STGNCFSP115TW01, STGNXFSP115TW01, STGNYFSP115TW01, STGWCFSF115TW41 and STGWYFSP115TW41
	804608	Screw	All other models
3	54612	Key	GR800
4	807761	Lock Assembly	Model STENXFSP176TW01
	804339P	Lock Assembly	All other models
5	27261	Lock Cam	Models STENCFSP175TW01, STENXFSP175TW01, STENYFSP175TW01, STEWCFSP175TW41, STEWYFSP175TW41, STGNCFSP115TW01, STGNXFSP115TW01, STGNYFSP115TW01, STGWCFSF115TW41 and STGWYFSP115TW41
	807760	Lock Cam	Model STENXFSP176TW01
	804338	Lock Cam	All other models
6	202868	Wiring Harness Assembly	Diagnostic; Through Serial No. 1810000001
	202869	Wiring Harness Assembly	Diagnostic; Starting Serial No. 1810000001
7	D512973	Switch	
8	D503661	Screw	
9	804795	Transformer Harness	120V
10	203423	Transformer Kit	120V; Includes items 9 and 11
11	202757	Transformer	120V
12	203361P	Machine ID Control Assembly	Model or serial number is required when ordering
13	805427	Central Pay Harness	

Control Panel (Drawing 2 of 2)

Models HTENXASP286CW01, HTENXFSP286CW01, HTENYASP286CW01, HTENYFSP286CW01, HTGNXASP096CW01, HTGNXFSP096CW01, HTGNYASP096CW01, HTGNYFSP096CW01, STENCASP176TW01, STENCFSP176TW01, STENXASP176TW01, STENYASP176TW01, STENYFSP176TW01, STGNCASP116TW01, STGNCFSP116TW01, STGNXASP116TW01, STGNXFSP116TW01, STGNYASP116TW01 and STGNYFSP116TW01

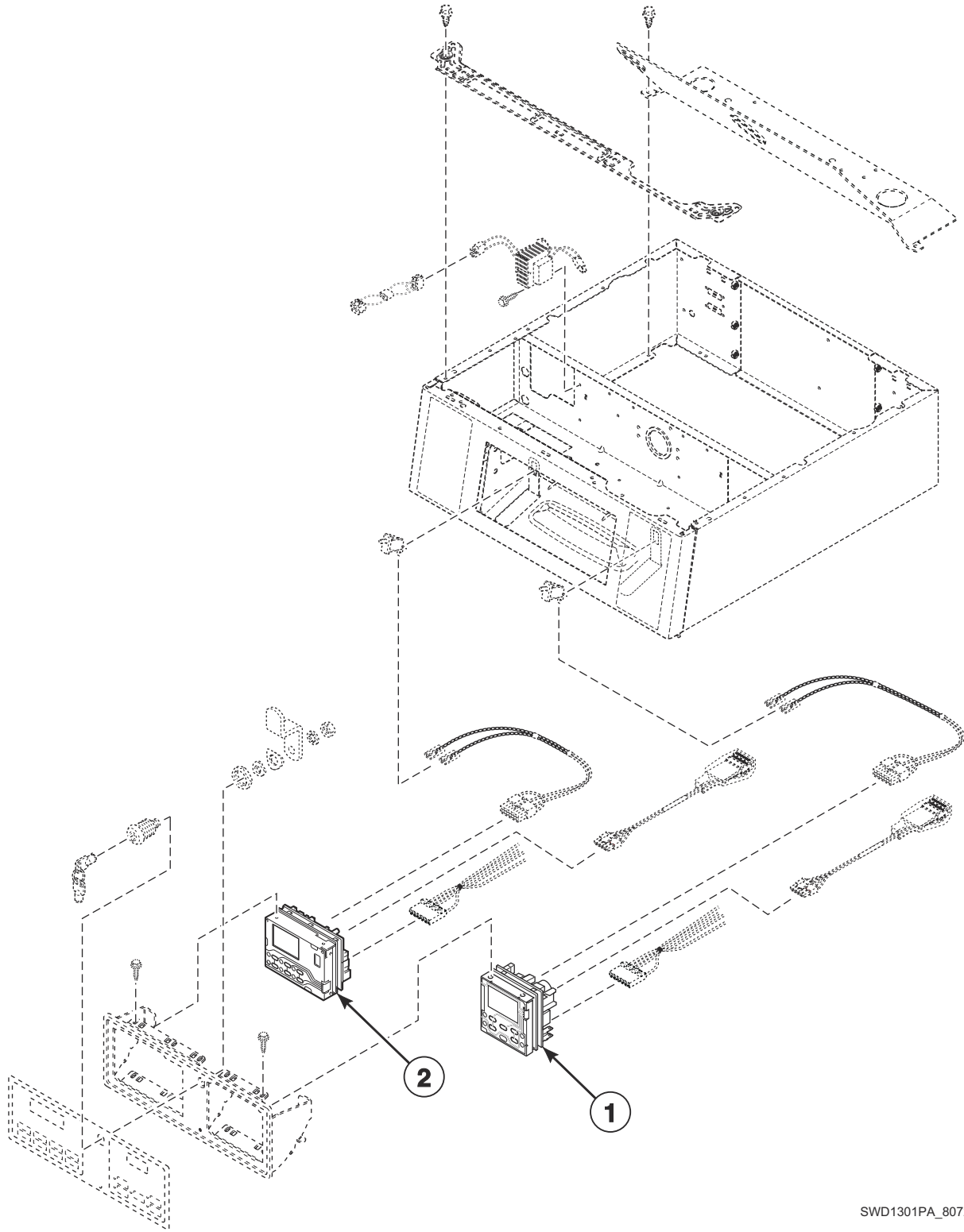


SWD1301P_807266

Control Panel (Drawing 2 of 2)

REF	PART NO.	DESCRIPTION	COMMENTS
1	800034W	Control Panel and Bracket Assembly	Models STENCFSP176TW01, STENYFSP176TW01, STGNCFSP116TW01, STGNXFSP116TW01 and STGNYFSP116TW01
	807640W	Control Panel and Bracket Assembly	Models HTGNYASP096CW01 and HTGNYFSP096CW01
	804069DG	Control Panel Assembly	Dark gray; All other models
	804069W	Control Panel Assembly	White; All other models
	804069B	Control Panel Assembly	Black; All other models
2	D501524	Screw	Models HTGNXFSP096CW01, HTGNYFSP096CW01, STENCFSP176TW01, STENYFSP176TW01, STGNCFSP116TW01, STGNXFSP116TW01 and STGNYFSP116TW01
	804608	Screw	All other models
3	54612	Key	GR800
4	804339P	Lock Assembly	
5	27261	Lock Cam	Models HTGNXFSP096CW01, HTGNYFSP096CW01, STENCFSP176TW01, STENYFSP176TW01, STGNCFSP116TW01, STGNXFSP116TW01 and STGNYFSP116TW01
	804338	Lock Cam	All other models
6	202869	Wiring Harness Assembly	Diagnostic
7	D512973	Switch	
8	D503661	Screw	
9	804795	Transformer Harness	120V
10	203423	Transformer Kit	120V; Includes items 9 and 11
11	202757	Transformer	120V
12	203361P	Machine ID Control Assembly	Model or serial number is required when ordering
13	805427	Central Pay Harness	

Controls

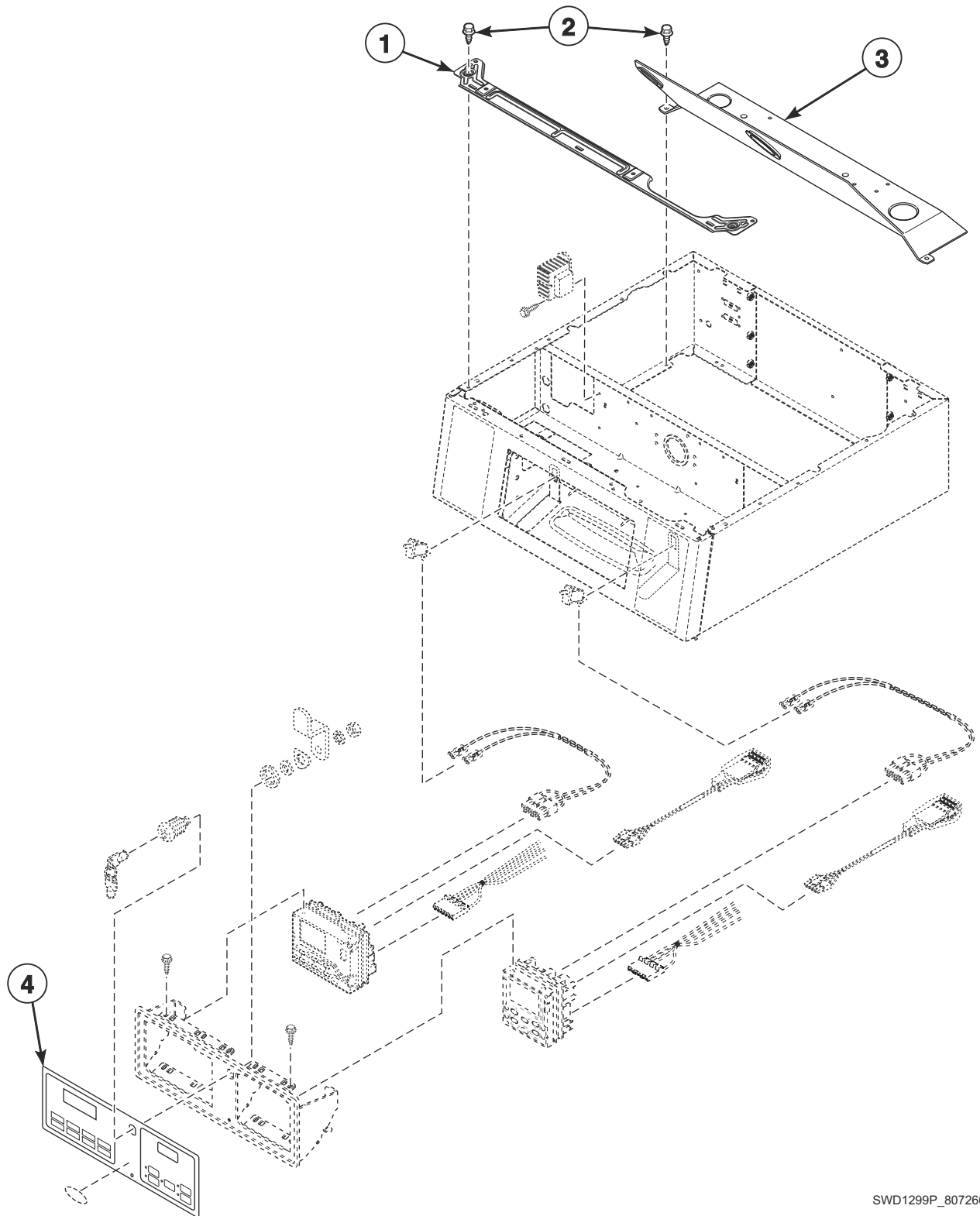


SWD1301PA_807266

Controls

REF	PART NO.	DESCRIPTION	COMMENTS
1	D515809P	Control Assembly	Dryer; Blue LEDs; Models PTEJCASP175TG01, PTEJCASP175TW01, PTEJEASP285CG01, PTEJXASP175TG01, PTEJXASP285CG01, PTGJCASP115TG01, PTGJCASP115TW01, PTGJEASP095CG01, PTGJXASP095CG01 and PTGJXASP115TG01
	D518647	Control Assembly	Dryer; Models HTENXASP286CW01, HTENYASP286CW01, HTGNXASP096CW01, HTGNYASP096CW01, HTGNYFSP096CW01, STENCASP176TW01, STENCFSP176TW01, STENXASP176TW01, STENXFSP176TW01, STENYASP176TW01, STENYFSP176TW01, STGNCASP116TW01, STGNCFSP116TW01, STGNXASP116TW01, STGNXFSP116TW01, STGNYASP116TW01 and STGNYFSP116TW01
	D515807P	Control Assembly	Dryer; Green LEDs; All other models through Serial No. 1912999999
	D517522	Control Assembly	Dryer; Green LEDs; All other models starting Serial No. 2001000001
2	806269P	Control Assembly	Washer; Blue LEDs; Models PTEJCASP175TG01, PTEJCASP175TW01, PTEJEASP285CG01, PTEJXASP175TG01, PTEJXASP285CG01, PTGJCASP115TG01, PTGJCASP115TW01, PTGJEASP095CG01, PTGJXASP095CG01 and PTGJXASP115TG01 through Serial No. 2012999999
	807460	Control Assembly	Washer; Blue LEDs; Models PTEJCASP175TG01, PTEJCASP175TW01, PTEJEASP285CG01, PTEJXASP175TG01, PTEJXASP285CG01, PTGJCASP115TG01, PTGJCASP115TW01, PTGJEASP095CG01, PTGJXASP095CG01, PTGJXASP115TG01 and STENXFSP176TW01 starting Serial No. 2101000001
	808121	Control Assembly	Washer; Models HTENXASP286CW01, HTENYASP286CW01, HTGNXASP096CW01, HTGNYASP096CW01, HTGNYFSP096CW01, STENCASP176TW01, STENCFSP176TW01, STENXASP176TW01, STENXFSP176TW01, STENYASP176TW01, STENYFSP176TW01, STGNCASP116TW01, STGNCFSP116TW01, STGNXASP116TW01, STGNXFSP116TW01, STGNYASP116TW01 and STGNYFSP116TW01
	806267P	Control Assembly	Washer; Green LEDs; All other models through Serial No. 2012999999
	807458	Control Assembly	Washer; Green LEDs; All other models starting Serial No. 2101000001

Control Panel Overlay and Shields



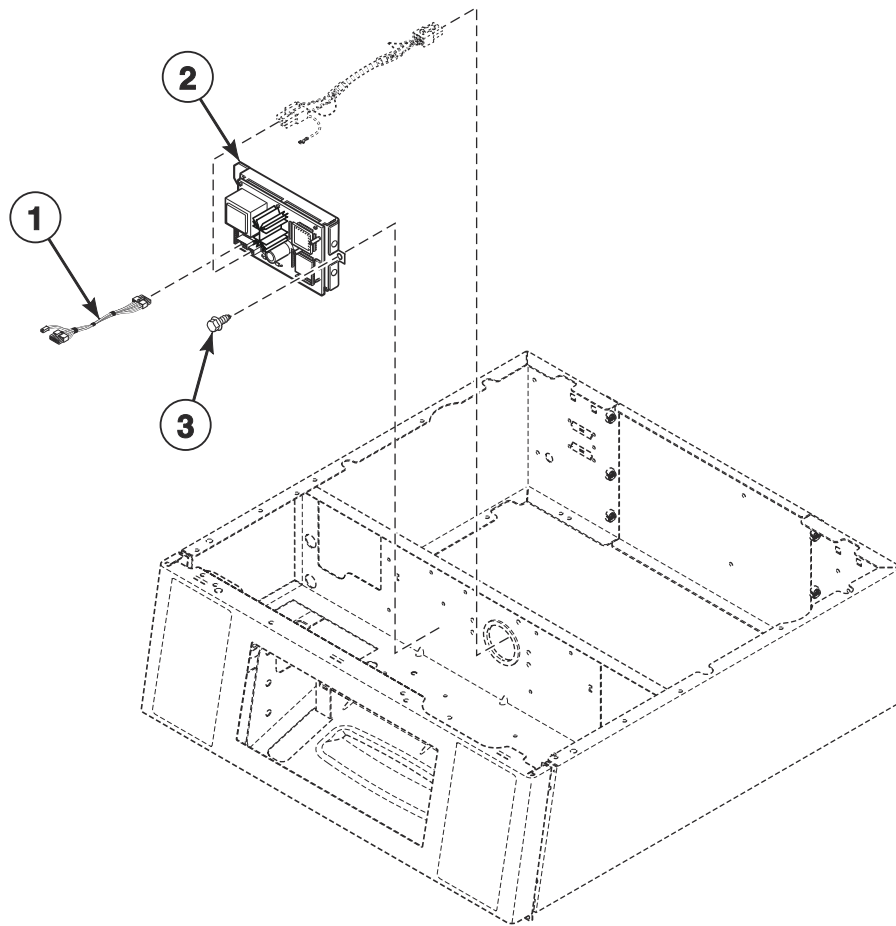
SWD1299P_807266

Control Panel Overlay and Shields

REF	PART NO.	DESCRIPTION	COMMENTS
1	804018	Shield Bracket	
2	D503688	Screw	
3	804363	Control Shield	
4	805380	Overlay	Models HTENXASP285CW01, HTENXASP295CW01, HTENYASP285CW01, HTENYASP295CW01 and HTGNXASP095CW01
	807693	Overlay	Models HTENXASP286CW01, HTENXFSP286CW01, HTENYASP286CW01, HTENYFSP286CW01, HTGNXASP096CW01, HTGNXFSP096CW01, HTGNYASP096CW01 and HTGNYFSP096CW01
	807826	Overlay	Models STENCASP176TW01, STENCFSP176TW01, STENXASP176TW01, STENXFSP176TW01, STENYASP176TW01, STENYFSP176TW01, STGNCASP116TW01, STGNCFSP116TW01, STGNXASP116TW01, STGNXFSP116TW01, STGNYASP116TW01 and STGNYFSP116TW01
	806174	Overlay	Models PTEJCASP175TG01, PTEJCASP175TW01, PTEJEASP285CG01, PTEJXASP175TG01, PTEJXASP285CG01, PTGJCASP115TG01, PTGJCASP115TW01, PTGJEASP095CG01, PTGJXASP095CG01 and PTGJXASP115TG01
	804852	Overlay	All other models

Network Board Assembly

Models STENXFSP176TW01, STEWCASP175TW41, STEWCFSP175TW41, STEWXASP175TW01, STEWXASP285CW01, STEWXASP295CW01, STEWYASP175TW01, STEWYASP175TW41, STEWYFSP175TW41, STGWCASP115TW41, STGWCFSP115TW41, STGWXASP095CW01, STGWXASP115TW01, STGWYASP115TW01, STGWYASP115TW41 and STGWYFSP115TW41



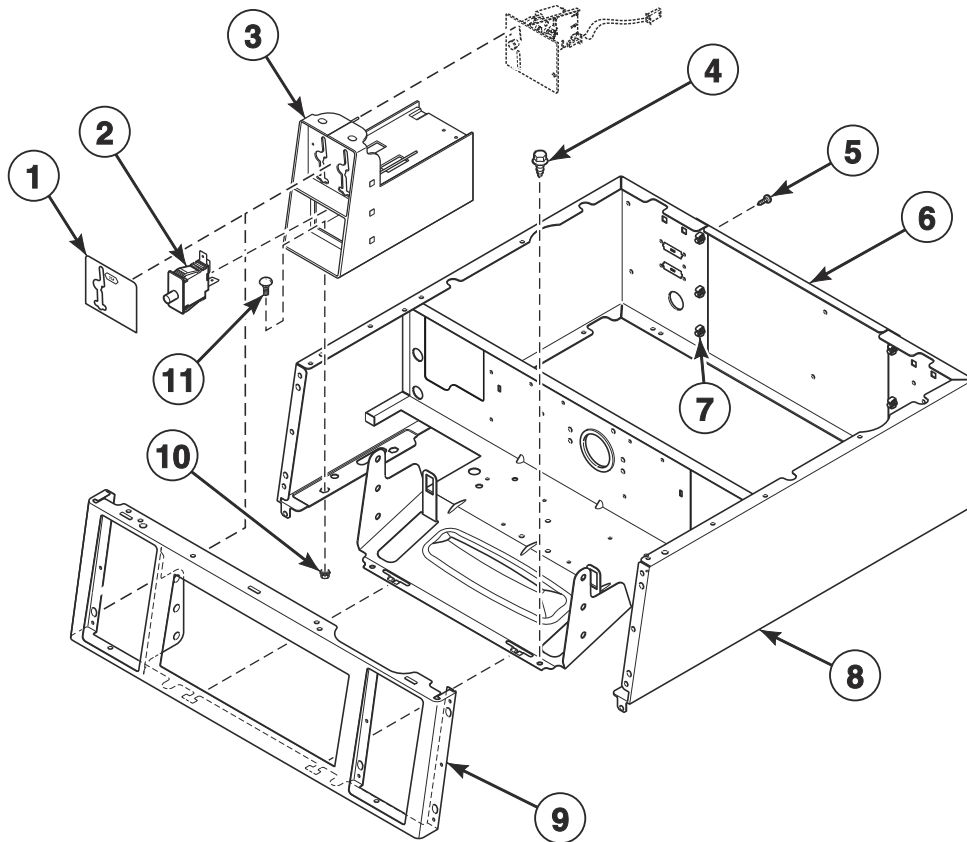
SWD1288P_807266

Network Board Assembly

REF	PART NO.	DESCRIPTION	COMMENTS
1	F8713906	Serial Pay Harness	Model STENXFSP176TW01
	F8536002	Wireless Network Board Harness	All other models through Serial No. 1902000001
	F8674006	Wireless Network Harness	All other models starting Serial No. 1902000001
2	807714	Serial Pay Control Assembly	Model STENXFSP176TW01
	203532	Wireless Network Control Assembly	All other models through Serial No. 1902000001
	807211	Wireless Network Control Assembly	All other models starting Serial No. 1902000000
3	D503661	Screw	

Control Panel and Cabinet Wrapper

10 Degree Front Coin Models



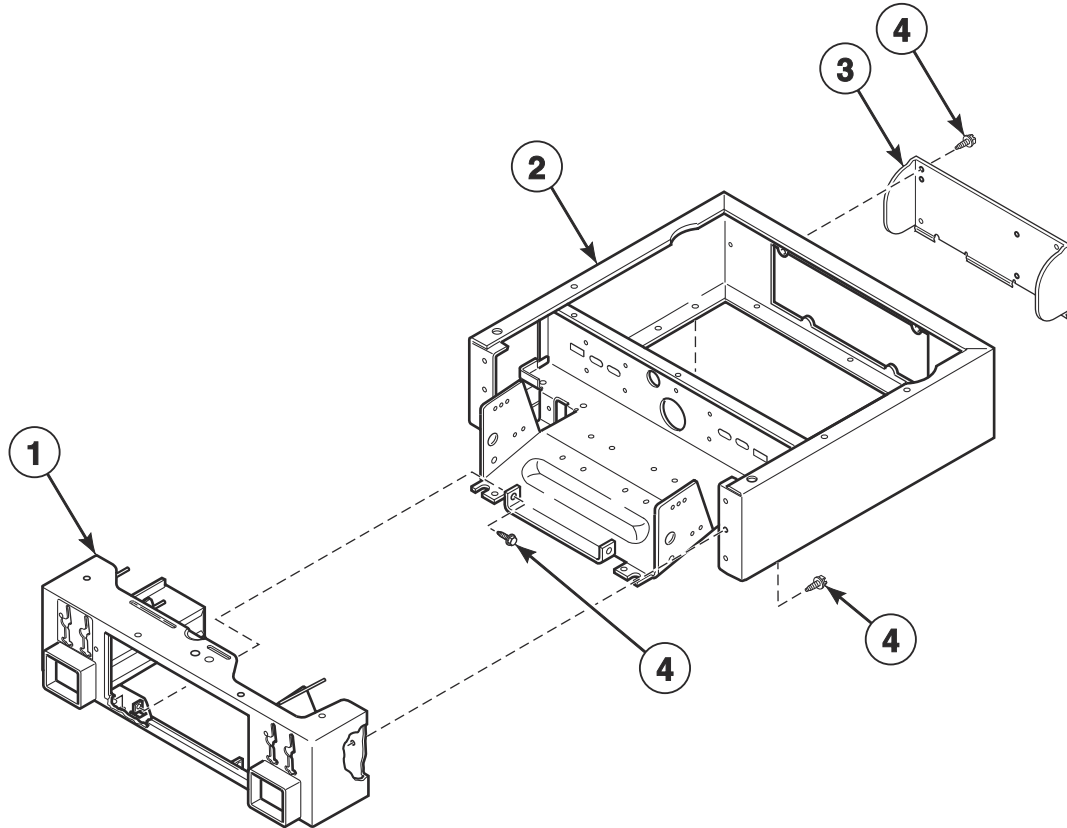
SWD1289P_807266

Control Panel and Cabinet Wrapper

REF	PART NO.	DESCRIPTION	COMMENTS
	806195	Instruction Label	Models PTEJCASP175TG01, PTEJCASP175TW01, PTEJEASP285CG01, PTEJXASP175TG01, PTEJXASP285CG01, PTGJCASP115TG01, PTGJCASP115TW01, PTGJEASP095CG01, PTGJXASP095CG01 and PTGJXASP115TG01
	805665	Instruction Label	All other models
1	38717	Single Overlay	
	39073	Dual Overlay	
	38676	Overlay Kit	Dual drop; Includes coin identification paper
	201091	Overlay	For electronic coin drops
2	D512973	Switch	Through Serial No. 1810000001
	70529301	Switch	Starting Serial No. 1810000001
3	807254DG	Meter Case Assembly	Dark gray
	807396B	Meter Case Assembly	Black
	807396W	Meter Case Assembly	White
4	D503688	Screw	
5	70240301	Screw	
6	803998	Rear Access Panel	Through Serial No. 1912999999
	807646	Rear Access Panel	Starting Serial No. 2001000001
7	70030501	Expansion Clip	
8	804104DG	Wrapper Assembly	Dark gray
	804104W	Wrapper Assembly	White
	804104B	Wrapper Assembly	Black
9	803964DG	Control Panel	Dark gray
	803964B	Control Panel	Black
	803964W	Control Panel	White
10	44087201	Nut	
11	29651	Bolt	

Control Cabinet Front and Wrapper

Flat Front Coin Models



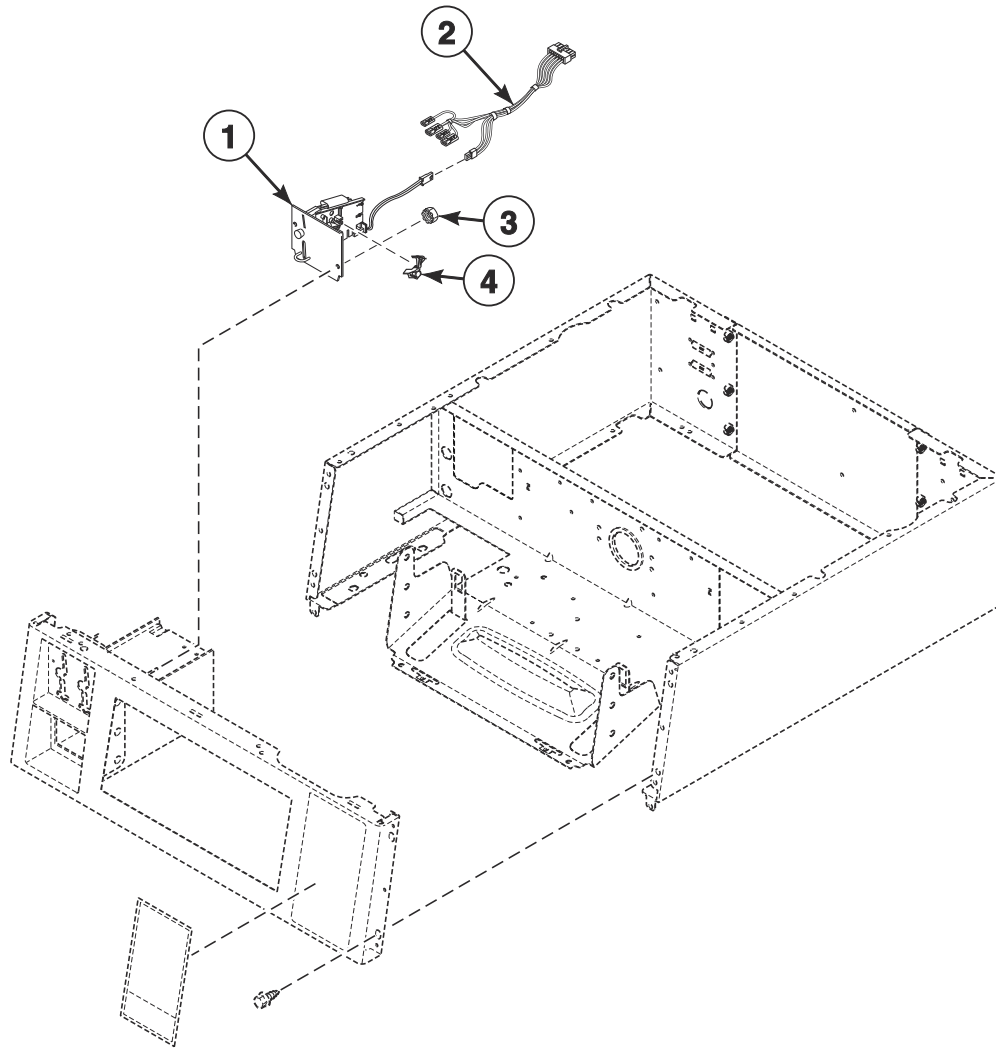
SWD1292P_807266

Control Cabinet Front and Wrapper

REF	PART NO.	DESCRIPTION	COMMENTS
1	D518305WP	Security Cabinet Front Assembly	
2	801235W	Security Cabinet Wrapper Assembly	
3	805834	Rear Service Panel	
4	D503688	Screw	

Non-Electronic Coin Drop

Coin Models



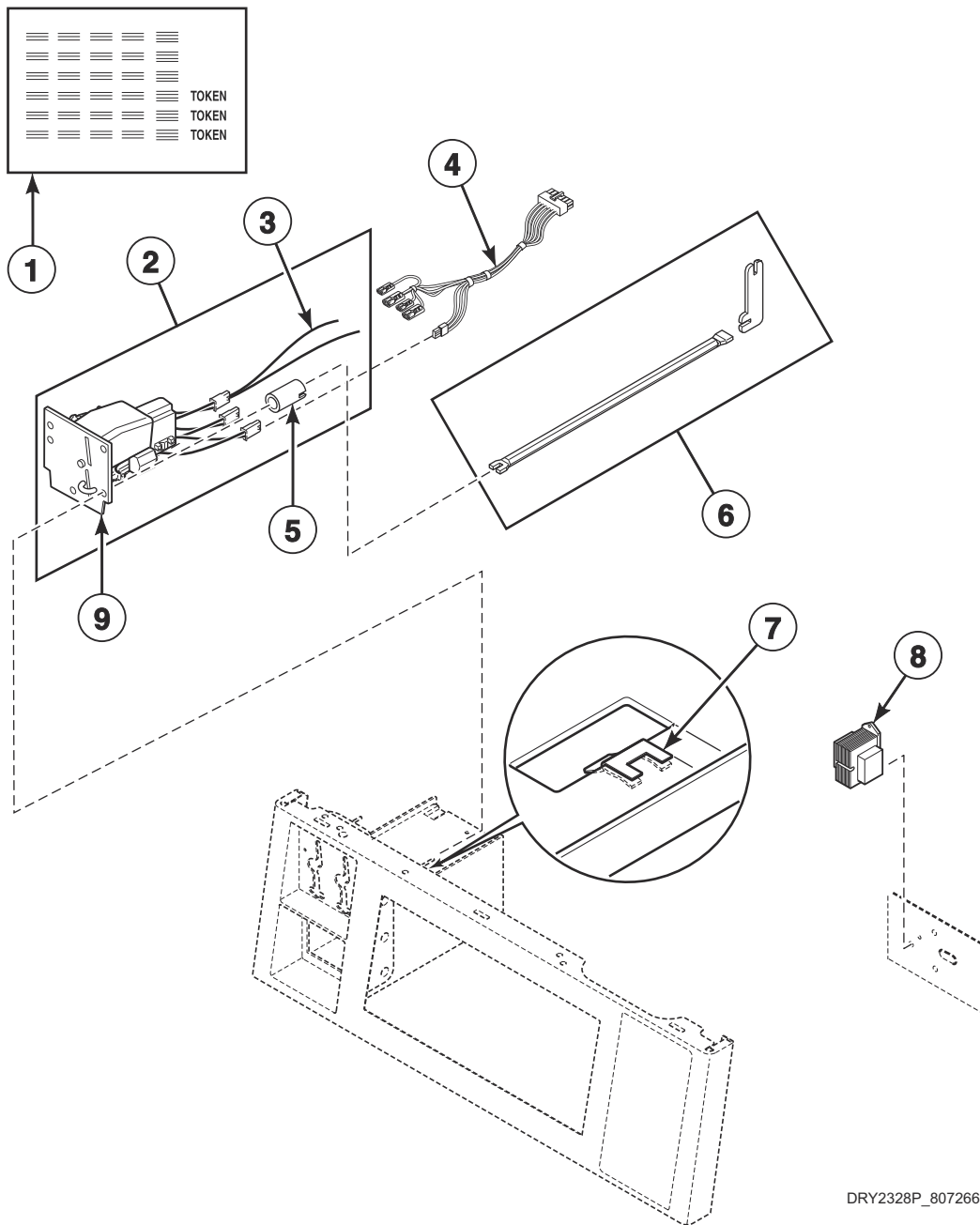
DRY2327P_807266

Non-Electronic Coin Drop

REF	PART NO.	DESCRIPTION	COMMENTS
1	38462P	Coin Drop Assembly	Token; 118-1 mzp; .880 diameter x .079 thick; Brass
	38463	Coin Drop Assembly	Token; 118-5 mzp; .990 diameter x .081 thick; Silver
	70441601P	Coin Drop	U.S.; \$0.25
	70441603	Coin Drop	U.S.; \$0.25 and \$1.00
	38963P	Coin Drop	Token; 118-16
	70441602	Coin Drop Assembly	Canada; .25 and 1.00
	38464P	Coin Drop Assembly	Canada; .25
2	202870	Single Coin Harness Assembly	Single drop
	205090	Dual Coin Harness Assembly	Dual drop; Models HTENXFSP286CW01, HTGNXFSP096CW01 and STENXFSP176TW01
	202871	Dual Coin Harness Assembly	Dual drop; All other models
3	29786	Nut	
4	201595P	Wire Guard	Anti-stringing security device; Add to coin drops

Electronic Coin Drop

Coin Models



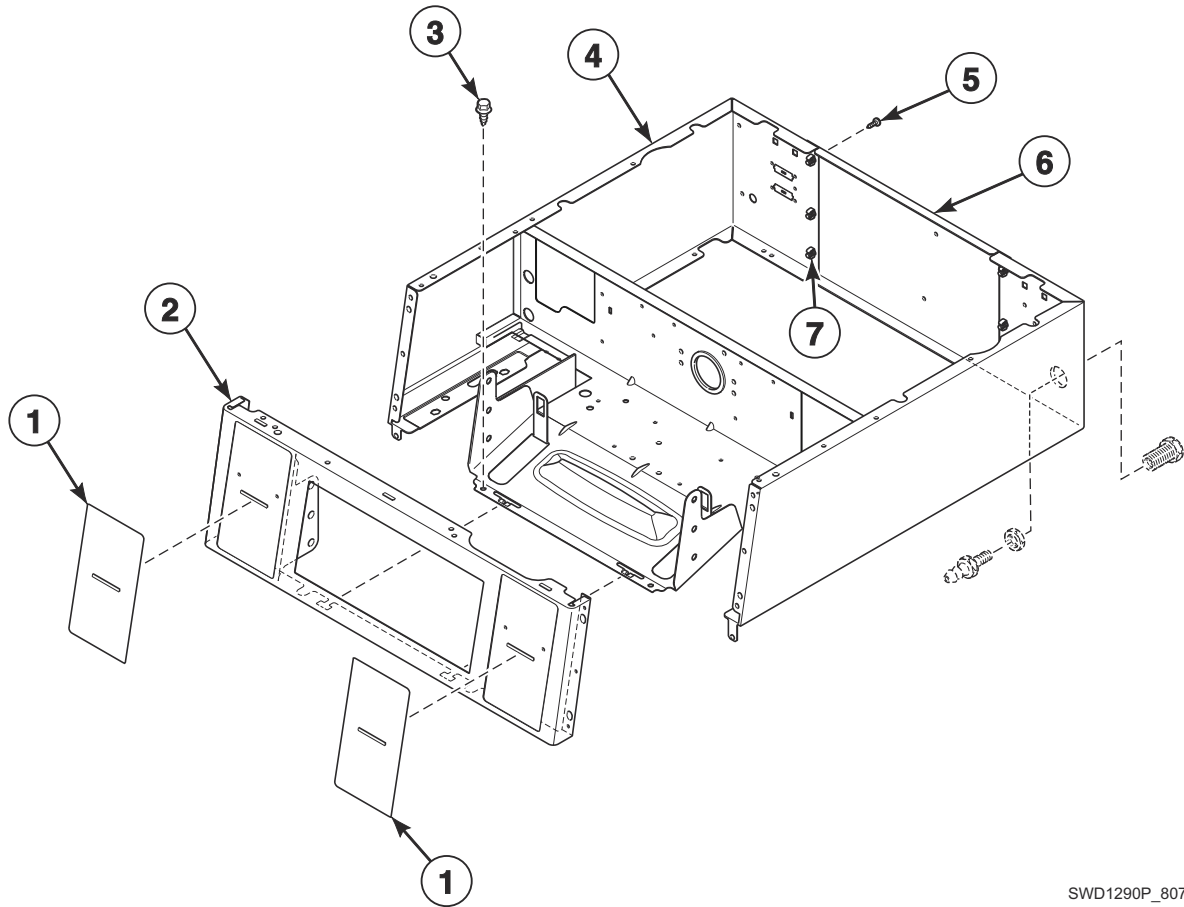
DRY2328P_807266

Electronic Coin Drop

REF	PART NO.	DESCRIPTION	COMMENTS
	201091	Overlay	
1	38725	Coin Identification Paper	
2	CK115	Electronic Coin Drop Kit	Includes items 1, 3, 5, 7, 9; United States and Canada coins
	CK110	Electronic Coin Drop Kit	Includes items 1, 3, 5, 7, 9; Mexico, Ecuador and United States coins
3	201104	Coin Drop Wire Harness	
4	202871	Dual Coin Harness Assembly	
5	201216	Nut	
6	CK096	Mounting Tool Kit	
7	201572	Clip	
8	201375P	Transformer	
9	70513306	Electronic Coin Drop Assembly	Mexico, Ecuador and United States coins
	70294122	Electronic Coin Drop Assembly	Great Britain and token coins

Card Reader Control Cabinet

10 Degree Front Card Models



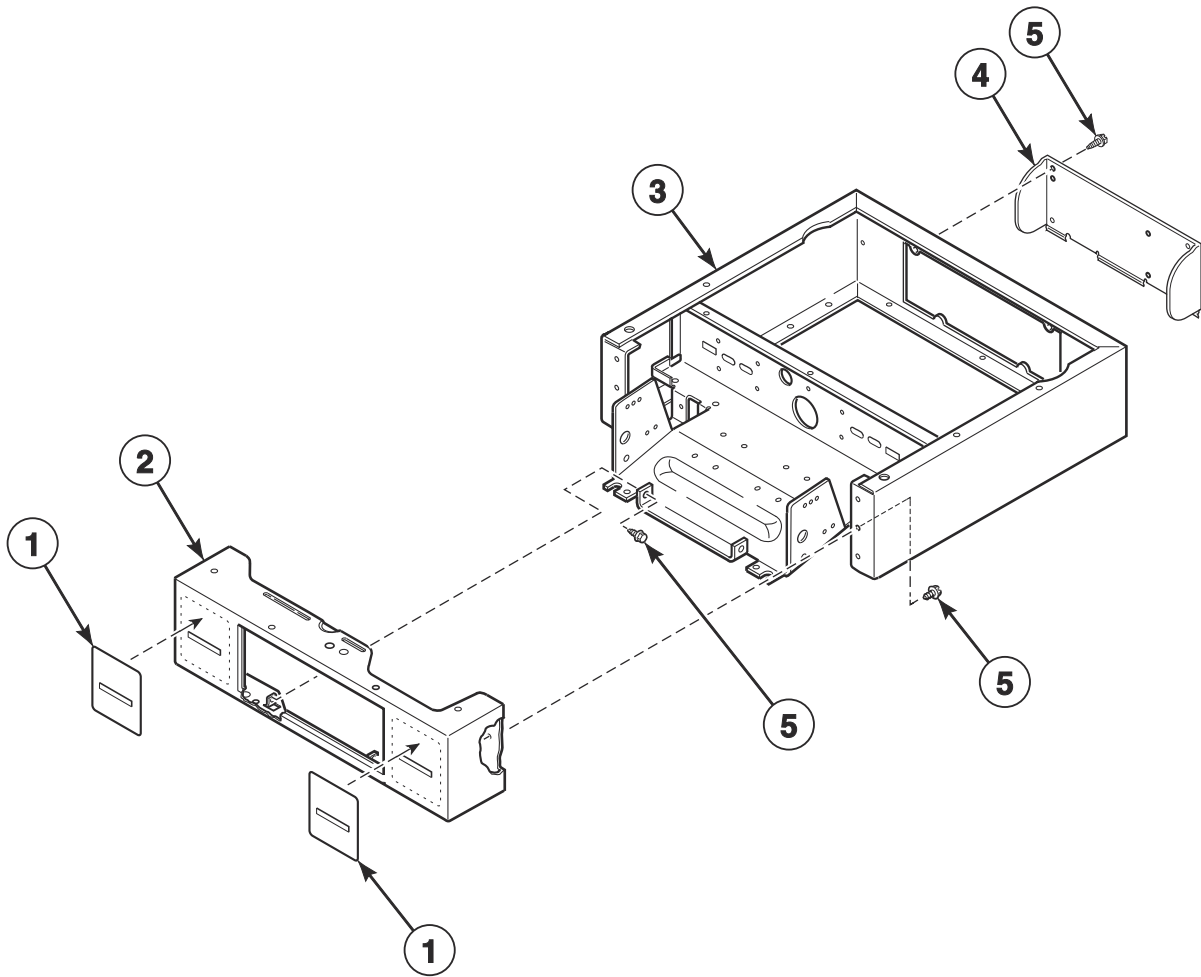
SWD1290P_807266

Card Reader Control Cabinet

REF	PART NO.	DESCRIPTION	COMMENTS
1	D514873	Overlay	Models HTENYASP285CW01, HTENYASP286CW01, HTENYASP295CW01 and HTGNYASP096CW01
	D514391	Card Insert Overlay	All other models
2	803968W	Control Panel	White
	803968B	Control Panel	Black
3	806276	Screw	Use with stainless steel side panels
	D503688	Screw	Use with painted side panels
4	804112W	Wrapper Assembly	White
	804112B	Wrapper Assembly	Black
5	70240301	Screw	6 required
6	803998	Rear Access Panel	Through Serial No. 1912999999
	807646	Rear Access Panel	Starting Serial No. 2001000001
7	70030501	Expansion Clip	6 required

Control Cabinet Front and Wrapper

Flat Front Card Models

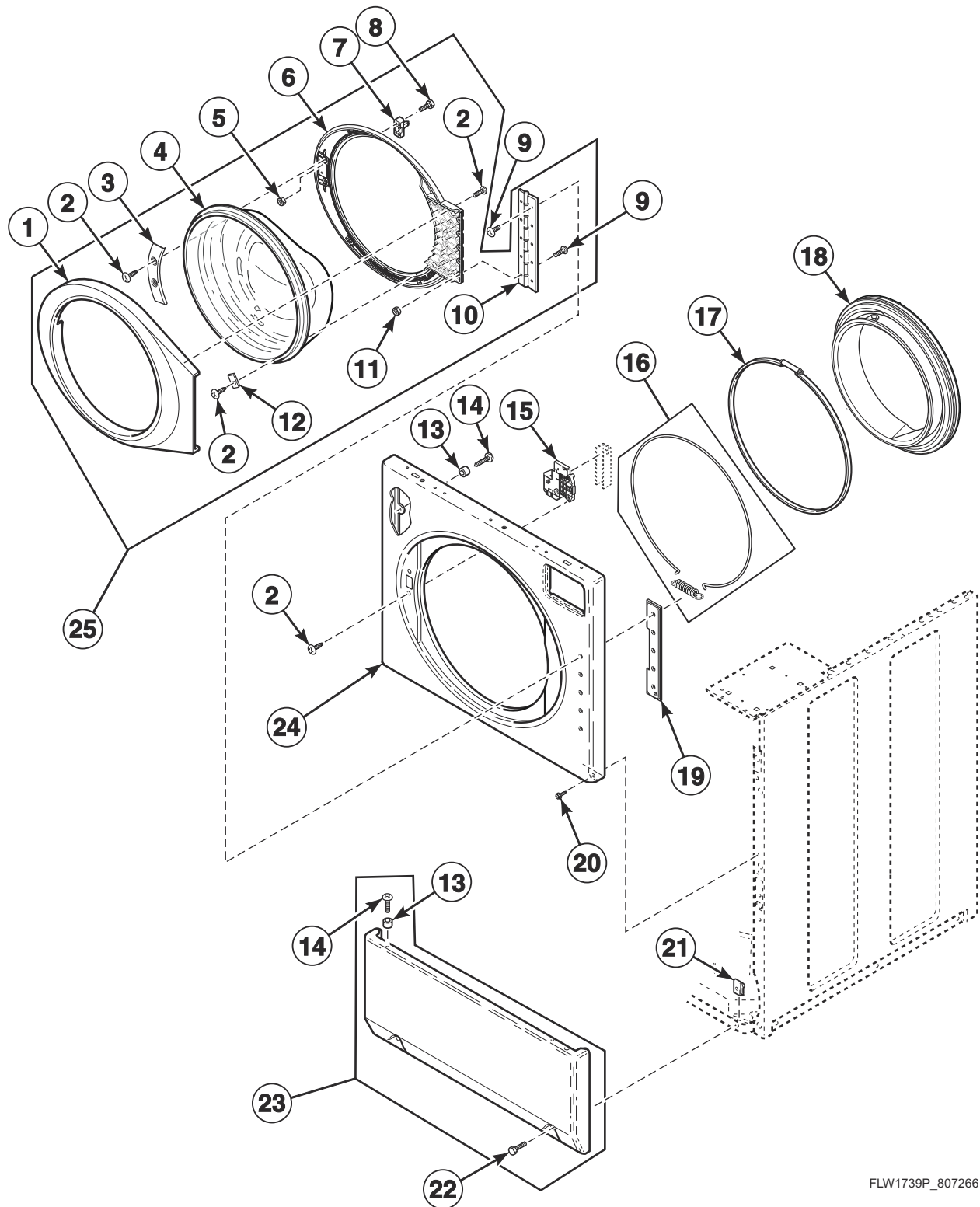


SWD1293P_807266

Control Cabinet Front and Wrapper

REF	PART NO.	DESCRIPTION	COMMENTS
1	D518675	Overlay	Models HTENYFSP286CW01 and HTGNYFSP096CW01
	D511544	Card Insert Overlay	All other models
2	D518148W	Security Cabinet Front Assembly	Models HTENYFSP286CW01 and HTGNYFSP096CW01
	D511208W	Security Cabinet Front Assembly	All other models
3	801528W	Security Cabinet Wrapper Assembly	Models HTENYFSP286CW01 and HTGNYFSP096CW01
	801235W	Security Cabinet Wrapper Assembly	All other models
4	805834	Rear Service Panel	
5	D503688	Screw	

Front Panel, Door Assembly and Door Seal

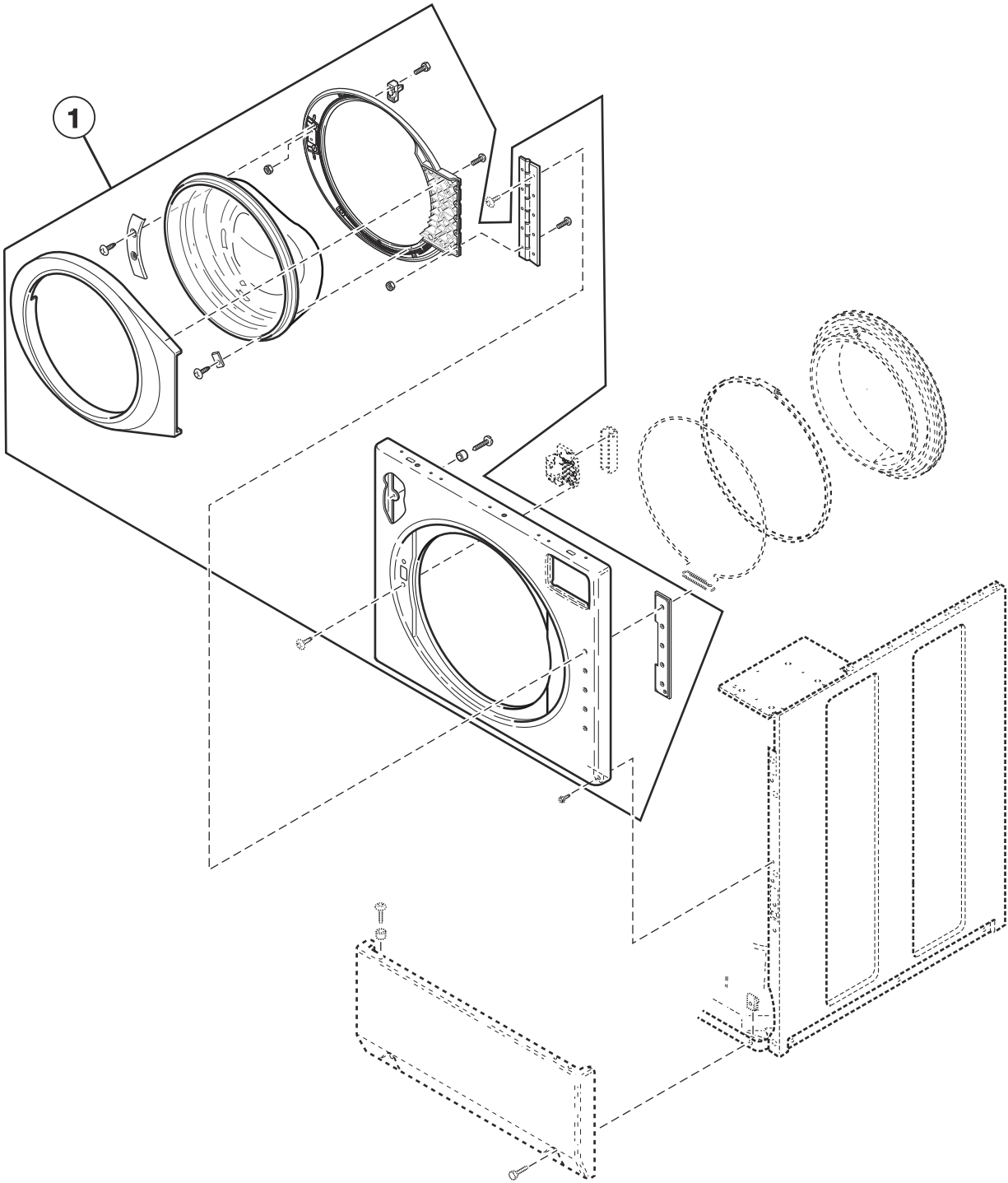


FLW1739P_807266

Front Panel, Door Assembly and Door Seal

REF	PART NO.	DESCRIPTION	COMMENTS
1	808094	Outer Door Bezel	White
	808091	Outer Door Bezel	Gray
	808092	Outer Door Bezel	Black
2	800548	Screw	
3	806354	Door Glass Mounting Plate	
4	802695P	Door Glass	
5	685846	Nut	
6	808095	Inner Door Bezel Kit	White
	808096	Inner Door Bezel Kit	Gray
	808097	Inner Door Bezel	Glass filled polypropylene upgrade
7	802803	Door Catch Assembly	
8	801993	Screw	
9	801019	Screw	
10	802934	Door Hinge	
11	23951	Nut	
12	802700	Glass Mounting Clip	7 required
13	56079	Panel Locator	
14	39733	Screw	Use with painted panels
	806086	Screw	Use with stainless steel panels
15	803920	Door Latch Assembly	
16	806466	Wire Ring and Spring	
17	802281	Hose Clamp	Seal to outer tub front
18	804428P	Door Seal	Black
	804429P	Door Seal Assembly	Gray
19	802206	Hinge Plate	
20	D503661	Screw	
21	36020	Nut	
22	801045	Screw	
23	804618	Access Panel Assembly	Stainless steel
	804617W	Access Panel Assembly	White
	804617DGP	Access Panel Assembly	Dark gray
24	802288P	Front Panel	Stainless steel
	802277WP	Front Panel	White
	802277DG	Front Panel	Dark gray
25	804083WP	Door Assembly	White
	804210P	Door Assembly	Gray
	805550P	Door Assembly	Black

Front Panel Assembly

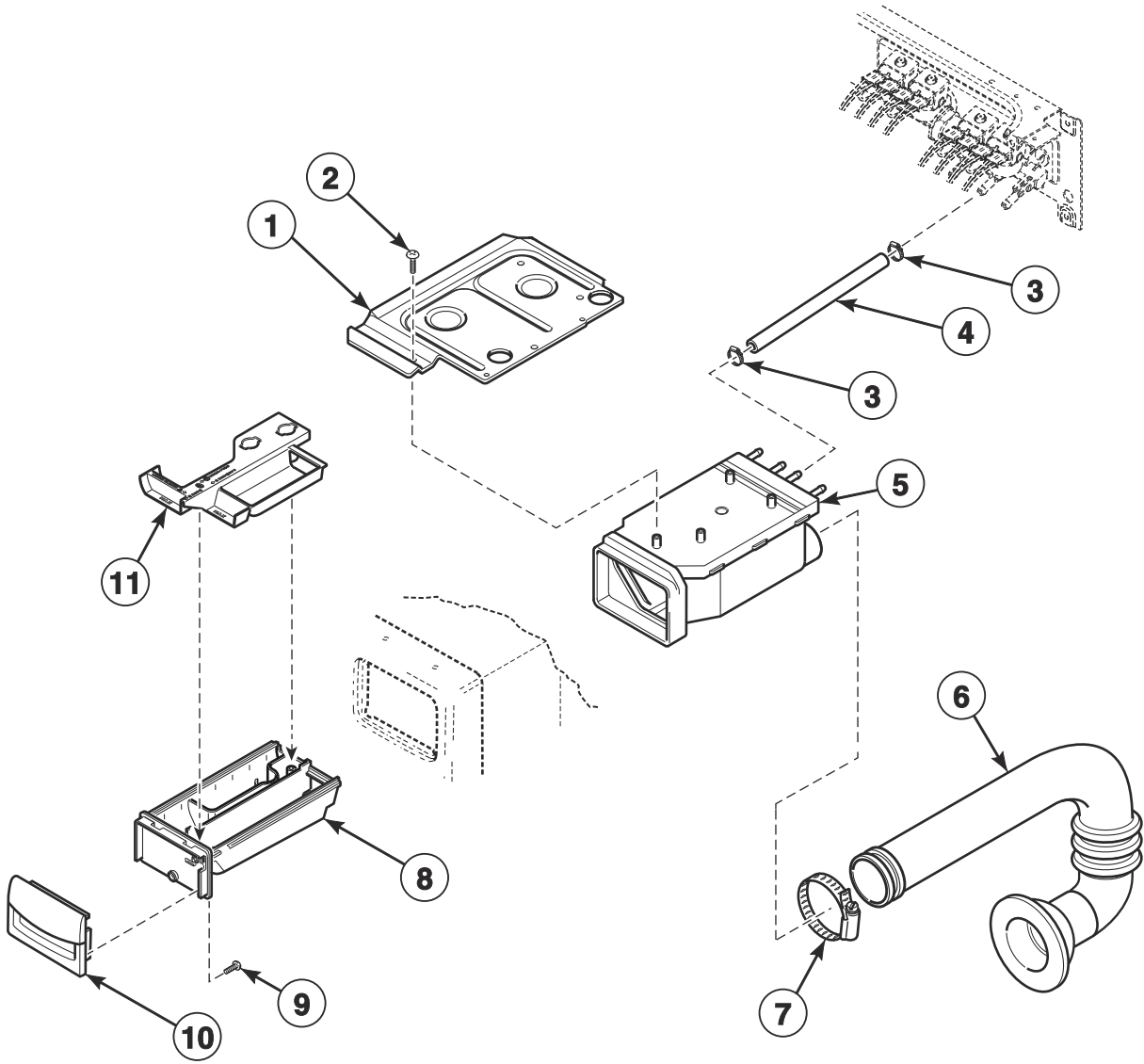


FLW1739PA_807266

Front Panel Assembly

REF	PART NO.	DESCRIPTION	COMMENTS
1	806505W	Front Panel Assembly Kit	White
	806560	Front Panel Assembly Kit	Stainless steel

Dispenser Assembly

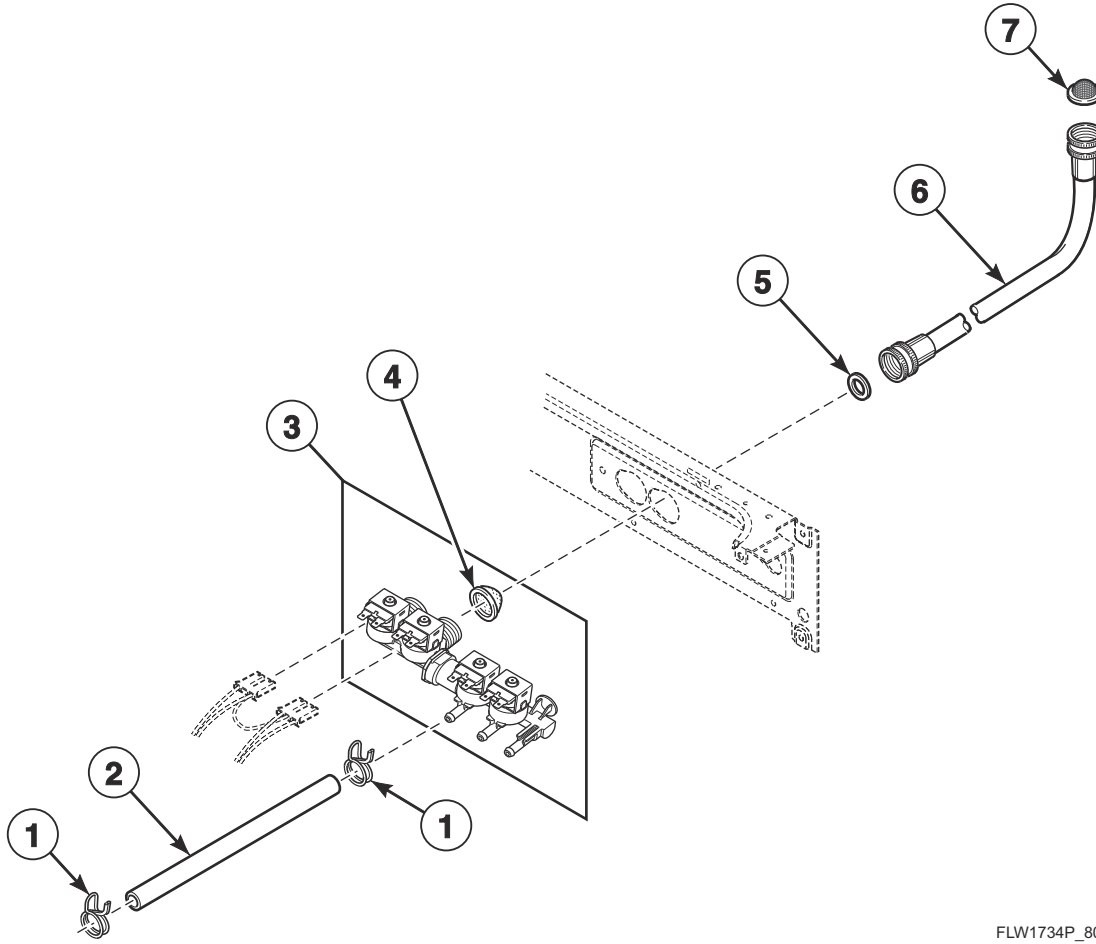


FLW1717P_807266

Dispenser Assembly

REF	PART NO.	DESCRIPTION	COMMENTS
	804875	Foam Pad	
1	803843	Dispenser Plate	
2	801001	Screw	
3	807386	Hose Clamp	
4	803849	Dispenser Inlet Hose	Through Serial No. 1810000001 for international models; Through Serial No. 1810000001 and starting Serial No. 2112000001 for U.S. models; Model STENXFSP176TW01
	807364	Dispenser Inlet Hose	Starting Serial No. 1810000001 for international models; Starting Serial No. 1810000001 through Serial No. 2112000001 for U.S. models; Model HTGNYASP096CW01
5	803698	Dispenser Assembly	
6	804717	Detergent Hose	
7	685725	Hose Clamp	
8	803667	Dispenser Drawer	
9	800548	Screw	
10	804227WP	Dispenser Handle	White
	804227B	Dispenser Handle	Black
	804228	Dispenser Handle	Light gray
11	803669	Compartment Cover	

Mixing Valve and Valve-to-Dispenser Hose

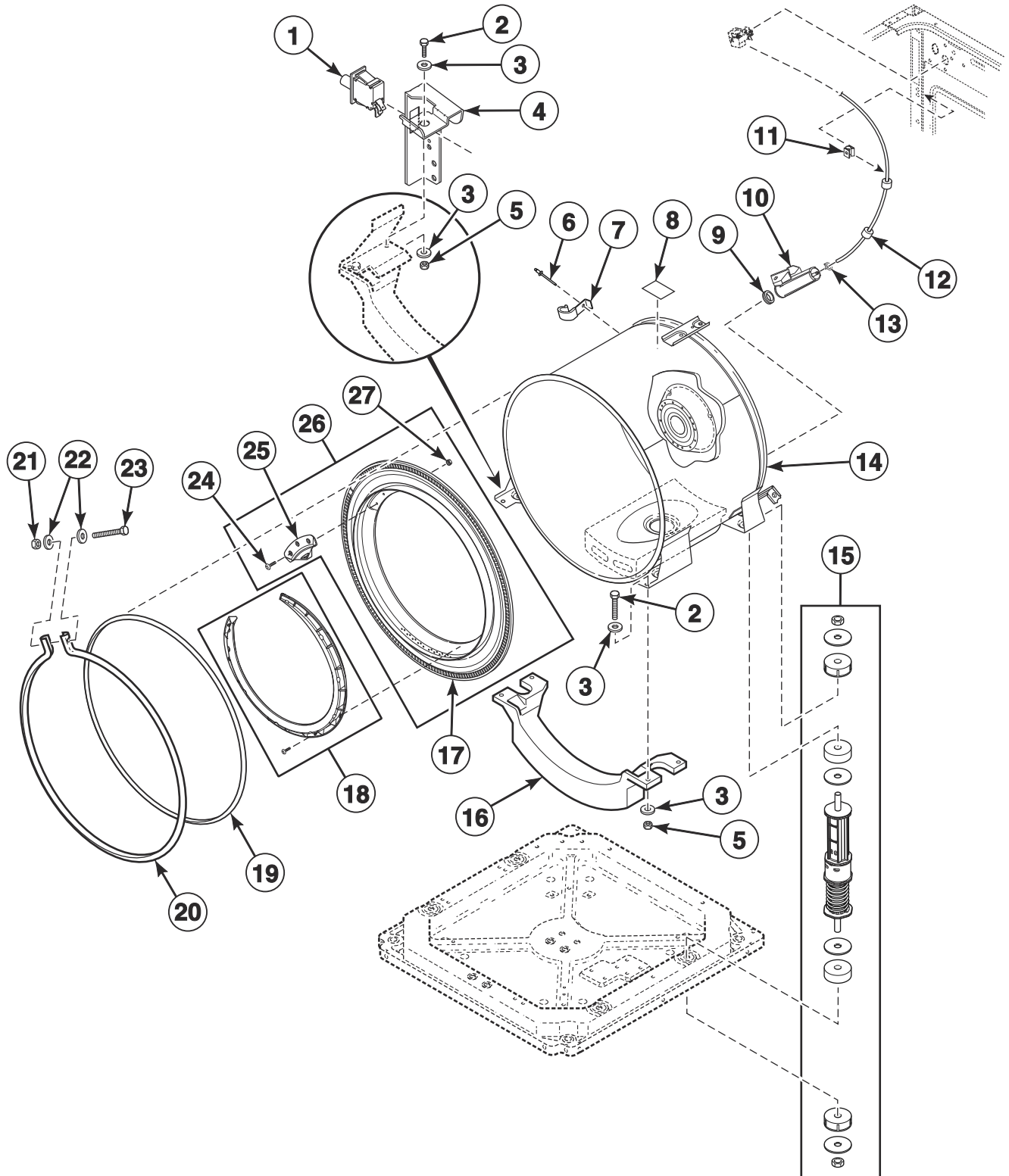


FLW1734P_807266

Mixing Valve and Valve-to-Dispenser Hose

REF	PART NO.	DESCRIPTION	COMMENTS
1	807386	Hose Clamp	
2	803849	Dispenser Inlet Hose	Through Serial No. 1810000001; Model STENXFSP176TW01
	807364	Dispenser Inlet Hose	Starting Serial No. 1810000001
3	807837P	Mixing Valve	
4	24122	Mixing Valve Screen	Steel mesh
	F8161201	Mixing Valve Screen	Plastic
5	20290	Washer	
6	203719	Fill Hose	4 feet; Marked for hot water; 2 standard thread hose couplings
	203720	Fill Hose	4 feet; Marked for cold water; 2 standard thread hose couplings
7	803615	Washer	Filter screen
	802254	Washer	Flow restrictor; Water pressure reducer; Available for water pressure up to but not exceeding 120 psi

Outer Tub, Front and Clamp Ring

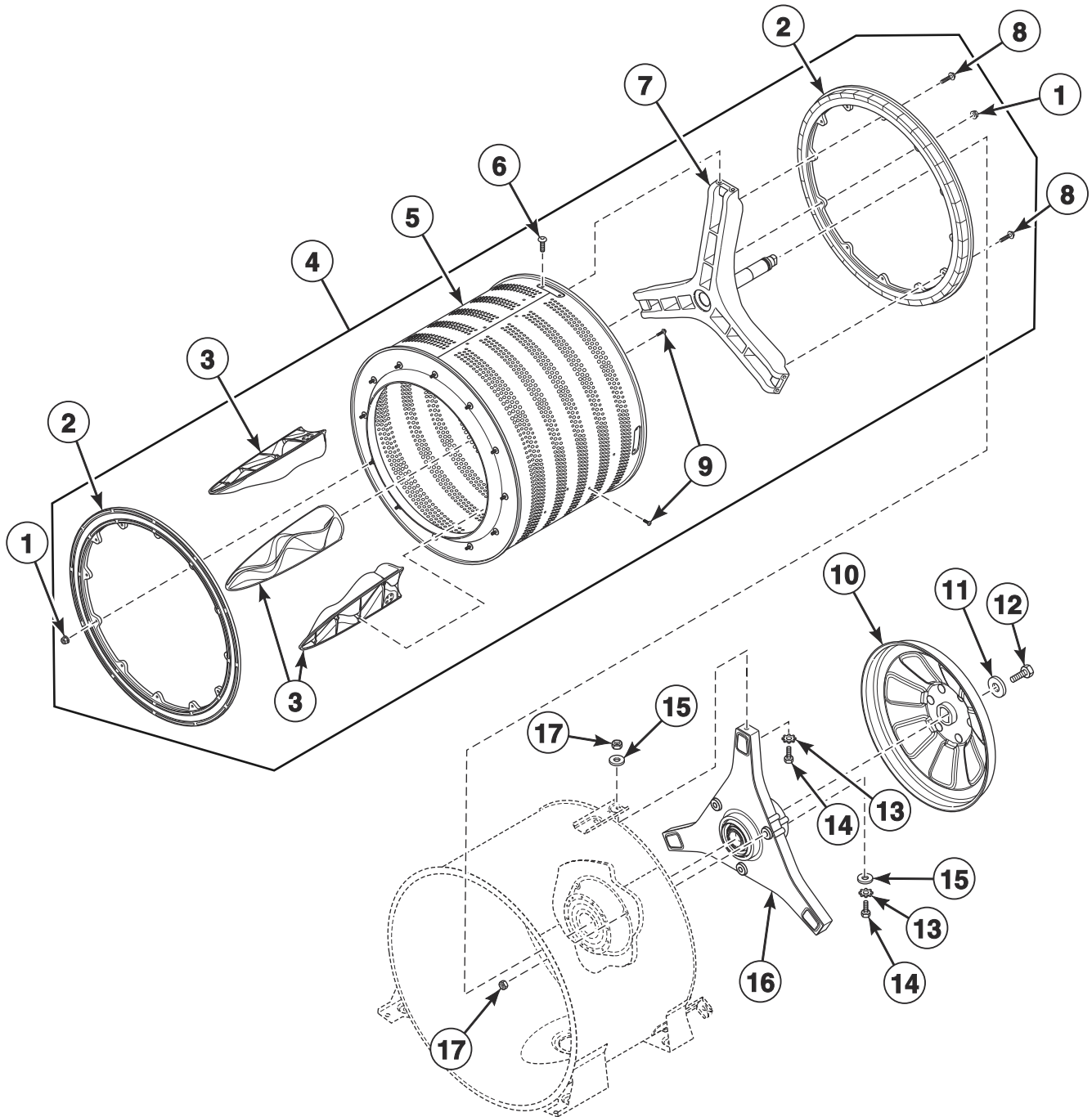


FLW1809P_807226

Outer Tub, Front and Clamp Ring

REF	PART NO.	DESCRIPTION	COMMENTS
1	803415	Out-of-Balance Switch Assembly	Through Serial No. 2012999999
	807384	Out-of-Balance Switch Assembly	Starting Serial No. 2101000001
2	800461	Screw	
3	804458	Washer	
4	804457	Out-of-Balance Switch Bracket	Through Serial No. 2012999999
	807280	Out-of-Balance Switch Bracket	Starting Serial No. 2101000001
5	800452	Nut	
6	685847	Pop Rivet	
7	800553	Hose Clip	
8	D500049	Warning Label	
9	29175	Grommet	
10	808013	Pressure Bulb	
11	36985	Hose Clip	
12	804483	Pressure Sensor Tube Assembly	
13	803891	Hose Clamp	
14	803864	Outer Tub Assembly	Models through Serial No. 1910999999 except Serial Nos. 1908066087 to 1909000879
	807618	Outer Tub Assembly	Models Serial Nos. 1908066087 to 1909000879 and starting Serial No. 1911000001 to 2010999999
	807479	Outer Tub Assembly	Starting Serial No. 2011000001
15	803777P	Shock Assembly	Must replace all four
16	807476	Counterweight	
17	803770	Tub Front	
18	806308	Foreign Object Deflector	Black; Includes screws
	806313	Foreign Object Deflector	Gray; Includes screws
	806361	Foreign Object Deflector	Tall; Gray; Includes screws
19	803801	Tub Front Seal	
20	803802	Clamp Ring	
21	F430218	Nut	
22	M400081	Washer	
23	800462	Screw	
24	802596	Screw	
25	804467	Clothes Guard Deflector	
	805548	Clothes Guard Deflector	Heavy duty
26	803879	Tub Front Assembly	Includes items 17, 24, 25 and 27
27	802343	Nut	

Inner Basket, Trunnion, Bearing Housing and Pulley

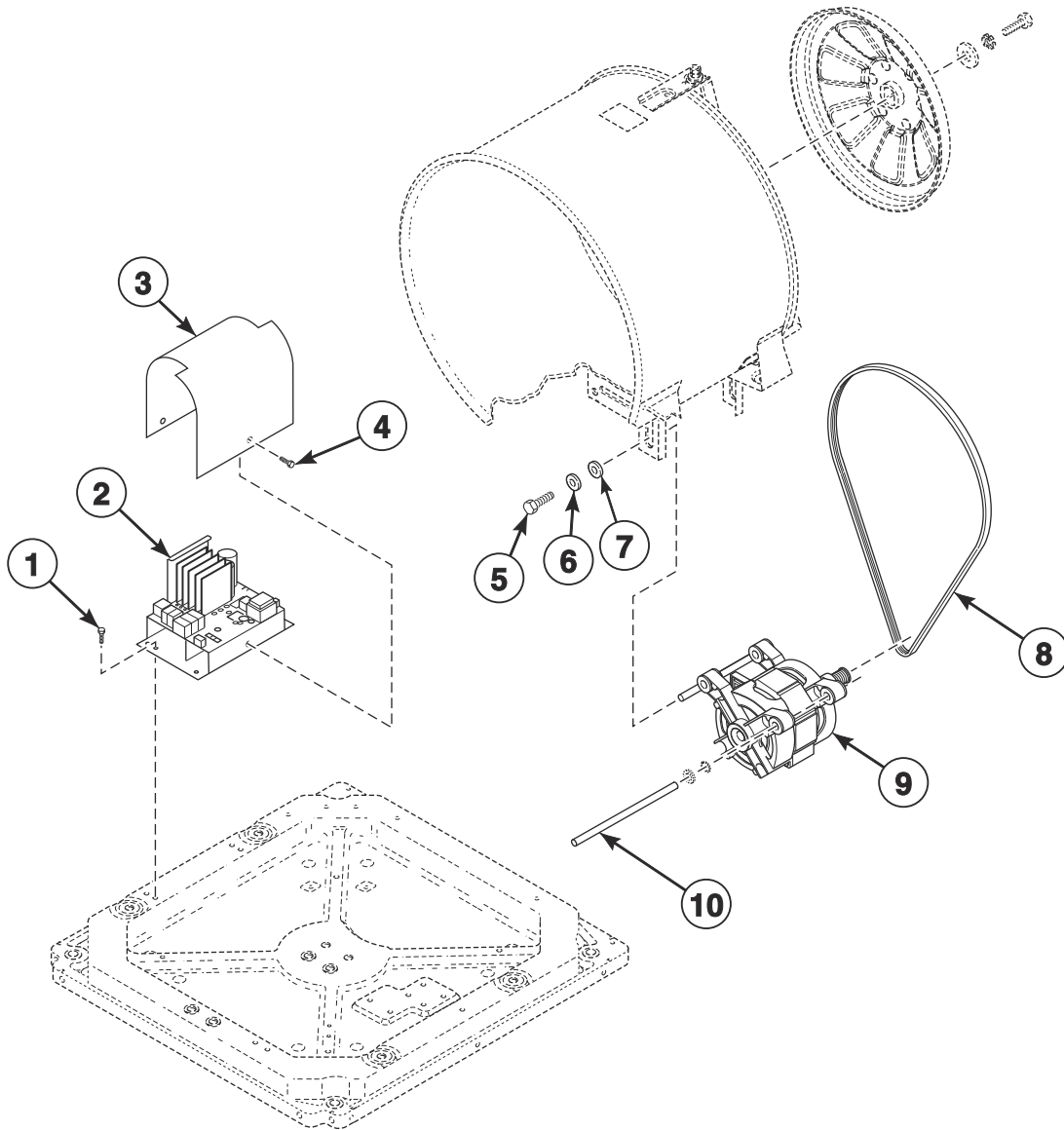


FLW1818P_807266

Inner Basket, Trunnion, Bearing Housing and Pulley

REF	PART NO.	DESCRIPTION	COMMENTS
	27604P	Anti-Seize Compound	Pulley to inner basket shaft
	805730	Bearing Kit	
1	804418	Nut	
2	804393	Balance Ring Assembly	
3	804382	Lifter	
4	804376P	Inner Basket Assembly Kit	
5	804374P	Inner Basket Assembly	
6	804699	Screw	
7	808043	Trunnion Shaft Kit	Includes hardware and tool
8	804399	Screw	
9	800548	Screw	
10	808197	Pulley Assembly	
11	807679	Washer	
12	685831	Screw	Left hand thread
13	M403958	Washer	
14	M400043	Screw	
15	800457	Washer	
16	805525	Bearing Housing Kit	Includes hardware and tool
17	800452	Nut	

Motor and Belt



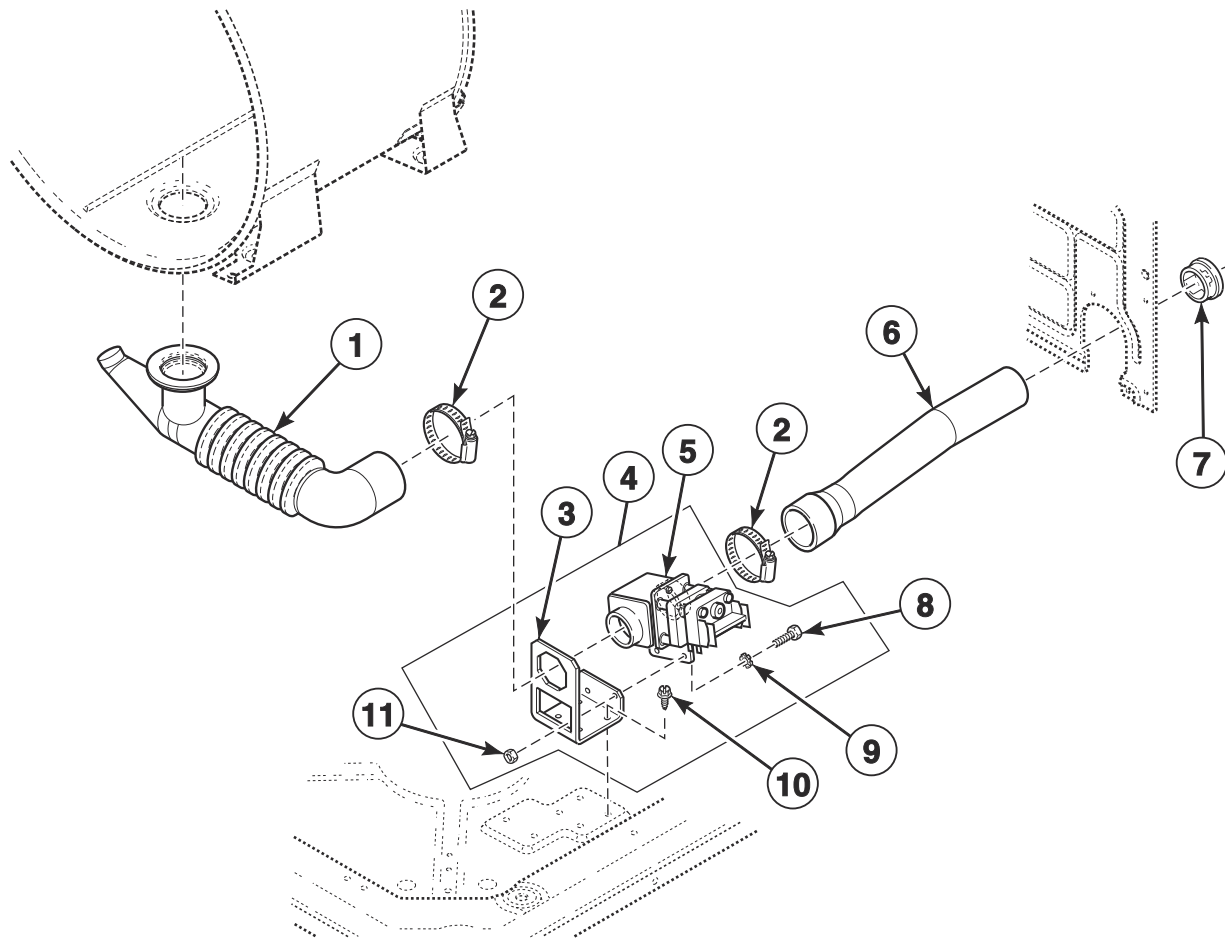
FLW1735P_807226

Motor and Belt

REF	PART NO.	DESCRIPTION	COMMENTS
	807441	Control Bracket	Starting Serial No. 2101000001
	F8206901	Screw	Starting Serial No. 2101000001; Use with 807441 Control Bracket
	807623	Belt Install Tool	
1	D503661	Screw	Through Serial No. 2012999999
2	807175P	Inverter Control Assembly	Through Serial No. 2012999999
	808149	Output Control Assembly	120 Volt; Without filter; Starting Serial No. 2101000001
	808150	Output Control Assembly	240 Volt; With filter; Starting Serial No. 2101000001
3	804878	Motor Control Shield	Through Serial No. 2012999999
4	D501524	Screw	
5	M400057	Screw	Through Serial No. 2010999999
	02916	Screw	Starting Serial No. 2011000001
6	02834	Washer	Through Serial No. 2010999999
7	M400080	Washer	Through Serial No. 2010999999
8	804985	Drive Belt	Through Serial No. 1910999999 except Serial Nos. 1908066087 to 1909000879
	807429P	Belt Kit	Use with belt install tool; Serial Nos. 1908066087 to 1909000879 and starting Serial No. 1911000001
9	805726P	Motor and Rod Assembly Kit	Includes item 10; Through Serial No. 2010071306
	808034P	Motor and Rod Assembly Kit	Includes item 10; Starting Serial No. 2010071307 through Serial No. 2012999999
	808067P	Motor and Rod Assembly Kit	Includes item 10; Starting Serial No. 2101000001
10	803861	Motor Rod	Through Serial No. 2010999999
	807739	Motor Rod	Starting Serial No. 2011000001

Drain Hose and Valve

Gravity Drain Models



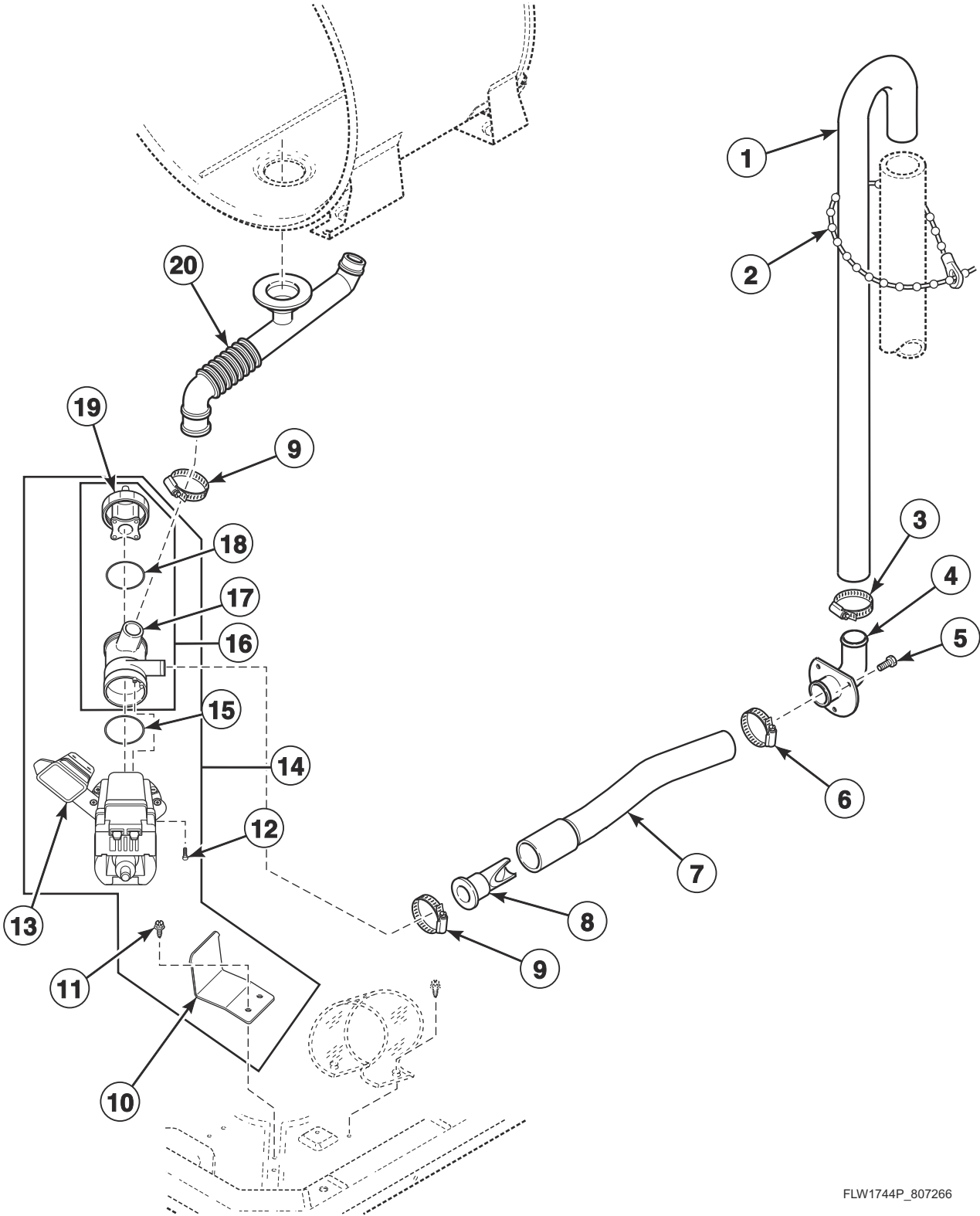
FLW1745P_807266

Drain Hose and Valve

REF	PART NO.	DESCRIPTION	COMMENTS
1	803874	Tub-to-Gravity Drain Hose	
2	685725	Hose Clamp	
3	803291	Gravity Drain Bracket	
4	F975P3	Drain Valve Kit	
5	803293P	Drain Valve	
6	800903	Drain-to-Cabinet Hose	
7	D503235	Snap Bushing	
8	02916	Screw	
9	M400017	Washer	
10	D503661	Screw	
11	29786	Nut	

Drain Hose and Pump

Pump Models

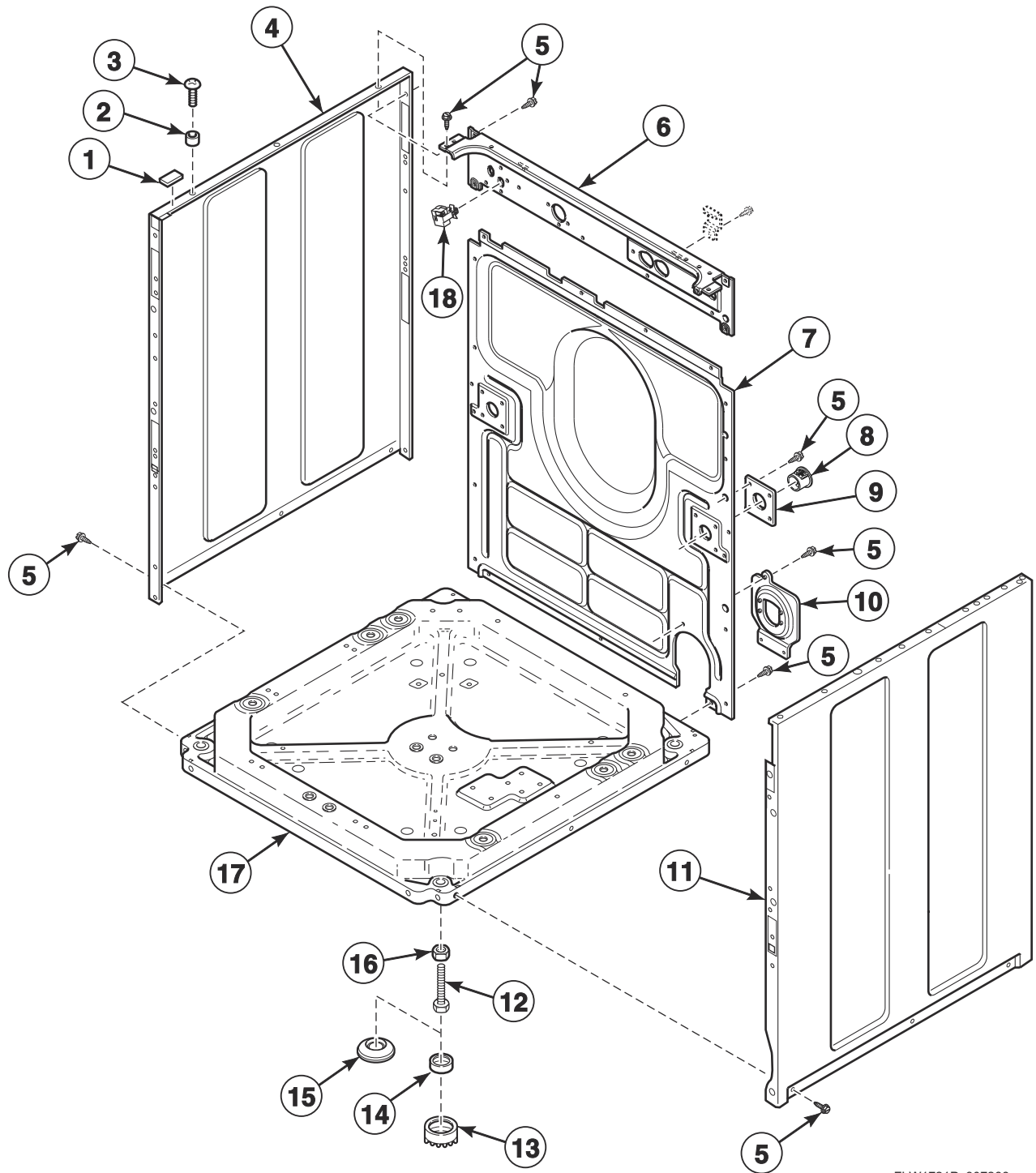


FLW1744P_807266

Drain Hose and Pump

REF	PART NO.	DESCRIPTION	COMMENTS
	805771	Pump-to-Gravity Drain Kit	
1	27154	Drain Hose	
2	33489	Standpipe Strap	
3	20211	Hose Clamp	
4	35766	Drain Hose Elbow	
5	52909	Screw	
6	20391	Hose Clamp	
7	803734	Pump-to-Elbow Hose	
8	800310	Backflow Preventer	
9	F200204	Hose Clamp	
10	803814	Drain Base Bracket	
11	D503661	Screw	
12	802431	Screw	
13	803815	Drain Pump Isolator	
14	808196P	Drain Pump Assembly	100-127 Volt; 60 Hertz; Includes items 10-13 and 15-19
15	802429P	O-Ring	
16	802434P	Pump Housing Assembly	Includes items 17-19
17	802428	Pump Housing	
18	802427	Gasket	
19	802426P	Lid Assembly	Includes filter
20	803829	Tub-to-Pump Hose	

Washer Base, Side Panels and Rear Panel

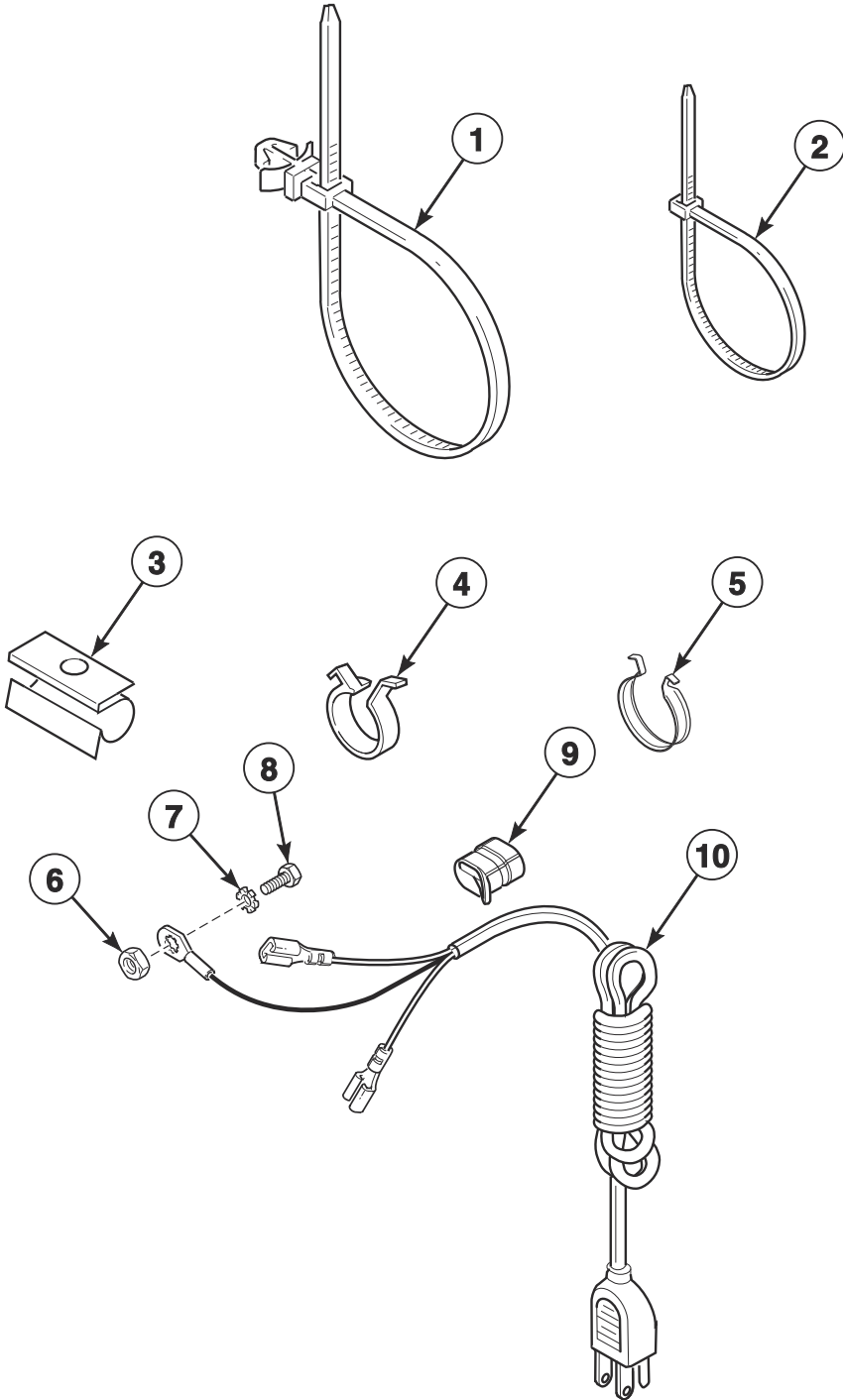


FLW1721P_807266

Washer Base, Side Panels and Rear Panel

REF	PART NO.	DESCRIPTION	COMMENTS
	122P4P	Porcelain Touch-Up Paint	White; Model HTGNYASP096CW01
	61203	Thermostat Opening Cover	Models HTGNXFSP096CW01 and HTGNYFSP096CW01
	806436P	Paint	Dark gray; Model HTGNYASP096CW01
	M412154	Hole Plug	Use with item 7; Model HTENXFSP286CW01
1	36226	Bumper Pad	
2	56079	Panel Locator	
3	806276	Screw	Use with stainless steel panels
	39733	Screw	Use with painted panels
4	802525P	Cabinet Side Panel	Left; Stainless steel
	800004WP	Cabinet Panel Kit	Left; White; Includes corner gusset with hardware
	800004DG	Cabinet Side Panel	Left; Dark gray
5	D503661	Screw	
6	803790	Rear Panel	Fixed; Through Serial No. 1810000001
	806716	Rear Panel	Fixed; Starting Serial No. 1810000001
7	803789	Rear Panel	Removable
8	803859	Shipping Plug	
9	803851	Shipping Plate	
10	803833	Gravity Drain Bracket	Model STGNXASG115TW01
	803828	Drain Hose Bracket	All other models
11	802526P	Cabinet Side Panel	Right; Stainless steel
	806492	Side Panel Kit	Right; White
	800005DG	Cabinet Side Panel	Right; Dark gray
12	D501855	Rubber Foot	Use to prevent movement on smooth surface floor coverings; Install over two existing front rubber feet (item 17)
13	34318	Rubber Foot	
14	155P3	Anchor	Includes 4 rubber discs with adhesive backing
	802844P	Anchor Floor Mount Assembly	Includes 2 rubber discs with adhesive backing
15	34319	Leveling Leg	
16	21899	Nut	
17	803876	Base Assembly	
18	203843	Pressure Sensor	

Washer Lead-In Cord, Wire Ties and Harness Clips



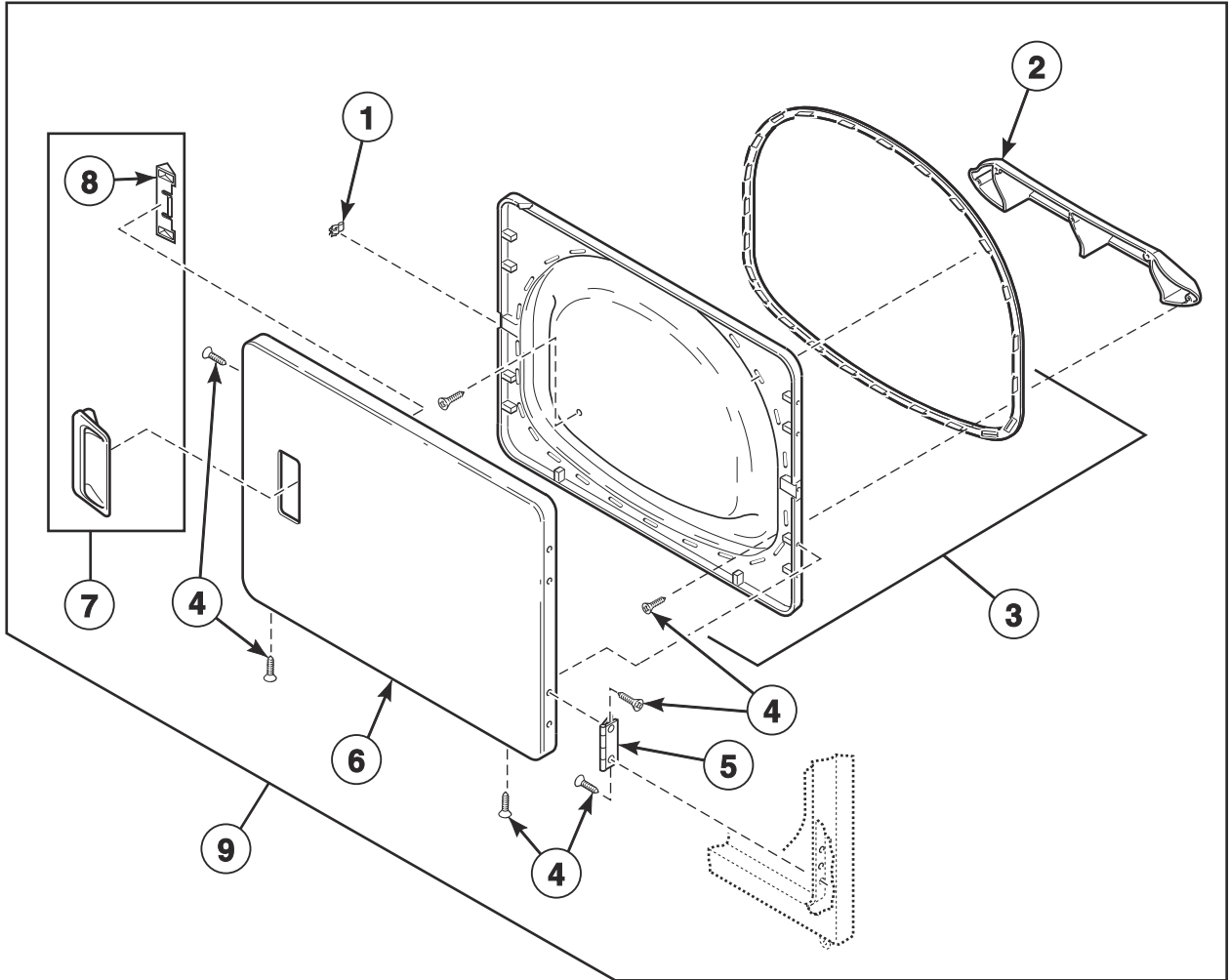
FLW823P_807266

Washer Lead-In Cord, Wire Ties and Harness Clips

REF	PART NO.	DESCRIPTION	COMMENTS
1	38663	Wire Tie	
2	55881	Harness Strap	
3	36985	Hose Clip	
4	D504034	Wire Clip	Small
5	687500	Wire Clip	Large
6	03673	Nut	
7	03815	Washer	
8	20530	Screw	
9	38384	Strain Relief	
10	202777	Lead-In Cord	

Dryer Door Without Window

Models HTENXASP285CW01, HTENXASP286CW01, HTENYASP285CW01, HTENYASP286CW01, HTGNXASP095CW01, HTGNXASP096CW01, PTEJCASP175TW01, STENCASP175TW01, STENCASP176TW01, STENCFSP175TW01, STENCFSP176TW01, STENXASP176TW01, STENXFSP176TW01, STENYASP176TW01, STENYFSP175TW01, STENYFSP176TW01, STGNCASP115TW01, STGNCASP116TW01, STGNCFSP115TW01, STGNCFSP116TW01, STGNXASP115TW01, STGNXASP116TW01, STGNXFSP116TW01, STGNYASP116TW01, STGNYFSP115TW01 and STGNYFSP116TW01 starting Serial No. 2110000001; Models HTENXFSP286CW01, HTENYFSP286CW01, HTGNXFSP096CW01, HTGNYASP096CW01, HTGNYFSP096CW01, PTEJCASP175TG01, PTEJEASP285CG01, PTEJXASP175TG01, PTEJXASP285CG01, PTGJCASP115TG01, PTGJEASP095CG01, PTGJXASP095CG01, PTGJXASP115TG01, STENYASP175TN01 and STGNYASP115TN01



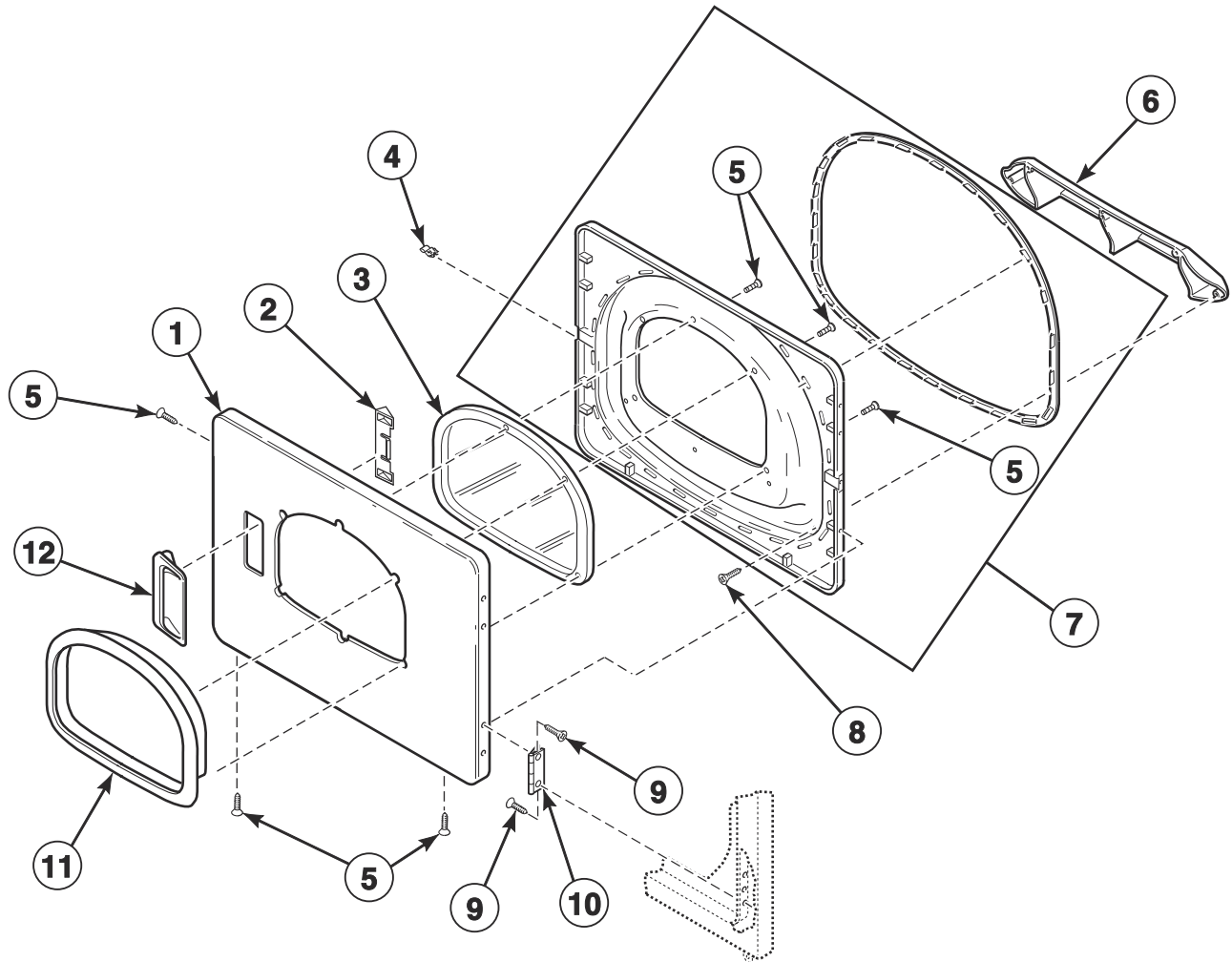
DRY2500P_807266

Dryer Door Without Window

REF	PART NO.	DESCRIPTION	COMMENTS
1	D510181	Door Strike	
2	D503870LG	Door Liner Grill	Models STENYASP175TN01 and STGNYASP115TN01
	D503870W	Door Liner Grill	All other models
3	D516508	Door Liner Assembly	Includes door seal
4	D505295	Screw	
5	D511036	Hinge	
6	D515960DG	Dryer Door	Dark gray
	D515963	Dryer Door	Stainless steel
7	D511213P	Door Pull and Wedge Kit	Black
	D512947	Door Pull	Light gray
8	D510129W	Door Handle Wedge	
9	D516510W	Door Assembly	White; Includes items 1-8

Dryer Door With Window

Models HTENXASP285CW01, HTENXASP286CW01, HTENYASP285CW01, HTENYASP286CW01, HTGNXASP095CW01, HTGNXASP096CW01, PTEJCASP175TW01, STENCASP175TW01, STENCASP176TW01, STENCFSP175TW01, STENCFSP176TW01, STENXASP176TW01, STENXFSP176TW01, STENYASP176TW01, STENYFSP175TW01, STENYFSP176TW01, STGNCASP115TW01, STGNCASP116TW01, STGNCFSP115TW01, STGNCFSP116TW01, STGNXASP115TW01, STGNXASP116TW01, STGNXFSP116TW01, STGNYASP116TW01, STGNYFSP115TW01 and STGNYFSP116TW01 through Serial No. 210999999; All other models

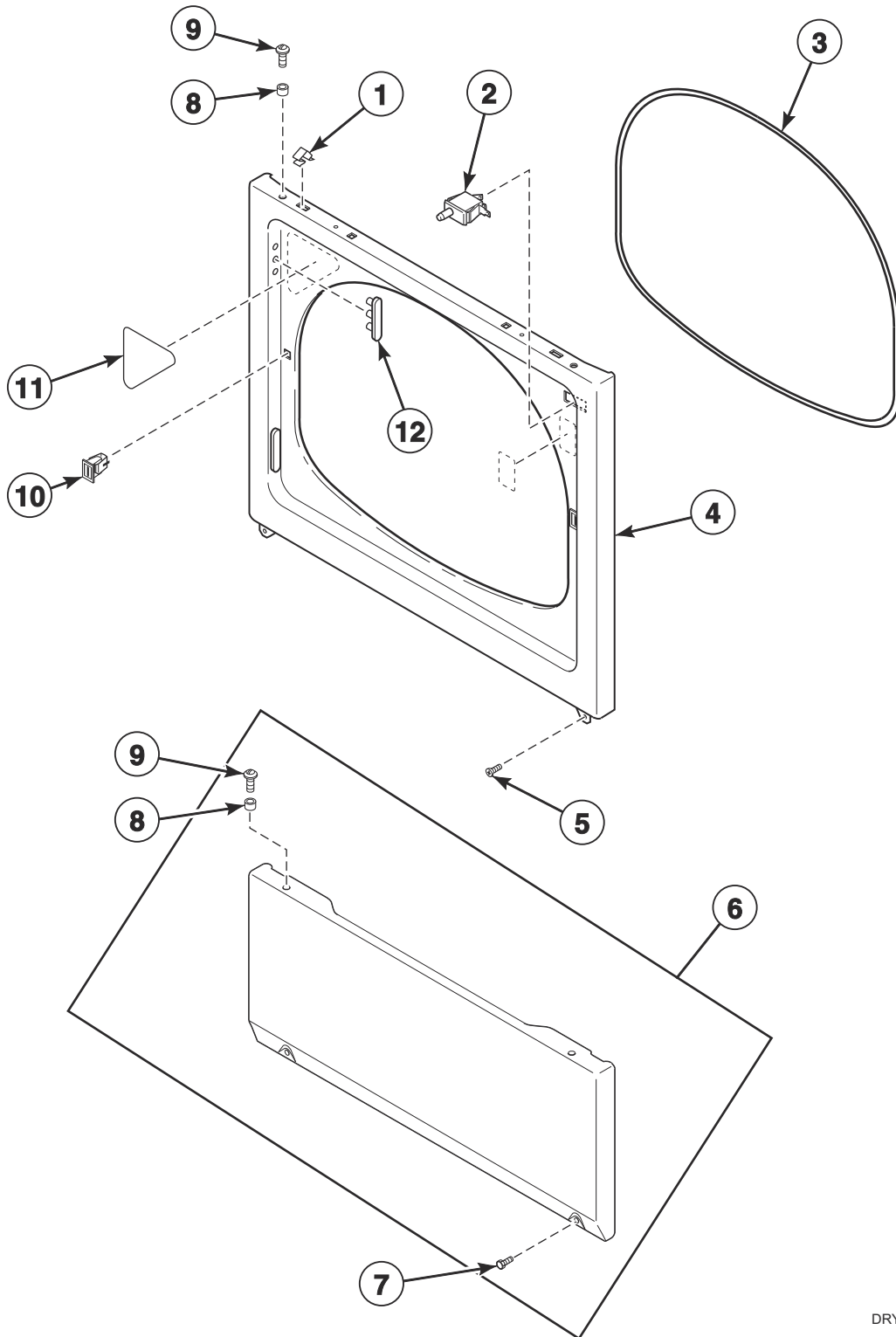


SWD1308P_807266

Dryer Door With Window

REF	PART NO.	DESCRIPTION	COMMENTS
1	D515961W	Dryer Door	
2	D510129W	Door Handle Wedge	
3	D515681	Dryer Door Window	
4	D510181	Door Strike	
5	D515967	Screw	
6	D503870W	Door Liner Grill	
7	D516509	Liner and Seal Assembly	Includes door seal
8	D505870	Screw	
9	D505295	Screw	
10	D511036	Hinge	
11	D515956W	Window Trim	
12	D510103WP	Door Pull and Wedge Kit	Includes item 2

Access Panel, Front Panel and Seal

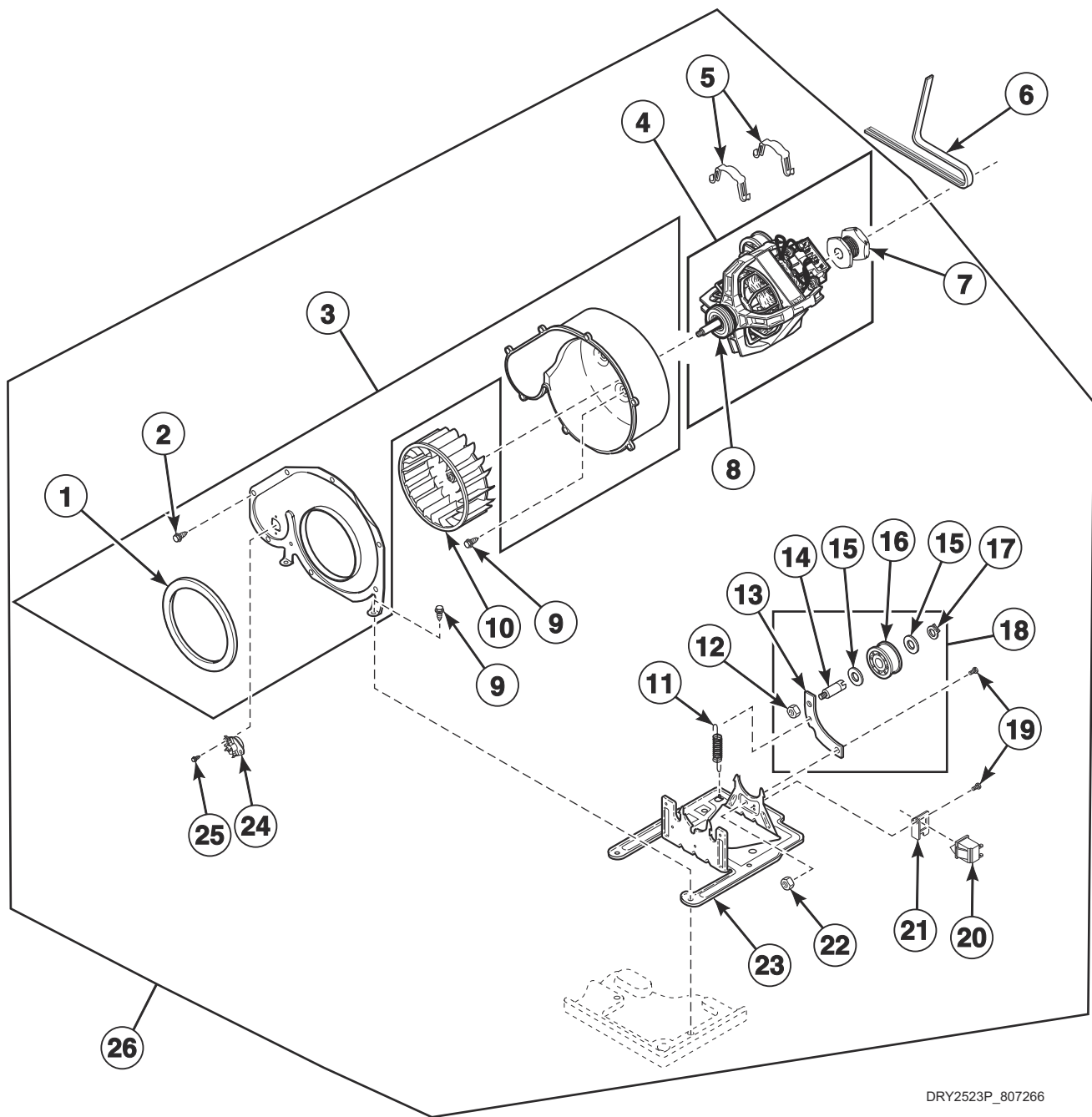


DRY1824P_807266

Access Panel, Front Panel and Seal

REF	PART NO.	DESCRIPTION	COMMENTS
1	28835	Speed Clip	
2	D512973	Switch	
3	D511056	Front Panel Seal	
4	D510066DG	Front Panel	Dark gray
	D512542	Front Panel	Stainless steel
	D510066WP	Front Panel	White
5	D503688	Screw	
6	D514251	Access Panel Assembly	Stainless steel
	D514250WP	Access Panel Assembly	White
	D514250DG	Access Panel Assembly	Dark gray
7	33562	Screw	
8	56079	Panel Locator	
9	39733	Screw	
10	D510177	Door Catch Assembly	
11	D500281	Warning/Caution Label	English
	D516243	Warning Label	French
12	D510186	Hinge Hole Plug	

Motor, Exhaust Fan and Belt

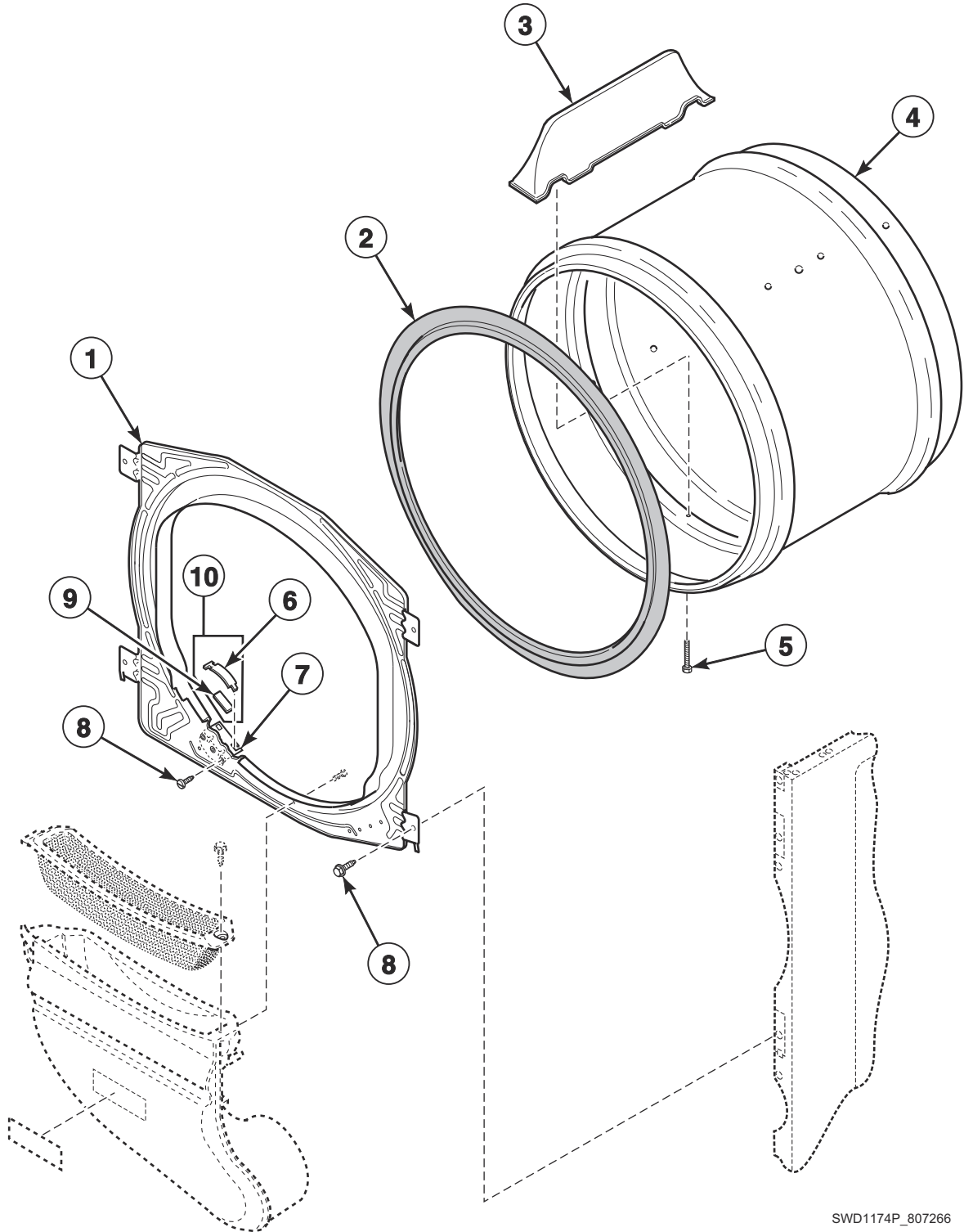


DRY2523P_807266

Motor, Exhaust Fan and Belt

REF	PART NO.	DESCRIPTION	COMMENTS
	27604P	Anti-Seize Compound	Apply to motor shaft when installing blower fan assembly
1	D510238P	Blower Housing Seal	
2	31260	Screw	
3	D511969WP	Blower Housing	Includes items 1 and 2; White
4	D511629P	Motor and Pulley Assembly	120 Volt/60 Hertz; Apply anti-seize compound to motor shaft when installing blower fan assembly; Includes items 7 and 8
5	D510180	Motor Mount Clamp	
6	D511255P	Cylinder Belt	
7	D500011	Motor Pulley	
8	590P3	Motor Hub Ring Kit	
9	D503688	Screw	
10	D510139P	Blower Fan Assembly	Apply anti-seize compound to motor shaft when installing blower fan assembly
11	D510185	Idler Spring	
12	56156	Nut	
13	D516310	Idler Lever	
14	56461P	Shaft	
15	52549	Washer	
16	D510142P	Idler Wheel and Bearing Assembly	
17	23748	Retaining Ring	
18	D516792	Idler Lever and Wheel Assembly	Includes items 12-17
19	D500824	Screw	
20	D516391	Switch	Starting Serial No. 1903000001
21	D516311	Motor Switch Bracket	Starting Serial No. 1903000001
22	52566	Nut	
23	D518517	Motor Mount	
24	D510523	Thermistor Assembly	Black
25	D502535	Screw	
26	D510717P	Blower and Fan Kit	Includes items 1-5 and 7-21

Front Bulkhead, Felt Seal and Cylinder

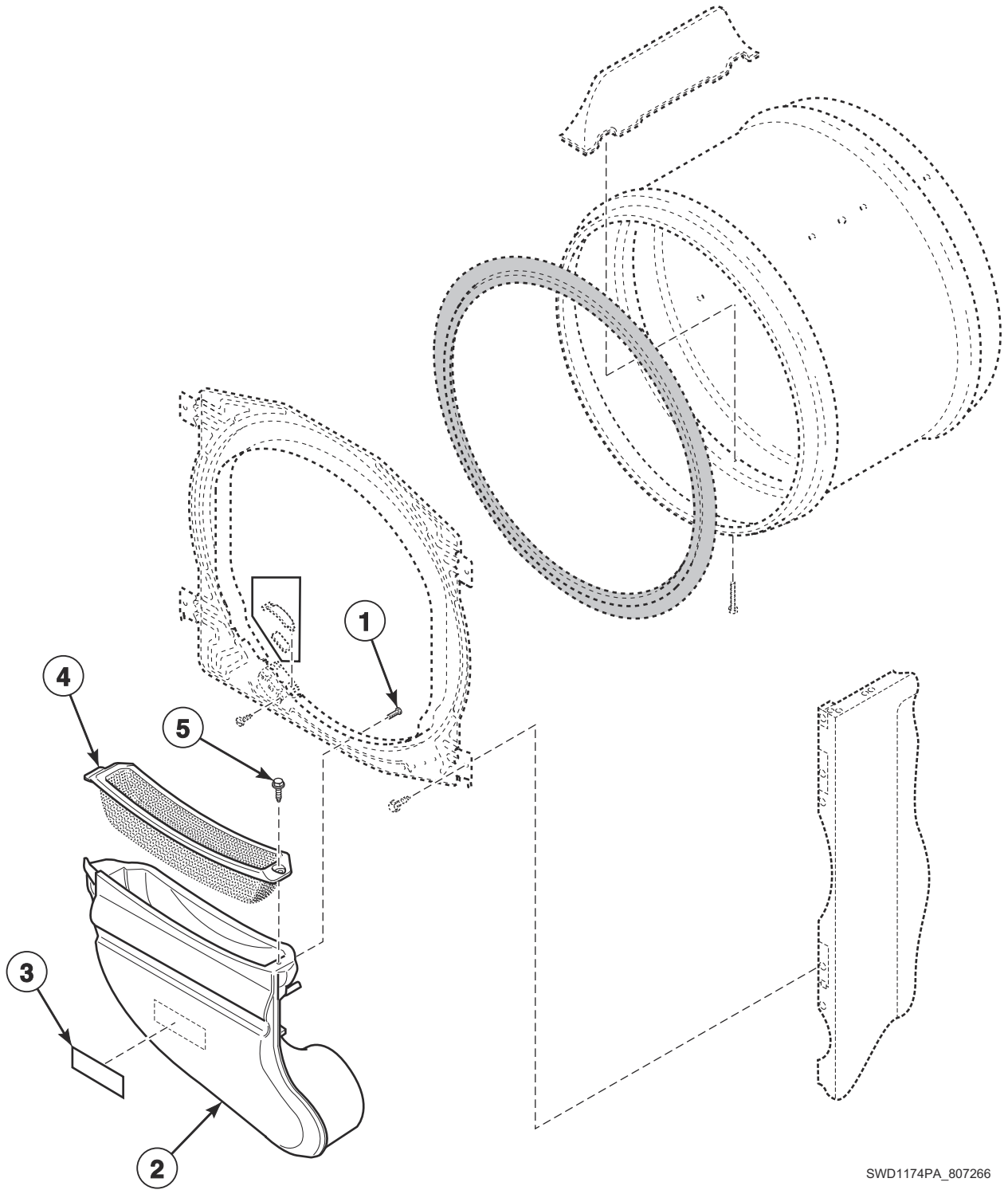


SWD1174P_807266

Front Bulkhead, Felt Seal and Cylinder

REF	PART NO.	DESCRIPTION	COMMENTS
1	D510266P	Front Bulkhead Assembly	Unpainted; Includes item 2
2	D510207P	Cylinder Seal Assembly	
	D511637P	Adhesive	For cylinder seal
	RB170001	Seal Kit	Includes 2 cylinder seals, D510238P Blower Housing Seal and Adhesive
3	D510102LG	Cylinder Baffle	Models STENYASP175TN01 and STGNYASP115TN01
	D510102W	Cylinder Baffle	All other models
4	D510265LGP	Cylinder Assembly	Models STENYASP175TN01 and STGNYASP115TN01; Galvanized; Includes item 3
	D510265WP	Cylinder Assembly	All other models; Galvanized; Includes item 3
5	62588	Screw	
6	D513710	Cylinder Glide	
7	D510145	Cylinder Glide Bracket	
8	D503688	Screw	
9	D510189	Felt Pad	
10	RB170003	Glide Kit	Includes items 6 and 7

Air Duct Assembly

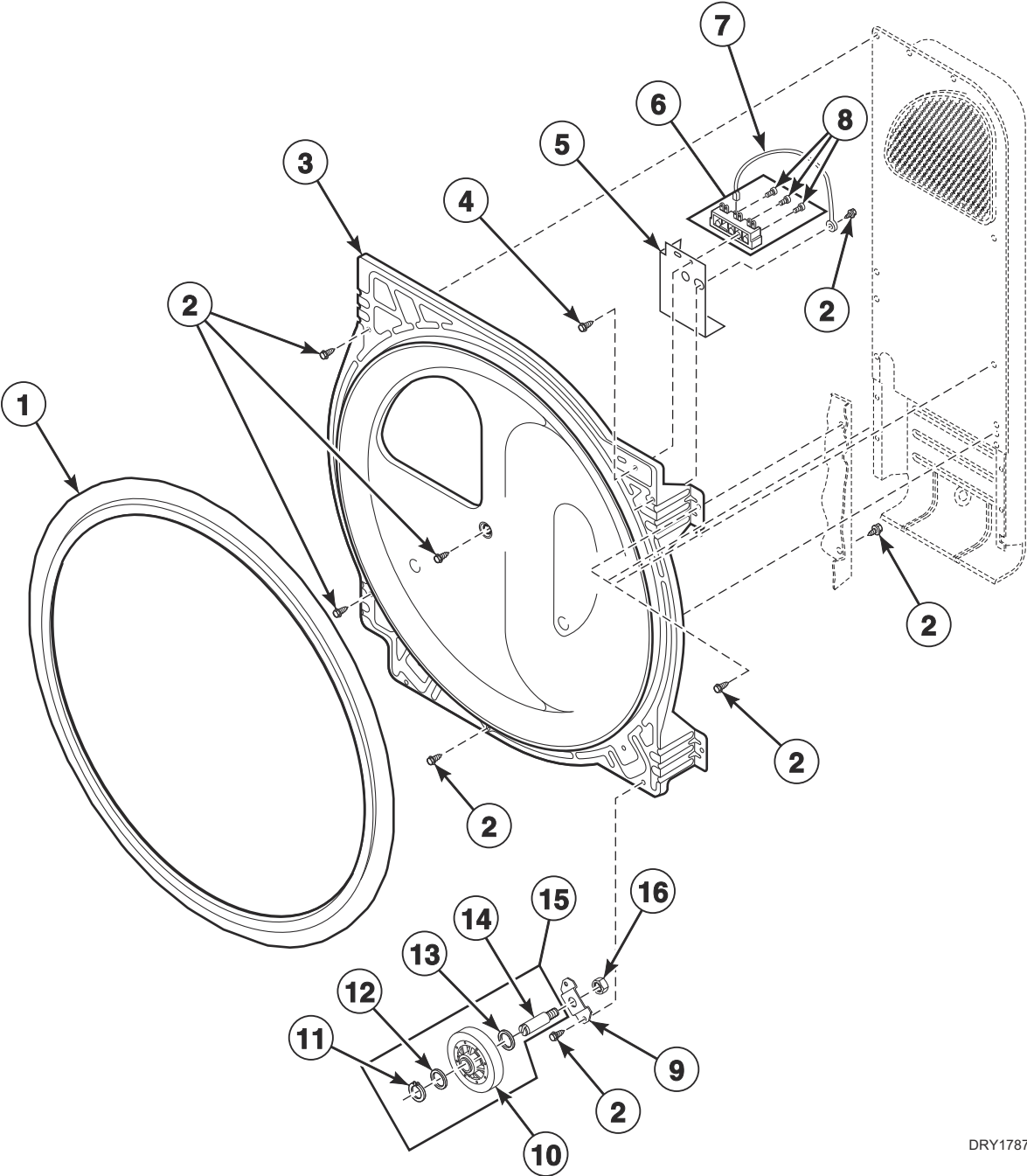


SWD1174PA_807266

Air Duct Assembly

REF	PART NO.	DESCRIPTION	COMMENTS
1	52864	Screw	
2	D518433	Air Duct Assembly	
3	61294	Fuse Notice Label	Electric models
4	D503980LG	Lint Filter	Models STENYASP175TN01 and STGNYASP115TN01
	D503980W	Lint Filter	All other models
5	D501285	Screw	

Rear Bulkhead, Felt Seal, Cylinder Roller and Terminal Block



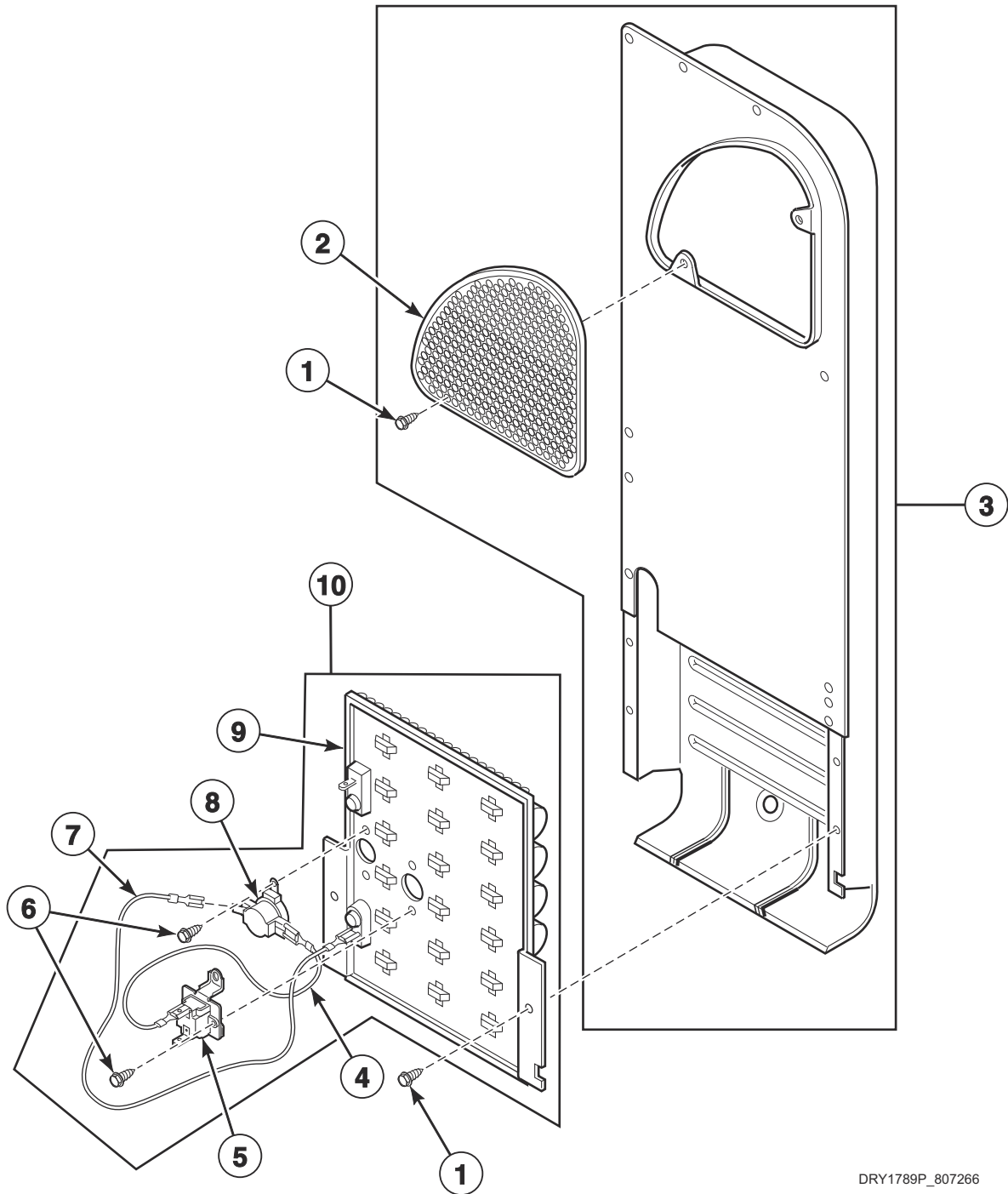
DRY1787P

Rear Bulkhead, Felt Seal, Cylinder Roller and Terminal Block

REF	PART NO.	DESCRIPTION	COMMENTS
1	D510207P	Cylinder Seal Assembly	
	D511637P	Adhesive	Apply to cylinder seal
	RB170001	Seal Kit	Includes 2 cylinder seals, blower housing seal and adhesive
2	D503688	Screw	
3	D511082P	Rear Bulkhead Assembly	Includes item 1
	D510905WP	Rear Bulkhead Assembly	White; Includes item 1; If black marks appear on clothes, replace rear bulkhead with this part, cylinder with D510159WP Cylinder Assembly and front bulkhead with D505899WP Bulkhead Assembly
4	D501285	Screw	Electric models
5	D510237	Terminal Block Shield	Electric models; Through Serial No. 1903000001
6	D510190P	Terminal Block Assembly	Includes 3 of item 8; Electric models; Models HTGNXFSP096CW01 and HTGNYFSP096CW01
7	518257	Ground Wire Assembly	Models HTGNXFSP096CW01 and HTGNYFSP096CW01
8	61199	Screw	Electric models
9	D510100	Cylinder Roller Bracket	
10	D510708P	Cylinder Roller	
11	23748	Retaining Ring	
12	52549	Washer	
13	D504082	Washer	
14	56461P	Shaft	
15	RB170002	Roller Kit	Includes 2 each of items 10-14
16	56156	Nut	

Heater Duct and Element Assembly

Electric Models



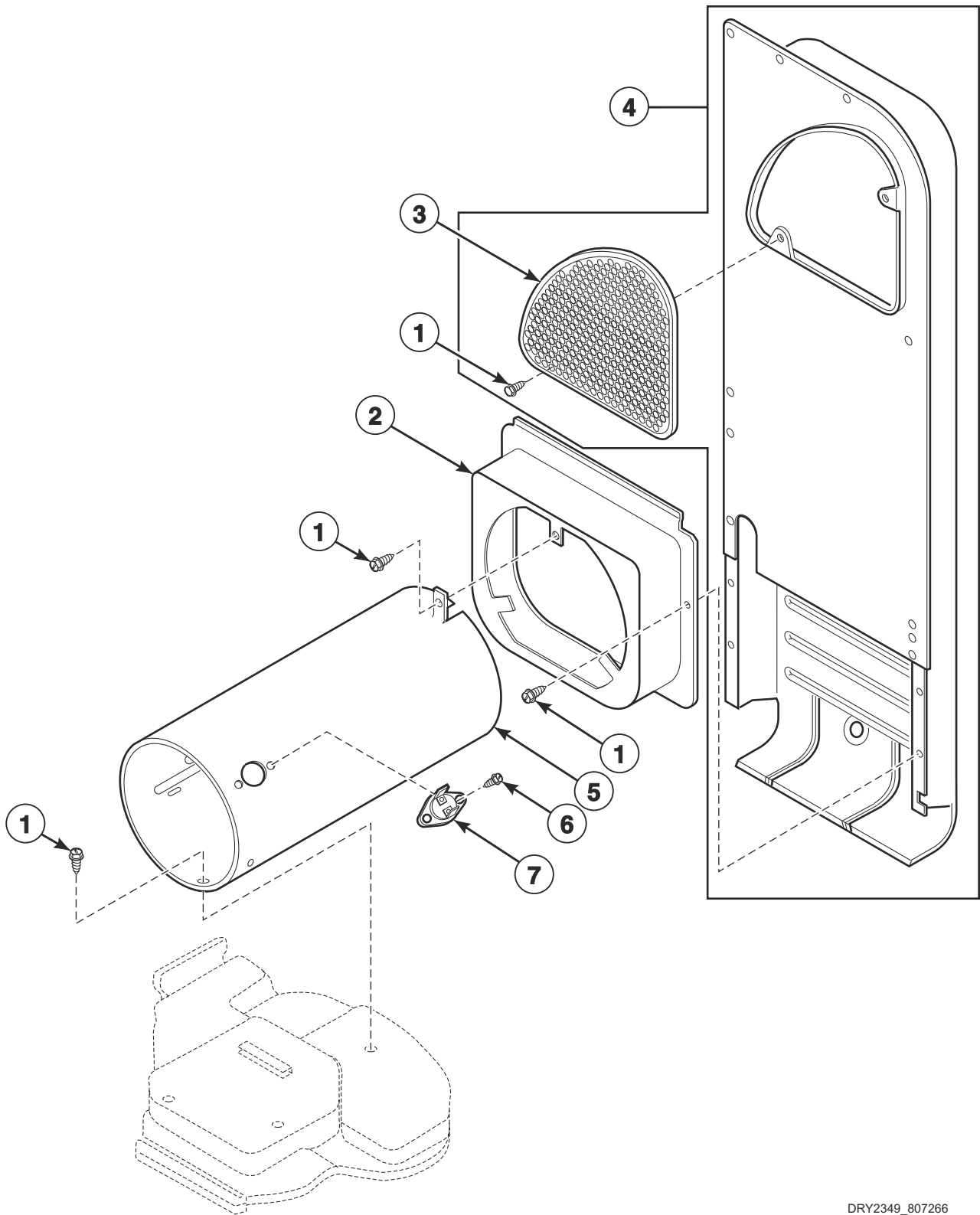
DRY1789P_807266

Heater Duct and Element Assembly

REF	PART NO.	DESCRIPTION	COMMENTS
1	D503688	Screw	
2	D500820	Outlet Cover	
3	D510025P	Heater Duct Assembly	Includes item 2
4	D518256	Wire Assembly	Orange; Thermostat jumper
5	D518649	Thermal Fuse Assembly	
6	23222	Screw	
7	D518255	Wire Assembly	Black; Fuse jumper
8	D510701	Limit Thermostat	
9	D510324P	Heater Assembly	5000 Watt; 240 Volt/60 Hertz; Models HTENXASP285CW01, HTENXASP286CW01, HTENXFSP286CW01, HTENYASP285CW01, HTENYASP286CW01, HTENYFSP286CW01, PTEJEASP285CG01, PTEJXASP285CG01, STENEASP285CW01, STENXASP285CW01, STENYASP285CW01 and STEWXASP285CW01
	D510330P	Heater Assembly	4250 Watt; 208 Volt/60 Hertz; Models HTENXASP295CW01, HTENYASP295CW01, STENEASP295CW01, STENXASP295CW01, STENYASP295CW01 and STEWXASP295CW01
	D510329P	Heater Assembly	5350 Watt; 240 Volt/60 Hertz; All other models
10	965P3	Heater Kit	Includes items 4-9; 4250 Watt; 208 Volt/60 Hertz; Models HTENXASP295CW01, HTENYASP295CW01, STENEASP295CW01, STENXASP295CW01, STENYASP295CW01 and STEWXASP295CW01
	61927	Heater Kit Assembly	Includes items 4-9; 5000 Watt; 240 Volt/60 Hertz; Models HTENXASP285CW01, HTENXASP286CW01, HTENXFSP286CW01, HTENYASP285CW01, HTENYASP286CW01, HTENYFSP286CW01, PTEJEASP285CG01, PTEJXASP285CG01, STENEASP285CW01, STENXASP285CW01, STENYASP285CW01 and STEWXASP285CW01
	61928	Heater Kit Assembly	Includes items 4-9; 4750 Watt; 208 Volt/60 Hertz; Optional conversion; All other models
	964P3	Heater Kit	Includes items 4-9; 5350 Watt; 240 Volt/60 Hertz; Includes factory-installed heater; All other models

Heater Duct Assembly

Gas Models

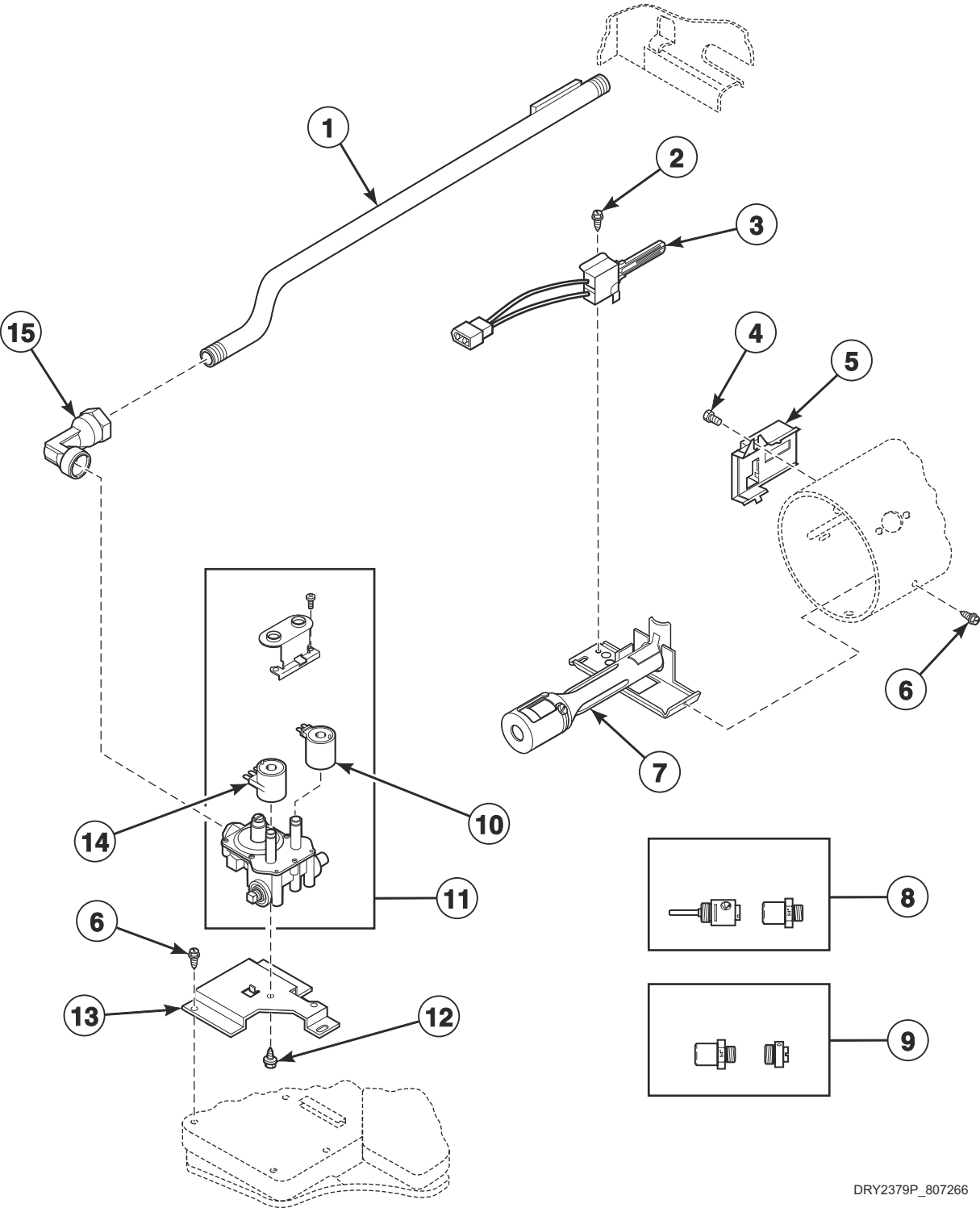


DRY2349_807266

Heater Duct Assembly

REF	PART NO.	DESCRIPTION	COMMENTS
1	D503688	Screw	
2	D510101	Heat Duct Shroud	
3	D500820	Outlet Cover	Aluminized steel
	D518524	Outlet Cover	Black; Nitrocarburized
4	D510025P	Heater Duct Assembly	Includes items 1 and 3
5	D510131	Combustion Duct	
6	51782	Screw	
7	D510702	Limit Thermostat	Black; Auto reset

Gas Valve, Igniter and Gas Conversion Kits - Gas Model Dryers Through Serial No. 190800001

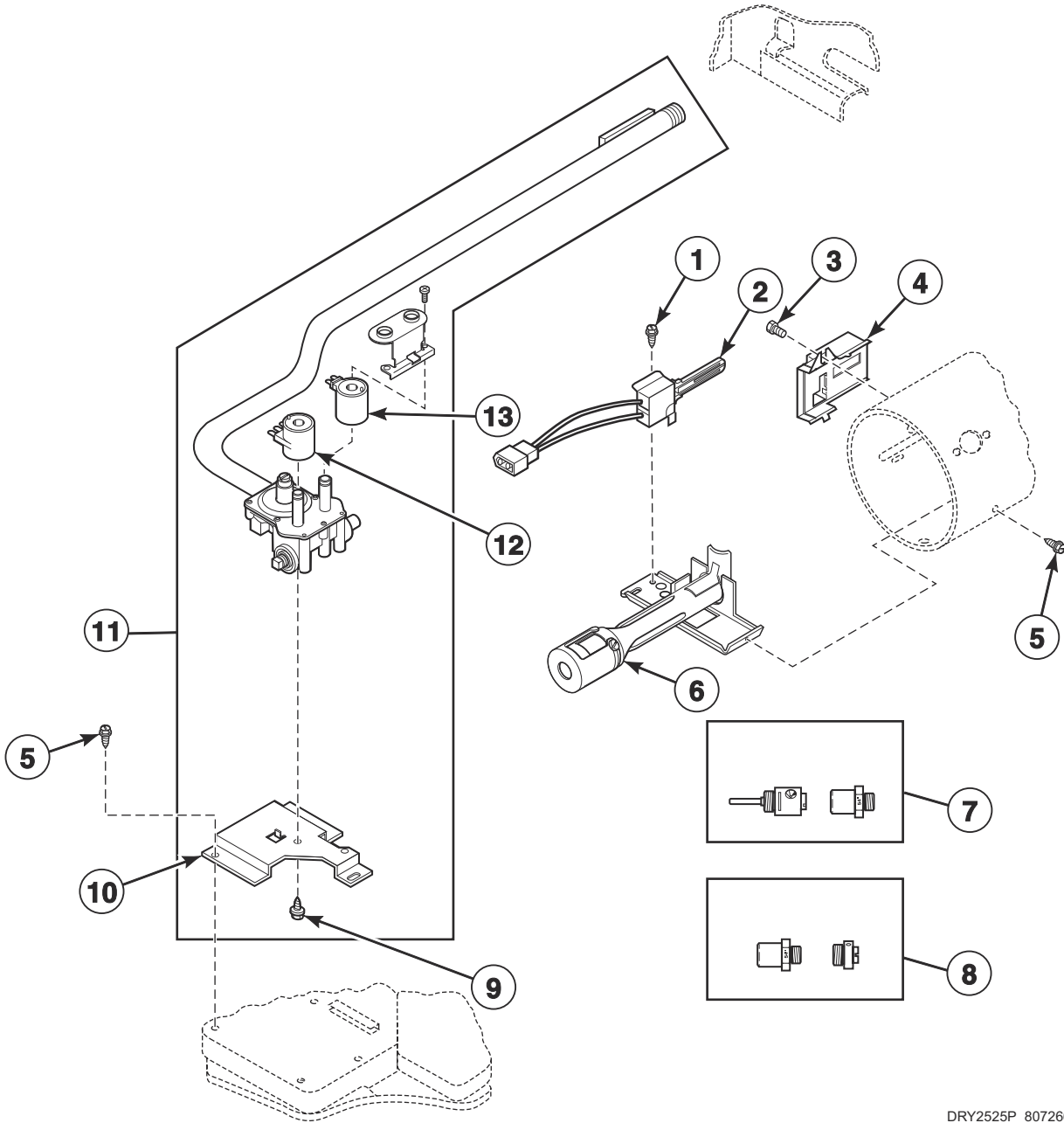


DRY2379P_807266

Gas Valve, Igniter and Gas Conversion Kits - Gas Model Dryers Through Serial No. 1908000001

REF	PART NO.	DESCRIPTION	COMMENTS
1	D510204	Lead-In Pipe Assembly	
2	51782	Screw	
3	D510184P	Igniter and Bracket Assembly	
4	23222	Screw	
5	D510213	Sensor	
6	D503688	Screw	
7	D510149P	Burner Assembly	
8	458P3	L.P. Conversion Kit	Used to convert dryers from Natural Gas (N.G.) or Mixed Gas to Liquid Petroleum Gas (L.P.); 25,000 Btu
9	459P3	N.G. Conversion Kit	Used to convert dryers from L.P. to N.G. or Mixed Gas; 25,000 Btu
10	58804B	Secondary Coil	
11	60353P	Gas Valve Assembly	60 Hertz; 25,000 Btu; N.G.; Includes items 10 and 14
12	56124	Screw	
13	D510128	Gas Valve Mounting Bracket	
14	58804A	Booster and Holding Coil	
15	D513072	Elbow	

Gas Valve, Igniter and Gas Conversion Kits - Gas Model Dryers Starting Serial No. 1908000001



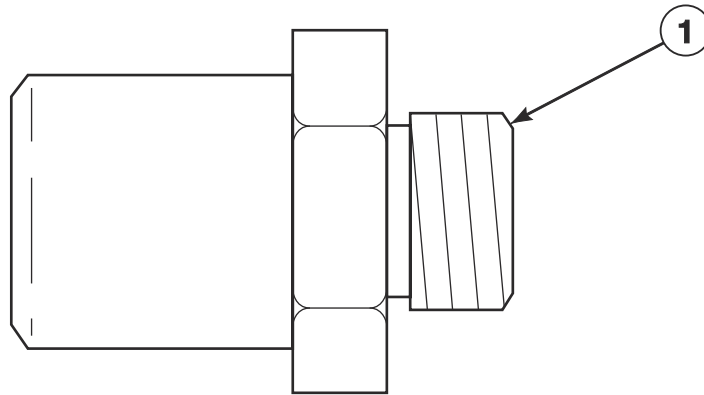
DRY2525P_807266

Gas Valve, Igniter and Gas Conversion Kits - Gas Model Dryers Starting Serial No. 1908000001

REF	PART NO.	DESCRIPTION	COMMENTS
1	51782	Screw	
2	D510184P	Igniter and Bracket Assembly	
3	23222	Screw	
4	D510213	Sensor	
5	D503688	Screw	
6	D510149P	Burner Assembly	
7	458P3	L.P. Conversion Kit	Used to convert dryers from Natural Gas (N.G.) or Mixed Gas to Liquid Petroleum Gas (L.P.); 25,000 Btu
8	459P3	N.G. Conversion Kit	Used to convert dryers from L.P. to N.G. or Mixed Gas; 25,000 Btu
9	56124	Screw	
10	D510128	Gas Valve Mounting Bracket	
11	D517606	Gas Valve, Bracket and Pipe Assembly	60 Hertz; 25,000 Btu; N.G.; Includes items 9, 10, 12 and 13
12	58804A	Booster and Holding Coil	
13	58804B	Secondary Coil	

Burner Orifice Spuds - For Higher Elevations

Gas Models

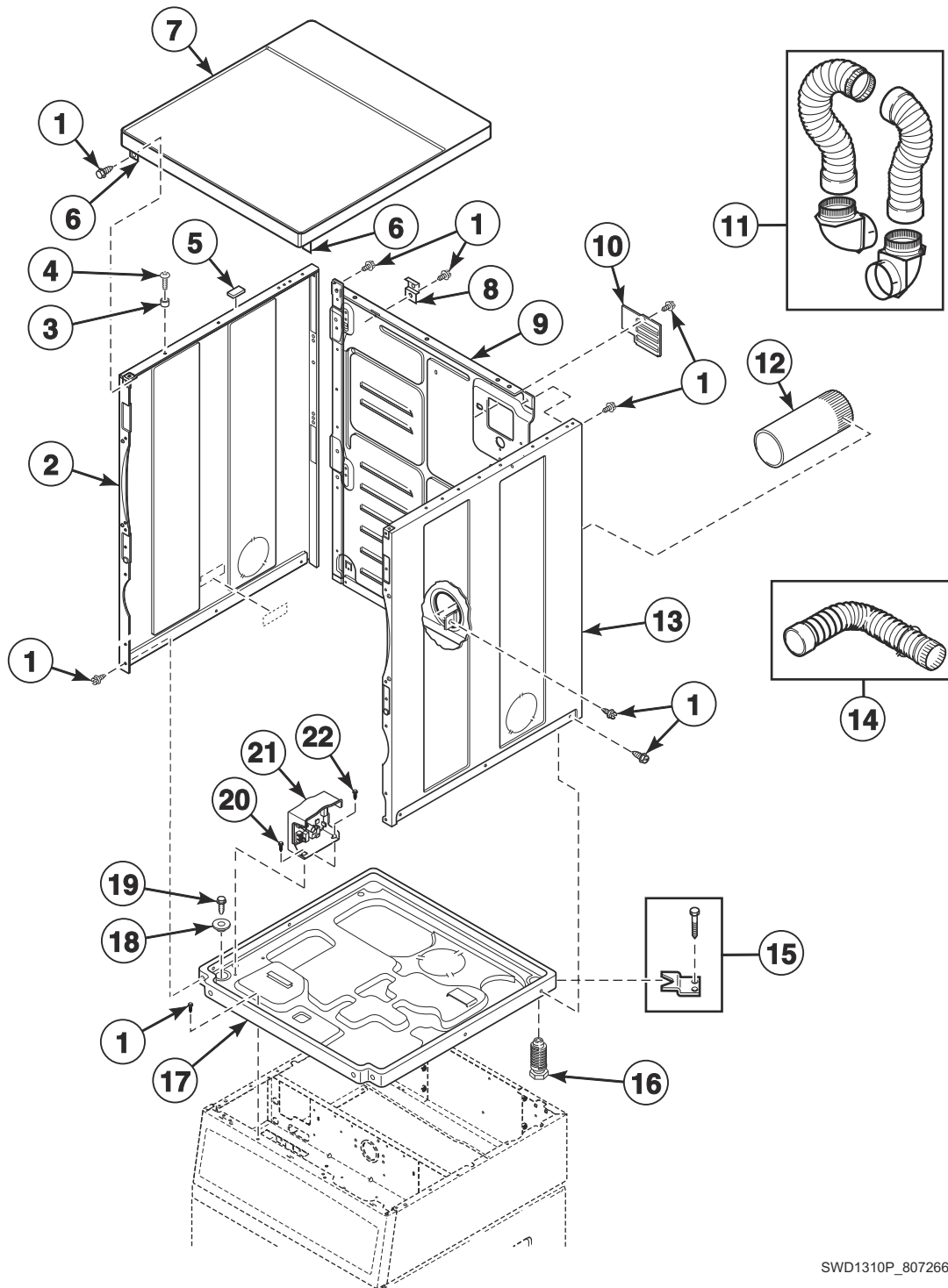


DRY2266P_807266

Burner Orifice Spuds - For Higher Elevations

REF	PART NO.	DESCRIPTION	COMMENTS
1	58755	L.P. Orifice	25,000 Btu; 7500-10,999 feet (2290-3354 m)
	D503786	L.P. Orifice	25,000 Btu; 11,000 feet (3355 m) and higher
	58719	Screw Orifice	Natural Gas (N.G.); 25,000 Btu; 7000-8999 feet (2135-2744 m)
	D503776	N.G. Orifice	25,000 Btu; 2000-2999 feet (610-914 m)
	D510517	N.G. Orifice	25,000 Btu; 3000-5499 feet (915-1679 m)
	D503778	N.G. Orifice	25,000 Btu; 5500-6999 feet (1680-2134 m)
	D503779	N.G. Orifice	25,000 Btu; 9000-10,499 feet (2745-3199 m)
	D503780	N.G. Orifice	25,000 Btu; 10,500 feet (3200 m) and higher

Dryer Cabinet, Exhaust Duct and Base



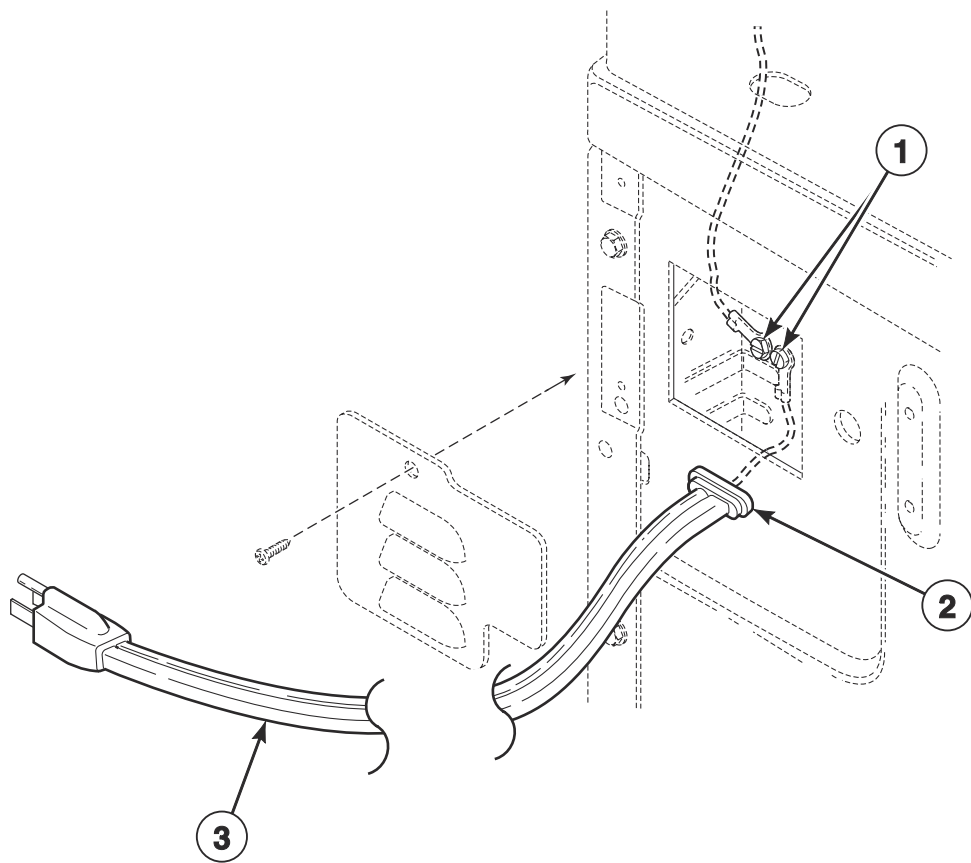
SWD1310P_807266

Dryer Cabinet, Exhaust Duct and Base

REF	PART NO.	DESCRIPTION	COMMENTS
	122P4P	Porcelain Touch-Up Paint	White
	806436P	Paint	Dark gray
1	D503688	Screw	
2	D510001WP	Cabinet Side Panel	Left; White
	D510001DGP	Cabinet Side Panel	Left; Dark gray
3	56079	Panel Locator	
4	39733	Screw	
5	56128	Bumper Pad	
6	D510146	Bracket	
7	D510032WP	Top Kit	White
	D510032DG	Top Panel	Dark gray
	803144P	Top Kit	Stainless steel
8	D510136	Top Hinge	
9	D514632P	Cabinet Rear Panel	Through Serial No. 1912999999
	D517566	Cabinet Rear Panel	Starting Serial No. 2001000001
10	D510903	Access Panel Plate	
11	521P3	Flexible Venting Kit	
12	D516196	Exhaust Duct	
13	D510002WP	Cabinet Side Panel	Right; White
	D510002DGP	Cabinet Side Panel	Right; Dark gray
14	528P3	Directional Exhaust Kit	Used to vent dryer out the sides
15	526P3	Hold Down Kit	For mobile home installations
16	D510135	Leveling Leg	
17	D514245	Dryer Base	
18	26509	Washer	
19	36048	Screw	
20	D514428	Screw	
21	D513797P	Output Control Assembly	Through Serial No. 1912999999
	D517191P	Output Control Assembly	Starting Serial No. 2001000001
22	804667	Screw	

Dryer Lead-In Cord

Models HTGNXASP095CW01, HTGNXASP096CW01, HTGNXFSP096CW01, HTGNYASP096CW01, HTGNYFSP096CW01, PTGJCASP115TG01, PTGJCASP115TW01, PTGJEASP095CG01, PTGJXASP095CG01, PTGJXASP115TG01, STGNCASP115TW01, STGNCASP116TW01, STGNCFSP115TW01, STGNCFSP116TW01, STGNEASP095CW01, STGNXASG115TW01, STGNXASP095CW01, STGNXASP115TW01, STGNXASP116TW01, STGNXFSP115TW01, STGNXFSP116TW01, STGNYASP095CW01, STGNYASP115TN01, STGNYASP115TW01, STGNYASP116TW01, STGNYFSP115TW01, STGNYFSP116TW01, STGWCASP115TW41, STGWCASP115TW41, STGWXASP095CW01, STGWXASP115TW01, STGWYASP115TW01, STGWYASP115TW41 and STGWYFSP115TW41

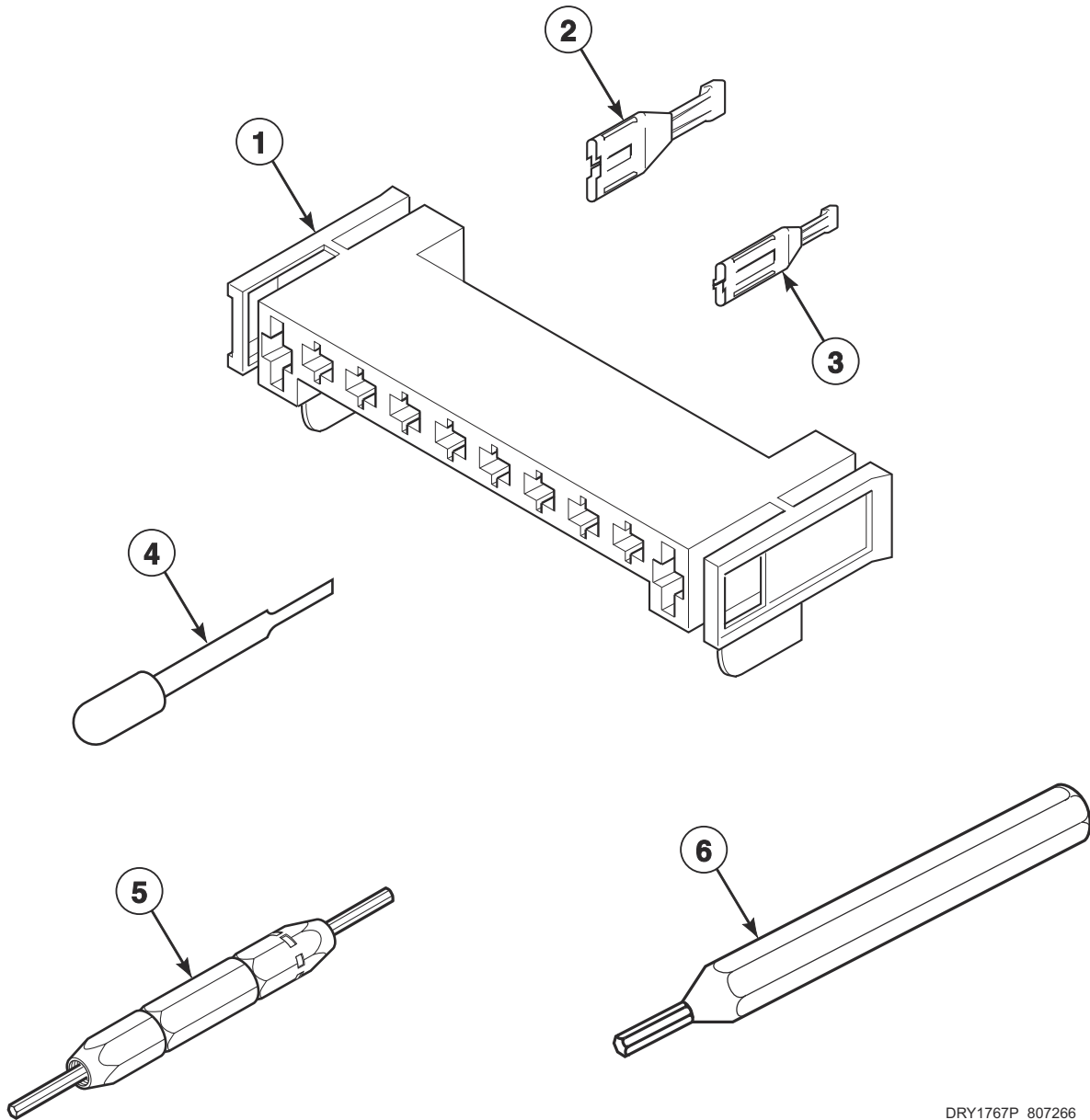


DRY1790P_807266

Dryer Lead-In Cord

REF	PART NO.	DESCRIPTION	COMMENTS
1	20530	Screw	
2	F140312	Connector	Models HTGNXASP095CW01, HTGNXASP096CW01, HTGNYASP096CW01, PTGJEASP095CG01, PTGJXASP095CG01, STGNEASP095CW01, STGNXASP095CW01, STGNYASP095CW01 and STGWXASP095CW01
	38384	Strain Relief	All other models
3	58992	Power Cord Assembly	Models HTGNXASP095CW01, HTGNXASP096CW01, HTGNYASP096CW01, PTGJEASP095CG01, PTGJXASP095CG01, STGNEASP095CW01, STGNXASP095CW01, STGNYASP095CW01 and STGWXASP095CW01
	D517698	Lead-In Cord	Models HTGNXFSP096CW01 and HTGNYFSP096CW01
	202777	Lead-In Cord	All other models

Dryer Terminals and Terminal Extractor Tools

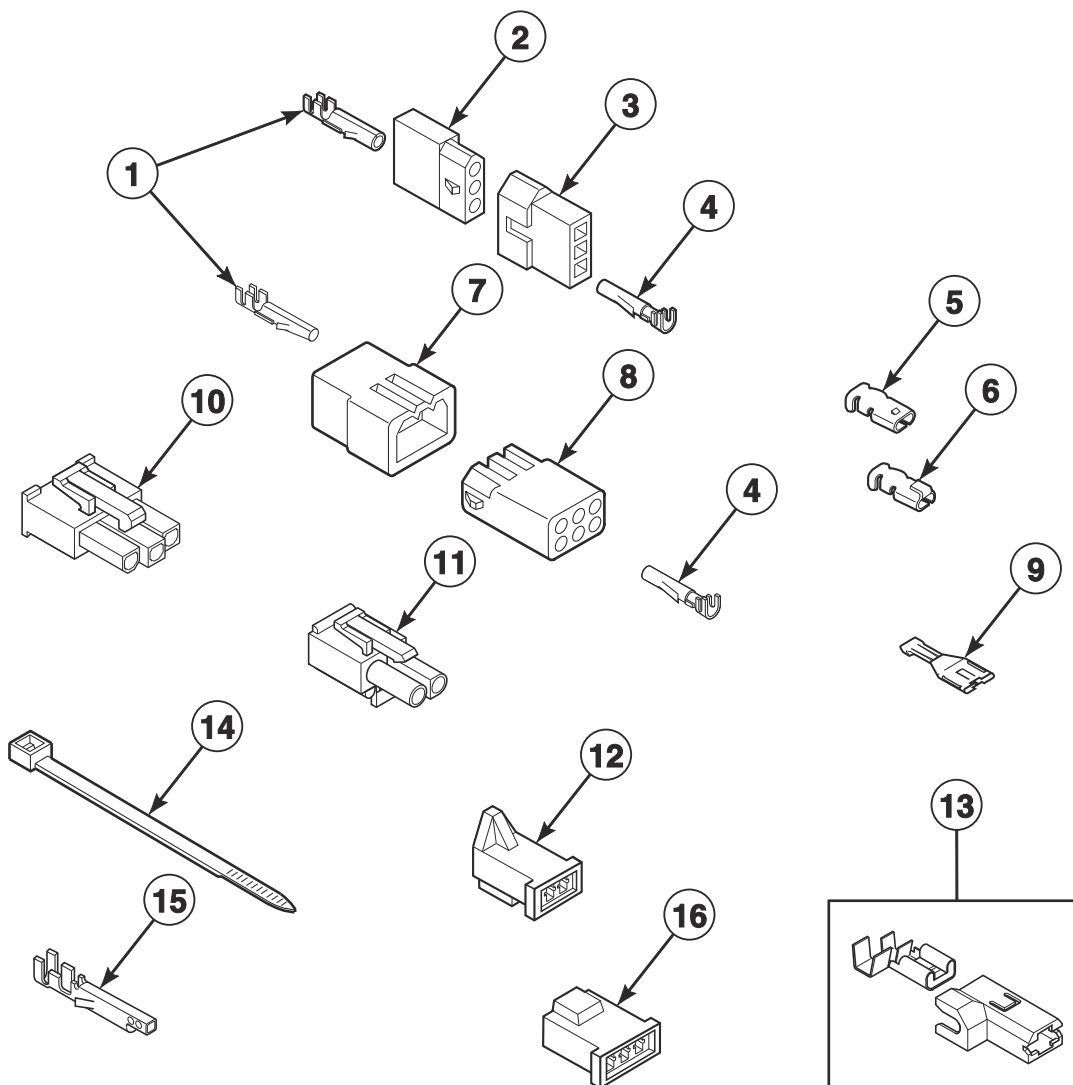


DRY1767P_807266

Dryer Terminals and Terminal Extractor Tools

REF	PART NO.	DESCRIPTION	COMMENTS
1	D500338	10 Position Housing	
2	00255	Female Terminal	1/4 inch; (1) 12 gauge wire; Electric models
	00256	Female Terminal	1/4 inch; (1) or (2) 18 gauge wires; Gas models
3	00188	Female Terminal	For 1 or 2 wire application
4	283P4	Terminal Extractor Tool	For use on Molex connectors
5	190P4	Extractor Tool	For use on electric dryer terminals; Electric models
6	128P4	Extractor Tool	For use on gas dryer terminals; Gas models

Terminals

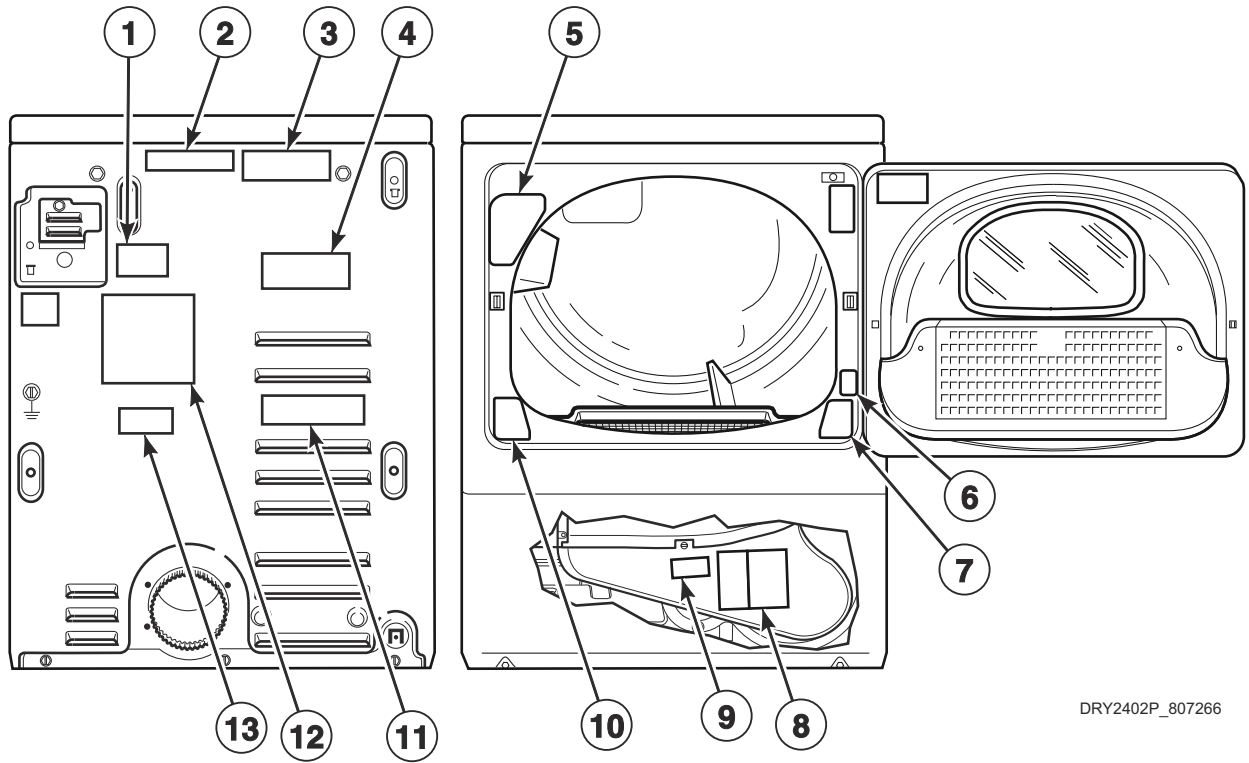


SWD1143P_807266

Terminals

REF	PART NO.	DESCRIPTION	COMMENTS
1	00117	Female Pin Terminal	
2	23039	3 Circuit Receptacle	
3	23040	Plug	
4	00116	Male Pin Terminal	
5	00189	Female Spade Terminal	Gas models
6	00361	Female Piggyback Terminal	Gas models
7	23033	9 Circuit Plug	
8	26708	6 Circuit Receptacle	
9	00256	Female Terminal	
10	36170	3 Circuit Receptacle	
11	D501223	2 Circuit Receptacle	
12	58799	2 Circuit Connector	Gas models
13	00221	Insulated Female Flag Terminal	
14	55881	Harness Strap	
15	00252	Terminal	
16	58800	3 Circuit Connector	Gas models

Dryer Labels

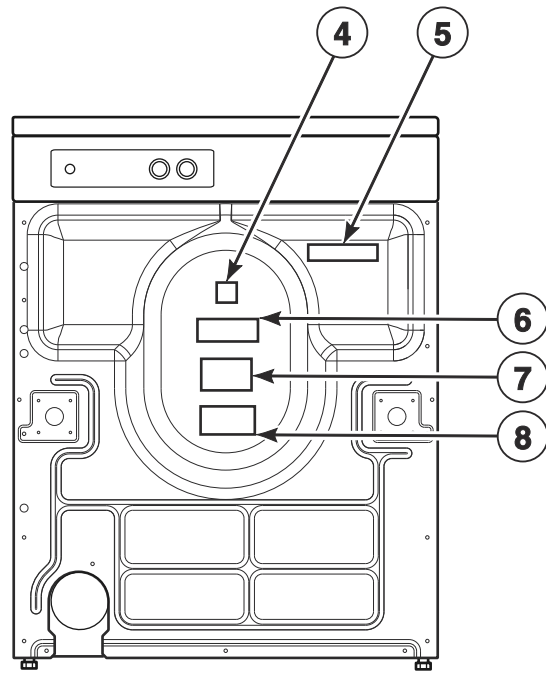
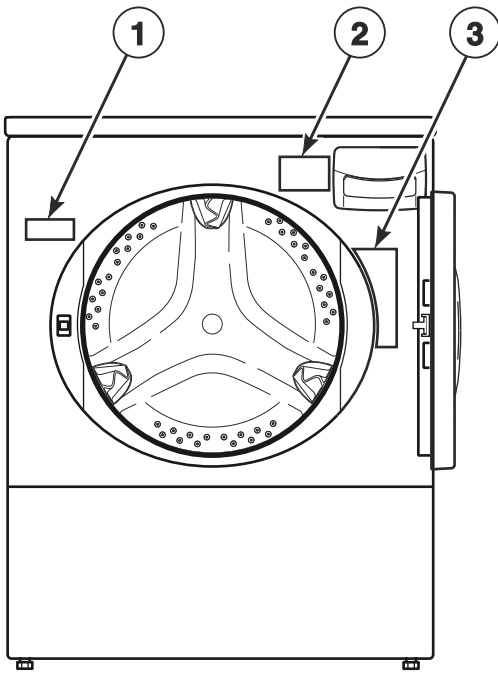


DRY2402P_807266

Dryer Labels

REF	PART NO.	DESCRIPTION	COMMENTS
1	803260	Warning Label	Turn off controls
2	D505281	Disconnect Power Warning Label	Text; English
	D500316	Warning Label	English/French; Disconnect power
3	44324001	Warning Label	Text; Electric shock
4	D502791	Venting Instruction Label	
5	D500281	Warning/Caution Label	
	D516243	Warning Label	Quebec French
6	D500240	Natural/L.P. Gas Label	English/Quebec French; Natural gas
7	D512263	Warning Label	
8	D511004	Gas Clearance Label	
	D513341	Clearance Label	
9	D500049	Warning Label	Text; Electric shock, rotating parts
	F8211201	Electrical Shock Label	Icon; Electric shock
	F8615701	Pinch Warning Label	Icon; Crush hazard
10	D502781	Lint Filter Label	Icon
11	D505215	Gas Label	Text; Stainless steel flexible gas line
12	D511005	Electric Clearance Label	
13	D500497	Exhaust Warning Label	Text
	D502507	Exhaust Warning Label	Icon
	D502508	Warning Label	Icon; Fire

Washer Labels

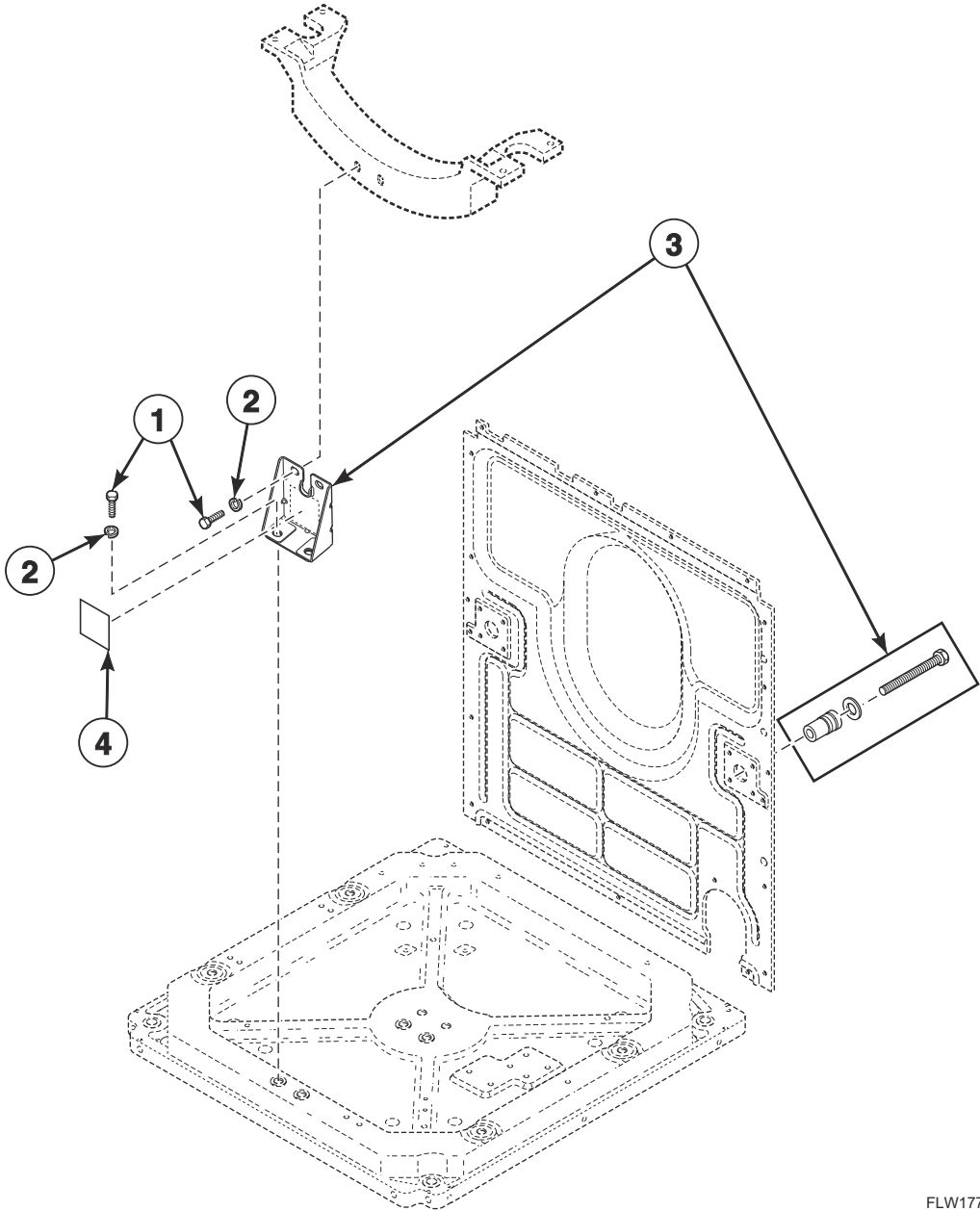


FLW1722P_807266

Washer Labels

REF	PART NO.	DESCRIPTION	COMMENTS
1	803011	Notice Label	
2	802074	Oversudsing Label	English
	802838	Oversudsing Label	Spanish
	802839	Oversudsing Label	Quebec French
3	802367	Warning Label	English; Reduce fire risk; Door locked
	806591	Warning Label	English/Quebec French; Reduce fire risk; Door locked
4	D516073	Notice Label	
5	D505281	Disconnect Power Warning Label	English
	801706	Caution Label	Icon; Ground machine
	D500316	Warning Label	English/French; Disconnect power
6	685928	Left Hand Thread Label	Text; Left hand thread
	804949	Left Hand Thread Label	Icon; Left hand thread
7	803260	Warning Label	Disconnect power
	F8211201	Electrical Shock Label	Icon; Electric shock
8	D500314	Warning Label	English/French
	F8615701	Pinch Warning Label	Icon; Crush hazard

Shipping Materials

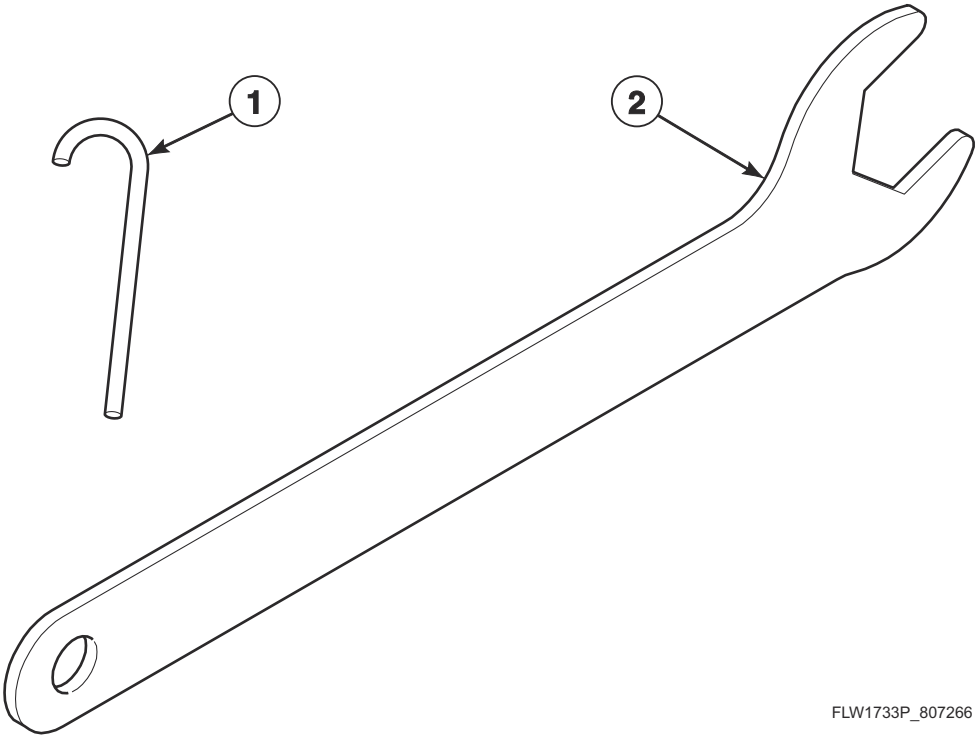


FLW1779P_807266

Shipping Materials

REF	PART NO.	DESCRIPTION	COMMENTS
1	M400043	Screw	
2	M400014	Washer	
3	805729	Shipping Materials Kit	Includes shipping brace, shipping spacer assembly and labels
4	686901	Shipping Bracket Label	

Special Tools



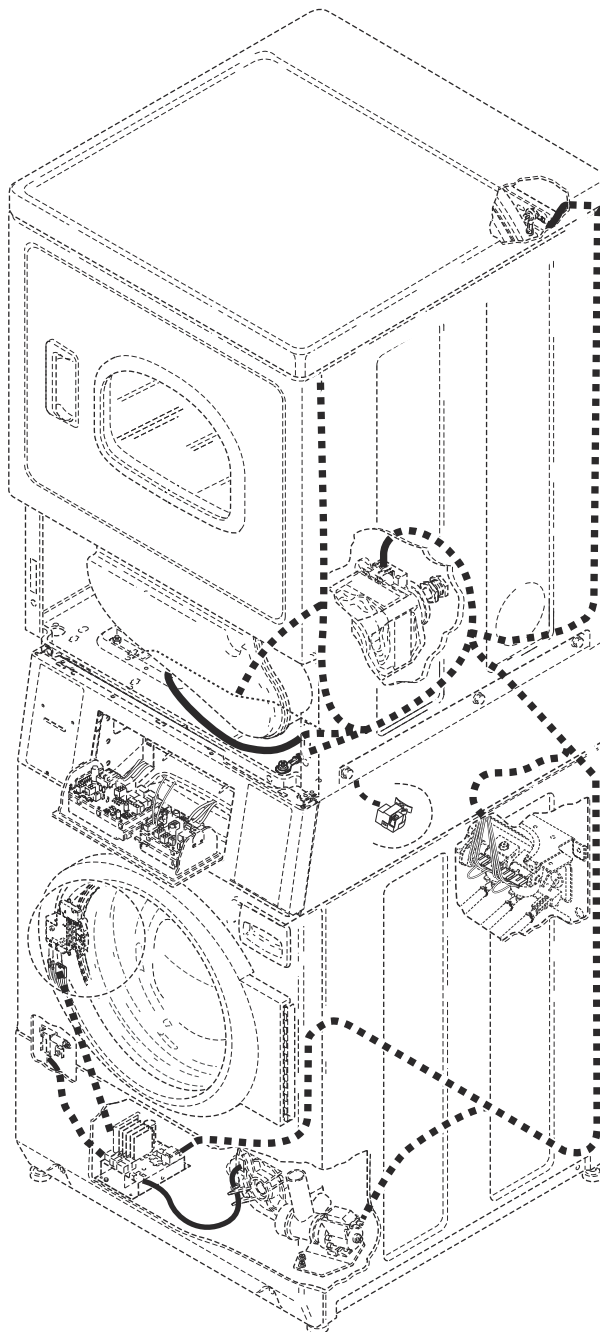
FLW1733P_807266

Special Tools

REF	PART NO.	DESCRIPTION	COMMENTS
	807623	Belt Install Tool	
1	802336	Pulley Bolt Tightening Fixture	Use to install inner basket
2	392P4	Wrench	Use for adjusting leveling leg nuts

Wire Harnesses and Wires (Drawing 1 of 4)

All Models Except HTENXASP286CW01, HTENXFSP286CW01, HTENYASP286CW01, HTENYFSP286CW01, HTGNXASP096CW01, HTGNXFSP096CW01, HTGNYFSP096CW01, STENCASP176TW01, STENCFSP176TW01, STENXASP176TW01, STENYASP176TW01, STENYFSP176TW01, STGNCASP116TW01, STGNCFSP116TW01, STGNXASP116TW01, STGNXFSP116TW01, STGNYASP116TW01 and STGNYFSP116TW01



SWD1295PB

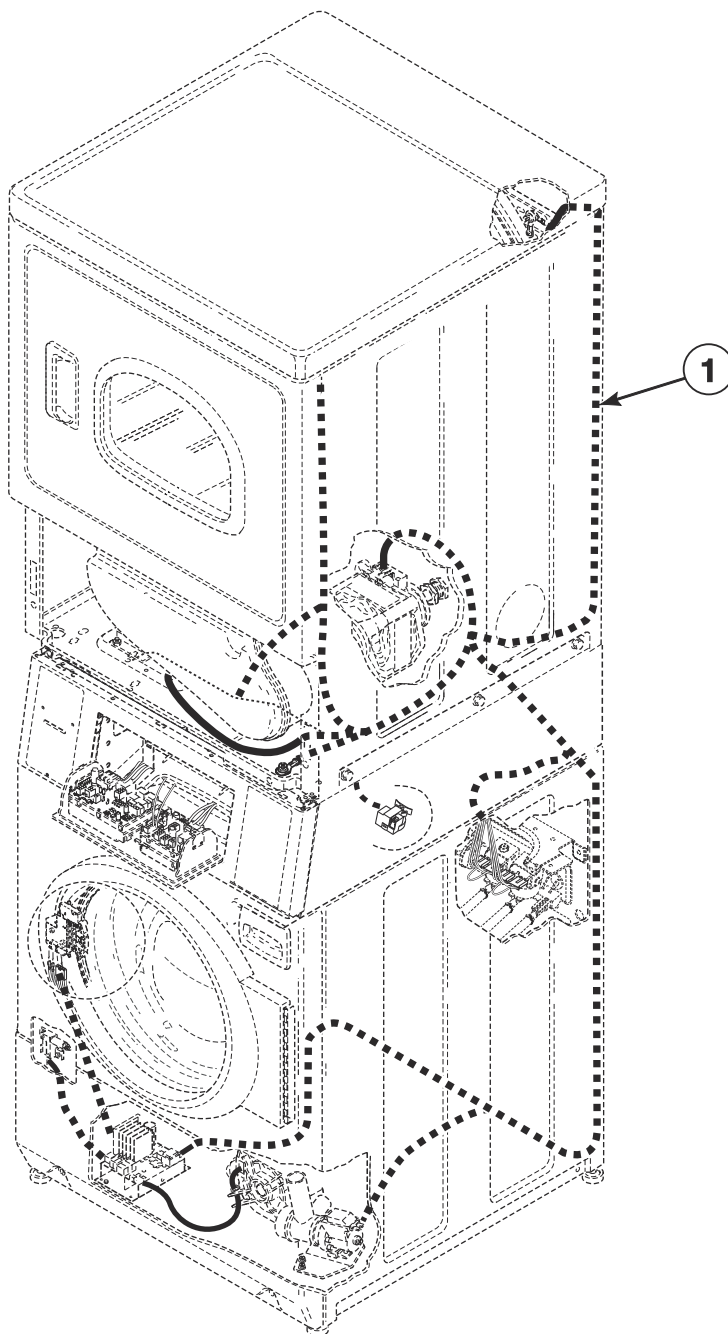
Wire Harnesses and Wires (Drawing 1 of 4)

REF	PART NO.	DESCRIPTION	COMMENTS
45001	18 Gauge Wire	Black; Order wire by foot and terminals as required	
45380	12 Gauge Wire	Orange; Order wire by foot and terminals as required	
D517236	Broken Belt Harness	Starting Serial No. 1903000001 and continuing through Serial No. 1912999999	
D516367	Gas Valve Harness	Starting Serial No. 1903000001	
805684	Harness	Main harness to dryer base; Models HTENXASP285CW01, HTENXASP295CW01, HTENYASP285CW01, HTENYASP295CW01, HTGNXASP095CW01, PTEJEASP285CG01, PTEJXASP285CG01, PTGJEASP095CG01, PTGJXASP095CG01, STENEASP285CW01, STENEASP295CW01, STENXASP285CW01, STENXASP295CW01, STENYASP285CW01, STENYASP295CW01, STEWXASP285CW01, STEWXASP295CW01, STGNEASP095CW01, STGNXASP095CW01, STGNYASP095CW01 and STGWXASP095CW01	
D514044	Power Harness	Models HTENXASP285CW01, HTENXASP295CW01, HTENYASP285CW01, HTENYASP295CW01, PTEJEASP285CG01, PTEJXASP285CG01, STENEASP285CW01, STENEASP295CW01, STENXASP285CW01, STENXASP295CW01, STENYASP285CW01, STENYASP295CW01, STEWXASP285CW01 and STEWXASP295CW01; Through 12/31/21	
D518656	Power Harness	Models HTENXASP285CW01, HTENXASP295CW01, HTENYASP285CW01, HTENYASP295CW01, PTEJEASP285CG01, PTEJXASP285CG01, STENEASP285CW01, STENEASP295CW01, STENXASP285CW01, STENXASP295CW01, STENYASP285CW01, STENYASP295CW01, STEWXASP285CW01 and STEWXASP295CW01; Starting 1/1/22	
D518536	Gas Power Harness	Models HTGNXASP095CW01, PTGJEASP095CG01, PTGJXASP095CG01, STGNEASP095CW01, STGNXASP095CW01, STGNYASP095CW01 and STGWXASP095CW01; Through 12/31/21	
D518663	Gas Power Harness	Models HTGNXASP095CW01, PTGJEASP095CG01, PTGJXASP095CG01, STGNEASP095CW01, STGNXASP095CW01, STGNYASP095CW01 and STGWXASP095CW01; Starting 1/1/22	

NOTE: Individual wires are not available separately. Order complete harness, or order wire by the foot. When applying terminals to wires, it is recommended that the terminals be soldered to the wires.

Wire Harnesses and Wires (Drawing 2 of 4)

All Models Except HTENXASP286CW01, HTENXFSP286CW01, HTENYASP286CW01, HTENYFSP286CW01, HTGNXASP096CW01, HTGNXFSP096CW01, HTGNYASP096CW01, HTGNYFSP096CW01, STENCASP176TW01, STENCFSP176TW01, STENXASP176TW01, STENYASP176TW01, STENYFSP176TW01, STGNCASP116TW01, STGNCFSP116TW01, STGNXASP116TW01, STGNXFSP116TW01, STGNYASP116TW01 and STGNYFSP116TW01



SWD1295P_807266

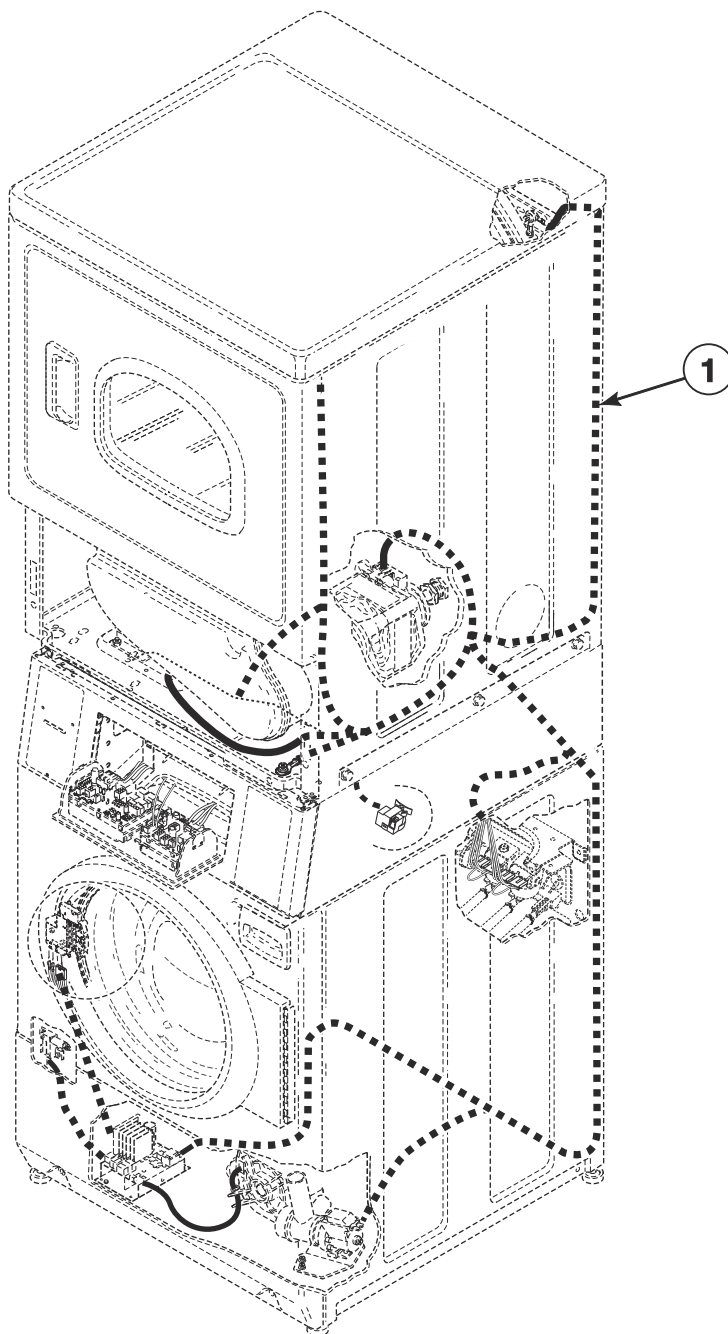
Wire Harnesses and Wires (Drawing 2 of 4)

REF	PART NO.	DESCRIPTION	COMMENTS
1	D517238	Upper Electric Harness	Models HTENXASP285CW01, HTENXASP295CW01, HTENYASP285CW01, HTENYASP295CW01, PTEJCASP175TG01, PTEJCASP175TW01, PTEJEASP285CG01, PTEJXASP175TG01, PTEJXASP285CG01, STENCASP175TW01, STENCFSP175TW01, STENEASP285CW01, STENEASP295CW01, STENXASP175TW01, STENXASP285CW01, STENXASP295CW01, STENXFSP175TW01, STENYASP175TN01, STENYASP175TW01, STENYASP285CW01, STENYASP295CW01, STENYFSP175TW01, STEWCASP175TW41, STEWCFSP175TW41, STEWXASP175TW01, STEWXASP285CW01, STEWXASP295CW01, STEWYASP175TW01, STEWYASP175TW41 and STEWYFSP175TW41 through Serial No. 1902999999
	D516756	Upper Electric Harness	Models HTENXASP285CW01, HTENXASP295CW01, HTENYASP285CW01, HTENYASP295CW01, PTEJCASP175TG01, PTEJCASP175TW01, PTEJEASP285CG01, PTEJXASP175TG01, PTEJXASP285CG01, STENCASP175TW01, STENCFSP175TW01, STENEASP285CW01, STENEASP295CW01, STENXASP175TW01, STENXASP285CW01, STENXASP295CW01, STENXFSP175TW01, STENYASP175TN01, STENYASP175TW01, STENYASP285CW01, STENYASP295CW01, STENYFSP175TW01, STEWCASP175TW41, STEWCFSP175TW41, STEWXASP175TW01, STEWXASP285CW01, STEWXASP295CW01, STEWYASP175TW01, STEWYASP175TW41 and STEWYFSP175TW41 starting Serial No. 1903000001 and continuing through Serial No. 1912999999
	D517476	Upper Electric Harness	Models HTENXASP285CW01, HTENXASP295CW01, HTENYASP285CW01, HTENYASP295CW01, PTEJCASP175TG01, PTEJCASP175TW01, PTEJEASP285CG01, PTEJXASP175TG01, PTEJXASP285CG01, STENCASP175TW01, STENCFSP175TW01, STENEASP285CW01, STENEASP295CW01, STENXASP175TW01, STENXASP285CW01, STENXASP295CW01, STENXFSP175TW01, STENYASP175TN01, STENYASP175TW01, STENYASP285CW01, STENYASP295CW01, STENYFSP175TW01, STEWCASP175TW41, STEWCFSP175TW41, STEWXASP175TW01, STEWXASP285CW01, STEWXASP295CW01, STEWYASP175TW01, STEWYASP175TW41 and STEWYFSP175TW41 starting Serial No. 2001000001; Model STENXFSP176TW01
	D517094	Upper Gas Harness	All other models through Serial No. 1902999999
	D516753	Upper Gas Harness	All other models starting Serial No. 1903000001 and continuing through Serial No. 1912999999
	D517477	Gas Harness	All other models starting Serial No. 2001000001

NOTE: Individual wires are not available separately. Order complete harness, or order wire by the foot. When applying terminals to wires, it is recommended that the terminals be soldered to the wires.

Wire Harnesses and Wires (Drawing 3 of 4)

All Models Except HTENXASP286CW01, HTENXFSP286CW01, HTENYASP286CW01, HTENYFSP286CW01, HTGNXASP096CW01, HTGNXFSP096CW01, HTGNYASP096CW01, HTGNYFSP096CW01, STENCASP176TW01, STENCFSP176TW01, STENXASP176TW01, STENYASP176TW01, STENYFSP176TW01, STGNCASP116TW01, STGNCFSP116TW01, STGNXASP116TW01, STGNXFSP116TW01, STGNYASP116TW01 and STGNYFSP116TW01



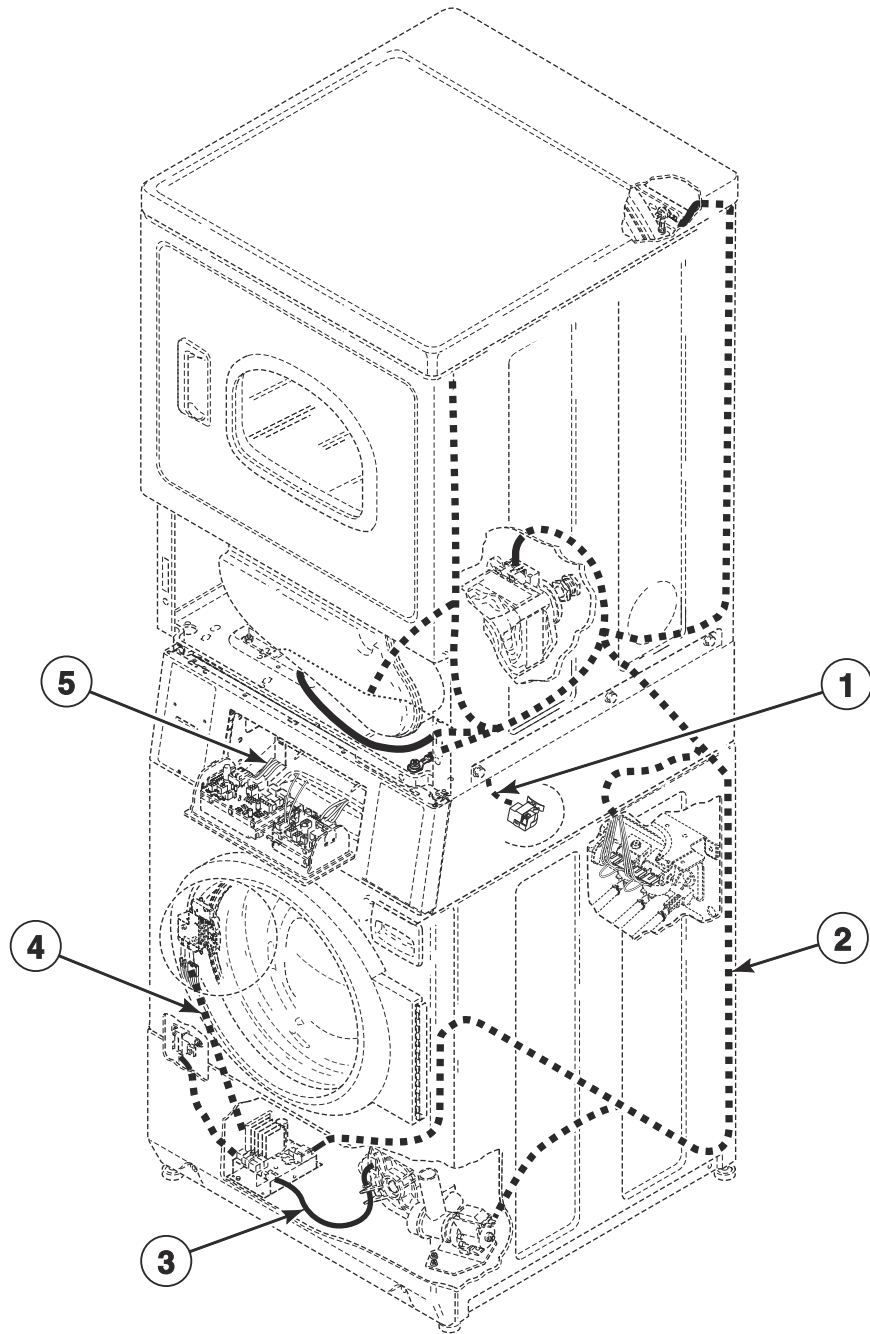
SWD1295P_807266

Wire Harnesses and Wires (Drawing 3 of 4)

REF	PART NO.	DESCRIPTION	COMMENTS
	45001	18 Gauge Wire	Black; Order wire by foot and terminals as required
	45380	12 Gauge Wire	Orange; Order wire by foot and terminals as required
	D516367	Gas Valve Harness	
	805684	Harness	Main harness to dryer base; Models HTENXASP286CW01, HTENXFSP286CW01, HTENYASP286CW01, HTENYFSP286CW01 and HTGNXASP096CW01
	D514044	Power Harness	Models HTENXASP286CW01, HTENXFSP286CW01, HTENYASP286CW01 and HTENYFSP286CW01; Through 12/31/21
	D518656	Power Harness	Models HTENXASP286CW01, HTENXFSP286CW01, HTENYASP286CW01 and HTENYFSP286CW01; Starting 1/1/22
	D518536	Gas Power Harness	Model HTGNXASP096CW01; Through 12/31/21
	D518663	Gas Power Harness	Model HTGNXASP096CW01; Starting 1/1/22
	808123	Harness	Models HTGNXFSP096CW01 and HTGNYFSP096CW01
	204916	Wiring Harness Assembly	Diagnostic; Models HTGNXFSP096CW01 and HTGNYFSP096CW01
1	D517476	Upper Electric Harness	Models HTENXASP286CW01, HTENXFSP286CW01, HTENYASP286CW01, HTENYFSP286CW01, STENCASP176TW01, STENCFSP176TW01, STENXASP176TW01, STENYASP176TW01 and STENYFSP176TW01
	D518663	Gas Harness	Models HTGNXFSP096CW01 and HTGNYFSP096CW01
	D517477	Gas Harness	All other models

NOTE: Individual wires are not available separately. Order complete harness, or order wire by the foot. When applying terminals to wires, it is recommended that the terminals be soldered to the wires.

Wire Harnesses and Wires (Drawing 4 of 4)



SWD1295PA_807266

Wire Harnesses and Wires (Drawing 4 of 4)

REF	PART NO.	DESCRIPTION	COMMENTS
	807298	Power Harness	Starting Serial No. 2101000001
1	807656	Pressure Sensor Harness	Model STENXFSP176TW01
	804433	Pressure Sensor Harness	All other models
2	806031	Front Control Harness	Through Serial No. 2012999999
	807650	Front Control Harness	Model HTGNXFSP096CW01; Starting Serial No. 2101000001
	807346	Front Control Harness	All other models; Starting Serial No. 2101000001
3	806029	Motor Harness	Through Serial No. 2012999999
	807294	Motor Harness	Starting Serial No. 2101000001
4	806028	Door Lock Harness Assembly	Through Serial No. 2012999999
	807293	Door Lock Harness Assembly	Starting Serial No. 2101000001
5	D517970	Security Cabinet Harness	Model STENXFSP176TW01
	D513991	Security Cabinet Harness	All other models

NOTE: Individual wires are not available separately. Order complete harness, or order wire by the foot. When applying terminals to wires, it is recommended that the terminals be soldered to the wires.

Parts Index

A

Access Panel Assembly	
D514250DG	55
D514250WP	55
D514251	55
804617DGP	29
804617W	29
804618	29
Access Panel Plate	
D510903	75
Adhesive	
D511637P	59, 63
Air Duct Assembly	
D518433	61
Anchor	
155P3	47
Anchor Floor Mount Assembly	
802844P	47
Anti-Seize Compound	
27604P	39, 57

B

Backflow Preventer	
800310	45
Balance Ring Assembly	
804393	39
Base Assembly	
803876	47
Bearing Housing Kit	
805525	39
Bearing Kit	
805730	39
Belt Install Tool	
807623	41, 89
Belt Kit	
807429P	41
Blower and Fan Kit	
D510717P	57
Blower Fan Assembly	
D510139P	57
Blower Housing	
D511969WP	57
Blower Housing Seal	
D510238P	57
Bolt	
29651	17
Booster and Holding Coil	
58804A	69, 71
Bracket	
D510146	75
Broken Belt Harness	
D517236	91
Bumper Pad	
36226	47
56128	75
Burner Assembly	
D510149P	69, 71

C

Cabinet Panel Kit	
800004WP	47
Cabinet Rear Panel	
D514632P	75
D517566	75
Cabinet Side Panel	
D510001DGP	75
D510001WP	75
D510002DGP	75
D510002WP	75
800004DG	47
800005DG	47
802525P	47
802526P	47
Card Insert Overlay	
D511544	27
D514391	25
Caution Label	
801706	85
Central Pay Harness	
805427	7, 9
Clamp Ring	
803802	37
Clearance Label	
D513341	83
Clip	
201572	23
Clothes Guard Deflector	
804467	37
805548	37
Coin Drop	
38963P	21
70441601P	21
70441603	21
Coin Drop Assembly	
38462P	21
38463	21
38464P	21
70441602	21
Coin Drop Wire Harness	
201104	23
Coin Identification Paper	
38725	23
Combustion Duct	
D510131	67
Connector	
F140312	77
Connector, 2 Circuit	
58799	81
Connector, 3 Circuit	
58800	81
Control Assembly	
D515807P	11
D515809P	11
D517522	11
D518647	11
806267P	11
806269P	11
807458	11

N/A items do not appear in index.

807460	11	804210P	29
808121	11	805550P	29
Control Bracket		Door Catch Assembly	
807441	41	D510177	55
Control Panel		802803	29
803964B	17	Door Glass	
803964DG	17	802695P	29
803964W	17	Door Glass Mounting Plate	
803968B	25	806354	29
803968W	25	Door Handle Wedge	
Control Panel and Bracket Assembly		D510129W	51, 53
800034W	7, 9	Door Hinge	
807640W	7, 9	802934	29
Control Panel Assembly		Door Latch Assembly	
804069B	7, 9	803920	29
804069DG	7, 9	Door Liner Assembly	
804069W	7, 9	D516508	51
Control Shield		Door Liner Grill	
804363	13	D503870LG	51, 53
Counterweight		D503870W	51
807476	37	Door Lock Harness Assembly	
Cylinder Assembly		806028	97
D510265LGP	59	807293	97
D510265WP	59	Door Pull	
Cylinder Baffle		D512947	51
D510102LG	59	Door Pull and Wedge Kit	
D510102W	59	D510103WP	53
Cylinder Belt		D511213P	51
D511255P	57	Door Seal	
Cylinder Glide		804428P	29
D513710	59	Door Seal Assembly	
Cylinder Glide Bracket		804429P	29
D510145	59	Door Strike	
Cylinder Roller		D510181	51, 53
D510708P	63	Drain Base Bracket	
Cylinder Roller Bracket		803814	45
D510100	63	Drain Hose	
Cylinder Seal Assembly		27154	45
D510207P	59, 63	Drain Hose Bracket	
		803828	47
		Drain Hose Elbow	
		35766	45
		Drain Pump Assembly	
		808196P	45
		Drain Pump Isolator	
		803815	45
		Drain Valve	
		803293P	43
		Drain Valve Kit	
		F975P3	43
		Drain-to-Cabinet Hose	
		800903	43
		Drive Belt	
		804985	41
		Dryer Base	
		D514245	75
		Dryer Door	
		D515960DG	51
		D515961W	53
		D515963	51
		D516510	51
		Dryer Door Window	
		D515681	53

D

Detergent Hose	
804717	33
Directional Exhaust Kit	
528P3	75
Disconnect Power Warning Label	
D505281	83, 85
Dispenser Assembly	
803698	33
Dispenser Drawer	
803667	33
Dispenser Handle	
804227B	33
804227WP	33
804228	33
Dispenser Inlet Hose	
803849	33, 35
807364	33, 35
Dispenser Plate	
803843	33
Door Assembly	
804083WP	29

N/A items do not appear in index.

Dual Coin Harness Assembly	
202871	21, 23
205090	21
Dual Overlay	
39073	17

E

Elbow	
D513072	69
Electric Clearance Label	
D511005	83
Electrical Shock Label	
F8211201	83, 85
Electronic Coin Drop Assembly	
70294122	23
70513306	23
Electronic Coin Drop Kit	
CK110	23
CK115	23
Exhaust Duct	
D516196	75
Exhaust Warning Label	
D500497	83
D502507	83
Expansion Clip	
70030501	17, 25
Extractor Tool	
128P4	79
190P4	79

F

Felt Pad	
D510189	59
Female Piggyback Terminal	
00361	81
Female Pin Terminal	
00117	81
Female Spade Terminal	
00189	81
Female Terminal	
00188	79
00255	79
00256	79, 81
Fill Hose	
203719	35
203720	35
Flexible Venting Kit	
521P3	75
Foam Pad	
804875	33
Foreign Object Deflector	
806308	37
806313	37
806361	37
Front Bulkhead Assembly	
D510266P	59
Front Control Harness	
806031	97
807650	97

Front Panel	
D510066DG	55
D510066WP	55
D512542	55
802277DG	29
802277WP	29
802288P	29
Front Panel Assembly Kit	
806505W	31
806560	31
Front Panel Seal	
D511056	55
Fuse Notice Label	
61294	61

G

Gas Clearance Label	
D511004	83
Gas Harness	
D517477	93, 95
D518663	95
Gas Label	
D505215	83
Gas Power Harness	
D518536	91, 95
D518663	91, 95
Gas Valve Assembly	
60353P	69
Gas Valve Harness	
D516367	91, 95
Gas Valve Mounting Bracket	
D510128	69, 71
Gas Valve, Bracket and Pipe Assembly	
D517606	71
Gasket	
802427	45
Glass Mounting Clip	
802700	29
Glide Kit	
RB170003	59
Gravity Drain Bracket	
803291	43
803833	47
Grommet	
29175	37
Ground Wire Assembly	
518257	63

H

Harness	
805684	91, 95
808123	95
Harness Strap	
55881	49, 81
Heat Duct Shroud	
D510101	67
Heater Assembly	
D510324P	65
D510329P	65
D510330P	65

N/A items do not appear in index.

Heater Duct Assembly D510025P	65, 67
Heater Kit	
964P3	65
965P3	65
Heater Kit Assembly	
61927	65
61928	65
Thermostat Opening Cover 61203	47
Hinge	
D511036	51, 53
Hinge Hole Plug D510186	55
Hinge Plate 802206	29
Hold Down Kit 526P3	75
Hole Plug M412154	47
Hose Clamp	
F200204	45
20211	45
20391	45
685725	33, 43
802281	29
803891	37
807386	33, 35
Hose Clip 36985	37, 49
800553	37
Housing, 10 Position D500338	79

I

Idler Lever D516310	57
Idler Lever and Wheel Assembly D516792	57
Idler Spring D510185	57
Idler Wheel and Bearing Assembly D510142P	57
Igniter and Bracket Assembly D510184P	69, 71
Inner Basket Assembly 804374P	39
Inner Basket Assembly Kit 804376P	39
Inner Door Bezel 808097	29
Inner Door Bezel Kit	
808095	29
808096	29
Insert 685716	33
Instruction Label	
805665	17
806195	17
Insulated Female Flag Terminal 00221	81

Inverter Control Assembly 807175P	41
--	----

K

Key 54612	7, 9
--------------------	------

L

Lead-In Cord	
D517698	77
202777	49, 77
Lead-In Pipe Assembly D510204	69
Left Hand Thread Label	
685928	85
804949	85
Leveling Leg	
D510135	75
34319	47
Lid Assembly 802426P	45
Lifter 804382	39
Limit Thermostat	
D510701	65
D510702	67
Liner and Seal Assembly D516509	53
Lint Filter	
D503980LG	61
D503980W	61
Lint Filter Label D502781	83
Lock Assembly	
804339P	7, 9
807761	7
Lock Cam	
27261	7, 9
804338	7, 9
807760	7
L.P. Conversion Kit 458P3	69, 71
L.P. Orifice	
D503786	73
58755	73

M

Machine ID Control Assembly 203361P	7, 9
Male Pin Terminal 00116	81
Meter Case Assembly	
807254DG	17
807396B	17
807396W	17
Mixing Valve 807837P	35

N/A items do not appear in index.

Mixing Valve Screen	
F8161201	35
24122	35
Motor and Pulley Assembly	
D511629P	57
Motor and Rod Assembly Kit	
805726P	41
808034P	41
808067P	41
Motor Control Shield	
804878	41
Motor Harness	
806029	97
807294	97
Motor Hub Ring Kit	
590P3	57
Motor Mount	
D518517	57
Motor Mount Clamp	
D510180	57
Motor Pulley	
D500011	57
Motor Rod	
803861	41
807739	41
Motor Switch Bracket	
D516311	57
Mounting Tool Kit	
CK096	23

N

Natural/L.P. Gas Label	
D500240	83
Notice Label	
D516073	85
803011	85
Nut	
F430218	37
03673	49
201216	23
21899	47
23951	29
29786	21, 43
36020	29
44087201	17
52566	57
56156	57, 63
685846	29
800452	37, 39
802343	37
804418	39
N.G. Conversion Kit	
459P3	69, 71
N.G. Orifice	
D503776	73
D503778	73
D503779	73
D503780	73
D510517	73

O

O-Ring	
802429P	45
Outer Door Bezel	
808091	29
808092	29
808094	29
Outer Tub Assembly	
803864	37
807479	37
807618	37
Outlet Cover	
D500820	65, 67
D518524	67
Out-of-Balance Switch Assembly	
803415	37
807384	37
Out-of-Balance Switch Bracket	
804457	37
807280	37
Output Control Assembly	
D513797P	75
D517191P	75
808149	41
808150	41
Overlay	
D514873	25
D518675	27
201091	17, 23
804852	13
805380	13
806174	13
807693	13
807826	13
Overlay Kit	
38676	17
Oversudsing Label	
802074	85
802838	85

P

Paint	
806436P	47, 75
Panel Locator	
56079	29, 47, 55, 75
Pinch Warning Label	
F8615701	83, 85
Plug	
23040	81
Plug, 9 Circuit	
23033	81
Pop Rivet	
685847	37
Porcelain Touch-Up Paint	
122P4P	47, 75
Power Cord Assembly	
58992	77
Power Harness	
D514044	91, 95
D518656	91, 95
807298	97

N/A items do not appear in index.

Pressure Bulb	
808013	37
Pressure Sensor	
203843	47
Pressure Sensor Harness	
804433	97
807656	97
Pressure Sensor Tube Assembly	
804483	37
Pulley Assembly	
808197	39
Pulley Bolt Tightening Fixture	
802336	89
Pump Housing	
802428	45
Pump Housing Assembly	
802434P	45
Pump-to-Elbow Hose	
803734	45
Pump-to-Gravity Drain Kit	
805771	45

R

Rear Access Panel	
803998	17, 25
807646	17, 25
Rear Bulkhead Assembly	
D510905WP	63
D511082P	63
Rear Panel	
803789	47
803790	47
806716	47
Rear Service Panel	
805834	19, 27
Receptacle, 2 Circuit	
D501223	81
Receptacle, 3 Circuit	
23039	81
36170	81
Receptacle, 6 Circuit	
26708	81
Retaining Ring	
23748	57, 63
Roller Kit	
RB170002	63
Rubber Foot	
D501855	47
34318	47

S

Screw	
D500824	57
D501285	61, 63
D501524	7, 9, 41
D502535	57
D503661	7, 9, 15, 29, 41, 43, 45, 47
D503688	13, 17, 19, 25, 27, 55, 57, 59, 63, 65, 67, 69, 71, 75
D505295	51, 53

D505870	53
D514428	75
D515967	53
F8206901	41
M400043	39, 87
M400057	41
02916	41, 43
20530	49, 77
23222	65, 69, 71
31260	57
33562	55
36048	75
39733	29, 47, 55, 75
51782	67, 69, 71
52864	61
52909	45
56124	69, 71
61199	63
62588	59
685831	39
70240301	17, 25
800461	37
800462	37
800548	29, 33, 39
801001	33
801019	29
801045	29
801993	29
802431	45
802596	37
804399	39
804608	7, 9
804667	75
804699	39
806086	29
806276	25, 47
Screw Orifice	
58719	73
Seal Kit	
RB170001	59, 63
Secondary Coil	
58804B	69, 71
Security Cabinet Front Assembly	
D511208W	27
D518148W	27
D518305WP	19
Security Cabinet Harness	
D513991	97
D517970	97
Security Cabinet Wrapper Assembly	
801235W	27
801528W	27
Security Cabinet Wrapper Assembly	
801235W	19
Sensor	
D510213	69, 71
Serial Pay Control Assembly	
807714	15
Serial Pay Harness	
F8713906	15
Shaft	
56461P	57, 63
Shield Bracket	
804018	13
Shipping Bracket Label	
686901	87

N/A items do not appear in index.

Shipping Materials Kit 805729	87
Shipping Plate 803851	47
Shipping Plug 8038589	47
Shock Assembly 803777P	37
Side Panel Kit 806492	47
Single Coin Harness Assembly 202870	21
Single Overlay 38717	17
Snap Bushing D503235	43
Speed Clip 28835	55
Standpipe Strap 33489	45
Strain Relief 38384	49, 77
Switch D512973	7, 9, 17, 55
D516391	57
70529301	17

T

Terminal 00252	81
Terminal Block Assembly D510190P	63
Terminal Block Shield D510237	63
Terminal Extractor Tool 283P4	79
Thermal Fuse Assembly D518649	65
Thermistor Assembly D510523	57
Top Hinge D510136	75
Top Kit D510032WP	75
Top Panel D510032DG	75
803144P	75
Transformer 201375P	23
202757	7, 9
Transformer Harness 804795	7, 9
Transformer Kit 203423	7, 9
Trunnion Shaft Kit 808043	39
Tub Front 803770	37
Tub Front Assembly 803879	37

Tub Front Seal 803801	37
Tub-to-Gravity Drain Hose 803874	43
Tub-to-Pump Hose 803829	45

U

Upper Electric Harness D516756	93
D517238	93
D517476	93, 95
Upper Gas Harness D516753	93
D517094	93

V

Venting Instruction Label D502791	83
--	----

W

Warning Label D500049	37, 83
D500314	85
D500316	83, 85
D502508	83
D512263	83
D516243	55, 83
44324001	83
802367	85
803260	83, 85
806591	85
Warning/Caution Label D500281	55, 83
Washer D504082	63
M400014	87
M400017	43
M400080	41
M400081	37
M403958	39
02834	41
03815	49
20290	35
26509	75
52549	57, 63
800457	39
802254	35
803615	35
804458	37
807679	39
Window Trim D515956W	53
Wire Assembly D518255	65
D518256	65
Wire Clip D504034	49
687500	49

N/A items do not appear in index.

Wire Guard	
201595P	21
Wire Ring and Spring	
806466	29
Wire Tie	
38663	49
Wireless Network Board Harness	
F8536002	15
Wireless Network Control Assembly	
203532	15
807211	15
Wireless Network Harness	
F8674006	15
Wire, 12 Gauge	
45380	91, 95
Wire, 18 Gauge	
45001	91, 95
Wiring Harness Assembly	
202868	7
202869	7, 9
204916	95
Wrapper Assembly	
804104B	17
804104DG	17
804104W	17
804112B	25
804112W	25
Wrench	
392P4	89
