

# Washer-Extractor

Refer to Page 3 for Model Numbers

Parts



[www.alliancelaundry.com](http://www.alliancelaundry.com)

Part No. D1267R2  
December 2015



# Table of Contents

Title	Page
Parts Ordering Information.....	2
Serial Plate Location .....	2
Model Identification .....	3
Base .....	4
Base Compressed Air Components (Drawing 1 of 2) .....	6
Base Compressed Air Components (Drawing 2 of 2) .....	8
Shock Absorber .....	10
Shell (Drawing 1 of 2) .....	12
Shell (Drawing 2 of 2) .....	14
Drain .....	16
Basket and Seals .....	18
Bearings and Basket Pulley .....	20
Motor .....	22
Brake.....	24
Left Side Panels (Drawing 1 of 2) .....	26
Left Side Panels (Drawing 2 of 2) .....	28
Right Side Panels .....	30
Door Lock.....	32
Door (Drawing 1 of 2).....	34
Door (Drawing 2 of 2).....	36
Control Module - PS40 Control .....	38
Control Module - PLC Control .....	40
Water Inlet Plumbing.....	42
Steam Plumbing.....	44
Water Inlet Valves .....	46
Supply Dispenser .....	48
Air Compressor (Drawing 1 of 3) .....	50
Air Compressor (Drawing 2 of 3) .....	52
Air Compressor (Drawing 3 of 3) .....	54
Balance Switch .....	56
Electrical Box (Drawing 1 of 7).....	58
Electrical Box (Drawing 2 of 7).....	60
Electrical Box (Drawing 3 of 7).....	62
Electrical Box (Drawing 4 of 7).....	64
Electrical Box (Drawing 5 of 7).....	66
Electrical Box (Drawing 6 of 7).....	68
Electrical Box (Drawing 7 of 7).....	70
Parts Index.....	73

© Copyright 2015, Alliance Laundry Systems LLC

All rights reserved. No part of the contents of this book may be reproduced or transmitted in any form or by any means without the expressed written consent of the publisher.

## Parts Ordering Information

If literature or replacement parts are required, contact the source from whom the machine was purchased or contact Alliance Laundry Systems at (920) 748-3950 for the name and address of the nearest authorized parts distributor.

For technical assistance, call either of the numbers listed below:

(920) 748-3121 Ripon, Wisconsin

+32 56 41 20 54 Wevelgem, Belgium

## Serial Plate Location

When calling or writing about your product, be sure to mention model and serial numbers. Model and serial numbers are located on serial plate(s).

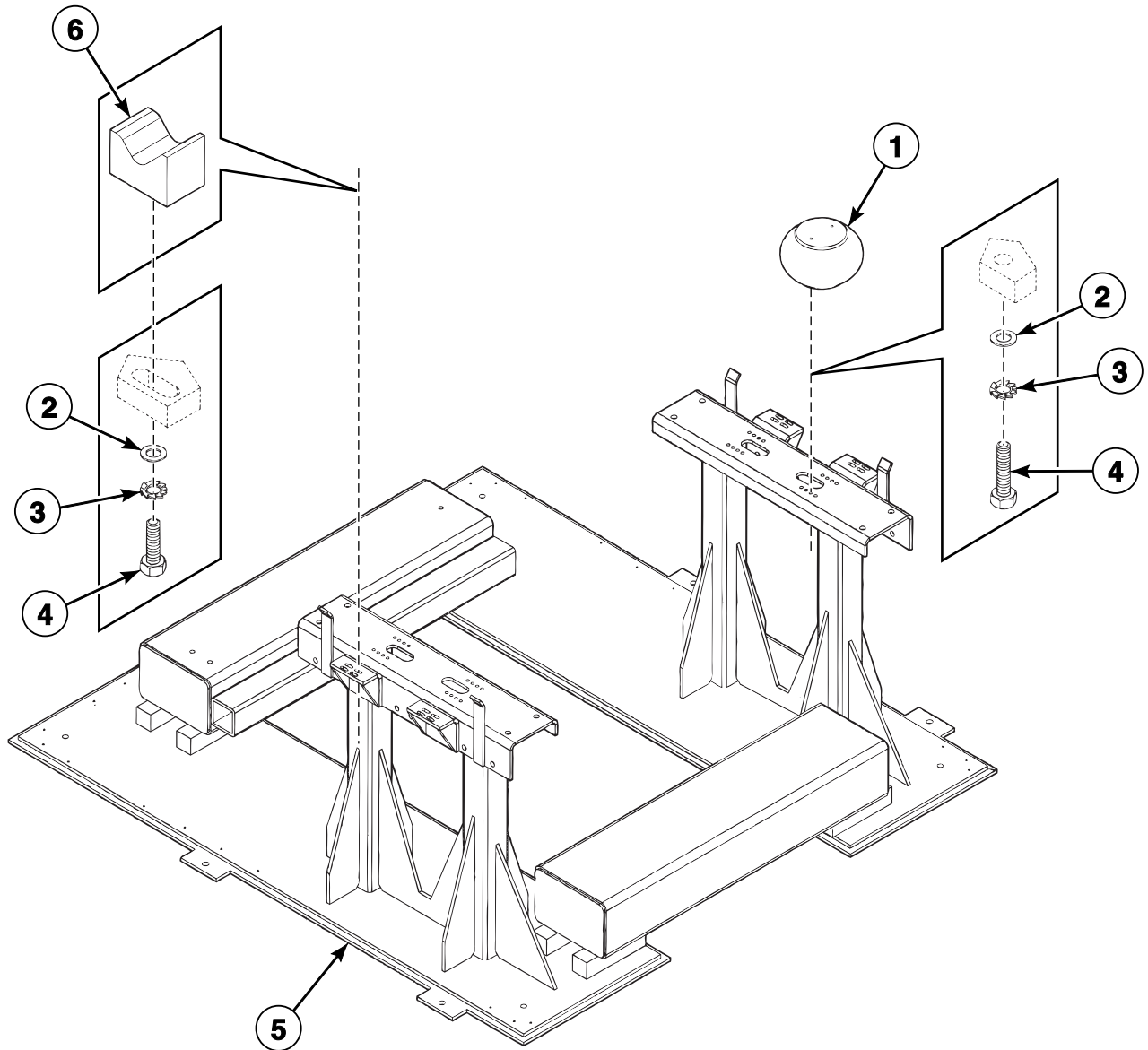
## **Model Identification**

Information in this manual is applicable to this washer-extractor model:

DH1250

DHE1250AV

# Base

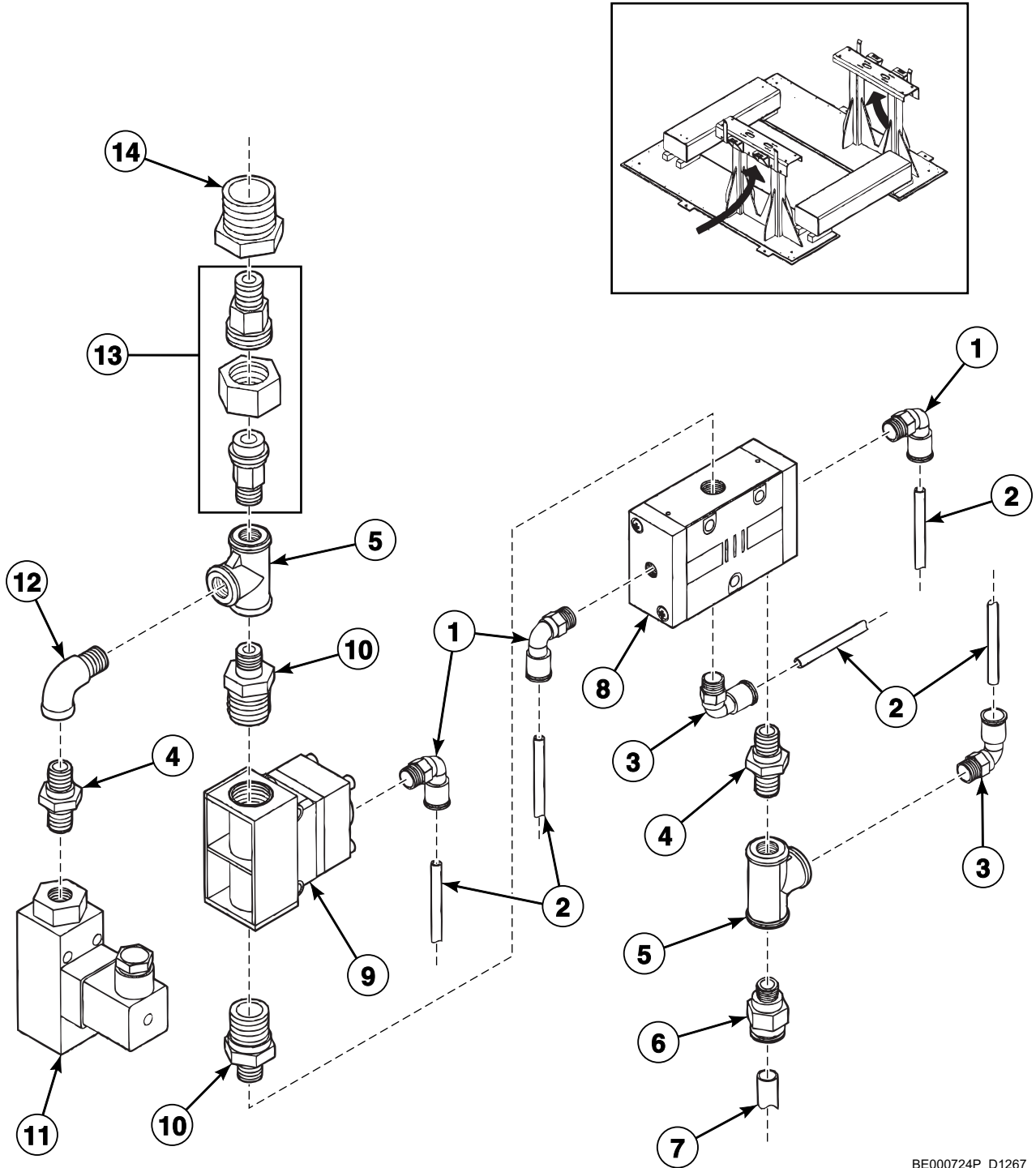


BE000723P\_D1267

# Base

REF	PART NO.	DESCRIPTION	COMMENTS
1	225/00100/00	Air Mount	
2	202/00002/00	Washer	
3	203/00003/00	Washer	
4	206/00042/00	Bolt	
5	125/00100/00	Base	
6	125/02040/00	Support Bracket	

# Base Compressed Air Components (Drawing 1 of 2)



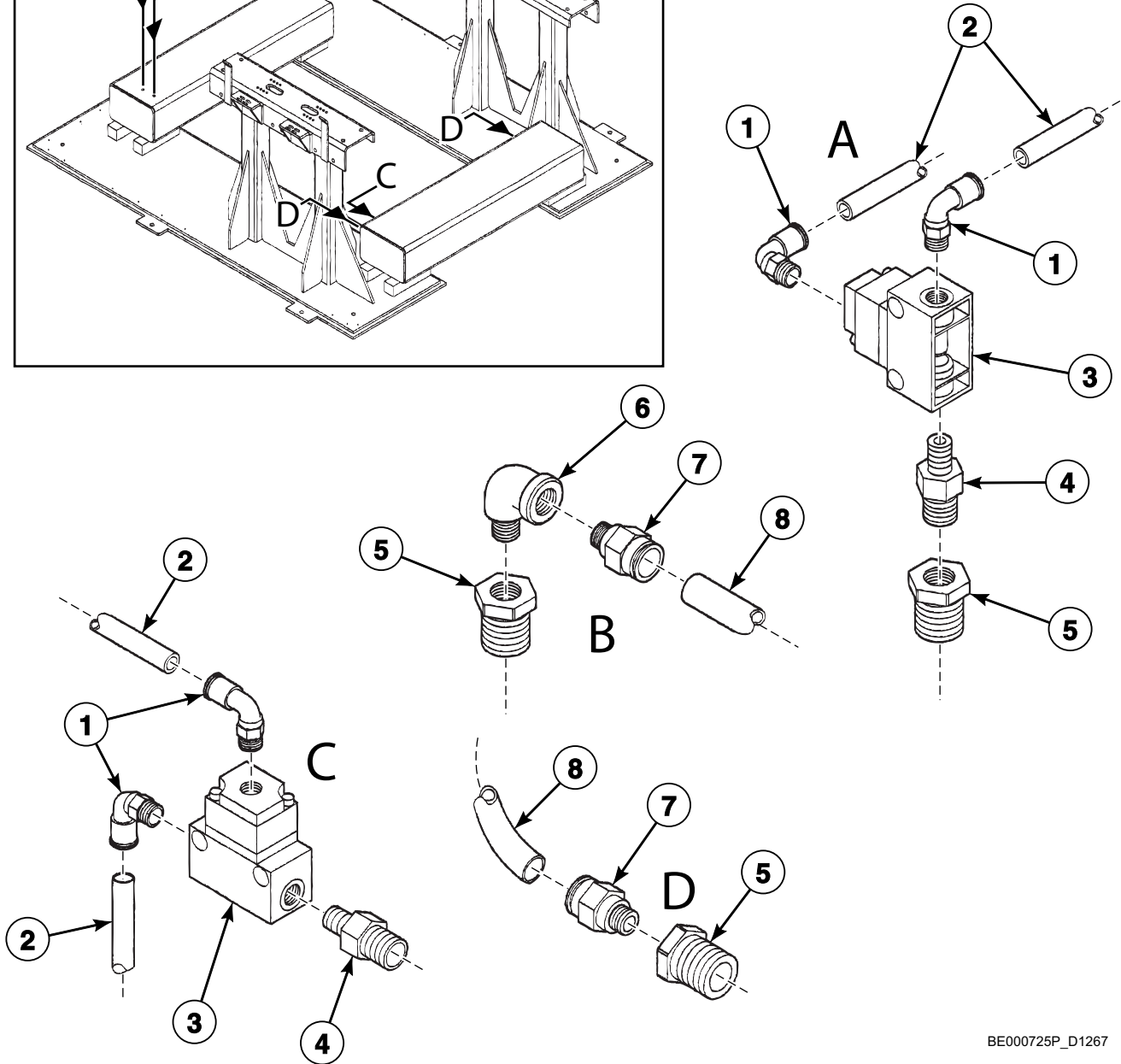
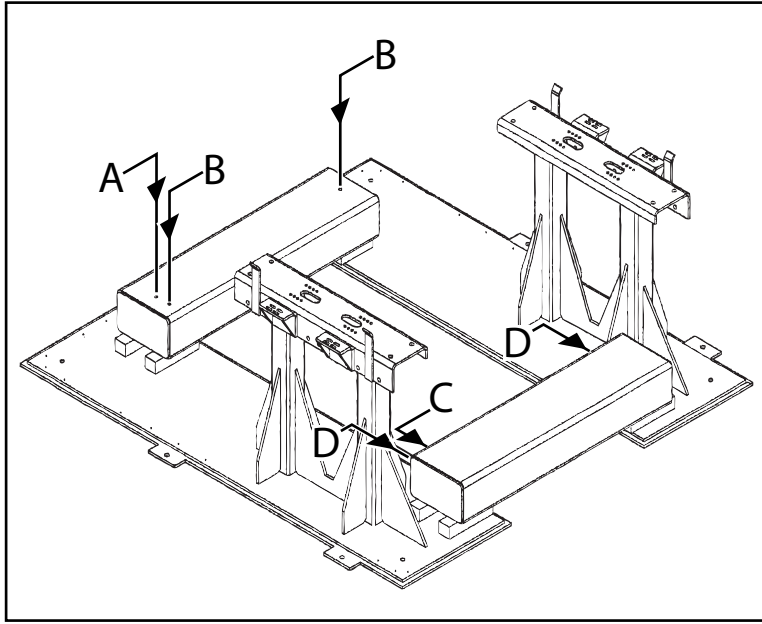
BE000724P\_D1267



## Base Compressed Air Components (Drawing 1 of 2)

REF	PART NO.	DESCRIPTION	COMMENTS
1	Z02503700	Elbow	
2	225/50301/00	Hose	
3	Z02503702	Elbow	
4	Z04632002	Connector	
5	Z04617002	Tee Connector	
6	225/50270/00	Connector	
7	225/50291/00	Hose	
8	225/50150/00	Vent	
9	225/50180/00	Valve	
10	Z04628003	Connector	
11	225/50170/00	Valve	
12	Z04611002	Elbow	
13	Z04645002	Connector	
14	Z04627011	Connector	

# Base Compressed Air Components (Drawing 2 of 2)

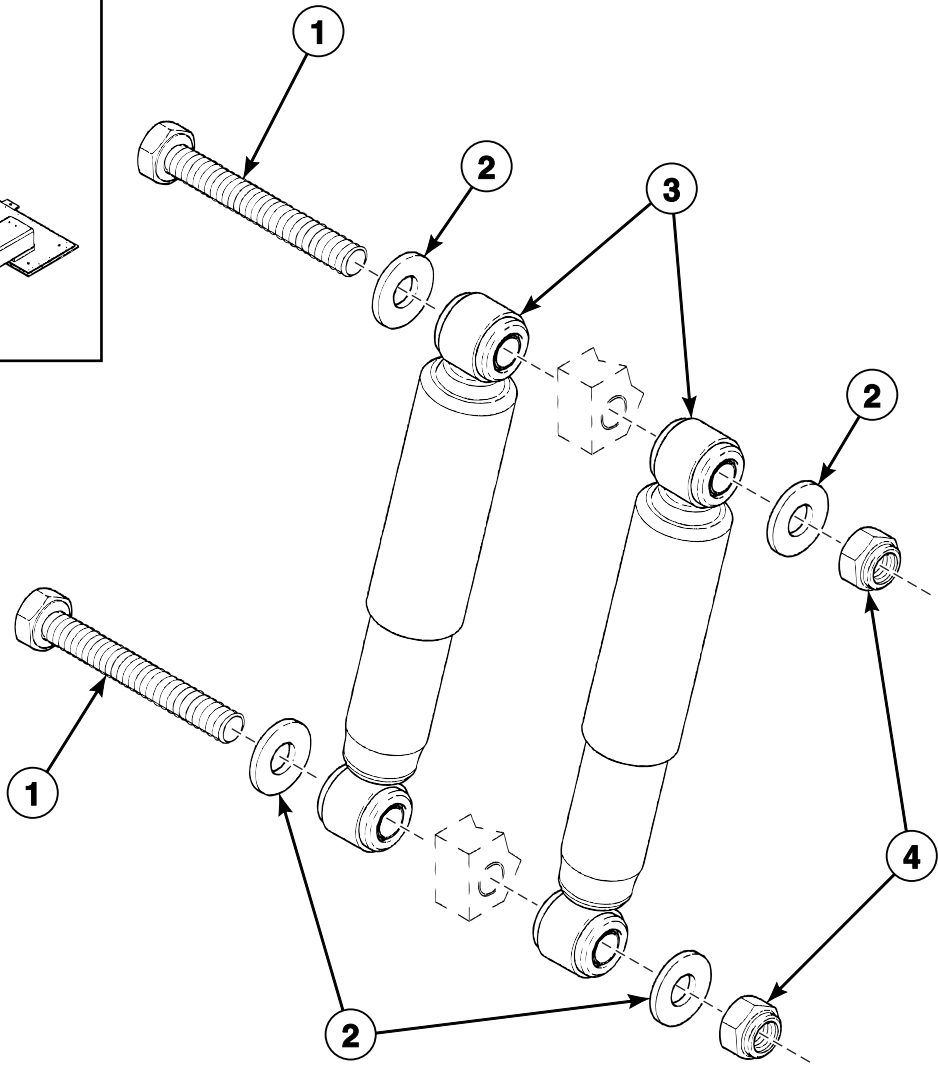
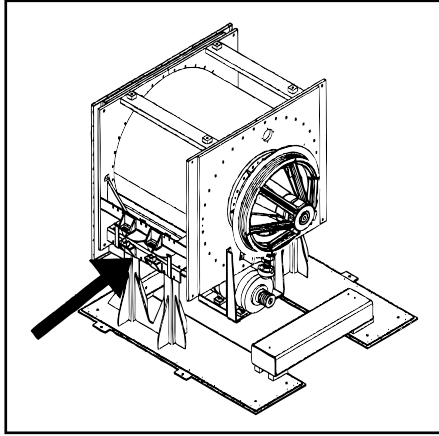


BE000725P\_D1267

## Base Compressed Air Components (Drawing 2 of 2)

REF	PART NO.	DESCRIPTION	COMMENTS
1	Z02503700	Elbow	
2	225/50301/00	Hose	
3	225/50110/00	Valve	
4	Z04628001	Connector	
5	Z04627005	Connector	
6	Z04611002	Elbow	
7	Z02503734	Coupling	
8	Z02503622	Hose	

# Shock Absorber

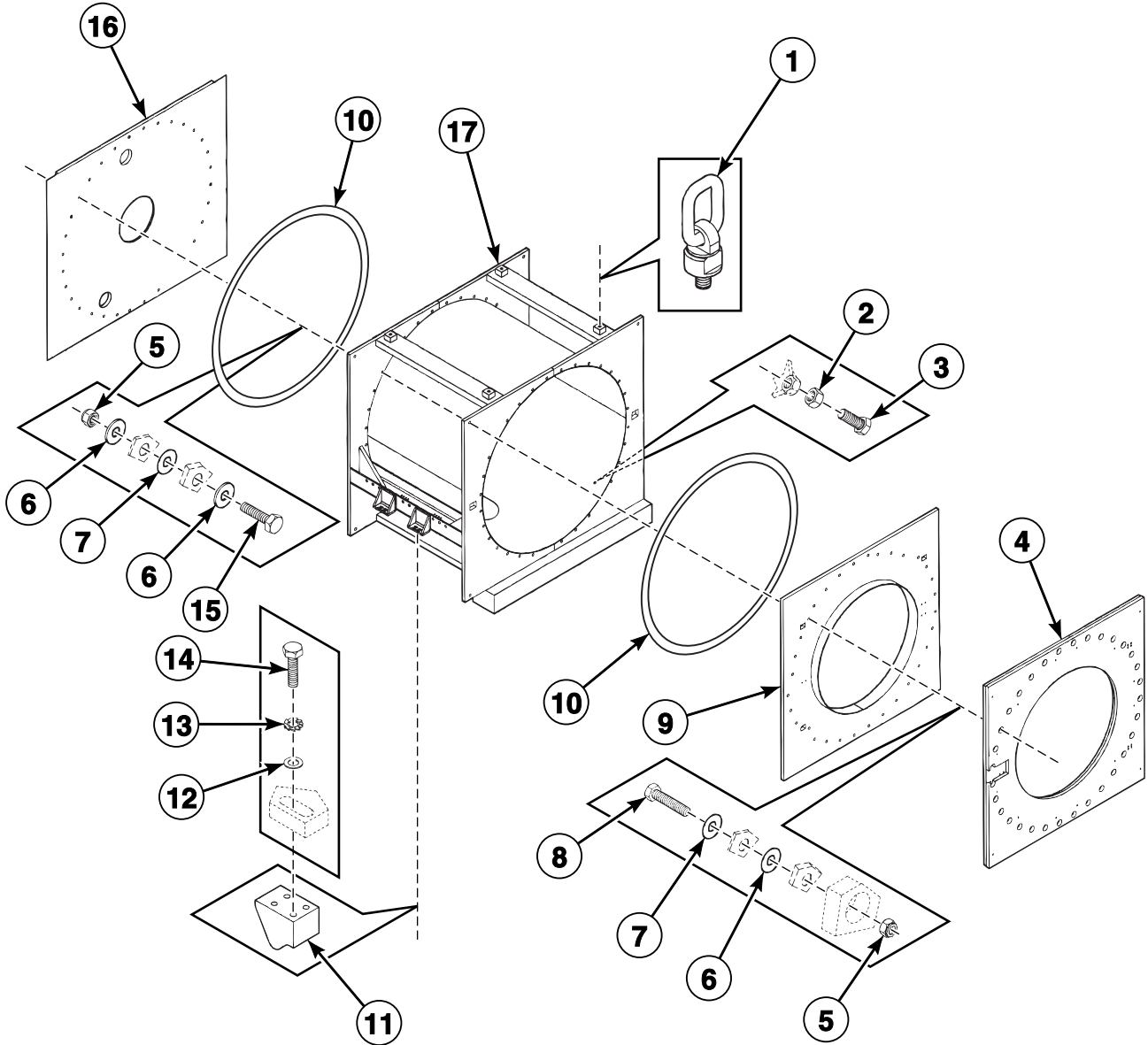


BE000732P\_D1267

# Shock Absorber

REF	PART NO.	DESCRIPTION	COMMENTS
1	Z01705256	Bolt	
2	Z01757063	Washer	
3	247/00008/00	Shock Absorber	
4	Z01770009	Nut	

# Shell (Drawing 1 of 2)

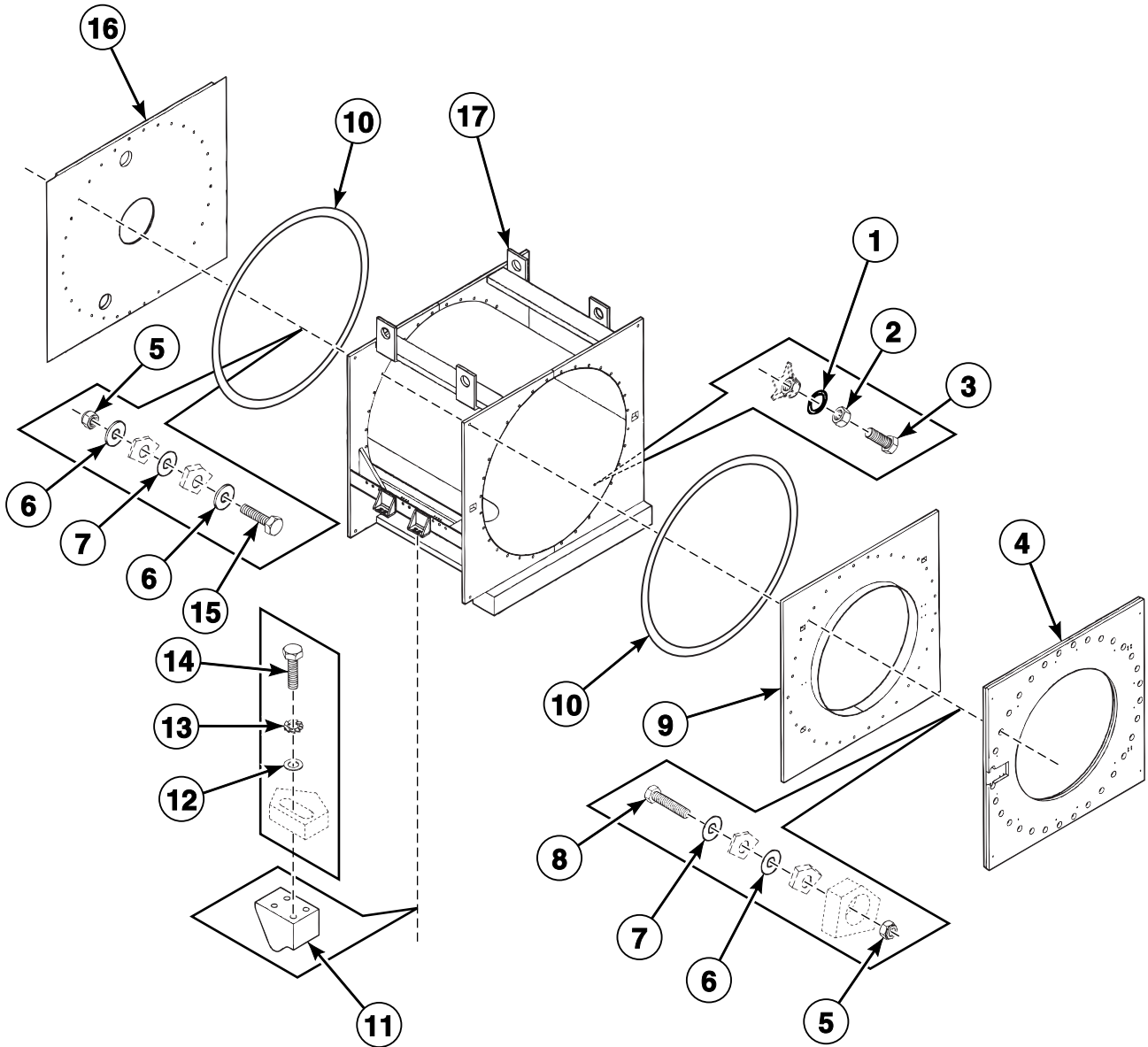


BE000726P\_D1267

## Shell (Drawing 1 of 2)

REF	PART NO.	DESCRIPTION	COMMENTS
1	Z01769010	Bracket	
2	Z01912025	Nut	
3	Z01902242	Bolt	
4	125/00251/00	Counterweight	
5	Z01770009	Nut	
6	201/00001/00	Washer	
7	201/00002/00	Washer	
8	Z01705253	Bolt	
9	125/00250/00	Shell Front	
10	223/00321/00	Gasket	
11	125/02040/00	Support Bracket	
12	202/00002/00	Washer	
13	203/00003/00	Washer	
14	206/00042/00	Bolt	
15	206/00153/00	Bolt	
16	125/00210/00	Shell Back	
17	125/00200/00	Shell	

# Shell (Drawing 2 of 2)



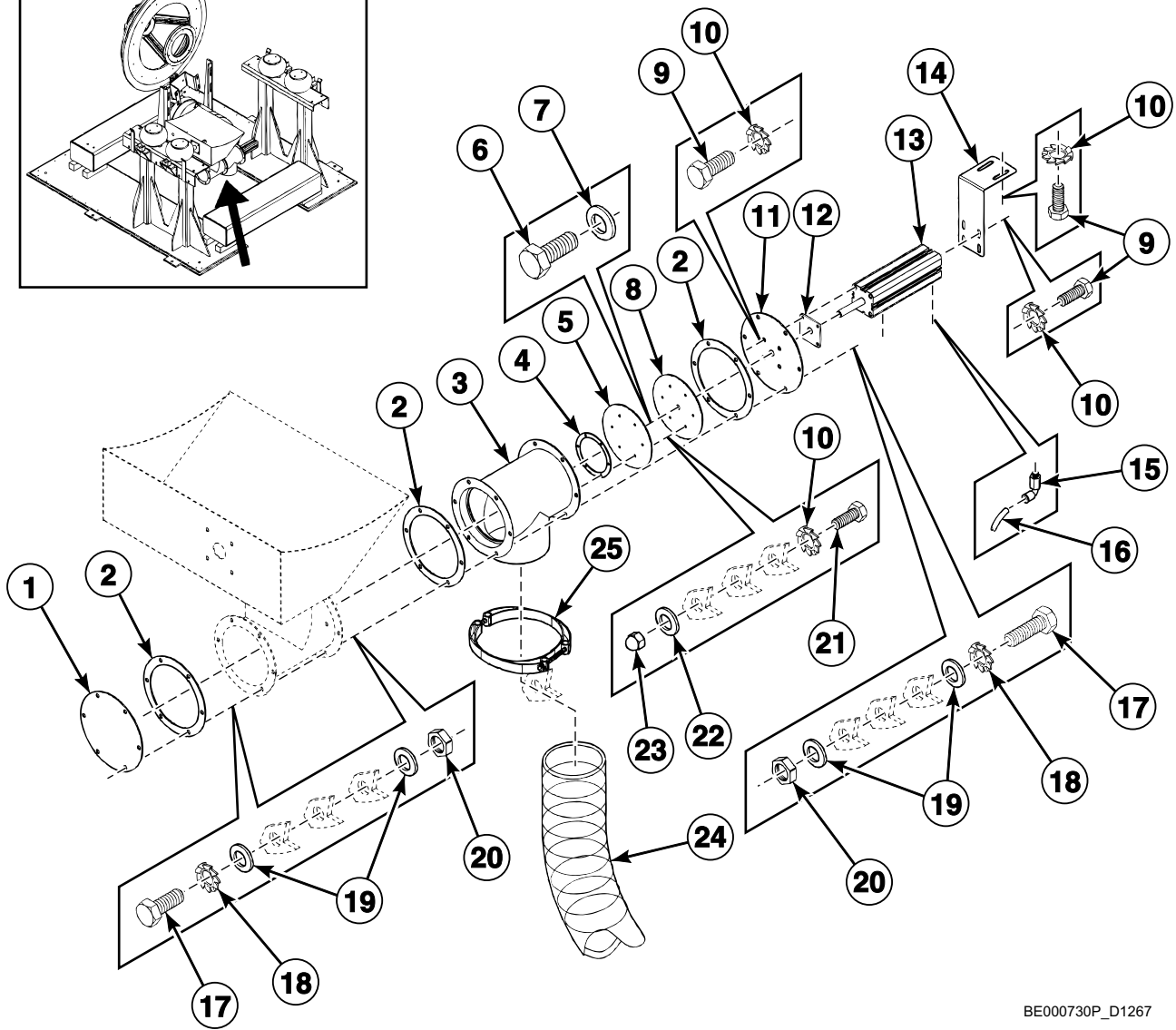
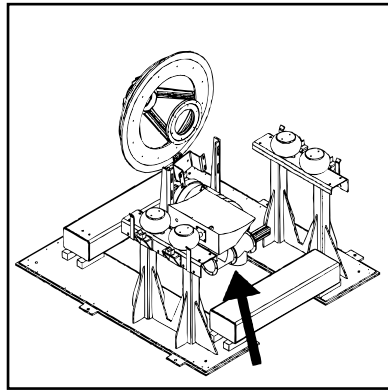
BE000726AP\_D1267



## Shell (Drawing 2 of 2)

REF	PART NO.	DESCRIPTION	COMMENTS
1	225/60030/00	Washer	
2	Z01912025	Nut	
3	Z01902242	Bolt	
4	125/00251/00	Counterweight	
5	Z01770009	Nut	
6	201/00001/00	Washer	
7	201/00002/00	Washer	
8	Z01705253	Bolt	
9	125/00250/00	Shell Front	
10	223/00321/00	Gasket	
11	125/02040/00	Support Bracket	
12	202/00002/00	Washer	
13	203/00003/00	Washer	
14	206/00042/00	Bolt	
15	206/00153/00	Bolt	
16	125/00210/00	Shell Back	
17	125/00200/00	Shell	

# Drain

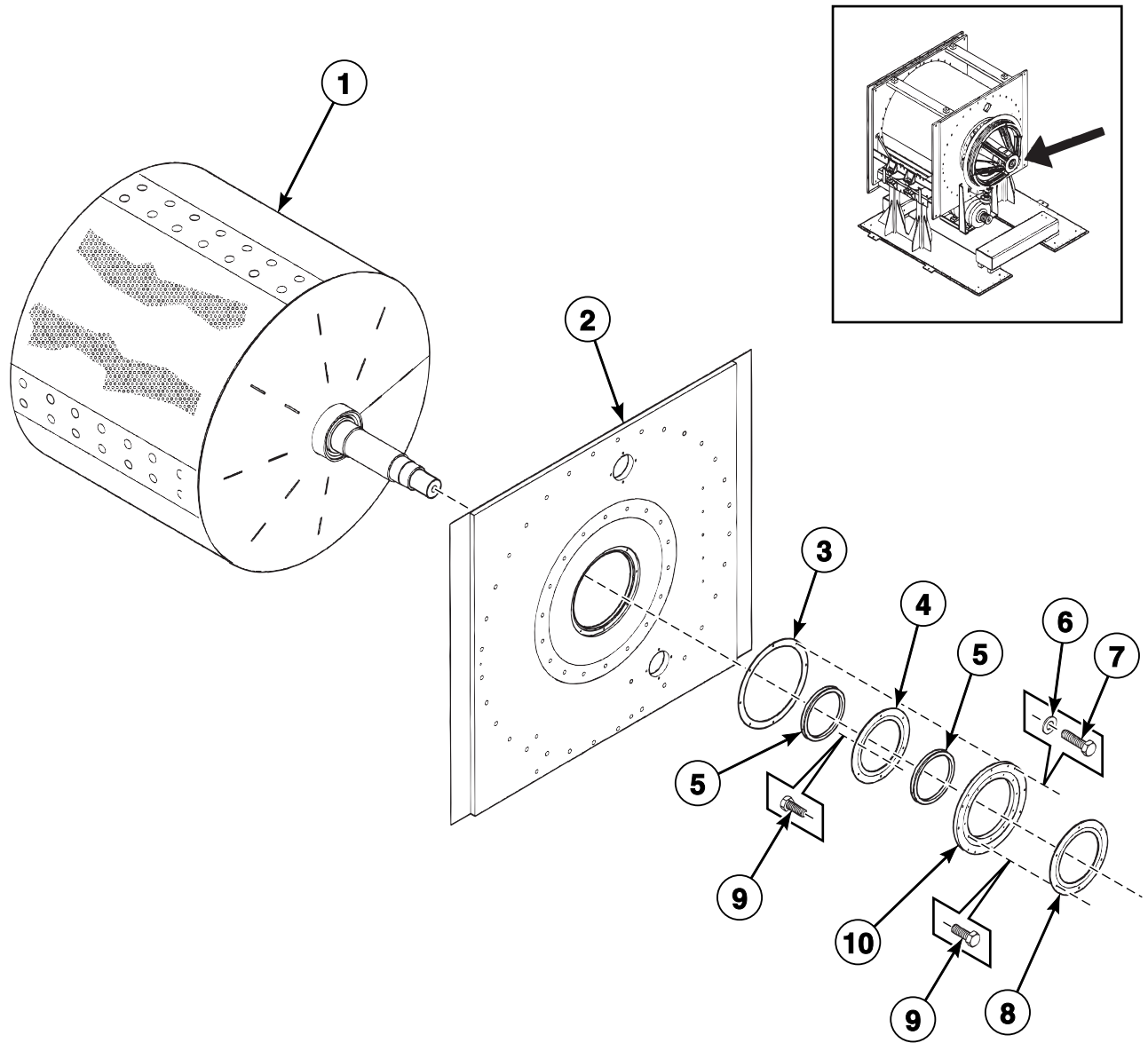


BE000730P\_D1267

# Drain

REF	PART NO.	DESCRIPTION	COMMENTS
1	125/00680/00	Plate	
2	223/00319/00	Gasket	
3	125/00670/00	Drain Body	
4	125/02060/00	Gasket	
5	223/00326/00	Cover	
6	205/00102/00	Bolt	
7	Z01912019	Washer	
8	125/02070/00	Plate	
9	Z01902093	Screw	
10	203/00004/00	Washer	
11	125/00690/00	Plate	
12	223/00320/00	Cover	
13	225/50030/00	Solenoid	
14	125/01240/00	Bracket	
15	209/00227/08	Elbow	
16	225/50301/00	Hose	
17	205/00122/00	Bolt	
18	203/00003/00	Washer	
19	202/00002/00	Washer	
20	204/00121/00	Nut	
21	205/00107/00	Bolt	
22	202/00110/00	Washer	
23	204/00123/00	Nut	
24	Z03202098	Hose	
25	Z02814230	Clamp	

# Basket and Seals

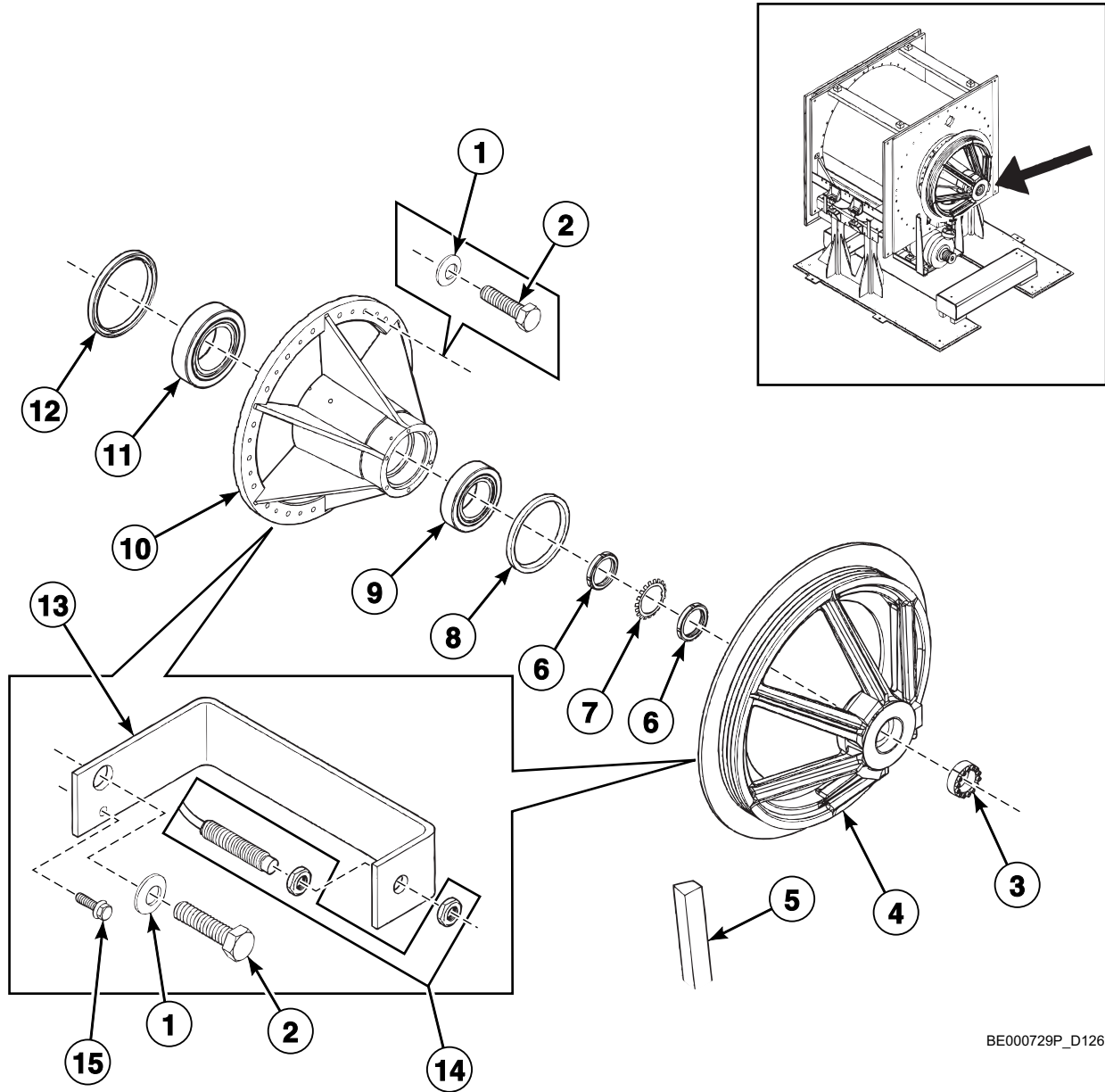


BE000728P\_D1267

## Basket and Seals

REF	PART NO.	DESCRIPTION	COMMENTS
1	Z62801200	Basket	
2	125/00210/00	Shell Back	
3	Z62721200	Seal	
4	Z62721000	Shaft Seal	
5	Z03663047	Lip Seal	
6	Z01915004	Washer	
7	Z01902097	Screw	
8	Z62721300	Shaft Seal	
9	Z01902091	Screw	
10	Z62721400	Disc	

# Bearings and Basket Pulley

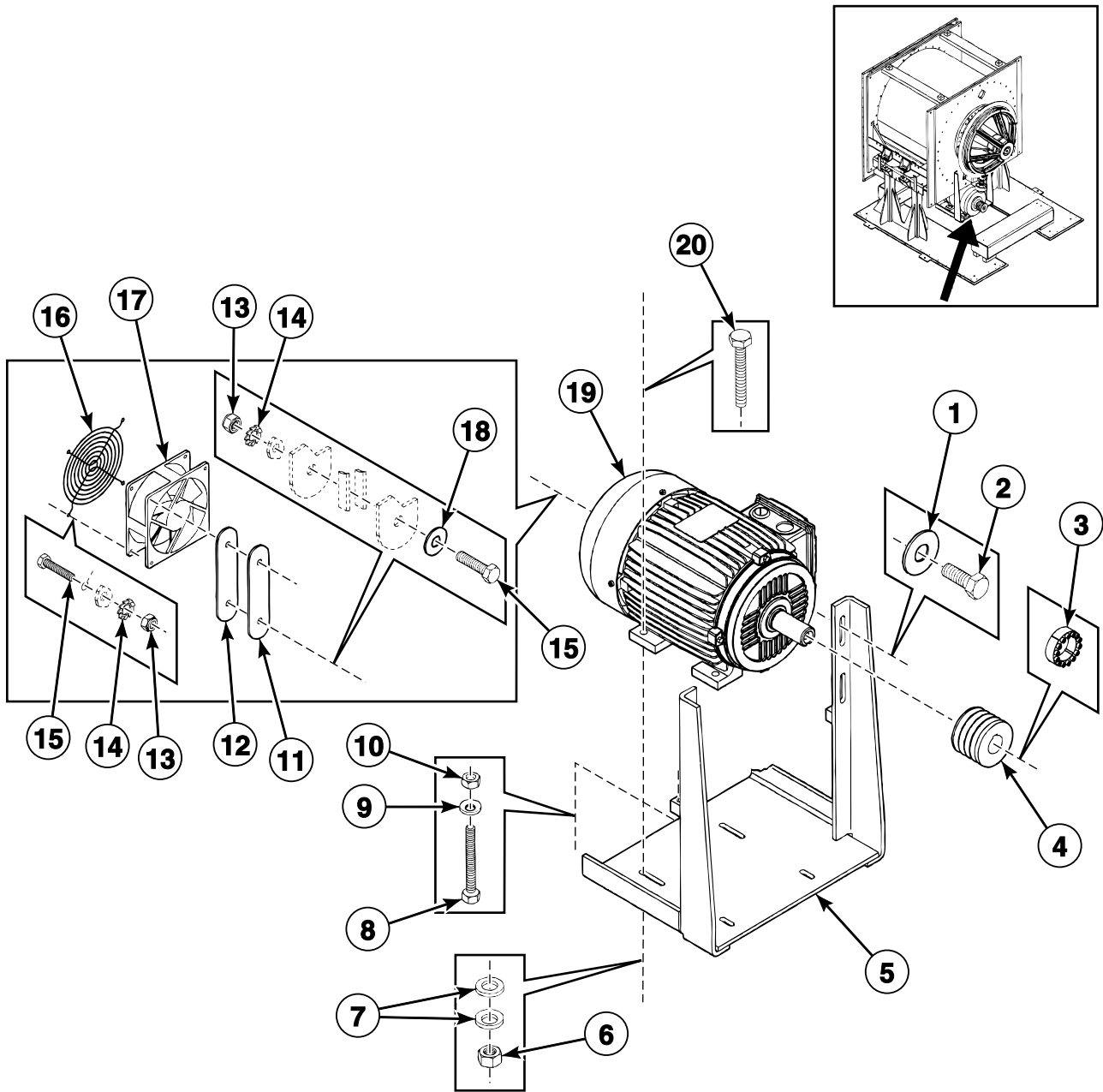


BE000729P\_D1267

## Bearings and Basket Pulley

REF	PART NO.	DESCRIPTION	COMMENTS
1	Z02203023	Washer	
2	Z01705245	Bolt	
3	Z02613016	Bearing	
4	225/60010/00	Basket Pulley	
5	226/00125/00	Belt	
6	Z03610141	Seal	
7	Z03610163	Retainer	
8	Z03650480	Seal Ring	
9	Z03607135	Bearing	
10	Z62721500	Bearing Housing	
11	Z03607139	Conical Bearing	
12	Z03650483	Seal Ring	
13	125/00710/00	Bracket	
14	209/00400/00	Speed Detector	
15	206/00099/00	Bolt	

# Motor



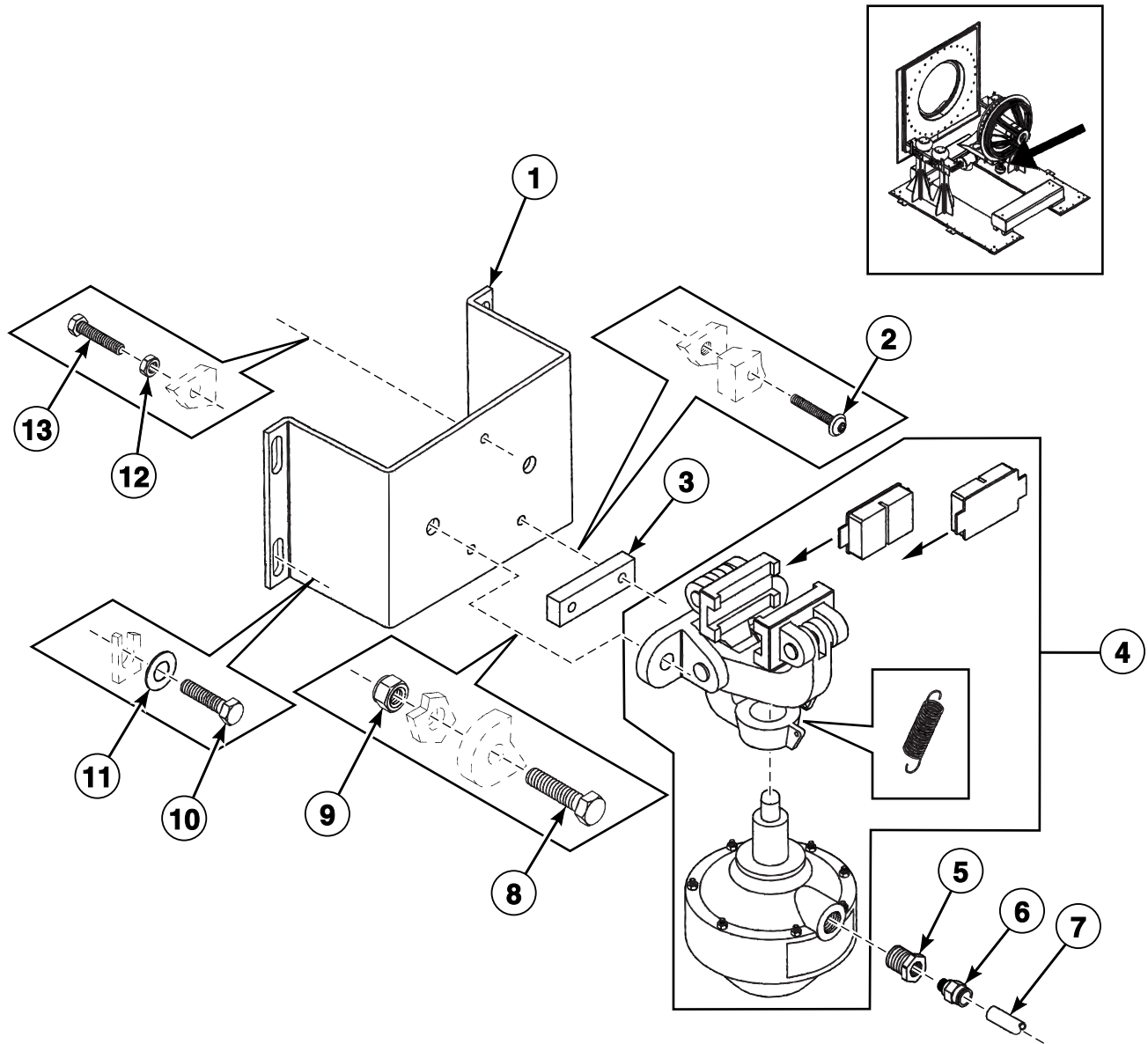
BE000731P\_D1267



# Motor

REF	PART NO.	DESCRIPTION	COMMENTS
1	Z01757063	Washer	
2	Z01705240	Bolt	
3	Z02613009	Bushing	
4	Z62786100	Motor Pulley	
5	125/00300/00	Bracket	
6	Z01741023	Nut	
7	Z01757012	Washer	
8	Z01705182	Bolt	
9	Z01757011	Washer	
10	Z01741021	Nut	
11	Z62418000	Shim	
12	Z62418100	Shim	
13	204/00007/00	Nut	
14	203/00006/00	Washer	
15	206/00088/00	Bolt	
16	209/00287/01	Fan Grill	
17	209/00287/00	Cooling Fan	
18	202/00004/00	Washer	
19	227/00190/00	Motor	
20	Z01705225	Bolt	

# Brake

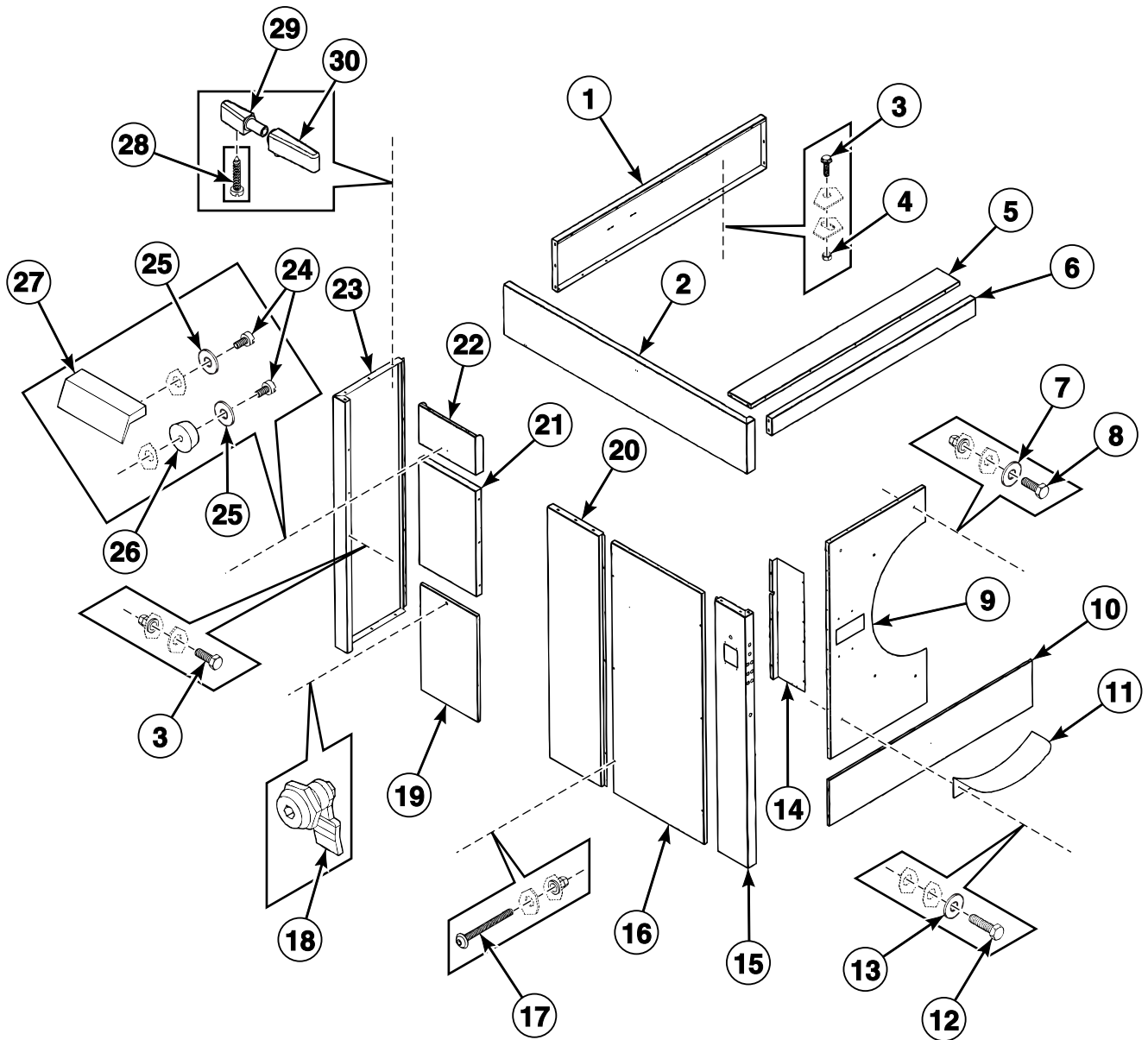


BE000744P\_D1267

# Brake

REF	PART NO.	DESCRIPTION	COMMENTS
1	125/00700/00	Bracket	
2	B12500601	Screw	
3	223/00332/00	Spacer	
4	225/00110/00	Brake	
5	Z04627005	Connector	
6	Z02503731	Coupling	
7	225/50301/00	Hose	
8	Z01705176	Bolt	
9	Z01770007	Nut	
10	Z01705148	Bolt	
11	Z01757008	Washer	
12	Z01741017	Nut	
13	Z01705122	Screw	

# Left Side Panels (Drawing 1 of 2)

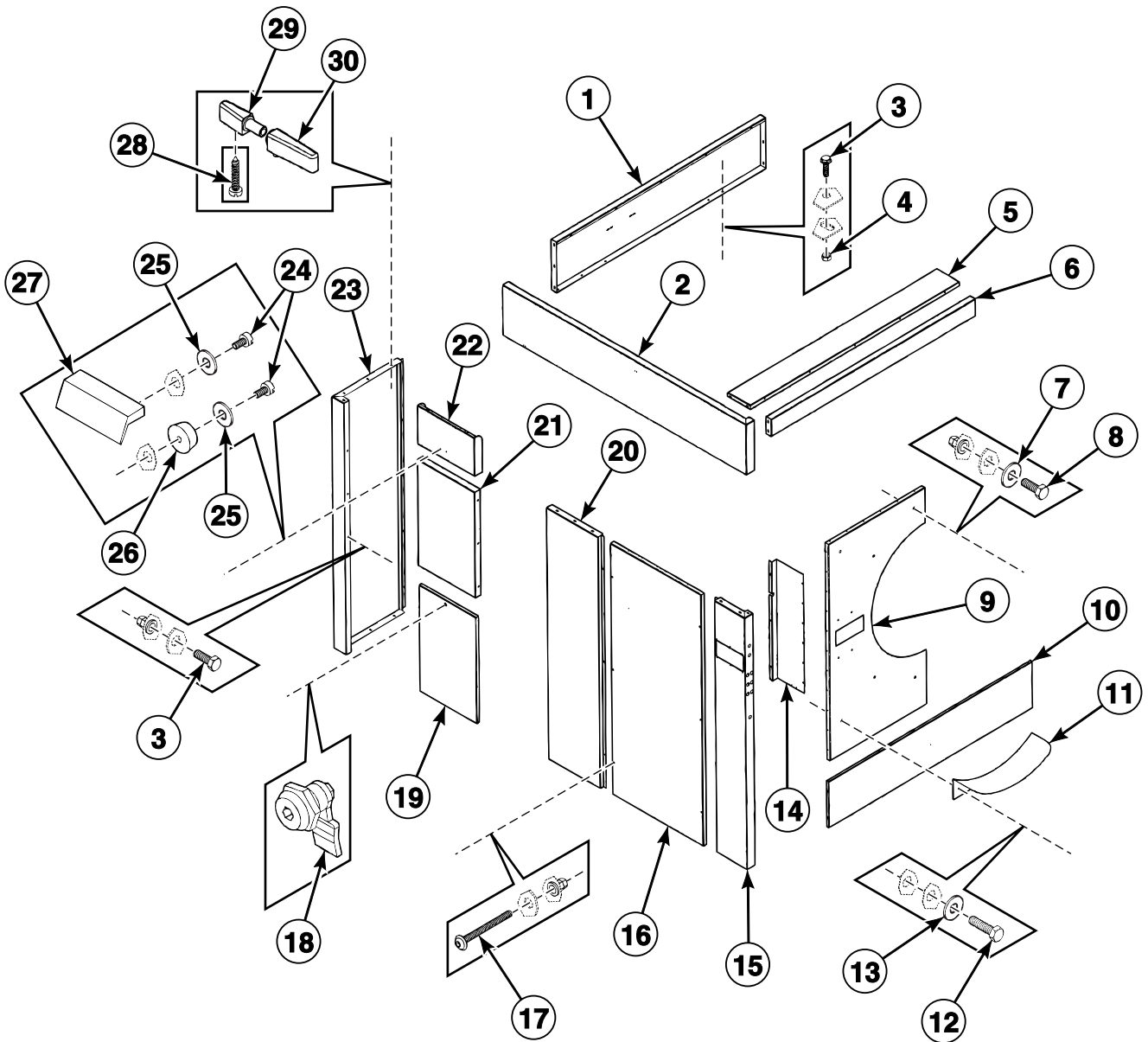


BE000735P\_D1267

## Left Side Panels (Drawing 1 of 2)

REF	PART NO.	DESCRIPTION	COMMENTS
1	125/01120/00	Upper Back Panel	
2	125/01110/00	Upper Left Panel	
3	206/00099/00	Bolt	
4	Z01912015	Nut	
5	125/01113/00	Front Top Panel	
6	125/01000/00	Top Front Panel	
7	202/00111/00	Washer	
8	Z01902143	Bolt	
9	125/01140/00	Left Front Panel	
10	125/01010/00	Bottom Front Panel	
11	125/01320/00	Panel	
12	205/00104/00	Bolt	
13	202/00110/00	Washer	
14	125/01210/00	Side Panel	
15	125/01060/00	Front Left Side Panel	
16	125/01030/00	Middle Panel	
17	B12500601	Screw	
18	125/02000/00	Component	
19	125/01170/00	Bottom Rear Left Panel	
20	125/01050/00	Side Panel	
21	125/01180/00	Middle Rear Left Side Panel	
22	125/01160/00	Upper Rear Left Side Panel	
23	125/01070/00	Left Back Panel	
24	207/00110/00	Screw	
25	202/00102/00	Washer	
26	223/00008/01	Handle Grommet	
27	223/00008/05	Soap Dispenser Cover Handle	
28	260/00043/03	Screw	
29	260/00043/02	Hinge Piece	
30	260/00043/01	Hinge Piece	

# Left Side Panels (Drawing 2 of 2)

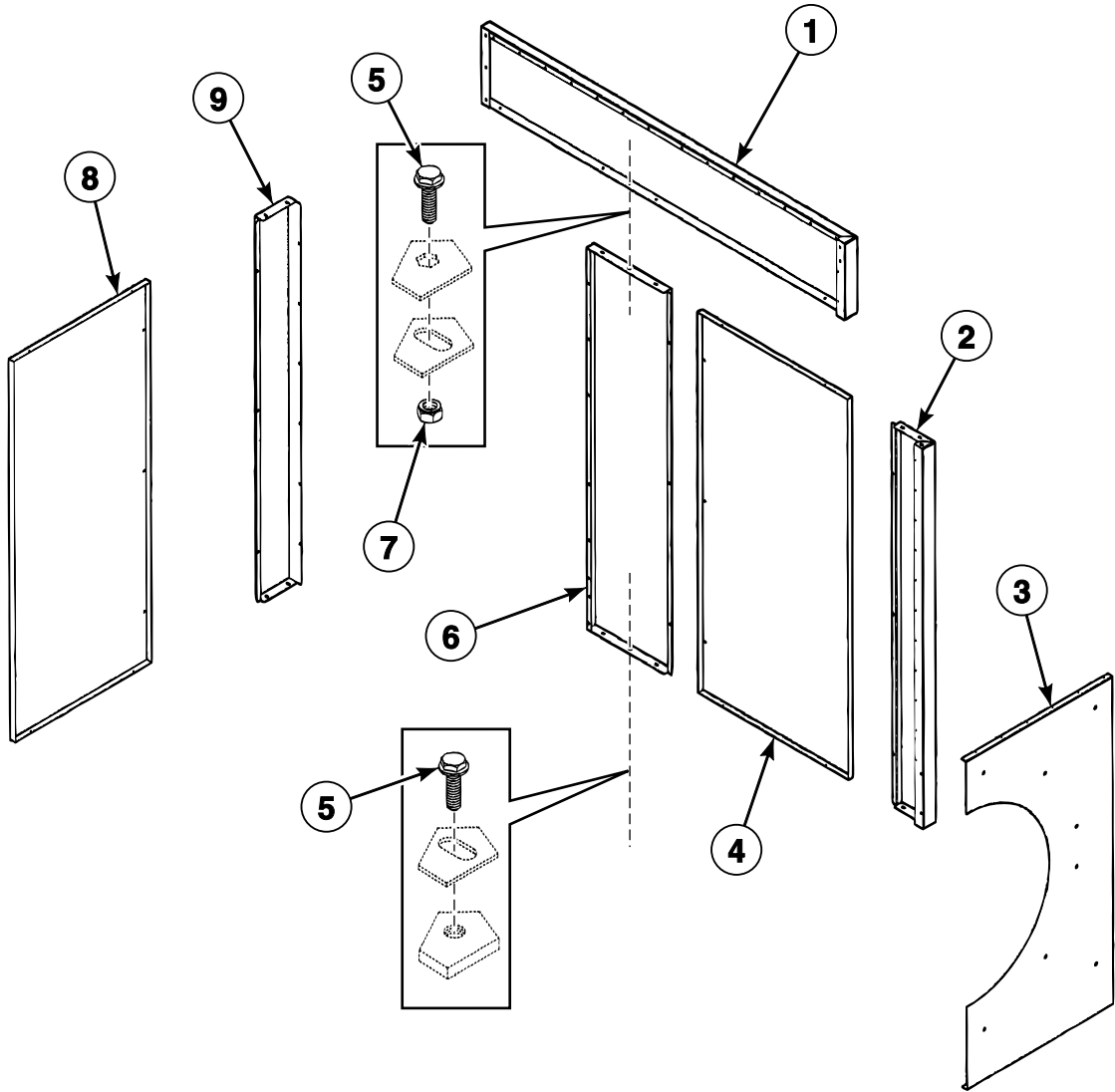


BE000755P\_D1267

## Left Side Panels (Drawing 2 of 2)

REF	PART NO.	DESCRIPTION	COMMENTS
1	125/01120/00	Upper Back Panel	
2	125/01110/00	Upper Left Panel	
3	206/00099/00	Bolt	
4	Z01912015	Nut	
5	125/01113/00	Front Top Panel	
6	125/01000/00	Top Front Panel	
7	202/00111/00	Washer	
8	Z01902143	Bolt	
9	125/01140/00	Left Front Panel	
10	125/01010/00	Bottom Front Panel	
11	125/01320/00	Panel	
12	205/00104/00	Bolt	
13	202/00110/00	Washer	
14	125/01210/00	Side Panel	
15	125/01190/00	Front Left Side Panel	
16	125/01030/00	Middle Panel	
17	B12500601	Screw	
18	125/02000/00	Component	
19	125/01170/00	Bottom Rear Left Panel	
20	125/01050/00	Side Panel	
21	125/01180/00	Middle Rear Left Side Panel	
22	125/01160/00	Upper Rear Left Side Panel	
23	125/01070/00	Left Back Panel	
24	207/00110/00	Screw	
25	202/00102/00	Washer	
26	223/00008/01	Handle Grommet	
27	223/00008/05	Soap Dispenser Cover Handle	
28	260/00043/03	Screw	
29	260/00043/02	Hinge Piece	
30	260/00043/01	Hinge Piece	

# Right Side Panels



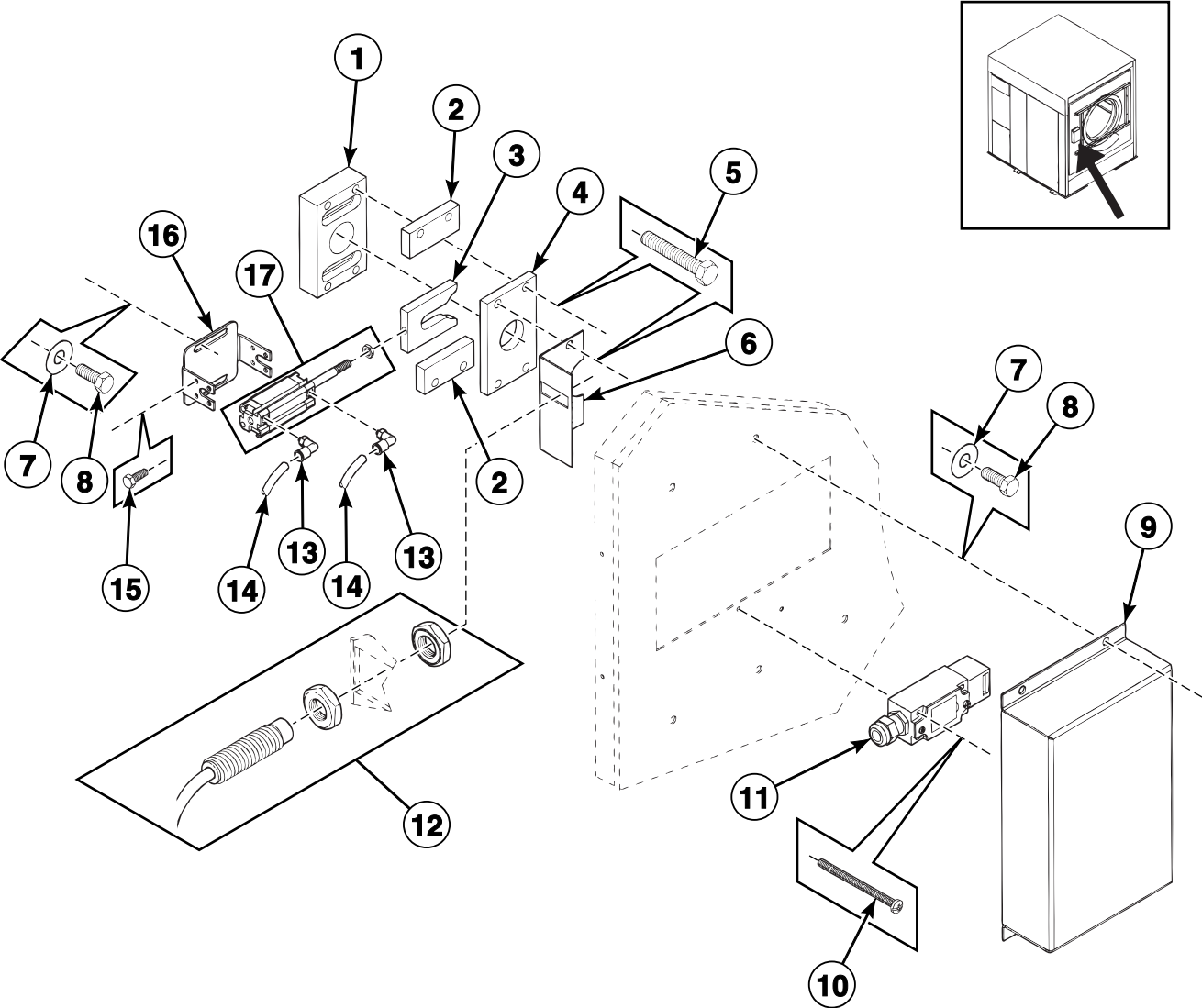
BE000736P\_D1267



## Right Side Panels

REF	PART NO.	DESCRIPTION	COMMENTS
1	125/01100/00	Upper Right Side Panel	
2	125/01020/00	Front Right Side Panel	
3	125/01150/00	Right Front Panel	
4	125/01030/00	Middle Panel	
5	206/00099/00	Bolt	
6	125/01050/00	Side Panel	
7	Z01912015	Nut	
8	125/01080/00	Middle Back Panel	
9	125/01090/00	Right Back Panel	

# Door Lock

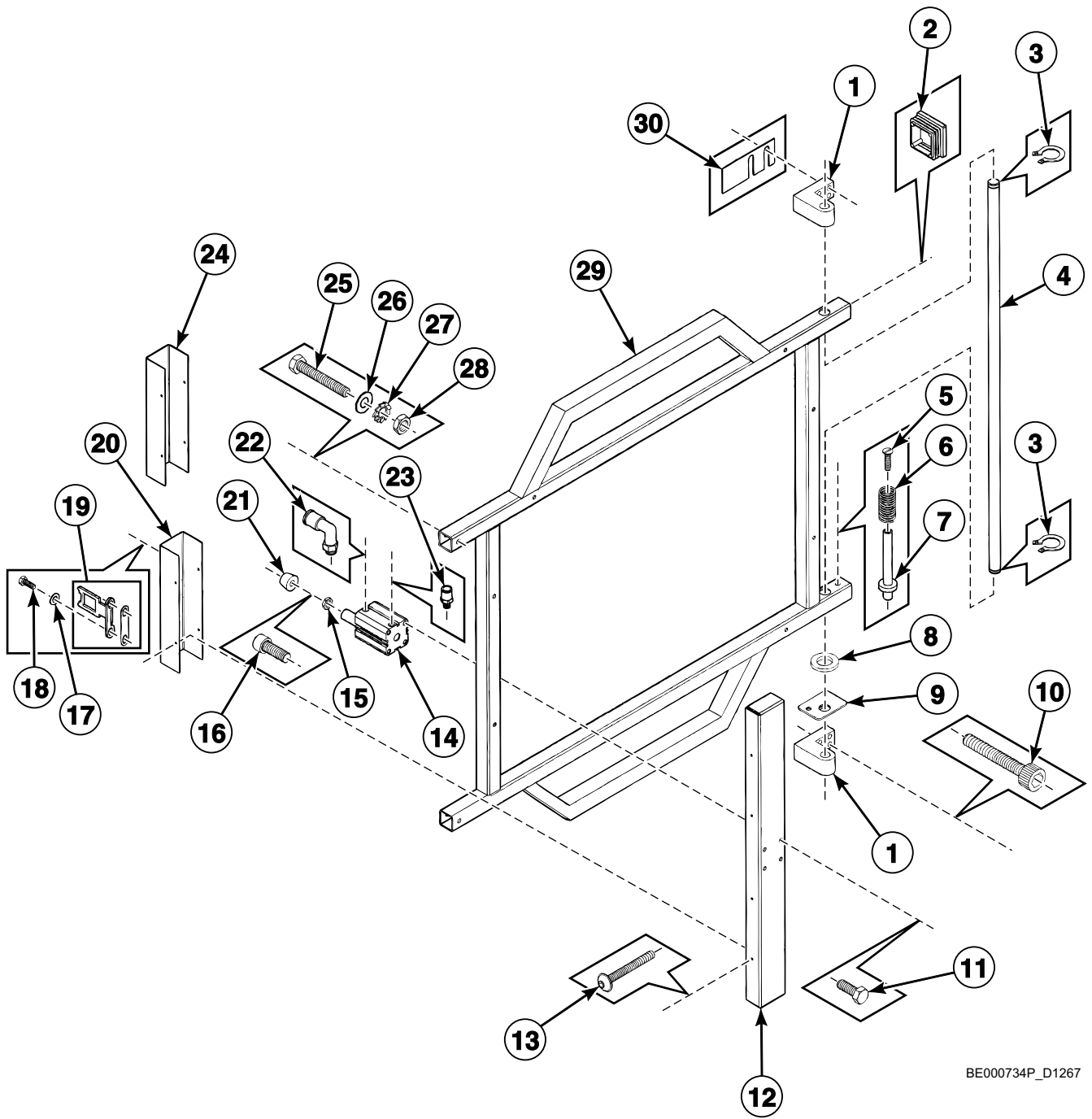


BE000727P\_D1267

# Door Lock

REF	PART NO.	DESCRIPTION	COMMENTS
1	125/00600/00	Plate	
2	125/00610/00	Plate	
3	125/00640/00	Plate	
4	125/00620/00	Upper Door Lock	
5	B12340601	Bolt	
6	125/01290/00	Bracket	
7	202/00101/00	Washer	
8	205/00104/00	Bolt	
9	125/00625/00	Door Lock Cover	
10	206/00137/00	Screw	
11	209/00659/00	Solenoid and Bracket	Solenoid; Refer to Door (Drawing 1 of 2) section for view of bracket
12	209/00400/00	Speed Detector	
13	Z02503720	Elbow	
14	225/50301/00	Hose	
15	205/00116/00	Bolt	
16	125/01280/00	Bracket	
17	225/50010/00	Solenoid	

# Door (Drawing 1 of 2)

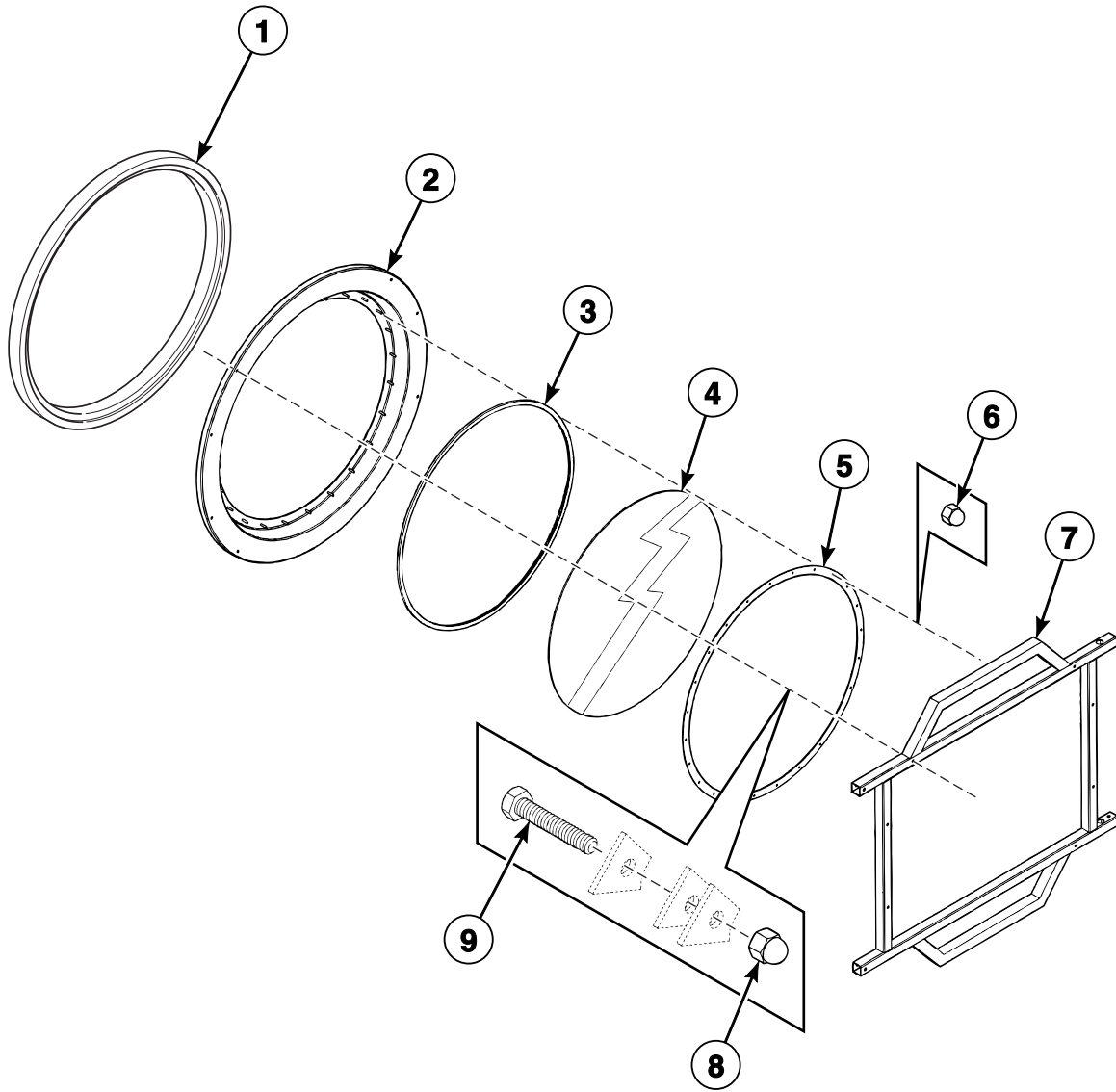


BE000734P\_D1267

## Door (Drawing 1 of 2)

REF	PART NO.	DESCRIPTION	COMMENTS
1	125/00655/00	Hinge	
2	211/00179/00	Cap	
3	Z02801018	Circlip	
4	125/00660/00	Rod	
5	Z01906093	Screw	
6	225/60020/00	Spring	
7	125/02090/00	Pin	
	125/02110/00	Pin	
8	Z41607500	Washer	
9	125/01335/00	Plate	
10	206/00117/00	Screw	
11	Z01902114	Bolt	
12	125/01315/00	Cover	
13	B12500601	Screw	
14	225/50020/00	Component	
15	Z01912017	Nut	
16	Z02008144	Screw	
17	201/00008/00	Washer	
18	Z01902051	Screw	
19	209/00659/00	Solenoid and Bracket	Bracket; Refer to Door Lock section for view of solenoid
20	125/01230/00	Cover	
21	125/02080/00	Cap	
22	Z02503700	Elbow	
23	Z02503730	Coupling	
24	125/01220/00	Cover	
25	Z01902145	Screw	
26	202/00104/00	Washer	
27	203/00011/00	Washer	
28	204/00102/00	Nut	
29	125/01305/00	Frame	
30	125/01336/00	Plate	
	125/01337/00	Plate	

# Door (Drawing 2 of 2)

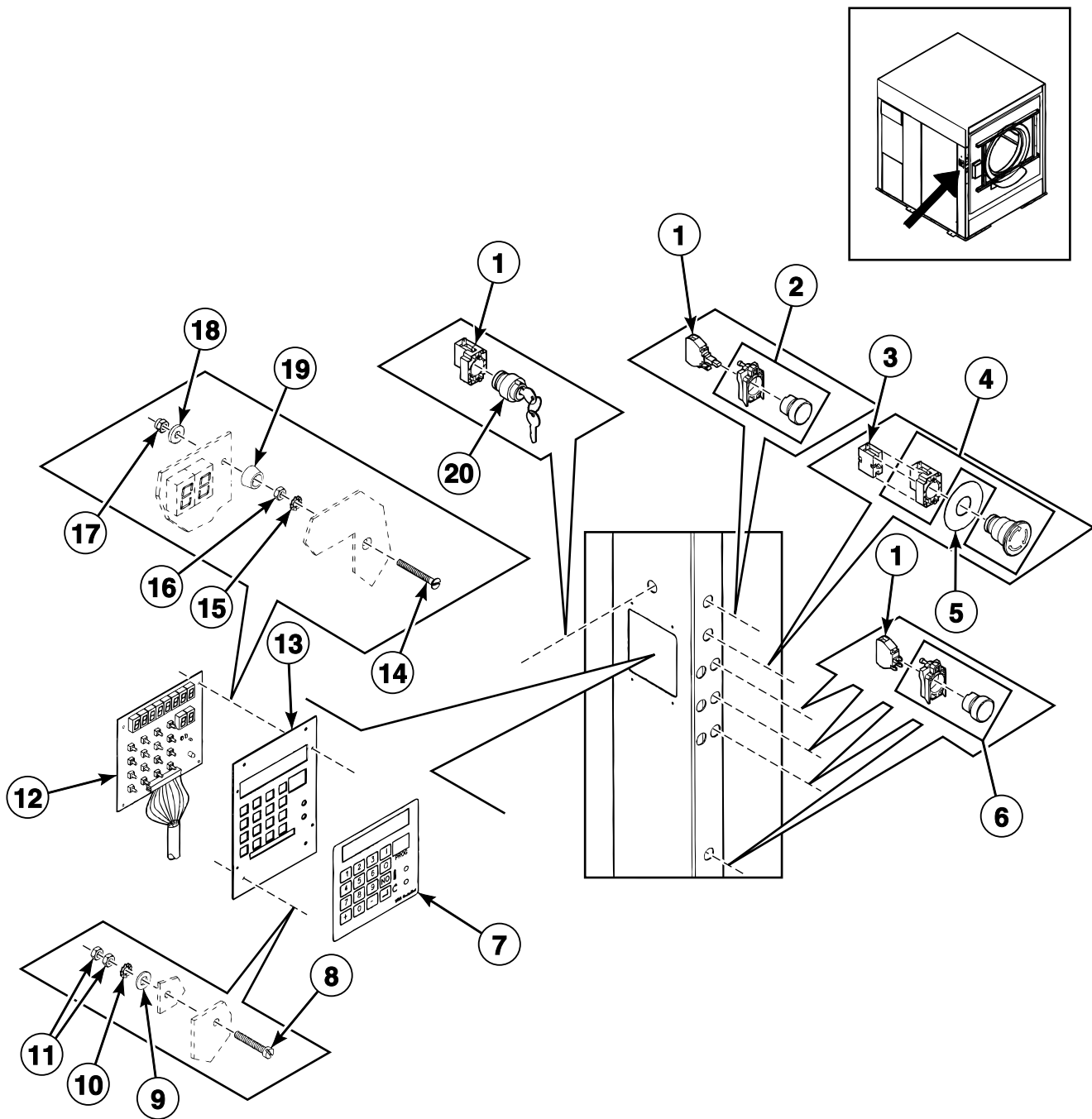


BE000733P\_D1267

## Door (Drawing 2 of 2)

REF	PART NO.	DESCRIPTION	COMMENTS
1	223/00312/00	Gasket	
2	125/02100/00	Retainer	
3	225/60040/00	Door Glass Seal	
4	125/02030/00	Glass	
5	125/01310/00	Clamping Ring	
6	Z01834015	Nut	
7	125/01305/00	Frame	
8	Z01834019	Nut	
9	Z01902151	Bolt	

# Control Module - PS40 Control



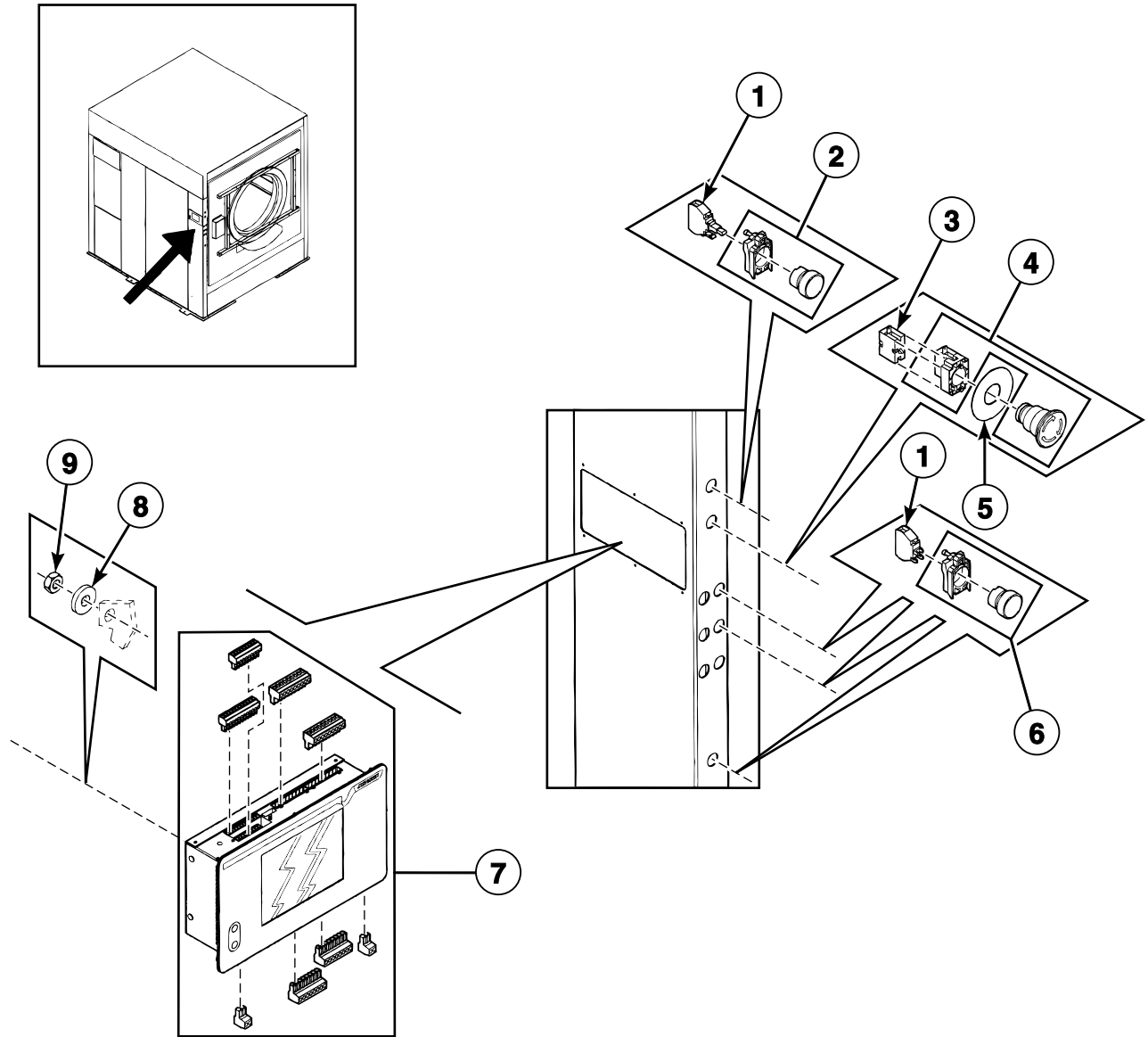
BE000745P\_D1267



## Control Module - PS40 Control

REF	PART NO.	DESCRIPTION	COMMENTS
1	209/00099/25	Switch Base	
2	Z07705186	Light	
3	209/00099/26	Contact Switch	
4	209/00248/20	Mushroom Pushbutton	
5	209/00520/00	Telem Sticker	
6	209/00099/23	Button	
7	225/00397/00	Label	
8	207/00113/00	Screw	
9	202/00004/00	Washer	
10	203/00006/00	Washer	
11	204/00105/00	Nut	
12	209/00722/00	Display Printboard	
13	125/01200/00	Mount	
14	207/00025/00	Screw	
15	203/00007/00	Washer	
16	204/00008/00	Nut	
17	223/00008/01	Handle Grommet	
18	223/00123/00	Washer	
19	204/00116/00	Nut	
20	209/00326/20	Programming Key Contact Switch	

# Control Module - PLC Control

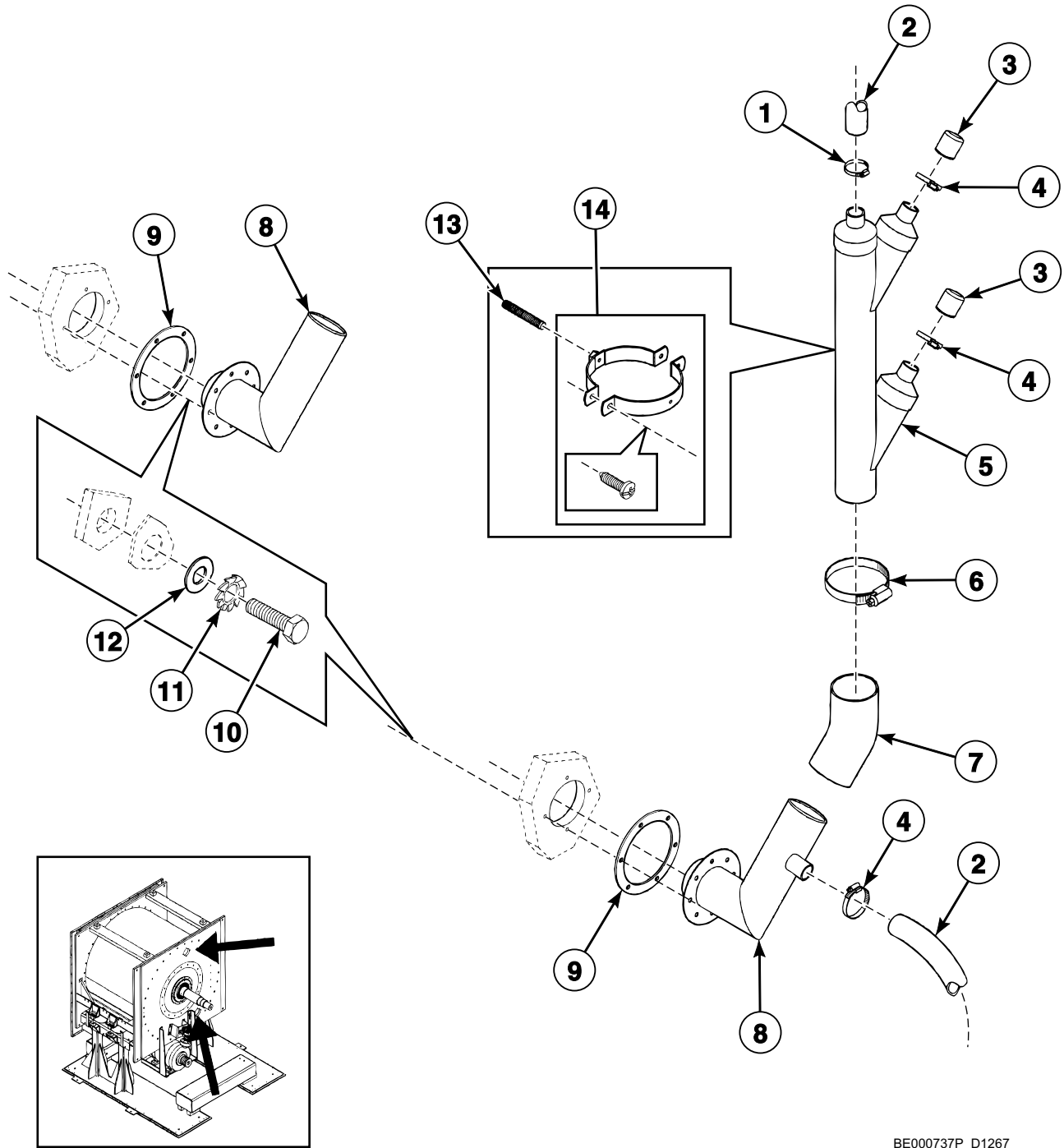


BE000748P\_D1267

## Control Module - PLC Control

REF	PART NO.	DESCRIPTION	COMMENTS
1	209/00099/25	Switch Base	
2	Z07705186	Light	
3	209/00099/26	Contact Switch	
4	209/00248/20	Mushroom Pushbutton	
5	209/00520/00	Telem Sticker	
6	209/00099/23	Button	
7	209/06160/20	Control	
8	202/00004/00	Washer	
9	204/00007/00	Nut	

# Water Inlet Plumbing

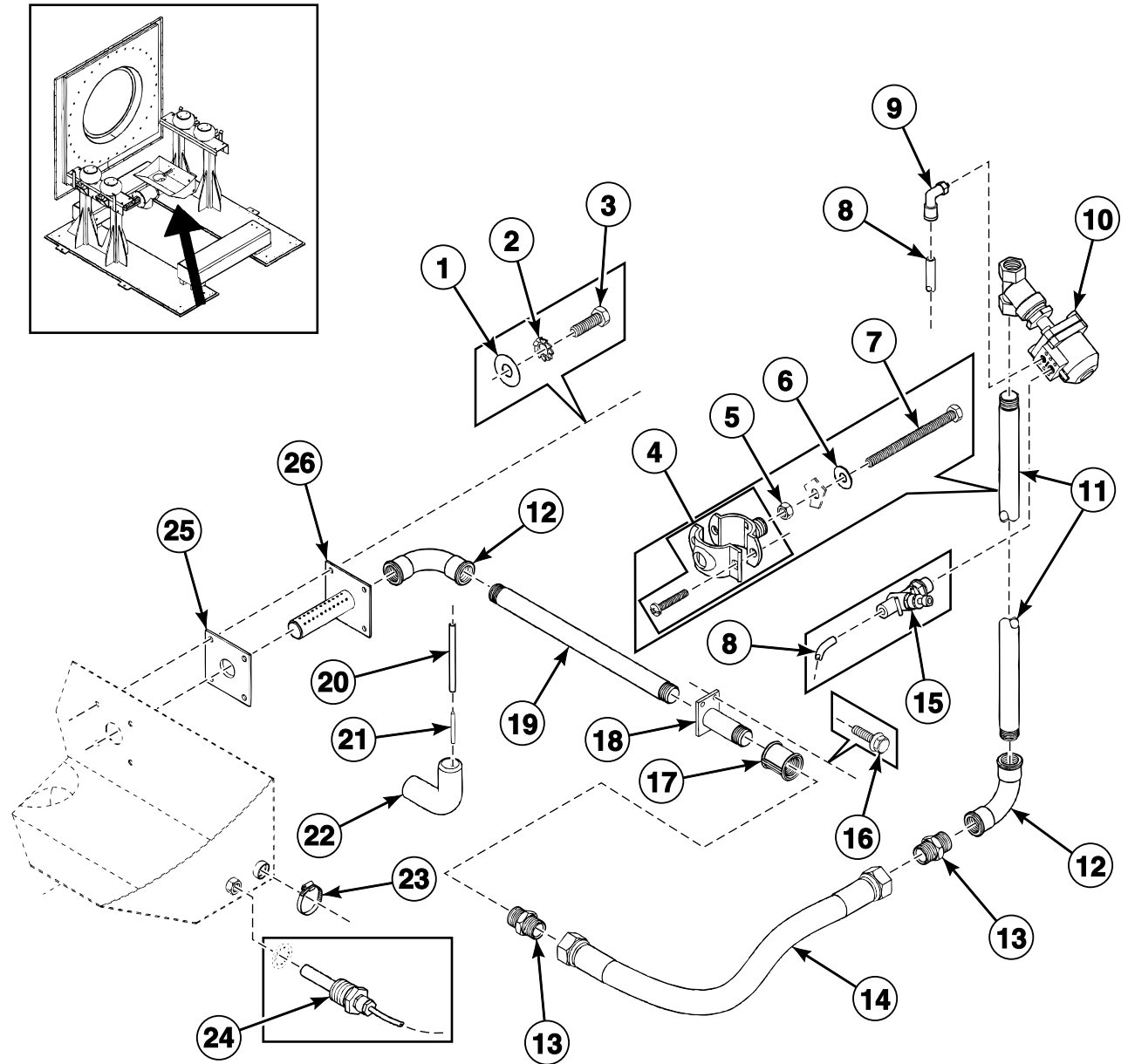


BE000737P\_D1267

# Water Inlet Plumbing

REF	PART NO.	DESCRIPTION	COMMENTS
1	Z02814017	Clamp	
2	223/00318/00	Hose	
3	223/00158/00	Overflow Cap	
4	223/00223/00	Hose Clamp	
5	253/00527/00	Pipe	
	253/00525/00	Pipe	
	253/00526/00	Pipe	
6	Z02814209	Clamp	
7	Z62710500	Hose	
8	Z62701900	Pipe	
9	Z62702000	Gasket	
10	205/00122/00	Bolt	
11	203/00003/00	Washer	
12	202/00002/00	Washer	
13	Z01902130	Bolt	
14	253/00528/00	Clamp	

# Steam Plumbing

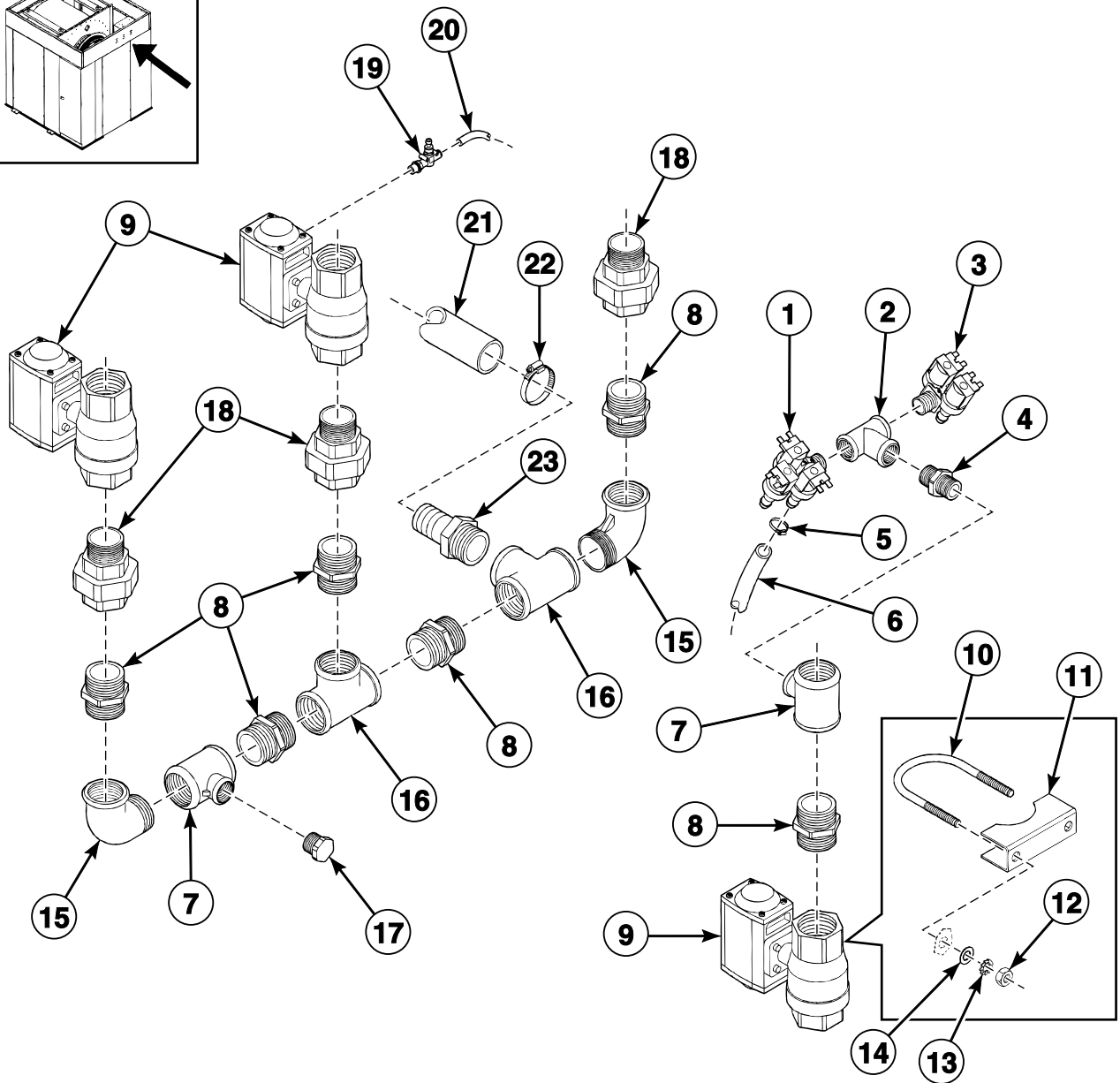
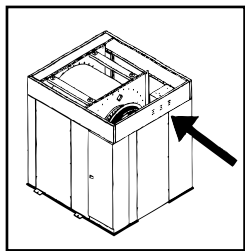


BE000743P\_D1267

# Steam Plumbing

REF	PART NO.	DESCRIPTION	COMMENTS
1	202/00002/00	Washer	
2	203/00003/00	Washer	
3	205/00122/00	Bolt	
4	125/01330/00	Clamp	
5	Z01912017	Nut	
6	Z01915006	Washer	
7	Z01902130	Bolt	
8	225/50301/00	Hose	
9	Z02503702	Elbow	
10	Z02505012	Steam Valve	
11	125/01360/00	Pipe	
12	Z04602007	Elbow	
13	Z04633007	Connector	
14	Z21947300	Hose	
15	225/50370/00	Valve	
16	206/00099/00	Bolt	
17	Z04643007	Connector	
18	125/01340/00	Mounting Plate	
19	125/01350/00	Pipe	
20	223/00212/00	Pressure Switch Hose	
21	223/00016/00	Hose Barb	
22	Z03202085	Hose	
23	223/00011/00	Hose Clamp	
24	Z62729900	Temperature Sensor	
25	Z62268400	Seal	
26	Z62744800	Steam Injector	

# Water Inlet Valves



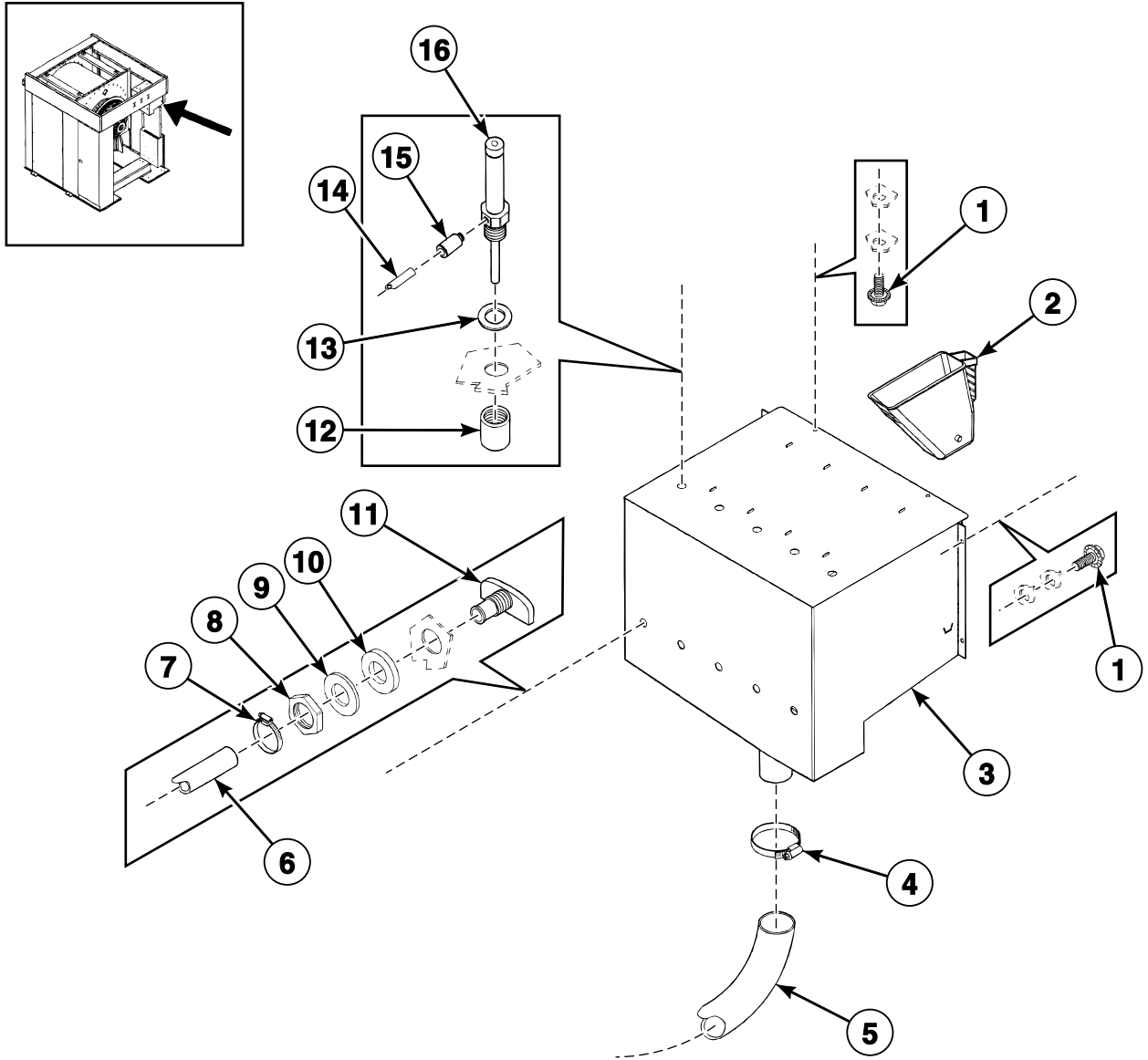
BE000738P\_D1267



# Water Inlet Valves

REF	PART NO.	DESCRIPTION	COMMENTS
1	209/00277/00	3-Way Inlet Valve	
	209/00276/24	Coil	
2	Z04617006	Tee	
3	209/00110/00	2-Way Inlet Valve	
	209/00276/24	Coil	
4	Z04633006	Connector	
5	223/00010/00	Hose Clamp	
6	223/00044/00	Water Hose	
7	Z04617240	Tee	
8	Z04633009	Connector	
9	Z02303453	Valve	
10	Z01771009	Clamp	
11	Z21780500	Clamp	
	Z21845300	Clamp	
12	204/00004/00	Nut	
13	203/00003/00	Washer	
14	202/00002/00	Washer	
15	Z04611009	Elbow	
16	Z04617009	Tee	
17	Z04634006	Plug	
18	Z04644008	Connector	
19	225/50370/00	Valve	
20	225/50301/00	Hose	
21	223/00318/00	Hose	
22	Z02814017	Clamp	
23	Z02816013	Hose Connector	

# Supply Dispenser

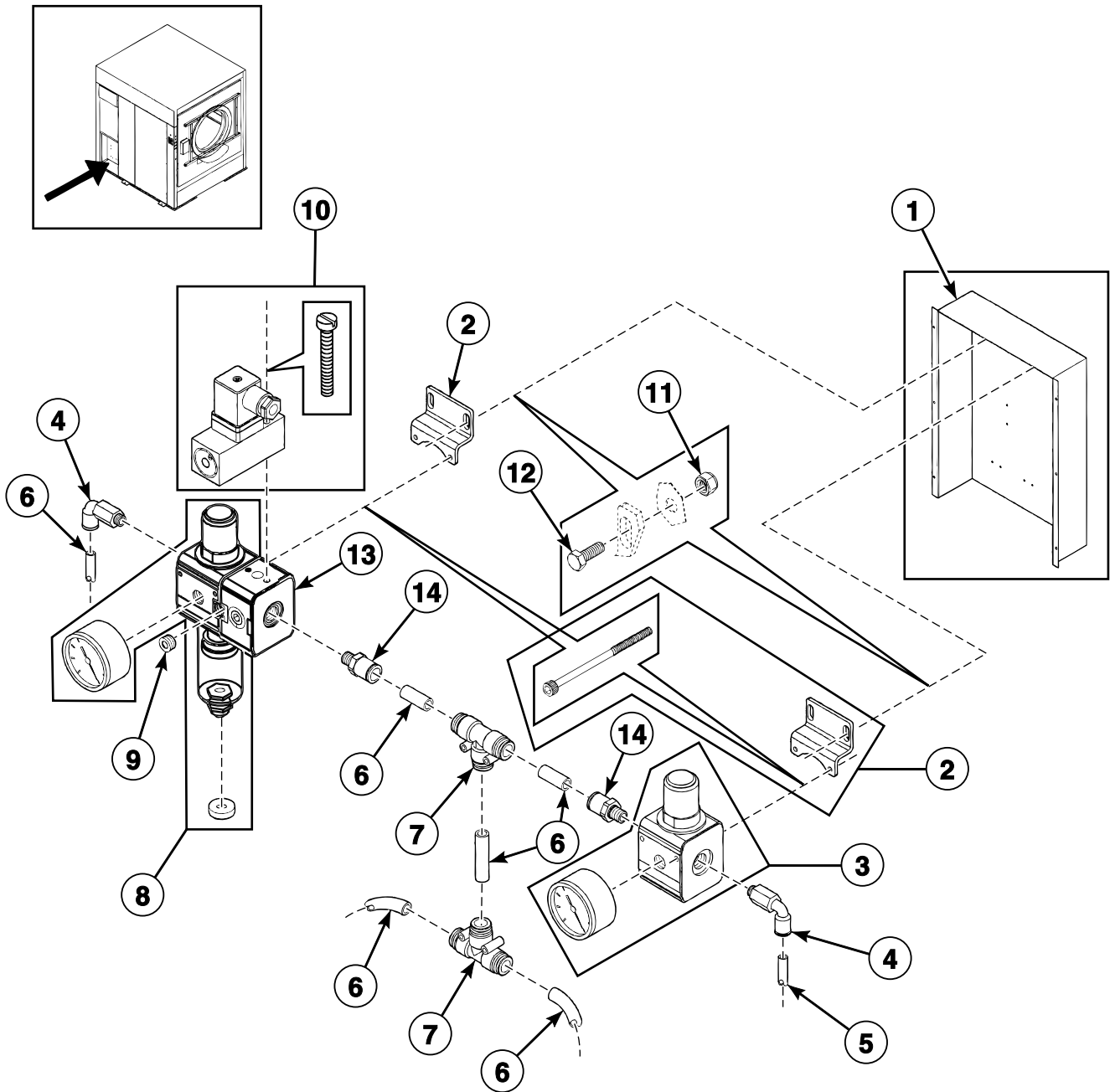


BE000739P\_D1267

# Supply Dispenser

REF	PART NO.	DESCRIPTION	COMMENTS
1	206/00099/00	Bolt	
2	Z60500300	Container	
3	125/01300/00	Dispenser Box	
4	Z02814017	Clamp	
5	223/00318/00	Hose	
6	223/00044/01	Water Hose	
7	Z02814003	Clamp	
8	204/00201/00	Nut	
9	201/00002/00	Washer	
10	223/00001/07	Washer	
11	223/00001/04	Prewash and Mainwash Nozzle	
12	Z62704900	Cap	
13	223/00062/01	Washer	
14	225/50301/00	Hose	
15	Z02503729	Connector	
16	Z02503325	Cylinder	

# Air Compressor (Drawing 1 of 3)

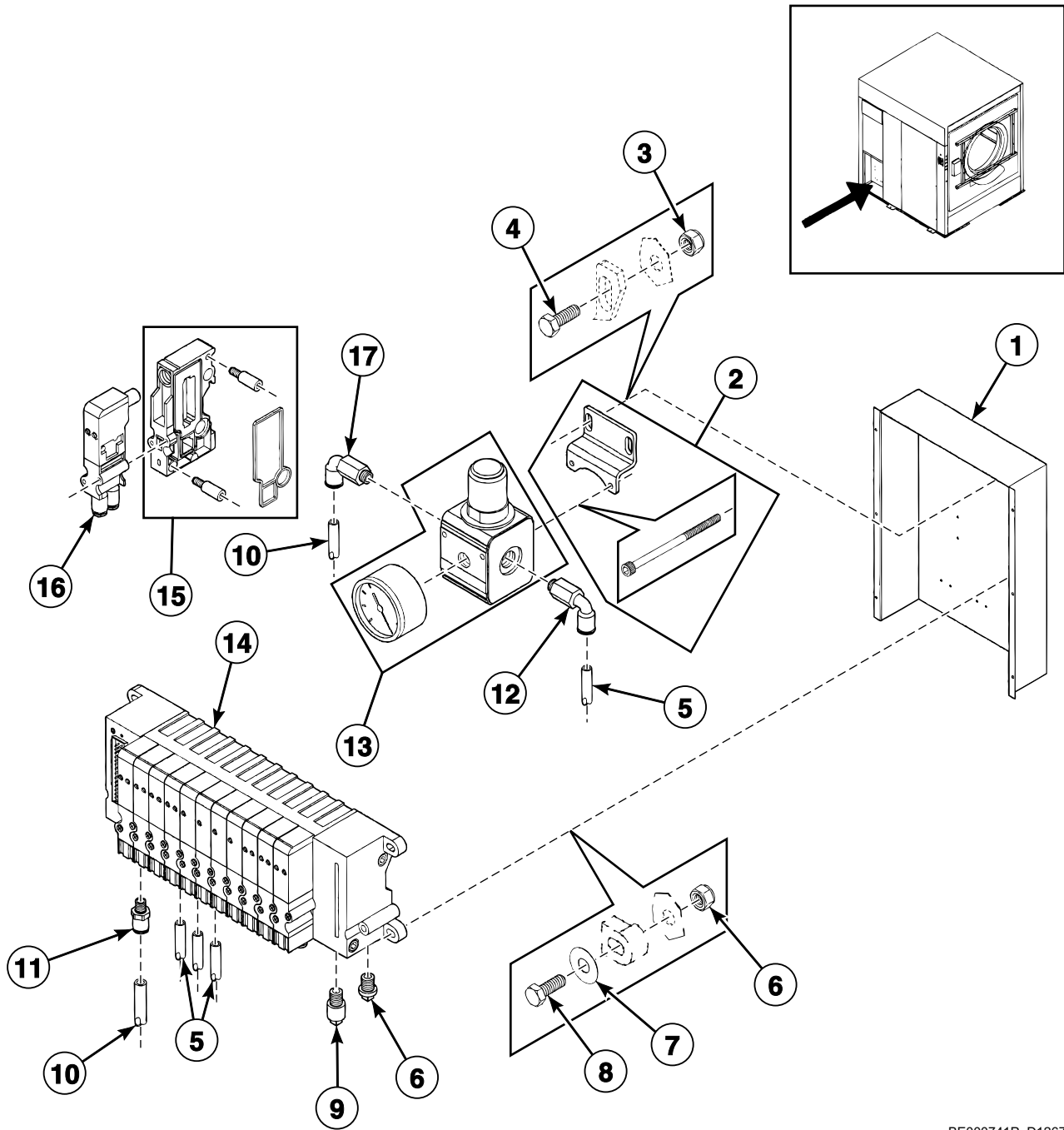


BE000740P\_D1267

## Air Compressor (Drawing 1 of 3)

REF	PART NO.	DESCRIPTION	COMMENTS
1	125/01040/00	Cover	
2	225/50070/00	Bracket	
3	225/50160/00	Valve	
4	Z02503702	Elbow	
5	225/50301/00	Hose	
6	Z02503622	Hose	
7	225/50240/00	Tee	
8	225/50060/00	Valve	
9	225/50100/00	Component	
10	225/50090/00	Flange	
11	204/00115/00	Nut	
12	206/00016/00	Bolt	
13	225/50080/00	Block	
14	Z02503731	Coupling	

# Air Compressor (Drawing 2 of 3)

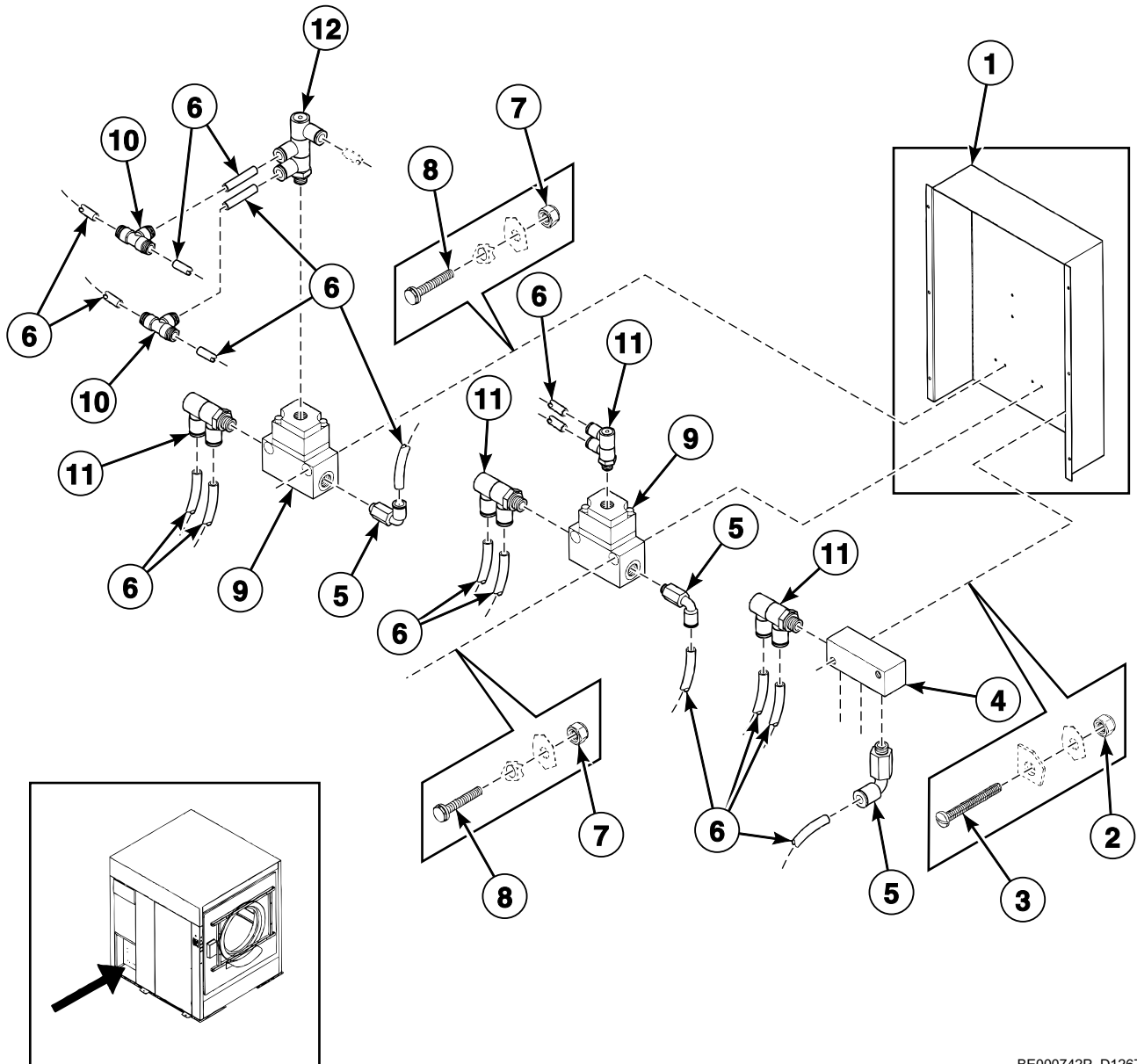


BE000741P\_D1267

## Air Compressor (Drawing 2 of 3)

REF	PART NO.	DESCRIPTION	COMMENTS
1	125/01040/00	Cover	
2	225/50070/00	Bracket	
3	204/00115/00	Nut	
4	206/00016/00	Bolt	
5	225/50301/00	Hose	
6	204/00009/00	Nut	
7	202/00101/00	Washer	
8	205/00105/00	Bolt	
9	Z02506016	Silencer	
10	Z02503622	Hose	
11	Z02503734	Coupling	
12	Z02503702	Elbow	
13	225/50160/00	Valve	
14	225/50120/00	Component	
15	225/50140/00	Component	
16	225/50130/00	Component	
17	Z02503706	Connector	

# Air Compressor (Drawing 3 of 3)



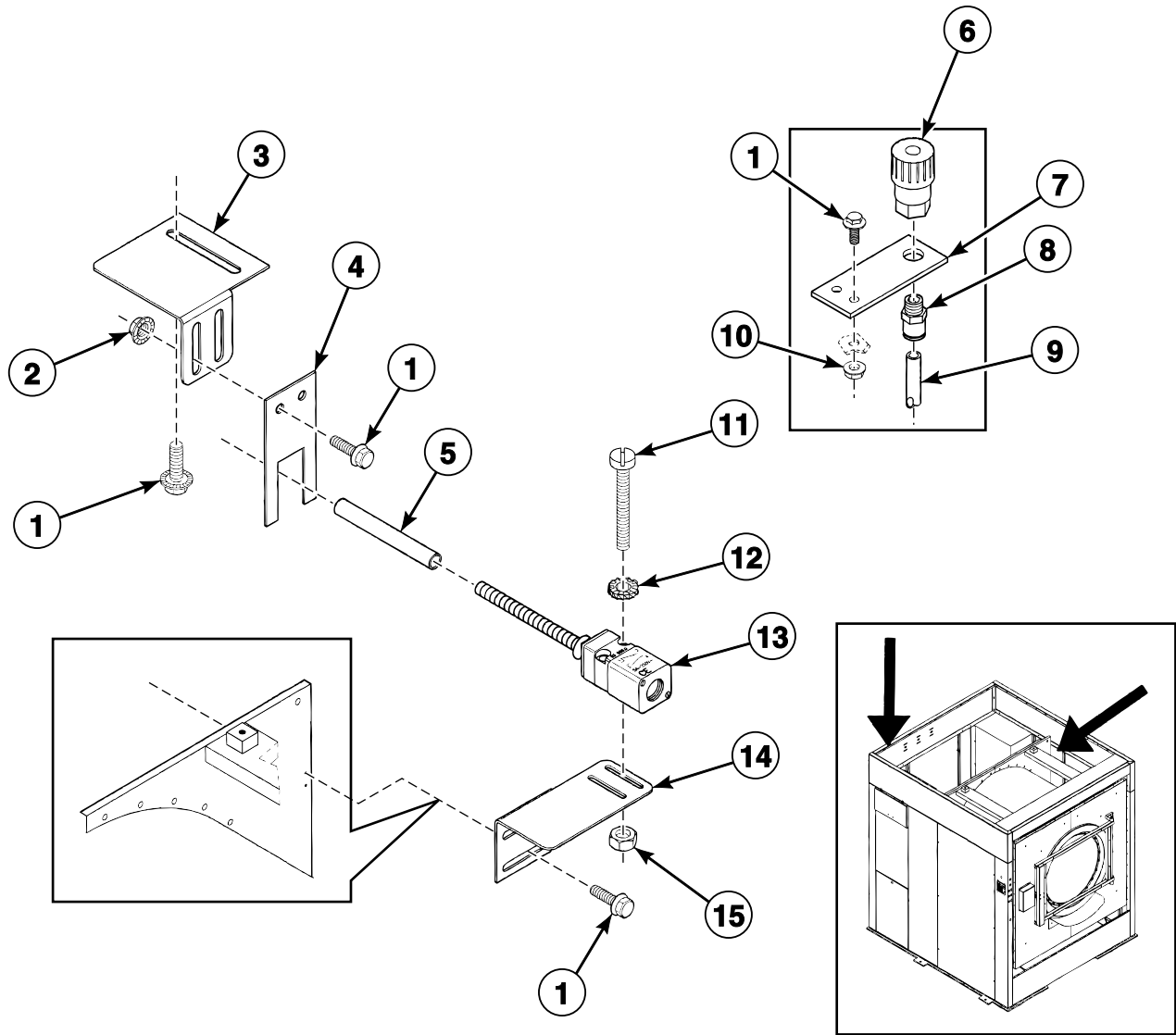
BE000742P\_D1267



## Air Compressor (Drawing 3 of 3)

REF	PART NO.	DESCRIPTION	COMMENTS
1	125/01040/00	Cover	
2	204/00114/00	Nut	
3	207/00018/00	Screw	
4	225/50210/00	Manifold	
5	209/00227/08	Elbow	
6	225/50301/00	Hose	
7	204/00124/00	Nut	
8	207/00126/00	Screw	
9	225/50110/00	Valve	
10	209/00227/06	Tee	
11	225/50190/00	Connector	
12	225/50200/00	Connector	

# Balance Switch

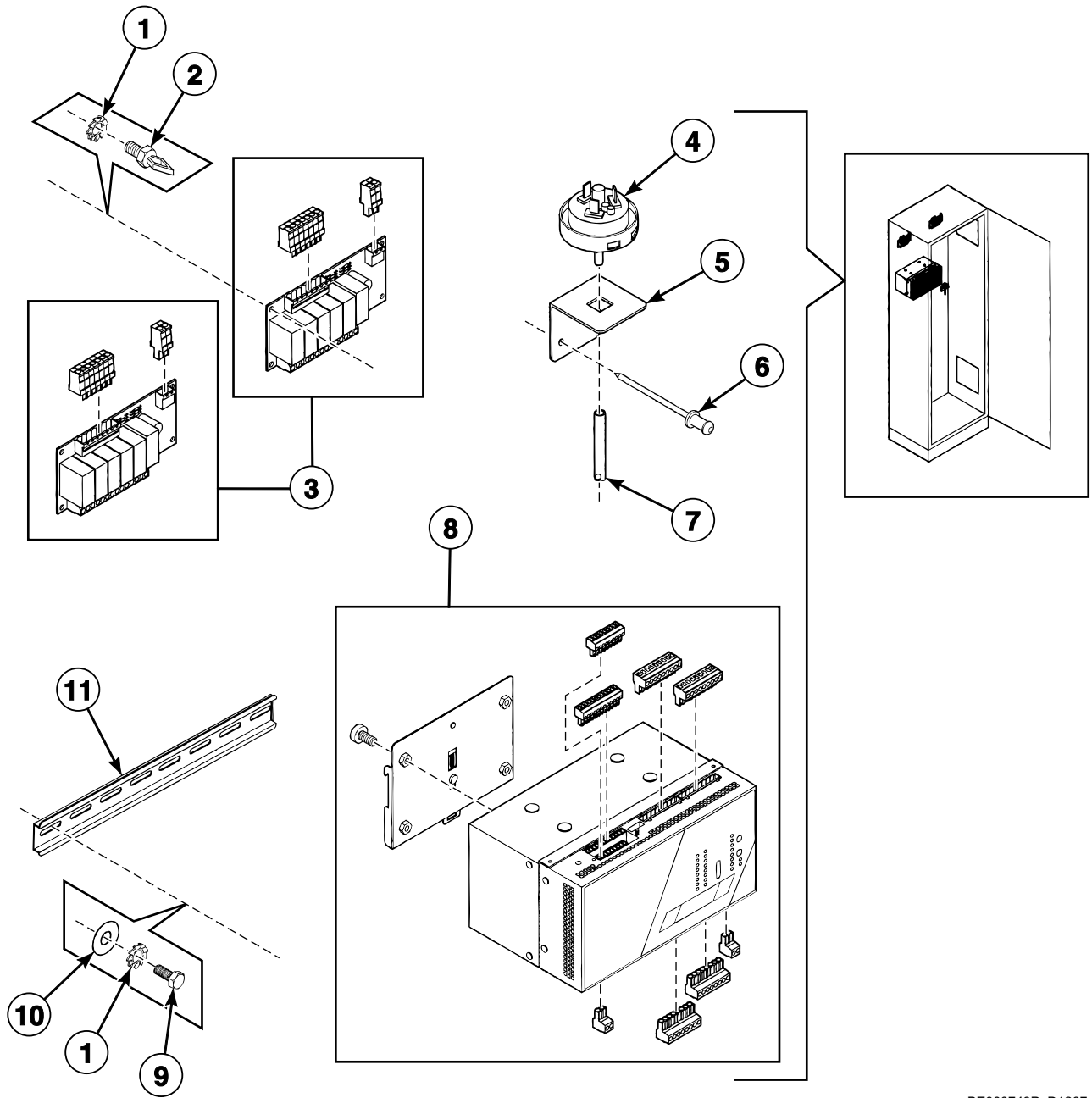


BE000747P\_D1267

# Balance Switch

REF	PART NO.	DESCRIPTION	COMMENTS
1	206/00099/00	Bolt	
2	206/00101/00	Nut	
3	125/01250/00	Frame	
4	125/01260/00	Bracket	
5	223/00246/00	Out-of-Balance Switch Boot	
6	225/50380/00	Connector	
7	125/01390/00	Support	
8	Z02503734	Coupling	
9	Z02503622	Hose	
10	206/00105/00	Nut	
11	207/00018/00	Screw	
12	203/00006/00	Washer	
13	209/00255/00	Out-of-Balance Switch	
14	125/01270/00	Support	
15	204/00007/00	Nut	

# Electrical Box (Drawing 1 of 7)

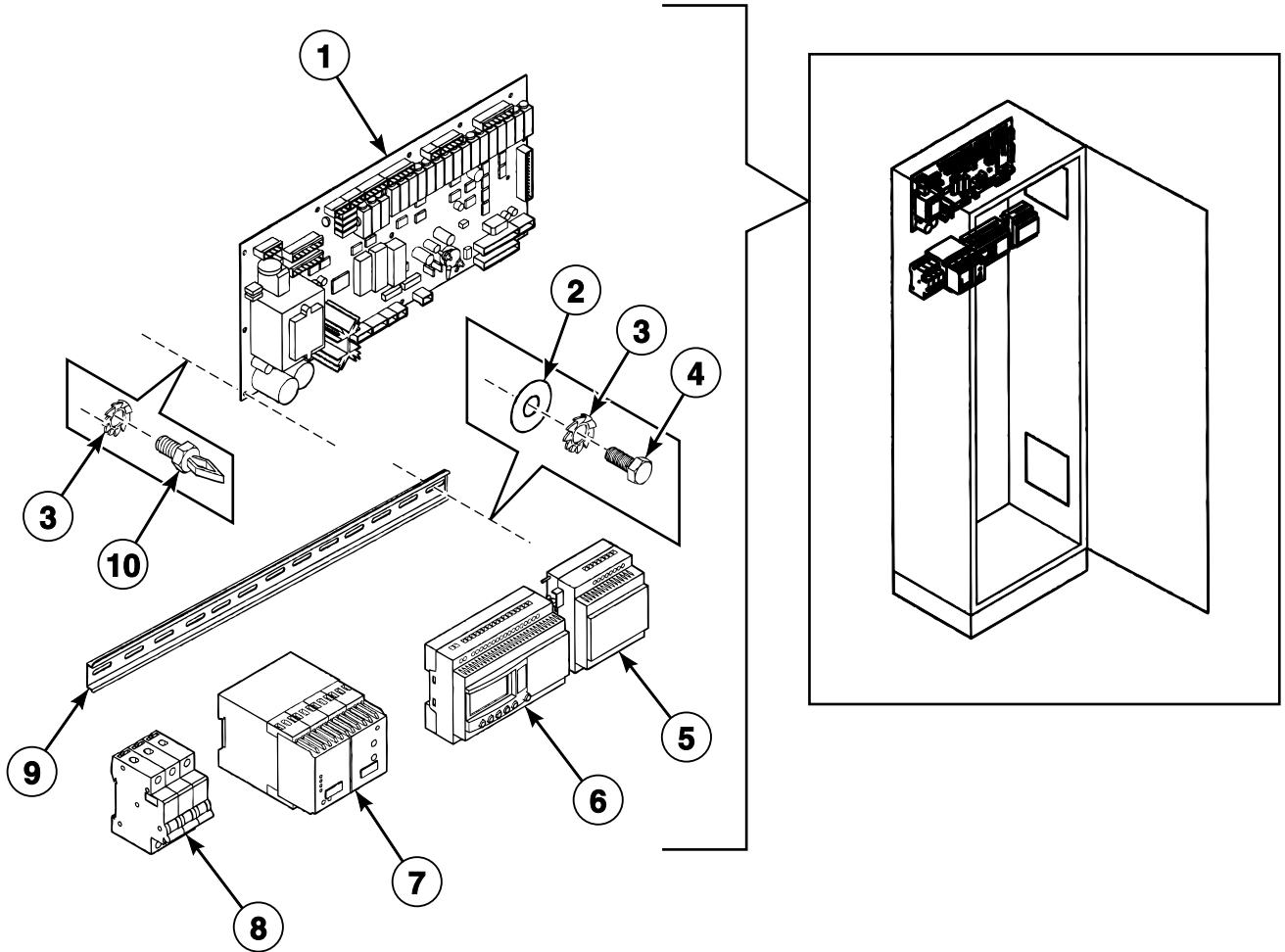


BE000749P\_D1267

## Electrical Box (Drawing 1 of 7)

REF	PART NO.	DESCRIPTION	COMMENTS
1	203/00006/00	Washer	
2	211/00120/00	Standoff	
3	209/00590/00	Soap Printboard	8 channels
4	209/00007/50	Pressure Switch	
5	125/01370/00	Bracket	
6	208/00021/00	Rivet	
7	223/00212/00	Pressure Switch Hose	
8	209/06160/10	Component	
	209/06160/30	Component	
	209/06160/40	Component	
9	206/00027/00	Bolt	
10	201/00008/00	Washer	
11	720/00110/01	Rail	

# Electrical Box (Drawing 2 of 7)

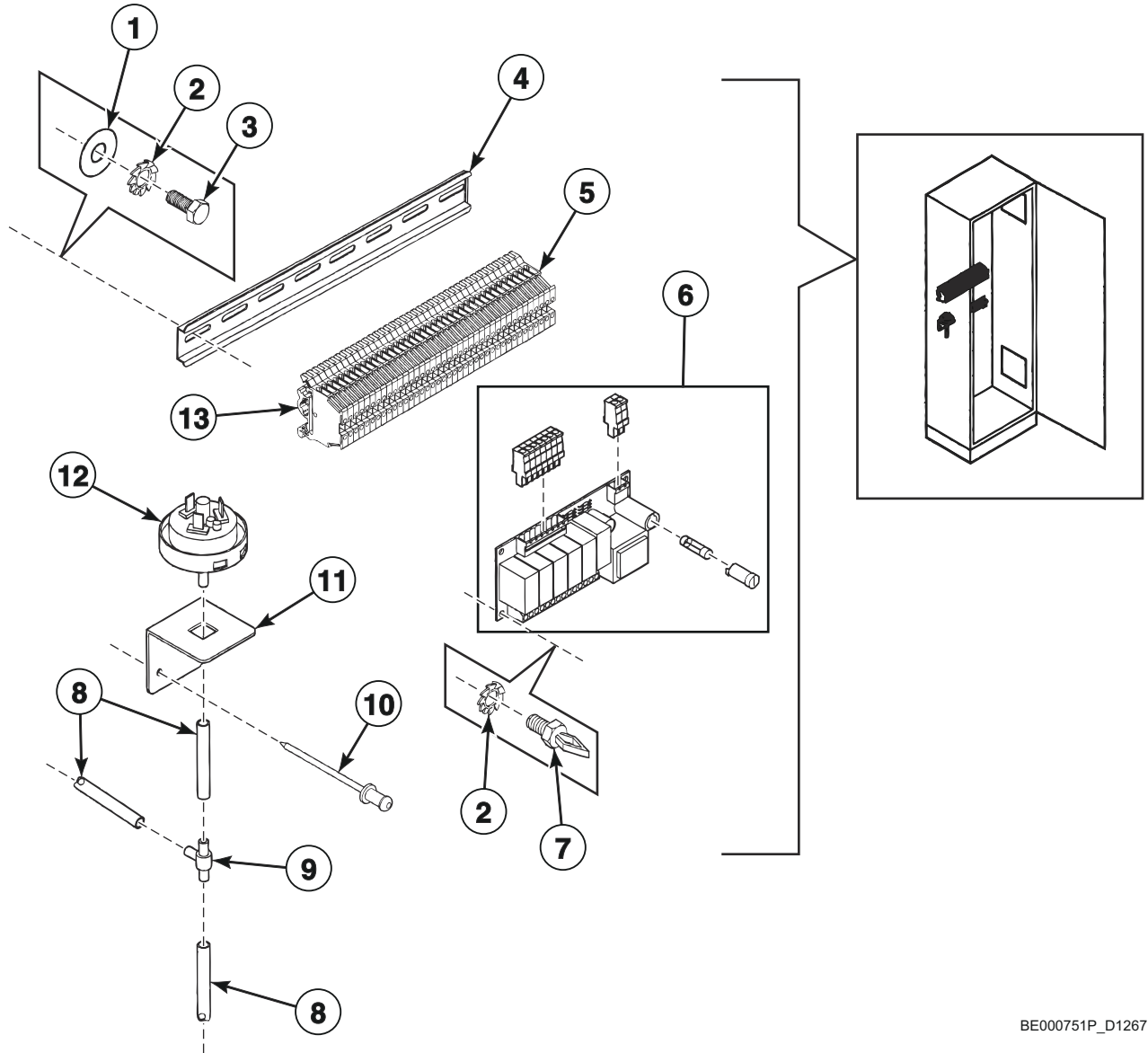


BE000750P\_D1267

## Electrical Box (Drawing 2 of 7)

REF	PART NO.	DESCRIPTION	COMMENTS
1	209/00505/10	Main Printboard	PS40
2	206/00027/00	Bolt	
3	203/00006/00	Washer	
4	201/00008/00	Washer	
5	209/00653/00	Component	
6	209/00652/00	Component	
7	Z07590530	Relay	
8	209/00658/00	Fuse	
9	720/00110/01	Rail	
10	211/00120/00	Standoff	

# Electrical Box (Drawing 3 of 7)



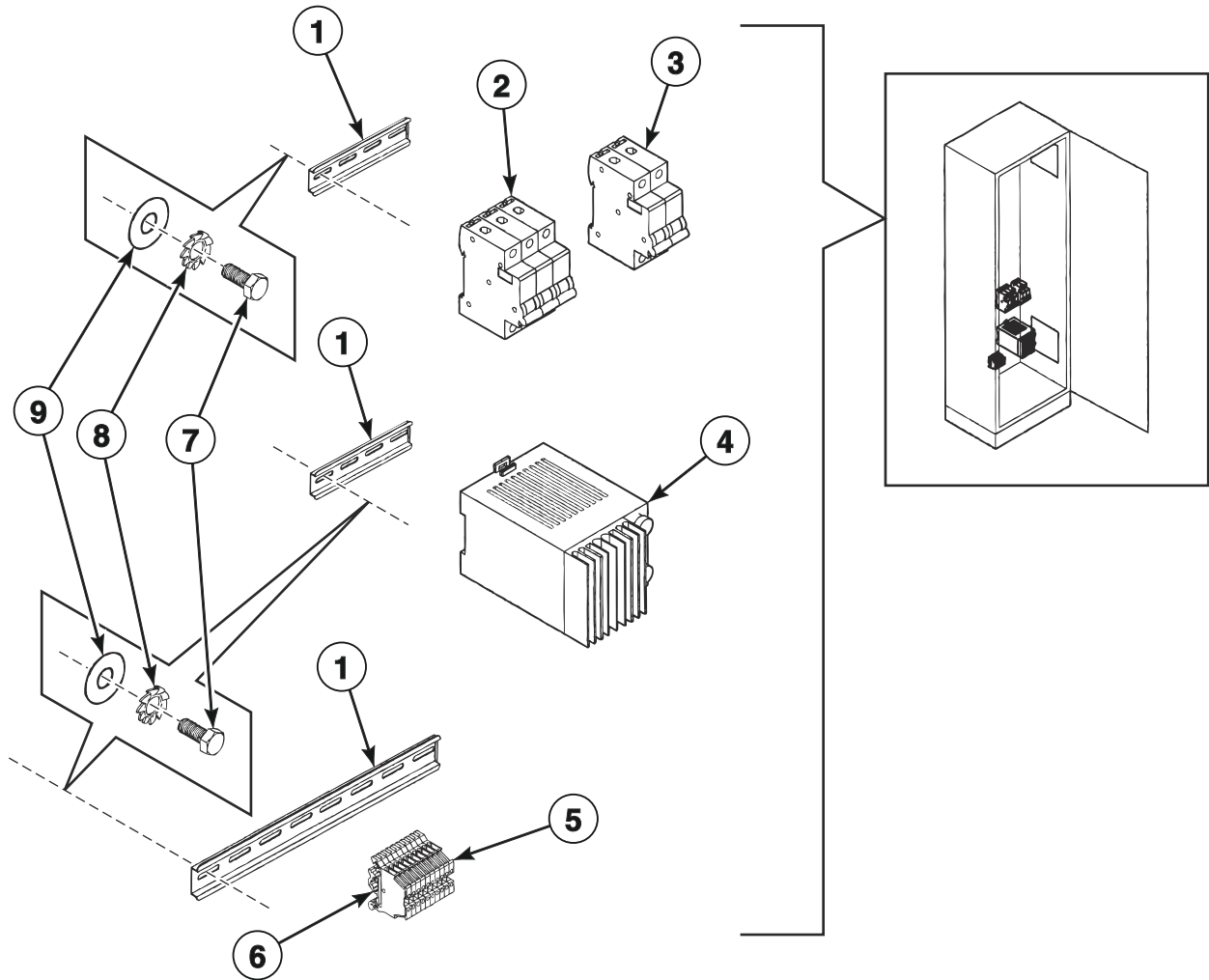
BE000751P\_D1267



## Electrical Box (Drawing 3 of 7)

REF	PART NO.	DESCRIPTION	COMMENTS
1	201/00008/00	Washer	
2	203/00006/00	Washer	
3	206/00027/00	Bolt	
4	720/00110/01	Rail	
5	Z07612005	Terminal Strip	
	Z07612004	Terminal Strip	
6	209/00218/13	Soap Injection PCB with Fuse	
7	211/00120/00	Standoff	
8	223/00212/00	Pressure Switch Hose	
9	223/00173/10	Pressure Switch Hose Tee	
10	208/00021/00	Rivet	
11	125/01370/00	Bracket	
12	209/00007/50	Pressure Switch	
13	Z07612006	Clamp	

# Electrical Box (Drawing 4 of 7)

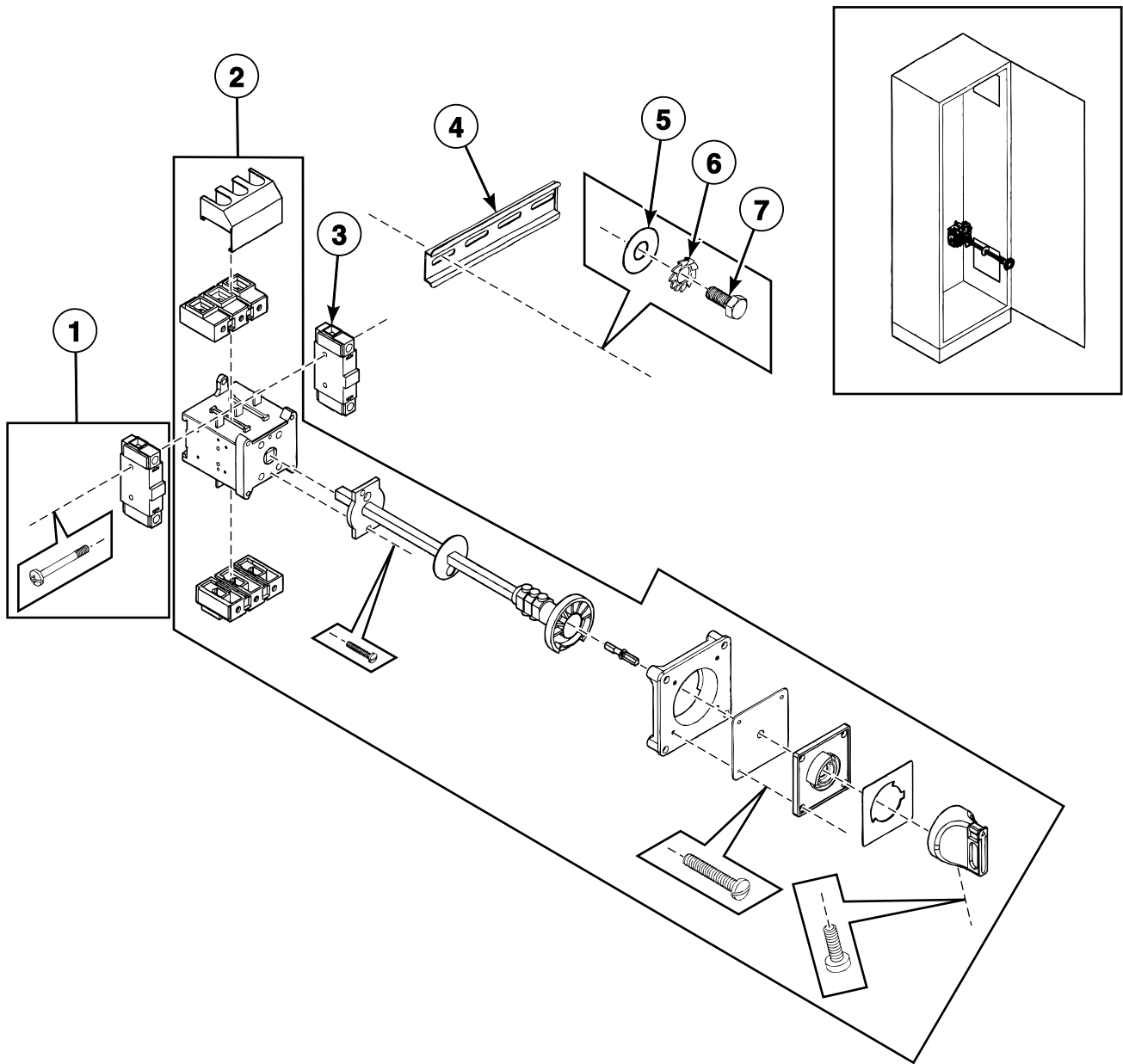


BE000752P\_D1267

## Electrical Box (Drawing 4 of 7)

REF	PART NO.	DESCRIPTION	COMMENTS
1	720/00110/01	Rail	
2	209/00656/00	Fuse	
3	209/00657/00	Fuse	
4	209/00655/00	Transformer	
5	Z07612005	Terminal Strip	
6	Z07612006	Clamp	
7	206/00027/00	Bolt	
8	203/00006/00	Washer	
9	201/00008/00	Washer	

# Electrical Box (Drawing 5 of 7)

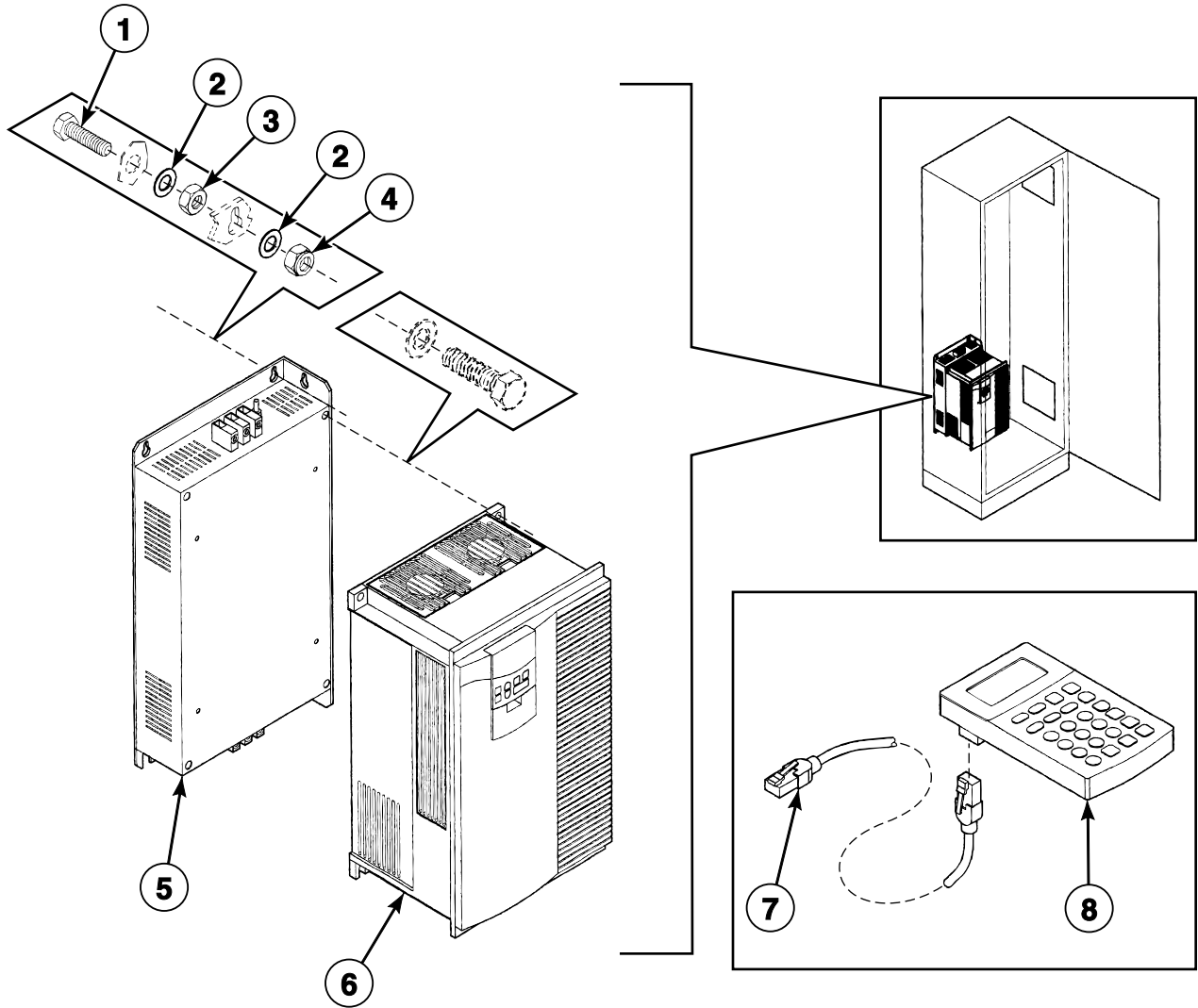


BE000753P\_D1267

## Electrical Box (Drawing 5 of 7)

REF	PART NO.	DESCRIPTION	COMMENTS
1	209/00528/00	Terminal Block	Grounding
2	209/00526/10	Main Switch	
3	209/00527/00	Terminal Block	Neutral
4	720/00110/01	Rail	
5	201/00008/00	Washer	
6	203/00006/00	Washer	
7	206/00027/00	Bolt	

# Electrical Box (Drawing 6 of 7)

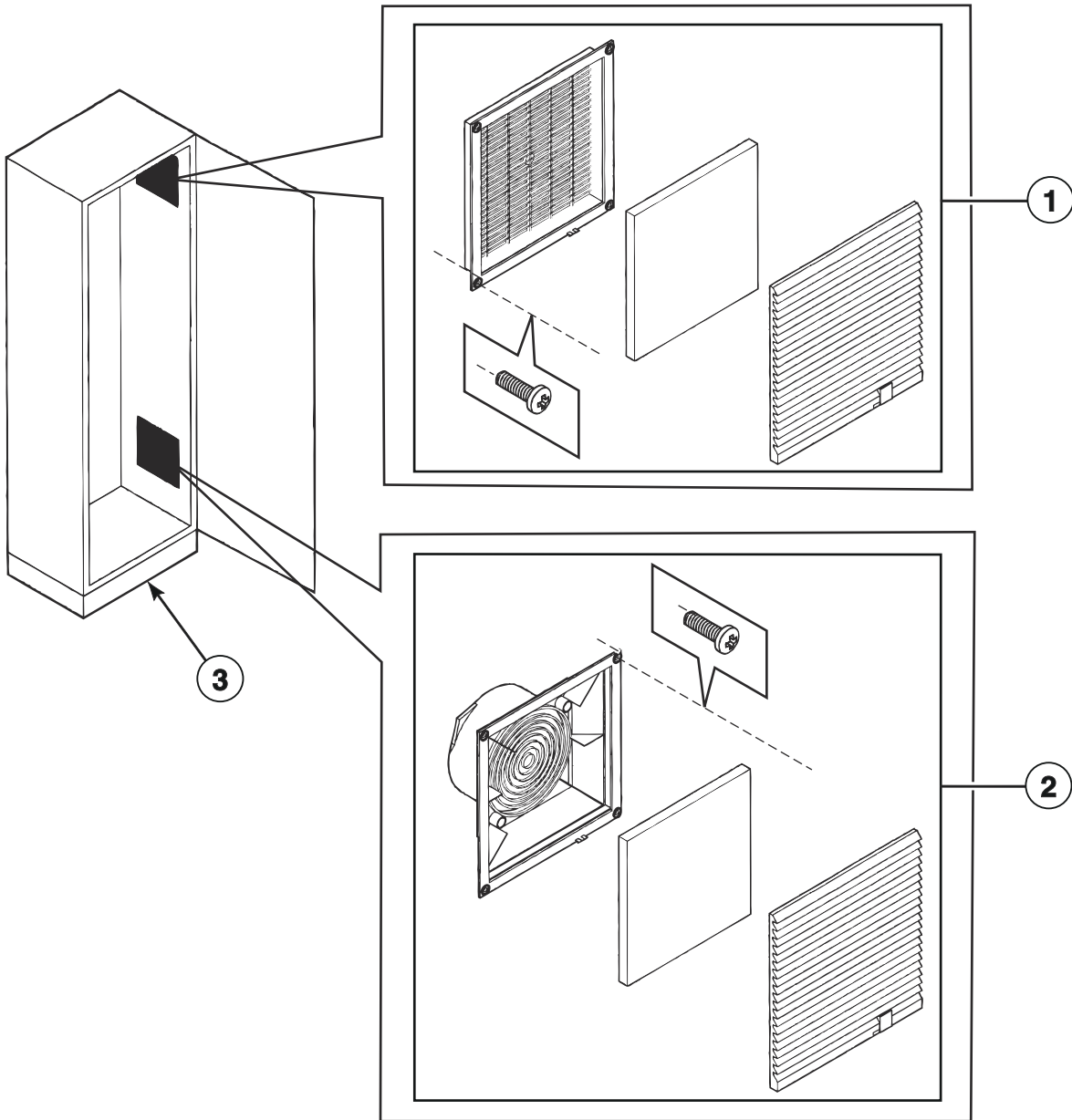


BE000754P\_D1267

## Electrical Box (Drawing 6 of 7)

REF	PART NO.	DESCRIPTION	COMMENTS
1	205/00108/00	Bolt	
2	202/00103/00	Washer	
3	204/00107/00	Nut	
4	204/00115/00	Nut	
5	227/00182/00	Inverter Drive Filter	
6	227/00209/00	Inverter Drive	380/480 Volt
	227/00210/00	Inverter Drive	230 Volt
7	227/00171/10	Parameter Unit Program Cable	
8	227/00171/00	Parameter Unit Assembly	

# Electrical Box (Drawing 7 of 7)



BE000746P\_D1267



## Electrical Box (Drawing 7 of 7)

REF	PART NO.	DESCRIPTION	COMMENTS
1	209/10216/11	Filter	
2	209/10216/10	Ventilator	
3	209/10216/01	Box	
	209/10216/02	Box	
	209/10216/03	Box	
	209/10216/04	Box	
	209/10216/05	Box	
	209/10216/06	Box	
	209/10216/07	Box	

# Notes

Lined area for writing notes.

# Parts Index

## A

Air Mount	
225/00100/00 .....	5

## B

Base	
125/00100/00 .....	5
Basket	
Z62801200 .....	19
Basket Pully	
225/60010/00 .....	21
Bearing	
Z02613016 .....	21
Z03607135 .....	21
Bearing Housing	
Z62721500 .....	21
Belt	
226/00125/00 .....	21
Block	
225/50080/00 .....	51
Bolt	
B12340601 .....	33
Z01705148 .....	25
Z01705176 .....	25
Z01705182 .....	23
Z01705225 .....	23
Z01705240 .....	23
Z01705245 .....	21
Z01705253 .....	13, 15
Z01705256 .....	11
Z01902114 .....	35
Z01902130 .....	43, 45
Z01902143 .....	27, 29
Z01902151 .....	37
Z01902242 .....	13, 15
205/00102/00 .....	17
205/00104/00 .....	27, 29, 33
205/00105/00 .....	53
205/00107/00 .....	17
205/00108/00 .....	69
205/00116/00 .....	33
205/00122/00 .....	17, 43, 45
206/00016/00 .....	51, 53
206/00027/00 .....	59, 61, 63, 65, 67
206/00042/00 .....	5, 13, 15
206/00088/00 .....	23
206/00099/00 .....	21, 27, 29, 31, 45, 49, 57
206/00153/00 .....	13, 15
Bottom Front Panel	
125/01010/00 .....	27, 29
Bottom Rear Left Panel	
125/01170/00 .....	27, 29
Box	
209/10216/01 .....	71
209/10216/02 .....	71
209/10216/03 .....	71
209/10216/04 .....	71
209/10216/05 .....	71
209/10216/06 .....	71

209/10216/07 .....	71
Bracket	
Z01769010 .....	13
125/00300/00 .....	23
125/00700/00 .....	25
125/00710/00 .....	21
125/01240/00 .....	17
125/01260/00 .....	57
125/01280/00 .....	33
125/01290/00 .....	33
125/01370/00 .....	59, 63
225/50070/00 .....	51, 53
Brake	
225/00110/00 .....	25
Bushing	
Z02613009 .....	23
Button	
209/00099/23 .....	39, 41

## C

Cap	
Z62704900 .....	49
125/02080/00 .....	35
211/00179/00 .....	35
Circlip	
Z02801018 .....	35
Clamp	
Z01771009 .....	47
Z02814003 .....	49
Z02814017 .....	43, 47, 49
Z02814209 .....	43
Z02814230 .....	17
Z07612006 .....	63, 65
Z21780500 .....	47
Z21845300 .....	47
125/01330/00 .....	45
253/00528/00 .....	43
Clamping Ring	
125/01310/00 .....	37
Coil	
209/00276/24 .....	47
Component	
125/02000/00 .....	27, 29
209/00652/00 .....	61
209/00653/00 .....	61
209/06160/10 .....	59
209/06160/30 .....	59
209/06160/40 .....	59
225/50020/00 .....	35
225/50100/00 .....	51
225/50120/00 .....	53
225/50130/00 .....	53
225/50140/00 .....	53
Conical Bearing	
Z03607139 .....	21
Connector	
Z02503706 .....	53
Z02503729 .....	49
Z04627005 .....	9, 25
Z04627011 .....	7
Z04628001 .....	9

N/A items do not appear in index.

Z04628003	7
Z04632002	7
Z04633006	47
Z04633007	45
Z04633009	47
Z04643007	45
Z04644008	47
Z04645002	7
225/50190/00	55
225/50200/00	55
225/50270/00	7
225/50380/00	57
Contact Switch	
209/00099/26	39, 41
Container	
Z60500300	49
Control	
209/06160/20	41
Cooling Fan	
209/00287/00	23
Counterweight	
125/00251/00	13, 15
Coupling	
Z02503730	35
Z02503731	25, 51
Z02503734	9, 53, 57
Cover	
125/01040/00	51, 53, 55
125/01220/00	35
125/01230/00	35
125/01315/00	35
223/00320/00	17
223/00326/00	17
Cylinder	
Z02503325	49

## D

Disc	
Z62721400	19
Dispenser Box	
125/01300/00	49
Display Printboard	
209/00722/00	39
Door Glass Seal	
225/60040/00	37
Door Lock Cover	
125/00625/00	33
Drain Body	
125/00670/00	17

## E

Elbow	
Z02503700	7, 9, 35
Z02503702	7, 45, 51, 53
Z02503720	33
Z04602007	45
Z04611002	7, 9
Z04611009	47
209/00227/08	17, 55

## F

Fan Grill	
209/00287/01	23
Filter	
209/10216/11	71
Flange	
225/50090/00	51
Frame	
125/01250/00	57
125/01305/00	35, 37
Front Left Side Panel	
125/01060/00	27
125/01190/00	29
Front Right Side Panel	
125/01020/00	31
Front Top Panel	
125/01113/00	27, 29
Fuse	
209/00656/00	65
209/00657/00	65
209/00658/00	61

## G

Gasket	
Z62702000	43
125/02060/00	17
223/00312/00	37
223/00319/00	17
223/00321/00	13, 15
Glass	
125/02030/00	37

## H

Handle Grommet	
223/00008/01	27, 29, 39
Hinge	
125/00655/00	35
Hinge Piece	
260/00043/01	27, 29
260/00043/02	27, 29
Hose	
Z02503622	9, 51, 53, 57
Z03202085	45
Z03202098	17
Z21947300	45
Z62710500	43
223/00318/00	43, 47, 49
225/50291/00	7
225/50301/00	7, 9, 17, 25, 33, 45, 47, 49, 51, 53, 55
Hose Barb	
223/00016/00	45
Hose Clamp	
223/00010/00	47
223/00011/00	45
223/00223/00	43
Hose Connector	
Z02816013	47

N/A items do not appear in index.

<hr/>	
<b>I</b>	
Inlet Valve, 2-Way	
209/00110/00 .....	47
Inlet Valve, 3-Way	
209/00277/00 .....	47
Inverter Drive	
227/00209/00 .....	69
227/00210/00 .....	69
Inverter Drive Filter	
227/00182/00 .....	69
<hr/>	

<b>L</b>	
Label	
225/00397/00 .....	39
Left Back Panel	
125/01070/00 .....	27, 29
Left Front Panel	
125/01140/00 .....	27, 29
Light	
Z07705186 .....	39, 41
Lip Seal	
Z03663047 .....	19
<hr/>	

<b>M</b>	
Main Printboard	
209/00505/10 .....	61
Main Switch	
209/00526/10 .....	67
Manifold	
225/50210/00 .....	55
Middle Back Panel	
125/01080/00 .....	31
Middle Panel	
125/01030/00 .....	27, 29, 31
Middle Rear Left Side Panel	
125/01180/00 .....	27, 29
Motor	
227/00190/00 .....	23
Motor Pulley	
Z62786100 .....	23
Mount	
125/01200/00 .....	39
Mounting Plate	
125/01340/00 .....	45
Mushroom Pushbutton	
209/00248/20 .....	39, 41
<hr/>	

<b>N</b>	
Nut	
Z01741017 .....	25
Z01741021 .....	23
Z01741023 .....	23
Z01770007 .....	25
Z01770009 .....	11, 13, 15
Z01834015 .....	37
<hr/>	

Z01834019 .....	37
Z01912015 .....	27, 29, 31
Z01912017 .....	35, 45
Z01912025 .....	13, 15
204/00004/00 .....	47
204/00007/00 .....	23, 41, 57
204/00008/00 .....	39
204/00009/00 .....	53
204/00102/00 .....	35
204/00105/00 .....	39
204/00107/00 .....	69
204/00114/00 .....	55
204/00115/00 .....	51, 53, 69
204/00116/00 .....	39
204/00121/00 .....	17
204/00123/00 .....	17
204/00124/00 .....	55
204/00201/00 .....	49
206/00101/00 .....	57
206/00105/00 .....	57
<hr/>	

<b>O</b>	
Out-of-Balance Switch	
209/00255/00 .....	57
Out-of-Balance Switch Boot	
223/00246/00 .....	57
Overflow Cap	
223/00158/00 .....	43
<hr/>	

<b>P</b>	
Panel	
125/01320/00 .....	27, 29
Parameter Unit Assembly	
227/00171/00 .....	69
Parameter Unit Program Cable	
227/00171/10 .....	69
Pin	
125/02090/00 .....	35
125/02110/00 .....	35
Pipe	
Z62701900 .....	43
125/01350/00 .....	45
125/01360/00 .....	45
253/00525/00 .....	43
253/00526/00 .....	43
253/00527/00 .....	43
Plate	
125/00600/00 .....	33
125/00610/00 .....	33
125/00640/00 .....	33
125/00680/00 .....	17
125/00690/00 .....	17
125/01335/00 .....	35
125/01336/00 .....	35
125/01337/00 .....	35
125/02070/00 .....	17
Plug	
Z04634006 .....	47
Pressure Switch	
209/00007/50 .....	59, 63
Pressure Switch Hose	
223/00212/00 .....	45, 59, 63
<hr/>	

N/A items do not appear in index.

Pressure Switch Hose Tee 223/00173/10 .....	63
Prewash and Mainwash Nozzle 223/00001/04 .....	49
Programming Key Contact Switch 209/00326/20 .....	39

## R

Rail 720/00110/01 .....	59, 61, 63, 65, 67
Relay Z07590530 .....	61
Retainer Z03610163 .....	21
125/02100/00 .....	37
Right Back Panel 125/01090/00 .....	31
Right Front Panel 125/01150/00 .....	31
Rivet 208/00021/00 .....	59, 63
Rod 125/00660/00 .....	35

## S

Screw	
B12500601 .....	25, 27, 29, 35
Z01705122 .....	25
Z01902051 .....	35
Z01902091 .....	19
Z01902093 .....	17
Z01902097 .....	19
Z01902145 .....	35
Z01906093 .....	35
Z02008144 .....	35
206/00117/00 .....	35
206/00137/00 .....	33
207/00018/00 .....	55, 57
207/00025/00 .....	39
207/00110/00 .....	27, 29
207/00113/00 .....	39
207/00126/00 .....	55
260/00043/03 .....	27, 29
Seal	
Z03610141 .....	21
Z62268400 .....	45
Z62721200 .....	19
Seal Ring	
Z03650480 .....	21
Z03650483 .....	21
Shaft Seal	
Z62721000 .....	19
Z62721300 .....	19
Shell	
125/00200/00 .....	13, 15
Shell Back	
125/00210/00 .....	13, 15, 19
Shell Front	
125/00250/00 .....	13, 15

Shim	
Z62418000 .....	23
Z62418100 .....	23
Shock Absorber 247/00008/00 .....	11
Side Panel	
125/01050/00 .....	27, 29, 31
125/01210/00 .....	27, 29
Silencer Z02506016 .....	53
Soap Dispenser Cover Handle 223/00008/05 .....	27, 29
Soap Injection PCB with Fuse 209/00218/13 .....	63
Soap Printboard 209/00590/00 .....	59
Solenoid	
225/50010/00 .....	33
225/50030/00 .....	17
Solenoid and Bracket 209/00659/00 .....	33, 35
Spacer 223/00332/00 .....	25
Speed Detector 209/00400/00 .....	21, 33
Spring 225/60020/00 .....	35
Standoff 211/00120/00 .....	59, 61, 63
Steam Injector Z62744800 .....	45
Steam Valve Z02505012 .....	45
Support	
125/01270/00 .....	57
125/01390/00 .....	57
Support Bracket 125/02040/00 .....	5, 13, 15
Switch Base 209/00099/25 .....	39, 41

## T

Tee	
Z04617006 .....	47
Z04617009 .....	47
Z04617240 .....	47
209/00227/06 .....	55
225/50240/00 .....	51
Tee Connector Z04617002 .....	7
Telem Sticker 209/00520/00 .....	39, 41
Temperature Sensor Z62729900 .....	45
Terminal Block	
209/00527/00 .....	67
209/00528/00 .....	67
Terminal Strip	
Z07612004 .....	63
Z07612005 .....	63, 65
Top Front Panel 125/01000/00 .....	27, 29

N/A items do not appear in index.

Transformer	
209/00655/00 .....	65

Water Hose	
223/00044/00 .....	47
223/00044/01 .....	49

---

## U

Upper Back Panel	
125/01120/00 .....	27, 29
Upper Door Lock	
125/00620/00 .....	33
Upper Left Panel	
125/01110/00 .....	27, 29
Upper Rear Left Side Panel	
125/01160/00 .....	27, 29
Upper Right Side Panel	
125/01100/00 .....	31

---

## V

Valve	
Z02303453 .....	47
225/50060/00 .....	51
225/50110/00 .....	9, 55
225/50160/00 .....	51, 53
225/50170/00 .....	7
225/50180/00 .....	7
225/50370/00 .....	45, 47
Vent	
225/50150/00 .....	7
Ventilator	
209/10216/10 .....	71

---

## W

Washer	
Z01757008 .....	25
Z01757011 .....	23
Z01757012 .....	23
Z01757063 .....	11, 23
Z01912019 .....	17
Z01915004 .....	19
Z01915006 .....	45
Z02203023 .....	21
Z41607500 .....	35
201/00001/00 .....	13, 15
201/00002/00 .....	13, 15, 49
201/00008/00 .....	35, 59, 61, 63, 65, 67
202/00002/00 .....	5, 13, 15, 17, 43, 45, 47
202/00004/00 .....	23, 39, 41
202/00101/00 .....	33, 53
202/00102/00 .....	27, 29
202/00103/00 .....	69
202/00104/00 .....	35
202/00110/00 .....	17, 27, 29
202/00111/00 .....	27, 29
203/00003/00 .....	5, 13, 15, 17, 43, 45, 47
203/00004/00 .....	17
203/00006/00 .....	23, 39, 57, 59, 61, 63, 65, 67
203/00007/00 .....	39
203/00011/00 .....	35
223/00001/07 .....	49
223/00062/01 .....	49
223/00123/00 .....	39
225/60030/00 .....	15

N/A items do not appear in index.

