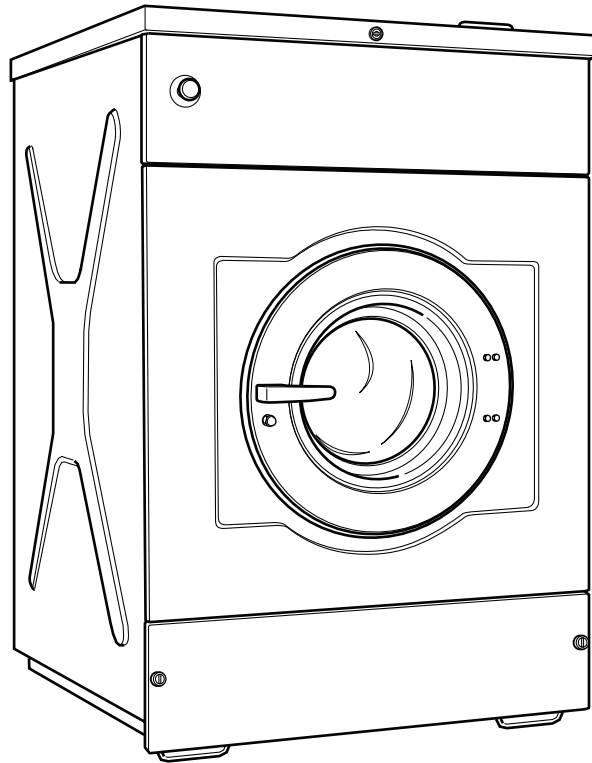


Washer-Extractor

Cabinet Hardmount

Refer to Page 3 for Model Numbers



CFD651N_D1363

Table of Contents

Title	Page
Parts Ordering Information.....	2
Serial Plate Location	2
Model Identification	3
Cabinet Hardmount Washer-Extractor Product Overview.....	4
Frame.....	6
Bearing Housing	8
Basket, Pulley and Belt	10
Shell and Basket.....	12
Motor and Belt.....	14
Drain Plumbing	16
Door Lock.....	18
Door	20
Control Panel - Cygnus Professional	22
Control Panel - Cygnus Ultra Pro.....	24
Control Panel - Cygnus Premium OPL and Ultra.....	26
Control Panel - Cygnus Premium Vended	28
Control Panel - Cygnus Standard/Commercial OPL and Select.....	30
Control Panel - Cygnus Vended and Standard/Commercial Vended	32
Coin Drop - Mechanical Coin Meter	34
Coin Drop - Electronic Coin Meter	36
Left Side, Lower Front and Upper Rear Panels	38
Right Side, Front, Lower Rear and Top Panels	40
Inverter Drive	42
Printboard Support Panel and Soap Injection Printboards	44
Electrical Component Mounting Plate.....	46
Fill Plumbing Assembly	48
Steam and Electric Heating Options	50
Parts Index.....	53

© Copyright 2017, Alliance Laundry Systems LLC

All rights reserved. No part of the contents of this book may be reproduced or transmitted in any form or by any means without the expressed written consent of the publisher.

Parts Ordering Information

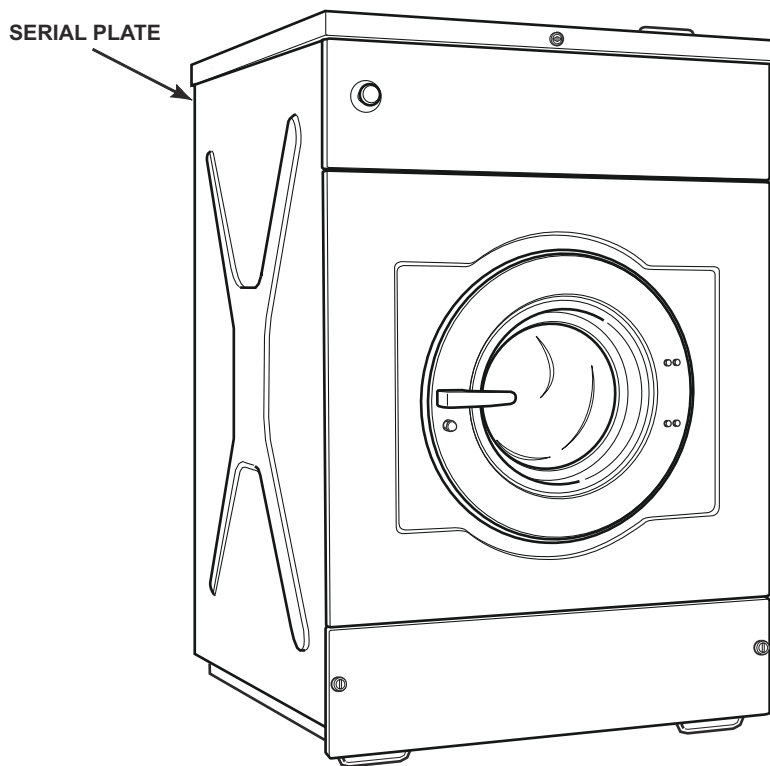
If literature or replacement parts are required, contact the source from whom the machine was purchased or contact Alliance Laundry Systems at (920) 748-3950 for the name and address of the nearest authorized parts distributor.

For technical assistance, call the number listed below:

(920) 748-3121 Ripon, Wisconsin

Serial Plate Location

When calling or writing about your product, be sure to mention model and serial numbers. Model and serial numbers are located on serial plate(s) as shown.



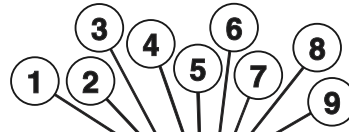
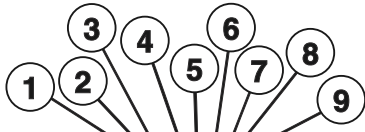
CFD651NA_D1363



Model Identification

Information in this manual is applicable to these washer-extractor models:

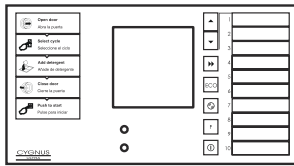
CH040_CYGNUS-SELECT	IH040_CYGNUS-SELECT	IHW150C
CH040_CYGNUS-ULTRA	IH040_CYGNUS-ULTRA	IHW150X
CH040_ULTRA-PRO	IH040_CYGNUS-VENDED	IHW150Y
CHE033X	IH040_ULTRA-PRO	IHW150Z
CHE033Z	IHA150C	IHW185C
CHE040X	IHA150X	IHW185X
CHE040Z	IHA150Y	IHW185Y
CHG150X	IHA150Z	IHW185Z
CHG150Z	IHA185C	IHY033C
CHG185X	IHA185X	IHY033X
CHG185Z	IHA185Y	IHY033Y
CHN150X	IHA185Z	IHY033Z
CHN150Z	IHG150C	IHY040C
CHN185S	IHG150X	IHY040X
CHN185U	IHG150Y	IHY040Y
CHN185X	IHG150Z	IHY040Z
CHN185Z	IHG185C	IHZ150C
CHR033X	IHG185X	IHZ150X
CHR033Z	IHG185Y	IHZ150Y
CHR040R	IHG185Z	IHZ150Z
CHR040S	IHN150C	IHZ185C
CHR040U	IHN150X	IHZ185X
CHR040X	IHN150Y	IHZ185Y
CHR040Z	IHN150Z	IHZ185Z
CHU150X	IHN185C	JHW150C
CHU150Z	IHN185S	JHW150Y
CHU185X	IHN185U	JHW150Z
CHU185Z	IHN185V	JHW185C
CHW150X	IHN185X	JHW185Y
CHW150Z	IHN185Y	JHW185Z
CHW185X	IHN185Z	PHU150Y
CHW185Z	IHR040R	PHU185Y
CHY040X	IHR040S	WD150_CYGNUS-COMM
CHY040Z	IHR040U	WD150_CYGNUS-PREM
CHZ150X	IHR040V	WD150_CYGNUS-PRO
CHZ150Z	IHU150C	WD150_CYGNUS-STANDARD
CHZ185X	IHU150X	WD185_CYGNUS-COMM
CHZ185Z	IHU150Y	WD185_CYGNUS-PREM
DHU150X	IHU150Z	WD185_CYGNUS-PRO
DHU185X	IHU185C	WD185_CYGNUS-STANDARD
	IHU185X	WHU150C
	IHU185Y	WHU185C
	IHU185Z	YHG150C
		YHG185C

Cabinet Hardmount Washer-Extractor Product Overview

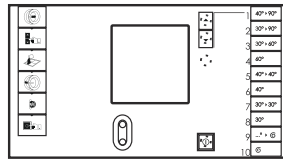


Model No: IXU135XNCU0E		Serial No: 12090AE0036	
Volts: 380-415V	Type: HD135		
Hertz: 50(60)Hz	1 3		
Phase: 3+N	Capacity: 30/13.2 lbs/kg		
Amps: 24.3 amps	Water 28-85 psi		
Recommended Circuit Breaker: 25 amps	Pressure: 2-6 bar		
Electrical Heating: 12-14. kW	Max Speed: 1000 rpm		
Steam N/A psi	Net 788 lbs		
Heat: N/A bar	Weight: 358 kg		
Sound Level: 62/73 dBA	IPX4		
		sfc 807393	
Alliance International BVBA  Nieuwstraat 146 8560 Wevelgem Belgium Tel: +32 56 41 20 54 Fax: +32 56 41 86 74 www.ipso.be Country of origin: Belgium			

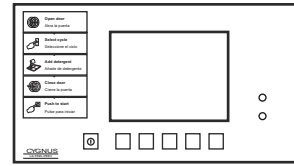
Model No: IHM185SNLXUOP		Serial No: 1209BG0043	
Volts: 200-240V	Type: WD185		
Hertz: 60(50)Hz	1 3		
Phase: 1	Capacity: 40/18.2 lbs/kg		
Amps: 3.5 amps	Water 28-85 psi		
Recommended Circuit Breaker: 15 amps	Pressure: 2-6 bar		
Electrical Heating: N/A kW	Max Speed: 470 rpm		
Steam N/A psi	Net 618 lbs		
Heat: N/A bar	Weight: 281 kg		
Sound Level: 62/73 dBA	IPX4		
		sfc 807410	
Alliance International BVBA  Nieuwstraat 146 8560 Wevelgem Belgium Tel: +32 56 41 20 54 Fax: +32 56 41 86 74 www.ipso.be Country of origin: Belgium			



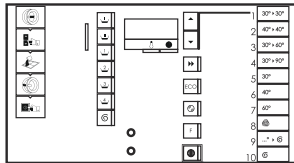
Cygnus Ultra



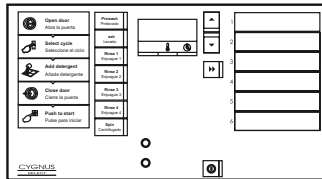
Cygnus Premium Coin



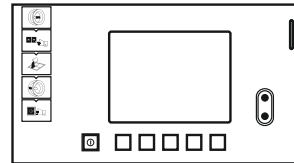
Cygnus Ultra Pro



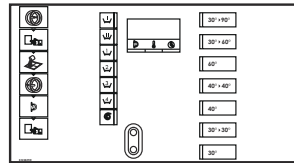
Cygnus Commercial



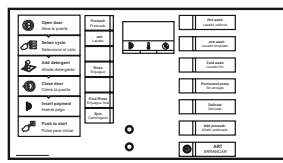
Cygnus Select



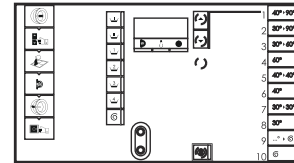
Cygnus Professional



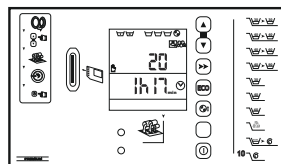
Cygnus Standard Vended



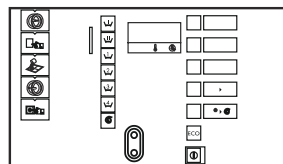
Cygnus Vended



Cygnus Commercial Vended



Cygnus Premium OPL



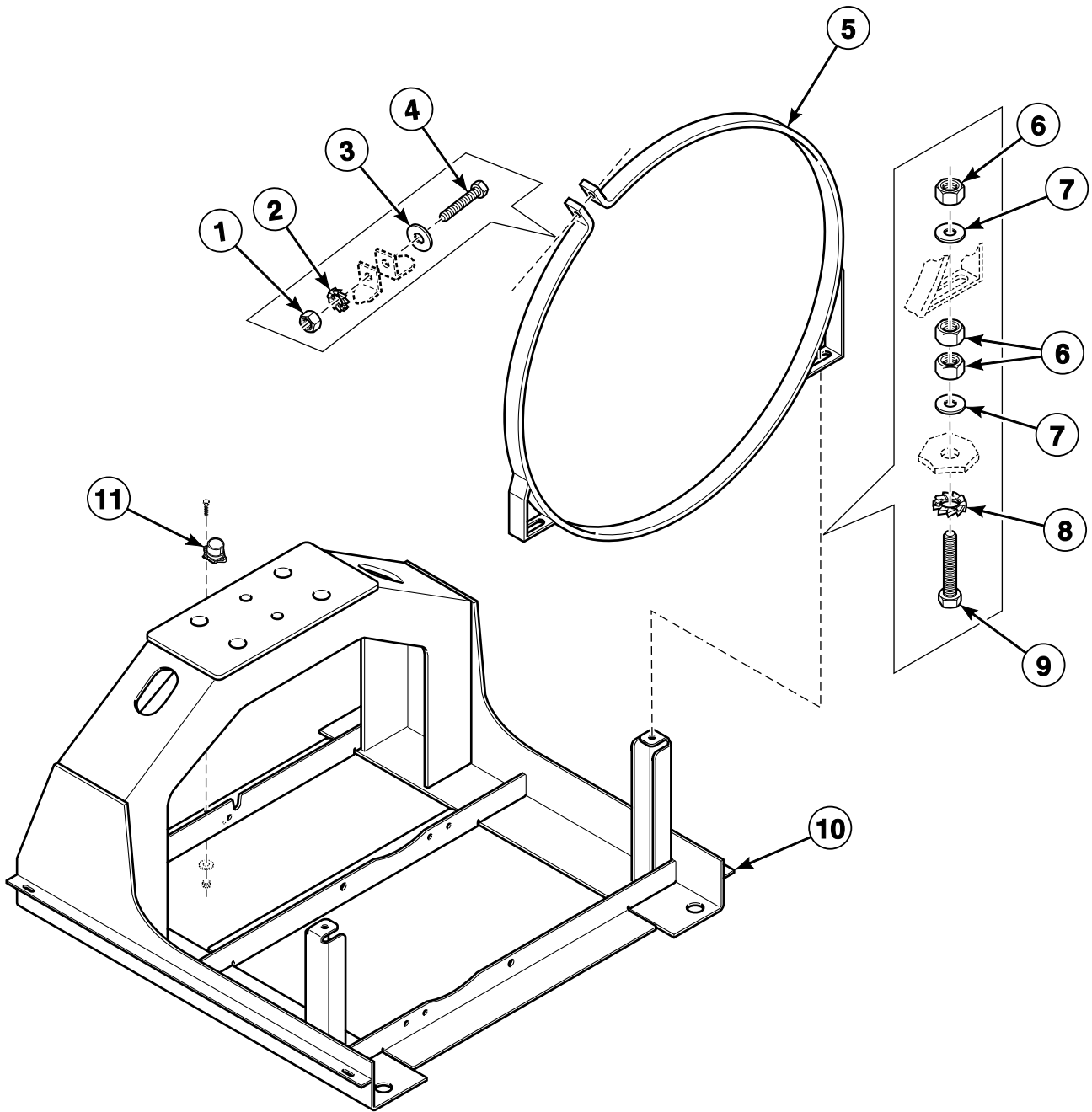
Cygnus Standard OPL

CHM3357P_D1363

Cabinet Hardmount Washer-Extractor Product Overview

REF	PART NO.	DESCRIPTION	COMMENTS
1	-	Product Family	CH DH IH JH PH WD WH YH
2	-	Market	E (EU [CE] Pounds) G (GOS) N (US ETL/ETL [C]) R (US ETL/ETL [C]) U (EU [CE]) W (EU [CE] WRAS) Z (No Agency Int.)
3	-	Capacity	033 040 150 185
4	-	Control	C (Cygnus Standard) R (Cygnus Ultra Pro) S (CygnuS Select) U (Cygnus Ultra) V (Cygnus Vended) X (Cygnus Commercial) Y (Cygnus Premium) Z (Cygnus Professional)
5	-	Actuation	C (Single Coin Drop) D (Dual Coin Drop) E (Electronic Coin Drop) L (Central Pay Pulses) N (OPL) S (Central Pay Serial Comm)
6	-	Speed	L (Normal Speed) M (High Speed)
7	-	Voltage	C (380-415V/50/60 Hertz/3Ph-4W [L1, L2, L3, N]) N (440-480V/50/60 Hertz/3Ph-3W [L1, L2, L3]) P (380-415V/50/60 Hertz/3Ph-3W[L1, L2, L3]) Q (200-208/220-240V/50/60 Hertz/3Ph-3W [L1, L2, L3]) X (200-208/220-240V/50/60 Hertz/1Ph-2W [L1, N] or 2W [L1, L2])
8	-	Cabinet	U (Standard) I (Stainless Steel Side Panels)
9	-	Design	1

Frame

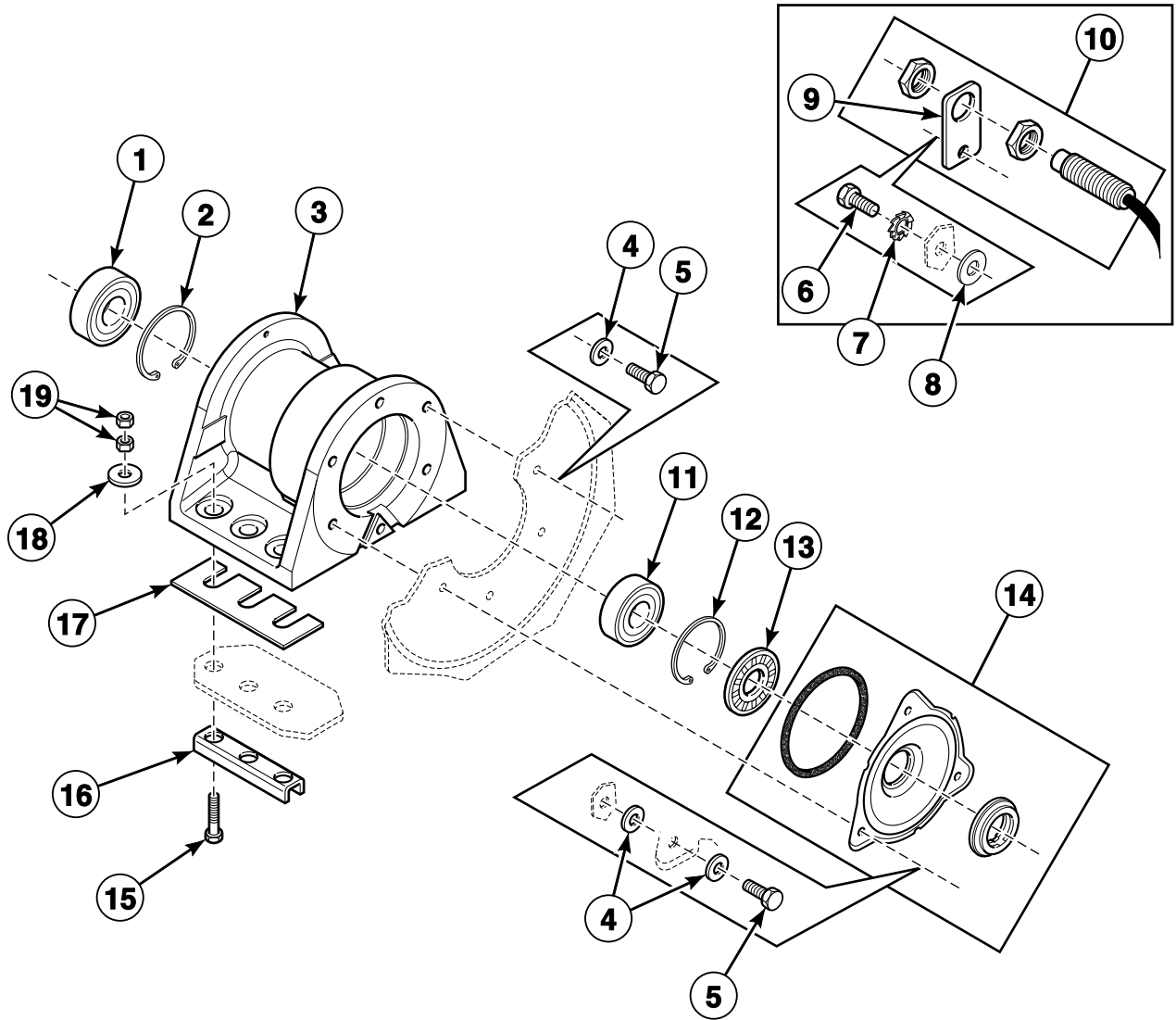


CHM3268P_D1363

Frame

REF	PART NO.	DESCRIPTION	COMMENTS
	B12349903	Vibration Switch Wiring Harness	Models with M in the 9th position of the model number
	B12349904	Out-of-Balance Bypass Harness	
1	204/00004/00	Nut	
2	203/00003/00	Washer	
3	201/00010/00	Washer	
4	206/00052/00	Bolt	
5	212/00115/00	Tub Fastening Ring	
6	204/00003/00	Nut	
7	201/00005/00	Washer	
8	203/00001/00	Washer	
9	206/00079/00	Bolt	
10	B12400401	Frame	*33 and *150 models
	B12400201	Frame	*40 and *185 models
11	F8204001	Vibration Switch	Models with M in the 9th position of the model number

Bearing Housing

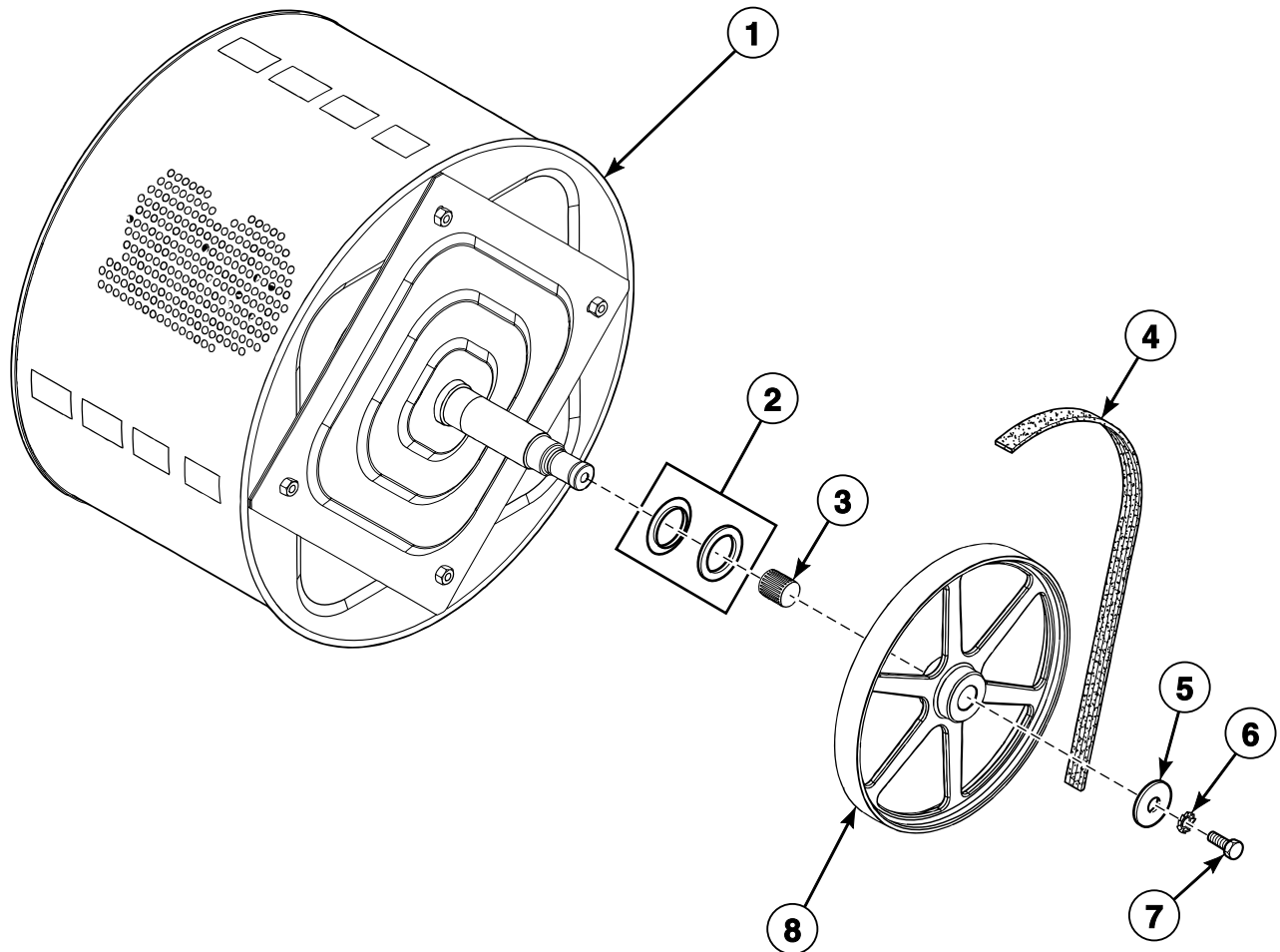


CHM3269P_D1363

Bearing Housing

REF	PART NO.	DESCRIPTION	COMMENTS
	3883P	Bearing Kit	Includes items 1, 4, 5, 11-14, 219/00004/00 Counter Ring and 223/00242/40 Tub Front Panel Gasket
	381P3P	Bearing Replacement Tool Kit	Purchase
	381P3-1	Bearing Replacement Tool Kit	Rental; Requires F407P4 Hardware Kit
	F407P4	Hardware Kit	
1	F100134	Bearing	
2	212/00037/00	Retainer Ring	
3	212/10104/00	Bearing Housing Assembly	Includes items 1, 2, 11 and 12
4	201/00201/00	Washer	
5	205/00102/00	Bolt	
6	206/00014/00	Bolt	
7	203/00004/00	Washer	
8	202/00003/00	Washer	
9	152/00055/00	Speed Detector Bracket	
10	210/00074/00	Speed Detector	Includes item 9
11	212/00004/00	Ball Bearing	
12	212/00006/00	Retainer Ring	
13	B12332301	Lip Seal	
14	B12333701	Seal Plate Assembly	
15	206/00093/00	Bolt	
16	113/00067/00	U-Piece Assembly	
17	113/00017/01	Bearing Housing Plate	1 mm
	113/00017/02	Bearing Housing Plate	2 mm
18	201/00001/00	Washer	
19	206/00094/00	Nut	

Basket, Pulley and Belt

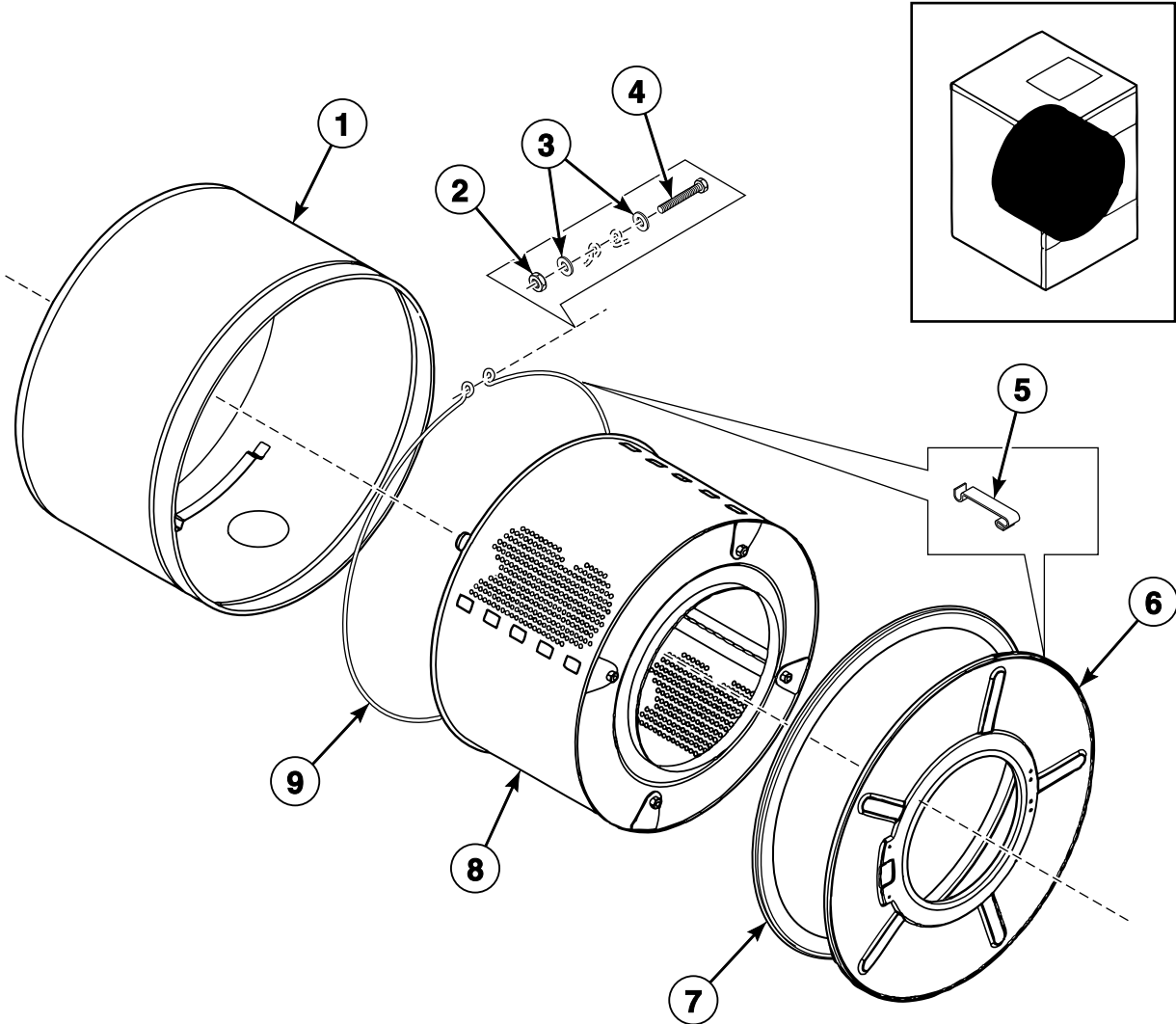


BE000840P_D1363

Basket, Pulley and Belt

REF	PART NO.	DESCRIPTION	COMMENTS
1	B12380301	Drum	*33 and *150 models; 3 mm
	B12380401	Drum	*33 and *150 models; 9 mm; L speed models only
	B12380701	Drum	*40 and *185 models; 3 mm
	B12380801	Drum	*40 and *185 models; 9 mm; L speed models only
2	219/00004/00	Counter Ring	
3	215/00004/00	Tolerance Ring	
4	226/00124/00P	Belt	
5	201/00015/00	Washer	
6	203/00002/00	Washer	
7	206/00004/00	Bolt	
8	226/00126/00	Pulley	

Shell and Basket

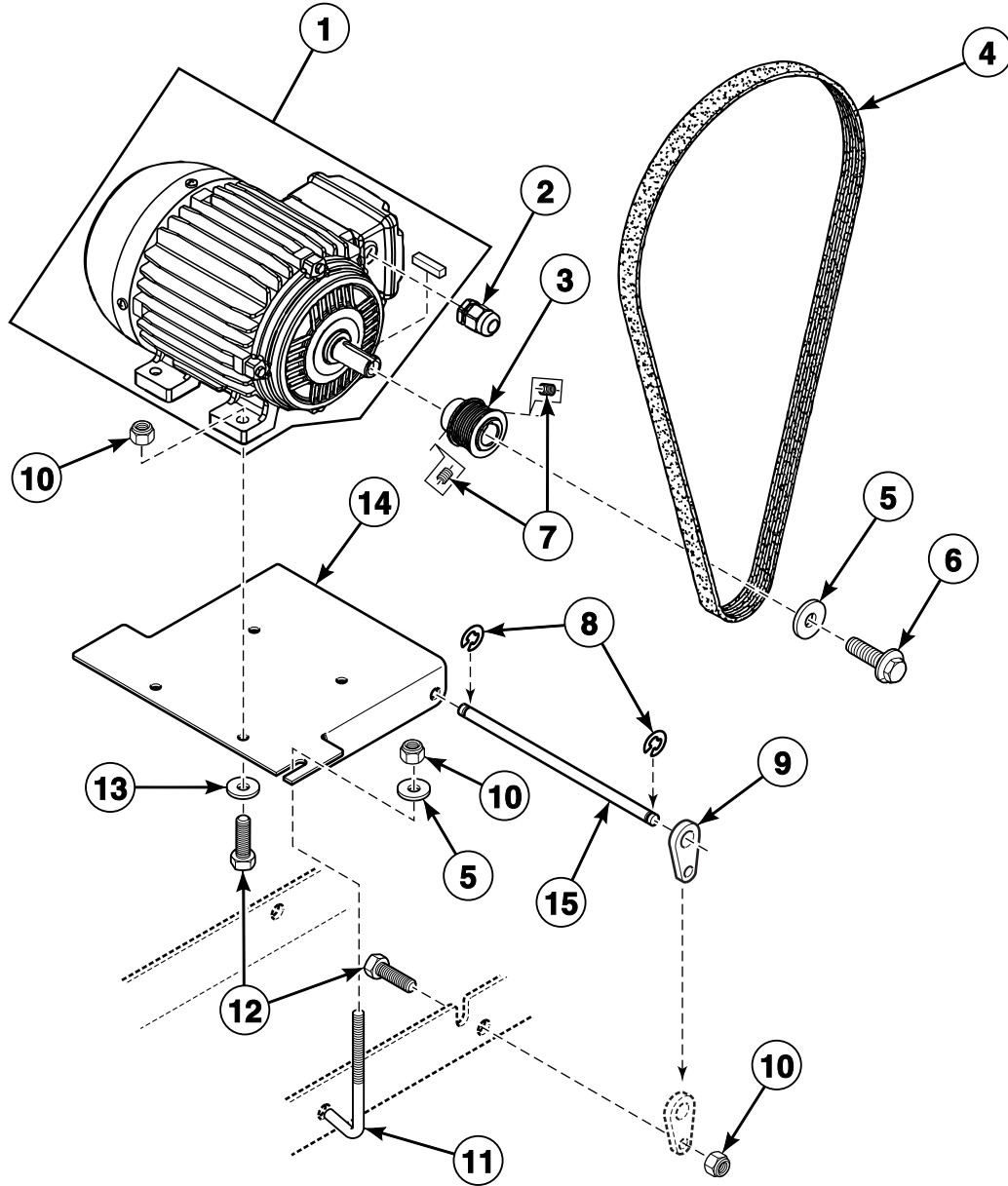


BE000807AP_D1363

Shell and Basket

REF	PART NO.	DESCRIPTION	COMMENTS
1	B12329601	Tub	*33 and *150 models; Electric heat
	B12329501	Tub	*33 and *150 models; Boiler
	B12329701	Tub	*33 and *150 models; Steam heat
	B12329901	Tub	*40 and *185 models; Electric heat
	B12329801	Tub	*40 and *185 models; Boiler
	B12330001	Tub	*40 and *185 models; Steam heat
2	204/00009/00	Nut	
3	201/00007/00	Washer	
4	206/00032/00	Bolt	
5	217/00008/00	Tub Front Panel Clip	
6	185/00049/00	Tub Front Panel	
7	223/00242/40	Tub Front Panel Gasket	
8	B12380301	Drum	*33 and *150 models; 3 mm
	B12380401	Drum	*33 and *150 models; 9 mm; L speed models only
	B12380701	Drum	*40 and *185 models; 3 mm
	B12380801	Drum	*40 and *185 models; 9 mm; L speed models only
9	219/00008/00	Ring Clip	

Motor and Belt

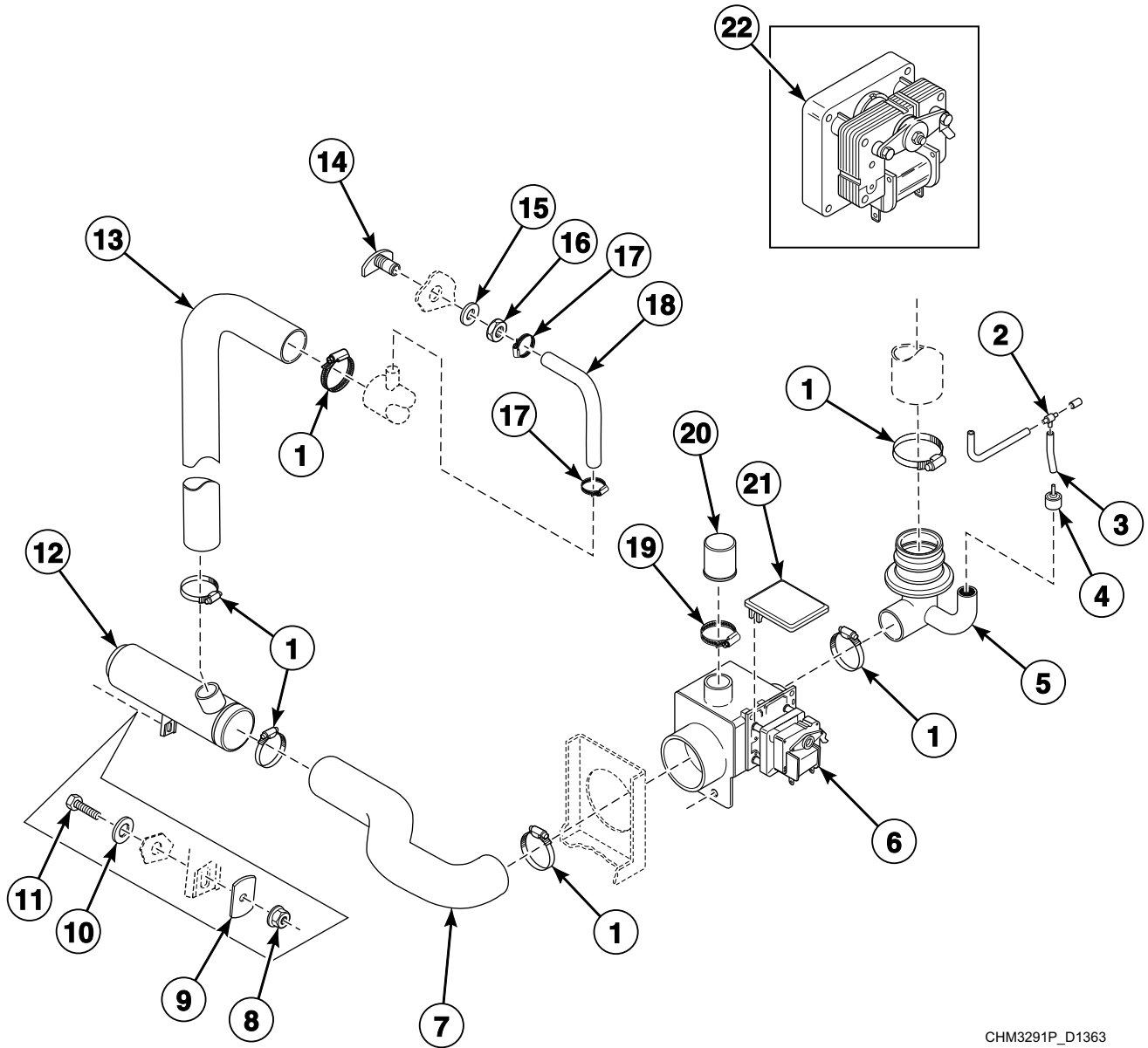


CHM3263P_D1363

Motor and Belt

REF	PART NO.	DESCRIPTION	COMMENTS
	B12382102	Motor Harness	
1	B12510601	Motor	
2	211/00181/00	Strain Relief Connector	
3	B12449101	Motor Pulley	
4	226/00124/00	Belt	
5	201/00015/00	Washer	
6	206/00006/00	Bolt	
7	206/00058/00	Screw	
8	B12463401	Spacer	
9	B12371401	Motor Clip	
10	204/00110/00	Nut	
11	B12444801	Bolt	
12	206/00119/00	Bolt	
13	202/00002/00	Washer	
14	B12439801	Motor Plate	
15	B12363003	Motor Mounting Rod	

Drain Plumbing

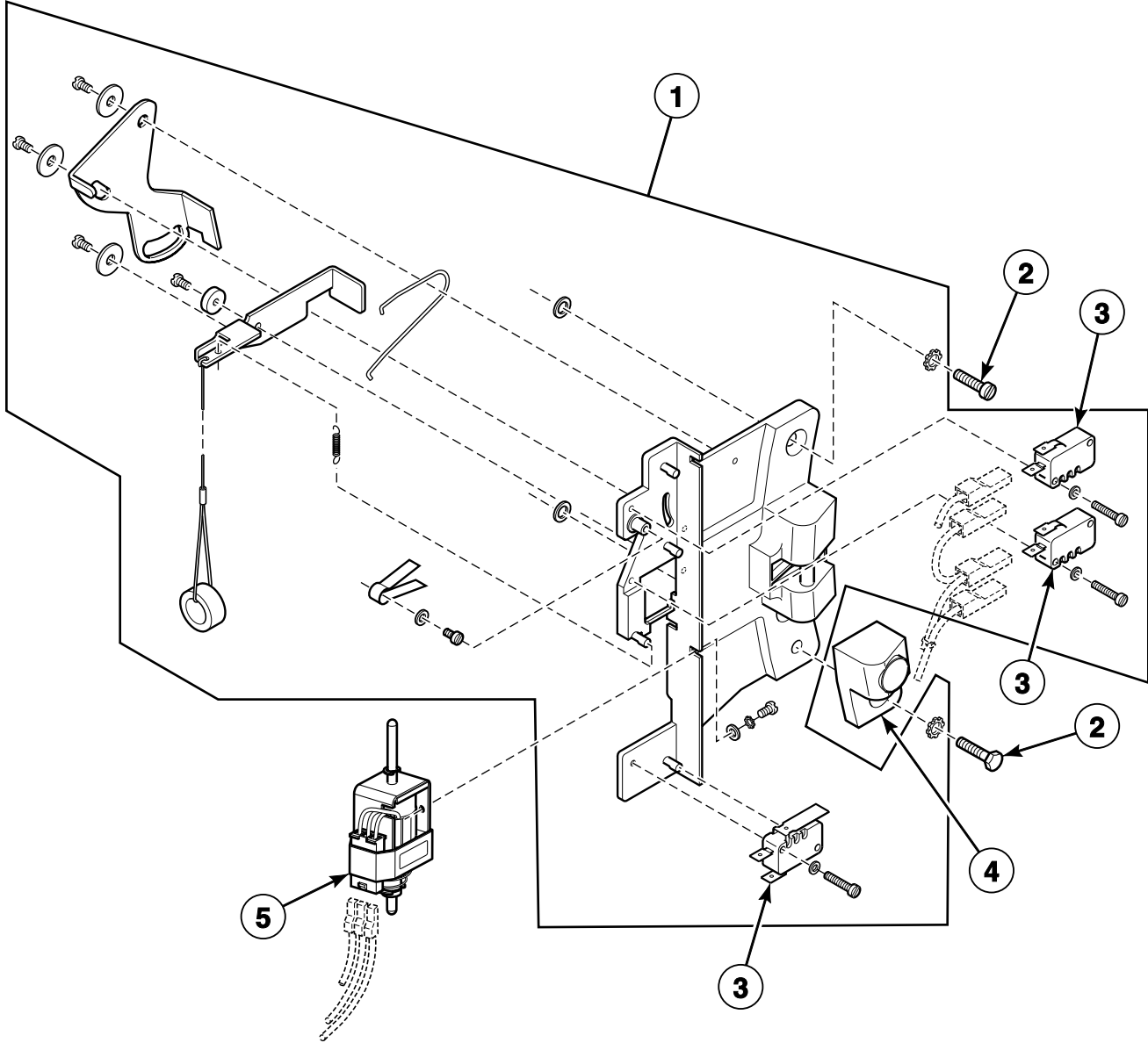


CHM3291P_D1363

Drain Plumbing

REF	PART NO.	DESCRIPTION	COMMENTS
	B12349401	Drain Valve Harness	
	B12428201	Dual Drain Kit	
1	223/00013/00	Hose Clamp	
2	223/00173/10	Pressure Switch Hose Tee	
3	B12700018	Pressure Hose	
4	223/00035/02	Pressure Switch Cap	
5	B12403101	Drain Tub to Drain Valve Hose	
6	B12630701	Drain Valve Kit	
7	223/00328/00	Drain Valve to Drain Tube Hose	
8	206/00105/00	Nut	
9	101/00007/00	Outlet Pipe Plate Assembly	
10	201/00007/00	Washer	
11	206/00033/00	Bolt	
12	223/00106/00	Drain Pipe	
13	223/00100/00	Overflow Hose	
14	223/00001/04	Prewash and Mainwash Nozzle	
15	201/00002/00	Washer	
16	204/00201/00	Nut	
17	223/00010/00	Hose Clamp	
18	223/00044/00	Water Hose	
19	223/00012/00	Hose Clamp	
20	223/00086/00	Drain Valve Overflow Plug	
21	F200133600	Drain Valve Cover	
22	209/00051/11	Drain Valve Motor	

Door Lock

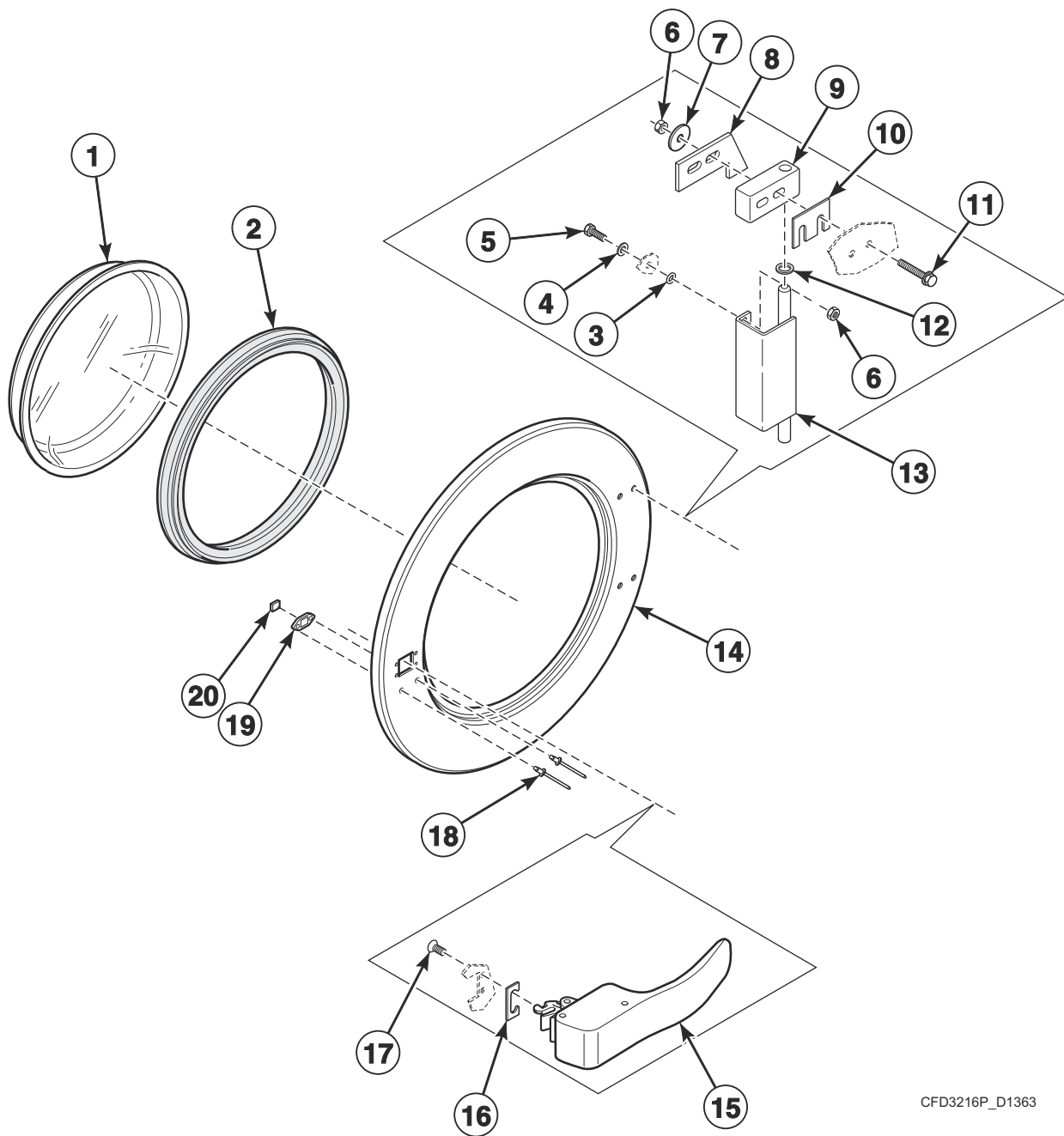


CHM3240P_D1363

Door Lock

REF	PART NO.	DESCRIPTION	COMMENTS
	B12495001	Door Lock Harness	
1	B12517701	Door Lock Assembly	Includes item 3
2	207/00102/00	Screw	
3	B12625101	Pushbutton	
4	B12517601	Reed Switch Holder	Includes F8080405 Reed Switch Harness and B12502001 Reed Switch
5	B12518101	Door Solenoid Assembly	

Door

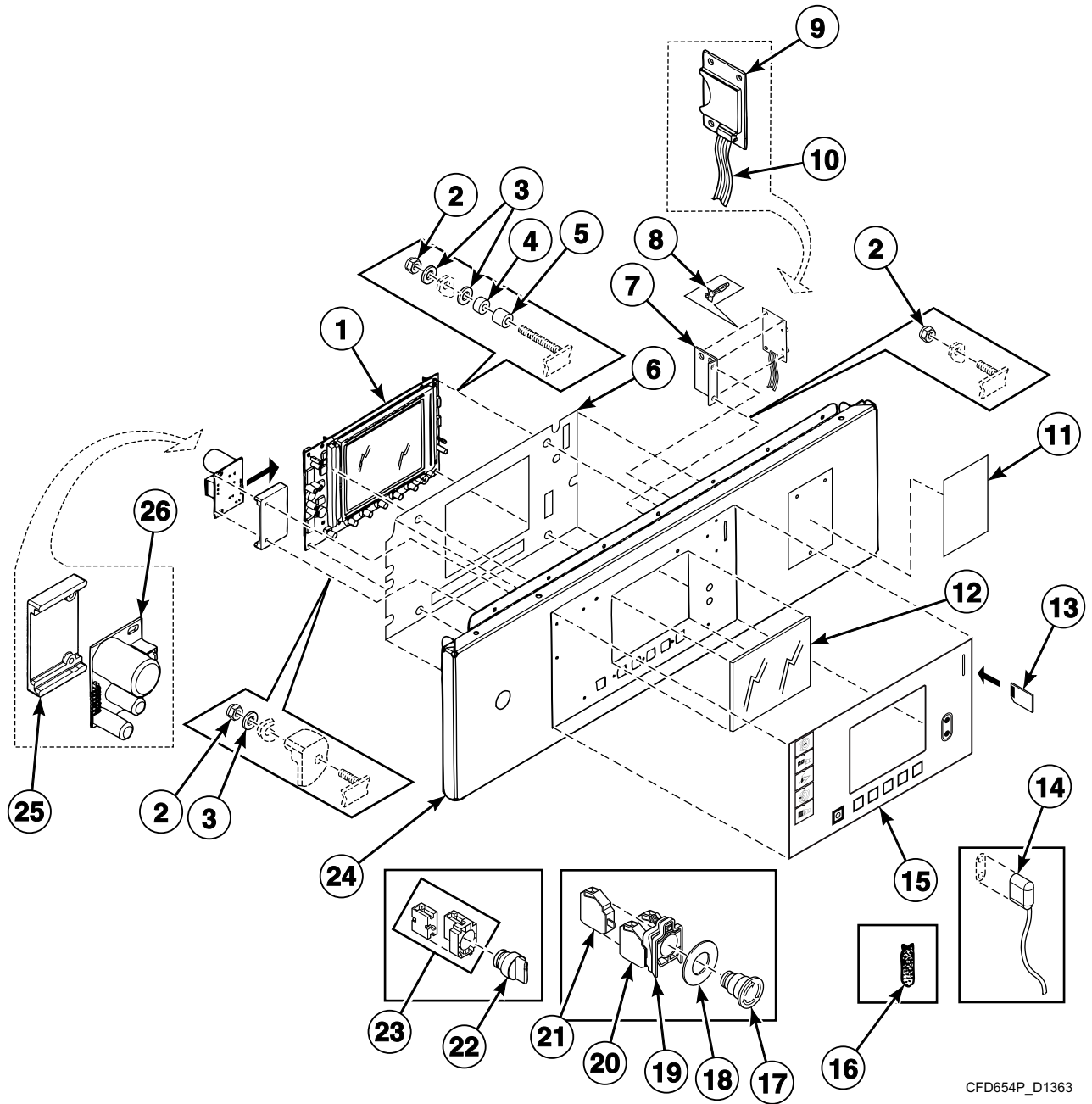


CFD3216P_D1363

Door

REF	PART NO.	DESCRIPTION	COMMENTS
1	B12449801	Door Glass	
2	223/00068/00	Door Glass Seal	
3	217/00021/00	O-Ring	
4	202/00101/00	Washer	
5	205/00106/00	Bolt	
6	204/00106/00	Nut	
7	202/00110/00	Washer	
8	B12565001	Door Hinge Blocking Plate	
9	253/00022/00	Door Hinge Block	
10	118/00124/00	Door Hinge Spacer	2 mm
11	207/00126/00	Screw	
12	202/00104/00	Washer	
13	221/00004/00	Hinge	
14	B12337201	Door Frame	
15	B12336301	Door Handle	Black
16	217/00016/00	Door Handle Stop	
17	B12500801	Screw	
18	B12500301	Rivet	
19	B12389701	Magnet Holder	
20	B12363301	Magnet	

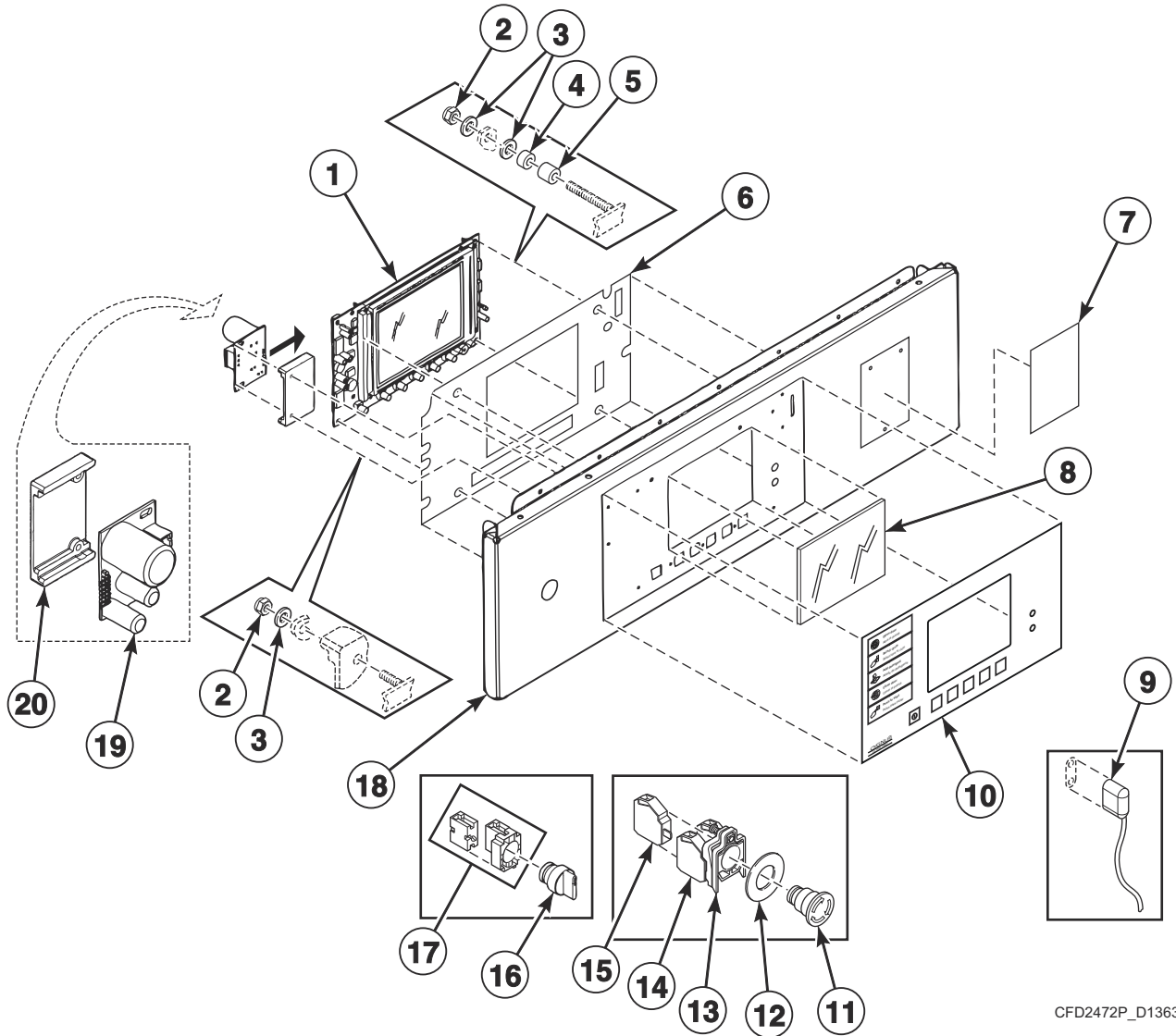
Control Panel - Cygnus Professional



Control Panel - Cygnus Professional

REF	PART NO.	DESCRIPTION	COMMENTS
	B12348901	E-Stop Harness	
1	209/02002/ZB2	Display PC-Board	
2	204/00116/00	Nut	
3	223/00123/00	Washer	
4	211/00128/00	Printboard Separator	
5	211/00122/00	Standoff	
6	229/00268/00	Insulating Sticker	
7	111/01893/00	Printboard Support Card	Optional
8	211/00145/00	Standoff	
9	B12305201	Memory Card PC-Board	Optional
10	B12538301	Data Card Ribbon Assembly	Optional
11	B12389801	Nameplate	Models IHA150Z, IHA185Z, IHG150Z, IHG185Z, IHN150Z, IHN185Z, IHU150Z, IHU185Z, IHW150Z, IHW185Z, IHY033Z, IHY040Z, IHZ150Z, IHZ185Z, WD150_CYGNUS-PRO and WD185_CYGNUS-PRO
	B12389802	Nameplate	Models CHE033Z, CHE040Z, CHG150Z, CHG185Z, CHN150Z, CHN185Z, CHR033Z, CHR040Z, CHU150Z, CHU185Z, CHW150Z, CHW185Z, CHY040Z, CHZ150Z and CHZ185Z
	B12389805	Nameplate	Model JHW185Z
12	225/00321/00	Plexi Frame	
13	209/02024/00	Datacard	
14	210/00902/00	Infrared Cable	
15	B12583501	Operating Sticker	
	B12383601	Operating Sticker	Models CHY040Z, IHY033Z and IHY040Z; Without datacard opening
	B12383701	Operating Sticker	Models CHY040Z, IHY033Z and IHY040Z; With datacard opening
	B12532001	Operating Sticker	Model JHW185Z
16	223/00348/00	Datacard Cover	
17	209/00248/20	Mushroom Pushbutton	
18	209/00520/00	Telem Sticker	
19	B12491801	Contact Harness	
20	209/00029/26	Contact Switch	NC
21	209/00099/26	Contact Switch	NO
22	209/00099/29	Switch Knob	Dual heat
	B12523901	Dual Heat Sticker	Dual heat
23	B12491701	Contact Harness	Dual heat
24	B12385301	Operating Panel	
25	223/00374/00	Mounting Plate	
26	B12388201	Door Lock PC-Board	

Control Panel - Cygnus Ultra Pro

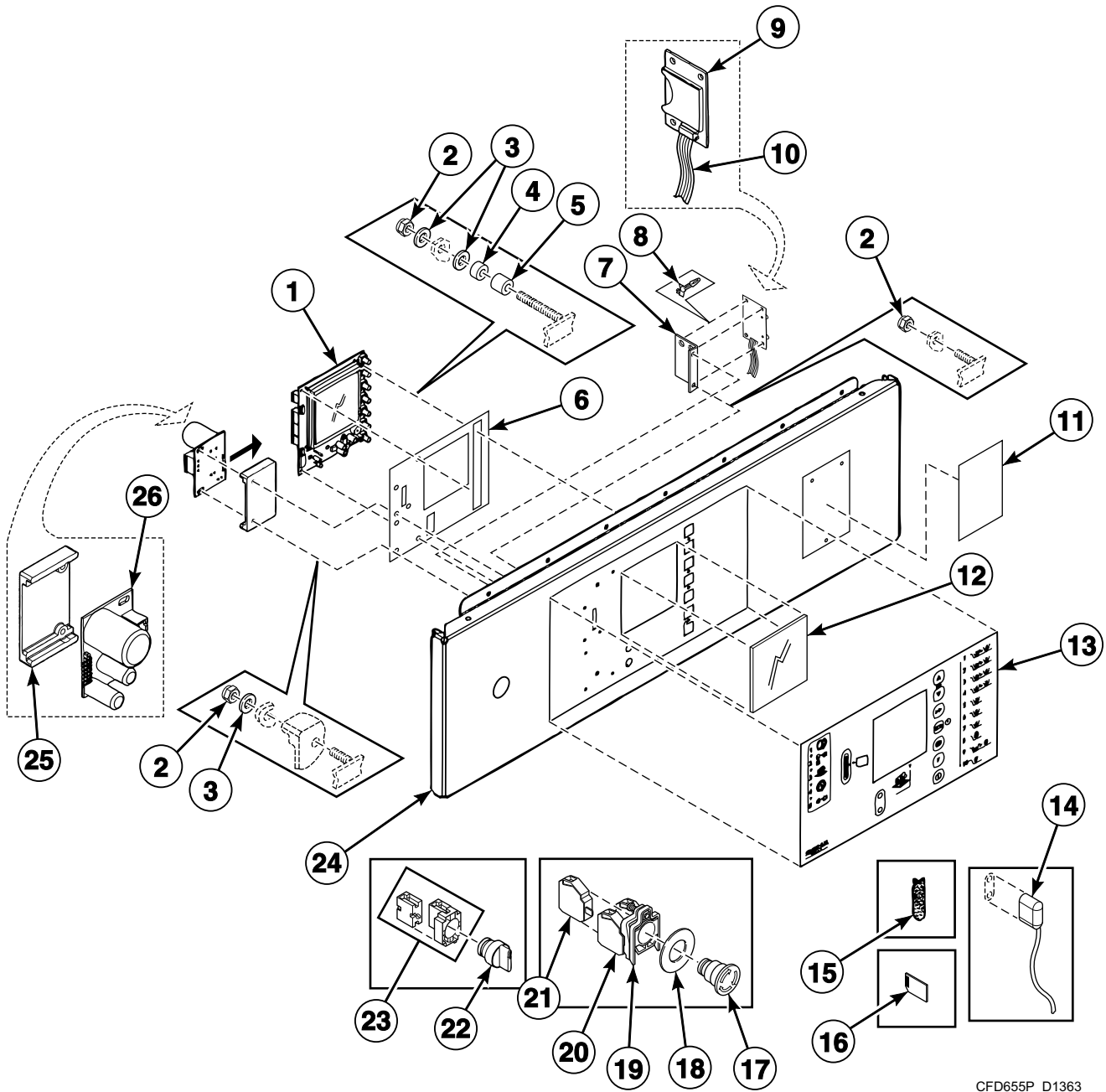


CFD2472P_D1363

Control Panel - Cygnus Ultra Pro

REF	PART NO.	DESCRIPTION	COMMENTS
	B12348901	E-Stop Harness	
1	209/02002/ZB2	Display PC-Board	
2	204/00116/00	Nut	
3	223/00123/00	Washer	
4	211/00128/00	Printboard Separator	
5	211/00122/00	Standoff	
6	229/00268/00	Insulating Sticker	
7	B12389801	Nameplate	Models IH040_ULTRA-PRO and IHR040R
	B12389802	Nameplate	Models CH040_ULTRA-PRO and CHR040R
8	225/00321/00	Plexi Frame	
9	210/00902/00	Infrared Cable	
10	B12583801	Overlay	
11	209/00248/20	Mushroom Pushbutton	
12	209/00520/00	Telem Sticker	
13	B12491801	Contact Harness	
14	209/00029/26	Contact Switch	NC
15	209/00099/26	Contact Switch	NO
16	209/00099/29	Switch Knob	Dual heat
	B12523901	Dual Heat Sticker	Dual heat
17	B12491701	Contact Harness	Dual heat
18	B12385301	Operating Panel	
19	B12388201	Door Lock PC-Board	
20	223/00374/00	Mounting Plate	

Control Panel - Cygnus Premium OPL and Ultra

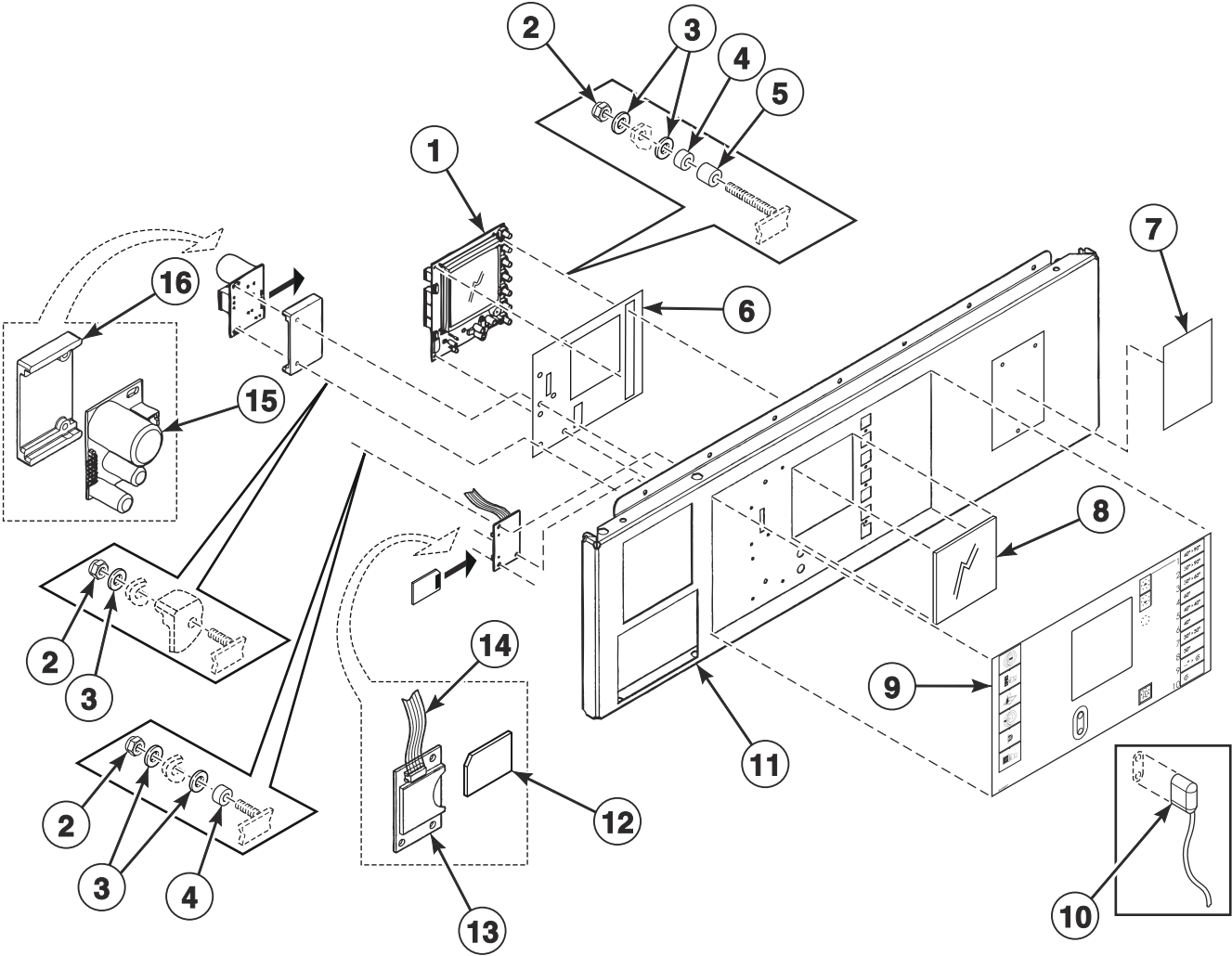


CFD655P_D1363

Control Panel - Cygnus Premium OPL and Ultra

REF	PART NO.	DESCRIPTION	COMMENTS
	B12348901	E-Stop Harness	
1	209/02015/02	Printboard	
2	204/00116/00	Nut	
3	223/00123/00	Washer	
4	211/00128/00	Printboard Separator	
5	211/00122/00	Standoff	
6	229/00291/00	Insulating Sticker	
7	111/01893/00	Printboard Support Card	Optional
8	211/00145/00	Standoff	
9	B12305201	Memory Card PC-Board	Optional
10	B12538301	Data Card Ribbon Assembly	Optional
11	B12389801	Nameplate	Models IH040_CYGNUS-ULTRA, IHA150Y, IHA185Y, IHG150Y, IHG185Y, IHN150Y, IHN185U, IHN185Y, IHR040U, IHU150Y, IHU185Y, IHW150Y, IHW185Y, IHY033Y, IHY040Y, IHZ150Y, IHZ185Y, WD150_CYGNUS-PREM and WD185_CYGNUS-PREM
	B12389802	Nameplate	Models CH040_CYGNUS-ULTRA, CHN185U and CHR040U
	B12389805	Nameplate	Model JHW185Y
12	225/00323/00	Plexi Frame	
13	B12456701	Operating Sticker	Cygnus Ultra models
	B12383401	Operating Sticker	Cygnus Premium OPL models with datacard opening
	B12383301	Operating Sticker	Cygnus Premium OPL models without datacard opening
	B12531901	Operating Sticker	Models JHW150Y and JHW185Y; Non-ozone
	B12534801	Operating Sticker	Models JHW150Y and JHW185Y; Ozone
14	210/00902/00	Infrared Cable	
15	223/00348/00	Datacard Cover	Cygnus Premium OPL models
16	209/02024/00	Datacard	Cygnus Premium OPL models
17	209/00248/20	Mushroom Pushbutton	
18	209/00520/00	Telem Sticker	
19	B12491801	Contact Harness	
20	209/00029/26	Contact Switch	NC
21	209/00099/26	Contact Switch	NO
22	209/00099/29	Switch Knob	Dual heat
	B12523901	Dual Heat Sticker	Dual heat
23	B12491701	Contact Harness	Dual heat
24	B12385401	Operating Panel	
25	223/00374/00	Mounting Plate	
26	B12388201	Door Lock PC-Board	

Control Panel - Cygnus Premium Vended

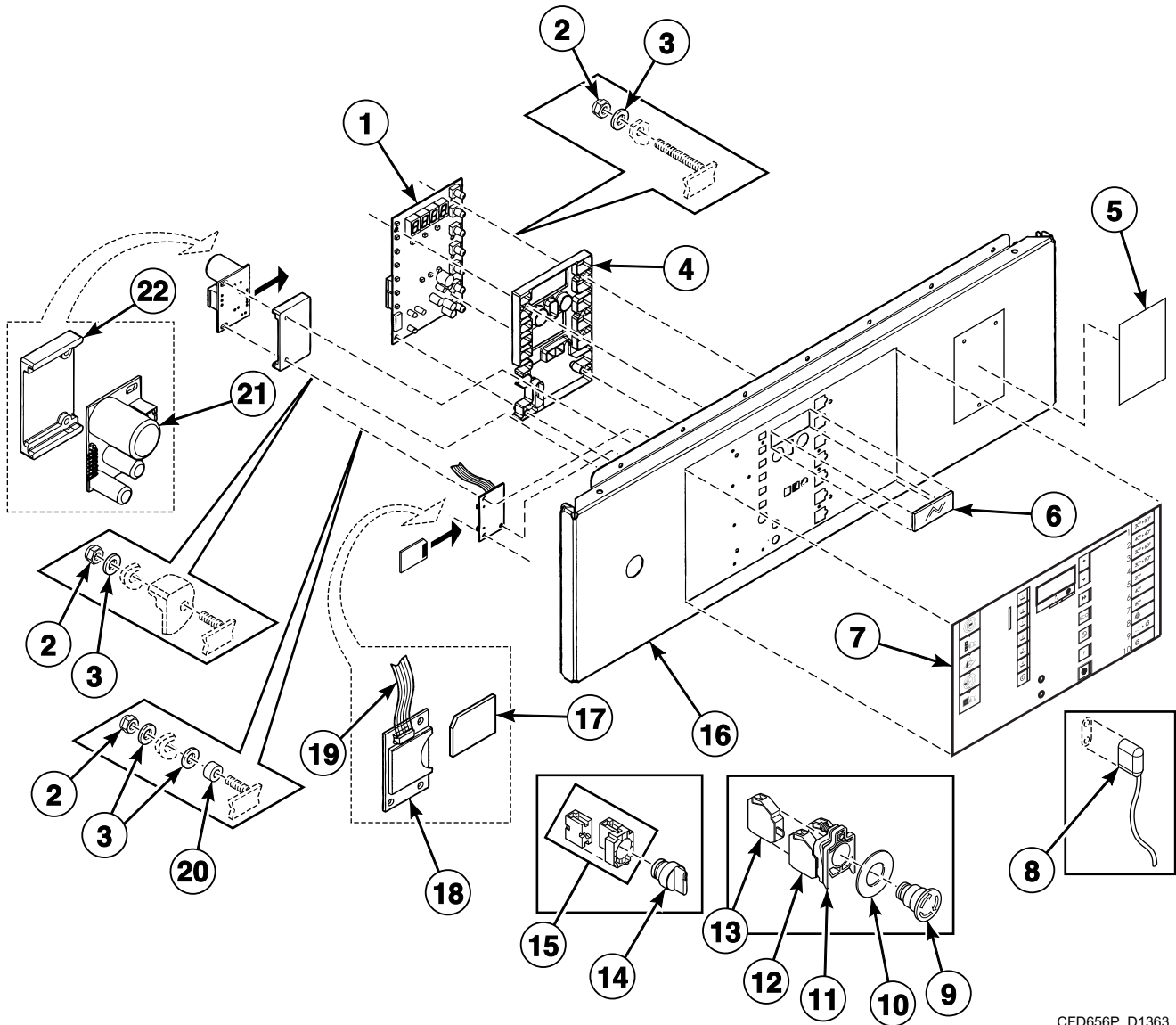


CFD621P_D1363

Control Panel - Cygnus Premium Vended

REF	PART NO.	DESCRIPTION	COMMENTS
	B12349001	E-Stop Bypass Harness	
1	209/02015/02	Printboard	
2	204/00116/00	Nut	
3	223/00123/00	Washer	
4	211/00128/00	Printboard Separator	
5	211/00122/00	Standoff	
6	229/00291/00	Insulating Sticker	
7	B12389801	Nameplate	Models IHA150Y, IHA185Y, IHG150Y, IHG185Y, IHN150Y, IHN185Y, IHU150Y, IHU185Y, IHW150Y, IHW185Y, IHY033Y, IHY040Y, IHZ150Y, IHZ185Y, WD150_CYGNUS-PREM and WD185_CYGNUS-PREM
	B12389805	Nameplate	Model JHW185Y
8	225/00323/00	Plexi Frame	
9	B12383501	Operating Sticker	
10	210/00902/00	Infrared Cable	
11	B12385201	Operating Panel	
12	209/02024/00	Datacard	
13	B12305201	Memory Card PC-Board	
14	B12538301	Data Card Ribbon Assembly	
15	B12388201	Door Lock PC-Board	
16	223/00374/00	Mounting Plate	

Control Panel - Cygnus Standard/Commercial OPL and Select

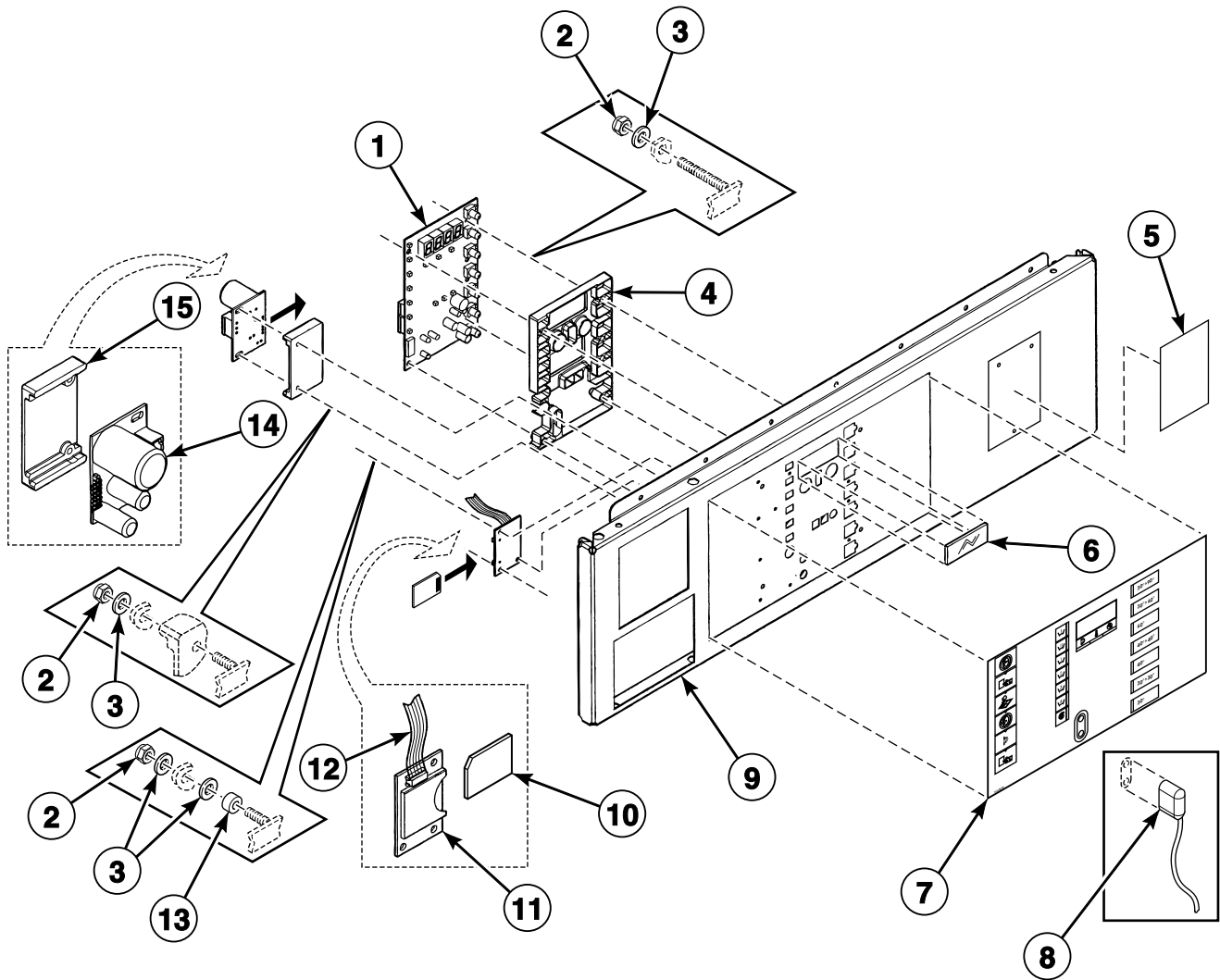


CFD656P_D1363

Control Panel - Cygnus Standard/Commercial OPL and Select

REF	PART NO.	DESCRIPTION	COMMENTS
	B12348901	E-Stop Harness	
1	209/02001/02	Printboard	
2	204/00116/00	Nut	
3	223/00123/00	Washer	
4	223/00330/00	Protection LED	
5	B12389801	Nameplate	Models IH040_CYGNUS-SELECT, IHA150C, IHA150X, IHA185C, IHA185X, IHG150C, IHG150X, IHG185C, IHG185X, IHN150C, IHN150X, IHN185C, IHN185S, IHN185X, IHR040S, IHU150C, IHU150X, IHU185C, IHU185X, IHW150C, IHW150X, IHW185C, IHW185X, IHY033C, IHY033X, IHY040C, IHY040X, IHZ150C, IHZ150X, IHZ185C, IHZ185X, WD150_CYGNUS-COMM, WD150_CYGNUS-STANDARD, WD185_CYGNUS-COMM, WD185_CYGNUS-STANDARD, YHG150C and YHG185C
	B12389802	Nameplate	Models CH040_CYGNUS-SELECT, CHE033X, CHE040X, CHG150X, CHG185X, CHN150X, CHN185S, CHN185X, CHR033X, CHR040S, CHR040X, CHU150X, CHU185X, CHW150X, CHW185X, CHY040X, CHZ150X and CHZ185X
	B12389803	Nameplate	Models DHU150X and DHU185X
	B12389805	Nameplate	Model JHW185C
	B12389810	Nameplate	Models WHU150C and WHU185C
6	225/00322/00	Plexi Frame	
7	B12382701	Operating Sticker	Cygnus Standard OPL models without datacard opening
	B12382801	Operating Sticker	Cygnus Standard OPL models with datacard opening
	B12383001	Operating Sticker	Cygnus Commercial OPL models without datacard opening
	B12383101	Operating Sticker	Cygnus Commercial OPL models with datacard opening
	B12456601	Operating Sticker	Cygnus Select models
	B12531801	Operating Sticker	Models JHW150C and JHW185C
8	210/00902/00	Infrared Cable	
9	209/00248/20	Mushroom Pushbutton	
10	209/00520/00	Telem Sticker	
11	B12491801	Contact Harness	
12	209/00029/26	Contact Switch	NC
13	209/00099/26	Contact Switch	NO
14	209/00099/29	Switch Knob	Dual heat
	B12523901	Dual Heat Sticker	Dual heat
15	B12491701	Contact Harness	Dual heat
16	B12385103	Operating Panel	
17	209/02024/00	Datacard	Optional
18	B12305201	Memory Card PC-Board	Optional
19	B12538301	Data Card Ribbon Assembly	Optional
20	211/00128/00	Printboard Separator	
21	B12388201	Door Lock PC-Board	
22	223/00374/00	Mounting Plate	

Control Panel - Cygnus Vended and Standard/Commercial Vended



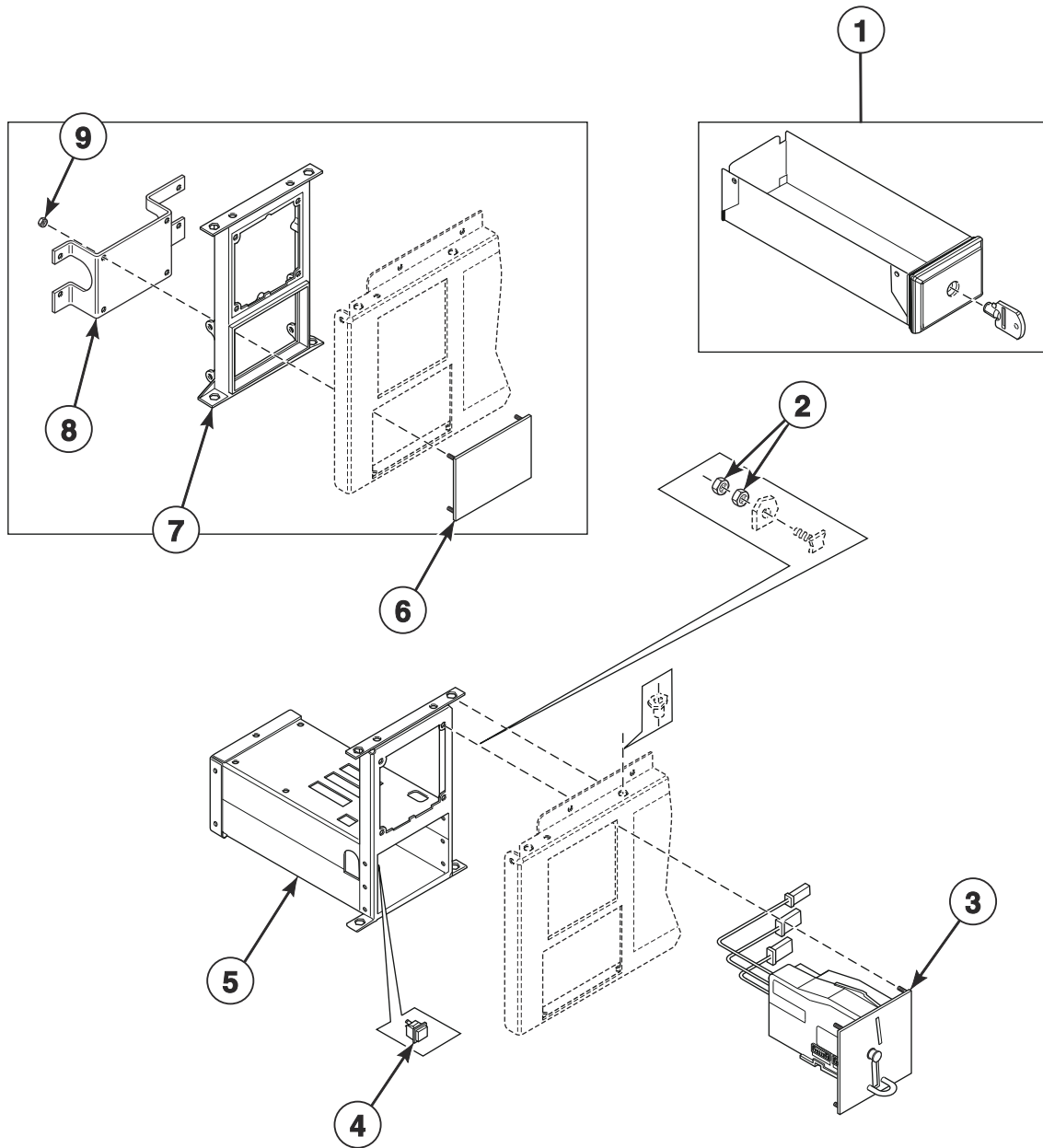
CFD611P_D1363

Control Panel - Cygnus Vended and Standard/Commercial Vended

REF	PART NO.	DESCRIPTION	COMMENTS
	B12349001	E-Stop Bypass Harness	
1	209/02001/02	Printboard	
2	204/00116/00	Nut	
3	223/00123/00	Washer	
4	223/00330/00	Protection LED	
5	B12389801	Nameplate	Models IH040_CYGNUS-VENDED, IHA150C, IHA150X, IHA185C, IHA185X, IHG150C, IHG150X, IHG185C, IHG185X, IHN150C, IHN150X, IHN185C, IHN185X, IHN185V, IHN185X, IHR040V, IHU150C, IHU150X, IHU185C, IHU185X, IHW150C, IHW150X, IHW185C, IHW185X, IHY033C, IHY033X, IHY040C, IHY040X, IHZ150C, IHZ150X, IHZ185C, IHZ185X, WD150_CYGNUS-COMM, WD150_CYGNUS-STANDARD, WD185_CYGNUS-COMM, WD185_CYGNUS-STANDARD, YHG150C and YHG185C
	B12389802	Nameplate	Models CHE033X, CHE040X, CHG150X, CHG185X, CHN150X, CHN185X, CHR033X, CHR040X, CHU150X, CHU185X, CHW150X, CHW185X, CHY040X, CHZ150X and CHZ185X
	B12389803	Nameplate	Models DHU150X and DHU185X
	B12389805	Nameplate	Model JHW185C
	B12389810	Nameplate	Models WHU150C and WHU185C
6	225/00322/00	Plexi Frame	
7	B12382901	Operating Sticker	Cygnus Standard vended models
	B12383201	Operating Sticker	Cygnus Commercial vended models
	B12456501	Operating Sticker	Cygnus Vended models
	B12531701	Operating Sticker	Models JHW150C and JHW185C
8	210/00902/00	Infrared Cable	
9	B12385501	Operating Panel	
10	209/02024/00	Datacard	Cygnus Standard/Commercial vended models
11	B12305201	Memory Card PC-Board	Cygnus Standard/Commercial vended models
12	B12538301	Data Card Ribbon Assembly	Cygnus Standard/Commercial vended models
13	211/00128/00	Printboard Separator	
14	B12388201	Door Lock PC-Board	
15	223/00374/00	Mounting Plate	

Coin Drop - Mechanical Coin Meter

Cygnus Commercial, Premium, Standard and Vended Models



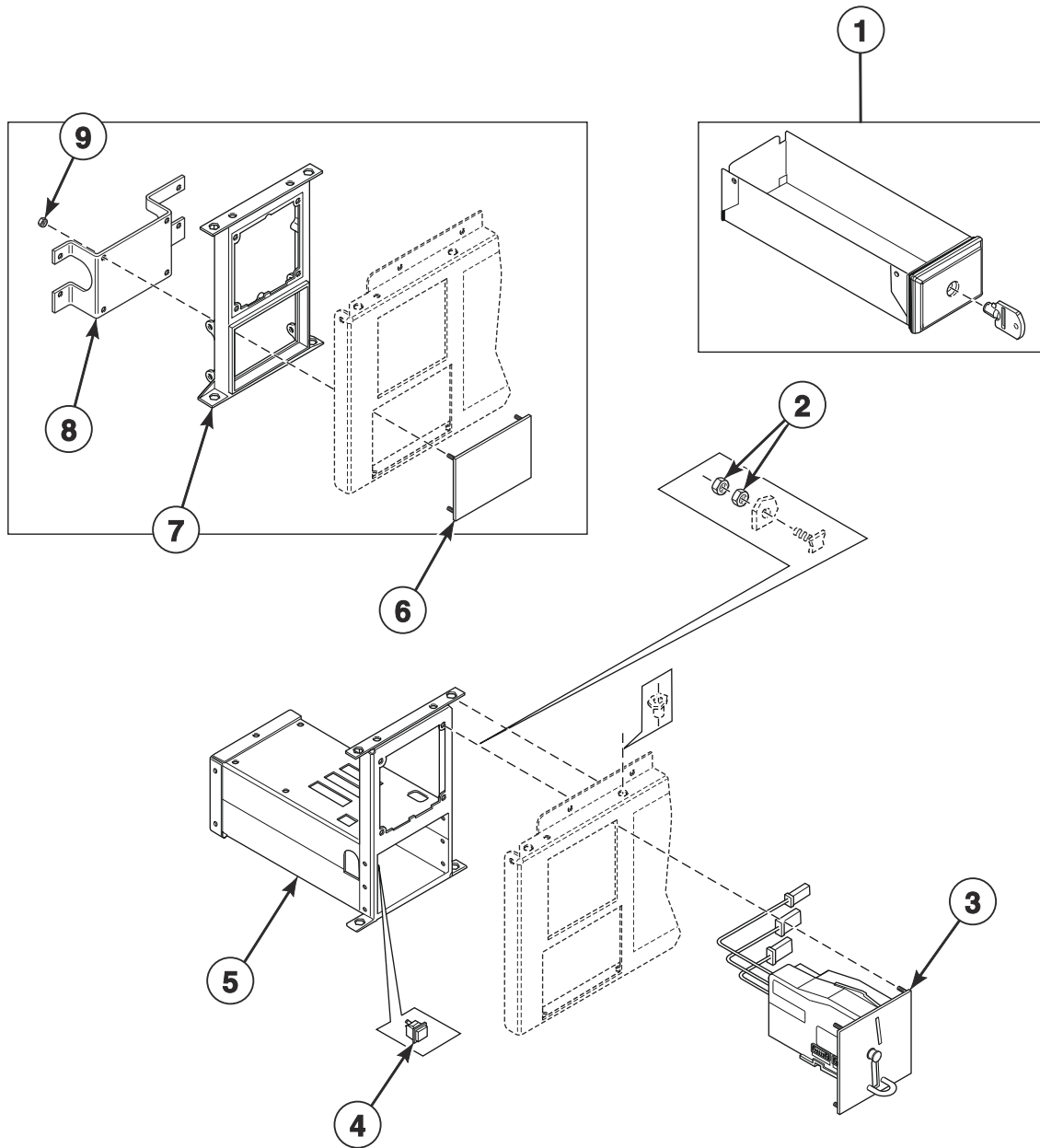
CFD617P_D1363

Coin Drop - Mechanical Coin Meter

REF	PART NO.	DESCRIPTION	COMMENTS
	B12309901	Wire Harness Assembly	Single/dual drop
	B12310001	Wire Harness Assembly	Dual drop
1	254/00077/00	Coin Box	
	254/00077/02	Key	
2	204/00116/00	Nut	
3	B12311224	Coin Drop	Jeton 5K
	B12311206	Coin Drop	Jeton 7K
	B12311201	Coin Drop	Jeton 10K
	B12311210	Coin Drop	Jeton 12K
	B12311252	Coin Drop	Jeton 10K and .5 euro
	B12311211	Coin Drop	Jeton 7K and 1 euro
	B12323901	Coin Drop	Jeton 15K and 7K
	B12311204	Coin Drop	Jeton gettone
	B12311234	Coin Drop	Jeton crouzet
	B12311247	Coin Drop	Jeton 118-1
	B12311248	Coin Drop	Jeton 118-5
	B12311222	Coin Drop	1 euro
	B12311214	Coin Drop	.5 euro
	B12311202	Coin Drop	.5 and 1 euro
	B12311239	Coin Drop	.5 and 2 euro
	B12311205	Coin Drop	.2 and 1 euro
	B11211209	Coin Drop	.2 and .5 euro
	B12311218	Coin Drop	1 and 1 euro
	B12311219	Coin Drop	1 and 2 euro
	B12311203	Coin Drop	1 and 2 frank
	B12311207	Coin Drop	1 Deense kroon
	B12311225	Coin Drop	10 Deense kronen
	B12311235	Coin Drop	10 Tsjechische kronen
	B12311244	Coin Drop	10 Noorse kronen
	B12311208	Coin Drop	100 and 500 yen
	B12311212	Coin Drop	15K
	B12311215	Coin Drop	1 kro
	B12311226	Coin Drop	Australia 1.00
	B12311216	Coin Drop	Australia .2 and 1.00
	B12311220	Coin Drop	New Zeland 1.00
	B12311221	Coin Drop	.5 and 2 zwitsers
	B12311241	Coin Drop	Hong Kong 1.00
	B12311249	Coin Drop	Hong Kong 5.00
	B12311301	Coin Drop	U.S. \$.25
	B12311302	Coin Drop	U.S. \$.25 and 1.00
	B12311304	Coin Drop	Canada .25 and 1.00
	B12323401	Coin Drop	Singapore 1.00
	209/00781/00	Optical Switch	
4	209/00396/00	Pushbutton	
5	152/00112/00	Mechanical Coin Meter Housing	
6	111/01003/00	Top Panel	Black; Central pay option
7	217/00060/00	Fastening Piece	Central pay option
8	111/01005/00	Backplate	Central pay option
9	204/00116/00	Nut	Central pay option

Coin Drop - Electronic Coin Meter

Cygnus Commercial, Premium, Standard and Vended Models

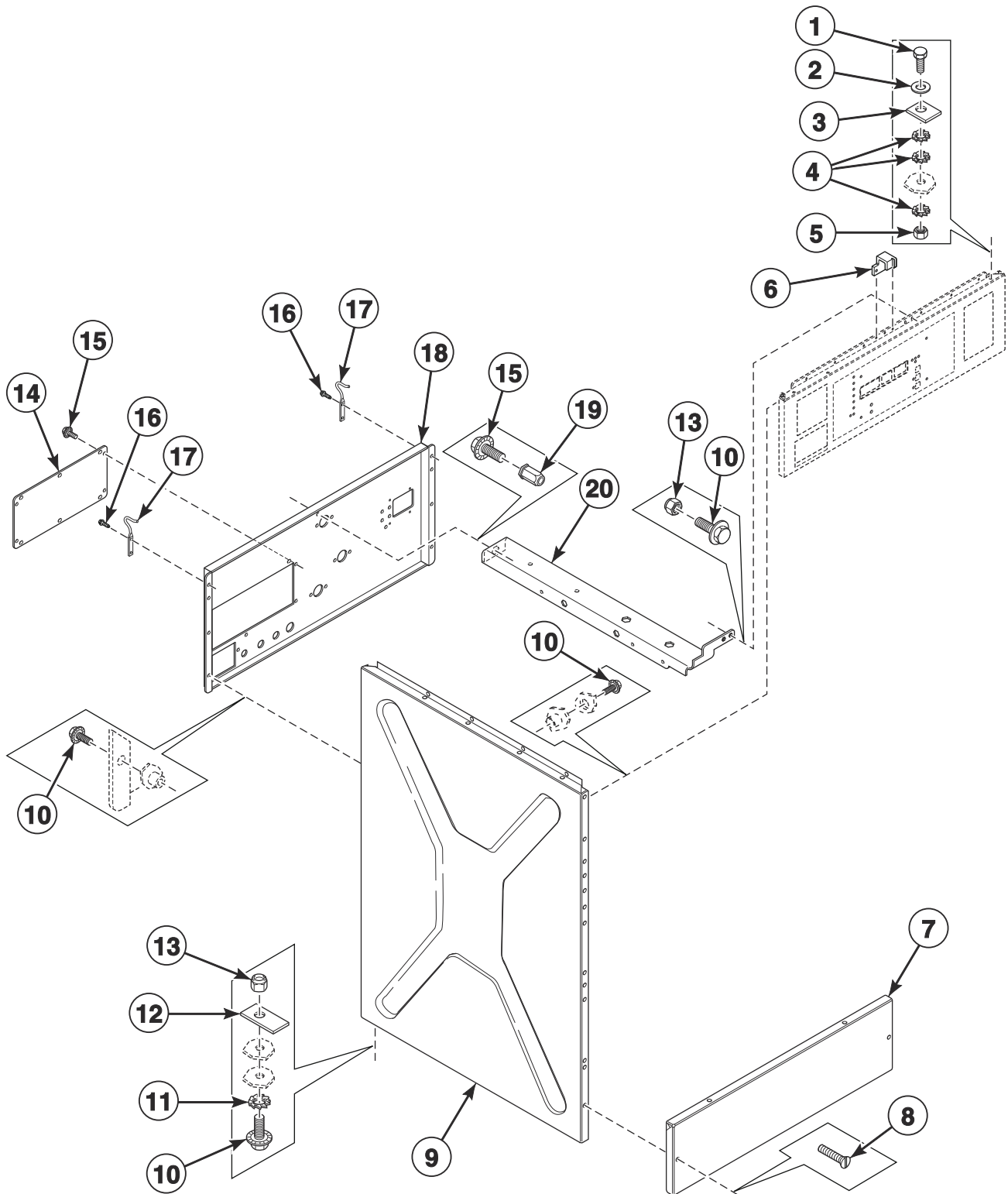


CFD617P_D1363

Coin Drop - Electronic Coin Meter

REF	PART NO.	DESCRIPTION	COMMENTS
	B12309901	Wire Harness Assembly	Single/dual drop
	B12310001	Wire Harness Assembly	Dual drop
1	254/00077/00	Coin Box	
	254/00077/02	Key	
2	204/00116/00	Nut	
3	B12311401	Coin Drop	
4	209/00396/00	Pushbutton	
5	152/00112/50	Electronic Coin Meter Housing	
6	111/01003/00	Top Panel	Black; Central pay option
7	217/00060/00	Fastening Piece	Central pay option
8	111/01005/00	Backplate	Central pay option
9	204/00116/00	Nut	Central pay option

Left Side, Lower Front and Upper Rear Panels

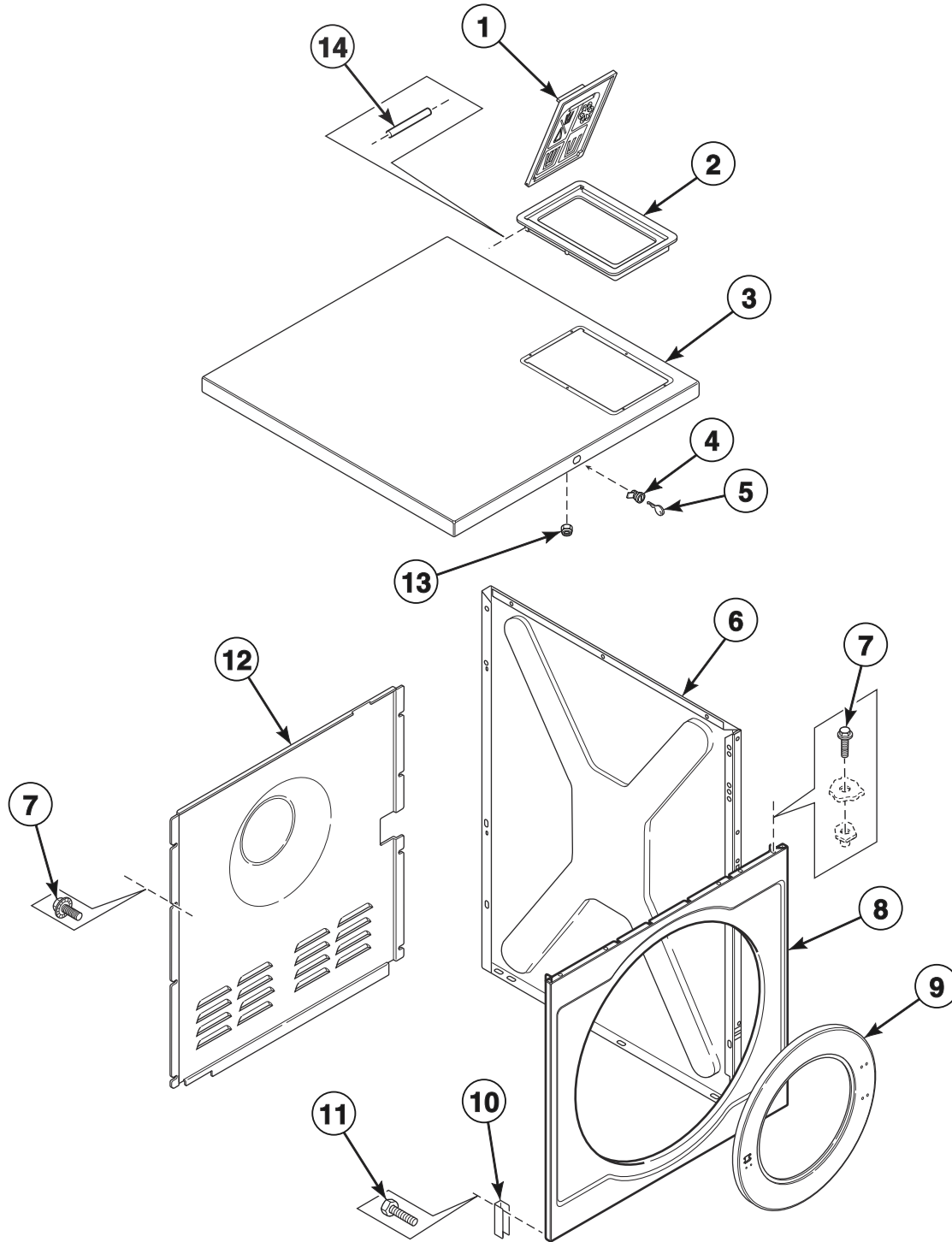


CHM3209P_D1363

Left Side, Lower Front and Upper Rear Panels

REF	PART NO.	DESCRIPTION	COMMENTS
1	205/00106/00	Bolt	
2	202/00003/00	Washer	
3	117/00042/00	Retaining Ring	
4	203/00005/00	Washer	
5	204/00107/00	Nut	
6	F8201001	Top Cover Latch	
7	111/01803/00	Lower Front Panel	
8	B12500601	Screw	
9	111/22727/00	Side Panel	*33 and *150 models; Stainless steel
	111/22728/40	Side Panel	*40 and *185 models; Stainless steel
	111/60037/00	Side Panel	*33 and *150 models; Black
	111/60039/00	Side Panel	*40 and *185 models; Black
10	205/00105/00	Bolt	
11	203/00004/00	Washer	
12	101/00007/00	Outlet Pipe Plate Assembly	
13	204/00009/00	Nut	
14	B12312501	Main Switch Cover	
15	206/00104/00	Screw	
16	B12462901	Screw	
17	F8258601	Top Cover Hinge	
18	B12332801	Backbridge	
19	204/00011/00	Nut	
20	B12333301	Supply Dispenser Crossbar	*33 and *150 models
	B12333401	Supply Dispenser Crossbar	*40 and *185 models

Right Side, Front, Lower Rear and Top Panels

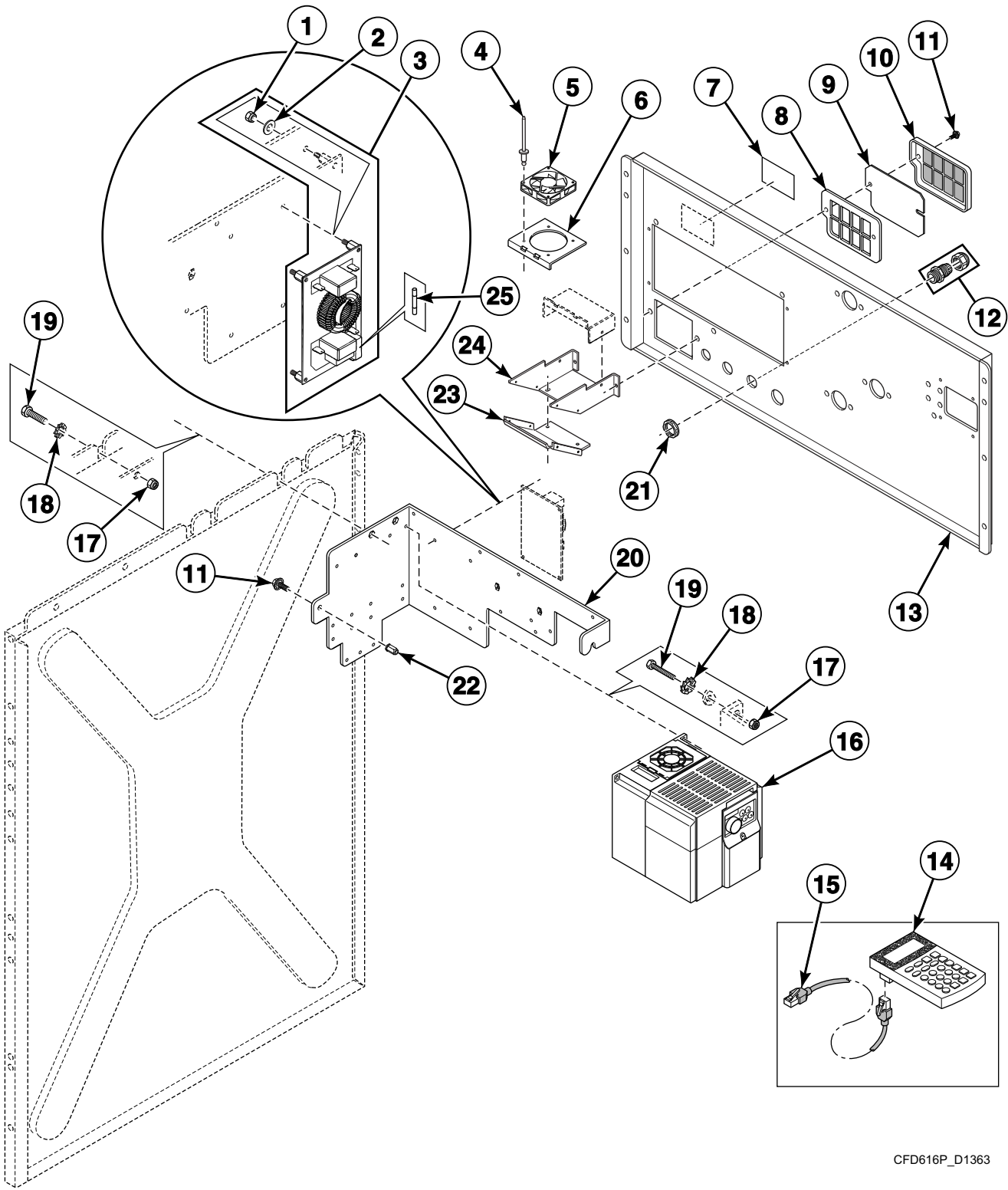


CHM3360P_D1363

Right Side, Front, Lower Rear and Top Panels

REF	PART NO.	DESCRIPTION	COMMENTS
1	B12319101	Supply Dispenser Cover	U.S.
	B12356701	Supply Dispenser Cover	International
2	B12597501	Supply Dispenser Cover Frame	
3	B12333001	Top Panel	*33 and *150 models
	B12333101	Top Panel	*40 and *185 models
4	44089303P	Panel Lock	Includes item 5
5	70155603	Key	
6	111/22727/00	Side Panel	*33 and *150 models; Stainless steel
	111/22728/40	Side Panel	*40 and *185 models; Stainless steel
	111/60037/00	Side Panel	*33 and *150 models; Black
	111/60039/00	Side Panel	*40 and *185 models; Black
7	206/00104/00	Screw	
8	111/00292/00	Front Panel	
9	B12337201	Door Frame	
10	111/10089/01	Reinforcement Plate	
11	206/00114/00	Bolt	
12	B12332901	Lower Rear Panel	
13	B12509101	Nut	
14	223/00103/04	Soap Dispenser Cover Hinge Rod	2 used

Inverter Drive

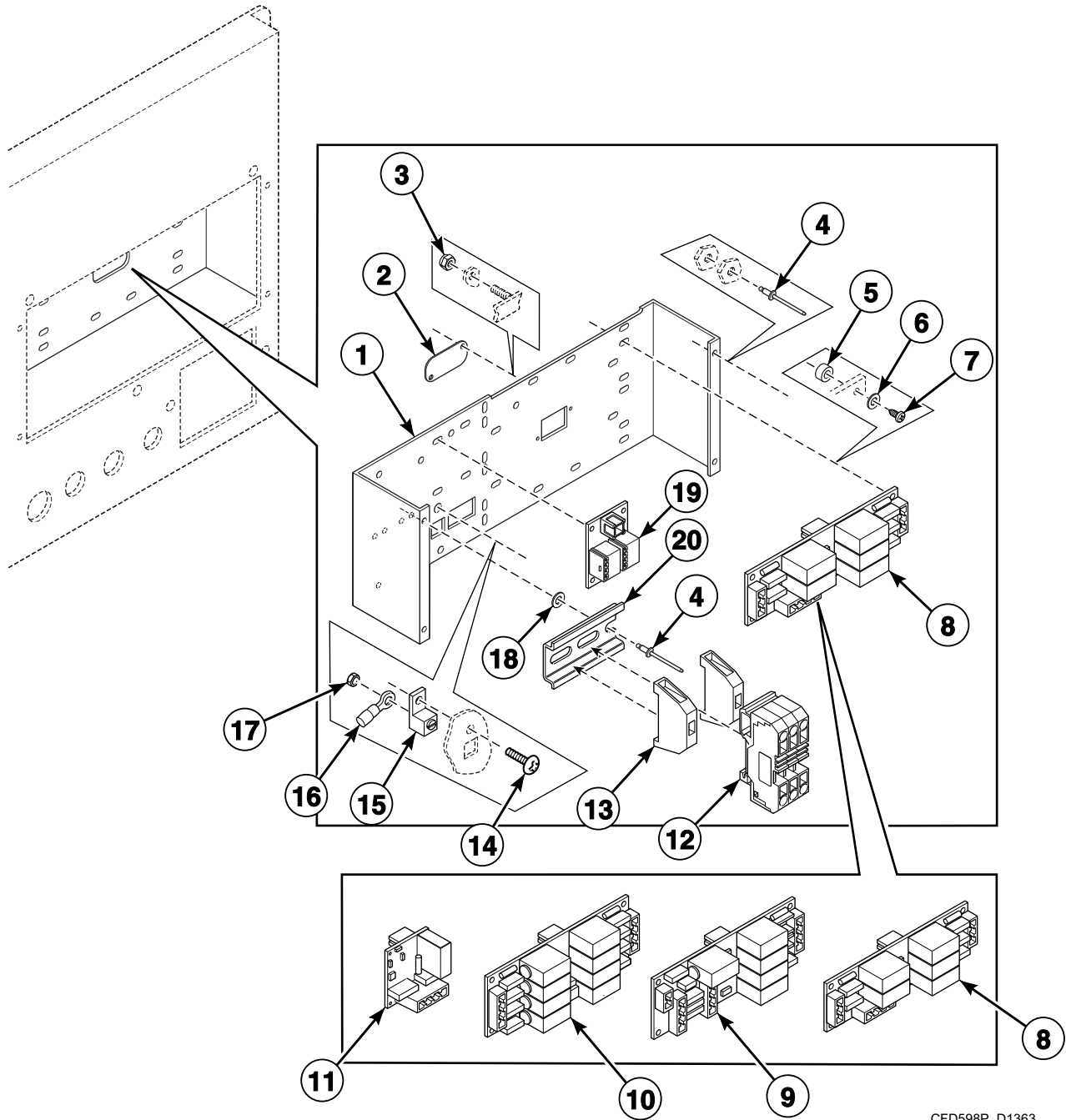


CFD616P_D1363

Inverter Drive

REF	PART NO.	DESCRIPTION	COMMENTS
	B12501501	E-Stop Drive Fan Harness	
	B12350101	Ethernet Cable	
1	204/00014/00	Nut	
2	202/00004/00	Washer	
3	B12339401	Noise Filter	30A1; 1x230 Volt; C, Q and X-voltage
	227/00242/00	Noise Filter	8A3; 3x400 Volt; N and P-voltage
4	208/00017/00	Rivet	
5	209/00465/00	Fan	
6	B12357201	Fan Mounting Plate	
7	B12355001	Voltage Discharge Decal	
8	B12551301	Air Duct	Inside
9	B12382401	Inverter Air Inlet Filter Grill	
10	B12346701	Inverter Air Inlet Filter Frame	Outside
11	206/00104/00	Screw	
12	211/00181/00	Strain Relief Connector	
13	B12332801	Backbridge	
14	227/00171/00	Parameter Unit Assembly	Hand held
	F8410901	Parameter Unit Assembly	Inverter mounted; Used with 500 series inverter drives
15	227/00171/10	Parameter Unit Program Cable	
16	F8645101P	Inverter Drive	FR-D7205-070-NA series; 1x230 Volt; C, Q and X-voltage
	F8645201P	Inverter Drive	FR-D740-036-NA series; 3x400 Volt; N and P-voltage
17	204/00114/00	Nut	
18	203/00006/00	Washer	
19	206/00088/00	Bolt	
20	B12333201	Inverter Drive Box	
21	211/00170/00	Nut	
22	204/00011/00	Nut	
23	B12342701	Air Inlet Bottom	
24	B12342501	Air Inlet	
25	B12389501	Fuse	3.15 A; 500 Volt; Used with 227/00242/00 Filter; N and P-voltage
	209/00468/00	Fuse	3.15 A; Used with B12339401 Noise Filter; C, Q and X-voltage

Printboard Support Panel and Soap Injection Printboards

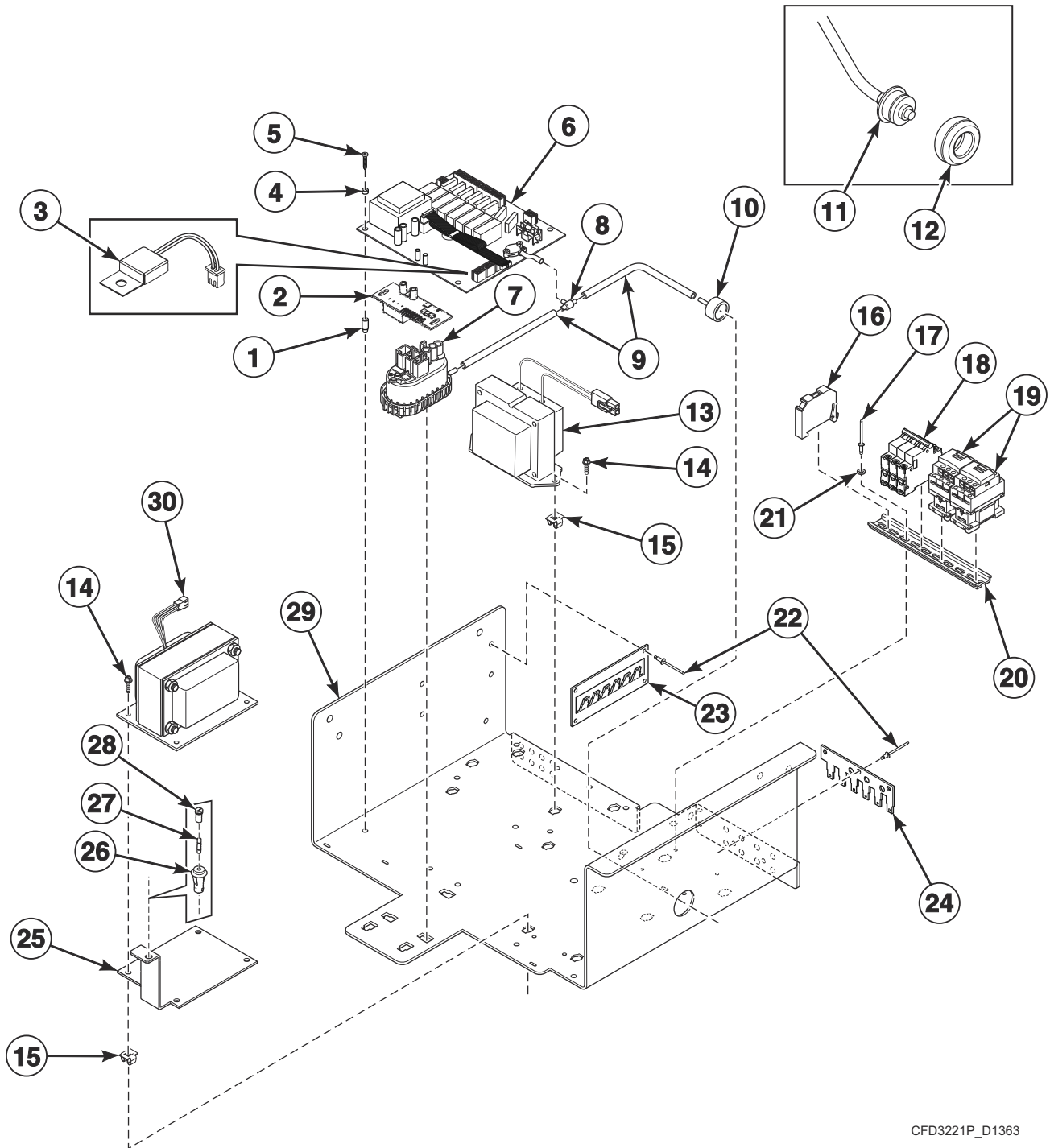


CFD598P_D1363

Printboard Support Panel and Soap Injection Printboards

REF	PART NO.	DESCRIPTION	COMMENTS
	B12388301	Ribbon Assembly	Used with items 8-11
	B12529201	Extension Board Kit	Used with items 8-11; Includes items 2-7, 18, B12381402 Control Supply Harness, B12388301 Ribbon Assembly, 201616 Transformer, 70030501 Expansion Clip, B12462901 Screw and B12319608 Diagram; Does not include extension board
	B12529301	Network Kit	Includes items 3, 5-7, 19, 211/00128/00 Printboard Separator, B12341801 Printboard and B12390201 Network Connection Wiring
1	B12312401	Printboard Support	
2	B12382501	Flat Cable Plate	
3	204/00116/00	Nut	
4	208/00017/00	Rivet	
5	B12390301	Standoff	
6	223/00123/00	Washer	
7	B12393801	Screw	
8	209/02005/00	Detergent PC-Board	1-5
9	209/02014/00	Relay PC-Board	5-5
10	209/02008/00	Detergent PC-Board	1-8
11	209/02016/00	Relay PC-Board	1-1
12	209/01625/00	Terminal Block	Grey; 3 on C, N, P and Q-voltage; 1 on X-voltage
	209/01624/00	Terminal Block	Blue; 1 on C and X-voltage
	209/01625/01	Terminal End	
13	209/00633/02	End Stop	
14	206/00104/00	Screw	
15	M411283	Ground Lug Connector	
16	B12456001	Wiring Earth for Inverter	
17	206/00101/00	Nut	
18	202/00004/00	Washer	
19	B12344201	Network Board	Network models
20	B12315401	DIN Rail	60 mm

Electrical Component Mounting Plate

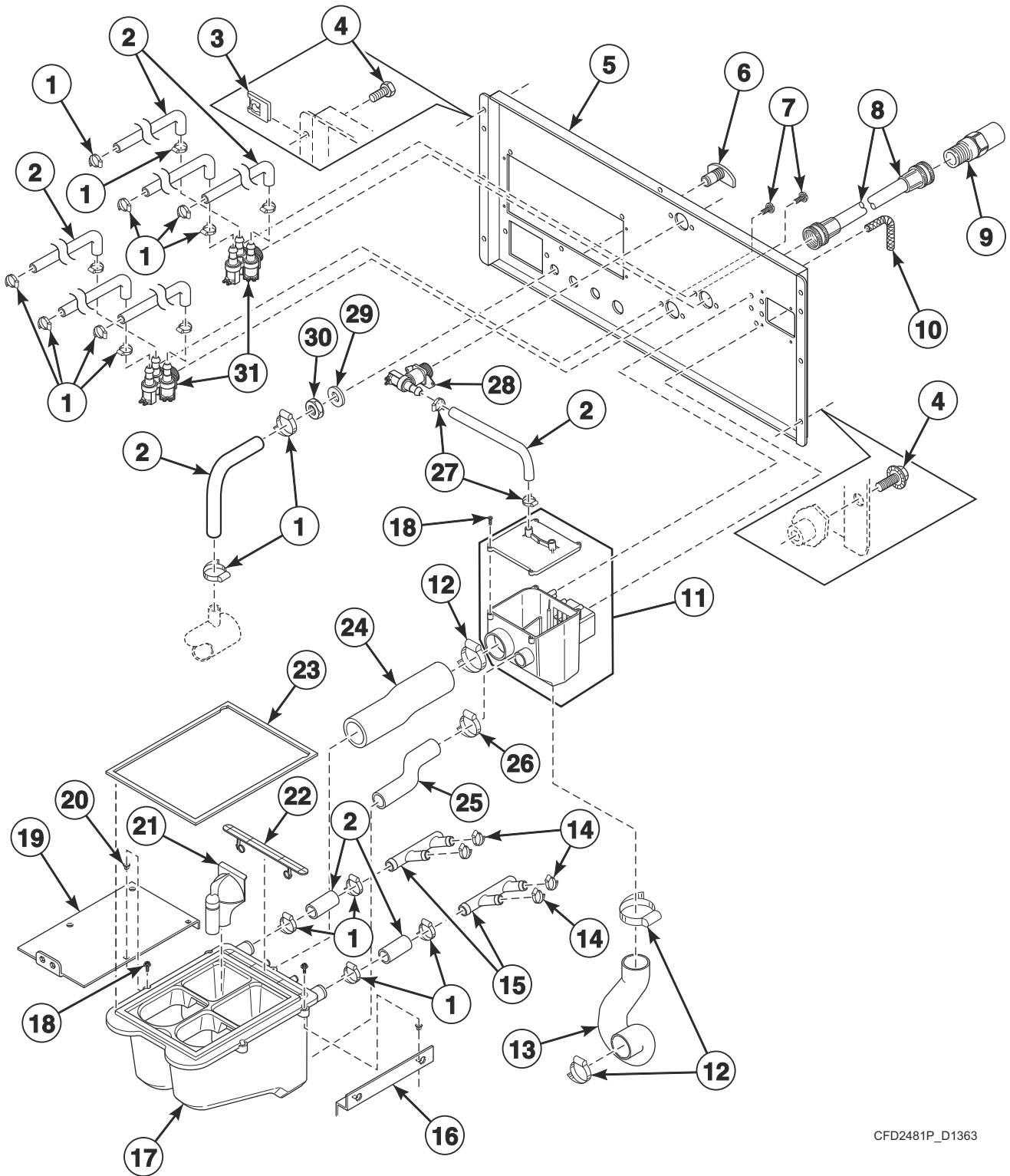


CFD3221P_D1363

Electrical Component Mounting Plate

REF	PART NO.	DESCRIPTION	COMMENTS
	B12392701	Direct Fill Harness	
	B12381101	Main Control Tray Harness	
	B12348801	Control Communication Harness	
	B12348301	Control Supply Harness	N and P-voltage
	B12348101	Control Supply Harness	C, Q and X-voltage
	B12381402	Control Supply Harness	24 VAC; Direct fill
	B12390201	Network Connection Wiring	
1	B12390301	Standoff	
2	B12341801	Printboard	Network models
3	209/02020/00	ID Chip	
4	223/00123/00	Washer	
5	B12393801	Screw	
6	B12355701	Control Board	
	B12360001	Fuse	1.25A
7	B12548301	Pressure Switch	Single lever; 230/195; Electric, steam and dual heat
8	223/00173/10	Pressure Switch Hose Tee	
9	B12700018	Pressure Hose	
10	223/00035/02	Pressure Switch Cap	
11	210/01064/16	Thermostat	
12	225/10004/00	Thermostat Grommet	
13	201616P	Transformer	Models with expansion boards
14	B12462901	Screw	
15	70030501	Expansion Clip	N and P-voltage
16	209/00633/02	End Stop	Electric, steam or dual heat
17	208/00017/00	Rivet	
18	B12487101	Circuit Breaker	C and Q-voltage; Electric heat
	B12474601	Circuit Breaker	N and P-voltage; Electric heat
19	209/06148/02	Heating Contactor	1 on C, P and N-voltage; 2 on Q-voltage; Electric heat
	B12381301	Heating Harness	
20	B12315301	DIN Rail	200 mm
21	202/00004/00	Washer	
22	208/00017/00	Rivet	
23	B12395201	Earth Plate Side	
24	B12395301	Earth Plate Bottom	
25	B12439601	Transformer Fuse Mounting Plate	N and P-voltage
26	70329401P	Fuse Holder Body	N and P-voltage
27	802492	Fuse	N and P-voltage
28	70329501	Fuse Holder Cap	N and P-voltage
29	B12313001	Electrical Component Mounting Plate	
30	F8401301	Transformer	N and P-voltage

Fill Plumbing Assembly

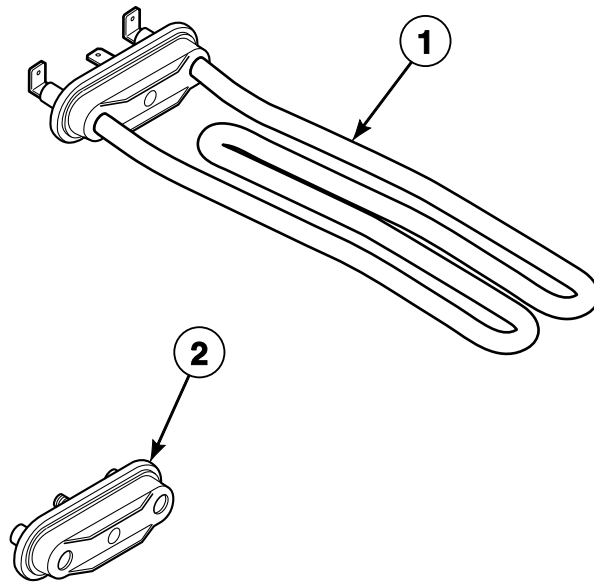


CFD2481P_D1363

Fill Plumbing Assembly

REF	PART NO.	DESCRIPTION	COMMENTS
	B12349201	Inlet Valve Harness	
	G582P3	Diaphragm and Guide Kit	Use with F8286401 3-Way Valve
1	223/00010/00	Hose Clamp	
2	223/00044/00	Water Hose	
3	B12469601	Clip	
4	B12462901	Screw	
5	B12332801	Backbridge	
6	223/00001/04	Prewash and Mainwash Nozzle	
7	206/00027/00	Bolt	
8	B8498901	Fill Hose	A and Y Market Models
	F200164	Water Hose	All models except A and Y Market; Standard thread
	F200166	Water Hose	All models except A and Y Market; Metric thread
9	203386	Check Valve Kit	A and Y Market Models
10	B12687401	Pressure Hose	
11	F8048601	Vacuum Breaker Assembly	
12	223/00014/00	Hose Clamp	
13	B12324506	Siphon Break Hose	
14	223/00011/00	Hose Clamp	
15	F8333201	Manifold	
16	B12316401	Supply Dispenser Support	
17	F8047401	Dispenser Assembly	
18	B12462801	Screw	
19	B12335101	Supply Dispenser Mounting Plate	
20	B12463001	Insert	
21	F8047901	Siphon Cover	
22	F8047801	Access Cover	
23	B12568601	Dispenser Gasket	
24	B12390005	Vacuum Supply Hose	
25	B12313304	Dispenser Overflow Hose	
26	223/00223/00	Hose Clamp	
27	223/00013/00	Hose Clamp	
28	209/00276/00	Inlet Valve	1-way; Metric thread; Hard water rinse optional
	223/00050/01	Water Valve Adapter	Standard thread
29	201/00002/00	Washer	
30	204/00201/00	Nut	
31	F8286401P	3-Way Valve	Standard thread
	F8286402P	3-Way Valve	Metric thread

Steam and Electric Heating Options



CFD588P_D1363

Steam and Electric Heating Options

REF	PART NO.	DESCRIPTION	COMMENTS
	B12308001	Relay	Steam heat
	209/06148/02	Heating Contactor	Steam heat
	B12348502	Branch Harness	Electric heat; C-voltage
	B12348506	Branch Harness	Q-voltage
	B12349603	Electric Heat Harness	
	B12349701	Steam Heat Harness	
	B12349803	Dual Heat Harness	
	B12348501	Branch Harness	Electric heat; N and P-voltage
	B12381202	Power Jumper Harness	Electric heat; Q-voltage
	B12381204	Power Jumper Harness	Electric heat; Q-voltage
	B12382302	Steam Valve Harness	
	B12455802	Heat Harness	1; Electric heat; Q-voltage
	B12455803	Heat Harness	2; Electric heat; Q-voltage
	B12455902	Heat Harness	1; Electric heat; C, N and P-voltage
	B12455903	Heat Harness	2; Electric heat; C, N and P-voltage
1	209/00562/20	Heating Element	3 kW; 240 Volt; C, P and Q-voltage
	209/00564/20	Heating Element	3 kW; 275 Volt; N-voltage
2	209/00196/00	Heating Element Plug	

Parts Index

A

Access Cover F8047801	49
Air Duct B12551301	43
Air Inlet B12342501	43
Air Inlet Bottom B12342701	43

B

Backbridge B12332801	39, 43, 49
Backplate 111/01005/00	35, 37
Ball Bearing 212/00004/00	9
Bearing F100134	9
Bearing Housing Assembly 212/10104/00	9
Bearing Housing Plate 113/00017/01	9
113/00017/02	9
Bearing Kit 3883P	9
Bearing Replacement Tool Kit 381P3P	9
381P3-1	9
Belt 226/00124/00	15
226/00124/00P	11
Bolt B12444801	15
205/00102/00	9
205/00105/00	39
205/00106/00	21, 39
206/00004/00	11
206/00006/00	15
206/00014/00	9
206/00027/00	49
206/00032/00	13
206/00033/00	17
206/00052/00	7
206/00079/00	7
206/00088/00	43
206/00093/00	9
206/00114/00	41
206/00119/00	15
Branch Harness B12348501	51
B12348502	51
B12348506	51

C

Check Valve Kit 203386	49
Circuit Breaker B12474601	47
B12487101	47
Clip B12469601	49
Coin Box 254/00077/00	35, 37
Coin Drop B11211209	35
B12311201	35
B12311202	35
B12311203	35
B12311204	35
B12311205	35
B12311206	35
B12311207	35
B12311208	35
B12311210	35
B12311211	35
B12311212	35
B12311214	35
B12311215	35
B12311216	35
B12311218	35
B12311219	35
B12311220	35
B12311221	35
B12311222	35
B12311224	35
B12311225	35
B12311226	35
B12311234	35
B12311235	35
B12311239	35
B12311241	35
B12311244	35
B12311247	35
B12311248	35
B12311249	35
B12311252	35
B12311301	35
B12311302	35
B12311304	35
B12311401	37
B12323401	35
B12323901	35
Contact Harness B12491701	23, 25, 27, 31
B12491801	23, 25, 27, 31
Contact Switch 209/00029/26	23, 25, 27, 31
209/00099/26	23, 25, 27, 31
Control Board B12355701	47
Control Communication Harness B12348801	47
Control Supply Harness B12348101	47
B12348301	47

N/A items do not appear in index.

B12381402.....	47
Counter Ring 219/00004/00	11
<hr/>	
D	
Data Card Ribbon Assembly B12538301.....	23, 27, 29, 31, 33
Datacard 209/02024/00	23, 27, 29, 31, 33
Datacard Cover 223/00348/00	23, 27
Detergent PC-Board 209/02005/00	45
209/02008/00	45
Diaphragm and Guide Kit G582P3	49
DIN Rail B12315301.....	47
B12315401.....	45
Direct Fill Harness B12392701.....	47
Dispenser Assembly F8047401	49
Dispenser Gasket B12568601.....	49
Dispenser Overflow Hose B12313304	49
Display PC-Board 209/02002/ZB2	23, 25
Door Frame B12337201.....	21, 41
Door Glass B12449801	21
Door Glass Seal 223/00068/00	21
Door Handle B12336301.....	21
Door Handle Stop 217/00016/00	21
Door Hinge Block 253/00022/00	21
Door Hinge Blocking Plate B12565001	21
Door Hinge Spacer 118/00124/00	21
Door Lock Assembly B12517701.....	19
Door Lock Harness B12495001.....	19
Door Lock PC-Board B12388201.....	23, 25, 27, 29, 31, 33
Door Solenoid Assembly B12518101.....	19
Drain Pipe 223/00106/00	17
Drain Tub to Drain Valve Hose B12403101.....	17
Drain Valve Cover F200133600.....	17
Drain Valve Harness B12349401.....	17

Drain Valve Kit B12630701	17
Drain Valve Motor 209/00051/11	17
Drain Valve Overflow Plug 223/00086/00	17
Drain Valve to Drain Tube Hose 223/00328/00	17
Drum B12380301	11, 13
B12380401.....	11, 13
B12380701.....	11, 13
B12380801.....	11, 13
Dual Drain Kit B12428201	17
Dual Heat Harness B12349803	51
Dual Heat Sticker B12523901	23, 25, 27, 31

E

Earth Plate Bottom B12395301	47
Earth Plate Side B12395201	47
Electric Heat Harness B12349603	51
Electrical Component Mounting Plate B12313001	47
Electronic Coin Meter Housing 152/00112/50.....	37
End Stop 209/00633/02	45, 47
E-Stop Bypass Harness B12349001	29, 33
E-Stop Drive Fan Harness B12501501	43
E-Stop Harness B12348901	23, 25, 27, 31
Ethernet Cable B12350101	43
Expansion Clip 70030501	47
Extension Board Kit B12529201	45

F

Fan 209/00465/00	43
Fan Mounting Plate B12357201	43
Fastening Piece 217/00060/00	35, 37
Fill Hose B8498901	49
Flat Cable Plate B12382501	45
Frame B12400201	7

N/A items do not appear in index.

B12400401	7
Front Panel	
111/00292/00	41
Fuse	
B12360001	47
B12389501	43
209/00468/00	43
802492	47
Fuse Holder Body	
70329401P	47
Fuse Holder Cap	
70329501	47

G

Ground Lug Connector	
M411283	45

H

Hardware Kit	
F407P4	9
Heat Harness	
B12455802	51
B12455803	51
B12455902	51
B12455903	51
Heating Contactor	
209/06148/02	47, 51
Heating Element	
209/00562/20	51
209/00564/20	51
Heating Element Plug	
209/00196/00	51
Heating Harness	
B12381301	47
Hinge	
221/00004/00	21
Hose Clamp	
223/00010/00	17, 49
223/00011/00	49
223/00012/00	17
223/00013/00	17, 49
223/00014/00	49
223/00223/00	49

I

ID Chip	
209/02020/00	47
Infrared Cable	
210/00902/00	23, 25, 27, 29, 31, 33
Inlet Valve	
209/00276/00	49
Inlet Valve Harness	
B12349201	49
Insert	
B12463001	49
Insulating Sticker	
229/00268/00	23, 25
229/00291/00	27, 29

Inverter Air Inlet Filter Frame	
B12346701	43
Inverter Air Inlet Filter Grill	
B12382401	43
Inverter Drive	
F8645101P	43
F8645201P	43
Inverter Drive Box	
B12333201	43

K

Key	
254/00077/02	35, 37
70155603	41

L

Lip Seal	
B12332301	9
Lower Front Panel	
111/01803/00	39
Lower Rear Panel	
B12332901	41

M

Magnet	
B12363301	21
Magnet Holder	
B12389701	21
Main Control Tray Harness	
B12381101	47
Main Switch Cover	
B12312501	39
Manifold	
F8333201	49
Mechanical Coin Meter Housing	
152/00112/00	35
Memory Card PC Board	
B12305201	29
Memory Card PC-Board	
B12305201	23, 27, 31, 33
Motor	
B12510601	15
Motor Clip	
B12371401	15
Motor Harness	
B12382102	15
Motor Mounting Rod	
B12363003	15
Motor Plate	
B12439801	15
Motor Pulley	
B12449101	15
Mounting Plate	
223/00374/00	23, 25, 27, 29, 31, 33
Mushroom Pushbutton	
209/00248/20	23, 25, 27, 31

N/A items do not appear in index.

N

Nameplate	
B12389801	23, 25, 27, 29, 31, 33
B12389802	23, 25, 27, 31, 33
B12389803	31, 33
B12389805	23, 27, 29, 31, 33
B12389810	31, 33
Network Board	
B12344201	45
Network Connection Wiring	
B12390201	47
Network Kit	
B12529301	45
Noise Filter	
B12339401	43
227/00242/00	43
Nut	
B12509101	41
204/00003/00	7
204/00004/00	7
204/00009/00	13, 39
204/00011/00	39, 43
204/00014/00	43
204/00106/00	21
204/00107/00	39
204/00110/00	15
204/00114/00	43
204/00116/00	23, 25, 27, 29, 31, 33, 35, 37, 45
204/00201/00	17, 49
206/00094/00	9
206/00101/00	45
206/00105/00	17
211/00170/00	43

O

Operating Panel	
B12385103	31
B12385201	29
B12385301	23, 25
B12385401	27
B12385501	33
Operating Sticker	
B12382701	31
B12382801	31
B12382901	33
B12383001	31
B12383101	31
B12383201	33
B12383301	27
B12383401	27
B12383501	29
B12383601	23
B12383701	23
B12456501	33
B12456601	31
B12456701	27
B12531701	33
B12531801	31
B12531901	27
B12532001	23
B12534801	27
B12583501	23

Optical Switch	
209/00781/00	35
O-Ring	
217/00021/00	21
Outlet Pipe Plate Assembly	
101/00007/00	17, 39
Out-of-Balance Bypass Harness	
B12349904	7
Overflow Hose	
223/00100/00	17
Overlay	
B12583801	25

P

Panel Lock	
44089303P	41
Parameter Unit Assembly	
F8410901	43
227/00171/00	43
Parameter Unit Program Cable	
227/00171/10	43
Plexi Frame	
225/00321/00	23, 25
225/00322/00	31, 33
225/00323/00	27, 29
Power Jumper Harness	
B12381202	51
B12381204	51
Pressure Hose	
B12687401	49
B12700018	17, 47
Pressure Switch	
B12548301	47
Pressure Switch Cap	
223/00035/02	17, 47
Pressure Switch Hose Tee	
223/00173/10	17, 47
Prewash and Mainwash Nozzle	
223/00001/04	17, 49
Printboard	
B12341801	47
209/02001/02	31, 33
209/02015/02	27, 29
Printboard Separator	
211/00128/00	23, 25, 27, 29, 31, 33
Printboard Support	
B12312401	45
Printboard Support Card	
111/01893/00	23, 27
Protection LED	
223/00330/00	31, 33
Pulley	
226/00126/00	11
Pushbutton	
B12625101	19
209/00396/00	35, 37

R

Reed Switch Holder	
B12517601	19

N/A items do not appear in index.

Reinforcement Plate	
111/10089/01	41
Relay	
B12308001	51
Relay PC-Board	
209/02014/00	45
209/02016/00	45
Retainer Ring	
212/00006/00	9
212/00037/00	9
Retaining Ring	
117/00042/00	39
Ribbon Assembly	
B12388301	45
Ring Clip	
219/00008/00	13
Rivet	
B12500301	21
208/00017/00	43, 45, 47

S

Screw	
B12393801	45, 47
B12462801	49
B12462901	39, 47, 49
B12500601	39
B12500801	21
206/00058/00	15
206/00104/00	39, 41, 43, 45
207/00102/00	19
207/00126/00	21
Seal Plate Assembly	
B12333701	9
Side Panel	
111/22727/00	39, 41
111/22728/40	39, 41
111/60037/00	39, 41
111/60039/00	39, 41
Siphon Break Hose	
B12324506	49
Siphon Cover	
F8047901	49
Soap Dispenser Cover Hinge Rod	
223/00103/04	41
Spacer	
B12463401	15
Speed Detector	
210/00074/00	9
Speed Detector Bracket	
152/00055/00	9
Standoff	
B12390301	45, 47
211/00122/00	23, 25, 27, 29
211/00145/00	23, 27
Steam Heat Harness	
B12349701	51
Steam Valve Harness	
B12382302	51
Strain Relief Connector	
211/00181/00	15, 43
Supply Dispenser Cover	
B12319101	41
B12356701	41

Supply Dispenser Cover Frame	
B12597501	41
Supply Dispenser Crossbar	
B12333301	39
B12333401	39
Supply Dispenser Mounting Plate	
B12335101	49
Supply Dispenser Support	
B12316401	49
Switch Knob	
209/00099/29	23, 25, 27, 31

T

Telem Sticker	
209/00520/00	23, 25, 27, 31
Terminal Block	
209/01624/00	45
209/01625/00	45
Terminal End	
209/01625/01	45
Thermostat	
210/01064/16	47
Thermostat Grommet	
225/10004/00	47
Tolerance Ring	
215/00004/00	11
Top Cover Hinge	
F8258601	39
Top Cover Latch	
F8201001	39
Top Panel	
B12333001	41
B12333101	41
111/01003/00	35, 37
Transformer	
F8401301	47
201616P	47
Transformer Fuse Mounting Plate	
B12439601	47
Tub	
B12329501	13
B12329601	13
B12329701	13
B12329801	13
B12329901	13
B12330001	13
Tub Fastening Ring	
212/00115/00	7
Tub Front Panel	
185/00049/00	13
Tub Front Panel Clip	
217/00008/00	13
Tub Front Panel Gasket	
223/00242/40	13

U

U-Piece Assembly	
113/00067/00	9

N/A items do not appear in index.

V

Vacuum Breaker Assembly	
F8048601	49
Vacuum Supply Hose	
B12390005	49
Valve, 3-Way	
F8286401P	49
F8286402P	49
Vibration Switch	
F8204001	7
Vibration Switch Wiring Harness	
B12349903	7
Voltage Discharge Decal	
B12355001	43

W

Washer	
201/00001/00	9
201/00002/00	17, 49
201/00005/00	7
201/00007/00	13, 17
201/00010/00	7
201/00015/00	11, 15
201/00201/00	9
202/00002/00	15
202/00003/00	9, 39
202/00004/00	43, 45, 47
202/00101/00	21
202/00104/00	21
202/00110/00	21
203/00001/00	7
203/00002/00	11
203/00003/00	7
203/00004/00	9, 39
203/00005/00	39
203/00006/00	43
223/00123/00	23, 25, 27, 29, 31, 33, 45, 47
Water Hose	
F200164	49
F200166	49
223/00044/00	17, 49
Water Valve Adapter	
223/00050/01	49
Wire Harness Assembly	
B12309901	35, 37
B12310001	35, 37
Wiring Earth for Inverter	
B12456001	45
