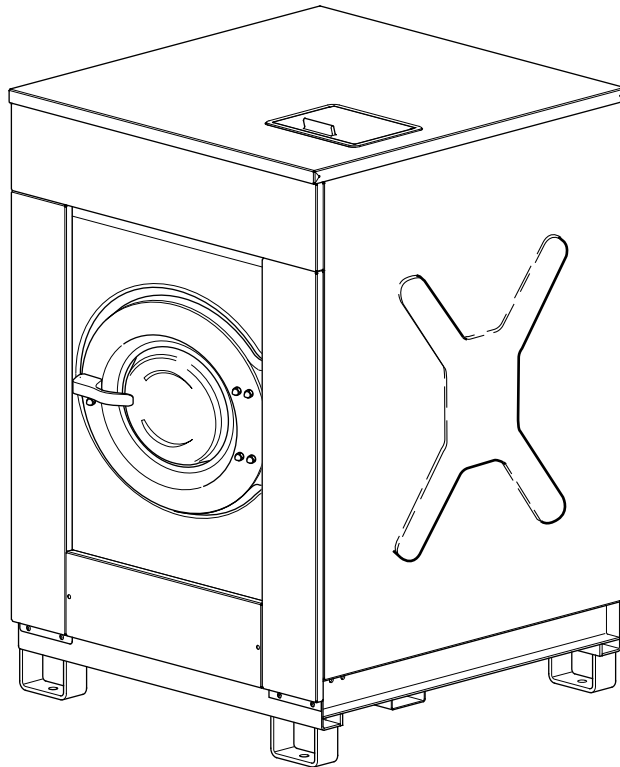


# Washer-Extractor

Cabinet Freestanding  
Refer to Page 3 for Model Numbers



CFD22C\_D1573



# Table of Contents

Title	Page
Parts Ordering Information.....	2
Serial Plate Location .....	2
Model Identification .....	3
Cabinet Freestanding Washer-Extractor Product Overview .....	4
Frame.....	6
Shock Absorber .....	8
Shell .....	10
Bearing Housing .....	12
Basket, Pulley and Belt .....	14
Motor .....	16
Drain Plumbing - Single Drain.....	18
Drain Plumbing - Dual Drain .....	20
Drain Valve - Normally Open .....	22
Drain Valve - Normally Closed.....	24
Door Lock.....	26
Door .....	28
Control Panel - Cygnus Professional .....	30
Control Panel - Cygnus Premium .....	32
Control Panel - Cygnus Ultra Pro.....	34
Control Panel - Cygnus PRO .....	36
Control Panel - WE-8 .....	38
Electrical Component Mounting Plate.....	40
Front, Left Side and Top Panels .....	42
Right Side and Back Panels .....	44
Upper Back Panel .....	46
Inverter Drive (Drawing 1 of 2).....	48
Inverter Drive (Drawing 2 of 2).....	50
Main Board and Printboard - Cygnus Models .....	52
Supply Dispenser.....	54
Supply Dispenser Plumbing.....	56
Soap Pumps .....	58
Liquid Supply Pump.....	60
Electric and Steam Heating Options .....	62
Balance Switch .....	64
Parts Index.....	67

© Copyright 2018, Alliance Laundry Systems LLC

All rights reserved. No part of the contents of this book may be reproduced or transmitted in any form or by any means without the expressed written consent of the publisher.

## Parts Ordering Information

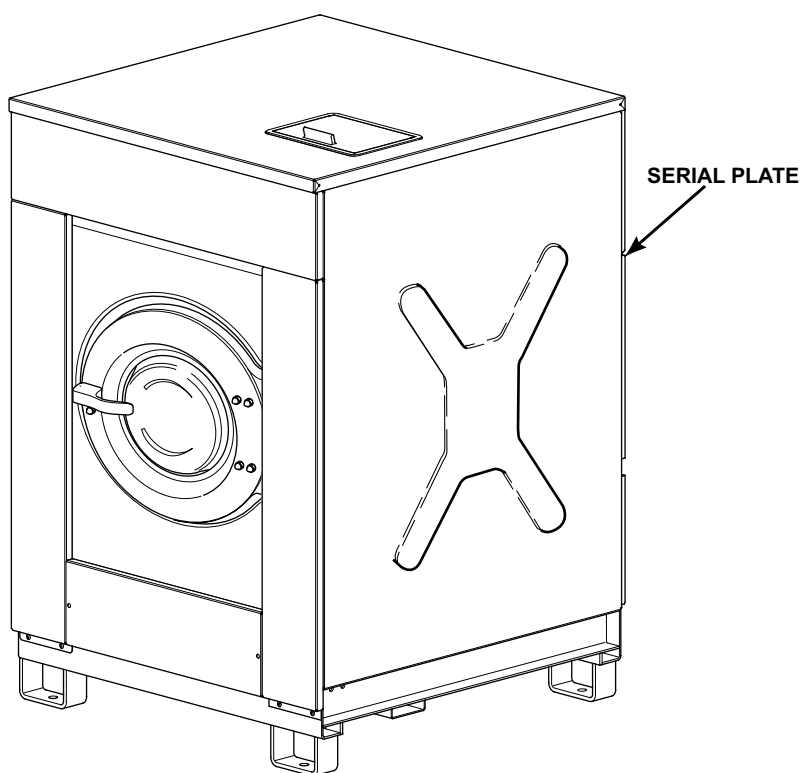
If literature or replacement parts are required, contact the source from whom the machine was purchased or contact Alliance Laundry Systems at (920) 748-3950 for the name and address of the nearest authorized parts distributor.

For technical assistance, call the number listed below:

(920) 748-3121 Ripon, Wisconsin

## Serial Plate Location

When calling or writing about your product, be sure to mention model and serial numbers. Model and serial numbers are located on serial plate(s). The serial plate is located at the rear of the machine as shown.





CFD22CA\_D1573

## Model Identification



Information in this manual is applicable to these washer-extractor models:

CS100_PRO	IS135_PRO	SXN575P
CS100_ULTRA-PRO	IS135_ULTRA-PRO	SXN575Z
CS135_PRO	IXE100Y	SXR100P
CS135_ULTRA-PRO	IXE100Z	SXR100Z
CXE100Z	IXE135Y	SXR135P
CXE135Z	IXE135Z	SXR135Z
CXG455Z	IXG455Y	SXU455P
CXG575Z	IXG455Z	SXU455Z
CXN455Z	IXG575Y	SXU575P
CXN575Z	IXG575Z	SXU575Z
CXR100R	IXN455Y	SXW455P
CXR100Z	IXN455Z	SXW455Z
CXR135R	IXN575Y	SXW575P
CXR135Z	IXN575Z	SXW575Z
CXU455Z	IXR100R	SXZ455P
CXU575Z	IXR100Y	SXZ455Z
CXW455Z	IXR100Z	SXZ575P
CXW575Z	IXR135R	SXZ575Z
CXZ455Z	IXR135Y	UX100_PRO
CXZ575Z	IXR135Z	UX100_WE-8
DXU455Y	IXU455Y	UX135_PRO
DXU575Y	IXU455Z	UX135_WE-8
HD455_PREM	IXU575Y	UXE100P
HD455_PRO	IXU575Z	UXE100Z
HD575_PREM	IXW455Y	UXE135P
HD575_PRO	IXW455Z	UXE135Z
HF455_CYGNUS-PREM_OPL_STARTING-MARCH-31-2014	IXW575Y	UXG455P
HF455_CYGNUS-PRO_STARTING-MARCH-31-2014	IXW575Z	UXG455Z
HF575_CYGNUS-PREM_OPL_STARTING-MARCH-31-2014	IXZ455Y	UXG575P
HF575_CYGNUS-PRO_STARTING-MARCH-31-2014	IXZ455Z	UXG575Z
HX100_WE-8	IXZ575Y	UXN455P
HX135_WE-8	IXZ575Z	UXN455Z
HXE100P	JXW455Y	UXN575P
HXE135P	JXW455Z	UXN575Z
HXG455P	JXW575Y	UXR100P
HXG575P	JXW575Z	UXR100Z
HXN455P	SX100_PRO	UXR135P
HXN575P	SX100_WE-8	UXR135Z
HXR100P	SX135_PRO	UXU455P
HXR135P	SX135_WE-8	UXU455Z
HXU455P	SXE100P	UXU575P
HXU575P	SXE100Z	UXU575Z
HXW455P	SXE135P	UXW455P
HXW575P	SXE135Z	UXW455Z
HXZ455P	SXG455P	UXW575P
HXZ575P	SXG455Z	UXW575Z
IS100_PREM	SXG575P	UXZ455P
IS100_PRO	SXG575Z	UXZ455Z
IS100_ULTRA-PRO	SXN455P	UXZ575P
IS135_PREM	SXN455Z	UXZ575Z

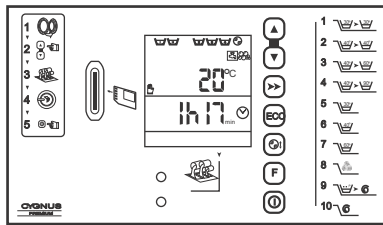
# Cabinet Freestanding Washer-Extractor Product Overview

Type:	HF455P	Nr:	07110580147
Voltage:	3 ~ 380V 50Hz	Weight:	1787 kg
Motor:	7.5 kW 20 A	Capacity:	575 L
Heating:	36 kW 60 A	Dry Load:	57 kg
Total:	43.50 kW	Drum:	980 mm
Kinetic energy:	23257N/M	Speed:	800 rpm
Manufactured in:	2007		
Water Pressure: min. 2.07 max. 5.86 Kg/cm <sup>2</sup> IPX4		min. 20.7 max. 58.6 N/cm <sup>2</sup>	
sfc 741295			
 Alliance International BVB A Nieuwstraat 146 8560 Wevelgem Belgium Tel: +32 56 41 20 54 Fax: +32 56 41 86 74 www.ipso.be			

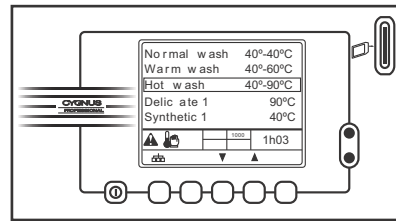
Label 1

Model No:	IHF100ANX1DU01	Serial No:	0710740113
Volts Hertz:	208-240   50/60	Type:	HF730P
Phase:	3	Capacity:	165/73 lbs/kg
Amps:	20 amps	Water Pressure:	30-85 psi
Recommended Circuit Breaker:	25 amps	Pressure:	2.07-5.86 bar
Interrupt Current:	10 kA	Max Speed:	750 rpm
Motor:	15 hp 11 kW	Net Weight:	3520 lbs 5070 kg
Elec Heat:	N/A kW	Weight:	IPX4
Steam heat:	N/A psi N/A bar		
 Alliance International BVB A Made in Belgium TEL 1-920-748-3121 www.comlaundry.com		 INTERTEK ETL US 100740 CONFORMS TO ANSI/UL STD 2157 CERTIFIED TO CAN/CSA STD C22.2 NO.169	

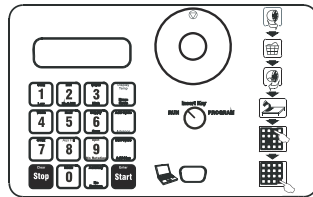
Label 2



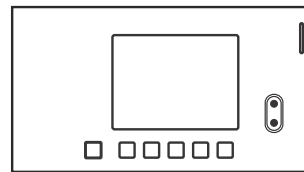
Cygnus Premium



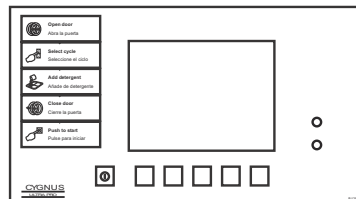
Cygnus Professional



WE-8



Pro



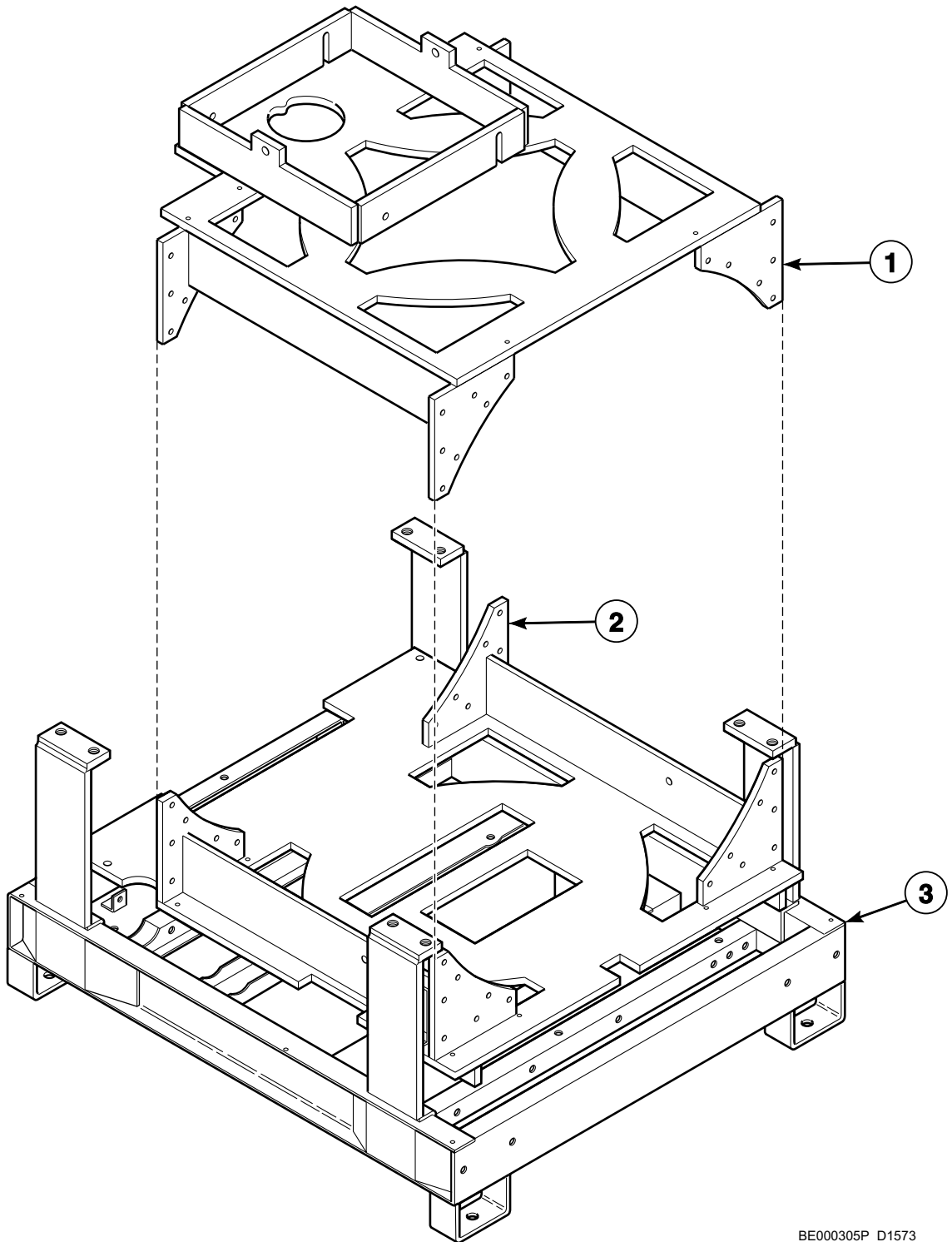
Ultra Pro

CFD2521P\_D1573

# Cabinet Freestanding Washer-Extractor Product Overview

REF	PART NO.	DESCRIPTION	COMMENTS
1	-	Product Family	HF CS CX DX IS IX JX SX UX HX
2	-	Capacity	100 135 455 575
3	-	Control	P (WE-8) R (Cygnus Ultra Pro) Y (Cygnus Premium) Z (Cygnus Professional and PRO)
4	-	Actuation	N (Non-Coin)
5	-	Speed	H (High Speed)
6	-	Voltage	N (440-480/50-60/3/3) P (380-415/50-60/3/3) Q (208-240/50-60/3/3)
7	-	Design	1

# Frame



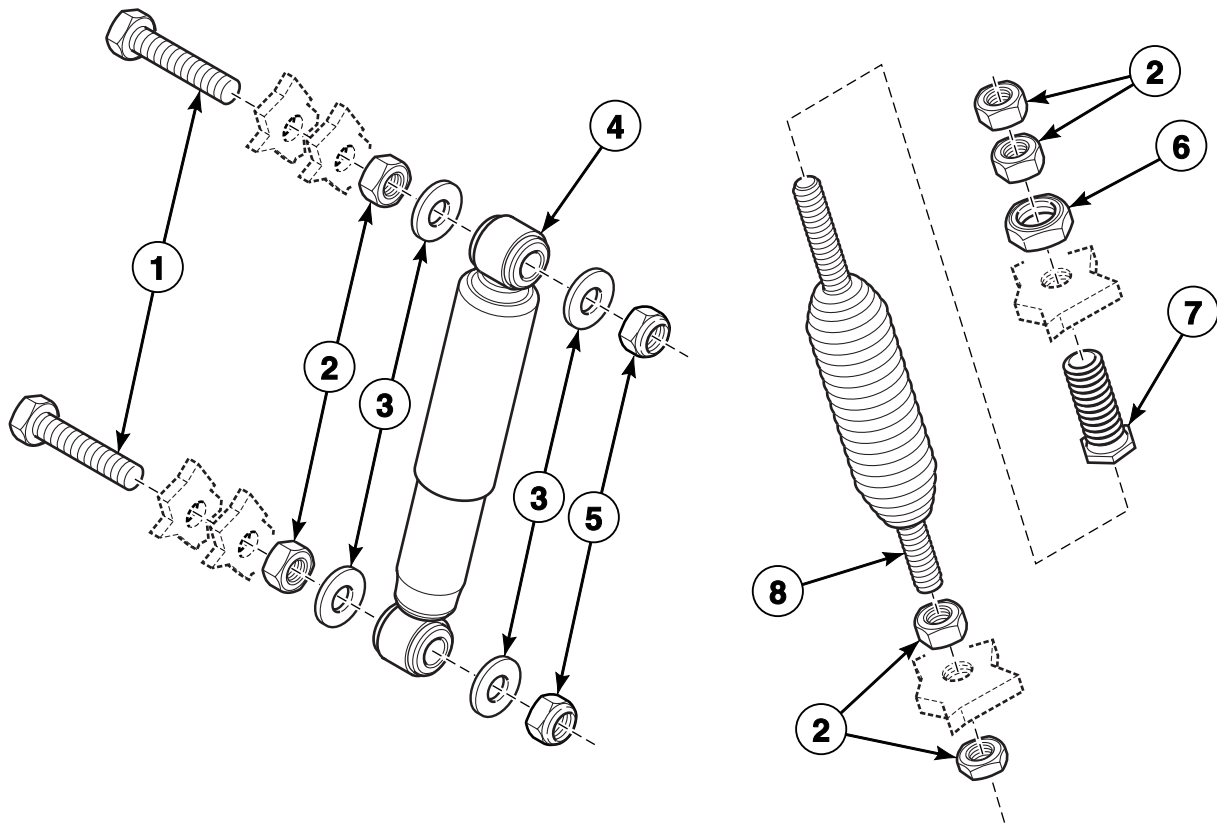
BE000305P\_D1573



# Frame

REF	PART NO.	DESCRIPTION	COMMENTS
1	253/10111/00	Upper Support	*100 and *455 Models
	253/10112/00	Upper Support	*135 and *575 Models
2	253/10011/00	Lower Support	*100 and *455 Models
	253/10012/00	Lower Support	*135 and *575 Models
3	253/10009/00	Frame	*100 and *455 Models
	253/10010/00	Frame	*135 and *575 Models

# Shock Absorber

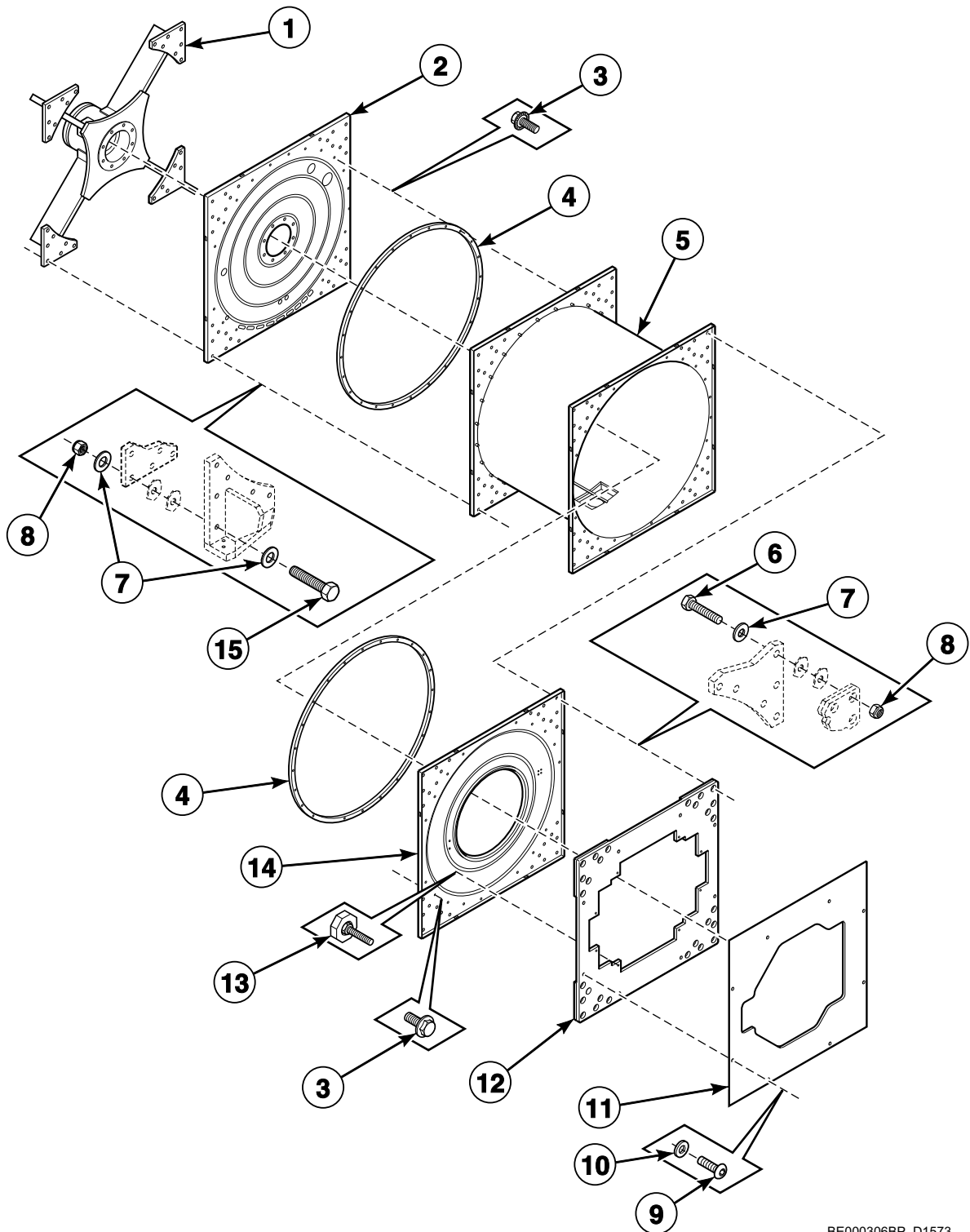


BE000333P\_D1573

# Shock Absorber

REF	PART NO.	DESCRIPTION	COMMENTS
1	206/00071/00	Bolt	
2	204/00012/00	Nut	
3	201/00001/00	Washer	
4	247/00008/00	Shock Absorber	
5	204/00113/00	Nut	
6	204/00016/00	Nut	
7	224/00046/00	Bolt	
8	B12456301	Suspension Spring	

# Shell

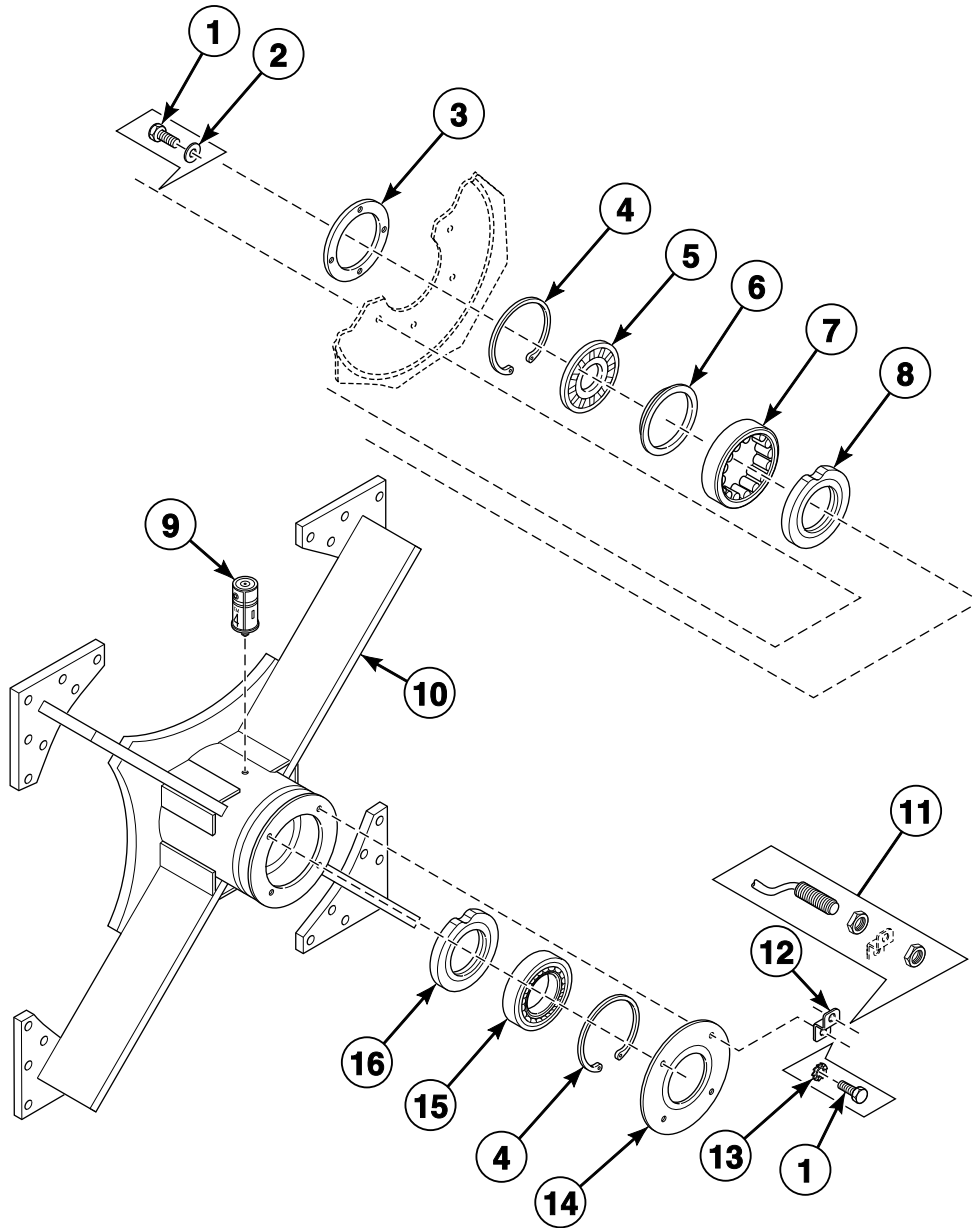


BE000306BP\_D1573

# Shell

REF	PART NO.	DESCRIPTION	COMMENTS
1	153/10004/00	Bearing Housing Assembly	
2	153/00076/10	Tub Back Plate	Steam heat
	153/00075/10	Tub Back Plate	Electric and steam heat
3	206/00099/00	Bolt	
4	223/00168/00	Tub Gasket	
5	B12524201	Tub	*100 and *455 Models; Electric 3 kW and steam heat
	153/00077/00	Tub	*100 and *455 Models; Electric 4 kW and steam heat
	153/00078/00	Tub	*100 and *455 Models; Steam heat
	B12524301	Tub	*135 and *575 Models; Electric 3 kW and steam heat
	153/00075/00	Tub	*135 and *575 Models; Electric 4 kW and steam heat
	153/00076/00	Tub	*135 and *575 Models; Steam heat
6	206/00122/00	Bolt	
7	B12522101	Washer	
8	204/00113/00	Nut	
9	205/00102/00	Bolt	
10	202/00105/00	Washer	
11	153/10113/00	Door Front Panel	Round
	153/10114/00	Door Front Panel	Square
12	253/10013/00	Counterweight	
13	252/00006/00	Leveling Leg	
14	153/10013/00	Tub Front Panel	

# Bearing Housing

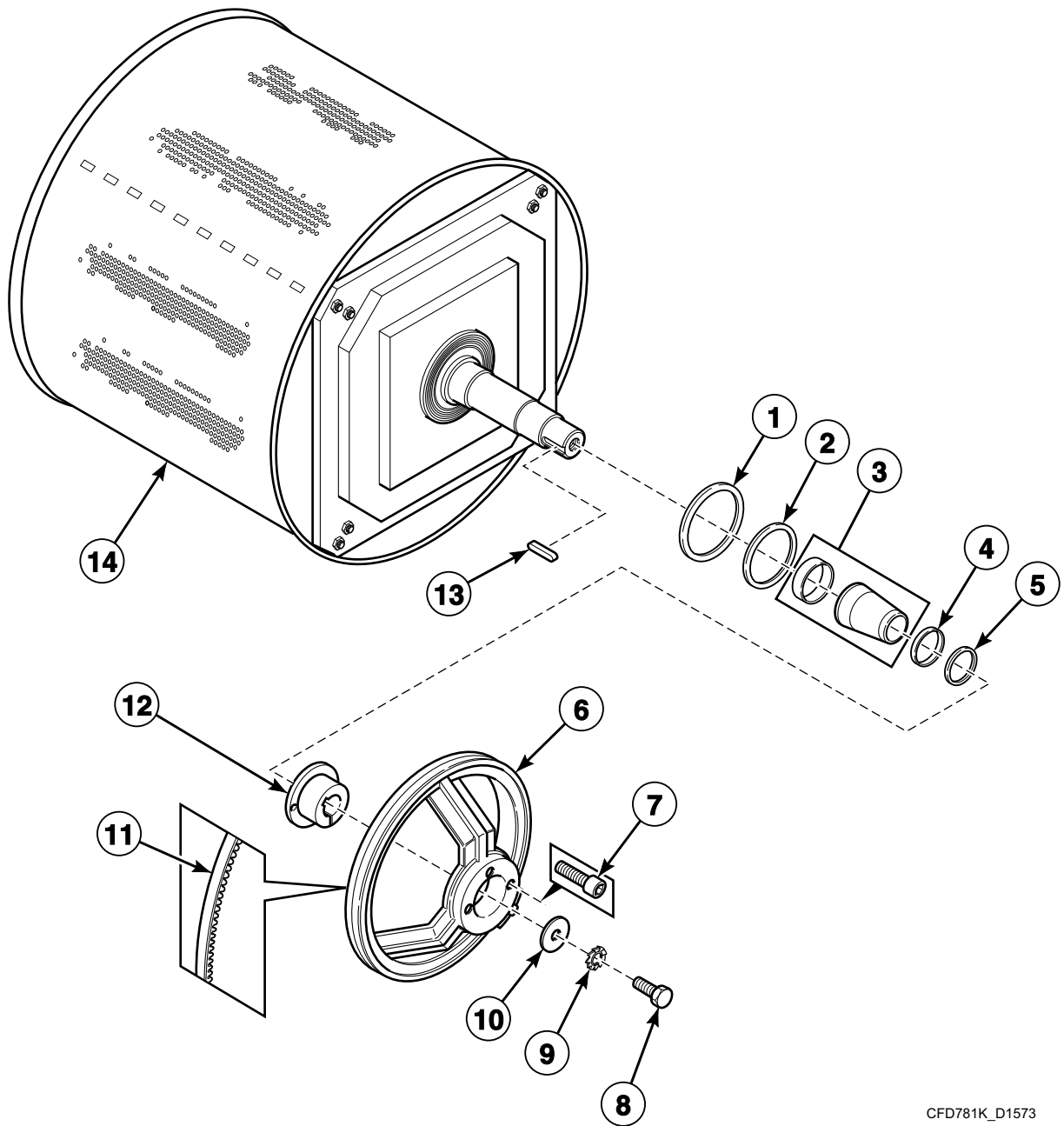


CFD638P\_D1573

# Bearing Housing

REF	PART NO.	DESCRIPTION	COMMENTS
	245/00054/00	Bearing Replacement Tool Kit	Purchase kit; Requires 900P4 Hardware Kit
	245/00054/01	Bearing Replacement Tool Kit	Rental kit; Requires 900P4 Hardware Kit
	3885P	Bearing Kit	Includes items 2, 3, 5-7, 9, 15, B12378901 (VL200) Seal, B12378801 (VL180) Seal, 253/00154/00 (VA100) Seal, 204/00113/00 Nut and 223/00168/00 Tub Gasket
<b>1</b>	205/00102/00	Bolt	
<b>2</b>	201/00202/00	Washer	
<b>3</b>	153/00121/00	Seal Wear Plate	
<b>4</b>	253/00157/00	Retaining Ring	
<b>5</b>	253/00182/00	Lip Seal	
<b>6</b>	253/00131/00	Grease Ring Holder	
<b>7</b>	253/00155/00	Roller Bearing	
<b>8</b>	B12360810	Spacer	
<b>9</b>	212/00002/00	Lubricator	
<b>10</b>	153/10004/00	Bearing Housing Assembly	
<b>11</b>	209/00400/00	Speed Detector	
<b>12</b>	153/00041/02	Speed Sensor Bracket	
<b>13</b>	203/00002/00	Washer	
<b>14</b>	153/00069/00	Bearing Cover Plate	
<b>15</b>	253/00156/00	Roller Bearing	
<b>16</b>	253/10123/00	Spacer	

# Basket, Pulley and Belt



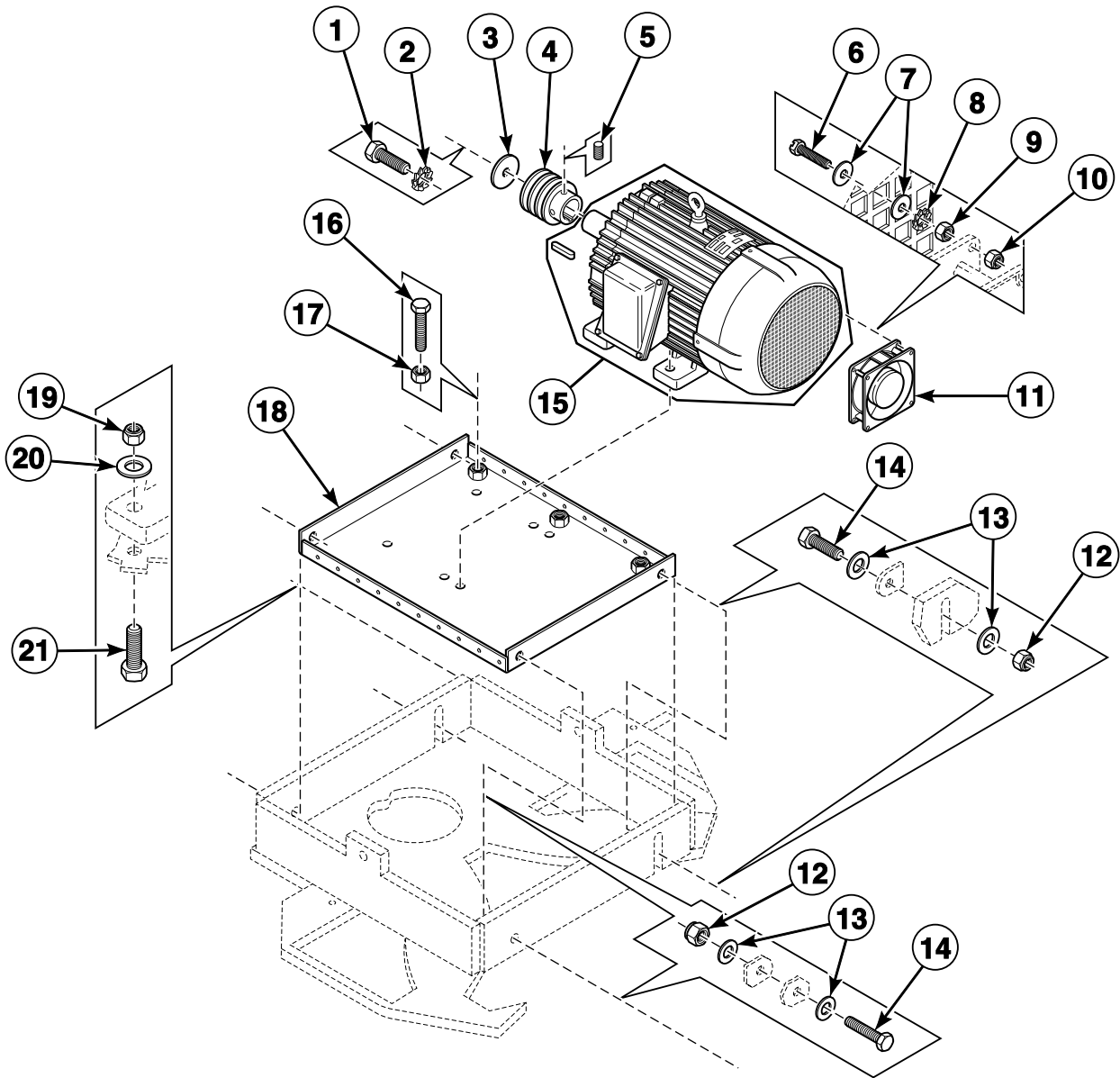
CFD781K\_D1573



## Basket, Pulley and Belt

REF	PART NO.	DESCRIPTION	COMMENTS
1	B12378901	Seal	VL200
2	B12378801	Seal	VL180
3	253/00125/00	Spacer	
4	253/00124/00	Bushing	
5	253/00154/00	V-Ring Seal	VA100
6	253/00026/01	Pulley	
	253/00078/00	Pulley	505 mm (19.9 inches)
7	206/00053/00	Screw	
8	206/00147/00	Bolt	
9	203/00016/00	Washer	
10	201/00025/00	Washer	
11	253/00148/00	Belt	XPA 2360
	226/00155/00	Belt	
12	253/00026/00	Pulley	
13	253/00033/00	Key	
14	B12472401	Basket	*100 and *455 Models
	B12374401	Drum Assembly	*135 and *575 Models

# Motor

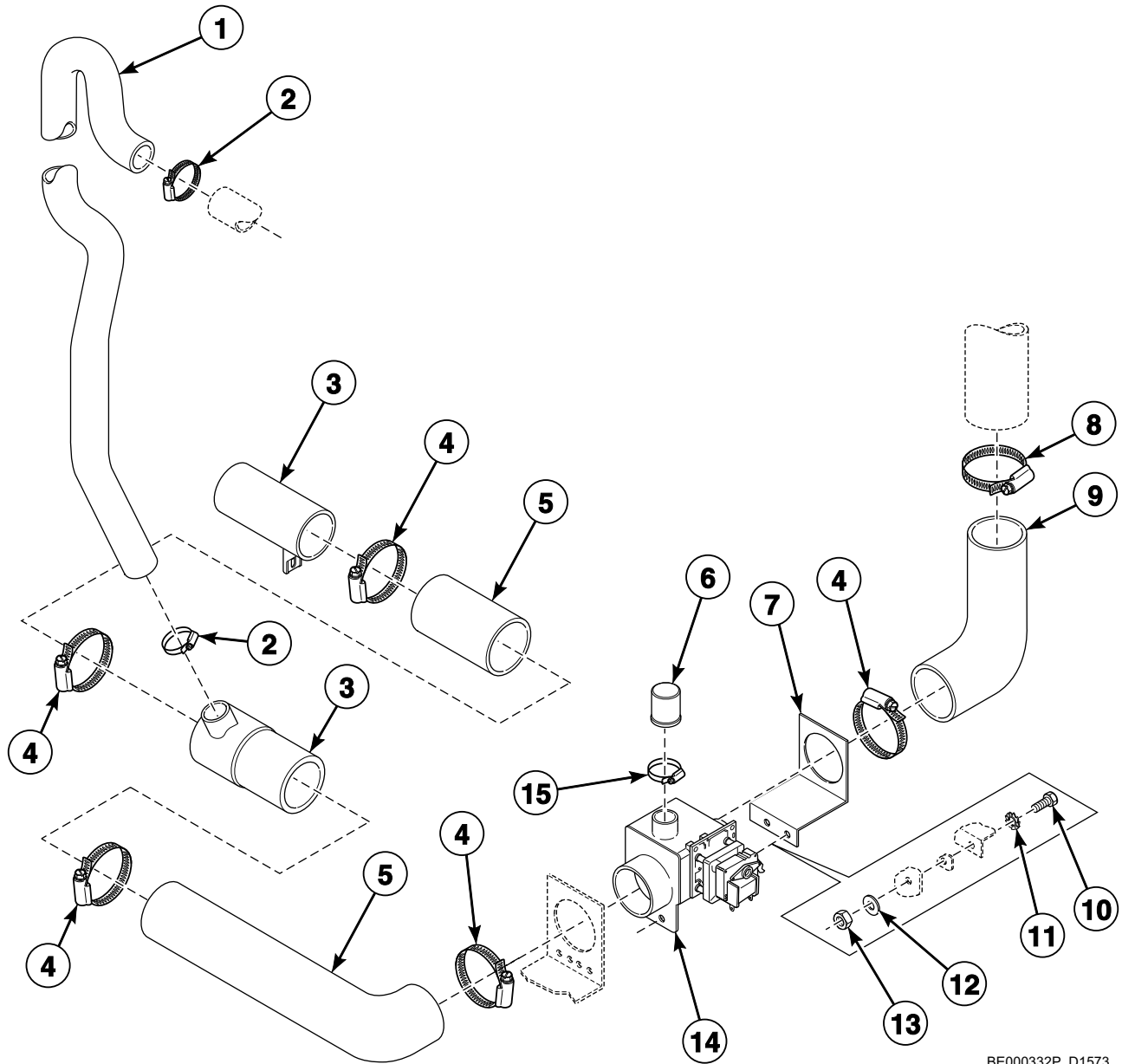


BE000309P\_D1573

# Motor

REF	PART NO.	DESCRIPTION	COMMENTS
1	206/00004/00	Bolt	
2	203/00001/00	Washer	
3	201/00011/00	Washer	
4	253/00079/00	Pulley	
5	206/00031/00	Screw	
6	207/00003/00	Screw	
7	201/00008/00	Washer	
8	203/00006/00	Washer	
9	204/00007/00	Nut	
10	204/00114/00	Nut	
11	209/00287/00	Cooling Fan	
12	204/00113/00	Nut	
13	201/00001/00	Washer	
14	248/00114/00	Bolt	
15	B12510801	Motor	*100 and *455 Models
	B12511401	Motor	*135 and *575 Models
16	206/00125/00	Screw	
17	204/00012/00	Nut	
18	153/00025/00	Motor Plate	
19	204/00111/00	Nut	
20	201/00004/00	Washer	
21	206/00142/00	Bolt	

# Drain Plumbing - Single Drain

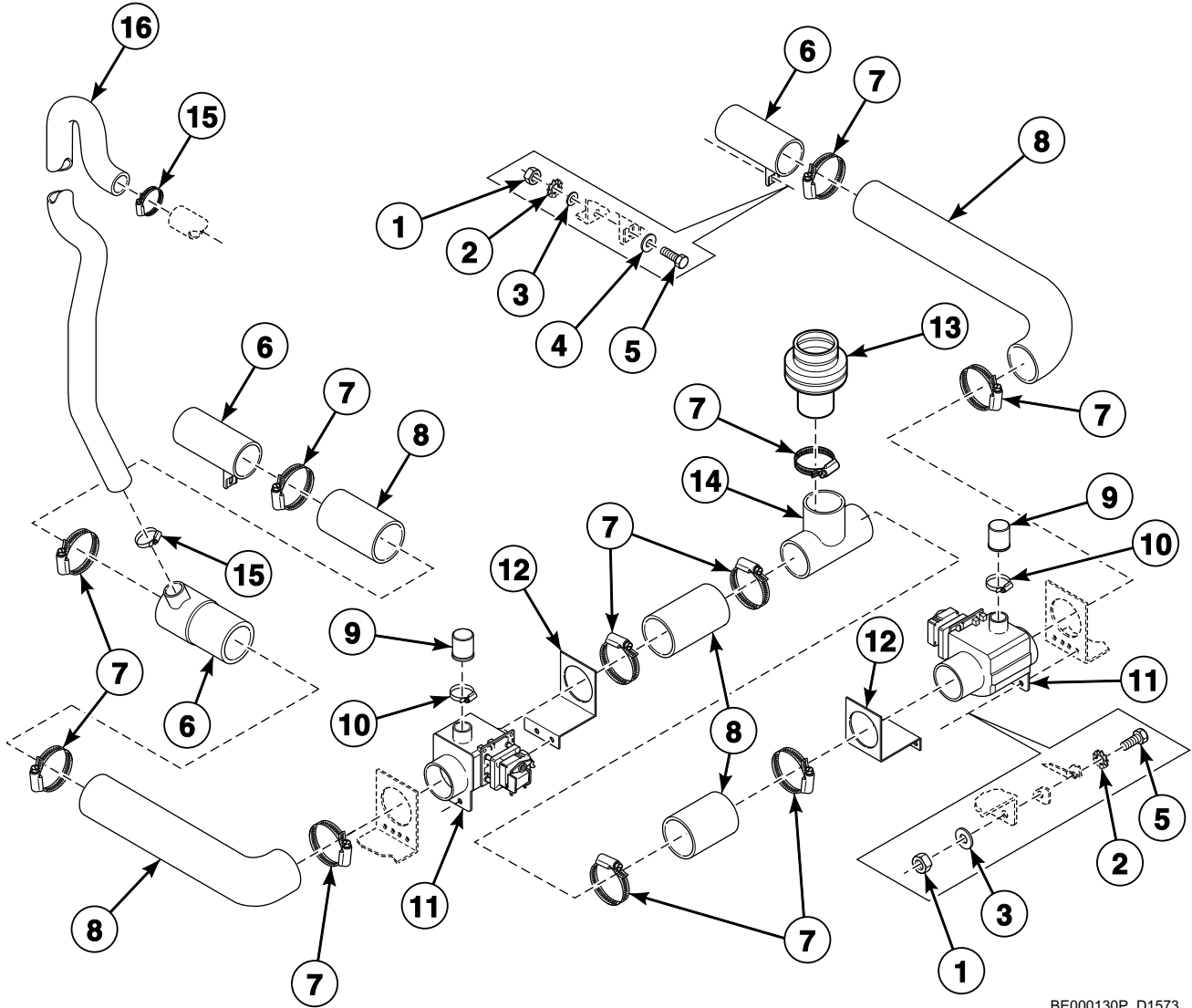


BE000332P\_D1573

## Drain Plumbing - Single Drain

REF	PART NO.	DESCRIPTION	COMMENTS
1	223/00184/00	Overflow Hose	
2	223/00013/00	Hose Clamp	
3	223/00106/00	Drain Pipe	
4	223/00071/00	Hose Clamp	
5	223/00141/00	Drain Valve to Drain Pipe Hose	
6	223/00086/00	Drain Valve Overflow Plug	
7	114/00010/00	Drain Valve Plate Assembly	
8	223/00223/00	Hose Clamp	
9	223/00133/00	Drain Tub to Drain Valve Hose	
10	206/00009/00	Bolt	
11	203/00003/00	Washer	
12	202/00002/00	Washer	
13	204/00004/00	Nut	
14	209/00075/00	Drain Valve	
15	229/00012/00	Hose Clamp	

# Drain Plumbing - Dual Drain

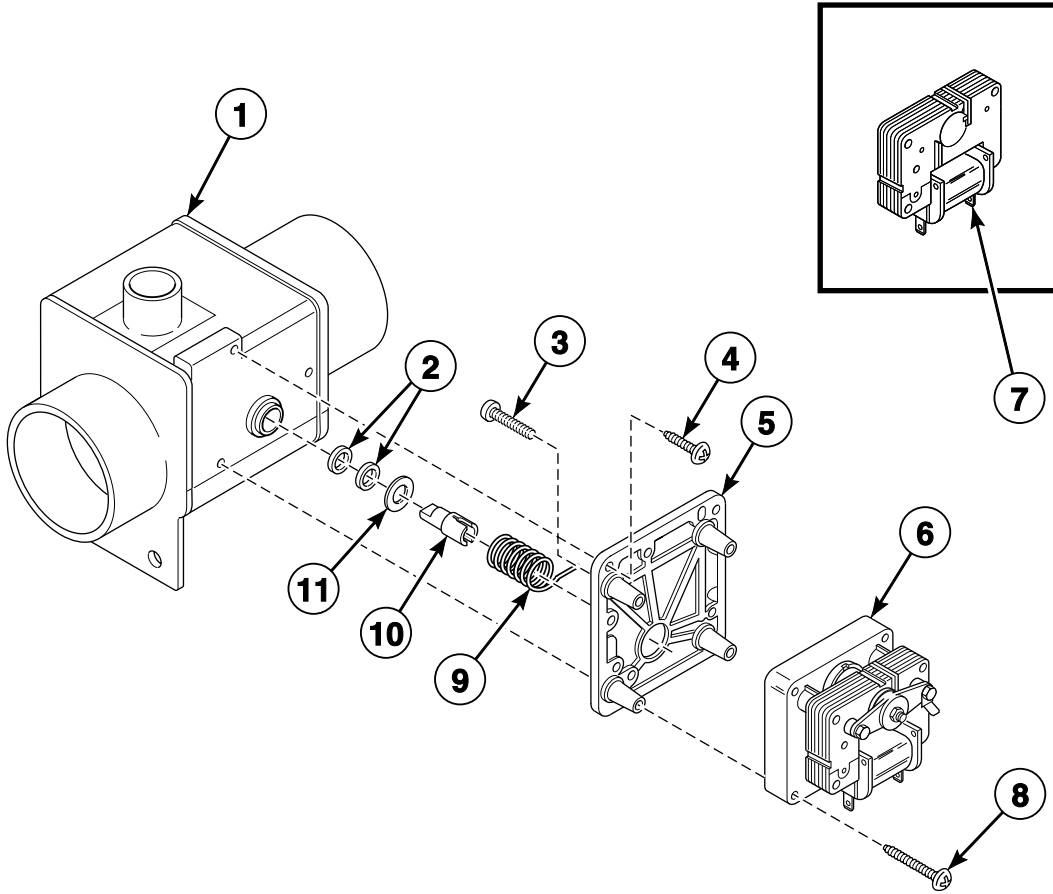


BE000130P\_D1573

## Drain Plumbing - Dual Drain

REF	PART NO.	DESCRIPTION	COMMENTS
1	204/00004/00	Nut	
2	203/00003/00	Washer	
3	202/00002/00	Washer	
4	201/00010/00	Washer	
5	206/00009/00	Bolt	
6	223/00106/00	Drain Pipe	
7	223/00071/00	Hose Clamp	
8	223/00141/00	Drain Valve to Drain Pipe Hose	
9	223/00086/00	Drain Valve Overflow Plug	
10	223/00012/00	Hose Clamp	
11	209/00075/00	Drain Valve	
12	114/00010/00	Drain Valve Plate Assembly	
13	223/00170/00	Exhaust Valve Hose	
14	253/00006/00	T-Piece	
15	223/00013/00	Hose Clamp	
16	223/00184/00	Overflow Hose	

# Drain Valve - Normally Open



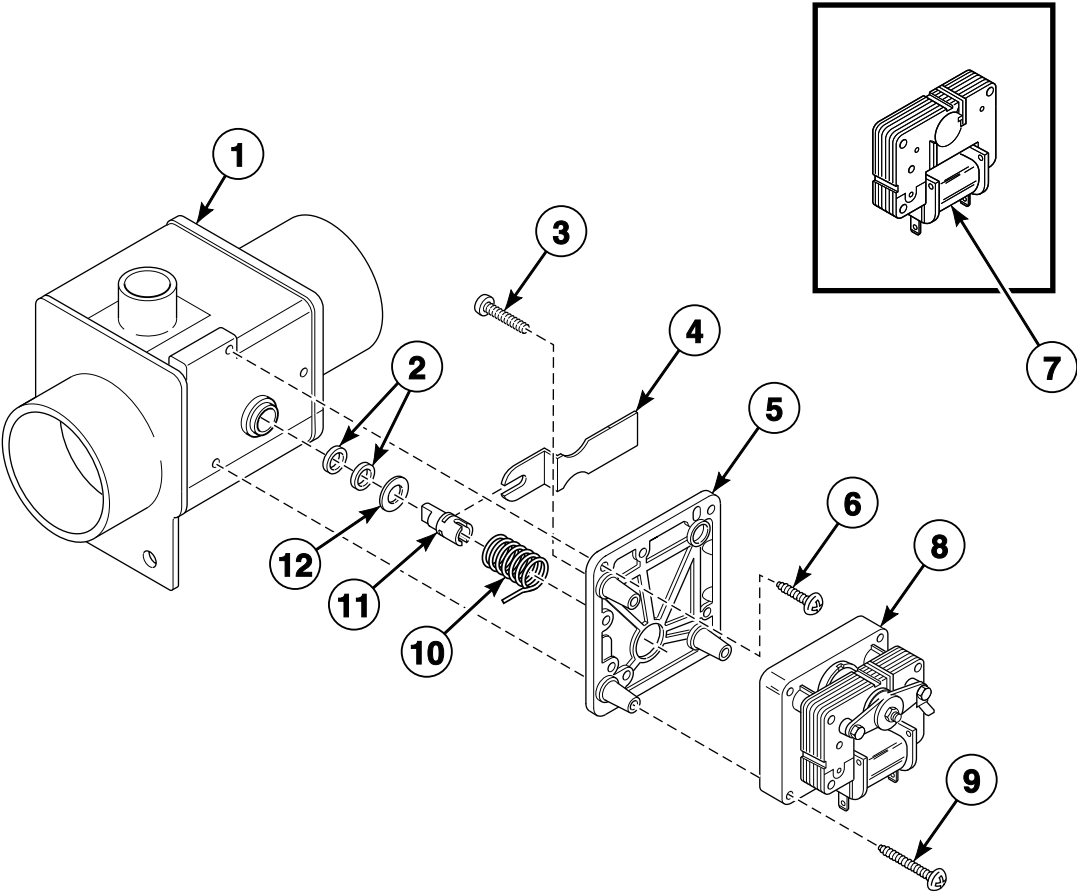
BE000058P\_D1573



## Drain Valve - Normally Open

REF	PART NO.	DESCRIPTION	COMMENTS
1	209/00075/05	Drain Valve	
2	209/00025/10	Drain Valve Shaft Seal	
3	209/00025/08	Screw	
4	209/00170/05	Screw	
5	209/00025/07	Drain Valve Motor Mounting Plate	
6	209/00203/11	Drain Valve Motor	24 Volt
	209/00052/11	Drain Valve Motor	110 Volt/60 Hertz
	209/00051/11	Drain Valve Motor	220 Volt/50 or 60 Hertz
7	209/00203/21	Coil	24 Volt
	209/00052/21	Coil	115 Volt/60 Hertz
	209/00051/21	Coil	220 Volt/50 or 60 Hertz
8	209/00170/07	Screw	
9	209/00025/13	Drain Valve Spring	
10	209/00170/10	Drain Valve Shaft	
11	209/00025/12	Washer	

# Drain Valve - Normally Closed

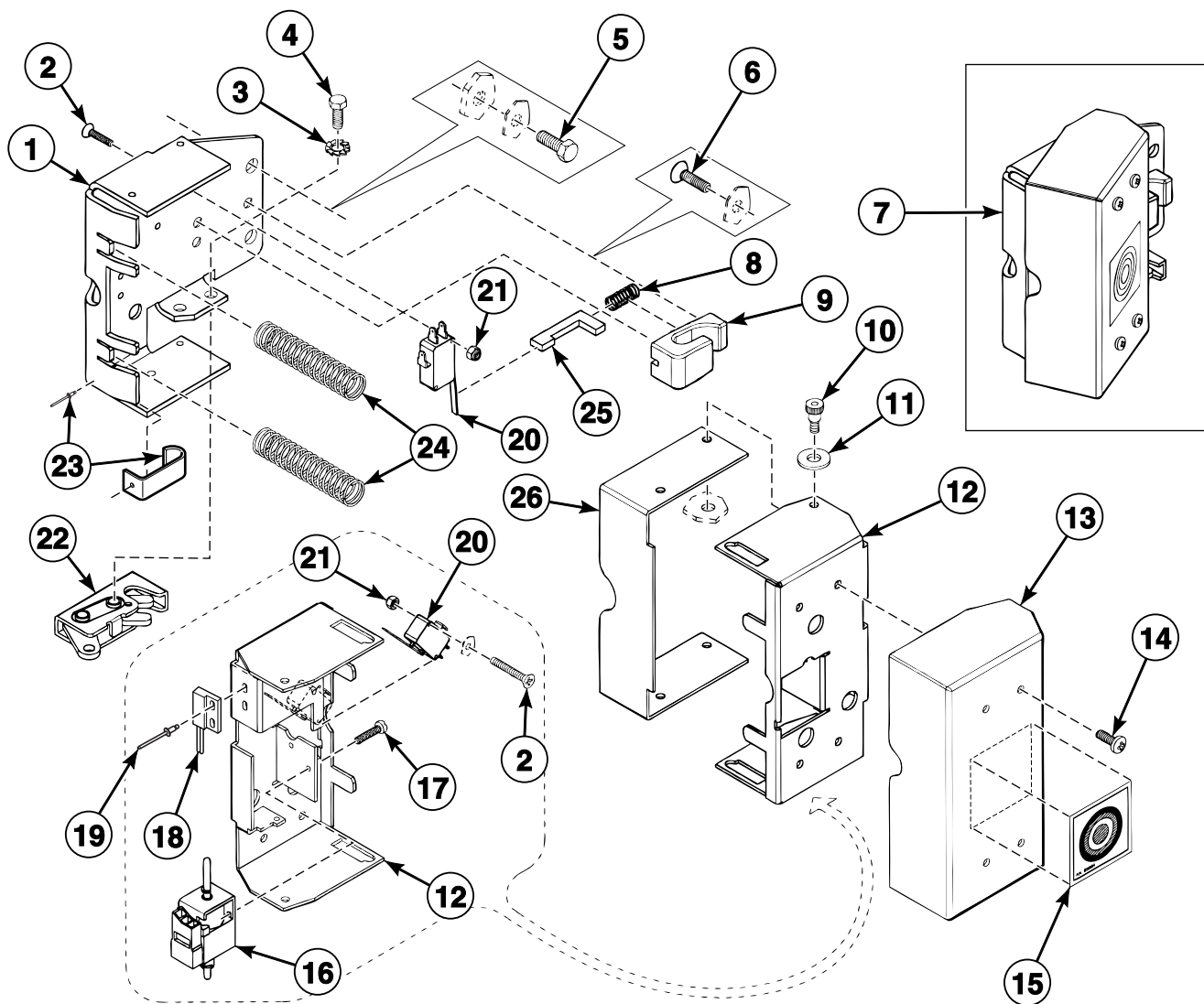


BE000057P\_D1573

## Drain Valve - Normally Closed

REF	PART NO.	DESCRIPTION	COMMENTS
1	209/00075/05	Drain Valve	
2	209/00025/10	Drain Valve Shaft Seal	
3	209/00025/08	Screw	
4	209/00115/11	Drain Valve Handle	
5	209/00115/04	Drain Valve Motor Mounting Plate	
6	209/00170/05	Screw	
7	209/00203/21	Coil	24 Volt
	209/00052/21	Coil	115 Volt/60 Hertz
	209/00051/21	Coil	220 Volt/50 or 60 Hertz
8	209/00203/12	Drain Valve Motor	24 Volt
	209/00052/12	Drain Valve Motor	110 Volt/60 Hertz
	209/00170/06	Drain Valve Motor Assembly	220 Volt/50 or 60 Hertz
9	209/00170/07	Screw	
10	209/00170/02	Drain Valve Spring	
11	209/00170/10	Drain Valve Shaft	
12	209/00025/12	Washer	

# Door Lock

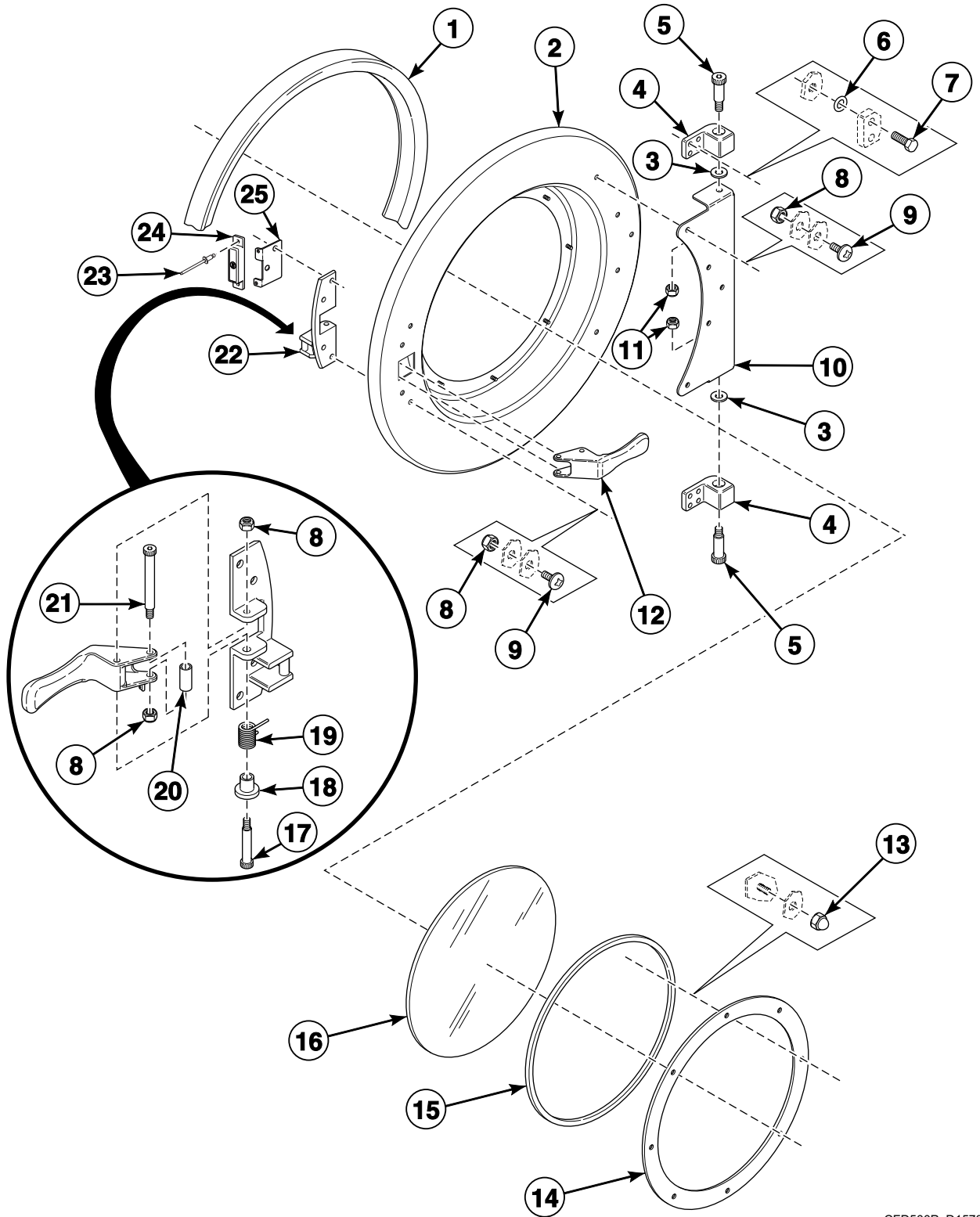


CFD499P\_D1573

# Door Lock

REF	PART NO.	DESCRIPTION	COMMENTS
	C003286	Door Lock Harness	
	C001036	Door Lock Assembly	Includes items 1-25 and C003286 Door Lock Harness
	C001036M	Door Lock Kit	Includes C001036 Door Lock Assembly, F8390801 Magnet, C002994 Door Magnet Mounting Bracket and F431223 Pop Rivet
1	253/00158/684	Door Lock Plate	
2	253/00158/614	Screw	
3	253/00158/571	Washer	
4	253/00158/567	Screw	
5	205/00123/00	Bolt	
6	253/00158/612	Screw	
7	253/00159/1036	Door Latch Assembly	
8	253/00158/276	Door Lock Spring	
9	C000185	Door Lock Catch	
10	C000430	Bolt	
11	201/00007/00	Washer	
12	253/00158/686	Door Lock Solenoid Bracket	
13	253/00158/688	Door Lock Cover	
14	253/00158/1047	Screw	
15	253/00158/694	Door Release Decal	
16	B12495102	Door Solenoid Assembly	
17	207/00135/00	Screw	
18	C003000	Reed Switch Assembly	
19	F8245101	Blind Rivet	
20	C000278	Door Lock Microswitch	
21	253/00158/578	Nut	
22	C001244	Door Latch	
23	211/00072/00	Lock Spring Leaf	
24	C000431	Spring	
25	253/00158/271	Door Lock Switch Actuator	
26	253/00158/687	Door Lock Spring Cover	

# Door

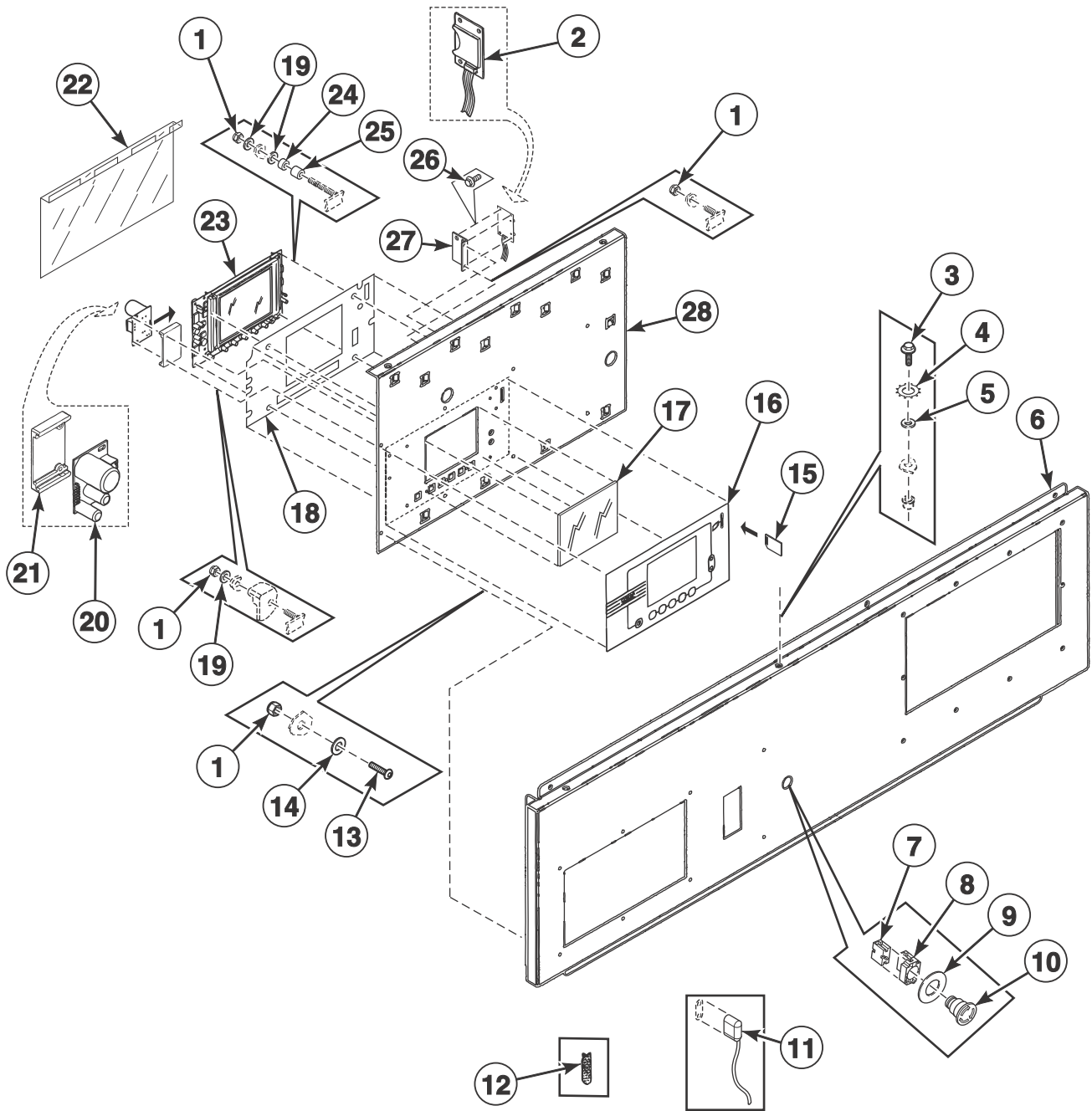


CFD500P\_D1573

# Door

REF	PART NO.	DESCRIPTION	COMMENTS
1	253/00162/01	Door Gasket	
2	253/00158/131	Door	
3	253/00158/177	Washer	
4	253/00158/175	Door Hinge Block	
5	F8549301	Bolt	
6	223/00244/00	O-Ring	
7	205/00122/00	Bolt	
8	253/00158/560	Nut	
9	C000561	Bolt	
10	253/00176/50	Hinge Plate	
11	253/00158/558	Nut	
12	253/00158/028	Handle	
13	253/00158/562	Nut	
14	253/00158/607	Door Glass Retainer	
15	C000140P	Door Glass Gasket	
16	253/00158/139	Door Glass	
17	C001785	Bolt	
18	253/00158/192	Door Handle Spring Bushing	
19	C001786	Door Handle Torsion Spring	
20	C000181	Door Handle Bushing	
21	253/00158/180	Bolt	
22	253/00158/470	Handle Hinge	
23	F431223	Pop Rivet	
24	F8390801	Magnet	
25	C002994	Door Magnet Mounting Bracket	

# Control Panel - Cygnus Professional



CFD2517\_D1573



## Control Panel - Cygnus Professional

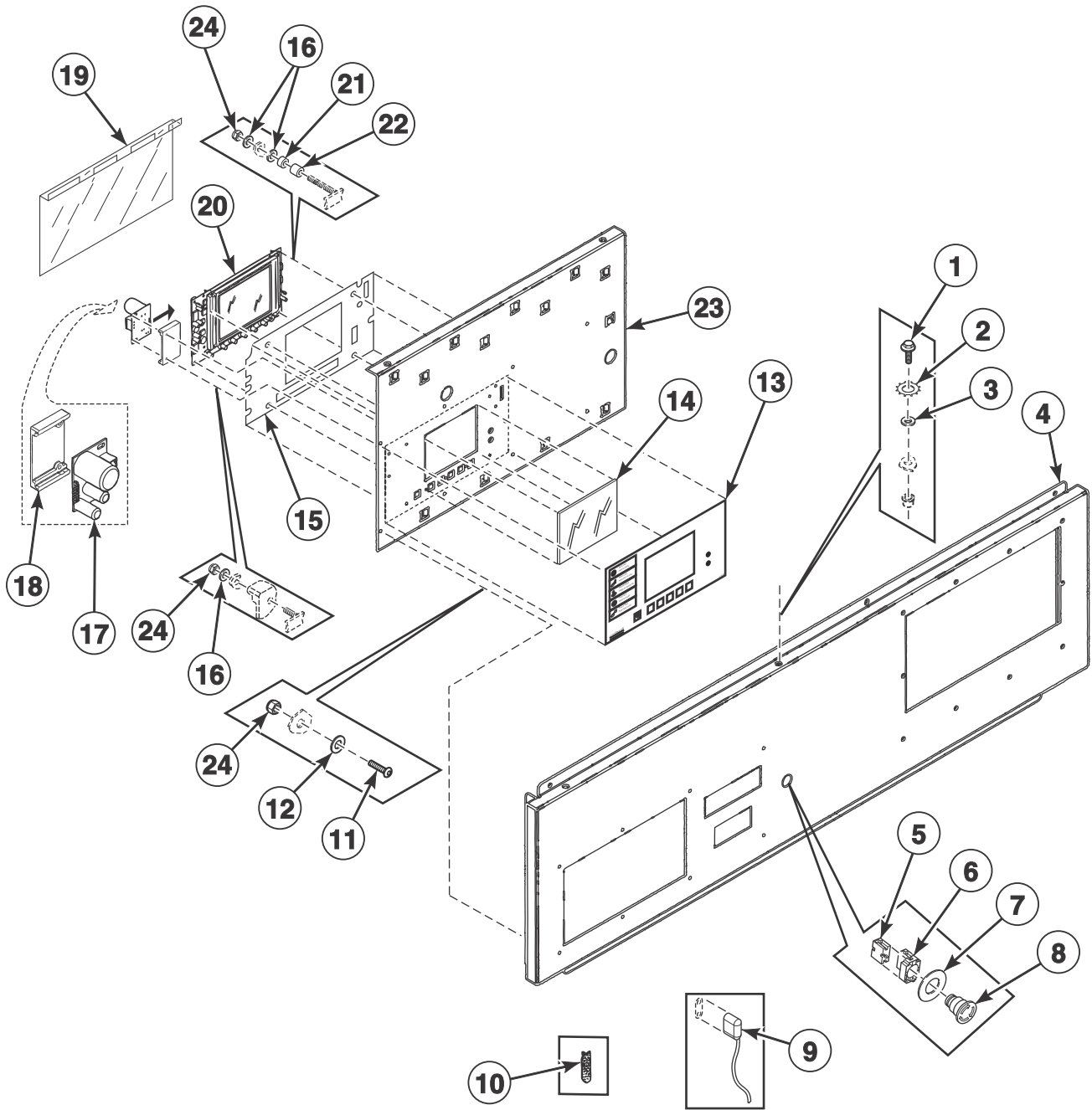
REF	PART NO.	DESCRIPTION	COMMENTS
1	204/00116/00	Nut	
2	B12305201	Memory Card PC-Board	
3	205/00105/00	Bolt	
4	B12300701	Washer	
5	B12300601	Washer	
6	B12601501	Upper Front Panel	
7	209/00099/26	Contact Switch	
8	209/00099/20	Emergency Switch Pushbutton	
9	209/00520/00	Telem Sticker	
10	209/00248/20	Mushroom Pushbutton	
11	210/00902/00	Infrared Cable	
12	223/00348/00	Datacard Cover	
13	207/00113/00	Screw	
14	202/00004/00	Washer	
15	209/02022/00	Datacard	
16	225/10313/00	Operating Sticker	
17	225/00321/00	Plexi Frame	
18	229/00268/00	Insulating Sticker	
19	223/00123/00	Washer	
20	209/02010/00	Door Lock PC-Board	
21	223/00374/00	Mounting Plate	
22	229/00289/00	Circuit Board Cover	
23	209/02002/ZO2	Display and Printboard	
24	211/00128/00	Printboard Separator	
25	211/00122/00	Standoff	
26	211/00145/00	Standoff	
27	111/01893/00	Printboard Support Card	
28	173/00013/20	Printboard Display Plate Assembly	



## Control Panel - Cygnus Premium

REF	PART NO.	DESCRIPTION	COMMENTS
1	204/00116/00	Nut	
2	B12305201	Memory Card PC-Board	
3	206/00099/00	Bolt	
4	B12601501	Upper Front Panel	
5	209/00099/26	Contact Switch	
6	209/00099/20	Emergency Switch Pushbutton	
7	209/00520/00	Telem Sticker	
8	209/00248/20	Mushroom Pushbutton	
9	210/00902/00	Infrared Cable	
10	223/00348/00	Datacard Cover	
11	209/02022/00	Datacard	
12	207/00113/00	Screw	
13	202/00004/00	Washer	
14	225/10427/00	Operating Sticker	Models without data card opening
	225/10404/00	Operating Sticker	Models with data card opening
15	225/00323/00	Plexi Frame	
16	229/00268/00	Insulating Sticker	
17	223/00123/00	Washer	
18	B12388201	Door Lock PC-Board	
19	223/00374/00	Mounting Plate	
20	229/00289/00	Circuit Board Cover	
21	209/02015/02	Printboard	
22	211/00128/00	Printboard Separator	
23	211/00122/00	Standoff	
24	211/00145/00	Standoff	
25	111/01893/00	Printboard Support Card	
26	173/00013/30	Printboard Display Plate Assembly	

# Control Panel - Cygnus Ultra Pro

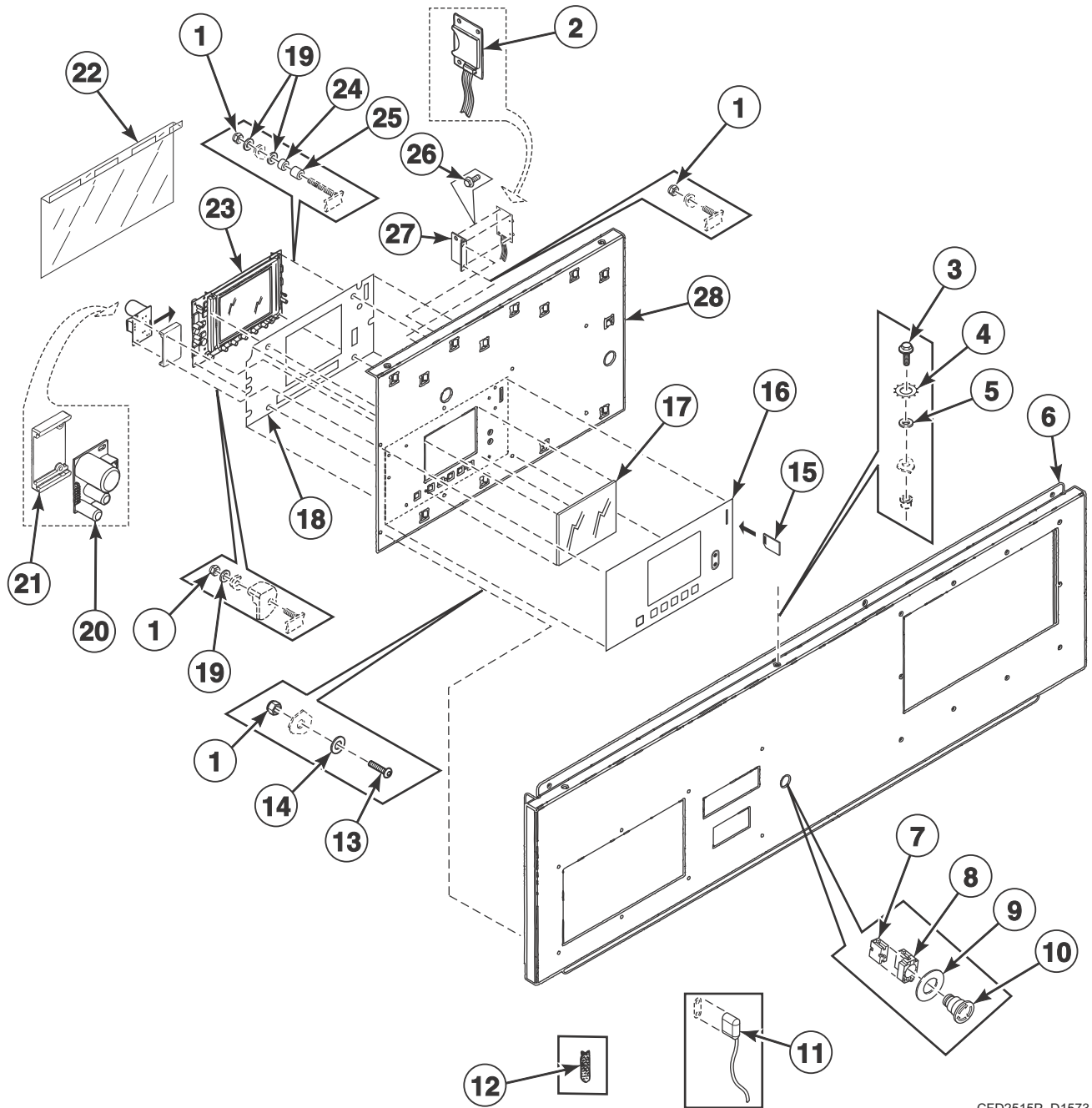


CFD2519P\_D1573

## Control Panel - Cygnus Ultra Pro

REF	PART NO.	DESCRIPTION	COMMENTS
1	205/00105/00	Bolt	
2	B12300701	Washer	
3	B12300601	Washer	
4	B12601501	Upper Front Panel	
5	209/00099/26	Contact Switch	
6	209/00099/20	Emergency Switch Pushbutton	
7	209/00520/00	Telem Sticker	
8	209/00248/20	Mushroom Pushbutton	
9	210/00902/00	Infrared Cable	
10	223/00348/00	Datacard Cover	
11	207/00113/00	Screw	
12	202/00004/00	Washer	
13	B12583801	Overlay	
14	225/00321/00	Plexi Frame	
15	229/00268/00	Insulating Sticker	
16	223/00123/00	Washer	
17	209/02010/00	Door Lock PC-Board	
18	223/00374/00	Mounting Plate	
19	229/00289/00	Circuit Board Cover	
20	209/02002/ZO2	Display and Printboard	
21	211/00128/00	Printboard Separator	
22	211/00122/00	Standoff	
23	173/00013/20	Printboard Display Plate Assembly	
24	204/00116/00	Nut	

# Control Panel - Cygnus PRO

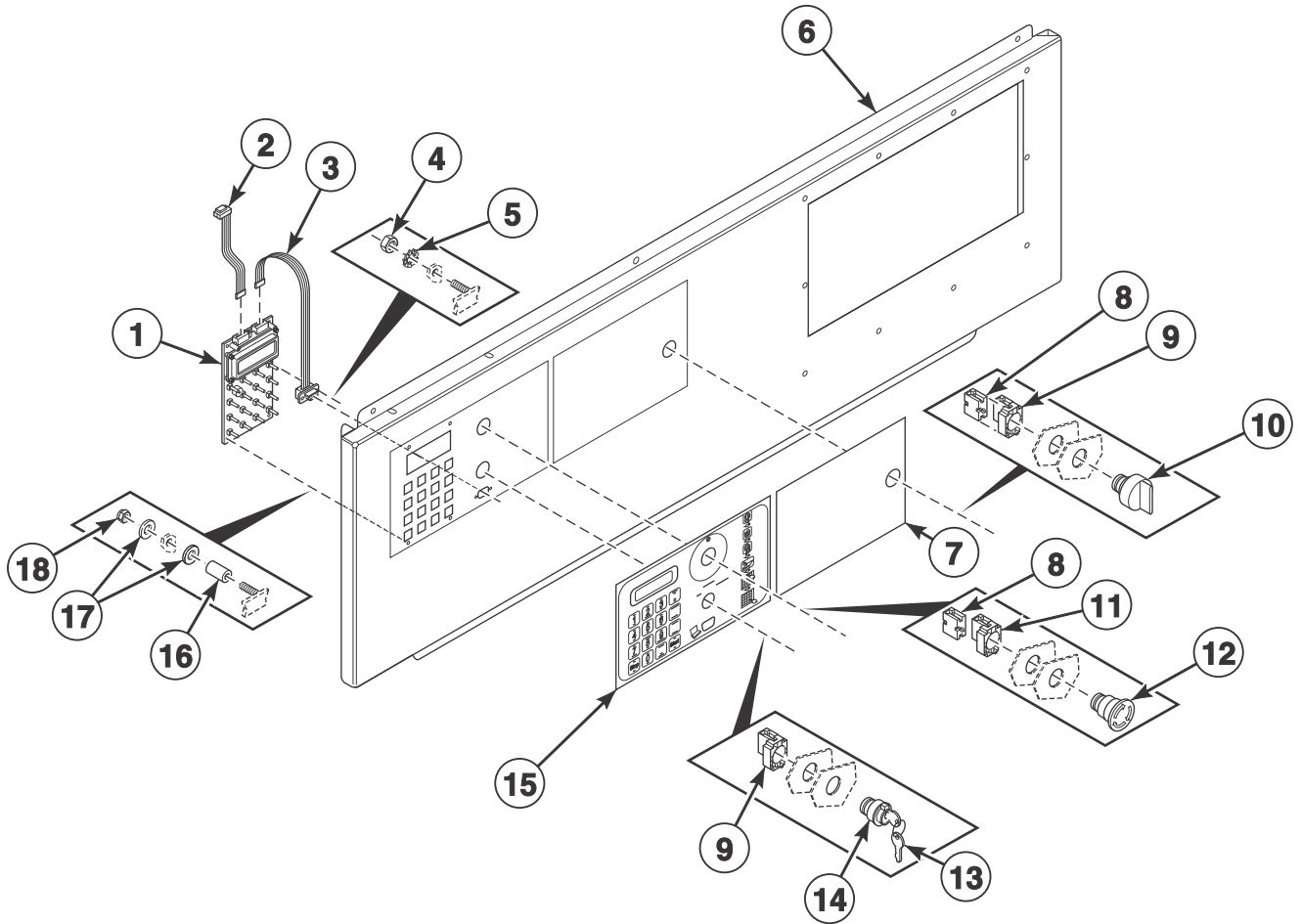


CFD2515P\_D1573

## Control Panel - Cygnus PRO

REF	PART NO.	DESCRIPTION	COMMENTS
1	204/00116/00	Nut	
2	B12305201	Memory Card PC-Board	
3	205/00105/00	Bolt	
4	B12300701	Washer	
5	B12300601	Washer	
6	B12570401	Control Panel	SX models
	B12570301	Control Panel	UX models
7	209/00099/26	Contact Switch	
8	209/00099/20	Emergency Switch Pushbutton	
9	209/00520/00	Telem Sticker	
10	209/00248/20	Mushroom Pushbutton	
11	210/00902/00	Infrared Cable	
12	223/00348/00	Datacard Cover	
13	207/00113/00	Screw	
14	202/00004/00	Washer	
15	209/02022/00	Datacard	
16	B12568901	Overlay	SX models
	B12568801	Overlay	UX models
17	225/00321/00	Plexi Frame	
18	229/00268/00	Insulating Sticker	
19	223/00123/00	Washer	
20	209/02010/00	Door Lock PC-Board	
21	223/00374/00	Mounting Plate	
22	229/00289/00	Circuit Board Cover	
23	209/02002/ZO2	Display and Printboard	
24	211/00128/00	Printboard Separator	
25	211/00122/00	Standoff	
26	211/00145/00	Standoff	
27	111/01893/00	Printboard Support Card	
28	173/00013/20	Printboard Display Plate Assembly	

# Control Panel - WE-8



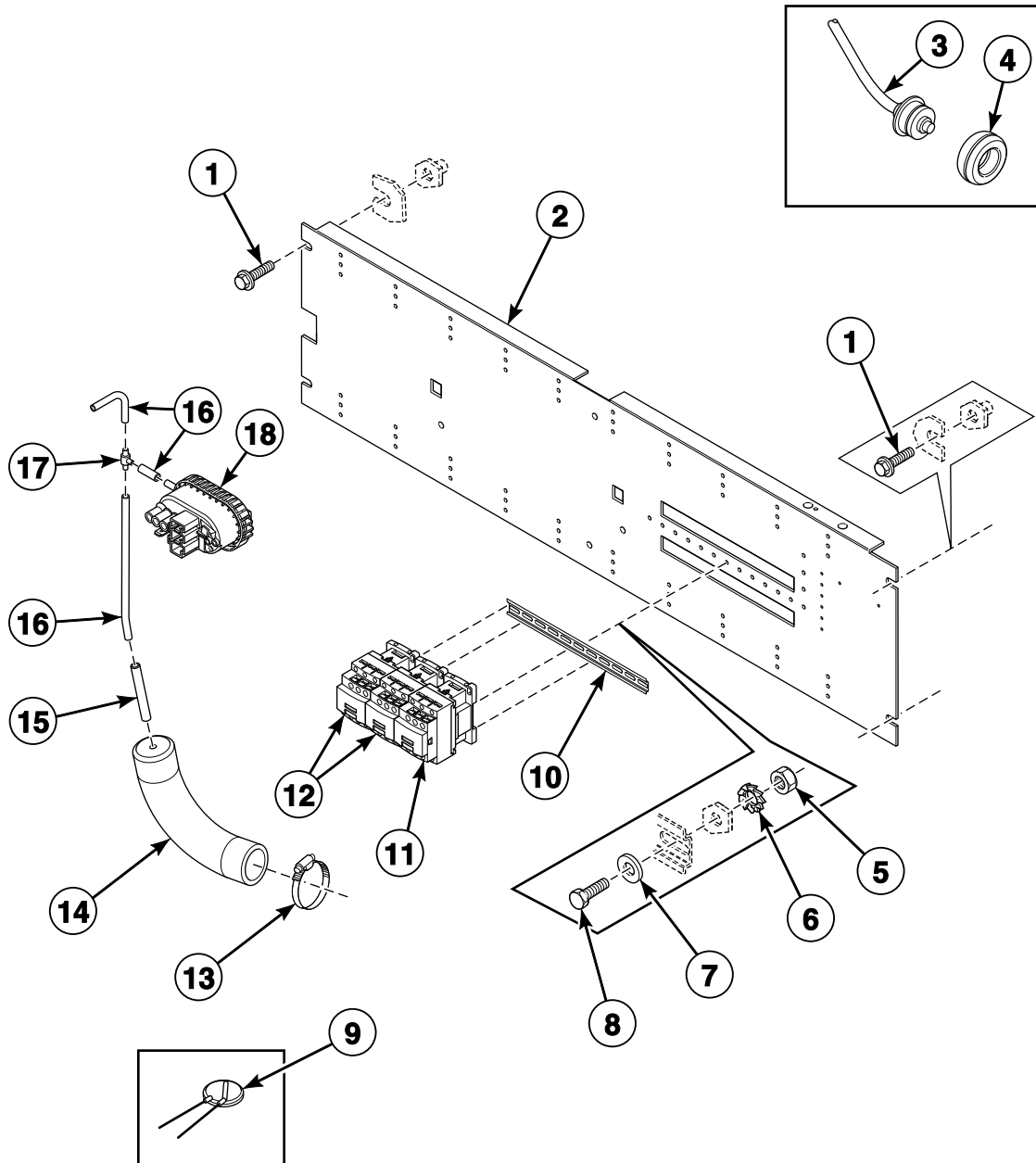
CFD190P\_D1573



## Control Panel - WE-8

REF	PART NO.	DESCRIPTION	COMMENTS
1	209/00580/03	Display	
2	210/00204/00	Flat Cable	
3	B12388303	Programming Cable	
4	204/00008/00	Nut	
5	203/00007/00	Washer	
6	153/10108/30	Front Panel	
7	F8435601	Overlay	UX models
	225/00392/00	Overlay	SX models
	9001890	Overlay	HX models
8	44018901	Contact Block	
9	209/00099/25	Switch Base	
10	209/00099/29	Switch Knob	Steam and electric heat models
11	44018701	Contact Block	
12	44018801	Pushbutton	
13	209/00326/21	Programming Key	Key code 455
14	209/00326/20	Programming Key Contact Switch	
15	F9001561	Overlay	
16	211/00140/00	Spacer	
17	223/00123/00	Washer	
18	204/00116/00	Nut	

# Electrical Component Mounting Plate

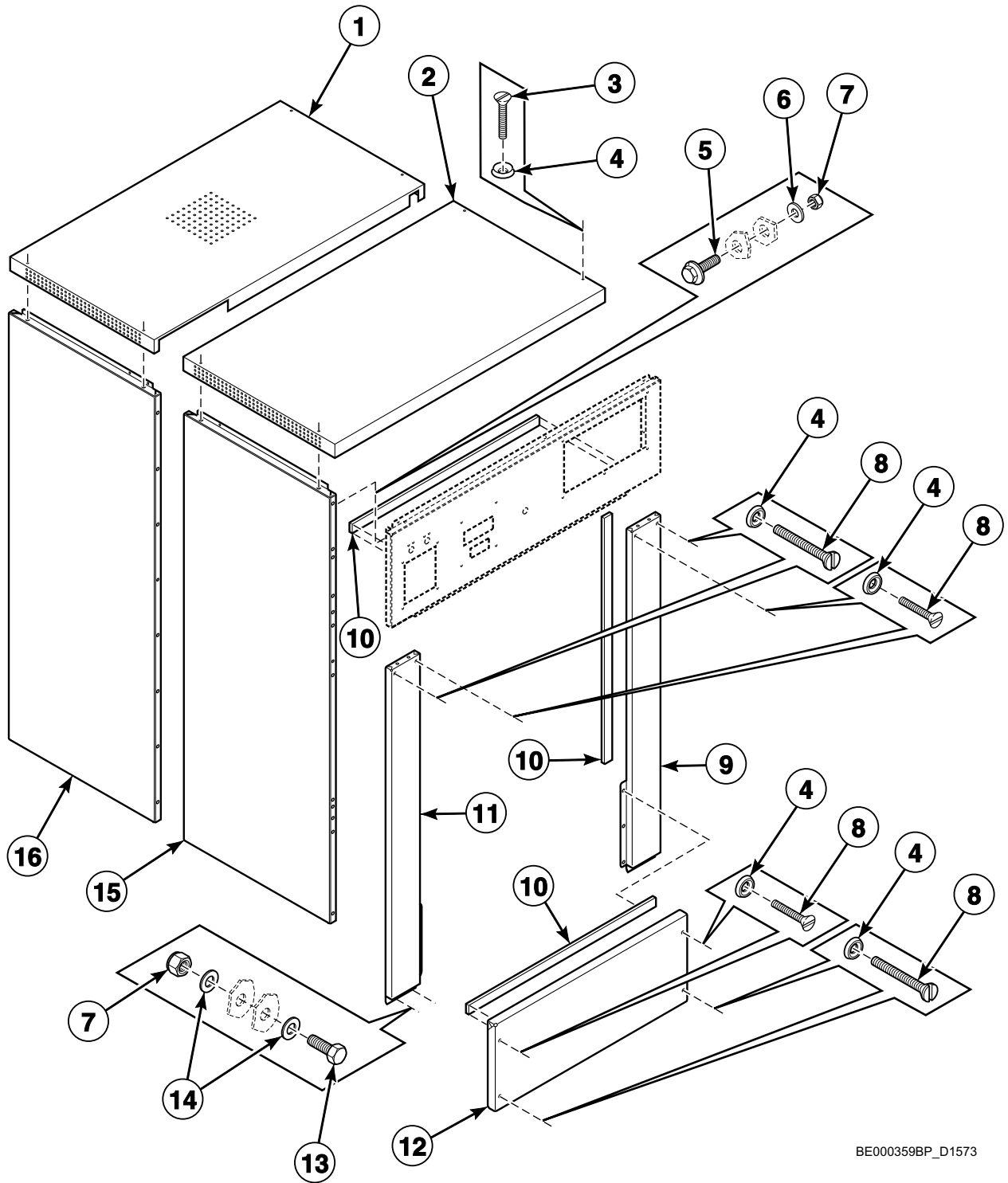


BE000337BP\_D1573

## Electrical Component Mounting Plate

REF	PART NO.	DESCRIPTION	COMMENTS
1	206/00099/00	Bolt	
2	153/00112/60	Plate Assembly	
	173/00013/10	Plate Assembly	
3	210/01064/16	Thermostat	
4	225/10004/00	Thermostat Grommet	
5	204/00007/00	Nut	
6	203/00006/00	Washer	
7	201/00008/00	Washer	
8	206/00027/00	Bolt	
9	209/00356/00	Noise Suppressor	
10	720/00110/01	Rail	
11	209/00041/04	Contactora	
12	209/06148/02	Heating Contactora	
13	223/00223/00	Hose Clamp	
14	223/00210/00	Elbow	
15	223/00016/00	Hose Barb	
16	223/00333/00	Pressure Hose	
17	223/00173/10	Pressure Switch Hose Tee	
18	209/00029/00	Water Level Switch	

# Front, Left Side and Top Panels

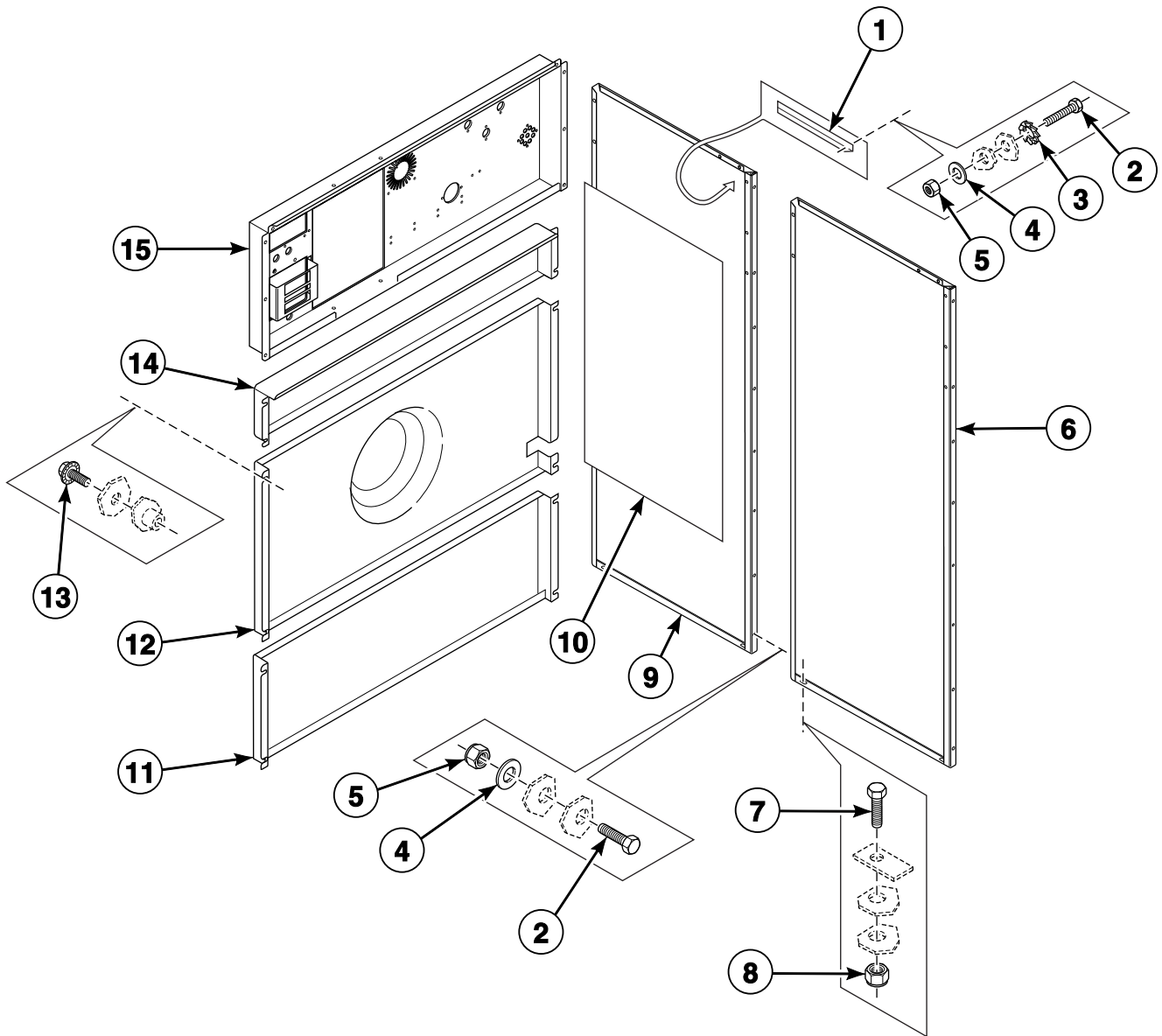


BE000359BP\_D1573

## Front, Left Side and Top Panels

REF	PART NO.	DESCRIPTION	COMMENTS
1	153/00033/02	Rear Cabinet Top	*100 and *455 Models
	153/00034/02	Rear Cabinet Top	*135 and *575 Models
2	153/00033/01	Front Cabinet Top	*100 and *455 Models
	153/00034/01	Front Cabinet Top	*135 and *575 Models
3	207/00123/00	Screw	
4	208/00009/00	Washer	
5	206/00099/00	Bolt	
6	201/00007/00	Washer	
7	204/00106/00	Nut	
8	207/00102/00	Screw	
9	153/10116/50	Front Right Panel	
10	246/00149/00	Gasket	
11	153/10115/50	Front Left Panel	
12	153/10117/00	Kickplate	
13	206/00042/00	Bolt	
14	202/00002/00	Washer	
15	153/00104/00	Side Panel	*100 and *455 Models
	153/00106/00	Side Panel	*135 and *575 Models
16	153/00103/00	Side Panel	*100 and *455 Models
	153/00105/00	Side Panel	*135 and *575 Models

# Right Side and Back Panels

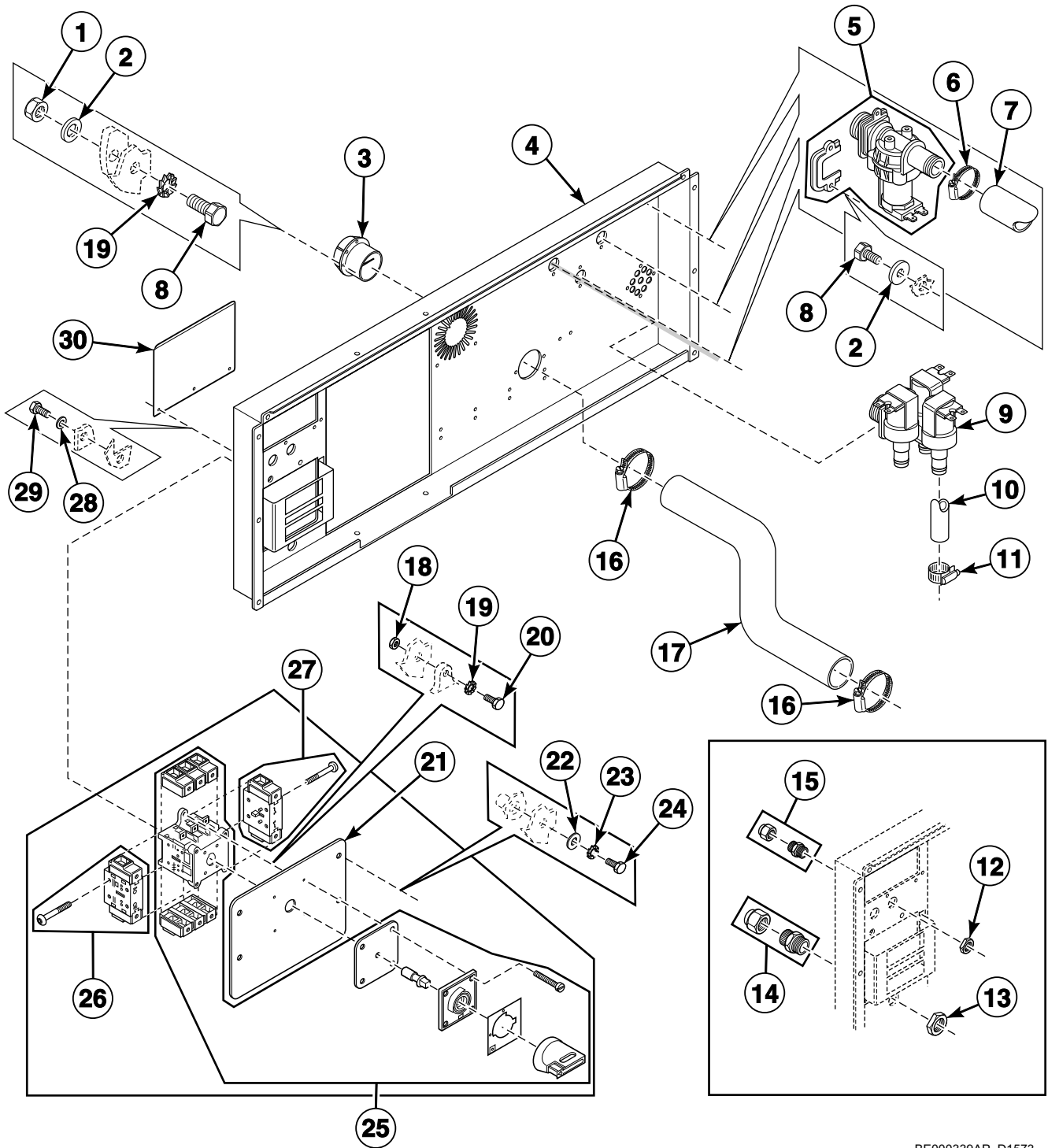


BE000358AP\_D1573

## Right Side and Back Panels

REF	PART NO.	DESCRIPTION	COMMENTS
1	153/00103/01	Side Panel Support Assembly	
2	205/00104/00	Bolt	
3	203/00004/00	Washer	
4	202/00110/00	Washer	
5	204/00106/00	Nut	
6	153/00103/00	Side Panel	*100 and *455 Models
	153/00105/00	Side Panel	*135 and *575 Models
7	205/00105/00	Bolt	
8	204/00009/00	Nut	
9	153/00104/00	Side Panel	*100 and *455 Models
	153/00106/00	Side Panel	*135 and *575 Models
10	246/00079/00	Side Panel Gasket	
11	153/00114/C0	Back Panel Support Assembly	
12	153/00114/HD	Back Panel	
13	206/00099/00	Bolt	
14	153/00114/A1	Back Panel Support Assembly	
15	153/10027/90	Backbridge	

# Upper Back Panel



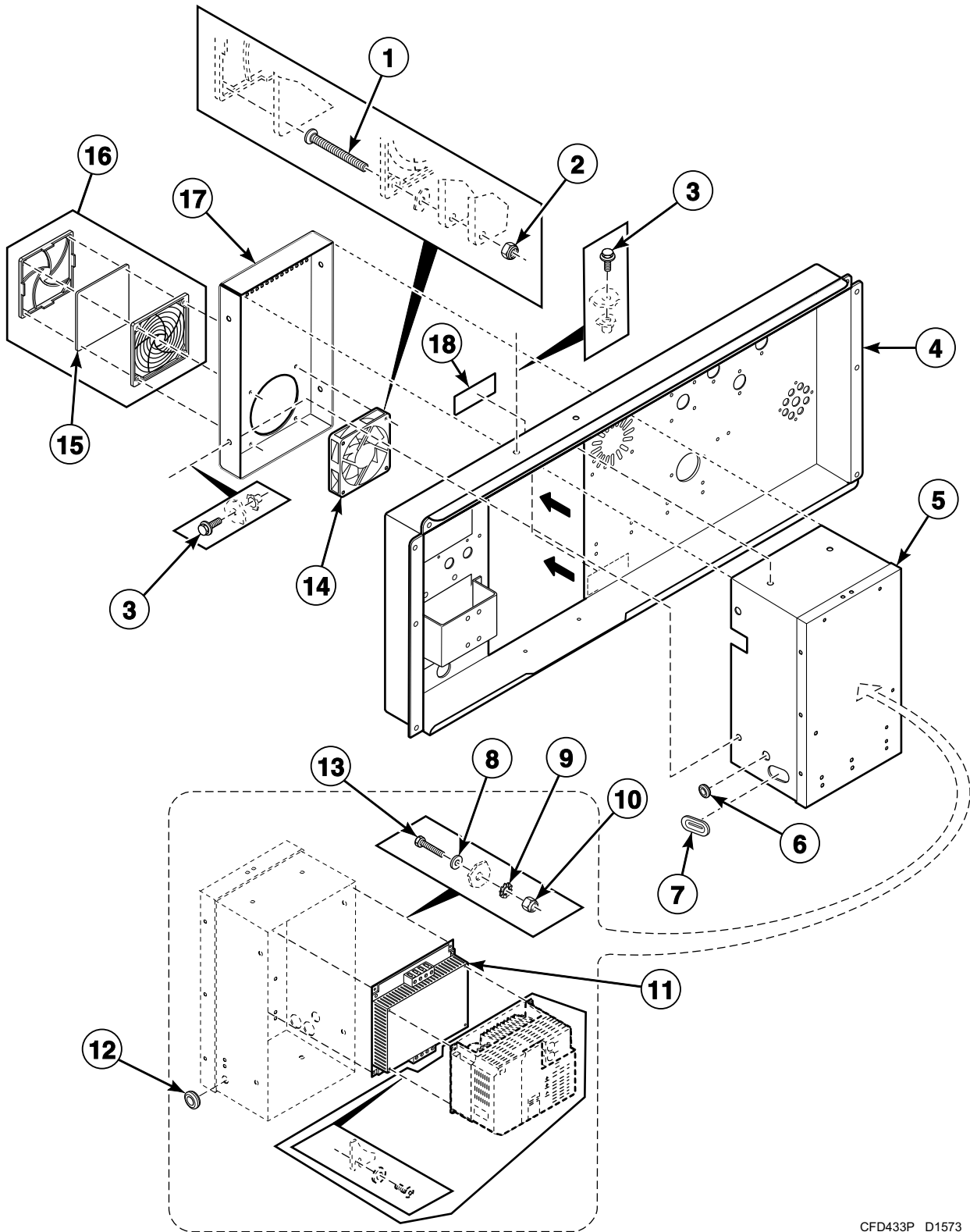
BE000339AP\_D1573



## Upper Back Panel

REF	PART NO.	DESCRIPTION	COMMENTS
1	204/00007/00	Nut	
2	202/00004/00	Washer	
3	223/00102/07	Hose Vent	
4	153/10027/90	Backbridge	
5	209/00137/00	Inlet Valve	
6	223/00011/00	Hose Clamp	
7	223/00059/00	Water Hose	
8	206/00027/00	Bolt	
9	209/00277/00	3-Way Inlet Valve	
10	223/00044/00	Water Hose	
11	223/00010/00	Hose Clamp	
12	211/00170/00	Nut	
13	211/00172/00	Nut	
14	211/00183/00	Nut	
15	211/00181/00	Strain Relief Connector	
16	223/00014/00	Hose Clamp	
17	223/00185/00	Hose	
18	204/00105/00	Nut	
19	203/00006/00	Washer	
20	205/00116/00	Bolt	
21	153/00027/22	Switch Bracket	
22	202/00101/00	Washer	
23	203/00004/00	Washer	
24	205/00104/00	Bolt	
25	209/00672/00	Main Switch	40 Amp
	209/00526/00	Main Switch	80 Amp
	209/00532/00	Main Switch	125 Amp
26	209/00527/00	Terminal Block	
27	209/00533/00	Terminal Block	
	209/00528/00	Terminal Block	
28	207/00139/00	Ring	
29	207/00110/00	Screw	
30	140/00010/01	Electrical Connection Cover	

# Inverter Drive (Drawing 1 of 2)

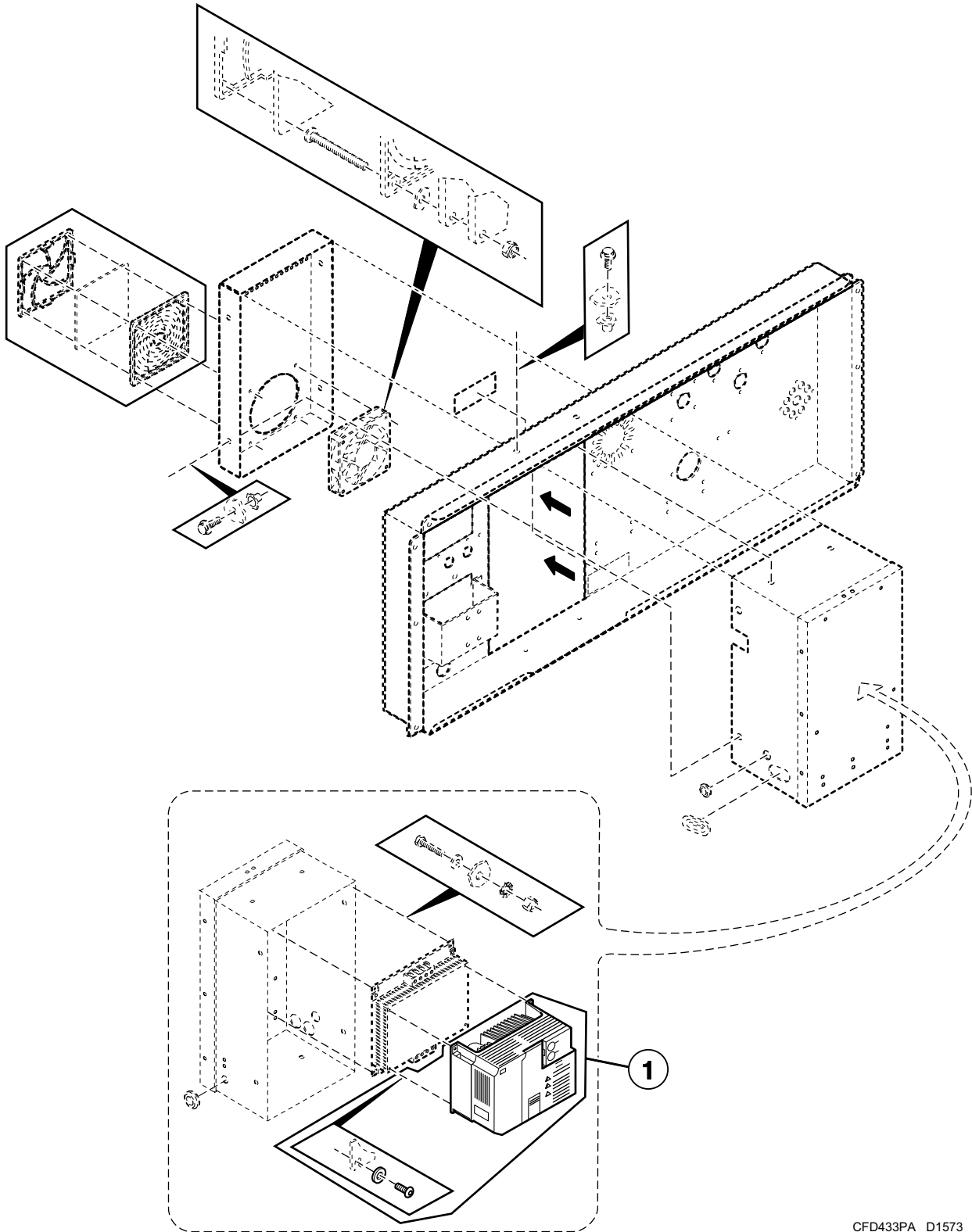


CFD433P\_D1573

## Inverter Drive (Drawing 1 of 2)

REF	PART NO.	DESCRIPTION	COMMENTS
1	207/00021/00	Screw	
2	204/00114/00	Nut	
3	206/00099/00	Bolt	
4	B12322001	Backbridge	
5	111/01147/00	Inverter Drive Box	
6	223/00213/00	Grommet	
7	223/00203/00	Grommet	
8	202/00003/00	Washer	
9	203/00005/00	Washer	
10	204/00006/00	Nut	
11	227/00163/00	Noise Filter	
12	223/00198/00	Grommet	
13	205/00108/00	Bolt	
14	209/00287/00	Cooling Fan	
15	209/00287/21	Filter	
16	209/00287/11	AC Drive Filter	
17	153/00027/14	Fan Inverter Cover	
18	B12355001	Voltage Discharge Decal	

# Inverter Drive (Drawing 2 of 2)

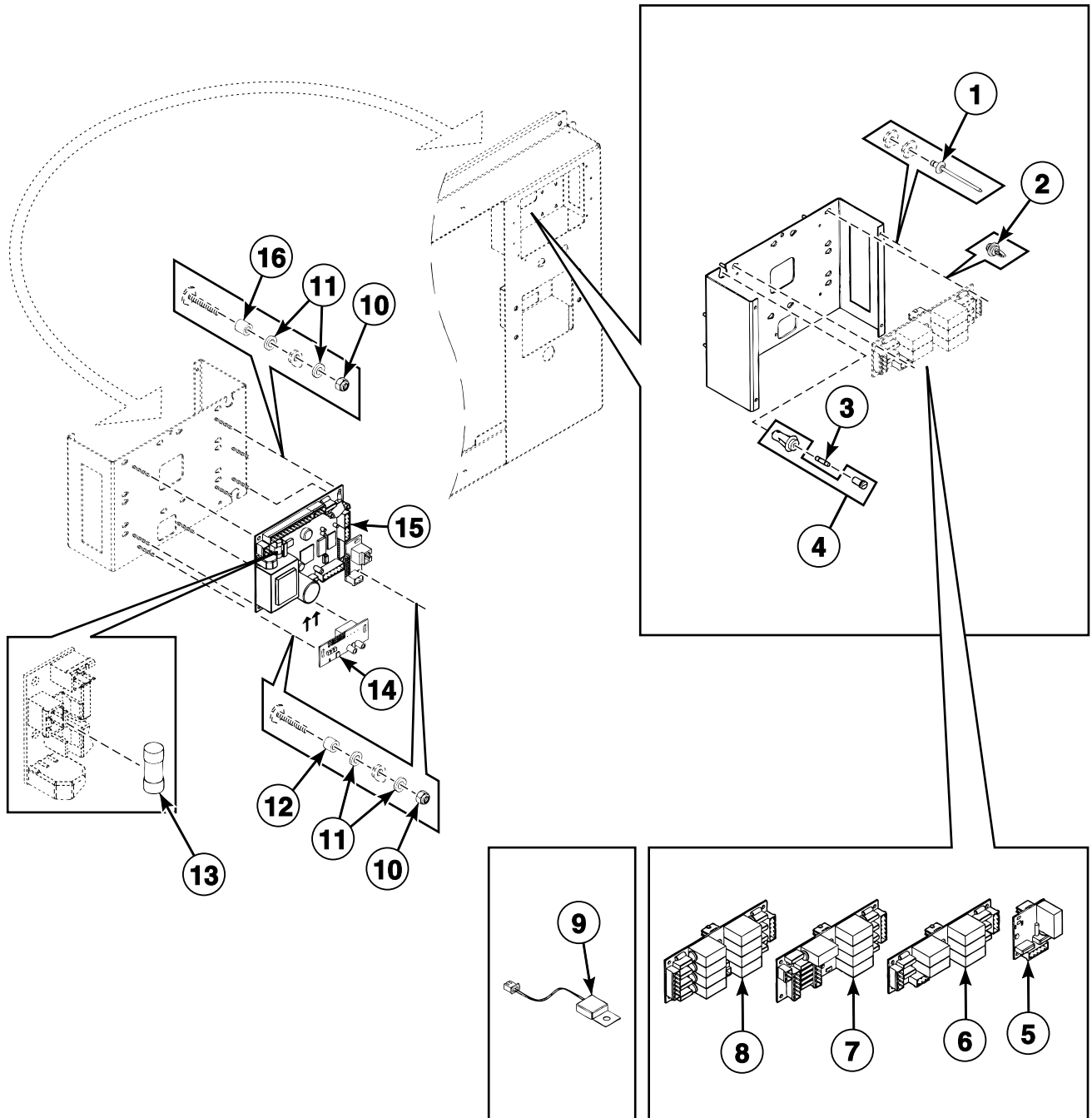


CFD433PA\_D1573

## Inverter Drive (Drawing 2 of 2)

REF	PART NO.	DESCRIPTION	COMMENTS
1	F8645701P	Inverter	5.5 kW; 3 x 230 Volt; *100 and *455 Models
	F8645801P	Inverter	5.5 kW; 3 x 400 Volt; *100 and *455 Models
	F8645901P	Inverter	7.5 kW; 3 x 240 Volt; *135 and *575 Models
	F8646001P	Inverter	7.5 kW; 3 x 400 Volt; *135 and *575 Models

# Main Board and Printboard - Cygnus Models



CFD442P\_D1573

## Main Board and Printboard - Cygnus Models

REF	PART NO.	DESCRIPTION	COMMENTS
1	206/00017/00	Rivet	
2	211/00146/00	Standoff	
3	209/00468/00	Fuse	
4	209/00202/00	Fuse Holder	Includes item 3
	209/00202/01	Fuse Holder	
5	209/02016/00	Relay PC-Board	
6	209/02005/00	Detergent PC-Board	
7	209/02014/00	Relay PC-Board	
8	209/02008/00	Detergent PC-Board	
9	209/02020/00	ID Chip	
10	204/00116/00	Nut	
11	223/00123/00	Washer	
12	211/00128/00	Printboard Separator	
13	209/00766/00	Fuse	
14	209/02007/00	Network Connection Printboard	
15	209/02025/00	Microprocessor	With PC-Board
16	211/00122/00	Standoff	

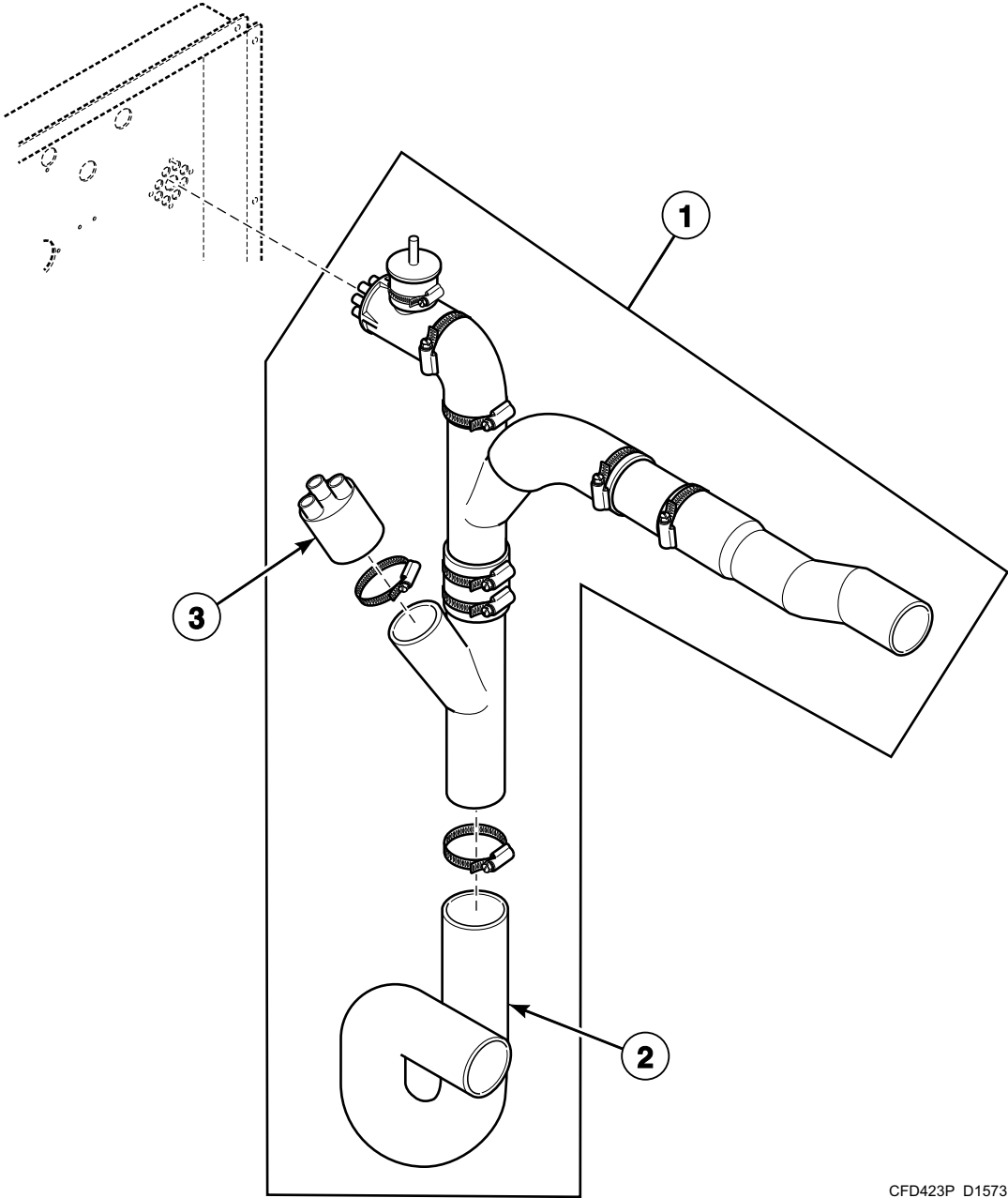




# Supply Dispenser

REF	PART NO.	DESCRIPTION	COMMENTS
1	206/00101/00	Nut	
2	202/00101/00	Washer	
3	205/00104/00	Bolt	
4	223/00392/00	Supply Dispenser Handle	
5	153/00089/00	Supply Dispenser Cover	
6	223/00001/04	Prewash and Mainwash Nozzle	
7	204/00009/00	Nut	
8	204/00301/00	Bushing	
9	223/00001/07	Washer	
10	201/00002/00	Washer	
11	204/00201/00	Nut	
12	223/00010/00	Hose Clamp	
13	223/00044/00	Water Hose	
14	223/00345/01	Supply Dispenser Box	

# Supply Dispenser Plumbing

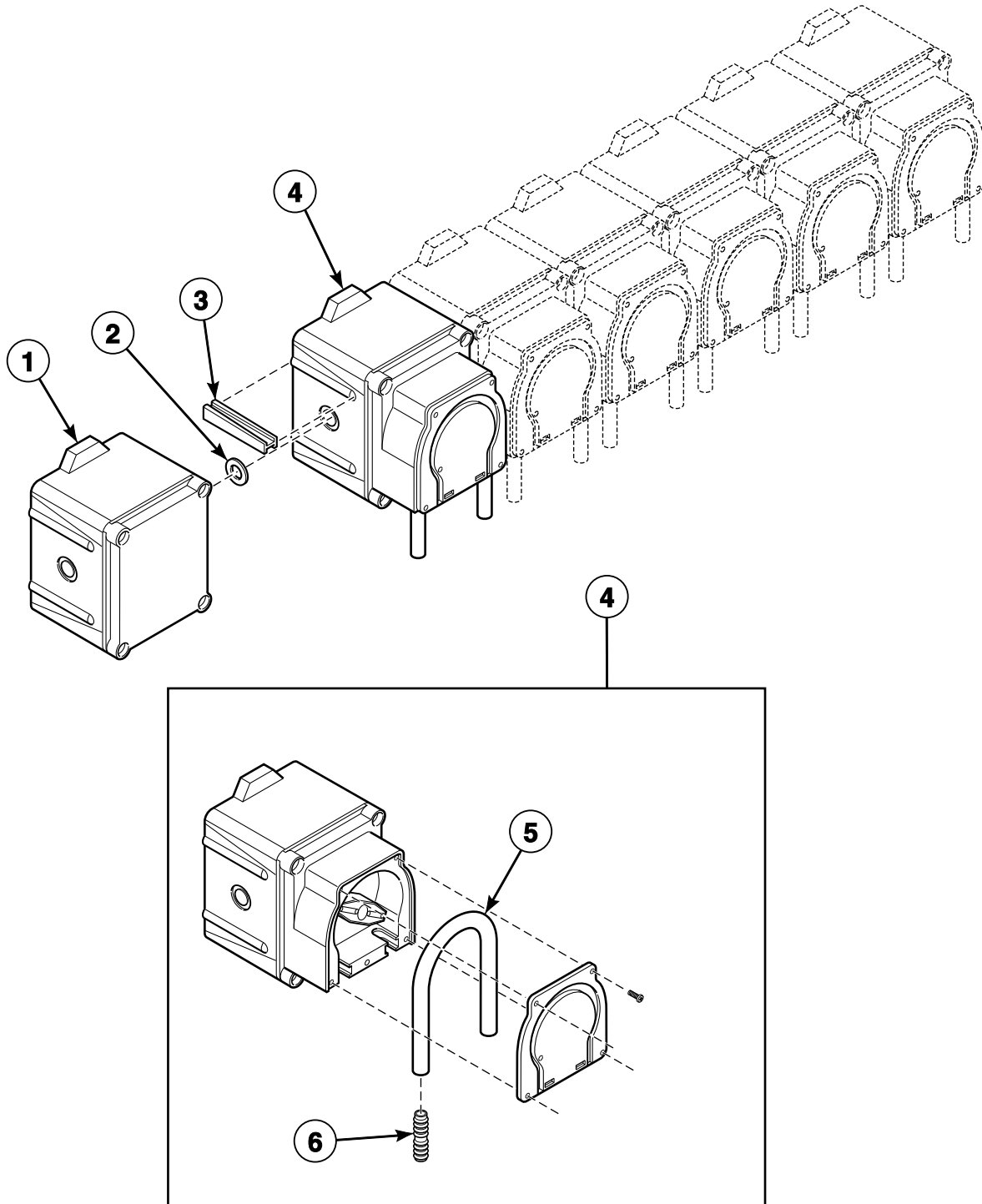


CFD423P\_D1573

# Supply Dispenser Plumbing

REF	PART NO.	DESCRIPTION	COMMENTS
1	223/00412/00	Plumbing Assembly	*100 and *455 Models
	B12374101	Plumbing Assembly	*135 and *575 Models
2	223/00187/00	Soap Dispenser to Tub Hose	
3	223/00289/00	Water Inlet Grid	

# Soap Pumps

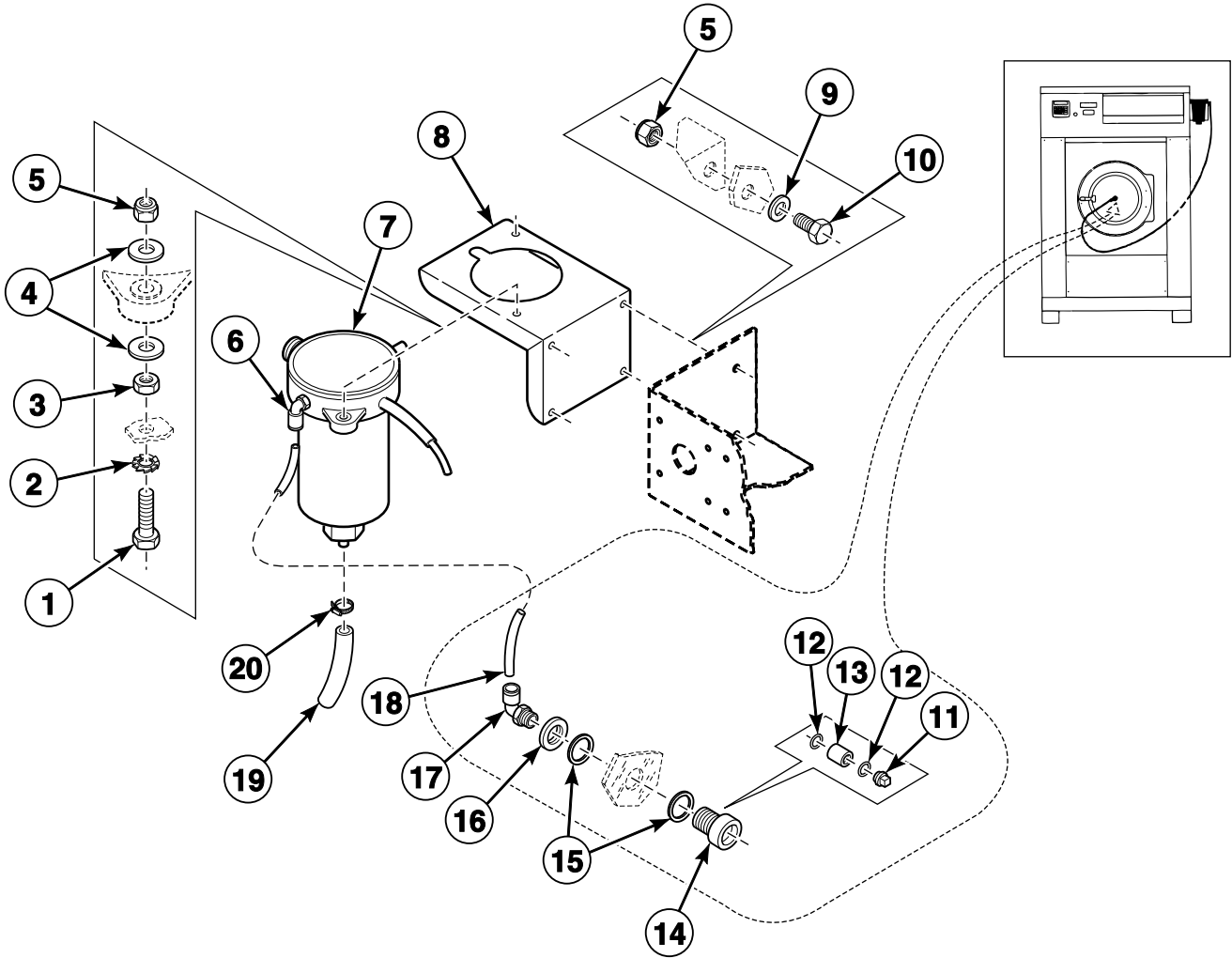


BE000499AP\_D1573

# Soap Pumps

REF	PART NO.	DESCRIPTION	COMMENTS
1	209/00555/01	Soap Pump Assembly	Feeding and 1 pump
	209/00555/02	Soap Pump Assembly	Feeding and 2 pumps
	209/00555/03	Soap Pump Assembly	Feeding and 3 pumps
	209/00555/04	Soap Pump Assembly	Feeding and 4 pumps
	209/00555/05	Soap Pump Assembly	Feeding and 5 pumps
	209/00555/06	Soap Pump Assembly	Feeding and 6 pumps
	209/00554/51	Feeding Liquid Soap Dosing Pump	
2	209/00554/52	Liquid Soap Dosing Pump O-Ring	
3	209/00554/53	Liquid Soap Dosing Pump Connection Piece	
4	209/00555/50	Liquid Soap Dosing Pump	
5	209/00555/98	Dosing Pump Hose	
6	209/00555/99	Dosing Pump Hose Connector	

# Liquid Supply Pump

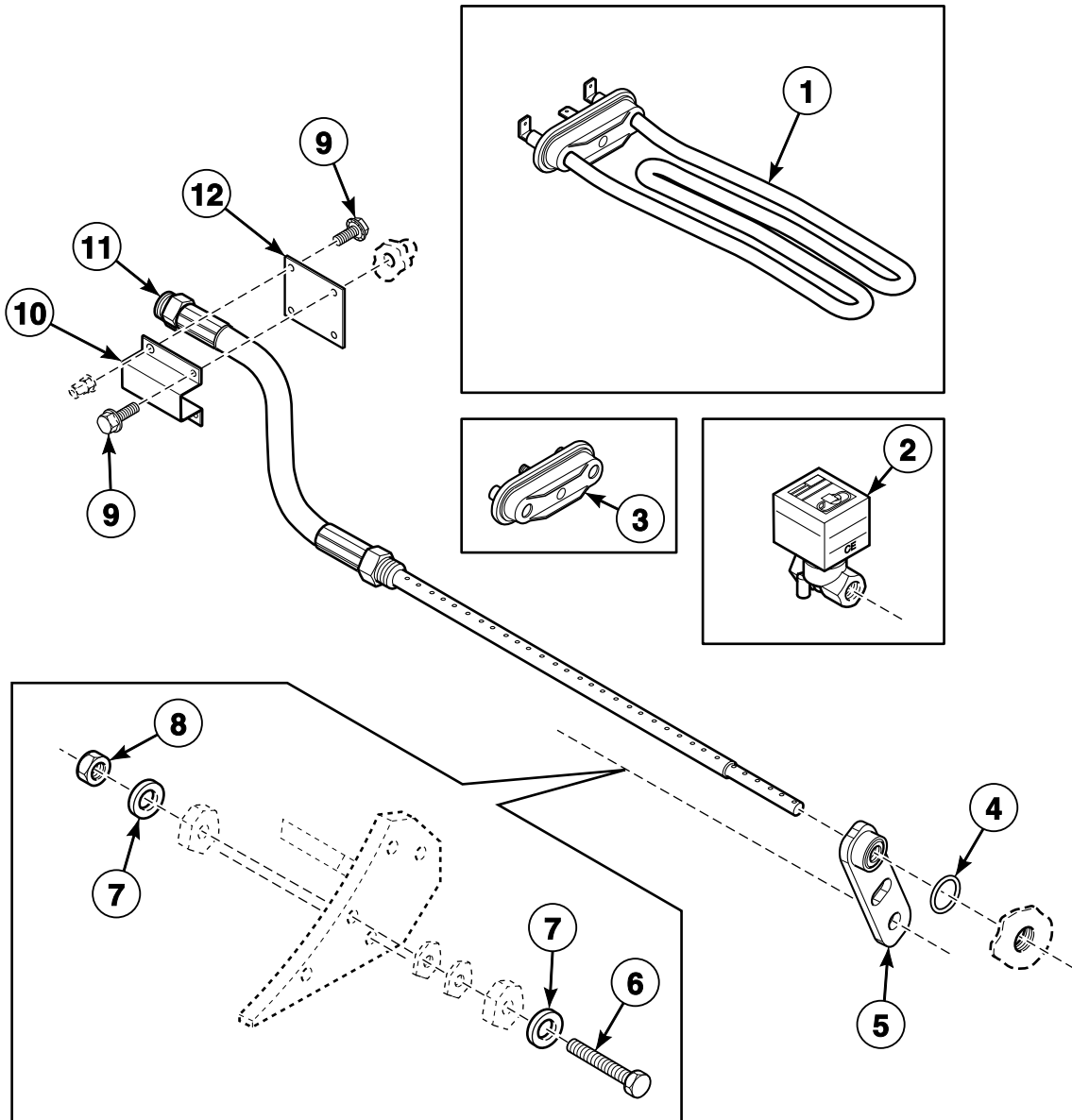


BE000068P\_D1573

# Liquid Supply Pump

REF	PART NO.	DESCRIPTION	COMMENTS
1	205/00103/00	Bolt	
2	203/00004/00	Washer	
3	204/00106/00	Nut	
4	202/00101/00	Washer	
5	204/00009/00	Nut	
6	223/00181/00	Soap Injector Elbow Coupling	
7	209/00369/00	Liquid Soap Spray Pump	
8	111/10179/00	Spray Pump Mounting Plate	
9	201/00007/00	Washer	
10	205/00107/00	Bolt	
11	223/00178/00	Soap Injector Orifice	
12	223/00177/00	O-Ring	
13	211/00126/00	Soap Injector Orifice Nipple	
14	211/00127/00	Soap Injector Connector	
15	223/00176/00	O-Ring	
16	211/10106/00	Nut	
17	223/00182/00	Soap Injector Coupling	
18	223/00180/00	Soap Injector Hose	
19	223/00179/10	Pressure Hose	
20	211/00088/00	Cable Tie	

# Electric and Steam Heating Options



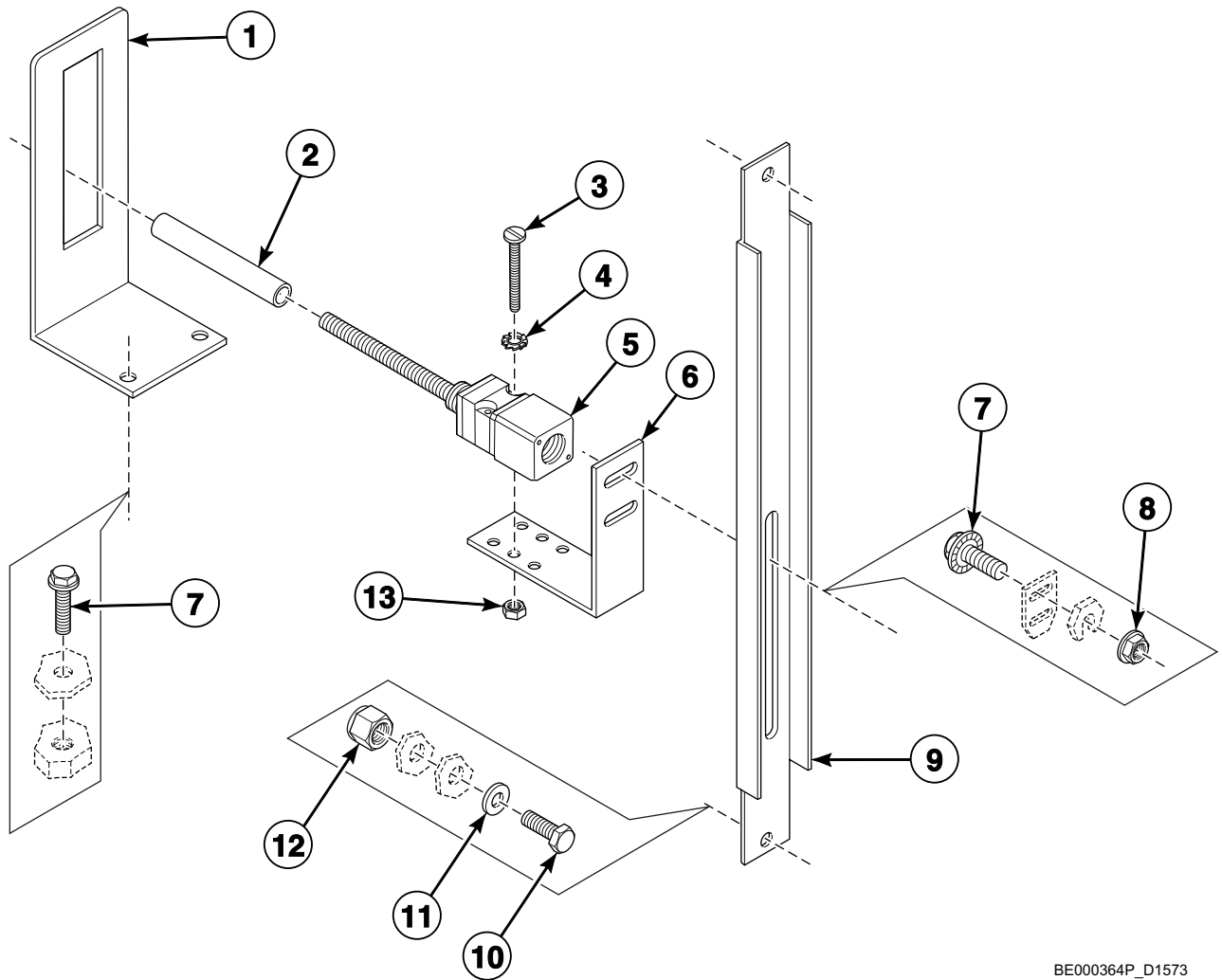
BE000353BP\_D1573



## Electric and Steam Heating Options

REF	PART NO.	DESCRIPTION	COMMENTS
	809P3	Steam Kit	Includes 9001685 Steam Injector, 9001686 Steam Injector Bracket, 9001687 Steam Injector Plate, 9001751 Harness, F380787 Steam Valve, F605220 Steam Valve Harness, 9001310 Bolt and 9001311 Nut
1	209/00562/20	Heating Element	3000W; 220/240 Volt
	209/00581/10	Heating Element	4000W; 380 Volt
2	209/00476/00	Steam Valve	
3	209/00196/00	Heating Element Plug	
4	223/00349/00	O-Ring	
5	153/00073/00	Bracket	
6	206/00047/00	Bolt	
7	201/00001/00	Washer	
8	204/00113/00	Nut	
9	206/00099/00	Bolt	
10	153/00051/10	Bracket	
11	153/00051/50	Steam Injector	
12	153/00051/11	Steam Injector Plate	

# Balance Switch



BE000364P\_D1573

# Balance Switch

REF	PART NO.	DESCRIPTION	COMMENTS
1	153/00046/00	Out-of-Balance Detector Plate	
2	223/00246/00	Out-of-Balance Switch Boot	
3	207/00018/00	Screw	
4	203/00006/00	Washer	
5	209/00255/00	Out-of-Balance Switch	
6	111/00107/00	Tilt Switch Bracket	
7	206/00099/00	Bolt	
8	206/00101/00	Nut	
9	153/00045/00	Out-of-Balance Switch Plate	
10	205/00107/00	Bolt	
11	202/00101/00	Washer	
12	204/00009/00	Nut	
13	204/00007/00	Nut	



# Parts Index

## A

AC Drive Filter	
209/00287/11 .....	49

## B

Back Panel	
153/00114/HD .....	45
Back Panel Support Assembly	
153/00114/A1 .....	45
153/00114/C0 .....	45
Backbridge	
B12322001 .....	49
153/10027/90 .....	45, 47
Basket	
B12472401 .....	15
Bearing Cover Plate	
153/00069/00 .....	13
Bearing Housing Assembly	
153/10004/00 .....	11, 13
Bearing Kit	
3885P .....	13
Bearing Replacement Tool Kit	
245/00054/00 .....	13
245/00054/01 .....	13
Belt	
226/00155/00 .....	15
253/00148/00 .....	15
Blind Rivet	
F8245101 .....	27
Bolt	
C000430 .....	27
C000561 .....	29
C001785 .....	29
F8549301 .....	29
205/00102/00 .....	11, 13
205/00103/00 .....	61
205/00104/00 .....	45, 47, 55
205/00105/00 .....	31, 35, 37, 45
205/00107/00 .....	61, 65
205/00108/00 .....	49
205/00116/00 .....	47
205/00122/00 .....	29
205/00123/00 .....	27
206/00004/00 .....	17
206/00009/00 .....	19, 21
206/00027/00 .....	41, 47
206/00042/00 .....	43
206/00047/00 .....	63
206/00071/00 .....	9
206/00099/00 .....	11, 33, 41, 43, 45, 49, 63, 65
206/00122/00 .....	11
206/00142/00 .....	17
206/00147/00 .....	15
224/00046/00 .....	9
248/00114/00 .....	17
253/00158/180 .....	29
Bracket	
153/00051/10 .....	63
153/00073/00 .....	63

Bushing	
204/00301/00 .....	55
253/00124/00 .....	15

## C

Cable Tie	
211/00088/00 .....	61
Circuit Board Cover	
229/00289/00 .....	31, 33, 35, 37
Coil	
209/00051/21 .....	23, 25
209/00052/21 .....	23, 25
209/00203/21 .....	23, 25
Contact Block	
44018701 .....	39
44018901 .....	39
Contact Switch	
209/00099/26 .....	31, 33, 35, 37
Contacto	
209/00041/04 .....	41
Control Panel	
B12570301 .....	37
B12570401 .....	37
Cooling Fan	
209/00287/00 .....	17, 49
Counterweight	
253/10013/00 .....	11

## D

Datacard	
209/02022/00 .....	31, 33, 37
Datacard Cover	
223/00348/00 .....	31, 33, 35, 37
Detergent PC-Board	
209/02005/00 .....	53
209/02008/00 .....	53
Display	
209/00580/03 .....	39
Display and Printboard	
209/02002/ZO2 .....	31, 35, 37
Door	
253/00158/131 .....	29
Door Front Panel	
153/10113/00 .....	11
153/10114/00 .....	11
Door Gasket	
253/00162/01 .....	29
Door Glass	
253/00158/139 .....	29
Door Glass Gasket	
C000140P .....	29
Door Glass Retainer	
253/00158/607 .....	29
Door Handle Bushing	
C000181 .....	29
Door Handle Spring Bushing	
253/00158/192 .....	29

N/A items do not appear in index.

Door Handle Torsion Spring C001786 .....	29	Drain Valve Overflow Plug 223/00086/00 .....	19, 21
Door Hinge Block 253/00158/175 .....	29	Drain Valve Plate Assembly 114/00010/00 .....	19, 21
Door Latch C001244 .....	27	Drain Valve Shaft 209/00170/10 .....	23, 25
Door Latch Assembly 253/00159/1036 .....	27	Drain Valve Shaft Seal 209/00025/10 .....	23, 25
Door Lock Assembly C001036 .....	27	Drain Valve Spring 209/00025/13 .....	23
Door Lock Catch C000185 .....	27	209/00170/02 .....	25
Door Lock Cover 253/00158/688 .....	27	Drain Valve to Drain Pipe Hose 223/00141/00 .....	19, 21
Door Lock Harness C003286 .....	27	Drum Assembly B12374401 .....	15
Door Lock Kit C001036M .....	27		
Door Lock Microswitch C000278 .....	27	<b>E</b>	
Door Lock PC-Board B12388201 .....	33	Elbow 223/00210/00 .....	41
209/02010/00 .....	31, 35, 37	Electrical Connection Cover 140/00010/01 .....	47
Door Lock Plate 253/00158/684 .....	27	Emergency Switch Pushbutton 209/00099/20 .....	31, 33, 35, 37
Door Lock Solenoid Bracket 253/00158/686 .....	27	Exhaust Valve Hose 223/00170/00 .....	21
Door Lock Spring 253/00158/276 .....	27		
Door Lock Spring Cover 253/00158/687 .....	27	<b>F</b>	
Door Lock Switch Actuator 253/00158/271 .....	27	Fan Inverter Cover 153/00027/14 .....	49
Door Magnet Mounting Bracket C002994 .....	29	Feeding Liquid Soap Dosing Pump 209/00554/51 .....	59
Door Release Decal 253/00158/694 .....	27	Filter 209/00287/21 .....	49
Door Solenoid Assembly B12495102 .....	27	Flat Cable 210/00204/00 .....	39
Dosing Pump Hose 209/00555/98 .....	59	Frame 253/10009/00 .....	7
Dosing Pump Hose Connector 209/00555/99 .....	59	253/10010/00 .....	7
Drain Pipe 223/00106/00 .....	19, 21	Front Cabinet Top 153/00033/01 .....	43
Drain Tub to Drain Valve Hose 223/00133/00 .....	19	153/00034/01 .....	43
Drain Valve 209/00075/00 .....	19, 21	Front Left Panel 153/10115/50 .....	43
209/00075/05 .....	23, 25	Front Panel 153/10108/30 .....	39
Drain Valve Handle 209/00115/11 .....	25	Front Right Panel 153/10116/50 .....	43
Drain Valve Motor 209/00051/11 .....	23	Fuse 209/00468/00 .....	53
209/00052/11 .....	23	209/00766/00 .....	53
209/00052/12 .....	25	Fuse Holder 209/00202/00 .....	53
209/00203/11 .....	23	209/00202/01 .....	53
209/00203/12 .....	25		
Drain Valve Motor Assembly 209/00170/06 .....	25	<b>G</b>	
Drain Valve Motor Mounting Plate 209/00025/07 .....	23	Gasket 246/00149/00 .....	43
209/00115/04 .....	25		

N/A items do not appear in index.

Grease Ring Holder	
253/00131/00 .....	13
Grommet	
223/00198/00 .....	49
223/00203/00 .....	49
223/00213/00 .....	49

## H

Handle	
253/00158/028 .....	29
Handle Hinge	
253/00158/470 .....	29
Heating Contactor	
209/06148/02 .....	41
Heating Element	
209/00562/20 .....	63
209/00581/10 .....	63
Heating Element Plug	
209/00196/00 .....	63
Hinge Plate	
253/00176/50 .....	29
Hose	
223/00185/00 .....	47
Hose Barb	
223/00016/00 .....	41
Hose Clamp	
223/00010/00 .....	47, 55
223/00011/00 .....	47
223/00012/00 .....	21
223/00013/00 .....	19, 21
223/00014/00 .....	47
223/00071/00 .....	19, 21
223/00223/00 .....	19, 41
229/00012/00 .....	19
Hose Vent	
223/00102/07 .....	47

## I

ID Chip	
209/02020/00 .....	53
Infrared Cable	
210/00902/00 .....	31, 33, 35, 37
Inlet Valve	
209/00137/00 .....	47
Inlet Valve, 3-Way	
209/00277/00 .....	47
Insulating Sticker	
229/00268/00 .....	31, 33, 35, 37
Inverter	
F8645701P .....	51
F8645801P .....	51
F8645901P .....	51
F8646001P .....	51
Inverter Drive Box	
111/01147/00 .....	49

## K

Key	
253/00033/00 .....	15
Kickplate	
153/10117/00 .....	43

## L

Leveling Leg	
252/00006/00 .....	11
Lip Seal	
253/00182/00 .....	13
Liquid Soap Dosing Pump	
209/00555/50 .....	59
Liquid Soap Dosing Pump Connection Piece	
209/00554/53 .....	59
Liquid Soap Dosing Pump O-Ring	
209/00554/52 .....	59
Liquid Soap Spray Pump	
209/00369/00 .....	61
Lock Spring Leaf	
211/00072/00 .....	27
Lower Support	
253/10011/00 .....	7
253/10012/00 .....	7
Lubricator	
212/00002/00 .....	13

## M

Magnet	
F8390801 .....	29
Main Switch	
209/00526/00 .....	47
209/00532/00 .....	47
209/00672/00 .....	47
Memory Card PC-Board	
B12305201 .....	31, 33, 37
Microprocessor	
209/02025/00 .....	53
Motor	
B12510801 .....	17
B12511401 .....	17
Motor Plate	
153/00025/00 .....	17
Mounting Plate	
223/00374/00 .....	31, 33, 35, 37
Mushroom Pushbutton	
209/00248/20 .....	31, 33, 35, 37

## N

Network Connection Printboard	
209/02007/00 .....	53
Noise Filter	
227/00163/00 .....	49
Noise Suppressor	
209/00356/00 .....	41

N/A items do not appear in index.

Nut	
204/00004/00	19, 21
204/00006/00	49
204/00007/00	17, 41, 47, 65
204/00008/00	39
204/00009/00	45, 55, 61, 65
204/00012/00	9, 17
204/00016/00	9
204/00105/00	47
204/00106/00	43, 45, 61
204/00111/00	17
204/00113/00	9, 11, 17, 63
204/00114/00	17, 49
204/00116/00	31, 33, 35, 37, 39, 53
204/00201/00	55
206/00101/00	55, 65
211/00170/00	47
211/00172/00	47
211/00183/00	47
211/10106/00	61
253/00158/558	29
253/00158/560	29
253/00158/562	29
253/00158/578	27

## O

Operating Sticker	
225/10313/00	31
225/10404/00	33
225/10427/00	33
O-Ring	
223/00176/00	61
223/00177/00	61
223/00244/00	29
223/00349/00	63
Out-of-Balance Detector Plate	
153/00046/00	65
Out-of-Balance Switch	
209/00255/00	65
Out-of-Balance Switch Boot	
223/00246/00	65
Out-of-Balance Switch Plate	
153/00045/00	65
Overflow Hose	
223/00184/00	19, 21
Overlay	
B12568801	37
B12568901	37
B12583801	35
F8435601	39
F9001561	39
225/00392/00	39
9001890	39

## P

Plate Assembly	
153/00112/60	41
173/00013/10	41
Plexi Frame	
225/00321/00	31, 35, 37
225/00323/00	33

Plumbing Assembly	
B12374101	57
223/00412/00	57
Pop Rivet	
F431223	29
Pressure Hose	
223/00179/10	61
223/00333/00	41
Pressure Switch Hose Tee	
223/00173/10	41
Prewash and Mainwash Nozzle	
223/00001/04	55
Printboard	
209/02015/02	33
Printboard Display Plate Assembly	
173/00013/20	31, 35, 37
173/00013/30	33
Printboard Separator	
211/00128/00	31, 33, 35, 37, 53
Printboard Support Card	
111/01893/00	31, 33, 37
Programming Cable	
B12388303	39
Programming Key	
209/00326/21	39
Programming Key Contact Switch	
209/00326/20	39
Pulley	
253/00026/00	15
253/00026/01	15
253/00078/00	15
253/00079/00	17
Pushbutton	
44018801	39

## R

Rail	
720/00110/01	41
Rear Cabinet Top	
153/00033/02	43
153/00034/02	43
Reed Switch Assembly	
C003000	27
Relay PC-Board	
209/02014/00	53
209/02016/00	53
Retaining Ring	
253/00157/00	13
Ring	
207/00139/00	47
Rivet	
206/00017/00	53
Roller Bearing	
253/00155/00	13
253/00156/00	13

## S

Screw	
206/00031/00	17
206/00053/00	15

N/A items do not appear in index.



206/00125/00 .....	17
207/00003/00 .....	17
207/00018/00 .....	65
207/00021/00 .....	49
207/00102/00 .....	43
207/00110/00 .....	47
207/00113/00 .....	31, 33, 35, 37
207/00123/00 .....	43
207/00135/00 .....	27
209/00025/08 .....	23, 25
209/00170/05 .....	23, 25
209/00170/07 .....	23, 25
253/00158/1047 .....	27
253/00158/567 .....	27
253/00158/612 .....	27
253/00158/614 .....	27
Seal	
B12378801 .....	15
B12378901 .....	15
Seal Wear Plate	
153/00121/00 .....	13
Shock Absorber	
247/00008/00 .....	9
Side Panel	
153/00103/00 .....	43, 45
153/00104/00 .....	43, 45
153/00105/00 .....	43, 45
153/00106/00 .....	43, 45
Side Panel Gasket	
246/00079/00 .....	45
Side Panel Support Assembly	
153/00103/01 .....	45
Soap Dispenser to Tub Hose	
223/00187/00 .....	57
Soap Injector Connector	
211/00127/00 .....	61
Soap Injector Coupling	
223/00182/00 .....	61
Soap Injector Elbow Coupling	
223/00181/00 .....	61
Soap Injector Hose	
223/00180/00 .....	61
Soap Injector Orifice	
223/00178/00 .....	61
Soap Injector Orifice Nipple	
211/00126/00 .....	61
Soap Pump Assembly	
209/00555/01 .....	59
209/00555/02 .....	59
209/00555/03 .....	59
209/00555/04 .....	59
209/00555/05 .....	59
209/00555/06 .....	59
Spacer	
B12360810 .....	13
211/00140/00 .....	39
253/00125/00 .....	15
253/10123/00 .....	13
Speed Detector	
209/00400/00 .....	13
Speed Sensor Bracket	
153/00041/02 .....	13
Spray Pump Mounting Plate	
111/10179/00 .....	61

Spring	
C000431 .....	27
Standoff	
211/00122/00 .....	31, 33, 35, 37, 53
211/00145/00 .....	31, 33, 37
211/00146/00 .....	53
Steam Injector	
153/00051/50 .....	63
Steam Injector Plate	
153/00051/11 .....	63
Steam Kit	
809P3 .....	63
Steam Valve	
209/00476/00 .....	63
Strain Relief Connector	
211/00181/00 .....	47
Supply Dispenser Box	
223/00345/01 .....	55
Supply Dispenser Cover	
153/00089/00 .....	55
Supply Dispenser Handle	
223/00392/00 .....	55
Suspension Spring	
B12456301 .....	9
Switch Base	
209/00099/25 .....	39
Switch Bracket	
153/00027/22 .....	47
Switch Knob	
209/00099/29 .....	39

---

## T

Telem Sticker	
209/00520/00 .....	31, 33, 35, 37
Terminal Block	
209/00527/00 .....	47
209/00528/00 .....	47
209/00533/00 .....	47
Thermostat	
210/01064/16 .....	41
Thermostat Grommet	
225/10004/00 .....	41
Tilt Switch Bracket	
111/00107/00 .....	65
T-Piece	
253/00006/00 .....	21
Tub	
B12524201 .....	11
B12524301 .....	11
153/00075/00 .....	11
153/00076/00 .....	11
153/00077/00 .....	11
153/00078/00 .....	11
Tub Back Plate	
153/00075/10 .....	11
153/00076/10 .....	11
Tub Front Panel	
153/10013/00 .....	11
Tub Gasket	
223/00168/00 .....	11

N/A items do not appear in index.

---

## U

Upper Front Panel	
B12601501 .....	31, 33, 35
Upper Support	
253/10111/00 .....	7
253/10112/00 .....	7

---

## V

Voltage Discharge Decal	
B12355001 .....	49
V-Ring Seal	
253/00154/00 .....	15

---

## W

Washer	
B12300601 .....	31, 35, 37
B12300701 .....	31, 35, 37
B12522101 .....	11
201/00001/00 .....	9, 17, 63
201/00002/00 .....	55
201/00004/00 .....	17
201/00007/00 .....	27, 43, 61
201/00008/00 .....	17, 41
201/00010/00 .....	21
201/00011/00 .....	17
201/00025/00 .....	15
201/00202/00 .....	13
202/00002/00 .....	19, 21, 43
202/00003/00 .....	49
202/00004/00 .....	31, 33, 35, 37, 47
202/00101/00 .....	47, 55, 61, 65
202/00105/00 .....	11
202/00110/00 .....	45
203/00001/00 .....	17
203/00002/00 .....	13
203/00003/00 .....	19, 21
203/00004/00 .....	45, 47, 61
203/00005/00 .....	49
203/00006/00 .....	17, 41, 47, 65
203/00007/00 .....	39
203/00016/00 .....	15
208/00009/00 .....	43
209/00025/12 .....	23, 25
223/00001/07 .....	55
223/00123/00 .....	31, 33, 35, 37, 39, 53
253/00158/177 .....	29
253/00158/571 .....	27
Water Hose	
223/00044/00 .....	47, 55
223/00059/00 .....	47
Water Inlet Grid	
223/00289/00 .....	57
Water Level Switch	
209/00029/00 .....	41