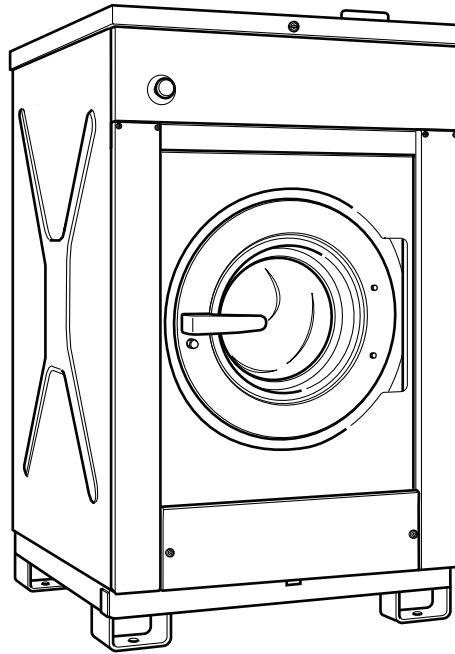


Washer-Extractor

Cabinet Freestanding
Refer to Page 3 for Model Numbers



CFD30C_D1578

Table of Contents

Title	Page
Parts Ordering Information.....	2
Serial Plate Location	2
Model Identification	3
Cabinet Freestanding Washer-Extractor Product Overview	4
Frame.....	6
Shock and Spring Assembly	8
Tub and Drum	10
Bearing Assembly	12
Basket, Pulley and Belt	14
Motor	16
Drain Assembly	18
Door Lock.....	20
Door	22
Control Panel - Cygnus Professional and PRO	24
Control Panel - Cygnus Premium OPL	26
Control Panel - Cygnus Standard/Commercial OPL.....	28
Control Panel - STANDARD	30
Control Panel - WE-8	32
Control Panel - B-Series	34
Left Side, Lower Front and Upper Rear Panels	36
Top, Right Side and Lower Back Panels	38
Inverter Drive	40
Printboard Support Panel and Soap Injection Printboards - Cygnus, PRO and STANDARD Models.....	42
Printboard Support Panel and Soap Injection Printboards - WE-8 and B-Series Models.....	44
Electrical Component Mounting Plate - Cygnus, PRO and STANDARD Models	46
Electrical Component Mounting Plate - WE-8 and B-Series Models	48
Balance Switch	50
Fill Plumbing Assembly.....	52
Steam and Electric Heating Options	54
Spray Pump	56
Parts Index.....	59

© Copyright 2015, Alliance Laundry Systems LLC

All rights reserved. No part of the contents of this book may be reproduced or transmitted in any form or by any means without the expressed written consent of the publisher.

Parts Ordering Information

If literature or replacement parts are required, contact the source from whom the machine was purchased or contact Alliance Laundry Systems at (920) 748-3950 for the name and address of the nearest authorized parts distributor.

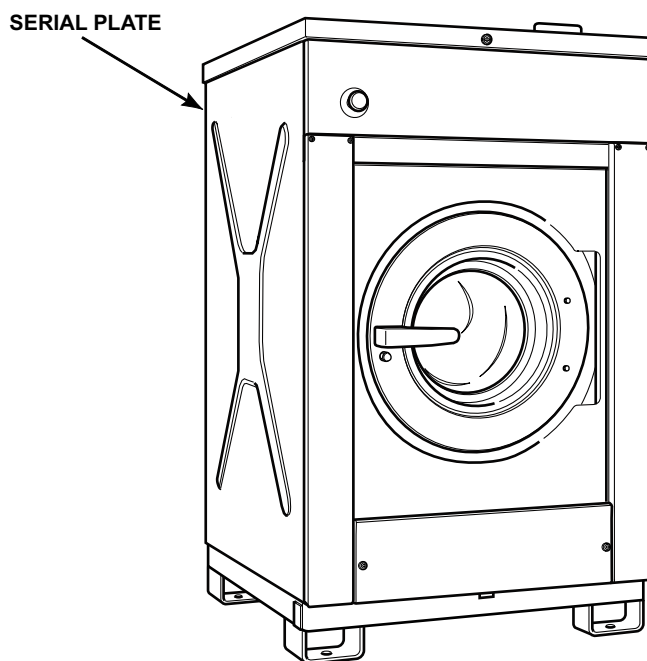
For technical assistance, call either of the numbers listed below:

(920) 748-3121 Ripon, Wisconsin

+32 56 41 20 54 Wevelgem, Belgium

Serial Plate Location

When calling or writing about your product, be sure to mention model and serial numbers. Model and serial numbers are located on serial plate(s) as shown.



CFD30CA_D1578

Model Identification

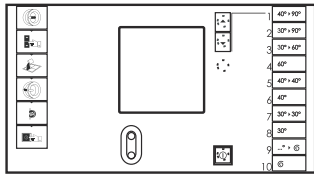
Information in this manual is applicable to these washer-extractor models:

HD195_CYGNUS-COMM	IXA195C	JXW195C
HD195_CYGNUS-PREM	IXA195X	JXW195Y
HD195_CYGNUS-PRO	IXA195Y	JXW195Z
HD195_CYGNUS-STANDARD	IXA195Z	SX045_PRO
HX45_WE-8	IXG195C	SX045_STANDARD
HXA195B	IXG195X	SX45_WE-8
HXA195P	IXG195Y	SXA195B
HXU195P	IXG195Z	SXA195P
HXY045B	IXN195C	SXE045C
HXY045P	IXN195X	SXE045Z
	IXN195Y	SXG195Z
	IXN195Z	SXU195P
	IXU195C	SXU195Z
	IXU195X	SXW195Z
	IXU195Y	SXY045B
	IXU195Z	SXY045P
	IXW195C	SXY045Z
	IXW195X	SXZ195Z
	IXW195Y	UX045_PRO
	IXW195Z	UX45_WE-8
	IXY045C	UXE045P
	IXY045X	UXE045Z
	IXY045Y	UXG195Z
	IXY045Z	UXU195P
	IXZ195C	UXU195Z
	IXZ195X	UXW195Z
	IXZ195Y	UXY045Z
	IXZ195Z	UXZ195Z

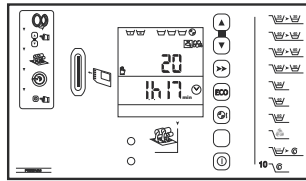
Cabinet Freestanding Washer-Extractor Product Overview

Model No: IXU135XNCUOE	Serial No: 12090AE0036
Volts: 380-415V	Type: HD135
Hertz: 50(60)Hz	Capacity: 30/13.2 lbs/kg
Phase: 3+N	Water Pressure: 28-85 psi
Amps: 24.3 amps	Max Speed: 1000 rpm
Recommended Circuit Breaker: 25 amps	Net Weight: 788 lbs / 358 kg
Electrical Heating: 12-14. kW	IPX4
Steam Heat: N/A psi / N/A bar	sfc 807393
Sound Level: 62/73 dBA	

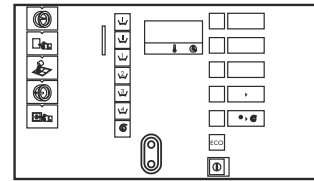
Alliance International BVBA
 Nieuwstraat 146
 8560 Wevelgem
 Belgium
 Tel: +32 56 41 20 54
 Fax: +32 56 41 86 74
 www.ipsob.be
 Country of origin: Belgium



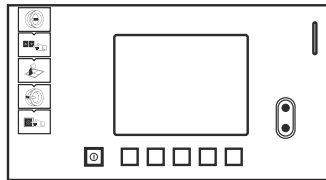
Cygnus Premium Coin



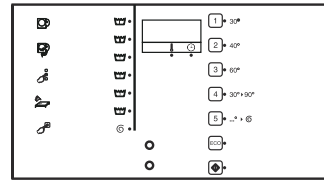
Cygnus Premium OPL



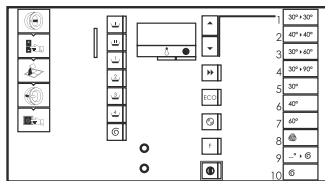
Cygnus Standard OPL



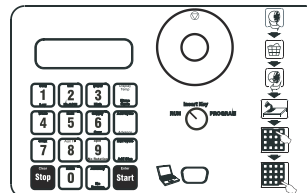
Cygnus Professional



Standard



Cygnus Commercial



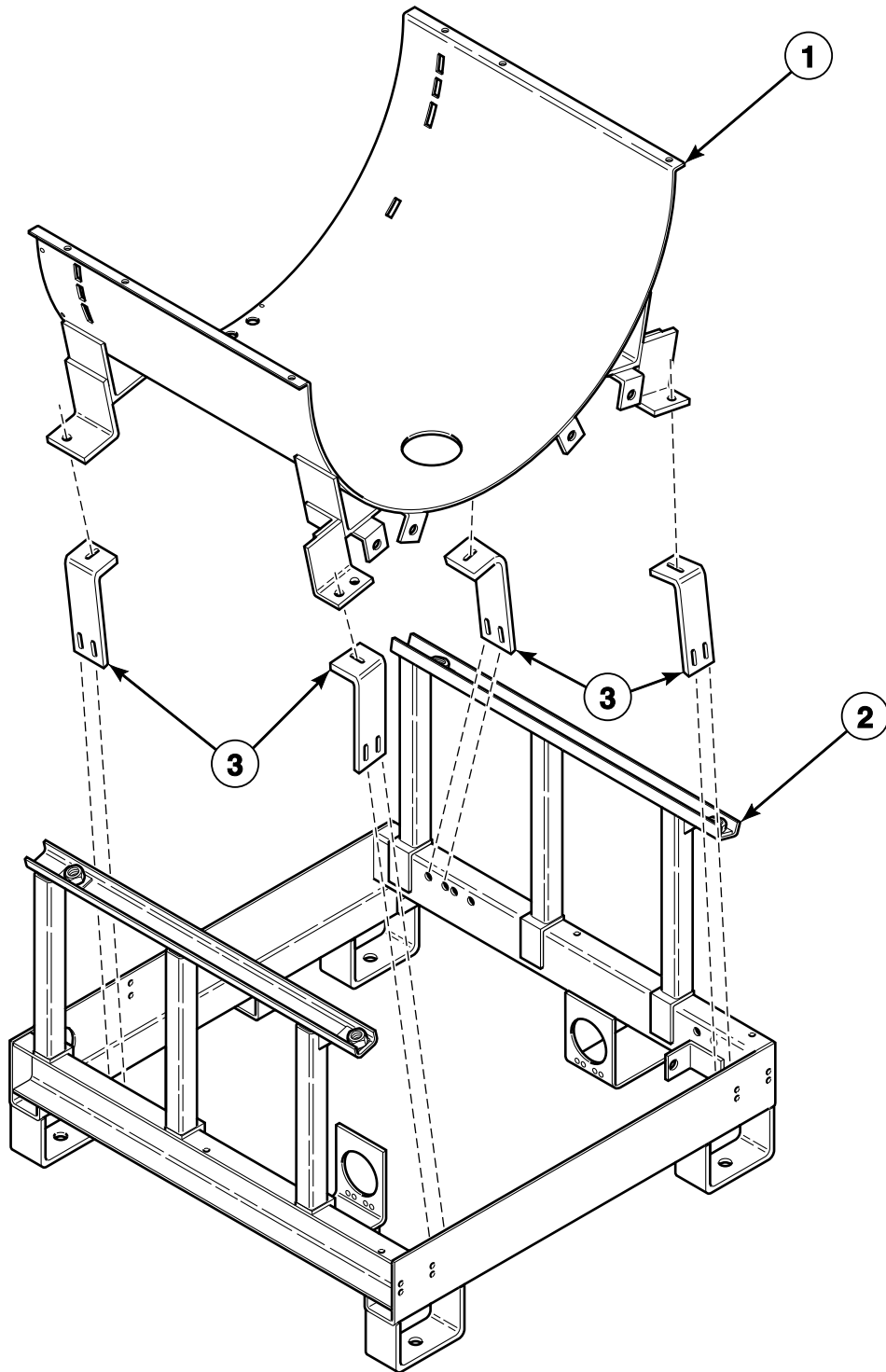
WE-8

CFD2465P_D1578

Cabinet Freestanding Washer-Extractor Product Overview

REF	PART NO.	DESCRIPTION	COMMENTS
1	-	Product Family	CS CX DX HD HX IS IX JX PX SX UX WX
2	-	Market	E (EU [CE] Pounds) G (GOS) N (US ETL/ETL[C]) R (US ETL/ETL[C]) U (EU [CE]) W (EU [CE] WRAS) Z (No Agency Int.)
3	-	Capacity	45 195
4	-	Control	B (B-Series) C (Cygnus Standard and STANDARD) P (WE-8) X (Cygnus Commercial) Y (Cygnus Premium) Z (Cygnus Professional)
5	-	Actuation	C (Single coin drop) D (Dual coin drop) E (Electronic coin drop) L (Central pay pulses) N (OPL) S (Central pay serial comm) Y (Prep for card)
6	-	Speed	H (High Speed)
7	-	Voltage	C (380-415V/50/60 Hertz/3Ph-4W [L1, L2, L3, N]) N (440-480V/50/60 Hertz/3Ph-3W [L1, L2, L3]) P (380-415V/50/60 Hertz/3Ph-3W [L1, L2, L3]) Q (200-208/220-240V/50/60 Hertz/3Ph-3W [L1, L2, L3]) X (200-208/220-240V/50/60 Hertz/1Ph-2W [L1, N] or 2W [L1, L2])
8	-	Cabinet	1 (Stainless steel side panels) U (Standard)
9	-	Design	1

Frame

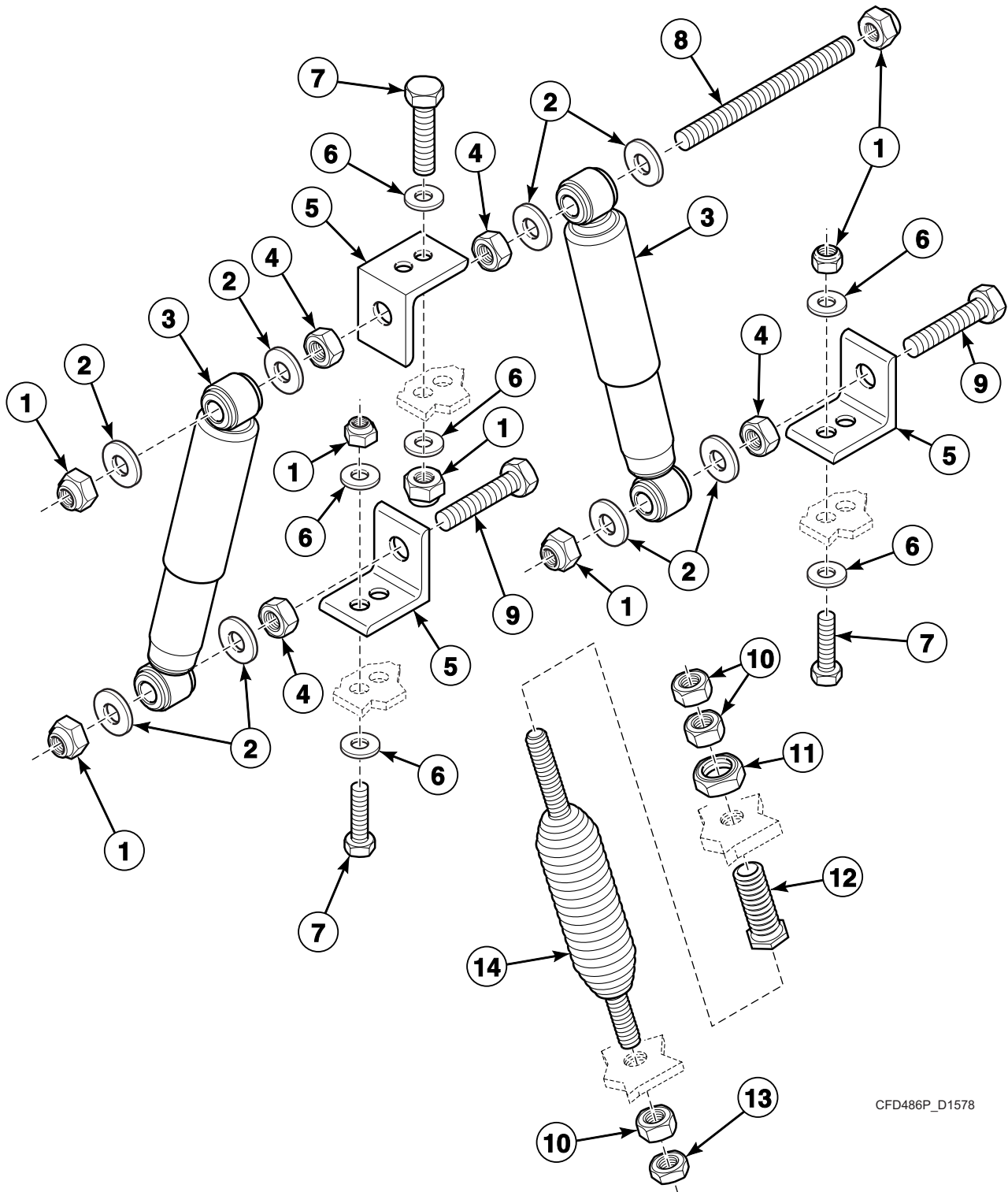


CFD593P_D1578

Frame

REF	PART NO.	DESCRIPTION	COMMENTS
1	B12512701	Tub Support Frame	
2	B12512301	Base Assembly	
3	114/00024/00	Shipping Brace	

Shock and Spring Assembly

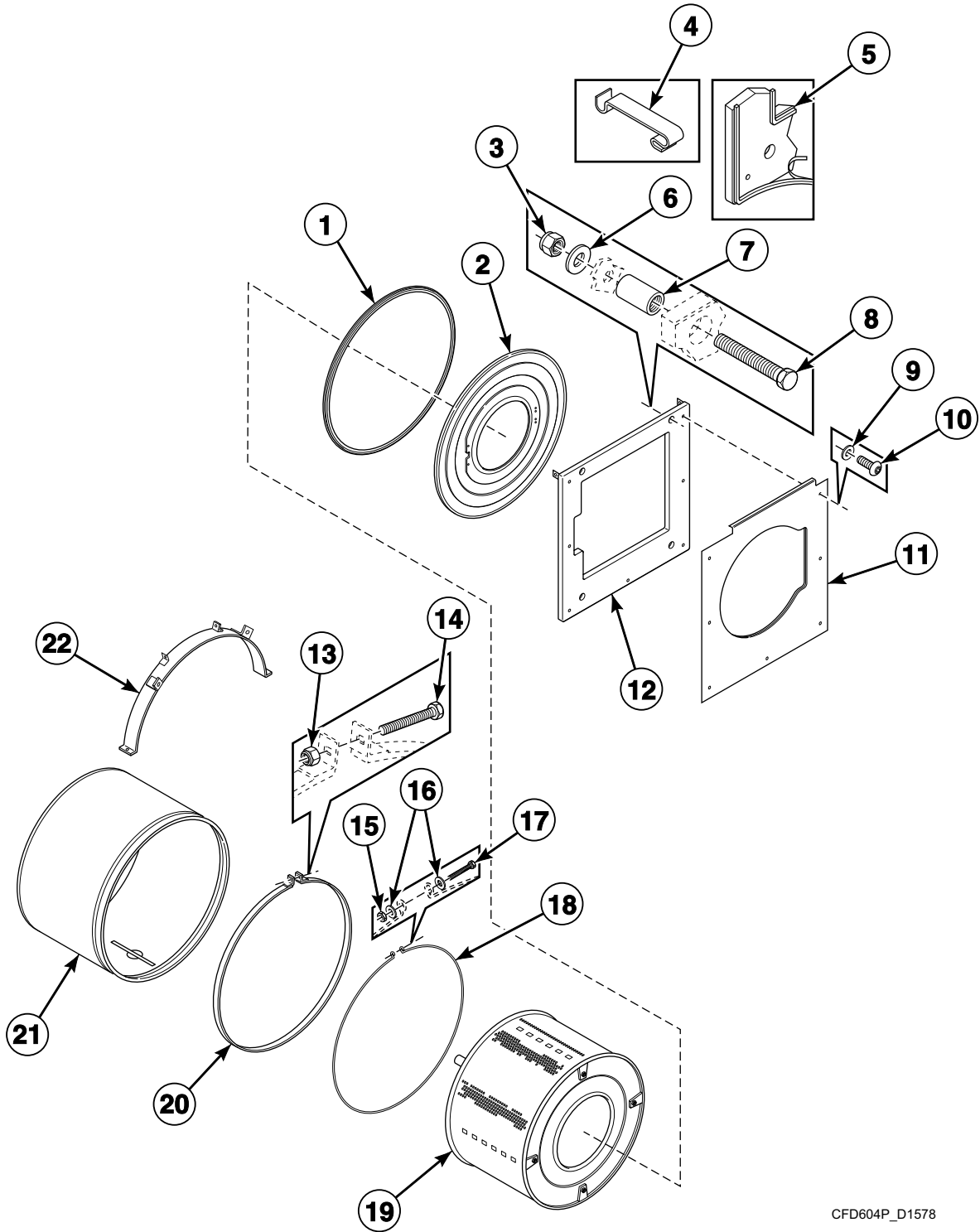


CFD486P_D1578

Shock and Spring Assembly

REF	PART NO.	DESCRIPTION	COMMENTS
	B12419101	Shock Absorber Service Kit	Includes items 1-3, 5, 6 and 8-10, 206/00119/00 Bolt, 204/00110/00 Nut, 111/10101/00 Dispenser Front Mounting Plate, 111/10102/00 Dispenser Rear Mounting Plate, 206/00027/00 Bolt, 202/00004/00 Washer, 204/00114/00 Nut, B12419501 Small Caliber and B12419401 Large Caliber
1	204/00113/00	Nut	
2	201/00001/00	Washer	
3	247/00008/00	Shock Absorber	
4	204/00012/00	Nut	
5	B12418401	Support	
6	201/00010/00	Washer	
7	206/00087/00	Bolt	
8	B12511601	Threaded Rod	
9	206/00153/00	Bolt	
10	204/00012/00	Nut	
11	204/00016/00	Nut	
12	224/00046/00	Bolt	
13	204/00019/00	Nut	
14	B12456301	Suspension Spring	

Tub and Drum

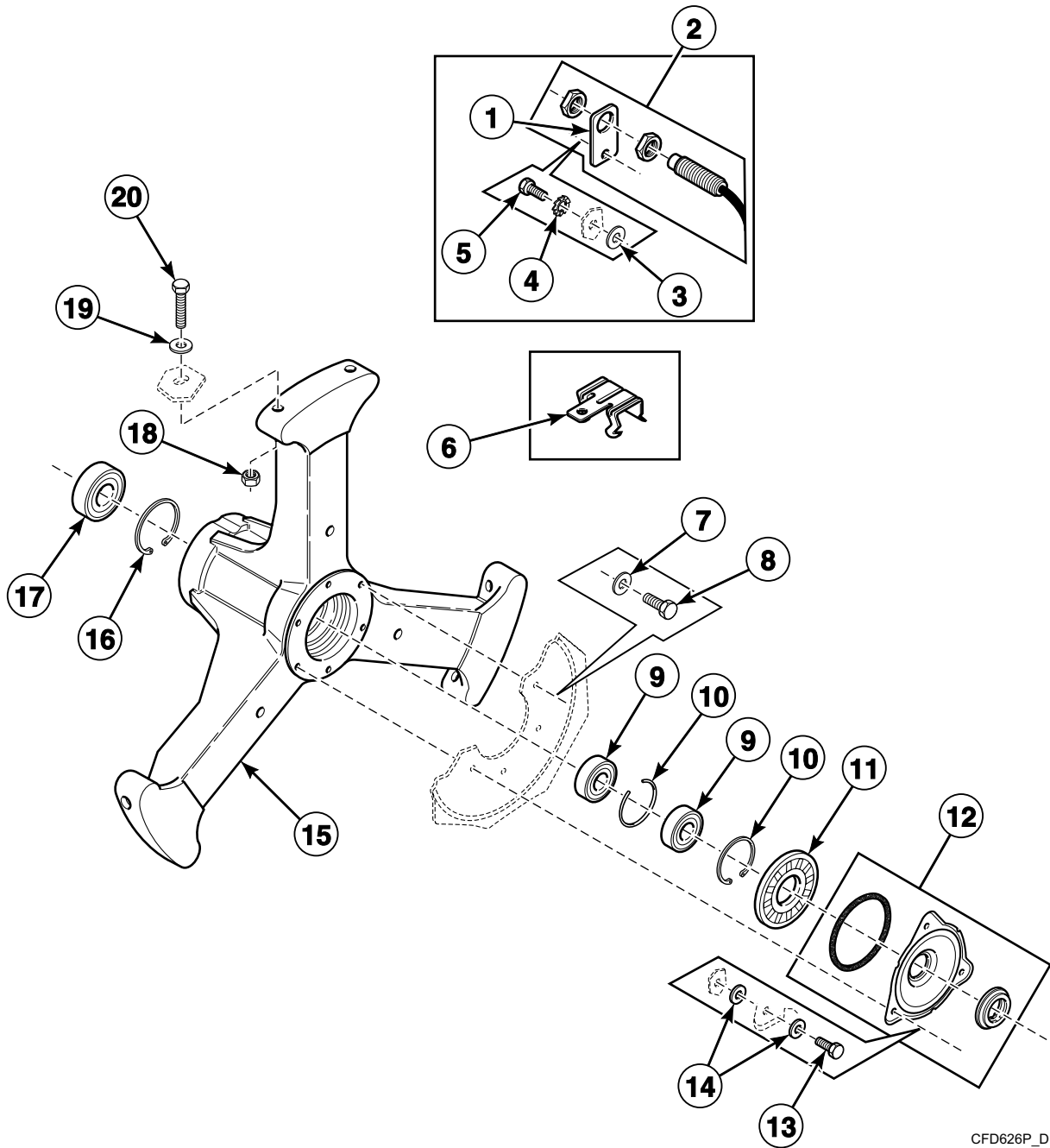


CFD604P_D1578

Tub and Drum

REF	PART NO.	DESCRIPTION	COMMENTS
1	B12351601	Tub Front Gasket	
2	138/00001/00	Tub Front	
3	204/00113/00	Nut	
4	217/00008/00	Tub Front Panel Clip	
5	246/00092/00	Gasket	Per meter
6	201/00001/00	Washer	
7	115/00151/00	Spacer	
8	206/00071/00	Bolt	
9	202/00112/00	Washer	
10	205/00103/00	Bolt	
11	111/05015/00	Door Front Panel	
12	115/00140/00	Counterweight	
13	204/00111/00	Nut	
14	206/00066/00	Bolt	
15	204/00009/00	Nut	
16	201/00007/00	Washer	
17	206/00032/00	Bolt	
18	238/00011/00	Tub Clamp Ring	
19	B12527901	Basket	
20	137/00008/00	Tub Mounting Strap	
21	B12528303	Tub	Hot and cold water inlets
	B12528301	Tub	Electric heat
	B12528304	Tub	Steam heat
	B12528302	Tub	Electric and steam heat
22	115/00161/00	Tub Front Mounting Strap	

Bearing Assembly

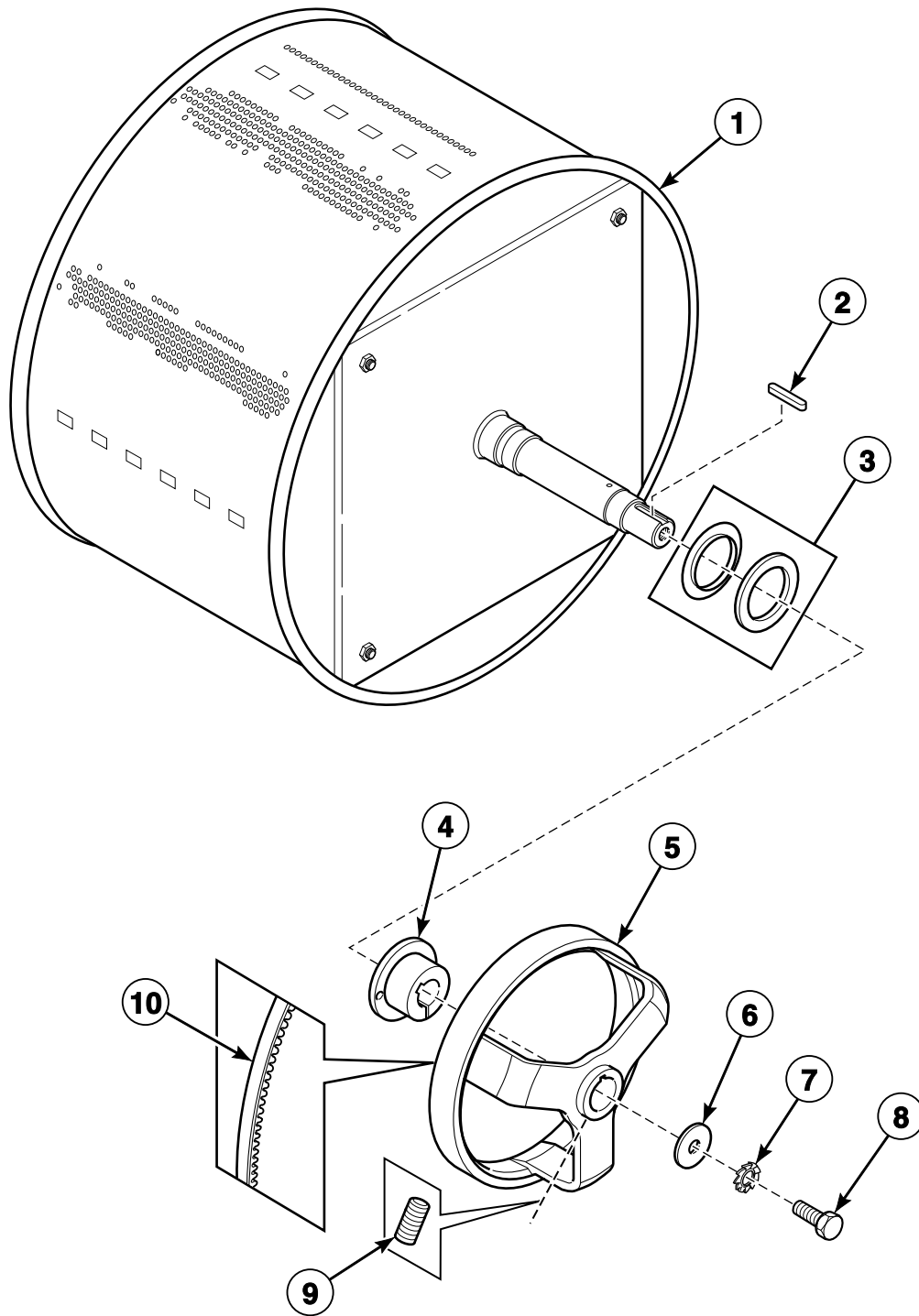


CFD626P_D1578

Bearing Assembly

REF	PART NO.	DESCRIPTION	COMMENTS
	3884P	Bearing and Seal Kit	Includes items 8, 10-13, 16, 219/00004/00 Counter Ring and 223/00242/00 Tub Front Gasket
	381P3P	Bearing Replacement Tool Kit	Purchase
	381P3-1	Bearing Replacement Tool Kit	Rental; Requires F407P4 Hardware Kit
	F407P4	Hardware Kit	
1	152/00055/00	Speed Detector Bracket	
2	210/00074/00	Speed Detector	Includes item 1
3	202/00003/00	Washer	
4	203/00004/00	Washer	
5	205/00104/00	Bolt	
6	224/00051/00	Caddy Bracket	
	224/00052/00	Caddy Bracket	
7	201/00201/00	Washer	
8	206/00014/00	Bolt	
9	212/00004/00	Ball Bearing	
10	212/00006/00	Retainer Ring	
11	B12332301	Lip Seal	
12	B12333701	Seal Plate Assembly	
13	205/00102/00	Bolt	
14	201/00102/00	Washer	
15	139/10006/00	Bearing Housing Assembly	
16	212/00037/00	Retainer Ring	
17	F100134	Bearing	
18	204/00113/00	Nut	
19	201/00001/00	Washer	
20	248/00114/00	Bolt	

Basket, Pulley and Belt

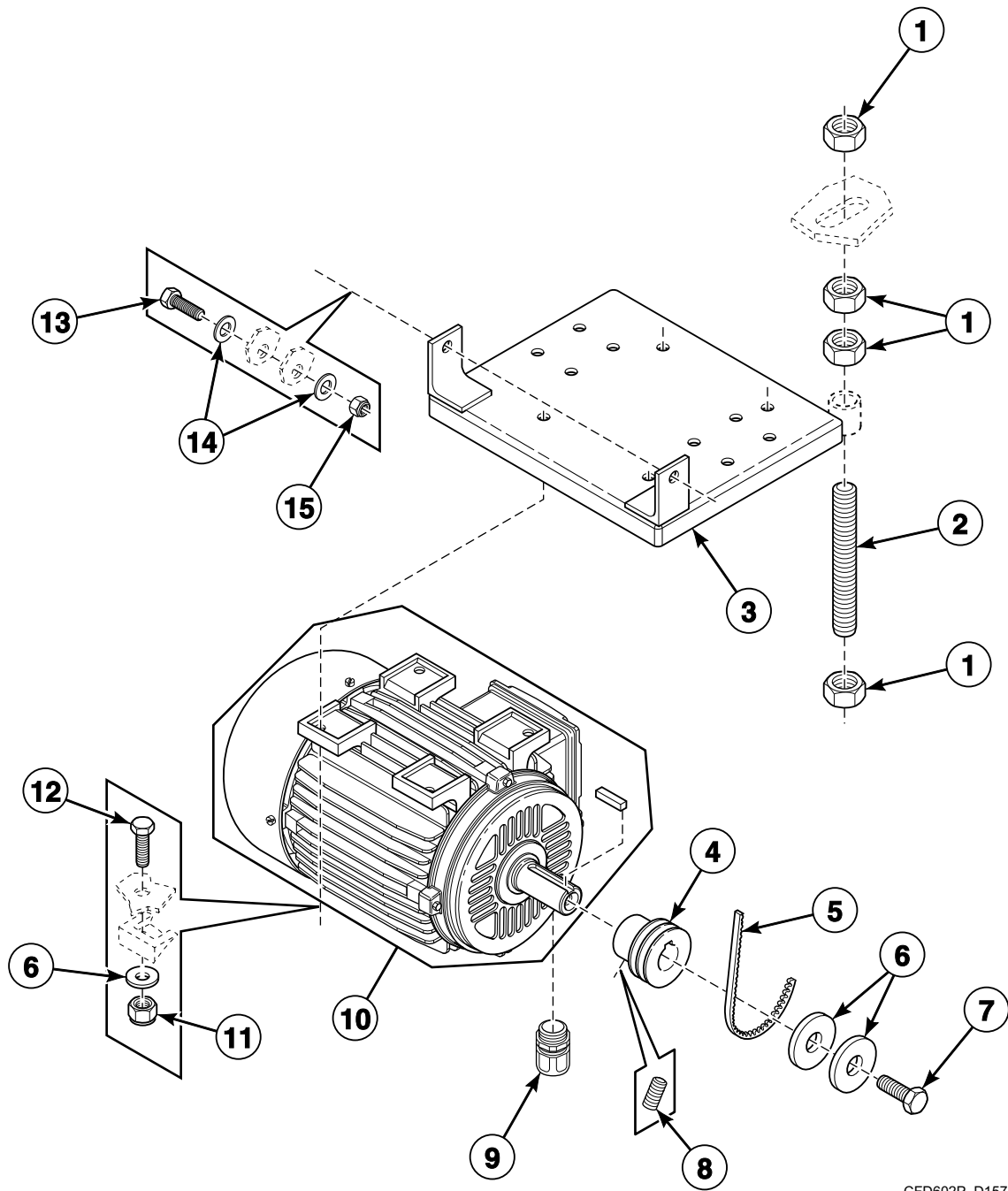


CFD637P_D1578

Basket, Pulley and Belt

REF	PART NO.	DESCRIPTION	COMMENTS
1	B12527901	Basket	
2	212/00026/00	Key	
3	219/00004/00	Counter Ring	
4	239/00013/00	Pulley	
5	226/00148/00	Pulley	
6	201/00011/00	Washer	
7	203/00001/00	Washer	
8	206/00004/00	Bolt	
9	206/00056/00	Screw	
10	226/00149/00	Belt	

Motor

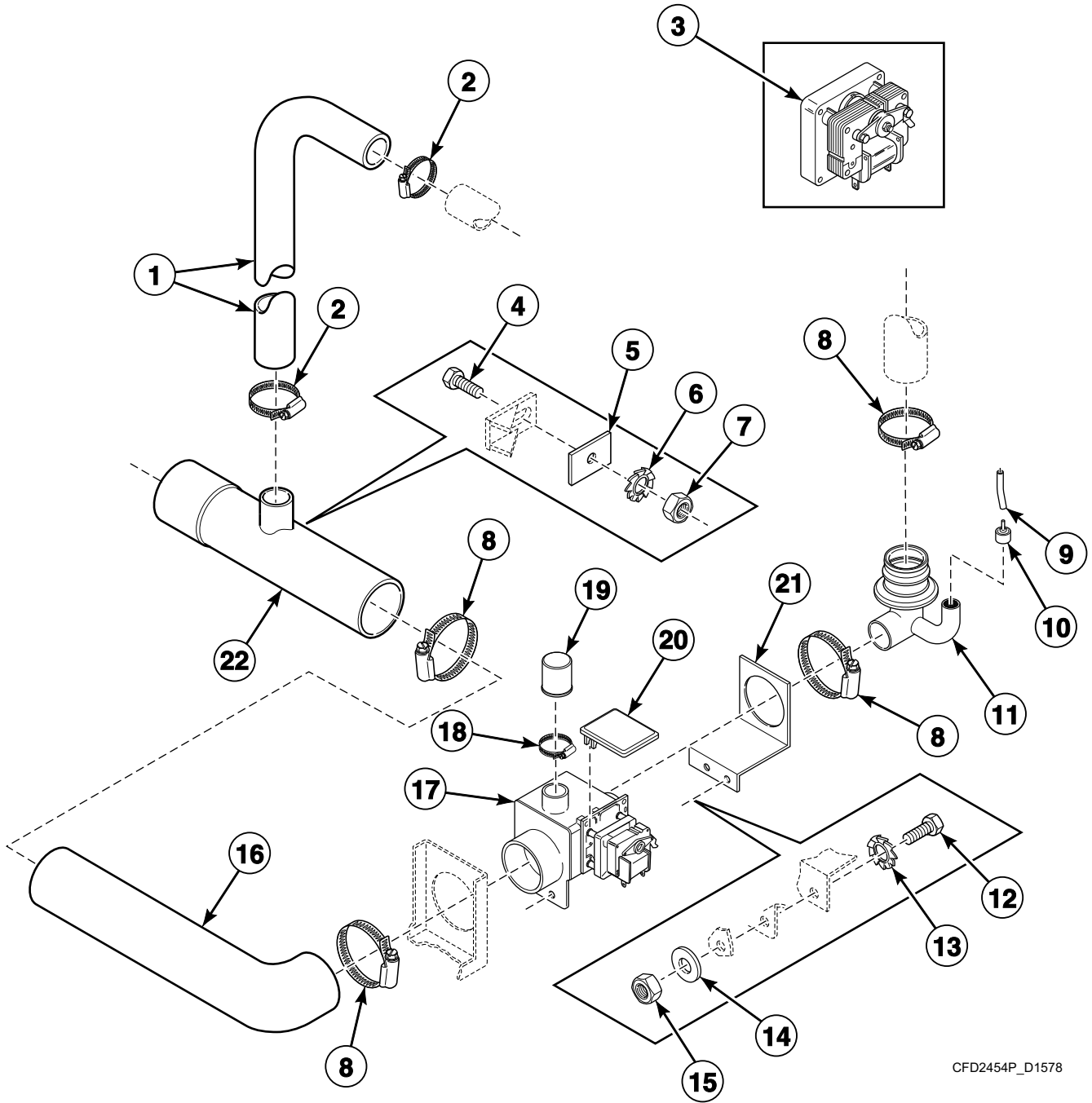


CFD602P_D1578

Motor

REF	PART NO.	DESCRIPTION	COMMENTS
	B12382103	Motor Harness	
1	204/00019/00	Nut	
2	B12511601	Threaded Rod	
3	115/10126/00	Motor Plate	
4	185/00086/00	Pulley	
5	226/00149/00	Belt	
6	201/00004/00	Washer	
7	206/00006/00	Bolt	
8	206/00049/00	Screw	
9	211/00183/00	Nut	
10	B12527801	Motor	3 kW; 230 or 400 Volt/50 or 60 Hertz
11	204/00111/00	Nut	
12	206/00003/00	Bolt	
13	206/00072/00	Bolt	
14	201/00002/00	Washer	
15	204/00113/00	Nut	

Drain Assembly

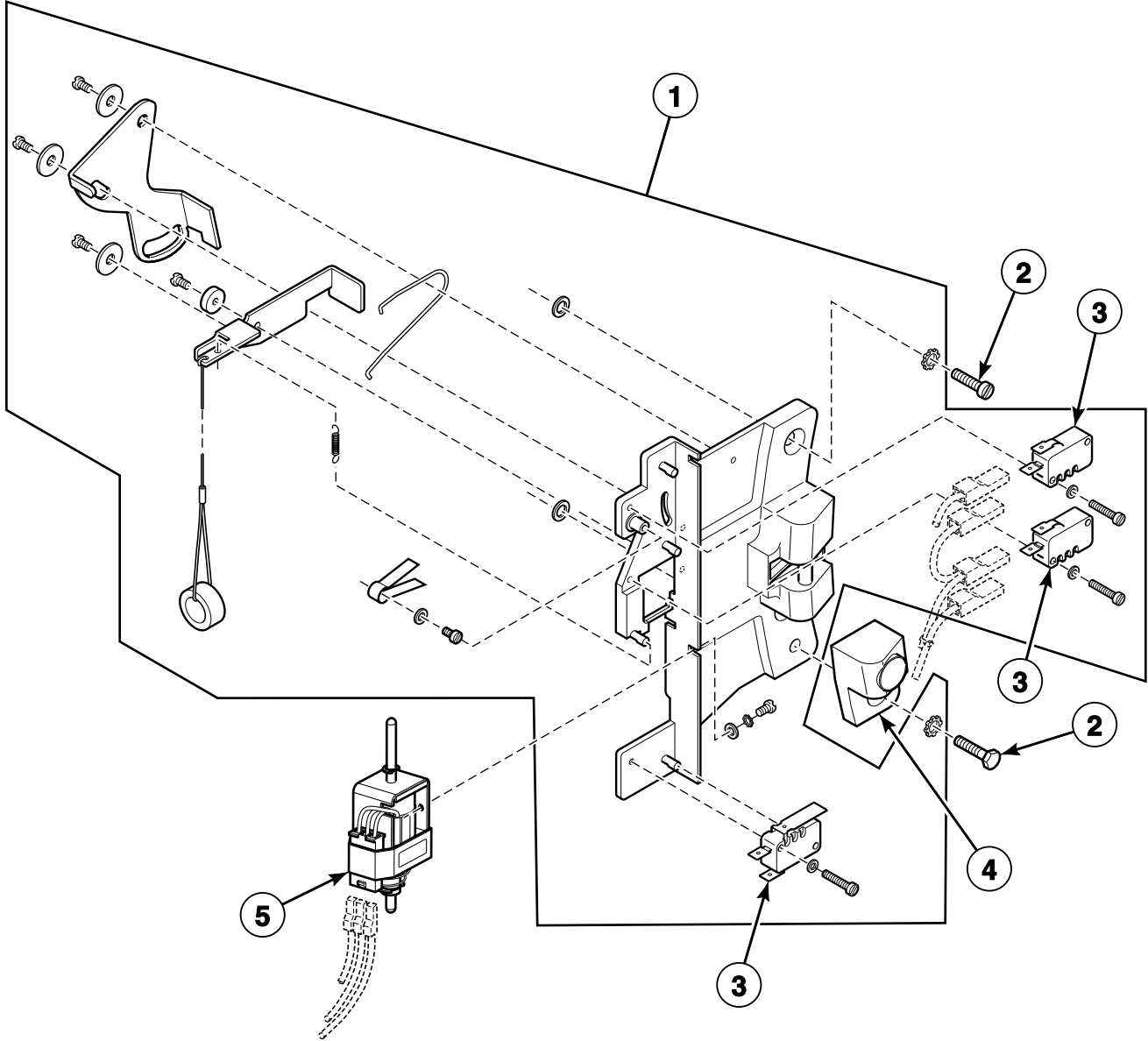


CFD2454P_D1578

Drain Assembly

REF	PART NO.	DESCRIPTION	COMMENTS
	B12495801	Drain Valve Fuse Harness	WE-8 and B-Series models
	B12428201	Dual Drain Kit	Cygnus, PRO and STANDARD models
	B12349401	Drain Valve Harness	
1	223/00131/00	Overflow Hose	
2	223/00013/00	Hose Clamp	
3	209/00051/11	Drain Valve Motor	
4	205/00103/00	Bolt	
5	101/00007/00	Outlet Pipe Plate Assembly	
6	203/00004/00	Washer	
7	204/00106/00	Nut	
8	223/00071/00	Hose Clamp	
9	223/00333/00	Pressure Hose	
10	223/00035/02	Pressure Switch Cap	
11	B12403201	Drain Tub to Drain Valve Hose	
12	206/00009/00	Bolt	
13	203/00003/00	Washer	
14	202/00002/00	Washer	
15	204/00004/00	Nut	
16	223/00328/00	Drain Valve to Drain Tube Hose	
17	209/00075/00	Drain Valve	
18	223/00012/00	Hose Clamp	
19	223/00086/00	Drain Valve Overflow Plug	
20	223/00225/00	Drain Valve Cover	
21	114/00010/00	Drain Valve Plate Assembly	
22	223/00106/00	Drain Pipe	

Door Lock

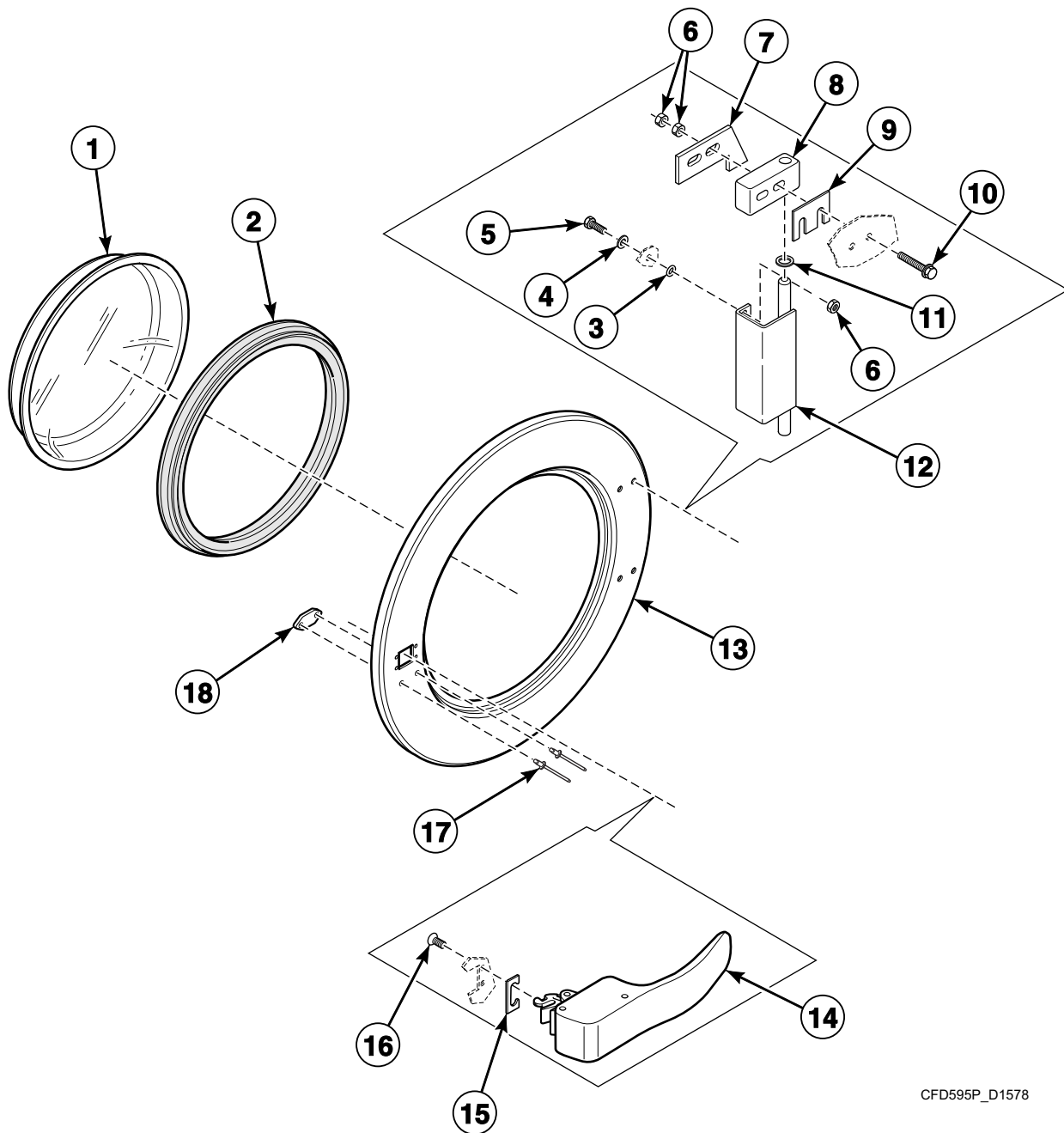


CHM3240P_D1578

Door Lock

REF	PART NO.	DESCRIPTION	COMMENTS
	B12495002	Door Lock Harness	WE-8 and B-Series models
	B12495001	Door Lock Harness	Cygnus, PRO and STANDARD models
1	B12517701	Door Lock Assembly	Includes item 4
2	207/00102/00	Screw	
3	209/00273/00	Microswitch	
4	B12517601	Reed Switch Holder	Includes F8080405 Reed Switch Harness and B12502001 Reed Switch
5	B12518101	Door Solenoid Assembly	

Door

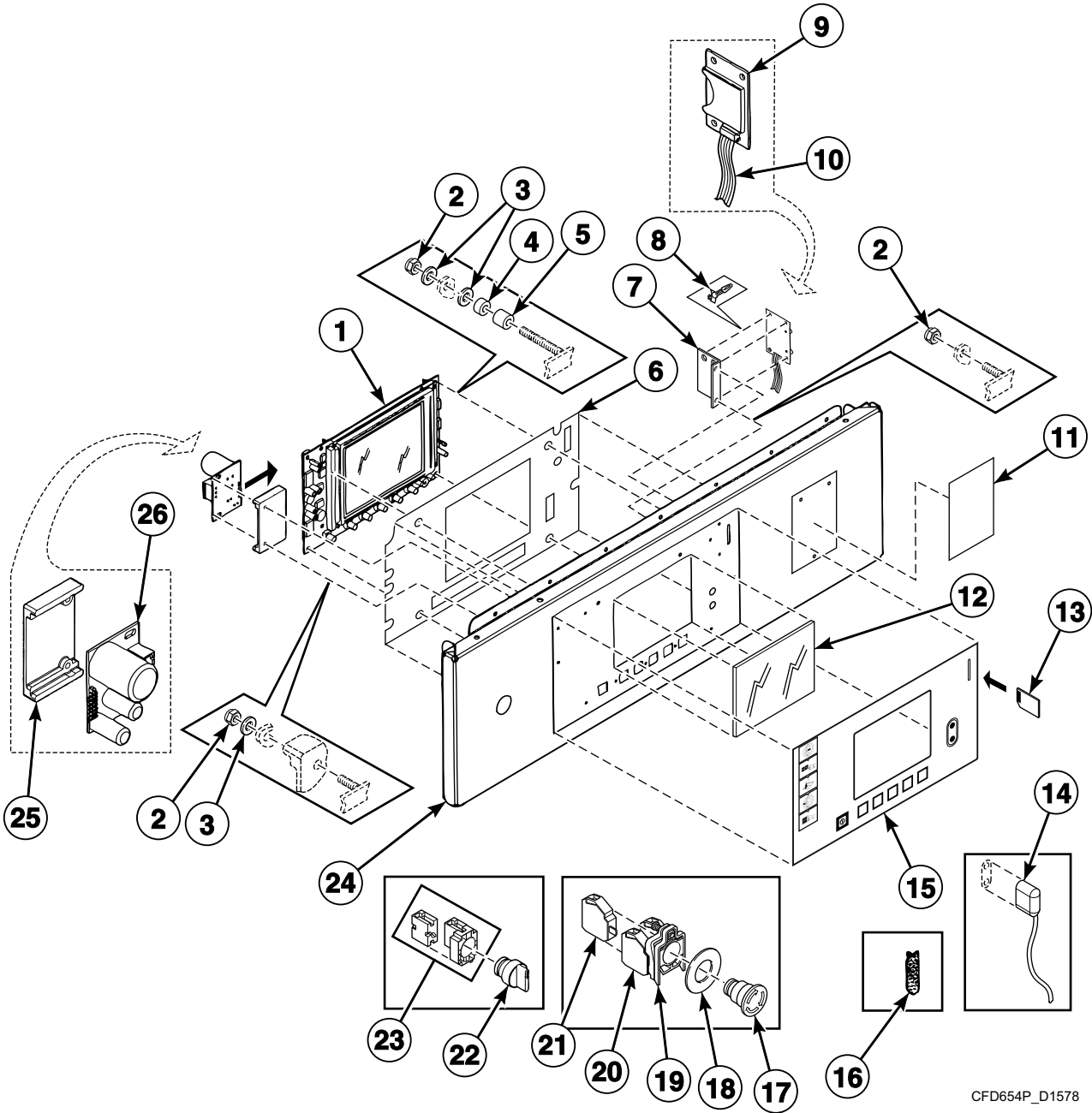


CFD595P_D1578

Door

REF	PART NO.	DESCRIPTION	COMMENTS
1	B12449801	Door Glass	
2	223/00068/00	Door Glass Seal	
3	217/00021/00	O-Ring	
4	202/00101/00	Washer	
5	205/00104/00	Bolt	
6	204/00106/00	Nut	
7	B12565001	Door Hinge Blocking Plate	
8	253/00022/00	Door Hinge Block	
9	118/00122/00	Door Hinge Spacer	1.5 mm
	118/00124/00	Door Hinge Spacer	2 mm
10	207/00126/00	Screw	
11	202/00104/00	Washer	
12	221/00004/00	Hinge	Fixed part
13	B12337201	Door Frame	
14	B12336301	Door Handle	Black
	B12336302	Door Handle	Gray
15	217/00016/00	Door Handle Stop	
16	B12500801	Screw	
17	B12500301	Rivet	
18	B12389701	Magnet	

Control Panel - Cygnus Professional and PRO

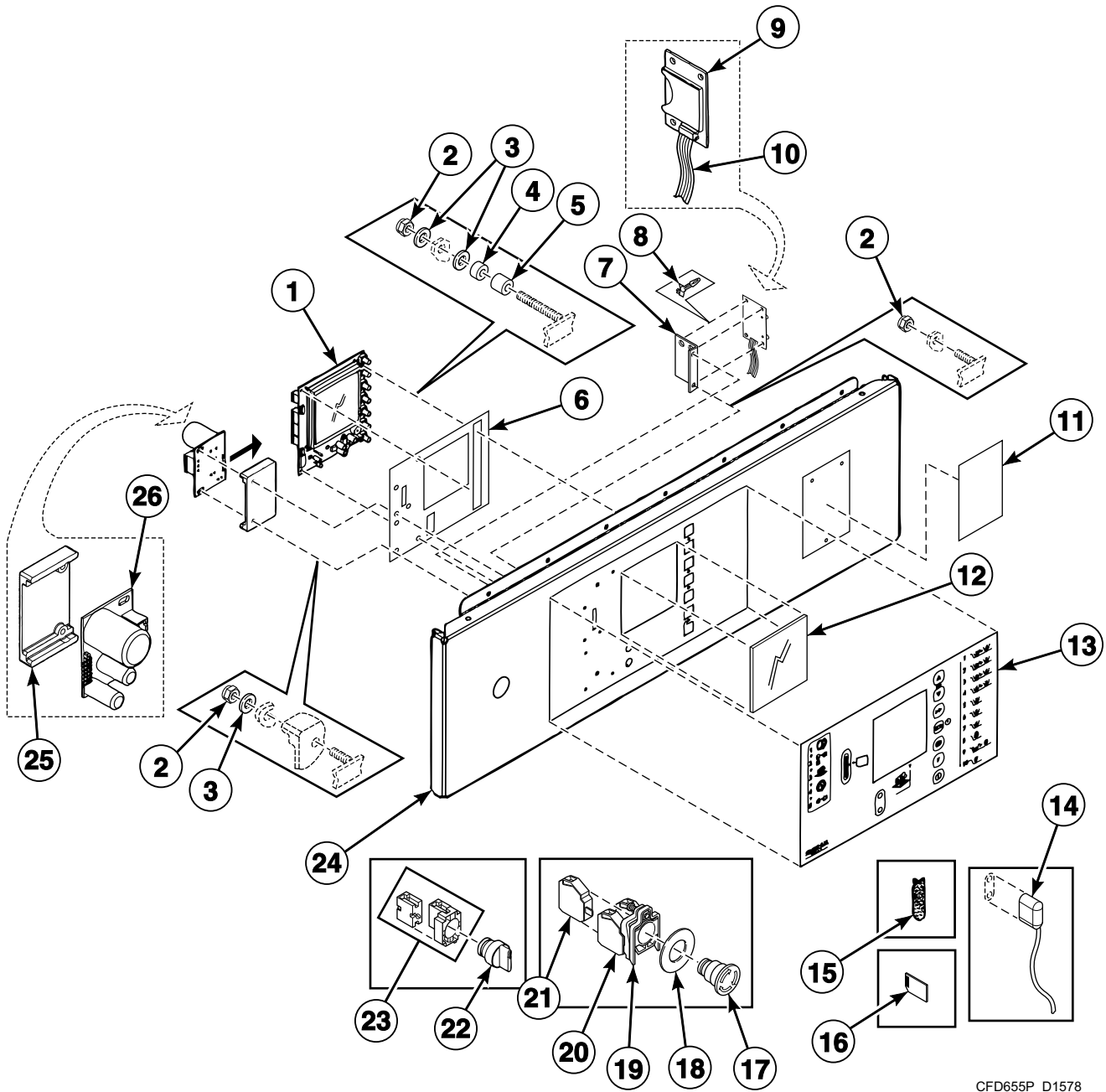


CFD654P_D1578

Control Panel - Cygnus Professional and PRO

REF	PART NO.	DESCRIPTION	COMMENTS
	B12348901	E-Stop Harness	
1	209/02002/ZB2	Display PC-Board	
2	204/00116/00	Nut	
3	223/00123/00	Washer	
4	211/00128/00	Printboard Separator	
5	211/00122/00	Standoff	
6	229/00268/00	Insulating Sticker	
7	111/01893/00	Printboard Support Card	Optional
8	211/00145/00	Standoff	
9	B12305201	Memory Card PC-Board	Optional
10	B12538301	Data Card Ribbon Assembly	Optional
11	B12389801	Nameplate	Models HD195_CYGNUS-PRO, IXA195Z, IXG195Z, IXN195Z, IXU195Z, IXW195Z, IXY045Z, IXZ195Z, SX045_PRO, SXE045Z, SXG195Z, SXU195Z, SXW195Z, SXY045Z, SXZ195Z, UX045_PRO, UXE045Z, UXG195Z, UXU195Z, UXW195Z, UXY045Z and UXZ195Z
	B12530806	Nameplate	Model JXW195Z
12	225/00321/00	Plexi Frame	
13	209/02024/00	Datacard	
14	210/00902/00	Infrared Cable	
15	B12583501	Operating Sticker	Models HD195_CYGNUS-PRO, IXA195Z, IXG195Z, IXN195Z, IXU195Z, IXW195Z, IXY045Z, IXZ195Z, SX045_PRO, SXE045Z, SXG195Z, SXU195Z, SXW195Z, SXY045Z, SXZ195Z, UX045_PRO, UXE045Z, UXG195Z, UXU195Z, UXW195Z, UXY045Z and UXZ195Z
	B12383601	Operating Sticker	Models HD195_CYGNUS-PRO, IXA195Z, IXG195Z, IXN195Z, IXU195Z, IXW195Z, IXY045Z, IXZ195Z, SX045_PRO, SXE045Z, SXG195Z, SXU195Z, SXW195Z, SXY045Z, SXZ195Z, UX045_PRO, UXE045Z, UXG195Z, UXU195Z, UXW195Z, UXY045Z and UXZ195Z; Without datacard opening
	B12383701	Operating Sticker	Models HD195_CYGNUS-PRO, IXA195Z, IXG195Z, IXN195Z, IXU195Z, IXW195Z, IXY045Z, IXZ195Z, SX045_PRO, SXE045Z, SXG195Z, SXU195Z, SXW195Z, SXY045Z, SXZ195Z, UX045_PRO, UXE045Z, UXG195Z, UXU195Z, UXW195Z, UXY045Z and UXZ195Z; With datacard opening
	B12532001	Operating Sticker	Model JXW195Z
16	223/00348/00	Datacard Cover	
17	209/00248/20	Mushroom Pushbutton	
18	209/00520/00	Telem Sticker	
19	B12491801	Contact Harness	
20	209/00029/26	Contact Switch	NC
21	209/00099/26	Contact Switch	NO
22	209/00099/29	Switch Knob	Dual heat
	B12523901	Dual Heat Sticker	Dual heat
23	B12491701	Contact Harness	Dual heat
24	B12384101	Operating Panel	
25	223/00374/00	Mounting Plate	
26	B12388201	Door Lock PC-Board	

Control Panel - Cygnus Premium OPL

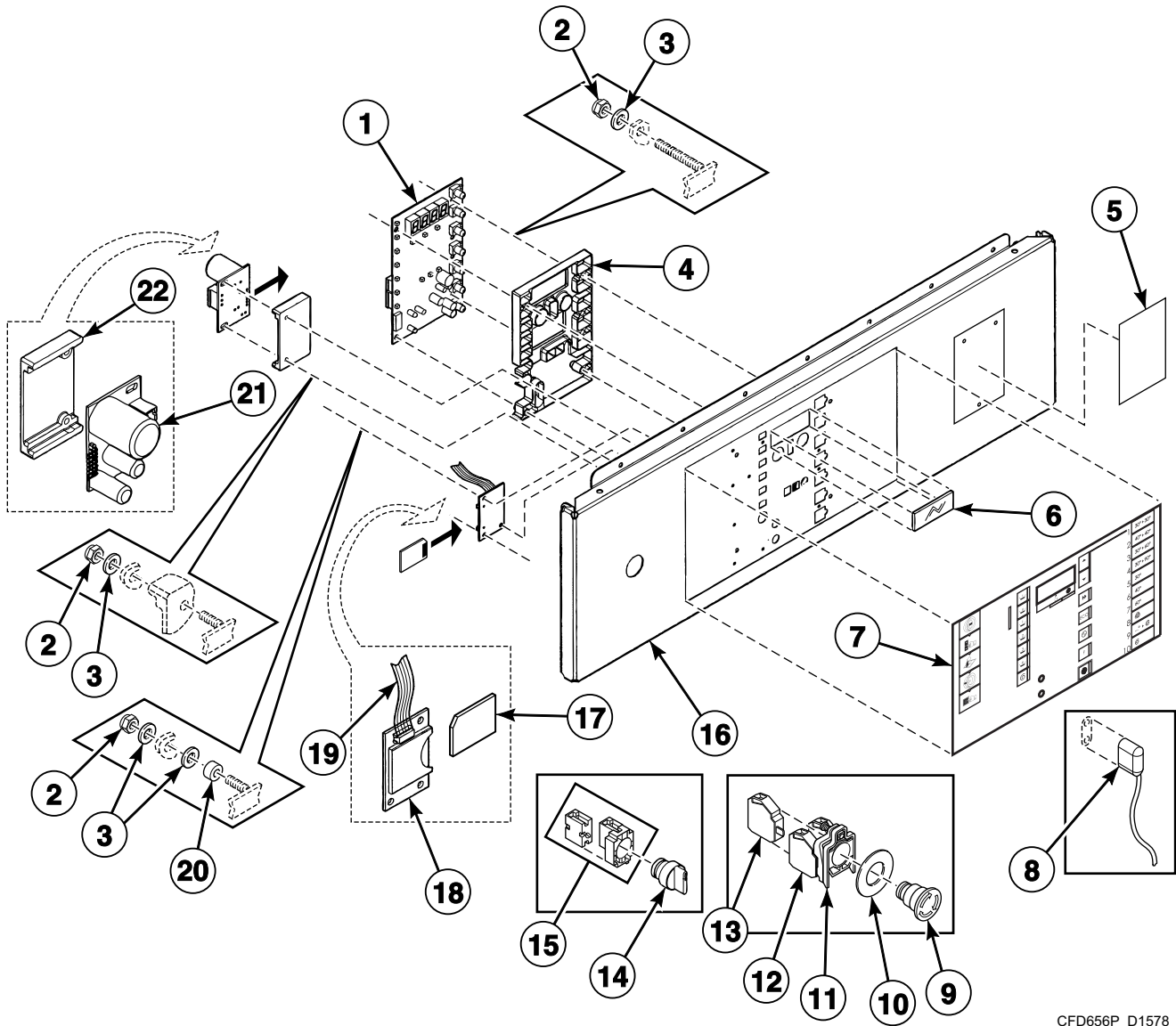


CFD655P_D1578

Control Panel - Cygnus Premium OPL

REF	PART NO.	DESCRIPTION	COMMENTS
	B12348901	E-Stop Harness	
1	209/02015/02	Printboard	
2	204/00116/00	Nut	
3	223/00123/00	Washer	
4	211/00128/00	Printboard Separator	
5	211/00122/00	Standoff	
6	229/00291/00	Insulating Sticker	
7	111/01893/00	Printboard Support Card	Optional
8	211/00145/00	Standoff	
9	B12305201	Memory Card PC-Board	Optional
10	B12538301	Data Card Ribbon Assembly	Optional
11	B12389801	Nameplate	Models HD195_CYGNUS-PREM, IXA195Y, IXG195Y, IXN195Y, IXU195Y, IXW195Y, IXY045Y and IXZ195Y
	B12389806	Nameplate	Model JXW195Y
12	225/00323/00	Plexi Frame	
13	B12383401	Operating Sticker	Models HD195_CYGNUS-PREM, IXA195Y, IXG195Y, IXN195Y, IXU195Y, IXW195Y, IXY045Y and IXZ195Y; With datacard opening
	B12383301	Operating Sticker	Models HD195_CYGNUS-PREM, IXA195Y, IXG195Y, IXN195Y, IXU195Y, IXW195Y, IXY045Y and IXZ195Y; Without datacard opening
	B12531901	Operating Sticker	Model JXW195Y; Non-ozone
	B12534801	Operating Sticker	Model JXW195Y; Ozone
14	210/00902/00	Infrared Cable	
15	223/00348/00	Datacard Cover	Models HD195_CYGNUS-PREM, IXA195Y, IXG195Y, IXN195Y, IXU195Y, IXW195Y, IXY045Y and IXZ195Y
16	209/02024/00	Datacard	Models HD195_CYGNUS-PREM, IXA195Y, IXG195Y, IXN195Y, IXU195Y, IXW195Y, IXY045Y and IXZ195Y
17	209/00248/20	Mushroom Pushbutton	
18	209/00520/00	Telem Sticker	
19	B12491801	Contact Harness	
20	209/00029/26	Contact Switch	NC
21	209/00099/26	Contact Switch	NO
22	209/00099/29	Switch Knob	Dual heat
	B12523901	Dual Heat Sticker	Dual heat
23	B12491701	Contact Harness	Dual heat
24	B12384201	Operating Panel	
25	223/00374/00	Mounting Plate	
26	B12388201	Door Lock PC-Board	

Control Panel - Cygnus Standard/Commercial OPL

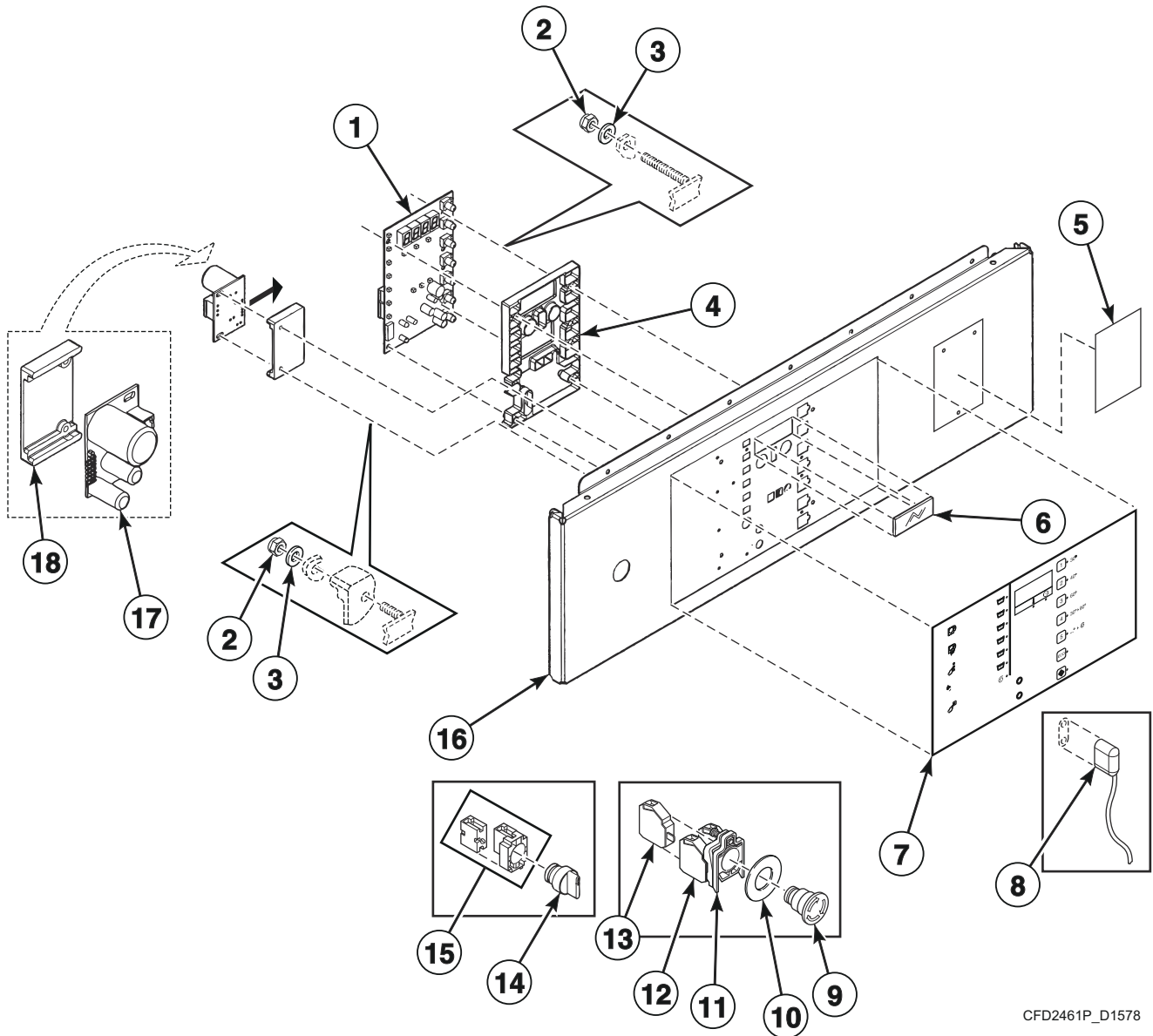


CFD656P_D1578

Control Panel - Cygnus Standard/Commercial OPL

REF	PART NO.	DESCRIPTION	COMMENTS
	B12348901	E-Stop Harness	
1	209/02001/02	Printboard	
2	204/00116/00	Nut	
3	223/00123/00	Washer	
4	223/00330/00	Protection LED	
5	B12389801	Nameplate	Models HD195_CYGNUS-STANDARD, IXA195C, IXG195C, IXN195C, IXU195C, IXW195C, IXY045C and IXZ195C
	B12389806	Nameplate	Model JXW195C
6	225/00322/00	Plexi Frame	
7	B12382701	Operating Sticker	Models HD195_CYGNUS-STANDARD, IXA195C, IXG195C, IXN195C, IXU195C, IXW195C, IXY045C, IXZ195C and JXW195C; Without datacard opening
	B12382801	Operating Sticker	Models HD195_CYGNUS-STANDARD, IXA195C, IXG195C, IXN195C, IXU195C, IXW195C, IXY045C, IXZ195C and JXW195C; With datacard opening
	B12383001	Operating Sticker	Models HD195_CYGNUS-COMM, IXA195X, IXG195X, IXN195X, IXU195X, IXW195X, IXY045X and IXZ195X; Without datacard opening
	B12383101	Operating Sticker	Models HD195_CYGNUS-COMM, IXA195X, IXG195X, IXN195X, IXU195X, IXW195X, IXY045X and IXZ195X; With datacard opening
	B12531801	Operating Sticker	Model JXW195C
8	210/00902/00	Infrared Cable	
9	209/00248/20	Mushroom Pushbutton	
10	209/00520/00	Telem Sticker	
11	B12491801	Contact Harness	
12	209/00029/26	Contact Switch	NC
13	209/00099/26	Contact Switch	NO
14	209/00099/29	Switch Knob	Dual heat
	B12523901	Dual Heat Sticker	Dual heat
15	B12491701	Contact Harness	Dual heat
16	B12385601	Operating Panel	
17	209/02024/00	Datacard	Optional
18	B12305201	Memory Card PC-Board	Optional
19	B12538301	Data Card Ribbon Assembly	Optional
20	211/00128/00	Printboard Separator	
21	B12388201	Door Lock PC-Board	
22	223/00374/00	Mounting Plate	

Control Panel - STANDARD

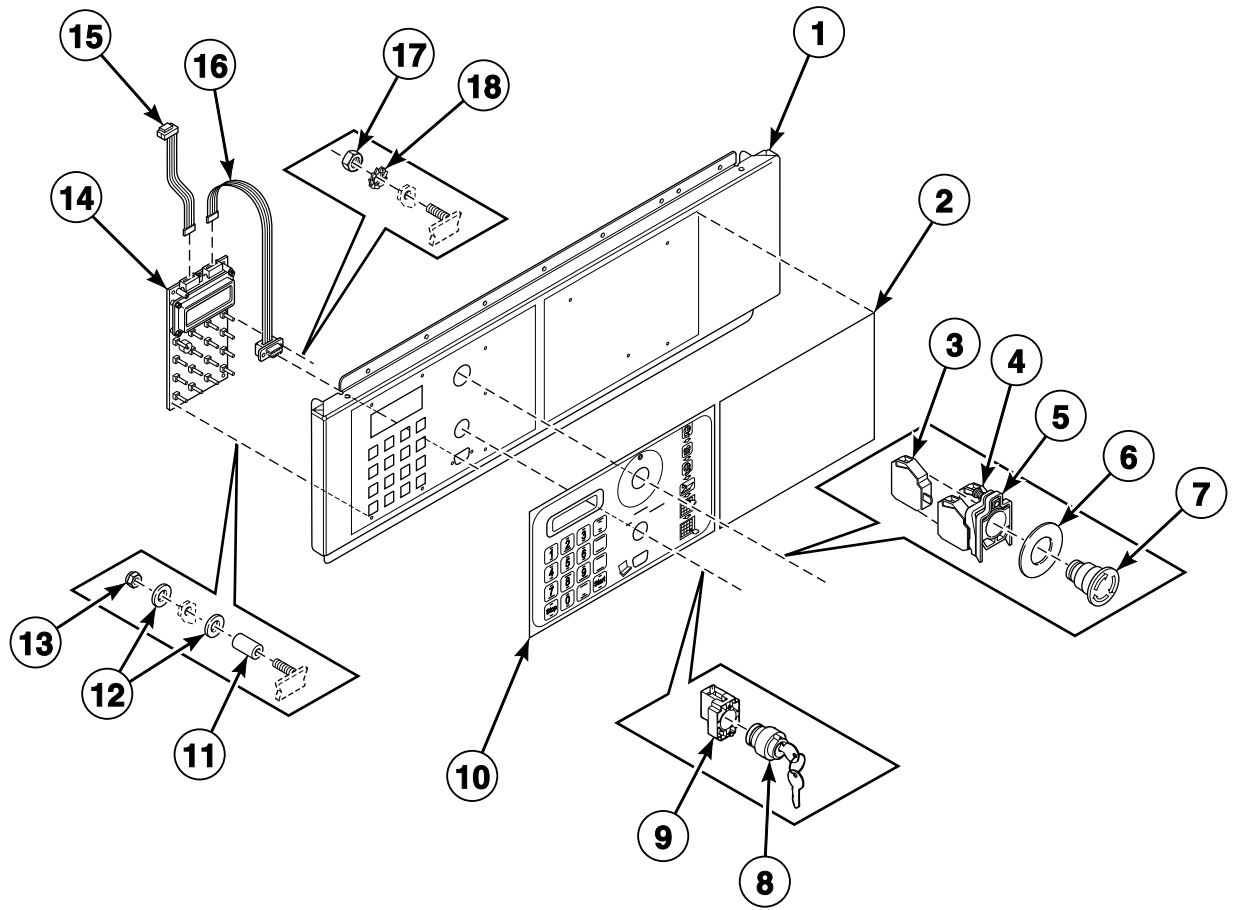


CFD2461P_D1578

Control Panel - STANDARD

REF	PART NO.	DESCRIPTION	COMMENTS
	B12348901	E-Stop Harness	
1	209/02001/02	Printboard	
2	204/00116/00	Nut	
3	223/00123/00	Washer	
4	223/00330/00	Protection LED	
5	B12389801	Nameplate	
6	225/00322/00	Plexi Frame	
7	B12574901	Overlay	
8	210/00902/00	Infrared Cable	
9	209/00248/20	Mushroom Pushbutton	
10	209/00520/00	Telem Sticker	
11	B12491801	Contact Harness	
12	209/00029/26	Contact Switch	NC
13	209/00099/26	Contact Switch	NO
14	209/00099/29	Switch Knob	Dual heat
	B12523901	Dual Heat Sticker	Dual heat
15	B12491701	Contact Harness	Dual heat
16	B12571901	Control Panel	
17	B12388201	Door Lock PC-Board	
18	223/00374/00	Mounting Plate	

Control Panel - WE-8

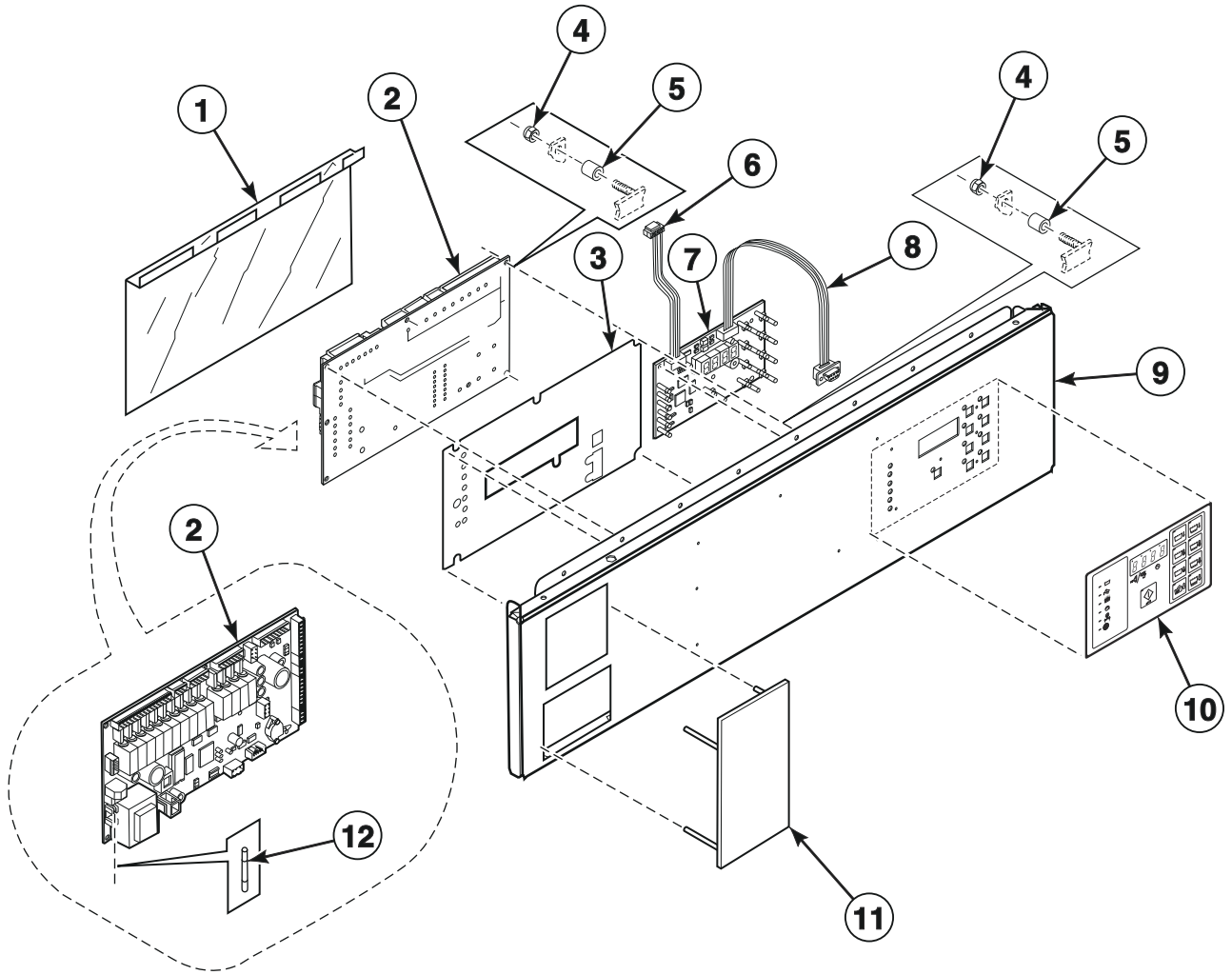


CFD657P_D1578

Control Panel - WE-8

REF	PART NO.	DESCRIPTION	COMMENTS
	B12348902	E-Stop Harness	
	B12348903	E-Stop Drive Harness	
	B12495501	Key Switch Harness	
	B12388302	Ribbon Assembly	
1	B12436401	Operating Panel	
2	F8435601	Overlay	Models UX45_WE-8, UXE045P and UXU195P
	225/00435/00	Overlay	Models SX45_WE-8, SXA195P, SXU195P and SXY045P
	225/00436/00	Logo Decal	Models HX45_WE-8, HXA195P, HXU195P and HXY045P
3	209/00099/26	Contact Switch	NO
4	209/00029/26	Contact Switch	NC
5	B12491801	Contact Harness	
6	209/00520/00	Telem Sticker	
7	209/00248/00	Mushroom Pushbutton	
8	209/00326/20	Programming Key Contact Switch	
9	B12491701	Contact Harness	
10	225/00388/00	Overlay	Control
11	211/00140/00	Spacer	
12	223/00123/00	Washer	
13	204/00116/00	Nut	
14	209/00580/03	Display	
15	B12388302	Ribbon Assembly	
16	B12388305	Ribbon Assembly	
17	204/00008/00	Nut	
18	203/00007/00	Washer	

Control Panel - B-Series

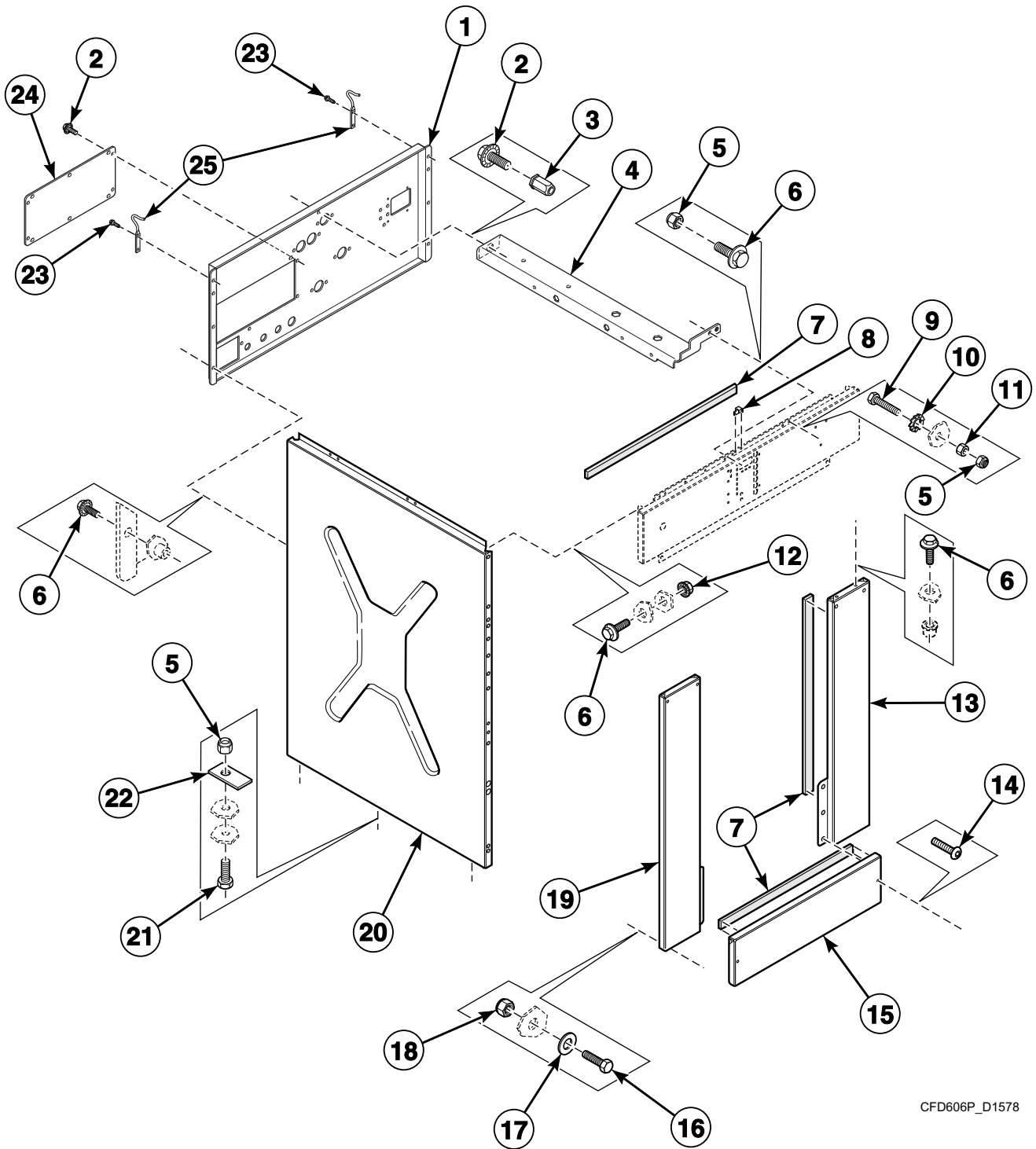


CFD2475P_D1578

Control Panel - B-Series

REF	PART NO.	DESCRIPTION	COMMENTS
	B12530201	Coin Drop Power Harness	
	B12531201	Central Payment Key Switch Harness	
	B12531301	Direct Fill and Central Payment Harness	
	B12531401	Central Payment Harness	
	B12392705	Direct Fill Harness	
	B12348904	Drive Stop or Bypass Harness	
1	229/00262/50	Circuit Board Cover	
2	9002098	Main Control	
3	229/00255/00	Insulating Sticker	
4	9001269	Nut	
5	9001425	Spacer	
6	9001417	Flat Cable	Program switch
7	9002063	Computer Board	
8	B12388303	Programming Cable	
9	B12523401	Operation Panel	Models with coin meter
	B12540601	Operation Panel	Models with central payment
10	B12524901	Overlay	
11	111/01004/00	Front Panel	Gray
	111/01003/00	Top Panel	Black
12	9001379	Fuse	

Left Side, Lower Front and Upper Rear Panels

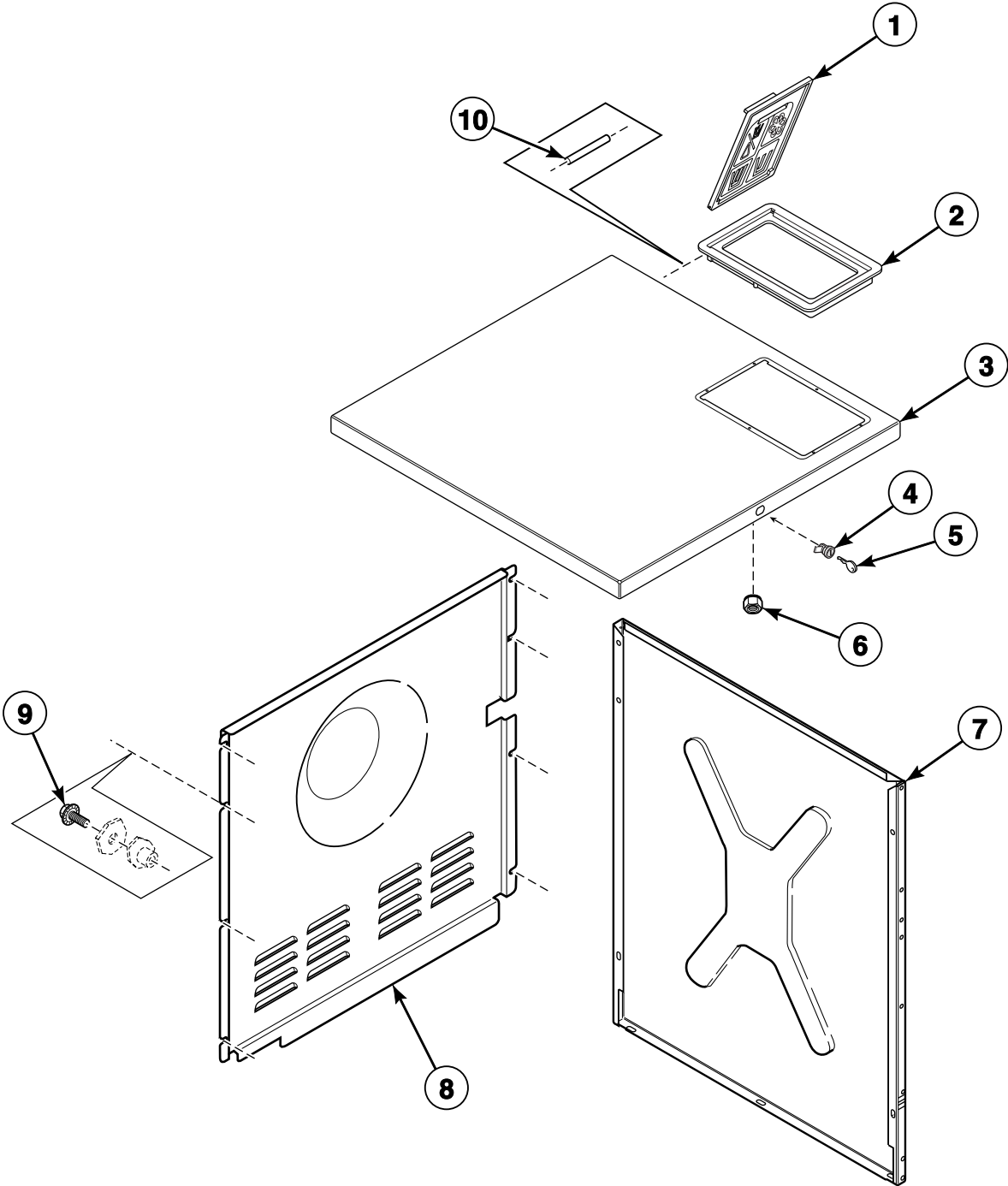


CFD606P_D1578

Left Side, Lower Front and Upper Rear Panels

REF	PART NO.	DESCRIPTION	COMMENTS
	B12612101	Noise and Vibration Reduction Kit	
1	B12354601	Backbridge	
2	206/00104/00	Screw	
3	204/00011/00	Nut	
4	B12354902	Supply Dispenser Crossbar	
5	204/00009/00	Nut	
6	205/00105/00	Bolt	
7	246/00149/00	Gasket	
8	F8201001	Top Cover Latch	
9	205/00103/00	Bolt	
10	203/00004/00	Washer	
11	204/00106/00	Nut	
12	206/00101/00	Nut	
13	111/32957/50	Right Front Panel	
14	B12500601	Screw	
15	111/32943/00	Kickplate	
16	206/00042/00	Bolt	
17	201/00010/00	Washer	
18	204/00109/00	Nut	
19	111/32951/50	Left Front Panel	
20	B12516901	Side Panel	
21	205/00105/00	Bolt	
22	101/00007/00	Outlet Pipe Plate Assembly	
23	B12462901	Screw	
24	B12312501	Main Switch Cover	
25	B12487401	Top Cover Hinge	

Top, Right Side and Lower Back Panels

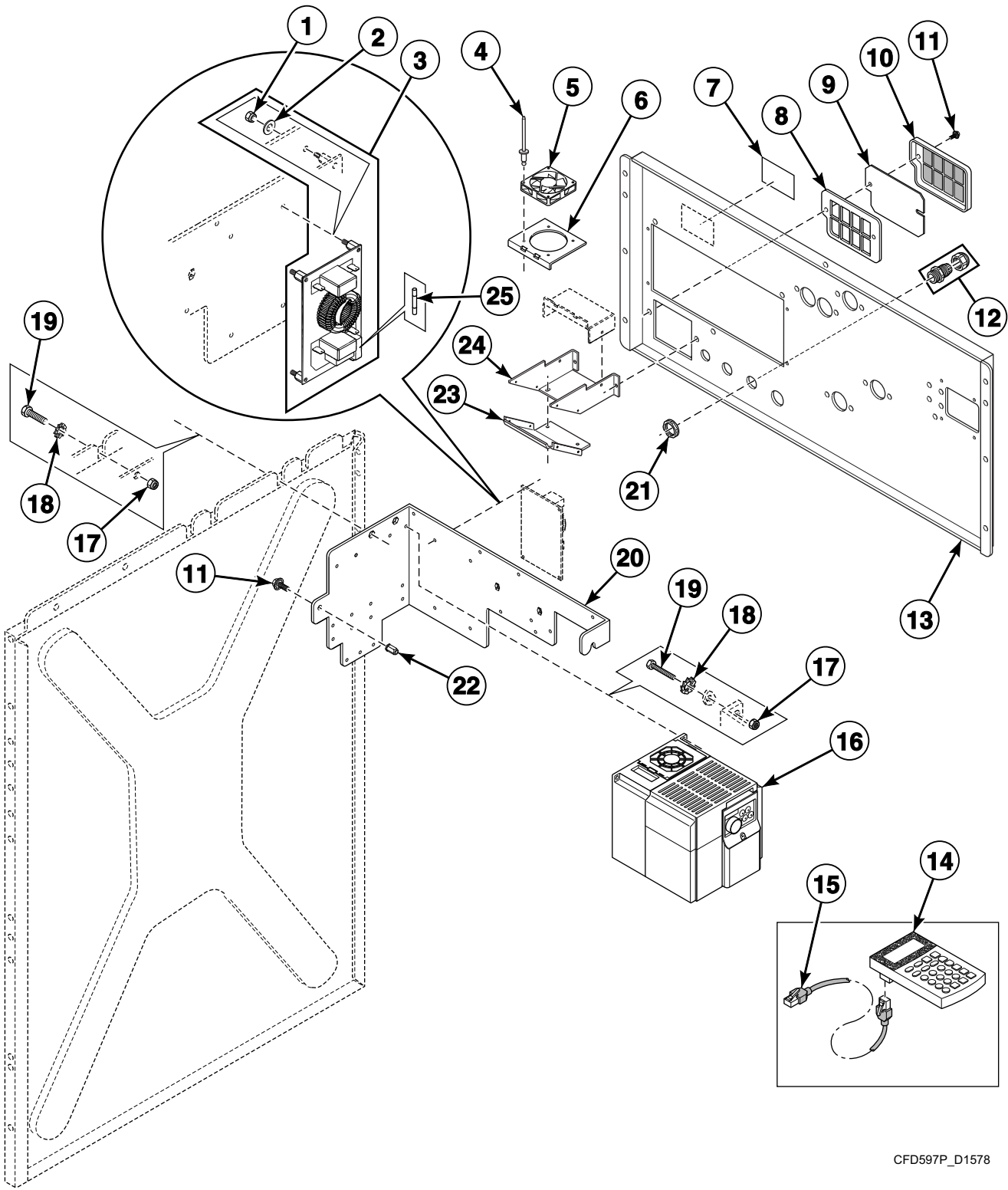


CFD2462P_D1578

Top, Right Side and Lower Back Panels

REF	PART NO.	DESCRIPTION	COMMENTS
1	B12319101	Supply Dispenser Cover	U.S.
	B12356701	Supply Dispenser Cover	International
2	B12597501	Supply Dispenser Cover Frame	
3	B12527401	Top Panel	
4	44089303	Panel Lock	Includes item 5
5	70155603	Key	
6	B12509101	Nut	
7	B12516901	Side Panel	
8	B12354701	Lower Rear Panel	
9	206/00104/00	Screw	
10	223/00103/04	Soap Dispenser Cover Hinge Rod	2 required

Inverter Drive

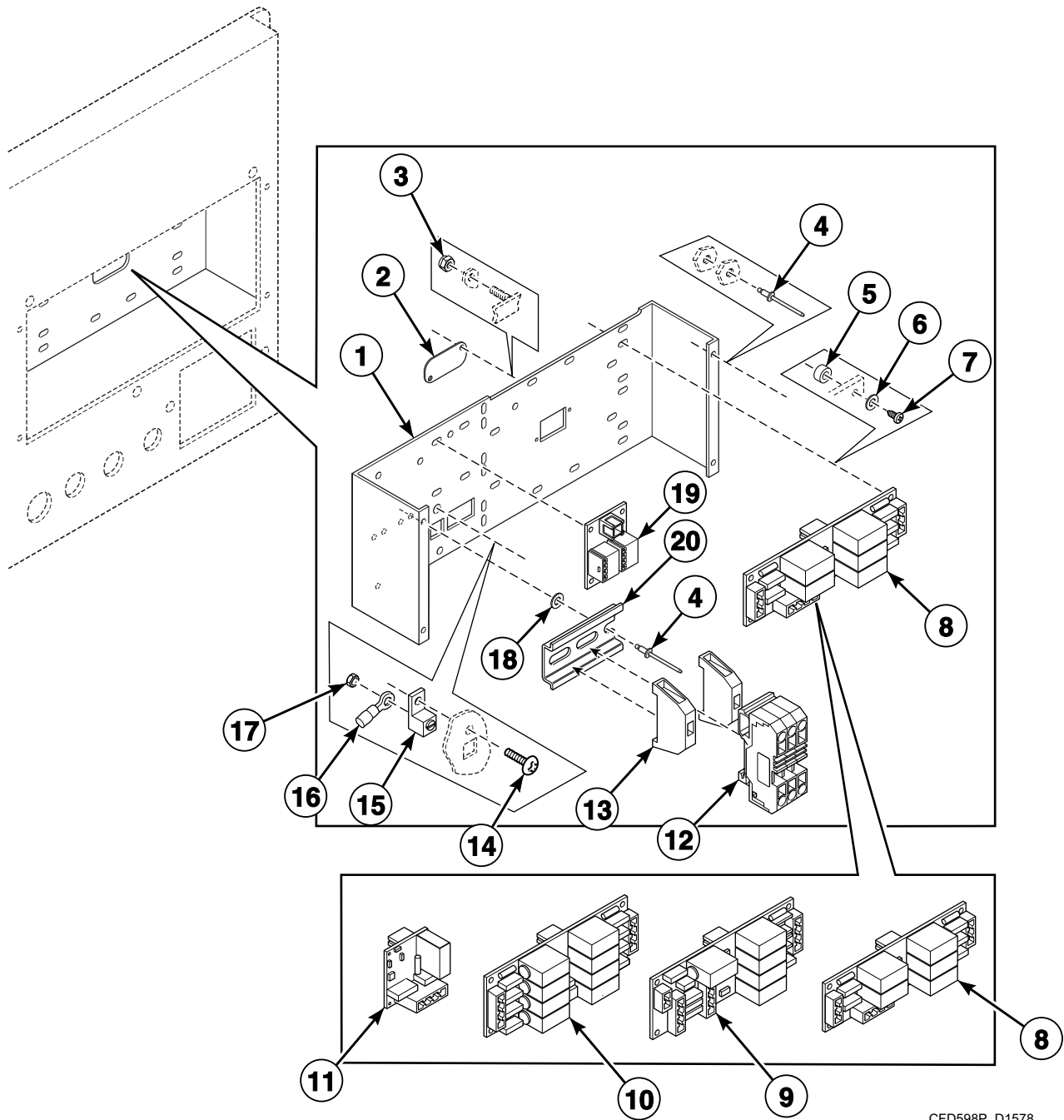


CFD597P_D1578

Inverter Drive

REF	PART NO.	DESCRIPTION	COMMENTS
	B12501502	E-Stop Drive Fan Harness	WE-8 and B-Series models
	B12501501	E-Stop Drive Fan Harness	Cygnus, PRO and STANDARD models
	B12495601	Drive Source Harness	WE-8 and B-Series models
	B12495602	Drive Source Harness	WE-8 and B-Series models; Q-voltage
	B12350101	Ethernet Cable	Cygnus, PRO and STANDARD models
1	204/00014/00	Nut	
2	202/00004/00	Washer	
3	B12339401	Noise Filter	30A1; 1x230 Volt; C, Q and X-voltage
	227/00242/00	Noise Filter	8A3; 3x400 Volt; N and P-voltage
4	208/00017/00	Rivet	
5	209/00465/00	Fan	
6	B12357201	Fan Mounting Plate	
7	B12355001	Voltage Discharge Decal	
8	B12372401	Inverter Air Inlet Filter Frame	Inside
9	B12382401	Inverter Air Inlet Filter Grill	
10	B12346701	Inverter Air Inlet Filter Frame	Outside
11	206/00104/00	Screw	
12	211/00183/00	Nut	
13	B12354601	Backbridge	
14	227/00171/00	Parameter Unit Assembly	Hand held
15	227/00171/10	Parameter Unit Program Cable	
16	F8420919	Inverter Drive	700 series; 1x230 Volt; WE-8 and B-Series models; C, Q and X-voltage
	F8420920	Inverter Drive	700 series; 3x400 Volt; WE-8 and B-Series models; N and P-voltage
	227/00230/00	Inverter	700 series; 1x230 Volt; Cygnus, PRO and STANDARD models; C, Q and X-voltage
	227/00238/00	Inverter	700 series; 3x400 Volt; Cygnus, PRO and STANDARD models; N and P-voltage
17	204/00114/00	Nut	
18	203/00006/00	Washer	
19	206/00088/00	Bolt	
20	B12333201	Inverter Drive Box	
21	211/00170/00	Nut	
22	204/00011/00	Nut	
23	B12342701	Air Inlet Bottom	
24	B12342501	Air Inlet	
25	B12389501	Fuse	3.15 A; 500 Volt; Used with 227/00242/00 Filter; N and P-voltage
	209/00468/00	Fuse	3.15 A; Used with B12339401 Noise Filter; C, Q and X-voltage

Printboard Support Panel and Soap Injection Printboards - Cygnus, PRO and STANDARD Models

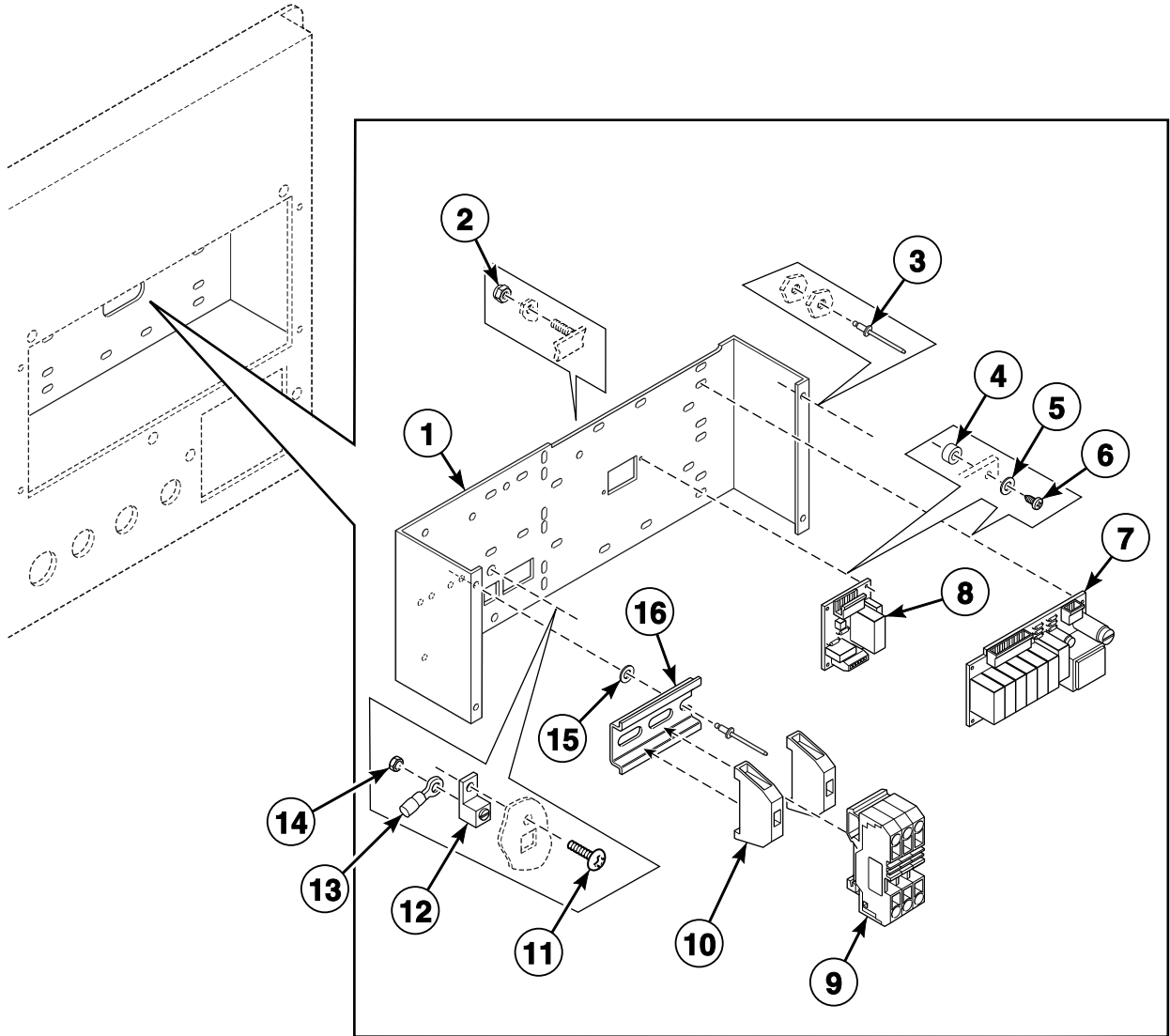


CFD598P_D1578

Printboard Support Panel and Soap Injection Printboards - Cygnus, PRO and STANDARD Models

REF	PART NO.	DESCRIPTION	COMMENTS
	B12388301	Ribbon Assembly	Used with items 8-11
	B12529201	Extension Board Kit	Used with items 8-11; includes items 2-7, 18, B12381402 Control Supply Harness, B12388301 Ribbon Assembly, 201616 Transformer, 70030501 Expansion Clip, B12462901 Screw and B12319608 Diagram; Does not include extension board
	B12529301	Network Kit	Includes items 3, 5-7, 19, 211/00128/00 Printboard Separator, B12341801 Printboard and B12390201 Network Connection Wiring
1	B12312401	Printboard Support	
2	B12382501	Flat Cable Plate	
3	204/00116/00	Nut	
4	208/00017/00	Rivet	
5	B12390301	Standoff	
6	223/00123/00	Washer	
7	B12393801	Screw	
8	209/02005/00	Detergent PC-Board	1-5
9	209/02014/00	Relay PC-Board	5-5
10	209/02008/00	Detergent PC-Board	1-8
11	209/02016/00	Relay PC-Board	1-1
12	209/01625/00	Terminal Block	Gray; 3 on C, N, P and Q-voltage; 2 on X-voltage
	209/01624/00	Terminal Block	Blue; 1 on C and X-voltage
	209/01625/01	Terminal End	
13	209/00633/02	End Stop	
14	206/00104/00	Screw	
15	M411283	Ground Lug Connector	
16	B12456001	Wiring Earth for Inverter	
17	206/00101/00	Nut	
18	202/00004/00	Washer	
19	B12344201	Network Board	Network models
20	B12315401	DIN Rail	60 mm

Printboard Support Panel and Soap Injection Printboards - WE-8 and B-Series Models

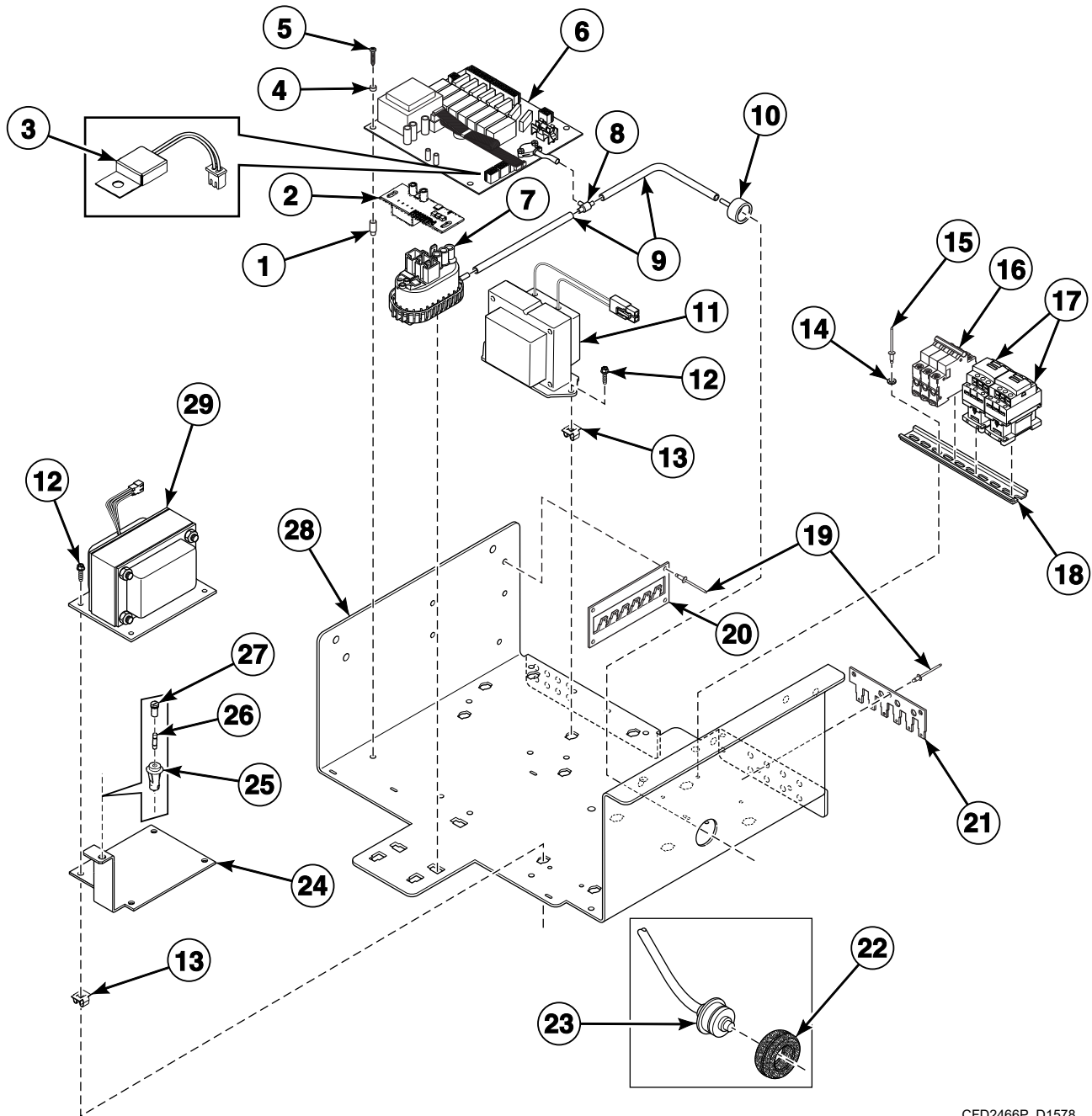


CFD2453P_D1578

Printboard Support Panel and Soap Injection Printboards - WE-8 and B-Series Models

REF	PART NO.	DESCRIPTION	COMMENTS
	B12495702	Soap Board Harness	
1	B12312401	Printboard Support	
2	204/00116/00	Nut	
3	208/00017/00	Rivet	
4	B1239031	Spacer	
5	223/00123/00	Washer	
6	B12393801	Screw	
7	209/00218/13	Soap Injection PCB with Fuse	
8	209/00438/50	Central Control Board	240 Volt
9	209/01625/00	Terminal Block	Gray; 3 on C, N, P and Q-voltage; 2 on X-voltage
	209/01624/00	Terminal Block	Blue; 1 on C and X-voltage
	209/01625/01	Terminal End	
10	209/00633/02	End Stop	
11	206/00104/00	Screw	
12	M411283	Ground Lug Connector	
13	B12456002	Wiring Earth for Tub	
14	206/00101/00	Nut	
15	202/00004/00	Washer	
16	B12315401	DIN Rail	60 mm

Electrical Component Mounting Plate - Cygnus, PRO and STANDARD Models

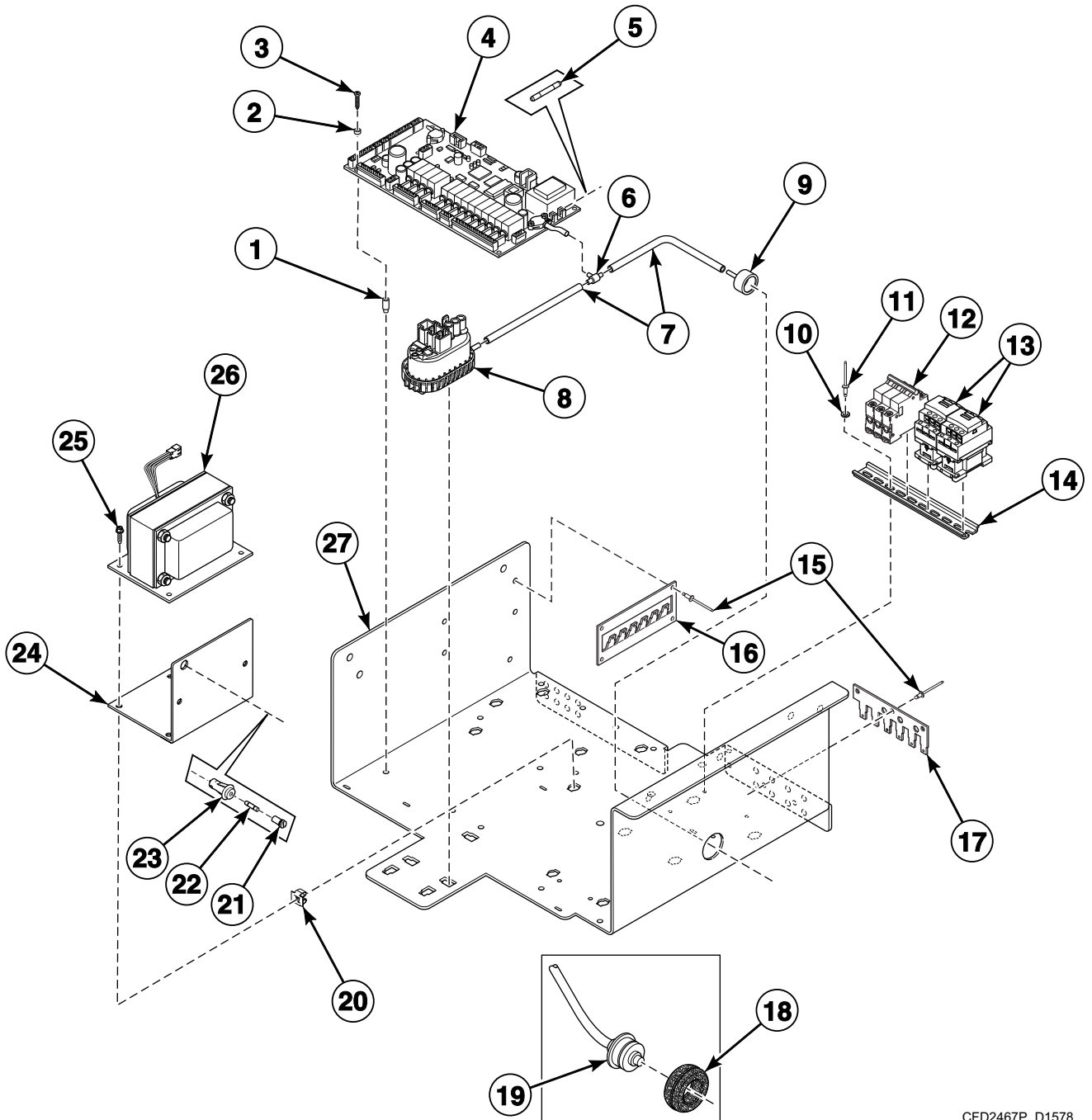


CFD2466P_D1578

Electrical Component Mounting Plate - Cygnus, PRO and STANDARD Models

REF	PART NO.	DESCRIPTION	COMMENTS
	B12392701	Direct Fill Harness	
	B12381101	Main Control Tray Harness	
	B12348801	Control Communication Harness	
	B12348102	Control Supply Harness	C and Q-voltage
	B12348301	Control Supply Harness	N and P-voltage
	B12348101	Control Supply Harness	C, Q and X-voltage
	B12381402	Control Supply Harness	24 VAC
	B12390201	Network Connection Wiring	
1	B12390301	Standoff	
2	B12341801	Printboard	Network models
3	209/02020/00	ID Chip	
4	223/00123/00	Washer	
5	B12393801	Screw	
6	B12355701	Control Board	
	B12360001	Fuse	1.25A
7	B12509701	Pressure Switch	Single lever; 300/255; Steam and electric heat
8	223/00173/10	Pressure Switch Hose Tee	
9	223/00333/00	Pressure Hose	
10	223/00035/02	Pressure Switch Cap	
11	201616	Transformer	Models with extension boards
12	B12462901	Screw	
13	70030501	Expansion Clip	
14	202/00004/00	Washer	
15	208/00017/00	Rivet	
16	B12487101	Circuit Breaker	Electric heat; C and Q-voltage
17	209/06148/02	Heating Contactor	Electric heat
18	B12315301	DIN Rail	200 mm
19	208/00017/00	Rivet	
20	B12395201	Earth Plate Side	
21	B12395301	Earth Plate Bottom	
22	225/10004/00	Thermostat Seal	
23	210/01064/16	Thermostat	
24	B12439601	Transformer Fuse Mounting Plate	N and P-voltage
25	70329401	Fuse Holder Body	N and P-voltage
26	802492	Fuse	N and P-voltage
27	70329501	Fuse Holder Cap	N and P-voltage
28	B12313001	Electrical Component Mounting Plate	
29	F8401301	Transformer	N and P-voltage

Electrical Component Mounting Plate - WE-8 and B-Series Models

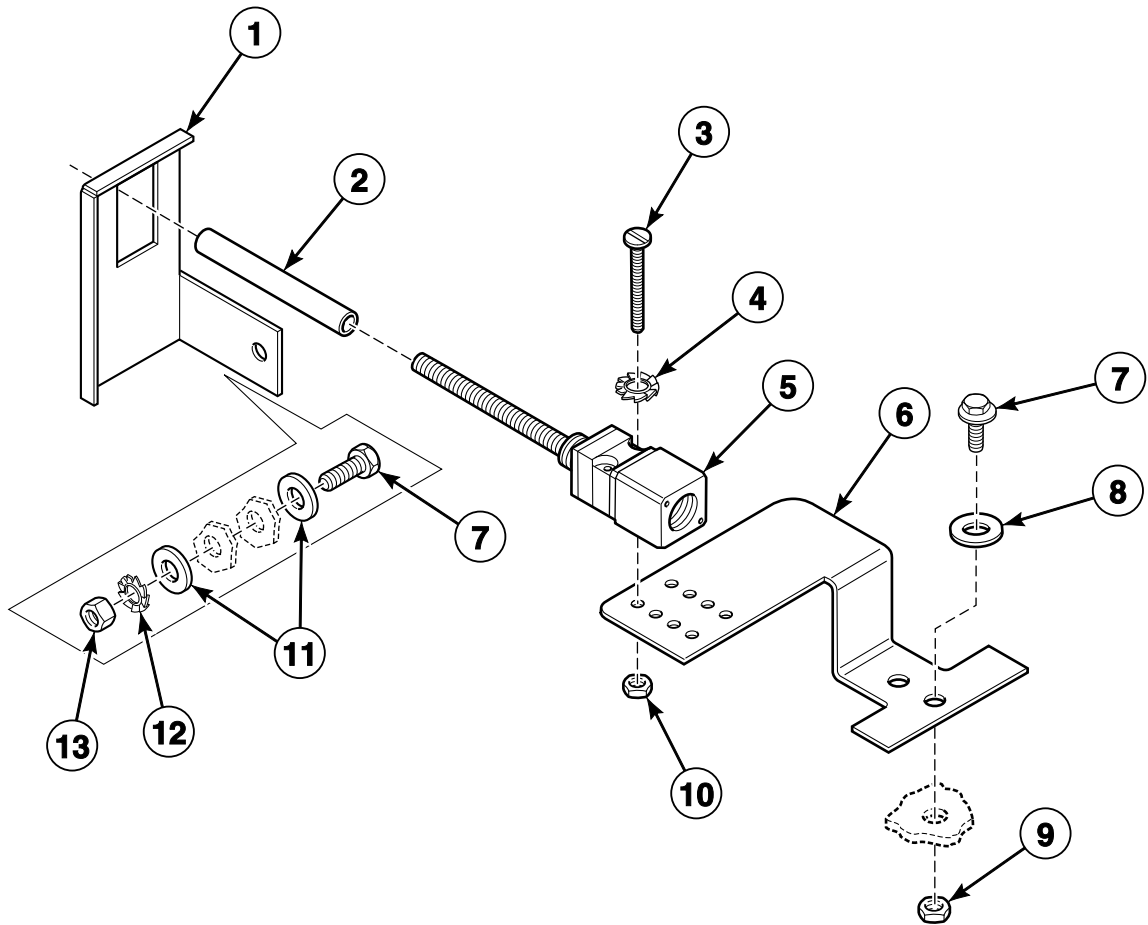


CFD2467P_D1578

Electrical Component Mounting Plate - WE-8 and B-Series Models

REF	PART NO.	DESCRIPTION	COMMENTS
	B12348303	Control Supply Harness	N and P-voltage
	B12348103	Control Supply Harness	C, Q and X-voltage
	B12381103	Main Control Tray Harness	
	B12392704	Direct Fill Harness	240 Volt
1	B12390301	Standoff	
2	223/00123/00	Washer	
3	B12393801	Screw	
4	B12565801	Main Control	
5	209/00372/01	Fuse	0.125 Amps
6	223/00173/10	Pressure Switch Hose Tee	
7	223/00333/00	Pressure Hose	
8	B12509701	Pressure Switch	Single lever; 300/255; Electric and steam heat
9	223/00035/02	Pressure Switch Cap	
10	202/00004/00	Washer	
11	208/00017/00	Rivet	
12	B12487101	Circuit Breaker	Electric heat; C and Q-voltage
13	209/06148/02	Heating Contactor	Electric heat
14	B12315301	DIN Rail	200 mm
15	208/00017/00	Rivet	
16	B12395201	Earth Plate Side	
17	B12395301	Earth Plate Bottom	
18	225/10004/00	Thermostat Seal	
19	210/01064/16	Thermostat	
20	70030501	Expansion Clip	
21	70329501	Fuse Holder Cap	N and P-voltage
22	802492	Fuse	N and P-voltage
23	70329401	Fuse Holder Body	N and P-voltage
24	B12439701	Transformer Fuse Mounting Plate	N and P-voltage
25	B12462901	Screw	
26	B12313002	Electrical Component Mounting Plate	
27	F8401301	Transformer	N and P-voltage

Balance Switch

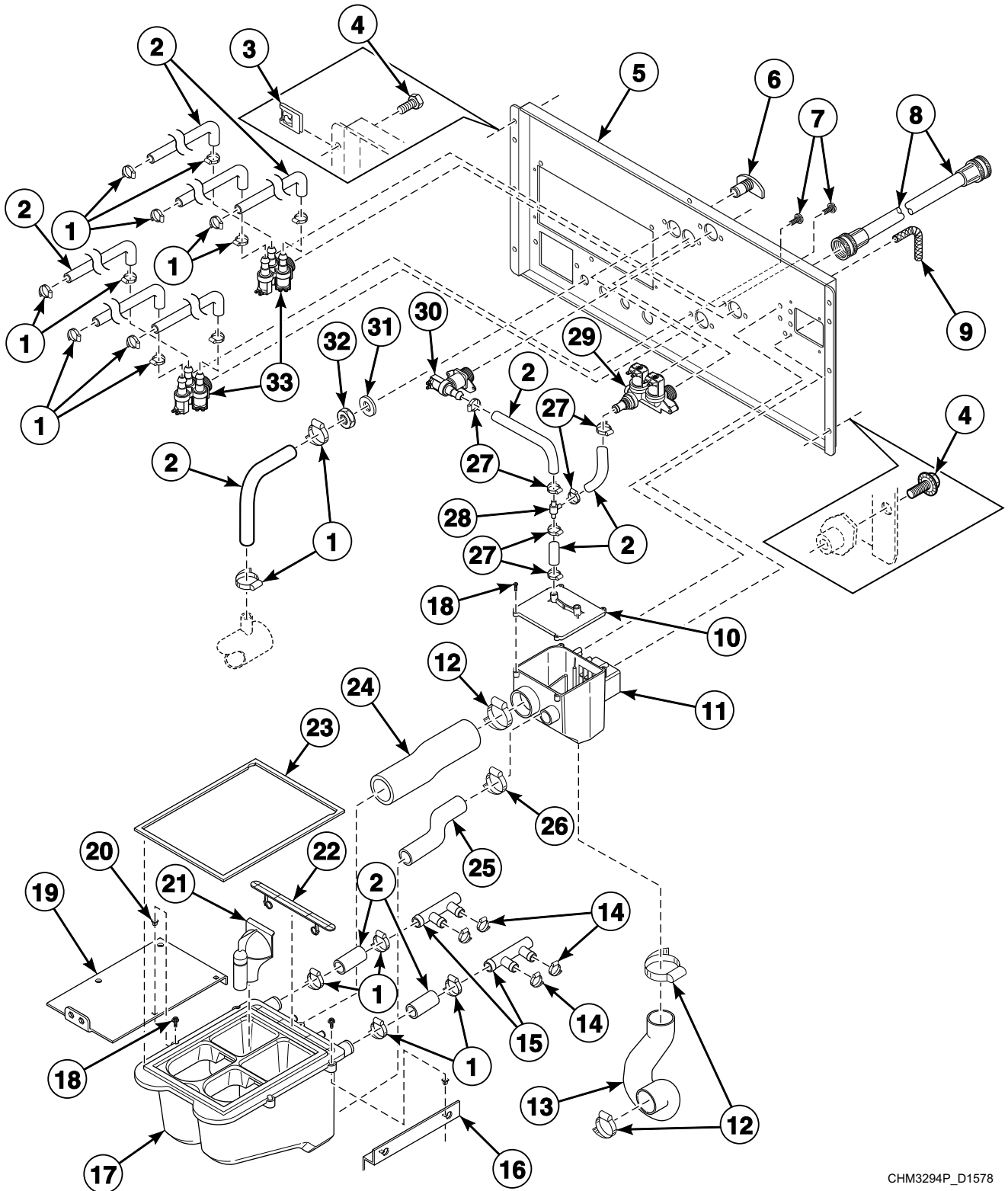


CFD622P_D1578

Balance Switch

REF	PART NO.	DESCRIPTION	COMMENTS
	B12349902	Out-of-Balance Switch Harness	
1	B12529501	Out-of-Balance Switch Bracket	
2	223/00246/00	Out-of-Balance Switch Boot	
3	207/00018/00	Screw	
4	203/00006/00	Washer	
5	209/00255/00	Out-of-Balance Switch	
6	B12430301	Tilt Switch Support	
7	205/00107/00	Bolt	
8	202/00101/00	Washer	
9	204/00009/00	Nut	
10	204/00007/00	Nut	
11	201/00010/00	Washer	
12	203/00003/00	Washer	
13	204/00004/00	Nut	

Fill Plumbing Assembly

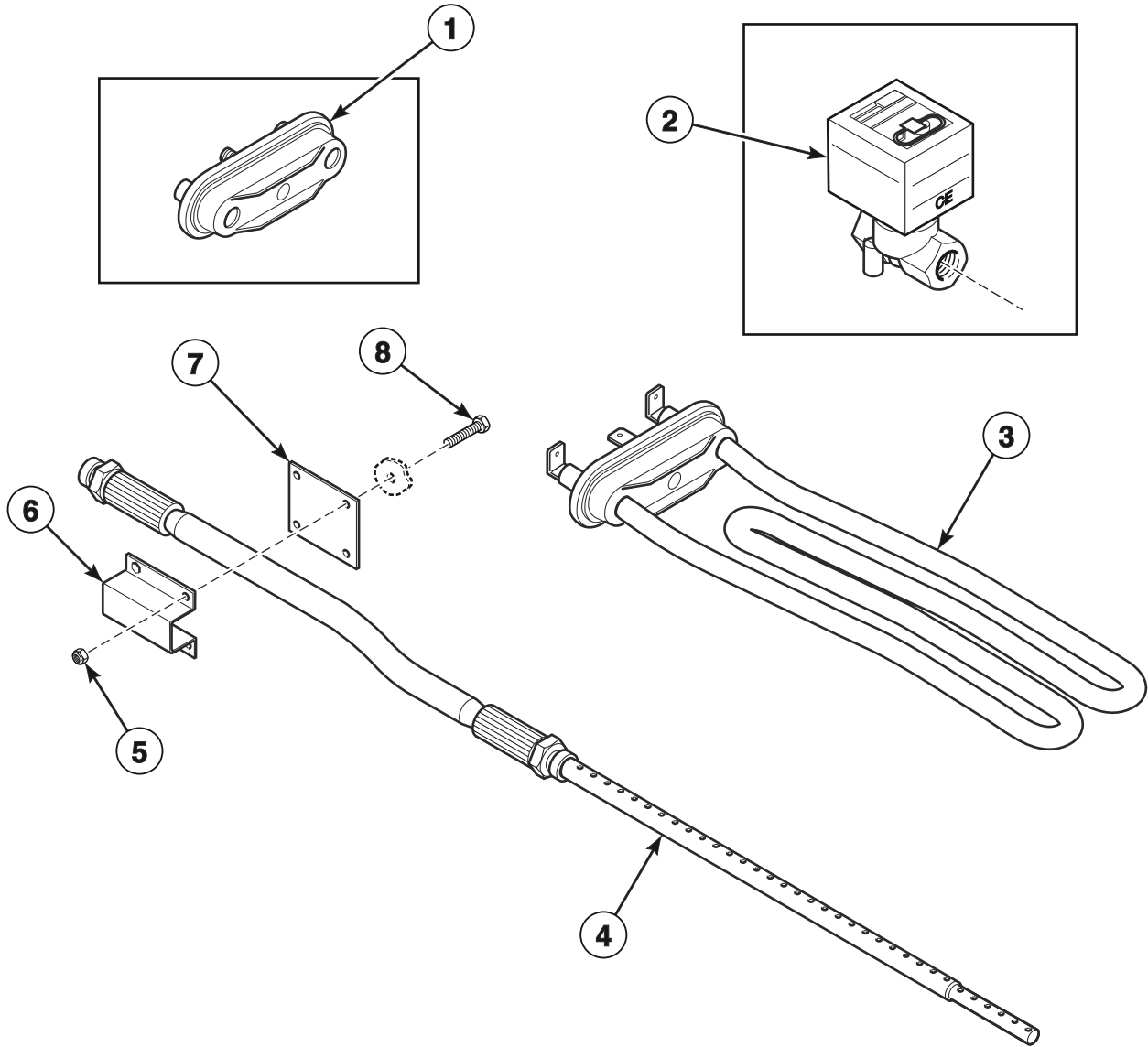


CHM3294P_D1578

Fill Plumbing Assembly

REF	PART NO.	DESCRIPTION	COMMENTS
	B12349202	Inlet Valve Harness	WE-8 and B-Series models
	B12349201	Inlet Valve Harness	Cygnus, PRO and STANDARD models
1	223/00010/00	Hose Clamp	
2	223/00044/01	Water Hose	
3	70030501	Expansion Clip	
4	B12462901	Screw	
5	B12354601	Backbridge	
6	223/00001/04	Prewash and Mainwash Nozzle	
7	206/00027/00	Bolt	
8	F200164	Water Hose	Standard thread
	F200166	Water Hose	Metric thread
9	B12687401	Pressure Hose	
10	F8439301	Vacuum Breaker Cover	
11	F8048601	Vacuum Breaker Assembly	Includes item 10
12	223/00014/00	Hose Clamp	
13	B12324403	Siphon Break Hose	
14	223/00011/00	Hose Clamp	
15	F8333201	Manifold	
16	B12316401	Supply Dispenser Support	
17	F8047401	Dispenser Assembly	
18	B12462801	Screw	
19	B12337301	Supply Dispenser Mounting Plate	
20	B12463001	Insert	
21	F8047901	Siphon Cover	
22	F8047801	Access Cover	
23	F8308301	Dispenser Gasket	
24	B12390005	Vacuum Supply Hose	
25	B12313304	Dispenser Overflow Hose	
26	223/00223/00	Hose Clamp	
27	223/00013/00	Hose Clamp	
28	223/00041/00	Water Inlet Tee	
29	F8434001	Mixing Valve	Standard thread
	F8434002	Mixing Valve	Metric thread
30	209/00276/00	Inlet Valve	1-way; Metric thread; Hard water rinse optional
	223/00050/01	Water Valve Adapter	Standard thread
31	201/00002/00	Washer	
32	204/00201/00	Nut	
33	F8286401	3-Way Valve	Standard thread
	B12496201	Inlet Valve	3-way; Metric thread

Steam and Electric Heating Options

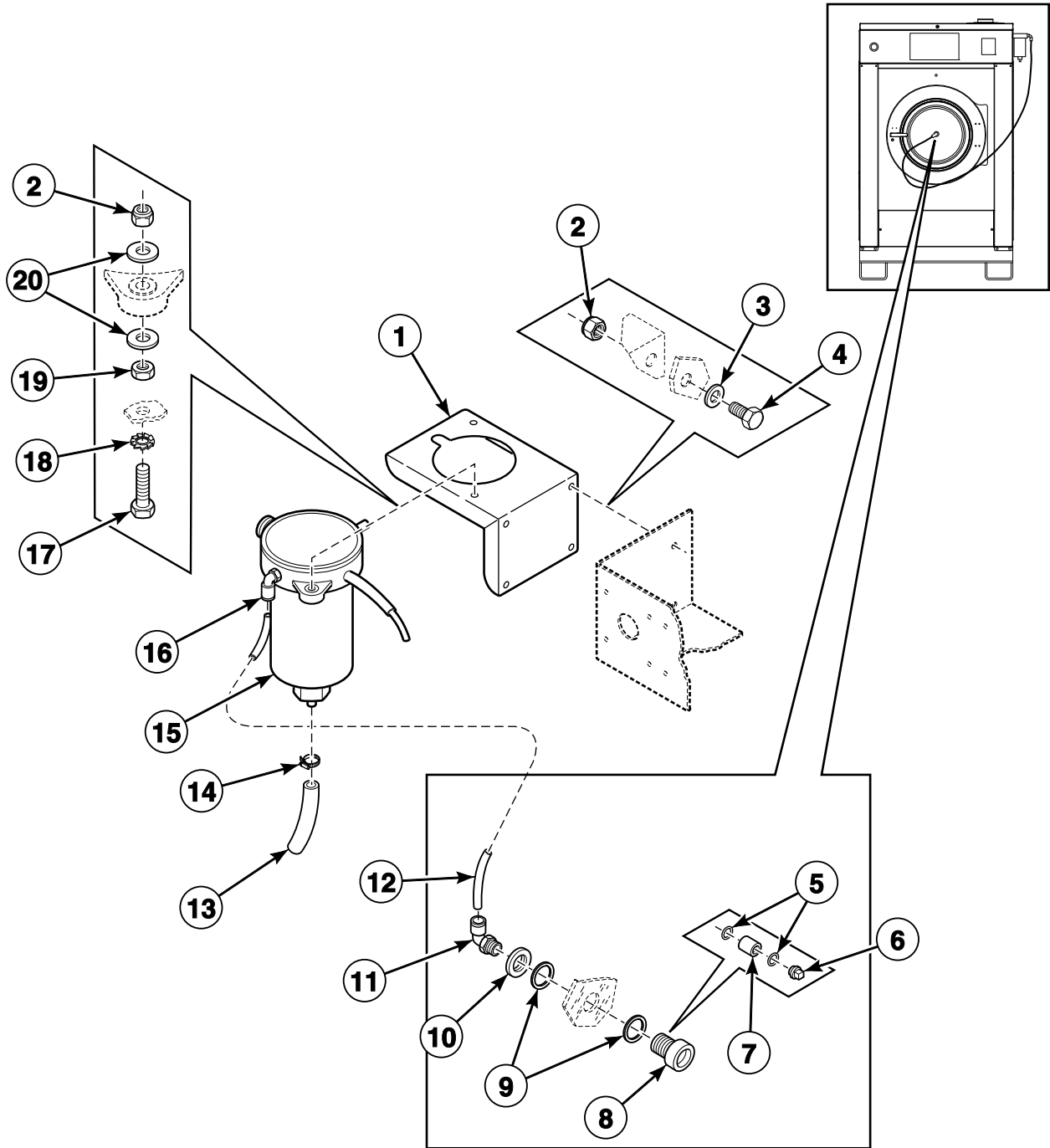


CFD2457P_D1578

Steam and Electric Heating Options

REF	PART NO.	DESCRIPTION	COMMENTS
	B12551001	Steam Heat Kit	Includes items 2, 4-8, 209/06148/02 Heating Contactor, B12382302 Steam Valve Harness, B12349701 Steam Heat Harness, B12349702 Steam Heat Harness, B12315301 DIN Rail, 209/00633/02 End Stop, 223/00173/10 Pressure Switch Hose Tee, 223/00333/00 Pressure Hose, B12509701 Pressure Switch, 211/00181/00 Strain Relief Connector and 211/00170/00 Nut
	B12308001	Relay	Steam heat
	B12382302	Steam Valve Harness	
	B12348501	Branch Harness	Electric heat; N and P-voltage
	B12348502	Branch Harness	Electric heat; C-voltage
	B12349604	Electric Heat Harness	WE-8 and B-Series models
	B12349603	Electric Heat Harness	Cygnus, PRO and STANDARD models
	B12349704	Steam Heat Harness	WE-8 and B-Series models
	B12349703	Steam Heat Harness	Cygnus, PRO and STANDARD models
	B12349802	Dual Heat Harness	WE-8 and B-Series models
	B12349803	Dual Heat Harness	Cygnus, PRO and STANDARD models
	B12381204	Power Jumper Harness	Electric heat; Q-voltage
	B12455904	Heat Harness	Electric heat; 1; C, N and P-voltage
	B12455905	Heat Harness	Electric heat; 2; C, N and P-voltage
1	F360202	Heating Element Plug	
2	209/00476/00	Steam Valve	
3	209/00562/20	Heating Element	3 kW; 240 Volt; C, N, P and Q-voltage
4	119/00087/50	Steam Injector	
5	206/00101/00	Nut	
6	111/00155/10	Bracket Support	
7	111/00155/00	Steam Bracket	
8	206/00104/00	Screw	

Spray Pump



CFD630P_D1578

Spray Pump

REF	PART NO.	DESCRIPTION	COMMENTS
1	111/10179/00	Spray Pump Mounting Plate	
2	204/00009/00	Nut	
3	201/00007/00	Washer	
4	205/00107/00	Bolt	
5	223/00177/00	O-Ring	
6	223/00178/00	Soap Injector Orifice	
7	211/00126/00	Soap Injector Orifice Nipple	
8	211/00127/00	Soap Injector Connector	
9	223/00176/00	O-Ring	
10	211/10106/00	Nut	
11	223/00182/00	Soap Injector Coupling	
12	223/00180/00	Soap Injector Hose	
13	223/00179/10	Pressure Hose	
14	F140605	Cable Tie	
15	209/00369/00	Liquid Soap Spray Pump	
16	223/00181/00	Soap Injector Elbow Coupling	
17	205/00103/00	Bolt	
18	203/00004/00	Washer	
19	204/00106/00	Nut	
20	202/00101/00	Washer	

Parts Index

A

Access Cover F8047801	53
Air Inlet B12342501	41
Air Inlet Bottom B12342701	41

B

Backbridge B12354601	37, 41, 53
Ball Bearing 212/00004/00	13
Base Assembly B12512301	7
Basket B12527901	11, 15
Bearing F100134	13
Bearing and Seal Kit 3884P	13
Bearing Housing Assembly 139/10006/00	13
Bearing Replacement Tool Kit 381P3P	13
381P3-1	13
Belt 226/00149/00	15, 17
Bolt 205/00102/00	13
205/00103/00	11, 19, 37, 57
205/00104/00	13, 23
205/00105/00	37
205/00107/00	51, 57
206/00003/00	17
206/00004/00	15
206/00006/00	17
206/00009/00	19
206/00014/00	13
206/00027/00	53
206/00032/00	11
206/00042/00	37
206/00066/00	11
206/00071/00	11
206/00072/00	17
206/00087/00	9
206/00088/00	41
206/00153/00	9
224/00046/00	9
248/00114/00	13
Bracket Support 111/00155/10	55
Branch Harness B12348501	55
B12348502	55

C

Cable Tie F140605	57
Caddy Bracket 224/00051/00	13
224/00052/00	13
Central Control Board 209/00438/50	45
Central Payment Harness B12531401	35
Central Payment Key Switch Harness B12531201	35
Circuit Board Cover 229/00262/50	35
Circuit Breaker B12487101	47, 49
Clip 224/00052/00	13
Coin Drop Power Harness B12530201	35
Computer Board 9002063	35
Contact Harness B12491701	25, 27, 29, 31, 33
B12491801	25, 27, 29, 31, 33
Contact Switch 209/00029/26	25, 27, 29, 31, 33
209/00099/26	25, 27, 29, 31, 33
Control Board B12355701	47
Control Communication Harness B12348801	47
Control Panel B12571901	31
Control Supply Harness B12348102	47
B12348103	49
B12348301	47
B12348303	49
B12381402	47
Control Supply Harness B12348101	47
Counter Ring 219/00004/00	15
Counterweight 115/00140/00	11

D

Data Card Ribbon Assembly B12538301	25, 27, 29
Datocard 209/02024/00	25, 27, 29
Datocard Cover 223/00348/00	25, 27
Detergent PC-Board 209/02005/00	43
209/02008/00	43

N/A items do not appear in index.

DIN Rail	
B12315301.....	47, 49
B12315401.....	43, 45
Direct Fill and Central Payment Harness	
B12531301.....	35
Direct Fill Harness	
B12392701.....	47
B12392704.....	49
B12392705.....	35
Dispenser Assembly	
F8047401.....	53
Dispenser Gasket	
F8308301.....	53
Dispenser Overflow Hose	
B12313304.....	53
Display	
209/00580/03.....	33
Display PC-Board	
209/02002/ZB2.....	25
Door Frame	
B12337201.....	23
Door Front Panel	
111/05015/00.....	11
Door Glass	
B12449801.....	23
Door Glass Seal	
223/00068/00.....	23
Door Handle	
B12336301.....	23
B12336302.....	23
Door Handle Stop	
217/00016/00.....	23
Door Hinge Block	
253/00022/00.....	23
Door Hinge Blocking Plate	
B12565001.....	23
Door Hinge Spacer	
118/00122/00.....	23
118/00124/00.....	23
Door Lock Assembly	
B12517701.....	21
Door Lock Harness	
B12495001.....	21
B12495002.....	21
Door Lock PC-Board	
B12388201.....	25, 27, 29, 31
Door Solenoid Assembly	
B12518101.....	21
Drain Pipe	
223/00106/00.....	19
Drain Tub to Drain Valve Hose	
B12403201.....	19
Drain Valve	
209/00075/00.....	19
Drain Valve Cover	
223/00225/00.....	19
Drain Valve Fuse Harness	
B12495801.....	19
Drain Valve Harness	
B12349401.....	19
Drain Valve Motor	
209/00051/11.....	19
Drain Valve Overflow Plug	
223/00086/00.....	19

N/A items do not appear in index.

Drain Valve Plate Assembly	
114/00010/00.....	19
Drain Valve to Drain Tube Hose	
223/00328/00.....	19
Drive Source Harness	
B12495601.....	41
B12495602.....	41
Drive Stop or Bypass Harness	
B12348904.....	35
Dual Drain Kit	
B12428201.....	19
Dual Heat Harness	
B12349802.....	55
B12349803.....	55
Dual Heat Sticker	
B12523901.....	25, 27, 29, 31

E

Earth Plate Bottom	
B12395301.....	47, 49
Earth Plate Side	
B12395201.....	47, 49
Electric Heat Harness	
B12349603.....	55
B12349604.....	55
Electrical Component Mounting Plate	
B12313001.....	47
B12313002.....	49
End Stop	
209/00633/02.....	43, 45
E-Stop Drive Fan Harness	
B12501501.....	41
B12501502.....	41
E-Stop Drive Harness	
B12348903.....	33
E-Stop Harness	
B12348901.....	25, 27, 29, 31
B12348902.....	33
Ethernet Cable	
B12350101.....	41
Expansion Clip	
70030501.....	47, 49, 53
Extension Board Kit	
B12529201.....	43

F

Fan	
209/00465/00.....	41
Fan Mounting Plate	
B12357201.....	41
Flat Cable	
9001417.....	35
Flat Cable Plate	
B12382501.....	43
Front Panel	
111/01004/00.....	35
Fuse	
B12360001.....	47
B12389501.....	41
209/00372/01.....	49

209/00468/00	41
802492	47, 49
9001379	35
Fuse Holder Body	
70329401	47, 49
Fuse Holder Cap	
70329501	47, 49

G

Gasket	
246/00092/00	11
246/00149/00	37
Ground Lug Connector	
M411283	43, 45

H

Hardware Kit	
F407P4	13
Heat Harness	
B12455904	55
B12455905	55
Heating Contactor	
209/06148/02	47, 49
Heating Element	
209/00562/20	55
Heating Element Plug	
F360202	55
Hinge	
221/00004/00	23
Hose Clamp	
223/00010/00	53
223/00011/00	53
223/00012/00	19
223/00013/00	19, 53
223/00014/00	53
223/00071/00	19
223/00223/00	53

I

ID Chip	
209/02020/00	47
Infrared Cable	
210/00902/00	25, 27, 29, 31
Inlet Valve	
B12496201	53
209/00276/00	53
Inlet Valve Harness	
B12349201	53
B12349202	53
Insert	
B12463001	53
Insulating Sticker	
229/00255/00	35
229/00268/00	25
229/00291/00	27
Inverter	
227/00230/00	41
227/00238/00	41

Inverter Air Inlet Filter Frame	
B12346701	41
B12372401	41
Inverter Air Inlet Filter Grill	
B12382401	41
Inverter Drive	
F8420919	41
F8420920	41
Inverter Drive Box	
B12333201	41

K

Key	
212/00026/00	15
70155603	39
Key Switch Harness	
B12495501	33
Kickplate	
111/32943/00	37

L

Left Front Panel	
111/32951/50	37
Lip Seal	
B12332301	13
Liquid Soap Spray Pump	
209/00369/00	57
Logo Decal	
225/00436/00	33
Lower Rear Panel	
B12354701	39

M

Magnet	
B12389701	23
Main Control	
B12565801	49
9002098	35
Main Control Tray Harness	
B12381101	47
B12381103	49
Main Switch Cover	
B12312501	37
Manifold	
F8333201	53
Memory Card PC-Board	
B12305201	25, 27, 29
Microswitch	
209/00273/00	21
Mixing Valve	
F8434001	53
F8434002	53
Motor	
B12527801	17
Motor Harness	
B12382103	17

N/A items do not appear in index.

Motor Plate	
115/10126/00	17
Mounting Plate	
223/00374/00	25, 27, 29, 31
Mushroom Pushbutton	
209/00248/00	33
209/00248/20	25, 27, 29, 31

N

Nameplate	
B12389801	25, 27, 29, 31
B12389806	25, 27, 29
Network Board	
B12344201	43
Network Connection Wiring	
B12390201	47
Network Kit	
B12529301	43
Noise and Vibration Reduction Kit	
B12612101	37
Noise Filter	
B12339401	41
227/00242/00	41
Nut	
B12509101	39
204/00004/00	19, 51
204/00007/00	51
204/00008/00	33
204/00009/00	11, 37, 51, 57
204/00011/00	37, 41
204/00012/00	9
204/00014/00	41
204/00016/00	9
204/00019/00	9, 17
204/00106/00	19, 23, 37, 57
204/00109/00	37
204/00111/00	11, 17
204/00113/00	9, 11, 13, 17
204/00114/00	41
204/00116/00	25, 27, 29, 31, 33, 43, 45
204/00201/00	53
206/00101/00	37, 43, 45, 55
211/00170/00	41
211/00183/00	17, 41
211/10106/00	57
9001269	35

O

Operating Panel	
B12384101	25
B12384201	27
B12385601	29
B12436401	33
Operating Sticker	
B12382701	29
B12382801	29
B12383001	29
B12383101	29
B12383301	27
B12383401	27
B12383601	25
B12383701	25

B12531801	29
B12531901	27
B12532001	25
B12534801	27
B12583501	25
Operation Panel	
B12523401	35
B12540601	35
O-Ring	
217/00021/00	23
223/00176/00	57
223/00177/00	57
Outlet Pipe Plate Assembly	
101/00007/00	19, 37
Out-of-Balance Switch	
209/00255/00	51
Out-of-Balance Switch Boot	
223/00246/00	51
Out-of-Balance Switch Bracket	
B12529501	51
Out-of-Balance Switch Harness	
B12349902	51
Overflow Hose	
223/00131/00	19
Overlay	
B12524901	35
B12574901	31
F8435601	33
225/000435/00	33
225/00388/00	33

P

Panel Lock	
44089303	39
Parameter Unit Assembly	
227/00171/00	41
Parameter Unit Program Cable	
227/00171/10	41
Plexi Frame	
225/00321/00	25
225/00322/00	29, 31
225/00323/00	27
Power Jumper Harness	
B12381204	55
Pressure Hose	
B12687401	53
223/00179/10	57
223/00333/00	19, 47, 49
Pressure Switch	
B12509701	47, 49
Pressure Switch Cap	
223/00035/02	19, 47, 49
Pressure Switch Hose Tee	
223/00173/10	47, 49
Prewash and Mainwash Nozzle	
223/00001/04	53
Printboard	
B12341801	47
209/02001/02	29, 31
209/02015/02	27
Printboard Separator	
211/00128/00	25, 27, 29

N/A items do not appear in index.

Printboard Support B12312401	43, 45
Printboard Support Card 111/01893/00	25, 27
Programming Cable B12388303	35
Programming Key Contact Switch 209/00326/20	33
Protection LED 223/00330/00	29, 31
Pulley	
185/00086/00	17
226/00148/00	15
239/00013/00	15

R

Reed Switch Holder B12517601	21
Relay B12308001	55
Relay PC-Board	
209/02014/00	43
209/02016/00	43
Retainer Ring	
212/00006/00	13
212/00037/00	13
Ribbon Assembly	
B12388301	43
B12388302	33
B12388305	33
Right Front Panel 111/32957/50	37
Rivet	
B12500301	23
208/00017/00	41, 43, 45, 47, 49

S

Screw	
B12393801	43, 45, 47, 49
B12462801	53
B12462901	37, 47, 49, 53
B12500601	37
B12500801	23
206/00049/00	17
206/00056/00	15
206/00104/00	37, 39, 41, 43, 45, 55
207/00018/00	51
207/00102/00	21
207/00126/00	23
Seal Plate Assembly B12333701	13
Shipping Brace 114/00024/00	7
Shock Absorber 247/00008/00	9
Shock Absorber Service Kit B12419101	9
Side Panel B12516901	37, 39

Siphon Break Hose B12324403	53
Siphon Cover F8047901	53
Soap Board Harness B12495702	45
Soap Dispenser Cover Hinge Rod 223/00103/04	39
Soap Injection PCB with Fuse 209/00218/13	45
Soap Injector Connector 211/00127/00	57
Soap Injector Coupling 223/00182/00	57
Soap Injector Elbow Coupling 223/00181/00	57
Soap Injector Hose 223/00180/00	57
Soap Injector Orifice 223/00178/00	57
Soap Injector Orifice Nipple 211/00126/00	57
Spacer	
B1239031	45
115/00151/00	11
211/00140/00	33
9001425	35
Speed Detector 210/00074/00	13
Speed Detector Bracket 152/00055/00	13
Spray Pump Mounting Plate 111/10179/00	57
Standoff	
B12390301	43, 47, 49
211/00122/00	25, 27
211/00145/00	25, 27
Steam Bracket 111/00155/00	55
Steam Heat Harness	
B12349703	55
B12349704	55
Steam Heat Kit B12551001	55
Steam Injector 119/00087/50	55
Steam Valve 209/00476/00	55
Steam Valve Harness B12382302	55
Supply Dispenser Cover	
B12319101	39
B12356701	39
Supply Dispenser Cover Frame B12597501	39
Supply Dispenser Crossbar B12354902	37
Supply Dispenser Mounting Plate B12337301	53
Supply Dispenser Support B12316401	53
Support B12418401	9

N/A items do not appear in index.

Suspension Spring B12456301	9
Switch Knob 209/00099/29	25, 27, 29, 31

T

Telem Sticker 209/00520/00	25, 27, 29, 31, 33
Terminal Block 209/01624/00	43, 45
209/01625/00	43, 45
Terminal End 209/01625/01	43, 45
Thermostat 210/01064/16	47, 49
Thermostat Seal 225/10004/00	47, 49
Threaded Rod B12511601	9, 17
Tilt Switch Support B12430301	51
Top Cover Hinge B12487401	37
Top Cover Latch F8201001	37
Top Panel B12527401	39
111/01003/00	35
Transformer F8401301	47, 49
201616	47
Transformer Fuse Mounting Plate B12439601	47
B12439701	49
Tub B12528301	11
B12528302	11
B12528303	11
B12528304	11
119/00251/00	11
Tub Clamp Ring 238/00011/00	11
Tub Front 138/00001/00	11
Tub Front Gasket B12351601	11
Tub Front Mounting Strap 115/00161/00	11
Tub Front Panel Clip 217/00008/00	11
Tub Mounting Strap 137/00008/00	11
Tub Support Frame B12512701	7

V

Vacuum Breaker Assembly F8048601	53
Vacuum Breaker Cover F8439301	53

N/A items do not appear in index.

Vacuum Supply Hose B12390005	53
Valve, 3-Way F8286401	53
Voltage Discharge Decal B12355001	41

W

Washer 201/00001/00	9, 11, 13
201/00002/00	17, 53
201/00004/00	17
201/00007/00	11, 57
201/00010/00	9, 37, 51
201/00011/00	15
201/00102/00	13
201/00201/00	13
202/00002/00	19
202/00003/00	13
202/00004/00	41, 43, 45, 47, 49
202/00101/00	23, 51, 57
202/00104/00	23
202/00112/00	11
203/00001/00	15
203/00003/00	19, 51
203/00004/00	13, 19, 37, 57
203/00006/00	41, 51
203/00007/00	33
223/00123/00	25, 27, 29, 31, 33, 43, 45, 47, 49
Water Hose F200164	53
F200166	53
223/00044/01	53
Water Inlet Tee 223/00041/00	53
Water Valve Adapter 223/00050/01	53
Wiring Earth for Inverter B12456001	43
Wiring Earth for Tub B12456002	45