

# Tumble Dryers

Stacked 285 Liters (13 Kg) Capacity

Top Pocket 285 Liters (13 Kg) Capacity

Refer to Page 3 for Model Numbers



# Table of Contents

Title	Page
Parts Ordering Information .....	2
Serial Plate Location.....	2
Model Identification.....	3
Front Panels - Top Pocket Models .....	4
Front Panels - Stacked Models.....	6
Full Control Components .....	8
Easy Control Components Without Coin Meter .....	10
Easy Control Components With Coin Meter .....	12
Coin Meter (Drawing 1 of 3).....	14
Coin Meter (Drawing 2 of 3).....	16
Coin Meter (Drawing 3 of 3).....	18
Cabinet - Top Pocket Models .....	20
Cabinet - Stacked Models.....	22
Drum Assembly .....	24
Door Assembly .....	26
Electric Heat Components .....	28
Gas Heat Components - Models Through Serial Nos. 13TD005312QB, 13TA000340QB .....	30
Gas Heat Components - Models Starting Serial Nos. 13TD005313QB, 13TA000341QB (Drawing 1 of 2).....	32
Gas Heat Components - Models Starting Serial Nos. 13TD005313QB, 13TA000341QB (Drawing 2 of 2).....	34
Steam Heat Components .....	36
Ventilator.....	38
Exhaust.....	40
Drive System .....	42
Electric Box Components - Electric and Steam Models .....	44
Electric Box Components - Gas Models .....	46
Under Pressure Clutch .....	48
Humidity Sensor .....	50
WiFi Connection - Option.....	52
Stand .....	54
Traveling Stand.....	56
Parts Index.....	59

© Copyright 2022, Alliance Laundry Systems LLC

All rights reserved. No part of the contents of this book may be reproduced or transmitted in any form or by any means without the expressed written consent of the publisher.

# Parts Ordering Information

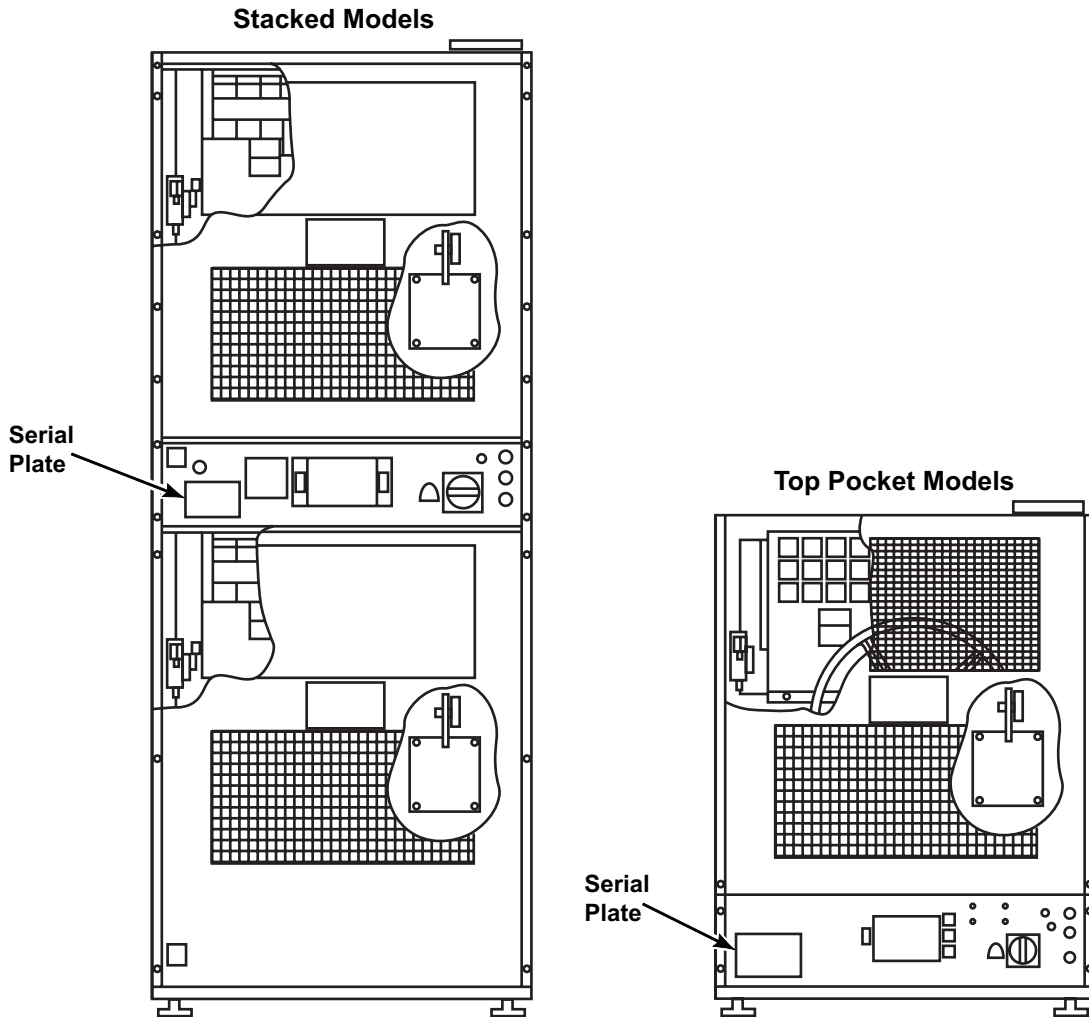
If literature or replacement parts are required, contact the source from whom the machine was purchased or contact Alliance Laundry Systems at (920) 748-3950 for the name and address of the nearest authorized parts distributor.

For technical assistance, call the number listed below:

(920) 748-3121 Ripon, Wisconsin

## Serial Plate Location

When calling or writing about your product, be sure to mention model and serial numbers. Model and serial numbers are located on serial plate(s) as shown.



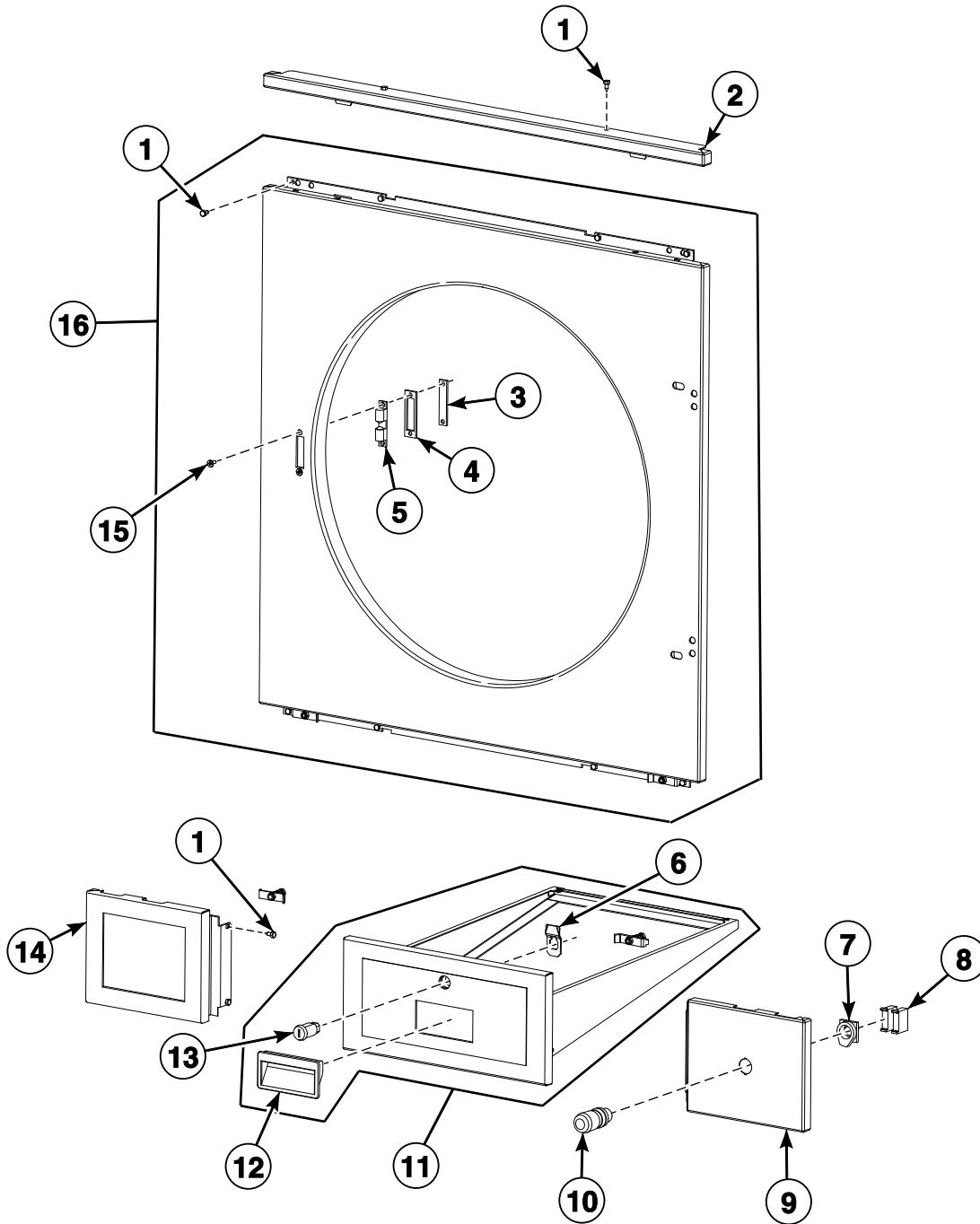
TMB3423P\_D1940

## Model Identification

Information in this manual is applicable to these tumbler models:

IDD285	LCD28SE	NHS28LE	PXD28SF	SHD28LF
LSD300	LCD28WE	NHS28LF	PXD28WE	SHD28NE
LSMS13	NCD28EE	NHD28NE	PXD28WF	SHD28NF
SDD285	NCD28EF	NHD28NF	PHD28EE	SHD28SE
UDD285	NCS28EE	NHS28NE	PHD28EF	SHD28SF
T13/13	NCS28EF	NHS28NF	PHS28EE	SHD28WE
TAMS13	NCD28LE	NHD28SE	PHS28EF	SHD28WF
ICD28EE	NCD28LF	NHD28SF	PHD28LE	UCD28EE
ICD28EF	NCS28LE	NHD28WE	PHD28LF	UCD28EF
ICD28LE	NCS28LF	NHD28WF	PHS28LE	UCD28LE
ICD28LF	NCD28NE	PCD28EE	PHS28LF	UCD28LF
ICD28NE	NCD28NF	PCD28EF	PHD28NE	UCD28NE
ICD28NF	NCS28NE	PCS28EE	PHD28NF	UCD28NF
ICD28SE	NCS28NF	PCS28EF	PHS28NE	UCD28SE
ICD28SF	NCD28SE	PCD28LE	PHS28NF	UCD28SF
ICD28WE	NCD28SF	PCD28LF	PHD28SE	UCD28WE
ICD28WF	NCD28WE	PCS28LE	PHD28SF	UCD28WF
IUD28EE	NCD28WF	PCS28LF	PHD28WE	UUD28EE
IUD28EF	NUD28EE	PCD28NE	PHD28WF	UUD28EF
IUD28SE	NUD28EF	PCD28NF	SCD28EE	UUD28SE
IUD28SF	NUS28EE	PCS28NE	SCD28EF	UUD28SF
IUD28WE	NUS28EF	PCS28NF	SCD28LE	UUD28WE
IUD28WF	NUD28SE	PCD28SE	SCD28LF	UUD28WF
IXD28EE	NUD28SF	PCD28SF	SCD28NE	UXD28EE
IXD28EF	NUD28WE	PCD28TE	SCD28NF	UXD28EF
IXD28LE	NUD28WF	PCD28WE	SCD28SE	UXD28LE
IXD28LF	NXD28EE	PCD28WF	SCD28SF	UXD28LF
IXD28NE	NXD28EF	PUD28EE	SCD28WE	UXD28NE
IXD28NF	NXS28EE	PUD28EF	SCD28WF	UXD28NF
IXD28SE	NXS28EF	PUS28EE	SUD28EE	UXD28SE
IXD28SF	NXD28LE	PUS28EF	SUD28EF	UXD28SF
IXD28WE	NXD28LF	PUD28SE	SUD28SE	UXD28WE
IXD28WF	NXS28LE	PUD28SF	SUD28SF	UXD28WF
IHD28EE	NXS28LF	PUD28WE	SUD28WE	UHD28EE
IHD28EF	NXD28NE	PUD28WF	SUD28WF	UHD28EF
IHD28LE	NXD28NF	PXD28EE	SXD28EE	UHD28LE
IHD28LF	NXS28NE	PXD28EF	SXD28EF	UHD28LF
IHD28NE	NXS28NF	PXS28EE	SXD28LE	UHD28NE
IHD28NF	NXD28SE	PXS28EF	SXD28LF	UHD28NF
IHD28SE	NXD28SF	PXD28LE	SXD28NE	UHD28SE
IHD28SF	NXD28WE	PXD28LF	SXD28NF	UHD28SF
IHD28WE	NXD28WF	PXS28LE	SXD28SE	UHD28WE
IHD28WF	NHD28EE	PXS28LF	SXD28SF	UHD28WF
LCD28EE	NHD28EF	PXD28NE	SXD28WE	
LCD28EF	NHS28EE	PXD28NF	SXD28WF	
LCD28LE	NHS28EF	PXS28NE	SHD28EE	
LCD28NE	NHD28LE	PXS28NF	SHD28EF	
LCD28NF	NHD28LF	PXD28SE	SHD28LE	

# Front Panels - Top Pocket Models

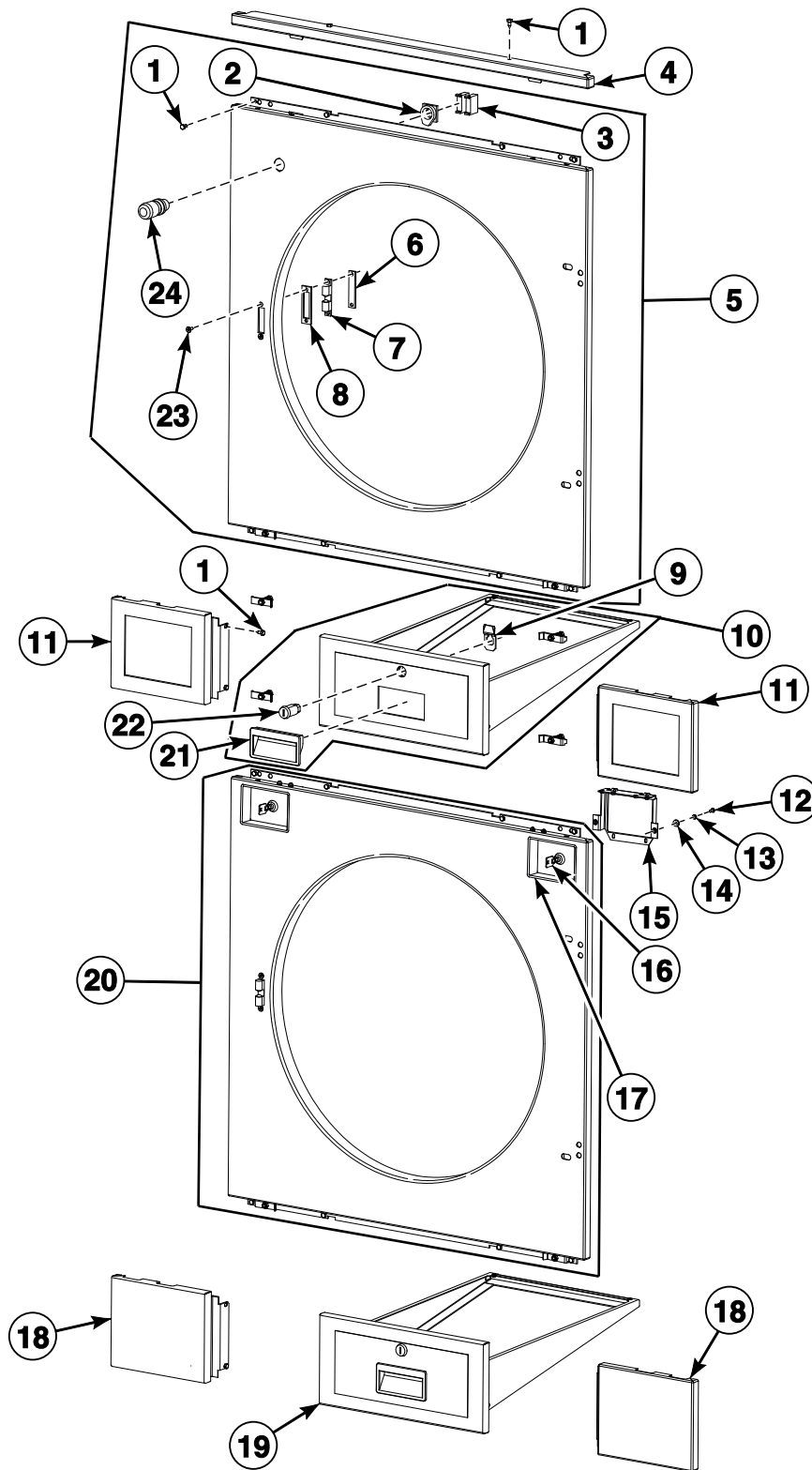


TMB3404P\_D1940

## Front Panels - Top Pocket Models

REF	PART NO.	DESCRIPTION	COMMENTS
1	SP514061	Screw	
2	SP525615	Lath	Stainless steel
	SP561102	Lath	Gray
3	SP514906	Washer	
4	SP524366	Washer	
5	SP514530	Latch	
6	SP520811	Latch	
7	SP528311	Emergency Stop Connector	
8	SP528312	Switching Unit	
9	SP530444	Lower Side Panel	Stainless steel; For external payment system
	SP561101	Lower Side Panel	Gray; For external payment system
	SP530445	Lower Side Panel	Stainless steel; With emergency stop; For internal payment system
	SP561122	Lower Side Panel	Gray; With emergency stop; For internal payment system
10	SP528310	Emergency Stop Knob	
11	SP529051	Filter Panel Assembly	Includes items 6, 12 and 13; Standard filter; Stainless steel
	SP560181	Filter Panel Assembly	Includes items 6, 12 and 13; Standard filter; Gray
	SP560166	Filter Panel Assembly	Includes items 6, 12 and 13; Fine filter; Stainless steel
	SP560175	Filter Panel Assembly	Includes items 6, 12 and 13; Fine filter; Gray
12	SP518707	Handle	Black
13	SPPRI610000007	Lock	
14	SP530443	Control Panel	Stainless steel
	SP557200	Control Panel	Gray
15	SP309966240410	Bolt	
16	SP524592	Front Panel Assembly	Includes items 1-5 and 15; Stainless steel
	SP557184	Front Panel Assembly	Includes items 1-5 and 15; Gray

# Front Panels - Stacked Models



TMB3405P\_D1940

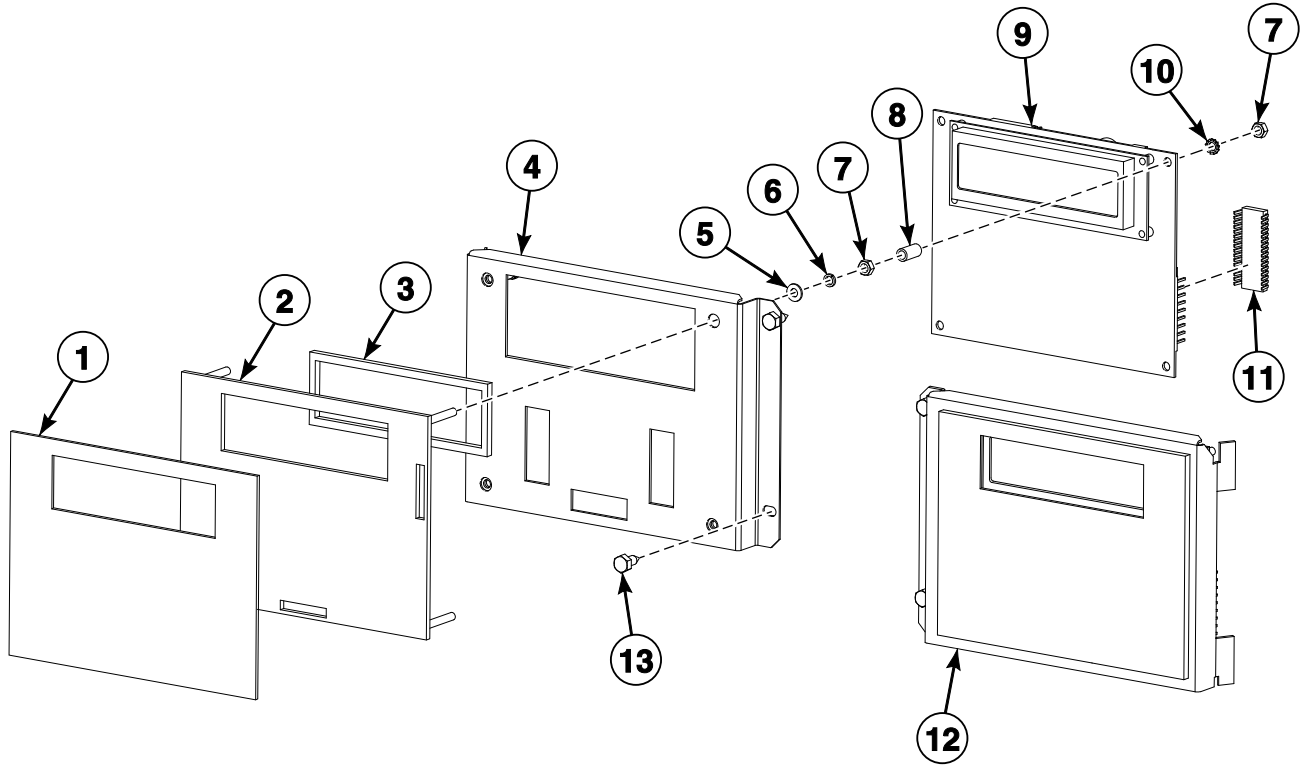


## Front Panels - Stacked Models

REF	PART NO.	DESCRIPTION	COMMENTS
1	SP514061	Screw	
2	SP528311	Emergency Stop Connector	
3	SP528312	Switching Unit	
4	SP525615	Lath	Stainless steel
	SP561102	Lath	P, N, T models; Gray
	524549	Lath	I, S, U models; Imitation stainless steel
5	SP524594	Front Panel Assembly	Right door opening; Stainless steel
	SP557198	Front Panel Assembly	P, N, T models; Right door opening; Gray
	524591	Front Panel Assembly	I, S, U models; Right door opening; Imitation stainless steel
	SP524592	Front Panel Assembly	For external payment systems; Coin; Stainless steel
	SP557184	Front Panel Assembly	P, N, T models; For ext.paym.syst.; Coin; Gray
	524530	Front Panel Assembly	I, S, U models; For ext. paym.syst.; Coin; Imitation stainless steel
	SP545565	Front Panel Assembly	Left door opening; Stainless steel
	SP561106	Front Panel Assembly	P, N, T models; Left door opening; Gray
	545564	Front Panel Assembly	I, S, U models; Left door opening; Imitation stainless steel
6	SP514906	Washer	
7	SP514530	Latch	
8	SP524366	Washer	
9	SP520811	Latch	
10	SP560168	Filter Panel Assembly	Standard filter; Stainless steel
	SP560182	Filter Panel Assembly	P, N, T models; Standard filter; Gray
	560167	Filter Panel Assembly	I, S, U models; Standard filter; Imitation stainless steel
	SP560170	Filter Panel Assembly	Standard filter; Coin; Stainless steel
	SP560183	Filter Panel Assembly	P, N, T models; Standard filter; Coin; Gray
	560169	Filter Panel Assembly	I, S, U models; Standard filter; Coin; Imitation stainless steel
	SP551722	Filter Panel Assembly	Fine filter; Stainless steel
	SP560176	Filter Panel Assembly	P, N, T models; Fine filter; Gray
	551721	Filter Panel Assembly	I, S, U models; Fine filter; Imitation stainless steel
	SP551724	Filter Panel Assembly	Fine filter; Coin; Stainless steel
	SP560177	Filter Panel Assembly	P, N, T models; Fine filter; Coin; Gray
	551723	Filter Panel Assembly	I, S, U models; Fine filter; Coin; Imitation stainless steel
	11	SP530443	Control Panel
SP557200		Control Panel	P, N, T models; Gray
530441		Control Panel	I, S, U models; Imitation stainless steel
12	N/A	Screw	
13	N/A	Washer	
14	N/A	Washer	
15	SP524394	Coin Vault Frame Bracket	Coin
16	SP515291	Coin Vault Cover	Coin
17	SP501514	Coin Vault Frame	Coin
18	SP530444	Lower Side Panel	Stainless steel
	SP561101	Lower Side Panel	P, N, T models; Gray
	530442	Lower Side Panel	I, S, U models; Imitation stainless steel
19	SP529051	Filter Panel Assembly	Standard filter; Stainless steel
	SP560181	Filter Panel Assembly	P, N, T models; Standard filter; Gray
	529049	Filter Panel Assembly	I, S, U models; Standard filter; Imitation stainless steel
	SP560166	Filter Panel Assembly	Fine filter; Stainless steel
	SP560175	Filter Panel Assembly	P, N, T models; Fine filter; Gray
	560165	Filter Panel Assembly	I, S, U models; Fine filter; Imitation stainless steel
20	SP524592	Front Panel Assembly	OPL; Stainless steel
	SP557184	Front Panel Assembly	P, N, T models; OPL; Gray
	524530	Front Panel Assembly	I, S, U models; OPL; Imitation stainless steel
	SP524593	Front Panel Assembly	Coin; Right door opening; Stainless steel
	SP557185	Front Panel Assembly	P, N, T models; Coin; Right door opening; Gray
	524553	Front Panel Assembly	I, S, U models; Coin; Right door opening; Imitation stainless steel
	SP545563	Front Panel Assembly	Coin; Left door opening; Stainless steel
	SP561105	Front Panel Assembly	P, N, T models; Coin; Left door opening; Gray
	545562	Front Panel Assembly	I, S, U models; Coin; Left door opening; Imitation stainless steel
21	SP518707	Handle	Black
22	SPPRI610000007	Lock	
23	SP309966240410	Bolt	
24	SP528310	Emergency Stop Knob	

N/A = Part no longer available

# Full Control Components

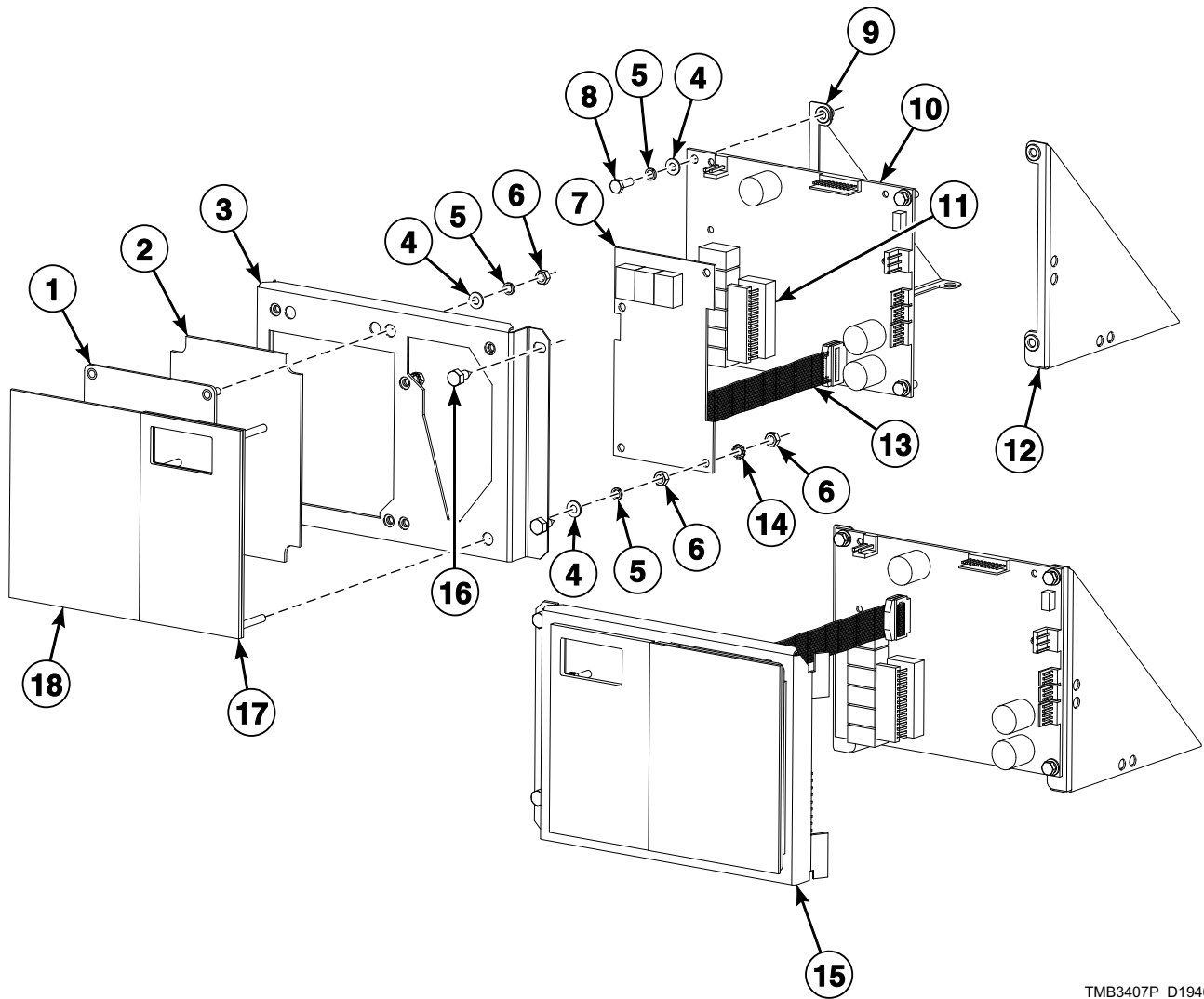


TMB3406P\_D1940

## Full Control Components

REF	PART NO.	DESCRIPTION	COMMENTS
	SP561129	Control Assembly	I, P and T models; Includes items 1-11 and 13; Left
	SP561130	Control Assembly	I, P and T models; Includes items 1-3 and 5-13; Stacked models; Right
	575673	Control Assembly	S and U models; Includes items 1-11 and 13; Left
	575674	Control Assembly	S and U models; Includes items 1-3 and 5-13; Stacked models; Right
<b>1</b>	SP560752	Keyboard	
<b>2</b>	SP510696	Holder Assembly	
<b>3</b>	SP101275	Gasket	
<b>4</b>	SP525620	Control Bracket	
<b>5</b>	SP311125000004	Washer	
<b>6</b>	SP311127000004	Washer	
<b>7</b>	SP310934000004	Nut	
<b>8</b>	SP503168	Distance Tube	
<b>9</b>	SP556608	Control Board	I, P and T stacked models starting Serial No. 13TD004187FK; P and T top pocket models starting Serial No. 13TA000230FH
	SP102457	Control Board	S and U stacked models; I, P and T stacked models through Serial No. 13TD004026FD; P and T top pocket models through Serial No. 13TA000229FF
<b>10</b>	SP311679800004	Washer	
<b>11</b>	SP526001	Memory	Empty without software version
	102471	Memory	Includes SP526001 Memory and EN, CZ, DE, FR, NL, ES, IT, DK, NO software language version
	102472	Memory	Includes SP526001 Memory and EN, CZ, DE, FR, NL, ES, IT, DK, NO software language version
<b>12</b>	SP525617	Control Bracket Assembly	Stacked models
<b>13</b>	SP100218	Screw	

# Easy Control Components Without Coin Meter

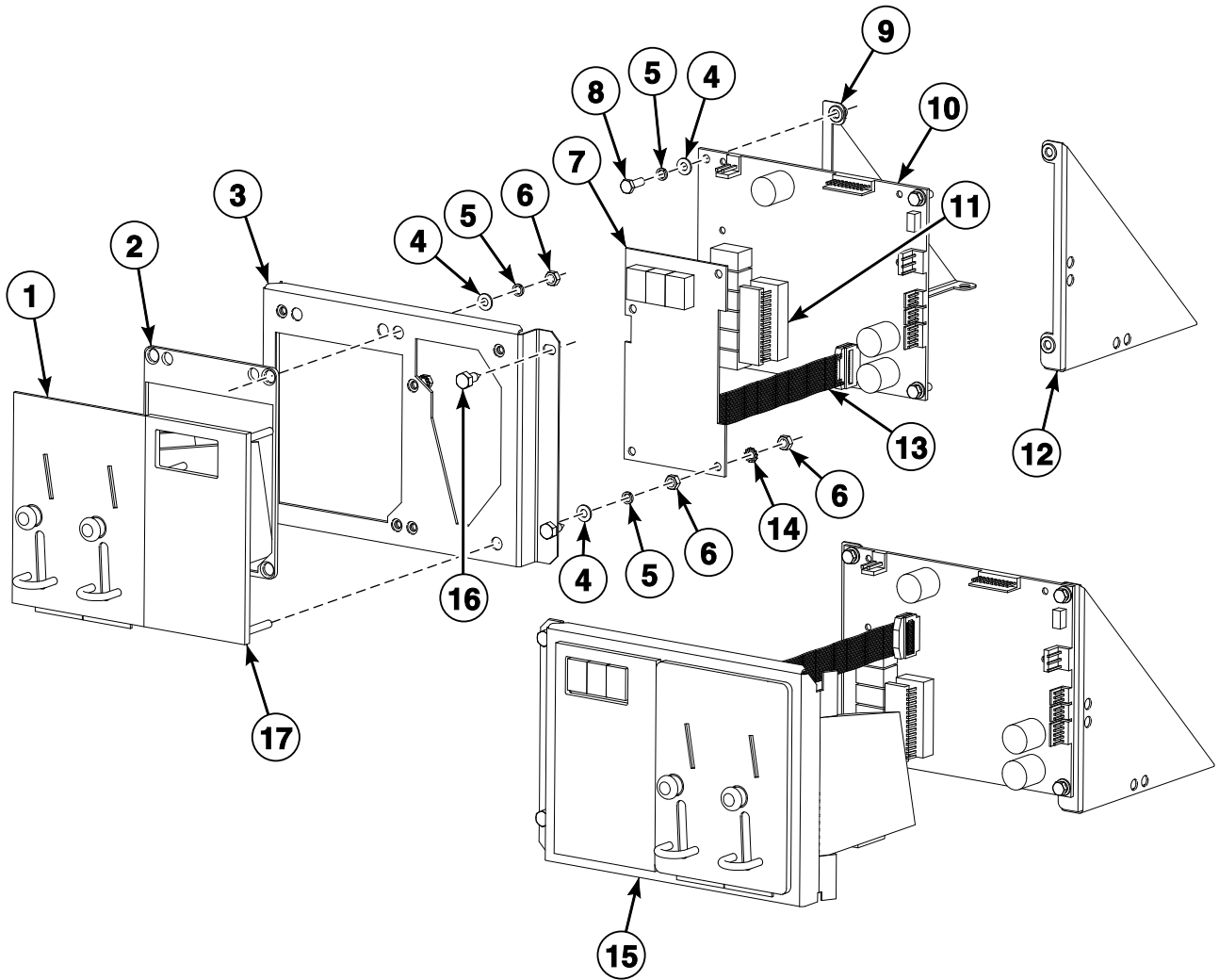


TMB3407P\_D1940

## Easy Control Components Without Coin Meter

REF	PART NO.	DESCRIPTION	COMMENTS
	SP561131	Control Assembly	P and T models; Includes items 1-14 and 16-18; Left
	SP561132	Control Assembly	P and T Stacked models; Includes items 1-2 and 4-18; Right
	575644	Control Assembly	L and N models; Includes items 1-14 and 16-18; Left
	575645	Control Assembly	L and N Stacked models; Includes items 1-2 and 4-18; Right
	575681	Control Assembly	I models; Includes items 1-14 and 16-18; Left
	575682	Control Assembly	I Stacked models; Includes items 1-2 and 4-18; Right
	575683	Control Assembly	S models; Includes items 1-14 and 16-18; Left
	575684	Control Assembly	S Stacked models; Includes items 1-2 and 4-18; Right
	575685	Control Assembly	U models; Includes items 1-14 and 16-18; Left
	575686	Control Assembly	U Stacked models; Includes items 1-2 and 4-18; Right
1	SP532160	Nameplate	
2	SP519201	Distance Plate	
3	SP524537	Control Bracket	
4	SP311125000004	Washer	
5	SP311127000004	Washer	
6	SP310934000004	Nut	
7	SP553416	Display Board	P, L, N and T Stacked models starting Serial No.13TD004115FH; P, L, N and T Top pocket models starting Serial No.13TA000238FS
	SP102459	Display Board	S and U Stacked models; P, L, N and T Stacked models through Serial No.13TD004114FH; P, L, N and T Top pocket models through Serial No.13TA000225FB; Green
	SP560706	Display Board	I Stacked models; Red
8	SP309933000416	Bolt	
9	SP524387	Control Bracket	Left
10	SP102458	Control	
	SP529112	Control	NORTEC
11	SP526001	Memory	Empty without software version
	102460	Memory	Includes SP526001 Memory and software; For Gas, Electric and Steam
	545264	Memory	Includes SP526001 Memory and software; For Gas, Electric and Steam Heating; Export France
12	SP524388	Control Bracket	Right
13	SP102461	Cable	
14	SP311679800004	Washer	
15	SP524554	Control Bracket	Stacked models
16	SP514061	Screw	
17	SP556099	Overlay	P and T models; Blue
	SP559871	Overlay	L, N and S models; I models through Serial No. 13TD005549SU; Green
	SP559870	Overlay	U models; Green
	SP559900	Overlay	I models starting Serial No. 13TD005550SU; Red
18	580235	Label	

# Easy Control Components With Coin Meter

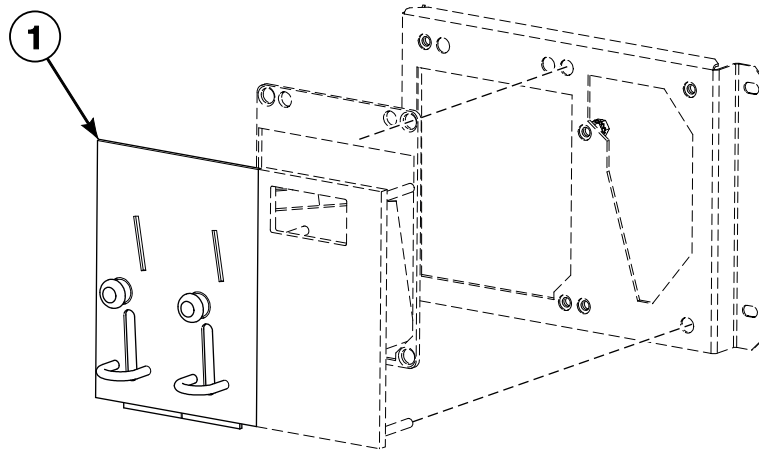


TMB3408P\_D1940

## Easy Control Components With Coin Meter

REF	PART NO.	DESCRIPTION	COMMENTS
	SP561135	Control Assembly	P and T models; Includes items 1-14 and 16-18; Left
	SP561136	Control Assembly	P and T models; Includes items 1-2 and 4-18; Right
	575646	Control Assembly	L and N models; Includes items 1-14 and 16-18; Left
	575647	Control Assembly	L and N models; Includes items 1-2 and 4-18; Right
	575675	Control Assembly	I models; Includes items 1-14 and 16-18; Left
	575676	Control Assembly	I models; Includes items 1-2 and 4-18; Right
	575677	Control Assembly	S models; Includes items 1-14 and 16-18; Left
	575678	Control Assembly	S models; Includes items 1-2 and 4-18; Right
	575679	Control Assembly	U models; Includes items 1-14 and 16-18; Left
	575680	Control Assembly	U models; Includes items 1-2 and 4-18; Right
<b>1</b>	-	Coin Meter	Refer to <i>Coin Meter</i> pages for part numbers
<b>2</b>	SP510689	Distance Plate	
<b>3</b>	SP524537	Control Bracket	
<b>4</b>	SP311125000004	Washer	
<b>5</b>	SP311127000004	Washer	
<b>6</b>	SP310934000004	Nut	
<b>7</b>	SP553416	Display Board	P, L, N and T models starting Serial No. 13TD004115FH
	SP102459	Display Board	S and U models; P, L, N and T models through Serial No.13TD004114FH; Green
	SP560706	Display Board	I models; Red
<b>8</b>	SP309933000416	Bolt	
<b>9</b>	SP524387	Control Bracket	Left
<b>10</b>	SP102458	Control	
<b>11</b>	SP526001	Memory	Empty without software version
	102460	Memory	Includes SP526001 Memory and software; For Gas, Electric and Steam
	545264	Memory	Includes SP526001 Memory and software; For Gas, Electric and Steam Heating; Export France
<b>12</b>	SP524388	Control Bracket	Right
<b>13</b>	SP102461	Cable	
<b>14</b>	SP311679800004	Washer	
<b>15</b>	SP524554	Control Bracket	
<b>16</b>	SP514061	Screw	
<b>17</b>	SP556099	Overlay	P and T models; Blue
	SP559871	Overlay	L, N and S models; I models through Serial No.13TD005549SU; Green
	SP559870	Overlay	U models; Green
	SP559900	Overlay	I models starting Serial No.13TD005550SU; Red
<b>18</b>	580235	Label	Forseen for Coin only

# Coin Meter (Drawing 1 of 3)



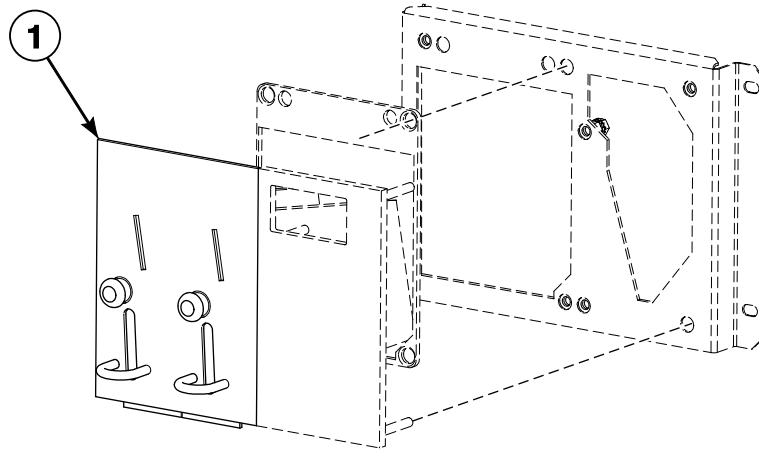
TMB3424P\_D1940



## Coin Meter (Drawing 1 of 3)

REF	PART NO.	DESCRIPTION	COMMENTS
1	SP100642	Coin Meter	1AUD + 20C
	SP100866	Coin Meter	5K jeton
	SP100867	Coin Meter	7K jeton
	SP100868	Coin Meter	10K jeton
	SP100869	Coin Meter	12K jeton
	SP100870	Coin Meter	15K jeton
	SP100871	Coin Meter	D jeton
	SP100887	Coin Meter	1pound + 20PC
	SP100888	Coin Meter	1pound + 50PC
	SP100891	Coin Meter	100YEN
	SP100892	Coin Meter	500YEN + 100YEN
	SP100895	Coin Meter	5DKK
	SP100896	Coin Meter	20DKK
	SP100900	Coin Meter	5ILS + 1ILS
	SP100902	Coin Meter	1EUR
	SP101228	Coin Meter	1 MYR
	SP101535	Coin Meter	0.50EUR
	SP101536	Coin Meter	0.50EUR + 1EUR
	SP101797	Coin Meter	1DKK + 5DKK
	SP101612	Coin Meter	10NOK + 20NOK
	SP101450	Coin Meter	2DKK + 5DKK
	SP101499	Coin Meter	5NOK
	SP101632	Coin Meter	0.20EUR + 0.50EUR
	SP101586	Coin Meter	1NZD + 2NZD
	SP101155	Coin Meter	10NOK
	SP102084	Coin Meter	10NT + 50NT (dolar)
	SP516639	Coin Meter	2DKK
	SP516638	Coin Meter	Lucky Winner jeton
	SP102473	Coin Meter	10 Taiwan dollar
	SP516636	Coin Meter	10CZK + 20CZK
	SP516804	Coin Meter	7K Equipos Par Lavar jeton
	SP516737	Coin Meter	1EUR + 2EUR
	SP516807	Coin Meter	F10.3-W2000-19,2 Groove jeton, jeton diameter 24.8 mm
	SP100898	Coin Meter	500WON
	SP101437	Coin Meter	0.25USD
	SP516875	Coin Meter	1AUD + 2AUD
	SP102371	Coin Meter	5DKK + 10DKK
	SP102407	Coin Meter	0.2EUR
	SP102452	Coin Meter	1EUR + 0.2 EUR
	SP102546	Coin Meter	SUN WASH jeton
	SP516632	Coin Meter	2DKK + 10DKK
	SP516921	Coin Meter	Unibel Tech 5K jeton
	SP100893	Coin Meter	1AUD
	SP516950	Coin Meter	1CHF
	SP516967	Coin Meter	5 NOK +10NOK
	SP516969	Coin Meter	1 TopMos jeton + 1BGN
	SP516976	Coin Meter	50 Penny
	SP516977	Coin Meter	1 Vendo jeton
	SP516980	Coin Meter	2EUR
	SP516984	Coin Meter	0.05EUR
	SP516991	Coin Meter	1 jeton Token

## Coin Meter (Drawing 2 of 3)

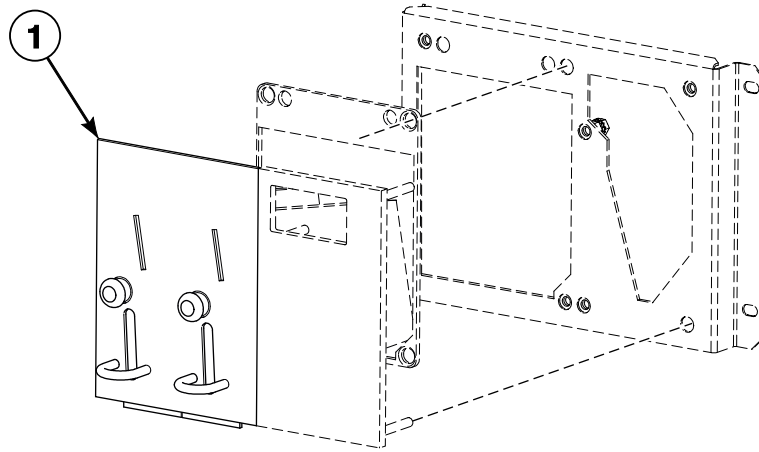


TMB3424P\_D1940

## Coin Meter (Drawing 2 of 3)

REF	PART NO.	DESCRIPTION	COMMENTS
1	SP516994	Coin Meter	20 pence
	SP516999	Coin Meter	7K + D jetons
	SP529106	Coin Meter	1 Wascator jeton diamater 22.2 mm
	SP529108	Coin Meter	1 Unibel jeton diamater 18.55 mm
	SP529114	Coin Meter	2EUR + 0.50EUR
	SP529115	Coin Meter	50HUF + 100HUF
	SP529119	Coin Meter	1 jeton, without coining, jeton diamater 20 mm
	SP529124	Coin Meter	1 Volund jeton, jeton diamater 22.5 mm
	SP534187	Coin Meter	1 Wascator jeton diamater 19 mm
	SP529113	Coin Meter	1 Miele jeton
	SP529110	Coin Meter	1 jeton without coining, jeton diamater 26 mm
	SP534289	Coin Meter	Three-groove jeton, jeton diamater 27 mm
	SP534297	Coin Meter	Three-groove jeton, jeton diamater 25 mm
	SP537775	Coin Meter	D jeton + 2EUR
	SP537776	Coin Meter	7K jeton + 2EUR
	SP537778	Coin Meter	Milano Italy jeton
	SP537779	Coin Meter	5PLN + 1 PLN
	SP537787	Coin Meter	Two-groove jeton, jeton diamater 27 mm
	SP537788	Coin Meter	A.S.A.R.D. jeton, jeton diamater 25.8 mm
	SP537825	Coin Meter	20CZK
	SP537828	Coin Meter	Electrolux ASARD jeton, jeton diamater 22.3 mm
	SP537859	Coin Meter	Laundromatic Belgium jeton, jeton diamater 22.3 mm
	SP537829	Coin Meter	Carsen two-groove jeton, jeton diamater 22 mm
	SP537913	Coin Meter	Asard Wascator jeton, jeton diamater 19.9 mm
	SP552901	Coin Meter	Eagle jeton, jeton diamater 25.98 mm
	SP552951	Coin Meter	1SGD
	SP552952	Coin Meter	200HUF
	SP552998	Coin Meter	1TRY
	SP553007	Coin Meter	0.5 MYR
	SP553008	Coin Meter	Butzi wash jeton
	SP553152	Coin Meter	EUROTOKEN 10 (DETON WASH)
	SP556109	Coin Meter	1SGD (new Singapore dollar)
	SP556113	Coin Meter	Flash wash jeton
	SP556114	Coin Meter	2PLN
	SP555667	Coin Meter	50 + 50, Malaysian cents
	SP556153	Coin Meter	Symbol M jeton, jeton ROMAC
	SP559709	Coin Meter	1 NOK + 5 NOK
	SP560746	Coin Meter	Dobi Ekspres jeton
	SP560095	Coin Meter	5k IPSO jeton
	SP560096	Coin Meter	7k IPSO jeton
	SP560097	Coin Meter	10k IPSO jeton
	SP560098	Coin Meter	12k IPSO jeton
	SP560099	Coin Meter	15k IPSO jeton
	SP561379	Coin Meter	10 Morrocan Dirham
	SP560793	Coin Meter	AAW Lav-o-seul jeton
	SP564823	Coin Meter	EMP500.12v5 for new SGD + new MYR + teach mode
	SP553140	Coin Meter	20 CZK + 50 CZK

# Coin Meter (Drawing 3 of 3)

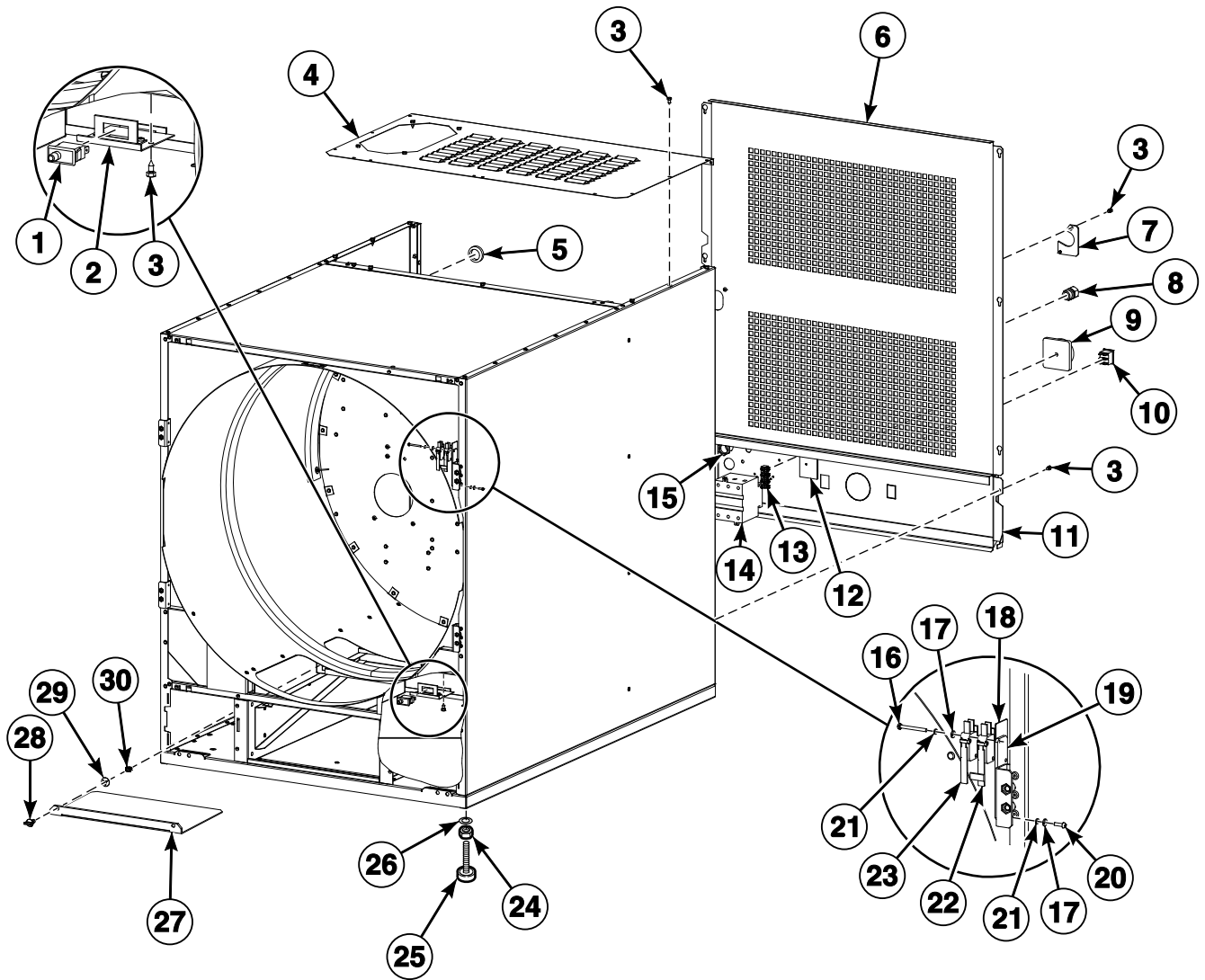


TMB3424P\_D1940

## Coin Meter (Drawing 3 of 3)

REF	PART NO.	DESCRIPTION	COMMENTS
1	516848	Coin Meter	Washmatic jeton
	516908	Coin Meter	Unibel Tech one-groove jeton
	516909	Coin Meter	Unibel Tech two-groove jeton
	516913	Coin Meter	Unibel Tech jeton for FS07
	516914	Coin Meter	Unibel Tech jeton for FS10
	529159	Coin Meter	1 Wash Jet. 20 jeton
	569920	Coin Meter	0.25USD, 1USD, 0.25CAD, 1CAD, 2CAD; Electronic EMPv7
	569923	Coin Meter	0.2GBP, 0.5GBP, 1GBP, 2GBP, 0.1EUR, 0.2EUR, 0.5EUR, 1EUR, 2EUR; Electronic EMPv7
	569926	Coin Meter	1DKK, 2DKK, 5DKK, 10DKK, 20DKK, 1NOK, 5NOK, 10NOK, 20NOK, 0.2EUR, 0.5EUR, 1EUR, 2EUR; Electronic EMPv7
	569929	Coin Meter	0.2AUD, 1AUD, 2AUD, 0.2NZD, 1NZD, 2NZD, 5HKD, 10HKD, 500KRW; Electronic EMPv7
	569932	Coin Meter	1CNY, 0.1MYR, 0.2MYR, 0.5MYR; Electronic EMPv7
	569935	Coin Meter	0.1EUR, 0.2EUR, 0.5EUR, 1EUR, 2EUR; Electronic EMPv7
	569938	Coin Meter	1PHP, 5PHP, 10PHP; Electronic EMPv7
	569941	Coin Meter	0.1SGD, 0.2SGD, 0.5SGD, 1SGD; Electronic EMPv7
	569944	Coin Meter	0.1MYR, 0.2MYR, 0.5MYR, 0.5SGD, 1SGD; Electronic EMPv7
	569947	Coin Meter	1HRK, 2HRK, 5HRK; Electronic EMPv7
	569950	Coin Meter	5CZK, 10CZK, 20CZK, 50CZK; Electronic EMPv7
	569953	Coin Meter	0.5MAD, 1MAD, 2MAD, 5MAD, 10MAD; Electronic EMPv7
	569956	Coin Meter	1PLN, 2PLN, 5PLN, 0.1EUR, 0.2EUR, 0.5EUR, 1EUR, 2EUR, 10ISK, 50ISK, 100ISK; Electronic EMPv7
	569963	Coin Meter	0.1EUR, 0.2EUR, 0.5EUR, 1EUR, 2EUR, jeton IPSO 5K; Electronic EMPv7
	569966	Coin Meter	0.2GBP, 0.5GBP, 1GBP, 2GBP, 0.1EUR, 0.2EUR, 0.5EUR, 1EUR, 2EUR, jeton "KWL Aqua", jeton "Gettone"; Electronic EMPv7
	569969	Coin Meter	0.1EUR, 0.2EUR, 0.5EUR, 1EUR, 2EUR, jeton G-FIS"LAVOIR BIANCA"; Electronic EMPv7
	569972	Coin Meter	0.5MYR, jeton "DOBI PAPA"; Electronic EMPv7
	569975	Coin Meter	1AUD, 2AUD, jeton "No Cash Value"; Electronic EMPv7
	569981	Coin Meter	0.5MYR, jeton "BUBBLELAB"; Electronic EMPv7
	569986	Coin Meter	HAUCK 2018 jeton
	572303	Coin Meter	Jeton 118-16
	572306	Coin Meter	1ILS, 2ILS, 5ILS, 10ILS; Electronic EMPv7
	572309	Coin Meter	1ZAR, 2ZAR, 5ZAR; Electronic EMPv7
	572312	Coin Meter	5RUB, 10RUB; Electronic EMPv7
	572315	Coin Meter	50CLP, 100CLP, 500CLP; Electronic EMPv7
	572319	Coin Meter	100JPY, 500JPY, 10TWD, 50TWD; Electronic EMPv7
	572322	Coin Meter	0.5GEL, 1GEL, 2GEL; Electronic EMPv7
	572325	Coin Meter	0.1EUR, 0.2EUR, 0.5EUR, 1EUR, 2EUR, Jeton 7K; electronic EMPv7
	572337	Coin Meter	Jeton 118-1
	572338	Coin Meter	Jeton 118-5
	572340	Coin Meter	Gettone Jeton (26mm diameter x 1.7mm)
	572344	Coin Meter	TOKEN WH121
	572360	Coin Meter	1THB, 2THB, 5THB, 10THB; Electronic EMPv7
	572385	Coin Meter	0.2CHF, 0.5CHF, 1CHF, 2CHF; Electronic EMPv7
572390	Coin Meter	0.25CAD	
579810	Coin Meter	1AED; Jeton 118-1; Electronic EMPv7	
579814	Coin Meter	20HUF, 50HUF, 100HUF, 200HUF; Electronic EMPv7	
579820	Coin Meter	2PLN + 5PLN; Electronic EMPv7	

# Cabinet - Top Pocket Models

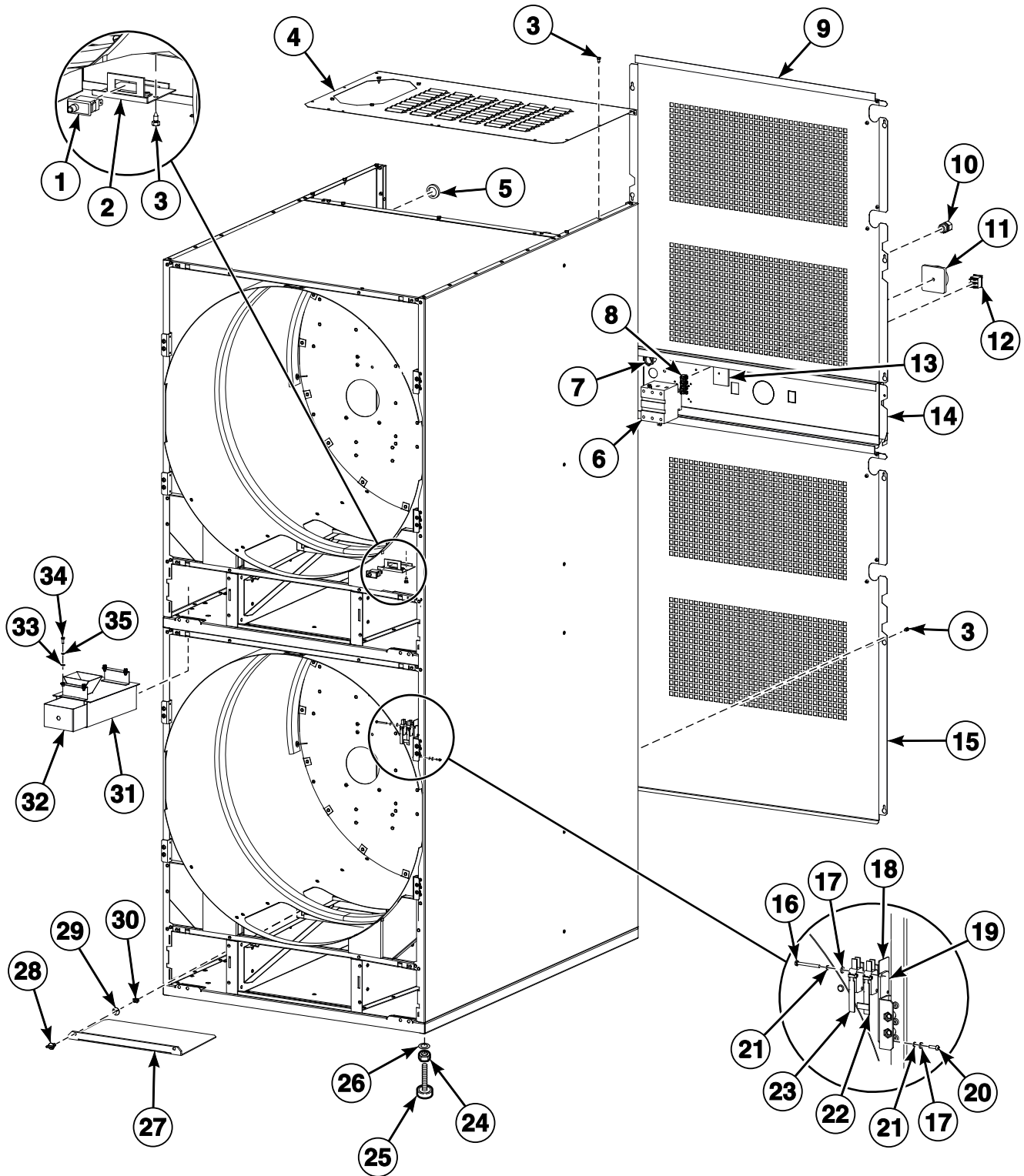


TMB3790P\_D1940

## Cabinet - Top Pocket Models

REF	PART NO.	DESCRIPTION	COMMENTS
	SP520404	Door Switch Assembly	Includes items 16-23
1	SP506045	Microswitch	
2	SP525060	Filter Switch Bracket Assembly	
3	SP100218	Screw	
4	SP524335	Rear Upper Cover	
5	SPPRI501000071	Cable Bushing	
6	SP529023	Rear Upper Cover	
7	SP527703	Cover	
8	SP101407	Bushing	M20
	SP101408	Bushing	M25
	SP101409	Bushing	M32
	SP516175	Cable Bushing	M63
9	SPPRI404000095	Main Switch Knob	
10	SP100388	Switch	
11	SP525071	Rear Reinforcement	
12	SPPRI350012007	Isolation Paper	
13	SPPRI350000007	Terminal Board	
14	SPPRI404000098	Main Switch	Electric models; 3 x 380-415V; 3 x 440V
	SPPRI404000099	Main Switch	Electric models; 3 x 208-240V
	SPPRI404000097	Main Switch	Gas models
15	SP101417	Nut	M20
	SP101418	Nut	M25
	SP101419	Nut	M32
	SP516176	Nut	M63
16	SP516693	Bolt	
17	SP311125000003	Washer	
18	SP101154	Isolation Plate	
19	SP520403	Door Switch Holder	
20	SP518719	Bolt	
21	SP311127000003	Washer	
22	SP517484	Microswitch	
23	SPPRI610011077	Microswitch	
24	SP310934000010	Nut	
25	SPPRI504000001	Adjustable Foot	
26	SP311125000010	Washer	
27	SP545534	Exhaust	
28	SP545529	Bolt	
29	SP545531	Washer	
30	SP545530	Nut	

# Cabinet - Stacked Models



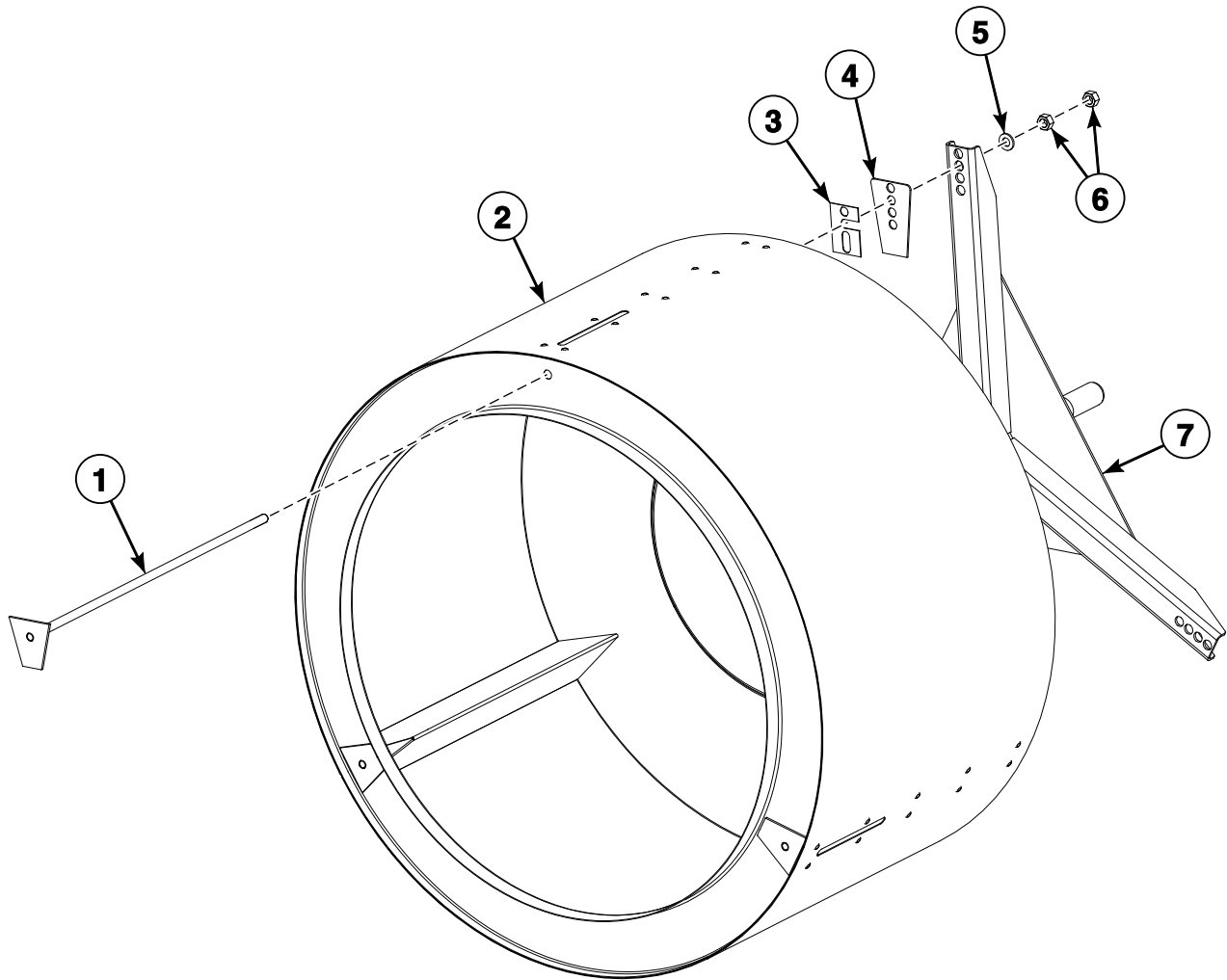
TMB3791P\_D1940



## Cabinet - Stacked Models

REF	PART NO.	DESCRIPTION	COMMENTS
	SP520404	Door Switch Assembly	Includes items 16-23
	573372	Coin Meter Assembly	Includes items 31-35
1	SP506045	Microswitch	
2	SP525060	Filter Switch Bracket Assembly	
3	SP100218	Screw	
4	SP524335	Rear Upper Cover	
5	SPPRI501000071	Cable Bushing	
6	SPPRI404000099	Main Switch	Electric models; 3 x 380-415V or 3 x 440V; 12kW or 18kW
	SP347700125175	Main Switch	Electric models; 3 x 208-240V; 18kW
	SPPRI404000097	Main Switch	Gas models
7	SP101417	Nut	M20
	SP101418	Nut	M25
	SP101419	Nut	M32
	SP516176	Nut	M63
8	SPPRI350000007	Terminal Board	
9	SP529023	Rear Upper Cover	
10	SP101407	Bushing	M20
	SP101408	Bushing	M25
	SP101409	Bushing	M32
	SP516175	Cable Bushing	M63
11	SPPRI404000095	Main Switch Knob	
12	SP100388	Switch	
13	SPPRI350012007	Isolation Paper	
14	SP525071	Rear Reinforcement	
15	SP528956	Rear Lower Cover	
16	SP516693	Bolt	
17	SP311125000003	Washer	
18	SP101154	Isolation Plate	
19	SP520403	Door Switch Holder	
20	SP518719	Bolt	
21	SP311127000003	Washer	
22	SP517484	Microswitch	
23	SPPRI610011077	Microswitch	
24	SP310934000010	Nut	
25	SPPRI504000001	Adjustable Foot	
26	SP311125000010	Washer	
27	SP545534	Exhaust	
28	SP545529	Bolt	
29	SP545531	Washer	
30	SP545530	Nut	
31	573351	Coin Vault	
32	SP321848140028	Coin Vault	
33	SP311125000004	Washer	
34	SP309933240412	Bolt	
35	SP311127000004	Washer	

# Drum Assembly

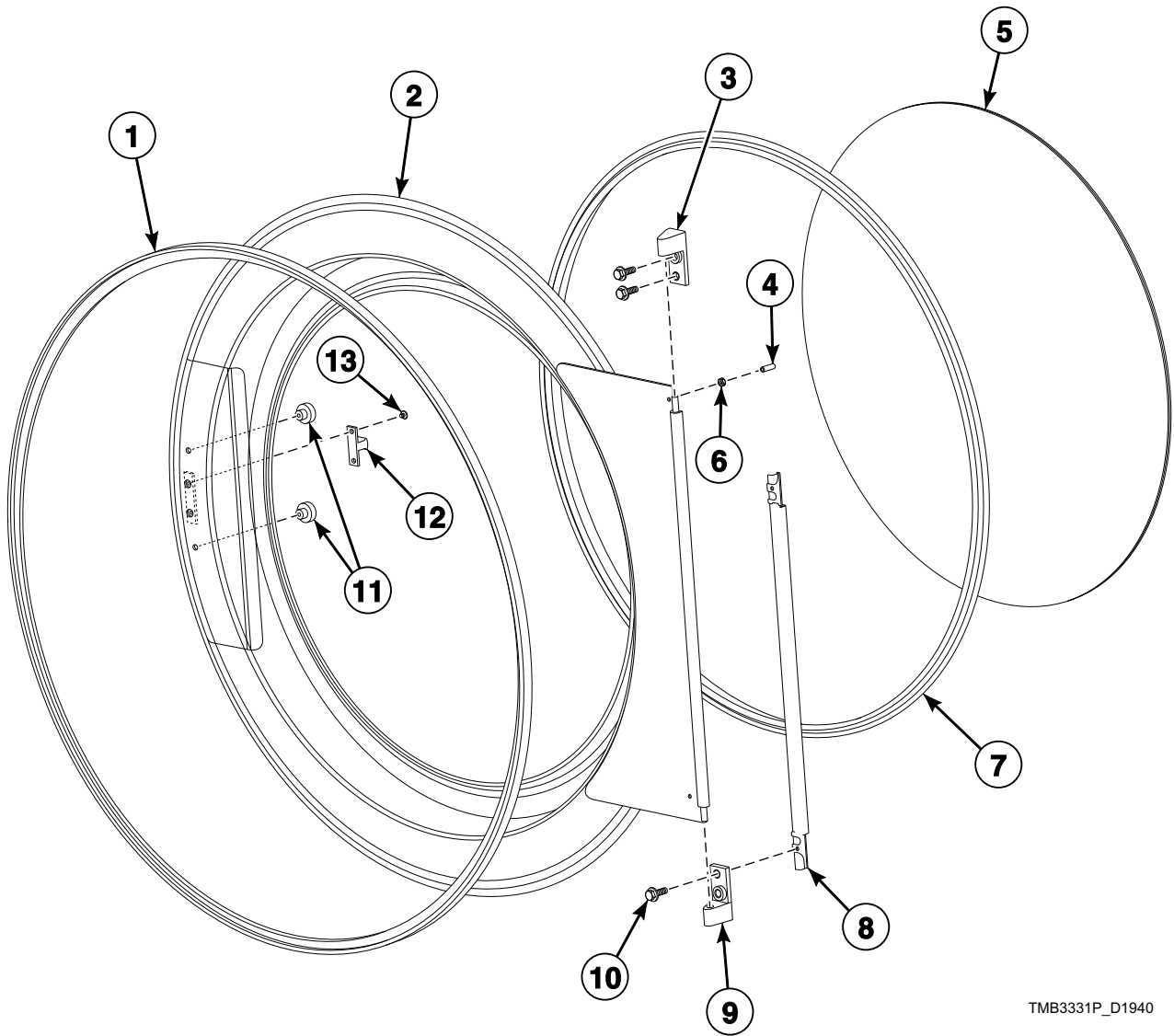


TMB3330P\_D1940

# Drum Assembly

REF	PART NO.	DESCRIPTION	COMMENTS
	580282	Drum Assembly	Galvanized; Includes items 1-7; 3000 RPM
	580283	Drum Assembly	Stainless Steel; Includes items 1-7; 3000 RPM
1	SP525029	Bolt	
2	580284	Drum	Galvanized
	580285	Drum	Stainless Steel
3	SP512233	Washer	1mm
	517426	Washer	0.5mm
4	SP510697	Washer	
5	SP311125000010	Washer	
6	SP310934000010	Nut	
7	SP529031	Drum Cross	3000 RPM

# Door Assembly



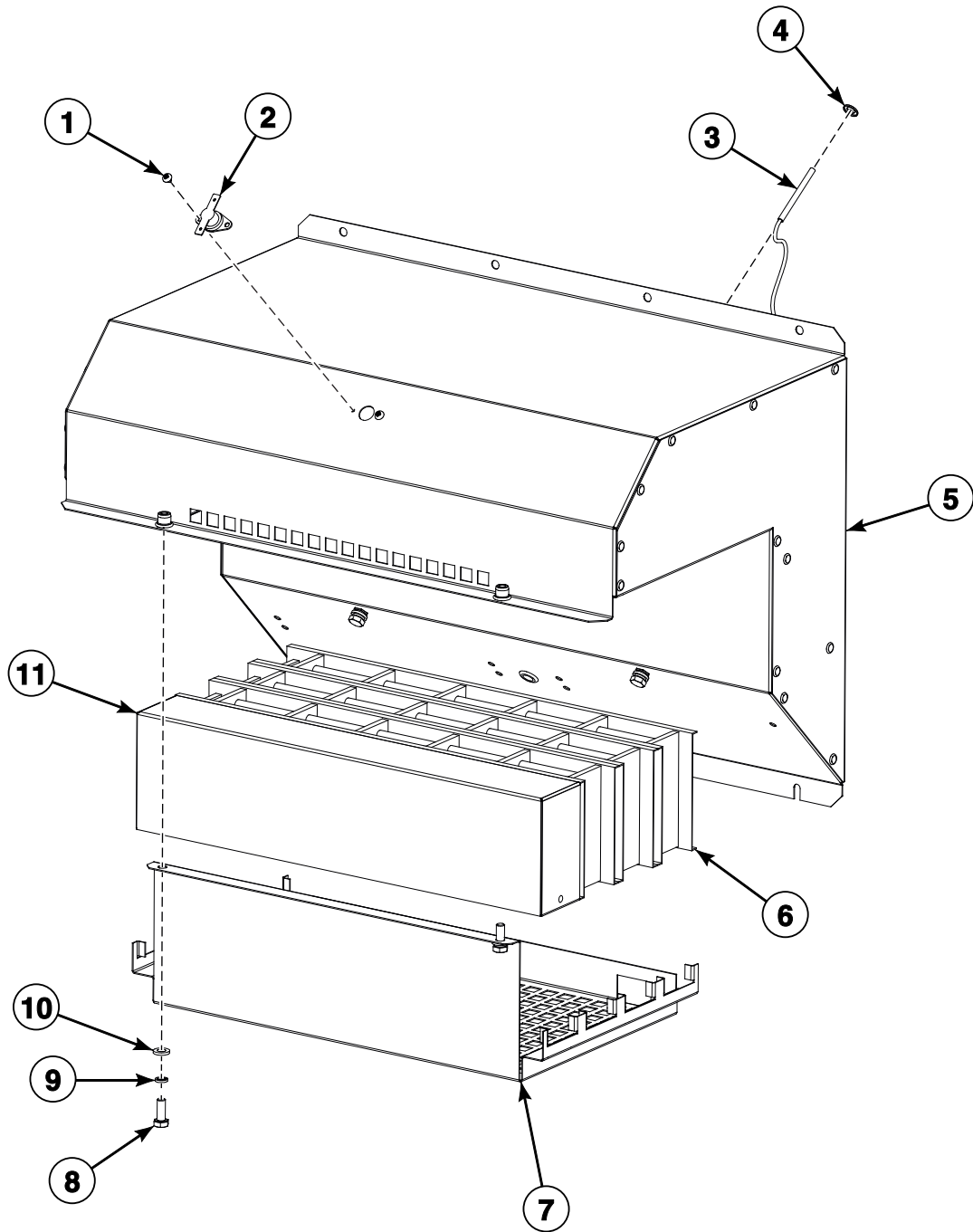
TMB3331P\_D1940

# Door Assembly

REF	PART NO.	DESCRIPTION	COMMENTS
	SP534969	Glue	Use with item 5
	SP245704003021	Adhesive	Use with item 4
	SP556558	Door Assembly	P and T models; Silver; Includes items 1-13; Stacked models through Serial No.13TD005231MS; Top Pocket models through Serial No. 13TA000333MS
	559702	Door Assembly	P and T models; Metallic gray; Includes items 1-13; Stacked models starting Serial No.13TD005232MS; Top Pocket models starting Serial No. 13TA000334MS; S and U models through Serial No.13TD005641UB
	SP524359	Door Assembly	I, L, N, S and U models; Black; Includes items 1-13; S and U models starting Serial No.13TD005642UB
<b>1</b>	SP534873	Door Ring	
<b>2</b>	SP524364	Door	I, L, N, S and U models; Black
	SP559701	Door	P, S, T and U models; Metallic gray
	SP556552	Door	P and T models; Silver
<b>3</b>	SP525105	Upper Door Hinge	I, L, N, S and U models; Black
	SP559705	Upper Door Hinge	P, S, T and U models; Metallic gray
	SP556555	Upper Door Hinge	P and T models; Silver
<b>4</b>	SP520201	Stop Pin	
<b>5</b>	SP512053	Door Glass	
<b>6</b>	SP310934240004	Nut	
<b>7</b>	SP519933	Outer Door Gasket	
<b>8</b>	SP524582	Lath	I, L, N, S and U models; Black
	SP559706	Lath	P, S, T and U models; Metallic gray
	SP556553	Lath	P and T models; Silver
<b>9</b>	SP525104	Lower Door Hinge	I, L, N, S and U models; Black
	SP559704	Lower Door Hinge	P, S, T and U models; Metallic gray
	SP556554	Lower Door Hinge	P and T models; Silver
<b>10</b>	SP525101	Bolt	
<b>11</b>	SP556557	Magnet	
<b>12</b>	SP514530	Latch	
<b>13</b>	SP524367	Bolt	

# Electric Heat Components

Electric Models



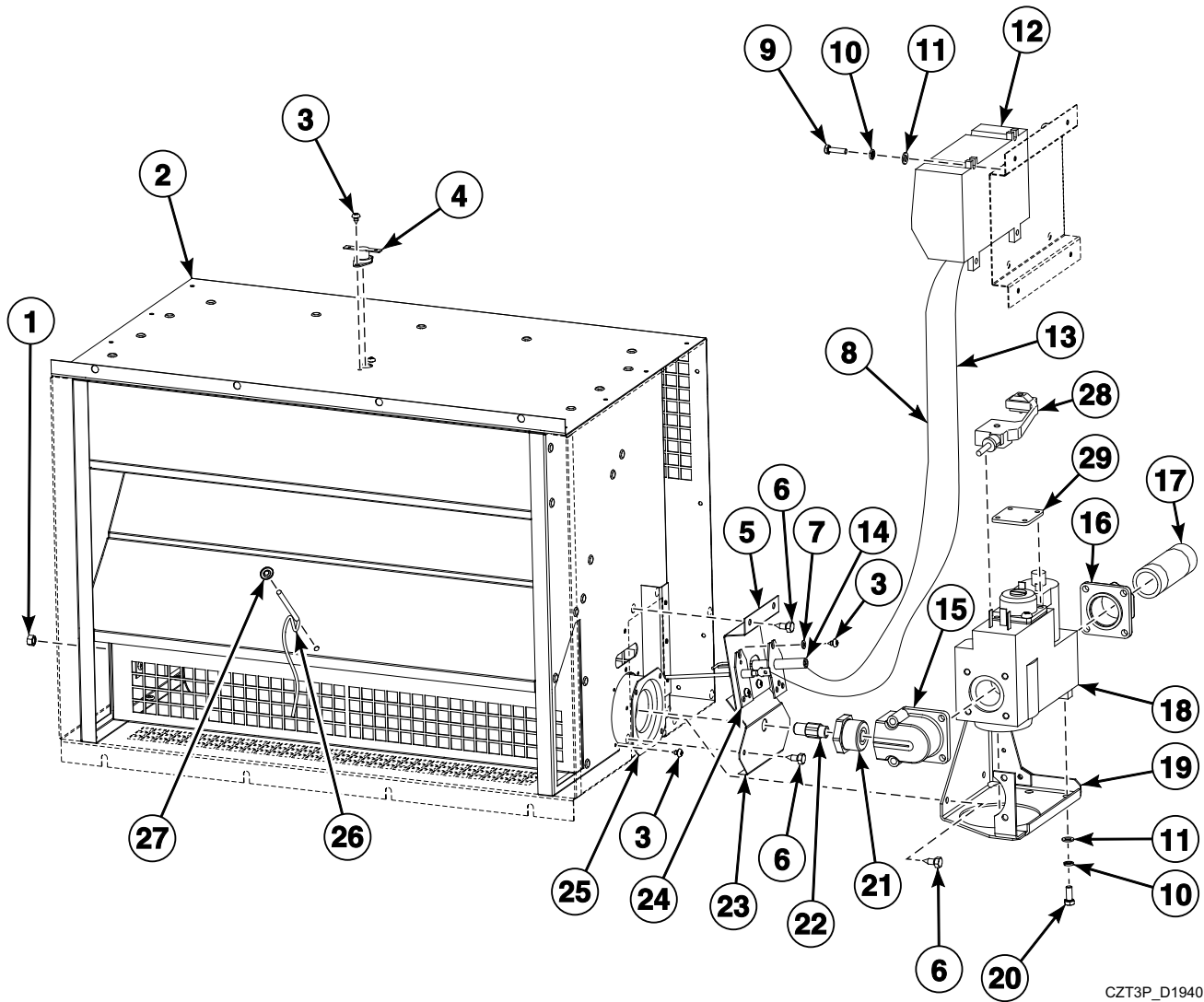
TMB3386P\_D1940

# Electric Heat Components

REF	PART NO.	DESCRIPTION	COMMENTS
1	SP309798100313	Screw	
2	SP514127	Safety Thermostat	
3	SP516092	Temperature Sensor	
4	SP516669	Washer	
5	SP528941	Heater Box	
6	SP510984	Heating Element	6 kW
	SP557786	Fuse	
7	SP527900	Heating Element Bracket	
8	SP309933000616	Bolt	
9	SP311127000006	Washer	
10	SP311125000006	Washer	
11	SP520297	Plug	

# Gas Heat Components - Models Through Serial Nos. 13TD005312QB, 13TA000340QB

Gas Models



CZT3P\_D1940

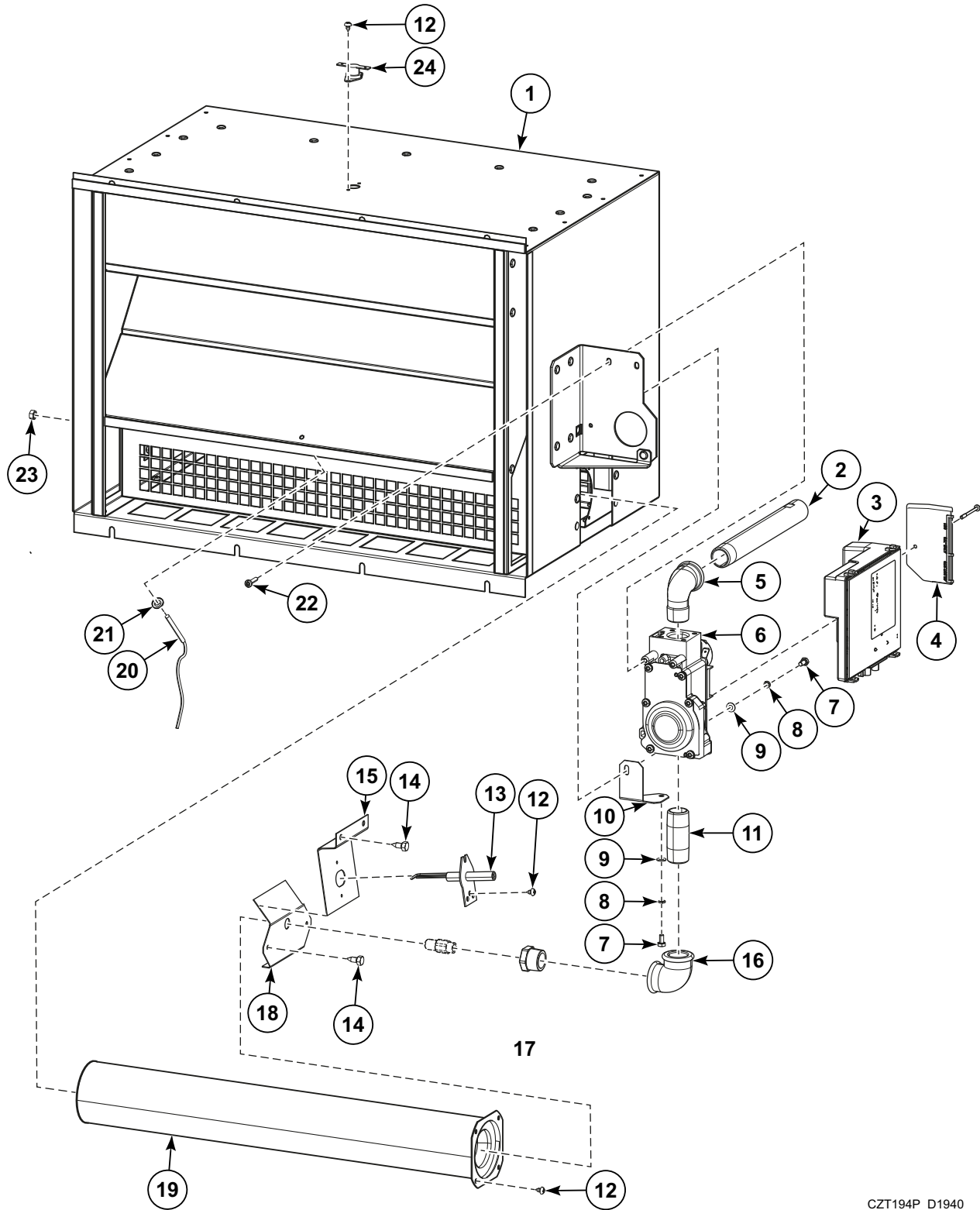


## Gas Heat Components - Models Through Serial Nos. 13TD005312QB, 13TA000340QB

REF	PART NO.	DESCRIPTION	COMMENTS
	SP273454410020	Hose	
	520098	Gas Valve Wiring	60 Hertz; Use with item 18
1	SP310934240005	Nut	
2	SP512130	Gas Heater Box	
3	SP517238	Screw	
4	SP514127	Safety Thermostat	
5	SP512141	Electrode Bracket	
6	SP100218	Screw	
7	SP311125000003	Washer	
8	SP524704	Ignition Cable	
9	SP309933000516	Bolt	
10	SP311127000005	Washer	
11	SP311125000005	Washer	
12	SP357456010080	Ignition Unit	
13	SP524703	Flame Detection Cable	
14	575643	Ignition Electrode	
15	SP102018	Flange	
16	SP514062	Flange	
17	SP519198	Tube	
18	SP102000	Gas Valve	50 Hertz
	SP520281	Gas Valve	60 Hertz
19	SP512144	Valve Bracket	
20	SPPRI202001001	Bolt	
21	SP512067	Nozzle	
22	525466	Orifice	130
	525465	Orifice	165
	517241	Orifice	170
	517327	Orifice	175
	517328	Orifice	185
	517243	Orifice	190
	517222	Orifice	200
	520399	Orifice	210
	517223	Orifice	215
	517329	Orifice	220
	517224	Orifice	235
	517245	Orifice	245
	530819	Orifice	250
	517246	Orifice	260
	517250	Orifice	290
	517251	Orifice	300
	517252	Orifice	310
	517253	Orifice	325
	517225	Orifice	350
	517257	Orifice	360
	517258	Orifice	365
	517226	Orifice	380
	530820	Orifice	385
	517227	Orifice	420
	517330	Orifice	435
	517331	Orifice	445
	517337	Orifice	530
	520237	Orifice	650
	520236	Orifice	700
23	SP512139	Cover	
24	SP102002	Detection Electrode	
25	SP552515	Burner Tube	
26	SP516092	Temperature Sensor	
27	SP516669	Washer	
28	345000180901	Connector	50 Hertz; Use with item 18
	345000160645	Contact	50 Hertz; Use with item 18
	SP357500459412	Gas Valve Cable	50 Hertz; Use with item 18
29	SP102019	Blank Plate Kit	Without regulator

# Gas Heat Components - Models Starting Serial Nos. 13TD005313QB, 13TA000341QB (Drawing 1 of 2)

Gas Models



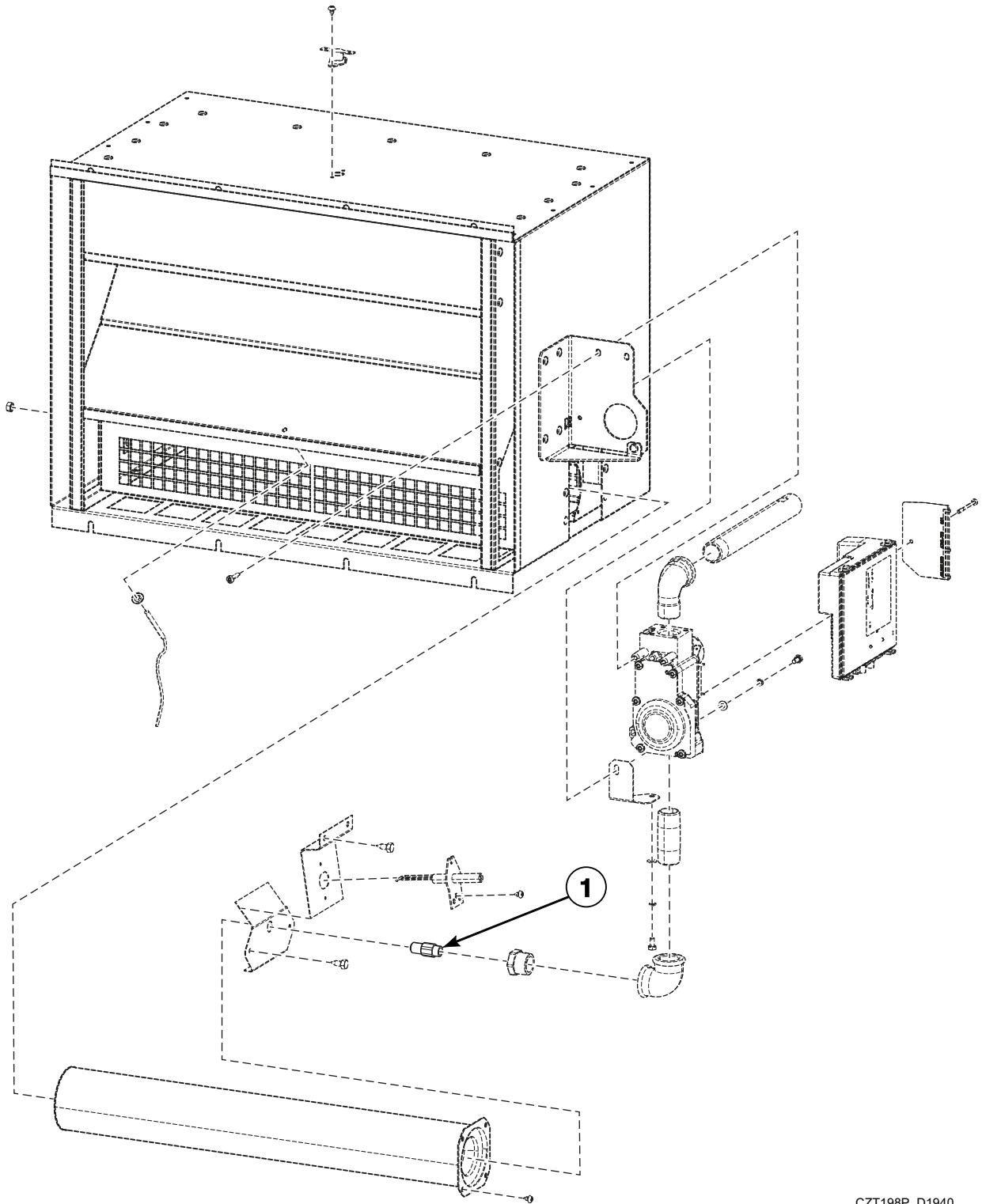
CZT194P\_D1940

## Gas Heat Components - Models Starting Serial Nos. 13TD005313QB, 13TA000341QB (Drawing 1 of 2)

REF	PART NO.	DESCRIPTION	COMMENTS
1	569440	Gas Heater Box	
2	569445	Tube	1/2 inch
3	571938	Control Unit	
4	537625	Cover	
5	572352	Elbow	1/2 inch
6	572351	Gas Valve	
7	SP309798524408	Bolt	M4x8
8	SP311127000004	Washer	M4
9	SP311125000004	Washer	4.3
10	569446	Holder	
11	571881	Tube	1/2 inch
12	SP517238	Screw	ST 3.6x6.5
13	575643	Ignition Electrode	
14	SP100218	Screw	ST4.8x13
15	571880	Holder	
16	572350	Elbow	1/2 inch
17	571884	Holder	
18	SP512139	Cover	
19	SP552515	Burner Tube	
20	SP516092	Temperature Sensor	
21	SP516669	Washer	2 pieces
22	572361	Screw	ST3.9x13
23	SP310934240005	Nut	M5
24	SP514127	Safety Thermostat	

# Gas Heat Components - Models Starting Serial Nos. 13TD005313QB, 13TA000341QB (Drawing 2 of 2)

Gas Models



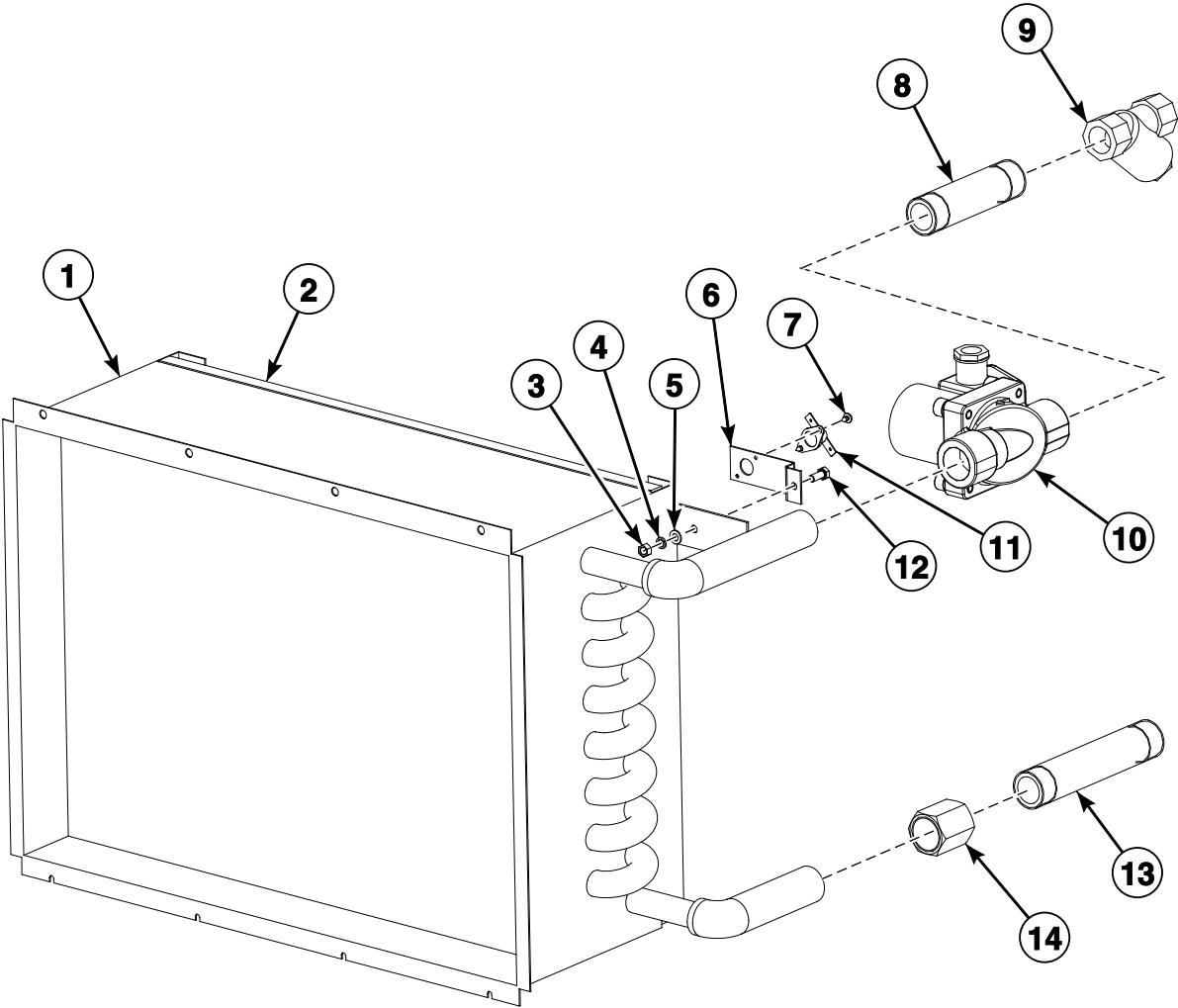
CZT198P\_D1940

## Gas Heat Components - Models Starting Serial Nos. 13TD005313QB, 13TA000341QB (Drawing 2 of 2)

REF	PART NO.	DESCRIPTION	COMMENTS
1	525466	Orifice	130
	525465	Orifice	165
	517241	Orifice	170
	517327	Orifice	175
	517328	Orifice	185
	517243	Orifice	190
	517222	Orifice	200
	520399	Orifice	210
	517223	Orifice	215
	517329	Orifice	220
	517224	Orifice	235
	517245	Orifice	245
	530819	Orifice	250
	517246	Orifice	260
	517250	Orifice	290
	517251	Orifice	300
	517252	Orifice	310
	517253	Orifice	325
	575530	Orifice	330
	517225	Orifice	350
	517257	Orifice	360
	517258	Orifice	365
	517226	Orifice	380
	530820	Orifice	385
	517227	Orifice	420
	517330	Orifice	435
	517331	Orifice	445
	517337	Orifice	530
	520237	Orifice	650
	520236	Orifice	700

# Steam Heat Components

Steam Models

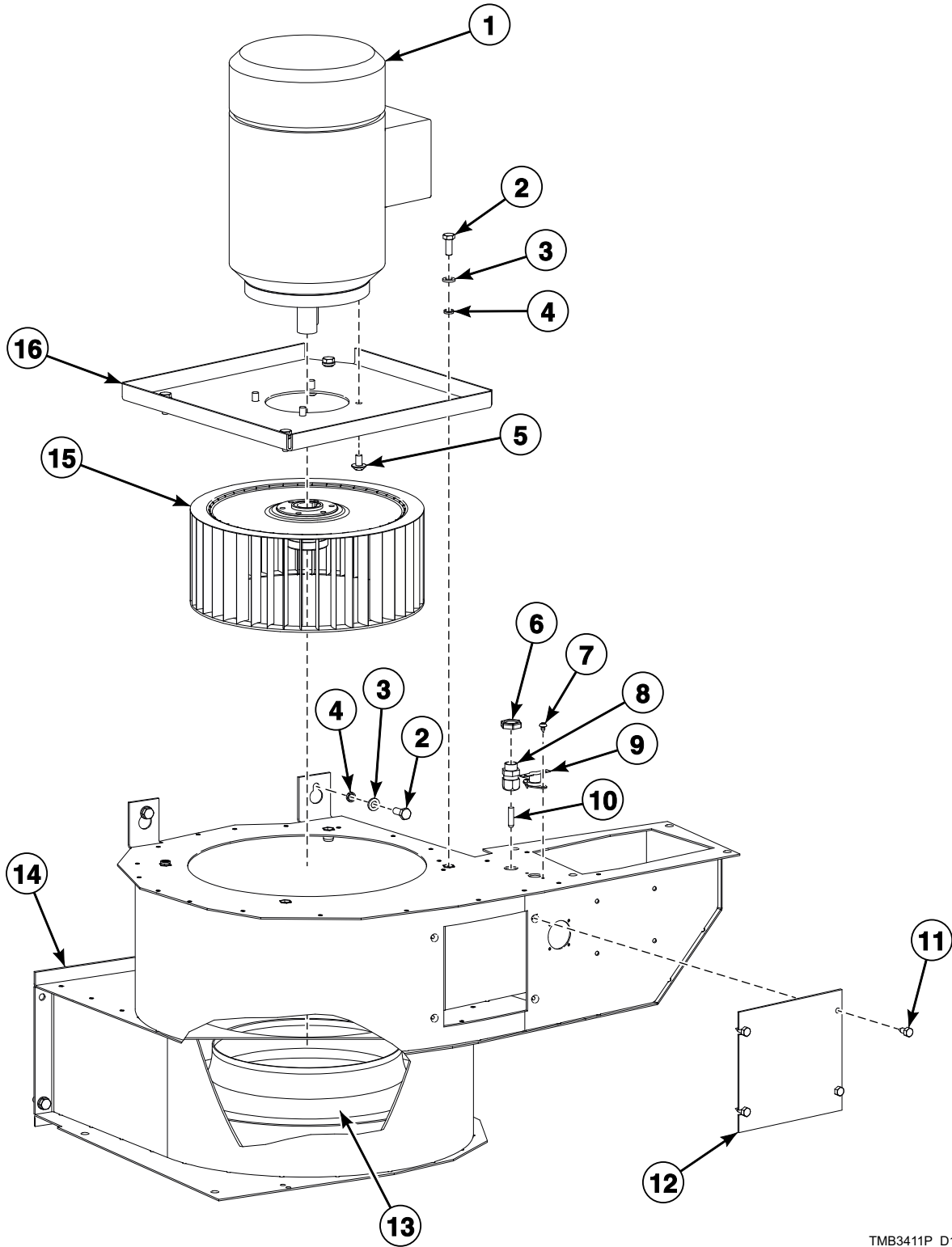


TMB3388P\_D1940

## Steam Heat Components

REF	PART NO.	DESCRIPTION	COMMENTS
	SP273454410020	Hose	
1	SP530409	Steam Exchanger	2 rows; 7-10 bar
	SP530410	Steam Exchanger	4 rows; 3-6 bar
2	SP519027	Filter	
3	SP310934240005	Nut	
4	SP311127000005	Washer	
5	SP311125000005	Washer	
6	SP520227	Thermostat Bracket	
7	SP517238	Screw	
8	SP517236	Tube	
9	SP405054057006	Steam Filter	3/4 inch
10	SP516718	Steam Valve	50 Hertz; With coil
	SP514166	Steam Valve Body	60 Hertz; Without coil
	SP516717	Coil	60 Hertz
11	SP514127	Safety Thermostat	
12	SPPRI202001001	Bolt	
13	SP314G00017524	Tube	
14	SPX01140400514	Tube Insert	

# Ventilator



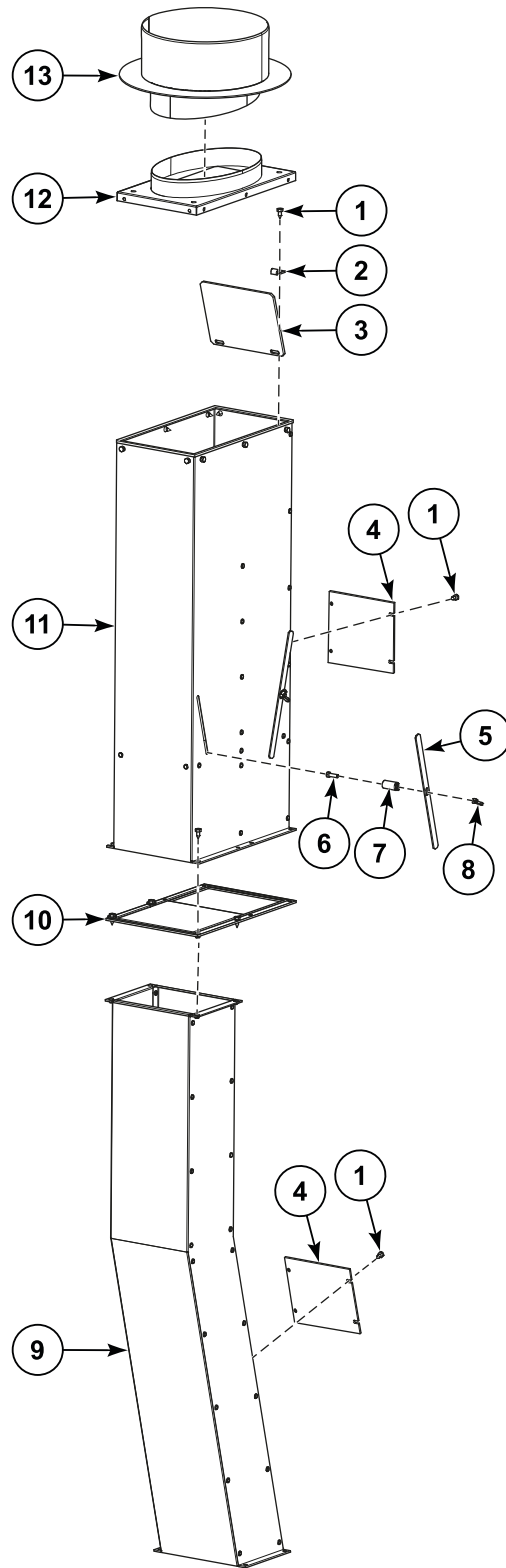
TMB3411P\_D1940



# Ventilator

REF	PART NO.	DESCRIPTION	COMMENTS
	581407	Ventilator Assembly	3000RPM; 3 phase; Includes items 1-16; Stacked models starting S.N.13TD002310RV; Top pocket models starting S.N.13TA000096RV
	581408	Ventilator Assembly	3000RPM; 1 phase; Includes items 1-16; Stacked models starting S.N.13TD002310RV; Top pocket models starting S.N.13TA000096RV
	581409	Ventilator Assembly	1500RPM; 3 phase; Includes items 1-16; Stacked models through S.N.13TD002309RV; Top pocket models through S.N.13TA000095RV
	581410	Ventilator Assembly	1500RPM; 1 phase; Includes items 1-16; Stacked models through S.N.13TD002309RV; Top pocket models through S.N.13TA000095RV
<b>1</b>	SP518639	Motor	3000RPM; 0.75 kW; 3 phase
	SP518640	Motor	3000RPM; 0.75 kW; 1 phase
	SP523620	Motor	1500RPM; 0.37 kW; 3 phase
	SP523623	Motor	1500RPM; 0.37 kW; 1 phase
<b>2</b>	SP309933000616	Bolt	
<b>3</b>	SP311125000006	Washer	
<b>4</b>	SP311127000006	Washer	
<b>5</b>	SP506012	Bolt	
<b>6</b>	SP101415	Nut	
<b>7</b>	SP517238	Screw	
<b>8</b>	SP101405	Bushing	
<b>9</b>	SP514016	Safety Thermostat	
<b>10</b>	SP534930	Temperature Sensor	
<b>11</b>	SP100218	Screw	
<b>12</b>	SP525070	Cover Plate	
<b>13</b>	SP101863	Inlet	
<b>14</b>	581401	Ventilator Housing	
<b>15</b>	SP102413	Ventilator	3000RPM; Diameter 180mm
	527702	Ventilator	1500RPM; Diameter 225mm
<b>16</b>	573389	Flange	

# Exhaust

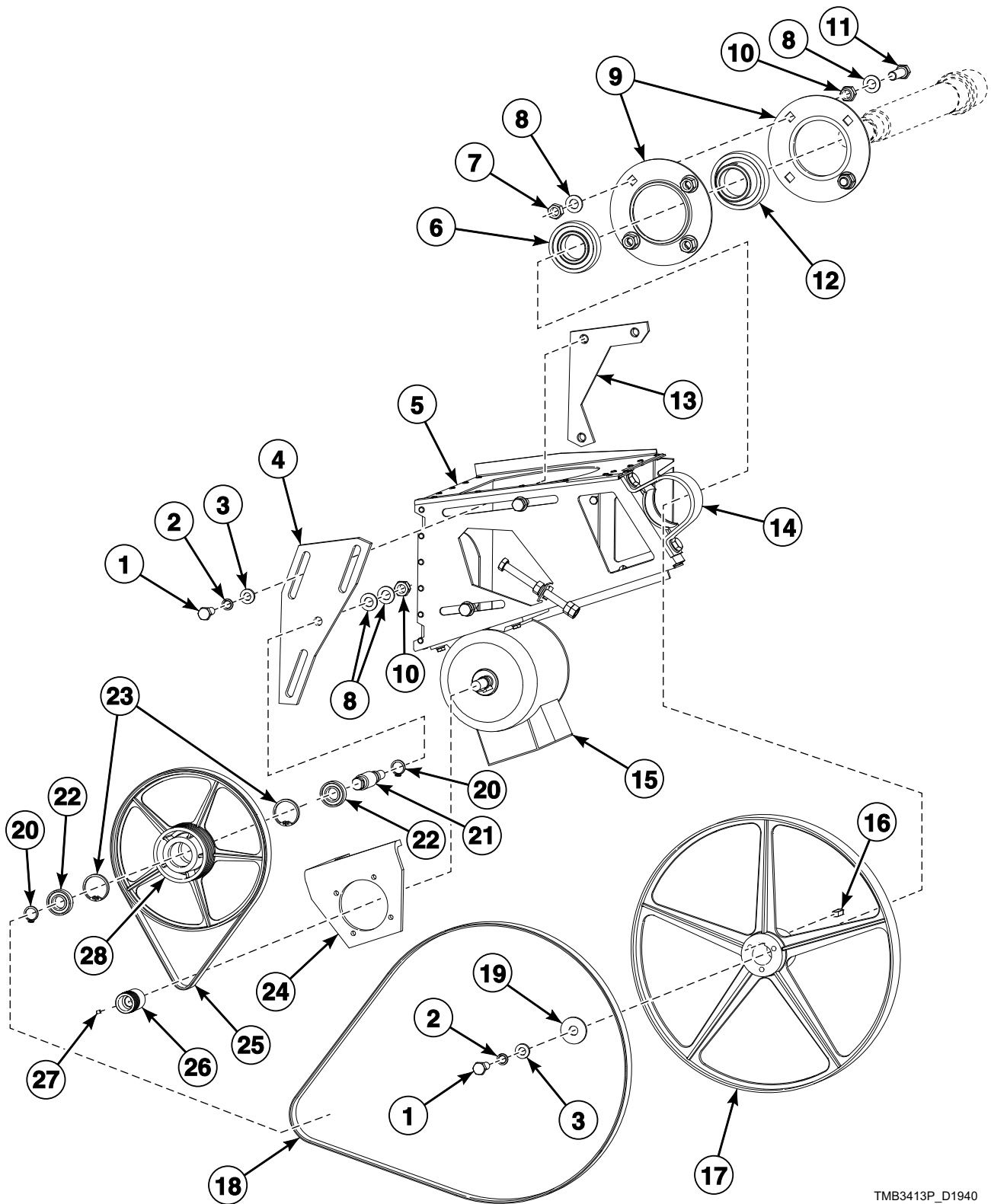


CZT450P

# Exhaust

REF	PART NO.	DESCRIPTION	COMMENTS
	SP527815	Exhaust Assembly	Includes items 1-12; Top pocket models
	SP524557	Exhaust Assembly	Includes items 1-12; Stacked models
1	SP100218	Screw	
2	SP525096	Clip	
3	SP525070	Cover Plate	
4	SP534922	Plug	
5	SP534929	Nut	
6	SP534900	Flap Stop	
7	SP309933000516	Bolt	
8	SP524559	Lower Exhaust	Stacked models
9	SP527750	Exhaust Switch	Top pocket models
	SP524568	Exhaust Switch	Stacked models
10	SP534924	Upper Exhaust	
11	SP525094	Flap	
12	SP526817	Connection	
13	580305	Exhaust Reduction Assembly	Option

# Drive System

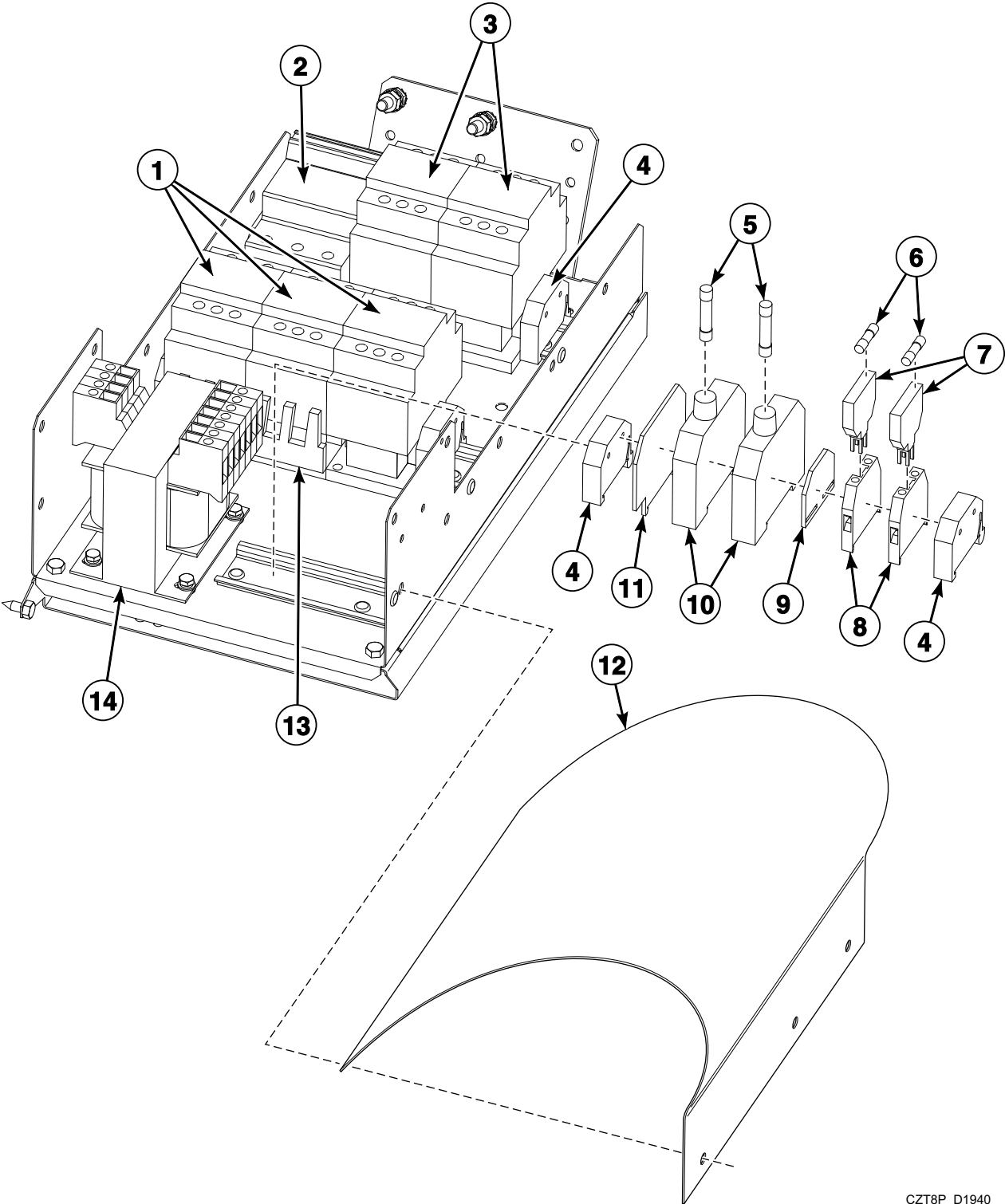


TMB3413P\_D1940

# Drive System

REF	PART NO.	DESCRIPTION	COMMENTS
1	SP309933001025	Bolt	
2	SP311127000010	Washer	
3	SP311125000010	Washer	
4	SP528947	Tension Board	
5	SP551756	Motor Bracket	
6	SP514006	Bearing	
7	SP310934000012	Nut	
8	SP311125000013	Washer	
9	SP514008	Flange Bearing Body	
10	SP310985000012	Nut	
11	SP309933001240	Bolt	
12	SP514004	Bearing	
13	SP528948	Support Plate Assembly	
14	SP515570	Bearing House	
15	SP523725	Motor	0.25 kW; 3 phase
	SP534667	Motor	0.25 kW; 1 phase; 208-240 Volt
16	SP505449	Key	
17	SP523731	Double Drum Pulley	
18	SP528950	Belt	
19	SP311903100012	Washer	
20	SP515517	Retaining Ring	
21	SP534728	Tension Rod	
22	SP326000600300	Bearing	
23	SP525196	Hole Securing Ring	
24	SP534668	Bracket	
25	SP528951	Belt	
26	SP528952	Motor Pulley	3 phase; 50 Hertz
	SP534666	Motor Pulley	1 phase; 50 Hertz
	SP545523	Motor Pulley	3 phase; 60 Hertz
	SP545524	Motor Pulley	1 phase; 60 Hertz
27	SP309916000408	Bolt	
28	SP534727	Pulley	

# Electric Box Components - Electric and Steam Models

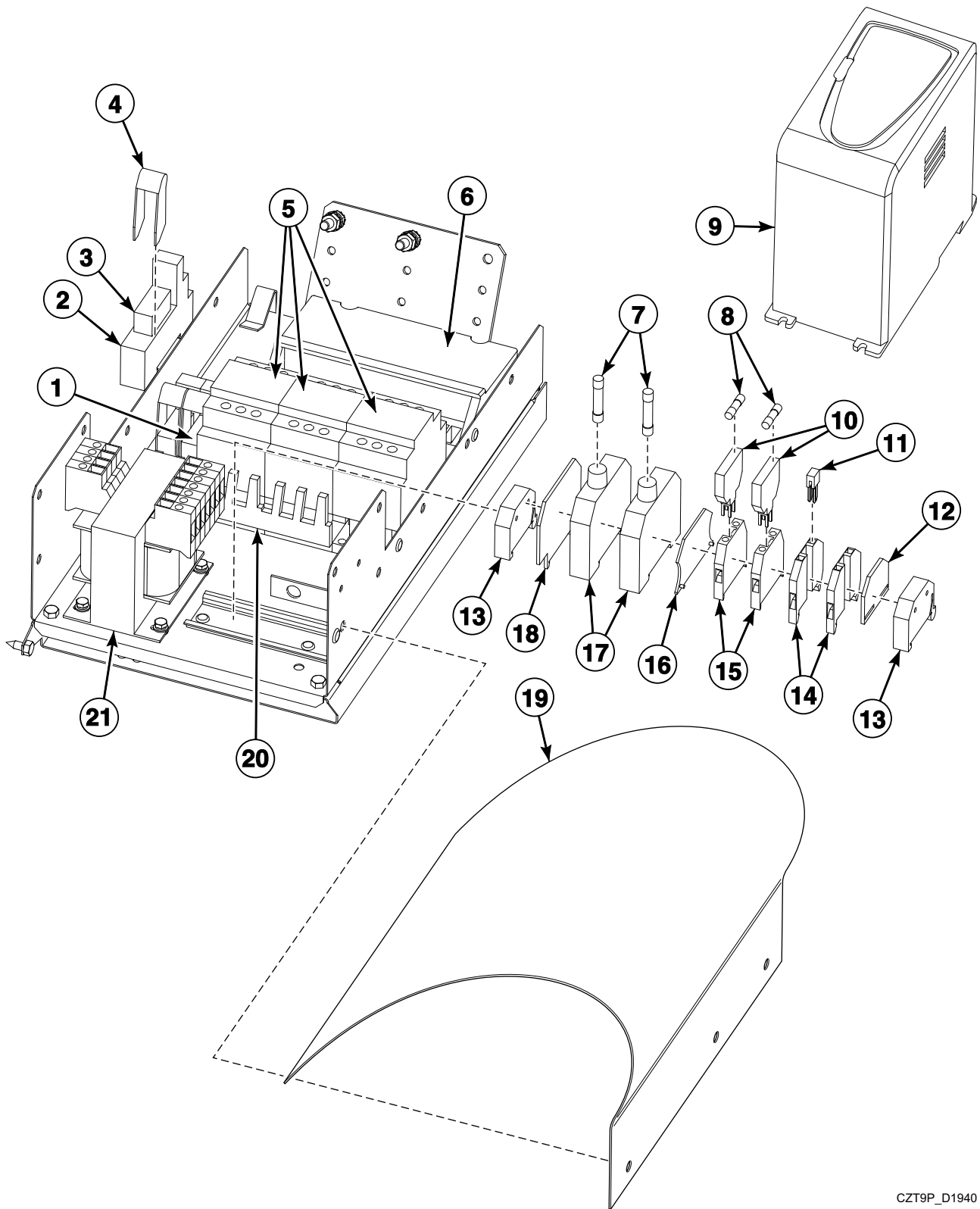


CZT8P\_D1940

## Electric Box Components - Electric and Steam Models

REF	PART NO.	DESCRIPTION	COMMENTS
	SP345000034070	Butt Splice	Steam models
1	569856	Contactactor	For motors
2	SP358251601312	Fuse Isolator	Electric models; 380-415V; 440V
	SP358251601311	Fuse Disconnecter	Stacked electric models; 208-240V
	SP358251506220	Fuse	Top pocket electric models
	SP358251503240	Fuse Insert	Stacked electric models; 380-415V; 440V
	SP358503740020	Fuse	Stacked electric models; 208-240V
3	569856	Contactactor	Electric models; 380-415V 18kW or 12kW; 440V 18kW or 12kW
	569873	Contactactor	Electric models; 208-240V 18kW need to use with 569856
4	SP346000209101	End Stop	
5	SP514133	Fuse	500 Volt, F500mA; 440 Volt; 380-415 Volt
6	SP345805005020	Fuse	250 Volt; T500mA
	SPPRI401001021	Fuse	250 Volt; F4A
7	SP524654	Fuse Plug	
8	SP524653	Fuse Clip	
9	SP524655	Cover	
10	SP346000004010	Fuse Case	
11	SP346000014010	Cover	
12	527795	Electric Box Cover	
13	569858	Mechanical Interlock Unit	Need to use with 569859 Set for Reversing Contactors
14	SP514021	Transformer	

# Electric Box Components - Gas Models



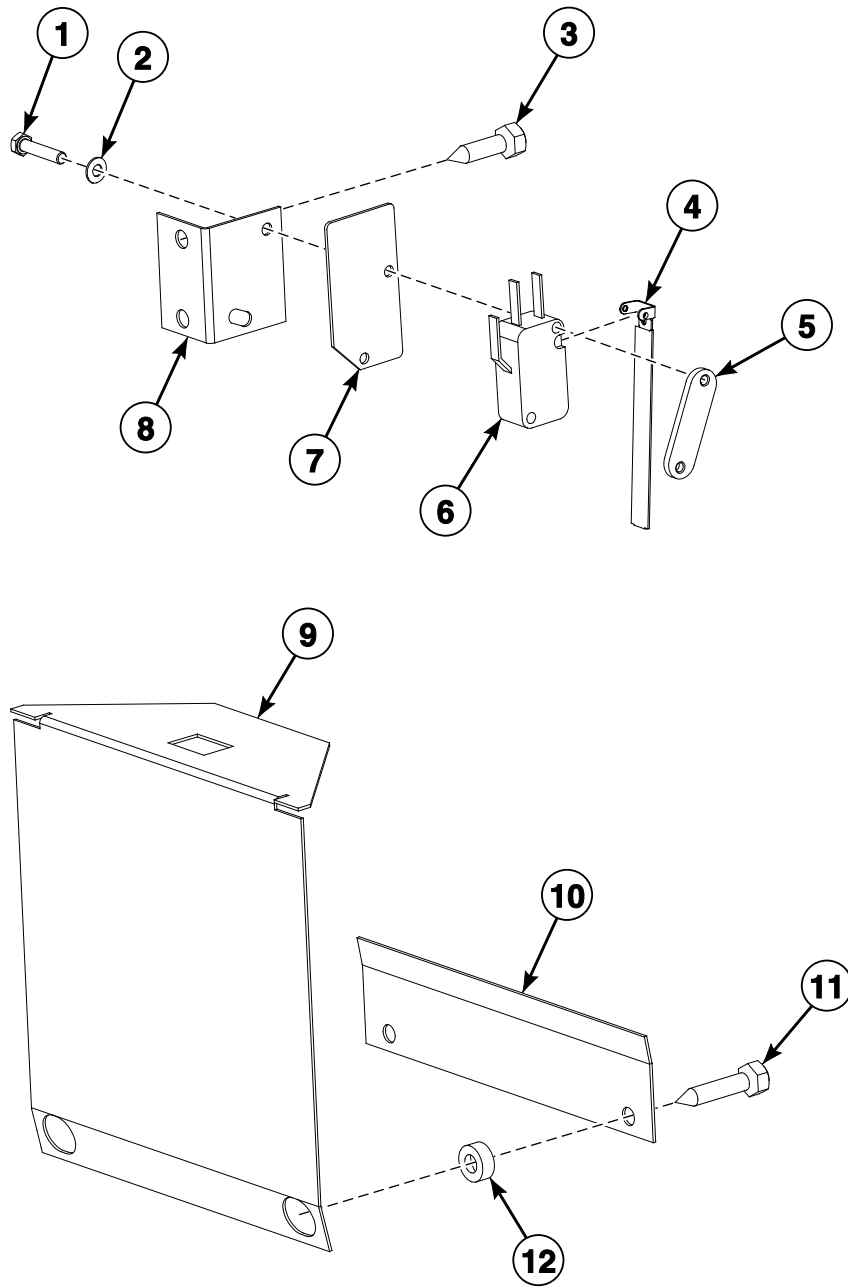
CZT9P\_D1940



## Electric Box Components - Gas Models

REF	PART NO.	DESCRIPTION	COMMENTS
1	SP514134	Relay	220VAC
2	SP506586	Relay Case	
3	SP514057	Relay	24VAC
4	SP514135	Relay Clamp	
5	569856	Contactor	
	SP520195	Resistance Bleeder	1 phase; Reversing
6	SP357456010080	Ignition Unit	
7	SP514133	Fuse	500 Volt, F500mA; 440 Volt; 380-415 Volt
	SP345805163032	Fuse	1A
8	SPPRI401001021	Fuse	250 Volt; F4A
	SP345805005020	Fuse	250 Volt; T500mA
	SPPRI401020021	Fuse	1.6A
9	SP557962	Frequency Inverter	
10	SP524654	Fuse Plug	
11	SP346000280402	Interconnection	
12	SP346000280301	Cover	
13	SP346000209101	End Stop	
14	SP346000280101	Clamp	
15	SP524653	Fuse Clip	
16	SP524655	Cover	
17	SP346000004010	Fuse Case	
18	SP346000014010	Cover	
19	527795	Electric Box Cover	
20	569858	Mechanical Interlock Unit	Need to use with 569859 Set for Reversing Contactors
21	SP514021	Transformer	

# Under Pressure Clutch

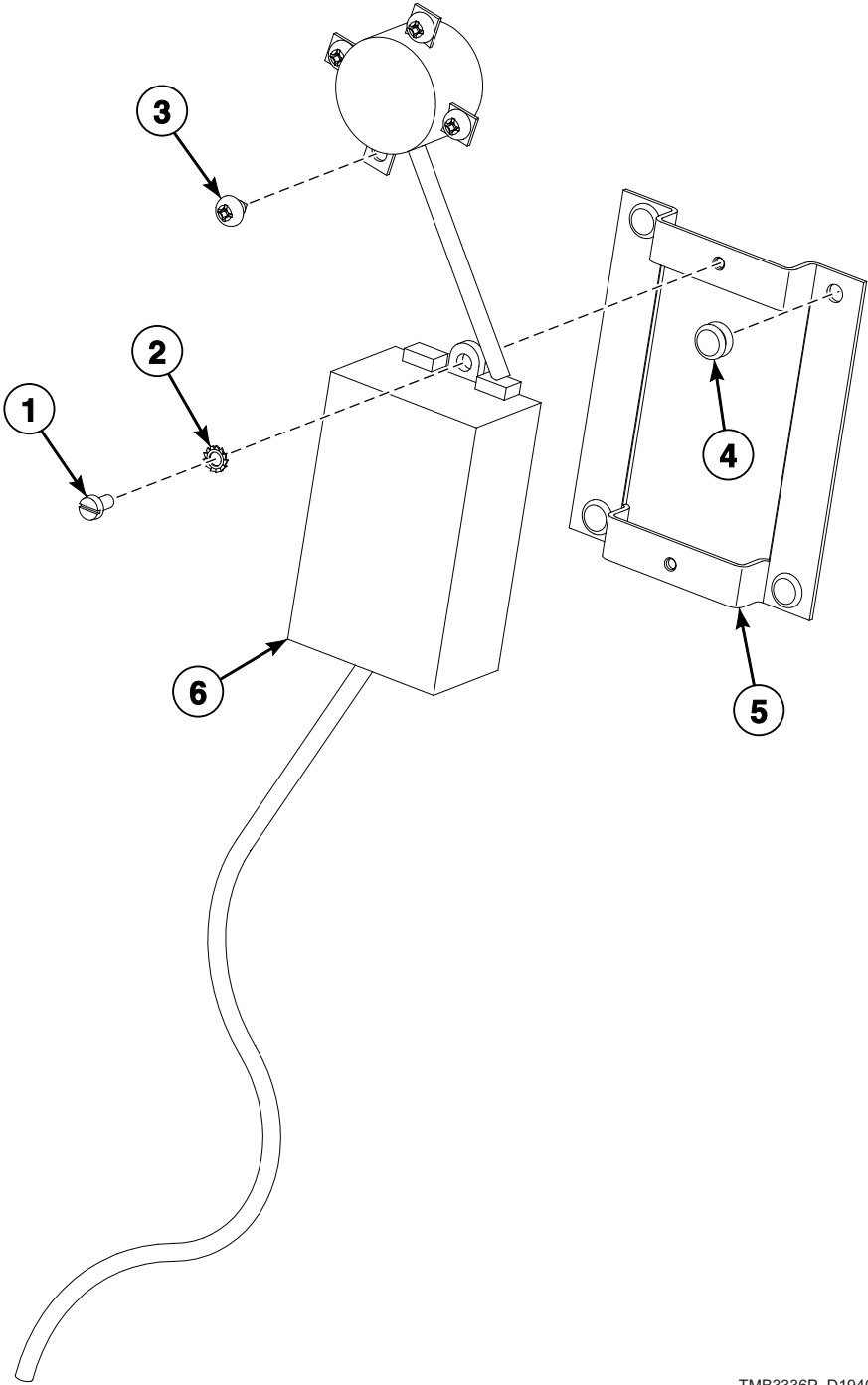


TMB3370P\_D1940

## Under Pressure Clutch

REF	PART NO.	DESCRIPTION	COMMENTS
	SP525467	Underpressure Clutch Assembly	Includes items 1-12
1	SP516623	Bolt	
2	SP311125000003	Washer	
3	SP518623	Bolt	
4	SP517441	Microswitch Lever Assembly	
5	SP235119001815	Nut	
6	SPPRI610028017	Microswitch	
7	SP101154	Isolation Plate	
8	SP520803	Microswitch Bracket	
9	SP525468	Clutch	
10	SP520808	Stop End	
11	SP520871	Screw	
12	SP520804	Distance Ring	

# Humidity Sensor



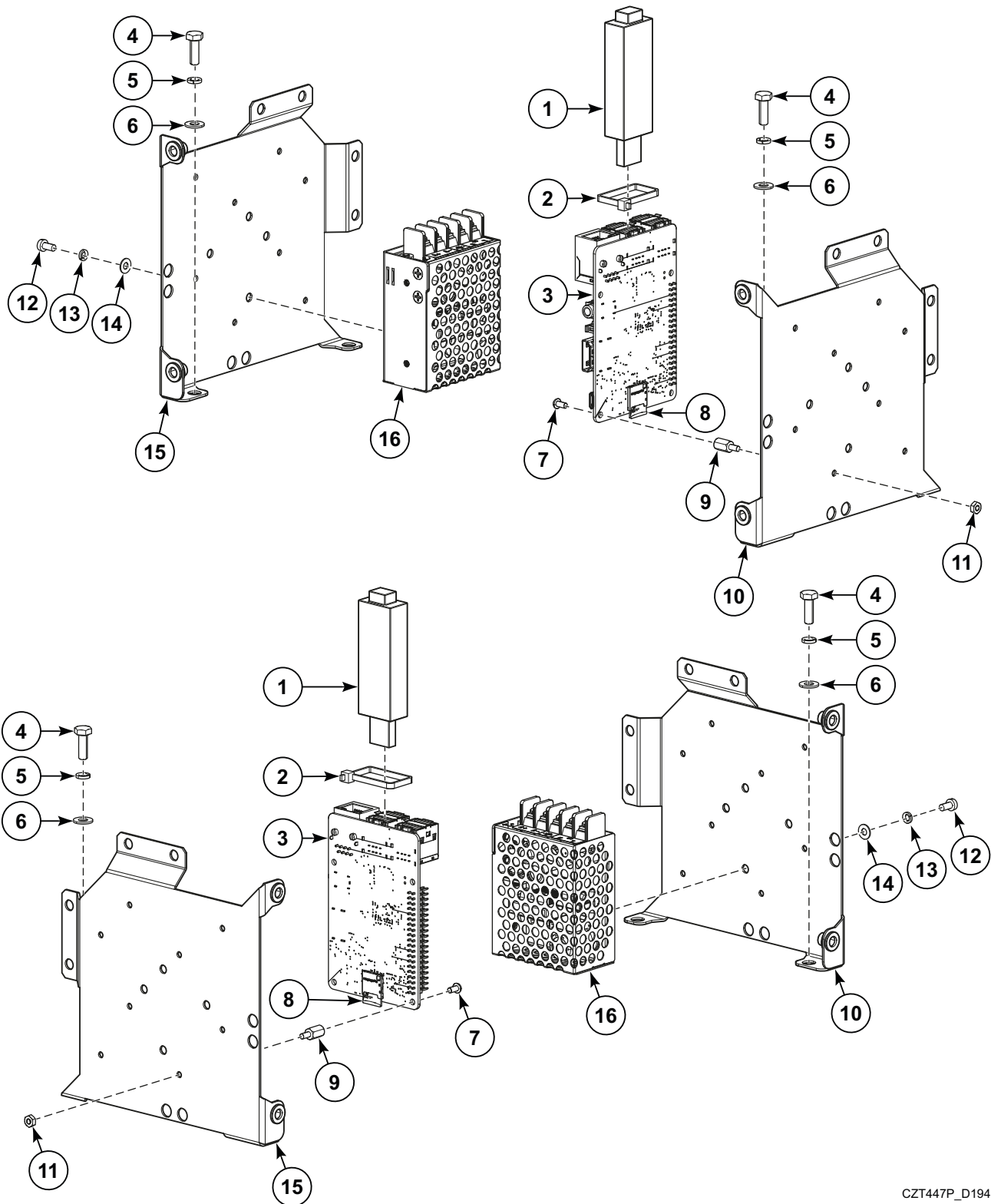
TMB3336P\_D1940

# Humidity Sensor

REF	PART NO.	DESCRIPTION	COMMENTS
	SP532002	Dust Cap Humidity Sensor	
	SP518562	Humidity Sensor Assembly	Includes items 1-6
1	SP309084000306	Bolt	
2	SP311679800003	Washer	
3	SP309798500306	Screw	
4	SP313250004075	Rivet	
5	SP518563	Sensor Holder	
6	SP102456	Humidity Sensor	

# WiFi Connection - Option

Stacked Models



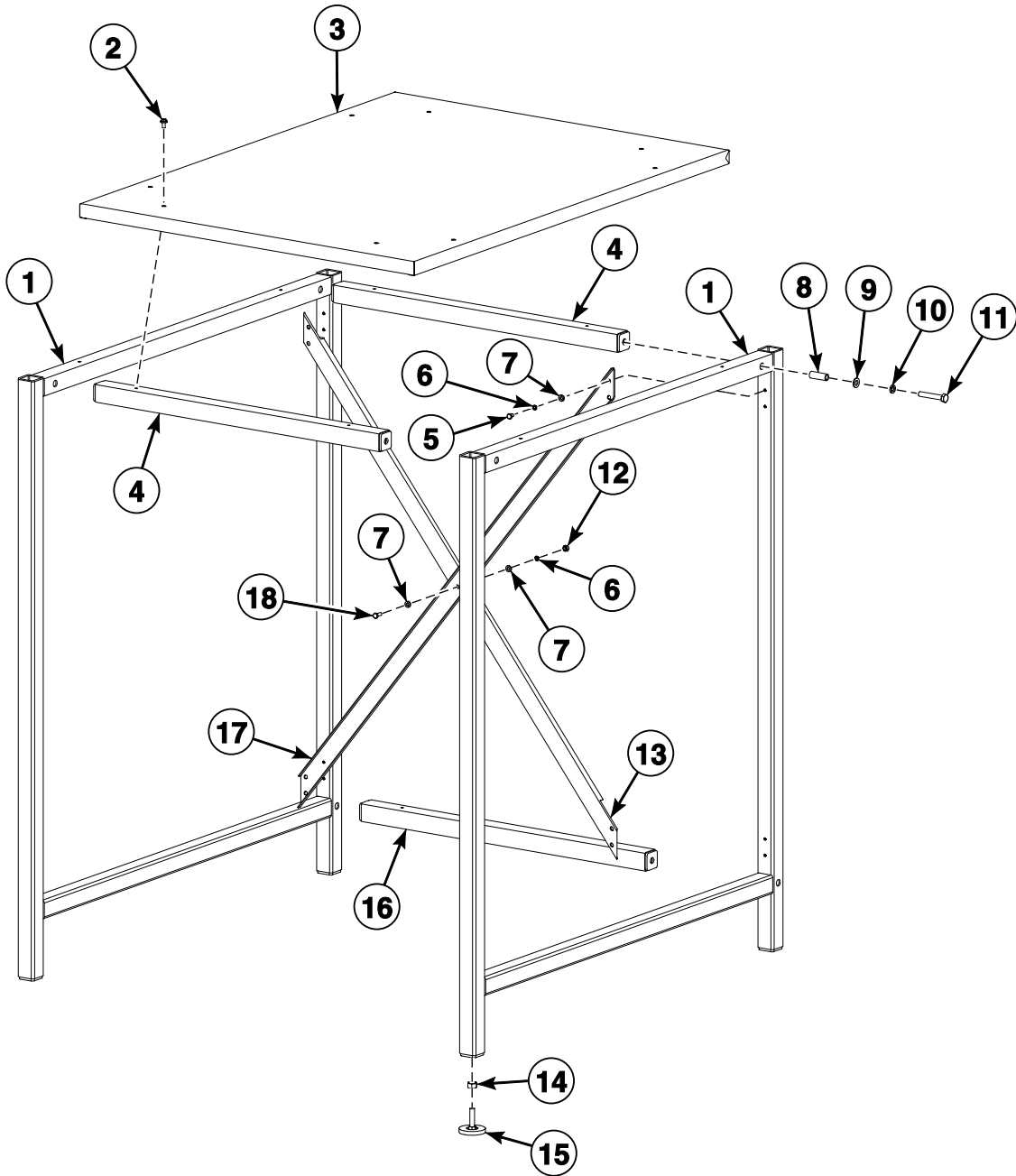
CZT447P\_D1940

## WiFi Connection - Option

REF	PART NO.	DESCRIPTION	COMMENTS
	573396	WiFi Service kit	Includes items 1-16, items 575872, 575888, 575873, 575866 and Flash Memory with Firmware
	575872	Power Supply Cable	1.45m
	575888	Power Supply Cable	3.3m
	575873	WiFi Cable	
	575866	Power Supply Harness	Micro USB-B
1	529102	Converter	USB RS485 - Nano
2	SP345000626088	Binding strip	
3	553440	Control Board	
4	SP309933240412	Bolt	M4x12; Full Control models only
5	SP311127000004	Washer	M4; Full Control models only
6	SP311125000004	Washer	M4; Full Control models only
7	573391	Bolt	M2.5x5
8	553442	MicroSD Card	16GB
9	573390	Spacer	M2.5x8
10	524388	Control Assembly Holder	Right; Full Control models only
11	573392	Nut	M2.5
12	SP309084000306	Bolt	M3x6
13	SP311127000003	Washer	M3
14	SP311125000003	Washer	M3
15	524387	Control Assembly Holder	Left; Full Control models only
16	575864	Power Supply	

# Stand

Top Pocket Models



TMB3416P\_D1940

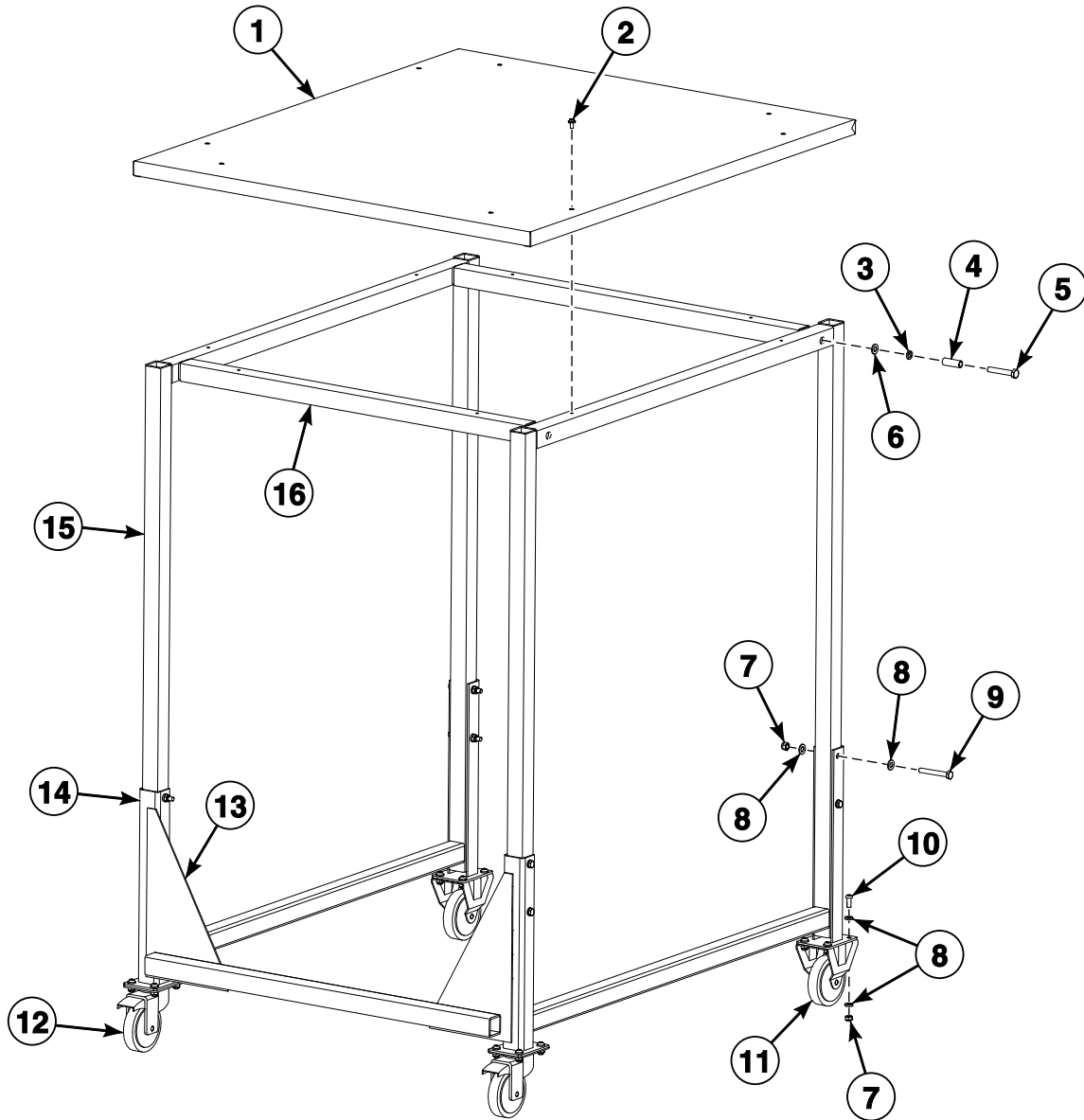


# Stand

REF	PART NO.	DESCRIPTION	COMMENTS
	SP553509	Stand Assembly	Imitation stainless steel
	SP561196	Stand Assembly	Gray
1	SP527711	Stand Assembly	
2	SP309595124612	Bolt	
3	SP553501	Stand Cover	Imitation stainless steel
	SP561200	Stand Cover	Gray
4	SP553511	Cross Beam	
5	SP309933000610	Bolt	
6	SP311127000006	Washer	
7	SP311125000006	Washer	
8	SP526824	Distance Tube	
9	SP311125000010	Washer	
10	SP311127000010	Washer	
11	SP506432	Bolt	
12	SP310934000006	Nut	
13	SP553502	Reinforcement	
14	SP310934000010	Nut	
15	SPPRI504000001	Adjustable Foot	
16	SP553512	Lower Cross Beam	
17	SP553503	Reinforcement	
18	SP309933000616	Bolt	

# Traveling Stand

Top Pocket Models



TMB3417P\_D1940

# Traveling Stand

REF	PART NO.	DESCRIPTION	COMMENTS
	SP556960	Traveling Stand Assembly	Imitation stainless steel
	SP556968	Traveling Stand Assembly	Stainless steel
	SP561197	Traveling Stand Assembly	Gray
1	SP556965	Stand Cover	Imitation stainless steel
	SP556967	Stand Cover	Stainless steel
	SP561199	Stand Cover	Gray
2	SP309595124612	Bolt	
3	SP311127000010	Washer	
4	SP526824	Distance Tube	
5	SP506432	Bolt	
6	SP311125000010	Washer	
7	SP310985000008	Nut	
8	SP311125000008	Washer	
9	SP309933000870	Bolt	
10	SP309159324820	Bolt	
11	SP534803	Wheel	Fixed
12	SP534802	Wheel	Swivel with brake
13	SP556963	Cross Beam Weldment	
14	SP534804	Foot Support Weldment	
15	SP556969	Traveling Stand	
16	SP556962	Upper Cross Beam	



# Parts Index

## A

Adhesive	
SP245704003021 .....	27
Adjustable Foot	
SPPRI504000001 .....	21, 23, 55

## B

Bearing	
SP326000600300 .....	43
SP514004 .....	43
SP514006 .....	43
Bearing House	
SP515570 .....	43
Belt	
SP528950 .....	43
SP528951 .....	43
Binding Strip	
SP345000626088 .....	53
Blank Plate Kit	
SP102019 .....	31
Bolt	
SPPRI202001001 .....	31, 37
SP309084000306 .....	51, 53
SP309159324820 .....	57
SP309595124612 .....	55, 57
SP309798524408 .....	33
SP309916000408 .....	43
SP309933000416 .....	11, 13
SP309933000516 .....	31, 41
SP309933000610 .....	55
SP309933000616 .....	29, 39, 55
SP309933000870 .....	57
SP309933001025 .....	43
SP309933001240 .....	43
SP309933240412 .....	23, 53
SP309966240410 .....	5, 7
SP506012 .....	39
SP506432 .....	55, 57
SP516623 .....	49
SP516693 .....	21, 23
SP518623 .....	49
SP518719 .....	21, 23
SP524367 .....	27
SP525029 .....	25
SP525101 .....	27
SP545529 .....	21, 23
573391 .....	53
Bracket	
SP534668 .....	43
Burner Tube	
SP552515 .....	31, 33
Bushing	
SP101405 .....	39
SP101407 .....	21, 23
SP101408 .....	21, 23
SP101409 .....	21, 23
Butt Splice	
SP345000034070 .....	45

## C

Cable	
SP102461 .....	11, 13
Cable Bushing	
SPPRI501000071 .....	21, 23
SP516175 .....	21, 23
Clamp	
SP346000280101 .....	47
Clip	
SP525096 .....	41
Clutch	
SP525468 .....	49
Coil	
SP516717 .....	37
Coin Meter	
SP100642 .....	15
SP100866 .....	15
SP100867 .....	15
SP100868 .....	15
SP100869 .....	15
SP100870 .....	15
SP100871 .....	15
SP100887 .....	15
SP100888 .....	15
SP100891 .....	15
SP100892 .....	15
SP100893 .....	15
SP100895 .....	15
SP100896 .....	15
SP100898 .....	15
SP100900 .....	15
SP100902 .....	15
SP101155 .....	15
SP101228 .....	15
SP101437 .....	15
SP101450 .....	15
SP101499 .....	15
SP101535 .....	15
SP101536 .....	15
SP101586 .....	15
SP101612 .....	15
SP101632 .....	15
SP101797 .....	15
SP102084 .....	15
SP102371 .....	15
SP102407 .....	15
SP102452 .....	15
SP102473 .....	15
SP102546 .....	15
SP516632 .....	15
SP516636 .....	15
SP516638 .....	15
SP516639 .....	15
SP516737 .....	15
SP516804 .....	15
SP516807 .....	15
SP516875 .....	15
SP516921 .....	15
SP516950 .....	15
SP516967 .....	15
SP516969 .....	15
SP516976 .....	15

N/A items do not appear in index.

SP516977	15	569956	19
SP516980	15	569963	19
SP516984	15	569966	19
SP516991	15	569969	19
SP516994	17	569972	19
SP516999	17	569975	19
SP529106	17	569981	19
SP529108	17	569986	19
SP529110	17	572303	19
SP529113	17	572306	19
SP529114	17	572309	19
SP529115	17	572312	19
SP529119	17	572315	19
SP529124	17	572319	19
SP534187	17	572322	19
SP534289	17	572325	19
SP534297	17	572337	19
SP537775	17	572338	19
SP537776	17	572340	19
SP537778	17	572344	19
SP537779	17	572360	19
SP537787	17	572385	19
SP537788	17	572390	19
SP537825	17	579810	19
SP537828	17	579814	19
SP537829	17	579820	19
SP537859	17		
SP537913	17	Coin Meter Assembly	
SP552901	17	573372	23
SP552951	17		
SP552952	17	Coin Vault	
SP552998	17	SP321848140028	23
SP553007	17	573351	23
SP553008	17		
SP553140	17	Coin Vault Cover	
SP553152	17	SP515291	7
SP555667	17		
SP556109	17	Coin Vault Frame	
SP556113	17	SP501514	7
SP556114	17		
SP556153	17	Coin Vault Frame Bracket	
SP559709	17	SP524394	7
SP560095	17		
SP560096	17	Connection	
SP560097	17	SP526817	41
SP560098	17		
SP560099	17	Connector	
SP560746	17	345000180901	31
SP560793	17		
SP561379	17	Contact	
SP564823	17	345000160645	31
516848	19		
516908	19	Contactactor	
516909	19	569856	45, 47
516913	19	569873	45
516914	19		
529159	19	Control	
569920	19	SP102458	11, 13
569923	19	SP529112	11
569926	19		
569929	19	Control Assembly	
569932	19	SP561129	9
569935	19	SP561130	9
569938	19	SP561131	11
569941	19	SP561132	11
569944	19	SP561135	13
569947	19	SP561136	13
569950	19	575644	11
569953	19	575645	11
		575646	13
		575647	13
		575673	9
		575674	9
		575675	13
		575676	13
		575677	13
		575678	13
		575679	13

N/A items do not appear in index.

575680 .....	13
575681 .....	11
575682 .....	11
575683 .....	11
575684 .....	11
575685 .....	11
575686 .....	11
Control Assembly Holder	
524387 .....	53
524388 .....	53
Control Board	
SP102457 .....	9
SP556608 .....	9
Control Board.55344053	
Control Bracket	
SP524387 .....	11, 13
SP524388 .....	11, 13
SP524537 .....	11, 13
SP524554 .....	11, 13
SP525620 .....	9
Control Bracket Assembly	
SP525617 .....	9
Control Panel	
SP530443 .....	5, 7
SP557200 .....	5, 7
530441 .....	7
Control Unit	
571938 .....	33
Converter	
529102 .....	53
Cover	
SP346000014010 .....	45, 47
SP346000280301 .....	47
SP512139 .....	31, 33
SP524655 .....	45, 47
SP527703 .....	21
537625 .....	33
Cover Plate	
SP525070 .....	39, 41
Cross Beam	
SP553511 .....	55
Cross Beam Weldment	
SP556963 .....	57

---

<b>D</b>	
Detection Electrode	
SP102002 .....	31
Display Board	
SP102459 .....	11, 13
SP553416 .....	11, 13
SP560706 .....	11, 13
Distance Plate	
SP510689 .....	13
SP519201 .....	11
Distance Ring	
SP520804 .....	49
Distance Tube	
SP503168 .....	9
SP526824 .....	55, 57
Door	
SP524364 .....	27
SP556552 .....	27
SP559701 .....	27

Door Assembly	
SP524359 .....	27
SP556558 .....	27
559702 .....	27
Door Glass	
SP512053 .....	27
Door Ring	
SP534873 .....	27
Door Switch Assembly	
SP520404 .....	21, 23
Door Switch Holder	
SP520403 .....	21, 23
Double Drum Pulley	
SP523731 .....	43
Drum	
580284 .....	25
580285 .....	25
Drum Assembly	
580282 .....	25
580283 .....	25
Drum Cross	
SP529031 .....	25
Dust Cap Humidity Sensor	
SP532002 .....	51

---

## E

Elbow	
572350 .....	33
572352 .....	33
Electric Box Cover	
527795 .....	45, 47
Electrode Bracket	
SP512141 .....	31
Emergency Stop Connector	
SP528311 .....	5, 7
Emergency Stop Knob	
SP528310 .....	5, 7
End Stop	
SP346000209101 .....	45, 47
Exhaust	
SP545534 .....	21, 23
Exhaust Assembly	
SP524557 .....	41
SP527815 .....	41
Exhaust Reduction Assembly	
580305 .....	41
Exhaust Switch	
SP524568 .....	41
SP527750 .....	41

---

## F

Filter	
SP519027 .....	37
Filter Panel Assembly	
SP529051 .....	5, 7
SP551722 .....	7
SP551724 .....	7
SP560166 .....	5, 7
SP560168 .....	7
SP560170 .....	7

N/A items do not appear in index.

SP560175	5, 7
SP560176	7
SP560177	7
SP560181	5, 7
SP560182	7
SP560183	7
529049	7
551721	7
551723	7
560165	7
560167	7
560169	7
Filter Switch Bracket Assembly	
SP525060	21, 23
Flame Detection Cable	
SP524703	31
Flange	
SP102018	31
SP514062	31
573389	39
Flange Bearing Body	
SP514008	43
Flap	
SP525094	41
Flap Stop	
SP534900	41
Foot Support Weldment	
SP534804	57
Frequency Inverter	
SP557962	47
Front Panel Assembly	
SP524592	5, 7
SP524593	7
SP524594	7
SP545563	7
SP545565	7
SP557184	5, 7
SP557185	7
SP557198	7
SP561105	7
SP561106	7
524530	7
524553	7
524591	7
545562	7
545564	7
Fuse	
SPPRI401001021	45, 47
SPPRI401020021	47
SP345805005020	45, 47
SP345805163032	47
SP358251506220	45
SP358503740020	45
SP514133	45, 47
SP557786	29
Fuse Case	
SP346000004010	45, 47
Fuse Clip	
SP524653	45, 47
Fuse Disconnecter	
SP358251601311	45
Fuse Insert	
SP358251503240	45
Fuse Isolator	
SP358251601312	45

Fuse Plug	
SP524654	45, 47

---

## G

Gas Heater Box	
SP512130	31
569440	33
Gas Valve	
SP102000	31
SP520281	31
572351	33
Gas Valve Cable	
SP357500459412	31
Gas Valve Wiring	
	31
Gasket	
SP101275	9
Glue	
SP534969	27

---

## H

Handle	
SP518707	5, 7
Heater Box	
SP528941	29
Heating Element	
SP510984	29
Heating Element Bracket	
SP527900	29
Holder	
569446	33
571880	33
571884	33
Holder Assembly	
SP510696	9
Hole Securing Ring	
SP525196	43
Hose	
SP273454410020	31, 37
Humidity Sensor	
SP102456	51
Humidity Sensor Assembly	
SP518562	51

---

## I

Ignition Cable	
SP524704	31
Ignition Electrode	
575643	31, 33
Ignition Unit	
SP357456010080	31, 47
Inlet	
SP101863	39
Interconnection	
SP346000280402	47
Isolation Paper	
SPPRI350012007	21, 23

N/A items do not appear in index.



Isolation Plate	
SP101154	21, 23, 49

## K

Key	
SP505449	43
Keyboard	
SP560752	9

## L

Label	
580235	11, 13
Latch	
SP514530	5, 7, 27
SP520811	5, 7
Lath	
SP524582	27
SP525615	5, 7
SP556553	27
SP559706	27
SP561102	5, 7
524549	7
Lock	
SPPRI61000007	5, 7
Lower Cross Beam	
SP553512	55
Lower Door Hinge	
SP525104	27
SP556554	27
SP559704	27
Lower Exhaust	
SP524559	41
Lower Side Panel	
SP530444	5, 7
SP530445	5
SP561101	5, 7
SP561122	5
530442	7

## M

Magnet	
SP556557	27
Main Switch	
SPPRI404000097	21, 23
SPPRI404000098	21
SPPRI404000099	21, 23
Main Switch Knob	
SPPRI404000095	21, 23
Mechanical Interlock Unit	
569858	45
Mechanical interlock Unit	
569858	47
Memory	
SP526001	9, 11, 13
102460	11, 13
102471	9
102472	9
545264	11, 13

MicroSD Card	
553442	53
Microswitch	
SPPRI610011077	21, 23
SPPRI610028017	49
SP506045	21, 23
SP517484	21, 23

Microswitch Bracket	
SP520803	49
Microswitch Lever Assembly	
SP517441	49

Motor	
SP518639	39
SP518640	39
SP523620	39
SP523623	39
SP523725	43
SP534667	43

Motor Bracket	
SP551756	43

Motor Pulley	
SP528952	43
SP534666	43
SP545523	43
SP545524	43

## N

Nameplate	
SP532160	11

Nozzle	
SP512067	31

Nut	
SP101415	39
SP101417	21, 23
SP101418	21, 23
SP101419	21, 23
SP235119001815	49
SP310934000004	9, 11, 13
SP310934000006	55
SP310934000010	21, 23, 25, 55
SP310934000012	43
SP310934240004	27
SP310934240005	31, 33, 37
SP310985000008	57
SP310985000012	43
SP516176	21, 23
SP534929	41
SP545530	21, 23
573392	53

## O

Orifice	
517222	31, 35
517223	31, 35
517224	35
517225	31, 35
517226	31, 35
517227	31, 35
517241	31, 35
517243	31, 35
517245	31, 35
517246	31, 35

N/A items do not appear in index.

517250	31, 35
517251	31, 35
517252	31, 35
517253	31, 35
517257	31, 35
517258	31, 35
517327	31, 35
517328	31, 35
517329	31, 35
517330	31, 35
517331	31, 35
517337	31, 35
520236	31, 35
520237	31, 35
520399	31, 35
525465	35
525466	31, 35
530819	31, 35
530820	31, 35
575530	35
Outer Door Gasket	
SP519933	27
Overlay	
SP556099	11, 13
SP559870	11, 13
SP559871	11, 13
SP559900	11, 13

## P

Plug	
SP520297	29
SP534922	41
Power Supply	
575864	53
Power Supply Cable	
575872	53
575888	53
Power Supply Harness	
575866	53
Pulley	
SP534727	43

## R

Rear Lower Cover	
SP528956	23
Rear Reinforcement	
SP525071	21, 23
Rear Upper Cover	
SP524335	21, 23
SP529023	21, 23
Reinforcement	
SP553502	55
SP553503	55
Relay	
SP514057	47
SP514134	47
Relay Case	
SP506586	47
Relay Clamp	
SP514135	47

Resistance Bleeder	
SP520195	47
Retaining Ring	
SP515517	43
Rivet	
SP313250004075	51

## S

Safety Thermostat	
SP514016	39
SP514127	29, 31, 33, 37
Screw	
SP100218	9, 21, 23, 31, 33, 39, 41
SP309798100313	29
SP309798500306	51
SP514061	5, 7, 11, 13
SP517238	31, 33, 37, 39
SP520871	49
572361	33
Sensor Holder	
SP518563	51
Spacer	
573390	53
Stand Assembly	
SP527711	55
SP553509	55
SP561196	55
Stand Cover	
SP553501	55
SP556965	57
SP556967	57
SP561199	57
SP561200	55
Steam Exchanger	
SP530409	37
SP530410	37
Steam Filter	
SP405054057006	37
Steam Valve	
SP516718	37
Steam Valve Body	
SP514166	37
Stop End	
SP520808	49
Stop Pin	
SP520201	27
Support Plate Assembly	
SP528948	43
Switch	
SP100388	21, 23
Switching Unit	
SP528312	5, 7

## T

Temperature Sensor	
SP516092	29, 31, 33
SP534930	39
Tension Board	
SP528947	43

N/A items do not appear in index.

Tension Rod	
SP534728 .....	43
Terminal Board	
SPPRI35000007 .....	21, 23
Thermostat Bracket	
SP520227 .....	37
Transformer	
SP514021 .....	45, 47
Traveling Stand	
SP556969 .....	57
Traveling Stand Assembly	
SP556960 .....	57
SP556968 .....	57
SP561197 .....	57
Tube	
SP314G00017524 .....	37
SP517236 .....	37
SP519198 .....	31
569445 .....	33
571881 .....	33
Tube Insert	
SPX01140400514 .....	37

SP311127000004 .....	9, 11, 13, 23, 33, 53
SP311127000005 .....	31, 37
SP311127000006 .....	29, 39, 55
SP311127000010 .....	43, 55, 57
SP311679800003 .....	51
SP311679800004 .....	9, 11, 13
SP311903100012 .....	43
SP510697 .....	25
SP512233 .....	25
SP514906 .....	5, 7
SP516669 .....	29, 31, 33
SP524366 .....	5, 7
SP545531 .....	21, 23
517426 .....	25
Wheel	
SP534802 .....	57
SP534803 .....	57
WiFi Cable	
575873 .....	53
WiFi Service kit	
573396 .....	53

## U

Underpressure Clutch Assembly	
SP525467 .....	49
Upper Cross Beam	
SP556962 .....	57
Upper Door Hinge	
SP525105 .....	27
SP556555 .....	27
SP559705 .....	27
Upper Exhaust	
SP534924 .....	41

## V

Valve Bracket	
SP512144 .....	31
Ventilator	
SP102413 .....	39
527702 .....	39
Ventilator Assembly	
581407 .....	39
581408 .....	39
581409 .....	39
581410 .....	39
Ventilator Housing	
581401 .....	39

## W

Washer	
SP311125000003 .....	21, 23, 31, 49, 53
SP311125000004 .....	9, 11, 13, 23, 33, 53
SP311125000005 .....	31, 37
SP311125000006 .....	29, 39, 55
SP311125000008 .....	57
SP311125000010 .....	21, 23, 25, 43, 55, 57
SP311125000013 .....	43
SP311127000003 .....	21, 23, 53

N/A items do not appear in index.

