

Washer-Extractor

Cabinet Freestanding
40, 55, 70 and 180, 240 and 280 Models
Refer to Page 3 for Model Numbers



Table of Contents

Title	Page
Parts Ordering Information.....	2
Serial Plate Location	2
Model Identification	3
Decals	4
Upper Frame - 40 and 180 Models	6
Upper Frame - 55, 70, 240 and 280 Models	8
Lower Frame	10
Stabilizing Spring	12
Cabinet (Drawing 1 of 2)	14
Cabinet (Drawing 2 of 2)	16
Control Panel	18
Coin Meter (Drawing 1 of 3).....	20
Coin Meter (Drawing 2 of 3).....	22
Coin Meter (Drawing 3 of 3).....	24
Coin Meter Box	26
Door- Models Through December 31, 2019	28
Door- Models Starting January 1, 2020	30
Door Lock.....	32
Two Water Inlet System.....	34
Three Water Inlet System	36
Two Water Inlet System - Optional	38
Three Water Inlet System - Optional.....	40
Drain System	42
Drain System - Two Drain Valve Option - 280 Models.....	44
Rear Panel - CE Models 230-400V with Neutral (Drawing 1 of 2)	46
Rear Panel - CE Models 230-400V with Neutral (Drawing 2 of 2)	48
Rear Panel - CE Models 400-440V (Drawing 1 of 2)	50
Rear Panel - CE Models 400-440V (Drawing 2 of 2)	52
Rear Panel - CSA Models 230-400V (Drawing 1 of 2).....	54
Rear Panel - CSA Models 230-400V (Drawing 2 of 2).....	56
Rear Panel - CSA Models 400-440V (Drawing 1 of 2).....	58
Rear Panel - CSA Models 400-440V (Drawing 2 of 2).....	60
Steam Heating	62
Washing Drum and Tub (Drawing 1 of 2)	64
Washing Drum and Tub (Drawing 2 of 2)	66
Drive.....	68
Bearing Housing - 40 and 180 Models.....	70
Bearing Housing - 55, 70, 240 and 280 Models.....	72
Elevated Base Frame - 40, 55, 180 and 240 Models.....	74
Elevated Base Frame - 70 and 280 Models.....	76
Liquid Soap Supply System - Pumps.....	78
Harnesses	80
Parts Index.....	81

© Copyright 2022, Alliance Laundry Systems LLC

All rights reserved. No part of the contents of this book may be reproduced or transmitted in any form or by any means without the expressed written consent of the publisher.

Parts Ordering Information

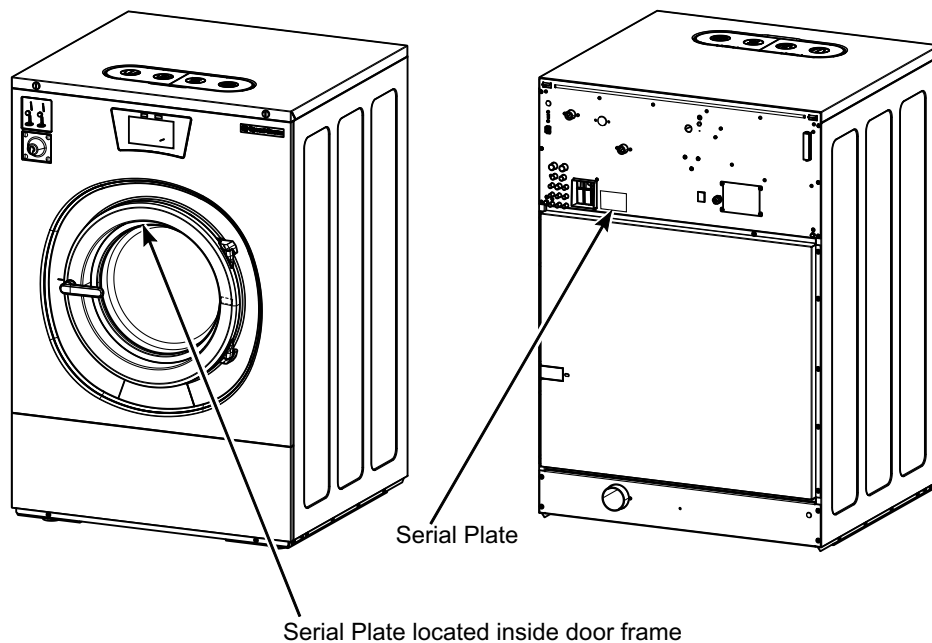
If literature or replacement parts are required, contact the source from whom the machine was purchased or contact Alliance Laundry Systems at (920) 748-3950 for the name and address of the nearest authorized parts distributor.

For technical assistance, call the number listed below:

(920) 748-3121 Ripon, Wisconsin

Serial Plate Location

When calling or writing about your product, be sure to mention model and serial numbers. Model and serial numbers are located on serial plate(s).



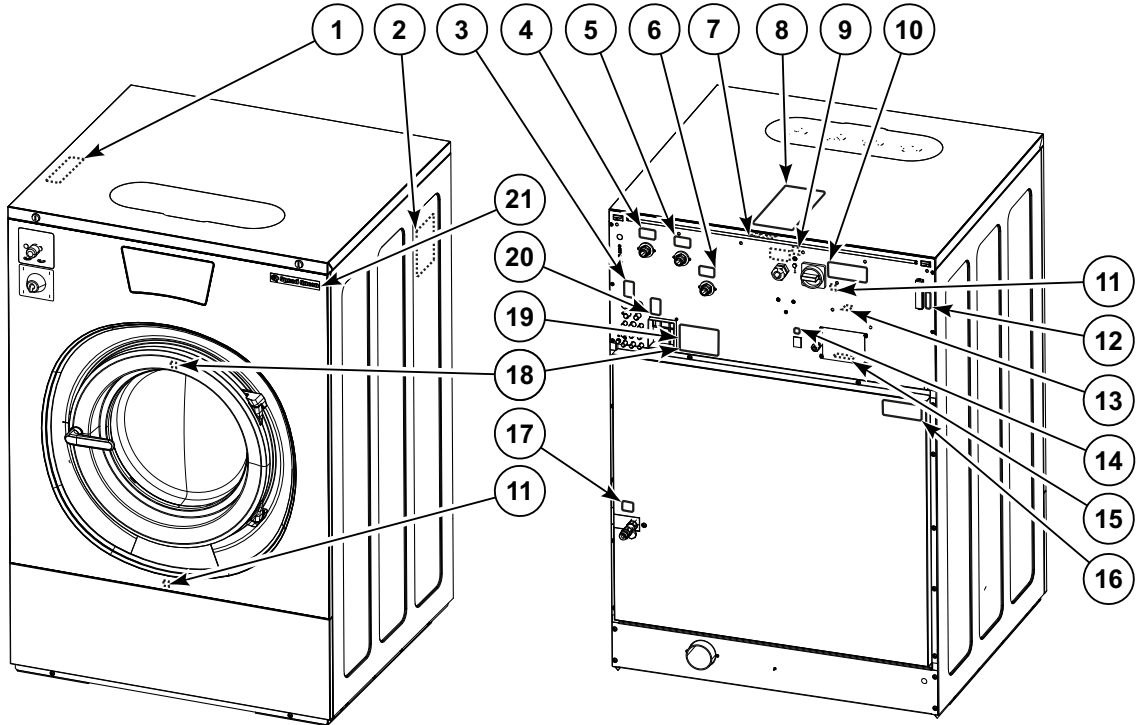
CFD3560P_D2413

Model Identification

Information in this manual is applicable to these washer-extractor models:

HY040_GALAXY_TOUCH_VEND	UY180_PROFORM_TOUCH_OPL
HY055_GALAXY_TOUCH_VEND	UY240_PROFORM_TOUCH_OPL
HY070_GALAXY_TOUCH_VEND	UY280_PROFORM_TOUCH_OPL
HYT040V	UYA180V
HYT055V	UYA240V
HYT070V	UYA280V
SY040_QUANTUM_TOUCH_VEND	UYC180V
SY055_QUANTUM_TOUCH_VEND	UYC240V
SY070_QUANTUM_TOUCH_VEND	UYC280V
SY180_QUANTUM_TOUCH_OPL	UYE180V
SY180_QUANTUM_TOUCH_VEND	UYE240V
SY240_QUANTUM_TOUCH_OPL	UYE280V
SY240_QUANTUM_TOUCH_VEND	UYR180V
SY280_QUANTUM_TOUCH_OPL	UYR240V
SY280_QUANTUM_TOUCH_VEND	UYR280V
SYA180V	UYU180V
SYA240V	UYU240V
SYA280V	UYU280V
SYC180V	UYX180V
SYC240V	UYX240V
SYC280V	UYX280V
SYE180V	
SYE240V	
SYE280V	
SYR180V	
SYR240V	
SYR280V	
SYT040V	
SYT055V	
SYT070V	
SYU180V	
SYU240V	
SYU280V	
SYX180V	
SYX240V	
SYX280V	

Decals



REF 1

⚠ DANGER Electrical Shock Hazard Disconnect power before servicing. Replacement of parts and panels before operating. Failure to do so may result in death or electrical shock.	⚠ DANGER Risque de choc électrique Déconnecter le courant d'alimentation avant toute réparation. Remplacement des pièces et des panneaux avant le montage de la machine. L'absence de précaution peut entraîner la mort ou un choc électrique.	⚠ PELIGRO Peligro de Choque Eléctrico Desconectar el suministro de energía antes de hacer mantenimiento. Reemplazar y volver a montar los componentes antes de montar el lavavajillas. La falta de precaución puede ocasionar la muerte o un choque eléctrico.
---	--	---

REF 2

El. Scheme

REF 3

REF 4

<40 mg/L
100-800 kPa (15-116 psi)

REF 5

>40 mg/L
100-800 kPa (15-116 psi)

REF 6

<90°C (190°F)
100-800 kPa (15-116 psi)

REF 7

N L1 L2 L3

REF 8

REF 9

PE

REF 10

⚠ WARNING This machine is not provided with a Main Disconnect Means. Suitable Main Disconnecting Means must be provided during installation and by authorized personnel in accordance with the Canadian Electrical Code, Part I (CEC), or U.S. National Electrical Code (NEC).	⚠ ATTENTION Cette machine n'est pas fournie avec un Dispositif de Déconnexion du Secteur. Des moyens de déconnexion du secteur appropriés doivent être fournis lors de l'installation par personnel autorisé, conformément au Code Canadien de l'électricité, Partie I (Code CEC), ou l'USA Code national de l'électricité (NEC).
---	--

REF 11

REF 12

1A 500V F1	1A 250V F1	1A 500V F1
500V F2	1A 250V F2	1A 500V F2
0.5A 250V F3	0.5A 250V F3	1.6A 250V F3

REF 13

REF 14

REF 15

24V AC (MAX 100mA supply)
Wait signal

REF 16

⚠ WARNING Electrical Shock Hazard Disconnect power before servicing. Replacement of parts and panels before operating. Failure to do so may result in death or electrical shock.	⚠ AVERTISSEMENT Risque de choc électrique Déconnecter le courant d' alimentation avant toute réparation. Remplacement des pièces et des panneaux avant le montage de la machine. L'absence de précaution peut entraîner la mort ou un choc électrique.	⚠ ADVERTENCIA Peligro de Choque Eléctrico Desconectar el suministro de energía antes de hacer mantenimiento. Reemplazar y volver a montar los componentes antes de montar el lavavajillas. La falta de precaución puede ocasionar la muerte o un choque eléctrico.
--	--	--

REF 17

max.8bar

REF 18 19

MODEL N°: [] Ser. No.: []
MFG. NR: []
Capacity: [] Menor [] V [] Hz
Spn: []
Total Power: [] kg [] kW
[] kW [] kW
[] A Year: []

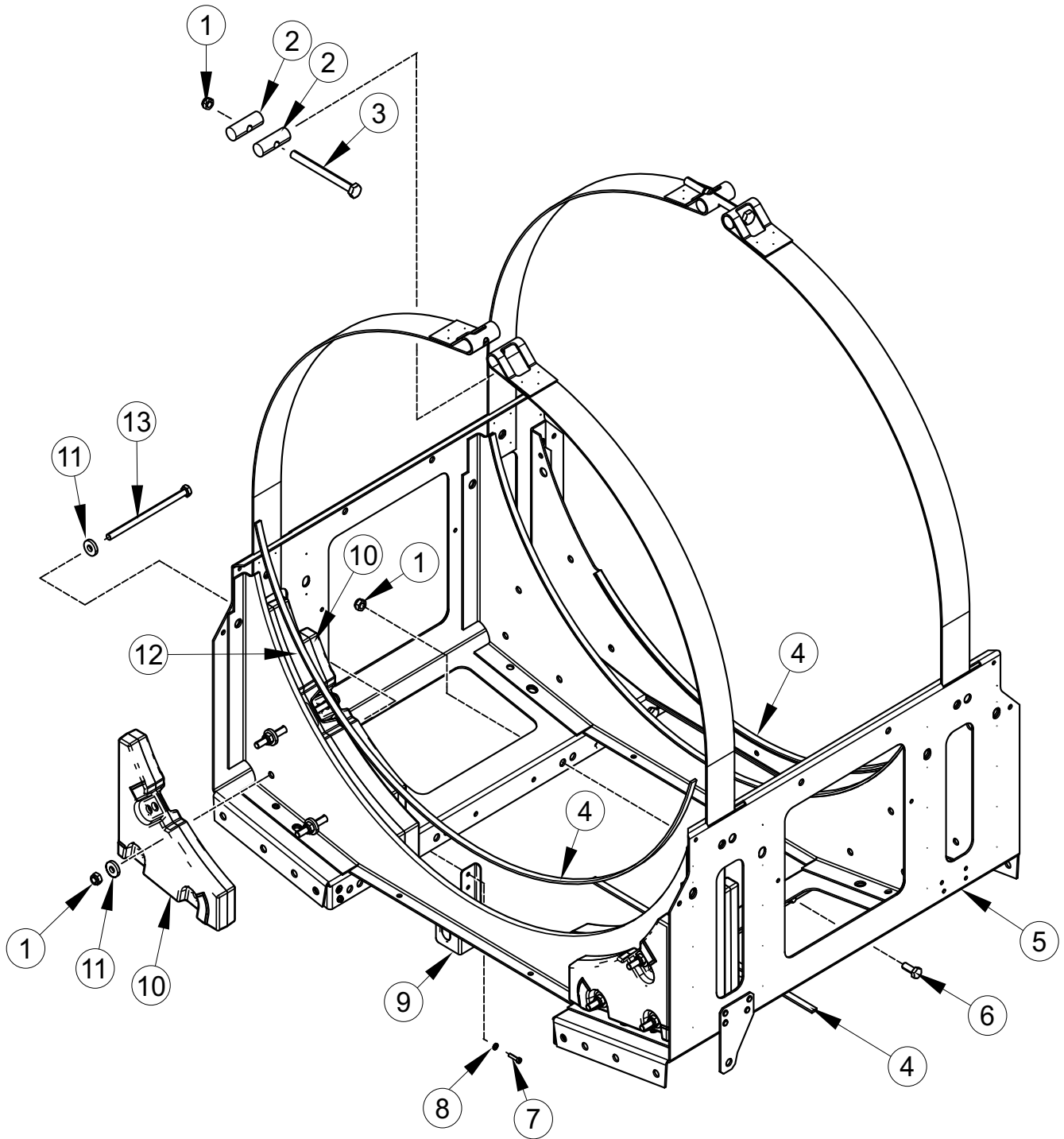
REF 20

CZW261P_D2413

Decals

REF	PART NO.	DESCRIPTION	COMMENTS
1	W10163746	Label	Electrical shock hazard; Inside machine
2	574404	Wiring Diagram	Inside machine
3	SP523382	Label	Holes to be drilled not punched
4	SP527271	Index Plate	Cold soft water; <i>Refer to Water Inlet System page</i>
5	SP527272	Index Plate	Cold hard water; <i>Refer to Water Inlet System page</i>
6	SP527270	Index Plate	Hot water; <i>Refer to Water Inlet System page</i>
7	SPPRI551001001	Label	N L1 L2 L3; Inside machine
8	547805	Transport Brace Instruction	
9	SPPRI551006001	Label	PE; Inside machine
10	555328	Label	Disconnecting device; CSA models
11	SP230200007514	Label	Lightning; Inside machine
12	547899	Label	Fuse 1A 500V; 1A 500V; 0.5A 250V
	547900	Label	Fuse 1A 250V; 1A 250V; 0.5A 250V
	547901	Label	Fuse 1A 500V; 1A 500V; 1.6A 250V
13	SPPRI551000001	Earthing Index Plate	
14	509472	Label	Steam - electricity
15	570371	Label	Electrical connection; Pump 24V; Inside the box; Models with Transformer
	579019	Label	Models without Transformer
16	W10132092	Label	Electrical Shock Hazard; Inside machine
17	548000101014	Label	Steam
18	547563	Serial Plate	Used with SP516715 Transparent Foil
19	SP516715	Transparent Foil	Self-adhesive
20	SPPRI551000047	Label	Exhaust
21	F8664901	Nameplate	Speed Queen models
	F8688001	Nameplate	Huebsch models
	F8443105	Nameplate	Unimac models

Upper Frame - 40 and 180 Models

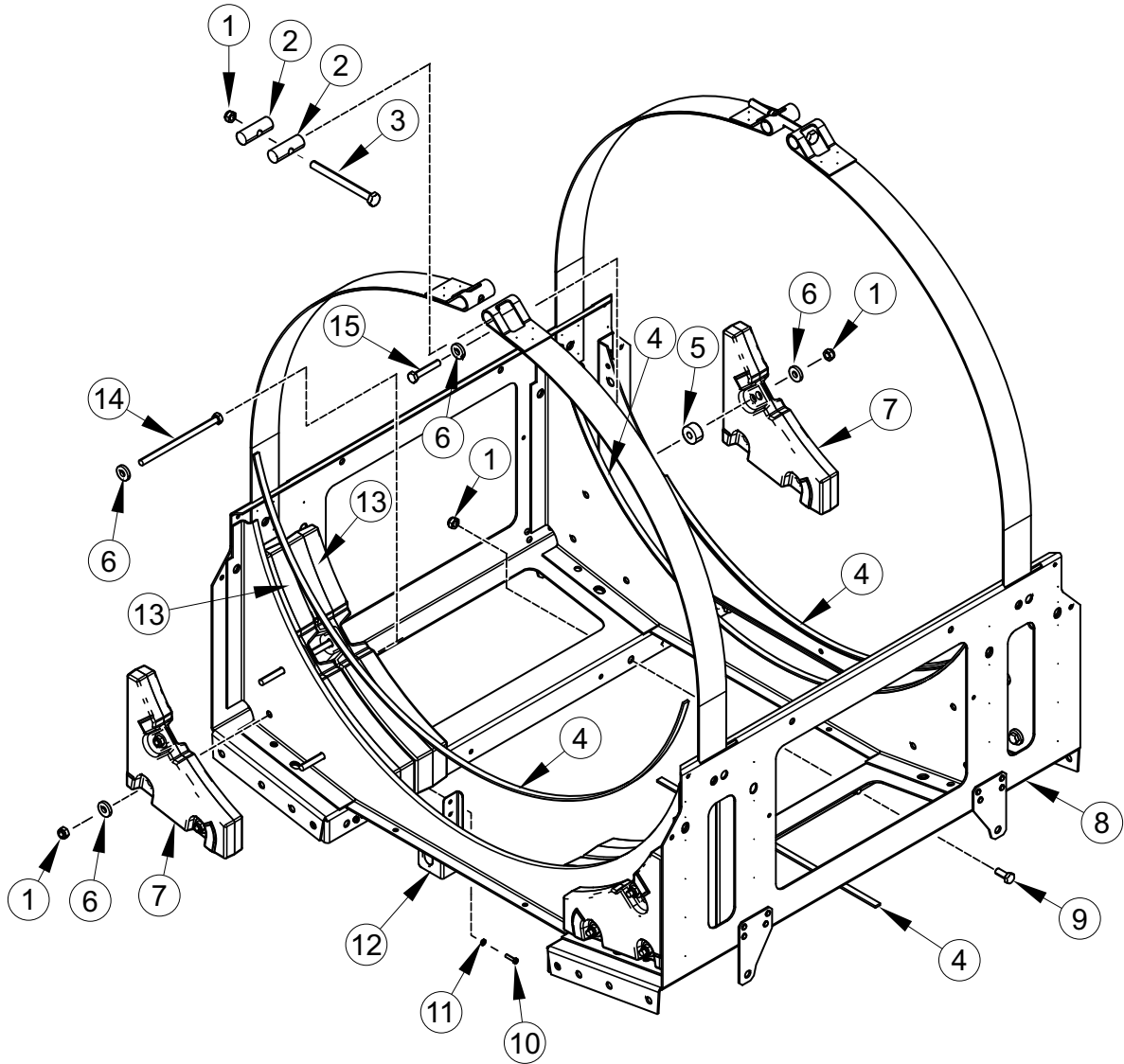


C-CZW54P_D2413

Upper Frame - 40 and 180 Models

REF	PART NO.	DESCRIPTION	COMMENTS
	SP245704003021	Adhesive	Used to attach external tub to frame
1	SP310985000008	Nut	M8
2	SP533738	Cover Strip Pin	
3	SP527093	Bolt	M8x100
4	SP517232	Seal	
5	SP533785	Upper Frame	
6	SP309933000820	Bolt	M8x20
7	SP309084000416	Bolt	M4x16
8	SP311679800004	Washer	M4
9	SP533388	Oscillation Limiter	
10	SP533784	Lower Weight	
11	SP525284	Washer	M8
12	SP533814	Lower Weight	
13	SP550140	Bolt	M8x130

Upper Frame - 55, 70, 240 and 280 Models

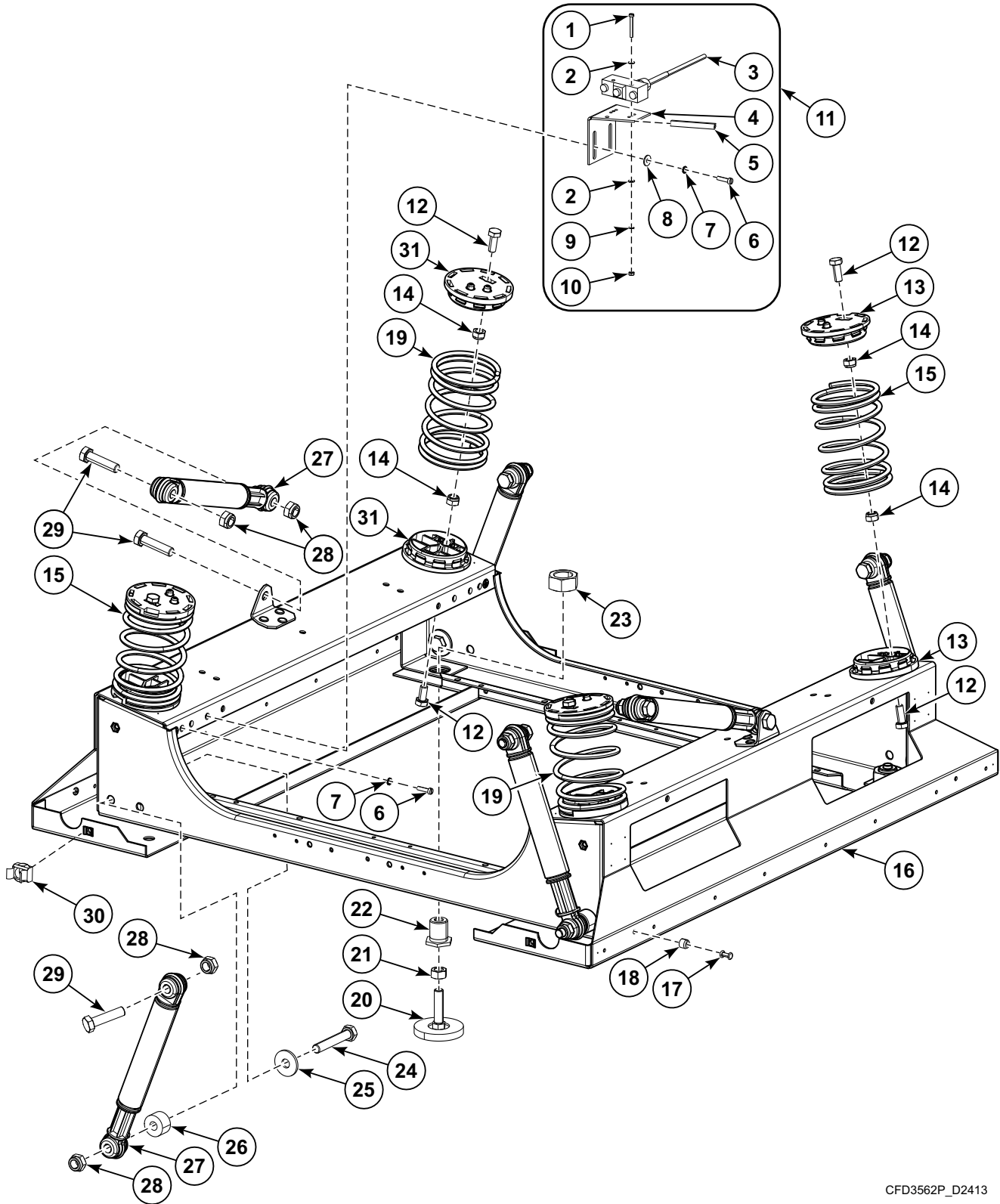


C-CZW55P_D2413

Upper Frame - 55, 70, 240 and 280 Models

REF	PART NO.	DESCRIPTION	COMMENTS
	SP245704003021	Adhesive	Used to attach external tub to frame
1	SP310985000008	Nut	M8
2	SP533738	Cover Strip Pin	
3	SP527093	Bolt	M8x100
4	SP517232	Seal	
5	SP515274	Distance Case	
6	SP525284	Washer	M8
7	SP533784	Lower Weight	
8	SP533806	Upper Frame	240 models
	SP533954	Upper Frame	280 models
9	SP309933000820	Bolt	M8x20
10	SP309084000416	Bolt	M4x16
11	SP311679800004	Washer	M4
12	SP533388	Oscillation Limiter	
13	SP533814	Lower Weight	
14	SP533717	Bolt	M8x150
15	SP309933000845	Bolt	M8x45

Lower Frame

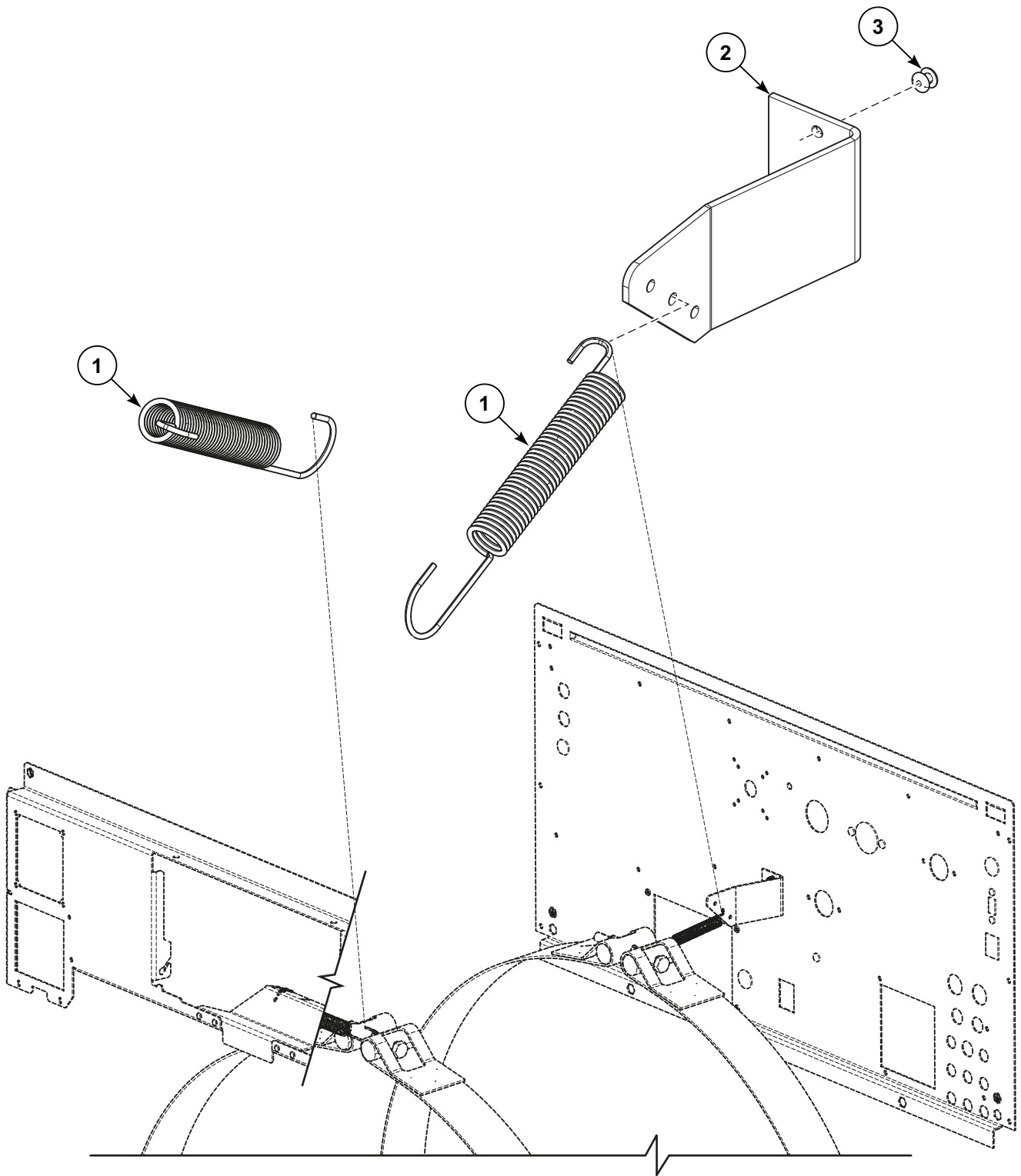


CFD3562P_D2413

Lower Frame

REF	PART NO.	DESCRIPTION	COMMENTS
1	SP309084240325	Bolt	M3x25
2	SP311125000003	Washer	3.2
3	SP528309	Microswitch	Includes spring
4	SP547759	Vibration Switch Holder	
5	SPPRI505000058	Profiled Sealing	Through Serial No. 180FX019627SW, 240FX010890SY, 280FX004691SU
6	SP309084000416	Bolt	M4x16
7	SP311679800004	Washer	M4
8	SP311902100004	Washer	M4 - 4.3/12/1
9	SP311679800003	Washer	M3
10	SP310934000003	Nut	M3
11	SP547758	Vibration Switch Assembly	Includes items 1-10
12	SP309933000820	Bolt	M8x20
13	SP533872	Spring Holder	Right
14	SP310985000008	Nut	M8
15	SP533868	Spring	180 models; Right
	SP533870	Spring	240 and 280 models; Right
16	SP533164	Lower Frame	180 models
	SP533801	Lower Frame	240 models
	SP533951	Lower Frame	280 models
17	SP547779	Rivet	4x16.7
18	SP520408	Pin Insertion	
19	SP533869	Spring	180 models; Left
	SP533871	Spring	240 and 280 models; Left
20	SPPRI504000001	Adjustable Foot	
21	SP310934000010	Nut	M10
22	SP533726	Bolt	
23	SP310934000020	Nut	M20
24	SP506432	Bolt	M10x60
25	SP311902100010	Washer	10
26	SP533727	Roller	
27	SP533716	Damper	10 required for 180 models; 12 required for 240 and 280 models
28	SP310985000010	Nut	M10
29	SP527420	Bolt	M10x40
	SP309931001050	Bolt	M10x50
30	SP510923	Nut	M6
31	SP533873	Spring Holder	Left

Stabilizing Spring

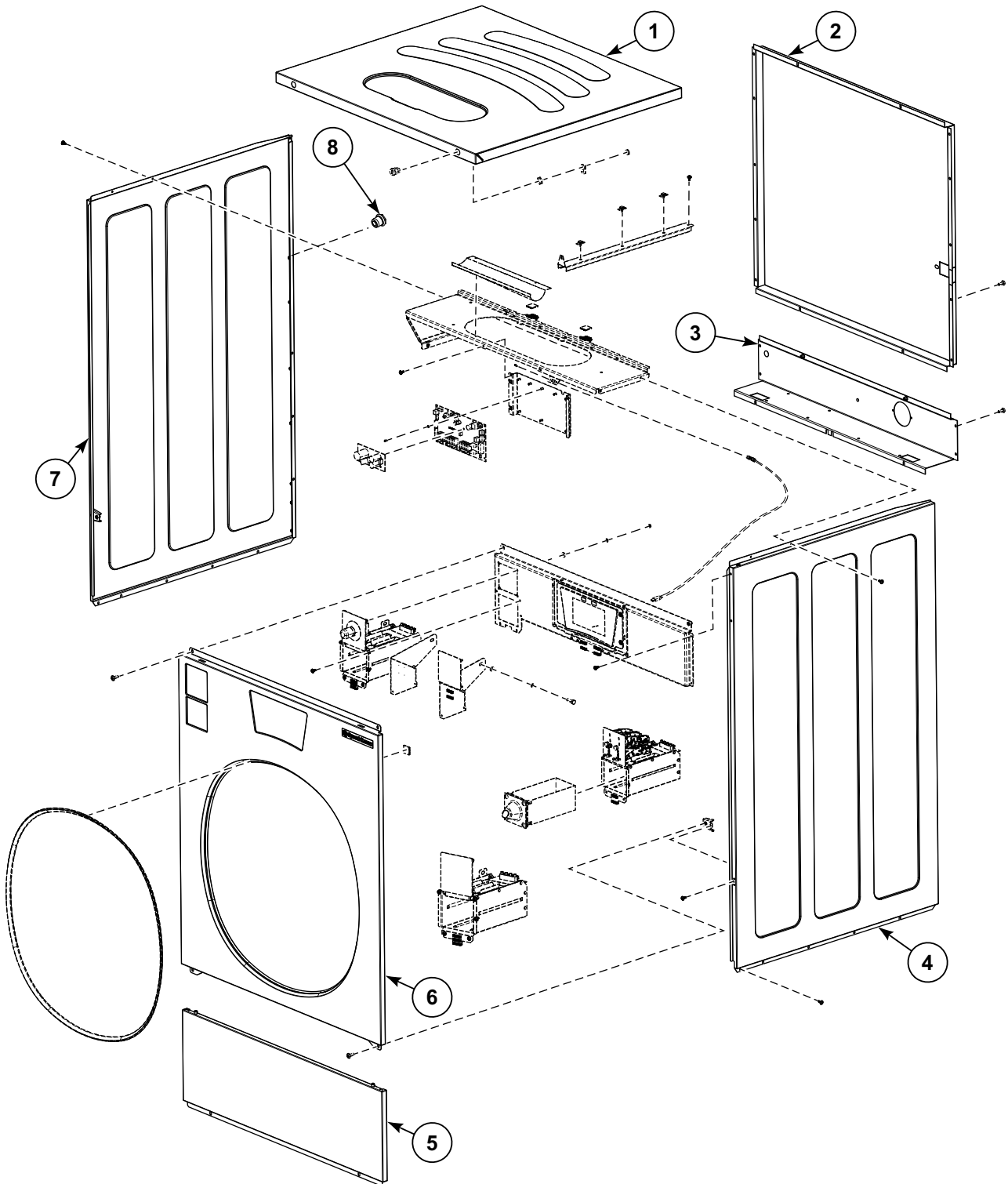


CZW419P_D2413

Stabilizing Spring

REF	PART NO.	DESCRIPTION	COMMENTS
1	SP505372	Spring	
2	SP555495	Rear Spring Holder	
3	505479	Rivet	4x8

Cabinet (Drawing 1 of 2)

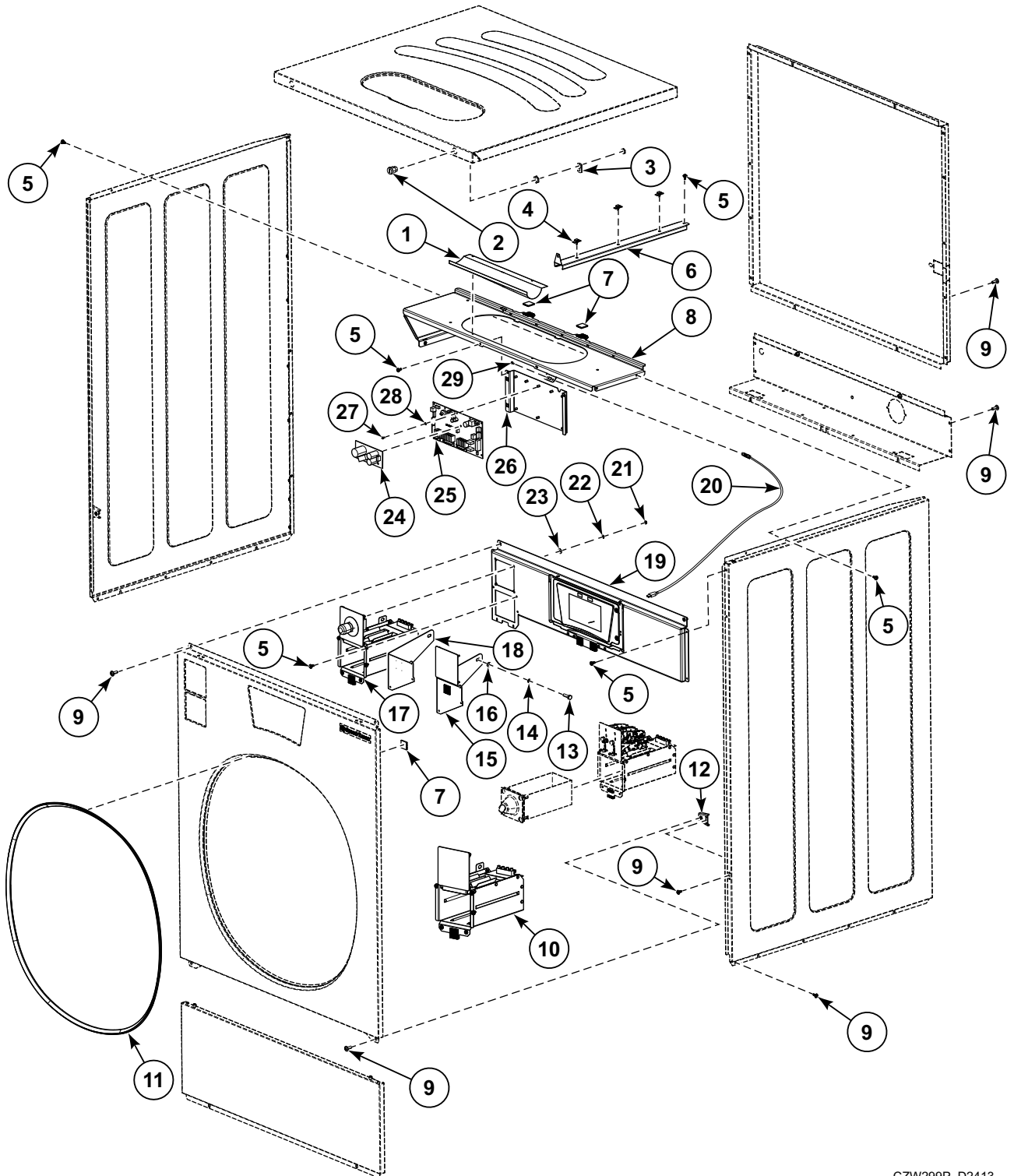


CZW298P_D2413

Cabinet (Drawing 1 of 2)

REF	PART NO.	DESCRIPTION	COMMENTS
1	567985	Top Cover Assembly	40 and 180 models; Includes SP547527 Lock, SP550616 Key, SPPRI610002007 Hook Lock, SP520408 Pin Insertion, SP547779 Rivet and SP550115 Fastener
	571006	Top Cover Assembly	55 and 240 models; Includes SP547527 Lock, SP550616 Key, SPPRI610002007 Hook Lock, SP520408 Pin Insertion, SP547779 Rivet and SP550115 Fastener
	571013	Top Cover Assembly	70 and 280 models; Includes SP547527 Lock, SP550616 Key, SPPRI610002007 Hook Lock, SP520408 Pin Insertion, SP547779 Rivet and SP550115 Fastener
	569649	Top Cover Assembly	40 and 180 models; Without soap hopper opening; Includes SP547527 Lock, SP550616 Key, SPPRI610002007 Hook Lock, SP520408 Pin Insertion, SP547779 Rivet and SP550115 Fastener
	569651	Top Cover Assembly	55 and 240 models; Without soap hopper opening; Includes SP547527 Lock, SP550616 Key, SPPRI610002007 Hook Lock, SP520408 Pin Insertion, SP547779 Rivet and SP550115 Fastener
	569953	Top Cover Assembly	70 and 280 models; Without soap hopper opening; Includes SP547527 Lock, SP550616 Key, SPPRI610002007 Hook Lock, SP520408 Pin Insertion, SP547779 Rivet and SP550115 Fastener
	2	570469	Rear Cover
3	SP533384	Lower Rear Cover	
	SP554326	Lower Rear Cover	2 drain valves
4	567968	Side Panel	40 and 180 models; Stainless; Right; Includes SP529206 Screw, 569555 Console and SP313251000006 Nut
	571002	Side Panel	55 and 240 models; Stainless; Right; Includes SP529206 Screw, 569555 Console and SP313251000006 Nut
	571009	Side Panel	70 and 280 models; Stainless; Right; Includes SP529206 Screw, 569555 Console and SP313251000006 Nut
5	567973	Lower Front Panel	Stainless; Includes SP520408 Pin Insertion and SP313250004125 Rivet
6	569640	Front Panel	OPL; Stainless; Includes SP550115 Fastener and SP529068 Edge Protection
	567980	Front Panel	Vended; Stainless; Includes SP550115 Fastener and SP529068 Edge Protection
	569663	Front Panel	CPS; Stainless; Includes SP550115 Fastener and SP529068 Edge Protection
7	567970	Side Panel	40 and 180 models; Stainless; Left; Includes SP529206 Screw, 569555 Console and SP313251000006 Nut
	571004	Side Panel	55 and 240 models; Stainless; Left; Includes SP529206 Screw, 569555 Console and SP313251000006 Nut
	571011	Side Panel	70 and 280 models; Stainless; Left; Includes SP529206 Screw, 569555 Console and SP313251000006 Nut
8	SP313251000006	Nut	M6

Cabinet (Drawing 2 of 2)

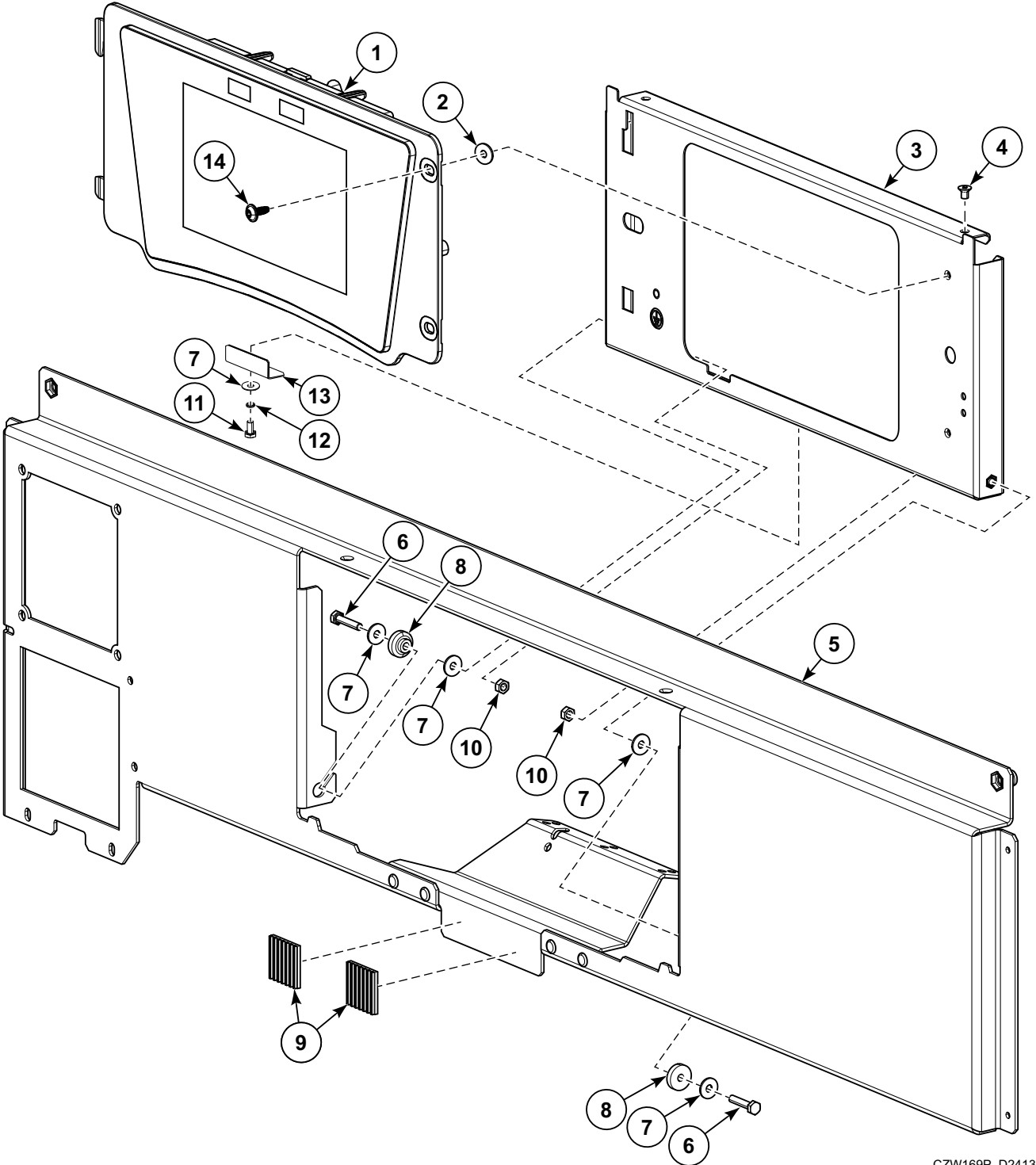


CZW299P_D2413

Cabinet (Drawing 2 of 2)

REF	PART NO.	DESCRIPTION	COMMENTS
1	569656	Cover	Through Serial Nos. 180FX016135QQ, 240FX009084QQ and 280FX003909QQ
2	SP547527	Lock	Used with SP550616 Key
3	SPPRI610002007	Hook Lock	Small
4	SP528313	Cable Holder	
5	SP529206	Screw	4x11
6	567825	Top Cover Reinforcement	40 and 180 models
	567826	Top Cover Reinforcement	55 and 240 models
	567827	Top Cover Reinforcement	70 and 280 models
7	SP550115	Fastener	
8	569975	Panel Holder	Through Serial Nos. 180FX016135QQ, 240FX009084QQ and 280FX003909QQ; Replace also part Ref 26
9	SP555658	Bolt	M6x16
10	569634	Prep for Coin Meter	CSA models; vended; includes items 4 and 21-23; 569588 Coin Meter Case, SP550149 Cover Plate, SPPRI350012007 Isolation Paper, SPPRI3500000007 Terminal Board, SP506045 Microswitch, SP309933000416 Bolt and SP529206 Screw
11	SP529068	Edge Protection	
12	569555	Console	
13	SP309933000618	Bolt	M6x18
14	SP311127000006	Washer	6
15	569636	Card Reader Cover Plate	Prep for Card Reader; Includes items 5, 7 and 21-23, SP550149 Cover Plate, 569631 Reinforcement, 561386 Card Plate ESD, 561382 Card Plate and 560792 Card Reader Label
16	SP311125000006	Washer	6
17	569633	Coin Meter Case Assembly	Includes items 5, 7 and 21-23, 569588 Coin Meter Case, SP547565 Coin Meter Cover, SP528310 Emergency Stop Knob, SP528311 Emergency Stop Connector, SP528312 Switching Unit, SPPRI551005248 Emergency Stop Label, SPPRI350012007 Isolation Paper, SPPRI3500000007 Terminal Board and SP309933000416 Bolt
18	569635	CPS Stiffener	Central Payment System; Includes item 5 and 569631 Reinforcement
19	567977	Control Panel	
20	569668	USB Cable	0.61m
21	SP310934000004	Nut	M4
22	SP311679800004	Washer	M4
23	SP311902100004	Washer	M4
24	553189	Module	For door lock
25	575630	Control Board I/O	MC10; Power; Used with 547089 Interconnection Flat Cable
26	573934	Programmer Holder	Includes 527279 Nut; Through Serial Nos. 180FX016135QQ, 240FX009084QQ and 280FX003909QQ; Replace also part Ref 8
27	SP309798500306	Bolt	M3x6
28	SP311679800003	Washer	M3
29	SP526497	Screw	4x12

Control Panel



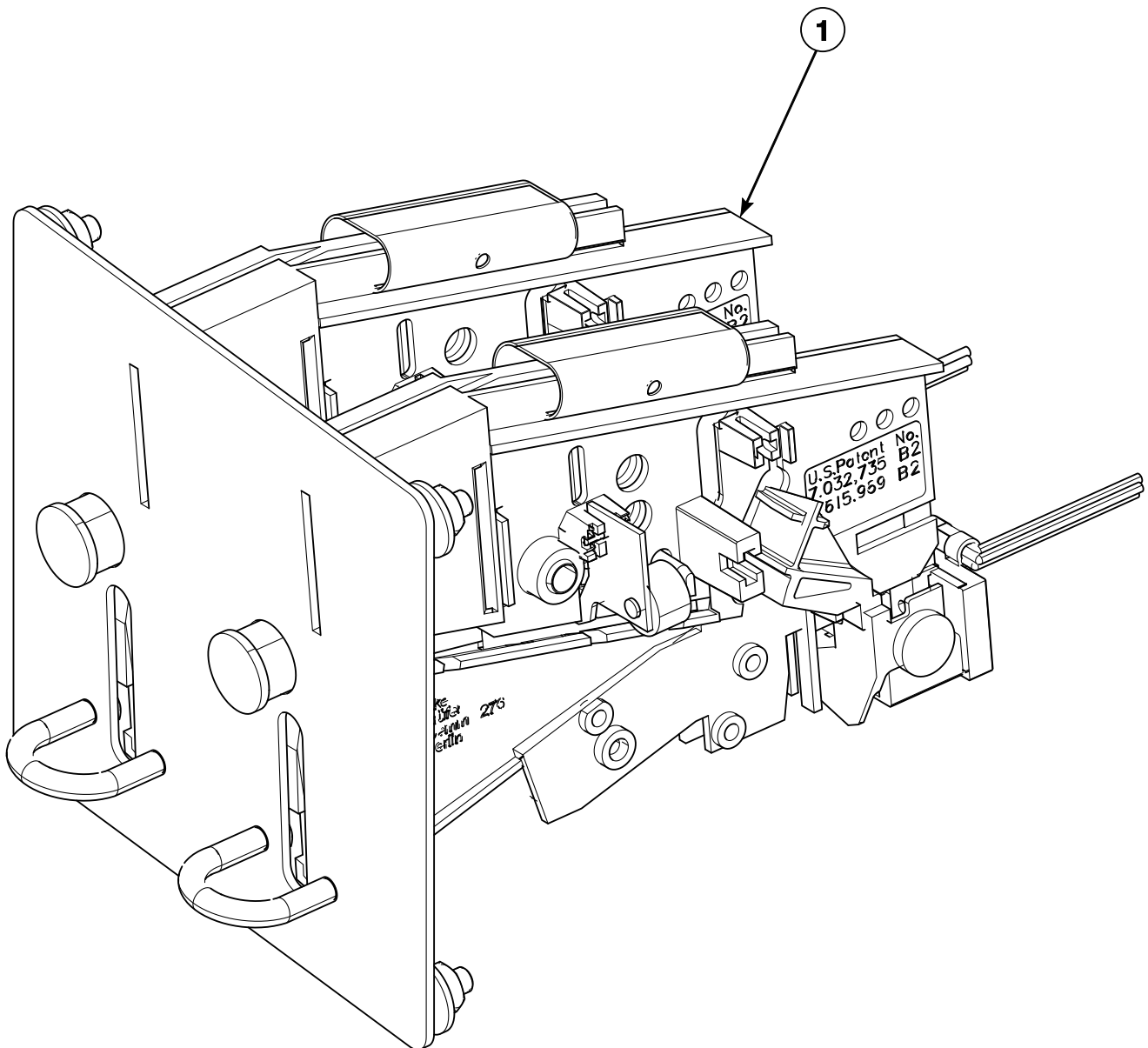
CZW169P_D2413

Control Panel

REF	PART NO.	DESCRIPTION	COMMENTS
1	575631	Control	7", MC10
2	SP555746	Washer	11/4x0.5
3	569575	Control Plate	
4	SP309965240408	Bolt	M4x8
5	567978	Control Panel	
6	569655	Bolt	M4x25
7	SP311902100004	Washer	4
8	SP550113	Leading Pin	
9	SP550115	Fastener	
10	SP310934000004	Nut	M4
11	SP309933000416	Bolt	M4x6
12	SP555746	Washer	
13	569658	Holder	
14	SP529206	Screw	

Coin Meter (Drawing 1 of 3)

All Models Except UY Models



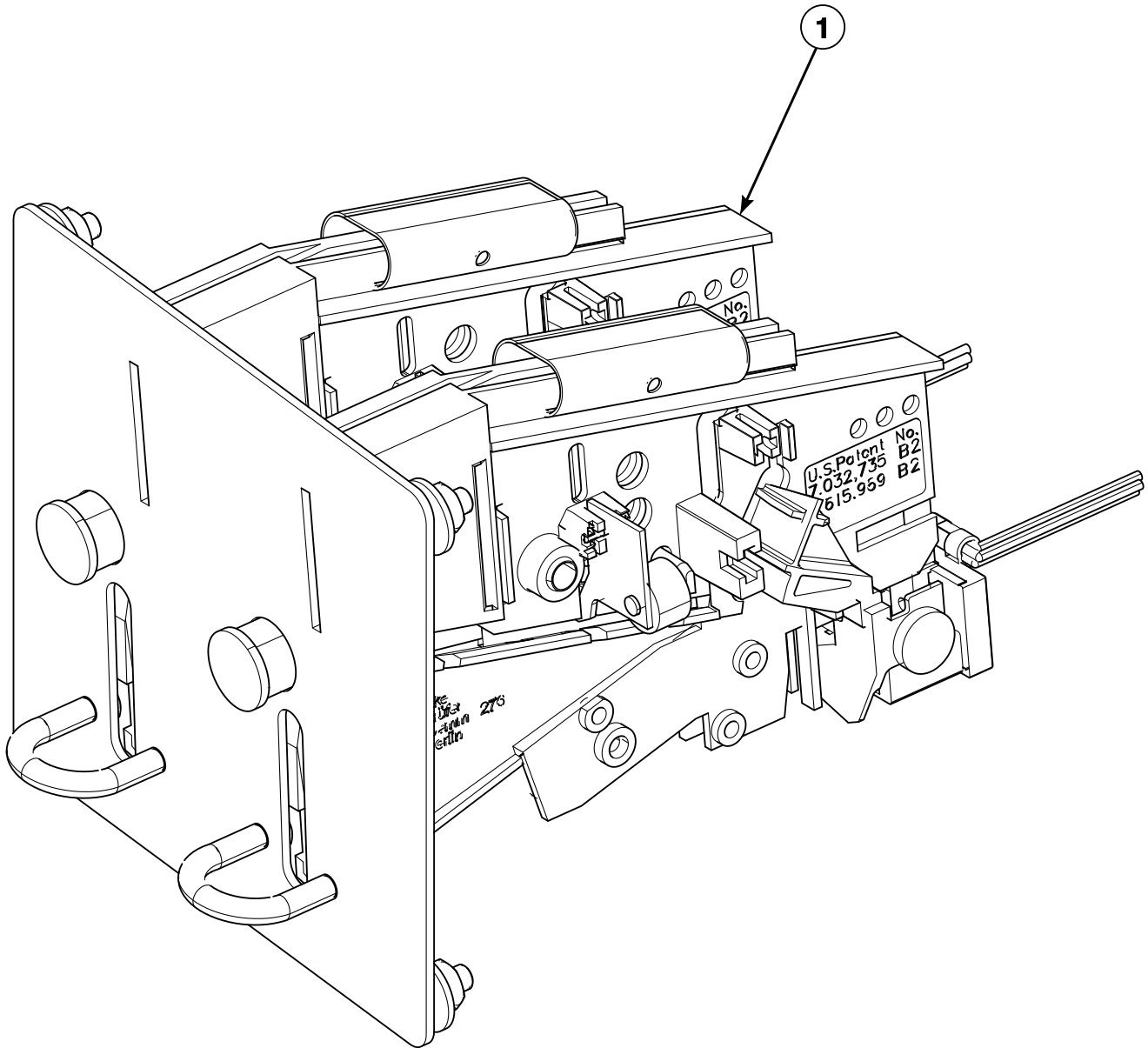
CZW233P_D2413

Coin Meter (Drawing 1 of 3)

REF	PART NO.	DESCRIPTION	COMMENTS
1	569922	Coin Meter	0.2GBP, 0.5GBP, 1GBP, 2GBP / 0.1EUR, 0.2EUR, 0.5EUR, 1EUR, 2EUR; Electronic EMPv7
	SP558958	Coin Meter	0.25USD
	SP558959	Coin Meter	0.5EUR + 1EUR
	SP560310	Coin Meter	1EUR
	SP560311	Coin Meter	0.5EUR
	SP560312	Coin Meter	1EUR + 2EUR
	SP559933	Coin Meter	5K Primus jeton
	SP559934	Coin Meter	10K Primus jeton
	569965	Coin Meter	0.2GBP, 0.5GBP, 1GBP, 2GBP / 0.1EUR, 0.2EUR, 0.5EUR, 1EUR, 2EUR / jeton KWL Aqua / jeton Gettone; Electronic EMPv7
	SP559938	Coin Meter	STD 118-1 jeton
	SP560309	Coin Meter	7K Primus jeton
	SP560405	Coin Meter	12K Primus jeton
	SP560406	Coin Meter	15K Primus jeton
	SP560407	Coin Meter	2EUR
	SP560408	Coin Meter	0.2EUR + 0.5EUR
	SP560409	Coin Meter	0.2EUR
	SP560410	Coin Meter	1EUR + 0.2EUR
	SP560411	Coin Meter	2EUR + 0.5EUR
	SP560412	Coin Meter	1AUD + 0.2AUD
	SP560413	Coin Meter	1 pound + 20PC
	SP560414	Coin Meter	1 pound + 50PC
	SP560415	Coin Meter	100JPY
	SP560416	Coin Meter	500JPY + 100JPY
	SP560417	Coin Meter	1AUD + 2AUD
	SP560418	Coin Meter	1AUD
	SP560419	Coin Meter	20PC
	SP560420	Coin Meter	50 Malaysian cent
	SP560421	Coin Meter	1SGD (new Singaporean dollar)
	SP560422	Coin Meter	2MYR + 0.5MYR
	SP560423	Coin Meter	1SGD
	SP560424	Coin Meter	1NZD + 2NZD
	SP560425	Coin Meter	Easy games jeton
	SP560426	Coin Meter	Flat polis jeton
	SP560427	Coin Meter	Butzi wash jeton
	SP560428	Coin Meter	Speedy matic jeton
	SP560429	Coin Meter	Laundromatic Belgium jeton, (jeton diameter 22.3 mm)
	569940	Coin Meter	0.1SGD, 0.2SGD, 0.5SGD, 1SGD; Electronic EMPv7
	569934	Coin Meter	0.1EUR, 0.2EUR, 0.5EUR, 1EUR, 2EUR; Electronic EMPv7
	SP560432	Coin Meter	500WON
	SP560745	Coin Meter	Dobi ekspres jeton
	SP560751	Coin Meter	Lucky Winner jeton
	SP559969	Coin Meter	Gettone jeton
	SP559949	Coin Meter	10 Taiwan dollar
	SP560090	Coin Meter	5K Ipso jeton
	SP560091	Coin Meter	7K Ipso jeton

Coin Meter (Drawing 2 of 3)

All Models Except UY Models



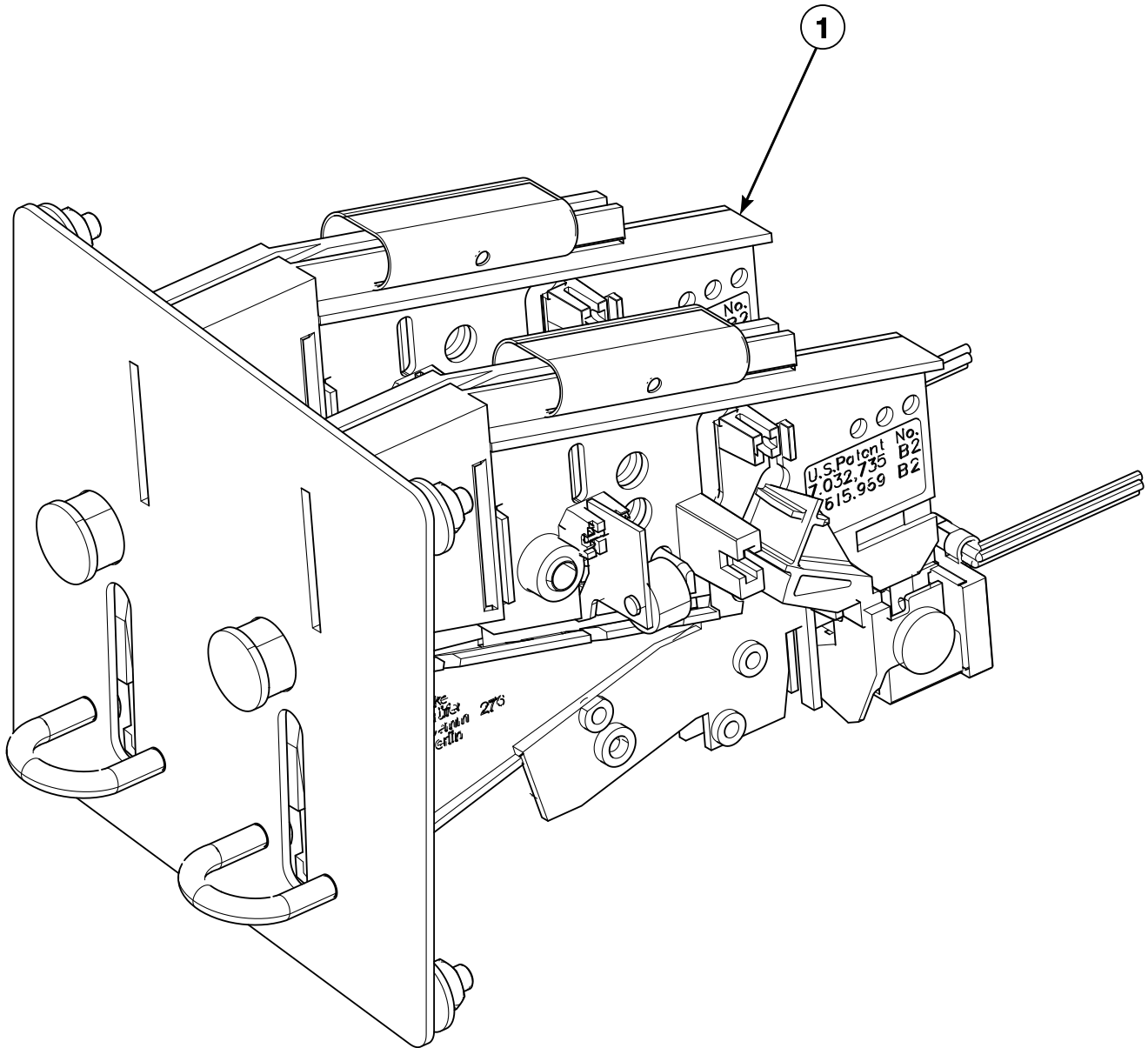
CZW233P_D2413

Coin Meter (Drawing 2 of 3)

REF	PART NO.	DESCRIPTION	COMMENTS
1	SP560092	Coin Meter	10K Ipson jeton
	SP560093	Coin Meter	12K Ipson jeton
	SP560094	Coin Meter	15K Ipson jeton
	SP560100	Coin Meter	Electrolux Asard jeton
	SP560087	Coin Meter	Gettone jeton
	569925	Coin Meter	1DKK, 2DKK, 5DKK, 10DKK, 20DKK / 1NOK, 5NOK, 10NOK, 20NOK / 0.2EUR, 0.5EUR, 1EUR, 2EUR; Electronic EMPv7
	569928	Coin Meter	0.2AUD, 1AUD, 2AUD / 1NZD, 2NZD / 5HKD, 10HKD / 500KRW; Electronic EMPv7
	569931	Coin Meter	1CNY / 0.1MYR, 0.2MYR, 0.5MYR; Electronic EMPv7
	569937	Coin Meter	1PHP, 5PHP, 10PHP; Electronic EMPv7
	569943	Coin Meter	0.1MYR, 0.2MYR, 0.5MYR / 0.5SGD, 1SGD; Electronic EMPv7
	569946	Coin Meter	1HRK, 2HRK, 5HRK; Electronic EMPv7
	569949	Coin Meter	5CZK, 10CZK, 20CZK, 50CZK; Electronic EMPv7
	569952	Coin Meter	0.5MAD, 1MAD, 2MAD, 5MAD, 10MAD; Electronic EMPv7
	569962	Coin Meter	0.1EUR, 0.2EUR, 0.5EUR, 1EUR, 2EUR / 5K IPSO jeton; Electronic EMPv7
	569971	Coin Meter	0.5MYR / jeton DobiPapa 22.5x2; Electronic EMPv7
	569919	Coin Meter	0.25USD, 1USD / 0.25CAD, 1CAD, 2CAD; Electronic EMPv7
	569968	Coin Meter	0.1EUR, 0.2EUR, 0.5EUR, 1EUR, 2EUR / jeton G-Fis Lavoir Bianca 20x1.8; Electronic EMPv7
	569974	Coin Meter	1AUD, 2AUD / jeton No Cash Value 28.6x1.58; Electronic EMPv7
	569980	Coin Meter	0.5MYR / jeton BUBBLELAB; Electronic EMPv7
	569955	Coin Meter	1PLN, 2PLN, 5 PLN / 0.1EUR, 0.2EUR, 0.5EUR, 1EUR, 2EUR / ISK10, ISK50, ISK100; Electronic EMPv7
	SP560075	Coin Meter	5+1 Shekel
	SP560071	Coin Meter	1HKD
	561497	Coin Meter	Jeton Prinz Firbitex
	563405	Coin Meter	Token Ldl Chamberland Washing Machine
	564485	Coin Meter	Token 118-5
	564487	Coin Meter	Token Barisart (Ldl)
	553156	Coin Meter	Token Rotondi
	569905	Coin Meter	Brass Jeton
	569911	Coin Meter	0.5CHF, 2CHF
	569995	Coin Meter	Jeton D
	569993	Coin Meter	Jeton 08 MS
	569999	Coin Meter	10+50 TWD
	570000	Coin Meter	100+500 ISK
	572302	Coin Meter	Token 118-16
	572305	Coin Meter	1ILS, 2ILS, 5ILS, 10ILS; Electronic EMPv7
	572308	Coin Meter	1ZAR, 2ZAR, 5ZAR; Electronic EMPv7
	572311	Coin Meter	5RUB, 10RUB; Electronic EMPv7
	572314	Coin Meter	50CLP, 100CLP, 500CLP; Electronic EMPv7
	572318	Coin Meter	100JPY, 500JPY, 10TWD, 50TWD; Electronic EMPv7
	572321	Coin Meter	0.5GEL, 1GEL, 2GEL; Electronic EMPv7
	572324	Coin Meter	0.2EUR, 0.5EUR, 1EUR, 2EUR, Jeton 7K; Electronic EMPv7
	572343	Coin Meter	Token WH121

Coin Meter (Drawing 3 of 3)

All Models Except UY Models



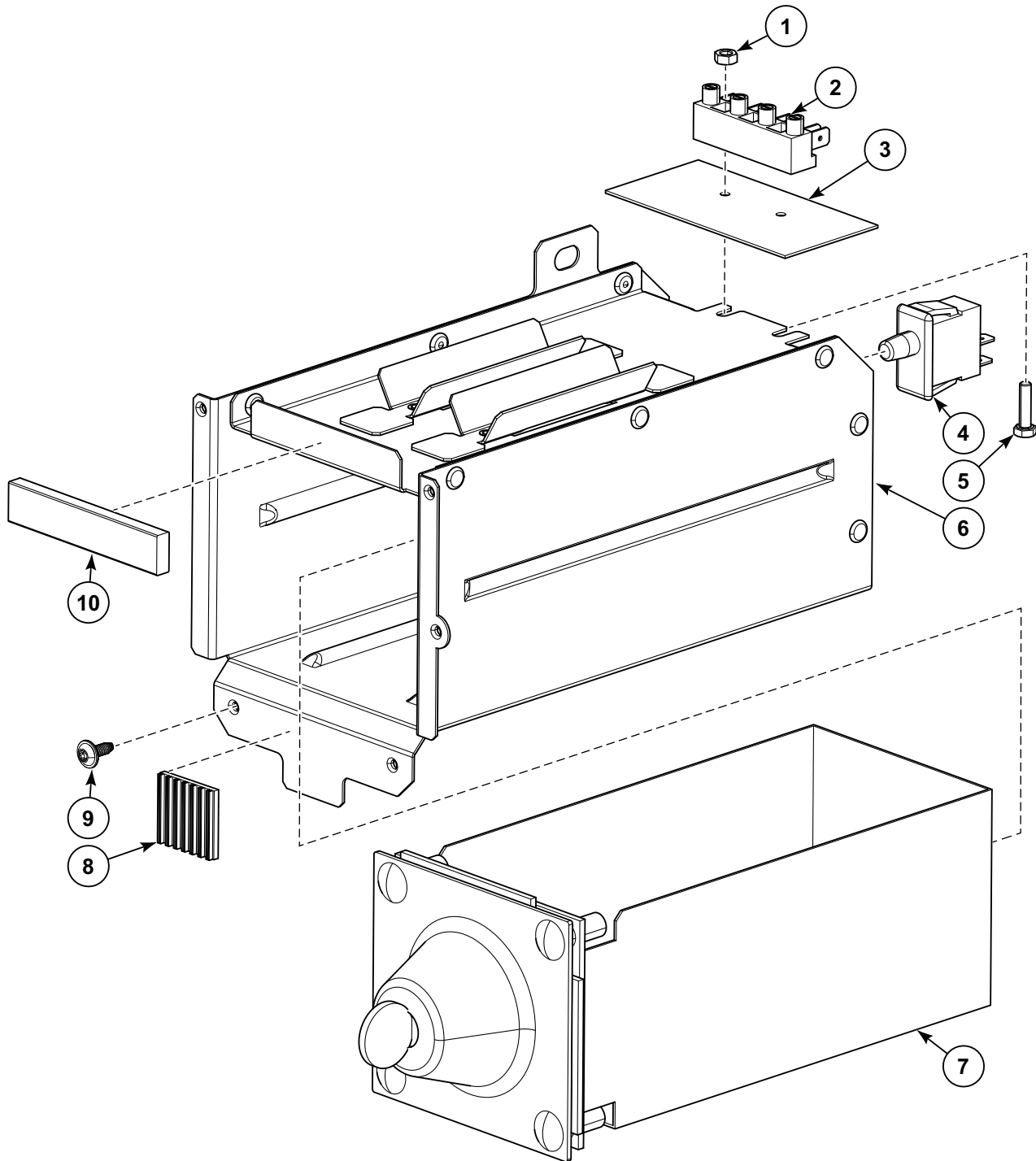
CZW233P_D2413

Coin Meter (Drawing 3 of 3)

REF	PART NO.	DESCRIPTION	COMMENTS
1	572384	Coin Meter	0.2CHF, 0.5CHF, 1CHF, 2CHF; TK1, TK2; Electronic EMPv7
	572355	Coin Meter	Token 1699360
	572359	Coin Meter	1THB, 2THB, 5THB, 10THB/TK1+2, Electronic EMPv7
	572389	Coin Meter	0.25CAD
	569988	Coin Meter	Jeton HAUCK 2018
	579809	Coin Meter	1EAD, 1TK, 2TK; Electronic EMPv7
	579813	Coin Meter	20 HUF, 50HUF, 100HUF, 200HUF; 1TK, 2TK, Jeton; Electronic EMPv7
	575276	Coin Meter	0.25USD + 1USD
	575277	Coin Meter	0.25CAD + 1CAD

Coin Meter Box

All Models Except UY Models



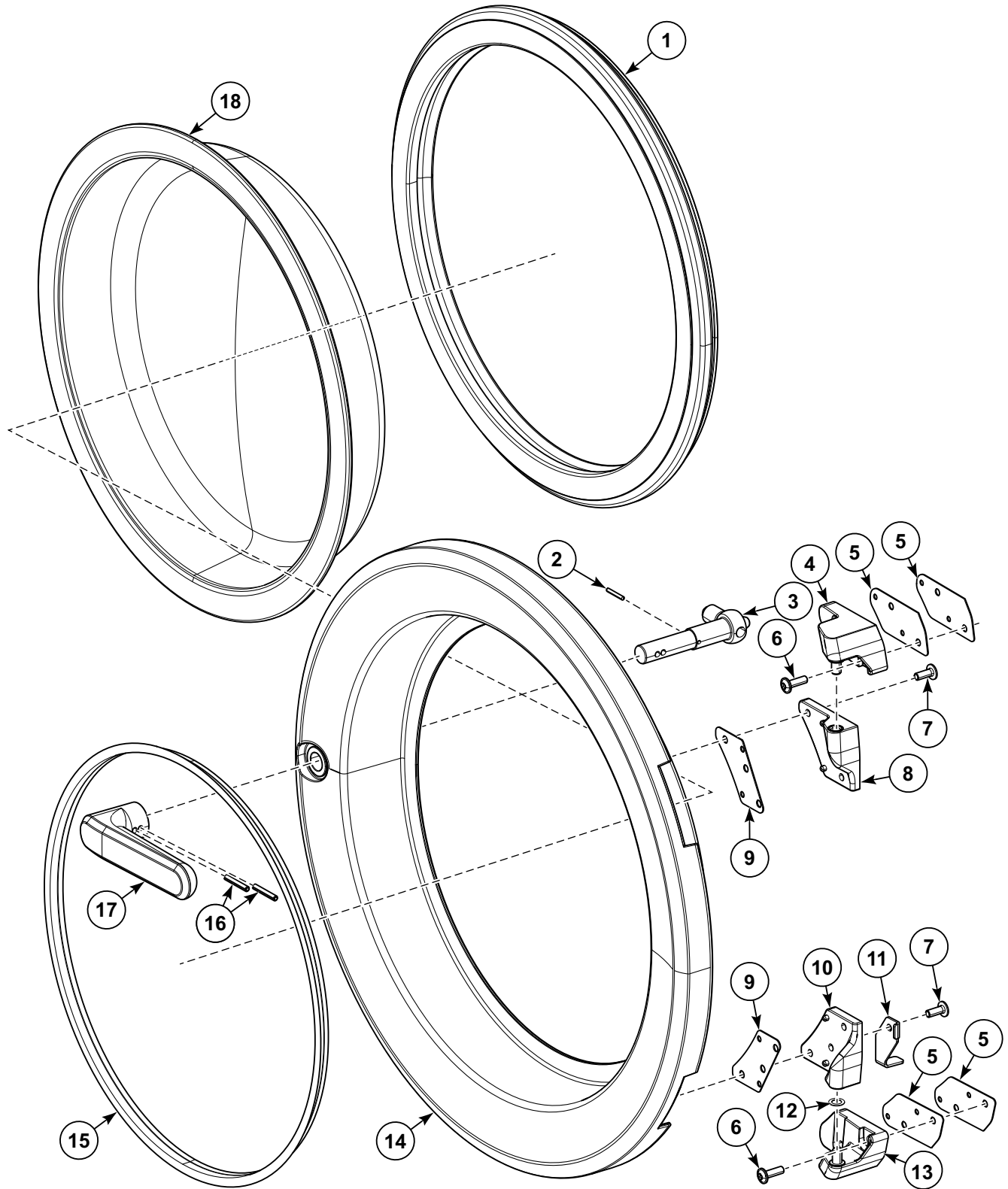
CZW217P_D2413

Coin Meter Box

REF	PART NO.	DESCRIPTION	COMMENTS
1	SP310934000004	Nut	M4
2	SPPRI350000007	Terminal Board	
3	SPPRI350012007	Isolation Paper	
4	SP506045	Microswitch	Vended; CSA models
5	SP309933000416	Bolt	M4x16
6	569588	Coin Meter Case	
7	SP100498	Coin Meter Box	
8	SP550115	Fastener	
9	SP529206	Screw	4x11
10	564202	Seal	0.075m

Door- Models Through December 31, 2019

All Models Except UY Models

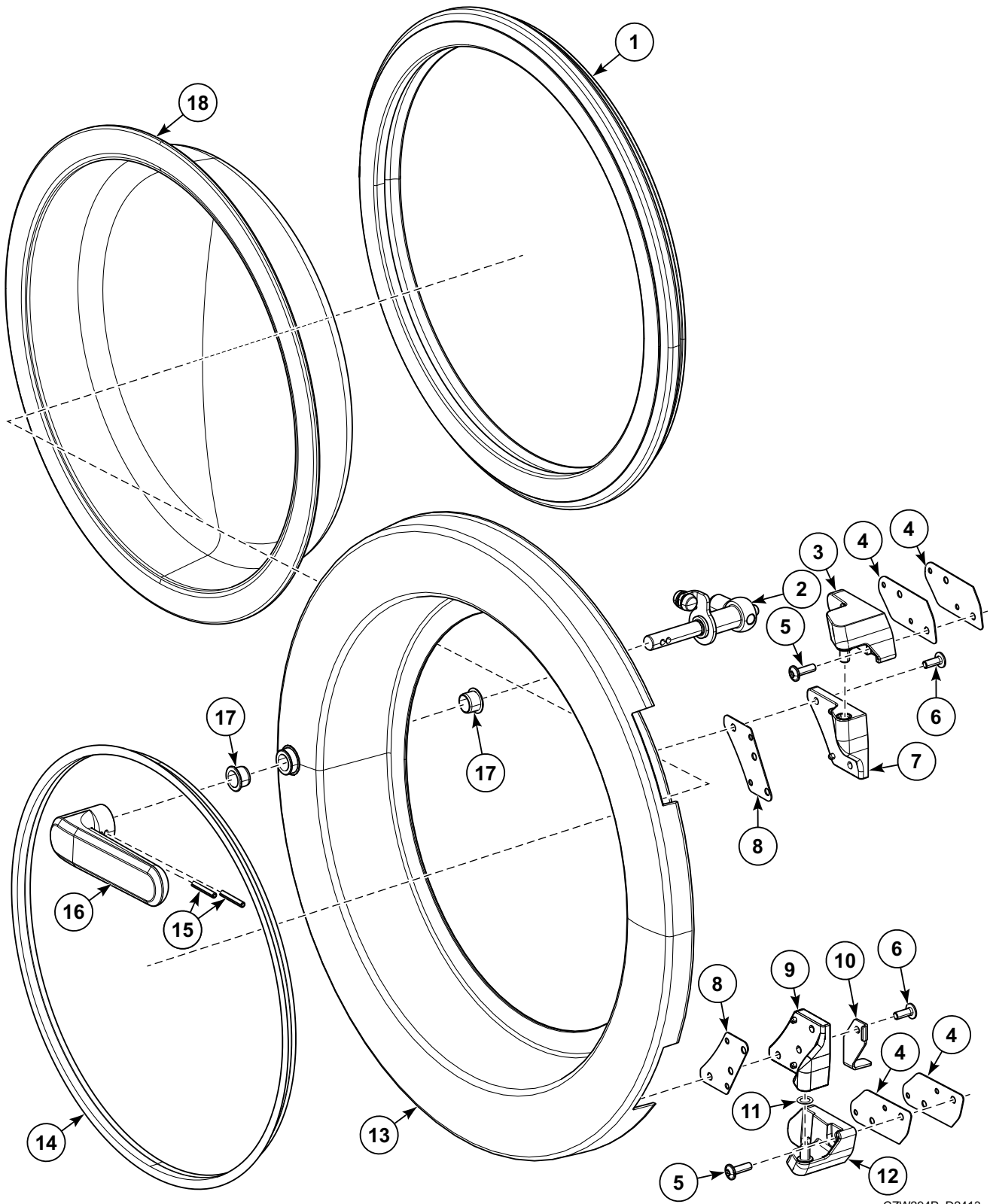


CZW319P_D2413

Door- Models Through December 31, 2019

REF	PART NO.	DESCRIPTION	COMMENTS
	569405	Door Assembly	Chrome; Includes items 1-17
1	568989	Service Door Kit	
2	571605	Pin	3x22
3	568902	Door Level	
4	568979	Fixed Upper Hinge	
5	568804	Shim	
6	SP535479	Bolt	M6x25
7	SP537864	Bolt	M6x16
8	571650	Upper Hinge	
9	SP535421	Hinge Spacer	
10	571651	Lower Hinge	
11	571636	Door Frame Sheet	
12	571642	Washer	
13	568982	Fixed Hinge	Lower
14	569419	Door	Chrome
15	569403	Trim	
16	SP554970	Pin	
17	F8624602	Handle	Chrome
18	SP535439	Door Glass	

Door- Models Starting January 1, 2020

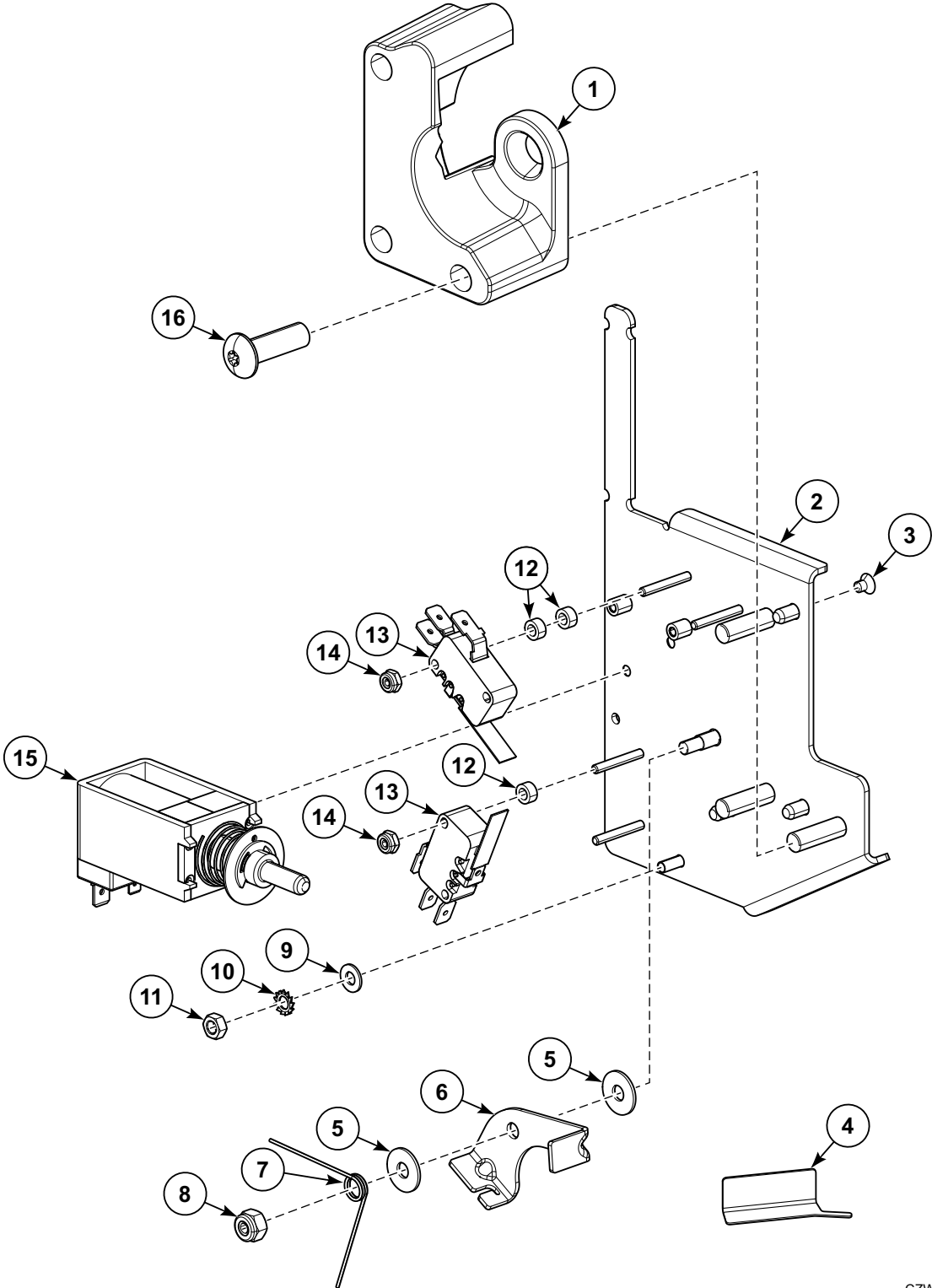


CZW294P_D2413

Door- Models Starting January 1, 2020

REF	PART NO.	DESCRIPTION	COMMENTS
	573903	Door Assembly	Gray; Models through 31 December 2021; Includes items 1-18
	576403	Door Assembly	Black; Models starting 1 January 2022; Includes items 1-18
	576089	Service Door Frame Kit	
	570553	Kit of Hinges	Includes 568979, 568982, 575960, 575963 and 571642
1	568989	Service Door Kit	
2	573906	Door Level	
3	568979	Fixed Upper Hinge	
4	568804	Shim	
5	SP535479	Bolt	M6x25
6	SP537864	Bolt	M6x16
7	575960	Upper Hinge	With case
8	SP535421	Hinge Spacer	
9	575963	Lower Hinge	With case
10	571636	Door Frame Sheet	
11	571642	Washer	
12	568982	Fixed Hinge	Lower
13	SP553527	Door	Gray; Models through 31 December 2021
	568838	Door	Black; Models starting 1 January 2022
14	569403	Trim	
15	SP554970	Pin	
16	569695	Handle	Gray; Models through 31 December 2021
	574100	Handle	Black; Models starting 1 January 2022
17	SP529739	Casing	
18	SP535439	Door Glass	

Door Lock

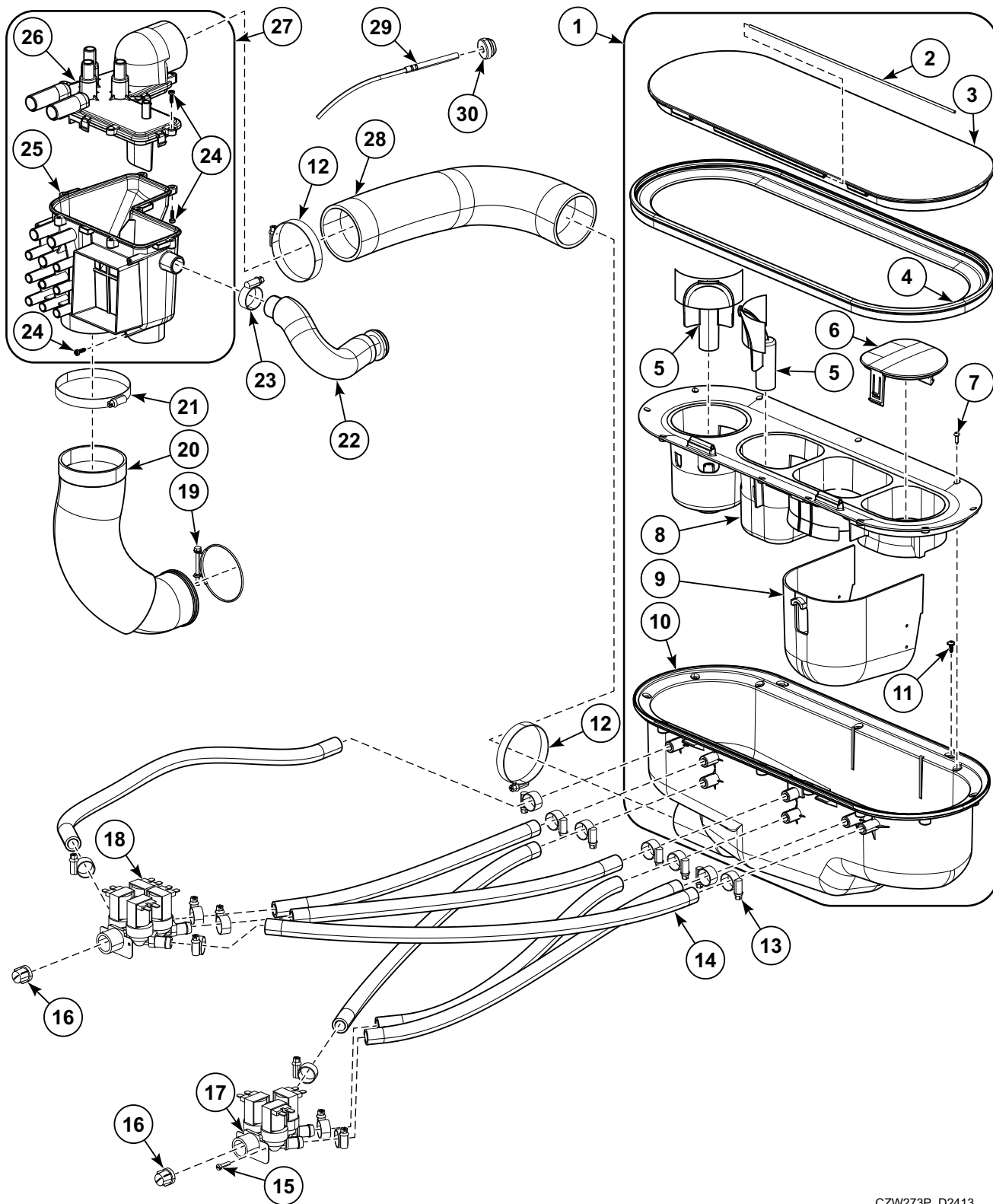


CZW347P_D2413

Door Lock

REF	PART NO.	DESCRIPTION	COMMENTS
	576085	Door Lock Assembly	Includes item 1-16, 569751 Door Lock Cable, 571466 Door Lock Switch Cable and SP345000160996 Binding Strip
1	576084	Door Lock Catch	
2	568971	Door Lock Plate	
3	F430977	Screw	
4	571615	Emergency Opener	For door lock
5	F8193101	Washer	
6	568941	Closing Plate	
7	571612	Torsion/Door Lock Spring	
8	F430232	Nut	
9	SP311125240004	Washer	4
10	SP311679824004	Washer	4
11	SP310934240004	Nut	M4
12	F431901	Spacer	
13	568978	Microswitch	
14	F430225	Nut	
15	568942	Coil	
16	F8270701	Bolt	Stainless
	568968	Bolt	Black

Two Water Inlet System

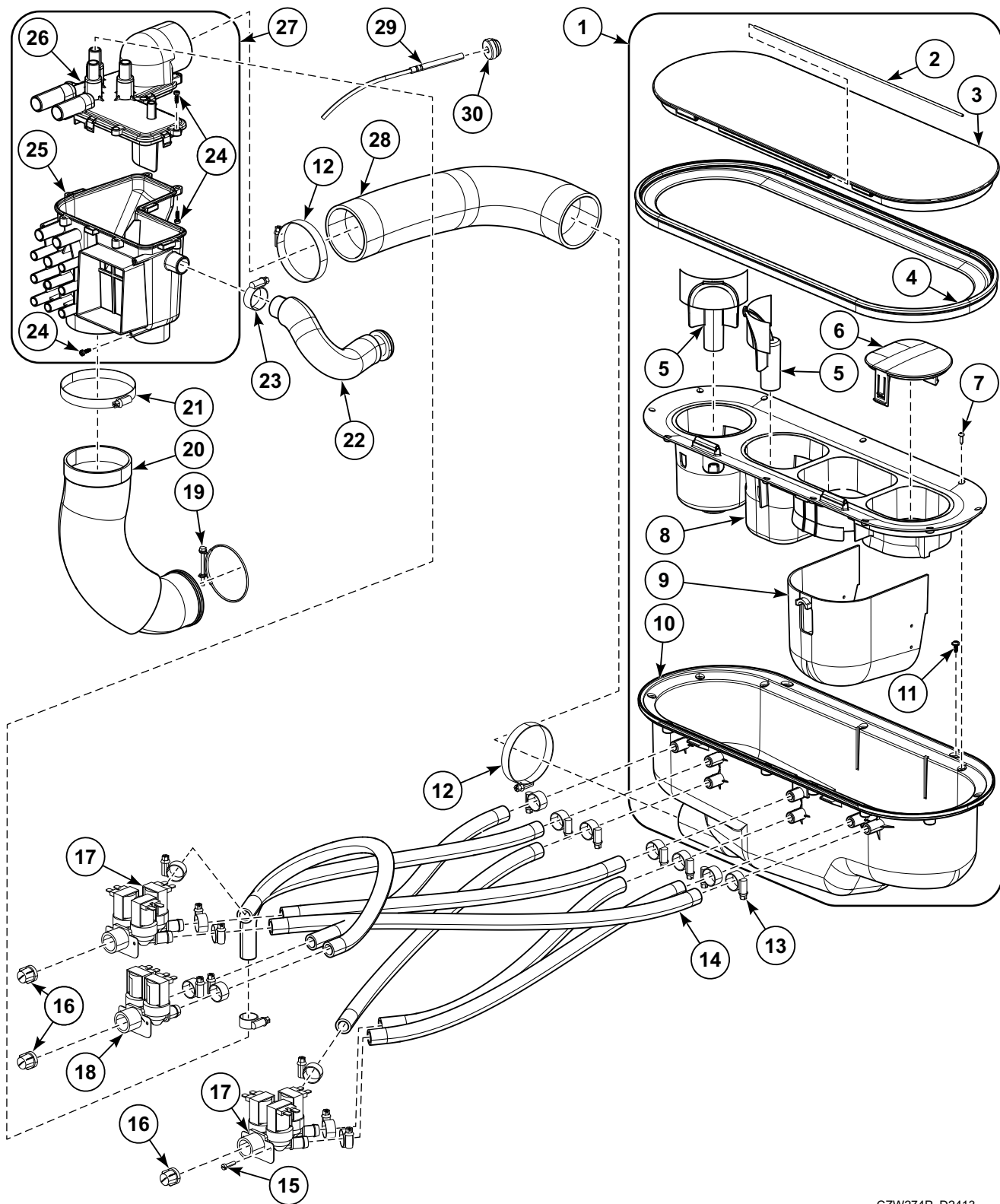


CZW273P_D2413

Two Water Inlet System

REF	PART NO.	DESCRIPTION	COMMENTS
	SPPRI505000054	Filling Hose Pipe	Used with cold water; used with SPPRI520001009 Seal
	SP547980	Filling Hose Pipe	Used with hot water; used with SPPRI520001009 Seal
	SP101621	Filling Hose Pipe	Used with water approval WRAS; used with SPPRI520001009 Seal
	RSPF200166	Filling Hose Pipe	SYT models; used with SPPRI520001009 Seal and B12543901, Check Valve
	F200164	Water Hose	CSA models, used with SPPRI520001009 Seal and 567174 Reduction
1	SP540164	Soap Hopper Assembly	
	570441	Soap Hopper Assembly	CSA models
2	SP540117	Pin	
3	SP526461	Dispenser Lid	
	573922	Dispenser Lid	CSA models
4	SP540158	Dispenser Seal	
5	SP540113	Flap	
6	SP526468	Soap Hopper Plug	
7	SP309798124313	Screw	ST3.5x13
8	SP540112	Soap Hopper Upper Cover	
9	SP540116	Internal Vessel	
10	SP540115	Main Vessel	
11	SP529206	Screw	
12	SPPRI240000021	Hose Clamp	60-80
13	SPPRI240000002	Hose Clamp	12-22
14	SPPRI540000014	Hose	13-19
	SP101745	Hose Pipe	Used with water approval WRAS
15	SP309084000416	Bolt	M4x16
16	SPPRI340004030	Filter	
17	SP547959	3-Way Valve	3/4 inch
18	SP548933	4-Way Valve	3/4 inch
19	SP526491	Hose Clamp	62-70
20	SP526506	Filling Elbow Pipe	
21	SPPRI240000007	Hose Clamp	70-90
22	SP526510	Vent Hose	
23	SPPRI240000003	Hose Clamp	
24	SP526497	Screw	4x12
25	SP526565	Mixer Body	
26	SP526557	Mixer Lid	
27	SP526558	Mixer	
28	SP526489	Dispenser Pipe	40 and 180 models
	SP526490	Dispenser Pipe	55 and 240 models
	SP554128	Dispenser Pipe	70 and 280 models
29	503839	Temperature Sensor	
30	SP526439	Temperature Sensor Seal	

Three Water Inlet System

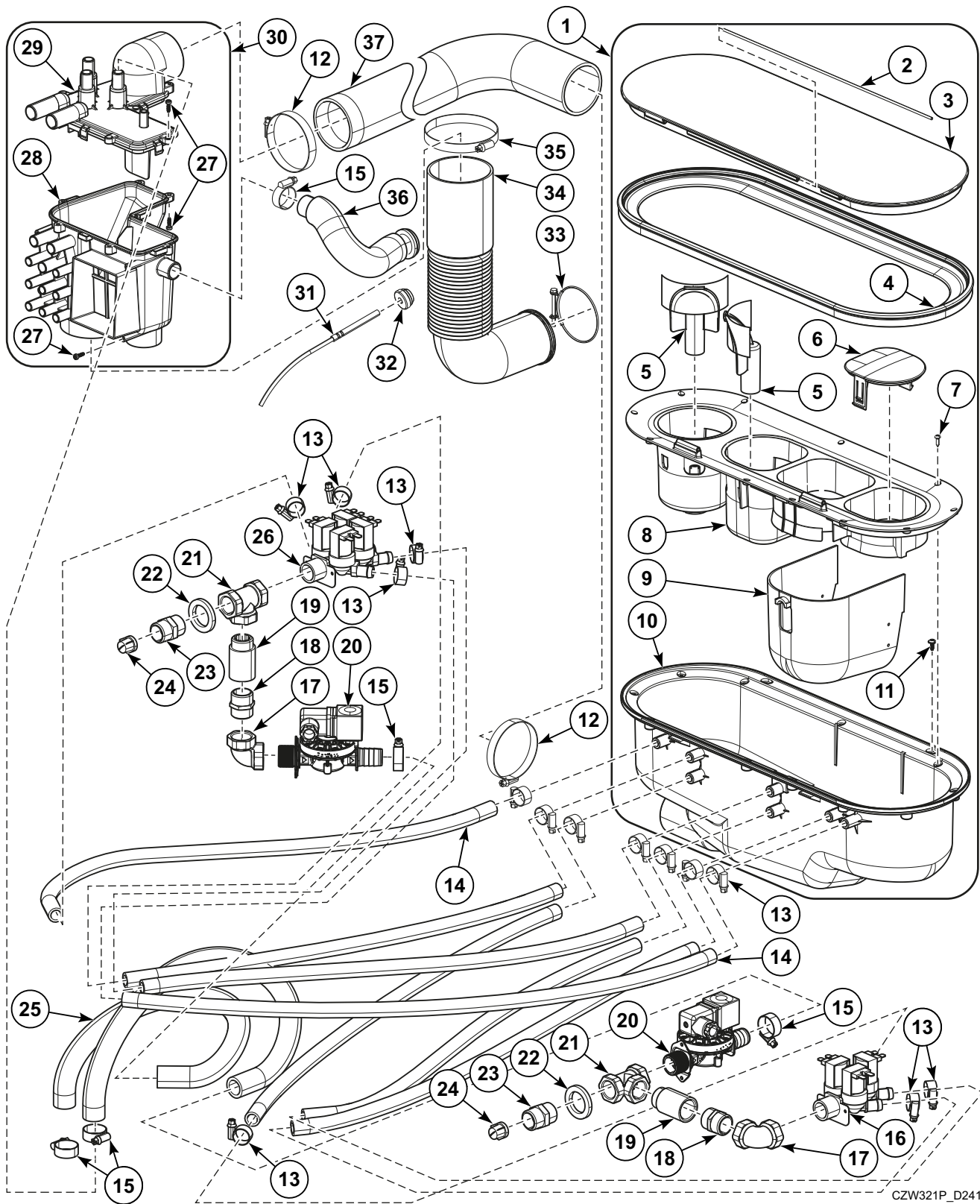


CZW274P_D2413

Three Water Inlet System

REF	PART NO.	DESCRIPTION	COMMENTS
	SPPRI505000054	Filling Hose Pipe	Used with cold water; used with SPPRI520001009 Seal
	SP547980	Filling Hose Pipe	Used with hot water; used with SPPRI520001009 Seal
	SP101621	Filling Hose Pipe	Used with water approval WRAS; used with SPPRI520001009 Seal
	RSPF200166	Filling Hose Pipe	SYT models; used with SPPRI520001009 Seal and B12543901, Check Valve
	F200164	Water Hose	CSA models, used with SPPRI520001009 Seal and 567174 Reduction
1	SP540164	Soap Hopper Assembly	
	570441	Soap Hopper Assembly	CSA models
2	SP540117	Pin	
3	SP526461	Dispenser Lid	
	573922	Dispenser Lid	CSA models
4	SP540158	Dispenser Seal	
5	SP540113	Flap	
6	SP526468	Soap Hopper Plug	
7	SP309798124313	Screw	ST3.5x13
8	SP540112	Soap Hopper Upper Cover	
9	SP540116	Internal Vessel	
10	SP540115	Main Vessel	
11	SP529206	Screw	
12	SPPRI240000021	Hose Clamp	60-80
13	SPPRI240000002	Hose Clamp	12-22
14	SPPRI540000014	Hose	13-19
	SP101745	Hose Pipe	Used with water approval WRAS
15	SP309084000416	Bolt	M4x16
16	SPPRI340004030	Filter	
17	SP547959	3-Way Valve	3/4 inch
18	SP547958	2-Way Valve	3/4 inch
19	SP526491	Hose Clamp	62-70
20	SP526506	Filling Elbow Pipe	
21	SPPRI240000007	Hose Clamp	70-90
22	SP526510	Vent Hose	
23	SPPRI240000003	Hose Clamp	
24	SP526497	Screw	4x12
25	SP526565	Mixer Body	
26	SP526557	Mixer Lid	
27	SP526558	Mixer	
28	SP526489	Dispenser Pipe	40 and 180 models
	SP526490	Dispenser Pipe	55 and 240 models
	SP554128	Dispenser Pipe	70 and 280 models
29	503839	Temperature Sensor	
30	SP526439	Temperature Sensor Seal	

Two Water Inlet System - Optional

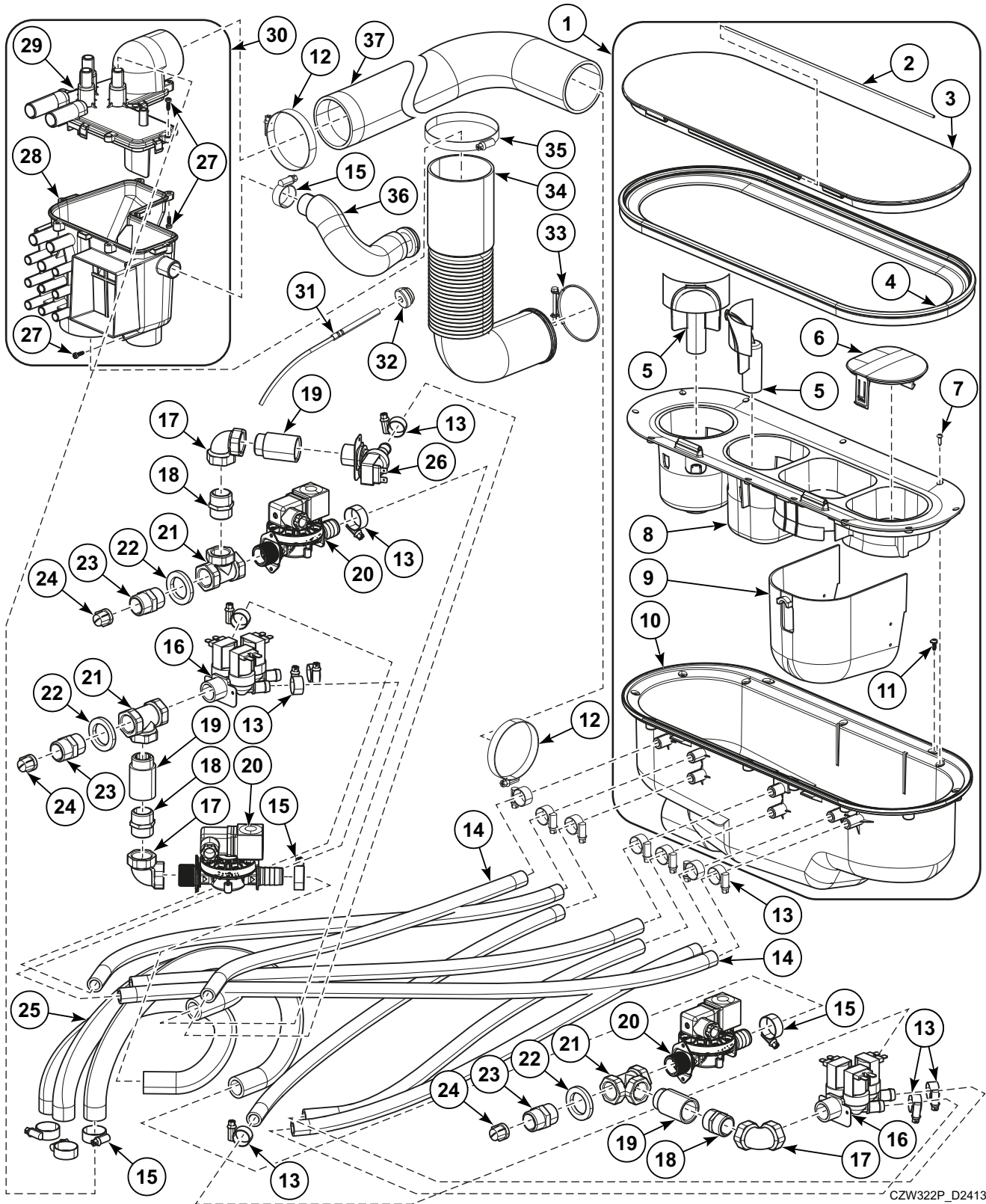


CZW321P_D2413

Two Water Inlet System - Optional

REF	PART NO.	DESCRIPTION	COMMENTS
	SPPRI505000054	Filling Hose Pipe	Used with cold water; used with SPPRI520001009 Seal
	SP547980	Filling Hose Pipe	Used with hot water; used with SPPRI520001009 Seal
	SP101621	Filling Hose Pipe	Used with water approval WRAS; used with SPPRI520001009 Seal
	RSPF200166	Filling Hose Pipe	SYT models; used with SPPRI520001009 Seal and B12543901, Check Valve
	F200164	Water Hose	CSA models, used with SPPRI520001009 Seal and 567174 Reduction
1	SP540164	Soap Hopper Assembly	
	570441	Soap Hopper Assembly	CSA models
2	SP540117	Pin	
3	SP526461	Dispenser Lid	
	573922	Dispenser Lid	CSA models
4	SP540158	Dispenser Seal	
5	SP540113	Flap	
6	SP526468	Soap Hopper Plug	
7	SP309798124313	Screw	ST3.5x13
8	SP540112	Soap Hopper Upper Cover	
9	SP540116	Internal Vessel	
10	SP540115	Main Vessel	
11	SP529206	Screw	
12	SPPRI240000021	Hose Clamp	60-80
13	SPPRI240000002	Hose Clamp	12-22
14	SPPRI540000014	Hose	13-19
	SP101745	Hose Pipe	Used with water approval WRAS
15	SPPRI240000003	Hose Clamp	20-32
16	SP547959	3-Way Valve	3/4 inch
17	SPPRI426002072	Elbow	
18	SPPRI426001217	Pipe Nipple	
19	SPPRI426003217	Extension	
20	SP567064	1-Way Valve	3/4 inch; Optional; Uses SP525821 Valve Repair Kit
21	SPPRI426001107	Tee	
22	SPPRI231000062	Washer	8
23	SP510120	Pipe Nipple	
24	SPPRI340004030	Filter	
25	SPPRI540001019	Hose	
26	SP548933	4-Way Valve	3/4 inch
27	SP526497	Screw	4x12
28	SP526565	Mixer Body	
29	SP526557	Mixer Lid	
30	SP526558	Mixer	
31	SP503839	Temperature Sensor	
32	SP526439	Temperature Sensor Seal	
33	SP526491	Hose Clamp	62-70
34	SP526506	Filling Elbow Pipe	
35	SPPRI240000007	Hose Clamp	70-90
36	SP526510	Vent Hose	
37	SP526489	Dispenser Pipe	40 and 180 models
	SP526490	Dispenser Pipe	55 and 240 models
	SP554128	Dispenser Pipe	70 and 280 models

Three Water Inlet System - Optional

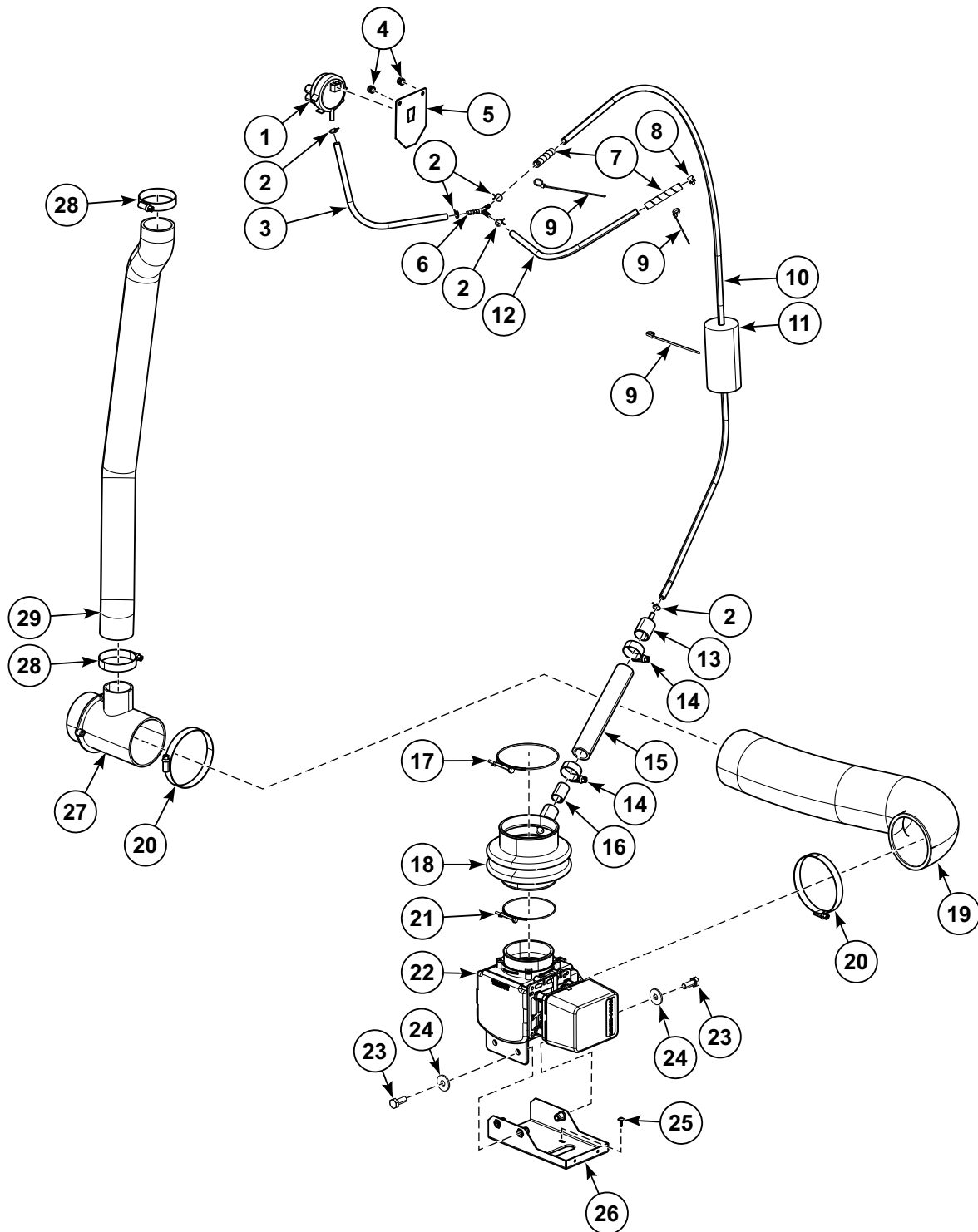


CZW322P_D2413

Three Water Inlet System - Optional

REF	PART NO.	DESCRIPTION	COMMENTS
	SPPRI505000054	Filling Hose Pipe	Used with cold water; used with SPPRI520001009 Seal
	SP547980	Filling Hose Pipe	Used with hot water; used with SPPRI520001009 Seal
	SP101621	Filling Hose Pipe	Used with water approval WRAS; used with SPPRI520001009 Seal
	RSPF200166	Filling Hose Pipe	SYT models; used with SPPRI520001009 Seal and B12543901, Check Valve
	F200164	Water Hose	CSA models, used with SPPRI520001009 Seal and 567174 Reduction
1	SP540164	Soap Hopper Assembly	
	570441	Soap Hopper Assembly	CSA models
2	SP540117	Pin	
3	SP526461	Dispenser Lid	
	573922	Dispenser Lid	CSA models
4	SP540158	Dispenser Seal	
5	SP540113	Flap	
6	SP526468	Soap Hopper Plug	
7	SP309798124313	Screw	ST3.5x13
8	SP540112	Soap Hopper Upper Cover	
9	SP540116	Internal Vessel	
10	SP540115	Main Vessel	
11	SP529206	Screw	
12	SPPRI240000021	Hose Clamp	60-80
13	SPPRI240000002	Hose Clamp	12-22
14	SPPRI540000014	Hose	13-19
	SP101745	Hose Pipe	Used with water approval WRAS
15	SPPRI240000003	Hose Clamp	20-32
16	SP547959	3-Way Valve	3/4 inch
17	SPPRI426002072	Elbow	
18	SPPRI426001217	Pipe Nipple	
19	SPPRI426003217	Extension	
20	SP567064	1-Way Valve	3/4 inch; Optional; Uses SP525821 Valve Repair Kit
21	SPPRI426001107	Tee	
22	SPPRI231000062	Washer	8
23	SP510120	Pipe Nipple	
24	SPPRI340004030	Filter	
25	SPPRI540001019	Hose	
26	SP554211	1-Way Valve	3/4 inch
27	SP526497	Screw	4x12
28	SP526565	Mixer Body	
29	SP526557	Mixer Lid	
30	SP526558	Mixer	
31	SP503839	Temperature Sensor	
32	SP526439	Temperature Sensor Seal	
33	SP526491	Hose Clamp	62-70
34	SP526506	Filling Elbow Pipe	
35	SPPRI240000007	Hose Clamp	70-90
36	SP526510	Vent Hose	
37	SP526489	Dispenser Pipe	40 and 180 models
	SP526490	Dispenser Pipe	55 and 240 models
	SP554128	Dispenser Pipe	70 and 280 models

Drain System

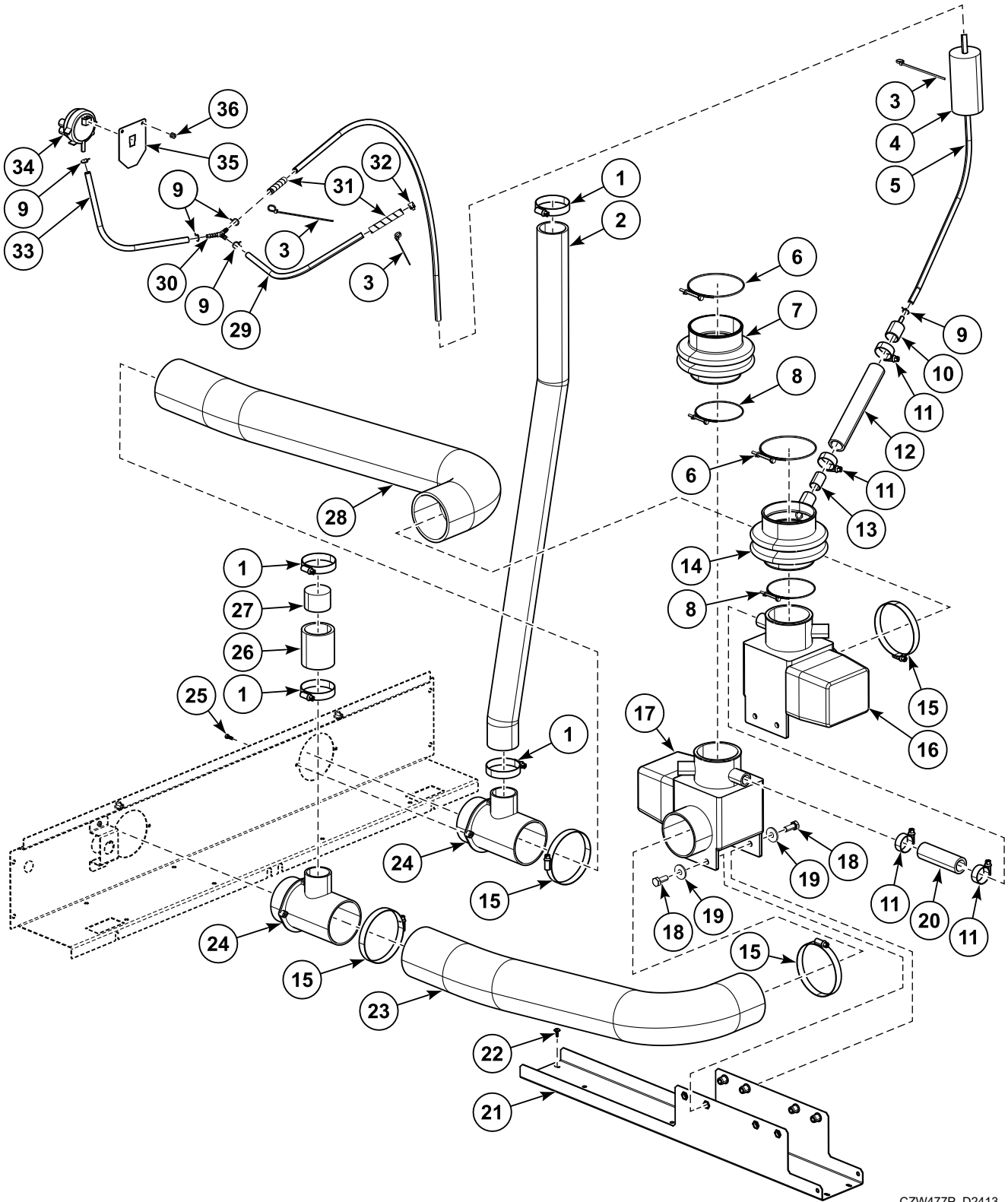


CZW436P_D2413

Drain System

REF	PART NO.	DESCRIPTION	COMMENTS
1	570315	Water Level Switch	
2	SPPRI241000017	Hose Clamp	A5.5
3	SPPRI540001003	Water Level Switch Hose	0.31m
4	558054	Rivet	4x9.5
5	570373	Water Level Switch Holder	
6	SPPRI503000028	Y-Piece	
7	SP283449080200	Spiral	
8	SP540183	Spring Clamp	
9	SP345000626088	Binding Strip	
10	SPPRI540001003	Water Level Switch Hose	1.15m
11	SP100188	Foam Roller	
12	SPPRI540001003	Water Level Switch Hose	0.29m
13	SPPRI503000027	Air Trap Reduction	
14	SPPRI240000003	Hose Clamp	20-32
15	SPPRI503002049	Hose	Air trap
16	SP500125	Reinforcement Tube	
17	SP526532	Hose Clamp	82-90
18	SP526492	Drain Hose Pipe	
19	SP526499	Drain Elbow	40 and 180 models
	SP526500	Drain Elbow	55 and 240 models
	SP554117	Drain Elbow	70 and 280 models
20	SPPRI240000007	Hose Clamp	70-90
21	576096	Hose Clamp	78-85
22	SP526460	Drain Valve	Black; Includes SPPRI340002051 Drain Valve Motor and 554276 Drain Valve Seal
	SP547821	Reverse Function Drain Valve	Black; Includes SPPRI340002051 Drain Valve Motor and 554276 Drain Valve Seal
	SPPRI340002051	Drain Valve Motor	Includes gear box
	554276	Drain Valve Seal	
23	SP309933000820	Bolt	M8x20
24	SP311902100008	Washer	8
25	SP529206	Screw	4x11
26	SP526513	Drain Valve Holder	
27	SP526454	Tee	
28	SPPRI240000017	Hose Clamp	40-60
29	SP547897	Overflow Tube	

Drain System - Two Drain Valve Option - 280 Models

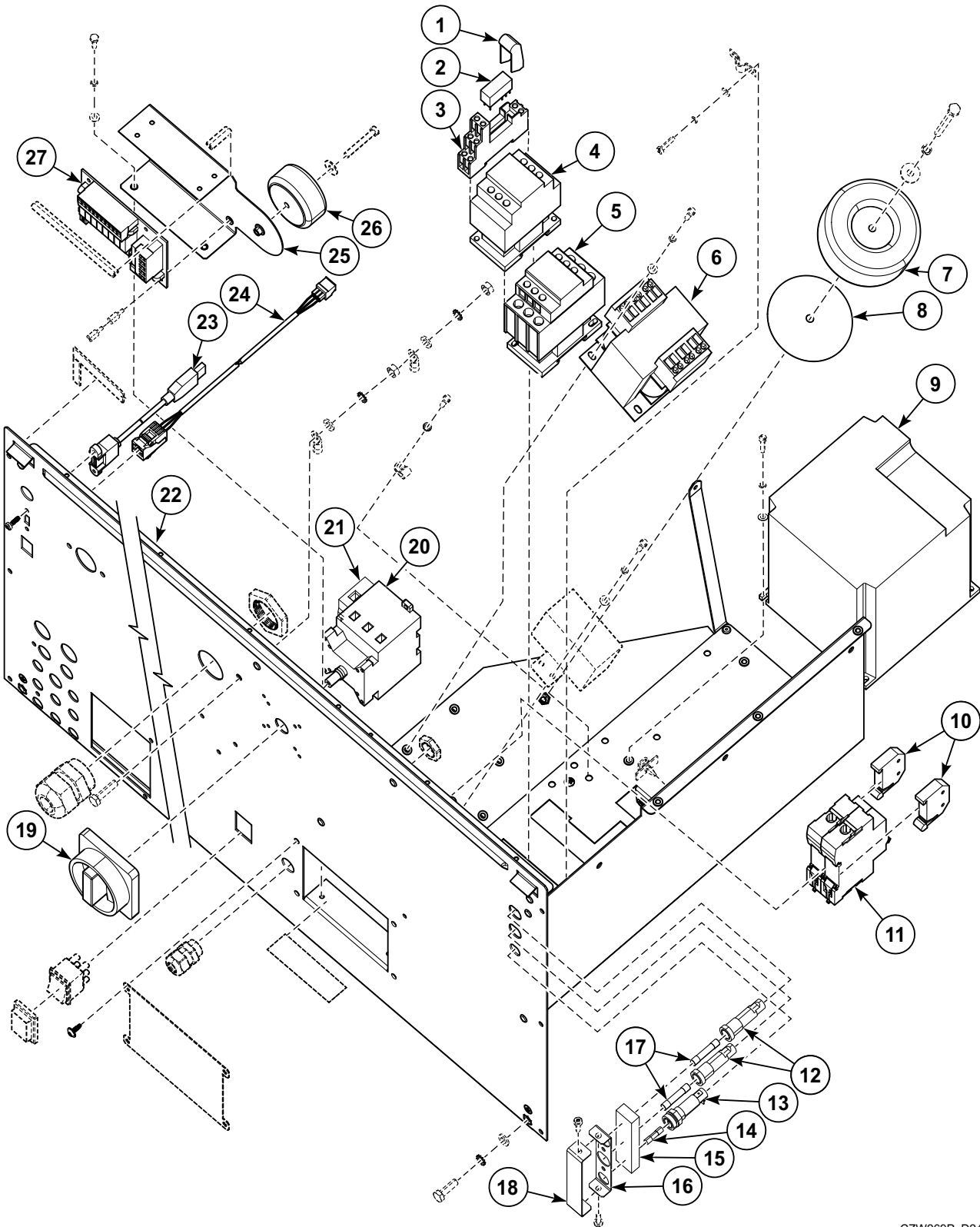


CZW477P_D2413

Drain System - Two Drain Valve Option - 280 Models

REF	PART NO.	DESCRIPTION	COMMENTS
1	SPPRI241000017	Hose Clamp	40-60
2	SP547897	Overflow Tube	
3	SP345000626088	Binding Strip	
4	SP100188	Foam Roller	
5	SPPRI540001003	Water Level Switch Hose	1.15m
6	SP526532	Hose Clamp	82-90
7	SP273124080161	Tub to Drain Valve Hose	
8	576096	Hose Clamp	78-85
9	SPPRI240000017	Hose Clamp	A5.5
10	SPPRI503000027	Air Trap Reduction	
11	SPPRI240000003	Hose Clamp	20-32
12	SPPRI503002049	Hose	
13	SP500125	Reinforcement Tube	
14	SP526492	Drain Hose Pipe	
15	SPPRI240000007	Hose Clamp	70-90
16	SPPRI340055051	Drain Valve	2 used for standard drain system; 1 used on request for recycle drain system; Black; Includes SPPRI340002051 Drain Valve Motor and 554276 Drain Valve Seal
	SPPRI340002051	Drain Valve Motor	Includes gear box
	554276	Drain Valve Seal	
17	SPPRI340055051	Drain Valve	1 used on request for recycle drain system; Black; Includes SPPRI340002051 Drain Valve Motor and 554276 Drain Valve Seal
	SPPRI340002051	Drain Valve Motor	Includes gear box
	554276	Drain Valve Seal	
18	SP309933000820	Bolt	M8x20
19	SP311902100008	Washer	8
20	SPPRI540001019	Hose	0.085m
21	SP553424	Drain Valve Holder	
22	SP529206	Screw	4x11
23	SP554325	Drain Elbow	
24	SP526454	Tee	
25	SP526497	Screw	4x12
26	SPR35100016514	Hose	
27	SPR35100016714	Cap	
28	SP554117	Drain Elbow	
29	SPPRI540001003	Water Level Switch Hose	0.29m
30	SPPRI503000028	Y-Piece	
31	SP283449080200	Spiral	
32	SP540183	Spring Clamp	
33	SPPRI540001003	Water Level Switch Hose	0.31m
34	570315	Water Level Switch	
35	570373	Water Level Switch Holder	
36	558054	Rivet	4x9.5

Rear Panel - CE Models 230-400V with Neutral (Drawing 1 of 2)

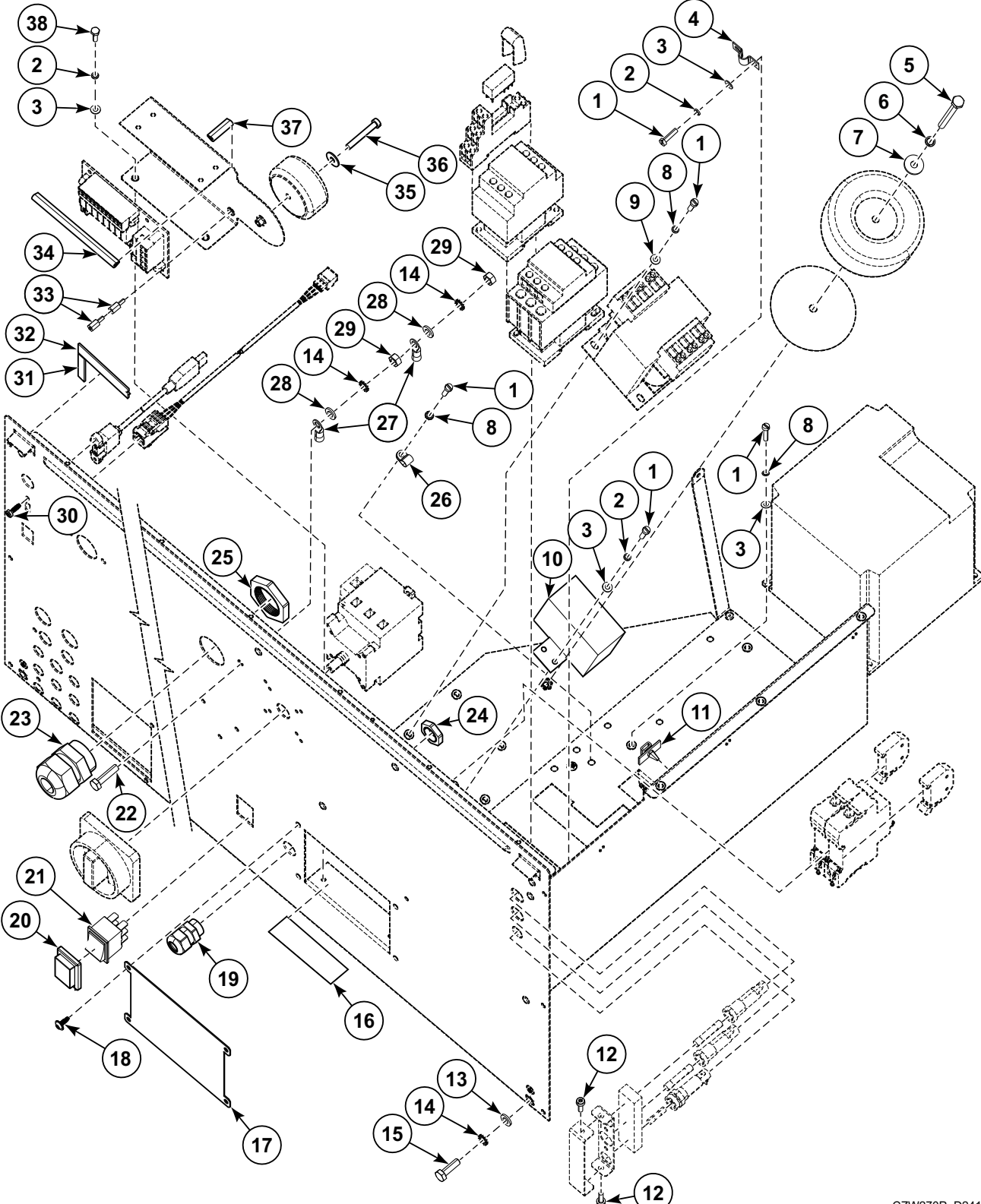


CZW269P_D2413

Rear Panel - CE Models 230-400V with Neutral (Drawing 1 of 2)

REF	PART NO.	DESCRIPTION	COMMENTS
	570317	Liquid Detergents	Assembly includes items from (Drawing 1 of 2) 25 - 27, 569738 Pump Relay Board Flat Cable and items from (Drawing 2 of 2) 2, 3, 16, 19, 24 and 33 - 38
1	SP514135	Relay Clamp	2 poles
2	SP514134	Relay	2 poles
3	SP506586	Relay Case	2 poles
4	SP514038	Contactactor	LC1-D09M7; Used with frequency inverter
5	SP514038	Contactactor	LC1-D09M7; Electric heating; 12kW 400V/440V
	SP514042	Contactactor	LC1D18M7; Electric heating; 18kW 400V/440V
	SPPRI345002019	Contactactor	LC1D3201; Electric heating; 21.9kW 230V
	SP514043	Contactactor	LC1D50; Electric heating; 12kW 230V, 18kW/230V, 21.9kW 400V/440V
6	SP516648	Transformer	
7	571456	DC Choke	3.1mH; Supply 230V, 380-415V+N
8	571458	Insulation Washer	
9	SP571473	Frequency Inverter	230V/400V+N; FR-D7205-100SC-E8
	SP571475	Frequency Inverter	400V/440V; FR-D740-080-SC-E8
	557961	Ferrite Core	Used with frequency inverter
10	SP346000209101	End Stop	
11	571463	Circuit Breaker	
12	SPPRI401003020	Fuse Housing	2 pieces
13	SPPRI401001020	Fuse Holder	
14	SP345805005020	Fuse	0.5A/250V
15	570387	Self-Adhesive Profile	
16	SP554310	Fuse Holder	
17	SP345805163032	Fuse	6.3x32mm, T1A/500V; 2 pieces
18	SP554311	Fuse Cover	
19	SPPRI404000095	Main Switch Knob	
20	SPPRI404000097	Main Switch	25A; Used with SP506407 Main Switch; Fourth pole 25A
	SPPRI404000098	Main Switch	32A; Used with SPPRI404001098 Main Switch; Fourth pole 32A
	SPPRI404000099	Main Switch	63A; Used with SPPRI404001099 Main Switch; Fourth pole 63A
21	SP506407	Main Switch	Fourth Pole; 25A
	SPPRI404001098	Main Switch	Fourth Pole; 32A
	SPPRI404001099	Main Switch	Fourth Pole; 63A
22	567982	Rear Panel Assembly	
23	SP547006	USB Cable	Rear panel connection; Optional
24	SP545234	Cable	RS485; With connectors
25	570382	Holder	
26	564561	Transformer	
	579014	Transformer Kit	Models without transformer
27	553187	Soap Relay Board	Used with 569738 Pump Relay Board Flat Cable

Rear Panel - CE Models 230-400V with Neutral (Drawing 2 of 2)

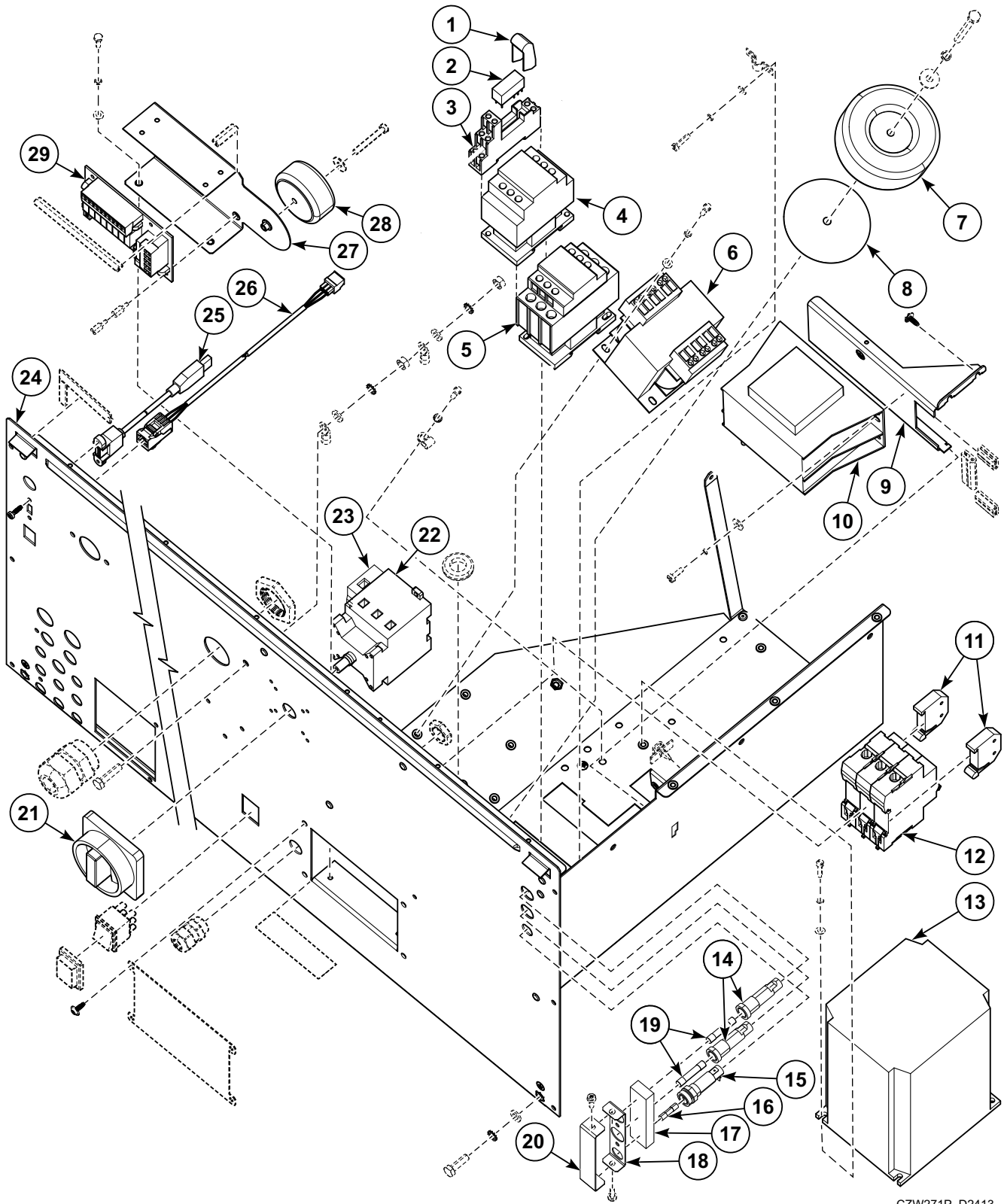


CZW270P_D2413

Rear Panel - CE Models 230-400V with Neutral (Drawing 2 of 2)

REF	PART NO.	DESCRIPTION	COMMENTS
1	SP309084000416	Bolt	M4x16
2	SP311127000004	Washer	4
3	SP311125000004	Washer	4.3
4	SPPRI407000091	Cable Sleeve	
5	SP309933000660	Bolt	M6x60
6	SP311127000006	Washer	6
7	SP311902100006	Washer	6
8	SP311679800004	Washer	M4
9	SP311125000004	Washer	4.3
10	568380	Filter	20A/250V
11	SP528313	Cable Holder	
12	SP555504	Bolt	
13	SP311125240006	Washer	6
14	SP311679824006	Washer	6
15	SP309933000620	Bolt	M6x20
16	570371	Label	Models with Transformer
	579019	Label	Models without Transformer
17	566549	Cover	
18	SP529206	Screw	4x11
19	SP101406	Bushing	M16
20	SPPRI543000003	Push Button Cover	
21	SP100388	Switch	
22	SP309933100625	Bolt	M6x25
23	SP101409	Bushing	M32x1.5
24	SP101416	Nut	M16
25	SP101419	Nut	M32
26	SP502214	Clip	
27	SP345000165034	Cable Eye	
28	SP311125100006	Washer	6
29	SP310934100006	Nut	M6
30	SP526497	Screw	4x12
31	284000012003	Sealing	l=0.048m, includes 1 piece, 2 pieces needed
32	284000012003	Sealing	l=0.965m
33	570381	Hex Pillar	M3
34	SPPRI505000058	Profiled Sealing	0.105m
35	SP505430	Washer	5
36	SP309084000535	Bolt	M5x35
37	SPPRI505000058	Profiled Sealing	0.025m
38	SP309933240412	Bolt	M4x12

Rear Panel - CE Models 400-440V (Drawing 1 of 2)

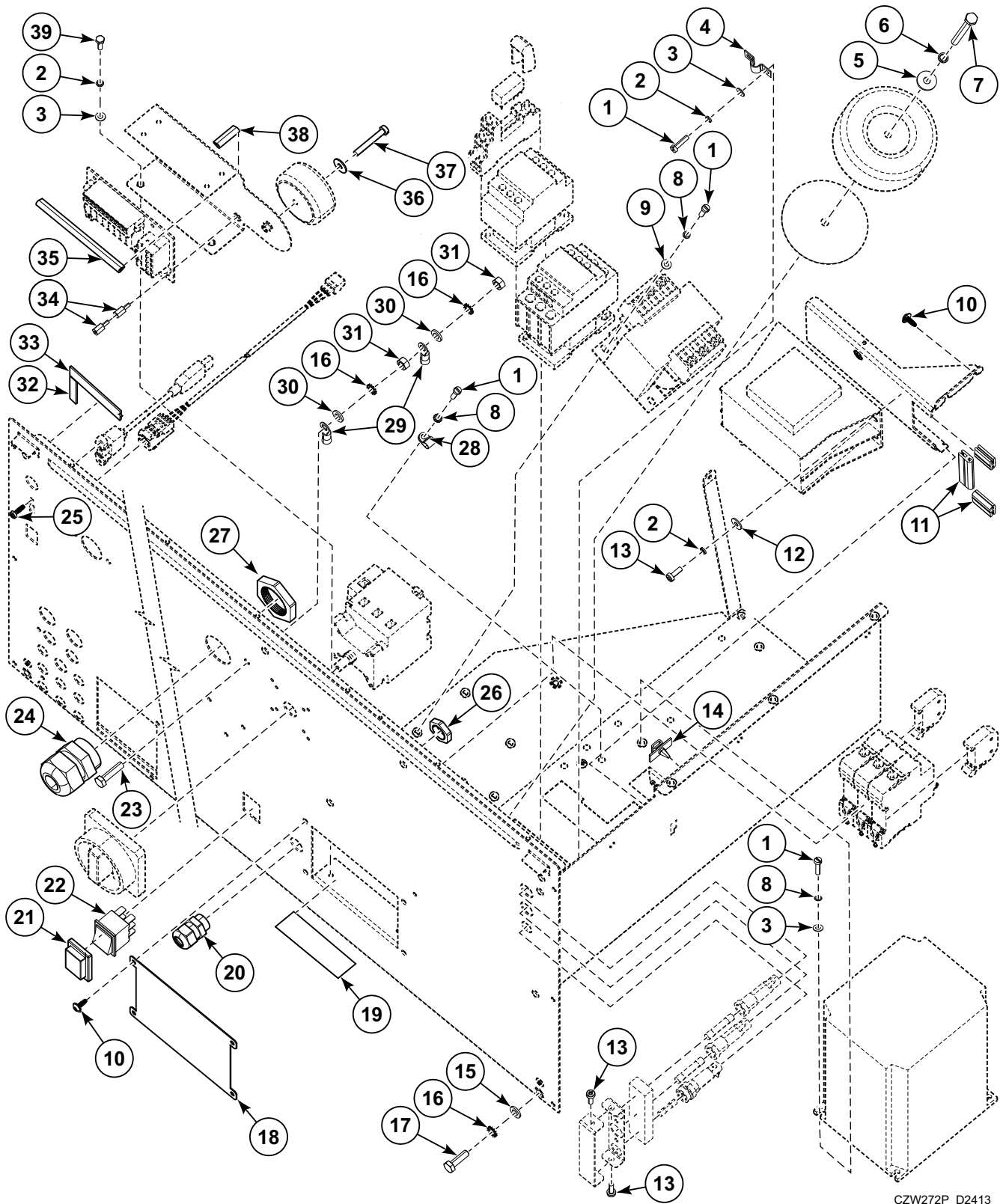


CZW271P_D2413

Rear Panel - CE Models 400-440V (Drawing 1 of 2)

REF	PART NO.	DESCRIPTION	COMMENTS
	570317	Liquid Detergents	Assembly includes items from (Drawing 1 of 2) 27 - 29, 569738 Pump Relay Board Flat Cable and items from (Drawing 2 of 2) 2, 3, 19, 20, 26 and 34 - 39
1	SP514135	Relay Clamp	2 poles
2	SP514134	Relay	2 poles
3	SP506586	Relay Case	2 poles
4	SP514038	Contactactor	LC1-D09M7
5	SP514038	Contactactor	LC1-D09M7; Electric heating; 12kW 400V/440V
	SP514042	Contactactor	LC1D18M7; Electric heating; 18kW 400V/440V
	SPPRI345002019	Contactactor	LC1D3201; Electric heating; 21.9kW 230V
	SP514043	Contactactor	LC1D50; Electric heating; 12kW 230V, 18kW/230V, 21.9kW 400V/440V
6	SP516648	Transformer	
7	571457	DC Choke	8.8mH; Supply 400V, 440-480V without N
8	571458	Insulation Washer	
9	572126	Filter Holder	Used with SP313251002104 Nut
10	SP557932	Frequency Inverter Filter	3x400V
11	SP346000209101	End Stop	
12	571464	Circuit Breaker	
13	SP571475	Frequency Inverter	400V; FR-D740-080-SC-E8
	557961	Ferrite Core	Used with frequency inverter
14	SPPRI401003020	Fuse Housing	2 pieces
15	SPPRI401001020	Fuse Holder	
16	SP345805005020	Fuse	0.5A/250V
17	570387	Self-Adhesive Profile	
18	SP554310	Fuse Holder	
19	SP345805163032	Fuse	6.3x32mm, T1A/500V; 2 pieces
20	SP554311	Fuse Cover	
21	SPPRI404000095	Main Switch Knob	
22	SPPRI404000097	Main Switch	25A; Used with SP506407 Main Switch; Fourth pole 25A
	SPPRI404000098	Main Switch	32A; Used with SPPRI404001098 Main Switch; Fourth pole 32A
	SPPRI404000099	Main Switch	63A; Used with SPPRI404001099 Main Switch; Fourth pole 63A
23	SP506407	Main Switch	Fourth Pole; 25A
	SPPRI404001098	Main Switch	Fourth Pole; 32A
	SPPRI404001099	Main Switch	Fourth Pole; 63A
24	567982	Rear Panel Assembly	
25	SP547006	USB Cable	Rear panel connection; Optional
26	SP545234	Cable	RS485; With connectors
27	570382	Holder	
28	564561	Transformer	
	579014	Transformer Kit	Models without transformer
29	553187	Soap Relay Board	Used with 569738 Pump Relay Board Flat Cable

Rear Panel - CE Models 400-440V (Drawing 2 of 2)

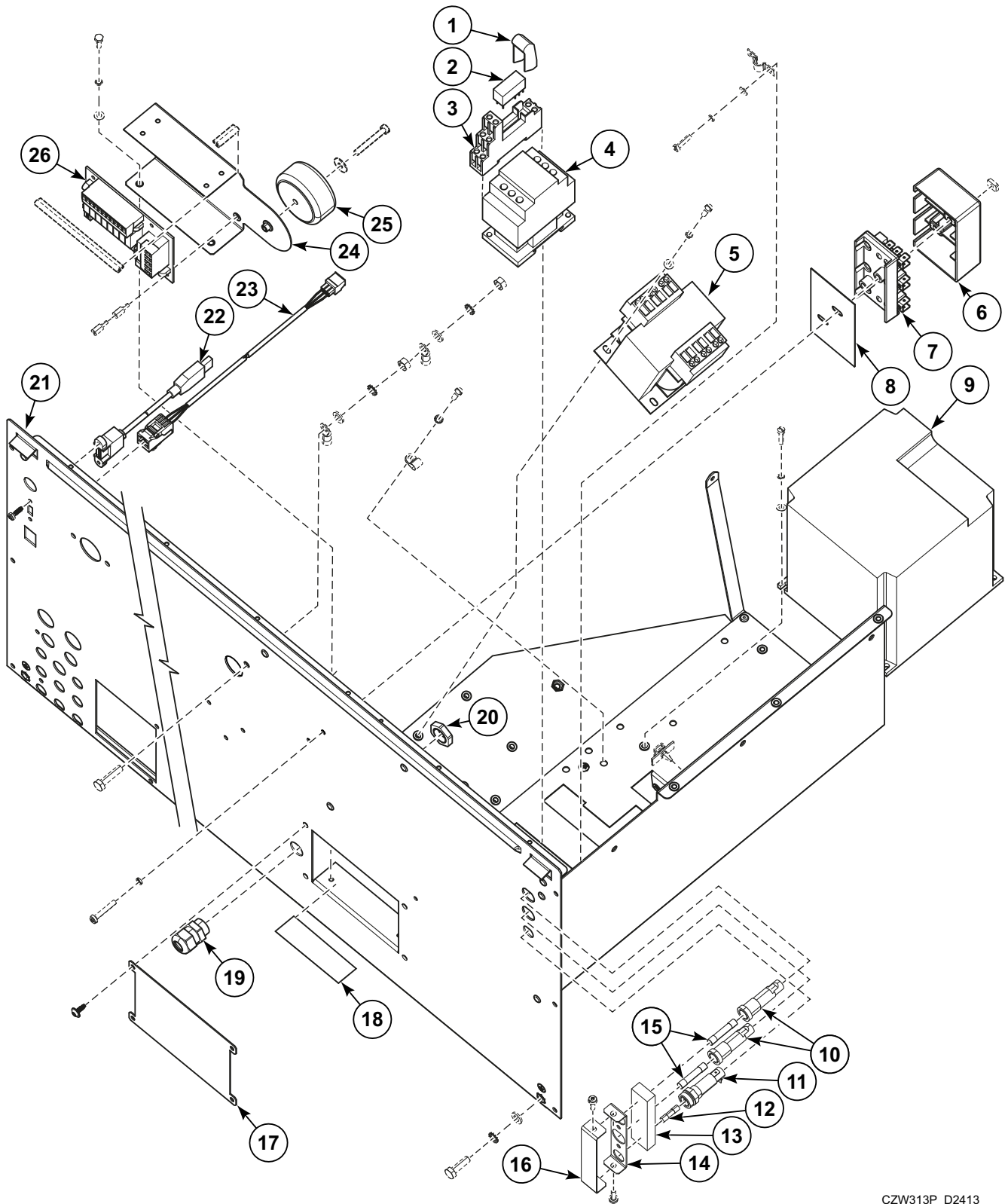


CZW272P_D2413

Rear Panel - CE Models 400-440V (Drawing 2 of 2)

REF	PART NO.	DESCRIPTION	COMMENTS
1	SP309084000416	Bolt	M4x16
2	SP311127000004	Washer	4
3	SP311125000004	Washer	4.3
4	SPPRI407000091	Cable Sleeve	
5	SP311902100006	Washer	6
6	SP311127000006	Washer	6
7	SP309933000660	Bolt	M6x60
8	SP311679800004	Washer	M4
9	SP311125000004	Washer	4.3
10	SP529206	Screw	4x11
11	SP529068	Edge Protection	
12	SP311902100004	Washer	4
13	SP555504	Bolt	
14	SP528313	Cable Holder	
15	SP311125240006	Washer	6
16	SP311679824006	Washer	6
17	SP309933000620	Bolt	M6x20
18	566549	Cover	
19	570371	Label	Models with Transformer
	579019	Label	Models without Transformer
20	SP101406	Bushing	M16
21	SPPRI543000003	Push Button Cover	
22	SP100388	Switch	
23	SP309933100625	Bolt	M6x25
24	SP101409	Bushing	M32x1.5
25	SP526497	Screw	4x12
26	SP101416	Nut	M16
27	SP101419	Nut	M32
28	SP502214	Clip	
29	SP345000165034	Cable Eye	
30	SP311125100006	Washer	6
31	SP310934100006	Nut	M6
32	284000012003	Sealing	l=0.048m, includes 1 piece, 2 pieces needed
33	284000012003	Sealing	l=0.965m
34	570381	Hex Pillar	M3
35	SPPRI505000058	Profiled Sealing	0.105m
36	SP505430	Washer	5
37	SP309084000535	Bolt	M5x35
38	SPPRI505000058	Profiled Sealing	0.025m
39	SP309933240412	Bolt	M4x12

Rear Panel - CSA Models 230-400V (Drawing 1 of 2)

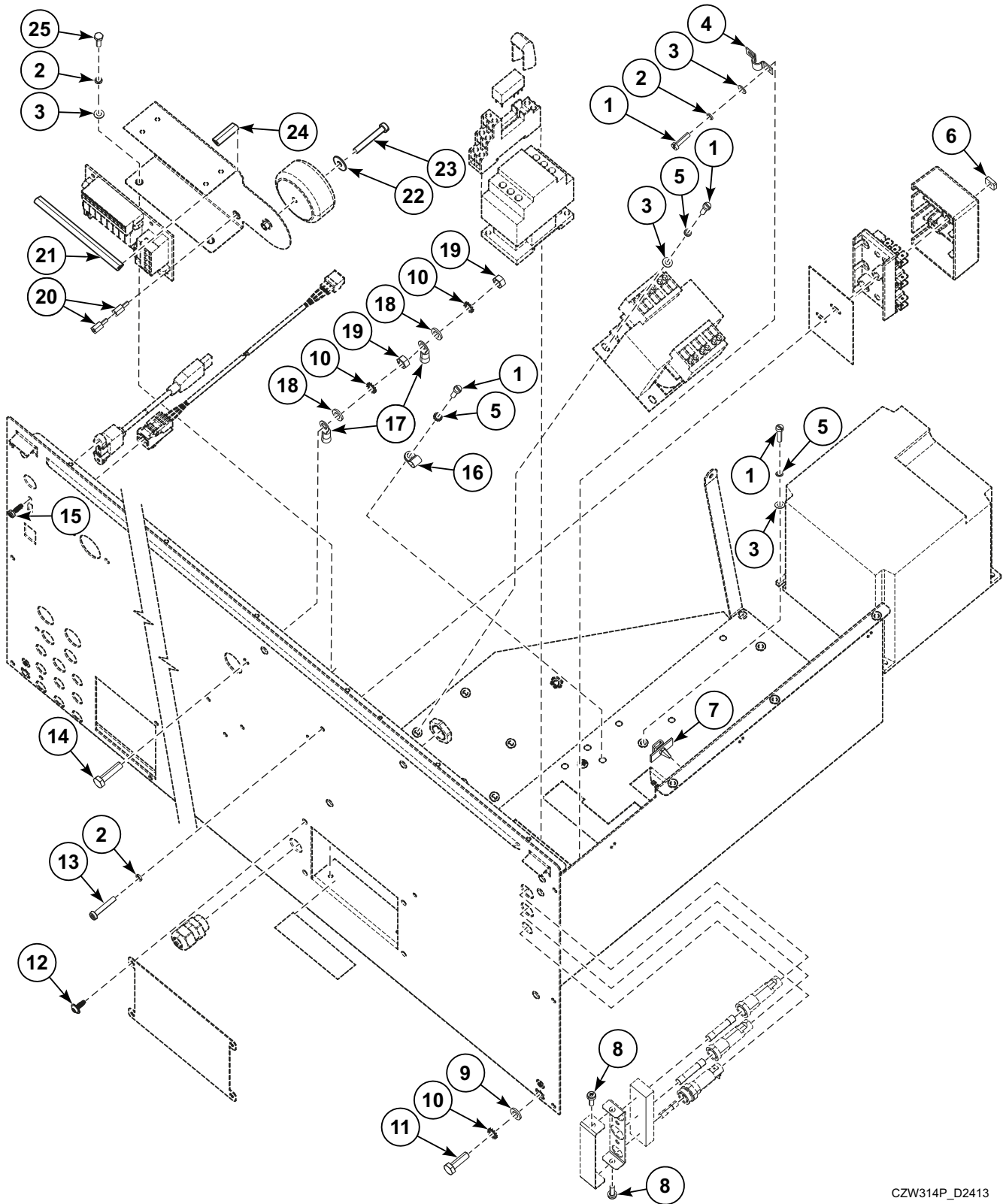


CZW313P_D2413

Rear Panel - CSA Models 230-400V (Drawing 1 of 2)

REF	PART NO.	DESCRIPTION	COMMENTS
	570317	Liquid Detergents	Assembly includes items from (Drawing 1 of 2) 18 - 20, 24-26, 569738 Pump Relay Board Flat Cable and items from (Drawing 2 of 2) 2, 3 and 20-25
1	SP514135	Relay Clamp	2 poles
2	SP514134	Relay	2 poles
3	SP506586	Relay Case	2 poles
4	SP514038	Contactator	LC1-D09M7; Used with frequency inverter
5	SP516648	Transformer	
6	70333001	Terminal Block Shield	
7	430642	Terminal Block	
8	M413862	Insulator	
9	SP571473	Frequency Inverter	230V/400V+N; FR-D7205-100SC-E8
	557961	Ferrite Core	Used with frequency inverter
10	SPPRI401003020	Fuse Housing	2 pieces
11	SPPRI401001020	Fuse Holder	
12	SP345805005020	Fuse	0.5A/250V
13	570387	Self-Adhesive Profile	
14	SP554310	Fuse Holder	
15	SP345805163032	Fuse	6.3x32mm, T1A/500V; 2 pieces
16	SP554311	Fuse Cover	
17	566549	Cover	
18	570371	Label	Models with Transformer
	579019	Label	Models without Transformer
19	SP101406	Bushing	M16
20	SP101416	Nut	M16
21	570477	Rear Panel Assembly	
22	SP547006	USB Cable	Rear panel connection; Optional
23	SP545234	Cable	RS485; With connectors
24	570382	Holder	
25	564561	Transformer	
	579014	Transformer Kit	Models without transformer
26	553187	Soap Relay Board	Used with 569738 Pump Relay Board Flat Cable

Rear Panel - CSA Models 230-400V (Drawing 2 of 2)

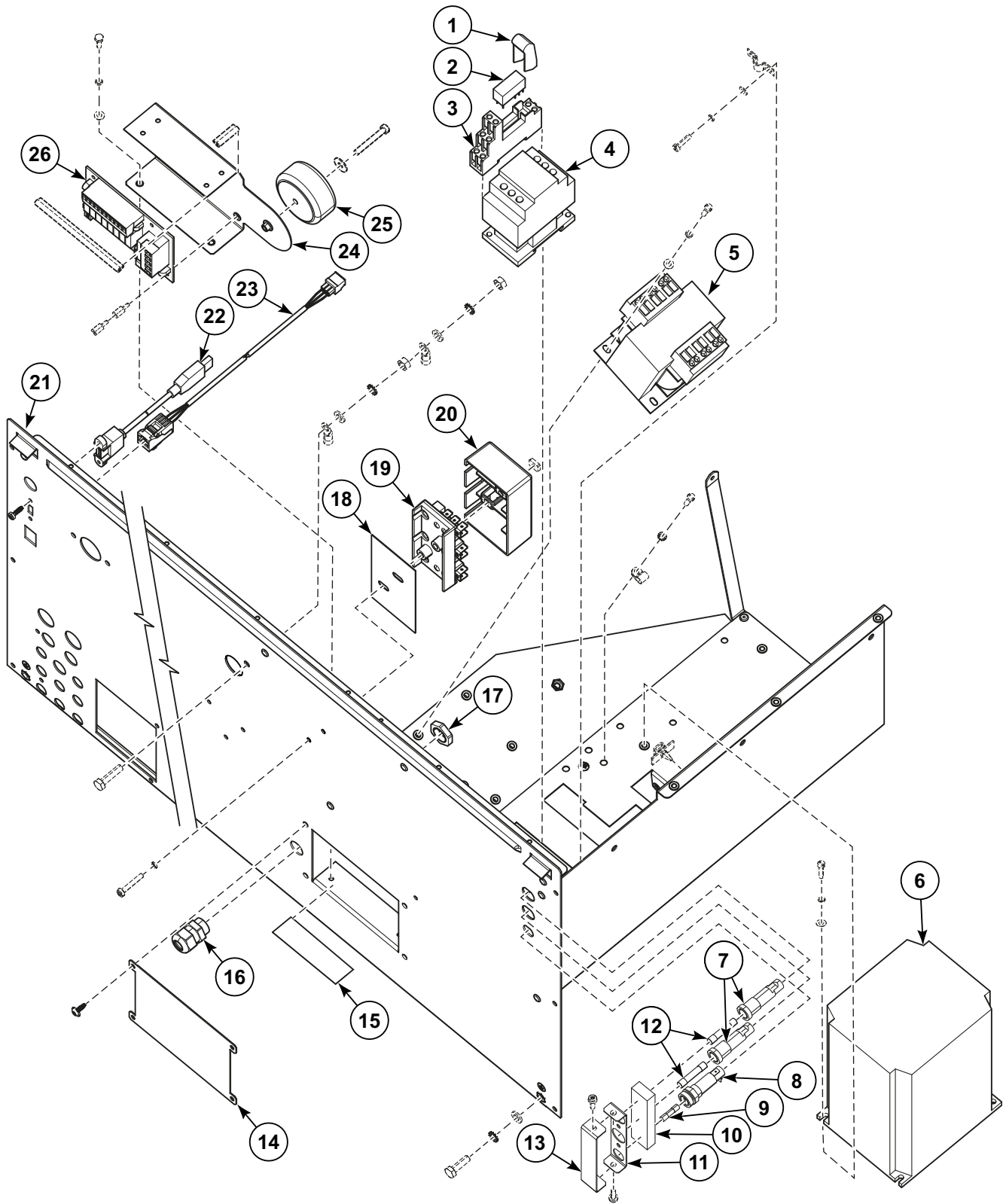


CZW314P_D2413

Rear Panel - CSA Models 230-400V (Drawing 2 of 2)

REF	PART NO.	DESCRIPTION	COMMENTS
1	SP309084000416	Bolt	M4x16
2	SP311127000004	Washer	4
3	SP311125000004	Washer	4.3
4	SPPRI407000091	Cable Sleeve	
5	SP311679800004	Washer	M4
6	570439	Threaded Plate	
7	SP528313	Cable Holder	
8	SP555504	Bolt	
9	SP311125240006	Washer	6
10	SP311679824006	Washer	6
11	SP309933000620	Bolt	M6x20
12	SP529206	Screw	4x11
13	SP550482	Bolt	M4x25
14	SP309933100625	Bolt	M6x25
15	SP526497	Screw	4x12
16	SP502214	Clip	
17	SP345000165034	Cable Eye	
18	SP311125100006	Washer	6
19	SP310934100006	Nut	M6
20	570381	Hex Pillar	M3
21	SPPRI505000058	Profiled Sealing	0.105m
22	SP505430	Washer	5
23	SP309084000535	Bolt	M5x35
24	SPPRI505000058	Profiled Sealing	0.025m
25	SP309933240412	Bolt	M4x12

Rear Panel - CSA Models 400-440V (Drawing 1 of 2)

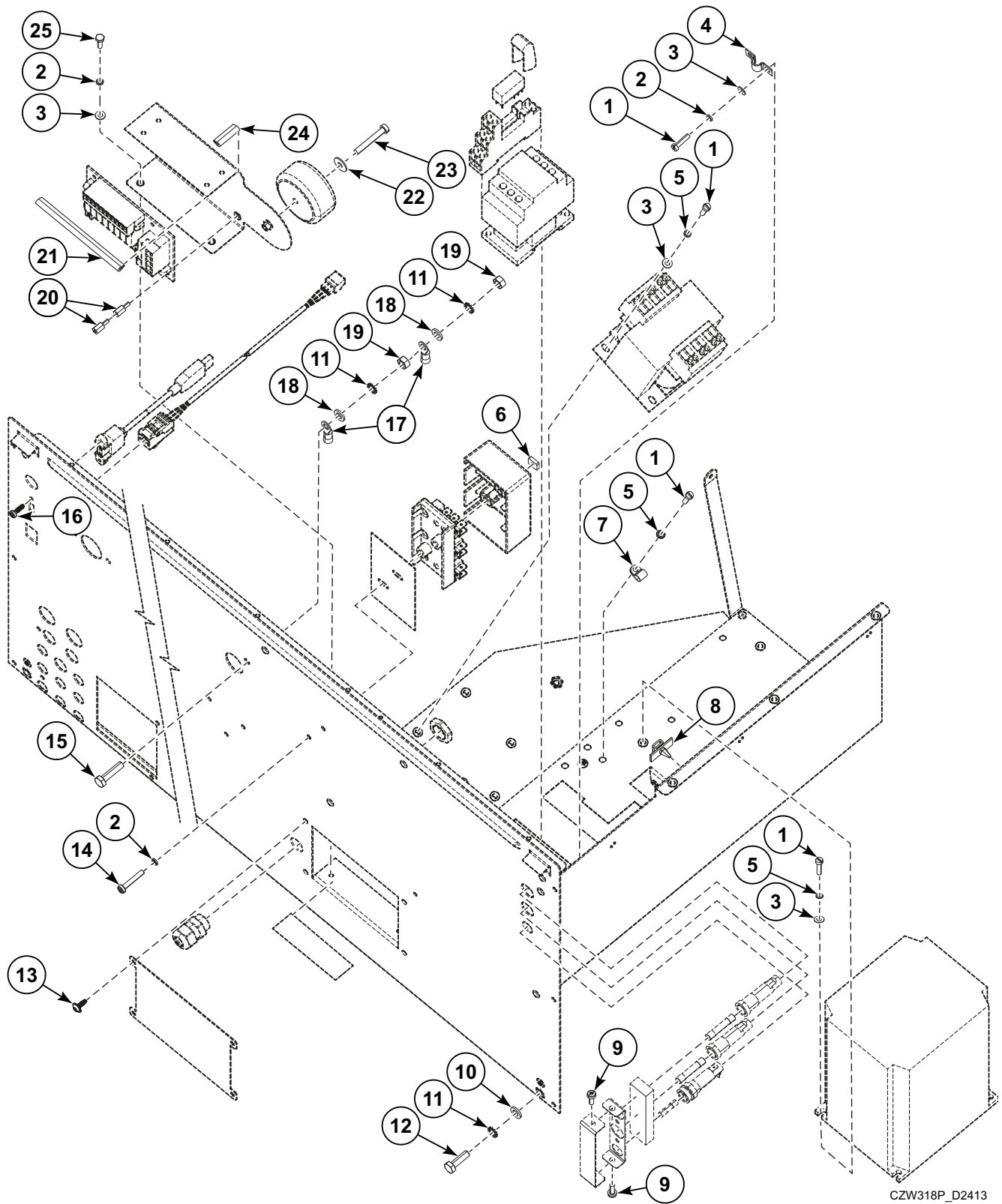


CZW317P_D2413

Rear Panel - CSA Models 400-440V (Drawing 1 of 2)

REF	PART NO.	DESCRIPTION	COMMENTS
	570317	Liquid Detergents	Assembly includes items from (Drawing 1 of 2) 15-17, 24-26, 569738 Pump Relay Board Flat Cable and items from (Drawing 2 of 2) 2, 3 and 20-25
1	SP514135	Relay Clamp	2 poles
2	SP514134	Relay	2 poles
3	SP506586	Relay Case	2 poles
4	SP514038	Contactors	LC1-D09M7
5	SP516648	Transformer	
6	SP571475	Frequency Inverter	400V; FR-D740-080-SC-E8
	557961	Ferrite Core	Used with frequency inverter
7	SPPRI401003020	Fuse Housing	2 pieces
8	SPPRI401001020	Fuse Holder	
9	SP345805005020	Fuse	0.5A/250V
10	570387	Self-Adhesive Profile	
11	SP554310	Fuse Holder	
12	SP345805163032	Fuse	6.3x32mm, T1A/500V; 2 pieces
13	SP554311	Fuse Cover	
14	566549	Cover	
15	570371	Label	Models with Transformer
	579019	Label	Models without Transformer
16	SP101406	Bushing	M16
17	SP101416	Nut	M16
18	M413862	Insulator	
19	430642	Terminal Block	
20	70333001	Terminal Block Shield	
21	570477	Rear Panel Assembly	
22	SP547006	USB Cable	Rear panel connection; Optional
23	SP545234	Cable	RS485; With connectors
24	570382	Holder	
25	564561	Transformer	
	579014	Transformer Kit	Models without transformer
26	553187	Soap Relay Board	Used with 569738 Pump Relay Board Flat Cable

Rear Panel - CSA Models 400-440V (Drawing 2 of 2)

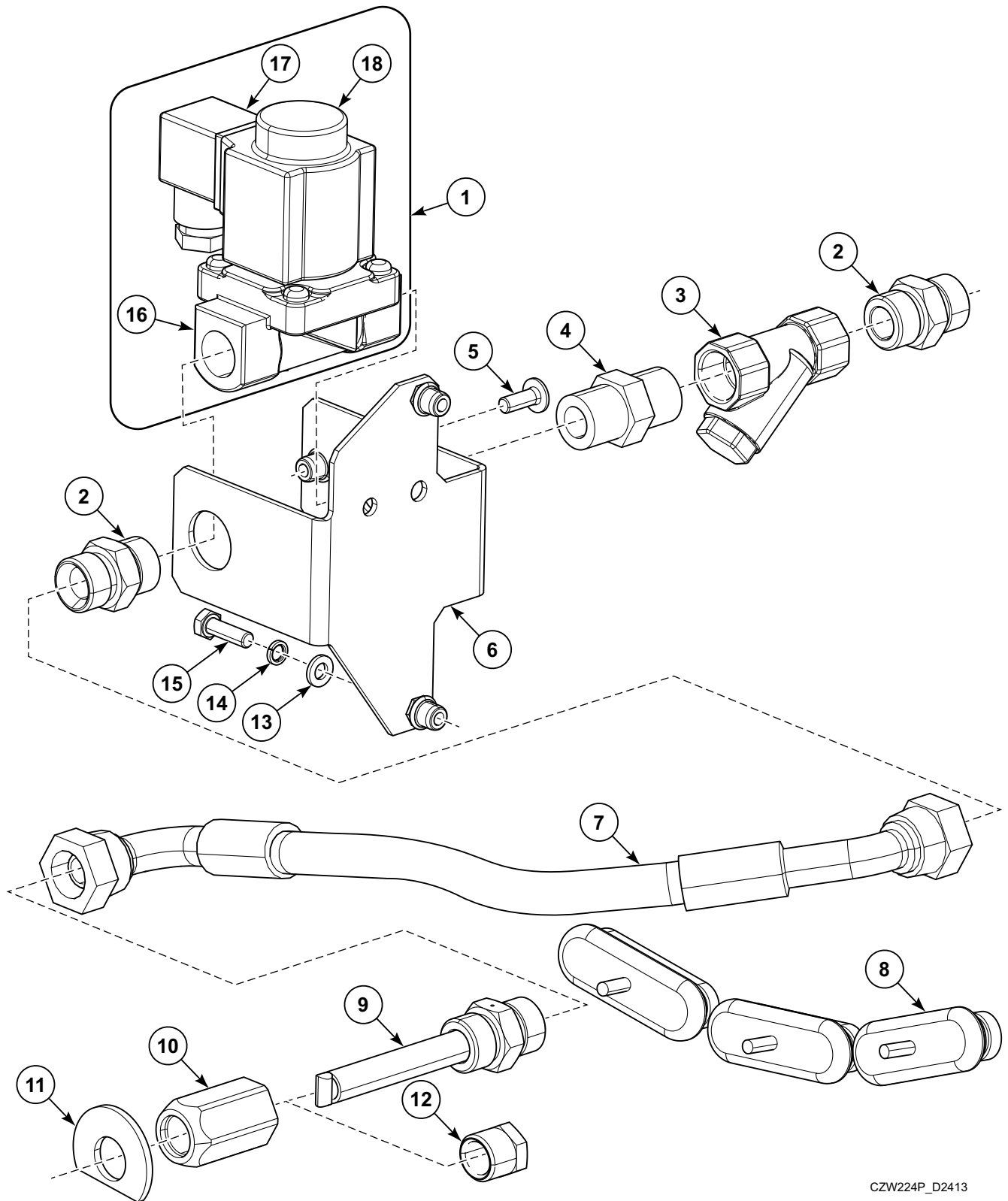


CZW318P_D2413

Rear Panel - CSA Models 400-440V (Drawing 2 of 2)

REF	PART NO.	DESCRIPTION	COMMENTS
1	SP309084000416	Bolt	M4x16
2	SP311127000004	Washer	4
3	SP311125000004	Washer	4.3
4	SPPRI407000091	Cable Sleeve	
5	SP311679800004	Washer	M4
6	570439	Threaded Plate	
7	SP502214	Clip	
8	SP528313	Cable Holder	
9	SP555504	Bolt	
10	SP311125240006	Washer	6
11	SP311679824006	Washer	6
12	SP309933000620	Bolt	M6x20
13	SP529206	Screw	4x11
14	SP550482	Bolt	M4x25
15	SP309933100625	Bolt	M6x25
16	SP526497	Screw	4x12
17	SP345000165034	Cable Eye	
18	SP311125100006	Washer	6
19	SP310934100006	Nut	M6
20	570381	Hex Pillar	M3
21	SPPRI505000058	Profiled Sealing	0.105m
22	SP505430	Washer	5
23	SP309084000535	Bolt	M5x35
24	SPPRI505000058	Profiled Sealing	0.025m
25	SP309933240412	Bolt	M4x12

Steam Heating

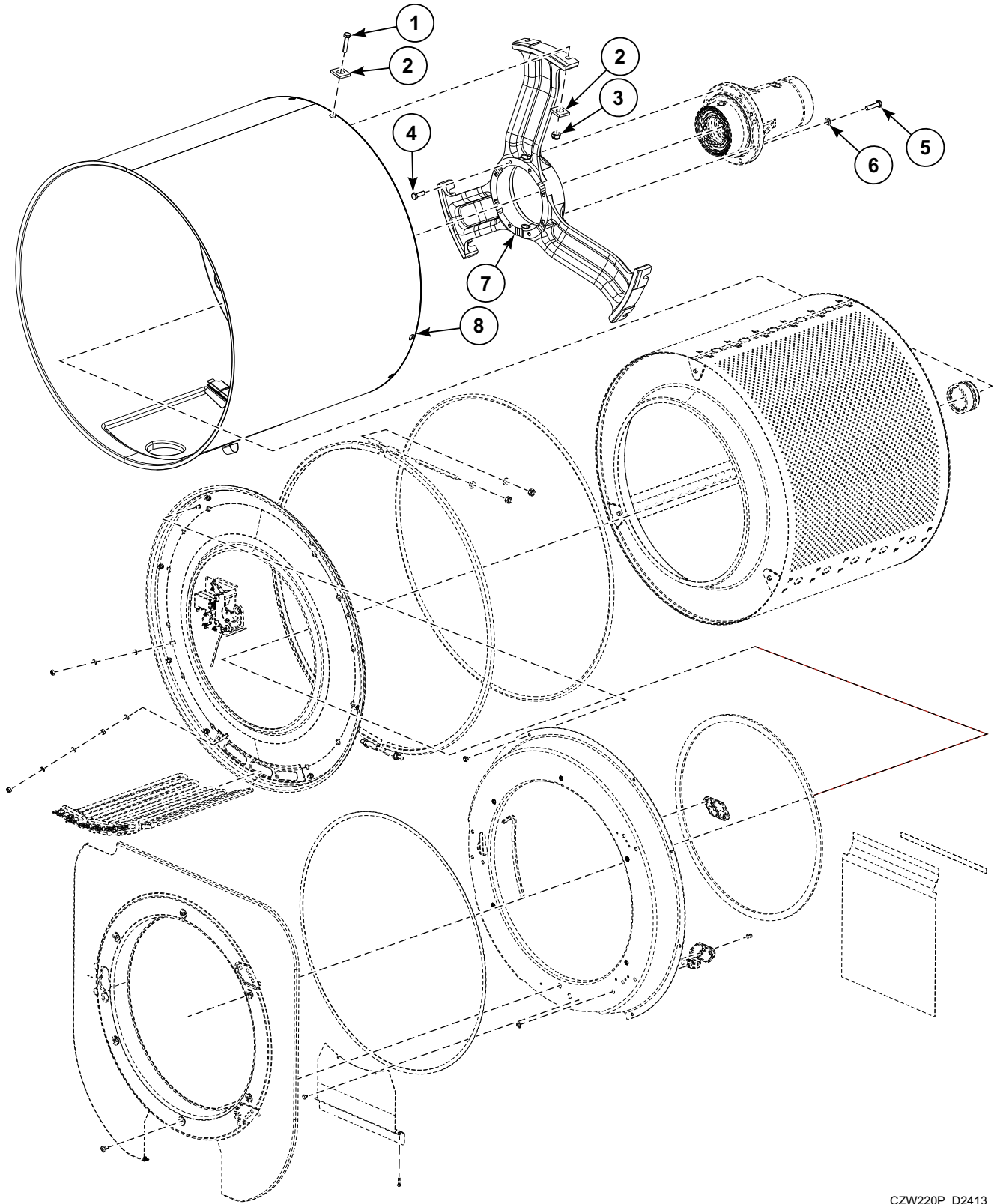


CZW224P_D2413

Steam Heating

REF	PART NO.	DESCRIPTION	COMMENTS
	555355	Steam Kit	
	SP526564	Seal	
	SP101403	Adhesive	Loctite 5366
	SP245704000603	Adhesive	Loctite 603
1	SP514164	Steam Valve	1/2 inch
2	SPR22112000114	Pipe Nipple	1/2 inch
3	SP405054120215	Steam Filter	1/2 inch
4	SP319428324012	Adapter	1/2 inch
5	SP555658	Bolt	M6x16
6	SP547873	Steam Valve Support	Used with SP313251000006 Nut
7	SP526528	Steam Hose	1/2 inch, l=520mm
8	SPPRI342001016	Heating Element Hole Plug	
9	SP526525	Steam Injector	
10	SP547968	Adapter	G3/8 inch / G1/2 inch
11	SP547981	Washer	
12	SPPRI426001268	Plug	1/2 inch; Prep for electric and steam heat
13	SP311125000006	Washer	6
14	SP311127000006	Washer	6
15	SP309933000620	Bolt	M6x20
16	SP514165	Steam Valve Body	
17	SP554156	Connector	
18	SP554110	Coil	50/60Hz

Washing Drum and Tub (Drawing 1 of 2)

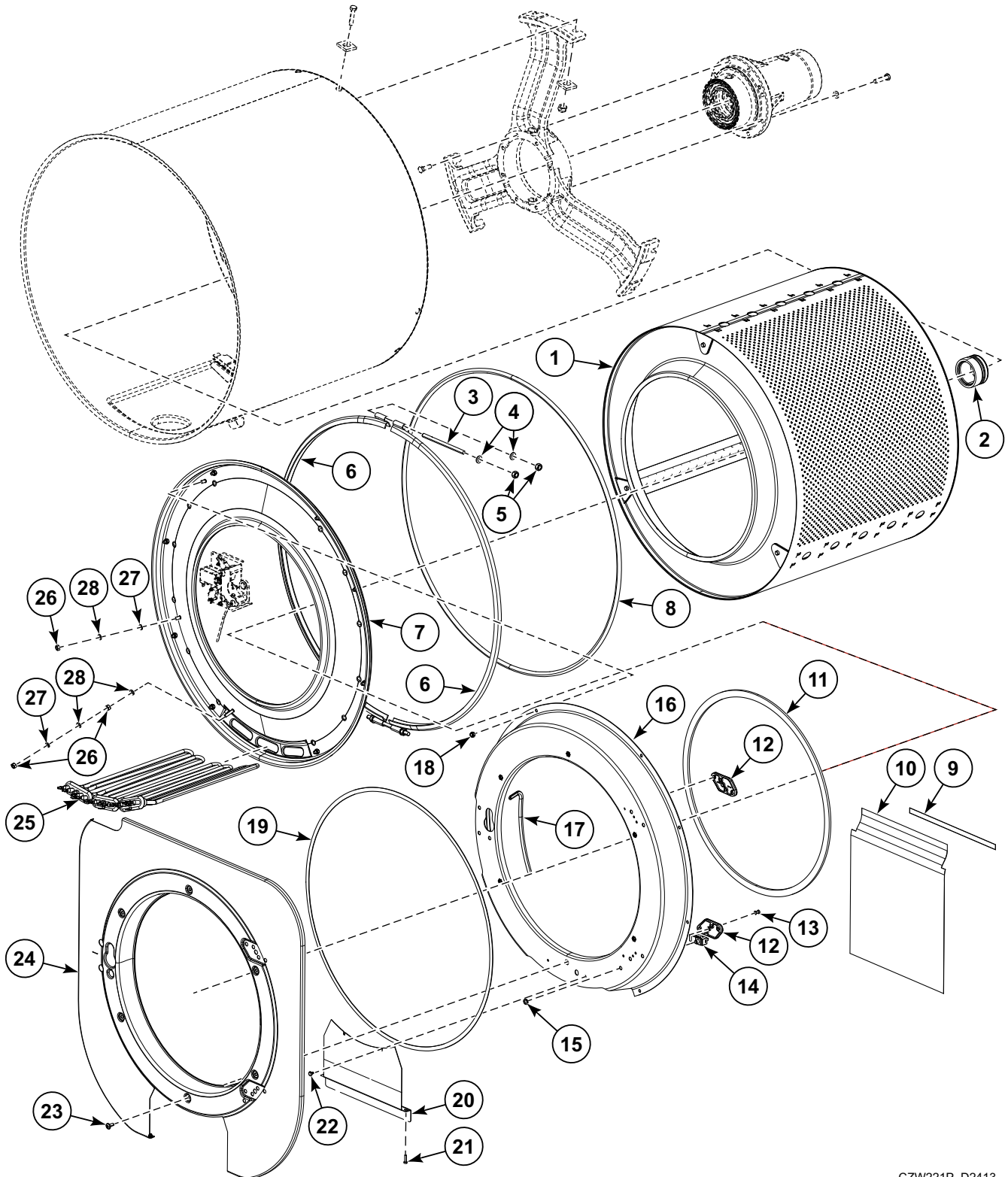


CZW220P_D2413

Washing Drum and Tub (Drawing 1 of 2)

REF	PART NO.	DESCRIPTION	COMMENTS
1	SP309933001250	Bolt	M12x50
2	SP537898	Washer	
3	SP310985000012	Nut	M12
4	SP309933241035	Bolt	M10x35
5	SP309933001235	Bolt	M12x35
6	SP311125000013	Washer	12
7	SP537824	Cross Piece	
8	SP537810	External Tub	40 and 180 models; Steam heating
	SP537837	External Tub	55 and 240 models; Steam heating
	SP552966	External Tub	70 and 280 models; Steam heating
	SP554329	External Tub	70 and 280 models; Used with two drain valve and steam heating
	SP537921	External Tub	40 and 180 models; Electric heating
	SP537922	External Tub	55 and 240 models; Electric heating
	SP552967	External Tub	70 and 280 models; Electric heating
	554330	External Tub	70 and 280 models; Used with two drain valve and electric heating

Washing Drum and Tub (Drawing 2 of 2)

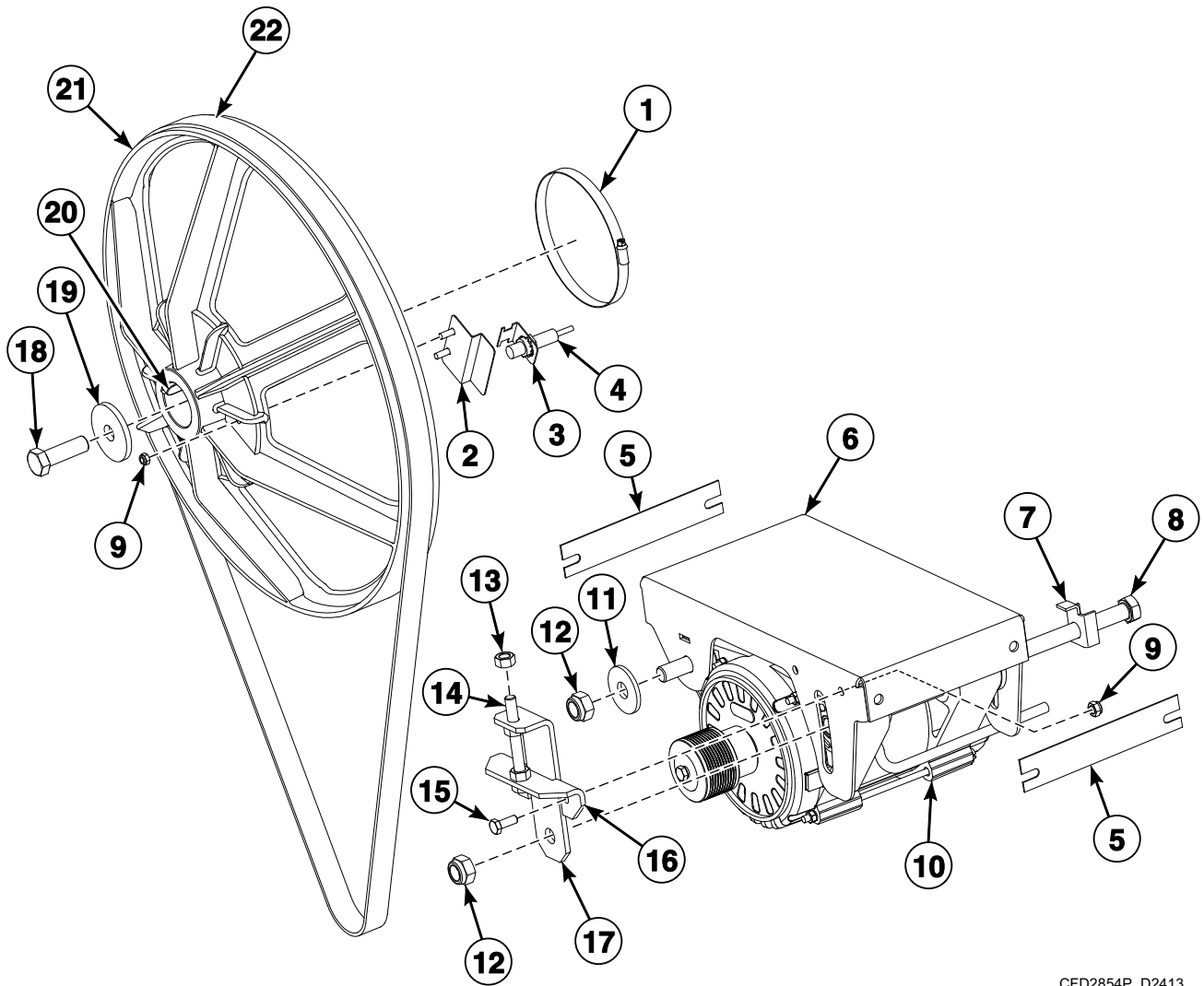


CZW221P_D2413

Washing Drum and Tub (Drawing 2 of 2)

REF	PART NO.	DESCRIPTION	COMMENTS
1	563267P	Washing Drum	40 and 180 models; Includes item 2; Flat
	537800P	Washing Drum	40 and 180 models; Includes item 2; Cascade
	563268P	Washing Drum	55 and 240 models; Includes item 2; Flat
	537830P	Washing Drum	55 and 240 models; Includes item 2; Cascade
	563269P	Washing Drum	70 and 280 models; Includes item 2; Flat
	552969P	Washing Drum	70 and 280 models; Includes item 2; Cascade
	563247P	Washing Drum	40 and 180 models; 7mm perforation; Includes item 2
	563248P	Washing Drum	55 and 240 models; 7mm perforation; Includes item 2
2	SP552982	Shaft Ring	
3	SPF02119000415	Bolt	M8
4	SP311125240008	Washer	M8
5	SP310934240008	Nut	M8
6	SP537822	Clamp	
7	SP571608	External Tub Front Plate	
8	SP537821	Seal	d10-2550mm
9	SP537896	Adhesive	
10	568937	Heating Element Cover	
11	SP510986	Seal	l=1.5m
12	SP537849	Hinge Spacer	
13	SP547779	Rivet	4x16.7
14	571634	Microswitch	
15	571635	Nut	M10
16	568931	Door Lock Holder	
17	SPPRI505000058	Profiled Sealing	
18	SP310985000006	Nut	M8
19	SP284000012003	Tape	
20	568987	Heating Element Front Cover	Stainless
21	SP309084000416	Bolt	M4x16
22	SP537856	Connector	
23	SP537854	Bolt	M6x14
24	569000	Front Panel	Stainless
25	SP540127	Heating Element	40, 55, 180 and 240 models; 2x2000W, l=470mm
	SP540132	Heating Element	40, 55, 180 and 240 models; 2x3000W, l=470mm
	SP554152	Heating Element	70 and 280 models; 2x3650W, l=570mm
26	SP310934240006	Nut	M6
27	SP311679800006	Washer	6
28	SP311125240006	Washer	6

Drive

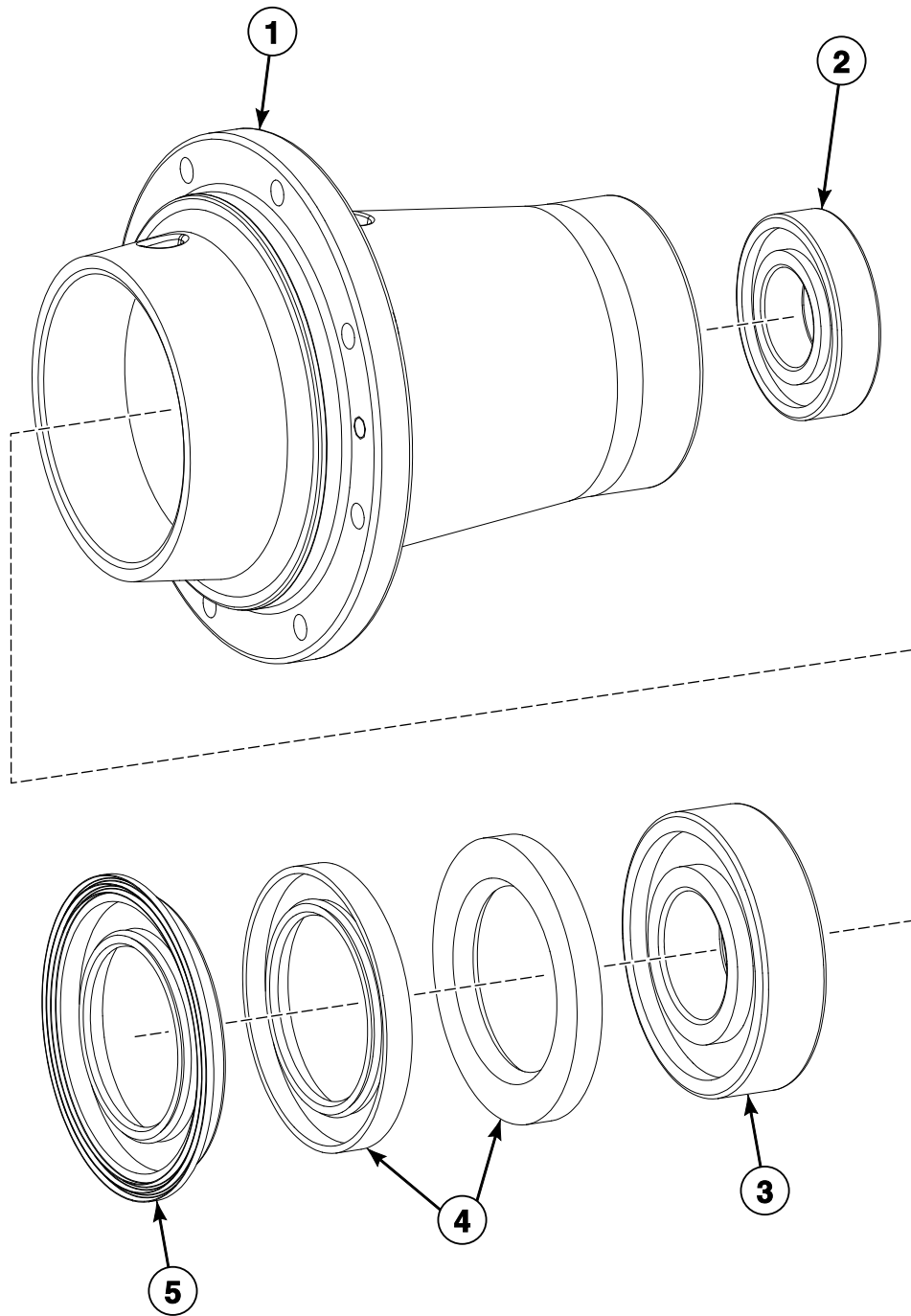


CFD2854P_D2413

Drive

REF	PART NO.	DESCRIPTION	COMMENTS	
1	540240120240	Clamp		
	SP529013	Clamp		
2	SP555542	Speed Sensor Plate		
3	SP555547	Speed Sensor		
		Holder		
4	SP557701	Speed Sensor		
5	SP550033	Shim		
6	SP533794	Motor Holder	40 and 180 models	
	SP533811	Motor Holder	55, 70, 240 and 280 models	
7	SP533742	Cage		
8	SP533394	Bolt	40 and 180 models	
	SP547780	Bolt	55, 70, 240 and 280 models	
9	SP310985000006	Nut	M6	
10	573915	Motor and Pulley	40 models; 2.2kW, 230V/75Hz; CSA; Includes SP528424 Motor; Applicable for power supply 200V-240V, 50/60Hz, 1/3ph and 380-415V+N, 50/60Hz, 3ph	
	573916	Motor and Pulley	40 models; 2.2kW, 400V/76Hz; CSA; Includes SP552414 Motor; Applicable for power supply 400V, 50/60Hz, 3ph without Neutral and 440-480V, 50/60Hz, 3ph	
	573917	Motor and Pulley	55 models; 3kW, 230V/75Hz; CSA; Includes SP528425 Motor; Applicable for power supply 200V-240V, 50/60Hz, 1/3ph and 380-415V+N, 50/60Hz, 3ph	
	573918	Motor and Pulley	55 models; 3kW, 400V/76Hz; CSA; Includes SP552415 Motor; Applicable for power supply 400V, 50/60Hz, 3ph without Neutral and 440-480V, 50/60Hz, 3ph	
	573919	Motor and Pulley	70 models; 3kW, 230V/75Hz; CSA; Includes SP528425 Motor; Applicable for power supply 200V-240V, 50/60Hz, 1/3ph and 380-415V+N, 50/60Hz, 3ph	
	573920	Motor and Pulley	70 models; 3kW, 400V/76Hz; CSA; Includes SP552415 Motor; Applicable for power supply 400V, 50/60Hz, 3ph without Neutral and 440-480V, 50/60Hz, 3ph	
	571449	Motor and Pulley	180 models; 2.2kW, 230V/75Hz; CE; Includes 568374 Motor; Applicable for power supply 200V-240V, 50/60Hz, 1/3ph and 380-415V+N, 50/60Hz, 3ph	
	571450	Motor and Pulley	180 models; 2.2kW, 400V/76Hz; CE; Includes 568384 Motor; Applicable for power supply 400V, 50/60Hz, 3ph without Neutral and 440-480V, 50/60Hz, 3ph	
	571451	Motor and Pulley	240 models; 3kW, 230V/75Hz; CE; Includes 568375 Motor; Applicable for power supply 200V-240V, 50/60Hz, 1/3ph and 380-415V+N, 50/60Hz, 3ph	
	571452	Motor and Pulley	240 models; 3kW, 400V/76Hz; CE; Includes 568385 Motor; Applicable for power supply 400V, 50/60Hz, 3ph without Neutral and 440-480V, 50/60Hz, 3ph	
	573907	Motor and Pulley	280 models; 3kW, 230V/75Hz; CE; Includes 568375 Motor; Applicable for power supply 200V-240V, 50/60Hz, 1/3ph and 380-415V+N, 50/60Hz, 3ph	
	573908	Motor and Pulley	280 models; 3kW, 400V/76Hz; CE; Includes 568385 Motor; Applicable for power supply 400V, 50/60Hz, 3ph without Neutral and 440-480V, 50/60Hz, 3ph	
	11	SP311902100012	Washer	12
	12	SP310985000012	Nut	M12
	13	SP310934000008	Nut	M8
14	SP309933000880	Bolt	M8x80	
15	SP309933000616	Bolt	M6x16	
16	SP533326	Tensioning Angle	Fixed	
		Piece		
17	SP547705	Tensioning Angle	Movable	
		Piece		
18	SP309933001630	Bolt	M16x30	
19	SP511924	Washer		
20	SP308726014050	Feather		
21	SP547706	V-Pulley Drum		
	PRI702000010	Lubrication Grease	Used with SP547706 V-Pulley Drum	
22	SP547781	Belt		

Bearing Housing - 40 and 180 Models

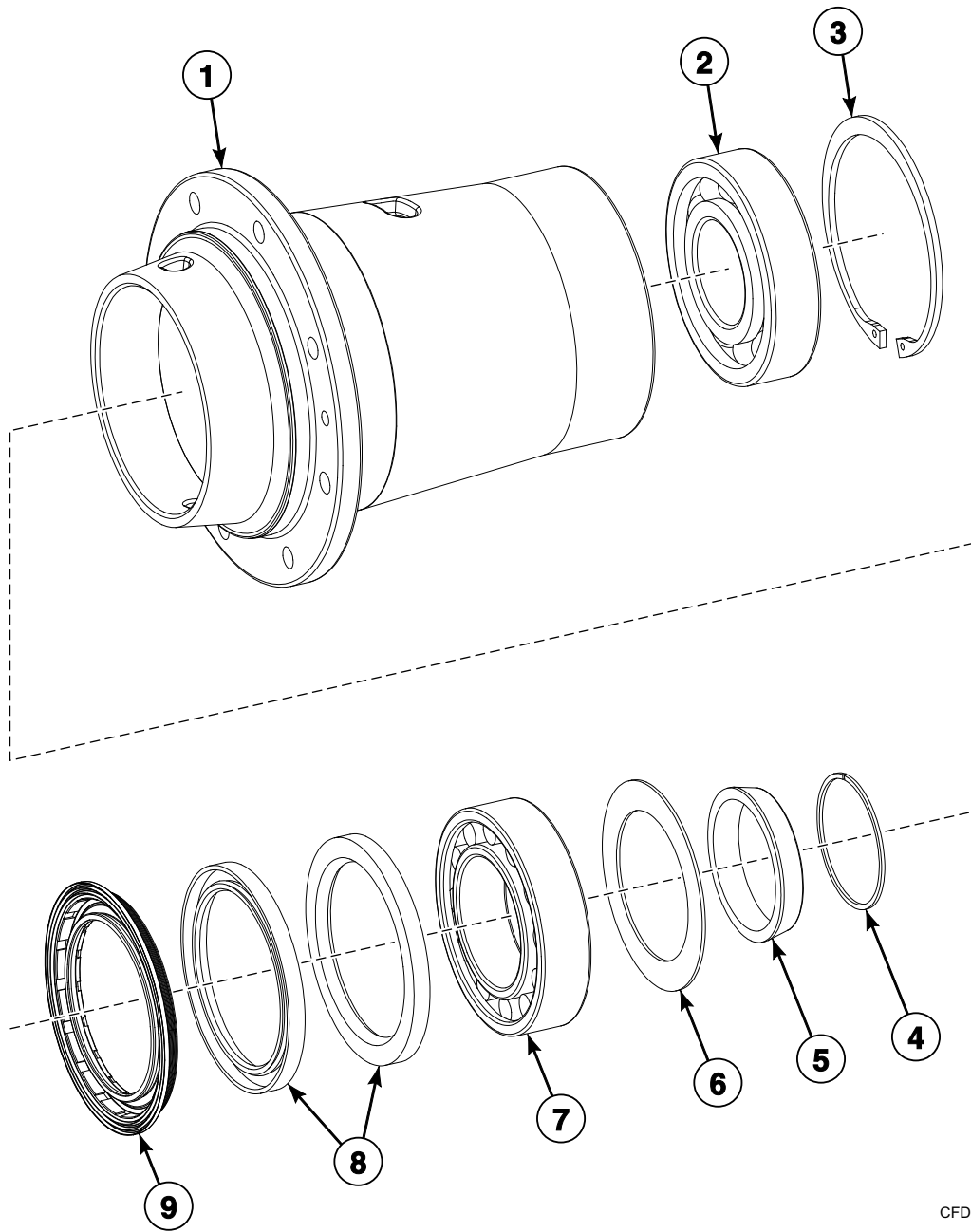


CFD2747P_D2413

Bearing Housing - 40 and 180 Models

REF	PART NO.	DESCRIPTION	COMMENTS
	SP245704000603	Adhesive	Loctite 603
	SP111313000002	Lubrication Grease	
	SP537814	Bearing Housing	
	SP538787	Bearing Replacement Tool Kit	
1	SP537815	Bearing Housing	
2	SPPRI608002048	Bearing	6310
3	SPPRI608000080	Bearing	6312
4	SP506475	Sealing Ring	100x130x10; Includes 1 piece, 2 pieces required
5	SP537879	Sealing Ring	100x130/144x9/12

Bearing Housing - 55, 70, 240 and 280 Models

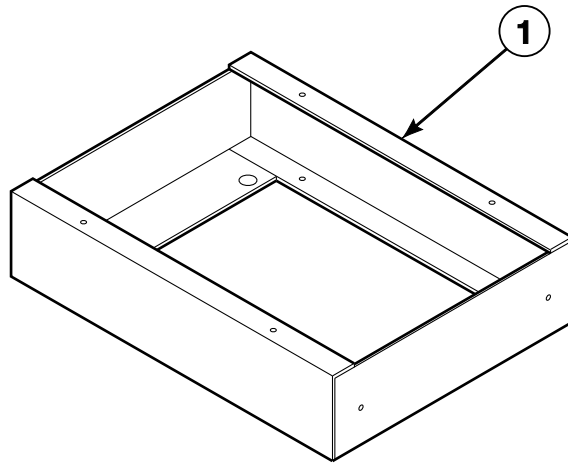


CFD2748P_D2413

Bearing Housing - 55, 70, 240 and 280 Models

REF	PART NO.	DESCRIPTION	COMMENTS
	SP245704000603	Adhesive	Loctite 603
	SP111313000002	Lubrication Grease	
	SP537868	Bearing Housing	Includes items 1-9, SP245704000603 Adhesive and SP111313000002 Lubrication Grease
	SP538787	Bearing Replacement Tool Kit	
1	SP537867	Bearing Housing	
2	SPPRI608000080	Bearing	6312
3	SP307732031130	Retaining Ring	130
4	SPPRI242000014	Retaining Ring	
5	SP556115	Mounting Cone	
6	SP552973	Grease Holder	
7	SPPRI608000079	Bearing	NU 2215 EC
8	SP506475	Sealing Ring	100x130x10; Includes 1 piece, 2 pieces required
9	SP537879	Sealing Ring	100x130/114x9/12

Elevated Base Frame - 40, 55, 180 and 240 Models



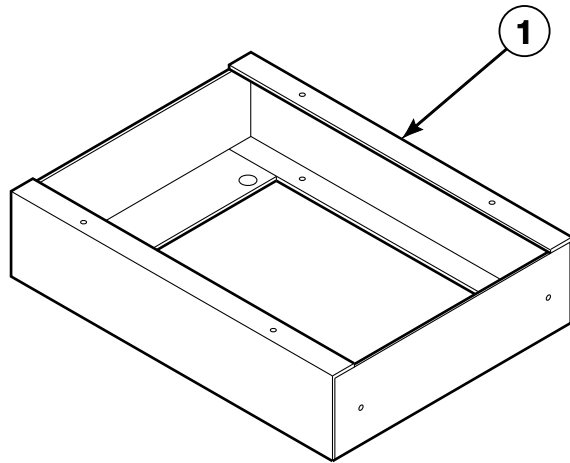
CFD3235P_D2413

Elevated Base Frame - 40, 55, 180 and 240 Models

REF	PART NO.	DESCRIPTION	COMMENTS
1	551925	Elevated Base Frame	180 models; For mounting one machine; 135mm; Refer to NOTE*
	551935	Elevated Base Frame	40 and 180 models; For mounting one machines; 200mm; Refer to NOTE*
	551926	Elevated Base Frame	180 models; For mounting two machines; 135mm; Refer to NOTE*
	551936	Elevated Base Frame	180 models; For mounting two machines; 200mm; Refer to NOTE*
	551927	Elevated Base Frame	180 models; For mounting three machines; 135mm; Refer to NOTE*
	551937	Elevated Base Frame	180 models; For mounting three machine; 200mm; Refer to NOTE*
	551928	Elevated Base Frame	180 models; For mounting four machines; 135mm; Refer to NOTE*
	551938	Elevated Base Frame	180 models; For mounting four machines; 200mm; Refer to NOTE*
	551929	Elevated Base Frame	180 models; For mounting five machines; 135mm; Refer to NOTE*
	551939	Elevated Base Frame	180 models; For mounting five machines; 200mm; Refer to NOTE*
	551944	Elevated Base Frame	240 models; For mounting one machine; 135mm; Refer to NOTE*
	551950	Elevated Base Frame	55 and 240 models; For mounting one machines; 200mm; Refer to NOTE*
	551945	Elevated Base Frame	240 models; For mounting two machines; 135mm; Refer to NOTE*
	551951	Elevated Base Frame	240 models; For mounting two machines; 200mm; Refer to NOTE*
	551946	Elevated Base Frame	240 models; For mounting three machines; 135mm; Refer to NOTE*
	551952	Elevated Base Frame	240 models; For mounting three machine; 200mm; Refer to NOTE*
	551947	Elevated Base Frame	240 models; For mounting four machines; 135mm; Refer to NOTE*
	551953	Elevated Base Frame	240 models; For mounting four machines; 200mm; Refer to NOTE*
	551948	Elevated Base Frame	240 models; For mounting five machines; 135mm; Refer to NOTE*
	551954	Elevated Base Frame	240 models; For mounting five machines; 200mm; Refer to NOTE*

* NOTE: Part can only be ordered through the Equipment Order Desk.

Elevated Base Frame - 70 and 280 Models



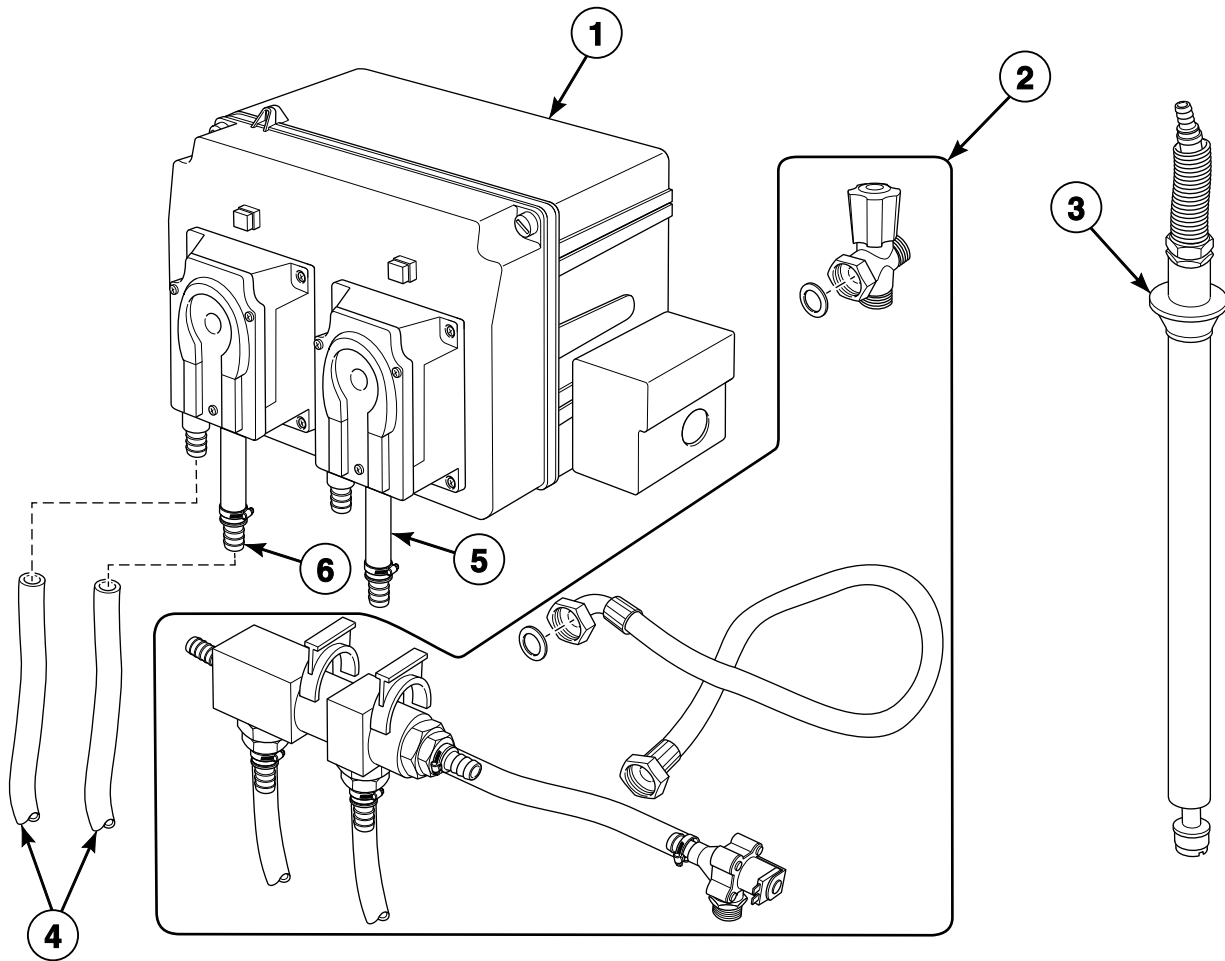
CFD3235P_D2413

Elevated Base Frame - 70 and 280 Models

REF	PART NO.	DESCRIPTION	COMMENTS
1	553563	Elevated Base Frame	280 models; For mounting one machine; 135mm; Refer to NOTE*
	553569	Elevated Base Frame	For mounting one machines; 200mm; Refer to NOTE*
	553564	Elevated Base Frame	280 models; For mounting two machines; 135mm; Refer to NOTE*
	553570	Elevated Base Frame	280 models; For mounting two machines; 200mm; Refer to NOTE*
	553562	Elevated Base Frame	280 models; For mounting three machines; 135mm; Refer to NOTE*
	553568	Elevated Base Frame	280 models; For mounting three machine; 200mm; Refer to NOTE*
	553565	Elevated Base Frame	280 models; For mounting four machines; 135mm; Refer to NOTE*
	553571	Elevated Base Frame	280 models; For mounting four machines; 200mm; Refer to NOTE*
	553566	Elevated Base Frame	280 models; For mounting five machines; 135mm; Refer to NOTE*
	553572	Elevated Base Frame	280 models; For mounting five machines; 200mm; Refer to NOTE*

* NOTE: Part can only be ordered through the Equipment Order Desk.

Liquid Soap Supply System - Pumps



CZW45P_D2413

Liquid Soap Supply System - Pumps

REF	PART NO.	DESCRIPTION	COMMENTS
	MB90-Z40	Supply Pump Kit	For two pumps
	MB90-Z41	Supply Pump Kit	For three pumps
	MB90-Z42	Supply Pump Kit	For four pumps
	MB90-Z43	Supply Pump Kit	For five pumps
	MB90-Z44	Supply Pump Kit	For six pumps
1	529742	Pump	Two
	529743	Pump	Three
	529744	Pump	Four
	529745	Pump	Five
	529746	Pump	Six
2	529789	Manifold Flush Kit	For two pumps
	529797	Manifold Flush Kit	For three pumps
	529798	Manifold Flush Kit	For four pumps
	529799	Manifold Flush Kit	For five pumps
	529800	Manifold Flush Kit	For six pumps
3	529787	Suction Tube	
4	SPPRI540020005	Hose	d10/14
5	529747	Hose	Spare hose for pump
6	547808	Connection	

Harnesses

PART NO.	DESCRIPTION	COMMENTS
571493	Main Wiring	40 models; CSA
571494	Main Wiring	50 and 70 models; CSA
568393	Main Wiring	180 models; CE
568394	Main Wiring	240 and 280 models; CE
571403	Power Supply Wiring	CSA models; 1AC
569750	Door Lock Wiring	CSA models
569749	Door Lock Wiring	CE models; Length 67 inches (1.7m)
569751	Door Lock Cable	Length 8.82 inches (0.24m)
SP520033	Emergency Stop Interconnection	
574406	Transformer Supply Wiring	
552495	Transformer Connection	CSA models; 400-440V
SP528324	Communication Cable	
568398	Motor Temperature Protect Cable	CE models
SP528438	Heating Wiring	180 and 240 models; CE; 12kW / 400V / 440V
SP528439	Heating Wiring	180 and 240 models; CE; 12kW / 230V, 18kW / 400V / 440V
SP528440	Heating Wiring	180 and 240 models; CE; 18kW / 230V
SP552333	Heating Wiring	280 models; CE; 22kW / 400V / 440V
SP552334	Heating Wiring	280 models; CE; 22kW / 230V
SP528335	Heating GND Wiring	CE models
528081	Frame GND Interconnection	CSA models
520174	Frame GND Interconnection	240 models; CE
528219	Frame GND Interconnection	280 models; CE
100222	Heating Contactor Wiring	CE models; 4mm ² ; For 12kW / 400V; Length 27.56 inches (700mm)
SPPRI351105209	Heating Contactor Wiring	CE models; 2.5mm ² ; For 12kW / 230V; Length 17.32 inches (440mm)
100223	Heating Contactor Wiring	CE models; 6mm ² ; For 18kW / 400V; Length 27.56 inches (700mm)
SPPRI351106209	Heating Contactor Wiring	CE models; 10mm ² ; For 24kW / 400V; Length 27.56 inches (700mm)
SP547075	RS485 External Interconnection	For RS485 external interconnection to PC
528393	Wiring Steam - Electrical Heating	Steam - electrical heating modification
552477	Inlet Valve Extension Wiring	Used with three water inlet system - optional
SP528064	Steam Heat Wiring	Steam heat
SP557947	External Block Signal Cable	Length 110.24 inches (2.8 m)
SP557948	External Block Signal Cable	Length 169.29 inches (4.3m)
569701	Cable	CPU - I/O board interconnection
SP520032	Emergency Stop Wiring	
SP528149	Pump Relay Board to LED Terminal Cable	

Parts Index

A

Adapter	
SP319428324012	63
SP547968	63
Adhesive	
SP101403	63
SP245704000603	63, 71, 73
SP245704003021	7, 9
SP537896	67
Adjustable Foot	
SPPRI504000001	11
Air Trap Reduction	
SPPRI503000027	43, 45

B

Bearing	
SPPRI608000079	73
SPPRI608000080	71, 73
SPPRI608002048	71
Bearing Housing	
SP537814	71
SP537815	71
SP537867	73
SP537868	73
Bearing Replacement Tool Kit	
SP538787	71, 73
Belt	
SP547781	69
Binding Strip	
SP345000626088	43, 45
Bolt	
F8270701	33
SPF02119000415	67
SP309084000416	7, 9, 11, 35, 37, 49, 53, 57, 61, 67
SP309084000535	49, 53, 57, 61
SP309084240325	11
SP309798500306	17
SP309931001050	11
SP309933000416	19, 27
SP309933000616	69
SP309933000618	17
SP309933000620	49, 53, 57, 61, 63
SP309933000660	49, 53
SP309933000820	7, 9, 11, 43, 45
SP309933000845	9
SP309933000880	69
SP309933001235	65
SP309933001250	65
SP309933001630	69
SP309933100625	49, 53, 57, 61
SP309933240412	49, 53, 57, 61
SP309933241035	65
SP309965240408	19
SP506432	11
SP527093	7, 9
SP527420	11
SP533394	69
SP533717	9
SP533726	11

SP535479	29, 31
SP537854	67
SP537864	29, 31
SP547780	69
SP550140	7
SP550482	57, 61
SP555504	49, 53, 57, 61
SP555658	17, 63
568968	33
569655	19
Bushing	
SP101406	49, 53, 55, 59
SP101409	49, 53

C

Cable	
SP545234	47, 51, 55, 59
569701	80
Cable Eye	
SP345000165034	49, 53, 57, 61
Cable Holder	
SP528313	17, 49, 53, 57, 61
Cable Sleeve	
SPPRI407000091	49, 53, 57, 61
Cage	
SP533742	69
Cap	
SPR35100016714	45
Card Reader Cover Plate	
569636	17
Casing	
SP529739	31
Circuit Breaker	
571463	47
571464	51
Clamp	
SP529013	69
SP537822	67
540240120240	69
Clip	
SP502214	49, 53, 57, 61
Closing Plate	
568941	33
Coil	
SP554110	63
568942	33
Coin Meter	
.....	21
SP558958	21
SP558959	21
SP559933	21
SP559934	21
SP559938	21
SP559949	21
SP560071	23
SP560075	23
SP560087	23
SP560090	21
SP560091	21
SP560092	23

N/A items do not appear in index.

SP560093	23	572311	23
SP560094	23	572314	23
SP560100	23	572318	23
SP560309	21	572321	23
SP560310	21	572324	23
SP560311	21	572343	23
SP560312	21	572384	25
SP560405	21	579809	25
SP560406	21	Coin Meter Box	
SP560407	21	SP100498	27
SP560408	21	Coin Meter Case	
SP560409	21	569588	27
SP560410	21	Coin Meter Case Assembly	
SP560411	21	569633	17
SP560412	21	Communication Cable	
SP560413	21	SP528324	80
SP560414	21	Connection	
SP560415	21	547808	79
SP560416	21	Connector	
SP560417	21	SP537856	67
SP560418	21	SP554156	63
SP560419	21	Console	
SP560420	21	569555	17
SP560421	21	Contactactor	
SP560422	21	SPPRI345002019	47, 51
SP560423	21	SP514038	47, 51, 55, 59
SP560424	21	SP514042	47, 51
SP560425	21	SP514043	47, 51
SP560426	21	Control	
SP560427	21	575631	19
SP560428	21	Control Board I/O	
SP560429	21	575630	17
SP560432	21	Control Panel	
SP560745	21	567977	17
SP560751	21	567978	19
553156	23	Control Plate	
561497	23	569575	19
563405	23	Cover	
564485	23	566549	49, 53, 55, 59
564487	23	569656	17
569905	23	Cover Strip Pin	
569911	23	SP533738	7, 9
569919	23	CPS Stiffener	
569922	21	569635	17
569925	23	Cross Piece	
569928	23	SP537824	65
569931	23		
569934	21		
569937	23		
569940	21		
569943	23		
569946	23		
569949	23		
569952	23		
569955	23		
569962	23		
569965	21		
569968	23		
569971	23		
569974	23		
569980	23		
569988	25		
569993	23		
569995	23		
569999	23		
570000	23		
572302	23		
572305	23		
572308	23		

D

Damper	
SP533716	11
DC Choke	
571456	47
571457	51
Dispenser Lid	
SP526461	35, 37, 39, 41
573922	35, 37, 39, 41
Dispenser Pipe	
SP526490	35, 37, 39, 41
SP526589	35, 37, 39, 41
SP554128	35, 37, 39, 41
Dispenser Seal	
SP540158	35, 37, 39, 41

Distance Case		551937	75
SP515274	9	551938	75
Door		551939	75
SP553527	31	551944	75
568838	31	551945	75
569419	29	551946	75
Door Assembly		551947	75
569405	29	551948	75
573903	31	551950	75
576403	31	551951	75
Door Frame Sheet		551952	75
571636	29, 31	551953	75
Door Glass		551954	75
SP535439	29, 31	553562	77
Door Level		553563	77
568902	29	553564	77
573906	31	553565	77
Door Lock Assembly		553566	77
576085	33	553568	77
Door Lock Cable		553569	77
569751	80	553570	77
Door Lock Catch		553571	77
576084	33	553572	77
Door Lock Holder		Emergency Opener	
568931	67	571615	33
Door Lock Plate		Emergency Stop Interconnection	
568971	33	SP520033	80
Door Lock Wiring		Emergency Stop Wiring	
569749	80	SP520032	80
569750	80	End Stop	
Drain Elbow		SP346000209101	47, 51
SP526499	43	Extension	
SP526500	43	SPPRI426003217	39, 41
SP554117	43, 45	External Block Signal Cable	
SP554325	45	SP557947	80
Drain Hose Pipe		SP557948	80
SP526492	43, 45	External Tub	
Drain Valve		SP537810	65
SPPRI340055051	45	SP537837	65
SP526460	43	SP537921	65
Drain Valve Holder		SP537922	65
SP526513	43	SP552966	65
SP553424	45	SP552967	65
Drain Valve Motor		SP554329	65
SPPRI340002051	43, 45	554330	65
Drain Valve Seal		External Tub Front Plate	
554276	43, 45	SP571608	67

E

Earthing Index Plate	
SPPRI551000001	5
Edge Protection	
SP529068	17, 53
Elbow	
SPPRI426002072	39, 41
Elevated Base Frame	
551925	75
551926	75
551927	75
551928	75
551929	75
551935	75
551936	75

F

Fastener	
SP550115	17, 19, 27
Feather	
SP308726014050	69
Ferrite Core	
557961	47, 51, 55, 59
Filling Elbow Pipe	
SP526506	35, 37, 39, 41
Filling Hose Pipe	
RSPF200166	35, 37, 39, 41
SPPRI505000054	35, 37, 39, 41
SP101621	35, 37, 39, 41
SP547980	35, 37, 39, 41
Filter	
SPPRI340004030	35, 37, 39, 41

N/A items do not appear in index.

568380	49
Filter Holder	
572126	51
Fixed Hinge	
568982	29, 31
Fixed Upper Hinge	
568979	29, 31
Flap	
SP540113.....	35, 37, 39, 41
Foam Roller	
SP100188	43, 45
Frame GND Interconnection	
520174	80
528081	80
528219	80
Frequency Inverter	
SP571473	47, 55
SP571475	47, 51, 59
Frequency Inverter Filter	
SP557932	51
Front Panel	
567980	15
569000	67
569640	15
569663	15
Fuse	
SP345805005020	47, 51, 55, 59
SP345805163032	47, 51, 55, 59
Fuse Cover	
SP554311.....	47, 51, 55, 59
Fuse Holder	
SPPRI401001020	47, 51, 55, 59
SP554310	47, 51, 55, 59
Fuse Housing	
SPPRI401003020	47, 51, 55, 59

G

Grease Holder	
SP552973	73

H

Handle	
F8624602	29
569695	31
574100	31
Heating Contactor Wiring	
SPPRI351105209.....	80
SPPRI351106209.....	80
100222	80
100223	80
Heating Element	
SP540127	67
SP540132	67
SP554152	67
Heating Element Cover	
568937	67
Heating Element Front Cover	
568987	67
Heating Element Hole Plug	
SPPRI342001016	63

N/A items do not appear in index.

Heating GND Wiring	
SP528335.....	80
Heating Wiring	
SP528438.....	80
SP552333.....	80
SP552334.....	80
528439	80
528440	80
Hex Pillar	
570381	49, 53, 57, 61
Hinge Spacer	
SP535421.....	29, 31
SP537849.....	67
Holder	
569658	19
570382	47, 51, 55, 59
Hook Lock	
SPPRI610002007.....	17
Hose	
SPPRI503002049.....	43, 45
SPPRI540000014.....	35, 37, 39, 41
SPPRI540001019.....	39, 41, 45
SPPRI540020005.....	79
SPR35100016514	45
529747	79
Hose Clamp	
SPPRI240000002.....	35, 37, 39, 41
SPPRI240000003.....	35, 37, 39, 41, 43, 45
SPPRI240000007.....	35, 37, 39, 41, 43, 45
SPPRI240000017.....	43, 45
SPPRI240000021.....	35, 37, 39, 41
SPPRI241000017.....	43, 45
SP526491.....	35, 37, 39, 41
SP526532.....	43, 45
576096	43, 45
Hose Pipe	
SP101745.....	35, 37, 39, 41

I

Index Plate	
SP527270.....	5
SP527271.....	5
SP527272.....	5
Inlet Valve Extension Wiring	
552477	80
Insulation Washer	
571458	47, 51
Insulator	
M413862	55, 59
Internal Vessel	
SP540116.....	35, 37, 39, 41
Isolation Paper	
SPPRI350012007.....	27

L

Label	
SPPRI551000047.....	5
SPPRI551001001.....	5
SPPRI551006001.....	5
SP230200007514.....	5
SP523382.....	5

W10132092.....	5
W10163746.....	5
509472.....	5
547899.....	5
547900.....	5
547901.....	5
548000101014.....	5
555328.....	5
570371.....	5, 49, 53, 55, 59
579019.....	5, 49, 53, 55, 59
Leading Pin	
SP550113.....	19
Liquid Detergent	
570317.....	47, 51, 55, 59
Lock	
SP547527.....	17
Lower Frame	
SP533164.....	11
SP533801.....	11
SP533951.....	11
Lower Front Panel	
567973.....	15
Lower Hinge	
571651.....	29
575963.....	31
Lower Rear Cover	
SP533384.....	15
SP554326.....	15
Lower Weight	
SP533784.....	7, 9
SP533814.....	7, 9
Lubrication Grease	
PRI702000010.....	69
SP111313000002.....	71, 73

M

Main Switch	
SPPRI404000097.....	47, 51
SPPRI404000098.....	47, 51
SPPRI404000099.....	47, 51
SPPRI404001098.....	47, 51
SPPRI404001099.....	47, 51
SP506407.....	47
570371.....	51
Main Switch Knob	
SPPRI404000095.....	47, 51
Main Vessel	
SP540115.....	35, 37, 39, 41
Main Wiring	
568393.....	80
568394.....	80
571493.....	80
571494.....	80
Manifold Flush Kit	
529789.....	79
529797.....	79
529798.....	79
529799.....	79
529800.....	79
Microswitch	
SP506045.....	27
SP528309.....	11
568978.....	33
571634.....	67

Mixer	
SP526558.....	35, 37, 39, 41
Mixer Body	
SP526565.....	35, 37, 39, 41
Mixer Lid	
SP526557.....	35, 37, 39, 41
Module	
553189.....	17
Motor and Pulley	
SP555591.....	69
571449.....	69
571450.....	69
571451.....	69
571452.....	69
573907.....	69
573915.....	69
573916.....	69
573917.....	69
573918.....	69
573919.....	69
573920.....	69
Motor Holder	
SP533794.....	69
SP533811.....	69
Motor Temperature Protect Cable	
568398.....	80
Mounting Cone	
SP556115.....	73

N

Nameplate	
F8443105.....	5
F8664901.....	5
F8688001.....	5
Nut	
F430225.....	33
F430232.....	33
SP101416.....	49, 53, 55, 59
SP101419.....	49, 53
SP310934000003.....	11
SP310934000004.....	17, 19, 27
SP310934000008.....	69
SP310934000010.....	11
SP310934000020.....	11
SP310934100006.....	49, 53, 57, 61
SP310934240004.....	33
SP310934240006.....	67
SP310934240008.....	67
SP310985000006.....	67, 69
SP310985000008.....	7, 9, 11
SP310985000010.....	11
SP310985000012.....	65, 69
SP313251000006.....	15
SP510923.....	11
571635.....	67

O

Oscillation Limiter	
SP533388.....	7, 9
Overflow Tube	
SP547897.....	43, 45

N/A items do not appear in index.

P

Panel Holder	569975	17
Pin		
SP540117	35, 37, 39, 41	
SP554970	29, 31	
571605	29	
Pin Insertion		
SP520408	11	
Pipe Nipple		
SPPRI426001217	39, 41	
SPR22112000114	63	
SP510120	39, 41	
Plug		
SPPRI426001268	63	
Power Supply Wiring		
571403	80	
Prep for Coin Meter		
569634	17	
Profiled Sealing		
SPPRI505000058	11, 49, 53, 57, 61, 67	
Programmer Holder		
573934	17	
Pump		
529742	79	
529743	79	
529744	79	
529745	79	
529746	79	
Pump Relay Board to LED Terminal Cable		
SP528149	80	
Push Button Cover		
SPPRI543000003	49, 53	

R

Rear Cover	570469	15
Rear Panel Assembly		
567982	47, 51	
570477	55, 59	
Rear Spring Holder		
SP555495	13	
Reinforcement Tube		
SP500125	43, 45	
Relay		
SP514134	47, 51, 55, 59	
Relay Case		
SP506586	47, 51, 55, 59	
Relay Clamp		
SP514135	47, 51, 55, 59	
Retaining Ring		
SPPRI242000014	73	
SP307732031130	73	
Reverse Function Drain Valve		
SP547821	43	
Rivet		
SP547779	11, 67	
558054	43, 45	
Roller		
SP533727	11	

RS485 External Interconnection	
SP547075	80

S

Screw		
F430977	33	
SP309798124313	35, 37, 39, 41	
SP526497	35, 37, 39, 41, 45, 49, 53, 57, 61	
SP529206	13, 17, 19, 27, 35, 37, 39, 41, 43, 45, 49, 53, 57, 61	
Screw		
SP526497	17	
Seal		
SP510986	67	
SP517232	7, 9	
SP526564	63	
SP537821	67	
564202	27	
Sealing		
284000012003	49, 53	
Sealing Ring		
SP506475	71, 73	
SP537879	71, 73	
Self-Adhesive Profile		
570387	47, 51, 55, 59	
Serial Plate		
547563	5	
Service Door Frame Kit		
576089	31	
Service Door Kit		
568989	29, 31	
Shaft Ring		
SP552982	67	
Shim		
SP550033	69	
568804	29, 31	
Side Panel		
567968	15	
567970	15	
571002	15	
571004	15	
571009	15	
571011	15	
Soap Hopper Assembly		
SP540164	35, 37, 39, 41	
570441	35, 37, 39, 41	
Soap Hopper Plug		
SP526468	35, 37, 39, 41	
Soap Hopper Upper Cover		
SP540112	35, 37, 39, 41	
Soap Relay Board		
553187	47, 51, 55, 59	
Spacer		
F431901	33	
Speed Sensor		
SP557701	69	
Speed Sensor Holder		
SP555547	69	
Speed Sensor Plate		
SP555542	69	
Spiral		
SP283449080200	43, 45	

N/A items do not appear in index.

W

Washer

F8193101	33
SPPRI231000062	39, 41
SP311125000003	11
SP311125000004	49, 53, 57, 61
SP311125000006	17, 63
SP311125000013	65
SP311125100006	49, 53, 57, 61
SP311125240004	33
SP311125240006	49, 53, 57, 61, 67
SP311125240008	67
SP311127000004	49, 53, 57, 61
SP311127000006	17, 49, 53, 63
SP311679800003	11, 17
SP311679800004	7, 9, 11, 17, 49, 53, 57, 61
SP311679800006	67
SP311679824004	33
SP311679824006	49, 53, 57, 61
SP311902100004	11, 17, 19, 53
SP311902100006	49, 53
SP311902100008	43, 45
SP311902100010	11
SP311902100012	69
SP505430	49, 53, 57, 61
SP511924	69
SP525284	7, 9
SP537898	65
SP547981	63
SP555746	19
571642	29, 31

Washing Drum

SP537830	67
537800P	67
552969P	67
563247P	67
563248P	67
563267P	67
563268P	67
563269P	67

Water Hose

F200164	35, 37, 39, 41
---------------	----------------

Water Level Switch

570315	43, 45
--------------	--------

Water Level Switch Holder

570373	43, 45
--------------	--------

Water Level Switch Hose

SPPRI540001003	43, 45
----------------------	--------

Wiring Diagram

574404	5
--------------	---

Wiring Steam - Electrical Heating

528393	80
--------------	----

Y

Y-Piece

SPPRI503000028	43, 45
----------------------	--------
