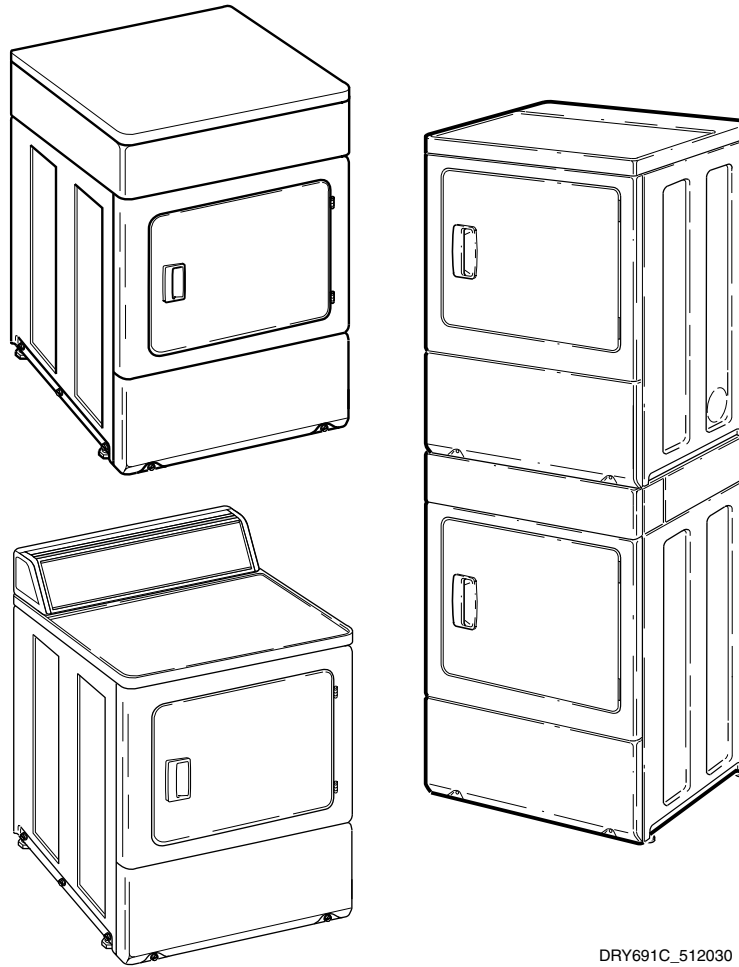


Dryers

Homestyle

Refer to Page 3 for Model Numbers



DRY691C_512030

Table of Contents

Title	Page
Parts Ordering Information.....	2
Serial Plate Location	2
Model Identification	3
Control Panel and Controls - Rear Control	4
Control Panel and Controls - Front Control.....	6
Control Panel and Controls - Stacked Models	8
Loading Door - With Window	10
Loading Door - Without Window	12
Access Panel, Front Panel and Seal	14
Motor, Exhaust Fan and Belt	16
Front Bulkhead, Air Duct, Felt Seal and Cylinder	18
Rear Bulkhead, Felt Seal, Cylinder Roller and Terminal Block.....	20
Heater Duct and Element Assembly	22
Heater Duct Assembly	24
Gas Valve, Igniter and Gas Conversion Kits.....	26
Cabinet, Exhaust Duct and Base - Single Dryers	28
Cabinet, Exhaust Duct and Base - Stacked Dryers	30
Lead-In Cord	32
Terminal Block and Terminals	34
Terminals	36
Terminals and Terminal Extractor Tools	38
Wire Harnesses and Wires - Stack Models (Drawing 1 of 3).....	40
Wire Harnesses and Wires - Stack Models (Drawing 2 of 3).....	42
Wire Harnesses and Wires - Stack Models (Drawing 3 of 3).....	44
Wire Harnesses and Wires - Front Control Models (Drawing 1 of 3).....	46
Wire Harnesses and Wires - Front Control Models (Drawing 2 of 3).....	48
Wire Harnesses and Wires - Front Control Models (Drawing 3 of 3).....	50
Wire Harnesses and Wires - Rear Control Models Through Serial No. 1207	52
Wire Harnesses and Wires - Rear Control Models Starting Serial No. 1207	54
Parts Index.....	57

© Copyright 2023, Alliance Laundry Systems LLC

All rights reserved. No part of the contents of this book may be reproduced or transmitted in any form or by any means without the expressed written consent of the publisher.

Parts Ordering Information

If literature or replacement parts are required, contact the source from whom the machine was purchased or contact Alliance Laundry Systems at (920) 748-3950 for the name and address of the nearest authorized parts distributor.

For technical assistance, call the number listed below:

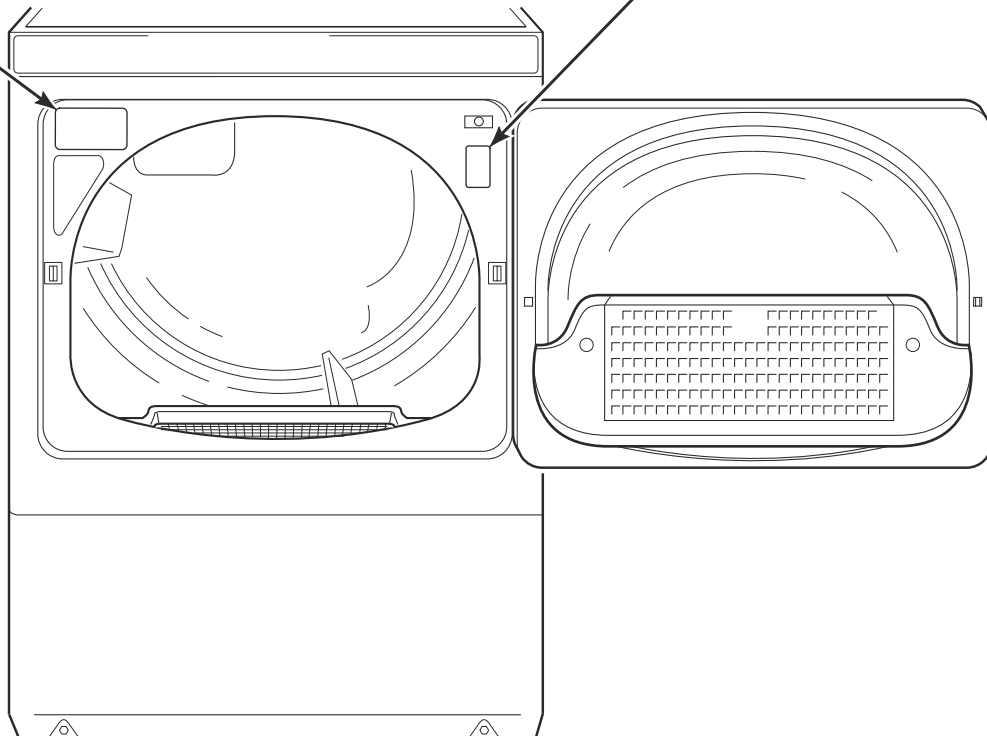
(920) 748-3121 Ripon, Wisconsin

Serial Plate Location

When calling or writing about your product, be sure to mention model and serial numbers. Model and serial numbers are located on serial plate(s) as shown.

Serial Plate
(Models starting Serial No. 1206025810)

Serial Plate
(Models through Serial No. 1206025809)



DRY2283P_512030

Model Identification

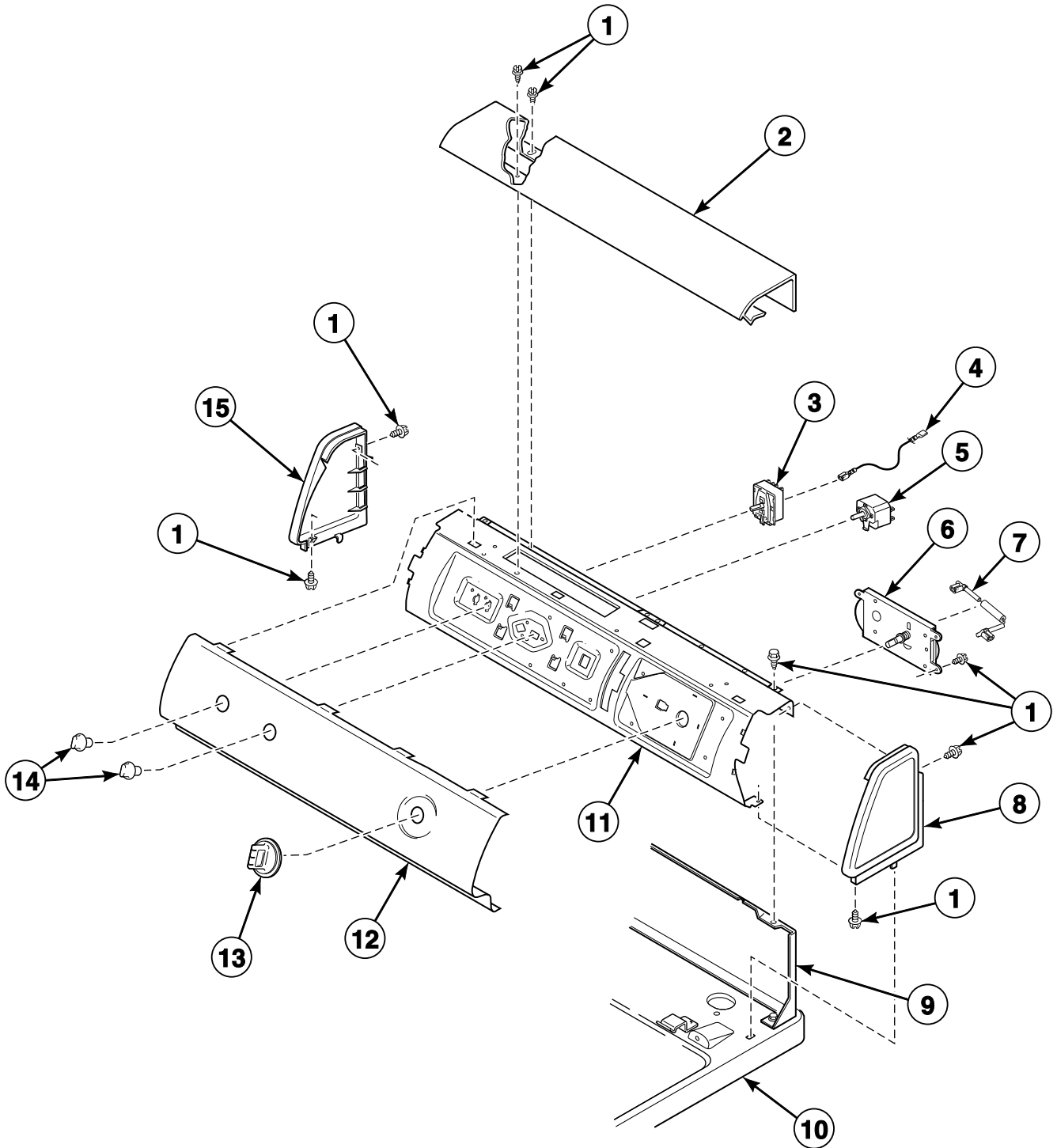
Information in this manual is applicable to these dryer models:

BDE30FGS171TW01	KES17A*F	LDE30RGS153TW01	UDE30FGS171TW08
BDG30FGS111TW01	KES17A*F1500	LDE30RGS173TW01	
FES17A*F	KGS17A*F	LDE30RGS543FW28	
FES17A*F1500		LDG30RGS113FW28	
FEU17A*F		LDG30RGS113TW01	
FEZ17A*F		LES17A*F	
FGS17A*F		LES17A*F1500	
FGU17A*F		LES37A*F	
FGZ17A*F		LGS17A*F	
		LGS17A*F1180	
		LGS37A*F	
		LSL30FGW541NW23	

* Add Letter To Designate Color. L - Almond Q - Bisque W - White

Control Panel and Controls - Rear Control

Models LDE30RGS153TW01, LDE30RGS173TW01, LDE30RGS543FW28, LDG30RGS113FW28, LDG30RGS113TW01, LES17A*F, LES17A*F1500, LES37A*F, LGS17A*F, LGS17A*F1180 and LGS37A*F



DRY2278P_512030

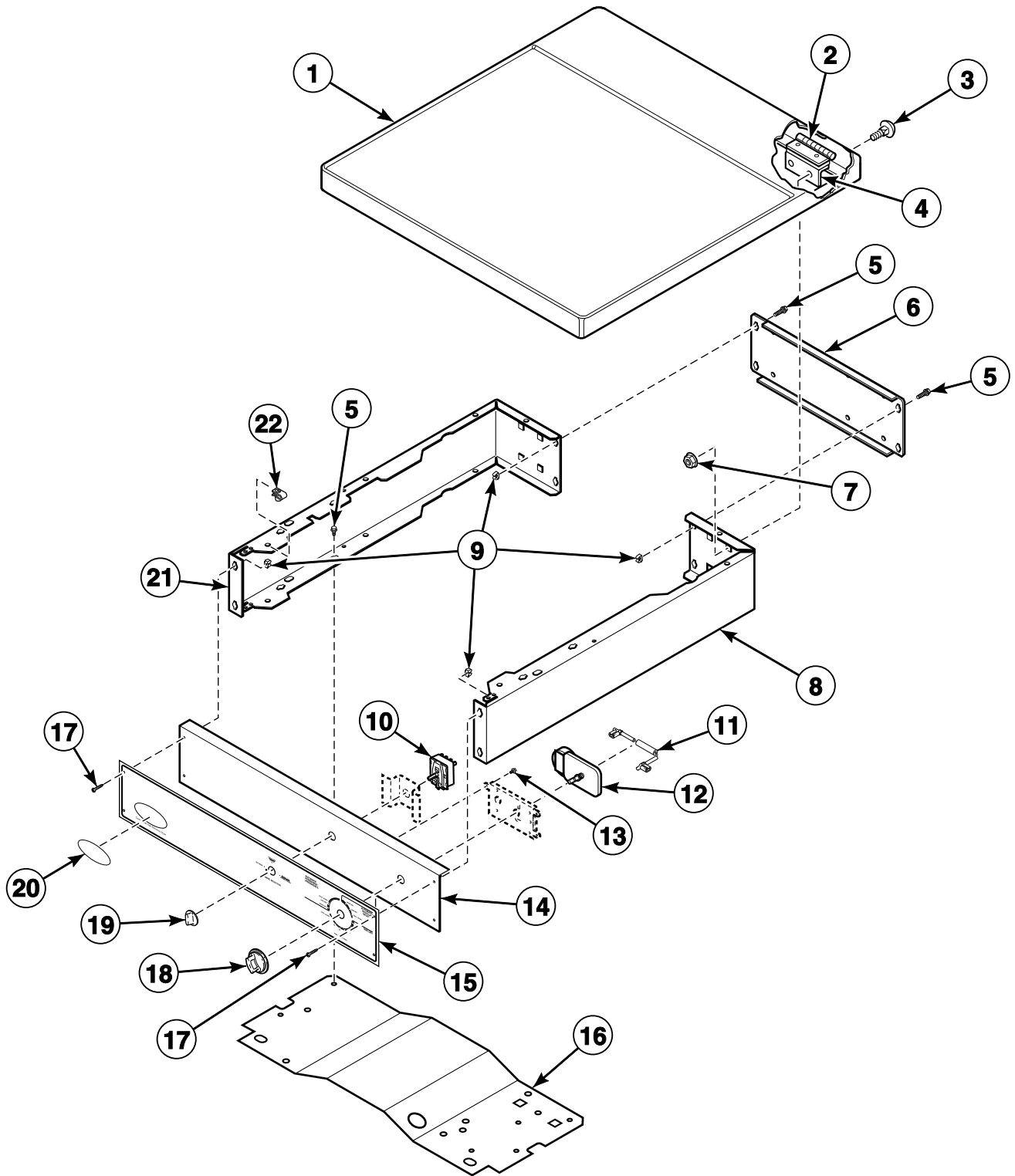
Control Panel and Controls - Rear Control

REF	PART NO.	DESCRIPTION	COMMENTS
1	D501086	Screw	
2	D505808W	Top Cover	White
	D505808L	Top Cover	Almond
	D505808Q	Top Cover	Bisque
3	D513505	Fabric Selector Switch	
4	D518708	Wire Assembly	Fabric selector switch to timer; Models LDE30RGS153TW01, LDE30RGS173TW01, LDE30RGS543FW28, LES17A*F, LES17A*F1500 and LES37A*F
5	D510211	Buzzer	Models LES37A*F and LGS37A*F
6	D505797P	Timer and Harness Kit	Model LES37A*F; Models LDE30RGS153TW01 and LDE30RGS173TW01 through Serial No.1903000001
	D518949	Timer Conversion Kit	Models LES17A*F and LES17A*F1500
	D517387	Timer	Models LDE30RGS153TW01 and LDE30RGS173TW01 starting Serial No. 1903000001
	D505794P	Timer	Models LDG30RGS113FW28, LES17A*F, LES17A*F1500 and LES37A*F; Model LDG30RGS113TW01 through Serial No.1903000001
	D517386	Timer	Model LDG30RGS113TW01 starting Serial No.1903000001
	D505796P	Timer	Model LDE30RGS543FW28
	D519004	Timer Conversion Kit	Model LGS37A*F
7	D511277	Resistor Assembly	Use with 505797 Timer; Electric models
8	D504008WP	End Panel	White; Right
	D504008L	End Panel	Almond; Right
	D504008QP	End Panel	Bisque; Right
9	D510099	Hood Back Panel	
10	D510029WP	Top Panel Kit	White
	D510029LP	Top Panel Kit	Almond
11	D503901	Control Support Panel	
12	D504020W	Graphic Panel	White; Models LES37A*F and LGS37A*F
	D504197W	Graphic Panel	White; Models LDE30RGS543FW28, LDG30RGS113FW28, LES17A*F, LES17A*F1500, LGS17A*F and LGS17A*F1180; Models LDE30RGS153TW01, LDE30RGS173TW01 and LDG30RGS113TW01 through Serial No. 1903000001
	D517327	Graphic Panel	Models LDE30RGS153TW01, LDE30RGS173TW01 and LDG30RGS113TW01 starting Serial No. 1903000001
	D504197Q	Graphic Panel	Bisque; Models LES17A*F, LES17A*F1500, LGS17A*F and LGS17A*F1180
13	D512117W	Timer Knob Assembly	White
	D512117Q	Timer Knob Assembly	Bisque
	D510287L	Timer Knob Assembly	Almond
14	36701W	Knob Assembly	White
	36701L	Knob Assembly	Almond
	36701Q	Knob Assembly	Bisque
15	D504009WP	End Panel	White; Left
	D504009L	End Panel	Almond; Left
	D504009QP	End Panel	Bisque; Left

* Add Letter To Designate Color. L - Almond Q - Bisque W - White

Control Panel and Controls - Front Control

Models BDE30FGS171TW01, BDG30FGS111TW01, FES17A*F, FES17A*F1500, FEU17A*F, FEZ17A*F, FGS17A*F, FGU17A*F, FGZ17A*F and UDE30FGS171TW08



DRY2142P_512030

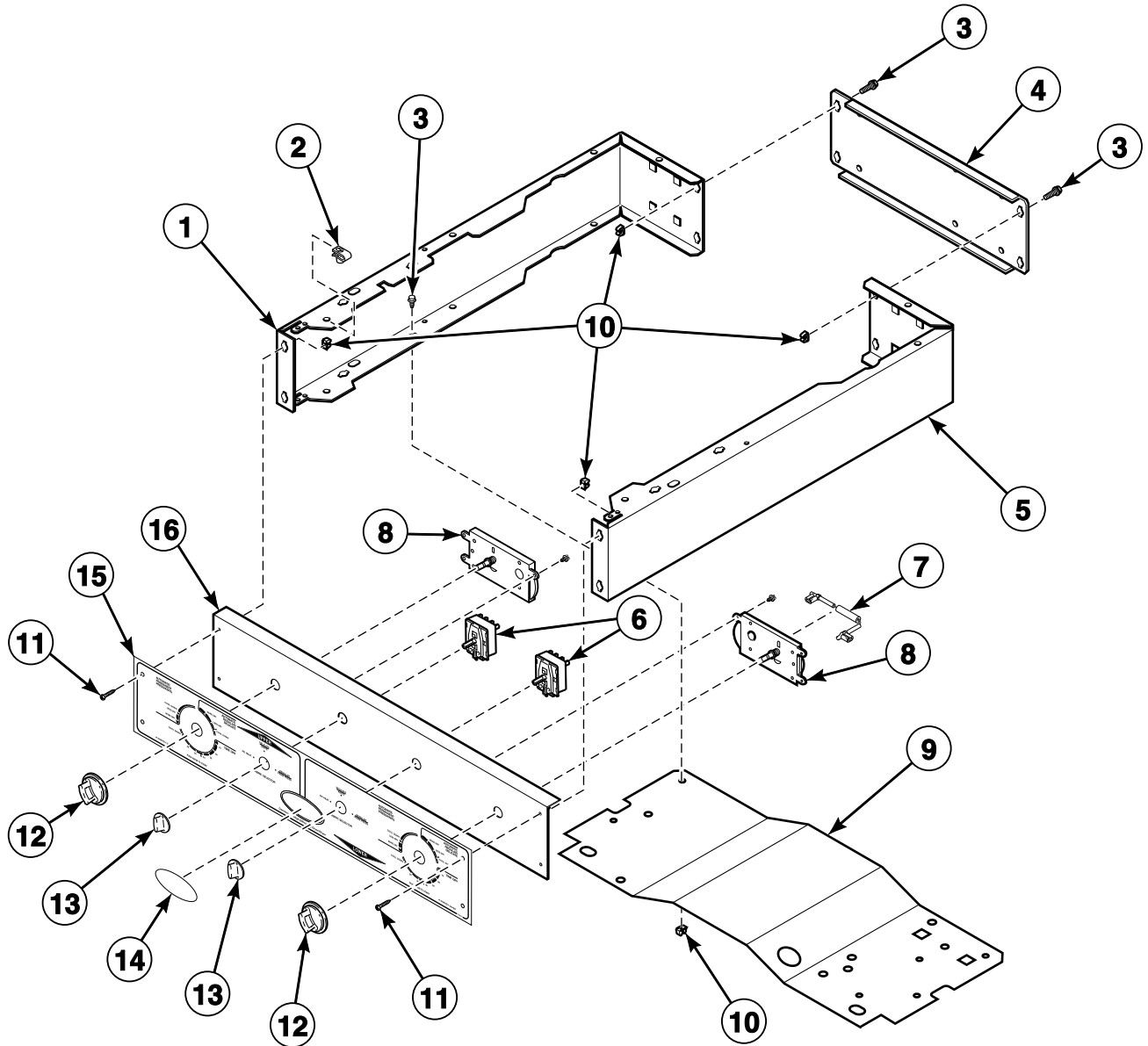
Control Panel and Controls - Front Control

REF	PART NO.	DESCRIPTION	COMMENTS
	D505281	Disconnect Power Warning Label	
1	802247WP	Top and Gusset Assembly	White
	D510032LP	Top Kit	Almond
	802247QP	Top and Gusset Assembly	Bisque
2	D504228	Top Mounting Bracket	
3	29651	Bolt	4 required
4	D511036	Hinge	
5	D503688	Screw	8 required
6	800867	Control Cabinet Rear	
7	44087201	Nut	4 required
8	800915W	Right Control Cabinet Side	White
	800915L	Right Control Cabinet Side	Almond
	800915Q	Right Control Cabinet Side	Bisque
9	685847	Pop Rivet	
10	D513505	Fabric Selector Switch	
11	D511277	Resistor Assembly	Use with 505797 Timer; Electric models
12	D505797P	Timer and Harness Kit	Models BDE30FGS171TW01, FES17A*F, FES17A*F1500, FEU17A*F, FEZ17A*F and UDE30FGS171TW08
	D505794P	Timer	Models BDG30FGS111TW01, FGS17A*F, FGU17A*F and FGZ17A*F
13	D501086	Screw	
14	D511421W	Control Panel Assembly	White
15	D511406	Graphic Overlay	
16	801777	Control Cabinet Bottom	
17	800930	Screw	
18	D512117W	Timer Knob Assembly	White
	D512117Q	Timer Knob Assembly	Bisque
	D510287L	Timer Knob Assembly	Almond
19	36701W	Knob Assembly	White
	36701L	Knob Assembly	Almond
	36701Q	Knob Assembly	Bisque
20	800921	Domed Label	Models FES17A*F and FGS17A*F
	800922	Domed Label	Models FEZ17A*F and FGZ17A*F
	800923	Domed Label	Models FEU17A*F, FGU17A*F and UDE30FGS171TW08
	202128	Domed Label	Models BDE30FGS171TW01 and BDG30FGS111TW01
21	800900WP	Left Control Cabinet Side	White
	800900LP	Left Control Cabinet Side	Almond
	800900QP	Left Control Cabinet Side	Bisque
22	70030501	Expansion Clip	4 required

* Add Letter To Designate Color. L - Almond Q - Bisque W - White

Control Panel and Controls - Stacked Models

Models KES17A*F, KES17A*F1500, KGS17A*F and LSL30FGW541NW23



DRY2143P_512030

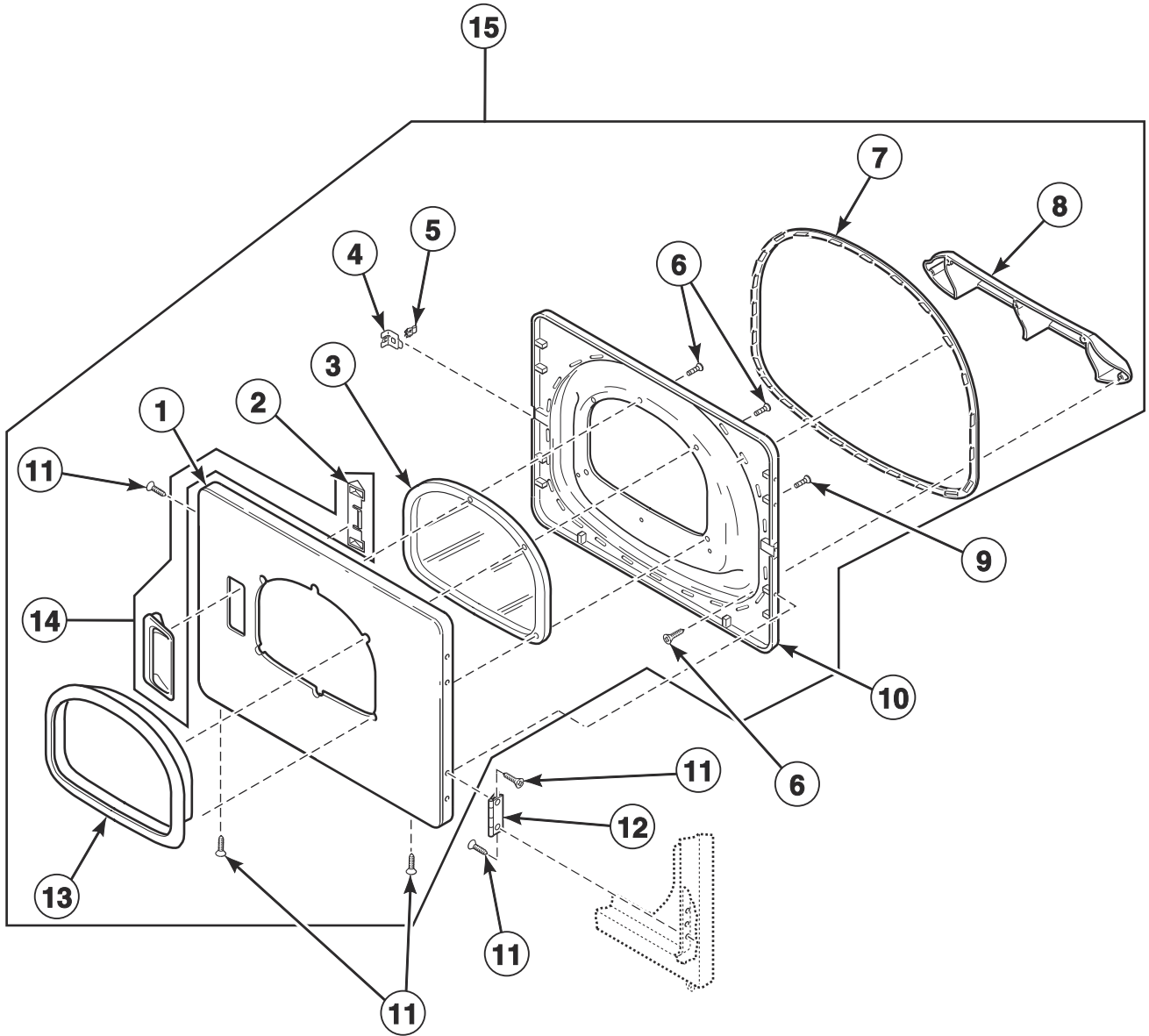
Control Panel and Controls - Stacked Models

REF	PART NO.	DESCRIPTION	COMMENTS
1	800900WP	Left Control Cabinet Side	White
	800900QP	Left Control Cabinet Side	Bisque
2	800931	Nut	
3	430497	Screw	
4	801058	Rear Control Cabinet	
5	800915W	Right Control Cabinet Side	White
	800915Q	Right Control Cabinet Side	Bisque
6	D513505	Fabric Selector Switch	
7	D511277	Resistor Assembly	Use with 505797 Timer; Models KES17A*F and KES17A*F1500
8	D518954	Timer Conversion Kit	Models KES17A*F1500 and KES17A*F through Serial No. 1903000001
	D517559	Timer	Models KES17A*F1500 and KES17A*F starting Serial No. 1903000001
	D505794P	Timer	Model KGS17A*F through Serial No. 1903000001
	D517386	Timer	Model KGS17A*F starting Serial No. 1903000001
	D505796P	Timer	Model LSL30FGW541NW23
9	801777	Control Cabinet Bottom	
10	70030501	Expansion Clip	
11	800930	Screw	
12	D512119W	Timer Knob Assembly	White
	D517774W	Timer Knob Assembly	Models KES17A*F1500 and KES17A*F starting Serial No. 1903000001
13	36701W	Knob Assembly	White
	36701Q	Knob Assembly	Bisque
14	800921	Domed Label	
15	D512031	Graphic Overlay	Models KES17A*F, KES17A*F1500 and KGS17A*F through Serial No. 1903000001; All other models
	D517329	Graphic Overlay	Models KES17A*F, KES17A*F1500 and KGS17A*F starting Serial No. 1903000001
16	D512034W	Control Panel Assembly	White

* Add Letter To Designate Color. Q - Bisque W - White

Loading Door - With Window

Model LSL30FGW541NW23



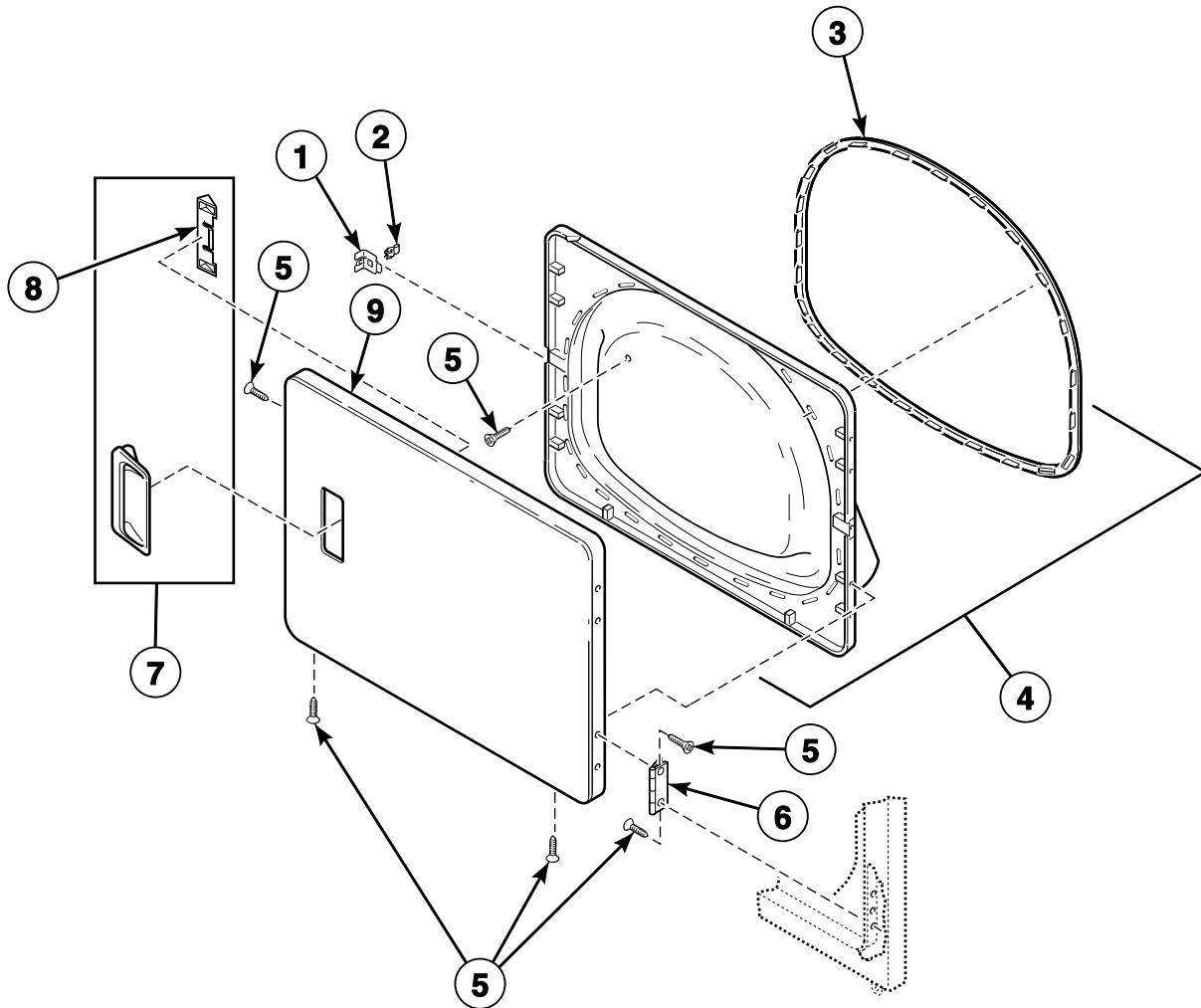
D427P_512030

Loading Door - With Window

REF	PART NO.	DESCRIPTION	COMMENTS
1	D510082WP	Dryer Door	
2	D510129W	Door Handle Wedge	
3	D503982P	Dryer Door Window	
4	D510127	Door Strike Mount	
5	D510181	Door Strike	
6	D505970	Screw	
7	D510147P	Liner Door Seal	
8	D503870W	Door Liner Grill	
9	D505870	Screw	
10	D516509	Liner and Seal Assembly	Includes item 7
11	D500226	Screw	
12	D511036	Hinge	
13	D503981W	Window Trim	
14	D510103WP	Door Pull and Wedge Kit	Includes item 2
15	D516737W	Door Assembly	White; Includes items 1-10, 14 and 15

Loading Door - Without Window

All Models Except LSL30FGW541NW23



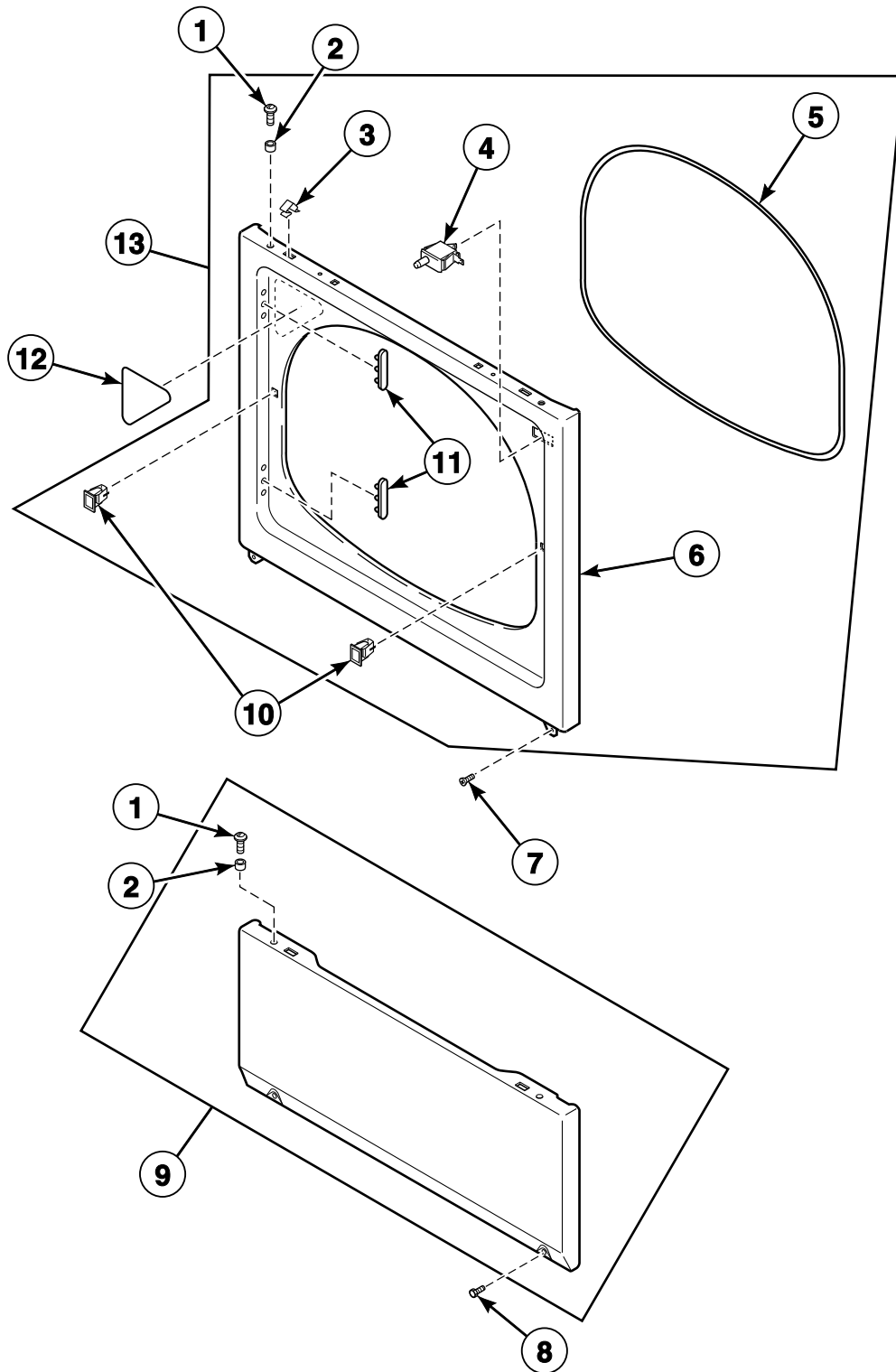
DRY1784P_512030

Loading Door - Without Window

REF	PART NO.	DESCRIPTION	COMMENTS
1	D510127	Door Strike Mount	
2	D510181	Door Strike	
3	D510147P	Liner Door Seal	
4	D510163WP	Liner, Seal and Grill Assembly	Includes item 3; Models BDE30FGS171TW01, FES17A*F, FES17A*F1500, KES17A*F, KES17A*F1500, LDE30RGS153TW01, LDE30RGS173TW01, LES17A*F, LES17A*F1500, LES37A*F and UDE30FGS171TW08 through Serial No. 1303025314; All other models
	D516510WP	Door Assembly	Includes item 3; Models BDE30FGS171TW01, FES17A*F, FES17A*F1500, KES17A*F, KES17A*F1500, LDE30RGS153TW01, LDE30RGS173TW01, LDE30RGS543FW28, LES17A*F, LES17A*F1500, LES37A*F and UDE30FGS171TW08 starting Serial No. 1303025315
5	D500226	Screw	
6	D511036	Hinge	
7	D510103WP	Door Pull and Wedge Kit	White; Includes item 8
	D510103LP	Door Pull and Wedge Kit	Almond; Includes item 8
	D510103QP	Door Pull and Wedge Kit	Bisque; Includes item 8
8	D510129W	Door Handle Wedge	
9	D510013WP	Dryer Door	White
	D510013LP	Dryer Door	Almond
	D510013QP	Dryer Door	Bisque

* Add Letter To Designate Color. L - Almond Q - Bisque W - White

Access Panel, Front Panel and Seal



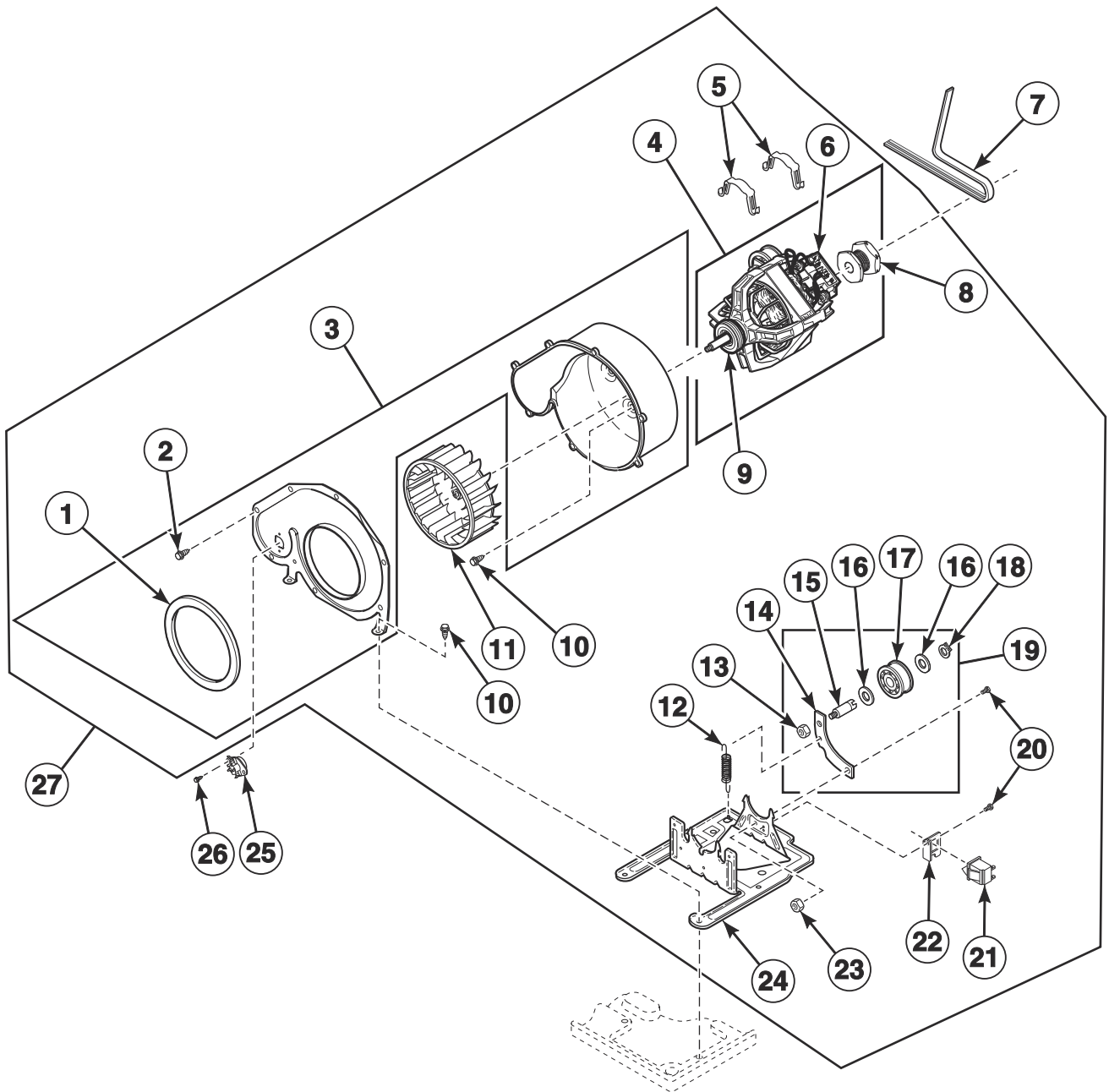
DRY1785P_512030

Access Panel, Front Panel and Seal

REF	PART NO.	DESCRIPTION	COMMENTS
1	39733	Screw	
2	56079	Panel Locator	
3	28835	Speed Clip	
4	D512973	Switch	
5	D511056	Front Panel Seal	
6	D510066WP	Front Panel	White
	D510066LP	Front Panel	Almond
	D510066QP	Front Panel	Bisque
7	D503688	Screw	
8	33562	Screw	
9	D514250WP	Access Panel Assembly	White; Models BDE30FGS171TW01, FES17A*F, FES17A*F1500, KES17A*F, KES17A*F1500, LDE30RGS153TW01, LDE30RGS173TW01, LES17A*F, LES17A*F1500, LES37A*F and UDE30FGS171TW08 through Serial No. 1303025314; All other models
	D510069LP	Access Panel	Almond; Models BDE30FGS171TW01, FES17A*F, FES17A*F1500, KES17A*F, KES17A*F1500, LDE30RGS153TW01, LDE30RGS173TW01, LES17A*F, LES17A*F1500, LES37A*F and UDE30FGS171TW08 through Serial No. 1303025314; All other models
	D514250Q	Access Panel Assembly	Bisque; Models BDE30FGS171TW01, FES17A*F, FES17A*F1500, KES17A*F, KES17A*F1500, LDE30RGS153TW01, LDE30RGS173TW01, LES17A*F, LES17A*F1500, LES37A*F and UDE30FGS171TW08 through Serial No. 1303025314; All other models
	D514250WP	Access Panel Assembly	White; Models BDE30FGS171TW01, FES17A*F, FES17A*F1500, KES17A*F, KES17A*F1500, LDE30RGS153TW01, LDE30RGS173TW01, LES17A*F, LES17A*F1500, LES37A*F and UDE30FGS171TW08 starting Serial No. 1303025315
	D514252Q	Access Panel and Guard Assembly	Bisque; Models BDE30FGS171TW01, FES17A*F, FES17A*F1500, KES17A*F, KES17A*F1500, LDE30RGS153TW01, LDE30RGS173TW01, LES17A*F, LES17A*F1500, LES37A*F and UDE30FGS171TW08 starting Serial No. 1303025315
10	D510177	Door Catch Assembly	
11	D510186	Hinge Hole Plug	
12	D500281	Warning/Caution Label	
13	D513781WP	Front Panel Assembly	Model LSL30FGW541NW23; Includes items 1-6, 10 and 11, 511636WP Door Assembly, (2) 511036 Door Hinge and (8) 500226 Screw

* Add Letter To Designate Color. L - Almond Q - Bisque W - White

Motor, Exhaust Fan and Belt

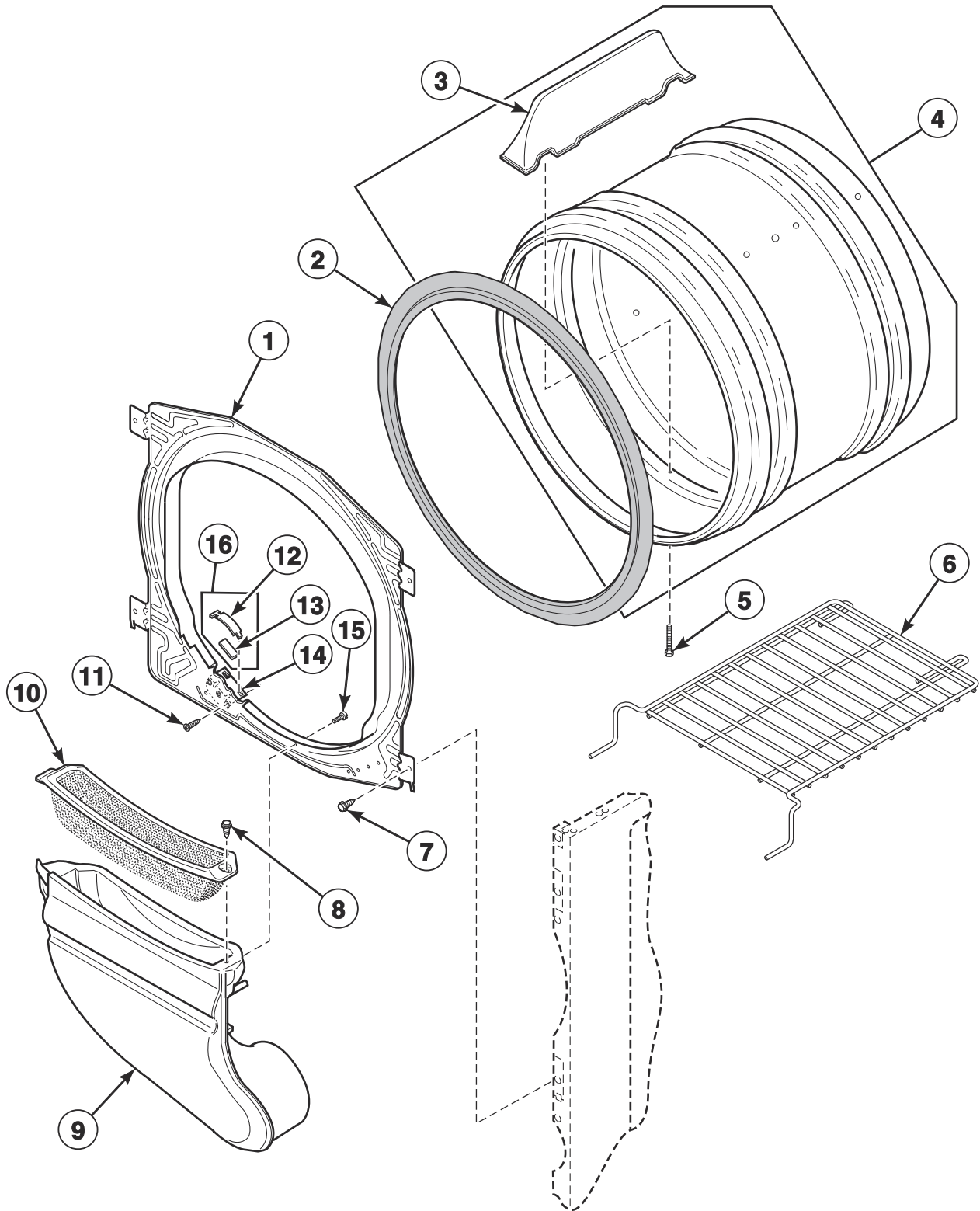


DRY2523P_512030

Motor, Exhaust Fan and Belt

REF	PART NO.	DESCRIPTION	COMMENTS
	27604P	Anti-Seize Compound	
1	D510238P	Blower Housing Seal	
2	31260	Screw	
3	D511969WP	Blower Housing	Includes items 1 and 2
4	D505869P	Motor and Pulley Assembly	240 Volt/60 Hertz; Includes items 6, 8 and 9; Models LDE30RGS543FW28 and LSL30FGW541NW23
	D511629P	Motor and Pulley Assembly	120 Volt/60 Hertz; Includes items 6, 8 and 9; All other models
5	D510180	Motor Mount Clamp	
6	D501218P	Motor Switch Kit	Does not include thermal protector
7	D511255P	Cylinder Belt	
8	D500011	Motor Pulley	60 Hertz
9	590P3	Motor Hub Ring Kit	
10	D503688	Screw	
11	D510139P	Blower Fan Assembly	
12	D510185	Idler Spring	
13	56156	Nut	
14	D516310	Idler Lever	
15	56461P	Shaft	
16	52549	Washer	
17	D510142P	Idler Wheel and Bearing Assembly	
18	23748	Retaining Ring	
19	D516792	Idler Lever and Wheel Assembly	Includes items 13-18
20	D500824	Screw	
21	D516391	Switch	Models KES17A*F, KES17A*F1500, KGS17A*F, LDE30RGS153TW01, LDE30RGS173TW01 and LDG30RGS113TW01 starting Serial No. 1903000001
22	D516311	Motor Switch Bracket	Models KES17A*F, KES17A*F1500, KGS17A*F, LDE30RGS153TW01, LDE30RGS173TW01 and LDG30RGS113TW01 starting Serial No. 1903000001
23	52566	Nut	
24	D518517	Motor Mount	
25	D511957	Thermostat	White; Models LDE30RGS543FW28 and LSL30FGW541NW23
	D510707P	Thermostat	Pink/white; All other gas models
	D504515	Thermostat	Green; Electric models
26	D502535	Screw	
27	D510717P	Blower and Fan Kit	Includes items 1-6, 8-20, 23 and 24

Front Bulkhead, Air Duct, Felt Seal and Cylinder



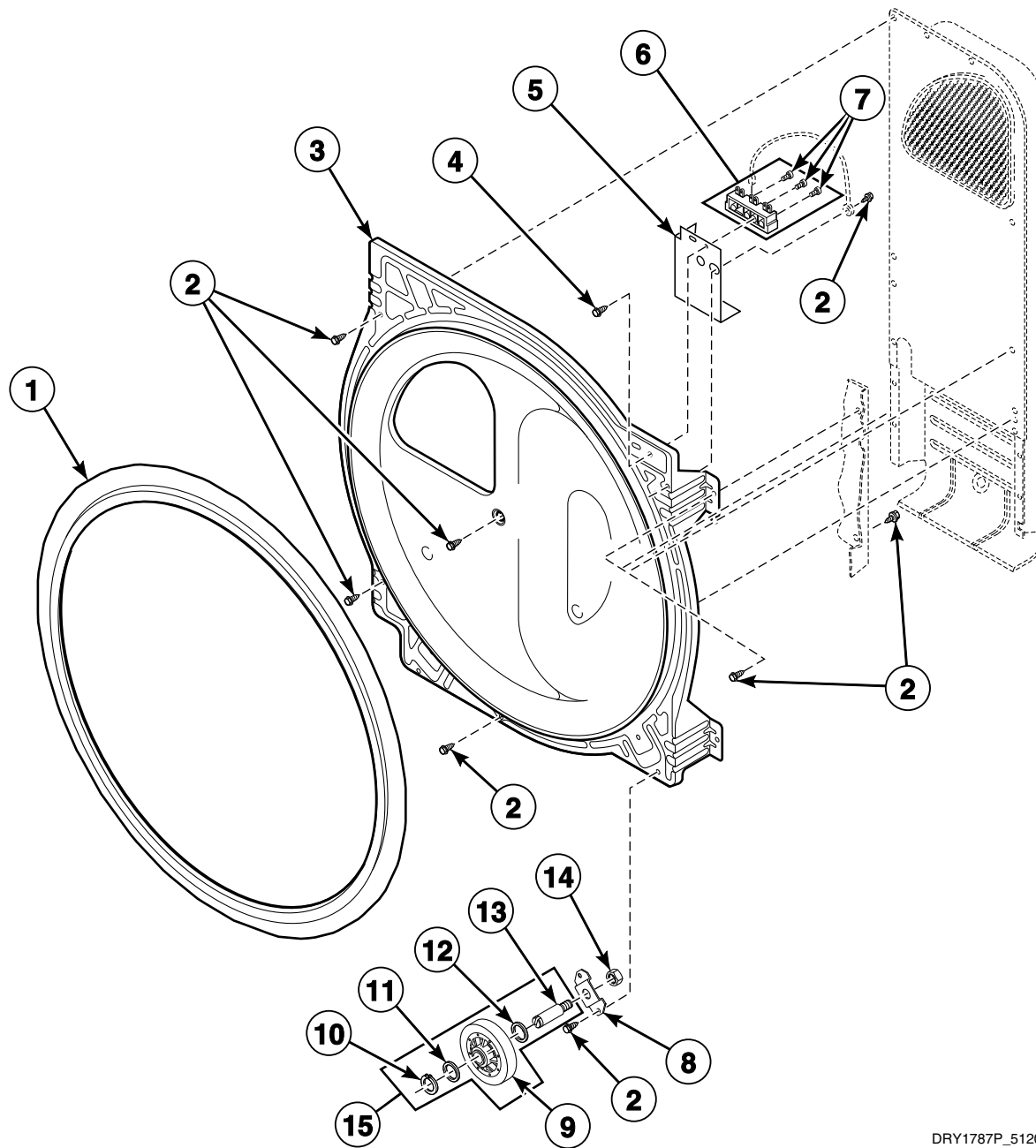
DRY2460P_512030

Front Bulkhead, Air Duct, Felt Seal and Cylinder

REF	PART NO.	DESCRIPTION	COMMENTS
1	D511033WP	Front Bulkhead Assembly	Painted; Includes items 2 and 12-15; Models LES37A*F and LGS37A*F
	D510266P	Front Bulkhead Assembly	Unpainted; Includes items 2 and 12-15; All other models
2	D510207P	Cylinder Seal Assembly	
	D511637P	Adhesive	For cylinder seal
	RB170001	Seal Kit	Includes 2 cylinder seals, 510238P Blower Housing Seal and 511637P Adhesive
3	D510102W	Cylinder Baffle	3 required; Models BDE30FGS171TW01, FES17A*F, FES17A*F1500, KES17A*F, KES17A*F1500, LED30RGS153TW01, LDE30RGS173TW01, LES17A*F, LES17A*F1500, LES37A*F and UDE30FGS171TW08 through Serial No. 1303025314; All other models
	D510102LG	Cylinder Baffle	3 required; Models BDE30FGS171TW01, FES17A*F, FES17A*F1500, KES17A*F, KES17A*F1500, LDE30RGS153TW01, LDE30RGS173TW01, LES17A*F, LES17A*F1500, LES37A*F and UDE30FGS171TW08 starting Serial No. 1303025315
4	D510159WP	Cylinder Assembly	White; Includes item 3; Model LGS37A*F; Model LES37A*F through Serial No. 1303025314
	D510265WP	Cylinder Assembly	Galvanized; Includes item 3; Models BDE30FGS171TW01, FES17A*F, FES17A*F1500, KES17A*F, KES17A*F1500, LDE30RGS153TW01, LDE30RGS173TW01, LES17A*F, LES17A*F1500 and UDE30FGS171TW08 through Serial No. 1303025314; All other models
	D510265LGP	Cylinder Assembly	Includes item 3; Models BDE30FGS171TW01, FES17A*F, FES17A*F1500, KES17A*F, KES17A*F1500, LDE30RGS153TW01, LDE30RGS173TW01, LES17A*F, LES17A*F1500, LES37A*F and UDE30FGS171TW08 starting Serial No. 1303025315
5	62588	Screw	
6	D512082P	Drying Rack	
7	D503688	Screw	
8	D501285	Screw	
9	D518432	Air Duct Assembly	Models BDE30FGS171TW01, FES17A*F, FES17A*F1500, KES17A*F, KES17A*F1500, LED30RGS153TW01, LDE30RGS173TW01, LES17A*F, LES17A*F1500, LES37A*F and UDE30FGS171TW08 through Serial No. 1303025314; All other models
	D518433	Air Duct Assembly	Models BDE30FGS171TW01, FES17A*F, FES17A*F1500, KES17A*F, KES17A*F1500, LDE30RGS153TW01, LDE30RGS173TW01, LES17A*F, LES17A*F1500, LES37A*F and UDE30FGS171TW08 starting Serial No. 1303025315
10	D503980W	Lint Filter	Models BDE30FGS171TW01, FES17A*F, FES17A*F1500, KES17A*F, KES17A*F1500, LDE30RGS153TW01, LDE30RGS173TW01, LES17A*F, LES17A*F1500, LES37A*F and UDE30FGS171TW08 through Serial No. 1303025314; All other models
	D503980LG	Lint Filter	Models BDE30FGS171TW01, FES17A*F, FES17A*F1500, KES17A*F, KES17A*F1500, LDE30RGS153TW01, LDE30RGS173TW01, LES17A*F, LES17A*F1500, LES37A*F and UDE30FGS171TW08 starting Serial No. 1303025315
11	52864	Screw	
12	D513710	Cylinder Glide	2 required
13	D510189	Felt Pad	2 required
14	D510145	Cylinder Glide Bracket	2 required
15	D505295	Screw	
16	RB170003	Glide Kit	Includes 2 of items 12 and 13

* Add Letter To Designate Color. L - Almond Q - Bisque W - White

Rear Bulkhead, Felt Seal, Cylinder Roller and Terminal Block



DRY1787P_512030

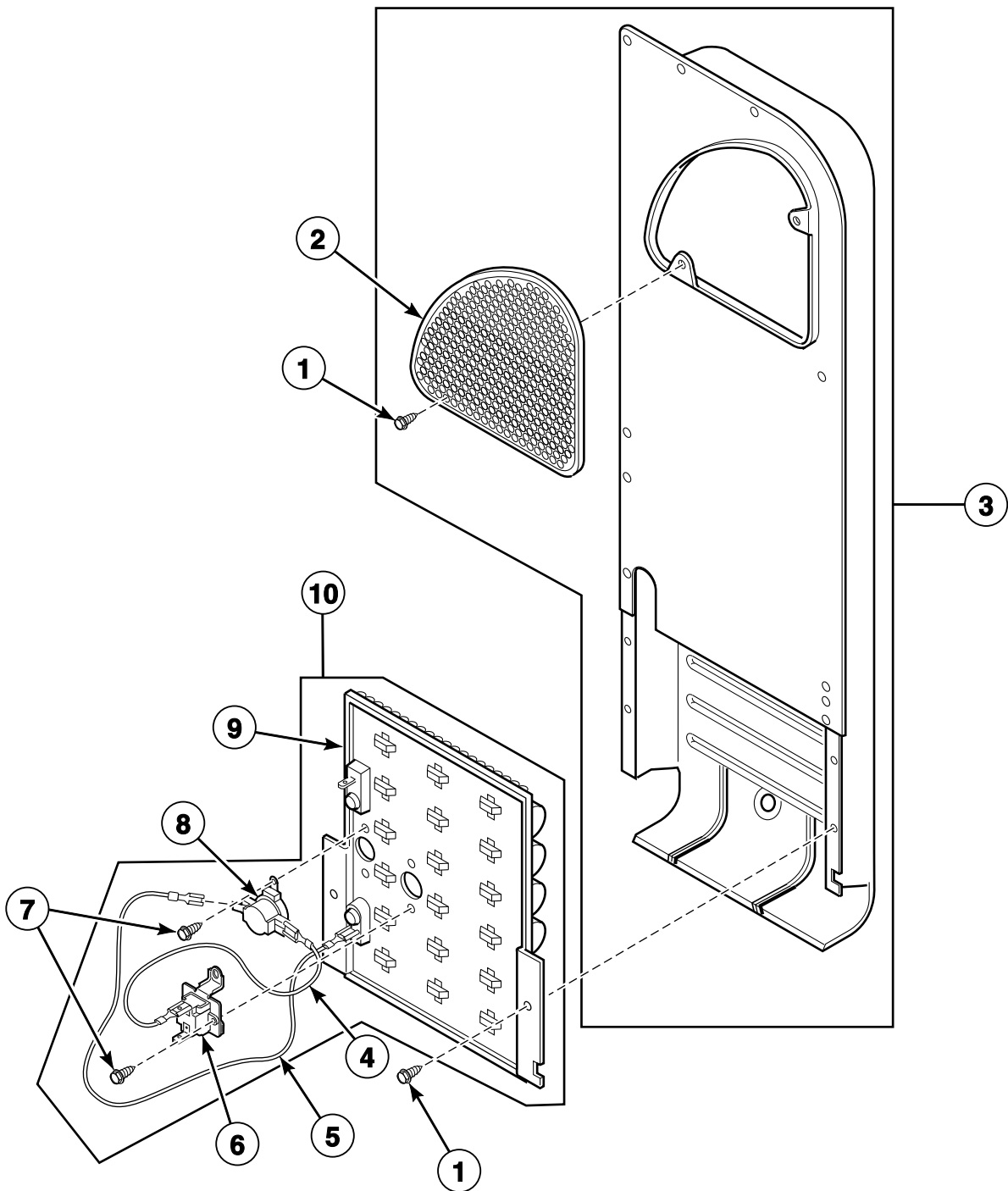
Rear Bulkhead, Felt Seal, Cylinder Roller and Terminal Block

REF	PART NO.	DESCRIPTION	COMMENTS
1	D510207P	Cylinder Seal Assembly	
	D511637P	Adhesive	For cylinder seal
	RB170001	Seal Kit	Includes 2 cylinder seals, 510238P Blower Housing Seal and 511637P Adhesive
2	D503688	Screw	
3	D510905WP	Rear Bulkhead Assembly	White; Includes item 1; Models LES37A*F and LGS37A*F
	D511082P	Rear Bulkhead Assembly	Galvanized; Includes item 1; All other models
4	44023301	Screw	Model LSL30FGW541NW23; Electric models
5	D505768	Terminal Block Shield	Model LDE30RGS543FW28
	D510237	Terminal Block Shield	Electric models except LDE30RGS543FW28
6	D510190P	Terminal Block Assembly	Includes 3 of item 7; Model LSL30FGW541NW23; Electric models
7	61199	Screw	
8	D510100	Cylinder Roller Bracket	
9	D510708P	Cylinder Roller	2 required; One per side
10	23748	Retaining Ring	
11	52549	Washer	
12	D504082	Washer	
13	56461P	Shaft	
14	56156	Nut	
15	RB170002	Roller Kit	Includes items 9-13

* Add Letter To Designate Color. L - Almond Q - Bisque W - White

Heater Duct and Element Assembly

Electric Models



DRY1789P_512030

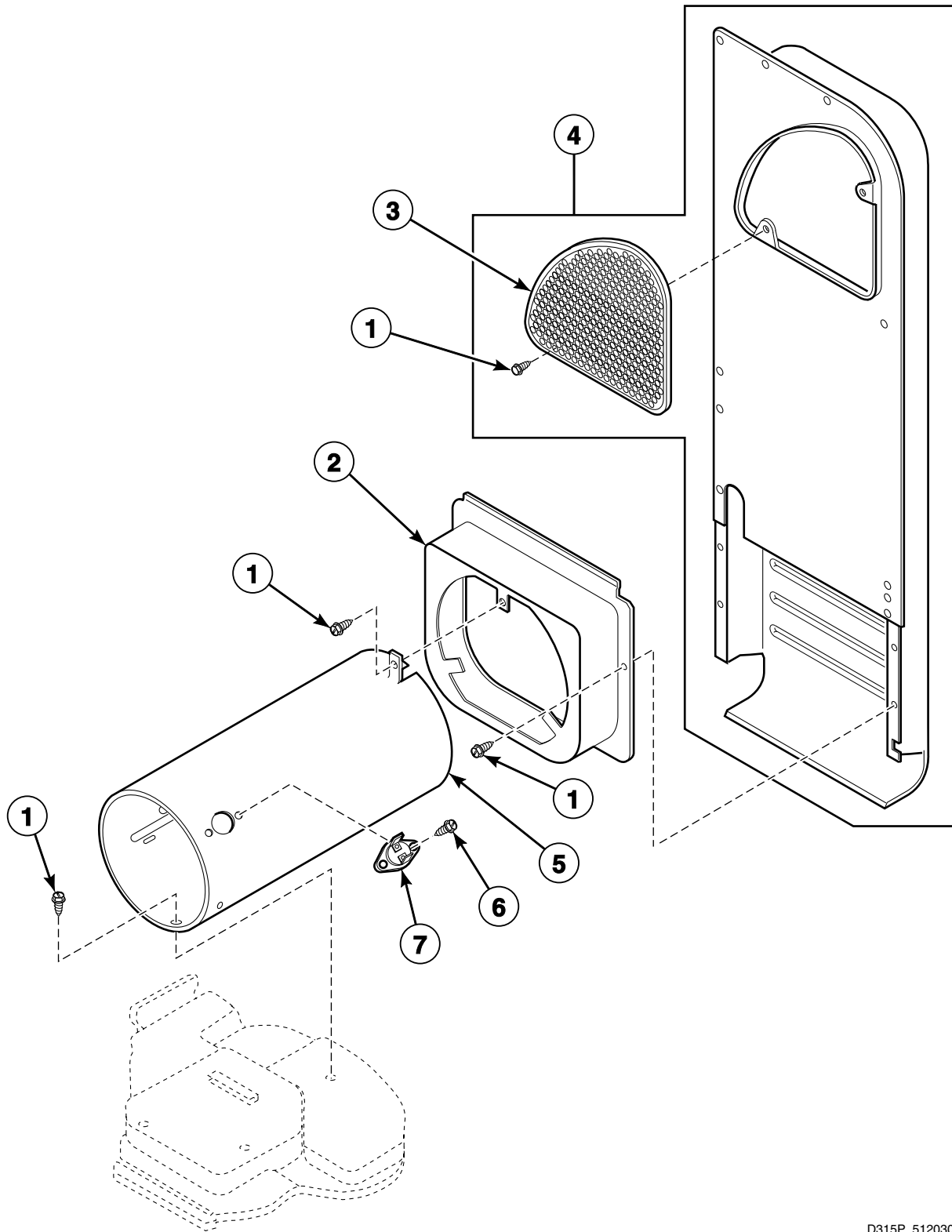
Heater Duct and Element Assembly

REF	PART NO.	DESCRIPTION	COMMENTS
1	D503688	Screw	2 required
2	D500820	Outlet Cover	
3	D510025P	Heater Duct Assembly	Includes items 1 and 2
4	D518256	Wire Assembly	Orange; Thermostat jumper; Attaches to heater assembly
5	D518255	Wire Assembly	Black; Fuse jumper; Attaches to heater assembly
6	D518542	Thermal Fuse Assembly	
7	23222	Screw	
8	D510701	Limit Thermostat	
9	D510325P	Heater	4.75 kW; 208 Volt/60 Hertz; Models FES17A*F1500, KES17A*F1500, LDE30RGS153TW01 and LES17A*F1500
	D510329P	Heater Assembly	5.35 kW; 240 Volt/60 Hertz; All other models
10	61928	Heater Kit Assembly	4.75 kW; 208 Volt/60 Hertz; Includes items 4-9
	964P3	Heater Kit	5.35 kW; 240 Volt/60 Hertz; Includes items 4-9

* Add Letter To Designate Color. L - Almond Q - Bisque W - White

Heater Duct Assembly

Gas Models



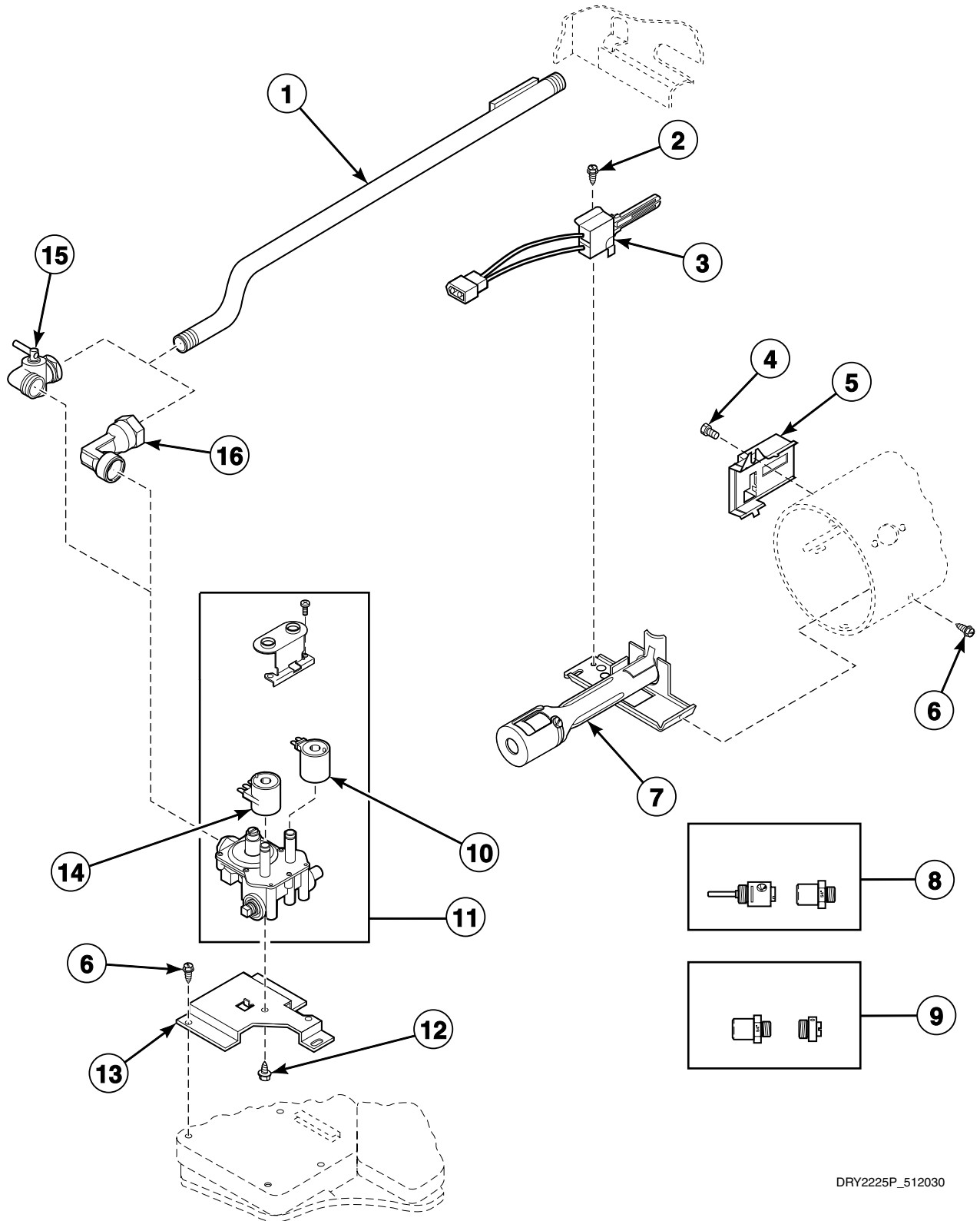
D315P_512030

Heater Duct Assembly

REF	PART NO.	DESCRIPTION	COMMENTS
1	D503688	Screw	2 required
2	D510101	Heat Duct Shroud	
3	D500820	Outlet Cover	
4	D510025P	Heater Duct Assembly	Includes items 1 and 3
5	D510131	Combustion Duct	
6	51782	Screw	
7	D510702	Limit Thermostat	Black; Auto reset

Gas Valve, Igniter and Gas Conversion Kits

Gas Models



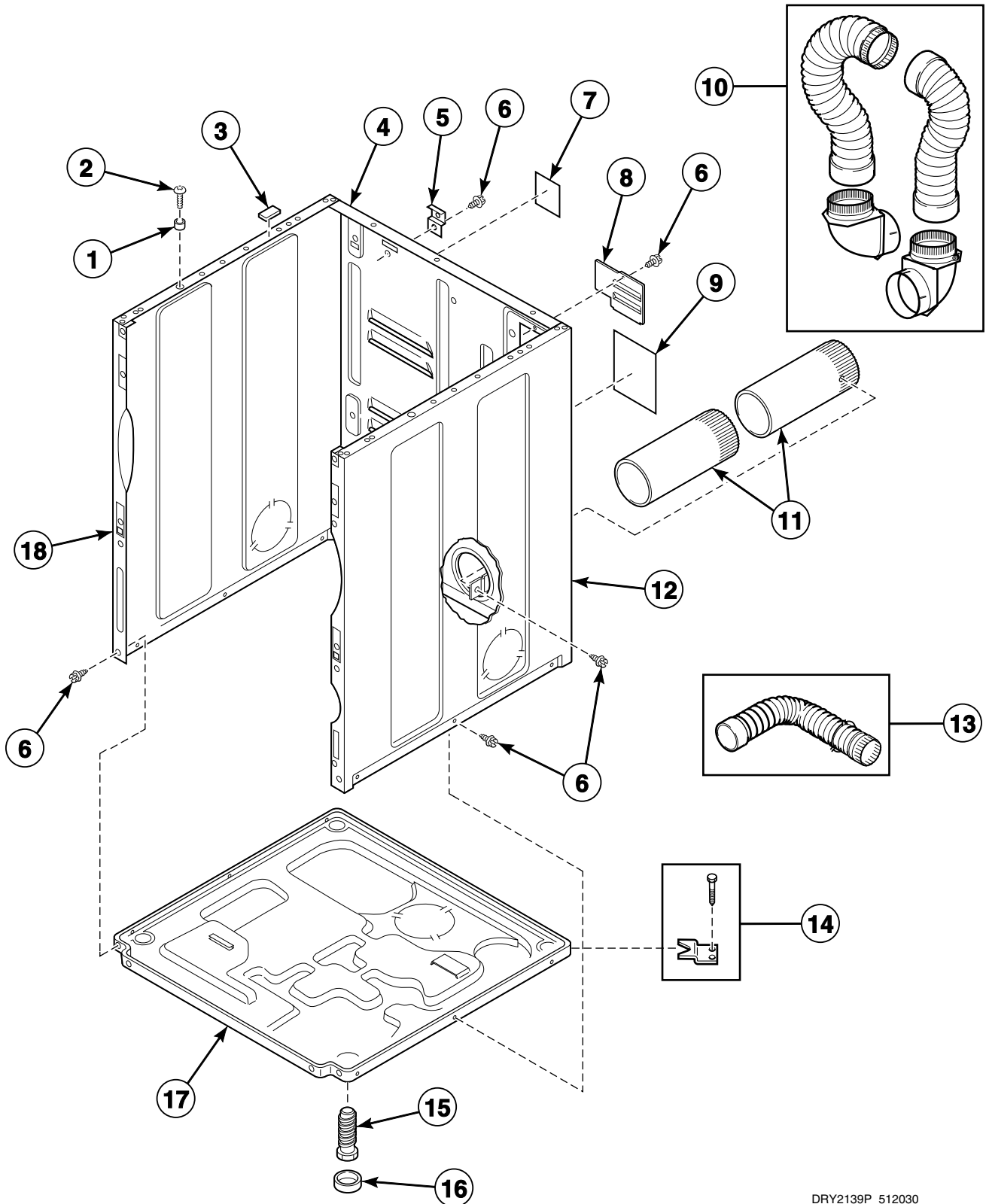
DRY2225P_512030

Gas Valve, Igniter and Gas Conversion Kits

REF	PART NO.	DESCRIPTION	COMMENTS
1	D510204	Lead-In Pipe Assembly	
2	51782	Screw	
3	D510184P	Igniter and Bracket Assembly	
4	23222	Screw	
5	D510213	Sensor	
6	D503688	Screw	
7	D510149P	Burner Assembly	
8	649P3	L.P. Conversion Kit	Used to convert dryers from Natural Gas (N.G.) or Mixed Gas to Liquid Petroleum Gas (L.P.); 22,500 Btu; Included on model LSL30FGW541NW23
9	650P3	N.G. Conversion Kit	Used to convert dryers from L.P. to N.G. or Mixed Gas; 22,500 Btu
10	58804B	Secondary Coil	
11	60353P	Gas Valve Assembly	Model LSL30FGW541NW23; Includes items 10 and 14
	D510506P	Gas Valve Assembly	All other models; Includes items 10 and 14
12	56124	Screw	
13	D510128	Gas Valve Mounting Bracket	
14	58804A	Booster and Holding Coil	
15	D510205	Elbow Shut-Off Valve	All models except LSL30FGW541NW23
16	D513072	Elbow	Model LSL30FGW541NW23

Cabinet, Exhaust Duct and Base - Single Dryers

Models BDE30FGS171TW01, BDG30FGS111TW01, FES17A*F, FES17A*F1500, FEU17A*F, FEZ17A*F, FGS17A*F, FGU17A*F, FGZ17A*F, LDE30RGS153TW01, LDE30RGS173TW01, LDE30RGS543FW28, LDG30RGS113FW28, LDG30RGS113TW01, LES17A*F, LES17A*F1500, LES37A*F, LGS17A*F, LGS17A*F1180, LGS37A*F and UDE30FGS171TW08



DRY2139P_512030

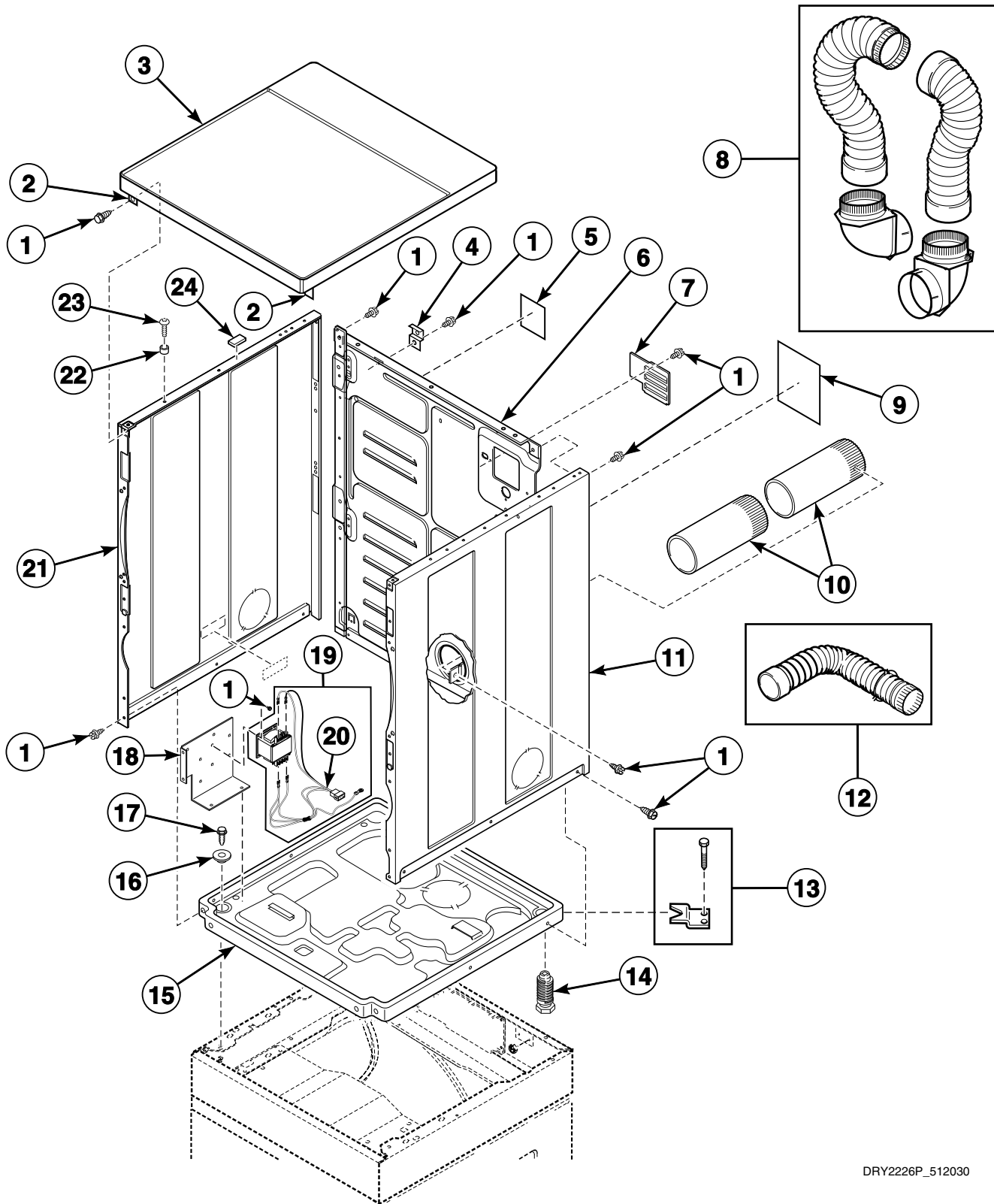
Cabinet, Exhaust Duct and Base - Single Dryers

REF	PART NO.	DESCRIPTION	COMMENTS
	122P4P	Porcelain Touch-Up Paint	White
	215P4P	Porcelain Touch-Up Paint	Almond
	370P4P	Porcelain Touch-Up Paint	Bisque
1	56079	Panel Locator	
2	39733	Screw	
3	56128	Bumper Pad	
4	D514632P	Cabinet Rear Panel	
5	D510136	Top Hinge	
6	D503688	Screw	
7	D511004	Gas Clearance Label	Gas models
8	D510903	Access Panel Plate	
9	D511005	Electric Clearance Label	Electric models
10	521P3	Flexible Venting Kit	
11	D516196	Exhaust Duct	
12	D510002WP	Cabinet Side Panel	White; Right
	D510002LP	Cabinet Side Panel	Almond; Right
	D510002QP	Cabinet Side Panel	Bisque; Right
13	528P3	Directional Exhaust Kit	Used to vent dryer out the sides or bottom
14	526P3	Hold Down Kit	For mobile home installations
15	D510135	Leveling Leg	
16	D501855	Rubber Foot	
17	D514245	Dryer Base	
18	D510001WP	Cabinet Side Panel	White; Left
	D510001LP	Cabinet Side Panel	Almond; Left
	D510001QP	Cabinet Side Panel	Bisque; Left

* Add Letter To Designate Color. L - Almond Q - Bisque W - White

Cabinet, Exhaust Duct and Base - Stacked Dryers

Models KES17A*F, KES17A*F1500, KGS17A*F and LSL30FGW541NW23



DRY2226P_512030

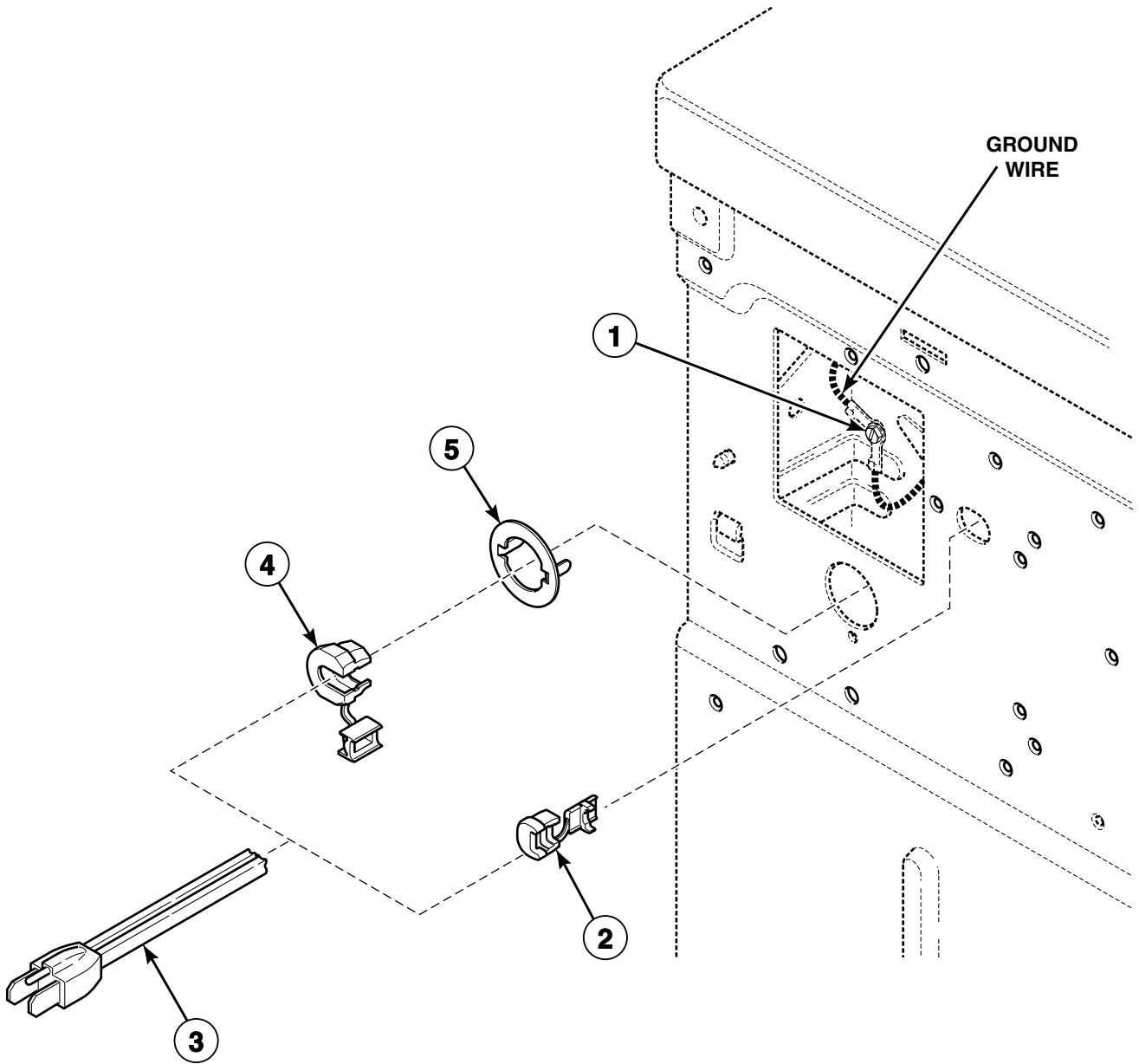
Cabinet, Exhaust Duct and Base - Stacked Dryers

REF	PART NO.	DESCRIPTION	COMMENTS
	122P4P	Porcelain Touch-Up Paint	White
	370P4P	Porcelain Touch-Up Paint	Bisque
1	D503688	Screw	
2	D510146	Bracket	
3	D510032WP	Top Kit	White
	D510032QP	Top Kit	Bisque
4	D510136	Top Hinge	
5	D511004	Gas Clearance Label	Models KGS17A*F and LSL30FGW541NW23
6	D514632P	Cabinet Rear Panel	
7	D510903	Access Panel Plate	
8	521P3	Flexible Venting Kit	
9	D511005	Electric Clearance Label	Models KES17A*F and KES17A*F1500
10	D516196	Exhaust Duct	
11	D510002WP	Cabinet Side Panel	White; Right
	D510002QP	Cabinet Side Panel	Bisque; Right
12	528P3	Directional Exhaust Kit	Used to vent dryer out the sides
13	526P3	Hold Down Kit	For mobile home installations
14	D510135	Leveling Leg	
15	D514245	Dryer Base	
16	26509	Washer	
17	D502431	Screw	
18	D511859	Contacto Bracket	Model LSL30FGW541NW23
19	D511658P	Transformer Kit	Model LSL30FGW541NW23; Includes item 20
20	D511303	Wire Harness Assembly	Model LSL30FGW541NW23
21	D510001WP	Cabinet Side Panel	White; Left
	D510001QP	Cabinet Side Panel	Bisque; Left
22	56079	Panel Locator	
23	39733	Screw	
24	56128	Bumper Pad	

* Add Letter To Designate Color. Q - Bisque W - White

Lead-In Cord

Models BDG30FGS111TW01, FGS17A*F, FGU17A*F, FGZ17A*F, KGS17A*F, LDE30RGS543FW28, LDG30RGS113FW28, LDG30RGS113TW01, LGS17A*F, LGS17A*F1180, LGS37A*F and LSL30FGW541NW23



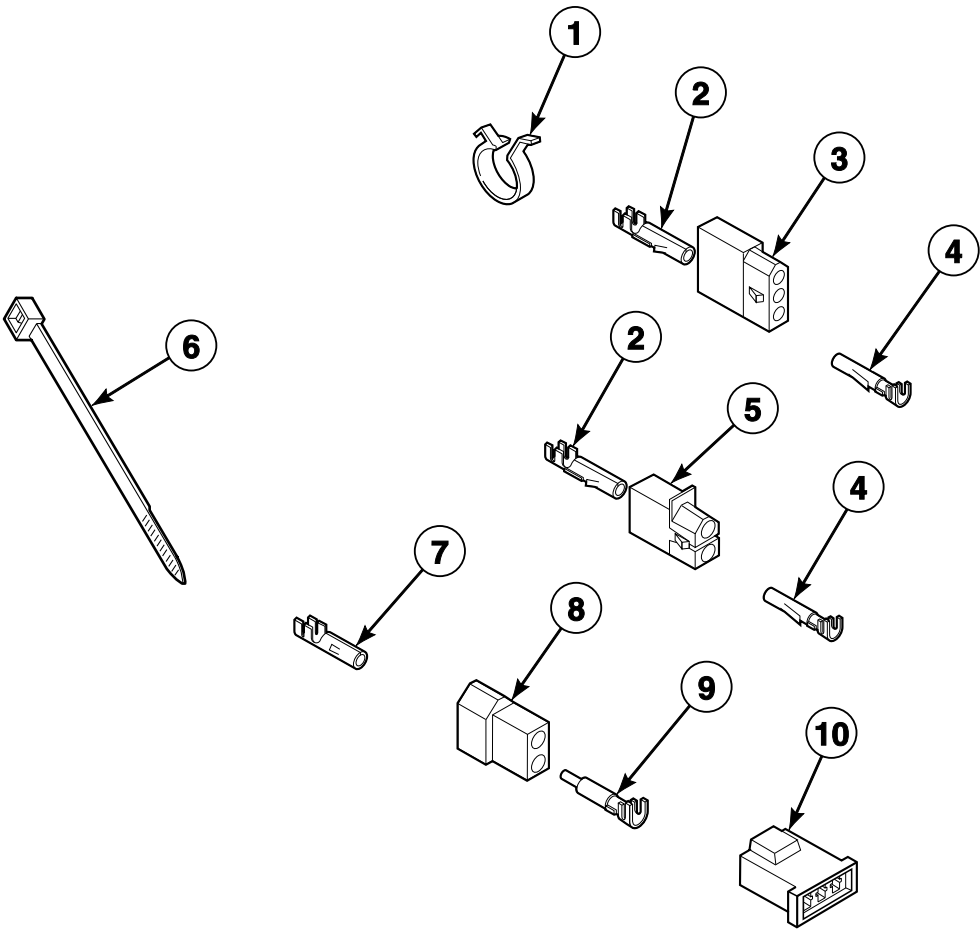
SWD1222P_512030

Lead-In Cord

REF	PART NO.	DESCRIPTION	COMMENTS
1	20530	Screw	
2	38384	Strain Relief	All models except LSL30FGW541NW23
3	59308	Lead-In Cord	Model KGS17A*F
	59373	Lead-In Cord	Model LSL30FGW541NW23
	D502599	Lead-In Cord	Model LDE30RGS543FW28
	201439	Lead-In Cord	Model LDG30RGS113FW28
	56222	Lead-In Cord	All other models
4	52113	Strain Relief	Models LDE30RGS543FW28 and LSL30FGW541NW23
5	D502496	Strain Relief Adapter	Models LDE30RGS543FW28 and LSL30FGW541NW23

* Add Letter To Designate Color. L - Almond Q - Bisque W - White

Terminal Block and Terminals

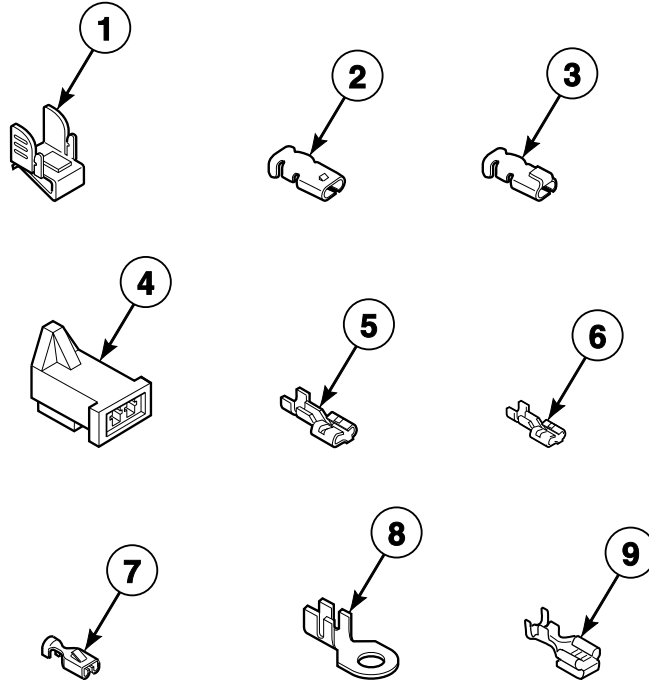


DRY1764P_512030

Terminal Block and Terminals

REF	PART NO.	DESCRIPTION	COMMENTS
1	D504034	Wire Clip	11/16 inch
	687500	Wire Clip	1 inch
2	00117	Female Pin Terminal	
	00129	Male Pin Terminal	1/8 inch
3	23039	3 Circuit Receptacle	
4	00116	Male Pin Terminal	
	00128	Female Pin Terminal	1/8 inch
5	56265	2 Circuit Receptacle	
5	56451	2 Circuit Receptacle	
	56855	12 Circuit Receptacle	
6	55881	Harness Strap	
7	00130	Female Pin Terminal	1/8 inch
8	56266	2 Circuit Plug	
9	00127	Male Pin Terminal	1/8 inch
10	58800	3 Circuit Connector	

Terminals



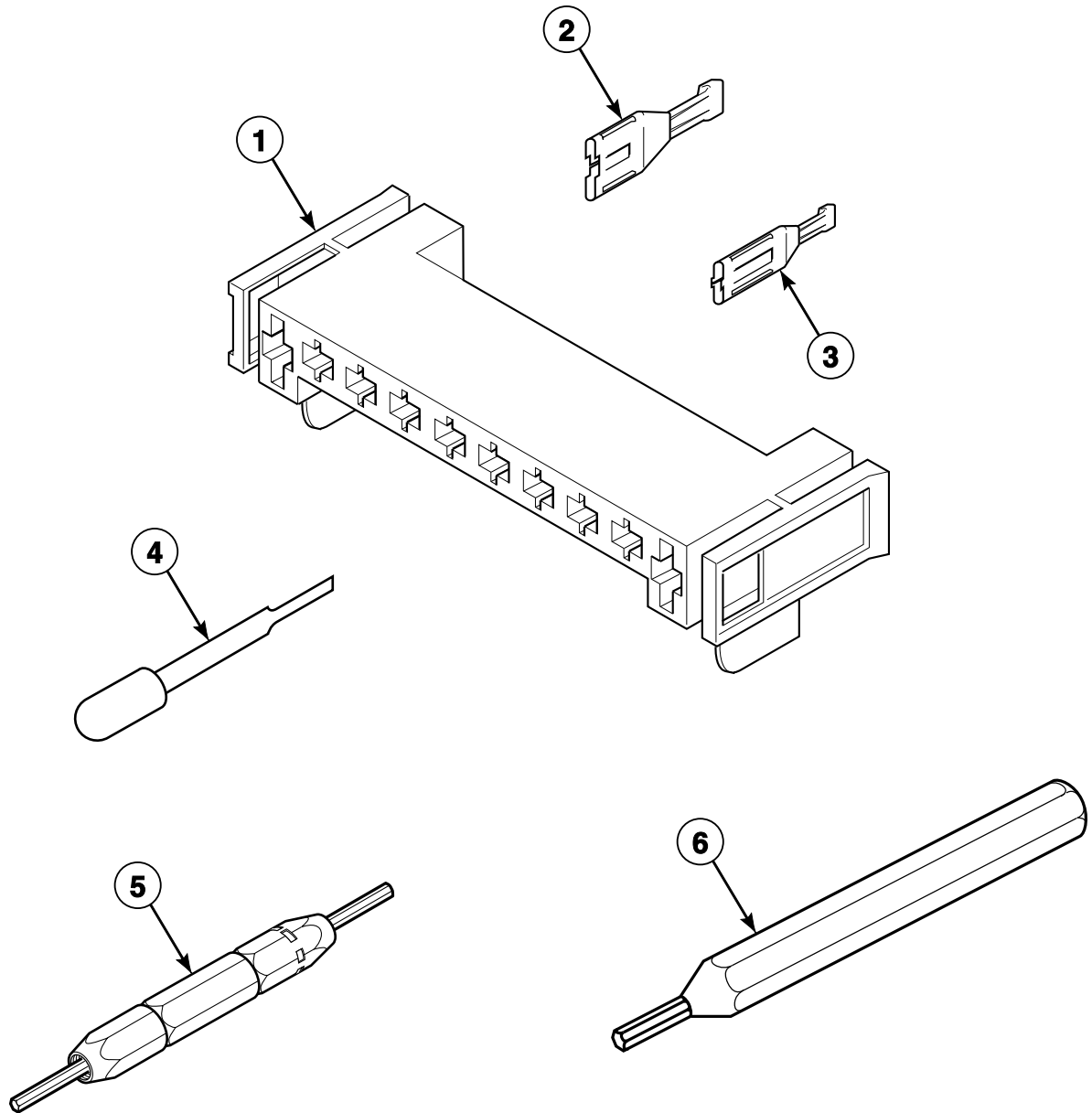
DRY1765P_512030

Terminals

REF	PART NO.	DESCRIPTION	COMMENTS
1	00161	Grounding Clip	
2	00189	Female Spade Terminal	1/8 inch
3	00361	Female Piggyback Terminal	
4	58799	2 Circuit Connector	
5	00223	Female Spade Terminal	1/4 inch; (1) 18 gauge wire
	00121	Female Spade Terminal	1/4 inch; (2) 18 gauge wires or (1) 12 gauge wire
6	N/A	Terminal	
7	00321	Female Spade Terminal	1/4 inch; (2) 18 gauge wires or (1) 12 gauge wire
8	00110	Ring Terminal	No. 10; (1) 18 gauge wire
9	00344	Female Tab Terminal	1/4 inch

N/A = Part no longer available

Terminals and Terminal Extractor Tools



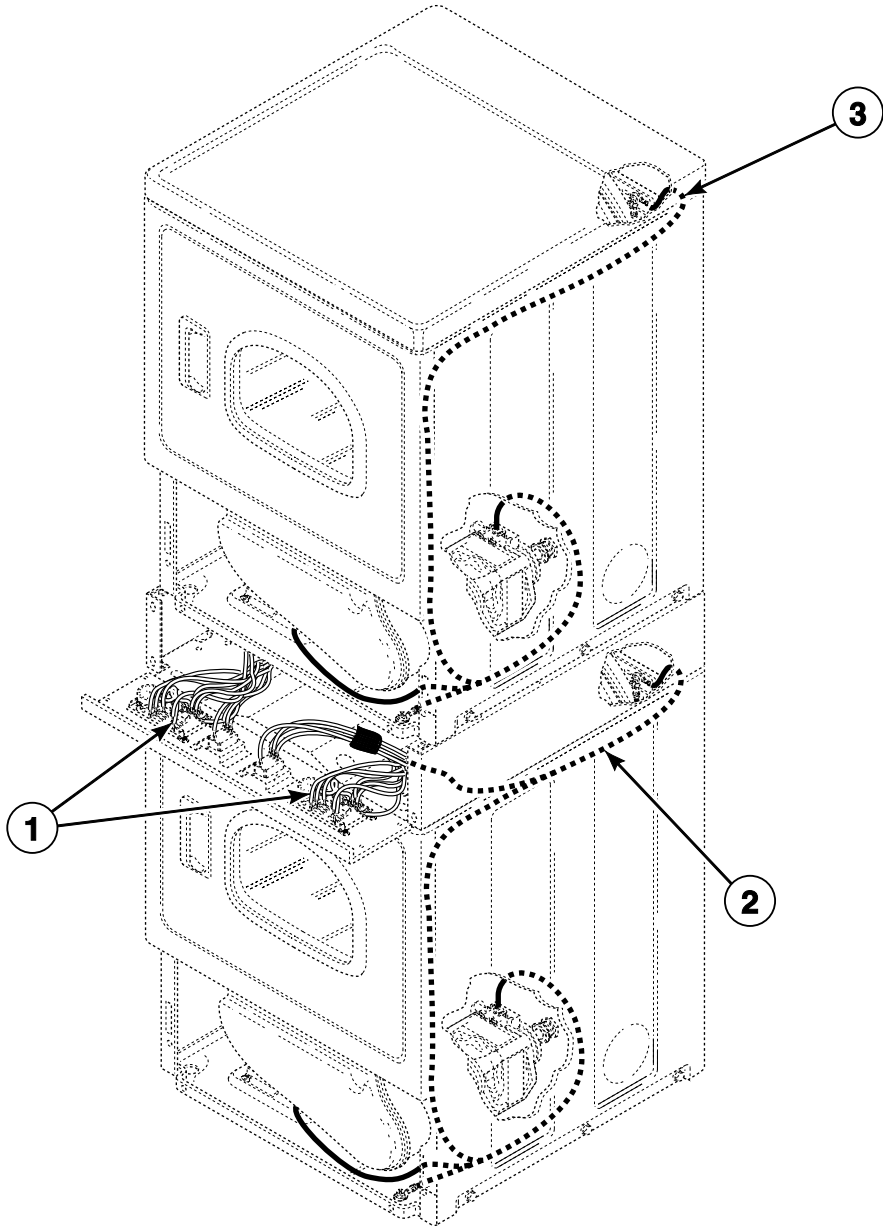
DRY1767P_512030

Terminals and Terminal Extractor Tools

REF	PART NO.	DESCRIPTION	COMMENTS
1	D500338	10 Position Housing	
2	00255	Female Terminal	1/4 inch; (1) 12 gauge wire
	00256	Female Terminal	1/4 inch; (1) or (2) 18 gauge wires
3	00188	Female Terminal	For 1 or 2 wire application
4	283P4	Terminal Extractor Tool	For use on Molex connectors
5	190P4	Extractor Tool	For use on electric dryer terminals
6	128P4	Extractor Tool	For use on gas dryer terminals

Wire Harnesses and Wires - Stack Models (Drawing 1 of 3)

Models KGS17A*F and LSL30FGW541NW23



DRY2269P_512030

Wire Harnesses and Wires - Stack Models (Drawing 1 of 3)

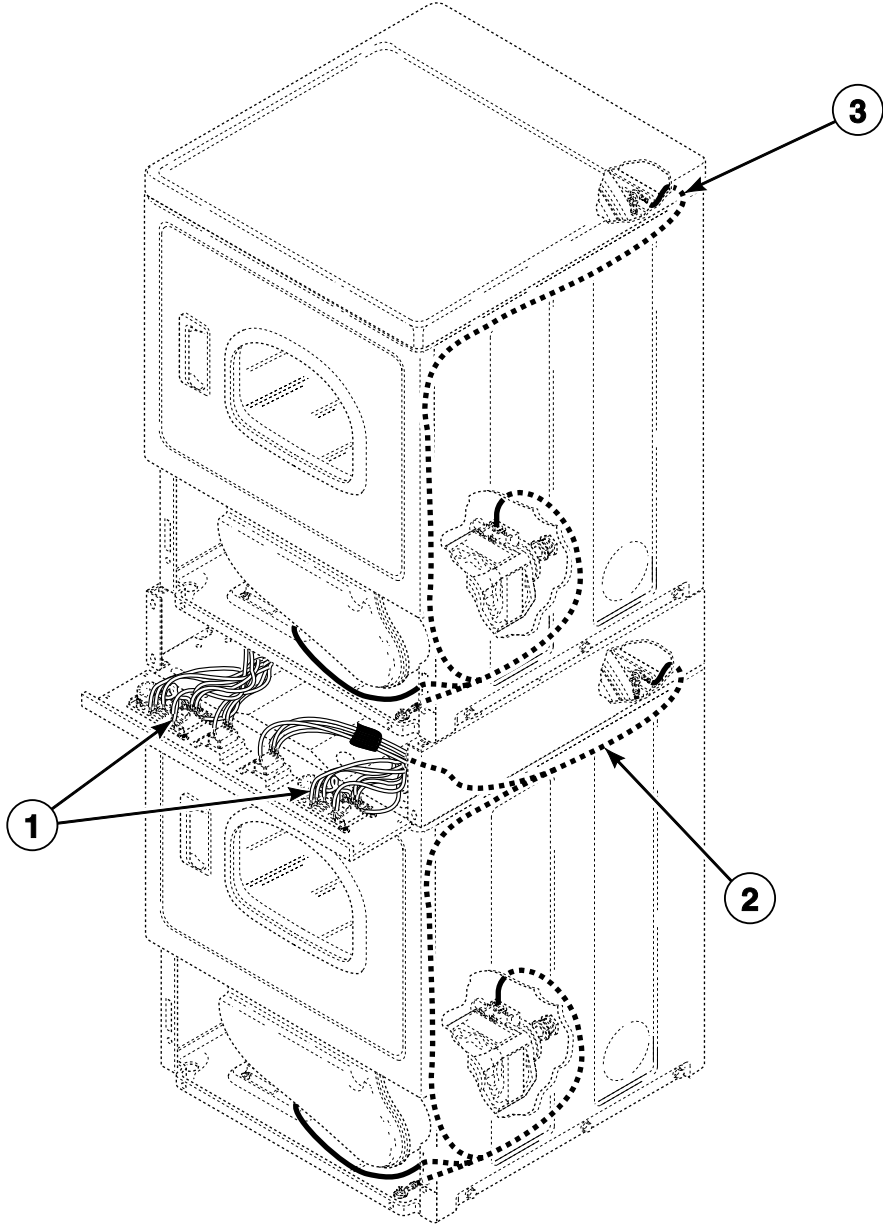
REF	PART NO.	DESCRIPTION	COMMENTS
	45380	12 Gauge Wire	Orange; Order wire by the foot; Order terminals and connectors as required
	45001	18 Gauge Wire	Black; Order wire by the foot; Order terminals and connectors as required
1	D511323	Security Cabinet Harness Assembly	Model KGS17A*F
	D511767	Security Cabinet Harness Assembly	Model LSL30FGW541NW23
2	D511329	Wire Harness Assembly	Model KGS17A*F through Serial No. 1401000001
	D513823	Wire Harness Assembly	Model KGS17A*F starting Serial No. 1401000001 and continuing through Serial No. 1903000001
	D517443	Wire Harness Assembly	Model KGS17A*F starting Serial No. 1903000001 through 12/31/19
	D517629	Wire Harness Assembly	Model KGS17A*F starting 1/1/20 through 12/31/21
	D518659	Wire Harness Assembly	Model KGS17A*F starting 1/1/22
	D511773P	Wire Harness Assembly	Model LSL30FGW541NW23
3	D511325P	Upper Harness Assembly	Model KGS17A*F through Serial No. 1401000001
	D513821	Upper Harness Assembly	Model KGS17A*F starting Serial No. 1401000001 and continuing through Serial No. 1903000001
	D517441	Upper Harness Assembly	Model KGS17A*F starting Serial No. 1903000001 through 12/31/19
	D517627	Upper Harness Assembly	Model KGS17A*F starting 1/1/20 through 12/31/21
	D518657	Upper Harness Assembly	Model KGS17A*F starting 1/1/22
	D511751	Wire Harness Assembly	Model LSL30FGW541NW23

* Add Letter To Designate Color. L - Almond Q - Bisque W - White

NOTE: Individual wires are not available separately. Order complete wire harness, or order wire by the foot. When applying terminals to wires, it is recommended that the terminals be soldered to the wires.

Wire Harnesses and Wires - Stack Models (Drawing 2 of 3)

Models KES17A*F and KES17A*F1500
Models Through Serial No. 1303025314



DRY2269P_512030

Wire Harnesses and Wires - Stack Models (Drawing 2 of 3)

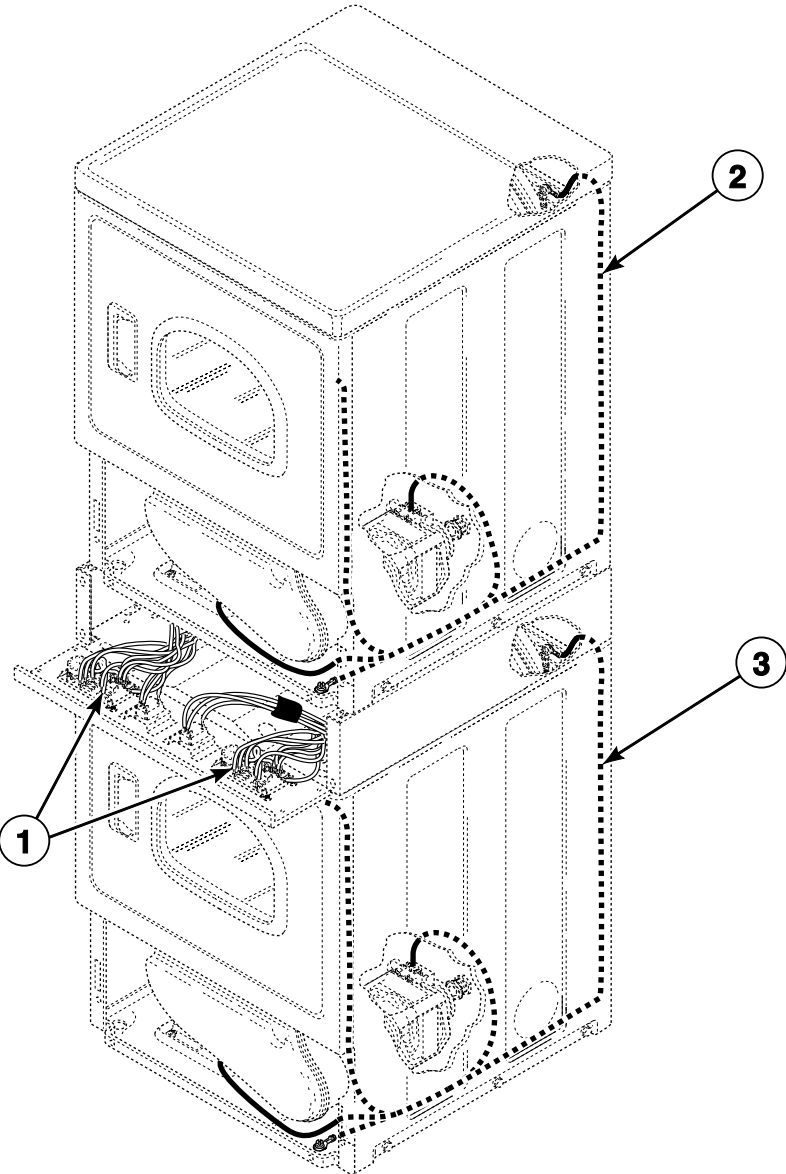
REF	PART NO.	DESCRIPTION	COMMENTS
	45380	12 Gauge Wire	Orange; Order wire by the foot; Order terminals and connectors as required
	45001	18 Gauge Wire	Black; Order wire by the foot; Order terminals and connectors as required
1	D511324P	Security Cabinet Harness	
2	D511330	Wire Harness Assembly	
3	D511322P	Upper Harness Assembly	

* Add Letter To Designate Color. L - Almond Q - Bisque W - White

NOTE: Individual wires are not available separately. Order complete wire harness, or order wire by the foot. When applying terminals to wires, it is recommended that the terminals be soldered to the wires.

Wire Harnesses and Wires - Stack Models (Drawing 3 of 3)

Models KES17A*F and KES17A*F1500
Models Starting Serial No. 1303025315



DRY2289P_512030

Wire Harnesses and Wires - Stack Models (Drawing 3 of 3)

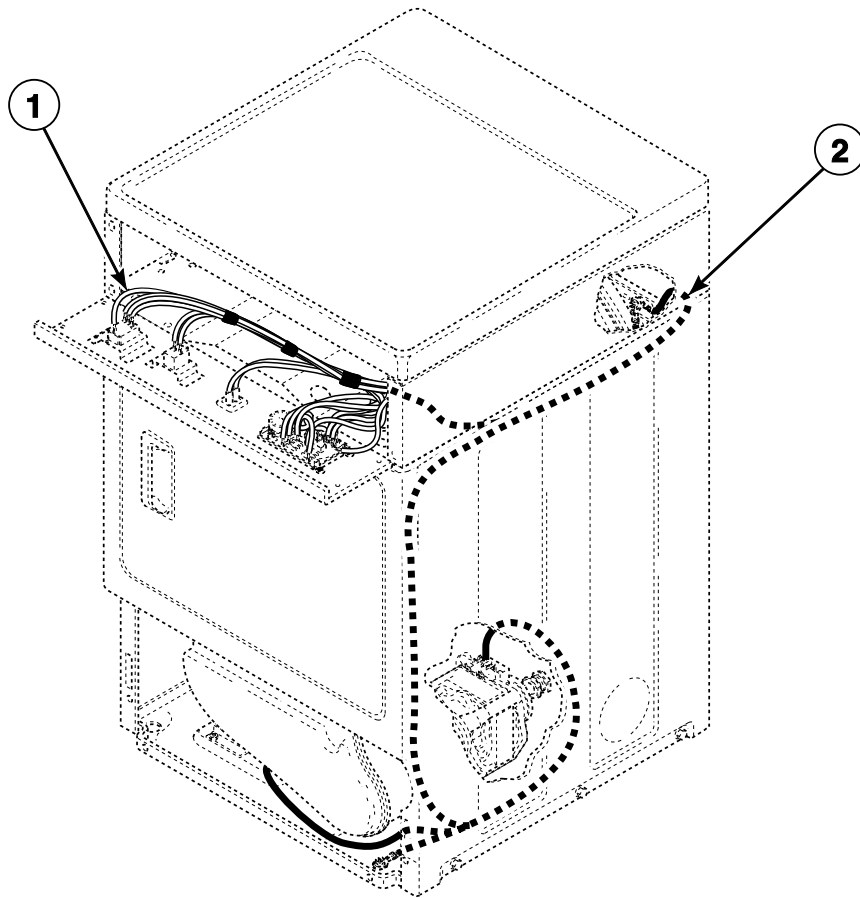
REF	PART NO.	DESCRIPTION	COMMENTS
	45380	12 Gauge Wire	Orange; Order wire by the foot; Order terminals and connectors as required
	45001	18 Gauge Wire	Black; Order wire by the foot; Order terminals and connectors as required
1	D511324P	Security Cabinet Harness	
2	D513946	Wire Harness	Upper; Through Serial No. 1508000001
	D513824	Wire Harness Assembly	Upper; Starting Serial No. 1508000001 and continuing through Serial No. 1903000001
	D517440	Wire Harness Assembly	Upper; Starting Serial No. 1903000001
3	D513826	Wire Harness Assembly	
	D517442	Wire Harness Assembly	Starting Serial No. 1903000001

* Add Letter To Designate Color. L - Almond Q - Bisque W - White

NOTE: Individual wires are not available separately. Order complete wire harness, or order wire by the foot. When applying terminals to wires, it is recommended that the terminals be soldered to the wires.

Wire Harnesses and Wires - Front Control Models (Drawing 1 of 3)

Models BDG30FGS111TW01, FEU17A*F, FEZ17A*F, FGS17A*F, FGU17A*F and FGZ17A*F



DRY2046P_512030

Wire Harnesses and Wires - Front Control Models (Drawing 1 of 3)

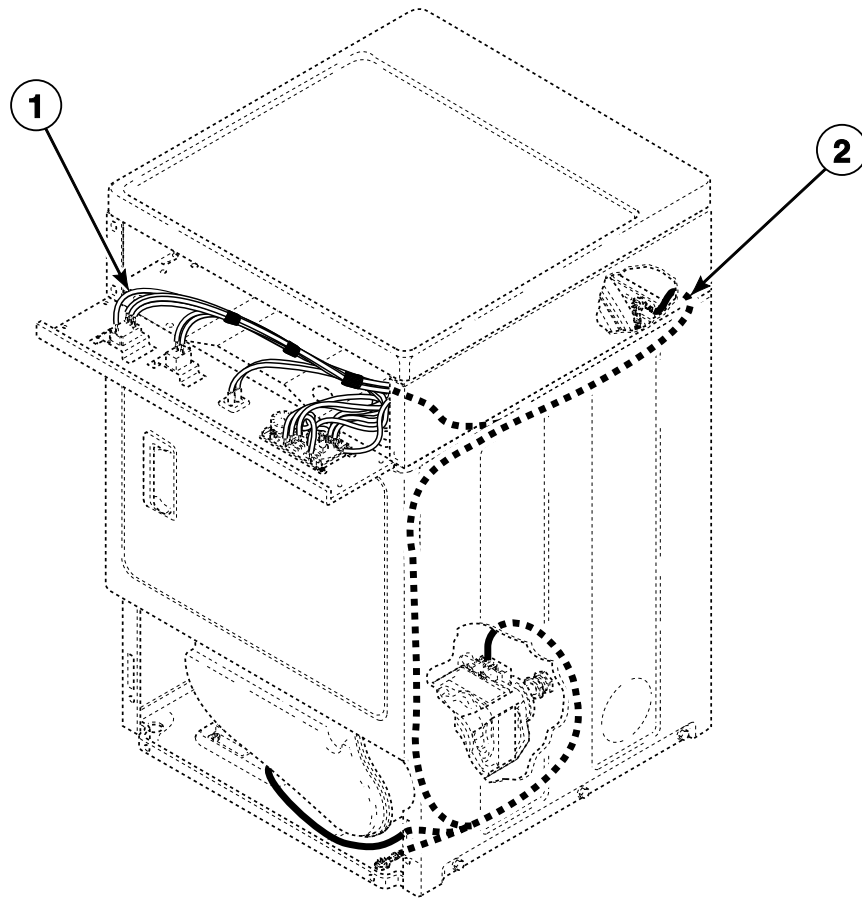
REF	PART NO.	DESCRIPTION	COMMENTS
	45380	12 Gauge Wire	Orange; Order wire by the foot; Order terminals and connectors as required
	45001	18 Gauge Wire	Black; Order wire by the foot; Order terminals and connectors as required
1	D511324P	Security Cabinet Harness	Models FEU17A*F and FEZ17A*F
	D511323	Security Cabinet Harness Assembly	Models BDG30FGS111TW01, FGS17A*F, FGU17A*F and FGZ17A*F
2	D511329	Wire Harness Assembly	Models BDG30FGS111TW01, FGS17A*F, FGU17A*F and FGZ17A*F
	D511330	Wire Harness Assembly	Models FEU17A*F and FEZ17A*F

* Add Letter To Designate Color. L - Almond Q - Bisque W - White

NOTE: Individual wires are not available separately. Order complete wire harness, or order wire by the foot. When applying terminals to wires, it is recommended that the terminals be soldered to the wires.

Wire Harnesses and Wires - Front Control Models (Drawing 2 of 3)

Models BDE30FGS171TW01, FES17A*F, FES17A*F1500 and UDE30FGS171TW08
Models Through Serial No. 1303025314



DRY2046P_512030

Wire Harnesses and Wires - Front Control Models (Drawing 2 of 3)

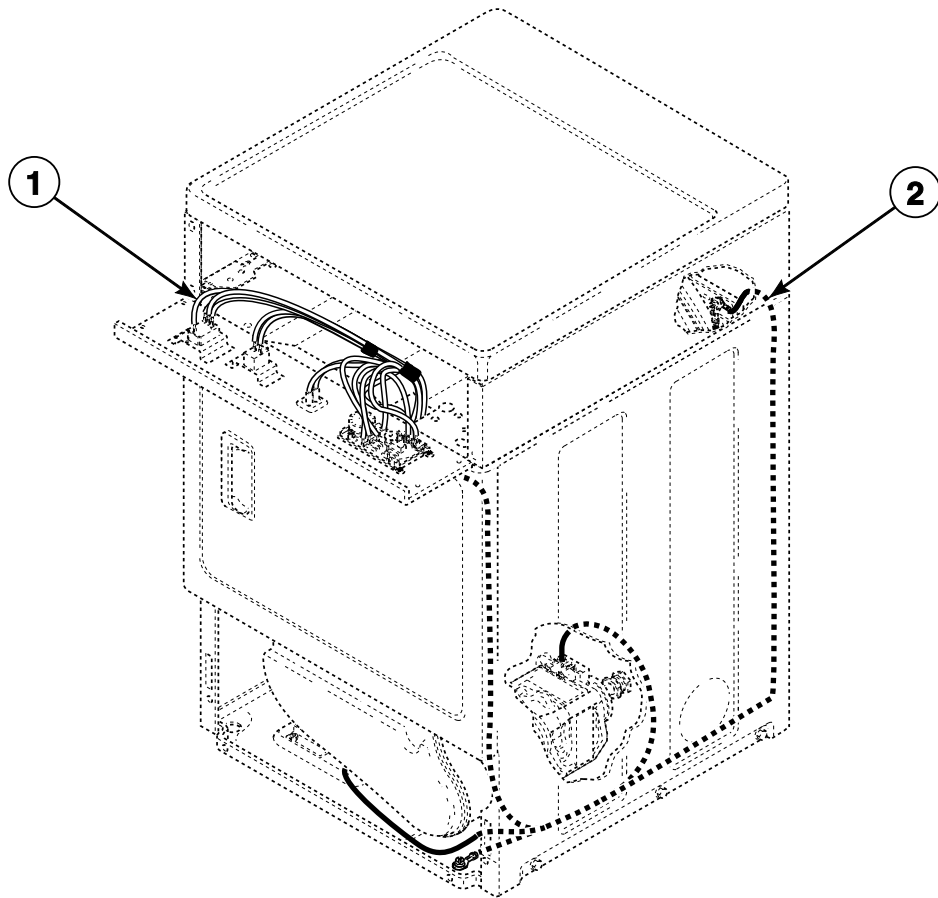
REF	PART NO.	DESCRIPTION	COMMENTS
	45380	12 Gauge Wire	Orange; Order wire by the foot; Order terminals and connectors as required
	45001	18 Gauge Wire	Black; Order wire by the foot; Order terminals and connectors as required
1	D511324P	Security Cabinet Harness	
2	D511330	Wire Harness Assembly	

* Add Letter To Designate Color. L - Almond Q - Bisque W - White

NOTE: Individual wires are not available separately. Order complete wire harness, or order wire by the foot. When applying terminals to wires, it is recommended that the terminals be soldered to the wires.

Wire Harnesses and Wires - Front Control Models (Drawing 3 of 3)

Models BDE30FGS171TW01, FES17A*F, FES17A*F1500 and UDE30FGS171TW08
Models Starting Serial No. 1303025315



DRY2290P_512030

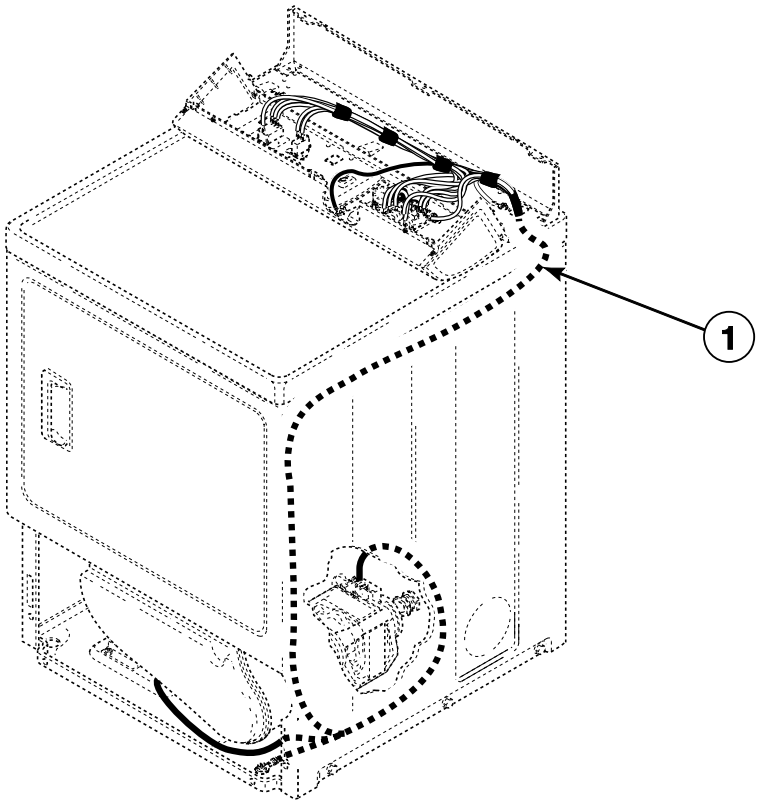
Wire Harnesses and Wires - Front Control Models (Drawing 3 of 3)

REF	PART NO.	DESCRIPTION	COMMENTS
	45380	12 Gauge Wire	Orange; Order wire by the foot; Order terminals and connectors as required
	45001	18 Gauge Wire	Black; Order wire by the foot; Order terminals and connectors as required
1	D511324P	Security Cabinet Harness	
2	D513826	Wire Harness Assembly	

* Add Letter To Designate Color. L - Almond Q - Bisque W - White

NOTE: Individual wires are not available separately. Order complete wire harness, or order wire by the foot. When applying terminals to wires, it is recommended that the terminals be soldered to the wires.

Wire Harnesses and Wires - Rear Control Models Through Serial No. 1207



DRY2047P_512030

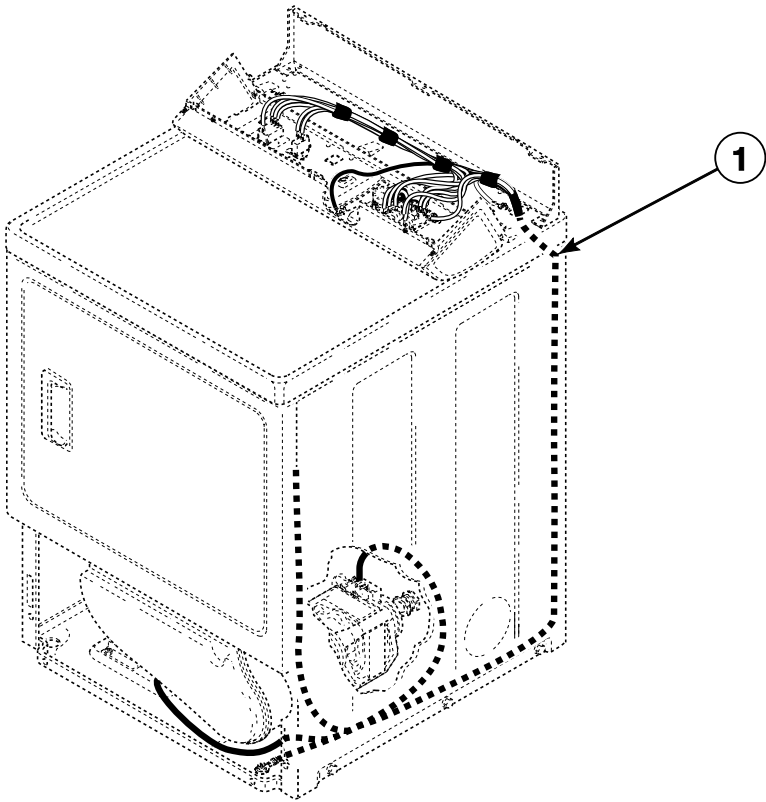
Wire Harnesses and Wires - Rear Control Models Through Serial No. 1207

REF	PART NO.	DESCRIPTION	COMMENTS
	45380	12 Gauge Wire	Orange; Order wire by the foot; Order terminals and connectors as required
	45001	18 Gauge Wire	Black; Order wire by the foot; Order terminals and connectors as required
1	D510402P	Wire Harness Assembly	Model LES37A*F
	D510403	Wire Harness Assembly	Model LGS37A*F
	D510424P	Wire Harness Assembly	Models LDE30RGS153TW01, LDE30RGS173TW01, LES17A*F and LES17A*F1500
	D510425P	Wire Harness Assembly	Models LDG30RGS113TW01, LGS17A*F and LGS17A*F1180

* Add Letter To Designate Color. L - Almond Q - Bisque W - White

NOTE: Individual wires are not available separately. Order complete wire harness, or order wire by the foot. When applying terminals to wires, it is recommended that the terminals be soldered to the wires.

Wire Harnesses and Wires - Rear Control Models Starting Serial No. 1207



DRY2268P_512030

Wire Harnesses and Wires - Rear Control Models Starting Serial No. 1207

REF	PART NO.	DESCRIPTION	COMMENTS
	45380	12 Gauge Wire	Orange; Order wire by the foot; Order terminals and connectors as required
	45001	18 Gauge Wire	Black; Order wire by the foot; Order terminals and connectors as required
1	D513652	Wire Harness Assembly	Model LES37A*F
	D513651	Wire Harness Assembly	Model LGS37A*F
	D513658	Wire Harness Assembly	Models LDE30RGS153TW01, LDE30RGS173TW01, LES17A*F and LES17A*F1500; Models through Serial No. 1903000001
	D517446	Harness Assembly	Models LDE30RGS153TW01, LDE30RGS173TW01, LES17A*F and LES17A*F1500; Models starting Serial No. 1903000001
	D513655	Wire Harness Assembly	Models LDG30RGS113TW01, LGS17A*F and LGS17A*F1180 through Serial No. 1903000001
	D517445	Harness Assembly	Models LDG30RGS113TW01, LGS17A*F and LGS17A*F1180 starting Serial No. 1903000001

* Add Letter To Designate Color. L - Almond Q - Bisque W - White

NOTE: Individual wires are not available separately. Order complete wire harness, or order wire by the foot. When applying terminals to wires, it is recommended that the terminals be soldered to the wires.

Parts Index

A

Access Panel	
D510069LP	15
Access Panel and Guard Assembly	
D514252Q	15
Access Panel Assembly	
D514250Q	15
D514250WP	15
Access Panel Plate	
D510903	29, 31
Adhesive	
D511637P	19, 21
Air Duct Assembly	
D518432	19
D518433	19
Anti-Seize Compound	
27604P	17

B

Blower and Fan Kit	
D510717P	17
Blower Fan Assembly	
D510139P	17
Blower Housing	
D511969WP	17
Blower Housing Seal	
D510238P	17
Bolt	
29651	7
Booster and Holding Coil	
58804A	27
Bracket	
D510146	31
Bumper Pad	
56128	29, 31
Burner Assembly	
D510149P	27
Buzzer	
D510211	5

C

Cabinet Rear Panel	
D514632P	29, 31
Cabinet Side Panel	
D510001LP	29
D510001QP	29, 31
D510001WP	29, 31
D510002LP	29
D510002QP	29, 31
D510002WP	29, 31
Combustion Duct	
D510131	25
Connector, 2 Circuit	
58799	37

Connector, 3 Circuit	
58800	35
Contactactor Bracket	
D511859	31
Control Cabinet Bottom	
801777	7, 9
Control Cabinet Rear	
800867	7
Control Panel Assembly	
D511421W	7
D512034W	9
Control Support Panel	
D503901	5
Cylinder Assembly	
D510159WP	19
D510265LGP	19
D510265WP	19
Cylinder Baffle	
D510102LG	19
D510102W	19
Cylinder Belt	
D511255P	17
Cylinder Glide	
D513710	19
Cylinder Glide Bracket	
D510145	19
Cylinder Roller	
D510708P	21
Cylinder Roller Bracket	
D510100	21
Cylinder Seal Assembly	
D510207P	19, 21

D

Directional Exhaust Kit	
528P3	29, 31
Disconnect Power Warning Label	
D505281	7
Domed Label	
202128	7
800921	7, 9
800922	7
800923	7
Door Assembly	
D516510WP	13
D516737W	11
Door Catch Assembly	
D510177	15
Door Handle Wedge	
D510129W	11, 13
Door Liner Grill	
D503870W	11
Door Pull and Wedge Kit	
D510103LP	13
D510103QP	13
D510103WP	11, 13
Door Strike	
D510181	11, 13

N/A items do not appear in index.

Door Strike Mount	
D510127	11, 13
Dryer Base	
D514245	29, 31
Dryer Door	
D510013LP	13
D510013QP	13
D510013WP	13
D510082WP	11
Dryer Door Window	
D503982P	11
Drying Rack	
D512082P	19

E

Elbow	
D513072	27
Elbow Shut-Off Valve	
D510205	27
Electric Clearance Label	
D511005	29, 31
End Panel	
D504008L	5
D504008QP	5
D504008WP	5
D504009L	5
D504009QP	5
D504009WP	5
Exhaust Duct	
D516196	29, 31
Expansion Clip	
70030501	7, 9
Extractor Tool	
128P4	39
190P4	39

F

Fabric Selector Switch	
D513505	5, 7, 9
Felt Pad	
D510189	19
Female Piggyback Terminal	
00361	37
Female Pin Terminal	
00117	35
00128	35
00130	35
Female Spade Terminal	
00121	37
00189	37
00223	37
00321	37
Female Tab Terminal	
00344	37
Female Terminal	
00188	39
00255	39
00256	39
Flexible Venting Kit	
521P3	29, 31

Front Bulkhead Assembly	
D510266P	19
D511033WP	19
Front Panel	
D510066LP	15
D510066QP	15
D510066WP	15
Front Panel Assembly	
D513781WP	15
Front Panel Seal	
D511056	15

G

Gas Clearance Label	
D511004	29, 31
Gas Valve Assembly	
D510506P	27
60353P	27
Gas Valve Mounting Bracket	
D510128	27
Glide Kit	
RB170003	19
Graphic Overlay	
D511406	7
D512031	9
D517329	9
Graphic Panel	
D504020W	5
D504197Q	5
D504197W	5
D517327	5
Grounding Clip	
00161	37

H

Harness Assembly	
D517445	55
D517446	55
Harness Strap	
55881	35
Heat Duct Shroud	
D510101	25
Heater	
D510325P	23
Heater Assembly	
D510329P	23
Heater Duct and Screw Assembly	
D510025P	23
Heater Duct Assembly	
D510025P	25
Heater Kit	
964P3	23
Heater Kit Assembly	
61928	23
Hinge	
D511036	7, 11, 13
Hinge Hole Plug	
D510186	15
Hold Down Kit	
526P3	29, 31

N/A items do not appear in index.

Hood Back Panel	
D510099	5
Housing, 10 Position	
D500338	39

I

Idler Lever	
D516310	17
Idler Lever and Wheel Assembly	
D516792	17
Idler Spring	
D510185	17
Idler Wheel and Bearing Assembly	
D510142P	17
Igniter and Bracket Assembly	
D510184P	27

K

Knob Assembly	
36701L	5, 7
36701Q	5, 7, 9
36701W	5, 7, 9

L

Lead-In Cord	
D502599	33
201439	33
56222	33
59308	33
59373	33
Lead-In Pipe Assembly	
D510204	27
Left Control Cabinet Side	
800900LP	7
800900QP	7, 9
800900WP	7, 9
Leveling Leg	
D510135	29, 31
Limit Thermostat	
D510701	23
D510702	25
Liner and Seal Assembly	
D516509	11
Liner Door Seal	
D510147P	11, 13
Liner, Seal and Grill Assembly	
D510163WP	13
Lint Filter	
D503980LG	19
D503980W	19
L.P. Conversion Kit	
649P3	27

M

Male Pin Terminal	
00116	35

00127	35
00129	35
Motor and Pulley Assembly	
D505869P	17
D511629P	17
Motor Hub Ring Kit	
590P3	17
Motor Mount	
D518517	17
Motor Mount Clamp	
D510180	17
Motor Pulley	
D500011	17
Motor Switch Bracket	
D516311	17
Motor Switch Kit	
D501218P	17

N

Nut	
44087201	7
52566	17
56156	17, 21
800931	9
N.G. Conversion Kit	
650P3	27

O

Outlet Cover	
D500820	23, 25

P

Panel Locator	
56079	15, 29, 31
Plug, 2 Circuit	
56266	35
Pop Rivet	
685847	7
Porcelain Touch-Up Paint	
122P4P	29, 31
215P4P	29
370P4P	29, 31

R

Rear Bulkhead Assembly	
D510905WP	21
D511082P	21
Rear Control Cabinet	
801058	9
Receptacle, 12 Circuit	
56855	35
Receptacle, 2 Circuit	
56265	35
56451	35

N/A items do not appear in index.

Receptacle, 3 Circuit 23039	35
Resistor Assembly D511277	5, 7, 9
Retaining Ring 23748	17, 21
Right Control Cabinet Side 800915L	7
800915Q	7, 9
800915W	7, 9
Ring Terminal 00110	37
Roller Kit RB170002	21
Rubber Foot D501855	29

S

Screw	
D500226	11, 13
D500824	17
D501086	5, 7
D501285	19
D502431	31
D502535	17
D503688	7, 15, 17, 19, 21, 23, 25, 27, 29, 31
D505295	19
D505870	11
D505970	11
20530	33
23222	23, 27
31260	17
33562	15
39733	15, 29, 31
430497	9
44023301	21
51782	25, 27
52864	19
56124	27
61199	21
62588	19
800930	7, 9
Seal Kit RB170001	19, 21
Secondary Coil 58804B	27
Security Cabinet Harness D511324P	43, 45, 47, 49, 51
Security Cabinet Harness Assembly D511323	41, 47
D511767	41
Sensor D510213	27
Shaft 56461P	17, 21
Speed Clip 28835	15
Strain Relief 38384	33
52113	33
Strain Relief Adapter D502496	33

Switch D512973	15
D516391	17

T

Terminal Block Assembly D510190P	21
Terminal Block Shield D505768	21
D510237	21
Terminal Extractor Tool 283P4	39
Thermal Fuse Assembly D518542	23
Thermostat D504515	17
D510707P	17
D511957	17
Timer D505794P	5, 7, 9
D505796P	5, 9
D517386	5, 9
D517387	5
D517559	9
Timer and Harness Kit D505797P	5, 7
Timer Conversion Kit D518949	5
D518954	9
D519004	5
Timer Knob Assembly D510287L	5, 7
D512117Q	5, 7
D512117W	5, 7
D512119W	9
D517774W	9
Top and Gusset Assembly 802247QP	7
802247WP	7
Top Cover D505808L	5
D505808Q	5
D505808W	5
Top Hinge D510136	29, 31
Top Kit D510032LP	7
D510032QP	31
D510032WP	31
Top Mounting Bracket D504228	7
Top Panel Kit D510029LP	5
D510029WP	5
Transformer Kit D511658P	31

U

Upper Harness Assembly D511322P	43
D511325P	41

N/A items do not appear in index.

D513821	41
D517441	41
D517627	41
D518657	41

W

Warning/Caution Label	
D500281	15
Washer	
D504082	21
26509	31
52549	17, 21
Window Trim	
D503981W	11
Wire Assembly	
D518255	23
D518256	23
D518708	5
Wire Clip	
D504034	35
687500	35
Wire Harness	
D513946	45
Wire Harness Assembly	
D510402P	53
D510403	53
D510424P	53
D510425P	53
D511303	31
D511329	41, 47
D511330	43, 47, 49
D511751	41
D511773P	41
D513651	55
D513652	55
D513655	55
D513658	55
D513823	41
D513824	45
D513826	45, 51
D517440	45
D517442	45
D517443	41
D517629	41
D518659	41
Wire, 12 Gauge	
45380	41, 43, 45, 47, 49, 51, 53, 55
Wire, 18 Gauge	
45001	41, 43, 45, 47, 49, 51, 53, 55
