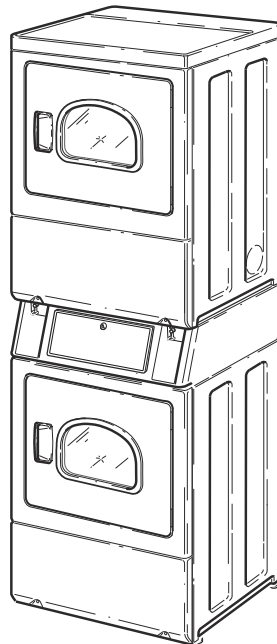


# Commercial Dryers

Metered and Nonmetered  
Refer to Page 3 for Model Numbers



DRY727C\_515205

**Alliance**<sup>™</sup>  
Laundry Systems

[www.alliancelandry.com](http://www.alliancelandry.com)

Part No. D515205R3  
June 2019



# Table of Contents

Title	Page
Parts Ordering Information.....	2
Serial Plate Location .....	2
Model Identification .....	3
Control Panel and Controls - Nonmetered.....	4
Control and Control Panel - Coin Slide Models .....	6
Coin Slide Extension Kit.....	8
Control Panel and Controls.....	10
Control Cabinet Controls - Coin Drop Models.....	12
Non-Electronic Coin Drop - Coin Drop Models .....	14
Electronic Coin Drop - Coin Drop Models .....	16
Control Cabinet - Integrated Card Reader Installed and Card Ready Models.....	18
Cabinet Top .....	20
Loading Door without Window .....	22
Loading Door with Window .....	24
Access Panel, Front Panel and Seal .....	26
Motor, Exhaust Fan and Belt .....	28
Front Bulkhead, Felt Seal, Cylinder, Air Duct and Lint Filter.....	30
Rear Bulkhead, Felt Seal, Cylinder Roller and Terminal Block.....	32
Heater Duct and Element Assembly - Electric Models.....	34
Heater Duct Assembly - Gas Models.....	36
Gas Valve, Igniter and Gas Conversion Kits.....	38
Cabinet, Exhaust Duct and Base .....	40
Power Cord.....	42
Terminal Block and Terminals .....	44
Terminals .....	46
Terminals and Terminal Extractor Tools .....	48
Wire Harnesses and Wires - Nonmetered and Coin Slide Gas Models.....	50
Wire Harnesses and Wires - Nonmetered and Coin Slide Electric Models.....	52
Wire Harnesses and Wires - Coin Drop and Card Reader Gas Models .....	54
Wire Harnesses and Wires - Coin Drop and Card Reader Electric Models.....	56
Parts Index.....	59

© Copyright 2019, Alliance Laundry Systems LLC

All rights reserved. No part of the contents of this book may be reproduced or transmitted in any form or by any means without the expressed written consent of the publisher.

## Parts Ordering Information

If literature or replacement parts are required, contact the source from whom the machine was purchased or contact Alliance Laundry Systems at (920) 748-3950 for the name and address of the nearest authorized parts distributor.

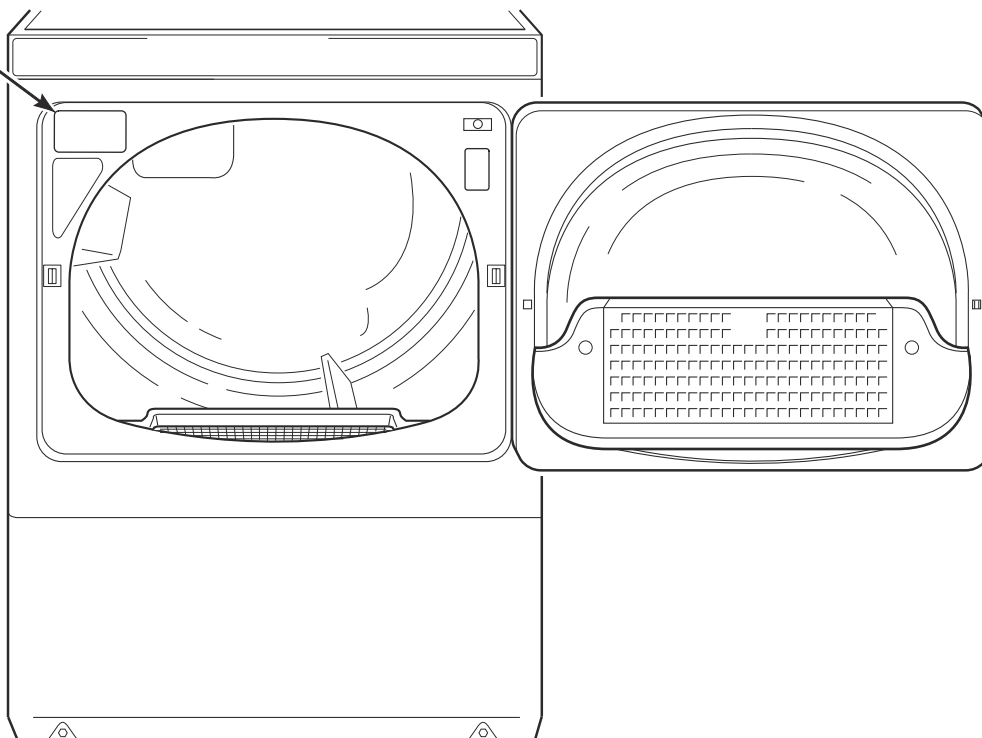
For technical assistance, call the number listed below:

(920) 748-3121 Ripon, Wisconsin

## Serial Plate Location

When calling or writing about your product, be sure to mention model and serial numbers. Model and serial numbers are located on serial plate(s) as shown.

Serial Plate



DRY2283P\_515205

## Model Identification

Information in this manual is applicable to these dryer models:

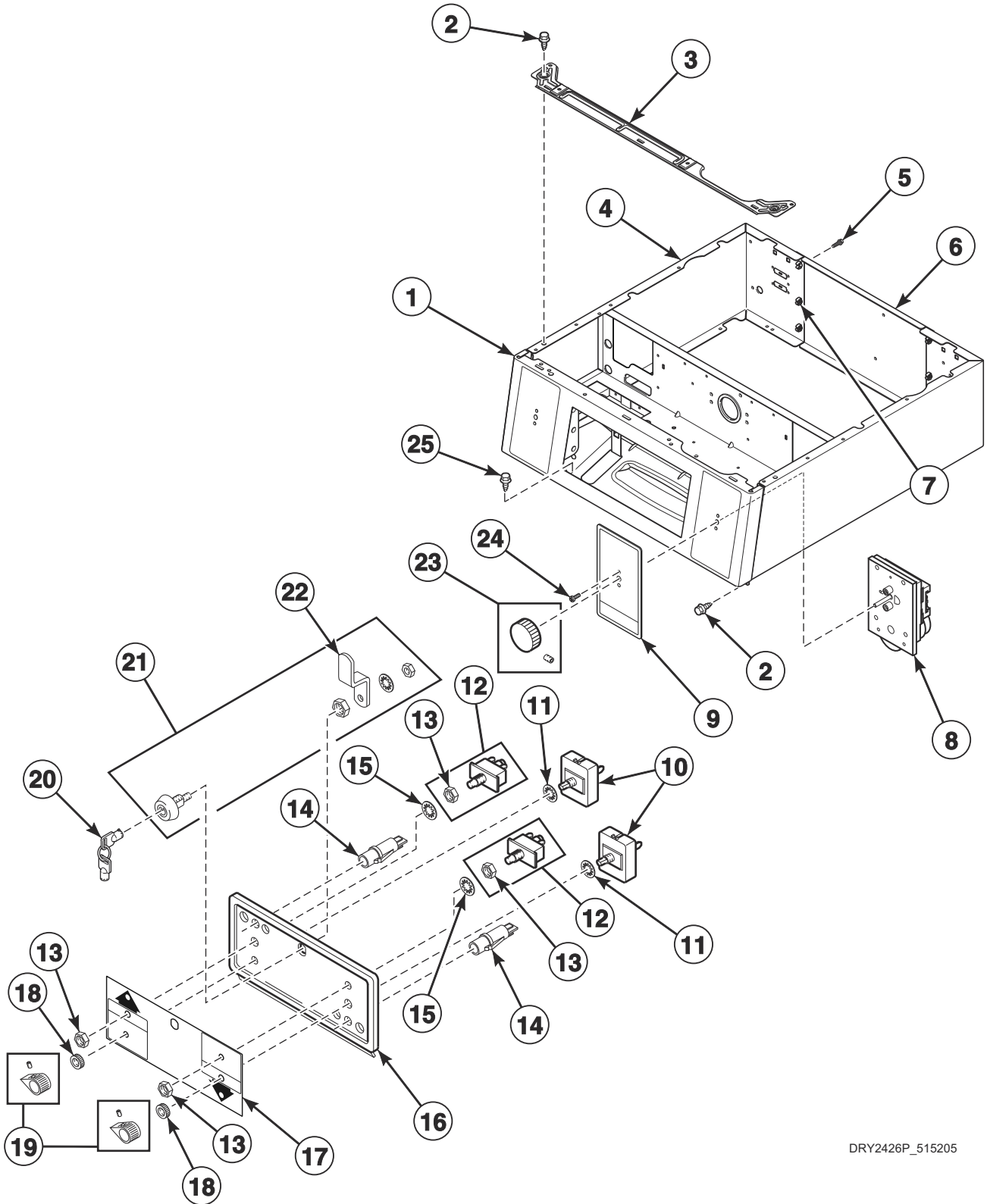
BSEBCAGS171TW01  
BSEBYAGS171TW01  
BSESXAGS171TW01  
BSGBCAGS111TW01  
BSGBYAGS111TW01  
BSGSXAGS111TW01  
HSEBCAGW171TW01  
HSEBYAGW171TW01  
HSESXAGW171TW01  
HSGBCAGW111TW01  
HSGBYAGW111TW01  
HSGSXAGW111TW01  
JSEMNA GS171TW01  
JSESXAGS171TW01  
JSGMNAGS111TW01  
JSGSXAGS111TW01

SSEBCAGS151TW01  
SSEBCAGS171TW01  
SSEBCAGW151TW01  
SSEBCAGW171TW01  
SSEBXAGS171TW01  
SSEBYAGS151TW01  
SSEBYAGS171TW01  
SSEBYAGW171TW01  
SSEMNA GS151TW01  
SSEMNA GS171TW01  
SSESXAGS151TW01  
SSESXAGS171TW01  
SSESXAGW171TW01  
SSGBCAGS111TW01  
SSGBCAGW111TW01  
SSGBXAGS111TW01  
SSGBXAGW111TW01  
SSGBYAGS111TW01  
SSGBYAGW111TW01  
SSGMNA GS111TW01  
SSGSXAGS111TQ01  
SSGSXAGS111TW01  
SSGSXAGW111TW01

USEMNA GS171TW01  
USGMNA GS111TW01

# Control Panel and Controls - Nonmetered

Models JSEMNAGS171TW01, JSGMNAGS111TW01, SSEMNAGS151TW01, SSEMNAGS171TW01, SSGMNAGS111TW01, USEMNAGS171TW01 and USGMNAGS111TW01



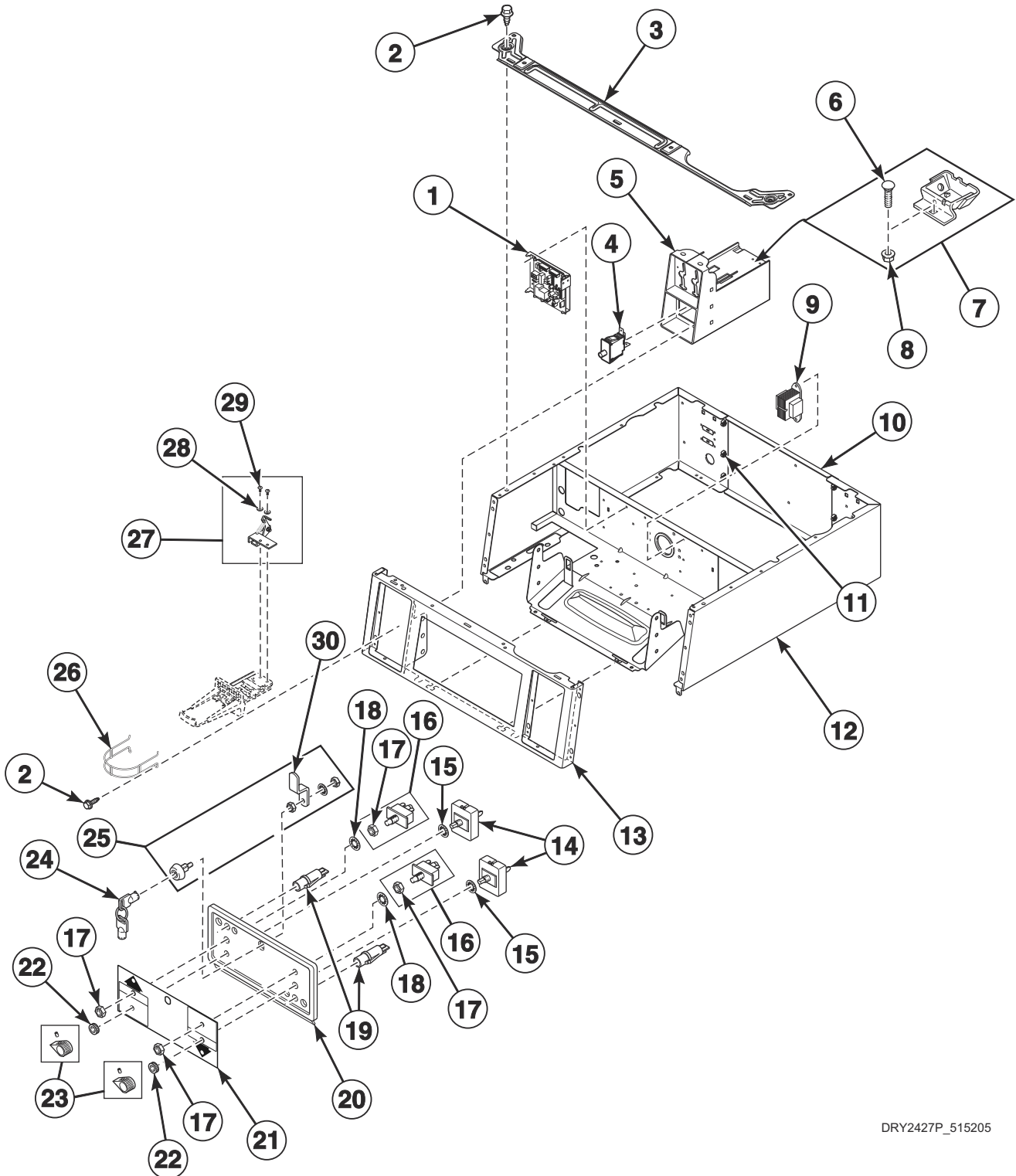
DRY2426P\_515205

## Control Panel and Controls - Nonmetered

REF	PART NO.	DESCRIPTION	COMMENTS
1	D514711W	Control Panel	White
2	D503688	Screw	
3	804018	Shield Bracket	
4	804112W	Wrapper Assembly	White
5	70240301	Screw	6 required
6	803998	Rear Access Panel	
7	70030501	Expansion Clip	6 required
8	D510524P	Timer	
9	D514710	Timer Overlay	
10	61512	Fabric Selector Switch	
11	91176	Washer	
12	55882	Switch Assembly	Includes item 13
13	52947	Nut	
14	32464	Light	120 Volt
15	25820	Washer	
16	D500228W	Control Panel and Bracket Assembly	White
17	D514670	Overlay	Models USEMNAGS171TW01 and USGMNAGS111TW01
	D515245	Overlay	Model JSEMNAGS171TW01
	D514371	Overlay	Models SSEMNAGS151TW01, SSEMNAGS171TW01 and SSGMNAGS111TW01
	D512678	Overlay	Model JSGMNAGS111TW01
18	24205	Nut	
19	39897	Switch Knob	
20	54612	Key	800
21	27260P	Lock Kit	Includes items 22
22	804338	Lock Cam	
23	54678	Timer Knob	
24	27328	Screw	
25	D502431	Screw	

# Control and Control Panel - Coin Slide Models

Models BSESXAGS171TW01, BSGSXAGS111TW01, HSESXAGW171TW01, HSGSXAGW111TW01, JSESXAGS171TW01, JSGSXAGS111TW01, SSESXAGS151TW01, SSESXAGS171TW01, SSESXAGW171TW01, SSGSXAGS111TQ01, SSGSXAGS111TW01 and SSGSXAGW111TW01



DRY2427P\_515205

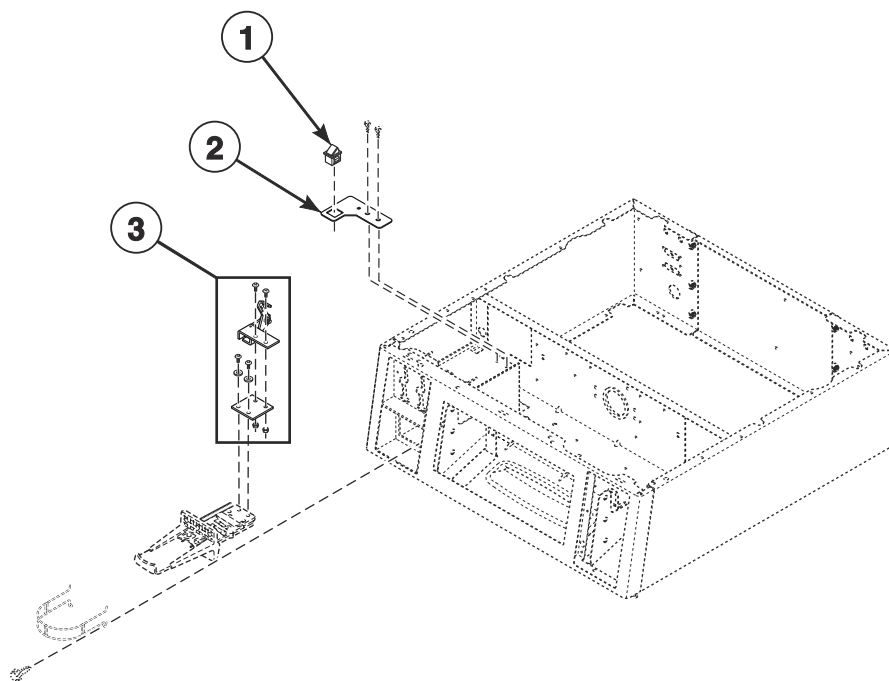


## Control and Control Panel - Coin Slide Models

REF	PART NO.	DESCRIPTION	COMMENTS
	70240301	Screw	6 required; Use with item 11
	29651	Bolt	4 required; Use to attach item 13 to item 12
	44087201	Nut	4 required; Use to attach item 13 to item 12
<b>1</b>	D513139P	Control Assembly	
<b>2</b>	D503688	Screw	
<b>3</b>	804018	Shield Bracket	
<b>4</b>	D512973	Switch	
<b>5</b>	804011W	Meter Case Assembly	White; Requires high capacity coin vault
	804011Q	Meter Case Assembly	Bisque; Requires high capacity coin vault
<b>6</b>	29651	Bolt	
<b>7</b>	523P3	Coin Funnel Kit	Includes items 6 and 8
<b>8</b>	29796	Nut	
<b>9</b>	201587P	Transformer	
<b>10</b>	803998	Rear Access Panel	
<b>11</b>	70030501	Expansion Clip	6 required
<b>12</b>	804104W	Wrapper Assembly	White
	804104Q	Wrapper Assembly	Bisque
<b>13</b>	D514724W	Control Panel	White
	D514724Q	Control Panel	Bisque
<b>14</b>	D511711	Temperature Selector Switch	
<b>15</b>	91176	Washer	
<b>16</b>	55882	Switch Assembly	Includes item 17
<b>17</b>	52947	Nut	
<b>18</b>	25820	Washer	
<b>19</b>	801431	Light	
<b>20</b>	D500228W	Control Panel and Bracket Assembly	White
	D500228Q	Control Panel and Bracket Assembly	Bisque
<b>21</b>	D515245	Overlay	Model JSESXAGS171TW01
	D512678	Overlay	Model JSGSXAGS111TW01
	D514667	Overlay	Models HSESXAGW171TW01 and HSGSXAGW111TW01
	D514669	Overlay	Models BSESXAGS171TW01 and BSGSXAGS111TW01
	D514371	Overlay	All other models
<b>22</b>	24205	Nut	
<b>23</b>	39897	Switch Knob	
<b>24</b>	54612	Key	800
<b>25</b>	27260P	Lock Kit	Includes item 30
<b>26</b>	D514726	Coin Slide Guard	
<b>27</b>	201915	Slide Extension Kit	
<b>28</b>	03815	Washer	
<b>29</b>	27328	Screw	
<b>30</b>	804338	Lock Cam	

# Coin Slide Extension Kit

Models BSESXAGS171TW01, BSGSXAGS111TW01, HSESXAGW171TW01, HSGSXAGW111TW01, JSESXAGS171TW01, JSGSXAGS111TW01, SSESXAGS151TW01, SSESXAGS171TW01, SSESXAGW171TW01, SSGSXAGS111TQ01, SSGSXAGS111TW01 and SSGSXAGW111TW01



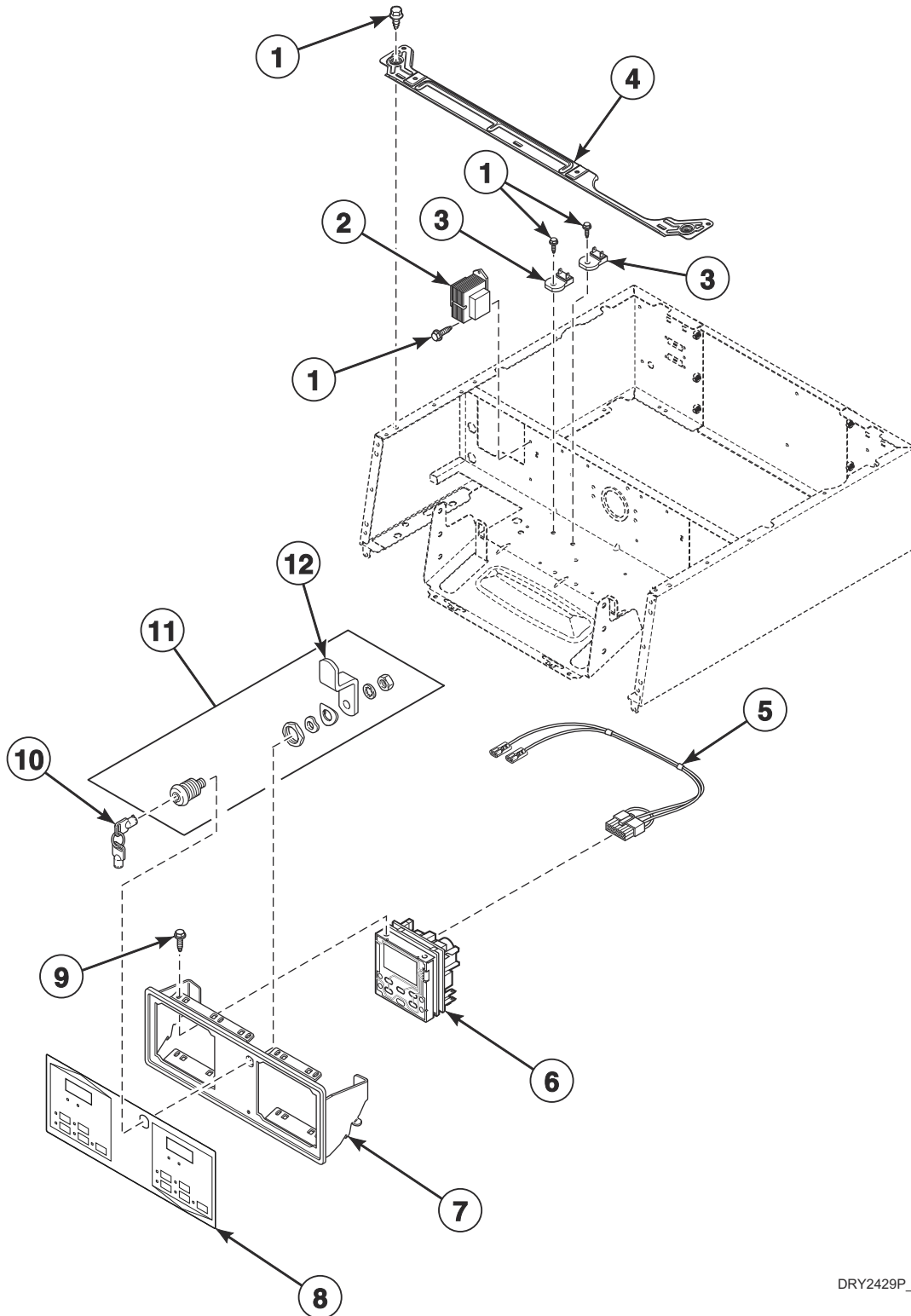
DRY2428P\_515205

# Coin Slide Extension Kit

REF	PART NO.	DESCRIPTION	COMMENTS
1	D514105	Switch	
2	803662	Bracket	
3	D514228	Coin Slide Extension Kit	Includes items 1 and 2

# Control Panel and Controls

Models BSEBCAGS171TW01, BSEBYAGS171TW01, BSGBCAGS111TW01, BSGBYAGS111TW01, HSEBCAGW171TW01, HSEBYAGW171TW01, HSGBCAGW111TW01, HSGBYAGW111TW01, SSEBCAGS151TW01, SSEBCAGS171TW01, SSEBCAGW151TW01, SSEBCAGW171TW01, SSEBXAGS171TW01, SSEBYAGS151TW01, SSEBYAGS171TW01, SSEBYAGW171TW01, SSGBCAGS111TW01, SSGBCAGW111TW01, SSGBXAGS111TW01, SSGBXAGW111TW01, SSGBYAGS111TW01 and SSGBYAGW111TW01



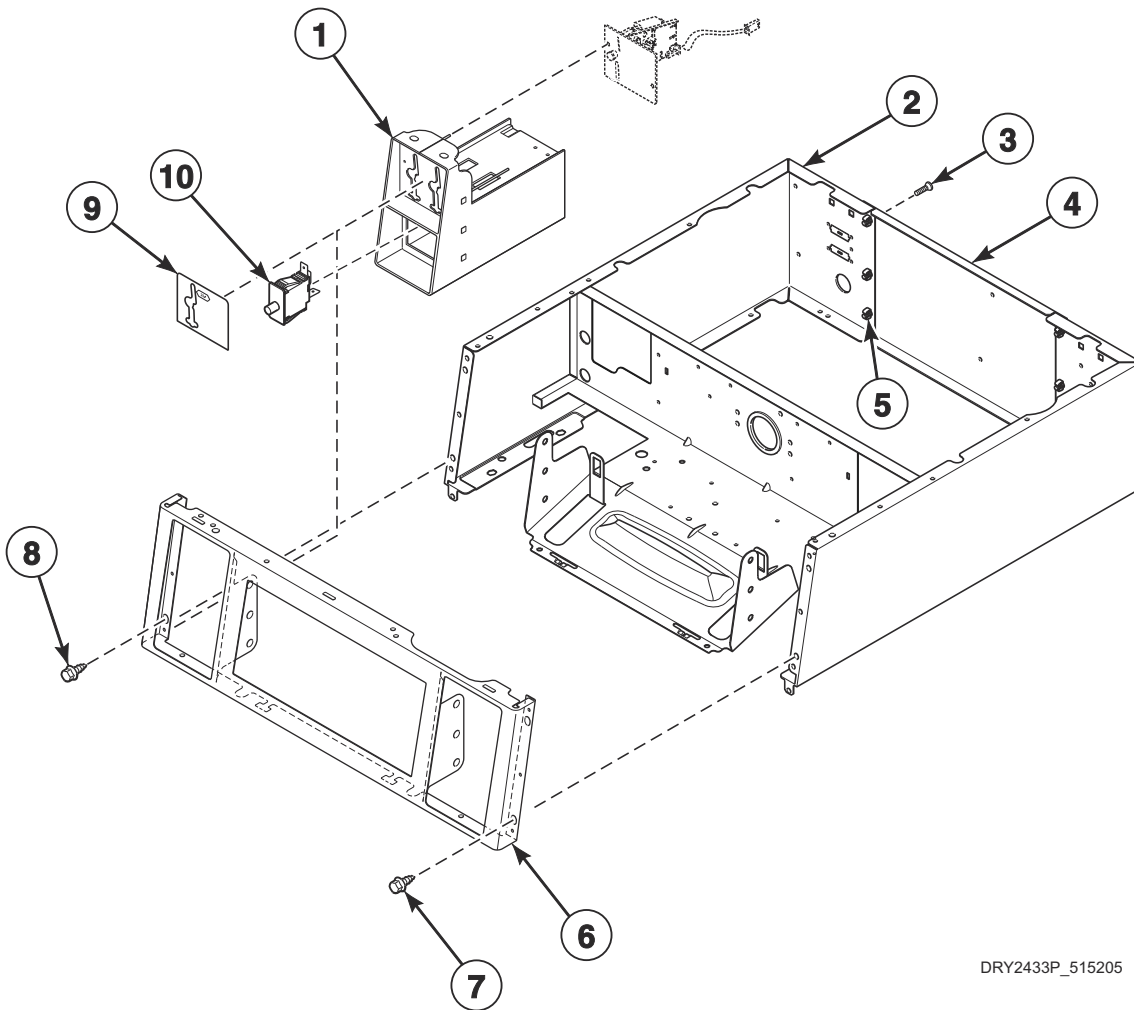
DRY2429P\_515205

## Control Panel and Controls

REF	PART NO.	DESCRIPTION	COMMENTS
	203328	Network Retrofit Kit	Wired
	203889	Wireless Network Kit	Through Serial No. 1902000001
	204689	Wireless Network Kit	Starting Serial No. 1902000001
	203346	USB IR Interface Kit	
	NK220	Network Controller Kit	Wired
	NK320	Ethernet Gateway Kit	Wireless
	NK330	USB Gateway Kit	Wireless
<b>1</b>	D503688	Screw	
<b>2</b>	201375P	Transformer	Models BSEBYAGS171TW01, BSGBYAGS111TW01, HSEBYAGW171TW01, HSGBYAGW111TW01, SSEBXAGS171TW01, SSEBYAGS151TW01, SSEBYAGS171TW01, SSEBYAGW171TW01, SSGBXAGS111TW01, SSGBXAGW111TW01, SSGBYAGS111TW01 and SSGBYAGW111TW01
	210018P	Transformer	All other models
<b>3</b>	210100	Resistor	Use with item 2
<b>4</b>	804018	Shield Bracket	
<b>5</b>	800374	Diagnostic Wire Harness Assembly	Models BSEBYAGS171TW01, BSGBYAGS111TW01, HSEBYAGW171TW01, HSGBYAGW111TW01, SSEBYAGS151TW01, SSEBYAGS171TW01, SSEBYAGW171TW01, SSGBYAGS111TW01 and SSGBYAGW111TW01
	D512422P	Wire Harness Assembly	All other models
<b>6</b>	D514273P	Control Assembly	Models BSEBCAGS171TW01, BSEBYAGS171TW01, BSGBCAGS111TW01 and BSGBYAGS111TW01
	D511867P	Control Assembly	All other models
<b>7</b>	D513778W	Control Panel and Bracket Assembly	
<b>8</b>	D515058	Control Overlay	Models BSEBCAGS171TW01, BSEBYAGS171TW01, BSGBCAGS111TW01 and BSGBYAGS111TW01
	D514668	Control Overlay	Models HSEBCAGW171TW01, HSEBYAGW171TW01, HSGBCAGW111TW01 and HSGBYAGW111TW01
	D514665	Overlay	All other models
<b>9</b>	D501524	Screw	
<b>10</b>	54612	Key	800
<b>11</b>	27260P	Lock Kit	Includes item 12
<b>12</b>	804338	Lock Cam	

# Control Cabinet Controls - Coin Drop Models

Models BSEBCAGS171TW01, BSGBCAGS111TW01, HSEBCAGW171TW01, HSGBCAGW111TW01, SSEBCAGS151TW01, SSEBCAGS171TW01, SSEBCAGW151TW01, SSEBCAGW171TW01, SSEBXAGS171TW01, SSGBCAGS111TW01, SSGBCAGW111TW01, SSGBXAGS111TW01 and SSGBXAGW111TW01



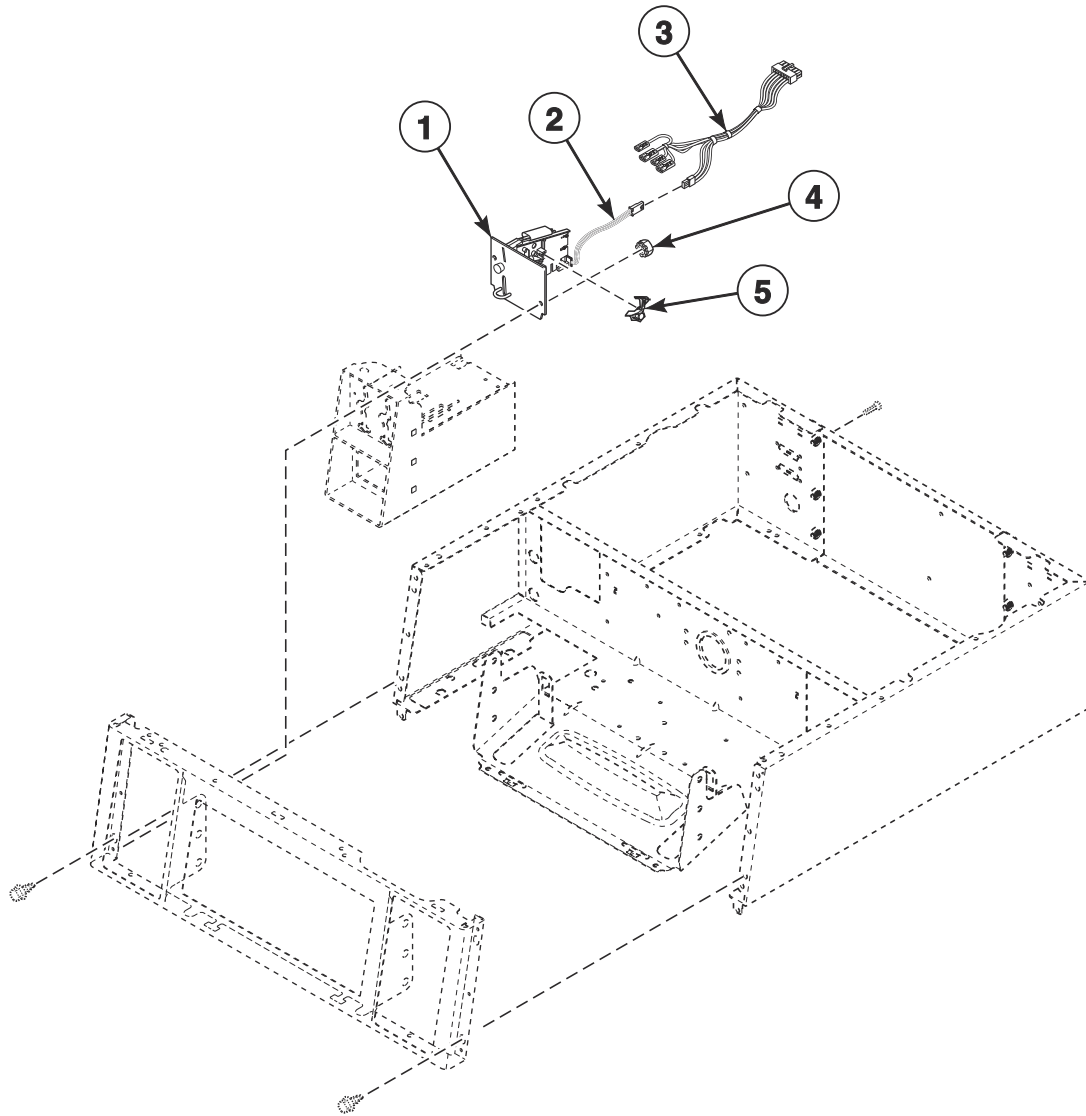
DRY2433P\_515205

## Control Cabinet Controls - Coin Drop Models

REF	PART NO.	DESCRIPTION	COMMENTS
1	807396W	Meter Case Assembly	Requires high capacity coin vault
2	804104W	Wrapper Assembly	
3	70240301	Screw	6 required
4	803998	Rear Access Panel	
5	70030501	Expansion Clip	6 required
6	803964W	Control Panel	White
7	D503688	Screw	
8	29651	Bolt	2 required; Use with 2 of 44087201 Nut to attach
9	38717	Single Overlay	
10	D512973	Switch	

# Non-Electronic Coin Drop - Coin Drop Models

Models BSEBCAGS171TW01, BSGBCAGS111TW01, HSEBCAGW171TW01, HSGBCAGW111TW01, SSEBCAGS151TW01, SSEBCAGS171TW01, SSEBCAGW151TW01, SSEBCAGW171TW01, SSGBCAGS111TW01 and SSGBCAGW111TW01



DRY2434P\_515205

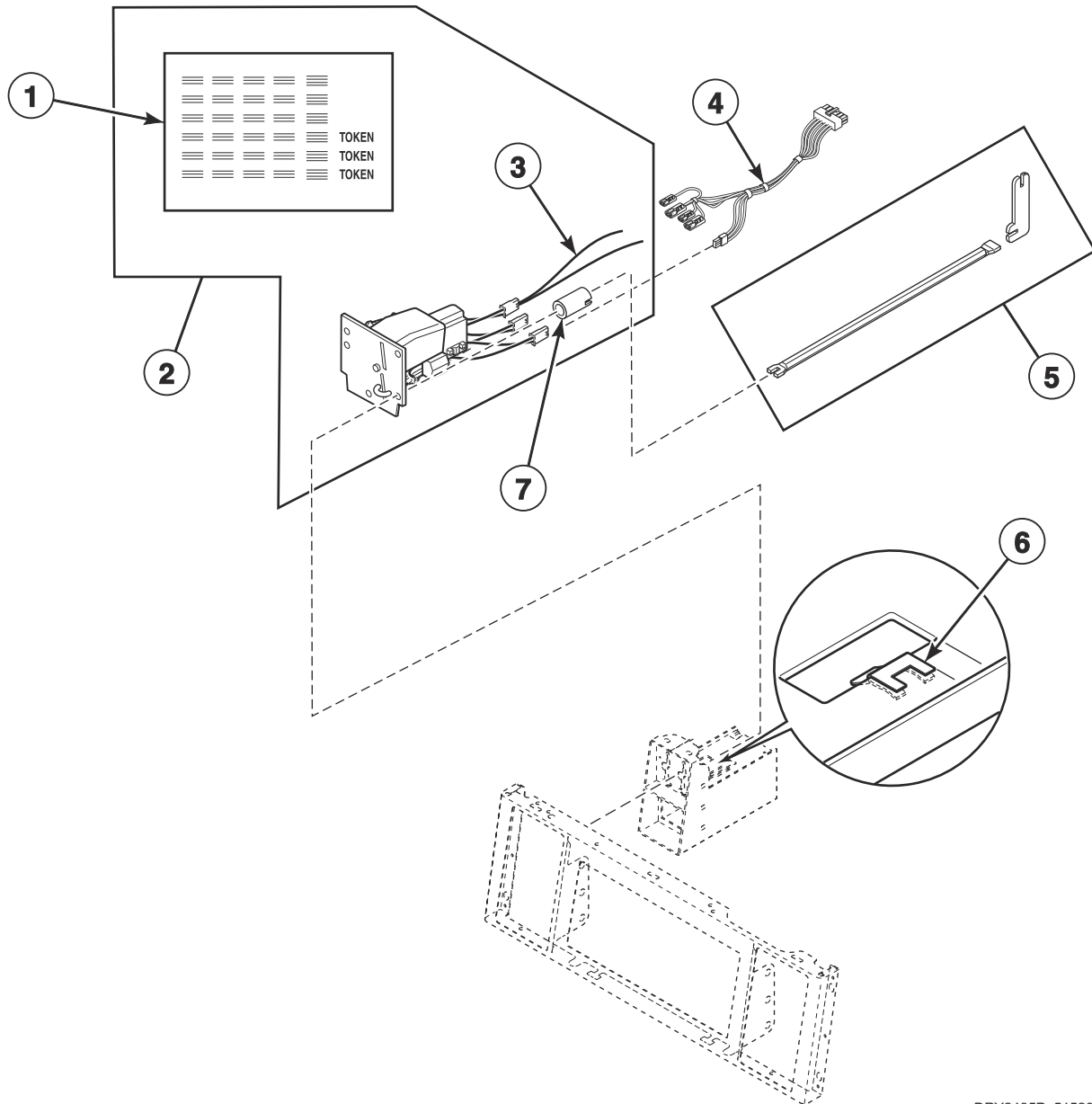


## Non-Electronic Coin Drop - Coin Drop Models

REF	PART NO.	DESCRIPTION	COMMENTS
1	38462P	Coin Drop Assembly	Token; 118-1 mzp
	38463	Coin Drop Assembly	Token; 118-5 mzp
	38464P	Coin Drop Assembly	Canada; .25
	38475	Coin Drop Assembly	Japan; 100 yen
	CK077	Coin Drop Kit	Taiwan; 10 NT
	70441601P	Coin Drop	USA; \$0.25
	38963P	Coin Drop	Token 118-16 mzp 5 nt
2	200674P	Opto Coupler	
3	802904P	Harness Assembly	
4	29786	Nut	
5	201595P	Wire Guard	Anti-stringing security device

# Electronic Coin Drop - Coin Drop Models

Models BSEBCAGS171TW01, BSGBCAGS111TW01, HSEBCAGW171TW01, HSGBCAGW111TW01, SSEBCAGS151TW01, SSEBCAGS171TW01, SSEBCAGW151TW01, SSEBCAGW171TW01, SSEBXAGS171TW01, SSGBCAGS111TW01, SSGBCAGW111TW01, SSGBXAGS111TW01 and SSGBXAGW111TW01



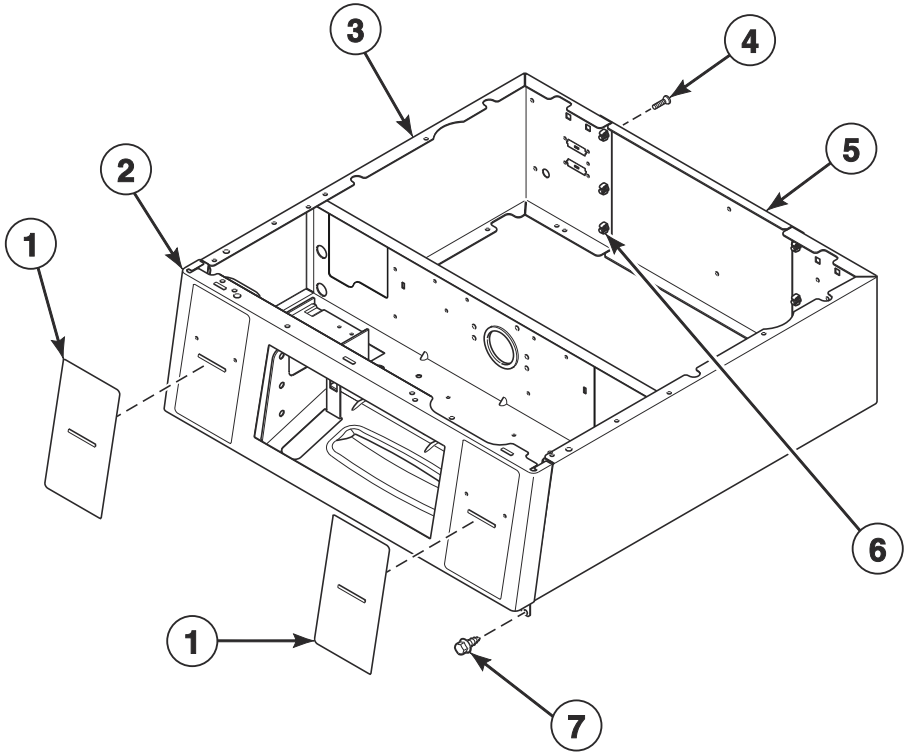
DRY2435P\_515205

## Electronic Coin Drop - Coin Drop Models

REF	PART NO.	DESCRIPTION	COMMENTS
1	38725	Coin Identification Paper	
2	CK115	Electronic Coin Drop Kit	Includes items 1, 3, 6 and 7; United States and Canada coins
3	201104	Coin Drop Wire Harness	
4	802905	Harness Assembly	Electronic coin drop requires this harness. If unit is not factory-equipped with this harness, it must be ordered separately.
5	CK096	Mounting Tool Kit	
6	201572	Clip	
7	201216	Nut	

# Control Cabinet - Integrated Card Reader Installed and Card Ready Models

Models BSEBYAGS171TW01, BSGBYAGS111TW01, HSEBYAGW171TW01, HSGBYAGW111TW01, SSEBYAGS151TW01,  
SSEBYAGS171TW01, SSEBYAGW171TW01, SSGBYAGS111TW01 and SSGBYAGW111TW01

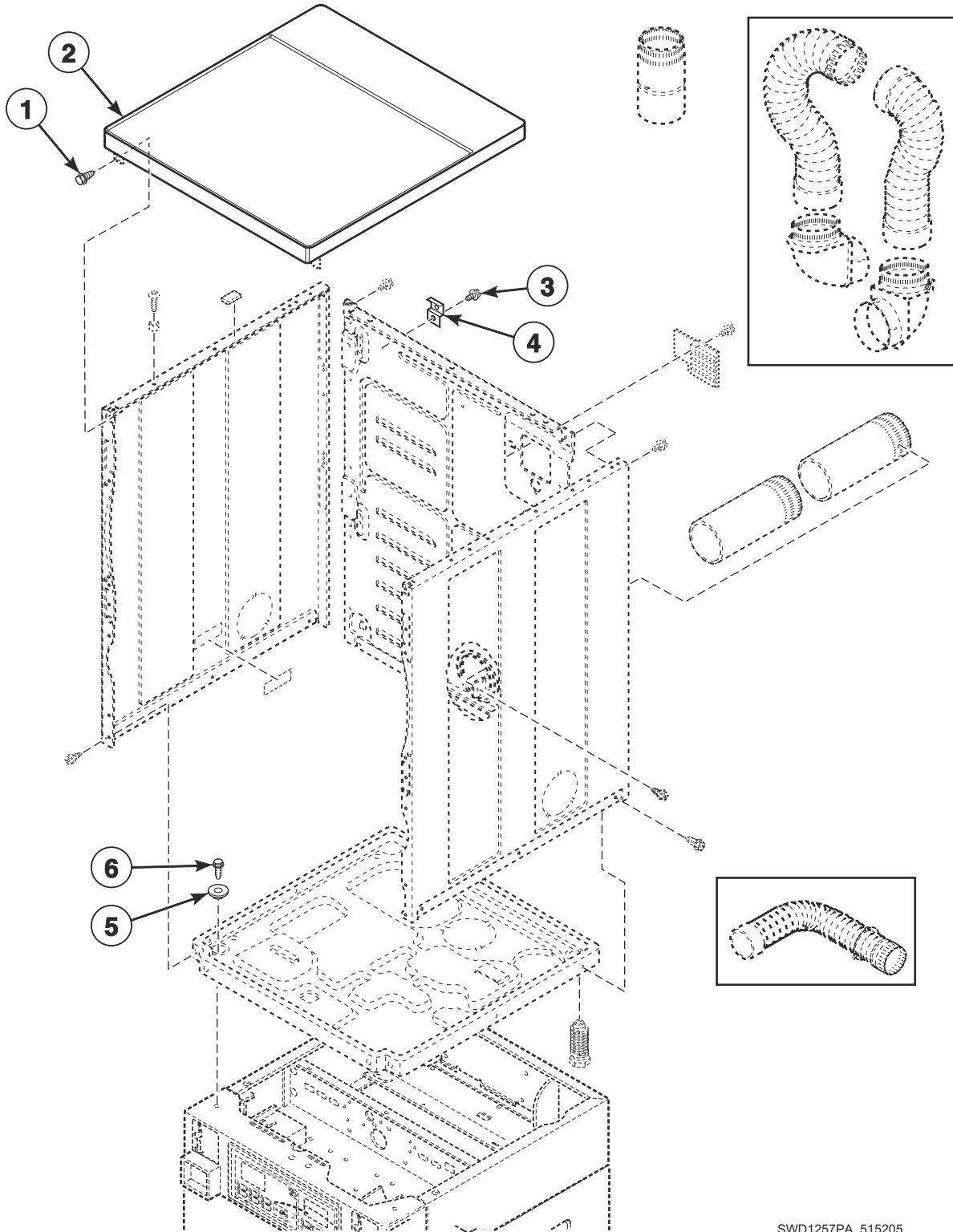


DRY2409P\_515205

## Control Cabinet - Integrated Card Reader Installed and Card Ready Models

REF	PART NO.	DESCRIPTION	COMMENTS
1	D514873	Overlay	2 required; Models HSEBYAGW171TW01 and HSGBYAGW111TW01
	D514391	Card Insert Overlay	2 required; All other models
2	804147WP	Security Cabinet Front Assembly	White
3	804112W	Wrapper Assembly	White
4	70240301	Screw	6 required
5	803998	Rear Access Panel	
6	70030501	Expansion Clip	6 required
7	D503688	Screw	

# Cabinet Top



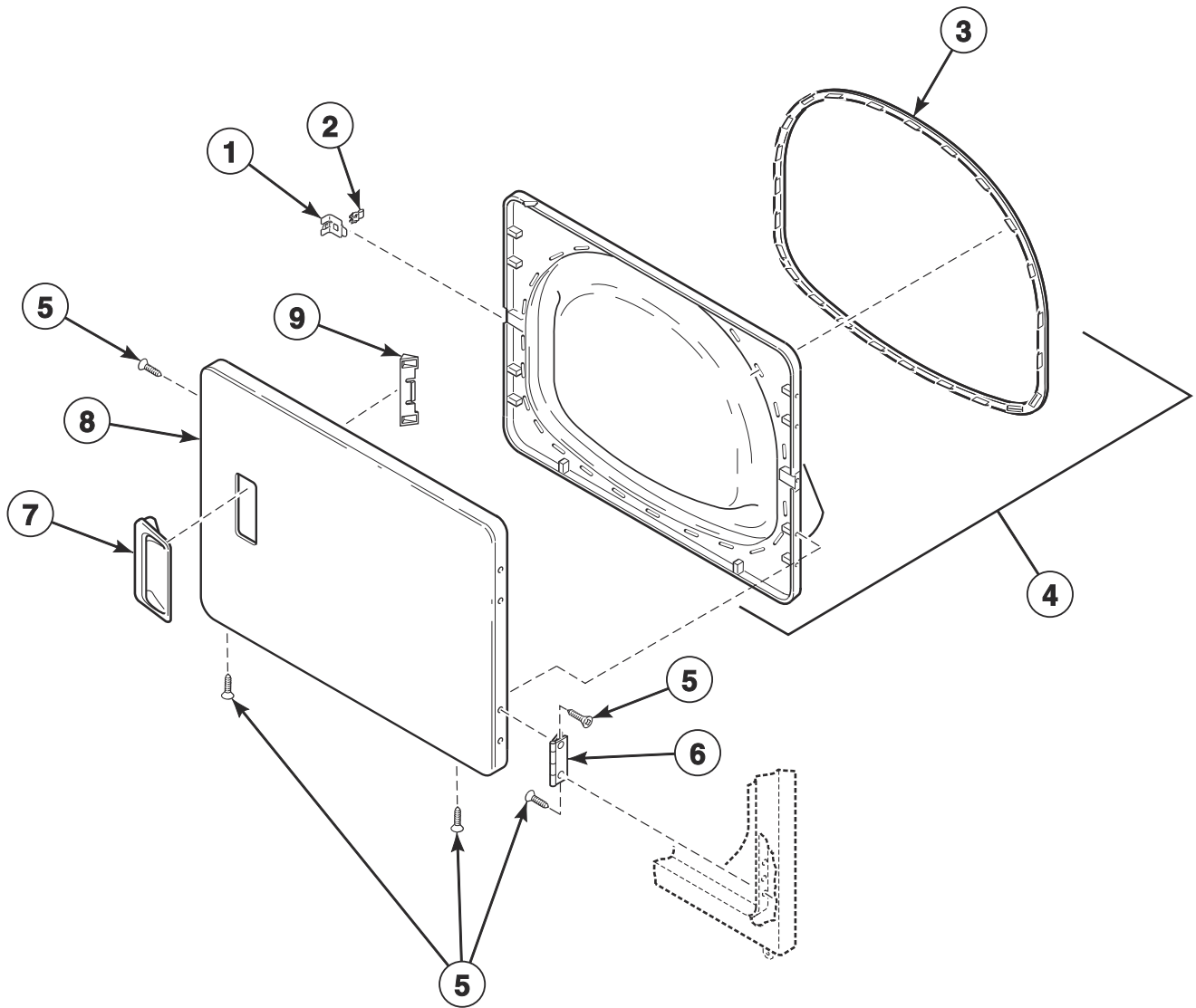
SWD1257PA\_515205

# Cabinet Top

REF	PART NO.	DESCRIPTION	COMMENTS
1	D503661	Screw	
2	D510032QP	Top Kit	Bisque; Model SSGSXAGS111TQ01
	D510032WP	Top Kit	White; All other models
3	D503688	Screw	
4	D510136	Top Hinge	
5	D501307	Washer	
6	36048	Screw	

# Loading Door without Window

Models BSEBCAGS171TW01, BSEBYAGS171TW01, BSESXAGS171TW01, BSGBCAGS111TW01, BSGBYAGS111TW01, BSGSXAGS111TW01, JSEMNAAGS171TW01, JSESXAGS171TW01, JSGMNAAGS111TW01, JSGSXAGS111TW01, SSEBCAGS151TW01, SSEBCAGS171TW01, SSEBXAGS171TW01, SSEBYAGS151TW01, SSEBYAGS171TW01, SSEMNAAGS151TW01, SSEMNAAGS171TW01, SSESXAGS151TW01, SSESXAGS171TW01, SSGBCAGS111TW01, SSGBXAGS111TW01, SSGBYAGS111TW01, SSGMNAAGS111TW01, SSGSXAGS111TQ01, SSGSXAGS111TW01, USEMNAAGS171TW01 and USGMNAAGS111TW01



DRY1775P\_515205

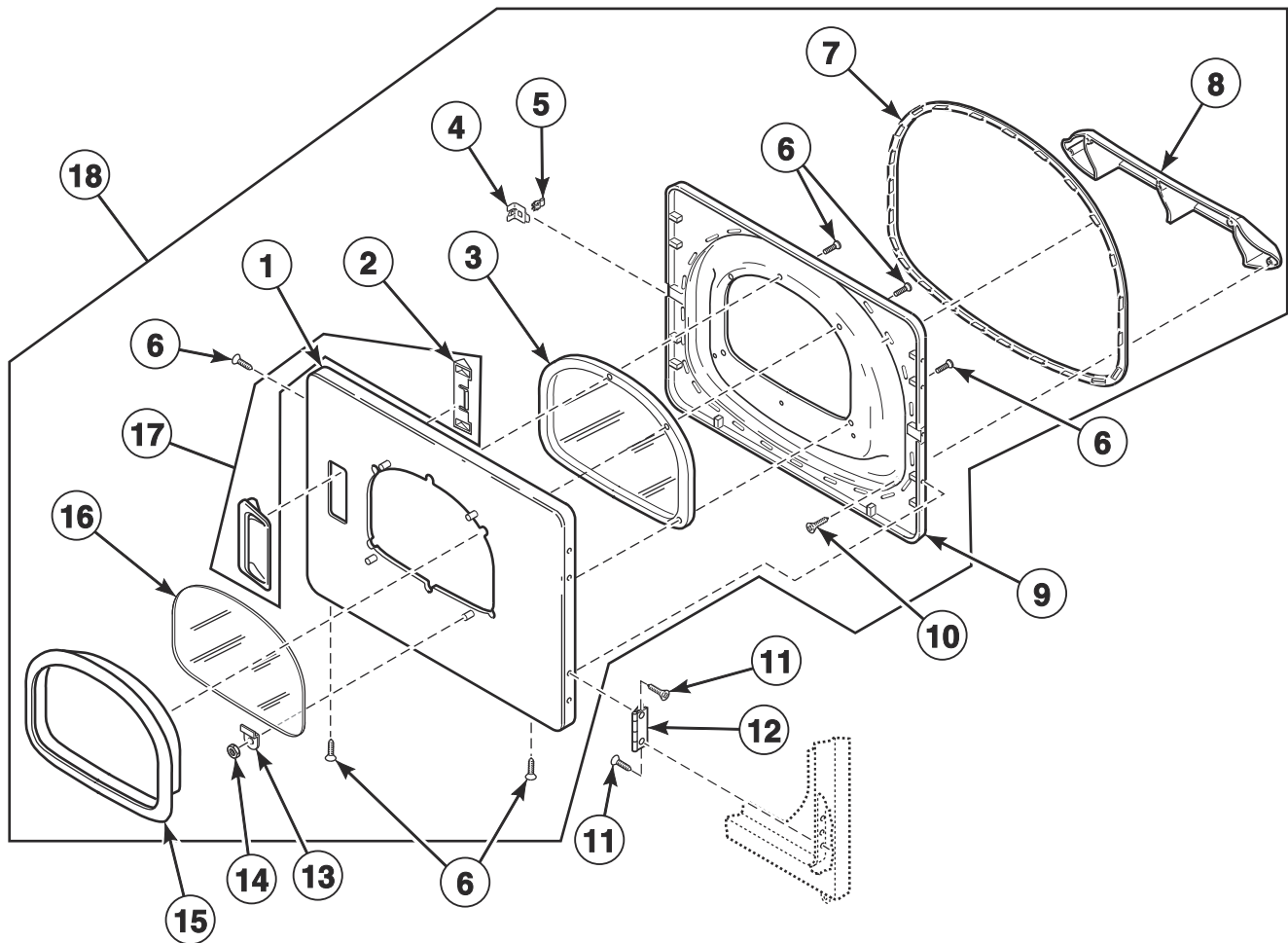


## Loading Door without Window

REF	PART NO.	DESCRIPTION	COMMENTS
1	D510127	Door Strike Mount	
2	D510181	Door Strike	
3	D510147P	Liner Door Seal	
4	D510163WP	Liner, Seal and Grill Assembly	Models BSGBCAGS111TW01, BSGBYAGS111TW01, BSGSXAGS111TW01, JSGMNAGS111TW01, JSGSXAGS111TW01, SSGBCAGS111TW01, SSGBXAGS111TW01, SSGBYAGS111TW01, SSGMNAGS111TW01, SSGSXAGS111TQ01, SSGSXAGS111TW01 and USGMNAGS111TW01
	D516510WP	Liner, Seal and Grill Assembly	Gray; Models BSEBCAGS171TW01, BSEBYAGS171TW01, BSEBXAGS171TW01, JSEMNAGS171TW01, JSEBXAGS171TW01, SSEBCAGS151TW01, SSEBCAGS171TW01, SSEBXAGS171TW01, SSEBYAGS151TW01, SSEBYAGS171TW01, SSEMNAGS151TW01, SSEMNAGS171TW01, SSESXAGS151TW01, SSESXAGS171TW01 and USEMNAGS171TW01
5	D505295	Screw	
6	D511036	Hinge	
7	D510103WP	Door Pull and Wedge Kit	White; Includes item 9
	D510103QP	Door Pull and Wedge Kit	Bisque; Includes item 9
8	D510013WP	Dryer Door	White
	D510013QP	Dryer Door	Bisque
9	D510129W	Door Handle Wedge	White
	D510103WP	Door Pull and Wedge Kit	Gray

# Loading Door with Window

Models HSEBCAGW171TW01, HSEBYAGW171TW01, HSESXAGW171TW01, HSGBCAGW111TW01, HSGBYAGW111TW01, HSGSXAGW111TW01, SSEBCAGW151TW01, SSEBCAGW171TW01, SSEBYAGW171TW01, SSESXAGW171TW01, SSGBCAGW111TW01, SSGBXAGW111TW01, SSGBYAGW111TW01 and SSGSXAGW111TW01

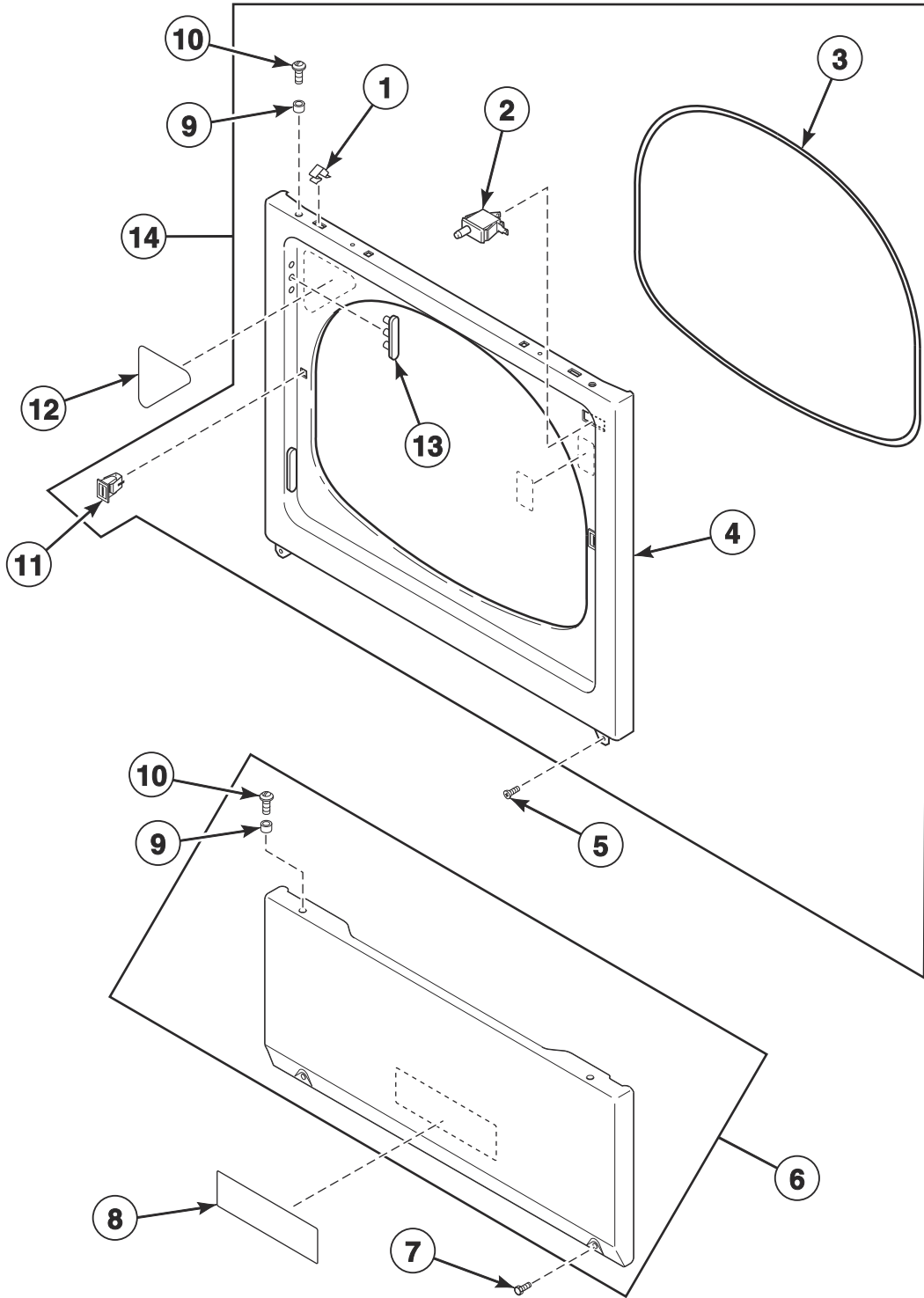


DRY2296P\_515205

## Loading Door with Window

REF	PART NO.	DESCRIPTION	COMMENTS
1	D510082WP	Dryer Door	White; Models HSGBCAGW111TW01, HSGBYAGW111TW01, HSGSXAGW111TW01, SSGBCAGW111TW01, SSGBXAGW111TW01, SSGBYAGW111TW01 and SSGSXAGW111TW01
	D516737W	Door Assembly	Models HSEBCAGW171TW01, HSEBYAGW171TW01, HSESXAGW171TW01, SSEBCAGW151TW01, SSEBCAGW171TW01, SSEBYAGW171TW01 and SSESXAGW171TW01
2	D510129W	Door Handle Wedge	White
	D510103WP	Door Pull and Wedge Kit	Gray
3	D503982P	Dryer Door Window	
4	D510127	Door Strike Mount	
5	D510181	Door Strike	
6	D500226	Screw	
7	D510147P	Liner Door Seal	
8	D503870W	Door Liner Grill	Models HSGBCAGW111TW01, HSGBYAGW111TW01, HSGSXAGW111TW01, SSGBCAGW111TW01, SSGBXAGW111TW01, SSGBYAGW111TW01 and SSGSXAGW111TW01
	D503870LG	Door Liner Grill	Models HSEBCAGW171TW01, HSEBYAGW171TW01, HSESXAGW171TW01, SSEBCAGW151TW01, SSEBCAGW171TW01, SSEBYAGW171TW01 and SSESXAGW171TW01
9	D510098W	Liner and Seal Assembly	Includes item 7; Models HSGBCAGW111TW01, HSGBYAGW111TW01, HSGSXAGW111TW01, SSGBCAGW111TW01, SSGBXAGW111TW01, SSGBYAGW111TW01 and SSGSXAGW111TW01
	D516737W	Door Assembly	Includes item 7; Models HSEBCAGW171TW01, HSEBYAGW171TW01, HSESXAGW171TW01, SSEBCAGW151TW01, SSEBCAGW171TW01, SSEBYAGW171TW01 and SSESXAGW171TW01
10	D505870	Screw	
11	D505295	Screw	
12	D511036	Hinge	
13	D513958	Window Clip	Models HSEBCAGW171TW01, HSEBYAGW171TW01, HSESXAGW171TW01, SSEBCAGW151TW01, SSEBCAGW171TW01, SSEBYAGW171TW01 and SSESXAGW171TW01
14	44071201	Nut	Models HSEBCAGW171TW01, HSEBYAGW171TW01, HSESXAGW171TW01, SSEBCAGW151TW01, SSEBCAGW171TW01, SSEBYAGW171TW01 and SSESXAGW171TW01
15	D503981W	Window Trim	White; Models HSGBCAGW111TW01, HSGBYAGW111TW01, HSGSXAGW111TW01, SSGBCAGW111TW01, SSGBXAGW111TW01, SSGBYAGW111TW01 and SSGSXAGW111TW01
	D516737W	Door Assembly	Models HSEBCAGW171TW01, HSEBYAGW171TW01, HSESXAGW171TW01, SSEBCAGW151TW01, SSEBCAGW171TW01, SSEBYAGW171TW01 and SSESXAGW171TW01
16	D516737W	Door Assembly	Models HSEBCAGW171TW01, HSEBYAGW171TW01, HSESXAGW171TW01, SSEBCAGW151TW01, SSEBCAGW171TW01, SSEBYAGW171TW01 and SSESXAGW171TW01
17	D510103WP	Door Pull and Wedge Kit	White; Includes item 2
18	D511636WP	Door and Liner Assembly	White; Includes items 1-10, 15 and 17

# Access Panel, Front Panel and Seal

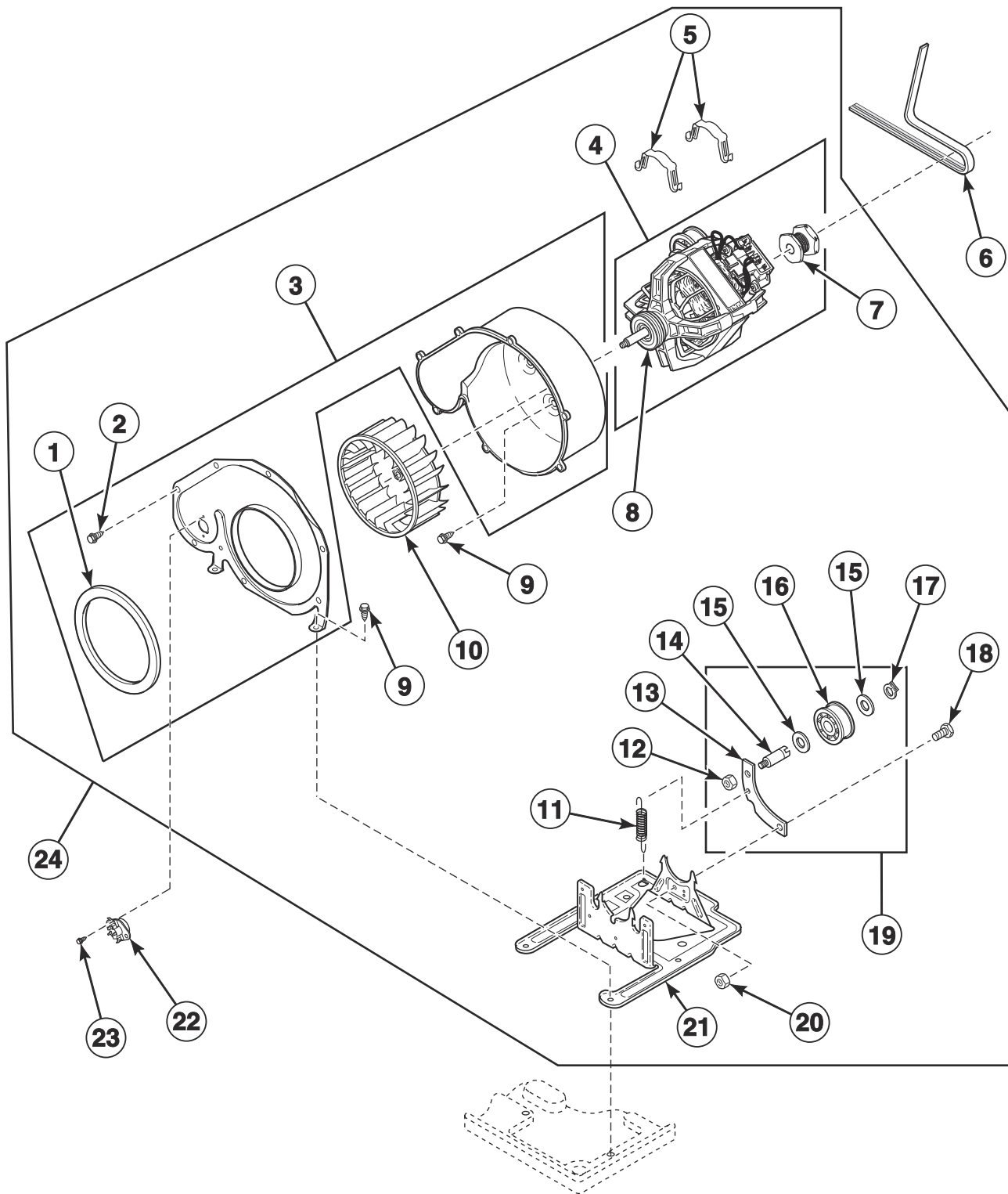


DRY2213P\_515205

## Access Panel, Front Panel and Seal

REF	PART NO.	DESCRIPTION	COMMENTS
1	28835	Speed Clip	1 per side
2	D512973	Switch	
3	D511056	Front Panel Seal	
4	D510066WP	Front Panel	White
	D510066LP	Front Panel	Almond
	D510066QP	Front Panel	Bisque
5	D503688	Screw	
6	D514250Q	Access Panel Assembly	Bisque; Model SSGSXAGS111TQ01
	D514250WP	Access Panel Assembly	White; All other models
7	33562	Screw	Slotted hex head
	62853	Screw	Torx head; Optional for added security
8	D500498	Instructions for Use Label	
9	56079	Panel Locator	1 per side
10	39733	Screw	1 per side
11	D510177	Door Catch Assembly	
12	D500281	Warning/Caution Label	
13	D510186	Hinge Hole Plug	
14	D513781WP	Front Panel Assembly	Includes items 1-4, 9-11, 13, D511626WP Door Assembly, (2) of D511036 Door Hinge and (8) of D500226 Screw; Models HSEBCAGW171TW01, HSEBYAGW171TW01, HSESXAGW171TW01, HSGBCAGW111TW01, HSGBYAGW111TW01, HSGSXAGW111TW01, SSEBCAGW151TW01, SSEBCAGW171TW01, SSEBYAGW171TW01, SSESXAGW171TW01, SSGBCAGW111TW01, SSGBXAGW111TW01, SSGBYAGW111TW01 and SSGSXAGW111TW01

# Motor, Exhaust Fan and Belt

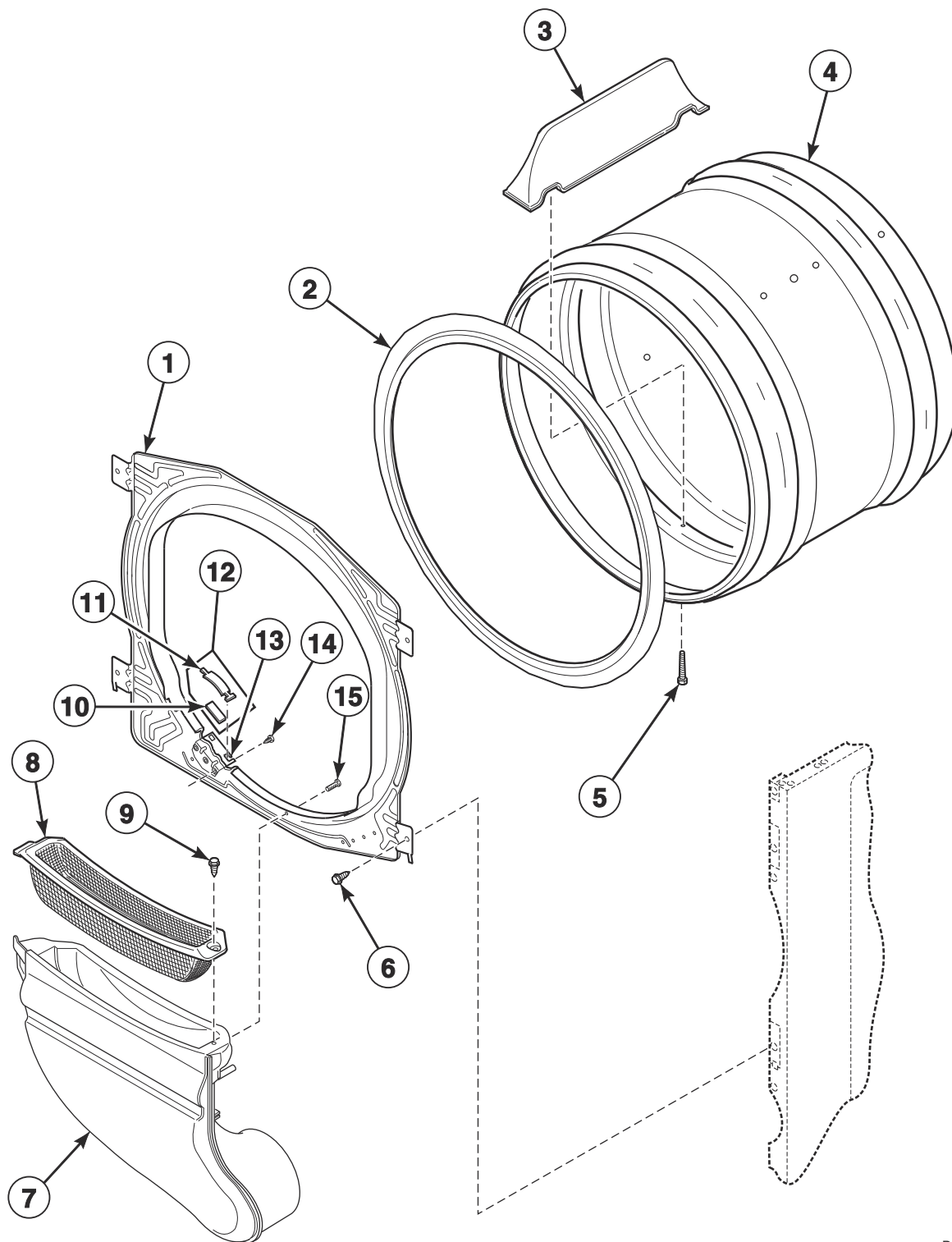


DRY2084P\_515205

## Motor, Exhaust Fan and Belt

REF	PART NO.	DESCRIPTION	COMMENTS
	27604P	Anti-Seize Compound	Apply to motor shaft when installing blower fan assembly
1	D510238P	Blower Housing Seal	
2	31260	Screw	
3	D511969WP	Blower Housing	Includes items 1 and 2
4	D511629P	Motor and Pulley Assembly	120 Volt/60 Hertz; Apply anti-seize compound to motor shaft when installing blower fan assembly; Includes items 7-9
5	D510180	Motor Mount Clamp	
6	D511255P	Cylinder Belt	
7	D500011	Motor Pulley	60 Hertz
8	590P3	Motor Hub Ring Kit	
9	D503688	Screw	
10	D510139P	Blower Fan Assembly	Apply anti-seize compound to motor shaft when installing blower fan assembly
11	D510185	Idler Spring	
12	56156	Nut	
13	D516310	Idler Lever	
14	56461P	Shaft	
15	52549	Washer	
16	D510142P	Idler Wheel and Bearing Assembly	
17	23748	Retaining Ring	
18	D500824	Screw	
19	D516792	Idler Lever and Wheel Assembly	Includes items 12-17
20	52566	Nut	
21	D510060	Motor Mount	
22	D512005	Thermostat	Green/White; Models JSEMNAGS171TW01, JSGMNAGS111TW01, SSEMNAGS151TW01, SSEMNAGS171TW01, SSGMNAGS111TW01, USEMNAGS171TW01 and USGMNAGS111TW01
	D510523	Thermistor Assembly	Black; All other models
23	D502535	Screw	
24	D510717P	Blower and Fan Kit	Includes items 1-5 and 7-23

# Front Bulkhead, Felt Seal, Cylinder, Air Duct and Lint Filter



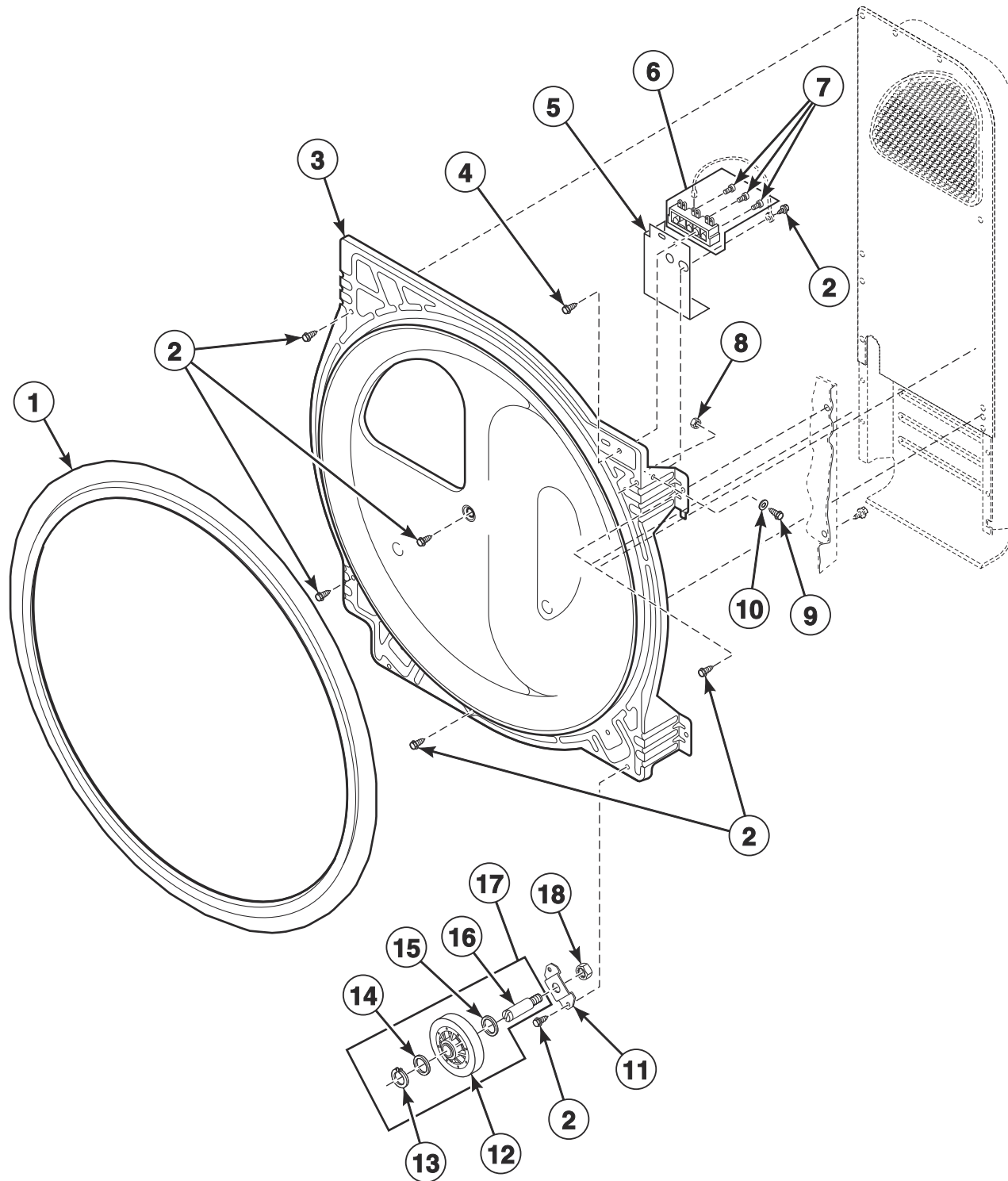
D402P\_515205



# Front Bulkhead, Felt Seal, Cylinder, Air Duct and Lint Filter

REF	PART NO.	DESCRIPTION	COMMENTS
1	D510061	Front Bulkhead Assembly	Unpainted; Galvanized
2	D510207P	Cylinder Seal Assembly	
	D511637P	Adhesive	Apply to cylinder seal
	RB170001	Seal Kit	Includes 2 cylinder seals, D510238P Blower Housing Seal and Adhesive
3	D510102W	Cylinder Baffle	Models BSGBCAGS111TW01, BSGBYAGS111TW01, BSGSXAGS111TW01, HSGBCAGW111TW01, HSGBYAGW111TW01, HSGSXAGW111TW01, JSGMNAGS111TW01, JSGSXAGS111TW01, SSGBCAGS111TW01, SSGBCAGW111TW01, SSGBXAGS111TW01, SSGBXAGW111TW01, SSGBYAGS111TW01, SSGBYAGW111TW01, SSGMNAGS111TW01, SSGSXAGS111TQ01, SSGSXAGS111TW01, SSGSXAGW111TW01 and USGMNAGS111TW01
	D510102LG	Cylinder Baffle	All other models
4	D510265WP	Cylinder Assembly	Galvanized; Includes item 3; Models BSGBCAGS111TW01, BSGBYAGS111TW01, BSGSXAGS111TW01, HSGBCAGW111TW01, HSGBYAGW111TW01, HSGSXAGW111TW01, JSGMNAGS111TW01, JSGSXAGS111TW01, SSGBCAGS111TW01, SSGBCAGW111TW01, SSGBXAGS111TW01, SSGBXAGW111TW01, SSGBYAGS111TW01, SSGBYAGW111TW01, SSGMNAGS111TW01, SSGSXAGS111TQ01, SSGSXAGS111TW01, SSGSXAGW111TW01 and USGMNAGS111TW01
	D510265LGP	Cylinder Assembly	Galvanized; Includes item 3; All other models
5	62588	Screw	
6	D503688	Screw	
7	D510151W	Air Duct Assembly	Models BSGBCAGS111TW01, BSGBYAGS111TW01, BSGSXAGS111TW01, HSGBCAGW111TW01, HSGBYAGW111TW01, HSGSXAGW111TW01, JSGMNAGS111TW01, JSGSXAGS111TW01, SSGBCAGS111TW01, SSGBCAGW111TW01, SSGBXAGS111TW01, SSGBXAGW111TW01, SSGBYAGS111TW01, SSGBYAGW111TW01, SSGMNAGS111TW01, SSGSXAGS111TQ01, SSGSXAGS111TW01, SSGSXAGW111TW01 and USGMNAGS111TW01
	D515805LG	Air Duct Assembly	All other models
8	D503980W	Lint Filter	Models BSGBCAGS111TW01, BSGBYAGS111TW01, BSGSXAGS111TW01, HSGBCAGW111TW01, HSGBYAGW111TW01, HSGSXAGW111TW01, JSGMNAGS111TW01, JSGSXAGS111TW01, SSGBCAGS111TW01, SSGBCAGW111TW01, SSGBXAGS111TW01, SSGBXAGW111TW01, SSGBYAGS111TW01, SSGBYAGW111TW01, SSGMNAGS111TW01, SSGSXAGS111TQ01, SSGSXAGS111TW01, SSGSXAGW111TW01 and USGMNAGS111TW01
	D503980LG	Lint Filter	All other models
9	D501285	Screw	
10	D510189	Felt Pad	1 per side
11	D513710	Cylinder Glide	1 per side
12	RB170003	Glide Kit	Includes 2 of items 10 and 11
13	D510145	Cylinder Glide Bracket	1 per side
14	52864	Screw	2 per side
15	D505295	Screw	

# Rear Bulkhead, Felt Seal, Cylinder Roller and Terminal Block

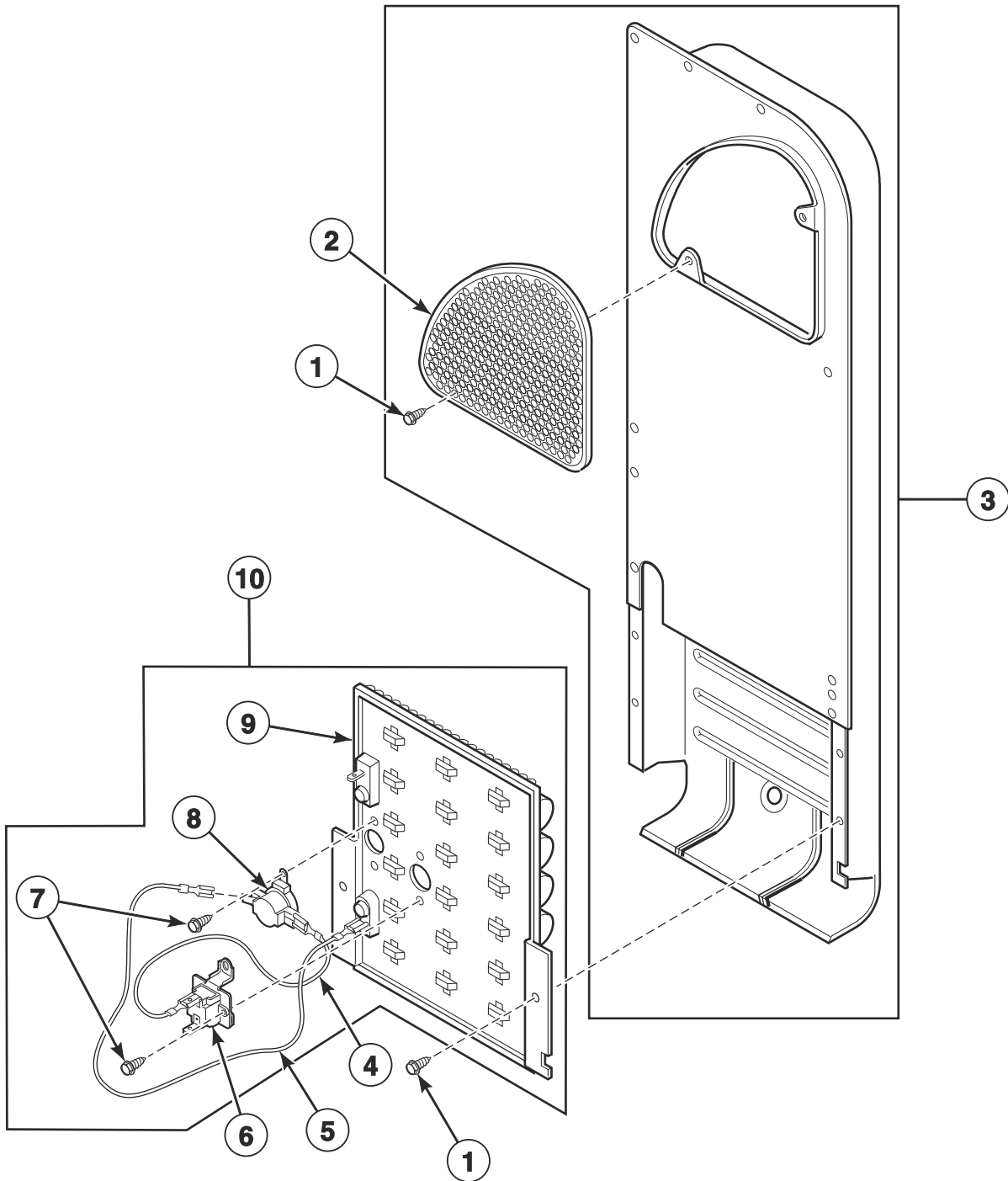


DRY1774P\_515205

## Rear Bulkhead, Felt Seal, Cylinder Roller and Terminal Block

REF	PART NO.	DESCRIPTION	COMMENTS
1	D510207P	Cylinder Seal Assembly	
	D511637P	Adhesive	Apply to cylinder seal
	RB170001	Seal Kit	Includes 2 cylinder seals, D510238P Blower Housing Seal and Adhesive
2	D503688	Screw	
3	D511082P	Rear Bulkhead Assembly	Galvanized; Includes item 1
4	D501285	Screw	Electric models
5	D510237	Terminal Block Shield	Electric models; Through Serial No. 1903000001
6	D510190P	Terminal Block Assembly	Electric models; Includes 3 of item 7
7	61199	Screw	
8	28447	Nut	
9	28448	Screw	
10	28449	Washer	
11	D510100	Cylinder Roller Bracket	
12	D510708P	Cylinder Roller	
13	23748	Retaining Ring	
14	52549	Washer	
15	D504082	Washer	
16	56461P	Shaft	
17	RB170002	Roller Kit	Includes items 12-16
18	56156	Nut	

# Heater Duct and Element Assembly - Electric Models

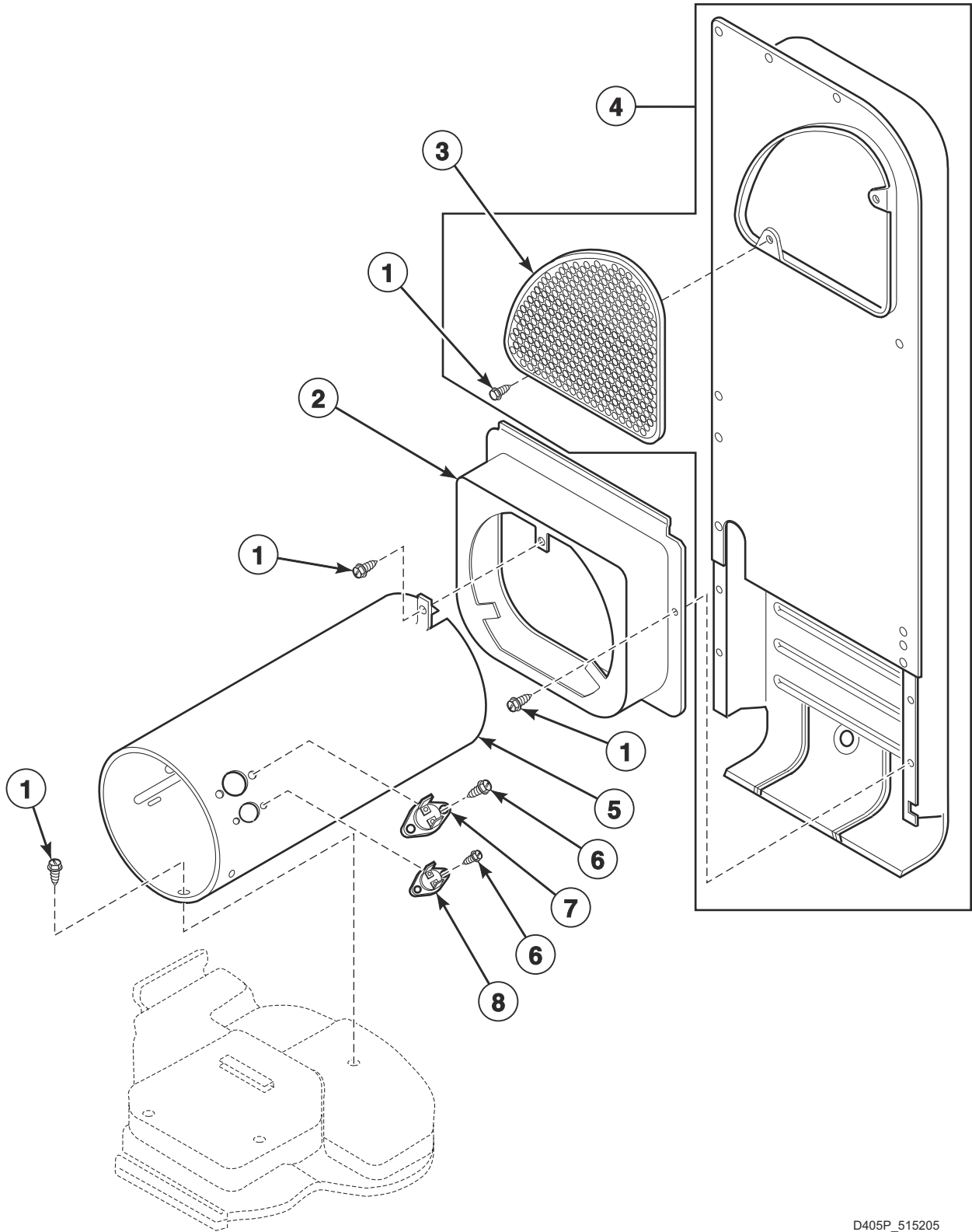


DRY1789P\_515205

## Heater Duct and Element Assembly - Electric Models

REF	PART NO.	DESCRIPTION	COMMENTS
1	D503688	Screw	
2	D500820	Outlet Cover	
	D515573	Outlet Cover	Black
3	D510025P	Heater Duct Assembly	Includes items 1 and 2
4	D510528	Wire Assembly	Orange; Thermostat jumper; Attaches to heater assembly
5	D510527	Wire Assembly	Black; Fuse jumper; Attaches to heater assembly
6	D511412	Thermal Fuse Assembly	
7	23222	Screw	
8	D510701	Limit Thermostat	
9	D510325P	Heater	4.75 kW; 208 Volt; Models SSEBCAGS151TW01, SSEBCAGW151TW01, SSEBYAGS151TW01, SSEMNAGS151TW01 and SSESXAGS151TW01
	D510329P	Heater Assembly	5.35 kW; 240 Volt; All other models
10	61928	Heater Kit Assembly	4.75 kW; 208 Volt; Optional; Includes items 4-9
	964P3	Heater Kit	5.35 kW; 240 Volt; Includes items 4-9

# Heater Duct Assembly - Gas Models



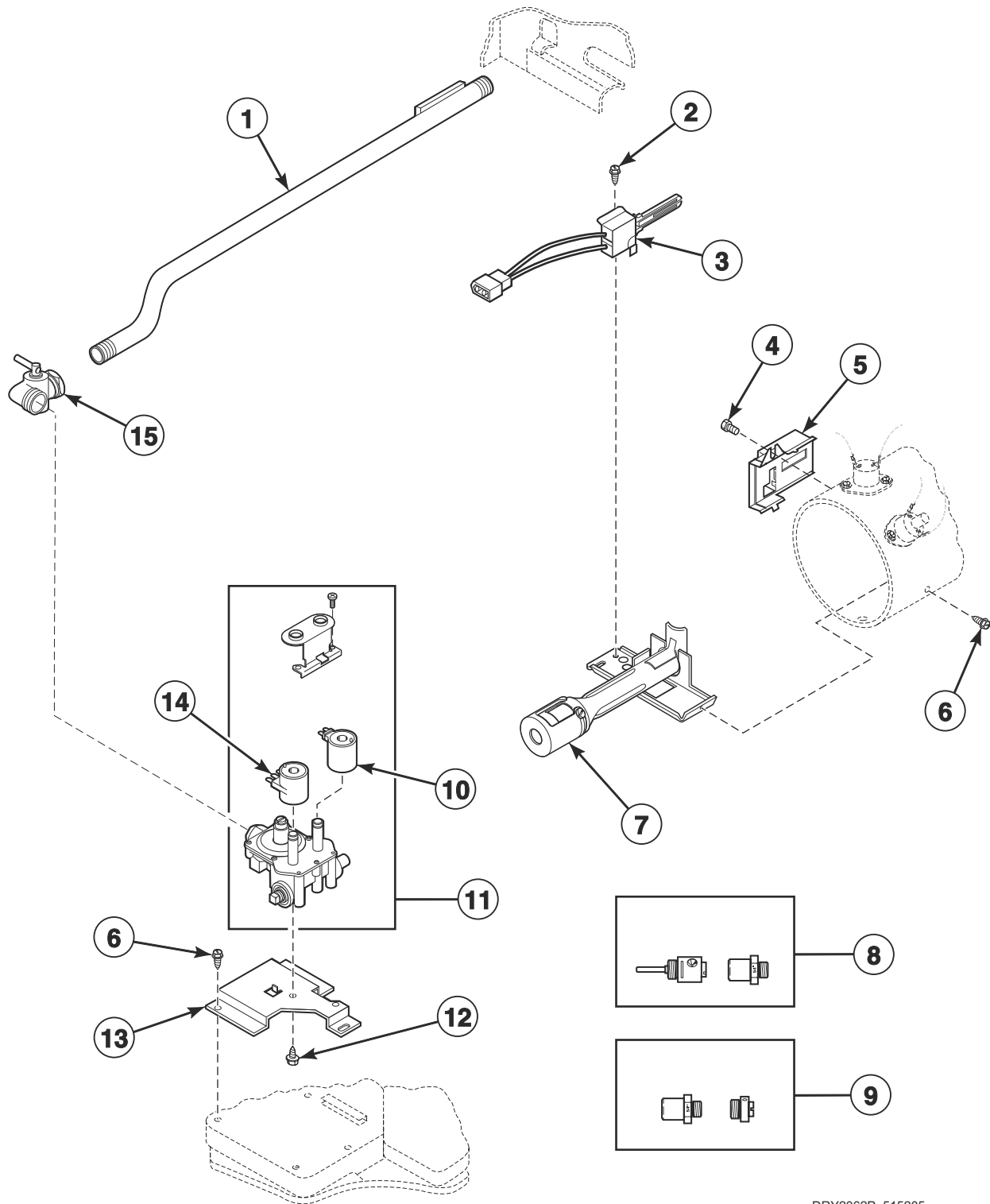
D405P\_515205

## Heater Duct Assembly - Gas Models

REF	PART NO.	DESCRIPTION	COMMENTS
1	D503688	Screw	
2	D510101	Heat Duct Shroud	
3	D500820	Outlet Cover	
	D515573	Outlet Cover	Black
4	D510025P	Heater Duct Assembly	Includes items 1 and 3
5	D510131	Combustion Duct	Models JSGMNAGS111TW01, SSGMNAGS111TW01 and USGMNAGS111TW01
	D510132	Combustion Duct	All other models
6	51782	Screw	
7	D510702	Limit Thermostat	Black; Auto reset
8	D510703	Thermostat	All models except JSGMNAGS111TW01, SSGMNAGS111TW01 and USGMNAGS111TW01

# Gas Valve, Igniter and Gas Conversion Kits

Gas Models



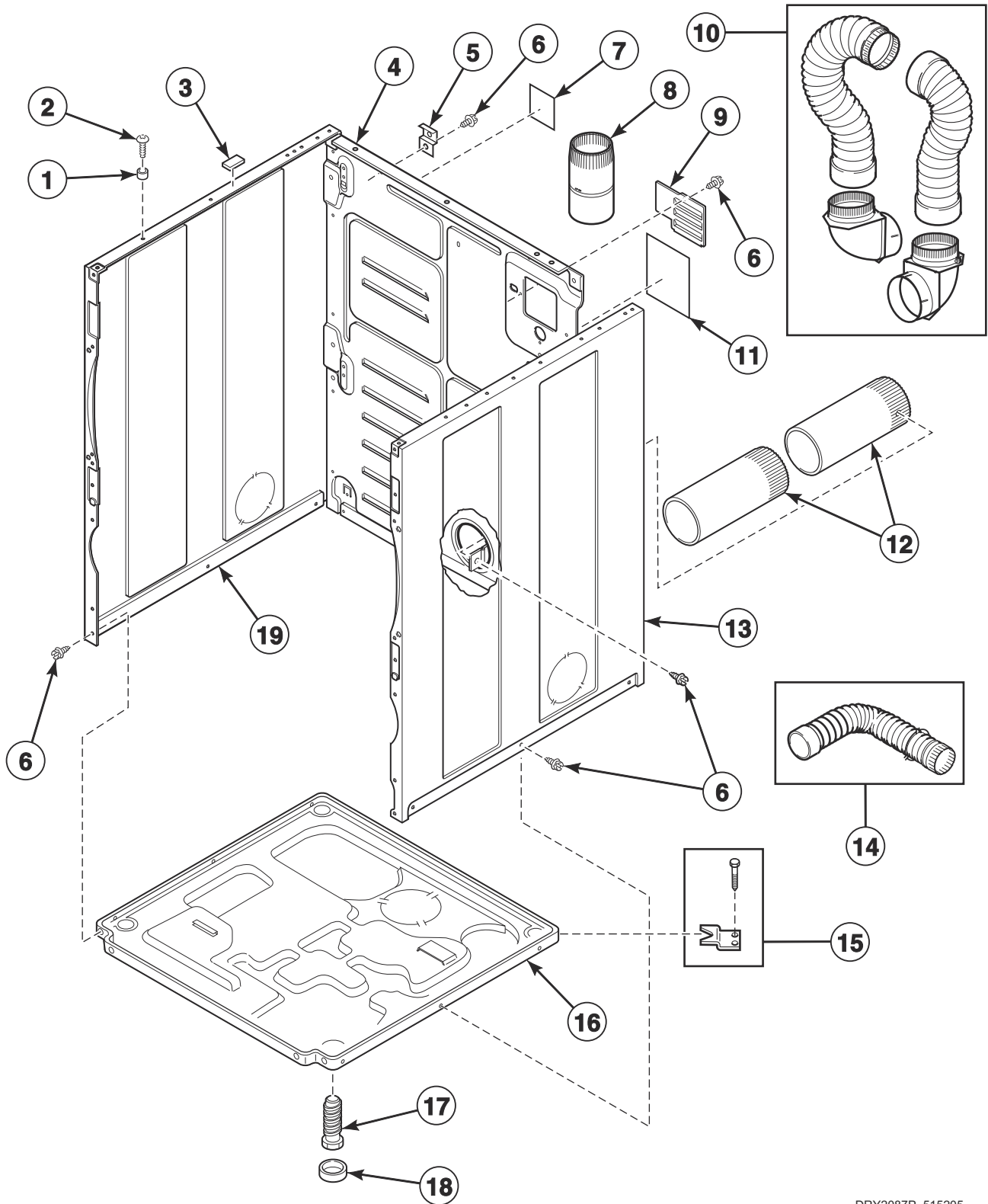
DRY2062P\_515205



## Gas Valve, Igniter and Gas Conversion Kits

REF	PART NO.	DESCRIPTION	COMMENTS
1	D510204	Lead-In Pipe Assembly	
2	51782	Screw	
3	D510184P	Igniter and Bracket Assembly	
4	23222	Screw	
5	D510213	Sensor	
6	D503688	Screw	
7	D510149P	Burner Assembly	
8	458P3	L.P. Conversion Kit	2 required; Used to convert dryers from Natural Gas (N.G.) or Mixed Gas to Liquid Petroleum Gas (L.P.); For 25,000 Btu
9	459P3	N.G. Conversion Kit	2 required; Used to convert dryers from L.P. to N.G. or Mixed Gas; For 25,000 Btu
10	58804B	Secondary Coil	
11	60353P	Gas Valve Assembly	25,000 Btu; Includes items 10 and 14
12	56124	Screw	
13	D510128	Gas Valve Mounting Bracket	
14	58804A	Booster and Holding Coil	
15	D510205	Elbow Shut-Off Valve	

# Cabinet, Exhaust Duct and Base



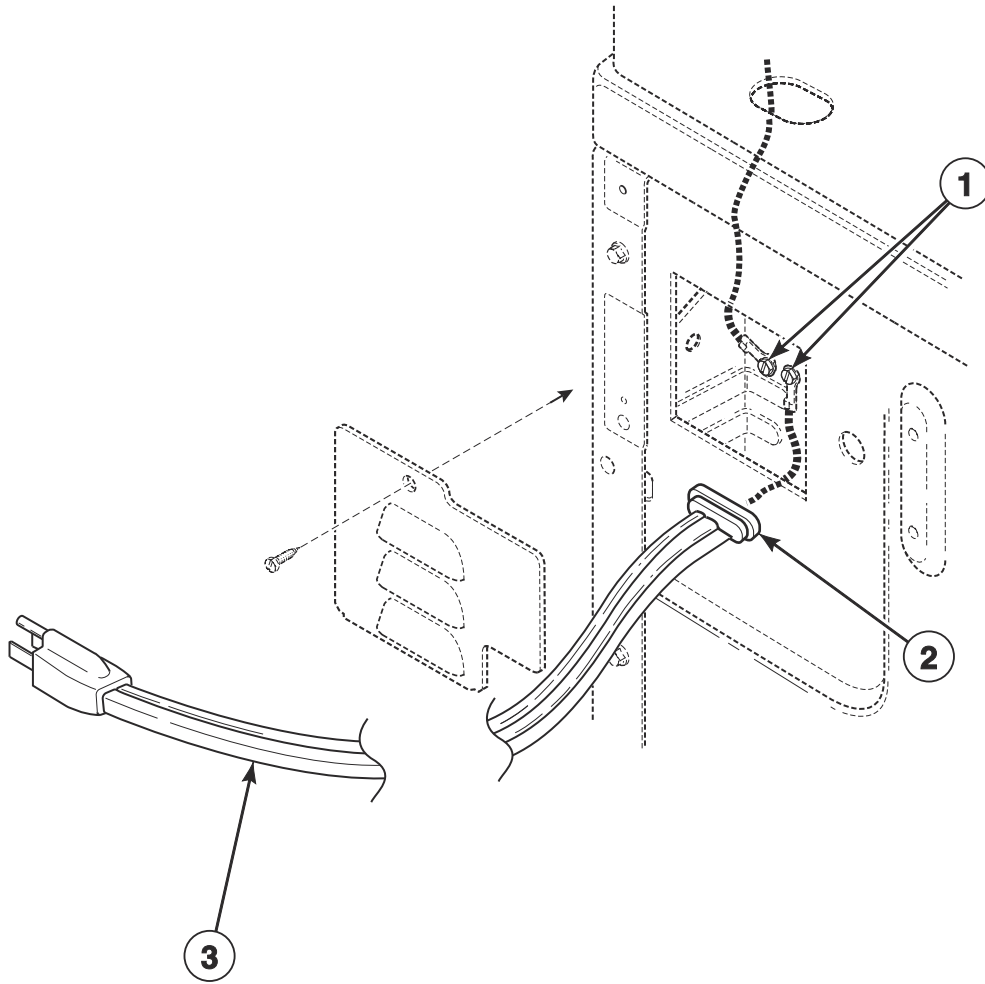
DRY2087P\_515205

## Cabinet, Exhaust Duct and Base

REF	PART NO.	DESCRIPTION	COMMENTS
	122P4P	Porcelain Touch-Up Paint	White
	370P4P	Porcelain Touch-Up Paint	Bisque
<b>1</b>	56079	Panel Locator	
<b>2</b>	39733	Screw	
<b>3</b>	56128	Bumper Pad	
<b>4</b>	D514632P	Cabinet Rear Panel	
<b>5</b>	D510136	Top Hinge	
<b>6</b>	D503688	Screw	
<b>7</b>	D511004	Gas Clearance Label	Gas models
<b>8</b>	58786	Damper	Use when connecting to a manifold vent system.
<b>9</b>	D510903	Access Panel Plate	
<b>10</b>	521P3	Flexible Venting Kit	
<b>11</b>	D511005	Electric Clearance Label	Electric models
<b>12</b>	D516196	Exhaust Duct	Each dryer requires 2 pieces
<b>13</b>	D510002WP	Cabinet Side Panel	White; Right
	D510002QP	Cabinet Side Panel	Bisque; Right
<b>14</b>	528P3	Directional Exhaust Kit	Used to vent dryer out the sides or bottom
<b>15</b>	526P3	Hold Down Kit	For mobile home installations
<b>16</b>	D514245	Dryer Base	
<b>17</b>	D510135	Leveling Leg	
<b>18</b>	D501855	Rubber Foot	
<b>19</b>	D510001WP	Cabinet Side Panel	White; Left
	D510001QP	Cabinet Side Panel	Bisque; Left

# Power Cord

Gas Models

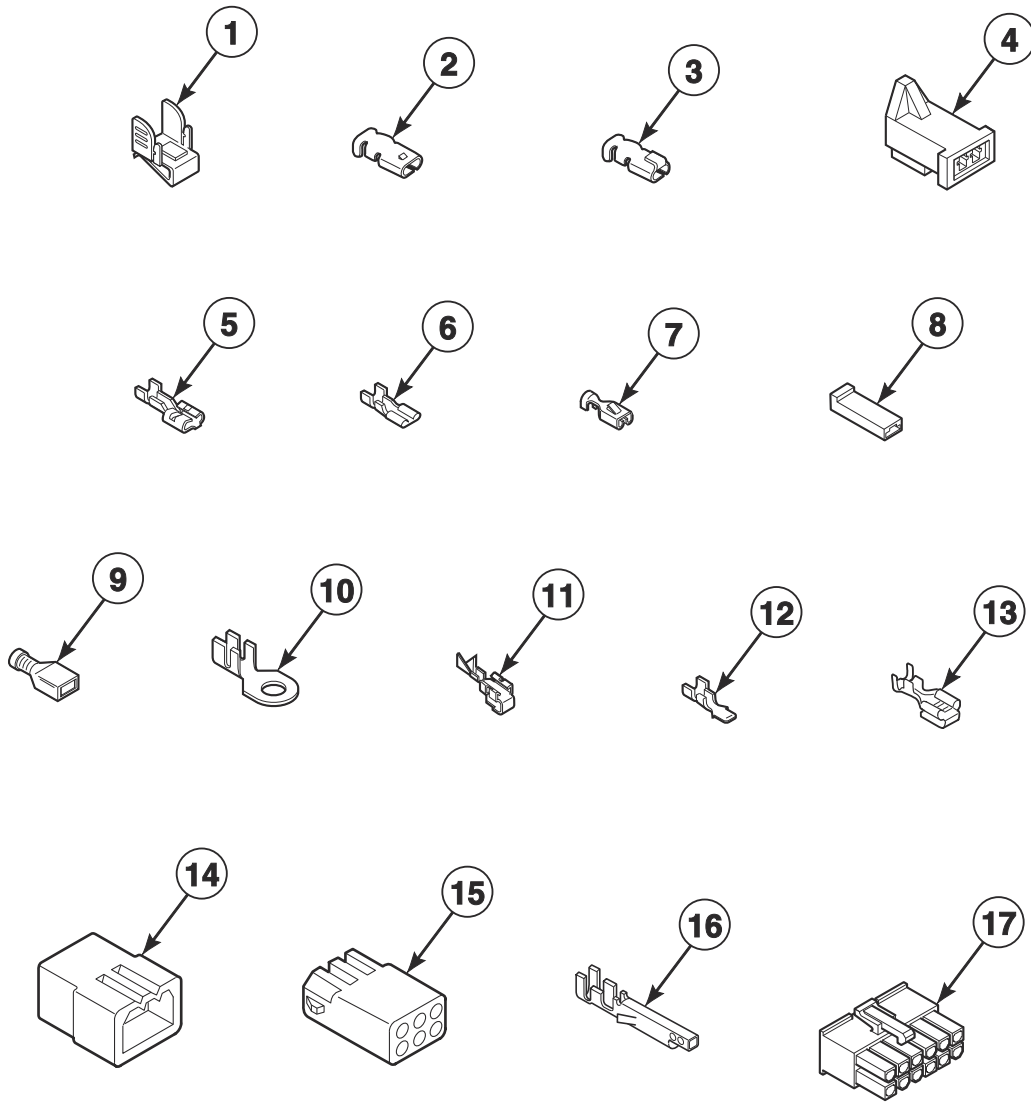


DRY1879P\_515205

# Power Cord

REF	PART NO.	DESCRIPTION	COMMENTS
1	20530	Screw	
2	38384	Strain Relief	
3	59308	Lead-In Cord	

# Terminal Block and Terminals

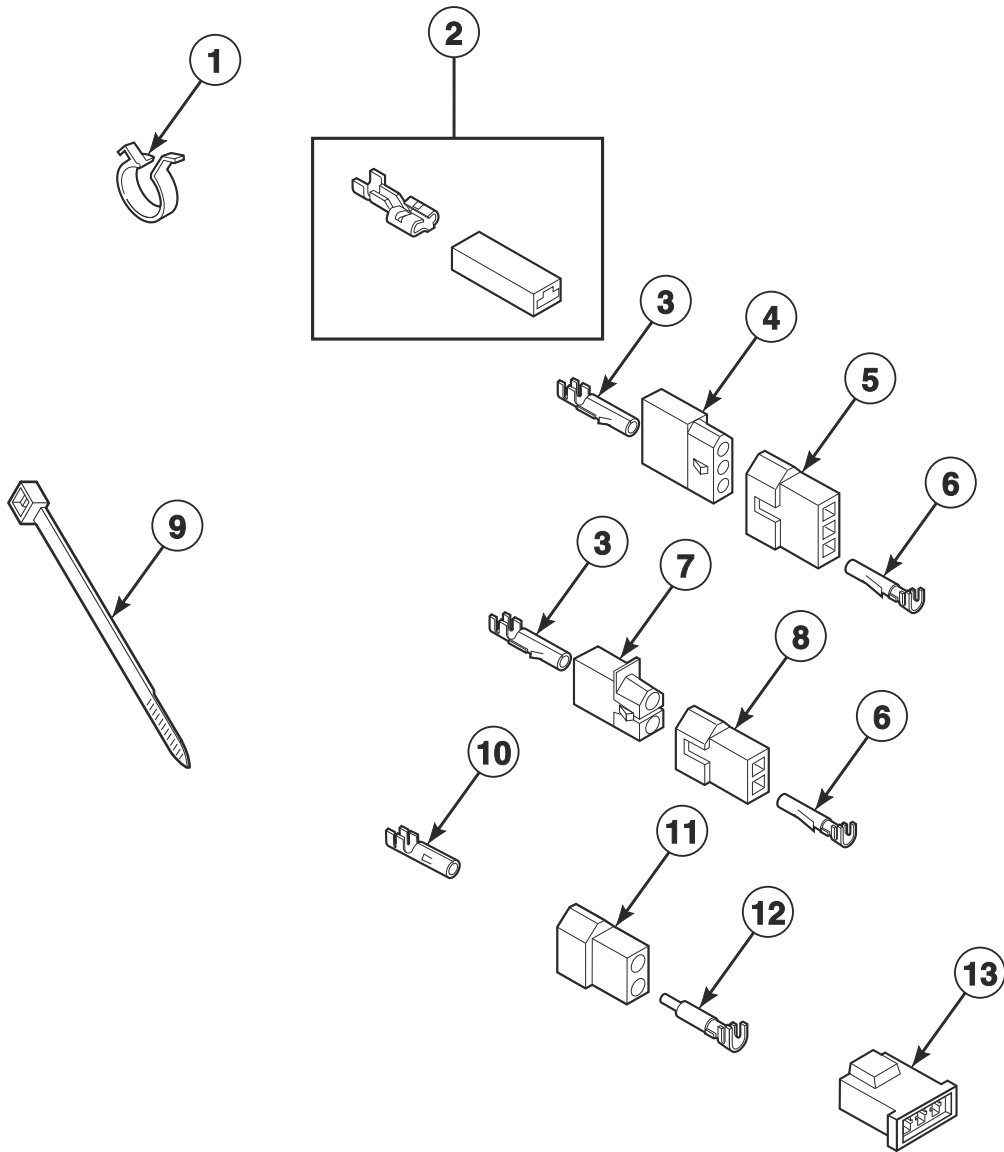


DRY2436P\_515205

## Terminal Block and Terminals

REF	PART NO.	DESCRIPTION	COMMENTS
1	00161	Grounding Clip	
2	00189	Female Spade Terminal	1/8 inch
3	00361	Female Piggyback Terminal	
4	58799	2 Circuit Connector	
5	00223	Female Spade Terminal	1/4 inch; (1) 18 gauge wire
	00121	Female Spade Terminal	1/4 inch; (2) 18 gauge wires or (1) 12 gauge wire
	00245	Spade Terminal	1/4 inch; (1) 22 gauge wire
6	00124	Female Spade Terminal	3/16 inch; (1) 18 gauge wire; .020 tab
7	00115	Female Spade Terminal	1/4 inch; (1) 18 gauge wire
8	90789	Receptacle Housing	
9	00359	Insulated Female Spade Terminal	1/4 inch
10	00110	Ring Terminal	No. 10; (1) 18 gauge wire
11	00114	Female Spade Terminal	1/4 inch; Double connector
12	00139	Male Tab Terminal	1/4 inch; (2) 18 gauge wires or (1) 12 gauge wire
13	00344	Female Tab Terminal	1/4 inch
14	23033	9 Circuit Plug	
15	26708	6 Circuit Receptacle	
16	00252	Terminal	
17	34596	10 Circuit Receptacle	
	D501333	12 Circuit Receptacle	

# Terminals



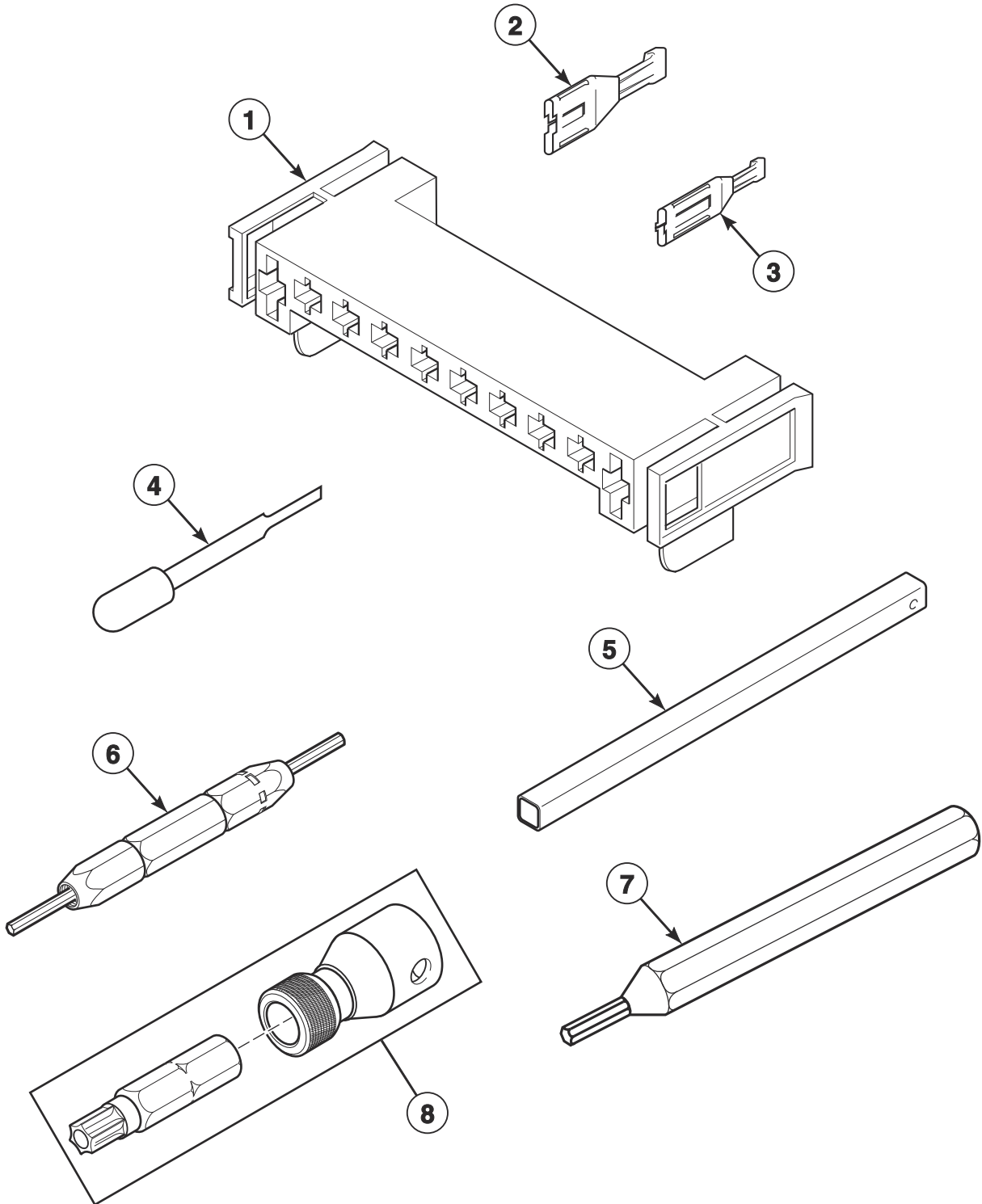
DRY1769P\_515205



# Terminals

REF	PART NO.	DESCRIPTION	COMMENTS
1	D504034	Wire Clip	11/16 inch
	687500	Wire Clip	1 inch
2	00360	Insulated Female Spade Terminal	(1) 12 gauge wire or (2) 18 gauge wires
3	00117	Female Pin Terminal	
4	23039	3 Circuit Receptacle	
5	23040	Plug	
6	00116	Male Pin Terminal	
7	56451	2 Circuit Receptacle	
8	56448	2 Circuit Plug	
9	55881	Harness Strap	
10	00130	Female Pin Terminal	1/8 inch
11	56266	2 Circuit Plug	
12	00127	Male Pin Terminal	1/8 inch
13	58800	3 Circuit Connector	

# Terminals and Terminal Extractor Tools



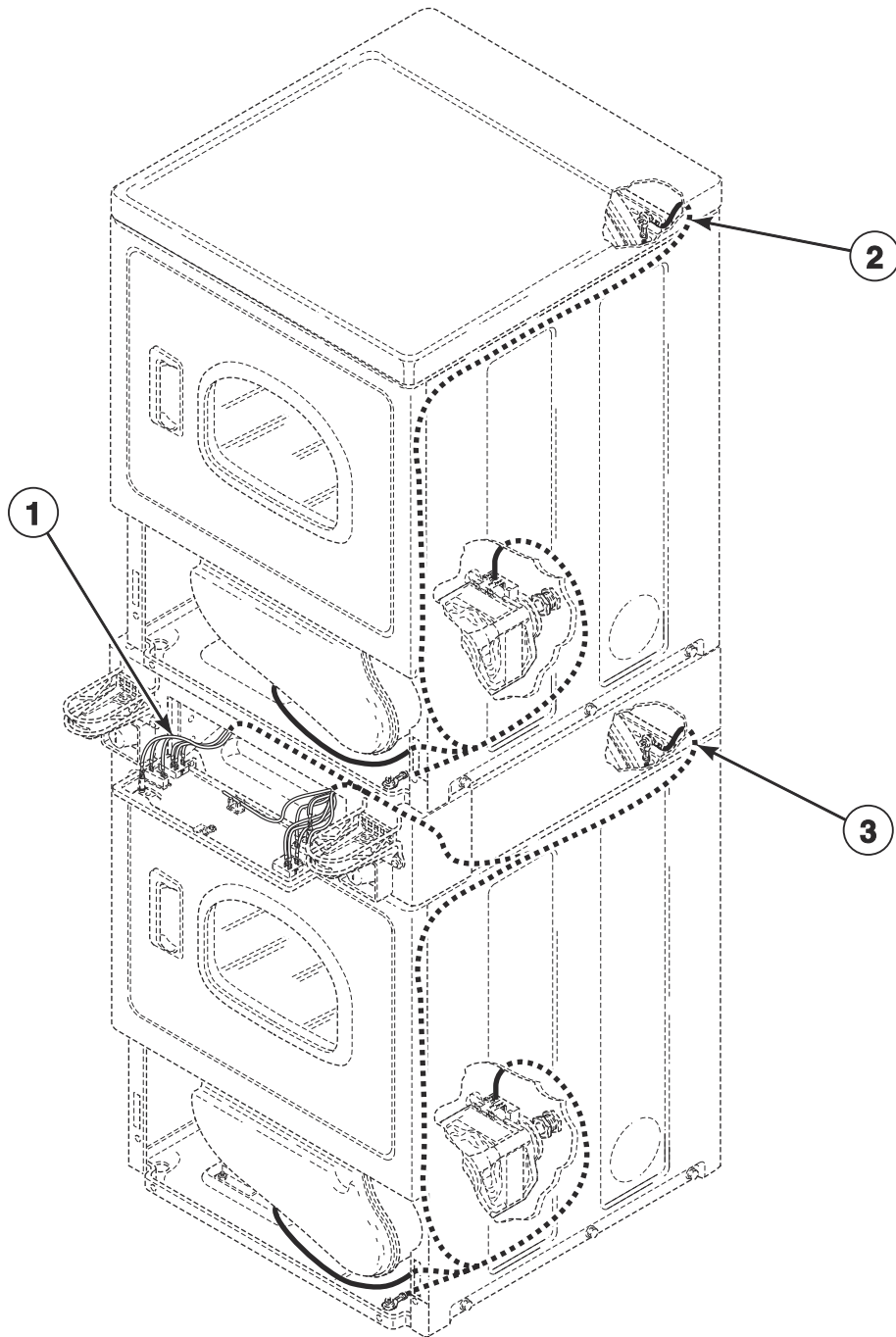
DRY2066P\_515205

## Terminals and Terminal Extractor Tools

REF	PART NO.	DESCRIPTION	COMMENTS
1	D500338	10 Position Housing	
2	00255	Female Terminal	1/4 inch; (1) 12 gauge wire; Electric models
	00256	Female Terminal	1/4 inch; (1) or (2) 18 gauge wires
3	00188	Female Terminal	For 1 or 2 wire application
4	283P4	Terminal Extractor Tool	For use on Molex connectors
5	310P4	Ratchet Extension Tool	1/4 inch; For coin drop installation
6	190P4	Extractor Tool	For use on electric dryer terminals
7	128P4	Extractor Tool	For use on gas dryer terminals
8	281P4	Torx Bit	T15 Tamper Resistant Bit
	282P4	Torx Bit	Use with 62853 Screw on access panel; T25 Tamper Resistant Bit
	292P4	Torx Bit	T20 Standard Bit
	93501	Torx Drive Tool	T10 Standard Bit

# Wire Harnesses and Wires - Nonmetered and Coin Slide Gas Models

Models BSGSXAGS111TW01, HSGSXAGW111TW01, JSGMNAGS111TW01, JSGSXAGS111TW01, SSGMNAGS111TW01, SSGSXAGS111TQ01, SSGSXAGS111TW01, SSGSXAGW111TW01 and USGMNAGS111TW01



DRY1912P\_515205

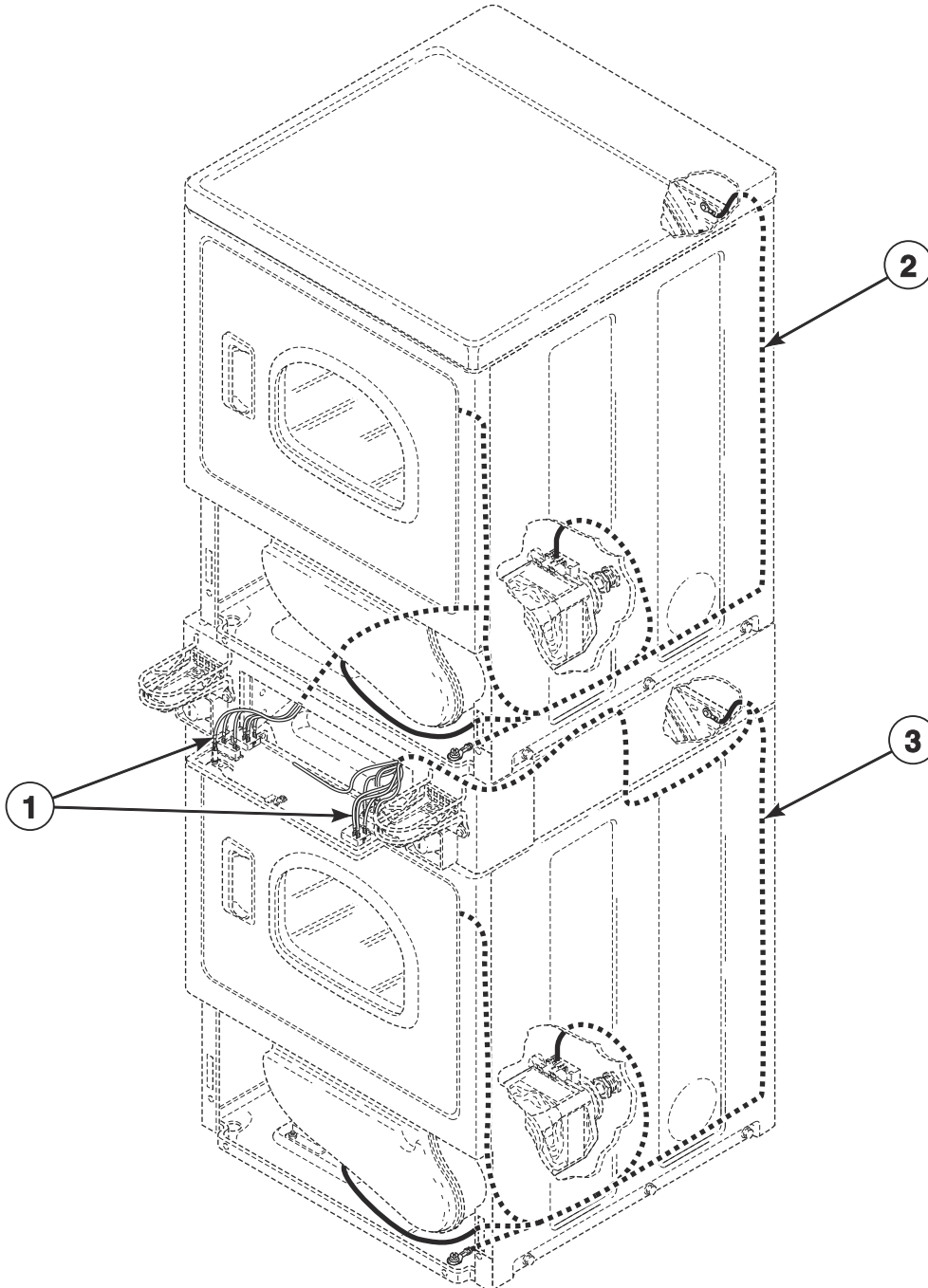
## Wire Harnesses and Wires - Nonmetered and Coin Slide Gas Models

REF	PART NO.	DESCRIPTION	COMMENTS
	45001	18 Gauge Wire	Black; Order wire by foot; Order terminals and connectors as required
	45380	12 Gauge Wire	Orange; Order wire by foot; Order terminals and connectors as required
1	D510655P	Security Cabinet Wire Harness Assembly	Models JSGMNAGS111TW01, SSGMNAGS111TW01 and USGMNAGS111TW01
	D514206	Hybrid Control Harness	All other models
2	D510413P	Wire Harness Assembly	Upper; Models JSGMNAGS111TW01, SSGMNAGS111TW01 and USGMNAGS111TW01
	D513833	Electronic Harness	Upper; Models BSGSXAGS111TW01, HSGSXAGW111TW01, JSGSXAGS111TW01, SSGSXAGS111TQ01, SSGSXAGS111TW01 and SSGSXAGW111TW01
3	D512653	Wire Harness Assembly	Models JSGMNAGS111TW01, SSGMNAGS111TW01 and USGMNAGS111TW01
	D513835	Electronic Harness	Lower; Models BSGSXAGS111TW01, HSGSXAGW111TW01, JSGSXAGS111TW01, SSGSXAGS111TQ01, SSGSXAGS111TW01 and SSGSXAGW111TW01

**NOTE: Individual wires are not available separately. Order complete harness, or order wire by the foot. When applying terminals to wires, it is recommended that the terminals be soldered to the wires**

# Wire Harnesses and Wires - Nonmetered and Coin Slide Electric Models

Models BSESXAGS171TW01, HSESXAGW171TW01, JSEMNAAGS171TW01, JSESXAGS171TW01, SSEMNAGS151TW01, SSEMNAGS171TW01, SSESXAGS151TW01, SSESXAGS171TW01, SSESXAGW171TW01 and USEMNAGS171TW01



DRY2287P\_515205

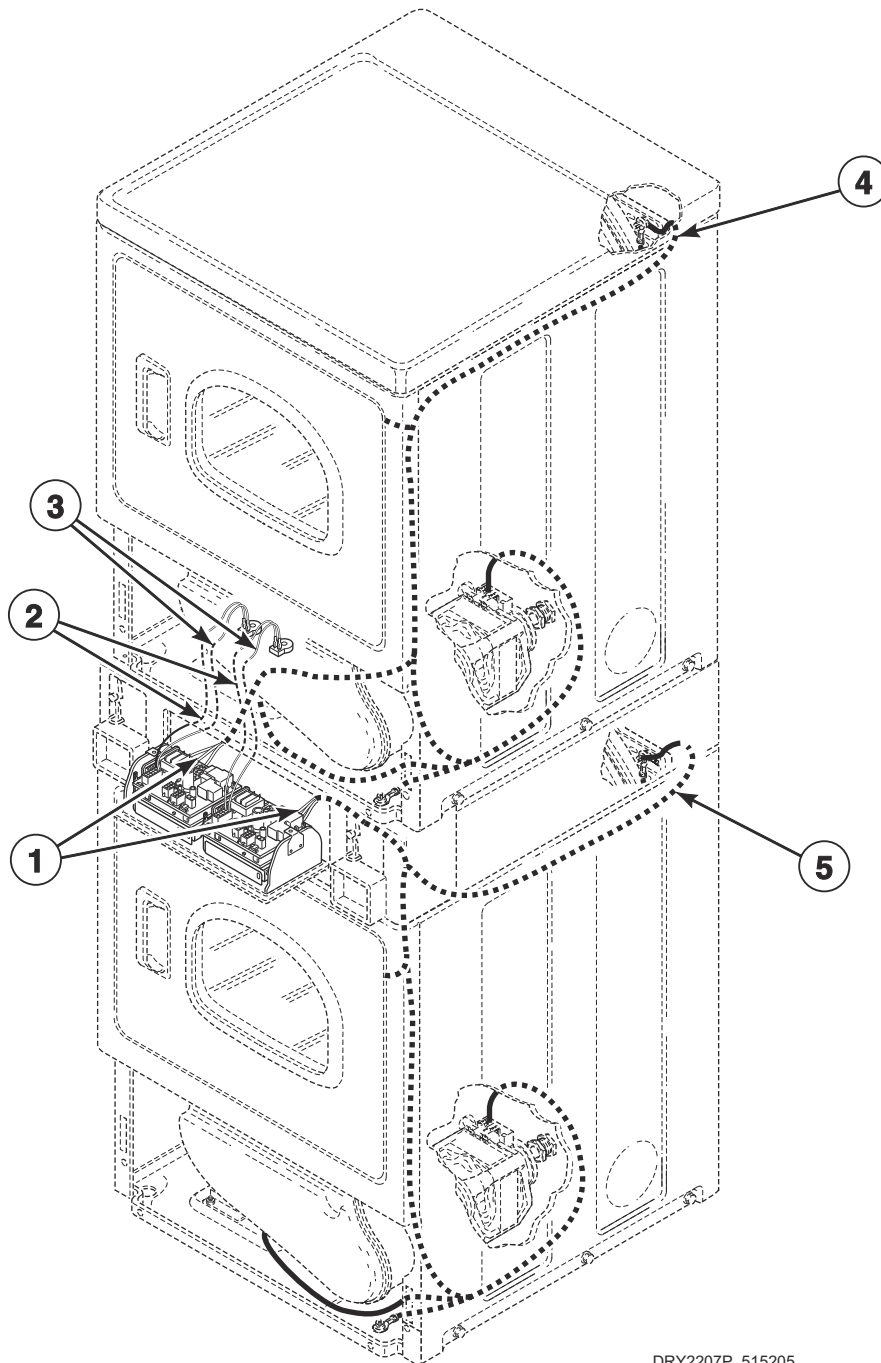
## Wire Harnesses and Wires - Nonmetered and Coin Slide Electric Models

REF	PART NO.	DESCRIPTION	COMMENTS
	45001	18 Gauge Wire	Black; Order wire by foot; Order terminals and connectors as required
	45380	12 Gauge Wire	Orange; Order wire by foot; Order terminals and connectors as required
1	D510654P	Security Cabinet Wire Harness Assembly	Models JSEMNA GS171TW01, SSEMNA GS151TW01, SSEMNA GS171TW01 and USEMNA GS171TW01
2	D514094	Electronic Harness	Upper; Models BSESXAGS171TW01, HSESXAGW171TW01, JSESXAGS171TW01, SSESXAGS151TW01, SSESXAGS171TW01 and SSESXAGW171TW01
	D513836	Harness Assembly	Upper; Models JSEMNA GS171TW01, SSEMNA GS151TW01, SSEMNA GS171TW01 and USEMNA GS171TW01
3	D514096	Electronic Harness	Lower; Models BSESXAGS171TW01, HSESXAGW171TW01, JSESXAGS171TW01, SSESXAGS151TW01, SSESXAGS171TW01 and SSESXAGW171TW01
	D513838	Wire Harness Assembly	Models JSEMNA GS171TW01, SSEMNA GS151TW01, SSEMNA GS171TW01 and USEMNA GS171TW01

**NOTE: Individual wires are not available separately. Order complete harness, or order wire by the foot. When applying terminals to wires, it is recommended that the terminals be soldered to the wires**

# Wire Harnesses and Wires - Coin Drop and Card Reader Gas Models

Models BSGBCAGS111TW01, BSGBYAGS111TW01, HSGBCAGW111TW01, HSGBYAGW111TW01,  
SSGBCAGS111TW01, SSGBCAGW111TW01, SSGBXAGS111TW01, SSGBXAGW111TW01,  
SSGBYAGS111TW01 and SSGBYAGW111TW01



DRY2207P\_515205



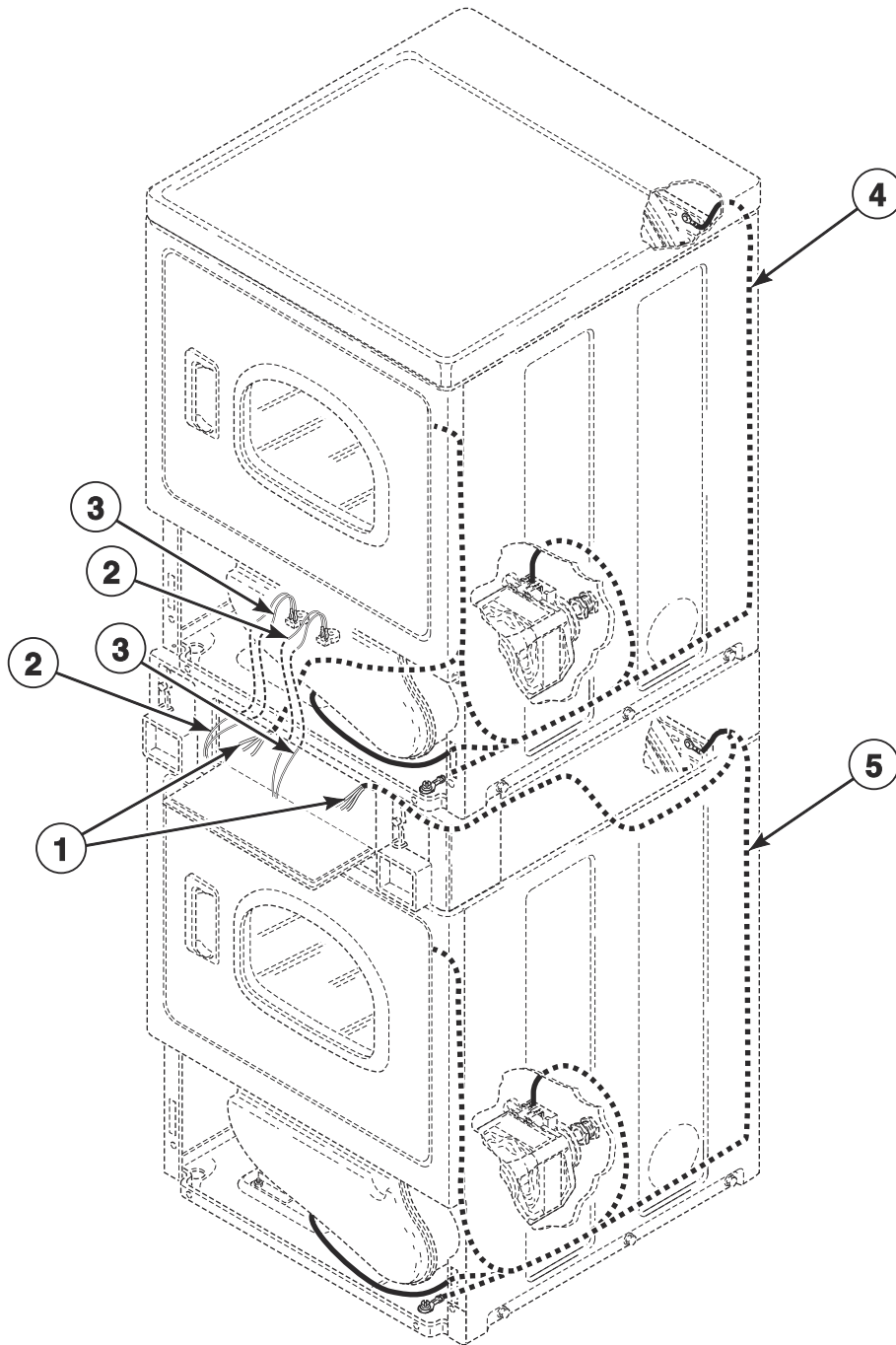
## Wire Harnesses and Wires - Coin Drop and Card Reader Gas Models

REF	PART NO.	DESCRIPTION	COMMENTS
	45001	18 Gauge Wire	Black; Order wire by foot; Order terminals and connectors as required
	45380	12 Gauge Wire	Orange; Order wire by foot; Order terminals and connectors as required
<b>1</b>	D512422P	Wire Harness Assembly	
<b>2</b>	D512273P	Wire Configuration Assembly	
<b>3</b>	D512275P	Wire Configuration Assembly	
<b>4</b>	D513833	Electronic Harness	Upper
<b>5</b>	D513835	Electronic Harness	Lower

**NOTE: Individual wires are not available separately. Order complete harness, or order wire by the foot. When applying terminals to wires, it is recommended that the terminals be soldered to the wires.**

# Wire Harnesses and Wires - Coin Drop and Card Reader Electric Models

Models BSEBCAGS171TW01, BSEBYAGS171TW01, HSEBCAGW171TW01, HSEBYAGW171TW01,  
SSEBCAGS151TW01, SSEBCAGS171TW01, SSEBCAGW151TW01, SSEBCAGW171TW01,  
SSEBXAGS171TW01, SSEBYAGS151TW01, SSEBYAGS171TW01 and SSEBYAGW171TW01



DRY2288P\_515205

## Wire Harnesses and Wires - Coin Drop and Card Reader Electric Models

REF	PART NO.	DESCRIPTION	COMMENTS
	45001	18 Gauge Wire	Black; Order wire by foot; Order terminals and connectors as required
	45380	12 Gauge Wire	Orange; Order wire by foot; Order terminals and connectors as required
<b>1</b>	D512422P	Wire Harness Assembly	
<b>2</b>	D512273P	Wire Configuration Assembly	
<b>3</b>	D512275P	Wire Configuration Assembly	
<b>4</b>	D514094	Electronic Harness	Upper
<b>5</b>	D514096	Electronic Harness	Lower

**NOTE: Individual wires are not available separately. Order complete harness, or order wire by the foot. When applying terminals to wires, it is recommended that the terminals be soldered to the wires.**



# Parts Index

## A

Access Panel Assembly	
D514250Q.....	27
D514250WP.....	27
Access Panel Plate	
D510903.....	41
Adhesive	
D511637P.....	31, 33
Air Duct Assembly	
D510151W.....	31
D515805LG.....	31
Anti-Seize Compound	
27604P.....	29

## B

Blower and Fan Kit	
D510717P.....	29
Blower Fan Assembly	
D510139P.....	29
Blower Housing	
D511969WP.....	29
Blower Housing Seal	
D510238P.....	29
Bolt	
29651.....	7, 13
Booster and Holding Coil	
58804A.....	39
Bracket	
803662.....	9
Bumper Pad	
56128.....	41
Burner Assembly	
D510149P.....	39

## C

Cabinet Rear Panel	
D514632P.....	41
Cabinet Side Panel	
D510001QP.....	41
D510001WP.....	41
D510002QP.....	41
D510002WP.....	41
Card Insert Overlay	
D514391.....	19
Clip	
201572.....	17
Coin Drop	
38963P.....	15
70441601P.....	15
Coin Drop Assembly	
38462P.....	15
38463.....	15
38464P.....	15
38475.....	15

Coin Drop Kit	
CK077.....	15
Coin Drop Wire Harness	
201104.....	17
Coin Funnel Kit	
523P3.....	7
Coin Identification Paper	
38725.....	17
Coin Slide Extension Kit	
D514228.....	9
Coin Slide Guard	
D514726.....	7
Combustion Duct	
D510132.....	37
510131.....	37
Connector, 2 Circuit	
58799.....	45
Connector, 3 Circuit	
58800.....	47
Control Assembly	
D511867P.....	11
D513139P.....	7
D514273P.....	11
Control Overlay	
D514668.....	11
D515058.....	11
Control Panel	
D514711W.....	5
D514724Q.....	7
D514724W.....	7
803964W.....	13
Control Panel and Bracket Assembly	
D500228Q.....	7
D500228W.....	5, 7
D513778W.....	11
Cylinder Assembly	
D510265LGP.....	31
D510265WP.....	31
Cylinder Baffle	
D510102LG.....	31
D510102W.....	31
Cylinder Belt	
D511255P.....	29
Cylinder Glide	
D513710.....	31
Cylinder Glide Bracket	
D510145.....	31
Cylinder Roller	
D510708P.....	33
Cylinder Roller Bracket	
D510100.....	33
Cylinder Seal Assembly	
D510207P.....	31, 33

## D

Damper	
58786.....	41
Diagnostic Wire Harness Assembly	
800374.....	11

N/A items do not appear in index.

Directional Exhaust Kit 528P3 .....	41
Door and Liner Assembly D511636WP .....	25
Door Assembly D516737W .....	25
Door Catch Assembly D510177 .....	27
Door Handle Wedge D510129W .....	23, 25
Door Liner Grill D503870LG .....	25
D503870W .....	25
Door Pull and Wedge Kit D510103QP .....	23
D510103WP .....	23, 25
Door Strike D510181 .....	23, 25
Door Strike Mount D510127 .....	23, 25
Dryer Base D514245 .....	41
Dryer Door D510013QP .....	23
D510013WP .....	23
D510082WP .....	25
Dryer Door Window D503982P .....	25

## E

Elbow Shut-Off Valve D510205 .....	39
Electric Clearance Label D511005 .....	41
Electronic Coin Drop Kit CK115 .....	17
Electronic Harness D513833 .....	51, 55
D513835 .....	51, 55
D514094 .....	53, 57
D514096 .....	53, 57
Ethernet Gateway Kit NK320 .....	11
Exhaust Duct D516196 .....	41
Expansion Clip 70030501 .....	5, 7, 13, 19
Extractor Tool 128P4 .....	49
190P4 .....	49

## F

Fabric Selector Switch 61512 .....	5
Felt Pad D510189 .....	31
Female Piggyback Terminal 00361 .....	45
Female Pin Terminal 00117 .....	47

00130 .....	47
Female Spade Terminal 00114 .....	45
00115 .....	45
00121 .....	45
00124 .....	45
00189 .....	45
00223 .....	45
Female Tab Terminal 00344 .....	45
Female Terminal 00188 .....	49
00255 .....	49
00256 .....	49
Flexible Venting Kit 521P3 .....	41
Front Bulkhead Assembly D510061 .....	31
Front Panel D510066LP .....	27
D510066QP .....	27
D510066WP .....	27
Front Panel Assembly D513781WP .....	27
Front Panel Seal D511056 .....	27

## G

Gas Clearance Label D511004 .....	41
Gas Valve Assembly 60353P .....	39
Gas Valve Mounting Bracket D510128 .....	39
Glide Kit RB170003 .....	31
Grounding Clip 00161 .....	45

## H

Harness Assembly D513836 .....	53
802904P .....	15
802905 .....	17
Harness Strap 55881 .....	47
Heat Duct Shroud D510101 .....	37
Heater D510325P .....	35
Heater Assembly D510329P .....	35
Heater Duct Assembly D510025P .....	35, 37
Heater Kit 964P3 .....	35
Heater Kit Assembly 61928 .....	35
Hinge D511036 .....	23, 25

N/A items do not appear in index.

Hinge Hole Plug D510186 .....	27
Hold Down Kit 526P3 .....	41
Housing, 10 Position D500338 .....	49
Hybrid Control Harness D514206 .....	51

## I

Idler Lever D516310 .....	29
Idler Lever and Wheel Assembly D516792 .....	29
Idler Spring D510185 .....	29
Idler Wheel and Bearing Assembly D510142P .....	29
Igniter and Bracket Assembly D510184P .....	39
Instructions for Use Label D500498 .....	27
Insulated Female Spade Terminal 00359 .....	45
00360 .....	47

## K

Key 54612 .....	5, 7, 11
--------------------	----------

## L

Lead-In Cord 59308 .....	43
Lead-In Pipe Assembly D510204 .....	39
Leveling Leg D510135 .....	41
Light 32464 .....	5
801431 .....	7
Limit Thermostat D510701 .....	35
D510702 .....	37
Liner and Seal Assembly D510098W .....	25
Liner Door Seal D510147P .....	23, 25
Liner, Seal and Grill Assembly D510163WP .....	23
D516510WP .....	23
Lint Filter D503980LG .....	31
D503980W .....	31
Lock Cam 804338 .....	5, 7, 11
Lock Kit 27260P .....	5, 7, 11

L.P. Conversion Kit 458P3 .....	39
------------------------------------	----

## M

Male Pin Terminal 00116 .....	47
00127 .....	47
Male Tab Terminal 00139 .....	45
Meter Case Assembly 804011Q .....	7
804011W .....	7
807396W .....	13
Motor and Pulley Assembly D511629P .....	29
Motor Hub Ring Kit 590P3 .....	29
Motor Mount D510060 .....	29
Motor Mount Clamp D510180 .....	29
Motor Pulley D500011 .....	29
Mounting Tool Kit CK096 .....	17

## N

Network Controller Kit NK220 .....	11
Network Retrofit Kit 203328 .....	11
Nut 201216 .....	17
24205 .....	5, 7
28447 .....	33
29786 .....	15
29796 .....	7
44071201 .....	25
44087201 .....	7
52566 .....	29
52947 .....	5, 7
56156 .....	29, 33
N.G. Conversion Kit 459P3 .....	39

## O

Opto Coupler 200674P .....	15
Outlet Cover D500820 .....	35, 37
D515573 .....	35, 37
Overlay D512678 .....	5, 7
D514371 .....	5, 7
D514665 .....	11
D514667 .....	7
D514669 .....	7
D514670 .....	5
D514873 .....	19

N/A items do not appear in index.

D515245 ..... 5, 7

---

## P

Panel Locator  
56079 ..... 27, 41

Plug  
23040 ..... 47

Plug, 2 Circuit  
56266 ..... 47  
56448 ..... 47

Plug, 9 Circuit  
23033 ..... 45

Porcelain Touch-Up Paint  
122P4P ..... 41  
370P4P ..... 41

---

## R

Ratchet Extension Tool  
310P4 ..... 49

Rear Access Panel  
803998 ..... 5, 7, 13, 19

Rear Bulkhead Assembly  
D511082P ..... 33

Receptacle Housing  
90789 ..... 45

Receptacle, 10 Circuit  
34596 ..... 45

Receptacle, 12 Circuit  
D501333 ..... 45

Receptacle, 2 Circuit  
56451 ..... 47

Receptacle, 3 Circuit  
23039 ..... 47

Receptacle, 6 Circuit  
26708 ..... 45

Resistor  
210100 ..... 11

Retaining Ring  
23748 ..... 29, 33

Ring Terminal  
00110 ..... 45

Roller Kit  
RB170002 ..... 33

Rubber Foot  
D501855 ..... 41

---

## S

Screw  
D500226 ..... 25  
D500824 ..... 29  
D501285 ..... 31, 33  
D501524 ..... 11  
D502431 ..... 5  
D502535 ..... 29  
D503661 ..... 21  
D503688 ..... 5, 11, 13, 19, 21, 27, 29,  
31, 33, 35, 37, 39, 41  
D505295 ..... 23, 25, 31

D505870 ..... 25  
20530 ..... 43  
23222 ..... 35, 39  
27328 ..... 5, 7  
28448 ..... 33  
31260 ..... 29  
33562 ..... 27  
36048 ..... 21  
39733 ..... 27, 41  
503688 ..... 7  
51782 ..... 37, 39  
52864 ..... 31  
56124 ..... 39  
61199 ..... 33  
62588 ..... 31  
62853 ..... 27  
70240301 ..... 5, 7, 13, 19

Seal Kit  
RB170001 ..... 31, 33

Secondary Coil  
58804B ..... 39

Security Cabinet Front Assembly  
804147WP ..... 19

Security Cabinet Wire Harness Assembly  
D510654P ..... 53  
D510655P ..... 51

Sensor  
D510213 ..... 39

Shaft  
56461P ..... 29, 33

Shield Bracket  
804018 ..... 5, 7, 11

Single Overlay  
38717 ..... 13

Slide Extension Kit  
201915 ..... 7

Spade Terminal  
00245 ..... 45

Speed Clip  
28835 ..... 27

Strain Relief  
38384 ..... 43

Switch  
D512973 ..... 7, 13, 27  
D514105 ..... 9

Switch Assembly  
55882 ..... 5, 7

Switch Knob  
39897 ..... 5, 7

---

## T

Temperature Selector Switch  
D511711 ..... 7

Terminal  
00252 ..... 45

Terminal Block Assembly  
D510190P ..... 33

Terminal Block Shield  
D510237 ..... 33

Terminal Extractor Tool  
283P4 ..... 49

Thermal Fuse Assembly  
D511412 ..... 35

N/A items do not appear in index.



Thermistor Assembly	
D510523 .....	29
Thermostat	
D510703 .....	37
D512005 .....	29
Timer	
D510524P .....	5
Timer Knob	
54678 .....	5
Timer Overlay	
D514710 .....	5
Top Hinge	
D510136 .....	21, 41
Top Kit	
D510032QP .....	21
D510032WP .....	21
Torx Bit	
281P4 .....	49
282P4 .....	49
292P4 .....	49
Torx Drive Tool	
93501 .....	49
Transformer	
201375P .....	11
201587P .....	7
210018P .....	11

## U

USB Gateway Kit	
NK330 .....	11
USB IR Interface Kit	
203346 .....	11

## W

Warning/Caution Label	
D500281 .....	27
Washer	
D501307 .....	21
D504082 .....	33
03815 .....	7
25820 .....	5, 7
28449 .....	33
52549 .....	29, 33
91176 .....	5, 7
Window Clip	
D513958 .....	25
Window Trim	
D503981W .....	25
Wire Assembly	
D510527 .....	35
D510528 .....	35
Wire Clip	
D504034 .....	47
687500 .....	47
Wire Configuration Assembly	
D512273P .....	55, 57
D512275P .....	55, 57
Wire Guard	
201595P .....	15

Wire Harness Assembly	
D510413P .....	51
D512422P .....	11, 55, 57
D512653 .....	51
D513838 .....	53
Wireless Network Kit	
203889 .....	11
204689 .....	11
Wire, 12 Gauge	
45380 .....	51, 53, 55, 57
Wire, 18 Gauge	
45001 .....	51, 53, 55, 57
Wrapper Assembly	
804104Q .....	7
804104W .....	7, 13
804112W .....	5, 19

N/A items do not appear in index.

