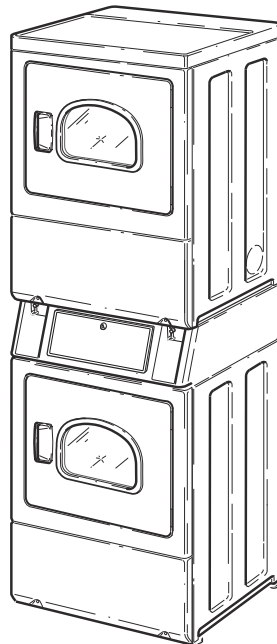


# Commercial Dryers

Metered and Nonmetered  
Refer to Page 5 for Model Numbers



DRY727C\_515206



# Table of Contents

Title	Page
Parts Ordering Information.....	3
Serial Plate Location .....	3
Model Identification .....	5
Control Panel and Controls (Drawing 1 of 2) .....	6
Control Panel and Controls (Drawing 2 of 2) .....	8
Network Board Assembly.....	10
Non-Electronic Coin Drop .....	12
Electronic Coin Drop .....	14
Control Cabinet Controls - Coin Drop Models.....	16
Control Cabinet - Card Reader Ready and Non-Vend Models .....	18
Loading Door with Window (Drawing 1 of 2).....	20
Loading Door with Window (Drawing 2 of 2).....	22
Loading Door With Window - Through Serial Nos. Beginning 1707 .....	24
Loading Door With Window - Starting Serial Nos. Beginning 1707 .....	26
Loading Door without Window .....	28
Access Panel, Front Panel and Seal .....	30
Motor, Exhaust Fan and Belt (Drawing 1 of 2).....	32
Motor, Exhaust Fan and Belt (Drawing 2 of 2).....	34
Blower Housing .....	36
Front Bulkhead, Felt Seal and Cylinder .....	38
Air Duct .....	40
Lint Filter .....	42
Rear Bulkhead, Felt Seal, Cylinder Roller and Terminal Block.....	44
Heater Duct Assembly - 3 Phase Electric Models.....	46
Heater Duct and Element Assembly - 1 Phase Electric Models .....	48
Heater Duct Assembly - Gas Models.....	50
Gas Valve, Igniter and Gas Conversion Kits (Drawing 1 of 2) .....	52
Gas Valve, Igniter and Gas Conversion Kits (Drawing 2 of 2) .....	54
Gas Valve Through Serial No. 1908000001 .....	56
Gas Valve Starting Serial No. 1908000001 .....	58
Burner Orifice Spuds - For Higher Elevations.....	60
Cabinet, Exhaust Duct and Base .....	62
Contactors and Transformer .....	64
Ignition Control Module .....	66
Cabinet Top .....	68
Power Cord .....	70
Junction Box .....	72
Junction Box Filter and Harnesses .....	74
Terminal Block and Terminals .....	76
Terminals .....	78
Terminals and Terminal Extractor Tools .....	80

© Copyright 2020, Alliance Laundry Systems LLC

All rights reserved. No part of the contents of this book may be reproduced or transmitted in any form or by any means without the expressed written consent of the publisher.

Wire Harnesses and Wires - Gas Models .....	82
Wire Harnesses and Wires - Electric Models.....	84
Parts Index.....	87

## Parts Ordering Information

If literature or replacement parts are required, contact the source from whom the machine was purchased or contact Alliance Laundry Systems at (920) 748-3950 for the name and address of the nearest authorized parts distributor.

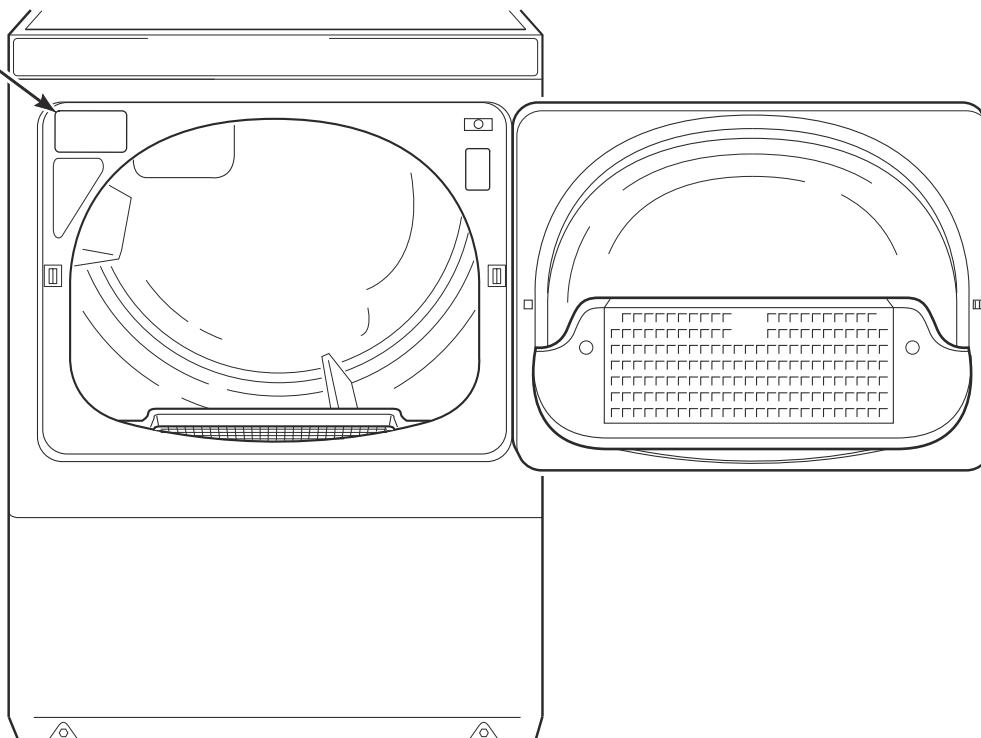
For technical assistance, call the number listed below:

(920) 748-3121 Ripon, Wisconsin

## Serial Plate Location

When calling or writing about your product, be sure to mention model and serial numbers. Model and serial numbers are located on serial plate(s) as shown.

SERIAL PLATE



DRY2283P\_515206



## Model Identification

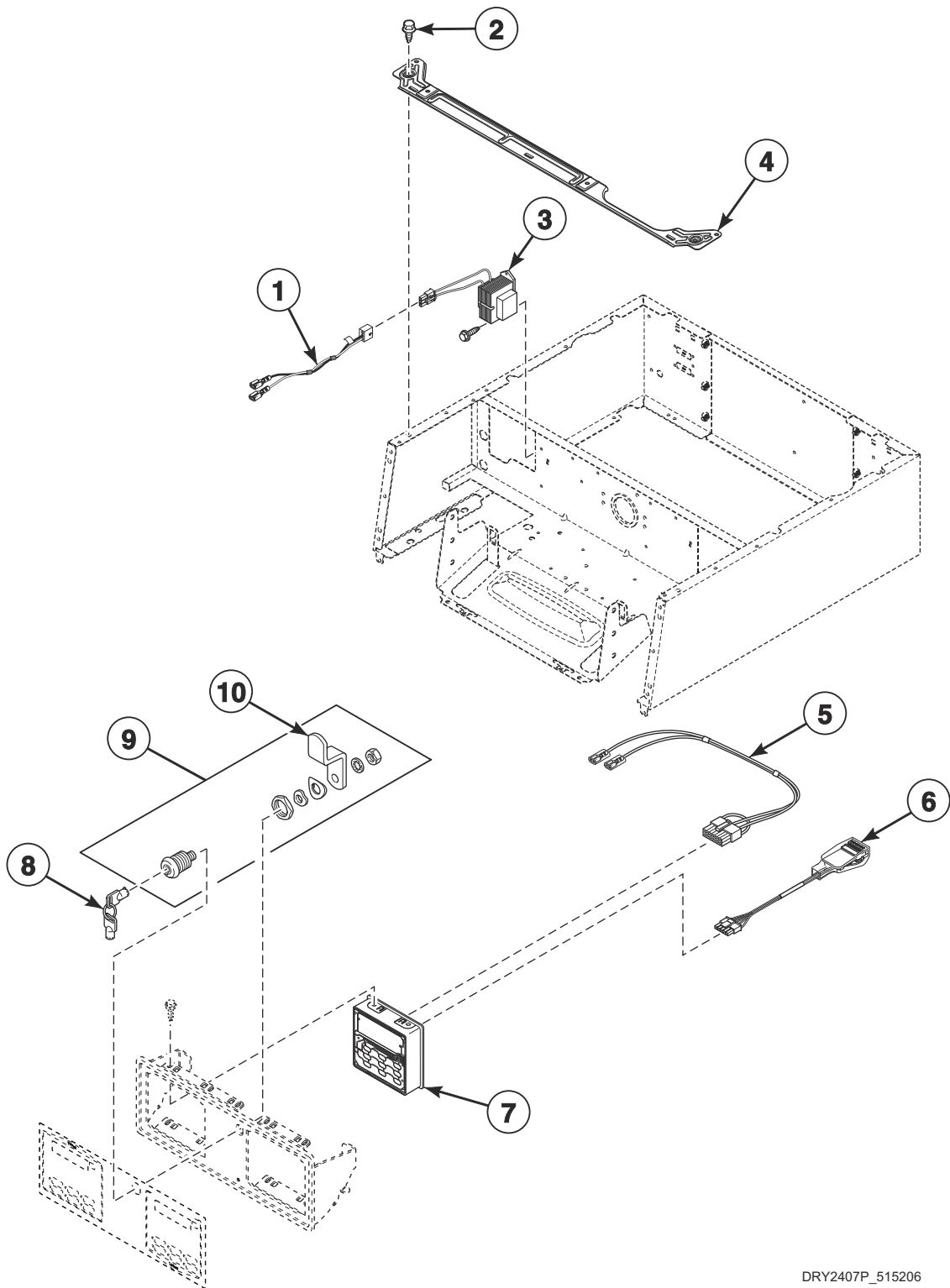
Information in this manual is applicable to these dryer models:

HSENXAGW283CW01  
HSENXAGW293CW01  
HSENXAGW543DW01  
HSENXFGW293CW01  
HSENYAGW283CW01  
HSENYAGW293CW01  
HSENYFGW283CW01  
HSGNXAGW093CW01  
HSGNXAGW123DW01  
HSGNXAGW543DW01  
HSGNXFGW093CW01  
HSGNYAGW093CW01  
HSGNYFGW093CW01

JSEJEAGW303EW01  
JSEJGAGW303EW01  
JSEJRAGW303EW01  
JSEJXAGW303EW01  
JSGJEAGW303EW01  
JSGJGAGW303EW01  
JSGJRAGW303EW01  
JSGJXAGW303EW01  
NSENXAGW453ZW01  
NSGNXAGW303ZW38  
PS3JGAGS403UG01  
PS3JXAGS403UG01  
PSEJXAGS434AG01  
PSGJGAGS303UG01  
PSGJGAGS543ZG01  
PSGJXAGS303UG01  
PSGJXAGS304AG01  
PSGJXAGS543ZG01  
PSLJXAGW303NG22

SSENEAGW283CW01  
SSENEAGW293CW01  
SSENXAGW283CW01  
SSENXAGW293CW01  
SSENXAGW433AW01  
SSENXAGW433LW01  
SSENXAGW543DW01  
SSENXFGW293CW01  
SSENYAGW283CW01  
SSENYAGW293CW01  
SSGNEAGW093CW01  
SSGNXAGW093CW01  
SSGNXFGW093CW01  
SSGNXAGW123DW01  
SSGNXAGW303AW01  
SSGNXAGW543DW01  
SSGNYAGW093CW01  
SSLNXAGW303LW01  
SSLNXAGW543NW23  
SSLNXAGW543PW01  
SSLWXAGS303NN22  
SSMNXAGW083JW01

# Control Panel and Controls (Drawing 1 of 2)



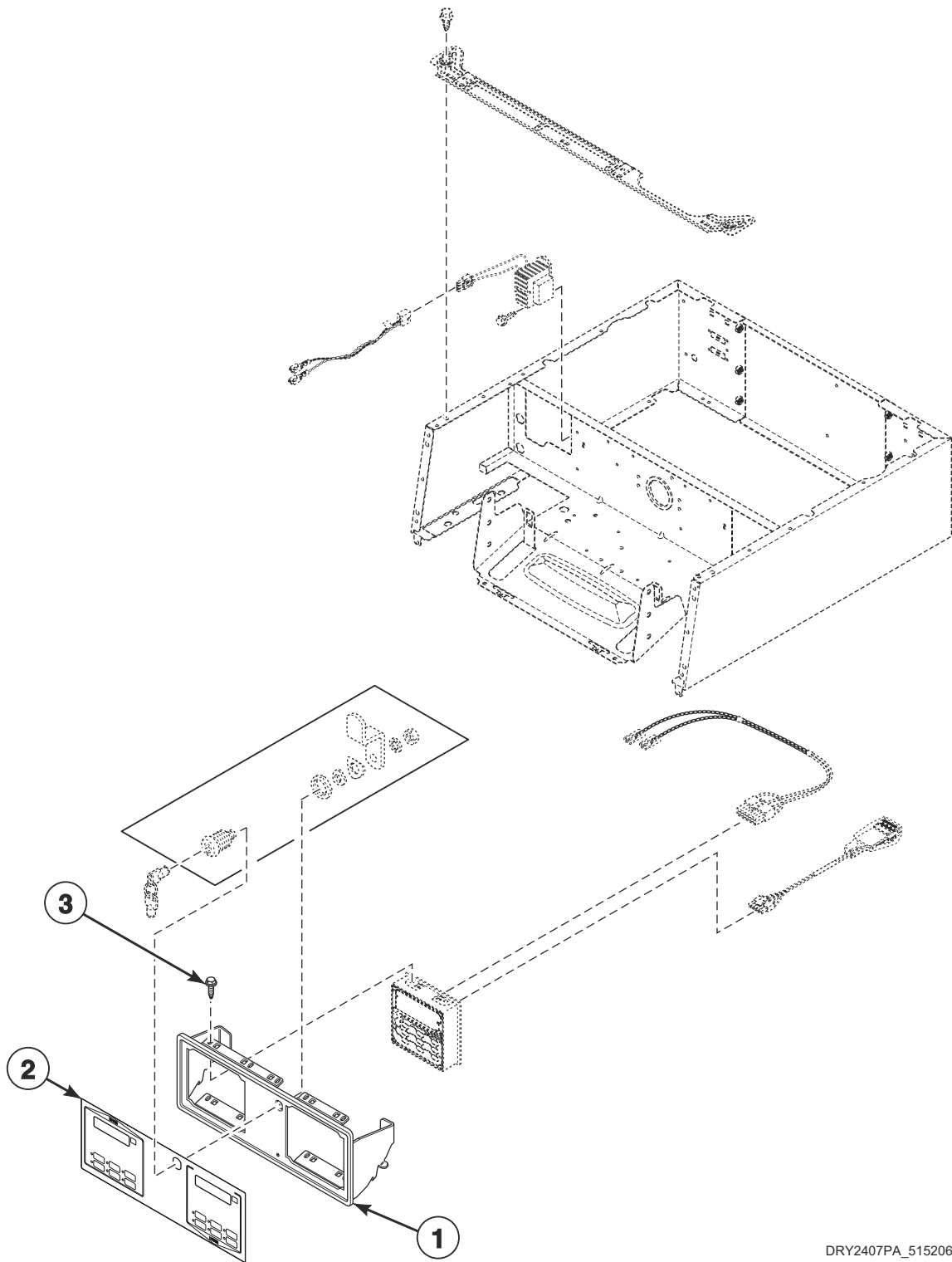
DRY2407P\_515206



## Control Panel and Controls (Drawing 1 of 2)

REF	PART NO.	DESCRIPTION	COMMENTS
	203889	Wireless Network Kit	Through Serial No. 1902000001
	204689	Wireless Network Kit	Starting Serial No. 1902000001
	203328	Network Retrofit Kit	Wired
	203346	USB IR Interface Kit	
	NK220	Network Controller Kit	Wired
	NK320	Ethernet Gateway Kit	Wireless
	NK330	USB Gateway Kit	Wireless
	D514453	Control Wrapper Plate	Models HSENXAGW543DW01, HSGNXAGW543DW01, JSEJEAGW303EW01, JSEJGAGW303EW01, JSEJRAGW303EW01, JSEJXAGW303EW01, JSGJEAGW303EW01, JSGJGAGW303EW01, JSGJRAGW303EW01, JSGJXAGW303EW01, NSENXAGW453ZW01, NSGNXAGW303ZW38, PS3JGAGS403UG01, PS3JXAGS403UG01, PSEJXAGS434AG01, PSGJGAGS303UG01, PSGJGAGS543ZG01, PSGJXAGS303UG01, PSGJXAGS304AG01, PSGJXAGS543ZG01, SSENXAGW433AW01, SSENXAGW433LW01, SSENXAGW543DW01, SSGNXAGW123DW01, SSGNXAGW303AW01, SSGNXAGW543DW01, SSLNXAGW303LW01, SSLNXAGW543PW01 and SSMNXAGW083JW01
<b>1</b>	D514069	Transformer Harness	Models JSEJEAGW303EW01, JSEJRAGW303EW01, JSEJXAGW303EW01 and PSEJXAGS434AG01
	D514072	Transformer Harness	Models HSENYAGW283CW01, HSENYAGW293CW01, HSGNYFGW093CW01, SSENYAGW283CW01, SSENYAGW293CW01 and SSGNYAGW093CW01
	805428	Transformer Harness	Models JSGJRAGW303EW01 and SSLWXAGS303NN22
<b>2</b>	D503688	Screw	
<b>3</b>	202757	Transformer	Models HSENYAGW283CW01, HSENYAGW293CW01, HSENYFGW283CW01, HSGNYAGW093CW01, HSGNYFGW093CW01, SSENYAGW283CW01, SSENYAGW293CW01 and SSGNYAGW093CW01
	202758	Transformer	Models JSEJEAGW303EW01, JSEJXAGW303EW01, JSGJEAGW303EW01, JSGJXAGW303EW01, PSEJXAGS434AG01 and SSLWXAGS303NN22
	204380	Transformer	Models JSEJRAGW303EW01 and JSGJRAGW303EW01
<b>4</b>	804018	Shield Bracket	
<b>5</b>	202868	Wiring Harness Assembly	Models HSENYAGW283CW01, HSENYAGW293CW01, HSENYFGW283CW01, HSGNYAGW093CW01, HSGNYFGW093CW01, JSEJGAGW303EW01, JSGJGAGW303EW01, PS3JGAGS403UG01, PSGJGAGS303UG01, PSGJGAGS543ZG01, SSENYAGW283CW01, SSENYAGW293CW01 and SSGNYAGW093CW01
<b>6</b>	203361P	Machine ID Control Assembly	Model or serial number is required when ordering
<b>7</b>	D515809P	Control Assembly	Models PS3JGAGS403UG01, PS3JXAGS403UG01, PSEJXAGS434AG01, PSGJGAGS303UG01, PSGJGAGS543ZG01, PSGJXAGS303UG01, PSGJXAGS304AG01, PSGJXAGS543ZG01 and PSLJXAGW303NG22
	D515807P	Control Assembly	All other models
<b>8</b>	54612	Key	800
<b>9</b>	27260P	Lock Kit	Includes item 13
<b>10</b>	27261	Lock Cam	Models HSENXFGW293CW01, HSENYFGW283CW01, HSGNXFGW093CW01 and HSGNYFGW093CW01
	804338	Lock Cam	All other models

# Control Panel and Controls (Drawing 2 of 2)



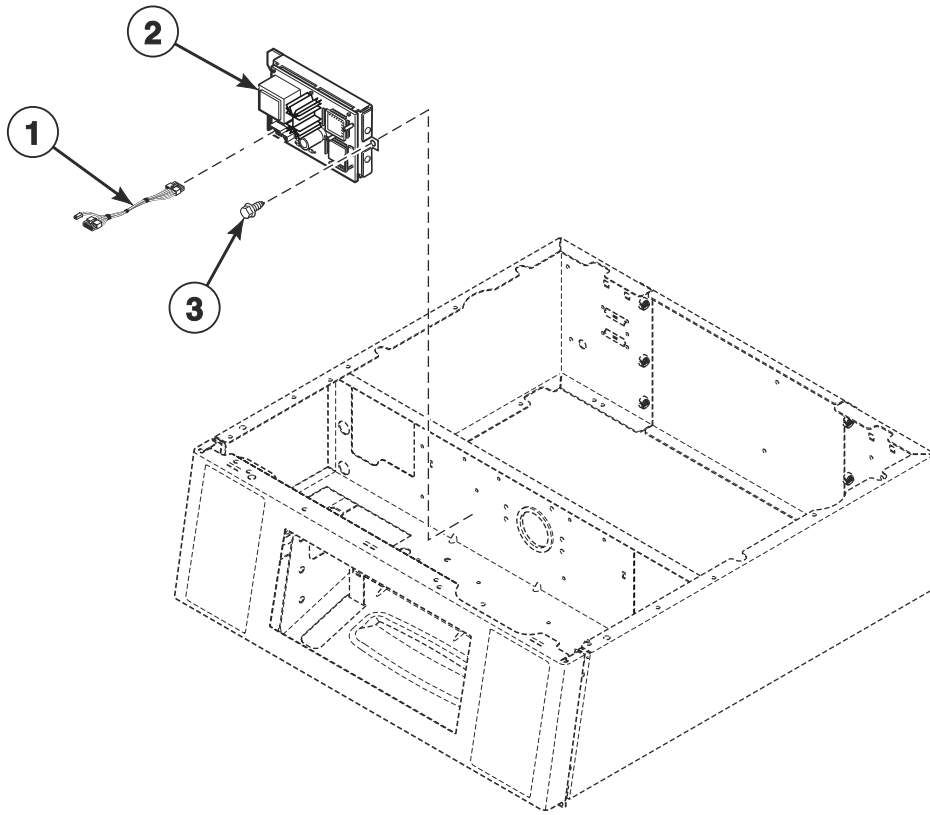
DRY2407PA\_515206

## Control Panel and Controls (Drawing 2 of 2)

REF	PART NO.	DESCRIPTION	COMMENTS
	D517037	Laundry Harness	Models JSEJRAGW303EW01 and JSGJRAGW303EW01
	D518412	Instruction Cable	Models JSEJRAGW303EW01 and JSGJRAGW303EW01
<b>1</b>	D513778B	Control Panel and Bracket Assembly	Black; Models JSEJEAGW303EW01, JSEJGAGW303EW01, JSEJRAGW303EW01, JSEJXAGW303EW01, JSGJEAGW303EW01, JSGJGAGW303EW01, JSGJRAGW303EW01, JSGJXAGW303EW01 and SSLWXAGS303NN22
	D513778DG	Control Panel and Bracket Assembly	Gray; Models PS3JGAGS403UG01, PS3JXAGS403UG01, PSEJXAGS434AG01, PSGJGAGS303UG01, PSGJGAGS543ZG01, PSGJXAGS303UG01, PSGJXAGS304AG01, PSGJXAGS543ZG01 and PSLJXAGW303NG22
	D510076W	Control Panel and Bracket Assembly	Models HSENXFGW293CW01, HSENYFGW283CW01, HSGNXFGW093CW01 and HSGNYFGW093CW01
	D513778W	Control Panel and Bracket Assembly	White; All other models
<b>2</b>	D514372	Control Overlay	Models HSENXAGW283CW01, HSENXAGW293CW01, HSENXAGW543DW01, HSENYAGW283CW01, HSENYAGW293CW01, HSGNXAGW093CW01, HSGNXAGW123DW01, HSGNXAGW543DW01 and HSGNYAGW093CW01
	D515482	Graphic Overlay	Models HSENXFGW293CW01, HSENYFGW283CW01, HSGNXFGW093CW01 and HSGNYFGW093CW01
	D514663	Graphic Overlay	Models JSEJEAGW303EW01, JSEJXAGW303EW01, JSGJEAGW303EW01, JSGJXAGW303EW01 and PSEJXAGS434AG01
	D518409	Control Overlay	Models JSEJGAGW303EW01 and JSGJGAGW303EW01
	D514927	Control Overlay	Models PS3JXAGS403UG01, PSGJXAGS303UG01, PSGJXAGS304AG01, PSGJXAGS543ZG01 and PSLJXAGW303NG22
	D514930	Control Overlay	Models PS3JGAGS403UG01, PSGJGAGS303UG01 and PSGJGAGS543ZG01
	D514481	Control Overlay	Models SSENXFGW293CW01, SSGNXFGW093CW01, SSGNXAGW123DW01, SSGNXAGW543DW01, SSLNXAGW543NW23 and SSLNXAGW543PW01
	D517660	Control Overlay	Models NSENXAGW453ZW01 and NSGNXAGW303ZW38
	D518408	Control Overlay	Models JSEJRAGW303EW01 and JSGJRAGW303EW01
	D514366	Control Overlay	All other models
<b>3</b>	D501524	Screw	

# Network Board Assembly

Model SSLWXAGS303NN2



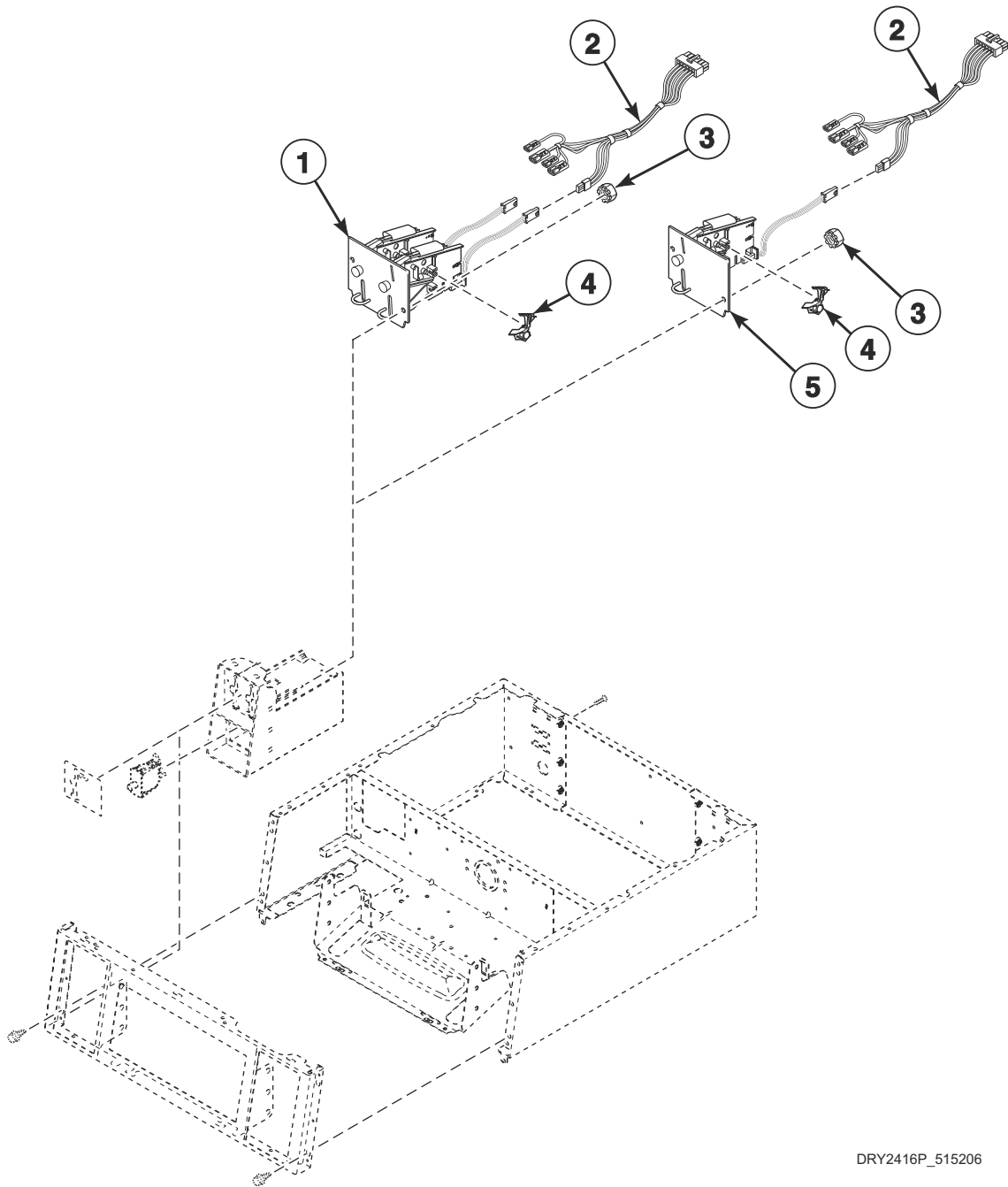
FLW1813P\_515206

# Network Board Assembly

REF	PART NO.	DESCRIPTION	COMMENTS
1	F8536002	Wireless Network Board Harness	Through Serial No. 1902000001
	F8674006	Wireless Network Harness	Starting Serial No. 1902000001
2	203532	Wireless Network Control Assembly	Through Serial No. 1902000001
	807211	Wireless Network Control Assembly	Starting Serial No. 1902000001
3	D503661	Screw	

# Non-Electronic Coin Drop

Coin Drop Models



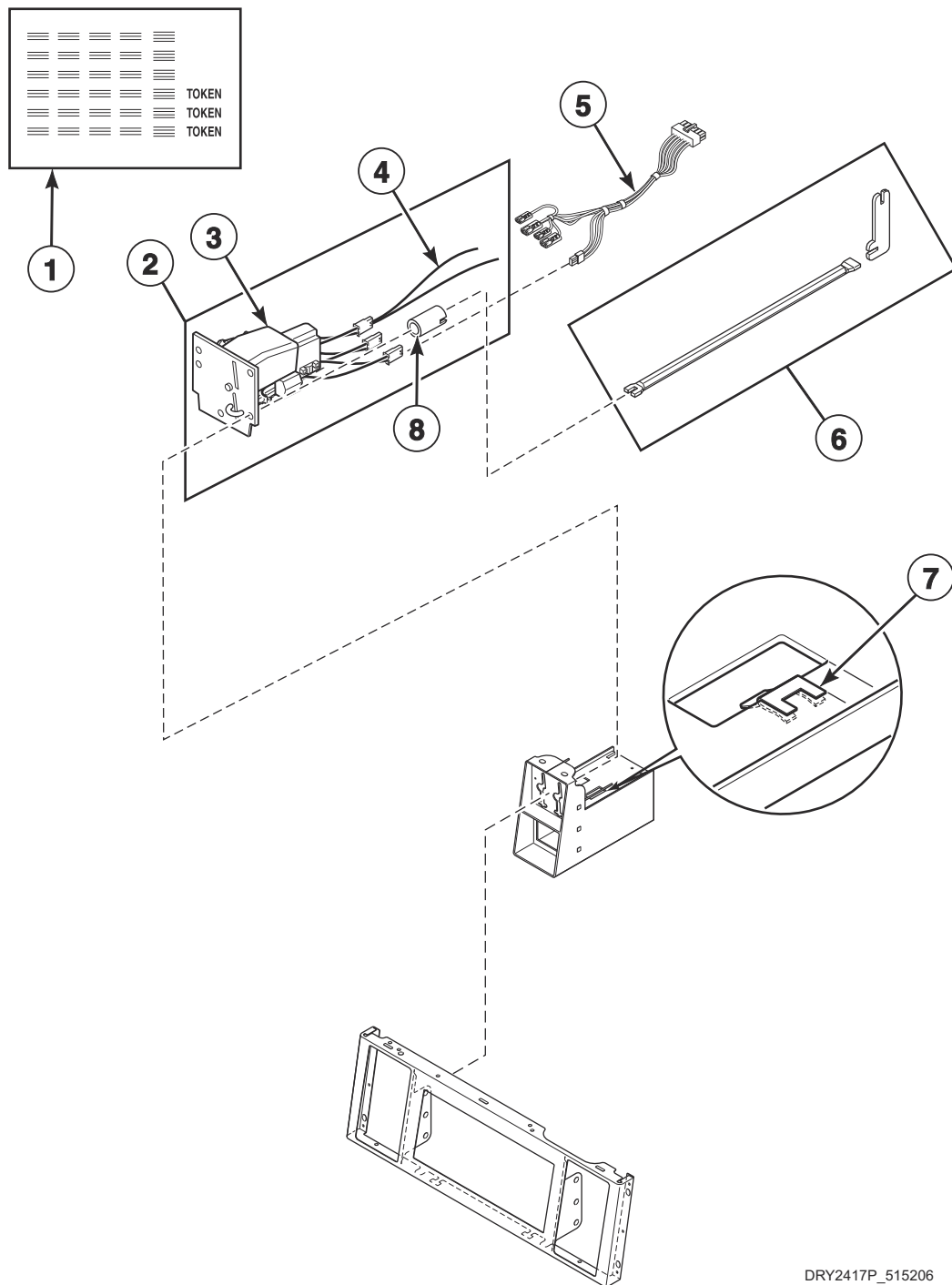
DRY2416P\_515206

## Non-Electronic Coin Drop

REF	PART NO.	DESCRIPTION	COMMENTS
1	70441602	Coin Drop Assembly	Canada; 0.25 and 1.00
	38467	Coin Drop Assembly	Australia; 0.20 and 1.00
	38472	Coin Drop Assembly	England; 20p and 1 pound
	38519	Coin Drop Assembly	Japan; 100 yen and 500 yen
	38521	Coin Drop Assembly	Korea; 100 won and 500 won
	39157	Coin Drop Assembly	Israel; 1 shekel and 5 shekel
	2	202871	Dual Coin Harness Assembly
3	29786	Nut	
4	201595P	Wire Guard	Anti-stringing security device; Add to coin drops beginning January 2005
5	38462P	Coin Drop Assembly	Token; 118-1 mzp; .880 diameter x .079 thick; Brass
	38463	Coin Drop Assembly	Token; 118-5 mzp; .990 diameter x .081 thick; Silver
	38464P	Coin Drop Assembly	Canada; 0.25
	38475	Coin Drop Assembly	Japan; 100 yen
	CK077	Coin Drop Kit	Taiwan; 10 NT
	70441601P	Coin Drop	USA; \$0.25
	38963P	Coin Drop	Token 118-16 not available; Replacement for 38963P Coin Drop only
	CK114	Coin Drop Assembly	Singapore; Old 1.00
	CK123	Coin Drop Kit	Singapore; New 1.00

# Electronic Coin Drop

Coin Drop Models



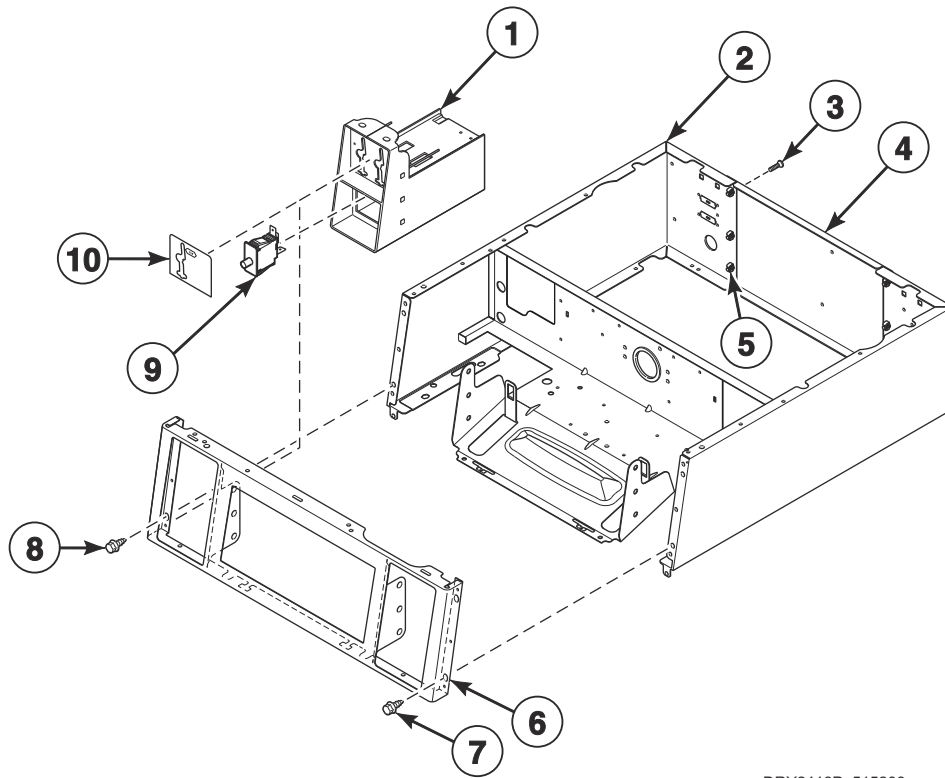
DRY2417P\_515206



# Electronic Coin Drop

REF	PART NO.	DESCRIPTION	COMMENTS
1	38725	Coin Identification Paper	For use with items 2 and 3
2	CK115	Electronic Coin Drop Kit	Includes items 3-5; United States and Canada
	CK113	Electronic Coin Drop Kit	Includes items 3-5; Japan and Taiwan coins
	CK099	Electronic Coin Drop Kit	Includes items 3-5; Australia, New Zealand, Hong Kong and South Korea coins
	CK100	Electronic Coin Drop Kit	Includes items 3-5; Euro and Great Britain coins
	CK101	Electronic Coin Drop Kit	Includes items 3-5; Euro, Denmark and Norway coins
	CK103	Electronic Coin Drop Kit	Includes items 3-5; Euro, Lithuania and Latvia coins
	CK108	Electronic Coin Drop Kit	Includes items 3-5; South Africa coins
	CK109	Electronic Coin Drop Kit	Includes items 3-5; Euro coins
	CK110	Electronic Coin Drop Kit	Includes items 3-5; Mexico, Ecuador and United States coins
	CK116	Electronic Coin Drop Kit	Includes items 3-5; Malaysia, China and Singapore coins
	CK117	Electronic Coin Drop Kit	Includes items 3-5; Russia coins
CK118	Electronic Coin Drop Kit	Includes items 3-5; Philippine coins	
3	70294103P	Electronic Coin Drop Assembly	Euro and Great Britain coins
	70294104	Electronic Coin Drop Assembly	Euro, Denmark and Norway coins
	70294106	Electronic Coin Drop Assembly	Mexico, Ecuador and United States coins
	70294107	Electronic Coin Drop Assembly	Euro, Lithuania and Latvia coins
	70294110	Electronic Coin Drop Assembly	South Africa coins
	70294111	Electronic Coin Drop Assembly	Euro coins
	70294122	Electronic Coin Drop Assembly	Euro, Great Britain and token coins
	70513311	Electronic Coin Drop Assembly	Malaysia, China and Singapore coins
	70294117	Electronic Coin Drop Assembly	Russia coins
4	201104	Coin Drop Wire Harness	For use with items 2 and 3
5	202871	Dual Coin Harness Assembly	
6	CK096	Mounting Tool Kit	For use with items 2 and 3
7	201572	Clip	For use with items 2 and 3
8	201216	Nut	For use with items 2 and 3

# Control Cabinet Controls - Coin Drop Models

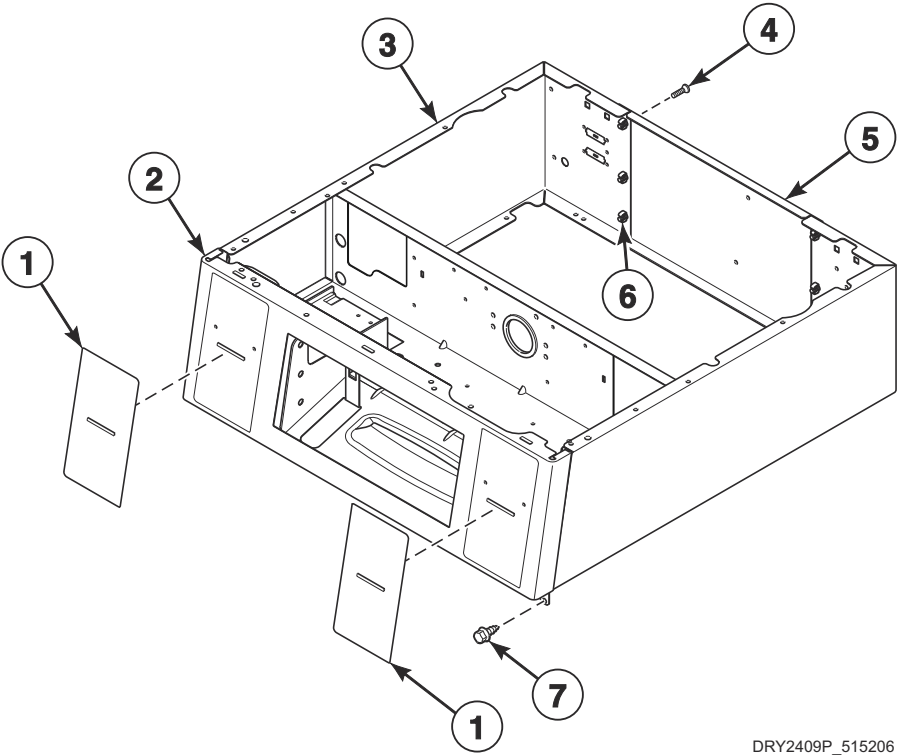


DRY2418P\_515206

## Control Cabinet Controls - Coin Drop Models

REF	PART NO.	DESCRIPTION	COMMENTS
	44087201	Nut	4 required; Use with item 8
<b>1</b>	807396B	Meter Case Assembly	Black; Requires high capacity coin vault; Models JSEJXAGW303EW01, JSGJXAGW303EW01 and SSLWXAGS303NN22
	807254B	Meter Case Assembly	Black; Models JSEJRAGW303EW01 and JSGJRAGW303EW01
	807396DG	Meter Case Assembly	Gray; Requires high capacity coin vault; Models PS3JXAGS403UG01, PSEJXAGS434AG01, PSGJXAGS303UG01, PSGJXAGS304AG01 and PSLJXAGW303NG22
	807396W	Meter Case Assembly	White; Requires high capacity coin vault; All other models
<b>2</b>	804104DG	Wrapper Assembly	Gray; Models PS3JXAGS403UG01, PSEJXAGS434AG01, PSGJXAGS303UG01, PSGJXAGS304AG01 and PSLJXAGW303NG22
	804104B	Wrapper Assembly	Black; Model SSLWXAGS303NN22
	D505753WP	Wrapper and Channel Assembly	Models HSENXFGW293CW01 and HSGNXFGW093CW01
	804104W	Wrapper Assembly	White; All other models
<b>3</b>	70240301	Screw	6 required
<b>4</b>	803998	Rear Access Panel	
<b>5</b>	70030501	Expansion Clip	6 required
<b>6</b>	805545B	Control Panel	Black; Models JSEJRAGW303EW01 and JSGJRAGW303EW01
	803964B	Control Panel	Black; Models JSEJXAGW303EW01, JSGJXAGW303EW01 and SSLWXAGS303NN22
	803964DG	Control Panel	Gray; Models PS3JXAGS403UG01, PSEJXAGS434AG01, PSGJXAGS303UG01, PSGJXAGS304AG01 and PSLJXAGW303NG22
	803964W	Control Panel	White; All other models
<b>7</b>	D503688	Screw	
<b>8</b>	29651	Bolt	4 required
<b>9</b>	D512973	Switch	
<b>10</b>	38717	Single Overlay	For use with non-electronic coin drops
	201091	Overlay	For use with electronic coin drops
	39073	Dual Overlay	
	803476	Single Drop Overlay	Models JSEJEAGW303EW01, JSEJXAGW303EW01, JSGJEAGW303EW01 and JSGJXAGW303EW01

# Control Cabinet - Card Reader Ready and Non-Vend Models



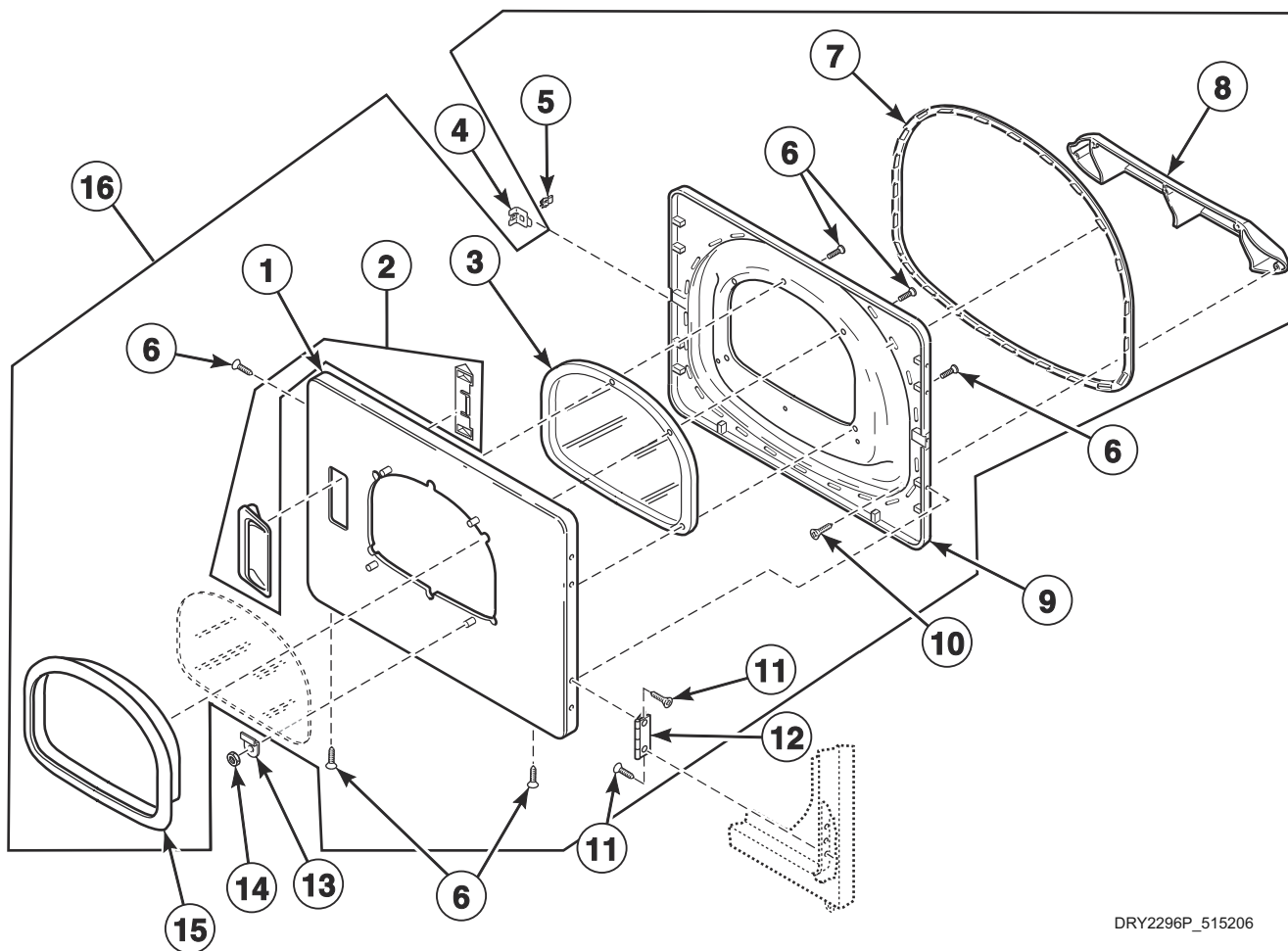
DRY2409P\_515206

## Control Cabinet - Card Reader Ready and Non-Vend Models

REF	PART NO.	DESCRIPTION	COMMENTS
1	D514873	Overlay	Gray; 2 required; Models HSENYAGW283CW01, HSENYAGW293CW01 and HSGNYAGW093CW01
	D511548	Card Insert Overlay	Gray; 2 required; Models HSENYFGW283CW01 and HSGNYFGW093CW01
	D514391	Card Insert Overlay	Gray; 2 required; Models SSENYAGW283CW01, SSENYAGW293CW01 and SSGNYAGW093CW01
2	804147WP	Security Cabinet Front Assembly	White; Models HSENYAGW283CW01, HSENYAGW293CW01, HSGNYAGW093CW01, SSENYAGW283CW01, SSENYAGW293CW01 and SSGNYAGW093CW01
	D511208W	Security Cabinet Front Assembly	White; Models HSENYFGW283CW01 and HSGNYFGW093CW01
	805545B	Control Panel	Black; Models JSEJGAGW303EW01 and JSGJGAGW303EW01
	805545DG	Control Panel	Gray; Models PS3JGAGS403UG01, PSGJGAGS303UG01 and PSGJGAGS543ZG01
3	804112W	Wrapper Assembly	White; Models HSENYAGW283CW01, HSENYAGW293CW01, HSGNYAGW093CW01, SSENYAGW283CW01, SSENYAGW293CW01 and SSGNYAGW093CW01
	D505753WP	Wrapper and Channel Assembly	White; Models HSENYFGW283CW01 and HSGNYFGW093CW01
	804104W	Wrapper Assembly	White; Models JSEJGAGW303EW01 and JSGJGAGW303EW01
	804104DG	Wrapper Assembly	Gray; Models PS3JGAGS403UG01, PSGJGAGS303UG01 and PSGJGAGS543ZG01
4	70240301	Screw	6 required
5	803998	Rear Access Panel	
6	70030501	Expansion Clip	6 required
7	D503688	Screw	

# Loading Door with Window (Drawing 1 of 2)

Models HSENXAGW283CW01, HSENXAGW293CW01, HSENXFGW293CW01, HSENYAGW283CW01, HSENYAGW293CW01, HSENYFGW283CW01, SSENEAGW283CW01, SSENEAGW293CW01, SSENXAGW283CW01, SSENXAGW293CW01, SSENXFGW293CW01, SSENYAGW283CW01 and SSENYAGW293CW01



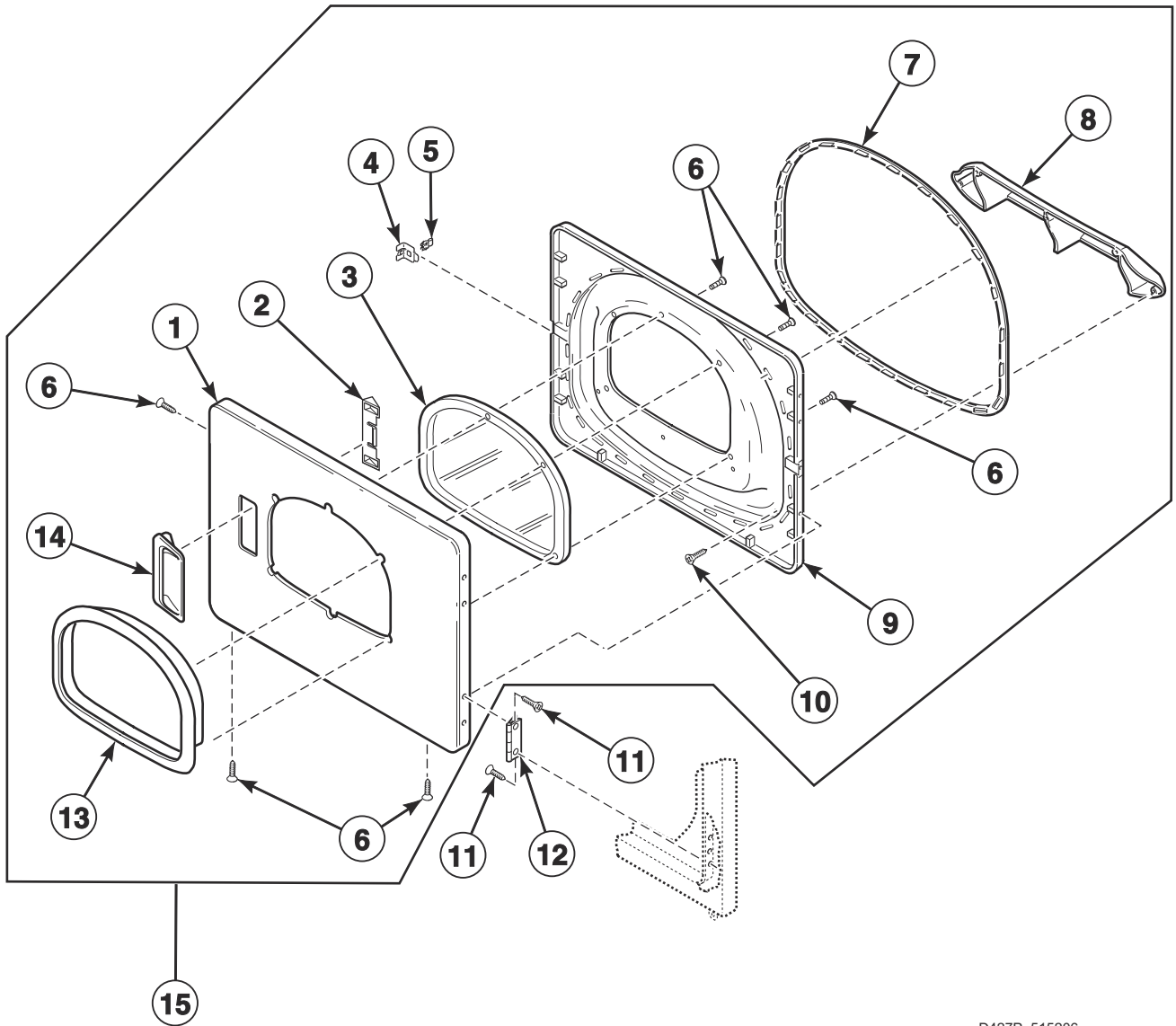
DRY2296P\_515206

## Loading Door with Window (Drawing 1 of 2)

REF	PART NO.	DESCRIPTION	COMMENTS
1	D516737W	Door Assembly	Through Serial No. 1706999999
	D515961W	Dryer Door	Starting Serial No. 1707000001
2	D510103WP	Door Pull and Wedge Kit	
3	D503982P	Dryer Door Window	Through Serial No. 1706999999
	D515681	Dryer Door Window	Starting Serial No. 1707000001
4	D510127	Door Strike Mount	Through Serial No. 1706999999
5	D510181	Door Strike	
6	D500226	Screw	Through Serial No. 1706999999
	D515967	Screw	Starting Serial No. 1707000001
7	D510147P	Liner Door Seal	Through Serial No. 1706999999
8	D503870LG	Door Liner Grill	Through Serial No. 1706999999
	D503870W	Door Liner Grill	Starting Serial No. 1707000001
9	D516737W	Door Assembly	Through Serial No. 1706999999
	D516509	Liner and Seal Assembly	Includes seal; Starting Serial No. 1707000001
10	D505870	Screw	
11	D505295	Screw	
12	D511036	Hinge	
13	D513958	Window Clip	Through Serial No. 1706999999
14	44071201	Nut	Through Serial No. 1706999999
15	D516737W	Door Assembly	Through Serial No. 1706999999
	D515956W	Window Trim	Starting Serial No. 1707000001
16	D516737W	Door Assembly	Includes items 1-3, 5-12 and 15

## Loading Door with Window (Drawing 2 of 2)

Models HSENXAGW543DW01, HSGNXAGW123DW01, HSGNXAGW543DW01, JSEJEAGW303EW01, JSEJGAGW303EW01, JSEJRAGW303EW01, JSEJXAGW303EW01, JSGJEAGW303EW01, JSGJGAGW303EW01, JSGJRAGW303EW01, JSGJXAGW303EW01, NSENXAGW453ZW01, NSGNXAGW303ZW38, PSLJXAGW303NG22, SSENXAGW433AW01, SSENXAGW433LW01, SSENXAGW543DW01, SSGNXAGW123DW01, SSGNXAGW303AW01, SSGNXAGW543DW01, SSLNXAGW303LW01, SSLNXAGW543NW23, SSLNXAGW543PW01 and SSMNXAGW083JW01



D427P\_515206

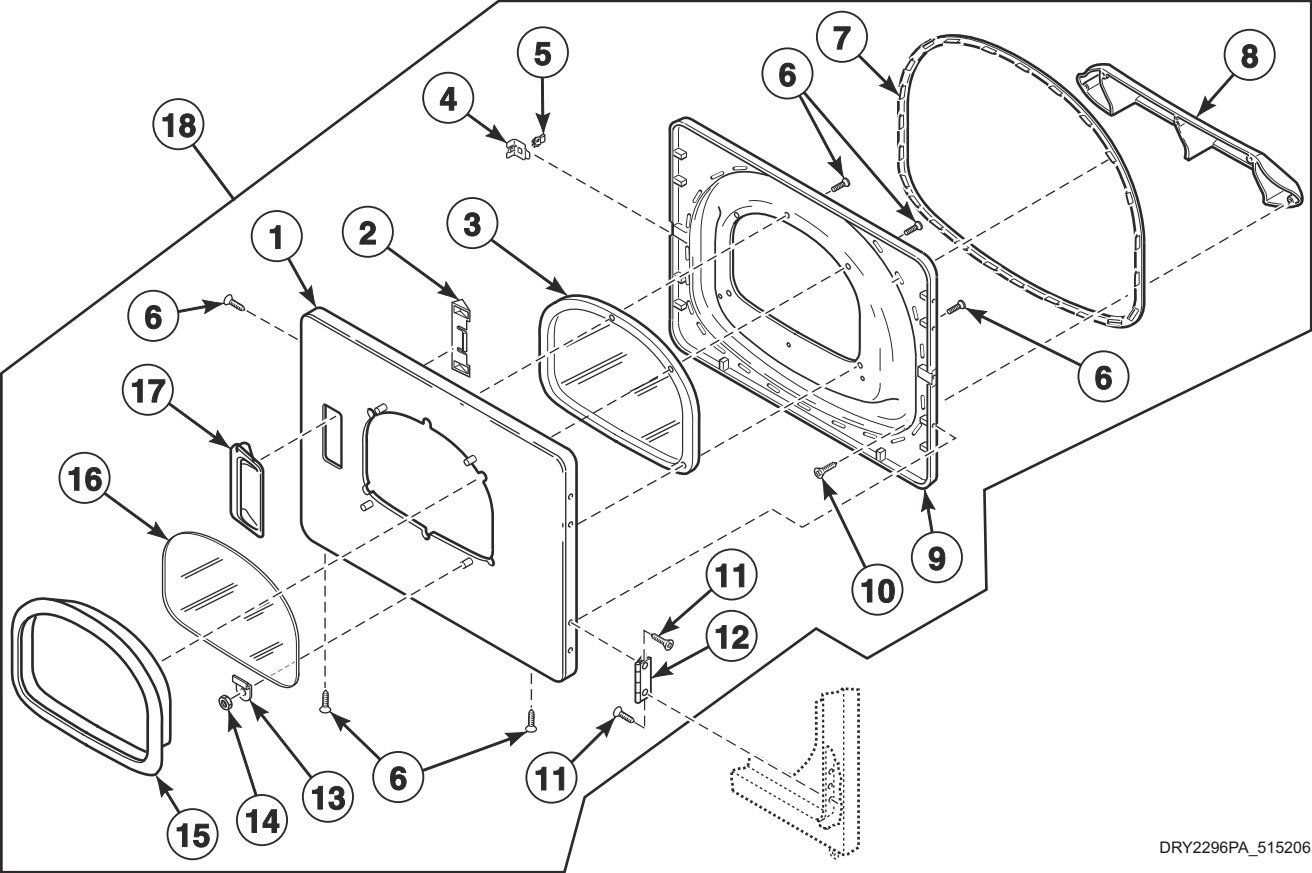


## Loading Door with Window (Drawing 2 of 2)

REF	PART NO.	DESCRIPTION	COMMENTS
1	D510082WP	Dryer Door	Through Serial No. 1812999999
	D515961W	Dryer Door	White; Starting Serial No. 1901000001
	D515961DG	Dryer Door	Gray
2	D510129W	Door Handle Wedge	
3	D503982P	Dryer Door Window	Through Serial No. 1812999999
	D515681	Dryer Door Window	Starting Serial No. 1901000001
4	D510127	Door Strike Mount	Through Serial No. 1812999999
5	D510181	Door Strike	
6	D500226	Screw	Through Serial No. 1812999999
	D515967	Screw	Starting Serial No. 1901000001
7	D510147P	Liner Door Seal	Through Serial No. 1812999999
8	D503870W	Door Liner Grill	
9	D516509	Liner and Seal Assembly	Includes seal
10	D505870	Screw	
11	D505295	Screw	
12	D511036	Hinge	
13	D503981W	Window Trim	White; Through Serial No. 1812999999
	D515956W	Window Trim	White; Starting Serial No. 1901000001
	D515955	Window Trim	Gray
14	D510103WP	Door Pull and Wedge Kit	White; Includes item 2
	D512947	Door Pull	Gray
15	D516737W	Door Assembly	White; Includes items 1-10, 13, and 14

# Loading Door With Window - Through Serial Nos. Beginning 1707

Models HSGNXAGW093CW01, HSGNXFGW093CW01, HSGNYAGW093CW01, HSGNYFGW093CW01, SSGNEAGW093CW01, SSGNXAGW093CW01, SSGNXFGW093CW01 and SSGNYAGW093CW01



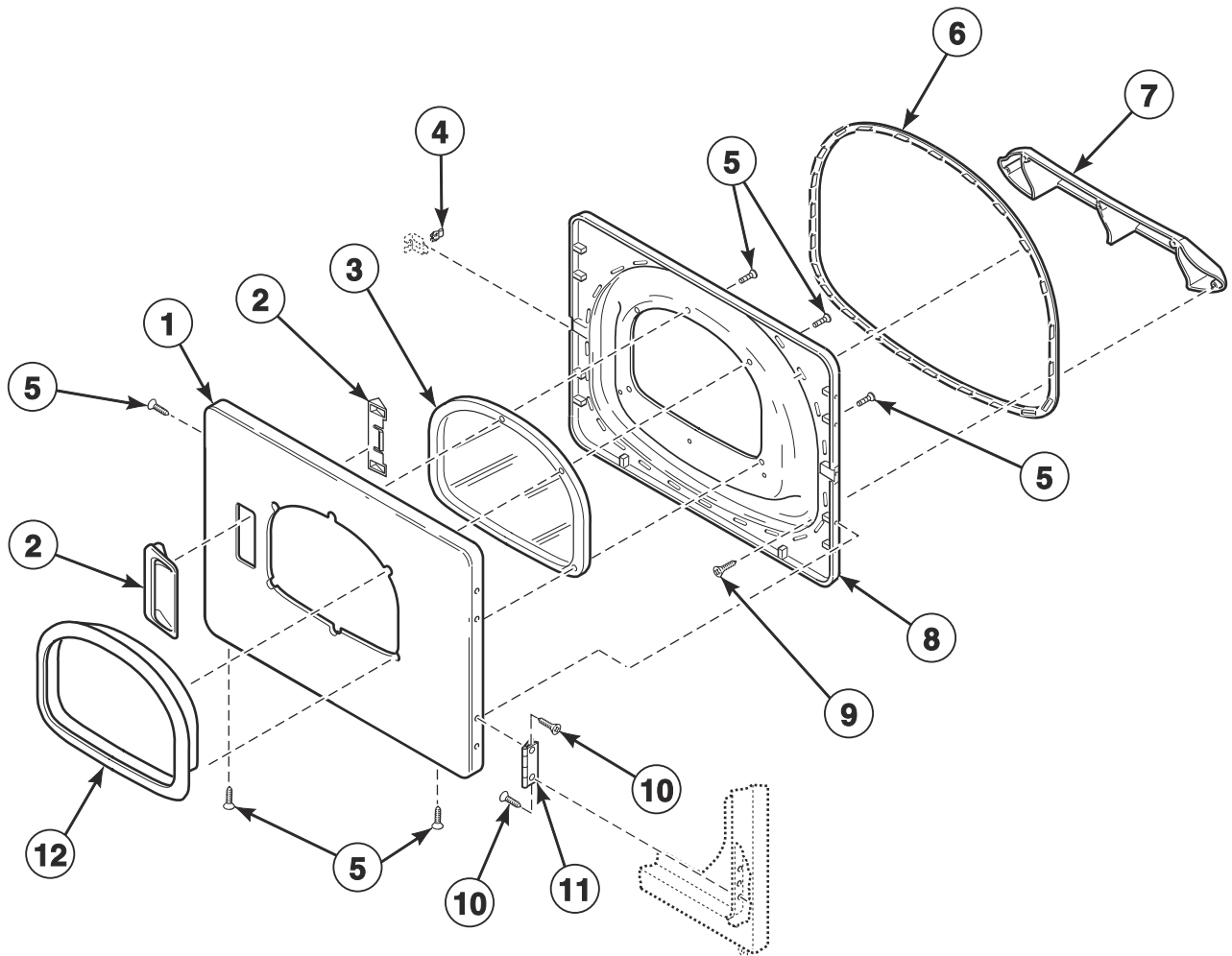
DRY2296PA\_515206

## Loading Door With Window - Through Serial Nos. Beginning 1707

REF	PART NO.	DESCRIPTION	COMMENTS
1	D516737W	Door Assembly	Starting Serial No. 1606000839
	D510082WP	Dryer Door	Through Serial No. 1606000838
2	D510129W	Door Handle Wedge	
3	D503982P	Dryer Door Window	
4	D510127	Door Strike Mount	
5	D510181	Door Strike	
6	D515597	Screw	Starting Serial No. 1606000839
	D500226	Screw	Through Serial No. 1606000838
7	D510147P	Liner Door Seal	
8	D503870LG	Door Liner Grill	Starting Serial No. 1606000839
	D503870W	Door Liner Grill	Through Serial No. 1606000838
9	D516737W	Door Assembly	Includes item 7; Starting Serial No. 1606000839
	D516509	Liner and Seal Assembly	Includes item 7; Through Serial No. 1606000838
10	D505870	Screw	
11	D505295	Screw	
12	D511036	Hinge	
13	D513958	Window Clip	Starting Serial No. 1606000839
14	44071201	Nut	Starting Serial No. 1606000839
15	D516737W	Door Assembly	Starting Serial No. 1606000839
	D503981W	Window Trim	Through Serial No. 1606000838
16	D516737W	Door Assembly	Starting Serial No. 1606000839
17	D510103WP	Door Pull and Wedge Kit	White; Includes item 2
18	D516737W	Door Assembly	White; Includes items 1-10 and 17; Through Serial No. 1606000838

# Loading Door With Window - Starting Serial Nos. Beginning 1707

Models HSGNXAGW093CW01, HSGNXFGW093CW01, HSGNYAGW093CW01, HSGNYFGW093CW01, SSGNEAGW093CW01, SSGNXAGW093CW01, SSGNXFGW093CW01 and SSGNYAGW093CW01



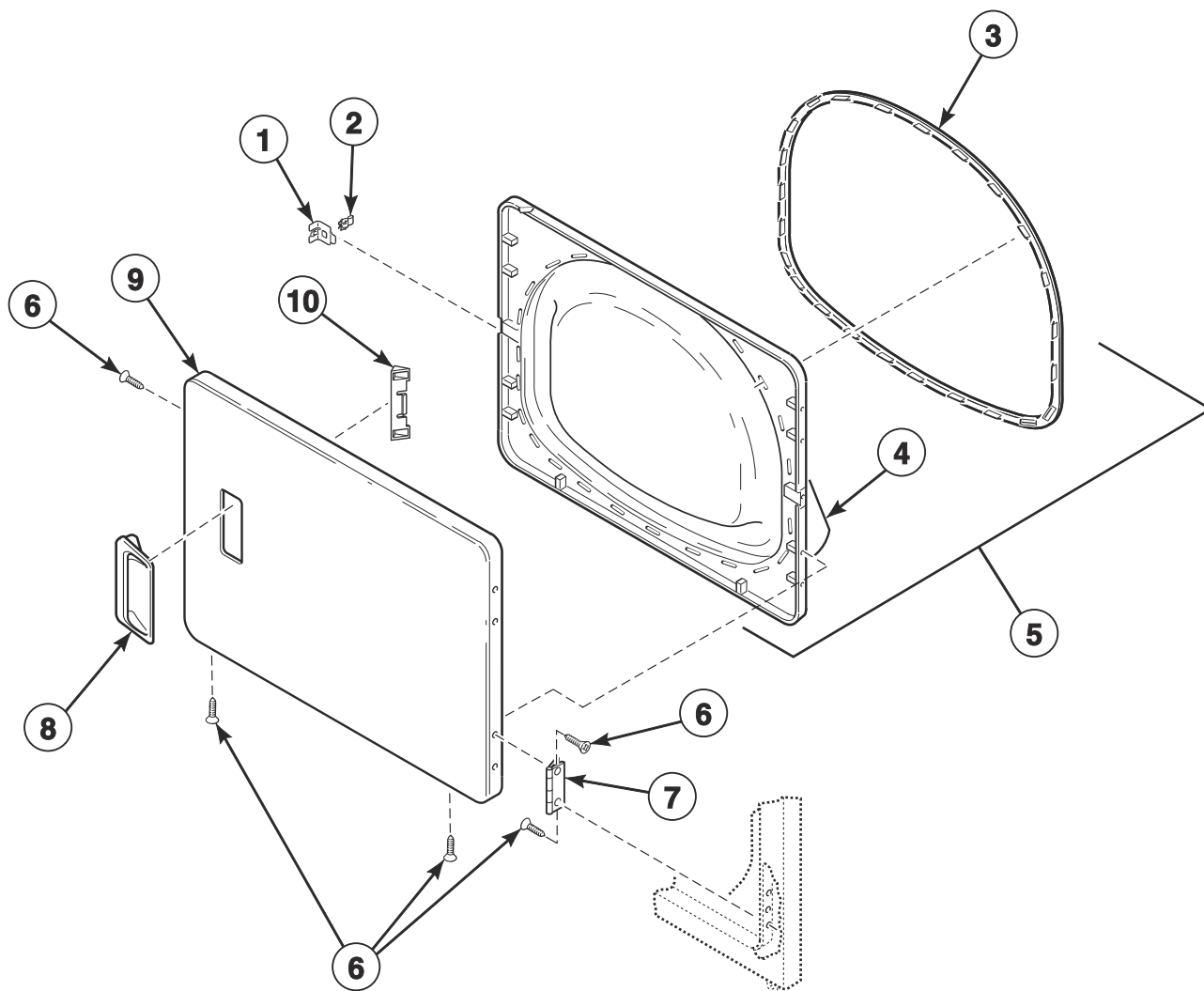
D427PA\_515206

## Loading Door With Window - Starting Serial Nos. Beginning 1707

REF	PART NO.	DESCRIPTION	COMMENTS
1	D515961W	Dryer Door	
2	D510103WP	Door Pull and Wedge Kit	
3	D515681	Dryer Door Window	
4	D510181	Door Strike	
5	D515967	Screw	
6	D515709	Liner Door Seal	
7	D503870W	Door Liner Grill	
8	D516509	Liner and Seal Assembly	Includes item 6
9	D505870	Screw	
10	D505295	Screw	
11	D511036	Hinge	
12	D515956W	Window Trim	

# Loading Door without Window

Models PS3JGAGS403UG01, PS3JXAGS403UG01, PSEJXAGS434AG01, PSGJGAGS303UG01, PSGJGAGS543ZG01, PSGJXAGS303UG01, PSGJXAGS304AG01, PSGJXAGS543ZG01 and SSLWXAGS303NN22

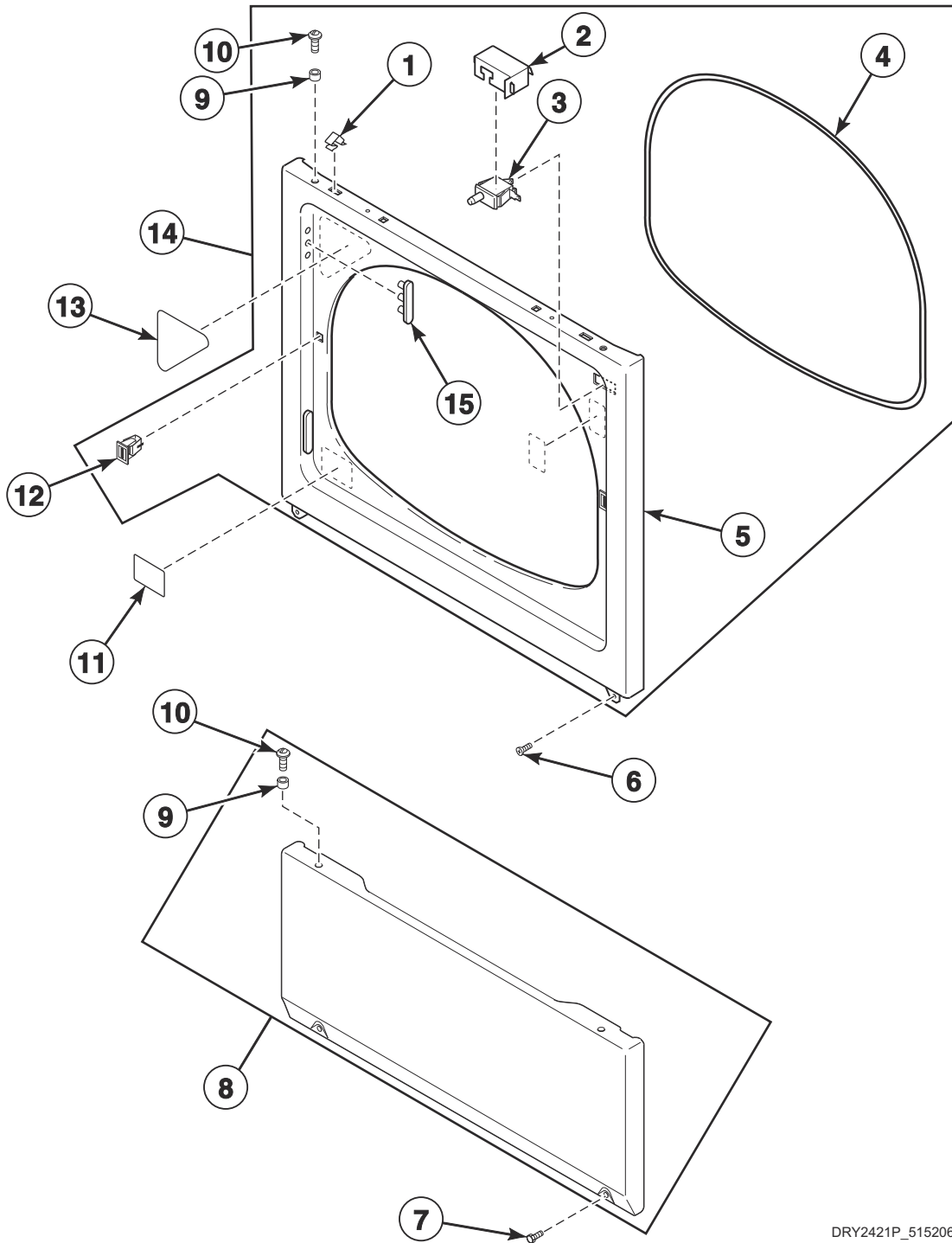


DRY1857P\_515206

## Loading Door without Window

REF	PART NO.	DESCRIPTION	COMMENTS
1	D510127	Door Strike Mount	Through Serial No. 1812999999
2	D510181	Door Strike	
3	D510147P	Liner Door Seal	Through Serial No. 1812999999
4	D503870W	Door Liner Grill	White
	D503870LG	Door Liner Grill	Gray
5	D510163WP	Liner, Seal and Grill Assembly	White; Includes item 3; Through Serial No. 1812999999
	D516508	Door Liner Assembly	Includes seal; Starting Serial No. 1901000001
6	D505295	Screw	Use with painted panel
	D512921	Screw	Use with stainless steel panel
7	D511036	Hinge	
8	D512947	Door Pull	Light gray
	D511213P	Door Pull and Wedge Kit	Black; Includes item 10
9	D510013DG	Dryer Door	Dark gray
	D515963	Dryer Door	Stainless steel
10	D510129W	Door Handle Wedge	

# Access Panel, Front Panel and Seal



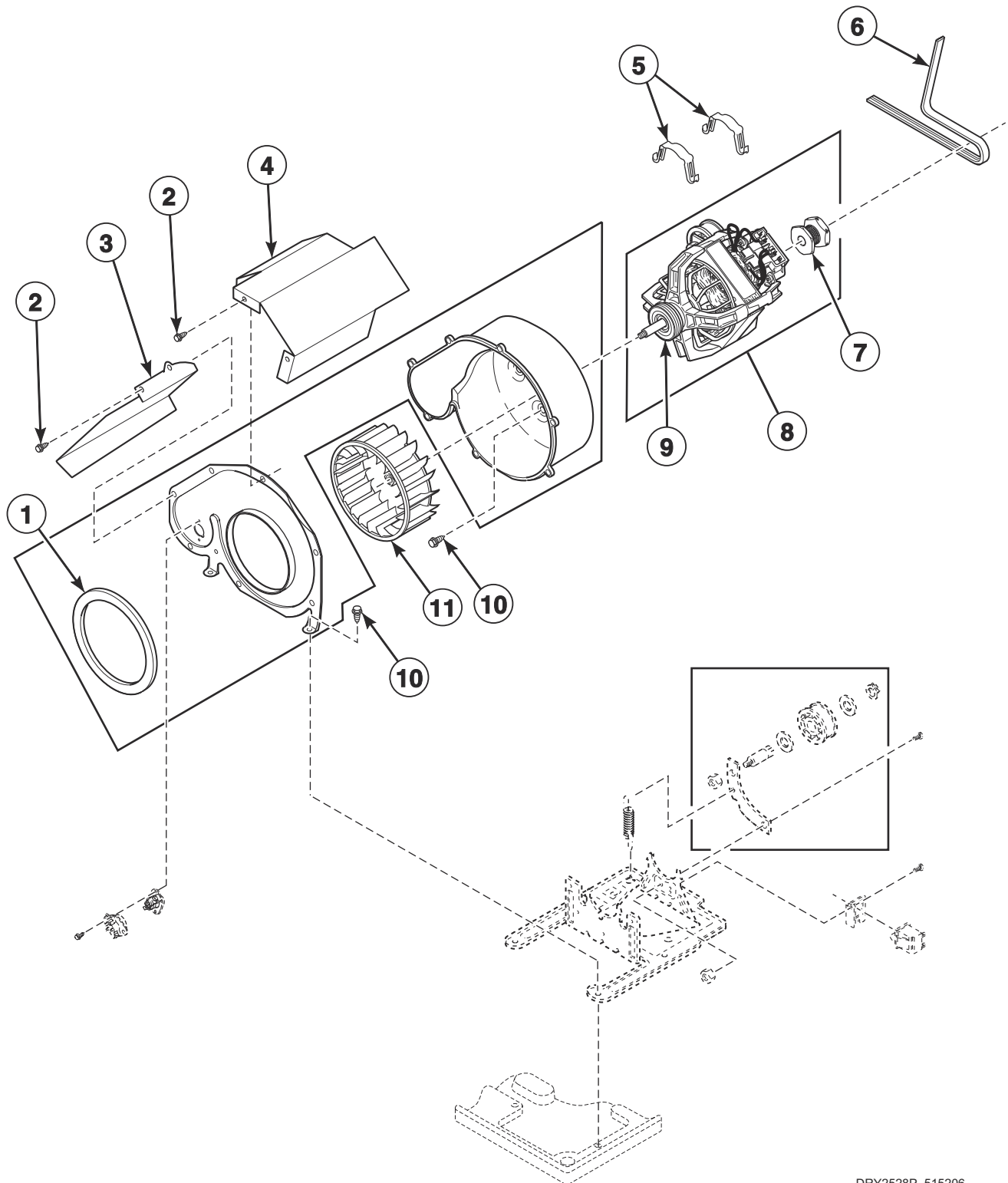
DRY2421P\_515206



## Access Panel, Front Panel and Seal

REF	PART NO.	DESCRIPTION	COMMENTS
	D518413	Instruction Label	Models JSEJRAGW303EW01 and JSGJRAGW303EW01
1	28835	Speed Clip	
2	D514327	Drip Shield	Models HSENXAGW543DW01, HSGNXAGW123DW01, HSGNXAGW543DW01, JSEJEAGW303EW01, JSEJGAGW303EW01, JSEJRAGW303EW01, JSEJXAGW303EW01, JSGJEAGW303EW01, JSGJGAGW303EW01, JSGJRAGW303EW01, JSGJXAGW303EW01, NSENXAGW453ZW01, NSGNXAGW303ZW38, PS3JGAGS403UG01, PS3JXAGS403UG01, PSEJXAGS434AG01, PSGJGAGS303UG01, PSGJGAGS543ZG01, PSGJXAGS303UG01, PSGJXAGS304AG01, PSGJXAGS543ZG01, SSENXAGW433AW01, SSENXAGW433LW01, SSENXAGW543DW01, SSGNXAGW123DW01, SSGNXAGW303AW01, SSGNXAGW543DW01, SSLNXAGW303LW01, SSLNXAGW543PW01 and SSMNXAGW083JW01
3	D512973	Switch	
4	D511056	Front Panel Seal	
5	D510066DG	Front Panel	Models PS3JGAGS403UG01, PS3JXAGS403UG01, PSEJXAGS434AG01, PSGJGAGS303UG01, PSGJGAGS543ZG01, PSGJXAGS303UG01, PSGJXAGS304AG01, PSGJXAGS543ZG01 and PSLJXAGW303NG22
	D512542	Front Panel	Model SSLWXAGS303NN22
	D510066WP	Front Panel	All other models
6	D503688	Screw	
7	33562	Screw	Slotted hex head
	62853	Screw	Torx head; Optional for added security
8	D514250DG	Access Panel Assembly	Gray; Models PS3JGAGS403UG01, PS3JXAGS403UG01, PSEJXAGS434AG01, PSGJGAGS303UG01, PSGJGAGS543ZG01, PSGJXAGS303UG01, PSGJXAGS304AG01, PSGJXAGS543ZG01 and PSLJXAGW303NG22
	D514251	Access Panel Assembly	Stainless steel; Model SSLWXAGS303NN22
	D514250WP	Access Panel Assembly	White; All other models
9	56079	Panel Locator	
10	39733	Screw	
11	D502781	Lint Filter Label	Icon
	D502804	Lint Filter Label	English
12	D510177	Door Catch Assembly	
13	D500253	Caution Label	English/French
	D514226	Warning Label	Brazilian Portuguese
	D500281	Warning/Caution Label	English
	D514867	Warning Label	Thai
14	D513781WP	Front Panel Assembly	Includes items 1-4, 9, 10, 12, 15 and D511636WP Door Assembly, (2) of D511036 Door Hinge and (8) of D500226 Screw
15	D510186	Hinge Hole Plug	

# Motor, Exhaust Fan and Belt (Drawing 1 of 2)

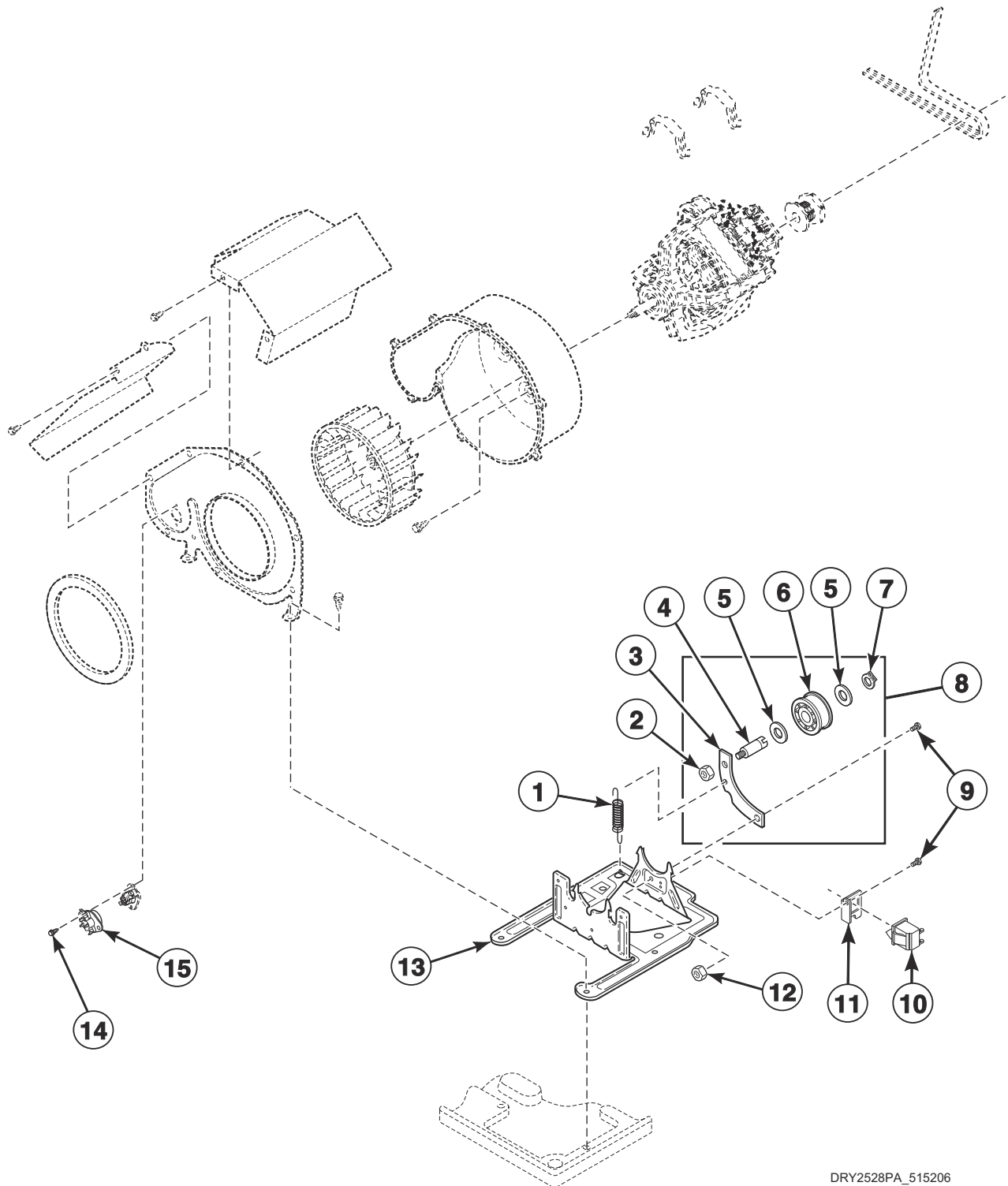


DRY2528P\_515206

## Motor, Exhaust Fan and Belt (Drawing 1 of 2)

REF	PART NO.	DESCRIPTION	COMMENTS
	27604P	Anti-Seize Compound	Apply to motor shaft when installing blower fan assembly
1	D510238P	Blower Housing Seal	
2	31260	Screw	
3	D514325	Thermostat Shield	Upper unit only; All models except HSENXAGW283CW01, HSENXAGW293CW01, HSENXFGW293CW01, HSENYAGW283CW01, HSENYAGW293CW01, HSENYFGW283CW01, HSGNXAGW093CW01, HSGNXFGW093CW01, HSGNYAGW093CW01, HSGNYFGW093CW01, PSLJXAGW303NG22, SSENEAGW283CW01, SSENEAGW293CW01, SSENXAGW283CW01, SSENXAGW293CW01, SSENXFGW293CW01, SSENYAGW283CW01, SSENYAGW293CW01, SSGNEAGW093CW01, SSGNXAGW093CW01, SSGNXFGW093CW01, SSGNYAGW093CW01, SSLNXAGW543NW23 and SSLWXAGS303NN22
4	D514602	Motor Shield	All models except HSENXAGW283CW01, HSENXAGW293CW01, HSENXFGW293CW01, HSENYAGW283CW01, HSENYAGW293CW01, HSENYFGW283CW01, HSGNXAGW093CW01, HSGNXFGW093CW01, HSGNYAGW093CW01, HSGNYFGW093CW01, PSLJXAGW303NG22, SSENEAGW283CW01, SSENEAGW293CW01, SSENXAGW283CW01, SSENXAGW293CW01, SSENXFGW293CW01, SSENYAGW283CW01, SSENYAGW293CW01, SSGNEAGW093CW01, SSGNXAGW093CW01, SSGNXFGW093CW01, SSGNYAGW093CW01, SSLNXAGW543NW23 and SSLWXAGS303NN22
5	D510180	Motor Mount Clamp	
6	D511255P	Cylinder Belt	
7	D500222	Motor Pulley	50 Hertz; Models JSEJEAGW303EW01, JSEJGAGW303EW01, JSEJRAGW303EW01, JSEJXAGW303EW01, JSGJEAGW303EW01, JSGJGAGW303EW01, JSGJRAGW303EW01, JSGJXAGW303EW01, NSENXAGW453ZW01, NSGNXAGW303ZW38, PS3JGAGS403UG01, PS3JXAGS403UG01, PSEJXAGS434AG01, PSGJGAGS303UG01, PSGJXAGS303UG01, PSGJXAGS304AG01, PSLJXAGW303NG22, SSENXAGW433AW01, SSENXAGW433LW01, SSGNXAGW303AW01, SSLNXAGW303LW01 and SSLWXAGS303NN22
	D500011	Motor Pulley	60 Hertz; All other models
8	D505843P	Motor and Pulley Assembly	240 Volt/50 Hertz; Apply anti-seize compound to motor shaft when installing blower fan assembly; Includes items 7 and 9; Models JSEJEAGW303EW01, JSEJGAGW303EW01, JSEJRAGW303EW01, JSEJXAGW303EW01, JSGJEAGW303EW01, JSGJGAGW303EW01, JSGJRAGW303EW01, JSGJXAGW303EW01, NSENXAGW453ZW01, NSGNXAGW303ZW38, PS3JGAGS403UG01, PS3JXAGS403UG01, PSEJXAGS434AG01, PSGJGAGS303UG01, PSGJXAGS303UG01, PSGJXAGS304AG01, PSLJXAGW303NG22, SSENXAGW433AW01, SSENXAGW433LW01, SSGNXAGW303AW01, SSLNXAGW303LW01 and SSLWXAGS303NN22
	D505869P	Motor and Pulley Assembly	240 Volt/60 Hertz; Includes items 7 and 9; Apply anti-seize compound to motor shaft when installing blower fan assembly; Models HSENXAGW543DW01, HSGNXAGW543DW01, PSGJGAGS543ZG01, PSGJXAGS543ZG01, SSENXAGW543DW01, SSGNXAGW543DW01, SSLNXAGW543NW23 and SSLNXAGW543PW01
	D511574	Motor and Pulley Assembly	120 Volt/60 Hertz; Apply anti-seize compound to motor shaft when installing blower fan assembly; Includes items 7 and 9; Model SSMNXAGW083JW01
	D511629P	Motor and Pulley Assembly	120 Volt/60 Hertz; Apply anti-seize compound to motor shaft when installing blower fan assembly; Includes items 7 and 9; All other models
9	590P3	Motor Hub Ring Kit	
10	D503688	Screw	
11	D510139P	Blower Fan Assembly	Apply anti-seize compound to motor shaft when installing blower fan assembly

# Motor, Exhaust Fan and Belt (Drawing 2 of 2)

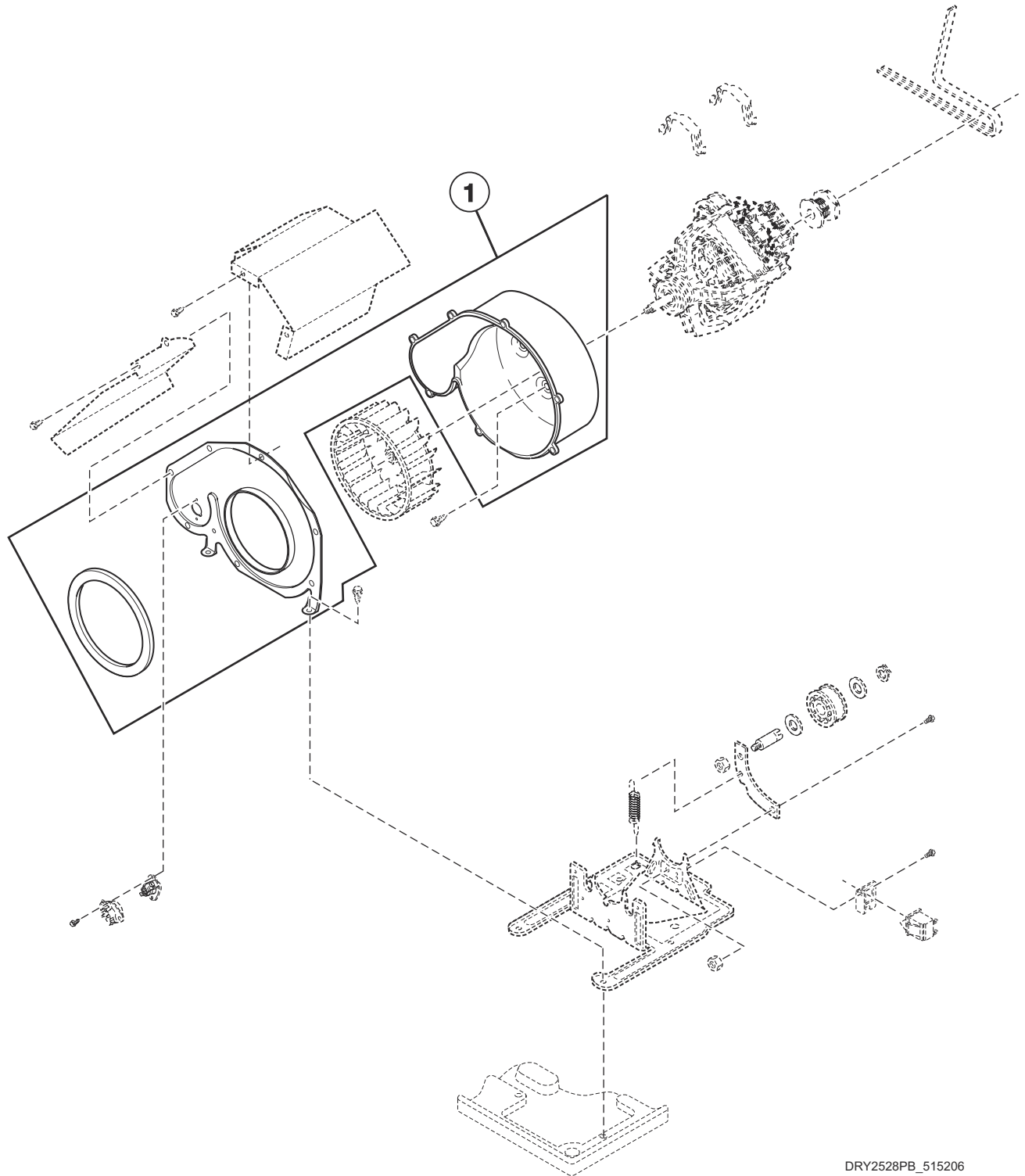


DRY2528PA\_515206

## Motor, Exhaust Fan and Belt (Drawing 2 of 2)

REF	PART NO.	DESCRIPTION	COMMENTS
1	D510185	Idler Spring	
2	56156	Nut	
3	D516310	Idler Lever	
4	56461P	Shaft	
5	52549	Washer	
6	D510142P	Idler Wheel and Bearing Assembly	
7	23748	Retaining Ring	
8	D516792	Idler Lever and Wheel Assembly	Includes items 2-7
9	D500824	Screw	
10	D516391	Switch	Starting Serial No. 1903000001
11	D516311	Motor Switch Bracket	Starting Serial No. 1903000001
12	52566	Nut	
13	D510060	Motor Mount	
14	D502535	Screw	
15	D502366	Thermistor Assembly	Models JSEJEAGW303EW01, JSEJGAGW303EW01, JSEJRAGW303EW01, JSEJXAGW303EW01, JSGJEAGW303EW01, JSGJGAGW303EW01, JSGJRAGW303EW01, JSGJXAGW303EW01, NSENXAGW453ZW01, NSGNXAGW303ZW38, PS3JGAGS403UG01, PS3JXAGS403UG01, PSEJXAGS434AG01, PSGJGAGS303UG01, PSGJXAGS303UG01, PSGJXAGS304AG01, PSLJXAGW303NG22, SSENXAGW433AW01, SSENXAGW433LW01, SSGNXAGW303AW01, SSLNXAGW303LW01 and SSLWXAGS303NN22
	D510523	Thermistor Assembly	Black; All other models

# Blower Housing

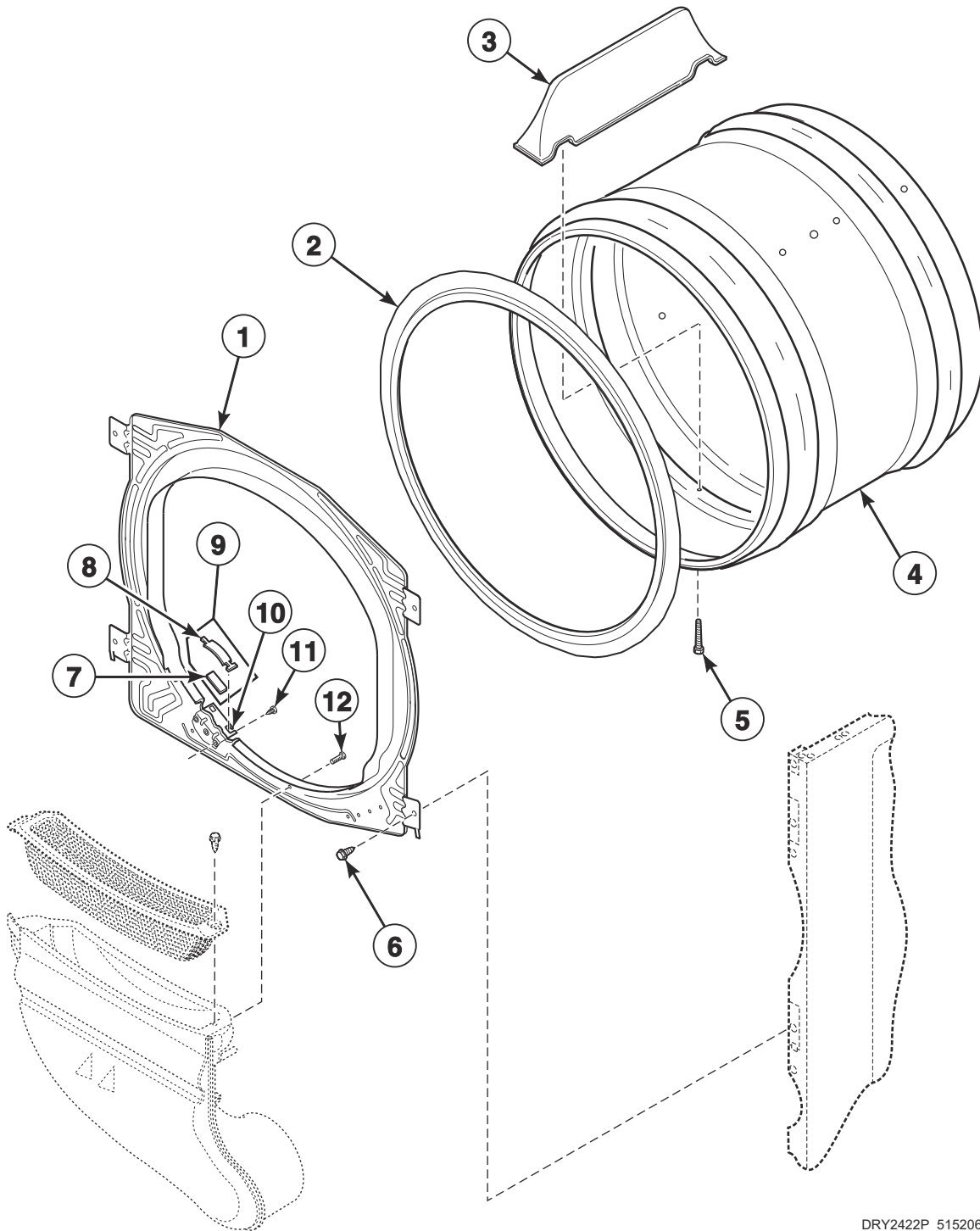


DRY2528PB\_515206

# Blower Housing

REF	PART NO.	DESCRIPTION	COMMENTS
1	D511969LG	Blower Housing	Models HSENXAGW283CW01, HSENXAGW293CW01, HSENXFGW293CW01, HSENYAGW283CW01, HSENYAGW293CW01, HSENYFGW283CW01, SENEAGW283CW01, SENEAGW293CW01, SSENXAGW283CW01, SSENXAGW293CW01, SSENXFGW293CW01, SSENYAGW283CW01 and SSENYAGW293CW01 through Serial No.1710999999; Models HSGNXAGW093CW01, HSGNXFGW093CW01, HSGNYAGW093CW01, HSGNYFGW093CW01, SSGNEAGW093CW01, SSGNXAGW093CW01, SSGNXFGW093CW01 and SSGNYAGW093CW01 starting Serial No. 1606000839 and continuing through Serial No. 1710999999
	D511969WP	Blower Housing	Models HSENXAGW283CW01, HSENXAGW293CW01, HSENXFGW293CW01, HSENYAGW283CW01, HSENYAGW293CW01, HSENYFGW283CW01, SENEAGW283CW01, SENEAGW293CW01, SSENXAGW283CW01, SSENXAGW293CW01, SSENXFGW293CW01, SSENYAGW283CW01 and SSENYAGW293CW01 starting Serial No.1711000001; Models HSGNXAGW093CW01, HSGNXFGW093CW01, HSGNYAGW093CW01, HSGNYFGW093CW01, SSGNEAGW093CW01, SSGNXAGW093CW01, SSGNXFGW093CW01 and SSGNYAGW093CW01 through Serial No. 1606000838 and starting again at Serial No. 1711000001; All other models

# Front Bulkhead, Felt Seal and Cylinder



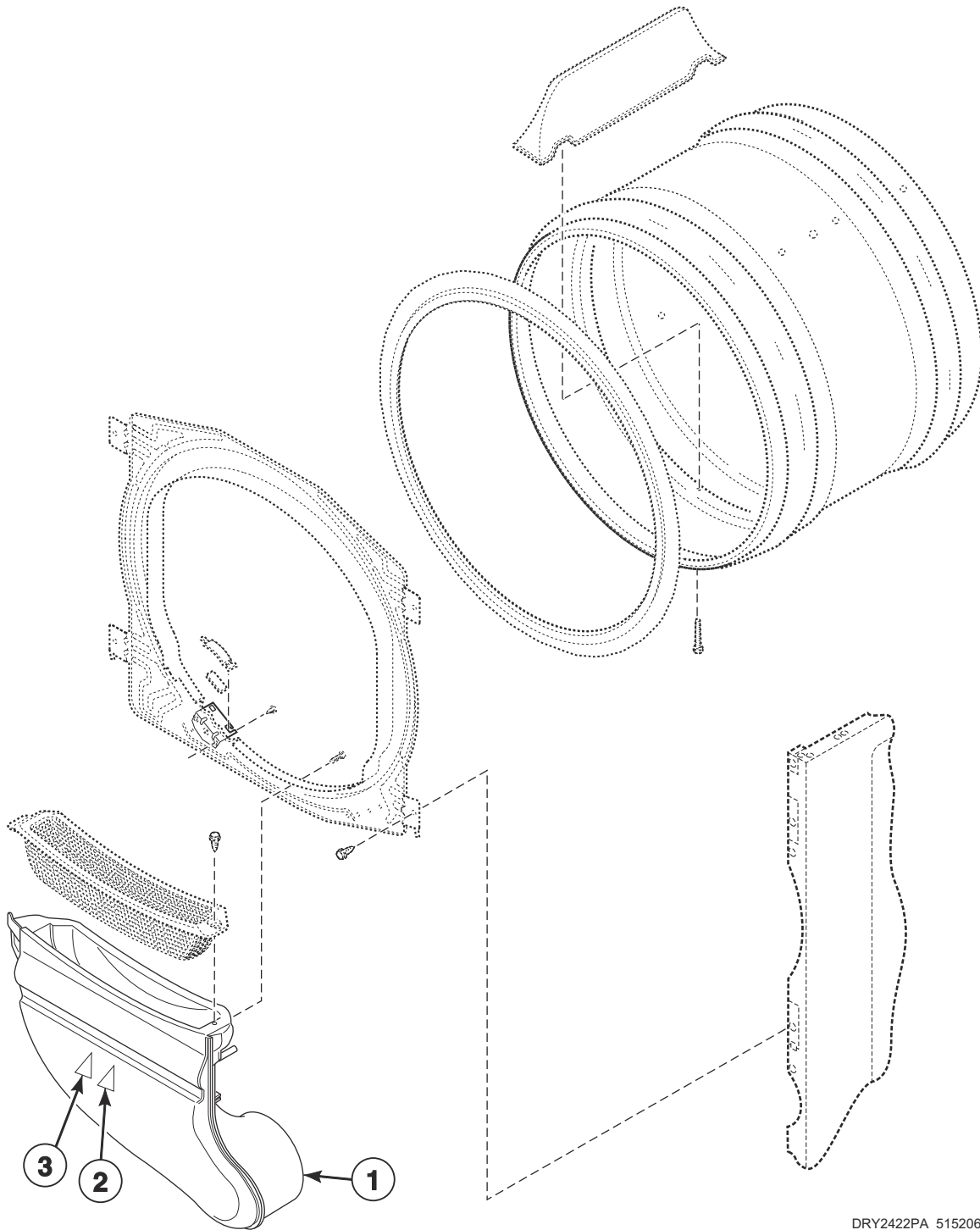
DRY2422P\_515206



## Front Bulkhead, Felt Seal and Cylinder

REF	PART NO.	DESCRIPTION	COMMENTS
1	D510266	Front Bulkhead Assembly	Unpainted; Includes items 2 and 7-11
2	D510207P	Cylinder Seal Assembly	
	D511637P	Adhesive	Apply to cylinder seal
	RB170001	Seal Kit	Includes 2 cylinder seals, D510238P Blower Housing Seal and adhesive
3	D510102LG	Cylinder Baffle	Gray
	D510102W	Cylinder Baffle	White
4	D510265LGP	Cylinder Assembly	Galvanized; Includes item 3; Gray baffles
	D510265WP	Cylinder Assembly	Galvanized; Includes item 3; White baffles
5	62588	Screw	
6	D503688	Screw	
7	D510189	Felt Pad	2 required
8	D513710	Cylinder Glide	2 required
9	RB170003	Glide Kit	Includes two of items 7 and 8
10	D510145	Cylinder Glide Bracket	
11	52864	Screw	
12	D505295	Screw	

# Air Duct

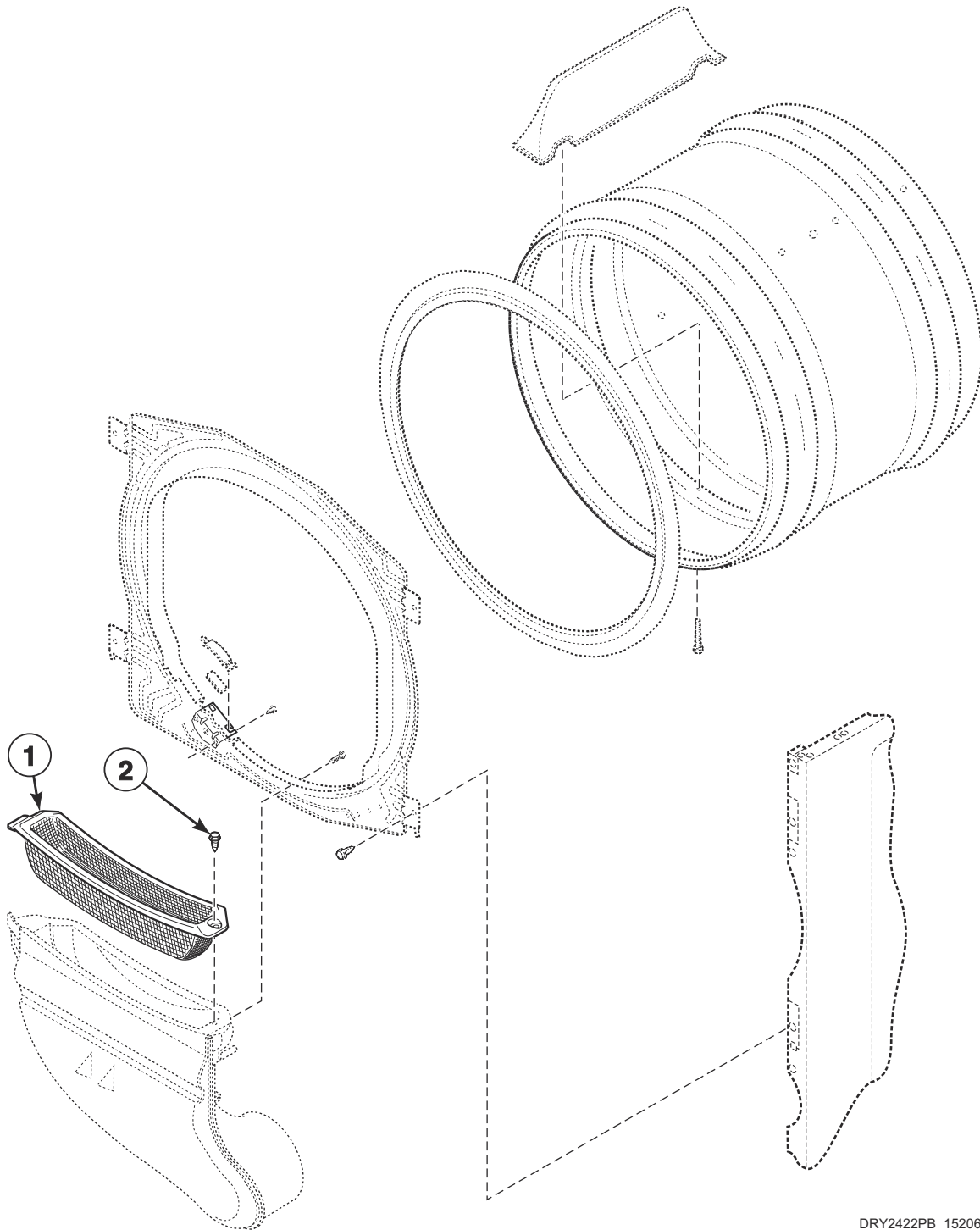


DRY2422PA\_515206

# Air Duct

REF	PART NO.	DESCRIPTION	COMMENTS
1	D518433	Air Duct Assembly	Models HSENXAGW283CW01, HSENXAGW293CW01, HSENXFGW293CW01, HSENYAGW283CW01, HSENYAGW293CW01, HSENYFGW283CW01, SSENEAGW283CW01, SSENEAGW293CW01, SSENXAGW283CW01, SSENXAGW293CW01, SSENXFGW293CW01, SSENYAGW283CW01 and SSENYAGW293CW01; Models HSGNXAGW093CW01, HSGNXFGW093CW01, HSGNYAGW093CW01, HSGNYFGW093CW01, SSGNEAGW093CW01, SSGNXAGW093CW01, SSGNXFGW093CW01 and SSGNYAGW093CW01 starting Serial No. 1606000839
	D510151W	Air Duct Assembly	Models HSGNXAGW093CW01, HSGNXFGW093CW01, HSGNYAGW093CW01, HSGNYFGW093CW01, SSGNEAGW093CW01, SSGNXAGW093CW01, SSGNXFGW093CW01 and SSGNYAGW093CW01 through Serial No. 1606000838; All other models
2	F8211201	Electrical Shock Label	Icon
3	F8615701	Pinch Warning Label	Icon
	44324001	Warning Label	English/French

# Lint Filter

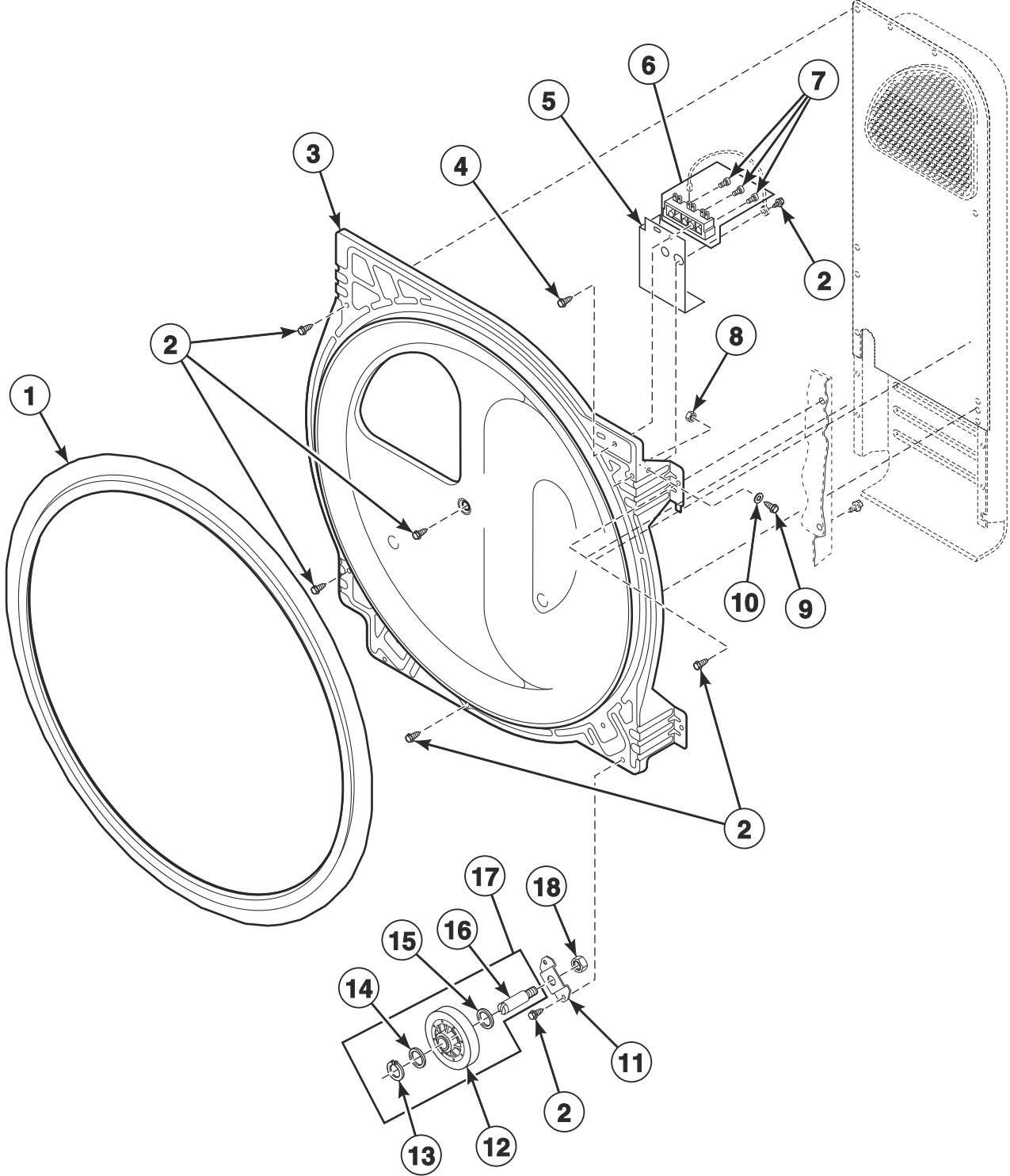


DRY2422PB\_15206

# Lint Filter

REF	PART NO.	DESCRIPTION	COMMENTS
1	D503980LG	Lint Filter	Models HSENXAGW283CW01, HSENXAGW293CW01, HSENXFGW293CW01, HSENYAGW283CW01, HSENYAGW293CW01, HSENYFGW283CW01, SSENEAGW283CW01, SSENEAGW293CW01, SSENXAGW283CW01, SSENXAGW293CW01, SSENXFGW293CW01, SSENYAGW283CW01 and SSENYAGW293CW01; Models HSGNXAGW093CW01, HSGNXFGW093CW01, HSGNYAGW093CW01, HSGNYFGW093CW01, SSGNEAGW093CW01, SSGNXAGW093CW01, SSGNXFGW093CW01 and SSGNYAGW093CW01 starting Serial No. 1606000839
	D503980W	Lint Filter	Models HSGNXAGW093CW01, HSGNXFGW093CW01, HSGNYAGW093CW01, HSGNYFGW093CW01, SSGNEAGW093CW01, SSGNXAGW093CW01, SSGNXFGW093CW01 and SSGNYAGW093CW01 through Serial No. 1606000838; All other models
2	D501285	Screw	

# Rear Bulkhead, Felt Seal, Cylinder Roller and Terminal Block



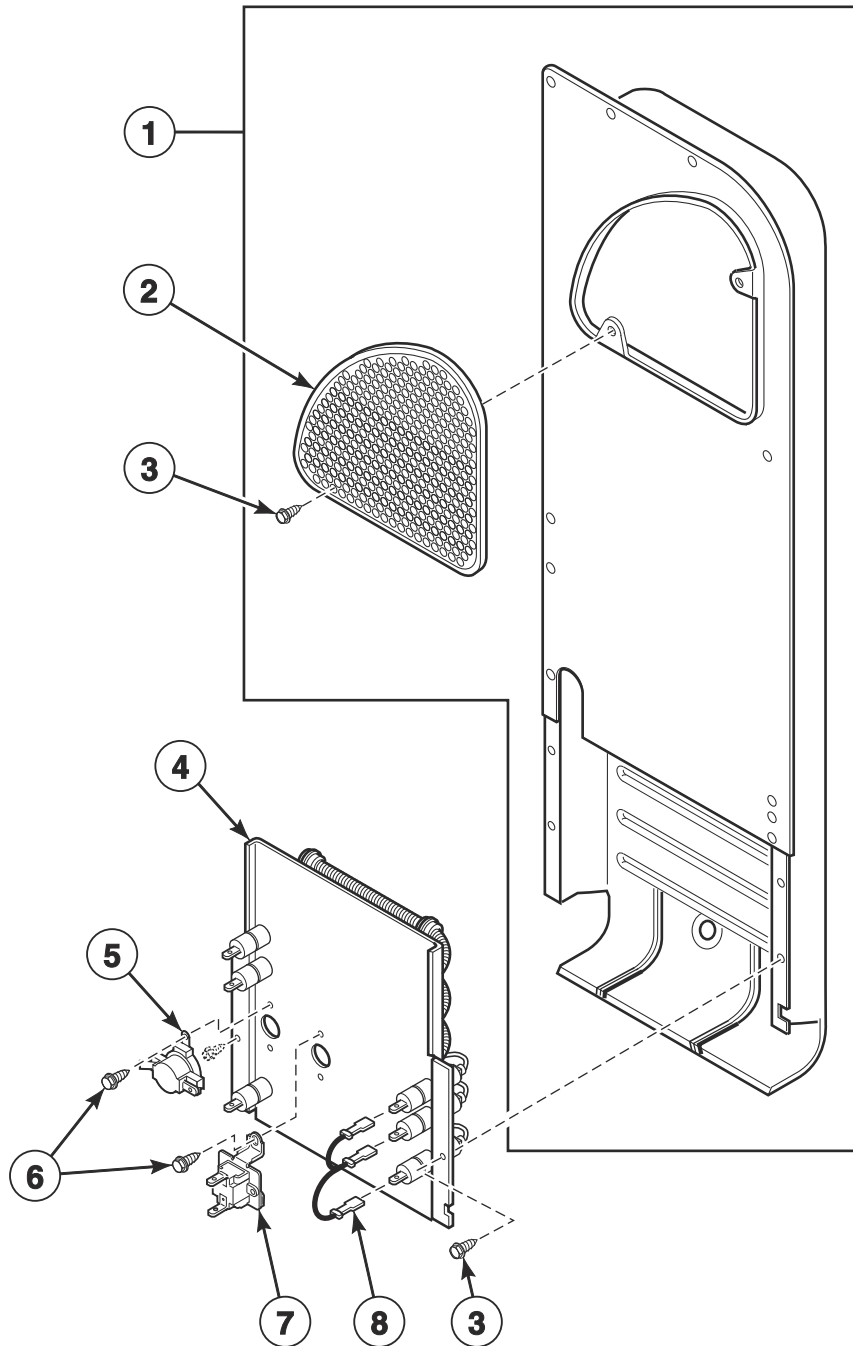
DRY1774P\_515206

# Rear Bulkhead, Felt Seal, Cylinder Roller and Terminal Block

REF	PART NO.	DESCRIPTION	COMMENTS
1	D510207P	Cylinder Seal Assembly	
	D511637P	Adhesive	Apply to cylinder seal
	RB170001	Seal Kit	Includes 2 cylinder seals, D510238P Blower Housing Seal and adhesive
2	D503688	Screw	
3	D511082P	Rear Bulkhead Assembly	Galvanized; Includes item 1
4	D501285	Screw	Models HSENXAGW283CW01, HSENXAGW293CW01, HSENXAGW543DW01, HSENXFGW293CW01, HSENYAGW283CW01, HSENYAGW293CW01, HSENYFGW283CW01, HSGNXAGW093CW01, HSGNXFGW093CW01, HSGNYAGW093CW01, HSGNYFGW093CW01, JSEJEAGW303EW01, JSEJGAGW303EW01, JSEJRAGW303EW01, JSEJXAGW303EW01, NSENXAGW453ZW01, PSEJXAGS434AG01, PSLJXAGW303NG22, SSENEAGW283CW01, SSENEAGW293CW01, SSENXAGW283CW01, SSENXAGW293CW01, SSENXAGW433AW01, SSENXAGW433LW01, SSENXAGW543DW01, SSENXFGW293CW01, SSENYAGW283CW01, SSENYAGW293CW01, SSGNEAGW093CW01, SSGNXAGW093CW01, SSGNXFGW093CW01, SSGNYAGW093CW01 and SSLWXAGS303NN22
5	D510237	Terminal Block Shield	Models HSENXAGW283CW01, HSENXAGW293CW01, HSENXFGW293CW01, HSENYAGW283CW01, HSENYAGW293CW01, HSENYFGW283CW01, HSGNXAGW093CW01, HSGNXFGW093CW01, HSGNYAGW093CW01, HSGNYFGW093CW01, SSENEAGW283CW01, SSENEAGW293CW01, SSENXAGW283CW01, SSENXAGW293CW01, SSENXFGW293CW01, SSENYAGW283CW01, SSENYAGW293CW01, SSGNEAGW093CW01, SSGNXAGW093CW01, SSGNXFGW093CW01 and SSGNYAGW093CW01; Through Serial No. 1903000001
	D517715	Terminal Block Shield	Models HSENXAGW543DW01, JSEJEAGW303EW01, JSEJGAGW303EW01, JSEJRAGW303EW01, JSEJXAGW303EW01, NSENXAGW453ZW01, PSLJXAGW303NG22, SSENXAGW433AW01, SSENXAGW433LW01, SSENXAGW543DW01 and SSLWXAGS303NN22
6	D510190P	Terminal Block Assembly	Includes 3 of item 7; Models HSENXAGW283CW01, HSENXAGW293CW01, HSENXAGW543DW01, HSENXFGW293CW01, HSENYAGW283CW01, HSENYAGW293CW01, HSENYFGW283CW01, HSGNXAGW093CW01, HSGNXFGW093CW01, HSGNYAGW093CW01, HSGNYFGW093CW01, JSEJEAGW303EW01, JSEJGAGW303EW01, JSEJRAGW303EW01, JSEJXAGW303EW01, NSENXAGW453ZW01, PSEJXAGS434AG01, PSLJXAGW303NG22, SSENEAGW283CW01, SSENEAGW293CW01, SSENXAGW283CW01, SSENXAGW293CW01, SSENXAGW433AW01, SSENXAGW433LW01, SSENXAGW543DW01, SSENXFGW293CW01, SSENYAGW283CW01, SSENYAGW293CW01, SSGNEAGW093CW01, SSGNXAGW093CW01, SSGNXFGW093CW01, SSGNYAGW093CW01 and SSLWXAGS303NN22
7	61199	Screw	
8	28447	Nut	
9	28448	Screw	
10	28449	Washer	
11	D510100	Cylinder Roller Bracket	
12	D510708P	Cylinder Roller	
13	23748	Retaining Ring	
14	52549	Washer	
15	D504082	Washer	
16	56461P	Shaft	
17	RB170002	Roller Kit	Includes items 12-16
18	56156	Nut	

# Heater Duct Assembly - 3 Phase Electric Models

Models PS3JGAGS403UG01 and PS3JXAGS403UG01



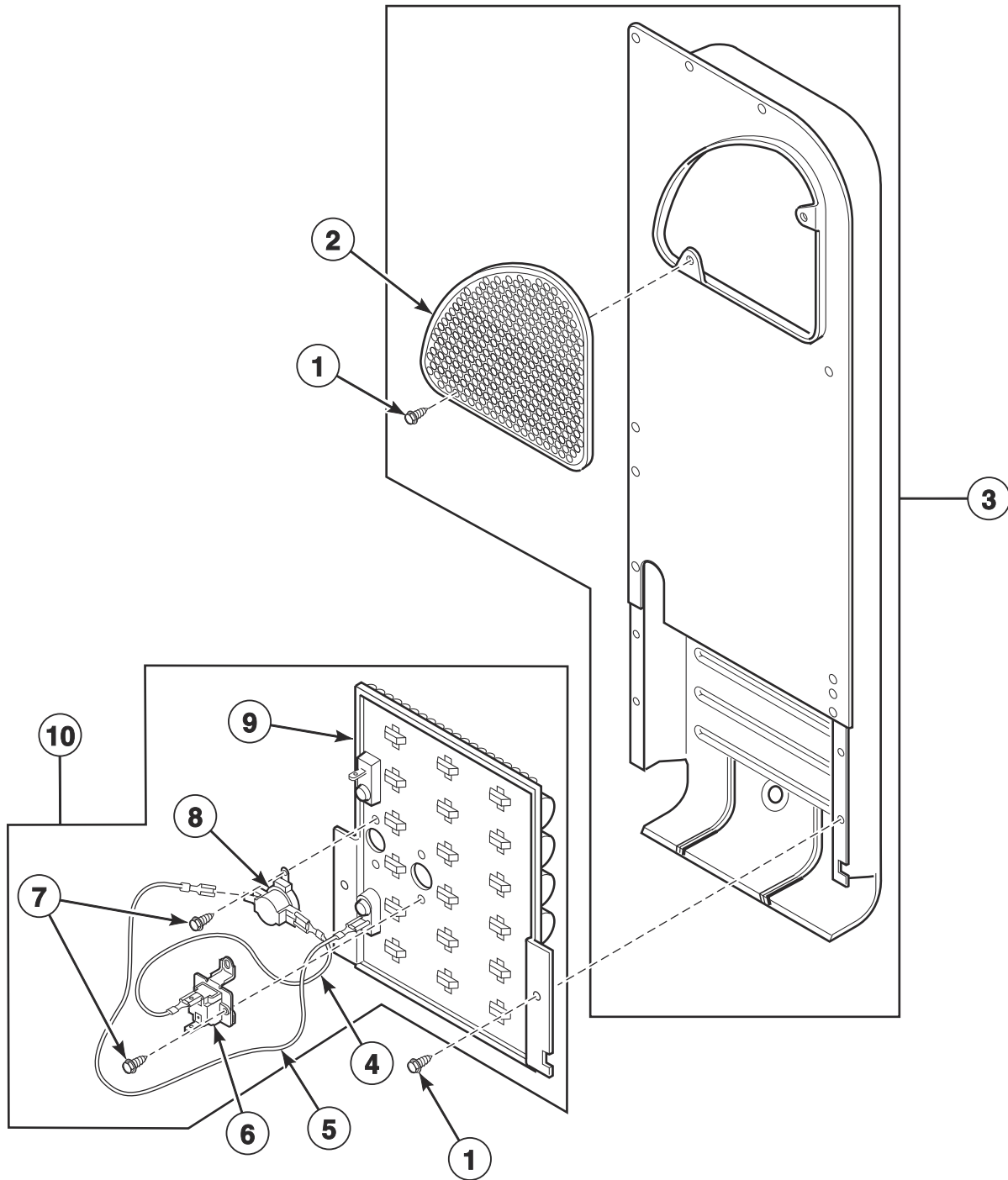
DRY2360P\_515206



## Heater Duct Assembly - 3 Phase Electric Models

REF	PART NO.	DESCRIPTION	COMMENTS
	756P3	Conversion Kit	400 Volt, 4 wire WYE to 240 Volt, 3 wire Delta
1	D510025P	Heater Duct Assembly	Includes items 2 and 3
2	D500820	Outlet Cover	
	D515573	Outlet Cover	Black
3	D503688	Screw	
4	D511014P	Heater	400 Volt/3 Phase
5	D510701	Limit Thermostat	
6	23222	Screw	
7	D518480	Thermal Fuse Assembly	
8	D511270	Jumper Wire Assembly	3 Phase

# Heater Duct and Element Assembly - 1 Phase Electric Models

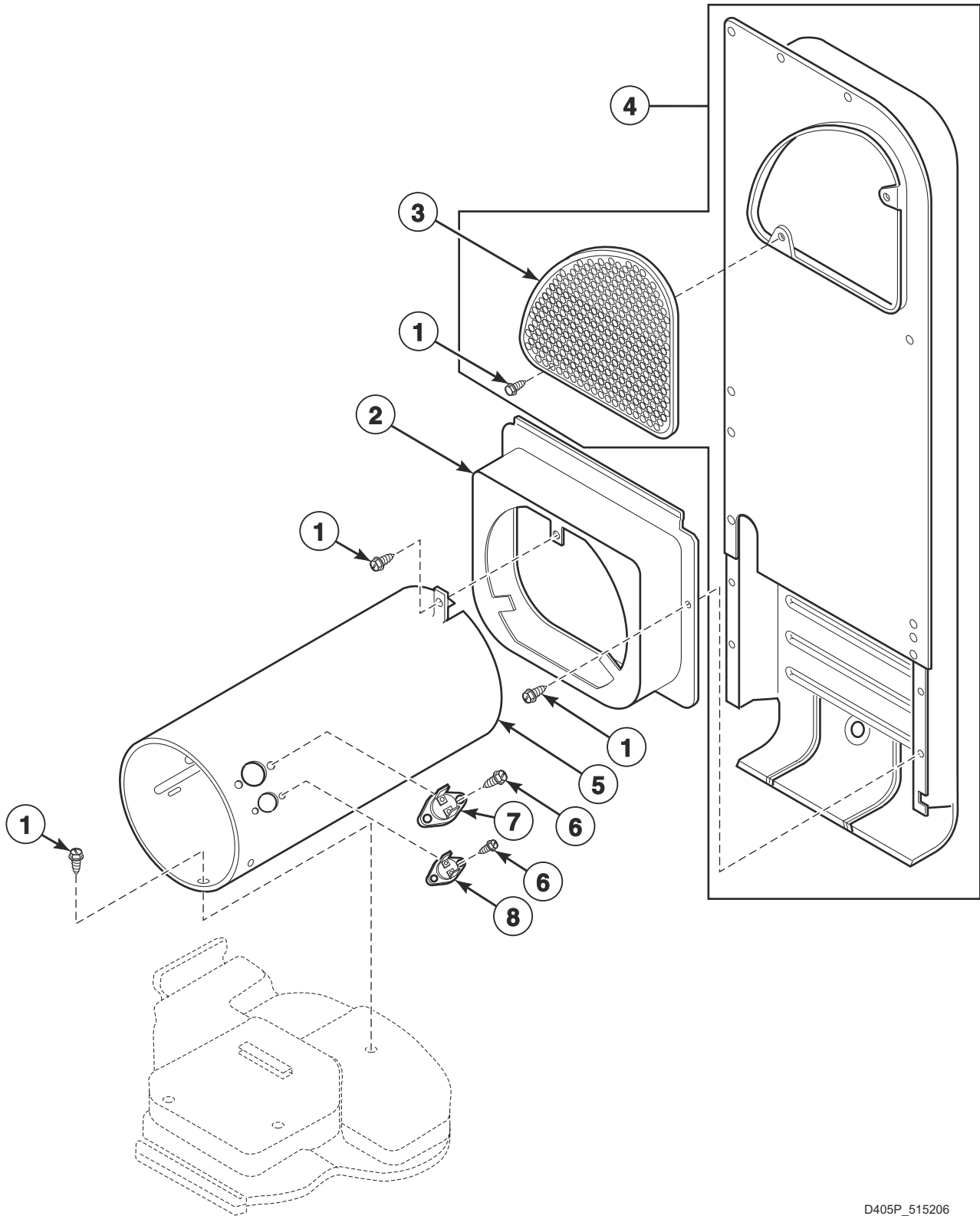


DRY1789P\_515206

# Heater Duct and Element Assembly - 1 Phase Electric Models

REF	PART NO.	DESCRIPTION	COMMENTS
1	D503688	Screw	
2	D500820	Outlet Cover	
	D515573	Outlet Cover	Black
3	D510025P	Heater Duct Assembly	Includes items 1 and 2
4	D518256	Wire Assembly	Orange; Thermostat jumper; Attaches to heater assembly
5	D518255	Wire Assembly	Black; Fuse jumper; Attaches to heater assembly
6	D518480	Thermal Fuse Assembly	
7	23222	Screw	
8	D510700	Limit Thermostat	Model NSENXAGW453ZW01
	D510701	Limit Thermostat	All other models
9	D510330P	Heater Assembly	208 Volt/60 Hertz; 4.25 kW; Models HSENXAGW293CW01, HSENXFGW293CW01, HSENYAGW293CW01, SSENEAGW283CW01, SSENEAGW293CW01, SSENXAGW283CW01, SSENXAGW293CW01, SSENXFGW293CW01, SSENYAGW283CW01 and SSENYAGW293CW01
	D510324P	Heater Assembly	240 Volt/60 Hertz; 5 kW; Models HSENXAGW283CW01, HSENYAGW283CW01, HSENYFGW283CW01, SSENEAGW283CW01, SSENEAGW293CW01, SSENXAGW283CW01, SSENXAGW293CW01, SSENXFGW293CW01, SSENYAGW283CW01 and SSENYAGW293CW01
	D510327P	Heater Assembly	240 Volt/50 Hertz; 4 kW; Models PSEJXAGS434AG01, SSENXAGW433AW01 and SSENXAGW433LW01
	D510329P	Heater Assembly	240 Volt/60 Hertz; 5.35 kW; Models HSENXAGW543DW01 and SSENXAGW543DW01
	D510326P	Heater Assembly	240 Volt/50 Hertz; 4.8 kW; Models JSEJEAGW303EW01, JSEJGAGW303EW01, JSEJRAGW303EW01 and JSEJXAGW303EW01
	D510328P	Heater Assembly	240 Volt/50 or 60 Hertz; 3.1 kW; Model NSENXAGW453ZW01
10	965P3	Heater Kit	208 Volt/60 Hertz; 4.25 kW; Includes items 4-9; Models HSENXAGW293CW01, HSENXFGW293CW01, HSENYAGW293CW01, SSENEAGW283CW01, SSENEAGW293CW01, SSENXAGW283CW01, SSENXAGW293CW01, SSENXFGW293CW01, SSENYAGW283CW01 and SSENYAGW293CW01
	61927	Heater Kit Assembly	240 Volt/60 Hertz; 5 kW; Models HSENXAGW283CW01, HSENYAGW283CW01, HSENYFGW283CW01, SSENEAGW283CW01, SSENEAGW293CW01, SSENXAGW283CW01, SSENXAGW293CW01, SSENXFGW293CW01, SSENYAGW283CW01 and SSENYAGW293CW01
	61930	Heater Kit Assembly	240 Volt/50 Hertz; 4 kW; Models PSEJXAGS434AG01, SSENXAGW433AW01 and SSENXAGW433LW01
	964P3	Heater Kit	240 Volt/60 Hertz; 5.35 kW; Models HSENXAGW543DW01 and SSENXAGW543DW01
	61929	Heater Kit Assembly	240 Volt/50 Hertz; 4.8 kW; Models JSEJEAGW303EW01, JSEJGAGW303EW01, JSEJRAGW303EW01, JSEJXAGW303EW01 and PSEJXAGS434AG01
	61931	Heater Kit Assembly	240 Volt/50 or 60 Hertz; 3.1 kW; Model NSENXAGW453ZW01

# Heater Duct Assembly - Gas Models



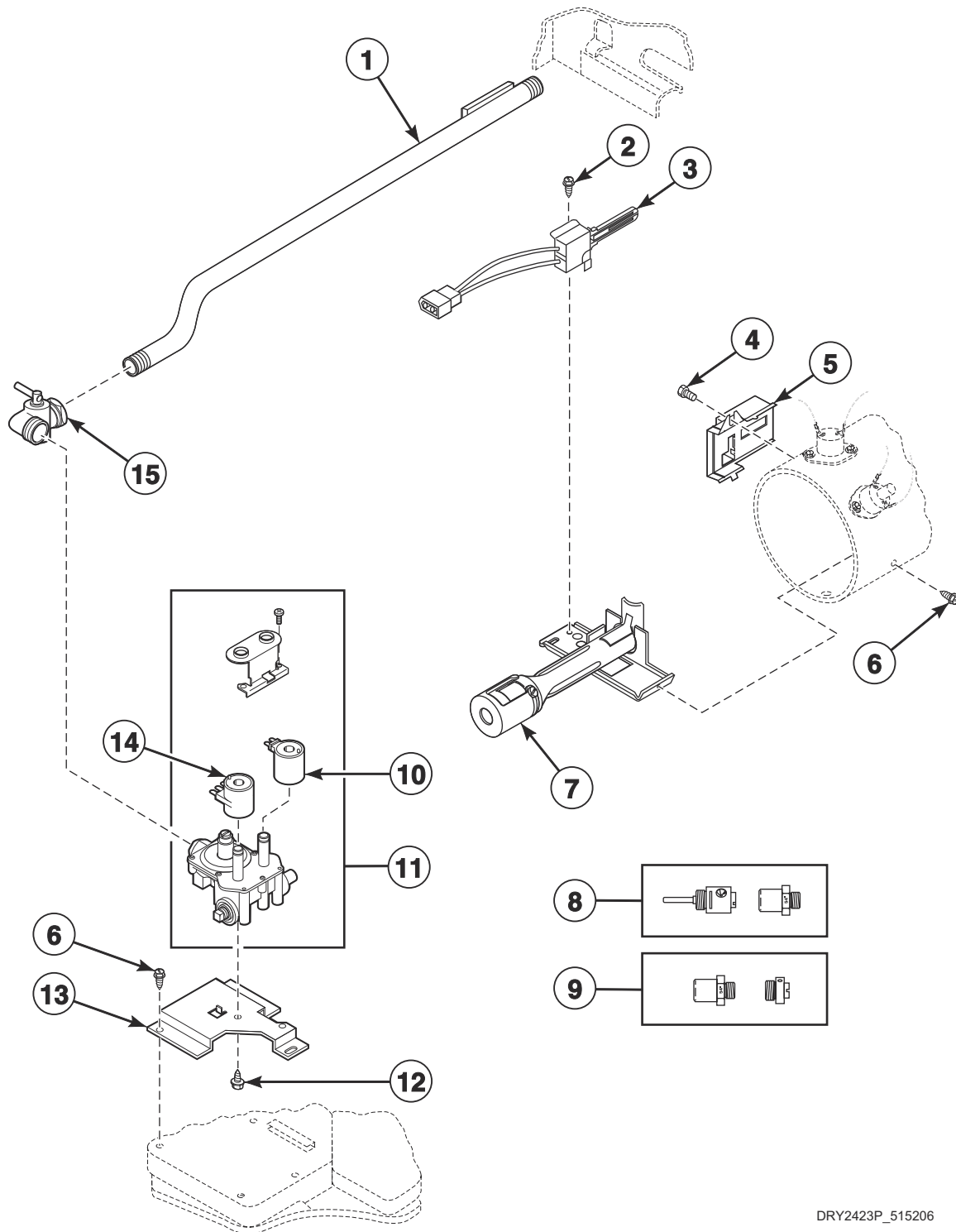
D405P\_515206

## Heater Duct Assembly - Gas Models

REF	PART NO.	DESCRIPTION	COMMENTS
1	D503688	Screw	
2	D510101	Heat Duct Shroud	
3	D500820	Outlet Cover	
	D515573	Outlet Cover	Black
4	D510025P	Heater Duct Assembly	Includes items 1 and 3
5	D510131	Combustion Duct	Models HSGNXAGW093CW01, HSGNXFGW093CW01, HSGNYAGW093CW01, HSGNYFGW093CW01, SSGNEAGW093CW01, SSGNXAGW093CW01, SSGNXFGW093CW01 and SSGNYAGW093CW01
	D510132	Combustion Duct	All other models
6	51782	Screw	
7	D510702	Limit Thermostat	Black; Auto reset
8	D510703	Thermostat	Manual reset; All models except HSGNXAGW093CW01, HSGNXFGW093CW01, HSGNYAGW093CW01, HSGNYFGW093CW01, SSGNEAGW093CW01, SSGNXAGW093CW01, SSGNXFGW093CW01, SSGNYAGW093CW01 and SSMNXAGW083JW01

# Gas Valve, Igniter and Gas Conversion Kits (Drawing 1 of 2)

Gas Models Through Serial No. 1908000001 except Model SSMNXAGW083JW01



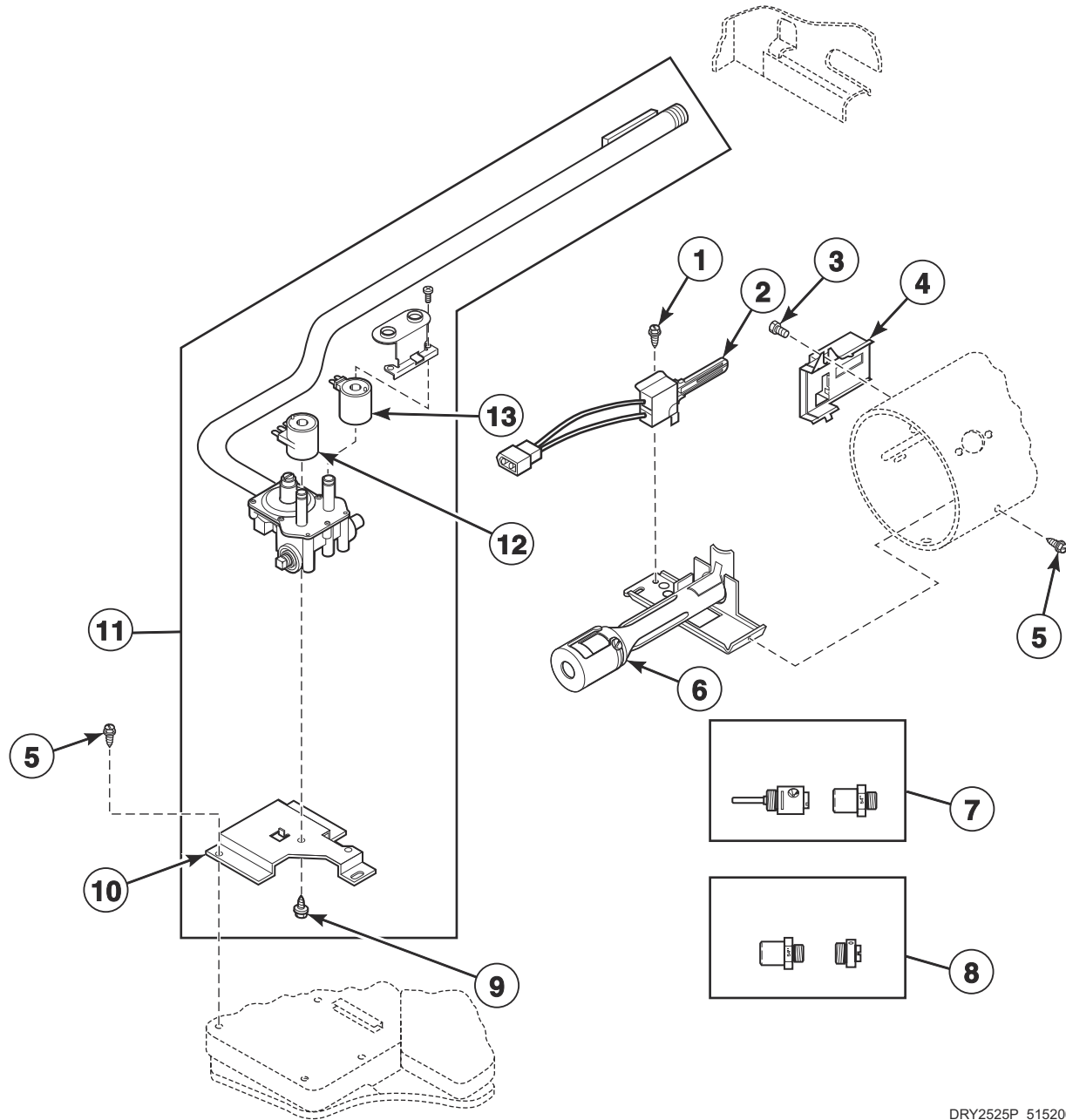
DRY2423P\_515206

## Gas Valve, Igniter and Gas Conversion Kits (Drawing 1 of 2)

REF	PART NO.	DESCRIPTION	COMMENTS
1	D510204	Lead-In Pipe Assembly	
2	51782	Screw	
3	D510184P	Igniter and Bracket Assembly	
4	23222	Screw	
5	D510213	Sensor	
6	D503688	Screw	
7	D510149P	Burner Assembly	
8	599P3	L.P. Conversion Kit	Used to convert dryers from N.G. or Mixed Gas to L.P.; 21,000 Btu; Models JSGJEAGW303EW01, JSGJGAGW303EW01, JSGJXAGW303EW01, PSGJGAGS303UG01 and PSGJXAGS304AG01
	649P3	L.P. Conversion Kit	Used to convert dryers from N.G. or Mixed Gas to L.P.; 22,500 Btu; Models SSLNXAGW543NW23 and SSLNXAGW543PW01
	458P3	L.P. Conversion Kit	Used to convert dryers from N.G. or Mixed Gas to L.P. for 25,000 Btu; All other models
9	650P3	N.G. Conversion Kit	Used to convert dryers from L.P. to N.G. or Mixed Gas; 22,500 Btu; Models SSLNXAGW543NW23 and SSLNXAGW543PW01
	459P3	N.G. Conversion Kit	Used to convert dryers from L.P. to N.G. or Mixed Gas for 25,000 Btu; All other models
10	59063B	Secondary Coil	50 Hertz; Models JSGJEAGW303EW01, JSGJGAGW303EW01, JSGJXAGW303EW01, NSGNXAGW303ZW38, PSGJGAGS303UG01, PSGJXAGS303UG01, PSGJXAGS304AG01, PSLJXAGW303NG22, SSGNXAGW303AW01, SSLNXAGW303LW01 and SSLWXAGS303NN22
	58804B	Secondary Coil	60 Hertz; All other models
11	59063P	Gas Valve Assembly	50 Hertz; 20,000 Btu; N.G.; Includes items 10 and 14; Models JSGJEAGW303EW01, JSGJGAGW303EW01, JSGJXAGW303EW01, PSGJGAGS303UG01 and PSGJXAGS303UG01
	D513631	Gas Valve Assembly	60 Hertz; 22,500 Btu; L.P.; Includes items 10 and 14; Models SSLNXAGW543NW23 and SSLNXAGW543PW01
	60443P	Valve Assembly	50 Hertz; 25,000 Btu; N.G.; Includes items 10 and 14; Models NSGNXAGW303ZW38, PSGJXAGS304AG01 and SSGNXAGW303AW01
	D515490	Gas Valve Assembly	50 Hertz; 25,000 Btu; L.P.; Includes items 10 and 14; Models PSLJXAGW303NG22, SSLNXAGW303LW01 and SSLWXAGS303NN22
	60353P	Gas Valve Assembly	60 Hertz; 25,000 Btu; N.G.; Includes items 10 and 14; All other models
12	56124	Screw	
13	D510333	Gas Valve Mounting Bracket	Model PSGJXAGS304AG01
	D510128	Gas Valve Mounting Bracket	All other models
14	59063A	Booster and Holding Coil	Models JSGJEAGW303EW01, JSGJGAGW303EW01, JSGJXAGW303EW01, NSGNXAGW303ZW38, PSGJGAGS303UG01, PSGJXAGS303UG01, PSGJXAGS304AG01, PSLJXAGW303NG22, SSGNXAGW303AW01, SSLNXAGW303LW01 and SSLWXAGS303NN22; 50 Hertz
	58804A	Booster and Holding Coil	All other models; 60 Hertz
15	D510205	Elbow Shut-Off Valve	

# Gas Valve, Igniter and Gas Conversion Kits (Drawing 2 of 2)

Gas Models Starting Serial No. 1908000001 except Model SSMNXAGW083JW01



DRY2525P\_515206

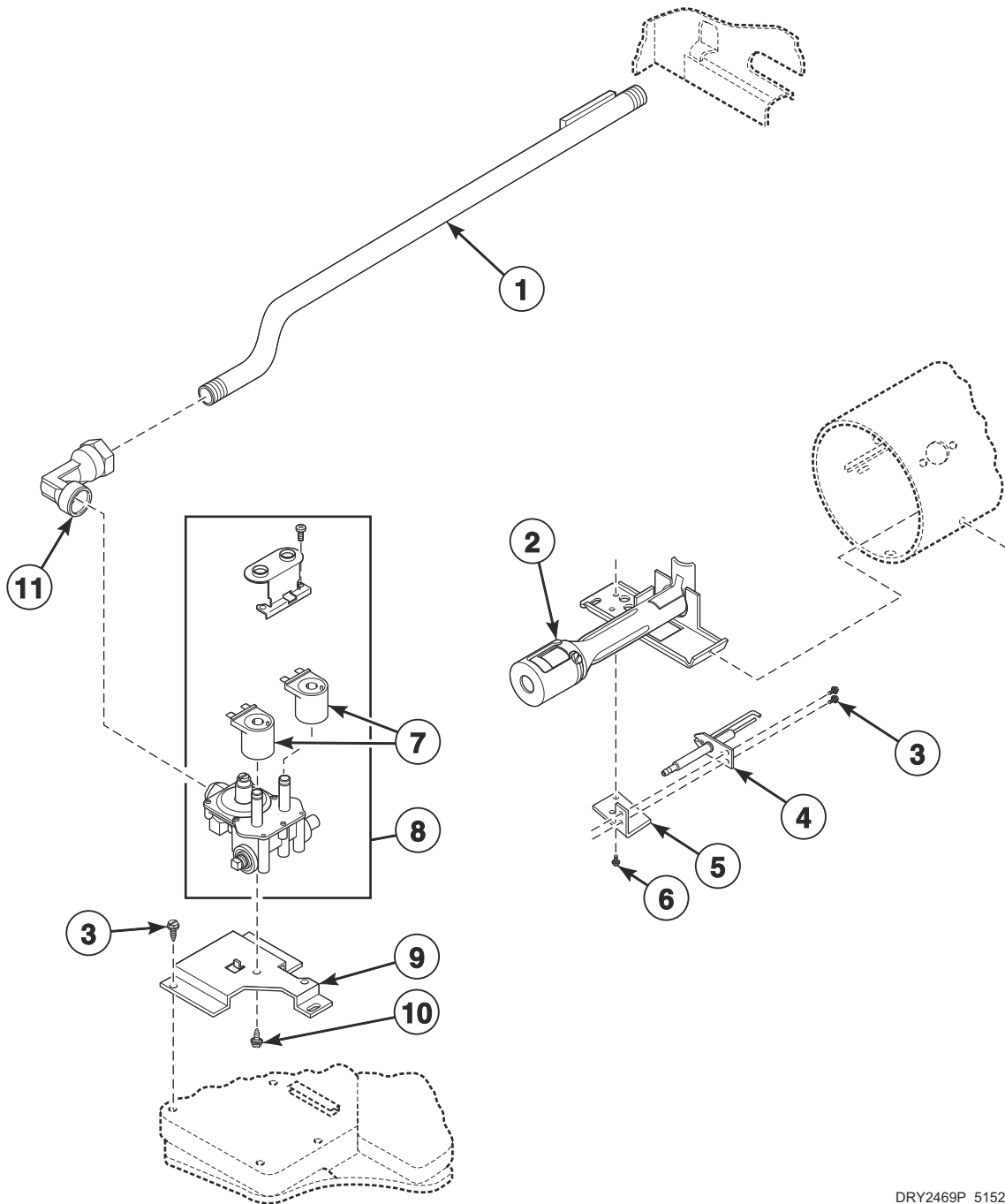


## Gas Valve, Igniter and Gas Conversion Kits (Drawing 2 of 2)

REF	PART NO.	DESCRIPTION	COMMENTS
1	51782	Screw	
2	D510184P	Igniter and Bracket Assembly	
3	23222	Screw	
4	D510213	Sensor	
5	D503688	Screw	
6	D510149P	Burner Assembly	
7	599P3	L.P. Conversion Kit	Used to convert dryers from N.G. or Mixed Gas to L.P.; 21,000 Btu; Models JSGJEAGW303EW01, JSGJGAGW303EW01, JSGJRAGW303EW01, JSGJXAGW303EW01, PSGJGAGS303UG01 and PSGJXAGS304AG01
	649P3	L.P. Conversion Kit	Used to convert dryers from N.G. or Mixed Gas to L.P.; 22,500 Btu; Models SSLNXAGW543NW23 and SSLNXAGW543PW01
	458P3	L.P. Conversion Kit	Used to convert dryers from N.G. or Mixed Gas to L.P. for 25,000 Btu; All other models
8	650P3	N.G. Conversion Kit	Used to convert dryers from L.P. to N.G. or Mixed Gas; 22,500 Btu; Models SSLNXAGW543NW23 and SSLNXAGW543PW01
	459P3	N.G. Conversion Kit	Used to convert dryers from L.P. to N.G. or Mixed Gas for 25,000 Btu; All other models
9	56124	Screw	
10	D510333	Gas Valve Mounting Bracket	Model PSGJXAGS304AG01
	D510128	Gas Valve Mounting Bracket	All other models
11	D517607	Gas Valve, Bracket and Pipe Assembly	50 Hertz; 20,000 Btu; N.G.; Includes items 9, 10, 12 and 13; Models JSGJEAGW303EW01, JSGJGAGW303EW01, JSGJRAGW303EW01, JSGJXAGW303EW01, PSGJGAGS303UG01 and PSGJXAGS303UG01
	D517612	Gas Valve, Bracket and Pipe Assembly	60 Hertz; 22,500 Btu; L.P.; Includes items 9, 10, 12 and 13; Models SSLNXAGW543NW23 and SSLNXAGW543PW01
	D517608	Gas Valve, Bracket and Pipe Assembly	50 Hertz; 25,000 Btu; N.G.; Includes items 9, 10, 12 and 13; Models NSGNXAGW303ZW38, PSGJXAGS304AG01 and SSGNXAGW303AW01
	D517613	Gas Valve, Bracket and Pipe Assembly	50 Hertz; 25,000 Btu; L.P.; Includes items 9, 10, 12 and 13; Models PSLJXAGW303NG22, SSLNXAGW303LW01 and SSLWXAGS303NN22
	D517606	Gas Valve, Bracket and Pipe Assembly	60 Hertz; 25,000 Btu; N.G.; Includes items 9, 10, 12 and 13; All other models
12	59063A	Booster and Holding Coil	Models JSGJEAGW303EW01, JSGJGAGW303EW01, JSGJRAGW303EW01, JSGJXAGW303EW01, NSGNXAGW303ZW38, PSGJGAGS303UG01, PSGJXAGS303UG01, PSGJXAGS304AG01, PSLJXAGW303NG22, SSGNXAGW303AW01, SSLNXAGW303LW01 and SSLWXAGS303NN22; 50 Hertz
	58804A	Booster and Holding Coil	All other models; 60 Hertz
13	59063B	Secondary Coil	50 Hertz; Models JSGJEAGW303EW01, JSGJGAGW303EW01, JSGJRAGW303EW01, JSGJXAGW303EW01, NSGNXAGW303ZW38, PSGJGAGS303UG01, PSGJXAGS303UG01, PSGJXAGS304AG01, PSLJXAGW303NG22, SSGNXAGW303AW01, SSLNXAGW303LW01 and SSLWXAGS303NN22
	58804B	Secondary Coil	60 Hertz; All other models

# Gas Valve Through Serial No. 1908000001

Model SSMNXAGW083JW01



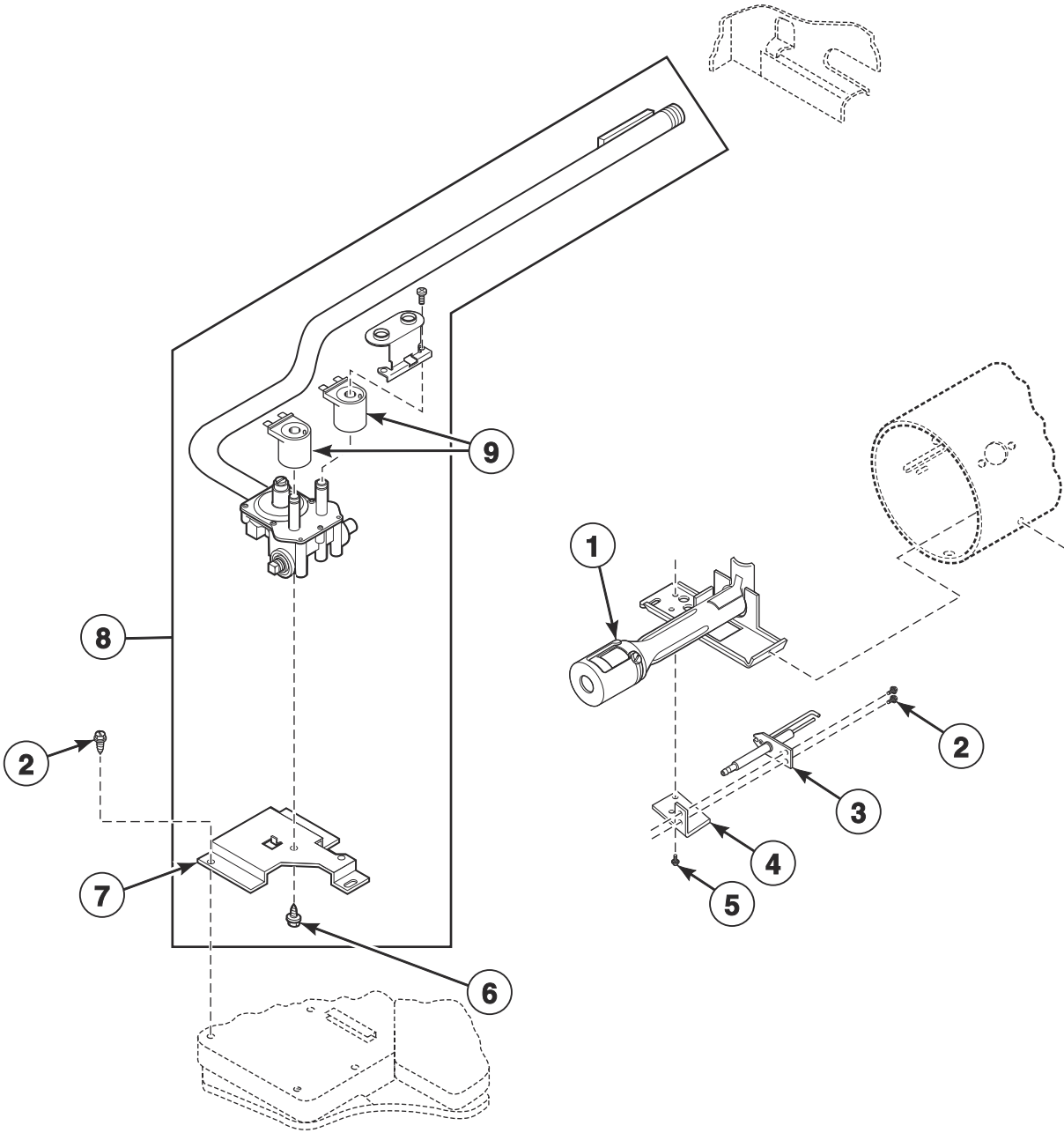
DRY2469P\_515206

## Gas Valve Through Serial No. 1908000001

REF	PART NO.	DESCRIPTION	COMMENTS
1	D510204	Lead-In Pipe Assembly	
2	D510149P	Burner Assembly	
3	D503688	Screw	
4	44328701P	Spark Electrode	
5	D516238	Bracket	
6	51782	Screw	
7	D516699	Gas Valve Coil	24 Vac; 50-60 Hertz
8	D516182	Gas Valve Assembly	50-60 Hertz; 22,500 Btu; Natural Gas (N.G); Includes item 7
9	D510128	Gas Valve Mounting Bracket	
10	56124	Screw	
11	D513072	Elbow	

# Gas Valve Starting Serial No. 1908000001

Model SSMNXAGW083JW01



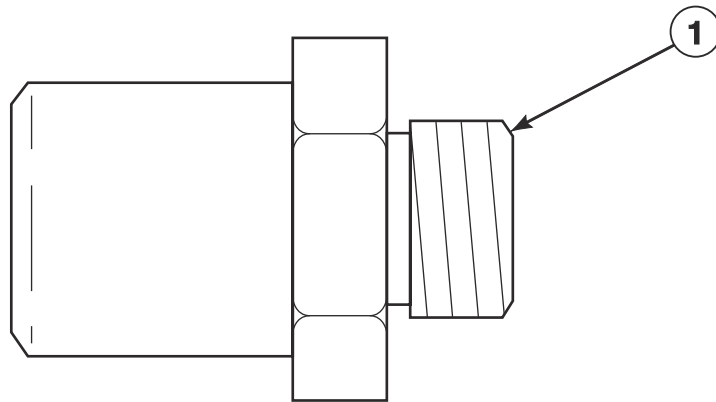
DRY2526P\_515206

## Gas Valve Starting Serial No. 1908000001

REF	PART NO.	DESCRIPTION	COMMENTS
1	D510149P	Burner Assembly	
2	D503688	Screw	
3	44328701P	Spark Electrode	
4	D516238	Bracket	
5	51782	Screw	
6	56124	Screw	
7	D510128	Gas Valve Mounting Bracket	
8	D517610	Gas Valve, Bracket and Pipe Assembly	50-60 Hertz; 22,500 Btu; Natural Gas (N.G); Includes items 6, 7 and 9
9	D516699	Gas Valve Coil	24 Vac; 50-60 Hertz

# Burner Orifice Spuds - For Higher Elevations

Gas Models

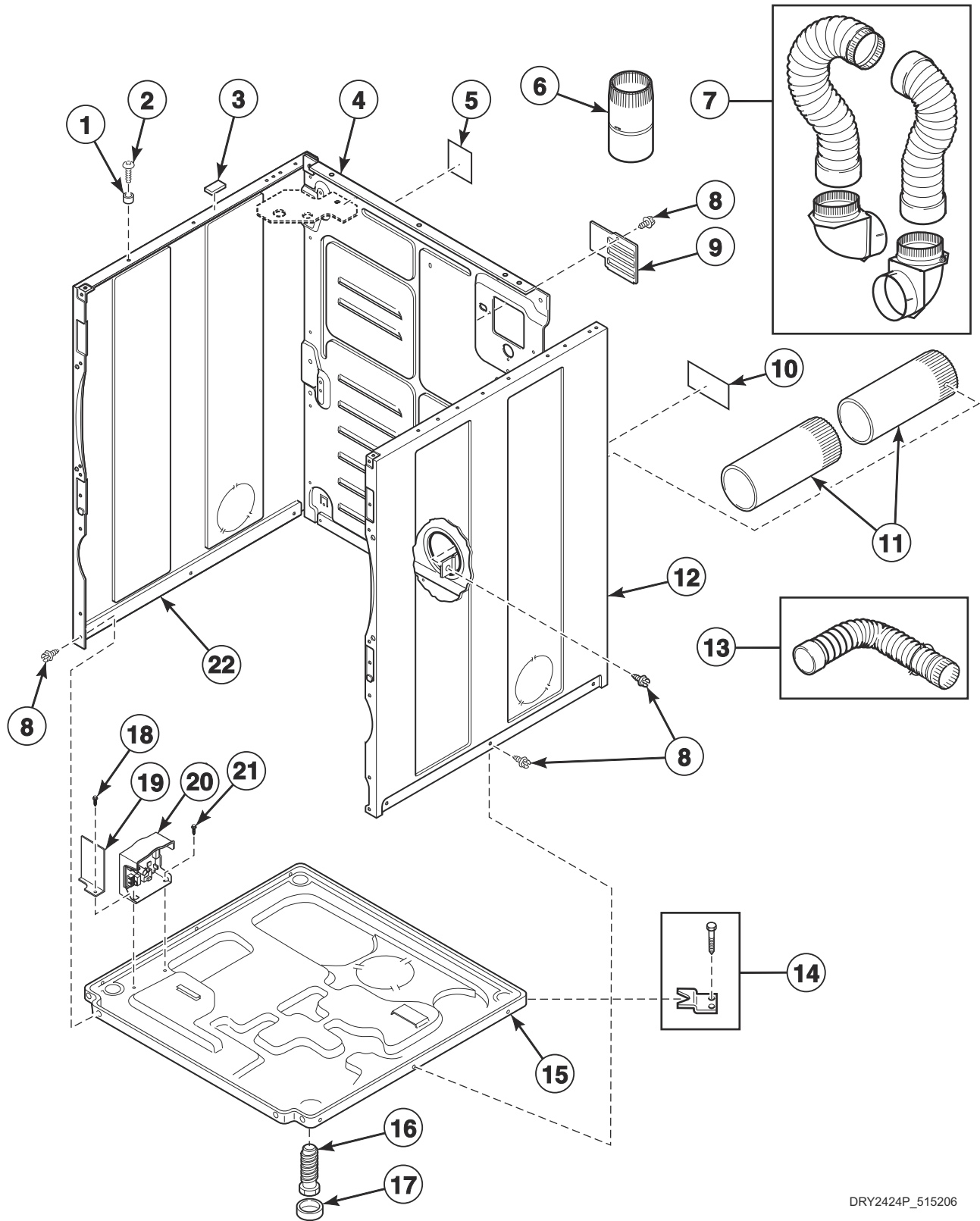


DRY2266P\_515206

## Burner Orifice Spuds - For Higher Elevations

REF	PART NO.	DESCRIPTION	COMMENTS
1	58755	L.P. Orifice	Liquid Petroleum Gas (L.P.); Models SSLNXAGW543NW23 and SSLNXAGW543PW01 3000-7999 feet (915-2439 m) 22,500 Btu; All models except SSLNXAGW543NW23 and SSLNXAGW543PW01 7500-10999 feet (2290-3354 m) 25,000 Btu
	D503786	L.P. Orifice	L.P.; Models SSLNXAGW543NW23 and SSLNXAGW543PW01 8000 feet (2440 m) and higher 22,500 Btu; All models except SSLNXAGW543NW23 and SSLNXAGW543PW01 11000 feet (3355 m) and higher; 25,000 Btu
	D503776	N.G. Orifice	Natural Gas (N.G.); 2000-2999 feet (610-914 m); All models except SSLNXAGW543NW23 and SSLNXAGW543PW01
	D510517	N.G. Orifice	N.G.; 3000-5499 feet (915-1679 m); All models except SSLNXAGW543NW23 and SSLNXAGW543PW01
	D503778	N.G. Orifice	N.G.; Models SSLNXAGW543NW23 and SSLNXAGW543PW01 3000-5999 feet (915-1829 m) 22,500 Btu; All models except SSLNXAGW543NW23 and SSLNXAGW543PW01 5500-6999 feet (1680-2134 m) 25,000 Btu
	58719	Screw Orifice	N.G.; Models SSLNXAGW543NW23 and SSLNXAGW543PW01 6000-7999 feet (1830-2439 m) 22,500 Btu; All models except SSLNXAGW543NW23 and SSLNXAGW543PW01 7000-8999 feet (2135-2744 m) 25,000 Btu
	D503779	N.G. Orifice	N.G.; Models SSLNXAGW543NW23 and SSLNXAGW543PW01 8000-8999 feet (2440-2739 m) 22,500 Btu; All models except SSLNXAGW543NW23 and SSLNXAGW543PW01 9000-10499 feet (2745-3199 m) 25,000 Btu
	D503780	N.G. Orifice	N.G.; Models SSLNXAGW543NW23 and SSLNXAGW543PW01 9000-9999 feet (2740-3049 m) 22,500 Btu; All models except SSLNXAGW543NW23 and SSLNXAGW543PW01 10500 feet (3200 m) and higher; 25,000 Btu
	D503781	N.G. Orifice	N.G.; Models SSLNXAGW543NW23 and SSLNXAGW543PW01 10,000 feet (3050 m) and higher; 22,500 Btu

# Cabinet, Exhaust Duct and Base



DRY2424P\_515206

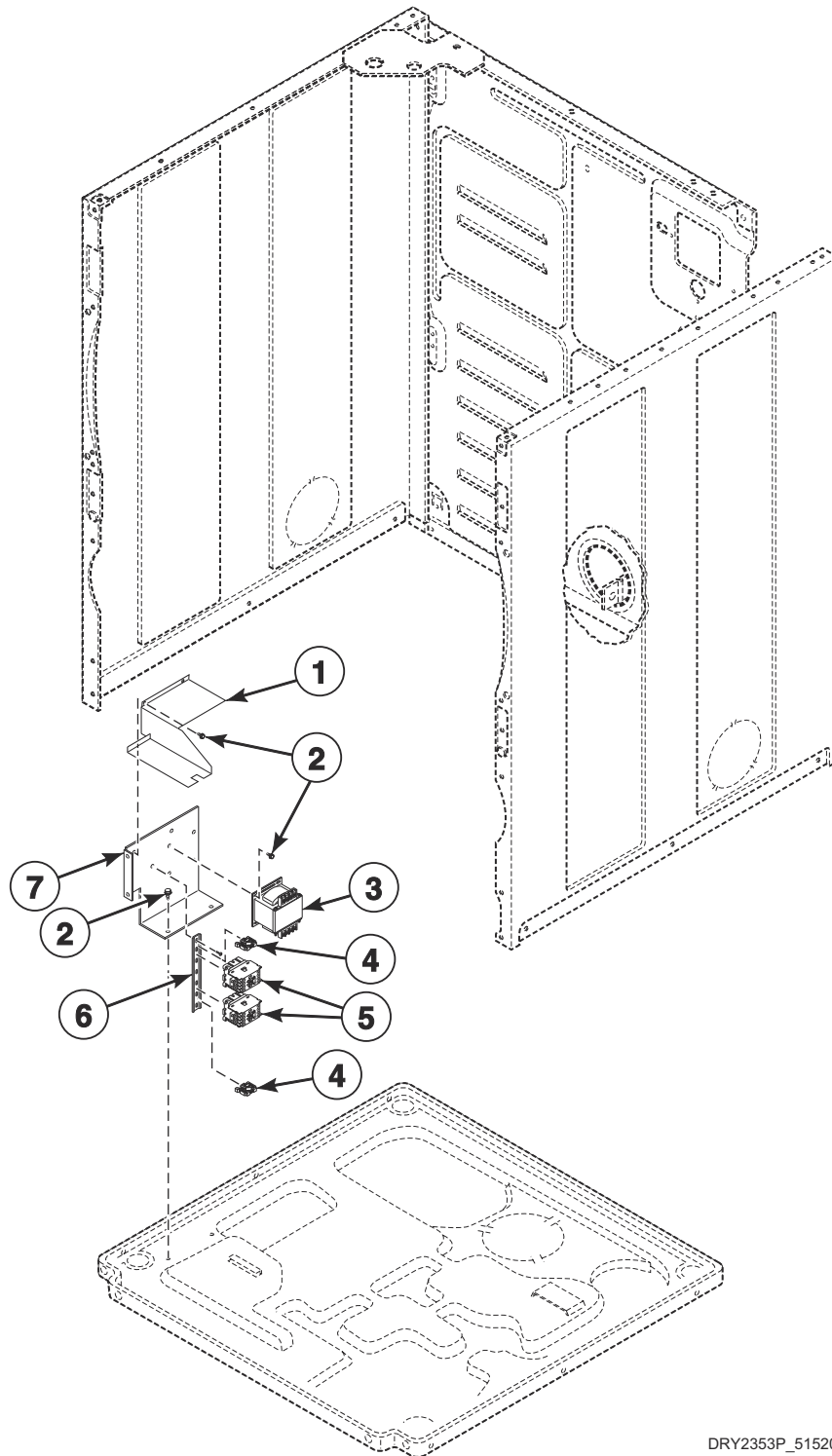


## Cabinet, Exhaust Duct and Base

REF	PART NO.	DESCRIPTION	COMMENTS
	122P4P	Porcelain Touch-Up Paint	
1	56079	Panel Locator	
2	39733	Screw	
3	56128	Bumper Pad	
4	D514632P	Cabinet Rear Panel	
5	D505984	Clearance Warning Label	Models HSENXFGW293CW01, HSENYFGW283CW01 and SSENXFGW293CW01
	D511004	Gas Clearance Label	Models HSGNXAGW093CW01, HSGNXFGW093CW01, HSGNYAGW093CW01, HSGNYFGW093CW01, SSGNEAGW093CW01, SSGNXAGW093CW01, SSGNXFGW093CW01 and SSGNYAGW093CW01
	F8211201	Electrical Shock Label	All other gas models
6	58786	Damper	Use when connecting to a manifold vent system
7	521P3	Flexible Venting Kit	
8	D503688	Screw	
9	D510903	Access Panel Plate	
10	D500497	Exhaust Warning Label	
11	D516196	Exhaust Duct	Each dryer requires 2 pieces
12	D510002DGP	Cabinet Side Panel	Right; Models PS3JGAGS403UG01, PS3JXAGS403UG01, PSEJXAGS434AG01, PSGJGAGS303UG01, PSGJGAGS543ZG01, PSGJXAGS303UG01, PSGJXAGS304AG01, PSGJXAGS543ZG01, PSLJXAGW303NG22 and SSLWXAGS303NN22
	D510002WP	Cabinet Side Panel	Right; All other models
13	528P3	Directional Exhaust Kit	Used to vent dryer out the sides or bottom
14	526P3	Hold Down Kit	For mobile home installations
15	D514245	Dryer Base	
16	D510135	Leveling Leg	
17	D501855	Rubber Foot	
18	D514428	Screw	
19	D514420	Output Board Shield	Models JSEJEAGW303EW01, JSEJGAGW303EW01, JSEJRAGW303EW01, JSEJXAGW303EW01, NSENXAGW453ZW01, NSGNXAGW303ZW38, PS3JGAGS403UG01, PS3JXAGS403UG01, PSEJXAGS434AG01, SSENXAGW433AW01, SSENXAGW433LW01, SSENXAGW543DW01, SSLNXAGW303LW01 and SSMNXAGW083JW01
20	D517269	Output Control Assembly	Models PSLJXAGW303NG22, SSLNXAGW543NW23, SSLWXAGS303NN22 and SSMNXAGW083JW01
	D513797P	Output Control Assembly	All other models
21	804667	Screw	
22	D510001DGP	Cabinet Side Panel	Left; Models PS3JGAGS403UG01, PS3JXAGS403UG01, PSEJXAGS434AG01, PSGJGAGS303UG01, PSGJGAGS543ZG01, PSGJXAGS303UG01, PSGJXAGS304AG01, PSGJXAGS543ZG01, PSLJXAGW303NG22 and SSLWXAGS303NN22
	D510001WP	Cabinet Side Panel	Left; All other models

# Contactor and Transformer

Models HSGNXAGW543DW01, JSGJEAGW303EW01, JSGJGAGW303EW01, JSGJRAGW303EW01, JSGJXAGW303EW01, NSGNXAGW303ZW38, PS3JGAGS403UG01, PS3JXAGS403UG01, PSGJGAGS303UG01, PSGJGAGS543ZG01, PSGJXAGS303UG01, PSGJXAGS304AG01, PSGJXAGS543ZG01, PSLJXAGW303NG22, SSGNXAGW303AW01, SSGNXAGW543DW01, SSLNXAGW303LW01, SSLNXAGW543NW23, SSLNXAGW543PW01 and SSLWXAGS303NN22



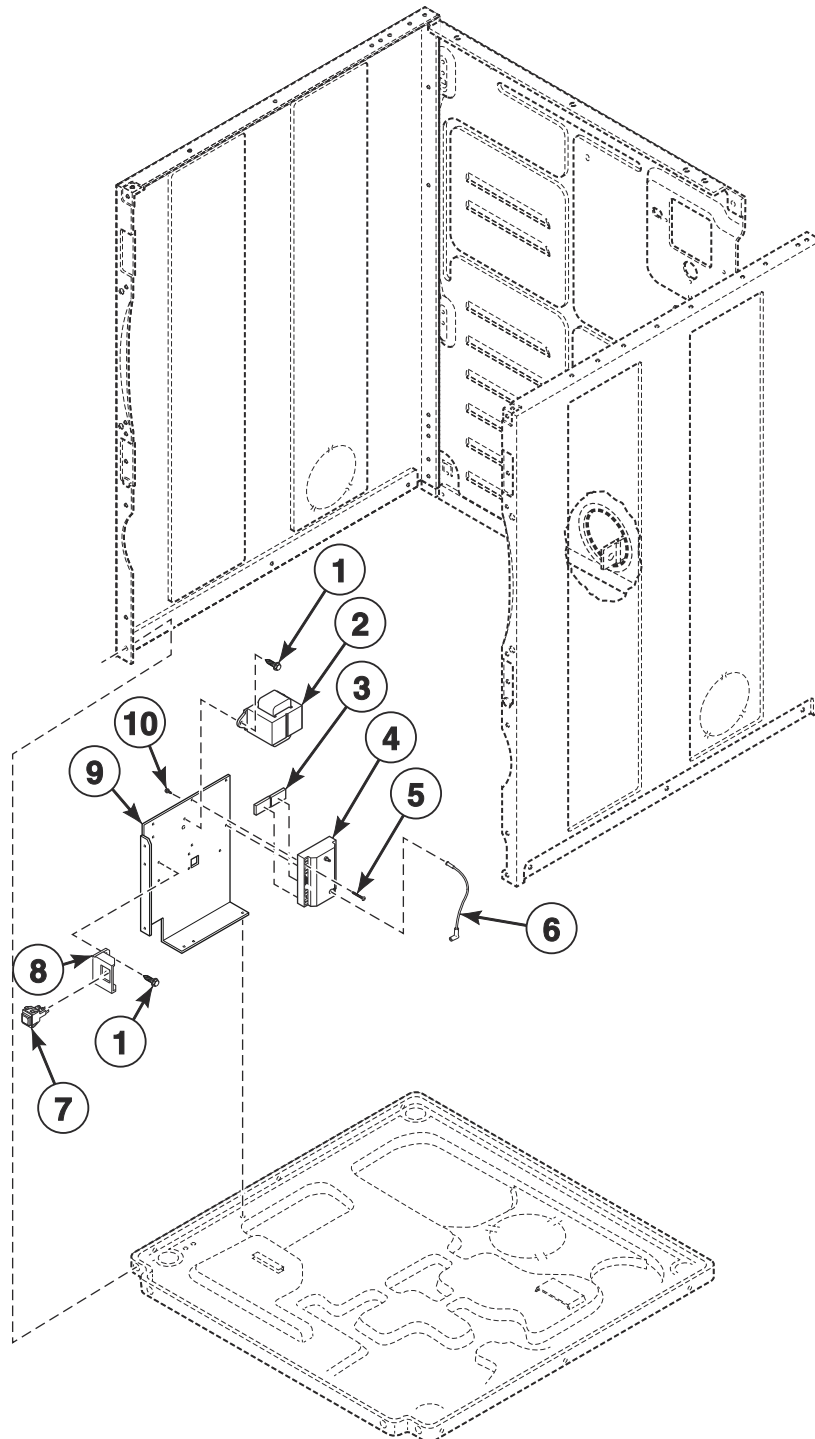
DRY2353P\_515206

## Contactor and Transformer

REF	PART NO.	DESCRIPTION	COMMENTS
	D514000	Power Harness	Used between item 5 and 804844, 804864 or 514834P Filter; Models PS3JGAGS403UG01 and PS3JXAGS403UG01
	D514002	Heater Harness	Used between item 5 and heating element; Models PS3JGAGS403UG01 and PS3JXAGS403UG01
	D514054	Dual Contactor Harness	Used with item 5; Models PS3JGAGS403UG01 and PS3JXAGS403UG01
1	D514334	Transformer Shield	Models HSGNXAGW543DW01, JSGJEAGW303EW01, JSGJGAGW303EW01, JSGJRAGW303EW01, JSGJXAGW303EW01, NSGNXAGW303ZW38, PSGJGAGS303UG01, PSGJGAGS543ZG01, PSGJXAGS303UG01, PSGJXAGS304AG01, PSGJXAGS543ZG01, SSGNXAGW303AW01, SSGNXAGW543DW01, SSLNXAGW303LW01, SSLNXAGW543NW23 and SSLNXAGW543PW01
2	D503688	Screw	
3	D513763P	Transformer	Models HSGNXAGW543DW01, JSGJEAGW303EW01, JSGJGAGW303EW01, JSGJRAGW303EW01, JSGJXAGW303EW01, NSGNXAGW303ZW38, PSGJGAGS303UG01, PSGJGAGS543ZG01, PSGJXAGS303UG01, PSGJXAGS304AG01, PSGJXAGS543ZG01, SSGNXAGW303AW01, SSGNXAGW543DW01, SSLNXAGW303LW01, SSLNXAGW543NW23 and SSLNXAGW543PW01
	D511658P	Transformer Kit	Includes wire harness assembly; Models PSLJXAGW303NG22 and SSLWXAGS303NN22
4	F8449801	End Stop	Models PS3JGAGS403UG01 and PS3JXAGS403UG01
5	70482603	Contactor	Models PS3JGAGS403UG01 and PS3JXAGS403UG01
6	M412693	Din Rail	Models PS3JGAGS403UG01 and PS3JXAGS403UG01
7	D511859	Contactor Bracket	

# Ignition Control Module

Model SSMNXAGW083JW01

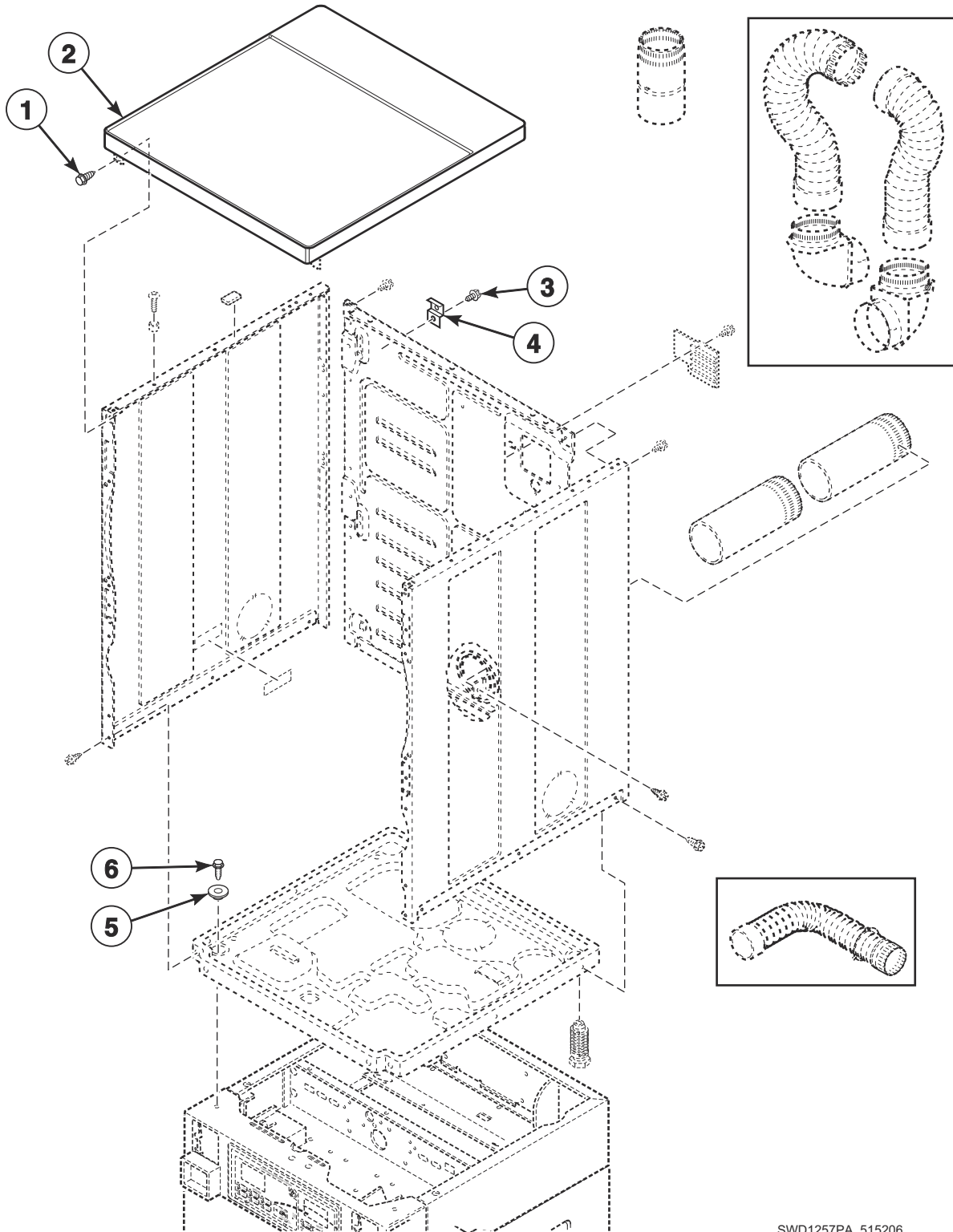


DRY2483P\_515206

# Ignition Control Module

REF	PART NO.	DESCRIPTION	COMMENTS
	D516881	ICM Gas Harness	
	D517459	Jumper	
1	D503688	Screw	
2	202757	Transformer	
3	56128	Bumper Pad	
4	70483201P	Ignition Control	
5	D516261	Screw	
6	44239706	High Voltage Suppression Cable	
7	M413431	Pushbutton Switch	Lighted
8	D516237	Switch Bracket	
9	D511859	Contactor Bracket	
10	38272	Screw	

# Cabinet Top



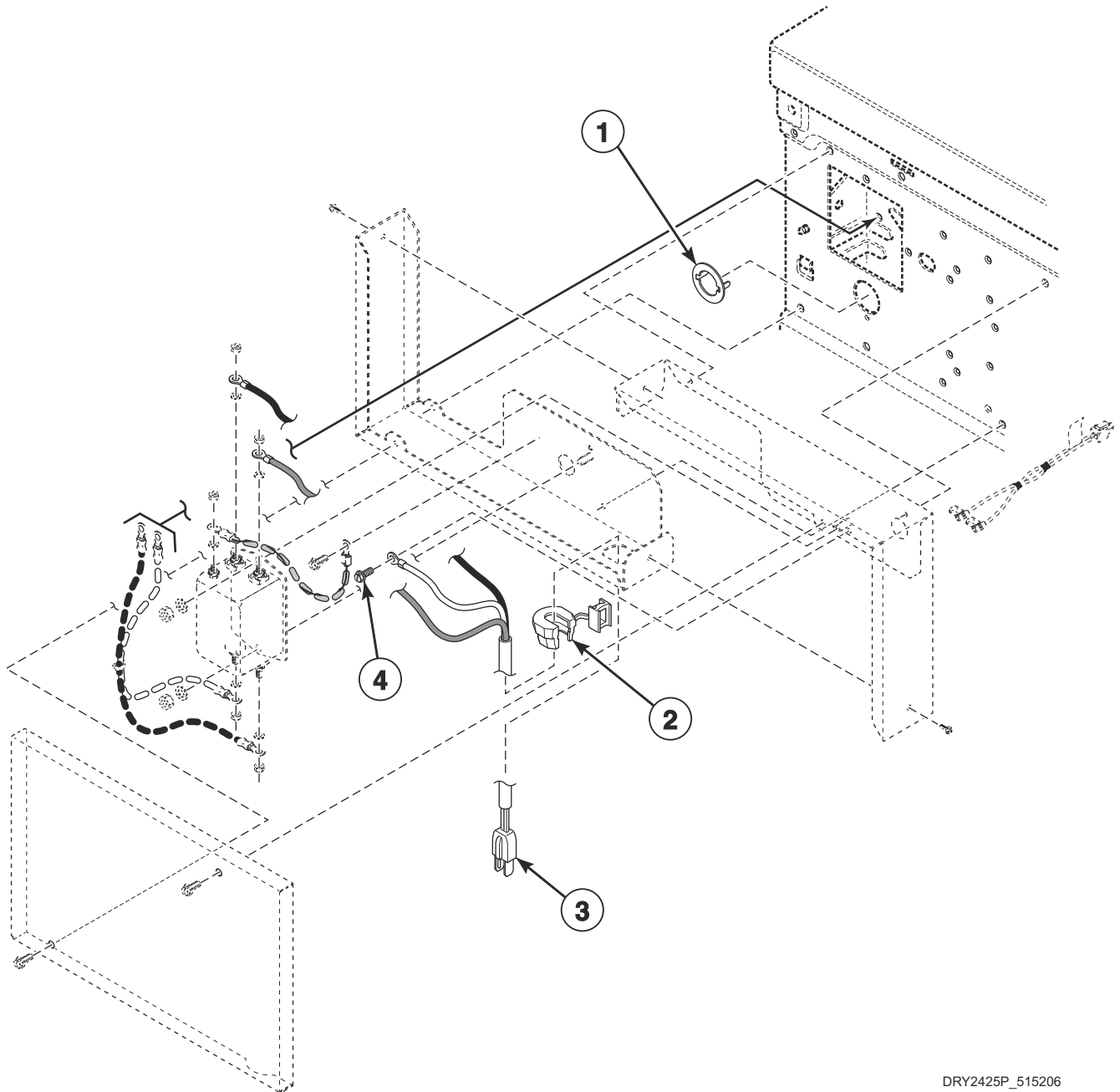
SWD1257PA\_515206

# Cabinet Top

REF	PART NO.	DESCRIPTION	COMMENTS
1	D503661	Screw	
2	D510032DG	Top Panel	Gray; Models PS3JGAGS403UG01, PS3JXAGS403UG01, PSGJGAGS303UG01, PSGJGAGS543ZG01, PSGJXAGS303UG01, PSGJXAGS304AG01, PSGJXAGS543ZG01 and PSLJXAGW303NG22
	803144P	Top Kit	Stainless steel; Model SSLWXAGS303NN22
	D510032WP	Top Kit	White; All other models
3	D503688	Screw	
4	D510136	Top Hinge	
5	D501307	Washer	
6	36048	Screw	

# Power Cord

All Models Except HSENXAGW283CW01, HSENXAGW293CW01, HSENXFGW293CW01, HSENYAGW283CW01, HSENYAGW293CW01, HSENYFGW283CW01, SSENEAGW283CW01, SSENEAGW293CW01, SSENXAGW283CW01, SSENXAGW293CW01, SSENXFGW293CW01, SSENYAGW283CW01, SSENYAGW293CW01 and SSLWXAGS303NN22



DRY2425P\_515206

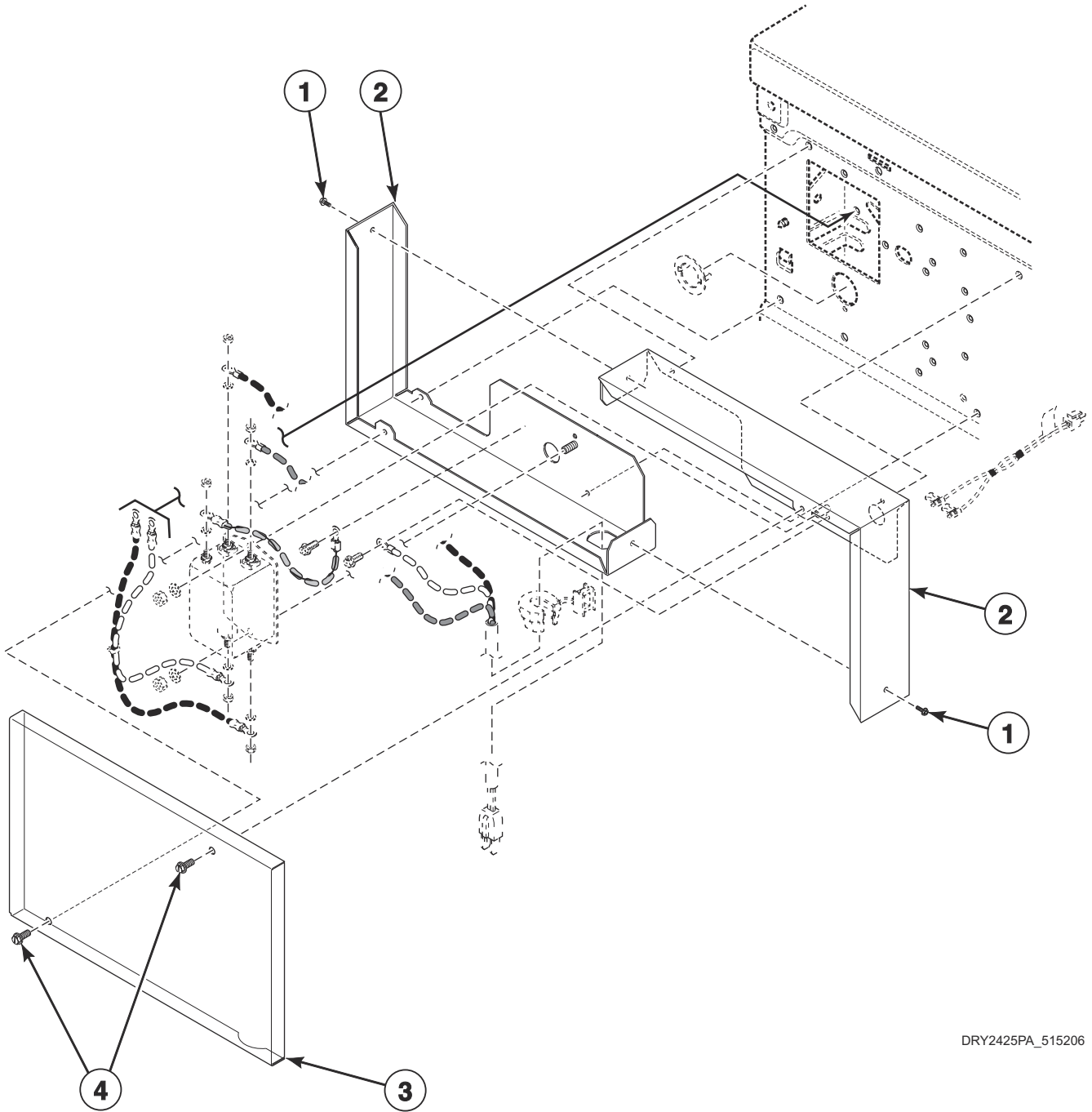


# Power Cord

REF	PART NO.	DESCRIPTION	COMMENTS
1	D502496	Strain Relief Adapter	Models HSGNYAGW093CW01 and HSGNYFGW093CW01
2	52151	Strain Relief	Models HSGNXAGW093CW01, HSGNXFGW093CW01, PS3JGAGS403UG01 and PS3JXAGS403UG01
	52113	Strain Relief	Models HSENXAGW543DW01, JSEJEAGW303EW01, JSEJGAGW303EW01, JSEJXAGW303EW01, NSENXAGW453ZW01, SSENXAGW433AW01, SSENXAGW433LW01 and SSENXAGW543DW01
	60298	Strain Relief	Models HSGNXAGW123DW01, HSGNXAGW543DW01, JSGJEAGW303EW01, JSGJGAGW303EW01, JSGJXAGW303EW01, NSGNXAGW303ZW38, PSGJGAGS303UG01, PSGJGAGS543ZG01, PSGJXAGS303UG01, PSGJXAGS304AG01, PSGJXAGS543ZG01, PSLJXAGW303NG22, SSGNXAGW123DW01, SSGNXAGW303AW01, SSGNXAGW543DW01, SSLNXAGW303LW01, SSLNXAGW543NW23, SSLNXAGW543PW01 and SSMNXAGW083JW01
	D511628	Strain Relief Connector	Models HSGNXAGW093CW01, HSGNXFGW093CW01, HSGNYAGW093CW01, HSGNYFGW093CW01, SSGNEAGW093CW01, SSGNXAGW093CW01, SSGNXFGW093CW01 and SSGNYAGW093CW01
	D517492	Strain Relief	Model JSEJRAGW303EW01
	D517491	Strain Relief	Model JSGJRAGW303EW01
3	D503597	Lead-In Cord Assembly	Models HSENXAGW543DW01, JSEJEAGW303EW01, JSEJGAGW303EW01, JSEJXAGW303EW01 and SSENXAGW543DW01
	D516747	Lead-In Cord Assembly	Models JSEJRAGW303EW01, NSENXAGW453ZW01 and SSENXAGW433LW01
	D517577	Lead-In Cord	Model JSGJRAGW303EW01
	203208	Lead-In Cord	Models PSGJGAGS303UG01, PSGJGAGS543ZG01, PSGJXAGS303UG01 and PSGJXAGS543ZG01
	202925	Lead-In Cord	Model NSGNXAGW303ZW38
	D516611	Lead-In Cord	Model SSMNXAGW083JW01
	202926	Lead-In Cord	Models PSGJXAGS304AG01, PSLJXAGW303NG22 and SSGNXAGW303AW01
	203315	Lead-In Cord	Models SSLNXAGW303LW01 and SSLNXAGW543PW01
	61605P	Lead-In Cord Kit	Models PSEJXAGS434AG01 and SSENXAGW433AW01
	203344	Lead-In Cord	Model SSLNXAGW543NW23
	D514061	Lead-In Cord	Models HSGNXAGW123DW01, HSGNXAGW543DW01, SSGNXAGW123DW01 and SSGNXAGW543DW01
	58992	Power Cord Assembly	Models HSGNXAGW093CW01, HSGNXFGW093CW01, HSGNYAGW093CW01, HSGNYFGW093CW01, SSGNEAGW093CW01, SSGNXAGW093CW01, SSGNXFGW093CW01 and SSGNYAGW093CW01
	D506106	Lead-In Cord Assembly	Models PS3JGAGS403UG01 and PS3JXAGS403UG01
	203119	Power Cord Assembly	Models JSGJEAGW303EW01, JSGJGAGW303EW01 and JSGJXAGW303EW01
4	20530	Screw	

# Junction Box

All Models Except HSENXAGW283CW01, HSENXAGW293CW01, HSENXFGW293CW01, HSENYAGW283CW01, HSENYAGW293CW01, HSENYFGW283CW01, HSGNXAGW093CW01, HSGNXFGW093CW01, HSGNYAGW093CW01, HSGNYFGW093CW01, PSLJXAGW303NG22, SSENEAGW283CW01, SSENEAGW293CW01, SSENXAGW283CW01, SSENXAGW293CW01, SSENXFGW293CW01, SSENYAGW283CW01, SSENYAGW293CW01, SSGNEAGW093CW01, SSGNXAGW093CW01, SSGNXFGW093CW01, SSGNYAGW093CW01, SSLNXAGW543NW23 and SSLWXAGS303NN22



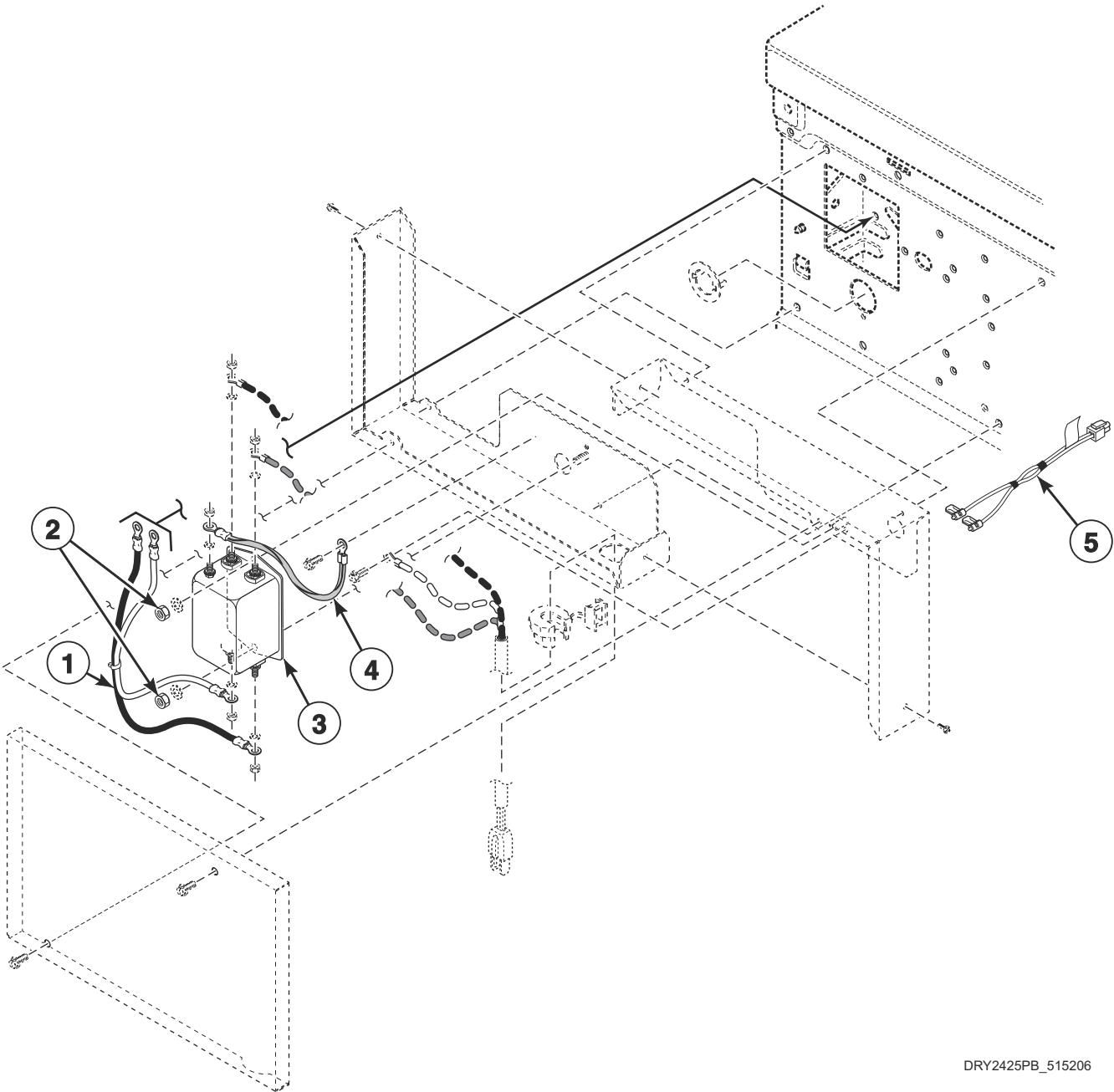
DRY2425PA\_515206

# Junction Box

REF	PART NO.	DESCRIPTION	COMMENTS
	D514379P	Junction Box Seal	4 required
<b>1</b>	D503688	Screw	2 required
<b>2</b>	D516154	Junction Box Assembly	3 phase; Models PS3JGAGS403UG01 and PS3JXAGS403UG01
	D516153	Junction Box Assembly	1 phase; Models HSENXAGW543DW01, JSEJEAGW303EW01, JSEJGAGW303EW01, JSEJXAGW303EW01, NSENXAGW453ZW01, PSEJXAGS434AG01, SSENXAGW433AW01, SSENXAGW433LW01 and SSENXAGW543DW01
	D516152	Junction Box Assembly	Models HSGNXAGW123DW01, HSGNXAGW543DW01, JSGJEAGW303EW01, JSGJGAGW303EW01, JSGJXAGW303EW01, NSGNXAGW303ZW38, PSGJGAGS303UG01, PSGJGAGS543ZG01, PSGJXAGS303UG01, PSGJXAGS304AG01, PSGJXAGS543ZG01, SSGNXAGW123DW01, SSGNXAGW303AW01, SSGNXAGW543DW01, SSLNXAGW303LW01, SSLNXAGW543PW01 and SSMNXAGW083JW01
<b>3</b>	D514363	Junction Box Cover	
<b>4</b>	D503688	Screw	2 required

# Junction Box Filter and Harnesses

All Models Except HSENXAGW283CW01, HSENXAGW293CW01, HSENXFGW293CW01, HSENYAGW283CW01, HSENYAGW293CW01, HSENYFGW283CW01, HSGNXAGW093CW01, HSGNXFGW093CW01, HSGNYAGW093CW01, HSGNYFGW093CW01, PSLJXAGW303NG22, SSENEAGW283CW01, SSENEAGW293CW01, SSENXAGW283CW01, SSENXAGW293CW01, SSENXFGW293CW01, SSENYAGW283CW01, SSENYAGW293CW01, SSGNEAGW093CW01, SSGNXAGW093CW01, SSGNXFGW093CW01, SSGNYAGW093CW01, SSLNXAGW543NW23 and SSLWXAGS303NN22

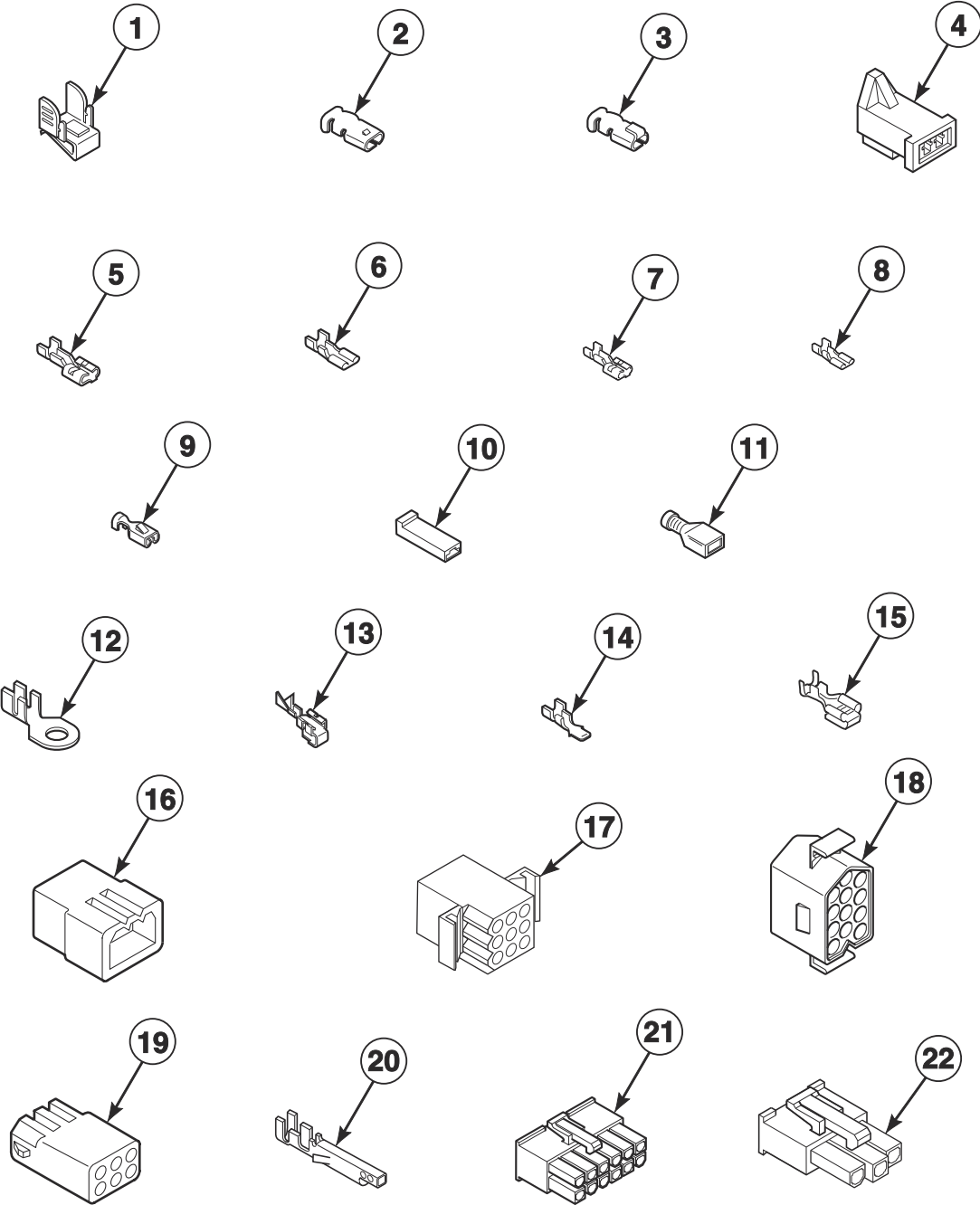


DRY2425PB\_515206

## Junction Box Filter and Harnesses

REF	PART NO.	DESCRIPTION	COMMENTS
1	D514037	Filter Harness	Models HSGNXAGW123DW01, HSGNXAGW543DW01, NSGNXAGW303ZW38, PSGJXAGS304AG01, SSGNXAGW123DW01, SSGNXAGW303AW01, SSGNXAGW543DW01, SSLNXAGW303LW01 and SSMNXAGW083JW01
	D514036	Filter Harness	Models HSENXAGW543DW01, JSEJEAGW303EW01, JSEJGAGW303EW01, JSEJXAGW303EW01, NSENXAGW453ZW01, PSEJXAGS434AG01, SSENXAGW433AW01, SSENXAGW433LW01 and SSENXAGW543DW01
	D514040	Filter Harness	3 Phase; Models PS3JGAGS403UG01 and PS3JXAGS403UG01
2	29787	Nut	2 required
3	804844	Line Filter	30 Amp; Models HSENXAGW543DW01, JSEJEAGW303EW01, JSEJGAGW303EW01, JSEJXAGW303EW01, NSENXAGW453ZW01, PSEJXAGS434AG01, SSENXAGW433AW01, SSENXAGW433LW01 and SSENXAGW543DW01
	804864	Line Filter	10 Amp; Models HSGNXAGW123DW01, HSGNXAGW543DW01, JSGJEAGW303EW01, JSGJGAGW303EW01, JSGJXAGW303EW01, NSGNXAGW303ZW38, PSGJGAGS303UG01, PSGJGAGS543ZG01, PSGJXAGS303UG01, PSGJXAGS304AG01, PSGJXAGS543ZG01, SSGNXAGW123DW01, SSGNXAGW303AW01, SSGNXAGW543DW01, SSLNXAGW303LW01, SSLNXAGW543PW01 and SSMNXAGW083JW01
	D514384P	Filter	3 Phase; Models PS3JGAGS403UG01 and PS3JXAGS403UG01
4	D514038	Ground Filter Harness	Models HSENXAGW543DW01, JSEJEAGW303EW01, JSEJGAGW303EW01, JSEJXAGW303EW01, NSENXAGW453ZW01, PS3JGAGS403UG01, PS3JXAGS403UG01, PSEJXAGS434AG01, SSENXAGW433AW01, SSENXAGW433LW01 and SSENXAGW543DW01
	D514039	Ground Filter Harness	Models HSGNXAGW123DW01, HSGNXAGW543DW01, NSGNXAGW303ZW38, PSGJXAGS304AG01, SSGNXAGW123DW01, SSGNXAGW303AW01, SSGNXAGW543DW01, SSLNXAGW303LW01 and SSMNXAGW083JW01
5	804396	Filter Harness	Models JSGJEAGW303EW01, JSGJGAGW303EW01, JSGJXAGW303EW01, PSGJGAGS303UG01, PSGJGAGS543ZG01, PSGJXAGS303UG01, PSGJXAGS304AG01, PSGJXAGS543ZG01, SSLNXAGW303LW01 and SSLNXAGW543PW01

# Terminal Block and Terminals

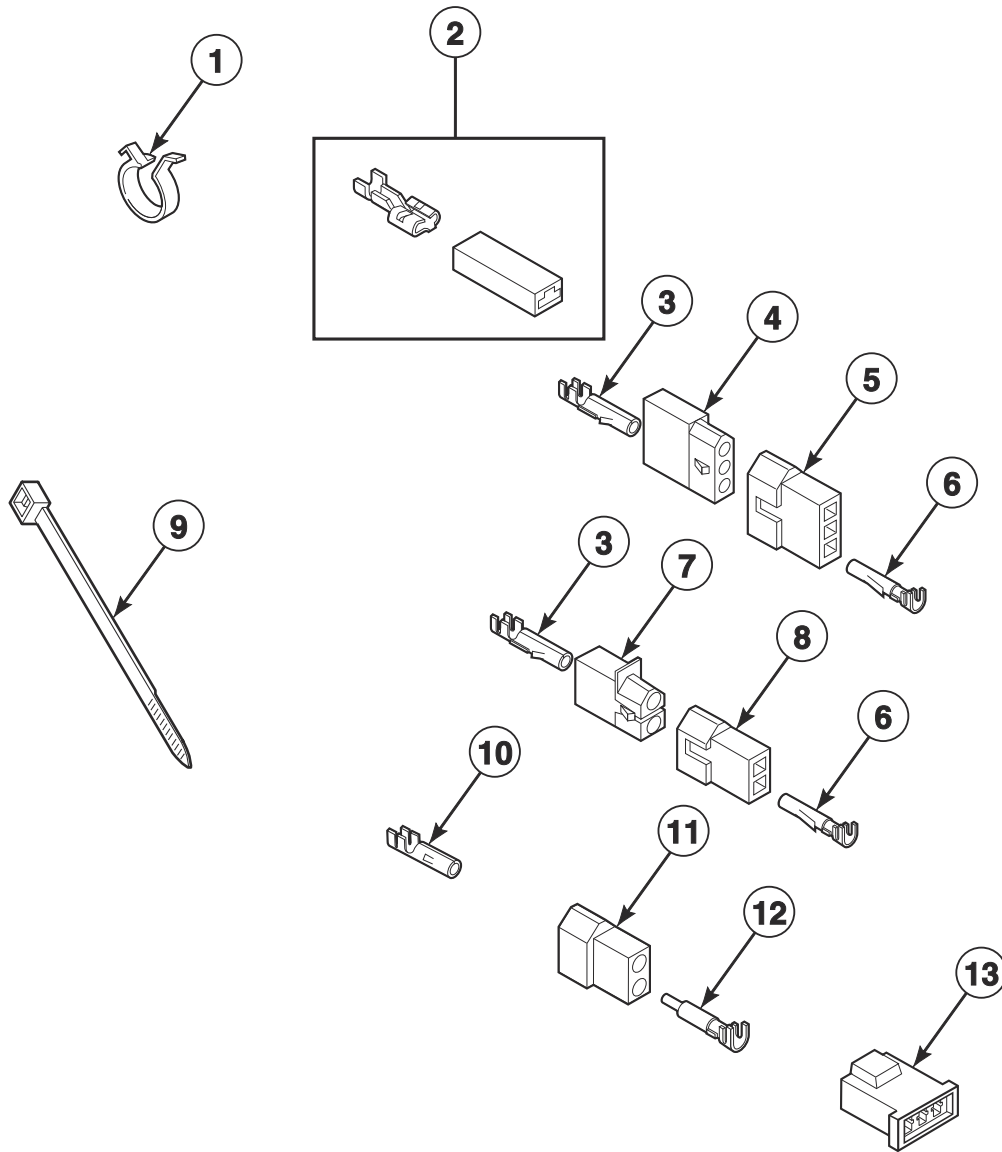


DRY2209P\_515206

## Terminal Block and Terminals

REF	PART NO.	DESCRIPTION	COMMENTS
1	00161	Grounding Clip	
2	00189	Female Spade Terminal	1/8 inch
3	00361	Female Piggyback Terminal	
4	58799	2 Circuit Connector	
5	00223	Female Spade Terminal	1/4 inch; (1) 18 gauge wire
	00121	Female Spade Terminal	1/4 inch; (2) 18 gauge wires or (1) 12 gauge wire
	00245	Spade Terminal	1/4 inch; (1) 22 gauge wire
6	00124	Female Spade Terminal	3/16 inch; (1) 18 gauge wire; .020 tab
	00156	Female Spade Terminal	3/16 inch; Thermostat wire; .032 tab
	00112	Female Spade Terminal	3/16 inch; .020 tab
7	00222	Female Spade Terminal	1/4 inch
8	00347	Terminal	
9	00115	Female Spade Terminal	1/4 inch; (1) 18 gauge wire
10	90789	Receptacle Housing	
11	00359	Insulated Female Spade Terminal	1/4 inch
	00165	Insulated Female Terminal	3/16 inch
12	00110	Ring Terminal	No. 10; (1) 18 gauge wire
	00111	Ring Terminal	No. 10; (2) 18 gauge wires or (1) 12 gauge wire
13	00114	Female Spade Terminal	1/4 inch; Double connector
14	00139	Male Tab Terminal	1/4 inch; (2) 18 gauge wires or (1) 12 gauge wire
15	00344	Female Tab Terminal	1/4 inch
16	26302	1 Circuit Plug	
	23033	9 Circuit Plug	
	23041	6 Circuit Plug	
17	26163	9 Circuit Receptacle	
	56855	12 Circuit Receptacle	
18	54522	Plug	
19	26301	1 Circuit Receptacle	
	26708	6 Circuit Receptacle	
20	00252	Terminal	
21	34596	10 Circuit Receptacle	
	D501333	12 Circuit Receptacle	
22	36170	3 Circuit Receptacle	

# Terminals



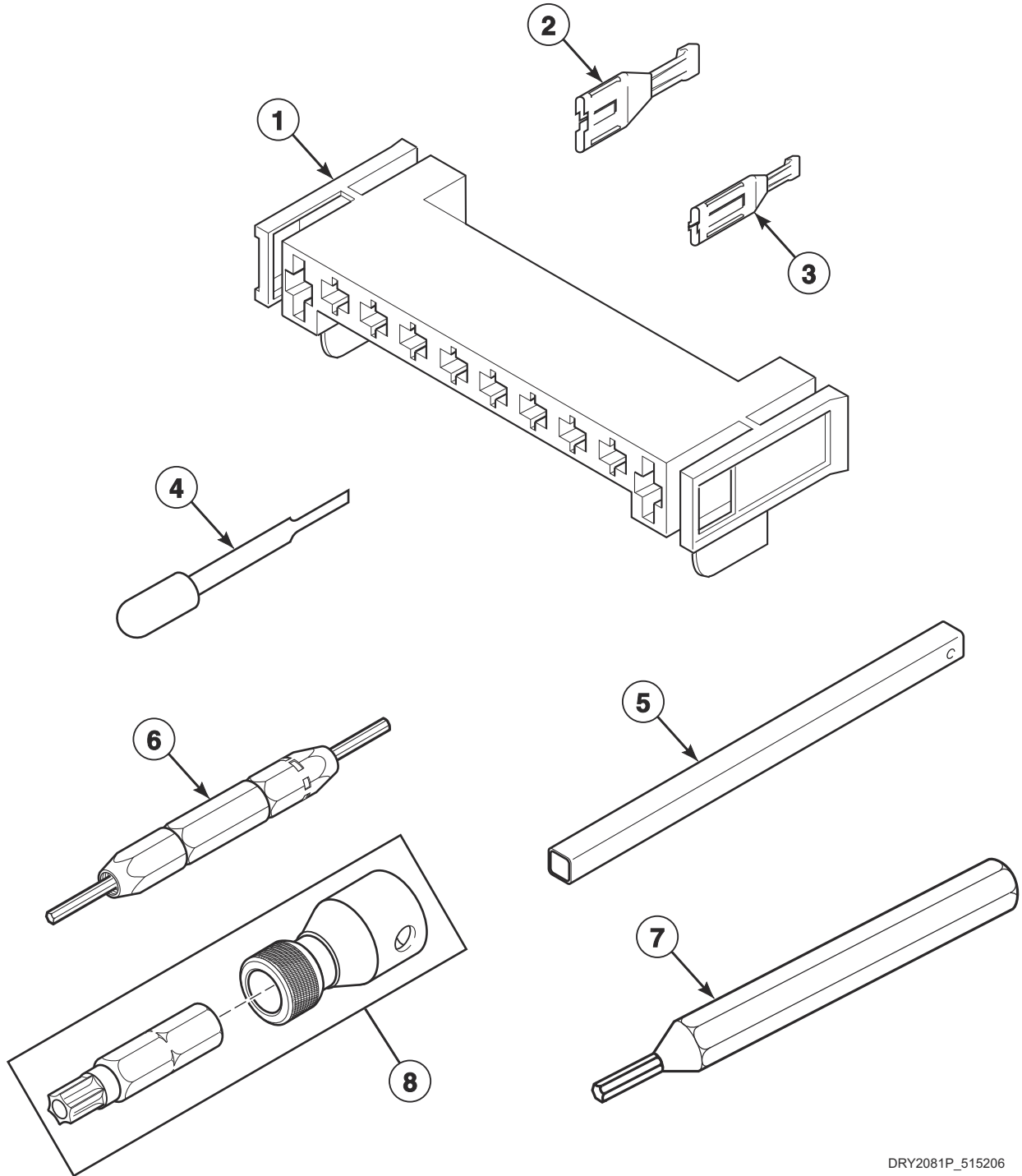
DRY1769P\_515206



# Terminals

REF	PART NO.	DESCRIPTION	COMMENTS
1	D504034	Wire Clip	11/16 inch
	687500	Wire Clip	1 inch
2	00360	Insulated Female Spade Terminal	(1) 12 gauge wire or (2) 18 gauge wires
3	00117	Female Pin Terminal	
4	56265	2 Circuit Receptacle	
	23039	3 Circuit Receptacle	
5	23040	Plug	
6	00116	Male Pin Terminal	
7	56451	2 Circuit Receptacle	
8	56448	2 Circuit Plug	
9	55881	Harness Strap	
10	00128	Female Pin Terminal	1/8 inch; 10-14 gauge wire
	00130	Female Pin Terminal	1/8 inch; 16-18 gauge wire
11	56266	2 Circuit Plug	
12	00129	Male Pin Terminal	.12 insulation diameter
	00127	Male Pin Terminal	.18 insulation diameter
13	58800	3 Circuit Connector	

# Terminals and Terminal Extractor Tools

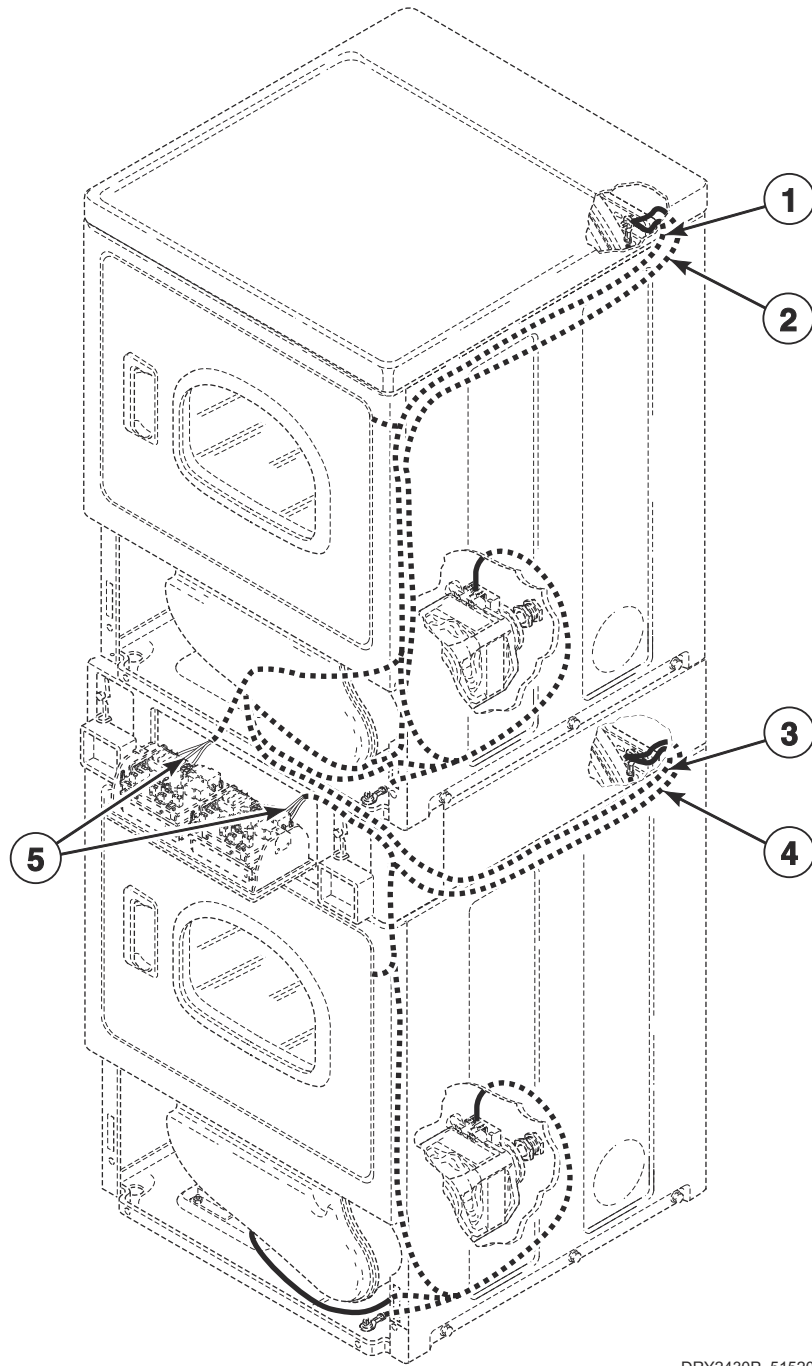


DRY2081P\_515206

## Terminals and Terminal Extractor Tools

REF	PART NO.	DESCRIPTION	COMMENTS
1	D500338	10 Position Housing	
2	00255	Female Terminal	1/4 inch; (1) 12 gauge wire
	00256	Female Terminal	1/4 inch; (1) or (2) 18 gauge wires
3	00188	Female Terminal	For 1 or 2 wire application
4	283P4	Terminal Extractor Tool	For use on Molex connectors
5	310P4	Ratchet Extension Tool	1/4 inch; For coin drop installation
6	190P4	Extractor Tool	For use on electric dryer terminals
7	128P4	Extractor Tool	For use on gas dryer terminals
8	281P4	Torx Bit	T15 Tamper Resistant Bit
	282P4	Torx Bit	Use with 62853 Screw on access panel; T25 Tamper Resistant Bit
	292P4	Torx Bit	T20 Standard Bit
	93501	Torx Drive Tool	T10 Standard Bit

# Wire Harnesses and Wires - Gas Models



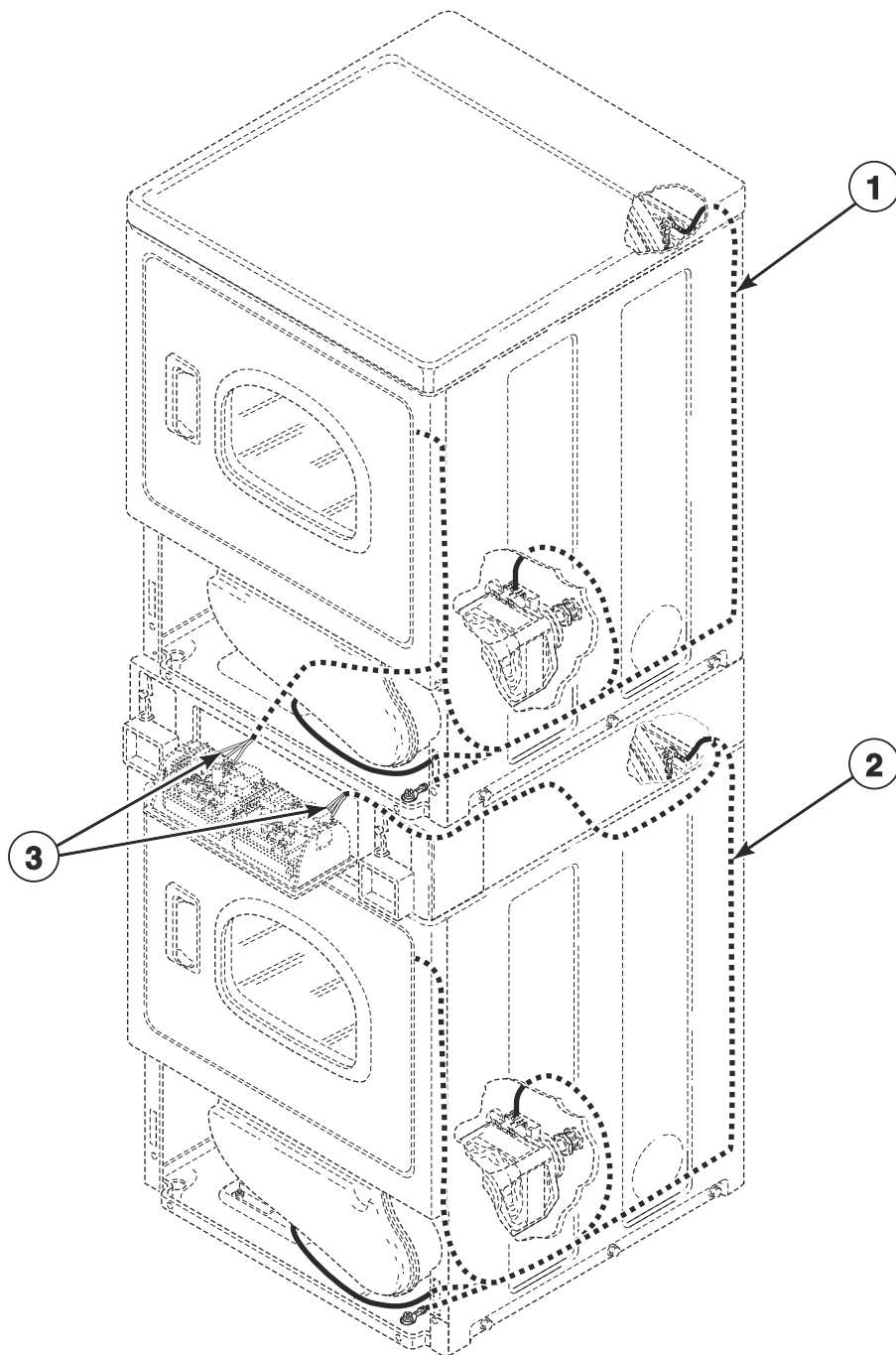
DRY2430P\_515206

## Wire Harnesses and Wires - Gas Models

REF	PART NO.	DESCRIPTION	COMMENTS
	45001	18 Gauge Wire	Black; Order wire by the foot; Order terminals and connectors as required
	45380	12 Gauge Wire	Orange; Order wire by the foot; Order terminals and connectors as required
	D517236	Broken Belt Harness	Starting Serial No. 1903000001
1	D517094	Upper Gas Harness	Models HSGNXAGW093CW01, HSGNXAGW123DW01, HSGNXFGW093CW01, HSGNYAGW093CW01, SSGNEAGW093CW01, SSGNXAGW093CW01, SSGNXFGW093CW01, SSGNXAGW123DW01 and SSGNYAGW093CW01; Through Serial No. 1903000001
	D517203	Upper Harness	Models HSGNXAGW093CW01, HSGNXAGW123DW01, HSGNXFGW093CW01, HSGNYAGW093CW01, SSGNEAGW093CW01, SSGNXAGW093CW01, SSGNXFGW093CW01, SSGNXAGW123DW01 and SSGNYAGW093CW01; Starting Serial No. 1903000001
	D517211	Upper Gas Harness	Model NSGNXAGW303ZW38
	D516877	Main Harness	Model SSMNXAGW083JW01
	D517477	Upper Gas Harness	Model JSGJRAGW303EW01
	D513975	Upper Gas Harness	All other models through Serial No. 1903000001
	D517098	Upper Gas Harness	All other models starting Serial No. 1903000001
2	D514083	Gas Power Harness	Upper; Models HSGNXAGW093CW01, HSGNXFGW093CW01, HSGNYAGW093CW01, HSGNYFGW093CW01, SSGNEAGW093CW01, SSGNXAGW093CW01, SSGNXFGW093CW01 and SSGNYAGW093CW01
	D515039	Power Harness	Models PSLJXAGW303NG22 and SSLWXAGS303NN22
3	D514085	Power Harness	Lower; Models HSGNXAGW093CW01, HSGNXFGW093CW01, HSGNYAGW093CW01, HSGNYFGW093CW01, SSGNEAGW093CW01, SSGNXAGW093CW01, SSGNXFGW093CW01 and SSGNYAGW093CW01
	D515039	Power Harness	Lower; Models PSLJXAGW303NG22 and SSLWXAGS303NN22
4	D517479	Gas Harness	Model JSGJRAGW303EW01 through Serial No. 1903000001
	D517095	Gas Harness	Lower; Models HSGNXAGW093CW01, HSGNXAGW123DW01, HSGNXFGW093CW01, HSGNYAGW093CW01, HSGNYFGW093CW01, SSGNEAGW093CW01, SSGNXAGW093CW01, SSGNXFGW093CW01, SSGNXAGW123DW01 and SSGNYAGW093CW01 through Serial No. 1903000001
	D517205	Gas Harness	Lower; Models HSGNXAGW093CW01, HSGNXAGW123DW01, HSGNXFGW093CW01, HSGNYAGW093CW01, HSGNYFGW093CW01, SSGNEAGW093CW01, SSGNXAGW093CW01, SSGNXFGW093CW01, SSGNXAGW123DW01 and SSGNYAGW093CW01 starting Serial No. 1903000001
	D517213	Gas Harness	Lower; Model NSGNXAGW303ZW38
	D516879	Gas Harness	Lower; Model SSMNXAGW083JW01
	D513977	Gas Harness	Lower; All other models through Serial No. 1903000001
	D517099	Gas Harness	Lower; All other models starting Serial No. 1903000001
5	D513991	Security Cabinet Harness	

**NOTE: Individual wires are not available separately. Order complete harness, or order wire by the foot. When applying terminals to wires, it is recommended that the terminals be soldered to the wires.**

# Wire Harnesses and Wires - Electric Models



DRY2431P\_515206

## Wire Harnesses and Wires - Electric Models

REF	PART NO.	DESCRIPTION	COMMENTS
	45001	18 Gauge Wire	Black; Order wire by the foot; Order terminals and connectors as required
	45380	12 Gauge Wire	Orange; Order wire by the foot; Order terminals and connectors as required
	D517236	Broken Belt Harness	Starting Serial No. 1903000001
1	D517476	Upper Electric Harness	Model JSEJRAGW303EW01
	D513968	Upper Electric Harness	Models HSENXAGW283CW01, HSENXAGW293CW01, HSENXAGW543DW01, HSENXFGW293CW01, HSENYAGW283CW01, HSENYAGW293CW01, HSENYFGW283CW01, JSEJEAGW303EW01, JSEJGAGW303EW01, JSEJXAGW303EW01, NSENXAGW453ZW01, PSEJXAGS434AG01, SENEAGW283CW01, SENEAGW293CW01, SSENXAGW283CW01, SSENXAGW293CW01, SSENXAGW433AW01, SSENXAGW433LW01, SSENXAGW543DW01, SSENXFGW293CW01, SSENYAGW283CW01 and SSENYAGW293CW01 through Serial No. 1903000001
	D517204	Upper Harness	Models HSENXAGW283CW01, HSENXAGW293CW01, HSENXAGW543DW01, HSENXFGW293CW01, HSENYAGW283CW01, HSENYAGW293CW01, HSENYFGW283CW01, JSEJEAGW303EW01, JSEJGAGW303EW01, JSEJXAGW303EW01, NSENXAGW453ZW01, PSEJXAGS434AG01, SENEAGW283CW01, SENEAGW293CW01, SSENXAGW283CW01, SSENXAGW293CW01, SSENXAGW433AW01, SSENXAGW433LW01, SSENXAGW543DW01, SSENXFGW293CW01, SSENYAGW283CW01 and SSENYAGW293CW01 starting Serial No. 1903000001
	D514044	Power Harness	Upper; Models HSENXAGW283CW01, HSENXAGW293CW01, HSENXFGW293CW01, HSENYAGW283CW01, HSENYAGW293CW01, HSENYFGW283CW01, SENEAGW283CW01, SENEAGW293CW01, SSENXAGW283CW01, SSENXAGW293CW01, SSENXFGW293CW01, SSENYAGW283CW01 and SSENYAGW293CW01
	D513976	Upper Harness	3 Phase; Models PS3JGAGS403UG01 and PS3JXAGS403UG01
2	D517478	Electric Harness	Model JSEJRAGW303EW01
	D517240	Electronic Harness	Models HSENXAGW283CW01, HSENXAGW293CW01, HSENXAGW543DW01, HSENXFGW293CW01, HSENYAGW283CW01, HSENYAGW293CW01, HSENYFGW283CW01, JSEJEAGW303EW01, JSEJGAGW303EW01, JSEJXAGW303EW01, NSENXAGW453ZW01, PSEJXAGS434AG01, SENEAGW283CW01, SENEAGW293CW01, SSENXAGW283CW01, SSENXAGW293CW01, SSENXAGW433AW01, SSENXAGW433LW01, SSENXAGW543DW01, SSENXFGW293CW01, SSENYAGW283CW01 and SSENYAGW293CW01 through Serial No. 1903000001
	D517206	Electric Harness	Models HSENXAGW283CW01, HSENXAGW293CW01, HSENXAGW543DW01, HSENXFGW293CW01, HSENYAGW283CW01, HSENYAGW293CW01, HSENYFGW283CW01, JSEJEAGW303EW01, JSEJGAGW303EW01, JSEJXAGW303EW01, NSENXAGW453ZW01, PSEJXAGS434AG01, SENEAGW283CW01, SENEAGW293CW01, SSENXAGW283CW01, SSENXAGW293CW01, SSENXAGW433AW01, SSENXAGW433LW01, SSENXAGW543DW01, SSENXFGW293CW01, SSENYAGW283CW01 and SSENYAGW293CW01 starting Serial No. 1903000001
	D514042	Power Harness	Lower; Models HSENXAGW283CW01, HSENXAGW293CW01, HSENXFGW293CW01, HSENYAGW283CW01, HSENYAGW293CW01, HSENYFGW283CW01, SENEAGW283CW01, SENEAGW293CW01, SSENXAGW283CW01, SSENXAGW293CW01, SSENXFGW293CW01, SSENYAGW283CW01 and SSENYAGW293CW01
	D513978	Lower Front Harness	3 Phase; Models PS3JGAGS403UG01 and PS3JXAGS403UG01
3	D513991	Security Cabinet Harness	

**NOTE: Individual wires are not available separately. Order complete harness, or order wire by the foot. When applying terminals to wires, it is recommended that the terminals be soldered to the wires.**





# Parts Index

## A

Access Panel Assembly	
D514250G .....	31
D514250WP .....	31
D514251 .....	31
Access Panel Plate	
D510903 .....	63
Adhesive	
D511637P .....	39, 45
Air Duct Assembly	
D510151W .....	41
D518433 .....	41
Anti-Seize Compound	
27604P .....	33

## B

Blower Fan Assembly	
D510139P .....	33
Blower Housing	
D511969LG .....	37
D511969WP .....	37
Blower Housing Seal	
D510238P .....	33
Bolt	
29651 .....	17
Booster and Holding Coil	
58804A .....	53, 55
59063A .....	53, 55
Bracket	
D516238 .....	57, 59
Broken Belt Harness	
D517236 .....	83, 85
Bumper Pad	
56128 .....	63, 67
Burner Assembly	
D510149P .....	53, 55, 57, 59

## C

Cabinet Rear Panel	
D514632P .....	63
Cabinet Side Panel	
D510001DGP .....	63
D510001WP .....	63
D510002DGP .....	63
D510002WP .....	63
Card Insert Overlay	
D511548 .....	19
D514391 .....	19
Caution Label	
D500253 .....	31
Clearance Warning Label	
D505984 .....	63
Clip	
201572 .....	15

Coin Drop	
38963P .....	13
70441601P .....	13
Coin Drop Assembly	
CK114 .....	13
38462P .....	13
38463 .....	13
38464P .....	13
38467 .....	13
38472 .....	13
38475 .....	13
38519 .....	13
38521 .....	13
39157 .....	13
70441602 .....	13
Coin Drop Kit	
CK077 .....	13
CK123 .....	13
Coin Drop Wire Harness	
201104 .....	15
Coin Identification Paper	
38725 .....	15
Combustion Duct	
D510131 .....	51
D510132 .....	51
Connector, 2 Circuit	
58799 .....	77
Connector, 3 Circuit	
58800 .....	79
Contactora	
70482603 .....	65
Contactora Bracket	
D511859 .....	65, 67
Control Assembly	
D515807P .....	7
D515809P .....	7
Control Overlay	
D514366 .....	9
D514372 .....	9
D514481 .....	9
D514927 .....	9
D514930 .....	9
D517660 .....	9
D518408 .....	9
D518409 .....	9
Control Panel	
803964B .....	17
803964DG .....	17
803964W .....	17
805545B .....	17, 19
805545DG .....	19
Control Panel and Bracket Assembly	
D510076W .....	9
D513778B .....	9
D513778DG .....	9
D513778W .....	9
Control Wrapper Plate	
D514453 .....	7
Conversion Kit	
756P3 .....	47
Cylinder Assembly	
D510265LGP .....	39
D510265WP .....	39

N/A items do not appear in index.

Cylinder Baffle	
D510102LG.....	39
D510102W.....	39
Cylinder Belt	
D511255P.....	33
Cylinder Glide	
D513710.....	39
Cylinder Glide Bracket	
D510145.....	39
Cylinder Roller	
D510708P.....	45
Cylinder Roller Bracket	
D510100.....	45
Cylinder Seal Assembly	
D510207P.....	39, 45

## D

Damper	
58786.....	63
Din Rail	
M412693.....	65
Directional Exhaust Kit	
528P3.....	63
Door Assembly	
D516737W.....	21, 23, 25
Door Catch Assembly	
D510177.....	31
Door Handle Wedge	
D510129W.....	23, 25, 29
Door Liner Assembly	
D516508.....	29
Door Liner Grill	
D503870LG.....	21, 25, 29
D503870W.....	21, 23, 25, 27, 29
Door Pul	
D512947.....	23
Door Pull	
D512947.....	29
Door Pull and Wedge Kit	
D510103WP.....	21, 23, 25, 27
D511213P.....	29
Door Strike	
D510181.....	21, 23, 25, 27, 29
Door Strike Mount	
D510127.....	21, 23, 25, 29
Drip Shield	
D514327.....	31
Dryer Base	
D514245.....	63
Dryer Door	
D510013DG.....	29
D510082WP.....	23, 25
D515961DG.....	23
D515961W.....	21, 23, 27
D515963.....	29
Dryer Door Window	
D503982P.....	21, 23, 25
D515681.....	21, 23, 27
Dual Coin Harness Assembly	
202871.....	13, 15
Dual Contactor Harness	
D514054.....	65

N/A items do not appear in index.

Dual Overlay	
39073.....	17

## E

Elbow	
D513072.....	57
Elbow Shut-Off Valve	
D510205.....	53
Electric Harness	
D517206.....	85
D517478.....	85
Electrical Shock Label	
F8211201.....	41, 63
Electronic Coin Drop Assembly	
70294103P.....	15
70294104.....	15
70294106.....	15
70294107.....	15
70294110.....	15
70294111.....	15
70294117.....	15
70294122.....	15
70513311.....	15
Electronic Coin Drop Kit	
CK099.....	15
CK100.....	15
CK101.....	15
CK103.....	15
CK108.....	15
CK109.....	15
CK110.....	15
CK113.....	15
CK115.....	15
CK116.....	15
CK117.....	15
CK118.....	15

Electronic Harness	
D517240.....	85
End Stop	
F8449801.....	65
Ethernet Gateway Kit	
NK320.....	7
Exhaust Duct	
D516196.....	63
Exhaust Warning Label	
D500497.....	63
Expansion Clip	
70030501.....	17, 19
Extractor Tool	
128P4.....	81
190P4.....	81

## F

Felt Pad	
D510189.....	39
Female Piggyback Terminal	
00361.....	77
Female Pin Terminal	
00117.....	79
00128.....	79
00130.....	79

Female Spade Terminal	
00112 .....	77
00114 .....	77
00115 .....	77
00121 .....	77
00124 .....	77
00156 .....	77
00189 .....	77
00222 .....	77
00223 .....	77
Female Tab Terminal	
00344 .....	77
Female Terminal	
00188 .....	81
00255 .....	81
00256 .....	81
Filter	
D514384P .....	75
Filter Harness	
D514036 .....	75
D514037 .....	75
D514040 .....	75
804396 .....	75
Flexible Venting Kit	
521P3 .....	63
Front Bulkhead Assembly	
D510266 .....	39
Front Panel	
D510066DG .....	31
D510066WP .....	31
D512542 .....	31
Front Panel Assembly	
D513781WP .....	31
Front Panel Seal	
D511056 .....	31

## G

Gas Clearance Label	
D511004 .....	63
Gas Harness	
D513977 .....	83
D516879 .....	83
D517095 .....	83
D517099 .....	83
D517205 .....	83
D517213 .....	83
D517479 .....	83
Gas Power Harness	
D514083 .....	83
Gas Valve Assembly	
D513631 .....	53
D515490 .....	53
D516182 .....	57, 59
59063P .....	53
60353P .....	53
Gas Valve Coil	
D516699 .....	57, 59
Gas Valve Mounting Bracket	
D510128 .....	53, 55
D510333 .....	53, 55
510128 .....	57, 59
Gas Valve, Bracket and Pipe Assembly	
D517606 .....	55
D517607 .....	55

D517608 .....	55
D517612 .....	55
D517613 .....	55
Glide Kit	
RB170003 .....	39
Graphic Overlay	
D514663 .....	9
D515482 .....	9
Ground Filter Harness	
D514038 .....	75
D514039 .....	75
Grounding Clip	
00161 .....	77

## H

Harness Strap	
55881 .....	79
Heat Duct Shroud	
D510101 .....	51
Heater	
D511014P .....	47
Heater Assembly	
D510324P .....	49
D510326P .....	49
D510327P .....	49
D510328P .....	49
D510329P .....	49
D510330P .....	49
Heater Duct Assembly	
D510025P .....	47, 49, 51
Heater Harness	
D514002 .....	65
Heater Kit	
964P3 .....	49
965P3 .....	49
Heater Kit Assembly	
61927 .....	49
61929 .....	49
61930 .....	49
61931 .....	49
High Voltage Suppression Cable	
44239706 .....	67
Hinge	
D511036 .....	21, 23, 25, 27, 29
Hinge Hole Plug	
D510186 .....	31
Hold Down Kit	
526P3 .....	63
Housing, 10 Position	
D500338 .....	81

## I

ICM Gas Harness	
D516881 .....	67
Idler Lever	
D516310 .....	35
Idler Lever and Wheel Assembly	
D516792 .....	35
Idler Spring	
D510185 .....	35

N/A items do not appear in index.

Idler Wheel and Bearing Assembly	
D510142P .....	35
Igniter and Bracket Assembly	
D510184P .....	53, 55
Ignition Control	
70483201P .....	67
Instruction Cable	
D518412 .....	9
Instruction Label	
D518413 .....	31
Insulated Female Spade Terminal	
00359 .....	77
00360 .....	79
Insulated Female Terminal	
00165 .....	77

## J

Jumper	
D517459 .....	67
Jumper Wire Assembly	
D511270 .....	47
Junction Box Assembly	
D516152 .....	73
D516153 .....	73
D516154 .....	73
Junction Box Cover	
D514363 .....	73
Junction Box Seal	
D514379P .....	73

## K

Key	
54612 .....	7

## L

Laundry Harness	
D517037 .....	9
Lead-In Cord	
D514061 .....	71
D516611 .....	71
D517577 .....	71
202925 .....	71
202926 .....	71
203208 .....	71
203315 .....	71
203344 .....	71
Lead-In Cord Assembly	
D503597 .....	71
D506106 .....	71
D516747 .....	71
Lead-In Cord Kit	
61605P .....	71
Lead-In Pipe Assembly	
D510204 .....	53, 57
Leveling Leg	
D510135 .....	63
Limit Thermostat	
D510700 .....	49

D510701 .....	47, 49
D510702 .....	51
Line Filter	
804844 .....	75
804864 .....	75
Liner and Seal Assembly	
DD516509 .....	27
D516509 .....	21, 23, 25
Liner Door Seal	
D510147P .....	21, 23, 25, 29
D515709 .....	27
Liner, Seal and Grill Assembly	
D510163WP .....	29
Lint Filter	
D503980LG .....	43
D503980W .....	43
Lint Filter Label	
D502781 .....	31
D502804 .....	31
Lock Cam	
27261 .....	7
804338 .....	7
Lock Kit	
27260P .....	7
Lower Front Harness	
D513978 .....	85
L.P. Conversion Kit	
458P3 .....	53, 55
599P3 .....	53, 55
649P3 .....	53, 55
L.P. Orifice	
D503786 .....	61
D58755 .....	61

## M

Machine ID Control Assembly	
203361P .....	7
Main Harness	
D516877 .....	83
Male Pin Terminal	
00116 .....	79
00127 .....	79
00129 .....	79
Male Tab Terminal	
00139 .....	77
Meter Case Assembly	
807254B .....	17
807396B .....	17
807396DG .....	17
807396W .....	17
Motor and Pulley Assembly	
D505843P .....	33
D505869P .....	33
D511574 .....	33
D511629P .....	33
Motor Hub Ring Kit	
590P3 .....	33
Motor Mount	
D510060 .....	35
Motor Mount Clamp	
D510180 .....	33
Motor Pulley	
D500011 .....	33

N/A items do not appear in index.

D500222 .....	33
Motor Shield D514602 .....	33
Motor Switch Bracket D516311 .....	35
Mounting Tool Kit CK096 .....	15

## N

Network Controller Kit NK220 .....	7
Network Retrofit Kit 203328 .....	7
Nut	
201216 .....	15
28447 .....	45
29786 .....	13
29787 .....	75
44071201 .....	21, 25
44087201 .....	17
52566 .....	35
56156 .....	35, 45
N.G. Conversion Kit	
459P3 .....	53, 55
650P3 .....	53, 55
N.G. Orifice	
D503776 .....	61
D503778 .....	61
D503779 .....	61
D503780 .....	61
D503781 .....	61
D510517 .....	61

## O

Outlet Cover	
D500820 .....	47, 49, 51
D515573 .....	47, 49, 51
Output Board Shield D514420 .....	63
Output Control Assembly	
D513797P .....	63
D517269 .....	63
Overlay	
D514873 .....	19
201091 .....	17

## P

Panel Locator 56079 .....	31, 63
Pinch Warning Label F8615701 .....	41
Plug	
23040 .....	79
54522 .....	77
Plug, 1 Circuit 26302 .....	77
Plug, 2 Circuit 56266 .....	79

56448 .....	79
Plug, 6 Circuit 23041 .....	77
Plug, 9 Circuit 23033 .....	77
Porcelain Touch-Up Paint 122P4P .....	63
Power Cord Assembly	
203119 .....	71
58992 .....	71
Power Harness	
D514000 .....	65
D514042 .....	85
D514044 .....	85
D514085 .....	83
D515039 .....	83
Pushbutton Switch M413431 .....	67

## R

Ratchet Extension Tool 310P4 .....	81
Rear Access Panel 803998 .....	17, 19
Rear Bulkhead Assembly D511082P .....	45
Receptacle Housing 90789 .....	77
Receptacle, 1 Circuit 26301 .....	77
Receptacle, 10 Circuit 34596 .....	77
Receptacle, 12 Circuit	
D501333 .....	77
56855 .....	77
Receptacle, 2 Circuit	
56265 .....	79
56451 .....	79
Receptacle, 3 Circuit	
23039 .....	79
36170 .....	77
Receptacle, 6 Circuit 26708 .....	77
Receptacle, 9 Circuit 26163 .....	77
Retaining Ring 23748 .....	35, 45
Ring Terminal	
00110 .....	77
00111 .....	77
Roller Kit RB170002 .....	45
Rubber Foot D501855 .....	63

## S

Screw	
D500226 .....	21, 23, 25
D500824 .....	35
D501285 .....	43, 45

N/A items do not appear in index.

D501524	9
D502535	35
D503661	11, 69
D503688	7, 17, 19, 31, 33, 39, 45, 47, 49, 51, 53, 55, 57, 59, 63, 65, 67, 69, 73
D505295	21, 23, 25, 27, 29, 39
D505870	21, 23, 25, 27
D512921	29
D514428	63
D515597	25
D515967	21, 23, 27
D516261	67
20530	71
23222	47, 49, 53, 55
28448	45
31260	33
33562	31
36048	69
38272	67
39733	31, 63
500226	21
51782	51, 53, 55, 57, 59
52864	39
56124	53, 55, 57, 59
61199	45
62588	39
62853	31
70240301	17, 19
804667	63
Screw Orifice 58719	61
Seal Kit RB170001	39, 45
Secondary Coil 58804B 59063B	53, 55 53, 55
Security Cabinet Front Assembly D511208W 804147WP	19 19
Security Cabinet Harness D513991	83, 85
Sensor D510213	53, 55
Shaft 56461P	35, 45
Shield Bracket 8040118	7
Single Drop Overlay 803476	17
Single Overlay 38717	17
Spade Terminal 00245	77
Spark Electrode 44328701P	57, 59
Speed Clip 28835	31
Strain Relief D517491 D517492 52113 52151 60298	71 71 71 71 71
Strain Relief Adapter D502496	71

Strain Relief Connector D511628	71
Switch D512973 D516391	17, 31 35
Switch Bracket D516237	67

## T

Terminal 00252 00347	77 77
Terminal Block Assembly D510190P	45
Terminal Block Shield D510237 D517715	45 45
Terminal Extractor Tool 283P4	81
Thermal Fuse Assembly D511412 D518480	47 49
Thermistor Assembly D502366 D510523	35 35
Thermostat D510703	51
Thermostat Shield D514325	33
Top Hinge D510136	69
Top Kit D510032WP 803144P	69 69
Top Panel D510032DG	69
Torx Bit 281P4 282P4 292P4	81 81 81
Torx Drive Tool 93501	81
Transformer D513763P 202757 202758 204380	65 7, 67 7 7
Transformer Harness D514069 D514072 805428	7 7 7
Transformer Kit D511658P	65
Transformer Shield D514334	65

## U

Upper Electric Harness D513968 D517476	85 85
--	----------

N/A items do not appear in index.

Upper Gas Harness	
D513975 .....	83
D517094 .....	83
D517098 .....	83
D517211 .....	83
D517477 .....	83
Upper Harness	
D513976 .....	85
D517203 .....	83
D517204 .....	85
USB Gateway Kit	
NK330 .....	7
USB IR Interface Kit	
203346 .....	7

Wiring Harness Assembly	
202868 .....	7
Wrapper and Channel Assembly	
D505753WP .....	17, 19
Wrapper Assembly	
804104B .....	17
804104DG .....	17, 19
804104W .....	17, 19
804112W .....	19

---

## V

Valve Assembly	
60443P .....	53

---

## W

Warning Label	
D514226 .....	31
D514867 .....	31
44324001 .....	41
Warning/Caution Label	
D500281 .....	31
Washer	
D501307 .....	69
D504082 .....	45
28449 .....	45
52549 .....	35, 45
Window Clip	
D513958 .....	21, 25
Window Trim	
D503981W .....	23, 25
D515955 .....	23
D515956W .....	21, 23, 27
Wire Assembly	
D518255 .....	49
D518256 .....	49
Wire Clip	
D504034 .....	79
687500 .....	79
Wire Guard	
201595P .....	13
Wireless Network Board Harness	
F8536002 .....	11
Wireless Network Control Assembly	
203532 .....	11
807211 .....	11
Wireless Network Harness	
F8674006 .....	11
Wireless Network Kit	
203889 .....	7
204689 .....	7
Wire, 12 Gauge	
45380 .....	83, 85
Wire, 18 Gauge	
45001 .....	83, 85

N/A items do not appear in index.

