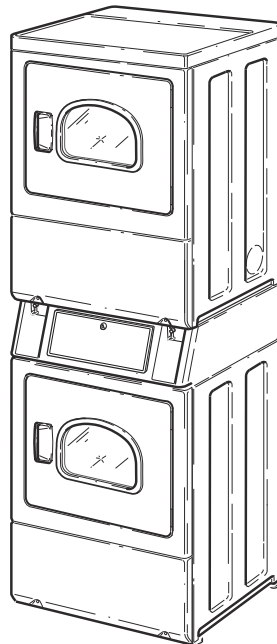


Commercial Dryers

Metered and Nonmetered
Refer to Page 3 for Model Numbers



DRY727C_515207

Alliance[™]
Laundry Systems

www.alliancelandry.com

Part No. D515207R7
December 2019

Table of Contents

Title	Page
Parts Ordering Information.....	2
Serial Plate Location	2
Model Identification	3
Control Panel and Controls	4
Network Board Assembly.....	6
Control Panel, Meter Case and Cabinet Wrapper	8
Control Cabinet Front and Wrapper.....	10
Non-Electronic Coin Drop	12
Electronic Coin Drop	14
Control Panel and Cabinet Wrapper (Drawing 1 of 2).....	16
Control Panel and Cabinet Wrapper (Drawing 2 of 2).....	18
Loading Door without Window	20
Loading Door with Window	22
Access Panel, Front Panel and Seal	24
Motor, Exhaust Fan and Belt	26
Front Bulkhead, Air Duct, Felt Seal and Cylinder	28
Rear Bulkhead, Felt Seal, Cylinder Roller and Terminal Block.....	30
Heater Duct and Element Assembly - Electric Model Dryers.....	32
Heater Duct Assembly - Gas Model Dryers	34
Gas Valve, Igniter and Gas Conversion Kits Gas Models Through Serial No. 1908000001	36
Gas Valve, Igniter and Gas Conversion Kits Gas Models Starting Serial No. 1908000001	38
Cabinet, Exhaust Duct and Base	40
Cabinet Top	42
Power Cord.....	44
Terminal Block and Terminals	46
Terminals	48
Terminals and Terminal Extractor Tools	50
Wires and Wire Harnesses	52
Label Location on Rear of Cabinet	54
Parts Index.....	57

© Copyright 2019, Alliance Laundry Systems LLC

All rights reserved. No part of the contents of this book may be reproduced or transmitted in any form or by any means without the expressed written consent of the publisher.

Parts Ordering Information

If literature or replacement parts are required, contact the source from whom the machine was purchased or contact Alliance Laundry Systems at (920) 748-3950 for the name and address of the nearest authorized parts distributor.

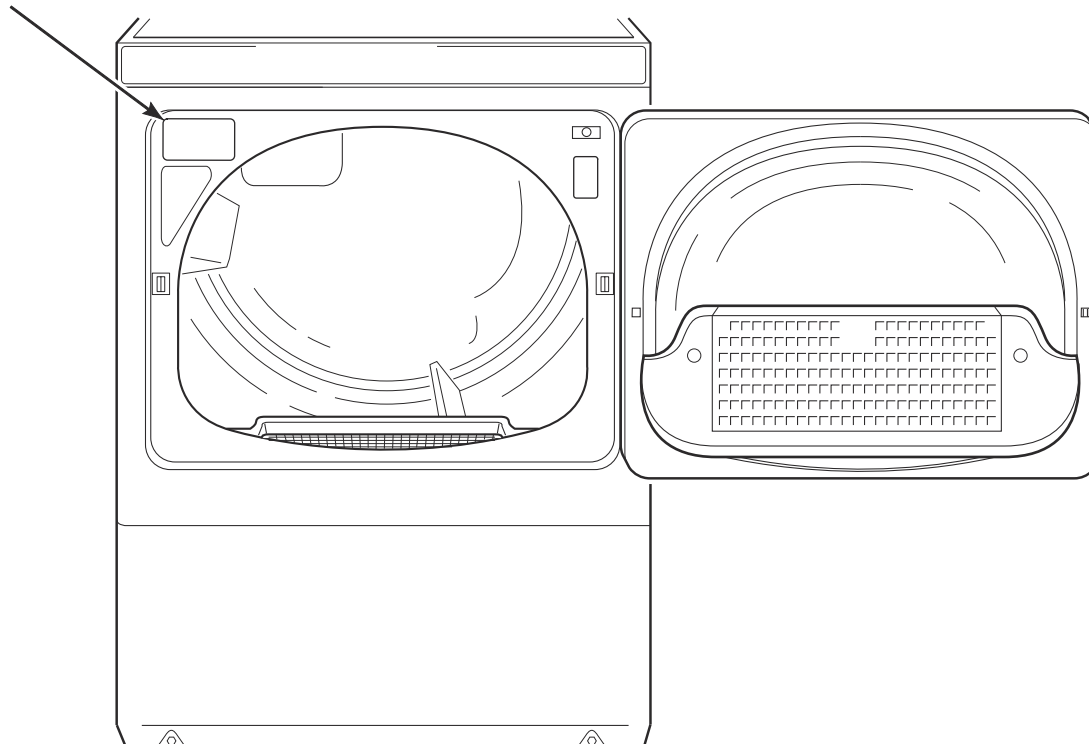
For technical assistance, call the number listed below:

(920) 748-3121 Ripon, Wisconsin

Serial Plate Location

When calling or writing about your product, be sure to mention model and serial numbers. Model and serial numbers are located on serial plate(s) as shown.

Serial Plate



DRY2283P_515207

Model Identification

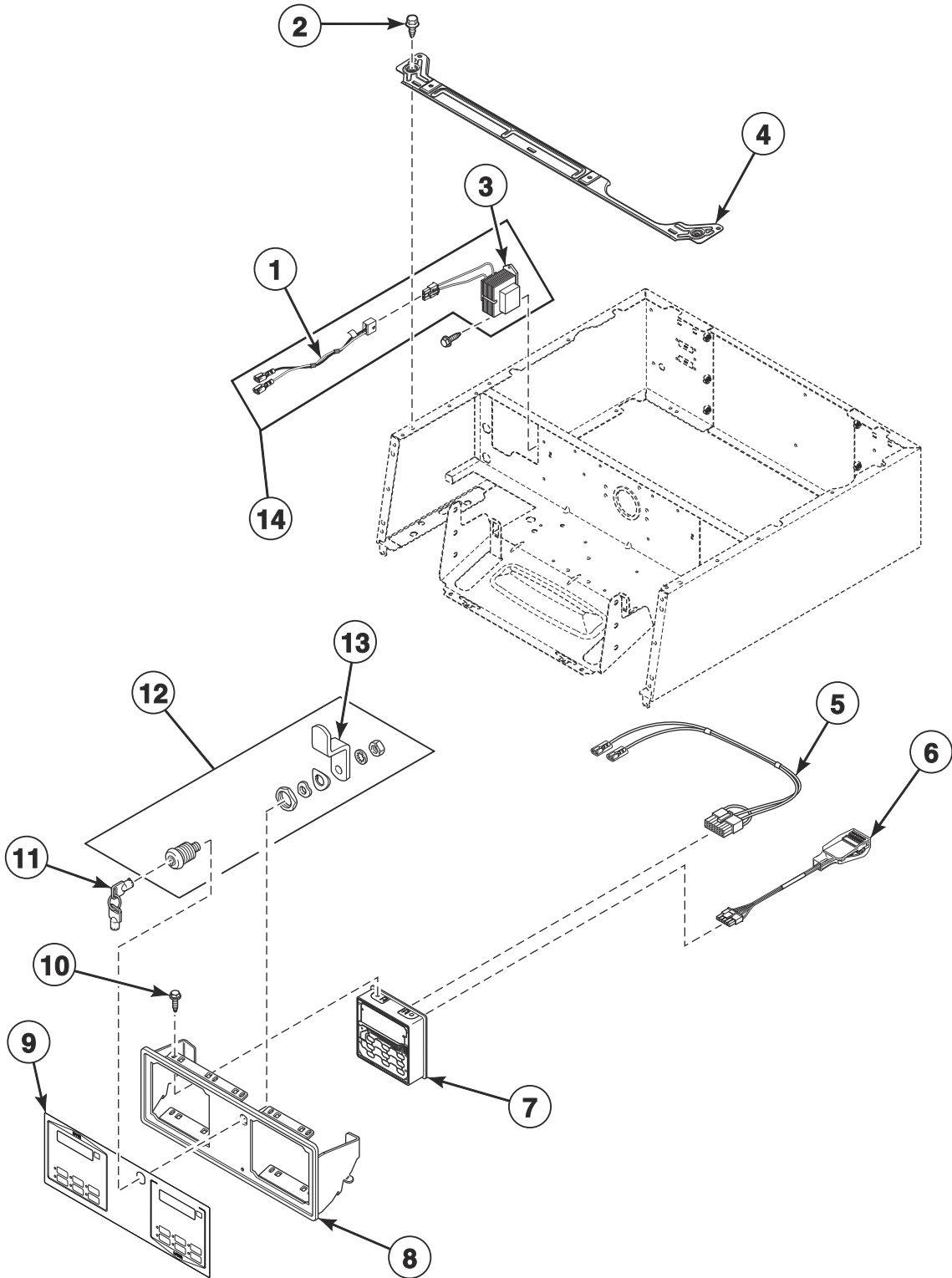
Information in this manual is applicable to these dryer models:

NSENXAGW173MW01
NSGNXAGW113MW01
PSEJCAGS174TG01
PSEJCAGS174TW01
PSEJEAGS284CG01
PSEJEAGS284CW01
PSEJXAGS174TG01
PSEJXAGS174TW01
PSEJXAGS284CG01
PSEJXAGS284CW01
PSGJCAGS114TG01
PSGJCAGS114TW01
PSGJEAGS094CG01
PSGJEAGS094CW01
PSGJXAGS094CG01
PSGJXAGS094CW01
PSGJXAGS114TG01
PSGJXAGS114TW01

SSENCAGS153TW01
SSENCAGS173TN01
SSENCAGS173TW01
SSENCAGW153TW01
SSENCAGW173TW01
SSENCFGW153TW01
SSENCFGW173TW01
SSENXAGW173TW01
SSENYAGS153TW01
SSENYAGS173TN01
SSENYAGS173TW01
SSENYAGW173TW01
SSENYFGW173TW01
SSEWCAGW173TW41
SSEWCFGW173TW41
SSEWXAGS153TW01
SSEWXAGS173TW01
SSEWXAGW173TW01
SSEWYAGS153TW01
SSEWYAGS173TW01
SSEWYAGW173TW01
SSEWYAGW173TW41
SSEWYFGW173TW01
SSEWYFGW173TW41

SSGNCAGS113TN01
SSGNCAGS113TW01
SSGNCAGW113TN01
SSGNCAGW113TW01
SSGNCFGW113TW01
SSGNXAGW113TW01
SSGNYAGS113TN01
SSGNYAGS113TW01
SSGNYAGW113TN01
SSGNYAGW113TW01
SSGNYFGW113TW01
SSGWACAGW113TW41
SSGWCFGW113TW41
SSGWXAGS113TW01
SSGWXAGW113TW01
SSGWYAGS113TW01
SSGWYAGW113TW01
SSGWYAGW113TW41
SSGWYFGW113TW01
SSGWYFGW113TW41

Control Panel and Controls



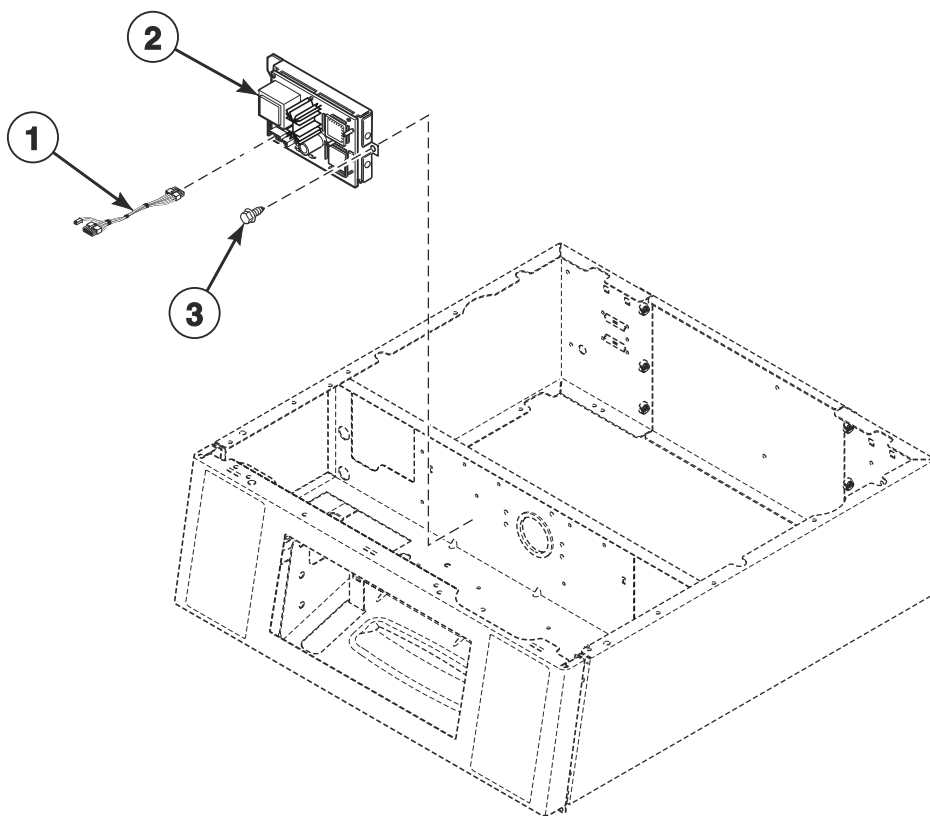
DRY2407P_515207

Control Panel and Controls

REF	PART NO.	DESCRIPTION	COMMENTS
	203328	Network Retrofit Kit	Wired
	203889	Wireless Network Kit	Through Serial No. 1902000001
	204689	Wireless Network Kit	Starting Serial No. 1902000001
	203346	USB IR Interface Kit	
	NK220	Network Controller Kit	Wired
	NK320	Ethernet Gateway Kit	Wireless
	NK330	USB Gateway Kit	Wireless
1	D514072	Transformer Harness	Electric models
	804795	Transformer Harness	Gas models
2	D503688	Screw	
3	202757	Transformer	
4	804018	Shield Bracket	
5	202868	Wiring Harness Assembly	Diagnostic
6	203361P	Machine ID Control Assembly	Model or serial number is required when ordering
7	D515809P	Control Assembly	Models with P in the first character of the model number
	D515807P	Control Assembly	Models with S in the first character of the model number
8	D510076W	Control Panel and Bracket Assembly	Models SSENCFGW153TW01, SSENCFGW173TW01, SSENYFGW173TW01, SSEWCFGW173TW41, SSEWYFGW173TW01, SSEWYFGW173TW41, SSGNCFGW113TW01, SSGNYFGW113TW01, SSGWCFGW113TW41, SSGWYFGW113TW01 and SSGWYFGW113TW41
	D513778W	Control Panel and Bracket Assembly	White; All other models
	D513778DG	Control Panel and Bracket Assembly	Dark gray; All other models
9	D515653	Control Overlay	Models with P in the first character of the model number
	D514366	Control Overlay	Models with S in the first character of the model number
	D517660	Control Overlay	Models NSENXAGW173MW01 and NSGNXAGW113MW01
10	D501524	Screw	
11	54612	Key	800
12	27260P	Lock Kit	Includes item 13
13	27261	Lock Cam	Models SSENCFGW153TW01, SSENCFGW173TW01, SSENYFGW173TW01, SSEWCFGW173TW41, SSEWYFGW173TW01, SSEWYFGW173TW41, SSGNCFGW113TW01, SSGNYFGW113TW01, SSGWCFGW113TW41, SSGWYFGW113TW01 and SSGWYFGW113TW41
	804338	Lock Cam	All other models
14	203423	Transformer Kit	Includes items 1 and 3

Network Board Assembly

Models SSEWCAGW173TW41, SSEWCFGW173TW41, SSEWXAGS153TW01, SSEWXAGS173TW01, SSEWXAGW173TW01, SSEWYAGS153TW01, SSEWYAGS173TW01, SSEWYAGW173TW01, SSEWYAGW173TW41, SSEWYFGW173TW01, SSEWYFGW173TW41, SSGWCAGW113TW41, SSGWCFGW113TW41, SSGWXAGS113TW01, SSGWXAGW113TW01, SSGWYAGS113TW01, SSGWYAGW113TW01, SSGWYAGW113TW41, SSGWYFGW113TW01 and SSGWYFGW113TW41



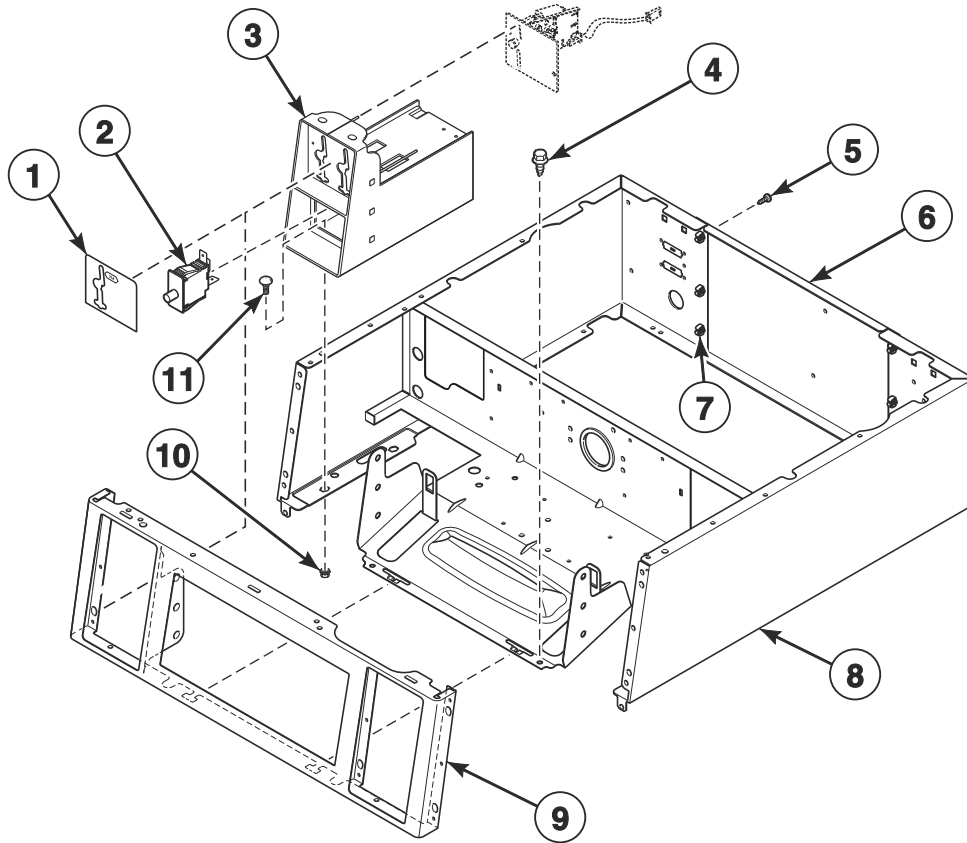
FLW1813P_515207

Network Board Assembly

REF	PART NO.	DESCRIPTION	COMMENTS
1	F8536002	Wireless Network Board Harness	Through Serial No. 1902000001
	F8674006	Wireless Network Harness	Starting Serial No. 1902000001
2	203532	Wireless Network Control Assembly	Through Serial No. 1902000001
	807211	Wireless Network Control Assembly	Starting Serial No. 1902000001
3	D503661	Screw	

Control Panel, Meter Case and Cabinet Wrapper

10 Degree Front Coin Models



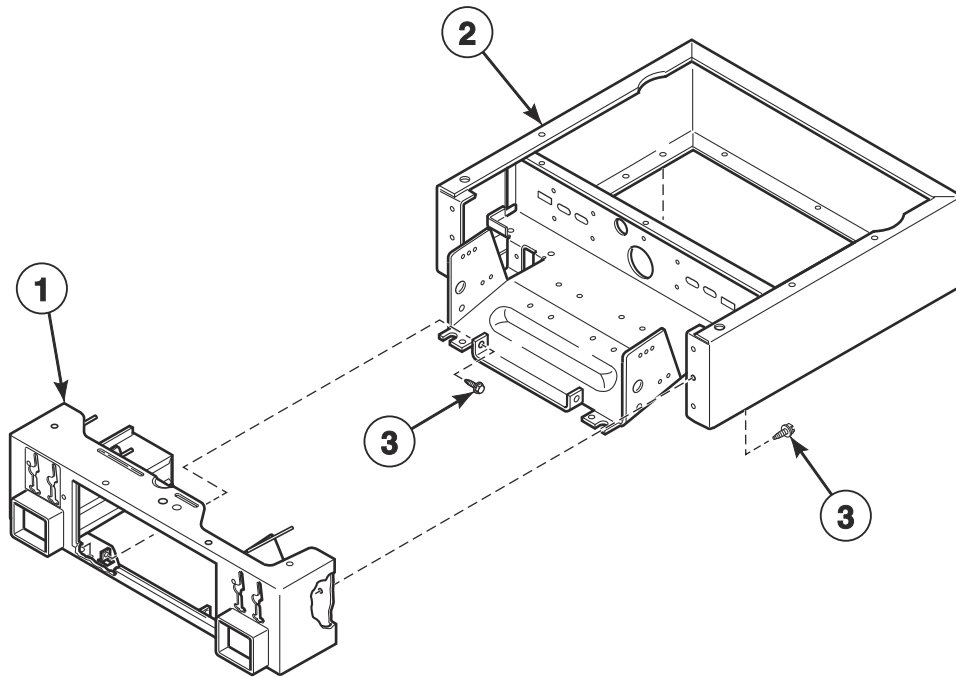
SWD1289P_515207

Control Panel, Meter Case and Cabinet Wrapper

REF	PART NO.	DESCRIPTION	COMMENTS
1	38717	Single Overlay	
2	D512973	Switch	
3	807396W	Meter Case Assembly	Requires high capacity coin vault; White
	807254DG	Meter Case Assembly	Dark gray
4	D503688	Screw	
5	70240301	Screw	
6	803998	Rear Access Panel	
7	70030501	Expansion Clip	6 required
8	804104W	Wrapper Assembly	White
	804104DG	Wrapper Assembly	Dark gray
9	803964B	Control Panel	Black; Models SSENCAGS173TN01, SSENAGS173TN01, SSGNCAGS113TN01, SSGNCAGW113TN01, SSGNYAGS113TN01 and SSGNYAGW113TN01
	803964W	Control Panel	White; All other models
	803964DG	Control Panel	Dark gray; All other models
10	44087201	Nut	2 required; Use with item 11
11	29651	Bolt	

Control Cabinet Front and Wrapper

Flat Front Coin Models



DRY2518P_515207

Control Cabinet Front and Wrapper

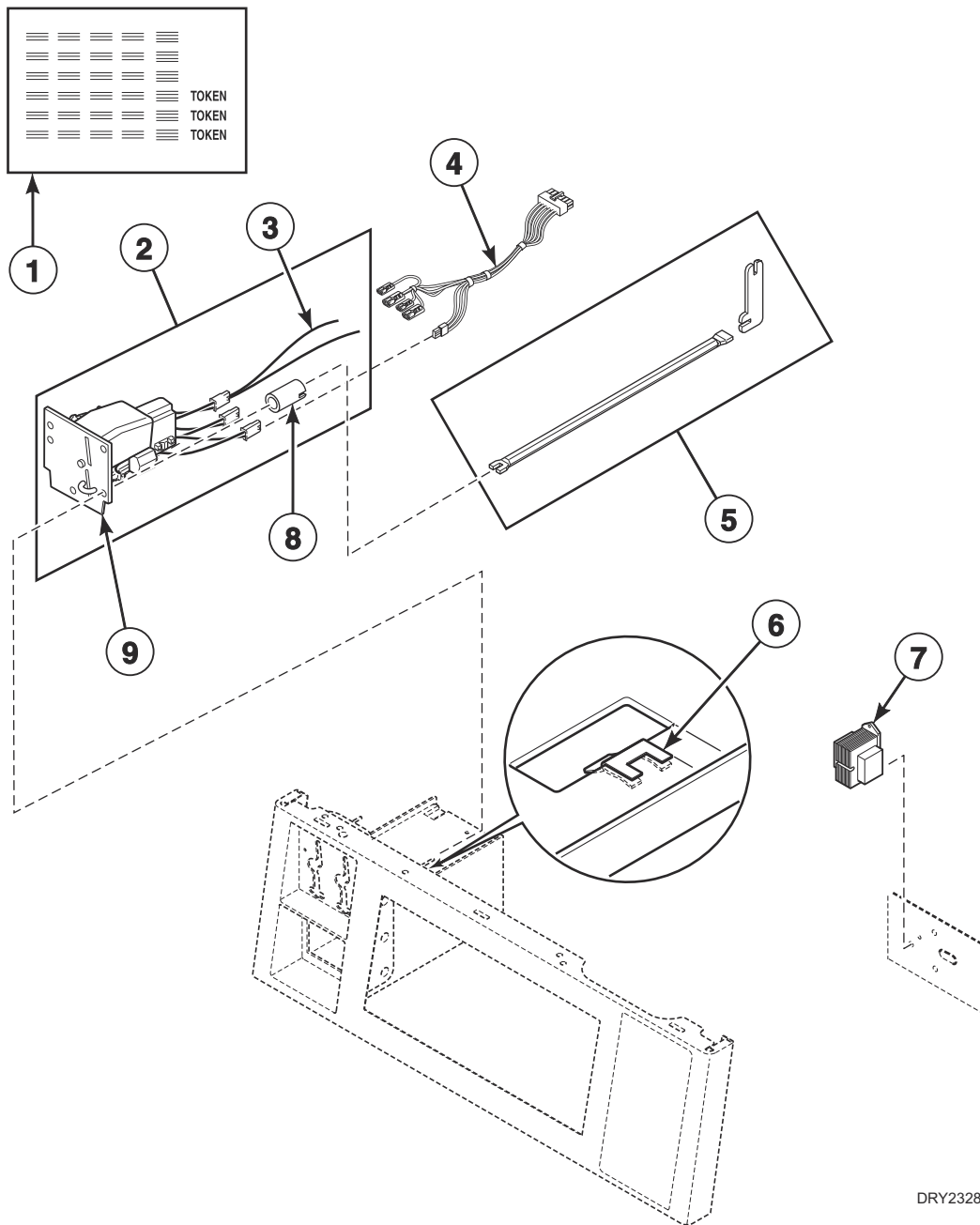
REF	PART NO.	DESCRIPTION	COMMENTS
1	D511632WP	Security Cabinet Front Assembly	
2	D505753WP	Wrapper and Channel Assembly	
3	D503688	Screw	

Non-Electronic Coin Drop

REF	PART NO.	DESCRIPTION	COMMENTS
1	38725	Coin Identification Paper	
2	70441603	Coin Drop	U.S.A.; \$0.25 and \$1.00
	70441602	Coin Drop Assembly	Canada; 0.25 and 1.00
	CK058	Coin Drop Kit	Canada; \$0.25 and \$1.00
3	200674P	Opto Coupler	
4	202871	Dual Coin Harness Assembly	
5	29786	Nut	
6	202870	Single Coin Harness Assembly	
7	201595P	Wire Guard	Anti-stringing security device; Add to coin drops
8	70441601P	Coin Drop	U.S.A.; \$0.25
	200731	Coin Drop	U.S.A.; \$1.00
	38464P	Coin Drop Assembly	Canada; 0.25
	38462P	Coin Drop Assembly	Token; STD 118-1
	38463	Coin Drop Assembly	Token; STD 118-5
	38963P	Coin Drop	Token STD 118-16
	39748	Coin Drop	Jeton 08MS
	201141	Coin Drop Assembly	Token; Jeton wh121
	CK055	Coin Drop Kit	Token STD 118-1
	CK056	Coin Drop Kit	Token STD 118-5
	CK057	Coin Drop Kit	Canada; \$0.25
	CK078	Coin Drop Kit	U.S.A.; \$0.25
	CK085	Coin Drop Kit	Token STD 118-16
	CK090	Coin Drop Kit	U.S.A.; \$1.00
	CK097	Coin Drop Kit	Token; Jeton 08MS
	CK098	Coin Drop Kit	Token; Jeton wh121

Electronic Coin Drop

Coin Models



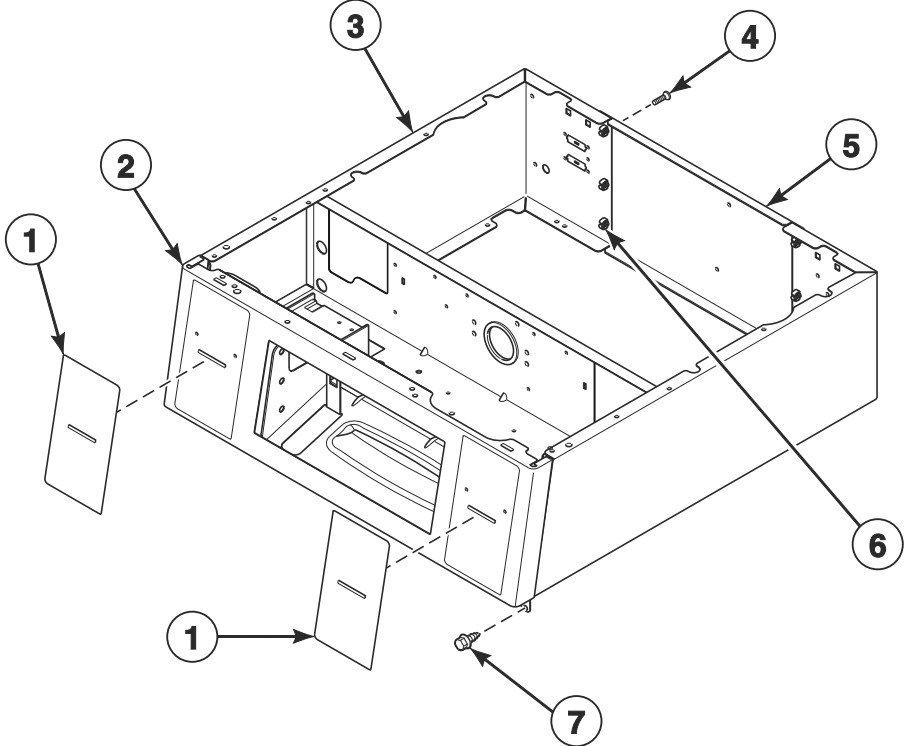
DRY2328P_515207

Electronic Coin Drop

REF	PART NO.	DESCRIPTION	COMMENTS
1	38725	Coin Identification Paper	
2	CK110	Electronic Coin Drop Kit	Mexico, Ecuador and United States; Includes items 1, 3, 6, 8 and 9
	CK115	Electronic Coin Drop Kit	United States and Canada; Includes items 1, 3, 6, 8 and 9
3	201104	Coin Drop Wire Harness	
4	202871	Dual Coin Harness Assembly	
5	CK096	Mounting Tool Kit	
6	201572	Clip	
7	201375P	Transformer	
8	201216	Nut	
9	70294106	Electronic Coin Drop Assembly	Mexico, Ecuador and United States

Control Panel and Cabinet Wrapper (Drawing 1 of 2)

10 Degree Front Card Models



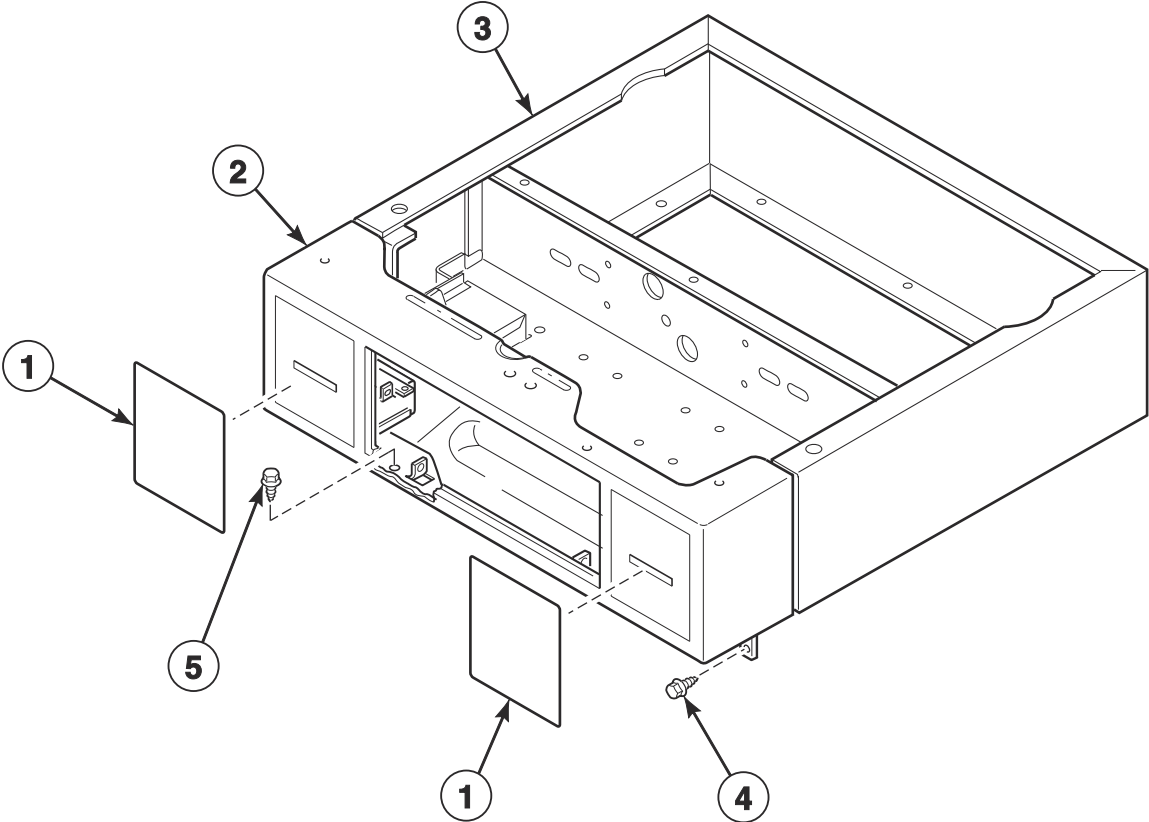
DRY2409P_515207

Control Panel and Cabinet Wrapper (Drawing 1 of 2)

REF	PART NO.	DESCRIPTION	COMMENTS
1	D514391	Card Insert Overlay	2 required
2	804147B	Security Cabinet Front Assembly	Black
	804147WP	Security Cabinet Front Assembly	White
3	804112B	Wrapper Assembly	Black
	804112W	Wrapper Assembly	White
4	70240301	Screw	6 required
5	803998	Rear Access Panel	
6	70030501	Expansion Clip	6 required
7	D503688	Screw	

Control Panel and Cabinet Wrapper (Drawing 2 of 2)

Flat Front Card Models



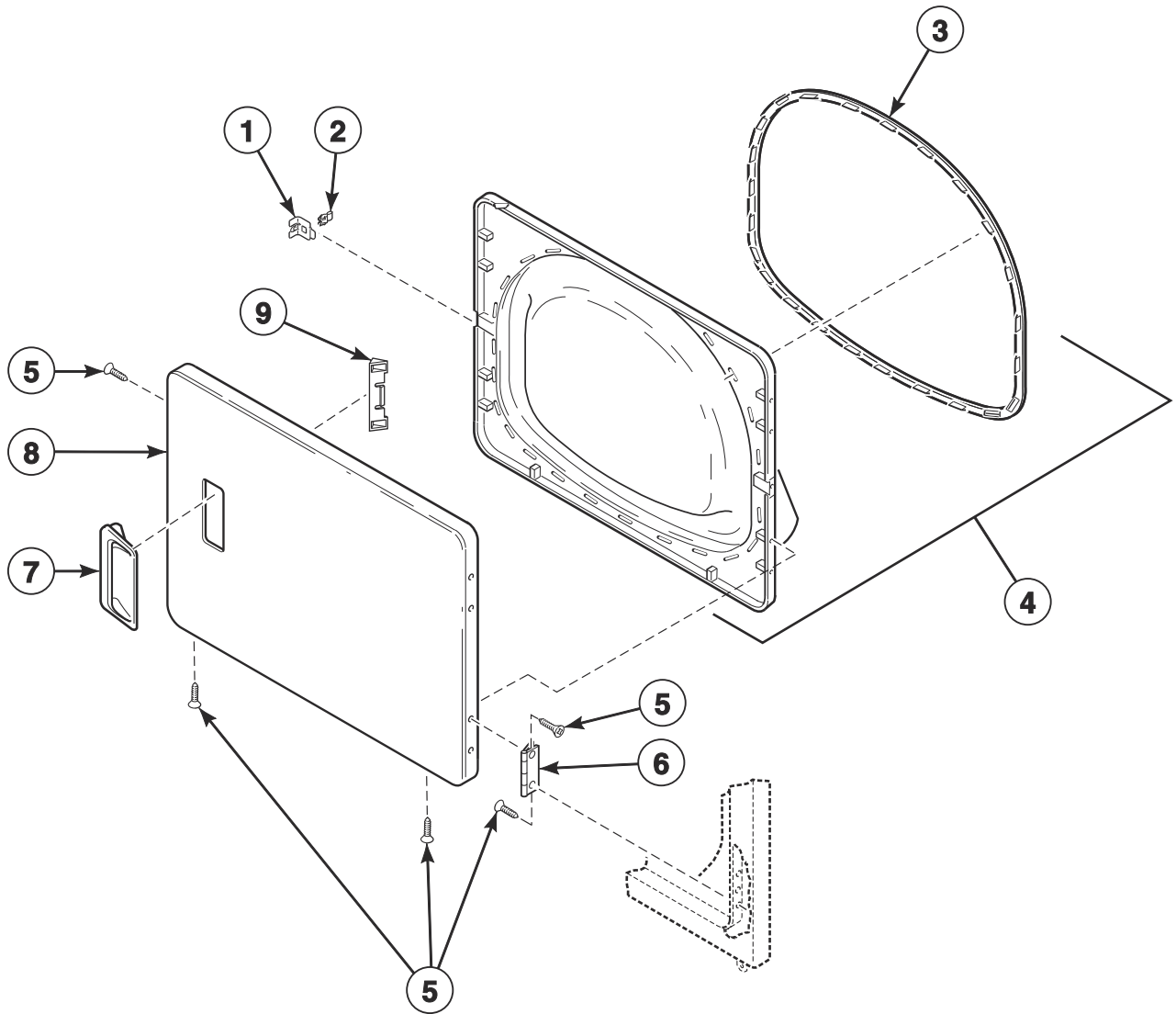
DRY2206P_515207

Control Panel and Cabinet Wrapper (Drawing 2 of 2)

REF	PART NO.	DESCRIPTION	COMMENTS
1	D511544	Card Insert Overlay	
2	D510072W	Security Cabinet Front Assembly	
3	D505753WP	Wrapper and Channel Assembly	
4	D503688	Screw	
5	D502431	Screw	

Loading Door without Window

Models PSEJCAGS174TG01, PSEJCAGS174TW01, PSEJEAGS284CG01, PSEJEAGS284CW01, PSEJXAGS174TG01, PSEJXAGS174TW01, PSEJXAGS284CG01, PSEJXAGS284CW01, PSGJCAGS114TG01, PSGJCAGS114TW01, PSGJEAGS094CG01, PSGJEAGS094CW01, PSGJXAGS094CG01, PSGJXAGS094CW01, PSGJXAGS114TG01, PSGJXAGS114TW01, SSENCAGS153TW01, SSENCAGS173TN01, SSENCAGS173TW01, SSENYAGS153TW01, SSENYAGS173TN01, SSENYAGS173TW01, SSEWXAGS153TW01, SSEWXAGS173TW01, SSEWYAGS153TW01, SSEWYAGS173TW01, SSGNCAGS113TN01, SSGNCAGS113TW01, SSGNYAGS113TN01, SSGNYAGS113TW01, SSGWXAGS113TW01 and SSGWYAGS113TW01



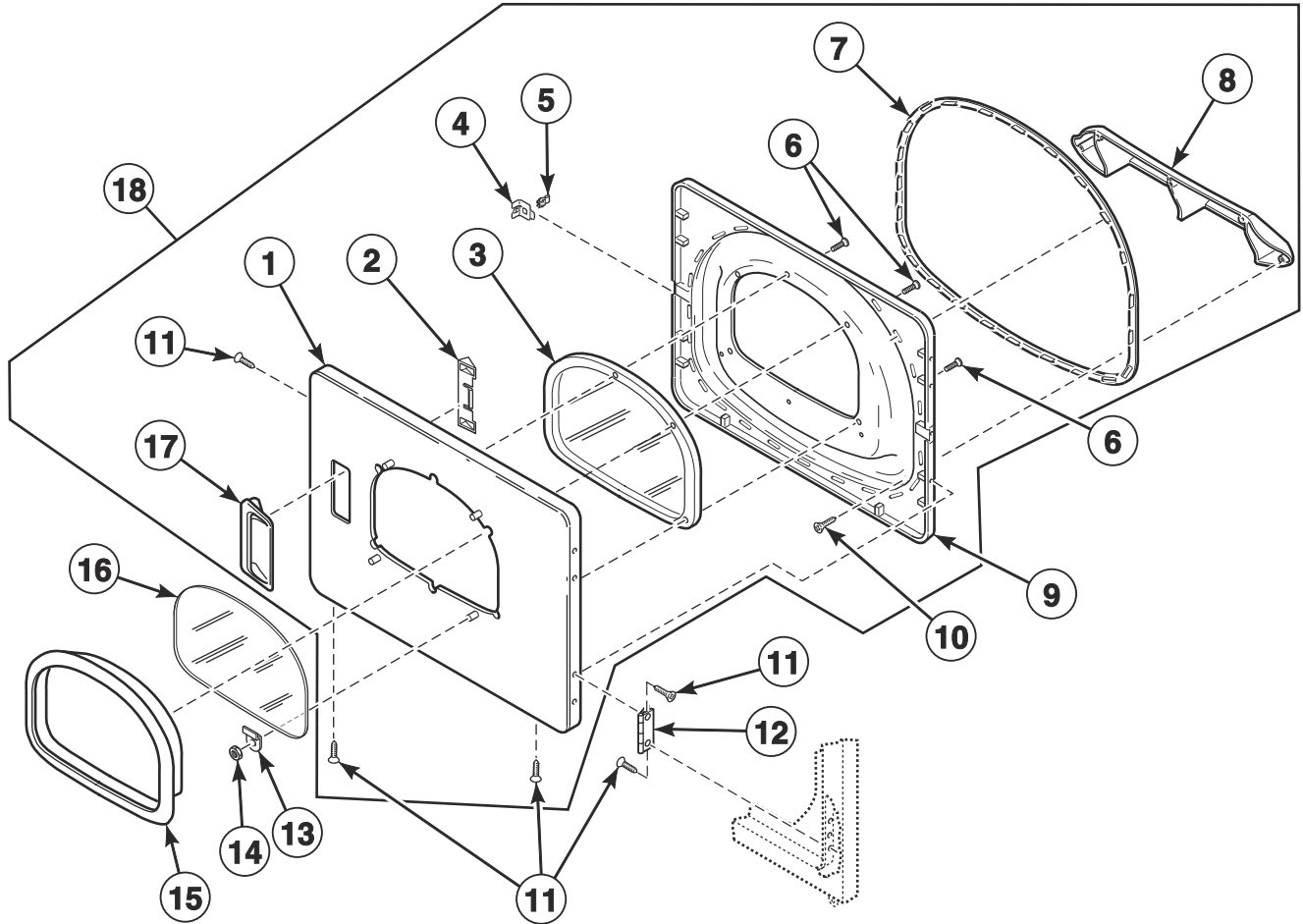
DRY1775P_515207

Loading Door without Window

REF	PART NO.	DESCRIPTION	COMMENTS
1	D510127	Door Strike Mount	Through Serial Nos. beginning 1707
2	D510181	Door Strike	
3	D510147P	Liner Door Seal	Through Serial Nos. beginning 1707
4	D510163WP	Liner, Seal and Grill Assembly	Includes item 3; Models SSGNCAGS113TW01, SSGNYAGS113TW01 and SSGWYAGS113TW01
	D516508	Door Liner Assembly	Light gray; Includes item 3; Models SSGNCAGS113TN01 and SSGNYAGS113TW01
	D516510WP	Door Assembly	Includes items 2-9; All other models through Serial Nos. beginning 1707
	D516508	Door Liner Assembly	Includes door seal; All other models starting Serial Nos. beginning 1707
5	D500226	Screw	
6	D511036	Hinge	
7	D511213P	Door Pull and Wedge Kit	Black; Includes item 8; Models SSENCAGS173TN01, SSENYAGS173TN01, SSGNCAGS113TN01 and SSGNYAGS113TW01
	D512947	Door Pull	Light gray; Includes item 8; Models PSEJXAGS174TG01 and PSGJXAGS114TG01
	D510103WP	Door Pull and Wedge Kit	White; Includes item 8; All other models
8	D512969	Dryer Door	Stainless steel; Models SSENCAGS173TN01, SSENYAGS173TN01, SSGNCAGS113TN01 and SSGNYAGS113TW01
	D510013WP	Dryer Door	White; All other models
	D510013DG	Dryer Door	Dark gray; All other models
9	D510129W	Door Handle Wedge	

Loading Door with Window

Models NSENXAGW173MW01, NSGNXAGW113MW01, SSECAGW153TW01, SSECAGW173TW01, SSECAGW153TW01, SSECAGW173TW01, SSENXAGW173TW01, SSENYAGW173TW01, SSENYAGW173TW01, SSECAGW173TW41, SSECAGW173TW41, SSEWXAGW173TW01, SSEWYAGW173TW01, SSEWYAGW173TW41, SSEWYAGW173TW01, SSEWYAGW173TW41, SSGNCAGW113TN01, SSGNCAGW113TW01, SSGNCAGW113TW01, SSGNCAGW113TW01, SSGNYAGW113TN01, SSGNYAGW113TW01, SSGNYAGW113TW01, SSGNYAGW113TW01, SSGWYAGW113TW41, SSGWYAGW113TW01, SSGWYAGW113TW01, SSGWYAGW113TW41, SSGWYAGW113TW01 and SSGWYAGW113TW41

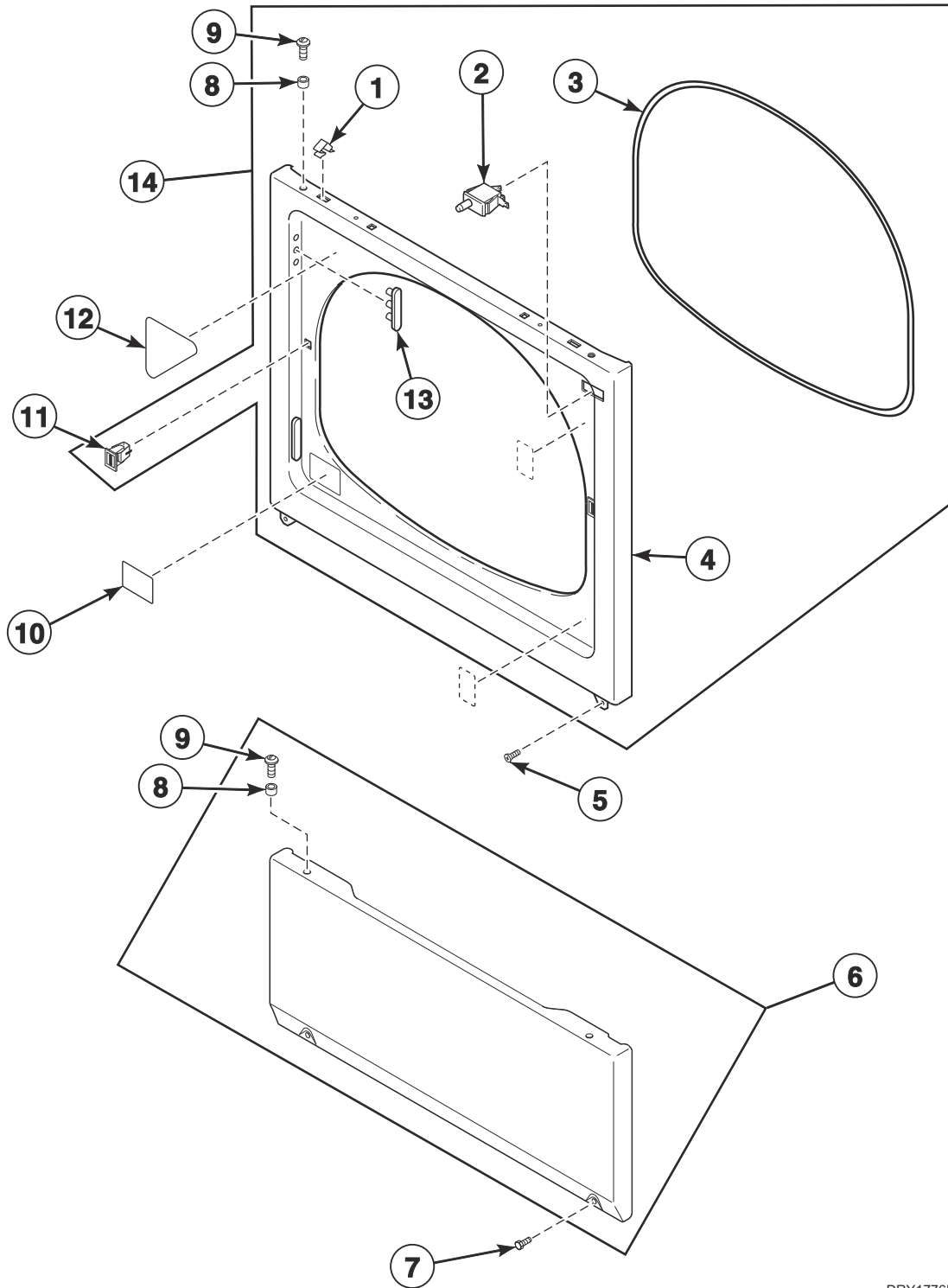


DRY2296P_515207

Loading Door with Window

REF	PART NO.	DESCRIPTION	COMMENTS
1	D510082WP	Dryer Door	White; Models NSGNXAGW113MW01, SSGNCAGW113TW01, SSGNCFGW113TW01, SSGNXAGW113TW01, SSGNYAGW113TW01, SSGNYFGW113TW01 and SSGWYAGW113TW01 through Serial Nos. beginning 1707
	D516737W	Door Assembly	All other models through Serial Nos. beginning 1707
	D515961W	Dryer Door	Starting Serial Nos. beginning 1707
2	D510129W	Door Handle Wedge	
3	D503982P	Dryer Door Window	Through Serial Nos. beginning 1707
	D515681	Dryer Door Window	Starting Serial Nos. beginning 1707
4	D510127	Door Strike Mount	Through Serial Nos. beginning 1707
5	D510181	Door Strike	
6	D505870	Screw	Through Serial Nos. beginning 1707
	D515967	Screw	Starting Serial Nos. beginning 1707
7	D510147P	Liner Door Seal	Through Serial Nos. beginning 1707
8	D503870W	Door Liner Grill	Models NSGNXAGW113MW01, SSGNCAGW113TW01, SSGNCFGW113TW01, SSGNXAGW113TW01, SSGNYAGW113TW01, SSGNYFGW113TW01 and SSGWYAGW113TW01
	D503870LG	Door Liner Grill	All other models
9	D510098W	Liner and Seal Assembly	Includes item 7; Models NSGNXAGW113MW01, SSGNCAGW113TW01, SSGNCFGW113TW01, SSGNXAGW113TW01, SSGNYAGW113TW01, SSGNYFGW113TW01 and SSGWYAGW113TW01 through Serial Nos. beginning 1707
	D516737W	Door Assembly	Includes item 7; All other models through Serial Nos. beginning 1707
	D516509	Liner and Seal Assembly	Includes seal; Starting Serial Nos. beginning 1707
10	D505870	Screw	
11	D500226	Screw	
12	D511036	Hinge	
13	D513958	Window Clip	Models NSENXAGW173MW01, SSECAGW153TW01, SSECAGW173TW01, SSECFCGW153TW01, SSECFCGW173TW01, SSENXAGW173TW01, SSENAGW173TW01, SSENFGW173TW01 and SSEWYAGW173TW01 through Serial Nos. beginning 1707
14	44071201	Nut	Models NSENXAGW173MW01, SSECAGW153TW01, SSECAGW173TW01, SSECFCGW153TW01, SSECFCGW173TW01, SSENXAGW173TW01, SSENAGW173TW01 and SSEWYAGW173TW01 through Serial Nos. beginning 1707
15	D503981W	Window Trim	White; Models NSGNXAGW113MW01, SSGNCAGW113TW01, SSGNCFGW113TW01, SSGNXAGW113TW01, SSGNYAGW113TW01, SSGNYFGW113TW01 and SSGWYAGW113TW01 through Serial Nos. beginning 1707
	D516737W	Door Assembly	All other models through Serial Nos. beginning 1707
	D515956W	Window Trim	Starting Serial Nos. beginning 1707
16	D516737W	Door Assembly	Models NSENXAGW173MW01, SSECAGW153TW01, SSECAGW173TW01, SSECFCGW153TW01, SSECFCGW173TW01, SSENXAGW173TW01, SSENAGW173TW01, SSENFGW173TW01, SSEWYAGW173TW01 and SSGNYAGW113TW01 through Serial Nos. beginning 1707
17	D510103WP	Door Pull and Wedge Kit	White; Includes item 2
18	D516737W	Door Assembly	White; Includes items 1-11, 14 and 17; Through Serial Nos. beginning 1707
	D516737W	Door Assembly	Includes items 1-3, 5-11 and 17; Starting Serial Nos. beginning 1707

Access Panel, Front Panel and Seal

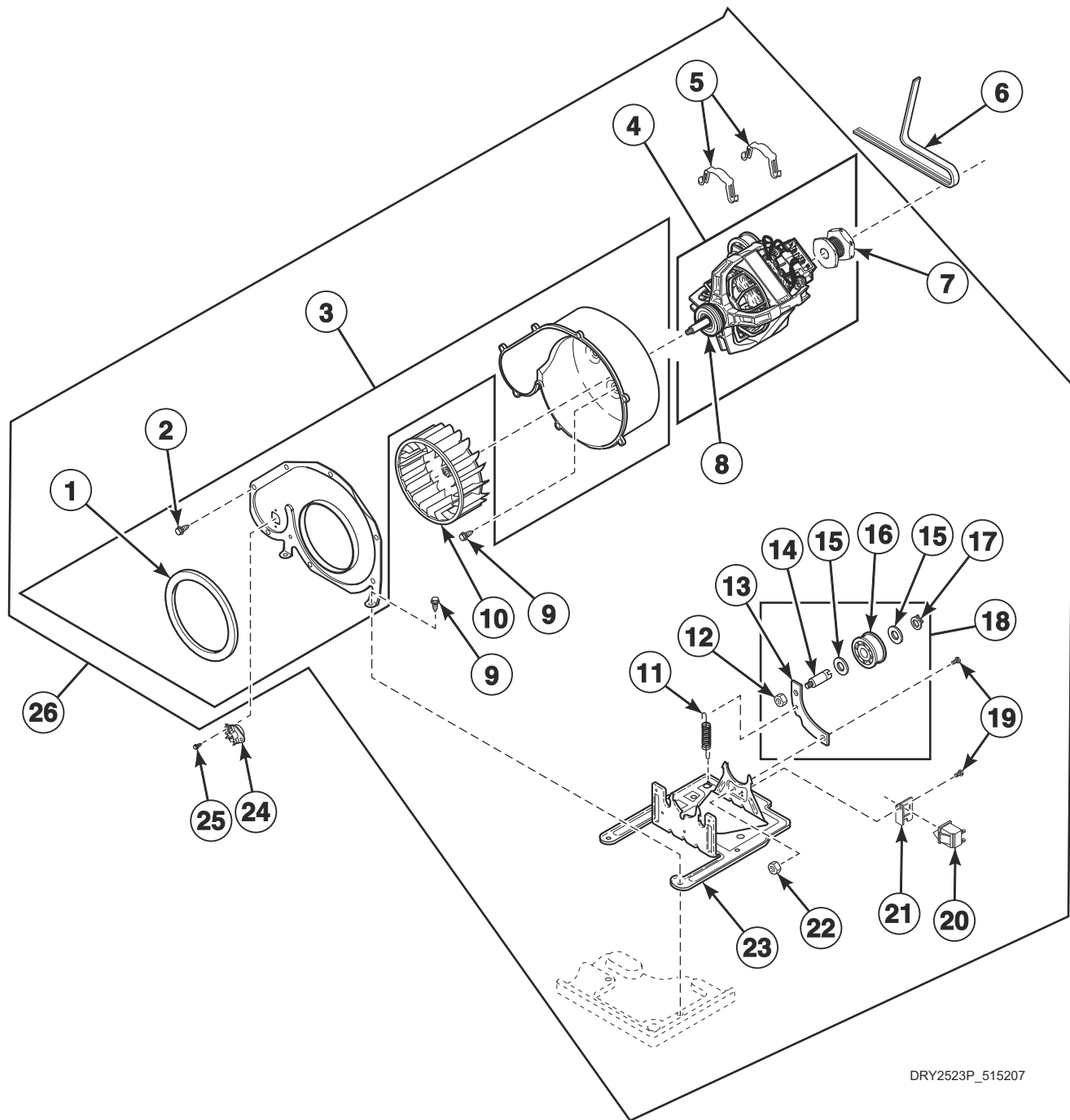


DRY1776P_515207

Access Panel, Front Panel and Seal

REF	PART NO.	DESCRIPTION	COMMENTS
1	28835	Speed Clip	1 per side
2	D512973	Switch	
3	D511056	Front Panel Seal	
4	D512542	Front Panel	Stainless steel; Models SSENCAGS173TN01, SSENYAGS173TN01, SSGNCAGS113TN01, SSGNCAGW113TN01, SSGNYAGS113TN01 and SSGNYAGW113TN01
	D510066WP	Front Panel	White; All other models
	D510066DG	Front Panel	Dark gray; All other models
5	D503688	Screw	
6	D514250WP	Access Panel Assembly	White; Models NSENXAGW173MW01, NSGNXAGW113MW01, SSENCAGS153TW01, SSENCAGS173TW01, SSENCAGW153TW01, SSENCAGW173TW01, SSENCFGW153TW01, SSENCFGW173TW01, SSENXAGW173TW01, SSENYAGS153TW01, SSENYAGS173TW01, SSENYAGW173TW01, SENYFGW173TW01, SSEWYAGS153TW01, SSEWYAGS173TW01, SSEWYAGW173TW01, SSGNCAGS113TW01, SSGNCAGW113TW01, SSGNCFGW113TW01, SSGNXAGW113TW01, SSGNYAGS113TW01, SSGNYAGW113TW01, SSGNYFGW113TW01, SSGWCAGW113TW41, SSGWYAGS113TW01 and SSGWYAGW113TW01
	D514252DG	Access Panel and Guard Assembly	Dark gray; Models PSEJXAGS174TG01 and PSGJXAGS114TG01
	D514251	Access Panel Assembly	Stainless steel; Models SSENCAGS173TN01, SSENYAGS173TN01, SSGNCAGW113TN01 and SSGNYAGW113TN01
7	33562	Screw	Slotted hex head
	62853	Screw	Torx head; Optional for added security
8	56079	Panel Locator	1 per side
9	39733	Screw	1 per side
10	D502781	Lint Filter Label	
11	D510177	Door Catch Assembly	
12	D500281	Warning/Caution Label	English
	D516243	Warning Label	Quebec French; Right side of opening
	D502825	Warning Label	Spanish
13	D510186	Hinge Hole Plug	
14	D513781WP	Front Panel Assembly	Includes items 1-4, 8, 9, 11, 13 and D516737W Door Assembly; Models NSGNXAGW113MW01, SSENCAGS153TW01, SSENCAGS173TN01, SSENCAGS173TW01, SSENYAGW173TW01, SENYFGW173TW01, SSEWYAGW173TW01, SSGNCAGW113TW01, SSGNCFGW113TW01, SSGNXAGW113TW01, SSGNYAGW113TW01, SSGNYFGW113TW01 and SSGWYAGW113TW01

Motor, Exhaust Fan and Belt

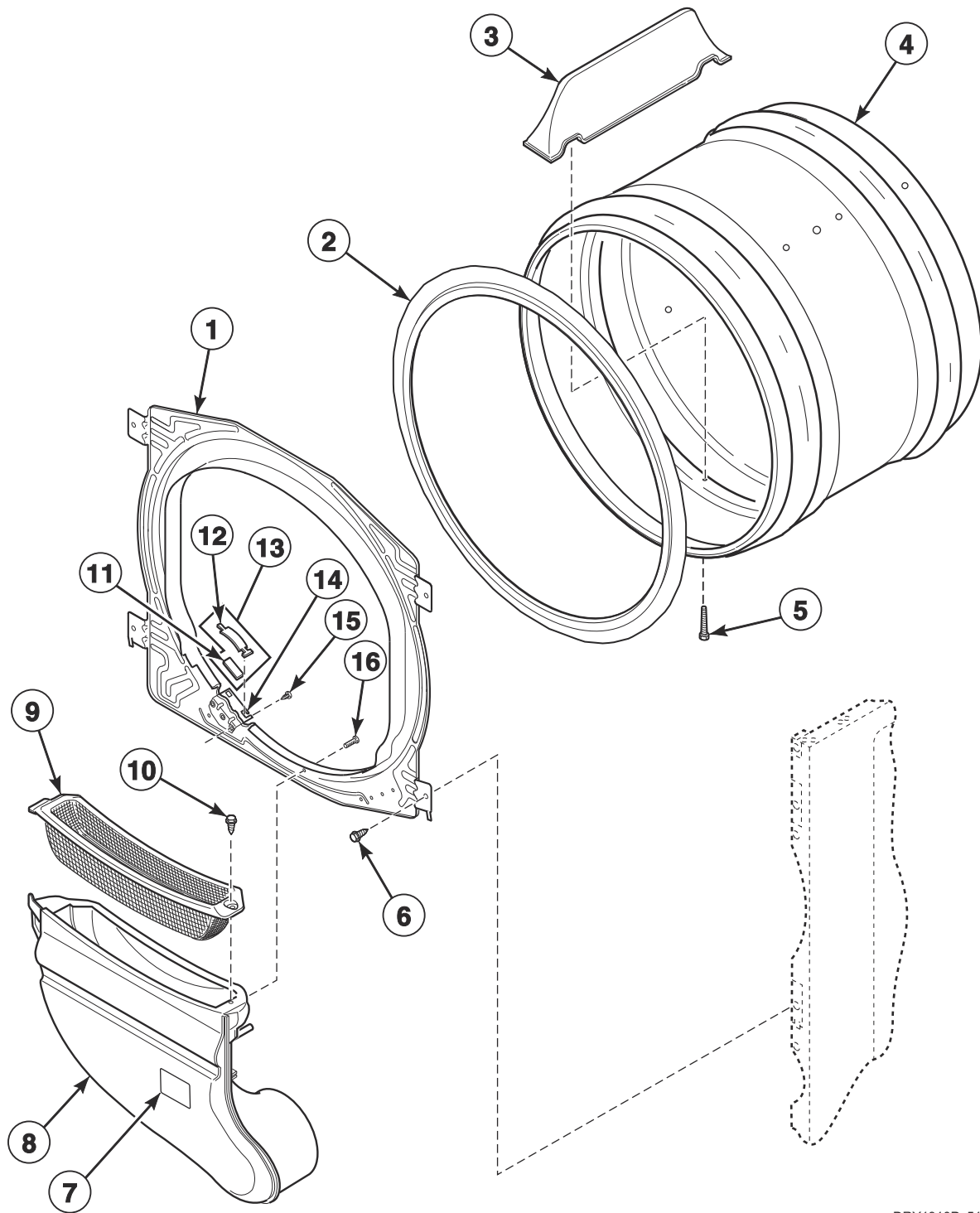


DRY2523P_515207

Motor, Exhaust Fan and Belt

REF	PART NO.	DESCRIPTION	COMMENTS
	27604P	Anti-Seize Compound	Apply to motor shaft when installing blower fan assembly
1	D510238P	Blower Housing Seal	
2	31260	Screw	
3	D511969WP	Blower Housing	Includes items 1 and 2
4	D511629P	Motor and Pulley Assembly	120 Volt/60 Hertz; Apply anti-seize compound to motor shaft when installing blower fan assembly; Includes items 7 and 8
5	D510180	Motor Mount Clamp	
6	D511255P	Cylinder Belt	
7	D500011	Motor Pulley	60 Hertz
8	590P3	Motor Hub Ring Kit	
9	D503688	Screw	
10	D510139P	Blower Fan Assembly	Apply anti-seize compound to motor shaft when installing blower fan assembly
11	D510185	Idler Spring	
12	56156	Nut	
13	D516310	Idler Lever	
14	56461P	Shaft	
15	52549	Washer	
16	D510142P	Idler Wheel and Bearing Assembly	
17	23748	Retaining Ring	
18	D516792	Idler Lever and Wheel Assembly	Includes items 12-17
19	D500824	Screw	
20	D516391	Switch	Starting Serial No. 1903000001
21	D516311	Motor Switch Bracket	Starting Serial No. 1903000001
22	52566	Nut	
23	D510060	Motor Mount	
24	D510523	Thermistor Assembly	Black
25	D502535	Screw	
26	D510717P	Blower and Fan Kit	Includes items 1-5, 7-19, 22 and 23

Front Bulkhead, Air Duct, Felt Seal and Cylinder

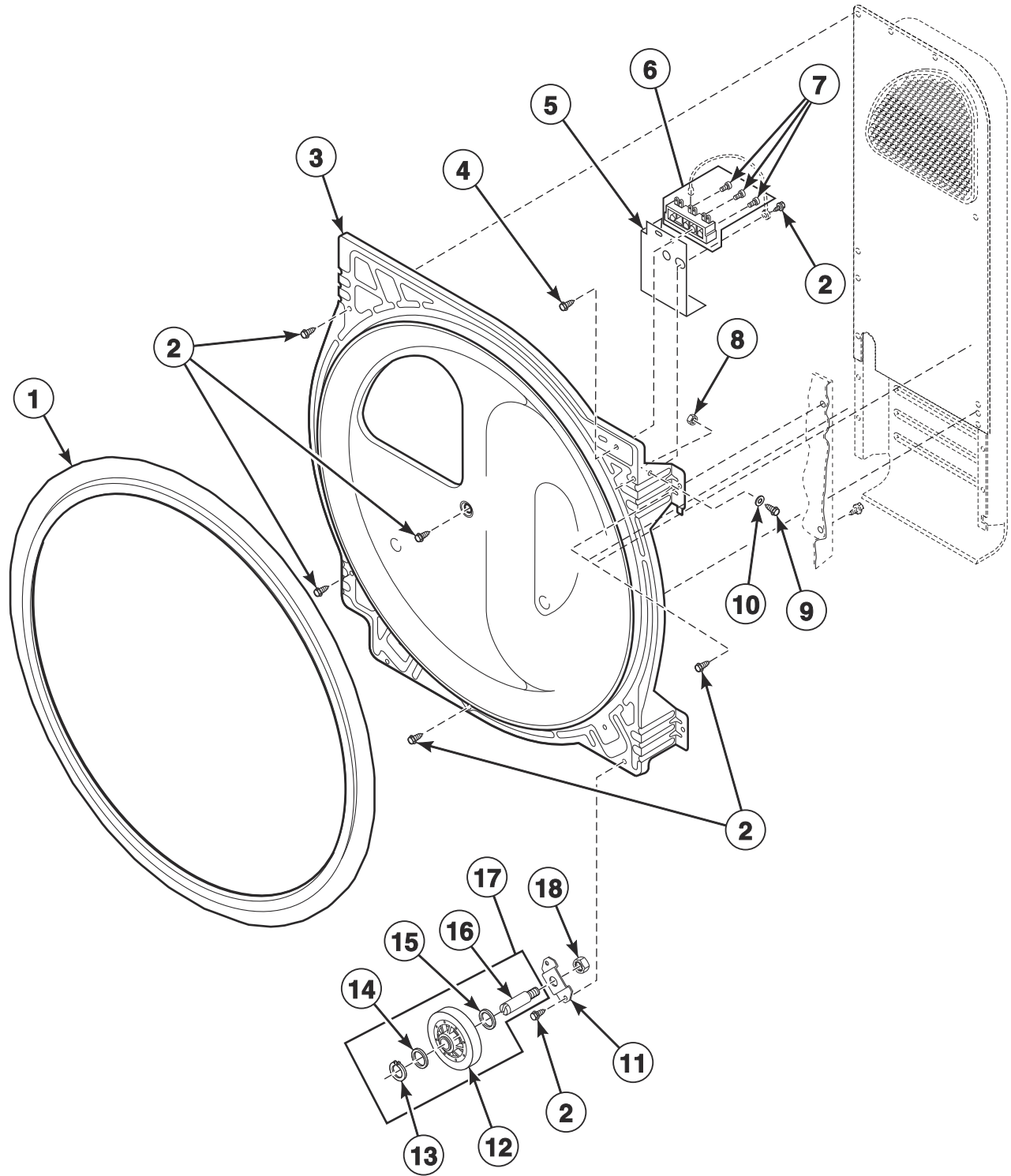


DRY1910P_515207

Front Bulkhead, Air Duct, Felt Seal and Cylinder

REF	PART NO.	DESCRIPTION	COMMENTS
1	D510266P	Front Bulkhead Assembly	Unpainted; Includes items 2 and 11, 12, 14 and 15
2	D510207P	Cylinder Seal Assembly	
	D511637P	Adhesive	Apply to cylinder seal
	RB170001	Seal Kit	Includes 2 cylinder seals, 510238P Blower Housing Seal and 511637P Adhesive
3	D510102LG	Cylinder Baffle	Models SSECAGS173TN01, SSECYAGS173TN01, SSGNCAGS113TN01, SSGNCAGW113TN01, SSGNYAGS113TN01 and SSGNYAGW113TN01
	D510102W	Cylinder Baffle	All other models
4	D510265LGP	Cylinder Assembly	Galvanized; Includes item 3; Models SSECAGS173TN01, SSECYAGS173TN01, SSGNCAGS113TN01, SSGNCAGW113TN01, SSGNYAGS113TN01 and SSGNYAGW113TN01
	D510265WP	Cylinder Assembly	Galvanized; Includes item 3; All other models
5	62588	Screw	
6	M405188	Screw	Use with stainless steel side panels
	D503688	Screw	Use with painted side panels
7	F8614201	Shock Warning Label	English/Spanish
	F8615701	Pinch Warning Label	English/Spanish
8	D510151W	Air Duct Assembly	Models NSGNXAGW113MW01, PSGJXAGS114TG01, SSGNCAGS113TW01, SSGNCAGW113TW01, SSGNXAGW113TW01, SSGNYAGS113TW01, SSGNYAGW113TW01, SSGNYFGW113TW01, SSGWYAGS113TW01 and SSGWYAGW113TW01 through Serial No. 1606000838
	D515805LG	Air Duct Assembly	All other models; Models NSGNXAGW113MW01, PSGJXAGS114TG01, SSGNCAGS113TW01, SSGNCAGW113TW01, SSGNXAGW113TW01, SSGNYAGS113TW01, SSGNYAGW113TW01, SSGNYFGW113TW01, SSGWYAGS113TW01 and SSGWYAGW113TW01 starting Serial No. 1606000839
9	D503980W	Lint Filter	Models NSGNXAGW113MW01, PSGJXAGS114TG01, SSGNCAGS113TW01, SSGNCAGW113TW01, SSGNXAGW113TW01, SSGNYAGS113TW01, SSGNYAGW113TW01, SSGNYFGW113TW01, SSGWYAGS113TW01 and SSGWYAGW113TW01 through Serial No. 1606000838
	D503980LG	Lint Filter	All other models; Models NSGNXAGW113MW01, PSGJXAGS114TG01, SSGNCAGS113TW01, SSGNCAGW113TW01, SSGNXAGW113TW01, SSGNYAGS113TW01, SSGNYAGW113TW01, SSGNYFGW113TW01, SSGWYAGS113TW01 and SSGWYAGW113TW01 starting Serial No. 1606000839
10	D501285	Screw	
11	D510189	Felt Pad	1 per side
12	D513710	Cylinder Glide	1 per side
13	RB170003	Glide Kit	Includes 2 of items 11 and 12
14	D510145	Cylinder Glide Bracket	1 per side
15	D503688	Screw	2 per side
16	D500226	Screw	

Rear Bulkhead, Felt Seal, Cylinder Roller and Terminal Block

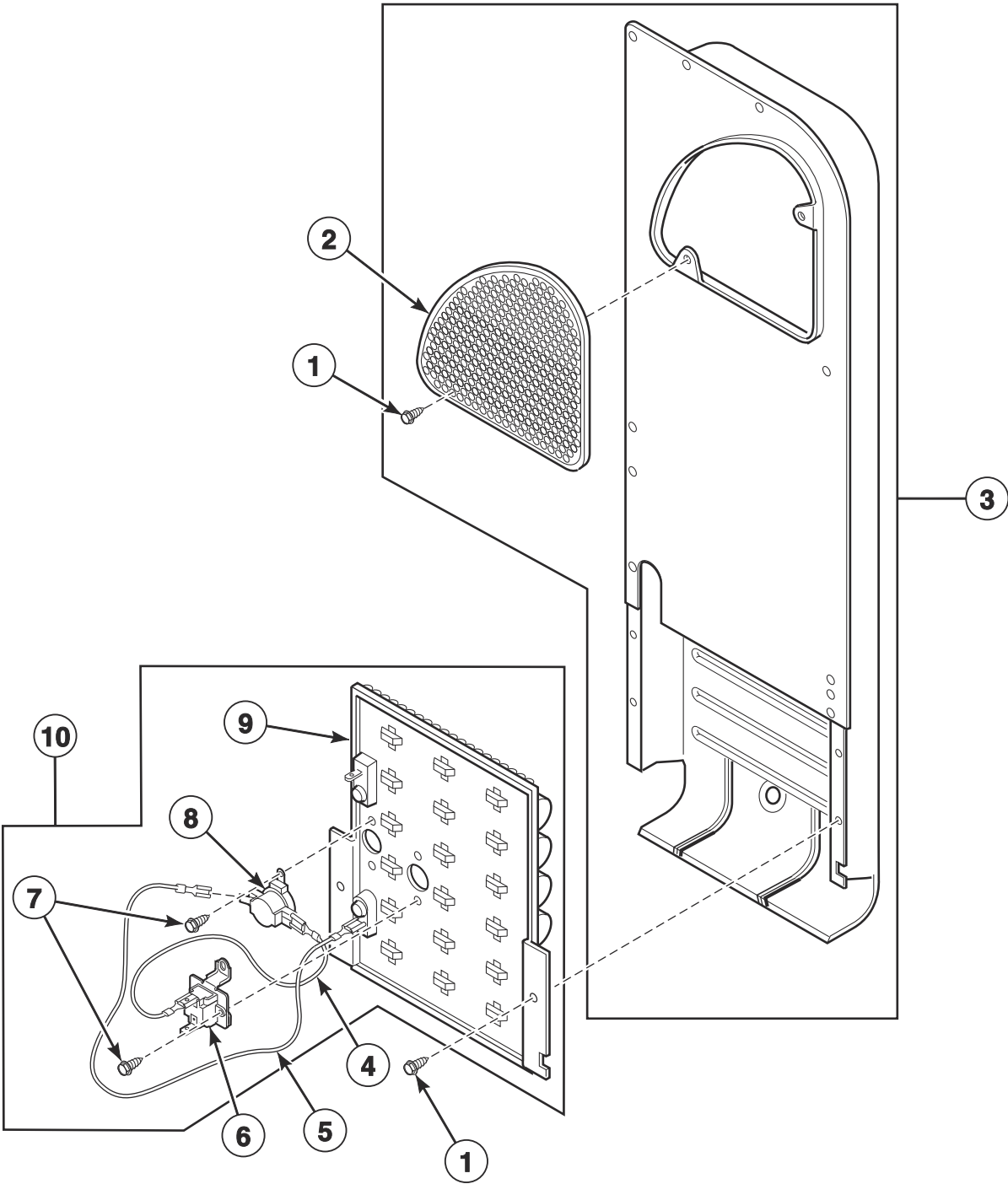


DRY1774P_515207

Rear Bulkhead, Felt Seal, Cylinder Roller and Terminal Block

REF	PART NO.	DESCRIPTION	COMMENTS
1	D510207P	Cylinder Seal Assembly	
	D511637P	Adhesive	Apply to cylinder seal
	RB170001	Seal Kit	Includes 2 cylinder seals, D510238P Blower Housing Seal and D511637P Adhesive
2	D503688	Screw	
3	D511082P	Rear Bulkhead Assembly	Galvanized; Includes item 1
4	D501285	Screw	Electric models; Models PSGJEAGS094CG01 and PSGJXAGS094CG01
5	D510237	Terminal Block Shield	Electric models; Models PSGJEAGS094CG01 and PSGJXAGS094CG01; Through Serial No. 1903000001
6	D510190P	Terminal Block Assembly	Electric models; Models PSGJEAGS094CG01 and PSGJXAGS094CG01; Includes 3 of item 7
7	61199	Screw	
8	28447	Nut	
9	28448	Screw	
10	28449	Washer	
11	D510100	Cylinder Roller Bracket	
12	D510708P	Cylinder Roller	
13	23748	Retaining Ring	
14	52549	Washer	
15	D504082	Washer	
16	56461P	Shaft	
17	RB170002	Roller Kit	Includes items 12-16
18	56156	Nut	

Heater Duct and Element Assembly - Electric Model Dryers

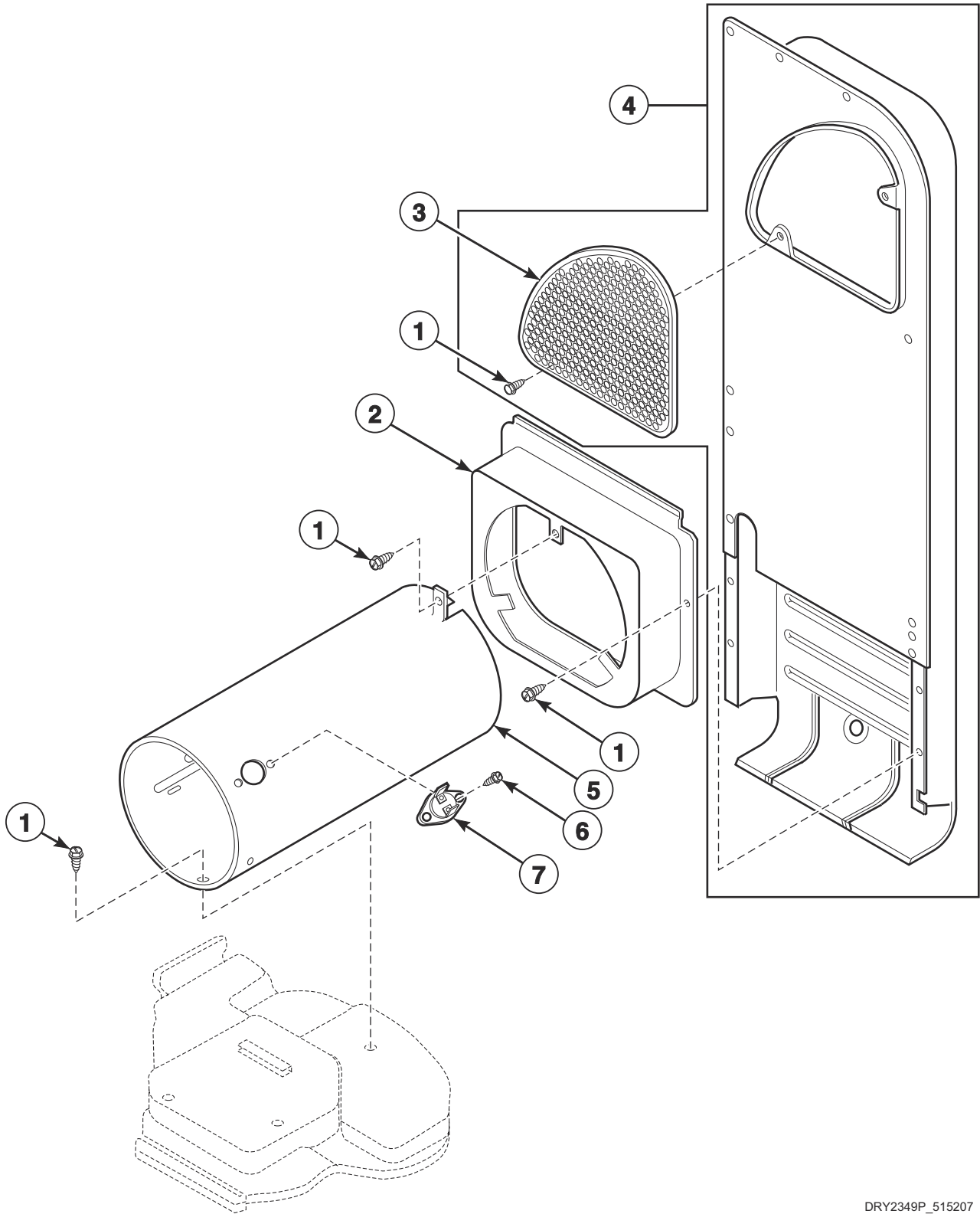


DRY1789P_515207

Heater Duct and Element Assembly - Electric Model Dryers

REF	PART NO.	DESCRIPTION	COMMENTS
1	D503688	Screw	
2	D500820	Outlet Cover	Aluminized steel
	D515573	Outlet Cover	Black; Nitrocarburized
3	D510025P	Heater Duct Assembly	Includes items 1 and 2
4	D510528	Wire Assembly	Orange; Thermostat jumper; Attaches to heater assembly
5	D510527	Wire Assembly	Black; Fuse jumper; Attaches to heater assembly
6	D511412	Thermal Fuse Assembly	
7	23222	Screw	
8	D510701	Limit Thermostat	
9	D510325P	Heater	4.75 kW; 208 Volt/60 Hertz; Models SSENCAGS153TW01, SSENCAGW153TW01, SSENCFGW153TW01, SSENYAGS153TW01, SSEWXAGS153TW01 and SSEWYAGS153TW01
	D510324P	Heater Assembly	5 kW; 240 Volt/60 Hertz; Models PSEJEAGS284CG01, PSEJEAGS284CW01, PSEJXAGS284CG01 and PSEJXAGS284CW01
	D510329P	Heater Assembly	5.35 kW; 240 Volt/60 Hertz; All other models
10	61928	Heater Kit Assembly	Includes items 4-9; 4.75 kW; 208 Volt/60 Hertz; Models SSENCAGS153TW01, SSENCAGW153TW01, SSENCFGW153TW01, SSENYAGS153TW01, SSEWXAGS153TW01 and SSEWYAGS153TW01
	61927	Heater Kit Assembly	Includes items 4-9; 5 kW; 240 Volt/60 Hertz; Models PSEJEAGS284CG01, PSEJEAGS284CW01, PSEJXAGS284CG01 and PSEJXAGS284CW01
	61928	Heater Kit Assembly	Includes items 4-9; 4.75 kW; 208 Volt/60 Hertz; Optional conversion; All other models
	964P3	Heater Kit	Includes items 4-9; 5.35 kW; 240 Volt/60 Hertz; Includes factory-installed heater; All other models

Heater Duct Assembly - Gas Model Dryers

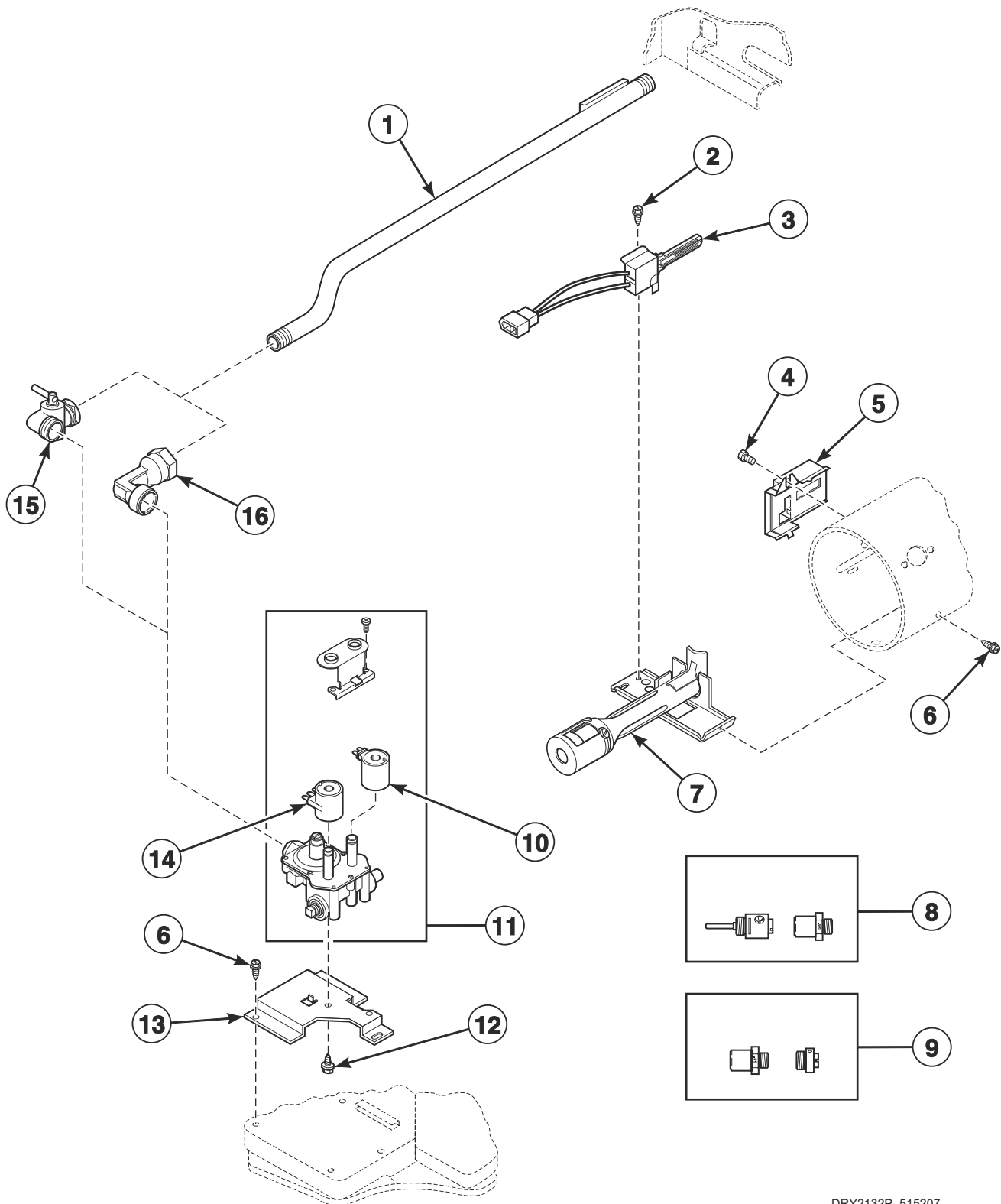


DRY2349P_515207

Heater Duct Assembly - Gas Model Dryers

REF	PART NO.	DESCRIPTION	COMMENTS
1	D503688	Screw	
2	D510101	Heat Duct Shroud	
3	D500820	Outlet Cover	Aluminized steel
	D515573	Outlet Cover	Black; Nitrocarburized
4	D510025P	Heater Duct Assembly	Includes items 1 and 3
5	D510131	Combustion Duct	
6	51782	Screw	
7	D510702	Limit Thermostat	Black; Auto reset

Gas Valve, Igniter and Gas Conversion Kits Gas Models Through Serial No. 190800001



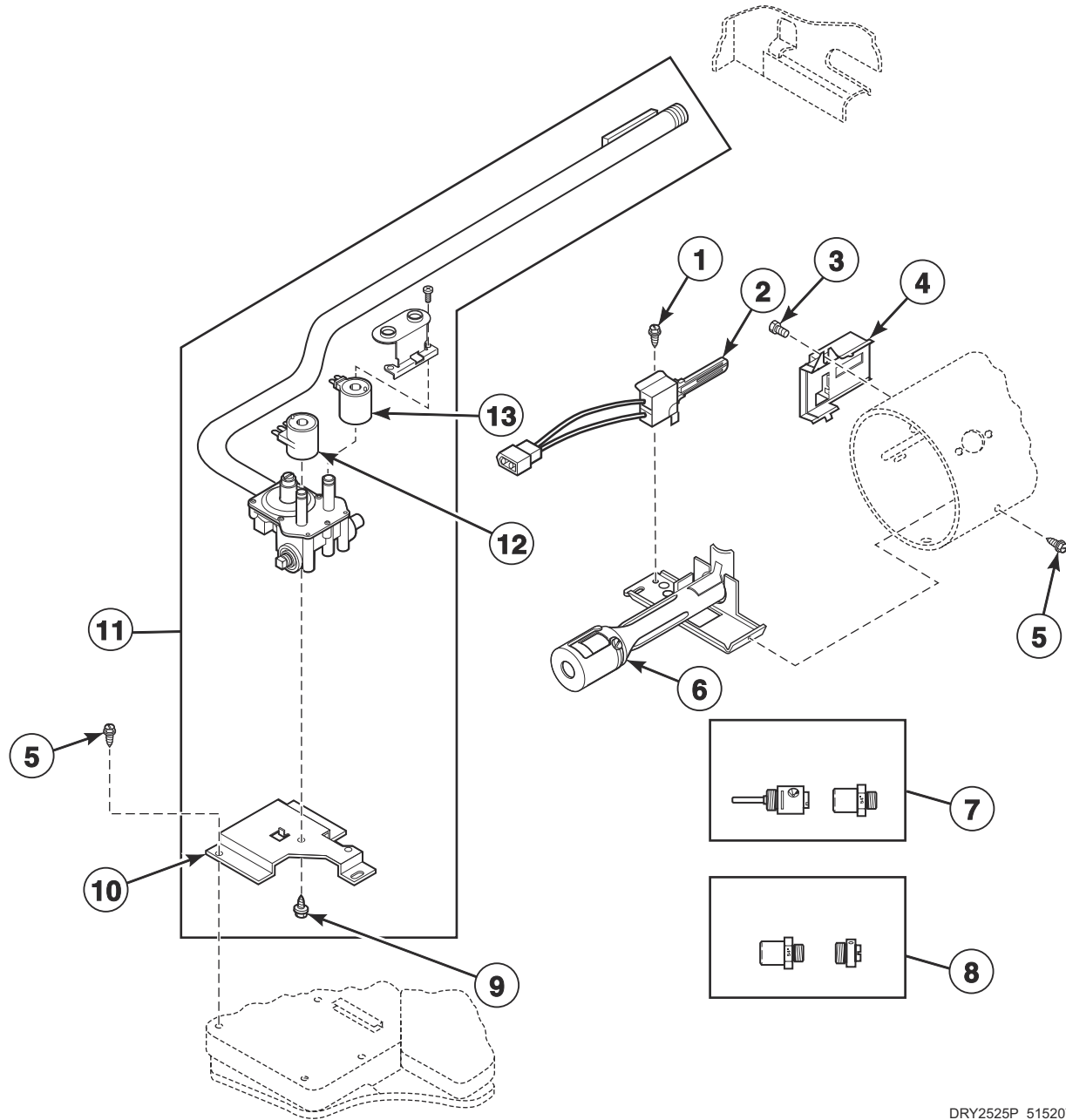
DRY2132P_515207

Gas Valve, Igniter and Gas Conversion Kits Gas Models Through Serial No. 1908000001

REF	PART NO.	DESCRIPTION	COMMENTS
1	D510204	Lead-In Pipe Assembly	
2	51782	Screw	
3	D510184P	Igniter and Bracket Assembly	
4	23222	Screw	
5	D510213	Sensor	
6	D503688	Screw	
7	D510149P	Burner Assembly	
8	458P3	L.P. Conversion Kit	Used to convert dryers from Natural Gas (N.G.) or Mixed Gas to Liquid Petroleum Gas (L.P.); For 25,000 Btu
9	459P3	N.G. Conversion Kit	Used to convert dryers from L.P. to N.G. or Mixed Gas; For 25,000 Btu
10	58804B	Secondary Coil	
11	60353P	Gas Valve Assembly	60 Hertz; 25,000 Btu; N.G.; Includes items 10 and 14
12	56124	Screw	
13	D510128	Gas Valve Mounting Bracket	
14	58804A	Booster and Holding Coil	
15	D510205	Elbow Shut-Off Valve	
16	D513072	Elbow	

Gas Valve, Igniter and Gas Conversion Kits

Gas Models Starting Serial No. 1908000001

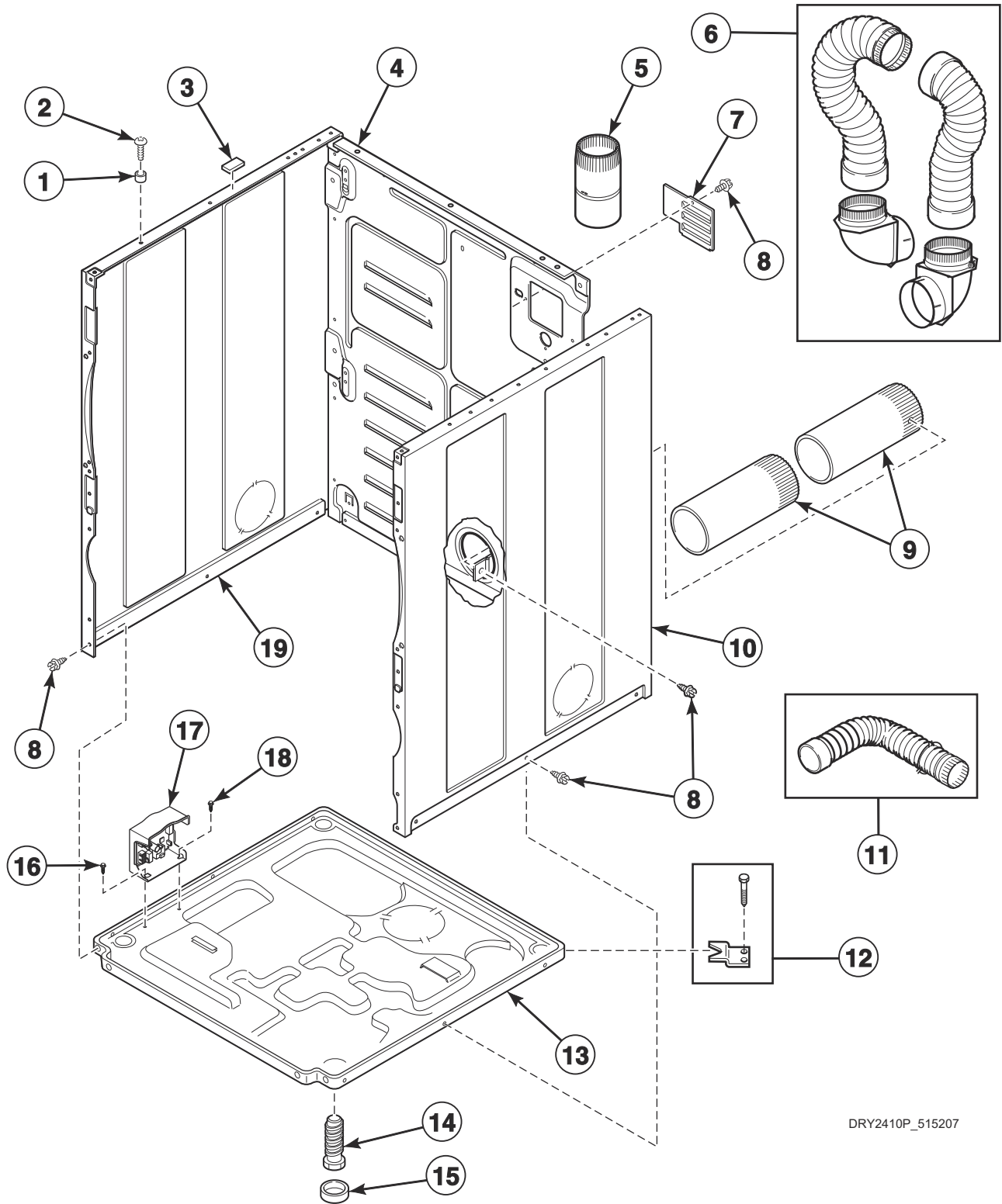


DRY2525P_515207

Gas Valve, Igniter and Gas Conversion Kits Gas Models Starting Serial No. 1908000001

REF	PART NO.	DESCRIPTION	COMMENTS
1	51782	Screw	
2	D510184P	Igniter and Bracket Assembly	
3	23222	Screw	
4	D510213	Sensor	
5	D503688	Screw	
6	D510149P	Burner Assembly	
7	458P3	L.P. Conversion Kit	Used to convert dryers from Natural Gas (N.G.) or Mixed Gas to Liquid Petroleum Gas (L.P.); For 25,000 Btu
8	459P3	N.G. Conversion Kit	Used to convert dryers from L.P. to N.G. or Mixed Gas; For 25,000 Btu
9	56124	Screw	
10	D510128	Gas Valve Mounting Bracket	
11	D517606	Gas Valve, Bracket and Pipe Assembly	60 Hertz; 25,000 Btu; N.G.; Includes items 9, 10, 12 and 13
12	58804A	Booster and Holding Coil	
13	58804B	Secondary Coil	

Cabinet, Exhaust Duct and Base

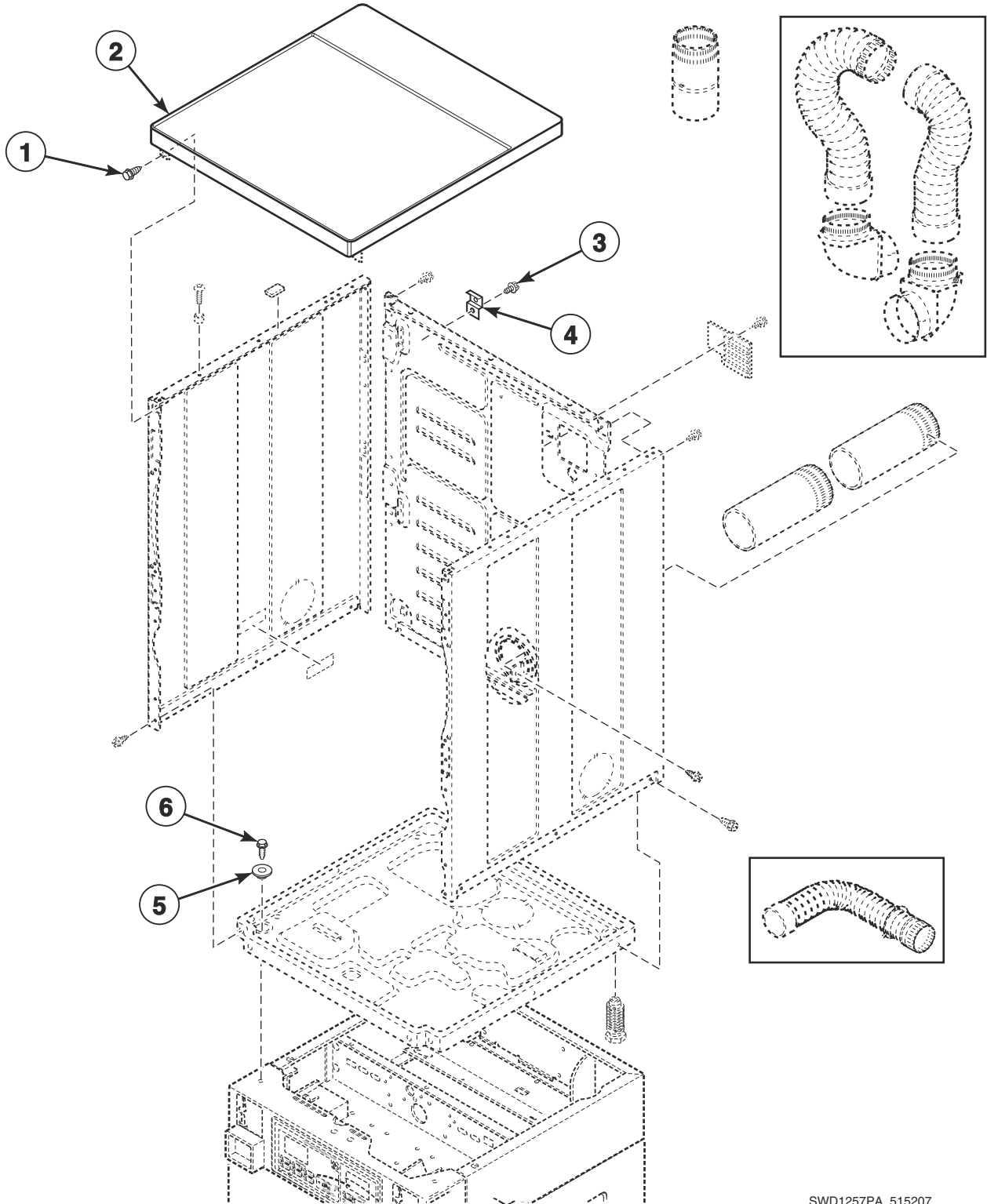


DRY2410P_515207

Cabinet, Exhaust Duct and Base

REF	PART NO.	DESCRIPTION	COMMENTS
	42945DG	Acrylic Powder Paint	Dark gray
	122P4P	Porcelain Touch-Up Paint	White
1	56079	Panel Locator	
2	39733	Screw	
3	56128	Bumper Pad	
4	D514632P	Cabinet Rear Panel	
5	58786	Damper	Use when connecting to a manifold vent system.
6	521P3	Flexible Venting Kit	
7	D510903	Access Panel Plate	
8	D503688	Screw	
9	D516196	Exhaust Duct	
10	D510002DGP	Cabinet Side Panel	Dark gray; Right
	D510002WP	Cabinet Side Panel	White; Right
11	528P3	Directional Exhaust Kit	Used to vent dryer out the sides or bottom
12	526P3	Hold Down Kit	For mobile home installations
13	D514245	Dryer Base	
14	D510135	Leveling Leg	
15	D501855	Rubber Foot	
16	D514428	Screw	
17	D513797P	Output Control Assembly	
18	804667	Screw	
19	D510001DGP	Cabinet Side Panel	Dark gray; Left
	D510001WP	Cabinet Side Panel	White; Left

Cabinet Top



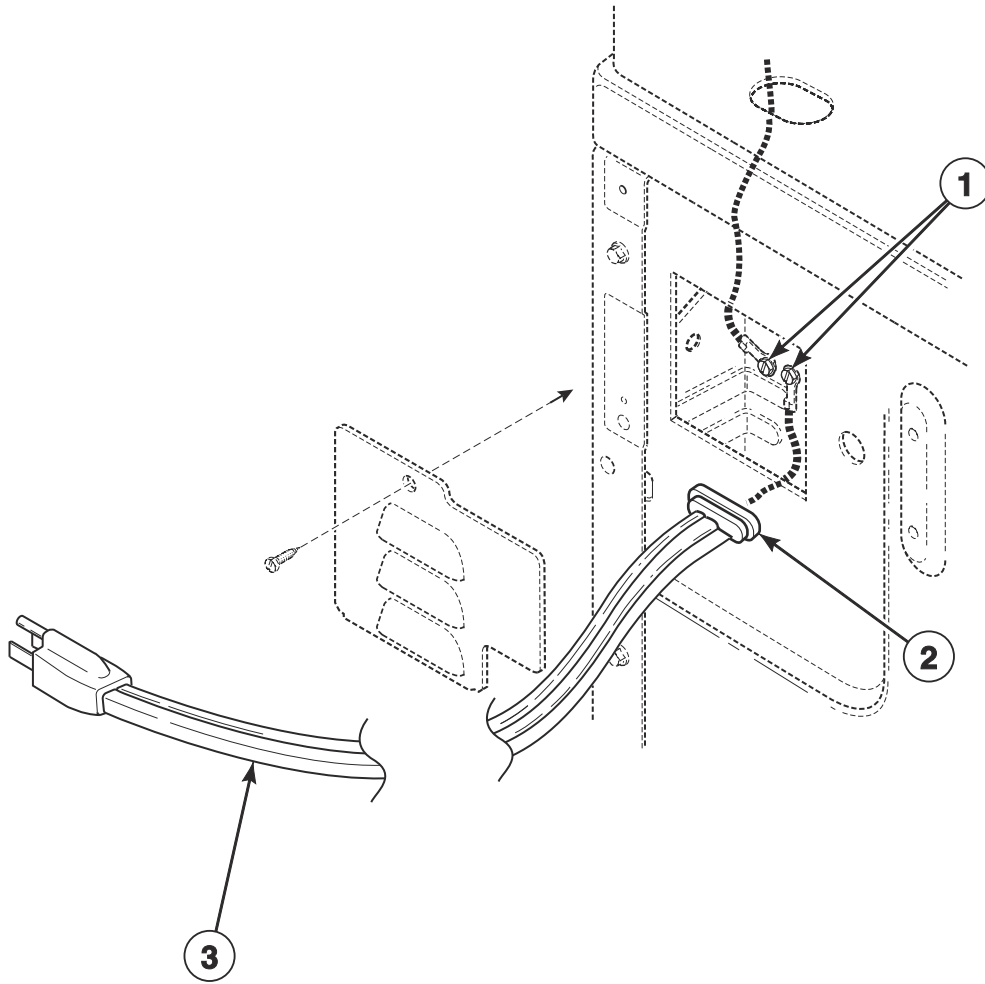
SWD1257PA_515207

Cabinet Top

REF	PART NO.	DESCRIPTION	COMMENTS
1	D503661	Screw	
2	803144P	Top Kit	Stainless steel; Models SSENCAGS173TN01, SSENYAGS173TN01, SSGNCAGS113TN01, SSGNCAGW113TN01, SSGNYAGS113TN01 and SSGNYAGW113TN01
	D510032DG	Top Panel	Dark gray; All other models
	D510032WP	Top Kit	White; All other models
3	D503688	Screw	
4	D510136	Top Hinge	
5	D501307	Washer	
6	36048	Screw	

Power Cord

Gas Models

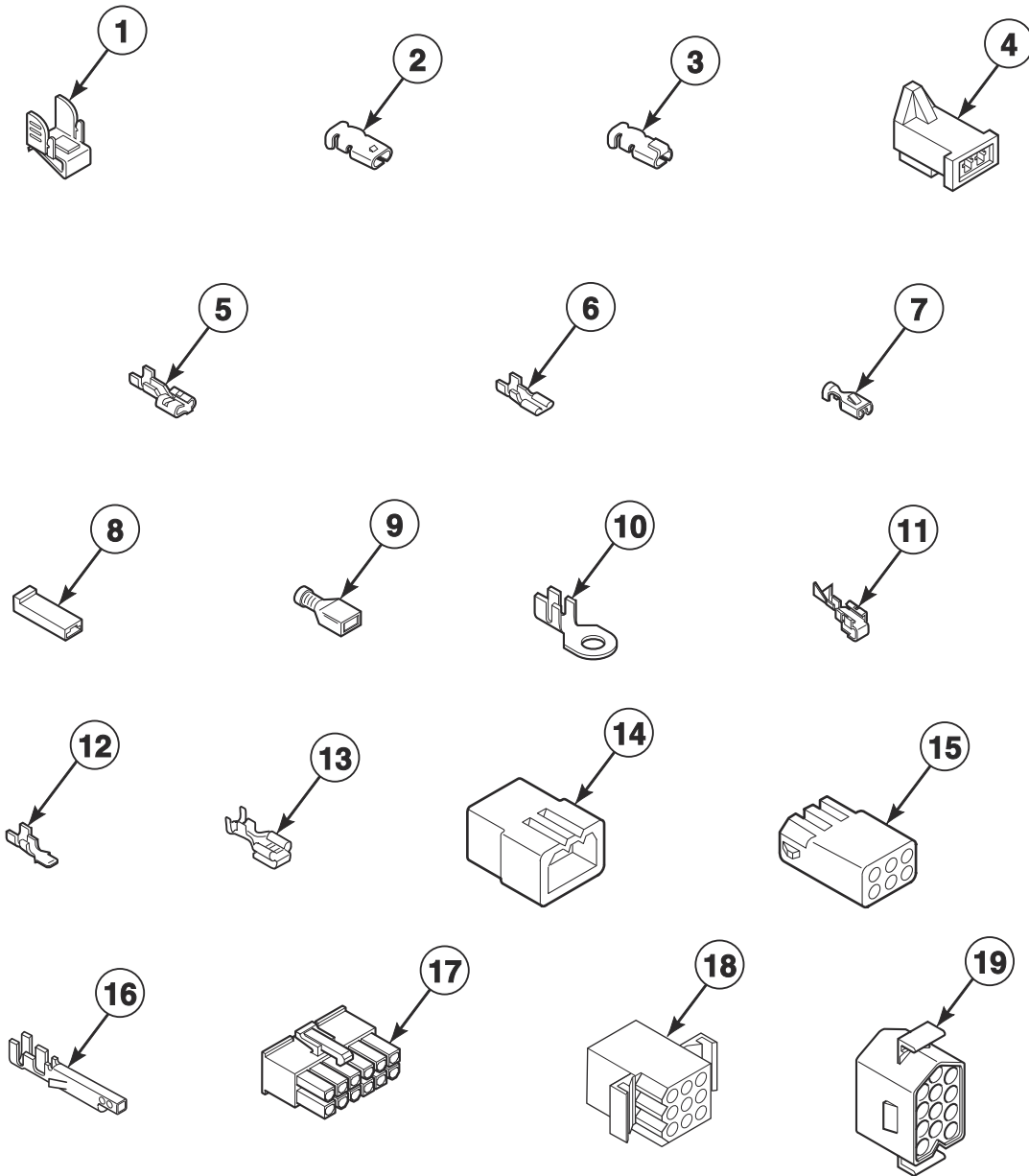


DRY1879P_515207

Power Cord

REF	PART NO.	DESCRIPTION	COMMENTS
1	20530	Screw	
2	D511628	Strain Relief Connector	Models PSGJEAGS094CG01, PSGJEAGS094CW01, PSGJXAGS094CG01 and PSGJXAGS094CW01
	38384	Strain Relief	All other models
3	58992	Power Cord Assembly	Models PSGJEAGS094CG01, PSGJEAGS094CW01, PSGJXAGS094CG01 and PSGJXAGS094CW01
	202777	Lead-In Cord	All other models

Terminal Block and Terminals

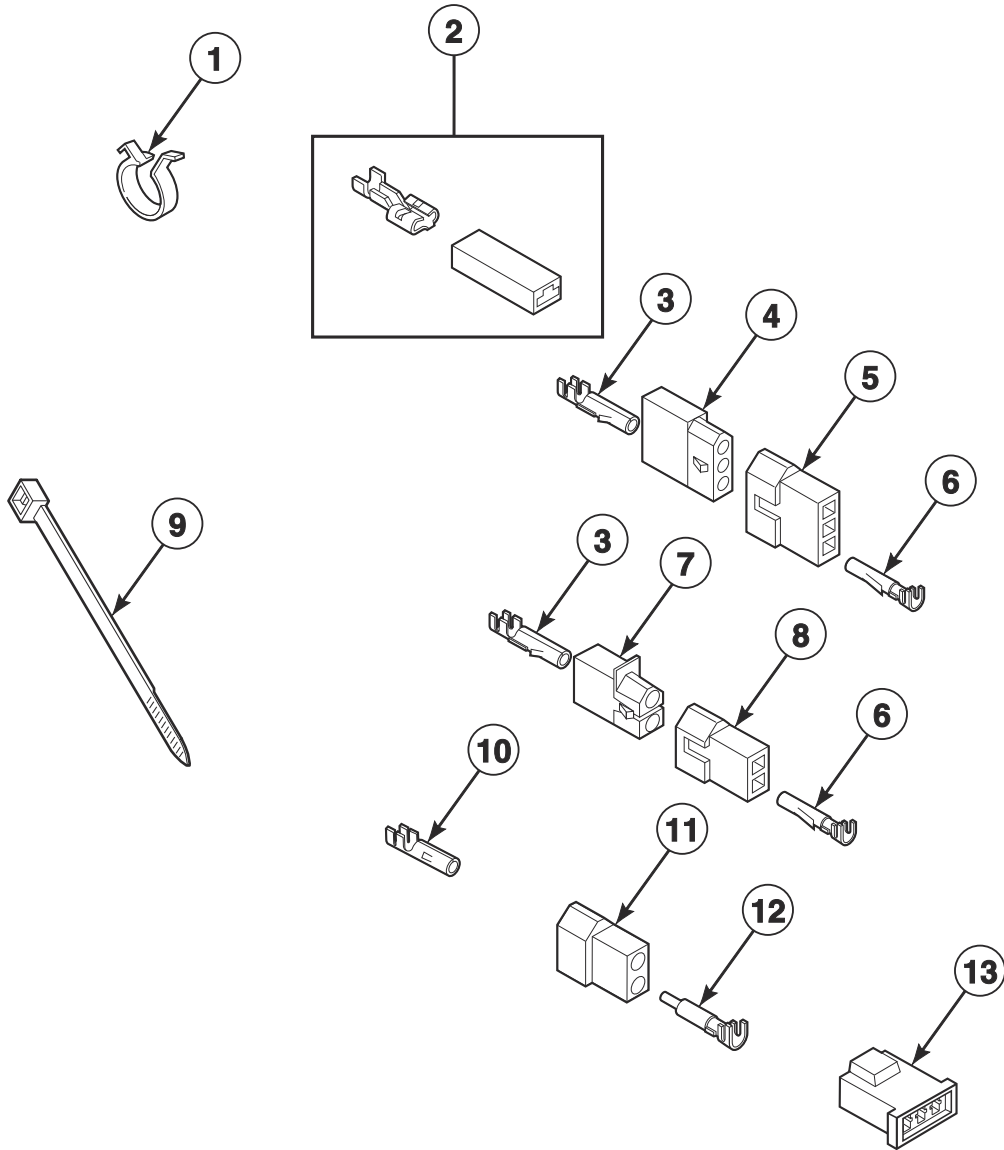


DRY2411P_515207

Terminal Block and Terminals

REF	PART NO.	DESCRIPTION	COMMENTS
1	00161	Grounding Clip	
2	00189	Female Spade Terminal	1/8 inch
3	00361	Female Piggyback Terminal	
4	58799	2 Circuit Connector	
5	00223	Female Spade Terminal	1/4 inch; (1) 18 gauge wire
	00121	Female Spade Terminal	1/4 inch; (2) 18 gauge wires or (1) 12 gauge wire
	00245	Spade Terminal	1/4 inch; (1) 22 gauge wire
6	00124	Female Spade Terminal	3/16 inch; (1) 18 gauge wire; .020 tab
7	00115	Female Spade Terminal	1/4 inch; (1) 18 gauge wire
8	90789	Receptacle Housing	
9	00359	Insulated Female Spade Terminal	1/4 inch
10	00110	Ring Terminal	No. 10; (1) 18 gauge wire
11	00114	Female Spade Terminal	1/4 inch; Double connector
12	00139	Male Tab Terminal	1/4 inch; (2) 18 gauge wires or (1) 12 gauge wire
13	00344	Female Tab Terminal	1/4 inch
14	23033	9 Circuit Plug	
	26302	1 Circuit Plug	
15	26708	6 Circuit Receptacle	
	26301	1 Circuit Receptacle	
16	00252	Terminal	
17	34596	10 Circuit Receptacle	
	D501333	12 Circuit Receptacle	
18	56855	12 Circuit Receptacle	
19	54522	Plug	

Terminals

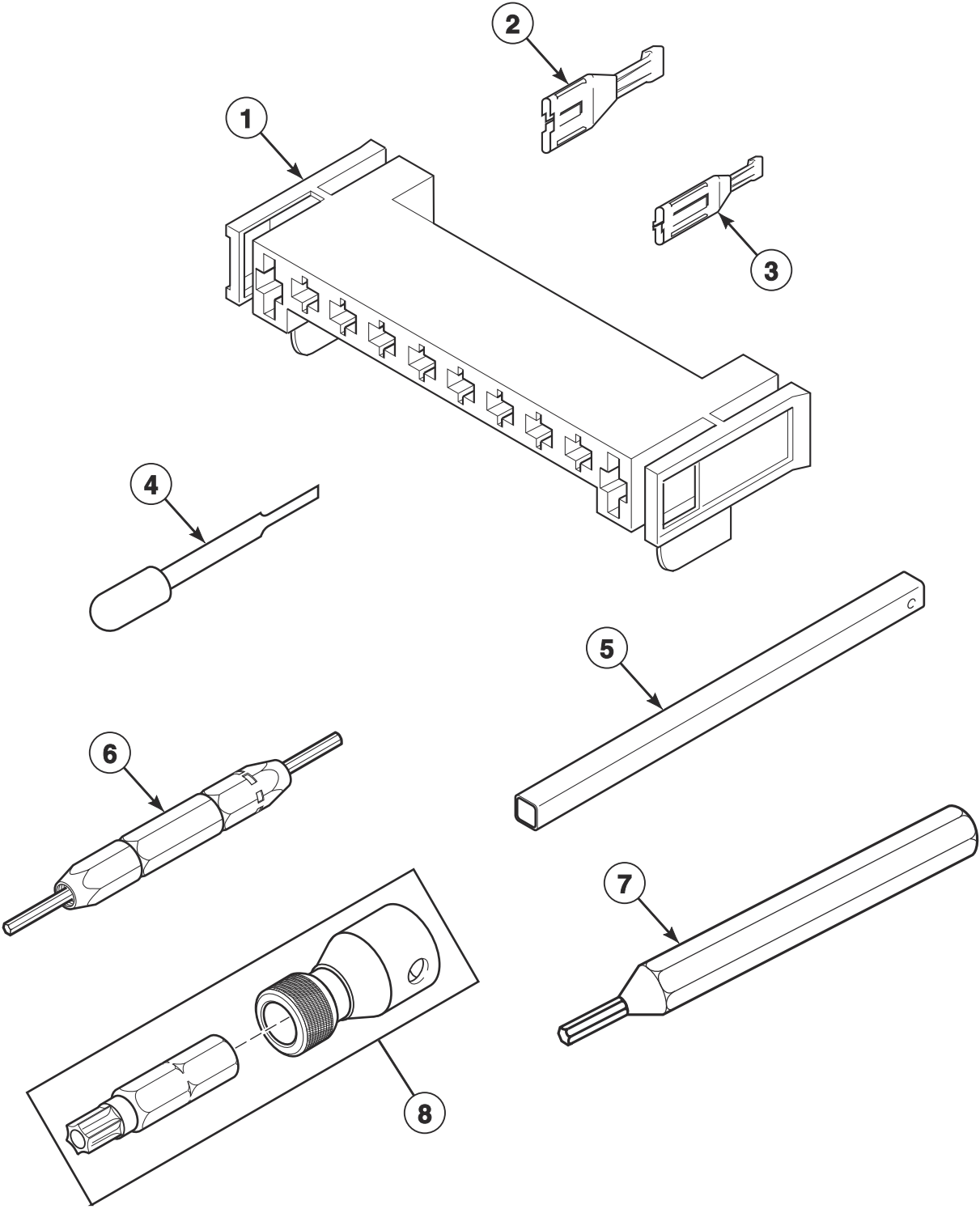


DRY1769P_515207

Terminals

REF	PART NO.	DESCRIPTION	COMMENTS
1	D504034	Wire Clip	11/16 inch
	687500	Wire Clip	1 inch
2	00360	Insulated Female Spade Terminal	(1) 12 gauge wire or (2) 18 gauge wires
3	00117	Female Pin Terminal	
4	23039	3 Circuit Receptacle	
5	23040	Plug	
6	00116	Male Pin Terminal	
7	56451	2 Circuit Receptacle	
8	56448	2 Circuit Plug	
9	55881	Harness Strap	
10	00130	Female Pin Terminal	1/8 inch; 16-18 gauge wire
	00128	Female Pin Terminal	1/8 inch; 10-14 gauge wire
11	56266	2 Circuit Plug	
12	00127	Male Pin Terminal	1/8 inch
13	58800	3 Circuit Connector	

Terminals and Terminal Extractor Tools

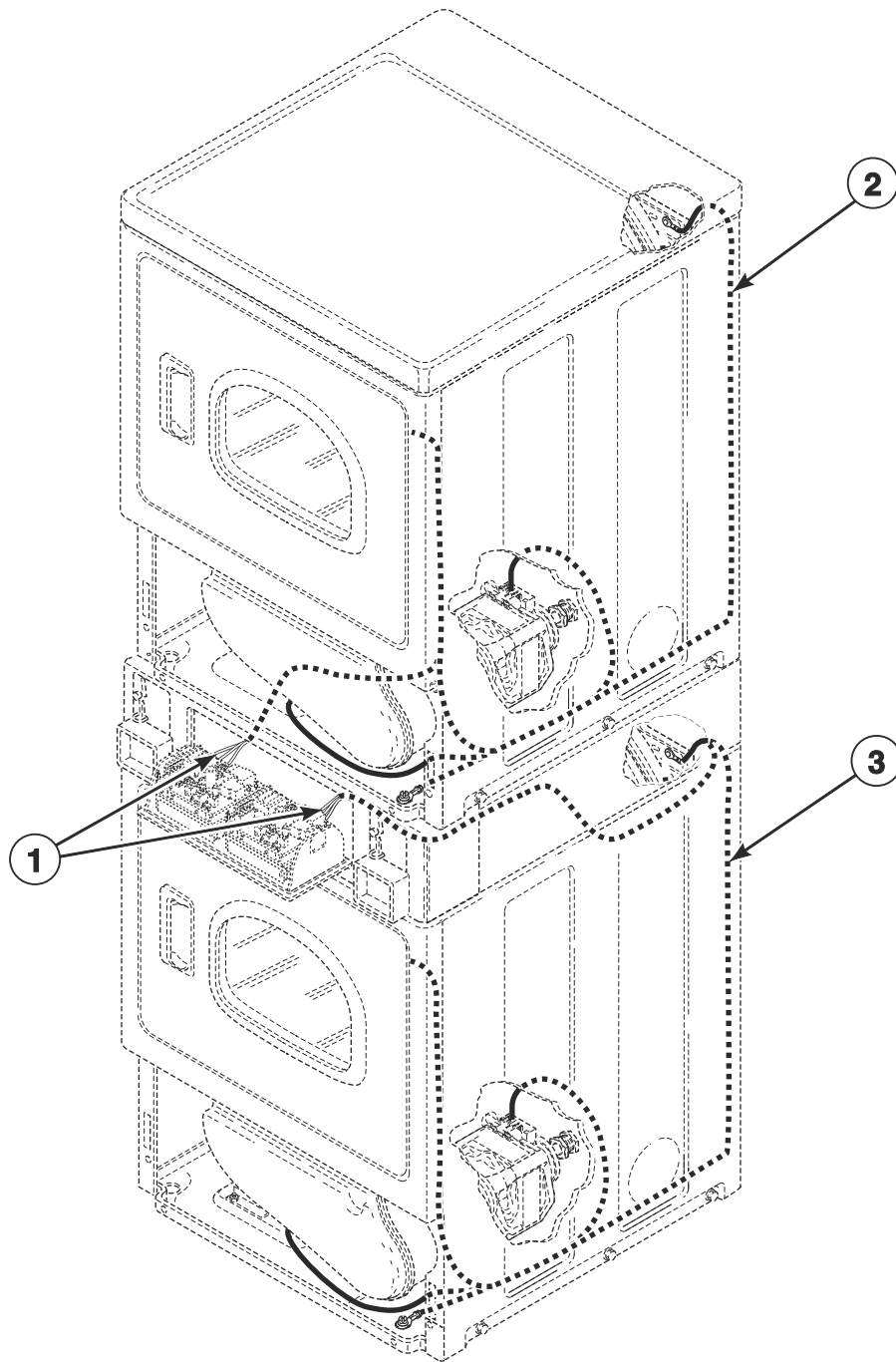


DRY2066P_515207

Terminals and Terminal Extractor Tools

REF	PART NO.	DESCRIPTION	COMMENTS
1	D500338	10 Position Housing	
2	00255	Female Terminal	1/4 inch; (1) 12 gauge wire; Electric models
	00256	Female Terminal	1/4 inch; (1) or (2) 18 gauge wires
3	00188	Female Terminal	For 1 or 2 wire application
4	283P4	Terminal Extractor Tool	For use on Molex connectors
5	310P4	Ratchet Extension Tool	1/4 inch; For coin drop installation
6	190P4	Extractor Tool	For use on electric dryer terminals
7	128P4	Extractor Tool	For use on gas dryer terminals
8	281P4	Torx Bit	T15 Tamper Resistant Bit
	282P4	Torx Bit	Use with 62853 Screw on access panel; T25 Tamper Resistant Bit
	292P4	Torx Bit	T20 Standard Bit
	93501	Torx Drive Tool	T10 Standard Bit

Wires and Wire Harnesses



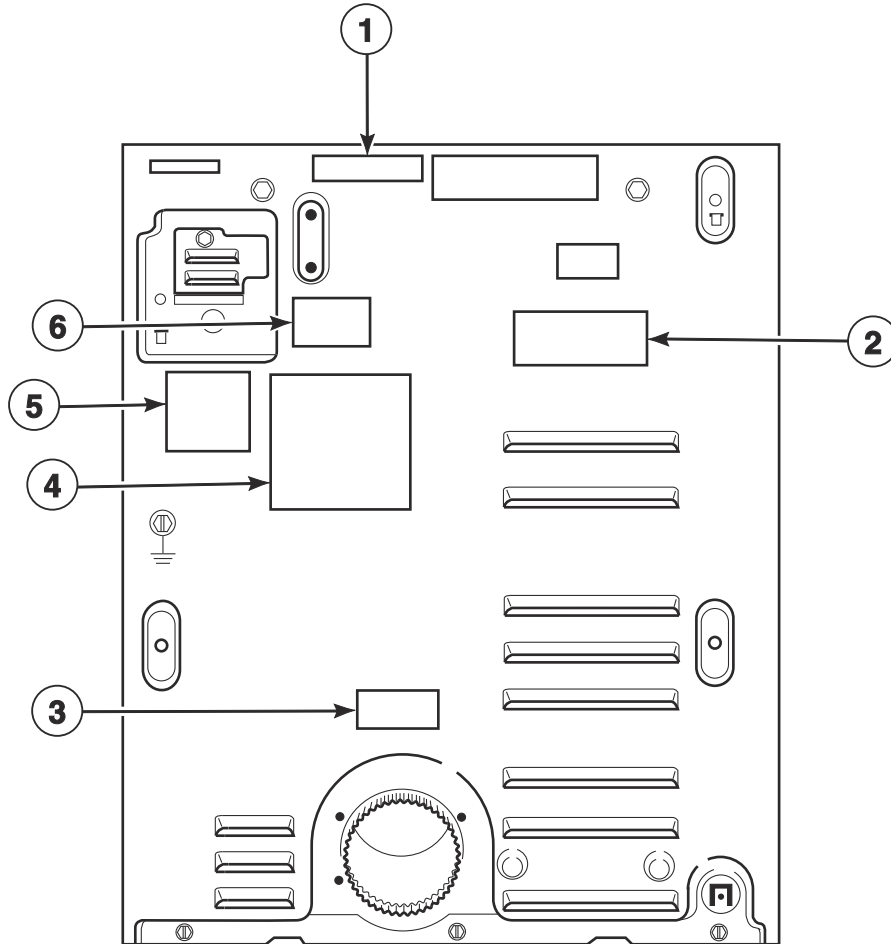
DRY2413P_515207

Wires and Wire Harnesses

REF	PART NO.	DESCRIPTION	COMMENTS
	45001	18 Gauge Wire	Black; Order wire by the foot; Order terminals and connectors as required
	45380	12 Gauge Wire	Orange; Order wire by the foot; Order terminals and connectors as required
	D514044	Power Harness	Upper; Models PSEJEAGS284CG01, PSEJEAGS284CW01, PSEJXAGS284CG01 and PSEJXAGS284CW01
	D514083	Gas Power Harness	Upper; Models PSGJEAGS094CG01, PSGJEAGS094CW01, PSGJXAGS094CG01 and PSGJXAGS094CW01
	D514042	Power Harness	Lower; Models PSEJEAGS284CG01, PSEJEAGS284CW01, PSEJXAGS284CG01 and PSEJXAGS284CW01
	D514085	Power Harness	Lower; Models PSGJEAGS094CG01, PSGJEAGS094CW01, PSGJXAGS094CG01 and PSGJXAGS094CW01
1	D513991	Security Cabinet Harness	
2	D513968	Upper Electric Harness	Electric models
	D517094	Upper Gas Harness	Gas models
3	D517240	Electronic Harness	Lower; Electric models
	D517095	Gas Harness	Lower; Gas models

NOTE: Individual wires are not available separately. Order complete harness, or order wire by the foot. When applying terminals to wires, it is recommended that the terminals be soldered to the wires.

Label Location on Rear of Cabinet



DRY2303P_515207

Label Location on Rear of Cabinet

REF	PART NO.	DESCRIPTION	COMMENTS
1	D505281	Disconnect Power Warning Label	English
	D500316	Warning Label	English/French
2	D502791	Venting Instruction Label	
3	D500497	Exhaust Warning Label	English/French
	D502507	Exhaust Warning Label	Icon
4	D511004	Gas Clearance Label	Gas models
	D511005	Electric Clearance Label	Electric models
5	D516073	Notice Label	Read Instructions Icon
6	803260	Warning Label	

Parts Index

A

Access Panel and Guard Assembly	
D514252DG	25
Access Panel Assembly	
D514250WP	25
D514251	25
Access Panel Plate	
D510903	41
Acrylic Powder Paint	
42945DG	41
Adhesive	
D511637P	29, 31
Air Duct Assembly	
D510151W	29
D515805LG	29
Anti-Seize Compound	
27604P	27

B

Blower and Fan Kit	
D510717P	27
Blower Fan Assembly	
D510139P	27
Blower Housing	
D511969WP	27
Blower Housing Seal	
D510238P	27
Bolt	
29651	9
Booster and Holding Coil	
58804A	37, 39
Bumper Pad	
56128	41
Burner Assembly	
D510149P	37, 39

C

Cabinet Rear Panel	
D514632P	41
Cabinet Side Panel	
D510001DGP	41
D510001WP	41
D510002DG	41
D510002WP	41
Card Insert Overlay	
D511544	19
D514391	17
Clip	
201572	15
Coin Drop	
200731	13
38963P	13
39748	13
70441601P	13
70441603	13

Coin Drop Assembly	
201141	13
38462P	13
38463	13
38464P	13
70441602	13
Coin Drop Kit	
CK055	13
CK056	13
CK057	13
CK058	13
CK078	13
CK085	13
CK090	13
CK097	13
CK098	13
Coin Drop Wire Harness	
201104	15
Coin Identification Paper	
38725	13, 15
Combustion Duct	
D510131	35
Connector, 2 Circuit	
58799	47
Connector, 3 Circuit	
58800	49
Control Assembly	
D515807P	5
D515809P	5
Control Overlay	
D514366	5
D515653	5
D517660	5
Control Panel	
803964B	9
803964DG	9
803964W	9
Control Panel and Bracket Assembly	
D510076W	5
D513778DG	5
D513778W	5
Cylinder Assembly	
D510265LGP	29
D510265WP	29
Cylinder Baffle	
D510102LG	29
D510102W	29
Cylinder Belt	
D511255P	27
Cylinder Glide	
D513710	29
Cylinder Glide Bracket	
D510145	29
Cylinder Roller	
D510708P	31
Cylinder Roller Bracket	
D510100	31
Cylinder Seal Assembly	
D510207P	29, 31

N/A items do not appear in index.

D

Damper	
58786	41
Directional Exhaust Kit	
528P3	41
Disconnect Power Warning Label	
D505281	55
Door Assembly	
D516510WP	21
D516737W	23
Door Catch Assembly	
D510177	25
Door Handle Wedge	
D510129W	21, 23
Door Liner Assembly	
D516508	21
Door Liner Grill	
D503870LG	23
D503870W	23
Door Pull	
D512947	21
Door Pull and Wedge Kit	
D510103WP	21, 23
D511213P	21
Door Strike	
D510181	21, 23
Door Strike Mount	
D510127	21, 23
Dryer Base	
D514245	41
Dryer Door	
D510013DG	21
D510013WP	21
D510082WP	23
D512969	21
D515961W	23
Dryer Door Window	
D503982P	23
D515681	23
Dual Coin Harness Assembly	
202871	13, 15

E

Elbow	
D513072	37
Elbow Shut-Off Valve	
D510205	37
Electric Clearance Label	
D511005	55
Electronic Coin Drop Assembly	
70294106	15
Electronic Coin Drop Kit	
CK110	15
CK115	15
Electronic Harness	
D517240	53
Ethernet Gateway Kit	
NK320	5
Exhaust Duct	
D516196	41

N/A items do not appear in index.

Exhaust Warning Label	
D500497	55
D502507	55
Expansion Clip	
70030501	9, 17
Extractor Tool	
128P4	51
190P4	51

F

Felt Pad	
D510189	29
Female Piggyback Terminal	
00361	47
Female Pin Terminal	
00117	49
00128	49
00130	49
Female Spade Terminal	
00114	47
00115	47
00121	47
00124	47
00189	47
00223	47
Female Tab Terminal	
00344	47
Female Terminal	
00188	51
00255	51
00256	51
Flexible Venting Kit	
521P3	41
Front Bulkhead Assembly	
D510266P	29
Front Panel	
D510066DG	25
D510066WP	25
D512542	25
Front Panel Assembly	
D513781WP	25
Front Panel Seal	
D511056	25

G

Gas Clearance Label	
D511004	55
Gas Harness	
D517095	53
Gas Power Harness	
D514083	53
Gas Valve Assembly	
60353P	37
Gas Valve Mounting Bracket	
D510128	37, 39
Gas Valve, Bracket and Pipe Assembly	
D517606	39
Glide Kit	
RB170003	29

Grounding Clip 00161	47
-------------------------------	----

H

Harness Strap 55881	49
Heat Duct Shroud D510101	35
Heater D510325P	33
Heater Assembly D510324P	33
D510329P	33
Heater Duct Assembly D510025P	33, 35
Heater Kit 964P3	33
Heater Kit Assembly 61927	33
61928	33
Hinge D511036	21, 23
Hinge Hole Plug D510186	25
Hold Down Kit 526P3	41
Housing, 10 Position D500338	51

I

Idler Lever D516310	27
Idler Lever and Wheel Assembly D516792	27
Idler Spring D510185	27
Idler Wheel and Bearing Assembly D510142P	27
Igniter and Bracket Assembly D510184P	37, 39
Insulated Female Spade Terminal 00359	47
00360	49

K

Key 54612	5
--------------------	---

L

Lead-In Cord 20277	45
Lead-In Pipe Assembly D510204	37
Leveling Leg D510135	41

Limit Thermostat D510701	33
D510702	35
Liner and Seal Assembly D510098W	23
D516509	23
Liner Door Seal D510147P	21, 23
Liner, Seal and Grill Assembly D510163WP	21
Lint Filter D503980LG	29
D503980W	29
Lint Filter Label D502781	25
Lock Cam 27261	5
804338	5
Lock Kit 27260P	5
L.P. Conversion Kit 458P3	37, 39

M

Machine ID Control Assembly 203361P	5
Male Pin Terminal 00116	49
00127	49
Male Tab Terminal 00139	47
Meter Case Assembly 807254DG	9
Meter Case Assembly 807396W9	
Motor and Pulley Assembly D511629P	27
Motor Hub Ring Kit 590P3	27
Motor Mount D510060	27
Motor Mount Clamp D510180	27
Motor Pulley D500011	27
Motor Switch Bracket D516311	27
Mounting Tool Kit CK096	15

N

Network Controller Kit NK220	5
Network Retrofit Kit 203328	5
Notice Label D516073	55
Nut 201216	15
28447	31

N/A items do not appear in index.

29786	13
44071201	23
44087201	9
52566	27
56156	27, 31
N.G. Conversion Kit	
459P3	37, 39

O

Opto Coupler	
200674P	13
Outlet Cover	
D500820	33, 35
D515573	33, 35
Output Control Assembly	
D513797P	41

P

Panel Locator	
56079	25, 41
Pinch Warning Label	
F8615701	29
Plug	
23040	49
54522	47
Plug, 1 Circuit	
26302	47
Plug, 2 Circuit	
56266	49
56448	49
Plug, 9 Circuit	
23033	47
Porcelain Touch-Up Paint	
122P4P	41
Power Cord Assembly	
58992	45
Power Harness	
D514042	53
D514044	53
D514085	53

R

Ratchet Extension Tool	
310P4	51
Rear Access Panel	
803998	9, 17
Rear Bulkhead Assembly	
D511082P	31
Receptacle Housing	
90789	47
Receptacle, 1 Circuit	
26301	47
Receptacle, 10 Circuit	
34596	47
Receptacle, 12 Circuit	
D501333	47
56855	47

Receptacle, 2 Circuit	
56451	49
Receptacle, 3 Circuit	
23039	49
Receptacle, 6 Circuit	
26708	47
Retaining Ring	
23748	27, 31
Ring Terminal	
00110	47
Roller Kit	
RB170002	31
Rubber Foot	
D501855	41

S

Scew	
804667	41
Screw	
D500226	21, 23, 29
D500824	27
D501285	29, 31
D501524	5
D502431	19
D502535	27
D503661	7, 43
D503688	5, 9, 11, 17, 19, 25, 27, 29, 31, 33, 35, 37, 39, 41, 43
D505870	23
D514428	41
D515967	23
M405188	29
20530	45
23222	33, 37, 39
28448	31
31260	27
33562	25
36048	43
39733	25, 41
51782	35, 37, 39
56124	37, 39
61199	31
62588	29
62853	25
70240301	9, 17
Seal Kit	
RB170001	29, 31
Secondary Coil	
58804B	37, 39
Security Cabinet Front Assembly	
D510072W	19
D511632WP	11
804147B	17
804147WP	17
Security Cabinet Harness	
D513991	53
Sensor	
D510213	37, 39
Shaft	
56461P	27, 31
Shield Bracket	
804018	5
Shock Warning Label	
F8614201	29

N/A items do not appear in index.

Single Coin Harness Assembly 202870	13
Single Overlay 38717	9
Spade Terminal 00245	47
Speed Clip 28835	25
Strain Relief 38384	45
Strain Relief Connector D511628	45
Switch D512973	9, 25
D516391	27

T

Terminal 00252	47
Terminal Block Assembly D510190P	31
Terminal Block Shield D510237	31
Terminal Extractor Tool 283P4	51
Thermal Fuse Assembly D511412	33
Thermistor Assembly D510523	27
Top Hinge D510136	43
Top Kit D510032WP	43
803144P	43
Top Panel D510032DG	43
Torx Bit 281P4	51
282P4	51
292P4	51
Torx Drive Tool 93501	51
Transformer 201375P	15
202757	5
Transformer Harness D514072	5
804795	5
Transformer Kit 203423	5

U

Upper Electric Harness D513968	53
Upper Gas Harness D517094	53
USB Gateway Kit NK330	5

USB IR Interface Kit 203346	5
--------------------------------------	---

V

Venting Instruction Label D502791	55
--	----

W

Warning Label D500316	55
D502825	25
D516243	25
803260	55
Warning/Caution Label D500281	25
Washer D501307	43
D504082	31
28449	31
52549	27, 31
Window Clip D513958	23
Window Trim D503981W	23
D515956W	23
Wire Assembly D510527	33
D510528	33
Wire Clip D504034	49
687500	49
Wire Guard 201595P	13
Wireless Network Board Harness F8536002	7
Wireless Network Control Assembly 203532	7
807211	7
Wireless Network Harness F8674006	7
Wireless Network Kit 203889	5
204689	5
Wire, 12 Gauge 45380	53
Wire, 18 Gauge 45001	53
Wiring Harness Assembly 202868	5
Wrapper and Channel Assembly D505753WP	11, 19
Wrapper Assembly 804104DG	9
804104W	9
804112B	17
804112W	17

N/A items do not appear in index.

