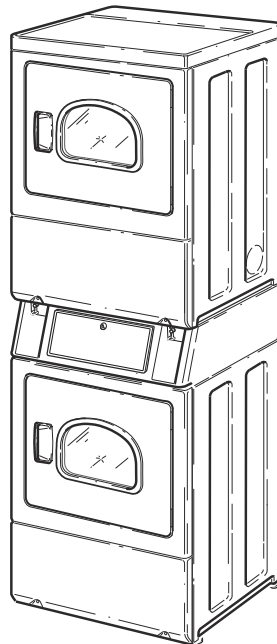


Commercial Dryers

Metered and Nonmetered
Refer to Page 3 for Model Numbers



DRY727C_D516815

Table of Contents

| Title | Page |
|--|------|
| Parts Ordering Information..... | 2 |
| Serial Plate Location | 2 |
| Model Identification | 3 |
| Control Panel and Controls..... | 4 |
| Non-Electronic Dual Coin Drop..... | 6 |
| Non-Electronic Single Coin Drop | 8 |
| Electronic Coin Drop | 10 |
| Control Cabinet (Drawing 1 of 2) | 12 |
| Control Cabinet (Drawing 2 of 2) | 14 |
| Control Panel and Controls - Nonmetered..... | 16 |
| Control Panel and Controls - Coin Slide Models..... | 18 |
| Coin Slide Extension Kit..... | 20 |
| Loading Door With Window | 22 |
| Loading Door Without Window | 24 |
| Access Panel, Front Panel and Seal | 26 |
| Motor, Exhaust Fan and Belt (Drawing 1 of 2)..... | 28 |
| Motor, Exhaust Fan and Belt (Drawing 2 of 2)..... | 30 |
| Front Bulkhead, Air Duct, Felt Seal and Cylinder | 32 |
| Rear Bulkhead, Felt Seal, Cylinder Roller and Terminal Block..... | 34 |
| Heater Duct and Element Assembly | 36 |
| Heater Duct Assembly | 38 |
| Gas Valve, Igniter and Gas Conversion Kits Gas Models Through Serial No. 1908000001 | 40 |
| Gas Valve, Igniter and Gas Conversion Kits Gas Models Starting Serial No. 1908000001 | 42 |
| Burner Orifice Spuds - For Higher Elevations..... | 44 |
| Cabinet, Exhaust Duct and Base | 46 |
| Contact and Transformer..... | 48 |
| Cabinet Top | 50 |
| Power Cord..... | 52 |
| Junction Box | 54 |
| Junction Box Filter and Harnesses | 56 |
| Terminal Block and Terminals | 58 |
| Terminals | 60 |
| Terminals and Terminal Extractor Tools | 62 |
| Wire Harnesses and Wires | 64 |
| Wire Harnesses and Wires | 66 |
| Parts Index..... | 69 |

© Copyright 2020, Alliance Laundry Systems LLC

All rights reserved. No part of the contents of this book may be reproduced or transmitted in any form or by any means without the expressed written consent of the publisher.

Parts Ordering Information

If literature or replacement parts are required, contact the source from whom the machine was purchased or contact Alliance Laundry Systems at (920) 748-3950 for the name and address of the nearest authorized parts distributor.

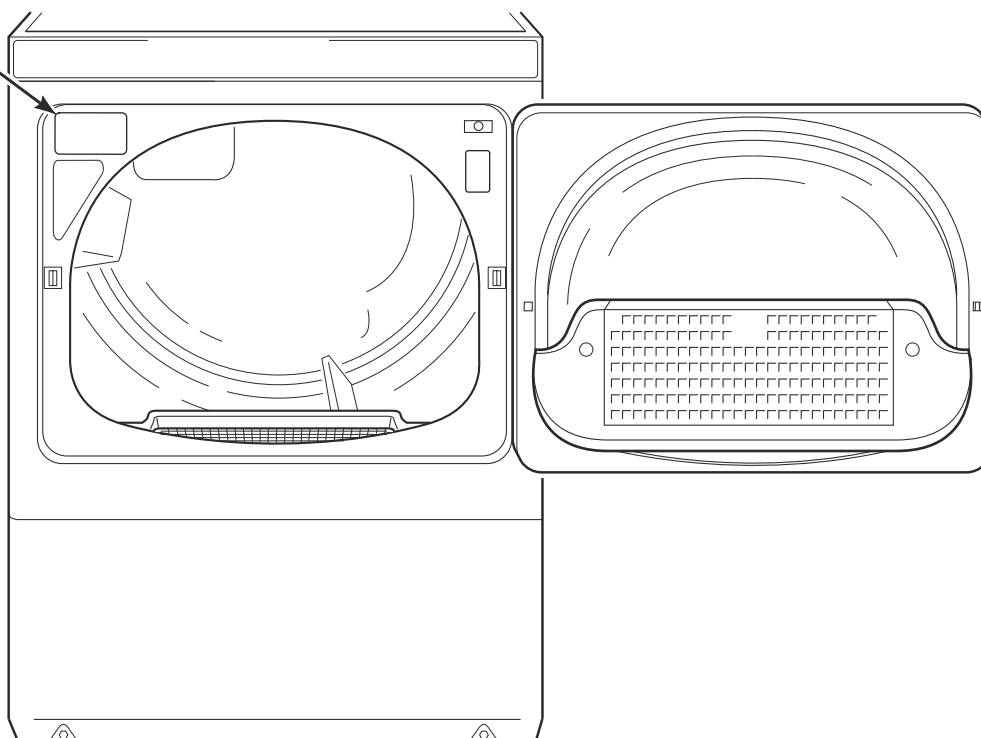
For technical assistance, call the number listed below:

(920) 748-3121 Ripon, Wisconsin

Serial Plate Location

When calling or writing about your product, be sure to mention model and serial numbers. Model and serial numbers are located on serial plate(s) as shown.

SERIAL PLATE



DRY2283P_D516815

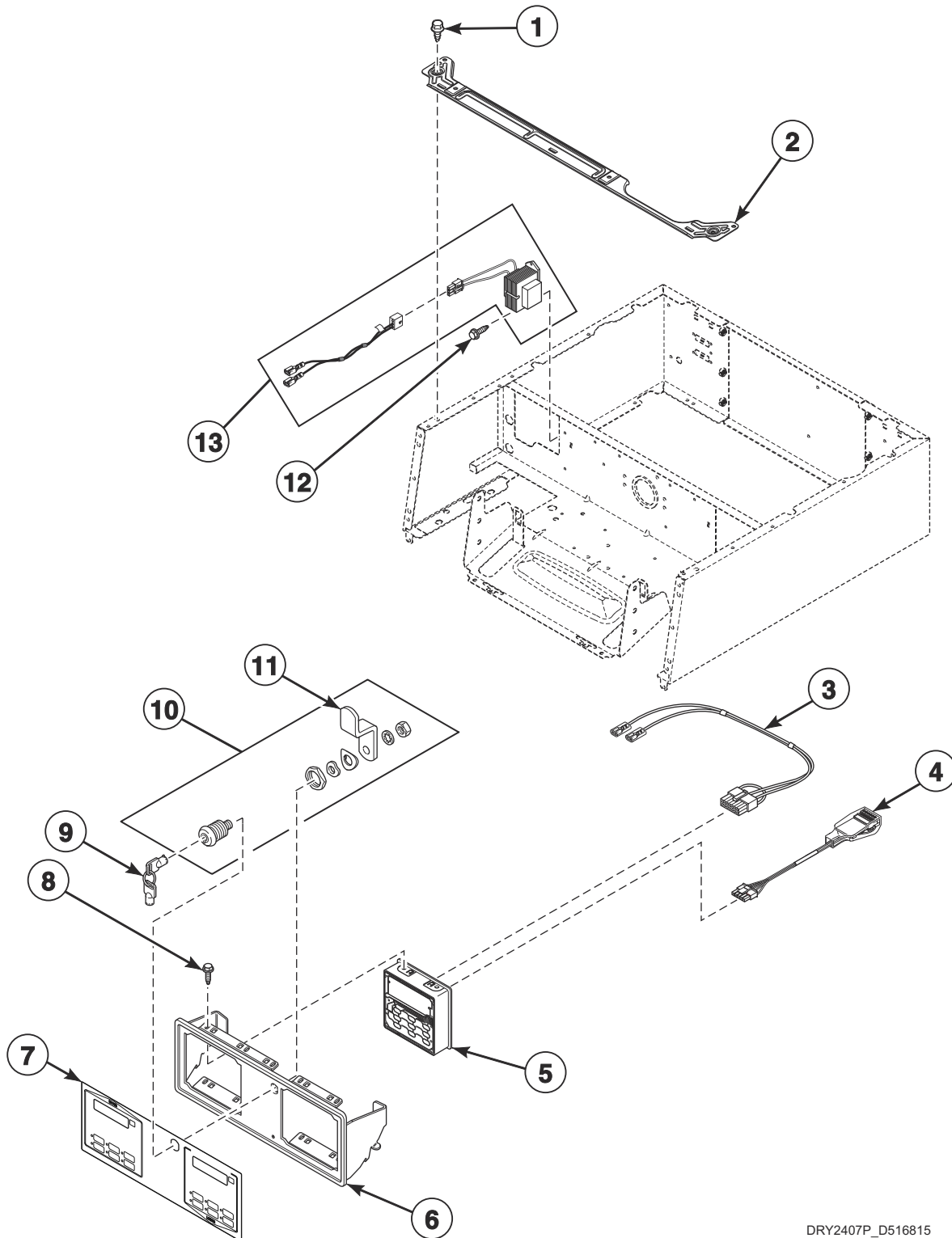
Model Identification

Information in this manual is applicable to these dryer models:

| | |
|-----------------|-----------------|
| BSGBXAGW303AW01 | SSEBXAGS303UQ01 |
| HSEBXAGS303NW22 | SSEBXAGS303UW01 |
| HSEBXAGW543DW01 | SSEBXAGS543FW01 |
| HSEBXAGW543FW01 | SSEBXAGW543DW01 |
| HSGBXAGW113FW01 | SSEMNAGS303NW01 |
| HSGBXAGW303NW21 | SSEMNAGS303UW01 |
| HSGBXAGW543DW01 | SSEMNAGS433AW01 |
| KSEMNAGS303BW33 | SSESXAGS303UW01 |
| NSEBXAGW303NW22 | SSESXAGW303NQ01 |
| NSESXAGW303NW22 | SSESXAGW303NW01 |
| NSGBXAGW303NW22 | SSESXAGW433AW01 |
| NSGSXAGW303NW22 | SSGBXAGS303EW01 |
| NSLBXAGW543NW23 | SSGBXAGW113FW01 |
| NSLBYAGW543NW23 | SSGBXAGW303AW01 |
| | SSGBXAGW543DW01 |
| | SSGSXAGS303EW01 |
| | SSGSXAGW303AW01 |
| | SSGSXAGW303BW01 |
| | TSEBXAGW303NW22 |

Control Panel and Controls

Models BSGBXAGW303AW01, HSEBXAGS303NW22, HSEBXAGW543DW01, HSEBXAGW543FW01, HSGBXAGW113FW01, HSGBXAGW303NW21, HSGBXAGW543DW01, NSEBXAGW303NW22, NSGBXAGW303NW22, NSLBXAGW543NW23, NSLBYAGW543NW23, SSEBXAGS303UQ01, SSEBXAGS303UW01, SSEBXAGS543FW01, SSEBXAGW543DW01, SSGBXAGS303EW01, SSGBXAGW113FW01, SSGBXAGW303AW01, SSGBXAGW543DW01 and TSEBXAGW303NW22



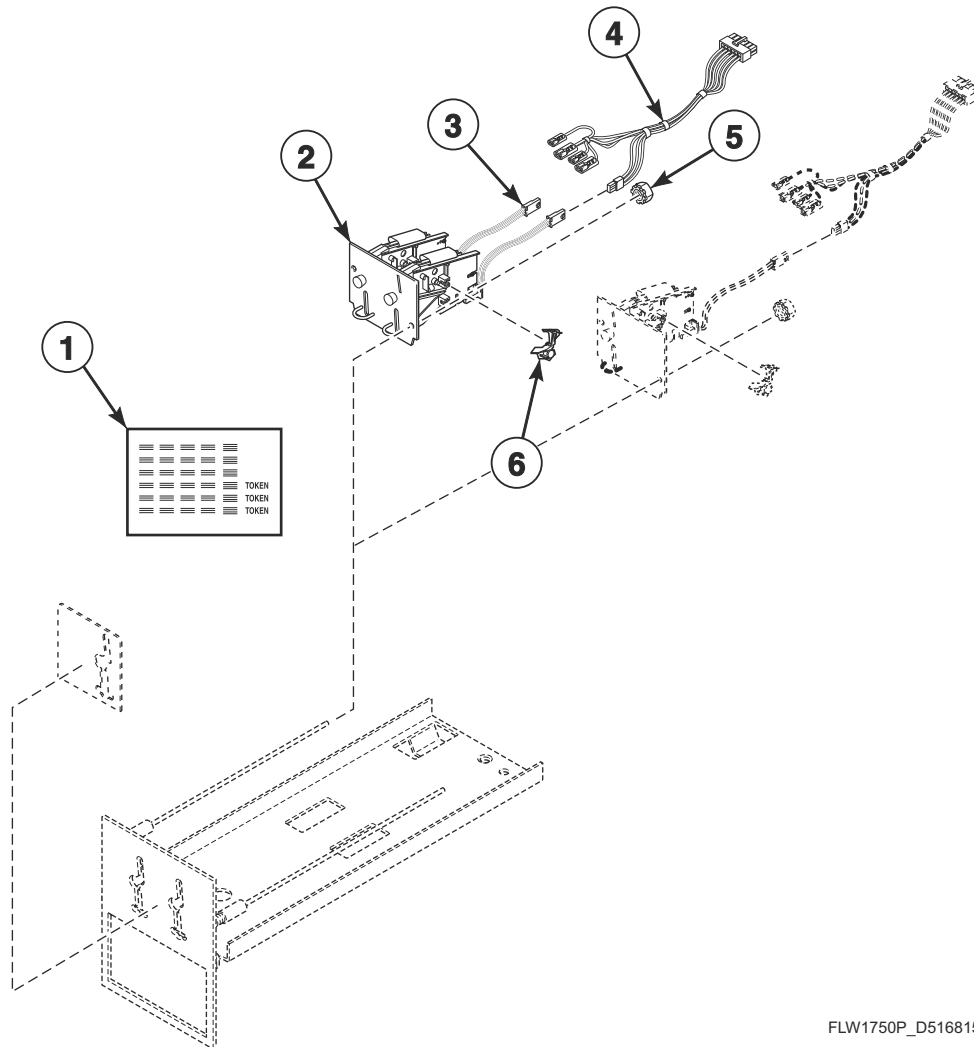
DRY2407P_D516815

Control Panel and Controls

| REF | PART NO. | DESCRIPTION | COMMENTS |
|-----|----------|------------------------------------|--|
| 1 | D503688 | Screw | |
| 2 | 804018 | Shield Bracket | |
| 3 | 202868 | Wiring Harness Assembly | Model NSLBYAGW543NW23 |
| 4 | 203361P | Machine ID Control Assembly | Model or serial number is required when ordering |
| 5 | D515808P | Control Assembly | Model BSGBXAGW303AW01 |
| | D515807P | Control Assembly | All other models |
| 6 | D513778W | Control Panel and Bracket Assembly | White |
| | D513778Q | Control Panel and Bracket Assembly | Bisque |
| 7 | D515543 | Control Overlay | Model BSGBXAGW303AW01 |
| | D515542 | Control Overlay | Models HSEBXAGS303NW22, HSEBXAGW543DW01, HSEBXAGW543FW01, HSGBXAGW113FW01, HSGBXAGW303NW21 and HSGBXAGW543DW01 |
| | D515500 | Control Overlay | Models NSEBXAGW303NW22, NSGBXAGW303NW22, NSLBXAGW543NW23, NSLBYAGW543NW23 and TSEBXAGW303NW22 |
| | D515541 | Control Overlay | Models SSEBXAGS303UQ01 and SSEBXAGS303UW01 |
| | D515540 | Control Overlay | All other models |
| 8 | D501524 | Screw | |
| 9 | 54612 | Key | 800 |
| 10 | 27260P | Lock Kit | Includes item 10 |
| 11 | 804338 | Lock Cam | |
| 12 | D503661 | Screw | |
| 13 | 203423 | Transformer Kit | 120 Volt |
| | 203424 | Transformer Kit | 240 Volt |

Non-Electronic Dual Coin Drop

Coin Drop Models



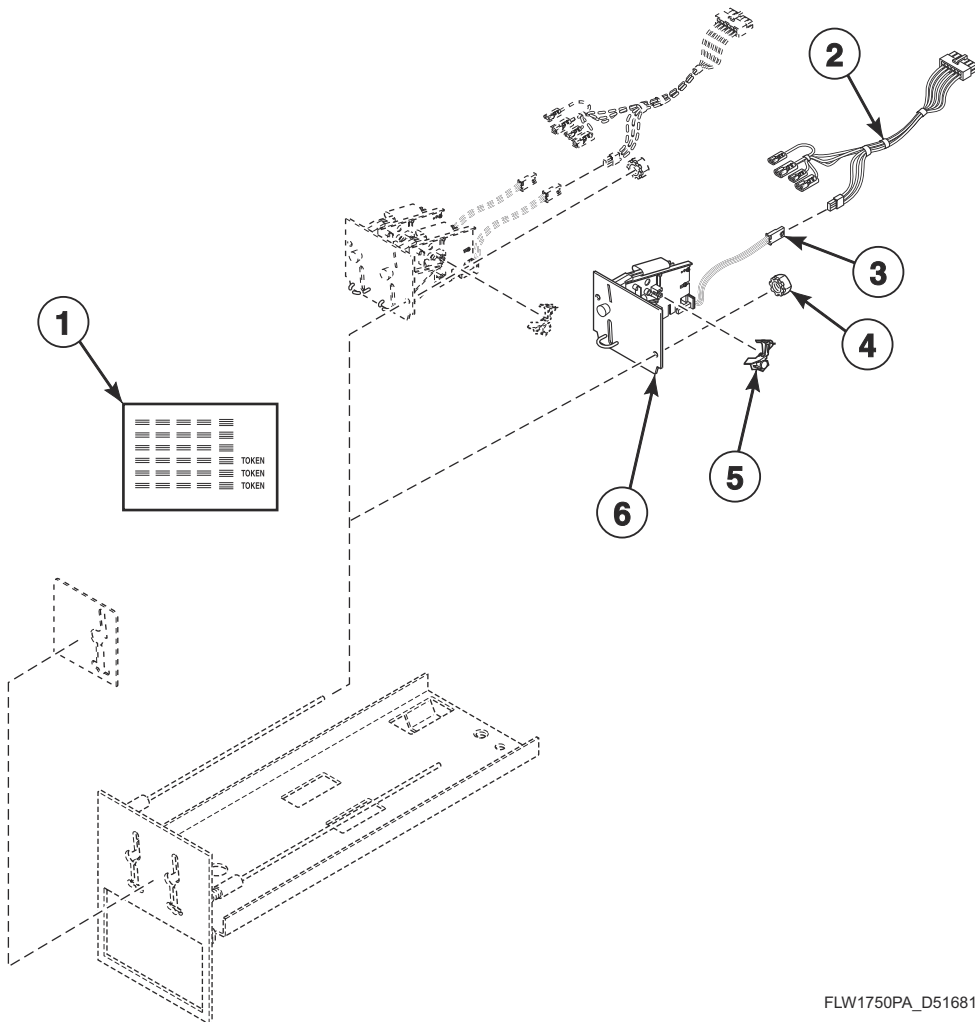
FLW1750P_D516815

Non-Electronic Dual Coin Drop

| REF | PART NO. | DESCRIPTION | COMMENTS |
|-----|----------|----------------------------|---|
| 1 | 38725 | Coin Identification Paper | |
| 2 | 70441603 | Coin Drop | U.S.A.; \$.25 and \$1.00 |
| | 38467 | Coin Drop Assembly | Australia; \$0.20 and \$1.00 |
| | 70447301 | Coin Drop Assembly | Australia; \$1.00 and \$2.00 |
| | 70441602 | Coin Drop Assembly | Canada; .25 and 1.00 |
| | 38472 | Coin Drop Assembly | England; 20 pence and 1 pound |
| | 38519 | Coin Drop Assembly | apan; 100 yen and 500 yen |
| | 38521 | Coin Drop Assembly | Korea; 100 won and 500 won |
| | 70482401 | Coin Drop Assembly | New Zealand ; \$1.00 and \$2.00 |
| | 553192 | Coin Drop Assembly | Danish Crown |
| | 39157 | Coin Drop Assembly | Israel; 1 and 5 Shekel |
| | 210195 | Coin Drop Assembly | 0.20 and 1.00 Euro |
| | 210196 | Coin Drop Assembly | 0.50 and 1.00 Euro |
| | 70281102 | Coin Drop Assembly | Taiwan; 10 and 50 NT |
| | CK058 | Coin Drop Kit | Canada; \$0.25 and \$1.00 |
| | CK060 | Coin Drop Kit | Australia; \$0.20 and \$1.00 |
| | CK071 | Coin Drop Kit | Japan; 100 yen and 500 yen |
| | CK086 | Coin Drop Kit | Israel; 1 and 5 Shekel |
| | CK091 | Coin Drop Kit | 0.20 and 1.00 Euro |
| | CK107 | Coin Drop Kit | Taiwan; 10 and 50 NT |
| | CK111 | Coin Drop Kit | Australia; \$1.00 and \$2.00 |
| | CK122 | Coin Drop Kit | New Zealand; \$1.00 and \$2.00 |
| 3 | 200674P | Opto Coupler | |
| 4 | 202871 | Dual Coin Harness Assembly | Dual drop |
| 5 | 29786 | Nut | |
| 6 | 201595P | Wire Guard | Anti-stringing security device; Add to coin drops |

Non-Electronic Single Coin Drop

Coin Drop Models



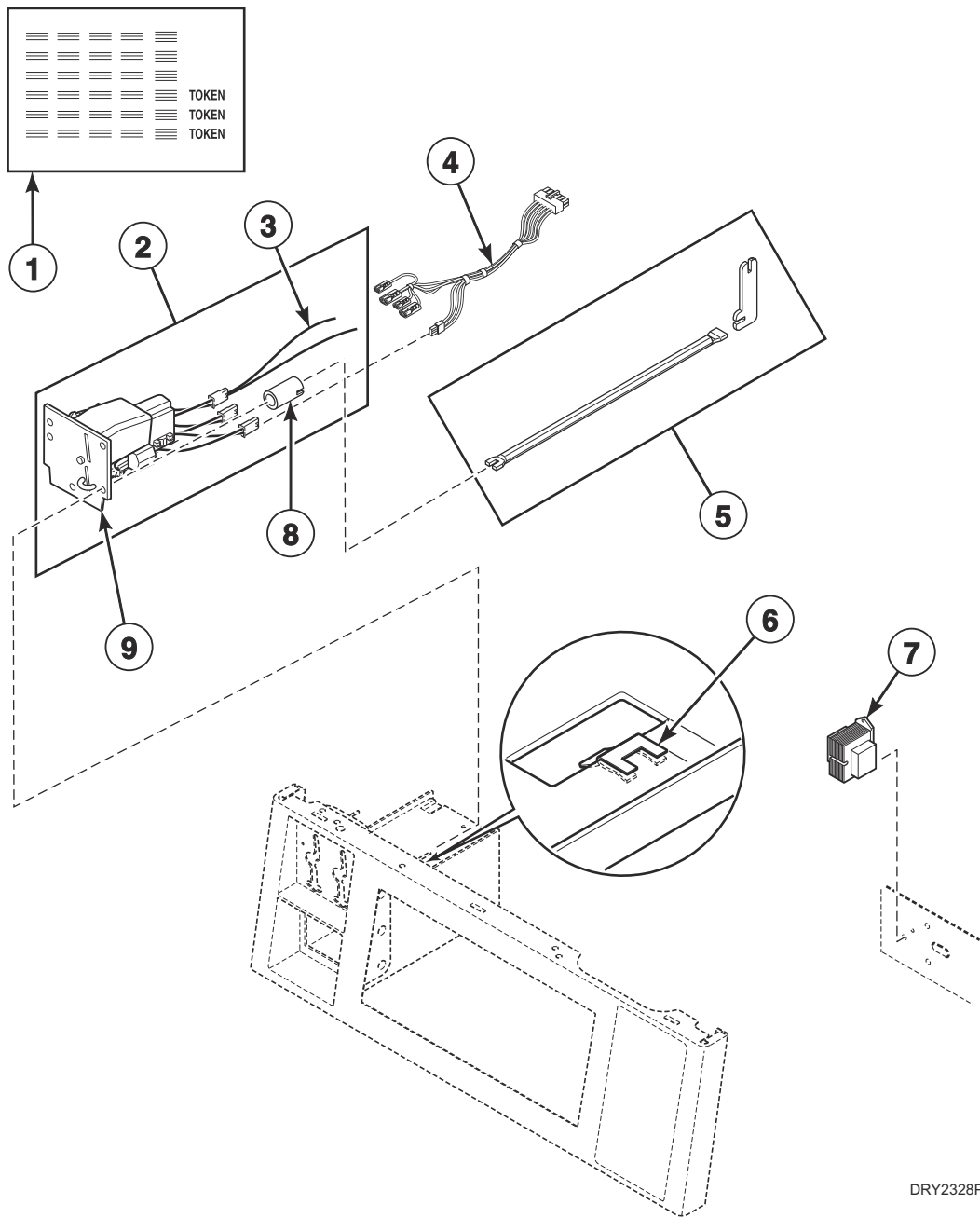
FLW1750PA_D516815

Non-Electronic Single Coin Drop

| REF | PART NO. | DESCRIPTION | COMMENTS |
|-------|---------------|------------------------------|---|
| 1 | 38725 | Coin Identification Paper | |
| 2 | 202870 | Single Coin Harness Assembly | Single drop |
| 3 | 200674P | Opto Coupler | |
| 4 | 29786 | Nut | |
| 5 | 201595P | Wire Guard | Anti-stringing security device; Add to coin drops |
| 6 | 70441601P | Coin Drop | U.S.A.; \$.25 |
| | 200731 | Coin Drop | U.S.A.; \$1.00 |
| | 38464P | Coin Drop Assembly | Canada; .25 |
| | CK114 | Coin Drop Assembly | Singapore; Old \$1.00 |
| | CK123 | Coin Drop Kit | Singapore; New \$1.00 |
| | 38462P | Coin Drop Assembly | Token; STD 118-1 |
| | 38463 | Coin Drop Assembly | Token; STD 118-5 |
| | 38963P | Coin Drop | Token STD 118-16 |
| | 38475 | Coin Drop Assembly | Japan; 100 yen |
| | 70506901 | Coin Drop Assembly | Singapore; \$1.00 NEW |
| | 39748 | Coin Drop | Jeton 08MS |
| | 201141 | Coin Drop Assembly | Token; Jeton wh121 |
| | CK055 | Coin Drop Kit | Token STD 118-1 |
| | CK056 | Coin Drop Kit | Token STD 118-5 |
| | CK057 | Coin Drop Kit | Canada; \$0.25 |
| | CK077 | Coin Drop Kit | Taiwan; 10 NT |
| | CK078 | Coin Drop Kit | U.S.A.; \$0.25 |
| | CK085 | Coin Drop Kit | Token STD 118-16 |
| | CK089 | Coin Drop Kit | Japan; 100 yen |
| | CK090 | Coin Drop Kit | U.S.A.; \$1.00 |
| CK097 | Coin Drop Kit | Token; Jeton 08MS | |
| CK098 | Coin Drop Kit | Token; Jeton wh121 | |

Electronic Coin Drop

Coin Drop Models



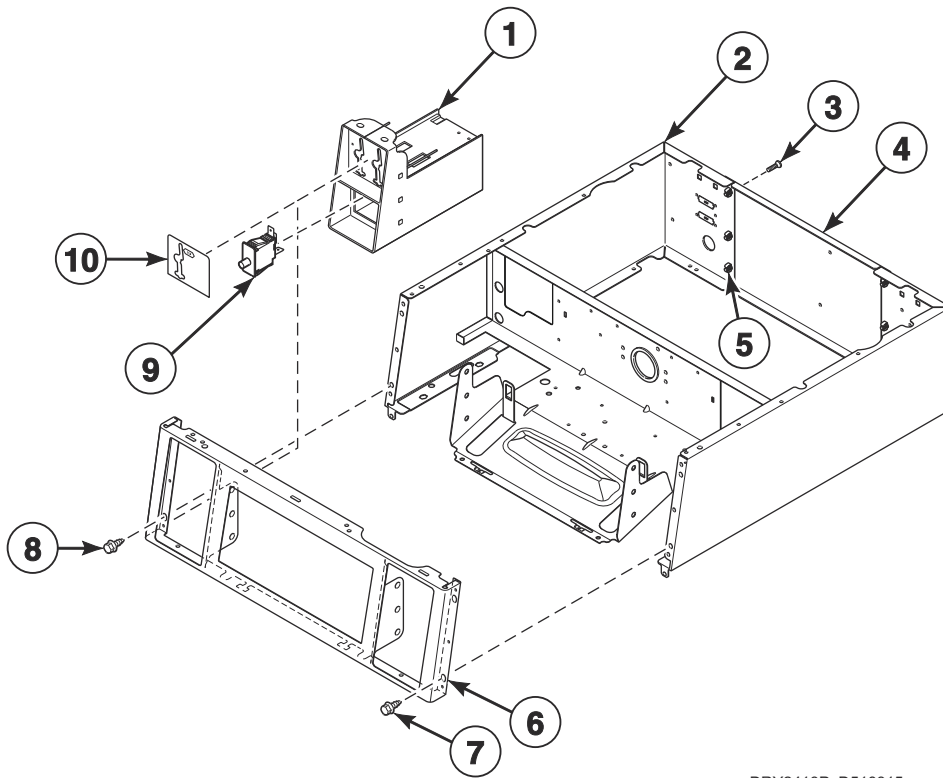
DRY2328P_D516815

Electronic Coin Drop

| REF | PART NO. | DESCRIPTION | COMMENTS |
|----------|-----------|-------------------------------|--|
| | D514069 | Transformer Harness | Model HSEBXAGS303NW22; Use with item 7 |
| 1 | 38725 | Coin Identification Paper | |
| 2 | CK099 | Electronic Coin Drop Kit | Australia, New Zealand, Hong Kong and South Korea; Includes items 1, 3, 6, 8 and 9 |
| | CK100 | Electronic Coin Drop Kit | Euro and Great Britain; Includes items 1, 3, 6, 8 and 9 |
| | CK101 | Electronic Coin Drop Kit | Euro, Denmark and Norway; Includes items 1, 3, 6, 8 and 9 |
| | CK103 | Electronic Coin Drop Kit | Euro, Lithuania and Latvia; Includes items 1, 3, 6, 8 and 9 |
| | CK108 | Electronic Coin Drop Kit | South Africa; Includes items 1, 3, 6, 8 and 9 |
| | CK109 | Electronic Coin Drop Kit | Euro; Includes items 1, 3, 6, 8 and 9 |
| | CK110 | Electronic Coin Drop Kit | Mexico, Ecuador and United States; Includes items 1, 3, 6, 8 and 9 |
| | CK113 | Electronic Coin Drop Kit | Japan and Taiwan; Includes items 1, 3, 6, 8 and 9 |
| | CK115 | Electronic Coin Drop Kit | United States and Canada; Includes items 1, 3, 6, 8 and 9 |
| | CK116 | Electronic Coin Drop Kit | Malaysia and China; Includes items 1, 3, 6, 8 and 9 |
| | CK117 | Electronic Coin Drop Kit | Russia; Includes items 1, 3, 6, 8 and 9 |
| | CK118 | Electronic Coin Drop Kit | Philippines; Includes items 1, 3, 6, 8 and 9 |
| | CK119 | Electronic Coin Drop Kit | Thailand coins; Includes items 1, 3, 6, 8 and 9 |
| | CK120 | Electronic Coin Drop Kit | Chile; Includes items 1, 3, 6, 8 and 9 |
| | CK121 | Electronic Coin Drop Kit | Singapore; Includes items 1, 3, 6, 8 and 9 |
| 3 | 201104 | Coin Drop Wire Harness | |
| 4 | 202871 | Dual Coin Harness Assembly | |
| 5 | CK096 | Mounting Tool Kit | |
| 6 | 201572 | Clip | |
| 7 | 202758 | Transformer | Model HSEBXAGS303NW22 |
| | 201375P | Transformer | All other models |
| 8 | 201216 | Nut | |
| 9 | 70513302 | Electronic Coin Drop Assembly | Euro and Great Britain |
| | 70294104 | Electronic Coin Drop Assembly | Euro, Denmark and Norway |
| | 70294106 | Electronic Coin Drop Assembly | Mexico, Ecuador and United States |
| | 70294107 | Electronic Coin Drop Assembly | Euro, Lithuania and Latvia |
| | 70294110 | Electronic Coin Drop Assembly | South Africa |
| | 70294111 | Electronic Coin Drop Assembly | Euro |
| | 70294122 | Electronic Coin Drop Assembly | Great Britain and token |
| | 70513311 | Electronic Coin Drop Assembly | Malaysia and China |
| | 70294117 | Electronic Coin Drop Assembly | Russia |
| | 70294120 | Electronic Coin Drop Assembly | Chile |
| | 70294121 | Electronic Coin Drop Assembly | Singapore |
| | 70294103P | Electronic Coin Drop Assembly | Euro and Great Britain coins |
| | 70294119 | Electronic Coin Drop Assembly | Thailand coins |

Control Cabinet (Drawing 1 of 2)

Coin Drop Models



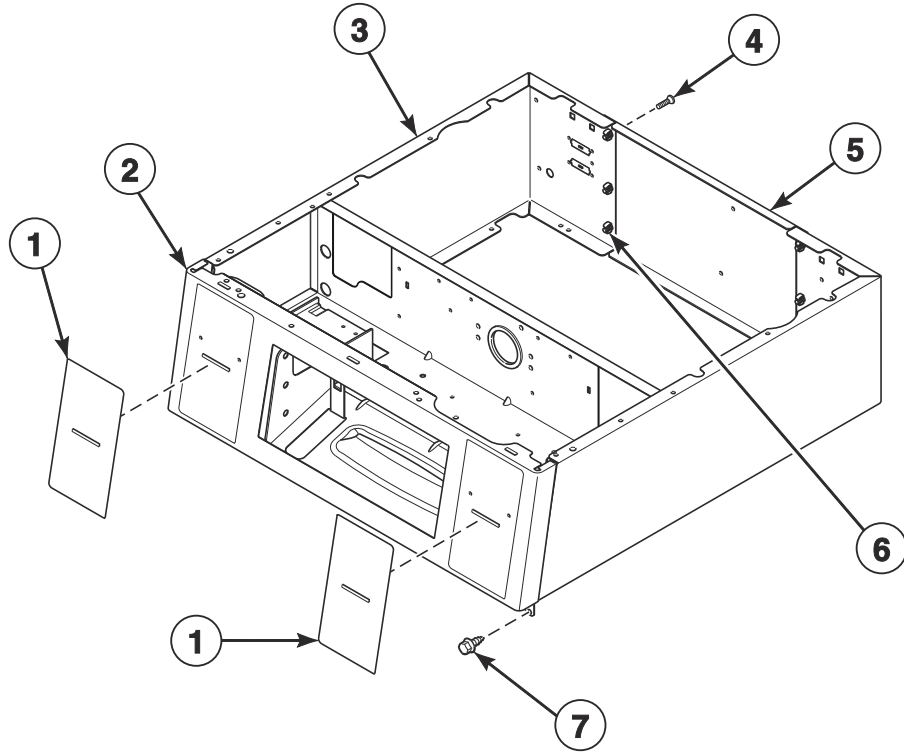
DRY2418P_D516815

Control Cabinet (Drawing 1 of 2)

| REF | PART NO. | DESCRIPTION | COMMENTS |
|-----|----------|---------------------|--|
| | 44087201 | Nut | 4 required; Use with item 8 |
| 1 | 807396W | Meter Case Assembly | White; Requires high capacity coin vault |
| 2 | 804104W | Wrapper Assembly | White |
| | 804104Q | Wrapper Assembly | Bisque |
| 3 | 70240301 | Screw | 6 required |
| 4 | 803998 | Rear Access Panel | |
| 5 | 70030501 | Expansion Clip | 6 required |
| 6 | 803964W | Control Panel | White |
| | 803964Q | Control Panel | Bisque |
| 7 | D503688 | Screw | |
| 8 | 29651 | Bolt | 4 required |
| 9 | D512973 | Switch | Through Serial No.1810000001 |
| | 70529301 | Switch | Starting Serial No.1810000001 |
| 10 | 38717 | Single Overlay | For use with non-electronic coin drops |
| | 201091 | Overlay | For use with electronic coin drops |
| | 39073 | Dual Overlay | |

Control Cabinet (Drawing 2 of 2)

Model NSLBYAGW543NW23



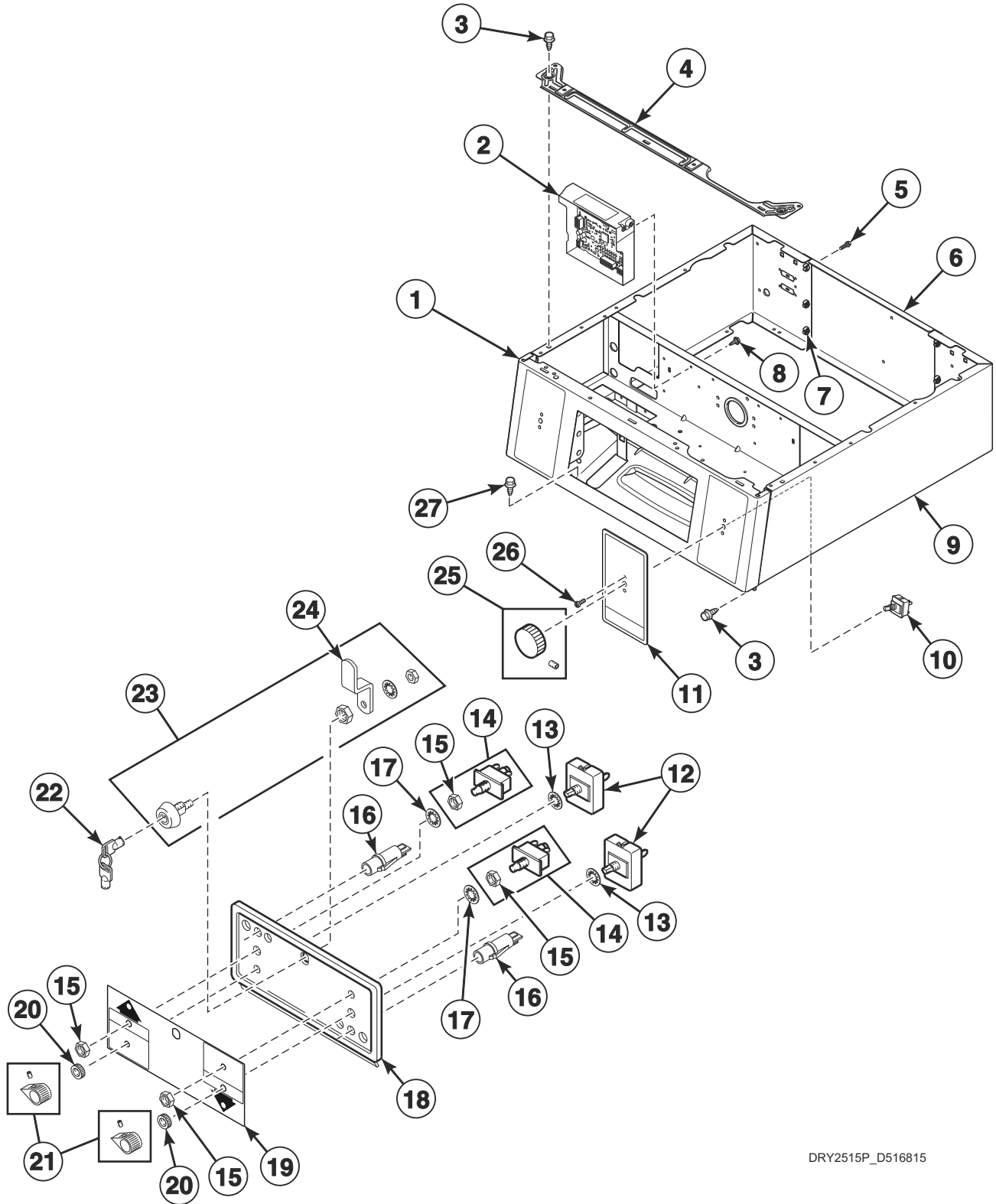
DRY2409P_D516815

Control Cabinet (Drawing 2 of 2)

| REF | PART NO. | DESCRIPTION | COMMENTS |
|-----|----------|---------------------------------|------------|
| 1 | D514874 | Overlay | |
| 2 | 804147WP | Security Cabinet Front Assembly | |
| 3 | 804112W | Wrapper Assembly | |
| 4 | 70240301 | Screw | 6 required |
| 5 | 803998 | Rear Access Panel | |
| 6 | 70030501 | Expansion Clip | 6 required |
| 7 | D503688 | Screw | |

Control Panel and Controls - Nonmetered

Models KSEMNAGS303BW33, SSEMNAGS303NW01, SSEMNAGS303UW01 and SSEMNAGS433AW01



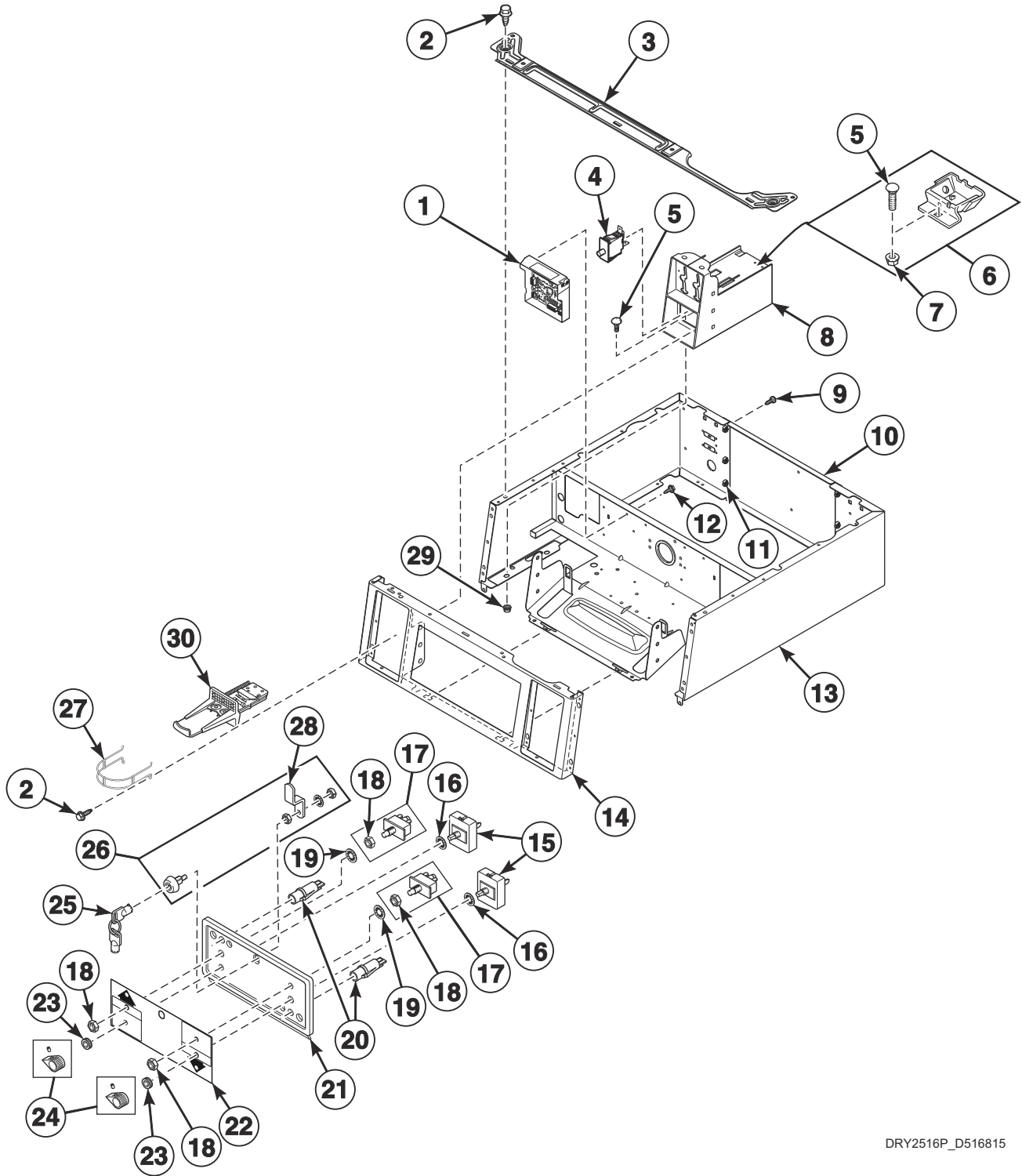
DRY2515P_D516815

Control Panel and Controls - Nonmetered

| REF | PART NO. | DESCRIPTION | COMMENTS |
|-----|----------|------------------------------------|-----------------------|
| 1 | D514711W | Control Panel | White |
| 2 | D514218 | Control Assembly | |
| 3 | D503688 | Screw | |
| 4 | 804018 | Shield Bracket | |
| 5 | 70240301 | Screw | 6 required |
| 6 | 803998 | Rear Access Panel | |
| 7 | 70030501 | Expansion Clip | 6 required |
| 8 | 804608 | Screw | |
| 9 | 804112W | Wrapper Assembly | White |
| 10 | 201686 | Cycle Selector Switch | |
| 11 | D515998 | Timer Overlay | |
| 12 | D511711 | Temperature Selector Switch | |
| 13 | 91176 | Washer | |
| 14 | 55882 | Switch Assembly | Includes item 15 |
| 15 | 52947 | Nut | |
| 16 | 801431 | Light | |
| 17 | F430339 | Washer | |
| 18 | D500228W | Control Panel and Bracket Assembly | White |
| 19 | D517289 | Control Overlay | Model KSEMNAGS303BW33 |
| | D514371 | Overlay | All other models |
| 20 | 24205 | Nut | |
| 21 | 39897 | Switch Knob | |
| 22 | 54612 | Key | 800 |
| 23 | 27260P | Lock Kit | Includes items 24 |
| 24 | 804338 | Lock Cam | |
| 25 | 54678 | Timer Knob | |
| 26 | 27328 | Screw | |
| 27 | D502431 | Screw | |

Control Panel and Controls - Coin Slide Models

Models NSESXAGW303NW22, NSGSXAGW303NW22, SSESXAGS303UW01, SSESXAGW303NQ01, SSESXAGW303NW01, SSESXAGW433AW01, SSGSXAGS303EW01, SSGSXAGW303AW01 and SSGSXAGW303BW01



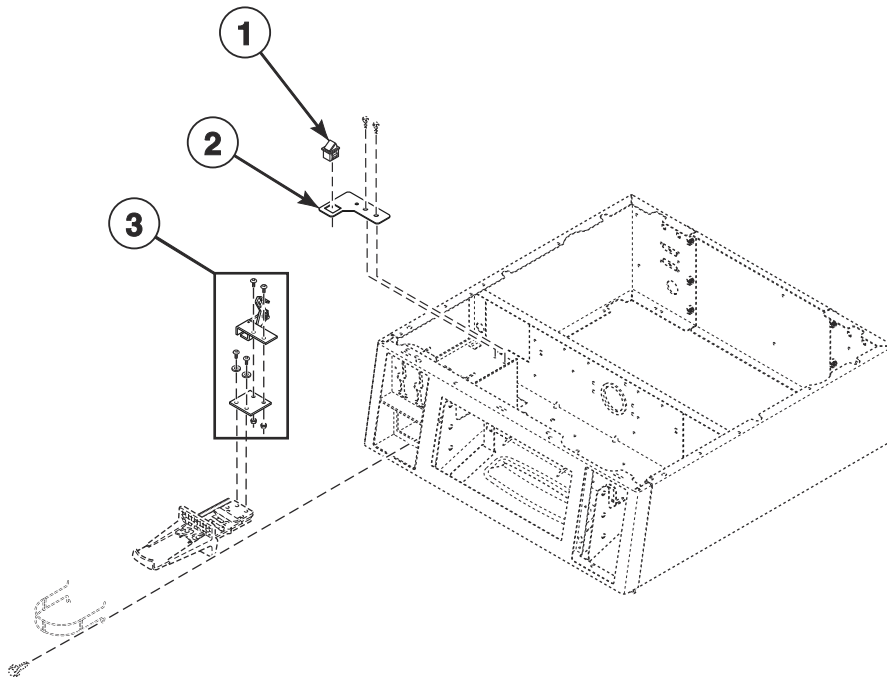
DRY2516P_D516815

Control Panel and Controls - Coin Slide Models

| REF | PART NO. | DESCRIPTION | COMMENTS |
|-----|----------|------------------------------------|---|
| 1 | D514218 | Control Assembly | |
| 2 | D503688 | Screw | |
| 3 | 804018 | Shield Bracket | |
| 4 | D512973 | Switch | Through Serial No.1810000001 |
| | 70529301 | Switch | Starting Serial No.1810000001 |
| 5 | 29651 | Bolt | |
| 6 | 523P3 | Coin Funnel Kit | Includes items 5 and 7 |
| 7 | 29796 | Nut | |
| 8 | 804011W | Meter Case Assembly | White; Requires high capacity coin vault |
| | 804011Q | Meter Case Assembly | Bisque; Requires high capacity coin vault |
| 9 | 70240301 | Screw | 6 required |
| 10 | 803998 | Rear Access Panel | |
| 11 | 70030501 | Expansion Clip | 6 required |
| 12 | 804608 | Screw | |
| 13 | 804104W | Wrapper Assembly | White |
| | 804104Q | Wrapper Assembly | Bisque |
| 14 | D514724W | Control Panel | White |
| | D514724Q | Control Panel | Bisque |
| 15 | D511711 | Temperature Selector Switch | |
| 16 | 91176 | Washer | |
| 17 | 55882 | Switch Assembly | Includes item 18 |
| 18 | 52947 | Nut | |
| 19 | F430339 | Washer | |
| 20 | 801431 | Light | |
| 21 | D500228W | Control Panel and Bracket Assembly | White |
| | D500228Q | Control Panel and Bracket Assembly | Bisque |
| 22 | D514671 | Control Overlay | Models NSEXAGW303NW22 and NSGSXAGW303NW22 |
| | D514371 | Overlay | All other models |
| 23 | 24205 | Nut | |
| 24 | 39897 | Switch Knob | |
| 25 | 54612 | Key | 800 |
| 26 | 27260P | Lock Kit | Includes item 28 |
| 27 | D514726 | Coin Slide Guard | |
| 28 | 804338 | Lock Cam | |
| 29 | 44087201 | Nut | 4 required |
| 30 | CK001 | Coin Slide Kit | U.S.A. |
| | CK009 | Coin Slide Kit | STD-118-1 Token |
| | CK010P | Coin Slide Kit | STD-118-5 Token |
| | CK011 | Coin Slide Kit | STD-118-10 Token |
| | CK014 | Coin Slide Kit | U.S.A. |
| | CK017 | Coin Slide Kit | Chilly Willy |
| | CK027 | Slide | Tokette |

Coin Slide Extension Kit

Models NSESXAGW303NW22, NSGSXAGW303NW22, SSESXAGS303UW01, SSESXAGW303NQ01, SSESXAGW303NW01, SSESXAGW433AW01, SSGSXAGS303EW01, SSGSXAGW303AW01 and SSGSXAGW303BW01



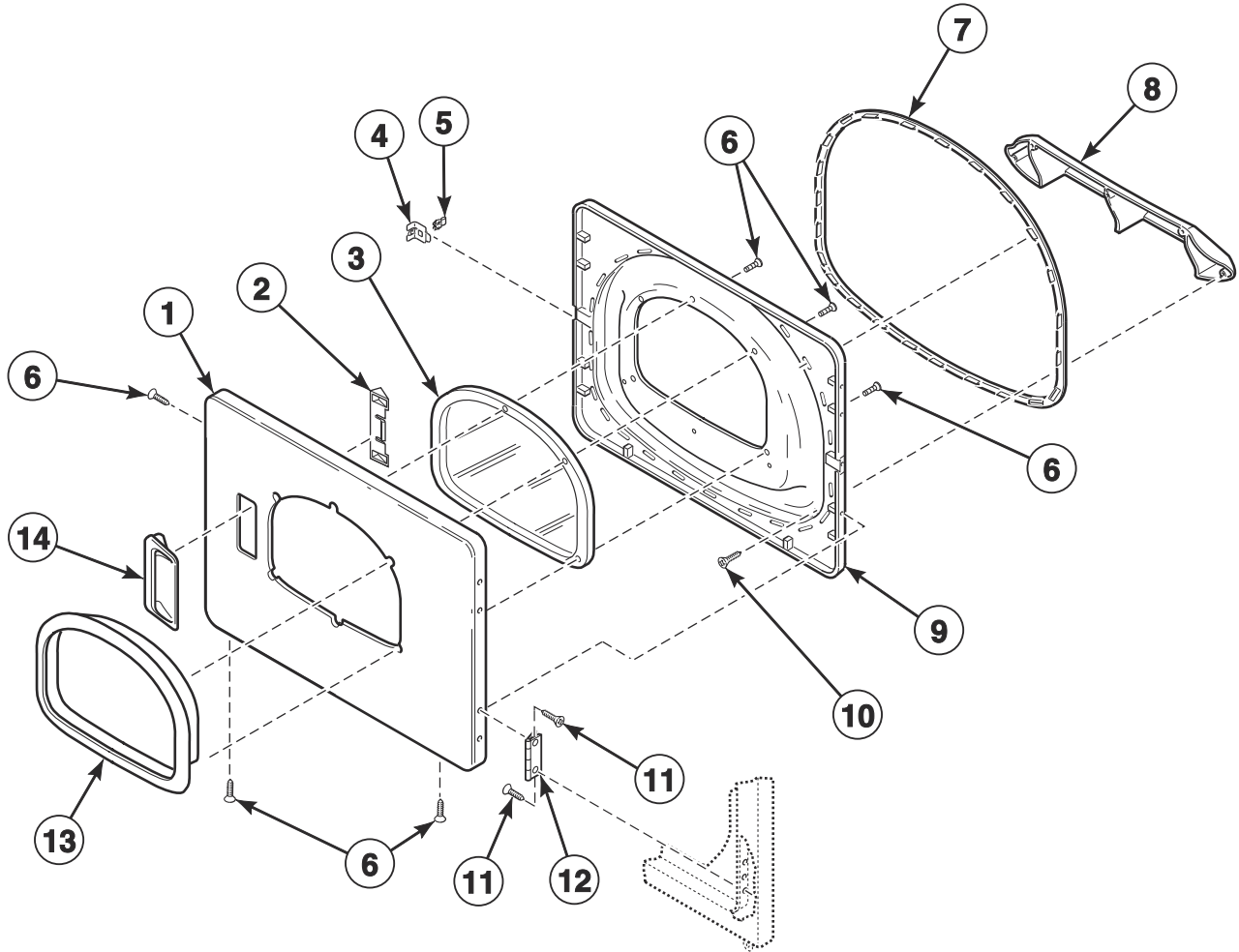
DRY2428P_D516815

Coin Slide Extension Kit

| REF | PART NO. | DESCRIPTION | COMMENTS |
|-----|----------|--------------------------|------------------------|
| 1 | D514105 | Switch | |
| 2 | 803662 | Bracket | |
| 3 | D514228 | Coin Slide Extension Kit | Includes items 1 and 2 |

Loading Door With Window

Models BSGBXAGW303AW01, HSEBXAGW543DW01, HSEBXAGW543FW01, HSGBXAGW113FW01, HSGBXAGW303NW21, HSGBXAGW543DW01, NSEBXAGW303NW22, NSESXAGW303NW22, NSGBXAGW303NW22, NSGSXAGW303NW22, NSLBXAGW543NW23, NSLBXAGW543NW23, SSEBXAGW543DW01, SSESXAGW303NQ01, SSESXAGW303NW01, SSESXAGW433AW01, SSGBXAGW113FW01, SSGBXAGW303AW01, SSGBXAGW543DW01, SSGSXAGW303AW01, SSGSXAGW303BW01 and TSEBXAGW303NW22



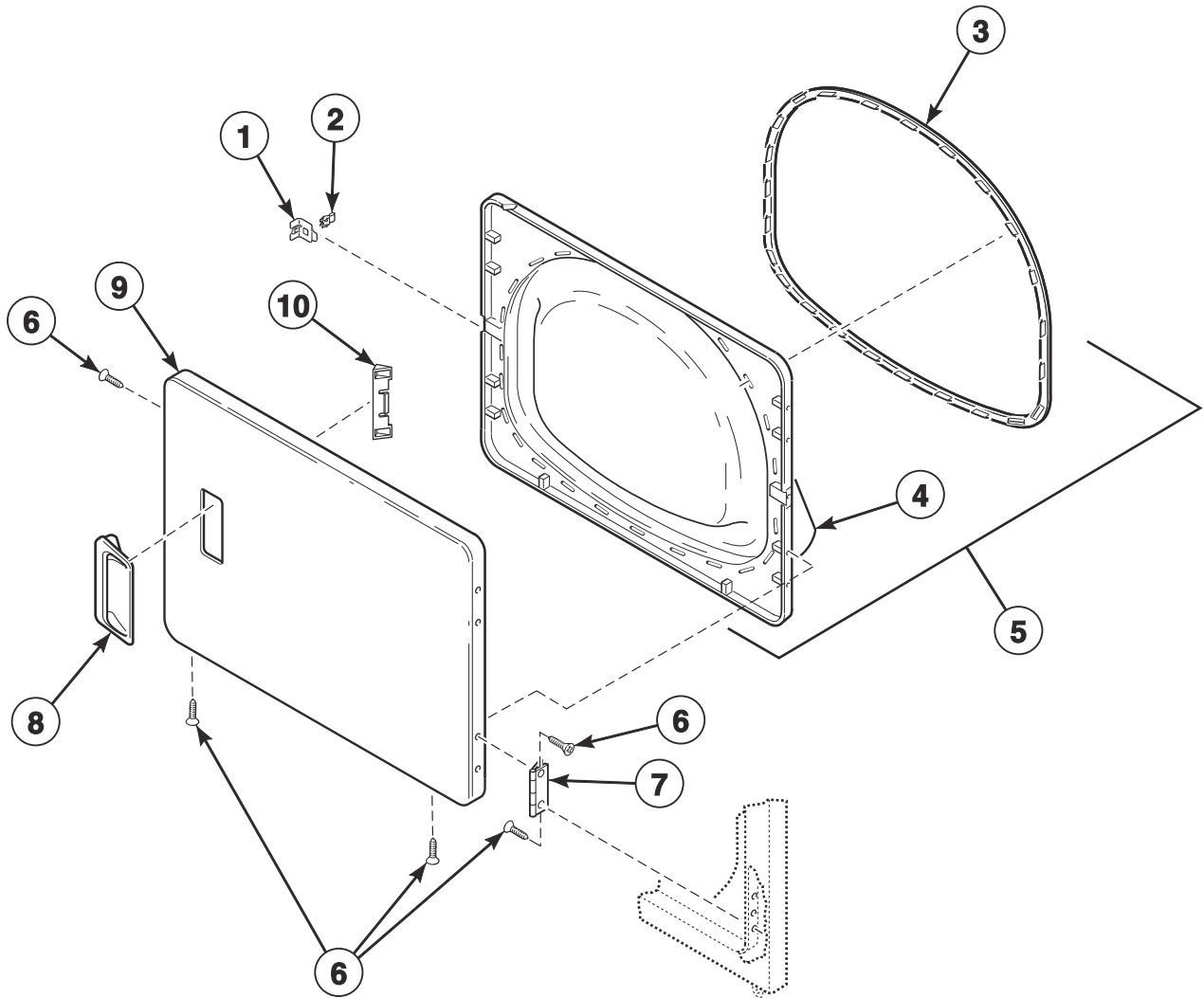
D427P_D516815

Loading Door With Window

| REF | PART NO. | DESCRIPTION | COMMENTS |
|-----|-----------|-------------------------|--|
| 1 | D510082WP | Dryer Door | White |
| | D510082QP | Dryer Door | Bisque |
| 2 | D510129W | Door Handle Wedge | |
| 3 | D503982P | Dryer Door Window | |
| 4 | D510127 | Door Strike Mount | |
| 5 | D510181 | Door Strike | |
| 6 | D500226 | Screw | |
| 7 | D510147P | Liner Door Seal | |
| 8 | D503870W | Door Liner Grill | |
| 9 | D510098W | Liner and Seal Assembly | Includes item 7 |
| 10 | D505870 | Screw | |
| 11 | D505295 | Screw | |
| 12 | D511036 | Hinge | |
| 13 | D503981W | Window Trim | White |
| | D503981Q | Window Trim | Bisque |
| 14 | D510103WP | Door Pull and Wedge Kit | White; Includes item 2 |
| | D510103QP | Door Pull and Wedge Kit | Bisque; Includes item 2 |
| 15 | D516737W | Door Assembly | White; Includes items 1-10, 13 and 14 |
| | D511636QP | Door and Liner Assembly | Bisque; Includes items 1-10, 13 and 14 |

Loading Door Without Window

Models HSEBXAGS303NW22, KSEMNAGS303BW33, SSEBXAGS303UQ01, SSEBXAGS303UW01, SSEBXAGS543FW01, SSEMNAGS303NW01, SSEMNAGS303UW01, SSEMNAGS433AW01, SSEBXAGS303UW01, SSGBXAGS303EW01 and SSGSXAGS303EW01

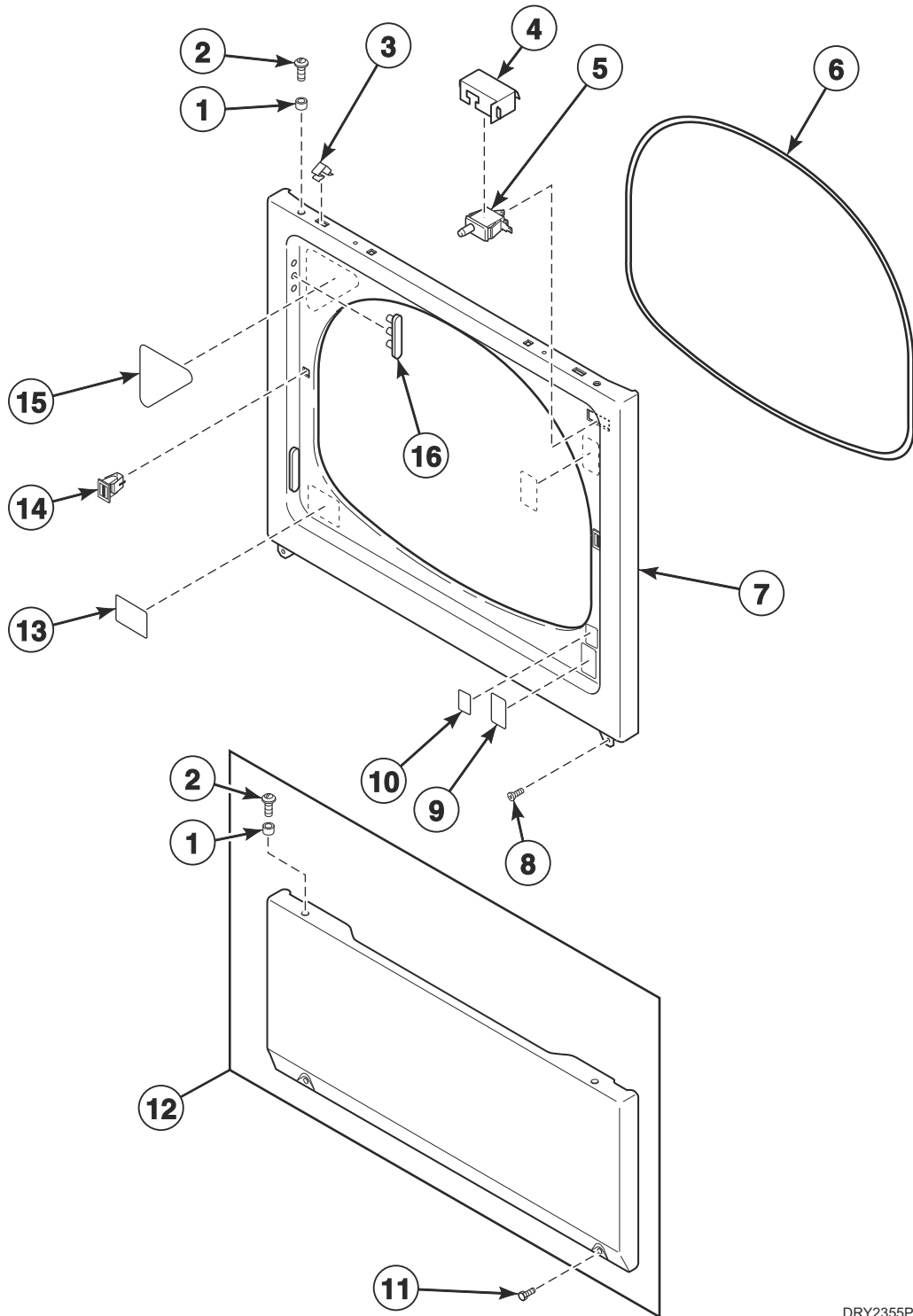


DRY1857P_D516815

Loading Door Without Window

| REF | PART NO. | DESCRIPTION | COMMENTS |
|-----|-----------|--------------------------------|------------------------------|
| 1 | D510127 | Door Strike Mount | |
| 2 | D510181 | Door Strike | |
| 3 | D510147P | Liner Door Seal | |
| 4 | D503870W | Door Liner Grill | |
| 5 | D510163WP | Liner, Seal and Grill Assembly | Includes item 3 and 4 |
| 6 | D500226 | Screw | |
| 7 | D511036 | Hinge | |
| 8 | D510103QP | Door Pull and Wedge Kit | Bisque; Includes item 9 |
| | D510103WP | Door Pull and Wedge Kit | White; Includes item 9 |
| 9 | D515960W | Dryer Door | White; Model HSEBXAGS303NW22 |
| | D510013QP | Dryer Door | Bisque; All other models |
| | D510013WP | Dryer Door | White; All other models |
| 10 | D510129W | Door Handle Wedge | |

Access Panel, Front Panel and Seal

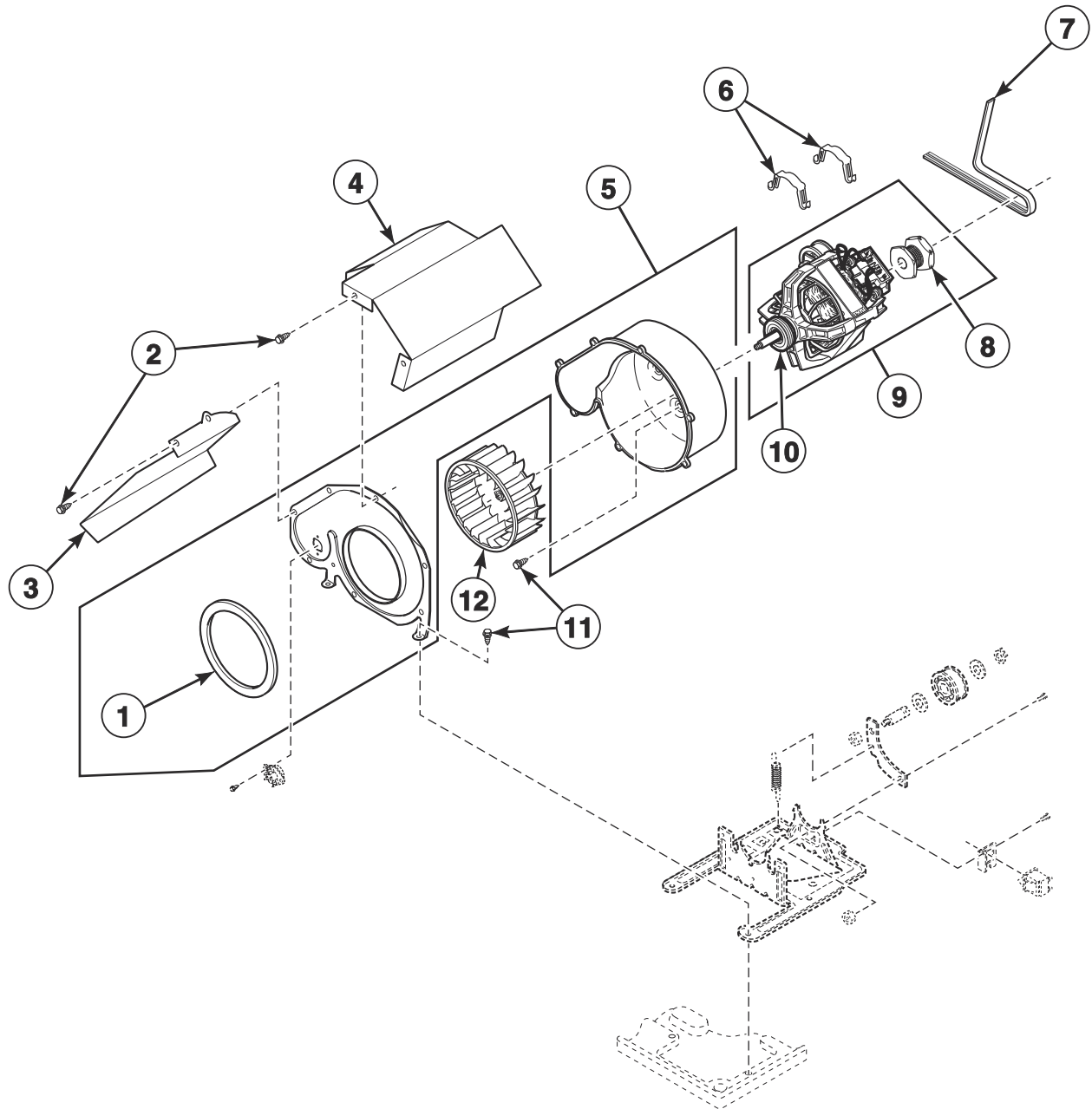


DRY2355P_D516815

Access Panel, Front Panel and Seal

| REF | PART NO. | DESCRIPTION | COMMENTS |
|-----|-----------|-----------------------|---|
| 1 | 56079 | Panel Locator | |
| 2 | 39733 | Screw | |
| 3 | 28835 | Speed Clip | |
| 4 | D514327 | Drip Shield | Models BSGBXAGW303AW01, HSEBXAGW543DW01, HSEBXAGW543FW01, HSGBXAGW113FW01, HSGBXAGW543DW01, KSEMNAGS303BW33, SSEBXAGS303UQ01, SSEBXAGS303UW01, SSEBXAGS543FW01, SSEBXAGW543DW01, SSEMNAGS303UW01, SSEMNAGS433AW01, SSESXAGS303UW01, SSESXAGW433AW01, SSGBXAGS303EW01, SSGBXAGW113FW01, SSGBXAGW303AW01, SSGBXAGW543DW01, SSGSXAGS303EW01, SSGSXAGW303AW01 and SSGSXAGW303BW01 |
| 5 | D512973 | Switch | |
| 6 | D511056 | Front Panel Seal | |
| 7 | D510066WP | Front Panel | White |
| | D510066QP | Front Panel | Bisque |
| 8 | D503688 | Screw | |
| 9 | D503887 | Label | Models BSGBXAGW303AW01, SSEMNAGS433AW01, SSESXAGW433AW01, SSGBXAGW303AW01 and SSGSXAGW303AW01 |
| 10 | D512263 | Warning Label | Models BSGBXAGW303AW01, SSEMNAGS433AW01, SSESXAGW433AW01, SSGBXAGW303AW01 and SSGSXAGW303AW01 |
| 11 | 33562 | Screw | Slotted hex head |
| | 62853 | Screw | Torx head; Optional for added security |
| 12 | D514250WP | Access Panel Assembly | White |
| | D514250Q | Access Panel Assembly | Bisque |
| 13 | D502804 | Lint Filter Label | Models BSGBXAGW303AW01, SSEMNAGS433AW01, SSESXAGW433AW01, SSGBXAGW303AW01 and SSGSXAGW303AW01 |
| | D502781 | Lint Filter Label | All other models |
| 14 | D510177 | Door Catch Assembly | |
| 15 | D514863 | Front Panel Label | Chinese |
| | D500281 | Warning/Caution Label | English |
| | D514226 | Warning Label | Brazilian Portuguese |
| 16 | D510186 | Hinge Hole Plug | |

Motor, Exhaust Fan and Belt (Drawing 1 of 2)

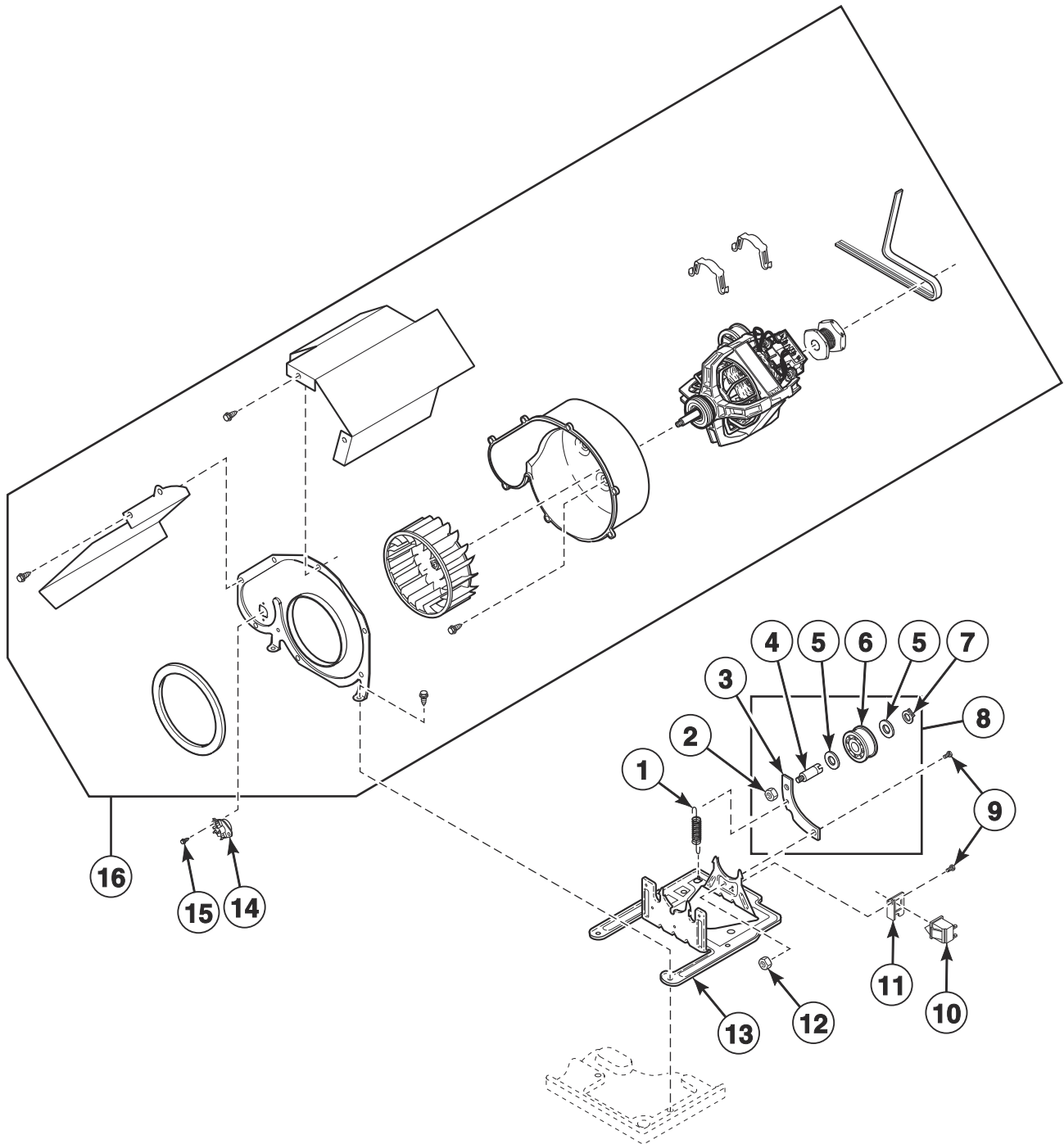


DRY2519P_D516815

Motor, Exhaust Fan and Belt (Drawing 1 of 2)

| REF | PART NO. | DESCRIPTION | COMMENTS |
|-----|-----------|---------------------------|---|
| | 27604P | Anti-Seize Compound | Apply to motor shaft when installing blower fan assembly |
| 1 | D510238P | Blower Housing Seal | |
| 2 | 31260 | Screw | |
| 3 | D514325 | Thermostat Shield | Upper unit only; Models BSGBXAGW303AW01, HSEBXAGW543DW01, HSEBXAGW543FW01, HSGBXAGW113FW01, HSGBXAGW543DW01, KSEMAGS303BW33, SSEBXAGS303UQ01, SSEBXAGS303UW01, SSEBXAGS543FW01, SSEBXAGW543DW01, SSEMNAGS303UW01, SSEMNAGS433AW01, SSESXAGS303UW01, SSESXAGW433AW01, SSGBXAGS303EW01, SSGBXAGW113FW01, SSGBXAGW303AW01, SSGBXAGW543DW01, SSGSXAGS303EW01, SSGSXAGW303AW01 and SSGSXAGW303BW01 |
| 4 | D514602 | Motor Shield | Models BSGBXAGW303AW01, HSEBXAGW543DW01, HSEBXAGW543FW01, HSGBXAGW113FW01, HSGBXAGW543DW01, KSEMAGS303BW33, SSEBXAGS303UQ01, SSEBXAGS303UW01, SSEBXAGS543FW01, SSEBXAGW543DW01, SSEMNAGS303UW01, SSEMNAGS433AW01, SSESXAGS303UW01, SSESXAGW433AW01, SSGBXAGS303EW01, SSGBXAGW113FW01, SSGBXAGW303AW01, SSGBXAGW543DW01, SSGSXAGS303EW01, SSGSXAGW303AW01 and SSGSXAGW303BW01 |
| 5 | D511969WP | Blower Housing | Includes items 1 and 2 |
| 6 | D510180 | Motor Mount Clamp | |
| 7 | D511255P | Cylinder Belt | |
| 8 | D500011 | Motor Pulley | 60 Hertz; Models HSEBXAGW543DW01, HSEBXAGW543FW01, HSGBXAGW113FW01, HSGBXAGW543DW01, NSLBXAGW543NW23, NSLBXAGW543NW23, SSEBXAGS543FW01, SSEBXAGW543DW01, SSGBXAGW113FW01 and SSGBXAGW543DW01 |
| | D500222 | Motor Pulley | 50 Hertz; All other models |
| 9 | D505869P | Motor and Pulley Assembly | 240 Volt/60 Hertz; Includes items 8 and 10; Apply anti-seize compound to motor shaft when installing blower fan assembly; Models HSEBXAGW543DW01, HSEBXAGW543FW01, HSGBXAGW543DW01, NSLBXAGW543NW23, NSLBXAGW543NW23, SSEBXAGS543FW01, SSEBXAGW543DW01 and SSGBXAGW543DW01 |
| | D511629P | Motor and Pulley Assembly | 120 Volt/60 Hertz; Includes items 8 and 10; Apply anti-seize compound to motor shaft when installing blower fan assembly; Models HSGBXAGW113FW01 and SSGBXAGW113FW01 |
| | D505843P | Motor and Pulley Assembly | 230 Volt/50 Hertz; Includes items 8 and 10; Apply anti-seize compound to motor shaft when installing blower fan assembly; All other models |
| 10 | 590P3 | Motor Hub Ring Kit | |
| 11 | D503688 | Screw | |
| 12 | D510139P | Blower Fan Assembly | Apply anti-seize compound to motor shaft when installing blower fan assembly |

Motor, Exhaust Fan and Belt (Drawing 2 of 2)

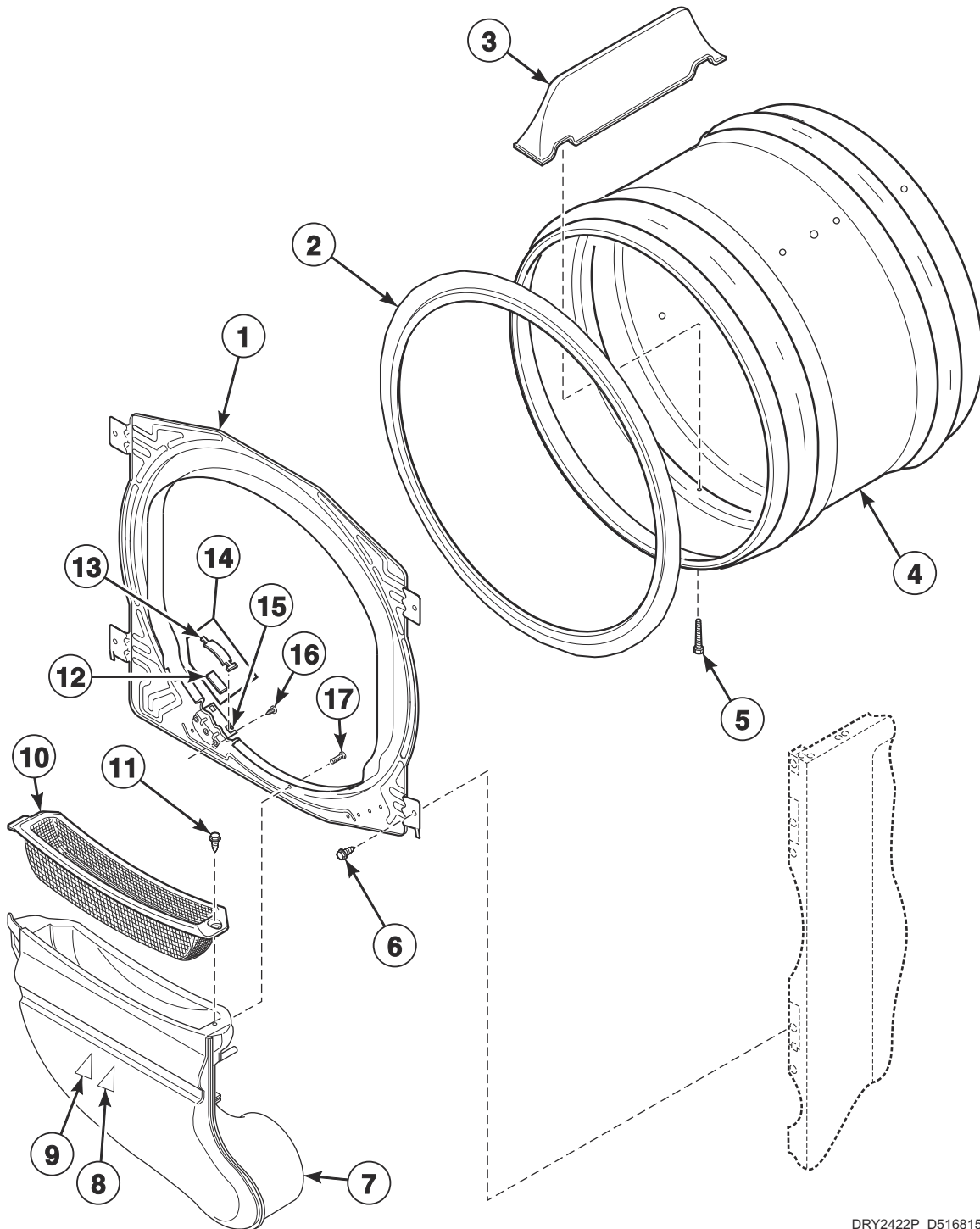


DRY2519PA_D516815

Motor, Exhaust Fan and Belt (Drawing 2 of 2)

| REF | PART NO. | DESCRIPTION | COMMENTS |
|-----|----------|----------------------------------|---|
| 1 | D510185 | Idler Spring | |
| 2 | 56156 | Nut | |
| 3 | D516310 | Idler Lever | |
| 4 | 56461P | Shaft | |
| 5 | 52549 | Washer | |
| 6 | D510142P | Idler Wheel and Bearing Assembly | |
| 7 | 23748 | Retaining Ring | |
| 8 | D516792 | Idler Lever and Wheel Assembly | |
| 9 | D500824 | Screw | |
| 10 | D516391 | Switch | Model HSGBXAGW303NW21 |
| 11 | D516311 | Motor Switch Bracket | Model HSGBXAGW303NW21 |
| 12 | 52566 | Nut | |
| 13 | D510060 | Motor Mount | |
| 14 | D510523 | Thermistor Assembly | Black; Models HSEBXAGW543DW01, HSEBXAGW543FW01, HSGBXAGW113FW01, HSGBXAGW543DW01, NSLBXAGW543NW23, NSLBYAGW543NW23, SSEBXAGS543FW01, SSEBXAGW543DW01, SSGBXAGW113FW01 and SSGBXAGW543DW01 |
| | D502366 | Thermistor Assembly | All other models |
| 15 | D502535 | Screw | |
| 16 | D510717P | Blower and Fan Kit | <i>Includes items 1-6 and 8-12 on Motor, Exhaust Fan and Belt (Drawing 1 of 2) page and items 1-11</i> |

Front Bulkhead, Air Duct, Felt Seal and Cylinder

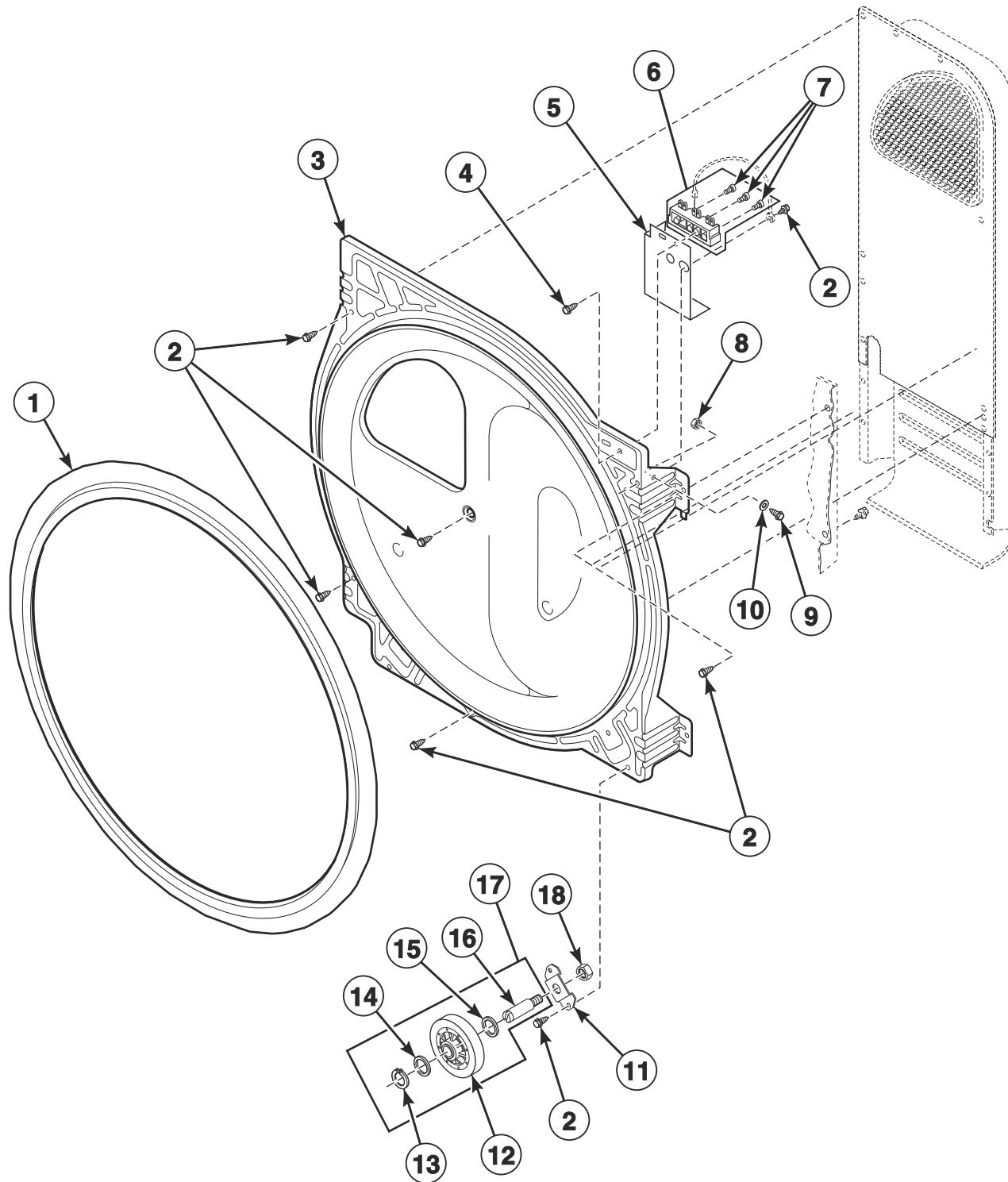


DRY2422P_D516815

Front Bulkhead, Air Duct, Felt Seal and Cylinder

| REF | PART NO. | DESCRIPTION | COMMENTS |
|-----|-----------|-------------------------|--|
| 1 | D510061 | Front Bulkhead Assembly | Unpainted; Includes items 2 and 12-16 |
| 2 | D510207P | Cylinder Seal Assembly | |
| | D511637P | Adhesive | Apply to cylinder seal |
| | RB170001 | Seal Kit | Includes 2 cylinder seals, D510238P Blower Housing Seal and adhesive |
| 3 | D510102W | Cylinder Baffle | |
| 4 | D510265WP | Cylinder Assembly | Galvanized; Includes item 3 |
| 5 | 62588 | Screw | |
| 6 | D503688 | Screw | |
| 7 | D510151W | Air Duct Assembly | |
| 8 | F8211201 | Electrical Shock Label | |
| 9 | F8615701 | Pinch Warning Label | |
| 10 | D503980W | Lint Filter | |
| 11 | D501285 | Screw | |
| 12 | D510189 | Felt Pad | 2 required |
| 13 | D513710 | Cylinder Glide | 2 required |
| 14 | RB170003 | Glide Kit | Includes two of items 12 and 13 |
| 15 | D510145 | Cylinder Glide Bracket | |
| 16 | 52864 | Screw | |
| 17 | D505295 | Screw | |

Rear Bulkhead, Felt Seal, Cylinder Roller and Terminal Block



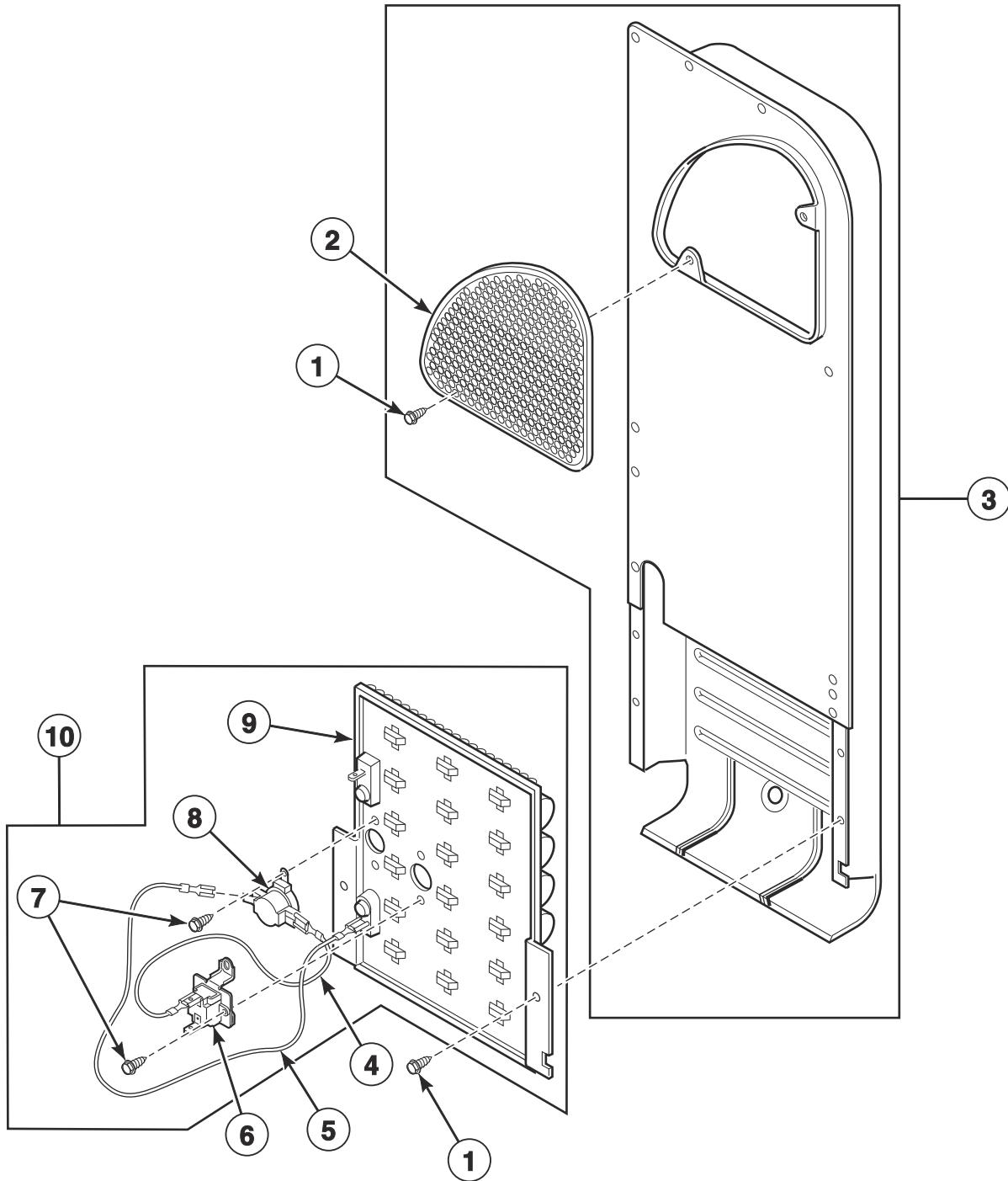
DRY1774P_D516815

Rear Bulkhead, Felt Seal, Cylinder Roller and Terminal Block

| REF | PART NO. | DESCRIPTION | COMMENTS |
|-----|----------|-------------------------|---|
| 1 | D510207P | Cylinder Seal Assembly | |
| | D511637P | Adhesive | Apply to cylinder seal |
| | RB170001 | Seal Kit | Includes 2 cylinder seals, D510238P Blower Housing Seal and adhesive |
| 2 | D503688 | Screw | |
| 3 | D511082P | Rear Bulkhead Assembly | Galvanized; Includes item 1 |
| 4 | D501285 | Screw | |
| 5 | D517715 | Terminal Block Shield | |
| 6 | D510190P | Terminal Block Assembly | Includes 3 of item 7; Models HSEBXAGS303NW22, HSEBXAGW543DW01, HSEBXAGW543FW01, KSEMNAGS303BW33, NSEBXAGW303NW22, NSESXAGW303NW22, NSLBYAGW543NW23, SSEBXAGS303UQ01, SSEBXAGS303UW01, SSEBXAGS543FW01, SSEBXAGW543DW01, SSEMNAGS303NW01, SSEMNAGS303UW01, SSEMNAGS433AW01, SSESXAGS303UW01, SSESXAGW303NQ01, SSESXAGW303NW01, SSESXAGW433AW01 and TSEBXAGW303NW22 |
| 7 | 61199 | Screw | |
| 8 | 28447 | Nut | |
| 9 | 28448 | Screw | |
| 10 | 28449 | Washer | |
| 11 | D510100 | Cylinder Roller Bracket | |
| 12 | D510708P | Cylinder Roller | |
| 13 | 23748 | Retaining Ring | |
| 14 | 52549 | Washer | |
| 15 | D504082 | Washer | |
| 16 | 56461P | Shaft | |
| 17 | RB170002 | Roller Kit | Includes items 12-16 |
| 18 | 56156 | Nut | |

Heater Duct and Element Assembly

Electric Models



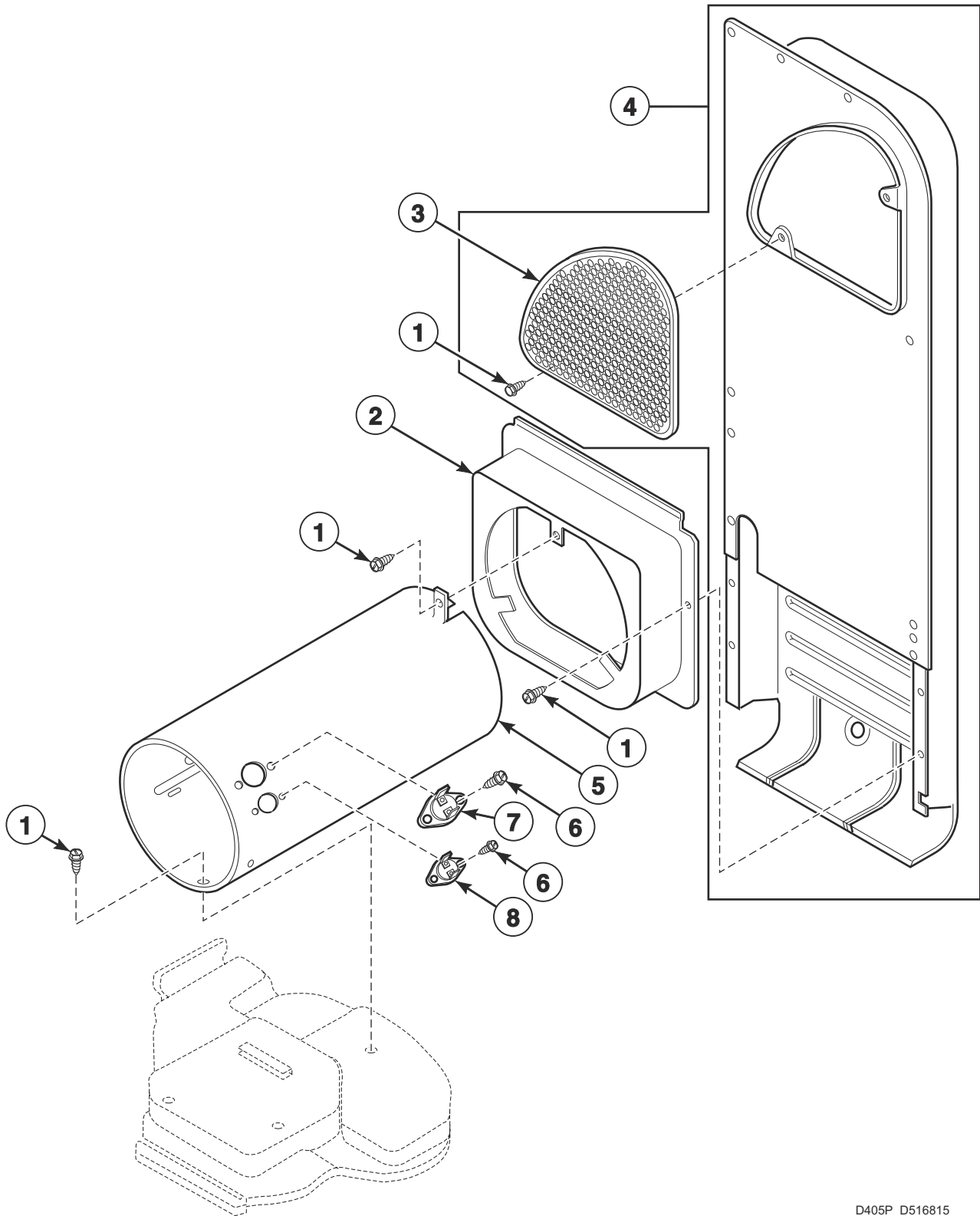
DRY1789P_D516815

Heater Duct and Element Assembly

| REF | PART NO. | DESCRIPTION | COMMENTS |
|-----|----------|-----------------------|--|
| 1 | D503688 | Screw | |
| 2 | D514475 | Outlet Cover | Models SSEMNAGS433AW01 and SSESXAGW433AW01 |
| | D500820 | Outlet Cover | Aluminized steel; All other models |
| | D515573 | Outlet Cover | Black; Nitrocarburized; All other models |
| 3 | D510025P | Heater Duct Assembly | Includes items 1 and 2 |
| 4 | D510528 | Wire Assembly | Orange; Thermostat jumper; Attaches to heater assembly |
| 5 | D510527 | Wire Assembly | Black; Fuse jumper; Attaches to heater assembly |
| 6 | D511412 | Thermal Fuse Assembly | |
| 7 | 23222 | Screw | |
| 8 | D510701 | Limit Thermostat | |
| 9 | D510329P | Heater Assembly | 240 Volt/60 Hertz; 5.35 kW; Models HSEBXAGW543DW01, HSEBXAGW543FW01, SSEBXAGS543FW01 and SSEBXAGW543DW01 |
| | D510327P | Heater Assembly | 240 Volt/50 Hertz; 4 kW; Models SSEMNAGS433AW01 and SSESXAGW433AW01 |
| | D510326P | Heater Assembly | 240 Volt/50 Hertz; 4.8 kW; All other models |
| 10 | 964P3 | Heater Kit | 240 Volt/60 Hertz; 5.35 kW; Models HSEBXAGW543DW01, HSEBXAGW543FW01, SSEBXAGS543FW01 and SSEBXAGW543DW01 |
| | 61930 | Heater Kit Assembly | 240 Volt/50 Hertz; 4 kW; Models SSEMNAGS433AW01 and SSESXAGW433AW01 |
| | 61929 | Heater Kit Assembly | 240 Volt/50 Hertz; 4.8 kW; All other models |

Heater Duct Assembly

Gas Models

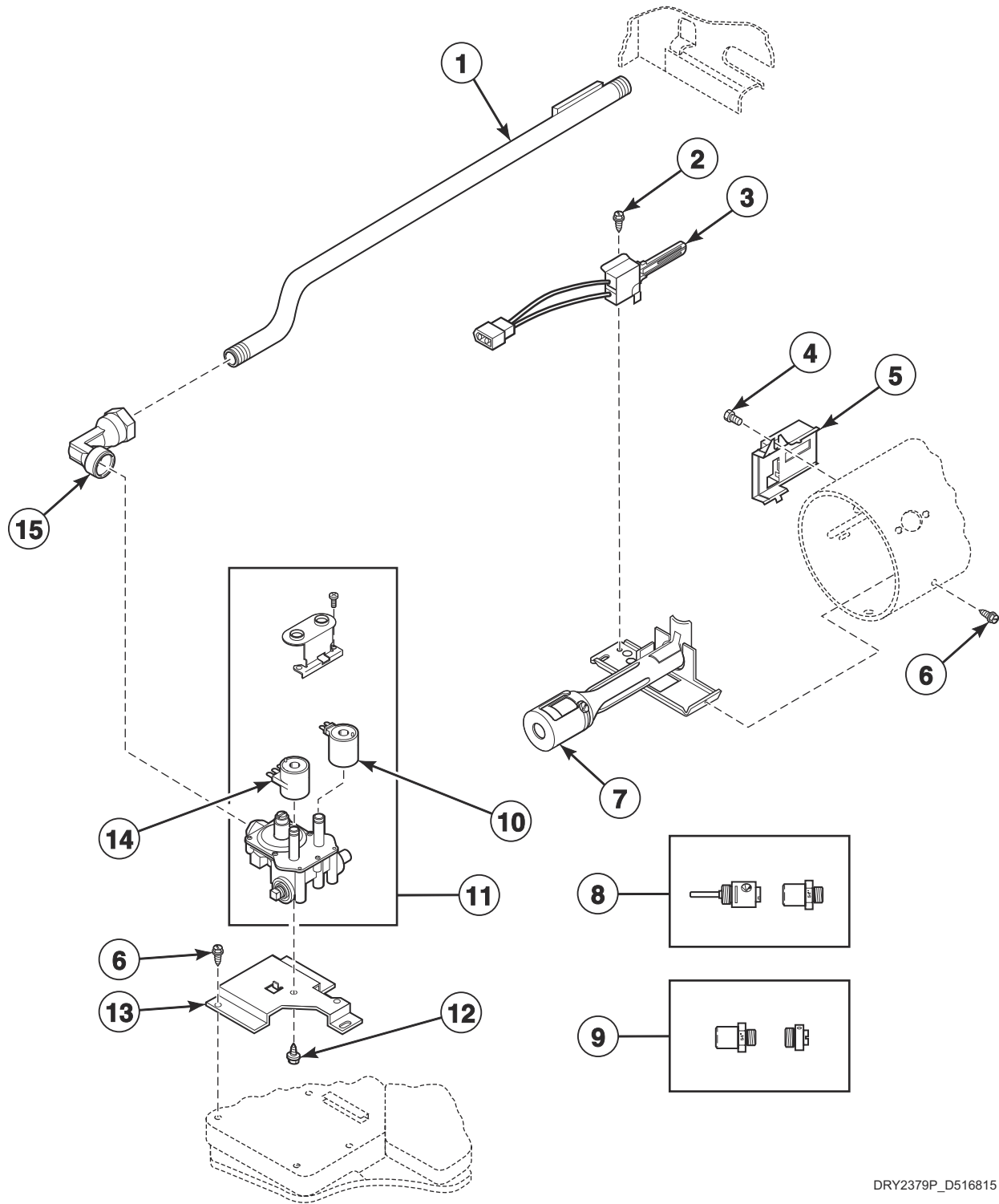


D405P_D516815

Heater Duct Assembly

| REF | PART NO. | DESCRIPTION | COMMENTS |
|-----|----------|----------------------|------------------------|
| 1 | D503688 | Screw | |
| 2 | D510101 | Heat Duct Shroud | |
| 3 | D500820 | Outlet Cover | |
| | D515573 | Outlet Cover | Black |
| 4 | D510025P | Heater Duct Assembly | Includes items 1 and 3 |
| 5 | D510132 | Combustion Duct | |
| 6 | 51782 | Screw | |
| 7 | D510702 | Limit Thermostat | Black; Auto reset |
| 8 | D510703 | Thermostat | Manual reset |

Gas Valve, Igniter and Gas Conversion Kits Gas Models Through Serial No. 190800001



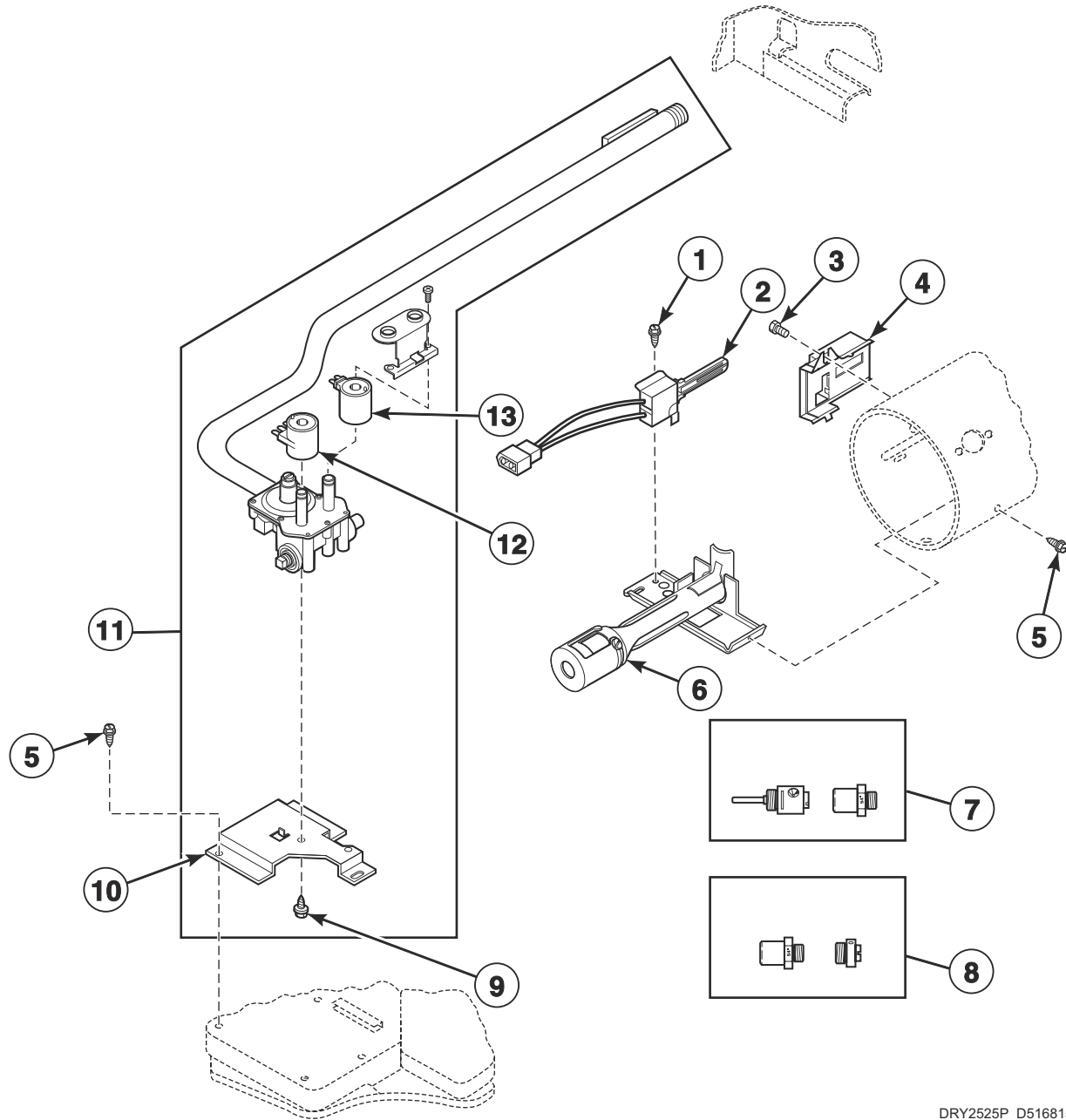
DRY2379P_D516815

Gas Valve, Igniter and Gas Conversion Kits Gas Models Through Serial No. 1908000001

| REF | PART NO. | DESCRIPTION | COMMENTS |
|-----|----------|------------------------------|---|
| 1 | D510204 | Lead-In Pipe Assembly | |
| 2 | 51782 | Screw | |
| 3 | D510184P | Igniter and Bracket Assembly | |
| 4 | 23222 | Screw | |
| 5 | D510213 | Sensor | |
| 6 | D503688 | Screw | |
| 7 | D510149P | Burner Assembly | |
| 8 | 599P3 | L.P. Conversion Kit | Used to convert dryers from Natural Gas (N.G.) or Mixed Gas to Liquid Petroleum (L.P.) for 20,000 Btu; Models SSGBXAGS303EW01 and SSGSXAGS303EW01 |
| | 649P3 | L.P. Conversion Kit | Used to convert dryers from N.G. or Mixed Gas to L.P. for 22,500 Btu; Models NSLBXAGW543NW23 and NSLBXAGW543NW23 |
| | 458P3 | L.P. Conversion Kit | Used to convert dryers from N.G. or Mixed Gas to L.P. for 25,000 Btu; All other models |
| 9 | 402P3 | N.G. Conversion Kit | Used to convert dryers from L.P. to N.G. or Mixed Gas for 20,000 Btu; Models SSGBXAGS303EW01 and SSGSXAGS303EW01 |
| | 650P3 | N.G. Conversion Kit | Used to convert dryers from L.P. to N.G. or Mixed Gas for 22,500 Btu; Models NSLBXAGW543NW23 and NSLBXAGW543NW23 |
| | 459P3 | N.G. Conversion Kit | Used to convert dryers from L.P. to N.G. or Mixed Gas for 25,000 Btu; All other models |
| 10 | 58804B | Secondary Coil | 60 Hertz; Models HSGBXAGW113FW01, HSGBXAGW543DW01, NSLBXAGW543NW23, NSLBXAGW543NW23, SSGBXAGW113FW01 and SSGBXAGW543DW01 |
| | 59063B | Secondary Coil | 50 Hertz; All other models |
| 11 | D513631 | Gas Valve Assembly | 60 Hertz; 22,500 Btu; L.P.; Includes items 10 and 14; Models NSLBXAGW543NW23 and NSLBXAGW543NW23 |
| | 60353P | Gas Valve Assembly | 60 Hertz; 25,000 Btu; N.G.; Includes items 10 and 14; Models HSGBXAGW113FW01, HSGBXAGW543DW01, SSGBXAGW113FW01 and SSGBXAGW543DW01 |
| | 59063P | Gas Valve Assembly | 50 Hertz; 20,000 Btu; N.G.; Models SSGBXAGS303EW01 and SSGSXAGS303EW01 |
| | 60443P | Valve Assembly | 50 Hertz; 25,000 Btu; N.G.; Includes items 10 and 14; All other models |
| 12 | 56124 | Screw | |
| 13 | D510128 | Gas Valve Mounting Bracket | |
| 14 | 58804A | Booster and Holding Coil | 60 Hertz; Models HSGBXAGW113FW01, HSGBXAGW543DW01, NSLBXAGW543NW23, NSLBXAGW543NW23, SSGBXAGW113FW01 and SSGBXAGW543DW01 |
| | 59063A | Booster and Holding Coil | 50 Hertz; All other models |
| 15 | D513072 | Elbow | |

Gas Valve, Igniter and Gas Conversion Kits

Gas Models Starting Serial No. 1908000001



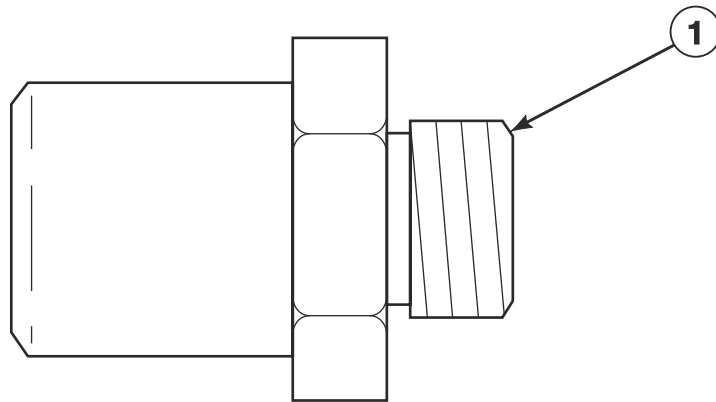
DRY2525P_D516815

Gas Valve, Igniter and Gas Conversion Kits Gas Models Starting Serial No. 1908000001

| REF | PART NO. | DESCRIPTION | COMMENTS |
|-----|----------|--------------------------------------|---|
| 1 | 51782 | Screw | |
| 2 | D510184P | Igniter and Bracket Assembly | |
| 3 | 23222 | Screw | |
| 4 | D510213 | Sensor | |
| 5 | D503688 | Screw | |
| 6 | D510149P | Burner Assembly | |
| 7 | 599P3 | L.P. Conversion Kit | Used to convert dryers from Natural Gas (N.G.) or Mixed Gas to Liquid Petroleum (L.P.) for 20,000 Btu; Models SSGBXAGS303EW01 and SSGSXAGS303EW01 |
| | 649P3 | L.P. Conversion Kit | Used to convert dryers from N.G. or Mixed Gas to L.P. for 22,500 Btu; Models NSLBXAGW543NW23 and NSLBYAGW543NW23 |
| | 458P3 | L.P. Conversion Kit | Used to convert dryers from N.G. or Mixed Gas to L.P. for 25,000 Btu; All other models |
| 8 | 402P3 | N.G. Conversion Kit | Used to convert dryers from L.P. to N.G. or Mixed Gas for 20,000 Btu; Models SSGBXAGS303EW01 and SSGSXAGS303EW01 |
| | 650P3 | N.G. Conversion Kit | Used to convert dryers from L.P. to N.G. or Mixed Gas for 22,500 Btu; Models NSLBXAGW543NW23 and NSLBYAGW543NW23 |
| | 459P3 | N.G. Conversion Kit | Used to convert dryers from L.P. to N.G. or Mixed Gas for 25,000 Btu; All other models |
| 11 | D517612 | Gas Valve, Bracket and Pipe Assembly | 60 Hertz; 22,500 Btu; L.P.; Includes items 9-13; Models NSLBXAGW543NW23 and NSLBYAGW543NW23 |
| | D517606 | Gas Valve, Bracket and Pipe Assembly | 60 Hertz; 25,000 Btu; N.G.; Includes items 9-13; Models HSGBXAGW113FW01, HSGBXAGW543DW01, SSGBXAGW113FW01 and SSGBXAGW543DW01 |
| | D517607 | Gas Valve, Bracket and Pipe Assembly | 50 Hertz; 20,000 Btu; N.G.; Includes items 9-13; Models SSGBXAGS303EW01 and SSGSXAGS303EW01 |
| | D517608 | Gas Valve, Bracket and Pipe Assembly | 50 Hertz; 25,000 Btu; N.G.; Includes items 9-13; All other models |
| 9 | 56124 | Screw | |
| 10 | D510128 | Gas Valve Mounting Bracket | |
| 12 | 58804A | Booster and Holding Coil | 60 Hertz; Models HSGBXAGW113FW01, HSGBXAGW543DW01, NSLBXAGW543NW23, NSLBYAGW543NW23, SSGBXAGW113FW01 and SSGBXAGW543DW01 |
| | 59063A | Booster and Holding Coil | 50 Hertz; All other models |
| 13 | 58804B | Secondary Coil | 60 Hertz; Models HSGBXAGW113FW01, HSGBXAGW543DW01, NSLBXAGW543NW23, NSLBYAGW543NW23, SSGBXAGW113FW01 and SSGBXAGW543DW01 |
| | 59063B | Secondary Coil | 50 Hertz; All other models |

Burner Orifice Spuds - For Higher Elevations

Gas Models

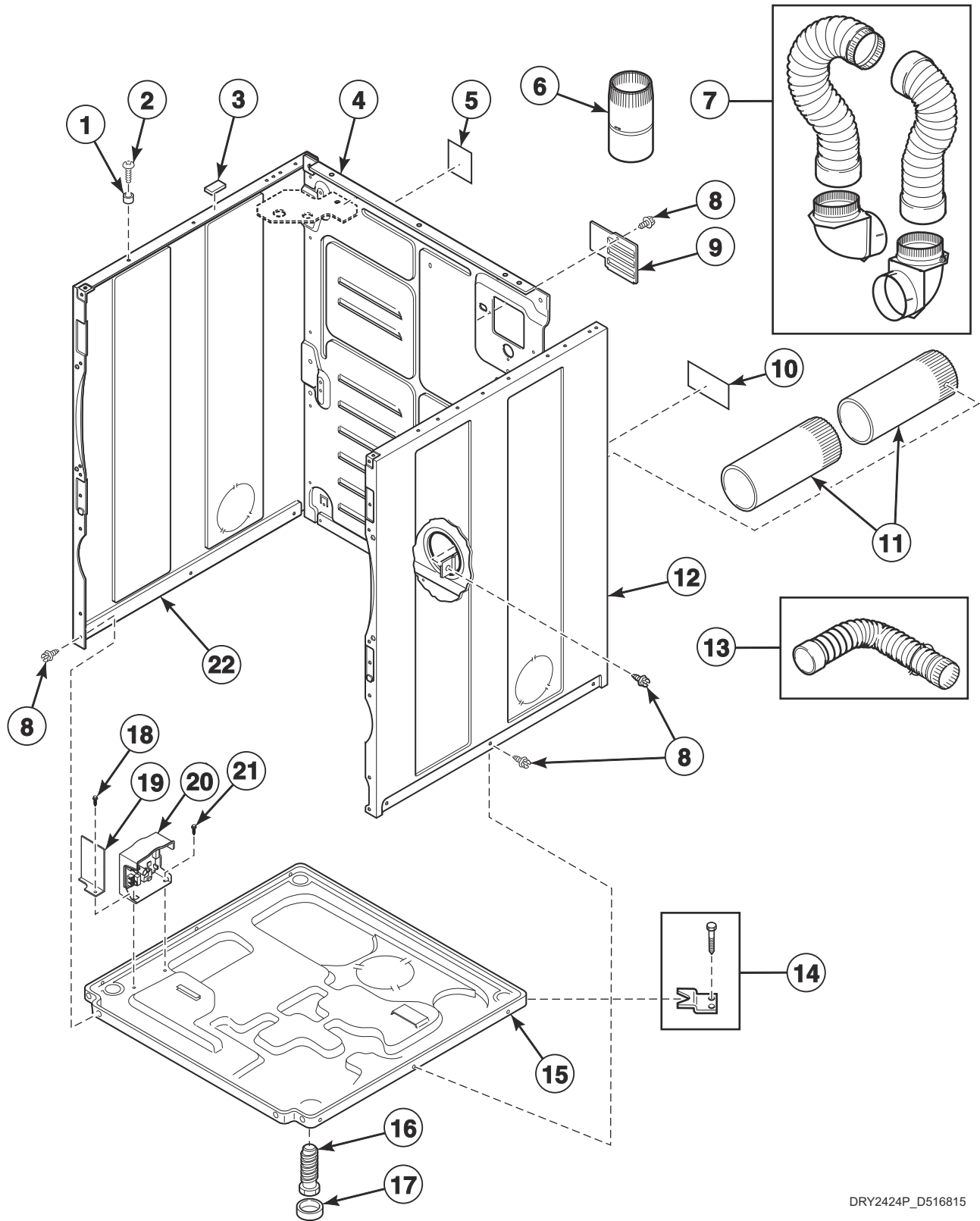


DRY2266P_D516815

Burner Orifice Spuds - For Higher Elevations

| REF | PART NO. | DESCRIPTION | COMMENTS |
|-----|----------|---------------|--|
| 1 | 58755 | L.P. Orifice | Liquid Petroleum Gas (L.P.); Models NSLBXAGW543NW23 and NSLBYAGW543NW23 3000-7999 feet (915-2439 m) 22,500 Btu; All models except NSLBXAGW543NW23 and NSLBYAGW543NW23 7500-10999 feet (2290-3354 m) 25,000 Btu |
| | D503786 | L.P. Orifice | L.P.; Models NSLBXAGW543NW23 and NSLBYAGW543NW23 8000 feet (2440 m) and higher 22,500 Btu; All models except NSLBXAGW543NW23 and NSLBYAGW543NW23 11000 feet (3355 m) and higher; 25,000 Btu |
| | D503776 | N.G. Orifice | Natural Gas (N.G.); 2000-2999 feet (610-914 m); All models except NSLBXAGW543NW23 and NSLBYAGW543NW23 |
| | D510517 | N.G. Orifice | N.G.; 3000-5499 feet (915-1679 m); All models except NSLBXAGW543NW23 and NSLBYAGW543NW23 |
| | D503778 | N.G. Orifice | N.G.; Models NSLBXAGW543NW23 and NSLBYAGW543NW23 3000-5999 feet (915-1829 m) 22,500 Btu; All models except NSLBXAGW543NW23 and NSLBYAGW543NW23 5500-6999 feet (1680-2134 m) 25,000 Btu |
| | 58719 | Screw Orifice | N.G.; Models NSLBXAGW543NW23 and NSLBYAGW543NW23 6000-7999 feet (1830-2439 m) 22,500 Btu; All models except NSLBXAGW543NW23 and NSLBYAGW543NW23 7000-8999 feet (2135-2744 m) 25,000 Btu |
| | D503779 | N.G. Orifice | N.G.; Models NSLBXAGW543NW23 and NSLBYAGW543NW23 8000-8999 feet (2440-2739 m) 22,500 Btu; All models except NSLBXAGW543NW23 and NSLBYAGW543NW23 9000-10499 feet (2745-3199 m) 25,000 Btu |
| | D503780 | N.G. Orifice | N.G.; Models NSLBXAGW543NW23 and NSLBYAGW543NW23 9000-9999 feet (2740-3049 m) 22,500 Btu; All models except NSLBXAGW543NW23 and NSLBYAGW543NW23 10500 feet (3200 m) and higher; 25,000 Btu |
| | D503781 | N.G. Orifice | N.G.; Models NSLBXAGW543NW23 and NSLBYAGW543NW23 10,000 feet (3050 m) and higher; 22,500 Btu |

Cabinet, Exhaust Duct and Base



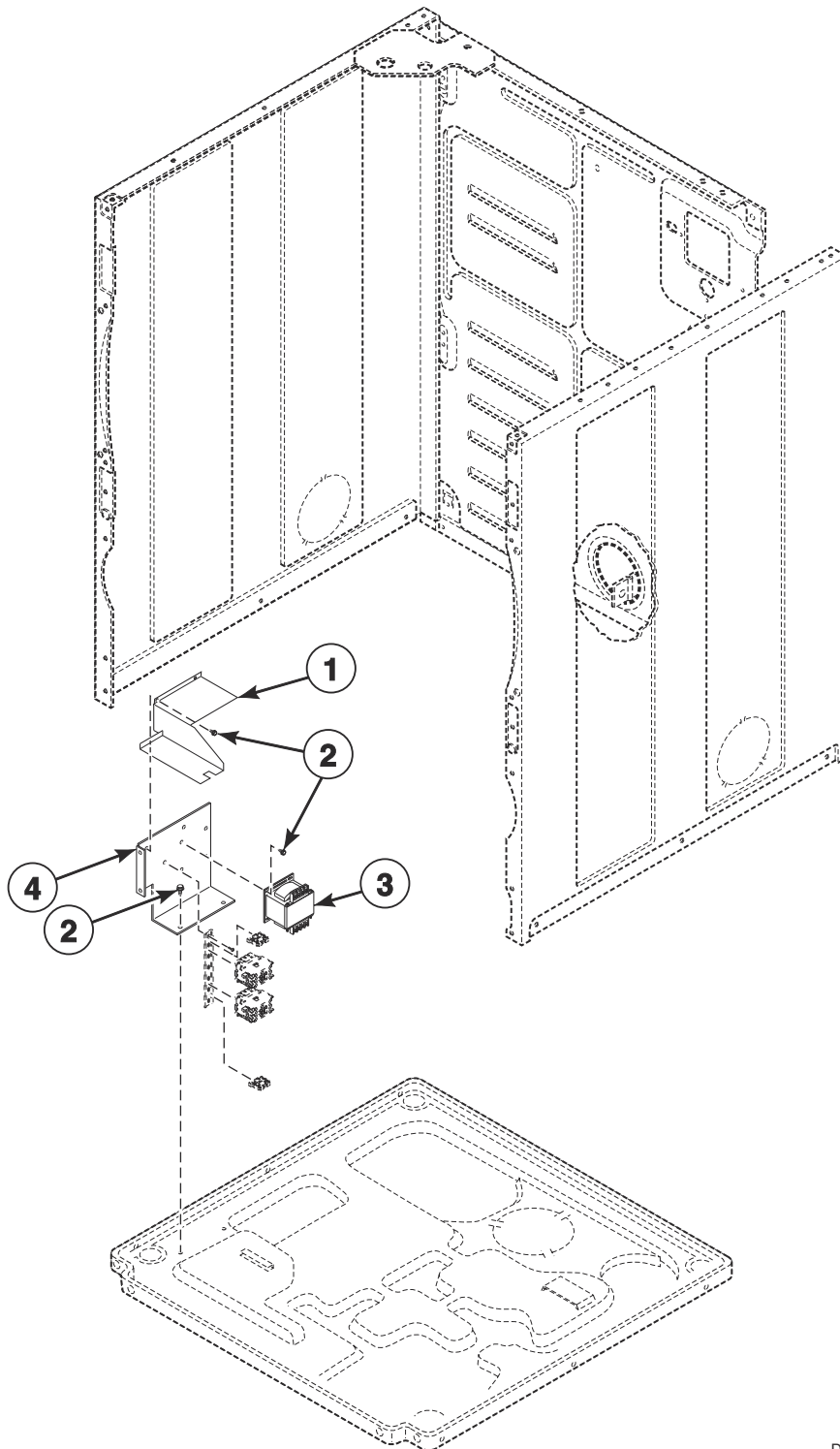
DRY2424P_D516815

Cabinet, Exhaust Duct and Base

| REF | PART NO. | DESCRIPTION | COMMENTS |
|-----|-----------|--------------------------|--|
| | 122P4P | Porcelain Touch-Up Paint | |
| 1 | 56079 | Panel Locator | |
| 2 | 39733 | Screw | |
| 3 | 56128 | Bumper Pad | |
| 4 | D514632P | Cabinet Rear Panel | |
| 5 | F8211201 | Electrical Shock Label | |
| 6 | 58786 | Damper | Use when connecting to a manifold vent system |
| 7 | 521P3 | Flexible Venting Kit | |
| 8 | D503688 | Screw | |
| 9 | D514356 | Access Cover Plate | Model KSEMAGS303BW33 |
| | D510903 | Access Panel Plate | All other models |
| 10 | D500497 | Exhaust Warning Label | English, French and Spanish |
| | D502507 | Exhaust Warning Label | Icon |
| | 44321601 | Warning Label | Icon |
| 11 | D516196 | Exhaust Duct | |
| 12 | D510002WP | Cabinet Side Panel | White; Right |
| | D510002QP | Cabinet Side Panel | Bisque: Right |
| 13 | 528P3 | Directional Exhaust Kit | Used to vent dryer out the sides or bottom |
| 14 | 526P3 | Hold Down Kit | For mobile home installations |
| 15 | D514245 | Dryer Base | |
| 16 | D510135 | Leveling Leg | |
| 17 | D501855 | Rubber Foot | |
| 18 | D514428 | Screw | |
| 19 | D514420 | Output Board Shield | Models HSEBXAGW543DW01, HSEBXAGW543FW01, HSGBXAGW113FW01, HSGBXAGW543DW01, SSEBXAGS303UQ01, SSEBXAGS303UW01, SSEBXAGS543FW01, SSEBXAGW543DW01, SSEMNAGS303UW01, SSEMNAGS433AW01, SSESXAGS303UW01, SSESXAGW433AW01, SSGBXAGW113FW01 and SSGBXAGW543DW01 |
| 20 | D517269 | Output Control Assembly | Models HSEBXAGS303NW22, NSEBXAGW303NW22, NSESXAGW303NW22, NSGBXAGW303NW22, NSGSXAGW303NW22, SSEMNAGS303NW01, SSESXAGW303NW01 and TSEBXAGW303NW22 |
| | D517319 | Output Control Assembly | Model KSEMAGS303BW33 |
| | D513797P | Output Control Assembly | All other models |
| 21 | 804667 | Screw | |
| 22 | D510001WP | Cabinet Side Panel | White; Left |
| | D510001QP | Cabinet Side Panel | Bisque: Left |

Contactor and Transformer

Models BSGBXAGW303AW01, HSGBXAGW303NW21, HSGBXAGW543DW01, NSGBXAGW303NW22, NSGSXAGW303NW22, NSLBXAGW543NW23, NSLBXAGW543NW23, SSGBXAGS303EW01, SSGBXAGW303AW01, SSGBXAGW543DW01, SSGSXAGS303EW01, SSGSXAGW303AW01 and SSGSXAGW303BW01

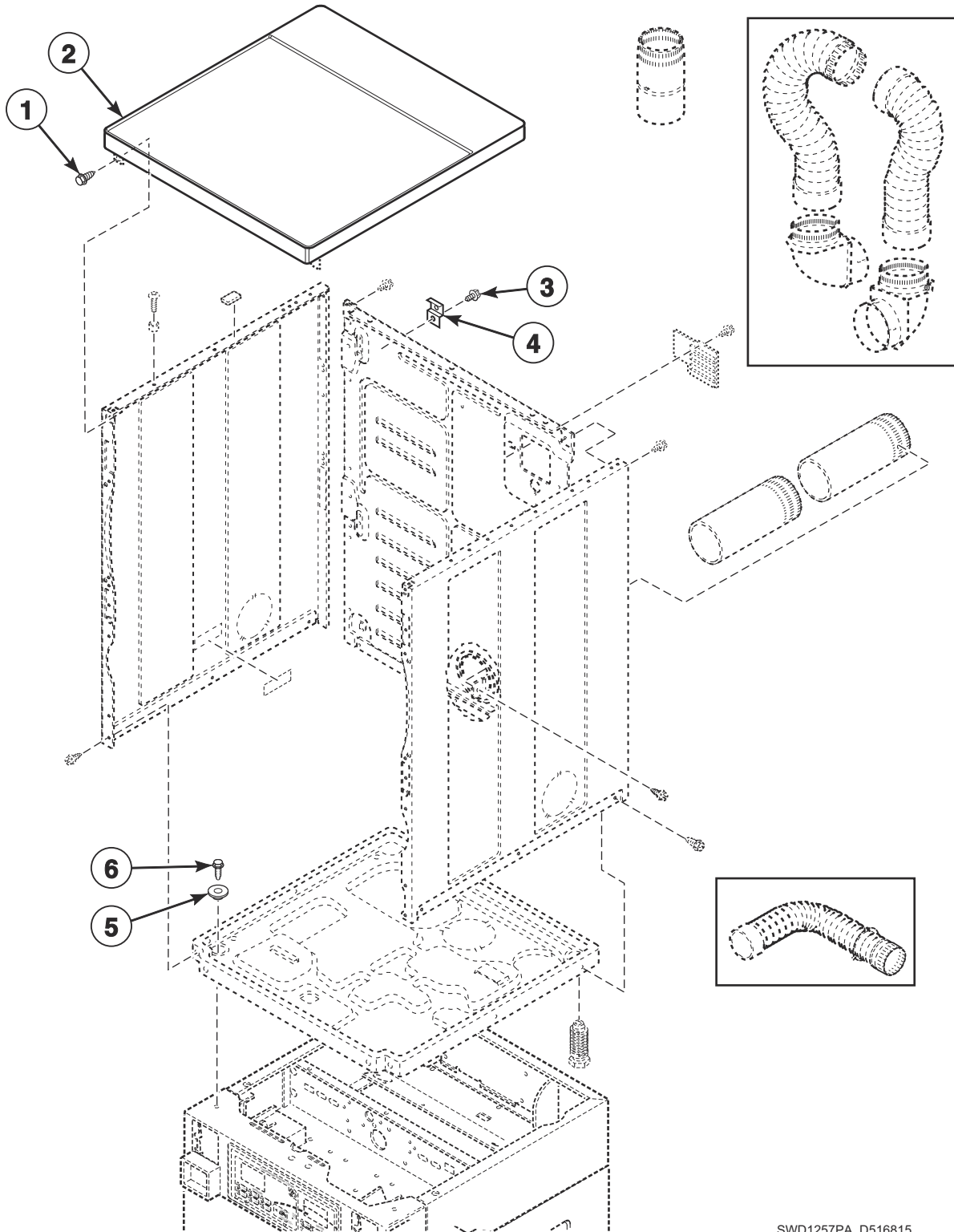


DRY2353P_D516815

Contactor and Transformer

| REF | PART NO. | DESCRIPTION | COMMENTS |
|-----|----------|--------------------|----------|
| 1 | D514334 | Transformer Shield | |
| 2 | D503688 | Screw | |
| 3 | D513763P | Transformer | |
| 4 | D511859 | Contactor Bracket | |

Cabinet Top

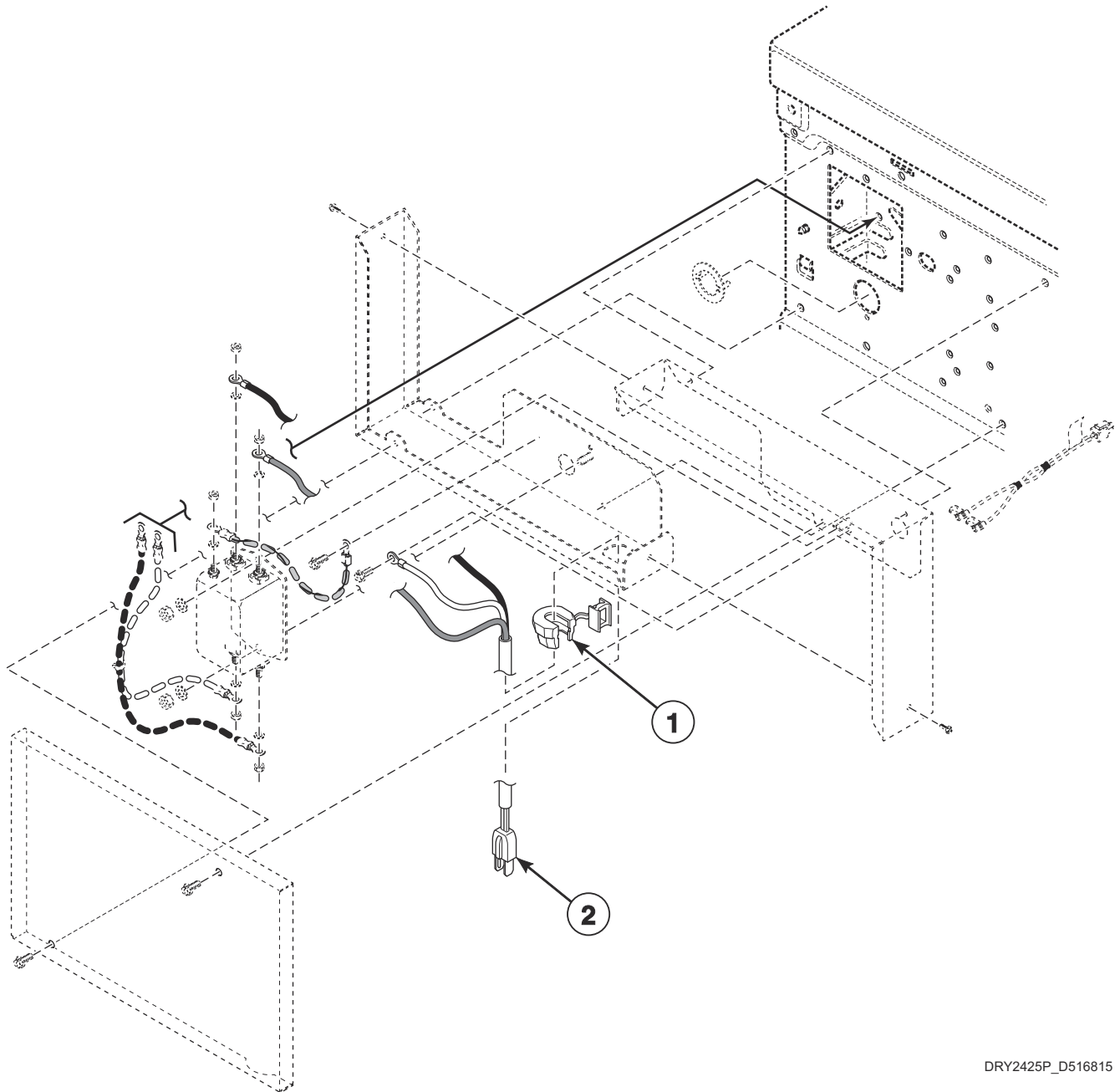


Cabinet Top

| REF | PART NO. | DESCRIPTION | COMMENTS |
|-----|-----------|-------------|----------|
| 1 | D503661 | Screw | |
| 2 | D510032WP | Top Kit | White |
| | D510032QP | Top Kit | Bisque |
| 3 | D503688 | Screw | |
| 4 | D510136 | Top Hinge | |
| 5 | D501307 | Washer | |
| 6 | 36048 | Screw | |

Power Cord

Models BSGBXAGW303AW01, HSEBXAGS303NW22, HSEBXAGW543DW01, HSEBXAGW543FW01, HSGBXAGW113FW01, HSGBXAGW543DW01, KSEMAGS303BW33, SSEBXAGS303UQ01, SSEBXAGS303UW01, SSEBXAGS543FW01, SSEBXAGW543DW01, SSEMNAGS303UW01, SSEMNAGS433AW01, SSEXAGS303UW01, SSEXAGW433AW01, SSGBXAGS303EW01, SSGBXAGW113FW01, SSGBXAGW303AW01, SSGBXAGW543DW01, SSGSXAGS303EW01, SSGSXAGW303AW01 and SSGSXAGW303BW01



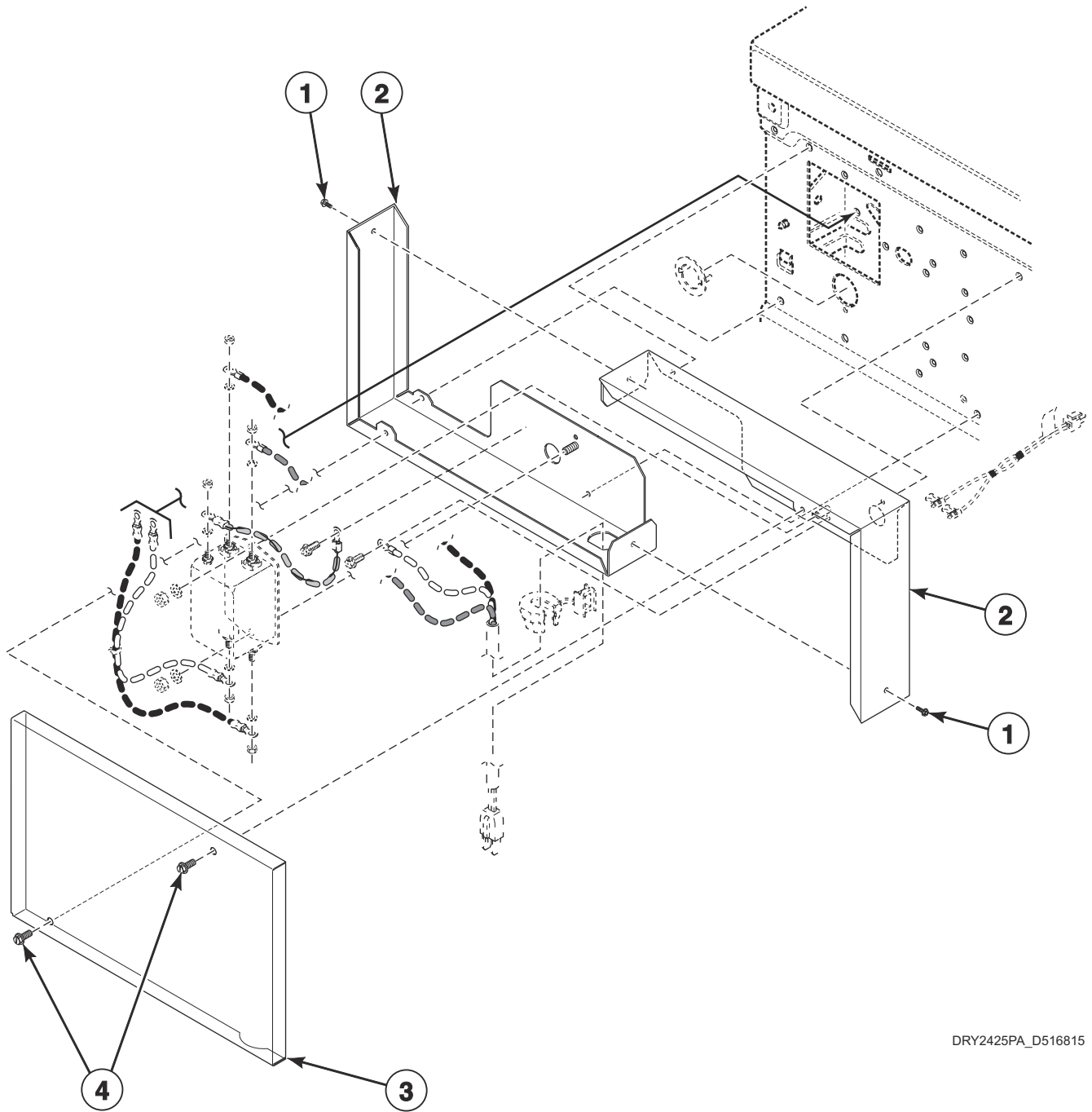
DRY2425P_D516815

Power Cord

| REF | PART NO. | DESCRIPTION | COMMENTS |
|-----|----------|-----------------------|---|
| | 20530 | Screw | |
| 1 | 52113 | Strain Relief | Models HSEBXAGS303NW22, HSEBXAGW543DW01, HSEBXAGW543FW01, SSEBXAGS303UQ01, SSEBXAGS303UW01, SSEBXAGS543FW01, SSEBXAGW543DW01, SSEMNAGS303UW01, SSEMNAGS433AW01, SSESXAGS303UW01 and SSESXAGW433AW01 |
| | 60298 | Strain Relief | Models BSGBXAGW303AW01, HSGBXAGW113FW01, HSGBXAGW543DW01, SSGBXAGS303EW01, SSGBXAGW113FW01, SSGBXAGW303AW01, SSGBXAGW543DW01, SSGSXAGS303EW01, SSGSXAGW303AW01 and SSGSXAGW303BW01 |
| | D502496 | Strain Relief Adapter | Model HSEBXAGS303NW22 |
| | D517492 | Strain Relief | Model KSEMAGS303BW33 |
| 2 | D516747 | Lead-In Cord Assembly | Models HSEBXAGS303NW22, HSEBXAGW543DW01, HSEBXAGW543FW01, KSEMAGS303BW33, SSEBXAGS303UQ01, SSEBXAGS303UW01, SSEBXAGS543FW01, SSEBXAGW543DW01, SSEMNAGS303UW01 and SSESXAGS303UW01 |
| | D514953 | Lead-In Cord | Models HSGBXAGW113FW01 and SSGBXAGW113FW01 |
| | 202926 | Lead-In Cord | Models BSGBXAGW303AW01, SSGBXAGW303AW01 and SSGSXAGW303AW01 |
| | D514061 | Lead-In Cord | Models HSGBXAGW543DW01 and SSGBXAGW543DW01 |
| | 61605P | Lead-In Cord Kit | Models SSEMNAGS433AW01 and SSESXAGW433AW01 |
| | 203208 | Lead-In Cord | Models SSGBXAGS303EW01 and SSGSXAGS303EW01 |
| | D514063 | Power Cord Assembly | Model SSGSXAGW303BW01 |

Junction Box

Models BSGBXAGW303AW01, HSEBXAGW543DW01, HSEBXAGW543FW01, HSGBXAGW113FW01, HSGBXAGW543DW01, SSEBXAGS303UQ01, SSEBXAGS303UW01, SSEBXAGS543FW01, SSEBXAGW543DW01, SSEMNAGS303UW01, SSEMNAGS433AW01, SSESXAGS303UW01, SSESXAGW433AW01, SSGBXAGS303EW01, SSGBXAGW113FW01, SSGBXAGW303AW01, SSGBXAGW543DW01, SSGSXAGS303EW01, SSGSXAGW303AW01 and SSGSXAGW303BW01



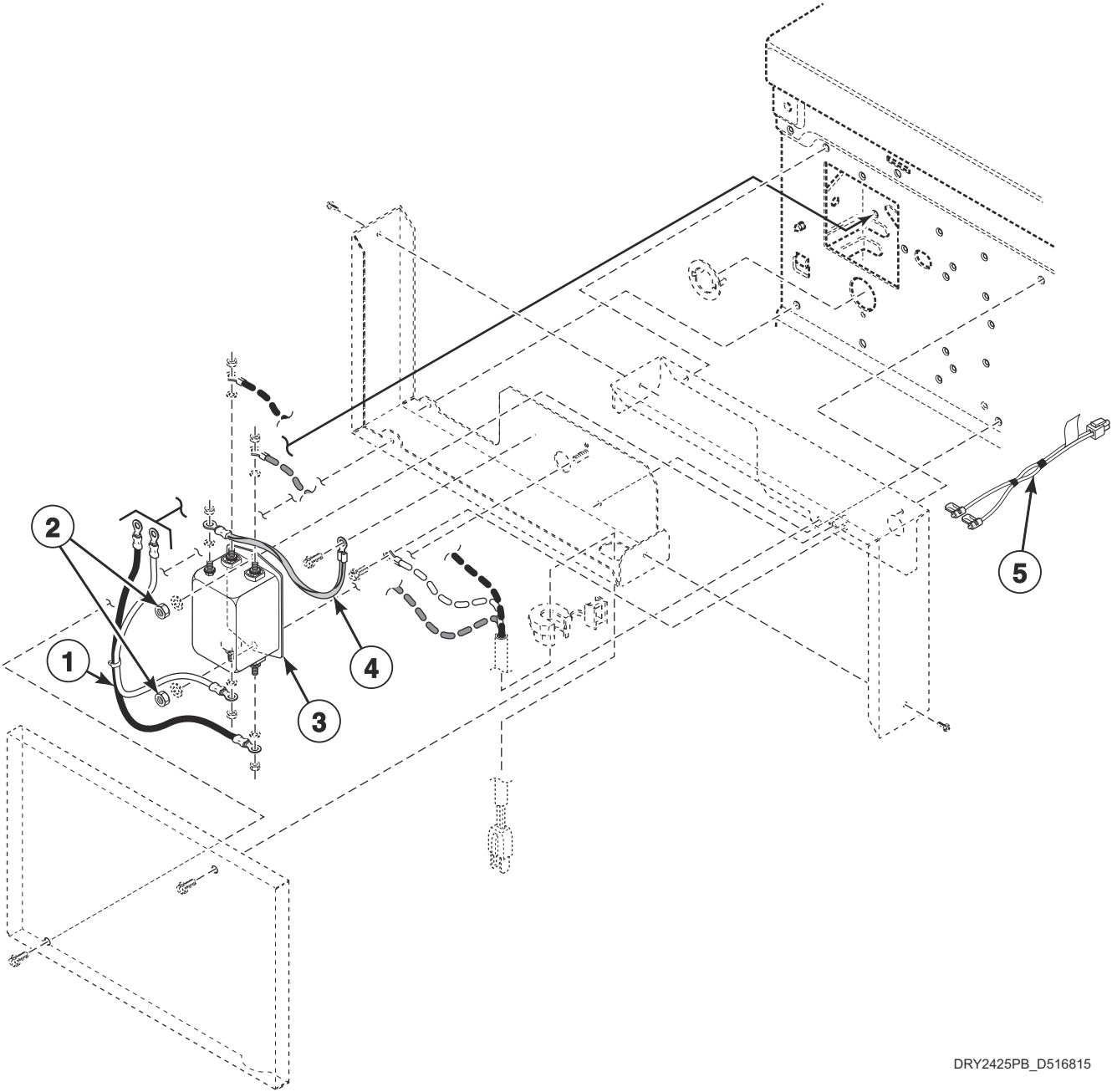
DRY2425PA_D516815

Junction Box

| REF | PART NO. | DESCRIPTION | COMMENTS |
|-----|----------|-----------------------|--|
| | D514379P | Junction Box Seal | 4 required |
| 1 | D503688 | Screw | 2 required |
| 2 | D516153 | Junction Box Assembly | Models HSEBXAGW543DW01, HSEBXAGW543FW01, SSEBXAGS303UQ01, SSEBXAGS303UW01, SSEBXAGS543FW01, SSEBXAGW543DW01, SSEMNAGS303UW01, SSEMNAGS433AW01, SSESXAGS303UW01 and SSESXAGW433AW01 |
| | D516152 | Junction Box Assembly | Models BSGBXAGW303AW01, HSGBXAGW113FW01, HSGBXAGW543DW01, SSGBXAGS303EW01, SSGBXAGW113FW01, SSGBXAGW303AW01, SSGBXAGW543DW01, SSGSXAGS303EW01, SSGSXAGW303AW01 and SSGSXAGW303BW01 |
| 3 | D514363 | Junction Box Cover | |
| 4 | D503688 | Screw | 2 required |

Junction Box Filter and Harnesses

Models BSGBXAGW303AW01, HSEBXAGW543DW01, HSEBXAGW543FW01, HSGBXAGW113FW01, SSEBXAGS303UQ01, SSEBXAGS303UW01, SSEBXAGS543FW01, SSEBXAGW543DW01, SSEMNAGS303UW01, SSEMNAGS433AW01, SSESXAGS303UW01, SSESXAGW433AW01, SSGBXAGS303EW01, SSGBXAGW113FW01, SSGBXAGW303AW01, SSGBXAGW543DW01, SSGSXAGS303EW01, SSGSXAGW303AW01 and SSGSXAGW303BW01

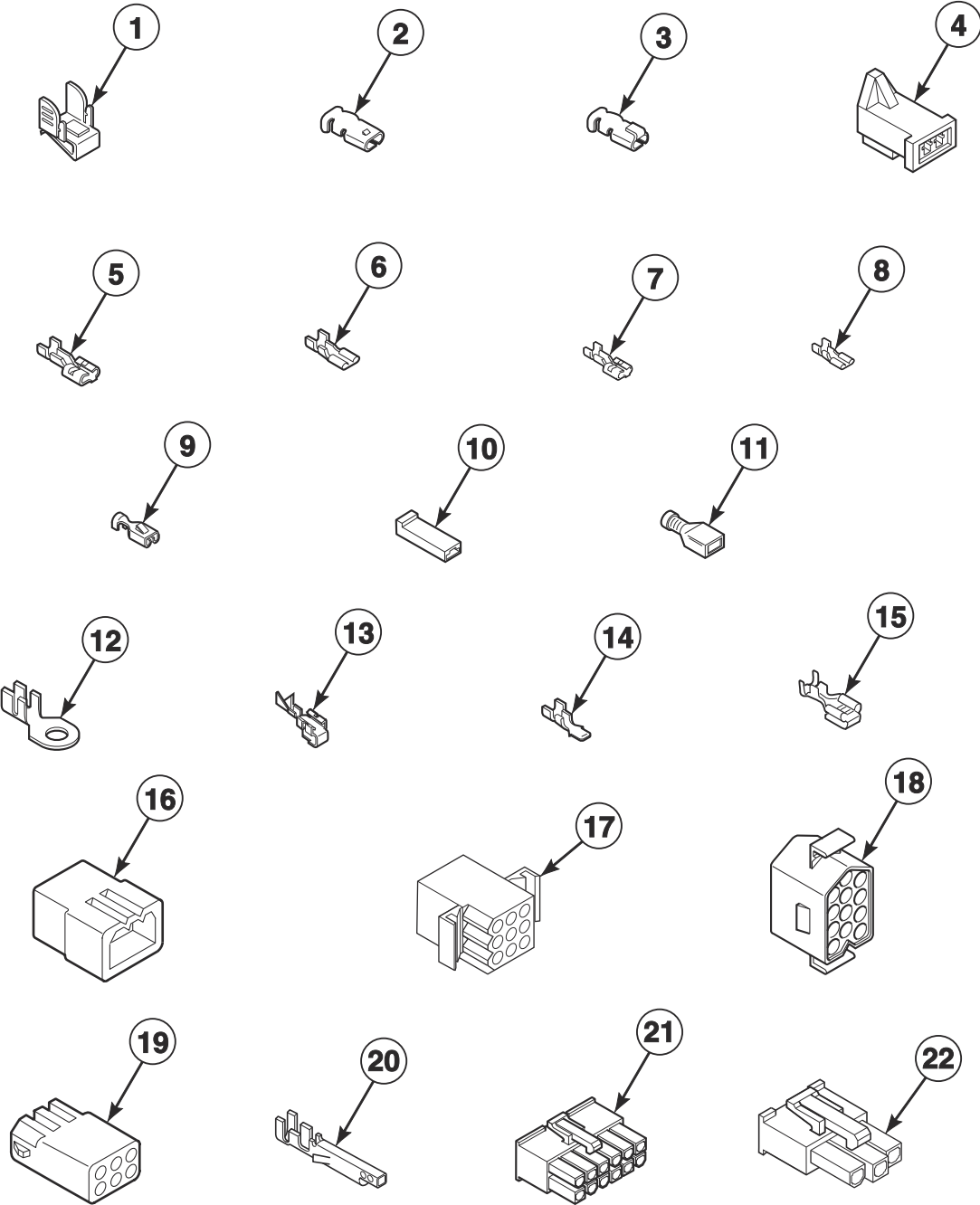


DRY2425PB_D516815

Junction Box Filter and Harnesses

| REF | PART NO. | DESCRIPTION | COMMENTS |
|-----|----------|-----------------------|--|
| | D503688 | Screw | 4 required |
| 1 | D514037 | Filter Harness | Models BSGBXAGW303AW01, HSGBXAGW113FW01, SSGBXAGW113FW01, SSGBXAGW303AW01, SSGBXAGW543DW01, SSGSXAGW303AW01 and SSGSXAGW303BW01 |
| | D514036 | Filter Harness | Models HSEBXAGW543DW01, HSEBXAGW543FW01, SSEBXAGS303UQ01, SSEBXAGS303UW01, SSEBXAGS543FW01, SSEBXAGW543DW01, SSEMNAGS303UW01, SSEMNAGS433AW01, SSESXAGS303UW01 and SSESXAGW433AW01 |
| 2 | 29787 | Nut | 2 required |
| 3 | 804844 | Line Filter | 30 Amp; Models HSEBXAGW543DW01, HSEBXAGW543FW01, SSEBXAGS303UQ01, SSEBXAGS303UW01, SSEBXAGS543FW01, SSEBXAGW543DW01, SSEMNAGS303UW01, SSEMNAGS433AW01, SSESXAGS303UW01 and SSESXAGW433AW01 |
| | 804864 | Line Filter | 10 Amp; Models BSGBXAGW303AW01, HSGBXAGW113FW01, SSGBXAGS303EW01, SSGBXAGW113FW01, SSGBXAGW303AW01, SSGBXAGW543DW01, SSGSXAGS303EW01, SSGSXAGW303AW01 and SSGSXAGW303BW01 |
| 4 | D514038 | Ground Filter Harness | Models HSEBXAGW543DW01, HSEBXAGW543FW01, SSEBXAGS303UQ01, SSEBXAGS303UW01, SSEBXAGS543FW01, SSEBXAGW543DW01, SSEMNAGS303UW01, SSEMNAGS433AW01, SSESXAGS303UW01 and SSESXAGW433AW01 |
| | D514039 | Ground Filter Harness | Models BSGBXAGW303AW01, HSGBXAGW113FW01, SSGBXAGW113FW01, SSGBXAGW303AW01, SSGBXAGW543DW01, SSGSXAGW303AW01 and SSGSXAGW303BW01 |
| 5 | 804396 | Filter Harness | Models SSGBXAGS303EW01 and SSGSXAGS303EW01 |

Terminal Block and Terminals

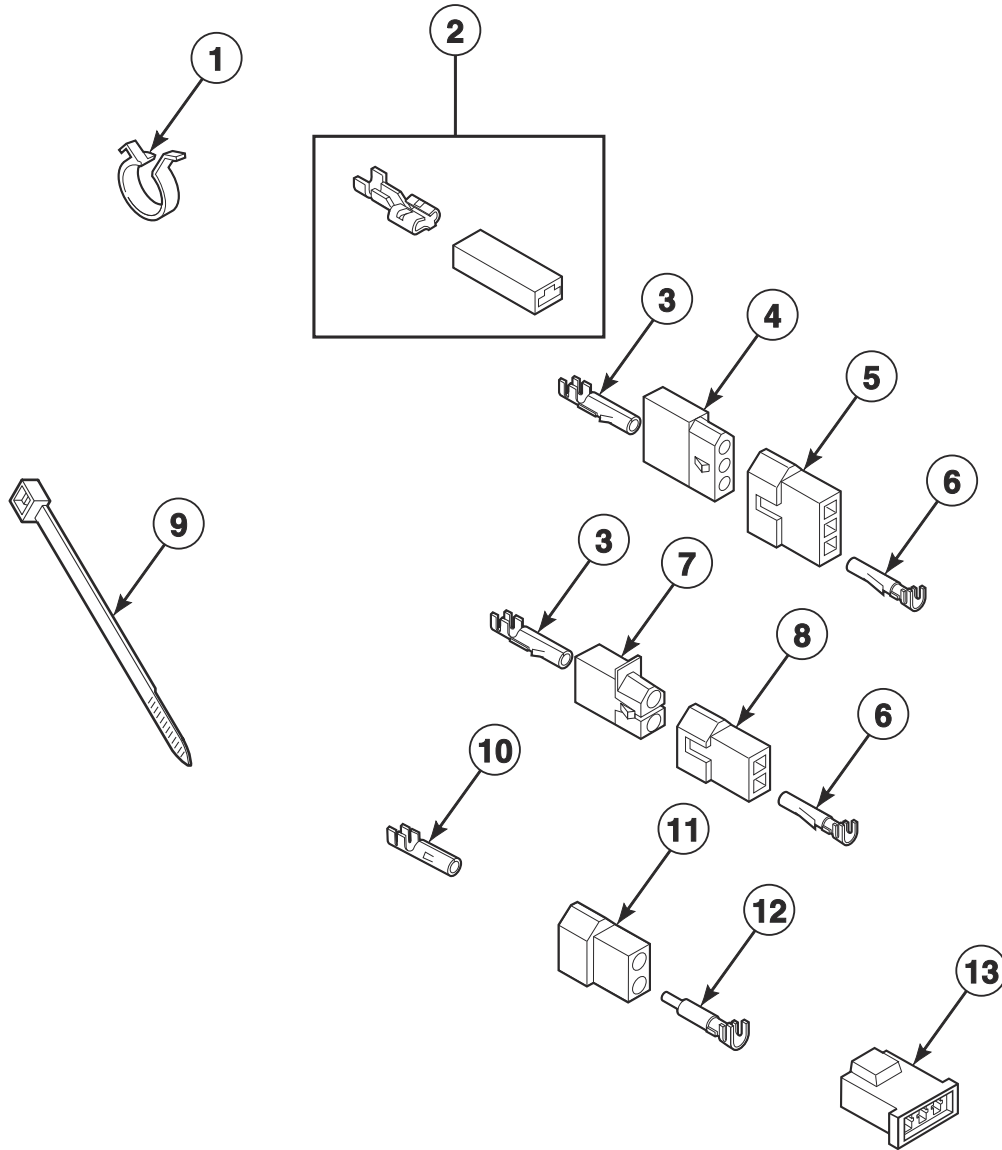


DRY2209P_D516815

Terminal Block and Terminals

| REF | PART NO. | DESCRIPTION | COMMENTS |
|-----|----------|---------------------------------|---|
| 1 | 00161 | Grounding Clip | |
| 2 | 00189 | Female Spade Terminal | 1/8 inch |
| 3 | 00361 | Female Piggyback Terminal | |
| 4 | 58799 | 2 Circuit Connector | |
| 5 | 00223 | Female Spade Terminal | 1/4 inch; (1) 18 gauge wire |
| | 00121 | Female Spade Terminal | 1/4 inch; (2) 18 gauge wires or (1) 12 gauge wire |
| | 00245 | Spade Terminal | 1/4 inch; (1) 22 gauge wire |
| 6 | 00124 | Female Spade Terminal | 3/16 inch; (1) 18 gauge wire; .020 tab |
| | 00156 | Female Spade Terminal | 3/16 inch; Thermostat wire; .032 tab |
| | 00112 | Female Spade Terminal | 3/16 inch; .020 tab |
| 7 | 00222 | Female Spade Terminal | 1/4 inch |
| 8 | 00347 | Terminal | |
| 9 | 00115 | Female Spade Terminal | 1/4 inch; (1) 18 gauge wire |
| 10 | 90789 | Receptacle Housing | |
| 11 | 00359 | Insulated Female Spade Terminal | 1/4 inch |
| | 00165 | Insulated Female Terminal | 3/16 inch |
| 12 | 00110 | Ring Terminal | No. 10; (1) 18 gauge wire |
| | 00111 | Ring Terminal | No. 10; (2) 18 gauge wires or (1) 12 gauge wire |
| 13 | 00114 | Female Spade Terminal | 1/4 inch; Double connector |
| 14 | 00139 | Male Tab Terminal | 1/4 inch; (2) 18 gauge wires or (1) 12 gauge wire |
| 15 | 00344 | Female Tab Terminal | 1/4 inch |
| 16 | 26302 | 1 Circuit Plug | |
| | 23033 | 9 Circuit Plug | |
| | 23041 | 6 Circuit Plug | |
| 17 | 26163 | 9 Circuit Receptacle | |
| | 56855 | 12 Circuit Receptacle | |
| 18 | 54522 | Plug | |
| 19 | 26301 | 1 Circuit Receptacle | |
| | 26708 | 6 Circuit Receptacle | |
| 20 | 00252 | Terminal | |
| 21 | 34596 | 10 Circuit Receptacle | |
| | D501333 | 12 Circuit Receptacle | |
| 22 | 36170 | 3 Circuit Receptacle | |

Terminals

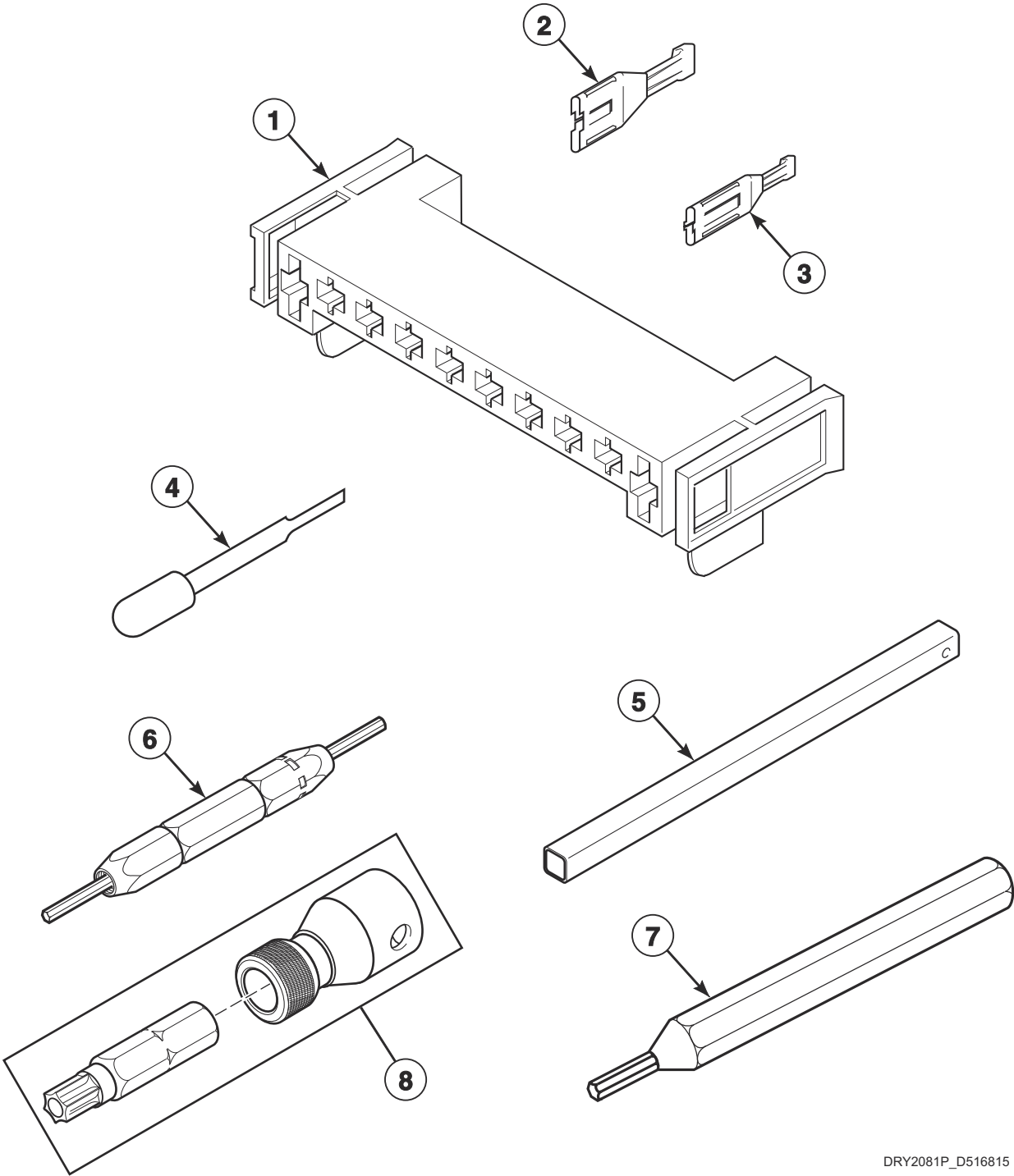


DRY1769P_D516815

Terminals

| REF | PART NO. | DESCRIPTION | COMMENTS |
|-----|----------|---------------------------------|---|
| 1 | D504034 | Wire Clip | 11/16 inch |
| | 687500 | Wire Clip | 1 inch |
| 2 | 00360 | Insulated Female Spade Terminal | (1) 12 gauge wire or (2) 18 gauge wires |
| 3 | 00117 | Female Pin Terminal | |
| 4 | 56265 | 2 Circuit Receptacle | |
| | 23039 | 3 Circuit Receptacle | |
| 5 | 23040 | Plug | |
| 6 | 00116 | Male Pin Terminal | |
| 7 | 56451 | 2 Circuit Receptacle | |
| 8 | 56448 | 2 Circuit Plug | |
| 9 | 55881 | Harness Strap | |
| 10 | 00128 | Female Pin Terminal | 1/8 inch; 10-14 gauge wire |
| | 00130 | Female Pin Terminal | 1/8 inch; 16-18 gauge wire |
| 11 | 56266 | 2 Circuit Plug | |
| 12 | 00129 | Male Pin Terminal | 0.12 insulation diameter |
| | 00127 | Male Pin Terminal | 0.18 insulation diameter |
| 13 | 58800 | 3 Circuit Connector | |

Terminals and Terminal Extractor Tools



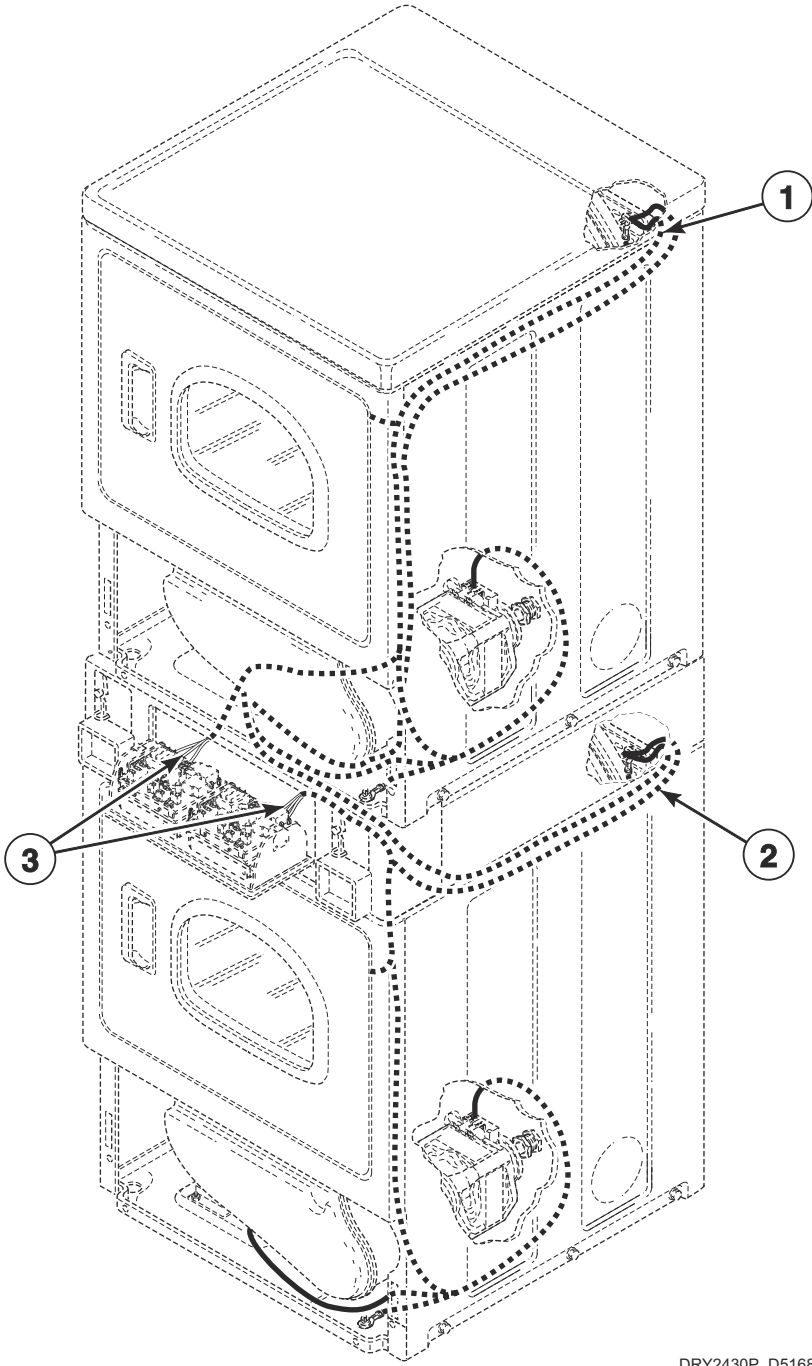
DRY2081P_D516815

Terminals and Terminal Extractor Tools

| REF | PART NO. | DESCRIPTION | COMMENTS |
|-----|----------|-------------------------|--|
| 1 | D500338 | 10 Position Housing | |
| 2 | 00255 | Female Terminal | 1/4 inch; (1) 12 gauge wire |
| | 00256 | Female Terminal | 1/4 inch; (1) or (2) 18 gauge wires |
| 3 | 00188 | Female Terminal | For 1 or 2 wire application |
| 4 | 283P4 | Terminal Extractor Tool | For use on Molex connectors |
| 5 | 310P4 | Ratchet Extension Tool | 1/4 inch; For coin drop installation |
| 6 | 190P4 | Extractor Tool | For use on electric dryer terminals |
| 7 | 128P4 | Extractor Tool | For use on gas dryer terminals |
| 8 | 281P4 | Torx Bit | T15 Tamper Resistant Bit |
| | 282P4 | Torx Bit | Use with 62853 Screw on access panel; T25 Tamper Resistant Bit |
| | 292P4 | Torx Bit | T20 Standard Bit |
| | 93501 | Torx Drive Tool | T10 Standard Bit |

Wire Harnesses and Wires

Gas Models



DRY2430P_D516815

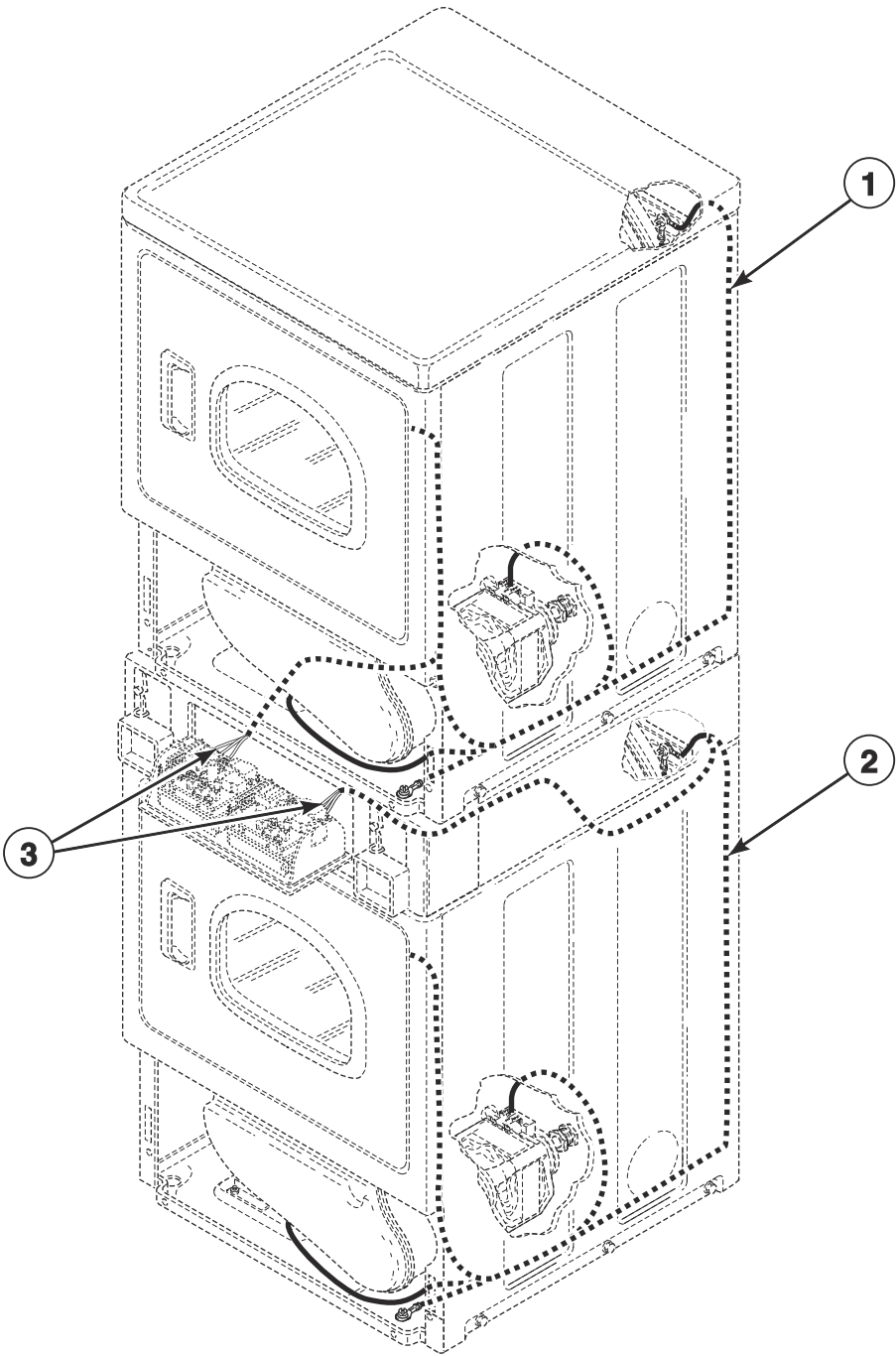
Wire Harnesses and Wires

| REF | PART NO. | DESCRIPTION | COMMENTS |
|----------|----------|--------------------------|--|
| | 45001 | 18 Gauge Wire | Black; Order wire by the foot; Order terminals and connectors as required |
| | 45380 | 12 Gauge Wire | Orange; Order wire by the foot; Order terminals and connectors as required |
| | D515609 | Control Harness | Models NSGSXAGW303NW22, SSGSXAGS303EW01, SSGSXAGW303AW01 and SSGSXAGW303BW01 |
| | D517236 | Broken Belt Harness | Model HSGBXAGW303NW21 |
| 1 | D516753 | Upper Gas Harness | Model HSGBXAGW303NW21 |
| | D516359 | Upper Gas Harness | All other models |
| 2 | D516755 | Gas Harness | Lower; Model HSGBXAGW303NW21 |
| | D516361 | Gas Harness | Lower; All other models |
| 3 | D513991 | Security Cabinet Harness | |

NOTE: Individual wires are not available separately. Order complete harness, or order wire by the foot. When applying terminals to wires, it is recommended that the terminals be soldered to the wires.

Wire Harnesses and Wires

Electric Models



DRY2431P_D516815

Wire Harnesses and Wires

| REF | PART NO. | DESCRIPTION | COMMENTS |
|----------|----------|--------------------------|---|
| | 45001 | 18 Gauge Wire | Black; Order wire by the foot; Order terminals and connectors as required |
| | 45380 | 12 Gauge Wire | Orange; Order wire by the foot; Order terminals and connectors as required |
| | D515609 | Control Harness | Models NSESXAGW303NW22, SSESXAGS303UW01, SSESXAGW303NQ01, SSESXAGW303NW01 and SSESXAGW433AW01 |
| | D514076 | Control Harness | Models SSEMNAGS303NW01, SSEMNAGS303UW01 and SSEMNAGS433AW01 |
| 1 | D513968 | Upper Electric Harness | |
| 2 | D517240 | Electronic Harness | |
| 3 | D513991 | Security Cabinet Harness | |

NOTE: Individual wires are not available separately. Order complete harness, or order wire by the foot. When applying terminals to wires, it is recommended that the terminals be soldered to the wires.

Parts Index

A

| | |
|--|--------|
| Access Cover Plate D514356 | 47 |
| Access Panel Assembly D514250WP | 27 |
| Access Panel Plate D510903 | 47 |
| Access Panel Assembly D514250Q | 27 |
| Adhesive D511637P | 33, 35 |
| Air Duct Assembly D510151W | 33 |
| Anti-Seize Compound 27604P | 29 |

B

| | |
|--|--------|
| Blower and Fan Kit D510717P | 31 |
| Blower Fan Assembly D510139P | 29 |
| Blower Housing D511969WP | 29 |
| Blower Housing Seal D510238P | 29 |
| Bolt 29651 | 13, 19 |
| Booster and Holding Coil 58804A | 41, 43 |
| 59063A | 41, 43 |
| Bracket 803662 | 21 |
| Broken Belt Harness D517236 | 65 |
| Bumper Pad 56128 | 47 |
| Burner Assembly D510149P | 41, 43 |

C

| | |
|---------------------------------------|----|
| Cabinet Rear Panel D514632P | 47 |
| Cabinet Side Panel D510001QP | 47 |
| D510001WP | 47 |
| D510002QP | 47 |
| D510002WP | 47 |
| Clip 201572 | 11 |
| Coin Drop 200731 | 9 |
| 38963P | 9 |
| 39748 | 9 |
| 70441601P | 9 |
| 70441603 | 7 |

| | |
|-----------------------------------|---|
| Coin Drop Assembly CK114 | 9 |
| 201141 | 9 |
| 210195 | 7 |
| 210196 | 7 |
| 38462P | 9 |
| 38463 | 9 |
| 38464P | 9 |
| 38467 | 7 |
| 38472 | 7 |
| 38475 | 9 |
| 38519 | 7 |
| 38521 | 7 |
| 39157 | 7 |
| 553192 | 7 |
| 70281102 | 7 |
| 70441602 | 7 |
| 70447301 | 7 |
| 70482401 | 7 |
| 70506901 | 9 |

| | |
|------------------------------|---|
| Coin Drop Kit CK055 | 9 |
| CK056 | 9 |
| CK057 | 9 |
| CK058 | 7 |
| CK060 | 7 |
| CK071 | 7 |
| CK077 | 9 |
| CK078 | 9 |
| CK085 | 9 |
| CK086 | 7 |
| CK089 | 9 |
| CK090 | 9 |
| CK091 | 7 |
| CK097 | 9 |
| CK098 | 9 |
| CK107 | 7 |
| CK111 | 7 |
| CK122 | 7 |
| CK123 | 9 |

| | |
|--|----|
| Coin Drop Wire Harness 201104 | 11 |
|--|----|

| | |
|--------------------------------|----|
| Coin Funnel Kit 523P3 | 19 |
|--------------------------------|----|

| | |
|--|----------|
| Coin Identification Paper 38725 | 7, 9, 11 |
|--|----------|

| | |
|---|----|
| Coin Slide Extension Kit D514228 | 21 |
|---|----|

| | |
|-----------------------------------|----|
| Coin Slide Guard D514726 | 19 |
|-----------------------------------|----|

| | |
|-------------------------------|----|
| Coin Slide Kit CK001 | 19 |
| CK009 | 19 |
| CK010P | 19 |
| CK011 | 19 |
| CK014 | 19 |
| CK017 | 19 |

| | |
|----------------------------------|----|
| Combustion Duct D510132 | 39 |
|----------------------------------|----|

| | |
|-------------------------------------|----|
| Connector, 2 Circuit 58799 | 59 |
|-------------------------------------|----|

| | |
|-------------------------------------|----|
| Connector, 3 Circuit 58800 | 61 |
|-------------------------------------|----|

N/A items do not appear in index.

| | |
|------------------------------------|--------|
| Contactor Bracket | |
| D511859 | 49 |
| Control Assembly | |
| D514218 | 17, 19 |
| D515807P | 5 |
| D515808P | 5 |
| Control Harness | |
| D514076 | 67 |
| D515609 | 65, 67 |
| Control Overlay | |
| D514671 | 19 |
| D515500 | 5 |
| D515540 | 5 |
| D515541 | 5 |
| D515542 | 5 |
| D515543 | 5 |
| D517289 | 17 |
| Control Panel | |
| D514711W | 17 |
| D514724Q | 19 |
| D514724W | 19 |
| 803964Q | 13 |
| 803964W | 13 |
| Control Panel and Bracket Assembly | |
| D500228Q | 19 |
| D500228W | 17, 19 |
| D513778Q | 5 |
| D513778W | 5 |
| Cycle Selector Switch | |
| 201686 | 17 |
| Cylinder Assembly | |
| D510265WP | 33 |
| Cylinder Baffle | |
| D510102W | 33 |
| Cylinder Belt | |
| D511255P | 29 |
| Cylinder Glide | |
| D513710 | 33 |
| Cylinder Glide Bracket | |
| D510145 | 33 |
| Cylinder Roller | |
| D510708P | 35 |
| Cylinder Roller Bracket | |
| D510100 | 35 |
| Cylinder Seal Assembly | |
| D510207P | 33, 35 |

D

| | |
|-------------------------|--------|
| Damper | |
| 58786 | 47 |
| Directional Exhaust Kit | |
| 528P3 | 47 |
| Door and Liner Assembly | |
| D511636QP | 23 |
| Door Assembly | |
| D516737W | 23 |
| Door Catch Assembly | |
| D510177 | 27 |
| Door Handle Wedge | |
| D510129W | 23, 25 |
| Door Liner Grill | |
| D503870W | 23, 25 |

| | |
|----------------------------|--------|
| Door Pull and Wedge Kit | |
| D510103QP | 23, 25 |
| D510103WP | 23, 25 |
| Door Strike | |
| D510181 | 23, 25 |
| Door Strike Mount | |
| D510127 | 23, 25 |
| Drip Shield | |
| D514327 | 27 |
| Dryer Base | |
| D514245 | 47 |
| Dryer Door | |
| D510013QP | 25 |
| D510013WP | 25 |
| D510082QP | 23 |
| D510082WP | 23 |
| D515960W | 25 |
| Dryer Door Window | |
| D503982P | 23 |
| Dual Coin Harness Assembly | |
| 202871 | 7, 11 |
| Dual Overlay | |
| 39073 | 13 |

E

| | |
|-------------------------------|--------|
| Elbow | |
| D513072 | 41 |
| Electrical Shock Label | |
| F8211201 | 33, 47 |
| Electronic Coin Drop Assembly | |
| 70294103P | 11 |
| 70294104 | 11 |
| 70294106 | 11 |
| 70294107 | 11 |
| 70294110 | 11 |
| 70294111 | 11 |
| 70294117 | 11 |
| 70294119 | 11 |
| 70294120 | 11 |
| 70294121 | 11 |
| 70294122 | 11 |
| 70513302 | 11 |
| 70513311 | 11 |
| Electronic Coin Drop Kit | |
| CK099 | 11 |
| CK100 | 11 |
| CK101 | 11 |
| CK103 | 11 |
| CK108 | 11 |
| CK109 | 11 |
| CK110 | 11 |
| CK113 | 11 |
| CK115 | 11 |
| CK116 | 11 |
| CK117 | 11 |
| CK118 | 11 |
| CK119 | 11 |
| CK120 | 11 |
| CK121 | 11 |
| Electronic Harness | |
| D517240 | 67 |
| Exhaust Duct | |
| D516196 | 47 |

N/A items do not appear in index.

| | |
|-----------------------|----------------|
| Exhaust Warning Label | |
| D500497 | 47 |
| D502507 | 47 |
| Expansion Clip | |
| 70030501 | 13, 15, 17, 19 |
| Extractor Tool | |
| 128P4 | 63 |
| 190P4 | 63 |

F

| | |
|---------------------------|----|
| Felt Pad | |
| D510189 | 33 |
| Female Piggyback Terminal | |
| 00361 | 59 |
| Female Pin Terminal | |
| 00117 | 61 |
| 00128 | 61 |
| 00130 | 61 |
| Female Spade Terminal | |
| 00112 | 59 |
| 00114 | 59 |
| 00115 | 59 |
| 00121 | 59 |
| 00124 | 59 |
| 00156 | 59 |
| 00189 | 59 |
| 00222 | 59 |
| 00223 | 59 |
| Female Tab Terminal | |
| 00344 | 59 |
| Female Terminal | |
| 00188 | 63 |
| 00255 | 63 |
| 00256 | 63 |
| Filter Harness | |
| D514036 | 57 |
| D514037 | 57 |
| 804396 | 57 |
| Flexible Venting Kit | |
| 521P3 | 47 |
| Front Bulkhead Assembly | |
| D510061 | 33 |
| Front Panel | |
| D510066QP | 27 |
| D510066WP | 27 |
| Front Panel Label | |
| D514863 | 27 |
| Front Panel Seal | |
| D511056 | 27 |

G

| | |
|----------------------------|--------|
| Gas Harness | |
| D516361 | 65 |
| D516755 | 65 |
| Gas Valve Assembly | |
| D513631 | 41 |
| 59063P | 41 |
| 60353P | 41 |
| Gas Valve Mounting Bracket | |
| D510128 | 41, 43 |

| | |
|--------------------------------------|----|
| Gas Valve, Bracket and Pipe Assembly | |
| D517606 | 43 |
| D517607 | 43 |
| D517608 | 43 |
| D517612 | 43 |
| Glide Kit | |
| RB170003 | 33 |
| Ground Filter Harness | |
| D514038 | 57 |
| D514039 | 57 |
| Grounding Clip | |
| 00161 | 59 |

H

| | |
|----------------------|--------|
| Harness Strap | |
| 55881 | 61 |
| Heat Duct Shroud | |
| D510101 | 39 |
| Heater Assembly | |
| D510326P | 37 |
| D510327P | 37 |
| D510329P | 37 |
| Heater Duct Assembly | |
| D510025P | 37, 39 |
| Heater Kit | |
| 964P3 | 37 |
| Heater Kit Assembly | |
| 61929 | 37 |
| 61930 | 37 |
| Hinge | |
| D511036 | 23, 25 |
| Hinge Hole Plug | |
| D510186 | 27 |
| Hold Down Kit | |
| 526P3 | 47 |
| Housing, 10 Position | |
| D500338 | 63 |

I

| | |
|----------------------------------|--------|
| Idler Lever | |
| D516310 | 31 |
| Idler Lever and Wheel Assembly | |
| D516792 | 31 |
| Idler Spring | |
| D510185 | 31 |
| Idler Wheel and Bearing Assembly | |
| D510142P | 31 |
| Igniter and Bracket Assembly | |
| D510184P | 41, 43 |
| Insulated Female Spade Terminal | |
| 00359 | 59 |
| 00360 | 61 |
| Insulated Female Terminal | |
| 00165 | 59 |

J

| | |
|-----------------------|----|
| Junction Box Assembly | |
| D516152 | 55 |

N/A items do not appear in index.

| | |
|--------------------|----|
| D516153 | 55 |
| Junction Box Cover | |
| D514363 | 55 |
| Junction Box Seal | |
| D514379P | 55 |

K

| | |
|-------------|-----------|
| Key | |
| 54612 | 5, 17, 19 |

L

| | |
|--------------------------------|-----------|
| Label | |
| D503887 | 27 |
| Lead-In Cord | |
| D514061 | 53 |
| D514953 | 53 |
| 202926 | 53 |
| 203208 | 53 |
| Lead-In Cord Assembly | |
| D516747 | 53 |
| Lead-In Cord Kit | |
| 61605P | 53 |
| Lead-In Pipe Assembly | |
| D510204 | 41 |
| Leveling Leg | |
| D510135 | 47 |
| Light | |
| 801431 | 17, 19 |
| Limit Thermostat | |
| D510701 | 37 |
| D510702 | 39 |
| Line Filter | |
| 804844 | 57 |
| 804864 | 57 |
| Liner and Seal Assembly | |
| D510098W | 23 |
| Liner Door Seal | |
| D510147P | 23, 25 |
| Liner, Seal and Grill Assembly | |
| D510163WP | 25 |
| Lint Filter | |
| D503980W | 33 |
| Lint Filter Label | |
| D502781 | 27 |
| D502804 | 27 |
| Lock Cam | |
| 804338 | 5, 17, 19 |
| Lock Kit | |
| 27260P | 5, 17, 19 |
| L.P. Conversion Kit | |
| 458P3 | 41, 43 |
| 599P3 | 41, 43 |
| 649P3 | 41, 43 |
| L.P. Orifice | |
| D503786 | 45 |
| D58755 | 45 |

M

| | |
|-----------------------------|----|
| Machine ID Control Assembly | |
| 203361P | 5 |
| Male Pin Terminal | |
| 00116 | 61 |
| 00127 | 61 |
| 00129 | 61 |
| Male Tab Terminal | |
| 00139 | 59 |
| Meter Case Assembly | |
| 804011Q | 19 |
| 804011W | 19 |
| 807396W | 13 |
| Motor and Pulley Assembly | |
| D505843P | 29 |
| D505869P | 29 |
| D511629P | 29 |
| Motor Hub Ring Kit | |
| 590P3 | 29 |
| Motor Mount | |
| D510060 | 31 |
| Motor Mount Clamp | |
| D510180 | 29 |
| Motor Pulley | |
| D500011 | 29 |
| D500222 | 29 |
| Motor Shield | |
| D514602 | 29 |
| Motor Switch Bracket | |
| D516311 | 31 |
| Mounting Tool Kit | |
| CK096 | 11 |

N

| | |
|---------------------|--------|
| Nut | |
| 201216 | 11 |
| 24205 | 17, 19 |
| 28447 | 35 |
| 29786 | 7, 9 |
| 29787 | 57 |
| 29796 | 19 |
| 44087201 | 13, 19 |
| 52566 | 31 |
| 52947 | 17, 19 |
| 56156 | 31, 35 |
| N.G. Conversion Kit | |
| 402P3 | 41, 43 |
| 459P3 | 41, 43 |
| 650P3 | 41, 43 |
| N.G. Orifice | |
| D503776 | 45 |
| D503778 | 45 |
| D503779 | 45 |
| D503780 | 45 |
| D503781 | 45 |
| D510517 | 45 |

N/A items do not appear in index.

O

| | |
|-------------------------|--------|
| Opto Coupler | |
| 200674P | 7, 9 |
| Outlet Cover | |
| D500820 | 37, 39 |
| D514475 | 37 |
| D515573 | 37, 39 |
| Output Board Shield | |
| D514420 | 47 |
| Output Control Assembly | |
| D513797P | 47 |
| D517269 | 47 |
| D517319 | 47 |
| Overlay | |
| D514371 | 17, 19 |
| D514874 | 15 |
| 201091 | 13 |

P

| | |
|--------------------------|--------|
| Panel Locator | |
| 56079 | 27, 47 |
| Pinch Warning Label | |
| F8615701 | 33 |
| Plug | |
| 23040 | 61 |
| 54522 | 59 |
| Plug, 1 Circuit | |
| 26302 | 59 |
| Plug, 2 Circuit | |
| 56266 | 61 |
| 56448 | 61 |
| Plug, 6 Circuit | |
| 23041 | 59 |
| Plug, 9 Circuit | |
| 23033 | 59 |
| Porcelain Touch-Up Paint | |
| 122P4P | 47 |
| Power Cord Assembly | |
| D514063 | 53 |

R

| | |
|------------------------|----------------|
| Ratchet Extension Tool | |
| 310P4 | 63 |
| Rear Access Panel | |
| 803998 | 13, 15, 17, 19 |
| Rear Bulkhead Assembly | |
| D511082P | 35 |
| Receptacle Housing | |
| 90789 | 59 |
| Receptacle, 1 Circuit | |
| 26301 | 59 |
| Receptacle, 10 Circuit | |
| 34596 | 59 |
| Receptacle, 12 Circuit | |
| D501333 | 59 |
| 56855 | 59 |
| Receptacle, 2 Circuit | |
| 56265 | 61 |

| | |
|-----------------------|--------|
| 56451 | 61 |
| Receptacle, 3 Circuit | |
| 23039 | 61 |
| 36170 | 59 |
| Receptacle, 6 Circuit | |
| 26708 | 59 |
| Receptacle, 9 Circuit | |
| 26163 | 59 |
| Retaining Ring | |
| 23748 | 31, 35 |
| Ring Terminal | |
| 00110 | 59 |
| 00111 | 59 |
| Roller Kit | |
| RB170002 | 35 |
| Rubber Foot | |
| D501855 | 47 |

S

| | |
|---------------------------------|---|
| Screw | |
| D500226 | 23, 25 |
| D500824 | 31 |
| D501285 | 33, 35 |
| D501524 | 5 |
| D502431 | 17 |
| D502535 | 31 |
| D503661 | 5, 51 |
| D503688 | 5, 13, 15, 17, 27, 29, 33, 35, 37, 39, 41, 43, 47, 49, 51, 55, 57 |
| D505295 | 23, 33 |
| D505870 | 23 |
| D514428 | 47 |
| 20530 | 53 |
| 23222 | 37, 41, 43 |
| 27328 | 17 |
| 28448 | 35 |
| 31260 | 29 |
| 33562 | 27 |
| 36048 | 51 |
| 39733 | 27, 47 |
| 503688 | 19 |
| 51782 | 39, 41, 43 |
| 52864 | 33 |
| 56124 | 41, 43 |
| 61199 | 35 |
| 62588 | 33 |
| 62853 | 27 |
| 70240301 | 13, 15, 17, 19 |
| 804608 | 17, 19 |
| 804667 | 47 |
| Screw Orifice | |
| 58719 | 45 |
| Seal Kit | |
| RB170001 | 33, 35 |
| Secondary Coil | |
| 58804B | 41, 43 |
| 59063B | 41, 43 |
| Security Cabinet Front Assembly | |
| 804147WP | 15 |
| Security Cabinet Harness | |
| D513991 | 65, 67 |
| Sensor | |
| D510213 | 41, 43 |

N/A items do not appear in index.

| | | |
|------------------------------|----------------|------------|
| Shaft | 56461P | 31, 35 |
| Shield Bracket | 8040118 | 5 |
| | 804018 | 17, 19 |
| Single Coin Harness Assembly | 202870 | 9 |
| Single Overlay | 38717 | 13 |
| Slide | CK027 | 19 |
| Spade Terminal | 00245 | 59 |
| Speed Clip | 28835 | 27 |
| Strain Relief | D517492 | 53 |
| | 52113 | 53 |
| | 60298 | 53 |
| Strain Relief Adapter | D502496 | 53 |
| Switch | D512973 | 13, 19, 27 |
| | D514105 | 21 |
| | D516391 | 31 |
| | 70529301 | 13, 19 |
| Switch Assembly | 55882 | 17, 19 |
| Switch Knob | 39897 | 17, 19 |

T

| | | |
|-----------------------------|-----------------|--------|
| Temperature Selector Switch | D511711 | 17, 19 |
| Terminal | 00252 | 59 |
| | 00347 | 59 |
| Terminal Block Assembly | D510190P | 35 |
| Terminal Block Shield | D517715 | 35 |
| Terminal Extractor Tool | 283P4 | 63 |
| Thermal Fuse Assembly | D511412 | 37 |
| Thermistor Assembly | D502366 | 31 |
| | D510523 | 31 |
| Thermostat | D510703 | 39 |
| Thermostat Shield | D514325 | 29 |
| Timer Knob | 54678 | 17 |
| Timer Overlay | D515998 | 17 |
| Top Hinge | D510136 | 51 |
| Top Kit | D510032QP | 51 |
| | D510032WP | 51 |

| | | |
|---------------------|----------------|----|
| Torx Bit | 281P4 | 63 |
| | 282P4 | 63 |
| | 292P4 | 63 |
| Torx Drive Tool | 93501 | 63 |
| Transformer | D513763P | 49 |
| | 201375P | 11 |
| | 202758 | 11 |
| Transformer Harness | D514069 | 11 |
| Transformer Kit | 203423 | 5 |
| | 203424 | 5 |
| Transformer Shield | D514334 | 49 |

U

| | | |
|------------------------|---------------|----|
| Upper Electric Harness | D513968 | 67 |
| Upper Gas Harness | D516359 | 65 |
| | D516753 | 65 |

V

| | | |
|----------------|--------------|----|
| Valve Assembly | 60443P | 41 |
|----------------|--------------|----|

W

| | | |
|-----------------------|----------------|--------|
| Warning Label | D512263 | 27 |
| | D514226 | 27 |
| | 44321601 | 47 |
| Warning/Caution Label | D500281 | 27 |
| Washer | D501307 | 51 |
| | D504082 | 35 |
| | F430339 | 17, 19 |
| | 28449 | 35 |
| | 52549 | 31, 35 |
| | 91176 | 17, 19 |
| Window Trim | D503981Q | 23 |
| | D503981W | 23 |
| Wire Assembly | D510527 | 37 |
| | D510528 | 37 |
| Wire Clip | D504034 | 61 |
| | 687500 | 61 |
| Wire Guard | 201595P | 7, 9 |
| Wire, 12 Gauge | 45380 | 65, 67 |
| Wire, 18 Gauge | 45001 | 65, 67 |

N/A items do not appear in index.

| | |
|-------------------------|--------|
| Wiring Harness Assembly | |
| 202868 | 5 |
| Wrapper Assembly | |
| 804104Q | 13, 19 |
| 804104W | 13, 19 |
| 804112W | 15, 17 |
