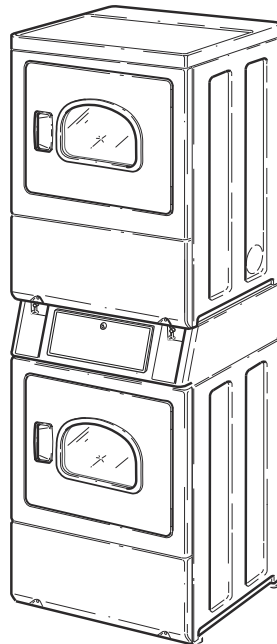


# Commercial Dryers

Metered and Nonmetered  
Models Starting Serial No. 2001000001

Refer to Page 3 for Model Numbers



DRY727C\_D518165

**Alliance**<sup>™</sup>  
Laundry Systems

[www.alliancelandry.com](http://www.alliancelandry.com)

Part No. D518165R1  
July 2021

Parts



# Table of Contents

Title	Page
Parts Ordering Information.....	2
Serial Plate Location .....	2
Model Identification .....	3
Control Panel and Controls (Drawing 1 of 2) .....	4
Control Panel and Controls (Drawing 2 of 2) .....	6
Network Board Assembly.....	8
Control Panel, Meter Case and Cabinet Wrapper .....	10
Control Cabinet Front and Wrapper.....	12
Non-Electronic Coin Drop .....	14
Electronic Coin Drop .....	16
Control Panel and Cabinet Wrapper (Drawing 1 of 2).....	18
Control Panel and Cabinet Wrapper (Drawing 2 of 2).....	20
Loading Door without Window .....	22
Loading Door with Window .....	24
Access Panel, Front Panel and Seal .....	26
Motor, Exhaust Fan and Belt .....	28
Front Bulkhead, Air Duct, Felt Seal and Cylinder .....	30
Rear Bulkhead, Felt Seal, Cylinder Roller and Terminal Block.....	32
Heater Duct and Element Assembly - Electric Model Dryers.....	34
Heater Duct Assembly - Gas Model Dryers .....	36
Gas Valve, Igniter and Gas Conversion Kits - Gas Models .....	38
Cabinet, Exhaust Duct and Base .....	40
Cabinet Top .....	42
Power Cord.....	44
Terminal Block and Terminals .....	46
Terminals .....	48
Terminals and Terminal Extractor Tools .....	50
Wires and Wire Harnesses .....	52
Label Location on Rear of Cabinet .....	54
Parts Index.....	57

© Copyright 2021, Alliance Laundry Systems LLC

All rights reserved. No part of the contents of this book may be reproduced or transmitted in any form or by any means without the expressed written consent of the publisher.

## Parts Ordering Information

If literature or replacement parts are required, contact the source from whom the machine was purchased or contact Alliance Laundry Systems at (920) 748-3950 for the name and address of the nearest authorized parts distributor.

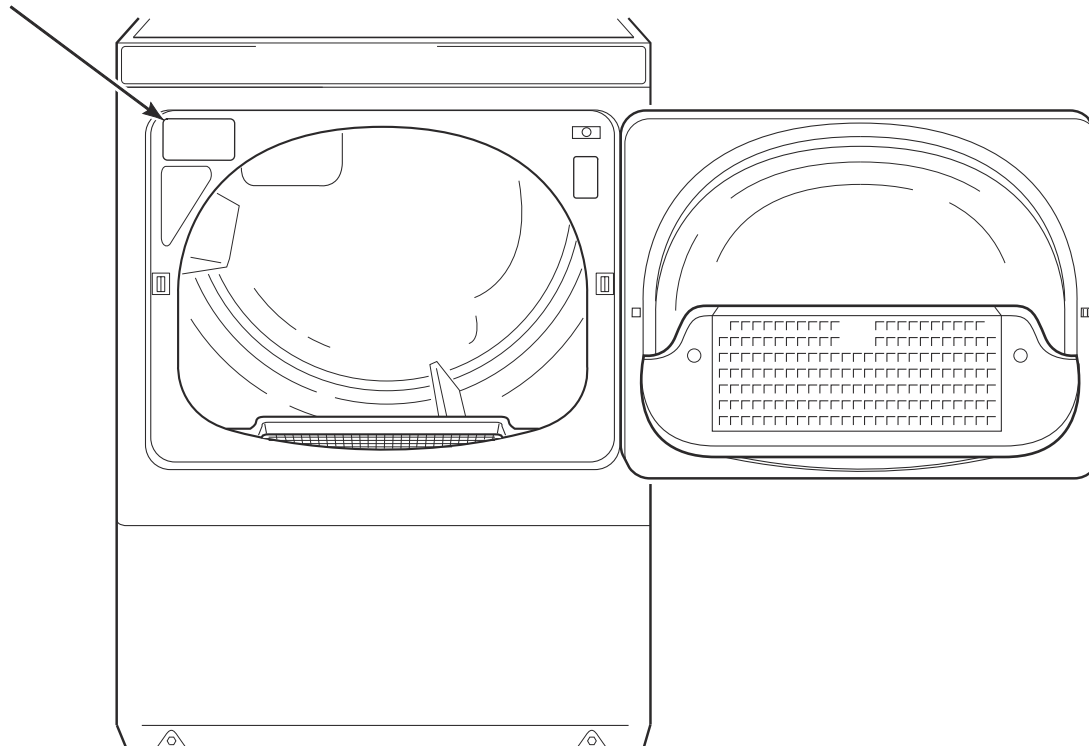
For technical assistance, call the number listed below:

(920) 748-3121 Ripon, Wisconsin

## Serial Plate Location

When calling or writing about your product, be sure to mention model and serial numbers. Model and serial numbers are located on serial plate(s) as shown.

Serial Plate



DRY2283P\_D518165

## Model Identification

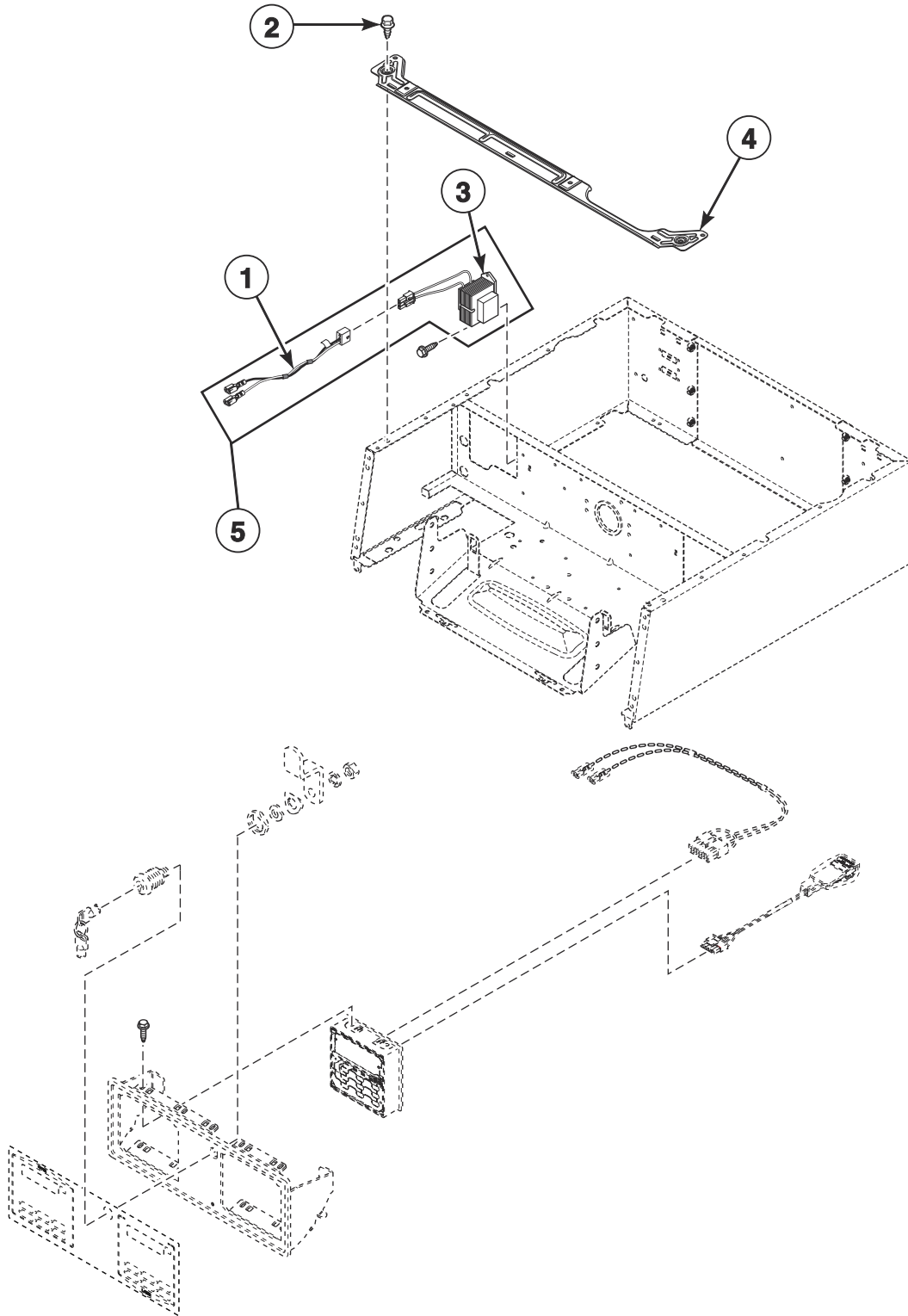
Information in this manual is applicable to these dryer models:

NSENXAGW173MW01  
NSGNXAGW113MW01

SSENCAGS153TW01  
SSENCAGS173TW01  
SSENCAGS176TW01  
SSENCAGW153TW01  
SSENCAGW173TW01  
SSENCAGW176TW01  
SSENCFGS173TW01  
SSENCFGS176TW01  
SSENCFGW153TW01  
SSENCFGW173TW01  
SSENCFGW176TW01  
NSENXAGW173TW01  
NSENXAGW176TW01  
SSENXFGS176TW01  
SSENYAGS153TW01  
SSENYAGS173TW01  
SSENYAGS176TW01  
SSENYAGW173TW01  
SSENYAGW176TW01  
SSENYFGS173TW01  
SSENYFGS176TW01  
SSENYFGW173TW01  
SSENYFGW176TW01  
SSEWCAGW173TW41  
SSEWCFGW173TW41  
SSEWYAGS153TW01  
SSEWYAGW173TW41  
SSEWYFGW173TW41

SSGNCAGS113TW01  
SSGNCAGS116TW01  
SSGNCAGW113TW01  
SSGNCAGW116TW01  
SSGNCFGS113TW01  
SSGNCFGS116TW01  
SSGNCFGW113TW01  
SSGNCFGW116TW01  
SSGNXAGW113TW01  
SSGNXAGW116TW01  
SSGNXFGS116TW01  
SSGNYAGS113TW01  
SSGNYAGS116TW01  
SSGNYAGW113TW01  
SSGNYAGW116TW01  
SSGNYFGS113TW01  
SSGNYFGS116TW01  
SSGNYFGW113TW01  
SSGNYFGW116TW01  
SSGWCAGW113TW41  
SSGWCFGW113TW41  
SSGWYAGW113TW41  
SSGWYFGW113TW41

# Control Panel and Controls (Drawing 1 of 2)

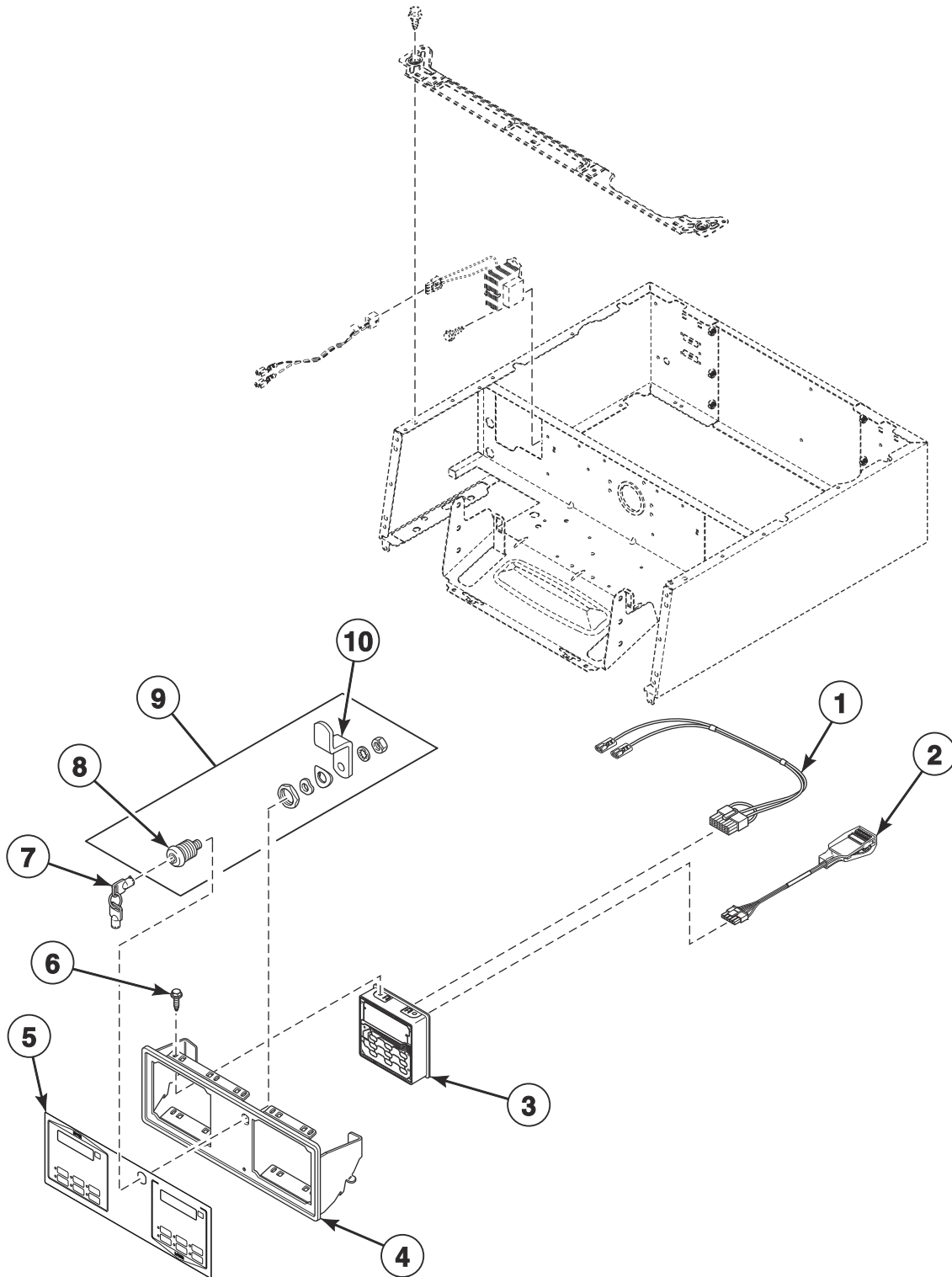


DRY2407P\_D518165

## Control Panel and Controls (Drawing 1 of 2)

REF	PART NO.	DESCRIPTION	COMMENTS
	203328	Network Retrofit Kit	Wired
	204689	Wireless Network Kit	
	203346	USB IR Interface Kit	
	NK220	Network Controller Kit	Wired
	NK320	Ethernet Gateway Kit	Wireless
	NK330	USB Gateway Kit	Wireless
<b>1</b>	D514072	Transformer Harness	Electric models
	804795	Transformer Harness	Gas models
<b>2</b>	D503688	Screw	
<b>3</b>	202757	Transformer	
<b>4</b>	804018	Shield Bracket	
<b>5</b>	203423	Transformer Kit	Includes items 1 and 3

# Control Panel and Controls (Drawing 2 of 2)



DRY2407PA\_D518165

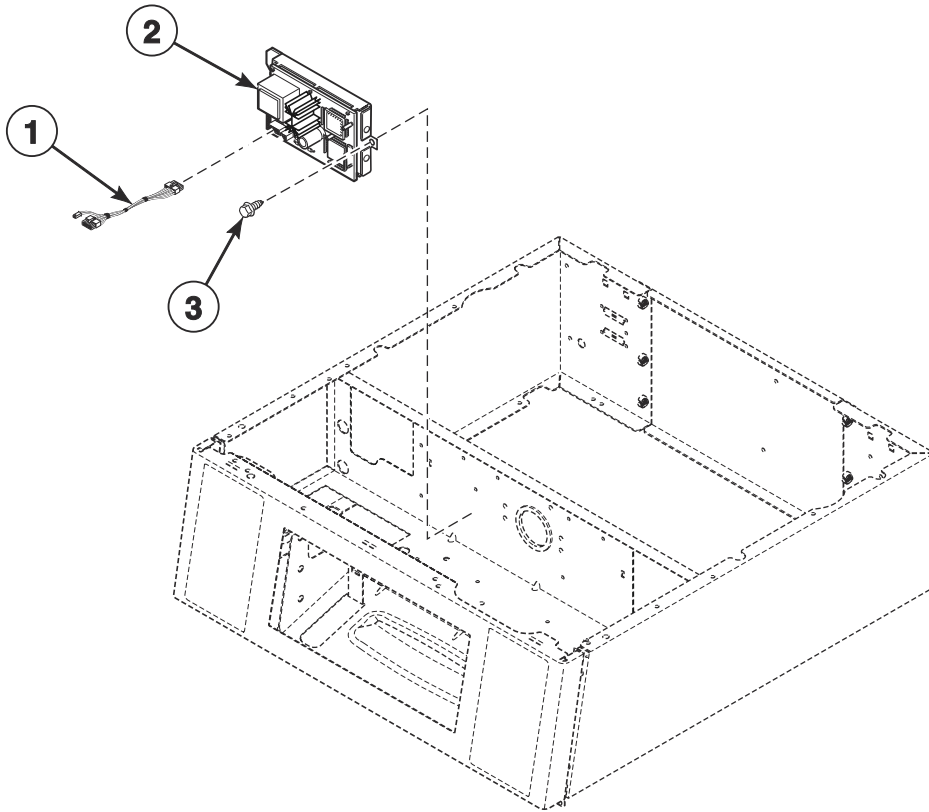


## Control Panel and Controls (Drawing 2 of 2)

REF	PART NO.	DESCRIPTION	COMMENTS
1	202868	Wiring Harness Assembly	Diagnostic
2	203361P	Machine ID Control Assembly	Model or serial number is required when ordering
3	D518395	Control Assembly	Models SSECAGS176TW01, SSECAGW176TW01, SSECFCGS176TW01, SSECFCGW176TW01, SSECXAGW176TW01, SSECXFGS176TW01, SSECYAGS176TW01, SSECYAGW176TW01, SSECYFGS176TW01, SSECYFGW176TW01, SSGNCAGS116TW01, SSGNCAGW116TW01, SSGNCFCGS116TW01, SSGNCFCGW116TW01, SSGNXAGW116TW01, SSGNXFGS116TW01, SSGNYAGS116TW01, SSGNYAGW116TW01, SSGNYFGS116TW01 and SSGNYFGW116TW01
	D517522	Control Assembly	All other models
4	D510076W	Control Panel and Bracket Assembly	Models SSECFCGW153TW01, SSECFCGW173TW01, SSECYFGW173TW01, SSECWFCGW173TW41, SSECYFGW173TW41, SSGNCFCGW113TW01, SSGNYFGW113TW01, SSGWFCGW113TW41 and SSGWYFGW113TW41
	807640W	Control Panel and Bracket Assembly	White; Models SSECAGS176TW01, SSECAGW176TW01, SSECFCGS176TW01, SSECFCGW176TW01, SSECXAGW176TW01, SSECXFGS176TW01, SSECYAGS176TW01, SSECYAGW176TW01, SSECYFGS176TW01, SSECYFGW176TW01, SSGNCAGS116TW01, SSGNCAGW116TW01, SSGNCFCGS116TW01, SSGNCFCGW116TW01, SSGNXAGW116TW01, SSGNXFGS116TW01, SSGNYAGS116TW01, SSGNYAGW116TW01, SSGNYFGS116TW01 and SSGNYFGW116TW01
	D513778W	Control Panel and Bracket Assembly	White; All other models
5	D517660	Control Overlay	Models NSECXAGW173MW01 and NSGNXAGW113MW01
	D518254	Control Overlay	Models SSECAGS176TW01, SSECAGW176TW01, SSECFCGS176TW01, SSECFCGW176TW01, SSECXAGW176TW01, SSECXFGS176TW01, SSECYAGS176TW01, SSECYAGW176TW01, SSECYFGS176TW01, SSECYFGW176TW01, SSGNCAGS116TW01, SSGNCAGW116TW01, SSGNCFCGS116TW01, SSGNCFCGW116TW01, SSGNXAGW116TW01, SSGNXFGS116TW01, SSGNYAGS116TW01, SSGNYAGW116TW01, SSGNYFGS116TW01 and SSGNYFGW116TW01
	D514366	Control Overlay	All other models
6	D501524	Screw	
7	54612	Key	800
8	807761	Lock Assembly	Models SSECAGS176TW01, SSECAGW176TW01, SSECFCGS176TW01, SSECFCGW176TW01, SSECXAGW176TW01, SSECXFGS176TW01, SSECYAGS176TW01, SSECYAGW176TW01, SSECYFGS176TW01, SSECYFGW176TW01, SSGNCAGS116TW01, SSGNCAGW116TW01, SSGNCFCGS116TW01, SSGNCFCGW116TW01, SSGNXAGW116TW01, SSGNXFGS116TW01, SSGNYAGS116TW01, SSGNYAGW116TW01, SSGNYFGS116TW01 and SSGNYFGW116TW01
9	27260P	Lock Kit	Models SSECFCGS173TW01, SSECYFGS173TW01, SSGNCFCGS113TW01 and SSGNYFGS113TW01; Includes item 10
10	27261	Lock Cam	Models SSECFCGW153TW01, SSECFCGW173TW01, SSECYFGW173TW01, SSECWFCGW173TW41, SSECYFGW173TW41, SSGNCFCGW113TW01, SSGNYFGW113TW01, SSGWFCGW113TW41 and SSGWYFGW113TW41
	807760	Lock Cam	Models SSECAGS176TW01, SSECAGW176TW01, SSECFCGS176TW01, SSECFCGW176TW01, SSECXAGW176TW01, SSECXFGS176TW01, SSECYAGS176TW01, SSECYAGW176TW01, SSECYFGS176TW01, SSECYFGW176TW01, SSGNCAGS116TW01, SSGNCAGW116TW01, SSGNCFCGS116TW01, SSGNCFCGW116TW01, SSGNXAGW116TW01, SSGNXFGS116TW01, SSGNYAGS116TW01, SSGNYAGW116TW01, SSGNYFGS116TW01 and SSGNYFGW116TW01
	804338	Lock Cam	All other models

# Network Board Assembly

Models SSECAGS176TW01, SSECAGW176TW01, SSECAGFS173TW01, SSECAGFS176TW01, SSECAGFW176TW01, SSECAGW176TW01, SSECAGFS176TW01, SSECAGW176TW01, SSECAGFS173TW01, SSECAGFS176TW01, SSECAGW176TW01, SSECAGW173TW41, SSECAGW173TW41, SSECAGS153TW01, SSECAGW173TW41, SSECAGW173TW41, SSECAGS116TW01, SSECAGW116TW01, SSECAGFS113TW01, SSECAGFS116TW01, SSECAGW116TW01, SSECAGXAGW116TW01, SSECAGXFGS116TW01, SSECAGYAGS116TW01, SSECAGYAGW116TW01, SSECAGYFGS113TW01, SSECAGYFGS116TW01, SSECAGYFGW116TW01, SSECAGW113TW41, SSECAGW113TW41, SSECAGWYAGW113TW41 and SSECAGWYFGW113TW41



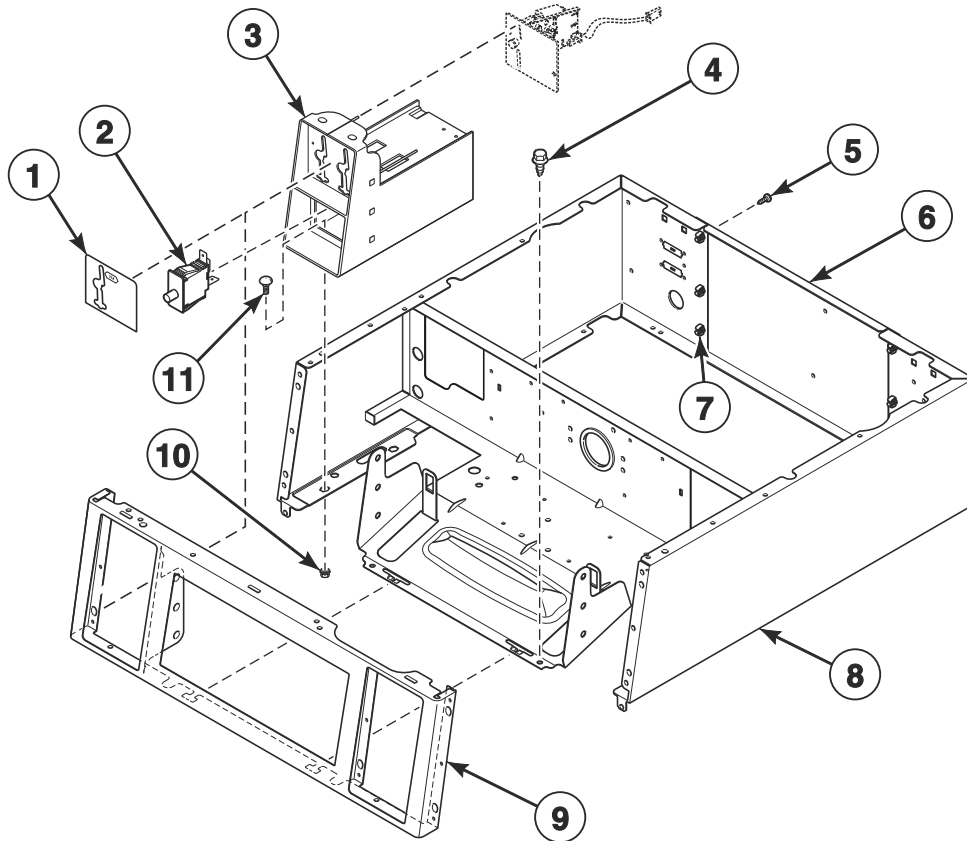
FLW1813P\_D518165

# Network Board Assembly

REF	PART NO.	DESCRIPTION	COMMENTS
1	F8674006	Wireless Network Harness	Models SSEWCAGW173TW41, SSEWCFGW173TW41, SSEWYAGS153TW01, SSEWYAGW173TW41, SSEWYFGW173TW41, SSGWCAGW113TW41, SSGWCFGW113TW41, SSGWYAGW113TW41 and SSGWYFGW113TW41
	F8713906	Serial Pay Harness	All other models
2	807211	Wireless Network Control Assembly	Models SSEWCAGW173TW41, SSEWCFGW173TW41, SSEWYAGS153TW01, SSEWYAGW173TW41, SSEWYFGW173TW41, SSGWCAGW113TW41, SSGWCFGW113TW41, SSGWYAGW113TW41 and SSGWYFGW113TW41
	807714	Serial Pay Control Assembly	All other models
3	D503661	Screw	

# Control Panel, Meter Case and Cabinet Wrapper

10 Degree Front Coin Models



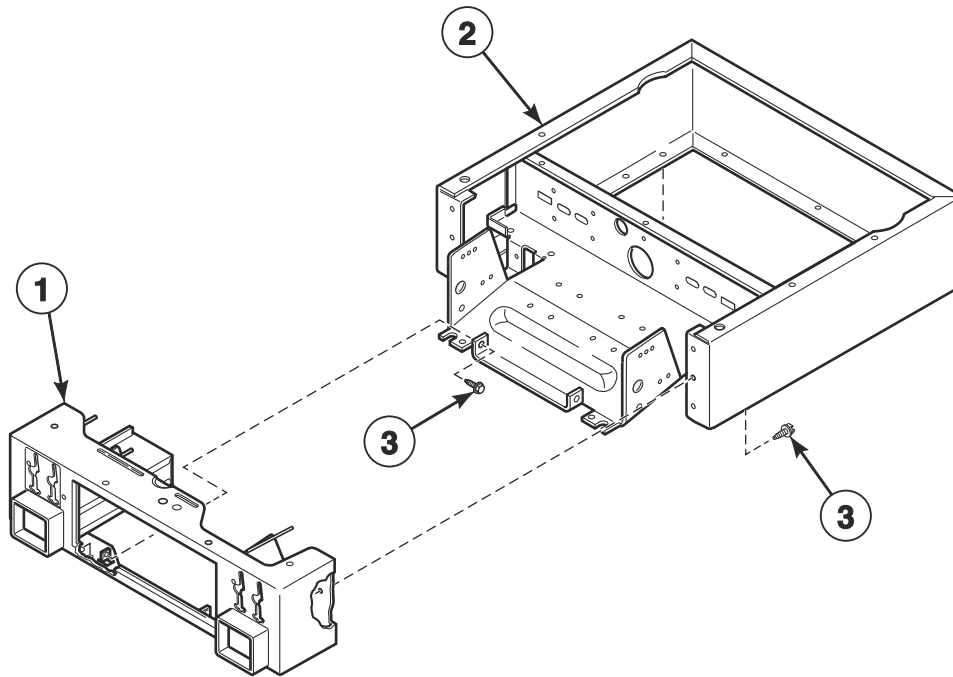
SWD1289P\_D518165

## Control Panel, Meter Case and Cabinet Wrapper

REF	PART NO.	DESCRIPTION	COMMENTS
1	38717	Single Overlay	
2	D512973	Switch	
3	807396W	Meter Case Assembly	Requires high capacity coin vault; White
4	D503688	Screw	
5	70240301	Screw	
6	807646	Rear Access Panel	
7	70030501	Expansion Clip	6 required
8	804104W	Wrapper Assembly	White
9	803964W	Control Panel	White
10	44087201	Nut	2 required; Use with item 11
11	29651	Bolt	

# Control Cabinet Front and Wrapper

Flat Front Coin Models



DRY2518P\_D518165

# Control Cabinet Front and Wrapper

REF	PART NO.	DESCRIPTION	COMMENTS
1	D511632WP	Security Cabinet Front Assembly	
2	D505753WP	Wrapper and Channel Assembly	
3	D503688	Screw	



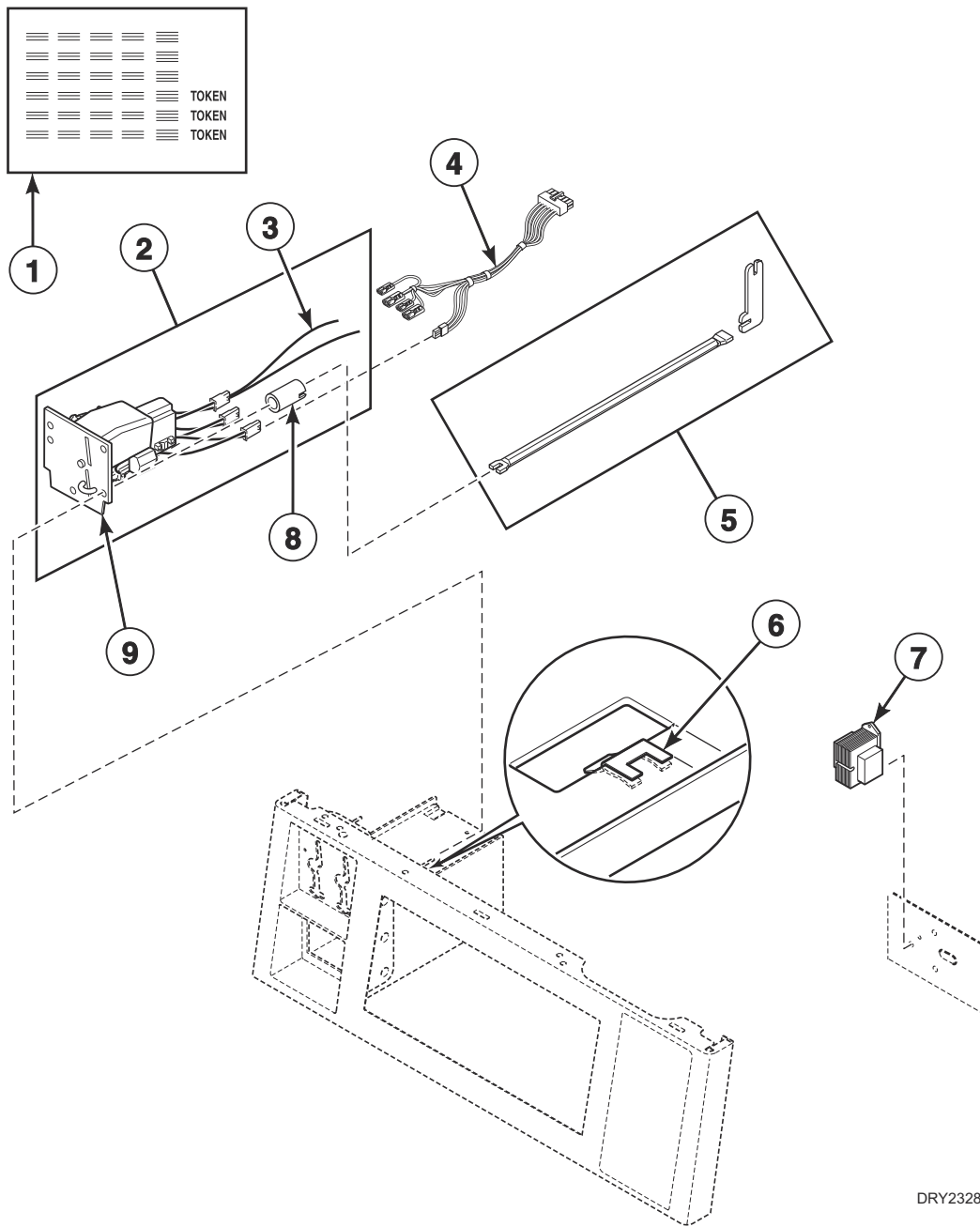


## Non-Electronic Coin Drop

REF	PART NO.	DESCRIPTION	COMMENTS
1	38725	Coin Identification Paper	
2	70441603	Coin Drop	U.S.A.; \$0.25 and \$1.00
	70441602	Coin Drop Assembly	Canada; 0.25 and 1.00
	CK058	Coin Drop Kit	Canada; \$0.25 and \$1.00
3	200674P	Opto Coupler	
4	204915	Dual Coin Harness Assembly	Models SSENXAGW176TW01 and SSGNXAGW116TW01
	205090	Dual Coin Harness Assembly	Models SSENXFGS176TW01 and SSGNXFGS116TW01
	202871	Dual Coin Harness Assembly	All other models
5	29786	Nut	
6	204914	Single Coin Harness Assembly	Models SSENCAGS176TW01, SSENCAGW176TW01, SSGNCAGS116TW01 and SSGNCAGW116TW01
	205089	Single Coin Harness Assembly	Models SSENCFGW176TW01, SSENCFGS176TW01, SSGNCFGW116TW01 and SSGNCFGS116TW01
	202870	Single Coin Harness Assembly	All other models
7	201595P	Wire Guard	Anti-stringing security device; Add to coin drops
8	70441601P	Coin Drop	U.S.A.; \$0.25
	200731	Coin Drop	U.S.A.; \$1.00
	38464P	Coin Drop Assembly	Canada; 0.25
	38462P	Coin Drop Assembly	Token; STD 118-1
	38463	Coin Drop Assembly	Token; STD 118-5
	38963P	Coin Drop	Token STD 118-16
	39748	Coin Drop	Jeton 08MS
	201141	Coin Drop Assembly	Token; Jeton wh121
	CK055	Coin Drop Kit	Token STD 118-1
	CK056	Coin Drop Kit	Token STD 118-5
	CK057	Coin Drop Kit	Canada; \$0.25
	CK078	Coin Drop Kit	U.S.A.; \$0.25
	CK085	Coin Drop Kit	Token STD 118-16
	CK090	Coin Drop Kit	U.S.A.; \$1.00
	CK097	Coin Drop Kit	Token; Jeton 08MS
	CK098	Coin Drop Kit	Token; Jeton wh121

# Electronic Coin Drop

Coin Models



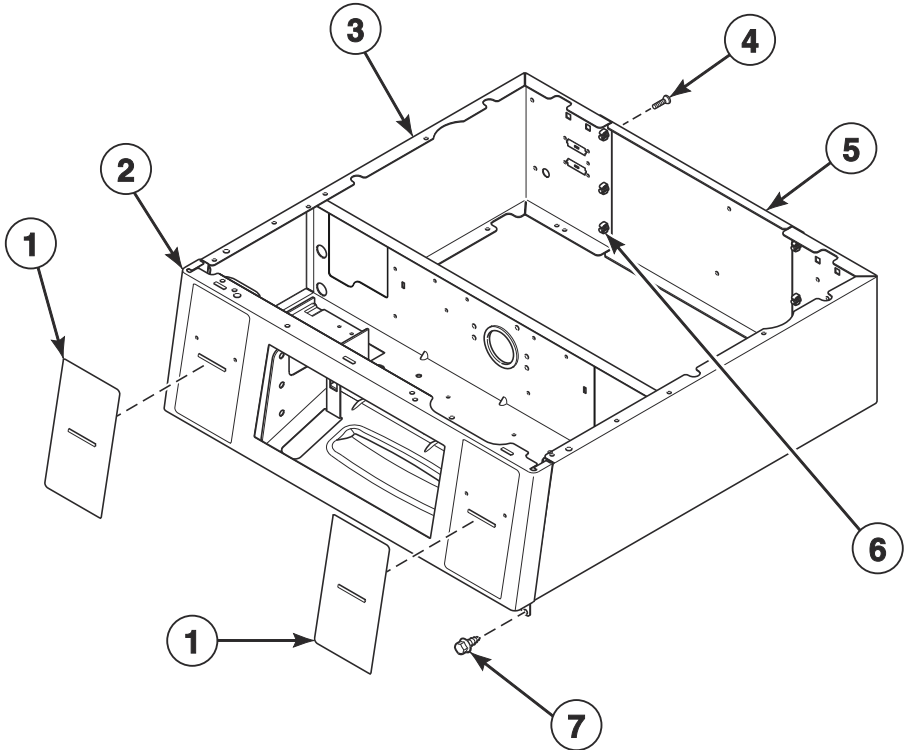
DRY2328P\_D518165

# Electronic Coin Drop

REF	PART NO.	DESCRIPTION	COMMENTS
1	38725	Coin Identification Paper	
2	CK110	Electronic Coin Drop Kit	Mexico, Ecuador and United States; Includes items 1, 3, 6, 8 and 9
	CK115	Electronic Coin Drop Kit	United States and Canada; Includes items 1, 3, 6, 8 and 9
3	201104	Coin Drop Wire Harness	
4	202871	Dual Coin Harness Assembly	
5	CK096	Mounting Tool Kit	
6	201572	Clip	
7	201375P	Transformer	
8	201216	Nut	
9	70294106	Electronic Coin Drop Assembly	Mexico, Ecuador and United States

# Control Panel and Cabinet Wrapper (Drawing 1 of 2)

10 Degree Front Card Models



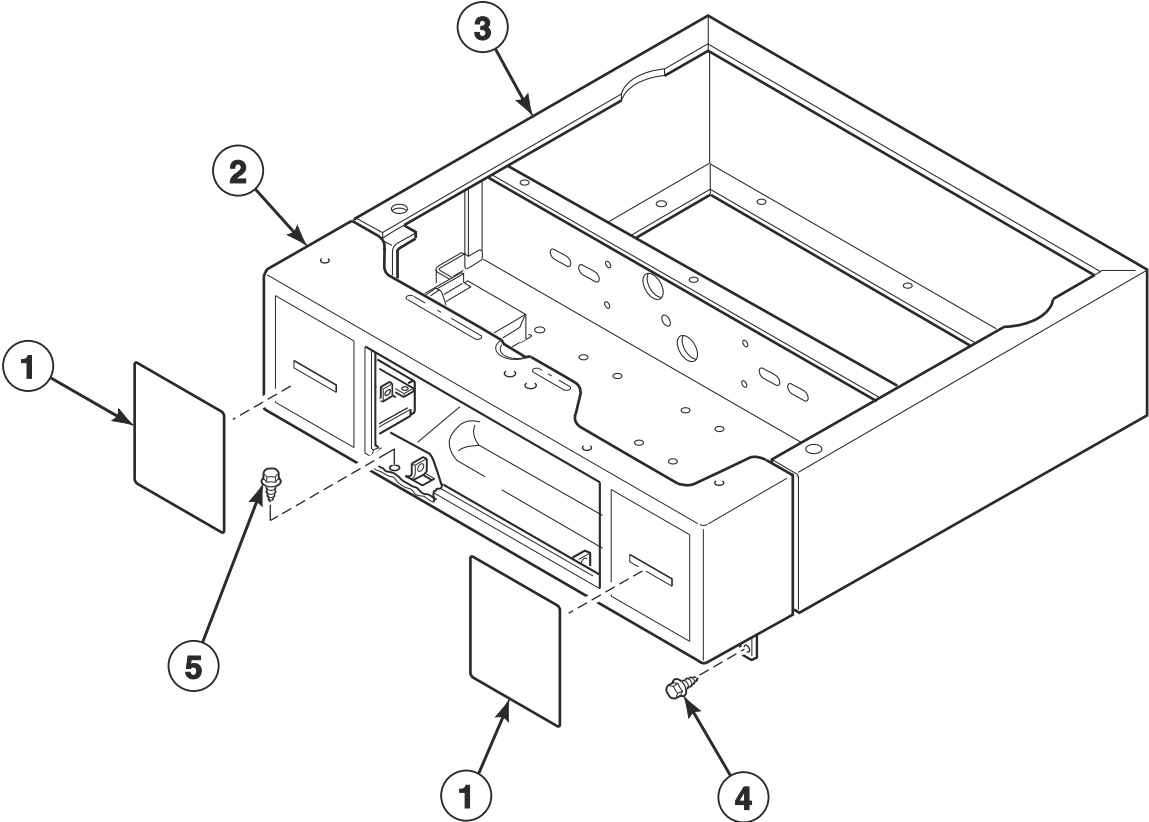
DRY2409P\_D518165

## Control Panel and Cabinet Wrapper (Drawing 1 of 2)

REF	PART NO.	DESCRIPTION	COMMENTS
1	D514391	Card Insert Overlay	2 required
2	804147WP	Security Cabinet Front Assembly	White
3	804112W	Wrapper Assembly	White
4	70240301	Screw	6 required
5	807646	Rear Access Panel	
6	70030501	Expansion Clip	6 required
7	D503688	Screw	

# Control Panel and Cabinet Wrapper (Drawing 2 of 2)

Flat Front Card Models



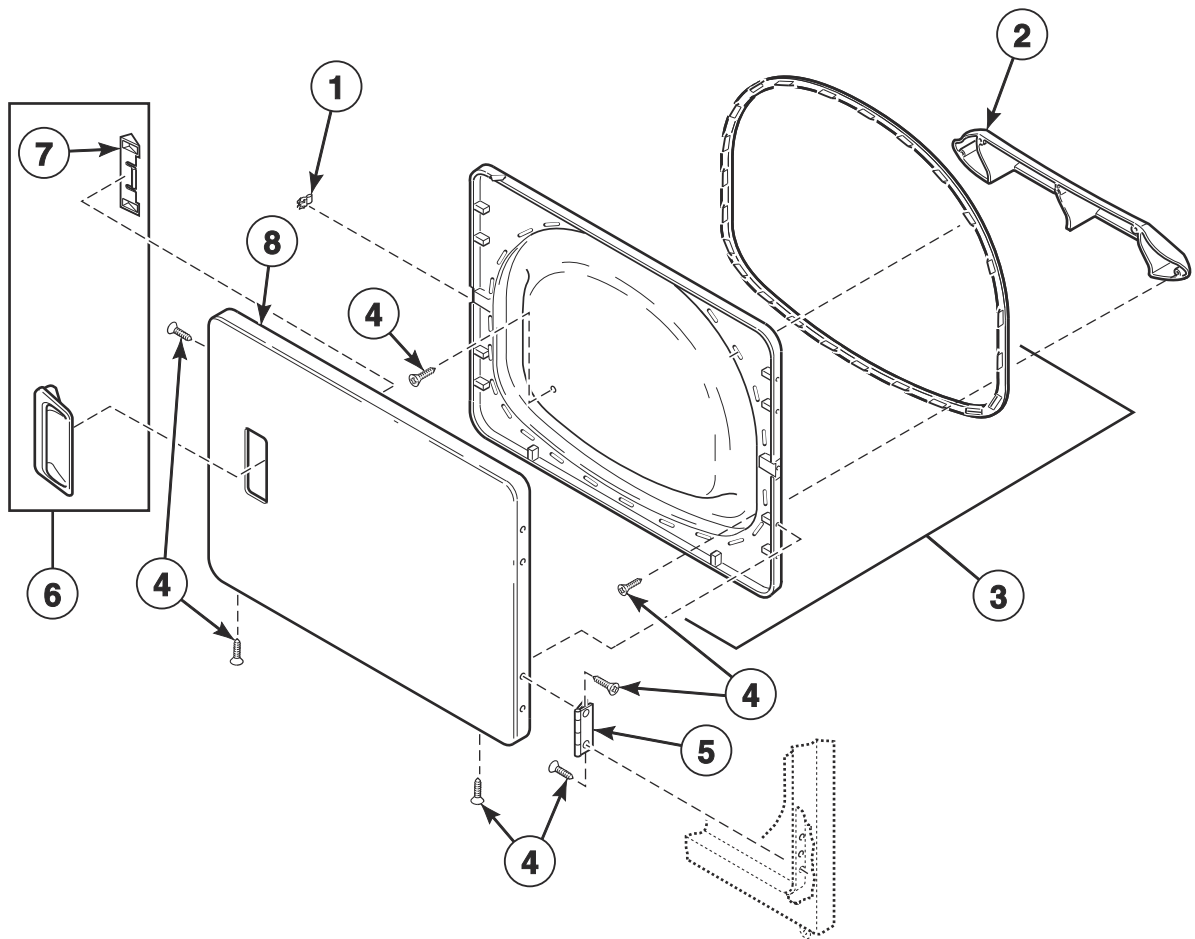
DRY2206P\_D518165

## Control Panel and Cabinet Wrapper (Drawing 2 of 2)

REF	PART NO.	DESCRIPTION	COMMENTS
1	D511544	Card Insert Overlay	
2	D518148W	Security Cabinet Front Assembly	
3	D505753WP	Wrapper and Channel Assembly	
4	D503688	Screw	
5	D502431	Screw	

## Loading Door without Window

Models SSENCAGS153TW01, SSENCAGS173TW01, SSENCAGS176TW01, SSENCFG173TW01, SSENCFG176TW01, SSENXFGS176TW01, SSENYAGS153TW01, SSENYAGS173TW01, SSENYAGS176TW01, SSENYFGS173TW01, SSENYFGS176TW01, SSEWYAGS153TW01, SSGNCAGS113TW01, SSGNCAGS116TW01, SSGNCFG113TW01, SSGNCFG116TW01, SSGNXFGS116TW01, SSGNYAGS113TW01, SSGNYAGS116TW01, SSGNYFGS113TW01 and SSGNYFGS116TW01



DRY2500P\_D518165



## Loading Door without Window

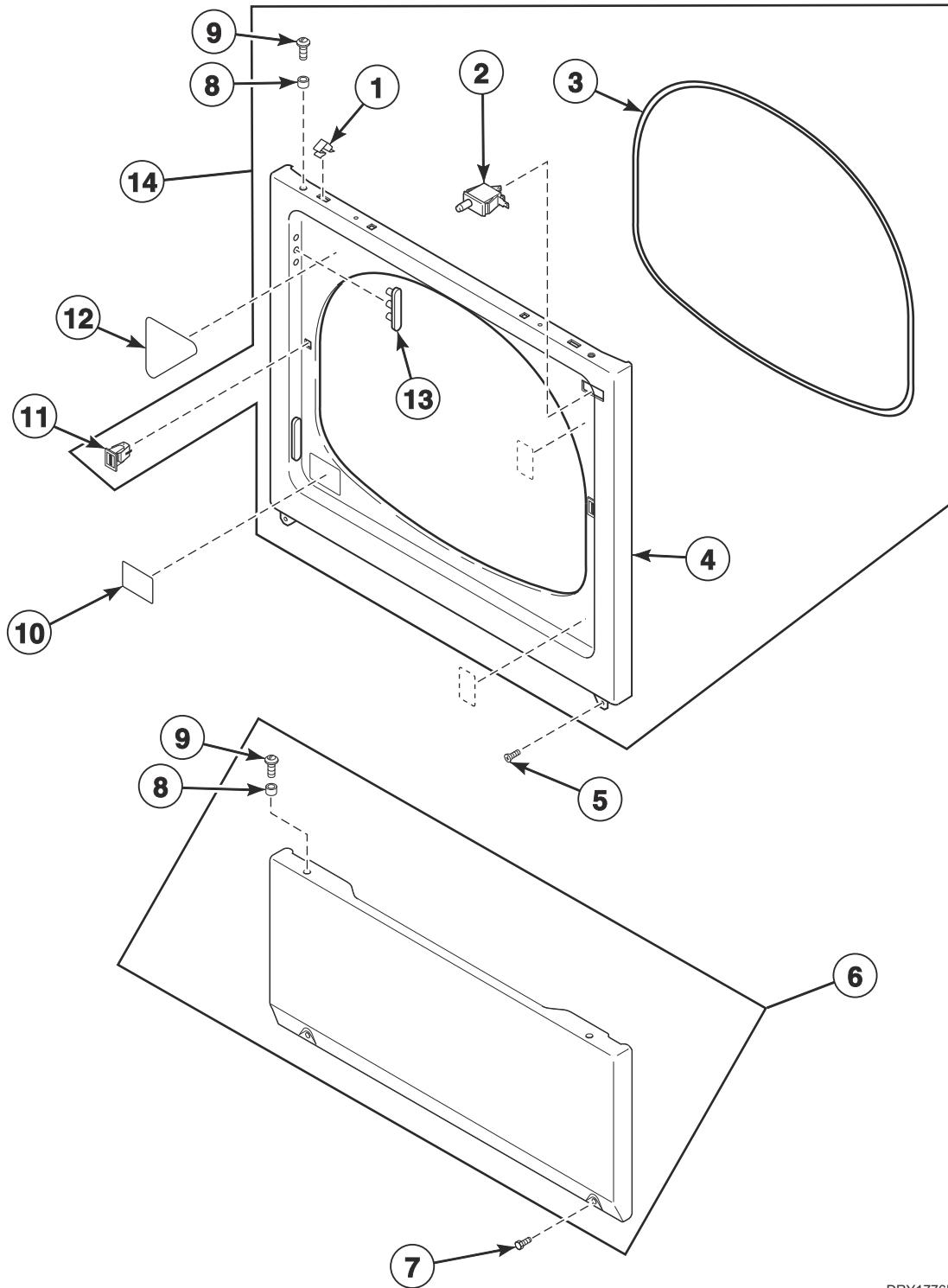
REF	PART NO.	DESCRIPTION	COMMENTS
1	D510181	Door Strike	
2	D503870W	Door Liner Grill	
3	D516508	Door Liner Assembly	Includes door seal
4	D500226	Screw	
5	D511036	Hinge	
6	D510103WP	Door Pull and Wedge Kit	White; Includes item 8
7	D510129W	Door Handle Wedge	
8	D510013WP	Dryer Door	White



## Loading Door with Window

REF	PART NO.	DESCRIPTION	COMMENTS
1	D515961W	Dryer Door	
2	D510129W	Door Handle Wedge	
3	D515681	Dryer Door Window	
4	D510181	Door Strike	
5	D515967	Screw	
6	D503870W	Door Liner Grill	
7	D516509	Liner and Seal Assembly	Includes seal
8	D505870	Screw	
9	D500226	Screw	
10	D511036	Hinge	
11	D515956W	Window Trim	
12	D510103WP	Door Pull and Wedge Kit	White; Includes item 2
13	D516737W	Door Assembly	Includes items 1-12

# Access Panel, Front Panel and Seal

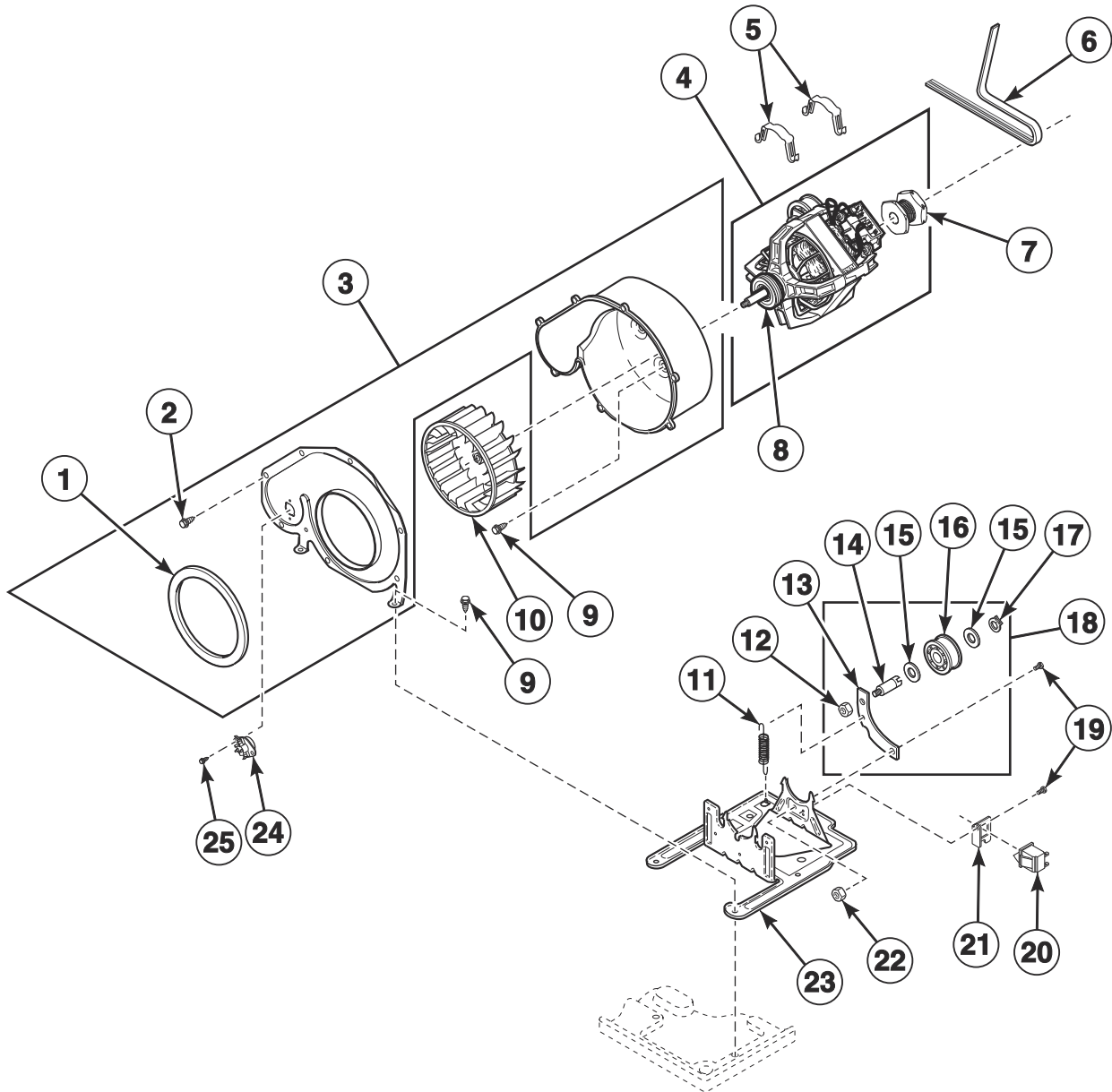


DRY1776P\_D518165

## Access Panel, Front Panel and Seal

REF	PART NO.	DESCRIPTION	COMMENTS
1	28835	Speed Clip	1 per side
2	D512973	Switch	
3	D511056	Front Panel Seal	
4	D510066WP	Front Panel	White
5	D503688	Screw	
6	D514250WP	Access Panel Assembly	White
7	33562	Screw	Slotted hex head
	62853	Screw	Torx head; Optional for added security
8	56079	Panel Locator	1 per side
9	39733	Screw	1 per side
10	D502781	Lint Filter Label	
11	D510177	Door Catch Assembly	
12	D516512	Warning/Caution Label	English
	D516243	Warning Label	Quebec French; Right side of opening
	D516514	Warning Label	Spanish
13	D510186	Hinge Hole Plug	
14	D513781WP	Front Panel Assembly	Includes items 1-4, 8, 9, 11, 13 and D516737W Door Assembly; Models NSGNXAGW113MW01, SSECAGS153TW01, SSECAGS173TW01, SSECYAGW173TW01, SSECYFGW173TW01, SSGNCAGW113TW01, SSGNCFGW113TW01, SSGNXAGW113TW01, SSGNYAGW113TW01 and SSGNYFGW113TW01

# Motor, Exhaust Fan and Belt

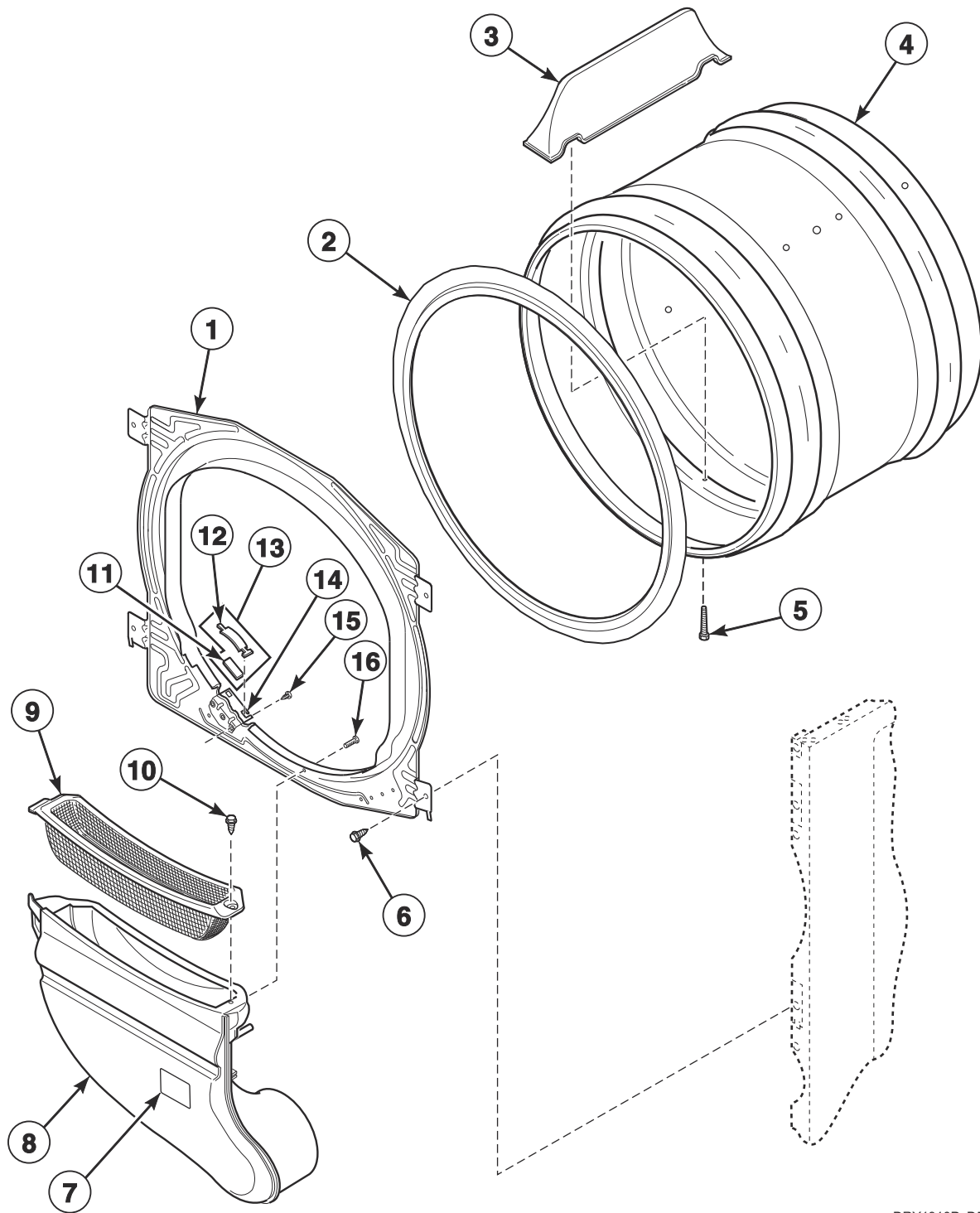


DRY2523P\_D518165

## Motor, Exhaust Fan and Belt

REF	PART NO.	DESCRIPTION	COMMENTS
	27604P	Anti-Seize Compound	Apply to motor shaft when installing blower fan assembly
1	D510238P	Blower Housing Seal	
2	31260	Screw	
3	D511969WP	Blower Housing	Includes items 1 and 2
4	D511629P	Motor and Pulley Assembly	120 Volt/60 Hertz; Apply anti-seize compound to motor shaft when installing blower fan assembly; Includes items 7 and 8
5	D510180	Motor Mount Clamp	
6	D511255P	Cylinder Belt	
7	D500011	Motor Pulley	60 Hertz
8	590P3	Motor Hub Ring Kit	
9	D503688	Screw	
10	D510139P	Blower Fan Assembly	Apply anti-seize compound to motor shaft when installing blower fan assembly
11	D510185	Idler Spring	
12	44087301	Nut	
13	D516310	Idler Lever	
14	56461P	Shaft	
15	52549	Washer	
16	D510142P	Idler Wheel and Bearing Assembly	
17	23748	Retaining Ring	
18	D516792	Idler Lever and Wheel Assembly	Includes items 12-17
19	D500824	Screw	
20	D516391	Switch	
21	D516311	Motor Switch Bracket	
22	52566	Nut	
23	D510060	Motor Mount	
24	D510523	Thermistor Assembly	Black
25	D502535	Screw	

# Front Bulkhead, Air Duct, Felt Seal and Cylinder



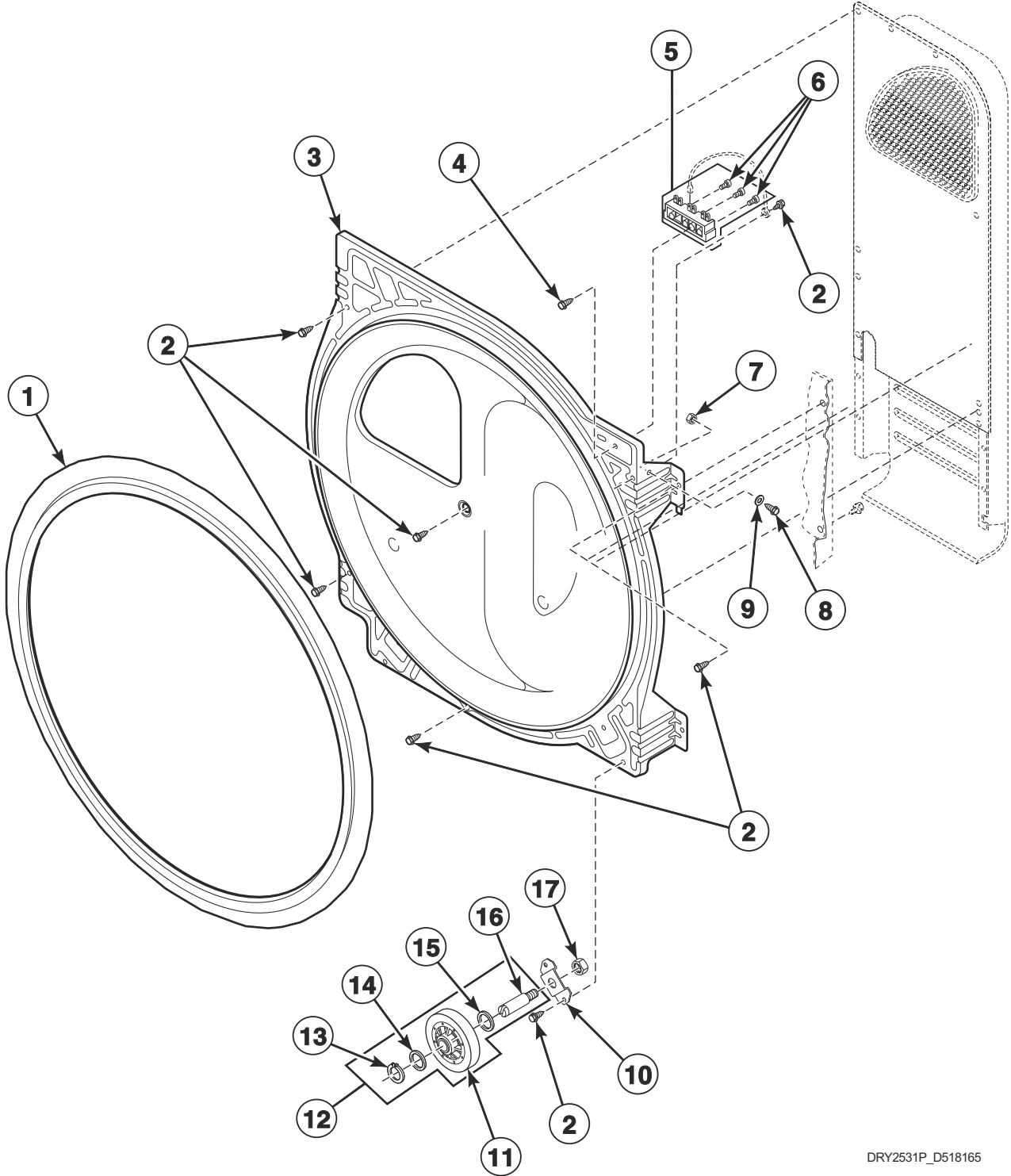
DRY1910P\_D518165



## Front Bulkhead, Air Duct, Felt Seal and Cylinder

REF	PART NO.	DESCRIPTION	COMMENTS
1	D510266P	Front Bulkhead Assembly	Unpainted; Includes items 2 and 11, 12, 14 and 15
2	D510207P	Cylinder Seal Assembly	
	D511637P	Adhesive	Apply to cylinder seal
	RB170001	Seal Kit	Includes 2 cylinder seals, 510238P Blower Housing Seal and 511637P Adhesive
3	D510102W	Cylinder Baffle	
4	D510265WP	Cylinder Assembly	Galvanized; Includes item 3
5	62588	Screw	
6	M405188	Screw	Use with stainless steel side panels
	D503688	Screw	Use with painted side panels
7	F8614201	Shock Warning Label	English/Spanish
	F8615701	Pinch Warning Label	English/Spanish
8	D518433	Air Duct Assembly	
9	D503980LG	Lint Filter	
10	D501285	Screw	
11	D510189	Felt Pad	1 per side
12	D513710	Cylinder Glide	1 per side
13	RB170003	Glide Kit	Includes 2 of items 11 and 12
14	D510145	Cylinder Glide Bracket	1 per side
15	D503688	Screw	2 per side
16	D500226	Screw	

# Rear Bulkhead, Felt Seal, Cylinder Roller and Terminal Block

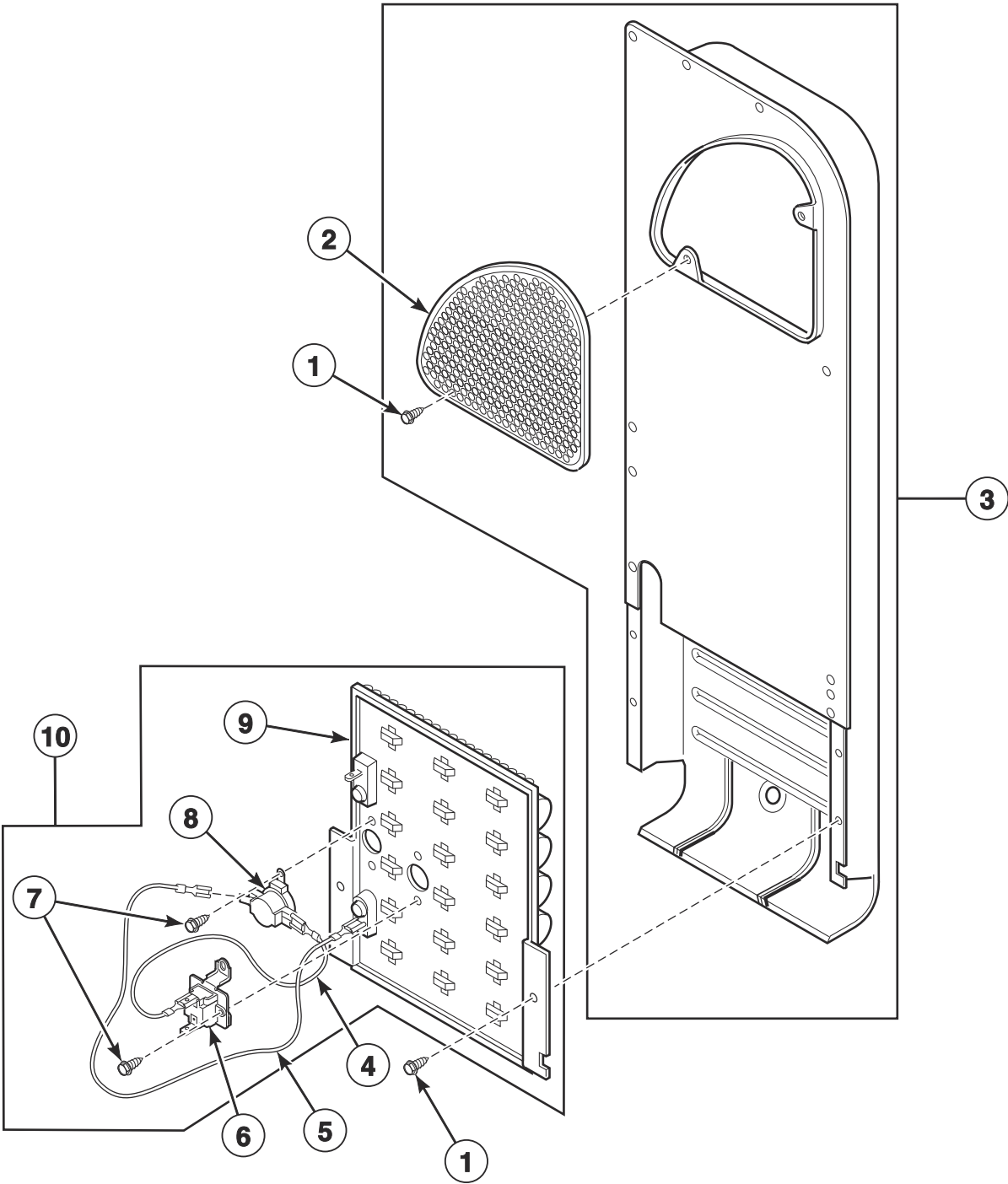


DRY2531P\_D518165

## Rear Bulkhead, Felt Seal, Cylinder Roller and Terminal Block

REF	PART NO.	DESCRIPTION	COMMENTS
1	D510207P	Cylinder Seal Assembly	
	D511637P	Adhesive	Apply to cylinder seal
	RB170001	Seal Kit	Includes 2 cylinder seals, D510238P Blower Housing Seal and D511637P Adhesive
2	D503688	Screw	
3	D511082P	Rear Bulkhead Assembly	Galvanized; Includes item 1
4	D501285	Screw	Electric models
5	D510190P	Terminal Block Assembly	Electric models; Includes 3 of item 6
6	61199	Screw	
7	28447	Nut	
8	28448	Screw	
9	28449	Washer	
10	D510100	Cylinder Roller Bracket	
11	D510708P	Cylinder Roller	
12	RB170002	Roller Kit	Includes items 11 and 13-16
13	23748	Retaining Ring	
14	52549	Washer	
15	D504082	Washer	
16	56461P	Shaft	
17	44087301	Nut	

# Heater Duct and Element Assembly - Electric Model Dryers

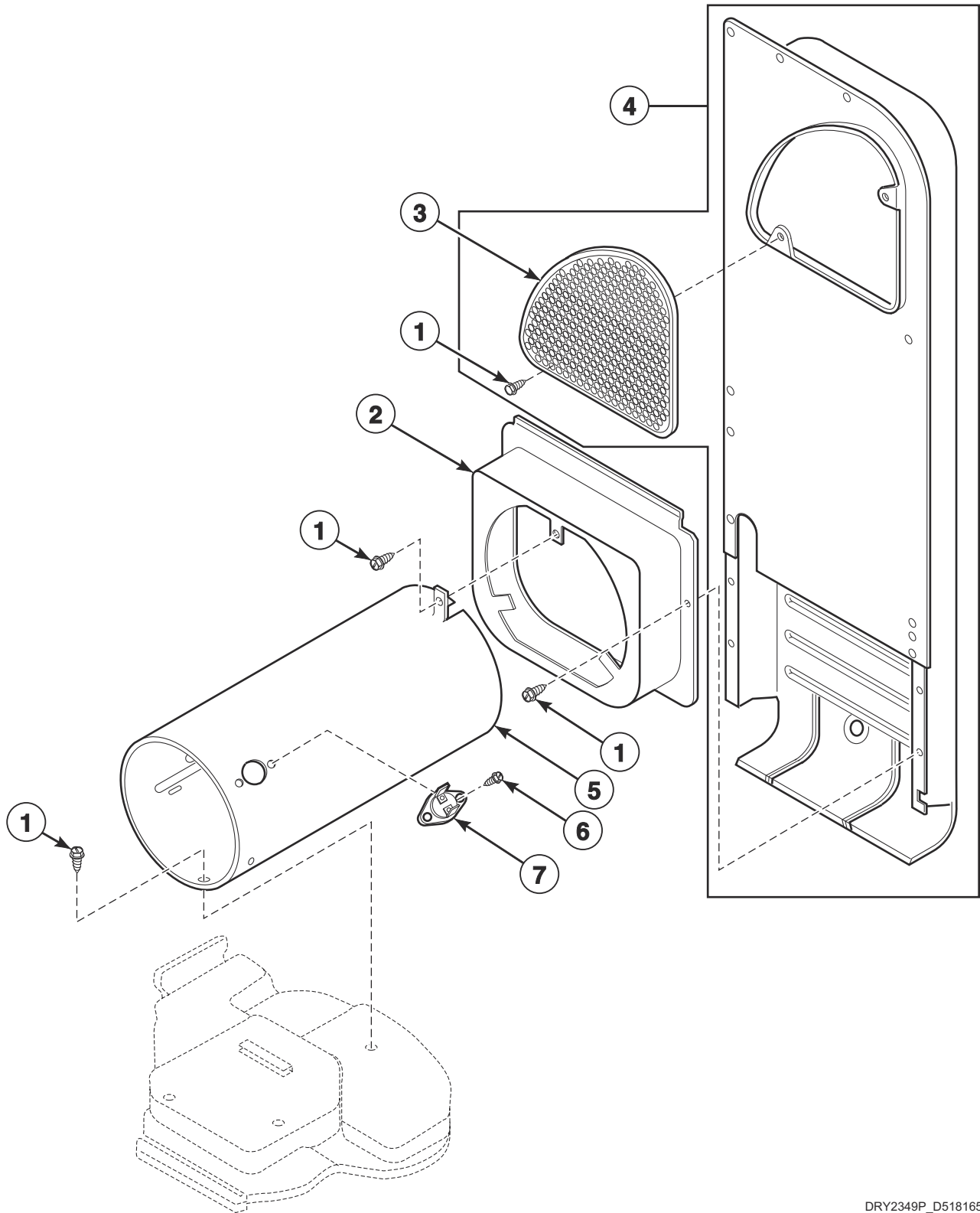


DRY1789P\_D518165

## Heater Duct and Element Assembly - Electric Model Dryers

REF	PART NO.	DESCRIPTION	COMMENTS
1	D503688	Screw	
2	D500820	Outlet Cover	Aluminized steel
	D518524	Outlet Cover	Black; Nitrocarburized
3	D510025P	Heater Duct Assembly	Includes items 1 and 2
4	D518256	Wire Assembly	Orange; Thermostat jumper; Attaches to heater assembly
5	D518255	Wire Assembly	Black; Fuse jumper; Attaches to heater assembly
6	D518542	Thermal Fuse Assembly	
7	23222	Screw	
8	D510701	Limit Thermostat	
9	D510325P	Heater	4.75 kW; 208 Volt/60 Hertz; Models SSENCAGS153TW01, SSENCAGW153TW01, SSENCFGW153TW01, SSENYAGS153TW01 and SSEWYAGS153TW01
	D510329P	Heater Assembly	5.35 kW; 240 Volt/60 Hertz; All other models
10	61928	Heater Kit Assembly	Includes items 4-9; 4.75 kW; 208 Volt/60 Hertz; Optional conversion
	964P3	Heater Kit	Includes items 4-9; 5.35 kW; 240 Volt/60 Hertz; Includes factory-installed heater

# Heater Duct Assembly - Gas Model Dryers

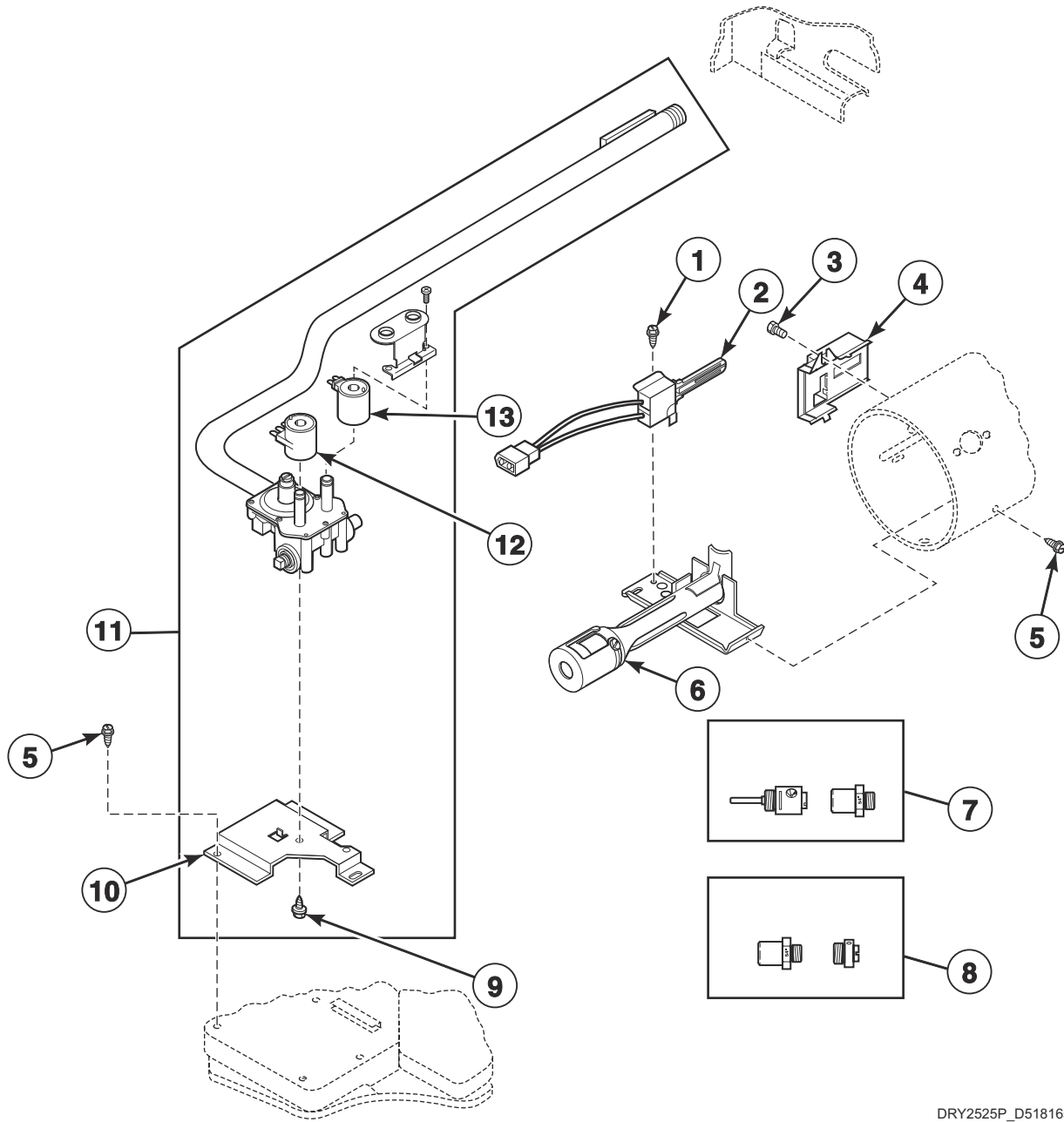


DRY2349P\_D518165

## Heater Duct Assembly - Gas Model Dryers

REF	PART NO.	DESCRIPTION	COMMENTS
1	D503688	Screw	
2	D510101	Heat Duct Shroud	
3	D500820	Outlet Cover	Aluminized steel
	D518524	Outlet Cover	Black; Nitrocarburized
4	D510025P	Heater Duct Assembly	Includes items 1 and 3
5	D510131	Combustion Duct	
6	51782	Screw	
7	D510702	Limit Thermostat	Black; Auto reset

# Gas Valve, Igniter and Gas Conversion Kits - Gas Models



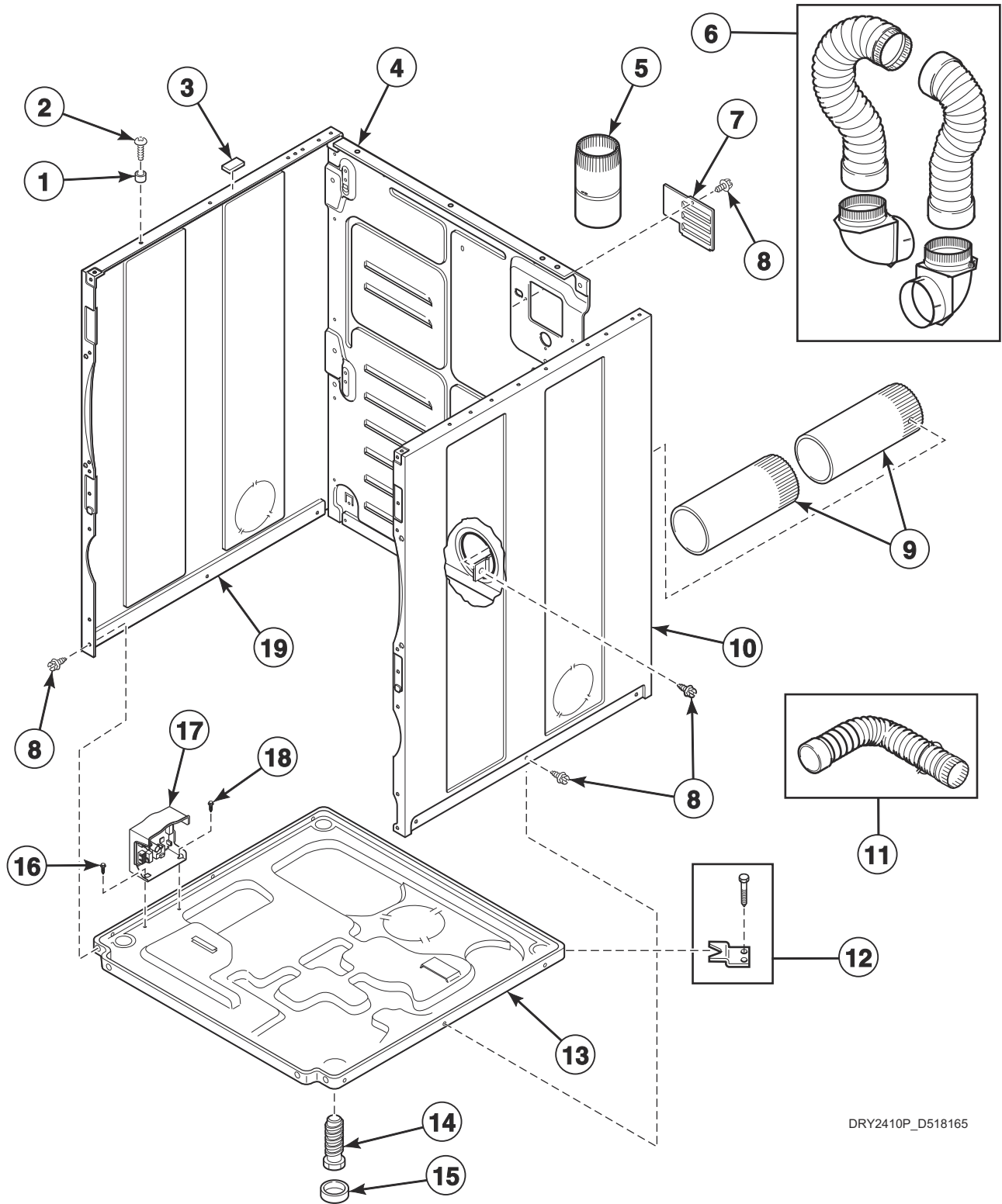
DRY2525P\_D518165



## Gas Valve, Igniter and Gas Conversion Kits - Gas Models

REF	PART NO.	DESCRIPTION	COMMENTS
1	51782	Screw	
2	D510184P	Igniter and Bracket Assembly	
3	23222	Screw	
4	D510213	Sensor	
5	D503688	Screw	
6	D510149P	Burner Assembly	
7	458P3	L.P. Conversion Kit	Used to convert dryers from Natural Gas (N.G.) or Mixed Gas to Liquid Petroleum Gas (L.P.); For 25,000 Btu
8	459P3	N.G. Conversion Kit	Used to convert dryers from L.P. to N.G. or Mixed Gas; For 25,000 Btu
9	56124	Screw	
10	D510128	Gas Valve Mounting Bracket	
11	D517606	Gas Valve, Bracket and Pipe Assembly	60 Hertz; 25,000 Btu; N.G.; Includes items 9, 10, 12 and 13
12	58804A	Booster and Holding Coil	
13	58804B	Secondary Coil	

# Cabinet, Exhaust Duct and Base

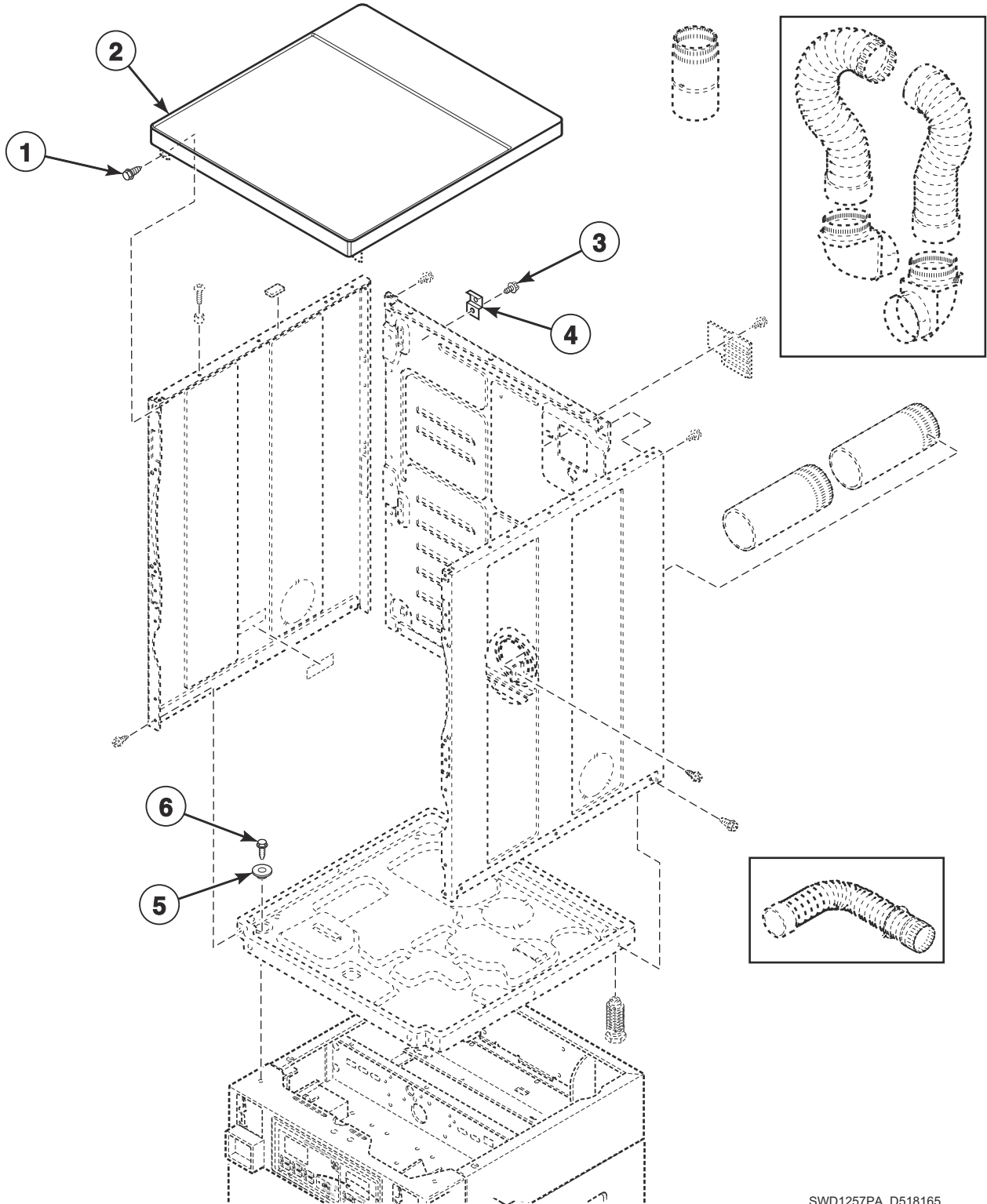


DRY2410P\_D518165

## Cabinet, Exhaust Duct and Base

REF	PART NO.	DESCRIPTION	COMMENTS
	122P4P	Porcelain Touch-Up Paint	White
1	56079	Panel Locator	
2	39733	Screw	
3	56128	Bumper Pad	
4	D517566	Cabinet Rear Panel	
5	58786	Damper	Use when connecting to a manifold vent system.
6	521P3	Flexible Venting Kit	
7	D510903	Access Panel Plate	
8	D503688	Screw	
9	D516196	Exhaust Duct	
10	D510002WP	Cabinet Side Panel	White; Right
11	528P3	Directional Exhaust Kit	Used to vent dryer out the sides or bottom
12	526P3	Hold Down Kit	For mobile home installations
13	D514245	Dryer Base	
14	D510135	Leveling Leg	
15	D501855	Rubber Foot	
16	D514428	Screw	
17	D517191P	Output Control Assembly	
18	804667	Screw	
19	D510001WP	Cabinet Side Panel	White; Left

# Cabinet Top



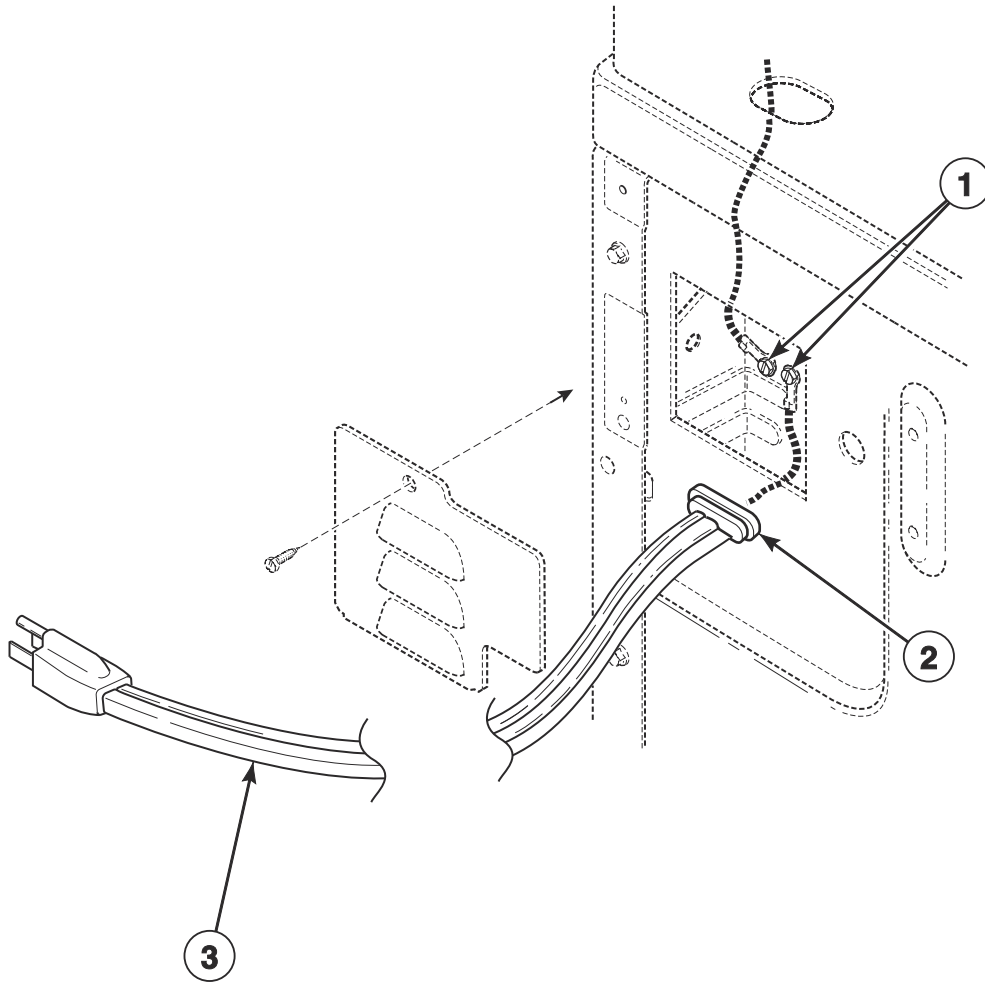
SWD1257PA\_D518165

# Cabinet Top

REF	PART NO.	DESCRIPTION	COMMENTS
1	D503661	Screw	
2	803144P	Top Kit	Stainless steel
	D510032WP	Top Kit	White
3	D503688	Screw	
4	D510136	Top Hinge	
5	D501307	Washer	
6	36048	Screw	

# Power Cord

Gas Models

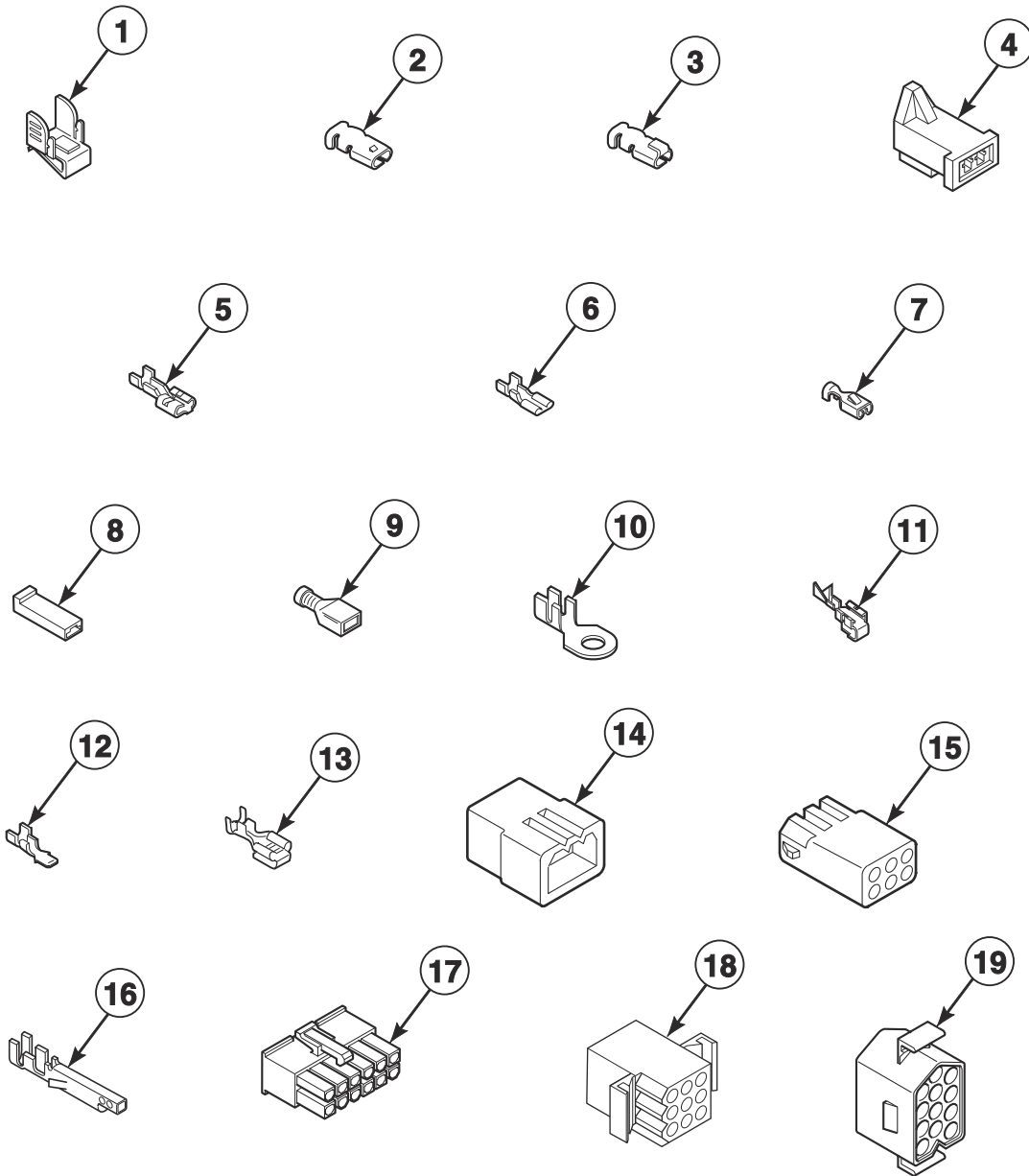


DRY1879P\_D518165

# Power Cord

REF	PART NO.	DESCRIPTION	COMMENTS
1	20530	Screw	
2	D517490	Strain Relief	
3	202777	Lead-In Cord	

# Terminal Block and Terminals



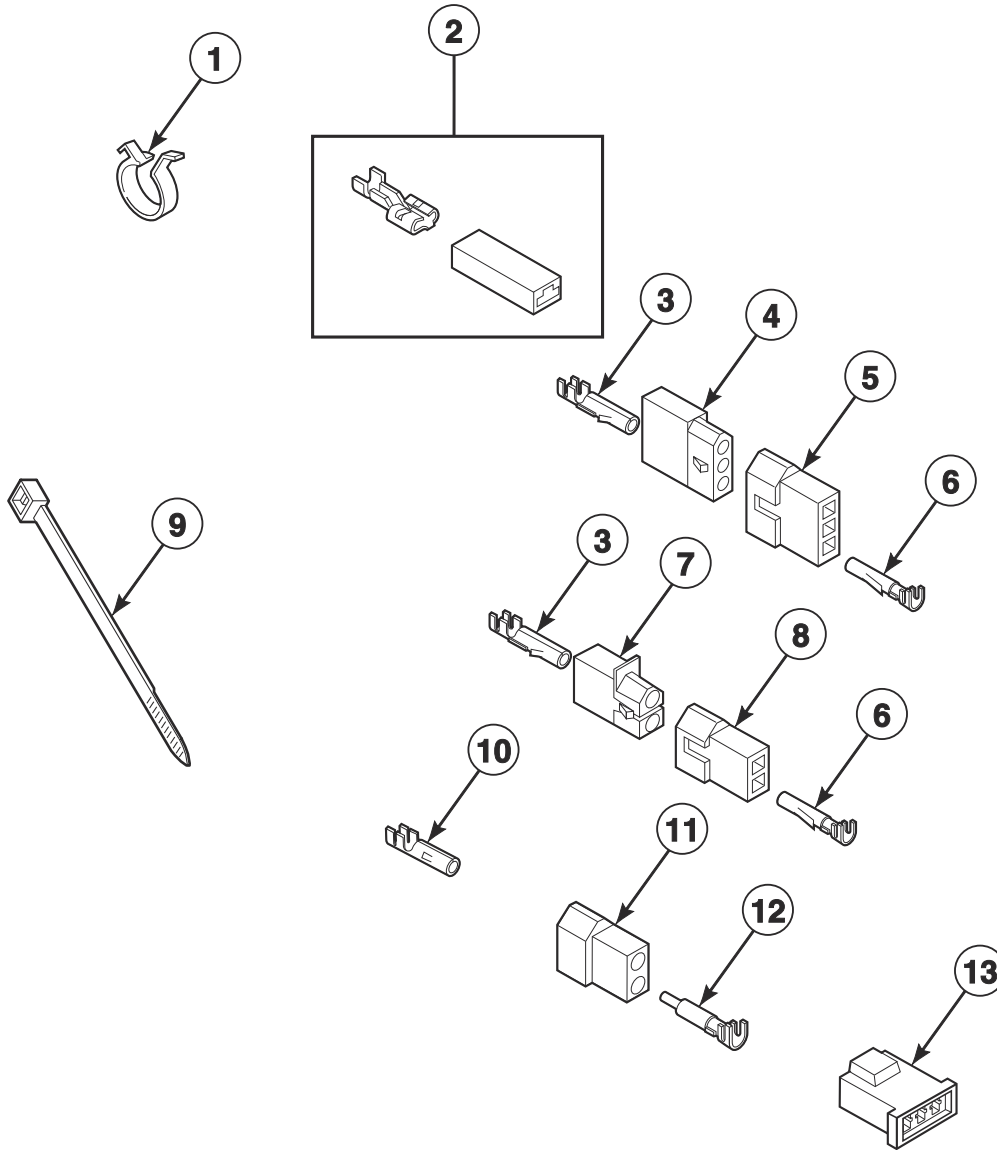
DRY2411P\_D518165



## Terminal Block and Terminals

REF	PART NO.	DESCRIPTION	COMMENTS
1	00161	Grounding Clip	
2	00189	Female Spade Terminal	1/8 inch
3	00361	Female Piggyback Terminal	
4	58799	2 Circuit Connector	
5	00223	Female Spade Terminal	1/4 inch; (1) 18 gauge wire
	00121	Female Spade Terminal	1/4 inch; (2) 18 gauge wires or (1) 12 gauge wire
	00245	Spade Terminal	1/4 inch; (1) 22 gauge wire
6	00124	Female Spade Terminal	3/16 inch; (1) 18 gauge wire; .020 tab
7	00115	Female Spade Terminal	1/4 inch; (1) 18 gauge wire
8	90789	Receptacle Housing	
9	00359	Insulated Female Spade Terminal	1/4 inch
10	00110	Ring Terminal	No. 10; (1) 18 gauge wire
11	00114	Female Spade Terminal	1/4 inch; Double connector
12	00139	Male Tab Terminal	1/4 inch; (2) 18 gauge wires or (1) 12 gauge wire
13	00344	Female Tab Terminal	1/4 inch
14	23033	9 Circuit Plug	
	26302	1 Circuit Plug	
15	26708	6 Circuit Receptacle	
	26301	1 Circuit Receptacle	
16	00252	Terminal	
17	34596	10 Circuit Receptacle	
	D501333	12 Circuit Receptacle	
18	56855	12 Circuit Receptacle	
19	54522	Plug	

# Terminals

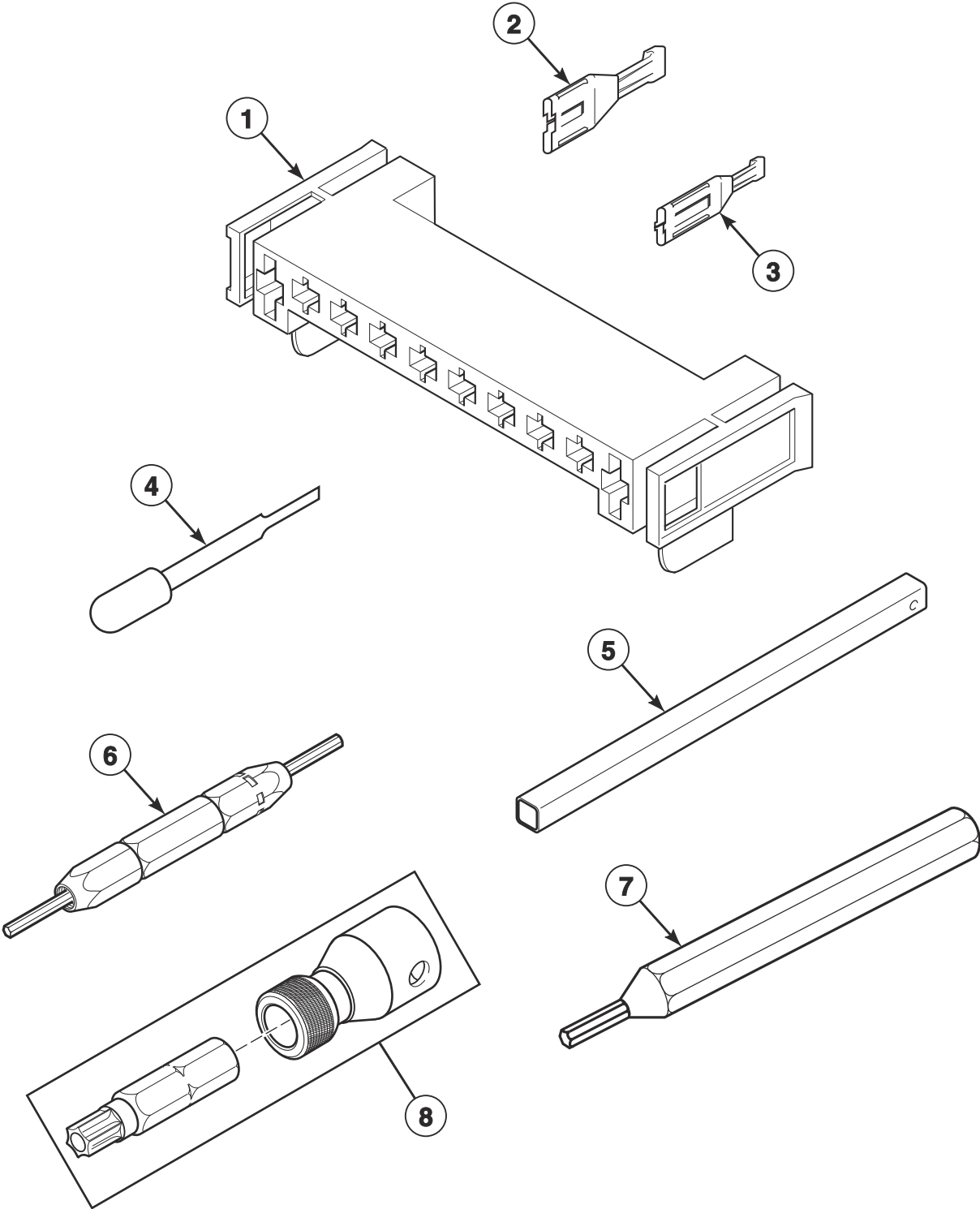


DRY1769P\_D518165

# Terminals

REF	PART NO.	DESCRIPTION	COMMENTS
1	D504034	Wire Clip	11/16 inch
	687500	Wire Clip	1 inch
2	00360	Insulated Female Spade Terminal	(1) 12 gauge wire or (2) 18 gauge wires
3	00117	Female Pin Terminal	
4	23039	3 Circuit Receptacle	
5	23040	Plug	
6	00116	Male Pin Terminal	
7	56451	2 Circuit Receptacle	
8	56448	2 Circuit Plug	
9	55881	Harness Strap	
10	00130	Female Pin Terminal	1/8 inch; 16-18 gauge wire
	00128	Female Pin Terminal	1/8 inch; 10-14 gauge wire
11	56266	2 Circuit Plug	
12	00127	Male Pin Terminal	1/8 inch
13	58800	3 Circuit Connector	

# Terminals and Terminal Extractor Tools

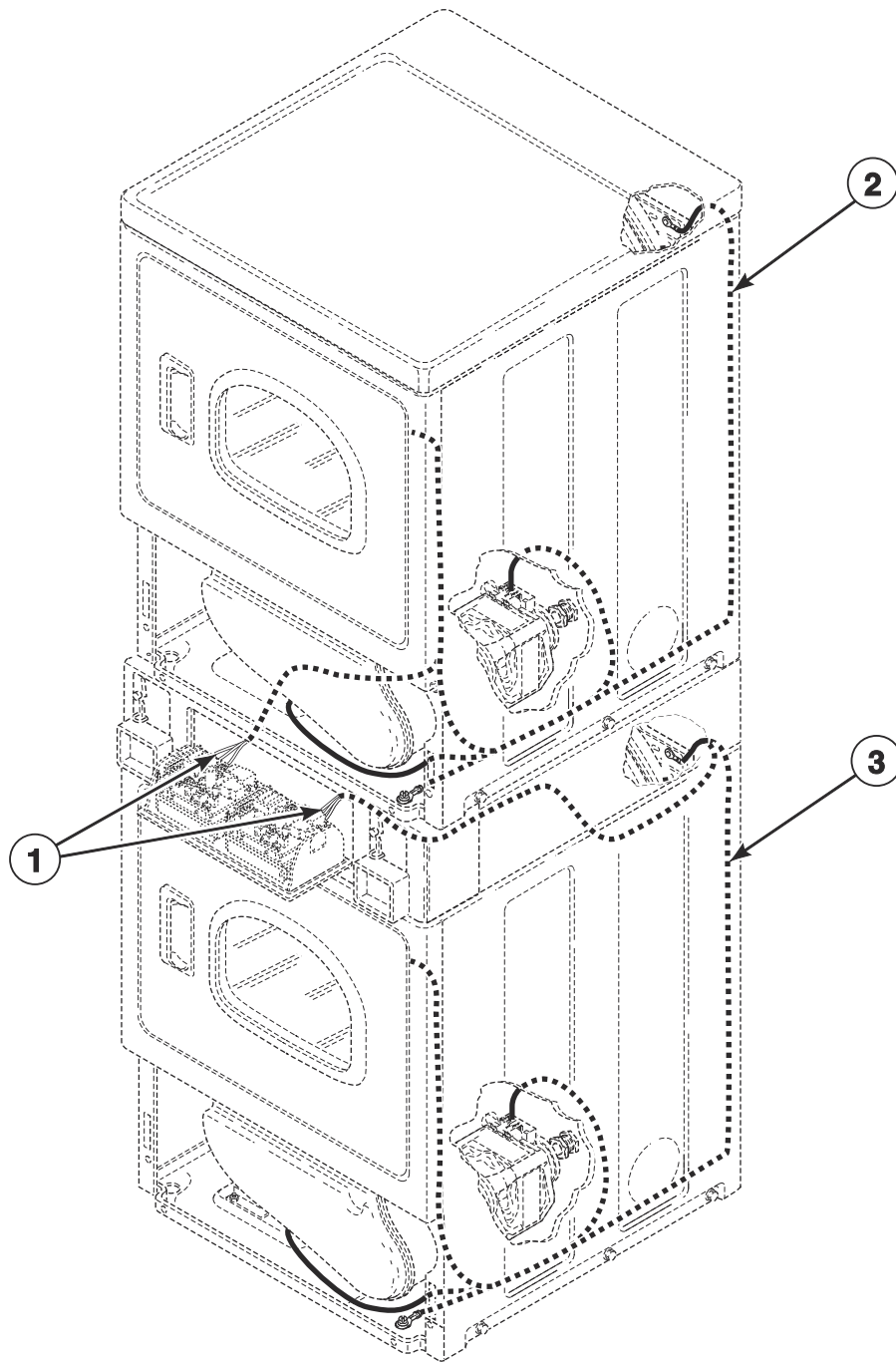


DRY2066P\_D518165

## Terminals and Terminal Extractor Tools

REF	PART NO.	DESCRIPTION	COMMENTS
1	D500338	10 Position Housing	
2	00255	Female Terminal	1/4 inch; (1) 12 gauge wire; Electric models
	00256	Female Terminal	1/4 inch; (1) or (2) 18 gauge wires
3	00188	Female Terminal	For 1 or 2 wire application
4	283P4	Terminal Extractor Tool	For use on Molex connectors
5	310P4	Ratchet Extension Tool	1/4 inch; For coin drop installation
6	190P4	Extractor Tool	For use on electric dryer terminals
7	128P4	Extractor Tool	For use on gas dryer terminals
8	281P4	Torx Bit	T15 Tamper Resistant Bit
	282P4	Torx Bit	Use with 62853 Screw on access panel; T25 Tamper Resistant Bit
	292P4	Torx Bit	T20 Standard Bit
	93501	Torx Drive Tool	T10 Standard Bit

# Wires and Wire Harnesses



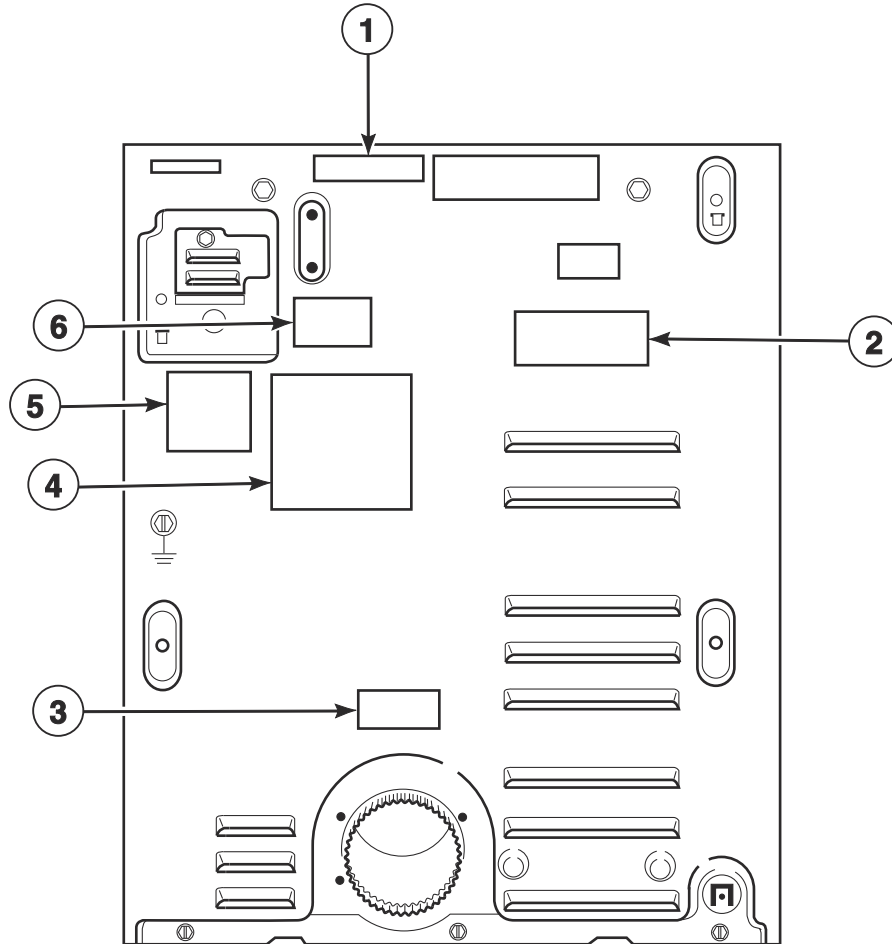
DRY2413P\_D518165

## Wires and Wire Harnesses

REF	PART NO.	DESCRIPTION	COMMENTS
	45001	18 Gauge Wire	Black; Order wire by the foot; Order terminals and connectors as required
	45380	12 Gauge Wire	Orange; Order wire by the foot; Order terminals and connectors as required
1	D517970	Security Cabinet Harness	Models SSENCAGS176TW01, SSENCAGW176TW01, SSENCFGS176TW01, SSENCFGW176TW01, SSENXAGW176TW01, SSENXFGS176TW01, SSENYAGS176TW01, SSENYAGW176TW01, SSENYFGS176TW01, SSENYFGW176TW01, SSGNCAGS116TW01, SSGNCAGW116TW01, SSGNCFGW116TW01, SSGNXAGW116TW01, SSGNXFGS116TW01, SSGNYAGS116TW01, SSGNYAGW116TW01, SSGNYFGS116TW01 and SSGNYFGW116TW01
	D513991	Security Cabinet Harness	All other models
2	D517476	Upper Electric Harness	Upper; Electric models
	D517477	Gas Harness	Upper; Gas models
3	D517972	Electric Harness	Lower; Electric models SSENCAGS176TW01, SSENCAGW176TW01, SSENCFGS176TW01, SSENCFGW176TW01, SSENXAGW176TW01, SSENXFGS176TW01, SSENYAGS176TW01, SSENYAGW176TW01, SSENYFGS176TW01 and SSENYFGW176TW01
	D517478	Electric Harness	Lower; All other electric models
	D517973	Gas Harness	Lower; Gas models SSGNCAGS116TW01, SSGNCAGW116TW01, SSGNCFGW116TW01, SSGNXAGW116TW01, SSGNXFGS116TW01, SSGNYAGS116TW01, SSGNYAGW116TW01, SSGNYFGS116TW01 and SSGNYFGW116TW01
	D517479	Gas Harness	Lower; All other gas models

**NOTE: Individual wires are not available separately. Order complete harness, or order wire by the foot. When applying terminals to wires, it is recommended that the terminals be soldered to the wires.**

# Label Location on Rear of Cabinet



DRY2303P\_D518165



## Label Location on Rear of Cabinet

REF	PART NO.	DESCRIPTION	COMMENTS
1	D505281	Disconnect Power Warning Label	English
	D500316	Warning Label	English/French
2	D502791	Venting Instruction Label	
3	D500497	Exhaust Warning Label	English/French
	D502507	Exhaust Warning Label	Icon
4	D511004	Gas Clearance Label	Gas models
	D511005	Electric Clearance Label	Electric models
5	D516073	Notice Label	Read Instructions Icon
6	807561	Warning Label	



# Parts Index

## A

Access Panel Assembly	
D514250WP .....	27
Access Panel Plate	
D510903 .....	41
Adhesive	
D511637P .....	31, 33
Air Duct Assembly	
D518433 .....	31
Anti-Seize Compound	
27604P .....	29

## B

Blower Fan Assembly	
D510139P .....	29
Blower Housing	
D511969WP .....	29
Blower Housing Seal	
D510238P .....	29
Bolt	
29651 .....	11
Booster and Holding Coil	
58804A .....	39
Bumper Pad	
56128 .....	41
Burner Assembly	
D510149P .....	39

## C

Cabinet Rear Panel	
D517566 .....	41
Cabinet Side Panel	
D510001WP .....	41
D510002WP .....	41
Card Insert Overlay	
D511544 .....	21
D514391 .....	19
Clip	
201572 .....	17
Coin Drop	
200731 .....	15
38963P .....	15
39748 .....	15
70441601P .....	15
70441603 .....	15
Coin Drop Assembly	
201141 .....	15
38462P .....	15
38463 .....	15
38464P .....	15
70441602 .....	15
Coin Drop Kit	
CK055 .....	15
CK056 .....	15
CK057 .....	15

CK058 .....	15
CK078 .....	15
CK085 .....	15
CK090 .....	15
CK097 .....	15
CK098 .....	15
Coin Drop Wire Harness	
201104 .....	17
Coin Identification Paper	
38725 .....	15, 17
Combustion Duct	
D510131 .....	37
Connector, 2 Circuit	
58799 .....	47
Connector, 3 Circuit	
58800 .....	49
Control Assembly	
D518395 .....	7
204890 .....	7
Control Overlay	
D514366 .....	7
D517660 .....	7
D518254 .....	7
Control Panel	
803964W .....	11
Control Panel and Bracket Assembly	
D510076W .....	7
D513778W .....	7
Cylinder Assembly	
D510265WP .....	31
Cylinder Baffle	
D510102W .....	31
Cylinder Belt	
D511255P .....	29
Cylinder Glide	
D513710 .....	31
Cylinder Glide Bracket	
D510145 .....	31
Cylinder Roller	
D510708P .....	33
Cylinder Roller Bracket	
D510100 .....	33
Cylinder Seal Assembly	
D510207P .....	31, 33

## D

Damper	
58786 .....	41
Directional Exhaust Kit	
528P3 .....	41
Disconnect Power Warning Label	
D505281 .....	55
Door Assembly	
D516737W .....	25
Door Catch Assembly	
D510177 .....	27
Door Handle Wedge	
D510129W .....	23, 25

N/A items do not appear in index.

Door Liner Assembly D516508 .....	23
Door Liner Grill D503870W .....	23, 25
Door Pull and Wedge Kit D510103WP .....	23, 25
Door Strike D510181 .....	23, 25
Dryer Base D514245 .....	41
Dryer Door D510013WP .....	23
D515961W .....	25
Dryer Door Window D515681 .....	25
Dual Coin Harness Assembly 202871 .....	15, 17
204915 .....	15
205090 .....	15

## E

Electric Clearance Label D511005 .....	55
Electric Harness D517478 .....	53
D517972 .....	53
Electronic Coin Drop Assembly 70294106 .....	17
Electronic Coin Drop Kit CK110 .....	17
CK115 .....	17
Ethernet Gateway Kit NK320 .....	5
Exhaust Duct D516196 .....	41
Exhaust Warning Label D500497 .....	55
D502507 .....	55
Expansion Clip 70030501 .....	11, 19
Extractor Tool 128P4 .....	51
190P4 .....	51

## F

Felt Pad D510189 .....	31
Female Piggyback Terminal 00361 .....	47
Female Pin Terminal 00117 .....	49
00128 .....	49
00130 .....	49
Female Spade Terminal 00114 .....	47
00115 .....	47
00121 .....	47
00124 .....	47
00189 .....	47
00223 .....	47

Female Tab Terminal 00344 .....	47
Female Terminal 00188 .....	51
00255 .....	51
00256 .....	51
Flexible Venting Kit 521P3 .....	41
Front Bulkhead Assembly D510266P .....	31
Front Panel D510066DG .....	27
Front Panel Assembly D513781WP .....	27
Front Panel Seal D511056 .....	27

## G

Gas Clearance Label D511004 .....	55
Gas Harness D517477 .....	53
D517479 .....	53
D517973 .....	53
Gas Valve Mounting Bracket D510128 .....	39
Gas Valve, Bracket and Pipe Assembly D517606 .....	39
Glide Kit RB170003 .....	31
Grounding Clip 00161 .....	47

## H

Harness Strap 55881 .....	49
Heat Duct Shroud D510101 .....	37
Heater D510325P .....	35
Heater Assembly D510329P .....	35
Heater Duct Assembly D510025P .....	35, 37
Heater Kit 964P3 .....	35
Heater Kit Assembly 61928 .....	35
Hinge D511036 .....	23, 25
Hinge Hole Plug D510186 .....	27
Hold Down Kit 526P3 .....	41
Housing, 10 Position D500338 .....	51

N/A items do not appear in index.

---

**I**

Idler Lever	
D516310 .....	29
Idler Lever and Wheel Assembly	
D516792 .....	29
Idler Spring	
D510185 .....	29
Idler Wheel and Bearing Assembly	
D510142P .....	29
Igniter and Bracket Assembly	
D510184P .....	39
Insulated Female Spade Terminal	
00359 .....	47
00360 .....	49

---

**K**

Key	
54612 .....	7

---

**L**

Lead-In Cord	
20277 .....	45
Leveling Leg	
D510135 .....	41
Limit Thermostat	
D510701 .....	35
D510702 .....	37
Liner and Seal Assembly	
D516509 .....	25
Lint Filter	
D503980LG .....	31
Lint Filter Label	
D502781 .....	27
Lock Assembly	
807761 .....	7
Lock Cam	
27261 .....	7
804338 .....	7
807760 .....	7
Lock Lock	
27260P .....	7
L.P. Conversion Kit	
458P3 .....	39

---

**M**

Machine ID Control Assembly	
203361P .....	7
Male Pin Terminal	
00116 .....	49
00127 .....	49
Male Tab Terminal	
00139 .....	47
Meter Case Assembly	
807396W11 .....	
Motor and Pulley Assembly	
D511629P .....	29

Motor Hub Ring Kit	
590P3 .....	29
Motor Mount	
D510060 .....	29
Motor Mount Clamp	
D510180 .....	29
Motor Pulley	
D500011 .....	29
Motor Switch Bracket	
D516311 .....	29
Mounting Tool Kit	
CK096 .....	17

---

**N**

Network Controller Kit	
NK220 .....	5
Network Retrofit Kit	
203328 .....	5
Notice Label	
D516073 .....	55
Nut	
201216 .....	17
28447 .....	33
29786 .....	15
44087201 .....	11
44087301 .....	29, 33
52566 .....	29
N.G. Conversion Kit	
459P3 .....	39

---

**O**

Opto Coupler	
200674P .....	15
Outlet Cover	
D500820 .....	35, 37
D518524 .....	35, 37
Output Control Assembly	
D517191P .....	41

---

**P**

Panel Locator	
56079 .....	27, 41
Pinch Warning Label	
F8615701 .....	31
Plug	
23040 .....	49
54522 .....	47
Plug, 1 Circuit	
26302 .....	47
Plug, 2 Circuit	
56266 .....	49
56448 .....	49
Plug, 9 Circuit	
23033 .....	47
Porcelain Touch-Up Paint	
122P4P .....	41

N/A items do not appear in index.

---

**R**

Ratchet Extension Tool 310P4 .....	51
Rear Access Panel 807646 .....	11, 19
Rear Bulkhead Assembly D511082P .....	33
Receptacle Housing 90789 .....	47
Receptacle, 1 Circuit 26301 .....	47
Receptacle, 10 Circuit 34596 .....	47
Receptacle, 12 Circuit D501333 .....	47
56855 .....	47
Receptacle, 2 Circuit 56451 .....	49
Receptacle, 3 Circuit 23039 .....	49
Receptacle, 6 Circuit 26708 .....	47
Retaining Ring 23748 .....	29, 33
Ring Terminal 00110 .....	47
Roller Kit RB170002 .....	33
Rubber Foot D501855 .....	41

---

**S**

ScREW	
804667 .....	41
Screw	
D500226 .....	23, 25, 31
D500824 .....	29
D501285 .....	31, 33
D501524 .....	7
D502431 .....	21
D502535 .....	29
D503661 .....	9, 43
D503688 .....	5, 11, 13, 19, 21, 27, 29, 31, 33, 35, 37, 39, 41, 43
D505870 .....	25
D514428 .....	41
D515967 .....	25
M405188 .....	31
20530 .....	45
23222 .....	35, 39
28448 .....	33
31260 .....	29
33562 .....	27
36048 .....	43
39733 .....	27, 41
51782 .....	37, 39
56124 .....	39
61199 .....	33
62588 .....	31
62853 .....	27
70240301 .....	11, 19

Seal Kit RB170001 .....	31, 33
Secondary Coil 58804B .....	39
Security Cabinet Front Assembly D511632WP .....	13
D518148W .....	21
804147WP .....	19
Security Cabinet Harness D513991 .....	53
D517970 .....	53
Sensor D510213 .....	39
Serial Pay Control Assembly 807714 .....	9
Serial Pay Harness F8713906 .....	9
Shaft 56461P .....	29, 33
Shield Bracket 804018 .....	5
Shock Warning Label F8614201 .....	31
Single Coin Harness Assembly 202870 .....	15
204914 .....	15
205089 .....	15
Single Overlay 38717 .....	11
Spade Terminal 00245 .....	47
Speed Clip 28835 .....	27
Strain Relief D517490 .....	45
Switch D512973 .....	11, 27
D516391 .....	29

---

**T**

Terminal 00252 .....	47
Terminal Block Assembly D510190P .....	33
Terminal Extractor Tool 283P4 .....	51
Thermal Fuse Assembly D518542 .....	35
Thermistor Assembly D510523 .....	29
Top Hinge D510136 .....	43
Top Kit D510032WP .....	43
803144P .....	43
Torx Bit 281P4 .....	51
282P4 .....	51
292P4 .....	51
Torx Drive Tool 93501 .....	51

N/A items do not appear in index.

Transformer	
201375P .....	17
202757 .....	5
Transformer Harness	
D514072 .....	5
804795 .....	5
Transformer Kit	
203423 .....	5

Wrapper Assembly	
804104W .....	11
804112W .....	19

---

## U

Upper Electric Harness	
D517476 .....	53
USB Gateway Kit	
NK330 .....	5
USB IR Interface Kit	
203346 .....	5

---

## V

Venting Instruction Label	
D502791 .....	55

---

## W

Warning Label	
D500316 .....	55
D516243 .....	27
D516514 .....	27
807561 .....	55
Warning/Caution Label	
D516512 .....	27
Washer	
D501307 .....	43
D504082 .....	33
28449 .....	33
52549 .....	29, 33
Window Trim	
D515956W .....	25
Wire Assembly	
D518255 .....	35
D518256 .....	35
Wire Clip	
D504034 .....	49
687500 .....	49
Wire Guard	
201595P .....	15
Wireless Network Control Assembly	
807211 .....	9
Wireless Network Harness	
F8674006 .....	9
Wireless Network Kit	
204689 .....	5
Wire, 12 Gauge	
45380 .....	53
Wire, 18 Gauge	
45001 .....	53
Wiring Harness Assembly	
202868 .....	7
Wrapper and Channel Assembly	
D505753WP .....	13, 21

N/A items do not appear in index.

