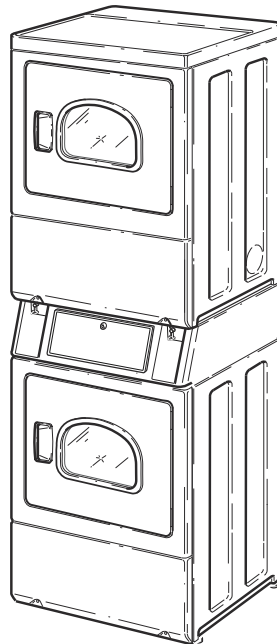


Commercial Dryers

Models Starting Serial No. 2001000001
Metered and Nonmetered
Refer to Page 5 for Model Numbers



DRY727C_D518555

Table of Contents

Title	Page
Parts Ordering Information.....	3
Serial Plate Location	3
Model Identification	5
Control Panel and Controls (Drawing 1 of 3)	6
Control Panel and Controls (Drawing 2 of 3)	8
Control Panel and Controls (Drawing 3 of 3)	10
Network Board Assembly.....	12
Non-Electronic Coin Drop	14
Electronic Coin Drop	16
Control Cabinet Controls - Coin Drop Models.....	18
Control Cabinet - Card Reader Ready and Non-Vend Models	20
Loading Door with Window (Drawing 1 of 2).....	22
Loading Door with Window (Drawing 2 of 2).....	24
Loading Door without Window	26
Access Panel, Front Panel and Seal	28
Motor, Exhaust Fan and Belt (Drawing 1 of 3).....	30
Motor, Exhaust Fan and Belt (Drawing 2 of 3).....	32
Motor, Exhaust Fan and Belt (Drawing 3 of 3).....	34
Blower Housing	36
Front Bulkhead, Felt Seal and Cylinder	38
Air Duct	40
Lint Filter	42
Rear Bulkhead, Felt Seal, Cylinder Roller and Terminal Block (Drawing 1 of 2).....	44
Rear Bulkhead, Felt Seal, Cylinder Roller and Terminal Block (Drawing 2 of 2).....	46
Heater Duct Assembly - 3 Phase Electric Models.....	48
Heater Duct and Element Assembly - 1 Phase Electric Models	50
Heater Duct Assembly - Gas Models.....	52
Gas Valve, Igniter and Gas Conversion Kits.....	54
Gas Valve Starting Serial No. 1908000001	56
Burner Orifice Spuds - For Higher Elevations.....	58
Cabinet, Exhaust Duct and Base (Drawing 1 of 2)	60
Cabinet, Exhaust Duct and Base (Drawing 2 of 2)	62
Contactors and Transformer.....	64
Ignition Control Module	66
Cabinet Top	68
Power Cord.....	70
Junction Box	72
Junction Box Filter and Harnesses	74
Terminal Block and Terminals	76
Terminals	78
Terminals and Terminal Extractor Tools	80

© Copyright 2023, Alliance Laundry Systems LLC

All rights reserved. No part of the contents of this book may be reproduced or transmitted in any form or by any means without the expressed written consent of the publisher.

Wire Harnesses and Wires - Gas Models (Drawing 1 of 2) 82
Wire Harnesses and Wires - Gas Models (Drawing 2 of 2) 84
Wire Harnesses and Wires - Electric Models..... 86
Parts Index..... 89

Parts Ordering Information

If literature or replacement parts are required, contact the source from whom the machine was purchased or contact Alliance Laundry Systems at (920) 748-3950 for the name and address of the nearest authorized parts distributor.

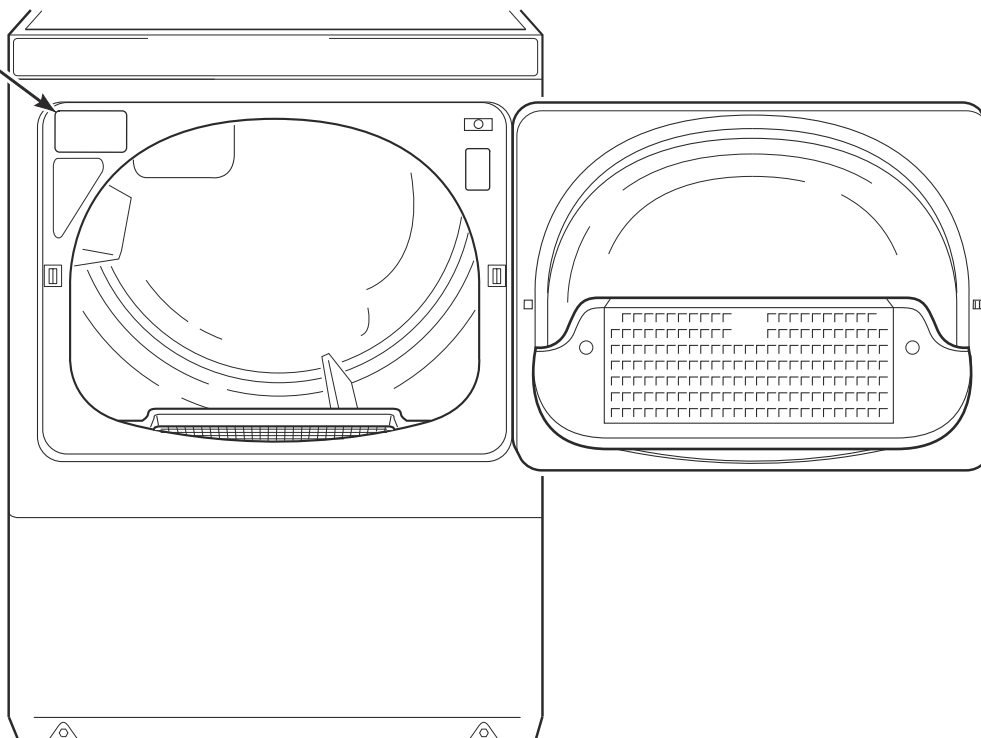
For technical assistance, call the number listed below:

(920) 748-3121 Ripon, Wisconsin

Serial Plate Location

When calling or writing about your product, be sure to mention model and serial numbers. Model and serial numbers are located on serial plate(s) as shown.

SERIAL PLATE



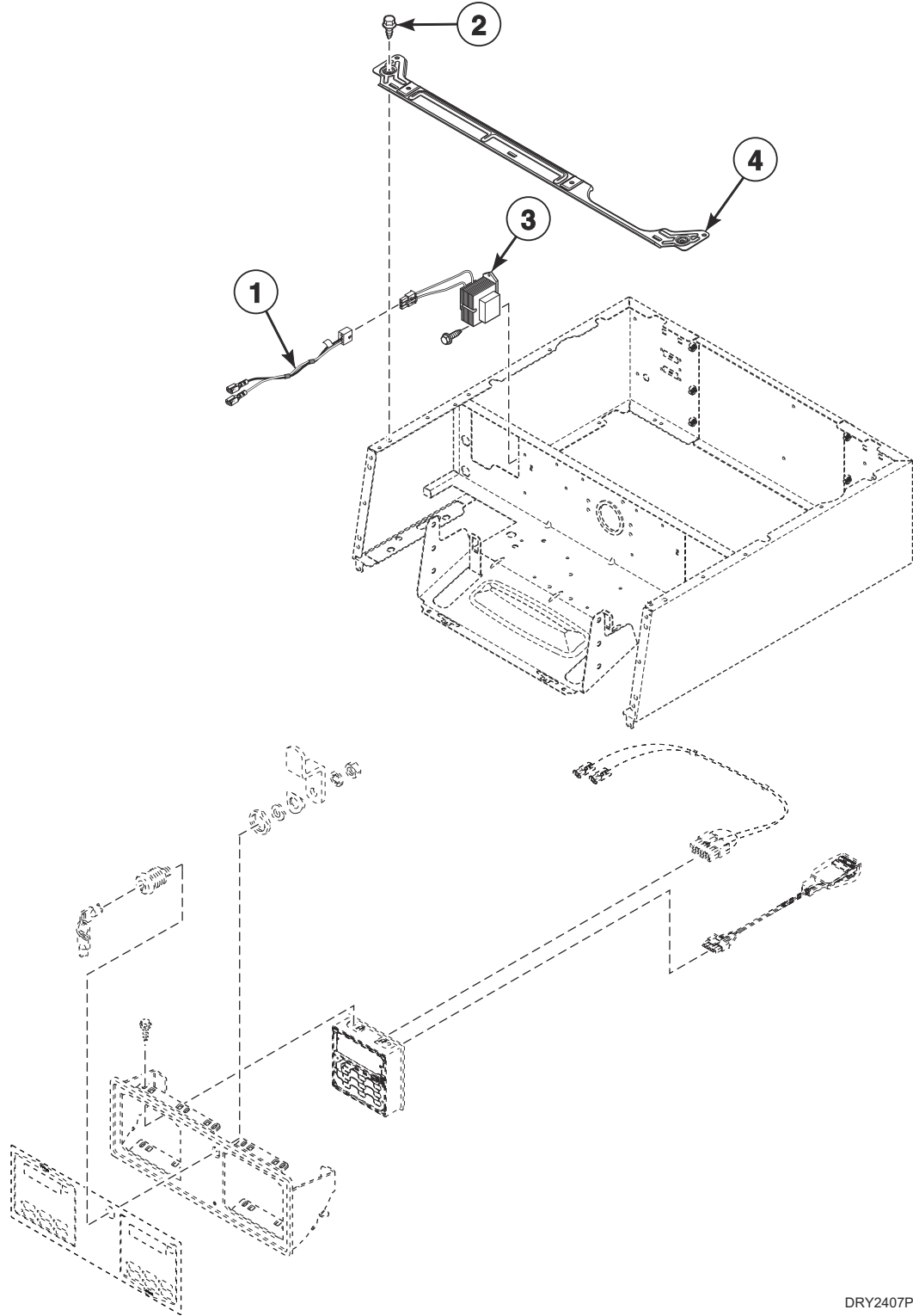
DRY2283P_D518555

Model Identification

Information in this manual is applicable to these dryer models:

HSENXAGS283CW01	JSEJGAGW303EW01	SS3NGAGS403UG01
HSENXAGS286CW01	JSEJRAGS303EW01	SS3NLAGS403UG01
HSENXAGW283CW01	JSEJRAGW303EW01	SSENXAGS433AW01
HSENXAGW286CW01	JSEJXAGW303EW01	SSENXAGS543DW01
HSENXAGW543DW01	JSGJGAGS303EW01	SSENXAGW433AW01
HSENXFGS286CW01	JSGJGAGW303EW01	SSENXAGW433LW01
HSENYAGS286CW01	JSGJRAGS303EW01	SSENXAGW543DW01
HSENYAGW283CW01	JSGJRAGW303EW01	SSGNGAGS303UG01
HSENYAGW286CW01	JSGJXAGW303EW01	SSGNLAGS303UG01
HSENYFGS286CW01	NSENXAGS453ZW01	SSGNXAGS303AW01
HSGNXAGS093CW01	NSENXAGW453ZW01	SSGNXAGW303AW01
HSGNXAGS096CW01	NSGNXAGW303ZW38	SSGNXAGW543DW01
HSGNXAGW093CW01	PS3JGAGS403UG01	SSLNXAGS543NW23
HSGNXAGW096CW01	PSGJGAGS303UG01	SSLNXAGW303LW01
HSGNXAGW123DW01	PSGJXAGS304AG01	SSLNXAGW543NW23
HSGNXAGW543DW01		SSLNXAGW543PW01
HSGNXFGS096CW01		SSLWXAGS303NN22
HSGNYAGS093CW01		SSMNXAGS083JW01
HSGNYAGS096CW01		SSMNXAGW083JW01
HSGNYAGW093CW01		
HSGNYAGW096CW01		
HSGNYFGS096CW01		
JSEJGAGS303EW01		

Control Panel and Controls (Drawing 1 of 3)

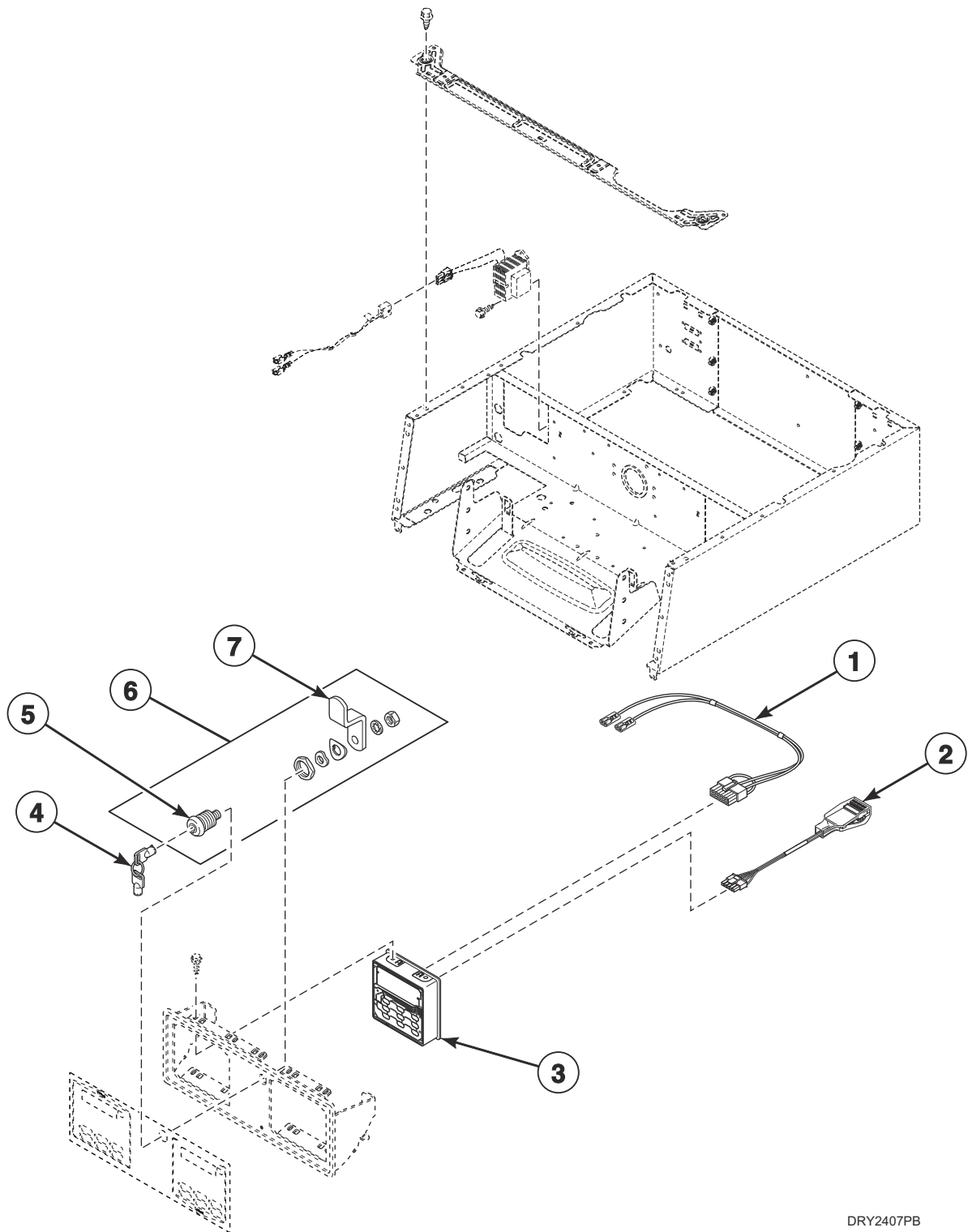


DRY2407P

Control Panel and Controls (Drawing 1 of 3)

REF	PART NO.	DESCRIPTION	COMMENTS
	204689	Wireless Network Kit	
	203328	Network Retrofit Kit	Wired
	203346	USB IR Interface Kit	
	NK220	Network Controller Kit	Wired
	NK320	Ethernet Gateway Kit	Wireless
	NK330	USB Gateway Kit	Wireless
	805427	Central Pay Harness	Models SSGNGAGS303UG01 and SSGNLAGS303UG01
	D514453	Control Wrapper Plate	Models HSENXAGW543DW01, HSGNXAGW543DW01, JSEJGAGS303EW01, JSEJGAGW303EW01, JSEJRAGS303EW01, JSEJRAGW303EW01, JSEJXAGW303EW01, JSGJGAGS303EW01, JSGJGAGW303EW01, JSGJRAGS303EW01, JSGJRAGW303EW01, JSGJXAGW303EW01, NSENXAGS453ZW01, NSENXAGW453ZW01, NSGNXAGW303ZW38, PS3JGAGS403UG01, PSGJGAGS303UG01, PSGJXAGS304AG01, SS3NGAGS403UG01, SS3NLAGS403UG01, SSENXAGS433AW01, SSENXAGS543DW01, SSENXAGW433AW01, SSENXAGW433LW01, SSENXAGW543DW01, SSGNGAGS303UG01, SSGNLAGS303UG01, SSGNXAGS303AW01, SSGNXAGW303AW01, SSGNXAGW543DW01, SSLNXAGW303LW01, SSLNXAGW543PW01, SSMNXAGS083JW01 and SSMNXAGW083JW01
1	D514069	Transformer Harness	Models JSEJRAGS303EW01, JSEJRAGW303EW01 and JSEJXAGW303EW01
	D514072	Transformer Harness	Models HSENYAGS286CW01, HSENYAGW283CW01, HSENYAGW286CW01, HSENYFGS286CW01 and HSGNYFGS096CW01
	805428	Transformer Harness	Models JSGJRAGS303EW01, JSGJRAGW303EW01 and SSLWXAGS303NN22
2	D503688	Screw	
3	202757	Transformer	Models HSENXAGS283CW01, HSENXAGS286CW01, HSENXAGW283CW01, HSENXAGW286CW01, HSENXFGS286CW01, HSENYAGS286CW01, HSENYAGW283CW01, HSENYAGW286CW01, HSENYFGS286CW01, HSGNXAGS093CW01, HSGNXAGS096CW01, HSGNXAGW093CW01, HSGNXAGW096CW01, HSGNYAGS093CW01, HSGNYAGS096CW01, HSGNYAGW093CW01, HSGNYAGW096CW01, HSGNYFGS096CW01, SSMNXAGS083JW01 and SSMNXAGW083JW01
	204380	Transformer	Models JSEJRAGS303EW01, JSEJRAGW303EW01, JSEJXAGW303EW01, JSGJRAGS303EW01, JSGJRAGW303EW01 and SSLWXAGS303NN22
4	804018	Shield Bracket	

Control Panel and Controls (Drawing 2 of 3)

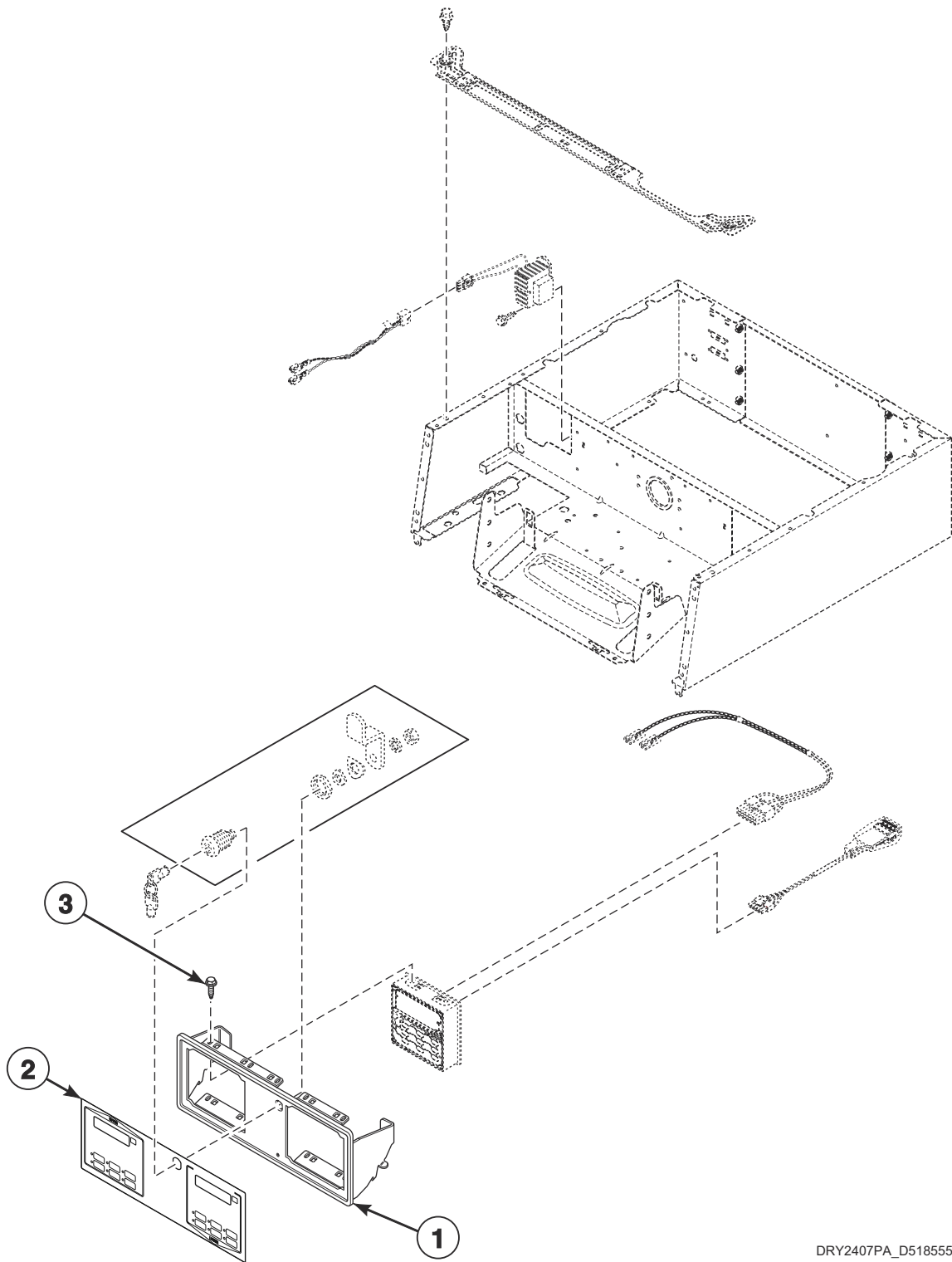


DRY2407PB

Control Panel and Controls (Drawing 2 of 3)

REF	PART NO.	DESCRIPTION	COMMENTS
1	202868	Wiring Harness Assembly	Models HSENXFGS286CW01, HSENYAGS286CW01, HSENYAGW283CW01, HSENYAGW286CW01, HSENYFGS286CW01, HSGNYAGS093CW01, HSGNYAGS096CW01, HSGNYAGW093CW01, HSGNYAGW096CW01, HSGNYFGS096CW01, JSEJGAGS303EW01, JSEJGAGW303EW01, JSGJGAGS303EW01, JSGJGAGW303EW01, PS3JGAGS403UG01 and PSGJGAGS303UG01
2	203361P	Machine ID Control Assembly	Model or serial number is required when ordering
3	D517524	Control Assembly	Models PS3JGAGS403UG01, PSGJGAGS303UG01 and PSGJXAGS304AG01
	D518647	Control Assembly	Models HSENXAGS286CW01, HSENXAGW286CW01, HSENXFGS286CW01, HSENYAGS286CW01, HSENYAGW286CW01, HSENYFGS286CW01, HSGNXAGS096CW01, HSGNXAGW096CW01, HSGNXFGS096CW01, HSGNYAGS096CW01, HSGNYAGW096CW01 and HSGNYFGS096CW01
	D517522	Control Assembly	All other models
4	54612	Key	800
5	807761	Lock Assembly	Models HSENXAGS286CW01, HSENXAGW286CW01, HSENXFGS286CW01, HSENYAGS286CW01, HSENYAGW286CW01, HSENYFGS286CW01, HSGNXAGS096CW01, HSGNXAGW096CW01, HSGNXFGS096CW01, HSGNYAGS096CW01, HSGNYAGW096CW01 and HSGNYFGS096CW01
6	27260P	Lock Kit	Includes item 13
7	807760	Lock Cam	Models HSENXAGS286CW01, HSENXAGW286CW01, HSENXFGS286CW01, HSENYAGS286CW01, HSENYAGW286CW01, HSENYFGS286CW01, HSGNXAGS096CW01, HSGNXAGW096CW01, HSGNXFGS096CW01, HSGNYAGS096CW01, HSGNYAGW096CW01 and HSGNYFGS096CW01
	804338	Lock Cam	All other models

Control Panel and Controls (Drawing 3 of 3)



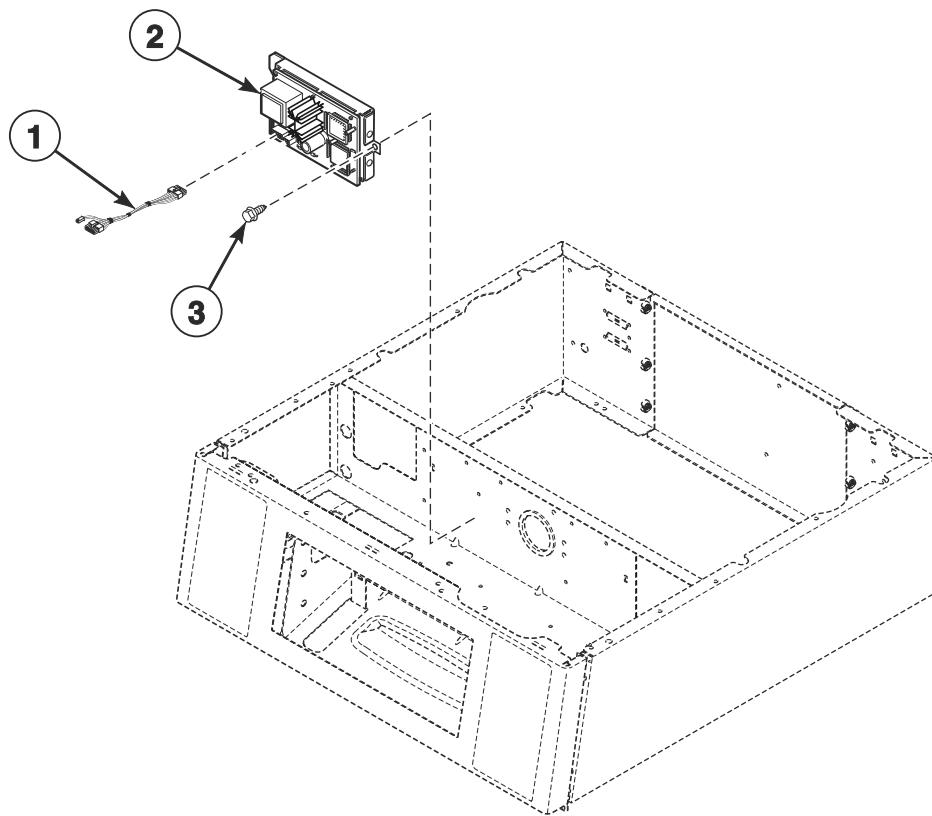
DRY2407PA_D518555

Control Panel and Controls (Drawing 3 of 3)

REF	PART NO.	DESCRIPTION	COMMENTS
	D517037	Laundry Harness	Models JSEJRAGS303EW01, JSEJRAGW303EW01, JSGJRAGS303EW01 and JSGJRAGW303EW01
	D518412	Instruction Label	Models JSEJRAGS303EW01, JSEJRAGW303EW01, JSGJRAGS303EW01 and JSGJRAGW303EW01
	D517764	Operating Instructions Label	Models HSGNXAGW123DW01, HSGNXAGW543DW01, NSENXAGS453ZW01, NSENXAGW453ZW01, SSGNXAGW543DW01, SSLNXAGS543NW23, SSLNXAGW543NW23 and SSLNXAGW543PW01
1	D513778B	Control Panel and Bracket Assembly	Black; Models JSEJGAGS303EW01, JSEJGAGW303EW01, JSEJRAGS303EW01, JSEJRAGW303EW01, JSEJXAGW303EW01, JSGJGAGS303EW01, JSGJGAGW303EW01, JSGJRAGS303EW01, JSGJRAGW303EW01, JSGJXAGW303EW01 and SSLWXAGS303NN22
	D513778DG	Control Panel and Bracket Assembly	Gray; Models PS3JGAGS403UG01, PSGJGAGS303UG01, PSGJXAGS304AG01, SS3NGAGS403UG01, SS3NLAGS403UG01, SSGNGAGS303UG01 and SSGNLAGS303UG01
	807640W	Control Panel and Bracket Assembly	Models HSENXAGS286CW01, HSENXAGW286CW01, HSENXFGS286CW01, HSENYAGS286CW01, HSENYAGW286CW01, HSENYFGS286CW01, HSGNXAGS096CW01, HSGNXAGW096CW01, HSGNXFGS096CW01, HSGNYAGS096CW01, HSGNYAGW096CW01 and HSGNYFGS096CW01
	D513778W	Control Panel and Bracket Assembly	White; All other models
2	D514372	Control Overlay	Models HSENXAGS283CW01, HSENXAGW283CW01, HSENXAGW543DW01, HSENYAGW283CW01, HSGNXAGS093CW01, HSGNXAGW093CW01, HSGNXAGW123DW01, HSGNXAGW543DW01, HSGNYAGS093CW01 and HSGNYAGW093CW01
	D518643	Control Overlay	Models JSEJGAGS303EW01, JSEJGAGW303EW01, JSGJGAGS303EW01 and JSGJGAGW303EW01
	D514927	Control Overlay	Model PSGJXAGS304AG01
	D514930	Control Overlay	Models PS3JGAGS403UG01 and PSGJGAGS303UG01
	D514481	Control Overlay	Models SS3NGAGS403UG01, SS3NLAGS403UG01, SSGNGAGS303UG01, SSGNLAGS303UG01, SSGNXAGW543DW01, SSLNXAGS543NW23, SSLNXAGW543NW23 and SSLNXAGW543PW01
	D517660	Control Overlay	Models NSENXAGS453ZW01, NSENXAGW453ZW01 and NSGNXAGW303ZW38
	D518644	Control Overlay	Models JSEJRAGS303EW01, JSEJRAGW303EW01, JSEJXAGW303EW01, JSGJRAGS303EW01 and JSGJRAGW303EW01
	D518080	Control Overlay	Models HSENXAGS286CW01, HSENXAGW286CW01, HSENXFGS286CW01, HSENYAGS286CW01, HSENYAGW286CW01, HSENYFGS286CW01, HSGNXAGS096CW01, HSGNXAGW096CW01, HSGNXFGS096CW01, HSGNYAGS096CW01, HSGNYAGW096CW01 and HSGNYFGS096CW01
	D514366	Control Overlay	All other models
3	D501524	Screw	

Network Board Assembly

Models HSENXAGS286CW01, HSENXAGW286CW01, HSENXFGS286CW01, HSENYAGS286CW01, HSENYAGW286CW01, HSENYFGS286CW01, HSGNXAGS096CW01, HSGNXAGW096CW01, HSGNXFGS096CW01, HSGNYAGS096CW01, HSGNYAGW096CW01, HSGNYFGS096CW01 and SSLWXAGS303NN22



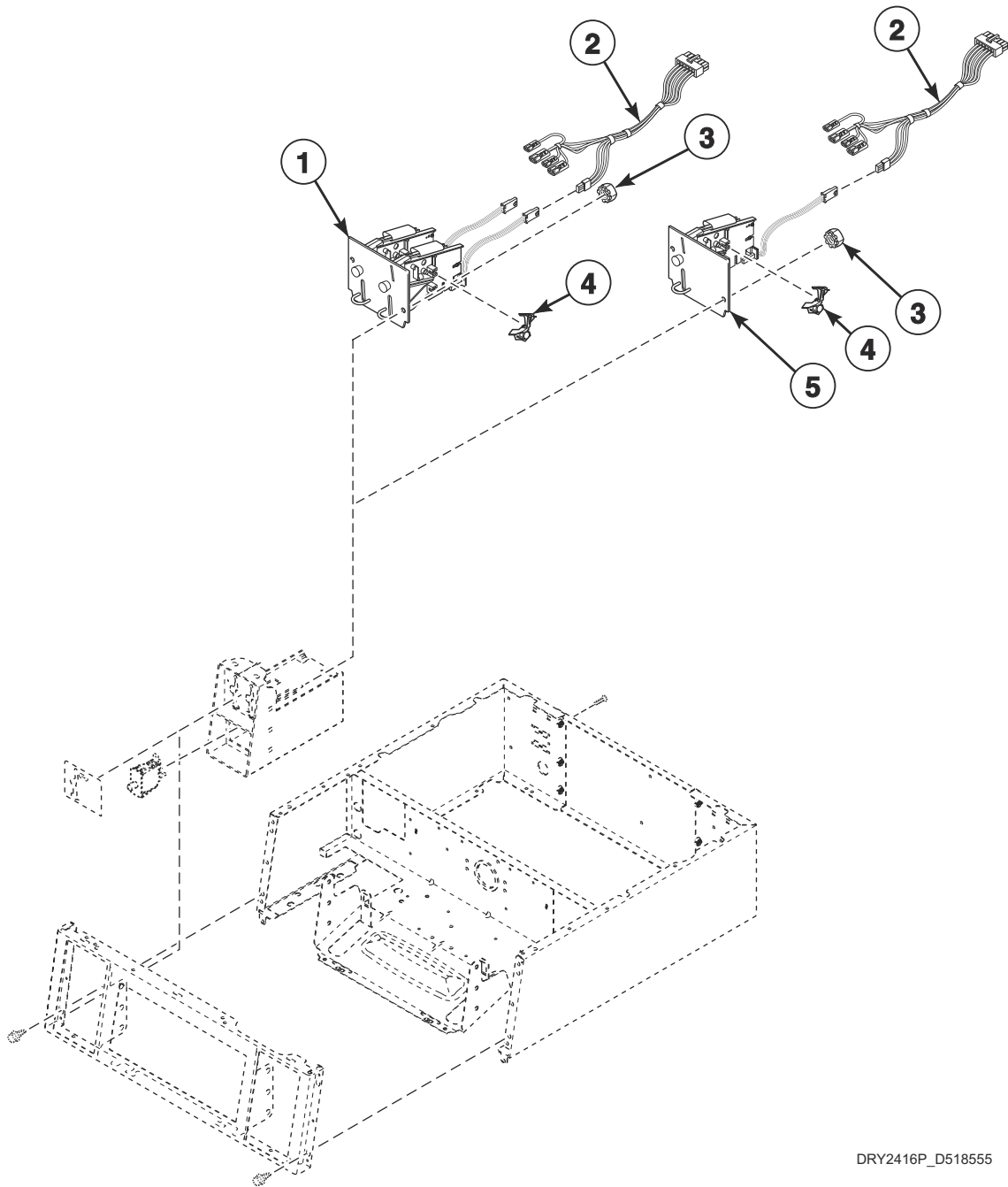
FLW1813P_D518555

Network Board Assembly

REF	PART NO.	DESCRIPTION	COMMENTS
1	F8713906	Serial Pay Harness	Models HSENXAGS286CW01, HSENXAGW286CW01, HSENXFGS286CW01, HSENYAGS286CW01, HSENYAGW286CW01, HSENYFGS286CW01, HSGNXAGS096CW01, HSGNXAGW096CW01, HSGNXFGS096CW01, HSGNYAGS096CW01, HSGNYAGW096CW01 and HSGNYFGS096CW01
	F8674006	Wireless Network Harness	All other models
2	807714	Serial Pay Control Assembly	Models HSENXAGS286CW01, HSENXAGW286CW01, HSENXFGS286CW01, HSENYAGS286CW01, HSENYAGW286CW01, HSENYFGS286CW01, HSGNXAGS096CW01, HSGNXAGW096CW01, HSGNXFGS096CW01, HSGNYAGS096CW01, HSGNYAGW096CW01 and HSGNYFGS096CW01
	807211	Wireless Network Control Assembly	All other models
3	D503661	Screw	

Non-Electronic Coin Drop

Coin Drop Models



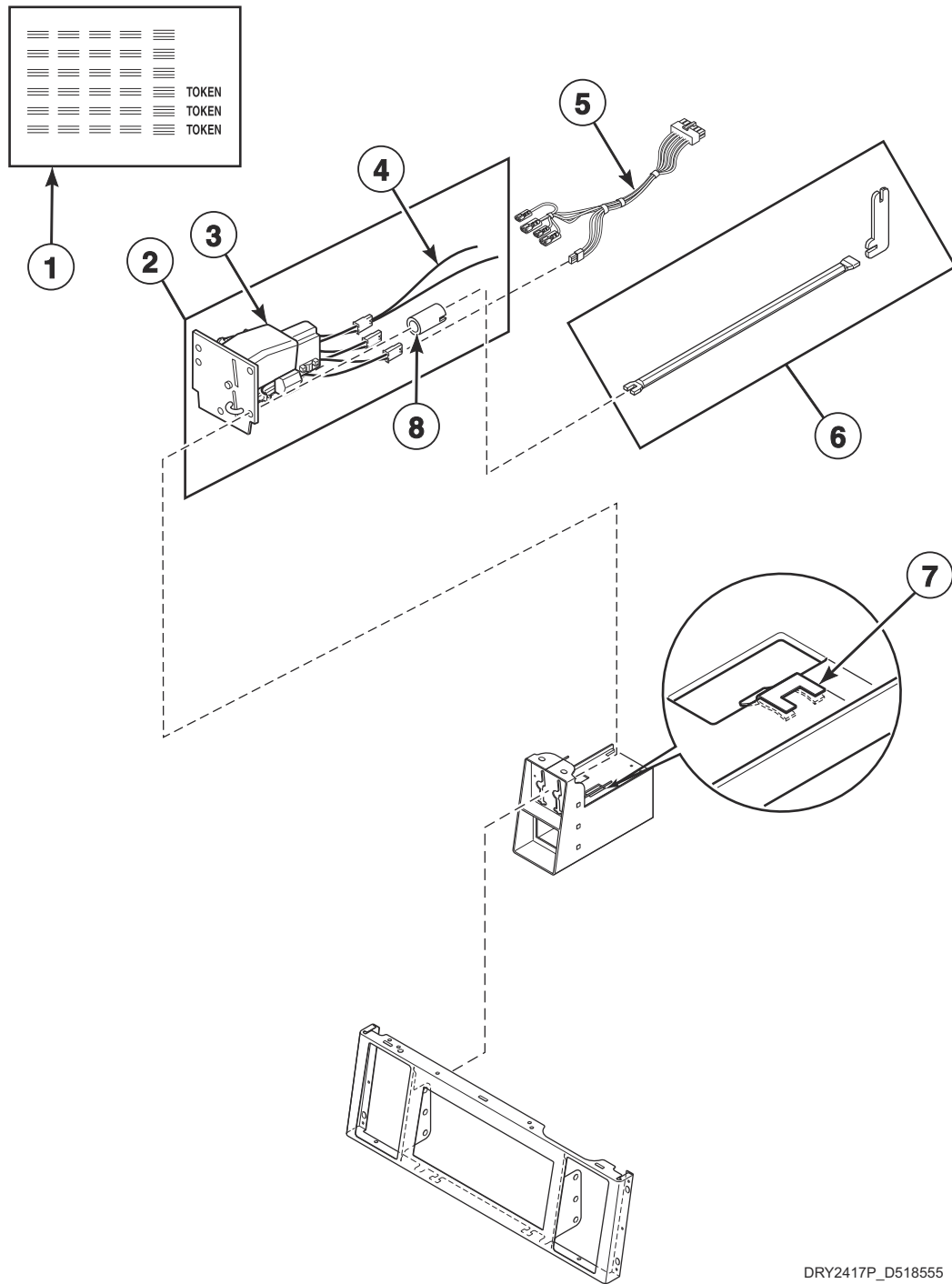
DRY2416P_D518555

Non-Electronic Coin Drop

REF	PART NO.	DESCRIPTION	COMMENTS
1	70441602	Coin Drop Assembly	Canada; 0.25 and 1.00
	38467	Coin Drop Assembly	Australia; 0.20 and 1.00
	38472	Coin Drop Assembly	England; 20p and 1 pound
	38519	Coin Drop Assembly	Japan; 100 yen and 500 yen
	38521	Coin Drop Assembly	Korea; 100 won and 500 won
	39157	Coin Drop Assembly	Israel; 1 shekel and 5 shekel
	2	204915	Dual Coin Harness Assembly
205090		Dual Coin Harness Assembly	Models HSENXFGS286CW01 and HSGNXFGS096CW01
202871		Dual Coin Harness Assembly	All other models
3	29786	Nut	
4	201595P	Wire Guard	Anti-stringing security device; Add to coin drops beginning January 2005
5	38462P	Coin Drop Assembly	Token; 118-1 mzp; .880 diameter x .079 thick; Brass
	38463	Coin Drop Assembly	Token; 118-5 mzp; .990 diameter x .081 thick; Silver
	38464P	Coin Drop Assembly	Canada; 0.25
	38475	Coin Drop Assembly	Japan; 100 yen
	CK077	Coin Drop Kit	Taiwan; 10 NT
	70441601P	Coin Drop	USA; \$0.25
	38963P	Coin Drop	Token 118-16 not available; Replacement for 38963P Coin Drop only
	CK114	Coin Drop Assembly	Singapore; Old 1.00
	CK123	Coin Drop Kit	Singapore; New 1.00

Electronic Coin Drop

Coin Drop Models

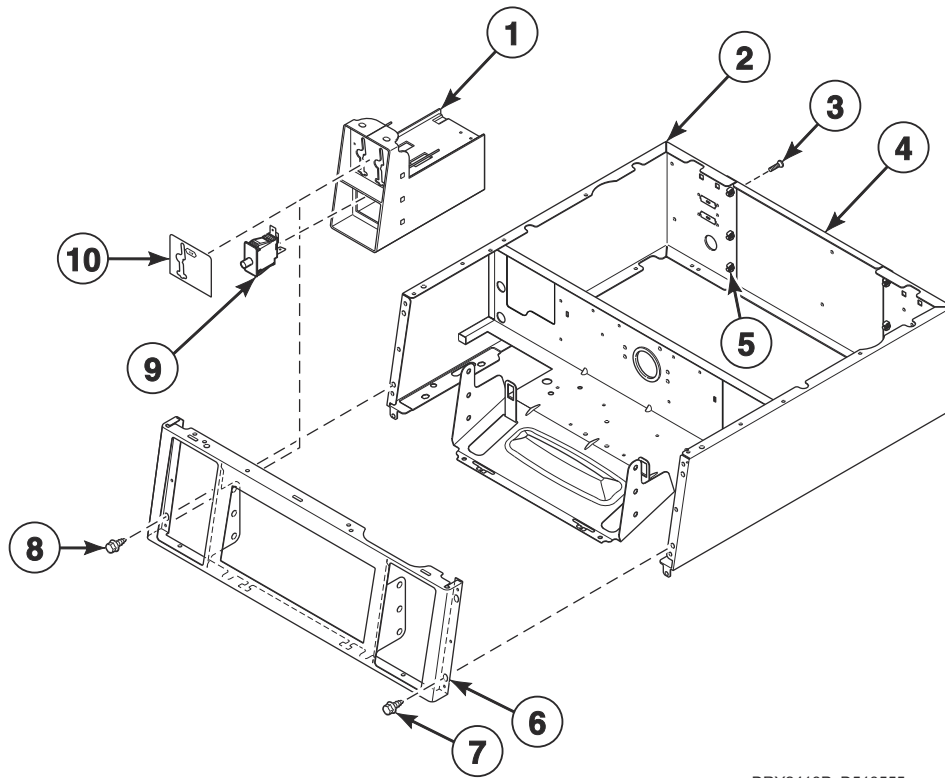


DRY2417P_D518555

Electronic Coin Drop

REF	PART NO.	DESCRIPTION	COMMENTS
1	38725	Coin Identification Paper	For use with items 2 and 3
2	CK115	Electronic Coin Drop Kit	Includes items 3-5; United States and Canada
	CK113	Electronic Coin Drop Kit	Includes items 3-5; Japan and Taiwan coins
	CK099	Electronic Coin Drop Kit	Includes items 3-5; Australia, New Zealand, Hong Kong and South Korea coins
	CK100	Electronic Coin Drop Kit	Includes items 3-5; Euro and Great Britain coins
	CK101	Electronic Coin Drop Kit	Includes items 3-5; Euro, Denmark and Norway coins
	CK103	Electronic Coin Drop Kit	Includes items 3-5; Euro, Lithuania and Latvia coins
	CK108	Electronic Coin Drop Kit	Includes items 3-5; South Africa coins
	CK109	Electronic Coin Drop Kit	Includes items 3-5; Euro coins
	CK110	Electronic Coin Drop Kit	Includes items 3-5; Mexico, Ecuador and United States coins
	CK116	Electronic Coin Drop Kit	Includes items 3-5; Malaysia, China and Singapore coins
	CK117	Electronic Coin Drop Kit	Includes items 3-5; Russia coins
CK118	Electronic Coin Drop Kit	Includes items 3-5; Philippine coins	
3	70294103P	Electronic Coin Drop Assembly	Euro and Great Britain coins
	70294104	Electronic Coin Drop Assembly	Euro, Denmark and Norway coins
	70513306	Electronic Coin Drop Assembly	Mexico, Ecuador and United States coins
	70294107	Electronic Coin Drop Assembly	Euro, Lithuania and Latvia coins
	70294110	Electronic Coin Drop Assembly	South Africa coins
	70294111	Electronic Coin Drop Assembly	Euro coins
	70294122	Electronic Coin Drop Assembly	Euro, Great Britain and token coins
	70513311	Electronic Coin Drop Assembly	Malaysia, China and Singapore coins
	70294117	Electronic Coin Drop Assembly	Russia coins
4	201104	Coin Drop Wire Harness	For use with items 2 and 3
5	204915	Dual Coin Harness Assembly	Models HSENXAGS286CW01, HSENXAGW286CW01, HSGNXAGS096CW01 and HSGNXAGW096CW01
	202871	Dual Coin Harness Assembly	All other models
6	CK096	Mounting Tool Kit	For use with items 2 and 3
7	201572	Clip	For use with items 2 and 3
8	201216	Nut	For use with items 2 and 3

Control Cabinet Controls - Coin Drop Models

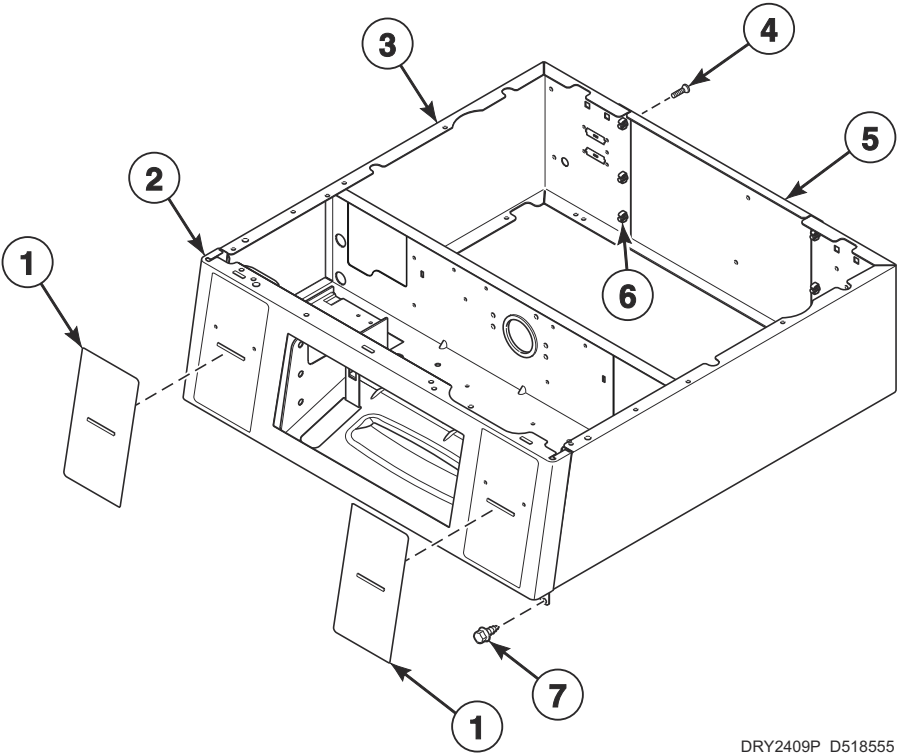


DRY2418P_D518555

Control Cabinet Controls - Coin Drop Models

REF	PART NO.	DESCRIPTION	COMMENTS
	44087201	Nut	4 required; Use with item 8
1	807396B	Meter Case Assembly	Black; Requires high capacity coin vault; Models JSEJXAGW303EW01, JSGJXAGW303EW01 and SSLWXAGS303NN22
	807254B	Meter Case Assembly	Black; Models JSEJRAGS303EW01, JSEJRAGW303EW01, JSGJRAGS303EW01 and JSGJRAGW303EW01
	807396DG	Meter Case Assembly	Gray; Requires high capacity coin vault; Model PSGJXAGS304AG01
	807396W	Meter Case Assembly	White; Requires high capacity coin vault; All other models
2	804104DG	Wrapper Assembly	Gray; Model PSGJXAGS304AG01
	804104B	Wrapper Assembly	Black; Model SSLWXAGS303NN22
	D505753WP	Wrapper and Channel Assembly	Model HSGNXFGS096CW01
	804104W	Wrapper Assembly	White; All other models
3	70240301	Screw	6 required
4	807646	Rear Access Panel	
5	70030501	Expansion Clip	6 required
6	805545B	Control Panel	Black; Models JSEJRAGS303EW01, JSEJRAGW303EW01, JSGJRAGS303EW01 and JSGJRAGW303EW01
	803964B	Control Panel	Black; Models JSEJXAGW303EW01, JSGJXAGW303EW01 and SSLWXAGS303NN22
	803964DG	Control Panel	Gray; Model PSGJXAGS304AG01
	803964W	Control Panel	White; All other models
7	D503688	Screw	
8	29651	Bolt	4 required
9	D512973	Switch	
10	38717	Single Overlay	For use with non-electronic coin drops
	201091	Overlay	For use with electronic coin drops
	39073	Dual Overlay	
	803476	Single Drop Overlay	Models JSEJXAGW303EW01 and JSGJXAGW303EW01

Control Cabinet - Card Reader Ready and Non-Vend Models



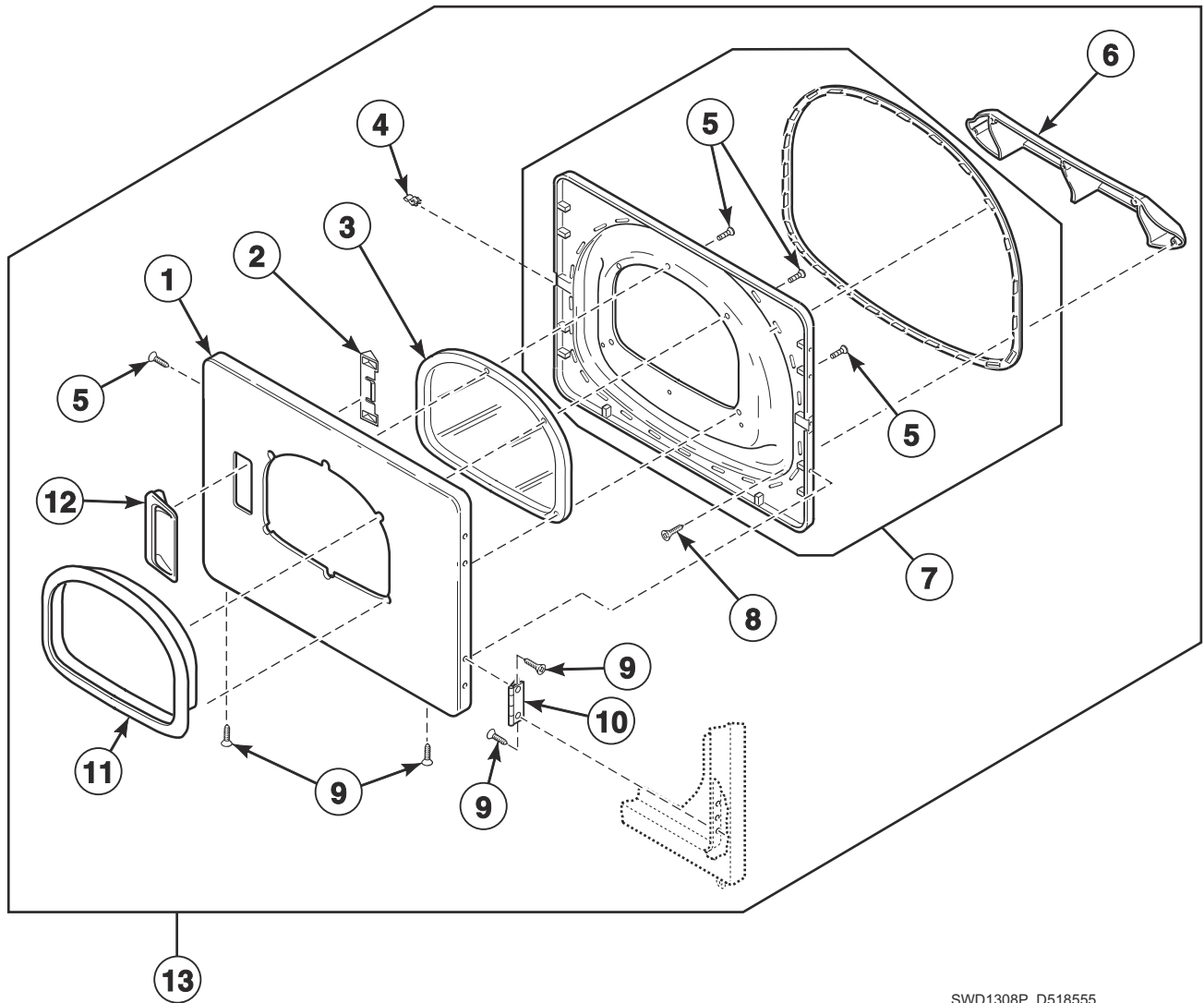
DRY2409P_D518555

Control Cabinet - Card Reader Ready and Non-Vend Models

REF	PART NO.	DESCRIPTION	COMMENTS
1	D514873	Overlay	Gray; 2 required; Models HSENYAGS286CW01, HSENYAGW283CW01, HSENYAGW286CW01, HSGNYAGS093CW01, HSGNYAGS096CW01, HSGNYAGW093CW01 and HSGNYAGW096CW01
	D518675	Overlay	Gray; 2 required; Models HSENYFGS286CW01 and HSGNYFGS096CW01
2	804147WP	Security Cabinet Front Assembly	White; Models HSENYAGS286CW01, HSENYAGW283CW01, HSENYAGW286CW01, HSGNYAGS093CW01, HSGNYAGS096CW01, HSGNYAGW093CW01 and HSGNYAGW096CW01
	D518148	Security Cabinet Front Assembly	Models HSENYFGS286CW01 and HSGNYFGS096CW01
	805545B	Control Panel	Black; Models JSEJGAGS303EW01, JSEJGAGW303EW01, JSGJGAGS303EW01 and JSGJGAGW303EW01
	805545DG	Control Panel	Gray; Models PS3JGAGS403UG01, PSGJGAGS303UG01, SS3NGAGS403UG01, SS3NLAGS403UG01, SSGNGAGS303UG01 and SSGNLAGS303UG01
3	D505753WP	Wrapper and Channel Assembly	Models HSENYFGS286CW01 and HSGNYFGS096CW01
	804112W	Wrapper Assembly	White; Models HSENYAGS286CW01, HSENYAGW283CW01, HSENYAGW286CW01, HSGNYAGS093CW01, HSGNYAGS096CW01, HSGNYAGW093CW01, HSGNYAGW096CW01, SS3NGAGS403UG01, SS3NLAGS403UG01, SSGNGAGS303UG01 and SSGNLAGS303UG01
	804104W	Wrapper Assembly	White; Models JSEJGAGS303EW01, JSEJGAGW303EW01, JSGJGAGS303EW01 and JSGJGAGW303EW01
	804104DG	Wrapper Assembly	Gray; Models PS3JGAGS403UG01 and PSGJGAGS303UG01
4	70240301	Screw	6 required
5	807646	Rear Access Panel	
6	70030501	Expansion Clip	6 required
7	D503688	Screw	

Loading Door with Window (Drawing 1 of 2)

Models HSENXAGW283CW01, HSENXAGW286CW01, HSENXAGW543DW01, HSENYAGW283CW01, HSENYAGW286CW01, HSGNXAGW123DW01, HSGNXAGW543DW01, JSEJGAGW303EW01, JSEJRAGW303EW01, JSEJXAGW303EW01, JSGJGAGW303EW01, JSGJRAGW303EW01, JSGJXAGW303EW01, NSENXAGW453ZW01, NSGNXAGW303ZW38, SSENXAGW433AW01, SSENXAGW433LW01, SSENXAGW543DW01, SSGNXAGW303AW01, SSGNXAGW543DW01, SSLNXAGW303LW01, SSLNXAGW543NW23, SSLNXAGW543PW01 and SSMNXAGW083JW01



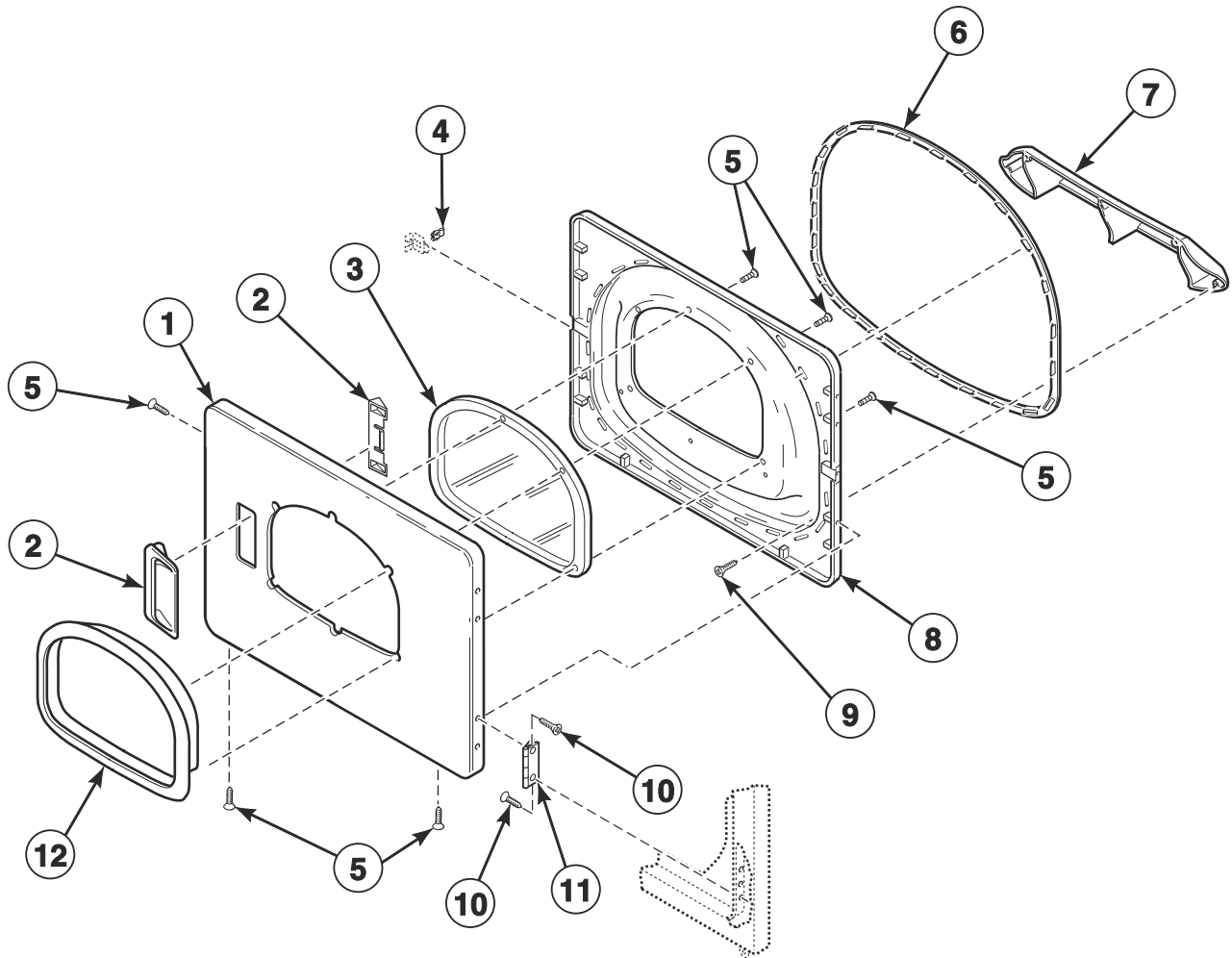
SWD1308P_D518555

Loading Door with Window (Drawing 1 of 2)

REF	PART NO.	DESCRIPTION	COMMENTS
1	D515961W	Dryer Door	White
	D515961DG	Dryer Door	Gray
2	D510129W	Door Handle Wedge	
3	D515681	Dryer Door Window	
4	D510181	Door Strike	
5	D515967	Screw	
6	D503870W	Door Liner Grill	
7	D516509	Liner and Seal Assembly	Includes seal
8	D505870	Screw	
9	D505295	Screw	
10	D511036	Hinge	
11	D515956W	Window Trim	White
	D515955	Window Trim	Gray
12	D510103WP	Door Pull and Wedge Kit	White; Includes item 2
	D512947	Door Pull	Gray
13	D516737W	Door Assembly	White; Includes items 1-12

Loading Door with Window (Drawing 2 of 2)

Models HSGNXAGW093CW01, HSGNXAGW096CW01, HSGNYAGW093CW01 and HSGNYAGW096CW01



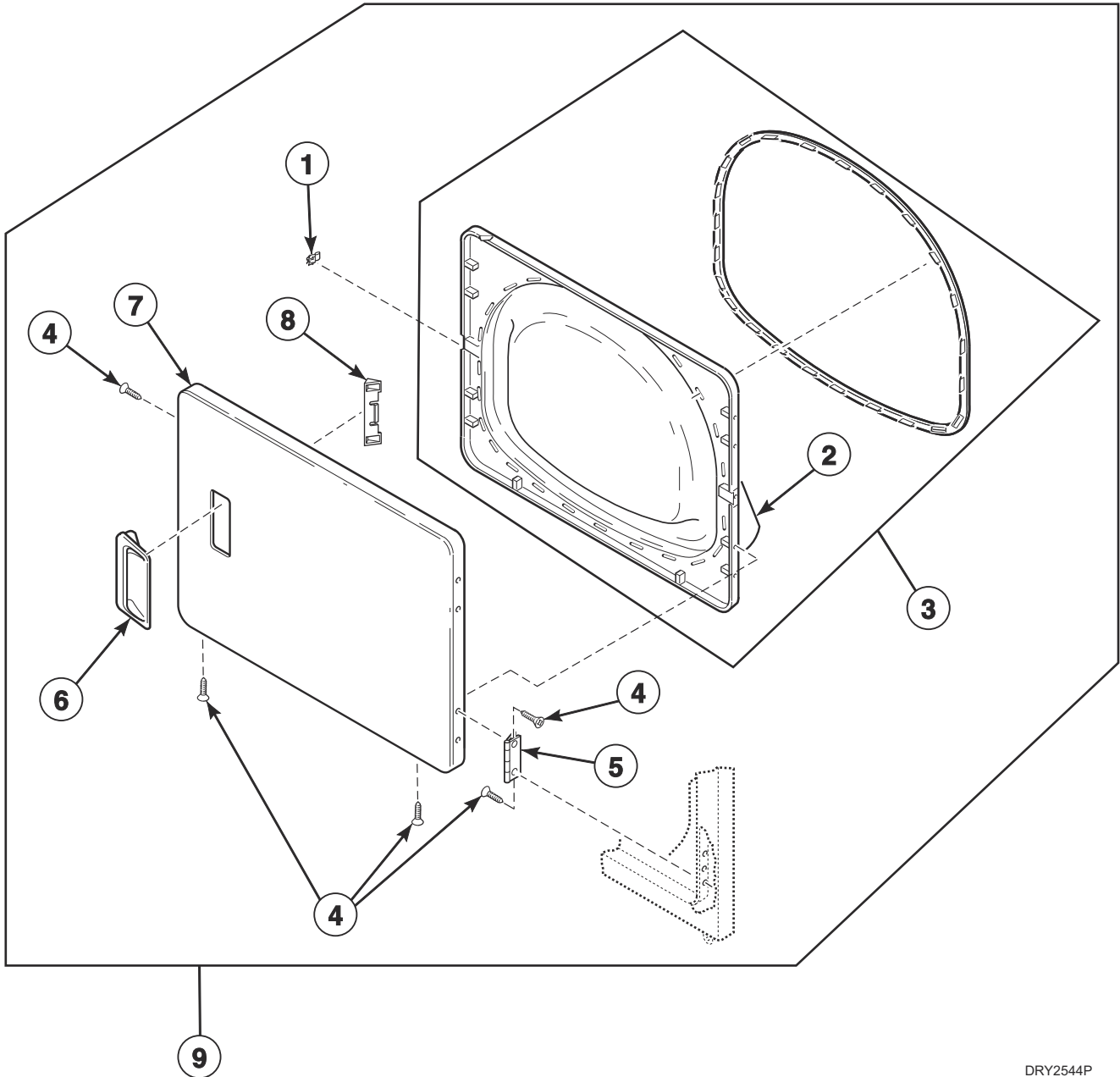
D427PA_D518555

Loading Door with Window (Drawing 2 of 2)

REF	PART NO.	DESCRIPTION	COMMENTS
1	D515961W	Dryer Door	
2	D510103WP	Door Pull and Wedge Kit	
3	D515681	Dryer Door Window	
4	D510181	Door Strike	
5	D515967	Screw	
6	D515709	Liner Door Seal	
7	D503870W	Door Liner Grill	
8	D516509	Liner and Seal Assembly	Includes item 6
9	D505870	Screw	
10	D505295	Screw	
11	D511036	Hinge	
12	D515956W	Window Trim	

Loading Door without Window

Models HSENXAGS283CW01, HSENXAGS286CW01, HSENXFGS286CW01, HSENYAGS286CW01, HSENYFGS286CW01, HSGNXAGS093CW01, HSGNXAGS096CW01, HSGNXFGS096CW01, HSGNYAGS093CW01, HSGNYAGS096CW01, HSGNYFGS096CW01, JSEJGAGS303EW01, JSEJRAGS303EW01, JSGJGAGS303EW01, JSGJRAGS303EW01, NSENXAGS453ZW01, PS3JGAGS403UG01, PSGJGAGS303UG01, PSGJXAGS304AG01, SS3NGAGS403UG01, SS3NLAGS403UG01, SSENXAGS433AW01, SSENXAGS543DW01, SSGNGAGS303UG01, SSGNLAGS303UG01, SSGNXAGS303AW01, SSLNXAGS543NW23, SSLWXAGS303NN22 and SSMNXAGS083JW01

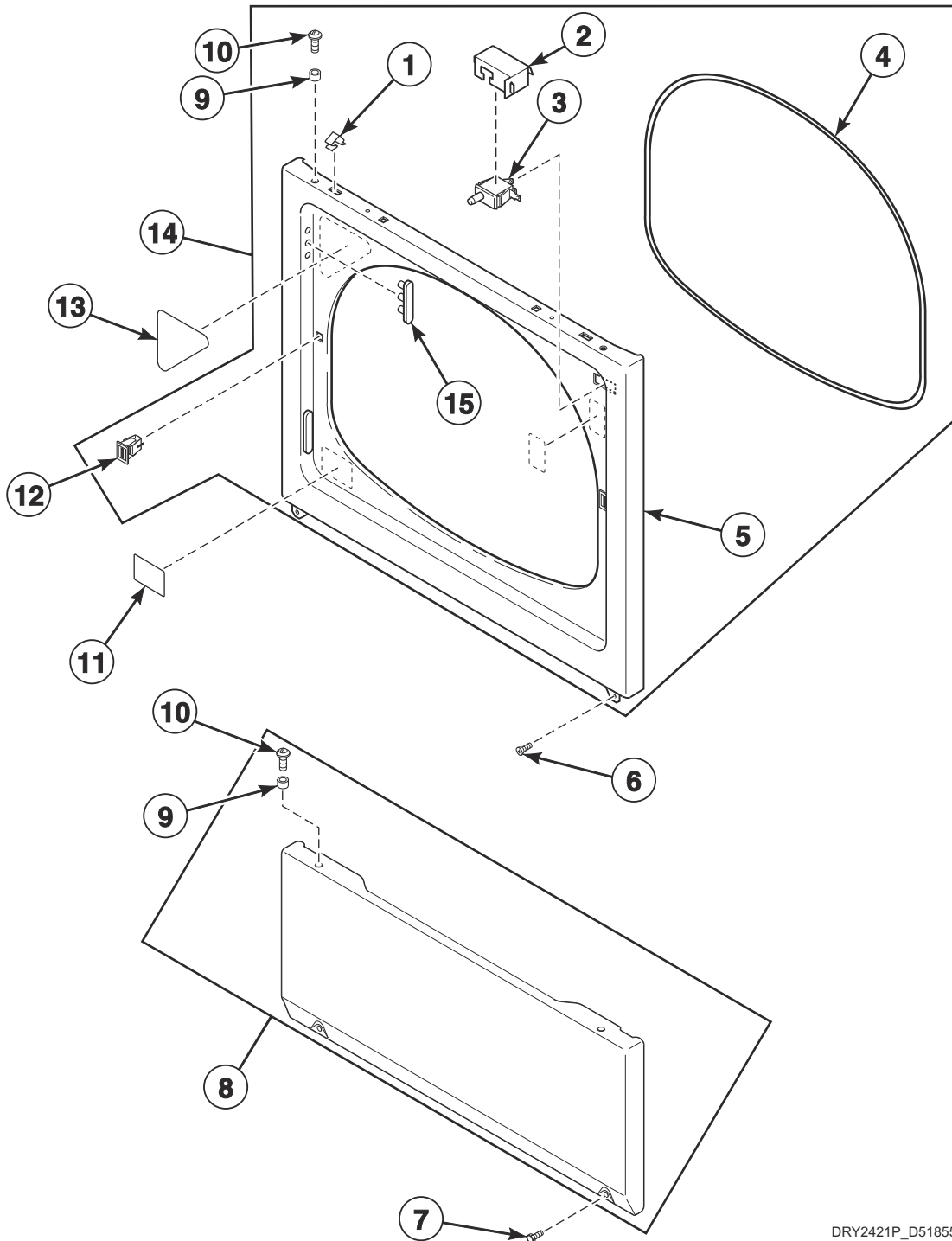


DRY2544P

Loading Door without Window

REF	PART NO.	DESCRIPTION	COMMENTS
1	D510181	Door Strike	
2	D503870W	Door Liner Grill	White
	D503870LG	Door Liner Grill	Gray
3	D516508	Door Liner Assembly	Includes seal
4	D505295	Screw	Use with painted panel
	D512921	Screw	Use with stainless steel panel
5	D511036	Hinge	
6	D512947	Door Pull	Light gray
	D511213P	Door Pull and Wedge Kit	Black; Includes item 8
7	D510013DG	Dryer Door	Dark gray
	D515963	Dryer Door	Stainless steel
	D515960W	Dryer Door	White; Models HSENXAGS283CW01, HSENXAGS286CW01, HSENXFGS286CW01, HSENYAGS286CW01, HSENYFGS286CW01, HSGNXAGS093CW01, HSGNXAGS096CW01, HSGNXFGS096CW01, HSGNYAGS093CW01, HSGNYAGS096CW01, HSGNYFGS096CW01, JSEJGAGS303EW01, JSEJRAGS303EW01, JSGJGAGS303EW01, JSGJRAGS303EW01, NSENXAGS453ZW01, SSENXAGS433AW01, SSENXAGS543DW01, SSGNXAGS303AW01, SSLNXAGS543NW23 and SSMNXAGS083JW01
D515960DG	Dryer Door	Gray; Models SS3NGAGS403UG01, SS3NLAGS403UG01, SSGNGAGS303UG01 and SSGNLAGS303UG01	
8	D510129W	Door Handle Wedge	
9	D516510W	Door Assembly	White; Models HSENXAGS283CW01, HSENXAGS286CW01, HSENXFGS286CW01, HSENYAGS286CW01, HSENYFGS286CW01, HSGNXAGS093CW01, HSGNXAGS096CW01, HSGNXFGS096CW01, HSGNYAGS093CW01, HSGNYAGS096CW01, HSGNYFGS096CW01, JSEJGAGS303EW01, JSEJRAGS303EW01, JSGJRAGS303EW01, NSENXAGS453ZW01, SSENXAGS433AW01, SSENXAGS543DW01, SSGNXAGS303AW01, SSLNXAGS543NW23 and SSMNXAGS083JW01

Access Panel, Front Panel and Seal

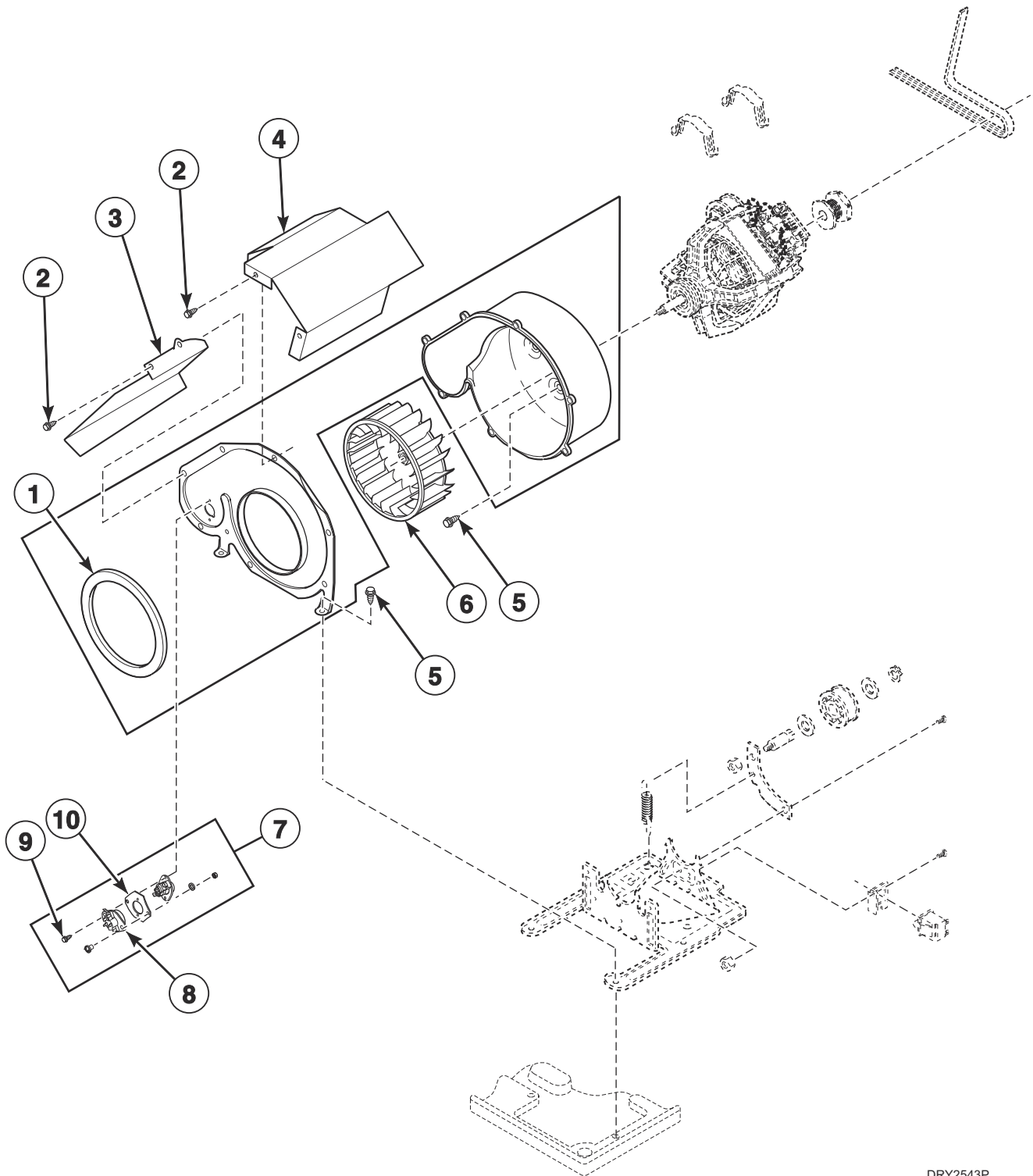


DRY2421P_D518555

Access Panel, Front Panel and Seal

REF	PART NO.	DESCRIPTION	COMMENTS
	D518413	Instruction Label	Models JSEJRAGS303EW01, JSEJRAGW303EW01, JSGJRAGS303EW01 and JSGJRAGW303EW01
1	28835	Speed Clip	
2	D514327	Drip Shield	Models HSENXAGW543DW01, HSGNXAGW123DW01, HSGNXAGW543DW01, JSEJGAGS303EW01, JSEJGAGW303EW01, JSEJRAGS303EW01, JSEJRAGW303EW01, JSEJXAGW303EW01, JSGJGAGS303EW01, JSGJGAGW303EW01, JSGJRAGS303EW01, JSGJRAGW303EW01, JSGJXAGW303EW01, NSENXAGS453ZW01, NSENXAGW453ZW01, NSGNXAGW303ZW38, PS3JGAGS403UG01, PSGJGAGS303UG01, PSGJXAGS304AG01, SS3NGAGS403UG01, SS3NLAGS403UG01, SSENXAGS433AW01, SSENXAGS543DW01, SSENXAGW433AW01, SSENXAGW433LW01, SSENXAGW543DW01, SSGNGAGS303UG01, SSGNLAGS303UG01, SSGNXAGS303AW01, SSGNXAGW303AW01, SSGNXAGW543DW01, SSLNXAGW303LW01, SSLNXAGW543PW01, SSMNXAGS083JW01 and SSMNXAGW083JW01
3	D512973	Switch	
4	D511056	Front Panel Seal	
5	D510066DG	Front Panel	Models PS3JGAGS403UG01, PSGJGAGS303UG01, PSGJXAGS304AG01, SS3NGAGS403UG01, SS3NLAGS403UG01, SSGNGAGS303UG01 and SSGNLAGS303UG01
	D512542	Front Panel	Model SSLWXAGS303NN22
	D510066WP	Front Panel	All other models
6	D503688	Screw	
7	33562	Screw	Slotted hex head
	62853	Screw	Torx head; Optional for added security
8	D514250DG	Access Panel Assembly	Gray; Models PS3JGAGS403UG01, PSGJGAGS303UG01 and PSGJXAGS304AG01
	D514251	Access Panel Assembly	Stainless steel; Model SSLWXAGS303NN22
	D518721W	Access Panel Assembly	White; Models HSENXFGS286CW01, HSENYFGS286CW01, HSGNXFGS096CW01 and HSGNYFGS096CW01
	D518721DG	Access Panel Assembly	Gray; Models SS3NGAGS403UG01, SS3NLAGS403UG01, SSGNGAGS303UG01 and SSGNLAGS303UG01
	D514250WP	Access Panel Assembly	White; All other models
9	56079	Panel Locator	
10	39733	Screw	
11	D502781	Lint Filter Label	Icon
	D502804	Lint Filter Label	English
12	D510177	Door Catch Assembly	
13	D514226	Warning Label	Brazilian Portuguese
	D516512	Warning/Caution Label	English
	D514867	Warning Label	Thai
14	D513781WP	Front Panel Assembly	Includes items 1-4, 9, 10, 12, 15 and D511636WP Door Assembly, (2) of D511036 Door Hinge and (8) of D500226 Screw
15	D510186	Hinge Hole Plug	

Motor, Exhaust Fan and Belt (Drawing 1 of 3)

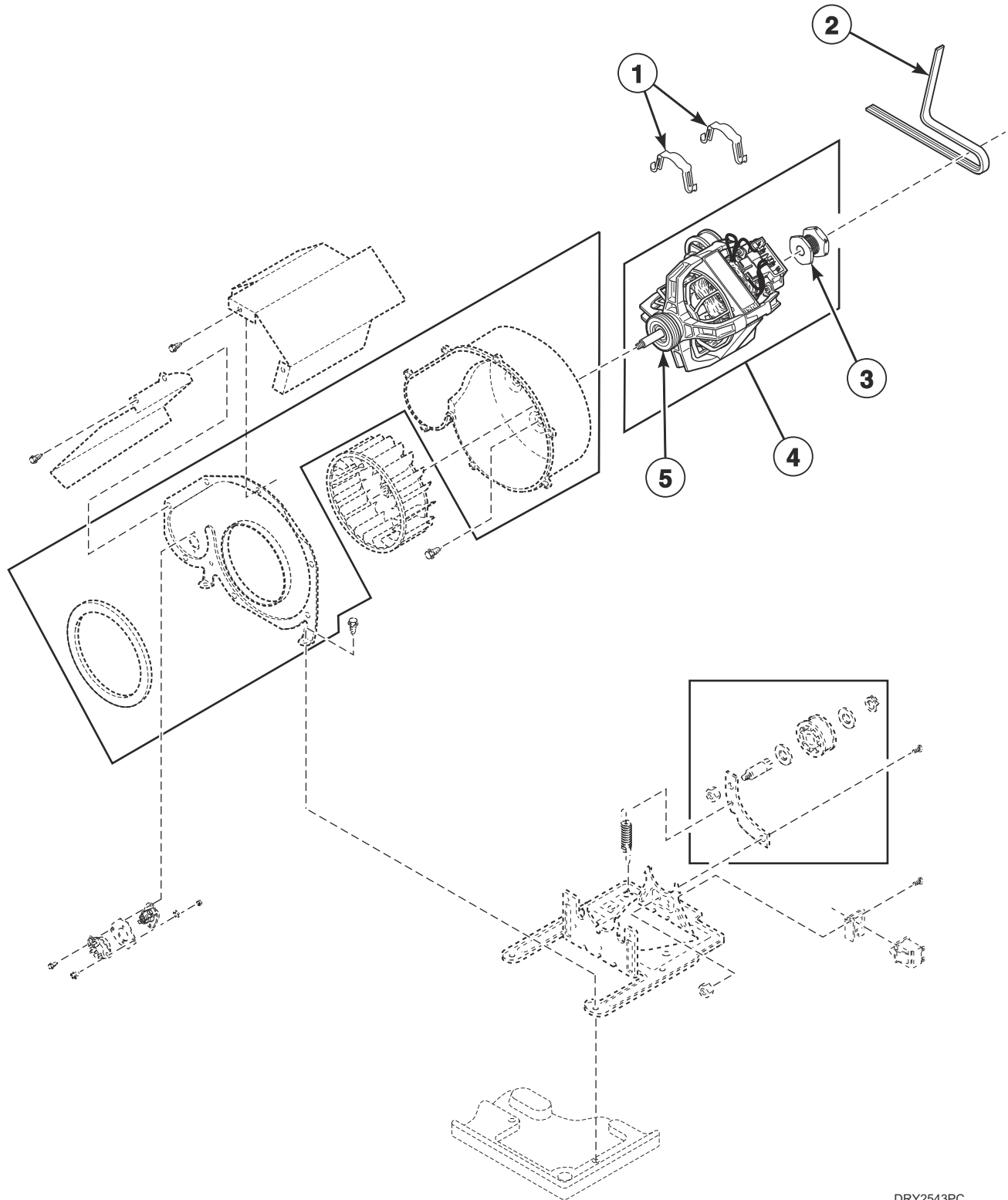


DRY2543P

Motor, Exhaust Fan and Belt (Drawing 1 of 3)

REF	PART NO.	DESCRIPTION	COMMENTS
	27604P	Anti-Seize Compound	Apply to motor shaft when installing blower fan assembly
1	D510238P	Blower Housing Seal	
2	31260	Screw	
3	D514325	Thermostat Shield	Upper unit only; All models except HSENXAGS283CW01, HSENXAGS286CW01, HSENXAGW283CW01, HSENXAGW286CW01, HSENXFGS286CW01, HSENYAGS286CW01, HSENYAGW283CW01, HSENYAGW286CW01, HSENYFGS286CW01, HSGNXAGS093CW01, HSGNXAGW093CW01, HSGNXAGW096CW01, HSGNXAGW093CW01, HSGNYAGS093CW01, HSGNYAGS096CW01, HSGNYAGW093CW01, HSGNYAGW096CW01, HSGNYFGS096CW01, SSLNXAGS543NW23, SSLNXAGW543NW23, SSLWXAGS303NN22, SSMNXAGS083JW01 and SSMNXAGW083JW01
4	D514602	Motor Shield	All models except HSENXAGS283CW01, HSENXAGS286CW01, HSENXAGW283CW01, HSENXAGW286CW01, HSENXFGS286CW01, HSENYAGS286CW01, HSENYAGW283CW01, HSENYAGW286CW01, HSENYFGS286CW01, HSGNXAGS093CW01, HSGNXAGS096CW01, HSGNXAGW093CW01, HSGNXAGW096CW01, HSGNXFGS096CW01, HSGNYAGS093CW01, HSGNYAGS096CW01, HSGNYAGW093CW01, HSGNYAGW096CW01, HSGNYFGS096CW01, SSLNXAGS543NW23, SSLNXAGW543NW23 and SSLWXAGS303NN22
5	D503688	Screw	
6	D510139P	Blower Fan Assembly	Apply anti-seize compound to motor shaft when installing blower fan assembly
7	D502366	Thermistor Assembly	Models JSEJGAGS303EW01, JSEJGAGW303EW01, JSEJRAGS303EW01, JSEJRAGW303EW01, JSEJXAGW303EW01, JSGJGAGS303EW01, JSGJGAGW303EW01, JSGJRAGS303EW01, JSGJRAGW303EW01, JSGJXAGW303EW01, NSENXAGS453ZW01, NSENXAGW453ZW01, NSGNXAGW303ZW38, PS3JGAGS403UG01, PSGJGAGS303UG01, PSGJXAGS304AG01, SS3NGAGS403UG01, SS3NLAGS403UG01, SSENXAGS433AW01, SSENXAGW433AW01, SSENXAGW433LW01, SSGNGAGS303UG01, SSGNLAGS303UG01, SSGNXAGS303AW01, SSGNXAGW303AW01, SSLNXAGW303LW01 and SSLWXAGS303NN22
	D510523	Thermistor Assembly	Black; All other models
8	M414704	Thermistor	Models JSEJGAGS303EW01, JSEJGAGW303EW01, JSEJRAGS303EW01, JSEJRAGW303EW01, JSEJXAGW303EW01, JSGJGAGS303EW01, JSGJGAGW303EW01, JSGJRAGS303EW01, JSGJRAGW303EW01, JSGJXAGW303EW01, NSENXAGS453ZW01, NSENXAGW453ZW01, NSGNXAGW303ZW38, PS3JGAGS403UG01, PSGJGAGS303UG01, PSGJXAGS304AG01, SS3NGAGS403UG01, SS3NLAGS403UG01, SSENXAGS433AW01, SSENXAGW433AW01, SSENXAGW433LW01, SSGNGAGS303UG01, SSGNLAGS303UG01, SSGNXAGS303AW01, SSGNXAGW303AW01, SSLNXAGW303LW01 and SSLWXAGS303NN22
9	D502535	Screw	
10	D502194	Thermostat Cover	Models JSEJGAGS303EW01, JSEJGAGW303EW01, JSEJRAGS303EW01, JSEJRAGW303EW01, JSEJXAGW303EW01, JSGJGAGS303EW01, JSGJGAGW303EW01, JSGJRAGS303EW01, JSGJRAGW303EW01, JSGJXAGW303EW01, NSENXAGS453ZW01, NSENXAGW453ZW01, NSGNXAGW303ZW38, PS3JGAGS403UG01, PSGJGAGS303UG01, PSGJXAGS304AG01, SS3NGAGS403UG01, SS3NLAGS403UG01, SSENXAGS433AW01, SSENXAGW433AW01, SSENXAGW433LW01, SSGNGAGS303UG01, SSGNLAGS303UG01, SSGNXAGS303AW01, SSGNXAGW303AW01, SSLNXAGW303LW01 and SSLWXAGS303NN22

Motor, Exhaust Fan and Belt (Drawing 2 of 3)

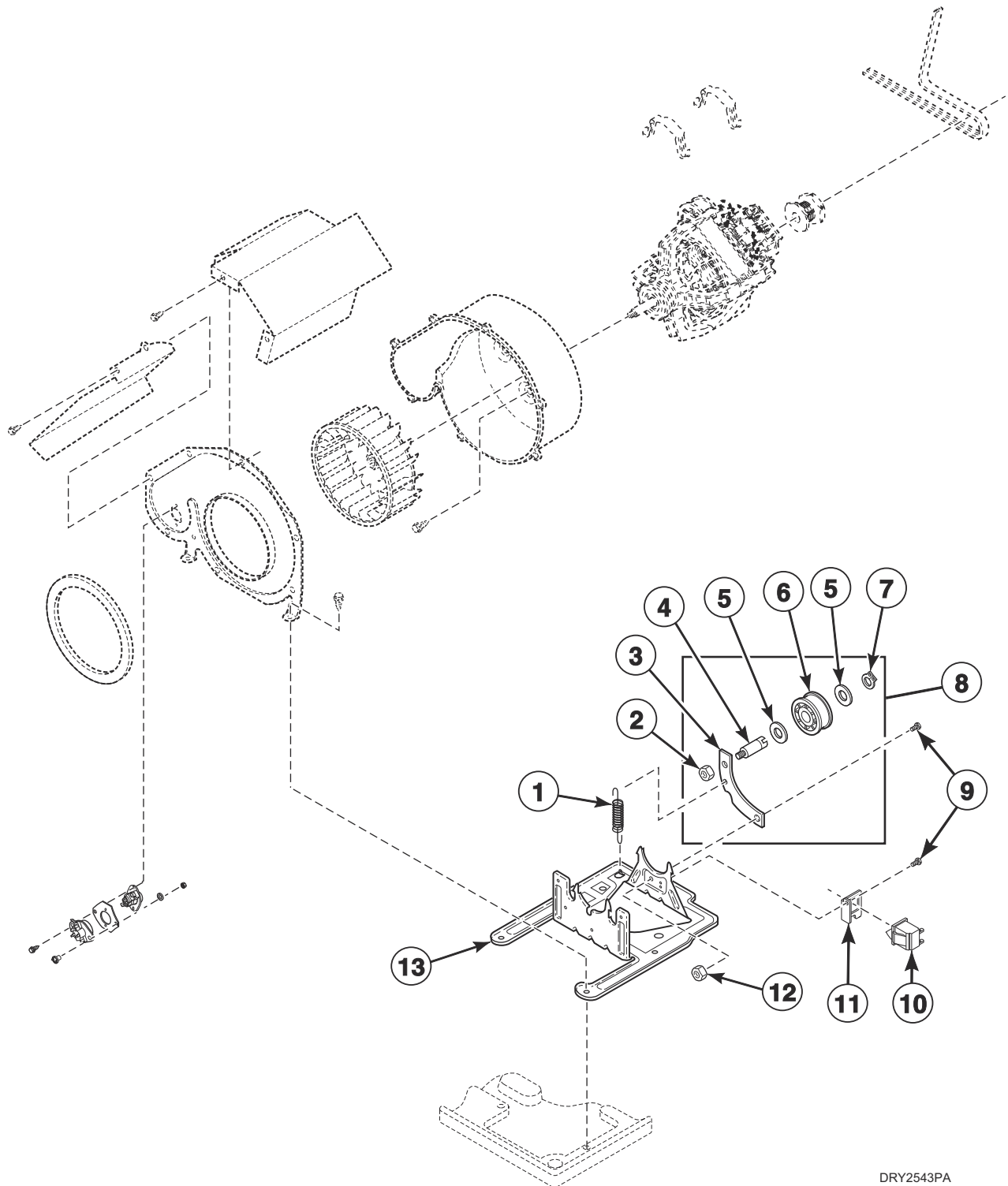


DRY2543PC

Motor, Exhaust Fan and Belt (Drawing 2 of 3)

REF	PART NO.	DESCRIPTION	COMMENTS
1	D510180	Motor Mount Clamp	
2	D511255P	Cylinder Belt	
3	D500222	Motor Pulley	50 Hertz; Models JSEJGAGS303EW01, JSEJGAGW303EW01, JSEJRAGS303EW01, JSEJRAGW303EW01, JSEJXAGW303EW01, JSGJGAGS303EW01, JSGJGAGW303EW01, JSGJRAGS303EW01, JSGJRAGW303EW01, JSGJXAGW303EW01, NSENXAGS453ZW01, NSENXAGW453ZW01, NSGNXAGW303ZW38, PS3JGAGS403UG01, PSGJGAGS303UG01, PSGJXAGS304AG01, SSENXAGS433AW01, SSENXAGW433AW01, SSENXAGW433LW01, SSGNXAGS303AW01, SSGNXAGW303AW01, SSLNXAGW303LW01 and SSLWXAGS303NN22
	D500011	Motor Pulley	60 Hertz; All other models
4	D505843P	Motor and Pulley Assembly	240 Volt/50 Hertz; Apply anti-seize compound to motor shaft when installing blower fan assembly; Includes items 7 and 9; Models JSEJGAGS303EW01, JSEJGAGW303EW01, JSEJRAGS303EW01, JSEJRAGW303EW01, JSEJXAGW303EW01, JSGJGAGS303EW01, JSGJGAGW303EW01, JSGJRAGS303EW01, JSGJRAGW303EW01, JSGJXAGW303EW01, NSENXAGS453ZW01, NSENXAGW453ZW01, NSGNXAGW303ZW38, PS3JGAGS403UG01, PSGJGAGS303UG01, PSGJXAGS304AG01, SS3NGAGS403UG01, SS3NLAGS403UG01, SSENXAGS433AW01, SSENXAGS543DW01, SSENXAGW433AW01, SSENXAGW433LW01, SSGNGAGS303UG01, SSGNLAGS303UG01, SSGNXAGS303AW01, SSGNXAGW303AW01, SSLNXAGW303LW01 and SSLWXAGS303NN22
	D505869P	Motor and Pulley Assembly	240 Volt/60 Hertz; Includes items 7 and 9; Apply anti-seize compound to motor shaft when installing blower fan assembly; Models HSENXAGW543DW01, HSGNXAGW543DW01, SSENXAGW543DW01, SSGNXAGW543DW01, SSLNXAGS543NW23, SSLNXAGW543NW23 and SSLNXAGW543PW01
	D511629P	Motor and Pulley Assembly	120 Volt/60 Hertz; Apply anti-seize compound to motor shaft when installing blower fan assembly; Includes items 7 and 9
5	590P3	Motor Hub Ring Kit	

Motor, Exhaust Fan and Belt (Drawing 3 of 3)

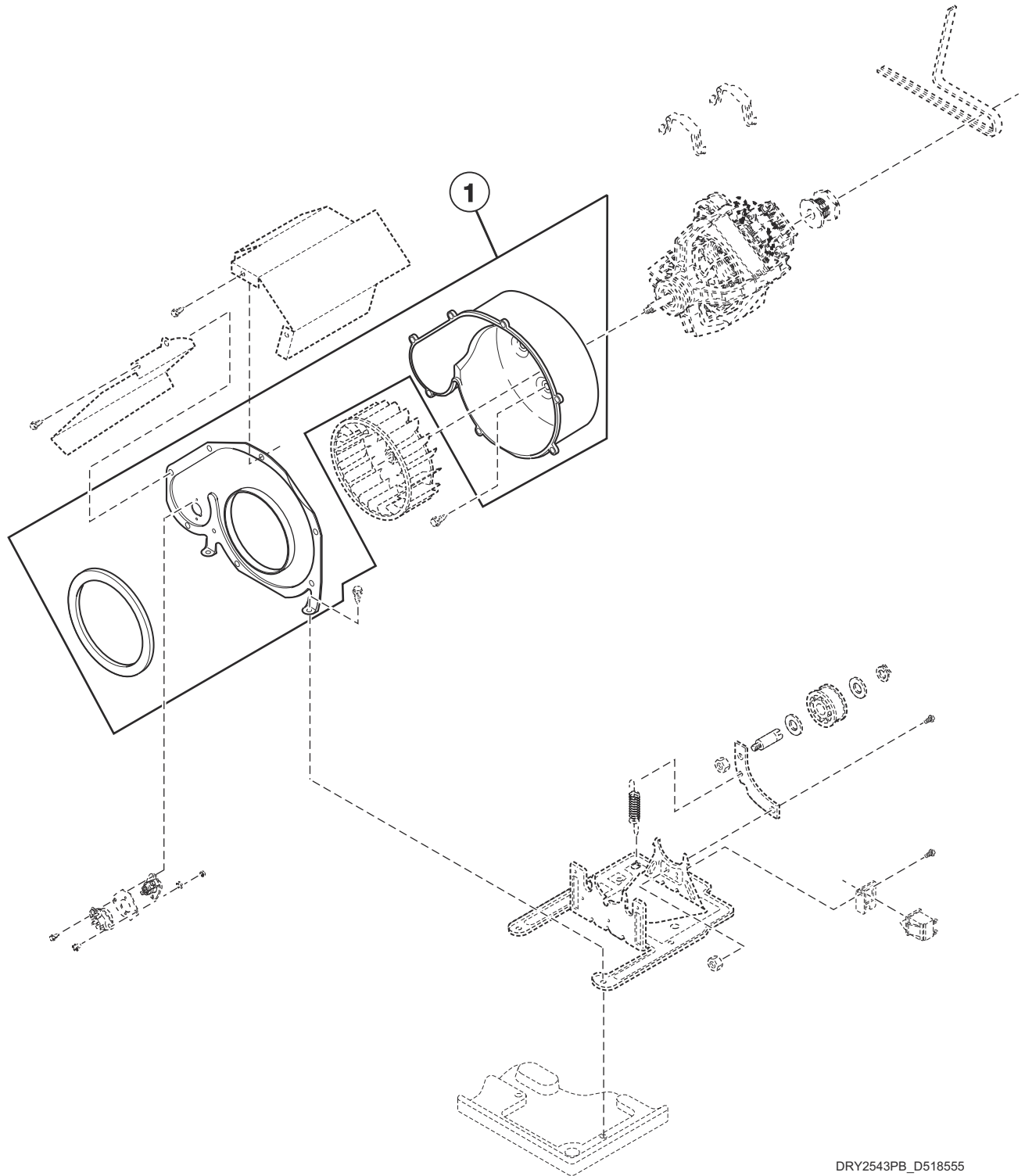


DRY2543PA

Motor, Exhaust Fan and Belt (Drawing 3 of 3)

REF	PART NO.	DESCRIPTION	COMMENTS
	29443	Washer	Models JSEJGAGS303EW01, JSEJGAGW303EW01, JSEJRAGS303EW01, JSEJRAGW303EW01, JSEJXAGW303EW01, JSGJGAGS303EW01, JSGJGAGW303EW01, JSGJRAGS303EW01, JSGJRAGW303EW01, JSGJXAGW303EW01, NSENXAGS453ZW01, NSENXAGW453ZW01, NSGNXAGW303ZW38, PS3JGAGS403UG01, PSGJGAGS303UG01, PSGJXAGS304AG01, SS3NGAGS403UG01, SS3NLAGS403UG01, SSENXAGS433AW01, SSENXAGW433AW01, SSENXAGW433LW01, SSGNGAGS303UG01, SSGNLAGS303UG01, SSGNXAGS303AW01, SSGNXAGW303AW01, SSLNXAGW303LW01 and SSLWXAGS303NN22
	44087301	Nut	Models JSEJGAGS303EW01, JSEJGAGW303EW01, JSEJRAGS303EW01, JSEJRAGW303EW01, JSEJXAGW303EW01, JSGJGAGS303EW01, JSGJGAGW303EW01, JSGJRAGS303EW01, JSGJRAGW303EW01, JSGJXAGW303EW01, NSENXAGS453ZW01, NSENXAGW453ZW01, NSGNXAGW303ZW38, PS3JGAGS403UG01, PSGJGAGS303UG01, PSGJXAGS304AG01, SS3NGAGS403UG01, SS3NLAGS403UG01, SSENXAGS433AW01, SSENXAGW433AW01, SSENXAGW433LW01, SSGNGAGS303UG01, SSGNLAGS303UG01, SSGNXAGS303AW01, SSGNXAGW303AW01, SSLNXAGW303LW01 and SSLWXAGS303NN22
1	D510185	Idler Spring	
2	56156	Nut	
3	D516310	Idler Lever	
4	56461P	Shaft	
5	52549	Washer	
6	D510142P	Idler Wheel and Bearing Assembly	
7	23748	Retaining Ring	
8	D516792	Idler Lever and Wheel Assembly	Includes items 2-7
9	D500824	Screw	
10	D516391	Switch	
11	D516311	Motor Switch Bracket	
12	52566	Nut	
13	D518517	Motor Mount	

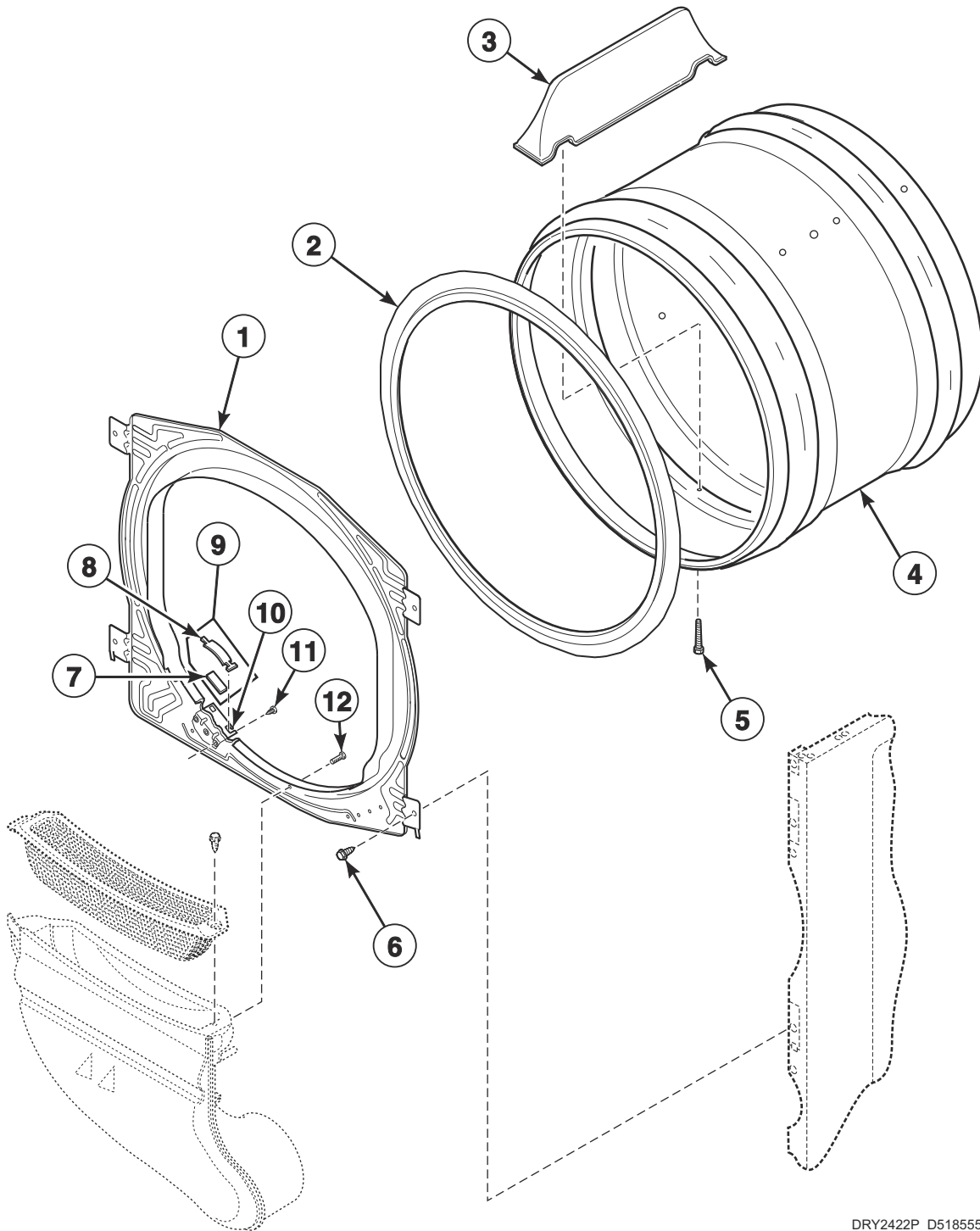
Blower Housing



Blower Housing

REF	PART NO.	DESCRIPTION	COMMENTS
1	D511969WP	Blower Housing	

Front Bulkhead, Felt Seal and Cylinder

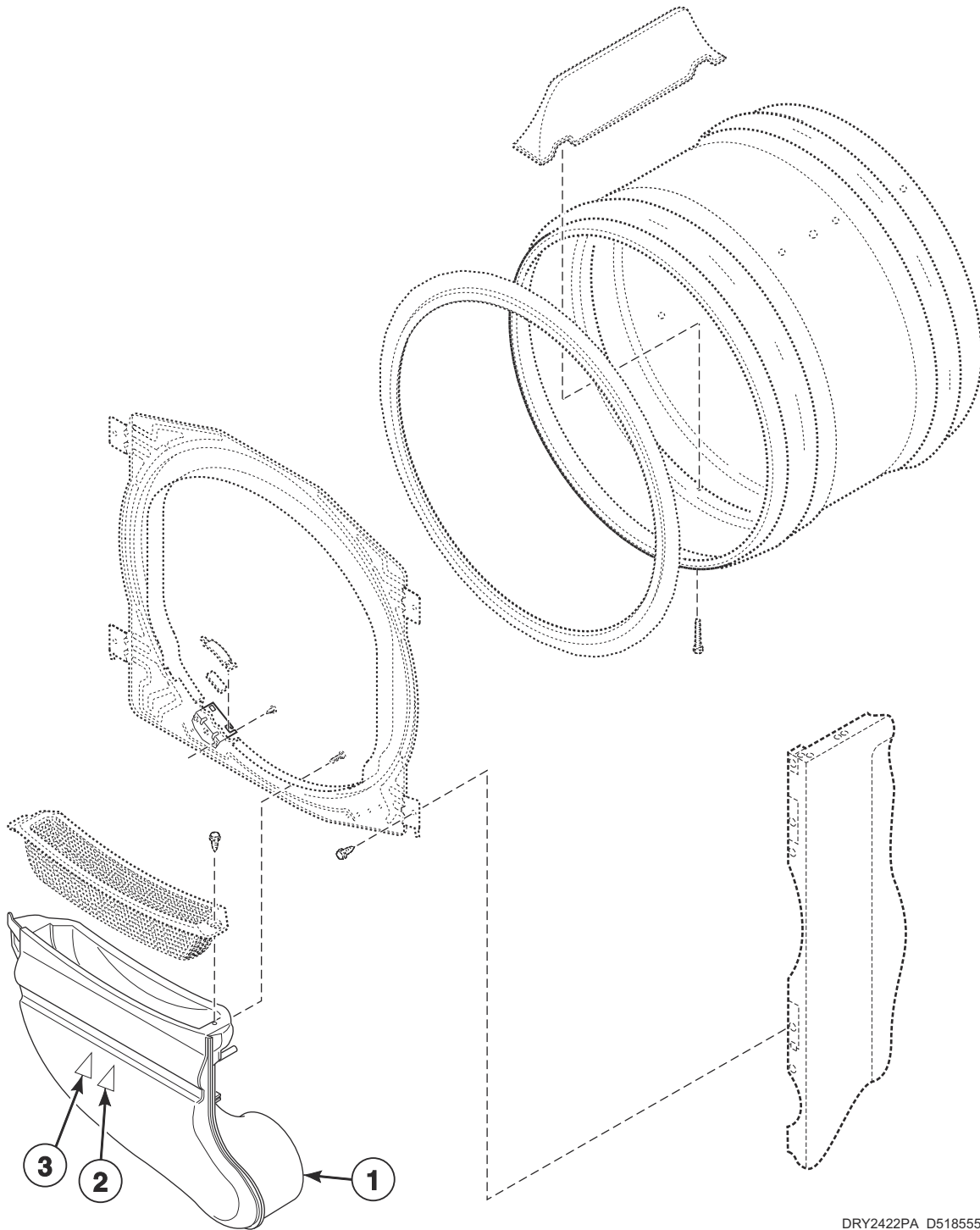


DRY2422P_D518555

Front Bulkhead, Felt Seal and Cylinder

REF	PART NO.	DESCRIPTION	COMMENTS
1	D510266P	Front Bulkhead Assembly	Unpainted; Includes items 2 and 7-11
2	D510207P	Cylinder Seal Assembly	
	D511637P	Adhesive	Apply to cylinder seal
	RB170001	Seal Kit	Includes 2 cylinder seals, D510238P Blower Housing Seal and adhesive
3	D510102LG	Cylinder Baffle	Gray
	D510102W	Cylinder Baffle	White
4	D510265LGP	Cylinder Assembly	Galvanized; Includes item 3; Gray baffles
	D510265WP	Cylinder Assembly	Galvanized; Includes item 3; White baffles
5	62588	Screw	
6	D503688	Screw	
7	D510189	Felt Pad	2 required
8	D513710	Cylinder Glide	2 required
9	RB170003	Glide Kit	Includes two of items 7 and 8
10	D510145	Cylinder Glide Bracket	
11	52864	Screw	
12	D505295	Screw	

Air Duct

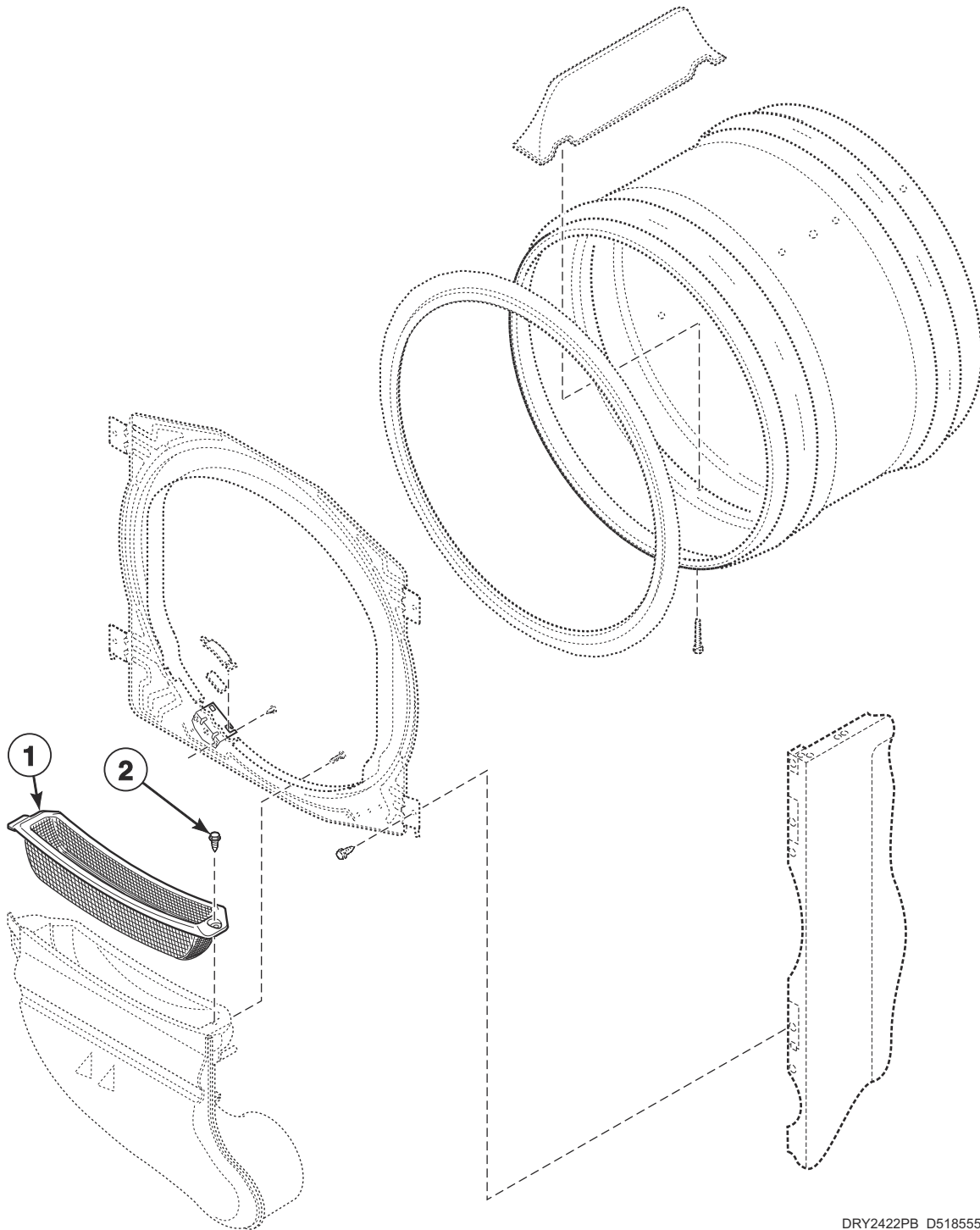


DRY2422PA_D518555

Air Duct

REF	PART NO.	DESCRIPTION	COMMENTS
1	D518432	Air Duct Assembly	Models HSENXAGS283CW01, HSENXAGS286CW01, HSENXAGW283CW01, HSENXAGW286CW01, HSENYAGS286CW01, HSENYAGW283CW01, HSENYAGW286CW01, HSGNXAGS093CW01, HSGNXAGS096CW01, HSGNXAGW093CW01, HSGNXAGW096CW01, HSGNYAGS093CW01, HSGNYAGS096CW01, HSGNYAGW093CW01, HSGNYAGW096CW01, SSMNXAGS083JW01 and SSMNXAGW083JW01
	D518431	Air Duct Assembly	Models HSENXAGW543DW01, HSGNXAGW123DW01, HSGNXAGW543DW01, JSEJGAGS303EW01, JSEJGAGW303EW01, JSEJRAGS303EW01, JSEJRAGW303EW01, JSEJXAGW303EW01, JSGJGAGS303EW01, JSGJGAGW303EW01, JSGJRAGS303EW01, JSGJRAGW303EW01, JSGJXAGW303EW01, NSENXAGS453ZW01, NSENXAGW453ZW01, NSGNXAGW303ZW38, PS3JGAGS403UG01, PSGJGAGS303UG01, PSGJXAGS304AG01, SS3NGAGS403UG01, SS3NLAGS403UG01, SSENXAGS433AW01, SSENXAGS543DW01, SSENXAGW433AW01, SSENXAGW433LW01, SSENXAGW543DW01, SSGNGAGS303UG01, SSGNLAGS303UG01, SSGNXAGS303AW01, SSGNXAGW303AW01, SSGNXAGW543DW01, SSLNXAGS543NW23, SSLNXAGW303LW01, SSLNXAGW543NW23 and SSLNXAGW543PW01
	D518433	Air Duct Assembly	Models HSENXFGS286CW01, HSENYFGS286CW01, HSGNXFGS096CW01, HSGNYFGS096CW01 and SSLWXAGS303NN22
2	F8211201	Electrical Shock Label	Icon
3	F8615701	Pinch Warning Label	Icon
	44324001	Warning Label	English/French

Lint Filter

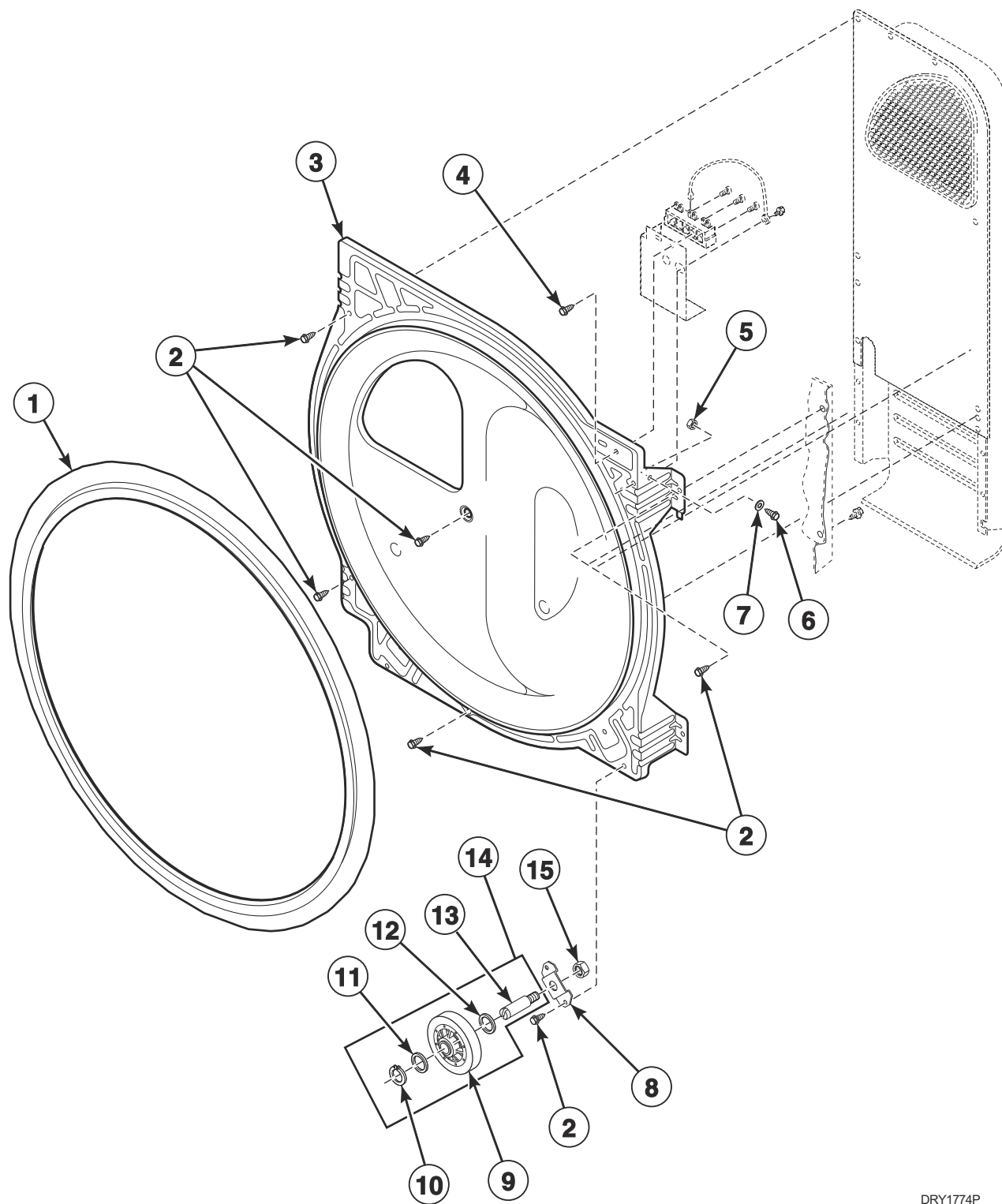


DRY2422PB_D518555

Lint Filter

REF	PART NO.	DESCRIPTION	COMMENTS
1	D503980LG	Lint Filter	Models HSENXAGS283CW01, HSENXAGS286CW01, HSENXAGW283CW01, HSENXAGW286CW01, HSENXFGS286CW01, HSENYAGS286CW01, HSENYAGW283CW01, HSENYAGW286CW01, HSENYFGS286CW01, HSGNXAGS093CW01, HSGNXAGS096CW01, HSGNXAGW093CW01, HSGNXAGW096CW01, HSGNXFGS096CW01, HSGNYAGS093CW01, HSGNYAGS096CW01, HSGNYAGW093CW01, HSGNYAGW096CW01 and HSGNYFGS096CW01
	D503980W	Lint Filter	All other models
2	D501285	Screw	

Rear Bulkhead, Felt Seal, Cylinder Roller and Terminal Block (Drawing 1 of 2)

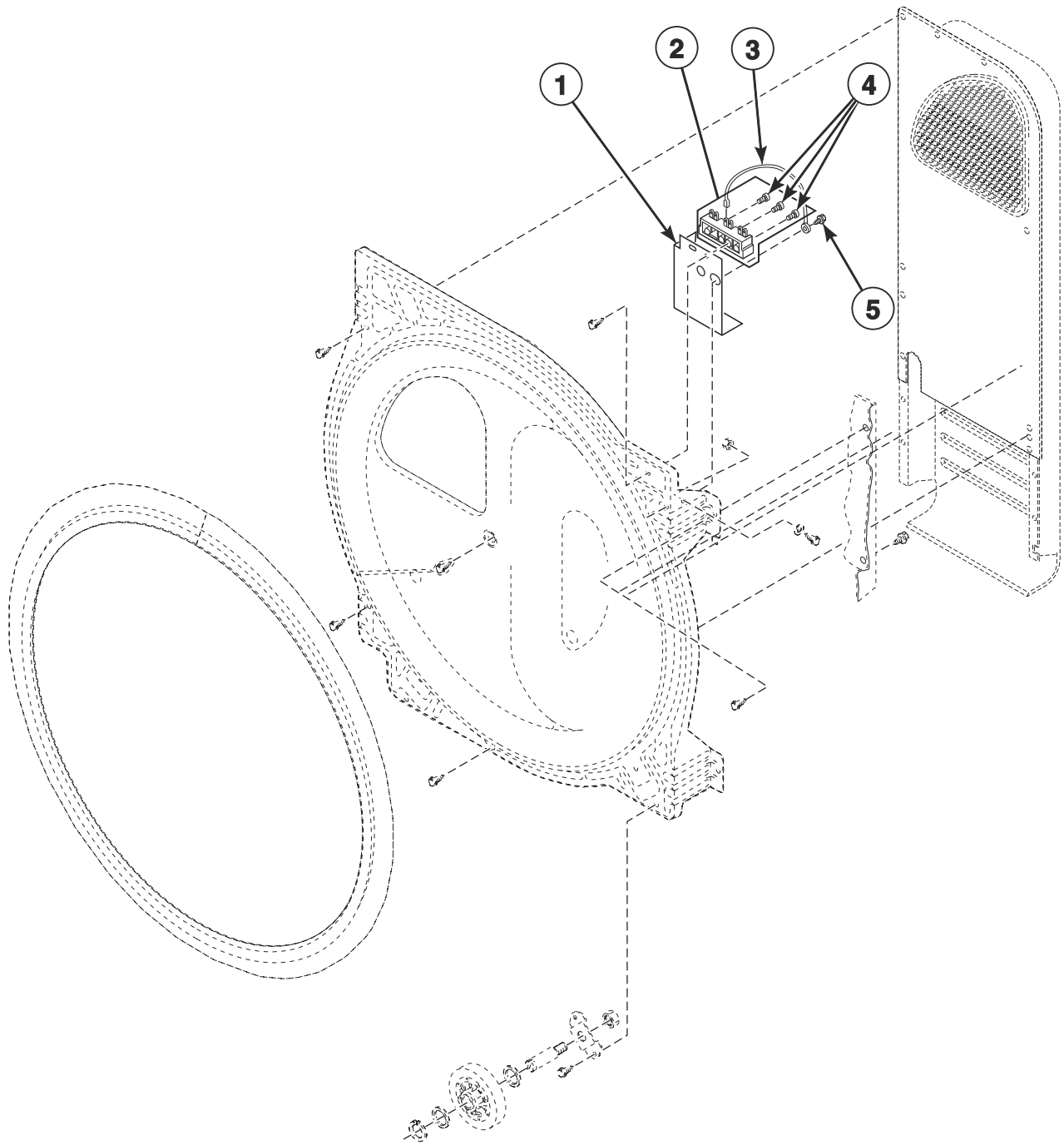


DRY1774P

Rear Bulkhead, Felt Seal, Cylinder Roller and Terminal Block (Drawing 1 of 2)

REF	PART NO.	DESCRIPTION	COMMENTS
	D505875	Terminal Block Support Bracket	Models PS3JGAGS403UG01, SS3NGAGS403UG01, SS3NLAGS403UG01, SSGNGAGS303UG01 and SSGNLAGS303UG01
1	D510207P	Cylinder Seal Assembly	
	D511637P	Adhesive	Apply to cylinder seal
	RB170001	Seal Kit	Includes 2 cylinder seals, D510238P Blower Housing Seal and adhesive
2	D503688	Screw	
3	D511082P	Rear Bulkhead Assembly	Galvanized; Includes item 1
4	D501285	Screw	Models HSENXAGS283CW01, HSENXAGS286CW01, HSENXAGW283CW01, HSENXAGW286CW01, HSENXAGW543DW01, HSENXFGS286CW01, HSENYAGS286CW01, HSENYAGW283CW01, HSENYAGW286CW01, HSENYFGS286CW01, HSGNXAGS093CW01, HSGNXAGS096CW01, HSGNXAGW093CW01, HSGNXAGW096CW01, HSGNXFGS096CW01, HSGNYAGS093CW01, HSGNYAGS096CW01, HSGNYAGW093CW01, HSGNYAGW096CW01, HSGNYFGS096CW01, JSEJGAGS303EW01, JSEJGAGW303EW01, JSEJRAGS303EW01, JSEJRAGW303EW01, JSEJXAGW303EW01, NSENXAGS453ZW01, NSENXAGW453ZW01, SSENXAGS433AW01, SSENXAGS543DW01, SSENXAGW433AW01, SSENXAGW433LW01, SSENXAGW543DW01 and SSLWXAGS303NN22
5	28447	Nut	
6	28448	Screw	
7	28449	Washer	
8	D510100	Cylinder Roller Bracket	
9	D510708P	Cylinder Roller	
10	23748	Retaining Ring	
11	52549	Washer	
12	D504082	Washer	
13	56461P	Shaft	
14	RB170002	Roller Kit	Includes items 13-17
15	56156	Nut	

Rear Bulkhead, Felt Seal, Cylinder Roller and Terminal Block (Drawing 2 of 2)



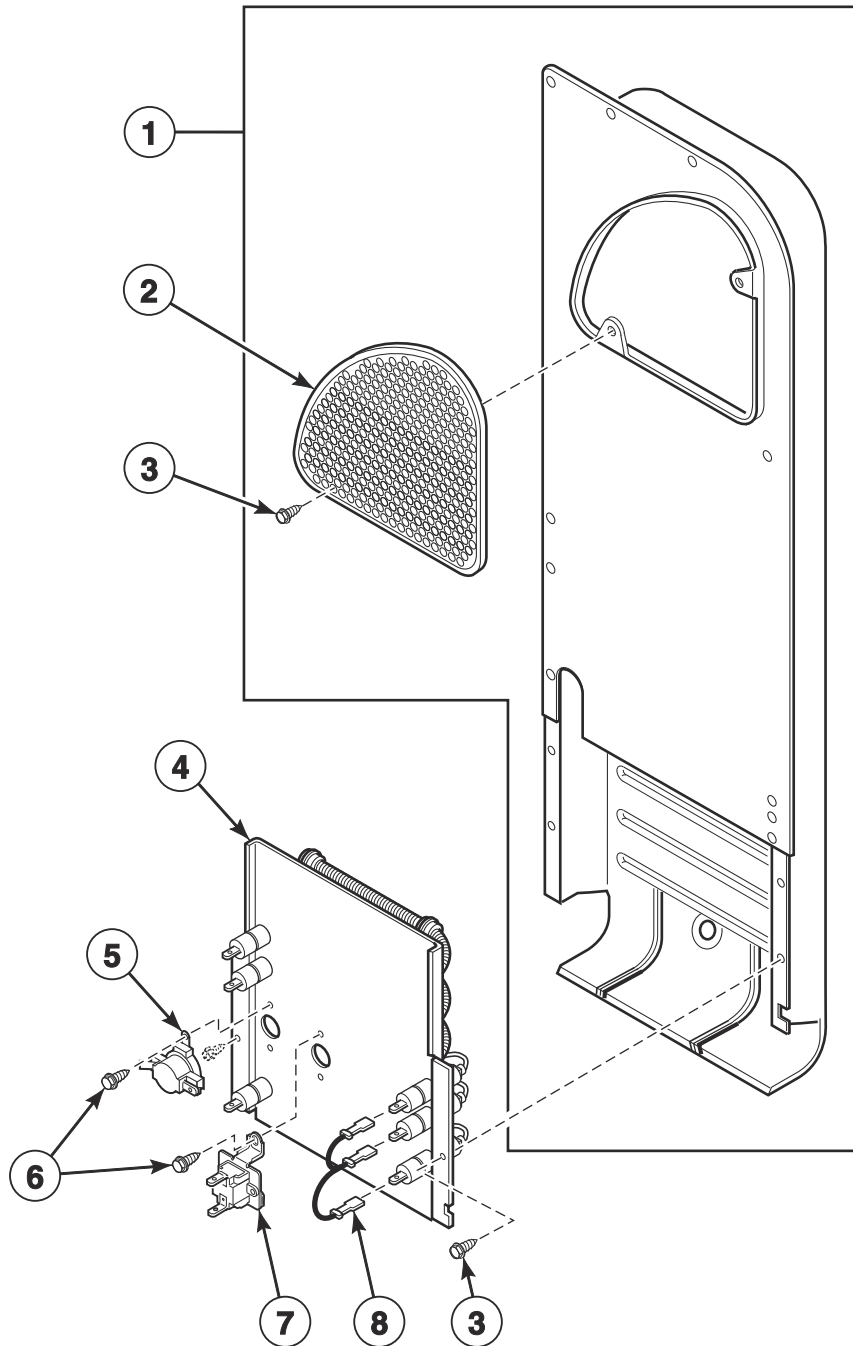
DRY1774PA

Rear Bulkhead, Felt Seal, Cylinder Roller and Terminal Block (Drawing 2 of 2)

REF	PART NO.	DESCRIPTION	COMMENTS
1	D517715	Terminal Block Shield	Models HSENXAGW543DW01, JSEJGAGS303EW01, JSEJGAGW303EW01, JSEJRAGS303EW01, JSEJRAGW303EW01, JSEJXAGW303EW01, NSENXAGS453ZW01, NSENXAGW453ZW01, SSENXAGS433AW01, SSENXAGS543DW01, SSENXAGW433AW01, SSENXAGW433LW01, SSENXAGW543DW01 and SSLWXAGS303NN22
2	D510190P	Terminal Block Assembly	Includes 3 of item 8; Models HSENXAGS283CW01, HSENXAGS286CW01, HSENXAGW283CW01, HSENXAGW286CW01, HSENXAGW543DW01, HSENXFGS286CW01, HSENYAGS286CW01, HSENYAGW283CW01, HSENYAGW286CW01, HSENYFGS286CW01, HSGNXAGS093CW01, HSGNXAGS096CW01, HSGNXAGW093CW01, HSGNXAGW096CW01, HSGNXFGS096CW01, HSGNYAGS093CW01, HSGNYAGS096CW01, HSGNYAGW093CW01, HSGNYAGW096CW01, HSGNYFGS096CW01, JSEJGAGS303EW01, JSEJGAGW303EW01, JSEJRAGS303EW01, JSEJRAGW303EW01, JSEJXAGW303EW01, NSENXAGS453ZW01, NSENXAGW453ZW01, SSENXAGS433AW01, SSENXAGS543DW01, SSENXAGW433AW01, SSENXAGW433LW01, SSENXAGW543DW01 and SSLWXAGS303NN22
	D505876	Terminal Block Assembly	Includes 3 of item 8; Models PS3JGAGS403UG01, SS3NGAGS403UG01, SS3NLAGS403UG01, SSGNGAGS303UG01 and SSGNLAGS303UG01
3	D518257	Ground Wire Assembly	Models HSGNXAGS093CW01, HSGNXAGS096CW01, HSGNXAGW093CW01, HSGNXAGW096CW01, HSGNYAGS093CW01, HSGNYAGS096CW01, HSGNYAGW093CW01, HSGNYAGW096CW01, JSEJGAGS303EW01, JSEJGAGW303EW01, JSEJRAGS303EW01, JSEJRAGW303EW01, JSEJXAGW303EW01, NSENXAGS453ZW01, NSENXAGW453ZW01, SS3NGAGS403UG01, SS3NLAGS403UG01, SSENXAGS433AW01, SSENXAGS543DW01, SSENXAGW433AW01, SSENXAGW433LW01, SSENXAGW543DW01, SSGNGAGS303UG01, SSGNLAGS303UG01 and SSLWXAGS303NN22
4	61199	Screw	
5	D503688	Screw	

Heater Duct Assembly - 3 Phase Electric Models

Models PS3JGAGS403UG01, SS3NGAGS403UG01 and SS3NLAGS403UG01

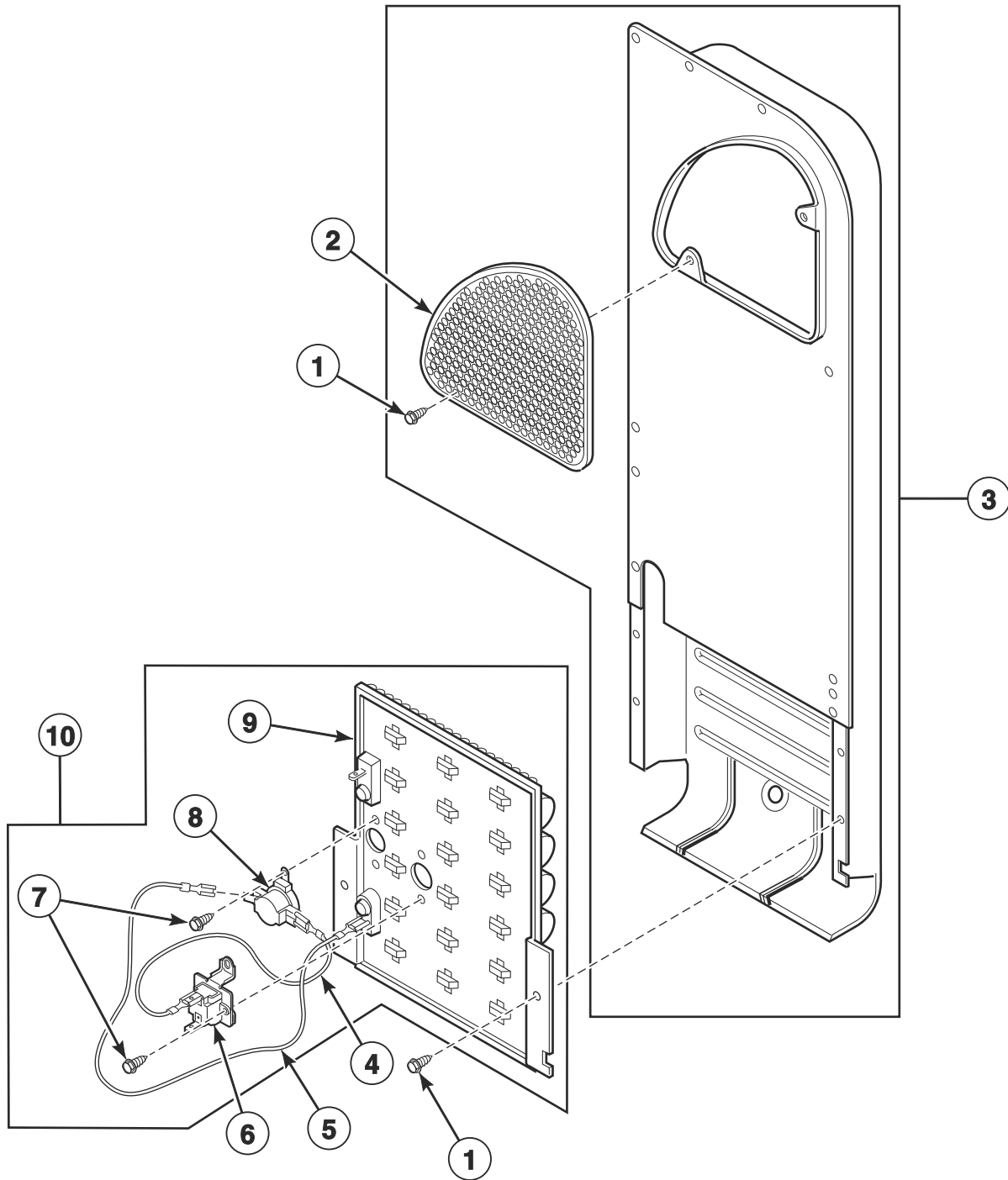


DRY2360P_D518555

Heater Duct Assembly - 3 Phase Electric Models

REF	PART NO.	DESCRIPTION	COMMENTS
	756P3	Conversion Kit	400 Volt, 4 wire WYE to 240 Volt, 3 wire Delta
1	D510025P	Heater Duct Assembly	Includes items 2 and 3
2	D500820	Outlet Cover	
	D518524	Outlet Cover	Black
3	D503688	Screw	
4	D511014P	Heater	400 Volt/3 Phase
5	D510701	Limit Thermostat	
6	23222	Screw	
7	D518649	Thermal Fuse Assembly	
8	D518529	Jumper Wire Assembly	3 Phase

Heater Duct and Element Assembly - 1 Phase Electric Models

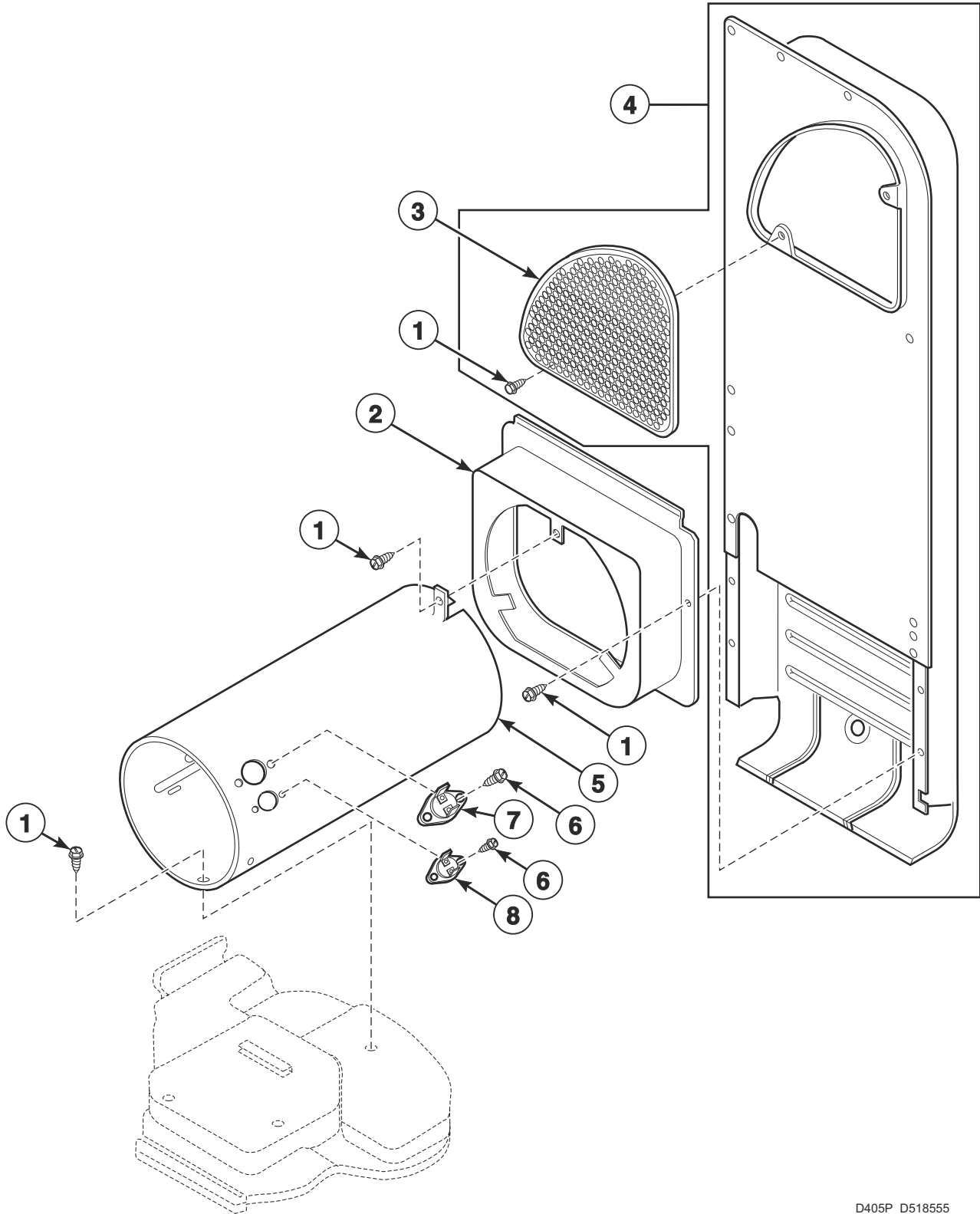


DRY1789P_D518555

Heater Duct and Element Assembly - 1 Phase Electric Models

REF	PART NO.	DESCRIPTION	COMMENTS
1	D503688	Screw	
2	D518121	Outlet Cover	Slotted
	D518524	Outlet Cover	Black
3	D510025P	Heater Duct Assembly	Includes items 1 and 2
4	D518256	Wire Assembly	Orange; Thermostat jumper; Attaches to heater assembly
5	D518255	Wire Assembly	Black; Fuse jumper; Attaches to heater assembly
6	D518649	Thermal Fuse Assembly	
7	23222	Screw	
8	D510700	Limit Thermostat	Models NSENXAGS453ZW01 and NSENXAGW453ZW01
	D510701	Limit Thermostat	All other models
9	D510324P	Heater Assembly	240 Volt/60 Hertz; 5 kW; Models HSENXAGS283CW01, HSENXAGS286CW01, HSENXAGW283CW01, HSENXAGW286CW01, HSENXFGS286CW01, HSENYAGS286CW01, HSENYAGW283CW01, HSENYAGW286CW01 and HSENYFGS286CW01
	D510327P	Heater Assembly	240 Volt/50 Hertz; 4 kW; Models SSENXAGS433AW01, SSENXAGW433AW01 and SSENXAGW433LW01
	D510329P	Heater Assembly	240 Volt/60 Hertz; 5.35 kW; Models HSENXAGW543DW01, SSENXAGS543DW01 and SSENXAGW543DW01
	D510326P	Heater Assembly	240 Volt/50 Hertz; 4.8 kW; Models JSEJGAGS303EW01, JSEJGAGW303EW01, JSEJRAGS303EW01, JSEJRAGW303EW01 and JSEJXAGW303EW01
	D510328P	Heater Assembly	240 Volt/50 or 60 Hertz; 3.1 kW; Models NSENXAGS453ZW01 and NSENXAGW453ZW01
10	61927	Heater Kit Assembly	240 Volt/60 Hertz; 5 kW; Models HSENXAGS283CW01, HSENXAGS286CW01, HSENXAGW283CW01, HSENXAGW286CW01, HSENXFGS286CW01, HSENYAGS286CW01, HSENYAGW283CW01, HSENYAGW286CW01 and HSENYFGS286CW01
	61930	Heater Kit Assembly	240 Volt/50 Hertz; 4 kW; Models SSENXAGS433AW01, SSENXAGW433AW01 and SSENXAGW433LW01
	964P3	Heater Kit	240 Volt/60 Hertz; 5.35 kW; Models HSENXAGW543DW01, SSENXAGS543DW01 and SSENXAGW543DW01
	61929	Heater Kit Assembly	240 Volt/50 Hertz; 4.8 kW; Models JSEJGAGS303EW01, JSEJGAGW303EW01, JSEJRAGS303EW01, JSEJRAGW303EW01 and JSEJXAGW303EW01
	61931	Heater Kit Assembly	240 Volt/50 or 60 Hertz; 3.1 kW; Models NSENXAGS453ZW01 and NSENXAGW453ZW01

Heater Duct Assembly - Gas Models



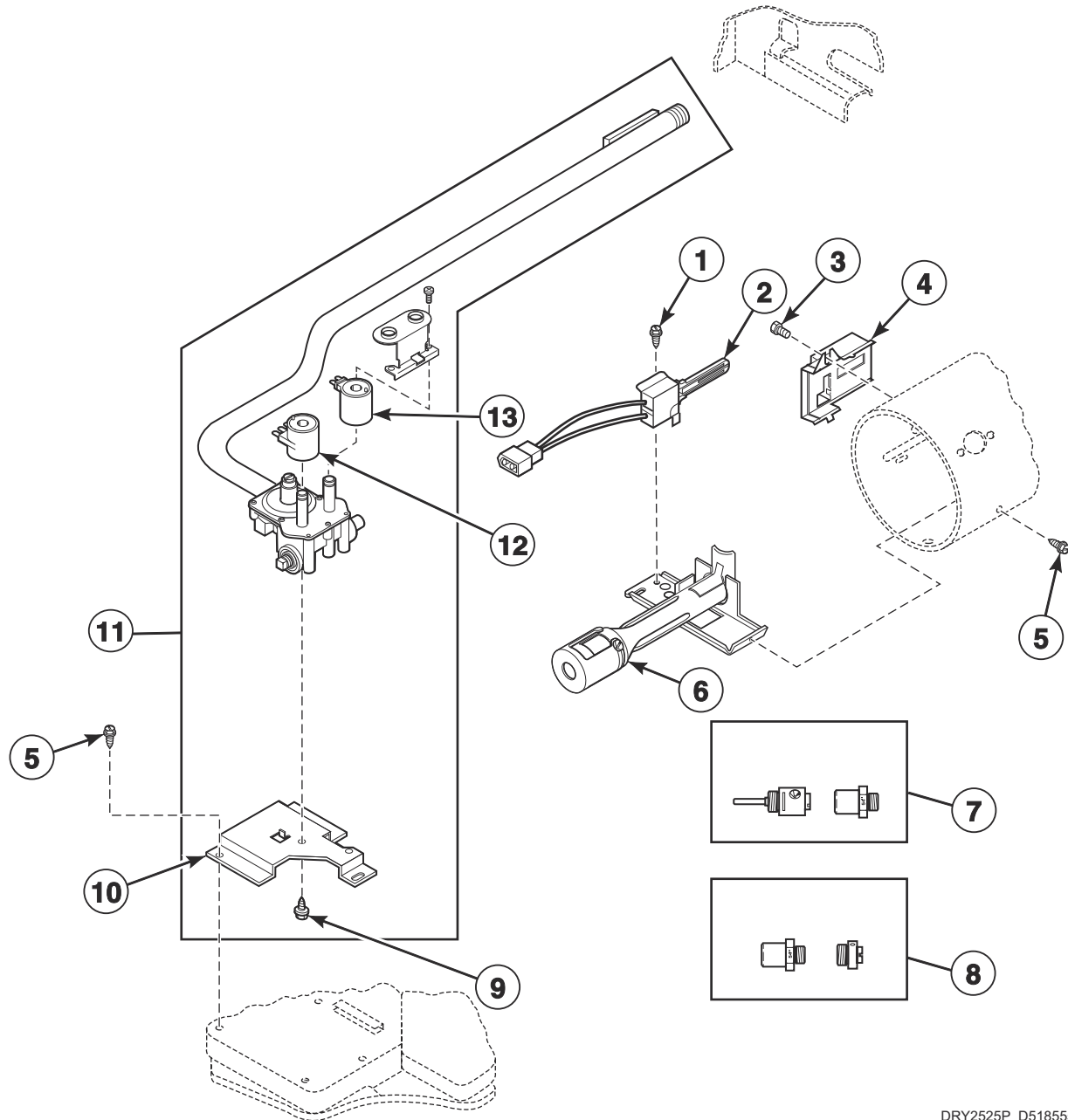
D405P_D518555

Heater Duct Assembly - Gas Models

REF	PART NO.	DESCRIPTION	COMMENTS
1	D503688	Screw	
2	D510101	Heat Duct Shroud	
3	D500820	Outlet Cover	
	D518524	Outlet Cover	Black
4	D510025P	Heater Duct Assembly	Includes items 1 and 3
5	D510131	Combustion Duct	Models HSGNXAGS093CW01, HSGNXAGS096CW01, HSGNXAGW093CW01, HSGNXAGW096CW01, HSGNXFGS096CW01, HSGNYAGS093CW01, HSGNYAGS096CW01, HSGNYAGW093CW01, HSGNYAGW096CW01 and HSGNYFGS096CW01
	D510132	Combustion Duct	All other models
6	51782	Screw	
7	D510702	Limit Thermostat	Black; Auto reset
8	D510703	Thermostat	Manual reset; All models except HSGNXAGS093CW01, HSGNXAGS096CW01, HSGNXAGW093CW01, HSGNXAGW096CW01, HSGNXFGS096CW01, HSGNYAGS093CW01, HSGNYAGS096CW01, HSGNYAGW093CW01, HSGNYAGW096CW01, HSGNYFGS096CW01, SSMNXAGS083JW01 and SSMNXAGW083JW01

Gas Valve, Igniter and Gas Conversion Kits

Gas Models except Models SSMNXAGS083JW01 and SSMNXAGW083JW01



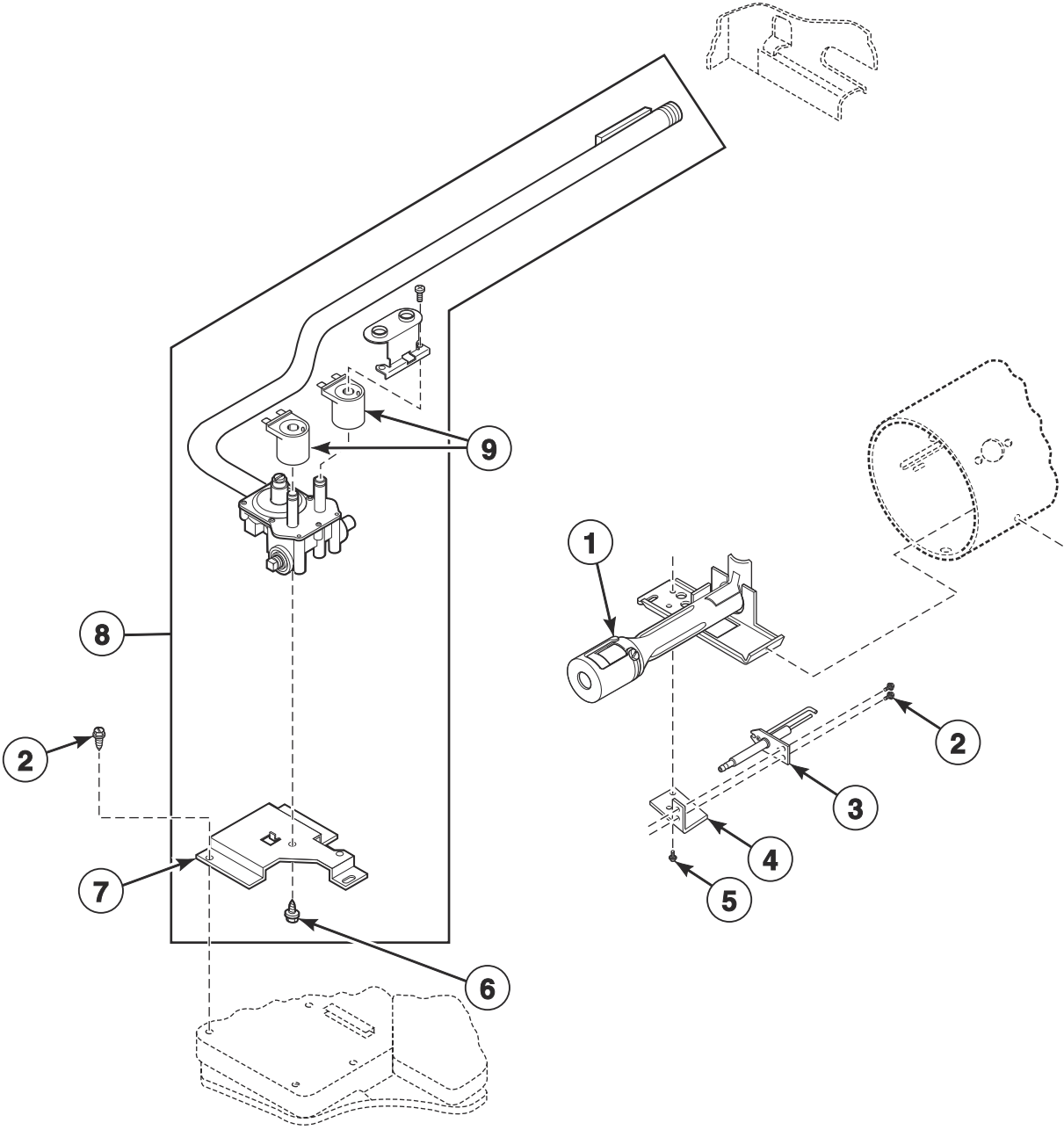
DRY2525P_D518555

Gas Valve, Igniter and Gas Conversion Kits

REF	PART NO.	DESCRIPTION	COMMENTS
1	51782	Screw	
2	D510184P	Igniter and Bracket Assembly	
3	23222	Screw	
4	D510213	Sensor	
5	D503688	Screw	
6	D510149P	Burner Assembly	
7	599P3	L.P. Conversion Kit	Used to convert dryers from N.G. or Mixed Gas to L.P.; 21,000 Btu; Models JSGJGAGS303EW01, JSGJGAGW303EW01, JSGJRAGS303EW01, JSGJRAGW303EW01, JSGJXAGW303EW01, PSGJGAGS303UG01 and PSGJXAGS304AG01
	649P3	L.P. Conversion Kit	Used to convert dryers from N.G. or Mixed Gas to L.P.; 22,500 Btu; Models SSLNXAGS543NW23, SSLNXAGW543NW23 and SSLNXAGW543PW01
	458P3	L.P. Conversion Kit	Used to convert dryers from N.G. or Mixed Gas to L.P. for 25,000 Btu; All other models
8	650P3	N.G. Conversion Kit	Used to convert dryers from L.P. to N.G. or Mixed Gas; 22,500 Btu; Models SSLNXAGS543NW23, SSLNXAGW543NW23 and SSLNXAGW543PW01
	459P3	N.G. Conversion Kit	Used to convert dryers from L.P. to N.G. or Mixed Gas for 25,000 Btu; All other models
9	56124	Screw	
10	D510333	Gas Valve Mounting Bracket	Model PSGJXAGS304AG01
	D510128	Gas Valve Mounting Bracket	All other models
11	D517607	Gas Valve, Bracket and Pipe Assembly	50 Hertz; 20,000 Btu; N.G.; Includes items 9, 10, 12 and 13; Models JSGJGAGS303EW01, JSGJGAGW303EW01, JSGJRAGS303EW01, JSGJRAGW303EW01, JSGJXAGW303EW01 and PSGJGAGS303UG01
	D517612	Gas Valve, Bracket and Pipe Assembly	60 Hertz; 22,500 Btu; L.P.; Includes items 9, 10, 12 and 13; Models SSLNXAGS543NW23, SSLNXAGW543NW23 and SSLNXAGW543PW01
	D517608	Gas Valve, Bracket and Pipe Assembly	50 Hertz; 25,000 Btu; N.G.; Includes items 9, 10, 12 and 13; Models NSGNXAGW303ZW38, PSGJXAGS304AG01, SSGNXAGS303AW01 and SSGNXAGW303AW01
	D517613	Gas Valve, Bracket and Pipe Assembly	50 Hertz; 25,000 Btu; L.P.; Includes items 9, 10, 12 and 13; Models SSLNXAGW303LW01 and SSLWXAGS303NN22
	D517606	Gas Valve, Bracket and Pipe Assembly	60 Hertz; 25,000 Btu; N.G.; Includes items 9, 10, 12 and 13; All other models
12	59063A	Booster and Holding Coil	Models JSGJGAGS303EW01, JSGJGAGW303EW01, JSGJRAGS303EW01, JSGJRAGW303EW01, JSGJXAGW303EW01, NSGNXAGW303ZW38, PSGJGAGS303UG01, PSGJXAGS304AG01, SSGNXAGS303AW01, SSGNXAGW303AW01, SSLNXAGW303LW01 and SSLWXAGS303NN22; 50 Hertz
	58804A	Booster and Holding Coil	All other models; 60 Hertz
13	59063B	Secondary Coil	50 Hertz; Models JSGJGAGS303EW01, JSGJGAGW303EW01, JSGJRAGS303EW01, JSGJRAGW303EW01, JSGJXAGW303EW01, NSGNXAGW303ZW38, PSGJGAGS303UG01, PSGJXAGS304AG01, SSGNXAGS303AW01, SSGNXAGW303AW01, SSLNXAGW303LW01 and SSLWXAGS303NN22
	58804B	Secondary Coil	60 Hertz; All other models

Gas Valve Starting Serial No. 1908000001

Models SSMNXAGS083JW01 and SSMNXAGW083JW01



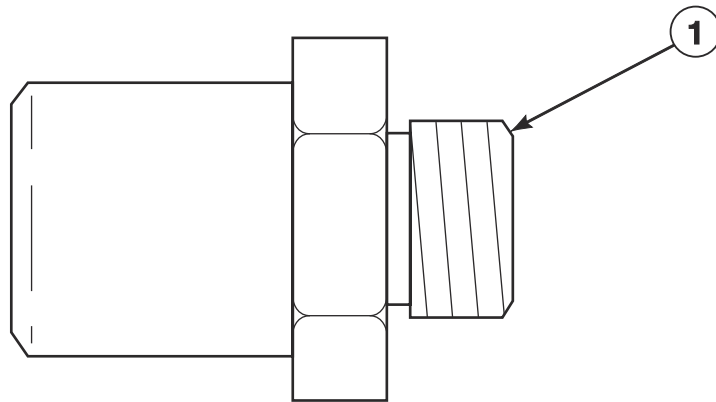
DRY2526P_D518555

Gas Valve Starting Serial No. 1908000001

REF	PART NO.	DESCRIPTION	COMMENTS
1	D510149P	Burner Assembly	
2	D503688	Screw	
3	44328701P	Spark Electrode	
4	D516238	Bracket	
5	51782	Screw	
6	56124	Screw	
7	D510128	Gas Valve Mounting Bracket	
8	D517610	Gas Valve, Bracket and Pipe Assembly	50-60 Hertz; 22,500 Btu; Natural Gas (N.G); Includes items 6, 7 and 9
9	D516699	Gas Valve Coil	24 Vac; 50-60 Hertz

Burner Orifice Spuds - For Higher Elevations

Gas Models

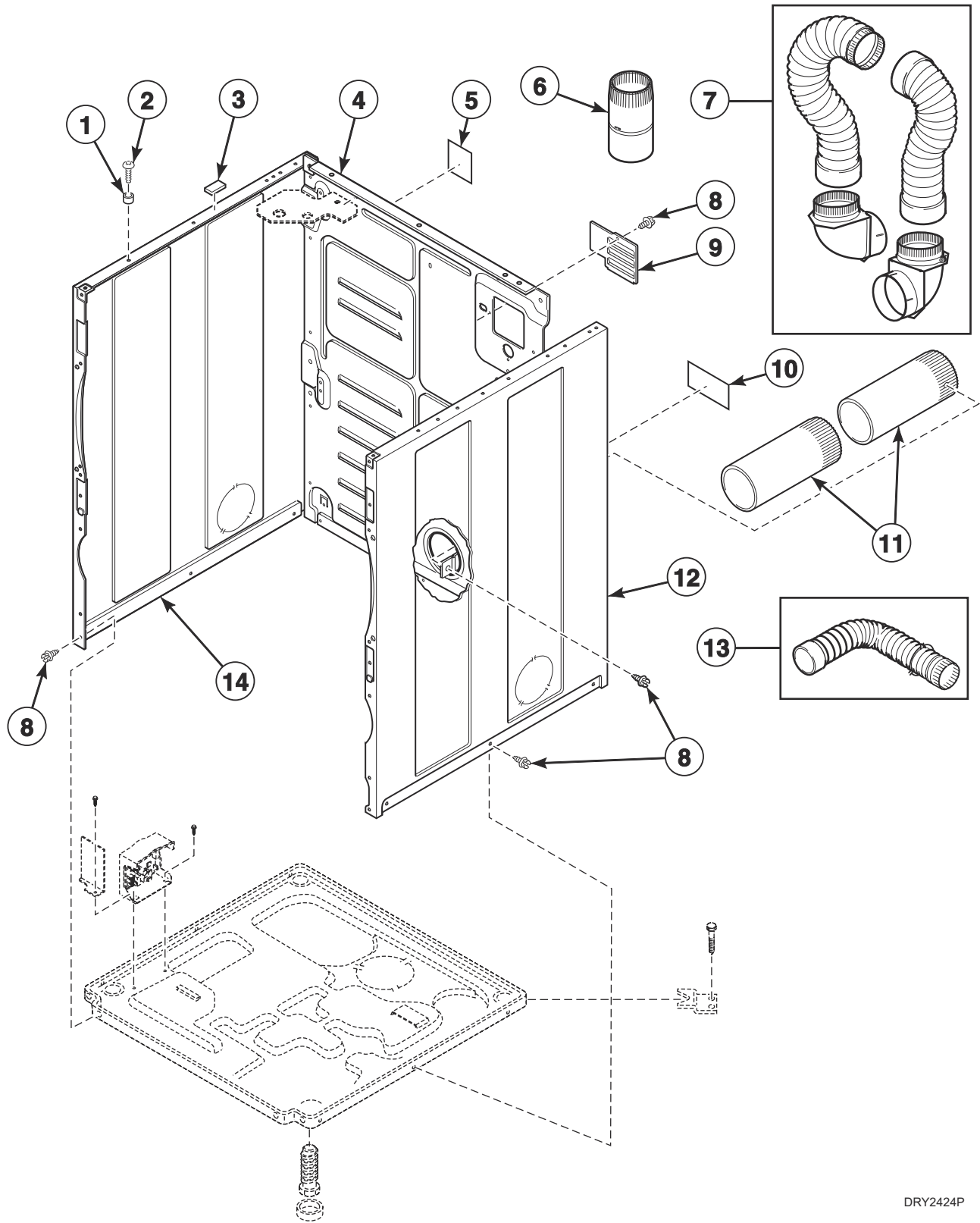


DRY2266P_D518555

Burner Orifice Spuds - For Higher Elevations

REF	PART NO.	DESCRIPTION	COMMENTS
1	58755	L.P. Orifice	Liquid Petroleum Gas (L.P.); Models SSLNXAGS543NW23, SSLNXAGW543NW23 and SSLNXAGW543PW01 3000-7999 feet (915-2439 m) 22,500 Btu; All models except SSLNXAGS543NW23, SSLNXAGW543NW23 and SSLNXAGW543PW01 7500-10999 feet (2290-3354 m) 25,000 Btu
	D503786	L.P. Orifice	L.P.; Models SSLNXAGW543NW23 and SSLNXAGW543PW01 SSLNXAGS543NW23, SSLNXAGW543NW23 and SSLNXAGW543PW01 8000 feet (2440 m) and higher 22,500 Btu; All models except SSLNXAGS543NW23, SSLNXAGW543NW23 and SSLNXAGW543PW01 11000 feet (3355 m) and higher; 25,000 Btu
	D503776	N.G. Orifice	Natural Gas (N.G.); 2000-2999 feet (610-914 m); All models except SSLNXAGS543NW23, SSLNXAGW543NW23 and SSLNXAGW543PW01
	D510517	N.G. Orifice	N.G.; 3000-5499 feet (915-1679 m); All models except SSLNXAGS543NW23, SSLNXAGW543NW23 and SSLNXAGW543PW01
	D503778	N.G. Orifice	N.G.; Models SSLNXAGS543NW23, SSLNXAGW543NW23 and SSLNXAGW543PW01 3000-5999 feet (915-1829 m) 22,500 Btu; All models except SSLNXAGS543NW23, SSLNXAGW543NW23 and SSLNXAGW543PW01 5500-6999 feet (1680-2134 m) 25,000 Btu
	58719	Screw Orifice	N.G.; Models SSLNXAGW543NW23 and SSLNXAGW543PW01 SSLNXAGS543NW23, SSLNXAGW543NW23 and SSLNXAGW543PW01 6000-7999 feet (1830-2439 m) 22,500 Btu; All models except SSLNXAGS543NW23, SSLNXAGW543NW23 and SSLNXAGW543PW01 7000-8999 feet (2135-2744 m) 25,000 Btu
	D503779	N.G. Orifice	N.G.; Models SSLNXAGW543NW23 and SSLNXAGW543PW01 SSLNXAGS543NW23, SSLNXAGW543NW23 and SSLNXAGW543PW01 8000-8999 feet (2440-2739 m) 22,500 Btu; All models except SSLNXAGS543NW23, SSLNXAGW543NW23 and SSLNXAGW543PW01 9000-10499 feet (2745-3199 m) 25,000 Btu
	D503780	N.G. Orifice	N.G.; Models SSLNXAGW543NW23 and SSLNXAGW543PW01 SSLNXAGS543NW23, SSLNXAGW543NW23 and SSLNXAGW543PW01 9000-9999 feet (2740-3049 m) 22,500 Btu; All models except SSLNXAGS543NW23, SSLNXAGW543NW23 and SSLNXAGW543PW01 10500 feet (3200 m) and higher; 25,000 Btu
	D503781	N.G. Orifice	N.G.; Models SSLNXAGS543NW23, SSLNXAGW543NW23 and SSLNXAGW543PW01 10,000 feet (3050 m) and higher; 22,500 Btu

Cabinet, Exhaust Duct and Base (Drawing 1 of 2)

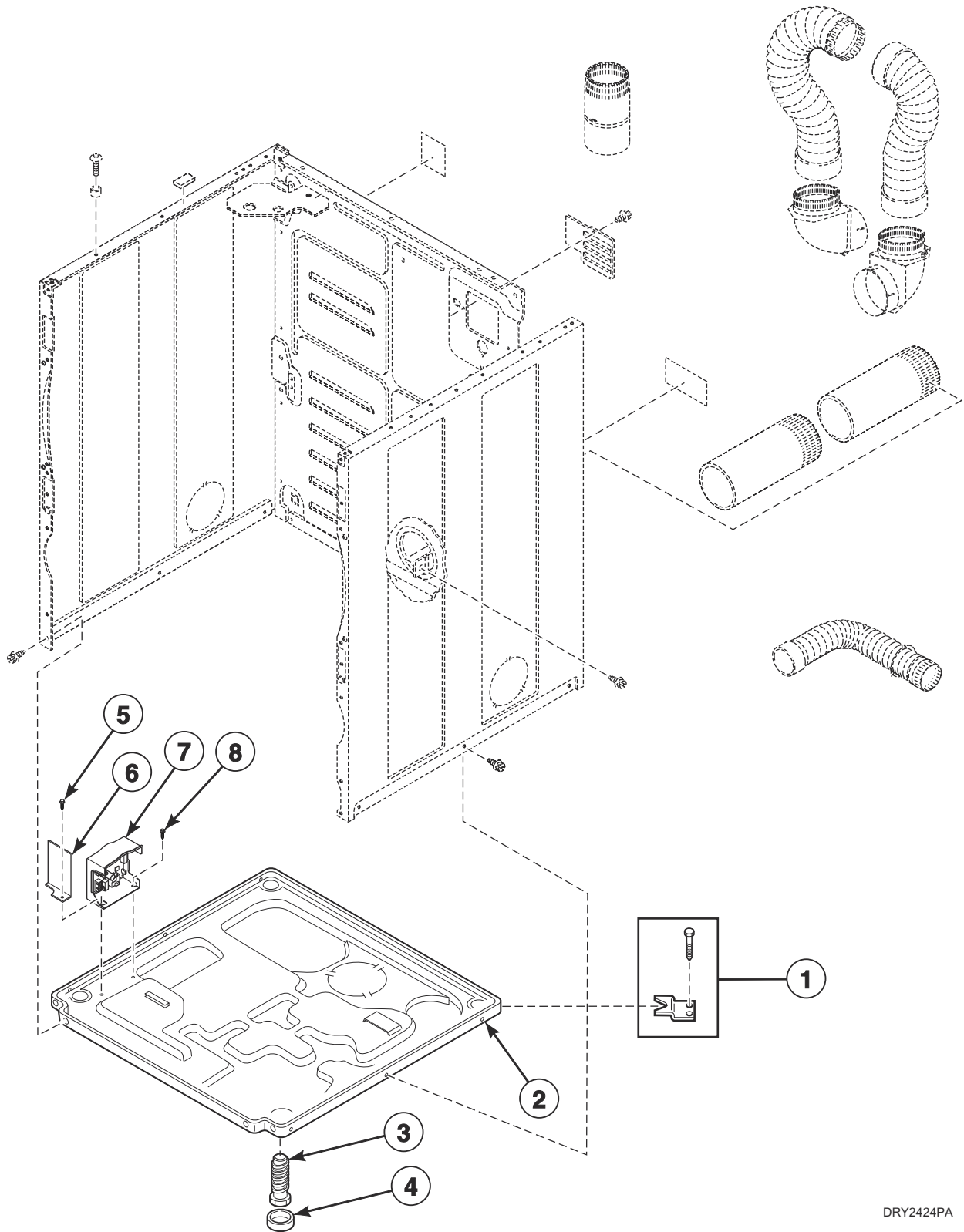


DRY2424P

Cabinet, Exhaust Duct and Base (Drawing 1 of 2)

REF	PART NO.	DESCRIPTION	COMMENTS
	122P4P	Porcelain Touch-Up Paint	
	D515445	Terminal Block Label	L1 L2 L3 N GND; Models PS3JGAGS403UG01, SS3NGAGS403UG01 and SS3NLAGS403UG01
	D506072	Terminal Block Label	L N GND; Models HSENXAGW543DW01, JSEJGAGS303EW01, JSEJGAGW303EW01, JSEJRAGS303EW01, JSEJRAGW303EW01, JSEJXAGW303EW01, NSENXAGS453ZW01, NSENXAGW453ZW01, SSENXAGS543DW01, SSENXAGW433LW01 and SSENXAGW543DW01
	807561	Warning Label	Disconnect power; Models HSENXAGS283CW01, HSENXAGS286CW01, HSENXAGW283CW01, HSENXAGW286CW01, HSENYAGS286CW01, HSENYAGW283CW01 and HSENYAGW286CW01
1	56079	Panel Locator	
2	39733	Screw	
3	56128	Bumper Pad	
4	D517566	Cabinet Rear Panel	
5	D511004	Gas Clearance Label	Models HSENYAGS286CW01, HSENYAGW286CW01, HSGNXAGS093CW01, HSGNXAGW093CW01, HSGNXFGS096CW01, HSGNYAGS093CW01, HSGNYAGS096CW01, HSGNYAGW093CW01, HSGNYAGW096CW01 and HSGNYFGS096CW01
	F8211201	Electrical Shock Label	All other gas models
6	58786	Damper	Use when connecting to a manifold vent system
7	521P3	Flexible Venting Kit	
8	D503688	Screw	
9	D510903	Access Panel Plate	Models HSENXAGS283CW01, HSENXAGS286CW01, HSENXAGW283CW01, HSENXAGW286CW01, HSENYAGS286CW01, HSENYAGW283CW01, HSENYAGW286CW01, HSGNXAGS093CW01, HSGNXAGS096CW01, HSGNXAGW093CW01, HSGNXAGW096CW01, HSGNYAGS093CW01, HSGNYAGS096CW01, HSGNYAGW093CW01, HSGNYAGW096CW01, SSLNXAGS543NW23, SSLNXAGW543NW23 and SSLWXAGS303NN22
	D514356	Access Cover Plate	Without louvers; All other models
10	D500497	Exhaust Warning Label	
11	D516196	Exhaust Duct	
12	D510002DGP	Cabinet Side Panel	Right; Models PS3JGAGS403UG01, PSGJGAGS303UG01, PSGJXAGS304AG01 and SSLWXAGS303NN22
	D517932DG	Cabinet Side Panel	Right; Models SS3NGAGS403UG01, SS3NLAGS403UG01, SSGNGAGS303UG01 and SSGNLAGS303UG01
	D510002WP	Cabinet Side Panel	Right; All other models
13	528P3	Directional Exhaust Kit	Used to vent dryer out the sides or bottom
14	D510001DGP	Cabinet Side Panel	Left; Models PS3JGAGS403UG01, PSGJGAGS303UG01, PSGJXAGS304AG01 and SSLWXAGS303NN22
	D517931DG	Cabinet Side Panel	Left; Models SS3NGAGS403UG01, SS3NLAGS403UG01, SSGNGAGS303UG01 and SSGNLAGS303UG01
	D510001WP	Cabinet Side Panel	Left; All other models

Cabinet, Exhaust Duct and Base (Drawing 2 of 2)



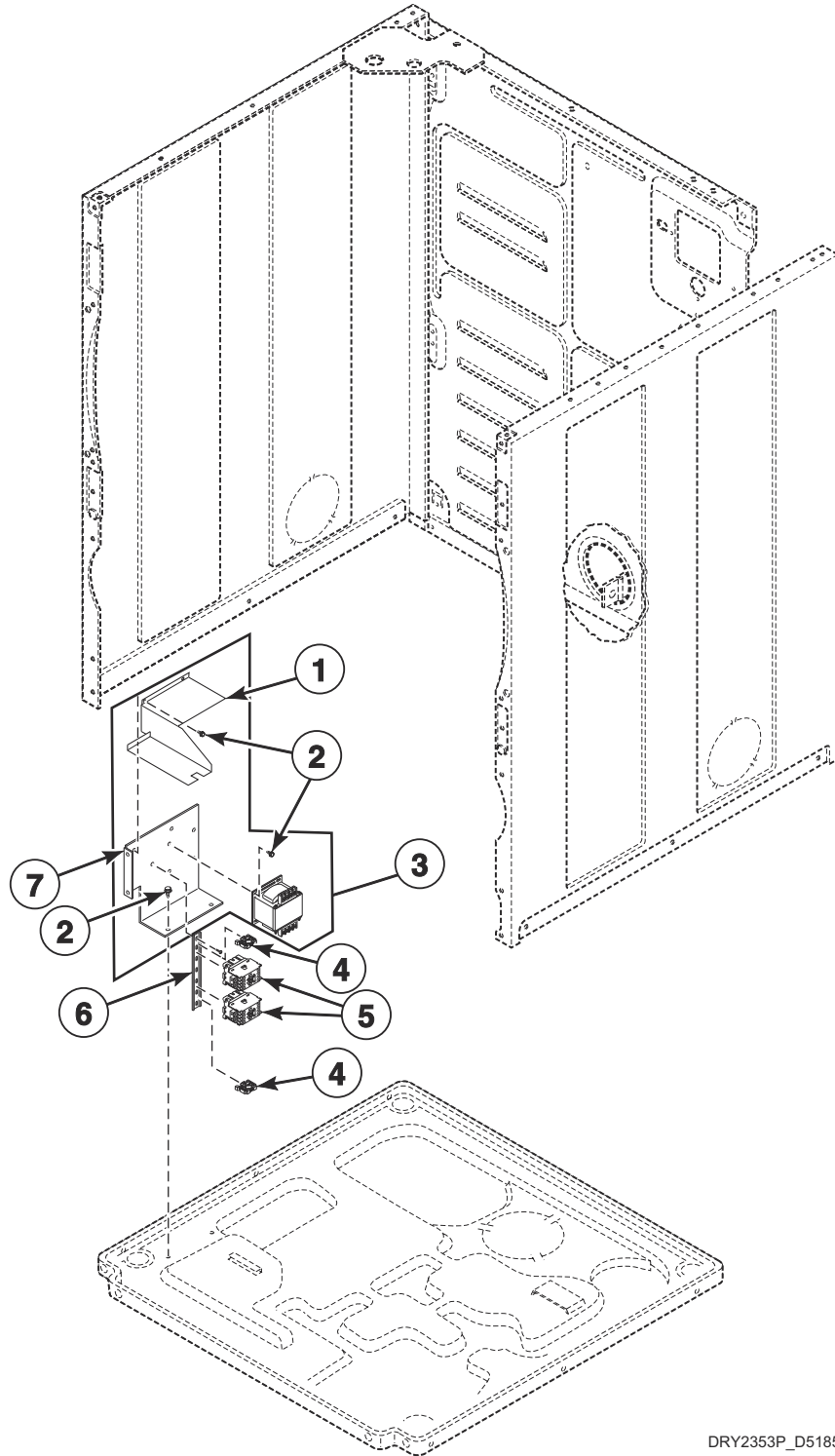
DRY2424PA

Cabinet, Exhaust Duct and Base (Drawing 2 of 2)

REF	PART NO.	DESCRIPTION	COMMENTS
1	526P3	Hold Down Kit	For mobile home installations
2	D514245	Dryer Base	
3	D510135	Leveling Leg	
4	D501855	Rubber Foot	
5	D514428	Screw	
6	D514420	Output Board Shield	Models JSEJGAGS303EW01, JSEJGAGW303EW01, JSEJRAGS303EW01, JSEJRAGW303EW01, JSEJXAGW303EW01, NSENXAGS453ZW01, NSENXAGW453ZW01, NSGNXAGW303ZW38, PS3JGAGS403UG01, SS3NGAGS403UG01, SS3NLAGS403UG01, SSENXAGS433AW01, SSENXAGS543DW01, SSENXAGW433AW01, SSENXAGW433LW01, SSENXAGW543DW01, SSLNXAGW303LW01, SSMNXAGS083JW01 and SSMNXAGW083JW01
7	D517191P	Output Control Assembly	Models HSENXAGS283CW01, HSENXAGS286CW01, HSENXAGW283CW01, HSENXAGW286CW01, HSENYAGS286CW01, HSENYAGW283CW01, HSENYAGW286CW01, HSGNXAGS093CW01, HSGNXAGS096CW01, HSGNXAGW093CW01, HSGNXAGW096CW01, HSGNYAGS093CW01, HSGNYAGS096CW01, HSGNYAGW093CW01, HSGNYAGW096CW01, SSLNXAGS543NW23, SSLNXAGW543NW23 and SSLWXAGS303NN22
	D517319	Output Control Assembly	All other models
8	804667	Screw	

Contactor and Transformer

Models HSGNXAGW543DW01, JSGJGAGS303EW01, JSGJGAGW303EW01, JSGJRAGS303EW01, JSGJRAGW303EW01, JSGJXAGW303EW01, NSGNXAGW303ZW38, PS3JGAGS403UG01, PSGJGAGS303UG01, PSGJXAGS304AG01, SS3NGAGS403UG01, SS3NLAGS403UG01, SSGNGAGS303UG01, SSGNLAGS303UG01, SSGNXAGS303AW01, SSGNXAGW303AW01, SSGNXAGW543DW01, SSLNXAGS543NW23, SSLNXAGW303LW01, SSLNXAGW543NW23, SSLNXAGW543PW01 and SSLWXAGS303NN22



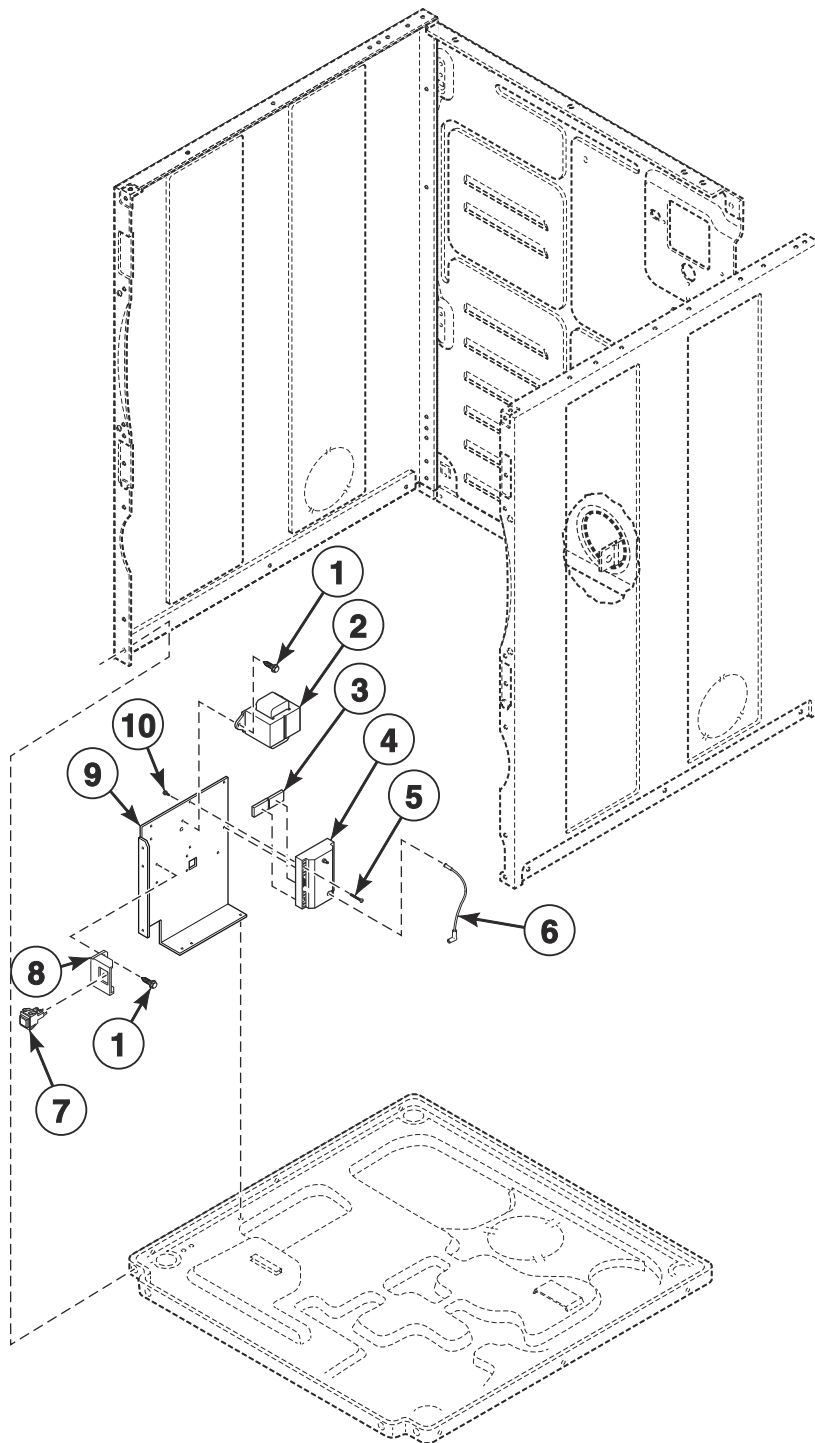
DRY2353P_D518555

Contactor and Transformer

REF	PART NO.	DESCRIPTION	COMMENTS
	D517689	Power Harness	Used between item 5 and 804844, 804864 or 514834P Filter; Models PS3JGAGS403UG01, SS3NGAGS403UG01 and SS3NLAGS403UG01
	D518531	Heater Harness	Used between item 5 and heating element; Model PS3JGAGS403UG01
	D518531	Heater Harness	Models SS3NGAGS403UG01 and SS3NLAGS403UG01
	D514054	Dual Contactor Harness	Used with item 5; Model PS3JGAGS403UG01
	D518535	Dual Contactor Harness	Models SS3NGAGS403UG01 and SS3NLAGS403UG01
1	D514334	Transformer Shield	Models HSGNXAGW543DW01, JSGJGAGW303EW01, JSGJRAGW303EW01, JSGJXAGW303EW01, NSGNXAGW303ZW38, PSGJGAGS303UG01, PSGJXAGS304AG01, SSGNXAGW303AW01, SSGNXAGW543DW01, SSLNXAGW303LW01, SSLNXAGW543NW23, SSLNXAGW543PW01 and SSLWXAGS303NN22
2	D503688	Screw	
3	D518062	Bracket Assembly	Includes items 1, 2 and 7; Models HSGNXAGW543DW01, JSGJGAGS303EW01, JSGJGAGW303EW01, JSGJRAGS303EW01, JSGJRAGW303EW01, JSGJXAGW303EW01, NSGNXAGW303ZW38, PSGJGAGS303UG01, PSGJXAGS304AG01, SSGNXAGS303AW01, SSGNXAGW303AW01, SSGNXAGW543DW01, SSLNXAGS543NW23, SSLNXAGW303LW01, SSLNXAGW543NW23, SSLNXAGW543PW01 and SSLWXAGS303NN22
4	F8449801	End Stop	Models PS3JGAGS403UG01, SS3NGAGS403UG01 and SS3NLAGS403UG01
5	70482603	Contactor	Models PS3JGAGS403UG01, SS3NGAGS403UG01 and SS3NLAGS403UG01
6	M412693	Din Rail	Models PS3JGAGS403UG01, SS3NGAGS403UG01 and SS3NLAGS403UG01
7	D511859	Contactor Bracket	

Ignition Control Module

Models SSMNXAGS083JW01 and SSMNXAGW083JW01

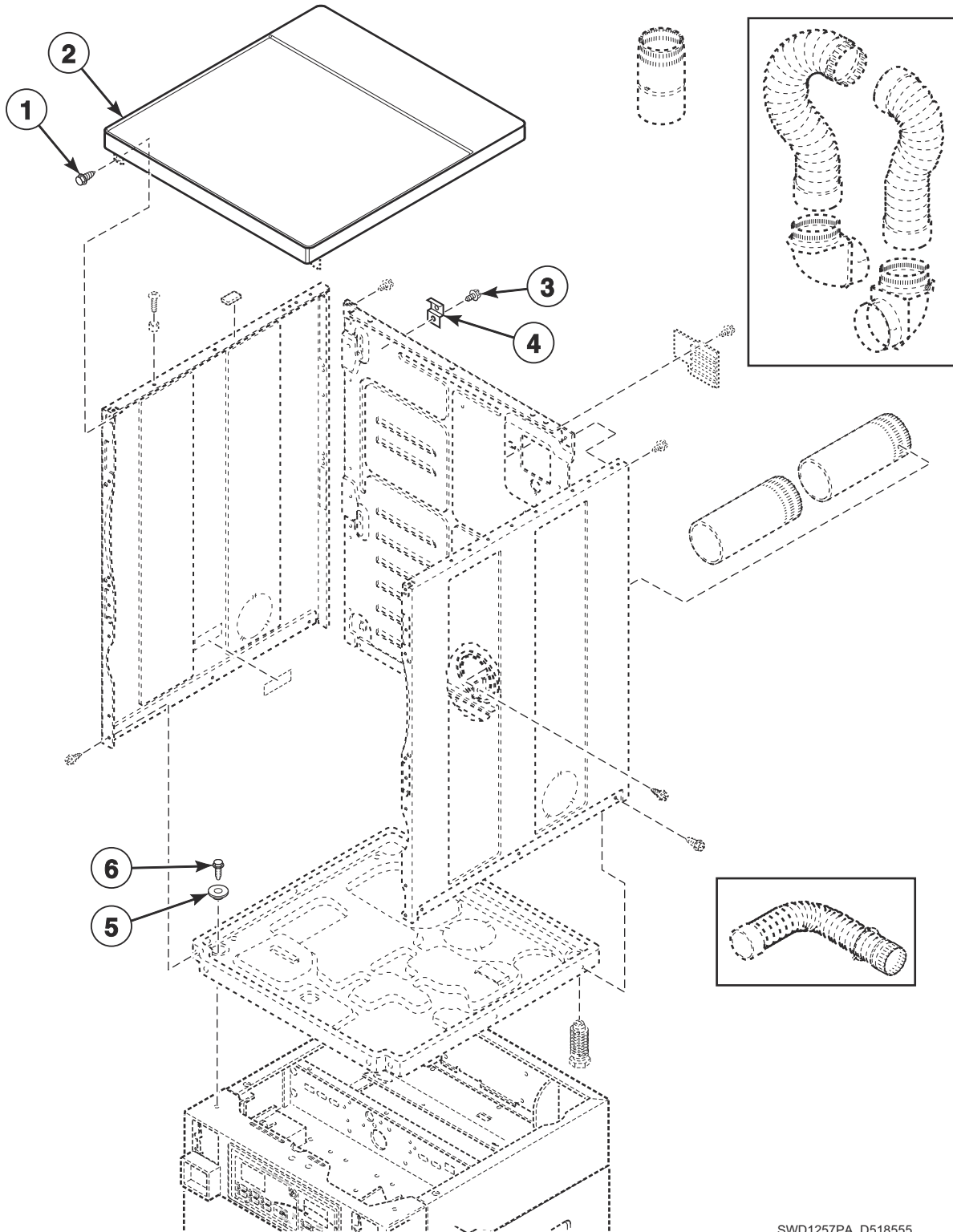


DRY2483P_D518555

Ignition Control Module

REF	PART NO.	DESCRIPTION	COMMENTS
	D516881	ICM Gas Harness	
	D517459	Jumper	
1	D503688	Screw	
2	202757	Transformer	
3	56128	Bumper Pad	
4	70483201P	Ignition Control	
5	D516261	Screw	
6	44239706	High Voltage Suppression Cable	
7	M413431	Pushbutton Switch	Lighted
8	D516237	Switch Bracket	
9	D511859	Contactor Bracket	
10	38272	Screw	

Cabinet Top



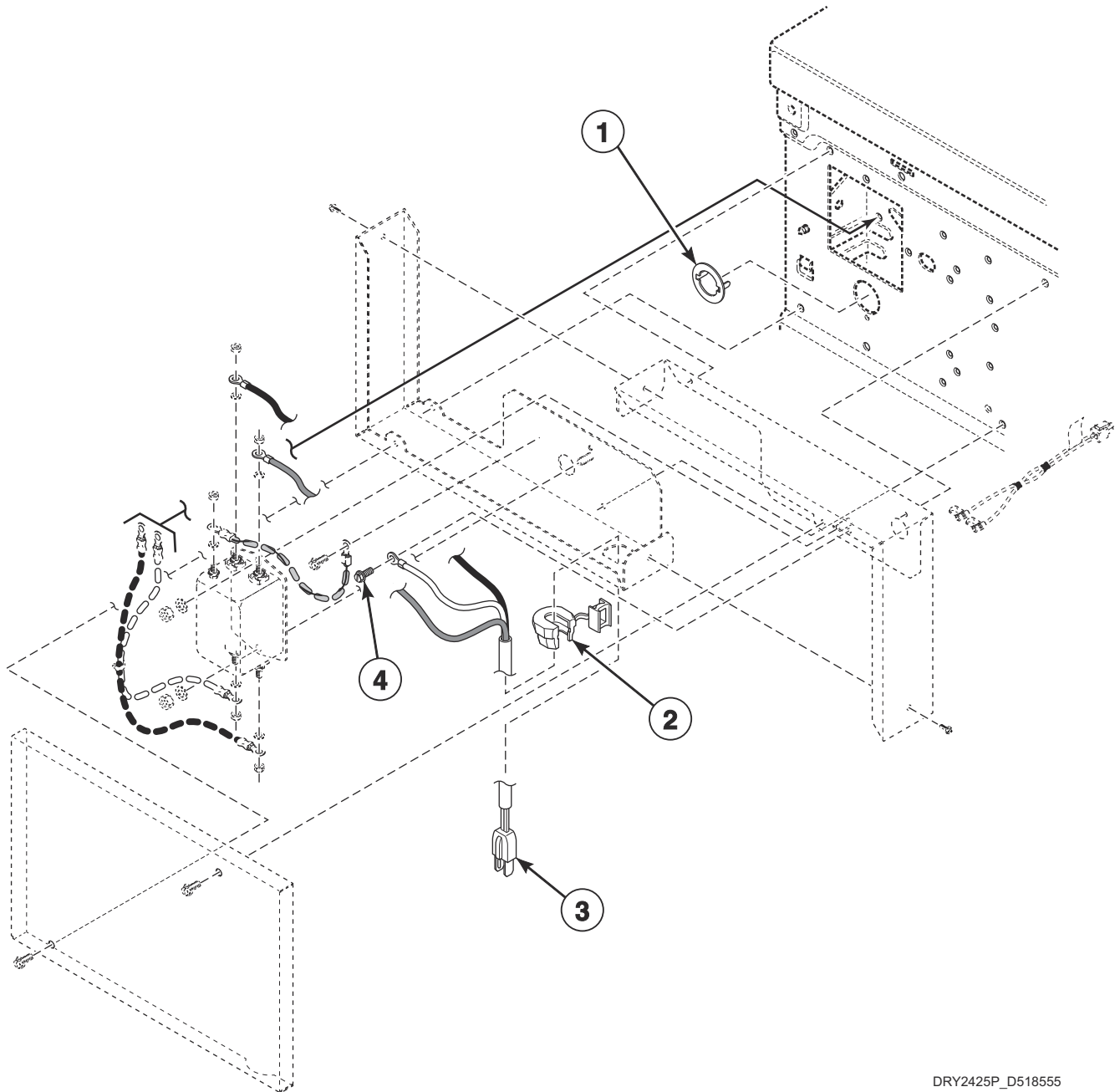
SWD1257PA_D518555

Cabinet Top

REF	PART NO.	DESCRIPTION	COMMENTS
1	D503661	Screw	
2	D510032DG	Top Panel	Gray; Models PS3JGAGS403UG01, PSGJGAGS303UG01, PSGJXAGS304AG01, SS3NGAGS403UG01, SS3NLAGS403UG01, SSGNGAGS303UG01 and SSGNLAGS303UG01
	803144P	Top Kit	Stainless steel; Model SSLWXAGS303NN22
	D510032WP	Top Kit	White; All other models
3	D503688	Screw	
4	D510136	Top Hinge	
5	D501307	Washer	
6	36048	Screw	

Power Cord

All Models Except HSENXAGS283CW01, HSENXAGS286CW01, HSENXAGW283CW01, HSENXAGW286CW01, HSENXFGS286CW01, HSENYAGS286CW01, HSENYAGW283CW01, HSENYAGW286CW01, HSENYFGS286CW01 and SSLWXAGS303NN22



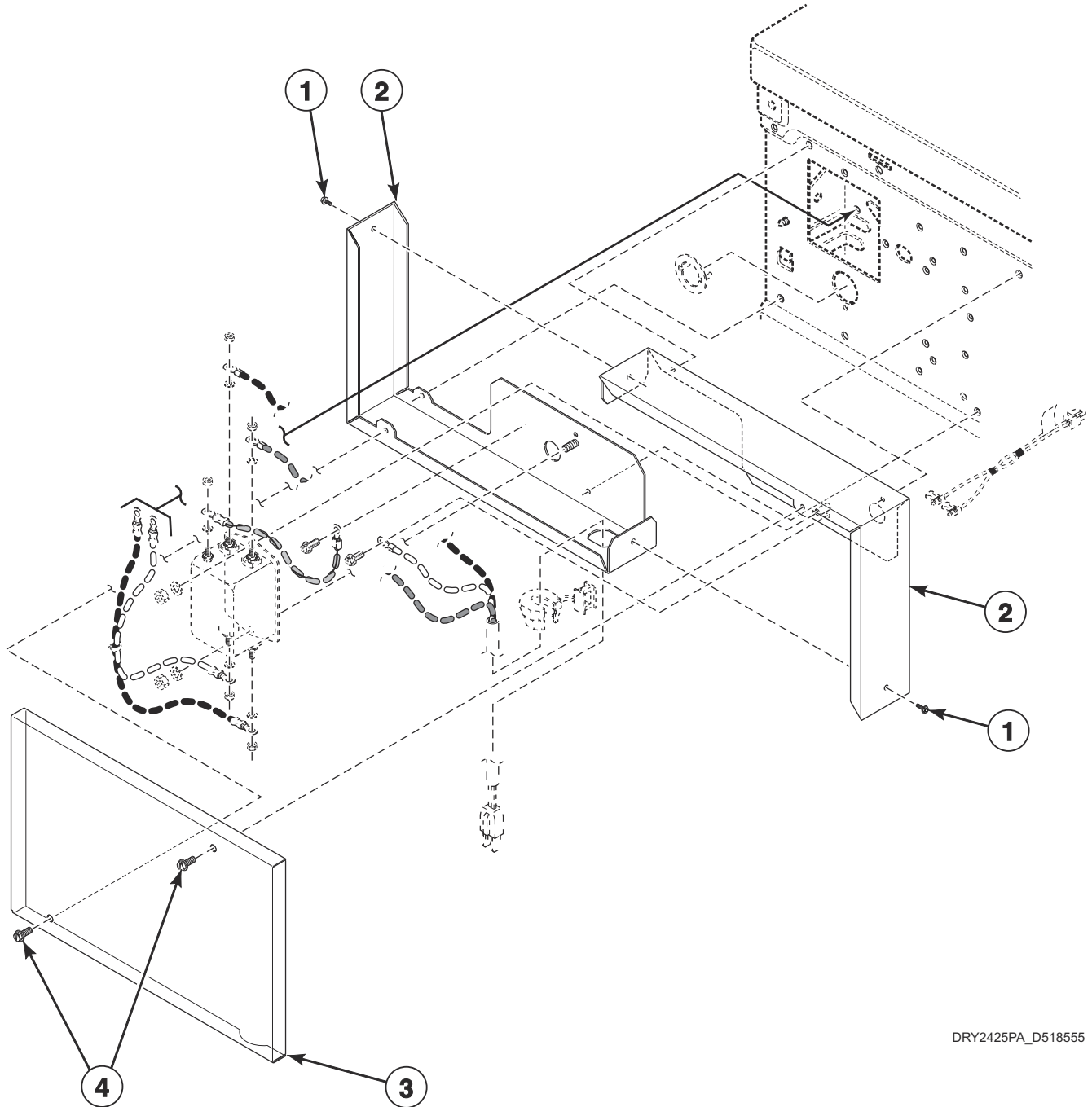
DRY2425P_D518555

Power Cord

REF	PART NO.	DESCRIPTION	COMMENTS
1	D502496	Strain Relief Adapter	Models HSGNXFGS096CW01, HSGNYAGS093CW01 and HSGNYAGW093CW01
2	52151	Strain Relief	Models HSGNXAGS093CW01, HSGNXAGS096CW01, HSGNXAGW093CW01, HSGNXAGW096CW01, HSGNXFGS096CW01 and PS3JGAGS403UG01
	D511628	Strain Relief Connector	Models HSGNXAGS093CW01, HSGNXAGS096CW01, HSGNXAGW093CW01, HSGNXAGW096CW01, HSGNXFGS096CW01, HSGNYAGS093CW01, HSGNYAGS096CW01, HSGNYAGW093CW01, HSGNYAGW096CW01 and HSGNYFGS096CW01
	D517492	Strain Relief	Models JSEJGAGS303EW01, JSEJGAGW303EW01, JSEJRAGS303EW01, JSEJRAGW303EW01, JSEJXAGW303EW01, NSENXAGS453ZW01, NSENXAGW453ZW01, SSENXAGS433AW01, SSENXAGS543DW01, SSENXAGW433AW01, SSENXAGW433LW01 and SSENXAGW543DW01
	D517491	Strain Relief	Models HSGNXAGW123DW01, HSGNXAGW543DW01, JSGJGAGS303EW01, JSGJGAGW303EW01, JSGJRAGS303EW01, JSGJRAGW303EW01, JSGJXAGW303EW01, NSGNXAGW303ZW38, PSGJGAGS303UG01, PSGJXAGS304AG01, SSGNGAGS303UG01, SSGNLAGS303UG01, SSGNXAGS303AW01, SSGNXAGW303AW01, SSGNXAGW543DW01, SSLNXAGS543NW23, SSLNXAGW303LW01, SSLNXAGW543NW23, SSLNXAGW543PW01, SSMNXAGS083JW01 and SSMNXAGW083JW01
3	D516747	Lead-In Cord Assembly	Models HSENXAGW543DW01, JSEJGAGS303EW01, JSEJGAGW303EW01, JSEJXAGW303EW01, SSENXAGS543DW01 and SSENXAGW543DW01
	D516747	Lead-In Cord Assembly	Models JSEJRAGS303EW01, JSEJRAGW303EW01, NSENXAGS453ZW01, NSENXAGW453ZW01 and SSENXAGW433LW01
	D517577	Lead-In Cord	Models JSGJGAGS303EW01, JSGJGAGW303EW01, JSGJRAGS303EW01, JSGJRAGW303EW01 and JSGJXAGW303EW01
	D515441	Lead-In Cord	Models SS3NGAGS403UG01 and SS3NLAGS403UG01
	D517581	Lead-In Cord	Models SSMNXAGS083JW01 and SSMNXAGW083JW01
	61605P	Lead-In Cord Kit	Models SSENXAGS433AW01 and SSENXAGW433AW01
	203344	Lead-In Cord	Models NSGNXAGW303ZW38, SSLNXAGS543NW23, SSLNXAGW543NW23 and SSLNXAGW543PW01
	D517698	Lead-In Cord	Models HSGNXAGS093CW01, HSGNXAGS096CW01, HSGNXAGW093CW01, HSGNXAGW096CW01, HSGNXFGS096CW01, HSGNYAGS093CW01, HSGNYAGS096CW01, HSGNYAGW093CW01, HSGNYAGW096CW01 and HSGNYFGS096CW01
	D517579	Lead-In Cord	Models HSGNXAGW123DW01, HSGNXAGW543DW01 and SSGNXAGW543DW01
	D517578	Lead-In Cord	Models PSGJGAGS303UG01, SSGNGAGS303UG01 and SSGNLAGS303UG01
	D516705	Lead-In Cord	Models PSGJXAGS304AG01, SSGNXAGS303AW01 and SSGNXAGW303AW01
	D515467	Lead-In Cord Assembly	Model SSLNXAGW303LW01
	D514061	Lead-In Cord	Model HSGNXAGW543DW01
	D517699	Lead-In Cord	Model PS3JGAGS403UG01
4	20530	Screw	

Junction Box

All Models Except HSENXAGS283CW01, HSENXAGS286CW01, HSENXAGW283CW01, HSENXAGW286CW01, HSENXFGS286CW01, HSENYAGS286CW01, HSENYAGW283CW01, HSENYAGW286CW01, HSENYFGS286CW01, HSGNXAGS093CW01, HSGNXAGS096CW01, HSGNXAGW093CW01, HSGNXAGW096CW01, HSGNXFGS096CW01, HSGNYAGS093CW01, HSGNYAGS096CW01, HSGNYAGW093CW01, HSGNYAGW096CW01, HSGNYFGS096CW01, SS3NGAGS403UG01, SS3NLAGS403UG01, SSGNGAGS303UG01, SSGNLAGS303UG01, SSLNXAGS543NW23, SSLNXAGW543NW23 and SSLWXAGS303NN22



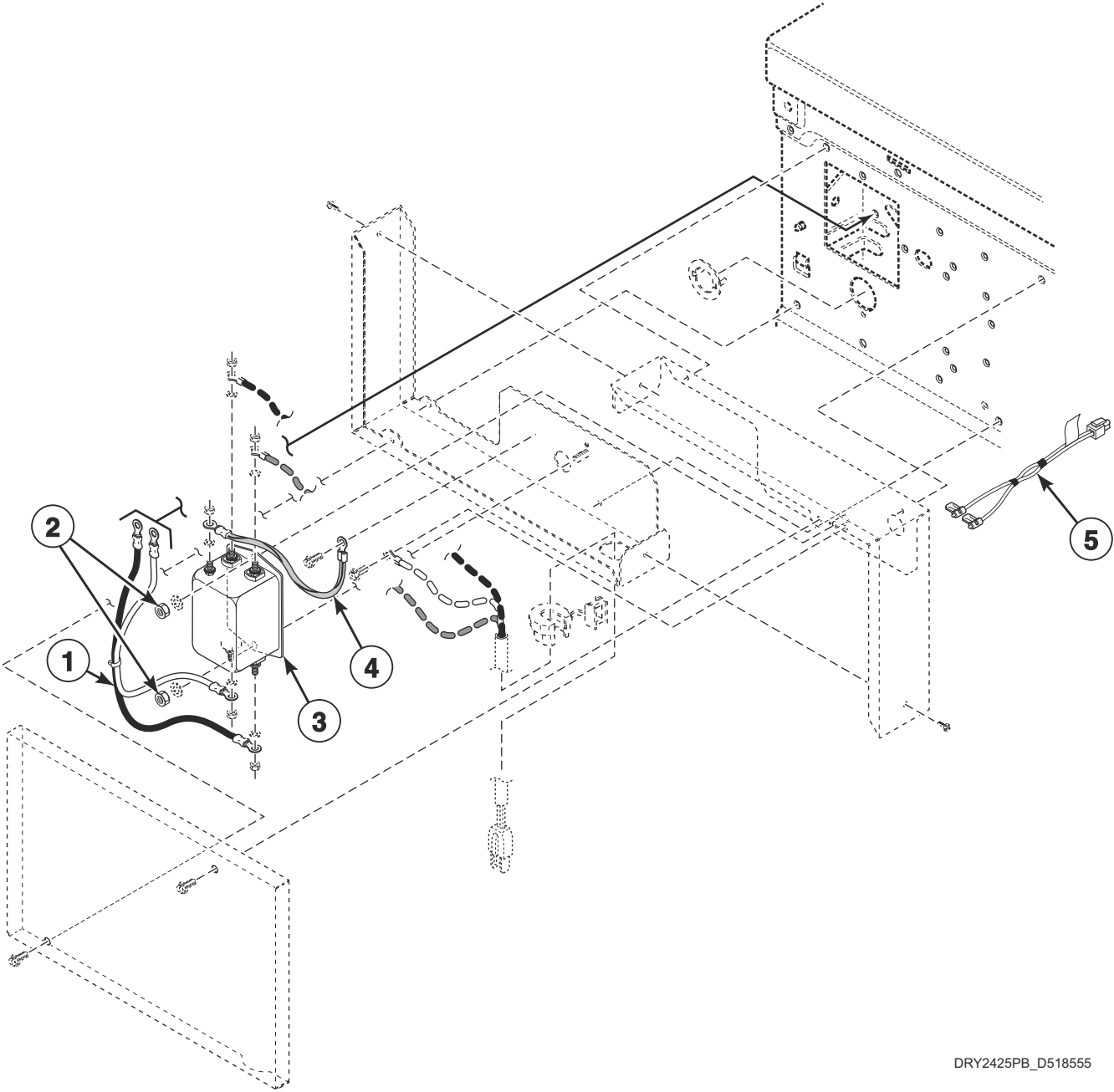
DRY2425PA_D518555

Junction Box

REF	PART NO.	DESCRIPTION	COMMENTS
	D514379P	Junction Box Seal	4 required
1	D503688	Screw	2 required
2	D516154	Junction Box Assembly	3 phase; Model PS3JGAGS403UG01
	D516153	Junction Box Assembly	1 phase; Models HSENXAGW543DW01, JSEJGAGS303EW01, JSEJGAGW303EW01, JSEJXAGW303EW01, NSENXAGS453ZW01, NSENXAGW453ZW01, SSENXAGS433AW01, SSENXAGS543DW01, SSENXAGW433AW01, SSENXAGW433LW01 and SSENXAGW543DW01
	D516152	Junction Box Assembly	Models HSGNXAGW123DW01, HSGNXAGW543DW01, JSGJGAGS303EW01, JSGJGAGW303EW01, JSGJXAGW303EW01, NSGNXAGW303ZW38, PSGJGAGS303UG01, PSGJXAGS304AG01, SSGNXAGS303AW01, SSGNXAGW303AW01, SSGNXAGW543DW01, SSLNXAGW303LW01, SSLNXAGW543PW01, SSMNXAGS083JW01 and SSMNXAGW083JW01
3	D514363	Junction Box Cover	
4	D503688	Screw	2 required

Junction Box Filter and Harnesses

All Models Except HSENXAGS283CW01, HSENXAGS286CW01, HSENXAGW283CW01, HSENXAGW286CW01, HSENXFGS286CW01, HSENYAGS286CW01, HSENYAGW283CW01, HSENYAGW286CW01, HSENYFGS286CW01, HSGNXAGS093CW01, HSGNXAGS096CW01, HSGNXAGW093CW01, HSGNXAGW096CW01, HSGNXFGS096CW01, HSGNYAGS093CW01, HSGNYAGS096CW01, HSGNYAGW093CW01, HSGNYAGW096CW01, HSGNYFGS096CW01, SS3NGAGS403UG01, SS3NLAGS403UG01, SSGNGAGS303UG01, SSGNLAGS303UG01, SSLNXAGS543NW23, SSLNXAGW543NW23 and SSLWXAGS303NN22

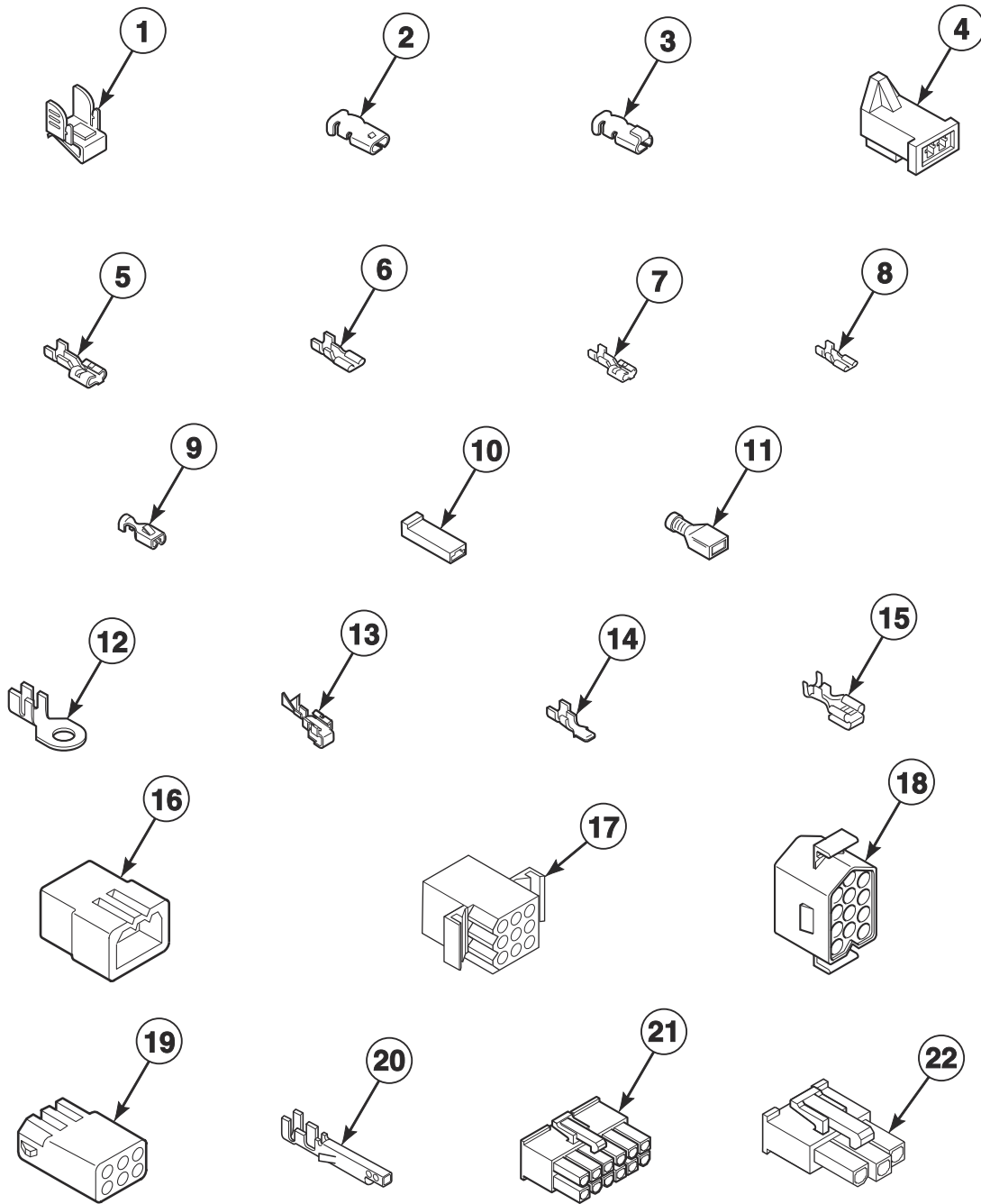


DRY2425PB_D518555

Junction Box Filter and Harnesses

REF	PART NO.	DESCRIPTION	COMMENTS
1	D518533	Filter Harness	Models HSGNXAGW123DW01, HSGNXAGW543DW01, NSGNXAGW303ZW38, PSGJXAGS304AG01, SSGNXAGS303AW01, SSGNXAGW303AW01, SSGNXAGW543DW01, SSLNXAGW303LW01, SSMNXAGS083JW01 and SSMNXAGW083JW01
	D518532	Filter Harness	Models HSENXAGW543DW01, JSEJGAGS303EW01, JSEJGAGW303EW01, JSEJXAGW303EW01, NSENXAGS453ZW01, NSENXAGW453ZW01, SSENXAGS433AW01, SSENXAGS543DW01, SSENXAGW433AW01, SSENXAGW433LW01 and SSENXAGW543DW01
	D514040	Filter Harness	3 Phase; Model PS3JGAGS403UG01
2	29787	Nut	2 required
3	804844	Line Filter	30 Amp; Models HSENXAGW543DW01, JSEJGAGS303EW01, JSEJGAGW303EW01, JSEJXAGW303EW01, NSENXAGS453ZW01, NSENXAGW453ZW01, SSENXAGS433AW01, SSENXAGS543DW01, SSENXAGW433AW01, SSENXAGW433LW01 and SSENXAGW543DW01
	804864	Line Filter	10 Amp; Models HSGNXAGW123DW01, HSGNXAGW543DW01, JSGJGAGS303EW01, JSGJGAGW303EW01, JSGJXAGW303EW01, NSGNXAGW303ZW38, PSGJGAGS303UG01, PSGJXAGS304AG01, SSGNXAGS303AW01, SSGNXAGW303AW01, SSGNXAGW543DW01, SSLNXAGW303LW01, SSLNXAGW543PW01, SSMNXAGS083JW01 and SSMNXAGW083JW01
	D514384P	Filter	3 Phase; Model PS3JGAGS403UG01
4	D518534	Ground Filter Harness	Models HSENXAGW543DW01, JSEJGAGS303EW01, JSEJGAGW303EW01, JSEJXAGW303EW01, NSENXAGS453ZW01, NSENXAGW453ZW01, PS3JGAGS403UG01, SSENXAGS433AW01, SSENXAGS543DW01, SSENXAGW433AW01, SSENXAGW433LW01 and SSENXAGW543DW01
	D514039	Ground Filter Harness	Models HSGNXAGW123DW01, HSGNXAGW543DW01, NSGNXAGW303ZW38, PSGJXAGS304AG01, SSGNXAGS303AW01, SSGNXAGW303AW01, SSGNXAGW543DW01, SSLNXAGW303LW01, SSMNXAGS083JW01 and SSMNXAGW083JW01
5	804396	Filter Harness	Models JSGJGAGS303EW01, JSGJGAGW303EW01, JSGJXAGW303EW01, PSGJGAGS303UG01, PSGJXAGS304AG01, SSLNXAGW303LW01 and SSLNXAGW543PW01

Terminal Block and Terminals

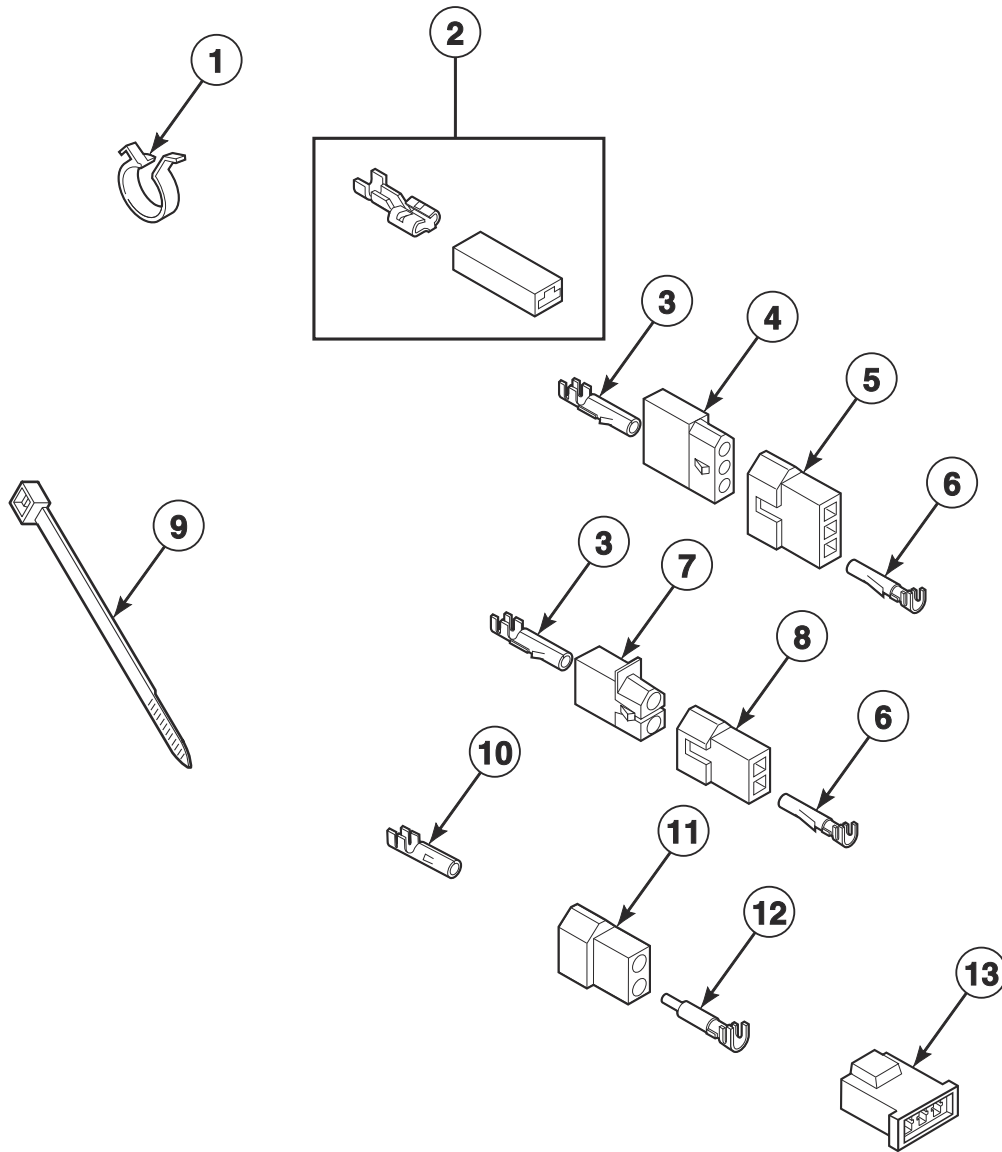


DRY2209P_D518555

Terminal Block and Terminals

REF	PART NO.	DESCRIPTION	COMMENTS
1	00161	Grounding Clip	
2	00189	Female Spade Terminal	1/8 inch
3	00361	Female Piggyback Terminal	
4	58799	2 Circuit Connector	
5	00223	Female Spade Terminal	1/4 inch; (1) 18 gauge wire
	00121	Female Spade Terminal	1/4 inch; (2) 18 gauge wires or (1) 12 gauge wire
	00245	Spade Terminal	1/4 inch; (1) 22 gauge wire
6	00124	Female Spade Terminal	3/16 inch; (1) 18 gauge wire; .020 tab
	00156	Female Spade Terminal	3/16 inch; Thermostat wire; .032 tab
	00112	Female Spade Terminal	3/16 inch; .020 tab
7	00222	Female Spade Terminal	1/4 inch
8	00347	Terminal	
9	00115	Female Spade Terminal	1/4 inch; (1) 18 gauge wire
10	90789	Receptacle Housing	
11	00359	Insulated Female Spade Terminal	1/4 inch
	00165	Insulated Female Terminal	3/16 inch
12	00110	Ring Terminal	No. 10; (1) 18 gauge wire
	00111	Ring Terminal	No. 10; (2) 18 gauge wires or (1) 12 gauge wire
13	00114	Female Spade Terminal	1/4 inch; Double connector
14	00139	Male Tab Terminal	1/4 inch; (2) 18 gauge wires or (1) 12 gauge wire
15	00344	Female Tab Terminal	1/4 inch
16	44370401	1 Circuit Plug Housing	
	23033	9 Circuit Plug	
	23041	6 Circuit Plug	
17	26163	9 Circuit Receptacle	
	56855	12 Circuit Receptacle	
18	54522	Plug	
19	26301	1 Circuit Receptacle	
	26708	6 Circuit Receptacle	
20	00252	Terminal	
21	34596	10 Circuit Receptacle	
	D501333	12 Circuit Receptacle	
22	36170	3 Circuit Receptacle	

Terminals

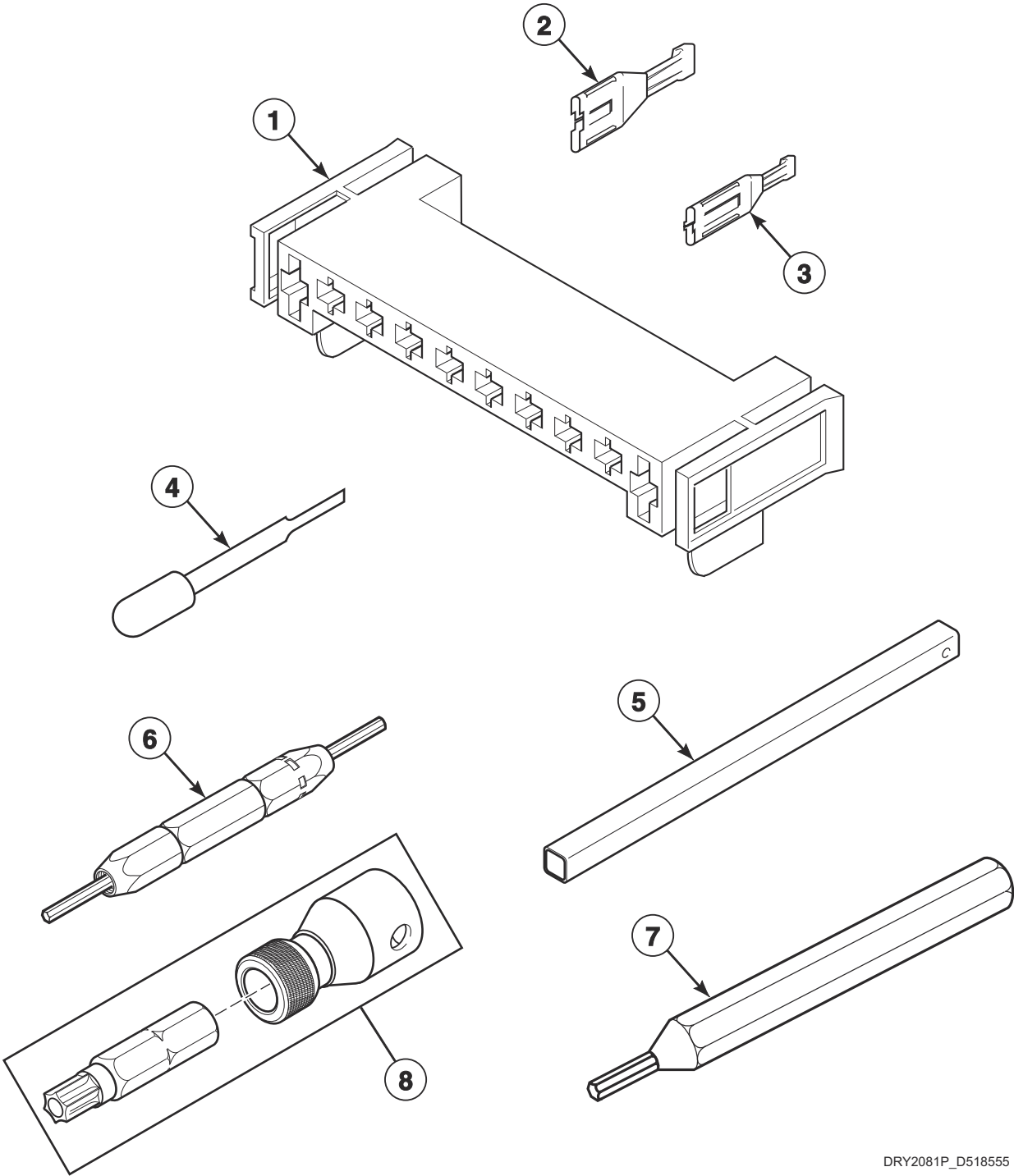


DRY1769P_D518555

Terminals

REF	PART NO.	DESCRIPTION	COMMENTS
1	D504034	Wire Clip	11/16 inch
	687500	Wire Clip	1 inch
2	00360	Insulated Female Spade Terminal	(1) 12 gauge wire or (2) 18 gauge wires
3	00117	Female Pin Terminal	
4	56265	2 Circuit Receptacle	
	23039	3 Circuit Receptacle	
5	23040	Plug	
6	00116	Male Pin Terminal	
7	56451	2 Circuit Receptacle	
8	56448	2 Circuit Plug	
9	55881	Harness Strap	
10	00128	Female Pin Terminal	1/8 inch; 10-14 gauge wire
	00130	Female Pin Terminal	1/8 inch; 16-18 gauge wire
11	56266	2 Circuit Plug	
12	00129	Male Pin Terminal	.12 insulation diameter
	00127	Male Pin Terminal	.18 insulation diameter
13	58800	3 Circuit Connector	

Terminals and Terminal Extractor Tools

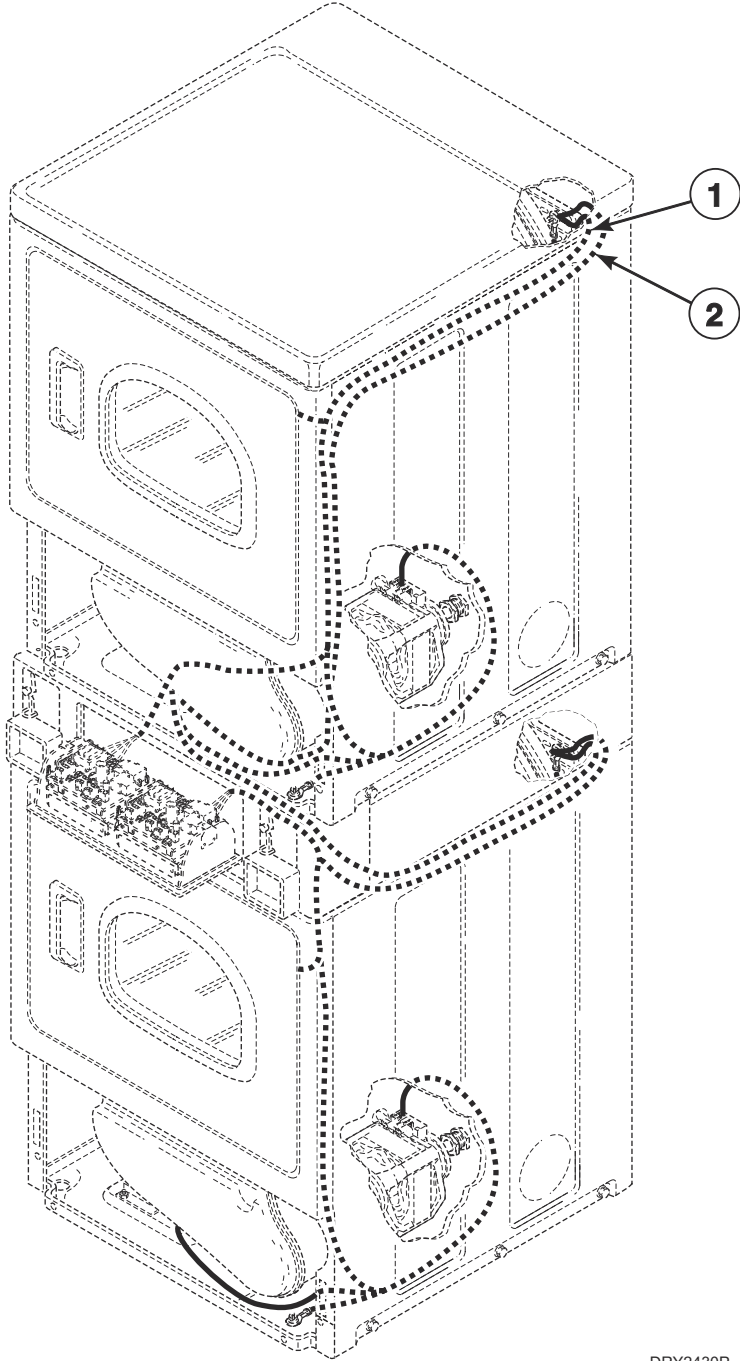


DRY2081P_D518555

Terminals and Terminal Extractor Tools

REF	PART NO.	DESCRIPTION	COMMENTS
1	D500338	10 Position Housing	
2	00255	Female Terminal	1/4 inch; (1) 12 gauge wire
	00256	Female Terminal	1/4 inch; (1) or (2) 18 gauge wires
3	00188	Female Terminal	For 1 or 2 wire application
4	283P4	Terminal Extractor Tool	For use on Molex connectors
5	310P4	Ratchet Extension Tool	1/4 inch; For coin drop installation
6	190P4	Extractor Tool	For use on electric dryer terminals
7	128P4	Extractor Tool	For use on gas dryer terminals
8	281P4	Torx Bit	T15 Tamper Resistant Bit
	282P4	Torx Bit	Use with 62853 Screw on access panel; T25 Tamper Resistant Bit
	292P4	Torx Bit	T20 Standard Bit
	93501	Torx Drive Tool	T10 Standard Bit

Wire Harnesses and Wires - Gas Models (Drawing 1 of 2)



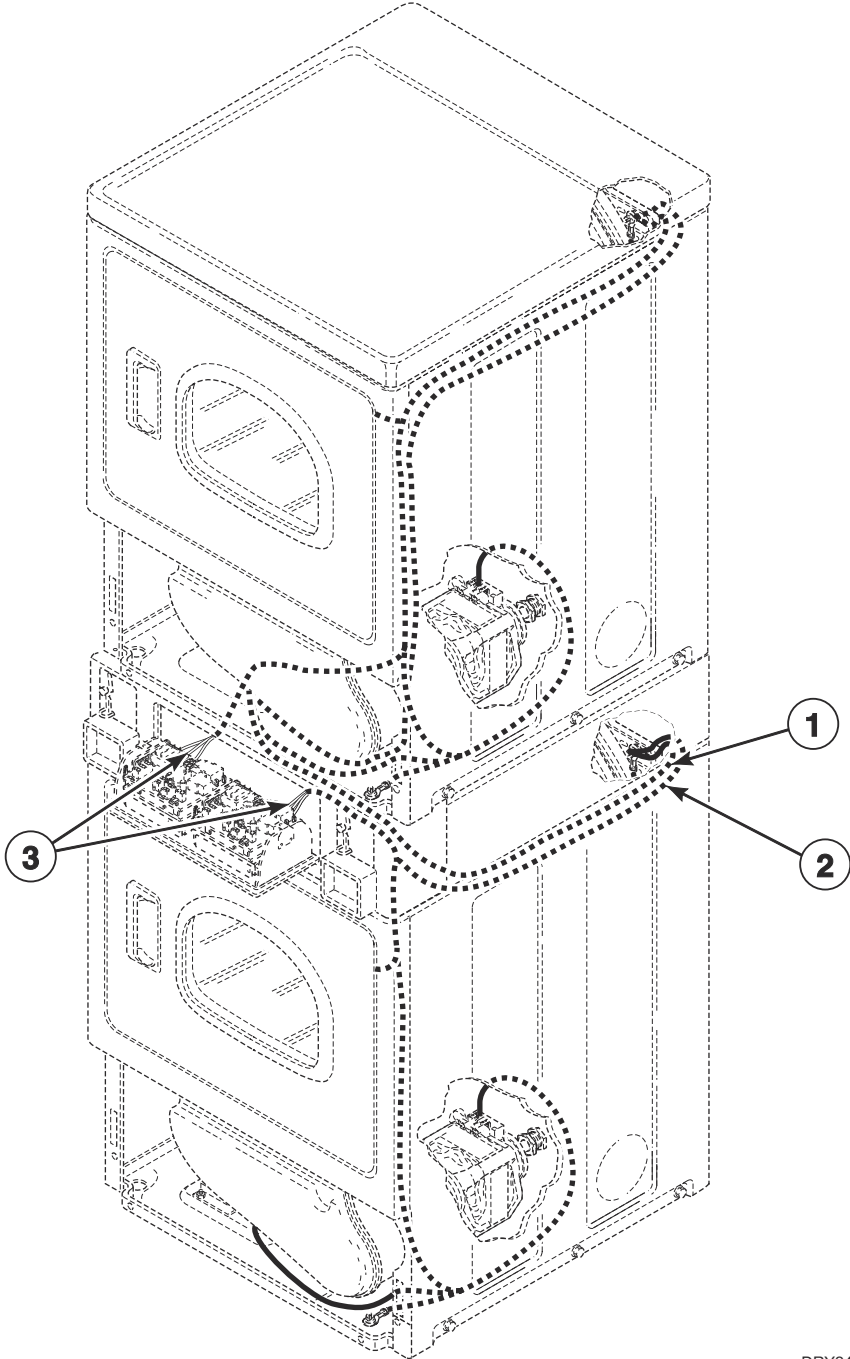
DRY2430P

Wire Harnesses and Wires - Gas Models (Drawing 1 of 2)

REF	PART NO.	DESCRIPTION	COMMENTS
	45001	18 Gauge Wire	Black; Order wire by the foot; Order terminals and connectors as required
	45380	12 Gauge Wire	Orange; Order wire by the foot; Order terminals and connectors as required
	D517236	Broken Belt Harness	
	D517702	Gas Valve Harness	Models HSGNXAGW543DW01, JSGJGAGS303EW01, JSGJGAGW303EW01, JSGJRAGS303EW01, JSGJRAGW303EW01, JSGJXAGW303EW01, NSGNXAGW303ZW38, PSGJGAGS303UG01, PSGJXAGS304AG01, SSGNGAGS303UG01, SSGNLAGS303UG01, SSGNXAGS303AW01, SSGNXAGW303AW01, SSGNXAGW543DW01, SSLNXAGS543NW23, SSLNXAGW303LW01, SSLNXAGW543PW01 and SSLWXAGS303NN22
	D516367	Gas Valve Harness	Models HSGNXAGS093CW01, HSGNXAGS096CW01, HSGNXAGW093CW01, HSGNXAGW096CW01, HSGNXAGW123DW01 and HSGNXAGW543DW01
1	D517483	Main Harness	Models SSMNXAGS083JW01 and SSMNXAGW083JW01
	D517477	Gas Harness	Models HSGNXAGS093CW01, HSGNXAGS096CW01, HSGNXAGW093CW01, HSGNXAGW096CW01, HSGNXAGW123DW01, HSGNXAGW543DW01, HSGNXFGS096CW01, HSGNYAGS093CW01, HSGNYAGS096CW01, HSGNYAGW093CW01, HSGNYAGW096CW01, HSGNYFGS096CW01, JSGJGAGS303EW01, JSGJGAGW303EW01, JSGJRAGS303EW01, JSGJRAGW303EW01, JSGJXAGW303EW01, NSGNXAGW303ZW38, PSGJGAGS303UG01, PSGJXAGS304AG01, SSGNGAGS303UG01, SSGNLAGS303UG01, SSGNXAGS303AW01, SSGNXAGW303AW01, SSGNXAGW543DW01, SSLNXAGS543NW23, SSLNXAGW303LW01, SSLNXAGW543PW01 and SSLWXAGS303NN22
2	D518536	Gas Power Harness	Upper; Models HSGNXAGS093CW01, HSGNXAGS096CW01, HSGNXAGW093CW01, HSGNXAGW096CW01, HSGNXFGS096CW01, HSGNYAGS093CW01, HSGNYAGS096CW01, HSGNYAGW093CW01, HSGNYAGW096CW01 and HSGNYFGS096CW01
	D515039	Power Harness	Model SSLWXAGS303NN22

NOTE: Individual wires are not available separately. Order complete harness, or order wire by the foot. When applying terminals to wires, it is recommended that the terminals be soldered to the wires.

Wire Harnesses and Wires - Gas Models (Drawing 2 of 2)



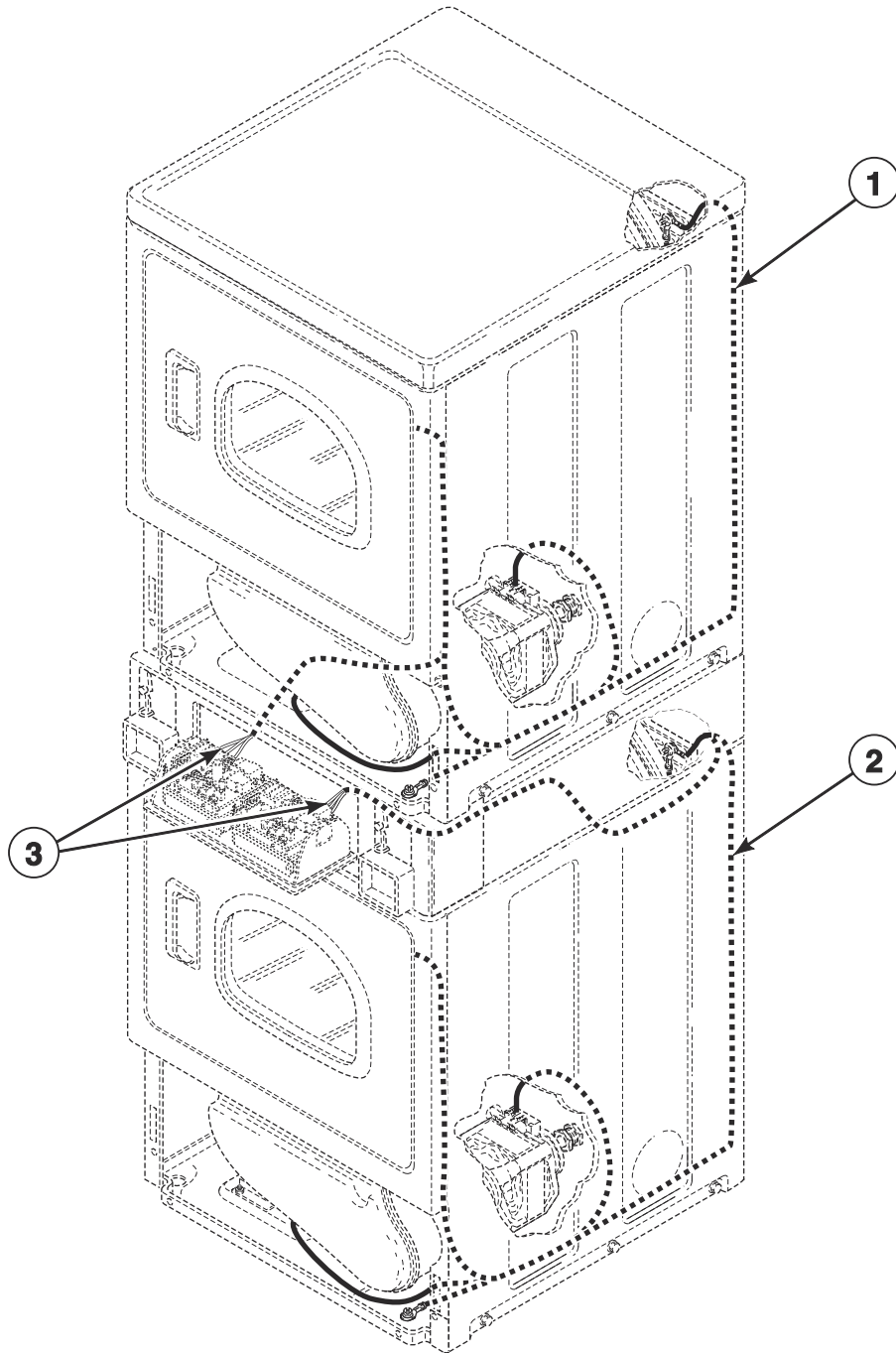
DRY2430PA

Wire Harnesses and Wires - Gas Models (Drawing 2 of 2)

REF	PART NO.	DESCRIPTION	COMMENTS
1	D514085	Power Harness	Lower; Models HSGNXAGS093CW01, HSGNXAGS096CW01, HSGNXAGW093CW01, HSGNXAGW096CW01, HSGNXFGS096CW01, HSGNYAGS093CW01, HSGNYAGS096CW01, HSGNYAGW093CW01, HSGNYAGW096CW01 and HSGNYFGS096CW01 through 12/31/21
	D518655	Power Harness	Lower; Models HSGNXAGS093CW01, HSGNXAGS096CW01, HSGNXAGW093CW01, HSGNXAGW096CW01, HSGNXFGS096CW01, HSGNYAGS093CW01, HSGNYAGS096CW01, HSGNYAGW093CW01, HSGNYAGW096CW01 and HSGNYFGS096CW01 starting 1/1/22
	D515039	Power Harness	Lower; Model SSLWXAGS303NN22
2	D517479	Gas Harness	Lower; Models HSGNXAGS093CW01, HSGNXAGW093CW01, HSGNXAGW123DW01, HSGNXAGW543DW01, HSGNYAGS093CW01, HSGNYAGW093CW01, JSGJGAGS303EW01, JSGJGAGW303EW01, JSGJRAGS303EW01, JSGJRAGW303EW01, JSGJXAGW303EW01, NSGNXAGW303ZW38, PSGJGAGS303UG01, PSGJXAGS304AG01, SSGNGAGS303UG01, SSGNLAGS303UG01, SSGNXAGS303AW01, SSGNXAGW303AW01, SSGNXAGW543DW01, SSLNXAGS543NW23, SSLNXAGW303LW01, SSLNXAGW543NW23, SSLNXAGW543PW01 and SSLWXAGS303NN22
	D517485	Gas Harness	Lower; Models SSMNXAGS083JW01 and SSMNXAGW083JW01
	D517973	Gas Harness	Lower; Models HSGNXAGS096CW01, HSGNXAGW096CW01, HSGNXFGS096CW01, HSGNYAGS096CW01, HSGNYAGW096CW01 and HSGNYFGS096CW01
3	D517970	Security Cabinet Harness	Lower; Models HSGNXAGS096CW01, HSGNXAGW096CW01, HSGNXFGS096CW01, HSGNYAGS096CW01, HSGNYAGW096CW01 and HSGNYFGS096CW01
	D513991	Security Cabinet Harness	All other models

NOTE: Individual wires are not available separately. Order complete harness, or order wire by the foot. When applying terminals to wires, it is recommended that the terminals be soldered to the wires.

Wire Harnesses and Wires - Electric Models



DRY2431P_D518555

Wire Harnesses and Wires - Electric Models

REF	PART NO.	DESCRIPTION	COMMENTS
	45001	18 Gauge Wire	Black; Order wire by the foot; Order terminals and connectors as required
	45380	12 Gauge Wire	Orange; Order wire by the foot; Order terminals and connectors as required
	D517236	Broken Belt Harness	
1	D517476	Upper Electric Harness	Models HSENXAGS283CW01, HSENXAGS286CW01, HSENXAGW283CW01, HSENXAGW286CW01, HSENXAGW543DW01, HSENXFGS286CW01, HSENYAGS286CW01, HSENYAGW283CW01, HSENYAGW286CW01, HSENYFGS286CW01, JSEJGAGS303EW01, JSEJGAGW303EW01, JSEJRAGS303EW01, JSEJRAGW303EW01, JSEJXAGW303EW01, NSENXAGS453ZW01, NSENXAGW453ZW01, SSENXAGS433AW01, SSENXAGS543DW01, SSENXAGW433AW01, SSENXAGW433LW01 and SSENXAGW543DW01
	D514044	Power Harness	Upper; Models HSENXAGS283CW01, HSENXAGS286CW01, HSENXAGW283CW01, HSENXAGW286CW01, HSENXFGS286CW01, HSENYAGS286CW01, HSENYAGW283CW01, HSENYAGW286CW01 and HSENYFGS286CW01 through 12/31/21
	D518656	Power Harness	Upper; Models HSENXAGS283CW01, HSENXAGS286CW01, HSENXAGW283CW01, HSENXAGW286CW01, HSENXFGS286CW01, HSENYAGS286CW01, HSENYAGW283CW01, HSENYAGW286CW01 and HSENYFGS286CW01 starting 1/1/22
	D517482	Upper Harness	3 Phase; Models PS3JGAGS403UG01, SS3NGAGS403UG01 and SS3NLAGS403UG01
2	D517478	Electric Harness	Models HSENXAGS283CW01, HSENXAGW283CW01, HSENXAGW543DW01, HSENYAGW283CW01, JSEJGAGS303EW01, JSEJGAGW303EW01, JSEJRAGS303EW01, JSEJRAGW303EW01, JSEJXAGW303EW01, NSENXAGS453ZW01, NSENXAGW453ZW01, SSENXAGW433AW01, SSENXAGW433LW01 and SSENXAGW543DW01
	D514042	Power Harness	Lower; Models HSENXAGS283CW01, HSENXAGS286CW01, HSENXAGW283CW01, HSENXAGW286CW01, HSENXFGS286CW01, HSENYAGW283CW01 and HSENYAGW286CW01 through 12/31/21
	D518654	Power Harness	Lower; Models HSENXAGS283CW01, HSENXAGS286CW01, HSENXAGW283CW01, HSENXAGW286CW01, HSENXFGS286CW01, HSENYAGW283CW01 and HSENYAGW286CW01 starting 1/1/22
	D517972	Electric Harness	Models HSENXAGS286CW01, HSENXAGW286CW01, HSENXFGS286CW01, HSENYAGS286CW01, HSENYAGW286CW01 and HSENYFGS286CW01
	D517484	Electric Harness	3 Phase; Models PS3JGAGS403UG01, SS3NGAGS403UG01 and SS3NLAGS403UG01
3	D517970	Security Cabinet Harness	Models HSENXAGS286CW01, HSENXAGW286CW01, HSENXFGS286CW01, HSENYAGS286CW01, HSENYAGW286CW01 and HSENYFGS286CW01
	D513991	Security Cabinet Harness	All other models

NOTE: Individual wires are not available separately. Order complete harness, or order wire by the foot. When applying terminals to wires, it is recommended that the terminals be soldered to the wires.

Parts Index

A

Access Cover Plate	
D514356	61
Access Panel Assembly	
D514250G	29
D514250WP	29
D514251	29
D518721DG	29
D518721W	29
Access Panel Plate	
D510903	61
Adhesive	
D511637P	39, 45
Air Duct Assembly	
D518431	41
D518432	41
D518433	41
Anti-Seize Compound	
27604P	31

B

Blower Fan Assembly	
D510139P	31
Blower Housing	
D511969WP	37
Blower Housing Seal	
D510238P	31
Bolt	
29651	19
Booster and Holding Coil	
58804A	55
59063A	55
Bracket	
D516238	57
Bracket Assembly	
D518062	65
Broken Belt Harness	
D517236	83, 87
Bumper Pad	
56128	61, 67
Burner Assembly	
D510149P	55, 57

C

Cabinet Rear Panel	
D517566	61
Cabinet Side Panel	
D510001DGP	61
D510001WP	61
D510002DGP	61
D510002WP	61
D517931DG	61
D517932DG	61
Central Pay Harness	
805427	7

Clip	
201572	17
Coin Drop	
38963P	15
70441601P	15
Coin Drop Assembly	
CK114	15
38462P	15
38463	15
38464P	15
38467	15
38472	15
38475	15
38519	15
38521	15
39157	15
70441602	15
Coin Drop Kit	
CK077	15
CK123	15
Coin Drop Wire Harness	
201104	17
Coin Identification Paper	
38725	17
Combustion Duct	
D510131	53
D510132	53
Connector, 2 Circuit	
58799	77
Connector, 3 Circuit	
58800	79
Contactora	
70482603	65
Contactora Bracket	
D511859	65, 67
Control Assembly	
D517522	9
D517524	9
D518647	9
Control Overlay	
D514366	11
D514372	11
D514481	11
D514927	11
D514930	11
D517660	11
D518080	11
D518643	11
D518644	11
Control Panel	
803964B	19
803964DG	19
803964W	19
805545B	19, 21
805545DG	21
Control Panel and Bracket Assembly	
D513778B	11
D513778DG	11
D513778W	11
807640W	11
Control Wrapper Plate	
D514453	7

N/A items do not appear in index.

Conversion Kit 756P3	49
Cylinder Assembly D510265LGP	39
D510265WP	39
Cylinder Baffle D510102LG	39
D510102W	39
Cylinder Belt D511255P	33
Cylinder Glide D513710	39
Cylinder Glide Bracket D510145	39
Cylinder Roller D510708P	45
Cylinder Roller Bracket D510100	45
Cylinder Seal Assembly D510207P	39, 45

D

Damper 58786	61
Din Rail M412693	65
Directional Exhaust Kit 528P3	61
Door Assembly D516510W	27
D516737W	23
Door Catch Assembly D510177	29
Door Handle Wedge D510129W	23, 27
Door Liner Assembly D516508	27
Door Liner Grill D503870LG	27
D503870W	23, 25, 27
Door Pul D512947	23
Door Pull D512947	27
Door Pull and Wedge Kit D510103WP	23, 25
D511213P	27
Door Strike D510181	23, 25, 27
Drip Shield D514327	29
Dryer Base D514245	63
Dryer Door D510013DG	27
D515960DG	27
D515960W	27
D515961DG	23
D515961W	23, 25
D515963	27
Dryer Door Window D515681	23, 25

Dual Coin Harness Assembly 202871	15, 17
204915	15, 17
205090	15
Dual Contactor Harness D514054	65
D518535	65
Dual Overlay 39073	19

E

Electric Harness D517478	87
D517484	87
D517972	87
Electrical Shock Label F8211201	41, 61
Electronic Coin Drop Assembly 70294103P	17
70294104	17
70294107	17
70294110	17
70294111	17
70294117	17
70294122	17
70513306	17
70513311	17
Electronic Coin Drop Kit CK099	17
CK100	17
CK101	17
CK103	17
CK108	17
CK109	17
CK110	17
CK113	17
CK115	17
CK116	17
CK117	17
CK118	17
End Stop F8449801	65
Ethernet Gateway Kit NK320	7
Exhaust Duct D516196	61
Exhaust Warning Label D500497	61
Expansion Clip 70030501	19, 21
Extractor Tool 128P4	81
190P4	81

F

Felt Pad D510189	39
Female Piggyback Terminal 00361	77
Female Pin Terminal 00117	79

N/A items do not appear in index.

00128	79
00130	79
Female Spade Terminal	
00112	77
00114	77
00115	77
00121	77
00124	77
00156	77
00189	77
00222	77
00223	77
Female Tab Terminal	
00344	77
Female Terminal	
00188	81
00255	81
00256	81
Filter	
D514384P	75
Filter Harness	
D514040	75
D518532	75
D518533	75
804396	75
Flexible Venting Kit	
521P3	61
Front Bulkhead Assembly	
D510266P	39
Front Panel	
D510066DG	29
D510066WP	29
D512542	29
Front Panel Assembly	
D513781WP	29
Front Panel Seal	
D511056	29

G

Gas Clearance Label	
D511004	61
Gas Harness	
D517477	83
D517479	85
D517485	85
D517973	85
Gas Power Harness	
D518536	83
Gas Valve Assembly	
D516182	57
Gas Valve Coil	
D516699	57
Gas Valve Harness	
D516367	83
D517702	83
Gas Valve Mounting Bracket	
D510128	55
D510333	55
510128	57
Gas Valve, Bracket and Pipe Assembly	
D517606	55
D517607	55
D517608	55

D517612	55
D517613	55
Glide Kit	
RB170003	39
Ground Filter Harness	
D514039	75
D518534	75
Ground Wire Assembly	
D518257	47
Grounding Clip	
00161	77

H

Harness Strap	
55881	79
Heat Duct Shroud	
D510101	53
Heater	
D511014P	49
Heater Assembly	
D510324P	51
D510326P	51
D510327P	51
D510328P	51
D510329P	51
Heater Duct Assembly	
D510025P	49, 51, 53
Heater Harness	
D518531	65
Heater Kit	
964P3	51
Heater Kit Assembly	
61927	51
61929	51
61930	51
61931	51
High Voltage Suppression Cable	
44239706	67
Hinge	
D511036	23, 25, 27
Hinge Hole Plug	
D510186	29
Hold Down Kit	
526P3	63
Housing, 10 Position	
D500338	81

I

ICM Gas Harness	
D516881	67
Idler Lever	
D516310	35
Idler Lever and Wheel Assembly	
D516792	35
Idler Spring	
D510185	35
Idler Wheel and Bearing Assembly	
D510142P	35
Igniter and Bracket Assembly	
D510184P	55

N/A items do not appear in index.

Ignition Control 70483201P	67
Instruction Label D518412	11
D518413	29
Insulated Female Spade Terminal 00359	77
00360	79
Insulated Female Terminal 00165	77

J

Jumper D517459	67
Jumper Wire Assembly D518529	49
Junction Box Assembly D516152	73
D516153	73
D516154	73
Junction Box Cover D514363	73
Junction Box Seal D514379P	73

K

Key 54612	9
--------------------	---

L

Laundry Harness D517037	11
Lead-In Cord D514061	71
D515441	71
D516705	71
D517577	71
D517578	71
D517579	71
D517581	71
D517698	71
D517699	71
203344	71
Lead-In Cord Assembly D515467	71
D516747	71
Lead-In Cord Kit 61605P	71
Leveling Leg D510135	63
Limit Thermostat D510700	51
D510701	49, 51
D510702	53
Line Filter 804844	75
804864	75

Liner and Seal Assembly DD516509	25
D516509	23
Liner Door Seal D515709	25
Lint Filter D503980LG	43
D503980W	43
Lint Filter Label D502781	29
D502804	29
Lock Assembly 807761	9
Lock Cam 804338	9
807760	9
Lock Kit 27260P	9
L.P. Conversion Kit 458P3	55
599P3	55
649P3	55
L.P. Orifice D503786	59
D58755	59

M

Machine ID Control Assembly 203361P	9
Main Harness D517483	83
Male Pin Terminal 00116	79
00127	79
00129	79
Male Tab Terminal 00139	77
Meter Case Assembly 807254B	19
807396B	19
807396DG	19
807396W	19
Motor and Pulley Assembly D505843P	33
D505869P	33
D511629P	33
Motor Hub Ring Kit 590P3	33
Motor Mount D518517	35
Motor Mount Clamp D510180	33
Motor Pulley D500011	33
D500222	33
Motor Shield D514602	31
Motor Switch Bracket D516311	35
Mounting Tool Kit CK096	17

N/A items do not appear in index.

N

Network Controller Kit	
NK220	7
Network Retrofit Kit	
203328	7
Nut	
201216	17
28447	45
29786	15
29787	75
44087201	19
44087301	35
52566	35
56156	35, 45
N.G. Conversion Kit	
459P3	55
650P3	55
N.G. Orifice	
D503776	59
D503778	59
D503779	59
D503780	59
D503781	59
D510517	59

O

Operating Instructions Label	
D517764	11
Outlet Cover	
D500820	49, 53
D518121	51
D518524	49, 51, 53
Output Board Shield	
D514420	63
Output Control Assembly	
D517191P	63
D517319	63
Overlay	
D514873	21
D518675	21
201091	19

P

Panel Locator	
56079	29, 61
Pinch Warning Label	
F8615701	41
Plug	
23040	79
54522	77
Plug Housing, 1 Circuit	
44370401	77
Plug, 2 Circuit	
56266	79
56448	79
Plug, 6 Circuit	
23041	77
Plug, 9 Circuit	
23033	77

Porcelain Touch-Up Paint	
122P4P	61
Power Harness	
D514042	87
D514044	87
D514085	85
D515039	83, 85
D517689	65
D518654	87
D518655	85
D518656	87
Pushbutton Switch	
M413431	67

R

Ratchet Extension Tool	
310P4	81
Rear Access Panel	
807646	19, 21
Rear Bulkhead Assembly	
D511082P	45
Receptacle Housing	
90789	77
Receptacle, 1 Circuit	
26301	77
Receptacle, 10 Circuit	
34596	77
Receptacle, 12 Circuit	
D501333	77
56855	77
Receptacle, 2 Circuit	
56265	79
56451	79
Receptacle, 3 Circuit	
23039	79
36170	77
Receptacle, 6 Circuit	
26708	77
Receptacle, 9 Circuit	
26163	77
Retaining Ring	
23748	35, 45
Ring Terminal	
00110	77
00111	77
Roller Kit	
RB170002	45
Rubber Foot	
D501855	63

S

Screw	
D500824	35
D501285	43, 45
D501524	11
D502535	31
D503661	13, 69
D503688	7, 19, 21, 29, 31, 39, 45, 47, 49, 51, 53, 55, 57, 61, 65, 67, 69, 73
D505295	23, 25, 27, 39
D505870	23, 25

N/A items do not appear in index.

D512921	27
D514428	63
D515967	23, 25
D516261	67
20530	71
23222	49, 51, 55
28448	45
31260	31
33562	29
36048	69
38272	67
39733	29, 61
51782	53, 55, 57
52864	39
56124	55, 57
61199	47
62588	39
62853	29
70240301	19, 21
804667	63
Screw Orifice	
58719	59
Seal Kit	
RB170001	39, 45
Secondary Coil	
58804B	55
59063B	55
Security Cabinet Front Assembly	
D518148	21
804147WP	21
Security Cabinet Harness	
D513991	85, 87
D517970	85, 87
Sensor	
D510213	55
Serial Pay Control Assembly	
807714	13
Serial Pay Harness	
F8713906	13
Shaft	
56461P	35, 45
Shield Bracket	
8040118	7
Single Drop Overlay	
803476	19
Single Overlay	
38717	19
Spade Terminal	
00245	77
Spark Electrode	
44328701P	57
Speed Clip	
28835	29
Strain Relief	
D517491	71
D517492	71
52151	71
Strain Relief Adapter	
D502496	71
Strain Relief Connector	
D511628	71
Switch	
D512973	19, 29
D516391	35

Switch Bracket	
D516237	67

T

Terminal	
00252	77
00347	77
Terminal Block Assembly	
D505876	47
D510190P	47
Terminal Block Label	
D506072	61
D515445	61
Terminal Block Shield	
D517715	47
Terminal Block Support Bracket	
D505875	45
Terminal Extractor Tool	
283P4	81
Thermal Fuse Assembly	
D518649	49, 51
Thermistor	
M414704	31
Thermistor Assembly	
D502366	31
D510523	31
Thermostat	
D510703	53
Thermostat Cover	
D502194	31
Thermostat Shield	
D514325	31
Top Hinge	
D510136	69
Top Kit	
D510032WP	69
803144P	69
Top Panel	
D510032DG	69
Torx Bit	
281P4	81
282P4	81
292P4	81
Torx Drive Tool	
93501	81
Transformer	
202757	7, 67
204380	7
Transformer Harness	
D514069	7
D514072	7
805428	7
Transformer Shield	
D514334	65

U

Upper Electric Harness	
D517476	87
Upper Harness	
D517482	87

N/A items do not appear in index.

USB Gateway Kit NK330	7
USB IR Interface Kit 203346	7

W

Warning Label	
D514226	29
D514867	29
44324001	41
807561	61
Warning/Caution Label	
D516512	29
Washer	
D501307	69
D504082	45
28449	45
29443	35
52549	35, 45
Window Trim	
D515955	23
D515956W	23, 25
Wire Assembly	
D518255	51
D518256	51
Wire Clip	
D504034	79
687500	79
Wire Guard	
201595P	15
Wireless Network Control Assembly	
807211	13
Wireless Network Harness	
F8674006	13
Wireless Network Kit	
204689	7
Wire, 12 Gauge	
45380	83, 87
Wire, 18 Gauge	
45001	83, 87
Wiring Harness Assembly	
202868	9
Wrapper and Channel Assembly	
D505753WP	19, 21
Wrapper Assembly	
804104B	19
804104DG	19, 21
804104W	19, 21
804112W	21
