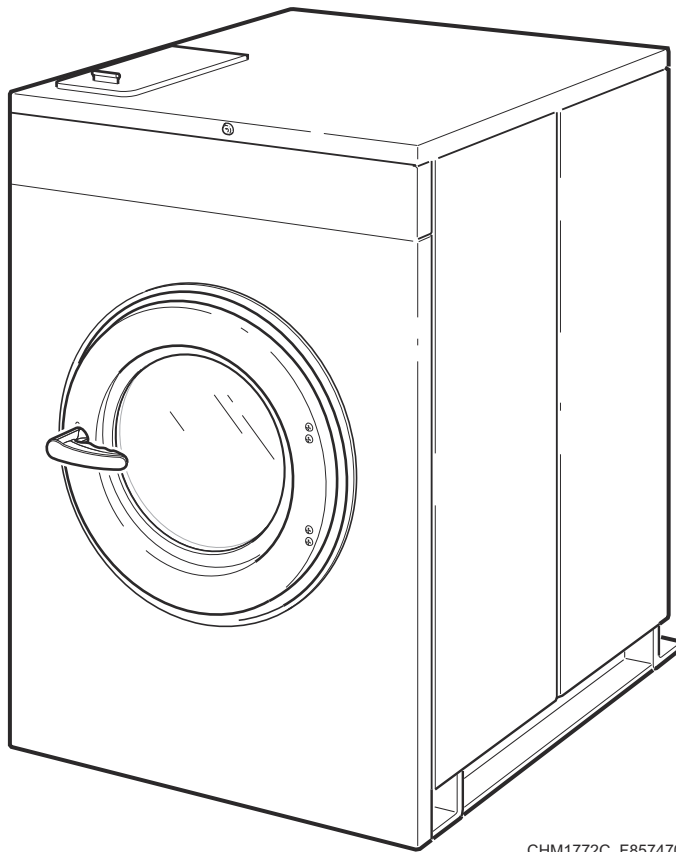


Washer-Extractor

Cabinet Hardmount

Design 1

Refer to Page 3 for Model Numbers



CHM1772C_F8574701

Table of Contents

Title	Page
Parts Ordering Information.....	2
Serial Plate Location	2
Model Identification	3
Product Overview for M9, M30, Galaxy 400, Galaxy 600, Quantum Silver and Quantum Gold	4
Product Overview for M4, Galaxy 200 and Quantum Standard	6
Decals	8
Control Module - 2 Speed	10
Control Module - F and V-Speed	12
PowerFlex 40 Drive - F and V-Speed	14
Flush Mount Coin Meter Assembly - Single Drop	16
Flush Mount Coin Meter Assembly - Dual Drop.....	18
Electronic Coin Meter Assembly	20
Card Reader	22
Optional Coin Box	24
Front Panels and Control Panel.....	26
Control Panel Overlays	28
Panels	30
Door	32
Door Lock.....	34
Basket	36
Trunnion.....	38
Shell and Frame.....	40
Drain Plumbing	42
Drain Valve Assembly - 20 and 30 Pound Models.....	44
Drain Valve Assembly - 40 and 60 Pound Models.....	46
Steam Filter (Optional) and Water Supply Hose	48
Fill Plumbing Assembly (Drawing 1 of 2)	50
Fill Plumbing Assembly (Drawing 2 of 2)	52
Pulley and Belt	54
Motor Pulley and Support	56
Motor - 20 and 30 Pound Models.....	58
Motor - 40 and 60 Pound Models.....	60
Electric Heat Option	62
Parts Index.....	65

© Copyright 2018, Alliance Laundry Systems LLC

All rights reserved. No part of the contents of this book may be reproduced or transmitted in any form or by any means without the expressed written consent of the publisher.

Parts Ordering Information

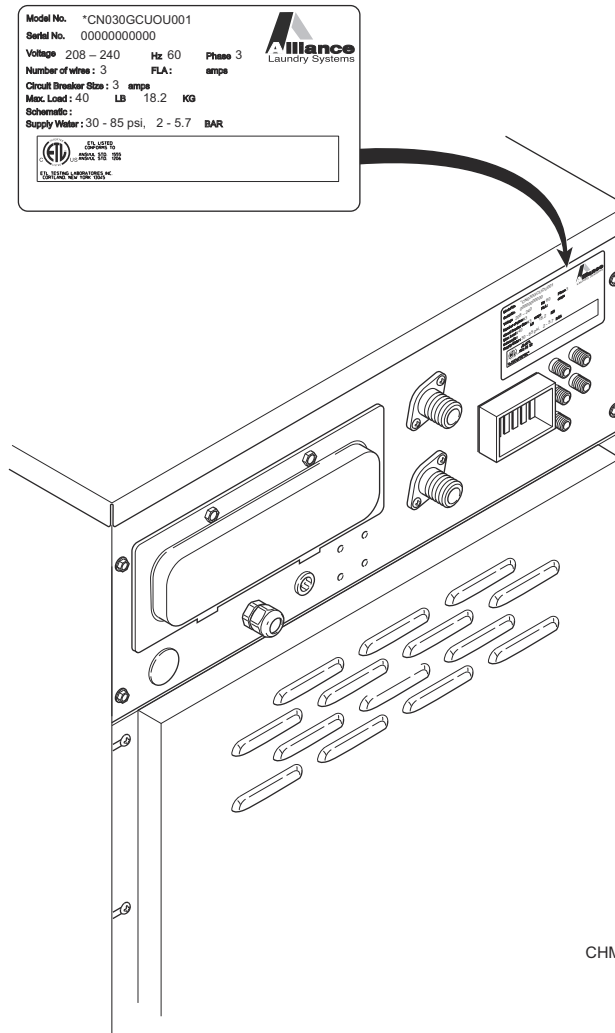
If literature or replacement parts are required, contact the source from whom the machine was purchased or contact Alliance Laundry Systems at (920) 748-3950 for the name and address of the nearest authorized parts distributor.

For technical assistance, call the number listed below:

(920) 748-3121 Ripon, Wisconsin

Serial Plate Location

When calling or writing about your product, be sure to mention model and serial numbers. Model and serial numbers are located on serial plate(s) as shown.



CHM3025P_F8574701

Model Identification

Information in this manual is applicable to these washer-extractor models:

HCD020JD2	SCN020JC2	SCU020JC2	SCU040JC2
SCD030JDF	SCN020JCF	SCU020JCF	SCU040JCF
SCD040JDF	SCN020JCV	SCU020JCV	SCU040JCV
SCD060JDF	SCN020JD2	SCU020JD2	SCU040JD2
SCL020JC2	SCN020JDF	SCU020JDF	SCU040JDF
SCL020JCF	SCN020JEF	SCU020JDV	SCU040JDV
SCL020JD2	SCN020JXF	SCU020JE2	SCU040JE2
SCL020JDF	SCN020JY2	SCU020JEF	SCU040JEF
SCL020JE2	SCN020JYF	SCU020JEV	SCU040JEV
SCL020JEF	SCN020JYV	SCU020JL2	SCU040JL2
SCL020JEV	SCN030JC2	SCU020JLF	SCU040JLF
SCL020JX2	SCN030JCF	SCU020JLV	SCU040JLV
SCL020JXF	SCN030JCV	SCU020JX2	SCU040JX2
SCL020JYF	SCN030JD2	SCU020JXF	SCU040JXF
SCL030JC2	SCN030JDF	SCU020JXV	SCU040JXV
SCL030JCF	SCN030JE2	SCU020JY2	SCU040JY2
SCL030JD2	SCN030JEF	SCU020JYF	SCU040JYF
SCL030JDF	SCN030JX2	SCU020JYV	SCU040JYV
SCL030JE2	SCN030JXF	SCU030JC2	SCU060JC2
SCL030JEF	SCN030JY2	SCU030JCF	SCU060JCF
SCL030JEV	SCN030JYF	SCU030JCV	SCU060JCV
SCL030JX2	SCN030JYV	SCU030JD2	SCU060JD2
SCL030JXF	SCN040JC2	SCU030JDF	SCU060JDF
SCL030JY2	SCN040JCF	SCU030JDV	SCU060JDV
SCL030JYV	SCN040JCV	SCU030JE2	SCU060JE2
SCL040JC2	SCN040JD2	SCU030JEF	SCU060JEF
SCL040JCF	SCN040JDF	SCU030JEV	SCU060JEV
SCL040JCV	SCN040JE2	SCU030JL2	SCU060JL2
SCL040JD2	SCN040JEF	SCU030JLF	SCU060JLF
SCL040JDF	SCN040JXF	SCU030JLV	SCU060JLV
SCL040JE2	SCN040JY2	SCU030JX2	SCU060JX2
SCL040JEF	SCN040JYF	SCU030JXF	SCU060JXF
SCL040JEV	SCN040JYV	SCU030JXV	SCU060JXV
SCL040JX2	SCN060JC2	SCU030JY2	SCU060JY2
SCL040JXF	SCN060JCF	SCU030JYF	SCU060JYF
SCL040JXV	SCN060JCV	SCU030JYV	SCU060JYV
SCL040JYF	SCN060JD2		
SCL060JC2	SCN060JDF		
SCL060JCF	SCN060JEF		
SCL060JD2	SCN060JX2		
SCL060JDF	SCN060JXF		
SCL060JE2	SCN060JY2		
SCL060JEV	SCN060JYF		
SCL060JXF	SCN060JYV		
SCL060JYF			

Product Overview for M9, M30, Galaxy 400, Galaxy 600, Quantum Silver and Quantum Gold

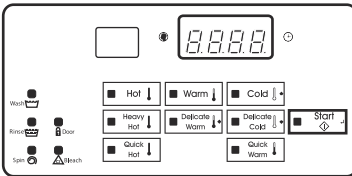
Model No. *CN030GC2U0U001
 Serial No. 0000000000

Voltage 208 – 240 Hz 60 Phase 3
 Number of wires : 3 FLA: amps
 Circuit Breaker Size : 3 amps
 Max. Load : 40 LB 18.2 KG
 Schematic :
 Supply Water : 30 - 85 psi, 2 - 5.7 BAR

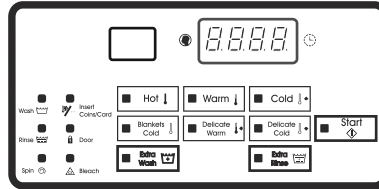
Alliance
 Laundry Systems

ETL LISTED
 CONFORMS TO
 ANSUL STD. 1552
 US ANSUL STD. 1506

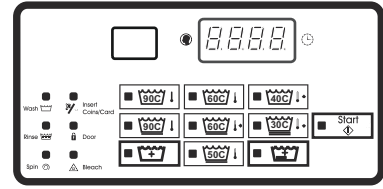
ETL TESTING LABORATORIES INC.
 CORTLAND, NEW YORK 13045



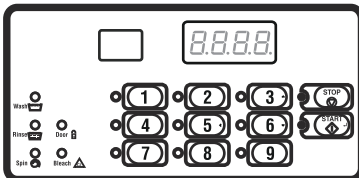
Galaxy 400 Coin



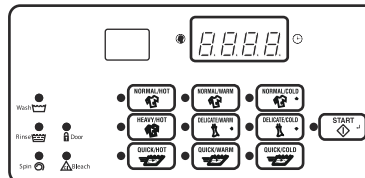
Galaxy 600 Coin (Domestic)



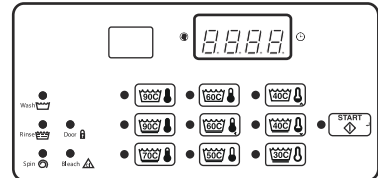
Galaxy 600 Coin (International)



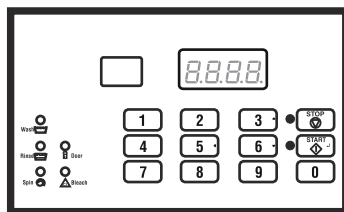
M9/Galaxy 400 OPL/Quantum Silver OPL



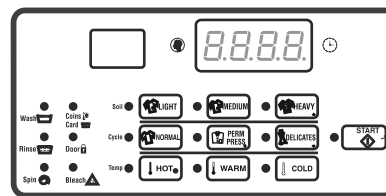
Quantum Silver Coin (Domestic)



Quantum Silver Coin (International)



M30/Quantum Gold OPL



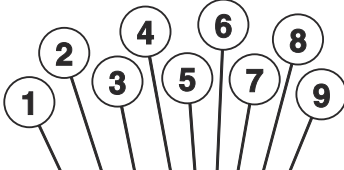
Quantum Gold

CHM3217P_F8574701

Product Overview for M9, M30, Galaxy 400, Galaxy 600, Quantum Silver and Quantum Gold

REF	PART NO.	DESCRIPTION	COMMENTS
1	-	Product Family	HC NC SC UC
2	-	Market	B (Brazil CE) D (Daiwa) L (International ETL(c)) N (Domestic ETL(c)) U (International CE) Y (Australia) Z (No Agency International)
3	-	Capacity (Pounds)	020 030 040 060 080 100 125
4	-	Control	G H J K L W
5	-	Actuation	C (Drop Coin Meter) D (Digital Coin Meter) E (Electronic World Drop) L (Prep for Remote/Central Pay) N (Non-Coin OPL) X (Prep for Coin Meter) Y (Prep for Card Reader)
6	-	Speed	2 (2 Speed) F (F-Speed) V (V-Speed)
7	-	Voltage	B (120/60/1/2) C (380-415/50/3/4) F (440-480/60/3/3) J (200/50/3/3) N (440-480/50/60/3) O (208/220-240/60/3/3) P (380-415/50/60/3) Q (200-208/220-240/50/60/3) R (380-415/440-480/50/60/3) X (200-208/220-240/50/60/1/3) Y (208/220-240/60/1/2)
8	-	Side Panel	1 (Stainless Steel) U (Standard)
9	-	Design	1 2 3

Product Overview for M4, Galaxy 200 and Quantum Standard



Model No. *CN030GC2U0U001

Serial No. 0000000000

Voltage 208 – 240 Hz 60 Phase 3


Number of wires :3 FLA : amps


Circuit Breaker Size : 3 amps

Max. Load : 40 LB 18.2 KG

Schematic :

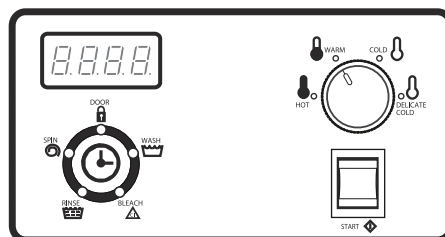
Supply Water : 30 - 85 psi, 2 - 5.7 BAR





ETL LISTED
CONFORMS TO
ANSI/UL STD. 955
US ANSI/UL STD. 1200

ETL TESTING LABORATORIES, INC.
CORTLAND, NEW YORK 13045



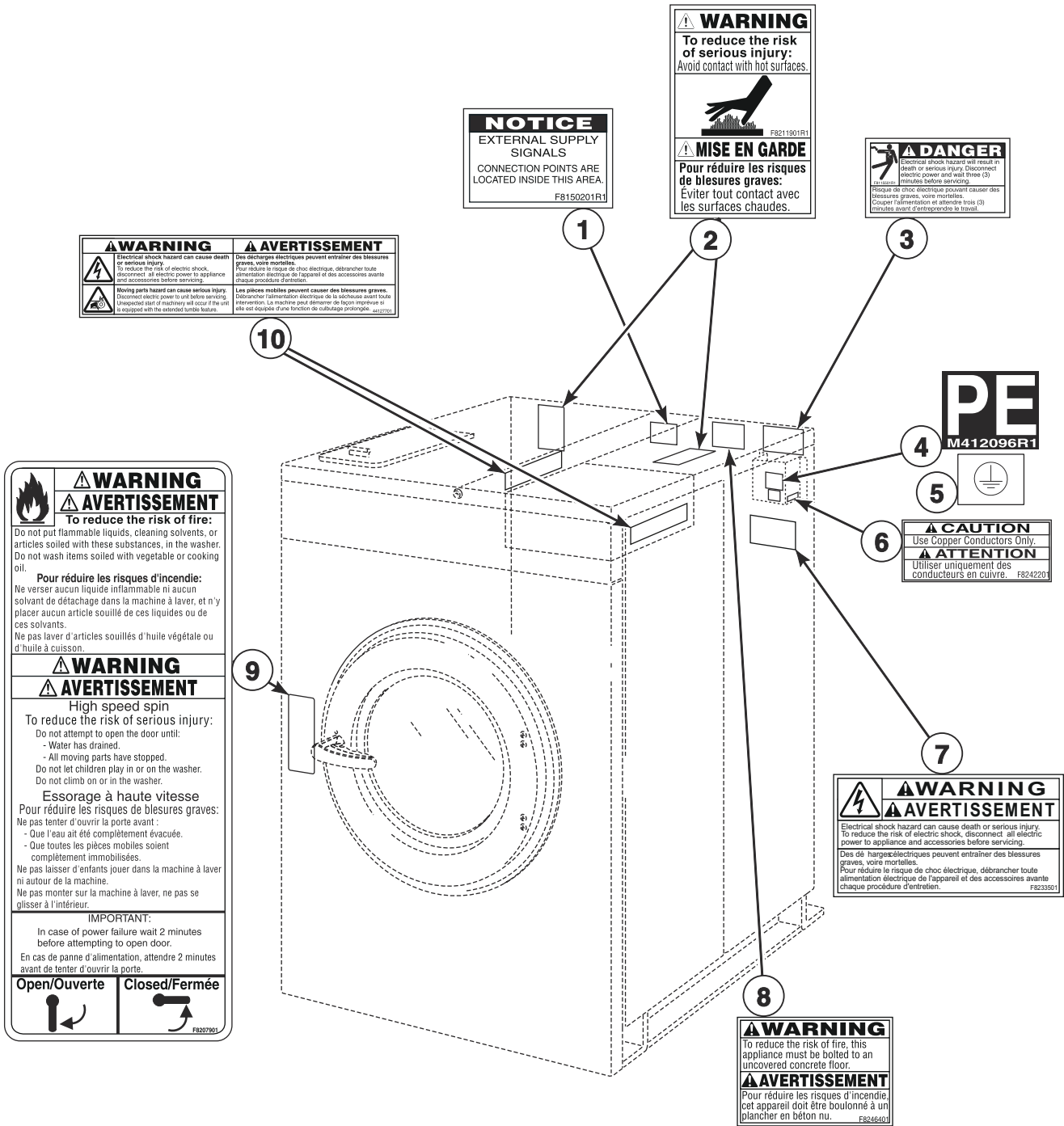
M4/Galaxy 200/Quantum Standard

CHM3218P_F8574701

Product Overview for M4, Galaxy 200 and Quantum Standard

REF	PART NO.	DESCRIPTION	COMMENTS
1	-	Product Family	HC NC SC UC
2	-	Market	B (Brazil CE) D (Daiwa) L (International ETL(c)) N (Domestic ETL(c)) U (International CE) Y (Australia) Z (No Agency International)
3	-	Capacity (Pounds)	020 030 040 060 080 100 125
4	-	Control	G H J K L W
5	-	Actuation	C (Drop Coin Meter) D (Digital Coin Meter) E (Electronic World Drop) L (Prep for Remote/Central Pay) N (Non-Coin OPL) X (Prep for Coin Meter) Y (Prep for Card Reader)
6	-	Speed	2 (2 Speed) F (F-Speed) V (V-Speed)
7	-	Voltage	B (120/60/1/2) C (380-415/50/3/4) F (440-480/60/3/3) J (200/50/3/3) N (440-480/50/60/3) O (208/220-240/60/3/3) P (380-415/50/60/3) Q (200-208/220-240/50/60/3) R (380-415/440-480/50/60/3) X (200-208/220-240/50/60/1/3) Y (208/220-240/60/1/2)
8	-	Side Panel	1 (Stainless Steel) U (Standard)
9	-	Design	1 2 3

Decals



NOTICE
EXTERNAL SUPPLY SIGNALS
CONNECTION POINTS ARE LOCATED INSIDE THIS AREA.
F8150201R1

WARNING
To reduce the risk of serious injury: Avoid contact with hot surfaces.
F821901R1
MISE EN GARDE
Pour réduire les risques de blessures graves: Éviter tout contact avec les surfaces chaudes.

DANGER
Electrical shock hazard will result in death or serious injury. Disconnect electric power and wait three (3) minutes before servicing.
Risque de choc électrique pouvant causer des blessures graves, voire mortelles. Couper l'alimentation et attendre trois (3) minutes avant d'entreprendre le travail.

WARNING
Electrical shock hazard can cause death or serious injury. To reduce the risk of electric shock, disconnect all electric power to appliance and accessories before servicing.
Risque de choc électrique pouvant causer des blessures graves, voire mortelles. Pour réduire le risque de choc électrique, débrancher toute alimentation électrique de l'appareil et des accessoires avant chaque procédure d'entretien.
AVERTISSEMENT
Les pièces mobiles peuvent causer des blessures graves. Débrancher l'alimentation électrique de la machine avant toute intervention. La machine peut démarrer de façon imprévue si elle est équipée d'une fonction de surbrutage prolongée. (402270)

WARNING
To reduce the risk of fire:
Do not put flammable liquids, cleaning solvents, or articles soiled with these substances, in the washer. Do not wash items soiled with vegetable or cooking oil.
Pour réduire les risques d'incendie: Ne verser aucun liquide inflammable ni aucun solvant de détachage dans la machine à laver, et n'y placer aucun article souillé de ces liquides ou de ces solvants.
Ne pas laver d'articles souillés d'huile végétale ou d'huile à cuisson.
WARNING
High speed spin
To reduce the risk of serious injury:
Do not attempt to open the door until:
- Water has drained.
- All moving parts have stopped.
Do not let children play in or on the washer. Do not climb on or in the washer.
Essorage à haute vitesse
Pour réduire les risques de blessures graves: Ne pas tenter d'ouvrir la porte avant:
- Que l'eau ait été complètement évacuée.
- Que toutes les pièces mobiles soient complètement immobilisées.
Ne pas laisser d'enfants jouer dans la machine à laver ni autour de la machine.
Ne pas monter sur la machine à laver, ne pas se glisser à l'intérieur.
IMPORTANT:
In case of power failure wait 2 minutes before attempting to open door.
En cas de panne d'alimentation, attendre 2 minutes avant de tenter d'ouvrir la porte.
Open/Ouverte
Closed/Fermée
F8207901

PE
M412096R1
CAUTION
Use Copper Conductors Only.
ATTENTION
Utiliser uniquement des conducteurs en cuivre. F8242201

WARNING
Electrical shock hazard can cause death or serious injury. To reduce the risk of electric shock, disconnect all electric power to appliance and accessories before servicing.
Des décharges électriques peuvent entraîner des blessures graves, voire mortelles. Pour réduire le risque de choc électrique, débrancher toute alimentation électrique de l'appareil et des accessoires avant chaque procédure d'entretien. F8233501

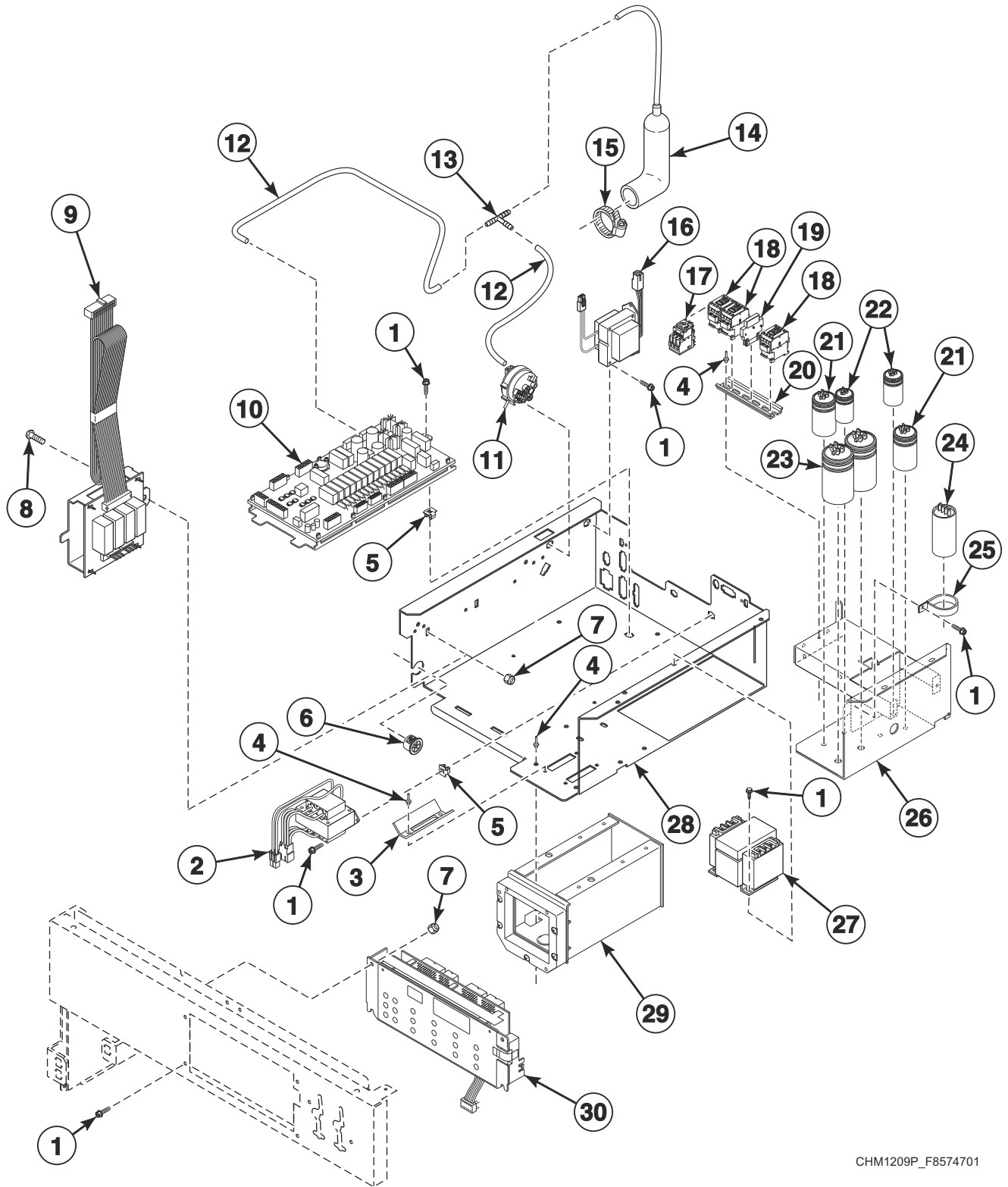
WARNING
To reduce the risk of fire, this appliance must be bolted to an uncovered concrete floor.
AVERTISSEMENT
Pour réduire les risques d'incendie, cet appareil doit être boulonné à un plancher en béton nu. F8246401

CHM3027P_F8574701

Decals

REF	PART NO.	DESCRIPTION	COMMENTS
1	F8150201	External Supply Connection Decal	
2	F8614301	Hot Surface Warning Label	
3	F8115501	Electric Shock Danger Label	
4	M412096	Earth Terminal Sticker	
5	F230739	Ground Decal	
6	F8242201	Use Copper Conductors Only Caution Label	
7	F8233501	Warning Label	
8	F8246401	Mount on Concrete Warning Label	
9	F8207901	Warning Label	
10	44324001	Warning Label	

Control Module - 2 Speed

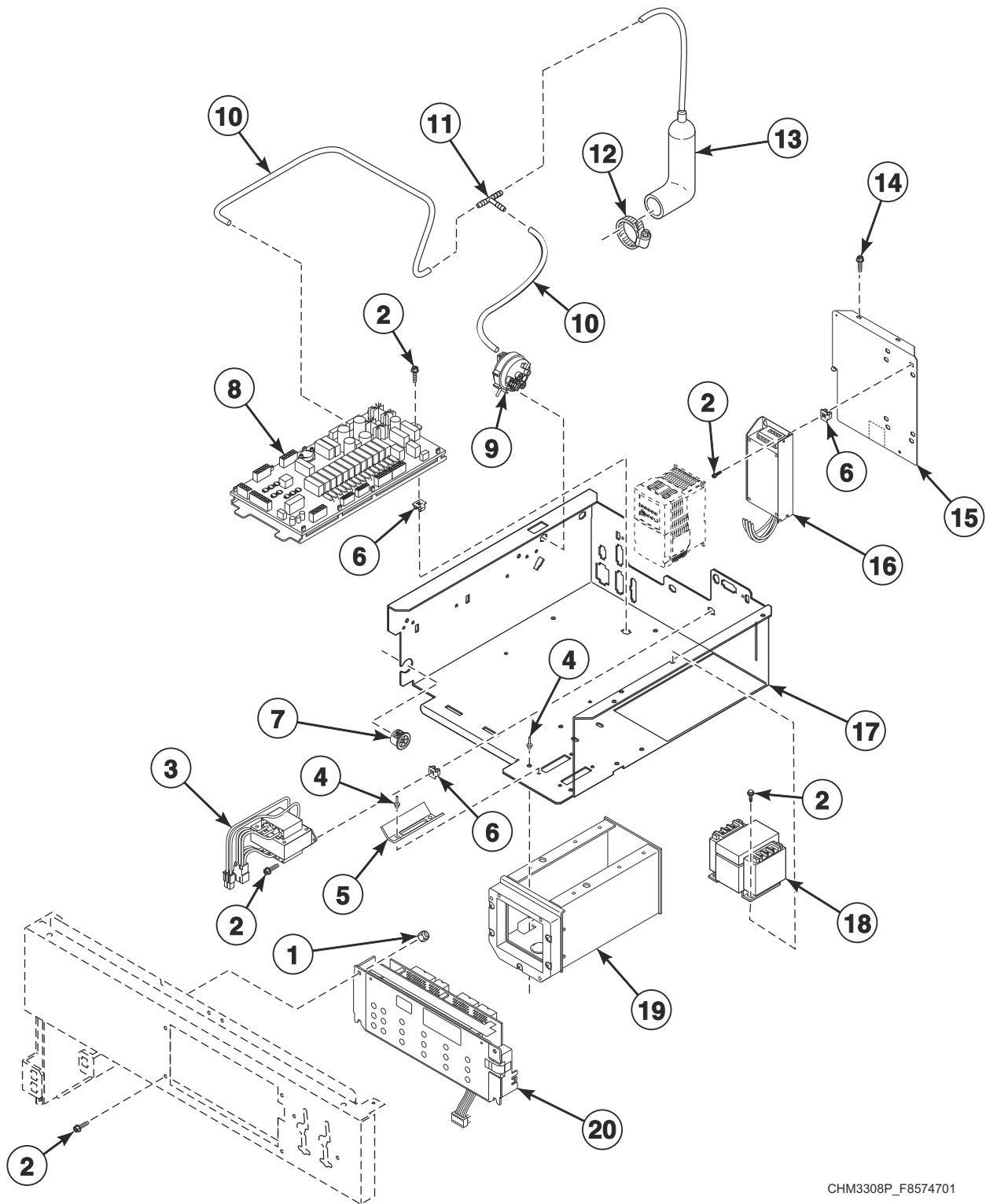


CHM1209P_F8574701

Control Module - 2 Speed

REF	PART NO.	DESCRIPTION	COMMENTS
	203346	USB IR Interface Kit	
	F937P3	External Supply Kit	Includes items 1, 9, 16, F8191201P External Supply Harness and screws
	M413506	Jumper Harness Assembly	208 Volt
	M413507	Jumper Configuration Assembly	240 Volt
	F8028101P	Machine Size Configuration Harness	20 pound models
	F8028103P	Machine Size Configuration Harness	30 pound models
	F8028104P	Machine Size Configuration Harness	40 pound models
	F8028105P	Machine Size Configuration Harness	60 pound models
	F8028701	Output/Logic Harness	
	F8191203P	External Supply Harness	20 and 30 pound models
	F8191201P	External Supply Harness	40 and 60 pound models
	F8028219P	Temperature Configuration Harness	
1	F8206901	Screw	
2	803527P	Transformer	
3	F8170801	Coin Chute	
4	70058501	Pop Rivet	
5	70030501	Expansion Clip	
6	44071501	Snap Bushing	
7	F430232	Nut	
8	F430903	Screw	
9	F8189401P	Auxiliary Control Assembly	
10	F980P3	Control Assembly Kit	Includes item 13 and F8108001 Output Assembly
	802493	Fuse	2.5 Amp
11	F8223001P	Water Pressure Switch	
12	F8153901	Tubing	
13	F8246601	Tee	
14	F020014200	Air Trap Hose	
15	F200222	Hose Clamp	No. 12
16	201616P	Transformer	External supply
17	F8176101P	Overload Contactor	
18	F330177P	Contacto	
19	F330186P	Interlock Contactor	
20	F8200101	DIN Rail	
21	F8411901	Capacitor	50 MFD; 20 pound models Y-voltage, 1 used; 40 pound models Y-voltage, 2 used
	F370221	Capacitor	100 MFD; 20 pound models; B-voltage, 1 used
22	F8411801	Capacitor	25 MFD; 20 pound models; Y-voltage, 2 used
	F8411701	Capacitor	20 MFD; 30 pound models Y-voltage, 4 used; 40 pound models Y-voltage, 2 used
23	F370220	Capacitor	130 MFD; 20 pound models B-voltage, 2 used; 30 pound models Y-voltage, 1 used
	F370218P	Capacitor	160 MFD; 40 pound models; Y-voltage, 2 used
24	F340002	Motor Switch	50 Amp
25	F0340722-00	Switch Clamp	
26	F8199601	Capacitor Tray Assembly	20 pound models; B and Y-voltage
	F8199901	Capacitor Tray Assembly	All other models; B and Y-voltage
	F8343401	Contacto Tray Assembly	C, F, J and O-voltage
27	F360157P	Transformer	B-voltage
28	F8205902	Control Tray Assembly	20 and 30 pound models; Includes items 3 and 28
	F8205903	Control Tray Assembly	40 and 60 pound models; Includes items 3 and 28
29	F8182501	Coin Vault Assembly	20 and 30 pound JC, JD, JE and JX models
	F8182601	Coin Vault Assembly	40 and 60 pound JC, JD, JE and JX models
30	F994P3	Control Kit	SCN models
	F995P3	Control Kit	HCD, SCL and SCU models

Control Module - F and V-Speed

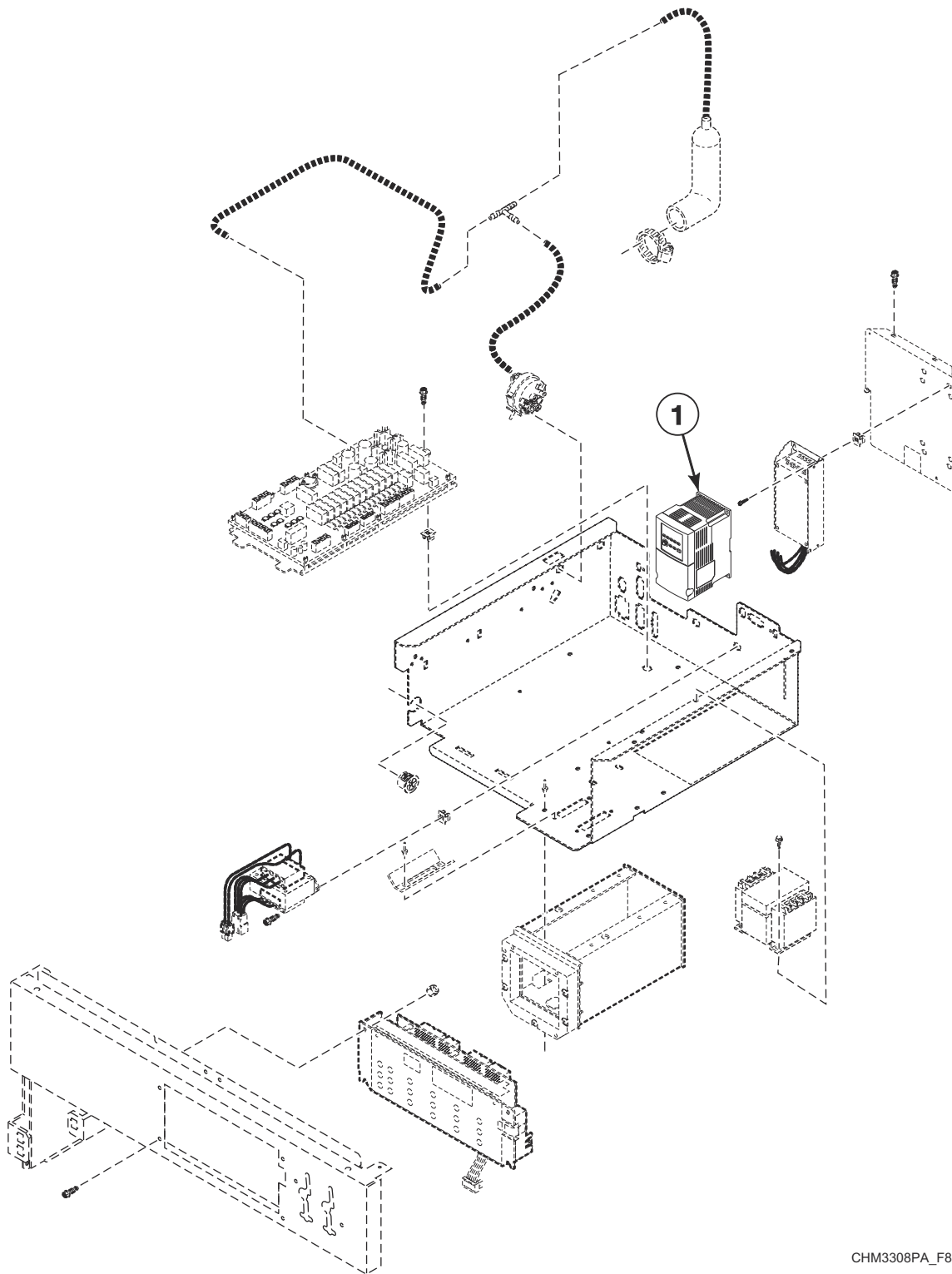


CHM3308P_F8574701

Control Module - F and V-Speed

REF	PART NO.	DESCRIPTION	COMMENTS
	F8028701	Output/Logic Harness	
	203346	USB IR Interface Kit	
	F8028101P	Machine Size Configuration Harness	20 pound models
	F8028103P	Machine Size Configuration Harness	30 pound models
	F8028104P	Machine Size Configuration Harness	40 pound models
	F8028105P	Machine Size Configuration Harness	60 pound models
	M413506	Jumper Harness Assembly	208 Volt
	M413507	Jumper Configuration Assembly	240 Volt
	F937P3	External Supply Kit	Includes item 2, F8189401 Auxiliary Control Assembly, 201616 Transformer, F8191201P External Supply Harness and screws
	F8191203P	External Supply Harness	20 and 30 pound models
	F8191201P	External Supply Harness	40 and 60 pound models
	F8261501P	Control Tray Harness	40 and 60 pound models
1	F430232	Nut	
2	F8206901	Screw	
3	803527P	Transformer	
4	70058501	Pop Rivet	
5	F8170801	Coin Chute	
6	70030501	Expansion Clip	
7	44071501	Snap Bushing	
8	F980P3	Control Assembly Kit	Includes item 11 and F8108001 Output Assembly
9	F8223001P	Water Pressure Switch	
10	F8153901	Tubing	
11	F8246601	Tee	
12	F200222	Hose Clamp	No. 12
13	F020014200	Air Trap Hose	
14	F8206901	Screw	
15	F8195803	Support Bracket	
16	F8053901P	EMI Filter	240 Volt; International models
	F8053902	EMI Filter	480 Volt: International models
17	F8205902	Control Tray Assembly	20 and 30 pound models; Includes items 5 and 18
	F8205903	Control Tray Assembly	40 and 60 pound models; Includes items 5 and 18
18	F360157P	Transformer	B-voltage
19	F8182501	Coin Vault Assembly	20 and 30 pound models
	F8182601	Coin Vault Assembly	40 and 60 pound models
20	F992P3	Control Kit	SCN V-speed models
	F993P3	Control Kit	SCL and SCU V-speed models; Includes F8028701 Output/Logic Harness
	F994P3	Control Kit	SCD and SCN F-speed models; Includes F8028701 Output/Logic Harness
	F995P3	Control Kit	SCL and SCU F-speed models; Includes F8028701 Output/Logic Harness

PowerFlex 40 Drive - F and V-Speed



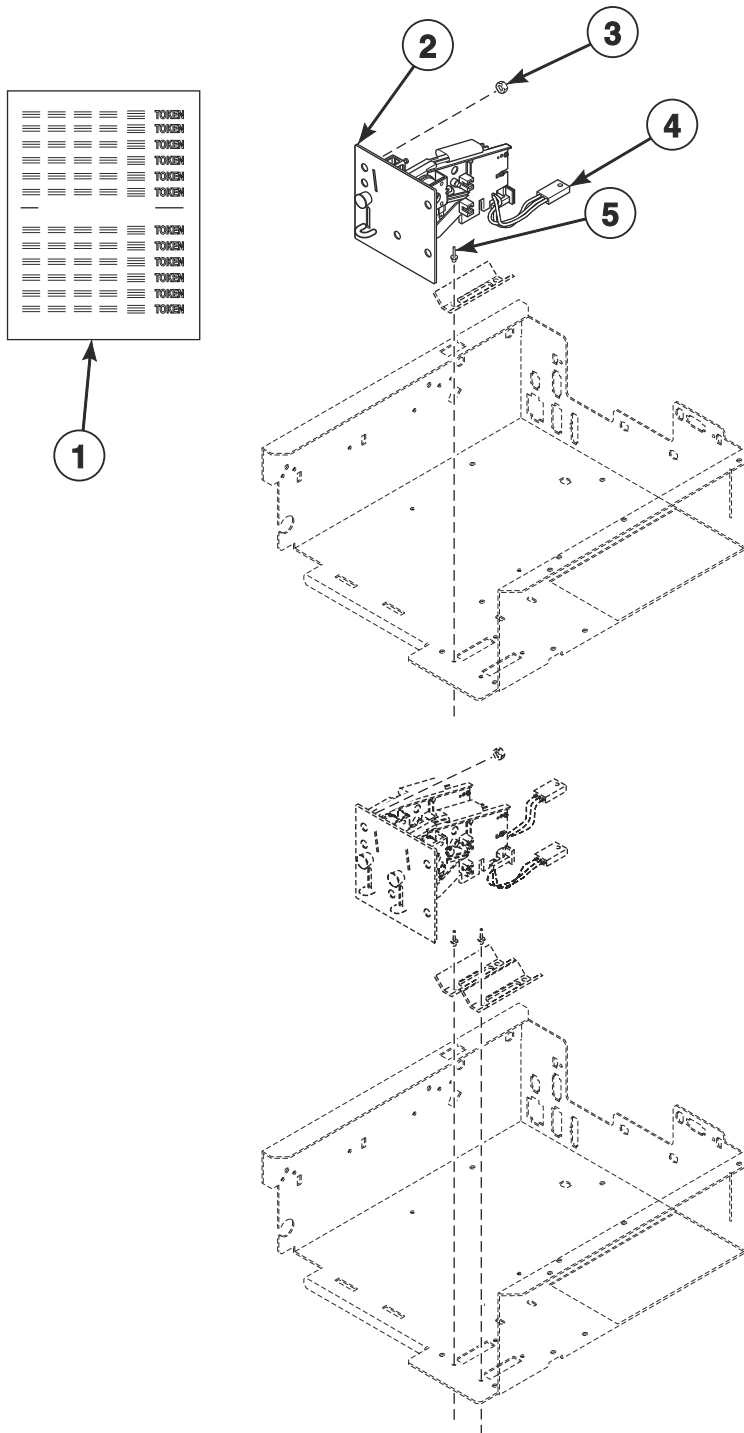
CHM3308PA_F8574701

PowerFlex 40 Drive - F and V-Speed

REF	PART NO.	DESCRIPTION	COMMENTS
1	F8169401	PowerFlex 40 Drive	20 pound models; Use with models manufactured with F220393 Motor; Q and X-voltage
	F8169402	PowerFlex 40 Drive	20 pound models; Use with models manufactured with F220393 Motor; N, P and R-voltage
	F8169403	PowerFlex 40 Drive	30 pound models; Use with models manufactured with F220395 Motor; Q and X-voltage
	F8169404	PowerFlex 40 Drive	30 pound models; Use with models manufactured with F220395 Motor; N, P and R-voltage
	F8169405	PowerFlex 40 Drive	40 pound models; Use with models manufactured with F220394 Motor; Q and X-voltage
	F8169406	PowerFlex 40 Drive	40 pound models; Use with models manufactured with F220394 Motor; N, P and R-voltage
	F8169407	PowerFlex 40 Drive	60 pound models; Use with models manufactured with F220234 Motor; Q and X-voltage
	F8169408	PowerFlex 40 Drive	60 pound models; Use with models manufactured with F220234 Motor; N, P and R-voltage
	F8169434	PowerFlex 40 Drive	20 pound models; Use with models manufactured with F8328901 Motor; Q and X-voltage
	F8169435	PowerFlex 40 Drive	20 pound models; Use with models manufactured with F8328901 Motor; N, P and R-voltage
	F8169436	PowerFlex 40 Drive	30 pound models; Use with models manufactured with F8329001 Motor; Q and X-voltage
	F8169437	PowerFlex 40 Drive	30 pound models; Use with models manufactured with F8329001 Motor; N, P and R-voltage
	F8169438	PowerFlex 40 Drive	40 pound models; Use with models manufactured with F8329101 Motor; Q and X-voltage
	F8169439	PowerFlex 40 Drive	40 pound models; Use with models manufactured with F8329101 Motor; N, P and R-voltage
	F8169440	PowerFlex 40 Drive	60 pound models; Use with models manufactured with F8329101 Motor; Q and X-voltage
	F8169441	PowerFlex 40 Drive	60 pound models; Use with models manufactured with F8329101 Motor; N, P and R-voltage

Flush Mount Coin Meter Assembly - Single Drop

Coin Models



CHM3088P_F8574701

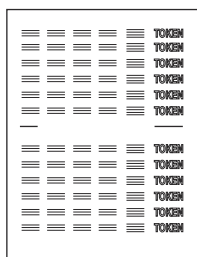
Flush Mount Coin Meter Assembly - Single Drop

REF	PART NO.	DESCRIPTION	COMMENTS
	F200010000P	Coin Meter Assembly	U.S. \$.25; Includes items 2 and 3
	F200010006	Coin Meter Assembly	.800 token; Includes items 2 and 3
	F200010007	Coin Meter Assembly	.880 token; Includes items 2 and 3
	F200010009	Coin Meter Assembly	.990 token; Includes items 2 and 3
	F200010011	Coin Meter Assembly	Jeton WH121 token; Includes items 2 and 3
	F200010012	Coin Meter Assembly	Jeton .08 token; Includes items 2 and 3
1	38725	Coin Identification Paper	
2	38464P	Coin Drop Assembly	Canada .25
	N/A	Coin Drop Assembly	Australia .20
	N/A	Coin Drop Assembly	Belgium 5 franc
	N/A	Coin Drop Assembly	Denmark 2 krone
	N/A	Coin Drop Assembly	United Kingdom 20 pence
	N/A	Coin Drop Assembly	France 2 franc
	N/A	Coin Drop Assembly	Hong Kong 5 dollar
	N/A	Coin Drop Assembly	Italy 500 lirraiget
	N/A	Coin Drop Assembly	Japan 100 yen
	N/A	Coin Drop Assembly	Korea 500 won
	N/A	Coin Drop Assembly	South Africa 2 rand
	N/A	Coin Drop Assembly	Spain 100 peseta
	N/A	Coin Drop Assembly	Thailand 10 baht
	N/A	Coin Drop Assembly	.886 token
	N/A	Coin Drop Assembly	1.000 token
	N/A	Coin Drop Assembly	Jeton 08 token
	70441601P	Coin Drop	U.S. \$.25
	N/A	Coin Drop Assembly	.800 token
	38462P	Coin Drop Assembly	Token; 118-1; .880 diameter x .079 thick; Brass
	38463	Coin Drop Assembly	Token; 118-5; .990 diameter x .081 thick; Silver
	N/A	Coin Drop Assembly	Jeton WH121 token
	N/A	Coin Meter	Jeton .08 token
3	F430215	Nut	
4	200674P	Opto Coupler	
5	70058501	Pop Rivet	

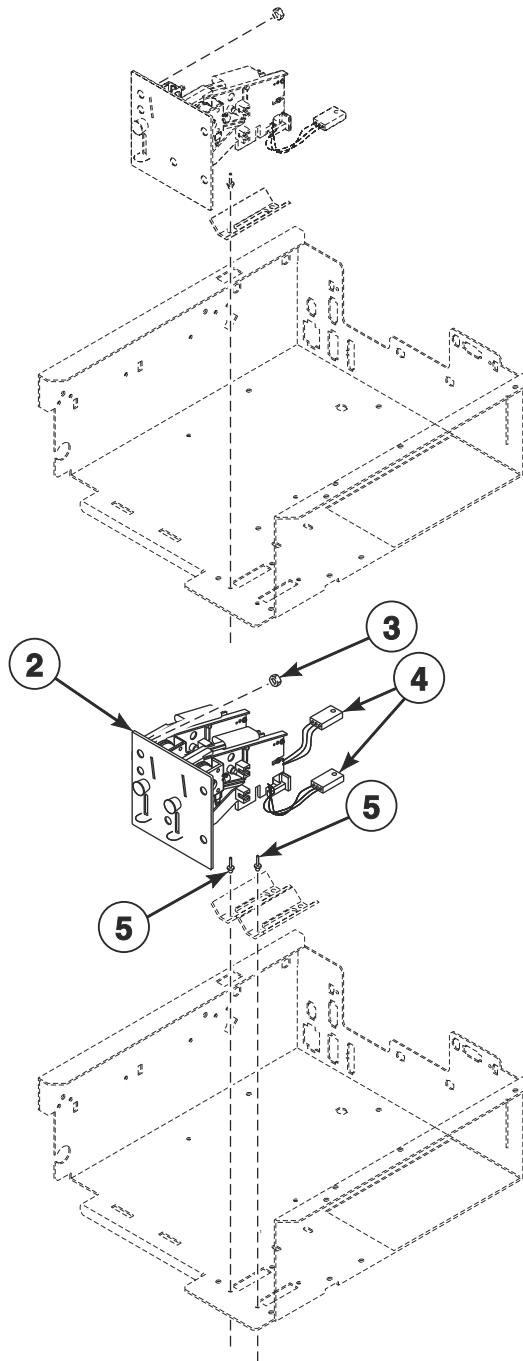
N/A = Part no longer available

Flush Mount Coin Meter Assembly - Dual Drop

Coin Models



1



CHM3088PA_F8574701

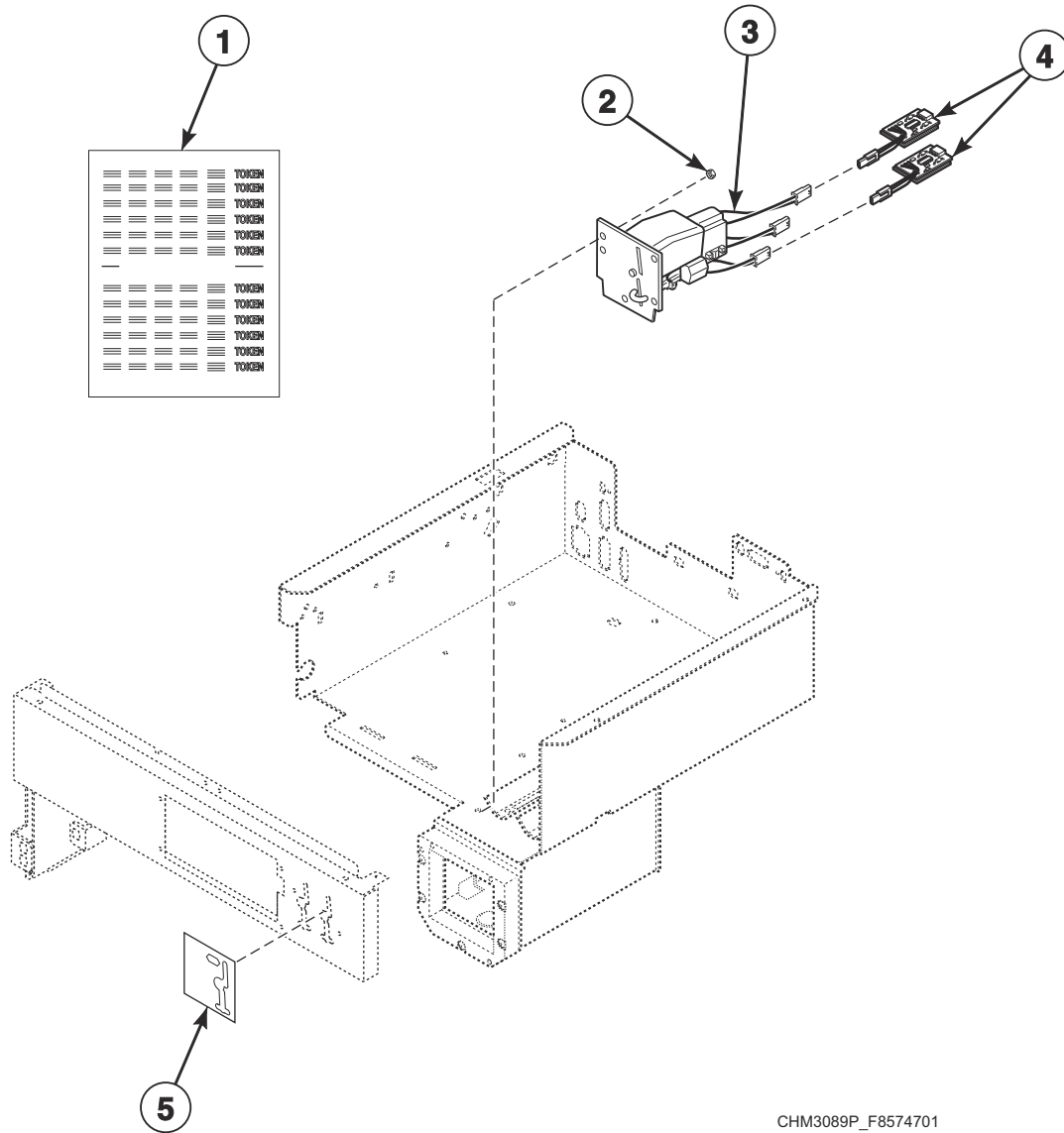
Flush Mount Coin Meter Assembly - Dual Drop

REF	PART NO.	DESCRIPTION	COMMENTS
	F200010001	Coin Meter Assembly	Australia .20 and 1.00; Includes items 2 and 3
	F200010002	Coin Meter Assembly	100 and 500 yen; Includes items 2 and 3
	F200010003	Coin Meter Assembly	Canada 1.00 and .25; Includes items 2 and 3
	F200010004	Coin Meter Assembly	New Zealand .20 and 1.00; Includes items 2 and 3
	F200010005	Coin Meter Assembly	U.S. \$1.00 and .25; Includes items 2 and 3
	F200010008	Coin Meter Assembly	.50 and 2.00 euro; Includes items 2 and 3
	F200010010	Coin Meter Assembly	10 and 50 Taiwan; Includes items 2 and 3
1	38725	Coin Identification Paper	
2	N/A	Coin Meter	10 and 50 Taiwan
	N/A	Coin Meter	Belgium 5 and 20 franc
	N/A	Coin Meter	Denmark 1 and 5 krone
	N/A	Coin Meter	Denmark 5 and 10 krone
	38472	Coin Drop Assembly	United Kingdom 20 pence and 1 pound
	N/A	Coin Meter	.20 and .50 euro
	210195	Coin Drop Assembly	.20 and 1.00 euro
	210196	Coin Drop Assembly	.50 and 1.00 euro
	N/A	Coin Meter	2 and 5 franc
	N/A	Coin Meter	2 and 10 franc
	39157	Coin Drop Assembly	Israel 1 and 5 shekel
	38521	Coin Drop Assembly	Korea 100 and 500 won
	N/A	Coin Meter	Spain 100 and 500 peseta
	N/A	Coin Drop Assembly	Australia .20 and 1.00
	N/A	Coin Drop Assembly	Japan 100 and 500 yen
	N/A	Coin Drop Assembly	Canada 1.00 and .25
	N/A	Coin Drop Assembly	New Zealand .20 and 1.00
	70256402P	Coin Drop	U.S. \$1.00 and .25
	F0160737-00	Coin Meter	.50 and 2.00 euro
	70281102	Coin Drop Assembly	10 and 50 Taiwan dollar
	N/A	Coin Meter	Taiwan 5 and 10 dollar
3	F430215	Nut	
4	200674P	Opto Coupler	
5	70058501	Pop Rivet	

N/A = Part no longer available

Electronic Coin Meter Assembly

Coin Models



CHM3089P_F8574701

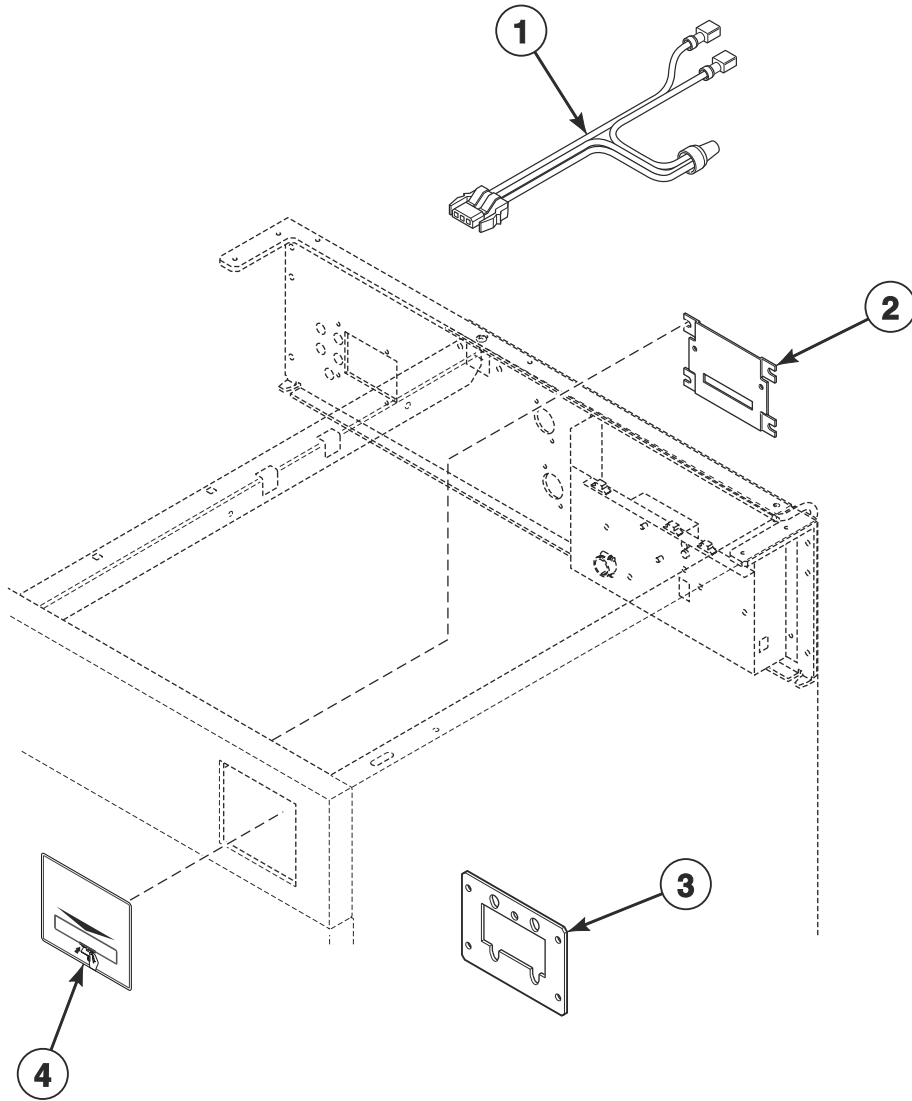
Electronic Coin Meter Assembly

REF	PART NO.	DESCRIPTION	COMMENTS
	CK500	Electronic Coin Drop Kit	
1	38725	Coin Identification Paper	
2	685846	Nut	
3	CK115	Electronic Coin Drop Kit	U.S and Canada; Includes item 1*
	CK113	Electronic Coin Drop Kit	Japan and Taiwan; Includes item 1*
	70513304	Electronic Coin Drop Assembly	Australia, Hong Kong, South Korea and New Zealand
	CK099	Electronic Coin Drop Kit	Australia, Hong Kong, South Korea and New Zealand; Includes item 1*
	70294103P	Electronic Coin Drop Assembly	United Kingdom and Euro
	CK100	Electronic Coin Drop Kit	United Kingdom and Euro; Includes item 1*
	70294104	Electronic Coin Drop Assembly	Denmark, Norway and Euro
	CK101	Electronic Coin Drop Kit	Denmark, Norway and Euro; Includes item 1*
	70294106	Electronic Coin Drop Assembly	U.S., Mexico and Ecuador
	CK110	Electronic Coin Drop Kit	U.S., Mexico and Ecuador; Includes item 1*
	70294111	Electronic Coin Drop Assembly	Euro
	CK109	Electronic Coin Drop Kit	Euro; Includes item 1*
	70294119	Electronic Coin Drop Assembly	Thailand
	CK119	Electronic Coin Drop Kit	Thailand; Includes item *
	70294120	Electronic Coin Drop Assembly	Chile
	CK120	Electronic Coin Drop Kit	Chile; Includes item 1*
	70294121	Electronic Coin Drop Assembly	Singapore
	CK121	Electronic Coin Drop Kit	Singapore; Includes item 1*
	70482401	Coin Drop Assembly	New Zealand
	CK122	Coin Drop Kit	New Zealand; 1.00 and 2.00; Includes item 1*
	70281102	Coin Drop Assembly	Taiwan
	CK107	Coin Drop Kit	Taiwan; Includes item 1*
	70513308	Electronic Coin Drop Assembly	South Africa
	CK108	Electronic Coin Drop Kit	South Africa; Includes item 1*
	70447301	Coin Drop Assembly	Australia \$1.00, \$2.00
	CK111	Coin Drop Kit	Australia \$1.00, \$2.00; Includes item 1*
	70513310	Electronic Coin Drop Assembly	Japan and Taiwan
	70513311	Electronic Coin Drop Assembly	China and Malaysia
	CK116	Electronic Coin Drop Kit	China and Malaysia; Includes item 1*
	70513312	Electronic Coin Drop Assembly	Russian
	CK117	Electronic Coin Drop Kit	Russian; Includes item 1*
	70513313	Electronic Coin Drop Assembly	Philippine
	CK118	Electronic Coin Drop Kit	Philippine; Includes item 1*
	70506901	Coin Drop Assembly	Singapore \$1.00SGD
	CK123	Coin Drop Assembly	Singapore \$1.00SGD; Includes item 1*
4	F8034701P	Pulse Expander Assembly	
5	70295101	Overlay	Black
	70295301	Overlay	Gray

* NOTE: Requires CK500 Electronic Coin Drop Kit for installation.

Card Reader

JY Models



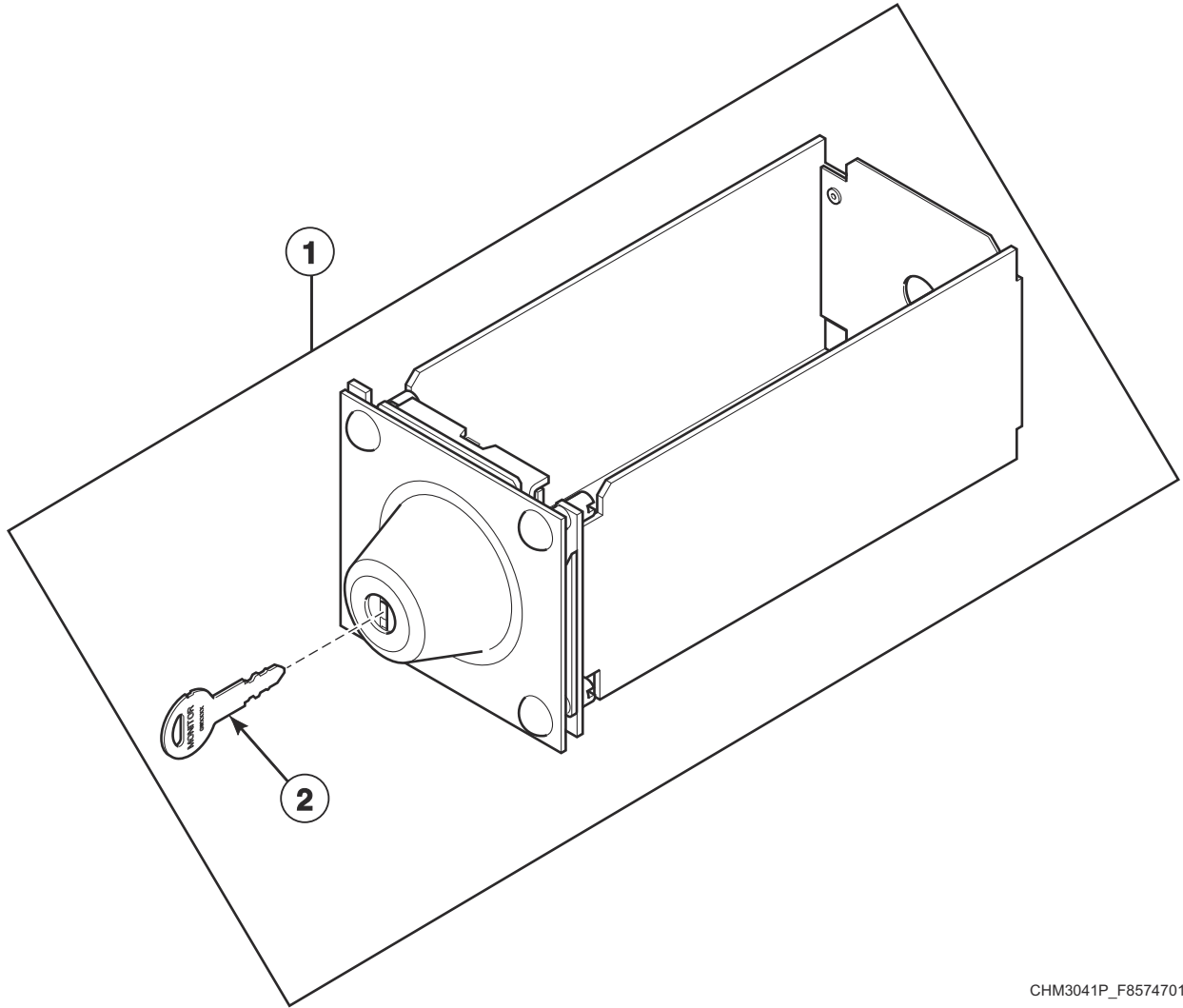
CHM3216P_F8574701

Card Reader

REF	PART NO.	DESCRIPTION	COMMENTS
1	F8191401P	Vault/FBS Bypass Harness	
2	F8201501	Card Plate Assembly	
3	70208801	Mounting Plate	
4	70334201	Card Reader Overlay	Black
	70438201	Card Reader Overlay	Gray

Optional Coin Box

Coin Models

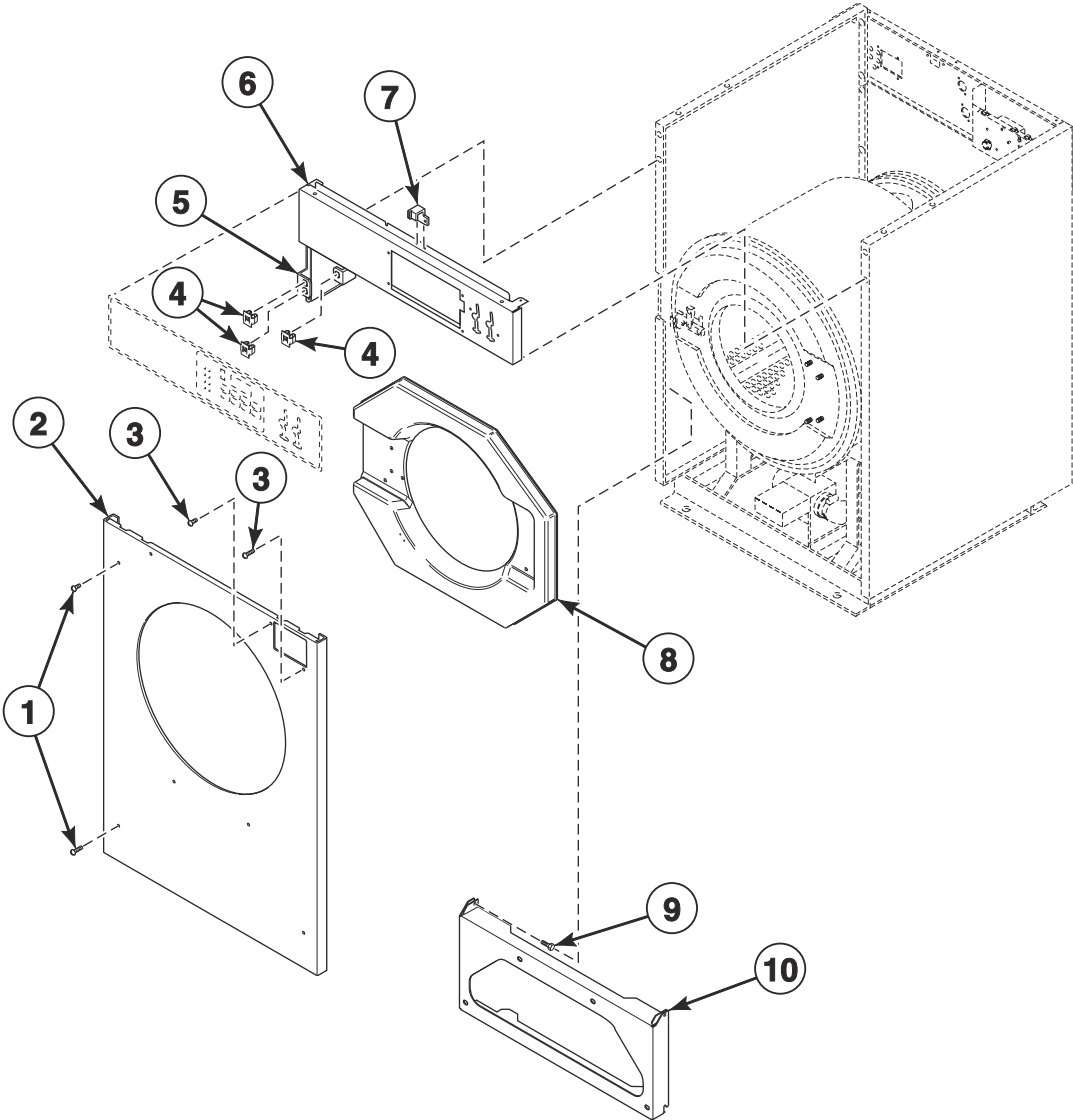


CHM3041P_F8574701

Optional Coin Box

REF	PART NO.	DESCRIPTION	COMMENTS
1	F160672	Coin Box	20 and 30 pound models; GW0023
	F8182001	Coin Drawer Assembly	40 and 60 pound models
2	F160420	Key	GW0023

Front Panels and Control Panel

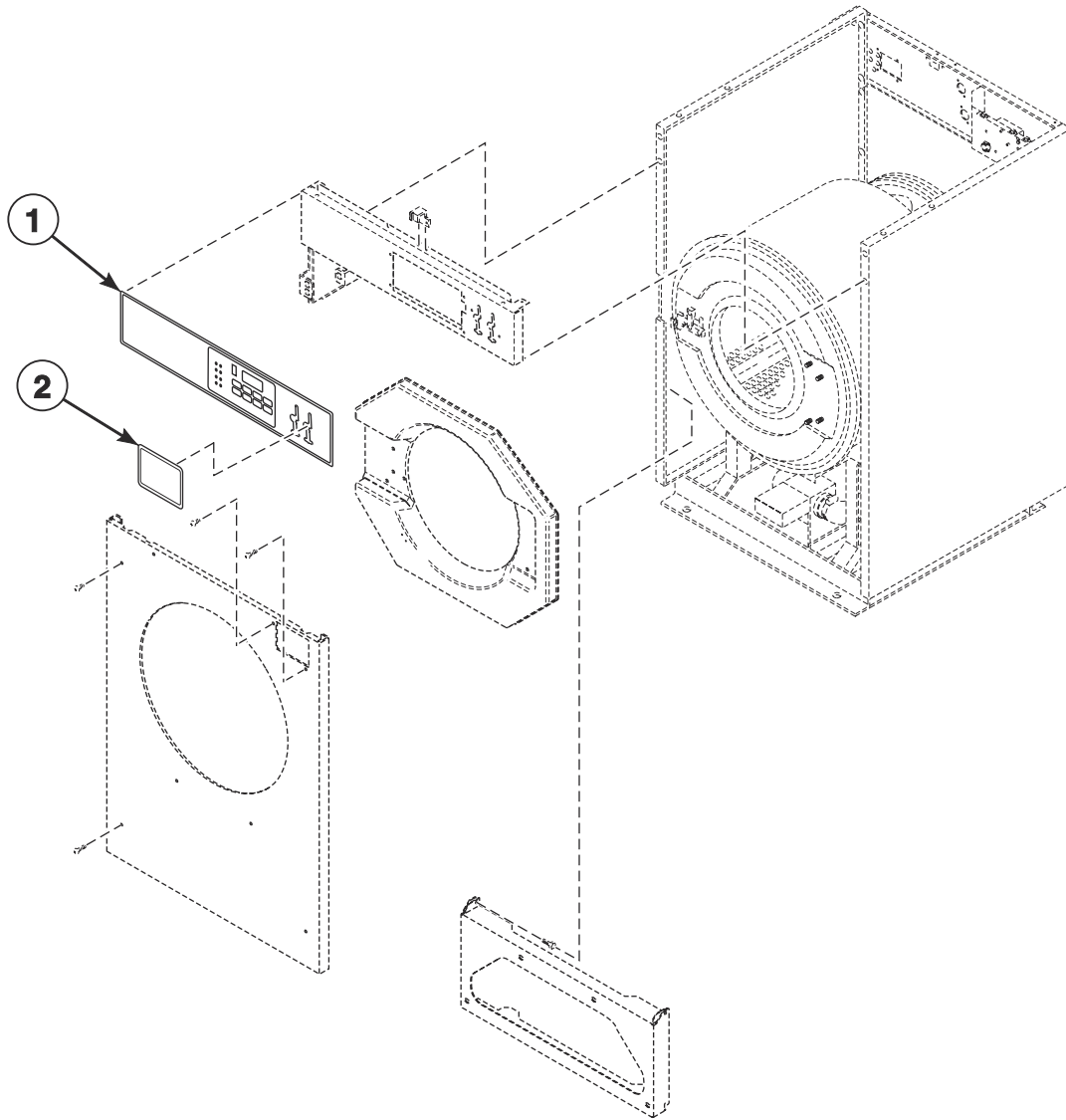


CHM3196P_F8574701

Front Panels and Control Panel

REF	PART NO.	DESCRIPTION	COMMENTS
1	F8117601	Screw	
2	F8171301	Front Panel	20 pound models; Stainless steel
	F8173001	Front Panel	30 pound models; Stainless steel
	F8173101P	Front Panel	40 pound models; Stainless steel
	F8173201P	Front Panel	60 pound models; Stainless steel
	F8171302P	Front Panel	20 pound JY models
	F8173002P	Front Panel	30 pound JY models
	F8173102P	Front Panel	40 pound JY models
	F8173202P	Front Panel	60 pound JY models
3	801019	Screw	
4	70030501	Expansion Clip	
5	F8186702	Gusset Plate	
6	F8038502	Control Panel Assembly	20 pound JC, JD, JE, JL and JX models
	F8038504	Control Panel Assembly	20 pound JY models
	F8038602	Control Panel Assembly	30 pound JC, JD, JE, JL and JX models
	F8038604	Control Panel Assembly	30 pound JY models
	F8038702	Control Panel Assembly	40 pound JC, JD, JE, JL and JX models
	F8038704	Control Panel Assembly	40 pound JY models
	F8038802	Control Panel Assembly	60 pound JC, JD, JE, JL and JX models
	F8038804	Control Panel Assembly	60 pound JY models
7	F8201001	Top Cover Latch	
8	F170416-1	Door Bezel	SC 20 pound models; Black
	F170416-2	Door Bezel	Model HCD020JD2 through 1/10/2010; Pantone 403
	F170416-3	Door Bezel	Model HCD020JD2 starting 1/11/2010; Gray
	F170417-1	Door Bezel	30 pound models; Black
	F0170426-00	Door Bezel	40 and 60 pound models; Black
9	F430174	Screw	
10	F8173801	Front Cabinet Brace	20 pound models
	F8173901	Front Cabinet Brace	30 pound models
	F8174001	Front Cabinet Brace	40 pound models
	F8174101	Lower Cabinet Brace	60 pound models

Control Panel Overlays

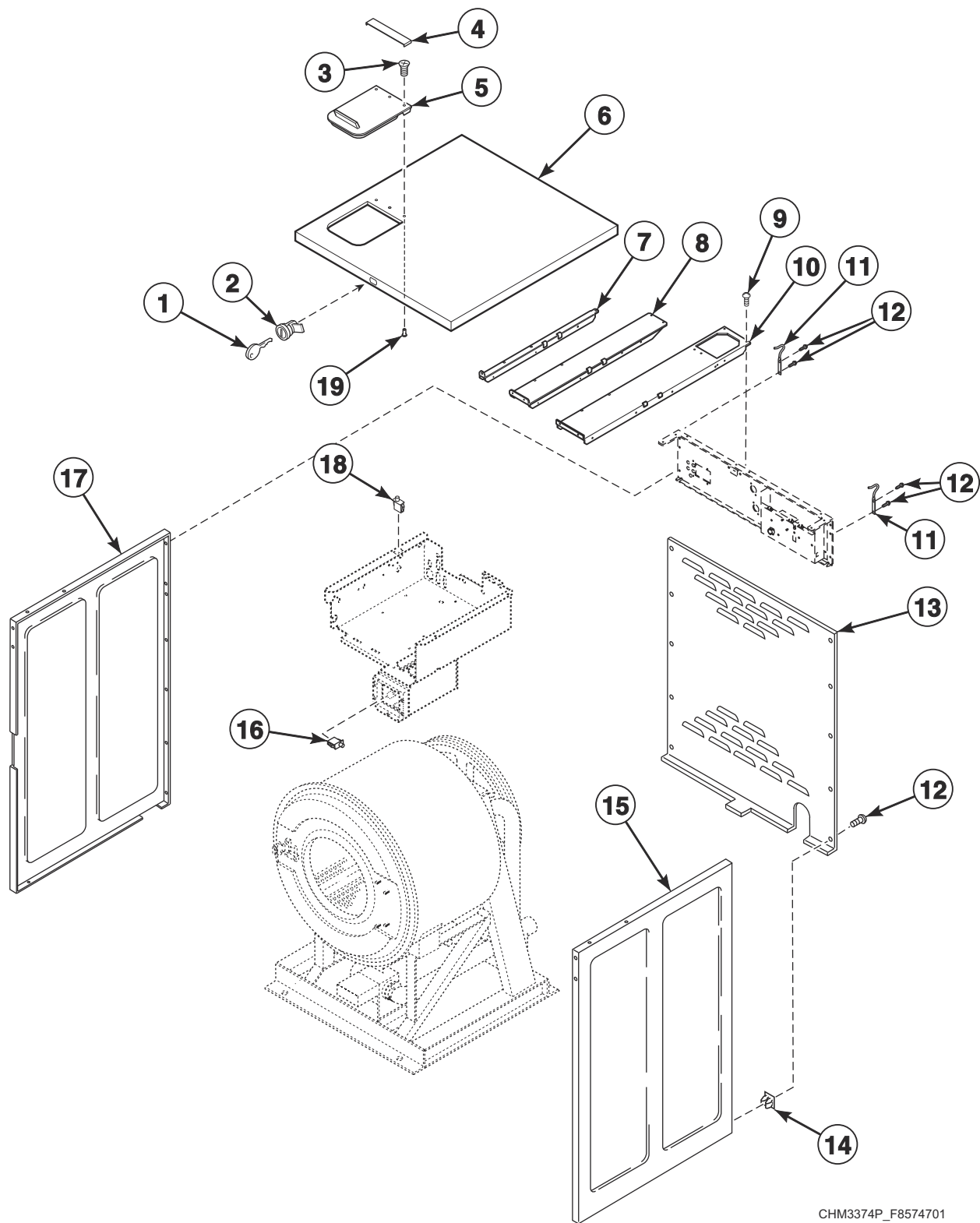


CHM3173P_F8574701

Control Panel Overlays

REF	PART NO.	DESCRIPTION	COMMENTS
1	F8226902	Control Panel Overlay	Model HCD020JD2; Dual coin drop
	F8458001	Control Panel Overlay	Models SCD030JDF, SCD040JDF and SCD060JDF
	F8225301	Control Panel Overlay	SCL020 and SCU020 models; Single coin drop
	F8225302	Control Panel Overlay	SCL020 and SCU020 models; Dual coin drop
	F8225401	Control Panel Overlay	SCL030 and SCU030 models; Single coin drop
	F8225402	Control Panel Overlay	SCL030 and SCU030 models; Dual coin drop
	F8225501	Control Panel Overlay	SCL040 and SCU040 models; Single coin drop
	F8225502	Control Panel Overlay	SCL040 and SCU040 models; Dual coin drop
	F8225601	Control Panel Overlay	SCL060 and SCU060 models; Single coin drop
	F8225602	Control Panel Overlay	SCL060 and SCU060 models; Dual coin drop
	F8295001	Control Panel Overlay	SCN020 models; Single coin drop
	F8295002	Control Panel Overlay	SCN020 models; Dual coin drop
	F8295101	Control Panel Overlay	SCN030 models; Single coin drop
	F8295102	Control Panel Overlay	SCN030 models; Dual coin drop
	F8295201	Control Panel Overlay	SCN040 models; Single coin drop
	F8295202	Control Panel Overlay	SCN040 models; Dual coin drop
	F8295301	Control Panel Overlay	SCN060 models; Single coin drop
	F8295302	Control Panel Overlay	SCN060 models; Dual coin drop
	F8225303	Overlay	Models SCL020JYF, SCU020JY2, SCU020JYF and SCU020JYV
	F8225403	Overlay	Models SCL030JY2, SCL030JYV, SCU030JY2, SCU030JYF and SCU030JYV
F8225503	Overlay	Models SCL040JYF, SCU040JY2, SCU040JYF and SCU040JYV	
F8225603	Overlay	Models SCL060JYF, SCU060JY2, SCU060JYF and SCU060JYV	
F8295003	Overlay	Models SCN020JY2, SCN020JYF and SCN020JYV	
F8295103	Overlay	Models SCN030JY2, SCN030JYF and SCN030JYV	
F8295203	Overlay	Models SCN040JY2, SCN040JYF and SCN040JYV	
F8295303	Overlay	Models SCN060JY2, SCN060JYF and SCN060JYV	
2	39564	Coin Drop Overlay	SCU JL models

Panels

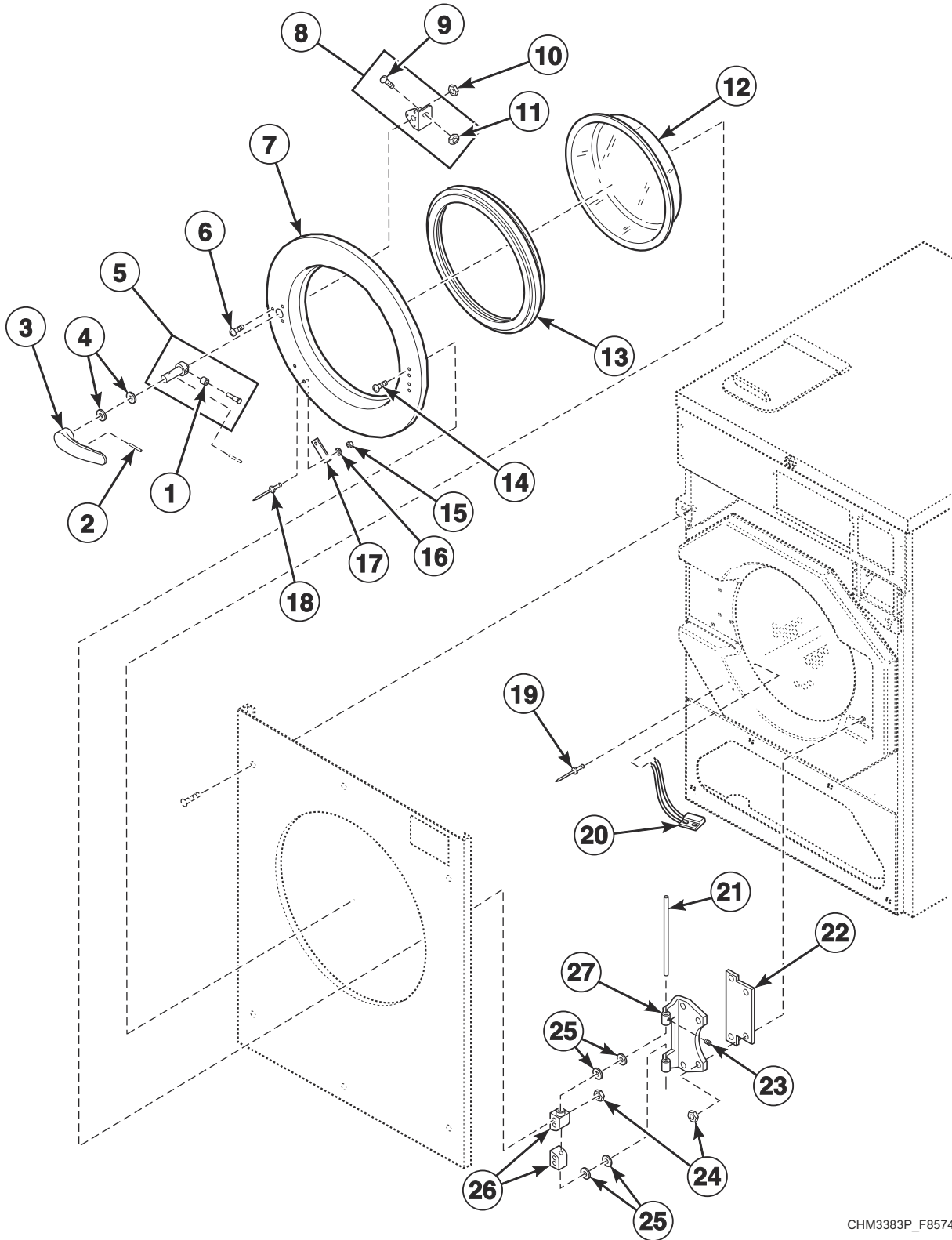


CHM3374P_F8574701

Panels

REF	PART NO.	DESCRIPTION	COMMENTS
1	70155603	Key	RL003
2	44089303P	Panel Lock	
3	F8230601	Screw	
4	F8091701	Lid Clamp	
5	F8048101	Dispenser Lid	Gray
6	F8040201	Top Cover	20 pound models
	F8017401	Top Cover	30 pound models
	F8040301	Top Cover	40 pound models
	F8040401P	Top Cover	60 pound models
7	F8043501	Top Cabinet Brace	20 pound models
8	F8043701	Top Cabinet Brace	30 pound models
9	430497	Screw	
10	F8043801	Top Cabinet Brace	40 pound models
	F8043901	Top Cabinet Brace	60 pound models
11	F8258601	Top Cover Hinge	
12	F8206901	Screw	
13	F8176201P	Rear Panel	20 pound models
	F8176301	Rear Panel	30 pound models
	F8177701P	Rear Panel	40 pound models
	F8177501P	Rear Panel	60 pound models
14	70030501	Expansion Clip	
15	F8042901P	Right Side Panel	20 pound models; Vinyl
	F8043101P	Right Side Panel	30 pound models; Vinyl
	F8043201P	Right Side Panel	40 pound models; Vinyl
	F8043301P	Right Side Panel	60 pound models; Vinyl
16	70413301	Pushbutton Switch	
17	F8042902P	Left Side Panel	20 pound models; Vinyl
	F8043102P	Left Side Panel	30 pound models; Vinyl
	F8043202P	Left Side Panel	40 pound models; Vinyl
	F8043302P	Left Side Panel	60 pound models; Vinyl
18	70413301	Pushbutton Switch	
19	F8230501	Bolt	

Door

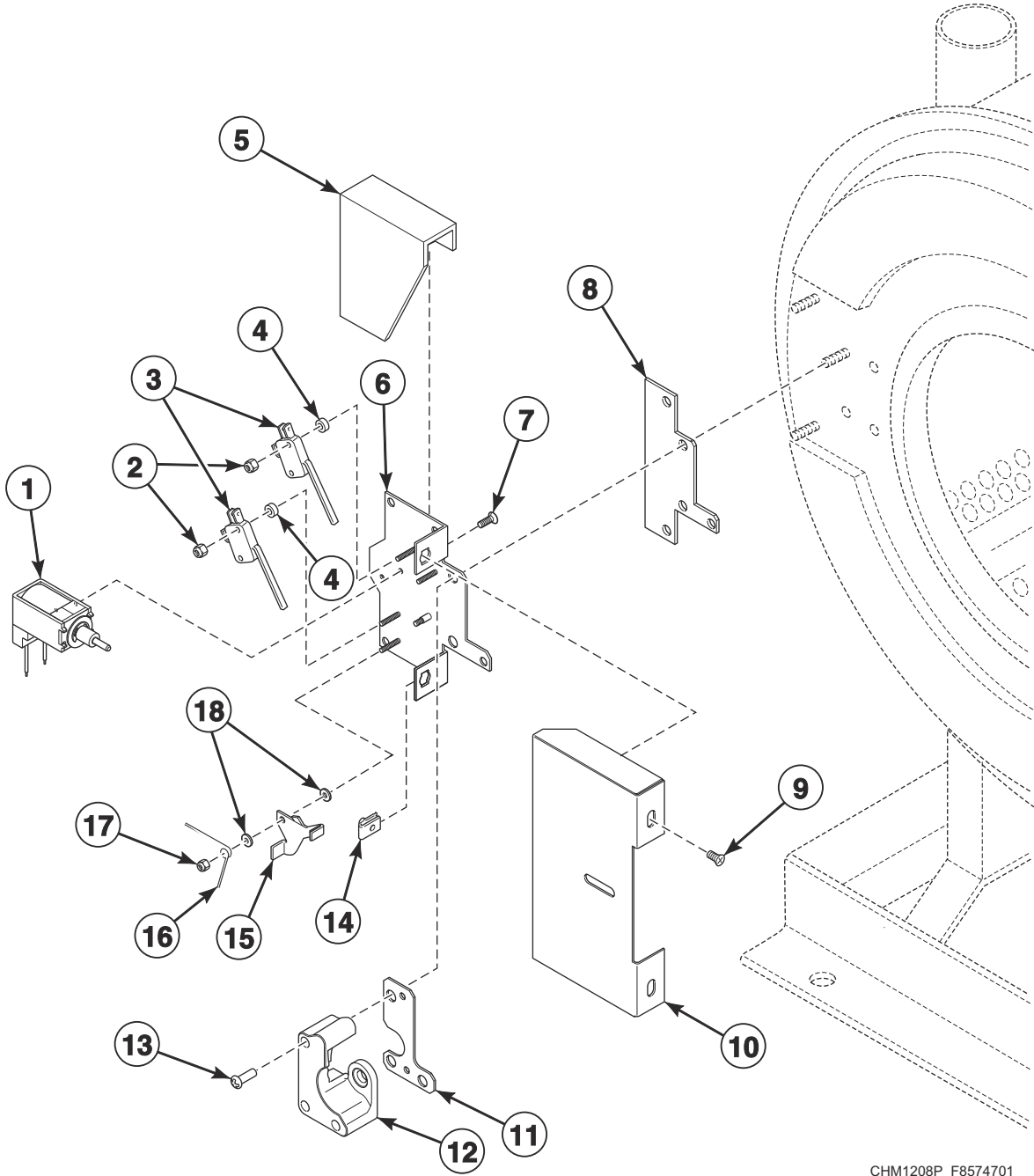


CHM3383P_F8574701

Door

REF	PART NO.	DESCRIPTION	COMMENTS
	F8187202	Door Assembly	20 pound models; Black; Includes items 1-14, 16, 17 and 20-27
	F8187205	Door Assembly	20 pound models; Chrome; Includes items 1-14, 16, 17 and 20-27
	F8187302	Door Assembly	30 pound models; Black; Includes items 1-14, 16, 17 and 20-27
	F8187305	Door Assembly	30 pound models; Chrome; Includes items 1-14, 16, 17 and 20-27
	F8187402	Door Assembly	40 and 60 pound models; Black; Includes items 1-14, 16, 17 and 20-27
	F8187405	Door Assembly	40 and 60 pound models; Chrome; Includes items 1-14, 16, 17 and 20-27
1	F8221701	Bearing Sleeve	
2	F431222	Spring Pin	
3	F8199401P	Door Handle	
4	F431916	Washer	
5	F8221401	Door Latch Arm Assembly	
6	F430974	Bolt	
	F8508101	Bolt	Chrome
7	F0602431-02	Door	20 pound models
	F0602837-02	Door	30 pound models
	F602842-2	Door	40 and 60 pound models
8	F8567501	Door Handle Spacer Kit	Includes items 9 and 11
9	F430532	Screw	20 pound models
	F430533	Screw	All other models
10	F430232	Nut	
11	F431041	Nut	
12	F290205P	Door Glass Kit	20 pound models
	F8485301P	Door Glass	30 pound models
	F8485401P	Door Glass	40 and 60 pound models
13	F200000202	Door Gasket	20 pound models; Black
	F8111602	Door Gasket	30 pound models; Black
	F8111502	Door Gasket	40 and 60 pound models; Black
14	F8535501	Screw	
15	F431022	Nut	
16	F431133	Washer	
17	F8390801	Magnet	
18	F431223	Pop Rivet	
19	F8245101	Blind Rivet	
20	F8066802	Reed Switch Assembly	
21	F602813-3	Rod	40 and 60 pound models
	F602813-2	Rod	All other models
22	F200131000P	Door Hinge Shim Kit	
23	F430536	Screw	
24	F430215	Nut	
25	F431929	Washer	
26	F150271	Door Mount	
27	F190216P	Door Hinge	

Door Lock



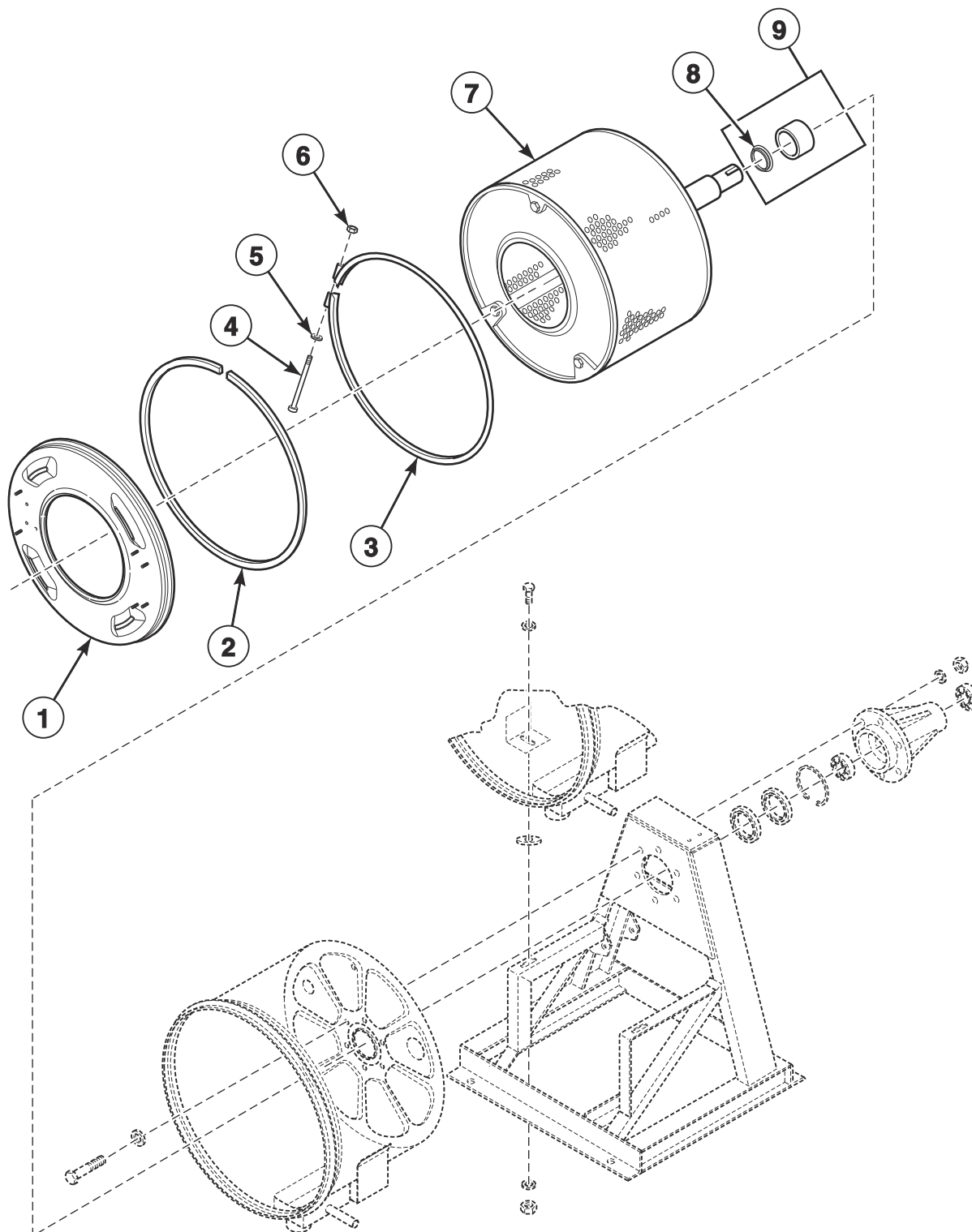
CHM1208P_F8574701

Door Lock

REF	PART NO.	DESCRIPTION	COMMENTS
	F8340501	Door Lock Assembly	Includes F8340001 External Door Lock Harness; Models starting 11/1/10
	N/A	External Door Lock Harness	Includes F8224201 Solenoid; Models through 10/31/10; Order F977P3 Door Lock Solenoid Replacement Kit
	F8340001	External Door Lock Harness	Models starting 11/1/10
1	F977P3	Door Lock Solenoid Replacement Kit	Includes F8340101 Solenoid; Models through 10/31/10
	F8626501	Door Lock Assembly Kit	Includes items 12, F8567501 Door Handle Spacer Kit, F8221401 Door Latch Arm Assembly, F431222 Spring Pin, F8340501 Door Lock Assembly and F8359401 Harness
2	F430225	Nut	
3	F200203200	Door Lock Microswitch	
4	F431901	Spacer	
5	F320200	Door Lock Splash Shield	
6	F8223202	Door Lock Plate Assembly	
7	F430977	Screw	
8	F8059701	Door Lock Plate Shim	Models through 9/25/09
	F8344401	Door Lock Plate Shim	Models starting 9/26/09
9	F430956	Screw	
10	F8245001	Door Lock Cover	
11	F8484401	Shim	
12	F8223601	Door Lock Catch	Models through 10/31/10
	F8344501	Door Lock Catch	Models starting 11/1/10
13	F8270701	Bolt	
14	F430264	Nut	
15	F8223401	Door Lock Switch Lever	
16	F8070301	Torsion/Door Lock Spring	
17	F430232	Nut	
18	F431902	Washer	

N/A = Part no longer available

Basket

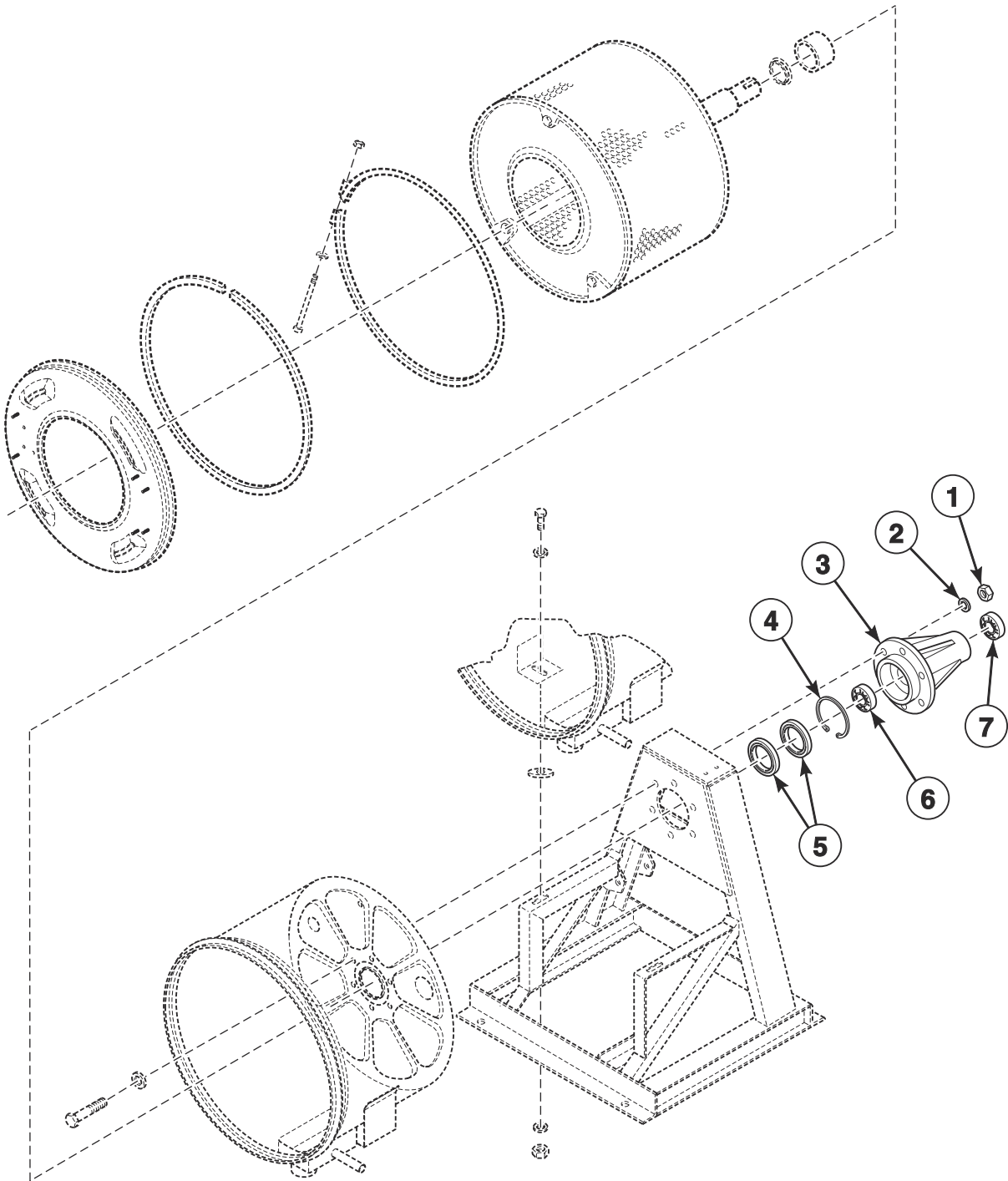


CHM3153P_F8574701

Basket

REF	PART NO.	DESCRIPTION	COMMENTS
	389P4	Basket Tool Kit	Purchase; Use with F935P3, F936P3, F938P3 and F939P3 Pressfit Upgrade Kits; Requires F460129P Bearing Puller Tool
	390P4-1	Basket Rental Tool Kit	Use with F935P3, F936P3, F938P3 and F939P3 Pressfit Upgrade Kits; Requires F460129P Bearing Puller Tool
	F460129P	Basket Puller Tool	
1	F8229401	Shell Front Assembly	20 pound models
	F8229501	Shell Front Assembly	30 pound models
	F8229601	Shell Front Assembly	40 pound models
	F8229701	Shell Front Assembly	60 pound models
2	F8513501	Shell Front Gasket Kit	
3	F8537801	Shell Band Kit	20 pound models
	F8537802	Shell Band Kit	30 pound models
	F8537803	Shell Band Kit	40 pound models
	F8537804	Shell Band Kit	60 pound models
4	F430518	Screw	
5	F430317	Washer	
6	F430215	Nut	
7	F935P3	Pressfit Upgrade Kit	20 pound models; Models through 3/31/2010; Includes items 8, 9, F8347801 Basket Assembly and F747001 Trunnion Kit
	F936P3	Pressfit Upgrade Kit	30 pound models; Models through 3/31/2010; Includes items 8, 9, F8347901 Basket Assembly and F747002 Trunnion Kit
	F938P3	Pressfit Upgrade Kit	40 pound models; Models through 3/31/2010; Includes item 8, 9, F8336301 Basket Assembly and F747003 Trunnion Kit
	F939P3	Pressfit Upgrade Kit	60 pound models; Models through 3/31/2010; Includes item 8, 9, F8336501 Basket Assembly and F747005 Trunnion Kit
	F8391301P	Basket Assembly	20 pound models; Models that have been upgraded with F935P3 Pressfit Upgrade Kit or models starting 4/1/2010; Includes items 8 and 9
	F8347901P	Basket Assembly	30 pound models; Models that have been upgraded with F936P3 Pressfit Upgrade Kit or models starting 4/1/2010; Includes items 8 and 9
	F8391701P	Basket Assembly	40 pound models; Models that have been upgraded with F938P3 Pressfit Upgrade Kit or models starting 4/1/2010; Includes items 8 and 9
	F8502801	Basket Assembly	60 pound models; Models that have been upgraded with F939P3 Pressfit Upgrade Kit or models starting 4/1/2010; Includes items 8 and 9
8	F8336801	Excluder Seal	20 pound models; Models that have been upgraded with F935P3 Pressfit Upgrade Kit or models starting 4/1/2010
	F8336901	Excluder Seal	30 pound models; Models that have been upgraded with F936P3 Pressfit Upgrade Kit or models starting 4/1/2010
	F8337001	Excluder Seal	40 pound models; Models that have been upgraded with F938P3 Pressfit Upgrade Kit or models starting 4/1/2010
	F8337101	Excluder Seal	60 pound models; Models that have been upgraded with F939P3 Pressfit Upgrade Kit or models starting 4/1/2010
9	F8343901P	Shaft Seal Sleeve Kit	20 pound models; Includes item 8
	F8343904P	Shaft Seal Sleeve Kit	30 pound models; Includes item 8
	F8343906P	Shaft Seal Sleeve Kit	40 pound models; Includes item 8
	F8343909P	Shaft Seal Sleeve Kit	60 pound models; Includes item 8; Use with F8391901P Basket Assembly
	F8343914	Shaft Seal Sleeve	60 pound models; Includes item 8; Use with F8502801 Basket Assembly

Trunnion

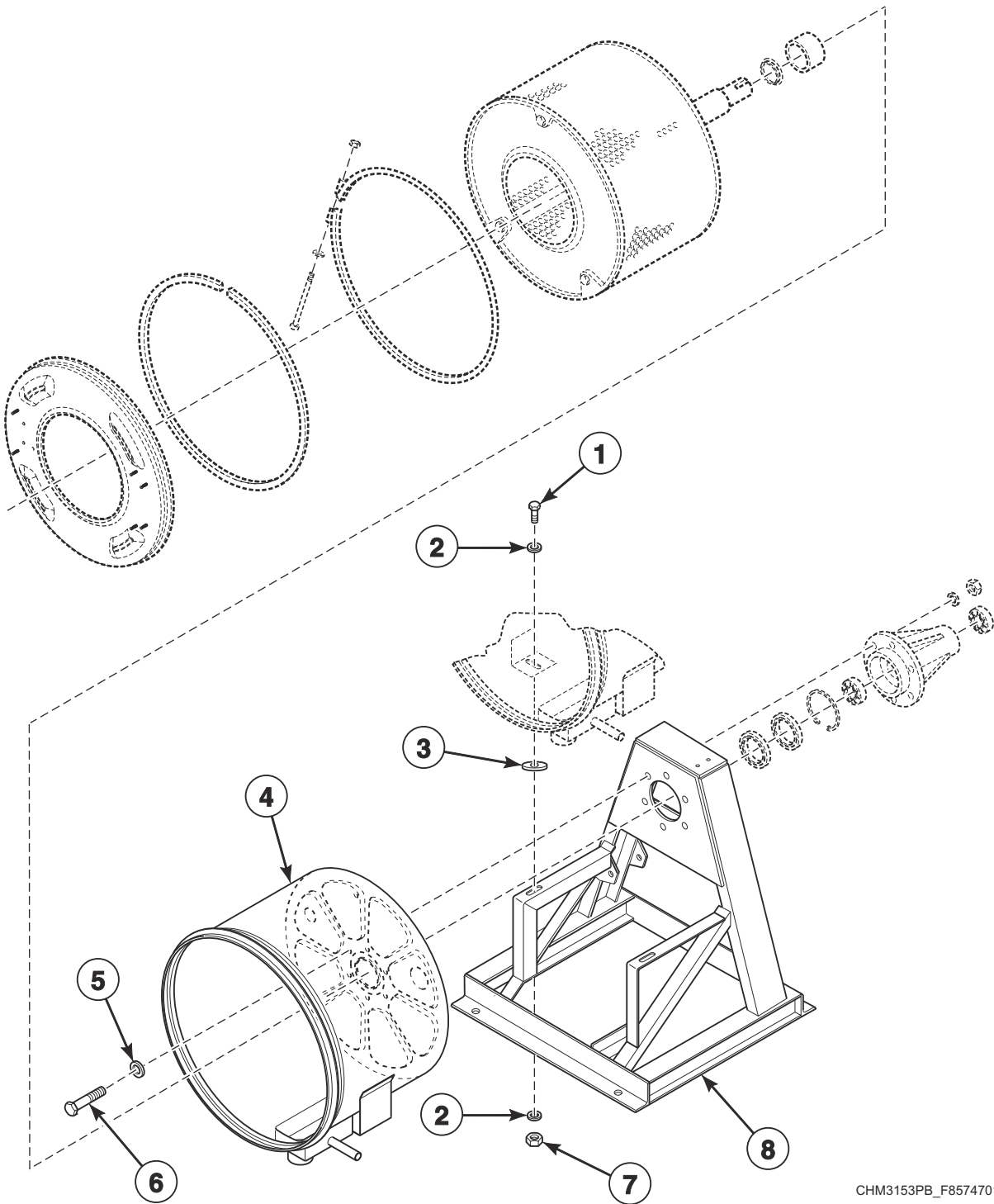


CHM3153PA_F8574701

Trunnion

REF	PART NO.	DESCRIPTION	COMMENTS
1	F430239	Nut	20 pound models
	F430240	Nut	All other models
2	F431128	Washer	20 pound models
	F431131	Washer	All other models
3	F747001	Trunnion Kit	20 pound models; Includes items 5 and 6
	F747002	Trunnion Kit	30 pound models; Includes items 5 and 6
	F747003	Trunnion Kit	40 pound models; Includes items 5 and 6
	F747005	Trunnion Kit	60 pound models; Includes items 5 and 6
4	F8344901	Retaining Ring	20 pound models; Models that have been upgraded with F935P3 Pressfit Upgrade Kit or models starting 4/1/2010
	F8345001	Retaining Ring	30 pound models; Models that have been upgraded with F936P3 Pressfit Upgrade Kit or models starting 4/1/2010
	F8337801	Retaining Ring	40 pound models; Models that have been upgraded with F938P3 Pressfit Upgrade Kit or models starting 4/1/2010
	F8337901	Retaining Ring	60 pound models; Models that have been upgraded with F939P3 Pressfit Upgrade Kit or models starting 4/1/2010
5	F8203801	Triple Lip Seal	20 pound models
	F8203802	Triple Lip Seal	30 pound models
	F8203803	Triple Lip Seal	40 pound models
	F8203806	Triple Lip Seal	60 pound models
6	F100137P	Bearing	20 and 40 pound models; 6308 2RS C3; Front
	F100123P	Bearing	30 pound models; 6309 2RS C3; Front
	F100135	Bearing	60 pound models; 6313 2RS C3; Front
7	F100136P	Bearing	20 pound models; 6307 2RS C3; Rear
	F100108	Bearing	30 pound models; Rear
	F100134	Bearing	40 and 60 pound models; 6310 2RS C3; Rear

Shell and Frame

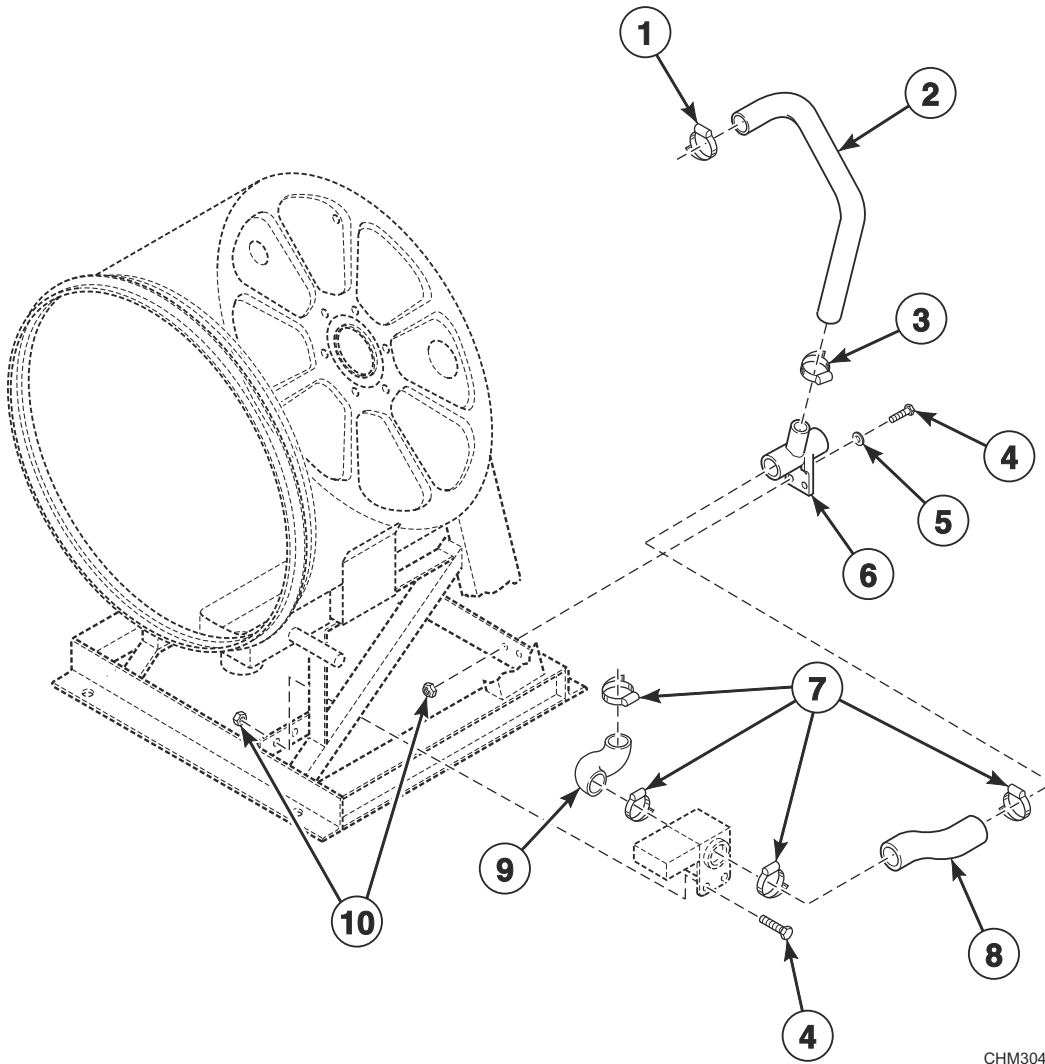


CHM3153PB_F8574701

Shell and Frame

REF	PART NO.	DESCRIPTION	COMMENTS
	1111P	Concrete Kit	5/8 inch
	F8433301	Frame Template	20 pound models
	F8433401	Frame Template	30 pound models
	F8433501	Frame Template	40 pound models
	F8433601	Frame Template	60 pound models
1	F430942	Screw	
2	M400081	Washer	
3	F430303	Washer	
4	F8179201	Shell Weldment	20 pound models; Standard
	F8179301	Shell Weldment	30 pound models; Standard
	F8179401	Shell Weldment	40 pound models; Standard
	F8179501	Shell Weldment	60 pound models; Standard
	F8179202	Shell Weldment	20 pound models; Electric heat
	F8179302	Shell Weldment	30 pound models; Electric heat
	F200199700	Shell Weldment	40 pound models; Models through 1/25/2005; Electric heat
	F8179402	Shell Weldment	40 pound models; Models starting 1/26/2005; Electric heat
	F8179502	Shell Weldment	60 pound models; Electric heat
5	F431128	Washer	20 pound models
	F431131	Washer	All other models
6	F430949	Screw	20 pound models
	F8442702	Screw	All other models
7	F430218	Nut	
8	F8195901	Frame Weldment	20 pound models
	F8196001	Frame Weldment	30 pound models
	F8196101	Frame Weldment	40 pound models
	F8199101	Frame Weldment	60 pound models

Drain Plumbing

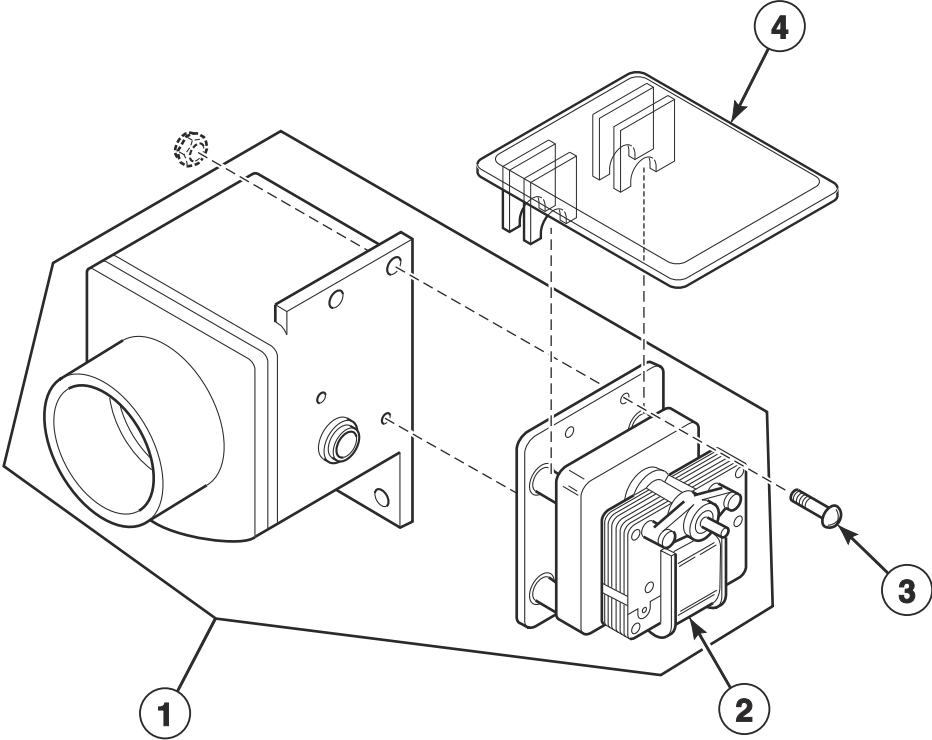


CHM3046P_F8574701

Drain Plumbing

REF	PART NO.	DESCRIPTION	COMMENTS
1	F200213	Hose Clamp	No. 40
2	F150308	Overflow Hose	20 and 30 pound models
	F0200238-00	Overflow Hose	40 pound models
	F8337701	Overflow Hose	40 pound models; Electric heat
	F150417	Overflow Hose	60 pound models
3	F200215	Hose Clamp	No. 28; 40 pound models
	F200213	Hose Clamp	No. 40; All other models
4	F430107	Screw	
5	F430317	Washer	
6	F150318	Drain Connect Tee	20 and 30 pound models
	F150398	Drain Tee	40 and 60 pound models
7	F200213	Hose Clamp	No. 40; 20 and 30 pound models
	F200201	Hose Clamp	No. 56; 40 and 60 pound models
8	F8233101	Drain Hose	20 pound models
	F8233102	Drain Hose	30 pound models
	F8231901	Drain Hose	40 pound models
	F8231902	Drain Hose	60 pound models
9	F8233001	Drain Hose	20 and 30 pound models
	F8232901	Drain Hose	40 and 60 pound models
10	F430215	Nut	

Drain Valve Assembly - 20 and 30 Pound Models

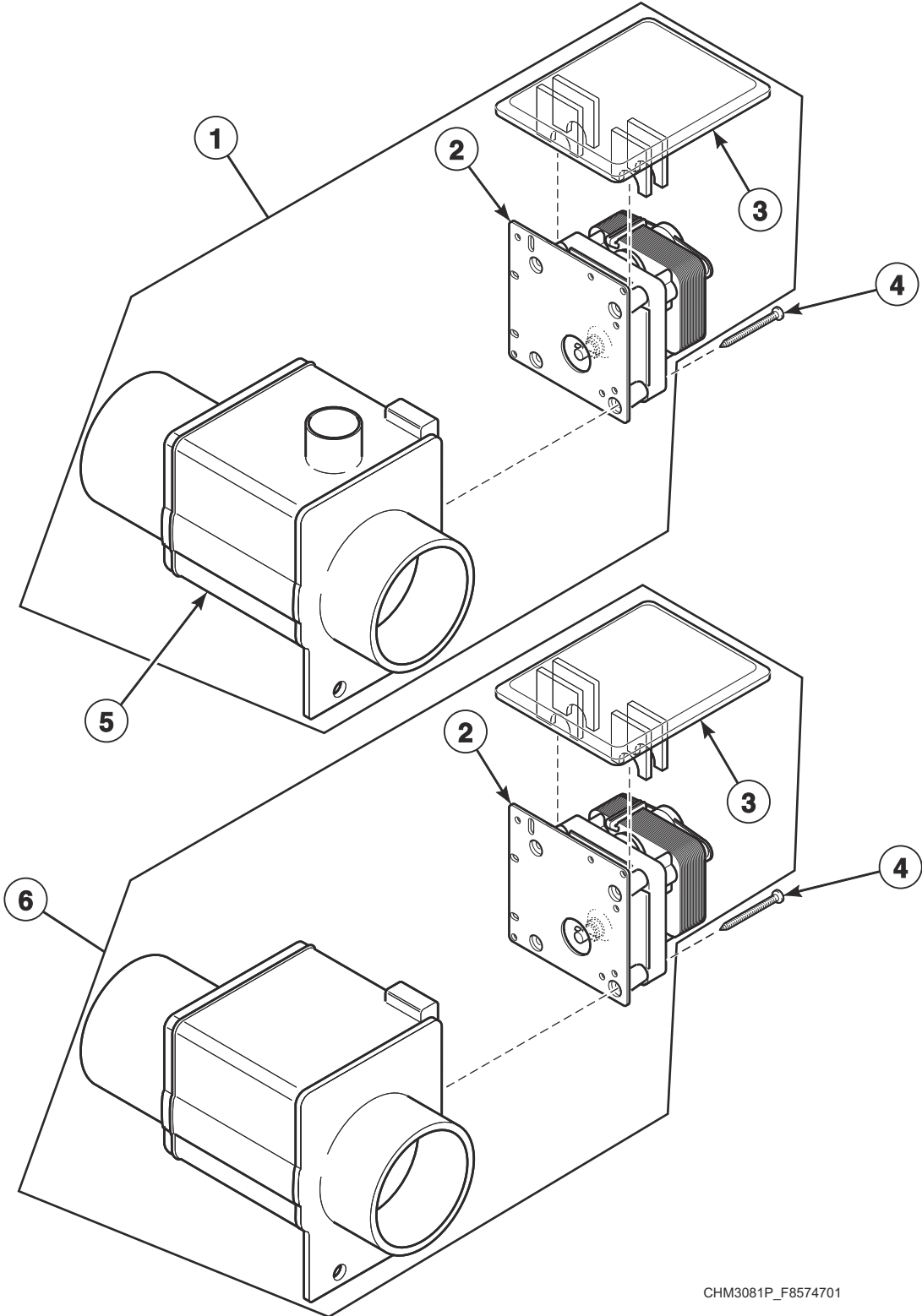


CHM2450P_F8574701

Drain Valve Assembly - 20 and 30 Pound Models

REF	PART NO.	DESCRIPTION	COMMENTS
1	803292	Gravity Drain Valve	220 Volt
2	F380933P	Drain Valve Motor	Round shaft; 220 Volt
	F8618901P	Drain Valve Motor	Keyed shaft; 220 Volt
3	F200182700	Bolt	
4	F200133600	Drain Valve Cover	

Drain Valve Assembly - 40 and 60 Pound Models

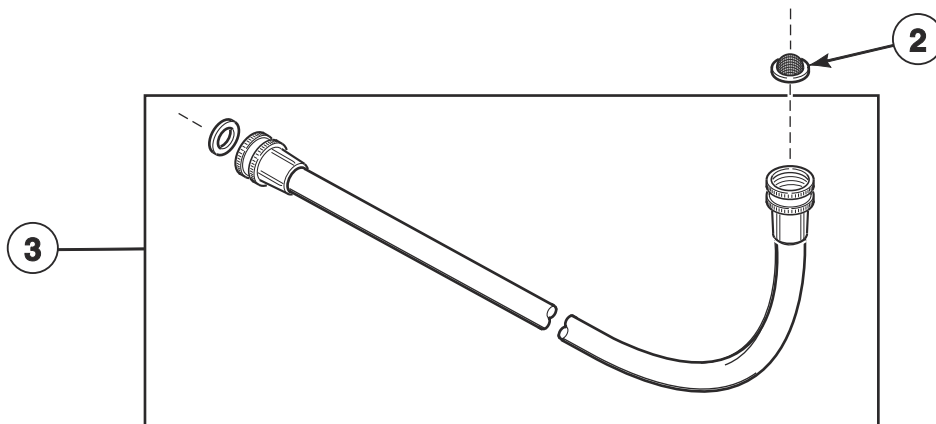
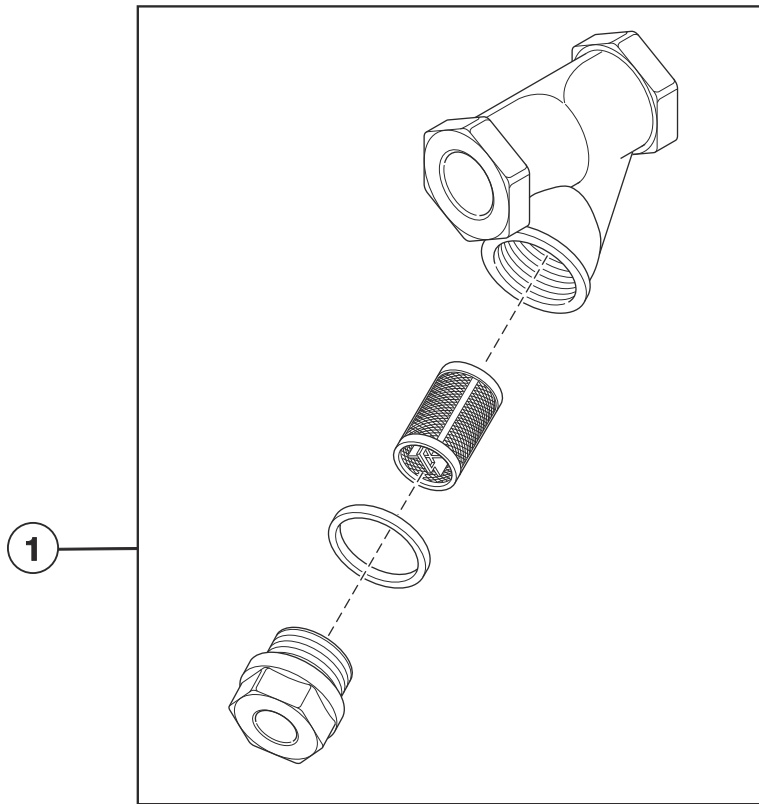


CHM3081P_F8574701

Drain Valve Assembly - 40 and 60 Pound Models

REF	PART NO.	DESCRIPTION	COMMENTS
	F200215	Hose Clamp	No. 28
	F150352	Overflow Plug	
	F8562001	Drain Seal Kit	Use with F8406307 Drain Valve
	F8504701	Spring	Use with F038062900 Drain Valve
1	F200166400	Drain Valve Kit	220 Volt; Models with heat
2	F380933P	Drain Valve Motor	Round shaft; 220 Volt
	F8618901P	Drain Valve Motor	Keyed shaft; 220 Volt
3	F200133600	Drain Valve Cover	
4	F200182700	Bolt	
5	F8406303	Drain Valve	220 Volt; Models with heat
6	F200166402	Drain Valve Kit	220 Volt

Steam Filter (Optional) and Water Supply Hose

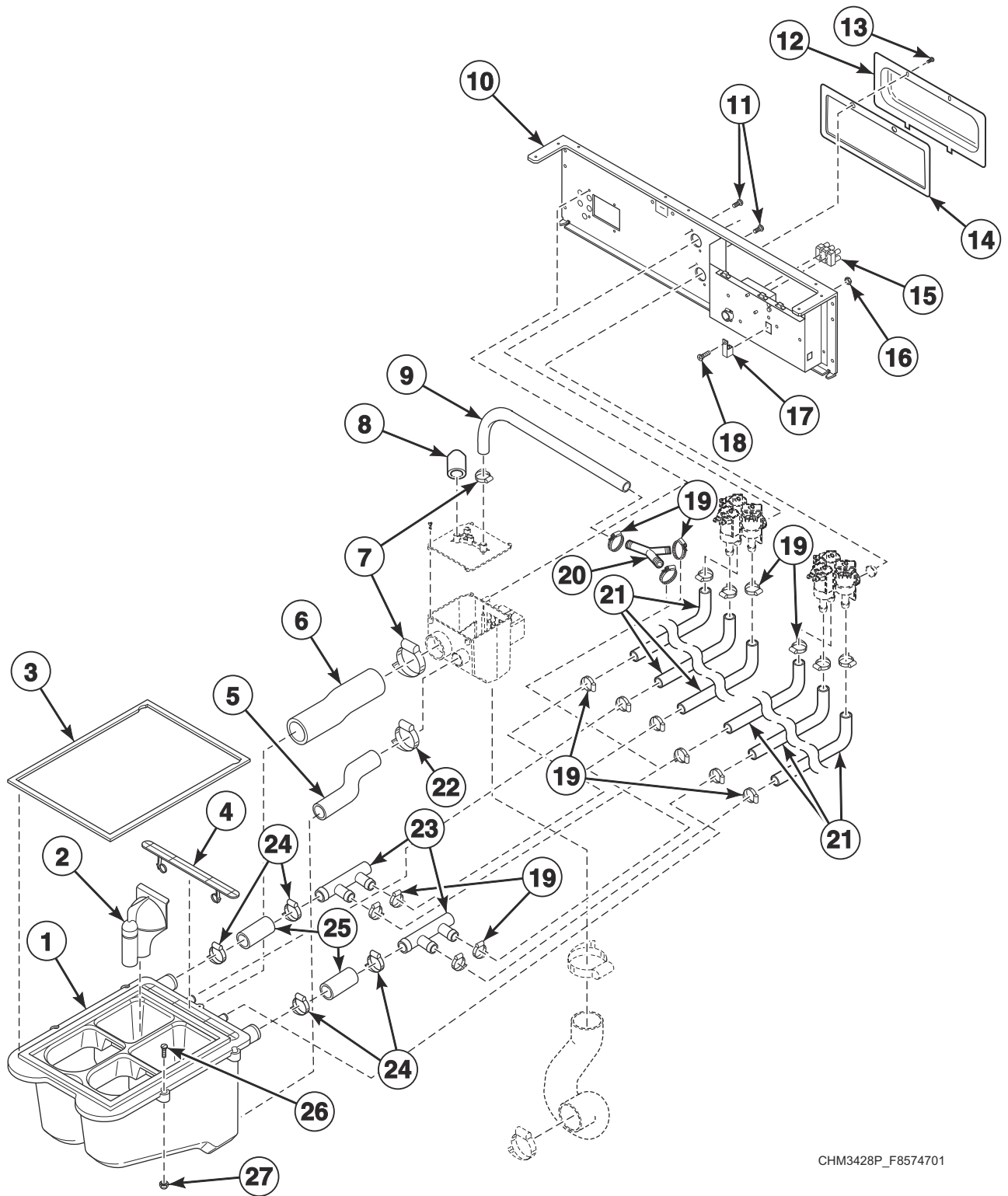


CHM3049P_F8574701

Steam Filter (Optional) and Water Supply Hose

REF	PART NO.	DESCRIPTION	COMMENTS
1	F270307	Steam Filter	1/2 inch
2	803615	Washer	
3	F200116	Water Hose	3/8 inch; Standard thread
	F200165	Water Hose	Metric thread
	F8544601	Fill Hose Kit	Metric thread; CE

Fill Plumbing Assembly (Drawing 1 of 2)

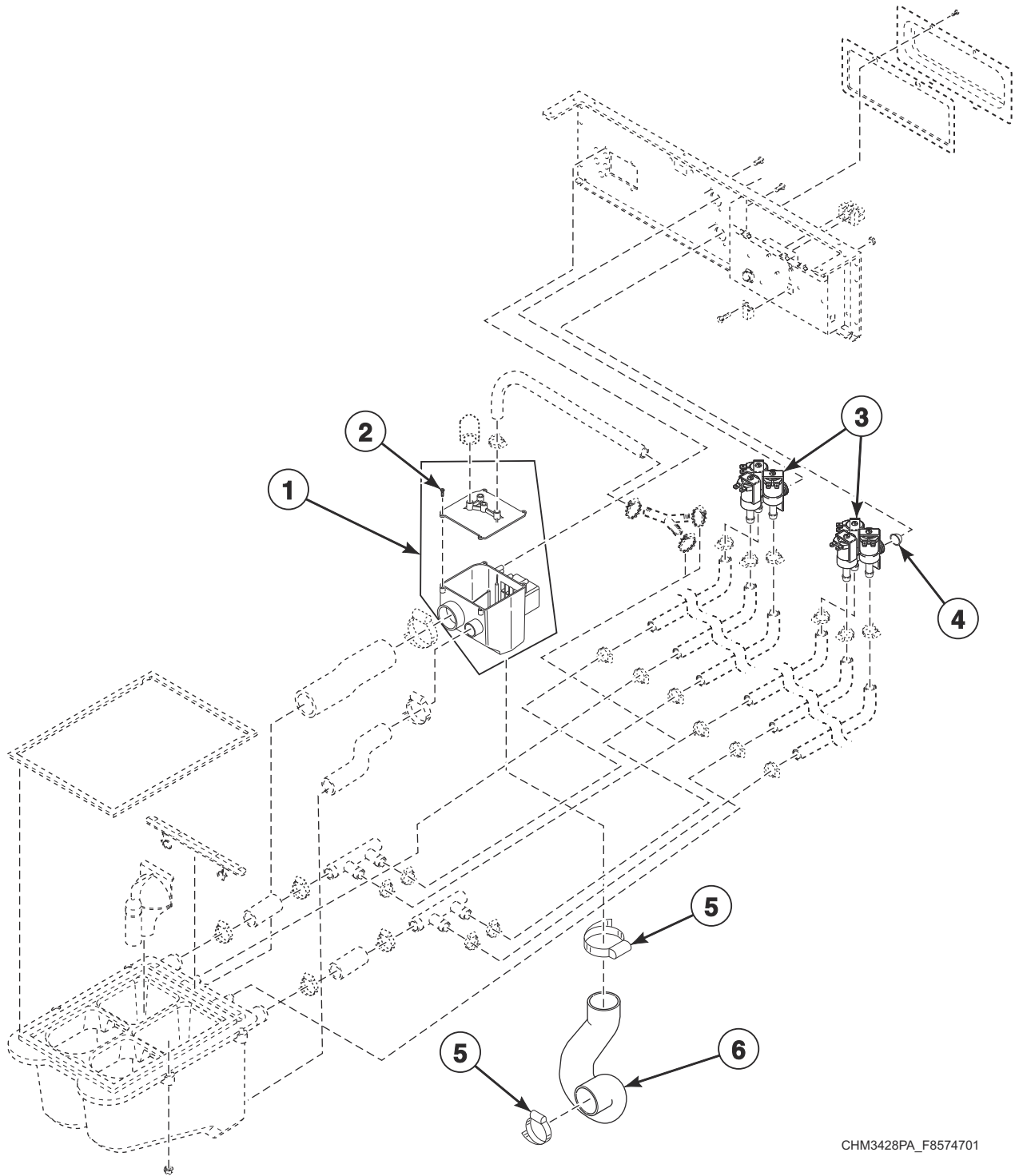


CHM3428P_F8574701

Fill Plumbing Assembly (Drawing 1 of 2)

REF	PART NO.	DESCRIPTION	COMMENTS
1	F8047401	Dispenser Assembly	
2	F8047901	Siphon Cover	
3	F8308301	Dispenser Gasket	
4	F8047801	Access Cover	
5	F8043401	Dispenser Overflow Hose	20 pound models
	F8043403	Dispenser Overflow Hose	30 pound models
	F8043404	Dispenser Overflow Hose	40 pound models
	F8043405	Supply Overflow Hose	60 pound models
6	F8042801	Vacuum Supply Hose	20 pound models
	F8042803	Vacuum Supply Hose	30 pound models
	F8042804	Vacuum Supply Hose	40 pound models
	F8042805	Vacuum Supply Hose	60 pound models
7	F200213	Hose Clamp	No. 40
8	F8197701	Cap	Vinyl
9	F0200244-01	Vacuum Breaker Hose	60 pound models
	F0200244-02	Vacuum Breaker Hose	All other models
10	F8039901	Valve Panel	20 pound models
	F8017501	Valve Panel	30 pound models
	F8039601	Valve Panel	40 pound models
	F8039801	Valve Panel	60 pound models
11	F8230301	Screw	
12	F8206901	Screw	
13	F8177001	Terminal Tray Cover	
14	F8230001	Terminal Tray Cover Gasket	
15	430642	Terminal Block	Includes screws
16	F430232	Nut	
17	M411283	Ground Lug Connector	
18	F430909	Screw	
19	36801	Hose Clamp	No. 8
20	F422816	Y Connector	
21	F8232004	Hose	20 pound models
	F8232001	Hose	30 pound models
	F8232002	Hose	40 and 60 pound models
22	20211	Hose Clamp	No. 17
23	F8333201	Manifold	
24	F200222	Hose Clamp	No. 12
25	F606816-1	Hose	
26	F8535601	Screw	
27	F0431807-00	Nut	

Fill Plumbing Assembly (Drawing 2 of 2)

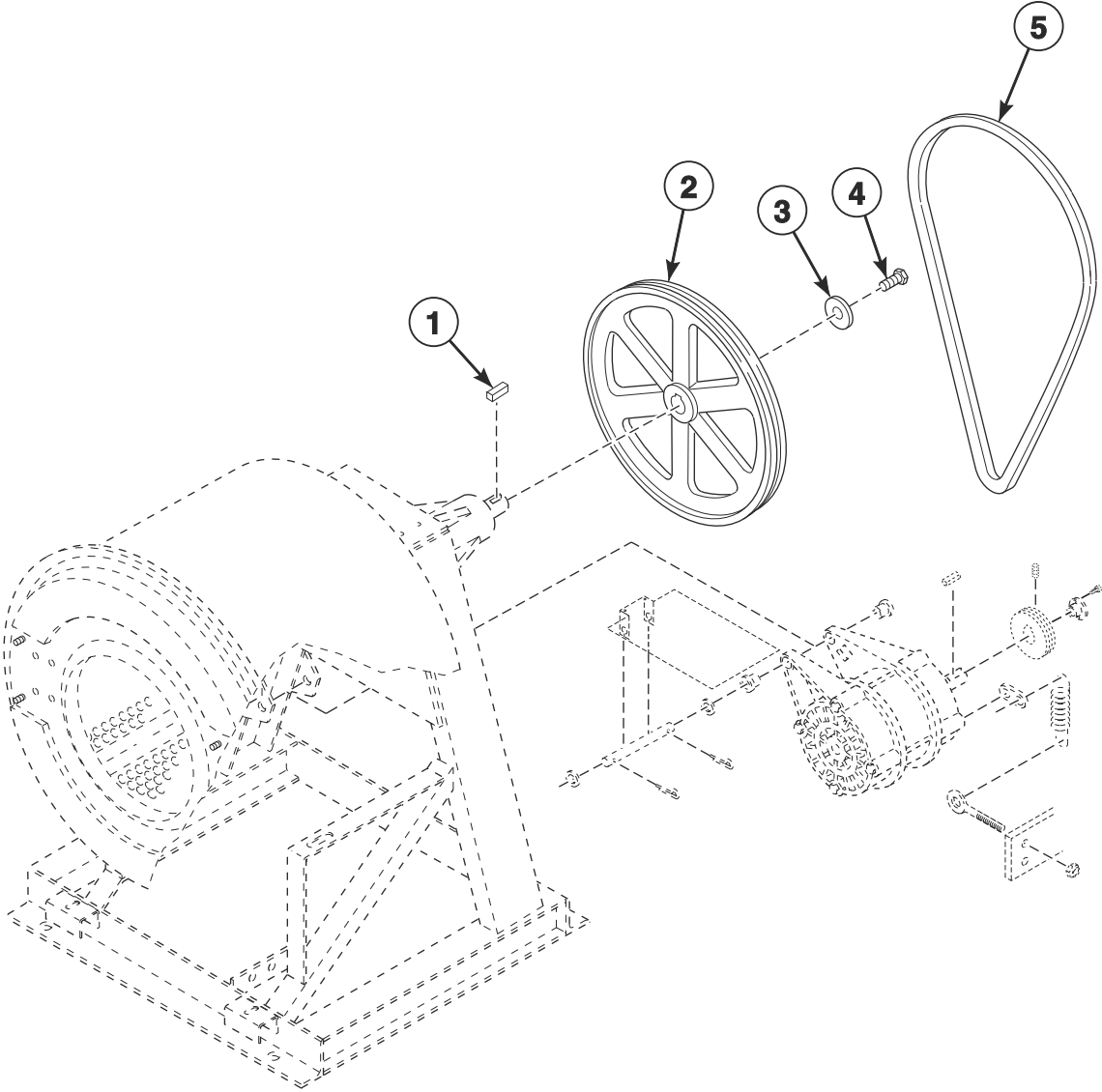


CHM3428PA_F8574701

Fill Plumbing Assembly (Drawing 2 of 2)

REF	PART NO.	DESCRIPTION	COMMENTS
	G582P3	Diaphragm and Guide Kit	Use with F8286401P 3-Way Valve and F8286402P 3-Way Valve
	F8402201	Regulator	Use with F8286401P 3-Way Valve
1	F8048601	Vacuum Breaker Assembly	
2	800548	Screw	
3	F8286401P	3-Way Valve	240 Volt/50 or 60 Hertz; U.S.
	F8286402P	3-Way Valve	240 Volt/50 or 60 Hertz; Metric
	G582P3	Diaphragm and Guide Kit	Elbi valves
4	803615	Washer	Filter
5	F200213	Hose Clamp	No. 40
6	F8042201	P-Trap Hose	20 pound models
	F8042202	P-Trap Hose	30 and 40 pound models
	F8042301	P-Trap Hose	60 pound models

Pulley and Belt

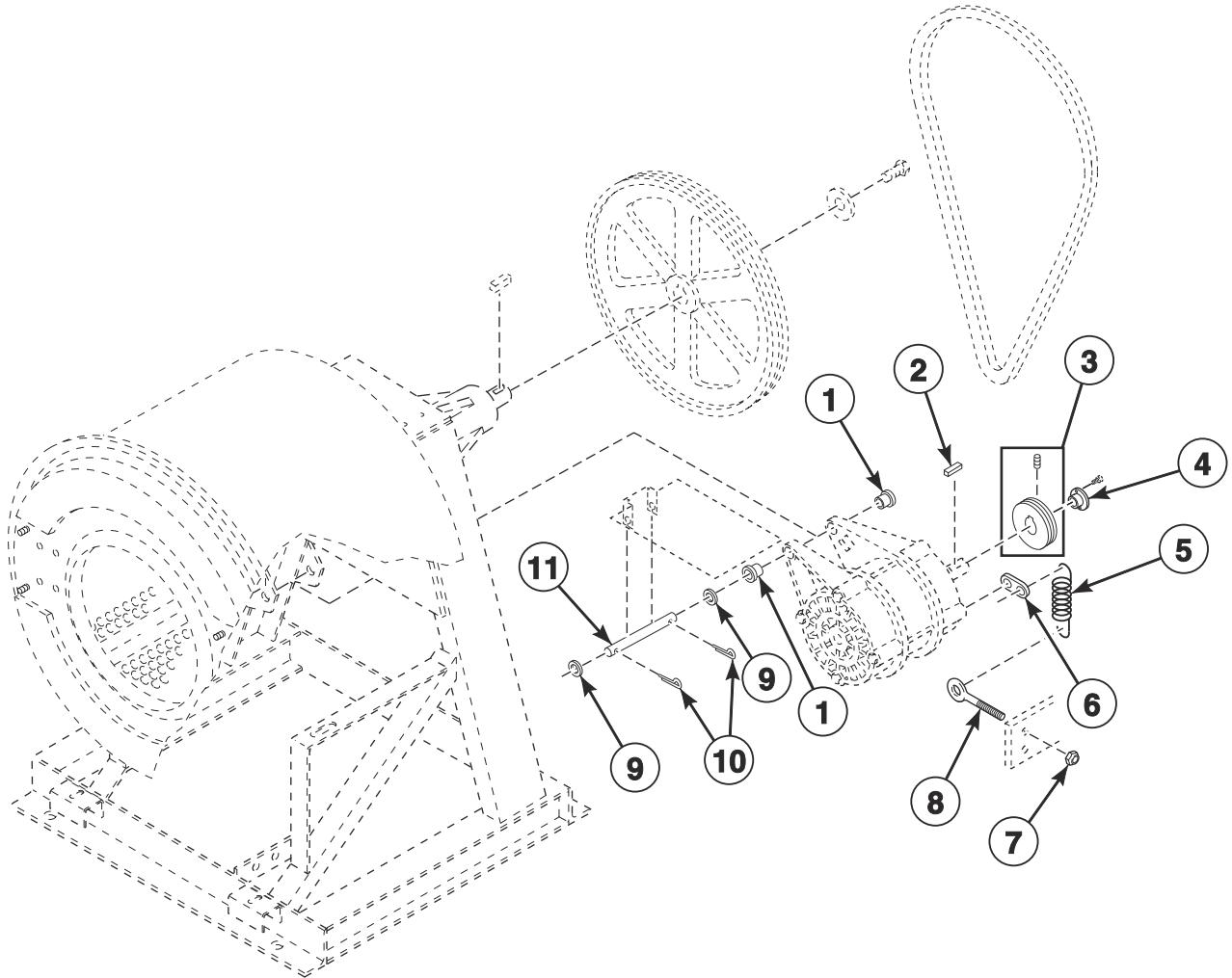


CHM3050P_F8574701

Pulley and Belt

REF	PART NO.	DESCRIPTION	COMMENTS
1	F430801	Key	
2	F280170	Sheave Pulley	20 pound models; 13V1800
	F280172	Sheave Pulley	30 pound models; 13V2200
	F280197	Pulley	40 pound models; 23V2200
	F280173	Pulley	60 pound models; All voltages except for X-voltage; 23V2400
	F200299700	Basket Pulley	60 pound models; X-voltage
3	F431115	Washer	
4	F8574001	Screw	
5	F280343	Belt	SCL020 and SCU020 models; 3V730; C-voltage
	F280337	Belt	SCL020 and SCN020 models; 3V710; B, O and Y-voltage
	F8382801	Belt	20 pound models; 690J4; X-voltage
	F280321	Belt	30 pound models; 3V800; C, O and Y-voltage
	F280368P	Belt	30 pound models; 785J4; X-voltage
	F280341	Belt	SCL040 and SCU040 models; 3V850; C-voltage
	F280342	Belt	SCL040 and SCN040 models; 3V830; O and Y-voltage
	F280369P	Belt	40 pound models; 820J6; X-voltage
	F280373	Belt	Models SCL060JC2, SCL060JCF and SCL060JE2; 3V90.65; C-voltage
	F280304	Belt	60 pound models; 3V900; O-voltage
	F280366P	Belt	60 pound models; 870J6; X-voltage

Motor Pulley and Support

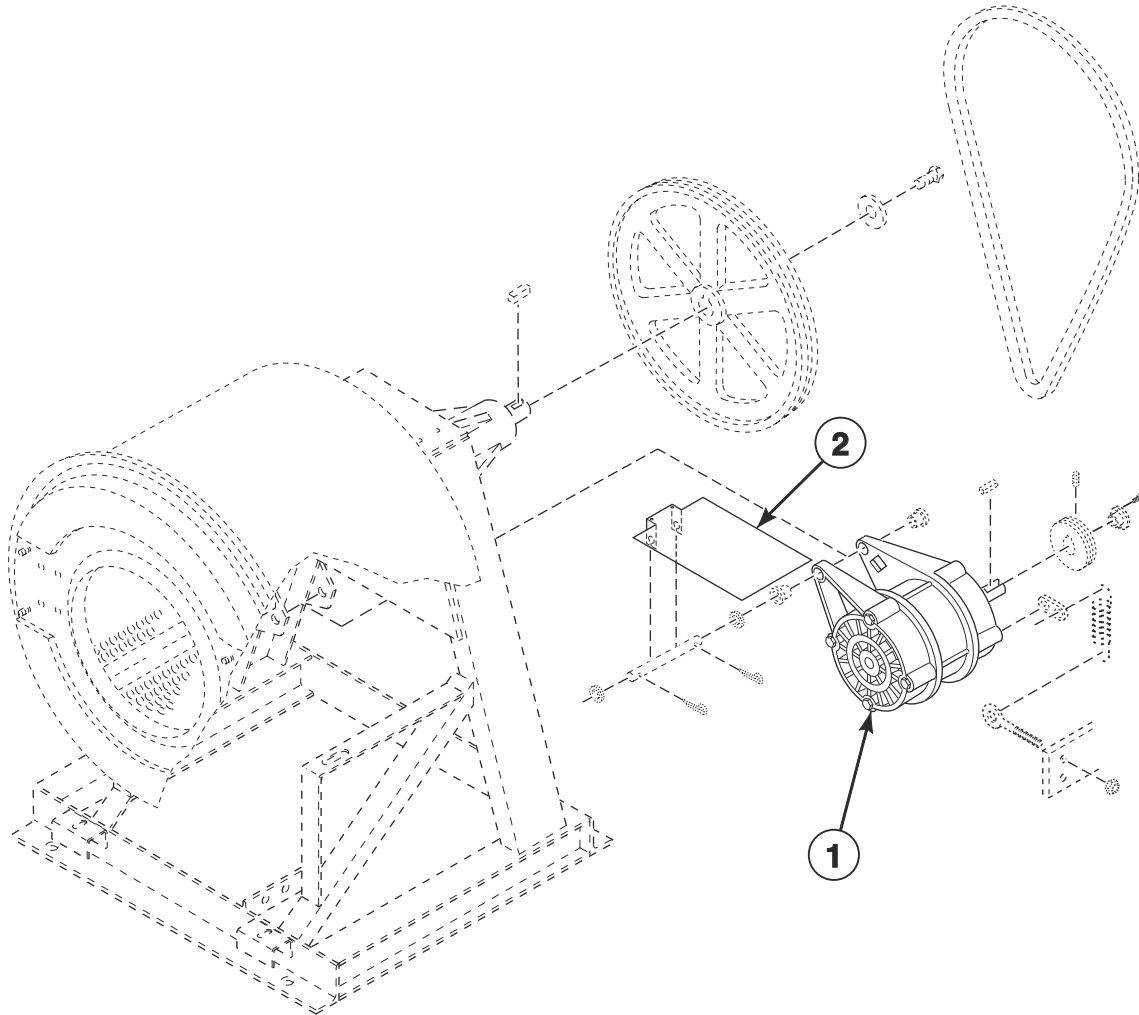


CHM3050PA_F8574701

Motor Pulley and Support

REF	PART NO.	DESCRIPTION	COMMENTS
1	F200186100	Motor Support Bushing	
2	F430801	Key	30 pound models
	F430802	Key	All other models
3	F280427P	Pulley	SCL020 and SCU020 models; 1GR3V3.15JA; Requires JA bushing; C-voltage
	F280170	Sheave Pulley	SCL020 and SCN020 models; 1GR3V2.65; B, O and Y-voltage
	F280284	Pulley	SCL030 and SCN030 models; 1GR3V2.9; O-voltage
	F280281	Motor Pulley	SCN030 models; 1GR3V3.0; Y-voltage
	F280172	Sheave Pulley	30 pound models; 1GRV3V22.00; C, O and Y-voltage
	F280197	Pulley	40 pound models; 2GRV3V22.00; C, O and Y-voltage
	F280105P	Pulley	SCL040 and SCU040 models; 2GR3V3.35SH; Requires SH bushing; C-voltage
	F0280385-00	Sheave	SCL040, SCL060, SCN040 and SCN060 models; 2GR3V3.00; O and Y-voltage
	F280287P	Sheave Kit	X-voltage
	F280173	Pulley	SCL060 and SCN060 models; C and O-voltage; 2GRV3V24.00
4	H87529111P	Bushing	SCL020, SCL030, SCU020 and SCU030 models; JA 5/8; C-voltage
	F280298P	Pulley Bushing	V-speed models; JA 7/8; Q, R and X-voltage
	M412995P	Bushing	SCL040, SCL060, SCU040 and SCU060 models; SH 7/8; C-voltage
5	F310124	Extension Spring	20 and 30 pound models; 40 and 60 pound models with all voltages except X-voltage
	F310148	Tension Spring	40 and 60 pound models; X-voltage
6	F633374	Spring Clip	
7	F430218	Nut	
8	F430537	Screw	40 and 60 pound models; X-voltage
9	901690	Washer	
10	F430401	Cotter Pin	
11	F602844	Motor Support Rod	20 pound models; 30 pound models with all voltages except X-voltage
	F603059	Motor Support Rod	30 pound models with X-voltage; 40 pound models
	F603897	Motor Support Rod	60 pound models

Motor - 20 and 30 Pound Models



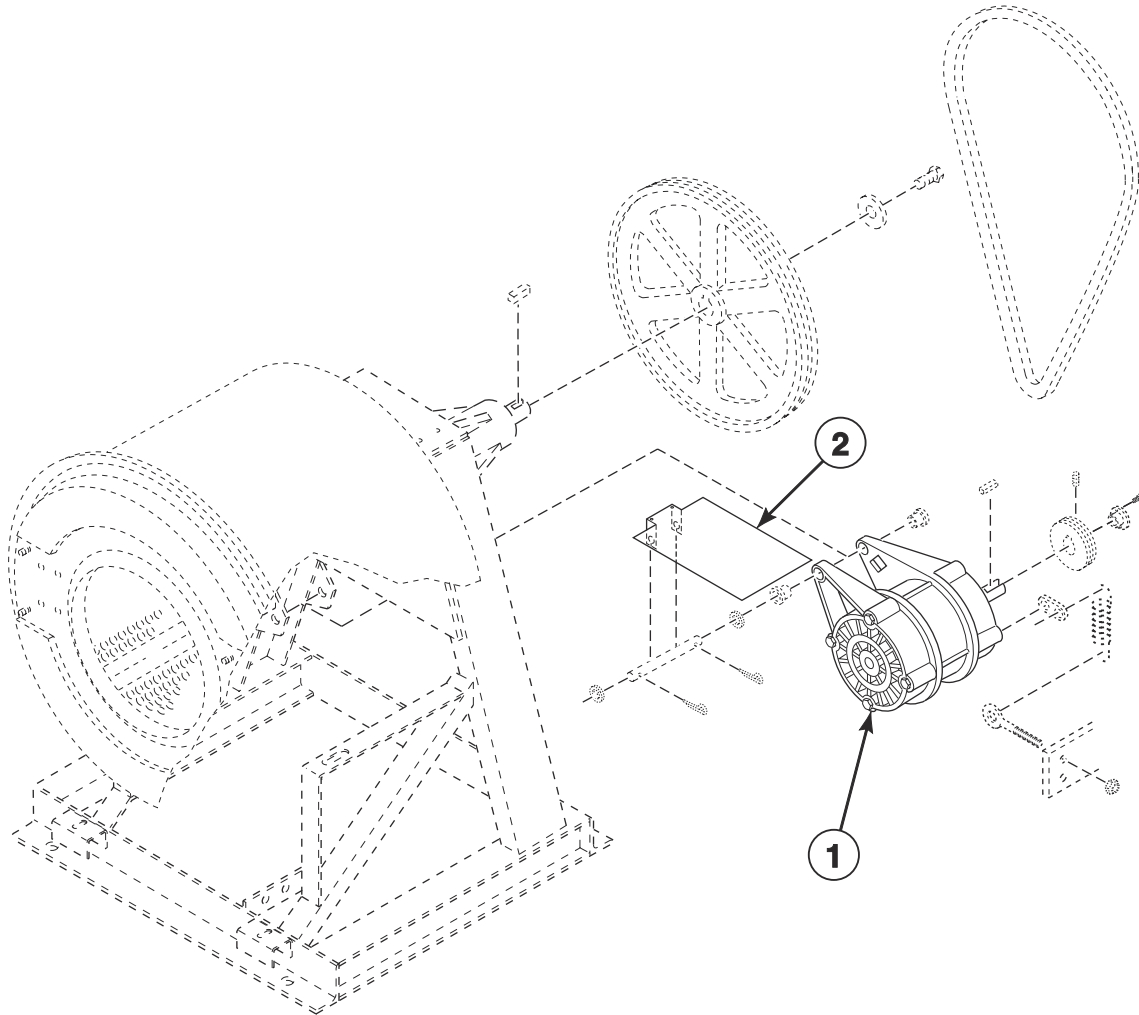
CHM3050PB_F8574701

Motor - 20 and 30 Pound Models

REF	PART NO.	DESCRIPTION	COMMENTS
1	F8597402P	Motor	20 pound 2 speed models; B-voltage; Replaces F8329601P and F220110 Motors; Includes motor support bushing
	F8329301P	Motor	20 pound 2 speed models; Replaces F8597101P, F022039600 and F220396-H Motor on models through 7/25/10; All other models starting 7/26/10; O-voltage
	F8328901P	Motor Conversion Kit	20 pound F and V-speed models; Replaces F220393 Motor on models through 3/1/10; X-voltage; Includes F8328901 Motor; **
	F022012800P	Motor	20 pound 2 speed models; Use with F220128-H Motor; Y-voltage; Includes F200186100 Motor Support Bushing
	F8597401P	Motor	20 pound 2 speed models; Models starting 6/09 that have been converted with F8411501 Motor Conversion Kit; Y-voltage
	F8411501	Motor Conversion Kit	20 pound 2 speed models; Models through 5/09; Replaces F022012800P Motor; Y-voltage
	F8329801P	Motor	30 pound 2 speed models; Replaces F8597104P, F022038800P and F220388-H Motors; C-voltage; Includes motor support bushing
	F8329701P	Motor	30 pound 2 speed models; Replaces F8597103P, F022038700P and F220387-H Motors; O-voltage; Includes motor support bushing
	F8329001P	Motor Conversion Kit	30 pound F and V-speed models; Replaces F220395 Motor; X-voltage; Includes F8329001 Motor; **
	F8597501P	Motor	30 pound 2 speed models; Replaces F022012400P and F220124-H Motors; Y-voltage; Includes motor support bushing
2	F200216900	Motor Drip Shield	

**** NOTE: AC drive parameters must be compatible with the motor and motor pulley. Please request the AC drive parameter illustration for parameter verification when ordering a motor.**

Motor - 40 and 60 Pound Models



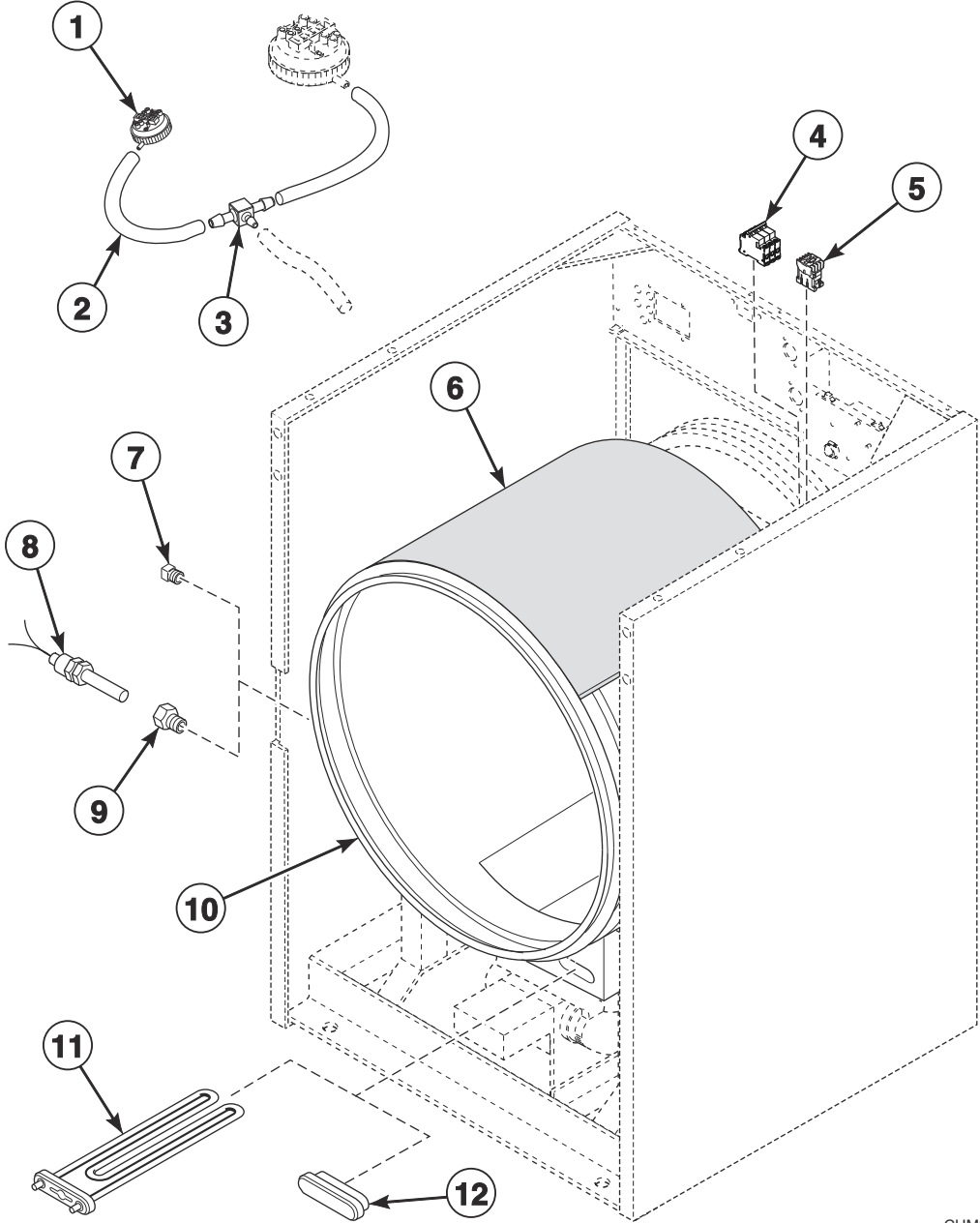
CHM3050PB_F8574701

Motor - 40 and 60 Pound Models

REF	PART NO.	DESCRIPTION	COMMENTS
1	F8597802P	Motor	40 pound 2 speed models; Replaces F220326-H and F022032600P Motors; C-voltage; Includes motor support bushing
	F8597502P	Motor	40 pound 2 speed models; Replaces F8330201P, F0220120-01P Motor on models through 12/31/10; All other models starting 1/1/11; Y-voltage; Includes motor support bushing
	F8597801P	Motor	40 pound 2 speed models; Replaces F0220321-00 Motor; O-voltage; **
	F8329101P	Motor Conversion Kit	40 pound F and V-speed models; Replaces F220394P Motor on models through 6/20/10; X-voltage; Includes F8329101 Motor; **
	F8597803P	Motor	60 pound 2 speed models; Replaces F8330301P, F022032200P Motor on models through 10/31/10; All other models starting 11/1/10; O-voltage; Includes F200186100 Motor Support Bushing; **
	F8597804P	Motor	Models SCL060JC2, SCL060JCF and SCL060JE2; C-voltage; Includes F200186100 Motor Support Bushing; Replaces F8330401P Motor; **
	F8329201P	Motor Conversion Kit	60 pound F and V-speed models; Replaces F220234P Motor on models through 9/15/10; X-voltage; Includes F8329201 Motor; **
2	F200280700	Motor Drip Shield	SCL040, SCL060, SCN040 and SCN060 2 speed models
	F200216900	Motor Drip Shield	All other models

**** NOTE: AC drive parameters must be compatible with the motor and motor pulley. Please request the AC drive parameter illustration for parameter verification when ordering a motor.**

Electric Heat Option



CHM3319P_F8574701

Electric Heat Option

REF	PART NO.	DESCRIPTION	COMMENTS
	F8056001	Jumper Wire	P-voltage require 5; N-voltage require 3
1	F8223001P	Water Pressure Switch	Heat safety
2	F8153901	Tubing	
3	F8246601	Tee	
4	70256901P	Circuit Breaker	
5	F330188P	Contactor	
6	F410300	Pipe Insulation	
7	F421507	Plug	
8	F370609	Thermistor Sensor	
9	F421936	Reducer Bushing	
10	F8179602	Shell Weldment	
11	F360205P	Element	2.6 kW; 12 used in 20 and 30 pound models; 30 used in 40 and 60 pound models
12	F360202	Heating Element Plug	

Parts Index

A

Access Cover	
F8047801	51
Air Trap Hose	
F020014200	11, 13
Auxiliary Control Assembly	
F8189401P	11

B

Basket Assembly	
F8347901P	37
F8391301P	37
F8391701P	37
F8502801	37
Basket Puller Tool	
F460129P	37
Basket Pulley	
F200299700	55
Basket Rental Tool Kit	
390P4-1	37
Basket Tool Kit	
389P4	37
Bearing	
F100108	39
F100123P	39
F100134	39
F100135	39
F100136P	39
F100137P	39
Bearing Sleeve	
F8221701	33
Belt	
F280304	55
F280321	55
F280337	55
F280341	55
F280342	55
F280343	55
F280366P	55
F280368P	55
F280369P	55
F280373	55
F8382801	55
Blind Rivet	
F8245101	33
Bolt	
F200182700	45, 47
F430974	33
F8230501	31
F8270701	35
F8508101	33
Bushing	
H87529111P	57
M412995P	57

C

Cap	
F8197701	51
Capacitor	
F370218P	11
F370220	11
F370221	11
F8411701	11
F8411801	11
F8411901	11
Capacitor Tray Assembly	
F8199601	11
F8199901	11
Card Plate Assembly	
F8201501	23
Card Reader Overlay	
70334201	23
70438201	23
Circuit Breaker	
70256901P	63
Coin Box	
F160672	25
Coin Chute	
F8170801	11, 13
Coin Drawer Assembly	
F8182001	25
Coin Drop	
70256402P	19
70441601P	17
Coin Drop Assembly	
CK123	21
210195	19
210196	19
38462P	17
38463	17
38464P	17
38472	19
38521	19
39157	19
70281102	19, 21
70447301	21
70482401	21
70506901	21
Coin Drop Kit	
CK107	21
CK111	21
CK122	21
Coin Drop Overlay	
39564	29
Coin Identification Paper	
38725	17, 19, 21
Coin Meter	
F0160737-00	19
Coin Meter Assembly	
F200010000P	17
F200010001	19
F200010002	19
F200010003	19
F200010004	19
F200010005	19
F200010006	17

N/A items do not appear in index.

F200010007	17
F200010008	19
F200010009	17
F200010010	19
F200010011	17
F200010012	17
Coin Vault Assembly	
F8182501	11, 13
F8182601	11, 13
Concrete Kit	
1111P	41
Contactora	
F330177P	11
F330188P	63
Contactora Tray Assembly	
F8343401	11
Control Assembly Kit	
F980P3	11, 13
Control Kit	
F992P3	13
F993P3	13
F994P3	11, 13
F995P3	11, 13
Control Panel Assembly	
F8038502	27
F8038504	27
F8038602	27
F8038604	27
F8038702	27
F8038704	27
F8038802	27
F8038804	27
Control Panel Overlay	
F8225301	29
F8225302	29
F8225401	29
F8225402	29
F8225501	29
F8225502	29
F8225601	29
F8225602	29
F8226902	29
F8295001	29
F8295002	29
F8295101	29
F8295102	29
F8295201	29
F8295202	29
F8295301	29
F8295302	29
F8458001	29
Control Tray Assembly	
F8205902	11, 13
F8205903	11, 13
Control Tray Harness	
F8261501P	13
Cotter Pin	
F430401	57

D

Diaphragm and Guide Kit	
G582P3	53
DIN Rail	
F8200101	11

Dispenser Assembly	
F8047401	51
Dispenser Gasket	
F8308301	51
Dispenser Lid	
F8048101	31
Dispenser Overflow Hose	
F8043401	51
F8043403	51
F8043404	51
Door	
F0602431-02	33
F0602837-02	33
F602842-2	33
Door Assembly	
F8187202	33
F8187205	33
F8187302	33
F8187305	33
F8187402	33
F8187405	33
Door Bezel	
F0170426-00	27
F170416-1	27
F170416-2	27
F170416-3	27
F170417-1	27
Door Gasket	
F200000202	33
F8111502	33
F8111602	33
Door Glass	
F8485301P	33
F8485401P	33
Door Glass Kit	
F290205P	33
Door Handle	
F8199401P	33
Door Handle Spacer Kit	
F8567501	33
Door Hinge	
F190216P	33
Door Hinge Shim Kit	
F200131000P	33
Door Latch Arm Assembly	
F8221401	33
Door Lock Assembly	
F8340501	35
Door Lock Assembly Kit	
F8626501	35
Door Lock Catch	
F8223601	35
F8344501	35
Door Lock Cover	
F8245001	35
Door Lock Microswitch	
F200203200	35
Door Lock Plate Assembly	
F8223202	35
Door Lock Plate Shim	
F8059701	35
F8344401	35
Door Lock Solenoid Replacement Kit	
F977P3	35

N/A items do not appear in index.

Door Lock Splash Shield	
F320200	35
Door Lock Switch Lever	
F8223401	35
Door Mount	
F150271	33
Drain Connect Tee	
F150318	43
Drain Hose	
F8231901	43
F8231902	43
F8232901	43
F8233001	43
F8233101	43
F8233102	43
Drain Seal Kit	
F8562001	47
Drain Tee	
F150398	43
Drain Valve	
F8406303	47
Drain Valve Cover	
F200133600	45, 47
Drain Valve Kit	
F200166400	47
F200166402	47
Drain Valve Motor	
F380933P	45, 47
F8618901P	45, 47

E

Earth Terminal Sticker	
M412096	9
Electric Shock Danger Label	
F8115501	9
Electronic Coin Drop Assembly	
70294103P	21
70294104	21
70294106	21
70294111	21
70294119	21
70294120	21
70294121	21
70513304	21
70513308	21
70513310	21
70513311	21
70513312	21
70513313	21
Electronic Coin Drop Kit	
CK099	21
CK100	21
CK101	21
CK108	21
CK109	21
CK110	21
CK113	21
CK115	21
CK116	21
CK117	21
CK118	21
CK119	21
CK120	21
CK121	21

CK500	21
Element	
F360205P	63
EMI Filter	
F8053901P	13
F8053902	13
Excluder Seal	
F8336801	37
F8336901	37
F8337001	37
F8337101	37
Expansion Clip	
70030501	11, 13, 27, 31
Extension Spring	
F310124	57
External Door Lock Harness	
F8340001	35
External Supply Connection Decal	
F8150201	9
External Supply Harness	
F8191201P	11, 13
F8191203P	11, 13
External Supply Kit	
F937P3	11, 13

F

Fill Hose Kit	
F8544601	49
Frame Template	
F8433301	41
F8433401	41
F8433501	41
F8433601	41
Frame Weldment	
F8195901	41
F8196001	41
F8196101	41
F8199101	41
Front Cabinet Brace	
F8173801	27
F8173901	27
F8174001	27
Front Panel	
F8171301	27
F8171302P	27
F8173001	27
F8173002P	27
F8173101P	27
F8173102P	27
F8173201	27
F8173202P	27
Fuse	
802493	11

G

Gravity Drain Valve	
803292	45
Ground Decal	
F230739	9
Ground Lug Connector	
M411283	51

N/A items do not appear in index.

Gusset Plate	
F8186702	27

H

Heating Element Plug	
F360202	63
Hose	
F606816-1	51
F8232001	51
F8232002	51
F8232004	51
Hose Clamp	
F200201	43
F200213	43, 51, 53
F200215	43, 47
F200222	11, 13, 51
20211	51
36801	51
Hot Surface Warning Label	
F8614301	9

I

Interlock Contactor	
F330186P	11

J

Jumper Configuration Assembly	
M413507	11, 13
Jumper Harness Assembly	
M413506	11, 13
Jumper Wire	
F8056001	63

K

Key	
F160420	25
F430801	55, 57
F430802	57
70155603	31

L

Left Side Panel	
F8042902P	31
F8043102P	31
F8043202P	31
F8043302P	31
Lid Clamp	
F8091701	31
Lower Cabinet Brace	
F8174101	27

M

Machine Size Configuration Harness	
F8028101P	11, 13
F8028103P	11, 13
F8028104P	11, 13
F8028105P	11, 13
Magnet	
F8390801	33
Manifold	
F8333201	51
Motor	
F022012800P	59
F8329301P	59
F8329701P	59
F8329801P	59
F8597401P	59
F8597402P	59
F8597501P	59
F8597502P	61
F8597801P	61
F8597802P	61
F8597803P	61
F8597804P	61
Motor Conversion Kit	
F8328901P	59
F8329001P	59
F8329101P	61
F8329201P	61
F8411501	59
Motor Drip Shield	
F200216900	59, 61
F200280700	61
Motor Pulley	
F280281	57
Motor Support Bushing	
F200186100	57
Motor Support Rod	
F602844	57
F603059	57
F603897	57
Motor Switch	
F340002	11
Mount on Concrete Warning Label	
F8246401	9
Mounting Plate	
70208801	23

N

Nut	
F0431807-00	51
F430215	17, 19, 33, 37, 43
F430218	41, 57
F430225	35
F430232	11, 13, 33, 35, 51
F430239	39
F430240	39
F430264	35
F431022	33
F431041	33
685846	21

N/A items do not appear in index.

O

Opto Coupler	
200674P	17, 19
Output/Logic Harness	
F8028701	11, 13
Overflow Hose	
F0200238-00	43
F150308	43
F150417	43
F8337701	43
Overflow Plug	
F150352	47
Overlay	
F8225303	29
F8225403	29
F8225503	29
F8225603	29
F8295003	29
F8295103	29
F8295203	29
F8295303	29
70295101	21
70295301	21
Overload Contactor	
F8176101P	11

P

Panel Lock	
44089303P	31
Pipe Insulation	
F410300	63
Plug	
F421507	63
Pop Rivet	
F431223	33
70058501	11, 13, 17, 19
PowerFlex 40 Drive	
F8169401	15
F8169402	15
F8169403	15
F8169404	15
F8169405	15
F8169406	15
F8169407	15
F8169408	15
F8169434	15
F8169435	15
F8169436	15
F8169437	15
F8169438	15
F8169439	15
F8169440	15
F8169441	15
Pressfit Upgrade Kit	
F935P3	37
F936P3	37
F938P3	37
F939P3	37
P-Trap Hose	
F8042201	53
F8042202	53
F8042301	53

Pulley	
F280105P	57
F280173	55, 57
F280197	55, 57
F280284	57
F280427P	57
Pulley Bushing	
F280298P	57
Pulse Expander Assembly	
F8034701P	21
Pushbutton Switch	
70413301	31

R

Rear Panel	
F8176201P	31
F8176301	31
F8177501P	31
F8177701P	31
Reducer Bushing	
F421936	63
Reed Switch Assembly	
F8066802	33
Regulator	
F8402201	53
Retaining Ring	
F8337801	39
F8337901	39
F8344901	39
F8345001	39
Right Side Panel	
F8042901P	31
F8043101P	31
F8043201P	31
F8043301P	31
Rod	
F602813-2	33
F602813-3	33

S

Screw	
F430107	43
F430174	27
F430518	37
F430532	33
F430533	33
F430536	33
F430537	57
F430903	11
F430909	51
F430942	41
F430949	41
F430956	35
F430977	35
F8117601	27
F8206901	11, 13, 31, 51
F8230301	51
F8230601	31
F8442702	41
F8535501	33
F8535601	51
F8574001	55

N/A items do not appear in index.

430497	31
800548	53
801019	27
Shaft Seal Sleeve	
F8343914	37
Shaft Seal Sleeve Kit	
F8343901P	37
F8343904P	37
F8343906P	37
F8343909P	37
Sheave	
F0280385-00	57
Sheave Kit	
F280287P	57
Sheave Pulley	
F280170	55, 57
F280172	55, 57
Shell Band Kit	
F8537801	37
F8537802	37
F8537803	37
F8537804	37
Shell Front Assembly	
F8229401	37
F8229501	37
F8229601	37
F8229701	37
Shell Front Gasket Kit	
F8513501	37
Shell Weldment	
F200199700	41
F8179201	41
F8179202	41
F8179301	41
F8179302	41
F8179401	41
F8179402	41
F8179501	41
F8179502	41
F8179602	63
Shim	
F8484401	35
Siphon Cover	
F8047901	51
Snap Bushing	
44071501	11, 13
Spacer	
F431901	35
Spring	
F8504701	47
Spring Clip	
F633374	57
Spring Pin	
F431222	33
Steam Filter	
F270307	49
Supply Overflow Hose	
F8043405	51
Support Bracket	
F8195803	13
Switch Clamp	
F0340722-00	11

T

Tee	
F8246601	11, 13, 63
Temperature Configuration Harness	
F8028219P	11
Tension Spring	
F310148	57
Terminal Block	
430642	51
Terminal Tray Cover	
F8177001	51
Terminal Tray Cover Gasket	
F8230001	51
Thermistor Sensor	
F370609	63
Top Cabinet Brace	
F8043501	31
F8043701	31
F8043801	31
F8043901	31
Top Cover	
F8017401	31
F8040201	31
F8040301	31
F8040401P	31
Top Cover Hinge	
F8258601	31
Top Cover Latch	
F8201001	27
Torsion/Door Lock Spring	
F8070301	35
Transformer	
F360157P	11, 13
201616P	11
803527P	11, 13
Triple Lip Seal	
F8203801	39
F8203802	39
F8203803	39
F8203806	39
Trunnion Kit	
F747001	39
F747002	39
F747003	39
F747005	39
Tubing	
F8153901	11, 13, 63

U

USB IR Interface Kit	
203346	11, 13
Use Copper Conductors Only Caution Label	
F8242201	9

V

Vacuum Breaker Assembly	
F8048601	53

Vacuum Breaker Hose	
F0200244-01	51
F0200244-02	51
Vacuum Supply Hose	
F8042801	51
F8042803	51
F8042804	51
F8042805	51
Valve Panel	
F8017501	51
F8039601	51
F8039801	51
F8039901	51
Valve, 3-Way	
F8286401P	53
F8286402P	53
Vault/FBS Bypass Harness	
F8191401P	23

W

Warning Label	
F8207901	9
F8233501	9
44324001	9
Washer	
F430303	41
F430317	37, 43
F431115	55
F431128	39, 41
F431131	39, 41
F431133	33
F431902	35
F431916	33
F431929	33
M400081	41
803615	49, 53
901690	57
Water Hose	
F200116	49
F200165	49
Water Pressure Switch	
F8223001P	11, 13, 63

Y

Y Connector	
F422816	51
