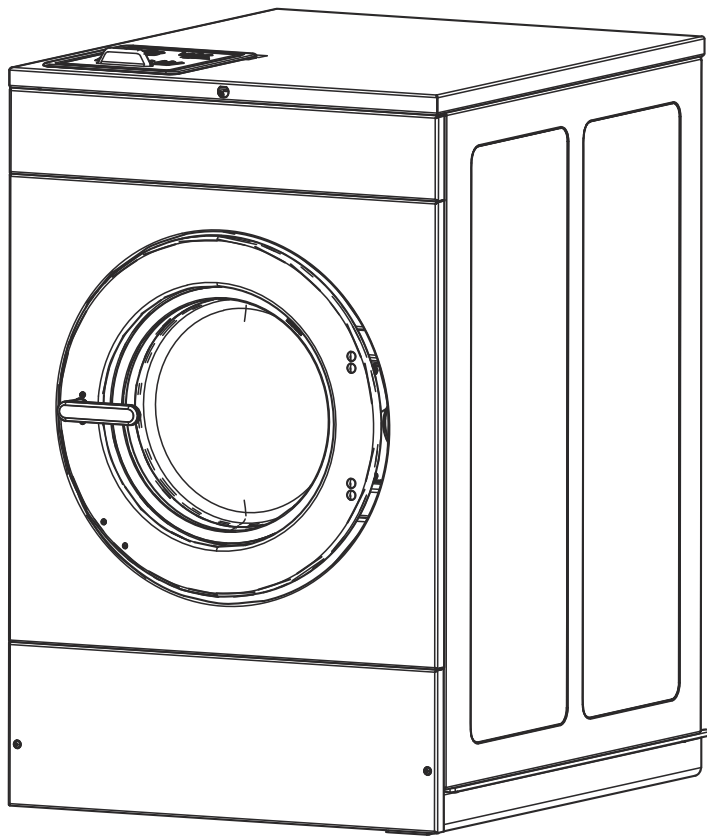


Washer-Extractor

Cabinet Hardmount

Design 4, 6 and 7

Refer to Page 5 for Model Numbers



C-CHM2C3_F8668801

Table of Contents

Title	Page
Parts Ordering Information.....	3
Serial Plate Location	3
Model Identification	5
Product Overview - Galaxy 400/500 Vend and Quantum Silver	6
Labels	8
Control Module and Front Tray Assembly - Coin Models	10
Control Module and Front Tray Assembly - Card Reader and Central Pay Models	12
Control Tray Assembly.....	14
Flush Mount Coin Meter Assembly - Single Drop	16
Flush Mount Coin Meter Assembly - Dual Drop.....	18
Electronic Coin Meter Assembly	20
Optional Coin Box.....	22
Inverter Drive Box - 20 and 30 Pound Models with B Voltage	24
Inverter Drive Box - 20 and 30 Pound Models with N, P, Q, W, X and Y Voltage.....	26
Inverter Drive Box - 40 Pound Models with B Voltage	28
Inverter Drive Box - 40 Pound Models with N, P, Q, W, X and Y Voltage.....	30
Inverter Drive Box - 60 Pound Models with Q and X Voltage	32
Inverter Drive Box - 60 Pound Models with N and P Voltage.....	34
External Supply Kit.....	36
Inverter Drive	38
Front Panels and Control Panel - HC Coin Models - Design 4	40
Front Panels and Control Panel - HC Coin Models - Design 6	42
Front Panels and Control Panel - SC Coin Models.....	44
Front Panels and Control Panel - Card Reader and Central Pay Models - Design 4	46
Front Panels and Control Panel - Card Reader and Central Pay Models - Design 6 HC Models.....	48
Rear and Top Panels	50
Side Panels.....	52
Door - 20 Pound Models - Design 4.....	54
Door - 20 Pound Models - Design 6 and 7	56
Door - 30 Pound Models - Design 4.....	58
Door - 30 Pound Models - Design 6 and 7	60
Door - 40 and 60 Pound Models - Design 4.....	62
Door - 40 and 60 Pound Models - Design 6 and 7.....	64
Door Lock.....	66
Shell Front, Basket, Shell and Frame Template	68
Bearing Housing	70
Drain Plumbing	72
Pump Drain Plumbing - 20, 30 and 40 Pound Models.....	74
Fill Plumbing - 20 Pound Models	76
Fill Plumbing - 30 Pound Models	78
Fill Plumbing - 40 Pound Models	80

© Copyright 2023, Alliance Laundry Systems LLC

All rights reserved. No part of the contents of this book may be reproduced or transmitted in any form or by any means without the expressed written consent of the publisher.

Fill Plumbing - 60 Pound Models	82
Motor, Pulley and Belt - 20 and 30 Pound Models.....	84
Motor, Pulley and Belt - 40 and 60 Pound Models.....	86
Electric Heating	88
Steam Heating - 40 and 60 Pound Models	90
Special Tools and Kits	92
Parts Index.....	95

Parts Ordering Information

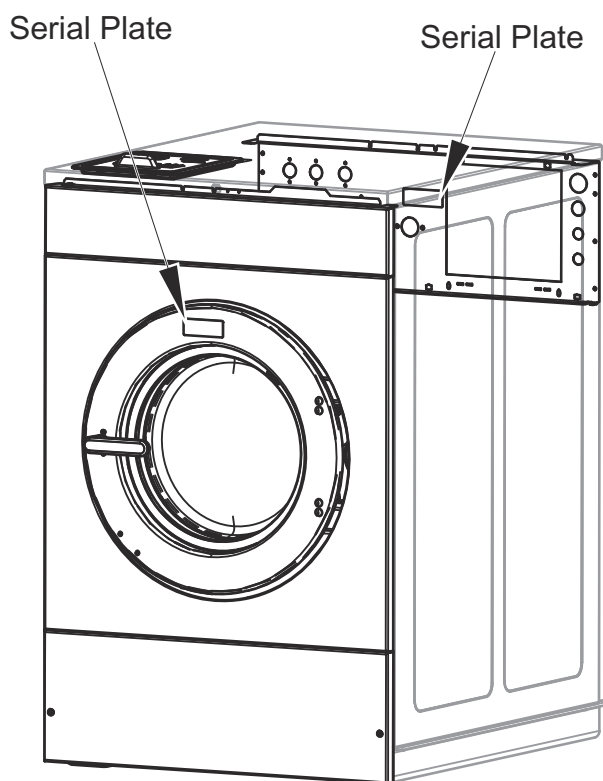
If literature or replacement parts are required, contact the source from whom the machine was purchased or contact Alliance Laundry Systems at (920) 748-3950 for the name and address of the nearest authorized parts distributor.

For technical assistance, call the number listed below:

(920) 748-3121 Ripon, Wisconsin

Serial Plate Location

When calling or writing about your product, be sure to mention model and serial numbers. Model and serial numbers are located on serial plate(s) as shown.



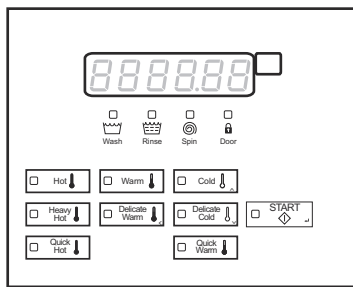
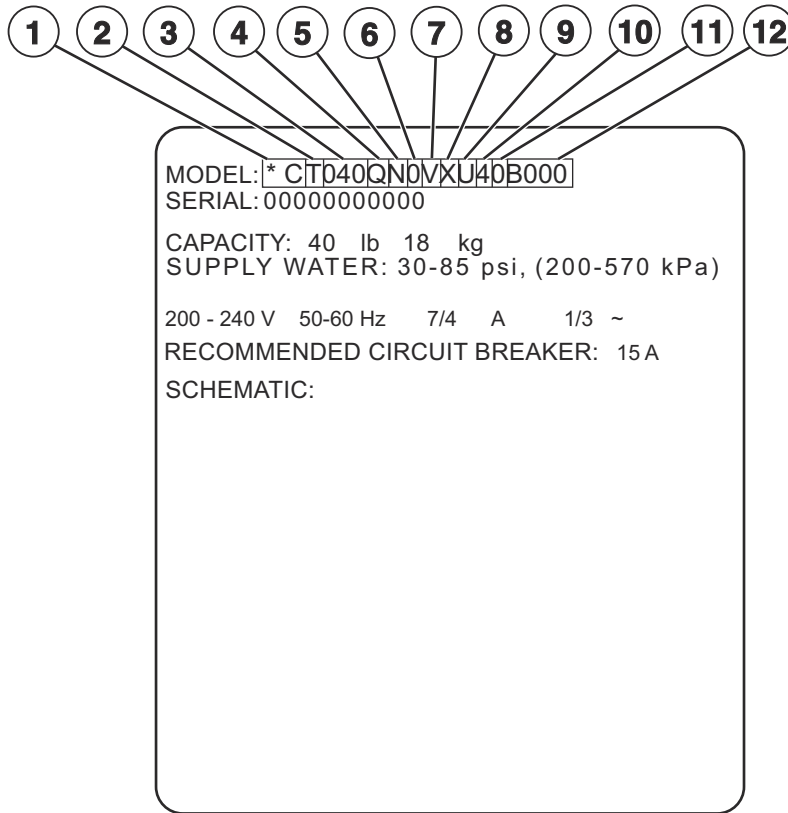
C-CHM2C2_F8668801

Model Identification

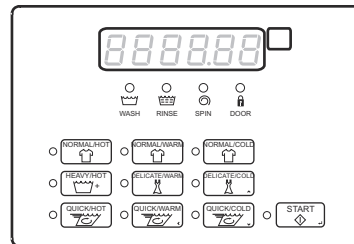
Information in this manual is applicable to these washer-extractor models:

HCT020QC	HCT040QC	SCT020QC	SCT040QC
HCT020QD	HCT040QD	SCT020QD	SCT040QD
HCT020QE	HCT040QE	SCT020QE	SCT040QE
HCT020QF	HCT040QF	SCT020QF	SCT040QF
HCT020QH	HCT040QH	SCT020QH	SCT040QH
HCT020QL	HCT040QL	SCT020QL	SCT040QL
HCT020QQ	HCT040QQ	SCT020QQ	SCT040QQ
HCT020QT	HCT040QT	SCT020QT	SCT040QT
HCT020QV	HCT040QV	SCT020QV	SCT040QV
HCT020QX	HCT040QX	SCT020QX	SCT040QX
HCT020QY	HCT040QY	SCT020QY	SCT040QY
HCT030QC	HCT060QC	SCT030QC	SCT060QC
HCT030QD	HCT060QD	SCT030QD	SCT060QD
HCT030QE	HCT060QE	SCT030QE	SCT060QE
HCT030QF	HCT060QF	SCT030QF	SCT060QF
HCT030QH	HCT060QH	SCT030QH	SCT060QH
HCT030QL	HCT060QL	SCT030QL	SCT060QL
HCT030QQ	HCT060QQ	SCT030QQ	SCT060QQ
HCT030QT	HCT060QT	SCT030QT	SCT060QT
HCT030QV	HCT060QV	SCT030QV	SCT060QV
HCT030QX	HCT060QX	SCT030QX	SCT060QX
HCT030QY	HCT060QY	SCT030QY	SCT060QY

Product Overview - Galaxy 400/500 Vend and Quantum Silver



Galaxy 400 Vend (through April 2019)
 Galaxy 500 Vend (starting May 2019)



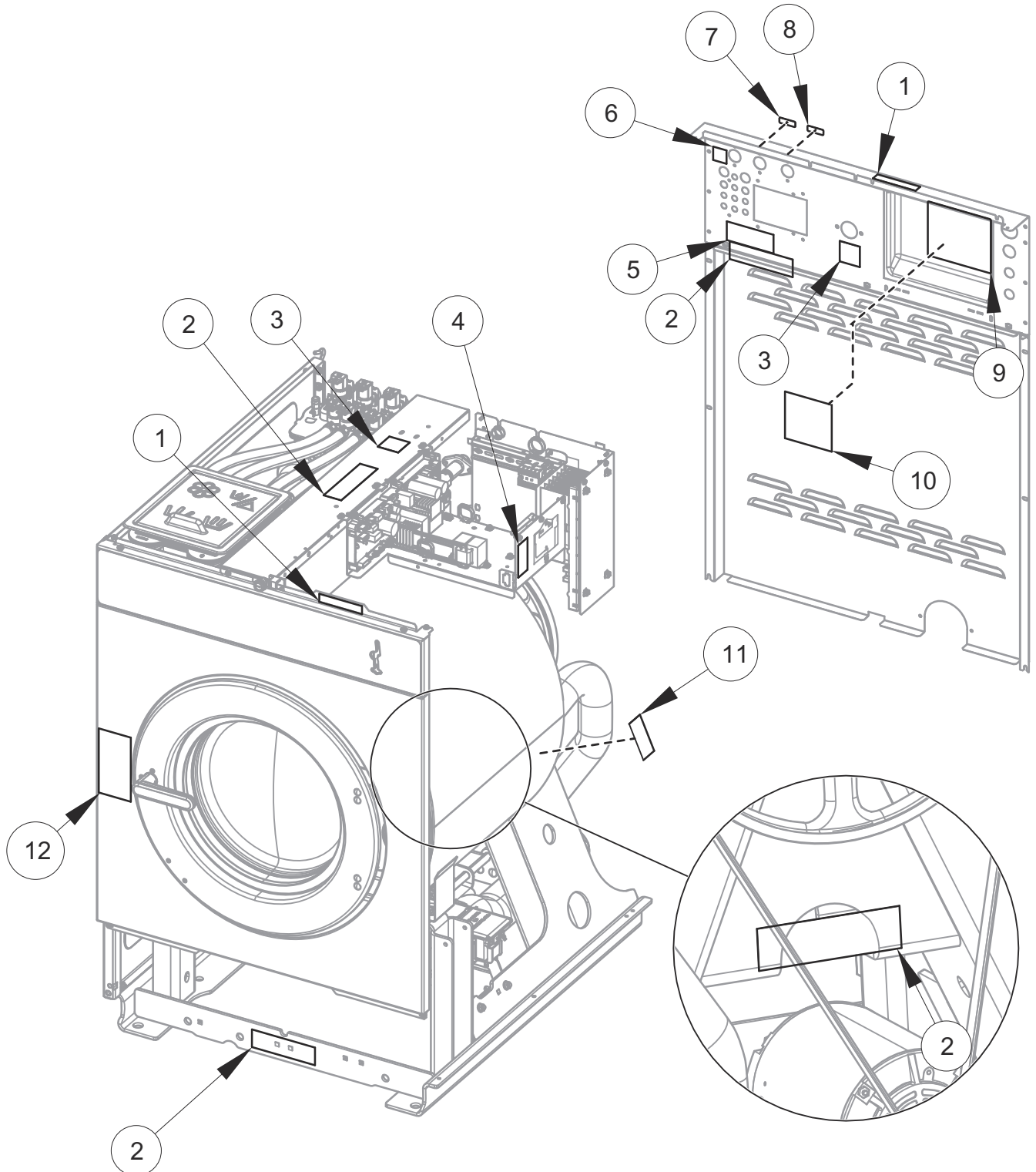
Quantum Silver

CHM3514P_F8668801

Product Overview - Galaxy 400/500 Vend and Quantum Silver

REF	PART NO.	DESCRIPTION	COMMENTS
1	-	Product Family	HC SC
2	-	Market Approvals	T (North America CSA)
3	-	Capacity (Dry Weight in Pounds)	020 030 040 060
4	-	Control	Q
5	-	Actuation	L (Central Pay) X (Prep for Coin) Y (Prep for Card) C (Single Coin) D (Dual Coin) E (Electronic Drop) T (Token) F (Single Coin + CD Lock and Key) Q (Dual Coin + CD Lock and Key) H (Electronic Drop + CD Lock and Key) V (Token + CD Lock and Key)
6	-	Coin Meter	0 (Standard) 1 (CD Lock and Key)
7	-	Speed	F (F-Speed) V (V-Speed)
8	-	Voltage	B (120/60/1) W (200-240/50/1/3) Y (200-240/60/1/3) X (200-240/50-60/1/3) Q (200-240/50-60/3) P (380-415/50-60/3) N (440-480/50-60/3)
9	-	Panel	B (Chrome Door) C (Chrome Door) U (Vinyl) 1 (Stainless Steel Side)
10	-	Design	4 6 7
11	-	Heat	0 (Standard) D (Steam) E (Electric Heat) P (Prep for Steam)
12	-	Features and Options	

Labels

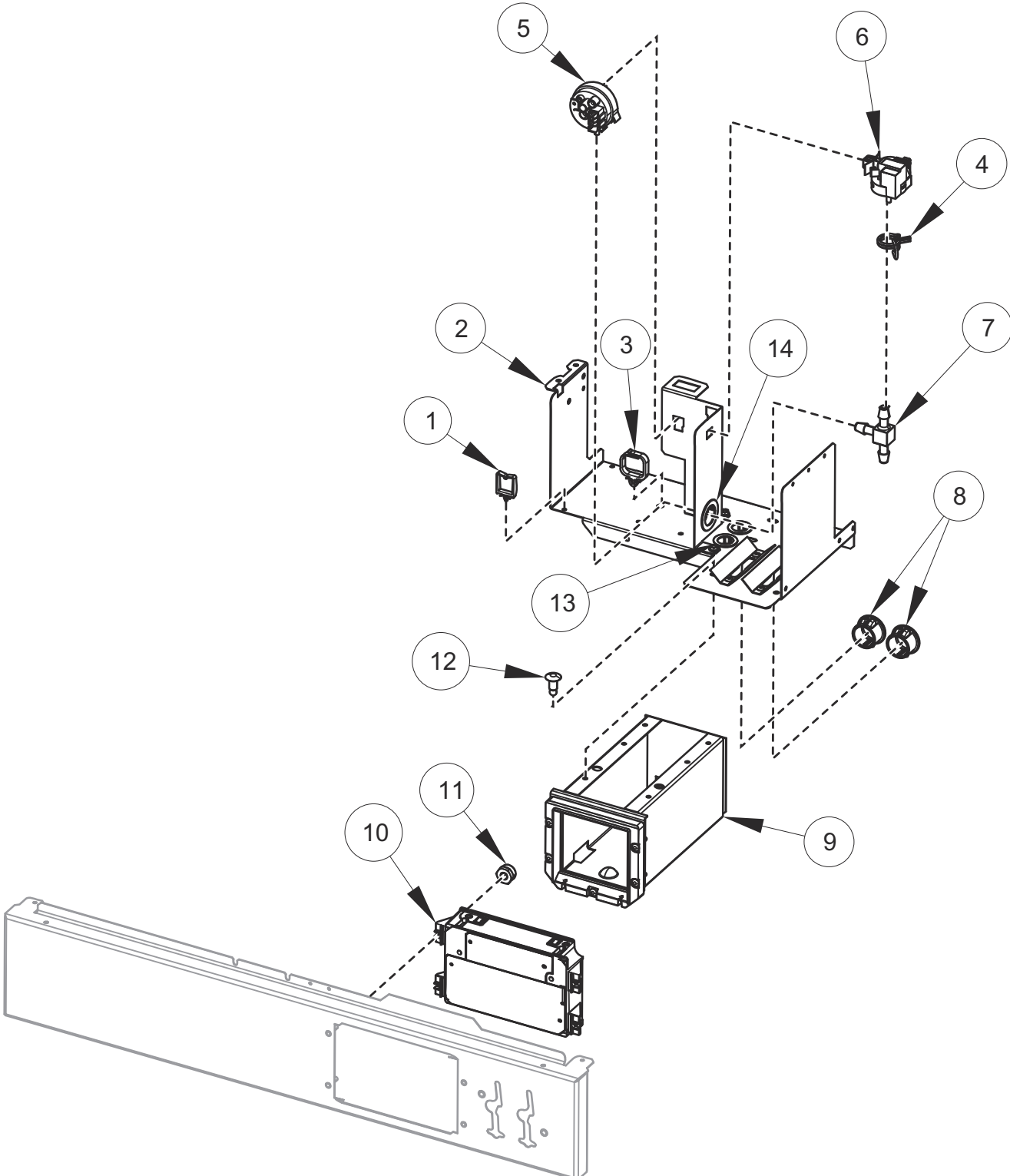


C-CHM2P27_F8668801

Labels

REF	PART NO.	DESCRIPTION	COMMENTS
1	F8614501	Danger Label	English/Quebec/French
2	44324001	Warning Label	Pinch/Shock; English/French
	F8614201	Shock Warning Label	Icon
	F8615701	Pinch Warning Label	Icon
3	F8614301	Hot Surface Warning Label	English/Quebec/French
	F8609001	Hot Surface Warning Label	Icon
4	F8601301	Label	Warning; Underground components
5	F8609401	Label	Notice; Chemical connection
6	203853	Label	ROHS (China)
7	F8611301	Label	Hot water; Icon
8	F8611401	Label	Cold water; Icon
9	F8611601	Warning Label	Warning; English/Quebec/French
10	F8602401	Label	Notice; Large expansion board
11	70538401	Pinch Warning Label	English/French
	F8615701	Pinch Warning Label	Icon
12	F8614801	Label	Warning fire/injury; English/Quebec/French

Control Module and Front Tray Assembly - Coin Models

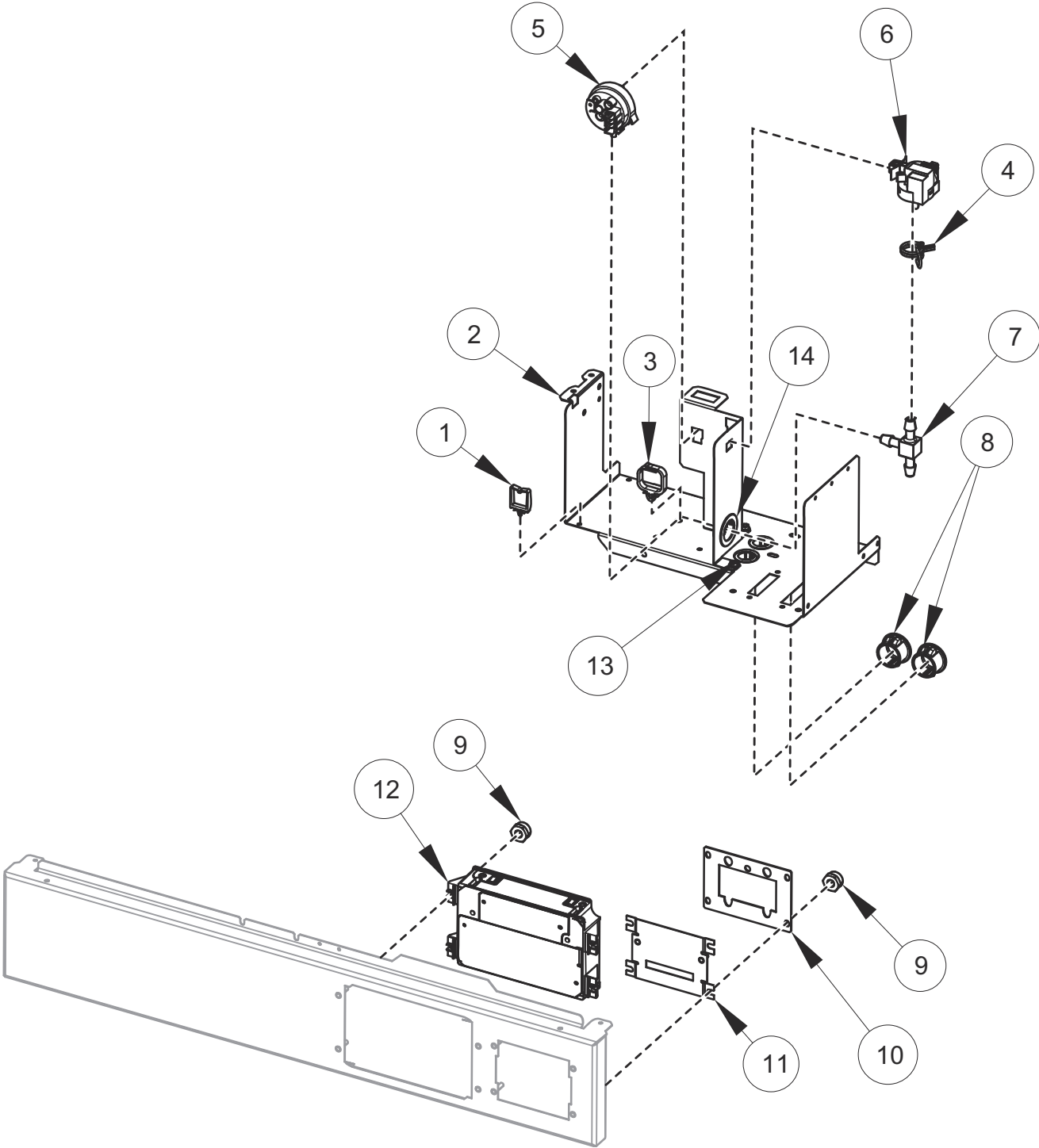


C-CHM5P1_F8668801

Control Module and Front Tray Assembly - Coin Models

REF	PART NO.	DESCRIPTION	COMMENTS
	44374701	App Pay Overlay Kit	
	203361P	Machine ID Control Assembly	
	F8567301	Front Tray Assembly	20 pound models; Includes items 1-3, 6, 8, 9, 12-14, 70413301 Pushbutton Switch and F8519701 Coin Vault Harness
	F8567304	Front Tray Assembly	20 pound models; Steam or electric heat; Includes items 1-9, 12-14, 70413301 Pushbutton Switch and F8519701 Coin Vault Harness
	F8567302	Front Tray Assembly	30 pound models; Includes items 1-3, 6, 8, 9, 12-14, 70413301 Pushbutton Switch and F8519701 Coin Vault Harness
	F8567305	Front Tray Assembly	30 pound models; Steam or electric heat; Includes items 1-9, 12-14, 70413301 Pushbutton Switch and F8519701 Coin Vault Harness
	F8567303	Front Tray Assembly	40 and 60 pound models; Includes items 1-3, 6, 8, 9, 12-14, 70413301 Pushbutton Switch and F8519701 Coin Vault Harness
	F8567306	Front Tray Assembly	40 and 60 pound models; Steam or electric heat; Includes items 1-9, 12-14, 70413301 Pushbutton Switch and F8519701 Coin Vault Harness
	F8519701	Coin Vault Harness	
	F8519301	Harness	Tray power harness
	F8519501	Harness	Communication; 20 and 30 pound models
	F8519502	Harness	Communication; 40 and 60 pound models
	F8519601	Harness	Coin access
	F8519403	Emergency Stop Bypass Harness	
1	70366201	Wire Clip	
2	F8531001	Front Tray Assembly	
3	F8449501	Wire Clip	
4	39282	Hose Clamp	
5	F8609101	Water Level Pressure Switch	Steam or electric heat
	F8405303	Tubing	Electric heat
6	F8623401	Pressure Sensor	
	F8405302	Tubing	Electric heat
7	203464	Barbed Tee	Steam or electric heat
8	M411826	Snap Bushing	
9	F8529101	Coin Vault Assembly	
10	F8493901P	Control Assembly	
11	685846	Nut	
12	70058501	Pop Rivet	
13	F140938	Snap Bushing	
14	M402542	Snap Bushing	

Control Module and Front Tray Assembly - Card Reader and Central Pay Models

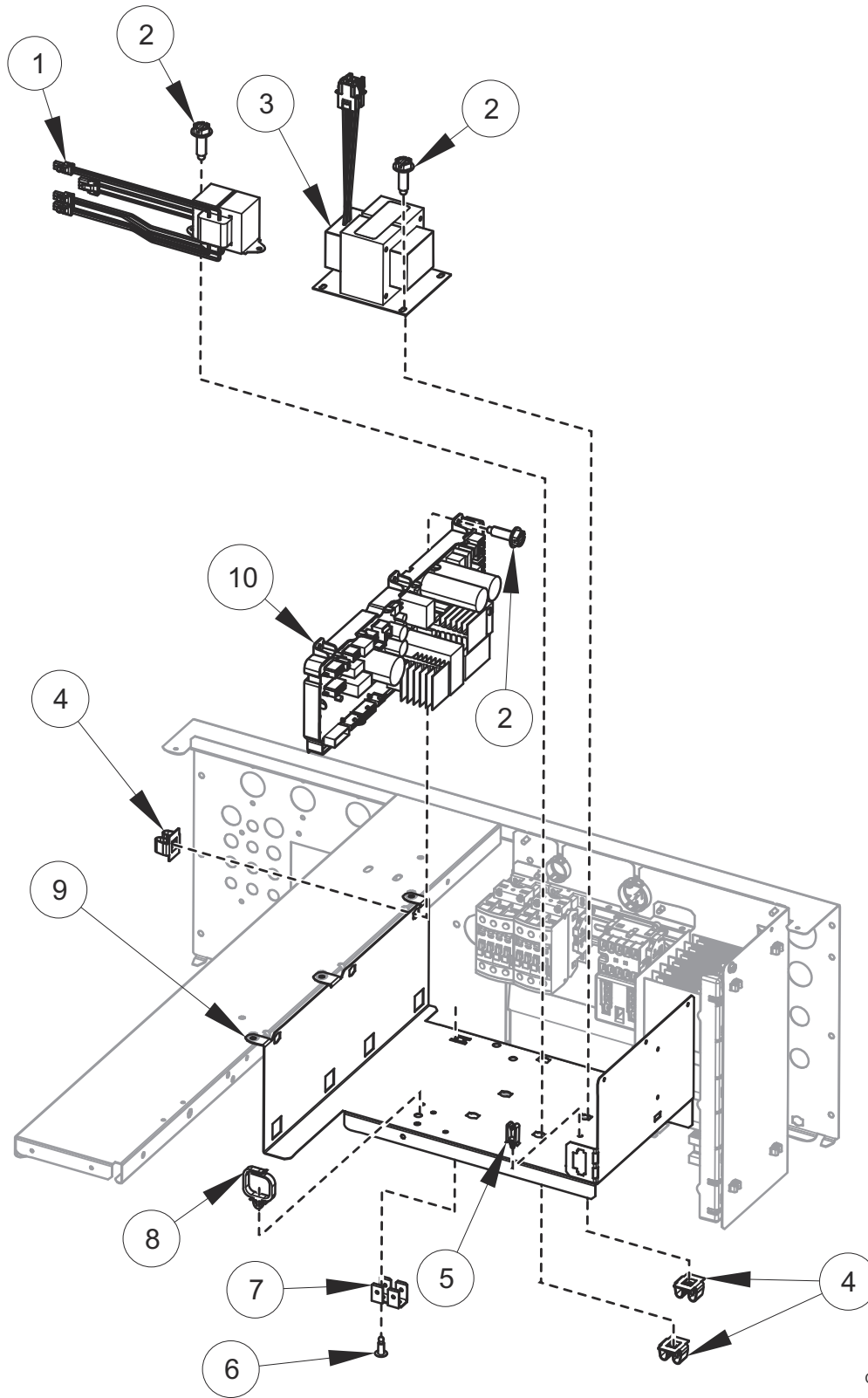


C-CHM5P3_F8668801

Control Module and Front Tray Assembly - Card Reader and Central Pay Models

REF	PART NO.	DESCRIPTION	COMMENTS
	44374701	App Pay Overlay Kit	
	203361P	Machine ID Control Assembly	
	F8567307	Front Tray Assembly	20 pound models; Includes items 1-3, 6, 8, 13, 14 and 70413301 Pushbutton Switch
	F8567310	Front Tray Assembly	20 pound models; Steam or electric heat; Includes items 1-8, 13, 14 and 70413301 Pushbutton Switch
	F8567308	Front Tray Assembly	30 pound models; Includes items 1-3, 6, 8, 13, 14 and 70413301 Pushbutton Switch
	F8567311	Front Tray Assembly	30 pound models; Steam or electric heat; Includes items 1-8, 13, 14 and 70413301 Pushbutton Switch
	F8567309	Front Tray Assembly	40 and 60 pound models; Includes items 1-3, 6, 8, 13, 14 and 70413301 Pushbutton Switch
	F8567312	Front Tray Assembly	40 and 60 pound models; Steam or electric heat; Includes items 1-8, 13, 14 and 70413301 Pushbutton Switch
	F8519301	Harness	Tray power harness
	F8519501	Harness	Communication; 20 and 30 pound models
	F8519502	Harness	Communication; 40 and 60 pound models
	F8519702	Coin Vault Bypass Harness	
	F8519601	Harness	Coin access
	F8519403	Emergency Stop Bypass Harness	
	44342801	Central Pay Harness	Models through December 2018
1	70366201	Wire Clip	
2	F8531001	Front Tray Assembly	
3	F8449501	Wire Clip	
4	39282	Hose Clamp	
5	F8609101	Water Level Pressure Switch	Steam or electric heat
	F8405303	Tubing	Electric heat
6	F8623401	Pressure Sensor	
	F8405302	Tubing	Electric heat
7	203464	Barbed Tee	Steam or electric heat
8	M411826	Snap Bushing	
9	685846	Nut	
10	70208801	Mounting Plate	
11	F8201501	Card Plate Assembly	
12	F8493901P	Control Assembly	
13	F140938	Snap Bushing	
14	M402542	Snap Bushing	

Control Tray Assembly

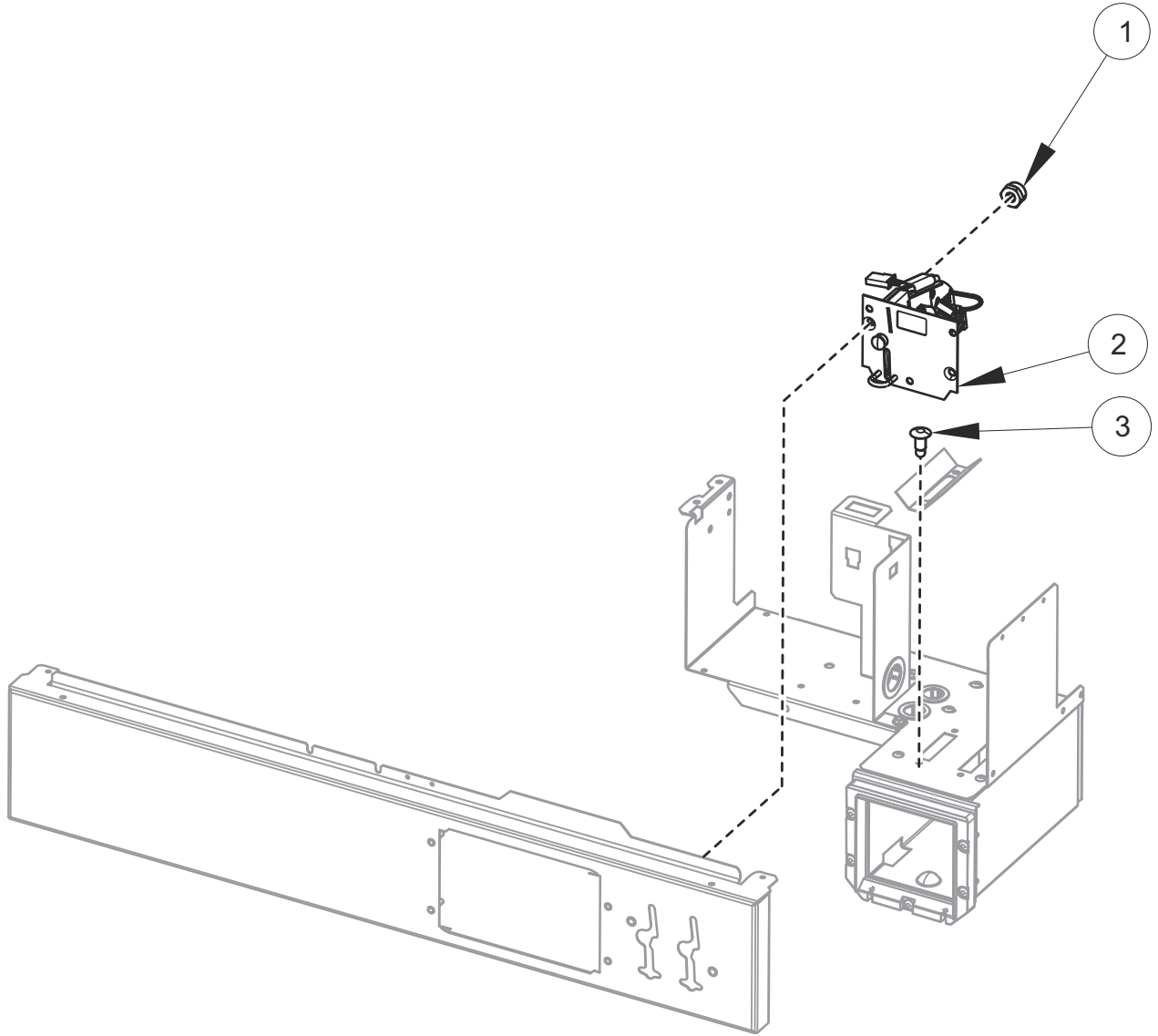


C-CHM5P5_F8668801

Control Tray Assembly

REF	PART NO.	DESCRIPTION	COMMENTS
	205391P	Gateway	
	F8520403	Wireless Harness	HC 20 and 30 pound models through January 2019; SC 20 and 30 pound models through April 2019
	F8674003	Wireless Harness	HC 20 and 30 pound models starting February 2019; SC 20 and 30 pound models starting May 2019
	F8520404	Wireless Harness	HC 40 and 60 pound models through January 2019; SC 40 and 60 pound models through April 2019
	F8674004	Wireless Harness	HC 40 and 60 pound models starting February 2019; SC 40 and 60 pound models starting May 2019
	F8662401	Wireless Kit	HC 20 and 30 pound models through January 2019; SC 20 and 30 pound models through April 2019; Includes items 4, 5, F8520403 Wireless Harness and labels
	F8676001	Wireless Kit	HC 20 and 30 pound models starting February 2019; SC 20 and 30 pound models starting May 2019; Includes items 4, 5, F8674003 Wireless Harness and labels
	F8662402	Wireless Kit	HC 40 and 60 pound models through January 2019; SC 40 and 60 pound models through April 2019; Includes items 4, 5, F8520404 Wireless Harness and labels
	F8676101	Wireless Kit	HC 40 and 60 pound models starting February 2019; SC 40 and 60 pound models starting May 2019; Includes items 4, 5, F8674003 Wireless Harness and labels
	204145P	Gateway	Models starting May 2019
1	202757	Transformer	B voltage with external supply
	202758	Transformer	N, P, Q, W, X and Y voltage with external supply
2	F8206901	Screw	
3	F8491101	Transformer	N and P voltage
4	70030501	Expansion Clip	
5	70347601	Wire Clip	External supply
6	M400003	Pop Rivet	
7	00622SG	Terminal	
8	F8449501	Wire Clip	
9	F8530701	Control Tray	
10	F8494101P	Input and Output Control Assembly	

Flush Mount Coin Meter Assembly - Single Drop

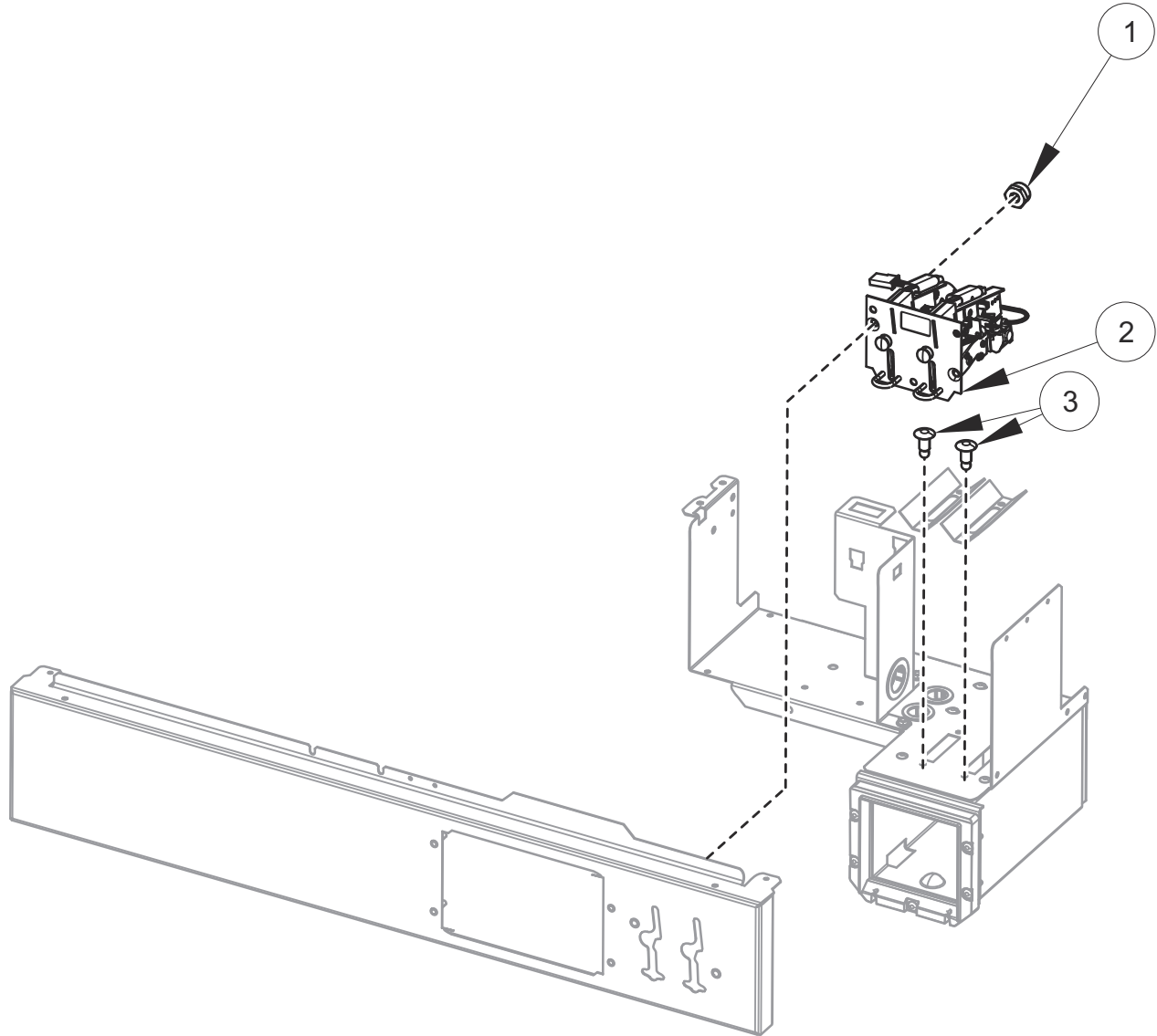


C-CHM6P7_F8668801

Flush Mount Coin Meter Assembly - Single Drop

REF	PART NO.	DESCRIPTION	COMMENTS
	44374701	App Pay Overlay Kit	
	38725	Coin Identification Paper	
	200674P	Opto Coupler	
1	685846	Nut	
2	70441601P	Coin Drop	U.S.A.; \$.25
	38475	Coin Drop Assembly	Japan; 100 yen
	38464P	Coin Drop Assembly	Canada; .25
	CK077	Coin Drop Kit	Taiwan; 10 NT
	70506901	Coin Drop Assembly	Singapore; \$1.00 NEW
	38462P	Coin Drop Assembly	Token; STD 118-1
	38463	Coin Drop Assembly	Token; STD 118-5
	38963P	Coin Drop	Token STD 118-16
	39748	Coin Drop	Jeton 08MS
	201141	Coin Drop Assembly	Token; Jeton wh121
	70471601	Coin Drop Assembly	Token; 7K
3	70058501	Pop Rivet	

Flush Mount Coin Meter Assembly - Dual Drop

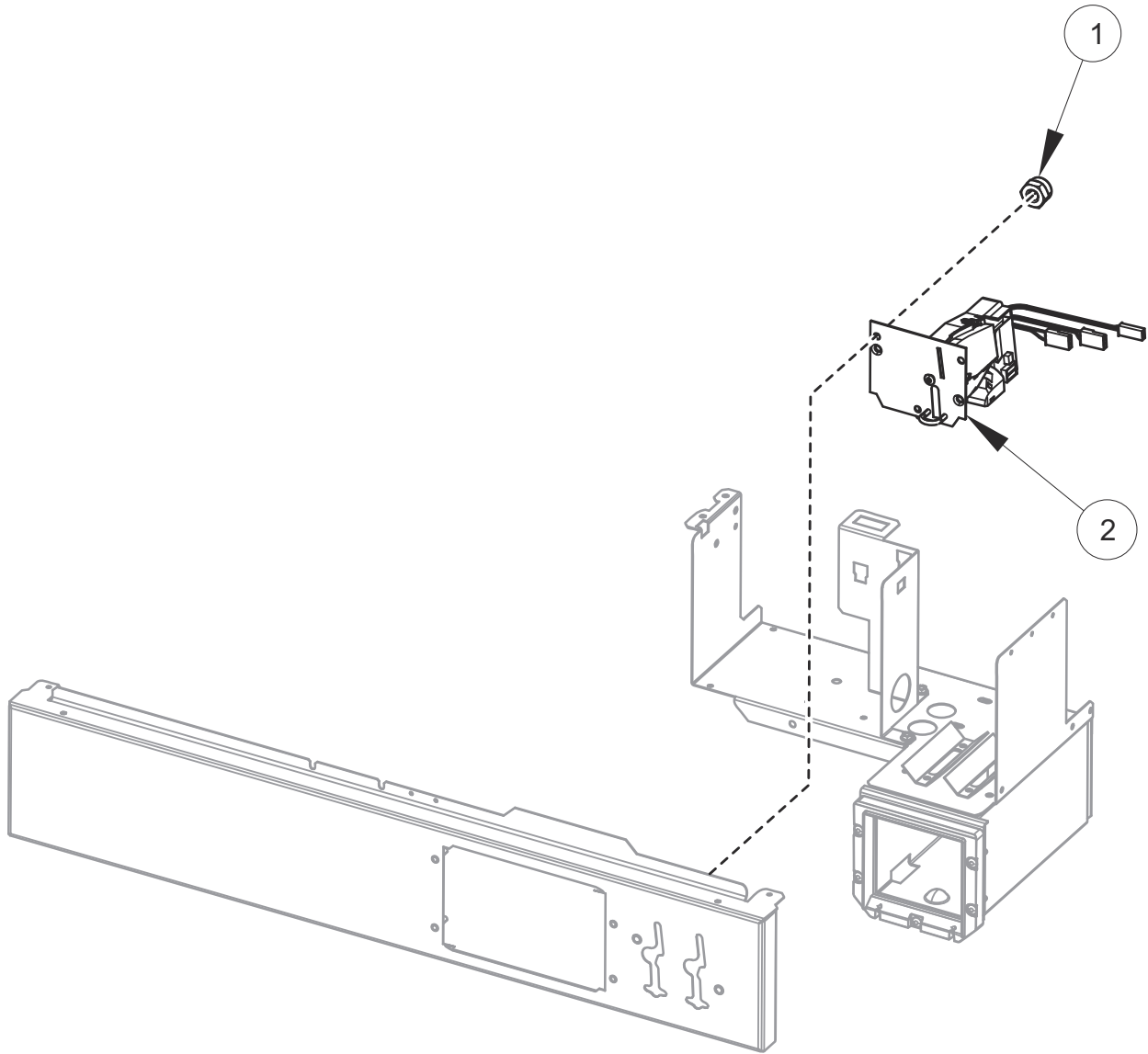


C-CHM6P8_F8668801

Flush Mount Coin Meter Assembly - Dual Drop

REF	PART NO.	DESCRIPTION	COMMENTS
	44374701	App Pay Overlay Kit	
	38725	Coin Identification Paper	
	200674P	Opto Coupler	
1	685846	Nut	
2	70441603	Coin Drop	U.S.A.; \$.25 and \$1.00
	38519	Coin Drop Assembly	Japan; 100 yen and 500 yen
	70441602	Coin Drop Assembly	Canada; .25 and \$1.00
	38467	Coin Drop Assembly	Australia; \$0.20 and \$1.00
	70447301	Coin Drop Assembly	Australia; \$1.00 and \$2.00
	70283102	Coin Drop Assembly	0.20 and 0.50 Euro
	210195	Coin Drop Assembly	0.20 and 1.00 Euro
	210196	Coin Drop Assembly	0.50 and 1.00 Euro
	F0160737-00	Coin Meter	0.50 and 2.00 Euro
	70281102	Coin Drop Assembly	Taiwan; 10 and 50 NT
	70482401	Coin Drop Assembly	New Zealand; \$1.00 and \$2.00
	CK503	Coin Drop Kit	U.S.A. and Canada; \$.25 and \$1.00
3	70058501	Pop Rivet	

Electronic Coin Meter Assembly

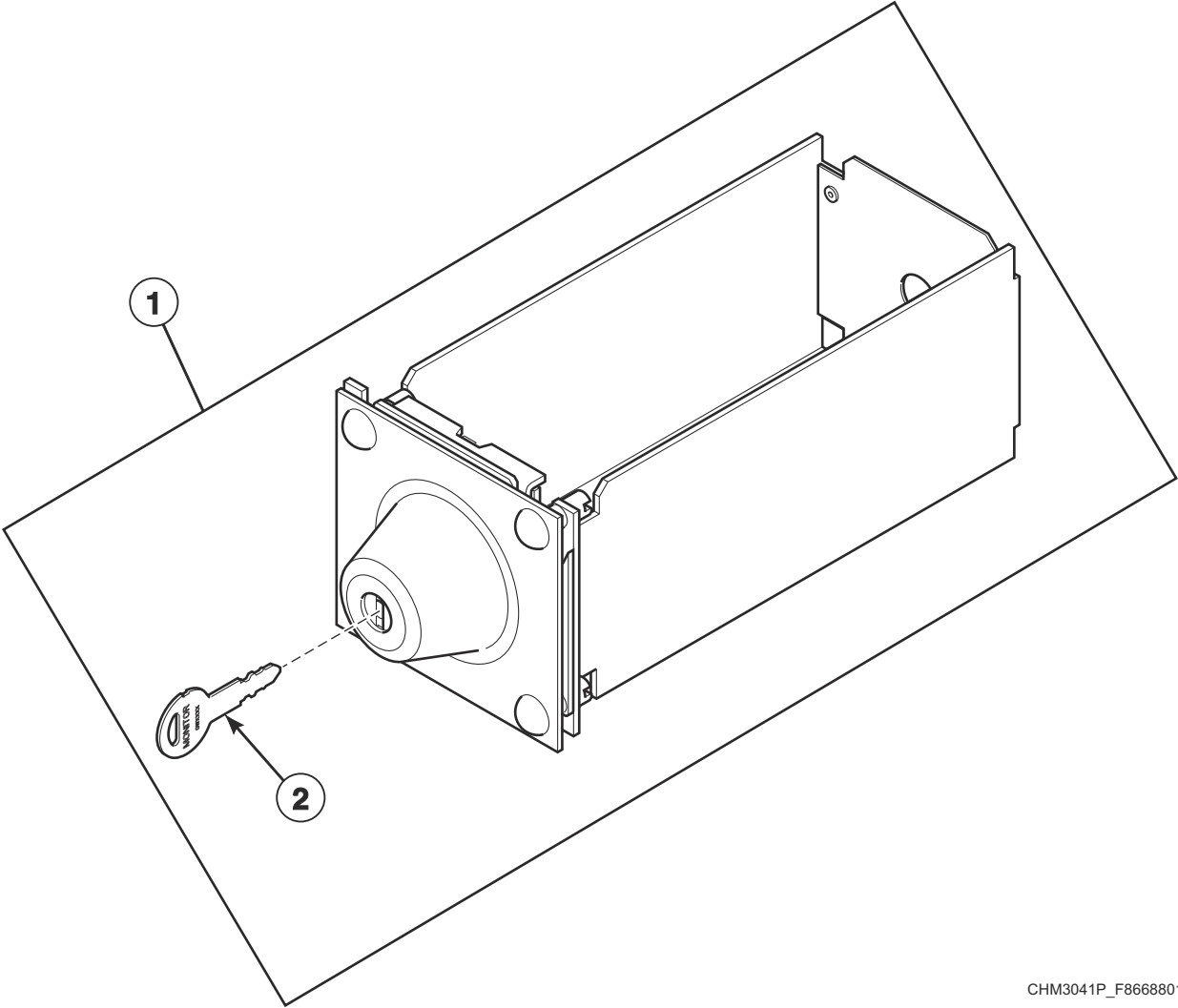


C-CHM6P6_F8668801

Electronic Coin Meter Assembly

REF	PART NO.	DESCRIPTION	COMMENTS
	44374701	App Pay Overlay Kit	
	38725	Coin Identification Paper	
	CK500	Electronic Coin Drop Kit	For use when installing Electronic Coin Drop Kits
	F8034701P	Pulse Expander Assembly	
1	F430215	Nut	
2	70513302	Electronic Coin Drop Assembly	Euro and Great Britain coins
	70513310	Electronic Coin Drop Assembly	Japan and Thailand coins
	70513304	Electronic Coin Drop Assembly	Australia, New Zealand, Hong Kong and South Korea coins
	70513303	Electronic Coin Drop Assembly	Denmark, Norway and Euro coins
	70513306	Electronic Coin Drop Assembly	Mexico, Ecuador and U.S.A. coins
	70294107	Electronic Coin Drop Assembly	Lithuania, Latvia and Euro coins
	70513311	Electronic Coin Drop Assembly	Chiang Malaysia coins
	70513308	Electronic Coin Drop Assembly	South African 1 and 5 rand coins
	70513309	Electronic Coin Drop Assembly	Euro coins
	70513312	Electronic Coin Drop Assembly	Russia coins
	70513313	Electronic Coin Drop Assembly	Philippines coins
	70513314	Electronic Coin Drop Assembly	Thailand coins
	70513315	Electronic Coin Drop Assembly	Chile coins
	70513316	Electronic Coin Drop Assembly	Singapore coins
	CK115	Electronic Coin Drop Kit	United States and Canada; Includes 38725 Coin Identification Paper
	CK099	Electronic Coin Drop Kit	Australia (default), New Zealand, Hong Kong, South Korea and Malaysia; Includes 38725 Coin Identification Paper
	CK100	Electronic Coin Drop Kit	United Kingdom (default) and Europe; Includes 38725 Coin Identification Paper
	CK101	Electronic Coin Drop Kit	Europe (default), Denmark and Norway; Includes 38725 Coin Identification Paper
	CK108	Electronic Coin Drop Kit	South Africa; Includes 38725 Coin Identification Paper
	CK109	Electronic Coin Drop Kit	Euro; Includes 38725 Coin Identification Paper
	CK110	Electronic Coin Drop Kit	Mexico (default), Ecuador and United States; Includes 38725 Coin Identification Paper
	CK113	Electronic Coin Drop Kit	Japan and Taiwan; Includes 38725 Coin Identification Paper
	CK116	Electronic Coin Drop Kit	Malaysia (default) and China; Includes 38725 Coin Identification Paper
	CK117	Electronic Coin Drop Kit	Russia; Includes 38725 Coin Identification Paper
	CK118	Electronic Coin Drop Kit	Philippine; Includes 38725 Coin Identification Paper
	CK119	Electronic Coin Drop Kit	Thailand; Includes 38725 Coin Identification Paper
	CK120	Electronic Coin Drop Kit	Chile; Includes 38725 Coin Identification Paper
	CK121	Electronic Coin Drop Kit	Singapore; Includes 38725 Coin Identification Paper
	CK122	Coin Drop Kit	New Zealand; 1.00 and 2.00; Includes 38725 Coin Identification Paper

Optional Coin Box

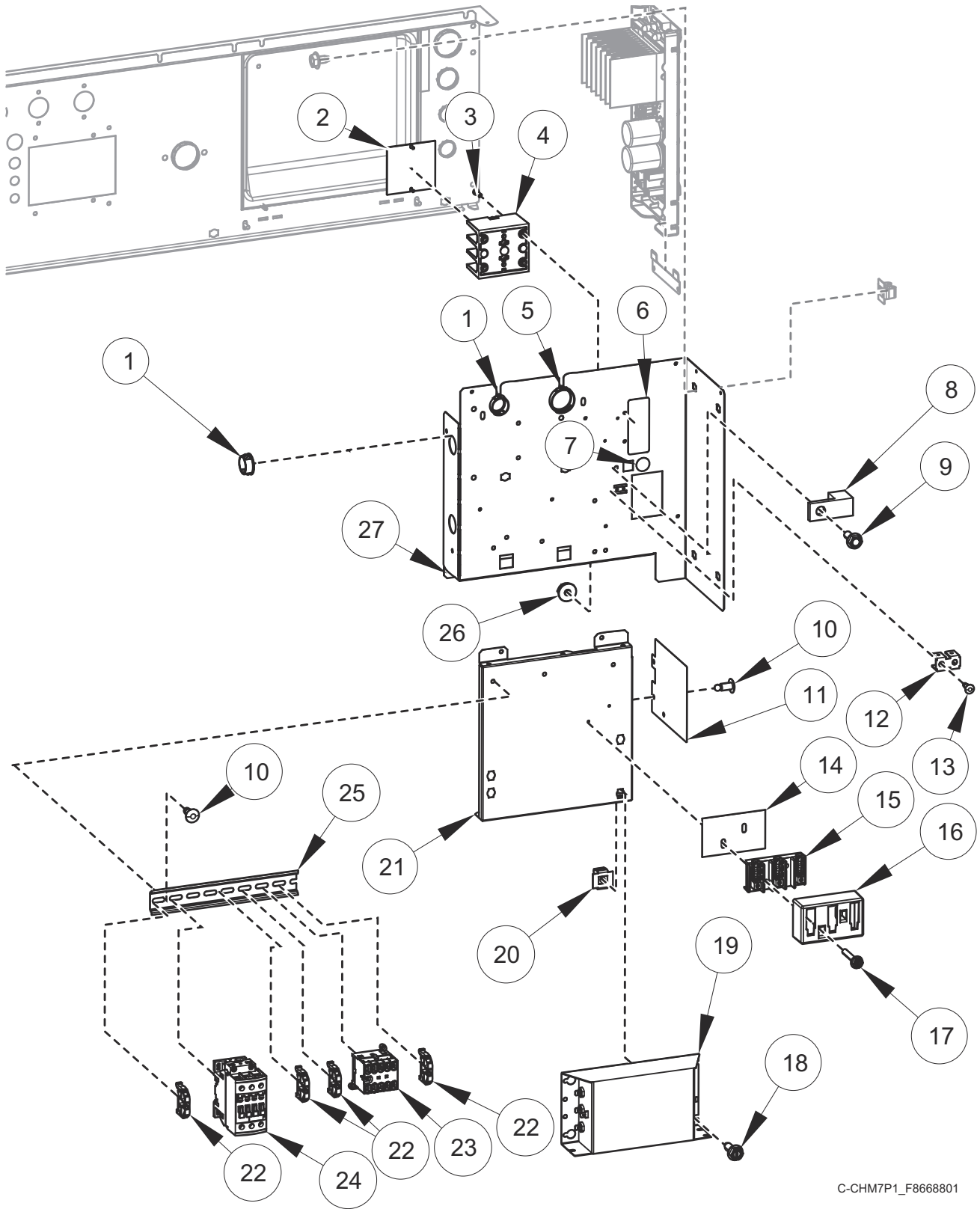


CHM3041P_F8668801

Optional Coin Box

REF	PART NO.	DESCRIPTION	COMMENTS
1	F8182001	Coin Drawer Assembly	
2	F160420	Key	GW0023

Inverter Drive Box - 20 and 30 Pound Models with B Voltage

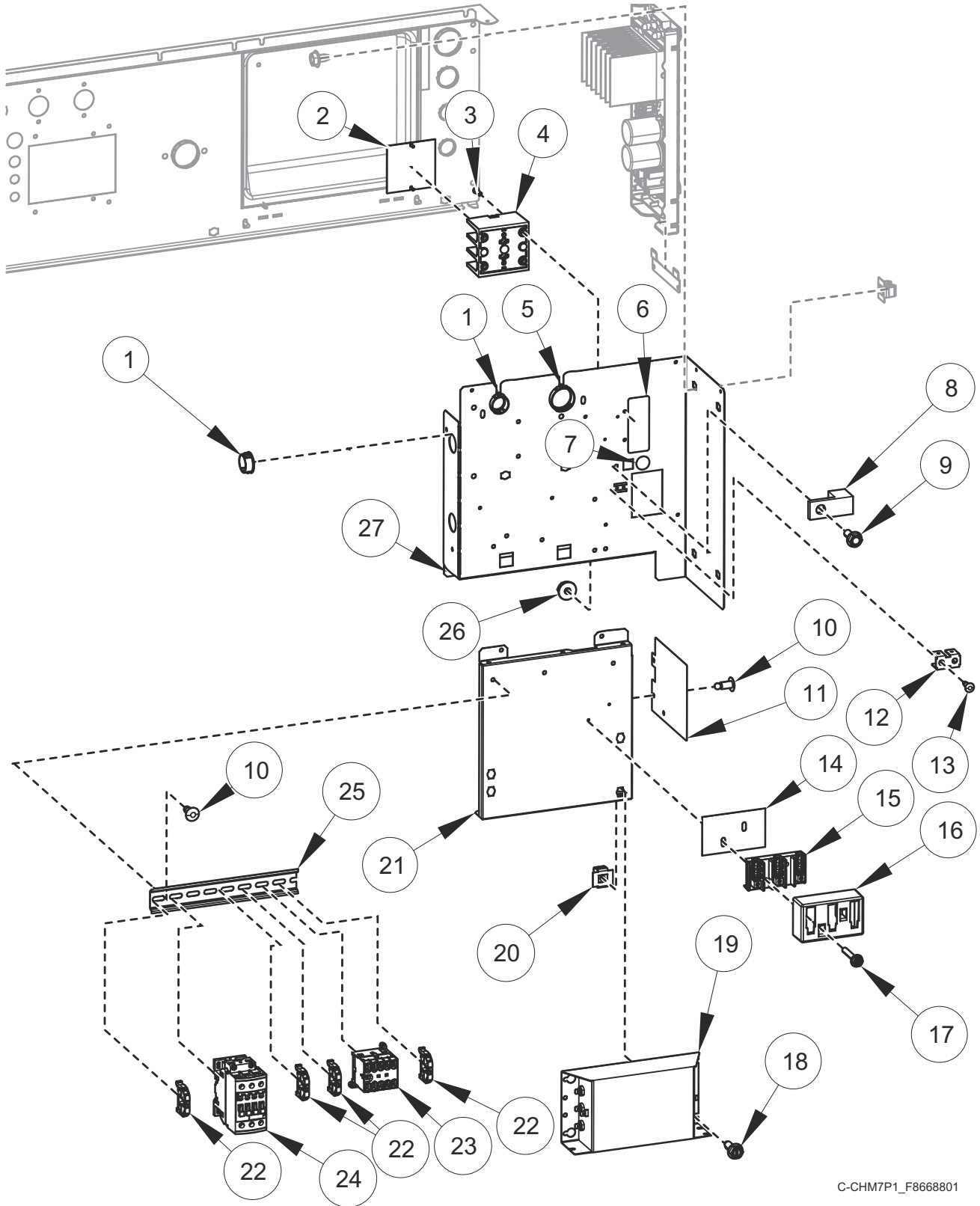


C-CHM7P1_F8668801

Inverter Drive Box - 20 and 30 Pound Models with B Voltage

REF	PART NO.	DESCRIPTION	COMMENTS
	F8567001	Drive Panel Base Assembly	Includes items 10-13, 21, 25 and 27
	F8662801	Filter Kit	Includes items 1, 14-20, harnesses and labels
	F8518405	Harness	Power TB1
	F8518604	Harness	Power drive
	F8528001	Harness	TB filter
	F8528002	Harness	PDB filter; Electric heat
	F8528004	Harness	TB Filter
	F8528006	Harness	TB2 Filter
	F8619101	Power Harness	Power contactor; Electric heat
	F8619102	Harness	Power contactor; Electric heat
1	F140938	Snap Bushing	
2	44014901P	Power Distribution Block Cover	Electric heat
3	39733	Screw	Electric heat
4	M413865	Power Distribution Block	Electric heat
5	70346501	Bushing	
6	44286801	Label	Power input; L1, N
7	D516100	Label	
8	M411283	Ground Lug Connector	
9	685837	Screw	
10	70058501	Pop Rivet	
11	F8616901	Drive Shield	
12	00622SG	Terminal	
13	M400003	Pop Rivet	
14	M413862	Insulator	
15	430642	Terminal Block	
16	70333001	Terminal Block Shield	
17	51783	Screw	
18	F8206901	Screw	
19	F8591601	EMI Filter	
20	70030501	Expansion Clip	
21	F8530901	Contactors Tray	
22	F8449801	End Stop	
23	70482601	Contactors	5.5kW/500V; 24VDC
24	70482701	Contactors	50A; 24VDC
25	M412689	DIN Rail	7.5 mm x 35 mm x 8.364 inch
26	44088001	Nut	
27	F8530801	Drive Terminal Tray	

Inverter Drive Box - 20 and 30 Pound Models with N, P, Q, W, X and Y Voltage

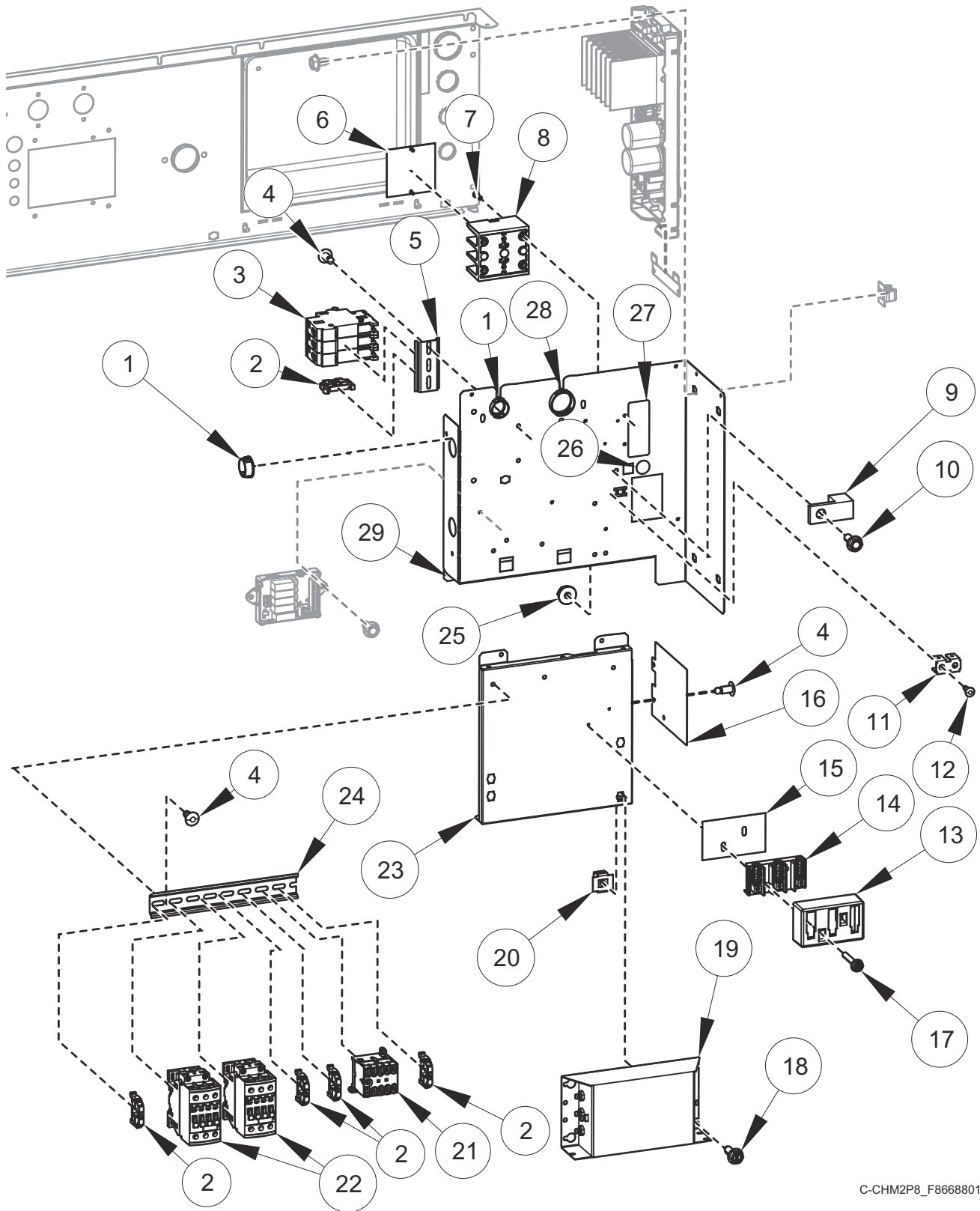


C-CHM7P1_F8668801

Inverter Drive Box - 20 and 30 Pound Models with N, P, Q, W, X and Y Voltage

REF	PART NO.	DESCRIPTION	COMMENTS
	F8567001	Drive Panel Base Assembly	Includes items 10-13, 21, 25 and 27
	F8518401	Harness	Power TB1; W, X and Y voltage
	F8518501	Harness	Power TB1; N and P voltage
	F8518502	Harness	Power PDB; N and P voltage; Electric heat
	F8518402	Harness	Power PDB; Q voltage; Electric heat
	F8518404	Harness	Power filter; Q, W, X and Y voltage
	F8518504	Harness	Power filter; N and P voltage
	F8518605	Harness	Power drive; Q, W, X and Y voltage
	F8518606	Harness	Power drive; N and P voltage
	F8528001	Harness	TB filter
	F8528002	Harness	PDB filter; Electric heat
	F8528005	Harness	TB2 Filter; N, P, Q, W, X and Y voltage
	F8619101	Power Harness	Power contactor; Electric heat
	F8619102	Harness	Power contactor; Electric heat
	F8662809	Filter Kit	Includes items 1, 14-20, harnesses and labels; Q voltage; Electric heat
	F8662810	Filter Kit	Includes items 1, 14-20, harnesses and labels; N and P voltage; Electric heat
	F8662803	Filter Kit	Includes items 1, 14-20, harnesses and labels; W, X and Y voltage
	F8662805	Filter Kit	Includes items 1, 14-20, harnesses and labels; N and P voltage
1	F140938	Snap Bushing	
2	44014901P	Power Distribution Block Cover	Electric heat
3	39733	Screw	Electric heat
4	M413865	Power Distribution Block	Electric heat
5	70346501	Bushing	
6	44286803	Label	Power input; L1, L2, L3; N and P voltage
	44286804	Wire Label	Power input; L1, L2/N; L1, L2, L3; W, X and Y voltage
7	D516100	Label	
8	M411283	Ground Lug Connector	
9	685837	Screw	
10	70058501	Pop Rivet	
11	F8616901	Drive Shield	
12	00622SG	Terminal	
13	M400003	Pop Rivet	
14	M413862	Insulator	
15	430642	Terminal Block	
16	70333001	Terminal Block Shield	
17	51783	Screw	
18	F8206901	Screw	
19	F8591801	EMI Filter	
	F8637501	EMI Filter	
20	70030501	Expansion Clip	
21	F8530901	Contactors Tray	
22	F8449801	End Stop	
23	70482601	Contactors	5.5kW/500V; 24VDC
24	70482701	Contactors	50A; 24VDC
25	M412689	DIN Rail	7.5 mm x 35 mm x 8.364 inch
26	44088001	Nut	
27	F8530801	Drive Terminal Tray	

Inverter Drive Box - 40 Pound Models with B Voltage

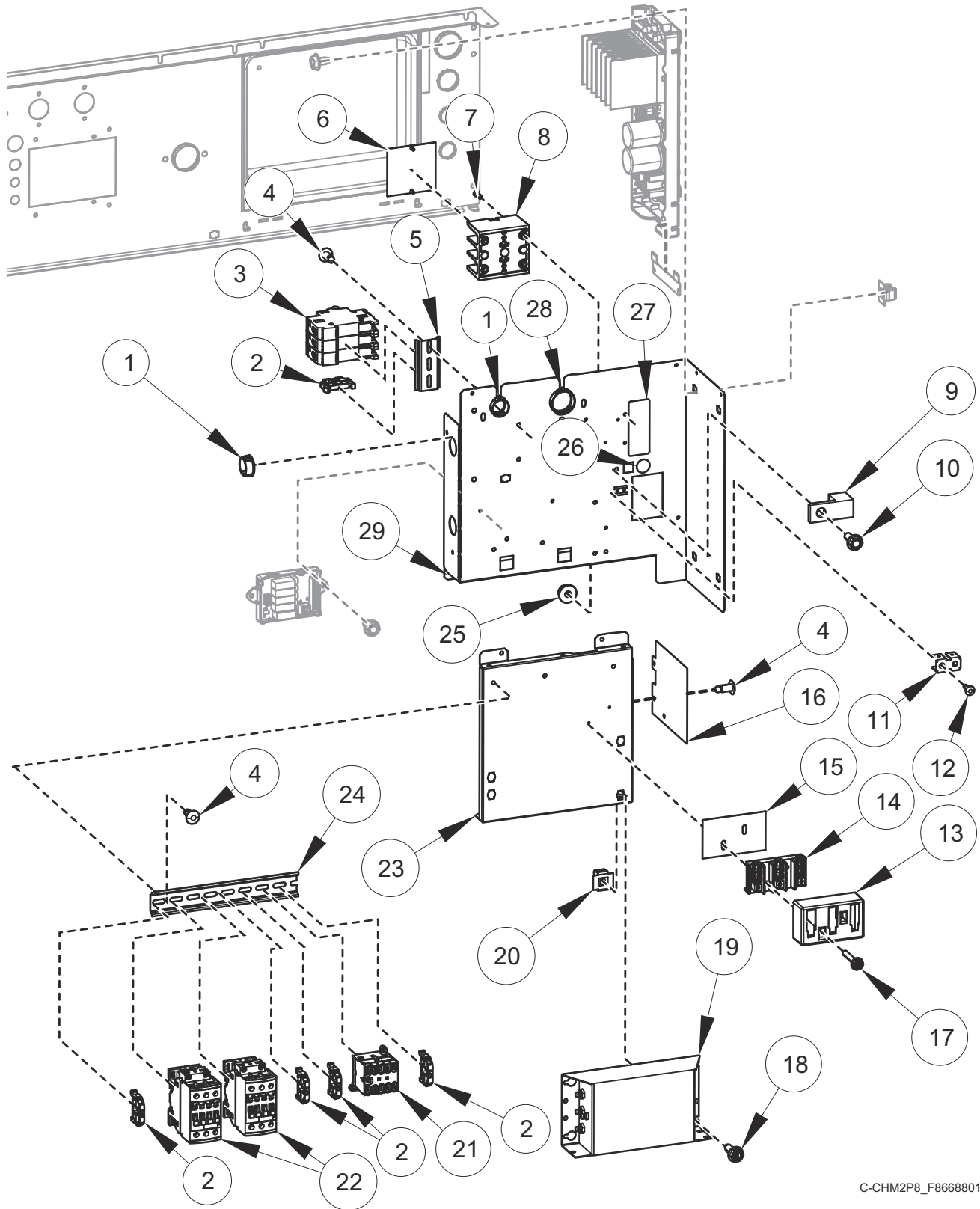


C-CHM2P8_F8668801

Inverter Drive Box - 40 Pound Models with B Voltage

REF	PART NO.	DESCRIPTION	COMMENTS
	F8567001	Drive Panel Base Assembly	Includes items 4, 11, 12, 16, 23, 24 and 29
	F8567002	Drive Panel Base Assembly	Electric heat; Includes items 4, 5, 11, 12, 16, 23, 24 and 29
	F8583501	Jumper	Circuit breaker jumper; Electric heat
	F8518405	Harness	Power TB1
	F8518604	Harness	Power drive
	F8528001	Harness	TB filter
	F8528003	Harness	CB filter; Electric heat
	F8528004	Harness	TB filter
	F8528006	Harness	TB2 filter
	F8619101	Power Harness	Power contactor; Electric heat
	F8619102	Harness	Power contactor; Electric heat
	F8662802	Filter Kit	Includes items 1, 14, 15, 17-20, harnesses and labels; B voltage
1	F140938	Snap Bushing	
2	F8449801	End Stop	
3	70488101	Circuit Breaker	3P; 25A; Electric heat
4	70058501	Pop Rivet	
5	B12315401	DIN Rail	7.5 mm x 35 mm x 72 mm; Electric heat
6	44014901P	Power Distribution Block Cover	Electric heat
7	39733	Screw	Electric heat
8	M413865	Power Distribution Block	Electric heat
9	M411283	Ground Lug Connector	
10	685837	Screw	
11	00622SG	Terminal	
12	M400003	Pop Rivet	
13	70333001	Terminal Block Shield	
14	430642	Terminal Block	
15	M413862	Insulator	
16	F8616901	Drive Shield	
17	51783	Screw	
18	F8206901	Screw	
19	F8591601	EMI Filter	
20	70030501	Expansion Clip	
21	70482601	Contactors	5.5kW/500V; 24VDC; Electric heat
22	70482701	Contactors	50A; 24VDC
23	F8530901	Contactors Tray	
24	M412689	DIN Rail	7.5 mm x 35 mm x 8.364 inch
25	44088001	Nut	
26	D516100	Label	
27	44286801	Label	Power input; L1, N
28	70346501	Bushing	
29	F8530801	Drive Terminal Tray	

Inverter Drive Box - 40 Pound Models with N, P, Q, W, X and Y Voltage

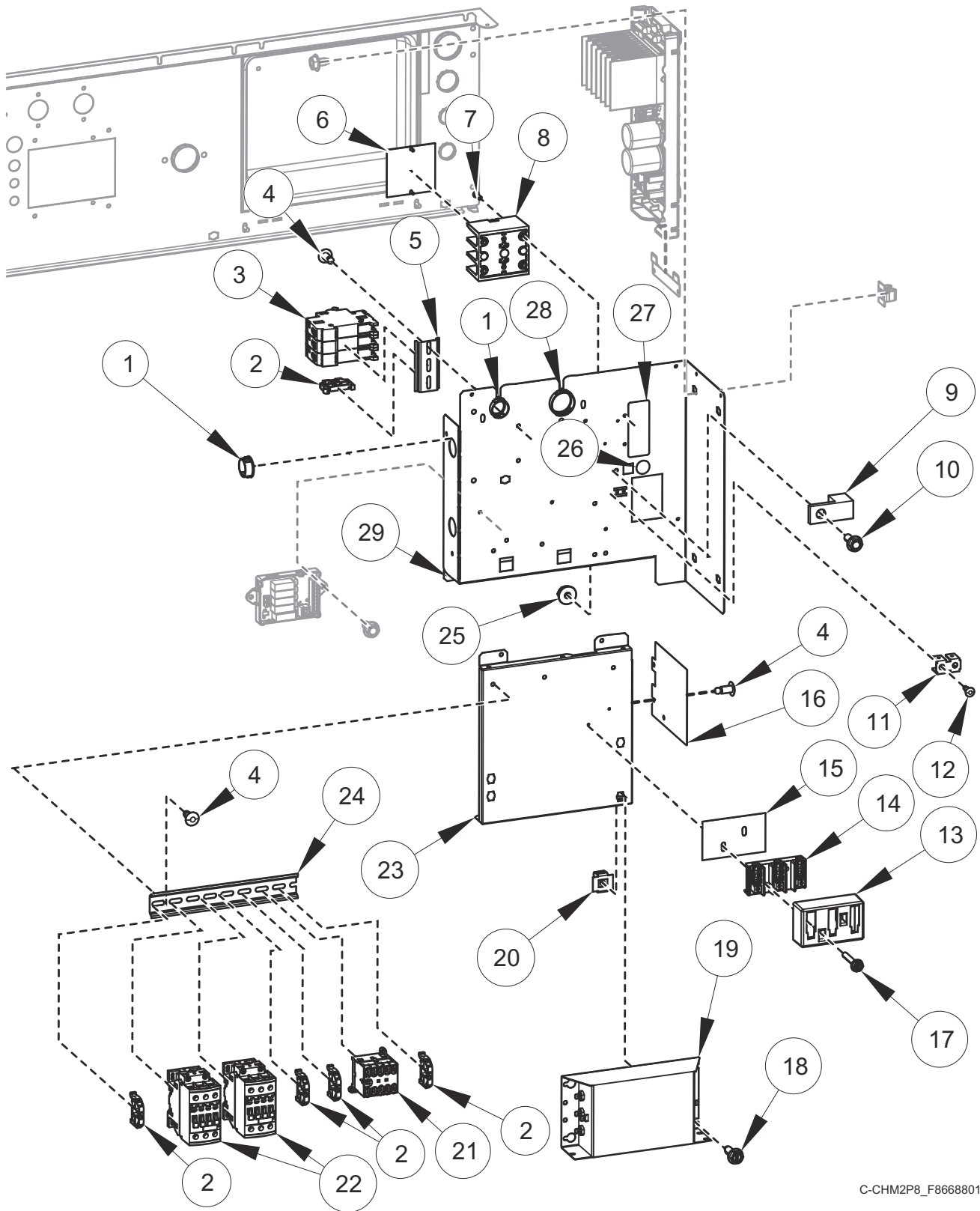


C-CHM2P8_F8668801

Inverter Drive Box - 40 Pound Models with N, P, Q, W, X and Y Voltage

REF	PART NO.	DESCRIPTION	COMMENTS
	F8567001	Drive Panel Base Assembly	Includes items 4, 11, 12, 16, 23, 24 and 29
	F8567002	Drive Panel Base Assembly	Electric heat; Includes items 4, 5, 11, 12, 16, 23, 24 and 29
	F8583501	Jumper	Circuit breaker jumper; Electric heat
	F8518401	Harness	Power TB1; W, X and Y voltage
	F8518501	Harness	Power TB1; N and P voltage
	F8518504	Harness	Power filter; N and P voltage
	F8518605	Harness	Power drive; Q, W, X and Y voltage
	F8518606	Harness	Power drive; N and P voltage
	F8528001	Harness	TB filter
	F8528003	Harness	CB filter; Electric heat
	F8528005	Harness	TB2 Filter; N, P, Q, W, X and Y voltage
	F8518503	Harness	Power CB; N and P voltage; Electric heat
	F8518403	Harness	Power CB; Q voltage; Electric heat
	F8619101	Power Harness	Power contactor; Electric heat
	F8619102	Harness	Power contactor; Electric heat
	F8662811	Filter Kit	Includes items 1, 14, 15, 17-20, harnesses and labels; Q voltage; Electric heat
	F8662812	Filter Kit	Includes items 1, 14, 15, 17-20, harnesses and labels; N and P voltage; Electric heat
	F8662804	Filter Kit	Includes items 1, 14, 15, 17-20, harnesses and labels; W, X and Y voltage
	F8662806	Filter Kit	Includes items 1, 14, 15, 17-20, harnesses and labels; N and P voltage
1	F140938	Snap Bushing	
2	F8449801	End Stop	
3	70488101	Circuit Breaker	3P; 25A; Electric heat
4	70058501	Pop Rivet	
5	B12315401	DIN Rail	7.5 mm x 35 mm x 72 mm; Electric heat
6	44014901P	Power Distribution Block Cover	Electric heat
7	39733	Screw	Electric heat
8	M413865	Power Distribution Block	Electric heat
9	M411283	Ground Lug Connector	
10	685837	Screw	
11	00622SG	Terminal	
12	M400003	Pop Rivet	
13	70333001	Terminal Block Shield	
14	430642	Terminal Block	
15	M413862	Insulator	
16	F8616901	Drive Shield	
17	51783	Screw	
18	F8206901	Screw	
19	F8591801	EMI Filter	Q, W, X and Y voltage
	F8637501	EMI Filter	N and P voltage
20	70030501	Expansion Clip	
21	70482601	Contactator	5.5kW/500V; 24VDC; Electric heat
22	70482701	Contactator	50A; 24VDC
23	F8530901	Contactator Tray	
24	M412689	DIN Rail	7.5 mm x 35 mm x 8.364 inch
25	44088001	Nut	
26	D516100	Label	
27	44286803	Label	Power input; L1, L2, L3; N and P voltage
	44286804	Wire Label	Power input; L1, L2/N; L1, L2, L3; W, X and Y voltage
28	70346501	Bushing	
29	F8530801	Drive Terminal Tray	

Inverter Drive Box - 60 Pound Models with Q and X Voltage

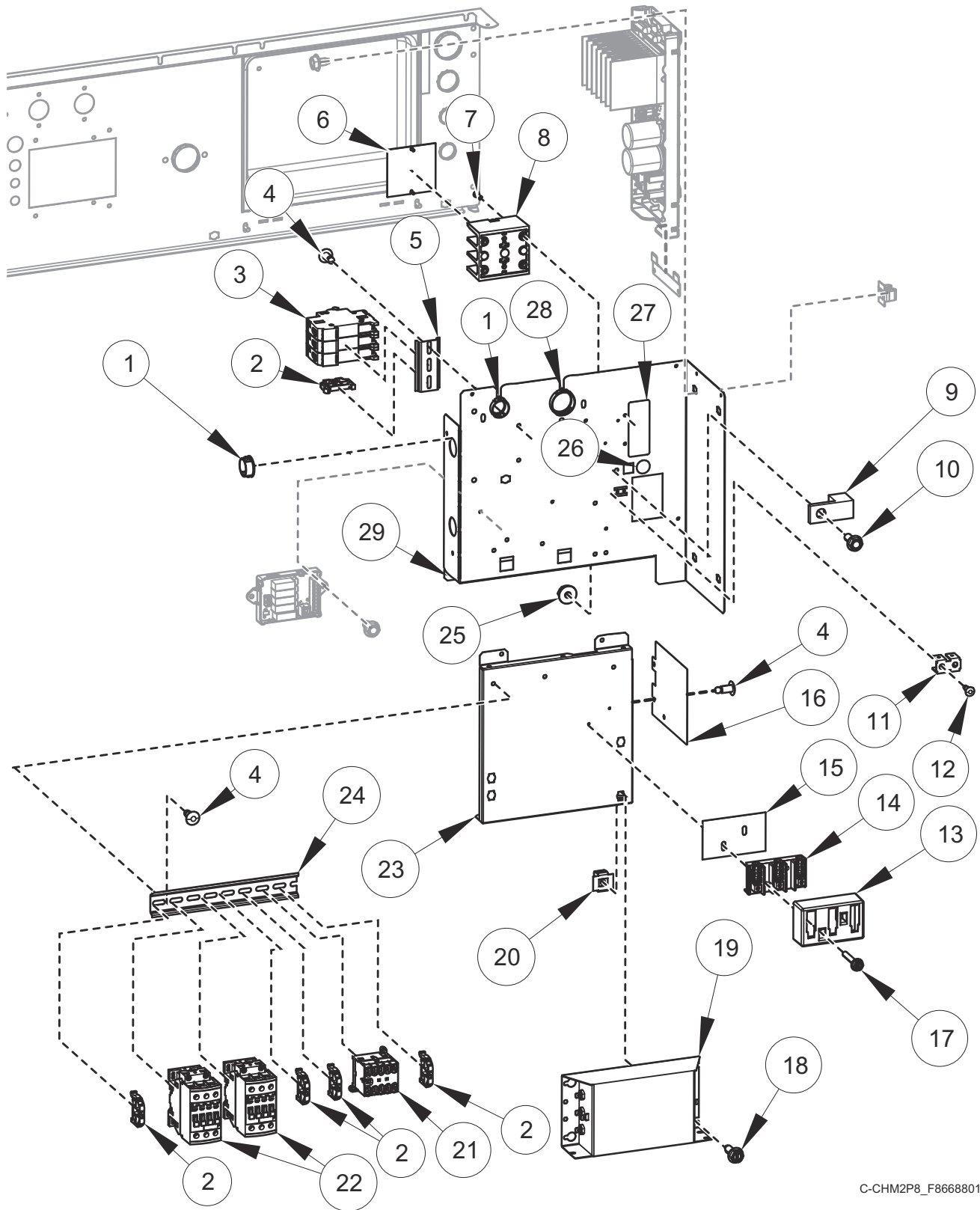


C-CHM2P8_F8668801

Inverter Drive Box - 60 Pound Models with Q and X Voltage

REF	PART NO.	DESCRIPTION	COMMENTS
	F8567003	Drive Panel Base Assembly	Includes items 4, 11, 12, 16, 23, 24 and 29
	F8567004	Drive Panel Base Assembly	Electric heat; Includes items 4, 5, 11, 12, 16, 23, 24 and 29
	F8583501	Jumper	Circuit breaker jumper; Electric heat
	F8518401	Harness	Power TB1; X voltage
	F8518404	Harness	Power filter
	F8518607	Harness	Power drive
	F8528001	Harness	TB filter
	F8528003	Harness	CB filter; Electric heat
	F8528005	Harness	TB2 Filter
	F8518403	Harness	Power CB; Q voltage; Electric heat
	F8619101	Power Harness	Power contactor; Electric heat
	F8619102	Harness	Power contactor; Electric heat
	F8662811	Filter Kit	Includes items 1, 14, 15, 17-20, harnesses and labels; Q voltage; Electric heat
	F8662804	Filter Kit	Includes items 1, 14, 15, 17-20, harnesses and labels; X voltage
1	F140938	Snap Bushing	
2	F8449801	End Stop	
3	70488101	Circuit Breaker	3P; 25A; Electric heat
4	70058501	Pop Rivet	
5	B12315401	DIN Rail	7.5 mm x 35 mm x 72 mm; Electric heat
6	44014901P	Power Distribution Block Cover	Electric heat
7	39733	Screw	Electric heat
8	M413865	Power Distribution Block	Electric heat
9	M411283	Ground Lug Connector	
10	685837	Screw	
11	00622SG	Terminal	
12	M400003	Pop Rivet	
13	70333001	Terminal Block Shield	
14	430642	Terminal Block	
15	M413862	Insulator	
16	F8616901	Drive Shield	
17	51783	Screw	
18	F8206901	Screw	
19	F8591801	EMI Filter	
20	70030501	Expansion Clip	
21	70482601	Contactor	5.5kW/500V; 24VDC
22	70482701	Contactor	50A; 24VDC
23	F8530901	Contactor Tray	
24	M412689	DIN Rail	7.5 mm x 35 mm x 8.364 inch
25	44088001	Nut	
26	D516100	Label	
27	44286804	Wire Label	Power input; L1, L2/N; L1, L2, L3; X voltage
28	70346501	Bushing	
29	F8530803	Drive Terminal Tray	

Inverter Drive Box - 60 Pound Models with N and P Voltage

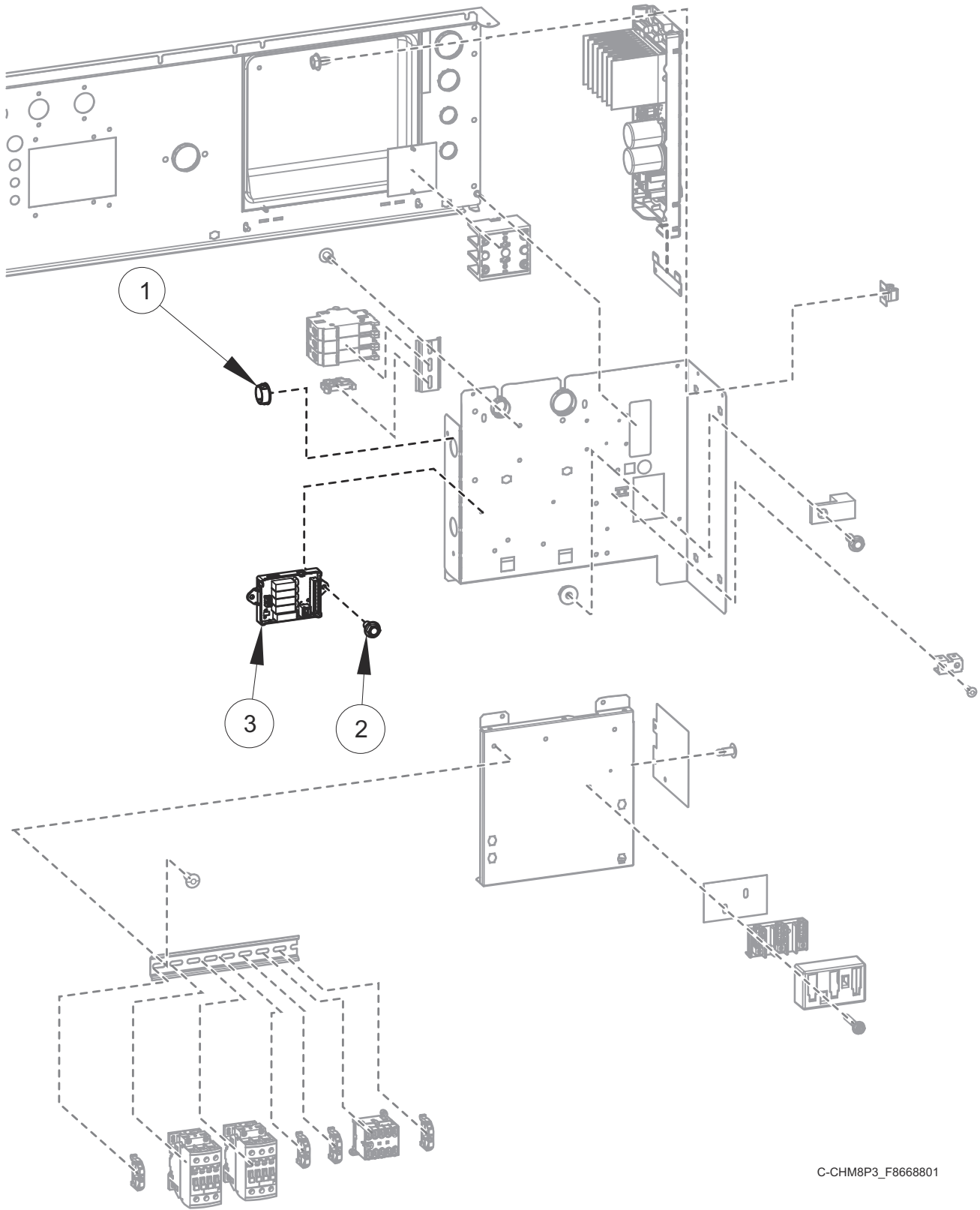


C-CHM2P8_F8668801

Inverter Drive Box - 60 Pound Models with N and P Voltage

REF	PART NO.	DESCRIPTION	COMMENTS
	F8567003	Drive Panel Base Assembly	Includes items 4, 11, 12, 16, 23, 24 and 29
	F8567004	Drive Panel Base Assembly	Electric heat; Includes items 4, 5, 11, 12, 16, 23, 24 and 29
	F8583501	Jumper	Circuit breaker jumper; Electric heat
	F8518501	Harness	Power TB1; N and P voltage
	F8518503	Harness	Power CB; Electric heat
	F8518504	Harness	Power filter
	F8518606	Harness	Power drive
	F8528001	Harness	TB filter
	F8528003	Harness	CB filter; Electric heat
	F8528005	Harness	TB2 Filter
	F8619101	Power Harness	Power contactor; Electric heat
	F8619102	Harness	Power contactor; Electric heat
	F8662812	Filter Kit	Includes items 1, 14, 15, 17-20, harnesses and labels; Electric heat
	F8662806	Filter Kit	Includes items 1, 14, 15, 17-20, harnesses and labels
1	F140938	Snap Bushing	
2	F8449801	End Stop	
3	70488101	Circuit Breaker	3P; 25A; Electric heat
4	70058501	Pop Rivet	
5	B12315401	DIN Rail	7.5 mm x 35 mm x 72 mm; Electric heat
6	44014901P	Power Distribution Block Cover	Electric heat
7	39733	Screw	Electric heat
8	M413865	Power Distribution Block	Electric heat
9	M411283	Ground Lug Connector	
10	685837	Screw	
11	00622SG	Terminal	
12	M400003	Pop Rivet	
13	70333001	Terminal Block Shield	
14	430642	Terminal Block	
15	M413862	Insulator	
16	F8616901	Drive Shield	
17	51783	Screw	
18	F8206901	Screw	
19	F8637501	EMI Filter	
20	70030501	Expansion Clip	
21	70482601	Contactors	5.5kW/500V; 24VDC
22	70482701	Contactors	50A; 24VDC
23	F8530901	Contactors Tray	
24	M412689	DIN Rail	7.5 mm x 35 mm x 8.364 inch
25	44088001	Nut	
26	D516100	Label	
27	44286803	Label	Power input; L1, L2, L3
28	70346501	Bushing	
29	F8530803	Drive Terminal Tray	

External Supply Kit

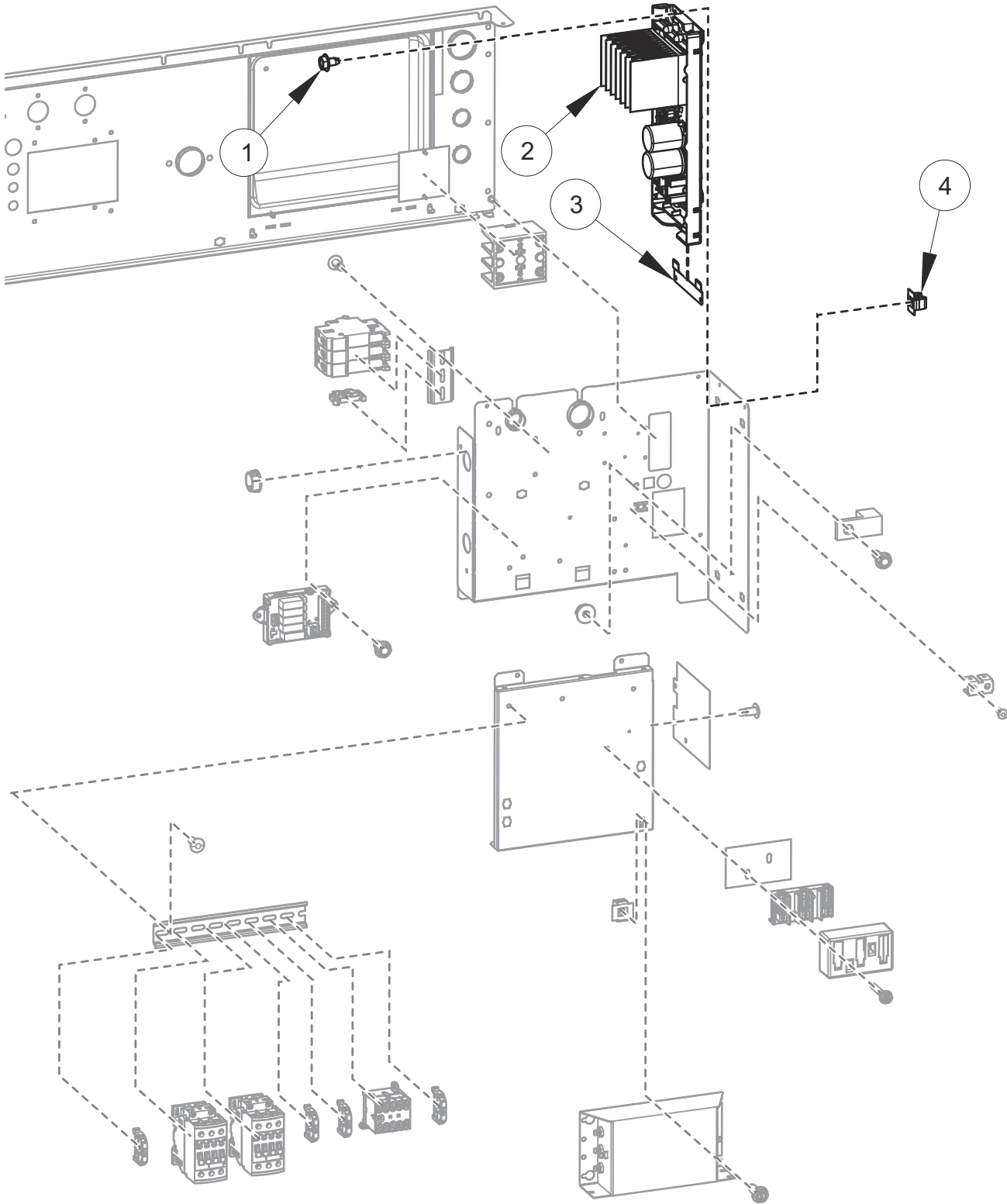


C-CHM8P3_F8668801

External Supply Kit

REF	PART NO.	DESCRIPTION	COMMENTS
	F8520601	Harness	Communication; 20 and 30 pound models
	F8520602	Harness	Communication; 40 and 60 pound models
	F8528203	Harness	Power; B voltage
	F8528204	Harness	Power; N, P, Q, W, X and Y voltage
	F8662501	External Supply Kit	20 and 30 pound card ready models with B voltage; Includes items 1-3, F8520601 Harness, F8528203 Harness and labels; 4 out
	F8662502	External Supply Kit	40 pound card ready models with B voltage; Includes items 1-3, F8520602 Harness, F8528203 Harness and labels; 4 out
	F8662503	External Supply Kit	20 and 30 pound card ready models with N, P, Q and X voltage; Includes items 1-3, F8520601 Harness, F8528204 Harness and labels; 4 out
	F8662504	External Supply Kit	40 and 60 pound card ready models with N, P, Q and X voltage; Includes items 1-3, F8520602 Harness, F8528204 Harness and labels; 4 out
	F8662505	External Supply Kit	20 and 30 pound coin and central pay models with B voltage; Includes items 1-3, 202757 Transformer, F8520601 Harness, F8528203 Harness, hardware and labels; 4 out
	F8662506	External Supply Kit	40 pound coin and central pay models with B voltage; Includes items 1-3, 202757 Transformer, F8520601 Harness, F8528203 Harness, hardware and labels; 4 out
	F8662507	External Supply Kit	20 and 30 pound coin and central pay models with N, P, Q, X voltage; Includes items 1-3, 202758 Transformer, F8520601 Harness, F8528204 Harness, hardware and labels; 4 out
	F8662508	External Supply Kit	40 and 60 pound coin and central pay models with N, P, Q and X voltage; Includes items 1-3, F8520602 Harness, F8528204 Harness, hardware and labels; 4 out
1	F140938	Snap Bushing	
2	430497	Screw	
3	804528	Chemical Injection Control	5 output
	70493102	Connector	9 pin; H2

Inverter Drive

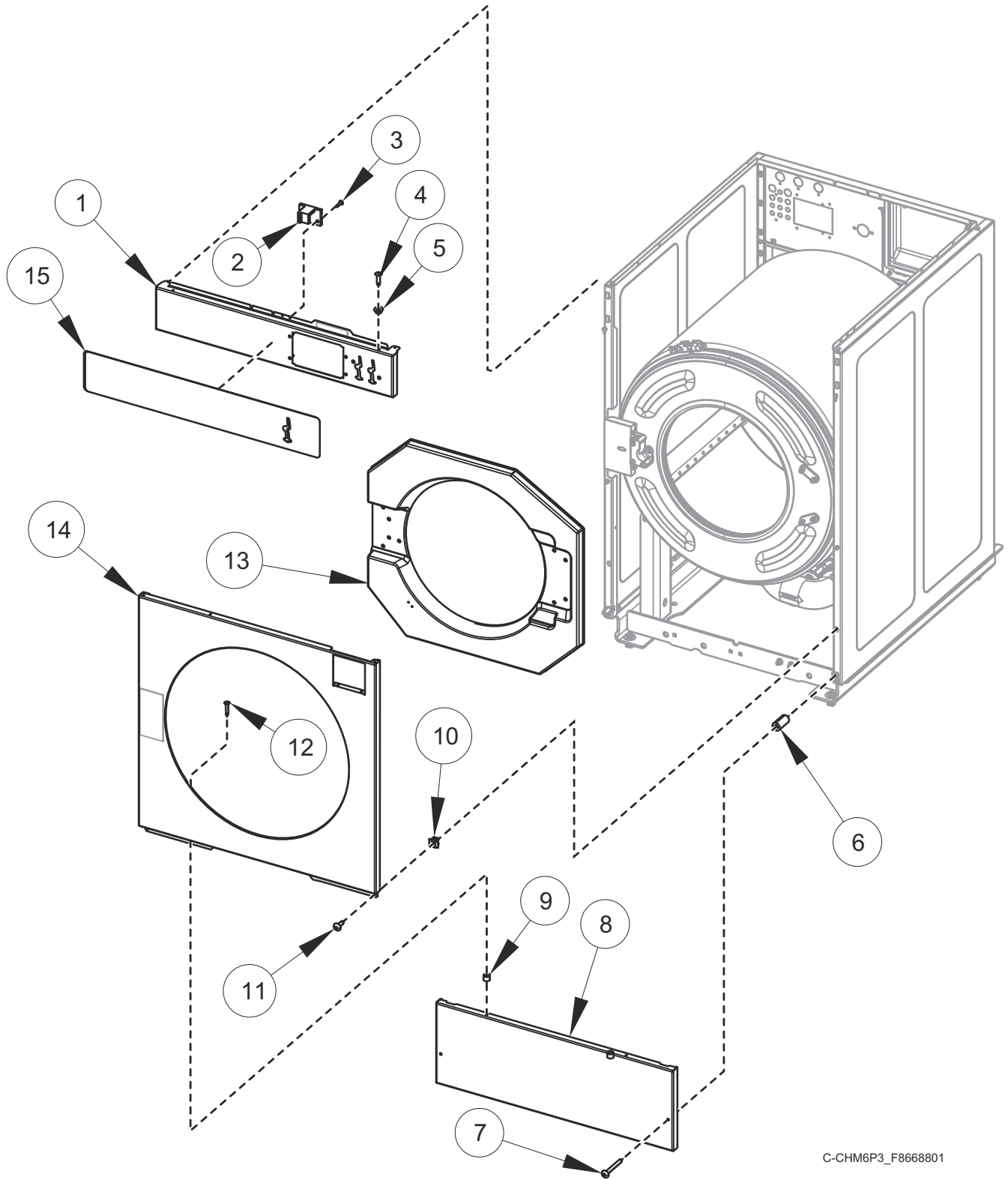


C-CHM2P22_F8668801

Inverter Drive

REF	PART NO.	DESCRIPTION	COMMENTS
	F8519202	Drive Communication Harness	20 and 30 pound models; 40 and 60 pound models with N and P voltage; Electric heat
	F8519203	Drive Communication Harness	40 and 60 pound models with Q voltage; Electric heat
	F8519201	Drive Communication Harness	Standard
	F8519204	Drive Communication Harness	Steam heat
	F8518605	Harness	Power drive; 20, 30 and 40 pound with Q, W, X and Y voltage; EMI filter
	F8518607	Harness	60 pound with Q and X voltage; EMI filter
	F8518606	Harness	Power drive; N and P voltage; EMI filter
	F8518602	Drive Power Harness	Q, W, X and Y voltage
	F8518603	Drive Power Harness	N and P voltage
	F8518601	Drive Power Harness	B voltage
1	D503688	Screw	
2	F8496001	Drive Assembly	20, 30 and 40 pound models; N and P-voltage; 2 hp; 480 Volt
	F8495401P	Drive Assembly	20, 30 and 40 pound models; B, Q, W X and Y-voltage; 2 hp; 120/240 Volt
	F8496301P	Drive Assembly	60 pound models; Q and X-voltage; 3 hp; 240 Volt
	F8496901	Drive Assembly	60 pound models; N and P-voltage; 5 hp; 480 Volt
3	F8322401	Drive Mounting Bracket	2 included with N and P voltage
4	70030501	Expansion Clip	

Front Panels and Control Panel - HC Coin Models - Design 4

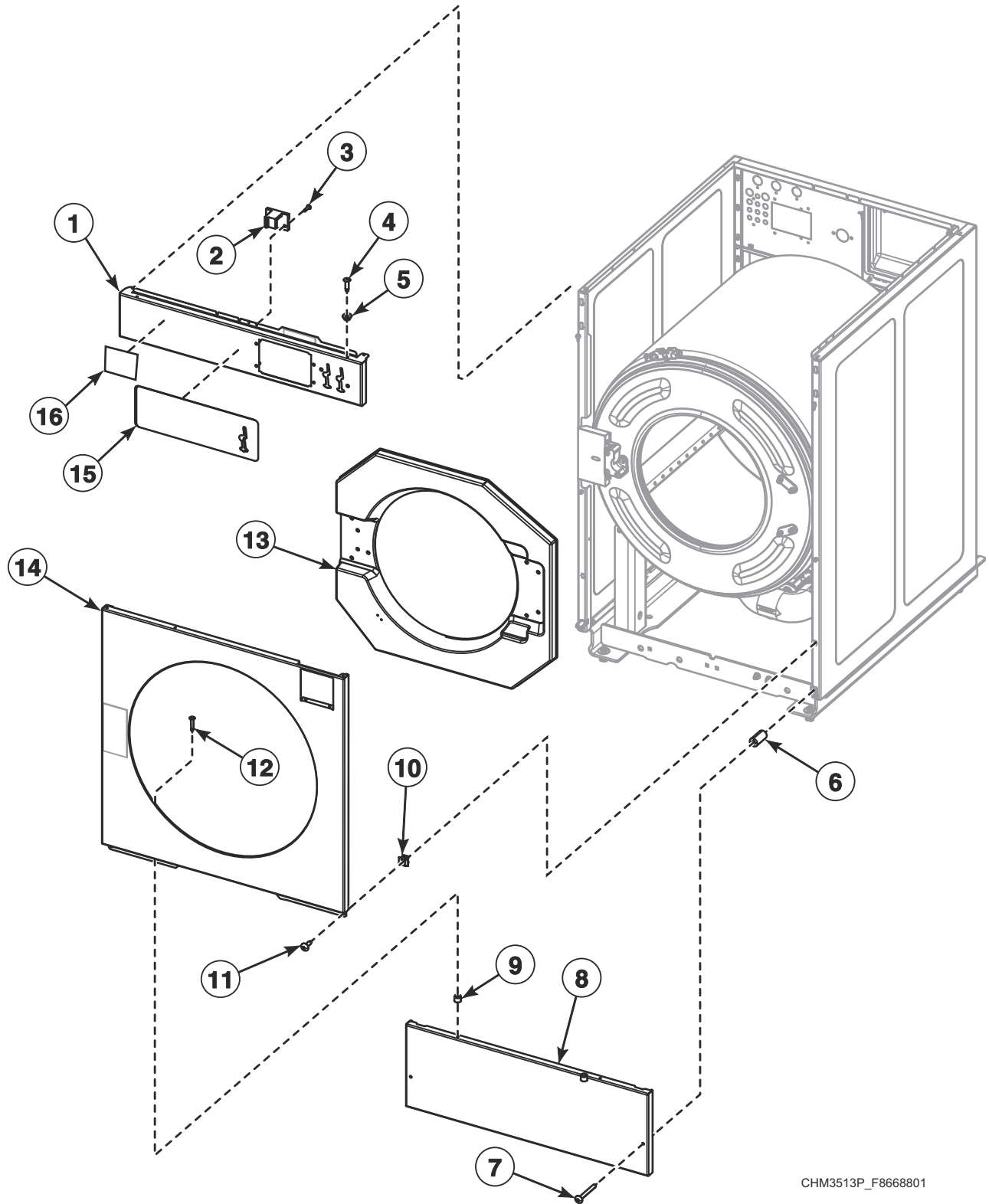


C-CHM6P3_F8668801

Front Panels and Control Panel - HC Coin Models - Design 4

REF	PART NO.	DESCRIPTION	COMMENTS
	F8535502	Screw	Attaches front panel to coin box
1	F8523701	Control Panel Assembly	20 pound models
	F8523801	Control Panel Assembly	30 pound models
	F8523901	Control Panel Assembly	40 pound models
	F8553701	Control Panel Assembly	60 pound models
2	F8201001	Top Cover Latch	
3	F431215	Pop Rivet	
4	70412601	Pop Rivet	
5	F8201101	Washer	
6	F8609701	Access Panel Retaining Spacer	
7	F8589501	Screw	
8	F8524001	Access Panel	20 pound models
	F8524101	Access Panel	30 pound models
	F8524201	Access Panel	40 pound models
	F8553901	Access Panel	60 pound models
9	56079	Panel Locator	
10	70030501	Expansion Clip	
11	F8117601	Screw	
12	M412763	Rivet	
13	F8658801	Door Bezel	20 pound models
	F8658901	Door Bezel	30 pound models
	F0170426-30	Door Bezel	40 and 60 pound models
14	F8524301	Front Panel	20 pound models
	F8524401	Front Panel	30 pound models
	F8524501	Front Panel	40 pound models
	F8554001	Front Panel	60 pound models
15	F8612101	Overlay	20 pound models through April 2019; Single coin
	F8680201	Overlay	20 pound models starting May 2019; Single coin
	F8612102	Overlay	20 pound models; Dual coin
	F8612201	Overlay	30 pound models through April 2019; Single coin
	F8680301	Overlay	30 pound models starting May 2019; Single coin
	F8612202	Overlay	30 pound models; Dual coin
	F8612301	Overlay	40 pound models through April 2019; Single coin
	F8680401	Overlay	40 pound models starting May 2019; Single coin
	F8612302	Overlay	40 pound models; Dual coin
	F8612401	Overlay	60 pound models through April 2019; Single coin
	F8680501	Overlay	60 pound models starting May 2019; Single coin
	F8612402	Overlay	60 pound models; Dual coin

Front Panels and Control Panel - HC Coin Models - Design 6

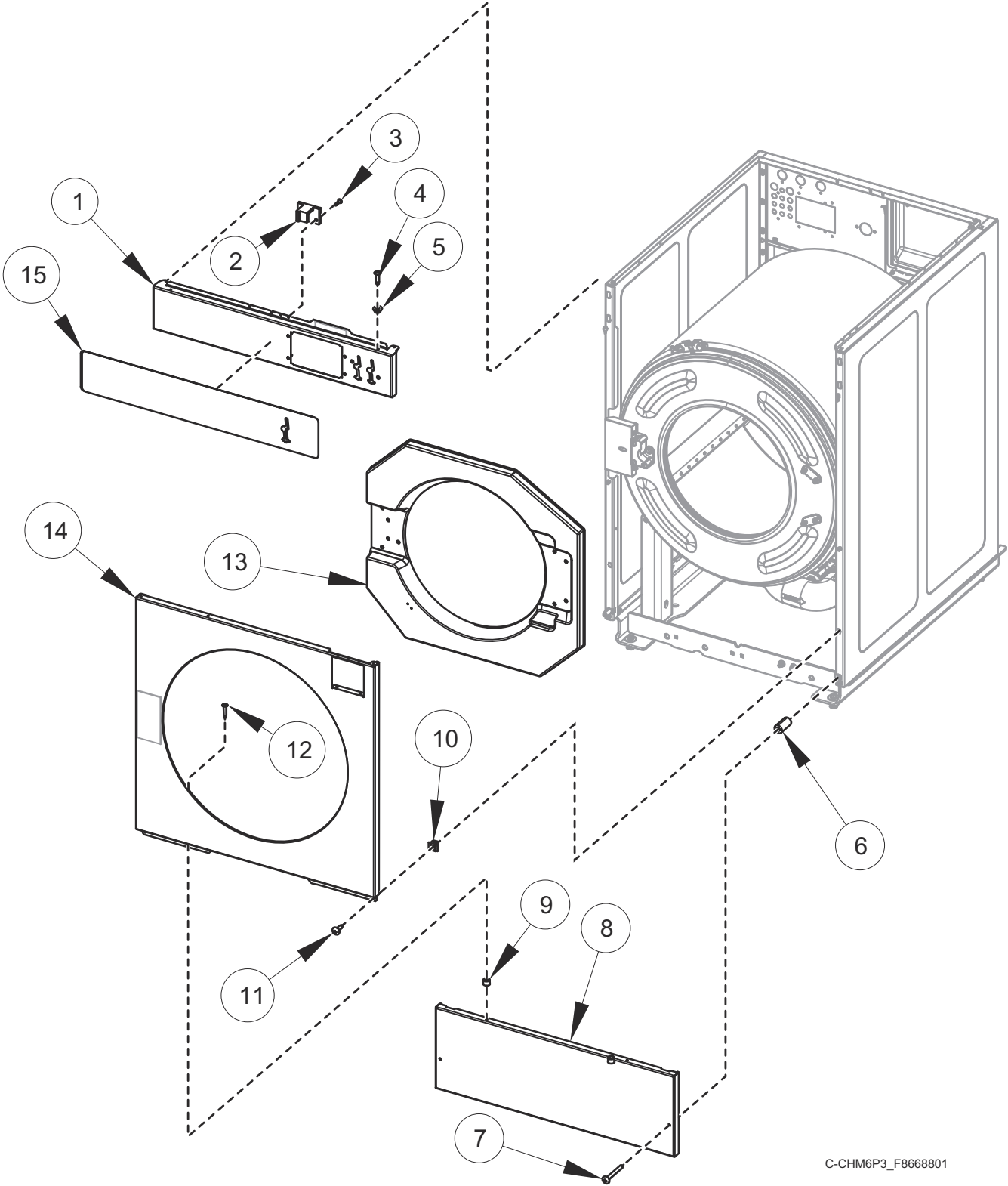


CHM3513P_F8668801

Front Panels and Control Panel - HC Coin Models - Design 6

REF	PART NO.	DESCRIPTION	COMMENTS
	F8535502	Screw	Attaches front panel to coin box
1	F8697101	Control Panel Assembly	20 pound models
	F8697201	Control Panel Assembly	30 pound models
	F8697301	Control Panel Assembly	40 pound models
	F8697401	Control Panel Assembly	60 pound models
2	F8201001	Top Cover Latch	
3	F431215	Pop Rivet	
4	70412601	Pop Rivet	
5	F8201101	Washer	
6	F8609701	Access Panel Retaining Spacer	
7	F8589501	Screw	
8	F8524001	Access Panel	20 pound models
	F8524101	Access Panel	30 pound models
	F8524201	Access Panel	40 pound models
	F8553901	Access Panel	60 pound models
9	56079	Panel Locator	
10	70030501	Expansion Clip	
11	F8117601	Screw	
12	M412763	Rivet	
13	F8658801	Door Bezel	20 pound models
	F8658901	Door Bezel	30 pound models
	F0170426-30	Door Bezel	40 and 60 pound models
14	F8686001	Front Panel	20 pound models
	F8686101	Front Panel	30 pound models
	F8685301	Front Panel	40 pound models
	F8686201	Front Panel	60 pound models
15	F8691701	Overlay	20 pound models; Single coin
	F8691702	Overlay	20 pound models; Dual coin
	F8691801	Overlay	30 pound models; Single coin
	F8691802	Overlay	30 pound models; Dual coin
	F8691901	Overlay	40 pound models; Single coin
	F8691902	Overlay	40 pound models; Dual coin
	F8692001	Overlay	60 pound models; Single coin
	F8692002	Overlay	60 pound models; Dual coin
16	F8687701	Decal	

Front Panels and Control Panel - SC Coin Models

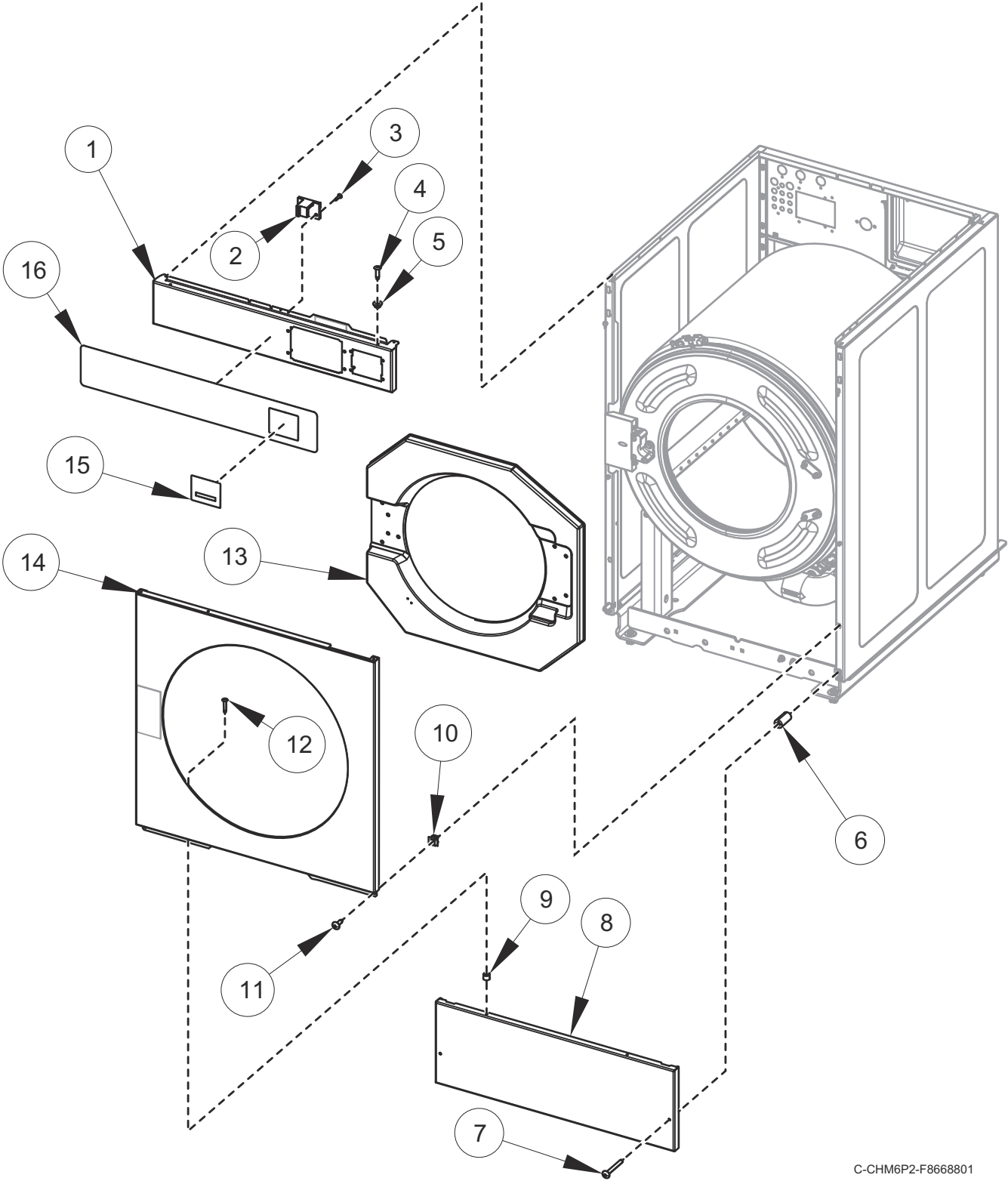


C-CHM6P3_F8668801

Front Panels and Control Panel - SC Coin Models

REF	PART NO.	DESCRIPTION	COMMENTS
	F8535502	Screw	Attaches front panel to coin box
1	F8523701	Control Panel Assembly	20 pound models
	F8523801	Control Panel Assembly	30 pound models
	F8523901	Control Panel Assembly	40 pound models
	F8553701	Control Panel Assembly	60 pound models
2	F8201001	Top Cover Latch	
3	F431215	Pop Rivet	
4	70412601	Pop Rivet	
5	F8201101	Washer	
6	F8609701	Access Panel Retaining Spacer	
7	F8589501	Screw	
8	F8524001	Access Panel	20 pound models
	F8524101	Access Panel	30 pound models
	F8524201	Access Panel	40 pound models
	F8553901	Access Panel	60 pound models
9	56079	Panel Locator	
10	70030501	Expansion Clip	
11	F8117601	Screw	
12	M412763	Rivet	
13	F8658701	Door Bezel	20 pound models
	F8658901	Door Bezel	30 pound models
	F8659101	Door Bezel	40 and 60 pound models
14	F8524301	Front Panel	20 pound models
	F8524401	Front Panel	30 pound models
	F8524501	Front Panel	40 pound models
	F8554001	Front Panel	60 pound models
15	F8657001	Overlay	20 pound models; Single coin
	F8657002	Overlay	20 pound models; Dual coin
	F8657101	Overlay	30 pound models; Single coin
	F8657102	Overlay	30 pound models; Dual coin
	F8657201	Overlay	40 pound models; Single coin
	F8657202	Overlay	40 pound models; Dual coin
	F8657301	Overlay	60 pound models; Single coin
	F8657302	Overlay	60 pound models; Dual coin

Front Panels and Control Panel - Card Reader and Central Pay Models - Design 4

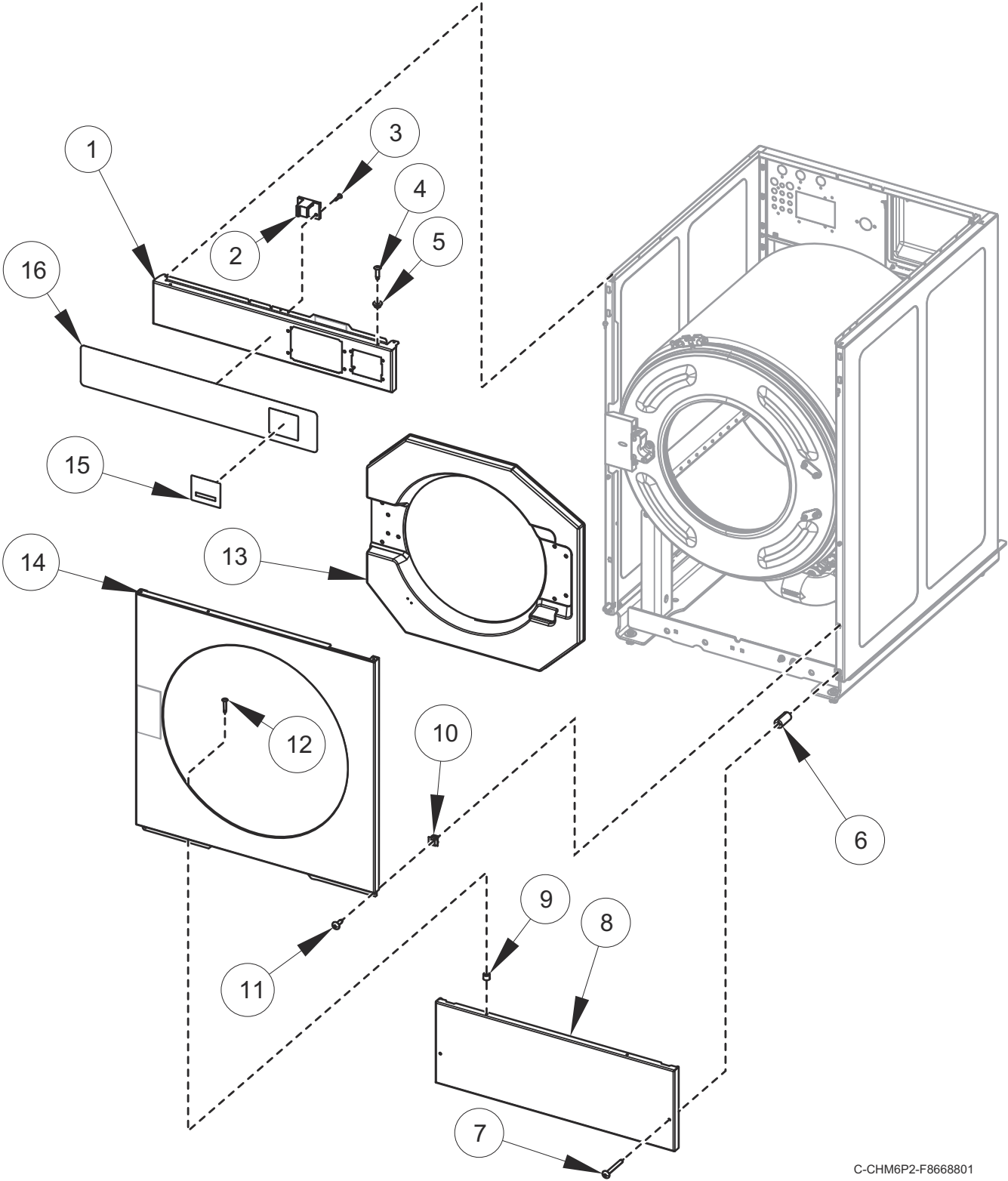


C-CHM6P2-F8668801

Front Panels and Control Panel - Card Reader and Central Pay Models - Design 4

REF	PART NO.	DESCRIPTION	COMMENTS
1	F8523704	Control Panel Assembly	20 pound models
	F8523804	Control Panel Assembly	30 pound models
	F8523904	Control Panel Assembly	40 pound models
	F8553704	Control Panel Assembly	60 pound models
2	F8201001	Top Cover Latch	
3	F431215	Pop Rivet	
4	70412601	Pop Rivet	
5	F8201101	Washer	
6	F8609701	Access Panel Retaining Spacer	
7	F8589501	Screw	
8	F8524001	Access Panel	20 pound models
	F8524101	Access Panel	30 pound models
	F8524201	Access Panel	40 pound models
	F8553901	Access Panel	60 pound models
9	56079	Panel Locator	
10	70030501	Expansion Clip	
11	F8117601	Screw	
12	M412763	Rivet	
13	F8658801	Door Bezel	HC 20 pound models
	F8658901	Door Bezel	30 pound models
	F0170426-30	Door Bezel	HC 40 and 60 pound models
	F8658701	Door Bezel	SC 20 pound models
	F8659101	Door Bezel	SC 40 and 60 pound models
14	F8524302	Front Panel	20 pound models
	F8524402	Front Panel	30 pound models
	F8524502	Front Panel	40 pound models
	F8554002	Front Panel	60 pound models
15	70556501	Overlay	HC card reader models
	70556502	Overlay	HC central pay models
	70557001	Overlay	SC card reader models
	70557002	Overlay	SC central pay models
16	F8612103	Overlay	HC 20 pound models
	F8612203	Overlay	HC 30 pound models
	F8612303	Overlay	HC 40 pound models
	F8612403	Overlay	HC 60 pound models
	F8657003	Overlay	SC 20 pound models
	F8657103	Overlay	SC 30 pound models
	F8657203	Overlay	SC 40 pound models
	F8657303	Overlay	SC 60 pound models

Front Panels and Control Panel - Card Reader and Central Pay Models - Design 6 HC Models

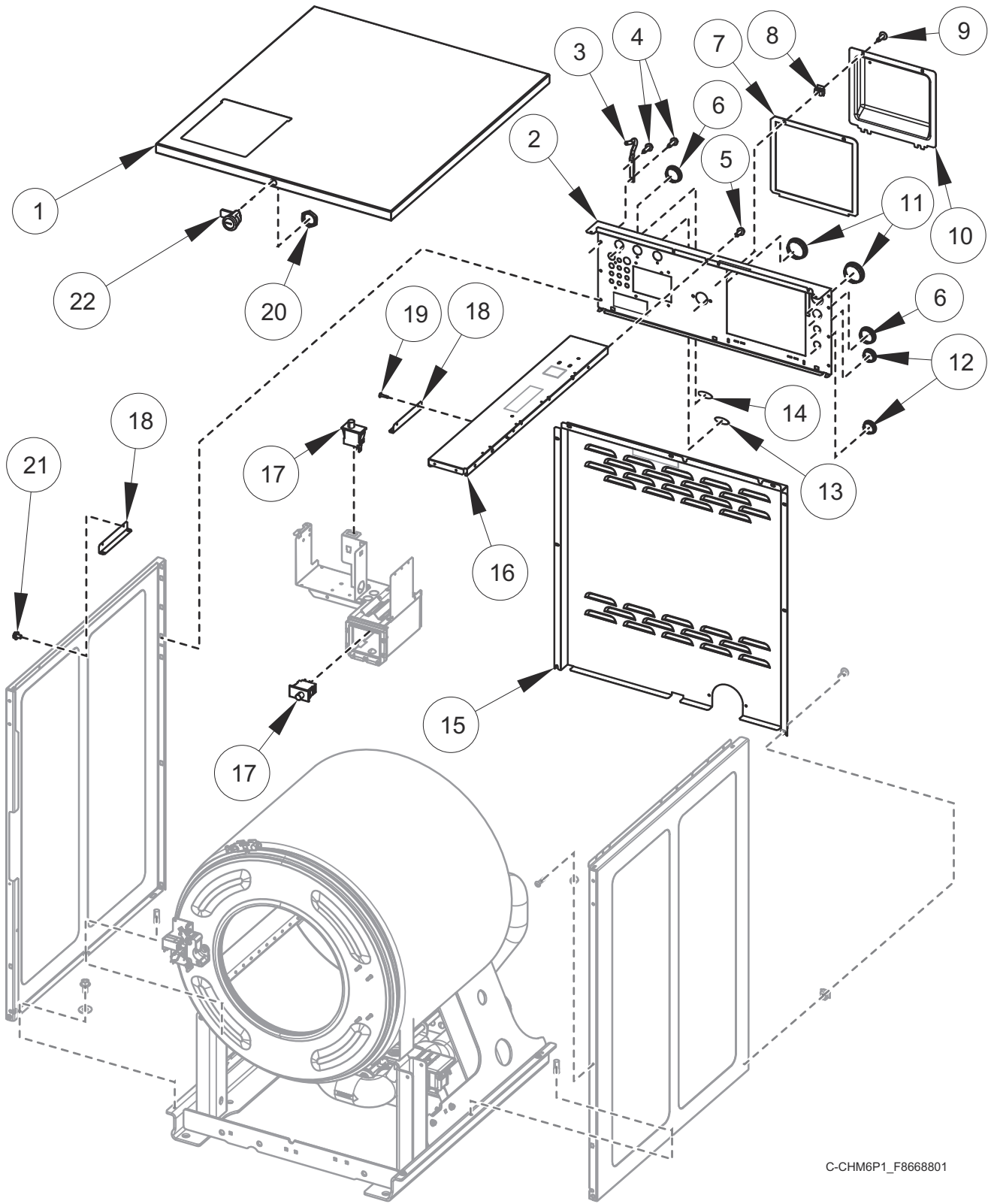


C-CHM6P2-F8668801

Front Panels and Control Panel - Card Reader and Central Pay Models - Design 6 HC Models

REF	PART NO.	DESCRIPTION	COMMENTS
1	F8697102	Control Panel Assembly	20 pound models
	F8697202	Control Panel Assembly	30 pound models
	F8697302	Control Panel Assembly	40 pound models
	F8697402	Control Panel Assembly	60 pound models
2	F8201001	Top Cover Latch	
3	F431215	Pop Rivet	
4	70412601	Pop Rivet	
5	F8201101	Washer	
6	F8609701	Access Panel Retaining Spacer	
7	F8589501	Screw	
8	F8524001	Access Panel	20 pound models
	F8524101	Access Panel	30 pound models
	F8524201	Access Panel	40 pound models
	F8553901	Access Panel	60 pound models
9	56079	Panel Locator	
10	70030501	Expansion Clip	
11	F8117601	Screw	
12	M412763	Rivet	
13	F8658801	Door Bezel	20 pound models
	F8658901	Door Bezel	30 pound models
	F0170426-30	Door Bezel	40 and 60 pound models
14	F8686002	Front Panel	20 pound models
	F8686102	Front Panel	30 pound models
	F8685302	Front Panel	40 pound models
	F8686202	Front Panel	60 pound models
15	70646001	Overlay	card reader models
	70646002	Overlay	central pay models
16	F8691703	Overlay	20 pound models
	F8691803	Overlay	30 pound models
	F8691903	Overlay	40 pound models
	F8692003	Overlay	60 pound models

Rear and Top Panels

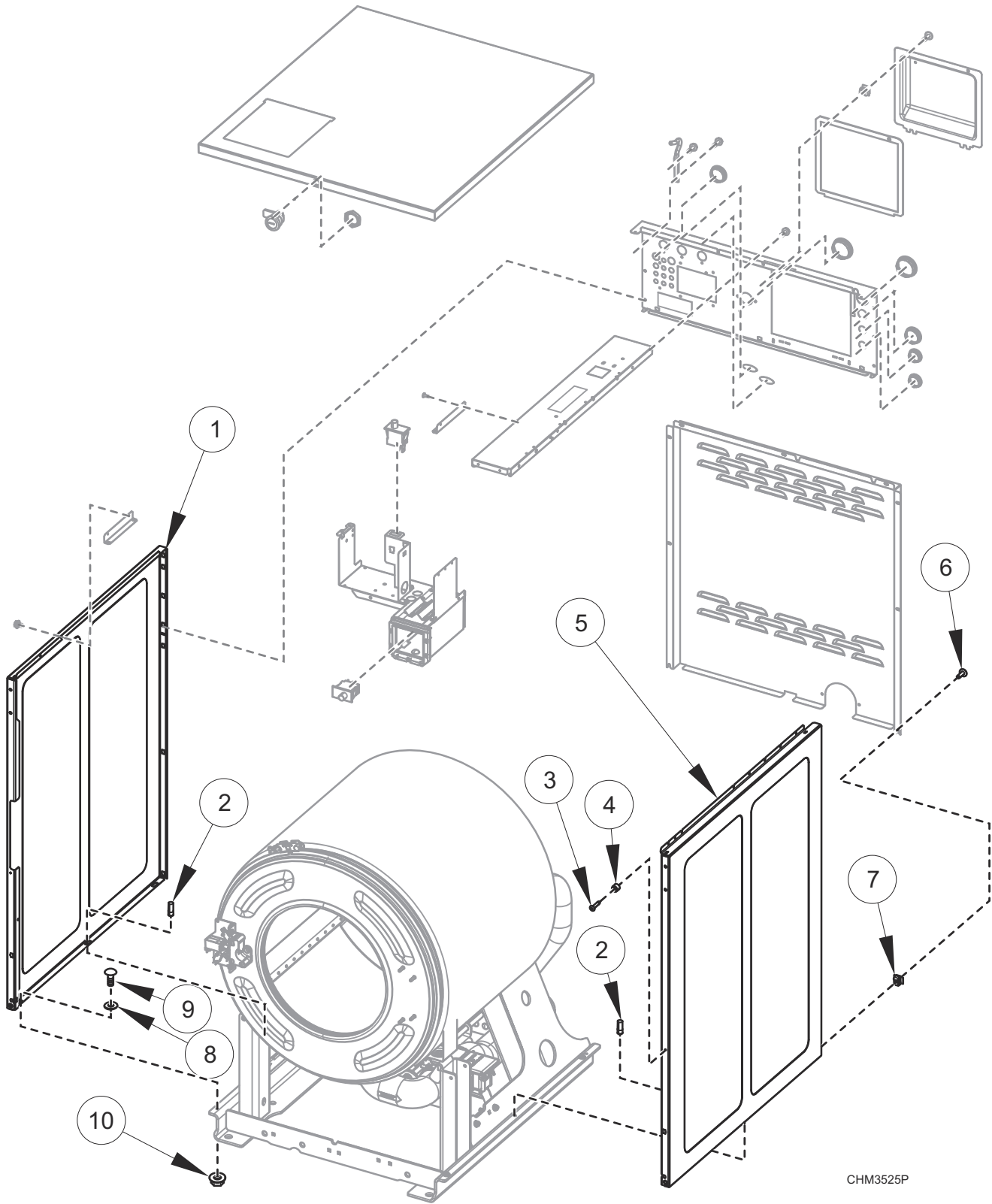


C-CHM6P1_F8668801

Rear and Top Panels

REF	PART NO.	DESCRIPTION	COMMENTS
1	F8525401	Top Cover	20 pound models
	F8525501	Top Cover	30 pound models
	F8525601	Top Cover	40 pound models
	F8554301	Top Cover	60 pound models
2	F8513101	Valve Panel	20 pound models
	F8513201	Valve Panel	30 pound models
	F8513301	Valve Panel	40 pound models
	F8554401	Valve Panel	60 pound models
3	F8258601	Top Cover Hinge	
4	F8206901	Screw	
5	33562	Screw	
6	F8223901	Plug	
7	F8542601	Gasket	
8	70030501	Expansion Clip	
9	F8117601	Screw	
10	F8518301	Terminal Tray Cover	
	F8521301	Cable	
11	F8223801	Hole Plug	
12	M400985	Plug	
13	F8611301	Label	Hot water
14	F8611401	Label	Cold water
15	F8527001	Rear Panel	20 pound models
	F8527101	Rear Panel	30 pound models
	F8527201	Rear Panel	40 pound models
	F8554501	Rear Panel	60 pound models
16	F8527301	Cabinet Brace	20 pound models
	F8527401	Cabinet Brace	30 pound models
	F8527501	Cabinet Brace	40 pound models
	F8553201	Cabinet Brace	60 pound models
17	70413301	Pushbutton Switch	
18	F8525701	Dispenser Bracket	
19	F431215	Pop Rivet	
20	44088801	Nut	
21	51780	Screw	
22	44089303P	Panel Lock	
	70155603	Key	

Side Panels

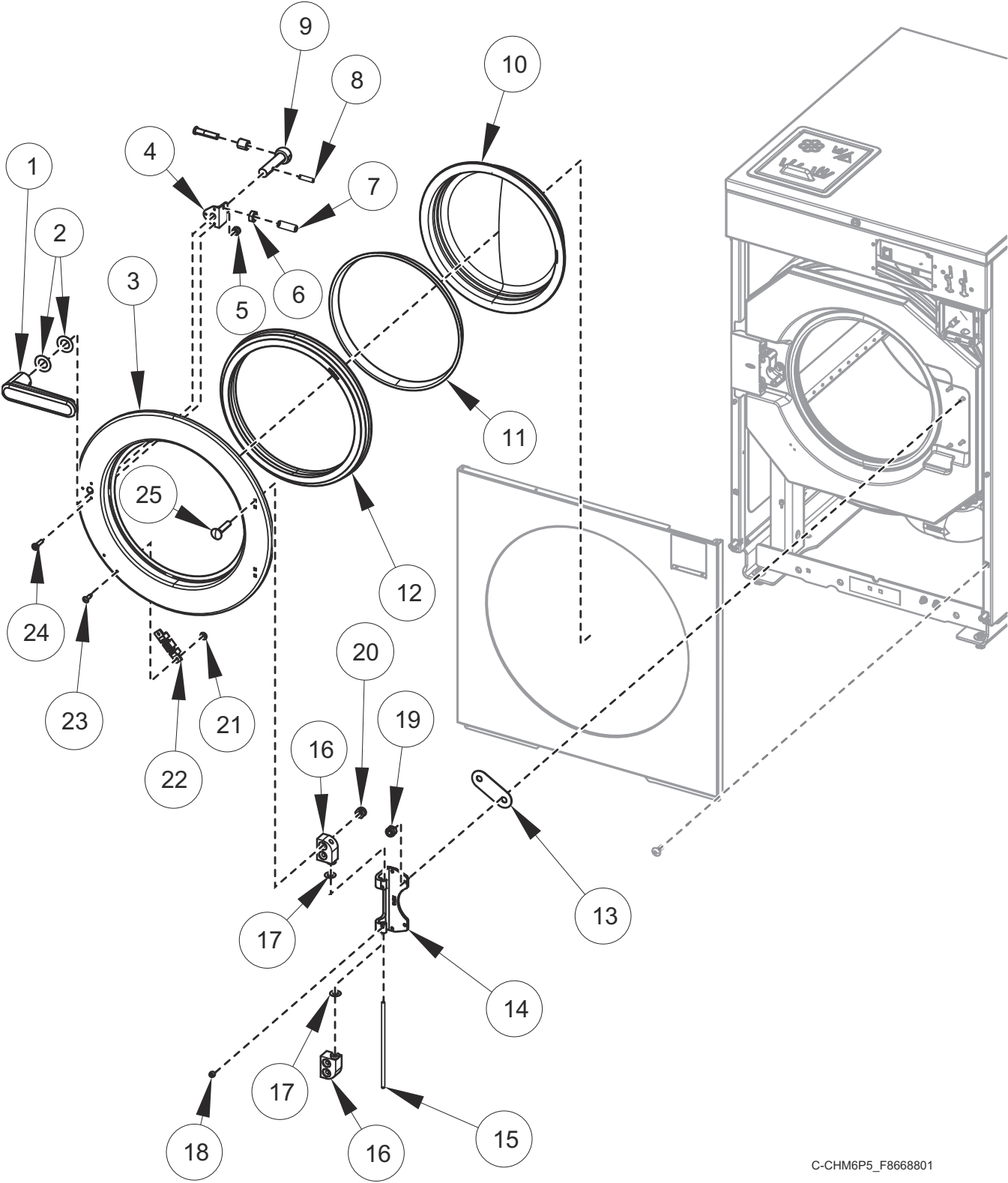


CHM3525P

Side Panels

REF	PART NO.	DESCRIPTION	COMMENTS
1	F8524602	Side Panel	20 pound models; Left
	F8524604	Side Panel	20 pound models; Left; Stainless steel
	F8524702	Side Panel	30 pound models; Left
	F8524704	Side Panel	30 pound models; Left; Stainless steel
	F8524802	Side Panel	40 pound models; Left
	F8524804	Side Panel	40 pound models; Left; Stainless steel
	F8554204	Side Panel	60 pound models; Left
	F8554202	Side Panel	60 pound models; Left; Stainless steel
2	F8502101	Pin	
3	M412763	Rivet	
4	56079	Panel Locator	
5	F8524601	Side Panel	20 pound models; Right
	F8524603	Side Panel	20 pound models; Right; Stainless steel
	F8524701	Side Panel	30 pound models; Right
	F8524703	Side Panel	30 pound models; Right; Stainless steel
	F8524801	Side Panel	40 pound models; Right
	F8524803	Side Panel	40 pound models; Right; Stainless steel
	F8554203	Side Panel	60 pound models; Right
	F8554201	Side Panel	60 pound models; Right; Stainless steel
6	F8117601	Screw	
7	70030501	Expansion Clip	
8	M405535	Washer	
9	F8402801	Bolt	
10	44087201	Nut	

Door - 20 Pound Models - Design 4

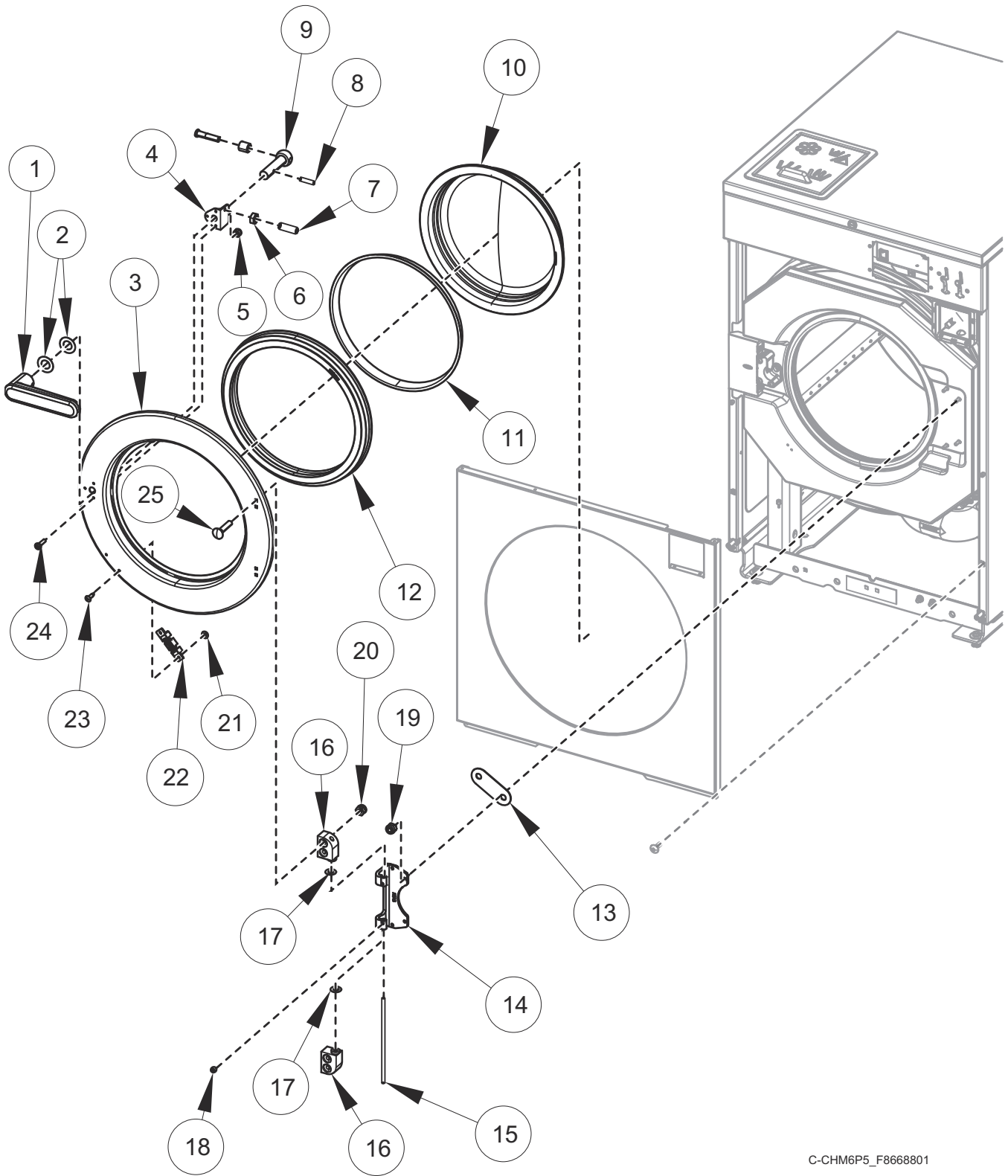


C-CHM6P5_F8668801

Door - 20 Pound Models - Design 4

REF	PART NO.	DESCRIPTION	COMMENTS
	F8617203	Door Assembly	HC models; Includes items 1-12, 14-18 and 20-25
	F8617204	Door Assembly	HC models; Chrome; Includes items 1-12, 14-18 and 20-25
	F8617206	Door Assembly	HC models; Chrome and green; Includes items 1-12, 14-18 and 20-25
	F8617205	Door Assembly	HC models; Green; Includes items 1-12, 14-18 and 20-25
	F8617201	Door Assembly	SC models; Includes items 1-12, 14-18 and 20-25
	F8617202	Door Assembly	SC models; Chrome; Includes items 1-12, 14-18 and 20-25
1	F8544701	Door Handle	HC models
	F8199401P	Door Handle	SC models; Black
2	F431916	Washer	
3	F8507502	Door	
	F8507501P	Door	Chrome
4	F8567501	Door Handle Spacer Kit	Includes items 6 and 7
5	F430232	Nut	
6	F431041	Nut	
7	F430532	Screw	
8	F431222	Spring Pin	
9	F8221403	Door Latch Arm Assembly	Includes latch arm shaft, latch arm support and sleeve
10	F8675701P	Door Glass	HC models
	F290205P	Door Glass Kit	SC models
11	F8583201	Door Glass Trim	Black
	F8583204	Door Glass Trim	Green; HC models
12	F200000202	Door Gasket	
13	F200131000P	Door Hinge Shim Kit	
14	F190216P	Door Hinge	
15	F602813-2	Rod	
16	F150271	Door Mount	
17	F431929	Washer	Non-ferrous
	F431147	Washer	
18	F430536	Screw	
19	C001236	Nut	
20	F430215	Nut	
21	F431133	Washer	
22	F8390801	Magnet	
23	F431223	Pop Rivet	
24	F8535501	Screw	
25	F430974	Bolt	
	F8508101	Bolt	Chrome

Door - 20 Pound Models - Design 6 and 7

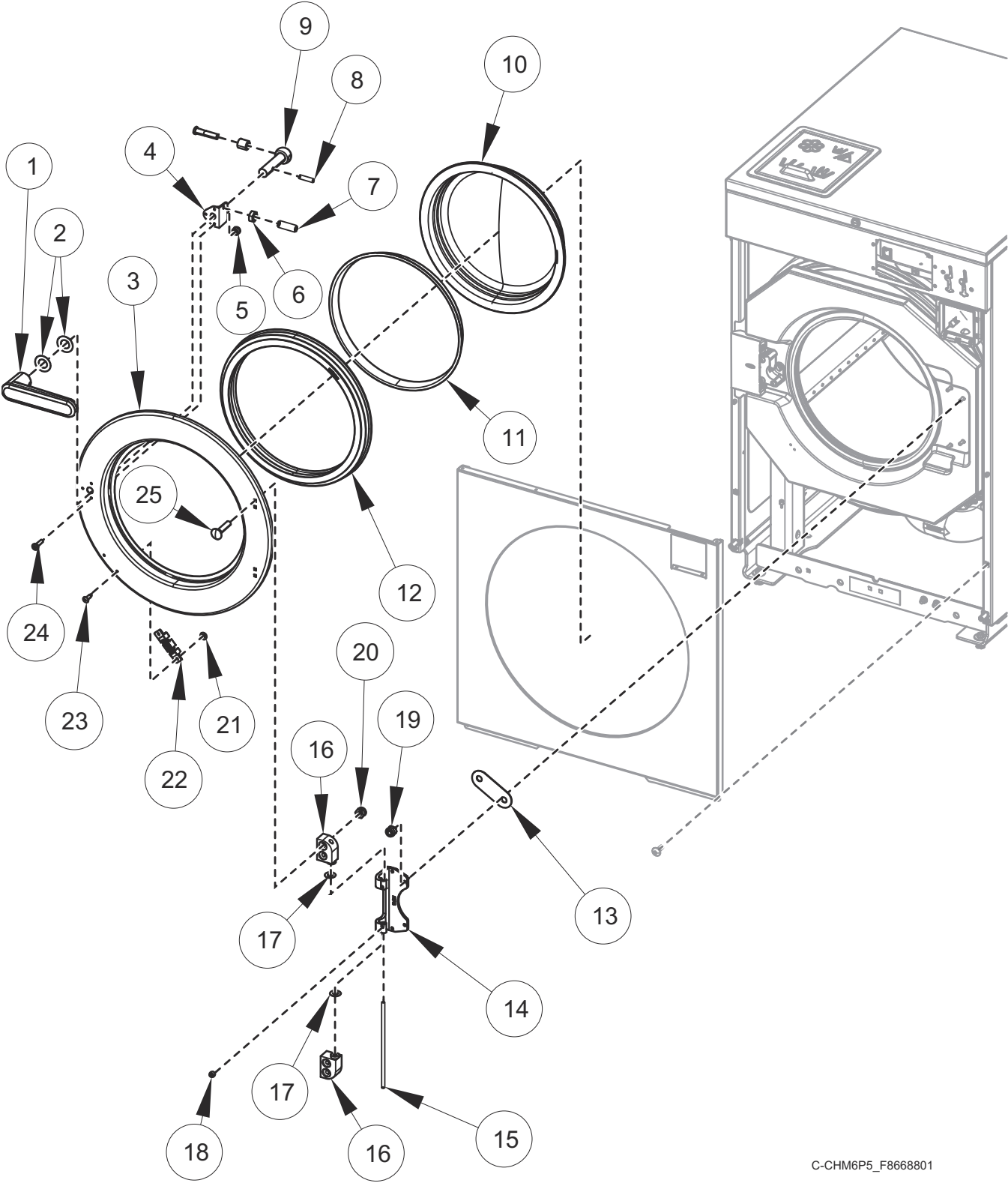


C-CHM6P5_F8668801

Door - 20 Pound Models - Design 6 and 7

REF	PART NO.	DESCRIPTION	COMMENTS
	F8617211	Door Assembly	S models; Includes items 1-12, 14-18 and 20-25
	F8617212	Door Assembly	S models; Chrome; Includes items 1-12, 14-18 and 20-25
	F8617213	Door Assembly	H models; Includes items 1-12, 14-18 and 20-25
	F8617214	Door Assembly	H models; Chrome; Includes items 1-12, 14-18 and 20-25
	F8617216	Door Assembly	H models; Chrome and green; Includes items 1-12, 14-18 and 20-25
	F8617215	Door Assembly	H models; Green; Includes items 1-12, 14-18 and 20-25
1	F8544701	Door Handle	H models
	F8624603	Door Handle	S models
2	F431916	Washer	
3	F8507502	Door	
	F8507501P	Door	Chrome
4	F8567501	Door Handle Spacer Kit	Includes items 6 and 7
5	F430232	Nut	
6	F431041	Nut	
7	F430532	Screw	
8	F431222	Spring Pin	
9	F8221403	Door Latch Arm Assembly	Includes latch arm shaft, latch arm support and sleeve
10	F8675701P	Door Glass	
11	F8583201	Door Glass Trim	Black
	F8583204	Door Glass Trim	Green
12	F200000202	Door Gasket	
13	F200131000P	Door Hinge Shim Kit	
14	F190216P	Door Hinge	
15	F602813-2	Rod	
16	F150271	Door Mount	
17	F431929	Washer	Non-ferrous
	F431147	Washer	
18	F430536	Screw	
19	C001236	Nut	
20	F430215	Nut	
21	F431133	Washer	
22	F8390801	Magnet	
23	F431223	Pop Rivet	
24	F8535501	Screw	
25	F430974	Bolt	
	F8508101	Bolt	Chrome

Door - 30 Pound Models - Design 4

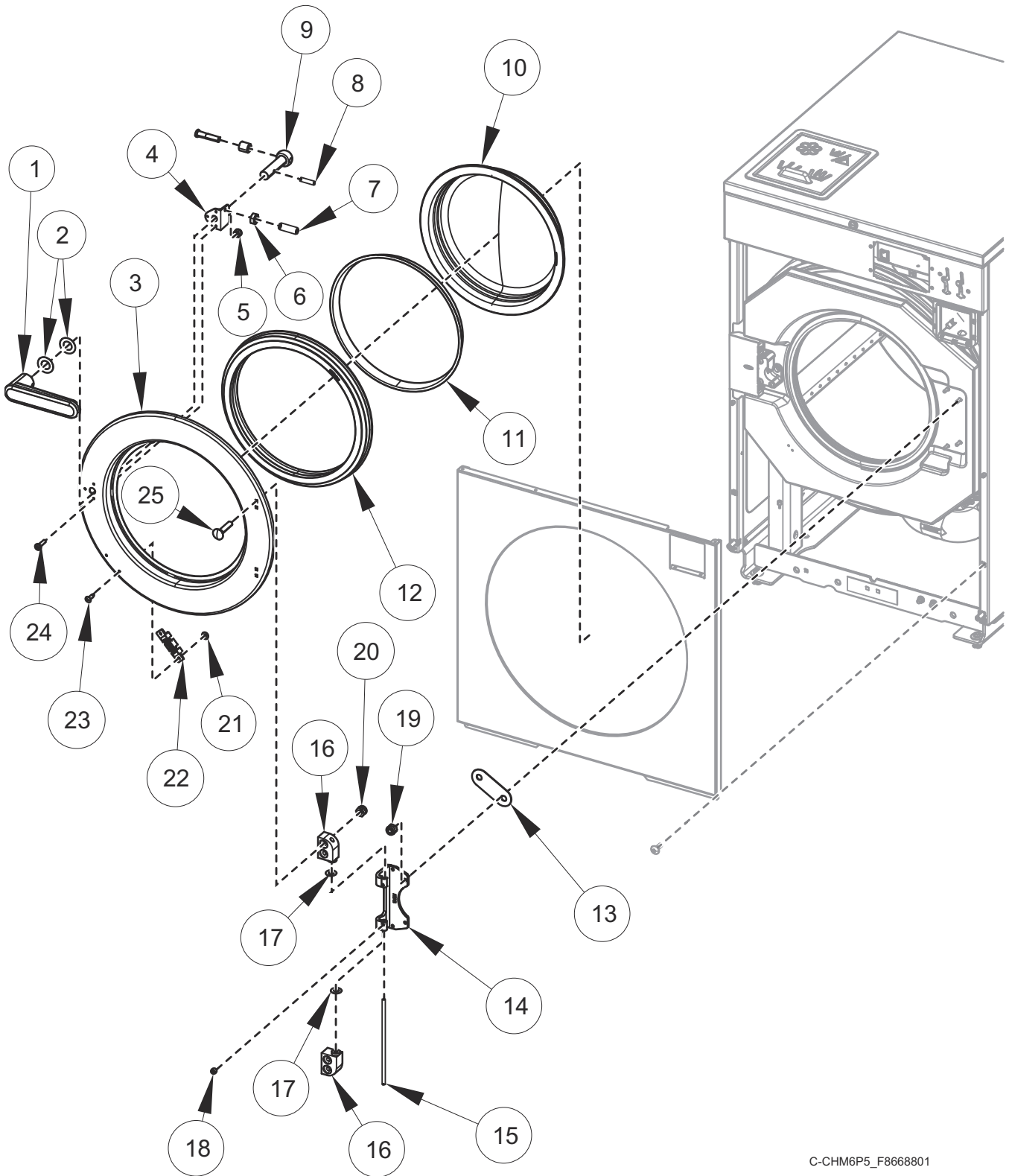


C-CHM6P5_F8668801

Door - 30 Pound Models - Design 4

REF	PART NO.	DESCRIPTION	COMMENTS
	F8617303	Door Assembly	HC models; Includes items 1-12, 14-18 and 20-25
	F8617304	Door Assembly	HC models; Chrome; Includes items 1-12, 14-18 and 20-25
	F8617306	Door Assembly	HC models; Chrome and green; Includes items 1-12, 14-18 and 20-25
	F8617305	Door Assembly	HC models; Green; Includes items 1-12, 14-18 and 20-25
	F8617301	Door Assembly	SC models; Includes items 1-12, 14-18 and 20-25
	F8617302	Door Assembly	SC models; Chrome; Includes items 1-12, 14-18 and 20-25
1	F8544701	Door Handle	HC models
	F8199401P	Door Handle	SC models; Black
2	F431916	Washer	
3	F8507602	Door	
	F8752601	Door	Chrome
4	F8567501	Door Handle Spacer Kit	
5	F430232	Nut	
6	F431041	Nut	
7	F430533	Screw	
8	F431222	Spring Pin	
9	F8221403	Door Latch Arm Assembly	Includes latch arm shaft, latch arm support and sleeve
10	F8485305	Door Glass	HC models
	F8485301P	Door Glass	SC models
11	F8583202	Door Glass Trim	Black
	F8583205	Door Glass Trim	Green; HC models
12	F8111602	Door Gasket	
13	F200131000P	Door Hinge Shim Kit	
14	F190216P	Door Hinge	
15	F602813-2	Rod	
16	F150271	Door Mount	
17	F431929	Washer	Non-ferrous
	F431147	Washer	
18	F430536	Screw	
19	C001236	Nut	
20	F430215	Nut	
21	F431133	Washer	
22	F8390801	Magnet	
23	F431223	Pop Rivet	
24	F8535501	Screw	
25	F430974	Bolt	
	F8508101	Bolt	Chrome

Door - 30 Pound Models - Design 6 and 7

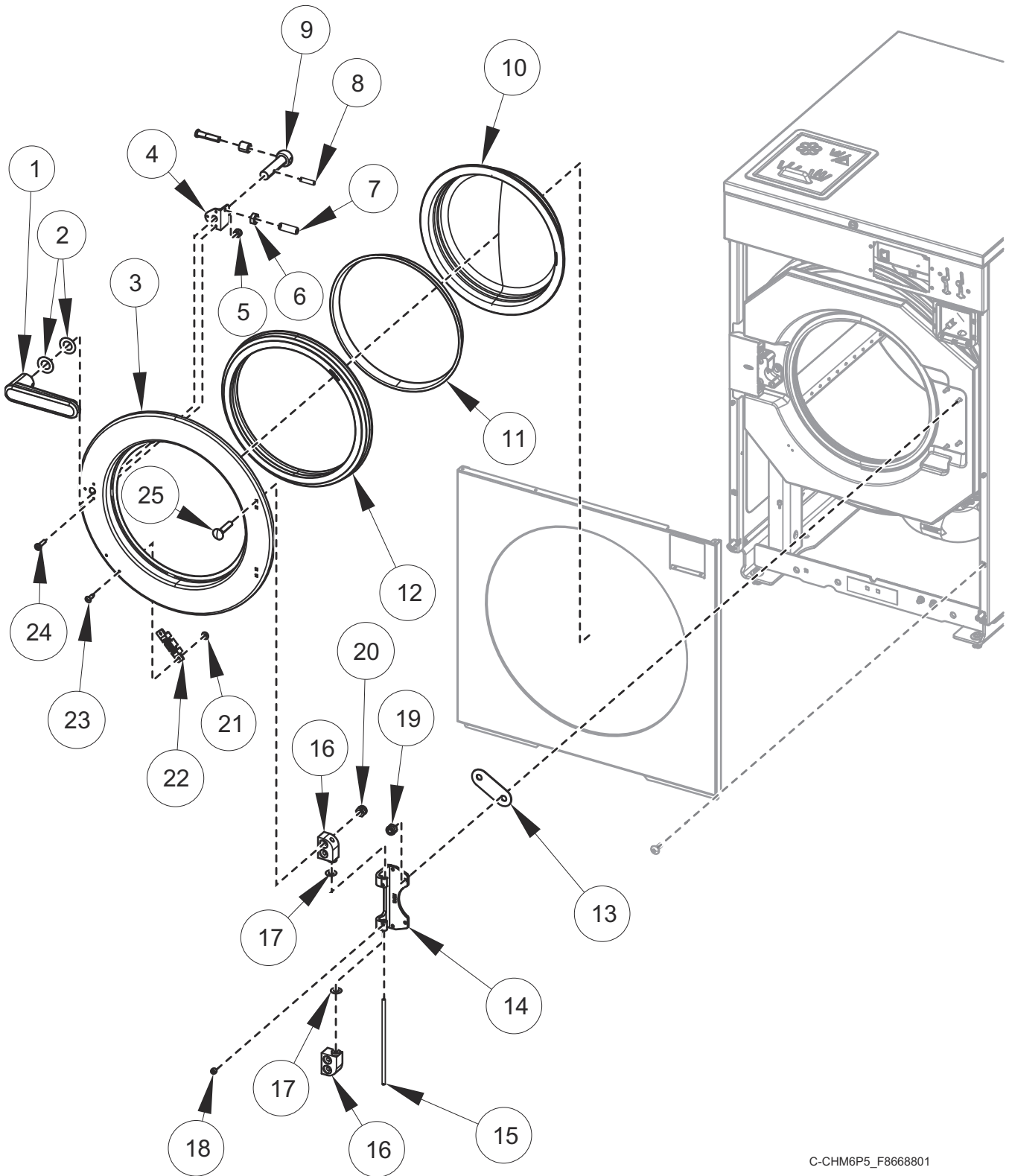


C-CHM6P5_F8668801

Door - 30 Pound Models - Design 6 and 7

REF	PART NO.	DESCRIPTION	COMMENTS
	F8617311	Door Assembly	S models; Includes items 1-12, 14-18 and 20-25
	F8617312	Door Assembly	S models; Chrome; Includes items 1-12, 14-18 and 20-25
	F8617313	Door Assembly	H models; Includes items 1-12, 14-18 and 20-25
	F8617314	Door Assembly	H models; Chrome; Includes items 1-12, 14-18 and 20-25
	F8617316	Door Assembly	H models; Chrome and green; Includes items 1-12, 14-18 and 20-25
	F8617315	Door Assembly	H models; Green; Includes items 1-12, 14-18 and 20-25
1	F8544701	Door Handle	H models
	F8624603	Door Handle	S models
2	F431916	Washer	
3	F8507602	Door	
	F8752601	Door	Chrome
4	F8567501	Door Handle Spacer Kit	
5	F430232	Nut	
6	F431041	Nut	
7	F430533	Screw	
8	F431222	Spring Pin	
9	F8221403	Door Latch Arm Assembly	Includes latch arm shaft, latch arm support and sleeve
10	F8485301P	Door Glass	
11	F8583202	Door Glass Trim	Black
	F8583205	Door Glass Trim	Green
12	F8111602	Door Gasket	
13	F200131000P	Door Hinge Shim Kit	
14	F190216P	Door Hinge	
15	F602813-2	Rod	
16	F150271	Door Mount	
17	F431929	Washer	Non-ferrous
	F431147	Washer	
18	F430536	Screw	
19	C001236	Nut	
20	F430215	Nut	
21	F431133	Washer	
22	F8390801	Magnet	
23	F431223	Pop Rivet	
24	F8535501	Screw	
25	F430974	Bolt	
	F8508101	Bolt	Chrome

Door - 40 and 60 Pound Models - Design 4

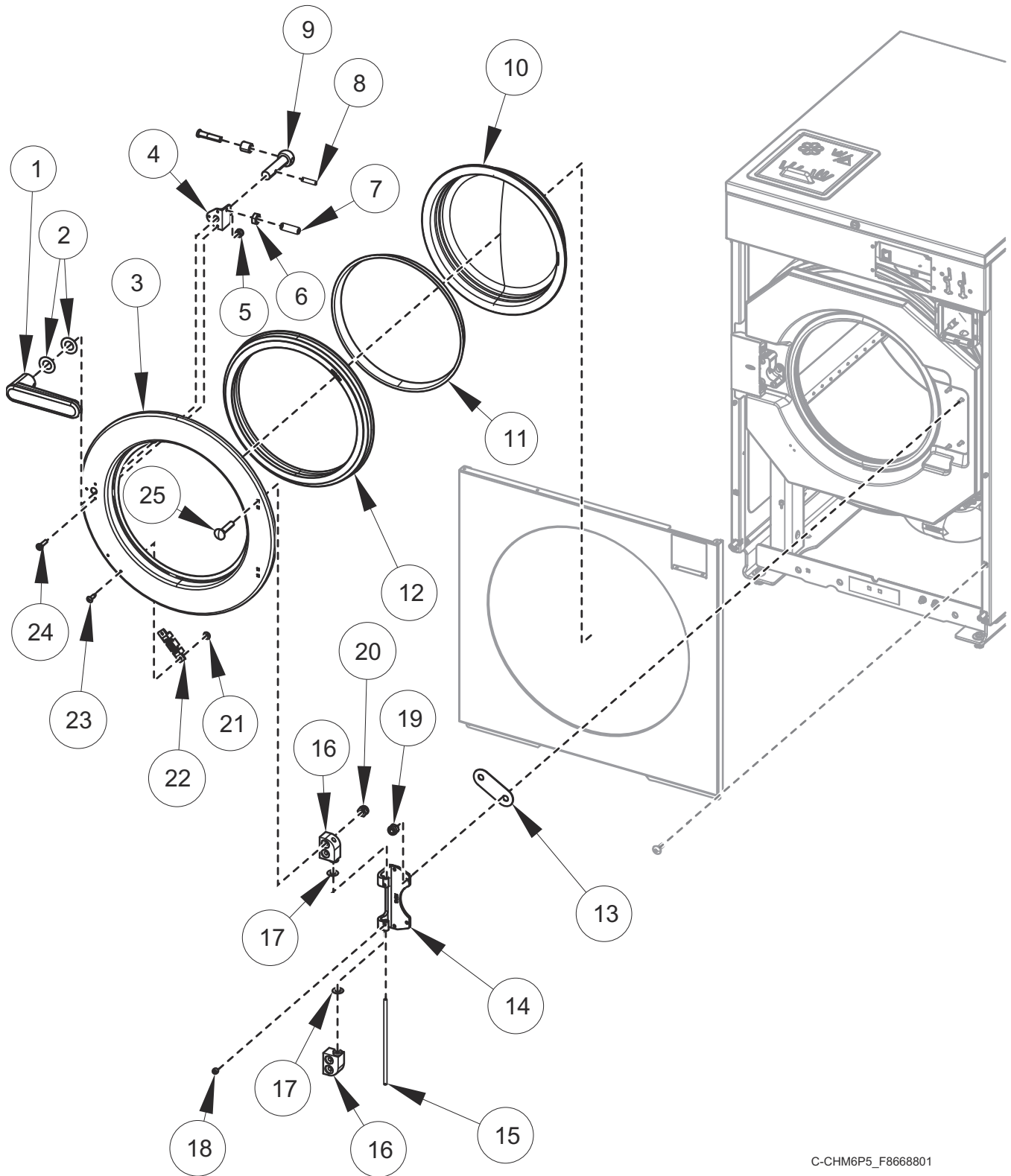


C-CHM6P5_F8668801

Door - 40 and 60 Pound Models - Design 4

REF	PART NO.	DESCRIPTION	COMMENTS
	F8617403	Door Assembly	HC models; Includes items 1-12, 14-18 and 20-25
	F8617404	Door Assembly	HC models; Chrome; Includes items 1-12, 14-18 and 20-25
	F8617406	Door Assembly	HC models; Chrome and green; Includes items 1-12, 14-18 and 20-25
	F8617405	Door Assembly	HC models; Green; Includes items 1-12, 14-18 and 20-25
	F8617401	Door Assembly	SC models; Includes items 1-12, 14-18 and 20-25
	F8617402	Door Assembly	SC models; Chrome; Includes items 1-12, 14-18 and 20-25
1	F8544701	Door Handle	HC models
	F8199401P	Door Handle	SC models; Black
2	F431916	Washer	
3	F8507702	Door	
	F8507701	Door	Chrome
4	F8567501	Door Handle Spacer Kit	
5	F430232	Nut	
6	F431041	Nut	
7	F430533	Screw	
8	F431222	Spring Pin	
9	F8221403	Door Latch Arm Assembly	Includes latch arm shaft, latch arm support and sleeve
10	F8485405	Door Glass	HC models
	F8485401P	Door Glass	SC models
11	F8583203	Door Glass Trim	Black
	F8583206	Door Glass Trim	Green; HC models
12	F8111502	Door Gasket	
13	F200131000P	Door Hinge Shim Kit	
14	F190216P	Door Hinge	
15	F602813-3	Rod	
16	F150271	Door Mount	
17	F431929	Washer	Non-ferrous
	F431147	Washer	
18	F430536	Screw	
19	C001236	Nut	
20	F430215	Nut	
21	F431133	Washer	
22	F8390801	Magnet	
23	F431223	Pop Rivet	
24	F8535501	Screw	
25	F430974	Bolt	
	F8508101	Bolt	Chrome

Door - 40 and 60 Pound Models - Design 6 and 7

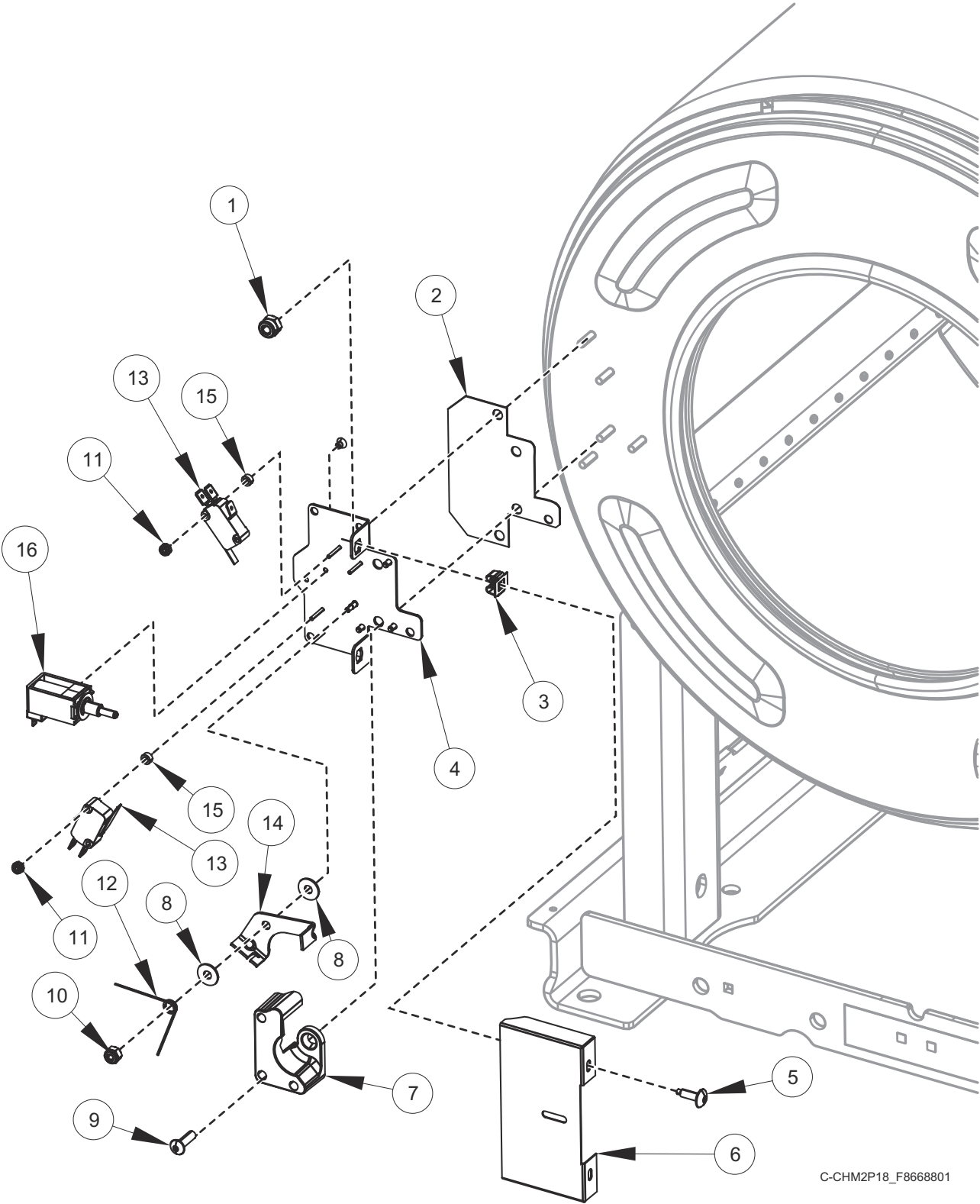


C-CHM6P5_F8668801

Door - 40 and 60 Pound Models - Design 6 and 7

REF	PART NO.	DESCRIPTION	COMMENTS
	F8617311	Door Assembly	S models; Includes items 1-12, 14-18 and 20-25
	F8617312	Door Assembly	S models; Chrome; Includes items 1-12, 14-18 and 20-25
	F8617413	Door Assembly	H models; Includes items 1-12, 14-18 and 20-25
	F8617414	Door Assembly	H models; Chrome; Includes items 1-12, 14-18 and 20-25
	F8617416	Door Assembly	H models; Chrome and green; Includes items 1-12, 14-18 and 20-25
	F8617415	Door Assembly	H models; Green; Includes items 1-12, 14-18 and 20-25
1	F8544701	Door Handle	H models
	F8624603	Door Handle	S models
2	F431916	Washer	
3	F8507702	Door	
	F8507701	Door	Chrome
4	F8567501	Door Handle Spacer Kit	
5	F430232	Nut	
6	F431041	Nut	
7	F430533	Screw	
8	F431222	Spring Pin	
9	F8221403	Door Latch Arm Assembly	Includes latch arm shaft, latch arm support and sleeve
10	F8485401P	Door Glass	
11	F8583203	Door Glass Trim	Black
	F8583206	Door Glass Trim	Green
12	F8111502	Door Gasket	
13	F200131000P	Door Hinge Shim Kit	
14	F190216P	Door Hinge	
15	F602813-3	Rod	
16	F150271	Door Mount	
17	F431929	Washer	Non-ferrous
	F431147	Washer	
18	F430536	Screw	
19	C001236	Nut	
20	F430215	Nut	
21	F431133	Washer	
22	F8390801	Magnet	
23	F431223	Pop Rivet	
24	F8535501	Screw	
25	F430974	Bolt	
	F8508101	Bolt	Chrome

Door Lock

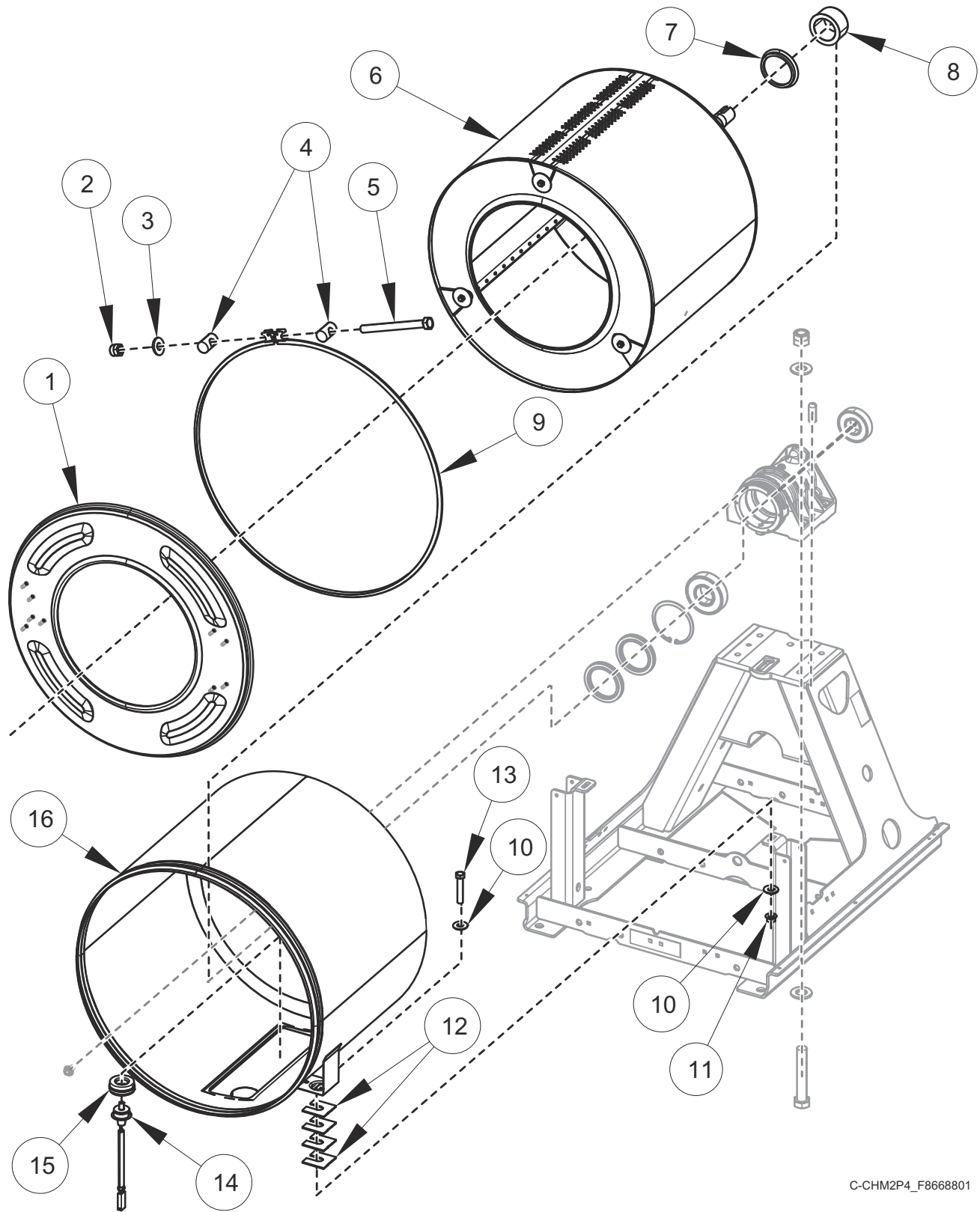


C-CHM2P18_F8668801

Door Lock

REF	PART NO.	DESCRIPTION	COMMENTS
	F8632401	Door Lock Assembly	Includes items 3, 4 and 10-16
	F8520201	Door Lock Harness	20 and 30 pound models
	F8520202	Door Lock Harness	40 and 60 pound models
	F8066804	Reed Switch Assembly	
1	F431024	Nut	
2	F8344401	Door Lock Plate Shim	
3	70030501	Expansion Clip	
4	F8223202	Door Lock Plate Assembly	
5	F8117601	Screw	
6	F8245001	Door Lock Cover	
7	F8344501	Door Lock Catch	
8	F8193101	Washer	
9	F8270701	Bolt	
10	F430232	Nut	
11	F430225	Nut	
12	F8070301	Torsion/Door Lock Spring	
13	F200203200	Door Lock Microswitch	
14	F8223401	Door Lock Switch Lever	
15	F431901	Spacer	
16	F977P3	Door Lock Solenoid Replacement Kit	

Shell Front, Basket, Shell and Frame Template

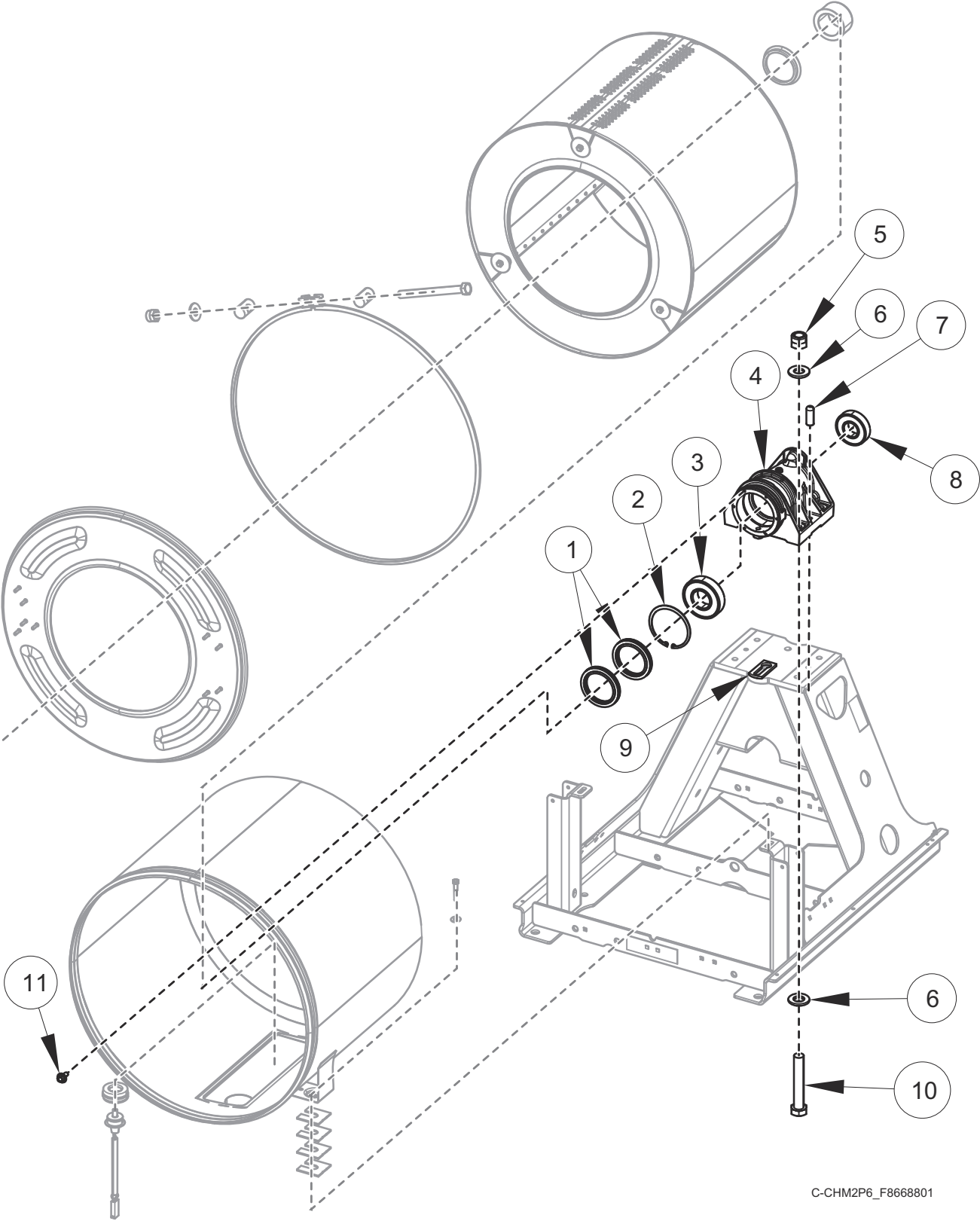


C-CHM2P4_F8668801

Shell Front, Basket, Shell and Frame Template

REF	PART NO.	DESCRIPTION	COMMENTS
	F8598301	Harness	Thermistor; 20 and 30 pound models
	F8598302	Harness	Thermistor; 40 and 60 pound models
	F8502303	Gasket	
1	F8222301	Shell Front	20 pound models
	F8222401	Shell Front	30 pound models
	F8222501	Shell Front	40 pound models
	F8222601	Shell Front	60 pound models
2	F430218	Nut	
3	M400080	Washer	
4	F8302701	Pin	
5	F8673701	Screw	
6	F8391304	Basket	20 pound models; Viton
	F8391302	Basket	20 pound models; Rain
	F8391504	Basket	30 pound models; Viton
	F8391502	Basket	30 pound models; Rain
	F8391704	Basket	40 pound models; Viton
	F8391702	Basket	40 pound models; Rain
	F8502805	Basket	60 pound models; Viton
	F8502802	Basket	60 pound models; Rain
7	F8337002	Excluder Seal	
8	F8343906P	Shaft Seal Sleeve Kit	
9	F8537801	Shell Band Kit	20 pound models; Includes items 2-5
	F8537802	Shell Band Kit	30 pound models; Includes items 2-5
	F8537803	Shell Band Kit	40 pound models; Includes items 2-5
	F8537804	Shell Band Kit	60 pound models; Includes items 2-5
10	M400081	Washer	
11	44087301	Nut	
12	F8402701	Washer	
13	F8621601	Screw	
14	F8538801	Thermistor	
15	2251000400	Temperature Probe Grommet	
16	F8512102	Shell	20 pound models; Electric and dual heat
	F8514002	Shell	30 pound models; Electric and dual heat
	F8512202	Shell	40 pound models; Electric and dual heat
	F8543702	Shell	60 pound models; Electric and dual heat
	F8512202	Shell	40 pound models; Steam Heat
	F8543702	Shell	60 pound models; Steam Heat
	F8512101	Shell	20 pound models; Standard
	F8514001	Shell	30 pound models; Standard
	F8512201	Shell	40 pound models; Standard
	F8543701	Shell	60 pound models; Standard

Bearing Housing

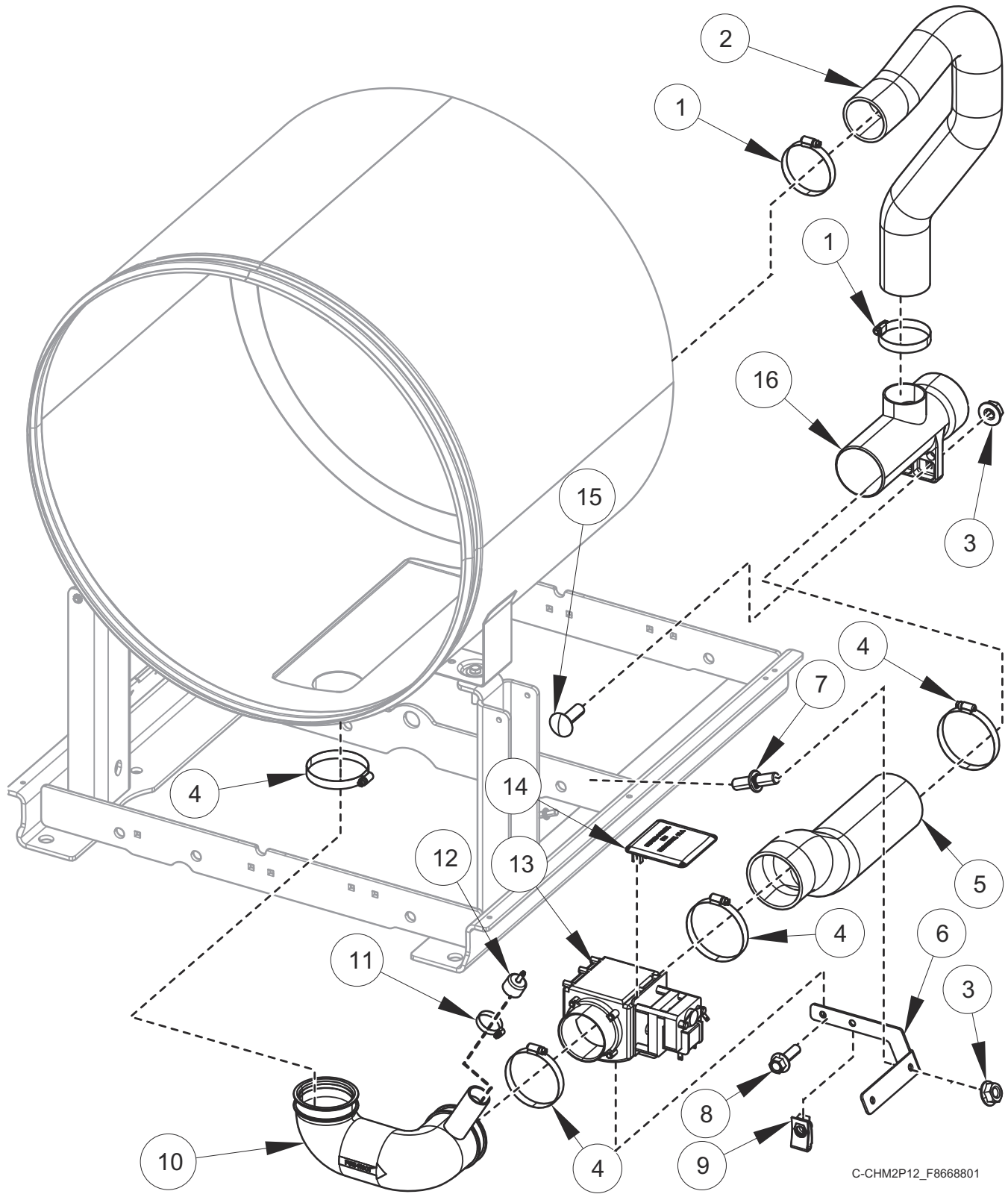


C-CHM2P6_F8668801

Bearing Housing

REF	PART NO.	DESCRIPTION	COMMENTS
	F8271601P	Bearing Housing Assembly	20 pound models; Includes items 1-4 and 8; Standard
	F8271602	Bearing Housing Assembly	20 pound models; Includes items 1-4 and 8; Viton
	F8271701P	Bearing Housing Assembly	30 pound models; Includes items 1-4 and 8; Standard
	F8271702	Bearing Housing Assembly	30 pound models; Includes items 1-4 and 8; Viton
	F8271801P	Bearing Housing Assembly	40 pound models; Includes items 1-4 and 8; Standard
	F8271802	Bearing Housing Assembly	40 pound models; Includes items 1-4 and 8; Viton
	F8271901P	Bearing Housing Assembly	60 pound models; Includes items 1-4 and 8; Standard
	F8271902	Bearing Housing Assembly	60 pound models; Includes items 1-4 and 8; Viton
1	F8203801	Triple Lip Seal	20 pound models; Standard
	F8203813	Triple Lip Seal	20 pound models; Viton
	F8203802	Triple Lip Seal	30 pound models; Standard
	F8203814	Triple Lip Seal	30 pound models; Viton
	F8203803	Triple Lip Seal	40 pound models; Standard
	F8203815	Triple Lip Seal	40 pound models; Viton
	F8203806	Triple Lip Seal	60 pound models; Standard
	F8203816	Radial Lip Seal	60 pound models; Viton
2	F8344901	Retaining Ring	20 pound models
	F8345001	Retaining Ring	30 pound models
	F8337801	Retaining Ring	40 pound models
	F8337901	Retaining Ring	60 pound models
3	F100137P	Bearing	20 and 40 pound models
	F100123P	Bearing	30 pound models
	F100135	Bearing	60 pound models
4	F8247902	Bearing Housing	20 pound models
	F8246802	Bearing Housing	30 pound models
	F8249902	Bearing Housing	40 pound models
	F8250902	Bearing Housing	60 pound models
5	F8387701	Nut	
6	F430339	Washer	
7	F8388201	Dowel Pin	
8	F100136P	Bearing	20 pound models
	F100108	Bearing	30 pound models
	F100134	Bearing	40 and 60 pound models
9	F8350302	Seal Scupper Pad	
10	F8368801	Screw	
11	F8442702	Screw	

Drain Plumbing



C-CHM2P12_F8668801

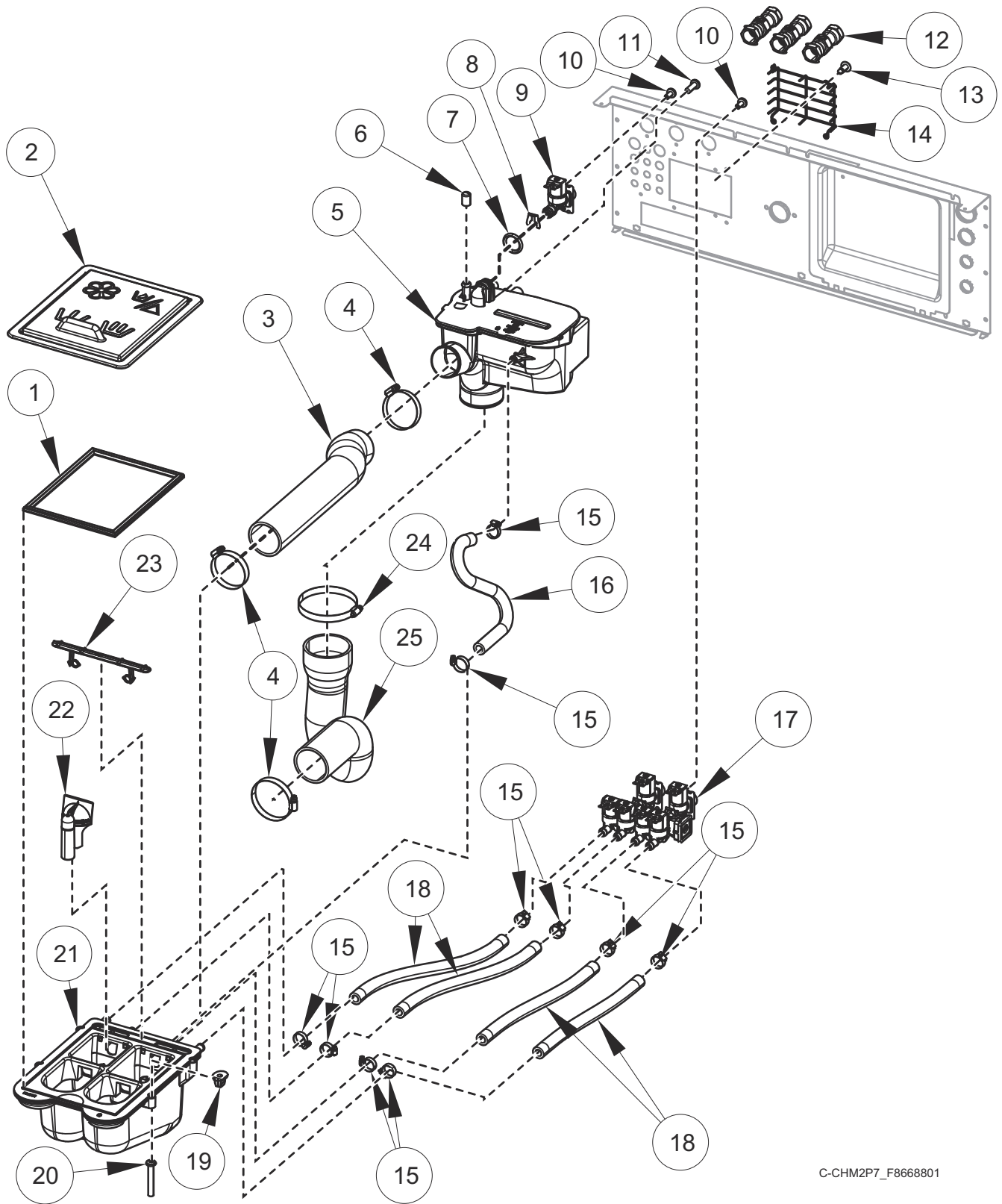
Drain Plumbing

REF	PART NO.	DESCRIPTION	COMMENTS
	F8520001	Drain Valve Harness	20 and 30 pound models
	F8520002	Drain Valve Harness	40 and 60 pound models
	F200165100	Drain Hose	
1	F200213	Hose Clamp	
2	F8522401	Overflow Hose	20 pound models
	F8521201	Overflow Hose	30 pound models
	F8522501	Overflow Hose	40 and 60 pound models
3	44087201	Nut	
4	F200201	Hose Clamp	
5	F8587301	Rear Drain Hose	20 pound models
	F8543001	Rear Drain Hose	30 pound models
	F8543201	Rear Drain Hose	40 pound models
	F8543501	Rear Drain Hose	60 pound models
6	F8587701	Drain Valve Bracket	20 pound models
	F8543101	Drain Valve Bracket	30 pound models
	F8543301	Drain Valve Bracket	40 pound models
	F8543401	Drain Valve Bracket	60 pound models
7	70334702	Stud	
8	202175	Screw	
9	70030401	Nut	
10	F8542002	Drain Hose	20 pound models
	F8541901	Drain Hose	30, 40 and 60 pound models
	F8542001	Drain Hose	40 and 60 pound models; Steam and electric heat
11	36802	Hose Clamp	
12	F8579301	Pressure Cap	
13	F200166302	Drain Valve Kit	3 inch; 120 Volt; Left; NO; Includes item 14
	F8406308	Drain Valve	3 inch; 120 Volt; Right; NO
	F200166402	Drain Valve Kit	3 inch; 230 Volt; Left; NO; Includes item 14
	F8577201	Drain Valve Kit	3 inch; 230 Volt; Right; NO; Includes item 14
14	F200133600	Drain Valve Cover	
15	F8402801	Bolt	
16	F8752101	Drain Tee	

Pump Drain Plumbing - 20, 30 and 40 Pound Models

REF	PART NO.	DESCRIPTION	COMMENTS
	27154	Drain Hose	Hose to standpipe
	F150352	Overflow Plug	20 pound models
	F8520001	Drain Valve Harness	20 and 30 pound models
	F8520002	Drain Valve Harness	40 pound models
1	F8571301	Bracket	Upper; Elbow mount
2	F8117601	Screw	
3	F8206901	Screw	
4	35766	Drain Hose Elbow	
5	70030501	Expansion Clip	
6	F8571401	Bracket	Lower; Elbow mount
7	44087201	Nut	
8	F200204	Hose Clamp	
9	F8537001	Pump Drain Rear Hose	20 pound models
	F8557001	Pump Drain Rear Hose	30 pound models
	F8557201	Pump Drain Rear Hose	40 pound models
10	F8402801	Bolt	
11	800310	Backflow Preventer	
12	F8536901	Pump Drain Bracket	20 pound models
	F8557101	Pump Drain Bracket	30 pound models
	F8557301	Pump Drain Bracket	40 pound models
13	805723	Pump Drain and Bracket Assembly	120 Volt/60 Hertz; Green
	805613	Pump Drain and Bracket Assembly	208-240 Volt/60 Hertz; Red
	804038	Pump Drain and Bracket Assembly	220-240 Volt/50 Hertz; Blue
14	F200215	Hose Clamp	
15	F8556601	Pump Drain Hose	
16	36802	Hose Clamp	
17	F8579301	Pressure Cap	
18	F200219	Hose Clamp	
19	F8658501	Screw	

Fill Plumbing - 20 Pound Models

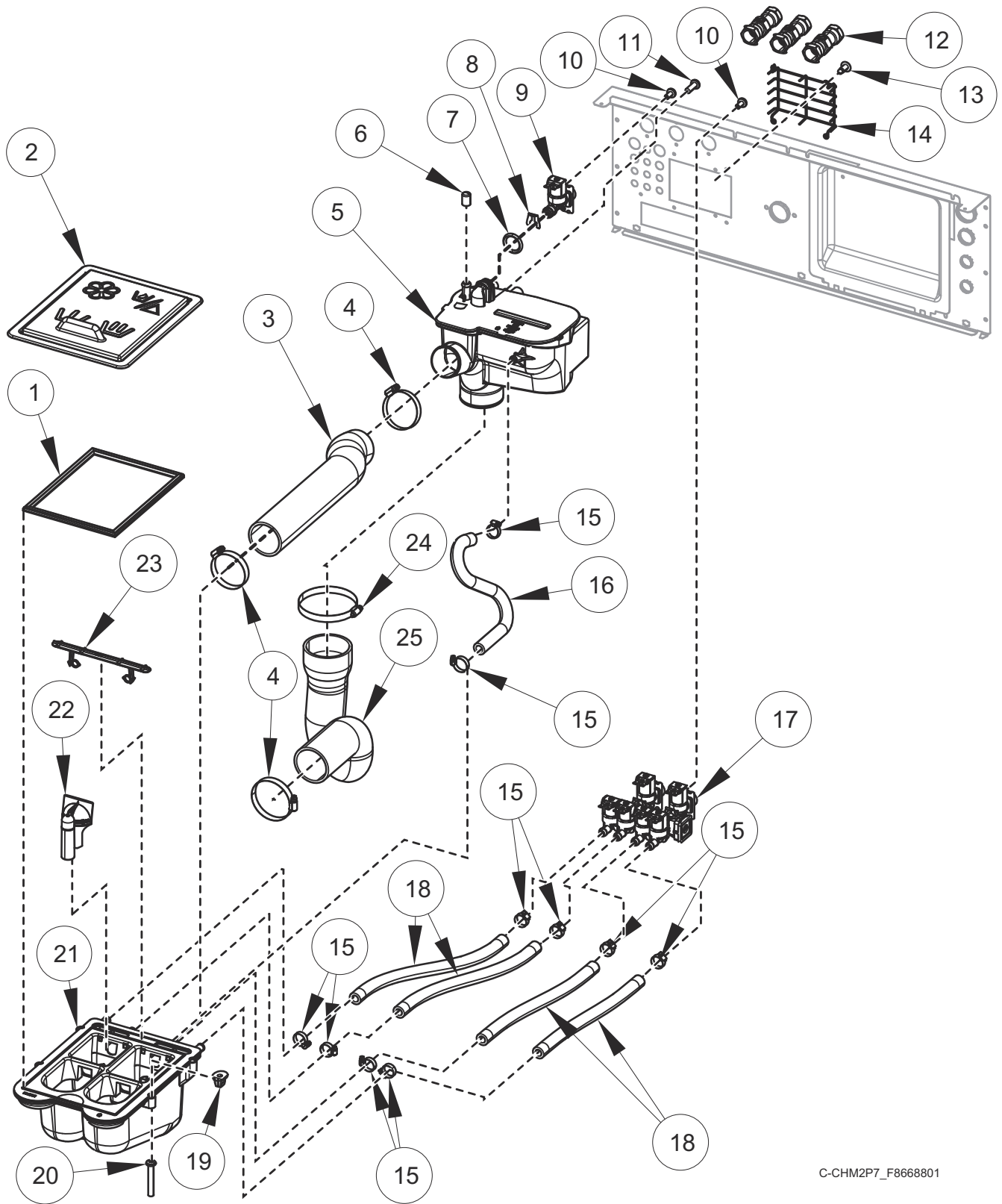


C-CHM2P7_F8668801

Fill Plumbing - 20 Pound Models

REF	PART NO.	DESCRIPTION	COMMENTS
	F8047403	Dispenser	Includes Items 21-23
	F8520101	Fill Valve Harness	
	F8665601	Water Hose Kit	Standard thread; Red (hot); Includes 20290 Washer and 803615 Washer Filter
	F8665603	Water Hose Kit	Standard thread; Blue (cold); Includes 20290 Washer and 803615 Washer Filter
	F8665602	Water Hose Kit	Metric thread; Red (hot); Includes 20290 Washer and 803615 Washer Filter
	F8665604	Water Hose Kit	Metric thread; Blue (cold); Includes 20290 Washer and 803615 Washer Filter
	F8671201	Fill Hose Kit	WRAS; Includes item 12 and F8665602 Water Hose Kit
	F8671202	Fill Hose Kit	WRAS; Includes item 12 and F8665604 Water Hose Kit
	F8671101	Fill Hose Kit	Australian watermark; Includes F8665602 Water Hose Kit and B12543901 Check Valve
	F8671102	Fill Hose Kit	Australian watermark; Includes F8665604 Water Hose Kit and B12543901 Check Valve
1	B12568601	Dispenser Gasket	
2	F8563204	Dispenser Cover	Black; Icons and text
	F8563203	Dispenser Cover	Gray; Icons and text
	F8563202	Dispenser Cover	Black; Icons
	F8563201	Dispenser Cover	Gray; Icons
3	F8529401	Supply Vacuum Hose	
4	F200213	Hose Clamp	
5	F8517503	Vacuum Breaker Assembly	With inlet and fill
	F8517502	Vacuum Breaker Assembly	With inlet
	F8517501	Vacuum Breaker Assembly	With fill
	F8517504	Vacuum Breaker Assembly	
6	F8197701	Cap	WRAS
7	F8569101	O-Ring	
8	F8566801	Clip	
9	F8565201	Valve	Standard
	F8565202	Valve	Metric
10	F8230301	Screw	
11	800548	Screw	
12	F8301201	Double Check Valve	WRAS
13	70058501	Pop Rivet	
14	F8589601	Vacuum Breaker Guard	
15	36801	Hose Clamp	
16	F8616401	Rear Vent Hose	
17	F8529701	Manifold Valve	Standard
	F8529702P	Manifold Valve	Metric
18	F8232007	Hose	
19	F0431807-00	Nut	
20	F8535601	Screw	
21	F8437902	Dispenser Weldment	
22	F8047901	Siphon Cover	
23	F8047801	Access Cover	
24	F200201	Hose Clamp	
25	F8529601	P-Trap Hose	

Fill Plumbing - 30 Pound Models

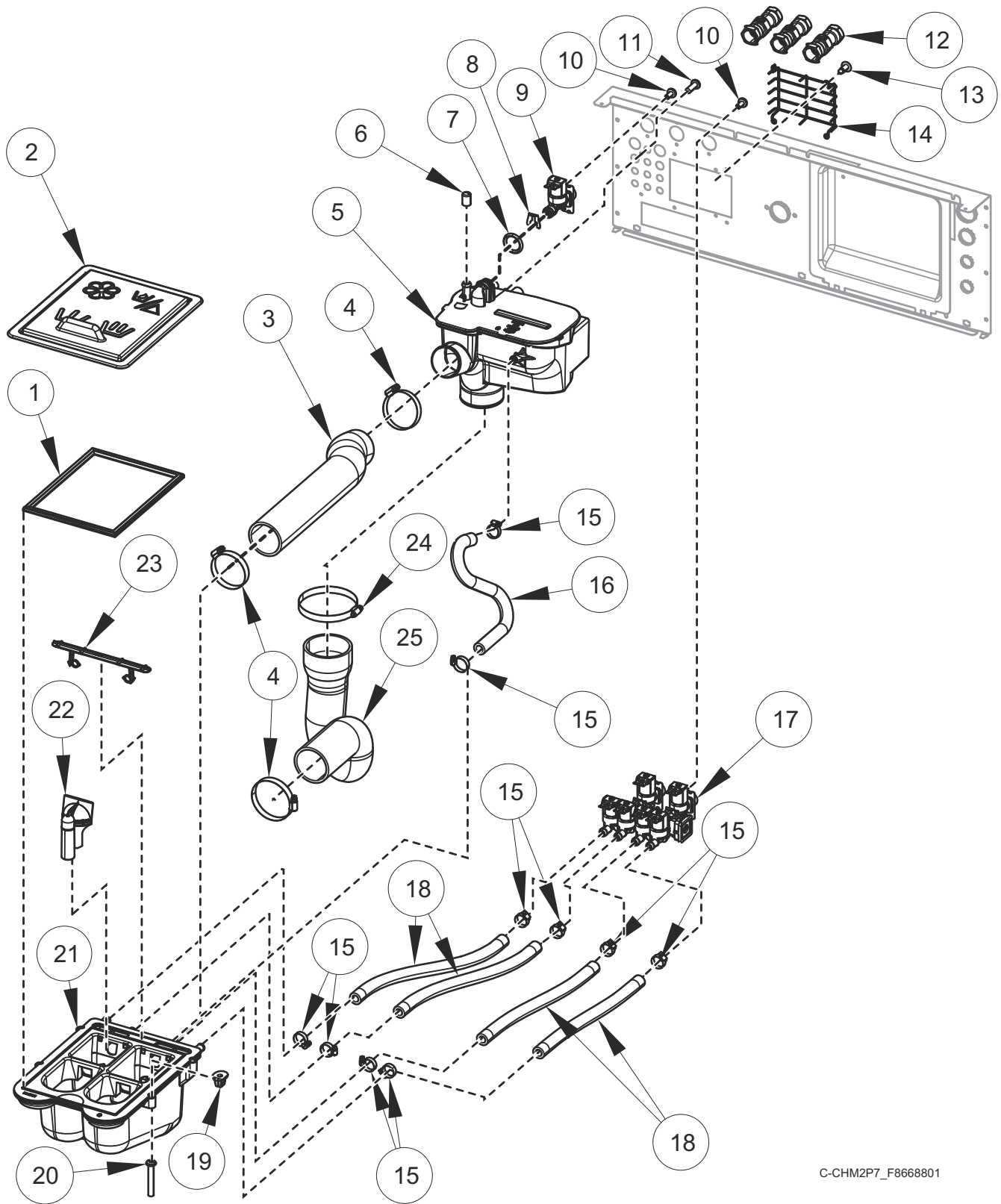


C-CHM2P7_F8668801

Fill Plumbing - 30 Pound Models

REF	PART NO.	DESCRIPTION	COMMENTS
	F8047403	Dispenser	Includes Items 21-23
	F8520101	Fill Valve Harness	
	F8665601	Water Hose Kit	Standard thread; Red (hot); Includes 20290 Washer and 803615 Washer Filter
	F8665603	Water Hose Kit	Standard thread; Blue (cold); Includes 20290 Washer and 803615 Washer Filter
	F8665602	Water Hose Kit	Metric thread; Red (hot); Includes 20290 Washer and 803615 Washer Filter
	F8665604	Water Hose Kit	Metric thread; Blue (cold); Includes 20290 Washer and 803615 Washer Filter
	F8671201	Fill Hose Kit	WRAS; Includes item 12 and F8665602 Water Hose Kit
	F8671202	Fill Hose Kit	WRAS; Includes item 12 and F8665604 Water Hose Kit
	F8671101	Fill Hose Kit	Australian watermark; Includes F8665602 Water Hose Kit and B12543901 Check Valve
	F8671102	Fill Hose Kit	Australian watermark; Includes F8665604 Water Hose Kit and B12543901 Check Valve
1	B12568601	Dispenser Gasket	
2	F8563204	Dispenser Cover	Black; Icons and text
	F8563203	Dispenser Cover	Gray; Icons and text
	F8563202	Dispenser Cover	Black; Icons
	F8563201	Dispenser Cover	Gray; Icons
3	F8529402	Supply Vacuum Hose	
4	F200213	Hose Clamp	
5	F8517503	Vacuum Breaker Assembly	With inlet and fill
	F8517502	Vacuum Breaker Assembly	With inlet
	F8517501	Vacuum Breaker Assembly	With fill
	F8517504	Vacuum Breaker Assembly	
6	F8197701	Cap	WRAS
7	F8569101	O-Ring	
8	F8566801	Clip	
9	F8565201	Valve	Standard
	F8565202	Valve	Metric
10	F8230301	Screw	
11	800548	Screw	
12	F8301201	Double Check Valve	WRAS
13	70058501	Pop Rivet	
14	F8589601	Vacuum Breaker Guard	
15	36801	Hose Clamp	
16	F8616402	Rear Vent Hose	
17	F8529701	Manifold Valve	Standard
	F8529702P	Manifold Valve	Metric
18	F8232011	Hose	
19	F0431807-00	Nut	
20	F8535601	Screw	
21	F8437902	Dispenser Weldment	
22	F8047901	Siphon Cover	
23	F8047801	Access Cover	
24	F200201	Hose Clamp	
25	F8529602	P-Trap Hose	

Fill Plumbing - 40 Pound Models

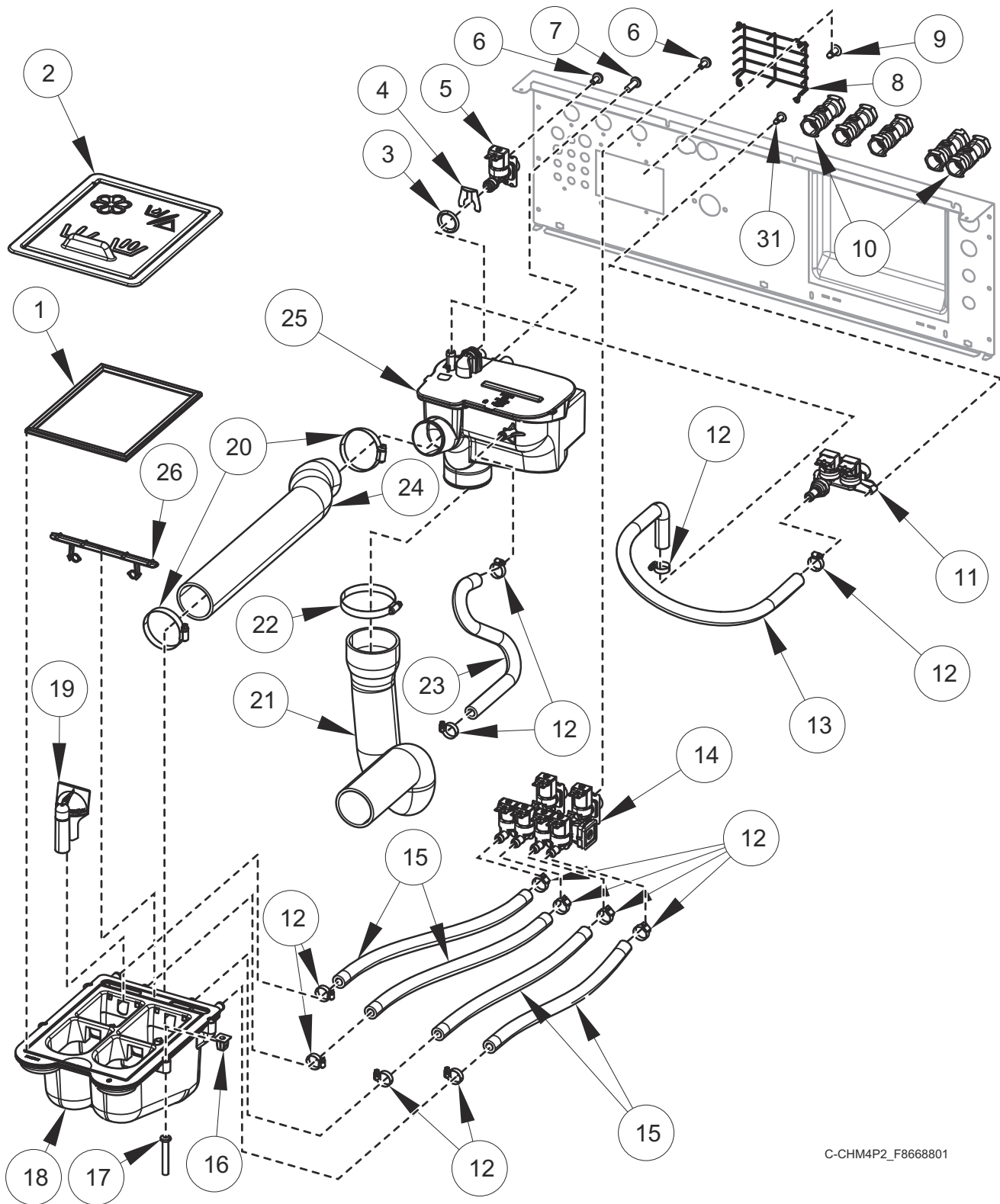


C-CHM2P7_F8668801

Fill Plumbing - 40 Pound Models

REF	PART NO.	DESCRIPTION	COMMENTS
	F8047403	Dispenser	Includes Items 21-23
	F8520101	Fill Valve Harness	
	F8665601	Water Hose Kit	Standard thread; Red (hot); Includes 20290 Washer and 803615 Washer Filter
	F8665603	Water Hose Kit	Standard thread; Blue (cold); Includes 20290 Washer and 803615 Washer Filter
	F8665602	Water Hose Kit	Metric thread; Red (hot); Includes 20290 Washer and 803615 Washer Filter
	F8665604	Water Hose Kit	Metric thread; Blue (cold); Includes 20290 Washer and 803615 Washer Filter
	F8671201	Fill Hose Kit	WRAS; Includes item 12 and F8665602 Water Hose Kit
	F8671202	Fill Hose Kit	WRAS; Includes item 12 and F8665604 Water Hose Kit
	F8671101	Fill Hose Kit	Australian watermark; Includes F8665602 Water Hose Kit and B12543901 Check Valve
	F8671102	Fill Hose Kit	Australian watermark; Includes F8665604 Water Hose Kit and B12543901 Check Valve
1	B12568601	Dispenser Gasket	
2	F8563204	Dispenser Cover	Black; Icons and text
	F8563203	Dispenser Cover	Gray; Icons and text
	F8563202	Dispenser Cover	Black; Icons
	F8563201	Dispenser Cover	Gray; Icons
3	F8529403	Supply Vacuum Hose	
4	F200213	Hose Clamp	
5	F8517503	Vacuum Breaker Assembly	With inlet and fill
	F8517502	Vacuum Breaker Assembly	With inlet
	F8517501	Vacuum Breaker Assembly	With fill
	F8517504	Vacuum Breaker Assembly	
6	F8197701	Cap	WRAS
7	F8569101	O-Ring	
8	F8566801	Clip	
9	F8565201	Valve	Standard
	F8565202	Valve	Metric
10	F8230301	Screw	
11	800548	Screw	
12	F8301201	Double Check Valve	WRAS
13	70058501	Pop Rivet	
14	F8589601	Vacuum Breaker Guard	
15	36801	Hose Clamp	
16	F8616402	Rear Vent Hose	
17	F8529701	Manifold Valve	Standard
	F8529702P	Manifold Valve	Metric
18	F8232010	Hose	
19	F0431807-00	Nut	
20	F8535601	Screw	
21	F8437902	Dispenser Weldment	
22	F8047901	Siphon Cover	
23	F8047801	Access Cover	
24	F200201	Hose Clamp	
25	F8529603	P-Trap Hose	

Fill Plumbing - 60 Pound Models

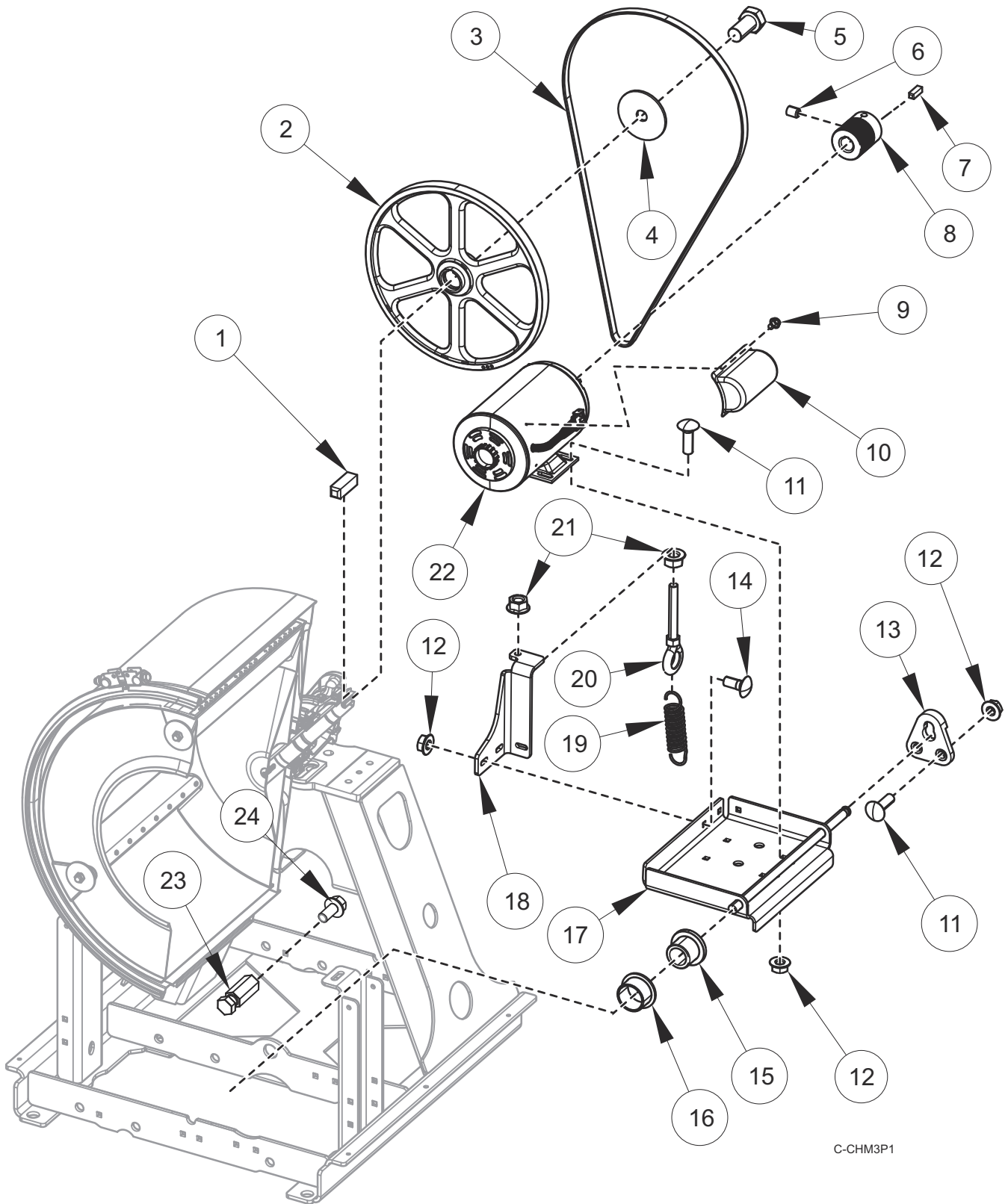


C-CHM4P2_F8668801

Fill Plumbing - 60 Pound Models

REF	PART NO.	DESCRIPTION	COMMENTS
	F8047403	Dispenser	Includes Items 18, 19 and 26
	F8520102	Fill Valve Harness	
	223/00243/00	Y-Connector	
	F8665601	Water Hose Kit	Standard thread; Red (hot); Includes 20290 Washer and 803615 Washer Filter
	F8665603	Water Hose Kit	Standard thread; Blue (cold); Includes 20290 Washer and 803615 Washer Filter
	F8665602	Water Hose Kit	Metric thread; Red (hot); Includes 20290 Washer and 803615 Washer Filter
	F8665604	Water Hose Kit	Metric thread; Blue (cold); Includes 20290 Washer and 803615 Washer Filter
	F8671201	Fill Hose Kit	WRAS; Includes item 11 and F8665602 Water Hose Kit
	F8671202	Fill Hose Kit	WRAS; Includes item 11 and F8665604 Water Hose Kit
	F8671101	Fill Hose Kit	Australian watermark; Includes F8665602 Water Hose Kit and B12543901 Check Valve
	F8671102	Fill Hose Kit	Australian watermark; Includes F8665604 Water Hose Kit and B12543901 Check Valve
1	B12568601	Dispenser Gasket	
2	F8563204	Dispenser Cover	Black; Icons and text
	F8563203	Dispenser Cover	Gray; Icons and text
	F8563202	Dispenser Cover	Black; Icons
	F8563201	Dispenser Cover	Gray; Icons
3	F8569101	O-Ring	
4	F8566801	Clip	
5	F8565201	Valve	3/4 inch; Standard
	F8565202	Valve	3/4 inch; Metric
6	F8230301	Screw	
7	800548	Screw	
8	F8589601	Vacuum Breaker Guard	
9	70058501	Pop Rivet	
10	F8301201	Double Check Valve	WRAS
11	F8434003	Mixing Valve	Standard
	F8434004	Mixing Valve	Metric
12	36801	Hose Clamp	
13	F8598501	Auxiliary Fill Hose	
14	F8529701	Manifold Valve	Standard
	F8529702P	Manifold Valve	Metric
15	F8232012	Hose	
16	F0431807-00	Nut	
17	F8535601	Screw	
18	F8437902	Dispenser Weldment	
19	F8047901	Siphon Cover	
20	F200213	Hose Clamp	
21	F8529604	P-Trap Hose	
22	F200201	Hose Clamp	
23	F8616404	Rear Vent Hose	
24	F8529404	Supply Vacuum Hose	
25	F8517503	Vacuum Breaker Assembly	With inlet and fill
	F8517502	Vacuum Breaker Assembly	With inlet; WRAS
	F8517501	Vacuum Breaker Assembly	With fill; WRAS
	F8517504	Vacuum Breaker Assembly	
26	F8047801	Access Cover	

Motor, Pulley and Belt - 20 and 30 Pound Models

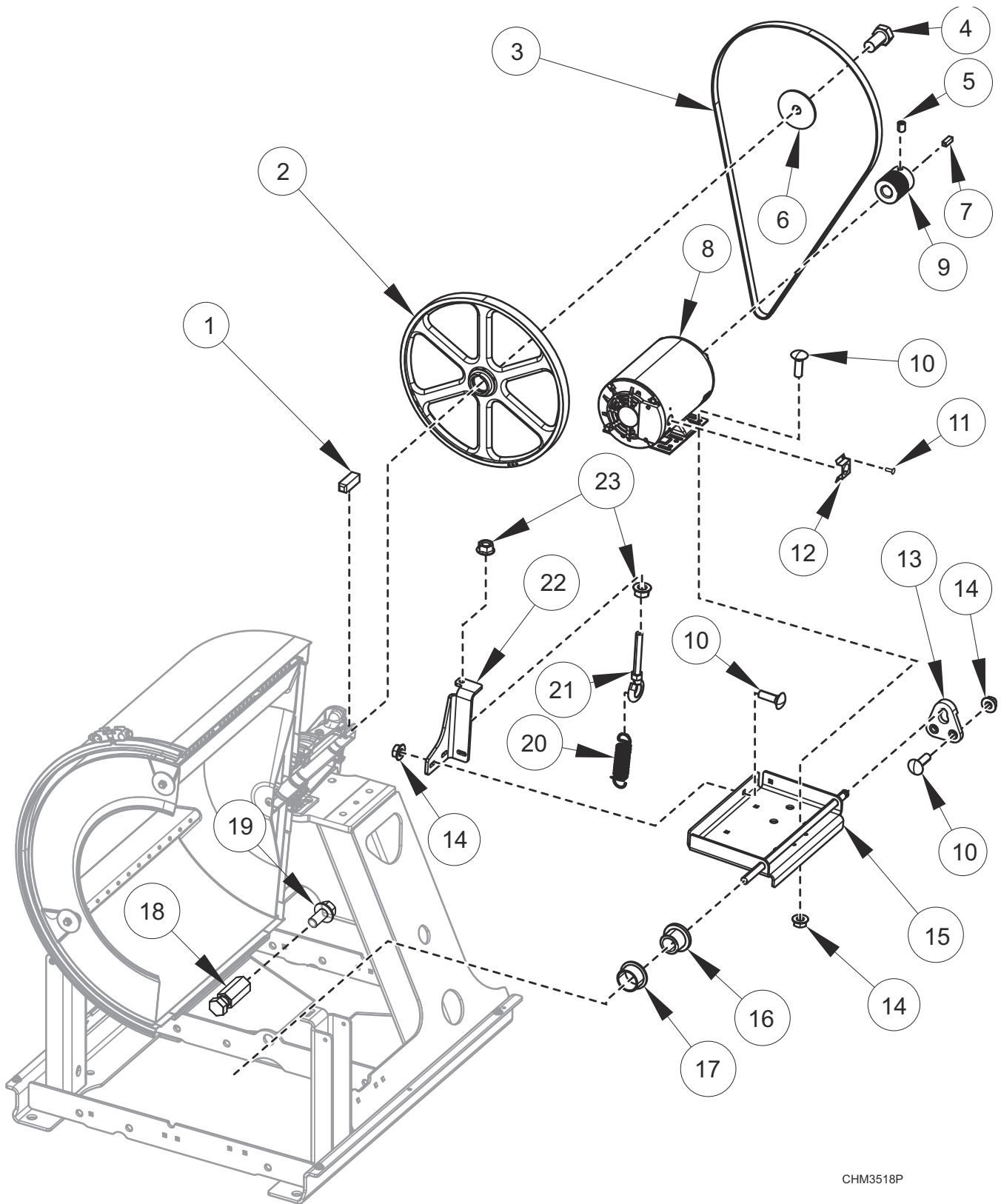


C-CHM3P1

Motor, Pulley and Belt - 20 and 30 Pound Models

REF	PART NO.	DESCRIPTION	COMMENTS
	F8733806	Gasket	EMI 17.8 inch
	F8733801	Gasket	EMI 21 inch
	F8733802	Gasket	EMI 24 inch
	F8519001	Motor Harness	1 hp; 120-240 Volt
	F8519006	Motor Harness	1 hp; 120-240 Volt; EMI filter
	F8519002	Motor Harness	1 hp; 380-480 Volt
	F8519007	Motor Harness	1 hp; 380-480 Volt; EMI filter
	F8748601	Spring Stud Kit	Contains F8634701 Stud and 70126104 Screw. Used to replace F8351902 Eye Bolt and 44087201 Nut
1	F430801	Key	
2	F8511601	Basket Pulley	20 pound models
	F8511701	Basket Pulley	30 pound models
3	F8382811	Belt	20 pound models; Poly-V; 560J6
	F8382812	Belt	30 pound models; Poly-V; 690J6
4	F431115	Washer	
5	F8574001	Screw	
6	M400077	Screw	
7	H8752006H	Key	
8	F8525301	Motor Pulley	
9	23222	Screw	
10	70521901	Motor Conduit Mounting Bracket	models through August 2021
	F8732401	Motor Conduit Mounting Bracket	models starting September 2021
11	F8402801	Bolt	
12	44087201	Nut	
13	F8441101	Motor Rod Plate	
14	70062401	Bolt	
15	F8535202	Flanged Isolator	
16	F8333302	Flanged Bushing	
17	F8589001	Motor Bracket Weldment	
18	F8581201	Spring Bracket	
19	F310124	Extension Spring	
20	F8319503	Eye Bolt	
21	44087301	Nut	
22	F8509601P	Motor	1 hp; 230 Volt
	F8509701	Motor	1 hp; 460 Volt
23	F8634701	Stud	
24	70126104	Screw	

Motor, Pulley and Belt - 40 and 60 Pound Models

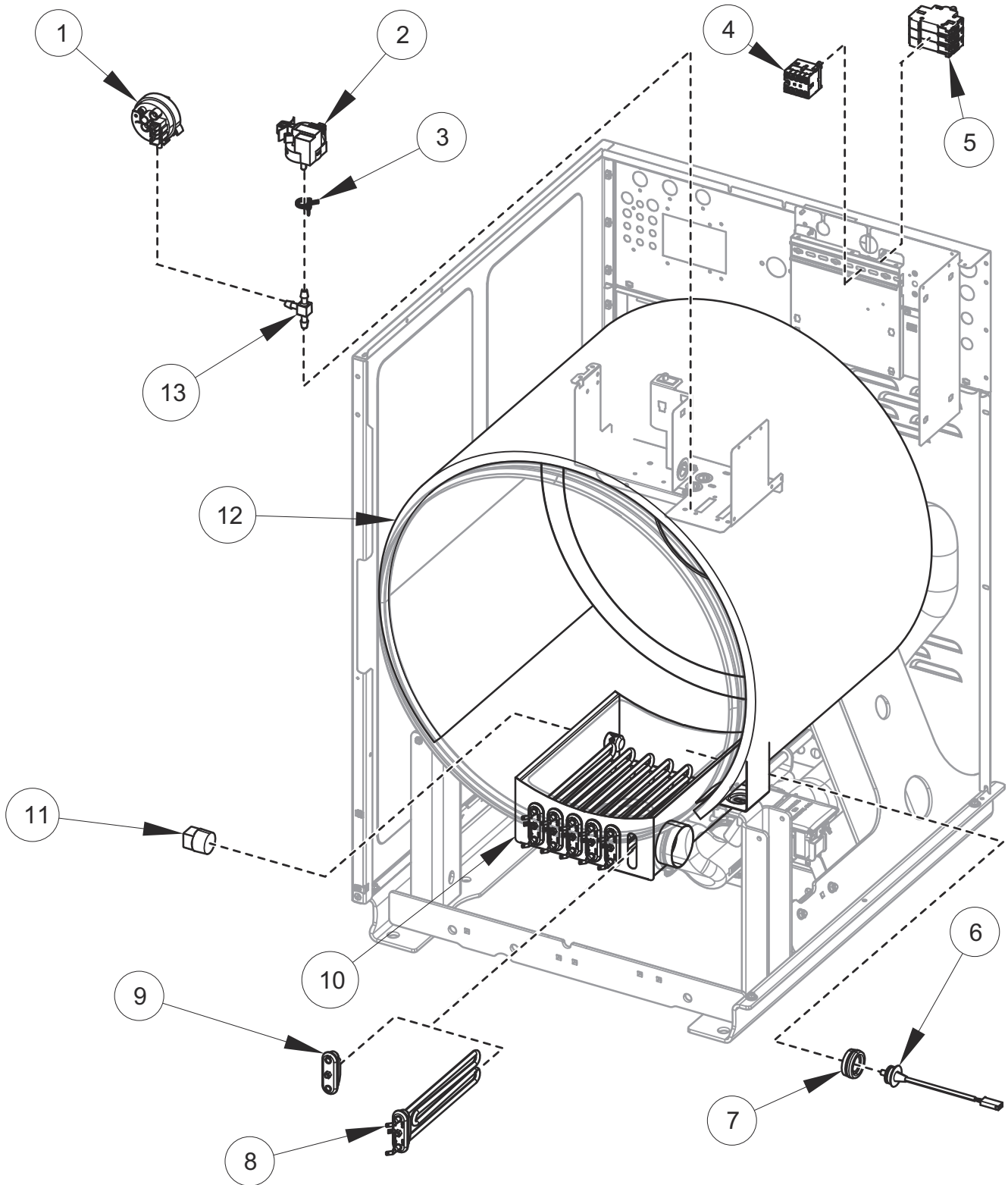


CHM3518P

Motor, Pulley and Belt - 40 and 60 Pound Models

REF	PART NO.	DESCRIPTION	COMMENTS
	F8733806	Gasket	EMI 17.8 inch
	F8733803	Gasket	EMI 25.6 inch
	F8733804	Gasket	EMI 29 inch
	F8519003	Motor Harness	2-3 hp; 240 Volt; B, Q, W, X and Y voltage
	F8519004	Motor Harness	2-3 hp; 480 Volt; N and P voltage
	F8519008	Motor Harness	B, Q, W, X and Y voltage; EMI filter
	F8519009	Motor Harness	N and P voltage; EMI filter
	F8748601	Spring Stud Kit	Contains F8634701 Stud and 70126104 Screw. Used to replace F8351902 Eye Bolt and 44087201 Nut
1	F430801	Key	
2	F8511701	Basket Pulley	40 pound models
	F8511801	Basket Pulley	60 pound models
3	F8382813	Belt	40 pound models; Poly-V; 717J8
	F8382818	Belt	60 pound models; Poly-V; 765J10
4	F8574001	Screw	
5	M400077	Screw	
6	F431115	Washer	
7	H8752006H	Key	
8	F8564101P	Motor	2 hp; 230/460 Volt; 40 pound models
	F8564102P	Motor	3 hp; 230/460 Volt; 60 pound models
9	F8525301	Motor Pulley	40 pound models
	F8525302	Motor Pulley	60 pound models
10	F8402801	Bolt	
11	23222	Screw	
12	F8732801	Bracket	
13	F8441101	Motor Rod Plate	
14	44087201	Nut	
15	F8589002	Motor Bracket Weldment	
16	F8535202	Flanged Isolator	
17	F8333302	Flanged Bushing	
18	F8634701	Stud	
19	70126104	Screw	
20	F310124	Extension Spring	40 pound models
	F8440701	Extension Spring	60 pound models
21	F8319503	Eye Bolt	
22	F8581201	Spring Bracket	
23	44087301	Nut	

Electric Heating

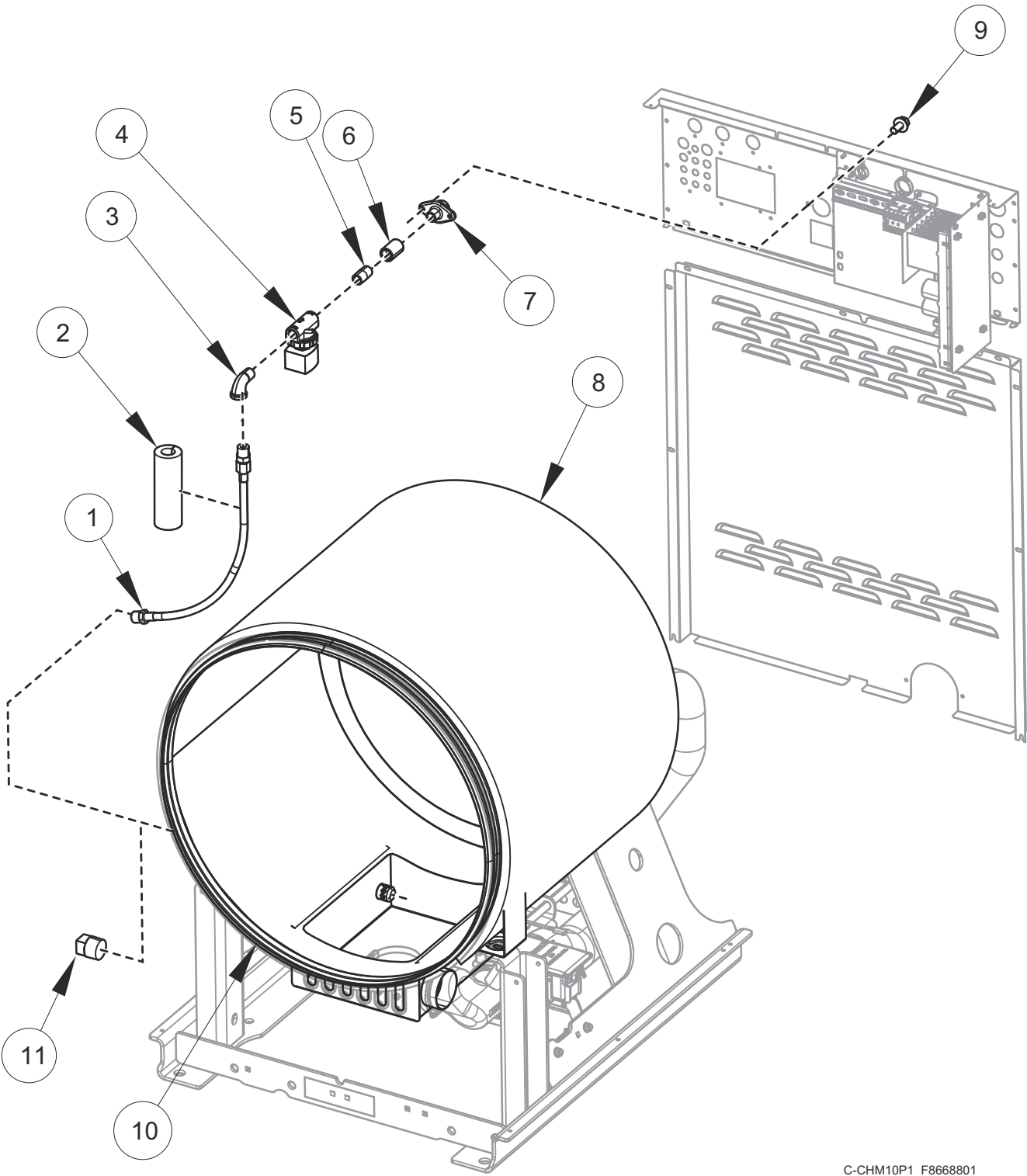


C-CHM8P6_F8668801

Electric Heating

REF	PART NO.	DESCRIPTION	COMMENTS
	F8584801	Electric Heat Element Harness	3 element ground
	F8584802	Electric Heat Element Harness	6 element ground
	F8619101	Power Harness	
	F8564001	Harness	Heater; 20 and 30 pound models; N and P Voltage
	F8564002	Harness	Heater; 20 and 30 pound models; Q Voltage
	F8564003	Harness	Heater; 40 and 60 pound models; N, P and Q Voltage
	F8598301	Harness	Thermistor; 20 and 30 pound models
	F8598302	Harness	Thermistor; 40 and 60 pound models
	F8568901	Jumper	40 and 60 pound models with N voltage
	F8569001	Jumper	40 and 60 pound models with P voltage; 20 and 30 pound models with N and P voltage
1	F8609101	Water Level Pressure Switch	
2	F8623401	Pressure Sensor	
3	39282	Hose Clamp	
4	70482601	Contactor	
5	70488101	Circuit Breaker	
6	F8538801	Thermistor	
7	2251000400	Temperature Probe Grommet	
8	F8568401	Heating Element	2600W; 240 Volt
	F8568402	Heating Element	3400W; 277 Volt
	F8568301	Heating Element	4200W; 230 Volt
9	F360202	Heating Element Plug	
10	F8512102	Shell	20 pound models
	F8514002	Shell	30 pound models
	F8512202	Shell	40 pound models
	F8543702	Shell	60 pound models
11	F420408	Plug	20, 30 and 40 pound models
	F420409	Plug	60 pound models
12	F8209101	Insulation	20 pound models
	F8209102	Insulation	30 pound models
	F8209103	Insulation	40 pound models
	F8209104	Insulation	60 pound models
13	203464	Barbed Tee	

Steam Heating - 40 and 60 Pound Models

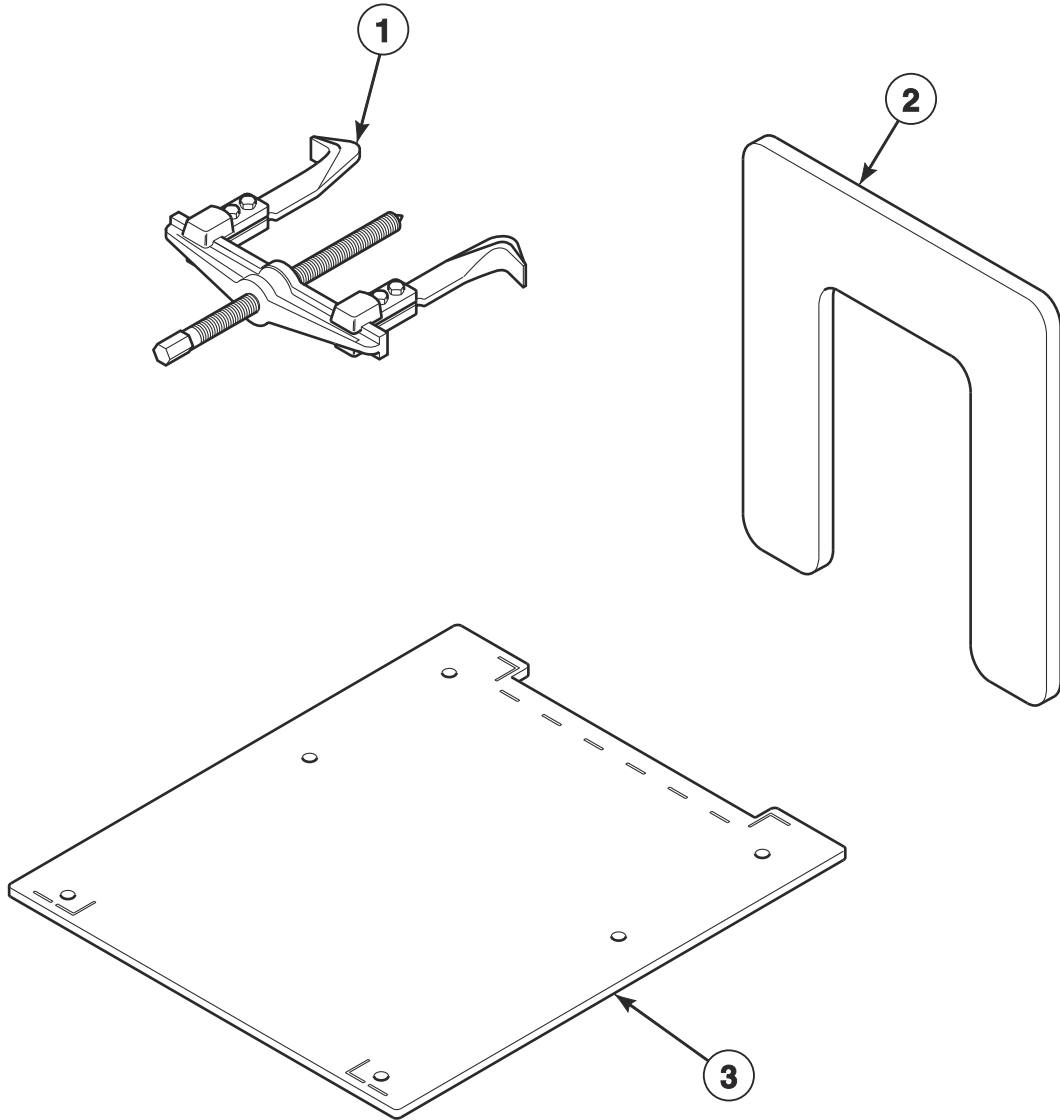


C-CHM10P1_F8668801

Steam Heating - 40 and 60 Pound Models

REF	PART NO.	DESCRIPTION	COMMENTS
	F8662602	Steam Kit	40 pound models; Includes Items 1-7, 9, 11, 901403 Nipple, F270307 Steam Filter, F8520704 Harness, insulation and labels
	F8662601	Steam Kit	60 pound models; Includes Items 1-7, 9, 11, 901403 Nipple, 70214101 Nipple, F270307 Steam Filter, F8520704 Harness, insulation and labels
	F270307	Steam Filter	1/2 inch
	F270308	Steam Filter	3/4 inch
	F8520704	Harness	Steam valve
	F410300	Pipe Insulation	Steam pipe; 36 inch
	F8233704	Insulation	Steam pipe; 12 inch
	F8233708	Pipe Insulation	Steam pipe; 20 inch
1	F200153P	Steam Hose	40 pound models
	F200197	Steam Hose	60 pound models
2	F8233702	Insulation	Steam pipe; 6 inch
3	H86070034	Street Elbow	
4	F8322805	Valve	
	F8515001	Coil	
5	70435601	Pipe Nipple	
6	F8116301	Coupling	
7	F8362701	Coupling	
8	F8209103	Insulation	40 pound models
	F8209104	Insulation	60 pound models
9	70321501	Screw	
10	F8512202	Shell	40 pound models
	F8543702	Shell	60 pound models
11	F420408	Plug	

Special Tools and Kits



CHM3486P_F8668801

Special Tools and Kits

REF	PART NO.	DESCRIPTION	COMMENTS
	1111P	Concrete Kit	5/8 inch
	389P4	Basket Tool Kit	Purchase; Requires item 1
	390P4-1	Basket Rental Tool Kit	Purchase; Requires item 1
	203346	USB IR Interface Kit	
	F8673205	Central Pay Kit	20, 30 and 40 pound models; Without external supply board; B voltage; Includes 204094 Central Pay Assembly, 202757 Transformer, F140938 Bushing, labels, hardware and harnesses
	F8673201	Central Pay Kit	20, 30 and 40 pound models; Without external supply board; N, P, Q, W, X and Y voltage; Includes 204094 Central Pay Assembly, 202758 Transformer, F140938 Snap Bushing, labels, hardware and harnesses
	F8673202	Central Pay Kit	60 pound models; Without external supply board; N, P, Q, W, X and Y voltage; Includes 204094 Central Pay Assembly, 202758 Transformer, F140938 Snap Bushing, labels, hardware and harnesses
	F8673203	Central Pay Kit	20, 30 and 40 pound models; With external supply board; N, P, Q, W, X and Y voltage; Includes 204094 Central Pay Assembly, F140938 Snap Bushing, labels, hardware and harnesses
	F8673204	Central Pay Kit	60 pound models; With external supply board; N, P, Q, W, X and Y voltage; Includes 204094 Central Pay Assembly, F140938 Snap Bushing, labels, hardware and harnesses
1	F460129P	Basket Puller Tool	
2	F8608502P	Basket Pulley Puller Tool	Use with item 1
3	F8433301	Frame Template	20 pound models
	F8433401	Frame Template	30 pound models
	F8433501	Frame Template	40 pound models
	F8433601	Frame Template	60 pound models

Parts Index

A

Access Cover	
F8047801	77, 79, 81, 83
Access Panel	
F8524001	41, 43, 45, 47, 49
F8524101	41, 43, 45, 47, 49
F8524201	41, 43, 45, 47, 49
F8553901	41, 43, 45, 47, 49
Access Panel Retaining Spacer	
F8609701	41, 43, 45, 47, 49
App Pay Overlay Kit	
44374701	11, 13, 17, 19, 21
Auxiliary Fill Hose	
F8598501	83

B

Backflow Preventer	
800310	75
Barbed Tee	
203464	11, 13, 89
Basket	
F8391302	69
F8391304	69
F8391502	69
F8391504	69
F8391702	69
F8391704	69
F8502802	69
F8502805	69
Basket Puller Tool	
F460129P	93
Basket Pulley	
F8511601	85
F8511701	85, 87
F8511801	87
Basket Pulley Puller Tool	
F8608502P	93
Basket Rental Tool Kit	
390P4-1	93
Basket Tool Kit	
389P4	93
Bearing	
F100108	71
F100123P	71
F100134	71
F100135	71
F100136P	71
F100137P	71
Bearing Housing	
F8246802	71
F8247902	71
F8249902	71
F8250902	71
Bearing Housing Assembly	
F8271601P	71
F8271602	71
F8271701P	71
F8271702	71

F8271801P	71
F8271802	71
F8271901P	71
F8271902	71
Belt	
F8382811	85
F8382812	85
F8382813	87
F8382818	87
Bolt	
F430974	55, 57, 59, 61, 63, 65
F8270701	67
F8402801	53, 73, 75, 85, 87
F8508101	55, 57, 59, 61, 63, 65
70062401	85
Bracket	
F8571301	75
F8571401	75
F8732801	87
Bushing	
70346501	25, 27, 29, 31, 33, 35

C

Cabinet Brace	
F8527301	51
F8527401	51
F8527501	51
F8553201	51
Cable	
F8521301	51
Cap	
F8197701	77, 79, 81
Card Plate Assembly	
F8201501	13
Central Pay Harness	
44342801	13
Central Pay Kit	
F8673201	93
F8673202	93
F8673203	93
F8673204	93
F8673205	93
Chemical Injection Control	
804528	37
Circuit Breaker	
70488101	29, 31, 33, 35, 89
Clip	
F8566801	77, 79, 81, 83
Coil	
F8515001	91
Coin Drawer Assembly	
F8182001	23
Coin Drop	
38963P	17
39748	17
70441601P	17
70441603	19
Coin Drop Assembly	
201141	17
210195	19

N/A items do not appear in index.

210196	19
38462P	17
38463	17
38464P	17
38467	19
38475	17
38519	19
70281102	19
70283102	19
70441602	19
70447301	19
70471601	17
70482401	19
70506901	17
Coin Drop Kit	
CK077	17
CK122	21
CK503	19
Coin Identification Paper	
38725	17, 19, 21
Coin Meter	
F0160737-00	19
Coin Vault Assembly	
F8529101	11
Coin Vault Bypass Harness	
F8519702	13
Coin Vault Harness	
F8519701	11
Concrete Kit	
1111P	93
Connector	
70493102	37
Contactora	
F330188P	89
70482601	25, 27, 29, 31, 33, 35
70482701	25, 27, 29, 31, 33, 35
Contactora Tray	
F8530901	25, 27, 29, 31, 33, 35
Control Assembly	
F8493901P	11, 13
Control Panel Assembly	
F8523701	41, 45
F8523704	47
F8523801	41, 45
F8523804	47
F8523901	41, 45
F8523904	47
F8553701	41, 45
F8553704	47
F8697101	43
F8697102	49
F8697201	43
F8697202	49
F8697301	43
F8697302	49
F8697401	43
F8697402	49
Control Tray	
F8530701	15
Coupling	
F8116301	91
F8362701	91

D

Danger Label	
F8614501	9
Decal	
F8687701	43
DIN Rail	
B12315401	29, 31, 33, 35
M412689	25, 27, 29, 31, 33, 35
Dispenser	
F8047403	77, 79, 81, 83
Dispenser Bracket	
F8525701	51
Dispenser Cover	
F8563201	77, 79, 81, 83
F8563202	77, 79, 81, 83
F8563203	77, 79, 81, 83
F8563204	77, 79, 81, 83
Dispenser Gasket	
B12568601	77, 79, 81, 83
Dispenser Weldment	
F8437902	77, 79, 81, 83
Door	
F8507501P	55, 57
F8507502	55, 57
F8507602	59, 61
F8507701	63, 65
F8507702	63, 65
F8752601	59, 61
Door Assembly	
F8617201	55
F8617202	55
F8617203	55
F8617204	55
F8617205	55
F8617206	55
F8617211	57
F8617212	57
F8617213	57
F8617214	57
F8617215	57
F8617216	57
F8617301	59
F8617302	59
F8617303	59
F8617304	59
F8617305	59
F8617306	59
F8617311	61, 65
F8617312	61, 65
F8617313	61
F8617314	61
F8617315	61
F8617401	63
F8617402	63
F8617403	63
F8617404	63
F8617405	63
F8617406	63
F8617413	65
F8617414	65
F8617415	65
F8617416	65
Door AssemblyF861731661	
Door Bezel	
F0170426-30	41, 43, 47, 49

N/A items do not appear in index.

F8658701	45, 47	27154	75
F8658801	41, 43, 47, 49	Drain Hose Elbow	
F8658901	41, 43, 45, 47, 49	35766	75
F8659101	45, 47	Drain Tee	
Door Gasket		F8752101	73
F200000202	55, 57	Drain Valve	
F8111502	63, 65	F8406308	73
F8111602	59, 61	Drain Valve Bracket	
Door Glass		F8543101	73
F8485301P	59, 61	F8543301	73
F8485305	59	F8543401	73
F8485401P	63, 65	F8587701	73
F8485405	63	Drain Valve Cover	
F8675701P	55, 57	F200133600	73
Door Glass Kit		Drain Valve Harness	
F290205P	55	F8520001	73, 75
Door Glass Trim		F8520002	73, 75
F8583201	55, 57	Drain Valve Kit	
F8583202	59, 61	F200166302	73
F8583203	63, 65	F200166402	73
F8583204	55, 57	F8577201	73
F8583205	59, 61	Drive Assembly	
F8583206	63, 65	F8495401P	39
Door Handle		F8496001	39
F8199401P	55, 59, 63	F8496301P	39
F8544701	55, 57, 59, 61, 63, 65	F8496901	39
F8624603	57, 61, 65	Drive Communication Harness	
Door Handle Spacer Kit		F8519201	39
F8567501	55, 57, 59, 61, 63, 65	F8519202	39
Door Hinge		F8519203	39
F190216P	55, 57, 59, 61, 63, 65	F8519204	39
Door Hinge Shim Kit		Drive Mounting Bracket	
F200131000P	55, 57, 59, 61, 63, 65	F8322401	39
Door Latch Arm Assembly		Drive Panel Base Assembly	
F8221403	55, 57, 59, 61, 63, 65	F8567001	25, 27, 29, 31
Door Lock Assembly		F8567002	29, 31
F8632401	67	F8567003	33, 35
Door Lock Catch		F8567004	33, 35
F8344501	67	Drive Power Harness	
Door Lock Cover		F8518601	39
F8245001	67	F8518602	39
Door Lock Harness		F8518603	39
F8520201	67	Drive Shield	
F8520202	67	F8616901	25, 27, 29, 31, 33, 35
Door Lock Microswitch		Drive Terminal Tray	
F200203200	67	F8530801	25, 27, 29, 31
Door Lock Plate Assembly		F8530803	33, 35
F8223202	67		
Door Lock Plate Shim			
F83344401	67		
Door Lock Solenoid Replacement Kit			
F977P3	67		
Door Lock Switch Lever			
F8223401	67		
Door Mount			
F150271	55, 57, 59, 61, 63, 65		
Double Check Valve			
F8301201	77, 79, 81, 83		
Dowel Pin			
F8388201	71		
Drain Hose			
F200165100	73		
F8541901	73		
F8542001	73		
F8542002	73		

E

Electric Heat Element Harness	
F8584801	89
F8584802	89
Electronic Coin Drop Assembly	
70294107	21
70513302	21
70513303	21
70513304	21
70513306	21
70513309	21
70513310	21
70513311	21
70513312	21
70513313	21

N/A items do not appear in index.

70513314	21
70513315	21
70513316	21
Electronic Coin Drop Kit	
CK099	21
CK100	21
CK101	21
CK108	21
CK109	21
CK110	21
CK113	21
CK115	21
CK116	21
CK117	21
CK118	21
CK119	21
CK120	21
CK121	21
CK500	21
Emergency Stop Bypass Harness	
F8519403	13
F8549403	11
EMI Filter	
F8591601	25, 29
F8591801	27, 31, 33
F8637501	27, 31, 35
End Stop	
F8449801	25, 27, 29, 31, 33, 35
Excluder Seal	
F8337002	69
Expansion Clip	
70030501	15, 25, 27, 29, 31, 33, 35, 39, 41, 43, 45, 47, 49, 51, 53, 67, 75
Extension Spring	
F310124	85, 87
F8440701	87
External Supply Kit	
F8662501	37
F8662502	37
F8662503	37
F8662504	37
F8662505	37
F8662506	37
F8662507	37
F8662508	37
Eye Bolt	
F8319503	85, 87

F

Fill Hose Kit	
F8671101	77, 79, 81, 83
F8671102	77, 79, 81, 83
F8671201	77, 79, 81, 83
F8671202	77, 79, 81, 83
Fill Valve Harness	
F8520101	77, 79, 81
F8520102	83
Filter Kit	
F8662801	25
F8662802	29
F8662803	27
F8662804	31, 33
F8662805	27
F8662806	31, 35

F8662809	27
F8662810	27
F8662811	31, 33
F8662812	31, 35
Flanged Bushing	
F8333302	85, 87
Flanged Isolator	
F8535202	85, 87
Frame Template	
F8433301	93
F8433401	93
F8433501	93
F8433601	93
Front Panel	
F8524301	41, 45
F8524302	47
F8524401	41, 45
F8524402	47
F8524501	41, 45
F8524502	47
F8554001	41, 45
F8554002	47
F8685301	43
F8685302	49
F8686001	43
F8686002	49
F8686101	43
F8686102	49
F8686201	43
F8686202	49
Front Tray Assembly	
F8531001	11, 13
F8567301	11
F8567302	11
F8567303	11
F8567304	11
F8567305	11
F8567306	11
F8567307	13
F8567308	13
F8567309	13
F8567310	13
F8567311	13
F8567312	13

G

Gasket	
F8502303	69
F8542601	51
F8733801	85
F8733802	85
F8733803	87
F8733804	87
F8733806	85, 87
Gateway	
204145P	15
205391P	15
Ground Lug Connector	
M411283	25, 27, 29, 31, 33, 35

N/A items do not appear in index.

H

Harness

F8518401	27, 31, 33
F8518402	25, 27
F8518403	31, 33
F8518404	25, 27, 33
F8518405	25, 29
F8518501	25, 27, 31, 35
F8518502	27
F8518503	31, 35
F8518504	27, 31
F8518604	29
F8518605	27, 31, 35, 39
F8518606	27, 31, 35, 39
F8518607	33
F8519301	11, 13
F8519501	11, 13
F8519502	11, 13
F8519601	11, 13
F8520601	37
F8520602	37
F8520704	91
F8528001	27, 29, 31, 33, 35
F8528002	27
F8528003	29, 31, 33, 35
F8528004	25, 29
F8528005	27, 31, 33, 35
F8528006	25, 29
F8528203	37
F8528204	37
F8564001	89
F8564002	89
F8564003	89
F8598301	69, 89
F8598302	69, 89
F8619102	25, 27, 29, 31, 33, 35

Heating Element

F8568301	89
F8568401	89
F8568402	89

Heating Element Plug

F360202	89
---------	----

Hole Plug

F8223801	51
----------	----

Hose

F8232007	77
F8232010	81
F8232011	79
F8232012	83

Hose Clamp

F200201	73, 77, 79, 81, 83
F200204	75
F200213	73, 77, 79, 81, 83
F200215	75
F200219	75
36801	77, 79, 81, 83
36802	73, 75
39282	11, 13, 89

Hot Surface Warning Label

F8609001	9
F8614301	9

I

Input and Output Control Assembly

F8494101P	15
-----------	----

Insulation

F8209101	89
F8209102	89
F8209103	89, 91
F8209104	89, 91
F8233702	91
F8233704	91

Insulator

M413862	25, 27, 29, 31, 33, 35
---------	------------------------

J

Jumper

F8568901	89
F8569001	89
F8583501	29, 31, 33, 35

K

Key

F160420	23
F430801	85, 87
H8752006H	85, 87
70155603	51

L

Label

D516100	25, 27, 29, 31, 33, 35
F8601301	9
F8602401	9
F8609401	9
F8611301	9, 51
F8611401	9, 51
F8614801	9
203853	9
44286801	25, 29
44286803	27, 31, 35

M

Machine ID Control Assembly

203361P	11, 13
---------	--------

Magnet

F8390801	55, 57, 59, 61, 63, 65
----------	------------------------

Manifold Valve

F8529701	77, 79, 81, 83
F8529702P	77, 79, 81, 83

Mixing Valve

F8434003	83
F8434004	83

Motor

F8509601P	85
F8509701	85
F8564101P	87
F8564102P	87

N/A items do not appear in index.

Motor Bracket Weldment	
F8589001	85
F8589002	87
Motor Conduit Mounting Bracket	
F8732401	85
70521901	85
Motor Harness	
F8519001	85
F8519002	85
F8519003	87
F8519004	87
F8519006	85
F8519007	85
F8519008	87
F8519009	87
Motor Pulley	
F8525301	85, 87
F8525302	87
Motor Rod Plate	
F8441101	85, 87
Mounting Plate	
70208801	13

N

Nut	
C001236	55, 57, 59, 61, 63, 65
F0431807-00	77, 79, 81, 83
F430215	21, 55, 57, 59, 61, 63, 65
F430218	69
F430225	67
F430232	55, 57, 59, 61, 63, 65, 67
F431024	67
F431041	55, 57, 59, 61, 63, 65
F8387701	71
44087201	53, 73, 75, 85, 87
44087301	69, 85, 87
44088001	25, 27, 29, 31, 33, 35
44088801	51
685846	11, 13, 17, 19
70030401	73

O

Opto Coupler	
200674P	17, 19
O-Ring	
F8569101	77, 79, 81, 83
Overflow Hose	
F8521201	73
F8522401	73
F8522501	73
Overflow Plug	
F150352	75
Overlay	
F8612101	41
F8612102	41
F8612103	47
F8612201	41
F8612202	41
F8612203	47
F8612301	41
F8612302	41
F8612303	47

F8612401	41
F8612402	41
F8612403	47
F8657001	45
F8657002	45
F8657003	47
F8657101	45
F8657102	45
F8657103	47
F8657201	45
F8657202	45
F8657203	47
F8657301	45
F8657302	45
F8657303	47
F8680201	41, 43
F8680301	41
F8680401	41
F8680501	41
F8691702	43
F8691703	49
F8691801	43
F8691802	43
F8691803	49
F8691901	43
F8691902	43
F8691903	49
F8692001	43
F8692002	43
F8692003	49
70556501	47
70556502	47
70557001	47
70557002	47
70646001	49
70646002	49

P

Panel Locator	
56079	41, 43, 45, 47, 49, 53
Panel Lock	
44089303P	51
Pin	
F8302701	69
F8502101	53
Pinch Warning Label	
F8615701	9
70538401	9
Pipe Insulation	
F410300	91
F8233708	91
Pipe Nipple	
70435601	91
Plug	
F420408	89, 91
F420409	89
F8223901	51
M400985	51
Pop Rivet	
F431215	41, 43, 45, 47, 49, 51
F431223	55, 57, 59, 61, 63, 65
M400003	15, 25, 27, 29, 31, 33, 35
70058501	11, 17, 19, 25, 27, 29, 31, 33, 35, 77, 79, 81, 83
70412601	41, 43, 45, 47, 49

N/A items do not appear in index.

Power Distribution Block	
M413865	25, 27, 29, 31, 33, 35
Power Distribution Block Cover	
44014901P	25, 27, 29, 31, 33, 35
Power Harness	
F8619101	25, 27, 29, 31, 33, 35, 89
Pressure Cap	
F8579301	73, 75
Pressure Sensor	
F8623401	11, 13, 89
P-Trap Hose	
F8529601	77
F8529602	79
F8529603	81
F8529604	83
Pulse Expander Assembly	
F8034701P	21
Pump Drain and Bracket Assembly	
804038	75
805613	75
805723	75
Pump Drain Bracket	
F8536901	75
F8557101	75
F8557301	75
Pump Drain Hose	
F8556601	75
Pump Drain Rear Hose	
F8537001	75
F8557001	75
F8557201	75
Pushbutton Switch	
70413301	51

R

Radial Lip Seal	
F8203816	71
Rear Drain Hose	
F8543001	73
F8543201	73
F8543501	73
F8587301	73
Rear Panel	
F8527001	51
F8527101	51
F8527201	51
F8554501	51
Rear Vent Hose	
F8616401	77
F8616402	79, 81
F8616404	83
Reed Switch Assembly	
F8066804	67
Retaining Ring	
F8337801	71
F8337901	71
F8344901	71
F8345001	71
Rivet	
M412763	41, 43, 45, 47, 49, 53
Rod	
F602813-2	55, 57, 59, 61, 63, 65

S

Screw	
D503688	39
F430532	55, 57
F430533	59, 61, 63, 65
F430536	55, 57, 59, 61, 63, 65
F8117601	41, 43, 45, 47, 49, 51, 53, 67, 75
F8206901	15, 25, 27, 29, 31, 33, 35, 51, 75
F8230301	77, 79, 81, 83
F8368801	71
F8442702	71
F8535501	55, 57, 59, 61, 63, 65
F8535502	41, 43, 45
F8535601	77, 79, 81, 83
F8574001	85, 87
F8589501	41, 43, 45, 47, 49
F8621601	69
F8658501	75
F8673701	69
M400077	85, 87
202175	73
23222	85, 87
33562	51
39733	25, 27, 29, 31, 33, 35
403497	37
51780	51
51783	25, 27, 29, 31, 33, 35
685837	25, 27, 29, 31, 33, 35
70126104	85, 87
70321501	91
800548	77, 79, 81, 83
Seal Scupper Pad	
F8350302	71
Shaft Seal Sleeve Kit	
F8343906P	69
Shell	
F8512101	69
F8512102	69, 89
F8512201	69
F8512202	69, 89, 91
F8514001	69
F8514002	69, 89
F8543701	69
F8543702	69, 89, 91
Shell Band Kit	
F8537801	69
F8537802	69
F8537803	69
F8537804	69
Shell Front	
F8222301	69
F8222401	69
F8222501	69
F8222601	69
Shock Warning Label	
F8614201	9
Side Panel	
F8524601	53
F8524602	53
F8524603	53
F8524604	53
F8524701	53
F8524702	53
F8524703	53
F8524704	53

N/A items do not appear in index.

F8524801	53
F8524802	53
F8524803	53
F8524804	53
F8554201	53
F8554202	53
F8554203	53
F8554204	53
Siphon Cover	
F8047901	77, 79, 81, 83
Snap Bushing	
F140938	11, 13, 25, 27, 29, 31, 33, 35, 37
M402542	11, 13
M411826	11, 13
Spacer	
F431901	67
Spring Bracket	
F8581201	85, 87
Spring Pin	
F431222	55, 57, 59, 61, 63, 65
Spring Stud Kit	
F8748601	85, 87
Steam Filter	
F270307	91
F270308	91
Steam Hose	
F200153P	91
F200197	91
Steam Kit	
F8662601	91
F8662602	91
Street Elbow	
H86070034	91
Stud	
F8634701	85, 87
70334702	73
Supply Vacuum Hose	
F8529401	77
F8529402	79
F8529403	81
F8529404	83

T

Temperature Probe Grommet	
2251000400	69, 89
Terminal	
00622SG	15, 25, 27, 29, 31, 33, 35
Terminal Block	
430642	25, 27, 29, 31, 33, 35
Terminal Block Shield	
70333001	25, 27, 29, 31, 33, 35
Terminal Tray Cover	
F8518301	51
Thermistor	
F8538801	69, 89
Top Cover	
F8525401	51
F8525501	51
F8525601	51
F8554301	51
Top Cover Hinge	
F8258601	51

Top Cover Latch	
F8201001	41, 43, 45, 47, 49
Torsion/Door Lock Spring	
F8070301	67
Transformer	
F8491101	15
202757	15
202758	15
Triple Lip Seal	
F8203801	71
F8203802	71
F8203803	71
F8203806	71
F8203813	71
F8203814	71
F8203815	71
Tubing	
F8405302	11, 13
F8405303	11, 13

U

USB IR Interface Kit	
203346	93

V

Vacuum Breaker Assembly	
F8517501	77, 79, 81, 83
F8517502	77, 79, 81, 83
F8517503	77, 79, 81, 83
F8517504	77, 79, 81, 83
Vacuum Breaker Guard	
F8589601	77, 79, 81, 83
Valve	
F8322805	91
F8565201	77, 79, 81, 83
F8565202	77, 79, 81, 83
Valve Panel	
F8513101	51
F8513201	51
F8513301	51
F8554401	51

W

Warning Label	
F8611601	9
44324001	9
Washer	
F430339	71
F431115	85, 87
F431133	55, 57, 59, 61, 63, 65
F431147	55, 57, 59, 61, 63, 65
F431916	55, 57, 59, 61, 63, 65
F431929	55, 57, 59, 61, 63, 65
F8193101	67
F8201101	41, 43, 45, 47, 49
F8402701	69
M400080	69
M400081	69
M405535	53

N/A items do not appear in index.

Water Hose Kit	
F8665601	77, 79, 81, 83
F8665602	77, 79, 81, 83
F8665603	77, 79, 81, 83
F8665604	77, 79, 81, 83
Water Level Pressure Switch	
F8609101	11, 13, 89
Wire Clip	
F8449501	11, 13, 15
70347601	15
70366201	11, 13
Wire Label	
44286804	27, 31, 33
Wireless Harness	
F8520403	15
F8520404	15
F8674003	15
F8674004	15
Wireless Kit	
F8662401	15
F8662402	15
F8676001	15
F8676101	15

Y

Y-Connector	
223/00243/00	83
