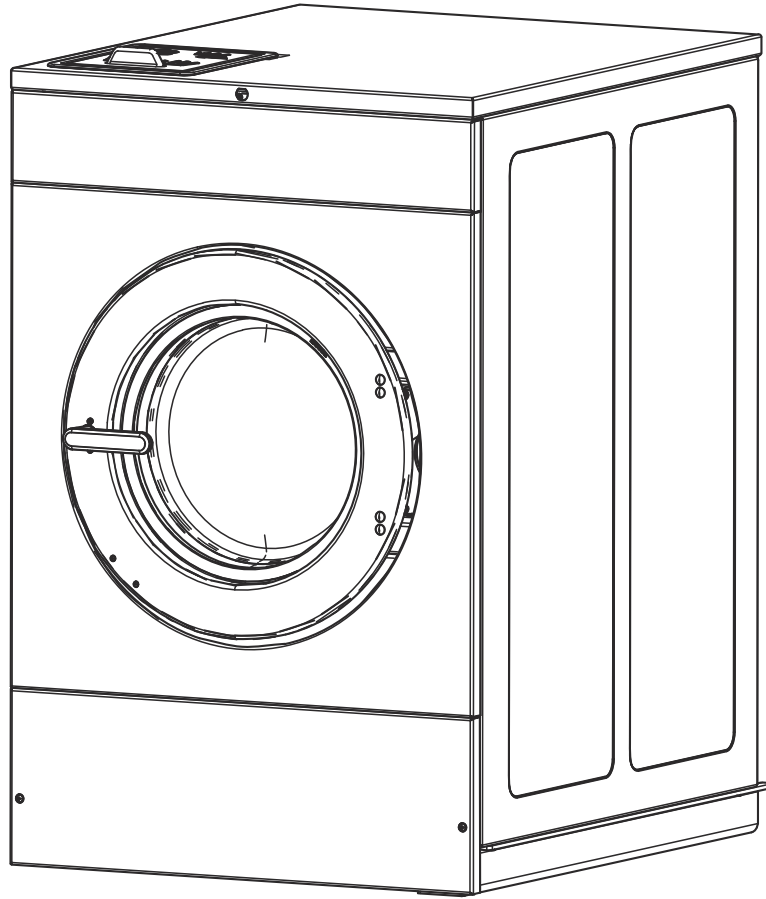


Washer-Extractor

Cabinet Hardmount

Design 4, 6 and 7

Refer to Page 3 for Model Numbers



C-CHM2C3_F8706701

Table of Contents

Title	Page
Parts Ordering Information.....	2
Serial Plate Location	2
Model Identification	3
Product Overview - Easy Control.....	4
Labels	6
Control Module and Front Tray Assembly - Coin Models	8
Control Module and Front Tray Assembly - Card Reader and Central Pay Models	10
Control Tray Assembly.....	12
Flush Mount Coin Meter Assembly - Single Drop	14
Flush Mount Coin Meter Assembly - Dual Drop.....	16
Electronic Coin Meter Assembly	18
Optional Coin Box.....	20
Inverter Drive Box - Q and X Voltage.....	22
Inverter Drive Box - N and P Voltage.....	24
External Supply Kit.....	26
Inverter Drive	28
Front Panels and Control Panel - Coin Models.....	30
Front Panels and Control Panel - Card Ready and Central Pay Models	32
Rear and Top Panels	34
Side Panels.....	36
Door (Drawing 1 of 2).....	38
Door (Drawing 2 of 2).....	40
Door Lock.....	42
Shell Front and Basket.....	44
Shell	46
Bearing Housing and Frame Shield	48
Drain Plumbing	50
Fill Plumbing	52
Motor, Pulley and Belt.....	54
Electric Heating	56
Steam Heating	58
Special Tools and Kits	60
Parts Index.....	63

© Copyright 2023, Alliance Laundry Systems LLC

All rights reserved. No part of the contents of this book may be reproduced or transmitted in any form or by any means without the expressed written consent of the publisher.

Parts Ordering Information

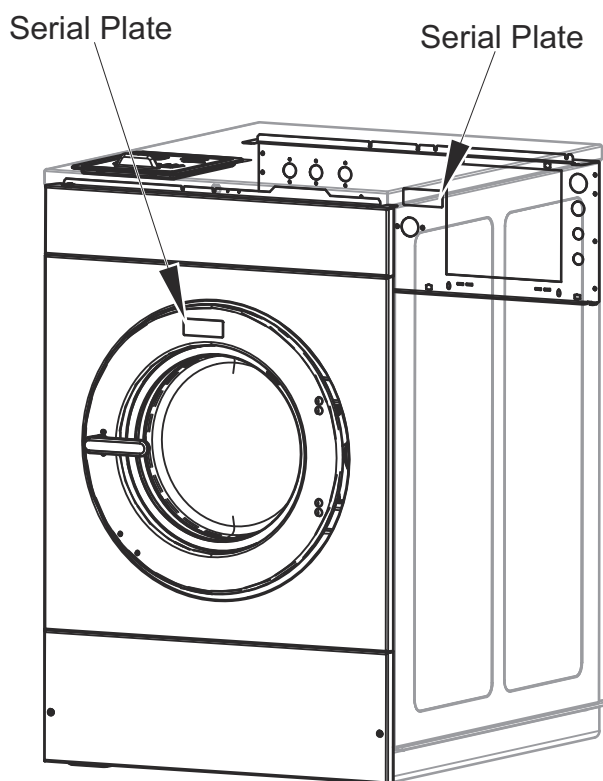
If literature or replacement parts are required, contact the source from whom the machine was purchased or contact Alliance Laundry Systems at (920) 748-3950 for the name and address of the nearest authorized parts distributor.

For technical assistance, call the number listed below:

(920) 748-3121 Ripon, Wisconsin

Serial Plate Location

When calling or writing about your product, be sure to mention model and serial numbers. Model and serial numbers are located on serial plate(s) as shown.



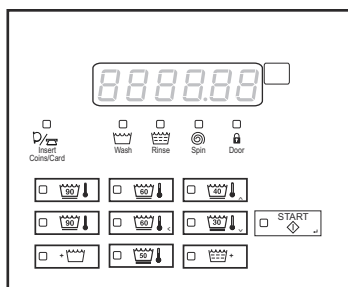
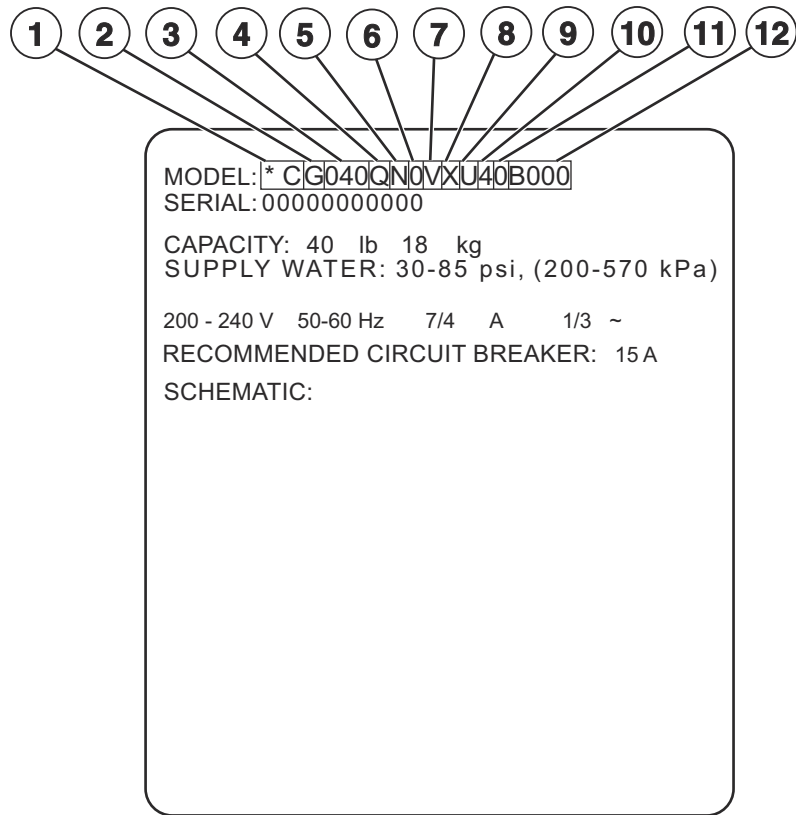
C-CHM2C2_F8706701

Model Identification

Information in this manual is applicable to these washer-extractor models:

BCA080NC	BCG100WC	BCL100WY	PCG080NX	PCK100WL
BCA080NH	BCG100WD	BCT080NC	PCG080NY	PCK100WX
BCA080NL	BCG100WE	BCT080NH	PCG080WC	PCK100WY
BCA080NX	BCG100WF	BCT080NL	PCG080WD	PCL080NC
BCA080NY	BCG100WH	BCT080NX	PCG080WE	PCL080NH
BCA080WC	BCG100WL	BCT080NY	PCG080WF	PCL080NL
BCA080WH	BCG100WQ	BCT080WC	PCG080WH	PCL080NX
BCA080WL	BCG100WT	BCT080WH	PCG080WL	PCL080NY
BCA080WX	BCG100WV	BCT080WL	PCG080WQ	PCL080WC
BCA080WY	BCG100WX	BCT080WX	PCG080WT	PCL080WH
BCA100NC	BCG100WY	BCT080WY	PCG080WV	PCL080WL
BCA100NH	BCK080NC	BCT100NC	PCG080WX	PCL080WX
BCA100NL	BCK080NH	BCT100NH	PCG080WY	PCL080WY
BCA100NX	BCK080NL	BCT100NL	PCG100NC	PCL100NC
BCA100NY	BCK080NX	BCT100NX	PCG100ND	PCL100NH
BCA100WC	BCK080NY	BCT100NY	PCG100NE	PCL100NL
BCA100WH	BCK080WC	BCT100WC	PCG100NF	PCL100NX
BCA100WL	BCK080WH	BCT100WH	PCG100NH	PCL100NY
BCA100WX	BCK080WL	BCT100WL	PCG100NL	PCL100WC
BCA100WY	BCK080WX	BCT100WX	PCG100NQ	PCL100WH
BCG080NC	BCK080WY	BCT100WY	PCG100NT	PCL100WL
BCG080ND	BCK100NC	PCA080NC	PCG100NV	PCL100WX
BCG080NE	BCK100NH	PCA080NH	PCG100NX	PCL100WY
BCG080NF	BCK100NL	PCA080NL	PCG100NY	PCT080NC
BCG080NH	BCK100NX	PCA080NX	PCG100WC	PCT080NH
BCG080NL	BCK100NY	PCA080NY	PCG100WD	PCT080NL
BCG080NQ	BCK100WC	PCA080WC	PCG100WE	PCT080NX
BCG080NT	BCK100WH	PCA080WH	PCG100WH	PCT080NY
BCG080NV	BCK100WL	PCA080WL	PCG100WL	PCT080WC
BCG080NX	BCK100WX	PCA080WX	PCG100WQ	PCT080WH
BCG080NY	BCK100WY	PCA080WY	PCG100WT	PCT080WL
BCG080WF	BCL080NC	PCA100NC	PCG100WV	PCT080WX
BCG080WH	BCL080NH	PCA100NH	PCG100WY	PCT080WY
BCG080WL	BCL080NL	PCA100NL	PCK080NC	PCT100NC
BCG080WQ	BCL080NX	PCA100NX	PCK080NH	PCT100NH
BCG080WT	BCL080NY	PCA100NY	PCK080NL	PCT100NL
BCG080WV	BCL080WC	PCA100WC	PCK080NX	PCT100NX
BCG080WX	BCL080WH	PCA100WH	PCK080NY	PCT100NY
BCG080WY	BCL080WL	PCA100WL	PCK080WC	PCT100WC
BCG100NC	BCL080WX	PCA100WX	PCK080WH	PCT100WH
BCG100ND	BCL080WY	PCA100WY	PCK080WL	PCT100WL
BCG100NE	BCL100NC	PCG080NC	PCK080WX	PCT100WX
BCG100NF	BCL100NH	PCG080ND	PCK080WY	PCT100WY
BCG100NH	BCL100NL	PCG080NE	PCK100NC	
BCG100NL	BCL100NX	PCG080NF	PCK100NH	
BCG100NQ	BCL100NY	PCG080NH	PCK100NL	
BCG100NT	BCL100WC	PCG080NL	PCK100NX	
BCG100NV	BCL100WH	PCG080NQ	PCK100NY	
BCG100NX	BCL100WL	PCG080NT	PCK100WC	
BCG100NY	BCL100WX	PCG080NV	PCK100WH	

Product Overview - Easy Control



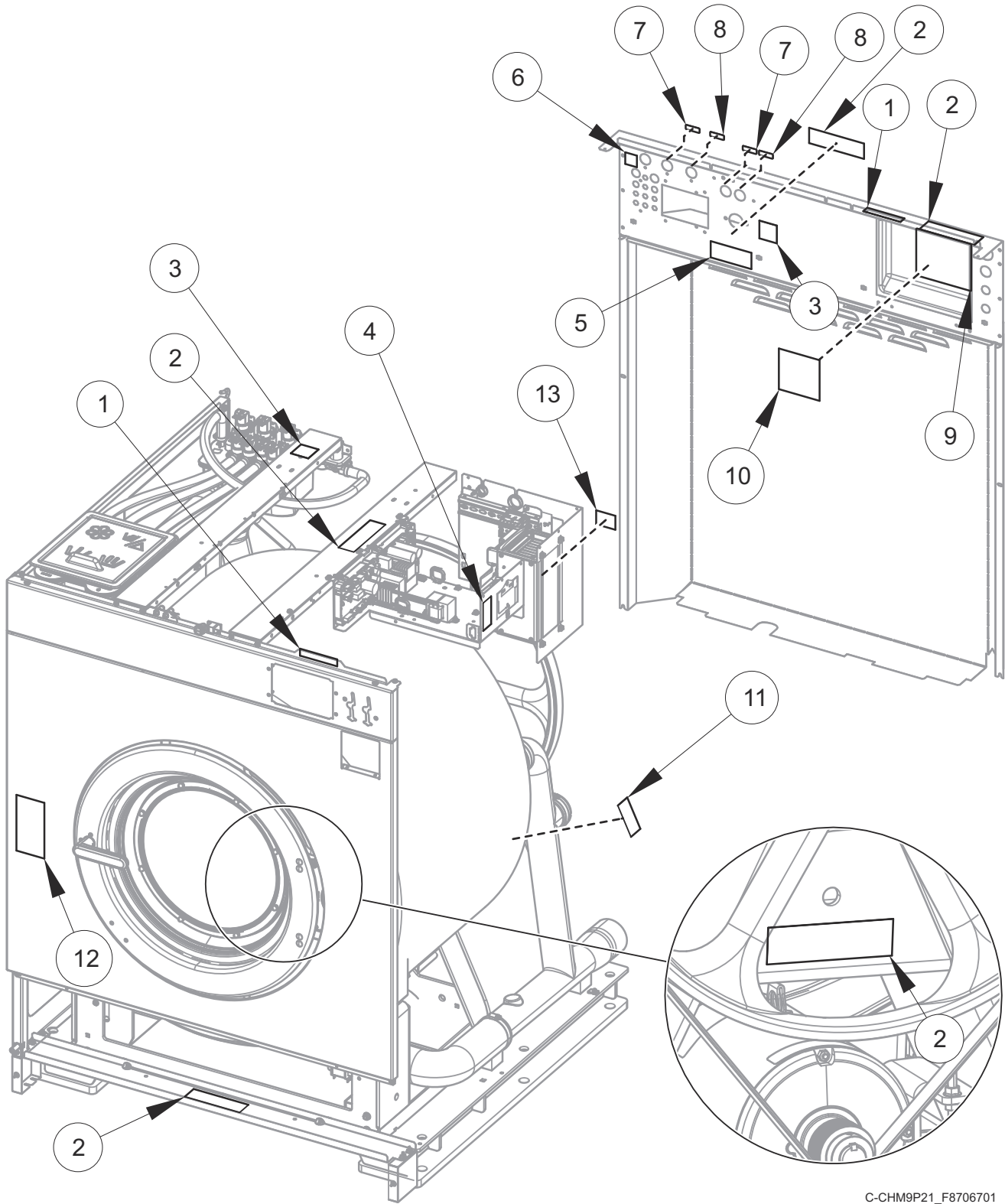
Easy Control

CHM3510P_F8706701

Product Overview - Easy Control

REF	PART NO.	DESCRIPTION	COMMENTS
1	-	Product Family	BC PC
2	-	Market Approvals	G (International)
3	-	Capacity (Dry Weight in Pounds)	080 100
4	-	Control	N
5	-	Actuation	L (Central Pay) X (Prep for Coin) Y (Prep for Card) C (Single Coin) D (Dual Coin) E (Electronic Drop) T (Token) F (Single Coin + CD Lock and Key) Q (Dual Coin + CD Lock and Key) H (Electronic Drop + CD Lock and Key) V (Token + CD Lock and Key)
6	-	Coin Meter	0 (Standard) 1 (CD Lock & Key)
7	-	Speed	F (F-Speed) V (V-Speed)
8	-	Voltage	B (120/60/1) W (200-240/50/1/3) Y (200-240/60/1/3) X (200-240/50-60/1/3) Q (200-240/50-60/3) P (380-415/50-60/3) N (440-480/50-60/3)
9	-	Panel	B (Chrome Door) C (Chrome Door) U (Vinyl) 1 (Stainless Steel Side)
10	-	Design	4 6 7
11	-	Heat	0 (Standard) D (Steam) E (Electric Heat) P (Prep for Steam)
12	-	Features and Options	

Labels

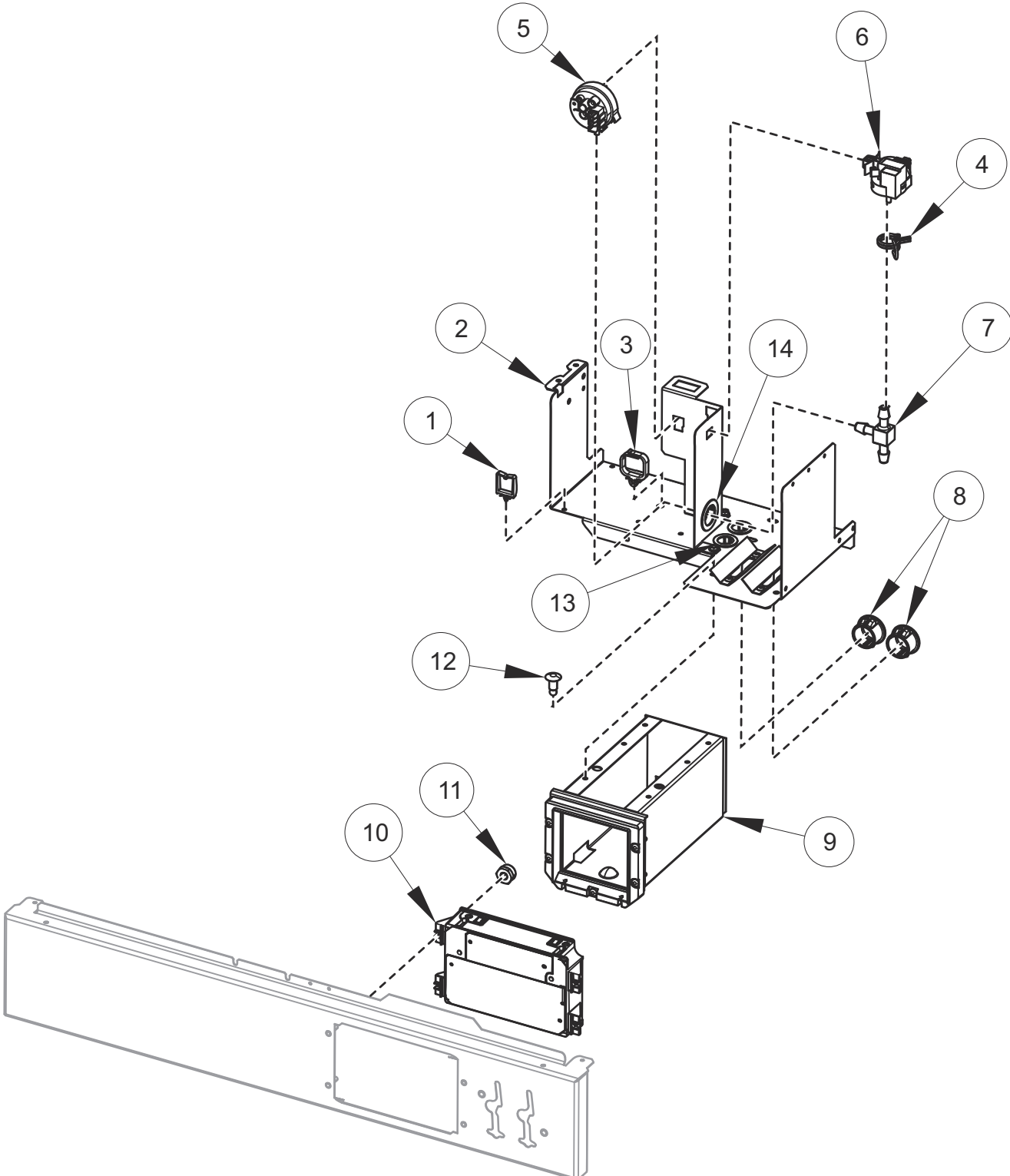


C-CHM9P21_F8706701

Labels

REF	PART NO.	DESCRIPTION	COMMENTS
1	F8614501	Danger Label	English/Quebec/French
2	44324001	Warning Label	Pinch/Shock; English/French
	F8614201	Shock Warning Label	Icon
	F8615701	Pinch Warning Label	Icon
3	F8614301	Hot Surface Warning Label	English/Quebec/French
	F8609001	Hot Surface Warning Label	Icon
4	F8601301	Label	Warning; Underground components
5	F8609401	Label	Notice; Chemical connection
6	203853	Label	ROHS (China)
7	F8611301	Label	Hot water; Icon
8	F8611401	Label	Cold water; Icon
9	F8611601	Warning Label	Warning; English/Quebec/French
10	F8602401	Label	Notice; Large expansion board
11	70538401	Pinch Warning Label	English/French
	F8615701	Pinch Warning Label	Icon
12	F8614801	Label	Warning fire/injury; English/Quebec/French
13	F8620801	Label	Warning current leakage

Control Module and Front Tray Assembly - Coin Models

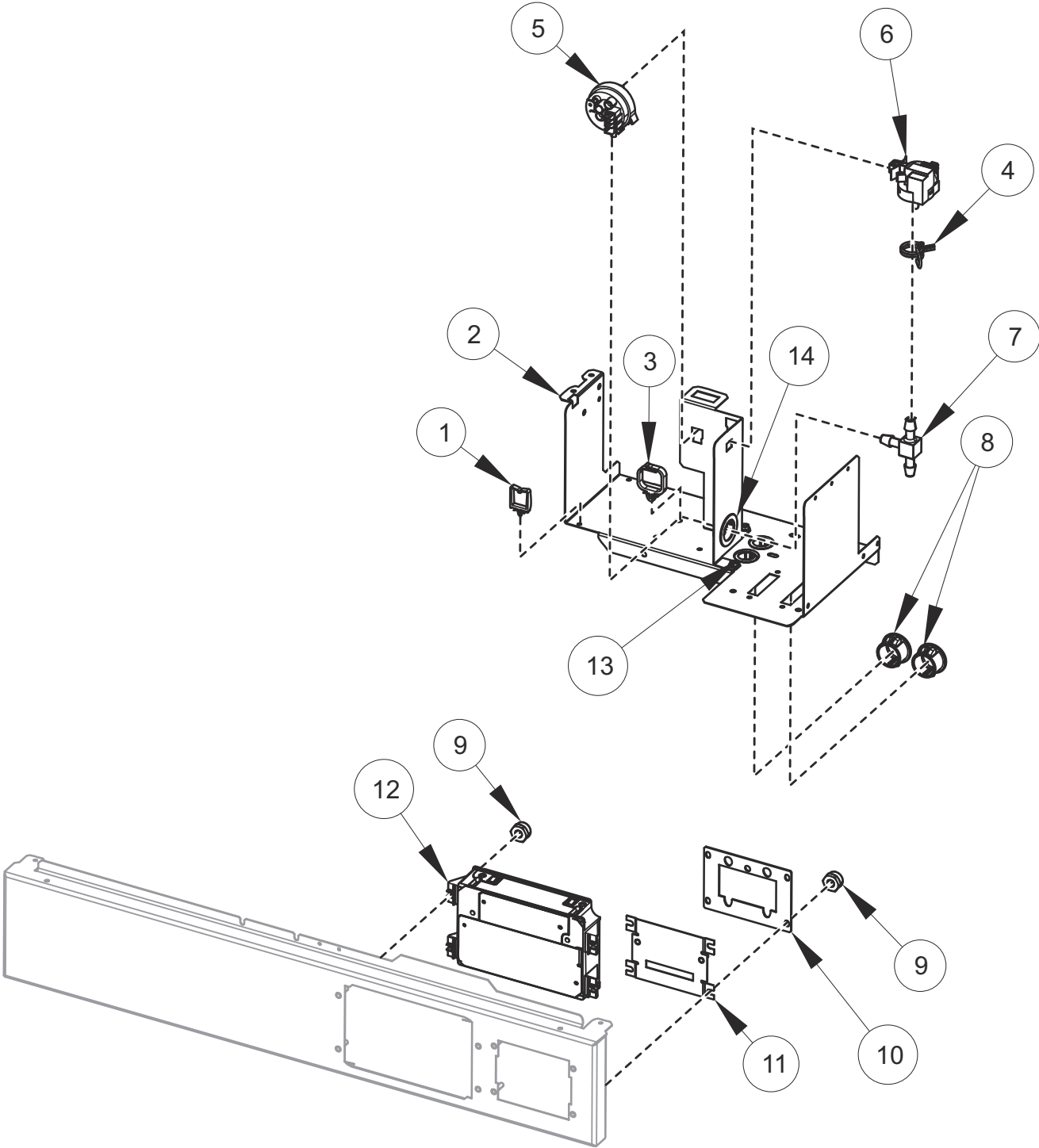


C-CHM5P1_F8706701

Control Module and Front Tray Assembly - Coin Models

REF	PART NO.	DESCRIPTION	COMMENTS
	44374701	App Pay Overlay Kit	
	203361P	Machine ID Control Assembly	
	F8567303	Front Tray Assembly	Includes items 1-3, 6, 8, 9, 12-14, 70413301 Pushbutton Switch and F8519701 Coin Vault Harness
	F8567306	Front Tray Assembly	Steam or electric heat; Includes items 1-9, 12-14, 70413301 Pushbutton Switch and F8519701 Coin Vault Harness
	F8519701	Coin Vault Harness	
	F8519301	Harness	Tray power harness
	F8519502	Harness	Communication
	F8519601	Harness	Coin access
	F8519403	Emergency Stop Bypass Harness	
1	70366201	Wire Clip	
2	F8531001	Front Tray Assembly	
3	F8449501	Wire Clip	
4	39282	Hose Clamp	
5	F8609101	Water Level Pressure Switch	Steam or electric heat
	F8405303	Tubing	Electric heat
6	F8623401	Pressure Sensor	
	F8405302	Tubing	Electric heat
7	203464	Barbed Tee	Steam or electric heat
8	M411826	Snap Bushing	
9	F8529101	Coin Vault Assembly	
10	F8493901P	Control Assembly	
11	685846	Nut	
12	70058501	Pop Rivet	
13	F140938	Snap Bushing	
14	M402542	Snap Bushing	

Control Module and Front Tray Assembly - Card Reader and Central Pay Models

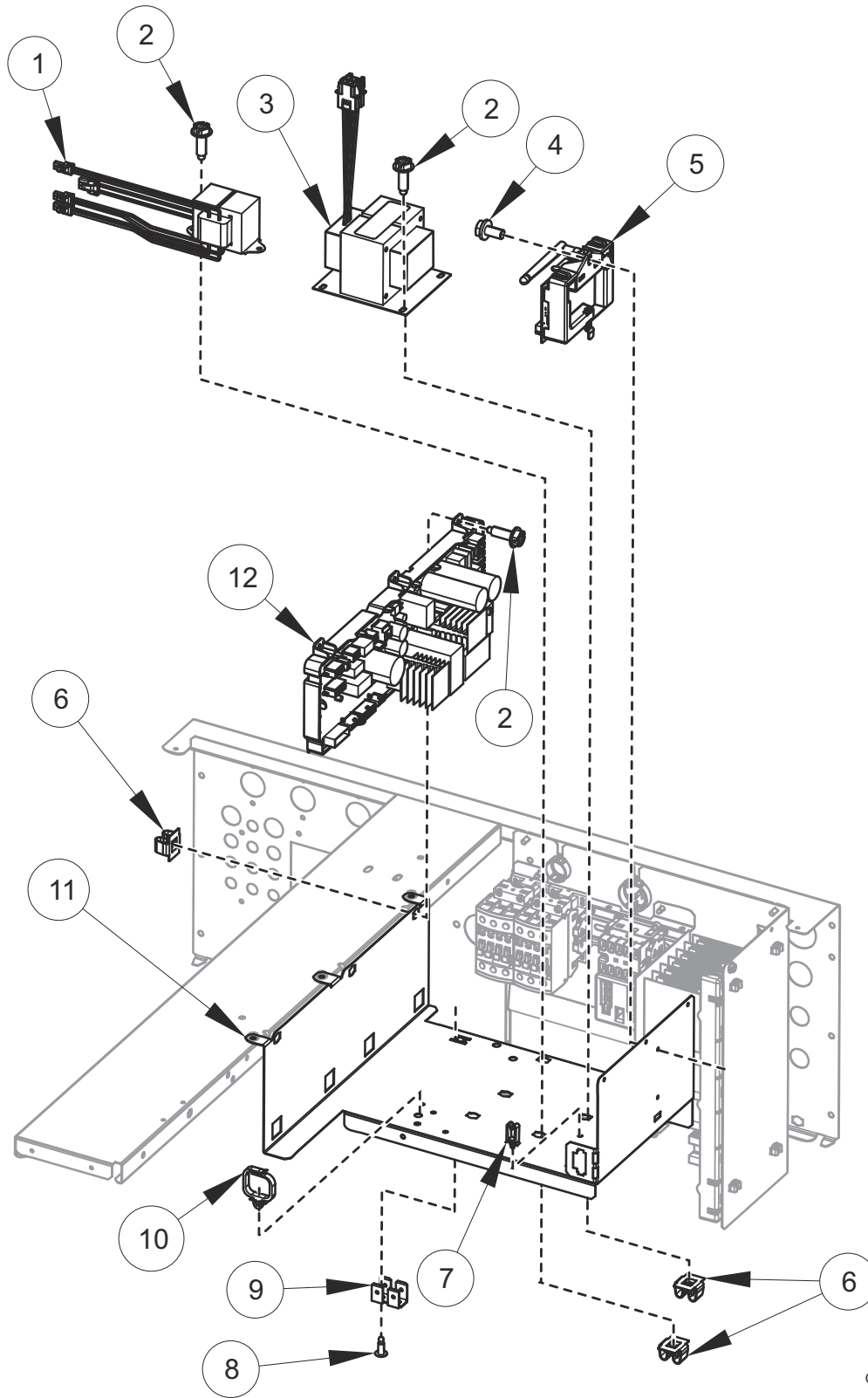


C-CHM5P3_F8706701

Control Module and Front Tray Assembly - Card Reader and Central Pay Models

REF	PART NO.	DESCRIPTION	COMMENTS
	44374701	App Pay Overlay Kit	
	203361P	Machine ID Control Assembly	
	F8673202	Central Pay Kit	Models without external supply board; Includes item 13, 204094 Central Pay Assembly, 202758 Transformer, hardware and harnesses
	F8673204	Central Pay Kit	Models with external supply board; Includes item 13, 204094 Central Pay Assembly, hardware and harnesses
	F8567309	Front Tray Assembly	Includes items 1-3, 6, 8, 13, 14, 70413301 Pushbutton Switch
	F8567312	Front Tray Assembly	Steam or electric heat; Includes items 1-8, 13, 14, and 70413301 Pushbutton Switch
	44342801	Central Pay Harness	Tray power harness
	F8519301	Harness	Tray power harness
	F8519502	Harness	Communication
	F8519702	Coin Vault Bypass Harness	
	F8519601	Harness	Coin access
	F8519403	Emergency Stop Bypass Harness	
	F8555406	Connector	8 pin; Use with 204094 Central Pay Assembly
1	70366201	Wire Clip	
2	F8531001	Front Tray Assembly	
3	F8449501	Wire Clip	
4	39282	Hose Clamp	
5	F8609101	Water Level Pressure Switch	Steam or electric heat
	F8405303	Tubing	Electric heat
6	F8623401	Pressure Sensor	
	F8405302	Tubing	Electric heat
7	203464	Barbed Tee	Steam or electric heat
8	M411826	Snap Bushing	
9	685846	Nut	
10	70208801	Mounting Plate	
11	F8201501	Card Plate Assembly	
12	F8493901P	Control Assembly	
13	F140938	Snap Bushing	
14	M402542	Snap Bushing	

Control Tray Assembly

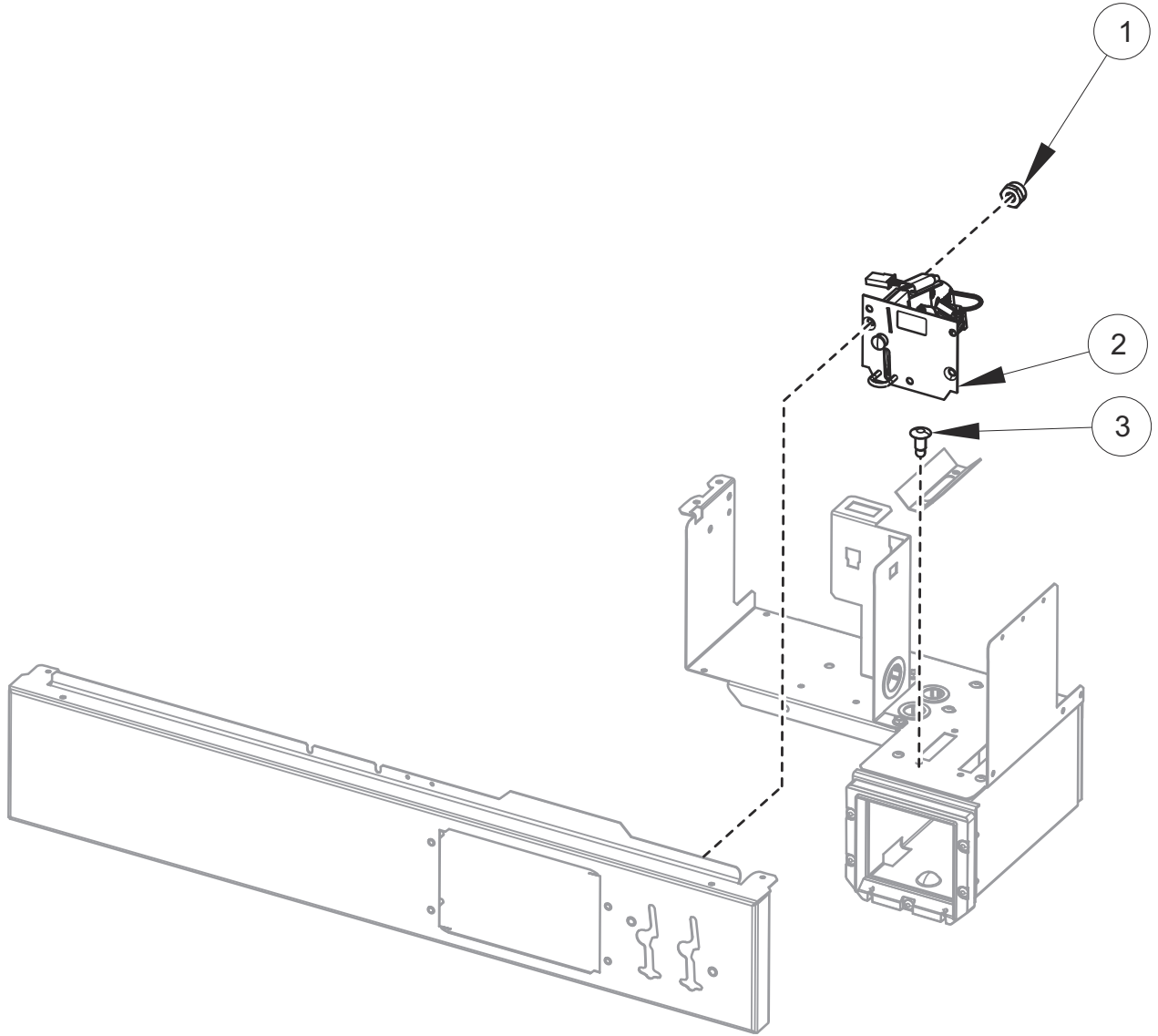


C-CHM5P2_F8706701

Control Tray Assembly

REF	PART NO.	DESCRIPTION	COMMENTS
	205391P	Gateway	
	F8674004	Wireless Harness	
	F8676101	Wireless Kit	Includes items 4, 5, F8674004 Wireless Harness and labels
1	202758	Transformer	External supply
2	F8206901	Screw	
3	F8491101	Transformer	N and P voltage
4	430497	Screw	
5	807211	Wireless Network Control Assembly	
6	70030501	Expansion Clip	
7	70347601	Wire Clip	External supply
8	M400003	Pop Rivet	
9	00622SG	Terminal	
10	F8449501	Wire Clip	
11	F8530701	Control Tray	
12	F8494101P	Input and Output Control Assembly	

Flush Mount Coin Meter Assembly - Single Drop

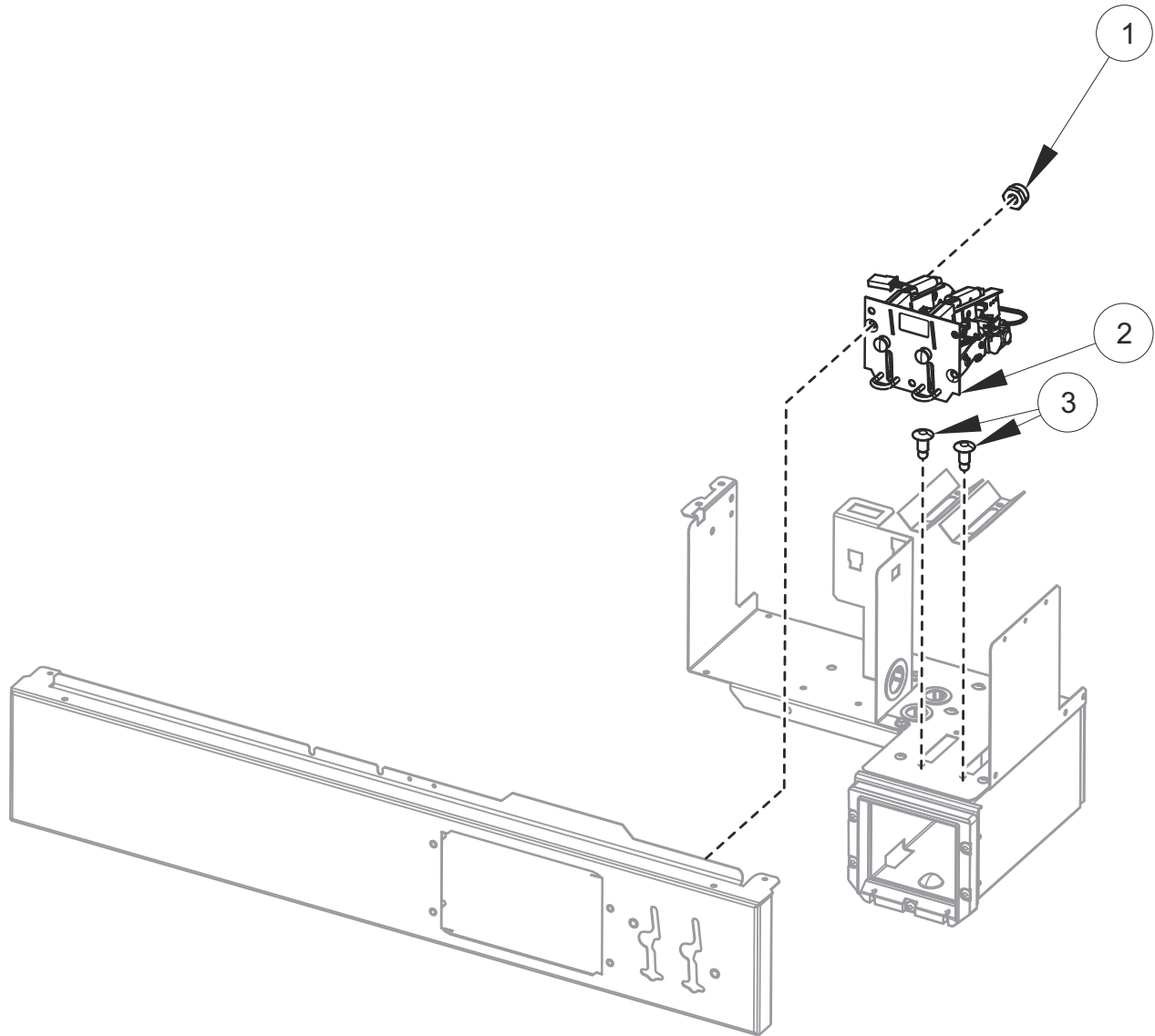


C-CHM6P7_F8706701

Flush Mount Coin Meter Assembly - Single Drop

REF	PART NO.	DESCRIPTION	COMMENTS
	44374701	App Pay Overlay Kit	
	38725	Coin Identification Paper	
	200674P	Opto Coupler	
1	685846	Nut	
2	70441601P	Coin Drop	U.S.A.; \$.25
	38475	Coin Drop Assembly	Japan; 100 yen
	38464P	Coin Drop Assembly	Canada; .25
	CK077	Coin Drop Kit	Taiwan; 10 NT
	70506901	Coin Drop Assembly	Singapore; \$1.00 NEW
	38462P	Coin Drop Assembly	Token; STD 118-1
	38463	Coin Drop Assembly	Token; STD 118-5
	38963P	Coin Drop	Token STD 118-16
	39748	Coin Drop	Jeton 08MS
	201141	Coin Drop Assembly	Token; Jeton wh121
	70471601	Coin Drop Assembly	Token; 7K
3	70058501	Pop Rivet	

Flush Mount Coin Meter Assembly - Dual Drop

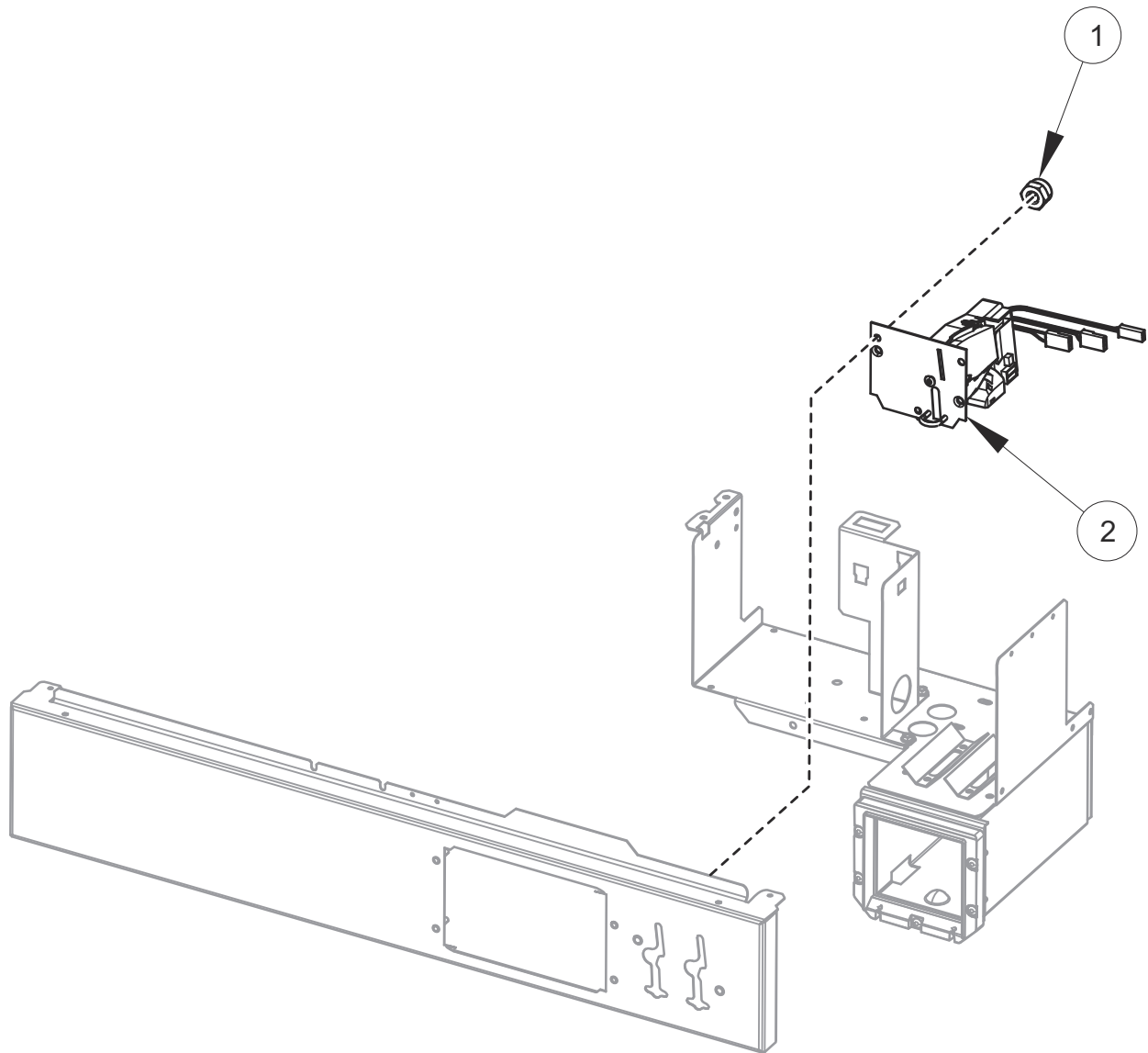


C-CHM6P8_F8706701

Flush Mount Coin Meter Assembly - Dual Drop

REF	PART NO.	DESCRIPTION	COMMENTS
	44374701	App Pay Overlay Kit	
	38725	Coin Identification Paper	
	200674P	Opto Coupler	
1	685846	Nut	
2	70441603	Coin Drop	U.S.A.; \$.25 and \$1.00
	38519	Coin Drop Assembly	Japan; 100 yen and 500 yen
	70441602	Coin Drop Assembly	Canada; .25 and \$1.00
	38467	Coin Drop Assembly	Australia; \$0.20 and \$1.00
	70447301	Coin Drop Assembly	Australia; \$1.00 and \$2.00
	70283102	Coin Drop Assembly	0.20 and 0.50 Euro
	210195	Coin Drop Assembly	0.20 and 1.00 Euro
	210196	Coin Drop Assembly	0.50 and 1.00 Euro
	F0160737-00	Coin Meter	0.50 and 2.00 Euro
	70281102	Coin Drop Assembly	Taiwan; 10 and 50 NT
	70482401	Coin Drop Assembly	New Zealand; \$1.00 and \$2.00
3	70058501	Pop Rivet	

Electronic Coin Meter Assembly

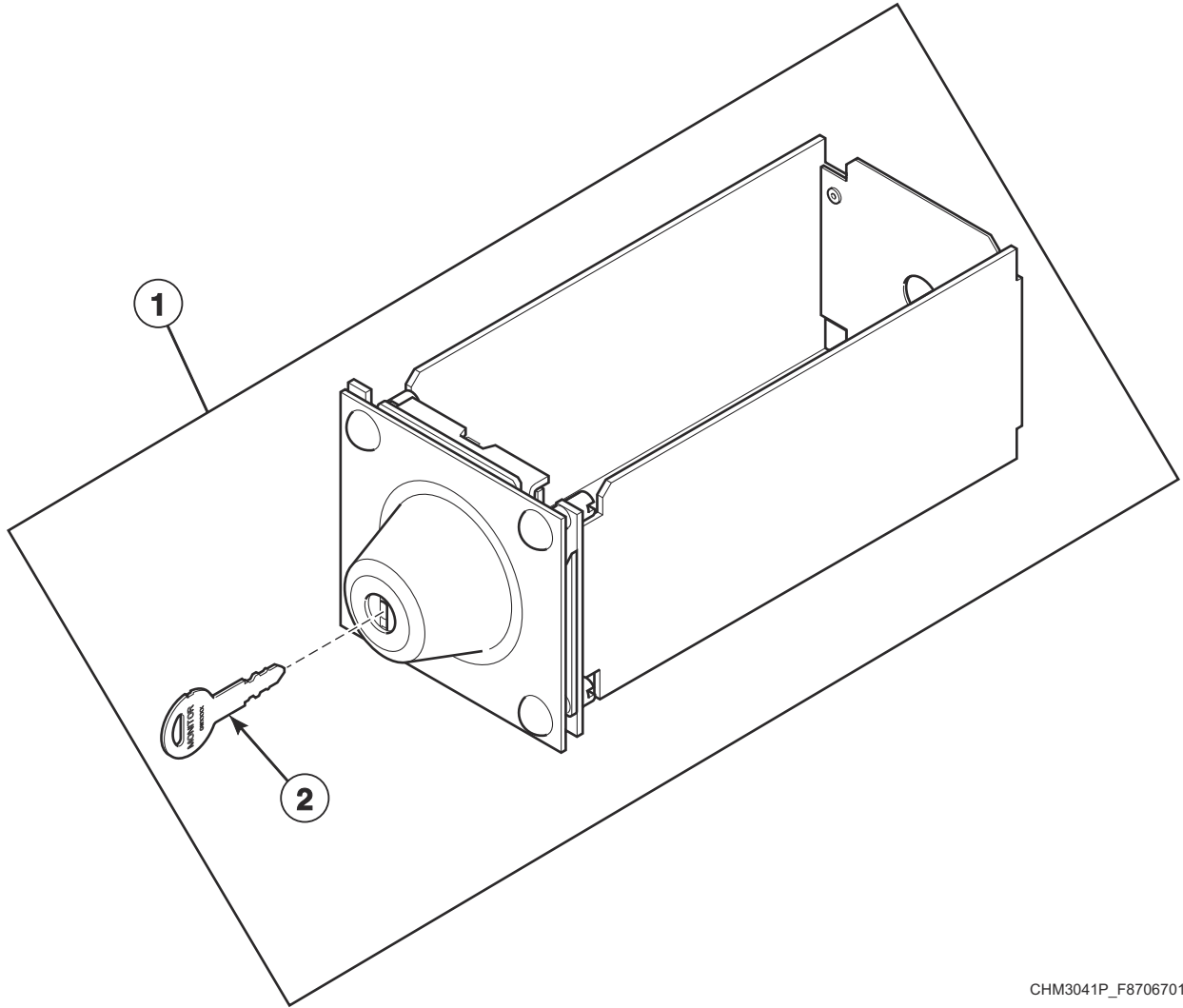


C-CHM6P6_F8706701

Electronic Coin Meter Assembly

REF	PART NO.	DESCRIPTION	COMMENTS
	44374701	App Pay Overlay Kit	
	38725	Coin Identification Paper	
	CK500	Electronic Coin Drop Kit	For use when installing Electronic Coin Drop Kits
	F8034701P	Pulse Expander Assembly	
1	F430215	Nut	
2	70513302	Electronic Coin Drop Assembly	Euro and Great Britain coins
	70513310	Electronic Coin Drop Assembly	Japan and Thailand coins
	70513304	Electronic Coin Drop Assembly	Australia, New Zealand, Hong Kong and South Korea coins
	70513303	Electronic Coin Drop Assembly	Denmark, Norway and Euro coins
	70513306	Electronic Coin Drop Assembly	Mexico, Ecuador and U.S.A. coins
	70294107	Electronic Coin Drop Assembly	Lithuania, Latvia and Euro coins
	70513311	Electronic Coin Drop Assembly	Chiang Malaysia coins
	70513308	Electronic Coin Drop Assembly	South African 1 and 5 rand coins
	70513309	Electronic Coin Drop Assembly	Euro coins
	70513312	Electronic Coin Drop Assembly	Russia coins
	70513313	Electronic Coin Drop Assembly	Philippines coins
	70513314	Electronic Coin Drop Assembly	Thailand coins
	70513315	Electronic Coin Drop Assembly	Chile coins
	70513316	Electronic Coin Drop Assembly	Singapore coins
	CK115	Electronic Coin Drop Kit	United States and Canada; Includes 38725 Coin Identification Paper
	CK099	Electronic Coin Drop Kit	Australia (default), New Zealand, Hong Kong, South Korea and Malaysia; Includes 38725 Coin Identification Paper
	CK100	Electronic Coin Drop Kit	United Kingdom (default) and Europe; Includes 38725 Coin Identification Paper
	CK101	Electronic Coin Drop Kit	Europe (default), Denmark and Norway; Includes 38725 Coin Identification Paper
	CK108	Electronic Coin Drop Kit	South Africa; Includes 38725 Coin Identification Paper
	CK109	Electronic Coin Drop Kit	Euro; Includes 38725 Coin Identification Paper
	CK110	Electronic Coin Drop Kit	Mexico (default), Ecuador and United States; Includes 38725 Coin Identification Paper
	CK113	Electronic Coin Drop Kit	Japan and Taiwan; Includes 38725 Coin Identification Paper
	CK116	Electronic Coin Drop Kit	Malaysia (default) and China; Includes 38725 Coin Identification Paper
	CK117	Electronic Coin Drop Kit	Russia; Includes 38725 Coin Identification Paper
	CK118	Electronic Coin Drop Kit	Philippine; Includes 38725 Coin Identification Paper
	CK119	Electronic Coin Drop Kit	Thailand; Includes 38725 Coin Identification Paper
	CK120	Electronic Coin Drop Kit	Chile; Includes 38725 Coin Identification Paper
	CK121	Electronic Coin Drop Kit	Singapore; Includes 38725 Coin Identification Paper
	CK122	Coin Drop Kit	New Zealand; 1.00 and 2.00; Includes 38725 Coin Identification Paper

Optional Coin Box

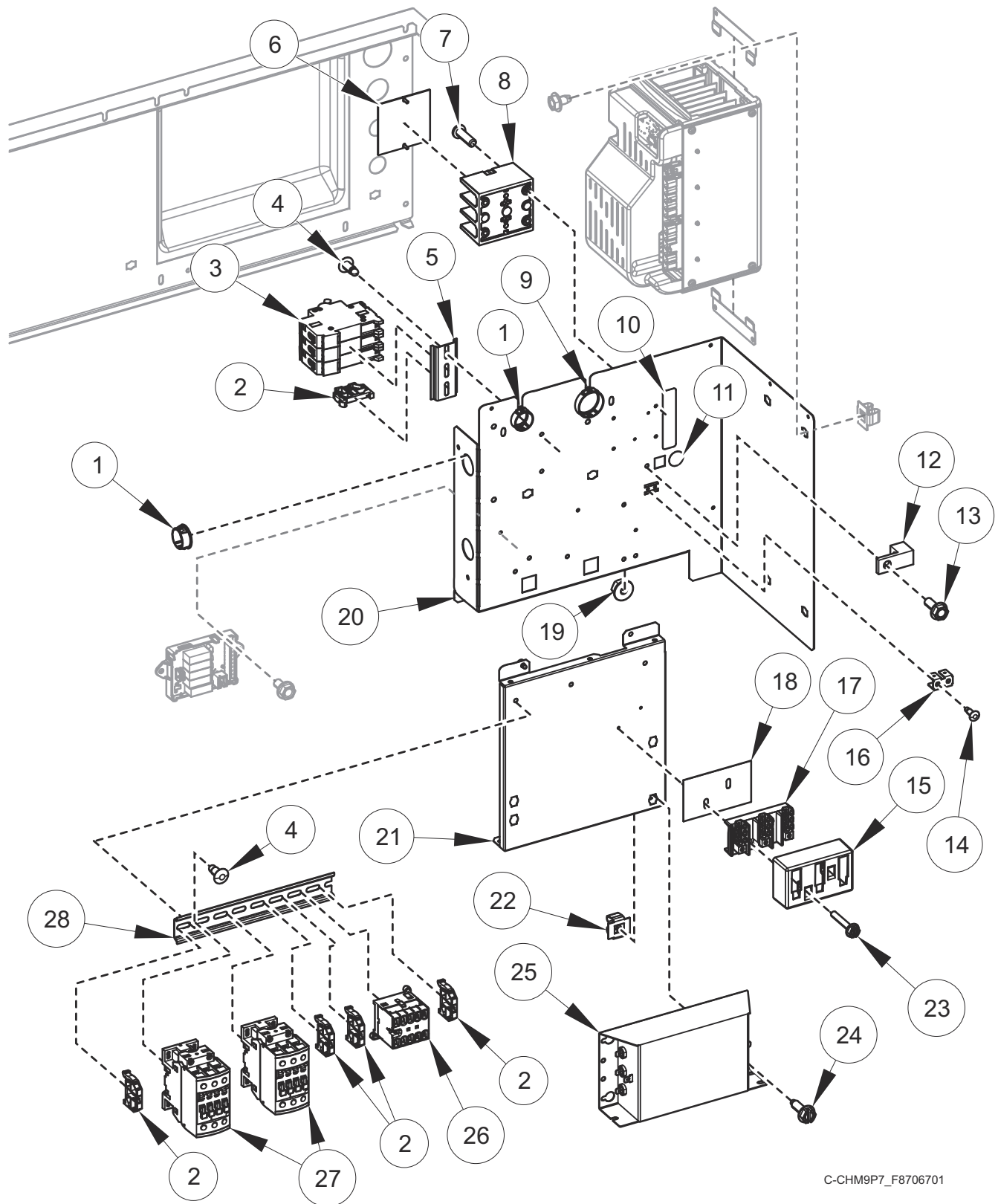


CHM3041P_F8706701

Optional Coin Box

REF	PART NO.	DESCRIPTION	COMMENTS
1	F8182001	Coin Drawer Assembly	
2	F160420	Key	GW0023

Inverter Drive Box - Q and X Voltage

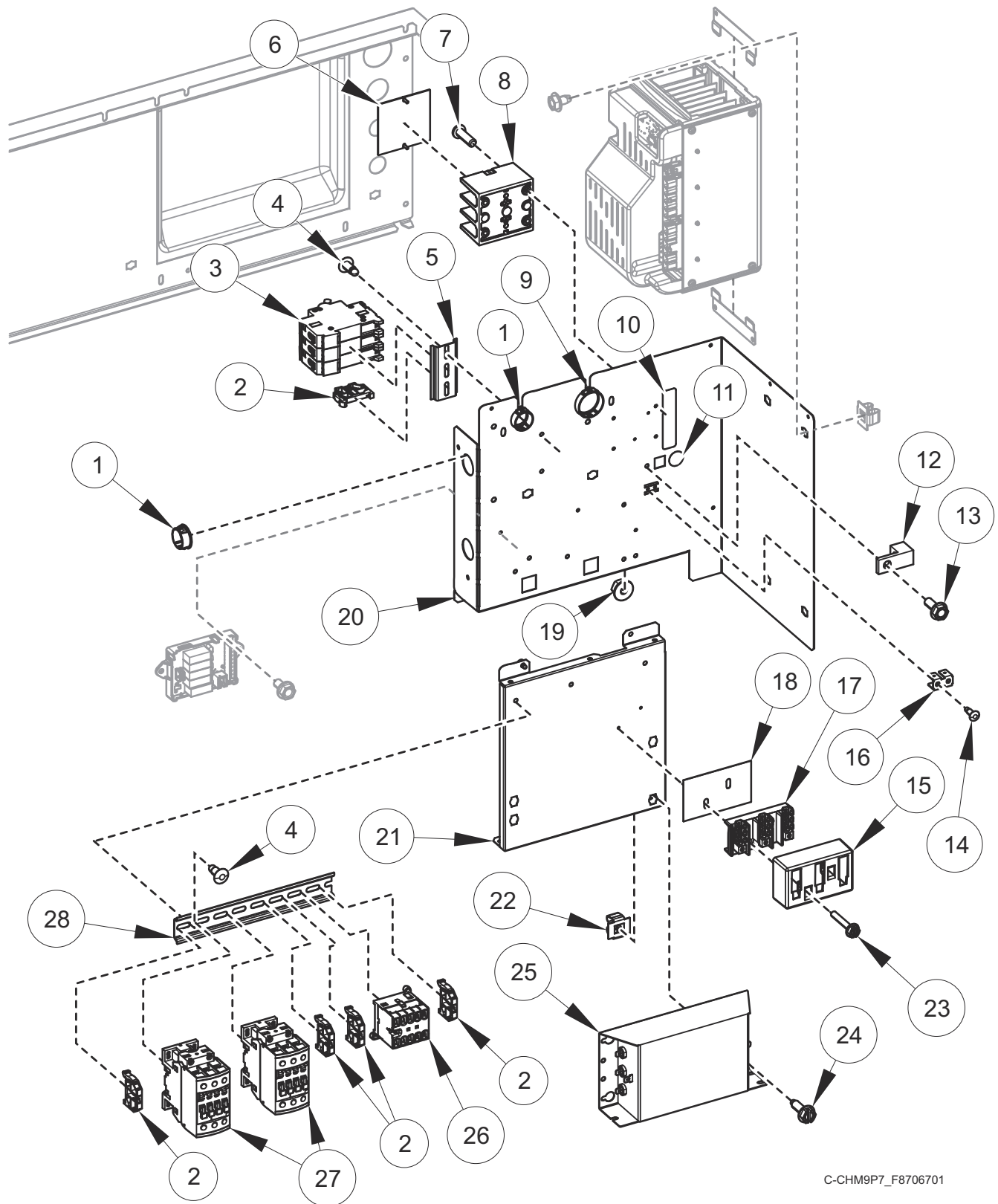


C-CHM9P7_F8706701

Inverter Drive Box - Q and X Voltage

REF	PART NO.	DESCRIPTION	COMMENTS
	F8567003	Drive Panel Base Assembly	Includes items 4, 11, 12, 16, 23, 24 and 29
	F8567004	Drive Panel Base Assembly	Electric heat; Includes items 4, 5, 11, 12, 16, 23, 24 and 29
	F8583501	Jumper	Circuit breaker jumper; Electric heat
	F8518401	Harness	Power TB1; X voltage
	F8518403	Harness	Power CB; Q voltage; Electric heat
	F8518404	Harness	Power filter
	F8518606	Harness	Power drive
	F8528001	Harness	TB filter
	F8528003	Harness	CB filter; Electric heat
	F8528005	Harness	TB2 filter
	F8619101	Power Harness	Power contactor; Electric heat
	F8619102	Harness	Power contactor; Electric heat; IEC
	F8662813	Filter Kit	Includes items 1, 15, 17, 18, 22-25, harness and labels; Q voltage; Electric heat
	F8662808	Filter Kit	Includes items 1, 15, 17, 18, 22-25, harness and labels; X voltage
1	F140938	Snap Bushing	
2	F8449801	End Stop	
3	70488101	Circuit Breaker	3P; 25A; Electric heat
4	70058501	Pop Rivet	
5	B12315401	DIN Rail	7.5 mm x 35 mm x 72 mm; Electric heat
6	44014901P	Power Distribution Block Cover	Electric heat
7	39733	Screw	Electric heat
8	M413865	Power Distribution Block	Electric heat
9	70346501	Bushing	
10	44286803	Label	Power input; L1, L2, L3
	44286804	Wire Label	Power input; L1, L2/N; L1, L2, L3; X voltage
11	D516100	Label	
12	M411283	Ground Lug Connector	
13	685837	Screw	
14	M400003	Pop Rivet	
15	70333001	Terminal Block Shield	
16	00622SG	Terminal	
17	430642	Terminal Block	
18	M413862	Insulator	
19	44088001	Nut	
20	F8530803	Drive Terminal Tray	
21	F8530901	Contactors Tray	
22	70030501	Expansion Clip	
23	51783	Screw	
24	F8206901	Screw	
25	F8591801	EMI Filter	200/240 Volt; 1/3 Phase; 20 Amp
	F8637501	EMI Filter	380/480 Volt; 3 Phase; 12 Amp
26	70482601	Contactors	5.5kW/500V; 24VDC
27	70482701	Contactors	50A; 24VDC
28	M412689	DIN Rail	7.5 mm x 35 mm x 8.364 inch

Inverter Drive Box - N and P Voltage

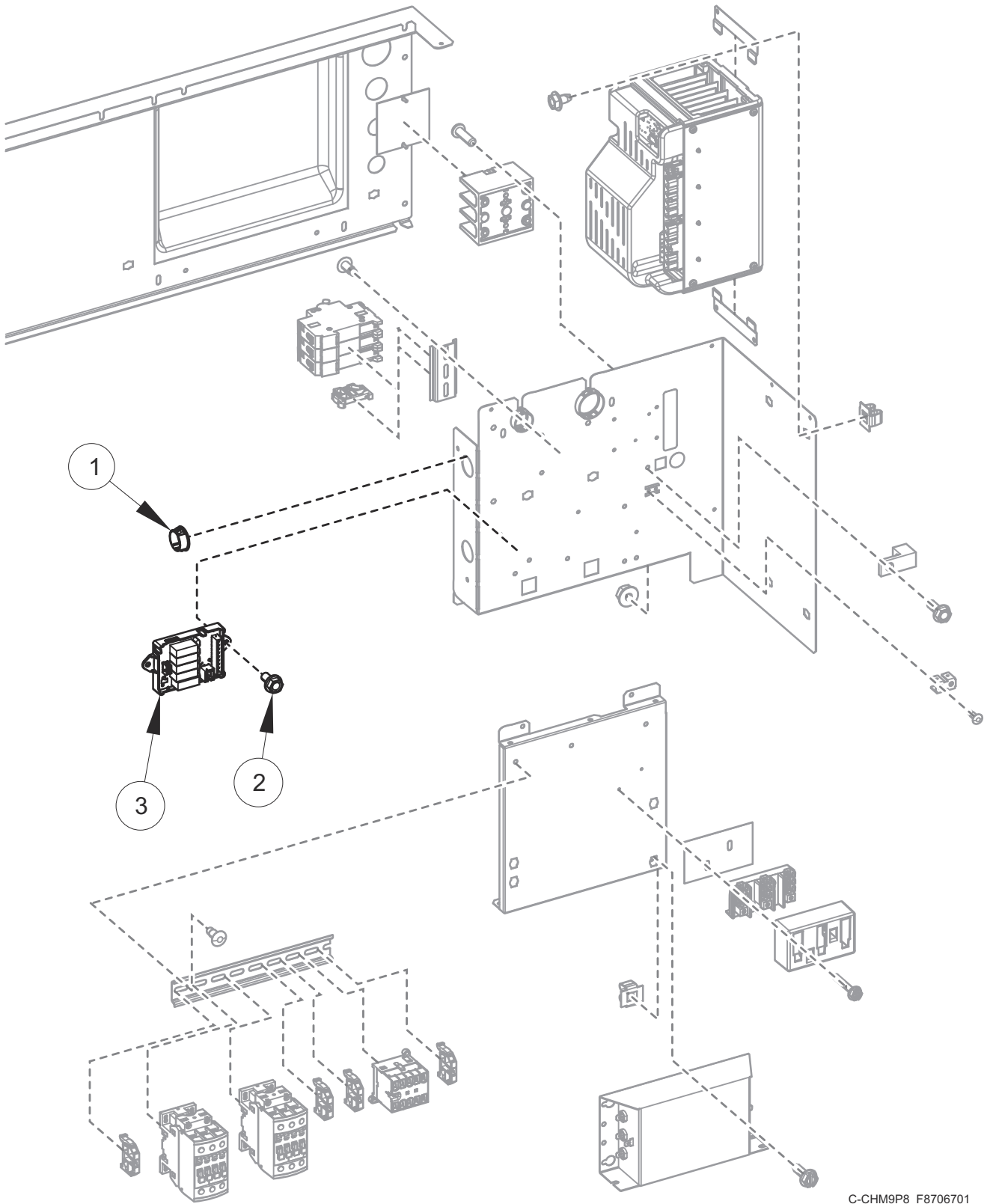


C-CHM9P7_F8706701

Inverter Drive Box - N and P Voltage

REF	PART NO.	DESCRIPTION	COMMENTS
	F8567003	Drive Panel Base Assembly	Includes items 4, 11, 12, 16, 23, 24 and 29
	F8567004	Drive Panel Base Assembly	Electric heat; Includes items 4, 5, 11, 12, 16, 23, 24 and 29
	F8583501	Jumper	Circuit breaker jumper; Electric heat
	F8518501	Harness	
	F8518403	Harness	Electric heat
	F8518503	Harness	Electric heat
	F8518504	Harness	Power filter
	F8518606	Harness	Power drive
	F8528001	Harness	TB filter
	F8528003	Harness	CB filter; Electric heat
	F8528005	Harness	TB2 filter
	F8619101	Power Harness	Power contactor; Electric heat
	F8619102	Harness	Power contactor; Electric heat
	F8662814	Filter Kit	Includes items 1, 15, 17, 18, 22-25, harness and labels; Electric heat
	F8662807	Filter Kit	Includes items 1, 15, 17, 18, 22-25, harness and labels
1	F140938	Snap Bushing	
2	F8449801	End Stop	
3	70488101	Circuit Breaker	3P; 25A; Electric heat
4	70058501	Pop Rivet	
5	B12315401	DIN Rail	7.5 mm x 35 mm x 72 mm; Electric heat
6	44014901P	Power Distribution Block Cover	Electric heat
7	39733	Screw	Electric heat
8	M413865	Power Distribution Block	Electric heat
9	70346501	Bushing	
10	44286803	Label	Power input; L1, L2, L3
11	D516100	Label	
12	M411283	Ground Lug Connector	
13	685837	Screw	
14	M400003	Pop Rivet	
15	70333001	Terminal Block Shield	
16	00622SG	Terminal	
17	430642	Terminal Block	
18	M413862	Insulator	
19	44088001	Nut	
20	F8530803	Drive Terminal Tray	
21	F8530901	Contactory Tray	
22	70030501	Expansion Clip	
23	51783	Screw	
24	F8206901	Screw	
25	F8591801	EMI Filter	200/240 Volt; 1/3 Phase; 20 Amp
	F8637501	EMI Filter	380/480 Volt; 3 Phase; 12 Amp
26	70482601	Contactory	5.5kW/500V; 24VDC
27	70482701	Contactory	50A; 24VDC
28	M412689	DIN Rail	7.5 mm x 35 mm x 8.364 inch

External Supply Kit

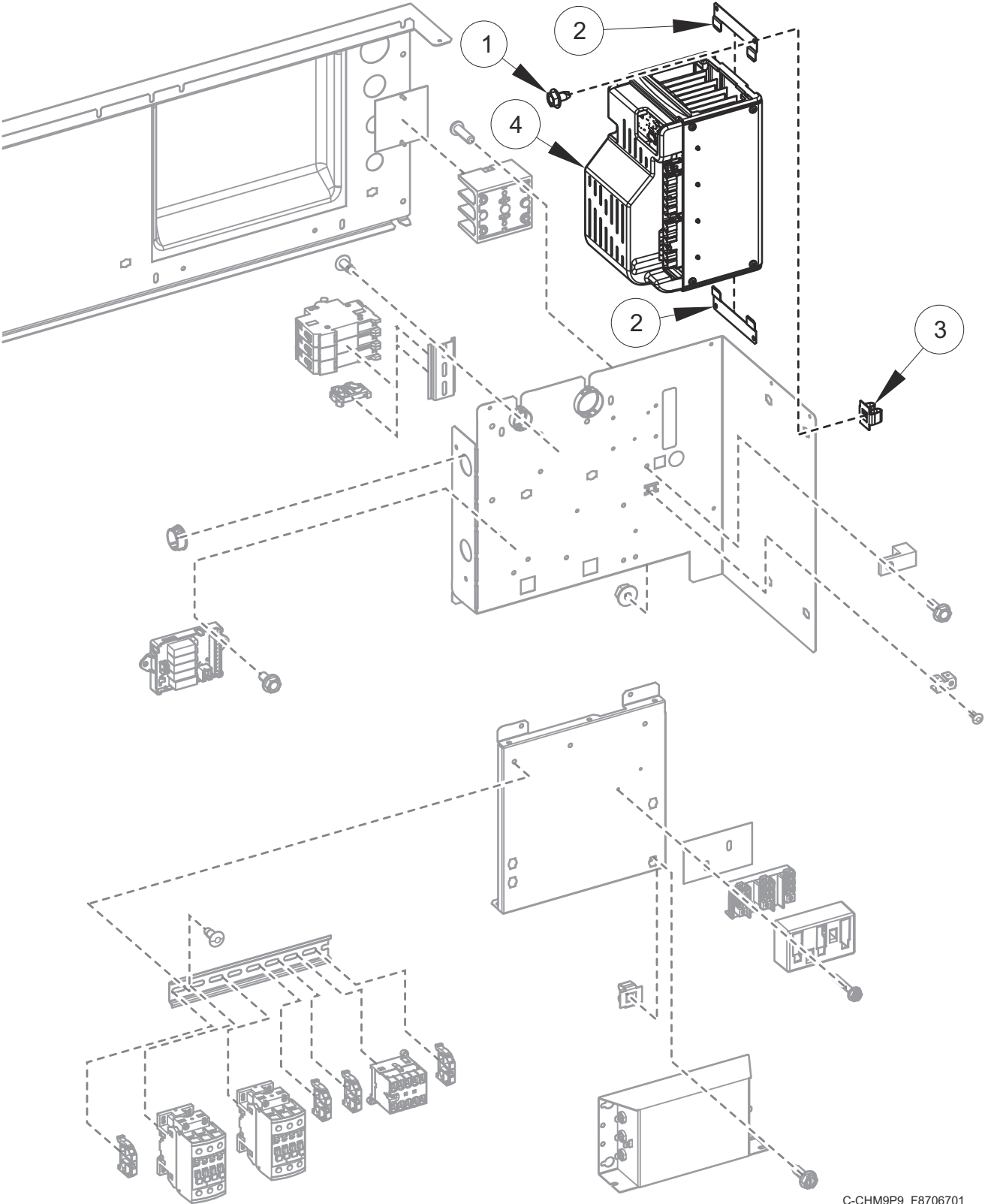


C-CHM9P8_F8706701

External Supply Kit

REF	PART NO.	DESCRIPTION	COMMENTS
	F8662508	External Supply Kit	Coin and central pay models; Includes items 1-3, 202758 Transformer, F8520602 Harness, F8528204 Harness, hardware and labels; 4 out
	F8662504	External Supply Kit	Card ready models; Includes items 1-3, F8520602 Harness, F8528204 Harness and labels; 4 out
	F8520602	Harness	Communication
	F8528204	Harness	Power
1	F140938	Snap Bushing	
2	430497	Screw	
3	804528	Chemical Injection Control	5 output
	70493102	Connector	9 pin; H2

Inverter Drive

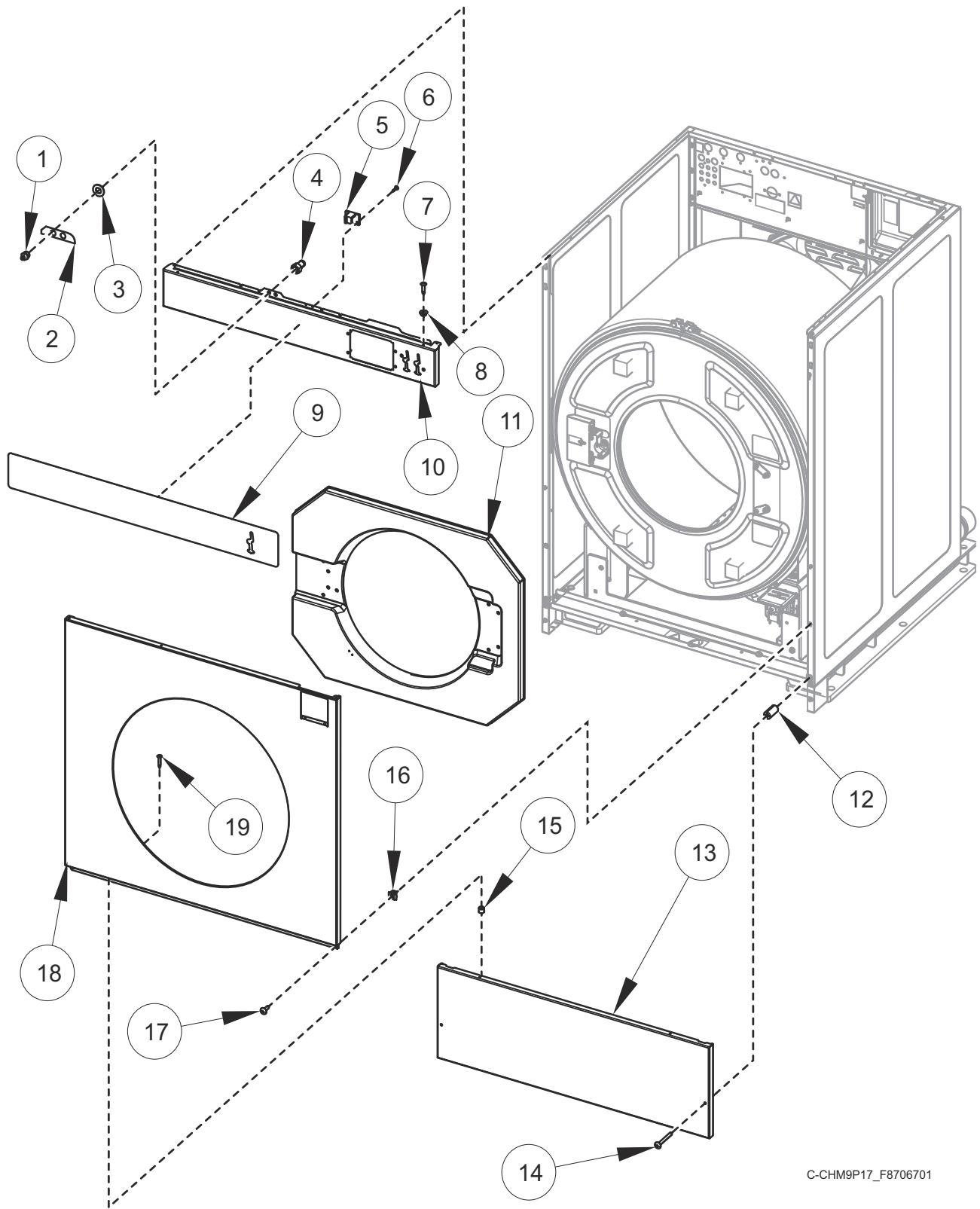


C-CHM9P9_F8706701

Inverter Drive

REF	PART NO.	DESCRIPTION	COMMENTS
	F8519202	Drive Communication Harness	Electric heat; N and P voltage
	F8519203	Drive Communication Harness	Electric heat; Q voltage
	F8519201	Drive Communication Harness	Standard
	F8519204	Drive Communication Harness	Steam heat
	F8518603	Drive Power Harness	2/3/5 hp; 480 Volt
1	D503688	Screw	
2	F8322401	Drive Mounting Bracket	
3	70030501	Expansion Clip	
4	F8496601	Drive Assembly	Q and X voltage; 5 hp; 240 Volt
	F8496901	Drive Assembly	N and P voltage; 5 hp; 480 Volt

Front Panels and Control Panel - Coin Models

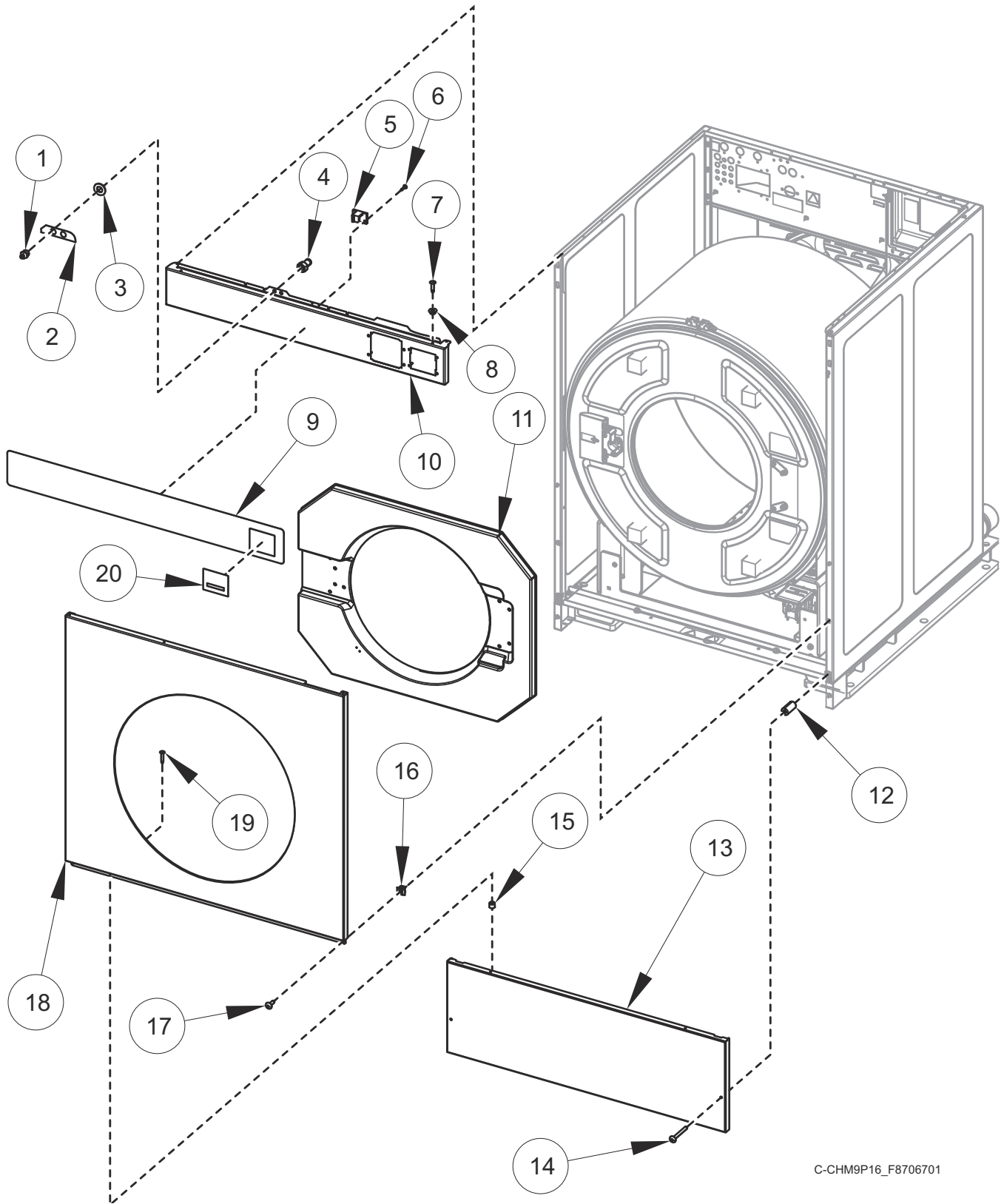


C-CHM9P17_F8706701

Front Panels and Control Panel - Coin Models

REF	PART NO.	DESCRIPTION	COMMENTS
1	F190701	Grease Fitting	
2	F8613501	Label	Grease instruction notice
3	70292801	Washer	
4	F422114	Air Coupling	
	F8245713	Hose	
5	F8201001	Top Cover Latch	
6	F431215	Pop Rivet	
7	70412601	Pop Rivet	
8	F8201101	Washer	
9	F8704401	Overlay	PC 80 pound models; Single coin
	F8704501	Overlay	PC 100 pound models; Single coin
	F8704402	Overlay	PC 80 pound models; Dual coin
	F8704502	Overlay	PC 100 pound models; Dual coin
	F8704405	Overlay	PC 80 pound models; World drop
	F8704505	Overlay	PC 100 pound models; World drop
	F8703801	Overlay	BC 80 pound models; Single coin
	F8703901	Overlay	BC 100 pound models; Single coin
	F8703802	Overlay	BC 80 pound models; Dual coin
	F8703902	Overlay	BC 100 pound models; Dual coin
	F8703805	Overlay	BC 80 pound models; World drop
	F8703905	Overlay	BC 100 pound models; World drop
10	F8552601	Control Panel Assembly	
11	F8659301	Door Bezel	
12	F8609701	Access Panel Retaining Spacer	
13	F8552702	Access Panel	
14	F8589501	Screw	
15	56079	Panel Locator	
16	70030501	Expansion Clip	
17	F8117601	Screw	
18	F8552801	Front Panel	Design 4 and 6
	F8552803	Front Panel	Design 7
19	M412763	Rivet	

Front Panels and Control Panel - Card Ready and Central Pay Models

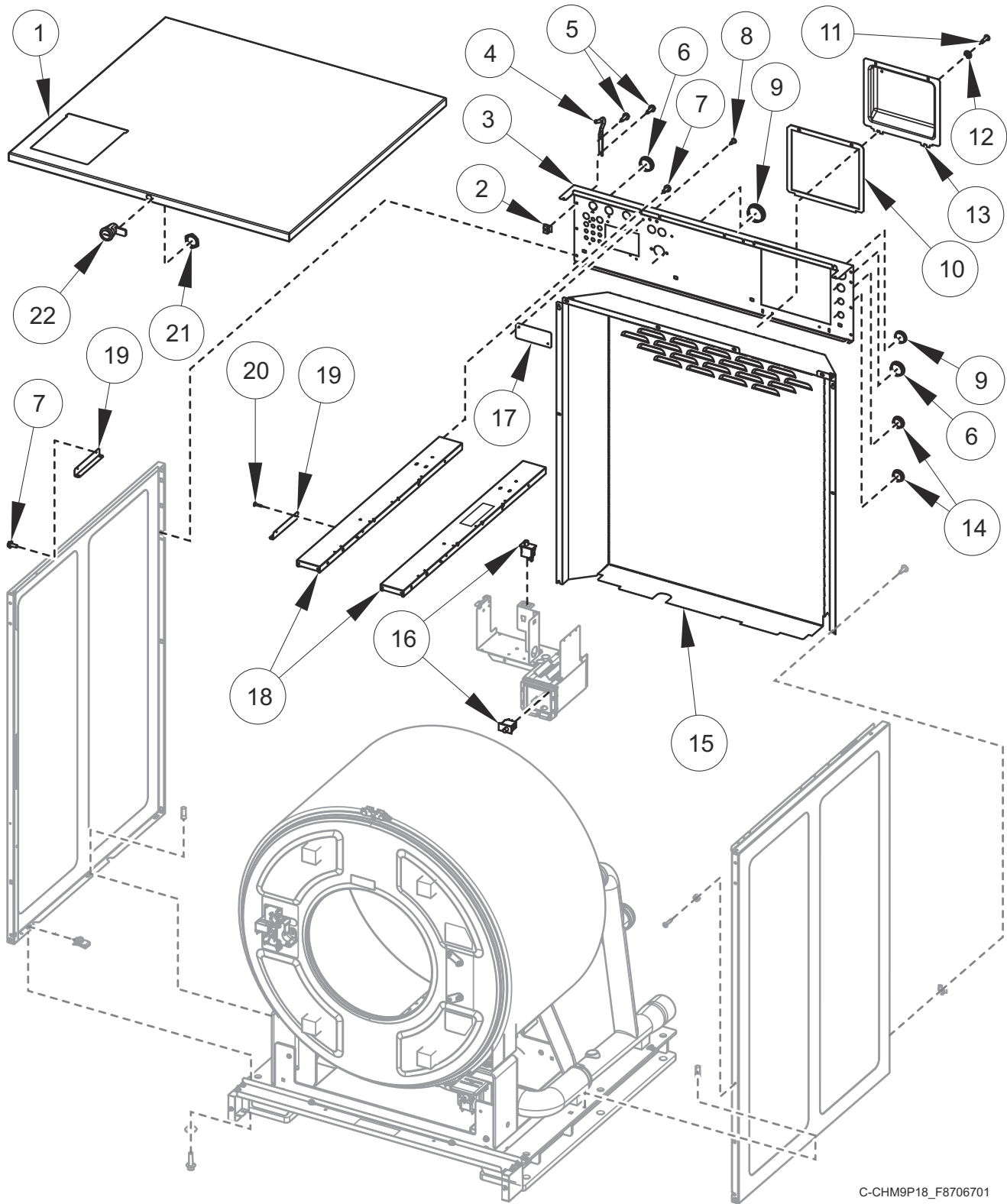


C-CHM9P16_F8706701

Front Panels and Control Panel - Card Ready and Central Pay Models

REF	PART NO.	DESCRIPTION	COMMENTS
1	F190701	Grease Fitting	
2	F8613501	Label	Grease instruction notice
3	70292801	Washer	
4	F422114	Air Coupling	
	F8245713	Hose	
5	F8201001	Top Cover Latch	
6	F431215	Pop Rivet	
7	70412601	Pop Rivet	
8	F8201101	Washer	
9	F8704403	Overlay	PC 80 pound models; Card ready
	F8704503	Overlay	PC 100 pound models; Card ready
	F8704404	Overlay	PC 80 pound models; Central pay
	F8704504	Overlay	PC 100 pound models; Central pay
	F8703803	Overlay	BC 80 pound models; Card ready
	F8703903	Overlay	BC 100 pound models; Card ready
	F8703804	Overlay	BC 80 pound models; Central pay
	F8703904	Overlay	BC 100 pound models; Central pay
10	F8552604	Control Panel Assembly	
11	F8659301	Door Bezel	
12	F8609701	Access Panel Retaining Spacer	
13	F8552702	Access Panel	
14	F8589501	Screw	
15	56079	Panel Locator	
16	70030501	Expansion Clip	
17	F8117601	Screw	
18	F8552802	Front Panel	Design 4 and 6
	F8552804	Front Panel	Design 7
19	M412763	Rivet	
20	70557001	Overlay	BC models; Card ready
	70557002	Overlay	BC models; Central pay
	70556401	Overlay	PC models; Card ready
	70556402	Overlay	PC models; Central pay

Rear and Top Panels

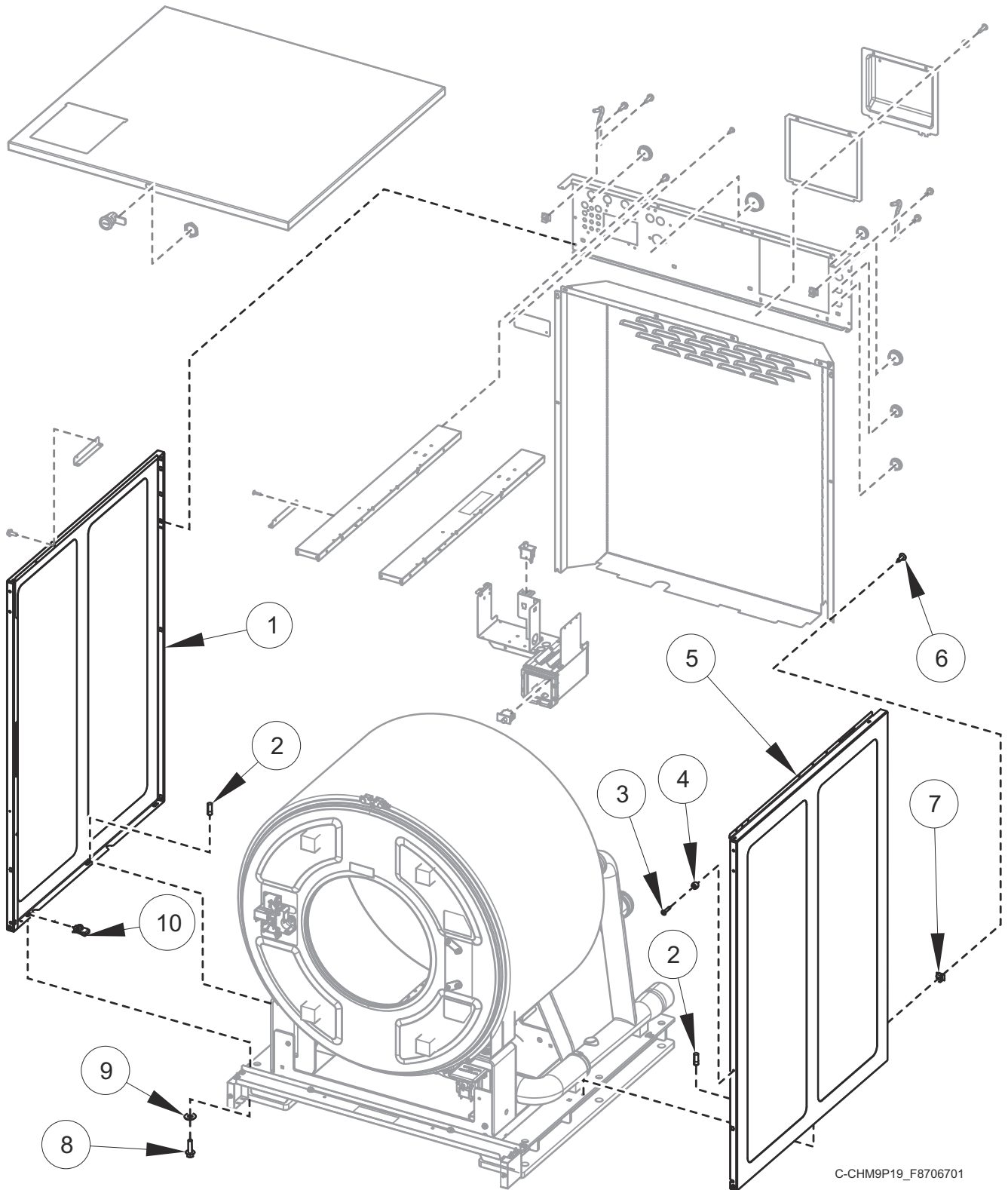


C-CHM9P18_F8706701

Rear and Top Panels

REF	PART NO.	DESCRIPTION	COMMENTS
1	F8553301	Top Cover	80 pound models
	F8553302	Top Cover	100 pound models
2	70030501	Expansion Clip	
3	F8553401	Valve Panel	
4	F8258601	Top Cover Hinge	
5	F8206901	Screw	
6	F8223901	Plug	
7	33562	Screw	
8	685847	Pop Rivet	
9	F8223801	Hole Plug	
10	F8542601	Gasket	
11	70412601	Pop Rivet	
12	804501	Washer	
13	F8518301	Terminal Tray Cover	
14	M400985	Plug	
15	F8555301	Rear Panel	
16	70413301	Pushbutton Switch	
17	F8586301	Fill Cover	
18	F8556901	Cabinet Brace	80 pound models
	F8556902	Cabinet Brace	100 pound models
19	F8525701	Dispenser Bracket	
20	F431215	Pop Rivet	
21	44088801	Nut	
22	44089303P	Panel Lock	
	70155603	Key	

Side Panels

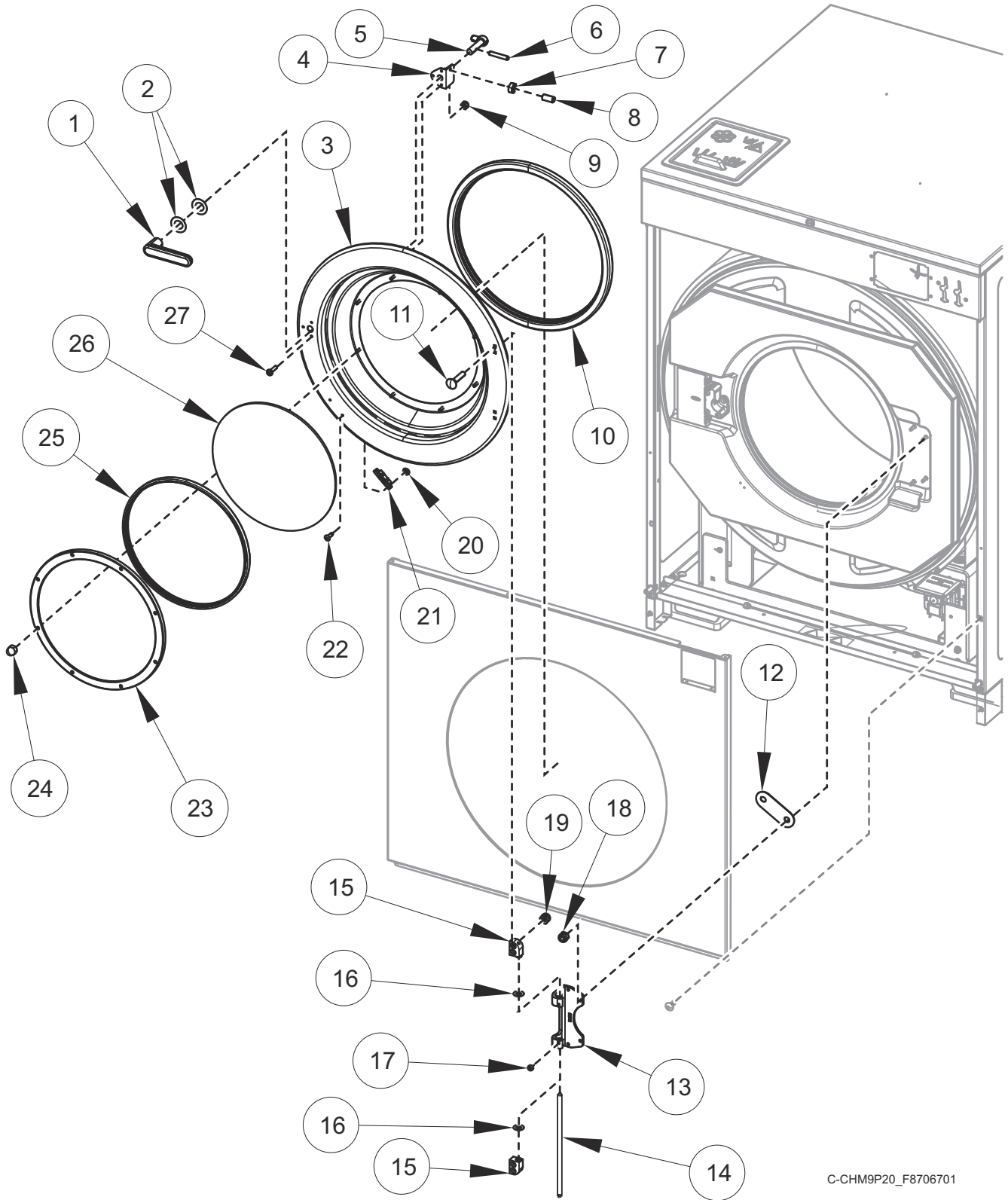


Side Panels

REF	PART NO.	DESCRIPTION	COMMENTS
1	F8553002	Side Panel	80 pound models; Left; Stainless steel
	F8553102	Side Panel	100 pound models; Left; Stainless steel
2	F8502101	Pin	
3	M412763	Rivet	
4	56079	Panel Locator	
5	F8553001	Side Panel	80 pound models; Right; Stainless steel
	F8553101	Side Panel	100 pound models; Right; Stainless steel
6	F8117601	Screw	
7	70030501	Expansion Clip	
8	202175	Screw	
9	M405535	Washer	
10	70030401	Nut	

Door (Drawing 1 of 2)

Models through serial no. 2208025605



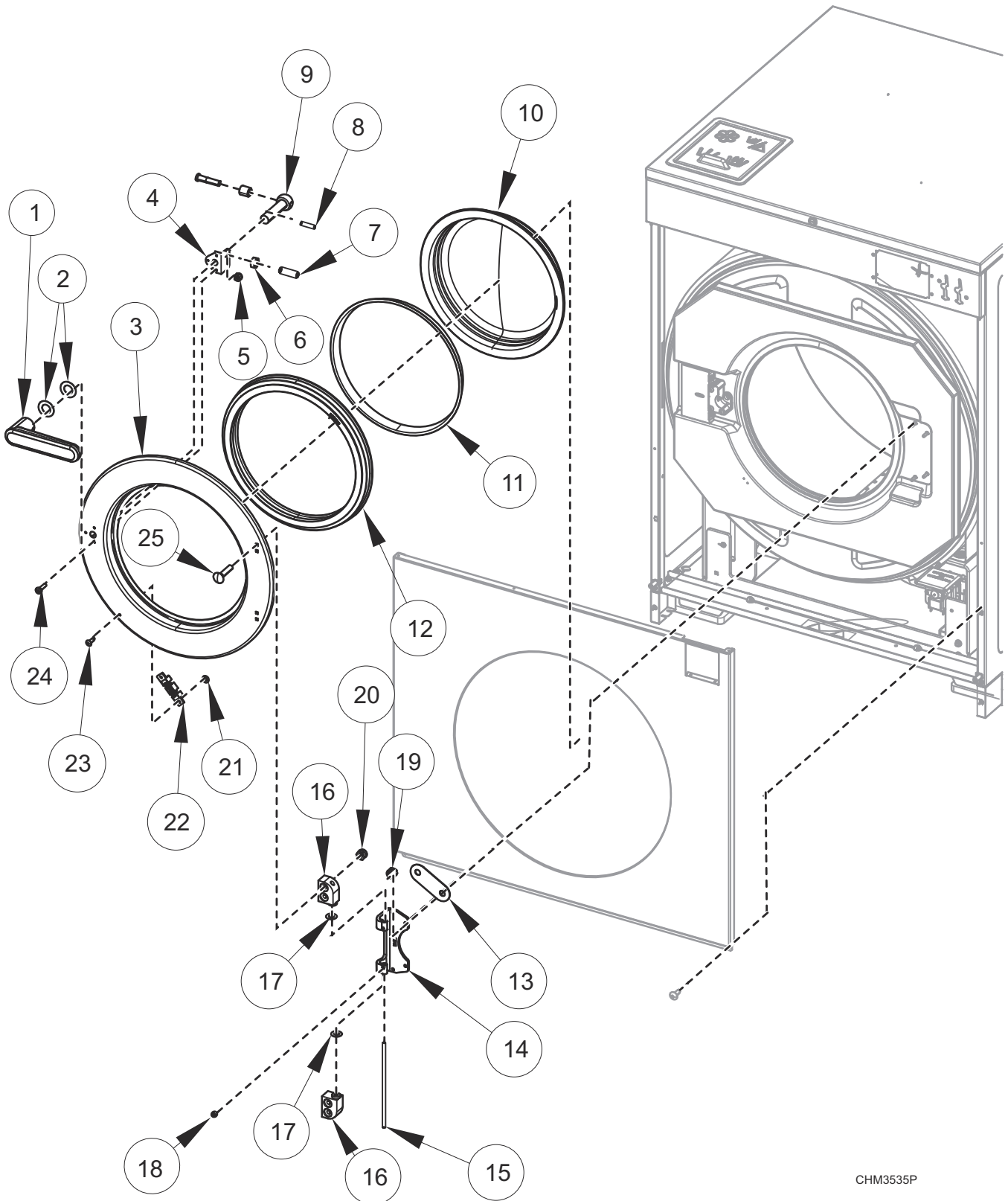
C-CHM9P20_F8706701

Door (Drawing 1 of 2)

REF	PART NO.	DESCRIPTION	COMMENTS
	F8505101	Door Assembly	Includes items 1-11, 13-15 and 20-27
	F8505104	Door Assembly	Chrome; Includes items 1-11, 13-15 and 20-27
1	F8199401P	Door Handle	
2	F431916	Washer	
3	F8505001	Door	
	F8508801	Door	Chrome
4	F8567501	Door Handle Spacer Kit	
5	F8221403	Door Latch Arm Assembly	Includes latch arm shaft, latch arm support and sleeve
6	F431222	Spring Pin	
7	F431041	Nut	
8	F430532	Screw	
9	F430232	Nut	
10	F8440801P	Door Gasket	
11	F430974	Bolt	
	F8508101	Bolt	Chrome
12	F200131000P	Door Hinge Shim Kit	
13	F190216P	Door Hinge	
14	F602813-3	Rod	
15	F150271	Door Mount	
16	F431929	Washer	Non-ferrous
	F431147	Washer	
17	F430536	Screw	
18	C001236	Nut	
19	F430215	Nut	
20	F431133	Washer	
21	F8390801	Magnet	
22	F431223	Pop Rivet	
23	F8504903	Door Glass Retainer	
	F8504902	Door Glass Retainer	Chrome
24	F8549401	Nut	
25	F8499904	Door Glass Gasket	
26	F290210P	Glass	
27	F8535501	Screw	

Door (Drawing 2 of 2)

Models starting serial no. 2208025605

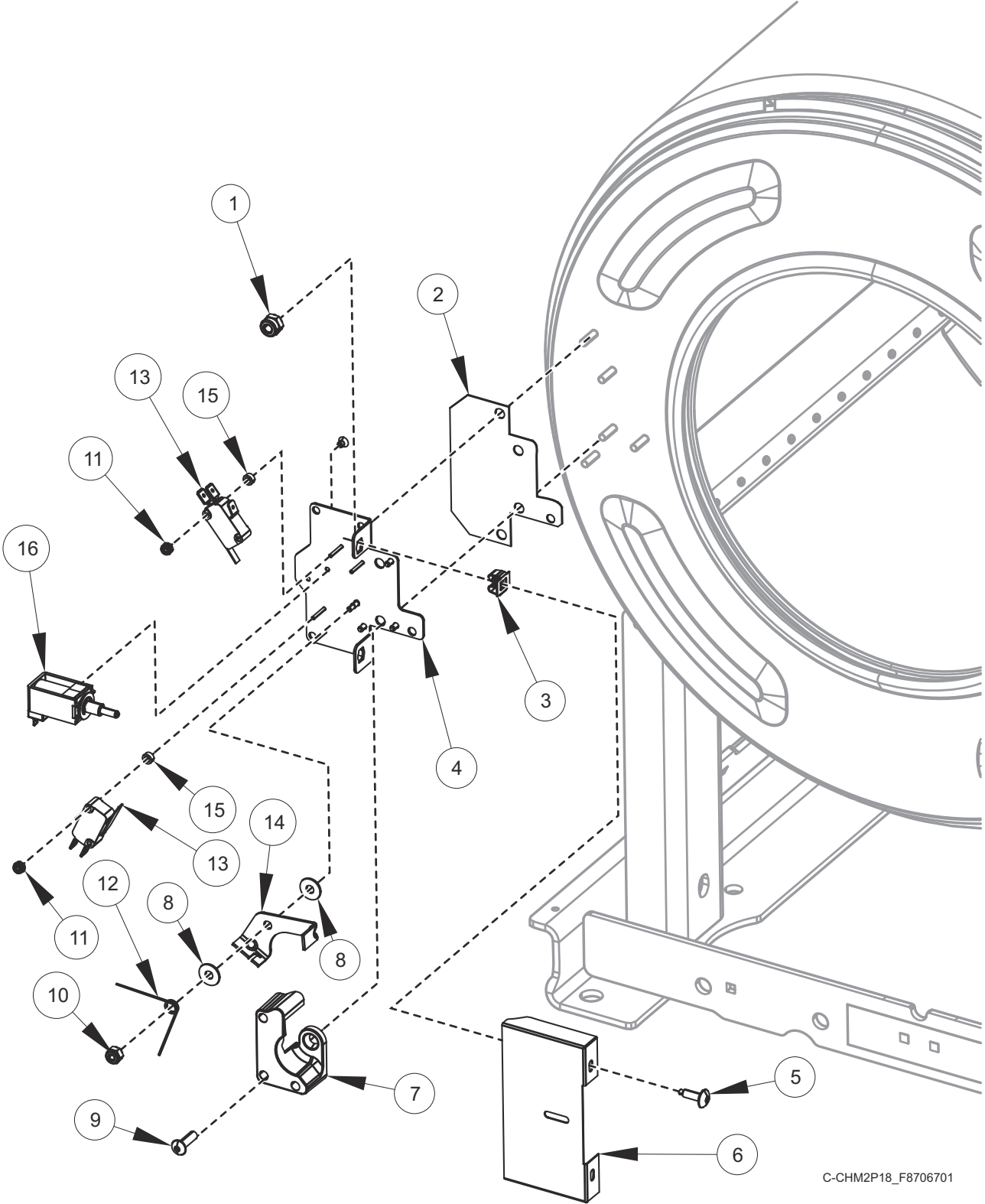


CHM3535P

Door (Drawing 2 of 2)

REF	PART NO.	DESCRIPTION	COMMENTS
	F8698701	Door Assembly	Includes items 1-12, 14-18 and 20-25
	F8698702	Door Assembly	Chrome; Includes items 1-12, 14-18 and 20-25
1	F8624603	Door Handle	Black
2	F431916	Washer	
3	F8687102	Door	
4	F8567501	Door Handle Spacer Kit	Includes items 6 and 7
5	F430232	Nut	
6	F431041	Nut	
7	F430532	Screw	
8	F431222	Spring Pin	
9	F8221403	Door Latch Arm Assembly	Includes latch arm shaft, latch arm support and sleeve
10	535439P	Door Glass	
11	F8583207	Door Glass Trim	Black
12	F8636501	Door Gasket	
13	F200131000P	Door Hinge Shim Kit	
14	F190216P	Door Hinge	
15	F602813-2	Rod	
16	F150271	Door Mount	
17	F431929	Washer	Non-ferrous
	F431147	Washer	
18	F430536	Screw	
19	C001236	Nut	
20	F430215	Nut	
21	F431133	Washer	
22	F8390801	Magnet	
23	F431223	Pop Rivet	
24	F8535501	Screw	
25	F430974	Bolt	
	F8508101	Bolt	Chrome

Door Lock

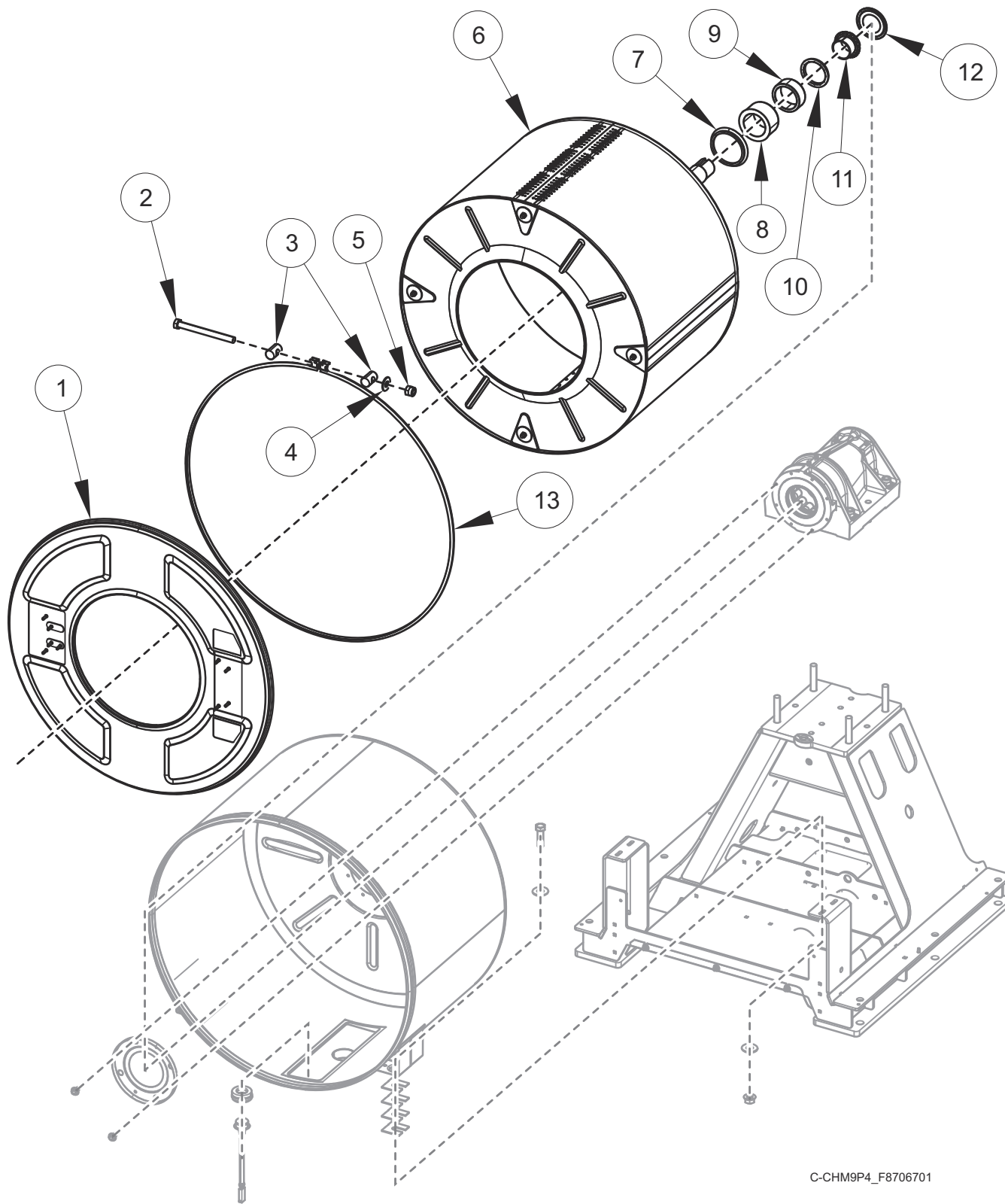


C-CHM2P18_F8706701

Door Lock

REF	PART NO.	DESCRIPTION	COMMENTS
	F8632401	Door Lock Assembly	Includes items 1-16 and F320200 Door Lock Splash
	F8520202	Door Lock Harness	
	F8066804	Reed Switch Assembly	
1	F431024	Nut	
2	F8344401	Door Lock Plate Shim	
3	70030501	Expansion Clip	
4	F8223202	Door Lock Plate Assembly	
5	F8117601	Screw	
6	F8245001	Door Lock Cover	
7	F8344501	Door Lock Catch	
8	F8193101	Washer	
9	F8270701	Bolt	
10	F430232	Nut	
12	F8070301	Torsion/Door Lock Spring	
13	F200203200	Door Lock Microswitch	
14	F8223401	Door Lock Switch Lever	
15	F431901	Spacer	
16	F977P3	Door Lock Solenoid Replacement Kit	

Shell Front and Basket

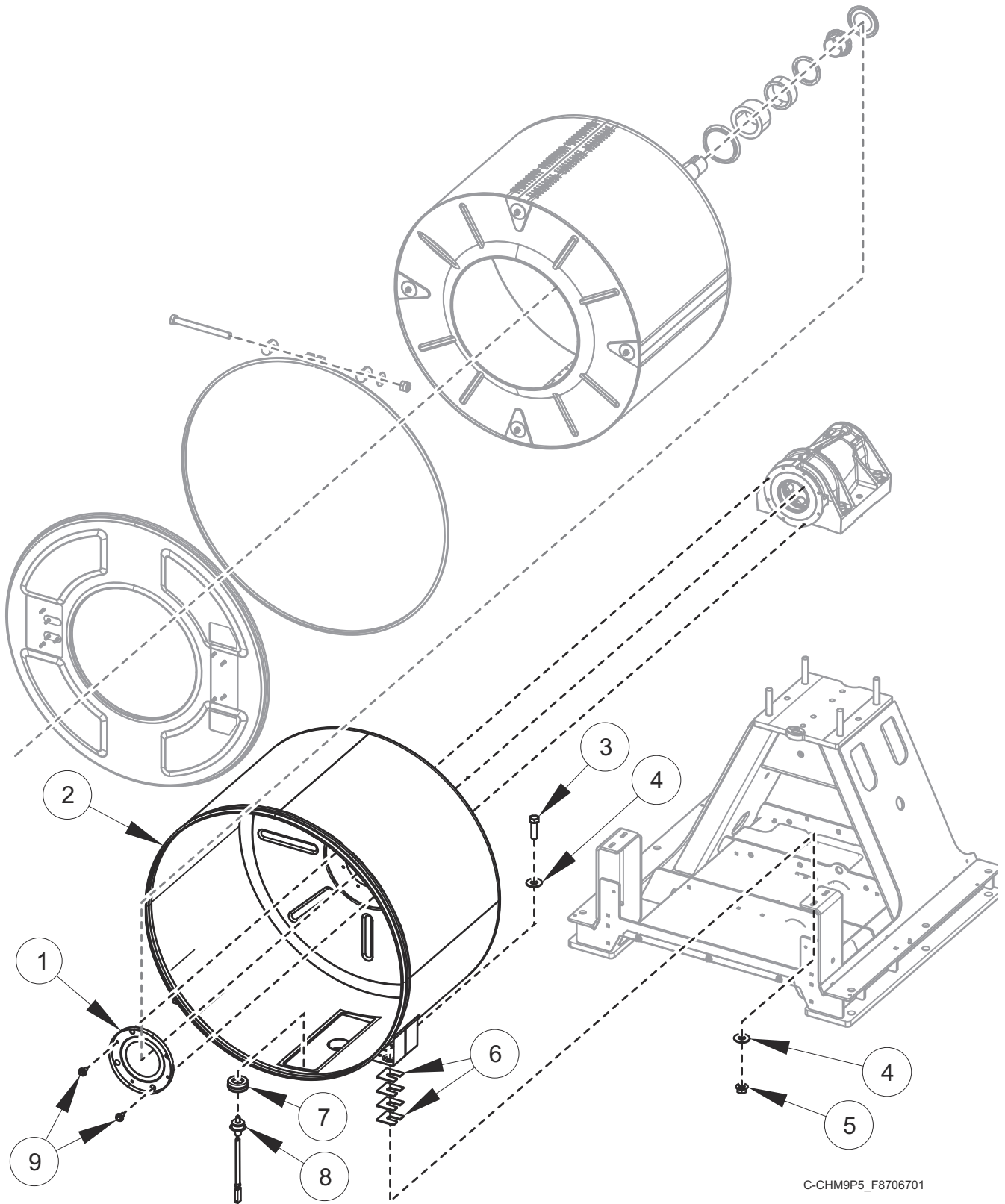


C-CHM9P4_F8706701

Shell Front and Basket

REF	PART NO.	DESCRIPTION	COMMENTS
1	F8222701	Shell Front	80 pound models
	F8229801	Shell Front Assembly	100 pound models
2	F8673701	Screw	
3	F8302701	Pin	
4	M400080	Washer	
5	F430218	Nut	
6	F8516901	Basket Assembly	80 pound models
	F8516904	Basket	80 pound models; Rain; Viton
	F8516903	Basket Assembly	80 pound models; Viton
	F8516902	Basket	80 pound models; Rain
	F8517003	Basket Assembly	100 pound models; Viton
	F8517004	Basket	100 pound models; Rain; Viton
	F8517001	Basket Assembly	100 pound models
	F8517002	Basket	100 pound models; Rain
7	F8337101	Excluder Seal	Standard
	F8527701	Excluder Seal	Viton
8	F8343911	Seal Sleeve	
9	F8280504	Bearing	
10	F8464901	Insertion Sleeve	
11	F8382501	Sleeve Adapter	
12	F8379301	Seal	
13	F8537808	Shell Band Kit	

Shell

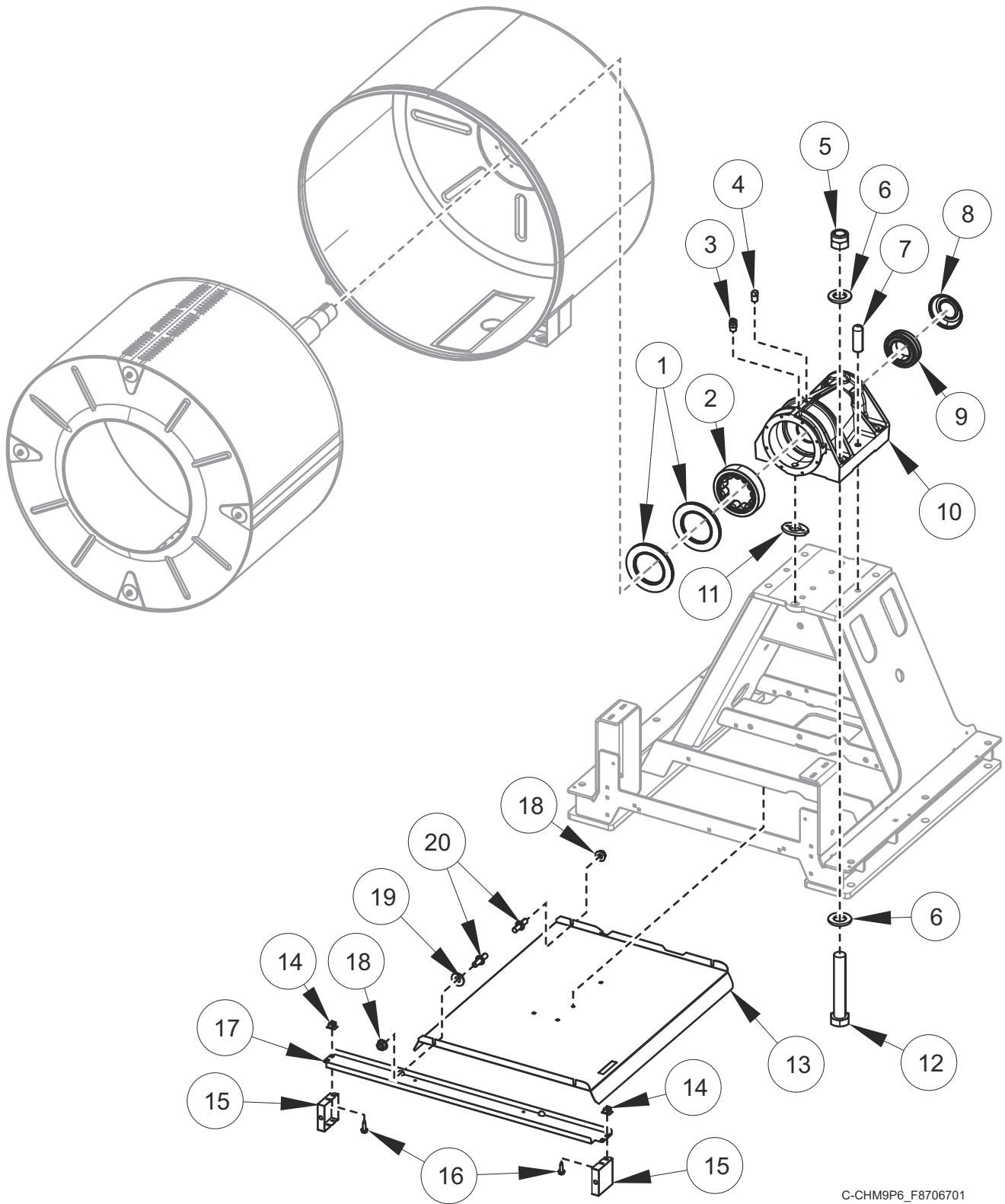


C-CHM9P5_F8706701

Shell

REF	PART NO.	DESCRIPTION	COMMENTS
1	F8550101	Seal Wear Plate	
2	F8543802	Shell	80 pound models; Electric and steam heat
	F8543902	Shell	100 pound models; Electric and steam heat
	F8543803	Shell	80 pound models
	F8543903	Shell	100 pound models
3	F430900	Screw	
4	M400081	Washer	
5	F430218	Nut	
6	F8402701	Washer	
7	2251000400	Temperature Probe Grommet	
8	F8538801	Thermistor	
9	F8442702	Screw	

Bearing Housing and Frame Shield

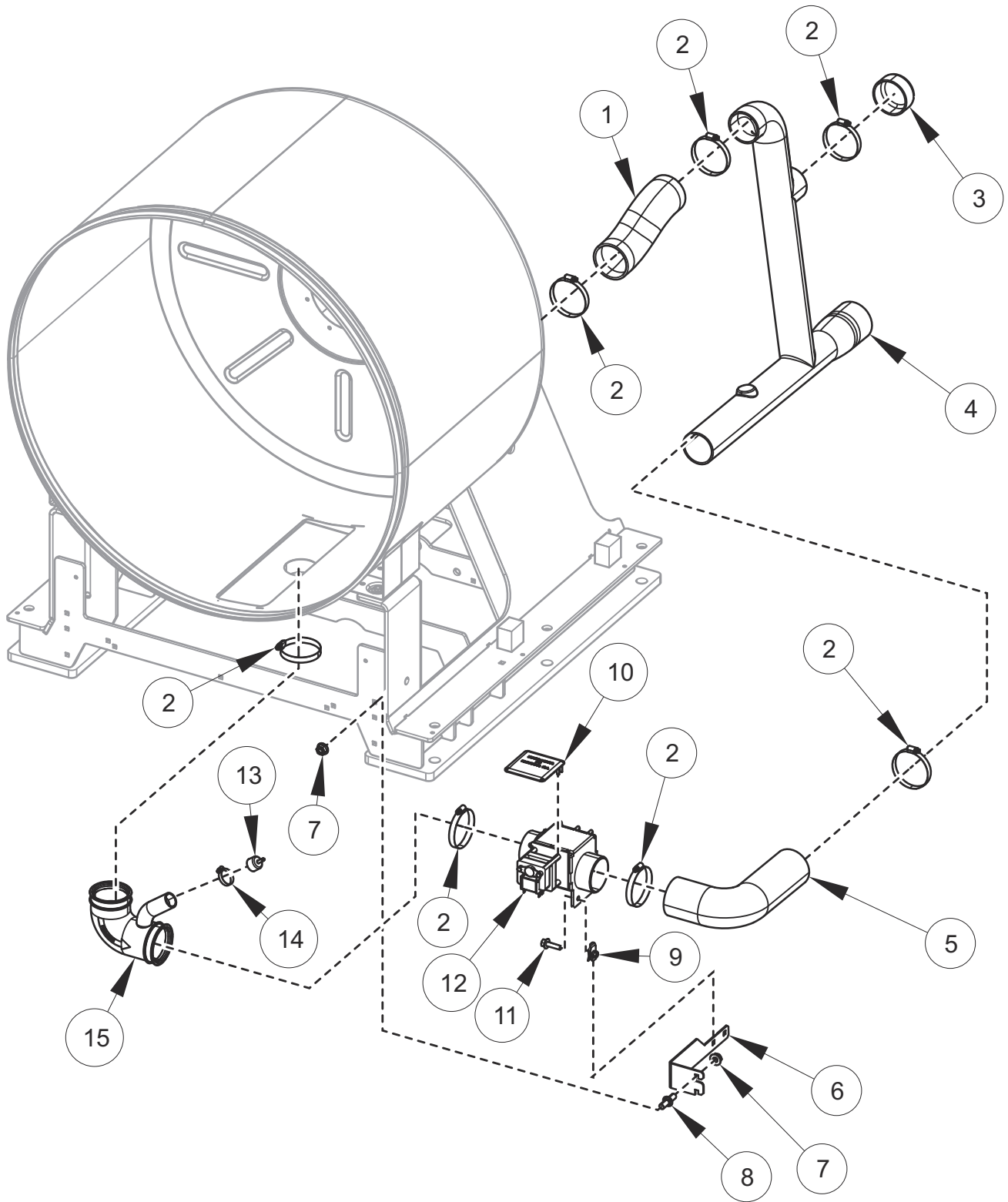


C-CHM9P6_F8706701

Bearing Housing and Frame Shield

REF	PART NO.	DESCRIPTION	COMMENTS
	F8474601	Bearing Housing Assembly	Includes items 1-4 and 8; Standard
	F8474602	Bearing Housing Assembly	Includes items 1-4 and 8; Viton
	F8503801	Bearings and Seals Kit	Standard NBR; Includes items 1, 2, 5-9, 12, F8337101 Excluder Seal, F8502305 Shell Band Gasket and F410102 Clear Sealant
	F8503701	Bearings and Seals Kit	Viton; Includes items 1, 2, 5-9, 12, F8527701 Excluder Seal, F8502305 Shell Band Gasket and F410102 Clear Sealant
1	F8203807	Radial Seal	Standard
	F8203808	Radial Seal	Viton
2	F8280504	Bearing	
3	J1408004	Connector	
4	M403052	Plug	
5	F430248	Nut	
6	F8171201	Washer	
7	F8406502	Dowel Pin	
8	F8528501	Radial Lip Seal	
9	F8375401	Bearing	
10	F8744801R	Bearing Housing	
11	F8452701	Seal Scupper Pad	
12	F8313701	Screw	
13	F8509501	Frame Shield	
14	70030501	Expansion Clip	
15	F8557401	False Side Panel	80 pound models
	F8557402	False Side Panel	100 pound models
16	F8206901	Screw	
17	F8577901	Frame Shield Extension	80 pound models
	F8577902	Frame Shield Extension	100 pound models
18	44087201	Nut	
19	M400080	Washer	
20	70334702	Stud	

Drain Plumbing

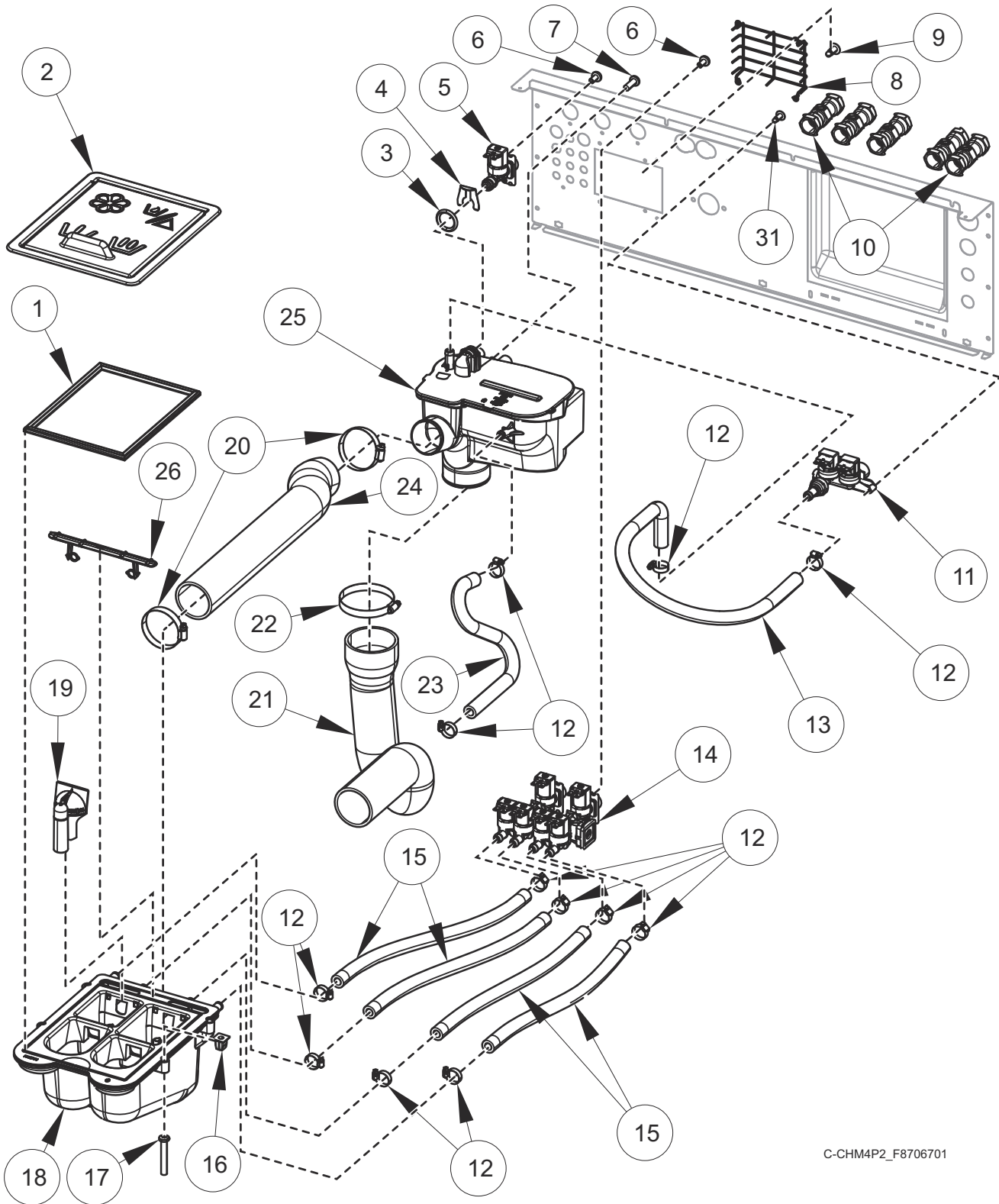


C-CHM9P1_F8706701

Drain Plumbing

REF	PART NO.	DESCRIPTION	COMMENTS
	F8520002	Drain Valve Harness	
1	F0150488-00	Overflow Hose	
2	F200201	Hose Clamp	
3	F0150502-00	Plug	
4	F8386807	Molded Drain	
5	C000412	Water Reuse Hose	
6	F8543601	Drain Valve Bracket	
7	44087201	Nut	
8	70334702	Stud	
9	70030401	Nut	
10	F200133600	Drain Valve Cover	
11	F8117601	Screw	
12	F8406308	Drain Valve	3 inch; 120 Volt; Right; NO
	F8577201	Drain Valve Kit	3 inch; 230 Volt; Right; NO; Includes item 10
	F200166302	Drain Valve Kit	3 inch; 120 Volt; Left; NO; Includes item 10
	F200166402	Drain Valve Kit	3 inch; 230 Volt; Left; NO; Includes item 10
13	F8579301	Pressure Cap	
14	36802	Hose Clamp	
15	F8542001	Drain Hose	
	F8542201	Drain Hose	Steam and electric heat

Fill Plumbing

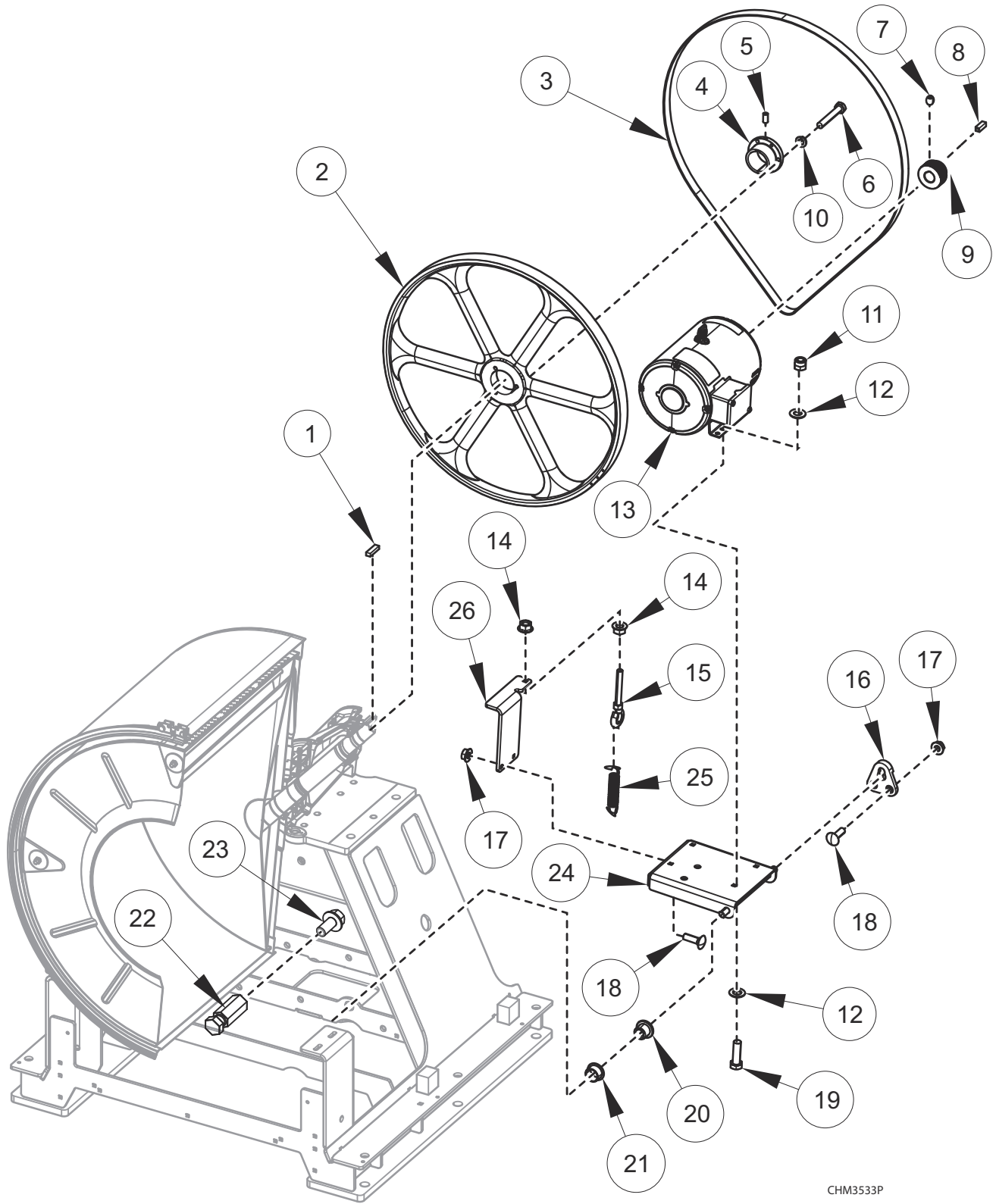


C-CHM4P2_F8706701

Fill Plumbing

REF	PART NO.	DESCRIPTION	COMMENTS
	F8047403	Dispenser	Includes Items 18, 19 and 26
	F8520102	Fill Valve Harness	
	223/00243/00	Y-Connector	Metric
	F8544601	Fill Hose Kit	WRAS; Includes item 11 and F8665602 Water Hose Kit
	F200164	Water Hose	Y fitting; 2 required; Standard
	F200166	Water Hose	Metric thread
	44069101	Hose Fitting	3/4 inch; Standard
1	B12568601	Dispenser Gasket	
2	F8563203	Dispenser Cover	Gray; Icons and text
	F8563201	Dispenser Cover	Gray; Icons
3	F8569101	O-Ring	
4	F8566801	Clip	
5	F8565201	Valve	3/4 inch; Standard
	F8565202	Valve	3/4 inch; Standard
6	F8230301	Screw	
7	800548	Screw	
8	F8589601	Vacuum Breaker Guard	
9	70058501	Pop Rivet	
10	F8301201	Double Check Valve	WRAS
11	70519801	Mixing Valve	Standard
	70519802	Mixing Valve	Metric
12	36801	Hose Clamp	
13	F8598801	Auxiliary Fill Hose	
14	F8529701	Manifold Valve	Standard
	F8529702P	Manifold Valve	Metric
15	F8232012	Hose	
16	F0431807-00	Nut	
17	F8535601	Screw	
18	F8437902	Dispenser Weldment	
19	F8047901	Siphon Cover	
20	F200213	Hose Clamp	
21	F8529605	P-Trap Hose	
22	F200201	Hose Clamp	
23	F8616405	Rear Vent Hose	
24	F8529405	Supply Vacuum Hose	80 pound models
	F8529406	Supply Vacuum Hose	100 pound models
25	F8517503	Vacuum Breaker Assembly	With inlet and fill
	F8517502	Vacuum Breaker Assembly	With inlet; WRAS
	F8517501	Vacuum Breaker Assembly	With fill
	F8517504	Vacuum Breaker Assembly	WRAS
26	F8047801	Access Cover	

Motor, Pulley and Belt

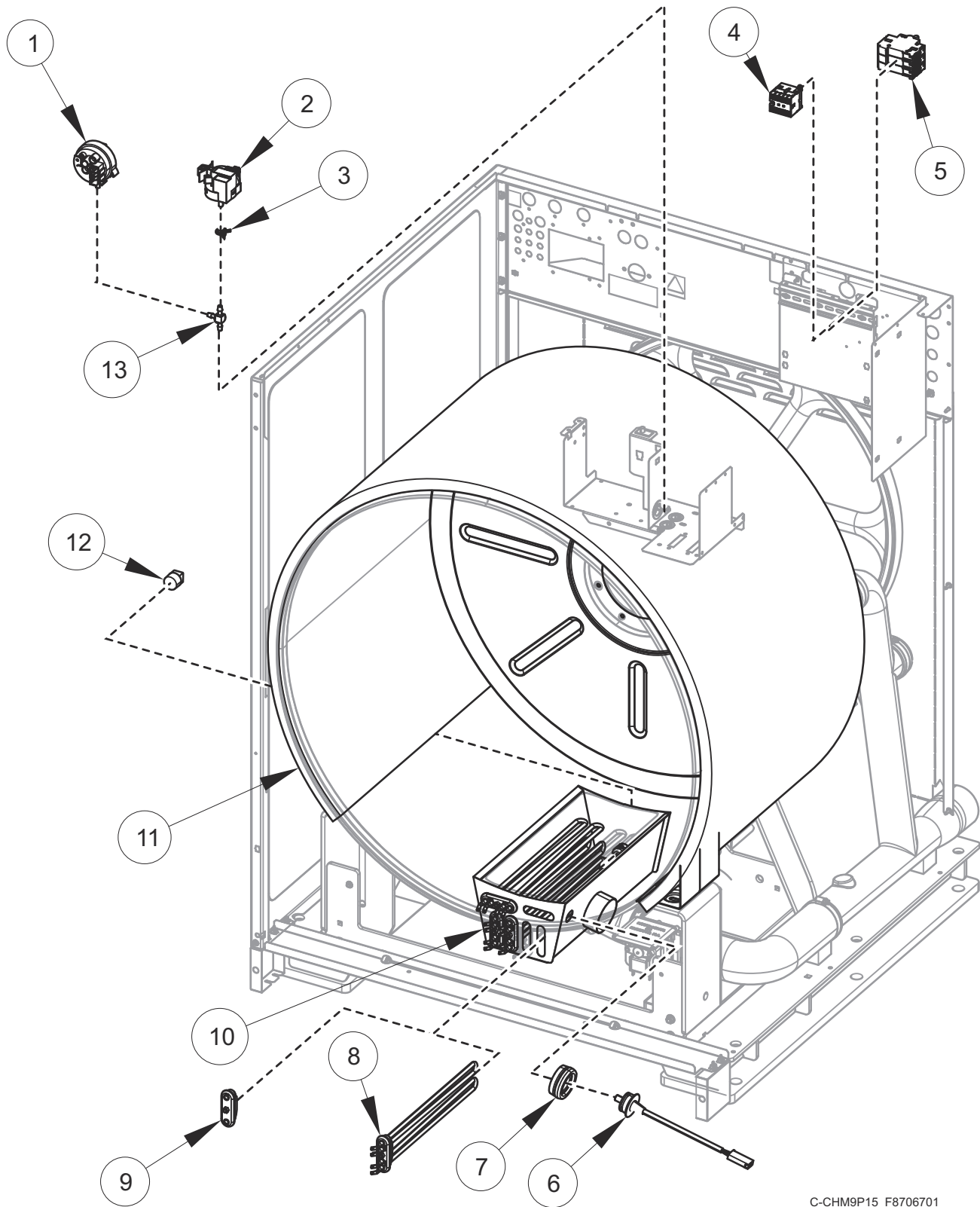


CHM3533P

Motor, Pulley and Belt

REF	PART NO.	DESCRIPTION	COMMENTS
	F8519005	Motor Harness	5 hp
	F8519010	Motor Harness	EMI filter
	F8748601	Spring Stud Kit	
1	44049002	Key	
2	F8381801	Sheave Pulley	
3	F8382819	Belt	80 pound models; Poly-V; 955J12
	70276205P	Belt	100 pound models
4	F8649401	Flanged Bushing	
5	44048902	Screw	
6	44079203	Screw	
7	M400077	Screw	
8	H8752006H	Key	
9	F8362601	Motor Pulley	80 pound models
	F8362602	Motor Pulley	100 pound models
10	M400013	Washer	
11	F8387601	Nut	
12	F8366601	Washer	
13	F8510001	Motor	5 hp
14	44087301	Nut	
15	F8319503	Eye Bolt	
16	F8542101	Drain Hose	
17	44087201	Nut	
18	F8402801	Bolt	
19	800461	Screw	
20	F8535202	Flanged Isolator	
21	F8333302	Flanged Bushing	
22	F8634701	Stud	
23	M405503	Bolt	
24	F8441805	Motor Bracket Weldment	
25	F8440701	Extension Spring	
26	F8342201	Motor Spring Bracket	

Electric Heating

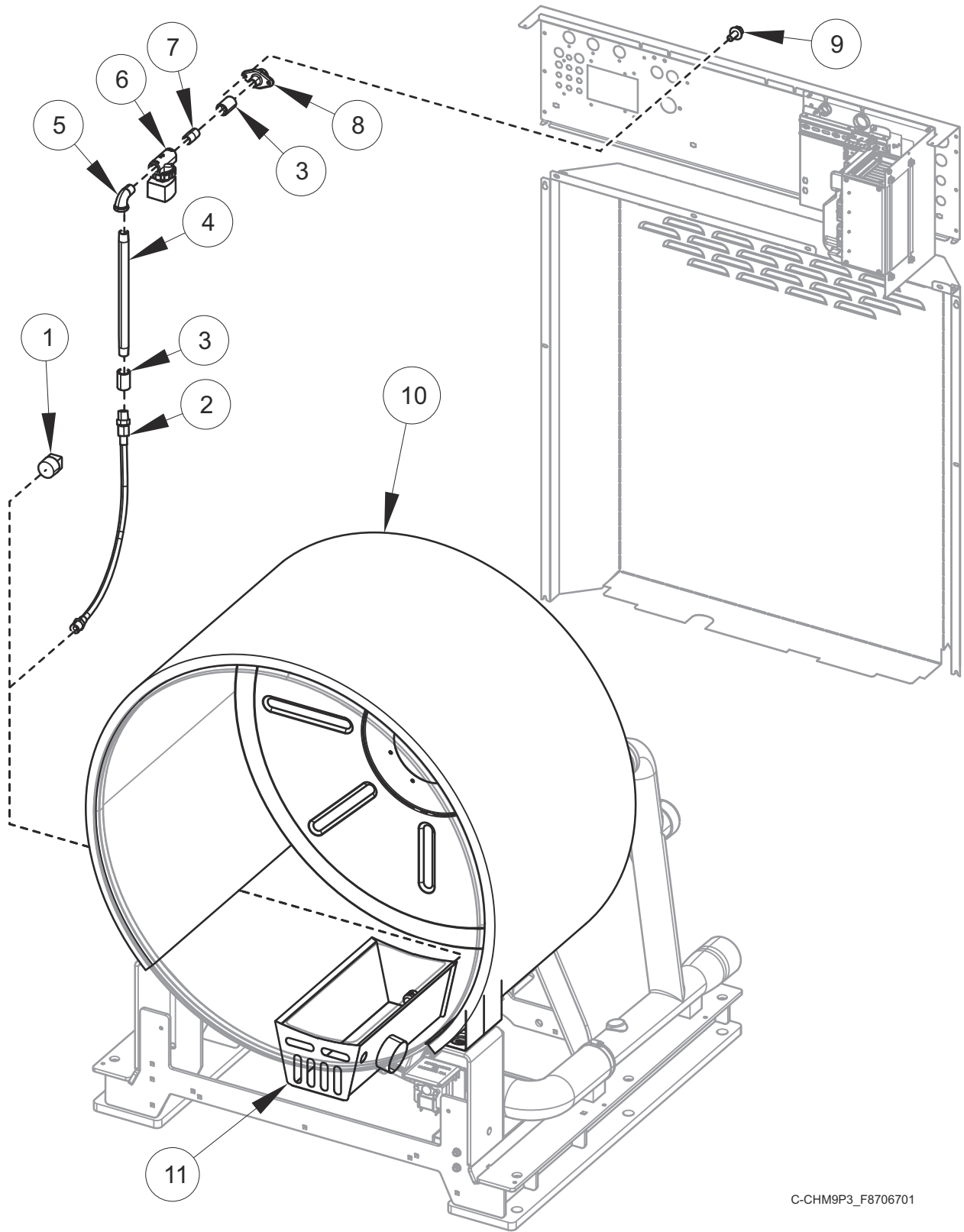


C-CHM9P15_F8706701

Electric Heating

REF	PART NO.	DESCRIPTION	COMMENTS
	F8584802	Electric Heat Element Harness	6 element and ground
	F8619101	Power Harness	
	F8528003	Harness	
	F8564004	Harness	N, P and Q voltage
	F8598302	Harness	Temperature
	F8568901	Jumper	N and P voltage
	F8583501	Jumper	N, P and Q voltage
1	F8609101	Water Level Pressure Switch	
2	39282	Hose Clamp	
3	F8623401	Pressure Sensor	
4	70482601	Contactora	
5	70488101	Circuit Breaker	
6	F8538801	Thermistor	
7	2251000400	Temperature Probe Grommet	
8	F8568301	Heating Element	4200W; 230 Volt
9	F360202	Heating Element Plug	
10	F8543802	Shell	80 pound models
	F8543902	Shell	100 pound models
11	F8209105	Shell Insulation	
12	F420408	Plug	
13	203464	Barbed Tee	

Steam Heating

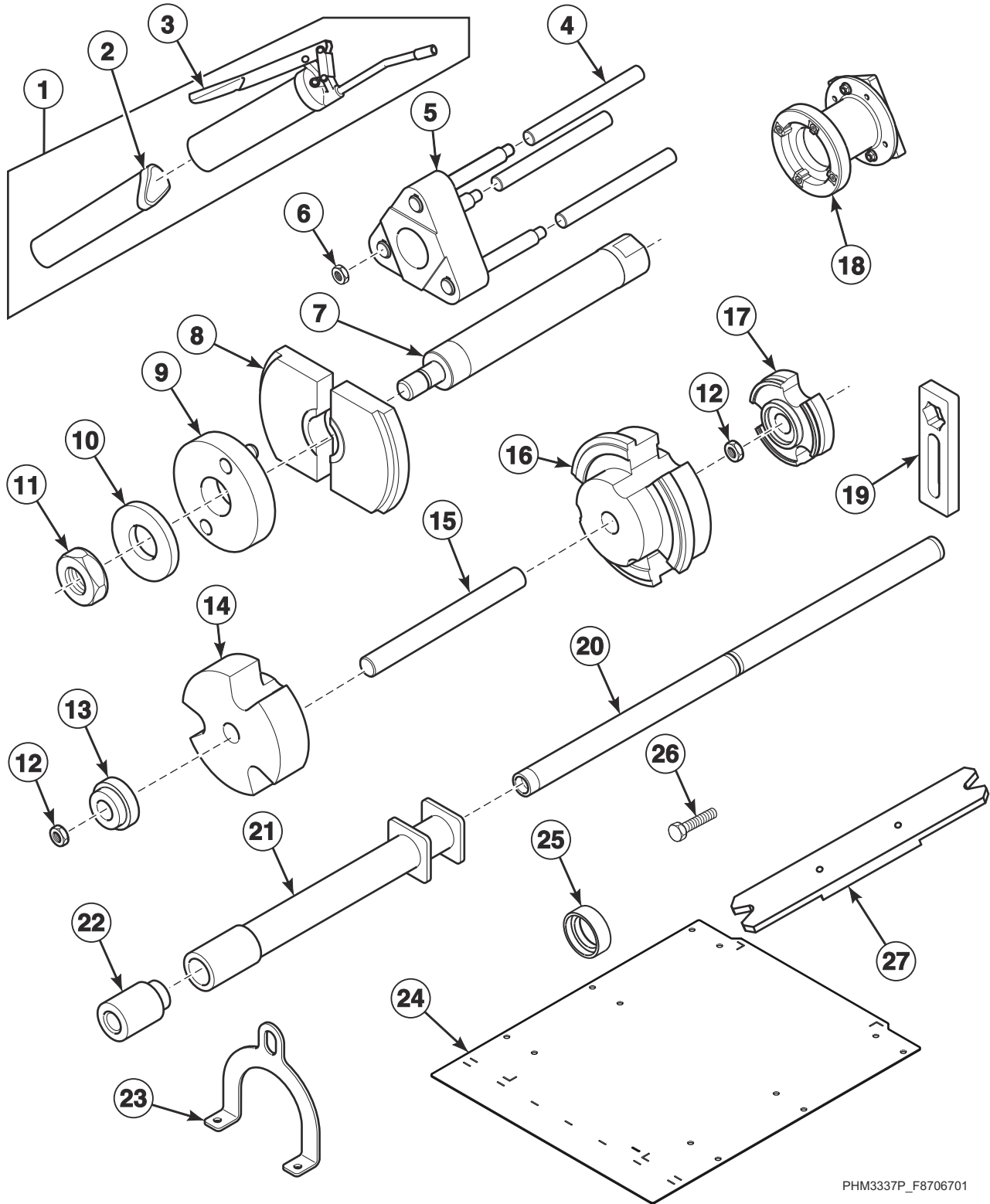


C-CHM9P3_F8706701

Steam Heating

REF	PART NO.	DESCRIPTION	COMMENTS
	F8662601	Steam Kit	Includes Items 1-9, 901403 Nipple, F270307 Steam Filter, F8520704 Harness, insulation and labels
	F270307	Steam Filter	1/2 inch
	F8520704	Harness	Steam valve
	F8564004	Harness	
	F8233702	Insulation	Steam pipe; 6 inches
	F8233704	Insulation	Steam pipe; 12 inches
	F8233708	Pipe Insulation	Steam pipe; 20 inches
	F410300	Pipe Insulation	Steam pipe; 36 inches
1	F420408	Plug	
2	F200197	Steam Hose	
3	F8116301	Coupling	
4	70214101	Pipe Nipple	
5	H86070034	Street Elbow	
6	F8322805	Valve	
7	70435601	Pipe Nipple	
8	F8362701	Coupling	
9	70321501	Screw	
10	F8209105	Shell Insulation	
11	F8543802	Shell	80 pound models
	F8543902	Shell	100 pound models

Special Tools and Kits



PHM3337P_F8706701

Special Tools and Kits

REF	PART NO.	DESCRIPTION	COMMENTS
	1112P	Concrete Hardware Kit	
	203346	USB IR Interface Kit	
	F8599401	Bearing Seal Insertion and Removal Kit	Purchase; Includes items 4-21, 23, 25, 29, 70350503 Wing Nut and F8313702 Screw
	F8599401-1	Bearing Seal Insertion and Removal Kit	Rental; Includes items 4-21, 23, 25, 27, 70350503 Wing Nut and F8313702 Screw
1	F798700	Grease Gun Kit	Includes items 2 and 3
2	F210206P	Bearing Grease	
3	F210207P	Grease Gun	
4	F8599201	Rod	
5	F8560501	Shaft Support Assembly	
6	F8459101	Nut	
7	F8450401	Bearing Removal Shaft Assembly	
8	F8450601	Bearing Removal Plate	
9	F8455601	Bearing Removal Washer Assembly	
10	F8456101	Washer	
11	F8455801	Nut	
12	F8457701	Nut	
13	F8455701	Bearing Removal Plug	
14	F8515101	Bearing Seal Fixture	Front
15	F8452101	Threaded Rod	
16	F8515301	Seal Press Fixture	
17	F8515201	Bearing Seal Fixture	Rear
18	F8530201	Bearing Sleeve Assembly	
19	F8562801	One Sided Disassembly Fixture	
20	F8534101	Guide Rod Assembly	
21	F8490701	Hammer	
22	F8514401	Hammer Tool Adapter	
23	F8451501	Bearing Housing Lifting Fixture	
24	F8413101	Frame Template	
25	F8537502	Excluder Seal Fixture	
26	M400063	Screw	
27	F8634802	Clamp	

Parts Index

A

Access Cover	
F8047801	53
Access Panel	
F8552702	31, 33
Access Panel Retaining Spacer	
F8609701	31, 33
Air Coupling	
F422114	31, 33
App Pay Overlay Kit	
44374701	9, 11, 15, 17, 19
Auxiliary Fill Hose	
F8598801	53

B

Barbed Tee	
203464	9, 11, 57
Basket	
F8516901	45
F8516902	45
F8516904	45
F8517002	45
F8517004	45
Basket Assembly	
F8516903	45
F8517001	45
F8517003	45
Bearing	
F8280504	45, 49
F8375401	49
Bearing Grease	
F210206P	61
Bearing Housing	
F8744801R	49
Bearing Housing Assembly	
F8474601	49
F8474602	49
Bearing Housing Lifting Fixture	
F8451501	61
Bearing Removal Plate	
F8450601	61
Bearing Removal Plug	
F8455701	61
Bearing Removal Shaft Assembly	
F8450401	61
Bearing Removal Washer Assembly	
F8455601	61
Bearing Seal Fixture	
F8515101	61
F8515201	61
Bearing Seal Insertion and Removal Kit	
F8599401	61
F8599401-1	61
Bearing Sleeve Assembly	
F8530201	61
Bearings and Seals Kit	
F8503701	49

F8503801	49
Belt	
F8382819	55
70276205P	55
Bolt	
F430974	39, 41
F8270701	43
F8402801	55
F8508101	39, 41
M405503	55

C

Cabinet Brace	
F8556901	35
F8556902	35
Card Plate Assembly	
F8201501	11
Central Pay Harness	
44342801	11
Central Pay Kit	
F8673202	11
F8673204	11
Chemical Injection Control	
804528	27
Circuit Breaker	
70488101	23, 25, 57
Clamp	
F8634802	61
Clip	
F8566801	53
Coin Drawer Assembly	
F8182001	21
Coin Drop	
38963P	15
39748	15
70441601P	15
70441603	17
Coin Drop Assembly	
201141	15
210195	17
210196	17
38462P	15
38463	15
38464P	15
38467	17
38475	15
38519	17
70281102	17
70283102	17
70441602	17
70447301	17
70471601	15
70482401	17
70506901	15
Coin Drop Kit	
CK077	15
CK122	19
Coin Identification Paper	
38725	15, 17, 19

N/A items do not appear in index.

Coin Meter	
F0160737-00.....	17
Coin Vault Assembly	
F8529101.....	9
Coin Vault Bypass Harness	
F8519702.....	11
Coin Vault Harness	
F8519701.....	9
Concrete Hardware Kit	
1112P.....	61
Connector	
F8555406.....	11
J1408004.....	49
70493102.....	27
Contactactor	
F330188P.....	57
70482601.....	23, 25
70482701.....	23, 25
Contactactor Tray	
F8530901.....	23, 25
Control Assembly	
F8493901P.....	9, 11
Control Panel Assembly	
F8552601.....	31
F8552604.....	33
Control Tray	
F8530701.....	13
Coupling	
F8116301.....	59
F8362701.....	59

D

Danger Label	
F8614501.....	7
DIN Rail	
B12315401.....	23, 25
M412689.....	23, 25
Dispenser	
F8047403.....	53
Dispenser Bracket	
F8525701.....	35
Dispenser Cover	
F8563201.....	53
F8563203.....	53
Dispenser Gasket	
B12568601.....	53
Dispenser Weldment	
F8437902.....	53
Door	
F8505001.....	39
F8508801.....	39
F8687102.....	41
Door Assembly	
F8505101.....	39
F8505104.....	39
F8698701.....	41
F8698702.....	41
Door Bezel	
F8659301.....	31, 33
Door Gasket	
F8440801P.....	39
F8636501.....	41

Door Glass	
535439P.....	41
Door Glass Gasket	
F8499904.....	39
Door Glass Retainer	
F8504902.....	39
F8504903.....	39
Door Glass Trim	
F8583207.....	41
Door Handle	
F8199401P.....	39
F8624603.....	41
Door Handle Spacer Kit	
F8567501.....	39, 41
Door Hinge	
F190216P.....	39, 41
Door Hinge Shim Kit	
F200131000P.....	39, 41
Door Latch Arm Assembly	
F8221403.....	39, 41
Door Lock Assembly	
F8632401.....	43
Door Lock Catch	
F8344501.....	43
Door Lock Cover	
F8245001.....	43
Door Lock Harness	
F8520202.....	43
Door Lock Microswitch	
F200203200.....	43
Door Lock Plate Assembly	
F8223202.....	43
Door Lock Plate Shim	
F83344401.....	43
Door Lock Solenoid Replacement Kit	
F977P3.....	43
Door Lock Switch Lever	
F8223401.....	43
Door Mount	
F150271.....	39, 41
Double Check Valve	
F8301201.....	53
Dowel Pin	
F8406502.....	49
Drain Hose	
F8542001.....	51
F8542101.....	55
F8542201.....	51
Drain Valve	
F8406308.....	51
Drain Valve Bracket	
F8543601.....	51
Drain Valve Cover	
F200133600.....	51
Drain Valve Harness	
F8520002.....	51
Drain Valve Kit	
F200166302.....	51
F200166402.....	51
F8577201.....	51
Drive Assembly	
F8496601.....	29
F8496901.....	29

N/A items do not appear in index.

Drive Communication Harness	
F8519201	29
F8519202	29
F8519203	29
F8519204	29
Drive Mounting Bracket	
F8322401	29
Drive Panel Base Assembly	
F8567001	23
F8567003	25
F8567004	23, 25
Drive Power Harness	
F8518603	29
Drive Terminal Tray	
F8530803	23, 25

E

Electric Heat Element Harness	
F8584802	57
Electronic Coin Drop Assembly	
70294107	19
70513302	19
70513303	19
70513304	19
70513306	19
70513309	19
70513310	19
70513311	19
70513312	19
70513313	19
70513314	19
70513315	19
70513316	19
Electronic Coin Drop Kit	
CK099	19
CK100	19
CK101	19
CK108	19
CK109	19
CK110	19
CK113	19
CK115	19
CK116	19
CK117	19
CK118	19
CK119	19
CK120	19
CK121	19
CK500	19
Emergency Stop Bypass Harness	
F8519403	11
F8549403	9
EMI Filter	
F8591801	23, 25
F8637501	23, 25
End Stop	
F8449801	23, 25
Excluder Seal	
F8337101	45
F8527701	45
Excluder Seal Fixture	
F8537502	61
Expansion Clip	
70030501	13, 23, 25, 29, 31, 33, 35, 37, 43, 49

Extension Spring	
F8440701	55
External Supply Kit	
F8662504	27
F8662508	27
Eye Bolt	
F8319503	55

F

False Side Panel	
F8557401	49
F8557402	49
Fill Cover	
F8586301	35
Fill Hose Kit	
F8544601	53
Fill Valve Harness	
F8520102	53
Filter Kit	
F8662807	25
F8662808	23
F8662813	23
F8662814	25
Flanged Bushing	
F8649401	55
Flanged Isolator	
F8333302	55
F8535202	55
Frame Shield	
F8509501	49
Frame Shield Extension	
F8577901	49
F8577902	49
Frame Template	
F8413101	61
Front Panel	
F8552801	31
F8552802	33
F8552803	31
F8552804	33
Front Tray Assembly	
F8531001	9, 11
F8567303	9
F8567306	9
F8567309	11
F8567312	11

G

Gasket	
F8542601	35
Gateway	
205391P	13
Glass	
F290210P	39
Grease Fitting	
F190701	31, 33
Grease Gun	
F210207P	61
Grease Gun Kit	
F798700	61

N/A items do not appear in index.

Ground Lug Connector M411283	23, 25
Guide Rod Assembly F8534101	61

H

Hammer F8490701	61
Hammer Tool Adapter F8514401	61
Harness	
F8518401	23
F8518403	23, 25
F8518404	23
F8518501	25
F8518503	25
F8518504	25
F8518606	23, 25
F8519301	9, 11
F8519502	9, 11
F8519601	9, 11
F8520602	27
F8520704	59
F8528001	23, 25
F8528003	23, 25
F8528005	23, 25
F8528204	27
F8564001	57
F8564004	57, 59
F8598302	57
F8619102	23, 25
Heating Element F8568301	57
Heating Element Plug F360202	57
Hole Plug F8223801	35
Hose	
F8232012	53
F8245713	31, 33
Hose Clamp	
F200201	51, 53
F200213	53
36801	53
36802	51
39282	9, 11, 57
Hose Fitting 44069101	53
Hot Surface Warning Label F8609001	7
F8614301	7

I

Input and Output Control Assembly F8494101P	13
Insertion Sleeve F8464901	45
Insulation	
F8233702	59
F8233704	59

Insulator M413862	23, 25
----------------------------	--------

J

Jumper	
F8568901	57
F8583501	23, 25, 57

K

Key	
F160420	21
H8752006H	55
44049002	55
70155603	35

L

Label	
D516100	23, 25
F8601301	7
F8602401	7
F8609401	7
F8611301	7
F8611401	7
F8613501	31, 33
F8614801	7
F8620801	7
203853	7
44286803	23, 25

M

Machine ID Control Assembly 203361P	9, 11
Magnet F8390801	39, 41
Manifold Valve	
F8529701	53
F8529702P	53
Mixing Valve	
70519801	53
70519802	53
Molded Drain F8386807	51
Motor F8510001	55
Motor Bracket Weldment F8441805	55
Motor Harness	
F8519005	55
F8519010	55
Motor Pulley F8362601	55
F8362602	55
Motor Spring Bracket F8342201	55
Mounting Plate 70208801	11

N/A items do not appear in index.

N

Nut	
C001236	39, 41
F0431807-00.....	53
F430215.....	19, 39, 41
F430218.....	45, 47
F430232.....	39, 41, 43
F430248.....	49
F431024.....	43
F431041.....	39, 41
F8387601.....	55
F8455801.....	61
F8457701.....	61
F8459101.....	61
F8549401.....	39
44087201.....	49, 51, 55
44087301.....	55
44088001.....	23, 25
44088801.....	35
685846.....	9, 11, 15, 17
70030401.....	37, 51

O

One Sided Disassembly Fixture	
F8562801.....	61
Opto Coupler	
200674P.....	15, 17
O-Ring	
F8569101.....	53
Overflow Hose	
F0150488-00.....	51
Overlay	
F8703801.....	31
F8703802.....	31
F8703803.....	33
F8703804.....	33
F8703805.....	31
F8703901.....	31
F8703902.....	31
F8703903.....	33
F8703904.....	33
F8703905.....	31
F8704401.....	31
F8704402.....	31
F8704403.....	33
F8704404.....	33
F8704405.....	31
F8704501.....	31
F8704502.....	31
F8704503.....	33
F8704504.....	33
F8704505.....	31
70556401.....	33
70556402.....	33
70557001.....	33
70557002.....	33

P

Panel Locator	
56079.....	31, 33, 37

Panel Lock	
44089303P.....	35
Pin	
F8302701.....	45
F8502101.....	37
Pinch Warning Label	
F8615701.....	7
70538401.....	7
Pipe Insulation	
F410300.....	59
F8233708.....	59
Pipe Nipple	
70214101.....	59
70435601.....	59
Plug	
F0150502-00.....	51
F420408.....	57, 59
F8223901.....	35
M400985.....	35
M403052.....	49
Pop Rivet	
F431215.....	31, 33, 35
F431223.....	39, 41
M400003.....	13, 23, 25
685847.....	35
70058501.....	9, 15, 17, 23, 25, 53
70412601.....	31, 33
Power Distribution Block	
M413865.....	23, 25
Power Distribution Block Cover	
44014901P.....	23, 25
Power Harness	
F8619101.....	23, 25, 57
Pressure Cap	
F8579301.....	51
Pressure Sensor	
F8623401.....	9, 11, 57
P-Trap Hose	
F8529605.....	53
Pulse Expander Assembly	
F8034701P.....	19
Pushbutton Switch	
70413301.....	35

R

Radial Lip Seal	
F8528501.....	49
Radial Seal	
F8203807.....	49
F8203808.....	49
Rear Panel	
F8555301.....	35
Rear Vent Hose	
F8616405.....	53
Reed Switch Assembly	
F8066804.....	43
Rivet	
M412763.....	31, 33, 37
70412601.....	35
Rod	
F602813-2.....	39, 41
F8599201.....	61

N/A items do not appear in index.

S

Screw

D503688	29
F430532	39, 41
F430536	39, 41
F430900	47
F8117601	31, 33, 37, 43
F8206901	13, 23, 25, 35, 49
F8230301	53
F8313701	49
F8442702	47
F8535501	39, 41
F8535601	53
F8589501	31, 33
F8673701	45
M400063	61
M400077	55
202175	37, 51
33562	35
39733	23, 25
403497	27
430497	13
44048902	55
44079203	55
51783	23, 25
685837	23, 25
70321501	59
800461	55
800548	53

Seal

F8379301	45
----------	----

Seal Press Fixture

F8515301	61
----------	----

Seal Scupper Pad

F8452701	49
----------	----

Seal Sleeve

F8343911	45
----------	----

Seal Wear Plate

F8550101	47
----------	----

Shaft Support Assembly

F8560501	61
----------	----

Sheave Pulley

F8381801	55
----------	----

Shell

F8543802	47, 57, 59
F8543803	47
F8543902	47, 57, 59
F8543903	47

Shell Band Kit

F8537808	45
----------	----

Shell Front

F8222701	45
----------	----

Shell Front Assembly

F8229801	45
----------	----

Shell Insulation

F8209105	57, 59
----------	--------

Shock Warning Label

F8614201	7
----------	---

Side Panel

F8553001	37
F8553002	37
F8553101	37
F8553102	37

Siphon Cover

F8047901	53
----------	----

Sleeve Adapter

F8382501	45
----------	----

Snap Bushing

F140938	9, 11, 23, 25, 27
M402542	9, 11
M411826	9, 11
70346501	23, 25

Spacer

F431901	43
---------	----

Spring Pin

F431222	39, 41
---------	--------

Spring Stud Kit

F8748601	55
----------	----

Steam Filter

F270307	59
---------	----

Steam Hose

F200197	59
---------	----

Steam Kit

F8662601	59
----------	----

Street Elbow

H86070034	59
-----------	----

Stud

F8634701	55
70334702	49, 51

Supply Vacuum Hose

F8529405	53
F8529406	53

T

Temperature Probe Grommet

2251000400	47, 57
------------	--------

Terminal

00622SG	13, 23, 25
---------	------------

Terminal Block

430642	23, 25
--------	--------

Terminal Block Shield

70333001	23, 25
----------	--------

Terminal Tray Cover

F8518301	35
----------	----

Thermistor

F8538801	47, 57
----------	--------

Threaded Rod

F8452101	61
----------	----

Top Cover

F8553301	35
F8553302	35

Top Cover Hinge

F8258601	35
----------	----

Top Cover Latch

F8201001	31, 33
----------	--------

Torsion/Door Lock Spring

F8070301	43
----------	----

Transformer

F8491101	13
202758	13

Tubing

F8405302	9, 11
F8405303	9, 11

U

USB IR Interface Kit	
203346	61

V

Vacuum Breaker Assembly	
F8517501	53
F8517502	53
F8517503	53
F8517504	53
Vacuum Breaker Guard	
F8589601	53
Valve	
F8322805	59
F8565201	53
F8565202	53
Valve Panel	
F8553401	35

W

Warning Label	
F8611601	7
44324001	7
Washer	
F431133	39, 41
F431147	39, 41
F431916	39, 41
F431929	39, 41
F8171201	49
F8193101	43
F8201101	31, 33
F8366601	55
F8402701	47
F8456101	61
M400013	55
M400080	45, 49
M400081	47
M405535	37
70292801	31, 33
804501	35
Water Hose	
F200164	53
F200166	53
Water Level Pressure Switch	
F8609101	9, 11, 57
Water Reuse Hose	
C000412	51
Wire Clip	
F8449501	9, 11, 13
70347601	13
70366201	9, 11
Wire Label	
44286804	23
Wireless Harness	
F8674004	13
Wireless Kit	
F8676101	13
Wireless Network Control Assembly	
807211	13

Y

Y-Connector	
223/00243/00	53
