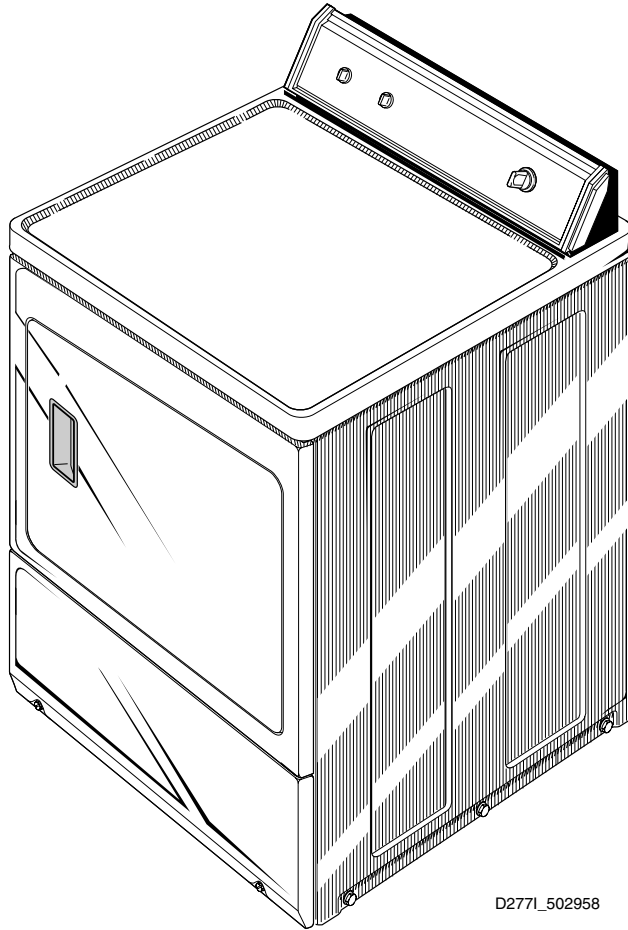


Dryers

Refer to Page 3 for Model Numbers



D2771_502958

Table of Contents

| Title | Page |
|---|------|
| Parts Ordering Information..... | 2 |
| Nameplate Location | 2 |
| Model Identification | 3 |
| Graphic Panel, Control Hood and Controls (Drawing 1 of 3) | 4 |
| Graphic Panel, Control Hood and Controls (Drawing 2 of 3) | 6 |
| Graphic Panel, Control Hood and Controls (Drawing 3 of 3) | 8 |
| Cabinet Top and Control Hood Rear Panel | 10 |
| Loading Door | 12 |
| Lower Access Panel, Front Panel and Seal..... | 14 |
| Motor, Exhaust Fan and Belt | 16 |
| Front Bulkhead, Air Duct, Felt Seal and Cylinder | 18 |
| Rear Bulkhead, Felt Seal, Cylinder Roller and Terminal Block..... | 20 |
| Heater Duct and Element Assembly | 22 |
| Heater Duct Assembly | 24 |
| Gas Valve, Igniter and Gas Conversion Kits..... | 26 |
| Cabinet, Exhaust Duct and Base | 28 |
| Power Cord | 30 |
| Terminal Block and Terminals | 32 |
| Terminals | 34 |
| Motor Connection Block, Terminals and Terminal Extractor Tools..... | 36 |
| Wire Harnesses and Wires | 38 |
| Parts Index..... | 39 |

© Copyright 2005, Alliance Laundry Systems LLC

All rights reserved. No part of the contents of this book may be reproduced or transmitted in any form or by any means without the expressed written consent of the publisher.

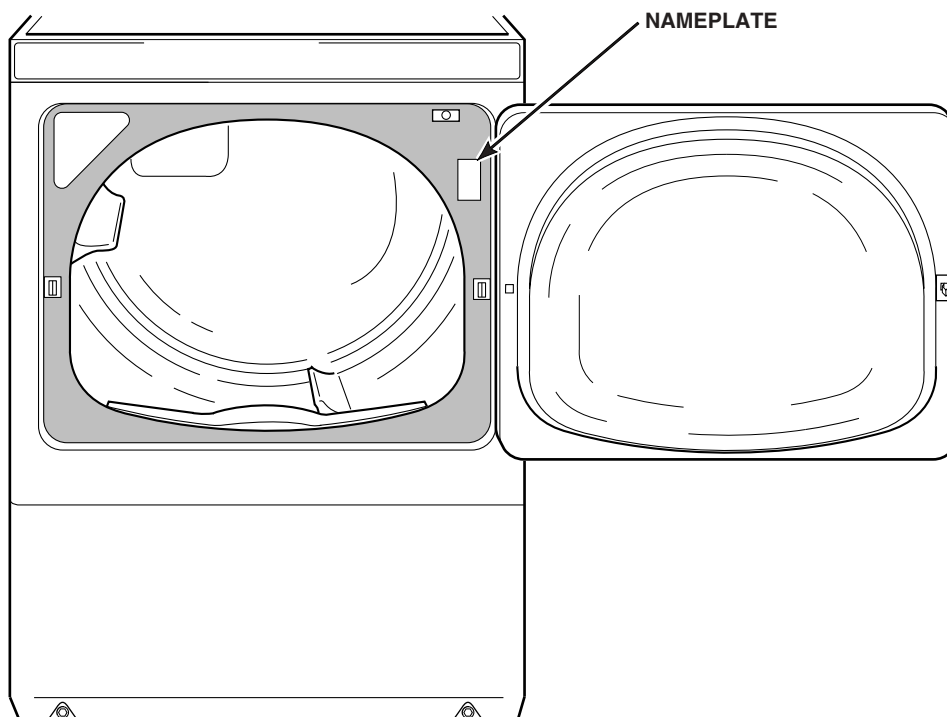
Parts Ordering Information

If literature or replacement parts are required, contact the source from whom the machine was purchased or contact Alliance Laundry Systems at (920) 748-3950 for the name and address of the nearest authorized parts distributor.

For technical assistance, call (920) 748-3121.

Nameplate Location

When calling or writing about your product, be sure to mention model and serial numbers. Model and serial numbers are located on nameplate(s) as shown.



D282P_502958

Model Identification

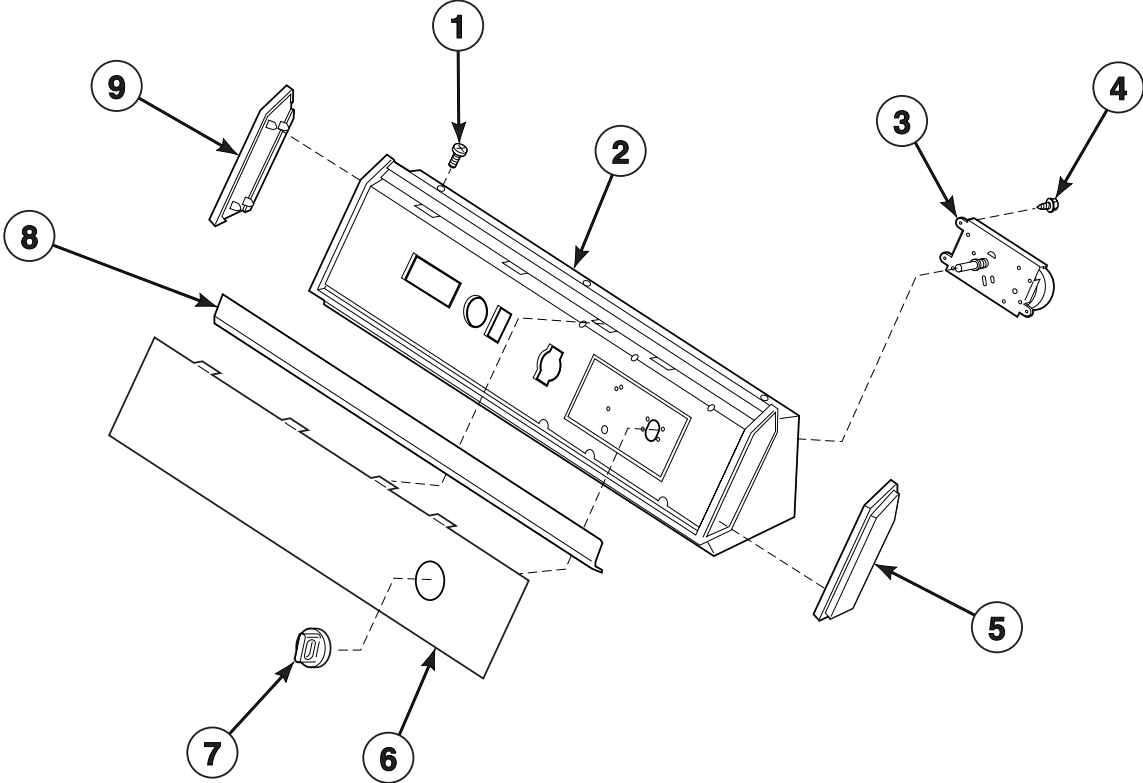
Information in this manual is applicable to these dryer models:

| | |
|--------------|----------|
| AEM407*2 | AGM409*2 |
| AEM427*2 | AGM429*2 |
| AEM477*2 | AGM479*2 |
| AEM497*2 | AGM499*2 |
| AEM497*21500 | AGM679*2 |
| AEM677*2 | AGM699*2 |
| AEM697*2 | |

* Add Letter To Designate Color. L - Almond W - White

Graphic Panel, Control Hood and Controls (Drawing 1 of 3)

Models AEM407*2, AGM409*2, AEM427*2 and AGM429*2



D156PZ3A_502958

Graphic Panel, Control Hood and Controls (Drawing 1 of 3)

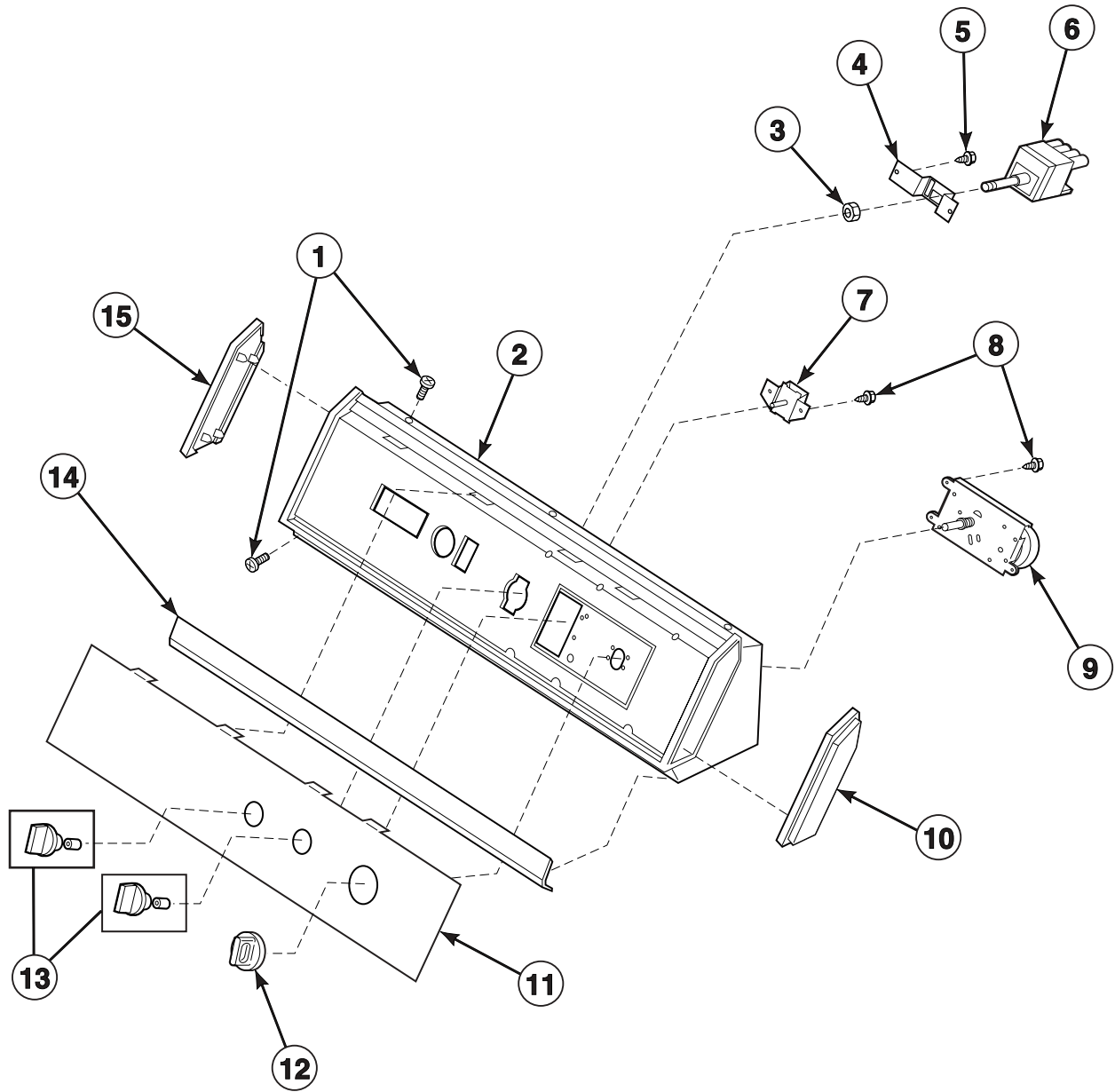
| REF | PART NO. | DESCRIPTION | COMMENTS |
|-----|----------|-----------------------|-------------------------------------|
| 1 | 31752 | Screw | Models AEM407*2 and AGM409*2 |
| | 32993 | Screw | Models AEM427*2 and AGM429*2 |
| 2 | N/A | Control Hood Assembly | |
| 3 | 501881 | Timer | 2 cycle |
| 4 | 501086 | Screw | |
| 5 | 31248 | End Cap | Right |
| 6 | 502202 | Graphic Panel | |
| 7 | 62176 | Timer Knob Assembly | Models AEM407*2 and AGM409*2; Black |
| | 62234 | Timer Knob Assembly | Models AEM427*2 and AGM429*2; White |
| 8 | N/A | Control Panel Trim | Models AEM427*2 and AGM429*2 |
| 9 | 31249 | End Cap | Left |

* Add Letter To Designate Color. L - Almond W - White

N/A = Part no longer available

Graphic Panel, Control Hood and Controls (Drawing 2 of 3)

Models AEM497*2, AEM497*21500, AGM499*2, AEM477*2 and AGM479*2



D157P_502958

Graphic Panel, Control Hood and Controls (Drawing 2 of 3)

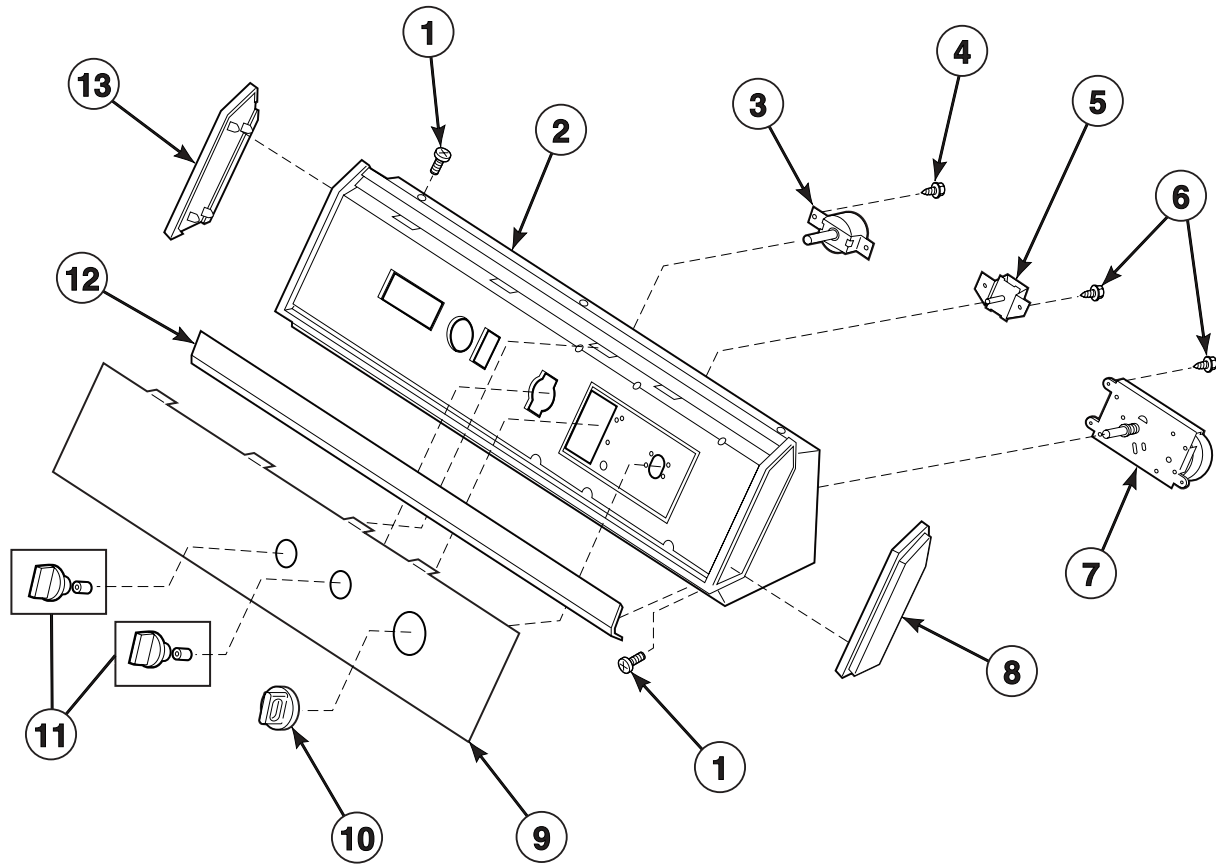
| REF | PART NO. | DESCRIPTION | COMMENTS |
|-----|----------|------------------------|--|
| 1 | 31752 | Screw | Models AEM497*2, AEM497*21500 and AGM499*2 |
| | 32993 | Screw | Models AEM477*2 and AGM479*2 |
| 2 | N/A | Control Hood Assembly | |
| 3 | 57584 | Nut | |
| 4 | N/A | Switch Bracket | |
| 5 | 31260 | Screw | |
| 6 | 61511 | Fabric Selector Switch | |
| 7 | 500823 | Rotary Signal | |
| 8 | 501086 | Screw | |
| 9 | 502963 | Timer | 3 cycle |
| 10 | 31248 | End Cap | Right |
| 11 | N/A | Graphic Panel | |
| 12 | 62176 | Timer Knob Assembly | Models AEM497*2, AEM497*21500 and AGM499*2; Black |
| | 62234 | Timer Knob Assembly | Models AEM477*2 and AGM479*2; White |
| 13 | N/A | Knob Assembly | Models AEM497*2, AEM497*21500 and AGM499*2 |
| | 33688 | Knob Assembly | Models AEM477*2 and AGM479*2; White |
| 14 | N/A | Control Panel Trim | |
| 15 | 31249 | End Cap | Left |

* Add Letter To Designate Color. L - Almond W - White

N/A = Part no longer available

Graphic Panel, Control Hood and Controls (Drawing 3 of 3)

Models AEM677*2, AEM679*2, AEM697*2 and AGM699*2



D158P_502958

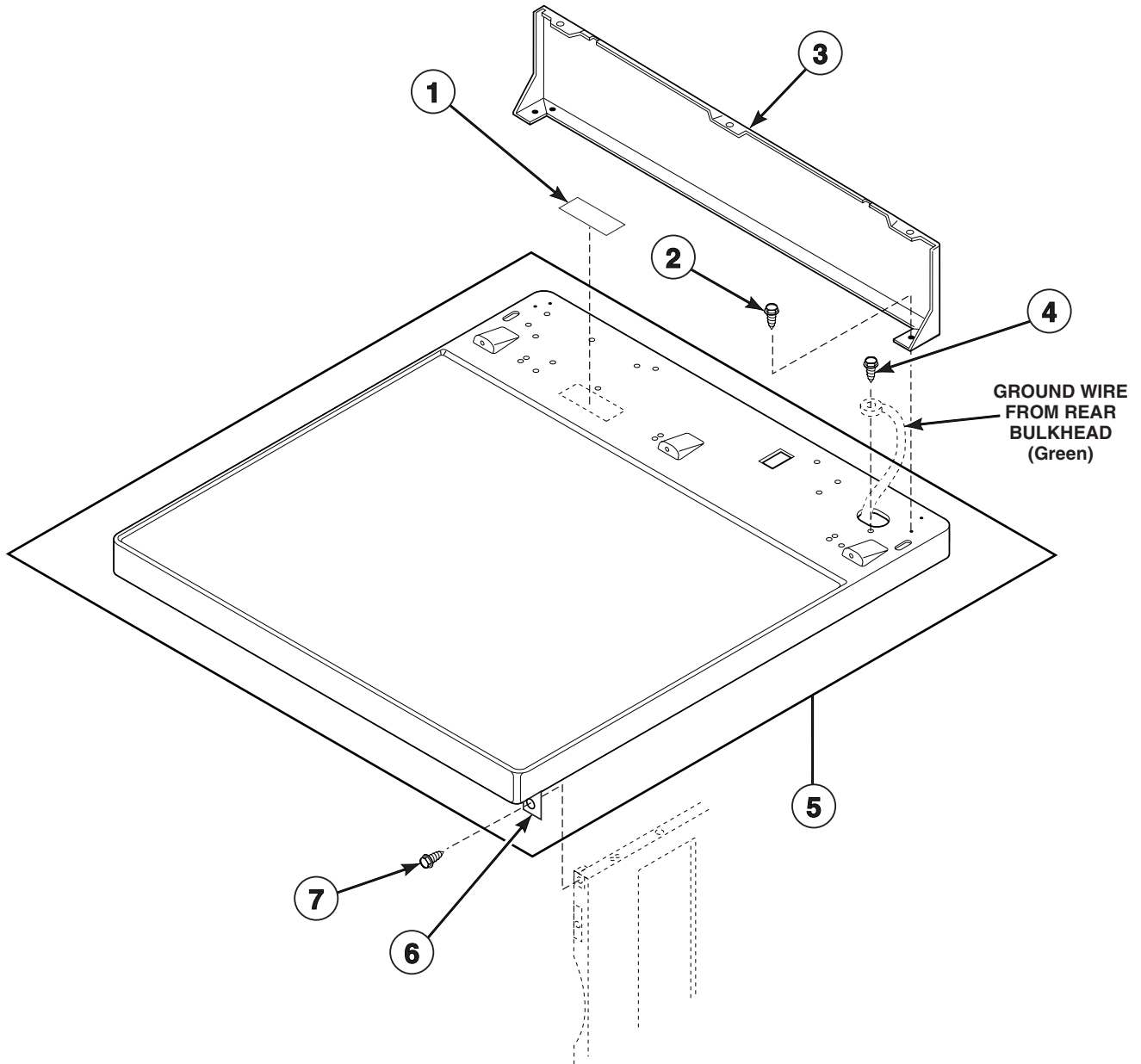
Graphic Panel, Control Hood and Controls (Drawing 3 of 3)

| REF | PART NO. | DESCRIPTION | COMMENTS |
|-----|----------|-----------------------|-------------------------------------|
| 1 | 31752 | Screw | Models AEM697*2 and AGM699*2 |
| | 32993 | Screw | Models AEM677*2 and AGM679*2 |
| 2 | N/A | Control Hood Assembly | |
| 3 | N/A | Temperature Switch | |
| 4 | 31260 | Screw | |
| 5 | 500823 | Rotary Signal | |
| 6 | 501086 | Screw | |
| 7 | 502967 | Timer | 5 cycle |
| 8 | 31248 | End Cap | Right |
| 9 | N/A | Graphic Panel | |
| 10 | 62176 | Timer Knob Assembly | Models AEM697*2 and AGM699*2; Black |
| | 62234 | Timer Knob Assembly | Models AEM677*2 and AGM679*2; White |
| 11 | N/A | Knob Assembly | Models AEM697*2 and AGM699*2 |
| | 33688 | Knob Assembly | Models AEM677*2 and AGM679*2; White |
| 12 | N/A | Control Panel Trim | |
| 13 | 31249 | End Cap | Left |

* Add Letter To Designate Color. L - Almond W - White

N/A = Part no longer available

Cabinet Top and Control Hood Rear Panel

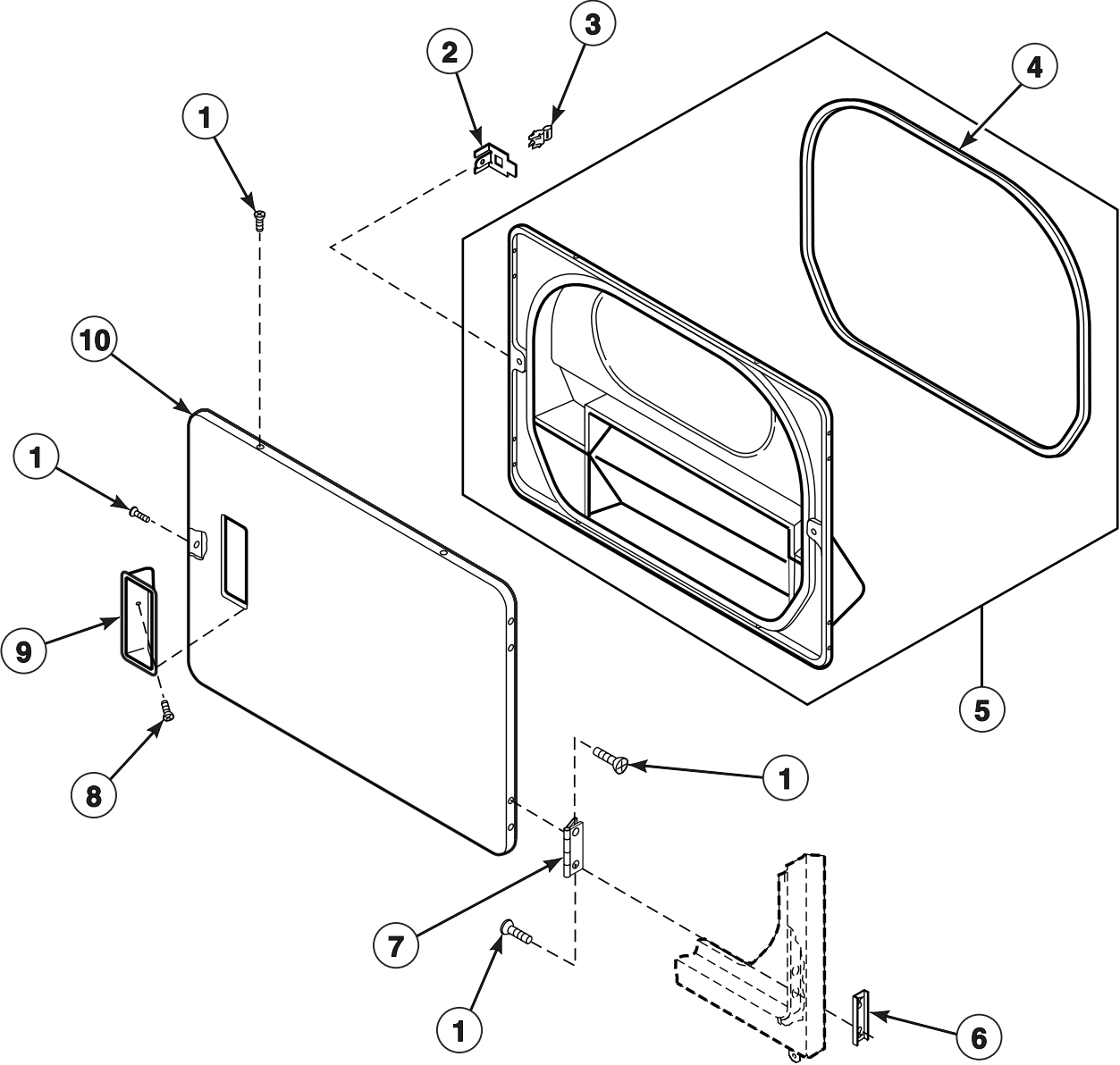


D162PZ3A_502958

Cabinet Top and Control Hood Rear Panel

| REF | PART NO. | DESCRIPTION | COMMENTS |
|-----|----------|--------------------------------|------------------------------|
| 1 | 505281 | Disconnect Power Warning Label | |
| 2 | 501086 | Screw | |
| 3 | 510099 | Hood Back Panel | |
| 4 | 20530 | Screw | |
| 5 | 510029WP | Top Panel Kit | Includes 2 of item 6; White |
| | 510029LP | Top Panel Kit | Includes 2 of item 6; Almond |
| 6 | 510146 | Bracket | |
| 7 | 33562 | Screw | |

Loading Door



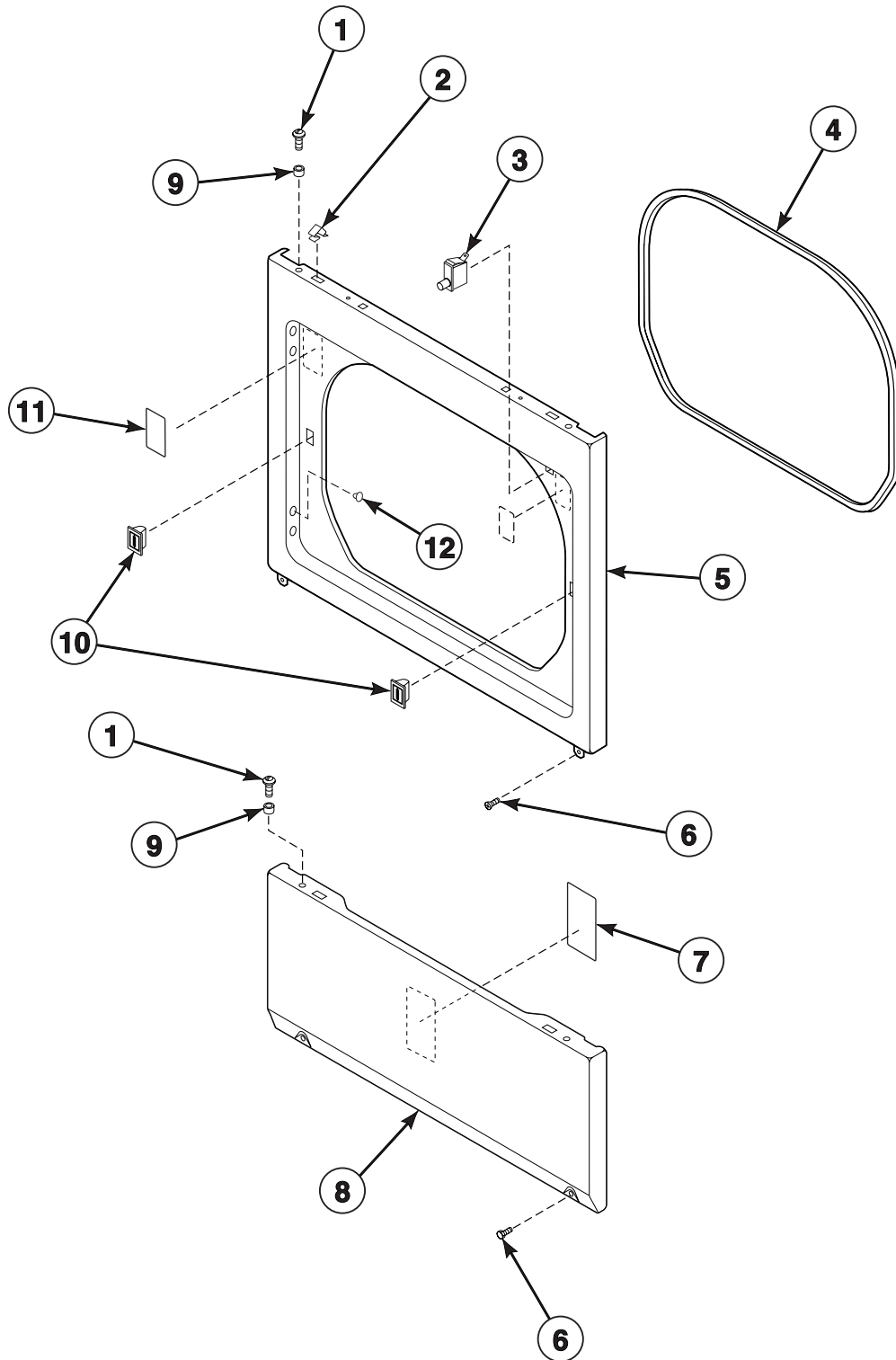
D248PZ3B_502958

Loading Door

| REF | PART NO. | DESCRIPTION | COMMENTS |
|-----|----------|--------------------------|-----------------|
| 1 | 500226 | Screw | |
| 2 | 510127 | Door Strike Mount | |
| 3 | 510181 | Door Strike | |
| 4 | 500200 | Door Seal | |
| 5 | 500199 | Liner and Seal Assembly | Includes item 4 |
| 6 | 500236 | Door Hinge Mounting Clip | |
| 7 | 510519 | Door Hinge | |
| 8 | N/A | Screw | |
| 9 | 500042W | Door Pull | |
| 10 | 500040W | Dryer Door | White |
| | 500040L | Dryer Door | Almond |

N/A = Part no longer available

Lower Access Panel, Front Panel and Seal



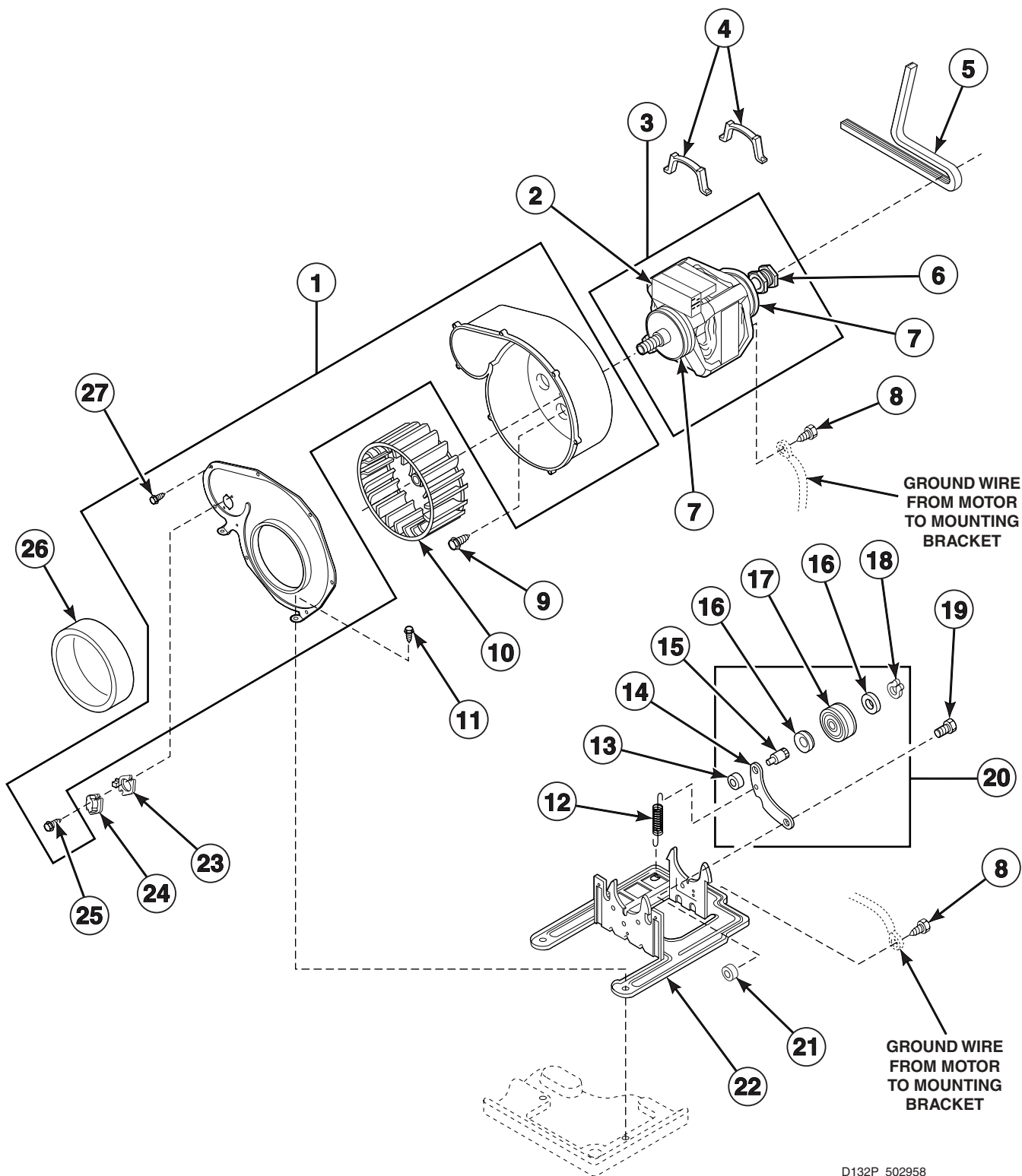
D165PZ3A_502958

Lower Access Panel, Front Panel and Seal

| REF | PART NO. | DESCRIPTION | COMMENTS |
|-----|----------|-----------------------|------------|
| 1 | 39733 | Screw | |
| 2 | 28835 | Speed Clip | |
| 3 | 504570 | Switch | |
| 4 | 500034 | Front Panel Seal | |
| 5 | 500033W | Front Panel | White |
| | N/A | Front Panel | Almond |
| 6 | 33562 | Screw | |
| 7 | 511004 | Gas Clearance Label | Gas models |
| 8 | 510069W | Access Panel | White |
| | 510069L | Access Panel | Almond |
| 9 | 56079 | Panel Locator | |
| 10 | 510177 | Door Catch Assembly | |
| 11 | 500281 | Warning/Caution Label | |
| 12 | 505870 | Screw | |

N/A = Part no longer available

Motor, Exhaust Fan and Belt



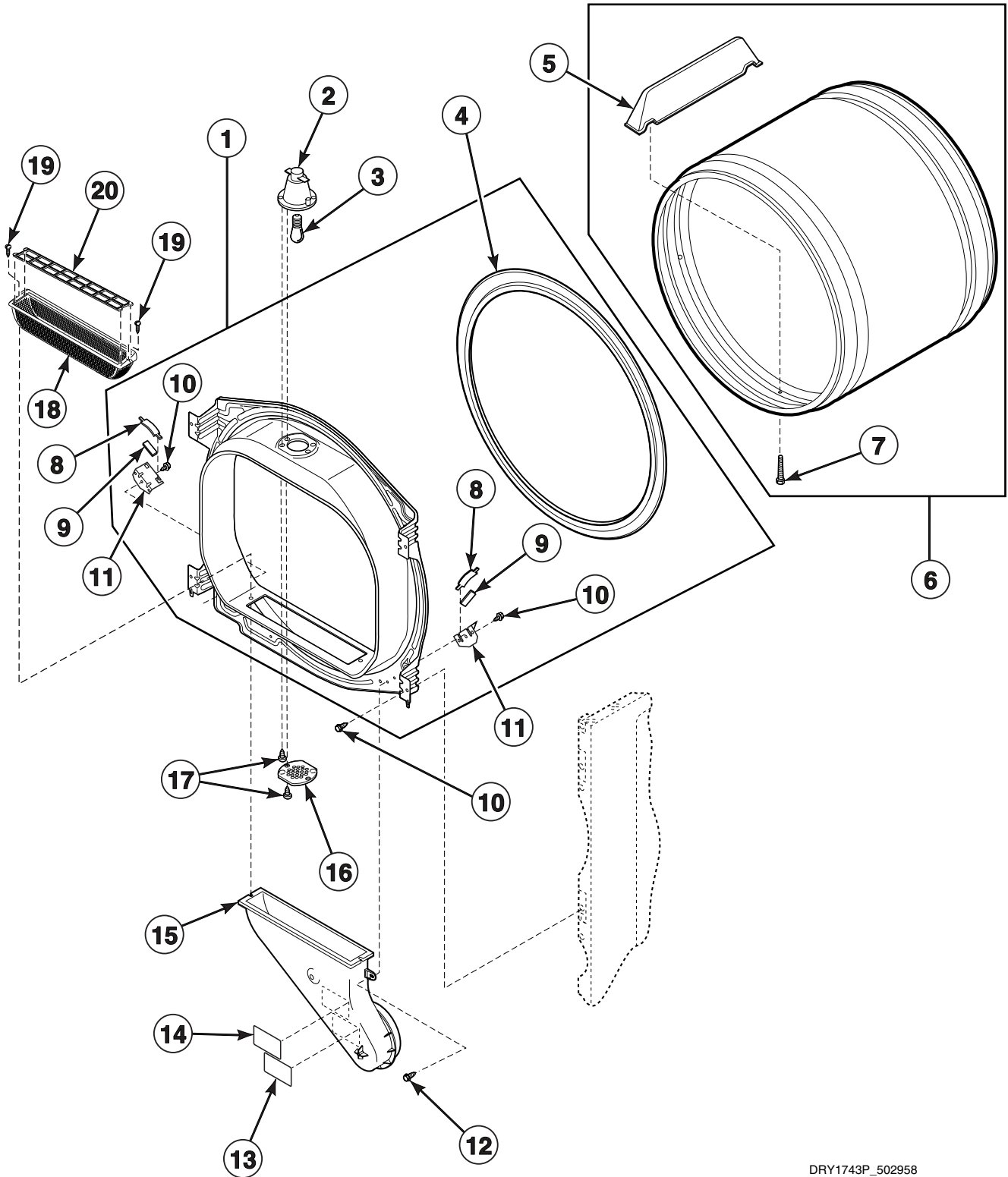
D132P_502958

Motor, Exhaust Fan and Belt

| REF | PART NO. | DESCRIPTION | COMMENTS |
|-----|----------|----------------------------------|---|
| 1 | 511969P | Blower Housing and Cover Kit | Includes items 25 and 27 |
| 2 | 501218 | Motor Switch | Does not include thermal protector |
| 3 | 511629P | Motor and Pulley Assembly | 120 Volt/60 Hertz |
| 4 | 510180 | Motor Mount Clamp | |
| 5 | 511255 | Cylinder Belt | |
| 6 | 500011 | Motor Pulley | |
| 7 | 590P3 | Motor Hub Ring Kit | |
| 8 | 20530 | Screw | |
| 9 | 503688 | Screw | |
| 10 | 510139 | Blower Fan Assembly | |
| 11 | 33562 | Screw | |
| 12 | 510185 | Idler Spring | |
| 13 | 56156 | Nut | |
| 14 | 510133 | Idler Lever | |
| 15 | 56461 | Shaft | |
| 16 | 52549 | Washer | |
| 17 | 510142 | Idler Wheel and Bearing Assembly | |
| 18 | 23748 | Retaining Ring | |
| 19 | 500824 | Screw | |
| 20 | 510158 | Idler Lever and Wheel Assembly | Includes items 13-18 |
| 21 | 52566 | Nut | |
| 22 | 510060 | Motor Mount | |
| 23 | 61401 | Thermostat Heater | Use with 61372 Thermostat |
| 24 | 56410 | Thermostat | Blue; Models AEM407*2, AEM427*2, AGM409*2 and AGM429*2 |
| | 503551 | Thermostat | Orange; Models AEM477*2, AEM497*2, AEM497*21500, AEM677*2, AEM697*2, AGM479*2, AGM499*2, AGM679*2 and AGM699*2 through Serial No. 9606 |
| | 61372 | Thermostat | Orange; Models AEM477*2, AEM497*2, AEM497*21500, AEM677*2, AEM697*2, AGM479*2, AGM499*2, AGM679*2 and AGM699*2 starting Serial No. 9607 |
| 25 | 23222 | Screw | Use with 56410 Thermostat |
| | 33561 | Screw | Use with 61372 Thermostat |
| 26 | 500313 | Blower Housing Seal | |
| 27 | 31260 | Screw | |

* Add Letter To Designate Color. L - Almond W - White

Front Bulkhead, Air Duct, Felt Seal and Cylinder



DRY1743P_502958

Front Bulkhead, Air Duct, Felt Seal and Cylinder

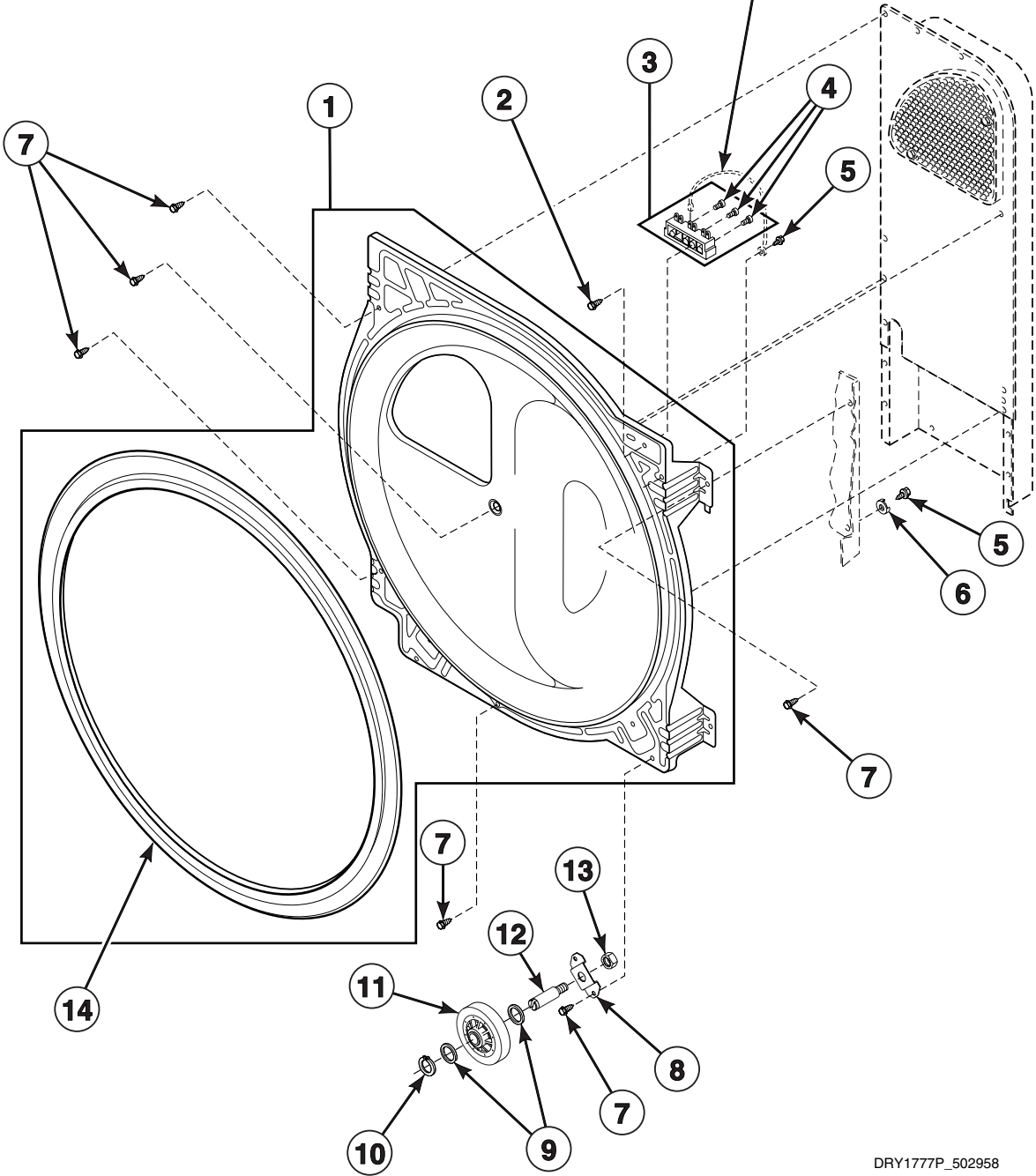
| REF | PART NO. | DESCRIPTION | COMMENTS |
|-----|----------|-------------------------|--|
| | 511637 | Adhesive | For cylinder seal |
| 1 | 511033W | Front Bulkhead Assembly | Includes items 4 and 8-11 |
| 2 | N/A | Cylinder Light Housing | Models AEM677*2, AEM697*2, AGM679*2 and AGM699*2 |
| 3 | 60954 | Drum Light Bulb | |
| 4 | 510207P | Cylinder Seal Assembly | |
| 5 | 503703 | Cylinder Baffle | |
| 6 | 510159W | Cylinder Assembly | Painted; Includes 3 of item 5 and 6 of item 7 |
| 7 | 62588 | Screw | |
| 8 | 510187 | Cylinder Glide | 1 required per side |
| 9 | 510189 | Felt Pad | |
| 10 | 52864 | Screw | |
| 11 | 510145 | Cylinder Glide Bracket | |
| 12 | 503661 | Screw | |
| 13 | N/A | Sticker | |
| 14 | 500049 | Warning Label | |
| 15 | 502231 | Front Air Duct | |
| 16 | 503623 | Drum Light Lens | |
| 17 | 505870 | Screw | |
| 18 | 503627 | Lint Filter | Poly mesh |
| 19 | 501285 | Screw | |
| 20 | 502092 | Lint Filter Cover | |

* Add Letter To Designate Color. L - Almond W - White

N/A = Part no longer available

Rear Bulkhead, Felt Seal, Cylinder Roller and Terminal Block

GROUND WIRE
 NOTE: If dryer is installed in a Manufactured (Mobile) home, or if local codes do not permit grounding through the neutral, this wire will not be connected to the dryer. Refer to installation instructions for proper grounding of dryer.



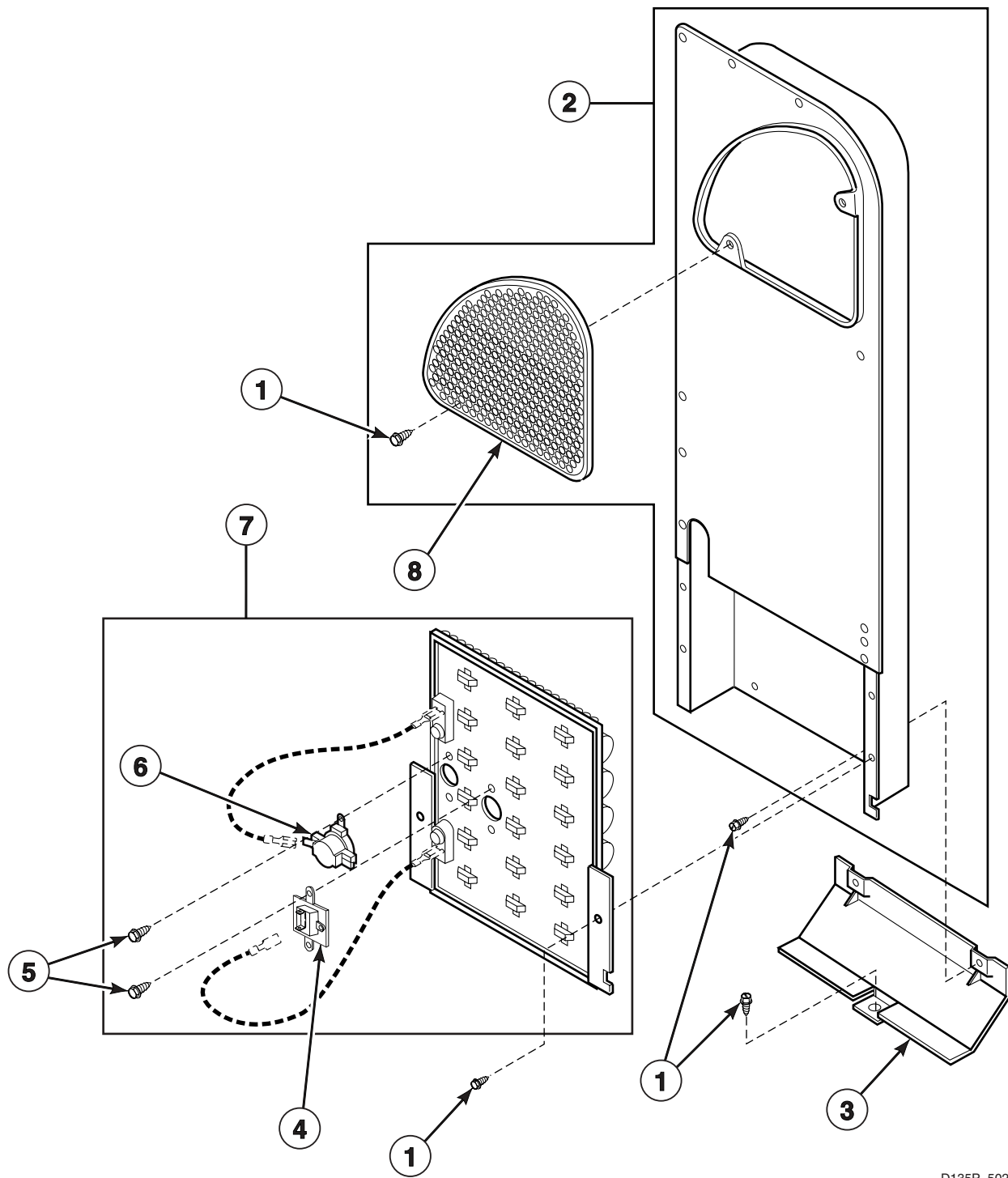
DRY1777P_502958

Rear Bulkhead, Felt Seal, Cylinder Roller and Terminal Block

| REF | PART NO. | DESCRIPTION | COMMENTS |
|-----------|----------|-------------------------|---------------------------------------|
| | 511637 | Adhesive | For cylinder seal |
| 1 | 510905W | Rear Bulkhead Assembly | Includes item 14 |
| 2 | 501285 | Screw | |
| 3 | 510190P | Terminal Block Assembly | Includes 3 of item 4; Electric models |
| 4 | 61199 | Screw | |
| 5 | 20530 | Screw | |
| 6 | 51474 | Washer | |
| 7 | 503688 | Screw | |
| 8 | 510100 | Cylinder Roller Bracket | |
| 9 | 52549 | Washer | |
| 10 | 23748 | Retaining Ring | |
| 11 | 510708P | Cylinder Roller | |
| 12 | 56461 | Shaft | |
| 13 | 56156 | Nut | |
| 14 | 510207P | Cylinder Seal Assembly | |

Heater Duct and Element Assembly

Electric Models



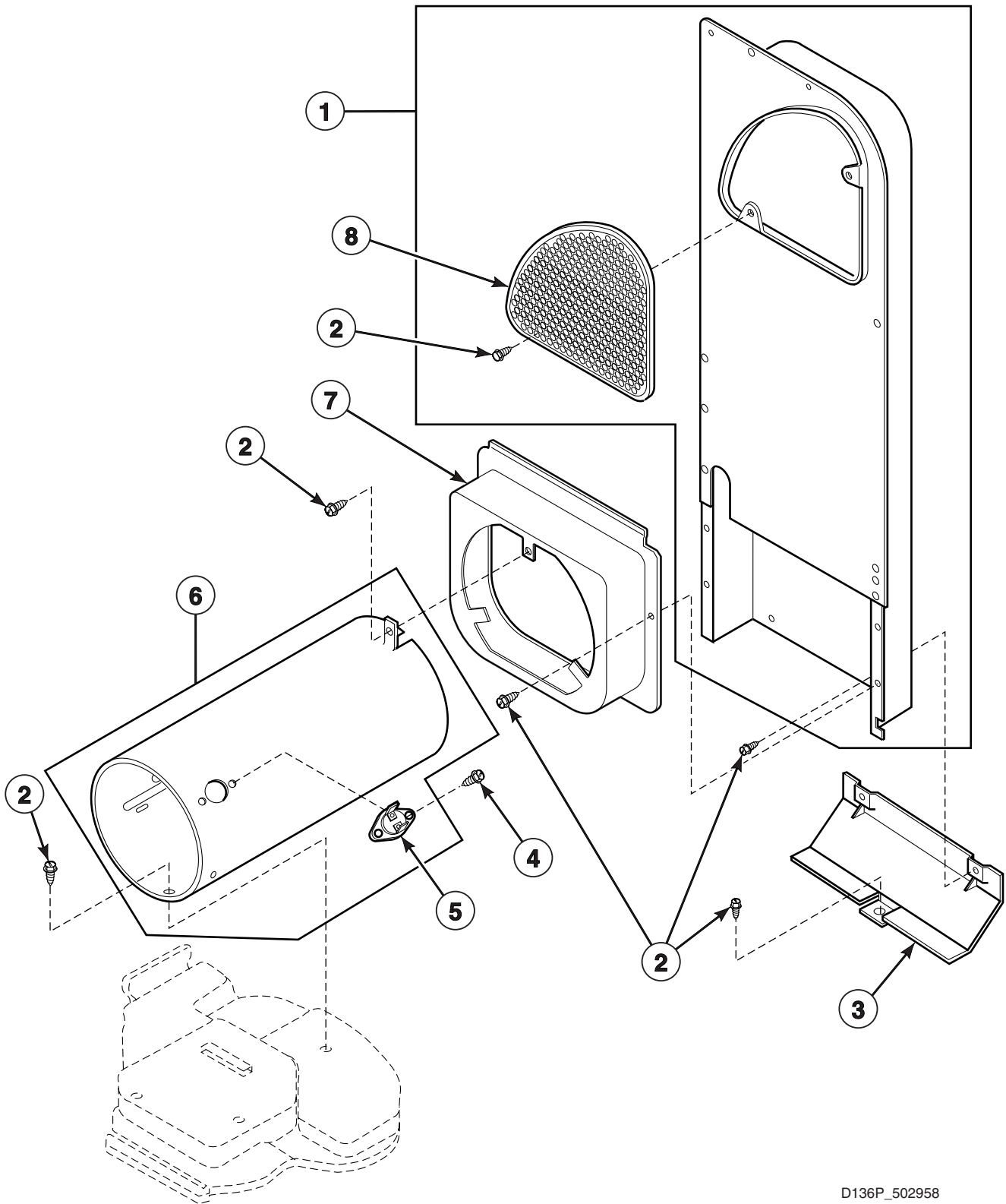
D135P_502958

Heater Duct and Element Assembly

| REF | PART NO. | DESCRIPTION | COMMENTS |
|-----|----------|--------------------------------|--|
| 1 | 503688 | Screw | |
| 2 | 510025P | Heater Duct and Screw Assembly | Includes items 1 and 8 |
| 3 | 60952 | Heat Duct Shield | |
| 4 | 511412 | Thermal Fuse Assembly | |
| 5 | 23222 | Screw | |
| 6 | 510701 | Limit Thermostat | |
| 7 | 61928 | Heater Kit Assembly | 208 Volt; 4750 Watt; White; Includes items 4-6; Model AEM497*21500 |
| | 61927 | Heater Kit Assembly | 240 Volt; 5000 Watt; Red; Includes items 4-6; All other models |
| 8 | 500820 | Outlet Cover | Replaceable on 510025P Heater Duct and Screw Assembly only |

Heater Duct Assembly

Gas Models



D136P_502958

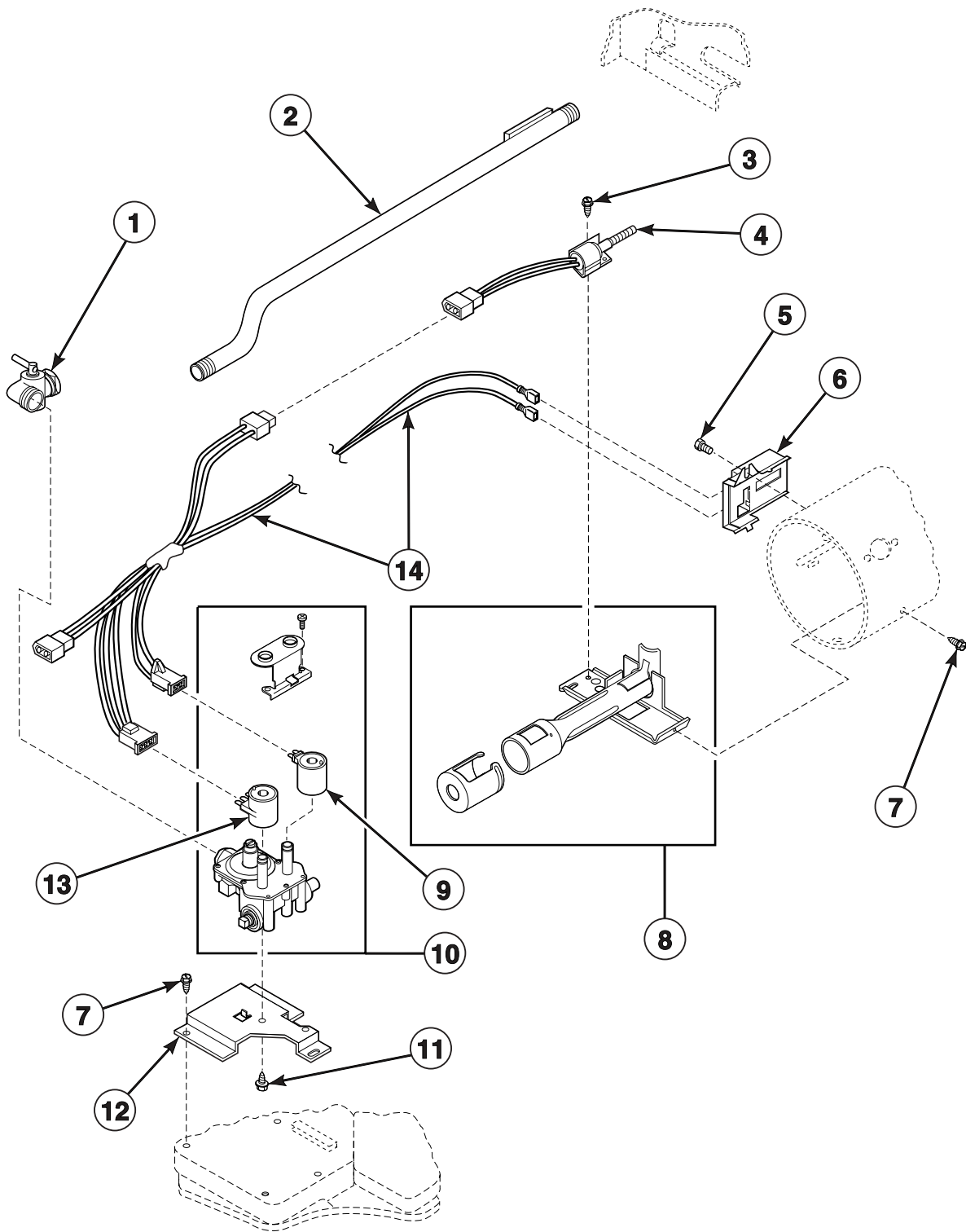
Heater Duct Assembly

| REF | PART NO. | DESCRIPTION | COMMENTS |
|-----|----------|--------------------------------|--|
| 1 | 510025P | Heater Duct and Screw Assembly | Includes items 2 and 8 |
| 2 | 503688 | Screw | |
| 3 | 60952 | Heat Duct Shield | |
| 4 | 51782 | Screw | |
| 5 | 510702 | Limit Thermostat | |
| 6 | N/A | Burner Housing | Includes item 5 |
| 7 | 510101 | Heat Duct Shroud | |
| 8 | 500820 | Outlet Cover | Replaceable on 510025P Heater Duct and Screw Assembly only |

N/A = Part no longer available

Gas Valve, Igniter and Gas Conversion Kits

Gas Models

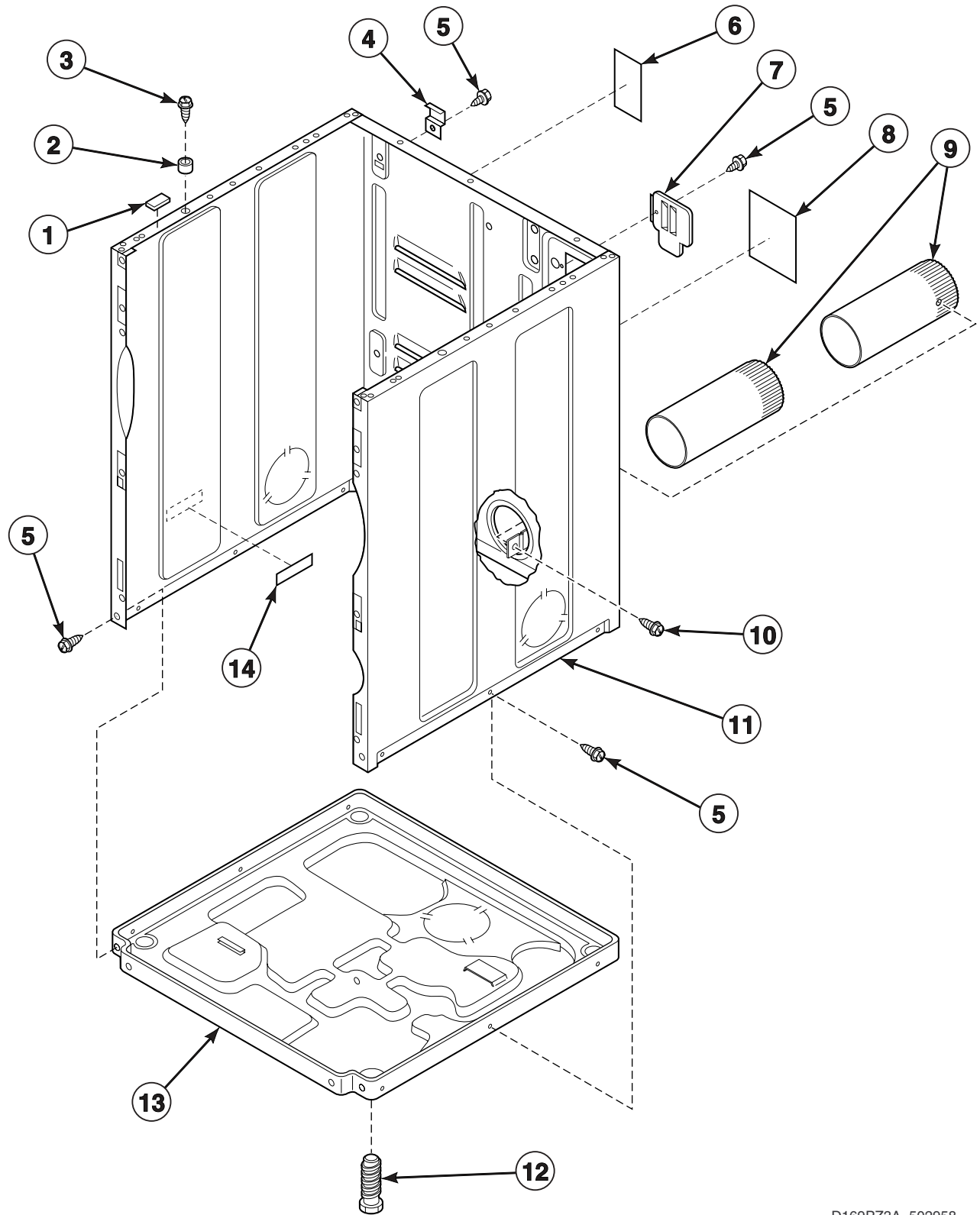


D137PZ3B_502958

Gas Valve, Igniter and Gas Conversion Kits

| REF | PART NO. | DESCRIPTION | COMMENTS |
|-----------|----------|---------------------------------|--|
| | 649P3 | L.P. Conversion Kit | Used to convert dryers from Natural Gas (N.G.) or Mixed Gas to Liquid Petroleum Gas (L.P.) |
| | 650P3 | N. G. Conversion Kit | Used to convert dryers from L.P. to N.G. or Mixed Gas |
| 1 | 510205 | Elbow Shut-Off Valve | |
| 2 | 510204 | Lead-In Pipe Assembly | |
| 3 | 51782 | Screw | |
| 4 | 510184 | Igniter and Bracket Assembly | |
| 5 | 23222 | Screw | |
| 6 | 510213 | Sensor | |
| 7 | 503688 | Screw | |
| 8 | 510149 | Burner Assembly | |
| 9 | 58804B | Secondary Coil | |
| 10 | 510506 | Gas Valve Assembly | Includes items 9 and 13 |
| 11 | 56124 | Screw | |
| 12 | 510128 | Gas Valve Mounting Bracket | |
| 13 | 58804A | Booster and Holding Coil | |
| 14 | 510530 | Gas Valve Wire Harness Assembly | |

Cabinet, Exhaust Duct and Base



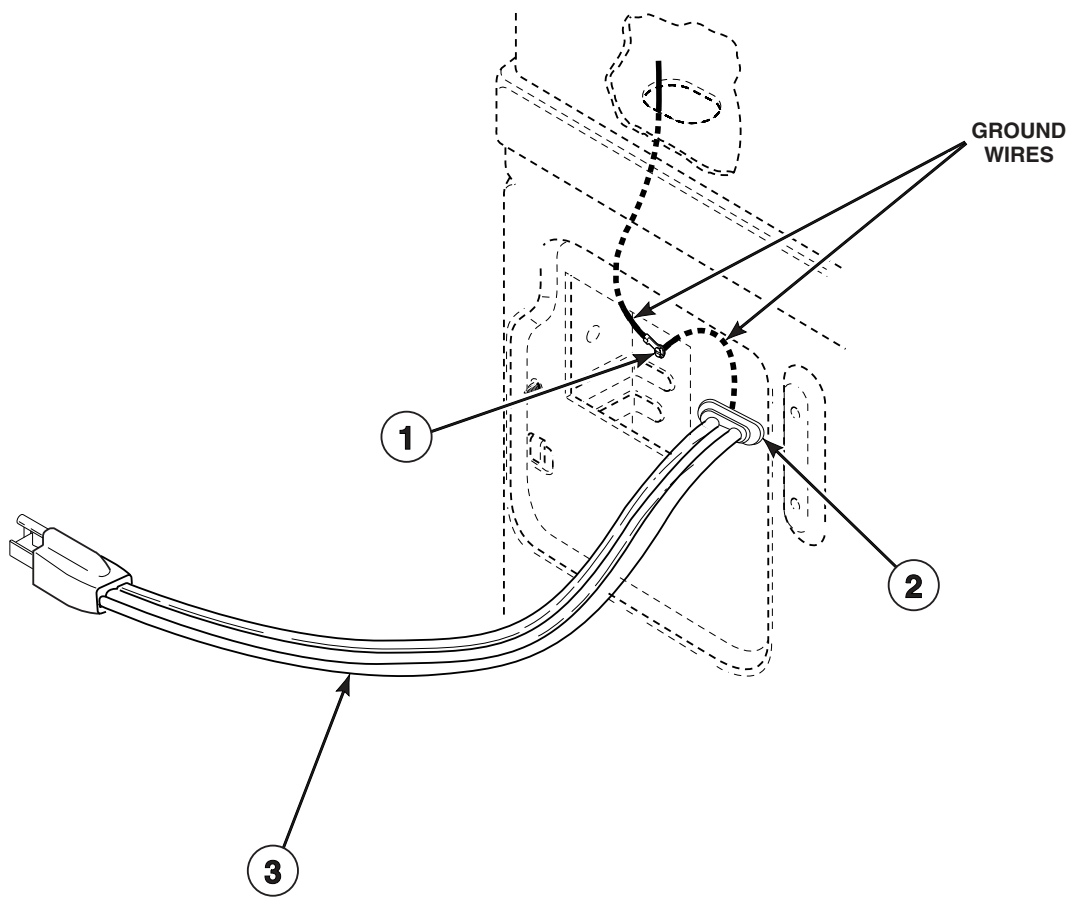
D169PZ3A_502958

Cabinet, Exhaust Duct and Base

| REF | PART NO. | DESCRIPTION | COMMENTS |
|-----------|----------|--------------------------|--|
| | 521P3 | Flexible Venting Kit | |
| | 528P3 | Directional Exhaust Kit | Used to vent dryer out the sides or bottom |
| 1 | 56128 | Bumper Pad | |
| 2 | 56079 | Panel Locator | |
| 3 | 39733 | Screw | |
| 4 | 510136 | Top Hinge | |
| 5 | 33562 | Screw | |
| 6 | 511004 | Gas Clearance Label | Gas models |
| 7 | 510903 | Access Panel Plate | |
| 8 | 511005 | Electric Clearance Label | Electric models |
| 9 | 510137 | Exhaust Duct | 2 required per dryer |
| 10 | 503688 | Screw | |
| 11 | 727P3W | Panel Kit | White |
| | 727P3L | Panel Kit | Almond |
| 12 | 510135 | Leveling Leg | |
| 13 | 510084 | Dryer Base | |
| 14 | 61294 | Fuse Notice Label | Electric models |

Power Cord

Gas Models

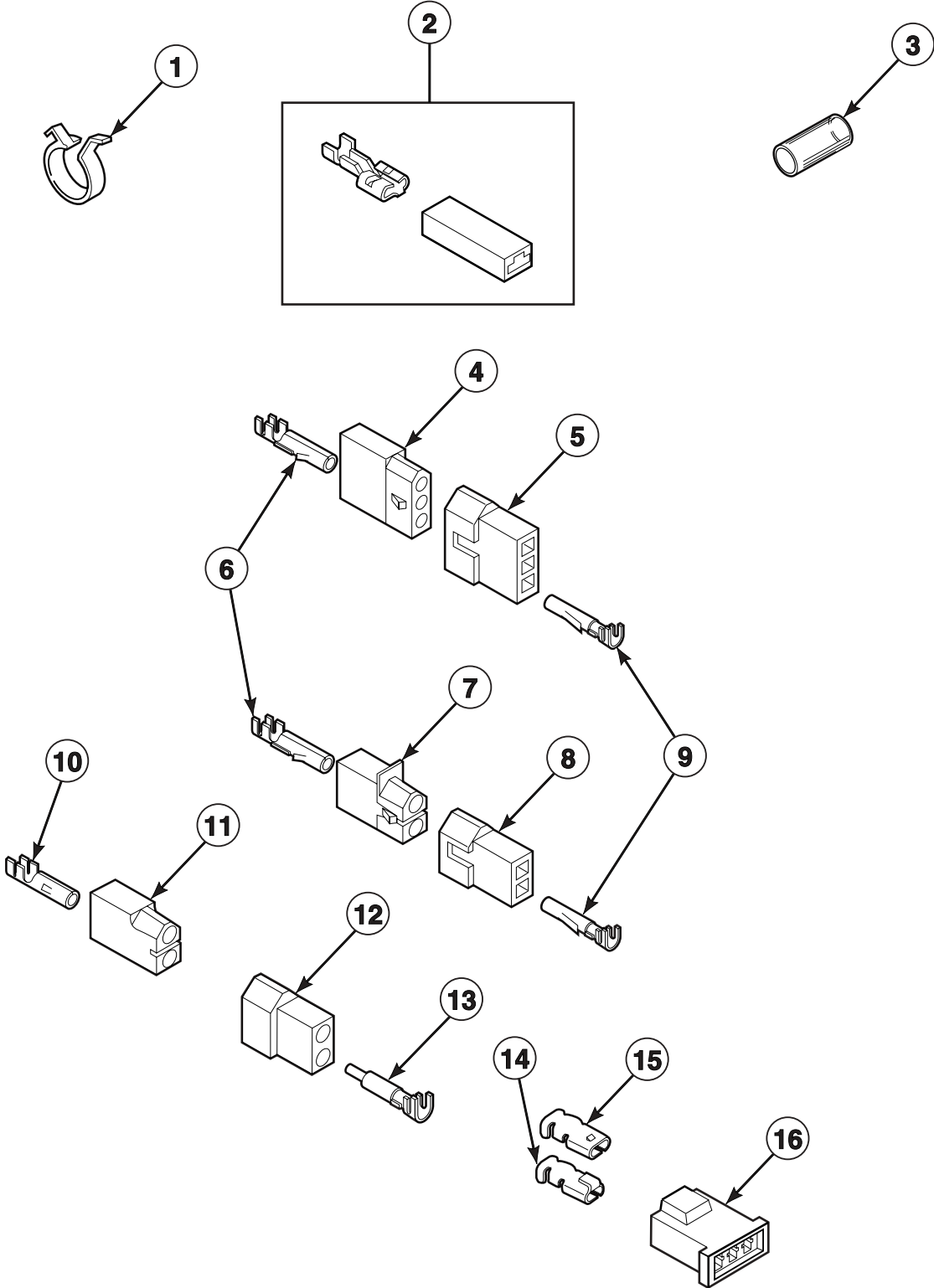


D099GZ3C_502958

Power Cord

| REF | PART NO. | DESCRIPTION | COMMENTS |
|-----|----------|---------------|----------|
| 1 | 20530 | Screw | |
| 2 | 38384 | Strain Relief | |
| 3 | 56222 | Lead-In Cord | |

Terminal Block and Terminals

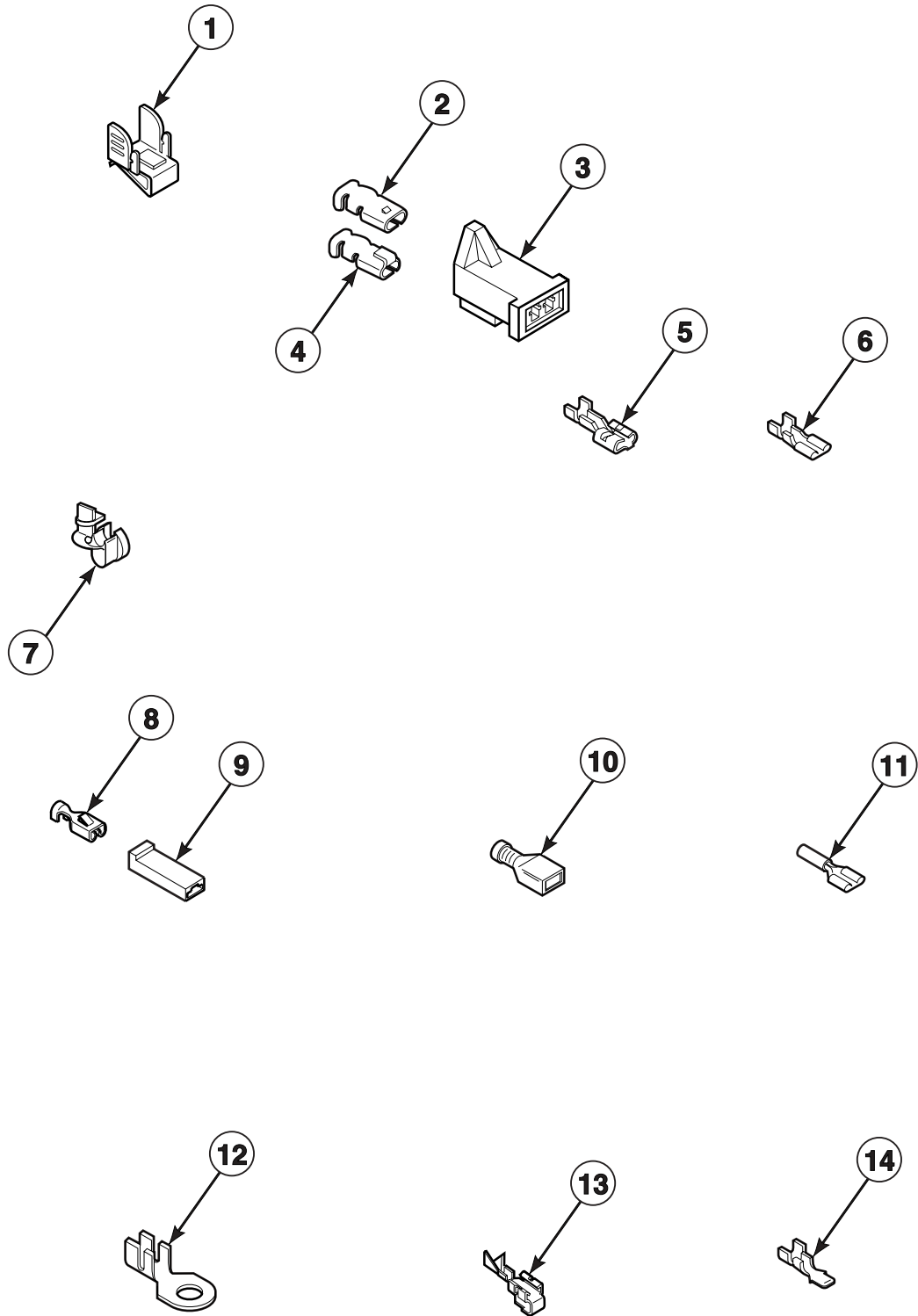


DRY1971P_502958

Terminal Block and Terminals

| REF | PART NO. | DESCRIPTION | COMMENTS |
|-----|----------|---------------------------|---|
| 1 | 504034 | Wire Clip | |
| 2 | 00360 | Ultra Pod Terminal | 1/4 inch; (1) 12 gauge wire or (2) 18 gauge wires |
| 3 | 503670 | Insulator Sleeve | |
| 4 | 23039 | 3 Circuit Receptacle | |
| 5 | 23040 | Plug | 3 circuit |
| 6 | 00117 | Female Pin Terminal | |
| 7 | 56451 | 2 Circuit Receptacle | |
| 8 | 56448 | 2 Circuit Plug | |
| 9 | 00116 | Male Pin Terminal | |
| 10 | 00130 | Female Pin Terminal | |
| 11 | 56265 | 2 Circuit Receptacle | |
| 12 | 56266 | 2 Circuit Plug | |
| 13 | 00127 | Male Pin Terminal | |
| 14 | 00361 | Female Piggyback Terminal | |
| 15 | 00189 | Female Spade Terminal | |
| 16 | 58800 | 3 Circuit Connector | |

Terminals



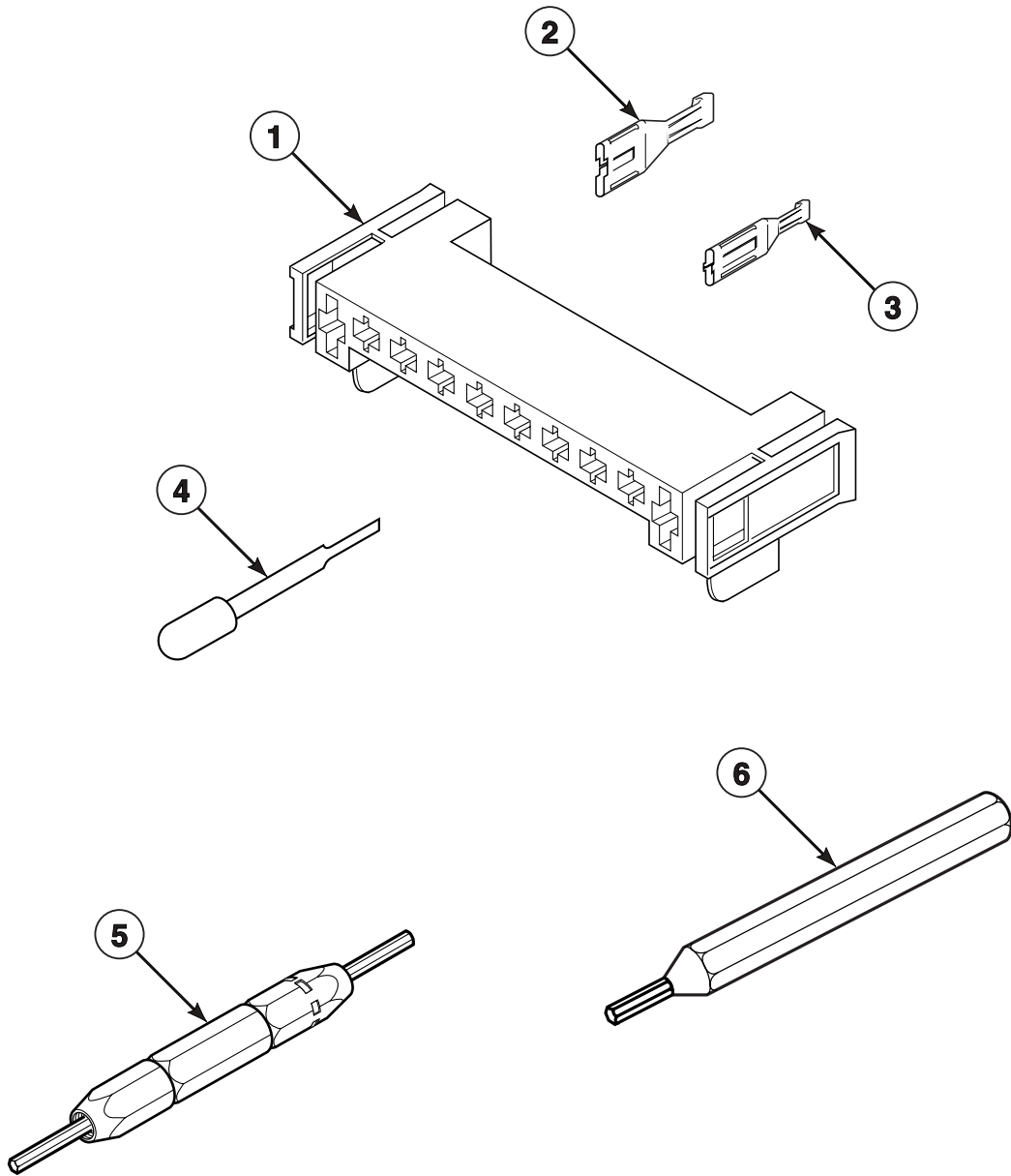
D251P_502958

Terminals

| REF | PART NO. | DESCRIPTION | COMMENTS |
|-----|----------|------------------------------|---|
| 1 | 00161 | Grounding Clip | |
| 2 | 00189 | Female Spade Terminal | |
| 3 | 58799 | 2 Circuit Connector | |
| 4 | 00361 | Female Piggyback Terminal | Receptacle connector |
| 5 | 00223 | Female Spade Terminal | 1/4 inch; (1) 18 gauge wire |
| | 00121 | Female Spade Terminal | 1/4 inch; (2) 18 gauge wires or (1) 12 gauge wire |
| | 00245 | Spade Terminal | 1/4 inch; (1) 22 gauge wire |
| 6 | 00124 | Female Spade Terminal | 3/16 inch; (1) 18 gauge wire; .020 tab |
| | 00156 | Female Spade Terminal | 3/16 inch; Thermostat wire; .032 tab |
| | 00209 | Female Spade Terminal | 3/16 inch; (2) 18 gauge wires; .020 tab |
| 7 | 38384 | Strain Relief | |
| 8 | 00115 | Female Spade Terminal | 1/4 inch; (1) 18 gauge wire |
| | 00321 | Female Spade Terminal | 1/4 inch; (2) 18 gauge wires or (1) 12 gauge wire |
| 9 | 90789 | Receptacle Housing | |
| 10 | 00359 | Ultra Pod Terminal | 1/4 inch |
| | 00165 | Insulated Female Terminal | 3/16 inch |
| 11 | N/A | Pre-Insulated Spade Terminal | 1/4 inch; (1) 18 gauge wire |
| | 00215 | Pre-Insulated Spade Terminal | 1/4 inch; (1) 12 gauge wire |
| 12 | 00110 | Ring Terminal | No. 10; (1) 18 gauge wire |
| | 00111 | Ring Terminal | No. 10; (2) 18 gauge wires or (1) 12 gauge wire |
| 13 | 00114 | Female Spade Terminal | 1/4 inch; Double connector |
| 14 | 00139 | Male Tab Terminal | 1/4 inch |

N/A = Part no longer available

Motor Connection Block, Terminals and Terminal Extractor Tools



D153PZ3B_502958

Motor Connection Block, Terminals and Terminal Extractor Tools

| REF | PART NO. | DESCRIPTION | COMMENTS |
|-----|----------|-------------------------|-------------------------------------|
| 1 | 500338 | 10 Position Housing | |
| 2 | 00255 | Female Terminal | 1/4 inch; (1) 12 gauge wire |
| | 00256 | Female Terminal | 1/4 inch; (1) or (2) 18 gauge wires |
| 3 | 00188 | Female Terminal | Molex; For 1 or 2 wire application |
| 4 | 283P4 | Terminal Extractor Tool | For use on Molex connectors |
| 5 | 190P4 | Extractor Tool | For use on electric dryer terminals |
| 6 | 128P4 | Extractor Tool | For use on gas dryer terminals |

Wire Harnesses and Wires

| PART NO. | DESCRIPTION | COMMENTS |
|----------|-----------------------|--|
| N/A | Wire Harness | Models AEM677*2, AEM697*2, AGM679*2 and AGM699*2 |
| 500694 | Wire Harness Assembly | Models AEM477*2, AEM497*2 and AEM497*21500 |
| 500695 | Wire Harness Assembly | Models AGM479*2 and AGM499*2 |
| 501885 | Wire Harness Assembly | Models AEM407*2 and AEM427*2 |
| 501886 | Wire Harness Assembly | Models AGM409*2 and AGM429*2 |
| 45001 | 18 Gauge Wire | Black; Order wire by foot; Order terminals and connectors as required |
| 45380 | 12 Gauge Wire | Orange; Order wire by foot; Order terminals and connectors as required |

* Add Letter To Designate Color. L - Almond W - White

N/A = Part no longer available

NOTE: Individual wires are not available separately. Order complete wire harness, or order wire by the foot. When applying terminals to wires, it is recommended that the terminals be soldered to the wires.

Parts Index

A

| | |
|--------------------|--------|
| Access Panel | |
| 510069L | 15 |
| 510069W | 15 |
| Access Panel Plate | |
| 510903 | 29 |
| Adhesive | |
| 511637 | 19, 21 |

B

| | |
|------------------------------|----|
| Blower Fan Assembly | |
| 510139 | 17 |
| Blower Housing and Cover Kit | |
| 511969P | 17 |
| Blower Housing Seal | |
| 500313 | 17 |
| Booster and Holding Coil | |
| 58804A | 27 |
| Bracket | |
| 510146 | 11 |
| Bumper Pad | |
| 56128 | 29 |
| Burner Assembly | |
| 510149 | 27 |

C

| | |
|-------------------------|--------|
| Connector, 2 Circuit | |
| 58799 | 35 |
| Connector, 3 Circuit | |
| 58800 | 33 |
| Cylinder Assembly | |
| 510159W | 19 |
| Cylinder Baffle | |
| 503703 | 19 |
| Cylinder Belt | |
| 511255 | 17 |
| Cylinder Glide | |
| 510187 | 19 |
| Cylinder Glide Bracket | |
| 510145 | 19 |
| Cylinder Roller | |
| 510708P | 21 |
| Cylinder Roller Bracket | |
| 510100 | 21 |
| Cylinder Seal Assembly | |
| 510207P | 19, 21 |

D

| | |
|--------------------------------|----|
| Directional Exhaust Kit | |
| 528P3 | 29 |
| Disconnect Power Warning Label | |
| 505281 | 11 |

| | |
|--------------------------|----|
| Door Catch Assembly | |
| 510177 | 15 |
| Door Hinge | |
| 510519 | 13 |
| Door Hinge Mounting Clip | |
| 500236 | 13 |
| Door Pull | |
| 500042W | 13 |
| Door Seal | |
| 500200 | 13 |
| Door Strike | |
| 510181 | 13 |
| Door Strike Mount | |
| 510127 | 13 |
| Drum Light Bulb | |
| 60954 | 19 |
| Drum Light Lens | |
| 503623 | 19 |
| Dryer Base | |
| 510084 | 29 |
| Dryer Door | |
| 500040L | 13 |
| 500040W | 13 |

E

| | |
|--------------------------|---------|
| Elbow Shut-Off Valve | |
| 510205 | 27 |
| Electric Clearance Label | |
| 511005 | 29 |
| End Cap | |
| 31248 | 5, 7, 9 |
| 31249 | 5, 7, 9 |
| Exhaust Duct | |
| 510137 | 29 |
| Extractor Tool | |
| 128P4 | 37 |
| 190P4 | 37 |

F

| | |
|---------------------------|--------|
| Fabric Selector Switch | |
| 61511 | 7 |
| Felt Pad | |
| 510189 | 19 |
| Female Piggyback Terminal | |
| 00361 | 33, 35 |
| Female Pin Terminal | |
| 00117 | 33 |
| 00130 | 33 |
| Female Spade Terminal | |
| 00114 | 35 |
| 00115 | 35 |
| 00121 | 35 |
| 00124 | 35 |
| 00156 | 35 |
| 00189 | 33, 35 |
| 00209 | 35 |
| 00223 | 35 |

N/A items do not appear in index.

| | |
|-------------------------|----|
| 00321 | 35 |
| Female Terminal | |
| 00188 | 37 |
| 00255 | 37 |
| 00256 | 37 |
| Flexible Venting Kit | |
| 521P3 | 29 |
| Front Air Duct | |
| 502231 | 19 |
| Front Bulkhead Assembly | |
| 511033W | 19 |
| Front Panel | |
| 500033W | 15 |
| Front Panel Seal | |
| 500034 | 15 |
| Fuse Notice Label | |
| 61294 | 29 |

G

| | |
|---------------------------------|--------|
| Gas Clearance Label | |
| 511004 | 15, 29 |
| Gas Valve Assembly | |
| 510506 | 27 |
| Gas Valve Mounting Bracket | |
| 510128 | 27 |
| Gas Valve Wire Harness Assembly | |
| 510530 | 27 |
| Graphic Panel | |
| 502202 | 5 |
| Grounding Clip | |
| 00161 | 35 |

H

| | |
|--------------------------------|--------|
| Heat Duct Shield | |
| 60952 | 23, 25 |
| Heat Duct Shroud | |
| 510101 | 25 |
| Heater Duct and Screw Assembly | |
| 510025P | 23, 25 |
| Heater Kit Assembly | |
| 61927 | 23 |
| 61928 | 23 |
| Hood Back Panel | |
| 510099 | 11 |
| Housing, 10 Position | |
| 500338 | 37 |

I

| | |
|----------------------------------|----|
| Idler Lever | |
| 510133 | 17 |
| Idler Lever and Wheel Assembly | |
| 510158 | 17 |
| Idler Spring | |
| 510185 | 17 |
| Idler Wheel and Bearing Assembly | |
| 510142 | 17 |

| | |
|------------------------------|----|
| Igniter and Bracket Assembly | |
| 510184 | 27 |
| Insulated Female Terminal | |
| 00165 | 35 |
| Insulator Sleeve | |
| 503670 | 33 |

K

| | |
|---------------|------|
| Knob Assembly | |
| 33688 | 7, 9 |

L

| | |
|-------------------------|----|
| Lead-In Cord | |
| 56222 | 31 |
| Lead-In Pipe Assembly | |
| 510204 | 27 |
| Leveling Leg | |
| 510135 | 29 |
| Limit Thermostat | |
| 510701 | 23 |
| 510702 | 25 |
| Liner and Seal Assembly | |
| 500199 | 13 |
| Lint Filter | |
| 503627 | 19 |
| Lint Filter Cover | |
| 502092 | 19 |
| L.P. Conversion Kit | |
| 649P3 | 27 |

M

| | |
|---------------------------|----|
| Male Pin Terminal | |
| 00116 | 33 |
| 00127 | 33 |
| Male Tab Terminal | |
| 00139 | 35 |
| Motor and Pulley Assembly | |
| 511629P | 17 |
| Motor Hub Ring Kit | |
| 590P3 | 17 |
| Motor Mount | |
| 510060 | 17 |
| Motor Mount Clamp | |
| 510180 | 17 |
| Motor Pulley | |
| 500011 | 17 |
| Motor Switch | |
| 501218 | 17 |

N

| | |
|-------------|--------|
| Nut | |
| 52566 | 17 |
| 56156 | 17, 21 |
| 57584 | 7 |

N/A items do not appear in index.

| | |
|------------------------------------|----|
| N. G. Conversion Kit 650P3..... | 27 |
|------------------------------------|----|

O

| | |
|-----------------------------|--------|
| Outlet Cover 500820..... | 23, 25 |
|-----------------------------|--------|

P

| | |
|--|--------|
| Panel Kit | |
| 727P3L..... | 29 |
| 727P3W..... | 29 |
| Panel Locator 56079..... | 15, 29 |
| Plug 23040..... | 33 |
| Plug, 2 Circuit | |
| 56266..... | 33 |
| 56448..... | 33 |
| Pre-Insulated Spade Terminal 00215..... | 35 |

R

| | |
|--|--------|
| Rear Bulkhead Assembly 510905W..... | 21 |
| Receptacle Housing 90789..... | 35 |
| Receptacle, 2 Circuit | |
| 56265..... | 33 |
| 56451..... | 33 |
| Receptacle, 3 Circuit 23039..... | 33 |
| Retaining Ring 23748..... | 17, 21 |
| Ring Terminal | |
| 00110..... | 35 |
| 00111..... | 35 |
| Rotary Signal 500823..... | 7, 9 |

S

| | |
|-------------|------------------------|
| Screw | |
| 20530..... | 11, 17, 21, 31 |
| 23222..... | 17, 23, 27 |
| 31260..... | 7, 9, 17 |
| 31752..... | 5, 7, 9 |
| 32993..... | 5, 7, 9 |
| 33561..... | 17 |
| 33562..... | 11, 15, 17, 29 |
| 39733..... | 15, 29 |
| 500226..... | 13 |
| 500824..... | 17 |
| 501086..... | 5, 7, 9, 11 |
| 501285..... | 19, 21 |
| 503661..... | 19 |
| 503688..... | 17, 21, 23, 25, 27, 29 |
| 505870..... | 15, 19 |

| | |
|-------------------------------|--------|
| 51782..... | 25, 27 |
| 52864..... | 19 |
| 56124..... | 27 |
| 61199..... | 21 |
| 62588..... | 19 |
| Secondary Coil 58804B..... | 27 |
| Sensor 510213..... | 27 |
| Shaft 56461..... | 17, 21 |
| Spade Terminal 00245..... | 35 |
| Speed Clip 28835..... | 15 |
| Strain Relief 38384..... | 31, 35 |
| Switch 504570..... | 15 |

T

| | |
|---|---------|
| Terminal Block Assembly 510190P..... | 21 |
| Terminal Extractor Tool 283P4..... | 37 |
| Thermal Fuse Assembly 511412..... | 23 |
| Thermostat | |
| 503551..... | 17 |
| 56410..... | 17 |
| 61372..... | 17 |
| Thermostat Heater 61401..... | 17 |
| Timer | |
| 501881..... | 5 |
| 502963..... | 7 |
| 502967..... | 9 |
| Timer Knob Assembly | |
| 62176..... | 5, 7, 9 |
| 62234..... | 5, 7, 9 |
| Top Hinge 510136..... | 29 |
| Top Panel Kit | |
| 510029LP..... | 11 |
| 510029WP..... | 11 |

U

| | |
|--------------------|----|
| Ultra Pod Terminal | |
| 00359..... | 35 |
| 00360..... | 33 |

W

| | |
|--------------------------------------|----|
| Warning Label 500049..... | 19 |
| Warning/Caution Label 500281..... | 15 |
| Washer 51474..... | 21 |

N/A items do not appear in index.

| | |
|-----------------------|--------|
| 52549 | 17, 21 |
| Wire Clip | |
| 504034 | 33 |
| Wire Harness Assembly | |
| 500694 | 38 |
| 500695 | 38 |
| 501885 | 38 |
| 501886 | 38 |
| Wire, 12 Gauge | |
| 45380 | 38 |
| Wire, 18 Gauge | |
| 45001 | 38 |
