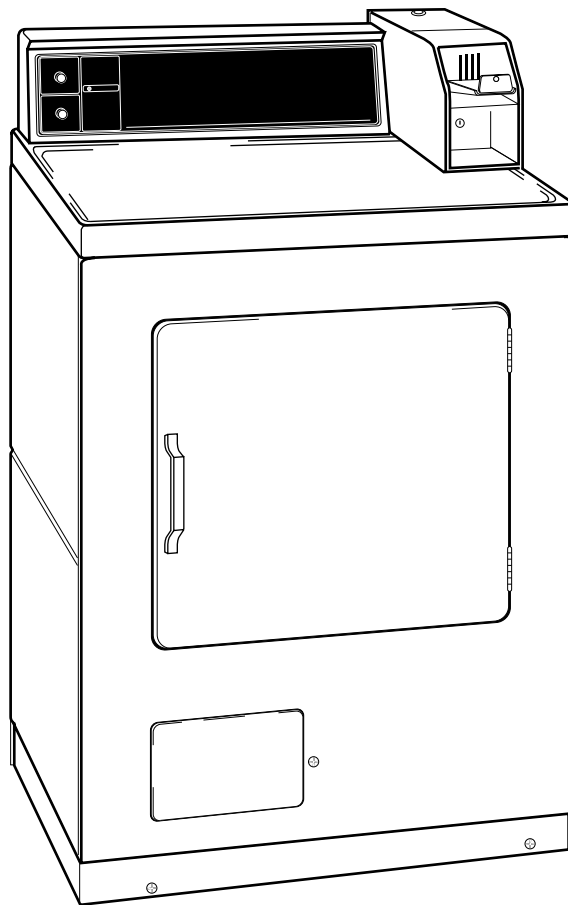


# Commercial Dryers

Metered and Nonmetered  
Refer to Page 3 for Model Numbers



DRY1C\_505871



# Table of Contents

| Title   | Page |
|---|------|
| Parts Ordering Information.....   | 2    |
| Nameplate Location .....  | 2    |
| Model Identification .....  | 3    |
| Service Door and Meter Case - Models EE1110, EE1510, EG1120 and EG1520.....                         | 4    |
| Service Door and Meter Case - Models EE1610 and EG1620.....   | 6    |
| Timer, Plate, Case and Knob.....  | 8    |
| Accumulator - 2-Switch .....  | 10   |
| Accumulator - 3-Switch .....  | 12   |
| Control Panel, Control Hood and Controls - Models EE1010, EE1110, EE1510, EG1020, EG1120 and EG1520 | 14   |
| Control Panel, Control Hood and Controls - Model EG1220.....  | 16   |
| Control Panel, Control Hood and Controls - Models EE1610 and EG1620.....                            | 18   |
| Cabinet Top .....   | 20   |
| Loading Door, Front Panels and Access Door.....   | 22   |
| Front Bulkhead, Air Duct, Felt Seal and Cylinder .....  | 24   |
| Rear Bulkhead, Felt Seal and Cylinder Roller .....  | 26   |
| Motor, Exhaust Fan and Belt .....   | 28   |
| Cylinder Roller .....   | 30   |
| Cabinet, Exhaust Duct and Base .....  | 32   |
| Terminal Block - Models Through Serial No. S6270865XG.....  | 34   |
| Terminal Block - Models Starting Serial No. S6270866XG.....   | 36   |
| Heater Duct - Electric Models Through Serial No. S6270865XG.....                                    | 38   |
| Heater Duct - Electric Models Starting Serial No. S6270866XG.....                                   | 40   |
| Heater Duct - Gas Models Through Serial No. S6333959XM.....   | 42   |
| Heater Duct - Gas Models Starting Serial No. S6333960XM.....  | 44   |
| Gas Valve, Igniter and Gas Conversion Kits.....   | 46   |
| Power Cord and Terminals .....  | 48   |
| Wire Harnesses and Wires .....  | 50   |
| Parts Index.....  | 51   |

© Copyright 2005, Alliance Laundry Systems LLC

All rights reserved. No part of the contents of this book may be reproduced or transmitted in any form or by any means without the expressed written consent of the publisher.

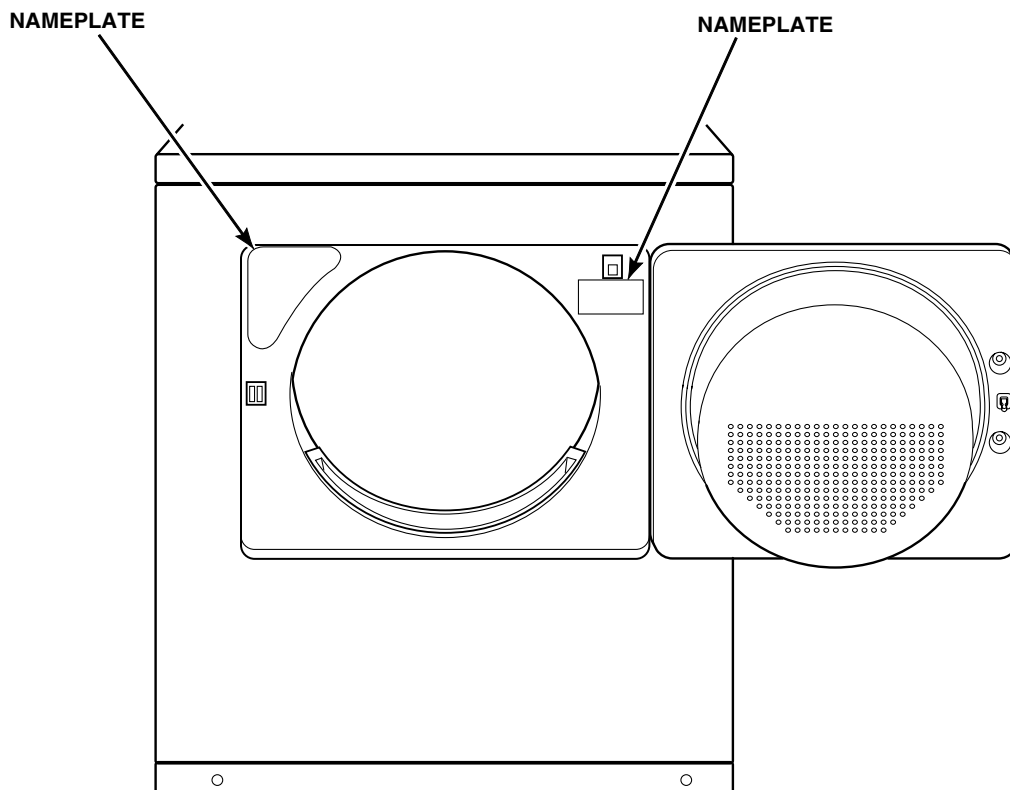
## Parts Ordering Information

If literature or replacement parts are required, contact the source from whom the machine was purchased or contact Alliance Laundry Systems at (920) 748-3950 for the name and address of the nearest authorized parts distributor.

For technical assistance, call (920) 748-3121.

## Nameplate Location

When calling or writing about your product, be sure to mention model and serial numbers. Model and serial numbers are located on nameplate(s) as shown.



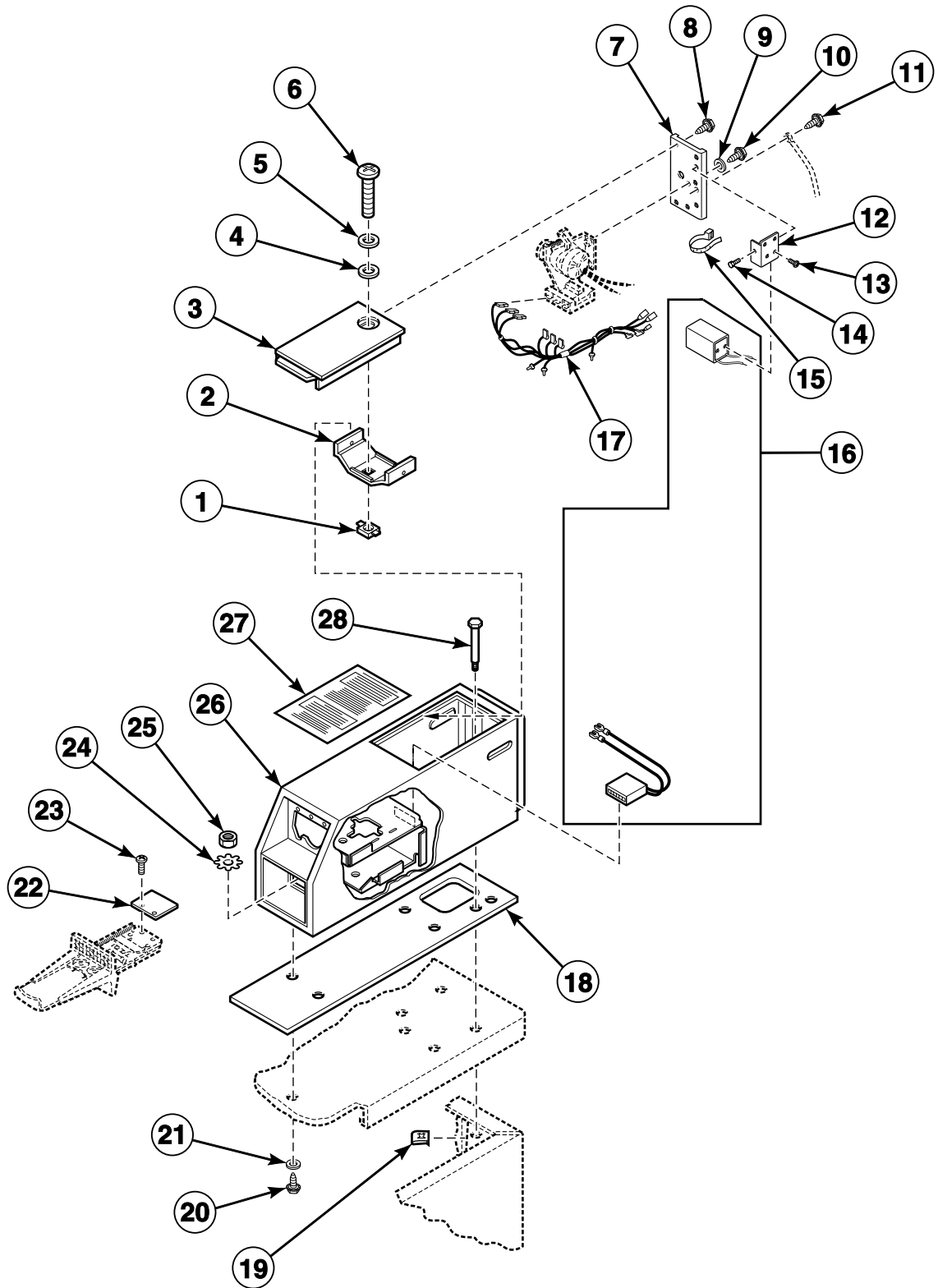
DRY2P\_505871

## Model Identification

Information in this manual is applicable to these dryer models:

EE1010  
EE1110  
EE1510  
EE1610  
EG1020  
EG1120  
EG1220  
EG1520  
EG1620

# Service Door and Meter Case - Models EE1110, EE1510, EG1120 and EG1520



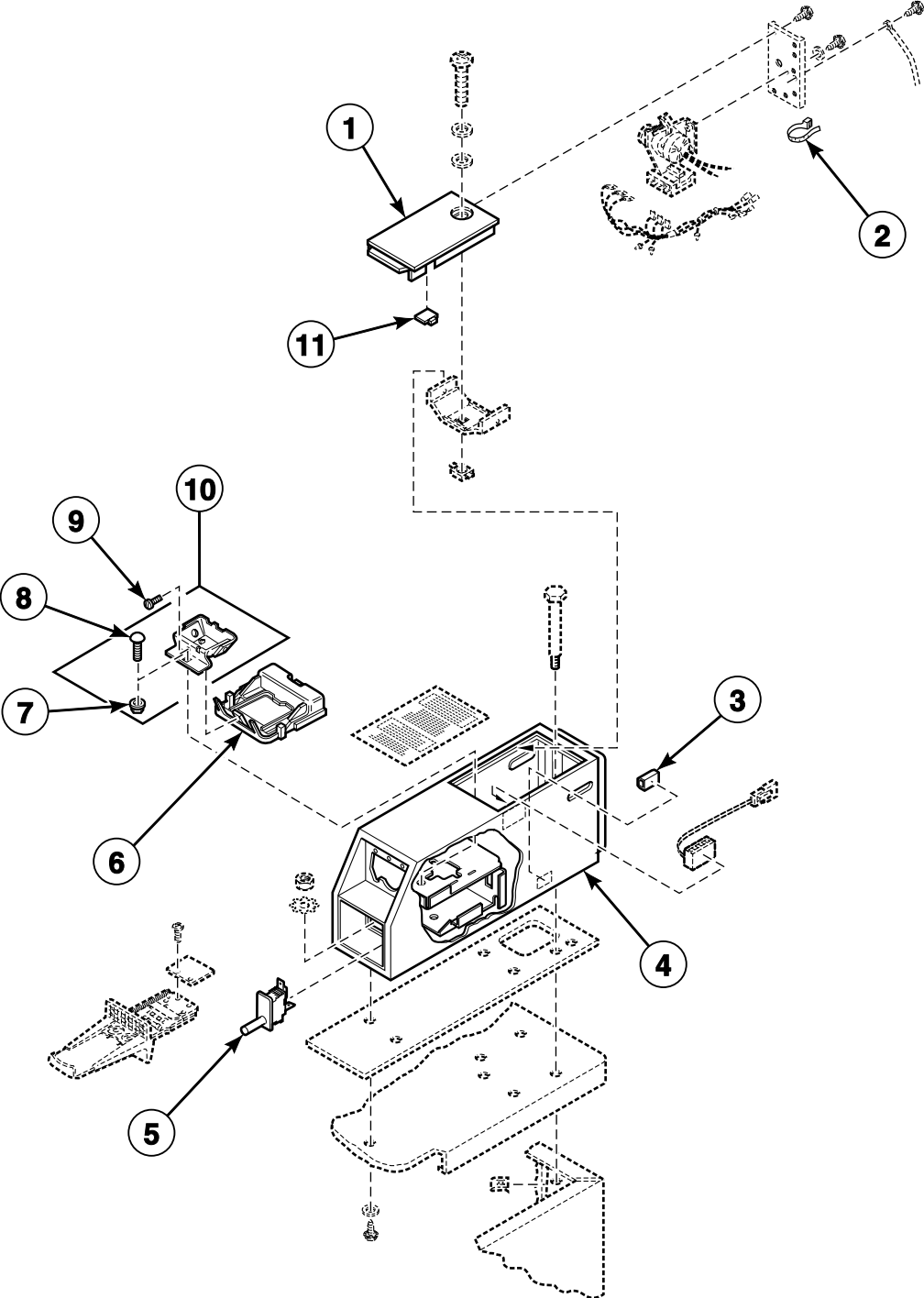
DRY1925P\_505871

## Service Door and Meter Case - Models EE1110, EE1510, EG1120 and EG1520

| REF | PART NO. | DESCRIPTION                | COMMENTS  |
|-----|----------|----------------------------|---|
| 1   | 30647    | Nut                        |   |
| 2   | 30642    | Meter Case Locking Bracket |   |
| 3   | 35798W   | Service Door Assembly      | White   |
|     | 35798L   | Service Door Assembly      | Almond  |
| 4   | 35774    | Washer                     | Vinyl   |
| 5   | 35917    | Washer                     |   |
| 6   | 503673   | Screw                      |   |
| 7   | N/A      | Dryer Timer Bracket Kit    |   |
| 8   | 503661   | Screw                      |   |
| 9   | 21734    | Washer                     |   |
| 10  | 03203    | Screw                      |   |
| 11  | 20530    | Screw                      |   |
| 12  | N/A      | Counter Bracket            |   |
| 13  | N/A      | Screw                      |   |
| 14  | 51780    | Screw                      |   |
| 15  | 55881    | Harness Strap              |   |
| 16  | 62113P   | Counter Kit                | Models EE1510 and EG1520 through Serial No. S6348563YA  |
| 17  | 61310    | Hood Wire Harness Assembly | Models EE1510 and EG1520 through Serial No. S6348563YA  |
|     | 510661P  | Harness Replacement Kit    | Models EE1510 and EG1520 starting Serial No. S6348564YA |
|     | 510534P  | Harness Replacement Kit    | All other models  |
| 18  | 26354    | Meter Case Gasket          |   |
| 19  | 80077    | Nut                        |   |
| 20  | 02505    | Bolt                       |   |
| 21  | 30627    | Washer                     |   |
| 22  | 61031    | Coin Slide Extension       |   |
| 23  | 03950    | Screw                      |   |
| 24  | 02431    | Washer                     |   |
| 25  | 20275    | Nut                        |   |
| 26  | 524P3W   | Meter Case and Funnel Kit  | White   |
|     | 524P3L   | Meter Case and Funnel Kit  | Almond  |
| 27  | 55969    | Instruction Plate          |   |
| 28  | N/A      | Screw                      |   |

N/A = Part no longer available

# Service Door and Meter Case - Models EE1610 and EG1620



DRY1926P\_505871



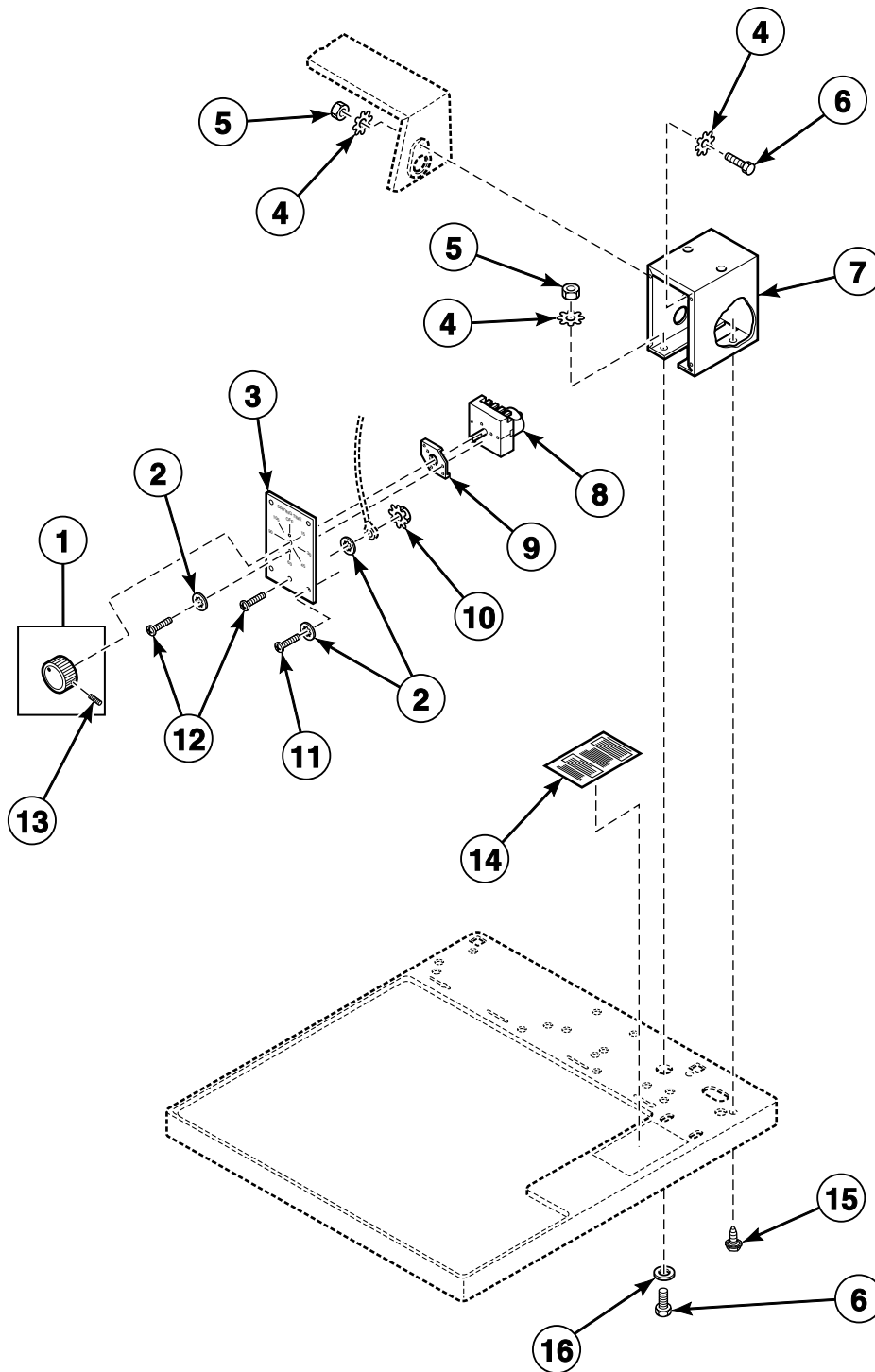
## Service Door and Meter Case - Models EE1610 and EG1620

| REF | PART NO. | DESCRIPTION                 | COMMENTS                 |
|-----|----------|-----------------------------|--------------------------|
|     | 62647    | Audit Wire Harness Assembly |                          |
| 1   | 35798W   | Service Door Assembly       | White                    |
|     | 35798L   | Service Door Assembly       | Almond                   |
| 2   | N/A      | Harness Clip                |                          |
| 3   | 34599    | Reed Switch                 |                          |
| 4   | 524P3W   | Meter Case and Funnel Kit   | White; Includes item 10  |
|     | 524P3L   | Meter Case and Funnel Kit   | Almond; Includes item 10 |
| 5   | 34536    | Pushbutton Switch           |                          |
| 6   | N/A      | Audit Sensor Assembly       |                          |
| 7   | 29796    | Nut                         |                          |
| 8   | 29651    | Bolt                        |                          |
| 9   | 31260    | Screw                       |                          |
| 10  | 523P3    | Coin Funnel Kit             | Includes items 7 and 8   |
| 11  | 501453   | Magnet                      |                          |

**N/A = Part no longer available**

# Timer, Plate, Case and Knob

Models EE1010 and EG1020



DRY1927P\_505871

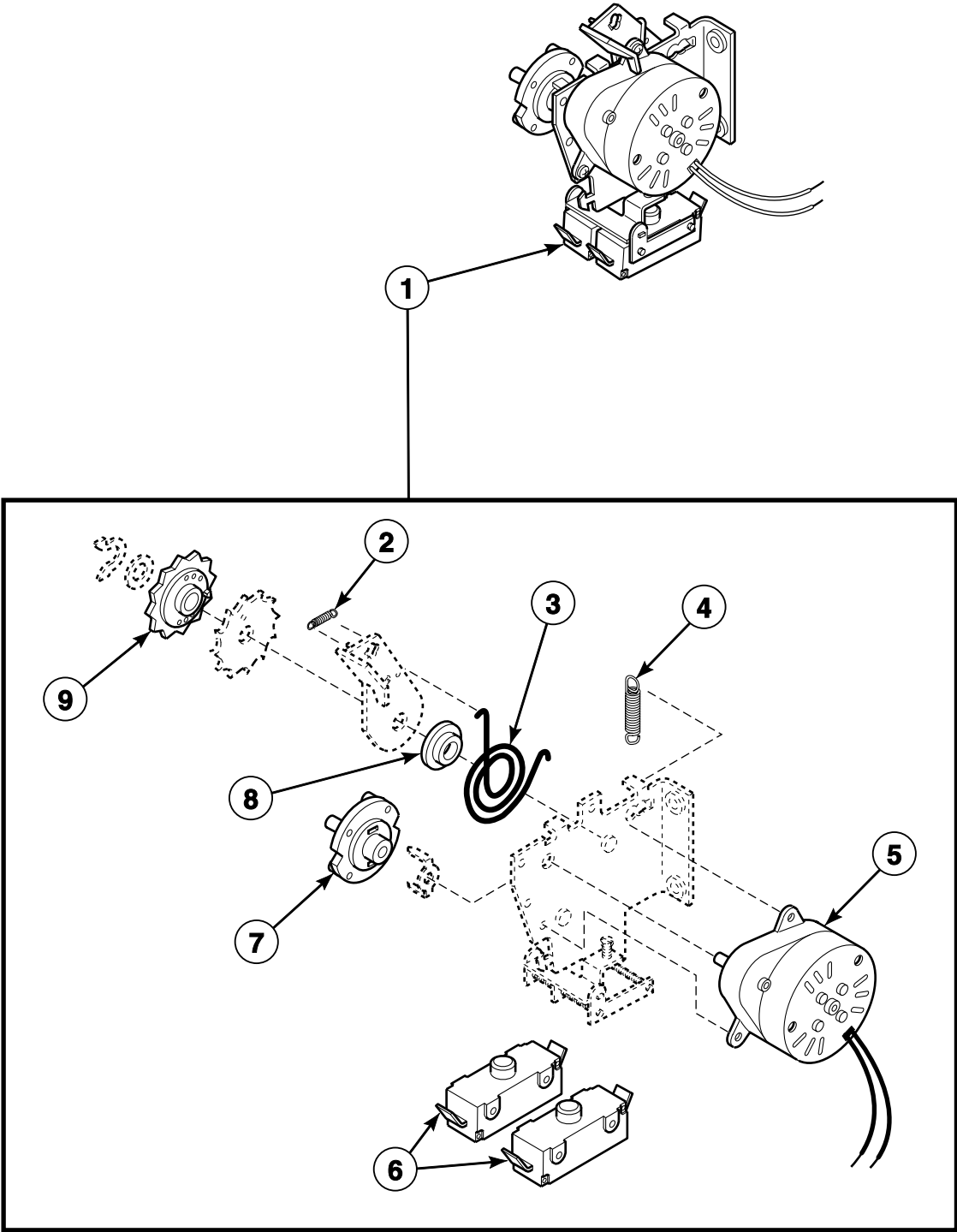
## Timer, Plate, Case and Knob

| REF | PART NO. | DESCRIPTION          | COMMENTS |
|-----|----------|----------------------|----------|
|     | 26351    | Rivet                |          |
| 1   | 54678    | Timer Knob           |          |
| 2   | 21734    | Washer               |          |
| 3   | N/A      | Timer Plate Assembly |          |
| 4   | 02431    | Washer               |          |
| 5   | 20275    | Nut                  |          |
| 6   | 02916    | Screw                |          |
| 7   | 37733W   | Timer Case Assembly  |          |
| 8   | N/A      | Timer                |          |
| 9   | N/A      | Timer Spacer         |          |
| 10  | 51236    | Nut                  |          |
| 11  | 51778    | Screw                |          |
| 12  | 03203    | Screw                |          |
| 13  | N/A      | Screw                |          |
| 14  | 500490   | Instruction Plate    |          |
| 15  | 501086   | Screw                |          |
| 16  | 20279    | Washer               |          |

**N/A = Part no longer available**

# Accumulator - 2-Switch

Models EE1110 and EG1120



D003P\_505871

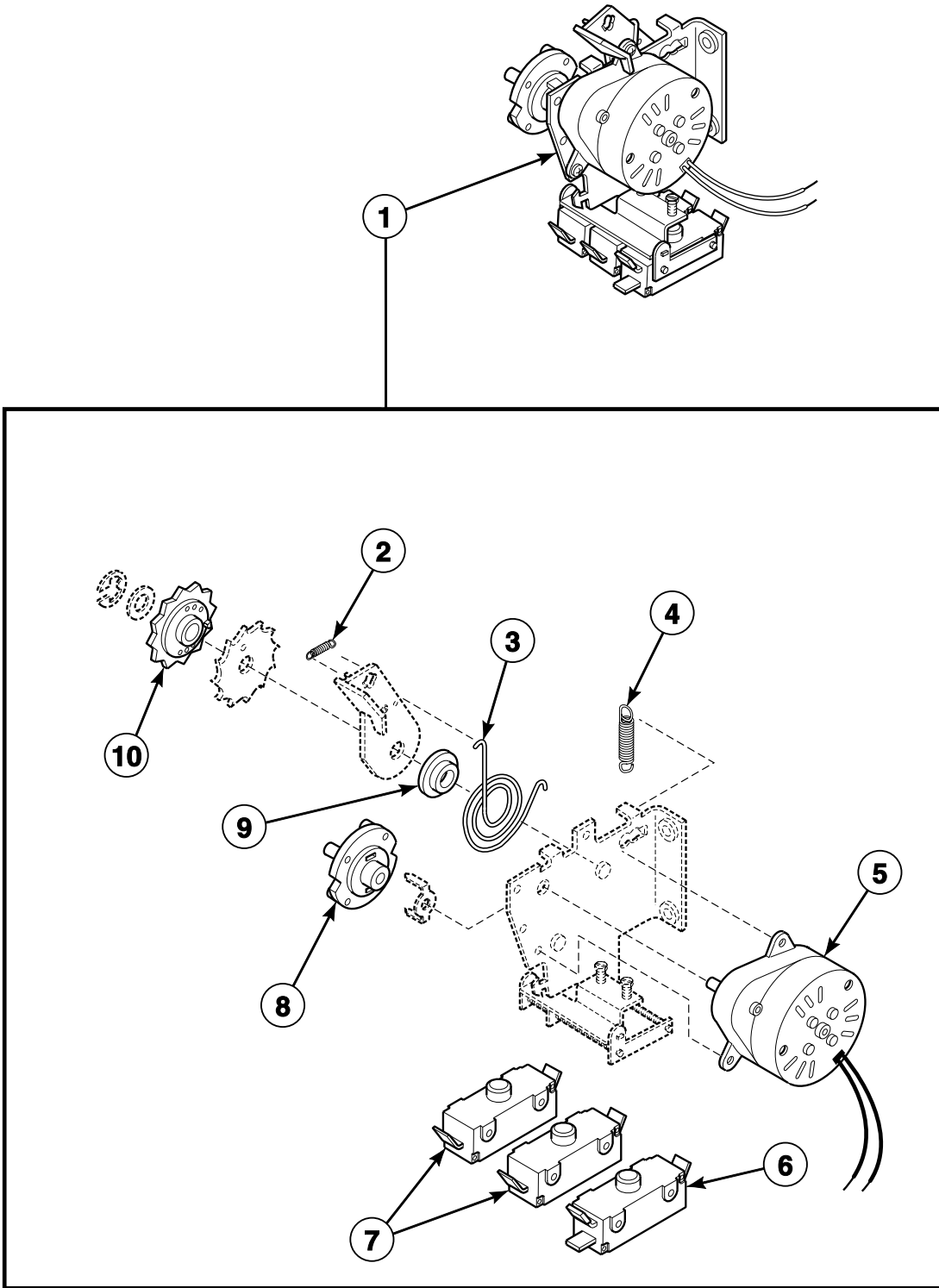
## Accumulator - 2-Switch

| REF | PART NO. | DESCRIPTION                 | COMMENTS         |
|-----|----------|-----------------------------|------------------|
| 1   | 510628P  | Accumulator Replacement Kit |                  |
| 2   | 53244    | Pawl Spring                 |                  |
| 3   | 53261    | Spring                      |                  |
| 4   | N/A      | Index Spring                |                  |
| 5   | 512017P  | Timer Motor                 |                  |
| 6   | N/A      | Switch                      |                  |
| 7   | 53240    | Timing Cam                  | 60 minute; 3 pin |
|     | 53241    | Timing Cam                  | 45 minute; 4 pin |
|     | 53242    | Timing Cam                  | 30 minute; 6 pin |
|     | 53243    | Timing Cam                  | 20 minute; 9 pin |
| 8   | N/A      | Bushing                     |                  |
| 9   | 53239    | Ratchet Wheel               |                  |

N/A = Part no longer available

# Accumulator - 3-Switch

Models EE1510 and EG1520



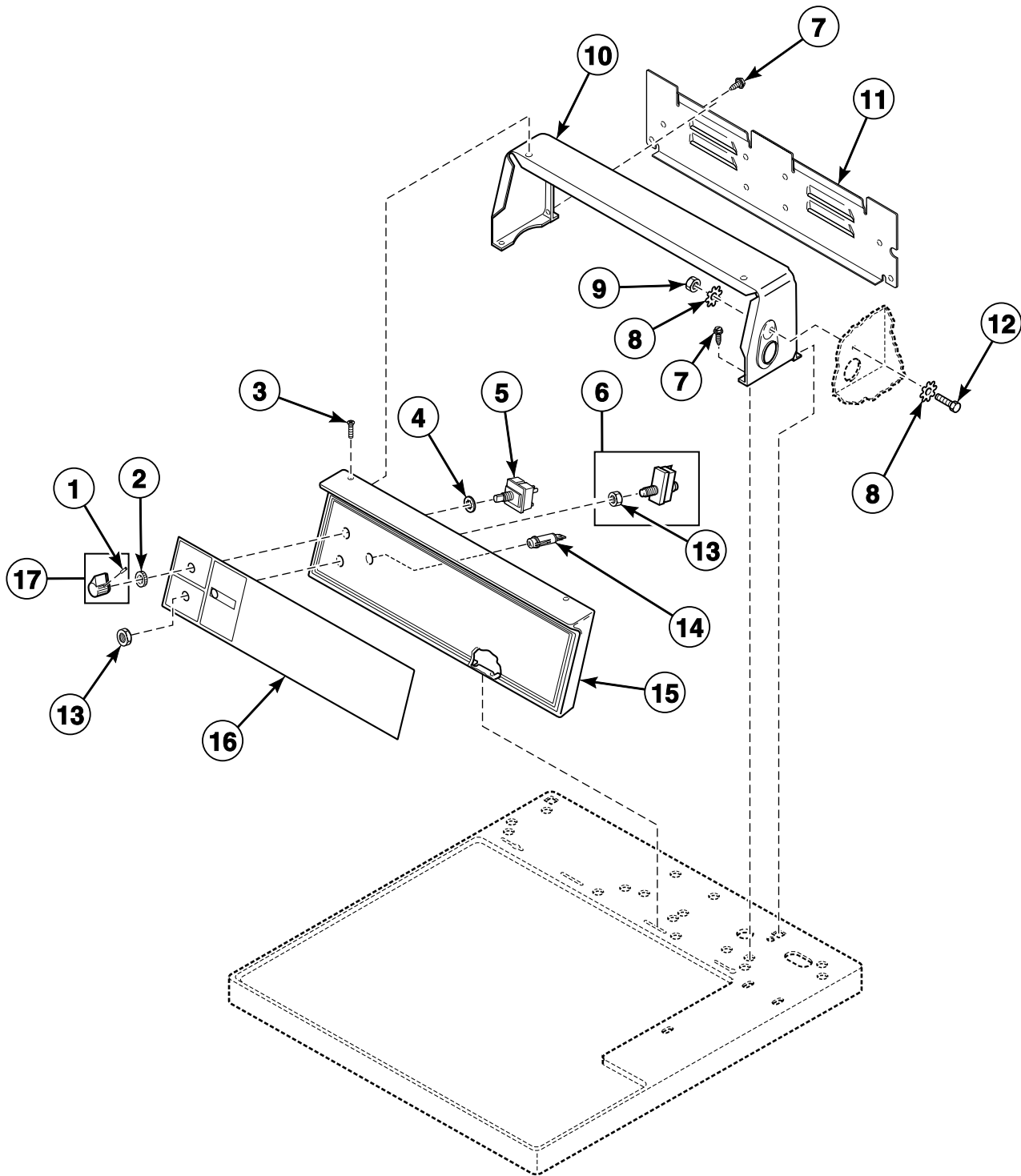
D004P\_505871

## Accumulator - 3-Switch

| REF | PART NO. | DESCRIPTION                 | COMMENTS         |
|-----|----------|-----------------------------|------------------|
| 1   | 510630P  | Accumulator Replacement Kit |                  |
| 2   | 53244    | Pawl Spring                 |                  |
| 3   | 53261    | Spring                      |                  |
| 4   | N/A      | Index Spring                |                  |
| 5   | 512017P  | Timer Motor                 |                  |
| 6   | 61468    | Snap Switch                 |                  |
| 7   | N/A      | Switch                      |                  |
| 8   | 53240    | Timing Cam                  | 60 minute; 3 pin |
|     | 53241    | Timing Cam                  | 45 minute; 4 pin |
|     | 53242    | Timing Cam                  | 30 minute; 6 pin |
|     | 53243    | Timing Cam                  | 20 minute; 9 pin |
| 9   | N/A      | Bushing                     |                  |
| 10  | 53239    | Ratchet Wheel               |                  |

**N/A = Part no longer available**

# Control Panel, Control Hood and Controls - Models EE1010, EE1110, EE1510, EG1020, EG1120 and EG1520



DRY1928P\_505871

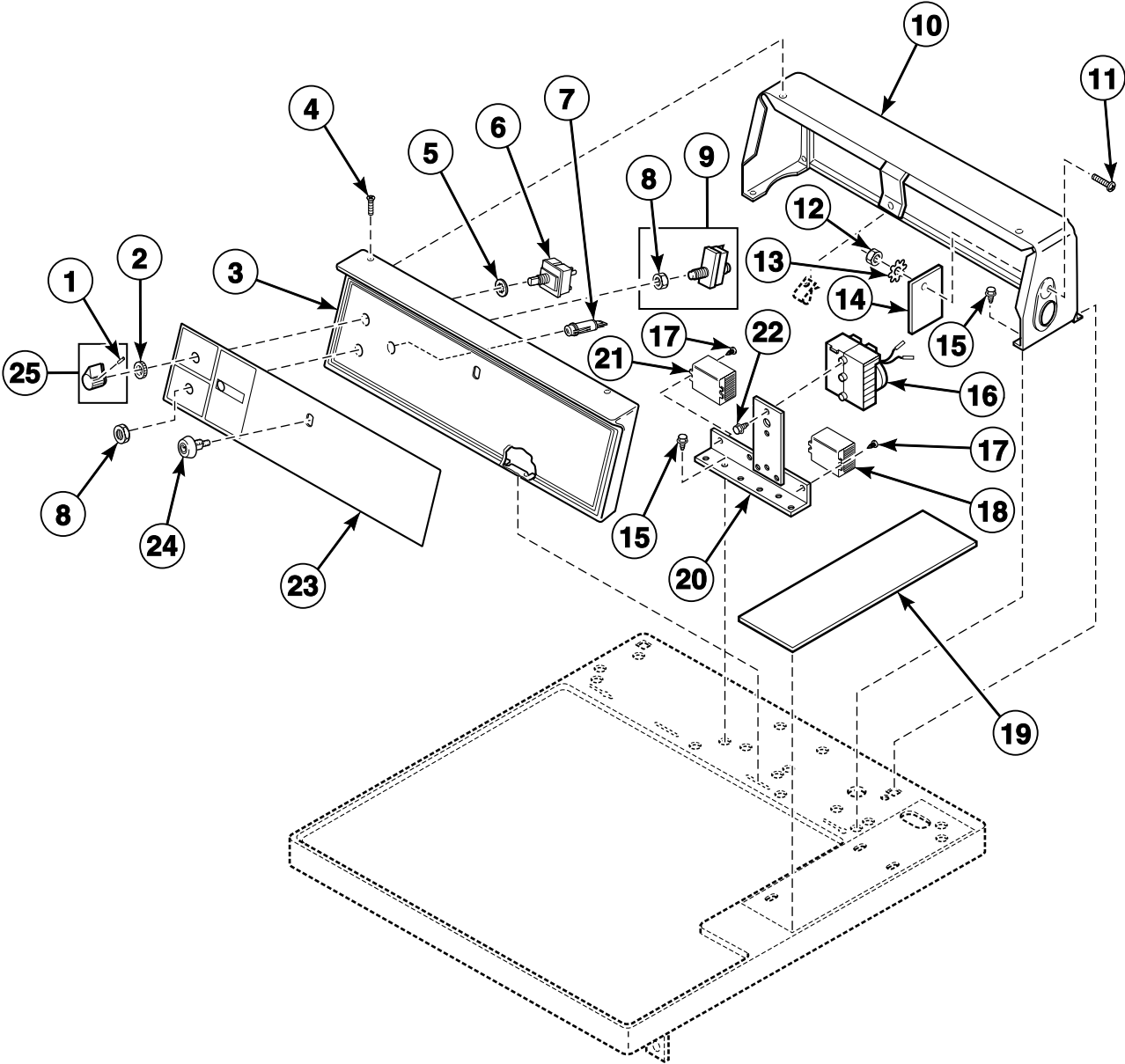


## Control Panel, Control Hood and Controls - Models EE1010, EE1110, EE1510, EG1020, EG1120 and EG1520

| REF | PART NO. | DESCRIPTION                        | COMMENTS                              |
|-----|----------|------------------------------------|---------------------------------------|
| 1   | N/A      | Screw                              |                                       |
| 2   | 24205    | Nut                                |                                       |
| 3   | 52864    | Screw                              |                                       |
| 4   | 91176    | Washer                             |                                       |
| 5   | 56576    | Temperature Selector Switch        | Models through Serial No. S6270865XG  |
|     | 61512    | Fabric Selector Switch             | Models starting Serial No. S6270866XG |
| 6   | 55882    | Switch Assembly                    | Includes item 13                      |
| 7   | 501086   | Screw                              |                                       |
| 8   | 02431    | Washer                             |                                       |
| 9   | 20275    | Nut                                |                                       |
| 10  | 502567W  | Control Hood                       | White                                 |
|     | 502567L  | Control Hood                       | Almond                                |
| 11  | 505798   | Hood Back Plate                    |                                       |
| 12  | 02916    | Screw                              |                                       |
| 13  | 52947    | Nut                                |                                       |
| 14  | 32464    | Light                              |                                       |
| 15  | 62645W   | Control Panel and Bracket Assembly | White                                 |
|     | N/A      | Control Panel and Bracket Assembly | Almond                                |
| 16  | 511895   | Graphic Overlay                    |                                       |
| 17  | 39897    | Switch Knob                        | Includes item 1                       |

**N/A = Part no longer available**

# Control Panel, Control Hood and Controls - Model EG1220



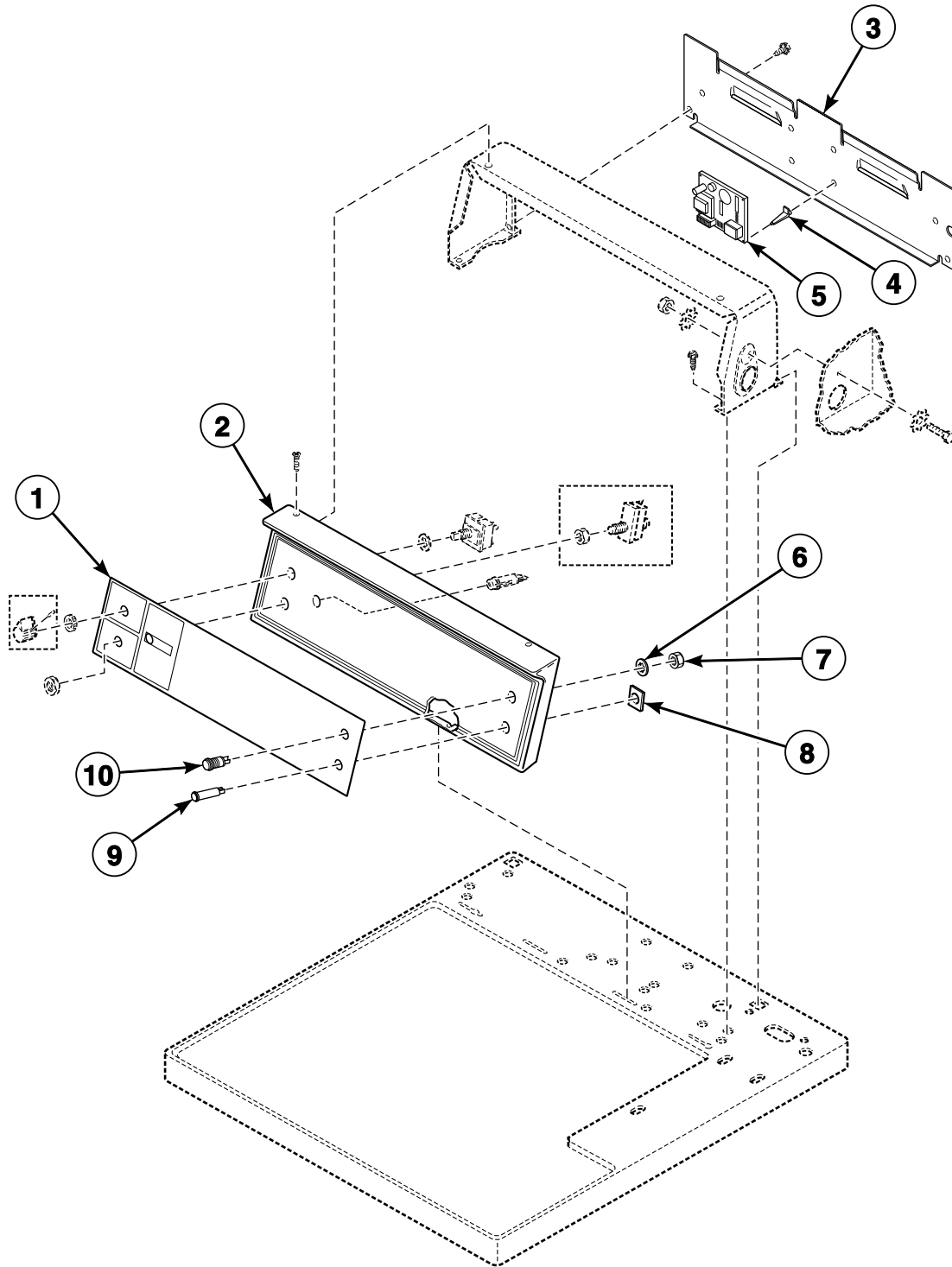
DRY1929P\_505871

## Control Panel, Control Hood and Controls - Model EG1220

| REF | PART NO. | DESCRIPTION                        | COMMENTS                              |
|-----|----------|------------------------------------|---------------------------------------|
| 1   | N/A      | Screw                              |                                       |
| 2   | 24205    | Nut                                |                                       |
| 3   | 62645W   | Control Panel and Bracket Assembly | White                                 |
|     | N/A      | Control Panel and Bracket Assembly | Almond                                |
| 4   | 52864    | Screw                              |                                       |
| 5   | 91176    | Washer                             |                                       |
| 6   | 56576    | Temperature Selector Switch        | Models through Serial No. S6270865XG  |
|     | 61512    | Fabric Selector Switch             | Models starting Serial No. S6270866XG |
| 7   | 32464    | Light                              |                                       |
| 8   | 52947    | Nut                                |                                       |
| 9   | 55882    | Switch Assembly                    | Includes item 8                       |
| 10  | N/A      | Control Hood Assembly              |                                       |
| 11  | 02505    | Bolt                               |                                       |
| 12  | 20275    | Nut                                |                                       |
| 13  | 02431    | Washer                             |                                       |
| 14  | N/A      | Cover Plate                        |                                       |
| 15  | 501086   | Screw                              |                                       |
| 16  | N/A      | Timer                              |                                       |
| 17  | 23222    | Screw                              |                                       |
| 18  | 30616    | Latch Relay                        |                                       |
| 19  | N/A      | Instruction Plate                  |                                       |
| 20  | N/A      | Timer Bracket Assembly             |                                       |
| 21  | 31738    | Relay                              |                                       |
| 22  | 80399    | Screw                              |                                       |
| 23  | N/A      | Graphic Overlay                    |                                       |
| 24  | 57916    | Lock Plug                          |                                       |
| 25  | 39897    | Switch Knob                        |                                       |

N/A = Part no longer available

# Control Panel, Control Hood and Controls - Models EE1610 and EG1620



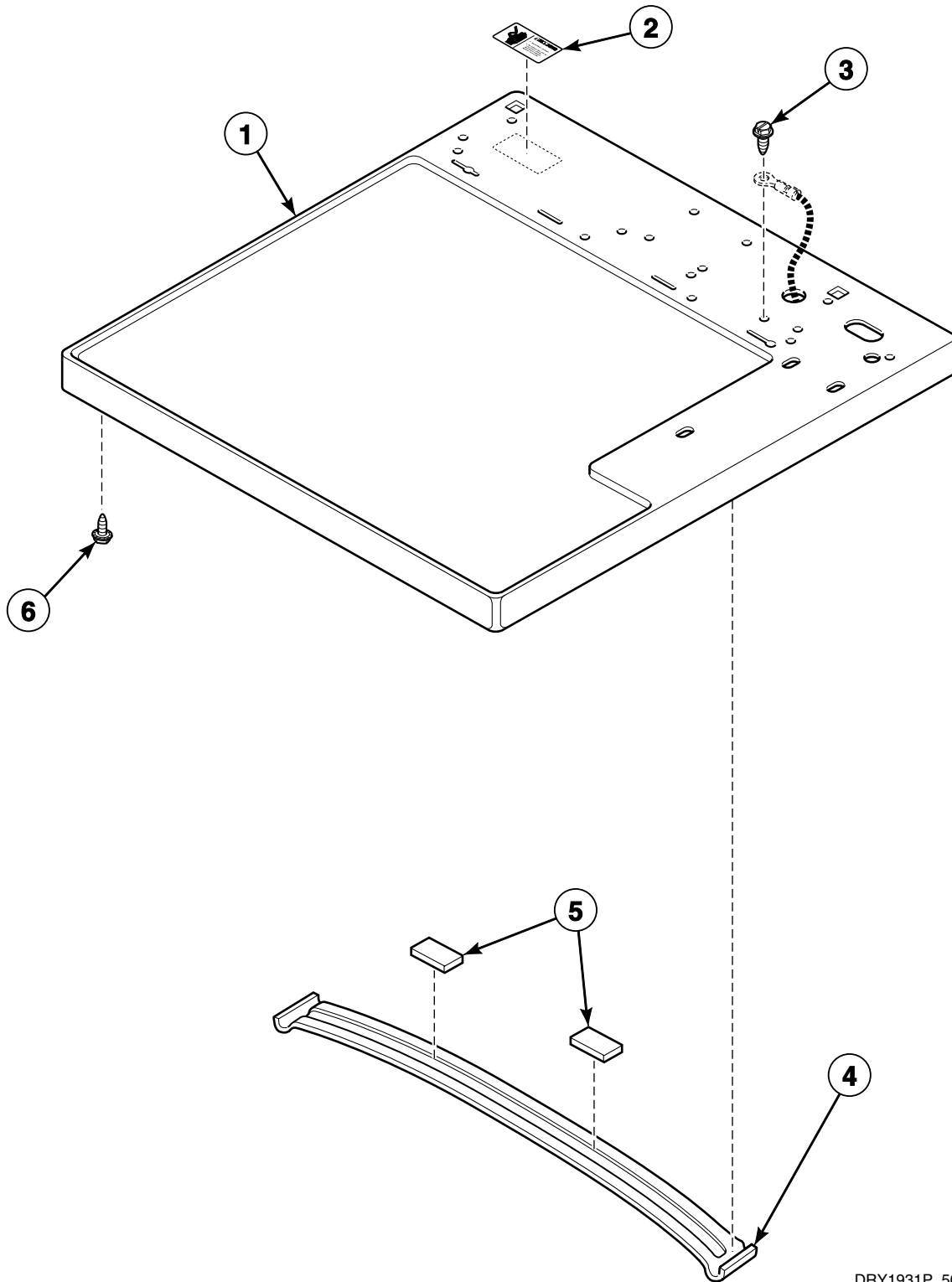
DRY1930P\_505871

## Control Panel, Control Hood and Controls - Models EE1610 and EG1620

| REF | PART NO. | DESCRIPTION                        | COMMENTS |
|-----|----------|------------------------------------|----------|
| 1   | 62646    | Graphic Overlay                    |          |
| 2   | 62645W   | Control Panel and Bracket Assembly | White    |
|     | N/A      | Control Panel and Bracket Assembly | Almond   |
| 3   | 505798   | Hood Back Plate                    |          |
| 4   | 34896    | Circuit Board Support              |          |
| 5   | N/A      | Audit Control                      |          |
| 6   | N/A      | Washer                             |          |
| 7   | N/A      | Nut                                |          |
| 8   | 34762    | Push-On Clip                       |          |
| 9   | 34701    | Transmit Light                     |          |
| 10  | N/A      | Transmit Switch                    |          |

**N/A = Part no longer available**

# Cabinet Top

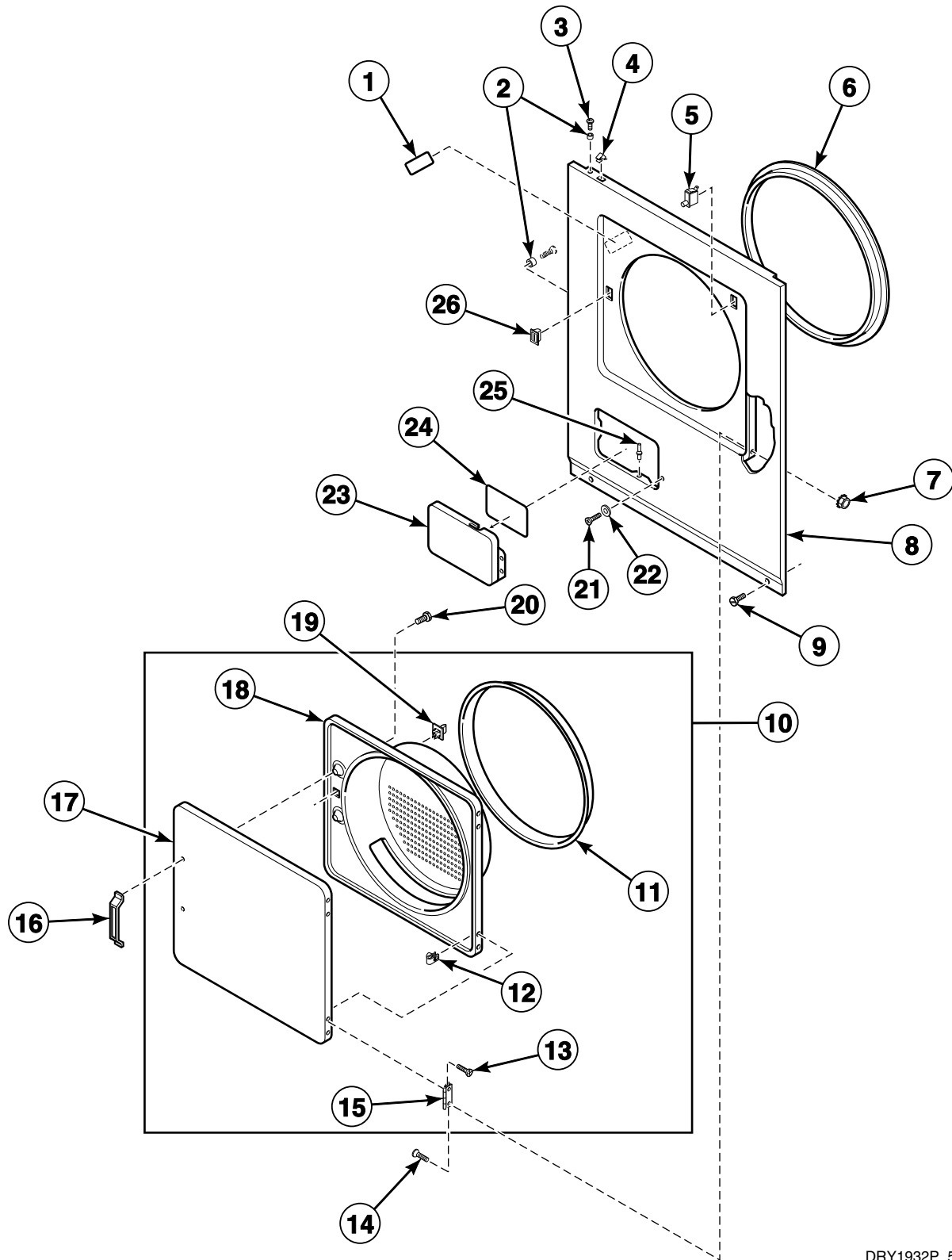


DRY1931P\_505871

# Cabinet Top

| REF | PART NO. | DESCRIPTION                    | COMMENTS |
|-----|----------|--------------------------------|----------|
| 1   | 505863WP | Top Kit                        | White    |
|     | 505863LP | Top Kit                        | Almond   |
| 2   | 505281   | Disconnect Power Warning Label |          |
| 3   | 20530    | Screw                          |          |
| 4   | 56486    | Top Brace                      |          |
| 5   | 32670    | Foam Pad                       |          |
| 6   | 503661   | Screw                          |          |

# Loading Door, Front Panels and Access Door



DRY1932P\_505871

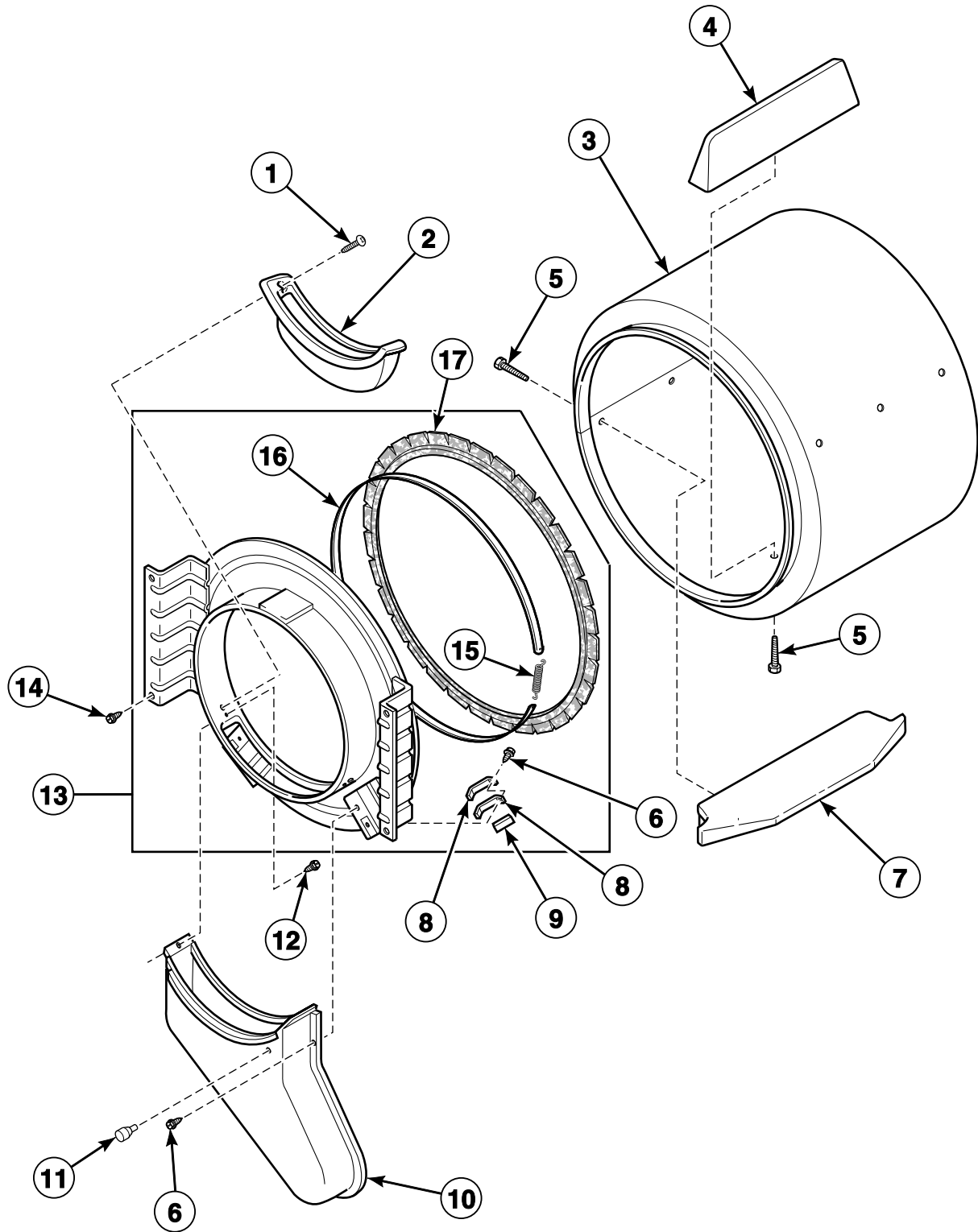


## Loading Door, Front Panels and Access Door

| REF | PART NO. | DESCRIPTION           | COMMENTS                            |
|-----|----------|-----------------------|-------------------------------------|
|     | 502804   | Clean Lint Label      |                                     |
| 1   | 500281   | Warning/Caution Label |                                     |
| 2   | 56079    | Panel Locator         |                                     |
| 3   | 39733    | Screw                 |                                     |
| 4   | 28835    | Speed Clip            |                                     |
| 5   | 504570   | Switch                |                                     |
| 6   | 61380    | Front Panel Seal      |                                     |
| 7   | 51236    | Nut                   |                                     |
| 8   | 62420WP  | Front Panel Assembly  | White; Electric models              |
|     | N/A      | Front Panel Assembly  | Gas models                          |
| 9   | 503661   | Screw                 |                                     |
| 10  | 62300WP  | Door Assembly         | Includes items 11-13, 15, and 17-19 |
| 11  | 61379    | Door Seal             |                                     |
| 12  | 23407    | Nut                   |                                     |
| 13  | 52864    | Screw                 |                                     |
| 14  | 22649    | Screw                 |                                     |
| 15  | 56045    | Hinge                 |                                     |
| 16  | 61925    | Door Pull             | Black                               |
| 17  | N/A      | Door                  |                                     |
| 18  | 62152P   | Door Liner            |                                     |
| 19  | 510181   | Door Strike           |                                     |
| 20  | 33561    | Screw                 |                                     |
| 21  | 57444    | Screw                 |                                     |
| 22  | 21147    | Washer                |                                     |
| 23  | 60795W   | Access Door           | White; Gas models                   |
|     | N/A      | Access Door           | Almond; Gas models                  |
| 24  | 511004   | Gas Clearance Label   | Gas models                          |
| 25  | 56534    | Support Barrel        |                                     |
| 26  | 510177   | Door Catch Assembly   |                                     |

**N/A = Part no longer available**

# Front Bulkhead, Air Duct, Felt Seal and Cylinder



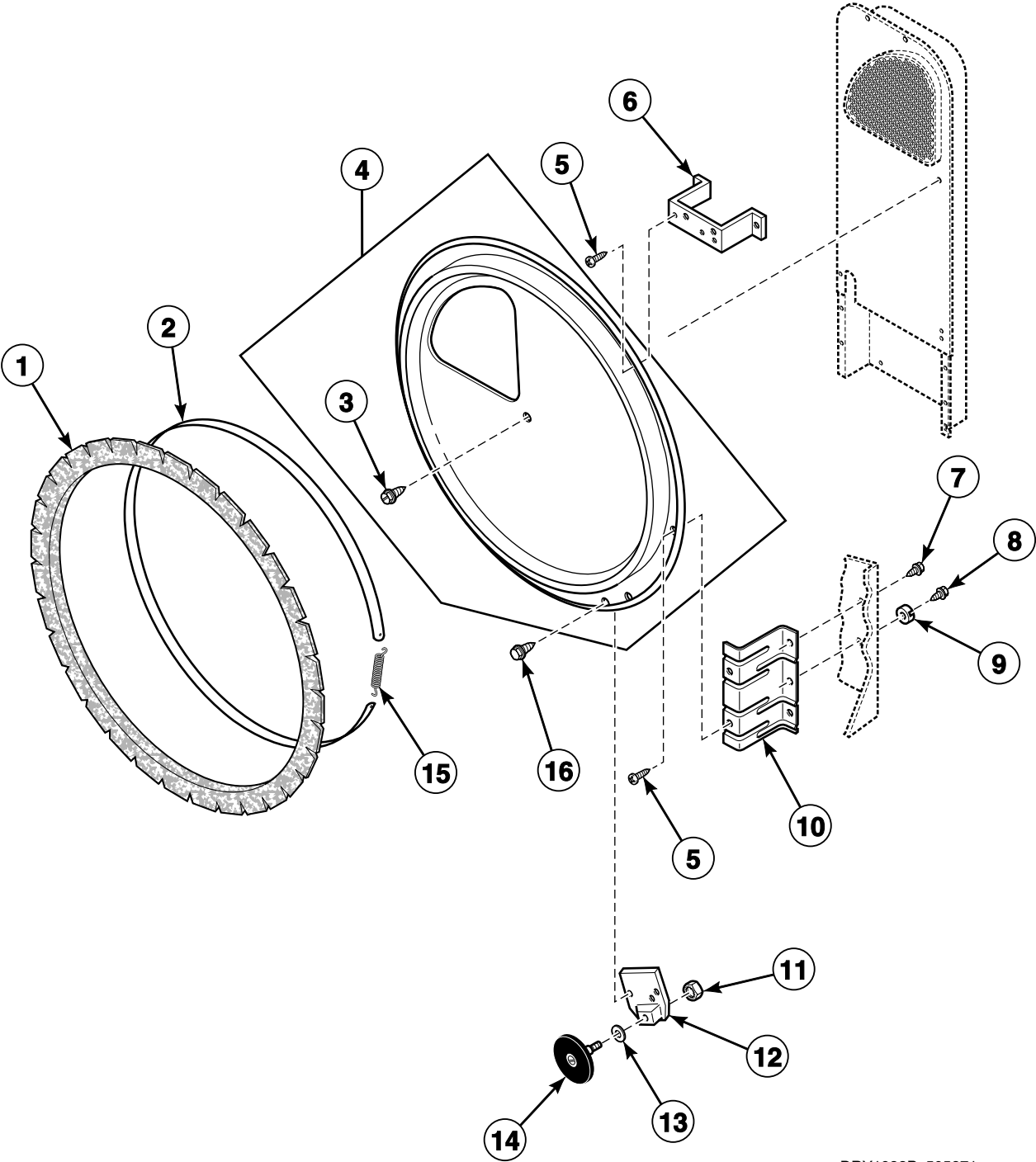
DRY940P\_505871

## Front Bulkhead, Air Duct, Felt Seal and Cylinder

| REF | PART NO. | DESCRIPTION             | COMMENTS   |
|-----|----------|-------------------------|--|
| 1   | 25232    | Screw                   |  |
| 2   | 61376P   | Lint Filter             | White  |
| 3   | 60645P   | Cylinder Assembly       | Includes 2 of item 7 and 1 of item 4                   |
| 4   | 61399    | Cylinder Baffle         | Short; White   |
| 5   | 62588    | Screw                   |  |
| 6   | 23962    | Screw                   |  |
| 7   | 61027    | Cylinder Baffle         | Extended; White; Use with 60645 Cylinder Assembly only |
| 8   | 61448    | Cylinder Glide          | 2 required; Replace thin pad also                      |
| 9   | 58049    | Thin Pad                |  |
| 10  | 60786    | Air Duct Assembly       |  |
| 11  | N/A      | Bumper                  | Models starting Serial No. S70U4372                    |
| 12  | 33561    | Screw                   |  |
| 13  | N/A      | Front Bulkhead Assembly |  |
| 14  | 503661   | Screw                   |  |
| 15  | 52310    | Spring                  |  |
| 16  | 56090P   | Seal Strap              |  |
| 17  | 56088    | Seal Assembly           |  |

**N/A = Part no longer available**

# Rear Bulkhead, Felt Seal and Cylinder Roller



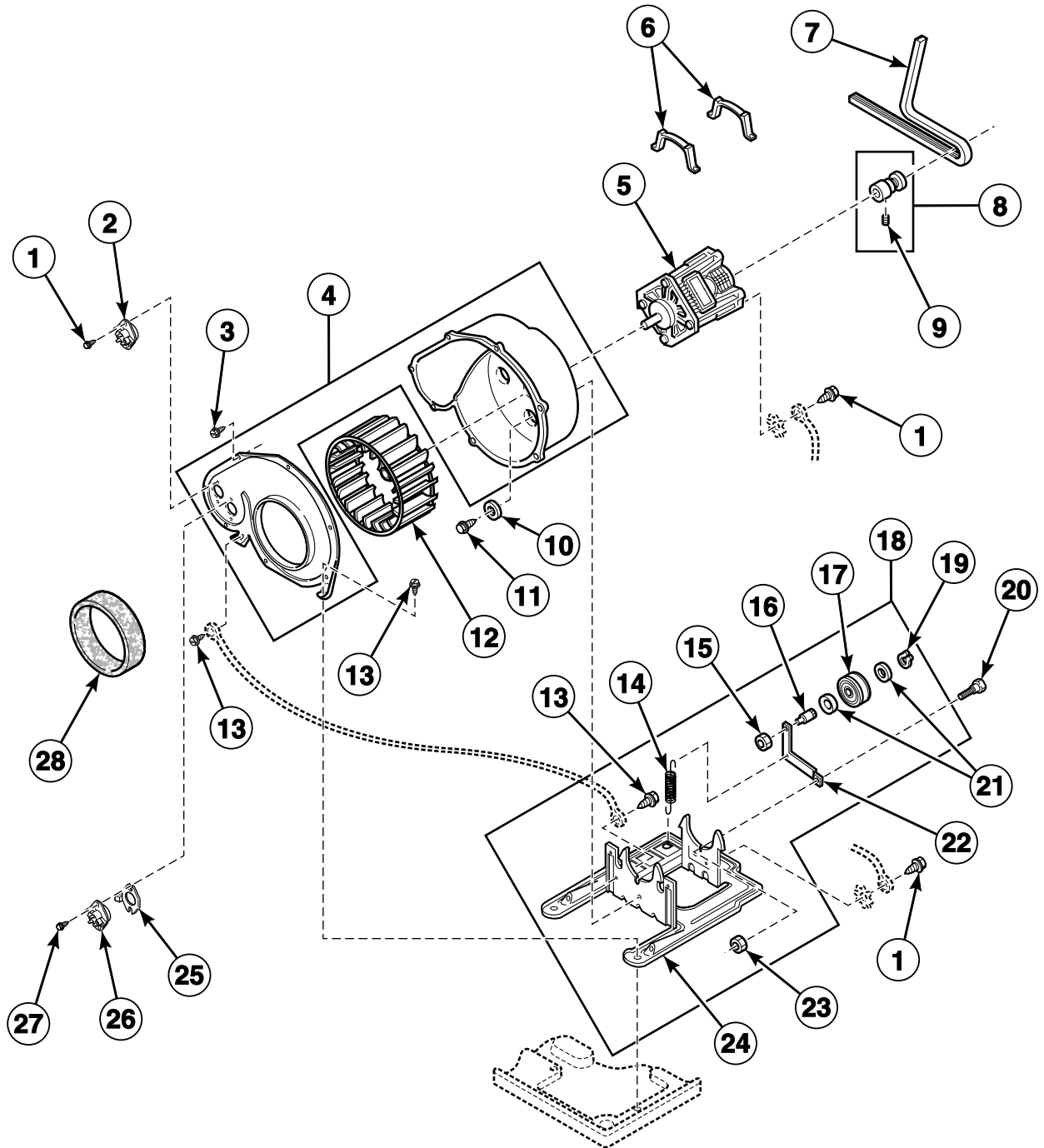
DRY1933P\_505871

## Rear Bulkhead, Felt Seal and Cylinder Roller

| REF | PART NO. | DESCRIPTION             | COMMENTS                              |
|-----|----------|-------------------------|---------------------------------------|
| 1   | 56088    | Seal Assembly           |                                       |
| 2   | 56090P   | Seal Strap              |                                       |
| 3   | 33561    | Screw                   |                                       |
| 4   | 61135P   | Rear Bulkhead Assembly  | Includes item 3                       |
| 5   | M400664  | Screw                   |                                       |
| 6   | N/A      | Terminal Block Bracket  |                                       |
| 7   | 503661   | Screw                   |                                       |
| 8   | 52909    | Screw                   | Green                                 |
| 9   | 51474    | Washer                  |                                       |
| 10  | N/A      | Rear Bulkhead Bracket   |                                       |
| 11  | 56156    | Nut                     |                                       |
| 12  | N/A      | Cylinder Roller Bracket | Models starting Serial No. S6270866XG |
| 13  | 20279    | Washer                  |                                       |
| 14  | 56285    | Cylinder Roller         | Models through Serial No. 9203000758  |
| 15  | 52310    | Spring                  |                                       |
| 16  | 51780    | Screw                   |                                       |

**N/A = Part no longer available**

# Motor, Exhaust Fan and Belt



DRY1934P\_505871

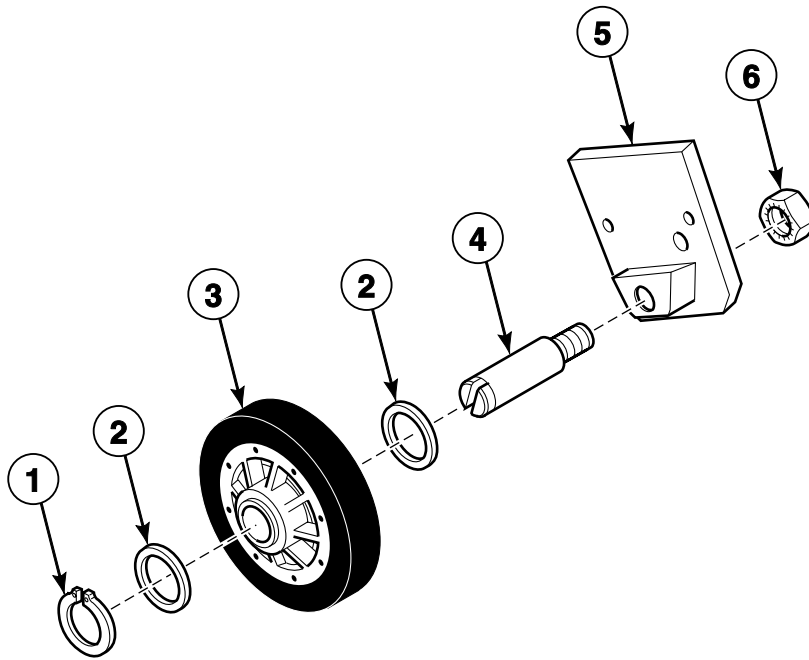
## Motor, Exhaust Fan and Belt

| REF | PART NO. | DESCRIPTION                      | COMMENTS   |
|-----|----------|----------------------------------|--|
|     | N/A      | Motor Switch                     |  |
|     | 27604P   | Anti-Seize Compound              | Apply to motor shaft before installing blower fan assembly |
| 1   | 23222    | Screw                            |  |
| 2   | 57015    | Thermostat                       | Models through Serial No. S6270865XG                       |
| 3   | 23962    | Screw                            |  |
| 4   | 511969P  | Blower Housing and Cover Kit     |  |
| 5   | 58044P   | Motor Kit                        | Includes switch  |
| 6   | 510180   | Motor Mount Clamp                |  |
| 7   | 511255   | Cylinder Belt                    |  |
| 8   | N/A      | Motor Pulley Kit                 |  |
| 9   | 62541    | Screw                            |  |
| 10  | 20492    | Washer                           |  |
| 11  | 503661   | Screw                            |  |
| 12  | 510139   | Blower Fan Assembly              |  |
| 13  | 51780    | Screw                            | Optional   |
| 14  | 510185   | Idler Spring                     |  |
| 15  | 56156    | Nut                              |  |
| 16  | 56461    | Shaft                            |  |
| 17  | 510142   | Idler Wheel and Bearing Assembly |  |
| 18  | 511227   | Motor Mount and Idler Assembly   | Includes items 15-17, 19 and 21-24                         |
| 19  | 23748    | Retaining Ring                   |  |
| 20  | N/A      | Screw                            |  |
| 21  | 52549    | Washer                           |  |
| 22  | N/A      | Idler Lever                      |  |
| 23  | 52566    | Nut                              |  |
| 24  | 510060   | Motor Mount                      |  |
| 25  | 61623    | Thermostat Heater                | Use with 503552 Thermostat                                 |
| 26  | 56470    | Thermostat                       | Models through Serial No. S6270865XG                       |
|     | 503552   | Thermostat                       | Green; Models starting Serial No. S6270866XG               |
| 27  | 23222    | Screw                            | Use with 56470 Thermostat                                  |
|     | 33561    | Screw                            | Use with 503552 Thermostat                                 |
| 28  | 56065    | Seal                             |  |

N/A = Part no longer available

# Cylinder Roller

Models Starting Serial No. 9203000759



DRY242P\_505871

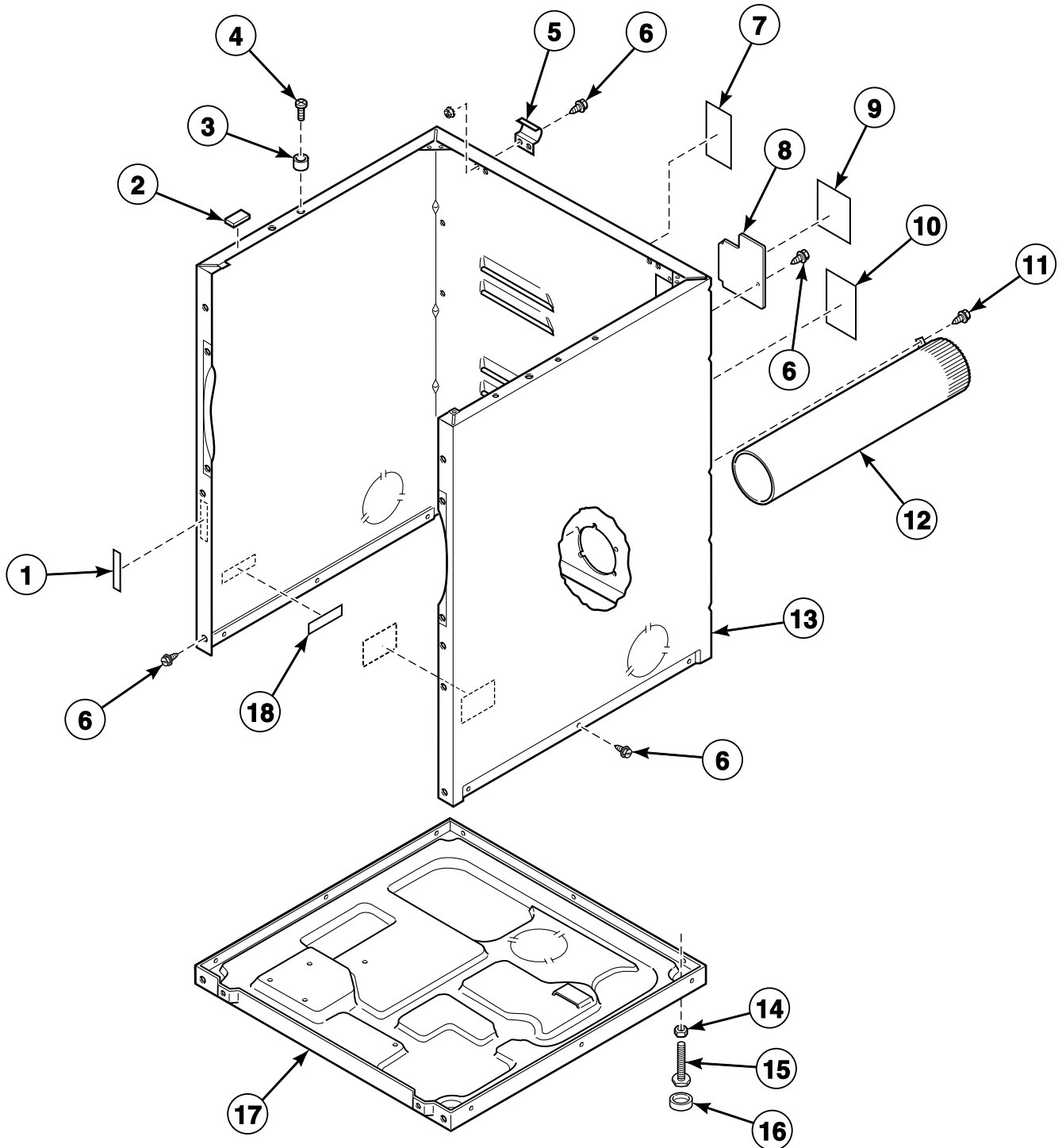


# Cylinder Roller

| REF | PART NO. | DESCRIPTION             | COMMENTS |
|-----|----------|-------------------------|----------|
| 1   | 23748    | Retaining Ring          |          |
| 2   | 52549    | Washer                  |          |
| 3   | 62649    | Cylinder Roller         |          |
| 4   | 56461    | Shaft                   |          |
| 5   | N/A      | Cylinder Roller Bracket |          |
| 6   | 56156    | Nut                     |          |

**N/A = Part no longer available**

# Cabinet, Exhaust Duct and Base



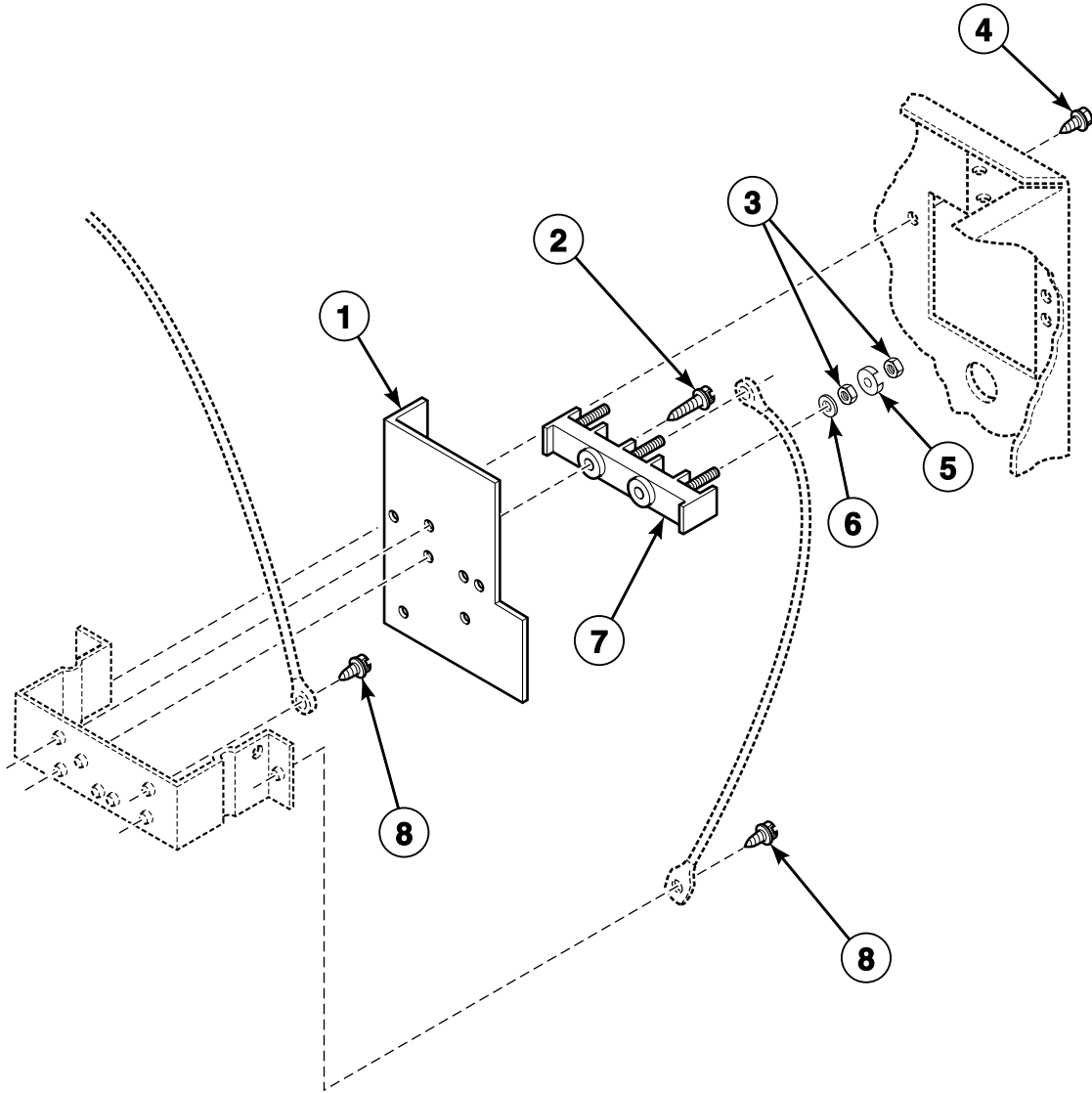
DRY1935P\_505871

## Cabinet, Exhaust Duct and Base

| REF | PART NO. | DESCRIPTION                    | COMMENTS        |
|-----|----------|--------------------------------|-----------------|
| 1   | 505281   | Disconnect Power Warning Label |                 |
| 2   | 56128    | Bumper Pad                     |                 |
| 3   | 56079    | Panel Locator                  |                 |
| 4   | 39733    | Screw                          |                 |
| 5   | N/A      | Top Hinge                      |                 |
| 6   | 503661   | Screw                          |                 |
| 7   | 511004   | Gas Clearance Label            | Gas models      |
| 8   | 60821    | Access Cover Plate             |                 |
| 9   | N/A      | Install Notice Sticker         | Electric models |
| 10  | 511005   | Electric Clearance Label       | Electric models |
| 11  | 23962    | Screw                          |                 |
| 12  | N/A      | Exhaust Duct Assembly          |                 |
| 13  | N/A      | Dryer Cabinet Assembly         |                 |
| 14  | 20274    | Nut                            |                 |
| 15  | 52696    | Screw                          |                 |
| 16  | 70282    | Rubber Foot                    |                 |
| 17  | N/A      | Base Assembly                  |                 |
| 18  | 61294    | Fuse Notice Label              | Electric models |

**N/A = Part no longer available**

# Terminal Block - Models Through Serial No. S6270865XG

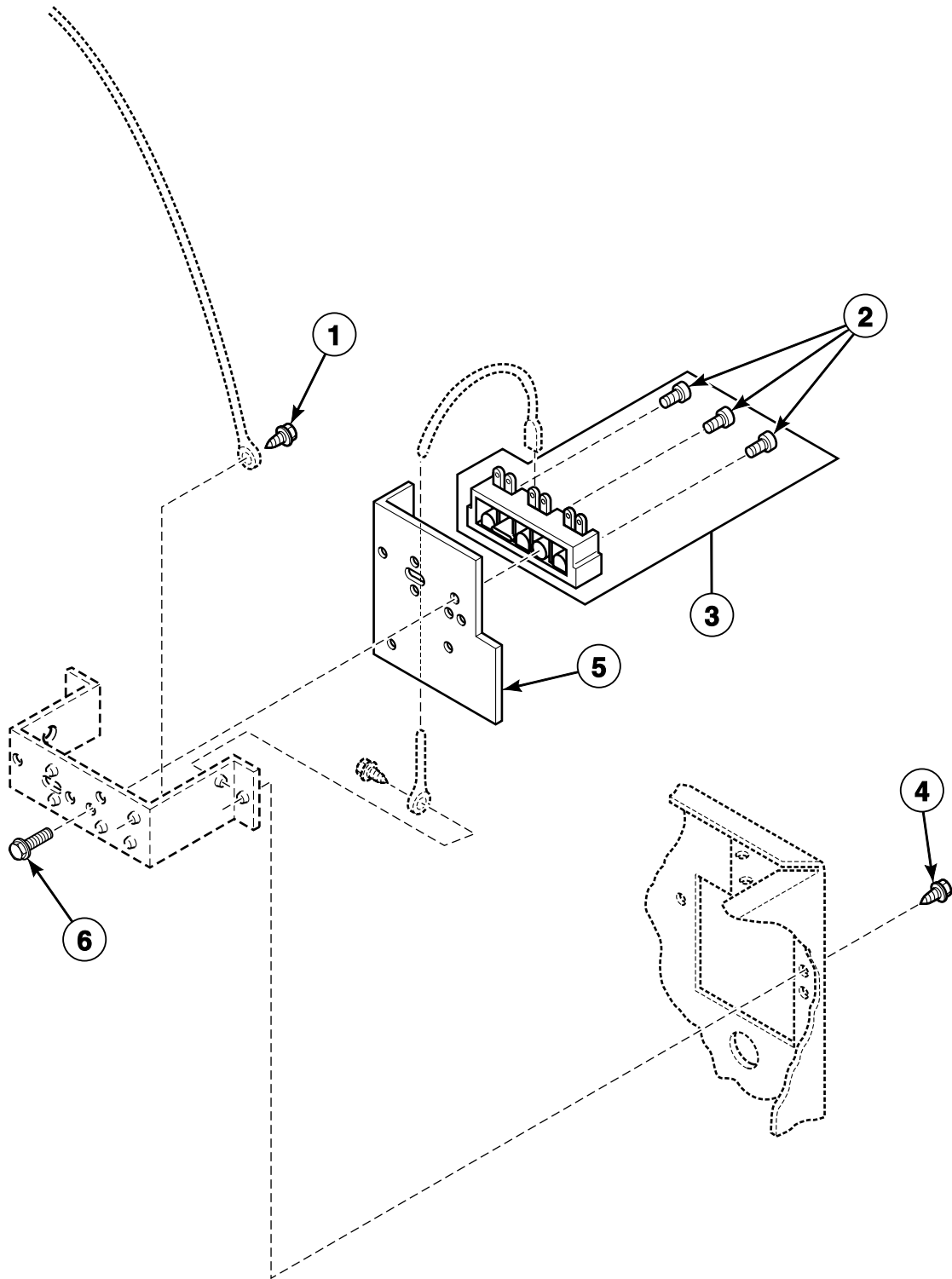


DRY1936P\_505871

## Terminal Block - Models Through Serial No. S6270865XG

| REF | PART NO. | DESCRIPTION             | COMMENTS |
|-----|----------|-------------------------|----------|
| 1   | 56087    | Terminal Block Shield   |          |
| 2   | Q6535    | Screw                   |          |
| 3   | Q6163    | Nut                     |          |
| 4   | 503661   | Screw                   |          |
| 5   | 51474    | Washer                  |          |
| 6   | 56552    | Washer                  |          |
| 7   | 50854A   | Terminal Block Assembly |          |
| 8   | 20530    | Screw                   |          |

# Terminal Block - Models Starting Serial No. S6270866XG

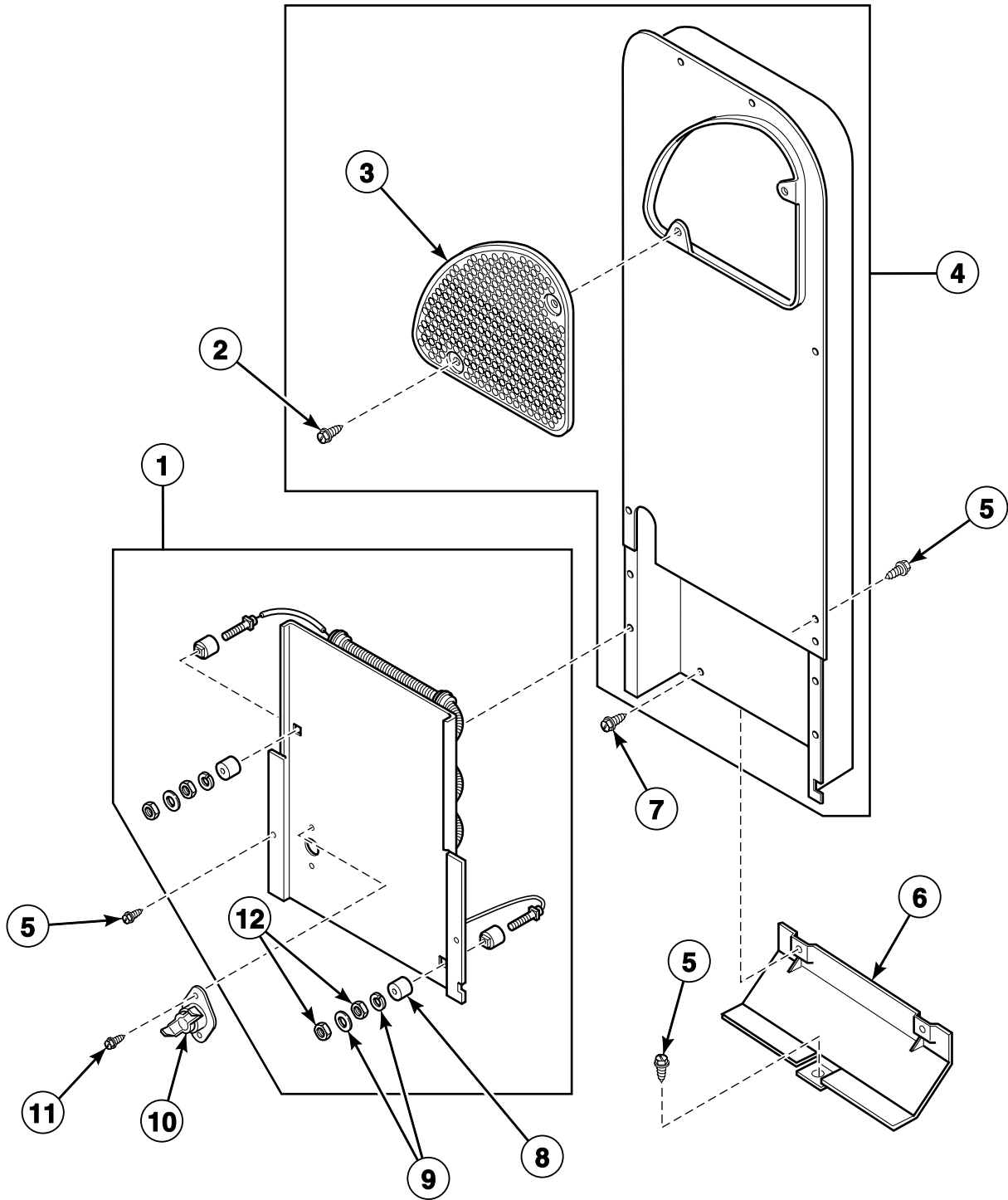


DRY1937P\_505871

## Terminal Block - Models Starting Serial No. S6270866XG

| REF | PART NO. | DESCRIPTION             | COMMENTS             |
|-----|----------|-------------------------|----------------------|
| 1   | 20530    | Screw                   |                      |
| 2   | 61199    | Screw                   |                      |
| 3   | 510190P  | Terminal Block Assembly | Includes 3 of item 2 |
| 4   | 503661   | Screw                   |                      |
| 5   | 56087    | Terminal Block Shield   |                      |
| 6   | 501285   | Screw                   |                      |

# Heater Duct - Electric Models Through Serial No. S6270865XG



D013P\_505871

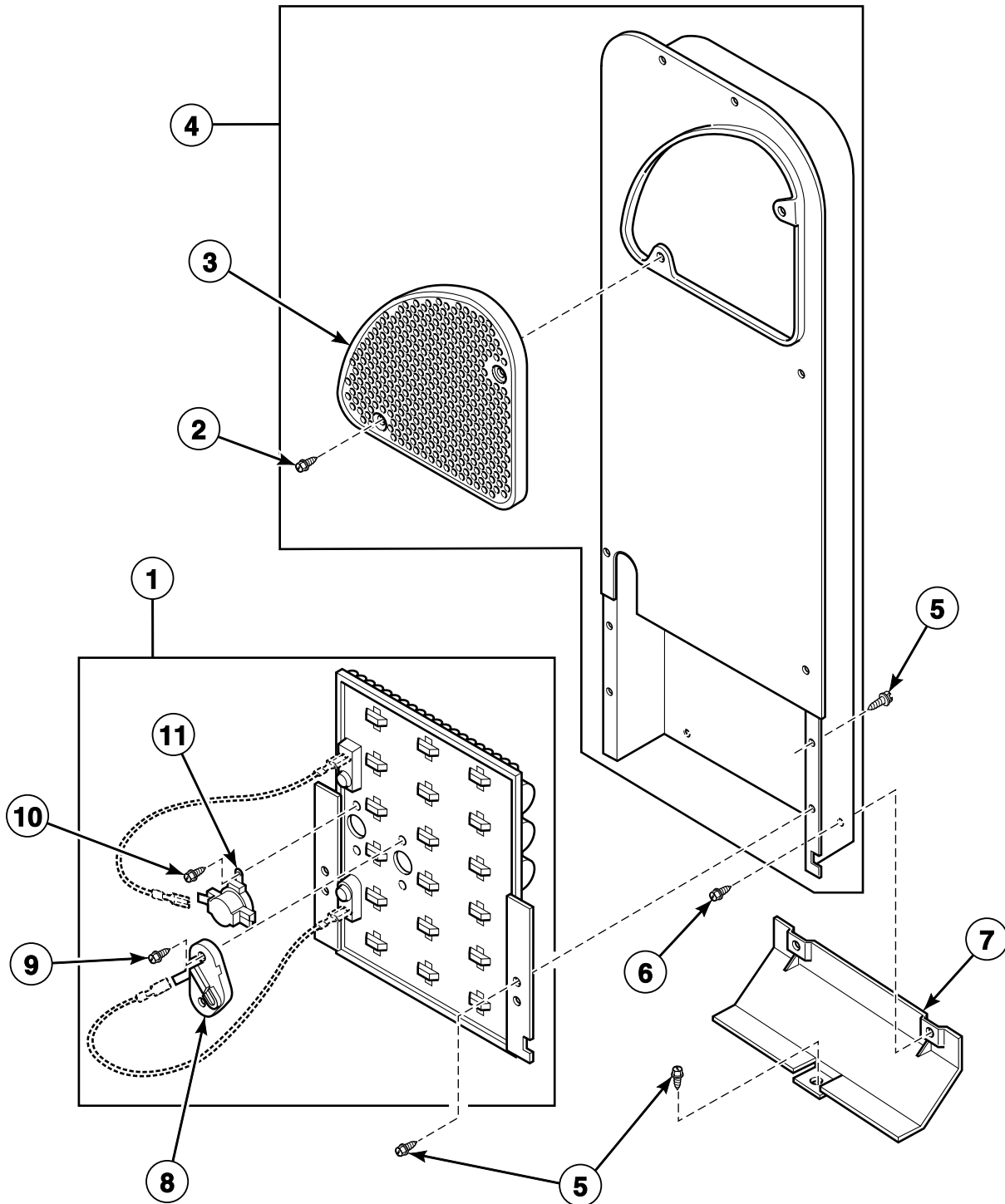


## Heater Duct - Electric Models Through Serial No. S6270865XG

| REF | PART NO. | DESCRIPTION                    | COMMENTS                   |
|-----|----------|--------------------------------|----------------------------|
| 1   | 61928    | Heater Kit Assembly            | 208 Volt; 4750 Watt; White |
|     | 61927    | Heater Kit Assembly            | 240 Volt; 5000 Watt; Red   |
| 2   | 33561    | Screw                          |                            |
| 3   | 500820   | Outlet Cover                   |                            |
| 4   | 510025P  | Heater Duct and Screw Assembly | Includes items 2 and 3     |
| 5   | 503661   | Screw                          |                            |
| 6   | 60952    | Heat Duct Shield               |                            |
| 7   | 51780    | Screw                          |                            |
| 8   | N/A      | Terminal Bushings Assembly     |                            |
| 9   | 56552    | Washer                         |                            |
| 10  | 56082    | Limit Thermostat               |                            |
| 11  | 23222    | Screw                          |                            |
| 12  | Q6163    | Nut                            |                            |

**N/A = Part no longer available**

# Heater Duct - Electric Models Starting Serial No. S6270866XG

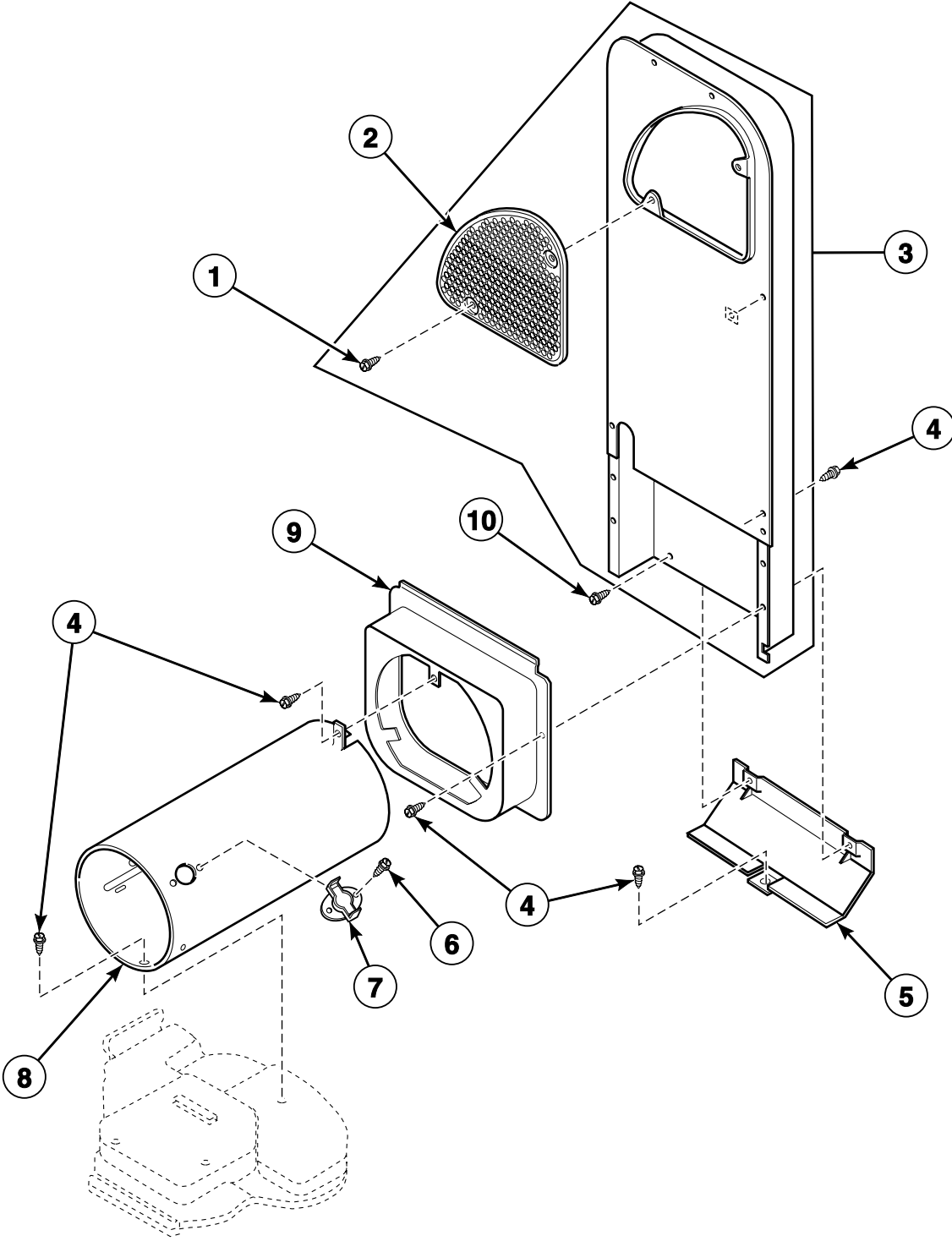


DRY1938P\_505871

## Heater Duct - Electric Models Starting Serial No. S6270866XG

| REF | PART NO. | DESCRIPTION                    | COMMENTS                   |
|-----|----------|--------------------------------|----------------------------|
| 1   | 61928    | Heater Kit Assembly            | 208 Volt; 4750 Watt; White |
|     | 61927    | Heater Kit Assembly            | 240 Volt; 5000 Watt; Red   |
| 2   | 33561    | Screw                          |                            |
| 3   | 500820   | Outlet Cover                   |                            |
| 4   | 510025P  | Heater Duct and Screw Assembly | Includes items 2 and 3     |
| 5   | 503661   | Screw                          |                            |
| 6   | 51780    | Screw                          |                            |
| 7   | 60952    | Heat Duct Shield               |                            |
| 8   | 490P3    | Thermal Fuse Kit               |                            |
| 9   | 56693    | Screw                          |                            |
| 10  | 23222    | Screw                          |                            |
| 11  | 510701   | Limit Thermostat               |                            |

# Heater Duct - Gas Models Through Serial No. S6333959XM



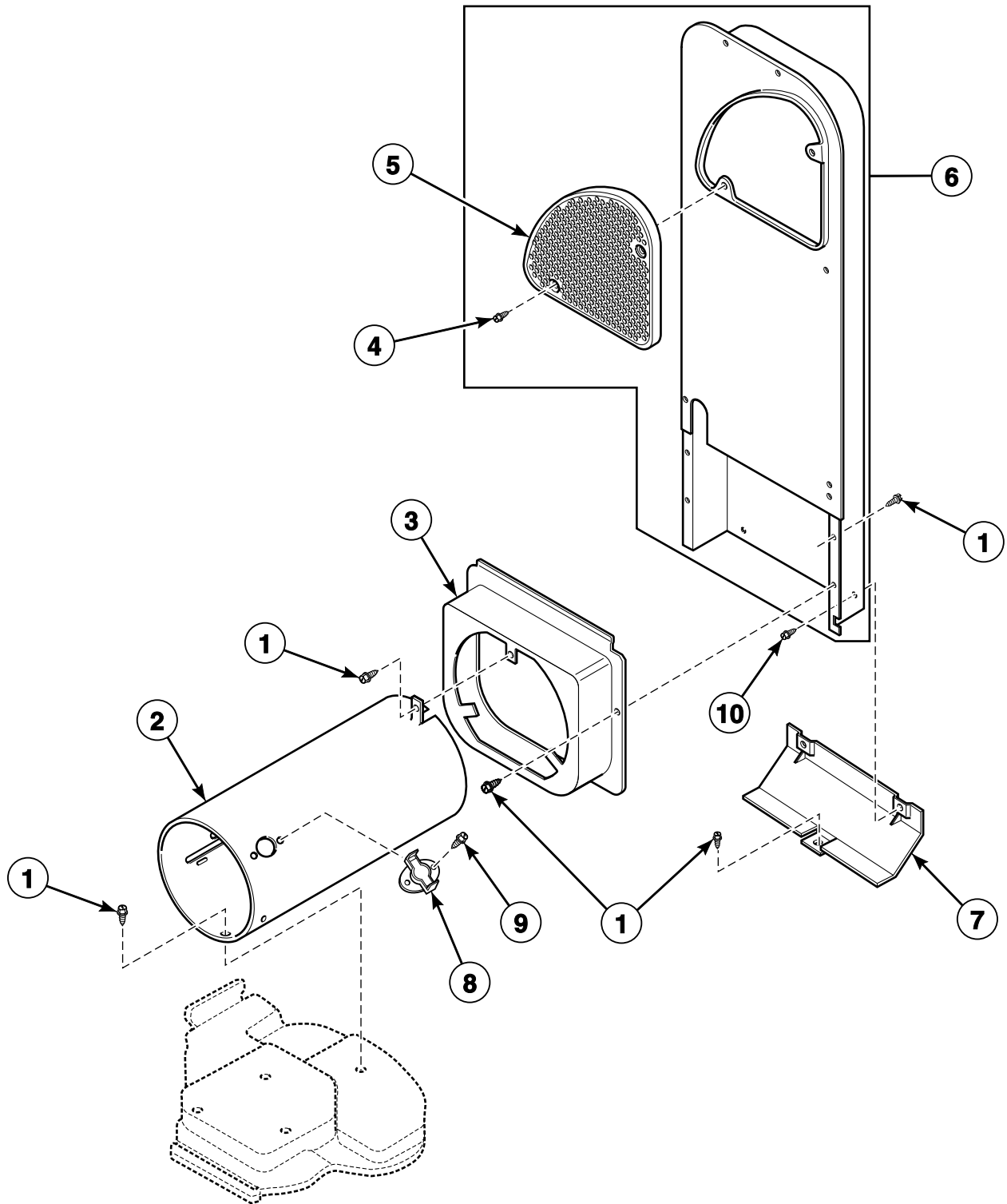
D014P\_505871

## Heater Duct - Gas Models Through Serial No. S6333959XM

| REF | PART NO. | DESCRIPTION                    | COMMENTS               |
|-----|----------|--------------------------------|------------------------|
| 1   | 33561    | Screw                          |                        |
| 2   | 500820   | Outlet Cover                   |                        |
| 3   | 510025P  | Heater Duct and Screw Assembly | Includes items 1 and 2 |
| 4   | 503661   | Screw                          |                        |
| 5   | 60952    | Heat Duct Shield               |                        |
| 6   | 23222    | Screw                          |                        |
| 7   | 489P3    | Thermostat and Plate Kit       |                        |
| 8   | N/A      | Combustion Duct Assembly       |                        |
| 9   | 510101   | Heat Duct Shroud               |                        |
| 10  | 51780    | Screw                          |                        |

N/A = Part no longer available

# Heater Duct - Gas Models Starting Serial No. S6333960XM



DRY1939P\_505871

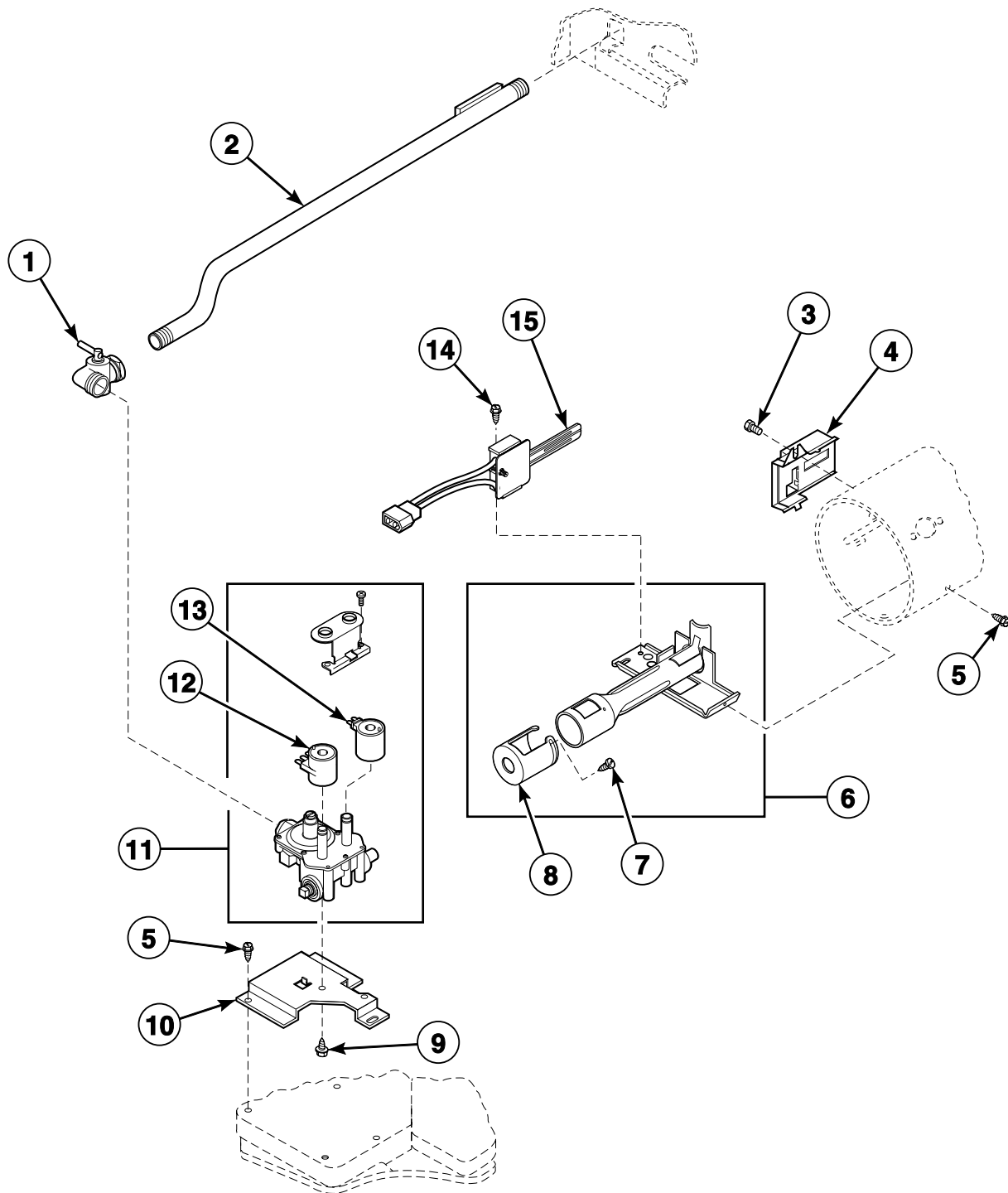
## Heater Duct - Gas Models Starting Serial No. S6333960XM

| REF | PART NO. | DESCRIPTION                    | COMMENTS               |
|-----|----------|--------------------------------|------------------------|
| 1   | 503661   | Screw                          |                        |
| 2   | N/A      | Combustion Duct Assembly       |                        |
| 3   | 510101   | Heat Duct Shroud               |                        |
| 4   | 33561    | Screw                          |                        |
| 5   | 500820   | Outlet Cover                   |                        |
| 6   | 510025P  | Heater Duct and Screw Assembly | Includes items 4 and 5 |
| 7   | 60952    | Heat Duct Shield               |                        |
| 8   | 489P3    | Thermostat and Plate Kit       |                        |
| 9   | 51782    | Screw                          |                        |
| 10  | 51780    | Screw                          |                        |

N/A = Part no longer available

# Gas Valve, Igniter and Gas Conversion Kits

Gas Models



DRY1992P\_505871

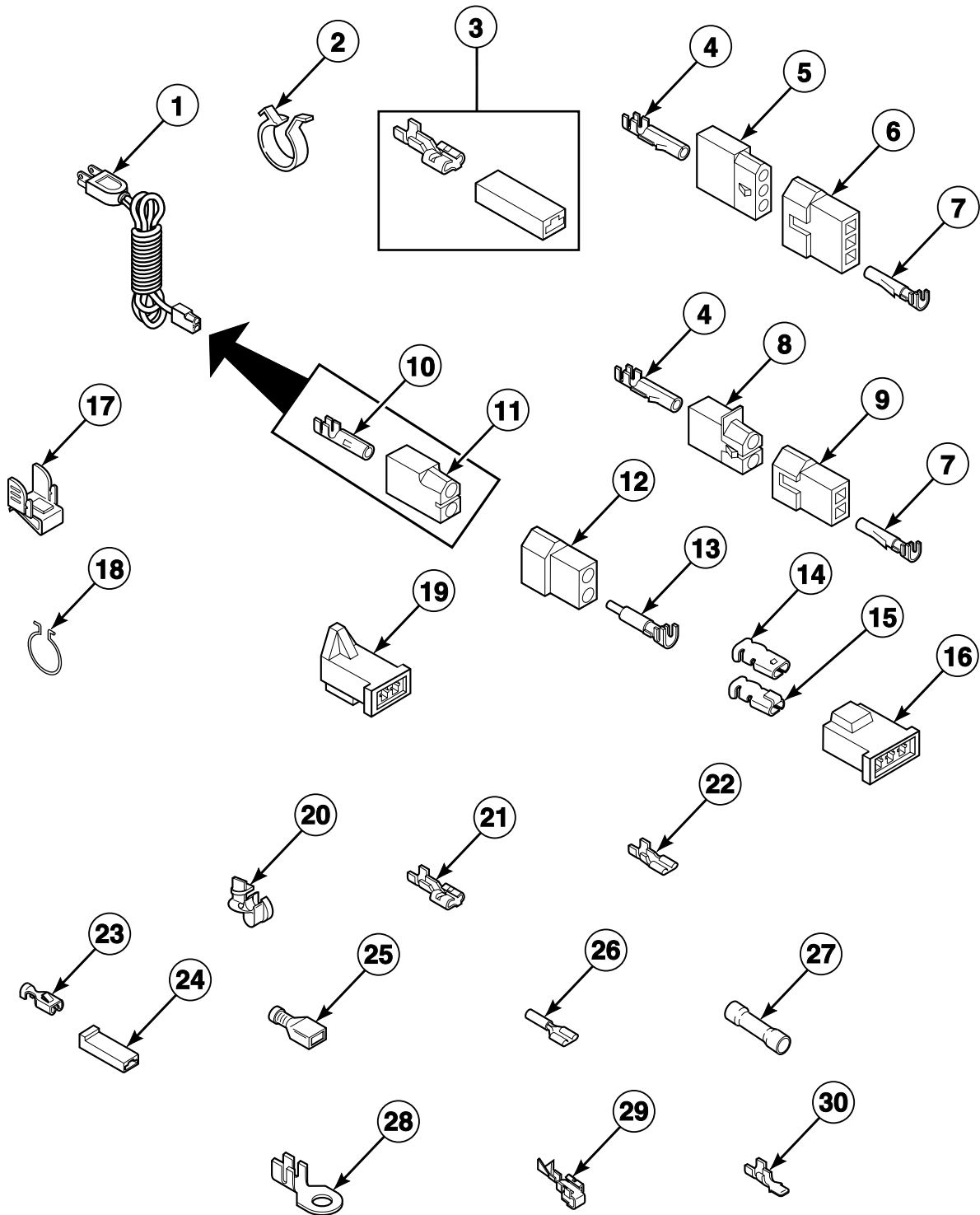


## Gas Valve, Igniter and Gas Conversion Kits

| REF       | PART NO. | DESCRIPTION                  | COMMENTS   |
|-----------|----------|------------------------------|--|
|           | 458P3    | L.P. Conversion Kit          | Used to convert dryers from Natural Gas (N.G.) or Mixed Gas to Liquid Petroleum Gas (L.P.) |
|           | 459P3    | N.G. Conversion Kit          | Used to convert dryers from L.P. to N.G. or Mixed Gas                                      |
| <b>1</b>  | 510205   | Elbow Shut-Off Valve         |  |
| <b>2</b>  | N/A      | Lead-In Pipe Assembly        |  |
| <b>3</b>  | 23222    | Screw                        |  |
| <b>4</b>  | 510213   | Sensor                       |  |
| <b>5</b>  | 503661   | Screw                        |  |
| <b>6</b>  | 510149   | Burner Assembly              | Includes items 7 and 8   |
| <b>7</b>  | N/A      | Screw                        |  |
| <b>8</b>  | N/A      | Air Shutter                  |  |
| <b>9</b>  | 56124    | Screw                        |  |
| <b>10</b> | 510128   | Gas Valve Mounting Bracket   |  |
| <b>11</b> | 60353    | Gas Valve Assembly           | N.G. and Mixed Gas   |
| <b>12</b> | 58804A   | Booster and Holding Coil     |  |
| <b>13</b> | 58804B   | Secondary Coil               |  |
| <b>14</b> | 56693    | Screw                        |  |
| <b>15</b> | 510184P  | Igniter and Bracket Assembly |  |

**N/A = Part no longer available**

# Power Cord and Terminals



DRY2013P\_505871

## Power Cord and Terminals

| REF | PART NO. | DESCRIPTION                  | COMMENTS  |
|-----|----------|------------------------------|---|
| 1   | 56222    | Lead-In Cord                 | Gas models  |
| 2   | 504034   | Wire Clip                    |   |
| 3   | 00360    | Ultra Pod Terminal           | (1) 12 gauge wire or (2) 18 gauge wires           |
| 4   | 00117    | Female Pin Terminal          |   |
| 5   | 23039    | 3 Circuit Receptacle         |   |
| 6   | 23040    | Plug                         |   |
| 7   | 00116    | Male Pin Terminal            |   |
| 8   | 56451    | 2 Circuit Receptacle         |   |
| 9   | 56448    | 2 Circuit Plug               |   |
| 10  | 00130    | Female Pin Terminal          |   |
| 11  | 56265    | 2 Circuit Receptacle         |   |
| 12  | 56266    | 2 Circuit Plug               |   |
| 13  | 00127    | Male Pin Terminal            |   |
| 14  | 00189    | Female Spade Terminal        |   |
| 15  | 00361    | Female Piggyback Terminal    |   |
| 16  | 58800    | 3 Circuit Connector          |   |
| 17  | 00161    | Grounding Clip               |   |
| 18  | 51291    | Wire Clip                    |   |
| 19  | 58799    | 2 Circuit Connector          |   |
| 20  | 38384    | Strain Relief                |   |
| 21  | 00245    | Spade Terminal               | 1/4 inch; (1) 22 gauge wire                       |
|     | 00223    | Female Spade Terminal        | 1/4 inch; (1) 18 gauge wire                       |
|     | 00121    | Female Spade Terminal        | 1/4 inch; (2) 18 gauge wires or (1) 12 gauge wire |
| 22  | 00124    | Female Spade Terminal        | 3/16 inch; (1) 18 gauge wire; .020 tab            |
|     | 00209    | Female Spade Terminal        | 3/16 inch; (2) 18 gauge wires; .020 tab           |
|     | 00156    | Female Spade Terminal        | 3/16 inch; Thermostat wire; .032 tab              |
| 23  | 00115    | Female Spade Terminal        | (1) 18 gauge wire                                 |
|     | 00321    | Female Spade Terminal        | (2) 18 gauge wires or (1) 12 gauge wire           |
| 24  | 90789    | Receptacle Housing           |   |
| 25  | 00165    | Insulated Female Terminal    | 3/16 inch   |
|     | 00359    | Ultra Pod Terminal           | 1/4 inch  |
| 26  | N/A      | Pre-Insulated Spade Terminal | 18 gauge  |
|     | 00215    | Pre-Insulated Spade Terminal | 12 gauge  |
| 27  | N/A      | Butt Splice Connector        |   |
| 28  | 00110    | Ring Terminal                | No. 10; (1) 18 gauge wire                         |
|     | 00111    | Ring Terminal                | No. 10; (2) 18 gauge wires or (1) 12 gauge wire   |
| 29  | 00114    | Female Spade Terminal        |   |
| 30  | 00139    | Male Tab Terminal            | 1/4 inch; (2) 18 gauge wires or (1) 12 gauge wire |

**N/A = Part no longer available**

## Wire Harnesses and Wires

| PART NO. | DESCRIPTION                 | COMMENTS  |
|----------|-----------------------------|---|
| 61789    | Wire Harness Assembly       | Main harness; Models EE1610, EG1120, EG1220, EG1520 and EG1620 starting Serial No. S6270866XG |
| N/A      | Main Wire Harness Assembly  | All other models  |
| N/A      | Relay Wire Harness Assembly | Model EG1220  |
| 45001    | 18 Gauge Wire               | Black; Order wire by foot; Order terminals and connectors as required                         |
| 45380    | 12 Gauge Wire               | Orange; Order wire by foot; Order terminals and connectors as required                        |

**N/A = Part no longer available**

**NOTE: Individual wires are not available separately. Order complete harness, or order wire by the foot. When applying terminals to wires, it is recommended that the terminals be soldered to the wires.**

# Parts Index

## A

|  |    |
|--|----|
| Access Cover Plate<br>60821 .....            | 33 |
| Access Door<br>60795W .....                  | 23 |
| Accumulator Replacement Kit<br>510628P ..... | 11 |
| 510630P .....                                | 13 |
| Air Duct Assembly<br>60786 .....             | 25 |
| Anti-Seize Compound<br>27604P .....          | 29 |
| Audit Wire Harness Assembly<br>62647 .....   | 7  |

## B

|   |       |
|---|-------|
| Blower Fan Assembly<br>510139 .....           | 29    |
| Blower Housing and Cover Kit<br>511969P ..... | 29    |
| Bolt<br>02505 .....                           | 5, 17 |
| 29651 .....                                   | 7     |
| Booster and Holding Coil<br>58804A .....      | 47    |
| Bumper Pad<br>56128 .....                     | 33    |
| Burner Assembly<br>510149 .....               | 47    |

## C

|  |            |
|--|------------|
| Circuit Board Support<br>34896 .....               | 19         |
| Clean Lint Label<br>502804 .....                   | 23         |
| Coin Funnel Kit<br>523P3 .....                     | 7          |
| Coin Slide Extension<br>61031 .....                | 5          |
| Connector, 2 Circuit<br>58799 .....                | 49         |
| Connector, 3 Circuit<br>58800 .....                | 49         |
| Control Hood<br>502567L .....                      | 15         |
| 502567W .....                                      | 15         |
| Control Panel and Bracket Assembly<br>62645W ..... | 15, 17, 19 |
| Counter Kit<br>62113P .....                        | 5          |
| Cylinder Assembly<br>60645P .....                  | 25         |
| Cylinder Baffle<br>61027 .....                     | 25         |

|                                |    |
|--------------------------------|----|
| 61399 .....                    | 25 |
| Cylinder Belt<br>511255 .....  | 29 |
| Cylinder Glide<br>61448 .....  | 25 |
| Cylinder Roller<br>56285 ..... | 27 |
| 62649 .....                    | 31 |

## D

|  |        |
|--|--------|
| Disconnect Power Warning Label<br>505281 ..... | 21, 33 |
| Door Assembly<br>62300WP .....                 | 23     |
| Door Catch Assembly<br>510177 .....            | 23     |
| Door Liner<br>62152P .....                     | 23     |
| Door Pull<br>61925 .....                       | 23     |
| Door Seal<br>61379 .....                       | 23     |
| Door Strike<br>510181 .....                    | 23     |

## E

|  |    |
|--|----|
| Elbow Shut-Off Valve<br>510205 .....     | 47 |
| Electric Clearance Label<br>511005 ..... | 33 |

## F

|  |        |
|--|--------|
| Fabric Selector Switch<br>61512 .....    | 15, 17 |
| Female Piggyback Terminal<br>00361 ..... | 49     |
| Female Pin Terminal<br>00117 .....       | 49     |
| 00130 .....                              | 49     |
| Female Spade Terminal<br>00114 .....     | 49     |
| 00115 .....                              | 49     |
| 00121 .....                              | 49     |
| 00124 .....                              | 49     |
| 00156 .....                              | 49     |
| 00189 .....                              | 49     |
| 00209 .....                              | 49     |
| 00223 .....                              | 49     |
| 00321 .....                              | 49     |
| Foam Pad<br>32670 .....                  | 21     |
| Front Panel Assembly<br>62420WP .....    | 23     |
| Front Panel Seal<br>61380 .....          | 23     |

N/A items do not appear in index.

|                                  |    |
|----------------------------------|----|
| Fuse Notice Label<br>61294 ..... | 33 |
|----------------------------------|----|

---

## G

|  |        |
|--|--------|
| Gas Clearance Label<br>511004 .....        | 23, 33 |
| Gas Valve Assembly<br>60353 .....          | 47     |
| Gas Valve Mounting Bracket<br>510128 ..... | 47     |
| Graphic Overlay<br>511895 .....            | 15     |
| 62646 .....                                | 19     |
| Grounding Clip<br>00161 .....              | 49     |

---

## H

|   |                |
|---|----------------|
| Harness Replacement Kit<br>510534P .....        | 5              |
| 510661P .....                                   | 5              |
| Harness Strap<br>55881 .....                    | 5              |
| Heat Duct Shield<br>60952 .....                 | 39, 41, 43, 45 |
| Heat Duct Shroud<br>510101 .....                | 43, 45         |
| Heater Duct and Screw Assembly<br>510025P ..... | 39, 41, 43, 45 |
| Heater Kit Assembly<br>61927 .....              | 39, 41         |
| 61928 .....                                     | 39, 41         |
| Hinge<br>56045 .....                            | 23             |
| Hood Back Plate<br>505798 .....                 | 15, 19         |
| Hood Wire Harness Assembly<br>61310 .....       | 5              |

---

## I

|  |    |
|--|----|
| Idler Spring<br>510185 .....                     | 29 |
| Idler Wheel and Bearing Assembly<br>510142 ..... | 29 |
| Igniter and Bracket Assembly<br>510184P .....    | 47 |
| Instruction Plate<br>500490 .....                | 9  |
| 55969 .....                                      | 5  |
| Insulated Female Terminal<br>00165 .....         | 49 |

---

## L

|                            |    |
|----------------------------|----|
| Latch Relay<br>30616 ..... | 17 |
|----------------------------|----|

|                                    |        |
|------------------------------------|--------|
| Lead-In Cord<br>56222 .....        | 49     |
| Light<br>32464 .....               | 15, 17 |
| Limit Thermostat<br>510701 .....   | 41     |
| 56082 .....                        | 39     |
| Lint Filter<br>61376P .....        | 25     |
| Lock Plug<br>57916 .....           | 17     |
| L.P. Conversion Kit<br>458P3 ..... | 47     |

---

## M

|  |      |
|--|------|
| Magnet<br>501453 .....                         | 7    |
| Male Pin Terminal<br>00116 .....               | 49   |
| 00127 .....                                    | 49   |
| Male Tab Terminal<br>00139 .....               | 49   |
| Meter Case and Funnel Kit<br>524P3L .....      | 5, 7 |
| 524P3W .....                                   | 5, 7 |
| Meter Case Gasket<br>26354 .....               | 5    |
| Meter Case Locking Bracket<br>30642 .....      | 5    |
| Motor Kit<br>58044P .....                      | 29   |
| Motor Mount<br>510060 .....                    | 29   |
| Motor Mount and Idler Assembly<br>511227 ..... | 29   |
| Motor Mount Clamp<br>510180 .....              | 29   |

---

## N

|                                    |              |
|------------------------------------|--------------|
| Nut<br>Q6163 .....                 | 35, 39       |
| 20274 .....                        | 33           |
| 20275 .....                        | 5, 9, 15, 17 |
| 23407 .....                        | 23           |
| 24205 .....                        | 15, 17       |
| 29796 .....                        | 7            |
| 30647 .....                        | 5            |
| 51236 .....                        | 9, 23        |
| 52566 .....                        | 29           |
| 52947 .....                        | 15, 17       |
| 56156 .....                        | 27, 29, 31   |
| 80077 .....                        | 5            |
| N.G. Conversion Kit<br>459P3 ..... | 47           |

---

## O

|                              |                |
|------------------------------|----------------|
| Outlet Cover<br>500820 ..... | 39, 41, 43, 45 |
|------------------------------|----------------|

N/A items do not appear in index.

---

**P**

|                              |        |
|------------------------------|--------|
| Panel Locator                |        |
| 56079 .....                  | 23, 33 |
| Pawl Spring                  |        |
| 53244 .....                  | 11, 13 |
| Plug                         |        |
| 23040 .....                  | 49     |
| Plug, 2 Circuit              |        |
| 56266 .....                  | 49     |
| 56448 .....                  | 49     |
| Pre-Insulated Spade Terminal |        |
| 00215 .....                  | 49     |
| Pushbutton Switch            |        |
| 34536 .....                  | 7      |
| Push-On Clip                 |        |
| 34762 .....                  | 19     |

---

**R**

|                        |        |
|------------------------|--------|
| Ratchet Wheel          |        |
| 53239 .....            | 11, 13 |
| Rear Bulkhead Assembly |        |
| 61135P .....           | 27     |
| Receptacle Housing     |        |
| 90789 .....            | 49     |
| Receptacle, 2 Circuit  |        |
| 56265 .....            | 49     |
| 56451 .....            | 49     |
| Receptacle, 3 Circuit  |        |
| 23039 .....            | 49     |
| Reed Switch            |        |
| 34599 .....            | 7      |
| Relay                  |        |
| 31738 .....            | 17     |
| Retaining Ring         |        |
| 23748 .....            | 29, 31 |
| Ring Terminal          |        |
| 00110 .....            | 49     |
| 00111 .....            | 49     |
| Rivet                  |        |
| 26351 .....            | 9      |
| Rubber Foot            |        |
| 70282 .....            | 33     |

---

**S**

|               |                                |
|---------------|--------------------------------|
| Screw         |                                |
| M400664 ..... | 27                             |
| Q6535 .....   | 35                             |
| 02916 .....   | 9, 15                          |
| 03203 .....   | 5, 9                           |
| 03950 .....   | 5                              |
| 20530 .....   | 5, 21, 35, 37                  |
| 22649 .....   | 23                             |
| 23222 .....   | 17, 29, 39, 41, 43, 47         |
| 23962 .....   | 25, 29, 33                     |
| 25232 .....   | 25                             |
| 31260 .....   | 7                              |
| 33561 .....   | 23, 25, 27, 29, 39, 41, 43, 45 |
| 39733 .....   | 23, 33                         |

|              |  |
|--------------|--|
| 501086 ..... | 9, 15, 17  |
| 501285 ..... | 37   |
| 503661 ..... | 5, 21, 23, 25, 27, 29, 33,<br>35, 37, 39, 41, 43, 45, 47 |
| 503673 ..... | 5  |
| 51778 .....  | 9  |
| 51780 .....  | 5, 27, 29, 39, 41, 43, 45                                |
| 51782 .....  | 45   |
| 52696 .....  | 33   |
| 52864 .....  | 15, 17, 23   |
| 52909 .....  | 27   |
| 56124 .....  | 47   |
| 56693 .....  | 41, 47   |
| 57444 .....  | 23   |
| 61199 .....  | 37   |
| 62541 .....  | 29   |
| 62588 .....  | 25   |
| 80399 .....  | 17   |

|                       |        |
|-----------------------|--------|
| Seal                  |        |
| 56065 .....           | 29     |
| Seal Assembly         |        |
| 56088 .....           | 25, 27 |
| Seal Strap            |        |
| 56090P .....          | 25, 27 |
| Secondary Coil        |        |
| 58804B .....          | 47     |
| Sensor                |        |
| 510213 .....          | 47     |
| Service Door Assembly |        |
| 35798L .....          | 5, 7   |
| 35798W .....          | 5, 7   |
| Shaft                 |        |
| 56461 .....           | 29, 31 |
| Snap Switch           |        |
| 61468 .....           | 13     |
| Spade Terminal        |        |
| 00245 .....           | 49     |
| Speed Clip            |        |
| 28835 .....           | 23     |
| Spring                |        |
| 52310 .....           | 25, 27 |
| 53261 .....           | 11, 13 |
| Strain Relief         |        |
| 38384 .....           | 49     |
| Support Barrel        |        |
| 56534 .....           | 23     |
| Switch                |        |
| 504570 .....          | 23     |
| Switch Assembly       |        |
| 55882 .....           | 15, 17 |
| Switch Knob           |        |
| 39897 .....           | 15, 17 |

---

**T**

|                             |        |
|-----------------------------|--------|
| Temperature Selector Switch |        |
| 56576 .....                 | 15, 17 |
| Terminal Block Assembly     |        |
| 50854A .....                | 35     |
| 510190P .....               | 37     |
| Terminal Block Shield       |        |
| 56087 .....                 | 35, 37 |
| Thermal Fuse Kit            |        |
| 490P3 .....                 | 41     |

N/A items do not appear in index.

|                          |        |
|--------------------------|--------|
| Thermostat               |        |
| 503552 .....             | 29     |
| 56470 .....              | 29     |
| 57015 .....              | 29     |
| Thermostat and Plate Kit |        |
| 489P3 .....              | 43, 45 |
| Thermostat Heater        |        |
| 61623 .....              | 29     |
| Thin Pad                 |        |
| 58049 .....              | 25     |
| Timer Case Assembly      |        |
| 37733W .....             | 9      |
| Timer Knob               |        |
| 54678 .....              | 9      |
| Timer Motor              |        |
| 512017P .....            | 11, 13 |
| Timing Cam               |        |
| 53240 .....              | 11, 13 |
| 53241 .....              | 11, 13 |
| 53242 .....              | 11, 13 |
| 53243 .....              | 11, 13 |
| Top Brace                |        |
| 56486 .....              | 21     |
| Top Kit                  |        |
| 505863LP .....           | 21     |
| 505863WP .....           | 21     |
| Transmit Light           |        |
| 34701 .....              | 19     |

|                |    |
|----------------|----|
| Wire, 18 Gauge |    |
| 45001 .....    | 50 |

---

## U

|                    |    |
|--------------------|----|
| Ultra Pod Terminal |    |
| 00359 .....        | 49 |
| 00360 .....        | 49 |

## W

|                       |              |
|-----------------------|--------------|
| Warning/Caution Label |              |
| 500281 .....          | 23           |
| Washer                |              |
| 02431 .....           | 5, 9, 15, 17 |
| 20279 .....           | 9, 27        |
| 20492 .....           | 29           |
| 21147 .....           | 23           |
| 21734 .....           | 5, 9         |
| 30627 .....           | 5            |
| 35774 .....           | 5            |
| 35917 .....           | 5            |
| 51474 .....           | 27, 35       |
| 52549 .....           | 29, 31       |
| 56552 .....           | 35, 39       |
| 91176 .....           | 15, 17       |
| Wire Clip             |              |
| 504034 .....          | 49           |
| 51291 .....           | 49           |
| Wire Harness Assembly |              |
| 61789 .....           | 50           |
| Wire, 12 Gauge        |              |
| 45380 .....           | 50           |

N/A items do not appear in index.