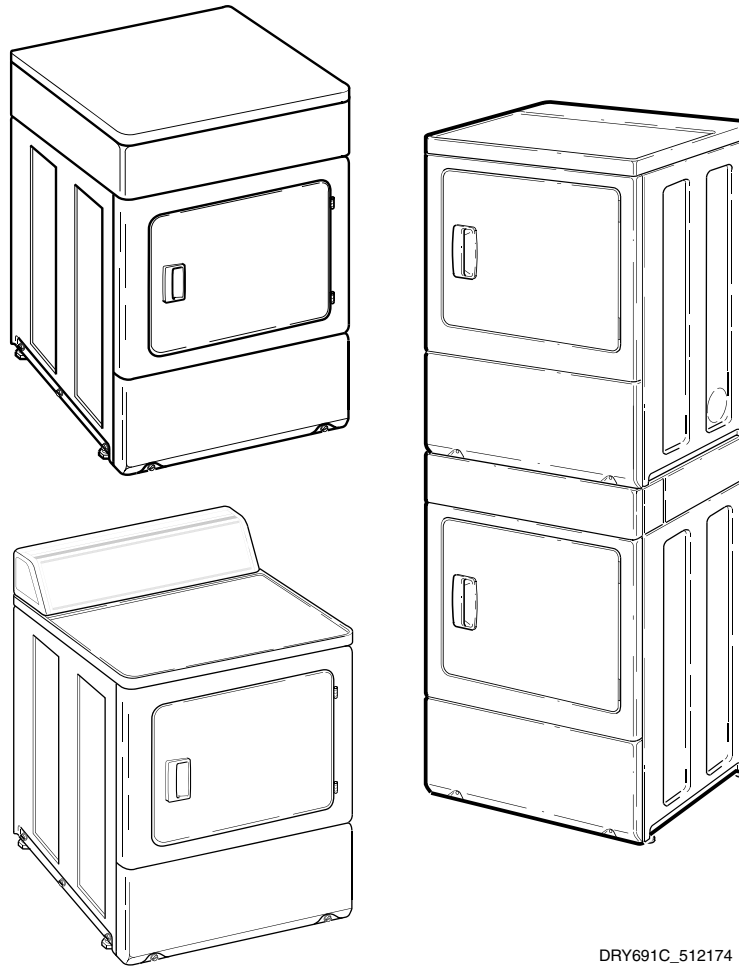


# Home Dryers

Refer to Page 3 for Model Numbers



DRY691C\_512174



# Table of Contents

Title	Page
Parts Ordering Information.....	2
Nameplate Location .....	2
Model Identification .....	3
Control Panel and Controls - Rear Control .....	4
Control Panel and Controls - Front Control.....	6
Control Cabinet and Controls.....	8
Control Panel and Controls - Stacked Models .....	10
Loading Door - Without Window (Drawing 1 of 2).....	12
Loading Door - Without Window (Drawing 2 of 2).....	14
Loading Door - With Window .....	16
Access Panel, Front Panel and Seal .....	18
Motor, Exhaust Fan and Belt .....	20
Front Bulkhead, Air Duct, Felt Seal and Cylinder with Light .....	22
Front Bulkhead, Air Duct, Felt Seal and Cylinder without Light .....	24
Rear Bulkhead, Felt Seal, Cylinder Roller and Terminal Block.....	26
Heater Duct and Element Assembly .....	28
Heater Duct Assembly .....	30
Gas Valve, Igniter and Gas Conversion Kits.....	32
Cabinet, Exhaust Duct and Base - Single Dryers .....	34
Cabinet, Exhaust Duct and Base - Stacked Dryers .....	36
Lead-In Cord .....	38
Terminal Block and Terminals .....	40
Terminals .....	42
Terminals and Terminal Extractor Tools .....	44
Wire Harnesses and Wires .....	46
Parts Index.....	49

© Copyright 2009, Alliance Laundry Systems LLC

All rights reserved. No part of the contents of this book may be reproduced or transmitted in any form or by any means without the expressed written consent of the publisher.

## Parts Ordering Information

If literature or replacement parts are required, contact the source from whom the machine was purchased or contact Alliance Laundry Systems at (920) 748-3950 for the name and address of the nearest authorized parts distributor.

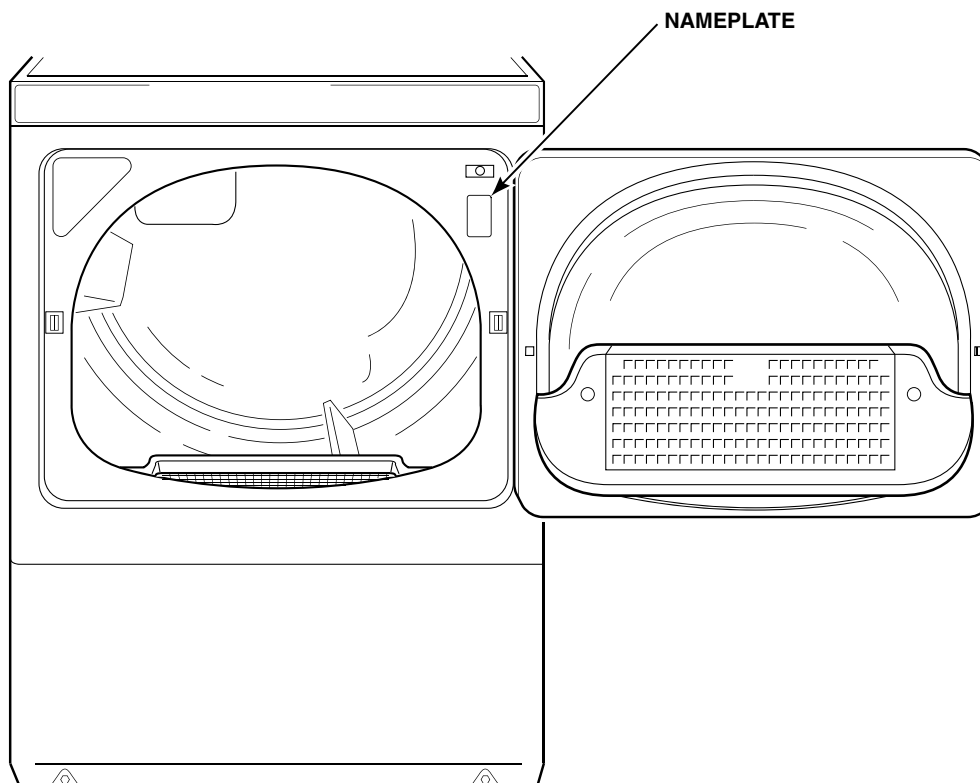
For technical assistance, call either of the numbers listed below:

(920) 748-3121 Ripon, Wisconsin

+32 56 41 20 54 Wevelgem, Belgium

## Nameplate Location

When calling or writing about your product, be sure to mention model and serial numbers. Model and serial numbers are located on nameplate(s) as shown.



D412P\_512174

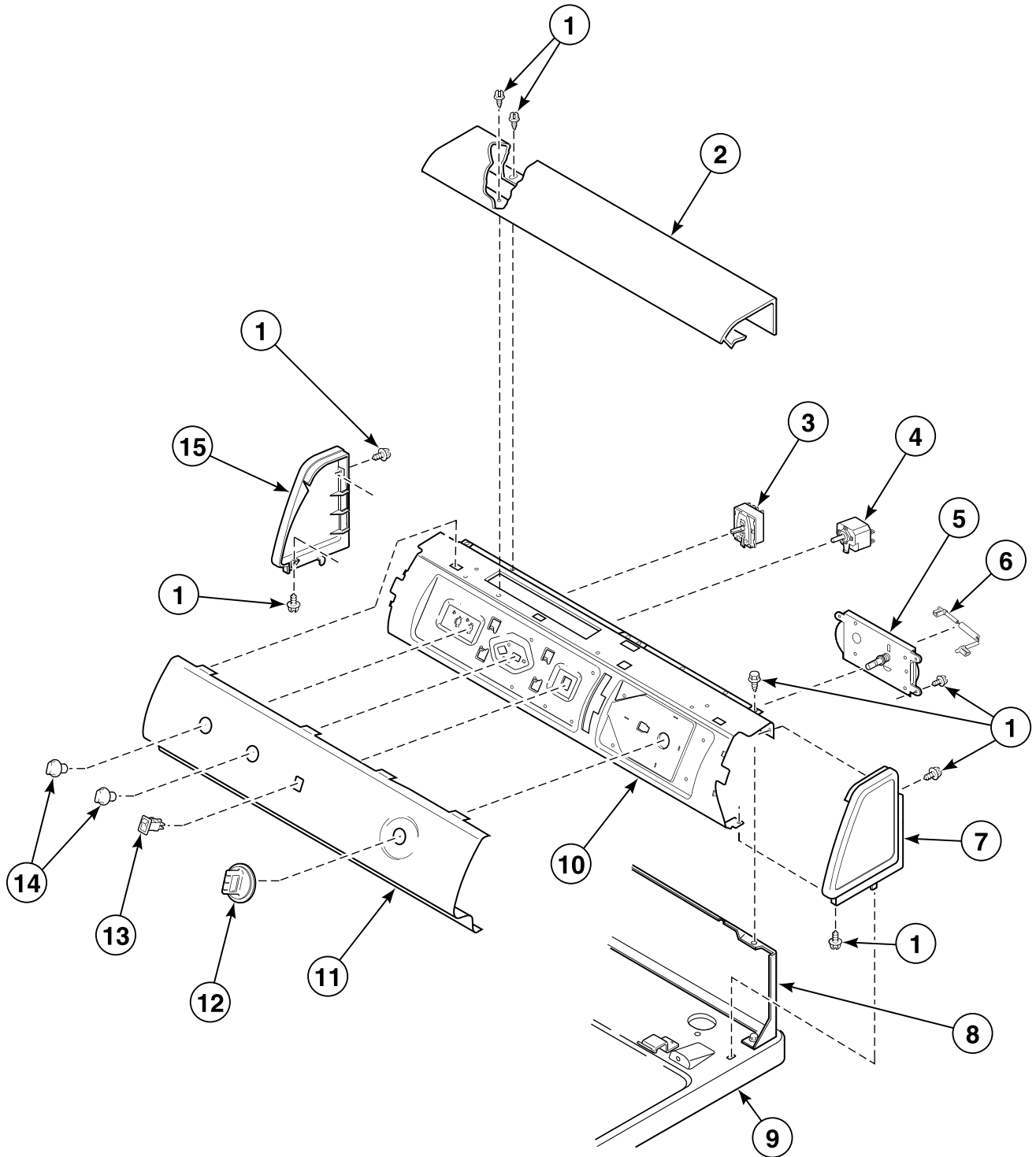
## Model Identification

Information in this manual is applicable to these dryer models:

ADE30RGS171TW01	AES17AWF	CES68AWF	KES18AWF
ADE3LRGS171TW01	AES20AWF	CES68AWF1500	KES18AWF1500
ADE41FSS171TN01	AES28AWF	CGS68AWF	KGS18AWF
ADE4BFGS171TW01	AES28AWF1500		
ADE4BRGS171TW01	AES68AWF		
ADG30RGS111TW01	AES68AWF1500		
ADG3LRGS111TW01	AGS17AWF		
ADG41FSS111TN01	AGS20AWF		
ADG4BFGS111TW01	AGS28AWF		
ADG4BRGS111TW01	AGS68AWF		
	ASE30FGW171TW01		
	ASG30FGW111TW01		

# Control Panel and Controls - Rear Control

Models ADE30RGS171TW01, ADE3LRGS171TW01, ADE4BRGS171TW01, ADG30RGS111TW01, ADG3LRGS111TW01, ADG4BRGS111TW01, AES17AWF, AES20AWF, AES28AWF, AES28AWF1500, AES68AWF, AES68AWF1500, AGS17AWF, AGS20AWF, AGS28AWF and AGS68AWF



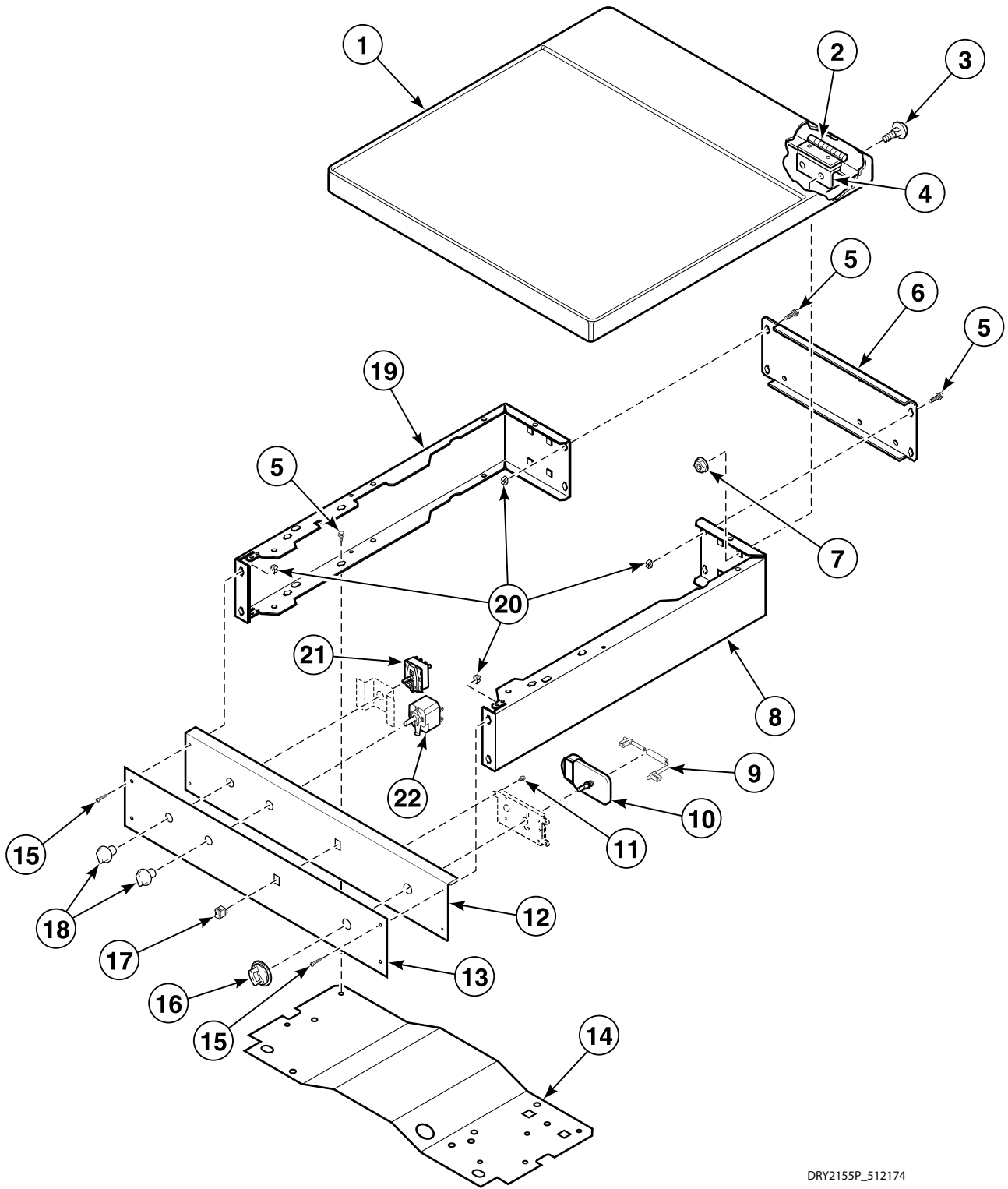
DRY2135P\_512174

## Control Panel and Controls - Rear Control

REF	PART NO.	DESCRIPTION	COMMENTS
	511148	Wire Assembly	Extra tumble; Models ADE4BRGS171TW01, ADG4BRGS111TW01, AES68AWF, AES68AWF1500 and AGS68AWF; Use with item 13
<b>1</b>	501086	Screw	
<b>2</b>	505808W	Top Cover	
<b>3</b>	510212	Fabric Selector Switch	Models ADE30RGS171TW01, ADE3LRGS171TW01, ADG30RGS111TW01, ADG3LRGS111TW01, AES17AWF, AES20AWF, AES28AWF, AES28AWF1500, AGS17AWF, AGS20AWF and AGS28AWF
	511492	Fabric Selector Switch	Models ADE4BRGS171TW01, ADG4BRGS111TW01, AES68AWF, AES68AWF1500 and AGS68AWF
<b>4</b>	510211	Buzzer	Models ADE3LRGS171TW01, ADE4BRGS171TW01, ADG3LRGS111TW01, ADG4BRGS111TW01, AES28AWF, AES28AWF1500, AES68AWF, AES68AWF1500, AGS28AWF and AGS68AWF
<b>5</b>	505797P	Timer and Harness Kit	Models ADE30RGS171TW01, ADE3LRGS171TW01, AES17AWF, AES20AWF, AES28AWF and AES28AWF1500
	505794P	Timer	Models ADG30RGS111TW01, ADG3LRGS111TW01, AGS17AWF, AGS20AWF and AGS28AWF
	511150P	Timer	Models ADE4BRGS171TW01, AES68AWF and AES68AWF1500
	511149P	Timer	Models ADG4BRGS111TW01 and AGS68AWF
<b>6</b>	511277	Resistor Assembly	Use with 505797 and 511150P Timers; Models ADE30RGS171TW01, ADE3LRGS171TW01, ADE4BRGS171TW01, AES17AWF, AES20AWF, AES28AWF, AES28AWF1500, AES68AWF and AES68AWF1500
<b>7</b>	504008WP	End Panel	Right
<b>8</b>	510099	Hood Back Panel	
<b>9</b>	510029WP	Top Panel Kit	
<b>10</b>	503901	Control Support Panel	
<b>11</b>	512211W	Graphic Panel	Models AES20AWF, AES28AWF, AES28AWF1500, AGS20AWF and AGS28AWF
	512213W	Graphic Panel	Models AES68AWF, AES68AWF1500 and AGS68AWF
	512179W	Graphic Panel	Models AES17AWF and AGS17AWF
	513015W	Graphic Panel	Models ADE4BRGS171TW01 and ADG4BRGS111TW01
	513011W	Graphic Panel	Models ADE30RGS171TW01 and ADG30RGS111TW01
	513012W	Graphic Panel	Models ADE3LRGS171TW01 and ADG3LRGS111TW01
<b>12</b>	803168P	Knob Assembly	Models ADE30RGS171TW01, ADE3LRGS171TW01, ADE4BRGS171TW01, ADG30RGS111TW01, ADG3LRGS111TW01 and ADG4BRGS111TW01
	512117W	Timer Knob Assembly	All other models
<b>13</b>	38424W	Rocker Switch	Models ADE4BRGS171TW01, ADG4BRGS111TW01, AES68AWF, AES68AWF1500 and AGS68AWF
<b>14</b>	803119	Control Knob Assembly	Models ADE30RGS171TW01, ADE3LRGS171TW01, ADE4BRGS171TW01, ADG30RGS111TW01, ADG3LRGS111TW01 and ADG4BRGS111TW01
	36701W	Knob Assembly	All other models
<b>15</b>	504009WP	End Panel	Left

# Control Panel and Controls - Front Control

Models ADE4BFGS171TW01, ADG4BFGS111TW01, CES68AWF, CES68AWF1500 and CGS68AWF



DRY2155P\_512174

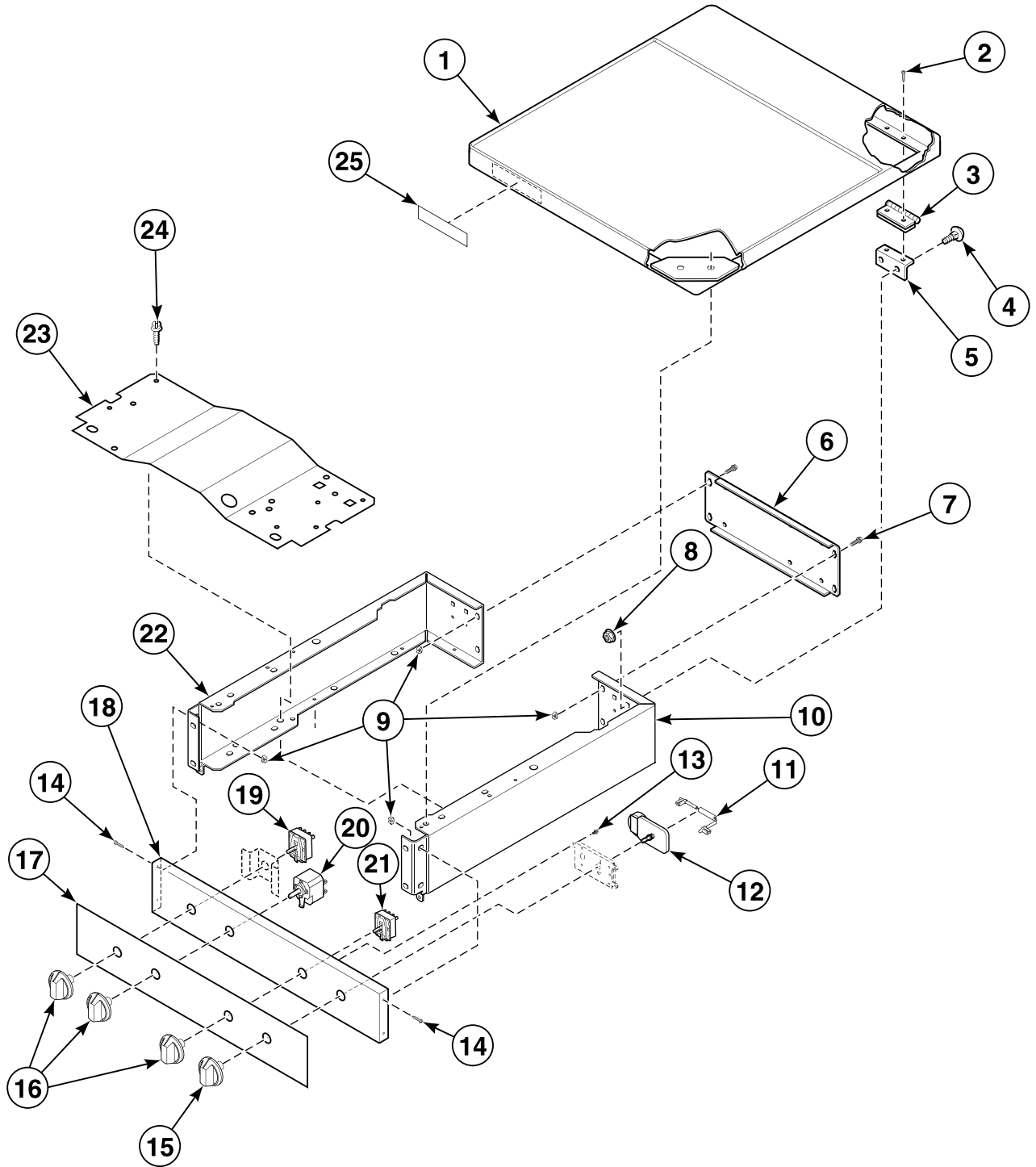


## Control Panel and Controls - Front Control

REF	PART NO.	DESCRIPTION	COMMENTS
	511148	Wire Assembly	Extra tumble; Use with item 17
1	802247WP	Top and Gusset Assembly	
2	511036	Hinge	
3	29651	Bolt	4 required
4	504228	Top Mounting Bracket	
5	70240301	Screw	8 required
6	800867	Control Cabinet Rear	
7	29796	Nut	4 required
8	800915W	Right Control Cabinet Side	
9	511277	Resistor Assembly	Use with 511150 4 Cycle Timer; Models ADE4BFGS171TW01, ADG4BFGS111TW01, CES68AWF and CES68AWF1500
10	511149P	Timer	Models ADG4BFGS111TW01 and CGS68AWF
	511150P	Timer	Models ADE4BFGS171TW01, CES68AWF and CES68AWF1500
11	501086	Screw	
12	512067W	Control Panel Assembly	
13	513014	Graphic Overlay	Models ADE4BFGS171TW01 and ADG4BFGS111TW01
	512214	Graphic Overlay	All other models
14	801777	Control Cabinet Bottom	
15	800930	Screw	4 required
16	803118P	Timer Knob Assembly	Models ADE4BFGS171TW01 and ADG4BFGS111TW01
	512117W	Timer Knob Assembly	All other models
17	38424W	Rocker Switch	
18	803119	Control Knob Assembly	Models ADE4BFGS171TW01 and ADG4BFGS111TW01
	36701W	Knob Assembly	All other models
19	800900WP	Left Control Cabinet Side	
20	70030501	Expansion Clip	12 required
21	511492	Fabric Selector Switch	
22	510211	Buzzer	

# Control Cabinet and Controls

Models ADE41FSS171TN01 and ADG41FSS111TN01



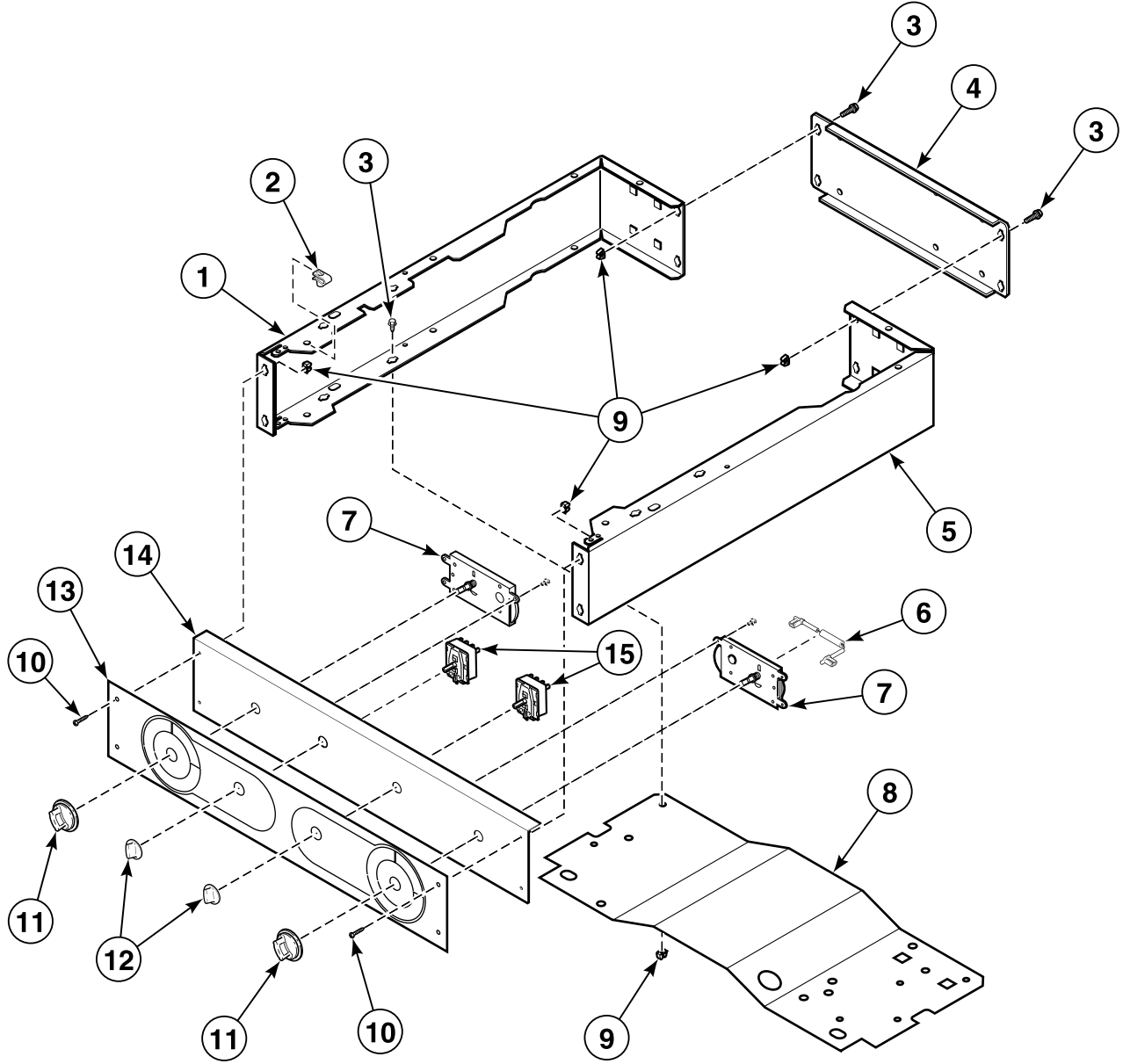
DRY2152P\_512174

## Control Cabinet and Controls

REF	PART NO.	DESCRIPTION	COMMENTS
	513170P	Wire Assembly	Extra tumble
1	803144P	Top Kit	
2	685847	Pop Rivet	
3	511036	Hinge	
4	29651	Bolt	
5	504228	Top Mounting Bracket	
6	801058	Rear Control Cabinet	
7	70240301	Screw	
8	29796	Nut	
9	70030501	Expansion Clip	
10	803141	Control Cabinet	Right
11	511277	Resistor Assembly	Use with 511150 4 Cycle Timer; Model ADE41FSS171TN01
12	511149P	Timer	Model ADG41FSS111TN01
	511150P	Timer	Model ADE41FSS171TN01
13	501086	Screw	
14	F430956	Screw	
15	803098P	Timer Knob Assembly	
16	803099P	Control Knob Assembly	
17	513112	Panel	
18	513161	Control Panel Assembly	
19	511492	Fabric Selector Switch	
20	510211	Buzzer	
21	803155	Selector Switch	
22	803142	Control Cabinet	Left
23	801777	Control Cabinet Bottom	
24	M405188	Screw	
25	803013	Badge	

# Control Panel and Controls - Stacked Models

Models ASE30FGW171TW01, ASG30FGW111TW01, KES18AWF, KES18AWF1500 and KGS18AWF



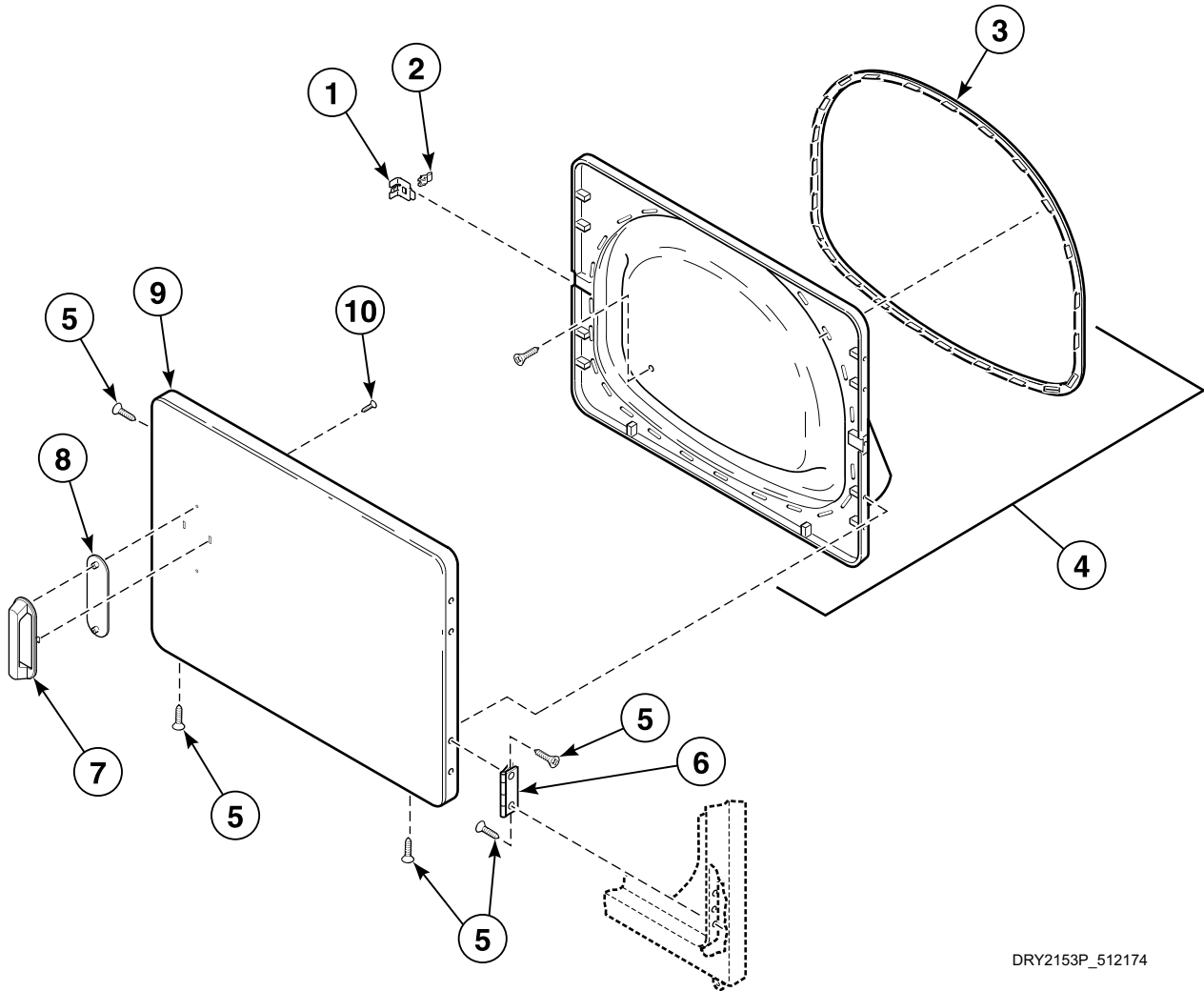
DRY2137P\_512174

## Control Panel and Controls - Stacked Models

REF	PART NO.	DESCRIPTION	COMMENTS
1	800900WP	Left Control Cabinet Side	
2	800931	Nut	
3	430497	Screw	
4	801058	Rear Control Cabinet	
5	800915W	Right Control Cabinet Side	
6	511277	Resistor Assembly	Use with 505797 Timer; Models ASE30FGW171TW01, KES18AWF and KES18AWF1500
7	505797P	Timer and Harness Kit	Models ASE30FGW171TW01, KES18AWF and KES18AWF1500
	505794P	Timer	Models ASG30FGW111TW01 and KGS18AWF
8	801777	Control Cabinet Bottom	
9	70030501	Expansion Clip	
10	800930	Screw	
11	803118P	Timer Knob Assembly	Models ASE30FGW171TW01 and ASG30FGW111TW01
	512117W	Timer Knob Assembly	All other models
12	803119	Control Knob Assembly	Models ASE30FGW171TW01 and ASG30FGW111TW01
	36701W	Knob Assembly	All other models
13	513013	Graphic Overlay	Models ASE30FGW171TW01 and ASG30FGW111TW01
	512212	Graphic Overlay	All other models
14	512034W	Control Panel Assembly	
15	510212	Fabric Selector Switch	

# Loading Door - Without Window (Drawing 1 of 2)

Models ADE41FSS171TN01 and ADG41FSS111TN01



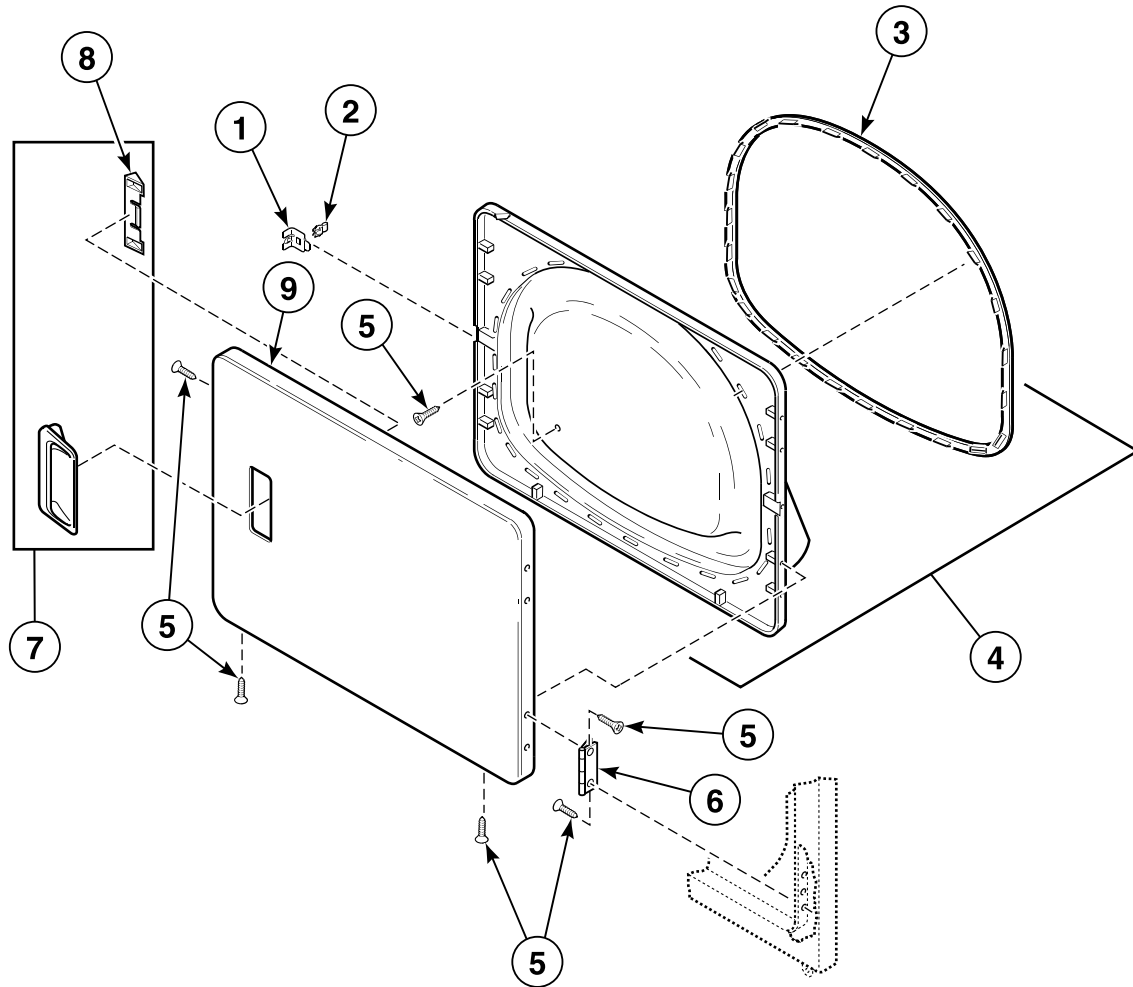
DRY2153P\_512174

## Loading Door - Without Window (Drawing 1 of 2)

REF	PART NO.	DESCRIPTION	COMMENTS
1	510127	Door Strike Mount	
2	510181	Door Strike	
3	510147P	Liner Door Seal	
4	513109P	Liner, Seal and Grill Assembly	Gray
5	505295	Screw	
6	511036	Hinge	
7	803095	Door Handle	
8	803094P	Handle Cover	
9	513156	Dryer Door	
10	800548	Screw	

## Loading Door - Without Window (Drawing 2 of 2)

Models ADE30RGS171TW01, ADE3LRGS171TW01, ADE4BFGS171TW01, ADE4BRGS171TW01, ADG30RGS111TW01, ADG3LRGS111TW01, ADG4BFGS111TW01, ADG4BRGS111TW01, AES17AWF, AES20AWF, AES28AWF, AES28AWF1500, AES68AWF, AES68AWF1500, AGS17AWF, AGS20AWF, AGS28AWF, AGS68AWF, CES68AWF, CES68AWF1500 and CGS68AWF



DRY1876P\_512174

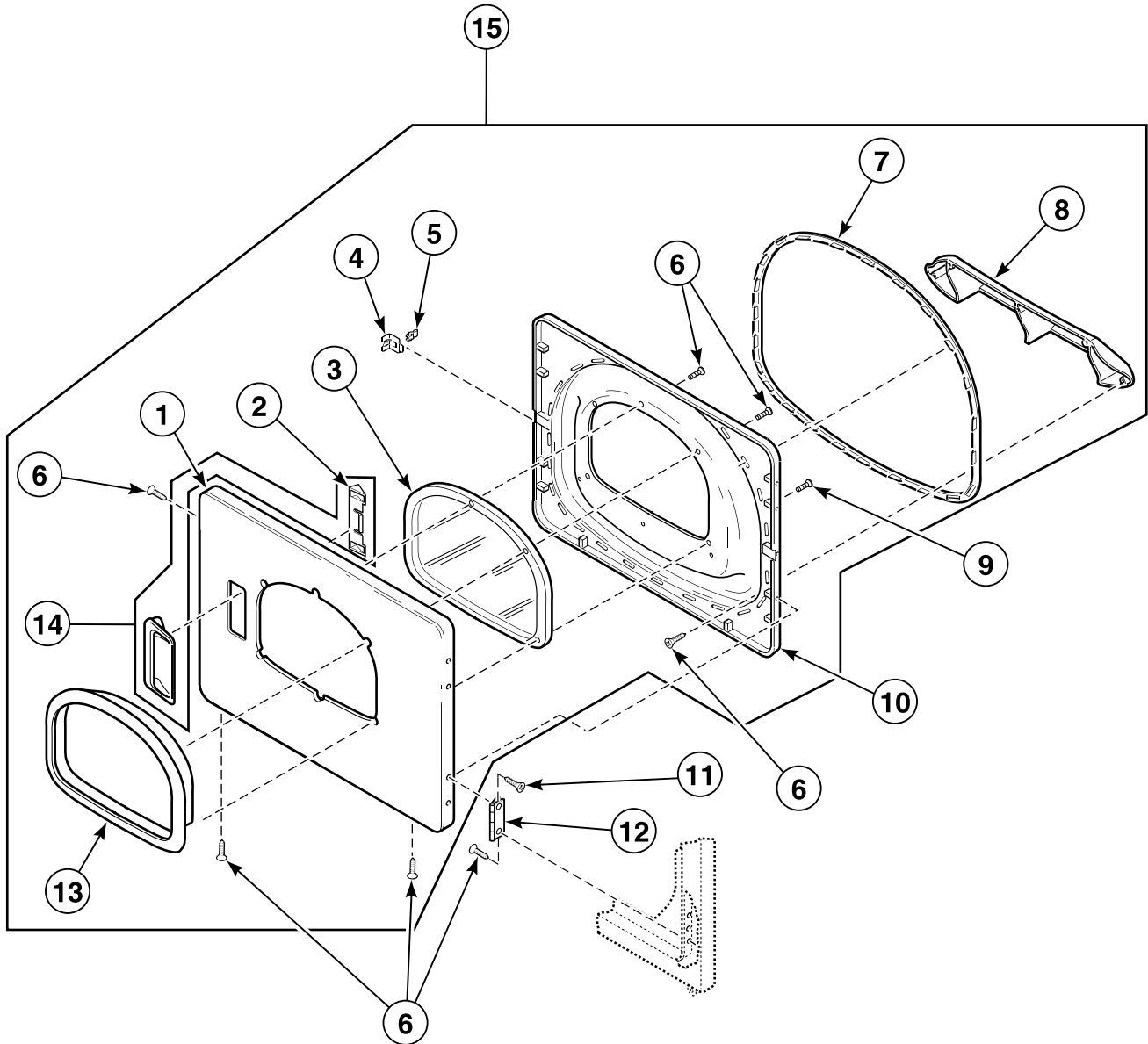


## Loading Door - Without Window (Drawing 2 of 2)

REF	PART NO.	DESCRIPTION	COMMENTS
1	510127	Door Strike Mount	
2	510181	Door Strike	
3	510147P	Liner Door Seal	
4	510163WP	Liner, Seal and Grill Assembly	Includes item 3
5	505295	Screw	
6	511036	Hinge	
7	510103WP	Door Pull and Wedge Kit	Includes item 8
8	510129	Door Handle Wedge	
9	510013WP	Dryer Door	

# Loading Door - With Window

Models ASE30FGW171TW01, ASG30FGW111TW01, KES18AWF, KES18AWF1500 and KGS18AWF

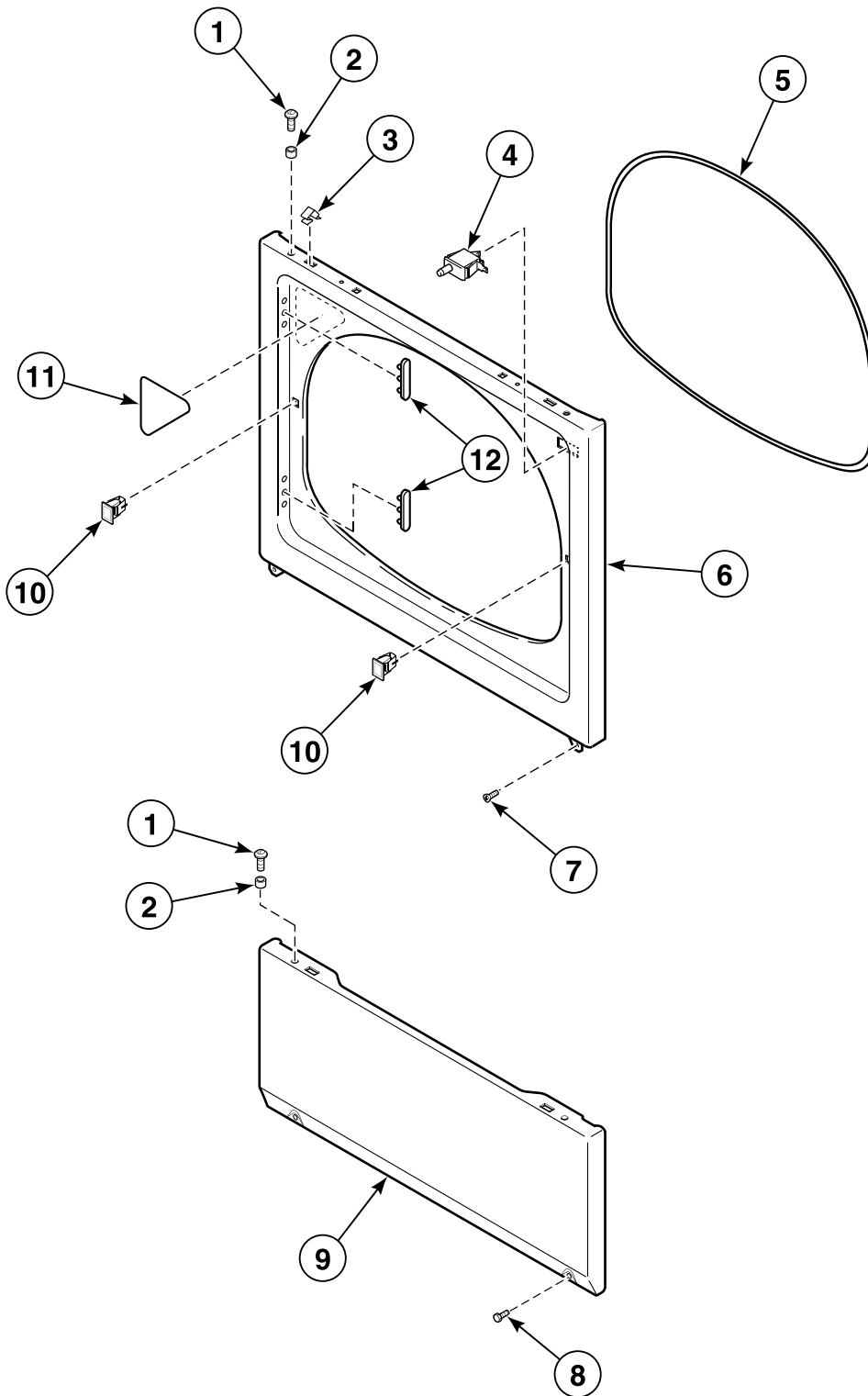


D427P\_512174

## Loading Door - With Window

REF	PART NO.	DESCRIPTION	COMMENTS
1	510082WP	Dryer Door	
2	510129	Door Handle Wedge	
3	503982	Dryer Door Window	
4	510127	Door Strike Mount	
5	510181	Door Strike	
6	500226	Screw	
7	510147P	Liner Door Seal	
8	503870W	Door Liner Grill	
9	505870	Screw	
10	510098W	Liner and Seal Assembly	Includes item 7
11	505295	Screw	
12	511036	Hinge	
13	503981W	Window Trim	
14	510103WP	Door Pull and Wedge Kit	Includes item 2
15	511636WP	Door and Liner Assembly	White; Includes items 1-10, 13 and 14

# Access Panel, Front Panel and Seal

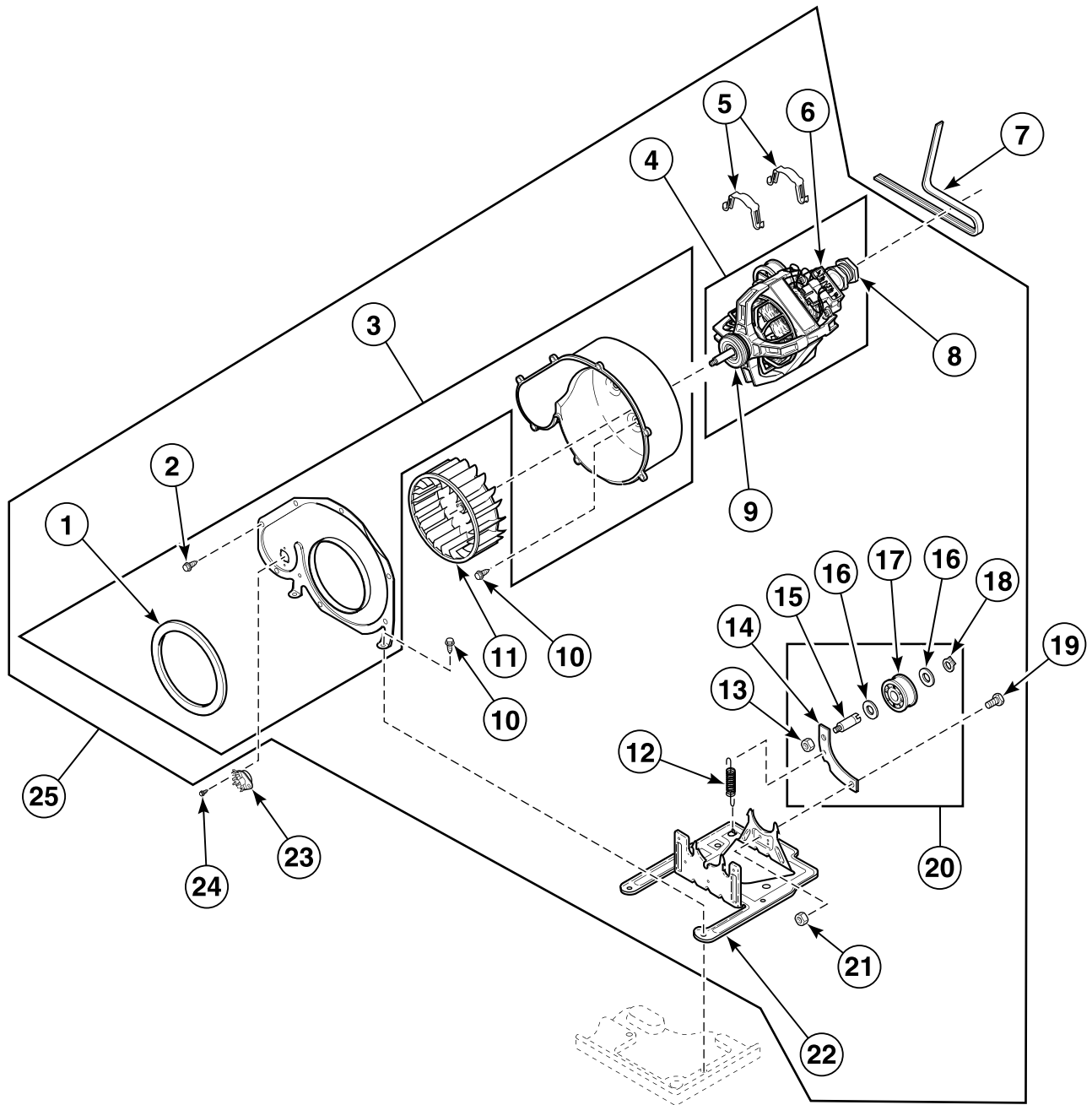


DRY1785P\_512174

## Access Panel, Front Panel and Seal

REF	PART NO.	DESCRIPTION	COMMENTS
1	39733	Screw	
2	56079	Panel Locator	
3	28835	Speed Clip	
4	504570	Switch	
5	511056	Front Panel Seal	
6	512966	Front Panel	Stainless steel; Models ADE41FSS171TN01 and ADG41FSS111TN01
	510066WP	Front Panel	All other models
7	503688	Screw	
8	33562	Screw	
9	512543	Access Panel	Stainless steel; Models ADE41FSS171TN01 and ADG41FSS111TN01
	510069WP	Access Panel	All other models
10	510177	Door Catch Assembly	
11	500281	Warning/Caution Label	
12	510186	Hinge Hole Plug	

# Motor, Exhaust Fan and Belt



SWD1227P\_512174

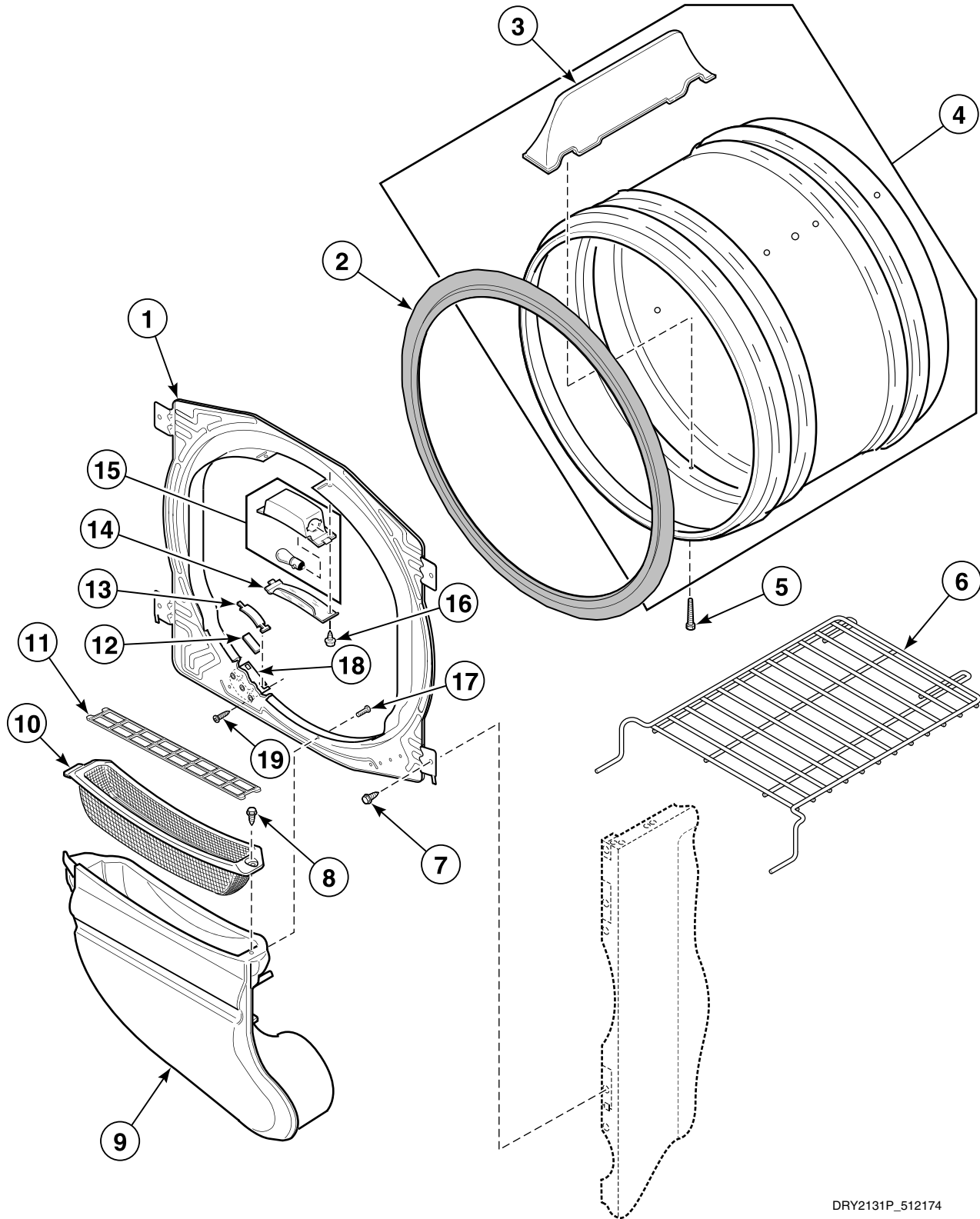
## Motor, Exhaust Fan and Belt

REF	PART NO.	DESCRIPTION	COMMENTS
	27604P	Anti-Seize Compound	Apply to motor shaft when installing blower fan assembly
1	510238P	Blower Housing Seal	
2	31260	Screw	
3	511969P	Blower Housing and Cover Kit	Includes items 1 and 2
4	511629P	Motor and Pulley Assembly	120 Volt/60 Hertz; Includes items 6, 8 and 9; Apply anti-seize compound to motor shaft when installing blower fan assembly
5	510180	Motor Mount Clamp	
6	N/A	Motor Switch Kit	Does not include thermal protector
7	511255P	Cylinder Belt	
8	500011	Motor Pulley	60 Hertz
9	590P3	Motor Hub Ring Kit	
10	503688	Screw	
11	510139P	Blower Fan Assembly	
12	510185	Idler Spring	
13	56156	Nut	
14	510133	Idler Lever	
15	56461P	Shaft	
16	52549	Washer	
17	510142P	Idler Wheel and Bearing Assembly	
18	23748	Retaining Ring	
19	500824	Screw	
20	510158	Idler Lever and Wheel Assembly	Includes items 13-18
21	52566	Nut	
22	510060	Motor Mount	
23	504515	Thermostat	Green; Models ADE30RGS171TW01, ADE3LRGS171TW01, ADE41FSS171TN01, ADE4BFGS171TW01, ADE4BRGS171TW01, AES17AWF, AES20AWF, AES28AWF, AES28AWF1500, AES68AWF, AES68AWF1500, ASE30FGW171TW01, CES68AWF, CES68AWF1500, KES18AWF and KES18AWF1500
	510707P	Thermostat	Pink/White; Models ADG30RGS111TW01, ADG3LRGS111TW01, ADG41FSS111TN01, ADG4BFGS111TW01, ADG4BRGS111TW01, AGS17AWF, AGS20AWF, AGS28AWF, AGS68AWF, ASG30FGW111TW01, CGS68AWF and KGS18AWF
24	33561	Screw	
25	510717P	Blower and Fan Kit	Includes items 1-6 and 8-22

N/A = Part no longer available

# Front Bulkhead, Air Duct, Felt Seal and Cylinder with Light

Models ADE3LRGS171TW01, ADE41FSS171TN01, ADE4BFGS171TW01, ADE4BRGS171TW01, ADG3LRGS111TW01, ADG41FSS111TN01, ADG4BFGS111TW01, ADG4BRGS111TW01, AES20AWF, AES28AWF, AES28AWF1500, AES68AWF, AES68AWF1500, AGS20AWF, AGS28AWF, AGS68AWF, CES68AWF, CES68AWF1500 and CGS68AWF



DRY2131P\_512174

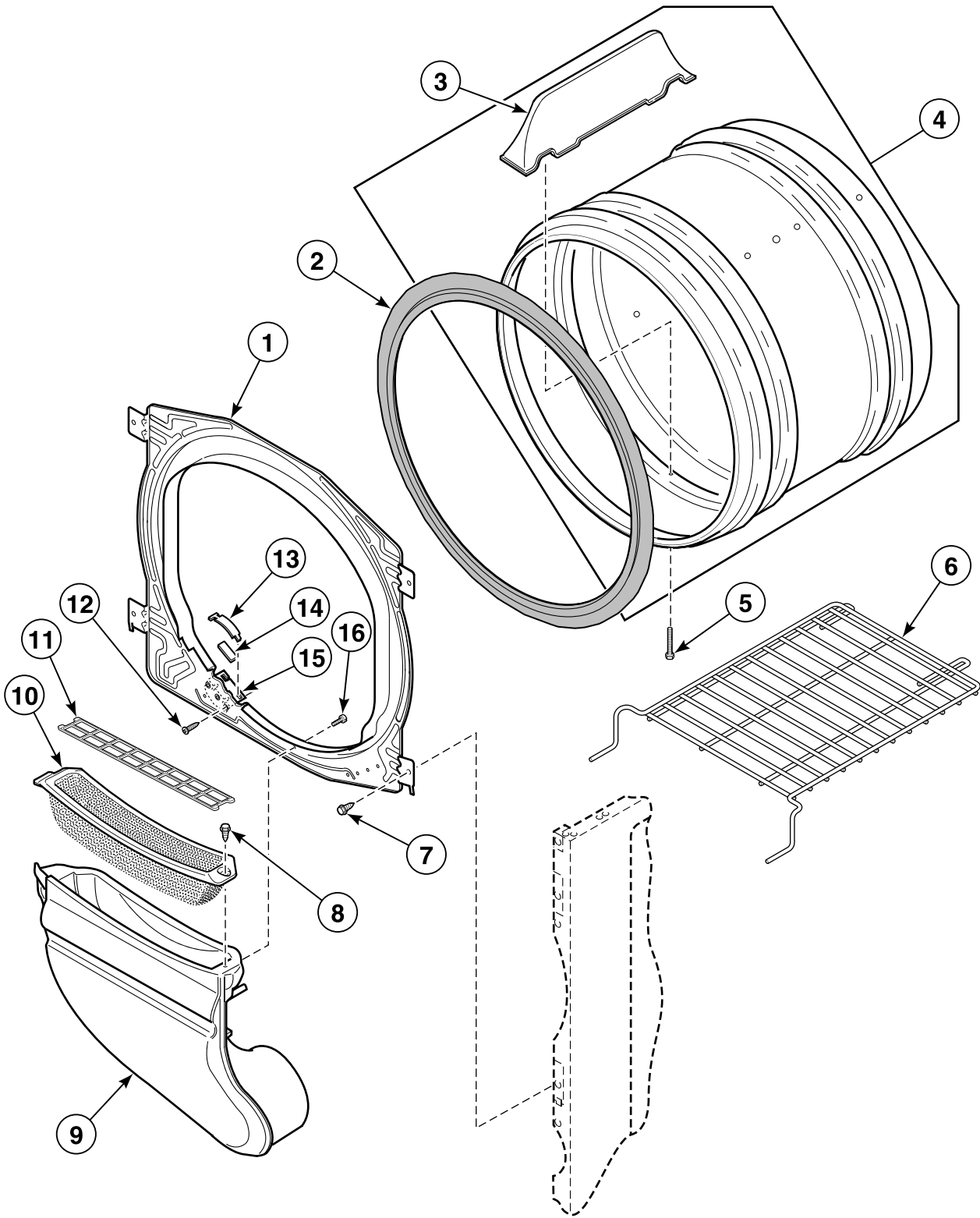


## Front Bulkhead, Air Duct, Felt Seal and Cylinder with Light

REF	PART NO.	DESCRIPTION	COMMENTS
	511637P	Adhesive	For item 2; Apply to cylinder seal
1	512476	Front Bulkhead Assembly	Galvanized; Punched with light; Includes items 2 and 12-18
2	510207P	Cylinder Seal Assembly	
3	512941	Cylinder Baffle	3 required; Light gray; Models ADE41FSS171TN01 and ADG41FSS111TN01
	510102	Cylinder Baffle	3 required; All other models
4	512940	Cylinder Assembly	Stainless steel; Models ADE41FSS171TN01 and ADG41FSS111TN01
	510265P	Cylinder Assembly	Includes item 3; All other models
5	62588	Screw	
6	512082P	Drying Rack	
7	503688	Screw	
8	501285	Screw	
9	512945	Air Duct Assembly	Models ADE41FSS171TN01 and ADG41FSS111TN01
	510151	Air Duct Assembly	All other models
10	512946	Lint Filter	Light gray; Models ADE41FSS171TN01 and ADG41FSS111TN01
	503980	Lint Filter	All other models
11	510502	Lint Filter Cover	
12	510189	Felt Pad	2 required
13	510187	Cylinder Glide	2 required
14	512106	Cylinder Light Lens	
15	512108	Light Housing Assembly	120 Volt; Includes lamp
16	500227	Screw	
17	501086	Screw	
18	510145	Cylinder Glide Bracket	2 required
19	505295	Screw	

# Front Bulkhead, Air Duct, Felt Seal and Cylinder without Light

Models ADE30RGS171TW01, ADG30RGS111TW01, AES17AWF, AGS17AWF, ASE30FGW171TW01, ASG30FGW111TW01, KES18AWF, KES18AWF1500 and KGS18AWF

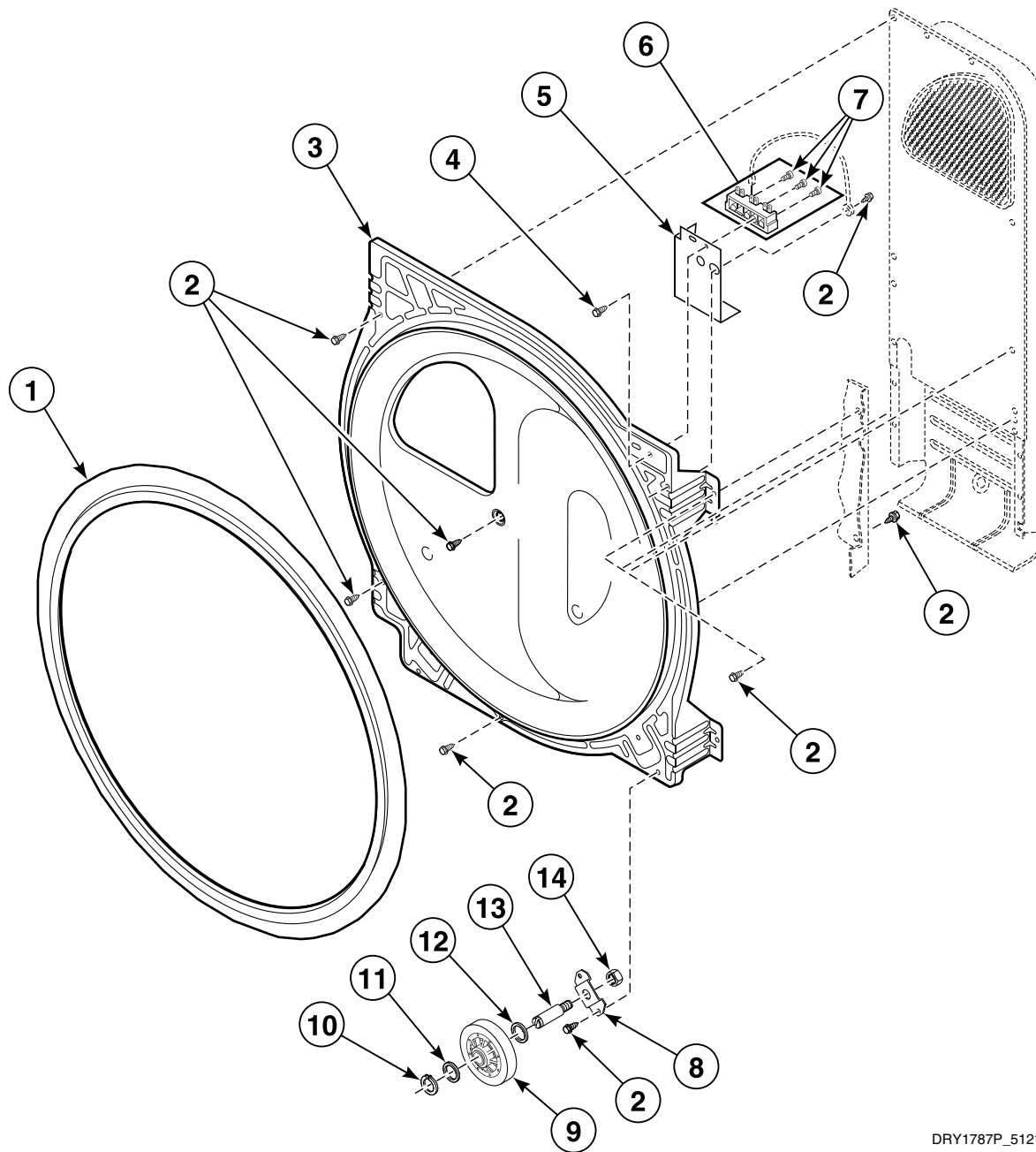


DRY2130P\_512174

## Front Bulkhead, Air Duct, Felt Seal and Cylinder without Light

REF	PART NO.	DESCRIPTION	COMMENTS
	511637P	Adhesive	For item 2; Apply to cylinder seal
1	510266P	Front Bulkhead Assembly	Includes items 2 and 12-15
2	510207P	Cylinder Seal Assembly	
3	510102	Cylinder Baffle	3 required
4	510265P	Cylinder Assembly	Includes item 3
5	62588	Screw	
6	512082P	Drying Rack	
7	503688	Screw	
8	501285	Screw	
9	510151	Air Duct Assembly	
10	503980	Lint Filter	
11	510502	Lint Filter Cover	
12	52864	Screw	
13	510187	Cylinder Glide	2 required
14	510189	Felt Pad	2 required
15	510145	Cylinder Glide Bracket	2 required
16	505295	Screw	

# Rear Bulkhead, Felt Seal, Cylinder Roller and Terminal Block



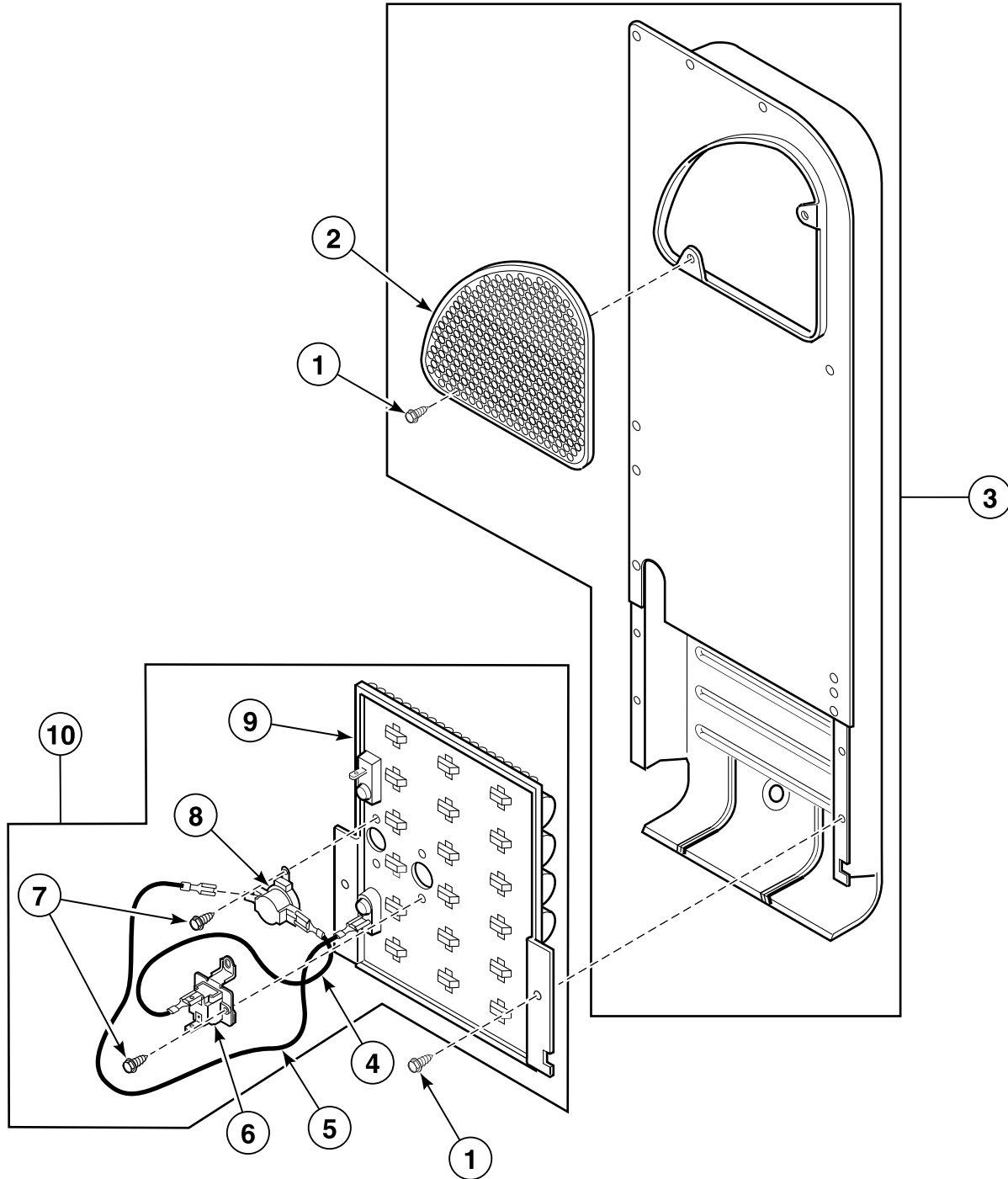
DRY1787P\_512174

## Rear Bulkhead, Felt Seal, Cylinder Roller and Terminal Block

REF	PART NO.	DESCRIPTION	COMMENTS
	511637P	Adhesive	For item 1; Apply to cylinder seal
<b>1</b>	510207P	Cylinder Seal Assembly	
<b>2</b>	503688	Screw	
<b>3</b>	505246	Rear Bulkhead Assembly	Includes item 1; Models ADE41FSS171TN01 and ADG41FSS111TN01
	511082P	Rear Bulkhead Assembly	Includes item 1; All other models
<b>4</b>	501285	Screw	Electric models
<b>5</b>	510237	Terminal Block Shield	Electric models
<b>6</b>	510190P	Terminal Block Assembly	Includes 3 of item 7; Electric models
<b>7</b>	61199	Screw	
<b>8</b>	510100	Cylinder Roller Bracket	
<b>9</b>	510708P	Cylinder Roller	
<b>10</b>	23748	Retaining Ring	
<b>11</b>	52549	Washer	
<b>12</b>	504082	Washer	
<b>13</b>	56461P	Shaft	
<b>14</b>	56156	Nut	

# Heater Duct and Element Assembly

Electric Models



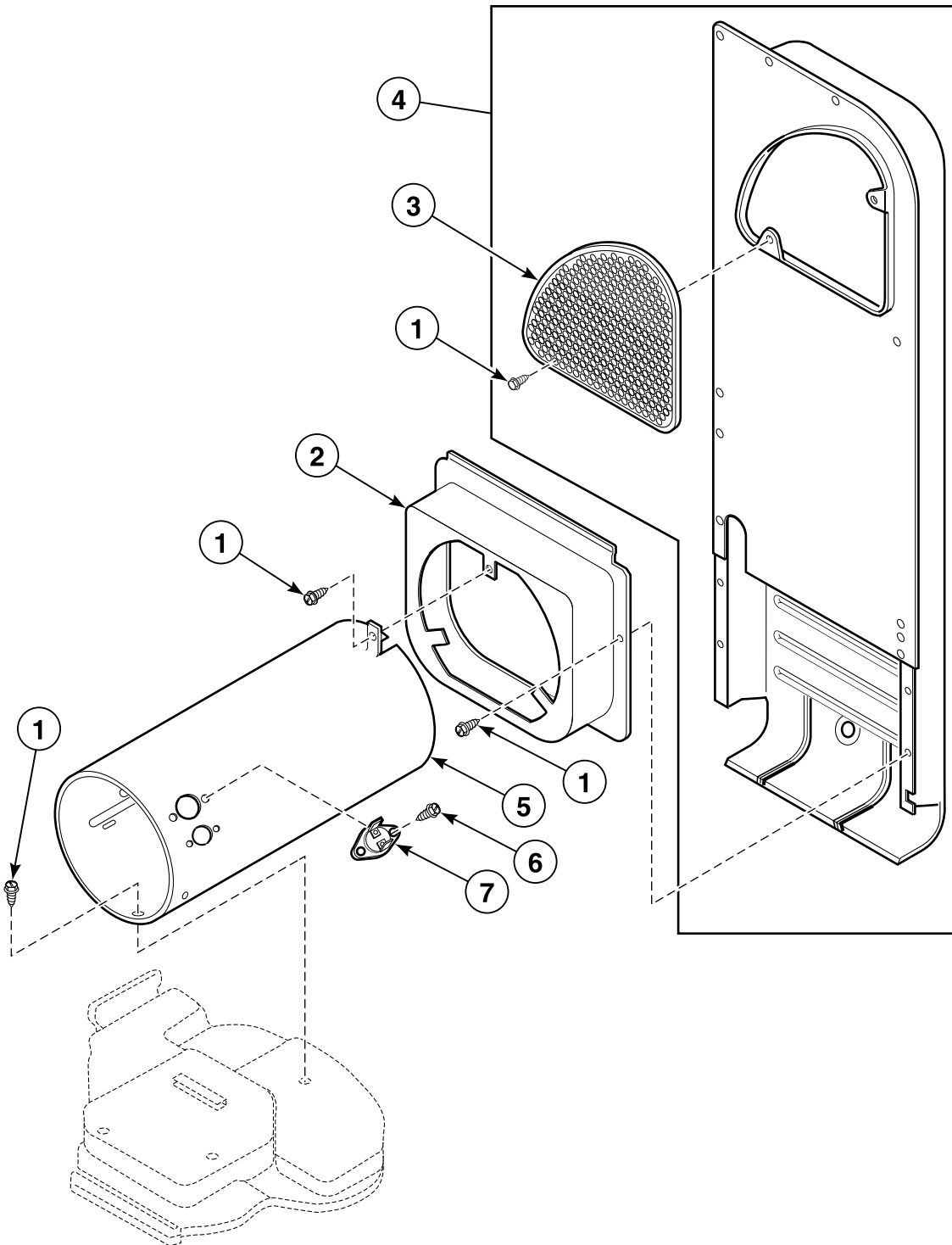
DRY1789P\_512174

## Heater Duct and Element Assembly

REF	PART NO.	DESCRIPTION	COMMENTS
1	503688	Screw	
2	500820	Outlet Cover	
3	510025P	Heater Duct and Screw Assembly	Includes items 1 and 2
4	510528	Wire Assembly	Orange; Thermostat jumper; Attaches to heater assembly
5	510527	Wire Assembly	Black; Fuse jumper; Attaches to heater assembly
6	511412	Thermal Fuse Assembly	
7	23222	Screw	
8	510701	Limit Thermostat	
9	510325P	Heater	4.75 kW; 208 Volt; Models AES28AWF1500, AES68AWF1500, CES68AWF1500 and KES18AWF1500
	510329P	Heater Assembly	5.35 kW; 240 Volt; All other models
10	61928	Heater Kit Assembly	4.75 kW; 208 Volt; Includes items 4-9
	964P3	Heater Kit	5.35 kW; 240 Volt; Includes items 4-9

# Heater Duct Assembly

Gas Models



DRY2145P\_512174

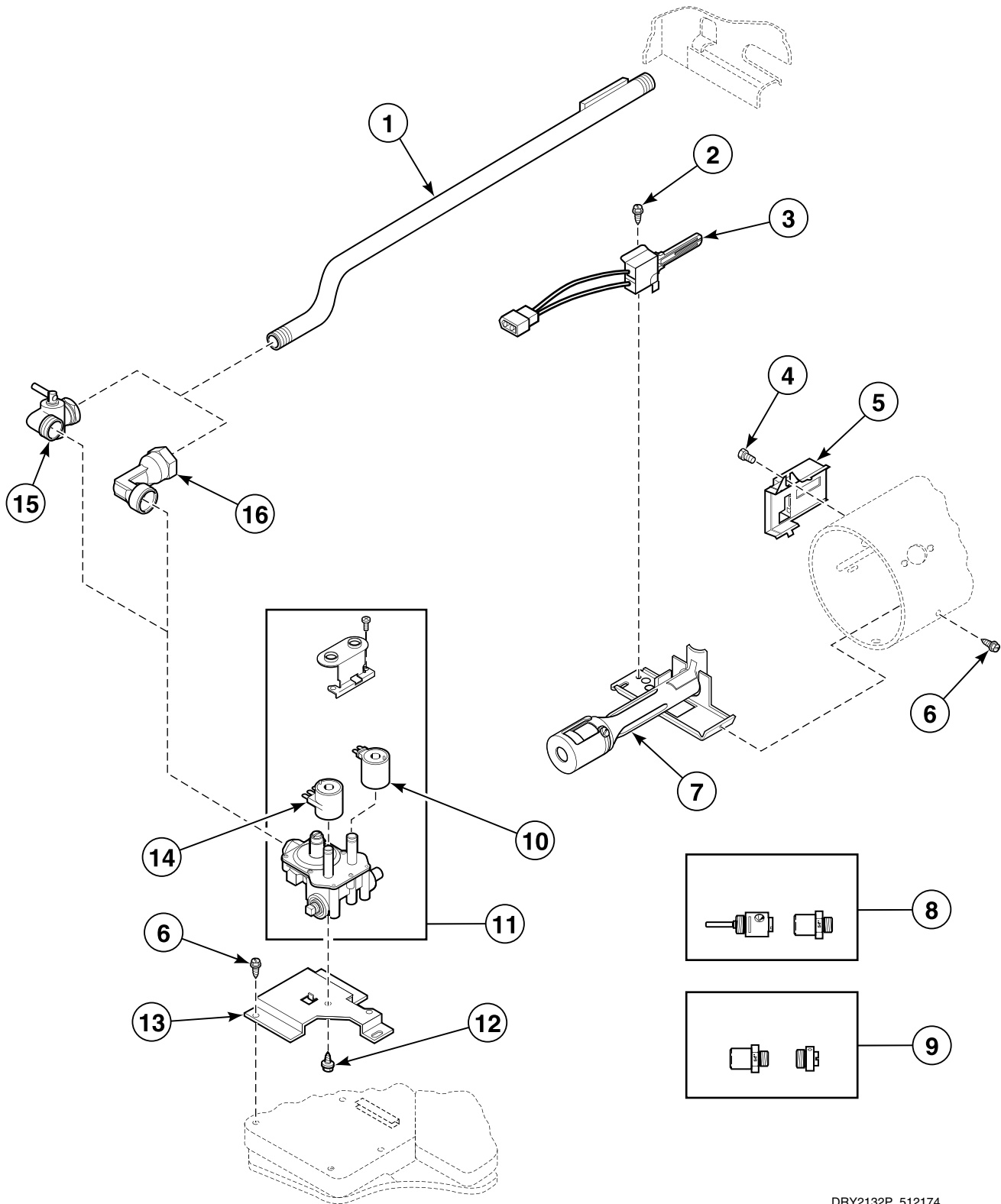


# Heater Duct Assembly

REF	PART NO.	DESCRIPTION	COMMENTS
1	503688	Screw	
2	510101	Heat Duct Shroud	
3	500820	Outlet Cover	
4	510025P	Heater Duct and Screw Assembly	Includes items 1 and 3
5	510131	Combustion Duct	
6	51782	Screw	
7	510702	Limit Thermostat	Black; Auto reset

# Gas Valve, Igniter and Gas Conversion Kits

Gas Models



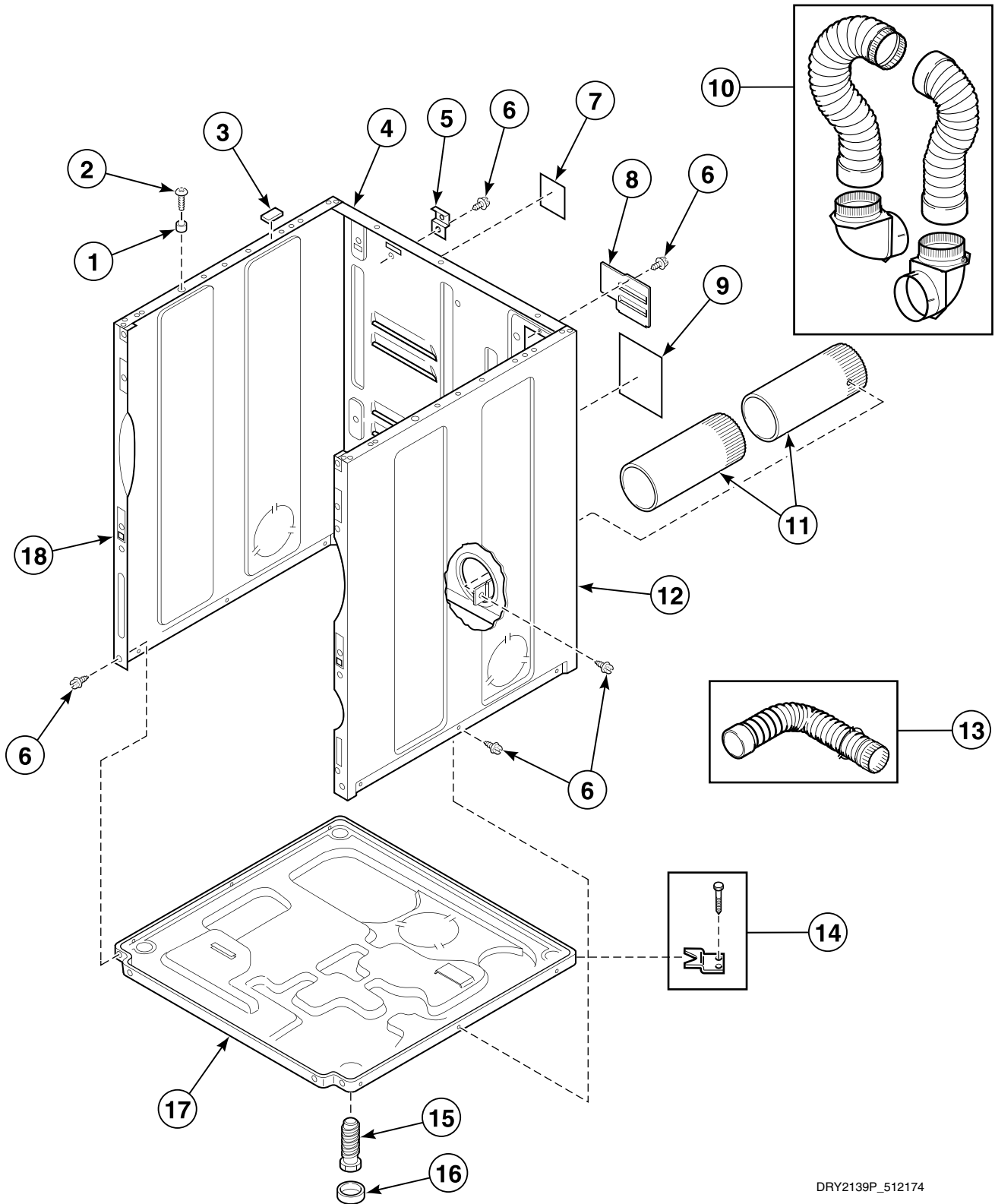
DRY2132P\_512174

## Gas Valve, Igniter and Gas Conversion Kits

REF	PART NO.	DESCRIPTION	COMMENTS
1	510204	Lead-In Pipe Assembly	
2	51782	Screw	
3	510184P	Igniter and Bracket Assembly	
4	23222	Screw	
5	510213	Sensor	
6	503688	Screw	
7	510149P	Burner Assembly	
8	649P3	L.P. Conversion Kit	Used to convert dryers from Natural Gas (N.G.) or Mixed Gas to Liquid Petroleum Gas (L.P.); 22,500 Btu
9	650P3	N.G. Conversion Kit	Used to convert dryers from L.P. to N.G. or Mixed Gas; 22,500 Btu
10	58804B	Secondary Coil	
11	510506P	Gas Valve Assembly	Includes items 10 and 14
12	56124	Screw	
13	510128	Gas Valve Mounting Bracket	
14	58804A	Booster and Holding Coil	
15	510205	Elbow Shut-Off Valve	Models through Serial No. 080600
16	513072	Brass Elbow	Models starting Serial No. 080601

# Cabinet, Exhaust Duct and Base - Single Dryers

Models ADE30RGS171TW01, ADE3LRGS171TW01, ADE41FSS171TN01, ADE4BFGS171TW01, ADE4BRGS171TW01, ADG30RGS111TW01, ADG3LRGS111TW01, ADG41FSS111TN01, ADG4BFGS111TW01, ADG4BRGS111TW01, AES17AWF, AES20AWF, AES28AWF, AES28AWF1500, AES68AWF, AES68AWF1500, AGS17AWF, AGS20AWF, AGS28AWF, AGS68AWF, CES68AWF, CES68AWF1500 and CGS68AWF



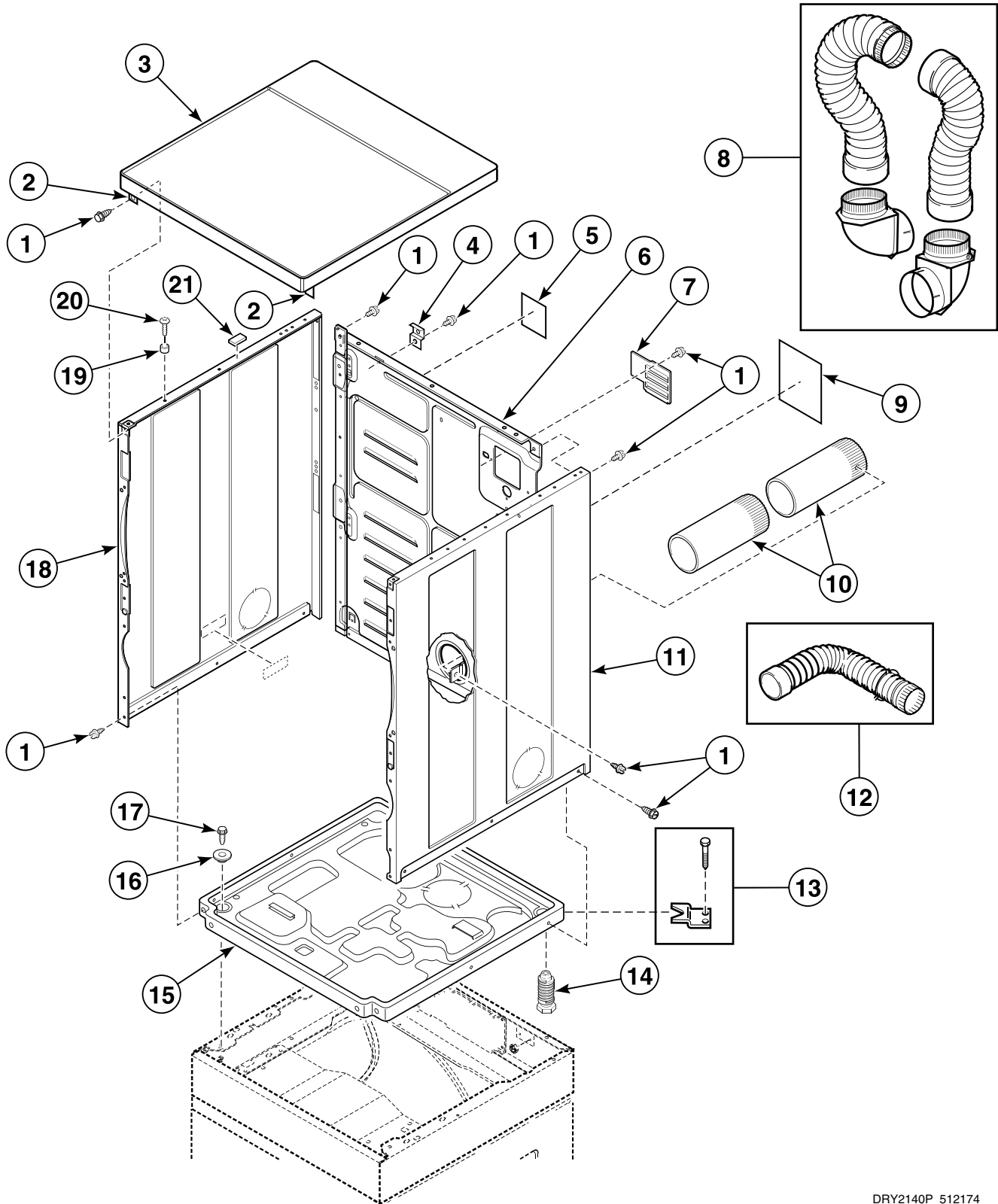
DRY2139P\_512174

## Cabinet, Exhaust Duct and Base - Single Dryers

REF	PART NO.	DESCRIPTION	COMMENTS
1	56079	Panel Locator	
2	512921	Screw	Models ADE41FSS171TN01 and ADG41FSS111TN01
	39733	Screw	All other models
3	56128	Bumper Pad	
4	510005P	Cabinet Rear Panel	
5	510136	Top Hinge	
6	503688	Screw	
7	511004	Gas Clearance Label	Gas models
8	510903	Access Panel Plate	
9	511005	Electric Clearance Label	Electric models
10	521P3	Flexible Venting Kit	
11	510137	Exhaust Duct	Each dryer requires 2 pieces
12	512952	Cabinet Side Panel	Right; Models ADE41FSS171TN01 and ADG41FSS111TN01
	510002WP	Cabinet Side Panel	Right; All other models
13	528P3	Directional Exhaust Kit	Used to vent dryer out the sides or bottom
14	526P3	Hold Down Kit	For mobile home installations
15	510135	Leveling Leg	
16	501855	Rubber Foot	
17	510084	Dryer Base	
18	512951	Cabinet Side Panel	Left; Models ADE41FSS171TN01 and ADG41FSS111TN01
	510001WP	Cabinet Side Panel	Left; All other models

# Cabinet, Exhaust Duct and Base - Stacked Dryers

Models ASE30FGW171TW01, ASG30FGW111TW01, KES18AWF, KES18AWF1500 and KGS18AWF



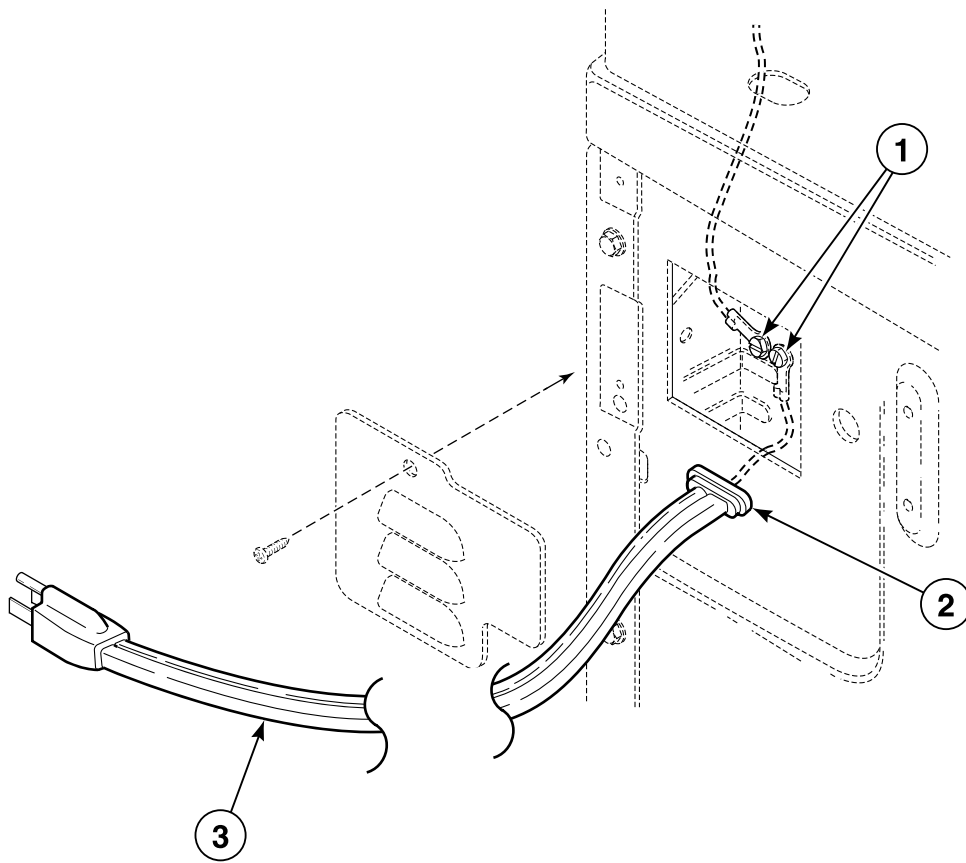
DRY2140P\_512174

## Cabinet, Exhaust Duct and Base - Stacked Dryers

REF	PART NO.	DESCRIPTION	COMMENTS
	122P4P	Porcelain Touch-Up Paint	
1	503688	Screw	
2	510146	Bracket	
3	510032WP	Top Kit	
4	510136	Top Hinge	
5	511004	Gas Clearance Label	Models ASG30FGW111TW01 and KGS18AWF
6	510005P	Cabinet Rear Panel	
7	510903	Access Panel Plate	
8	521P3	Flexible Venting Kit	
9	511005	Electric Clearance Label	Models ASE30FGW171TW01, KES18AWF and KES18AWF1500
10	510137	Exhaust Duct	Each dryer requires 2 pieces
11	510002WP	Cabinet Side Panel	Right
12	528P3	Directional Exhaust Kit	Used to vent dryer out the sides
13	526P3	Hold Down Kit	For mobile home installations
14	510135	Leveling Leg	
15	510084	Dryer Base	
16	26509	Washer	
17	502431	Screw	
18	510001WP	Cabinet Side Panel	Left
19	56079	Panel Locator	
20	39733	Screw	
21	56128	Bumper Pad	

# Lead-In Cord

Gas Models



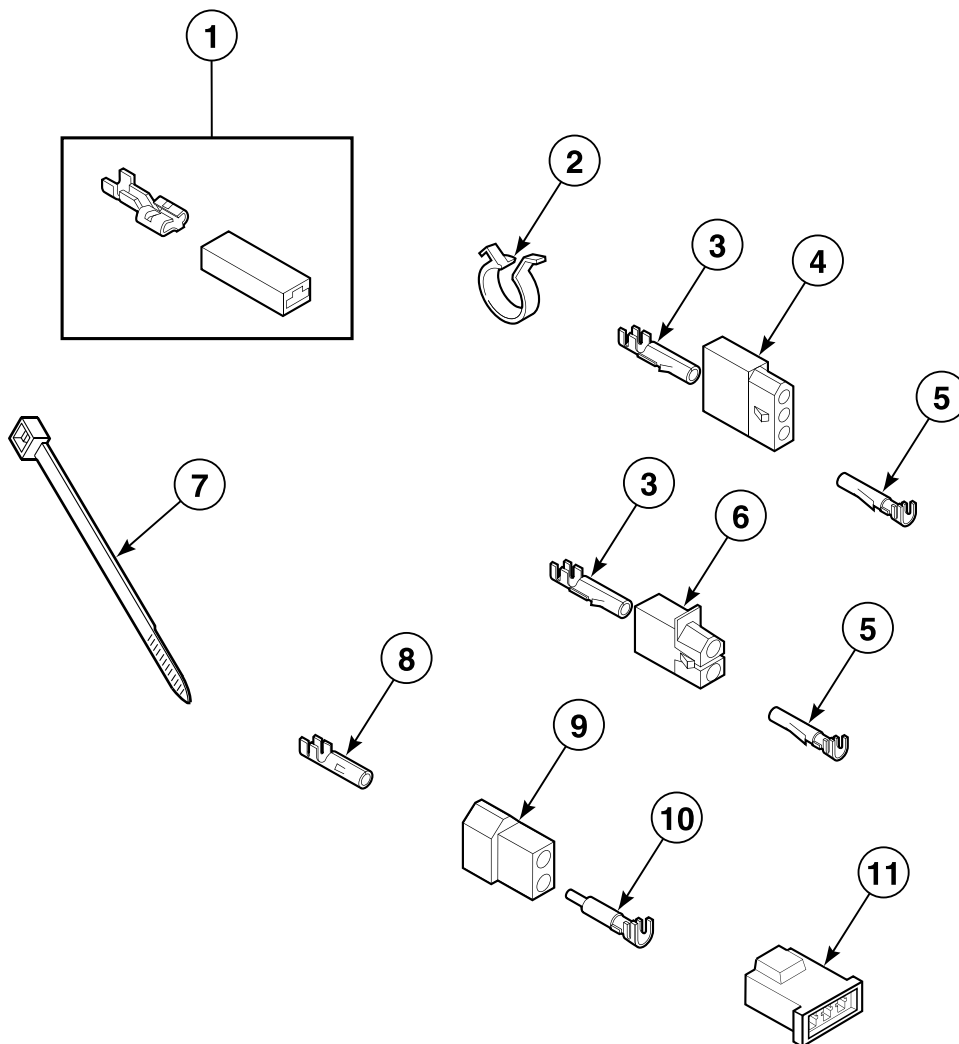
DRY1790P\_512174



## Lead-In Cord

REF	PART NO.	DESCRIPTION	COMMENTS
1	20530	Screw	
2	38384	Strain Relief	
3	59308	Lead-In Cord	Models ASG30FGW111TW01 and KGS18AWF
	56222	Lead-In Cord	All other models

# Terminal Block and Terminals

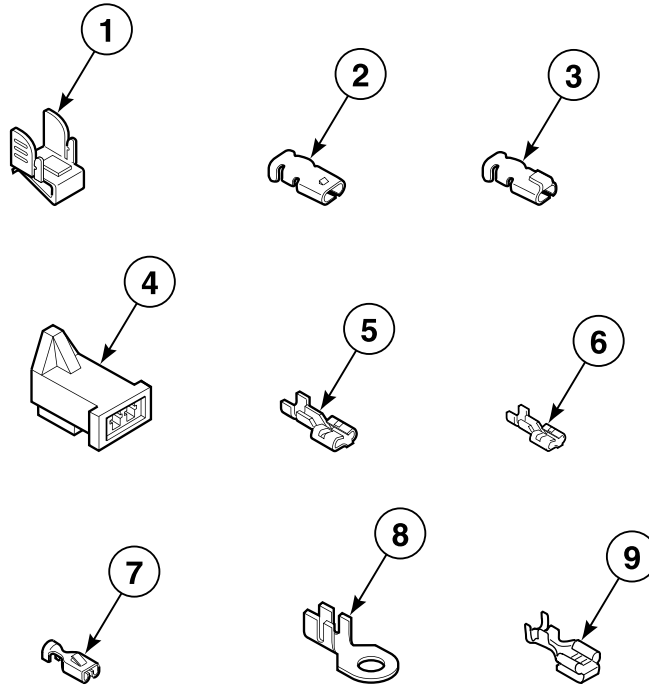


DRY1873P\_512174

## Terminal Block and Terminals

REF	PART NO.	DESCRIPTION	COMMENTS
1	00360	Ultra Pod Terminal	
2	504034	Wire Clip	
3	00117	Female Pin Terminal	Gas models
	00128	Female Pin Terminal	1/8 inch; Models ADE41FSS171TN01, ADE4BFGS171TW01, ASE30FGW171TW01, CES68AWF, CES68AWF1500, KES18AWF and KES18AWF1500
4	23039	3 Circuit Receptacle	Models ASG30FGW111TW01 and KGS18AWF
5	00116	Male Pin Terminal	Models ADG41FSS111TN01, ADG4BFGS111TW01, ASG30FGW111TW01, CGS68AWF and KGS18AWF
	00129	Male Pin Terminal	1/8 inch; Models ADE41FSS171TN01, ADE4BFGS171TW01, ADG30RGS111TW01, ADG3LRGS111TW01, ADG41FSS111TN01, ADG4BFGS111TW01, ADG4BRGS111TW01, AGS17AWF, AGS20AWF, AGS28AWF, AGS68AWF, ASE30FGW171TW01, ASG30FGW111TW01, CES68AWF, CES68AWF1500, CGS68AWF, KES18AWF, KES18AWF1500 and KGS18AWF
6	56451	2 Circuit Receptacle	Gas models
	56855	12 Circuit Receptacle	Models ADE41FSS171TN01, ADE4BFGS171TW01, ASE30FGW171TW01, CES68AWF, CES68AWF1500, KES18AWF and KES18AWF1500
7	55881	Harness Strap	
8	00130	Female Pin Terminal	1/8 inch; Models ADE41FSS171TN01, ADE4BFGS171TW01, ADG30RGS111TW01, ADG3LRGS111TW01, ADG41FSS111TN01, ADG4BFGS111TW01, ADG4BRGS111TW01, AGS17AWF, AGS20AWF, AGS28AWF, AGS68AWF, ASE30FGW171TW01, ASG30FGW111TW01, CES68AWF, CES68AWF1500, CGS68AWF, KES18AWF, KES18AWF1500 and KGS18AWF
9	56266	2 Circuit Plug	Gas models
10	00127	Male Pin Terminal	1/8 inch; Models ADE41FSS171TN01, ADE4BFGS171TW01, ADG30RGS111TW01, ADG3LRGS111TW01, ADG41FSS111TN01, ADG4BFGS111TW01, ADG4BRGS111TW01, AGS17AWF, AGS20AWF, AGS28AWF, AGS68AWF, ASE30FGW171TW01, ASG30FGW111TW01, CES68AWF, CES68AWF1500, CGS68AWF, KES18AWF, KES18AWF1500 and KGS18AWF
11	58800	3 Circuit Connector	Gas models

# Terminals



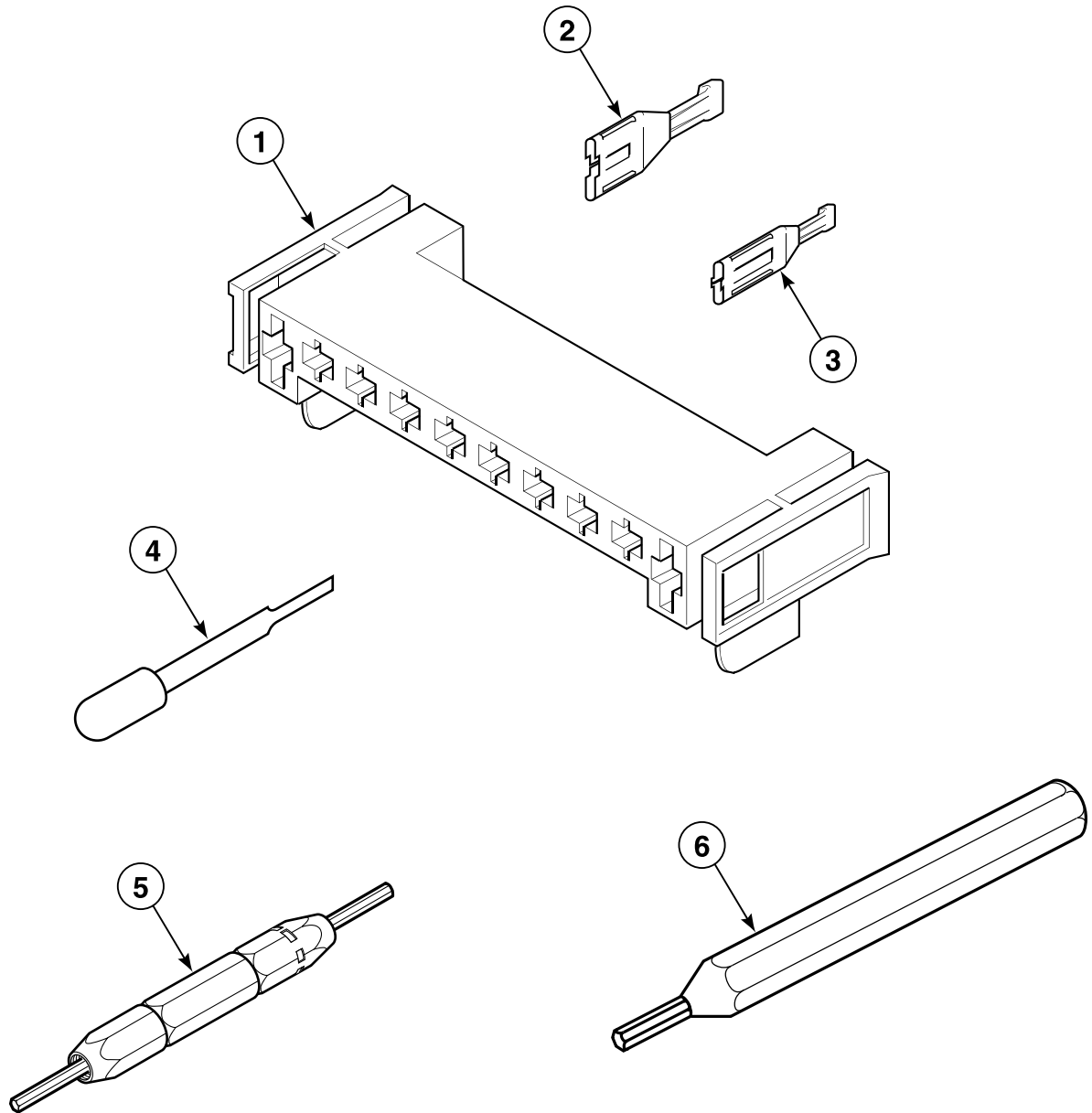
DRY1765P\_512174

# Terminals

REF	PART NO.	DESCRIPTION	COMMENTS
1	00161	Grounding Clip	
2	00189	Female Spade Terminal	1/8 inch; Gas models
3	00361	Female Piggyback Terminal	Gas models
4	58799	2 Circuit Connector	Gas models
5	00223	Female Spade Terminal	1/4 inch; (1) 18 gauge wire
6	N/A	Terminal	Gas models
7	N/A	Female Spade Terminal	1/4 inch; (2) 18 gauge wires or (1) 12 gauge wire
8	00110	Ring Terminal	10 stud; (1) 18 gauge wire; Gas models
9	00344	Female Tab Terminal	1/4 inch; Electric models

**N/A = Part no longer available**

# Terminals and Terminal Extractor Tools

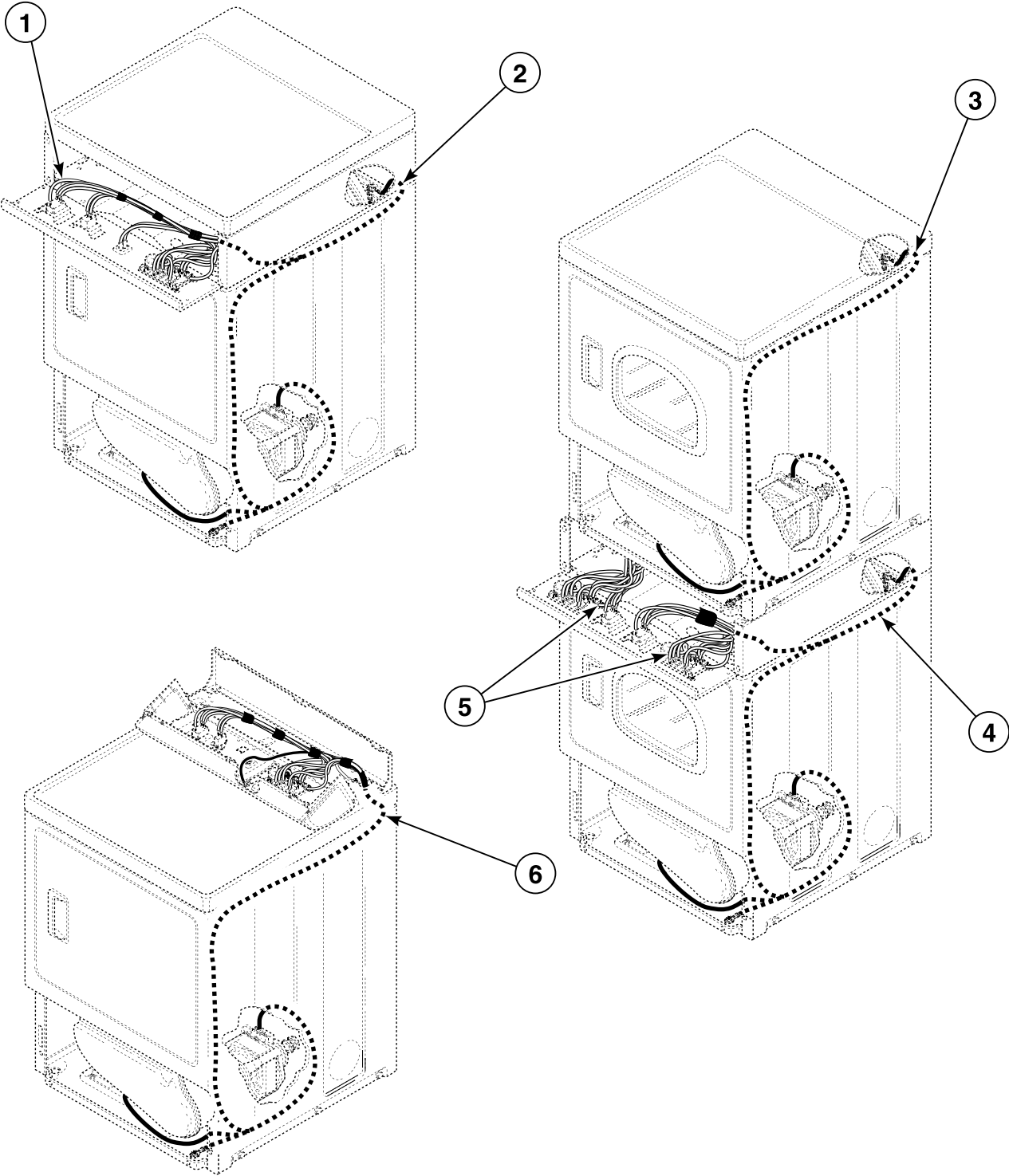


DRY1767P\_512174

## Terminals and Terminal Extractor Tools

REF	PART NO.	DESCRIPTION	COMMENTS
1	500338	10 Position Housing	
2	00255	Female Terminal	1/4 inch; (1) 12 gauge wire; Electric models
	00256	Female Terminal	1/4 inch; (1) or (2) 18 gauge wires; Gas models
3	00188	Female Terminal	For 1 or 2 wire application
4	283P4	Terminal Extractor Tool	For use on Molex connectors
5	190P4	Extractor Tool	For use on electric dryer terminals
6	128P4	Extractor Tool	For use on gas dryer terminals

# Wire Harnesses and Wires



DRY1886P\_512174



## Wire Harnesses and Wires

REF	PART NO.	DESCRIPTION	COMMENTS
	45380	12 Gauge Wire	Orange; Order wire by the foot; Order terminals and connectors as required
	45001	18 Gauge Wire	Black; Order wire by the foot; Order terminals and connectors as required
1	511771	Security Cabinet Harness Assembly	Control cabinet to main harness; Models ADG41FSS111TN01, ADG4BFGS111TW01 and CGS68AWF
	511770	Security Cabinet Harness Assembly	Control cabinet to main harness; Models ADE41FSS171TN01, ADE4BFGS171TW01, CES68AWF and CES68AWF1500
2	511769P	Wire Harness Assembly	Main harness; Models ADG41FSS111TN01, ADG4BFGS111TW01 and CGS68AWF
	511768P	Wire Harness Assembly	Main harness; Models ADE41FSS171TN01, ADE4BFGS171TW01, CES68AWF and CES68AWF1500
3	511322P	Upper Harness Assembly	Main harness for upper dryer; Models ASE30FGW171TW01, KES18AWF and KES18AWF1500
	511325P	Upper Harness Assembly	Main harness for upper dryer; Models ASG30FGW111TW01 and KGS18AWF
4	511329	Wire Harness Assembly	Main harness for lower dryer; Models ASG30FGW111TW01 and KGS18AWF
	511330	Wire Harness Assembly	Main harness for lower dryer; Models ASE30FGW171TW01, KES18AWF and KES18AWF1500
5	511323	Security Cabinet Harness Assembly	Control cabinet to main harness; Models ASG30FGW111TW01 and KGS18AWF
	511324P	Security Cabinet Harness	Control cabinet to main harness; Models ASE30FGW171TW01, KES18AWF and KES18AWF1500
6	510444	Wire Harness Assembly	Main harness; Models ADE3LRGS171TW01, ADE4BRGS171TW01, AES20AWF, AES28AWF, AES28AWF1500, AES68AWF and AES68AWF1500
	511777	Wire Harness Assembly	Main harness; Models ADG3LRGS111TW01, AGS20AWF and AGS28AWF
	510424P	Wire Harness Assembly	Main harness; Models ADE30RGS171TW01 and AES17AWF
	510425P	Wire Harness Assembly	Main harness; Models ADG30RGS111TW01 and AGS17AWF
	510443P	Wire Harness Assembly	Main harness; Models ADG4BRGS111TW01 and AGS68AWF

**N/A = Part no longer available**

**NOTE: Individual wires are not available separately. Order complete wire harness, or order wire by the foot. When applying terminals to wires, it is recommended that the terminals be soldered to the wires.**



# Parts Index

## A

Access Panel	
510069WP .....	19
512543 .....	19
Access Panel Plate	
510903 .....	35, 37
Adhesive	
511637P .....	23, 25, 27
Air Duct Assembly	
510151 .....	23, 25
512945 .....	23
Anti-Seize Compound	
27604P .....	21

## B

Badge	
803013 .....	9
Blower and Fan Kit	
510717P .....	21
Blower Fan Assembly	
510139P .....	21
Blower Housing and Cover Kit	
511969P .....	21
Blower Housing Seal	
510238P .....	21
Bolt	
29651 .....	7, 9
Booster and Holding Coil	
58804A .....	33
Bracket	
510146 .....	37
Brass Elbow	
513072 .....	33
Bumper Pad	
56128 .....	35, 37
Burner Assembly	
510149P .....	33
Buzzer	
510211 .....	5, 7, 9

## C

Cabinet Rear Panel	
510005P .....	35, 37
Cabinet Side Panel	
510001WP .....	35, 37
510002WP .....	35, 37
512951 .....	35
512952 .....	35
Combustion Duct	
510131 .....	31
Connector, 2 Circuit	
58799 .....	43
Connector, 3 Circuit	
58800 .....	41

Control Cabinet	
803141 .....	9
803142 .....	9
Control Cabinet Bottom	
801777 .....	7, 9, 11
Control Cabinet Rear	
800867 .....	7
Control Knob Assembly	
803099P .....	9
803119 .....	5, 7, 11
Control Panel Assembly	
512034W .....	11
512067W .....	7
513161 .....	9
Control Support Panel	
503901 .....	5
Cylinder Assembly	
510265P .....	23, 25
512940 .....	23
Cylinder Baffle	
510102 .....	23, 25
512941 .....	23
Cylinder Belt	
511255P .....	21
Cylinder Glide	
510187 .....	23, 25
Cylinder Glide Bracket	
510145 .....	23, 25
Cylinder Light Lens	
512106 .....	23
Cylinder Roller	
510708P .....	27
Cylinder Roller Bracket	
510100 .....	27
Cylinder Seal Assembly	
510207P .....	23, 25, 27

## D

Directional Exhaust Kit	
528P3 .....	35, 37
Door and Liner Assembly	
511636WP .....	17
Door Catch Assembly	
510177 .....	19
Door Handle Wedge	
510129 .....	15, 17
Door Liner Grill	
503870W .....	17
Door Pull and Wedge Kit	
510103WP .....	15, 17
803095 .....	13
Door Strike	
510181 .....	13, 15, 17
Door Strike Mount	
510127 .....	13, 15, 17
Dryer Base	
510084 .....	35, 37
Dryer Door	
510013WP .....	15

N/A items do not appear in index.

510082WP .....	17
513156 .....	13
Dryer Door Window	
503982 .....	17
Drying Rack	
512082P .....	23, 25

## E

Elbow Shut-Off Valve	
510205 .....	33
Electric Clearance Label	
511005 .....	35, 37
End Panel	
504008W .....	5
504009WP .....	5
Exhaust Duct	
510137 .....	35, 37
Expansion Clip	
70030501 .....	7, 9, 11
Extractor Tool	
128P4 .....	45
190P4 .....	45

## F

Fabric Selector Switch	
510212 .....	5, 11
511492 .....	5, 7, 9
Felt Pad	
510189 .....	23, 25
Female Piggyback Terminal	
00361 .....	43
Female Pin Terminal	
00117 .....	41
00128 .....	41
00130 .....	41
Female Spade Terminal	
00189 .....	43
00223 .....	43
Female Tab Terminal	
00344 .....	43
Female Terminal	
00188 .....	45
00255 .....	45
00256 .....	45
Flexible Venting Kit	
521P3 .....	35, 37
Front Bulkhead Assembly	
510266P .....	25
512476 .....	23
Front Panel	
510066WP .....	19
512966 .....	19
Front Panel Seal	
511056 .....	19

## G

Gas Clearance Label	
511004 .....	35, 37

N/A items do not appear in index.

Gas Valve Assembly	
510506P .....	33
Gas Valve Mounting Bracket	
510128 .....	33
Graphic Overlay	
512212 .....	11
512214 .....	7
513013 .....	11
513014 .....	7
Graphic Panel	
512179W .....	5
512211W .....	5
512213W .....	5
513011W .....	5
513012W .....	5
513015W .....	5
Grounding Clip	
00161 .....	43

## H

Handle Cover	
803094P .....	13
Harness Strap	
55881 .....	41
Heat Duct Shroud	
510101 .....	31
Heater	
510325P .....	29
Heater Assembly	
510329P .....	29
Heater Duct and Screw Assembly	
510025P .....	29, 31
Heater Kit	
964P3 .....	29
Heater Kit Assembly	
61928 .....	29
Hinge	
511036 .....	7, 9, 13, 15, 17
Hinge Hole Plug	
510186 .....	19
Hold Down Kit	
526P3 .....	35, 37
Hood Back Panel	
510099 .....	5
Housing, 10 Position	
500338 .....	45

## I

Idler Lever	
510133 .....	21
Idler Lever and Wheel Assembly	
510158 .....	21
Idler Spring	
510185 .....	21
Idler Wheel and Bearing Assembly	
510142P .....	21
Igniter and Bracket Assembly	
510184P .....	33

---

**K**

Knob Assembly	
36701W.....	5, 7, 11
803168P.....	5

---

**L**

Lead-In Cord	
56222.....	39
59308.....	39
Lead-In Pipe Assembly	
510204.....	33
Left Control Cabinet Side	
800900WP.....	7, 11
Leveling Leg	
510135.....	35, 37
Light Housing Assembly	
512108.....	23
Limit Thermostat	
510701.....	29
510702.....	31
Liner and Seal Assembly	
510098W.....	17
Liner Door Seal	
510147P.....	13, 15, 17
Liner, Seal and Grill Assembly	
510163WP.....	15
513109P.....	13
Lint Filter	
503980.....	23, 25
512946.....	23
Lint Filter Cover	
510502.....	23, 25
L.P. Conversion Kit	
649P3.....	33

---

**M**

Male Pin Terminal	
00116.....	41
00127.....	41
00129.....	41
Motor and Pulley Assembly	
511629P.....	21
Motor Hub Ring Kit	
590P3.....	21
Motor Mount	
510060.....	21
Motor Mount Clamp	
510180.....	21
Motor Pulley	
500011.....	21

---

**N**

Nut	
29796.....	7, 9
52566.....	21
56156.....	21, 27

---

800931.....	11
N.G. Conversion Kit	
650P3.....	33

---

**O**

Outlet Cover	
500820.....	29, 31

---

**P**

Panel	
513112.....	9
Panel Locator	
56079.....	19, 35, 37
Plug, 2 Circuit	
56266.....	41
Pop Rivet	
685847.....	9
Porcelain Touch-Up Paint	
122P4P.....	37

---

**R**

Rear Bulkhead Assembly	
505246.....	27
511082P.....	27
Rear Control Cabinet	
801058.....	9, 11
Receptacle, 12 Circuit	
56855.....	41
Receptacle, 2 Circuit	
56451.....	41
Receptacle, 3 Circuit	
23039.....	41
Resistor Assembly	
511277.....	5, 7, 9, 11
Retaining Ring	
23748.....	21, 27
Right Control Cabinet Side	
800915W.....	7, 11
Ring Terminal	
00110.....	43
Rocker Switch	
38424W.....	5, 7
Rubber Foot	
501855.....	35

---

**S**

Screw	
F430956.....	9
M405188.....	9
20530.....	39
23222.....	29, 33
31260.....	21
33561.....	21
33562.....	19
39733.....	19, 35, 37

---

N/A items do not appear in index.

430497	11
500226	17
500227	23
500824	21
501086	5, 7, 9, 23
501285	23, 25, 27
502431	37
503688	19, 21, 23, 25, 27, 29, 31, 33, 35, 37
505295	13, 15, 17, 23, 25
505870	17
512921	35
51782	31, 33
52864	25
56124	33
61199	27
62588	23, 25
70240301	7, 9
800548	13
800930	7, 11
Secondary Coil	
58804B	33
Security Cabinet Harness	
511324P	47
Security Cabinet Harness Assembly	
511323	47
511770	47
511771	47
Selector Switch	
803155	9
Sensor	
510213	33
Shaft	
56461P	21, 27
Speed Clip	
28835	19
Strain Relief	
38384	39
Switch	
504570	19

## T

Terminal Block Assembly	
510190P	27
Terminal Block Shield	
510237	27
Terminal Extractor Tool	
283P4	45
Thermal Fuse Assembly	
511412	29
Thermostat	
504515	21
510707P	21
Timer	
505794P	5, 11
511149P	5, 7, 9
511150P	5, 7, 9
Timer and Harness Kit	
505797P	5, 11
Timer Knob Assembly	
512117W	5, 7, 11
803098P	9
803118P	7, 11

Top and Gusset Assembly	
802247WP	7
Top Cover	
505808W	5
Top Hinge	
510136	35, 37
Top Kit	
510032WP	37
803144P	9
Top Mounting Bracket	
504228	7, 9
Top Panel Kit	
510029WP	5

## U

Ultra Pod Terminal	
00360	41
Upper Harness Assembly	
511322P	47
511325P	47

## W

Warning/Caution Label	
500281	19
Washer	
26509	37
504082	27
52549	21, 27
Window Trim	
503981W	17
Wire Assembly	
510527	29
510528	29
511148	5, 7
513170P	9
Wire Clip	
504034	41
Wire Harness Assembly	
510424P	47
510425P	47
510443P	47
510444	47
511329	47
511330	47
511768P	47
511769P	47
511777	47
Wire, 12 Gauge	
45380	47
Wire, 18 Gauge	
45001	47

N/A items do not appear in index.