

Commercial Dryers

Metered and Nonmetered
SE-SG and JE-JG Series
Refer to Page 6 for Model Numbers

— Service —



Table of Contents

Section 1 – Safety Information

Locating an Authorized Servicer	4
---------------------------------------	---

Section 2 – Introduction

Customer Service	5
Nameplate Location	5
Model Identification	6
How Your Dryer Works	7

Section 3 – Troubleshooting

1. Motor Does Not Run	9
2. Motor Overload Protector Cycles Repeatedly	10
3. Motor Runs But Cylinder Does Not Turn	10
4. Motor Does Not Stop	10
5. Heating Element Does Not Heat Or Burner Does Not Ignite	11
6. Igniter Does Not Glow (Gas Supply Sufficient) – Gas Models	12
7. Burner Ignites and Goes Out Repeatedly – Gas Models	12
8. Igniter Glows But Burner Does Not Ignite – Gas Models	12
9. Heating Element or Burner Shuts Off Prematurely	13
10. Heating Element or Burner Repeatedly Cycles Off On Limit Thermostat	13
11. Heating Element or Burner Does Not Shut Off	14
12. Clothes Do Not Dry	14

Section 4 – Service Procedures

13. Front Panel and Panel Seal	15
14. Control Panel	16
15. Timer	17
To Test Timer Contacts (Nonmetered Models)	20
16. Service Door, Accumulator And Timing Motor Assembly (Metered Models)	21
To Test Accumulator and Timing Motor (Metered Models)	21
17. Fabric Switch	22
18. Push-To-Start Switch	22
To Test Push-To-Start Switch	22
19. Indicator Light	22
To Test Fabric Switch	22

20. Burner System Operation	23
21. Ignition System Features	24
22. Burner System Components – Gas Models – Silicon Carbide (Glow Bar) Ignition	24
To Test Dual Input Coil	24
To Test Gas Valve Coil Assembly	25
To Test Electrical Circuit to Ignition System	27
To Test Igniter (Glow Bar)	27
To Test Sensor (Bi-Meter Switch)	27
23. Burner Housing	29
24. Heat Shroud	29
25. Terminal Block or Power Cord	29
26. Loading Door	30
27. Inner and Outer Door Panels And Door Handle	30
28. Door Striker	30
29. Door Seal	30
30. Lint Filter	32
31. Striker Catch	32
32. Door Hinge and Support Bracket	32
33. Hold-down Clips And Guide Lugs	32
34. Door Switch	32
To Test Door Switch	32
35. High, Low to Low Limit Thermostat	33
36. Limit Thermostat	33
37. Heating Element	33
38. Control Hood Rear Cover	35
39. Meter Case	35
40. Timer Case	36
41. Cabinet Top (Nonmetered Models)	36
42. Cabinet Top (Metered Models)	37
43. Control Hood	37
44. Front Air Duct	37
45. Exhaust Duct	38
46. Exhaust Fan Cover	38
47. Motor and Exhaust Assembly	38
To Test Drive Motor	39
48. Impeller and Housing	40
49. Motor	41
50. Motor and Idler Pulley Assemblies	41
51. Front Bulkhead Assembly	42
52. Cylinder Belt	42
53. Cylinder Assembly	43
54. Rear Seal	43

(continued)

© Copyright 2002, Alliance Laundry Systems LLC

All rights reserved. No part of the contents of this book may be reproduced or transmitted in any form or by any means without the expressed written consent of the publisher.

55. Cylinder Rollers and Roller Shafts	43
56. Rear Bulkhead and Heater Box	45
57. Heat Shield	46
58. Rear Mounting Brackets	46
59. Cabinet and Base	46

Section 5 – Adjustments

60. Timer Knob Indicator JE2870 and JG2880 ...	47
61. Leveling Legs	47
62. Burner Flame (Gas Models)	47

Section 6 – Gas Burner Conversion Procedures

63. Conversion Kits – For Single Input Gas Dryers Equipped with No. 56225 Gas Valve	49
64. Orifice Information	49
65. Installation Instructions for 56412 or 56413 Gas Kits	49
66. Conversion Kits – For Dual Input Gas Dryers Equipped with No. 56279 Gas Valve	52
67. Orifice Information	52
68. Installation Instructions for 56975 or 56976 Gas Kits	53

Section 7 – Internal Wiring of Dryer Motor

Switch	55
---------------------	----

Section 1

Safety Information

Throughout this manual and on machine decals, you will find precautionary statements (“CAUTION,” “WARNING,” and “DANGER”) followed by specific instructions. These precautions are intended for the personal safety of the operator, user, servicer, and those maintaining the machine.

▲ DANGER

Danger indicates the presence of a hazard that **will** cause **severe** personal injury, death, or substantial property damage if the danger is ignored.

▲ WARNING

Warning indicates the presence of a hazard that **can** cause **severe** personal injury, death, or substantial property damage if the warning is ignored.

▲ CAUTION

Caution indicates the presence of a hazard that **will** or **can** cause **minor** personal injury or property damage if the caution is ignored.

Additional precautionary statements (“IMPORTANT” and “NOTE”) are followed by specific instructions.

IMPORTANT

The word “IMPORTANT” is used to inform the reader of specific procedures where minor machine damage will occur if the procedure is not followed.

NOTE

The word “NOTE” is used to communicate installation, operation, maintenance or servicing information that is important but not hazard related.

In the interest of safety, some general precautions relating to the operation of this machine follow.



WARNING

- **Failure to install, maintain and/or operate this product according to the manufacturer’s instructions may result in conditions which can produce serious injury, death and/or property damage.**
- **Do not repair or replace any part of the product or attempt any servicing unless specifically recommended or published in this Service Manual and that you understand and have the skills to carry out.**
- **Whenever ground wires are removed during servicing, these ground wires must be reconnected to ensure that the product is properly grounded and to reduce the risk of fire, electric shock, serious injury or death.**

W006R1



WARNING

To reduce the risk of electric shock, fire, explosion, serious injury or death:

- Disconnect electric power to the dryer(s) before servicing.
- Close gas shut-off valve to gas dryer(s) before servicing.
- Never start the dryer(s) with any guards/panels removed.
- Whenever ground wires are removed during servicing, these ground wires must be reconnected to ensure that the dryer is properly grounded.

W001R1



WARNING

Repairs that are made to your products by unqualified persons can result in hazards due to improper assembly or adjustments subjecting you, or the inexperienced person making such repairs, to the risk of serious injury, electrical shock or death.

W007



WARNING

If you or an unqualified person perform service on your product, you must assume the responsibility for any personal injury or property damage which may result. The manufacturer will not be responsible for any injury or property damage arising from improper service and/or service procedures.

W008

NOTE: The WARNINGS and IMPORTANT INSTRUCTIONS appearing in this manual are not meant to cover all possible conditions and situations that may occur. Common sense, caution and care must be exercised when installing, maintaining or operating the dryer.

Always contact your dealer, distributor, service agent or the manufacturer about any problems or conditions you do not understand.

Locating an Authorized Servicer

Alliance Laundry Systems is not responsible for personal injury or property damage resulting from improper service. Review all service information before beginning repairs.

Warranty service must be performed by an authorized technician, using authorized factory parts. If service is required after the warranty expires, Alliance Laundry Systems also recommends contacting an authorized technician and using authorized factory parts.

Section 2

Introduction

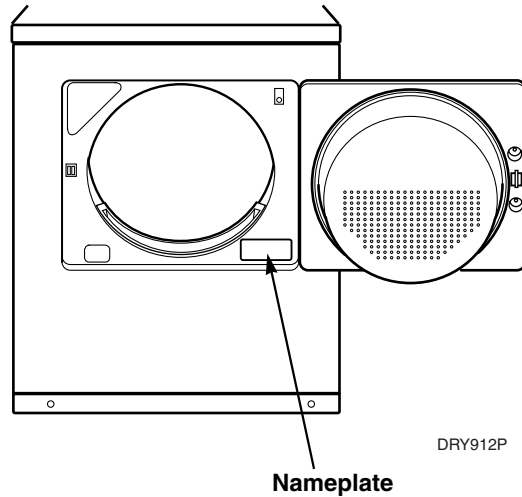
Customer Service

If literature or replacement parts are required, contact the source from whom the machine was purchased or contact Alliance Laundry Systems at (920) 748-3950 for the name and address of the nearest authorized parts distributor.

For technical assistance, call (920) 748-3121.

Nameplate Location

When calling or writing about your product, be sure to mention model and serial numbers. Model and serial numbers are located on nameplate(s) as shown.

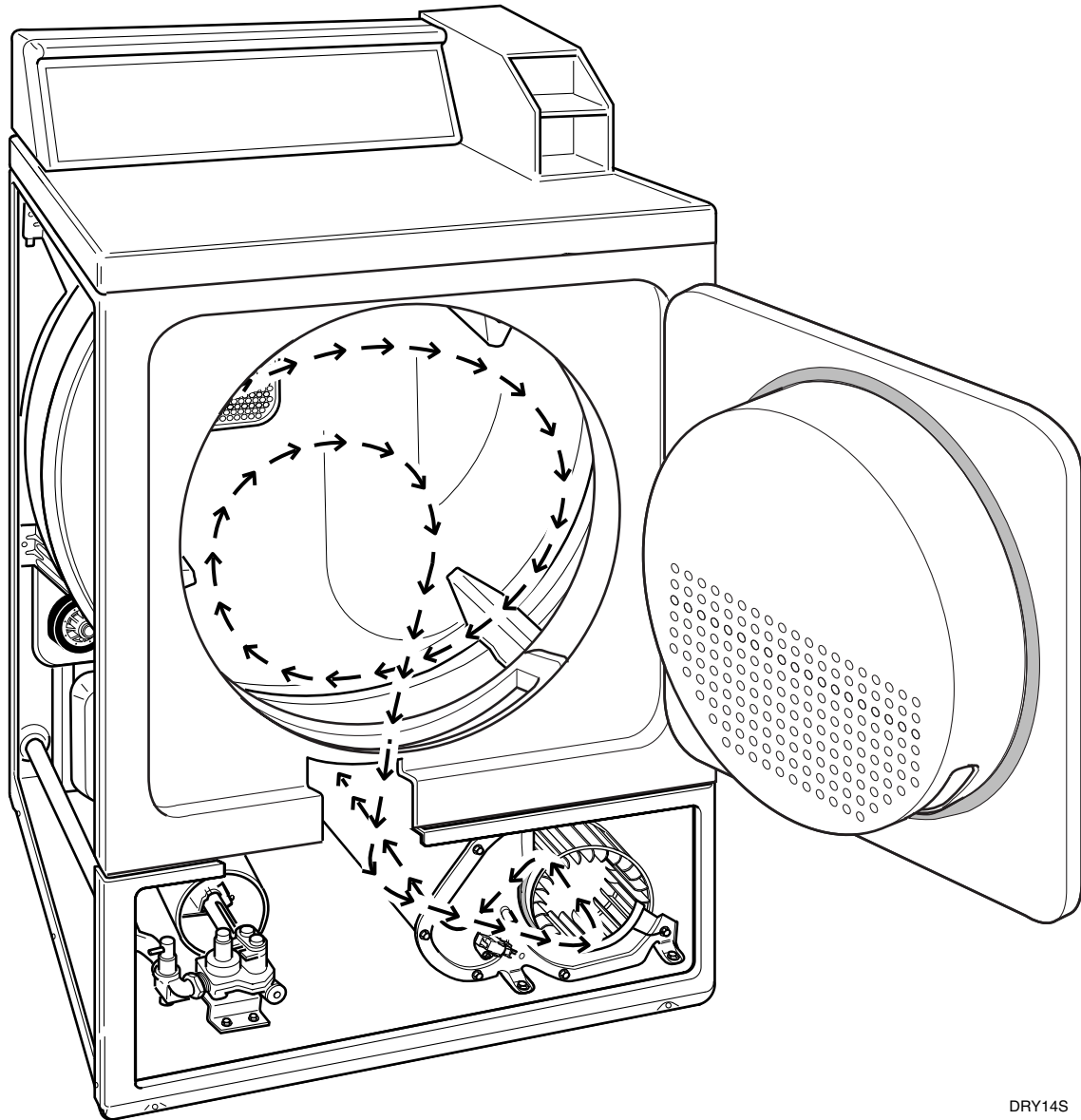


Model Identification

Information in this manual is applicable to these dryers.

Electric	Gas	
JE2870	Dual Input	Single Input
SE3930	SG4680	JG2880
SE4670	SG4990	SG3940
SE4730	SG4890	SG4690
SE4732		SG4790
SE4830		SG4792
SE4930		SG4910

How Your Dryer Works



DRY14S

The dryer uses heated air to dry loads of laundry. When the motor is started, the exhaust fan pulls room temperature air in through louvers at the rear of the dryer and over the heat source (burner flame for gas and heating element for electric). The heated air moves through the heater duct and into the cylinder, where it circulates through the wet load. The air then passes through the lint filter, air duct, and exhaust fan, where it is vented to the outdoors.

Section 3

Troubleshooting



WARNING

To reduce the risk of electric shock, fire, explosion, serious injury or death:

- **Disconnect electric power to the dryer(s) before servicing.**
- **Close gas shut-off valve to gas dryer(s) before servicing.**
- **Never start the dryer(s) with any guards/panels removed.**
- **Whenever ground wires are removed during servicing, these ground wires must be reconnected to ensure that the dryer is properly grounded.**

W001R1

IMPORTANT: Refer to wiring diagram for aid in testing dryer components.

1. MOTOR DOES NOT RUN

POSSIBLE CAUSE	TO CORRECT
Electrical power off, fuse blown, or power cord not plugged in.	<ul style="list-style-type: none"> • Check laundry room for blown or loose fuse(s), or open circuit breaker(s). The dryer itself does not have an electrical fuse. • Check both fuses for electric models.
Loading door not closed or inoperative door switch.	<ul style="list-style-type: none"> • Close door or test switch and replace if inoperative.
Motor overload protector has cycled.	<ul style="list-style-type: none"> • Wait two or three minutes for overload protector to reset. If protector cycles repeatedly. Refer to <i>Paragraph 2</i>.
Timer improperly set.	<ul style="list-style-type: none"> • Reset timer.
Inoperative motor switch.	<ul style="list-style-type: none"> • Test switch and replace if inoperative.
Start circuit not completed.	<ul style="list-style-type: none"> • Press start switch button, or test switch and replace if inoperative.
Inoperative motor.	<ul style="list-style-type: none"> • Test motor and replace if inoperative.
Inoperative timer - nonmetered models.	<ul style="list-style-type: none"> • Test timer and replace if inoperative.
Inoperative accumulator - metered models.	<ul style="list-style-type: none"> • Test accumulator and replace if inoperative.
Accumulator not being activated.	<ul style="list-style-type: none"> • Install slide extension.
Broken, loose, or incorrect wiring.	<ul style="list-style-type: none"> • Refer to appropriate wiring diagram.
Motor centrifugal switch sticky or plugged with lint.	<ul style="list-style-type: none"> • Remove dust or lint and spray with “Slyde,” No. 131P4, to clean and lubricate.



WARNING

- To reduce the risk of electric shock, fire, explosion, serious injury or death:**
- **Disconnect electric power to the dryer(s) before servicing.**
 - **Close gas shut-off valve to gas dryer(s) before servicing.**
 - **Never start the dryer(s) with any guards/panels removed.**
 - **Whenever ground wires are removed during servicing, these ground wires must be reconnected to ensure that the dryer is properly grounded.**

W001R1

2. MOTOR OVERLOAD PROTECTOR CYCLES REPEATEDLY

POSSIBLE CAUSE	TO CORRECT
Low voltage.	<ul style="list-style-type: none"> • Refer to <i>Installation Instructions</i> (supplied with dryer) for electrical requirements.
Clothes load too large.	<ul style="list-style-type: none"> • Remove part of load. A normal washer load is a normal dryer load.
Clothes cylinder is binding.	<ul style="list-style-type: none"> • Check cylinder for binding and “out of round” condition. • Check front and rear bulkheads for warping. • Check cylinder rollers for binding. • Check cylinder seals and glides for wear or damage.
Inoperative motor overload protector.	<ul style="list-style-type: none"> • Replace drive motor.

3. MOTOR RUNS BUT CYLINDER DOES NOT TURN

POSSIBLE CAUSE	TO CORRECT
Motor drive pulley loose.	<ul style="list-style-type: none"> • Tighten setscrew. Refer to <i>Figure 32</i>.
Broken cylinder belt.	<ul style="list-style-type: none"> • Replace belt.
Cylinder belt is upside down or twisted.	<ul style="list-style-type: none"> • Install properly.
Clothes cylinder is binding.	<ul style="list-style-type: none"> • Check cylinder for binding and “out of round” condition. • Check front and rear bulkheads for warping. • Check cylinder rollers for binding. • Check cylinder seals and glides for wear or damage.
Broken or disconnected idler lever spring.	<ul style="list-style-type: none"> • Replace or reconnect spring. Refer to <i>Figure 32</i>.

4. MOTOR DOES NOT STOP

POSSIBLE CAUSE	TO CORRECT
Inoperative door switch.	<ul style="list-style-type: none"> • Test switch and replace if inoperative.
Inoperative timer – nonmetered models.	<ul style="list-style-type: none"> • Test timer and replace if inoperative.
Inoperative accumulator - metered models.	<ul style="list-style-type: none"> • Test accumulator and replace if inoperative.
Incorrect wiring.	<ul style="list-style-type: none"> • Refer to appropriate wiring diagram.



WARNING

To reduce the risk of electric shock, fire, explosion, serious injury or death:

- **Disconnect electric power to the dryer(s) before servicing.**
- **Close gas shut-off valve to gas dryer(s) before servicing.**
- **Never start the dryer(s) with any guards/panels removed.**
- **Whenever ground wires are removed during servicing, these ground wires must be reconnected to ensure that the dryer is properly grounded.**

W001R1

5. HEATING ELEMENT DOES NOT HEAT OR BURNER DOES NOT IGNITE

POSSIBLE CAUSE	TO CORRECT
Improper or inadequate exhaust system.	<ul style="list-style-type: none"> • See <i>Installation Instructions</i> (supplied with dryer) for exhaust requirements.
Blown house fuse or tripped circuit breaker.	<ul style="list-style-type: none"> • Check fuses or circuit breakers.
FABRIC switch set at FLUFF, or inoperative.	<ul style="list-style-type: none"> • Reset or test switch and replace if inoperative.
Timer improperly set - nonmetered models.	<ul style="list-style-type: none"> • Reset timer.
Inoperative limit thermostat.	<ul style="list-style-type: none"> • Test thermostat and replace if inoperative.
Electric Models: Inoperative heating element.	<ul style="list-style-type: none"> • Replace element.
Gas Models: Insufficient gas supply.	<ul style="list-style-type: none"> • Open partially closed gas shut-off valve, or correct low gas pressure.
Inoperative drive motor switch.	<ul style="list-style-type: none"> • Test switch and replace if inoperative.
Gas Models: Inoperative gas valve coils.	<ul style="list-style-type: none"> • Test coils and replace if inoperative.
Gas Models: Inoperative igniter.	<ul style="list-style-type: none"> • Test igniter and replace if inoperative.
Gas Models: Inoperative sensor.	<ul style="list-style-type: none"> • Test sensor and replace if inoperative.
Inoperative high, low or limit thermostat.	<ul style="list-style-type: none"> • Test thermostat and replace if inoperative.
Inoperative timer - nonmetered models.	<ul style="list-style-type: none"> • Test timer and replace if inoperative.
Inoperative accumulator - metered models.	<ul style="list-style-type: none"> • Test accumulator and replace if inoperative.
Broken, loose, or incorrect wiring.	<ul style="list-style-type: none"> • Refer to appropriate wiring diagram.



WARNING

- To reduce the risk of electric shock, fire, explosion, serious injury or death:**
- **Disconnect electric power to the dryer(s) before servicing.**
 - **Close gas shut-off valve to gas dryer(s) before servicing.**
 - **Never start the dryer(s) with any guards/panels removed.**
 - **Whenever ground wires are removed during servicing, these ground wires must be reconnected to ensure that the dryer is properly grounded.**

W001R1

6. IGNITER DOES NOT GLOW (Gas Supply Sufficient) – GAS MODELS

POSSIBLE CAUSE	TO CORRECT
No power to power leads on valve.	<ul style="list-style-type: none"> • Check for electrical circuit. Refer to “<i>To Test Electrical Circuit to Ignition System</i>” on page 27.
Sensor failed with contacts open.	<ul style="list-style-type: none"> • Replace sensor.
Igniter broken or open.	<ul style="list-style-type: none"> • Replace igniter.
Gas Valve - Open booster or holding coils.	<ul style="list-style-type: none"> • Replace gas valve (in-warranty). • Replace coils (out-of-warranty).

7. BURNER IGNITES AND GOES OUT REPEATEDLY – GAS MODELS

POSSIBLE CAUSE	TO CORRECT
Burner heat not holding sensor contacts open.	<ul style="list-style-type: none"> • Replace sensor.
Insufficient gas supply.	<ul style="list-style-type: none"> • Check gas supply and pressure.

8. IGNITER GLOWS BUT BURNER DOES NOT IGNITE – GAS MODELS

POSSIBLE CAUSE	TO CORRECT
Sensor failed in closed position.	<ul style="list-style-type: none"> • Replace sensor.
Open secondary coil or holding coil.	<ul style="list-style-type: none"> • Replace gas valve (in-warranty) • Replace coils (out-of-warranty).
No or insufficient gas supply.	<ul style="list-style-type: none"> • Check gas supply and pressure.



WARNING

To reduce the risk of electric shock, fire, explosion, serious injury or death:

- **Disconnect electric power to the dryer(s) before servicing.**
- **Close gas shut-off valve to gas dryer(s) before servicing.**
- **Never start the dryer(s) with any guards/panels removed.**
- **Whenever ground wires are removed during servicing, these ground wires must be reconnected to ensure that the dryer is properly grounded.**

W001R1

9. HEATING ELEMENT OR BURNER SHUTS OFF PREMATURELY

POSSIBLE CAUSE	TO CORRECT
Improper or inadequate exhaust system.	<ul style="list-style-type: none"> • See <i>Installation Instructions</i> (supplied with dryer) for exhaust requirements.
Gas Models: Insufficient gas supply.	<ul style="list-style-type: none"> • Open partially closed gas shut-off valve, or correct low pressure.
Gas Models: Dryer not properly equipped for type of gas used.	<ul style="list-style-type: none"> • Refer to “<i>Gas Burner Conversion Procedures</i>” in this manual to convert burner.
Gas Models: Improperly adjusted burner flame.	<ul style="list-style-type: none"> • Adjust flame.
Cycling off on limit thermostat.	<ul style="list-style-type: none"> • Momentarily connect a jumper wire across thermostat terminals. If heating element heats or burner ignites when jumper wire is connected. Refer to <i>Paragraph 10</i>.
Gas models: Sensor contact opening prematurely. Burner flame improperly adjusted.	<ul style="list-style-type: none"> • Replace sensor. Adjust burner flame.
Inoperative high, low or low limit thermostat.	<ul style="list-style-type: none"> • Test thermostat and replace if inoperative.
Inoperative timer.	<ul style="list-style-type: none"> • Test timer and replace if inoperative.
Broken, loose, or incorrect wiring.	<ul style="list-style-type: none"> • Refer to appropriate wiring diagram.

10. HEATING ELEMENT OR BURNER REPEATEDLY CYCLES OFF ON LIMIT THERMOSTAT

POSSIBLE CAUSE	TO CORRECT
External exhaust system longer or providing greater restriction than recommended.	<ul style="list-style-type: none"> • Refer to <i>Installation Instructions</i> (supplied with dryer) for exhaust system requirements.
Clogged lint filter.	<ul style="list-style-type: none"> • Remove and clean lint filter.
Lint in internal dryer ductwork.	<ul style="list-style-type: none"> • Disassemble dryer and clean ductwork.
Lint in external exhaust system.	<ul style="list-style-type: none"> • Disassemble and clean exhaust system.
Hinged damper on exhaust system weather hood not free to open.	<ul style="list-style-type: none"> • Free hinged damper or replace weather hood
Limit thermostat cycling at too low a temperature.	<ul style="list-style-type: none"> • Replace thermostat.
Air leak around loading door. (Door not sealing properly against outer door seal due to damaged seal or inoperative catch.)	<ul style="list-style-type: none"> • Replace seal or catch.
Air leak at front or rear cylinder seal.	<ul style="list-style-type: none"> • Check and replace seal if necessary.



WARNING

To reduce the risk of electric shock, fire, explosion, serious injury or death:

- **Disconnect electric power to the dryer(s) before servicing.**
- **Close gas shut-off valve to gas dryer(s) before servicing.**
- **Never start the dryer(s) with any guards/panels removed.**
- **Whenever ground wires are removed during servicing, these ground wires must be reconnected to ensure that the dryer is properly grounded.**

W001R1

11. HEATING ELEMENT OR BURNER DOES NOT SHUT OFF

POSSIBLE CAUSE	TO CORRECT
Inoperative motor switch.	<ul style="list-style-type: none"> • Test switch and replace if inoperative.
Motor does not stop.	<ul style="list-style-type: none"> • Refer to <i>Paragraph 4</i>
Incorrect wiring.	<ul style="list-style-type: none"> • Refer to appropriate wiring diagram.

12. CLOTHES DO NOT DRY

POSSIBLE CAUSE	TO CORRECT
Heating element does not heat or burner does not ignite.	<ul style="list-style-type: none"> • Refer to <i>Paragraph 5</i>.
Too much water in articles being dried.	<ul style="list-style-type: none"> • Remove excess water.
Clothes load too large.	<ul style="list-style-type: none"> • Remove part of load. A normal washer load is a normal dryer load.
Improper or inadequate exhaust system.	<ul style="list-style-type: none"> • See <i>Installation Instructions</i> (supplied with dryer) for exhaust requirements.
Heating element or burner shuts off prematurely.	<ul style="list-style-type: none"> • Refer to <i>Paragraph 9</i>.

Section 4

Service Procedures



WARNING

To reduce the risk of electric shock, fire, explosion, serious injury or death:

- Disconnect electric power to the dryer(s) before servicing.
- Close gas shut-off valve to gas dryer(s) before servicing.
- Never start the dryer(s) with any guards/panels removed.
- Whenever ground wires are removed during servicing, these ground wires must be reconnected to ensure that the dryer is properly grounded.

W001R1

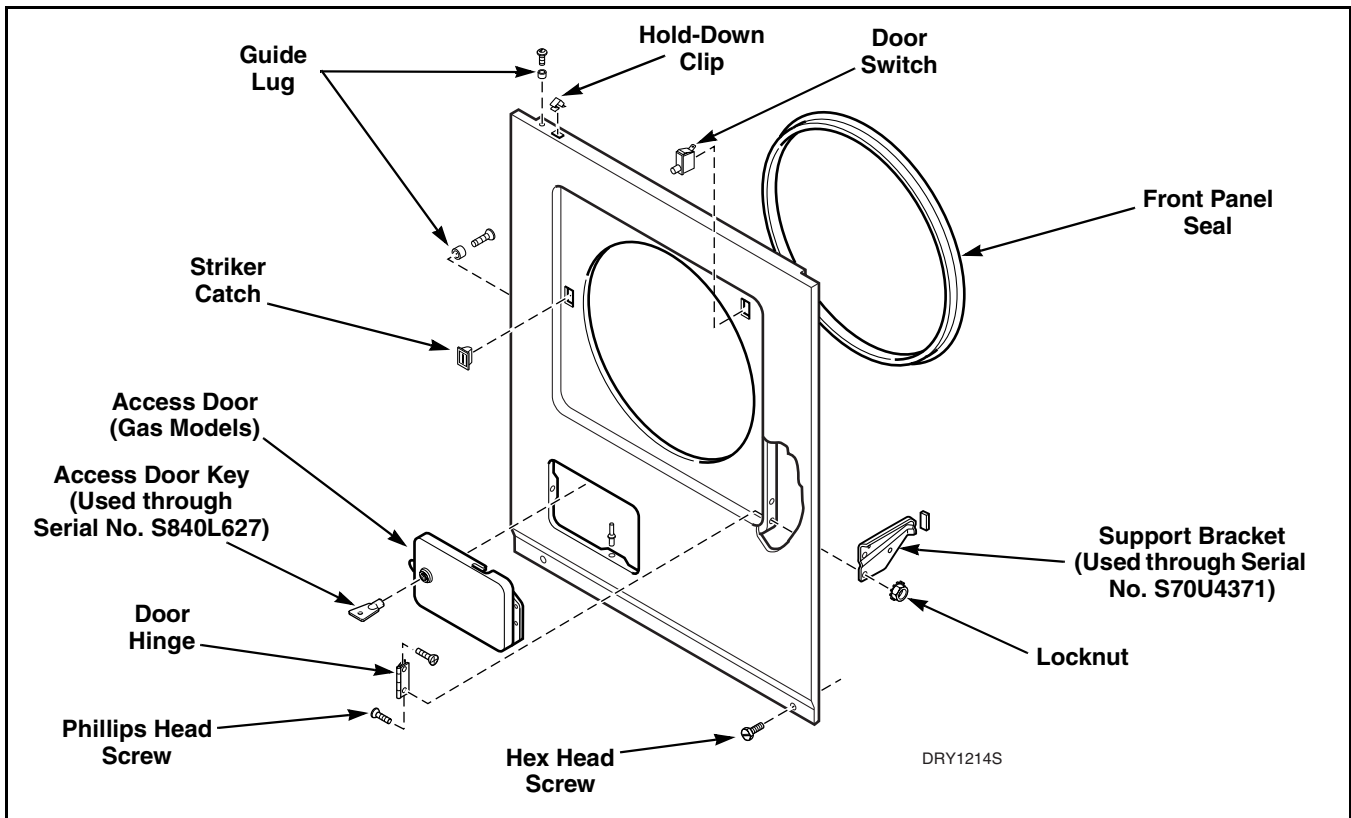


Figure 1

IMPORTANT: When reference to direction (right or left) is made in this manual, it is from the operator's position facing the front of the dryer.

IMPORTANT: Electrical test procedures in this manual are performed by using a volt-ohm meter. Tests can also be performed using a multimeter or any other electrical testing equipment with which the service person is familiar.

13. FRONT PANEL AND PANEL SEAL

Refer to *Figure 1*

- Remove two screws from bottom edge of front panel.

- Swing bottom of panel away from dryer to disengage hold-down clips and guide lugs from cabinet top.
- Disconnect wires from door switch.

NOTE: Refer to appropriate wiring diagram when reconnecting switch.

- Remove front panel seal from flange around inside of door opening.

NOTE: Be sure seal is properly positioned when installing on front panel.



WARNING

To reduce the risk of electric shock, fire, explosion, serious injury or death:

- Disconnect electric power to the dryer(s) before servicing.
- Close gas shut-off valve to gas dryer(s) before servicing.
- Never start the dryer(s) with any guards/panels removed.
- Whenever ground wires are removed during servicing, these ground wires must be reconnected to ensure that the dryer is properly grounded.

W001R1

14. CONTROL PANEL

Refer to *Figure 2*

a. **Models JE2870 and JG2880.** Refer to *Figure 2*.

- (1) Pull timer knob off shaft.
- (2) Pull fabric switch knob off shaft.
- (3) Remove two control panel assembly screws and lift assembly off control hood
- (4) Disconnect all wires to fabric switch, push-to-start switch and timer.
- (5) Remove screws holding end caps to control panel. Refer to *Figure 2* for removal of components.

b. **All models except JE2870 and JG2880.** Refer to *Figure 3*.

- (1) Loosen set screw holding fabric switch knob to shaft and pull knob off shaft.
- (2) Remove two control panel assembly screws and lift assembly off panel support.
- (3) Disconnect all wires for fabric switch, push-to-start switch and indicator light.

NOTE: Refer to appropriate wiring diagram when reconnecting wires.

- (4) Refer to *Figure 3* for removal of components.

IMPORTANT: Pressing on center of lens when installing indicator light may break lens. Insert light into control panel by pressing firmly against trim.

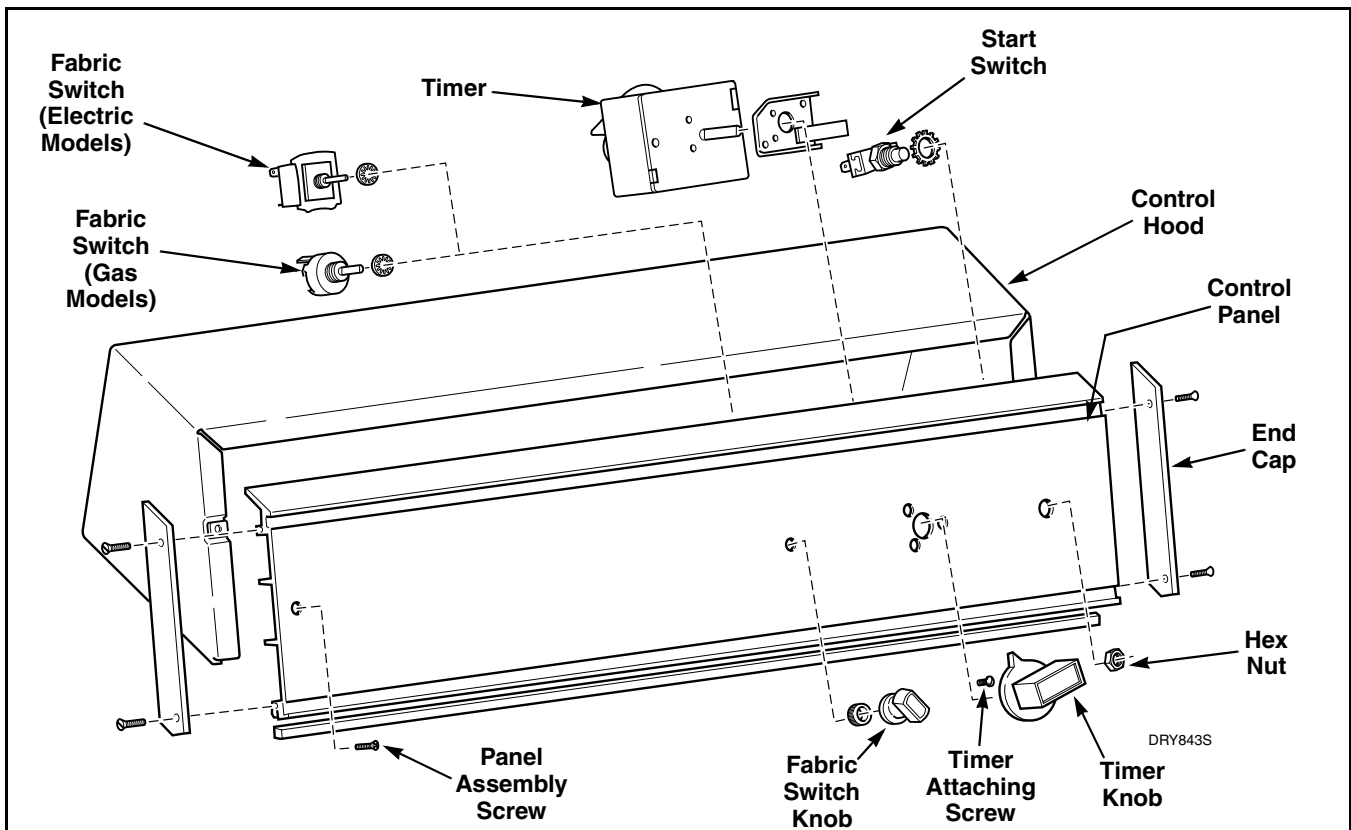


Figure 2



WARNING

To reduce the risk of electric shock, fire, explosion, serious injury or death:

- Disconnect electric power to the dryer(s) before servicing.
- Close gas shut-off valve to gas dryer(s) before servicing.
- Never start the dryer(s) with any guards/panels removed.
- Whenever ground wires are removed during servicing, these ground wires must be reconnected to ensure that the dryer is properly grounded.

W001R1

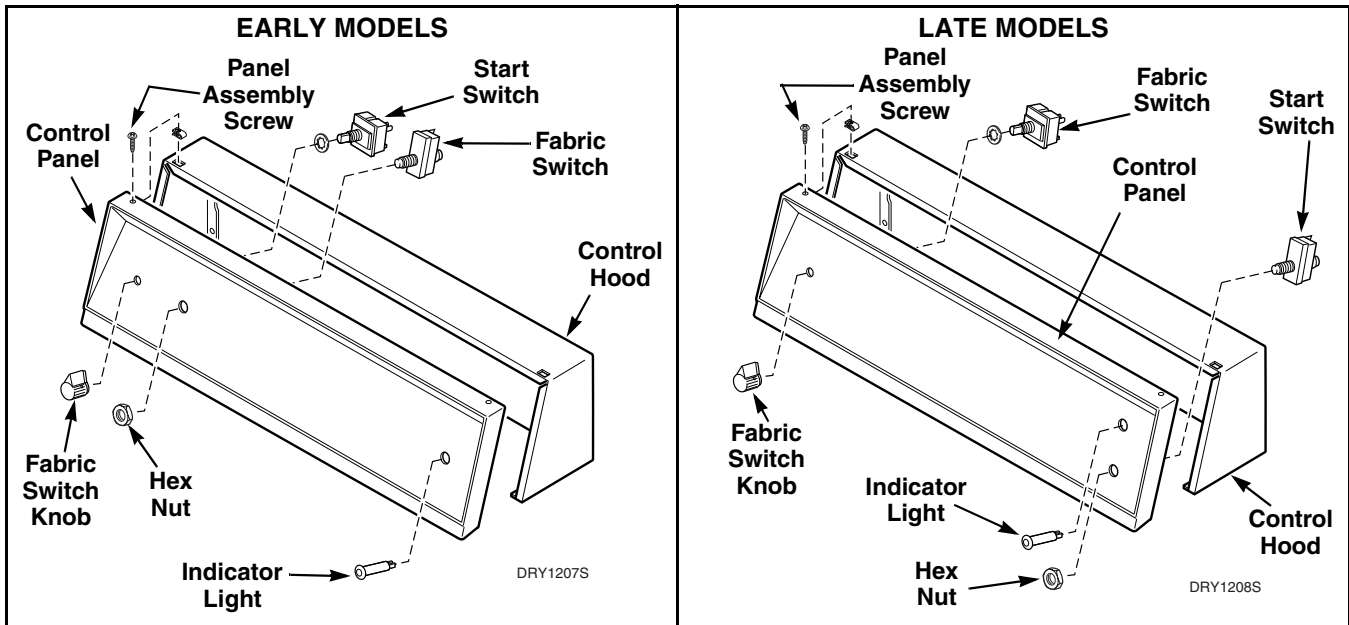


Figure 3

15. TIMER

a. Nonmetered models with timer mounted in timer case.

- (1) Refer to *Figure 4* for timer removal.
- (2) Loosen setscrew holding timer knob to timer shaft and remove knob.
- (3) Remove four screws and lockwashers holding timer and plate to timer case.

NOTE: When reinstalling timer plate, lockwasher must be between head of screw and plate.

- (4) Pull timer and plate out of timer case as far as wires will permit.
- (5) Remove screw, lockwasher and locknut holding ground wire to timer plate.
- (6) Disconnect wires from timer.

NOTE: Refer to appropriate wiring diagram when rewiring timer.

- (7) Remove three screws and lockwasher holding timer to plate.

NOTE: When reinstalling timer to plate, lockwasher must be between head of screw and timer plate.

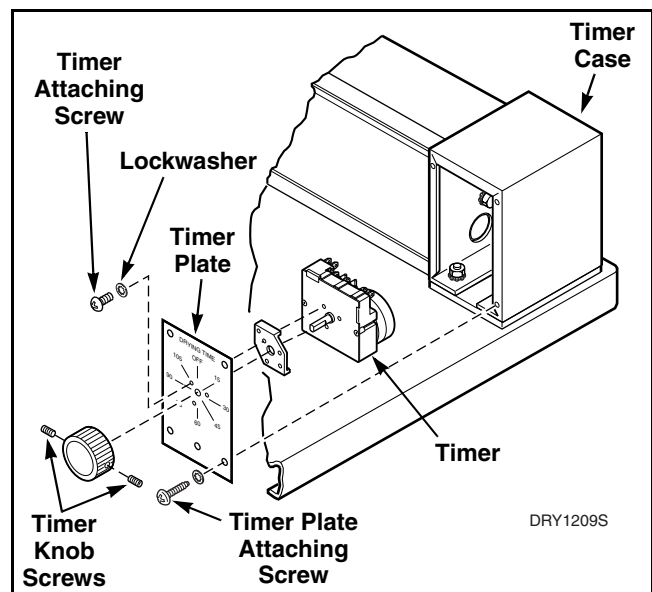


Figure 4



WARNING

To reduce the risk of electric shock, fire, explosion, serious injury or death:

- Disconnect electric power to the dryer(s) before servicing.
- Close gas shut-off valve to gas dryer(s) before servicing.
- Never start the dryer(s) with any guards/panels removed.
- Whenever ground wires are removed during servicing, these ground wires must be reconnected to ensure that the dryer is properly grounded.

W001R1

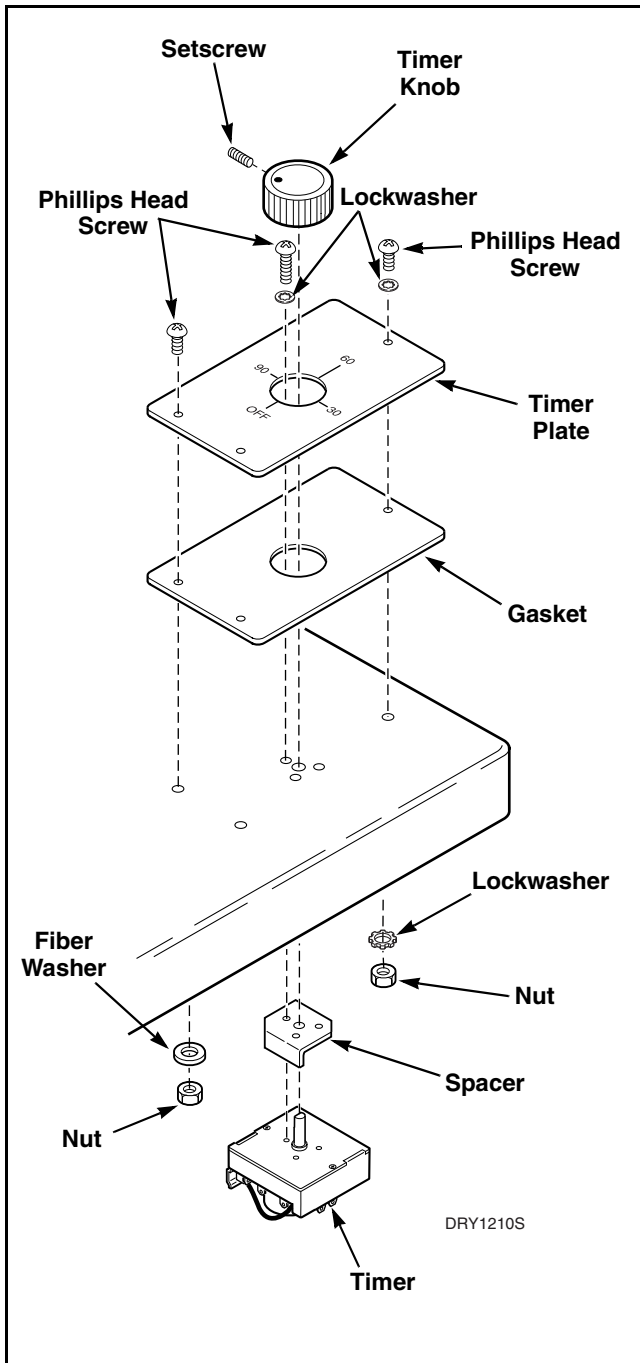


Figure 5

b. **Nonmetered models with timer mounted on cabinet top.**

- (1) Refer to *Figure 5* for timer removal.
- (2) Remove front panel. Refer to *Paragraph 13*, steps a, b, and c.
- (3) Loosen setscrew and pull timer knob off shaft.
- (4) Remove two cabinet top hold-down screws, *Figure 6*.
- (5) Lift cabinet top on rear hinges and support it against wall behind dryer.

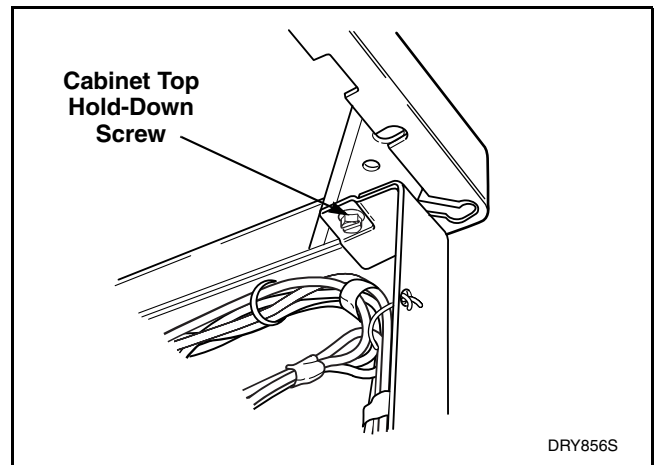


Figure 6

- (6) While holding timer, remove three Phillips head screws holding timer and spacer to cabinet top and pull timer away from top to disconnect wires.

NOTE: Lockwasher must be between head of screw and cabinet top. Also, spacer must be in place when reinstalling timer.

NOTE: Refer to appropriate wiring diagram when rewiring timer.

- (7) Remove three screws and lockwasher holding timer plate and gasket to cabinet top.

NOTE: When reinstalling, lockwasher must be between head of screw and timer plate.



WARNING

To reduce the risk of electric shock, fire, explosion, serious injury or death:

- Disconnect electric power to the dryer(s) before servicing.
- Close gas shut-off valve to gas dryer(s) before servicing.
- Never start the dryer(s) with any guards/panels removed.
- Whenever ground wires are removed during servicing, these ground wires must be reconnected to ensure that the dryer is properly grounded.

W001R1

c. **Nonmetered models with timer mounted on control panel.**

- (1) Refer to *Figure 2* for timer removal.

NOTE: Refer to appropriate wiring diagram when rewiring timer.

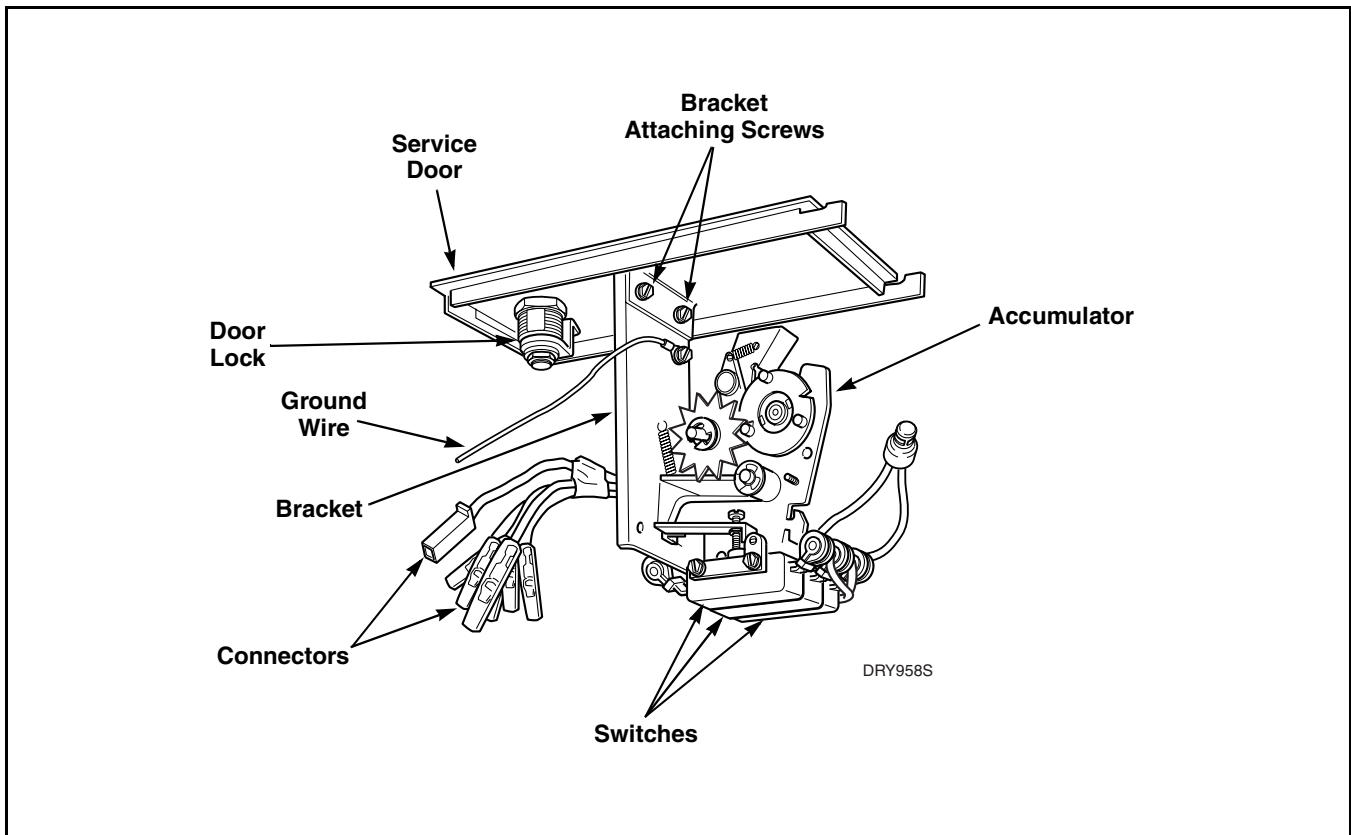


Figure 7



WARNING

To reduce the risk of electric shock, fire, explosion, serious injury or death:

- Disconnect electric power to the dryer(s) before servicing.
- Close gas shut-off valve to gas dryer(s) before servicing.
- Never start the dryer(s) with any guards/panels removed.
- Whenever ground wires are removed during servicing, these ground wires must be reconnected to ensure that the dryer is properly grounded.

W001R1

To Test Timer Contacts (Nonmetered Models)

Refer to *Figure 8*

1. Disconnect electrical service to dryer.
2. Remove control panel, set timer in position calling for heat and disconnect all wires except timer motor.

NOTE: Refer to appropriate wiring diagram when rewiring switch.

3. Set test meter to read ohms and apply meter probes to terminals:
 - a. L1 and M to test drive motor circuit – should get “zero” reading – “no reading” in off.
 - b. L1 and H to test Heat Circuit – should get “zero” reading – “no reading” in cool-down or off.
 - c. L1 and N to test timer motor – should get approximately 1100 ohms. Can also disconnect timer motor leads and apply live power. Timer motor should run.

NOTE: Timer motor power is supplied through M terminal.

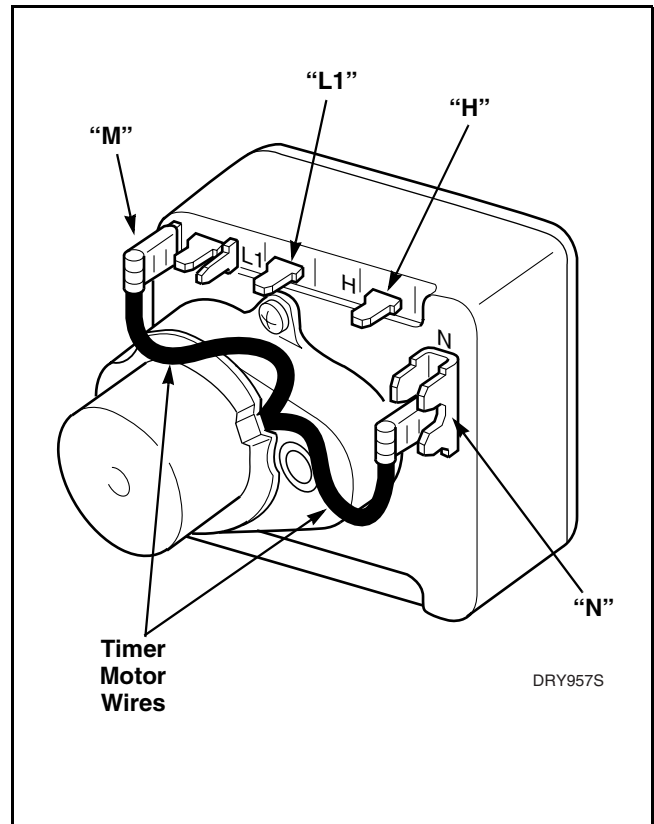


Figure 8



WARNING

To reduce the risk of electric shock, fire, explosion, serious injury or death:

- Disconnect electric power to the dryer(s) before servicing.
- Close gas shut-off valve to gas dryer(s) before servicing.
- Never start the dryer(s) with any guards/panels removed.
- Whenever ground wires are removed during servicing, these ground wires must be reconnected to ensure that the dryer is properly grounded.

W001R1

16. SERVICE DOOR, ACCUMULATOR AND TIMING MOTOR ASSEMBLY (Metered Models)

Refer to *Figure 7*

- a. Insert key in service door lock on top of meter case and turn key one quarter turn counterclockwise.
- b. Lift rear end of service door approximately 45° off meter case to disengage notched tabs on front end from rib inside of meter case.

NOTE: When reinstalling service door and accumulator, front end of door must be inserted at about 45° angle in order to engage notched tabs with internal rib at top of meter case.

- c. Disconnect accumulator wires at connectors.

NOTE: Refer to wiring diagram when reconnecting wires.

- d. Remove hex head ground screw holding green ground wire to accumulator mounting bracket.
- e. Remove two Phillips head screws and lockwashers holding accumulator to mounting bracket.

To Test Accumulator and Timing Motor (Metered Models)

Refer to *Figure 9*

1. Disconnect electrical service to dryer.
2. Remove service door, accumulator and timing motor assembly.
3. Remove wires from one side of switches A, B and C.

NOTE: Refer to appropriate wiring diagram when rewiring switches.

4. Advance ratchet to put time on the accumulator.
5. Set test meter to read ohms and apply meter leads on terminals of each switch in turn. You should get “zero” reading on each switch.

Timing Motor

6. Apply live power to timing motor leads (in connectors), timing motor should advance timing cam.

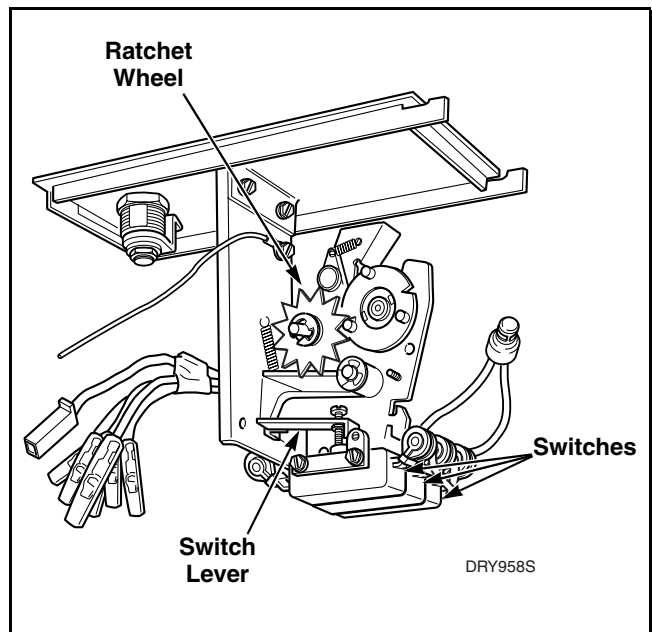


Figure 9



WARNING

To reduce the risk of electric shock, fire, explosion, serious injury or death:

- **Disconnect electric power to the dryer(s) before servicing.**
- **Close gas shut-off valve to gas dryer(s) before servicing.**
- **Never start the dryer(s) with any guards/panels removed.**
- **Whenever ground wires are removed during servicing, these ground wires must be reconnected to ensure that the dryer is properly grounded.**

W001R1

17. FABRIC SWITCH

Refer to *Figure 2* or *3*

- a. Remove two control panel assembly screws and lift assembly off panel support and/or control hood.
- b. Disconnect wires from switch.

NOTE: Refer to appropriate wiring diagram when rewiring switch.

- c. Loosen setscrew, if present, and pull knob off switch shaft.

NOTE: The type knob in *Figure 2* has no setscrew.

- d. Remove knurled nut holding switch to control panel.

18. PUSH-TO-START SWITCH

Refer to *Figure 2* or *3*

- a. Remove two control panel assembly screws and lift assembly off panel support and/or control hood.
- b. Disconnect wires to switch and remove hex nut holding switch to control panel.

To Test Push-To-Start Switch

1. Remove control panel and disconnect wires on switch.
2. Set test meter to read ohms and put meter probes on switch terminals. You should get “no reading” on meter.
3. Depress switch button and meter should register “zero” reading.

19. INDICATOR LIGHT

Refer to *Figure 3*

- a. Remove two control panel assembly screws and lift assembly off panel support and/or control hood.
- b. Disconnect wires from indicator light.
- c. Squeeze the locking tabs on back of indicator light together and push indicator light forward out of control panel.

To Test Fabric Switch

3 Position

1. Remove control panel and disconnect all wires from switch.

NOTE: Refer to appropriate wiring diagram when rewiring switch.

2. Set test meter to read ohms and apply meter leads to terminals:
 - a. L2 and 2 – “zero” reading in normal.
 - b. L2 and C – “Zero” reading in delicate.
3. Meter should give “no reading” in L2 and 2, and L2 and C in fluff.

4 Position

1. Remove control panel and disconnect all wires from switch.

NOTE: Refer to appropriate wiring diagram when rewiring switch.

2. Set test meter to read ohms and apply meter leads to terminals:

L1 and C L1 and 2 L2 and 2 2 and C	“Zero” reading in Normal
L2 and C 2 and C	“Zero” reading in Permanent Press
L1 and 2 2 and 1	“Zero” reading in Delicate

3. Meter should GIVE “no reading” in L1 to C or L2 to C in delicate or fluff.
4. Meter should give “no reading” in C to 1 in delicate.

IMPORTANT: Pressing on center of lens when installing INDICATOR LIGHT may break lens. Insert light into control panel by pressing firmly against trim.



WARNING

To reduce the risk of electric shock, fire, explosion, serious injury or death:

- Disconnect electric power to the dryer(s) before servicing.
- Close gas shut-off valve to gas dryer(s) before servicing.
- Never start the dryer(s) with any guards/panels removed.
- Whenever ground wires are removed during servicing, these ground wires must be reconnected to ensure that the dryer is properly grounded.

W001R1

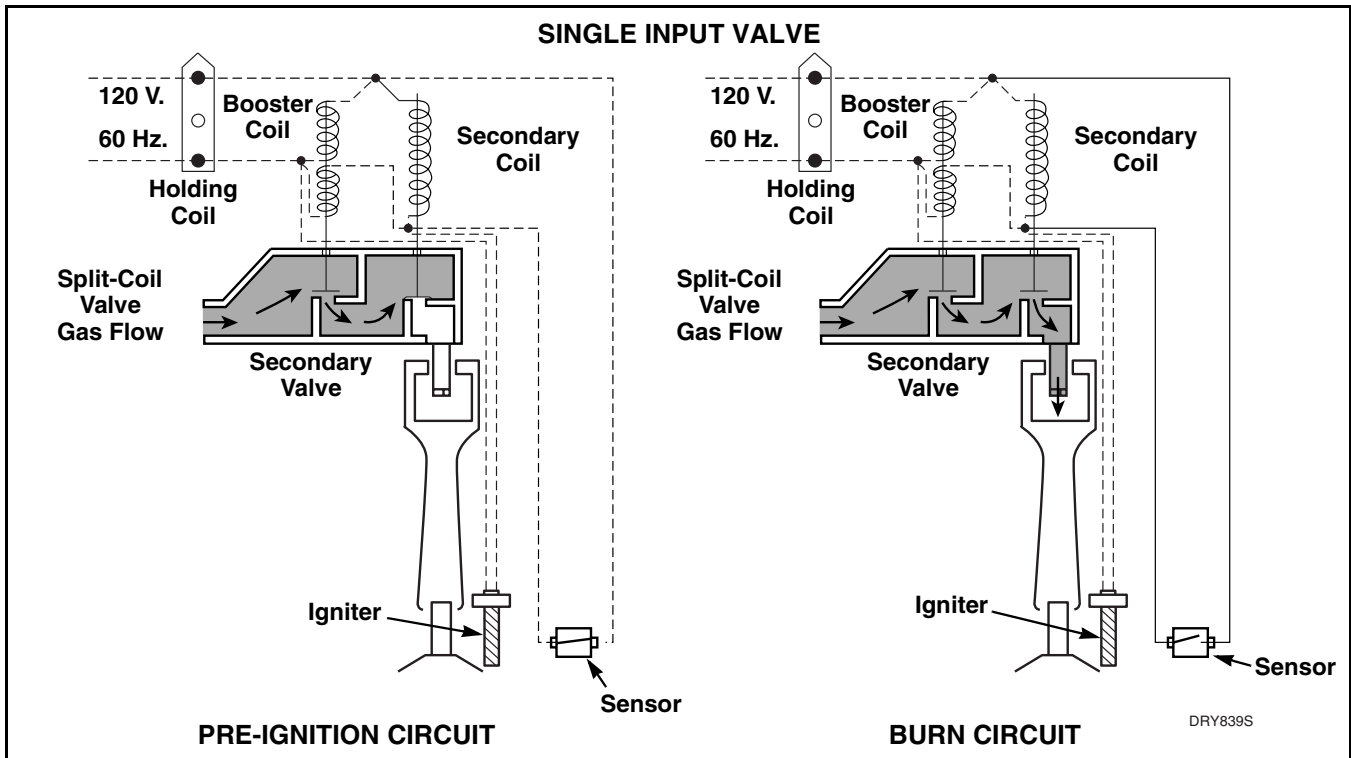


Figure 10

20. BURNER SYSTEM OPERATION

Refer to *Figure 10*

a. Components

- (1) This burner has four basic components:
 - (a.) A silicon carbide (glow bar) igniter
 - (b.) Burner tube
 - (c.) Sensor
 - (d.) Two-stage gas valve consisting of a split-coil valve and a secondary coil valve.
- (2) The split-coil valve is opened when the dryer thermostat calls for heat, while the secondary valve does not open until the igniter has attained ignition temperature.

b. Pre-Ignition Circuits

- (1) When the dryer thermostat calls for heat, circuits are completed through the holding coil, sensor, booster coil and igniter.

- (2) Both coils must be energized to open split-coil valve.
- (3) Once opened, the holding coil can hold the valve open without assistance from the booster coil.
- (4) The current shunted around the secondary coil by the sensor, passes through the igniter causing it to get hot.

c. Burn Circuit

- (1) In approximately 15 seconds, the igniter attains ignition temperature and the sensor (located on the left of the igniter) contacts will open.
- (2) A circuit is then completed through the secondary valve coil, opening the valve and allowing gas to flow.
- (3) Ignition is made and the heat from the burner flame causes the sensor contacts to remain open.



WARNING

To reduce the risk of electric shock, fire, explosion, serious injury or death:

- **Disconnect electric power to the dryer(s) before servicing.**
- **Close gas shut-off valve to gas dryer(s) before servicing.**
- **Never start the dryer(s) with any guards/panels removed.**
- **Whenever ground wires are removed during servicing, these ground wires must be reconnected to ensure that the dryer is properly grounded.**

W001R1

21. IGNITION SYSTEM FEATURES

Refer to *Figure 10*

a. Momentary Power Interruption

- (1) Upon resumption of power, sensor contacts will still be open, permitting secondary valve to open.
- (2) However, with the secondary coil in the circuit, the booster coil cannot draw enough current to open the split-coil valve.
- (3) When sensor contacts do reclose, the secondary valve will close, and the burner system will be in the normal pre-ignition circuit.

b. Flame Failure

- (1) In case of flame failure, the sensor contacts will reclose in about 45 seconds.
- (2) This will close the secondary valve and the burner system will be in the normal pre-ignition circuit.

c. Ignition Failure

- (1) If flame is not established as sensor contacts open, secondary valve will remain open until sensor contacts reclose.
- (2) Sensor will continue to recycle the igniter and secondary valve (about once per minute) until ignition is made or dryer is turned off.

d. Dual Input Valve – Models SG4680 and SG4990

- (1) The dual input valve is located after the secondary valve and will allow an additional 9,000 BTU's when opened.
- (2) The dual input coil is energized independently through the low limit thermostat which opens at 130°F.
- (3) This allows extra heat to warm the dryer cylinder quickly during the initial burn cycle.
- (4) It is not energized again during the remainder of the cycle.

22. BURNER SYSTEM COMPONENTS – Gas Models – Silicon Carbide (Glow Bar) Ignition

a. Complete Gas Valve Assembly.

- (1) **Through Serial No. S840L627** – Insert key into access door lock and turn one quarter turn counterclockwise. Refer to *Figure 11*.
Starting Serial No. S840L628 – Remove Phillips head screw and washer holding access door to front panel. Refer to *Figure 11*.
- (2) Apply thumb pressure to right edge of door. When door opens more door to the left to disengage from door supports. Refer to *Figure 11*.
- (3) Close gas shut-off valve and disconnect wires from sensor, at quick disconnect blocks. Refer to *Figure 12*.
- (4) Loosen union nut between gas shutoff valve and nipple connector to gas valve. Unthread nut from nipple completely. Refer to *Figure 12*.
- (5) Remove screws holding valve and bracket to base. Refer to *Figure 12*.
- (6) Lift gas valve and mounting bracket from base and carefully remove through access door opening.

NOTE: The holding coil, booster coil and secondary coil can be replaced individually or in a kit. The dual input coil is a separate component. Refer to the parts manual for the correct part numbers.

To Test Dual Input Coil Refer to *Figure 13*

1. Disconnect valve wire harness from dryer harness at molex plug.
2. Set test meter to read ohms and put meter probes on RED and BLACK wire terminals on valve side of moles plug. Meter should register approximately 600 ohms. If you get “no reading”, replace coil.



WARNING

To reduce the risk of electric shock, fire, explosion, serious injury or death:

- Disconnect electric power to the dryer(s) before servicing.
- Close gas shut-off valve to gas dryer(s) before servicing.
- Never start the dryer(s) with any guards/panels removed.
- Whenever ground wires are removed during servicing, these ground wires must be reconnected to ensure that the dryer is properly grounded.

W001R1

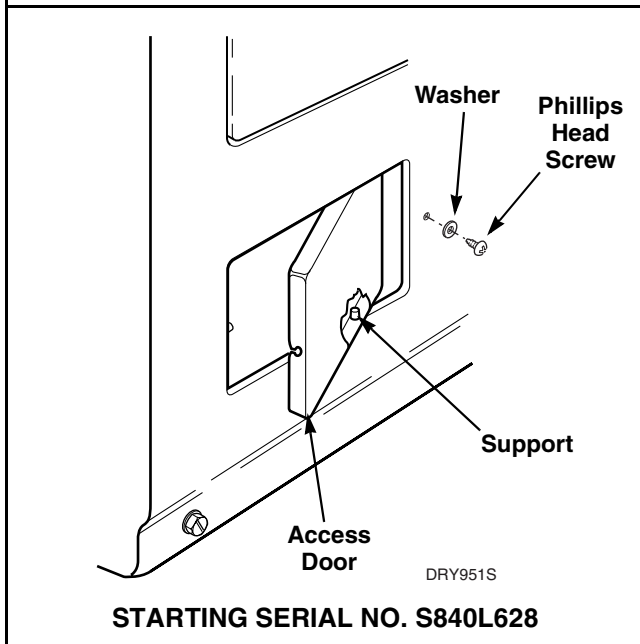
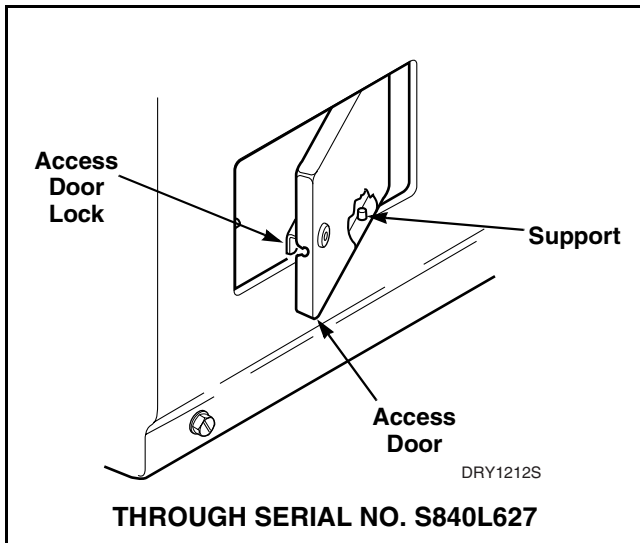


Figure 11

To Test Gas Valve Coil Assembly

1. Disconnect electrical service.
2. Disconnect valve wire harness from dryer harness at molex plug.
3. Set test meter to read ohms and put meter probes on BLUE and BLACK wire terminals on valve harness side of molex plug.
4. Meter should read approximately 100 ohms with the igniter (glow bar) in the circuit. If reading goes to approximately 400 ohms, replace the igniter.
5. If meter registers other than approximately 10 ohms as explained in step 4, one of the coils has failed. Replace the coil assembly.

b. Burner Tube and Igniter – Refer to Figure 12

NOTE: Burner tube and igniter can be removed without removing gas valve and bracket.

- (1) Remove screw from right side of burner housing holding burner tube in place. Refer to Figure 12.
- (2) Gently move burner tube toward rear of dryer to disengage tab from slot on left side of burner housing. Refer to Figure 12.
- (3) Carefully rotate burner tube and igniter **counterclockwise** so tab is at 8 o'clock position.
- (4) Move air shutter end of burner tube slightly to right and **CAREFULLY** remove burner tube and igniter assembly.

IMPORTANT: Use care in removal so as not to damage or break igniter as it is very fragile.

IMPORTANT: Handle igniter by grasping the white ceramic portions only. DO NOT handle silicon carbide portion of igniter with hands or allow any oil, grease or other foreign material to contaminate it. Oil, grease and other impurities or hairline cracks will cause the igniter to burn out.



WARNING

To reduce the risk of electric shock, fire, explosion, serious injury or death:

- Disconnect electric power to the dryer(s) before servicing.
- Close gas shut-off valve to gas dryer(s) before servicing.
- Never start the dryer(s) with any guards/panels removed.
- Whenever ground wires are removed during servicing, these ground wires must be reconnected to ensure that the dryer is properly grounded.

W001R1

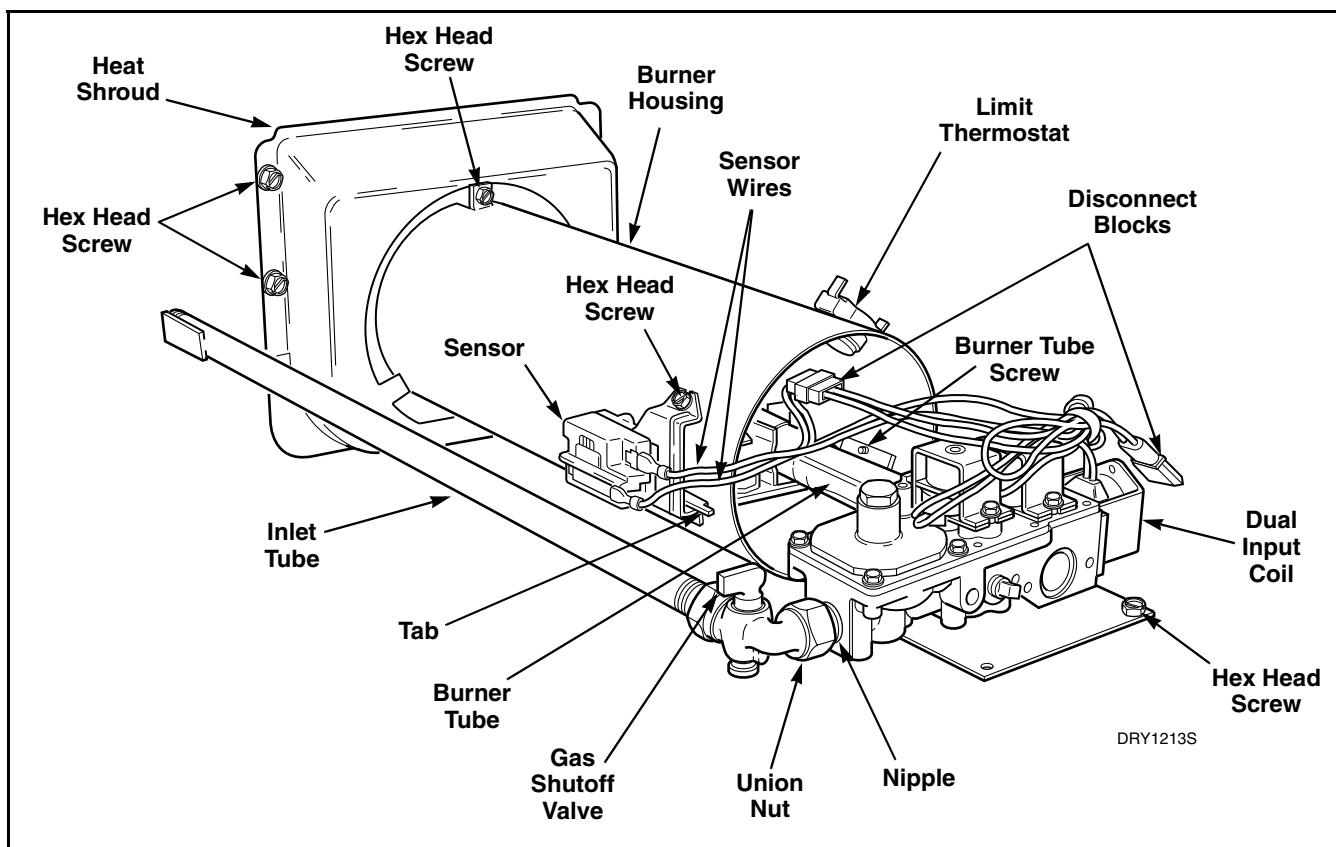


Figure 12

c. Igniter – Refer to *Figure 14*

- (1) Remove burner tube and igniter. Refer to *Paragraph b*, steps 1 through 4.
- (2) Carefully remove igniter by spreading mounting clips with a Tru-Arc pliers.

IMPORTANT: Use care in removal so as not to damage or break igniter as it is very fragile.

IMPORTANT: Handle igniter by grasping the white ceramic portions only. **DO NOT** handle silicon carbide portion of igniter with hands or allow any oil, grease or other foreign material to contaminate it. Oil, grease and other impurities or hairline cracks will cause the igniter to burn out.



WARNING

To reduce the risk of electric shock, fire, explosion, serious injury or death:

- **Disconnect electric power to the dryer(s) before servicing.**
- **Close gas shut-off valve to gas dryer(s) before servicing.**
- **Never start the dryer(s) with any guards/panels removed.**
- **Whenever ground wires are removed during servicing, these ground wires must be reconnected to ensure that the dryer is properly grounded.**

W001R1

To Test Electrical Circuit to Ignition System

Refer to *Figure 13*

1. Single Input Valve

- a. Disconnect valve wire harness from dryer harness at molex plug.
- b. Plug dryer power cord into wall receptacle, set fabric switch and timer (nonmetered models) or accumulator (metered models) into position calling for heat and start dryer.
- c. Set test meter to read AC voltage and apply meter probes to WHITE and PINK (or BROWN) wire terminals on dryer harness side of molex plug. Meter should register line voltage in all FABRIC selections except FLUFF which should read “zero” V.A.C.

2. Dual Input Valve

- a. Set test meter to read AC voltage and apply meter probes to WHITE and BROWN wire terminals on dryer harness side of molex plug. Meter should register line voltage in all fabric settings except fluff which should read “zero” V.A.C.

- b. Set test meter to read AC voltage and apply meter probes to WHITE and RED wire terminals on dryer harness side of molex plug. Meter should register line voltage in normal and permanent press selections but “no reading” in delicate or fluff. If no voltage reading in normal or permanent press, check 130° thermostat and fabric switch.
3. If there is line voltage in Steps 1f, 2b and 2c in delicate temperature selection, timer switch “b” and “c” (metered models) or heat circuit (nonmetered models), high limit thermostat, motor switch, 120° thermostat and selector switch are operating properly.
4. Set fabric switch to normal. If meter does not register line voltage, check 140° thermostat, fabric switch and wiring.
5. Set fabric switch to permanent press. If meter does not register line voltage, check timer switch “b” (metered models), fabric switch, 140° thermostat and wiring.

To Test Igniter (Glow Bar)

Refer to *Figure 13*

1. Disconnect wires at igniter molex plug.
2. Set test meter to read ohms and put meter probes on wire terminals on glow bar side. Meter should read at least 40 ohms. If “no reading” or less than 40 ohms, replace glow bar.

IMPORTANT: Always examine all wires, terminals, connectors and terminal connections to be sure wiring and connectors are correct before replacing components.

To Test Sensor (Bi-Meter Switch)

Refer to *Figure 13*

1. Remove wires from sensor terminals.
2. Set test meter to read ohms and put meter probes on sensor terminals. Meter should read “zero” ohms. If meter registers an ohm reading of any amount, replace sensor.

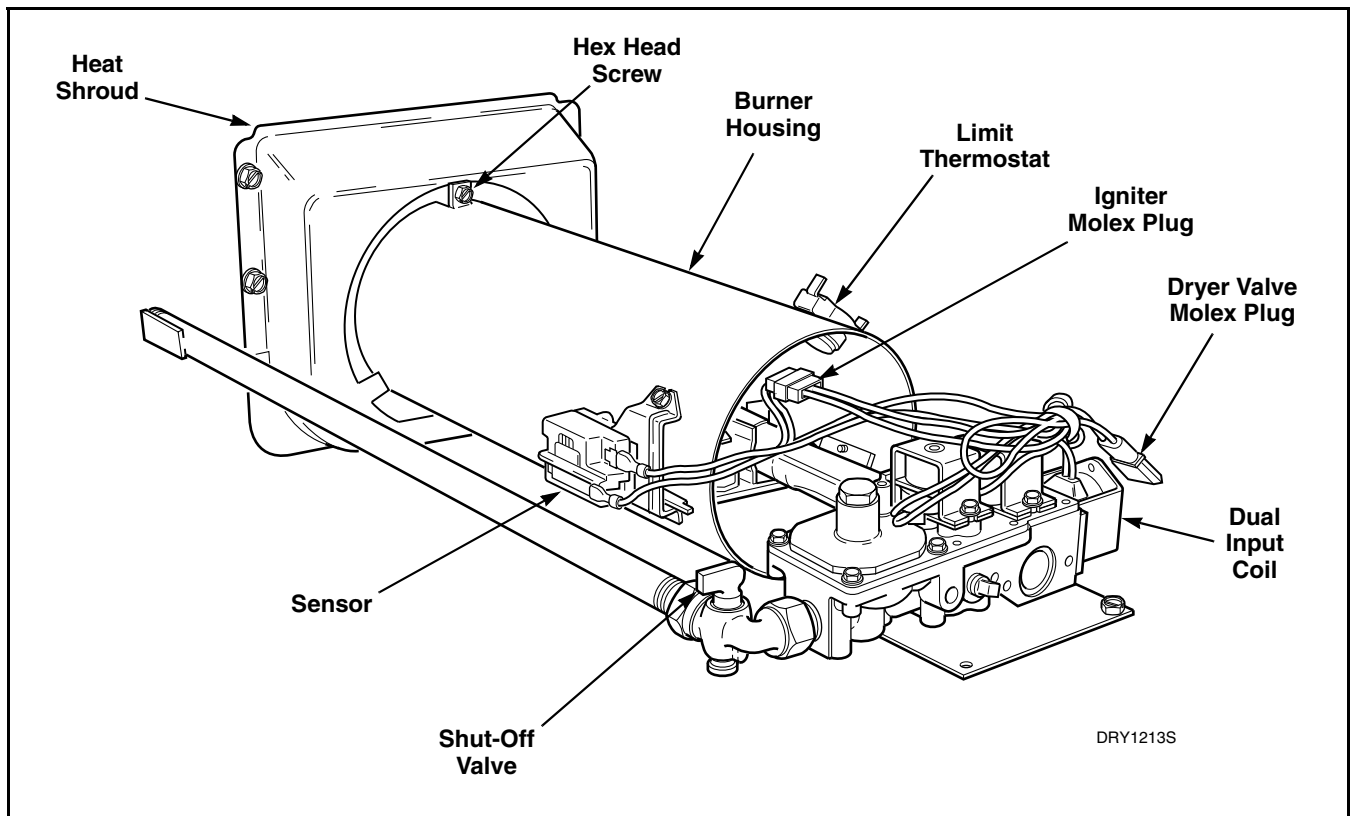


Figure 13

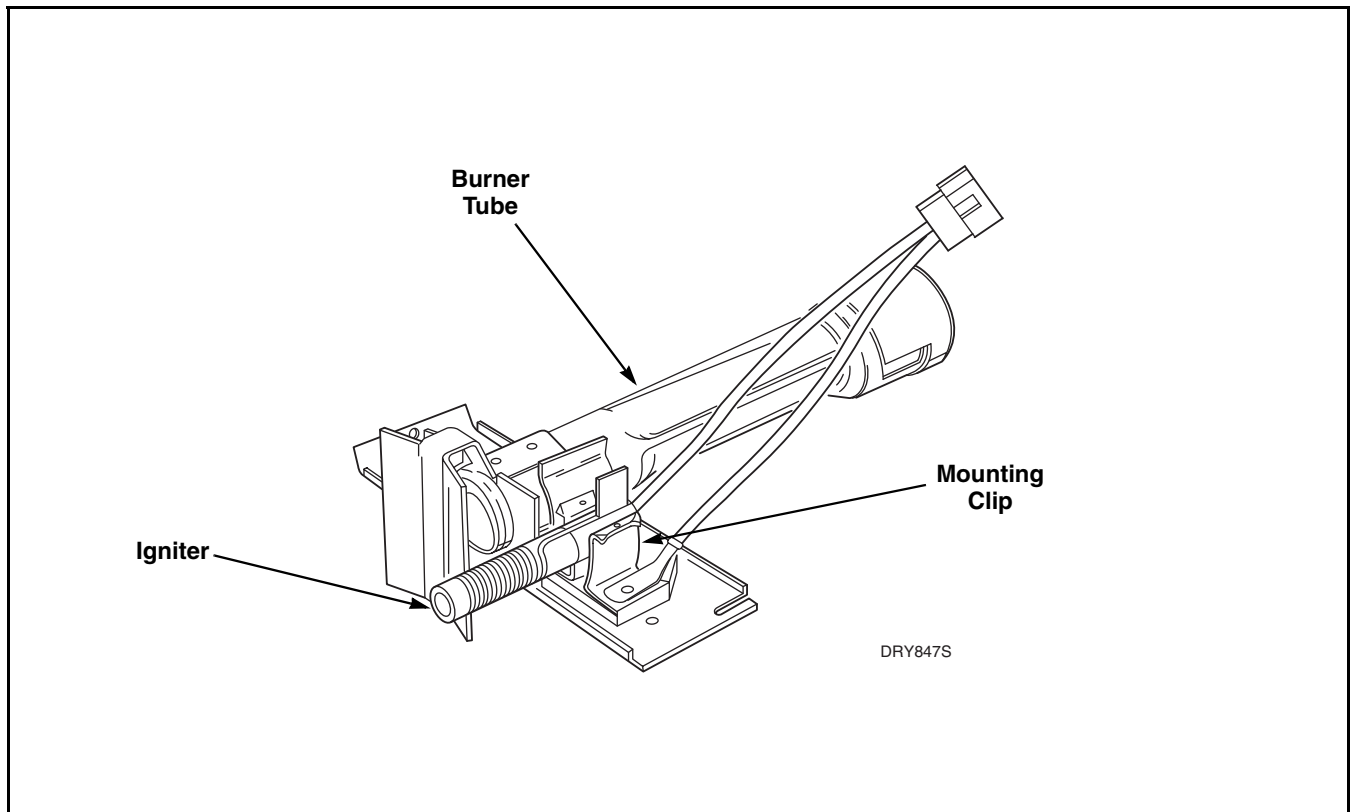


Figure 14



WARNING

To reduce the risk of electric shock, fire, explosion, serious injury or death:

- Disconnect electric power to the dryer(s) before servicing.
- Close gas shut-off valve to gas dryer(s) before servicing.
- Never start the dryer(s) with any guards/panels removed.
- Whenever ground wires are removed during servicing, these ground wires must be reconnected to ensure that the dryer is properly grounded.

W001R1

d. **Sensor** – Refer to *Figure 12*

NOTE: Sensor can be removed without removing gas valve and bracket.

- (1) **Through Serial No. S840L627** – Insert key into access door lock and turn one quarter turn counterclockwise. Refer to *Figure 11*.
Starting Serial No. S840L628 – Remove Phillips head screw and washer holding access door to front panel. Refer to *Figure 11*.
- (2) Apply thumb pressure to right edge of door. When door opens, move door to the left to disengage from door supports. Refer to *Figure 11*.
- (3) Remove wires from sensor terminals.
- (4) Remove screw holding sensor to burner housing.

e. **Limit Thermostat** – Refer to *Figure 12*

NOTE: Limit thermostat can be removed without removing gas valve and bracket.

- (1) **Through Serial No. S840L627** – Insert key into access door lock and turn one quarter turn counterclockwise. Refer to *Figure 11*.
Starting Serial No. S840L628 – Remove Phillips head screw and washer holding access door to front panel. Refer to *Figure 11*.
- (2) Apply thumb pressure to right edge of door. When door opens, move door to the left to disengage from door supports. Refer to *Figure 11*.
- (3) Remove wires from thermostat.
- (4) Remove screws holding thermostat to burner housing.

23. BURNER HOUSING

Refer to *Figure 12*

- a. Remove front panel, *Paragraph 13*.
- b. Remove gas valve and burner tube assemblies. Refer to *Paragraph 22*, steps a and b.

- c. Remove screw holding burner housing to heat shroud and pull burner housing out through front of dryer.

24. HEAT SHROUD

Refer to *Figure 12*

- a. Remove front panel and burner housing. Refer to *Paragraph 23*.
- b. Remove screws holding shroud to heater box and pull shroud out through front of dryer.

25. TERMINAL BLOCK OR POWER CORD

a. **Terminal Block – Electric Models** – Refer to *Figure 15*

- (1) Remove access plate on rear of cabinet.
- (2) Remove all wires from terminal block.

NOTE: Refer to appropriate wiring diagram when rewiring terminal block.

- (3) Remove screws holding terminal lock to bracket.

NOTE: Do not let terminal block shield drop when removing the block. Shield must be in place when reinstalling block.

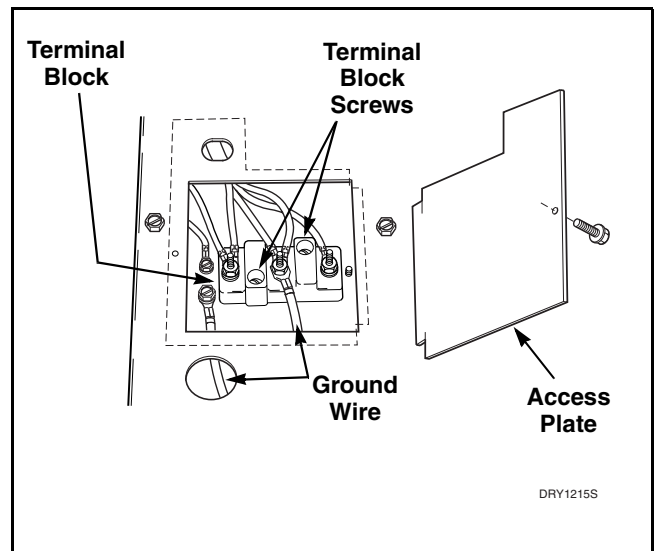


Figure 15



WARNING

To reduce the risk of electric shock, fire, explosion, serious injury or death:

- Disconnect electric power to the dryer(s) before servicing.
- Close gas shut-off valve to gas dryer(s) before servicing.
- Never start the dryer(s) with any guards/panels removed.
- Whenever ground wires are removed during servicing, these ground wires must be reconnected to ensure that the dryer is properly grounded.

W001R1

b. Power Cord – Gas Models

- (1) Remove access plate.
- (2) Remove strain relief.
- (3) Remove screw holding power cord ground wire to terminal block bracket.
- (4) Disconnect molex plug and withdraw power cord.

NOTE: Reconnect ground wire into same hole in bracket when reinstalling power cord.

26. LOADING DOOR

- a. Remove screws holding hinges to door. Refer to *Figure 16*.

27. INNER AND OUTER DOOR PANELS AND DOOR HANDLE

Refer to *Figure 17*

- a. Remove loading door. Refer to *Paragraph 26*.
- b. Remove screws holding handle to door and separate panels.

IMPORTANT: Do not overtighten screws when reinstalling door handle and avoid scratching inner door panel.

28. DOOR STRIKER

Refer to *Figure 17*

- a. Remove screws holding door handle to door.
- b. Spread door panels just far enough to depress tabs on top and bottom of striker and push out.

29. DOOR SEAL

Refer to *Figure 17*

- a. Open loading door and remove seal from inner door panel.

IMPORTANT: When replacing, be sure seal is not stretched or distorted and is fastened in place with a heat resistant adhesive.

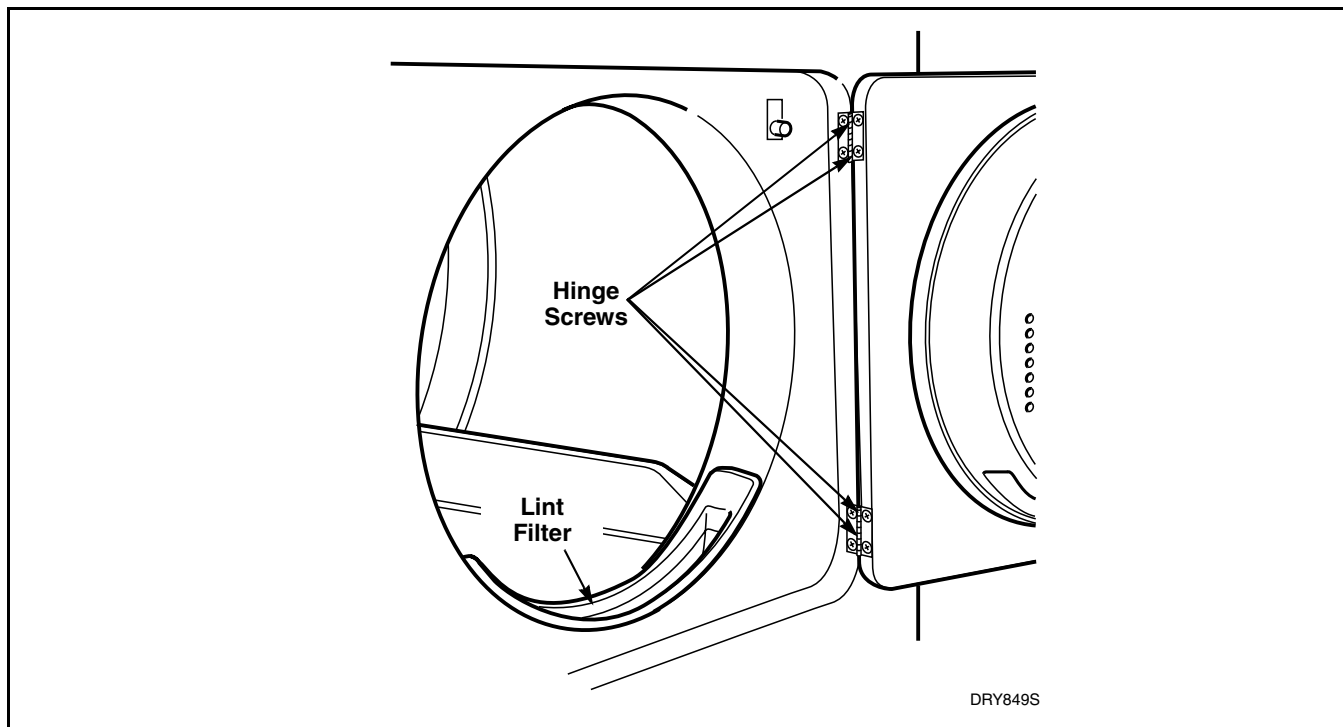


Figure 16

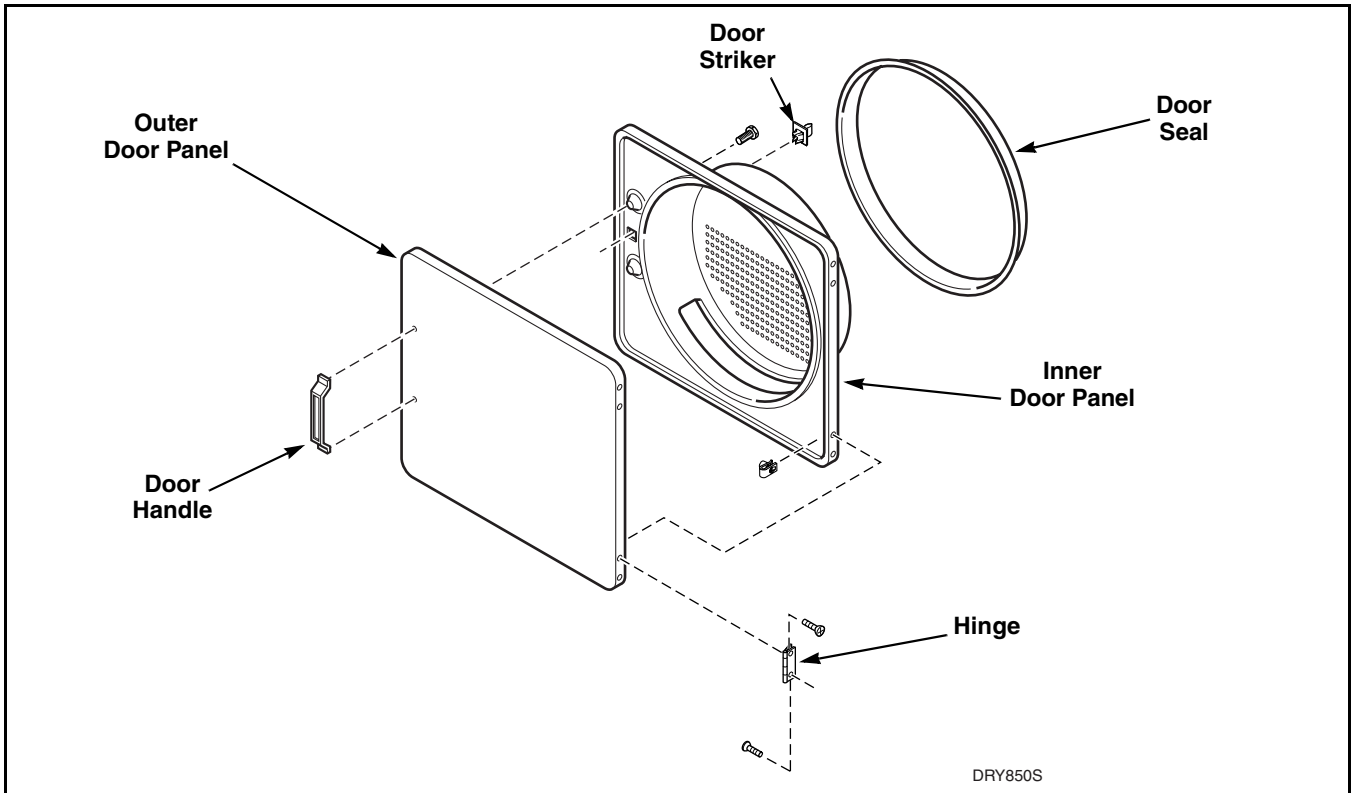


Figure 17

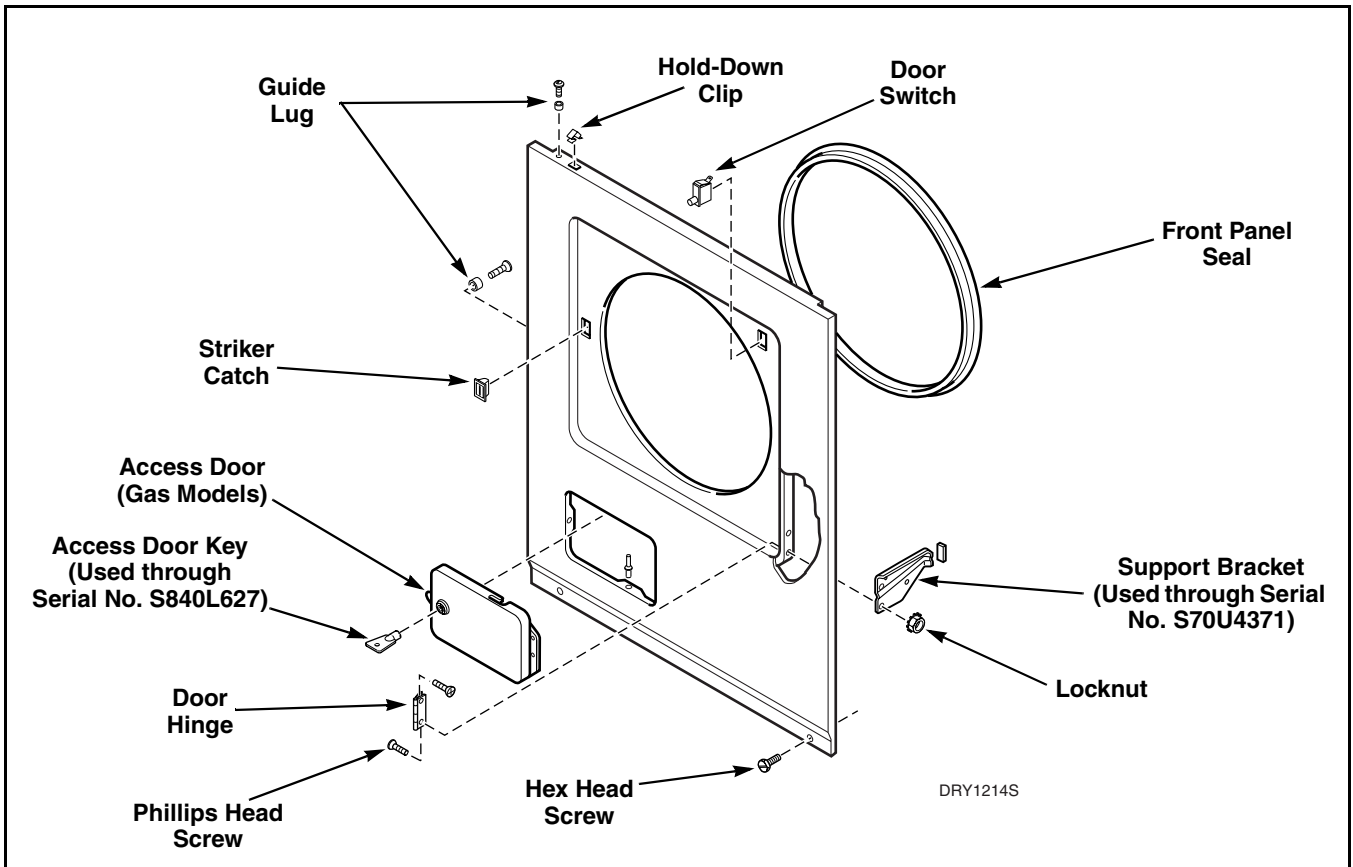


Figure 18



WARNING

To reduce the risk of electric shock, fire, explosion, serious injury or death:

- Disconnect electric power to the dryer(s) before servicing.
- Close gas shut-off valve to gas dryer(s) before servicing.
- Never start the dryer(s) with any guards/panels removed.
- Whenever ground wires are removed during servicing, these ground wires must be reconnected to ensure that the dryer is properly grounded.

W001R1

30. LINT FILTER

Refer to *Figure 16*

- a. Open loading door and remove screw on each end of lint filter (all models except JE2870 and JG2880).
- b. Lift lint filter out of air duct.

NOTE: If installing a lint filter in machines after Serial No. S6181579XA, use an awl to punch out the holes for the filter hold-down screw.

31. STRIKER CATCH

Refer to *Figure 18*

- a. Remove front panel. Refer to *Paragraph 13*.
- b. Depress tabs on top and bottom of catch and push out toward front.

32. DOOR HINGE AND SUPPORT BRACKET

Refer to *Figure 18*

- a. Remove loading door. Refer to *Paragraph 26*.
- b. Remove front panel. Refer to *Paragraph 13*.
- c. Remove four Phillips head screws and locknut holding hinges to front panel. Refer to *Figure 18*.

NOTE: Through Serial No. S70U4371 – Support bracket is removed with lower hinge. Support bracket must be reinstalled when reassembling.

33. HOLD-DOWN CLIPS AND GUIDE LUGS

Refer to *Figure 18*

- a. Remove front panel. Refer to *Paragraph 13*.
- b. Compress hold-down clips and remove from slot in top flange of front panel.
- c. Remove four screws holding four guide lugs to front panel. Refer to *Figure 18*.

34. DOOR SWITCH

Refer to *Figure 19*

- a. Remove front panel. Refer to *Paragraph 13*.
- b. Remove wires from door switch.

NOTE: Refer to appropriate wiring diagram when rewiring switch.

- c. Depress tabs on top and bottom of switch and push out toward front.

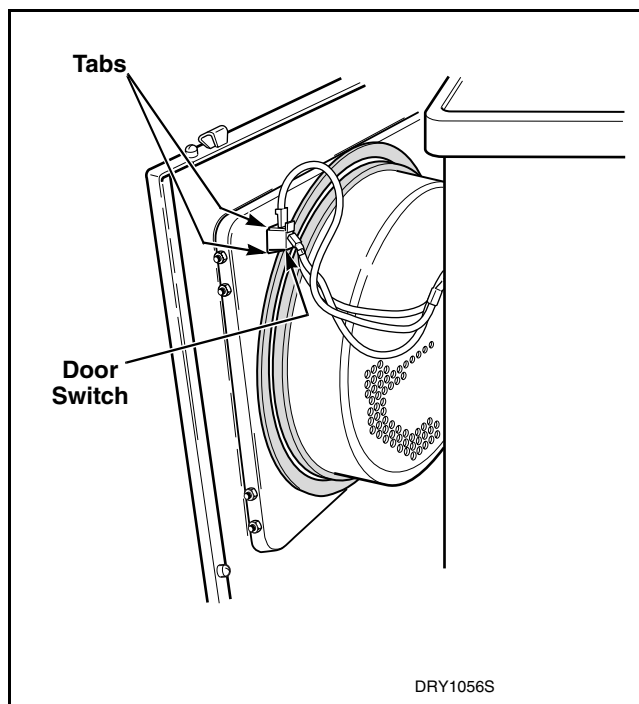


Figure 19

To Test Door Switch

1. Remove wires from switch.

NOTE: Refer to appropriate wiring diagram when rewiring switch.

2. Set test meter to read ohms and put meter probes on terminals 1 and 3. Meter should register “zero” reading with switch button depressed.
3. Release button and you should get “no reading” on meter.



WARNING

To reduce the risk of electric shock, fire, explosion, serious injury or death:

- Disconnect electric power to the dryer(s) before servicing.
- Close gas shut-off valve to gas dryer(s) before servicing.
- Never start the dryer(s) with any guards/panels removed.
- Whenever ground wires are removed during servicing, these ground wires must be reconnected to ensure that the dryer is properly grounded.

W001R1

35. HIGH, LOW TO LOW LIMIT THERMOSTAT

- a. Remove front panel. Refer to *Paragraph 13*.
- b. Refer to *Figure 20* for thermostat removal.

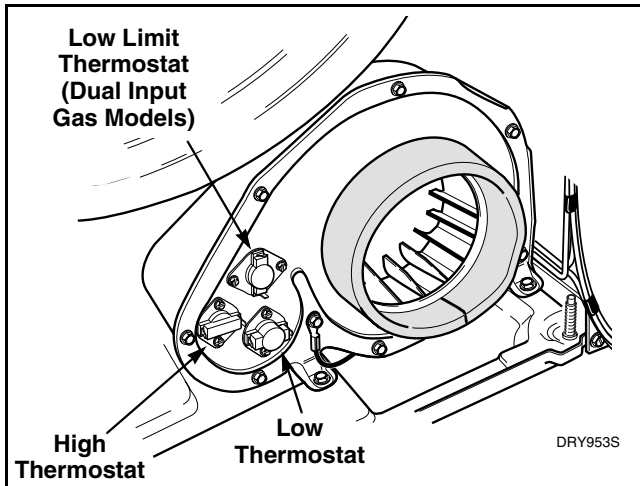


Figure 20

36. LIMIT THERMOSTAT

- a. **Gas Models:**
 - (1) **Through Serial No. S840L627** – Insert key into access door lock and turn one quarter turn counterclockwise. Refer to *Figure 11*.
 - Starting Serial No. S840L628** – Remove Phillips head screw and washer holding access door to front panel. Refer to *Figure 11*.
 - (2) Apply thumb pressure to right edge of door. When door opens, move door to left to disengage from door supports. Refer to *Figure 11*.
 - (3) Remove wires from thermostat.
 - (4) Remove screws holding thermostat to burner housing. Refer to *Figure 21*.
- b. **Electric Models:**
 - (1) Remove front panel. Refer to *Paragraph 13*.
 - (2) Remove wires from thermostat. Refer to *Figure 21*.
 - (3) Remove screws holding thermostat to element. Refer to *Figure 21*.

37. HEATING ELEMENT

- a. Remove front panel. Refer to *Paragraph 13*.
- b. Remove two hex head screws holding element and plate to heater box and pull element down and away from heater box.

NOTE: When reassembling, all wire connections must be tight on element terminals and on high limit thermostat.

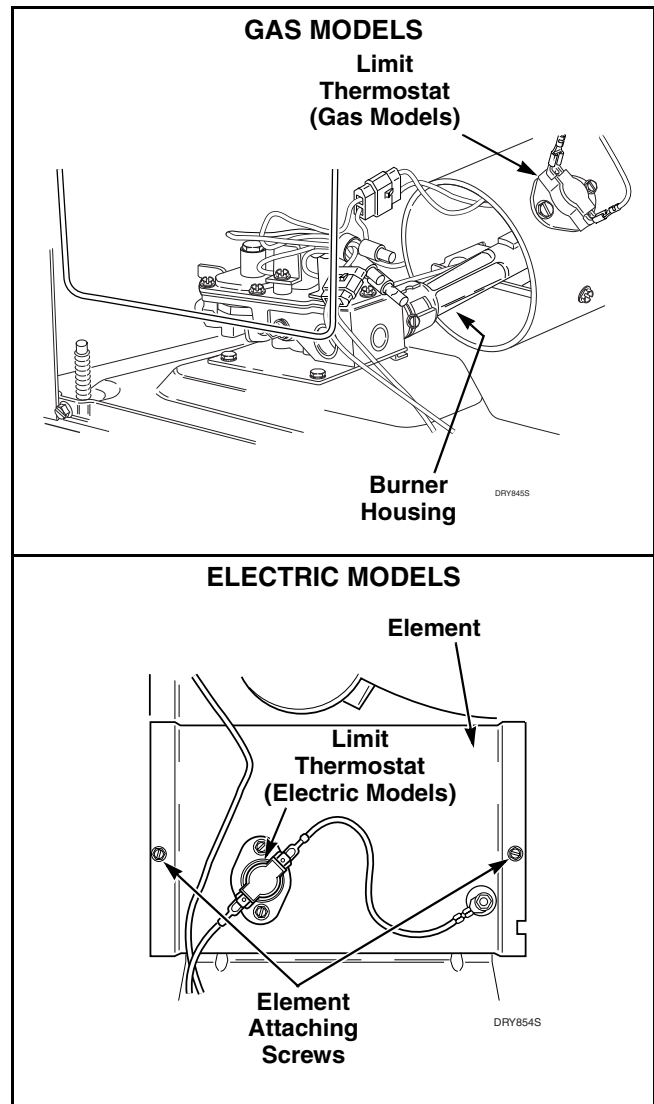


Figure 21

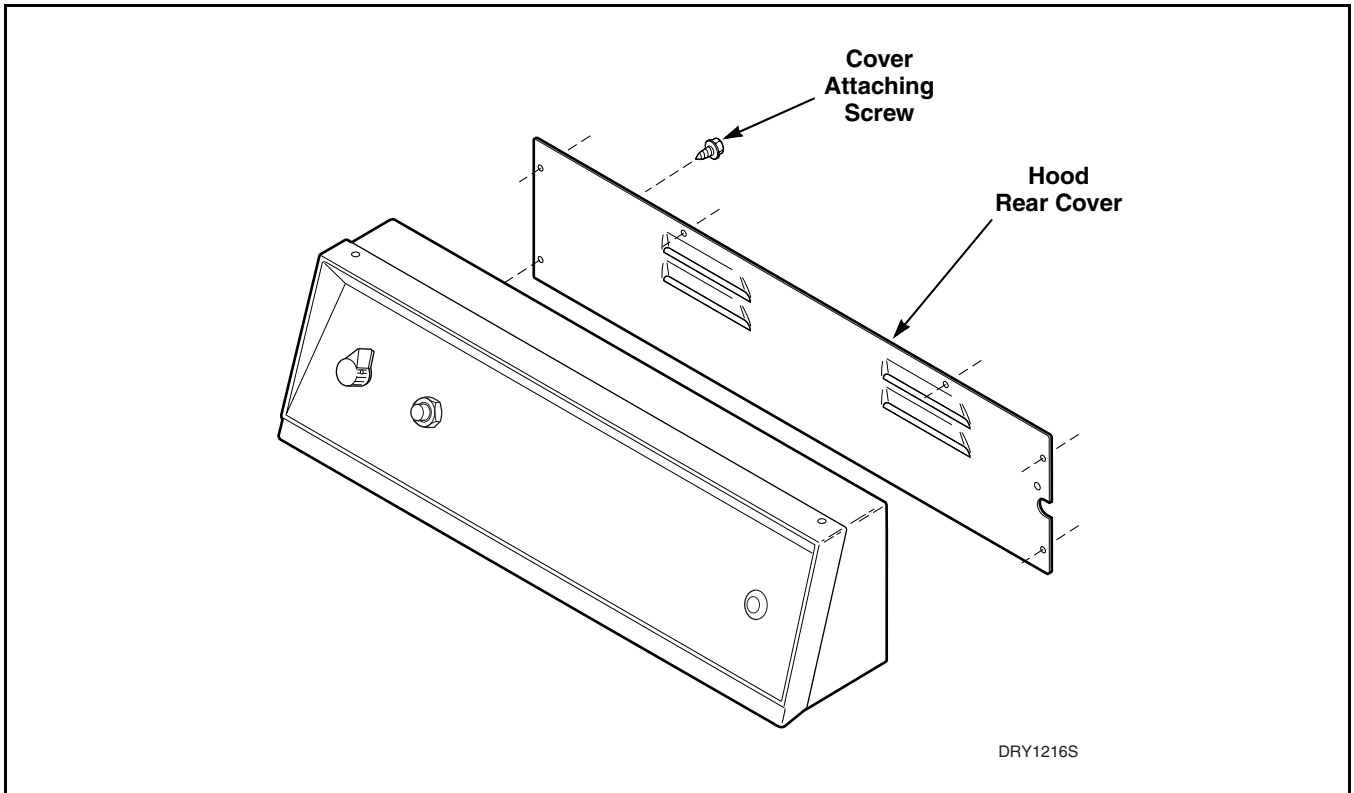


Figure 22

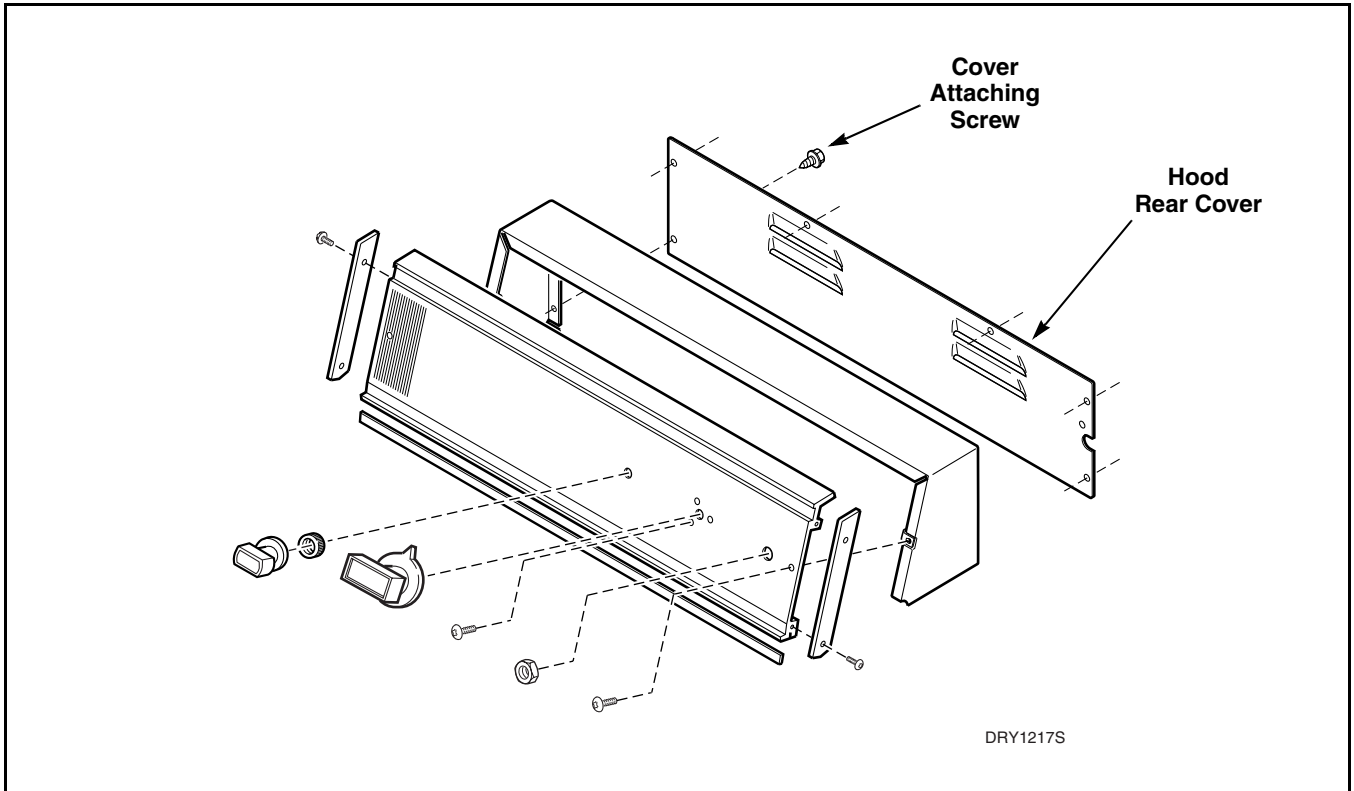


Figure 23



WARNING

To reduce the risk of electric shock, fire, explosion, serious injury or death:

- Disconnect electric power to the dryer(s) before servicing.
- Close gas shut-off valve to gas dryer(s) before servicing.
- Never start the dryer(s) with any guards/panels removed.
- Whenever ground wires are removed during servicing, these ground wires must be reconnected to ensure that the dryer is properly grounded.

W001R1

38. CONTROL HOOD REAR COVER

- a. Refer to *Figure 22* or *23* for removal.

39. METER CASE

Refer to *Figure 24*

- a. Remove front panel. Refer to *Paragraph 13*.
- b. Remove service door, accumulator and timer motor assembly. Refer to *Paragraph 16*.
- c. Remove control panel. Refer to *Paragraph 14*, step b, item (2).
- d. Remove two nuts, lockwashers and bolts and one hex head cap screw (right rear corner) holding meter case to cabinet top.

- e. Remove nut, lockwasher and screw holding meter case to right end of control hood.
- f. Disconnect wires from fabric selector switch, start switch and indicator light.

NOTE: Refer to appropriate wiring diagram when reconnecting wires.

- g. Carefully pull hood wire harness into meter case through opening in control hood end and lift meter case from cabinet top.

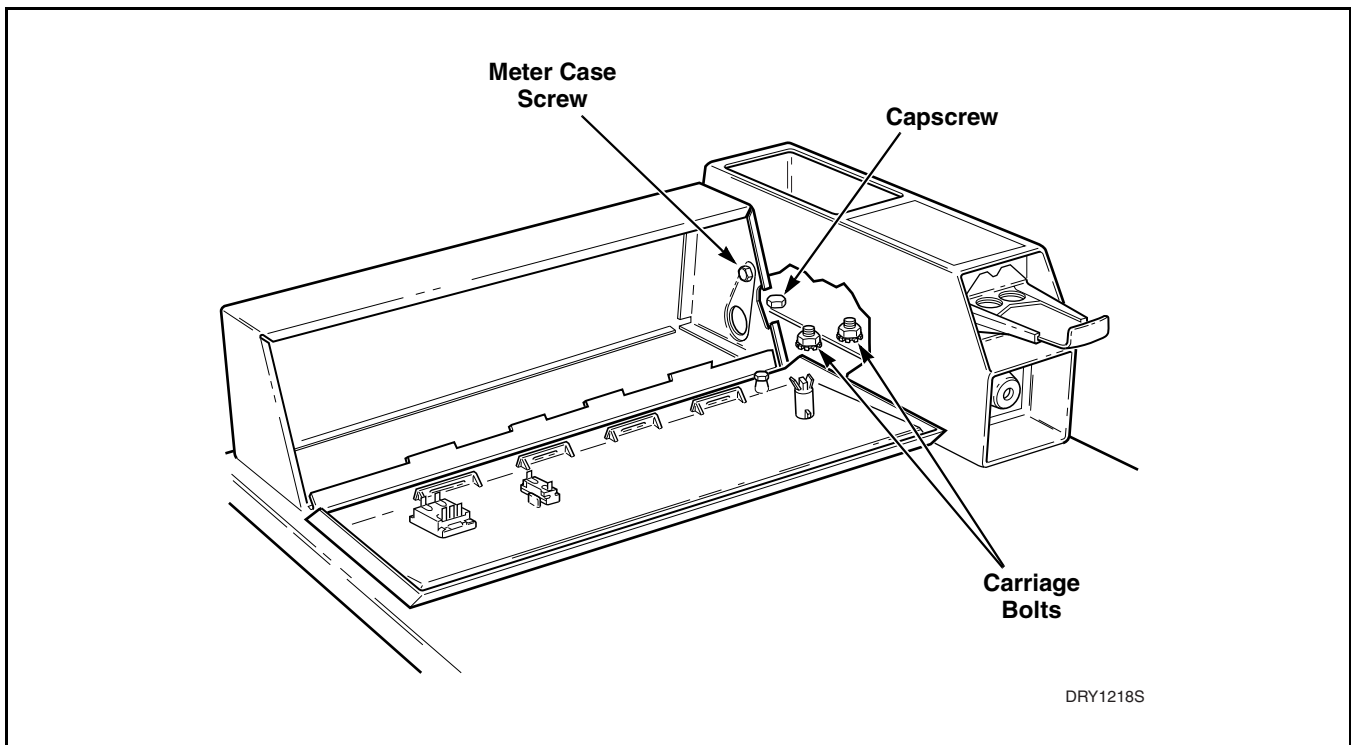


Figure 24



WARNING

To reduce the risk of electric shock, fire, explosion, serious injury or death:

- **Disconnect electric power to the dryer(s) before servicing.**
- **Close gas shut-off valve to gas dryer(s) before servicing.**
- **Never start the dryer(s) with any guards/panels removed.**
- **Whenever ground wires are removed during servicing, these ground wires must be reconnected to ensure that the dryer is properly grounded.**

W001R1

40. TIMER CASE

- a. Remove timer assembly. Refer to *Paragraph 15*, steps a through f.
- b. Remove two control panel attaching screws and lift assembly off panel support.
- c. Remove cap screw, lockwashers and nut holding timer case to control hood.
- d. Remove two screws from bottom edge of front panel. Pull bottom of panel away from dryer until hold-down clips (located on top flange of panel) disengage from slots in cabinet top.
- e. Remove two cabinet top hold-down screws. Refer to *Figure 26*.
- f. Reinstall control panel on control hood.
- g. Lift cabinet top to a vertical position by hinging it on the rear hold-down brackets.

NOTE: The cabinet top is self supporting.

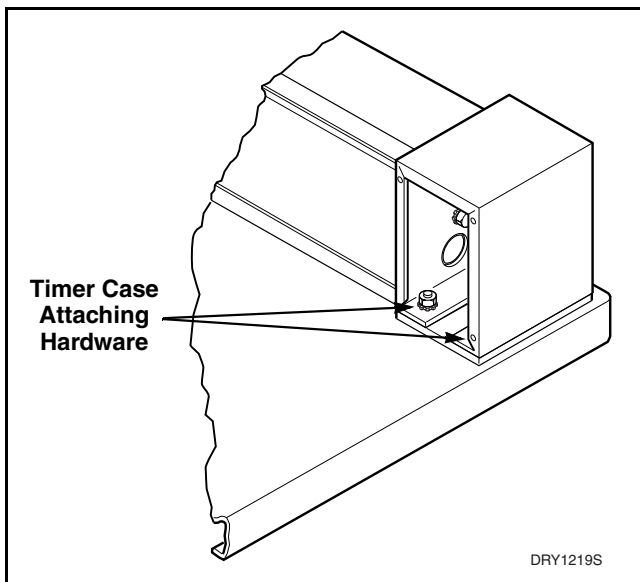


Figure 25

- h. Remove two carriage bolts, washers, lockwashers and nuts holding front of timer case to cabinet top.
- i. Support timer case and remove screw holding gasket and rear of case to cabinet top and remove case.

41. CABINET TOP (Nonmetered Models)

- a. Remove front panel. Refer to *Paragraph 13*.
- b. Remove control panel. Refer to *Paragraph 14*, step a or b.
- c. Disconnect wires from all components and ground wire in control hood. Push harness through opening in cabinet top and replace control panel or set aside to prevent damage.

NOTE: Refer to appropriate wiring diagram when reconnecting wires.

- d. Remove two cabinet top hold-down screws. Refer to *Figure 26*.
- e. Lift front of cabinet top, disengage from hinges from rear of cabinet. Refer to *Figure 27*.
- f. Remove brace from under side of cabinet top by swinging on end toward front or rear. Refer to *Figure 27*.
- g. Remove control hood and panel support (if present) when replacing the cabinet top.

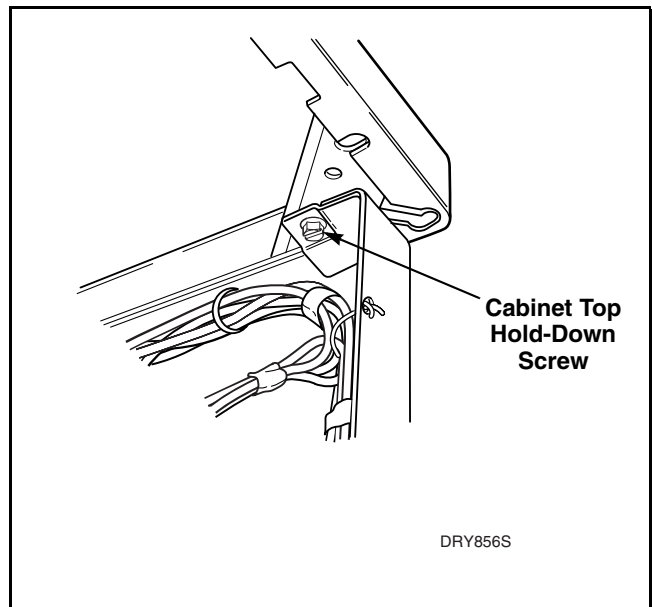


Figure 26

NOTE: Cabinet top may be raised and hinged on the rear hold-down brackets or supported against wall behind unit while servicing the dryer.



WARNING

To reduce the risk of electric shock, fire, explosion, serious injury or death:

- Disconnect electric power to the dryer(s) before servicing.
- Close gas shut-off valve to gas dryer(s) before servicing.
- Never start the dryer(s) with any guards/panels removed.
- Whenever ground wires are removed during servicing, these ground wires must be reconnected to ensure that the dryer is properly grounded.

W001R1

42. CABINET TOP (Metered Models)

- a. Remove front panel. Refer to *Paragraph 13*.
- b. Remove meter case. Refer to *Paragraph 39*.
- c. Remove control pane. Refer to *Paragraph 14*, step b and disconnect wires from all components and ground wire in control hood. Push harness through hole in control hood. Refer to *Figure 24*.

NOTE: Refer to appropriate wiring diagram when reconnecting wires.

- d. Remove two cabinet top hold-down screws. Refer to *Figure 26*.
- e. Lift front of cabinet top, disengage from hinges on rear of cabinet. Refer to *Figure 27*.
- f. Carefully withdraw wire harness through hole in cabinet top and remove the top.
- g. Remove brace from underside of cabinet top by swinging one end toward front or rear. Refer to *Figure 27*.
- h. Remove control hood when replacing the cabinet top. Refer to *Paragraph 43*.

NOTE: Cabinet top may be raised and hinged on the rear hold-down brackets or supported against wall behind unit while servicing the dryer.

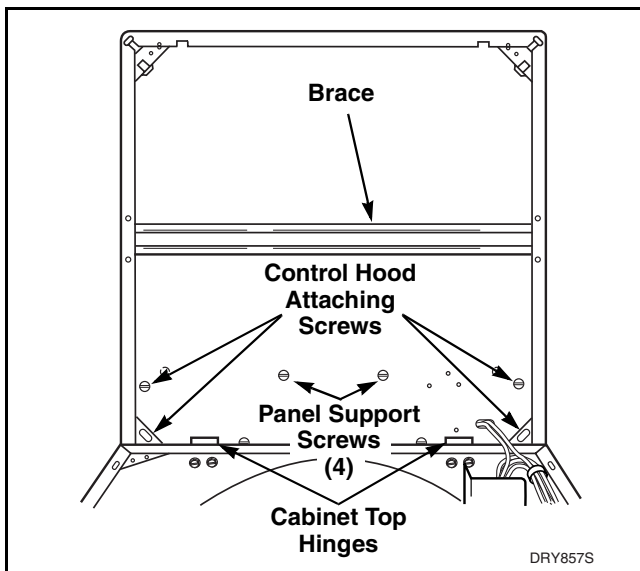


Figure 27

43. CONTROL HOOD

- a. Remove control panel. Refer to *Paragraph 14*, step a or b.
- b. Remove or raise cabinet top. Refer to *Paragraph 41* or *42*.
- c. Support control hood and remove four screws holding control hood and gaskets to cabinet top.
- d. Remove four screws holding panel support (if present) to cabinet top.

44. FRONT AIR DUCT

Refer to *Figure 28*

- a. Remove front panel. Refer to *Paragraph 13*.
- b. Remove lint filter. Refer to *Paragraph 30*.
- c. Remove two Phillips head and two hex head screws holding air duct to front bulkhead and lift off.

IMPORTANT: When reassembling be sure felt seal on exhaust fan cover makes air tight seal on flange of air duct. Refer to *Figure 29*.

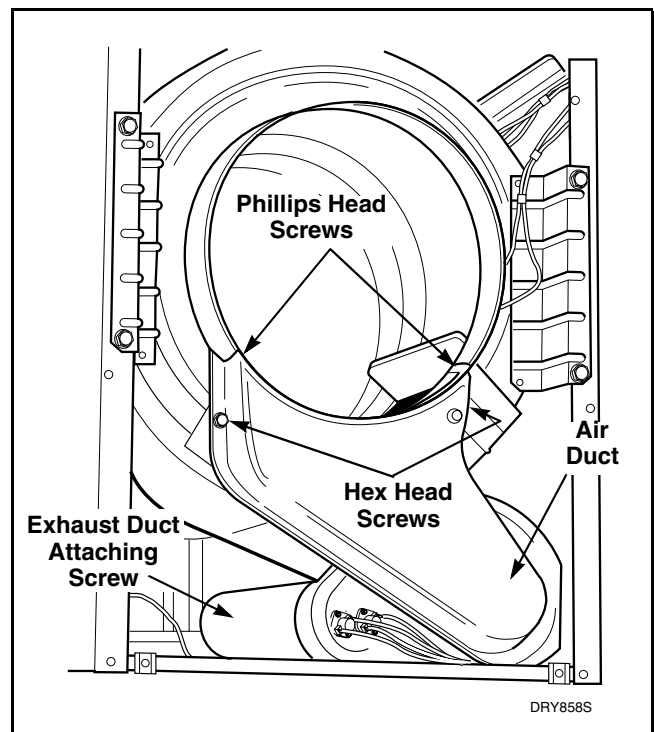


Figure 28



WARNING

To reduce the risk of electric shock, fire, explosion, serious injury or death:

- Disconnect electric power to the dryer(s) before servicing.
- Close gas shut-off valve to gas dryer(s) before servicing.
- Never start the dryer(s) with any guards/panels removed.
- Whenever ground wires are removed during servicing, these ground wires must be reconnected to ensure that the dryer is properly grounded.

W001R1

45. EXHAUST DUCT

Refer to *Figure 28*

- a. Disconnect electric power, vent and gas line (if necessary) and move dryer to gain access to rear of cabinet.
- b. Remove screw holding exhaust duct bracket to rear of cabinet and remove exhaust duct out through rear of dryer.

46. EXHAUST FAN COVER

Refer to *Figure 29*

- a. Remove front panel. Refer to *Paragraph 13*.
- b. Remove front air duct. Refer to *Paragraph 44*.
- c. Disconnect wires from thermostats.

NOTE: Refer to appropriate wiring diagram when rewiring thermostats.

- d. Remove screws holding cover to housing.

47. MOTOR AND EXHAUST ASSEMBLY

- a. Remove front panel. Refer to *Paragraph 13*.
- b. Remove front air duct. Refer to *Paragraph 44*.

- c. Disconnect wires from thermostats.

NOTE: Refer to wiring diagram when rewiring thermostats.

- d. Remove cylinder belt from idler and motor pulleys.
- e. Remove screws holding motor mounting bracket to base and pull entire assembly out through front of dryer.
- f. Disconnect wires from motor switch.

NOTE: Refer to appropriate wiring diagram when rewiring motor switch.

IMPORTANT: When reinstalling motor and exhaust assembly, be sure wire harness on right side is clipped to motor mount and is routed along base, between motor mounting bracket and right side of cabinet. Refer to *Figure 29*. Tab on rear of motor mounting bracket must be positioned in slot provided in base. Exhaust duct **MUST BE** installed on flange of exhaust housing.

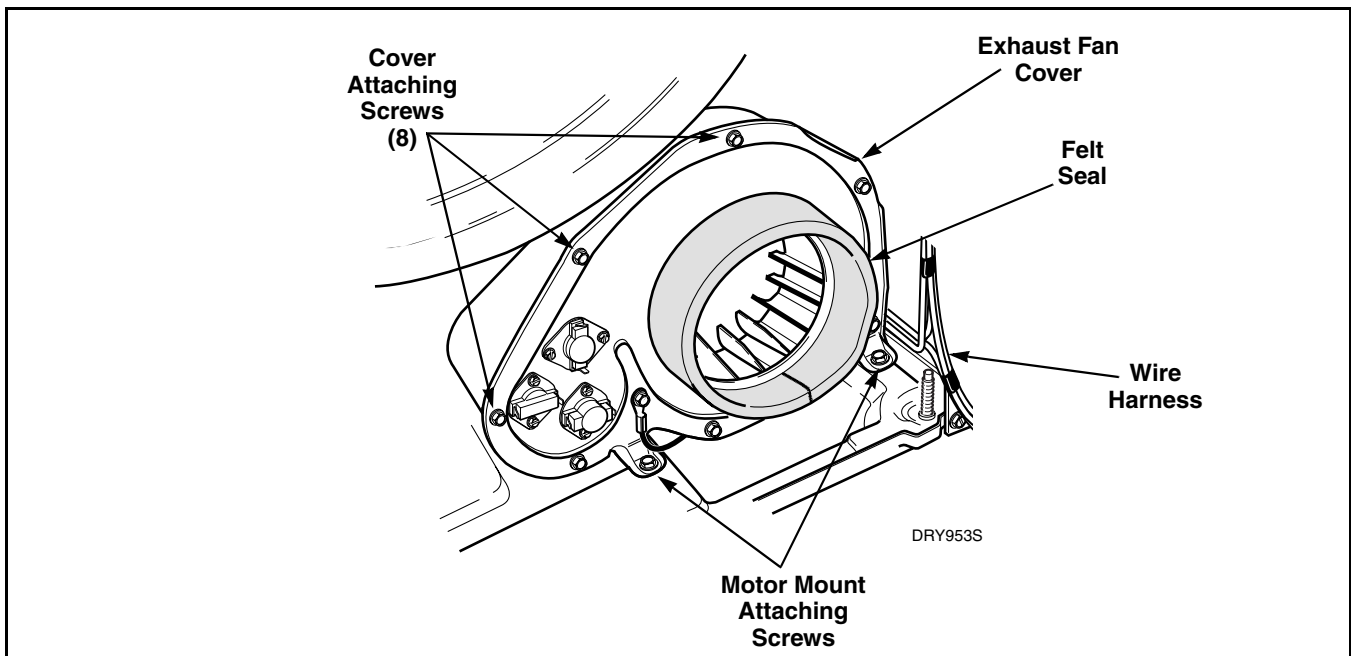


Figure 29



WARNING

To reduce the risk of electric shock, fire, explosion, serious injury or death:

- Disconnect electric power to the dryer(s) before servicing.
- Close gas shut-off valve to gas dryer(s) before servicing.
- Never start the dryer(s) with any guards/panels removed.
- Whenever ground wires are removed during servicing, these ground wires must be reconnected to ensure that the dryer is properly grounded.

W001R1

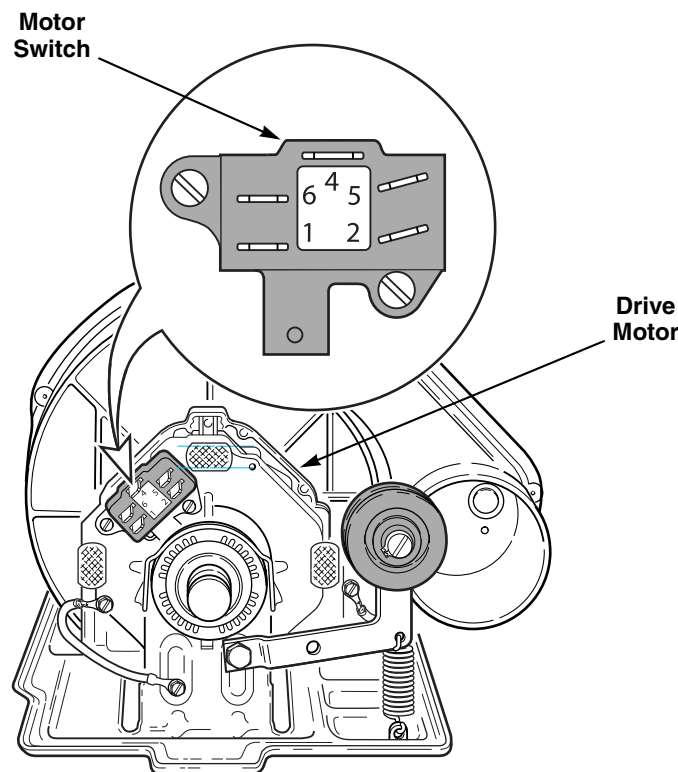
To Test Drive Motor Refer to *Figure 30*

1. Remove motor.
2. Disconnect wires from motor switch.

NOTE: Refer to appropriate wiring diagram when rewiring motor switch.

3. Put test meter probes on terminals 4 and 5. Meter should read approximately one ohm on ohm scale.
4. Put test meter probes on terminal 4 and motor frame. Meter should register “no reading” or infinite.

5. Put test meter probes on terminal 5 and motor frame. Meter should register “no reading” or infinite.
6. Put test meter probes on terminals 4 and 6. Meter should register “no reading” or infinite. Manually flex the centrifugal switch in motor and meter should read approximately two ohms on ohm scale.
7. Put test meter probes on terminals 1 and 2. Meter should register “no reading”. Manually flex the centrifugal switch in motor and meter should read “zero ohms”.



DRY838S

Figure 30



WARNING

To reduce the risk of electric shock, fire, explosion, serious injury or death:

- Disconnect electric power to the dryer(s) before servicing.
- Close gas shut-off valve to gas dryer(s) before servicing.
- Never start the dryer(s) with any guards/panels removed.
- Whenever ground wires are removed during servicing, these ground wires must be reconnected to ensure that the dryer is properly grounded.

W001R1

48. IMPELLER AND HOUSING

- Remove motor and exhaust assembly. Refer to *Paragraph 47*.
- Remove exhaust fan cover. Refer to *Paragraph 46*.
- Hold motor pulley securely and unthread impeller from motor shaft (right hand thread).
- Remove screws and washers holding exhaust housing to motor mounting bracket. Refer to *Figure 31*.

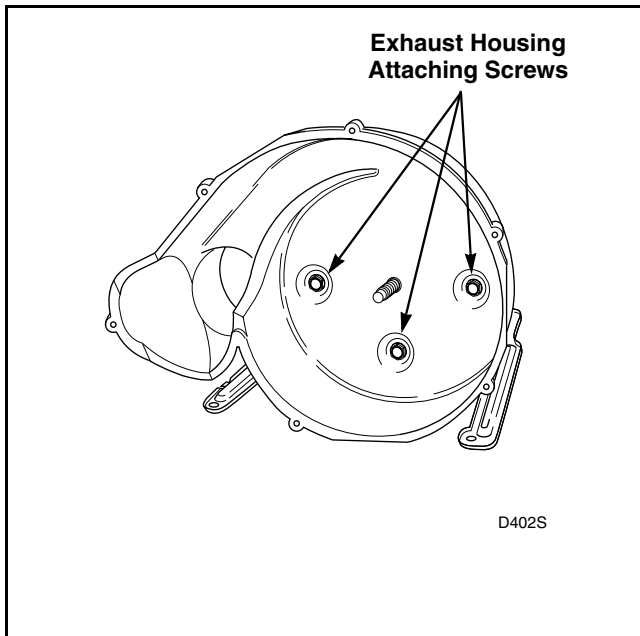


Figure 31



WARNING

To reduce the risk of electric shock, fire, explosion, serious injury or death:

- Disconnect electric power to the dryer(s) before servicing.
- Close gas shut-off valve to gas dryer(s) before servicing.
- Never start the dryer(s) with any guards/panels removed.
- Whenever ground wires are removed during servicing, these ground wires must be reconnected to ensure that the dryer is properly grounded.

W001R1

49. MOTOR

- a. Remove exhaust fan cover, motor and exhaust assembly and impeller and housing. Refer to *Paragraph 46, 47 and 48.*
- b. Disconnect wires from motor switch and ground wire from motor.
- c. Remove two motor clips holding motor to mounting bracket and lift motor out.

NOTE: Refer to appropriate wiring diagram when rewiring switch.

- d. When replacing motor, switch location should be at 10 o'clock. Refer to *Figure 32.*

TO REMOVE MOTOR SWITCH

- e. Remove two screws holding switch to motor.
- f. Disconnect internal motor leads from switch terminals.

NOTE: Refer to wiring schematic when rewiring internal motor leads to motor switch.

50. MOTOR AND IDLER PULLEY ASSEMBLIES

- a. Remove motor and exhaust assembly. Refer to *Paragraph 50.*
- b. Refer to *Figure 32* for motor and idler pulley removal.

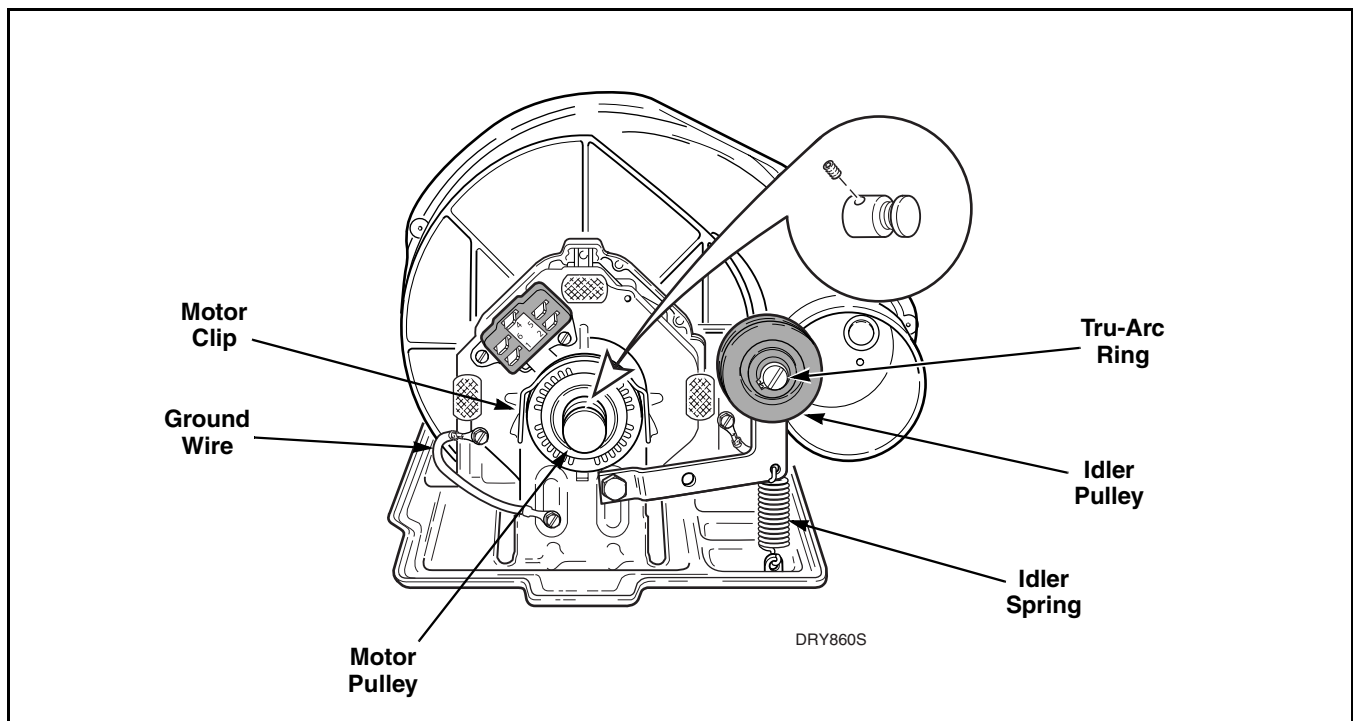


Figure 32



WARNING

To reduce the risk of electric shock, fire, explosion, serious injury or death:

- Disconnect electric power to the dryer(s) before servicing.
- Close gas shut-off valve to gas dryer(s) before servicing.
- Never start the dryer(s) with any guards/panels removed.
- Whenever ground wires are removed during servicing, these ground wires must be reconnected to ensure that the dryer is properly grounded.

W001R1

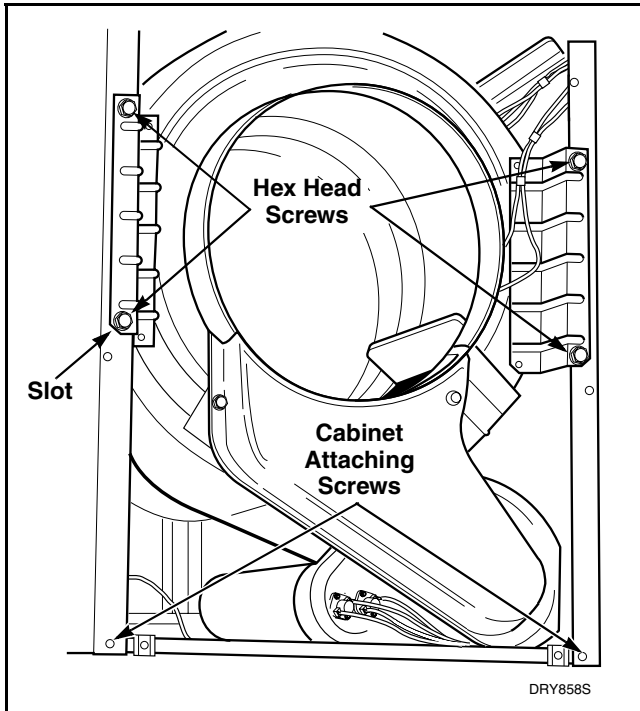


Figure 33

51. FRONT BULKHEAD ASSEMBLY

- a. Remove front panel. Refer to *Paragraph 13*.
- b. Remove screws holding bulkhead to cabinet and lift assembly out of slots in cabinet. Refer to *Figure 33*.
- c. Remove cylinder glides. Refer to *Figure 34*.

NOTE: Front air duct will be removed with the bulkhead unless previously removed in *Paragraph 44*.

TO REMOVE FRONT CYLINDER SEAL

- d. Unhook spring from seal strap. Refer to *Figure 34*.

IMPORTANT: When installing seal, tape it to the bulkhead in several places to hold in position while replacing seal strap and spring. Remove tape after strap and seal are in place. Seal must be under strap securely and be folded back under flanged edge around entire bulkhead. Strap must be installed with cupped surface down against the seal to hold

the felt seal more firmly in place on the bulkhead. Also the seal can be adhered to the bulkhead using Locktite No. 416 (obtain locally). This is accomplished by applying a bead of Locktite No. 416 around the entire flanged area where the felt seal contacts the bulkhead.

52. CYLINDER BELT

- a. Remove front panel. Refer to *Paragraph 13*.
- b. Disengage belt from motor and idler pulleys.
- c. Remove front bulkhead. Refer to *Paragraph 51*.
- d. Remove belt.

NOTE: When reassembling, belt must be properly positioned around cylinder and on motor and idler pulleys. Refer to *Figure 35*.

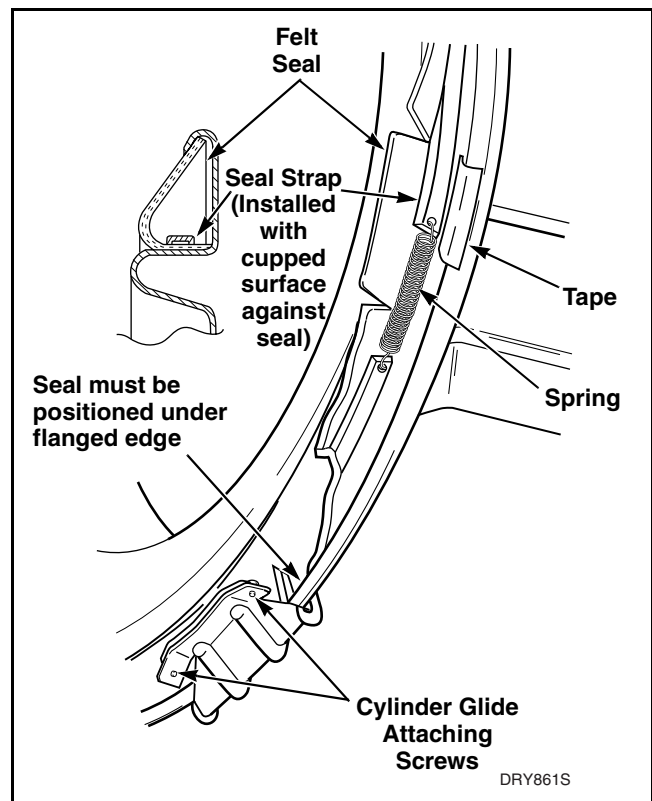


Figure 34



WARNING

To reduce the risk of electric shock, fire, explosion, serious injury or death:

- Disconnect electric power to the dryer(s) before servicing.
- Close gas shut-off valve to gas dryer(s) before servicing.
- Never start the dryer(s) with any guards/panels removed.
- Whenever ground wires are removed during servicing, these ground wires must be reconnected to ensure that the dryer is properly grounded.

W001R1

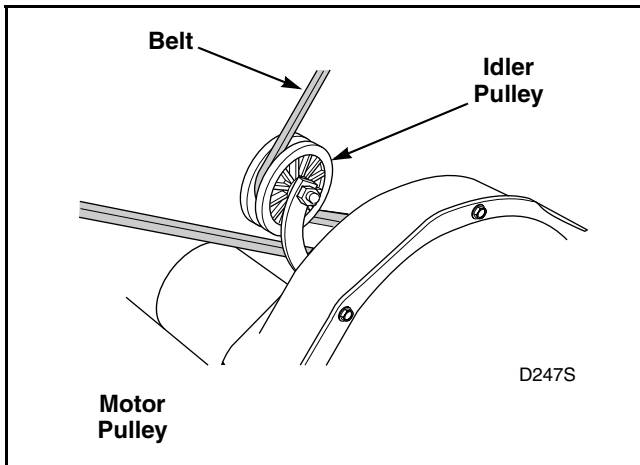


Figure 35

53. CYLINDER ASSEMBLY

- Disengage belt from pulleys. Refer to *Paragraph 52*.
- Remove front bulkhead. Refer to *Paragraph 51*.
- Remove cylinder.

NOTE: Cylinders starting with Serial No. S6181579XA must be installed with the side marked “Front” to the front of the dryer.

TO REMOVE BAFFLES

- Remove screws (and washer if present) holding baffles to cylinder. Refer to *Figure 36*.

NOTE: Machines starting Serial No. S6181579XA have three baffles; one elongated and two regular. The elongated one must be installed to cover the cylinder weld seam.

54. REAR SEAL

- Remove or raise cabinet top. Refer to *Paragraph 41* or *42*.
- Remove cylinder assembly. Refer to *Paragraph 53*.
- Unhook spring from seal strap. Refer to *Figure 37*.

NOTE: When installing seal, tape it to the bulkhead in several places to hold in position while replacing

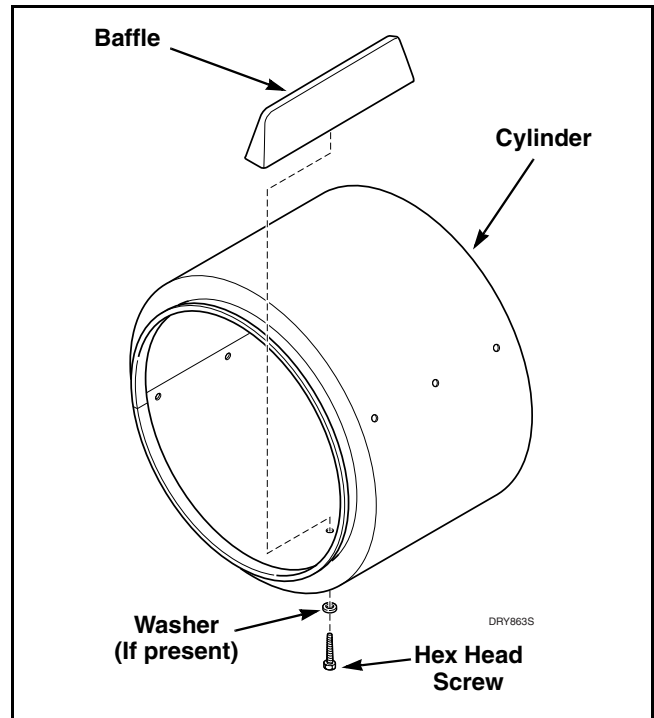


Figure 36

seal strap and spring. Remove tape after strap and seal are in place. Seal must be under strap securely and be folded back under flanged edge around entire bulkhead. Strap must be installed with cupped surface down against the seal to hold the felt seal more firmly in place on the bulkhead. Also the seal can be adhered to the bulkhead using Loctite No. 416 (obtain locally). This is accomplished by applying a bead of Loctite No. 416 around the entire flanged area where the felt seal contacts the bulkhead.

55. CYLINDER ROLLERS AND ROLLER SHAFTS

- Remove cylinder assembly. Refer to *Paragraph 53*.
- Refer to *Figure 38* for removal of cylinder rollers and shafts.

NOTE: Use a heat resistant lubricant on roller shafts when reassembling.

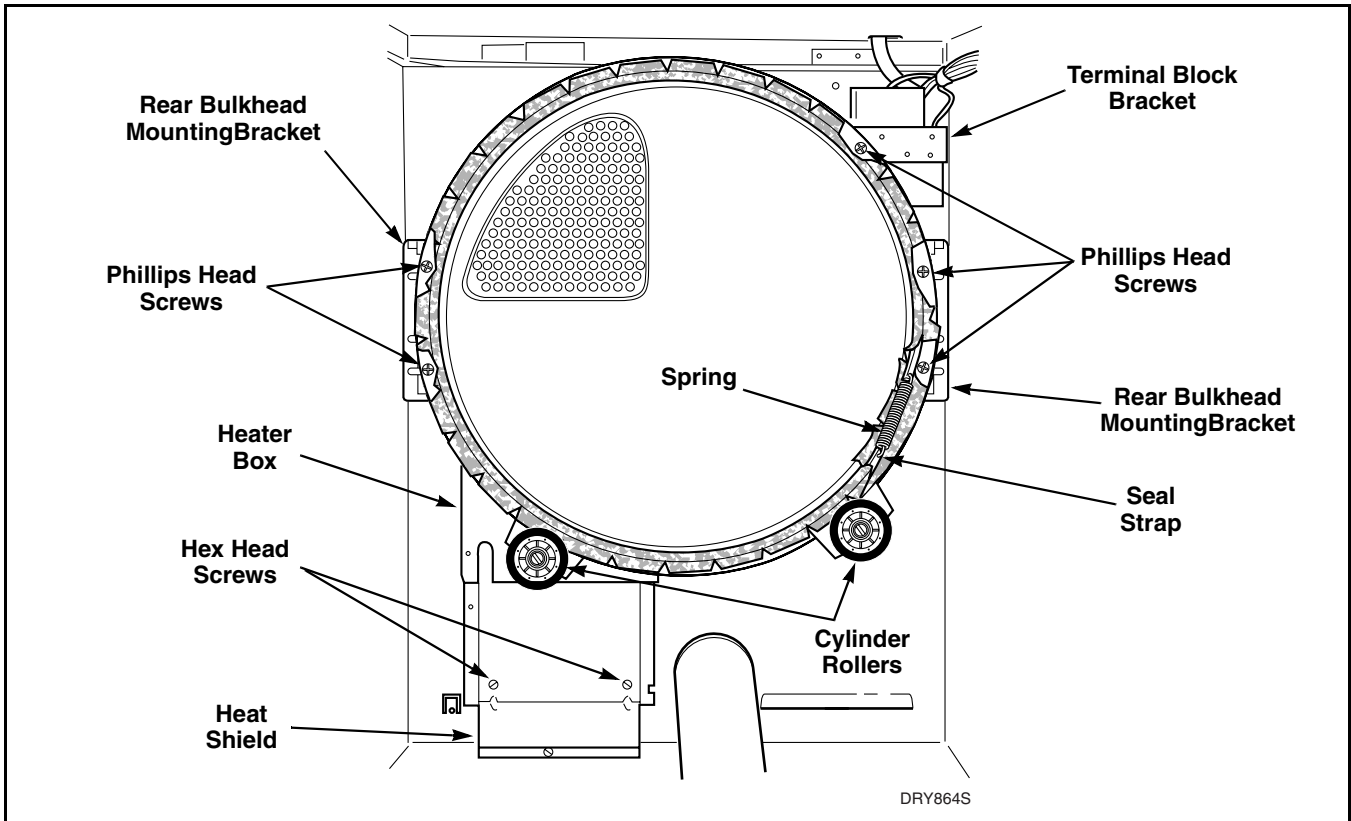


Figure 37

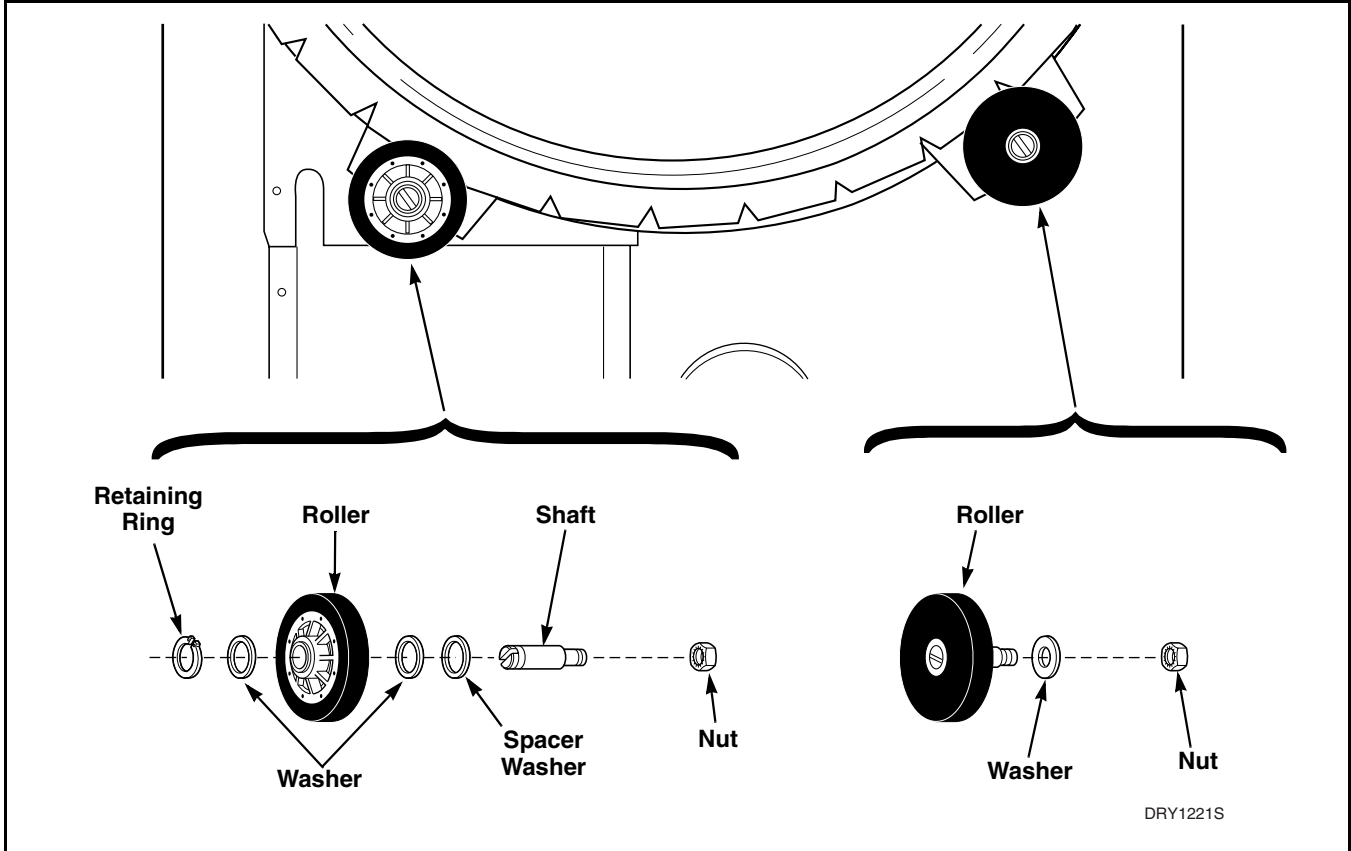


Figure 38



WARNING

To reduce the risk of electric shock, fire, explosion, serious injury or death:

- Disconnect electric power to the dryer(s) before servicing.
- Close gas shut-off valve to gas dryer(s) before servicing.
- Never start the dryer(s) with any guards/panels removed.
- Whenever ground wires are removed during servicing, these ground wires must be reconnected to ensure that the dryer is properly grounded.

W001R1

56. REAR BULKHEAD AND HEATER BOX

- a. Remove cylinder assembly. Refer to *Paragraph 53*.
- b. **Gas Models** – Remove burner housing, *Paragraph 23* and heat shroud. Refer to *Paragraph 24*.
- c. **Electric Models** – Remove heating element. Refer to *Paragraph 37*.
- d. Remove two hex head screws holding bottom end of heater box to heat shield. Refer to *Figure 37*.
- e. Remove Phillips head screw holding rear bulkhead to terminal block bracket and four Phillips head screws holding rear bulkhead to mounting brackets. Refer to *Figure 37*. Lift entire assembly out of cabinet.

TO REMOVE HEATER BOX FROM REAR BULKHEAD

- f. Refer to *Figure 39* for removal.

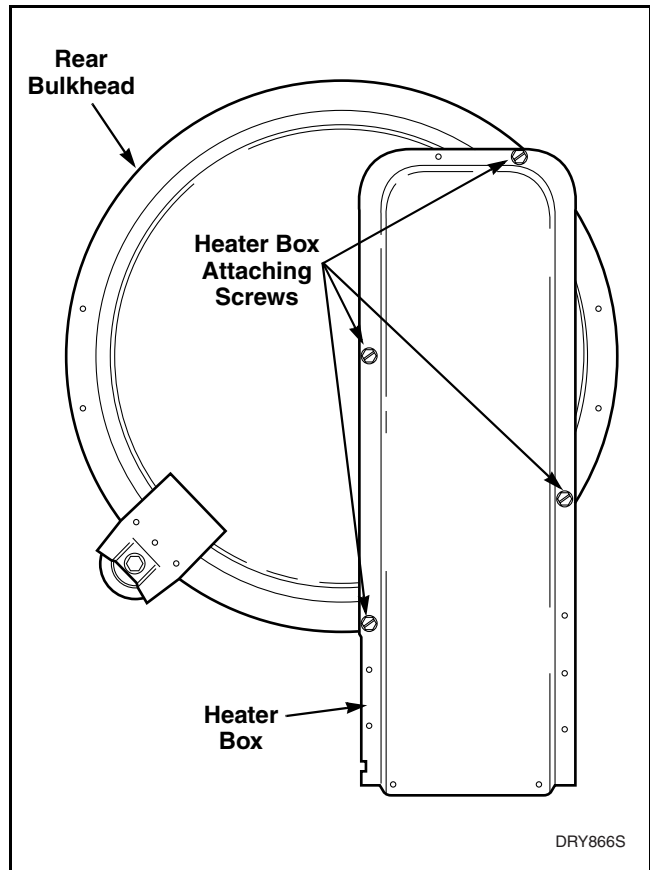


Figure 39



WARNING

To reduce the risk of electric shock, fire, explosion, serious injury or death:

- Disconnect electric power to the dryer(s) before servicing.
- Close gas shut-off valve to gas dryer(s) before servicing.
- Never start the dryer(s) with any guards/panels removed.
- Whenever ground wires are removed during servicing, these ground wires must be reconnected to ensure that the dryer is properly grounded.

W001R1

57. HEAT SHIELD

- a. **Gas Models** – Remove burner housing, *Paragraph 23* and heat shroud. Refer to *Paragraph 24*.
- b. **Electric Models** – Remove heating element. Refer to *Paragraph 37*.
- c. Remove screws holding bottom end of heater box to heat shield. Refer to *Figure 37*.
- d. Disconnect vent, electric power and gas supply line (if present) and move dryer to gain access to rear of dryer.
- e. Remove screws holding heat shield to rear of cabinet. Refer to *Figure 40*.

58. REAR MOUNTING BRACKETS

- a. Remove rear bulkhead and heater box. Refer to *Paragraph 56*.
- b. Remove screws holding mounting brackets to rear of cabinet. Refer to *Figure 40*.

59. CABINET AND BASE

- a. Remove front panel. Refer to *Paragraph 13*.
- b. Remove cabinet top. Refer to *Paragraph 41* or *Paragraph 42*.
- c. Remove front bulkhead assembly. Refer to *Paragraph 51*.
- d. Remove motor and exhaust assembly. Refer to *Paragraph 47*.
- e. Remove cylinder assembly. Refer to *Paragraph 53*.
- f. Remove rear bulkhead and heater box. Refer to *Paragraph 56*.
- g. Remove heat shield. Refer to *Paragraph 56*.
- h. Remove two hex head screws from front edge at each side of cabinet. Refer to *Figure 33*. Then remove remaining screws around bottom edge of cabinet. Lift cabinet off base.

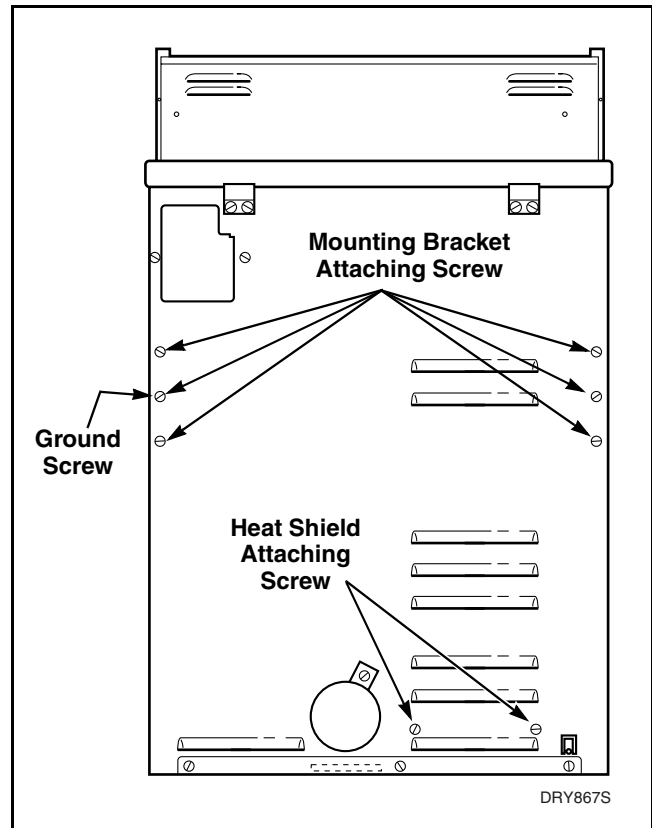


Figure 40

Section 5

Adjustments



WARNING

To reduce the risk of electric shock, fire, explosion, serious injury or death:

- Disconnect electric power to the dryer(s) before servicing.
- Close gas shut-off valve to gas dryer(s) before servicing.
- Never start the dryer(s) with any guards/panels removed.
- Whenever ground wires are removed during servicing, these ground wires must be reconnected to ensure that the dryer is properly grounded.

W001R1

60. TIMER KNOB INDICATOR JE2870 AND JG2880

- With timer knob indicator in top off position, push in and hold start switch button. Slowly turn timer knob clockwise only until dryer starts. Then immediately open the loading door to stop dryer.
- If dryer starts with indicator still in the off position, proceed as follows:
 - Hold knob firmly and move indicator and plate one “click” in a clockwise direction. Check position in reference to the right hand vertical line of the off position.
 - If indicator is still in the off portion of dial, move it one more “click” in a clockwise direction.
 - Repeat this adjustment until the indicator is on the right hand vertical line of the off position.
- If dryer starts with indicator past the right hand vertical line of the off position, follow instructions of “step b” above EXCEPT move indicator and plate in a counterclockwise direction one “click” at a time until indicator and right hand vertical line of off position match up.

61. LEVELING LEGS

- Thread locknuts, *Figure 41*, down to heads of leveling legs, then thread legs into dryer base until heads extend out of base approximately 3/4 inch (19.05 mm).
- Turn legs in or out of base as necessary to level dryer. All four legs must rest firmly on the floor.
- Tighten locknuts, *Figure 41*, securely against dryer base and place rubber pads on each leg.

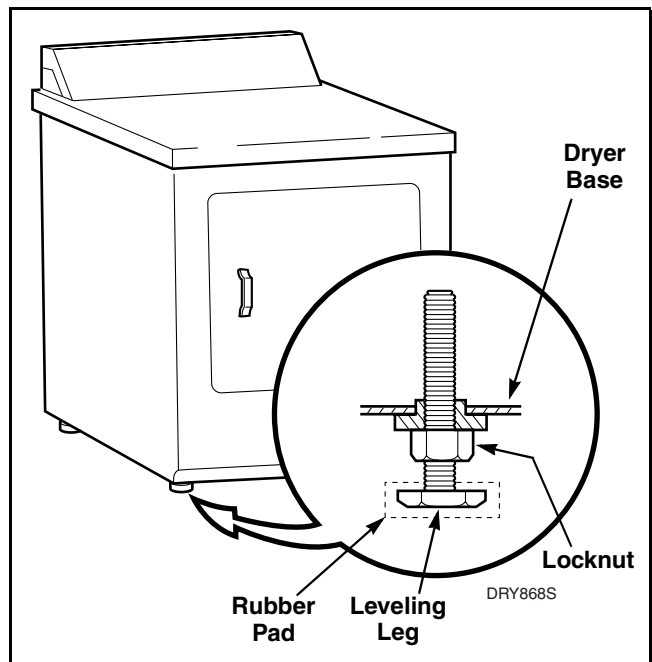


Figure 41

62. BURNER FLAME (GAS MODELS)

- Through Serial No. S840L627 - Insert key into access door lock and turn one quarter turn counterclockwise. Refer to *Figure 11*.
- Starting Serial No. S840L628 - Remove Phillips head screw and washer holding access door to front panel. Refer to *Figure 11*.
- Apply thumb pressure to right edge of door. When door opens, move door to the left to disengage from door supports. Refer to *Figure 11*.
- Set fabric switch at normal. Place coins in slide and carefully push in as far as possible on meters models or set timer at “60” minutes on nonmetered models.
- Close loading door and press push-to-start button to start dryer.



WARNING

To reduce the risk of electric shock, fire, explosion, serious injury or death:

- Disconnect electric power to the dryer(s) before servicing.
- Close gas shut-off valve to gas dryer(s) before servicing.
- Never start the dryer(s) with any guards/panels removed.
- Whenever ground wires are removed during servicing, these ground wires must be reconnected to ensure that the dryer is properly grounded.

W001R1

f. Allow dryer to operate for approximately five minutes. Observe burner flame and loosen air shutter lockscrew. Refer to *Figure 42*.

g. Turn air shutter to the right or left to obtain a soft, uniform blue flame with orange tips. (A

lazy, orange tipped flame indicates lack of air. A harsh, roaring, very blue flame indicates too much air.)

h. Tighten air shutter lockscrew securely. Refer to *Figure 42*.

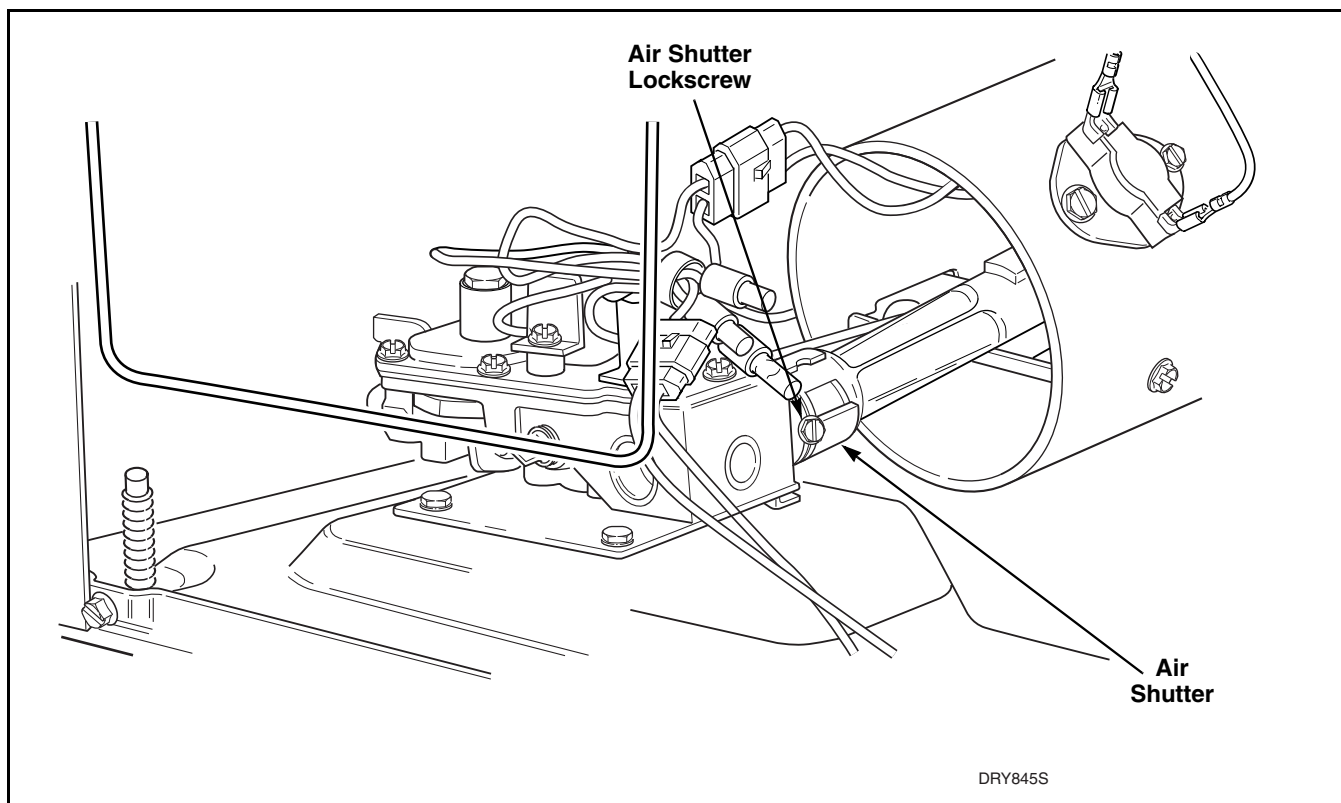




Figure 42

Section 6

Gas Burner Conversion Procedures

	WARNING
<p>To reduce the risk of electric shock, fire, explosion, serious injury or death:</p> <ul style="list-style-type: none"> • Disconnect electric power to the dryer(s) before servicing. • Close gas shut-off valve to gas dryer(s) before servicing. • Never start the dryer(s) with any guards/panels removed. • Whenever ground wires are removed during servicing, these ground wires must be reconnected to ensure that the dryer is properly grounded. 	
<small>W001R1</small>	

	WARNING
<p>This conversion kit is to be installed by AUTHORIZED DEALERS or DISTRIBUTORS on their premises and in accordance with the manufacturer's instructions and all codes and requirements of the authority having jurisdiction. Failure to follow instructions could result in serious injury or property damage. The qualified agency performing this work assumes responsibility for this conversion.</p>	
<small>W312</small>	

63. CONVERSION KITS – For Single Input Gas Dryers Equipped with No. 56225 Gas Valve

All single input gas dryers manufactured with glow bar ignition are factory equipped for Natural/Mixed gas operation.

No. 56412 Natural/Mixed to L.P. Gas Kit is available from your parts supplier. This kit consists of:

- 1 - 51211 Burner Orifice Spud
- 1 - 53390 Block-Open Plug and Gasket
- 1 - 53408 Change-Over Sticker
- 1 - 55753 “Valve Converted” Sticker
- 1 - 56426 L.P. Gas Sticker

No. 56413 L.P. to Natural/Mixed Gas Kit is available for field conversion. This kit consists of:

- 1 - 50326 Burner Orifice Spud
- 1 - 53556 Change-Over Sticker
- 1 - 53952 Vent Screw and Gasket
- 1 - 56414 Valve Number Sticker
- 1 - 56427 Natural Gas Sticker

64. ORIFICE INFORMATION


Burner Orifice		
 <p style="text-align: right; margin-right: 50px;"><small>DRY1222S</small></p>		
Kind of Gas	Part Number	Stamp Code
Natural/Mixed	50326	44
Liquefied Petroleum (L.P.)	51211	55

Figure 43

65. INSTALLATION INSTRUCTIONS FOR 56412 OR 56413 GAS KITS

Refer to *Figure 44*

- a. **Through Serial No. S840L627**
 Insert key into access door lock and turn one quarter turn counterclockwise. Refer to *Figure 11*.
- b. **Starting Serial No. S840L628**
 Remove Phillips head screw and washer holding access door to front panel. Refer to *Figure 11*.



WARNING

To reduce the risk of electric shock, fire, explosion, serious injury or death:

- Disconnect electric power to the dryer(s) before servicing.
- Close gas shut-off valve to gas dryer(s) before servicing.
- Never start the dryer(s) with any guards/panels removed.
- Whenever ground wires are removed during servicing, these ground wires must be reconnected to ensure that the dryer is properly grounded.

W001R1

- c. Apply thumb pressure to the right side of access door. When door opens, move door to the left to disengage from door supports. Refer to *Figure 11*.
 - d. Disconnect igniter wires at quick disconnect block.
 - e. Remove hex head screw (located on right side of burner housing) holding burner tube and igniter in place.
 - f. Carefully move burner tube toward rear of dryer, far enough to permit removal of burner orifice spud from orifice adapter.
 - (4) Install No. 55753 “Valve Converted” Sticker to top side of gas valve so it covers the gas valve part number. Refer to *Figure 39*.
 - (5) Install No. 56426 L.P. Gas Sticker over the old sticker on rear of cabinet, and apply No. 53408 Change-Over Sticker to the inside of the loading door opening above the serial plate.
 - (6) Connect electrical service and open valve in gas supply line. Start dryer and observe burner flame. Adjust air shutter to obtain a soft, uniform flame. (A lazy, orange tipped flame indicates lack of air. A harsh, roaring, very blue flame indicates too much air.) Adjust air shutter to obtain a soft uniform blue flame as follows:
 - (a) Loosen air shutter lockscrew.
 - (b) Turn air shutter to the right or left as necessary to obtain proper flame intensity.
 - (c) After air shutter is adjusted for proper flame, tighten air shutter lockscrew securely.
- NOTE: Tab on burner tube may have to be removed from slot in burner housing to obtain enough clearance.**
- g. **Natural/Mixed to L.P. Gas 56412 Gas Kit:**
- (1) Turn burner orifice spud out of orifice adapter and install No. 51211 L.P. Burner Orifice (metal stamped No. 55). Refer to *Figure 43*.
 - (2) Reinstall burner tube, tighten hex head screw and reconnect igniter leads.
 - (3) Remove vent screw and install No. 53390 Block-Open Plug.



WARNING

To reduce the risk of electric shock, fire, explosion, serious injury or death:

- Disconnect electric power to the dryer(s) before servicing.
- Close gas shut-off valve to gas dryer(s) before servicing.
- Never start the dryer(s) with any guards/panels removed.
- Whenever ground wires are removed during servicing, these ground wires must be reconnected to ensure that the dryer is properly grounded.

W001R1

h. L.P. to Natural/Mixed Gas

56413 Gas Kit:

- (1) Turn burner orifice spud out of orifice adapter and install No. 50326 Natural Gas Burner Orifice (metal stamped No. 44). Refer to *Figure 43*.
 - (2) Reinstall burner tube, hex head screw and reconnect igniter leads.
 - (3) Remove block-open plug and install No. 53952 Vent Screw.
 - (4) Install No. 56414 Valve Number Sticker to top side of gas valve so it covers the gas valve converted sticker. Refer to *Figure 39*.
 - (5) Install No. 56427 Natural Gas Stickers over the old sticker on rear of cabinet, and apply No. 53556 Change-Over Sticker to inside of the loading door opening above the serial plate.
- (6) Connect electrical service and open valve in gas supply line. Start dryer and observe burner flame. Adjust air shutter to obtain a soft, uniform flame. (A lazy, orange tipped flame indicates lack of air. A harsh, roaring, very blue flame indicates too much air.) Adjust air shutter to obtain a soft uniform blue flame as follows:
 - (a) Loosen air shutter lock screw.
 - (b) Turn air shutter to the right or left as necessary to obtain proper flame intensity.
 - (c) After air shutter is adjusted for proper flame, tighten air shutter lock screw securely.

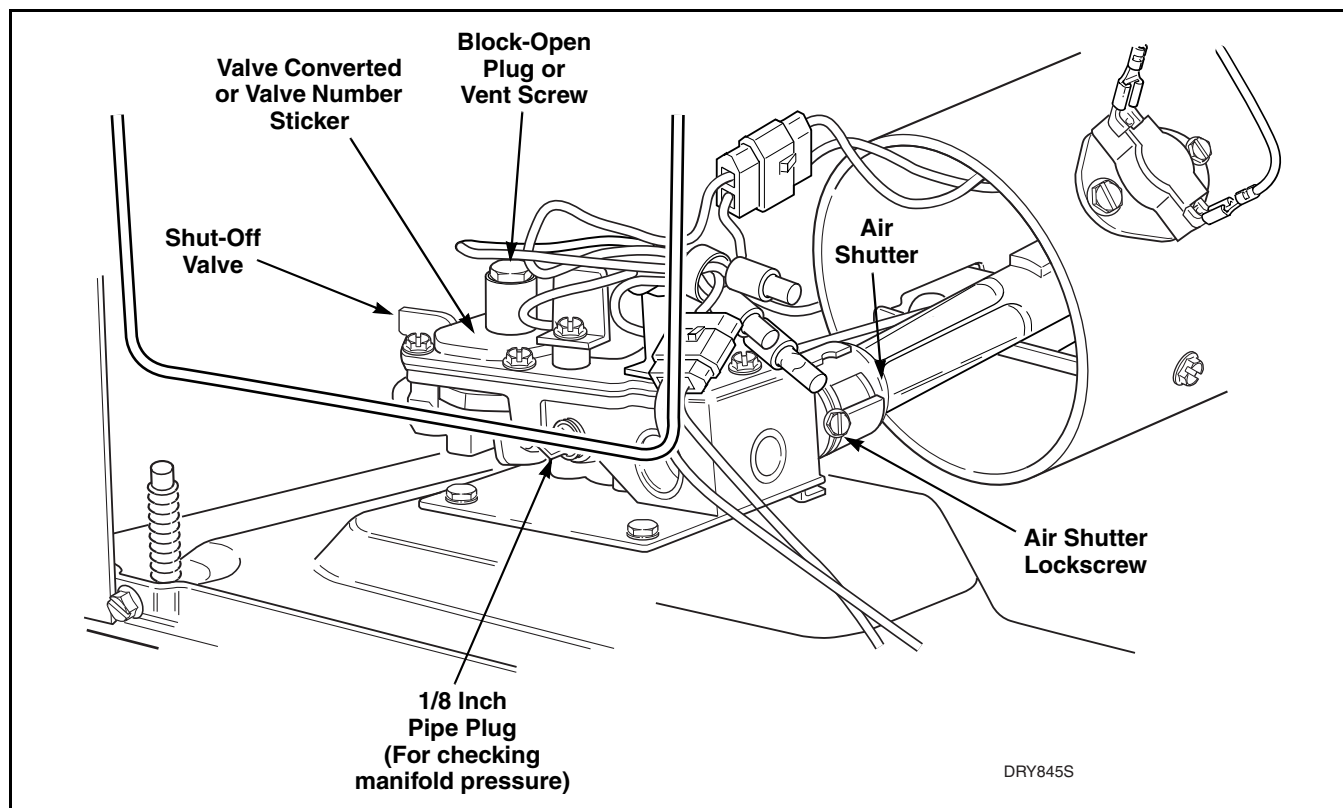



Figure 44

	WARNING
<p>To reduce the risk of electric shock, fire, explosion, serious injury or death:</p> <ul style="list-style-type: none"> • Disconnect electric power to the dryer(s) before servicing. • Close gas shut-off valve to gas dryer(s) before servicing. • Never start the dryer(s) with any guards/panels removed. • Whenever ground wires are removed during servicing, these ground wires must be reconnected to ensure that the dryer is properly grounded. 	
W001R1	

66. CONVERSION KITS – For Dual Input Gas Dryers Equipped with No. 56279 Gas Valve

All dual input gas dryers manufactured with glow bar ignition are factory equipped for Natural/Mixed gas operation.

No. 56975 Natural/Mixed to L.P. Gas Kit is available from your parts supplier. This kit consists of:

- 1 - 53390 Block-Open Plug and Gasket
- 1 - 55753 “Valve Converted” Sticker
- 1 - 56426 L.P. Gas Sticker
- 1 - 56977 Burner Orifice - Inner
- 1 - 56978 Burner Orifice - Outer
- 1 - 56979 Change-Over Sticker

No. 56976 L.P. to Natural/Mixed Gas Kit is available for field conversion. This kit consists of:

- 1 - 53952 Vent Screw
- 1 - 55493 Burner Orifice - Outer
- 1 - 54944 Burner Orifice - Inner
- 1 - 56427 Natural Gas Sticker
- 1 - 56980 Change-Over Sticker
- 1 - 56981 Valve Number Sticker

67. ORIFICE INFORMATION


Burner Orifice			
 <p style="text-align: right; font-size: 0.8em;">DRY1222S</p>			
Kind of Gas	Outer Orifice Part No.	Inner Orifice Part No.	Stamp Code
Natural/Mixed	55493	-	37T
	-	55494	40
Liquefied Petroleum (L.P.)	56978	-	53T
	-	56977	53

Figure 45



WARNING

To reduce the risk of electric shock, fire, explosion, serious injury or death:

- **Disconnect electric power to the dryer(s) before servicing.**
- **Close gas shut-off valve to gas dryer(s) before servicing.**
- **Never start the dryer(s) with any guards/panels removed.**
- **Whenever ground wires are removed during servicing, these ground wires must be reconnected to ensure that the dryer is properly grounded.**

W001R1

68. INSTALLATION INSTRUCTIONS FOR 56975 OR 56976 GAS KITS

Refer to *Figure 46*

a. **Through Serial No. S840L627**

Insert key into access door lock and turn one quarter turn counterclockwise. Refer to *Figure 11*.

b. **Starting Serial No. S840L628**

Remove Phillips head screw and washer holding access door to front panel. Refer to *Figure 11*.

c. Apply thumb pressure to the right side of access door. When door opens, move door to the left to disengage from door supports. Refer to *Figure 11*.

d. Close gas shut-off valve and disconnect wires at quick disconnect block and from sensor terminals.

e. Loosen union nut between gas shut-off valve and nipple on gas valve, unthread nut from shut-off valve completely.

f. Remove three screws holding gas valve and bracket to dryer base.

g. Carefully remove gas valve and bracket from dryer.

h. **Natural/Mixed to L.P. Gas 56475 Gas Kit:**

- (1) Remove the outer burner orifice from the orifice adapter and install No. 56978 Burner Orifice (metal stamped No. 53T). Torque new burner orifice to 15 inch pounds (1.7 Nm).
- (2) Remove burner orifice adapter from gas valve.
- (3) Remove inner burner orifice from gas valve body, then install No. 56977 Burner Orifice (metal stamped No. 53). Torque new burner orifice to 15 inch pounds (1.7 Nm).
- (4) Install burner orifice adapter (removed in step two) on gas valve. Torque orifice adapter to 15 inch pounds (1.7 Nm).
- (5) Remove the vent screw and install No. 53390 Block-Open Plug and Gasket.

(6) Install No. 55753 “Valve Converted” Sticker to top side of gas valve so it covers the gas valve part number. Refer to *Figure 46*.

(7) Install No. 56426 L.P. Gas Sticker over the old sticker on rear of cabinet, and apply No. 56979 Change-Over Sticker to inside of the loading door opening above the serial plate.

(8) Install gas valve assembly into dryer and connect union nut.

(9) Open shut-off valve in gas supply line and check all pipe connections for gas leaks.

(10) Connect electrical service to dryer.

(11) Start dryer and observe burner flame through access door opening. Adjust air shutter to obtain a soft, uniform flame. (A lazy, orange tipped flame indicates lack of air. A harsh, roaring, very blue flame indicates too much air.) Adjust air shutter to obtain a soft uniform blue flame as follows:

- (a) Loosen air shutter lockscrew.
- (b) Turn air shutter to the right or left as necessary to obtain proper flame intensity.
- (c) After air shutter is adjusted for proper flame, tighten air shutter lockscrew securely.

(12) Reinstall access door.

i. **L.P. to Natural/Mixed Gas**

56976 Gas Kit:

- (1) Remove the outer burner orifice from the orifice adapter and install No. 55493 Burner Orifice (metal stamped No. 37T). Torque new burner orifice to 15 inch pounds (1.7 Nm).
- (2) Remove burner orifice adapter from gas valve.
- (3) Remove inner burner orifice from inside of gas valve body, then install No. 55494 Burner Orifice (metal stamped No. 40). Torque new burner orifice to 15 inch pounds (1.7 Nm).



WARNING

To reduce the risk of electric shock, fire, explosion, serious injury or death:

- Disconnect electric power to the dryer(s) before servicing.
- Close gas shut-off valve to gas dryer(s) before servicing.
- Never start the dryer(s) with any guards/panels removed.
- Whenever ground wires are removed during servicing, these ground wires must be reconnected to ensure that the dryer is properly grounded.

W001R1

- (4) Install burner orifice adapter (removed in step two) on gas valve. Torque orifice adapter to 15 inch pounds (1.7 Nm).
- (5) Remove the block-open plug and install No. 53952 Vent Screw.
- (6) Install No. 56981 Valve Number Sticker on top side of gas valve so it covers the gas valve converted sticker. Refer to *Figure 46*.
- (7) Install No. 56427 Natural Gas Sticker over the old sticker on rear of cabinet, and apply No. 56980 Change-Over Sticker to inside of the loading door opening above the serial plate.
- (8) Install gas valve assembly into dryer and connect union nut.
- (9) Open shut-off valve in gas supply line and check all pipe connections for gas leaks.
- (10) Connect electrical service to dryer.
- (11) Start dryer and observe burner flame through access door opening. Adjust air shutter to obtain a soft, uniform flame. (A lazy, orange tipped flame indicates lack of air. A harsh, roaring, very blue flame indicates too much air.) Adjust air shutter to obtain a soft uniform blue flame as follows:
 - (a) Loosen air shutter lockscrew.
 - (b) Turn air shutter to the right or left as necessary to obtain proper flame intensity.
 - (c) After air shutter is adjusted for proper flame, tighten air shutter lockscrew securely.
- (12) Reinstall access door.

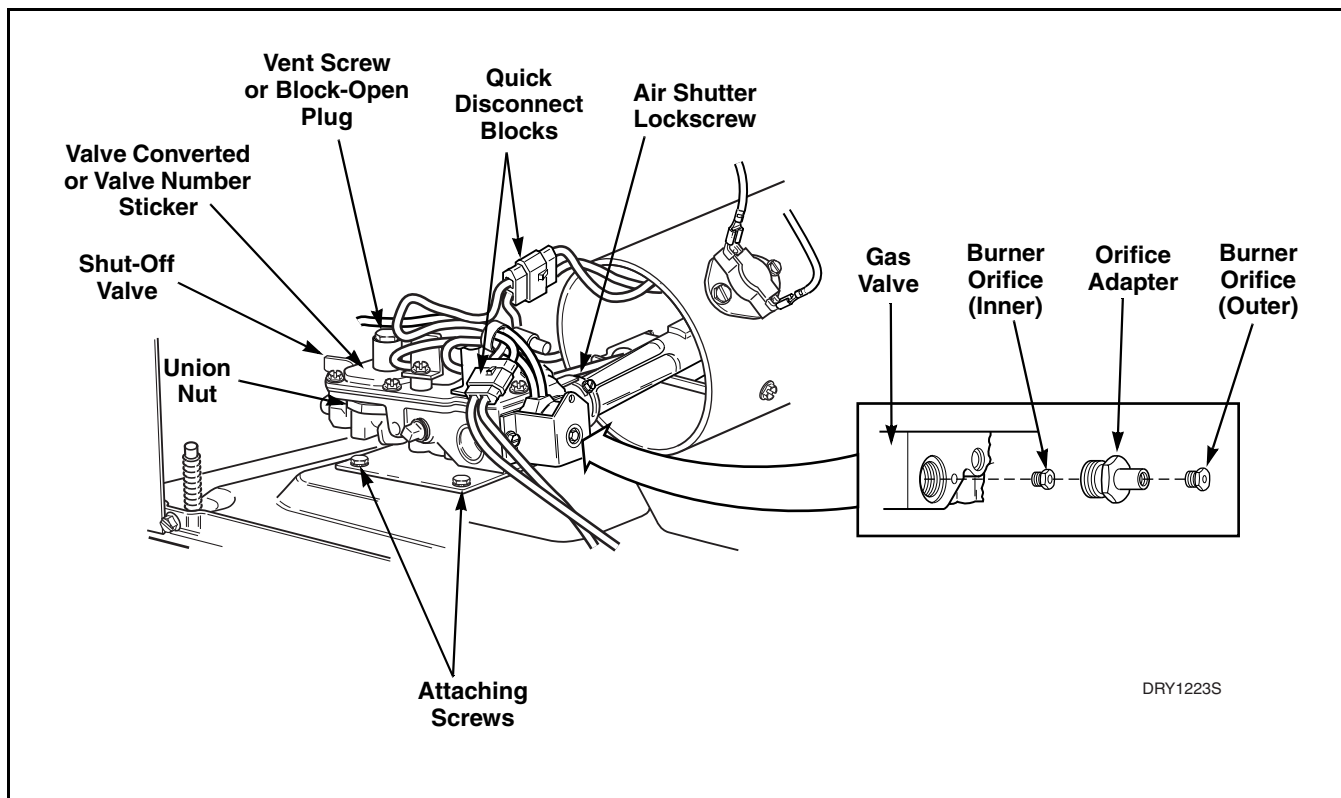


Figure 46

Section 7

Internal Wiring of Dryer Motor Switch

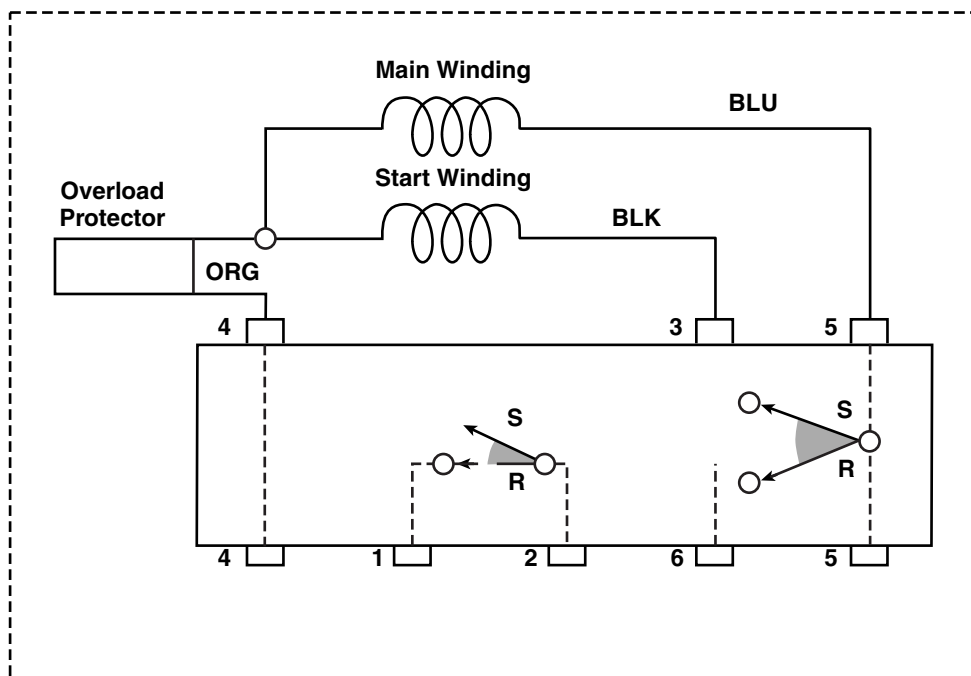


WARNING

To reduce the risk of electric shock, fire, explosion, serious injury or death:

- Disconnect electric power to the dryer(s) before servicing.
- Close gas shut-off valve to gas dryer(s) before servicing.
- Never start the dryer(s) with any guards/panels removed.
- Whenever ground wires are removed during servicing, these ground wires must be reconnected to ensure that the dryer is properly grounded.

W001R1



DRY869S

Figure 47