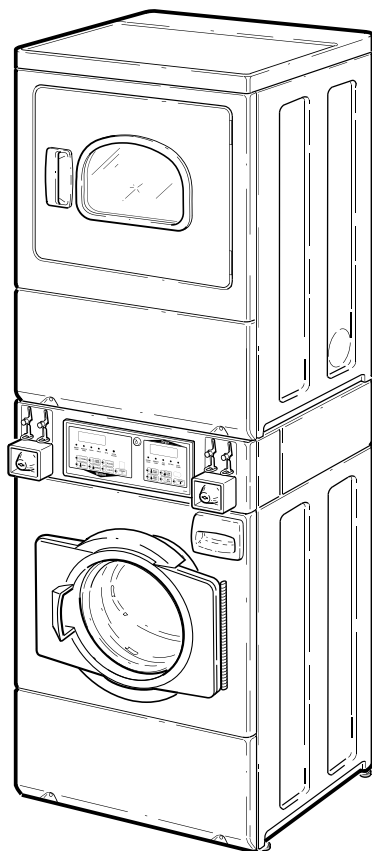


Commercial Stacked Washer/ Dryers

Refer to Page 3 for Model Numbers



SWD445C_801773

Table of Contents

Parts Ordering Information.....	2
Nameplate Location	2
Model Identification	3
Control Panel and Controls	4
Control Cabinet Controls.....	6
Electrical Access Panel, Filters and Terminal Block	8
Cabinet Wrapper and Coin Drop.....	10
Electronic Coin Drop	12
Cabinet Wrapper and Card Reader	14
Control Cabinet and Controls.....	16
Electrical Access Panel, Filters and Terminal Block	18
Washer Front Panel and Door Assembly (Drawing 1 of 2)	20
Washer Front Panel and Door Assembly (Drawing 2 of 2)	22
Dispenser Assembly and Door Seal	24
Mixing Valve, Valve-to-Dispenser Inlet Hose and Fill Hose	26
Outer Tub, Front and Clamp Ring.....	28
Inner Basket, Trunnion, Bearing Housing and Pulley	30
Washer Motor and Belt	32
Drain Hoses and Valve	34
Hoses and Pump	36
Washer Base, Side Panels and Rear Panel	38
Junction Box	40
Wire Ties and Harness Clips	42
Dryer Loading Door with Window	44
Dryer Access Panel, Front Panel and Seal.....	46
Dryer Motor, Blower Fan and Belt.....	48
Front Bulkhead, Air Duct, Felt Seal and Cylinder	50
Rear Bulkhead, Felt Seal, Cylinder Roller and Terminal Block.....	52
Heater Duct and Element Assembly (Drawing 1 of 2).....	54
Heater Duct and Element Assembly (Drawing 2 of 2).....	56
Heater Duct Assembly	58
Gas Valve, Igniter and Gas Conversion Kits.....	60
Dryer Cabinet, Exhaust Duct and Base	62
Dryer Power Cord	64
Dryer Motor Connection Block, Terminal Extractor Tools	66
Terminals	68
Shipping Materials	70
Labels	72
Special Tools	74
Wire Harnesses and Wires	76
Parts Index.....	79

© Copyright 2010, Alliance Laundry Systems LLC

All rights reserved. No part of the contents of this book may be reproduced or transmitted in any form or by any means without the expressed written consent of the publisher.

Parts Ordering Information

If literature or replacement parts are required, contact the source from whom the machine was purchased or contact Alliance Laundry Systems at (920) 748-3950 for the name and address of the nearest authorized parts distributor.

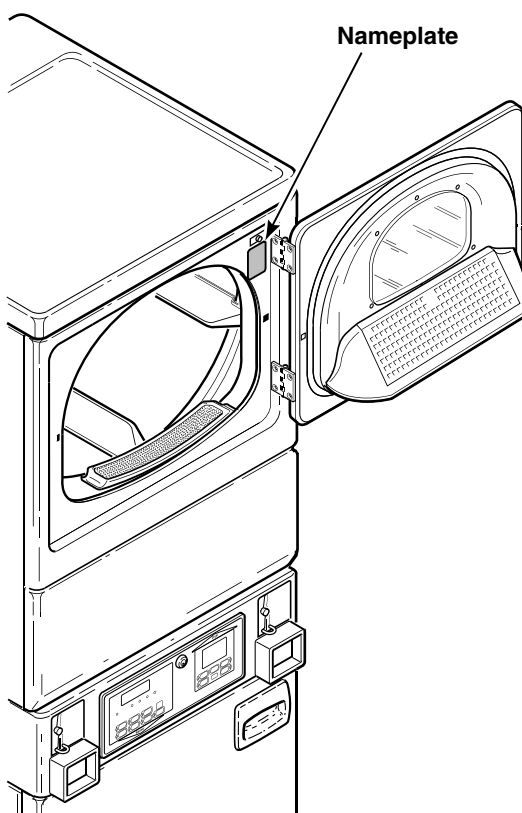
For technical assistance, call either of the numbers listed below:

(920) 748-3121 Ripon, Wisconsin

+32 56 41 20 54 Wevelgem, Belgium

Nameplate Location

When calling or writing about your product, be sure to mention model and serial numbers. Model and serial numbers are located on nameplate(s) as shown.



SWD1165P_801773

Model Identification

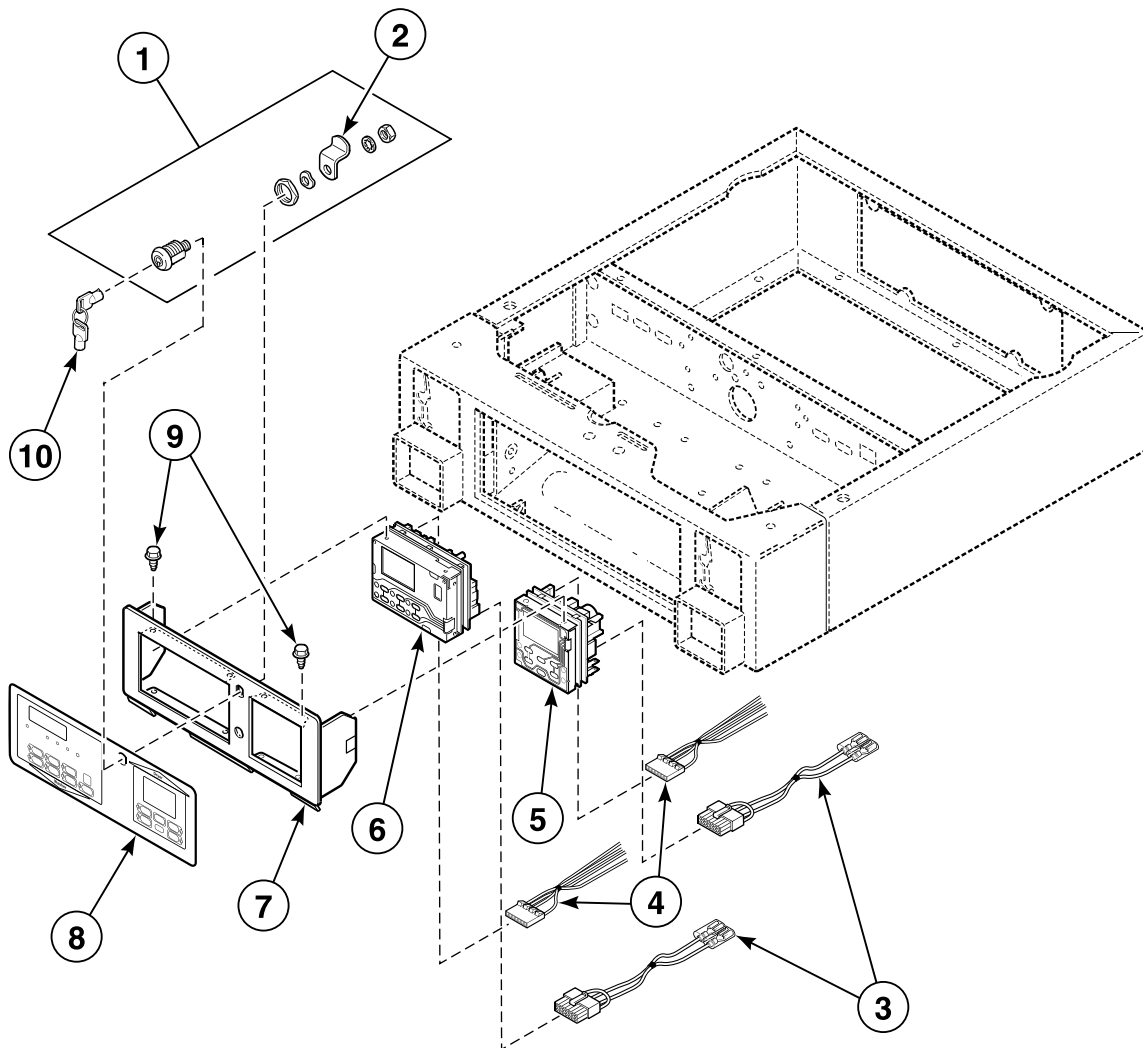
Information in this manual is applicable to these washer/dryer models:

BTEL15*N4065	HTEX17*N2902	HTGX19*N0902	NTGX19*N4067	STEX17*N4064
BTEL17*N4065	HTEX17*N4064	HTGY19*N0902	STEA17*N4350	STEX17*N4350
BTEX15*N4065	HTEY17*N2802	HTGZ19*N0902	STEF17*N4350	STEX17*N5754
BTEX17*N4065	HTEY17*N4064	NTEL17*N4064	STEX17*N3000	STEY17*N4064
HTEB17*N2802	HTEZ17*N2802	NTEX17*N4064	STEX17*N3020	STEY17*N5754
HTET17*N2802	HTGB19*N0902	NTEX17*N4067	STEX17*N3069	STGX19*N3000
HTEX17*N2802	HTGT19*N0902	NTGL19*N4067	STEX17*N3300	STGX19*N3060
				STGX19*N3069

* Add Letter To Designate Color. Q - Bisque W - White

Control Panel and Controls

All Models Except BTEL15*N4065, BTEL17*N4065, NTEL17*N4064 and NTGL19*N4067



SWD1265P_801773

Control Panel and Controls

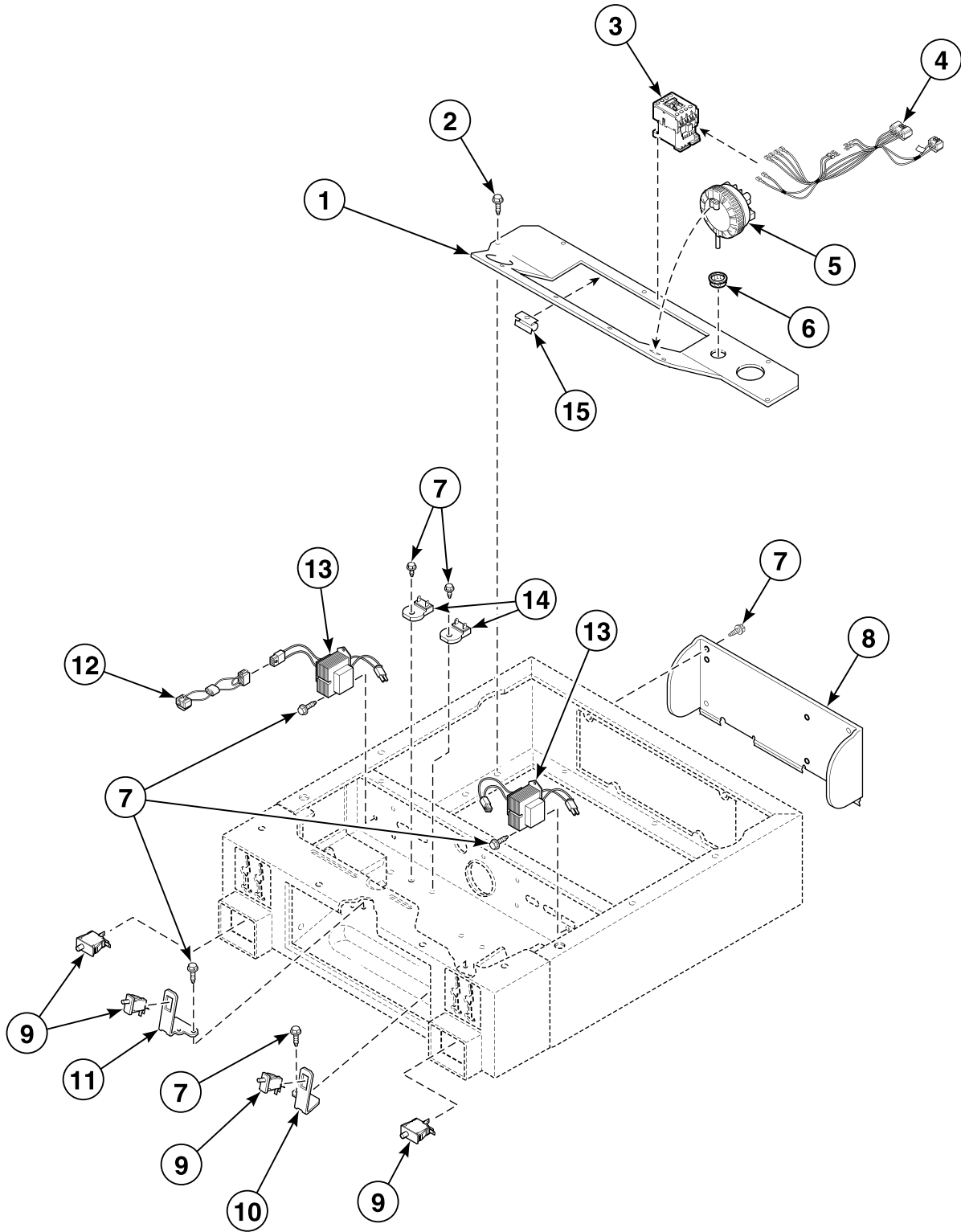
REF	PART NO.	DESCRIPTION	COMMENTS
1	27260P	Lock Kit	
2	27261	Lock Cam	
3	800374	Diagnostic Wire Harness Assembly	Models HTEY17*N2802, HTEY17*N4064, HTGY19*N0902, STEF17*N4350, STEY17*N4064 and STEY17*N5754
4	511478	MDC Central Pay Harness	
5	505905P	Control Kit	Models HTEB17*N2802, HTGB19*N0902, STEA17*N4350 and STEF17*N4350
	511867P	Control Assembly	All other models
6	800772P	Control Kit	Models HTEB17*N2802, HTGB19*N0902, STEA17*N4350 and STEF17*N4350
	802400P	Control Assembly	Models BTEX15*N4065, BTEX17*N4065, HTEX17*N4064, HTEY17*N4064, NTEX17*N4064, NTEX17*N4067, NTGX19*N4067, STEX17*N4064, STEX17*N5754, STEY17*N4064 and STEY17*N5754
	802248P	Control Assembly	All other models
7	800034W	Control Panel and Bracket Assembly	
8	800026	Overlay	Model STEA17*N4350
	800027	Overlay	Model STEF17*N4350
	801054	Overlay	Models HTET17*N2802, HTEX17*N2802, HTEX17*N2902, HTEY17*N2802, HTEZ17*N2802, HTGT19*N0902, HTGX19*N0902, HTGY19*N0902 and HTGZ19*N0902
	801051	Overlay	Models STEX17*N3000, STEX17*N3300, STEX17*N4350, STGX19*N3000 and STGX19*N3060
	800894	Overlay	Models HTEB17*N2802 and HTGB19*N0902
	N/A	Overlay	Models HTEX17*N4064 and HTEY17*N4064
	801138	Overlay	Models STEX17*N3020, STEX17*N3069 and STGX19*N3069
	801415	Overlay	Models STEX17*N4064, STEX17*N5754, STEY17*N4064 and STEY17*N5754
	802078	Overlay	Models NTEX17*N4064, NTEX17*N4067 and NTGX19*N4067
	801874	Front Overlay	Models BTEX15*N4065 and BTEX17*N4065
9	501524	Screw	
10	54612	Key	GR800

* Add Letter To Designate Color. Q - Bisque W - White

N/A = Part no longer available

Control Cabinet Controls

All Models Except BTEL15*N4065, BTEL17*N4065, NTEL17*N4064 and NTGL19*N4067



SWD1209P_801773

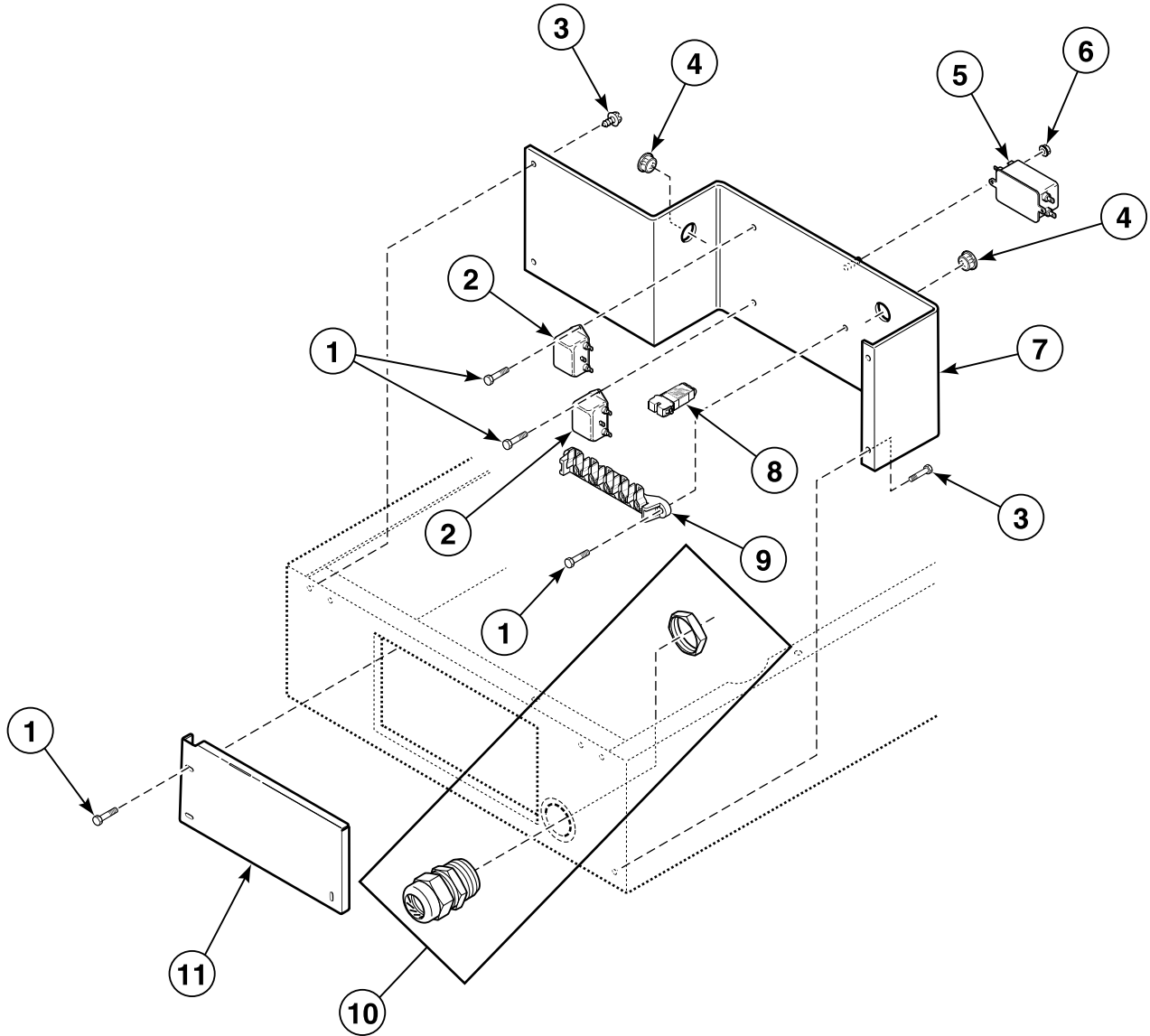
Control Cabinet Controls

REF	PART NO.	DESCRIPTION	COMMENTS
1	801371	Control Shield	No service door
	801372	Control Shield	Uses service door
2	503661	Screw	
3	F330177P	Contactora	Models BTEX15*N4065, BTEX17*N4065, HTEX17*N4064, HTEY17*N4064, NTEX17*N4064, NTEX17*N4067, NTGX19*N4067, STEX17*N4064, STEX17*N5754, STEY17*N4064 and STEY17*N5754
4	801120P	Contactora Wire Harness Assembly	Models BTEX15*N4065, BTEX17*N4065, HTEX17*N4064, HTEY17*N4064, NTEX17*N4064, NTEX17*N4067, NTGX19*N4067, STEX17*N4064, STEX17*N5754, STEY17*N4064 and STEY17*N5754
5	801297P	Pressure Switch	Models HTEX17*N4064, HTEY17*N4064, NTEX17*N4064, NTEX17*N4067, NTGX19*N4067, STEX17*N4064, STEX17*N5754, STEY17*N4064 and STEY17*N5754
	801610P	Pressure Switch	Models BTEX15*N4065 and BTEX17*N4065
	800468P	Pressure Switch	All other models
6	M402542	Snap Bushing	
7	503688	Screw	
8	800177	Security Cabinet Rear Service Panel	All models except BTEX15*N4065, BTEX17*N4065, HTEX17*N4064, HTEY17*N4064, NTEX17*N4064, NTEX17*N4067, NTGX19*N4067, STEX17*N4064, STEX17*N5754, STEY17*N4064 and STEY17*N5754
9	504570	Switch	
10	800380	Audit Switch Bracket	Right
11	800379	Audit Switch Bracket	Left
12	M413507	Jumper Configuration Assembly	Models BTEX15*N4065, BTEX17*N4065, HTEX17*N4064, HTEY17*N4064, NTEX17*N4064, NTEX17*N4067, NTGX19*N4067, STEA17*N4350, STEF17*N4350, STEX17*N3000, STEX17*N3020, STEX17*N3069, STEX17*N3300, STEX17*N4064, STEX17*N4350, STEX17*N5754, STEY17*N4064, STEY17*N5754, STGX19*N3000, STGX19*N3060 and STGX19*N3069
13	210018P	Transformer	Models HTEB17*N2802, HTET17*N2802, HTEZ17*N2802, HTGB19*N0902, HTGT19*N0902 and HTGZ19*N0902
	201375P	Transformer	Some models may have jumper wire attached to transformer. Discard jumper wire when replacing transformer; Models HTEX17*N2802, HTEX17*N2902, HTEY17*N2802, HTGX19*N0902 and HTGY19*N0902 starting Serial No. 0408008369
	210019P	Transformer	Models HTEX17*N2802, HTEX17*N2902, HTEY17*N2802, HTGX19*N0902 and HTGY19*N0902 through Serial No. 0408008368; Models BTEX15*N4065, BTEX17*N4065, HTEX17*N4064, HTEY17*N4064, NTEX17*N4064, NTEX17*N4067, NTGX19*N4067, STEA17*N4350, STEF17*N4350, STEX17*N3000, STEX17*N3020, STEX17*N3069, STEX17*N3300, STEX17*N4064, STEX17*N4350, STEX17*N5754, STEY17*N4064, STEY17*N5754, STGX19*N3000, STGX19*N3060 and STGX19*N3069
14	210100	Resistor	
15	36985	Hose Clip	

* Add Letter To Designate Color. Q - Bisque W - White

Electrical Access Panel, Filters and Terminal Block

Models BTEX15*N4065, BTEX17*N4065, HTEX17*N4064, HTEY17*N4064, NTEX17*N4064, NTEX17*N4067, NTGX19*N4067, STEX17*N4064, STEX17*N5754, STEY17*N4064 and STEY17*N5754



FLW861P_801773

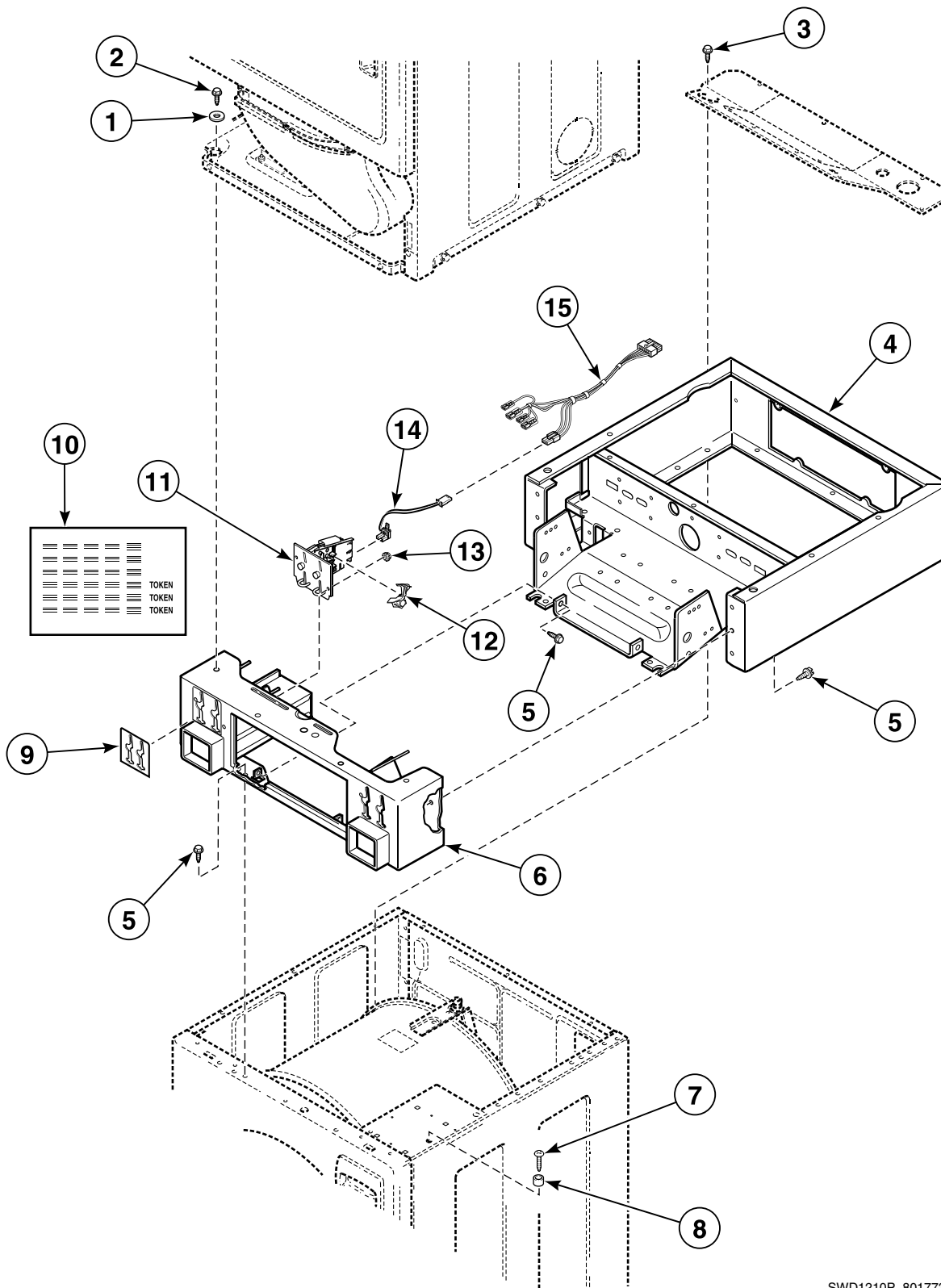
Electrical Access Panel, Filters and Terminal Block

REF	PART NO.	DESCRIPTION	COMMENTS
1	503661	Screw	
2	801255P	Filter	
3	503688	Screw	
4	M402542	Snap Bushing	
5	201058	Line Filter	
6	29787	Nut	
7	801250	Terminal Block Assembly	
8	801311	Network Varistor Assembly	
9	505876	Terminal Block Assembly	
10	801792P	Fitting	
11	801134	Electric Access Panel	

* Add Letter To Designate Color. Q - Bisque W - White

Cabinet Wrapper and Coin Drop

Models BTEX15*N4065, BTEX17*N4065, HTEB17*N2802, HTET17*N2802, HTEX17*N2802, HTEX17*N2902, HTEX17*N4064, HTEZ17*N2802, HTGB19*N0902, HTGT19*N0902, HTGX19*N0902, HTGZ19*N0902, NTEX17*N4064, NTEX17*N4067, NTGX19*N4067, STEA17*N4350, STEX17*N3000, STEX17*N3020, STEX17*N3069, STEX17*N3300, STEX17*N4064, STEX17*N4350, STEX17*N5754, STGX19*N3000, STGX19*N3060 and STGX19*N3069



SWD1210P_801773

Cabinet Wrapper and Coin Drop

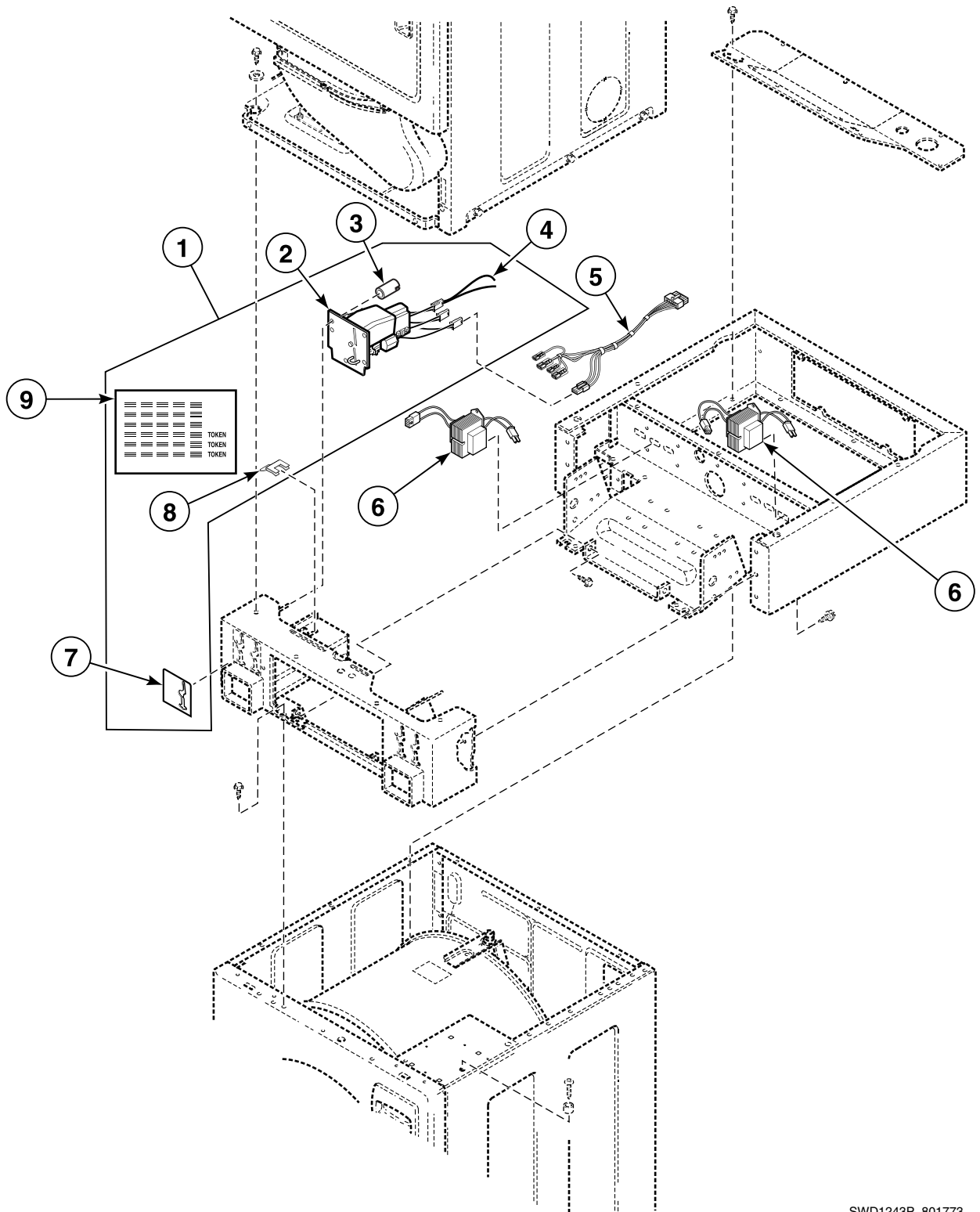
REF	PART NO.	DESCRIPTION	COMMENTS
1	26509	Washer	
2	36048	Screw	
3	503661	Screw	
4	801235W	Security Cabinet Wrapper Assembly	White; Models BTEX15*N4065, BTEX17*N4065, HTEX17*N4064, NTEX17*N4064, NTEX17*N4067, NTGX19*N4067, STEX17*N4064 and STEX17*N5754
	801235Q	Security Cabinet Wrapper Assembly	Bisque; Models BTEX15*N4065, BTEX17*N4065, HTEX17*N4064, NTEX17*N4064, NTEX17*N4067, NTGX19*N4067, STEX17*N4064 and STEX17*N5754
	800231W	Security Cabinet Wrapper Assembly	White; All other models
	800231Q	Security Cabinet Wrapper Assembly	Bisque; All other models
5	503688	Screw	
6	511632WP	Security Cabinet Front Assembly	White
	511632Q	Security Cabinet Front Assembly	Bisque
7	39733	Screw	
8	56079	Panel Locator	
9	38676	Overlay Kit	Dual drop
	39073	Dual Overlay	Models HTEB17*N2802, HTET17*N2802, HTEZ17*N2802, HTGB19*N0902, HTGT19*N0902 and HTGZ19*N0902; Dual drop
	201091	Overlay	Single drop
10	38725	Coin Identification Paper	
11	200578P	Coin Drop Assembly	Canada; \$.25 and \$1.00
	38464P	Coin Drop Assembly	Canada; \$.25
	38467	Coin Drop Assembly	Australia; \$.20 and \$1.00
	38472	Coin Drop Assembly	England; 20 pence and 1 pound
	38519	Coin Drop Assembly	Japan; 100 yen and 500 yen
	38521	Coin Drop Assembly	Korea; 100 won and 500 won
	N/A	Coin Drop Assembly	New Zealand; \$.20 and \$1.00
	38462P	Coin Drop Assembly	Token; STD-118-1
	38463	Coin Drop Assembly	Token; STD-118-5
	38963P	Coin Drop	Token; STD-118-16
12	201595P	Wire Guard	Anti-stringing security device; Add to coin drops manufactured starting January 2005
13	29786	Nut	
14	200674P	Opto Coupler	
15	802905	Harness Assembly	

* Add Letter To Designate Color. Q - Bisque W - White

N/A = Part no longer available

Electronic Coin Drop

Models BTEX15*N4065, BTEX17*N4065, HTEB17*N2802, HTET17*N2802, HTEX17*N2802, HTEX17*N2902, HTEX17*N4064, HTEZ17*N2802, HTGB19*N0902, HTGT19*N0902, HTGX19*N0902, HTGZ19*N0902, NTEX17*N4064, NTEX17*N4067, NTGX19*N4067, STEA17*N4350, STEX17*N3000, STEX17*N3020, STEX17*N3069, STEX17*N3300, STEX17*N4064, STEX17*N4350, STEX17*N5754, STGX19*N3000, STGX19*N3060 and STGX19*N3069



SWD1243P_801773

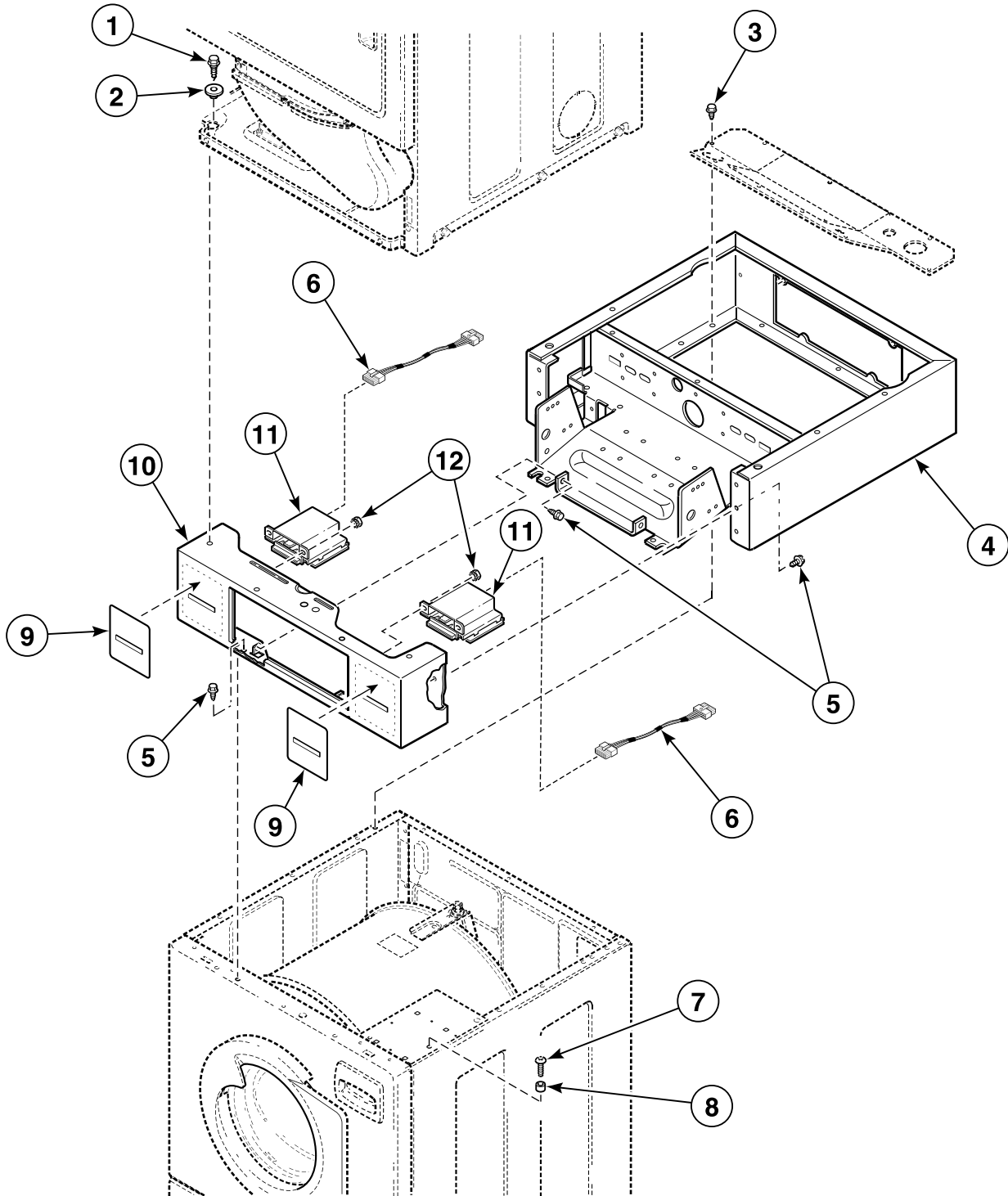
Electronic Coin Drop

REF	PART NO.	DESCRIPTION	COMMENTS
1	CK095	Electronic Coin Drop Kit	Includes items 2-4 and 7-9; United States, Canada, Japan and Taiwan coins
	CK099	Electronic Coin Drop Kit	Includes items 2-4 and 7-9; Australia, New Zealand, Hong Kong and South Korea coins
	CK100	Electronic Coin Drop Kit	Includes items 2-4 and 7-9; Euro and Great Britain coins
	CK101	Electronic Coin Drop Kit	Includes items 2-4 and 7-9; Euro, Denmark and Norway coins
	CK103	Electronic Coin Drop Kit	Includes items 2-4 and 7-9; Euro, Lithuania and Latvia coins
	CK106	Electronic Coin Drop Kit	Includes items 2-4 and 7-9; Malaysia, China, Russia and Singapore coins
	CK108	Electronic Coin Drop Kit	Includes items 2-4 and 7-9; South African 1, 2 and 5 rand coins
	CK109	Electronic Coin Drop Kit	Includes items 2-4 and 7-9; Euro coins
	CK110	Electronic Coin Drop Kit	Includes items 2-4 and 7-9; Mexican, Ecuador and United States coins
2	70294101P	Electronic Coin Drop Assembly	United States, Canada, Japan and Taiwan coins
	70294105P	Electronic Coin Drop Assembly	Australia, New Zealand, Hong Kong and South Korea coins
	70294103P	Electronic Coin Drop Assembly	Euro and Great Britain coins
	70294104	Electronic Coin Drop Assembly	Euro, Denmark and Norway coins
	70294107	Electronic Coin Drop Assembly	Euro, Lithuania and Latvia coins
	70294109	Electronic Coin Drop Assembly	Malaysia, China, Russia and Singapore coins
	70294110	Electronic Coin Drop Assembly	South African 1, 2 and 5 rand coins
	70294111	Electronic Coin Drop Assembly	Euro coins
	70294106	Electronic Coin Drop Assembly	Mexican, Ecuador and United States coins
3	201216	Nut	
4	201104	Coin Drop Wire Harness	
5	802905	Harness Assembly	Electronic coin drop requires this harness. If unit is not factory-equipped with this harness, it must be ordered separately.
6	201375P	Transformer	Electronic coin drop requires this transformer. If unit is not factory-equipped with this transformer, it must be ordered separately.
7	201091	Overlay	
8	201572	Clip	
9	38725	Coin Identification Paper	

* Add Letter To Designate Color. Q - Bisque W - White

Cabinet Wrapper and Card Reader

Models HTEY17*N2802, HTEY17*N4064, HTGY19*N0902, STEF17*N4350, STEY17*N4064 and STEY17*N5754



SWD1169P_801773

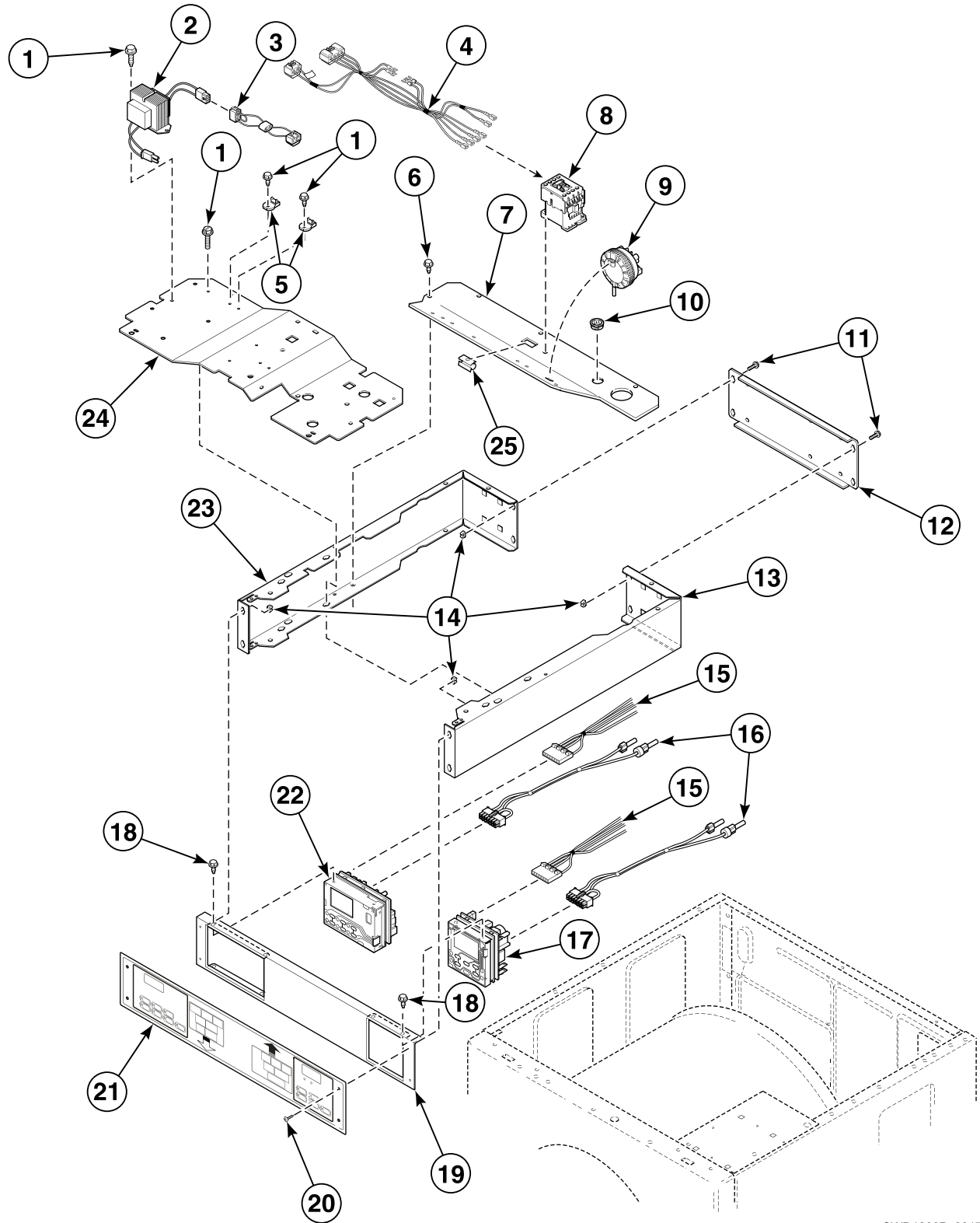
Cabinet Wrapper and Card Reader

REF	PART NO.	DESCRIPTION	COMMENTS
1	36048	Screw	
2	26509	Washer	
3	503661	Screw	
4	801235W	Security Cabinet Wrapper Assembly	White; Models HTEY17*N4064, STEY17*N4064 and STEY17*N5754
	801235Q	Security Cabinet Wrapper Assembly	Bisque; Models HTEY17*N4064, STEY17*N4064 and STEY17*N5754
	800231W	Security Cabinet Wrapper Assembly	White; All other models
	800231Q	Security Cabinet Wrapper Assembly	Bisque; All other models
5	503688	Screw	
6	800125P	Card Reader Wire Harness Assembly	Model STEF17*N4350
7	39733	Screw	
8	56079	Panel Locator	
9	39564	Coin Drop Overlay	Models STEY17*N4064 and STEY17*N5754
	800230	Card Reader Overlay	Model STEF17*N4350
	511548	Card Insert Overlay	All other models
10	511208W	Security Cabinet Front Assembly	White
	511208Q	Security Cabinet Front Assembly	Bisque
11	510068P	Card Reader and Bracket Assembly	Model STEF17*N4350
12	70054	Nut	

* Add Letter To Designate Color. Q - Bisque W - White

Control Cabinet and Controls

Models BTEL15*N4065, BTEL17*N4065, NTEL17*N4064 and NTGL19*N4067



SWD1266P_801773

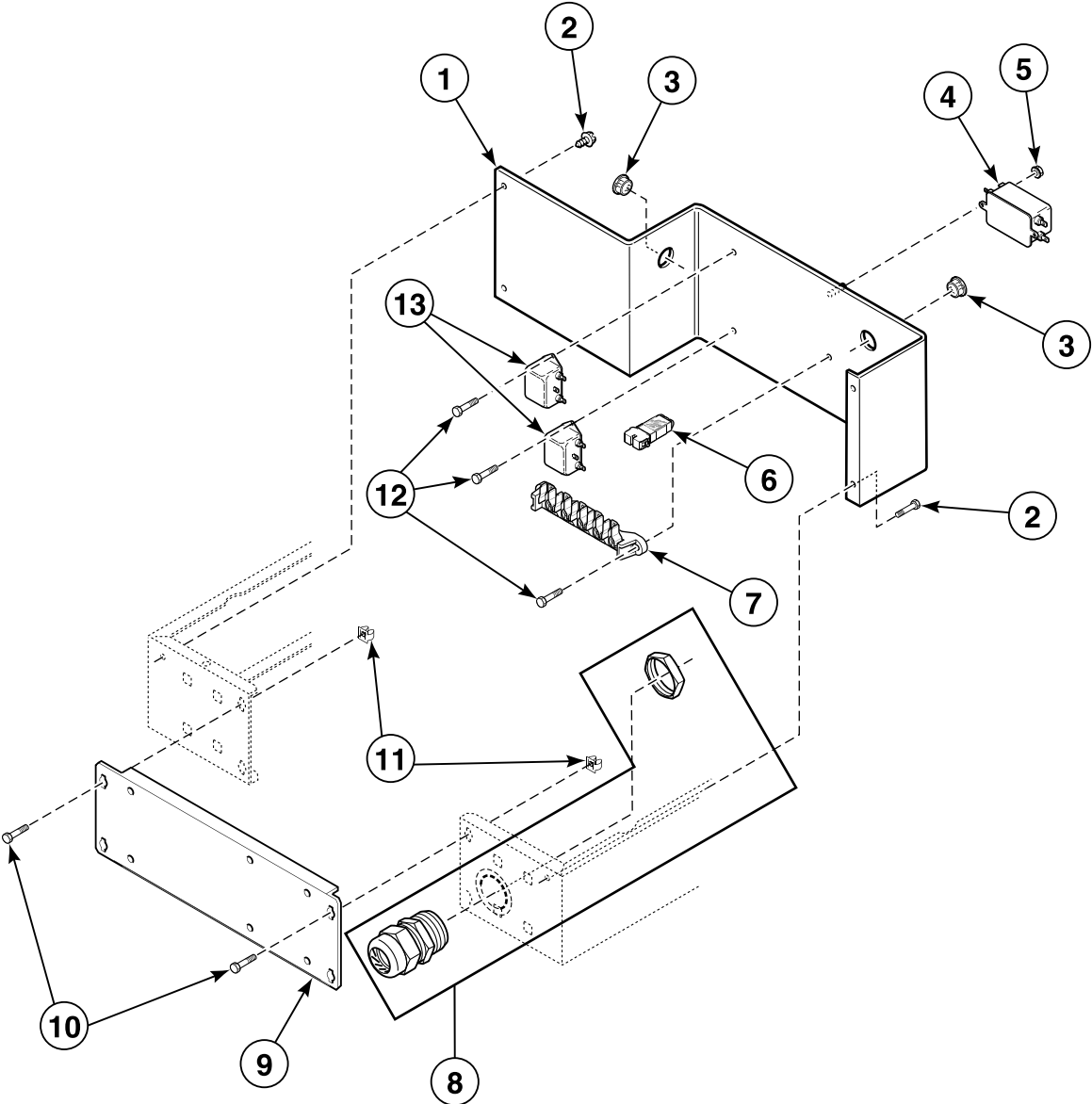
Control Cabinet and Controls

REF	PART NO.	DESCRIPTION	COMMENTS
1	503688	Screw	
2	210019P	Transformer	
3	M413507	Jumper Configuration Assembly	
4	801120P	Contacto Wire Harness Assembly	
5	210100	Resistor	
6	503661	Screw	
7	801371	Control Shield	
8	F330177P	Contacto	
9	801610P	Pressure Switch	Models BTEL15*N4065 and BTEL17*N4065
	801297P	Pressure Switch	All other models
10	M402542	Snap Bushing	
11	70240301	Screw	
12	801058	Rear Control Cabinet	
13	800915W	Right Control Cabinet Side	White
	800915Q	Right Control Cabinet Side	Bisque
14	70030501	Expansion Clip	
15	511478	MDC Central Pay Harness	
16	800680	Diagnostic Wire Harness Assembly	
17	511867P	Control Assembly	Dryer
18	501524	Screw	
19	801778W	Control Panel	
20	800930	Screw	
21	801984	Graphic Overlay	Models BTEL15*N4065 and BTEL17*N4065
	802289	Graphic Overlay	All other models
22	802400P	Control Assembly	Washer
23	801738W	Left Control Cabinet Side	
24	801777	Control Cabinet Bottom	
25	36985	Hose Clip	

* Add Letter To Designate Color. Q - Bisque W - White

Electrical Access Panel, Filters and Terminal Block

Models BTEL15*N4065, BTEL17*N4065, NTEL17*N4064 and NTGL19*N4067



FLW863P_801773

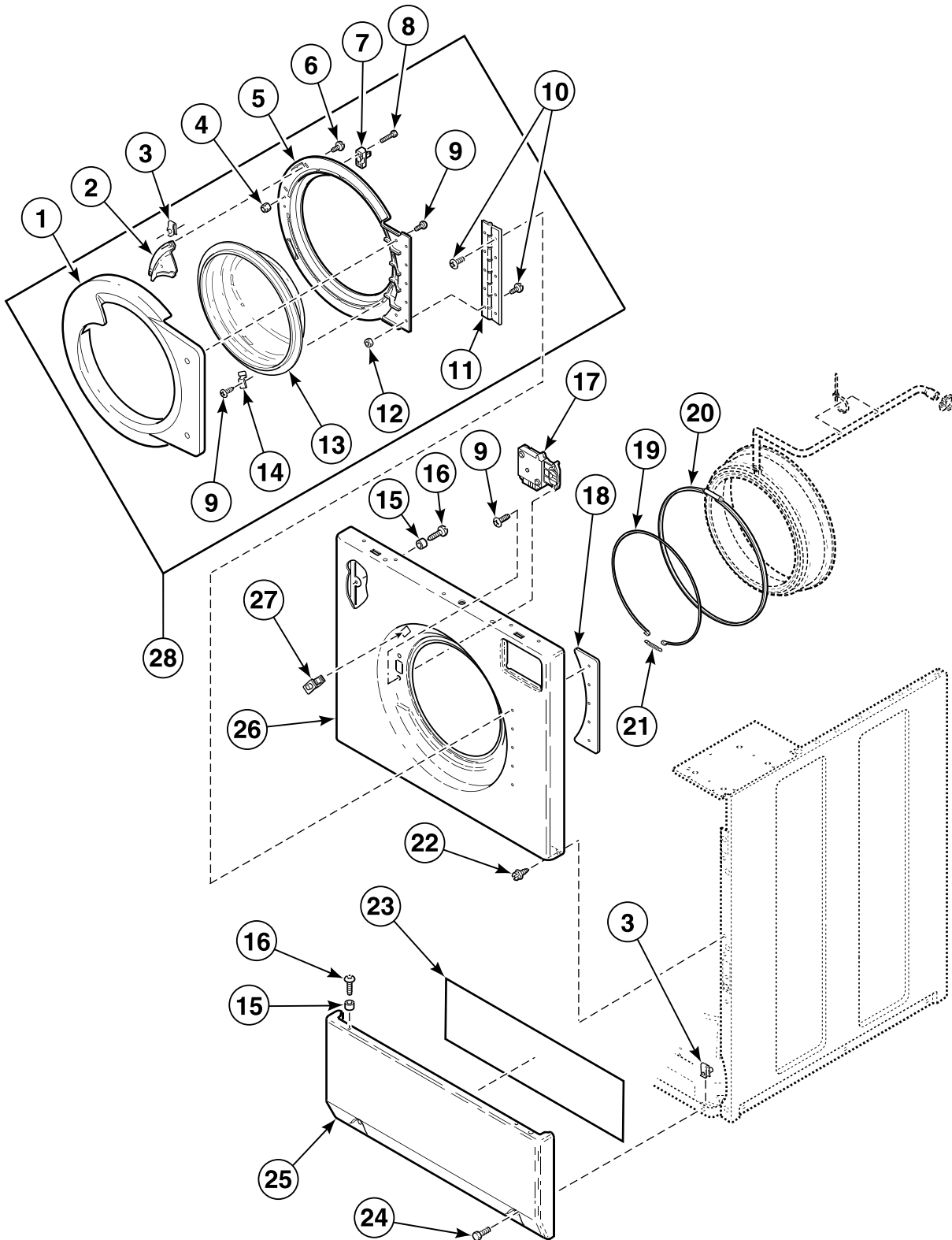
Electrical Access Panel, Filters and Terminal Block

REF	PART NO.	DESCRIPTION	COMMENTS
1	801756	Terminal Block Assembly	
2	503688	Screw	
3	M402542	Snap Bushing	
4	201058	Line Filter	
5	29787	Nut	
6	801311	Network Varistor Assembly	
7	505876	Terminal Block Assembly	
8	801792P	Fitting	
9	801058	Rear Control Cabinet	
10	70240301	Screw	
11	70030501	Expansion Clip	
12	503661	Screw	
13	801255P	Filter	

* Add Letter To Designate Color. Q - Bisque W - White

Washer Front Panel and Door Assembly (Drawing 1 of 2)

Models BTEL15*N4065, BTEL17*N4065, BTEX15*N4065, BTEX17*N4065 and All Other Models Through Serial No. 0411000565



FLW834P_801773

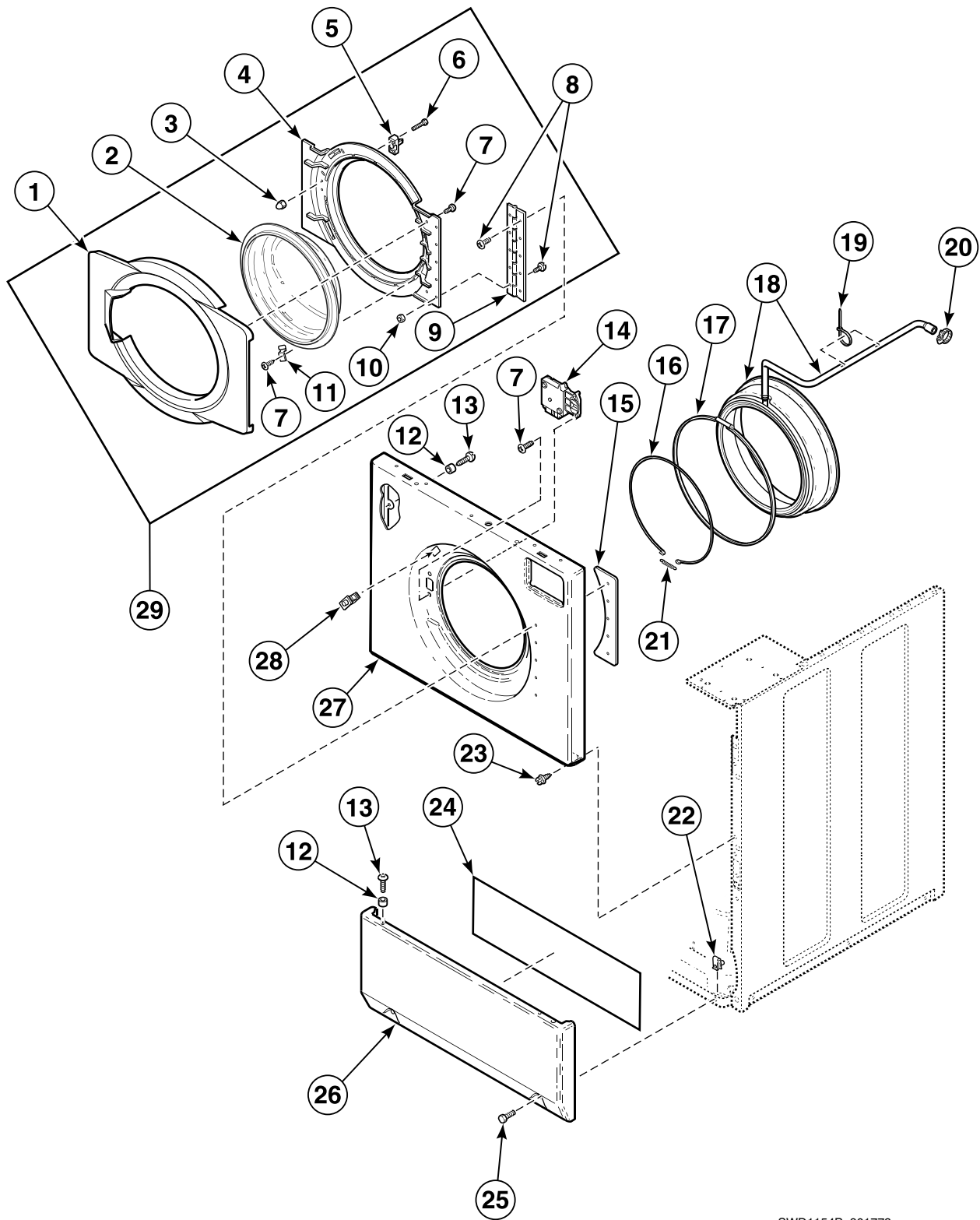
Washer Front Panel and Door Assembly (Drawing 1 of 2)

REF	PART NO.	DESCRIPTION	COMMENTS
1	801868	Outer Door Bezel	Gray; Models BTEL15*N4065, BTEL17*N4065, BTEX15*N4065 and BTEX17*N4065
	800341W	Door Bezel	White; All other models
	800341Q	Door Bezel	Bisque; All other models
2	800342	Door Handle	
3	36020	Nut	
4	685846	Nut	
5	800340	Inner Door Bezel	
6	800528	Screw	
7	685430	Locking Catch	
8	801993	Screw	
9	800548	Screw	
10	801019	Screw	
11	802934	Door Hinge	
12	23951	Nut	
13	800343P	Door Glass	
14	800906	Hold-Down Clip	
15	56079	Panel Locator	
16	39733	Screw	
17	685429	Door Latch/Switch Assembly	
18	802412	Hinge Plate	
19	800438	Wire Clamp Ring	
20	685743P	Door Seal Clamp	
21	800346	Extension Spring	
22	503661	Screw	
23	685368	Access Panel Damper	1 inch by 26 inches
24	801045	Screw	
25	510069WP	Access Panel	White
	510069QP	Access Panel	Bisque
26	800336WP	Front Panel	White
	800336QP	Front Panel	Bisque
27	801821	Door Switch Assembly	Models STEA17*N4350, STEF17*N4350, STEX17*N4350 and STGX19*N3060
	800211	Door Switch	All other models
28	801869	Door Assembly	Gray; Includes items 1-14; Models BTEL15*N4065, BTEL17*N4065, BTEX15*N4065 and BTEX17*N4065
	800436WP	Door Assembly	White; Includes items 1-14; All other models
	800436QP	Door Assembly	Bisque; Includes items 1-14; All other models

* Add Letter To Designate Color. Q - Bisque W - White

Washer Front Panel and Door Assembly (Drawing 2 of 2)

All Models Starting Serial No. 0411000566 Except BTEL15*N4065, BTEL17*N4065, BTEX15*N4065, BTEX17*N4065



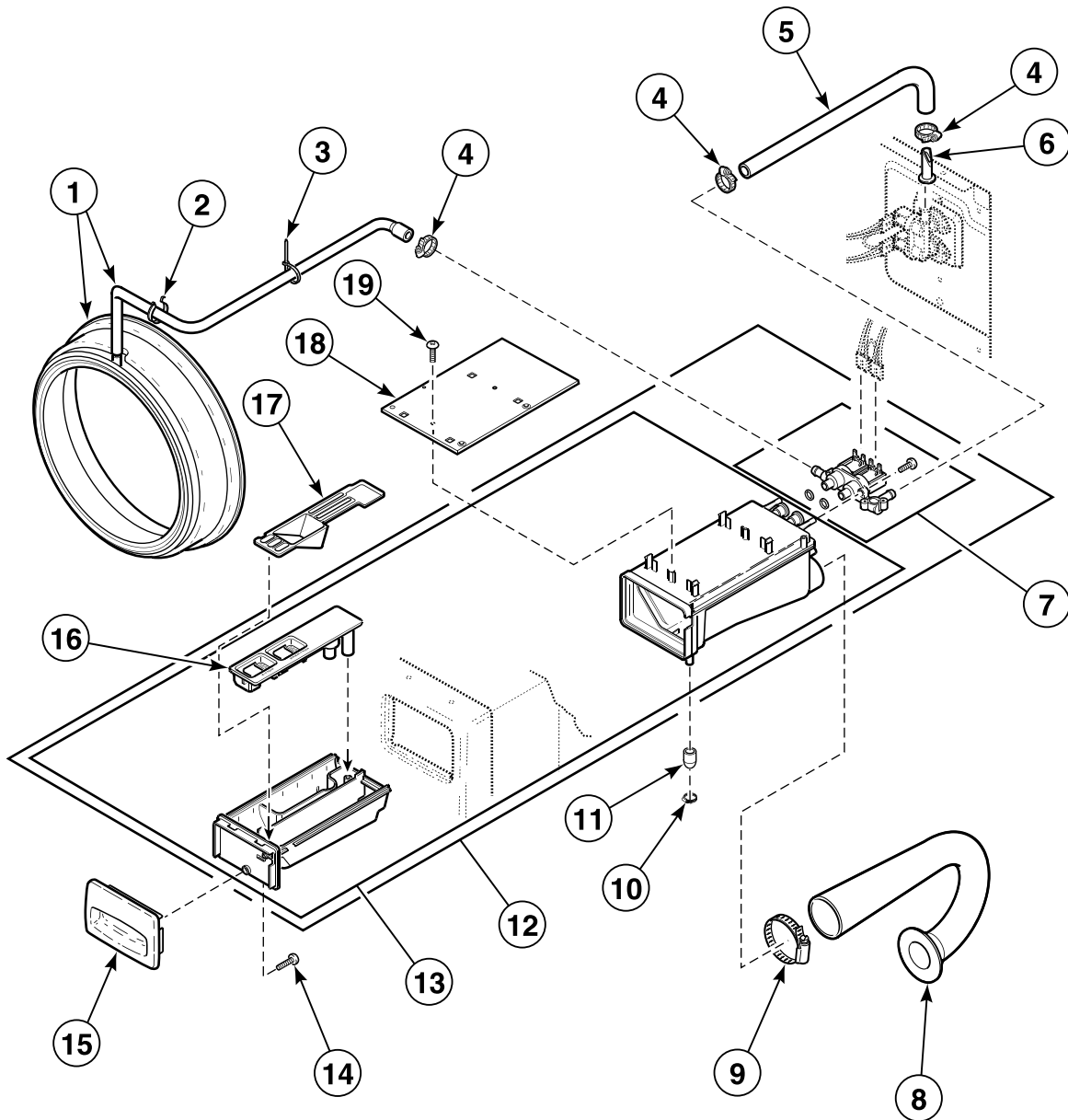
SWD1154P_801773

Washer Front Panel and Door Assembly (Drawing 2 of 2)

REF	PART NO.	DESCRIPTION	COMMENTS
1	801904W	Outer Door Bezel	White
	801904Q	Outer Door Bezel	Bisque
2	800343P	Door Glass	
3	801994	Nut	
4	801903	Inner Door Bezel	
5	685430	Locking Catch	
6	801993	Screw	
7	800548	Screw	
8	801019	Screw	
9	802934	Door Hinge	
10	23951	Nut	
11	800906	Hold-Down Clip	
12	56079	Panel Locator	
13	39733	Screw	
14	685429	Door Latch/Switch Assembly	
15	802412	Hinge Plate	
16	800438	Wire Clamp Ring	
17	685743P	Door Seal Clamp	Seal to outer tub front
18	800232	Door Seal and Hose Assembly	Black
	801784	Door Seal and Hose Assembly	Gray; Models HTEX17*N4064, HTEY17*N4064, NTEL17*N4064, NTEX17*N4064, NTEX17*N4067, NTGL19*N4067, NTGX19*N4067, STEA17*N4350, STEF17*N4350, STEX17*N3000, STEX17*N3020, STEX17*N3069, STEX17*N3300, STEX17*N4064, STEX17*N4350, STEY17*N4064, STGX19*N3000, STGX19*N3060 and STGX19*N3069
19	55881	Harness Strap	
20	802164	Hose Clamp	
21	800346	Extension Spring	
22	36020	Nut	
23	503661	Screw	
24	685368	Access Panel Damper	
25	801045	Screw	
26	510069WP	Access Panel	White
	510069QP	Access Panel	Bisque
27	800336WP	Front Panel	White
	800336QP	Front Panel	Bisque
28	801821	Door Switch Assembly	Models STEA17*N4350, STEF17*N4350, STEX17*N4350 and STGX19*N3060
	800211	Door Switch	All other models
29	801928WP	Door Assembly	White; Includes items 1-11
	801928QP	Door Assembly	Bisque; Includes items 1-11

* Add Letter To Designate Color. Q - Bisque W - White

Dispenser Assembly and Door Seal



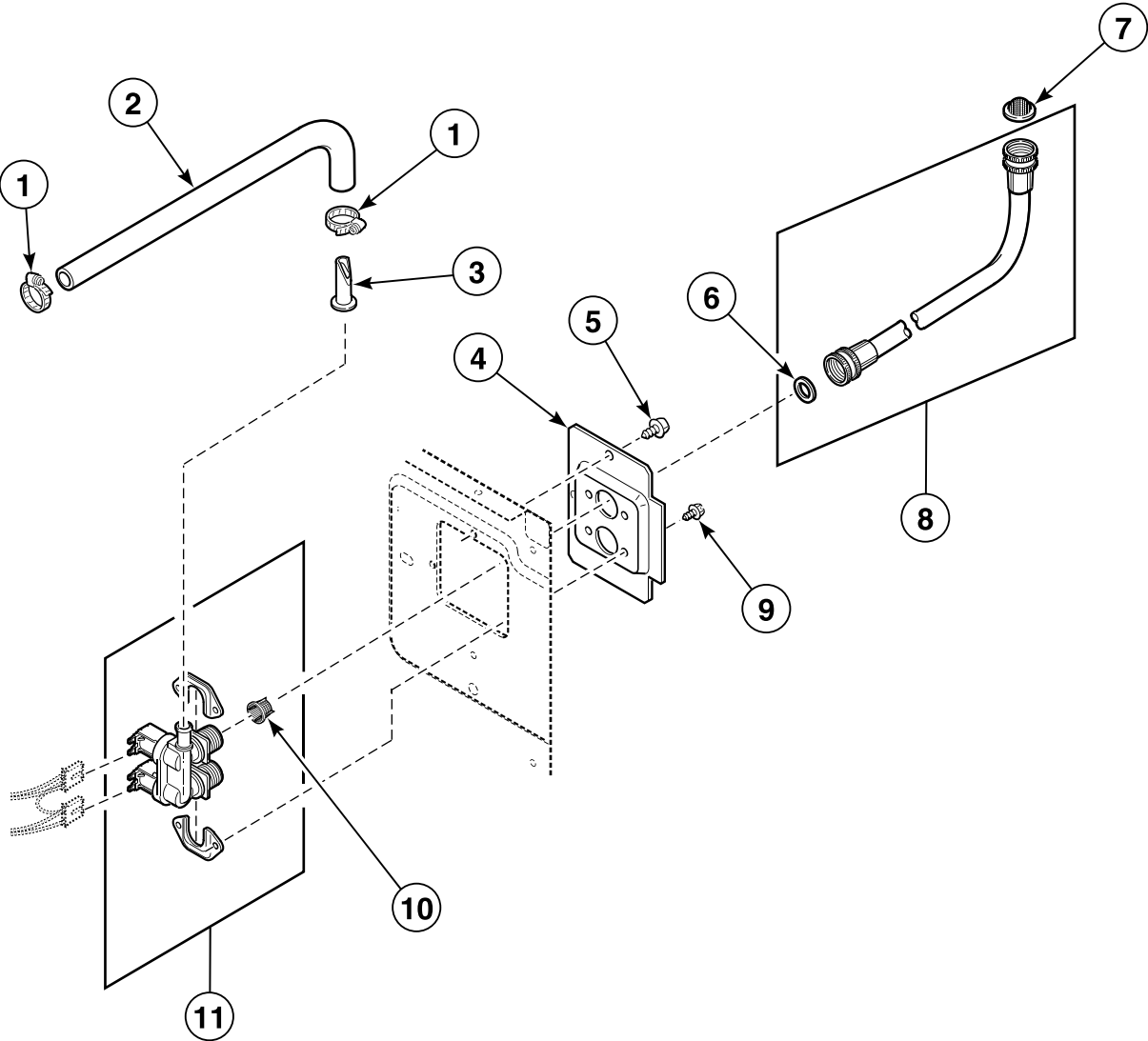
FLW820P_801773

Dispenser Assembly and Door Seal

REF	PART NO.	DESCRIPTION	COMMENTS
1	800232	Door Seal and Hose Assembly	Black
	801784	Door Seal and Hose Assembly	Gray; Models BTEL15*N4065, BTEL17*N4065, BTEX15*N4065, BTEX17*N4065, HTEX17*N4064, HTEY17*N4064, NTEL17*N4064, NTEX17*N4064, NTEX17*N4067, NTGL19*N4067, NTGX19*N4067, STEA17*N4350, STEF17*N4350, STEX17*N3000, STEX17*N3020, STEX17*N3069, STEX17*N3300, STEX17*N4064, STEX17*N4350, STEY17*N4064, STGX19*N3000, STGX19*N3060 and STGX19*N3069
2	687500	Wire Clip	
3	39037	Cable Tie	
4	802164	Hose Clamp	
5	801464	Valve-to-Dispenser Inlet Hose	
6	34500	Backflow Preventer	
7	685766P	Valve Kit	Models HTEB17*N2802, HTET17*N2802, HTEX17*N2802, HTEX17*N2902, HTEY17*N2802, HTEZ17*N2802, HTGB19*N0902, HTGT19*N0902, HTGX19*N0902, HTGY19*N0902 and HTGZ19*N0902
	801836P	Valve Kit	All other models
8	800331	Dispenser-to-Tub Hose	
9	685725	Hose Clamp	
10	F200206	Hose Clamp	
11	801746	Cap	
12	685756P	Dispenser	Models HTEB17*N2802, HTET17*N2802, HTEX17*N2802, HTEX17*N2902, HTEY17*N2802, HTEZ17*N2802, HTGB19*N0902, HTGT19*N0902, HTGX19*N0902, HTGY19*N0902 and HTGZ19*N0902
	801090P	Dispenser	All other models
13	801476P	Dispenser Assembly	
14	800548	Screw	
15	685715WP	Dispenser Drawer Front	White
	685715Q	Dispenser Drawer Front	Bisque
16	685716	Insert	
17	800899	Detergent Cover	
18	801024	Dispenser Plate	
19	801001	Screw	

* Add Letter To Designate Color. Q - Bisque W - White

Mixing Valve, Valve-to-Dispenser Inlet Hose and Fill Hose



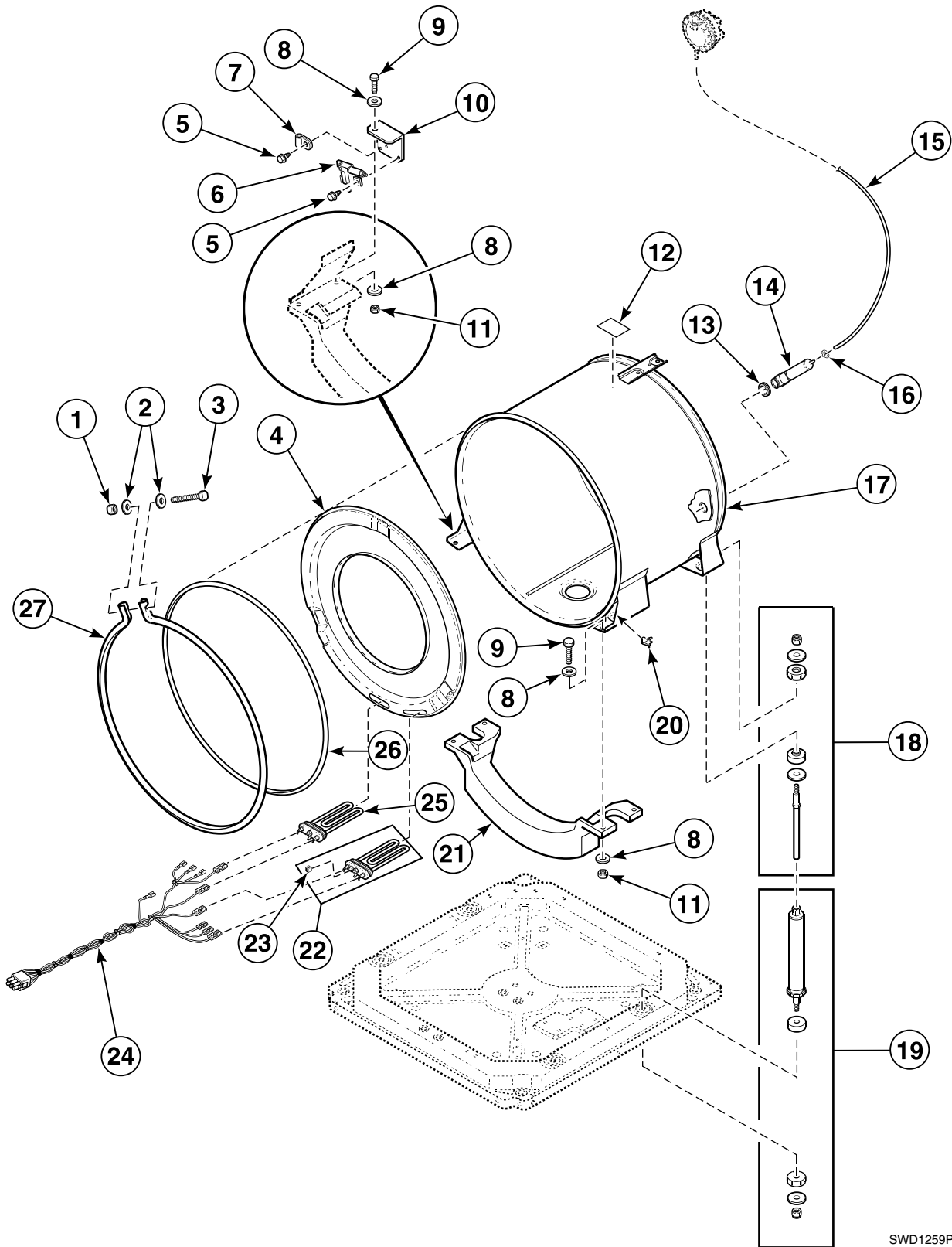
FLW881P_801773

Mixing Valve, Valve-to-Dispenser Inlet Hose and Fill Hose

REF	PART NO.	DESCRIPTION	COMMENTS
1	802164	Hose Clamp	
2	801464	Valve-to-Dispenser Inlet Hose	
3	34500	Backflow Preventer	
4	800323	Mixing Valve Plate	
5	503661	Screw	
6	20290	Washer	
7	28605	Washer	Filter screen
	802254	Washer	Flow restrictor; Water pressure reducer; Available for water pressure up to but not exceeding 120 psi
8	28330P	Fill Hose Kit	4 feet; Hose is equipped with 2 standard hose couplings; Includes 2 of item 7
	20617	Fill Hose	8 feet; Hose is equipped with 2 standard hose couplings
	20618	Fill Hose	10 feet; Hose is equipped with 2 standard hose couplings
	38349P	Fill Hose Kit	5 feet; Hose is equipped with 1 metric and 1 standard hose coupling; Includes 2 of item 7
	37380	Fill Hose	8 feet; Hose is equipped with 1 metric and 1 standard hose coupling
	37381	Fill Hose	10 feet; Hose is equipped with 1 metric and 1 standard hose coupling
9	501086	Screw	
10	802926	Mixing Valve Screen	
11	802220P	Mixing Valve	Models HTEB17*N2802, HTET17*N2802, HTEX17*N2802, HTEX17*N2902, HTEY17*N2802, HTEZ17*N2802, HTGB19*N0902, HTGT19*N0902, HTGX19*N0902, HTGY19*N0902 and HTGZ19*N0902
	802222P	Mixing Valve	All other models

* Add Letter To Designate Color. Q - Bisque W - White

Outer Tub, Front and Clamp Ring



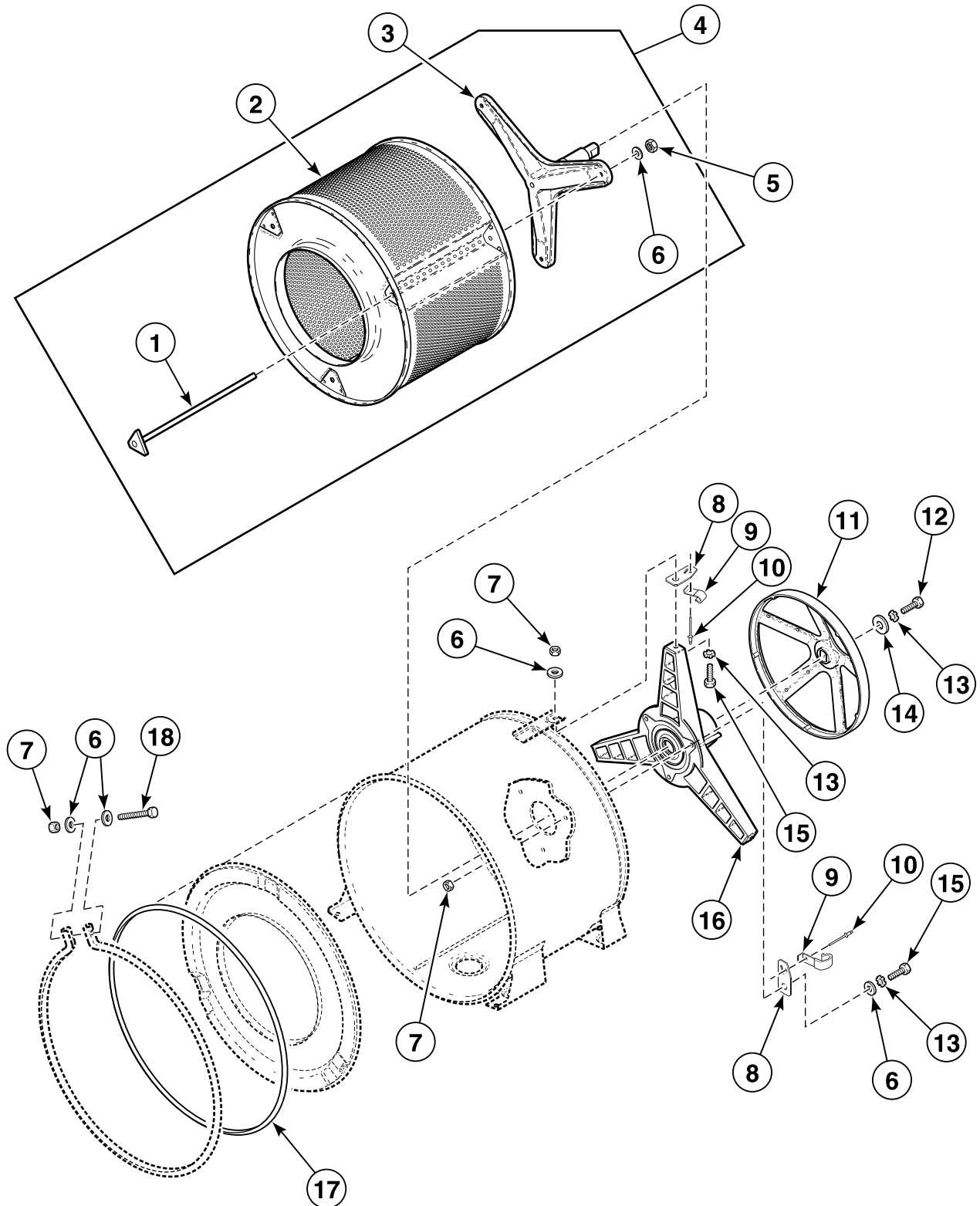
SWD1259P_801773

Outer Tub, Front and Clamp Ring

REF	PART NO.	DESCRIPTION	COMMENTS
1	F430218	Nut	
2	800457	Washer	
3	800462	Screw	
4	801231	Tub Front Assembly	Models BTEL15*N4065, BTEL17*N4065, BTEX15*N4065, BTEX17*N4065, HTEX17*N4064, HTEY17*N4064, NTEL17*N4064, NTEX17*N4064, NTEX17*N4067, NTGL19*N4067, NTGX19*N4067, STEX17*N4064, STEX17*N5754, STEY17*N4064 and STEY17*N5754
	800430	Tub Front Assembly	All other models
5	503661	Screw	
6	801006	Out-of-Balance Switch Assembly	
7	800811	Wire Clamp	
8	M400081	Washer	
9	800461	Screw	
10	800663	Switch Mounting Bracket	
11	800452	Nut	
12	500314	Warning Label	Models HTEB17*N2802, HTET17*N2802, HTEX17*N2802, HTEX17*N2902, HTEY17*N2802, HTEZ17*N2802, HTGB19*N0902, HTGT19*N0902, HTGX19*N0902, HTGY19*N0902 and HTGZ19*N0902
	502511	Electrical Shock Label	All other models
	502506	Pinched Fingers Label	All other models
13	29175	Grommet	
14	30907	Pressure Bulb	
15	800648P	Tubing	
16	39282	Hose Clamp	
17	801291	Outer Tub Assembly	Models BTEL15*N4065, BTEL17*N4065, BTEX15*N4065, BTEX17*N4065, HTEX17*N4064, HTEY17*N4064, NTEL17*N4064, NTEX17*N4064, NTEX17*N4067, NTGL19*N4067, NTGX19*N4067, STEX17*N4064, STEX17*N5754, STEY17*N4064 and STEY17*N5754
	801081P	Outer Tub Assembly	All other models
18	800622P	Tub Shock Absorber Kit	
19	800623P	Base Shock Absorber Kit	
20	00161	Grounding Clip	
21	800205	Ballast Weight	
22	801269P	Heating Element Kit	Includes item 23; Models BTEL15*N4065, BTEL17*N4065, BTEX15*N4065, BTEX17*N4065, HTEX17*N4064, HTEY17*N4064, NTEL17*N4064, NTEX17*N4064, NTEX17*N4067, NTGL19*N4067, NTGX19*N4067, STEX17*N4064, STEX17*N5754, STEY17*N4064 and STEY17*N5754
23	803256	Thermistor	Models BTEL15*N4065, BTEL17*N4065, BTEX15*N4065, BTEX17*N4065, HTEX17*N4064, HTEY17*N4064, NTEL17*N4064, NTEX17*N4064, NTEX17*N4067, NTGL19*N4067, NTGX19*N4067, STEX17*N4064, STEX17*N5754, STEY17*N4064 and STEY17*N5754
24	801093P	Element to Contactor Harness	Models BTEL15*N4065, BTEL17*N4065, BTEX15*N4065, BTEX17*N4065, HTEX17*N4064, HTEY17*N4064, NTEL17*N4064, NTEX17*N4064, NTEX17*N4067, NTGL19*N4067, NTGX19*N4067, STEX17*N4064, STEX17*N5754, STEY17*N4064 and STEY17*N5754
25	801270P	Heating Element Kit	Models BTEL15*N4065, BTEL17*N4065, BTEX15*N4065, BTEX17*N4065, HTEX17*N4064, HTEY17*N4064, NTEL17*N4064, NTEX17*N4064, NTEX17*N4067, NTGL19*N4067, NTGX19*N4067, STEX17*N4064, STEX17*N5754, STEY17*N4064 and STEY17*N5754
26	800432P	Tub Front Seal	
27	800312	Clamp Ring	

* Add Letter To Designate Color. Q - Bisque W - White

Inner Basket, Trunnion, Bearing Housing and Pulley

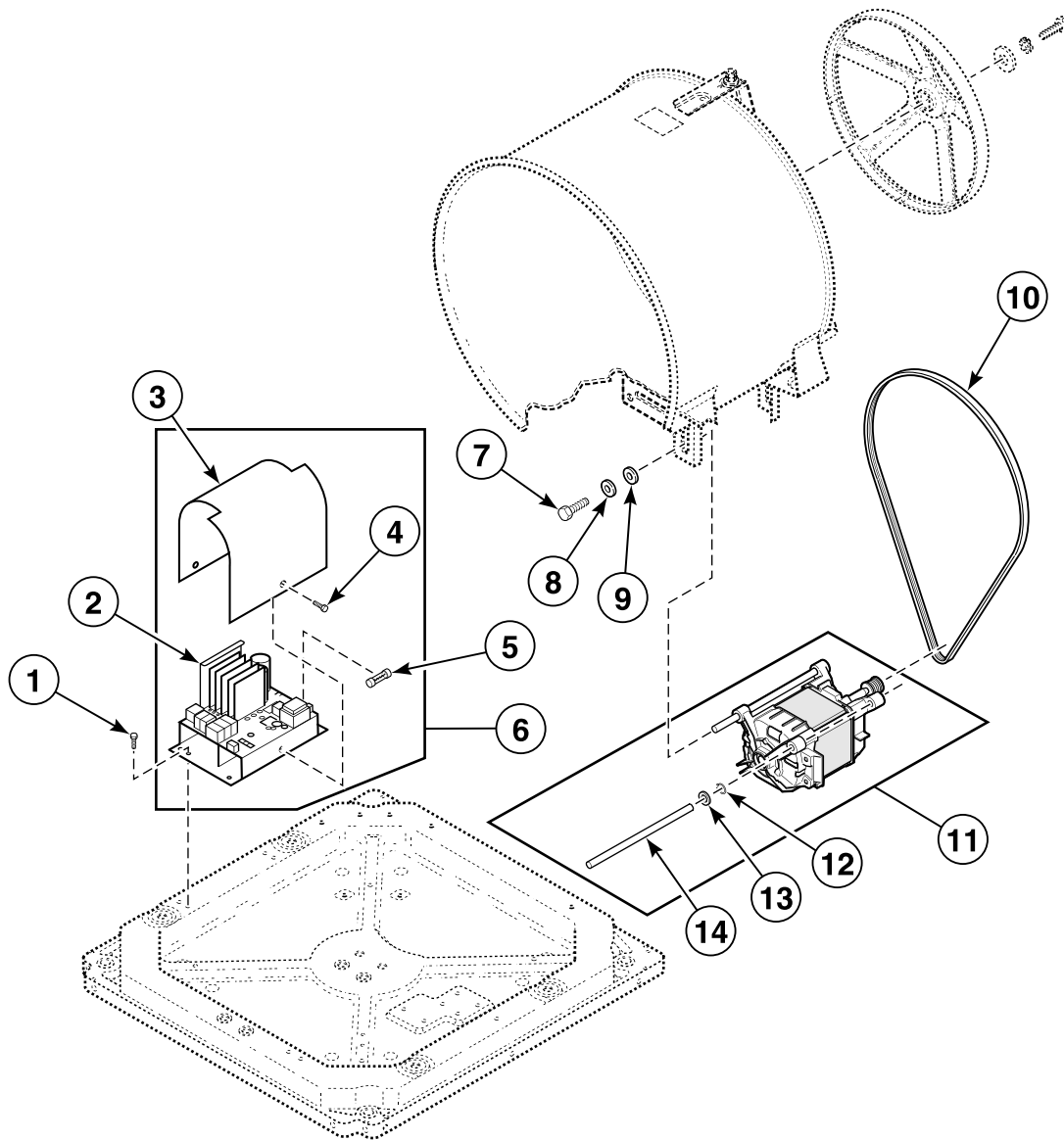


FLW865P_801773

Inner Basket, Trunnion, Bearing Housing and Pulley

REF	PART NO.	DESCRIPTION	COMMENTS
	27604P	Anti-Seize Compound	Pulley to inner basket shaft
	838P3	Hardware Kit	Includes (8) of item 6, (7) each of items 7 and 13, (6) of item 10, (1) each of items 12, 14, 17, 18 and 27604P Anti-Seize Compound
1	800666	Tension Rod Assembly	
2	800198P	Inner Basket Kit	Includes (3) each of items 1, 5, 6, and 838P3 Hardware Kit
3	800749P	Trunnion Shaft and Hardware Kit	Includes (3) each of items 1, 5, 6, and 838P3 Hardware Kit
4	800429P	Inner Basket Assembly	Includes items 2, 3, (3) each of items 1, 5, 6, and 838P3 Hardware Kit
5	685844	Nut	
6	800457	Washer	
7	800452	Nut	
8	800552	Hose Mounting Plate	
9	800553	Hose Clip	
10	685847	Pop Rivet	
11	800866	Driven Pulley	
12	685831	Screw	Left hand thread
13	M403958	Washer	
14	800464	Washer	
15	M400043	Screw	
16	800428P	Bearing Housing Kit	Includes 838P3 Hardware Kit
17	800432P	Tub Front Seal	
18	800462	Screw	

Washer Motor and Belt



FLW967P_801773

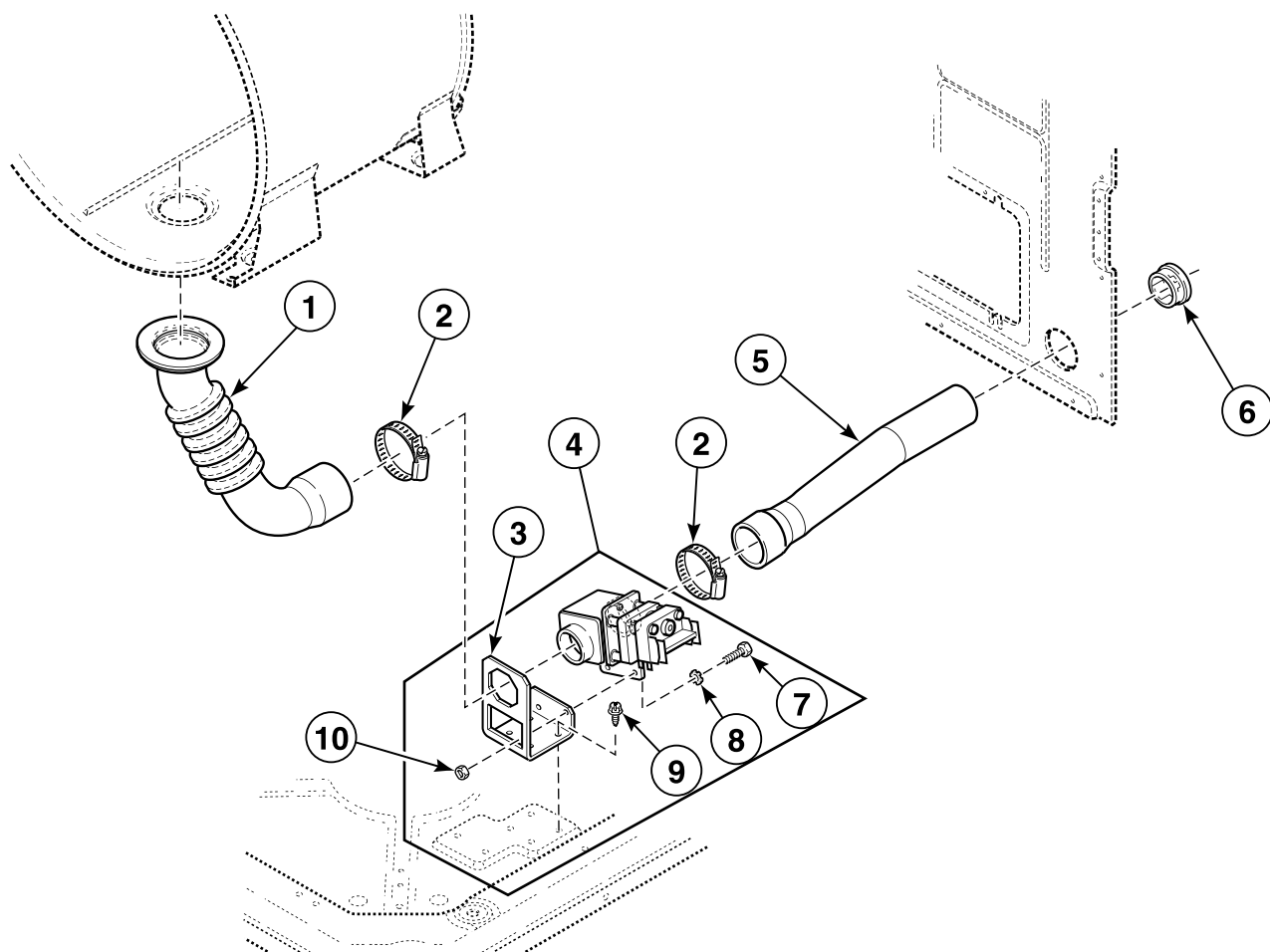
Washer Motor and Belt

REF	PART NO.	DESCRIPTION	COMMENTS
1	503661	Screw	
2	803254P	Inverter Control Assembly	120 Volt; Models HTEB17*N2802, HTET17*N2802, HTEX17*N2802, HTEX17*N2902, HTEY17*N2802, HTEZ17*N2802, HTGB19*N0902, HTGT19*N0902, HTGX19*N0902, HTGY19*N0902 and HTGZ19*N0902
	803255P	Inverter Control Assembly	240 Volt; All other models
3	801061	Control Shield	
4	501524	Screw	
5	801755	Fuse	10 Amp
6	801526P	Inverter Assembly Kit	120 Volt; Models HTEX17*N2802, HTEX17*N2902, HTEY17*N2802, HTEZ17*N2802, HTGB19*N0902, HTGT19*N0902, HTGX19*N0902, HTGY19*N0902 and HTGZ19*N0902; Includes items 2-4, 801063P Motor Harness Assembly and wire ties
	801527P	Inverter Assembly Kit	240 Volt; Models BTEL15*N4065, BTEL17*N4065, BTEX15*N4065, BTEX17*N4065, HTEB17*N2802, HTET17*N2802, HTEX17*N2802, HTEX17*N2902, HTEY17*N2802, HTEZ17*N2802, HTGB19*N0902, HTGT19*N0902, HTGX19*N0902, HTGY19*N0902 and HTGZ19*N0902; Includes items 2-4, 801063P Motor Harness Assembly and wire ties
7	M400057	Screw	
8	02834	Washer	
9	M400080	Washer	
10	800319P	Drive Belt	
11	801684P	Motor and Rod Assembly Kit	Includes 2 each of items 12-14 and wire ties
12	23748	Retaining Ring	
13	52549	Washer	
14	801062	Motor Mount Rod	

* Add Letter To Designate Color. Q - Bisque W - White

Drain Hoses and Valve

Models BTEL15*N4065 and BTEX15*N4065



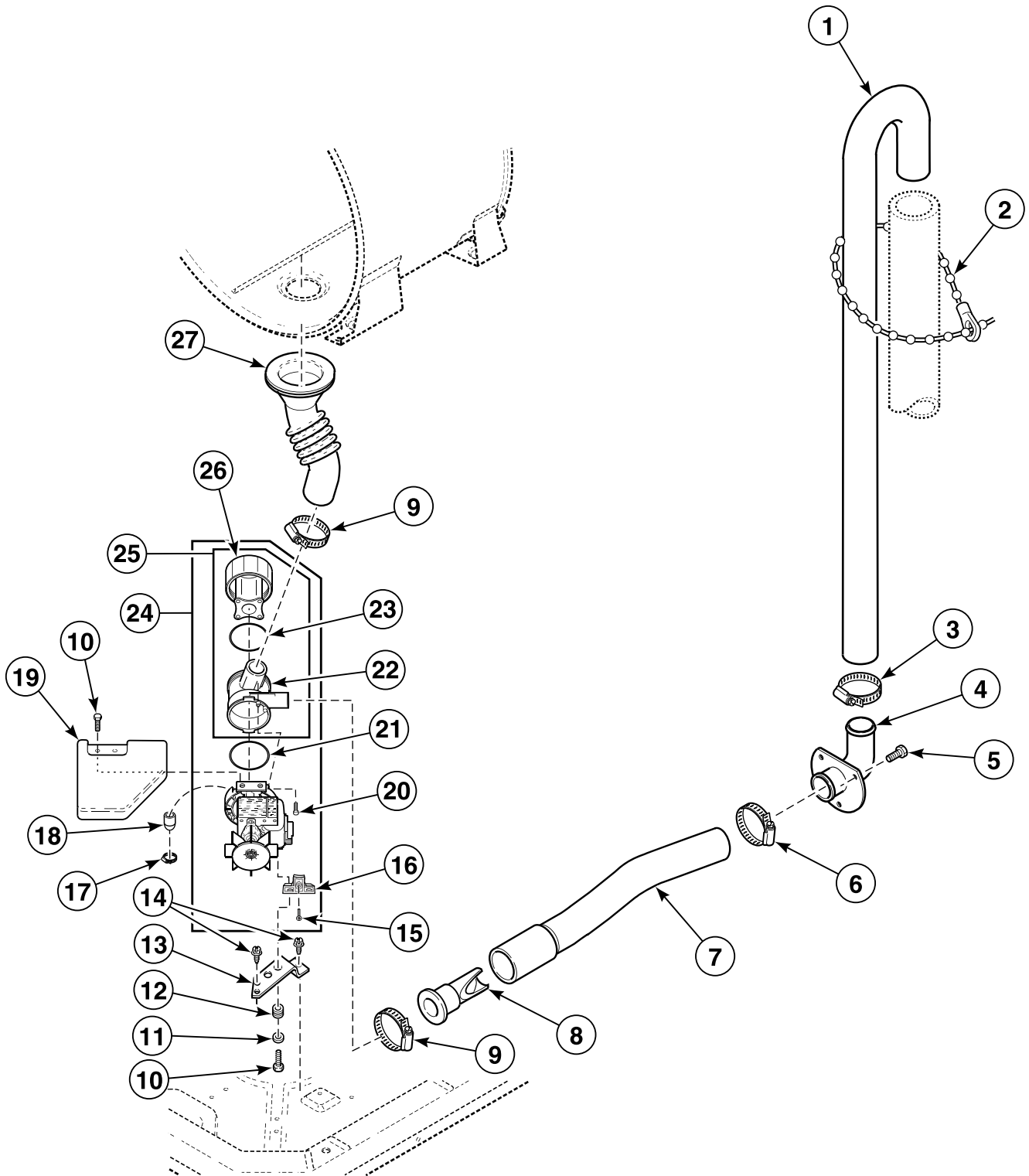
FLW888P_801773

Drain Hoses and Valve

REF	PART NO.	DESCRIPTION	COMMENTS
1	800902	Tub-to-Drain Hose	
	27615P	Sealant	Tub-to-drain hose to outer tub
2	685725	Hose Clamp	
3	803291	Gravity Drain Bracket	
4	F976P3	Drain Valve Kit	Includes items 3 and 7-10
5	800903	Drain-to-Cabinet Hose	
6	503235	Snap Bushing	
7	02916	Screw	
8	M400017	Washer	
9	503661	Screw	
10	29786	Nut	

Hoses and Pump

All Models Except BTEL15*N4065 and BTEX15*N4065



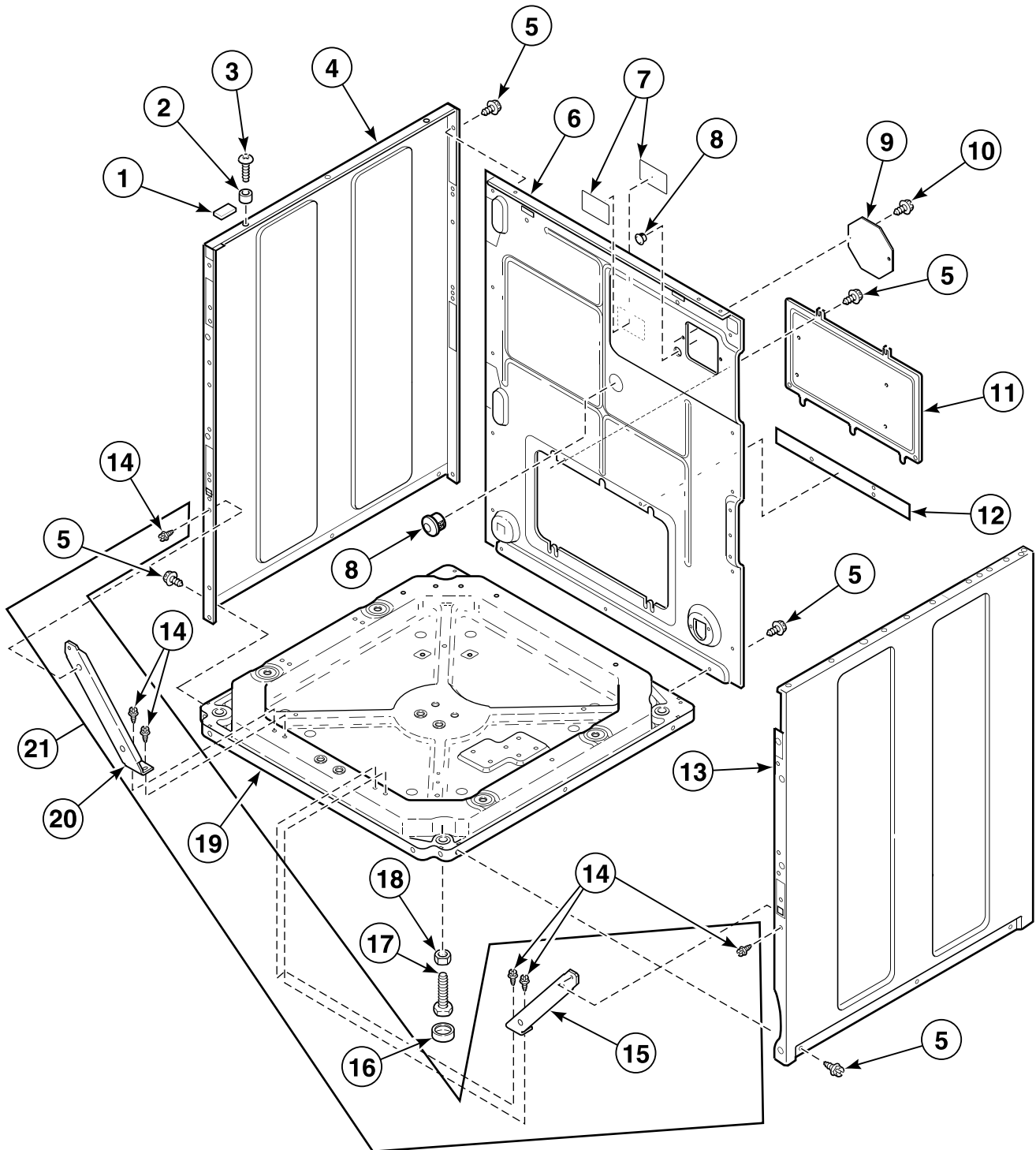
FLW917P_801773

Hoses and Pump

REF	PART NO.	DESCRIPTION	COMMENTS
1	27154	Drain Hose	
2	33489	Standpipe Strap	
3	20211	Hose Clamp	
4	35766	Drain Hose Elbow	
5	52909	Screw	
6	20391	Hose Clamp	
7	685737	Pump-to-Elbow Hose	
8	800310	Backflow Preventer	
9	36802	Hose Clamp	
10	38096	Screw	Metric; Use with 685703, 801267 or 801380 Drain Pump
	501285	Screw	Use with 801015, 801080 or 802221 Drain Pump
11	800465	Washer	Use with 685703, 801267, 801380, 801015, 801080 or 802221 Drain Pump
12	802218	Grommet	Use with 685703, 801267, 801380, 801015, 801080 or 802221 Drain Pump
13	802219	Pump Bracket	Use with 685703, 801267, 801380, 801015, 801080 or 802221 Drain Pump
	802626	Pump Mount Bracket	Use with 802623, 802624 or 802625 Drain Pump
14	503661	Screw	
15	802430	Screw	Use with 801015, 801080, 802221, 802623, 802624 or 802625 Drain Pump
16	802432	Pump Mount	Use with 801015, 801080 or 802221 Drain Pump
17	F200206	Hose Clamp	Use with 685703, 801267 or 801380 Drain Pump
18	801112	Nozzle Cap	Use with 685703, 801267 or 801380 Drain Pump
19	38067	Pump Shield	Use with 685703, 801267 or 801380 Drain Pump
20	802431	Screw	Use with 801015, 801080, 802221, 802623, 802624 or 802625 Drain Pump
21	802487	O-Ring	Use with 685703, 801267 or 801380 Drain Pump
	802429	O-Ring	Use with 801015, 801080, 802221, 802623, 802624 or 802625 Drain Pump
22	801208	Pump Housing	Use with 685703, 801267 or 801380 Drain Pump
	802428	Pump Housing	Use with 801015, 801080, 802221, 802623, 802624 or 802625 Drain Pump
23	801207	O-Ring	Use with 685703, 801267 or 801380 Drain Pump
	802427	Gasket	Use with 801015, 801080, 802221, 802623, 802624 or 802625 Drain Pump
24	802624P	Drain Pump	Includes pump mount bracket; Models BTEL17*N4065, BTEX17*N4065, HTEX17*N4064, HTEY17*N4064, NTEL17*N4064, NTEX17*N4064, NTEX17*N4067, NTGL19*N4067, NTGX19*N4067, STEA17*N4350, STEF17*N4350, STEX17*N3000, STEX17*N3020, STEX17*N3069, STEX17*N4064, STEX17*N4350, STEY17*N4064, STGX19*N3000, STGX19*N3060 and STGX19*N3069
	802625P	Drain Pump	Includes pump mount bracket; Models STEX17*N3300, STEX17*N5754 and STEY17*N5754
	802623P	Drain Pump	Includes pump mount bracket; All other models
25	801209	Pump Housing Assembly	Includes items 22, 23 and 26; Use with 685703, 801267 or 801380 Drain Pump
	802434P	Pump Housing Assembly	Includes items 22, 23 and 26; Use with 801015, 801080, 802221, 802623, 802624 or 802625 Drain Pump
26	801206P	Lid Assembly	Includes filter; Use with 685703, 801267 or 801380 Drain Pump
	802426P	Lid Assembly	Includes filter; Use with 801015, 801080, 802221, 802623, 802624 or 802625 Drain Pump
27	800317	Tab-to-Pump Hose	
	27615P	Sealant	Tab-to-pump hose to outer tub

* Add Letter To Designate Color. Q - Bisque W - White

Washer Base, Side Panels and Rear Panel



SWD1172P_801773

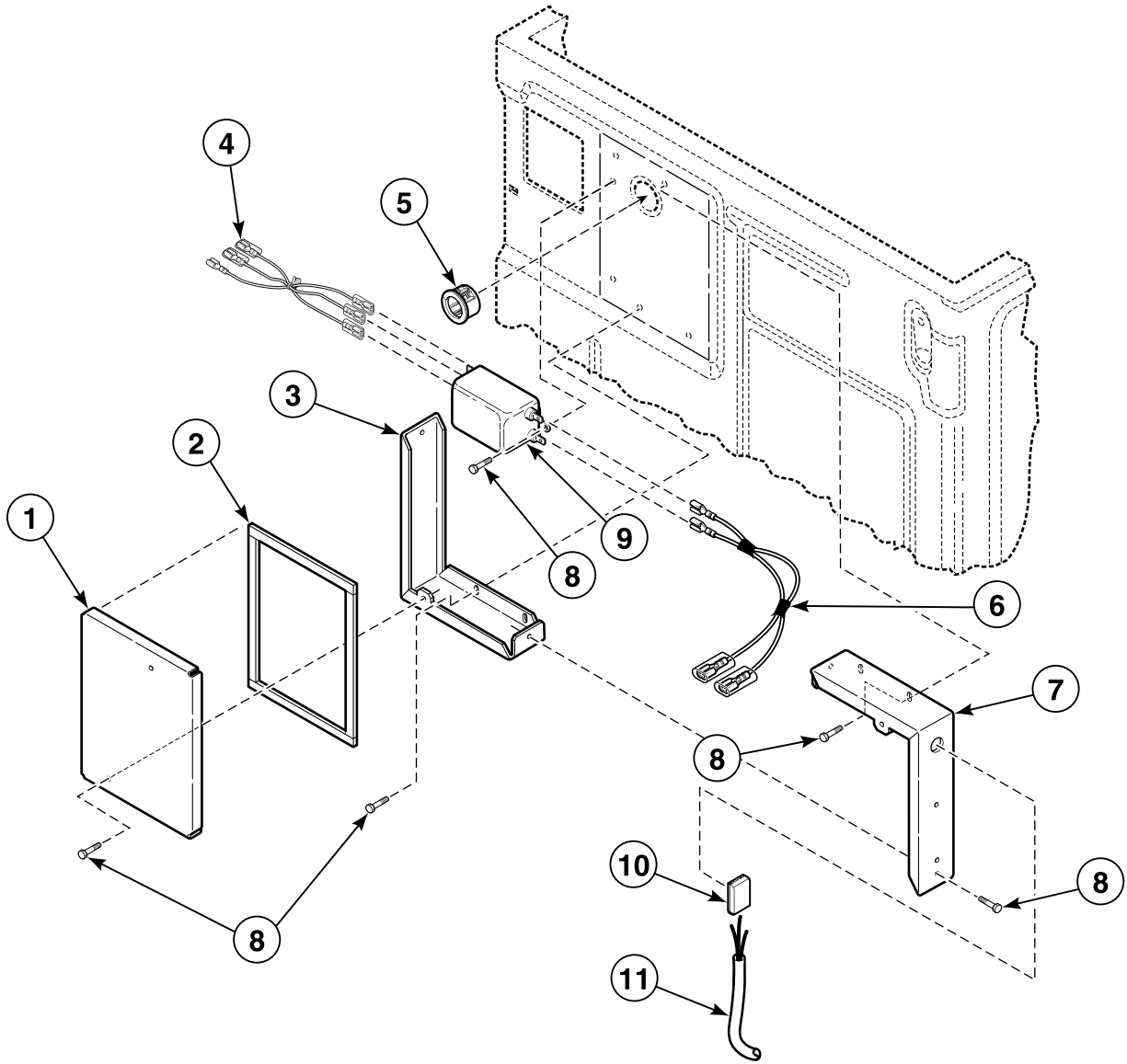
Washer Base, Side Panels and Rear Panel

REF	PART NO.	DESCRIPTION	COMMENTS
1	56128	Bumper Pad	
2	56079	Panel Locator	
3	39733	Screw	
4	800004WP	Cabinet Panel Kit	White; Left; Includes corner gusset with hardware
	800004QP	Cabinet Panel Kit	Bisque; Left; Includes corner gusset with hardware
5	503661	Screw	
6	801629	Rear Panel	Models STEA17*N4350, STEF17*N4350, STEX17*N3000, STEX17*N3020, STEX17*N3069, STEX17*N3300, STEX17*N4350, STGX19*N3000, STGX19*N3060 and STGX19*N3069
	801216	Rear Panel	Models BTEL15*N4065 and BTEX15*N4065
	800010P	Rear Panel	All other models
7	685928	Screw Label	Left hand thread
8	M402542	Snap Bushing	
9	61203	Thermostat Opening Cover	Models HTEB17*N2802, HTET17*N2802, HTEX17*N2802, HTEX17*N2902, HTEX17*N4064, HTEY17*N2802, HTEY17*N4064, HTEZ17*N2802, HTGB19*N0902, HTGT19*N0902, HTGX19*N0902, HTGY19*N0902, NTEL17*N4064, NTEX17*N4064, NTEX17*N4067, NTGL19*N4067, NTGX19*N4067, STEX17*N4064, STEX17*N5754, STEY17*N4064 and STEY17*N5754
10	M405188	Screw	
11	801012	Rear Service Panel	
12	801702	Motor Access Hole Edging	
13	800005WP	Side Panel Kit	White; Right; Includes 801024 Dispenser Plate with hardware
	800005QP	Side Panel Kit	Bisque; Right; Includes 801024 Dispenser Plate with hardware
14	31645	Screw	
15	801492	Cabinet Brace	Right
16	34318	Rubber Foot	
17	34319	Leveling Leg	
18	21899	Nut	
19	802245	Base Assembly	
20	801491	Cabinet Brace	Left
21	918P3	Brace Kit	Includes items 14, 15 and 20

* Add Letter To Designate Color. Q - Bisque W - White

Junction Box

Models STEA17*N4350, STEF17*N4350, STEX17*N3000, STEX17*N3020, STEX17*N3069, STEX17*N3300, STEX17*N4350, STGX19*N3000, STGX19*N3060 and STGX19*N3069



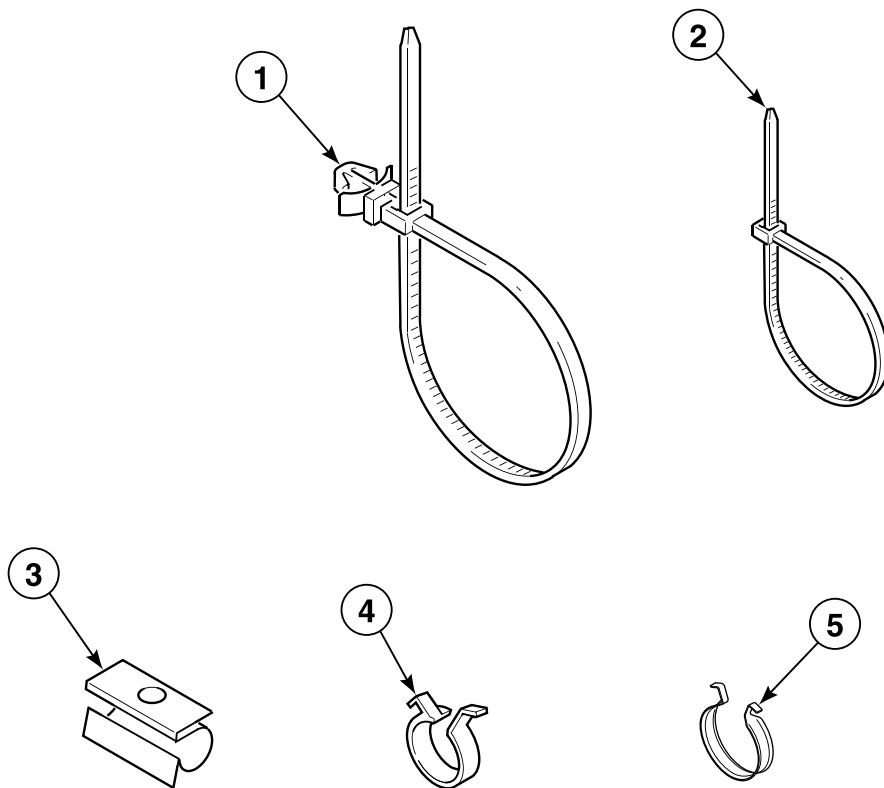
SWD1213P_801773

Junction Box

REF	PART NO.	DESCRIPTION	COMMENTS
1	801404	Junction Box Cover	
2	801425P	Junction Box Seal	4 required
3	801433	Lower Junction Box	
4	801420	Wire Harness Assembly	Line filter to power cord terminal block
5	M402542	Snap Bushing	
6	801421	Wire Harness Assembly	Line filter to control harness
7	801403	Junction Box	
8	503661	Screw	
9	201058	Line Filter	
10	39922	Cable Connection Box	
11	801450	Power Cord Assembly	Models STEX17*N3000, STEX17*N3300 and STGX19*N3000
	39931	Power Cord Assembly	Models STEA17*N4350, STEF17*N4350, STEX17*N4350 and STGX19*N3060; Includes plug
	39926	Lead-In Cord	Model STEX17*N3020; Includes plug
	39925	Power Cord Assembly	Model STEX17*N3069; Includes plug

* Add Letter To Designate Color. Q - Bisque W - White

Wire Ties and Harness Clips

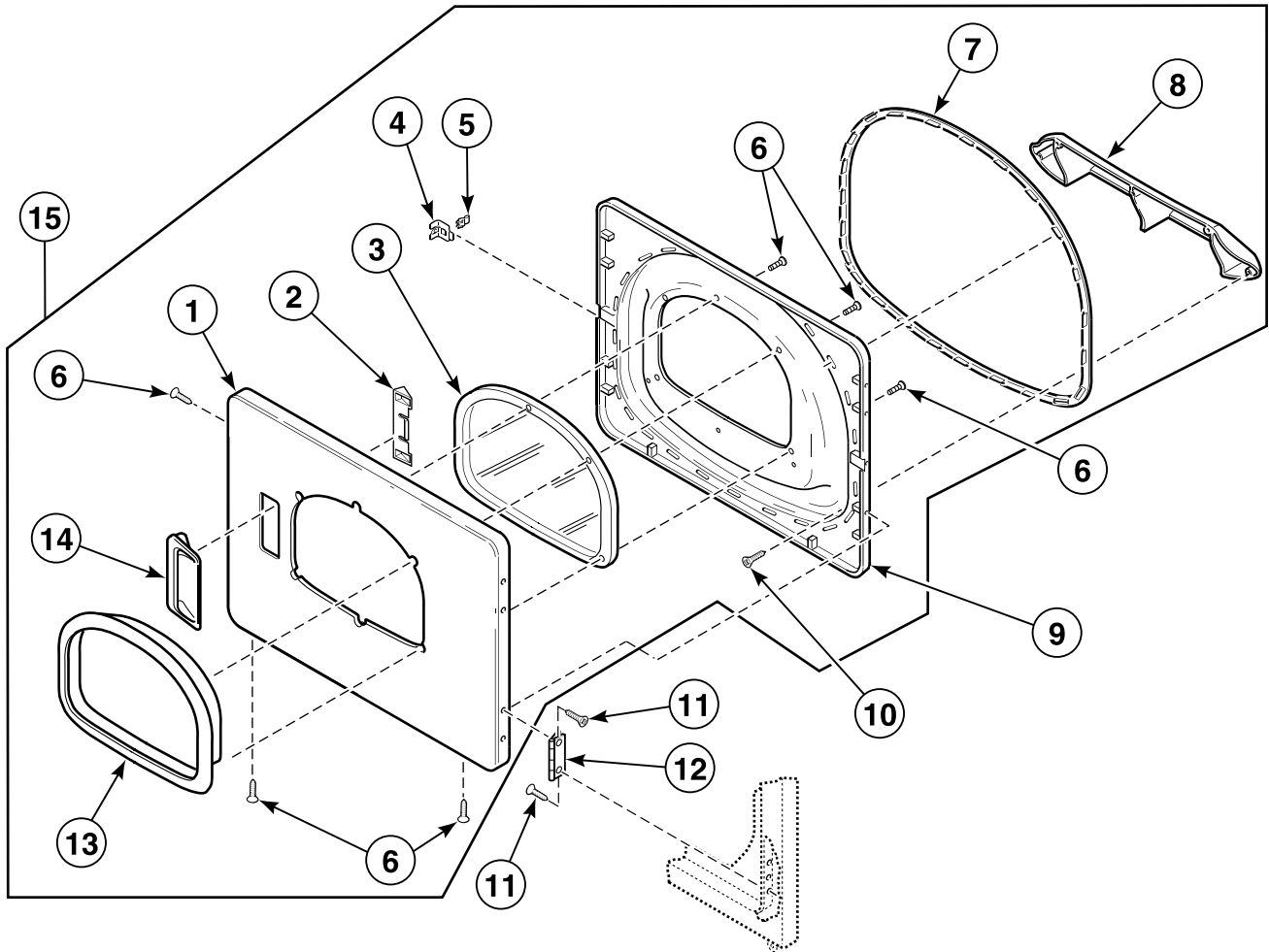


SWD1145P_801773

Wire Ties and Harness Clips

REF	PART NO.	DESCRIPTION	COMMENTS
1	38663	Wire Tie	Push mount
2	55881	Harness Strap	
3	36985	Hose Clip	
4	504034	Wire Clip	Small
5	687500	Wire Clip	Large

Dryer Loading Door with Window

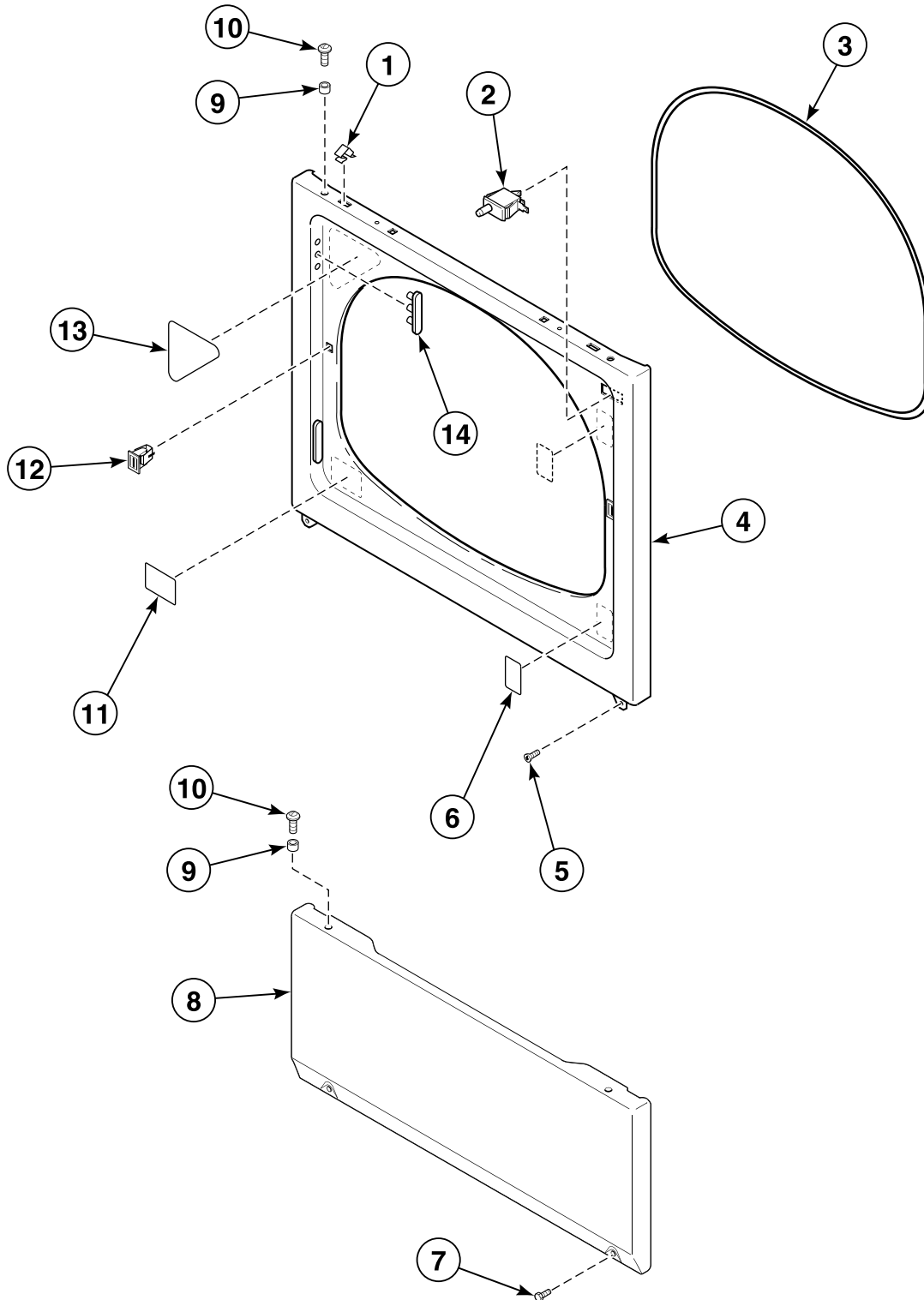


D427P_801773

Dryer Loading Door with Window

REF	PART NO.	DESCRIPTION	COMMENTS
1	510082WP	Dryer Door	White
	510082LP	Dryer Door	Almond
	510082QP	Dryer Door	Bisque
2	510129	Door Handle Wedge	
3	503982	Dryer Door Window	
4	510127	Door Strike Mount	
5	510181	Door Strike	
6	500226	Screw	
7	510147P	Liner Door Seal	
8	503870W	Door Liner Grill	
9	510098W	Liner and Seal Assembly	Includes item 7
10	505870	Screw	
11	505295	Screw	
12	511036	Hinge	
13	512006	Window Trim	Gray; Models BTEL15*N4065, BTEL17*N4065, BTEX15*N4065 and BTEX17*N4065
	503981W	Window Trim	White; All other models
	503981Q	Window Trim	Bisque; All other models
14	510103WP	Door Pull and Wedge Kit	White; Includes item 2
	510103QP	Door Pull and Wedge Kit	Bisque; Includes item 2
15	511636WP	Door and Liner Assembly	White; Includes items 1-10, 13 and 14
	511636QP	Door and Liner Assembly	Bisque; Includes items 1-10, 13 and 14

Dryer Access Panel, Front Panel and Seal



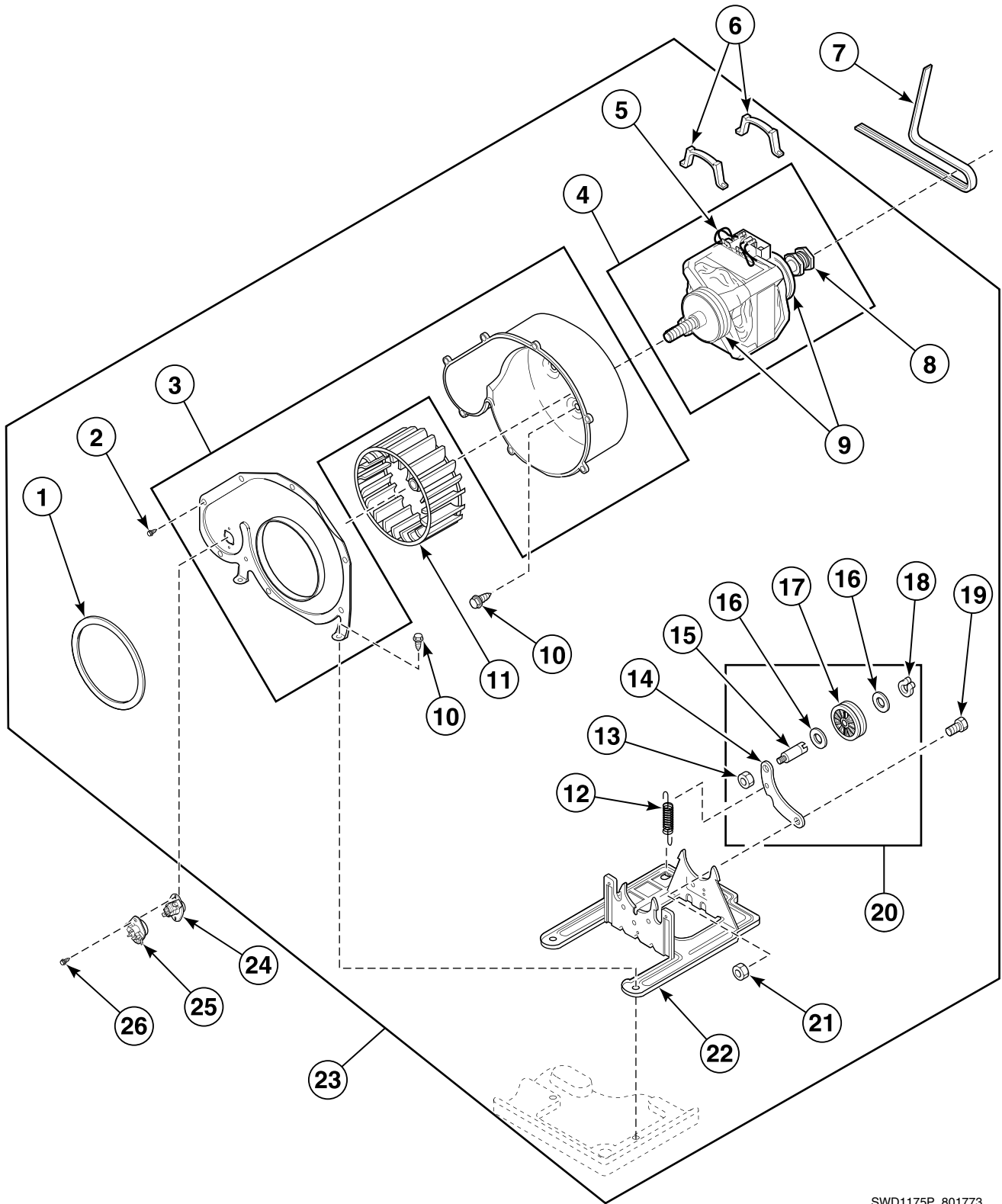
D400PE3A_801773

Dryer Access Panel, Front Panel and Seal

REF	PART NO.	DESCRIPTION	COMMENTS
1	28835	Speed Clip	
2	504570	Switch	
3	511056	Front Panel Seal	
4	510066WP	Front Panel	White
	510066QP	Front Panel	Bisque
5	503688	Screw	
6	512263	Warning Label	Models STEA17*N4350, STEF17*N4350, STEX17*N4350 and STGX19*N3060
7	33562	Screw	Slotted hex head
	62853	Screw	Torx head; Optional for added security
8	510069WP	Access Panel	White
	510069QP	Access Panel	Bisque
9	56079	Panel Locator	
10	39733	Screw	
11	502804	Clean Lint Label	Models STEA17*N4350, STEF17*N4350, STEX17*N4350 and STGX19*N3060
12	510177	Door Catch Assembly	
13	500253	Caution Label	Models HTEB17*N2802, HTET17*N2802, HTEX17*N2802, HTEX17*N2902, HTEY17*N2802, HTEZ17*N2802, HTGB19*N0902, HTGT19*N0902, HTGX19*N0902, HTGY19*N0902 and HTGZ19*N0902
	500281	Warning/Caution Label	All other models
14	510186	Hinge Hole Plug	

* Add Letter To Designate Color. Q - Bisque W - White

Dryer Motor, Blower Fan and Belt



SWD1175P_801773

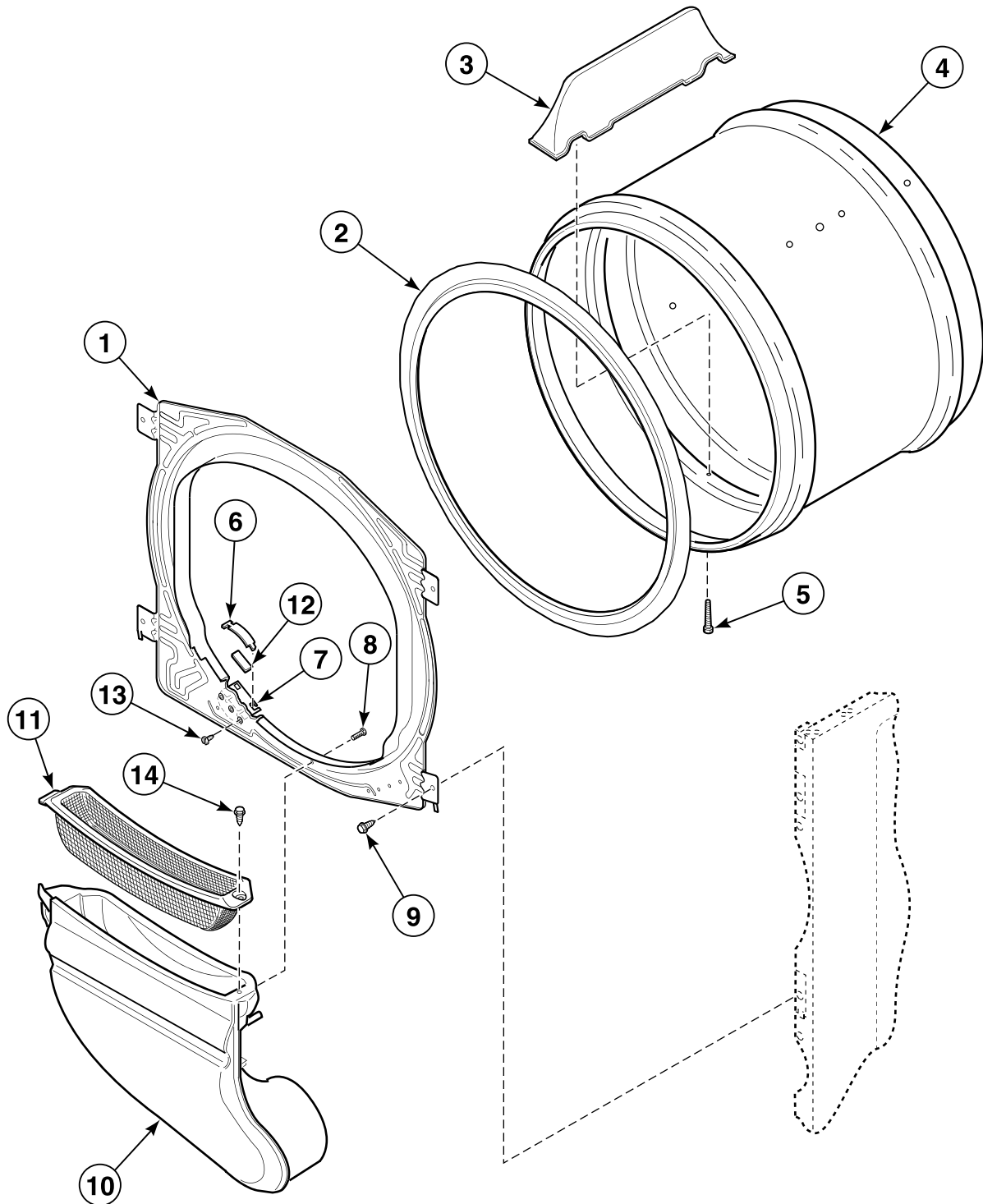
Dryer Motor, Blower Fan and Belt

REF	PART NO.	DESCRIPTION	COMMENTS
1	510238P	Blower Housing Seal	
2	31260	Screw	
3	511969P	Blower Housing and Cover Kit	
4	505869P	Motor and Pulley Assembly	240 Volt/60 Hertz; Includes items 5 and 8; Models STEX17*N3300, STEX17*N5754 and STEY17*N5754
	505843P	Motor and Pulley Assembly	240 Volt/50 Hertz; Includes items 5 and 8; Models BTEL15*N4065, BTEL17*N4065, BTEX15*N4065, BTEX17*N4065, HTEX17*N4064, HTEY17*N4064, NTEL17*N4064, NTEX17*N4064, NTEX17*N4067, NTGL19*N4067, NTGX19*N4067, STEA17*N4350, STEF17*N4350, STEX17*N3000, STEX17*N3020, STEX17*N3069, STEX17*N4064, STEX17*N4350, STEY17*N4064, STGX19*N3000, STGX19*N3060 and STGX19*N3069
	511629P	Motor and Pulley Assembly	120 Volt/60 Hertz; Includes items 5, 8 and 9; All other models
5	N/A	Motor Switch Kit	Does not include thermal protector
6	510180	Motor Mount Clamp	
7	511255P	Cylinder Belt	
8	500011	Motor Pulley	60 Hertz
	500222	Motor Pulley	50 Hertz
9	590P3	Motor Hub Ring Kit	
10	503688	Screw	
11	510139P	Blower Fan Assembly	
12	510185	Idler Spring	
13	56156	Nut	
14	510133	Idler Lever	
15	56461P	Shaft	
16	52549	Washer	
17	510142P	Idler Wheel and Bearing Assembly	
18	23748	Retaining Ring	
19	500824	Screw	
20	510158	Idler Lever and Wheel Assembly	Includes items 13-18
21	52566	Nut	
22	510060	Motor Mount	
23	510717P	Blower and Fan Kit	Models HTEB17*N2802, HTET17*N2802, HTEX17*N2802, HTEX17*N2902, HTEY17*N2802, HTEZ17*N2802, HTGB19*N0902, HTGT19*N0902, HTGX19*N0902, HTGY19*N0902 and HTGZ19*N0902; 120 Volt/60 Hertz; Includes items 1-6 and 8-22
24	M411941	Manual Reset Thermostat	Model STGX19*N3060
25	510523	Thermistor Assembly	Models HTEB17*N2802, HTET17*N2802, HTEX17*N2802, HTEX17*N2902, HTEY17*N2802, HTEZ17*N2802, HTGB19*N0902, HTGT19*N0902, HTGX19*N0902, HTGY19*N0902 and HTGZ19*N0902
	502366	Thermistor Assembly	All other models
26	23222	Screw	

* Add Letter To Designate Color. Q - Bisque W - White

N/A = Part no longer available

Front Bulkhead, Air Duct, Felt Seal and Cylinder

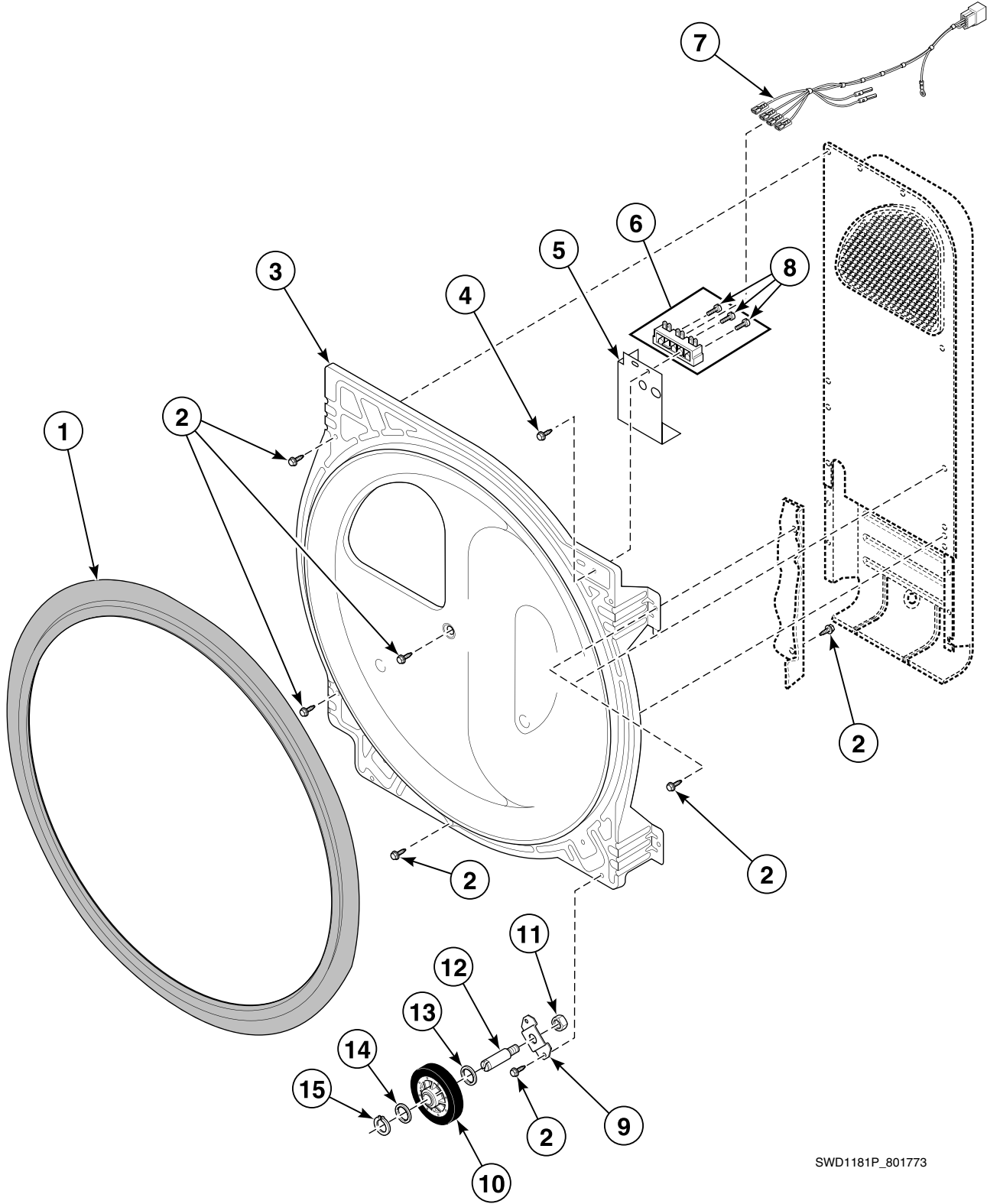


SWD56P_801773

Front Bulkhead, Air Duct, Felt Seal and Cylinder

REF	PART NO.	DESCRIPTION	COMMENTS
1	510266P	Front Bulkhead Assembly	Unpainted; Includes item 2
2	510207P	Cylinder Seal Assembly	
	511637P	Adhesive	For cylinder seal
3	510102	Cylinder Baffle	
4	510265P	Cylinder Assembly	Galvanized; Includes baffles
5	62588	Screw	
6	510187	Cylinder Glide	
7	510145	Cylinder Glide Bracket	
8	52864	Screw	
9	503688	Screw	
10	510151	Air Duct Assembly	
11	503980	Lint Filter	
12	510189	Felt Pad	
13	505295	Screw	
14	501285	Screw	

Rear Bulkhead, Felt Seal, Cylinder Roller and Terminal Block



SWD1181P_801773

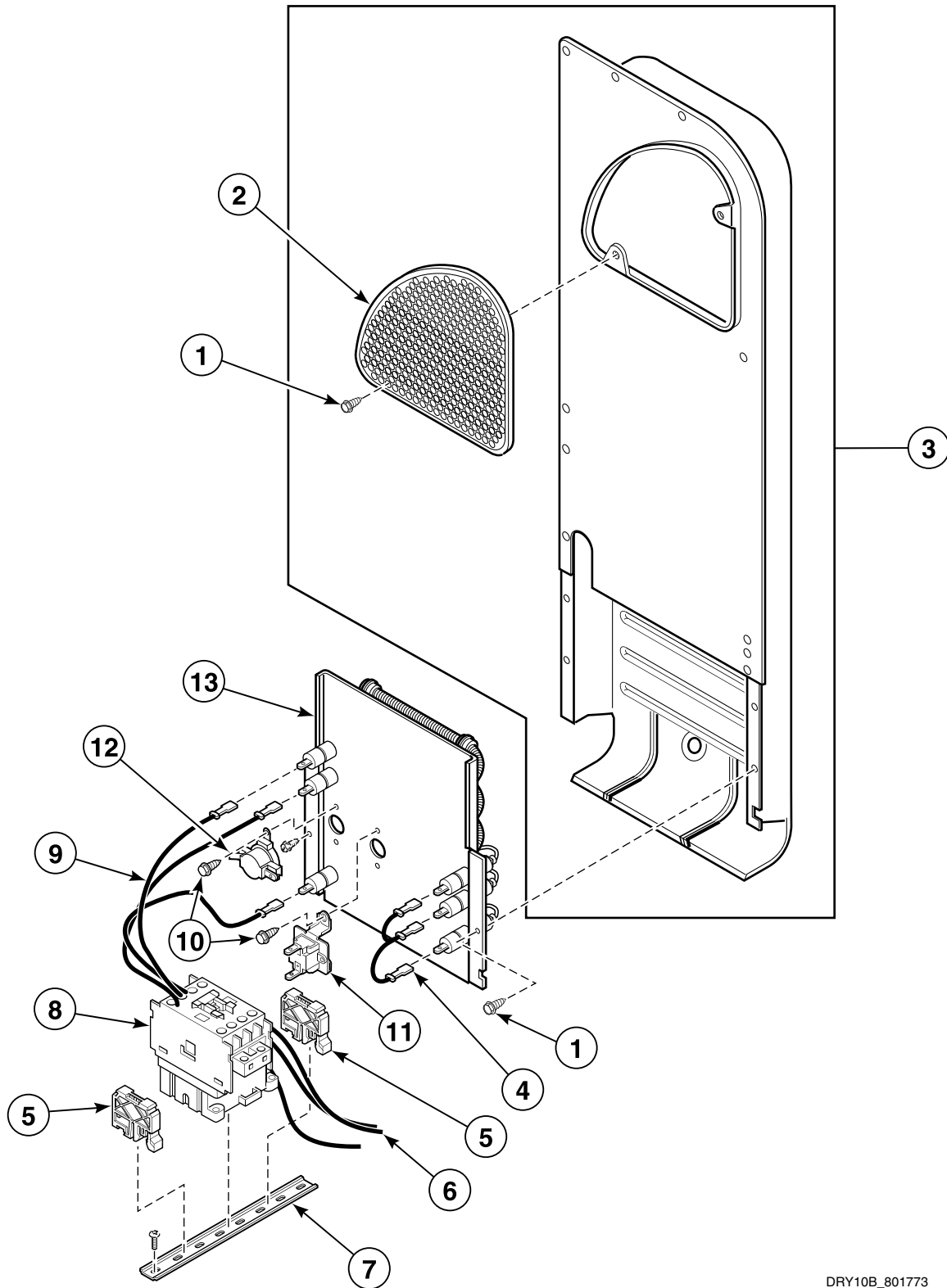
Rear Bulkhead, Felt Seal, Cylinder Roller and Terminal Block

REF	PART NO.	DESCRIPTION	COMMENTS
1	510207P	Cylinder Seal Assembly	
	511637P	Adhesive	For cylinder seal
2	503688	Screw	
3	511082P	Rear Bulkhead Assembly	Galvanized; Includes item 1
4	501285	Screw	Electric models
5	505875	Terminal Block Support Bracket	Models BTEL15*N4065, BTEL17*N4065, BTEX15*N4065, BTEX17*N4065, HTEX17*N4064, HTEY17*N4064, NTEL17*N4064, NTEX17*N4064, STEX17*N4064 and STEY17*N4064
	510237	Terminal Block Shield	All other electric models
6	505876	Terminal Block Assembly	Models BTEL15*N4065, BTEL17*N4065, BTEX15*N4065, BTEX17*N4065, HTEX17*N4064, HTEY17*N4064, NTEL17*N4064, NTEX17*N4064, STEX17*N4064 and STEY17*N4064
	510190P	Terminal Block Assembly	Includes (3) of item 7; All other models
7	510622	Wire Harness Assembly	Power to washer; Models HTEB17*N2802, HTET17*N2802, HTEX17*N2802, HTEX17*N2902, HTEY17*N2802 and HTEZ17*N2802
	510621P	Wire Harness Assembly	Power to washer; Models HTGB19*N0902, HTGT19*N0902, HTGX19*N0902, HTGY19*N0902 and HTGZ19*N0902
8	61199	Screw	
9	510100	Cylinder Roller Bracket	
10	510708P	Cylinder Roller	
11	56156	Nut	
12	56461P	Shaft	
13	504082	Washer	
14	52549	Washer	
15	23748	Retaining Ring	

* Add Letter To Designate Color. Q - Bisque W - White

Heater Duct and Element Assembly (Drawing 1 of 2)

Models BTEL15*N4065, BTEL17*N4065, BTEX15*N4065, BTEX17*N4065, HTEX17*N4064, HTEY17*N4064, NTEL17*N4064, NTEX17*N4064, STEX17*N4064 and STEY17*N4064



DRY10B_801773

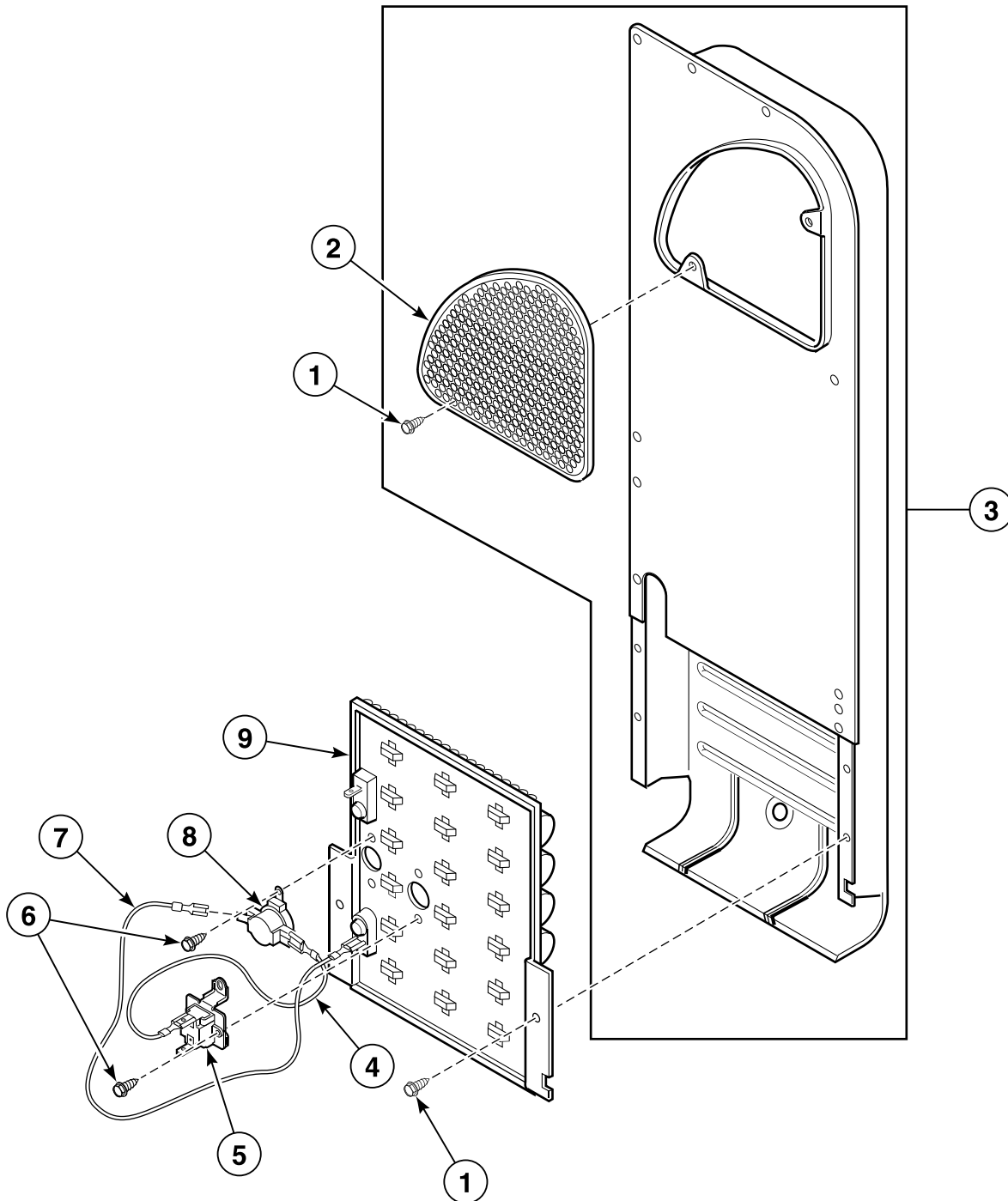
Heater Duct and Element Assembly (Drawing 1 of 2)

REF	PART NO.	DESCRIPTION	COMMENTS
	756P3	Conversion Kit	400 Volt, 4 wire WYE to 240 Volt, 3 wire Delta
1	503688	Screw	
2	500820	Outlet Cover	
3	510025P	Heater Duct and Screw Assembly	Includes items 1 and 2
4	511270	Jumper Wire Assembly	3 Phase
5	70121001	End Stop	
6	511112P	Block to Relay Harness	Terminal block to contactor
7	M412693	Din Rail	
8	F330177P	Contactor	
9	511114P	Relay to Heater Harness	Contactor to heater
10	23222	Screw	
11	511412	Thermal Fuse Assembly	
12	510701	Limit Thermostat	
13	511014P	Heater	400 Volt/3 Phase

* Add Letter To Designate Color. Q - Bisque W - White

Heater Duct and Element Assembly (Drawing 2 of 2)

All Electric Model Dryers Except BTEL15*N4065, BTEL17*N4065, BTEX15*N4065, BTEX17*N4065, HTEX17*N4064, HTEY17*N4064, NTEL17*N4064, NTEX17*N4064, STEX17*N4064 and STEY17*N4064



DRY1789P_801773

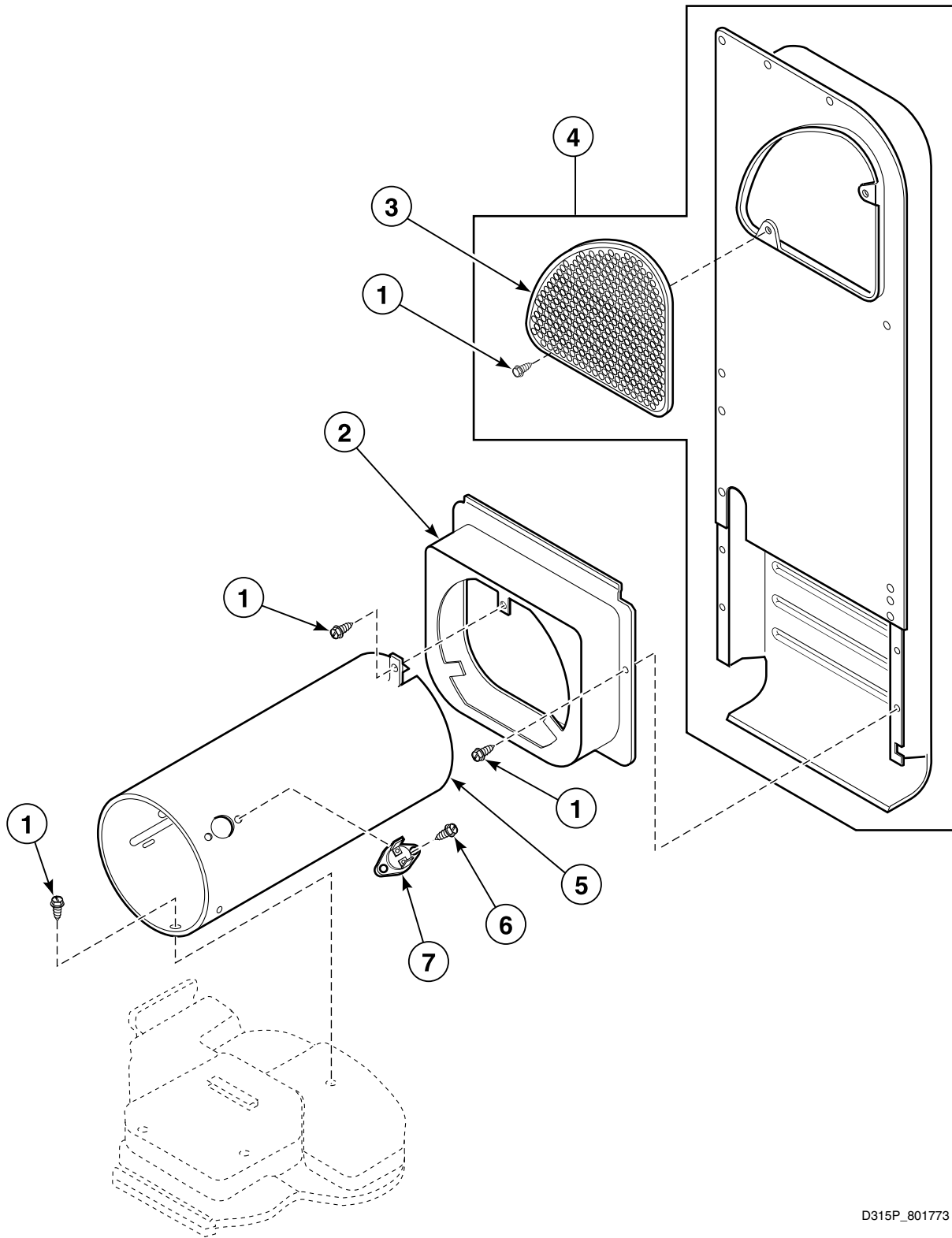
Heater Duct and Element Assembly (Drawing 2 of 2)

REF	PART NO.	DESCRIPTION	COMMENTS
1	503688	Screw	
2	500820	Outlet Cover	
3	510025P	Heater Duct and Screw Assembly	Includes item 2
4	510528	Wire Assembly	Orange; Thermostat jumper
5	511412	Thermal Fuse Assembly	
6	23222	Screw	
7	510527	Wire Assembly	Black; Fuse jumper
8	510701	Limit Thermostat	
9	510326P	Heater Assembly	Models NTEX17*N4067, STEX17*N3000, STEX17*N3020 and STEX17*N3069; 4800 Watt; 240 Volt/50 Hertz
	510324P	Heater Assembly	Models HTEB17*N2802, HTET17*N2802, HTEX17*N2802, HTEY17*N2802, HTEZ17*N2802, STEX17*N3300, STEX17*N5754 and STEY17*N5754; 5000 Watt; 240 Volt/60 Hertz
	510327P	Heater Assembly	Models STEA17*N4350, STEF17*N4350 and STEX17*N4350; 4000 Watt; 240 Volt/50 Hertz
	510330P	Heater Assembly	Model HTEX17*N2902; 4250 Watt; 208 Volt/60 Hertz
	61928	Heater Kit Assembly	Models HTEB17*N2802, HTET17*N2802, HTEX17*N2802, HTEY17*N2802, HTEZ17*N2802, STEX17*N3300, STEX17*N5754 and STEY17*N5754; 4750 Watt; 208 Volt/60 Hertz

* Add Letter To Designate Color. Q - Bisque W - White

Heater Duct Assembly

Gas Model Dryers



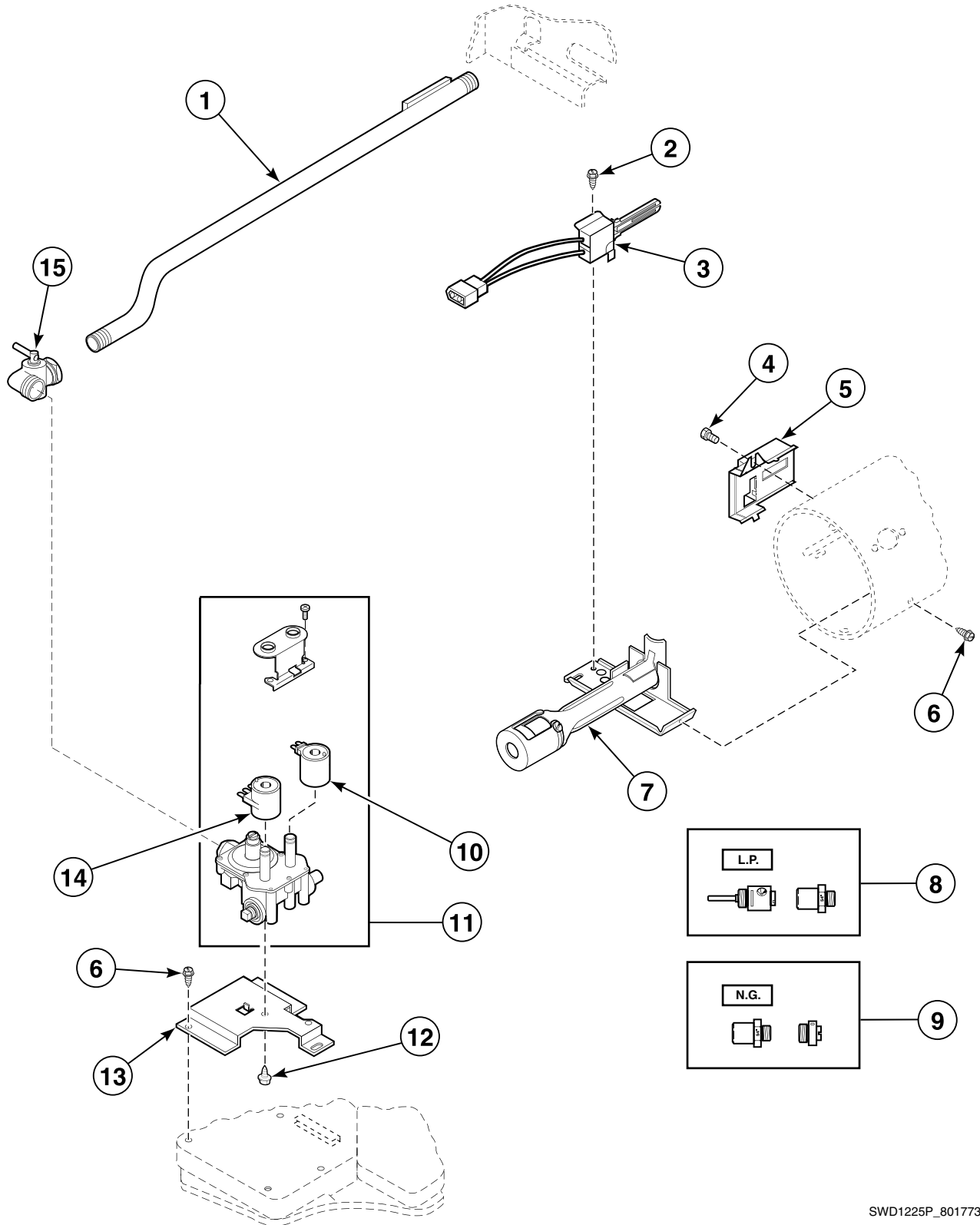
D315P_801773

Heater Duct Assembly

REF	PART NO.	DESCRIPTION	COMMENTS
1	503688	Screw	
2	510101	Heat Duct Shroud	
3	500820	Outlet Cover	
4	510025P	Heater Duct and Screw Assembly	Includes items 1 and 3
5	510131	Combustion Duct	
6	51782	Screw	
7	510702	Limit Thermostat	Color code "black"

Gas Valve, Igniter and Gas Conversion Kits

Gas Model Dryers



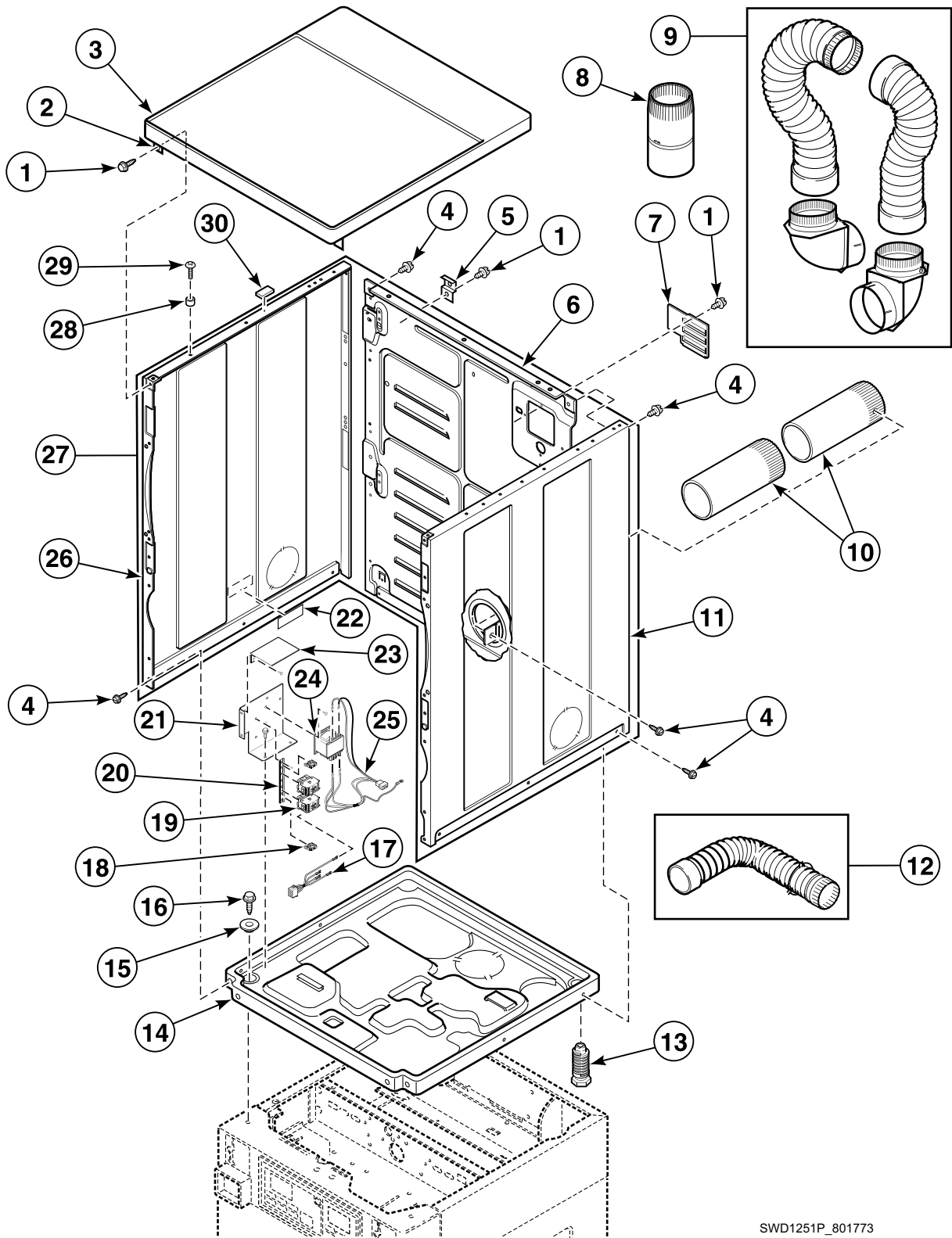
SWD1225P_801773

Gas Valve, Igniter and Gas Conversion Kits

REF	PART NO.	DESCRIPTION	COMMENTS
1	510204	Lead-In Pipe Assembly	
2	51782	Screw	
3	510184P	Igniter and Bracket Assembly	
4	23222	Screw	
5	510213	Sensor	
6	503688	Screw	
7	510149P	Burner Assembly	
8	600P3	L.P. Conversion Kit	Models NTGL19*N4067, NTGX19*N4067 and STGX19*N3069; Used to convert dryer from Natural Gas (N.G.) or Mixed Gas to Liquid Petroleum Gas (L.P.); 25,000 Btu
	458P3	L.P. Conversion Kit	Used to convert dryers from N.G. or Mixed Gas to L.P.; 25,000 Btu
9	459P3	N.G. Conversion Kit	Used to convert dryers from L.P. to N.G. or Mixed Gas; 25,000 Btu
10	58804B	Secondary Coil	
11	60443P	Valve Assembly	50 Hertz; 25,000 Btu; Models NTGL19*N4067, NTGX19*N4067, STGX19*N3000, STGX19*N3060 and STGX19*N3069
	60353P	Gas Valve Assembly	60 Hertz; 25,000 Btu; All other models
12	56124	Screw	
13	510128	Gas Valve Mounting Bracket	
14	58804A	Booster and Holding Coil	
15	510205	Elbow Shut-Off Valve	

* Add Letter To Designate Color. Q - Bisque W - White

Dryer Cabinet, Exhaust Duct and Base



SWD1251P_801773

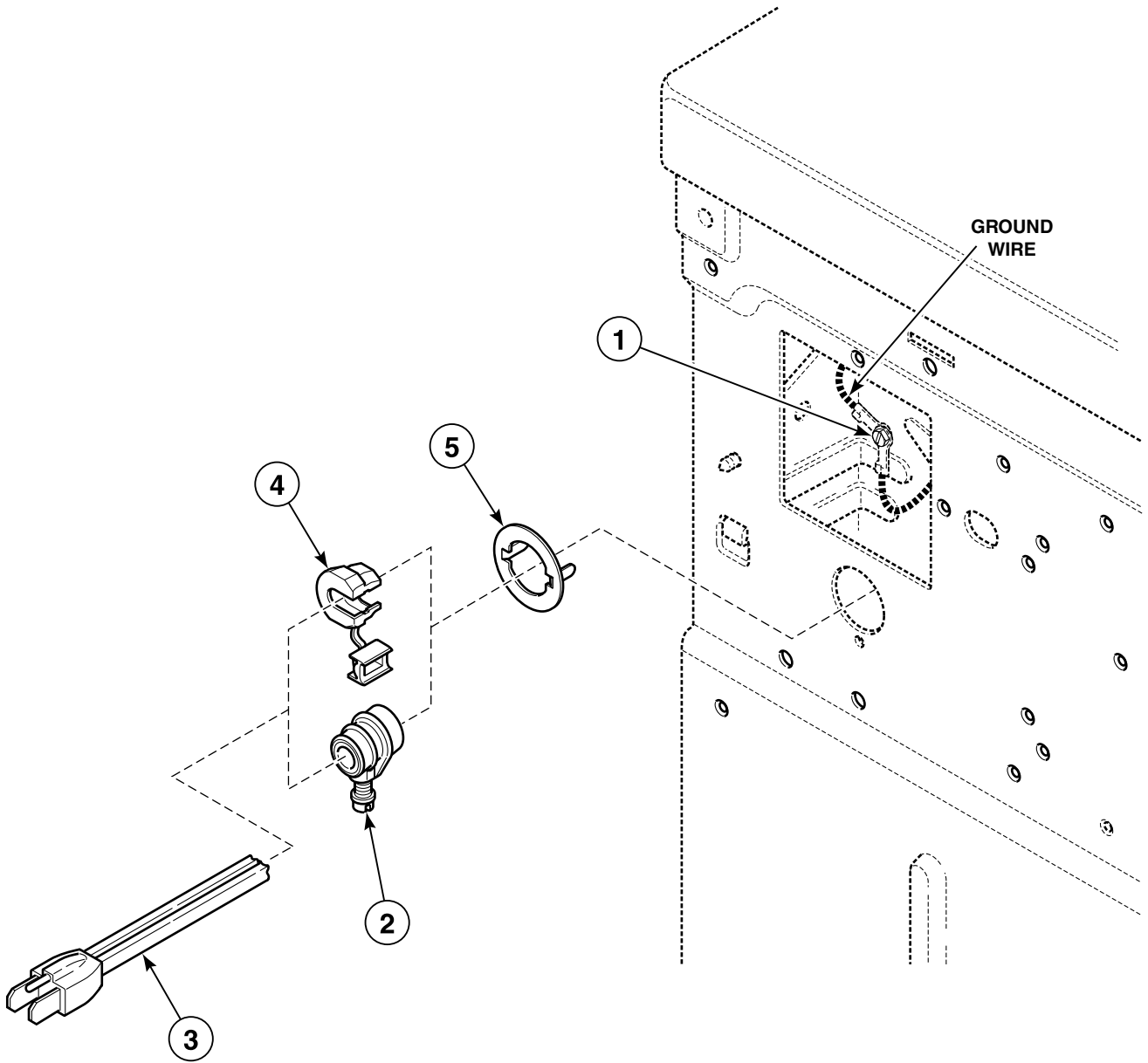
Dryer Cabinet, Exhaust Duct and Base

REF	PART NO.	DESCRIPTION	COMMENTS
1	503661	Screw	
2	510146	Bracket	
3	510032WP	Top Kit	White
	510032QP	Top Kit	Bisque
4	503688	Screw	
5	510136	Top Hinge	
6	510005P	Cabinet Rear Panel	
7	510903	Access Panel Plate	
8	58786	Damper	
9	521P3	Flexible Venting Kit	
10	510137	Exhaust Duct	Each dryer requires 2 pieces
11	510002WP	Cabinet Side Panel	White; Right side
	510002QP	Cabinet Side Panel	Bisque; Right side
12	528P3	Directional Exhaust Kit	Used to vent dryer out the sides
13	510135	Leveling Leg	
14	510084	Dryer Base	
15	501307	Washer	
16	36048	Screw	
17	511327	Harness Assembly	Models NTGL19*N4067 and NTGX19*N4067
18	70121001	End Stop	Models NTGL19*N4067, NTGX19*N4067 and STGX19*N3069
19	70323701P	Contactora	Models NTGL19*N4067, NTGX19*N4067 and STGX19*N3069
20	M412693	Din Rail	Models NTGL19*N4067, NTGX19*N4067 and STGX19*N3069
21	511859	Contactora Bracket	Models NTGL19*N4067, NTGX19*N4067 and STGX19*N3069
22	61294	Fuse Notice Label	Electric models
23	801101	Card Reader Shield	Models NTGL19*N4067, NTGX19*N4067 and STGX19*N3069
24	511658P	Transformer Kit	Includes item 22; Models NTGL19*N4067, NTGX19*N4067 and STGX19*N3069
25	511303	Wire Harness Assembly	Transformer adapter; Includes 502592 Fuse, 3.15 Amp, 250 Volt; Models NTGL19*N4067, NTGX19*N4067 and STGX19*N3069
26	510001WP	Cabinet Side Panel	White; Left side
	510001QP	Cabinet Side Panel	Bisque; Left side
27	727P3W	Panel Kit	White; Includes items 6, 11, 26 and attaching hardware
	727P3Q	Panel Kit	Bisque; Includes items 6, 11, 26 and attaching hardware
28	56079	Panel Locator	
29	39733	Screw	
30	56128	Bumper Pad	

* Add Letter To Designate Color. Q - Bisque W - White

Dryer Power Cord

Models HTGB19*N0902, HTGT19*N0902, HTGX19*N0902, HTGY19*N0902, HTGZ19*N0902,
NTEX17*N4067, NTGL19*N4067, NTGX19*N4067, STGX19*N3060 and STGX19*N3069



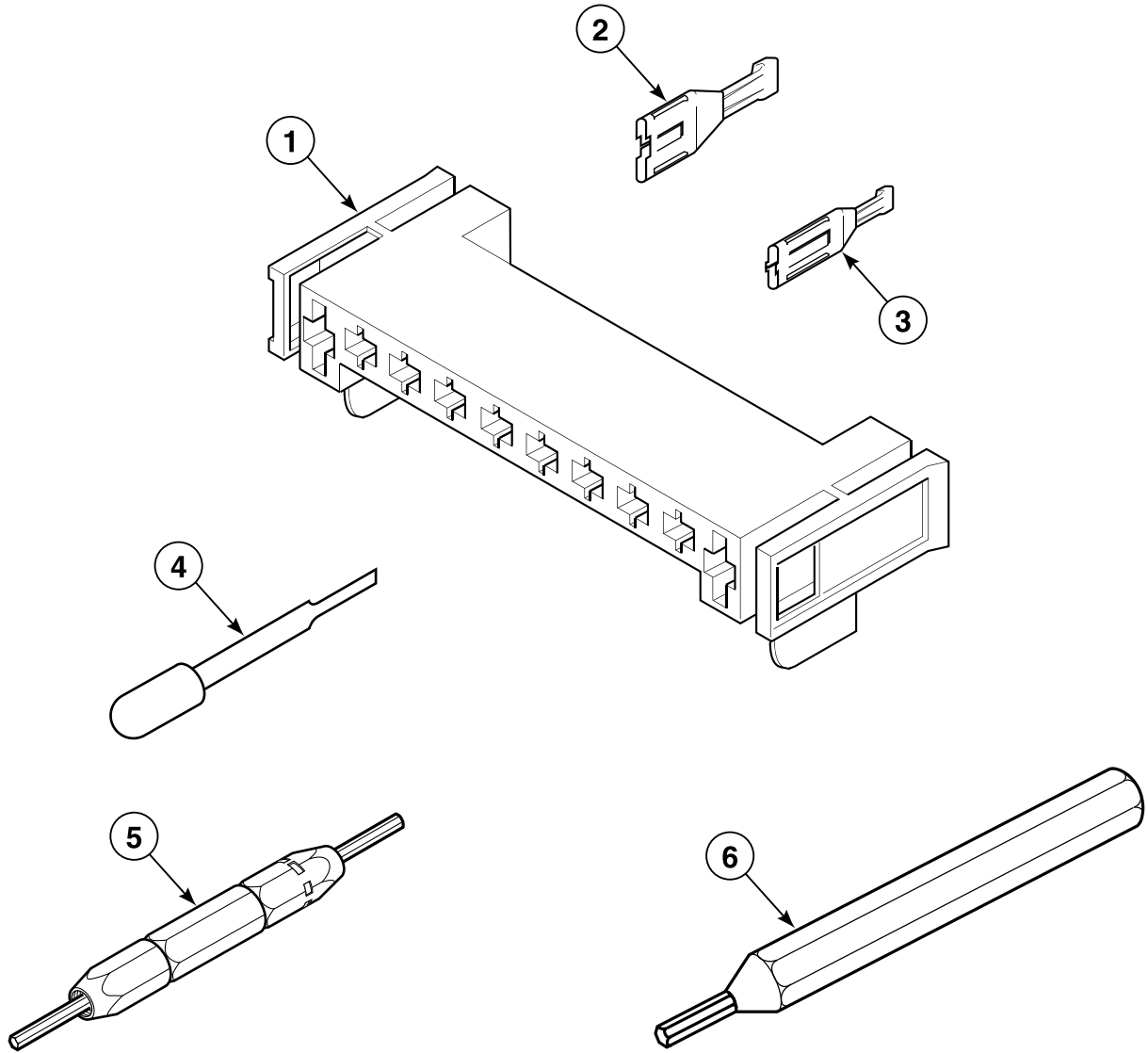
SWD1223P_801773

Dryer Power Cord

REF	PART NO.	DESCRIPTION	COMMENTS
1	20530	Screw	
2	502500	Strain Relief	Models NTGL19*N4067, NTGX19*N4067 and STGX19*N3069
3	506081	Power Cord Assembly	Models NTGL19*N4067, NTGX19*N4067 and STGX19*N3069
	503597	Lead-In Cord Assembly	Model NTEX17*N4067
	512019	Lead-In Cord	Model STGX19*N3060
	58992	Power Cord Assembly	All other models
4	52113	Strain Relief	Model NTEX17*N4067
	52151	Strain Relief	Models HTGB19*N0902, HTGT19*N0902, HTGX19*N0902, HTGY19*N0902 and HTGZ19*N0902
	60298	Strain Relief	Model STGX19*N3060
5	502496	Strain Relief Adapter	

* Add Letter To Designate Color. Q - Bisque W - White

Dryer Motor Connection Block, Terminal Extractor Tools

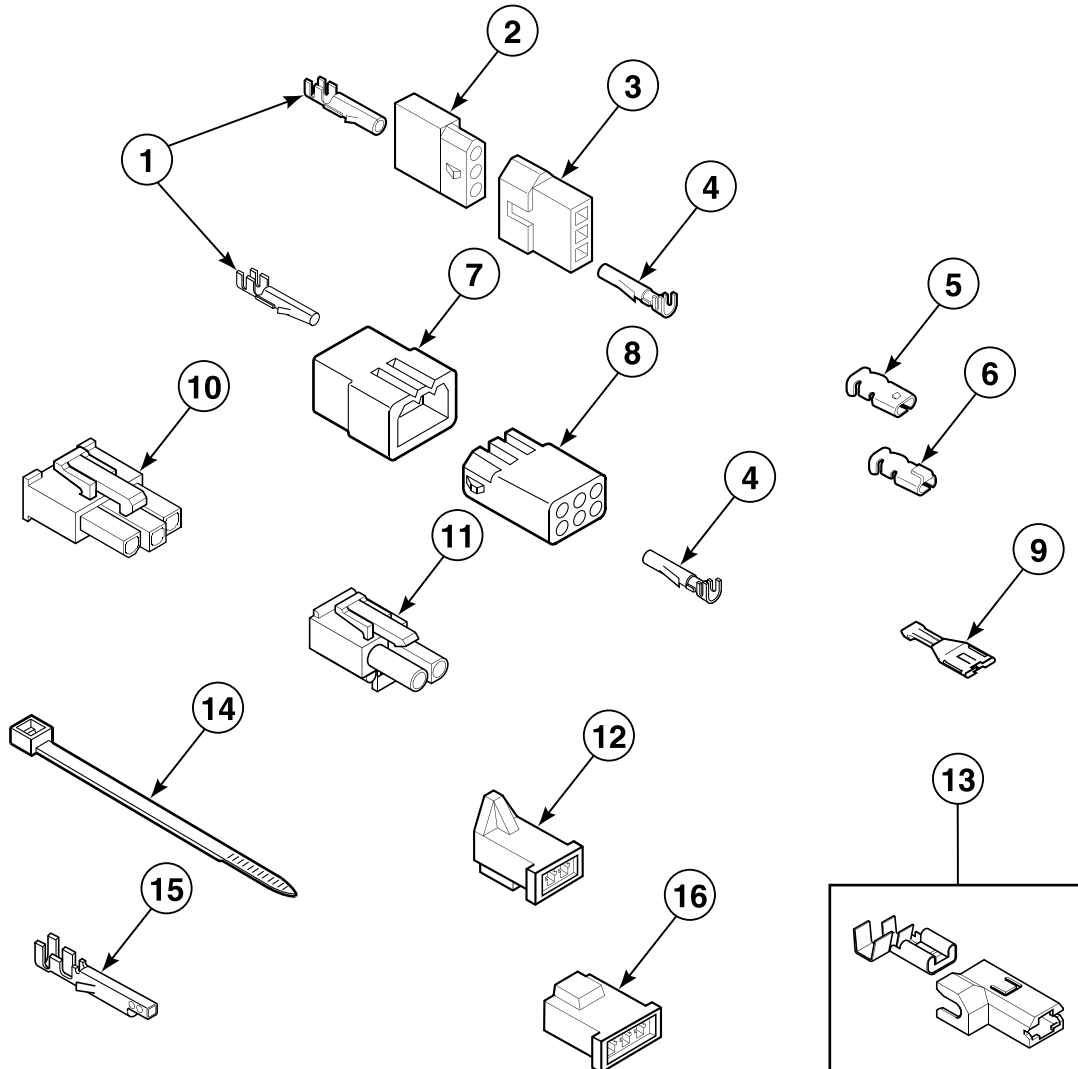


SWD1216P_801773

Dryer Motor Connection Block, Terminal Extractor Tools

REF	PART NO.	DESCRIPTION	COMMENTS
1	500338	10 Position Housing	Molex; 10 circuit
2	00255	Female Terminal	1/4 inch; For (1) 12 gauge wire
	00256	Female Terminal	1/4 inch; For (1) or (2) 18 gauge wires
3	00188	Female Terminal	For 1 or 2 wire applications
4	283P4	Terminal Extractor Tool	For use on Molex connectors
5	190P4	Extractor Tool	For use on electric dryer terminals
6	128P4	Extractor Tool	For use on gas dryer terminals

Terminals



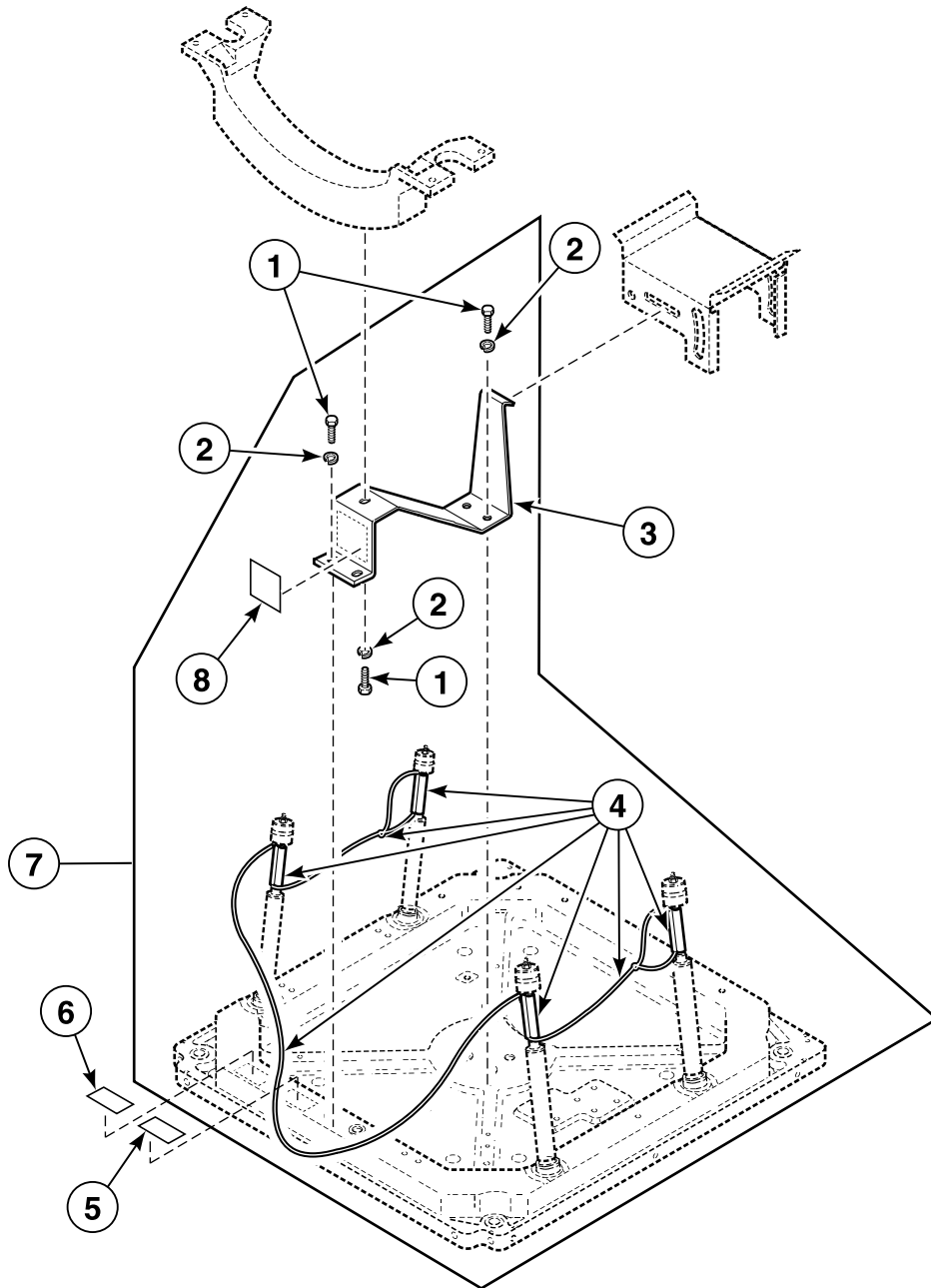
SWD1143P_801773

Terminals

REF	PART NO.	DESCRIPTION	COMMENTS
1	00117	Female Pin Terminal	
2	23039	3 Circuit Receptacle	Models BTEL15*N4065, BTEL17*N4065, BTEX15*N4065, BTEX17*N4065, HTEX17*N4064, HTEY17*N4064, HTGB19*N0902, HTGT19*N0902, HTGX19*N0902, HTGY19*N0902, HTGZ19*N0902, NTEL17*N4064, NTEX17*N4067, STEX17*N4064 and STEY17*N4064
3	23040	Plug	
4	00116	Male Pin Terminal	
5	00189	Female Spade Terminal	All gas models
6	00361	Female Piggyback Terminal	All gas models
7	23033	9 Circuit Plug	Models BTEL15*N4065, BTEL17*N4065, BTEX15*N4065, BTEX17*N4065, HTEX17*N4064, HTEY17*N4064, HTGB19*N0902, HTGT19*N0902, HTGX19*N0902, HTGY19*N0902, HTGZ19*N0902, NTEL17*N4064, NTEX17*N4064, STEX17*N4064, STEY17*N4064, STGX19*N3000, STGX19*N3060 and STGX19*N3069
8	26708	6 Circuit Receptacle	
9	00256	Female Terminal	Models BTEL15*N4065, BTEL17*N4065, BTEX15*N4065, BTEX17*N4065, HTEX17*N4064, HTEY17*N4064, HTGB19*N0902, HTGT19*N0902, HTGX19*N0902, HTGY19*N0902, HTGZ19*N0902, NTEL17*N4064, NTEX17*N4064, NTGL19*N4067, NTGX19*N4067, STEX17*N4064, STEY17*N4064, STGX19*N3000, STGX19*N3060 and STGX19*N3069
10	36170	3 Circuit Receptacle	All models except HTEY17*N2802, HTEY17*N4064, HTGY19*N0902, STEF17*N4350 and STEY17*N4064
11	501223	2 Circuit Receptacle	All models except HTEB17*N2802, HTET17*N2802, HTGB19*N0902 and HTGT19*N0902
12	58799	2 Circuit Connector	All gas models
13	00221	Insulated Female Flag Terminal	Models HTGB19*N0902, HTGT19*N0902, HTGX19*N0902, HTGY19*N0902 and HTGZ19*N0902
14	55881	Harness Strap	
15	00252	Terminal	
16	58800	3 Circuit Connector	All gas models

* Add Letter To Designate Color. Q - Bisque W - White

Shipping Materials



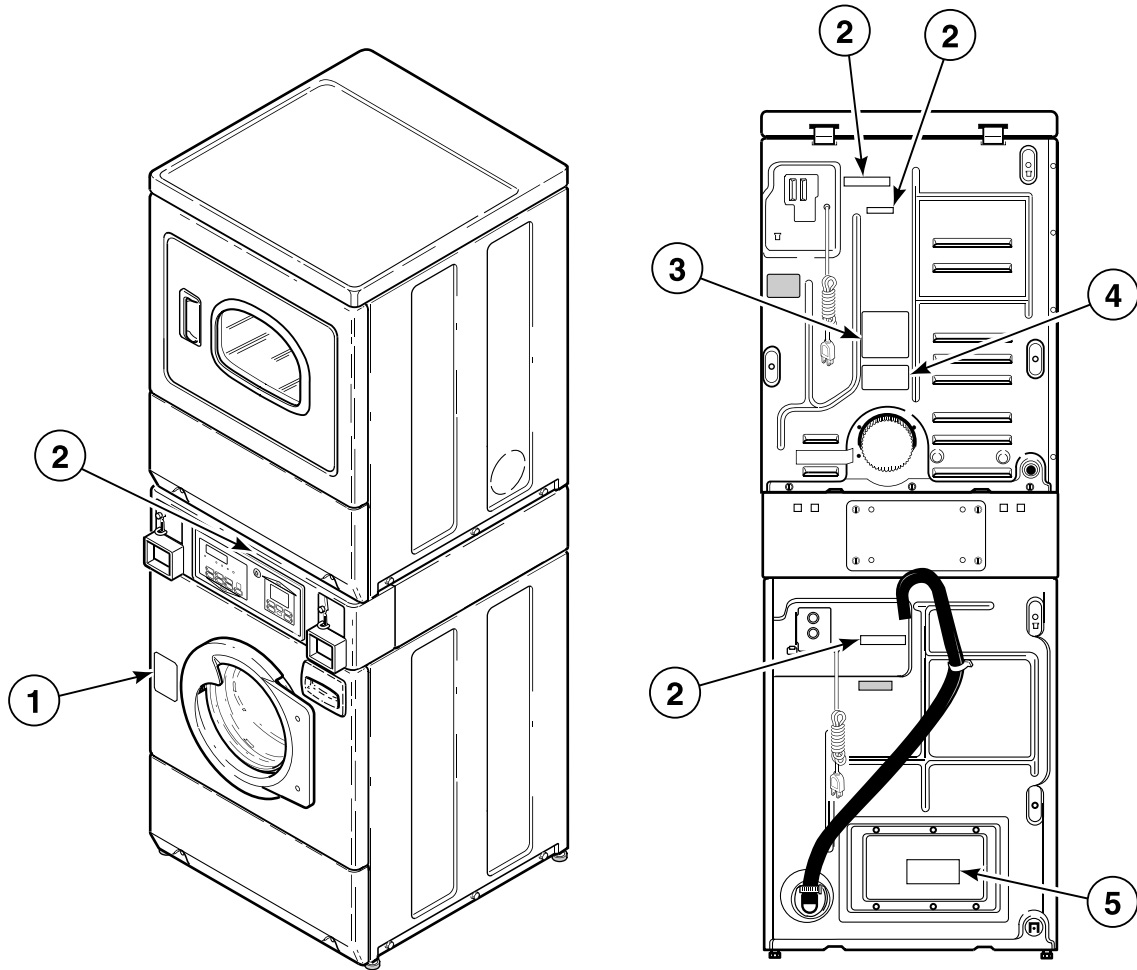
FLW845P_801773

Shipping Materials

REF	PART NO.	DESCRIPTION	COMMENTS
1	M400043	Screw	
2	M400014	Washer	
3	685911	Shipping Bracket	
4	800364P	Shipping Cord and Brace Assembly	
5	800632	Warning Label	Non-grounded
6	500314	Warning Label	Models HTEB17*N2802, HTET17*N2802, HTEX17*N2802, HTEX17*N2902, HTEY17*N2802, HTEZ17*N2802, HTGB19*N0902, HTGT19*N0902, HTGX19*N0902, HTGY19*N0902 and HTGZ19*N0902
	502511	Electrical Shock Label	All other models
	502506	Pinched Fingers Label	All other models
7	728P3	Shipping Materials Kit	Includes items 1-4 and 8
8	686901	Shipping Bracket Label	

* Add Letter To Designate Color. Q - Bisque W - White

Labels

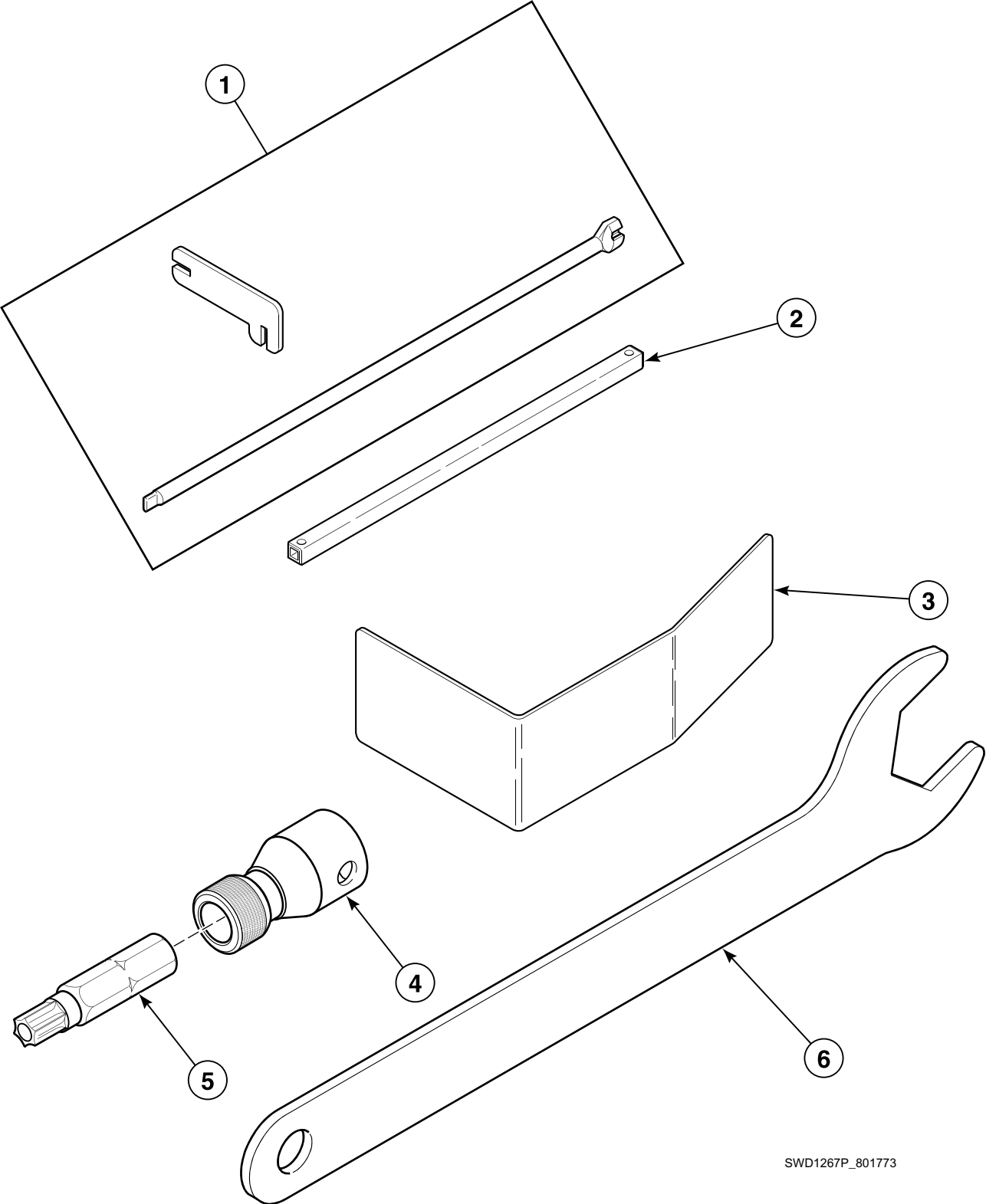


SWD1137P_801773

Labels

REF	PART NO.	DESCRIPTION	COMMENTS
1	685947	Door Locked Label	
2	505281	Disconnect Power Warning Label	English
	502511	Electrical Shock Label	Icon
3	502791	Venting Instruction Label	
4	500497	Exhaust Warning Label	
5	500049	Warning Label	English
	500314	Warning Label	Quebec French
	502511	Electrical Shock Label	Icon

Special Tools

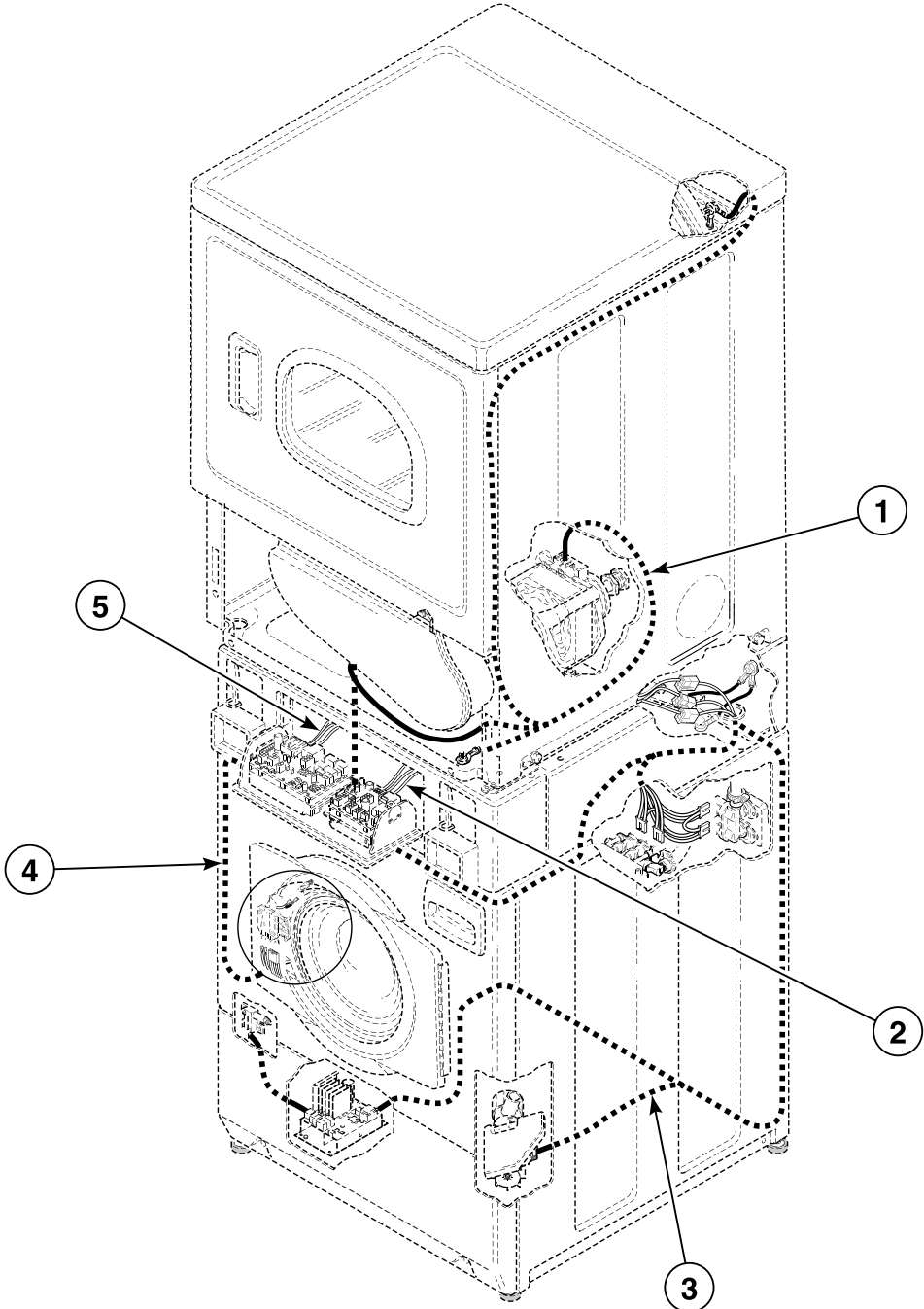


SWD1267P_801773

Special Tools

REF	PART NO.	DESCRIPTION	COMMENTS
1	CK096	Mounting Tool Kit	Use to install and remove electronic coin drop kits
2	310P4	Ratchet Extension Tool	1/4 inch; Use to install and remove non-electronic coin drops
3	318P4	Dispenser Drawer Tool	Use to remove dispenser drawer
4	24161	Bit Holder	
5	282P4	Torx Bit	
6	392P4	Wrench	Use to adjust leveling legs

Wire Harnesses and Wires



SWD1182P_801773

Wire Harnesses and Wires

REF	PART NO.	DESCRIPTION	COMMENTS
	45001	18 Gauge Wire	Black; Order wire by foot, terminals/connectors as required
	45380	12 Gauge Wire	Orange; Order wire by foot, terminals/connectors as required
1	510434P	Wire Harness Assembly	Dryer; Models HTEB17*N2802, HTET17*N2802, HTEX17*N2802, HTEX17*N2902, HTEY17*N2802 and HTEZ17*N2802
	511336P	Wire Harness Assembly	Dryer; Models BTEL15*N4065, BTEL17*N4065, BTEX15*N4065, BTEX17*N4065, HTEX17*N4064, HTEY17*N4064, NTEL17*N4064, NTEX17*N4064, STEX17*N4064 and STEY17*N4064
	510409P	Wire Harness Assembly	Dryer; Models HTGB19*N0902, HTGT19*N0902, HTGX19*N0902, HTGY19*N0902 and HTGZ19*N0902
	511317	Wire Harness Assembly	Dryer; Model STGX19*N3000
	511327	Harness Assembly	Dryer; Model STGX19*N3069
	511753	Wire Harness Assembly	Dryer; Models NTGL19*N4067 and NTGX19*N4067
	511347	Wire Harness Assembly	Dryer; Model STGX19*N3060
	511314P	Wire Harness Assembly	Dryer; All other models
2	510496P	Wire Harness	Dryer security cabinet; Models HTEB17*N2802, HTET17*N2802, HTEX17*N2802, HTEX17*N2902, HTEY17*N2802 and HTEZ17*N2802
	511338P	Wire Harness Assembly	Dryer security cabinet; Models BTEL15*N4065, BTEL17*N4065, BTEX15*N4065, BTEX17*N4065, HTEX17*N4064, HTEY17*N4064, NTEL17*N4064, NTEX17*N4064, NTGL19*N4067, STEX17*N4064 and STEY17*N4064
	510497P	Security Cabinet Wire Harness Assembly	Dryer security cabinet; Models HTGB19*N0902, HTGT19*N0902, HTGX19*N0902, HTGY19*N0902 and HTGZ19*N0902
	511321P	Wire Harness Assembly	Dryer security cabinet; Models STGX19*N3000 and STGX19*N3060
	511757	Wire Harness Assembly	Dryer security cabinet; Models NTGX19*N4067 and STGX19*N3069
	511318P	Wire Harness Assembly	Dryer security cabinet; All other models
3	801063P	Motor Harness Assembly	
4	801494	Base Harness Assembly	Models BTEL15*N4065, BTEL17*N4065, BTEX15*N4065, BTEX17*N4065, HTEX17*N4064, HTEY17*N4064, NTEL17*N4064, NTEX17*N4064, NTEX17*N4067, NTGL19*N4067, NTGX19*N4067, STEX17*N4064, STEX17*N5754, STEY17*N4064 and STEY17*N5754
	N/A	Base Harness Assembly	Models STEA17*N4350, STEF17*N4350, STEX17*N3000, STEX17*N3020, STEX17*N3069, STEX17*N3300, STEX17*N4350, STGX19*N3000, STGX19*N3060 and STGX19*N3069
	800590P	Base Harness Assembly	All other models
5	801335	Control Harness Assembly	Models STEA17*N4350, STEF17*N4350, STEX17*N3000, STEX17*N3020, STEX17*N3069, STEX17*N3300, STEX17*N4350, STGX19*N3000, STGX19*N3060 and STGX19*N3069
	801064P	Front Control Harness Assembly	Models HTEB17*N2802, HTET17*N2802, HTEX17*N2802, HTEX17*N2902, HTEY17*N2802, HTEZ17*N2802, HTGB19*N0902, HTGT19*N0902, HTGX19*N0902, HTGY19*N0902 and HTGZ19*N0902
	801117	Control Harness Assembly	All other models

* Add Letter To Designate Color. Q - Bisque W - White

N/A = Part no longer available

NOTE: Individual wires are not available separately. Order complete harness, or order wire by the foot. When applying terminals to wires, it is recommended that the terminals be soldered to the wires.

Parts Index

A

Access Panel	
510069QP	21, 23, 47
510069WP	21, 23, 47
Access Panel Damper	
685368	21, 23
Access Panel Plate	
510903	63
Adhesive	
511637P	51, 53
Air Duct Assembly	
510151	51
Anti-Seize Compound	
27604P	31
Audit Switch Bracket	
800379	7
800380	7

B

Backflow Preventer	
34500	25, 27
800310	37
Ballast Weight	
800205	29
Base Assembly	
802245	39
Base Harness Assembly	
800590P	77
801494	77
Base Shock Absorber Kit	
800623P	29
Bearing Housing Kit	
800428P	31
Bit Holder	
24161	75
Block to Relay Harness	
511112P	55
Blower and Fan Kit	
510717P	49
Blower Fan Assembly	
510139P	49
Blower Housing and Cover Kit	
511969P	49
Blower Housing Seal	
510238P	49
Booster and Holding Coil	
58804A	61
Brace Kit	
918P3	39
Bracket	
510146	63
Bumper Pad	
56128	39, 63
Burner Assembly	
510149P	61

C

Cabinet Brace	
801491	39
801492	39
Cabinet Panel Kit	
800004QP	39
800004WP	39
Cabinet Rear Panel	
510005P	63
Cabinet Side Panel	
510001QP	63
510001WP	63
510002QP	63
510002WP	63
Cable Connection Box	
39922	41
Cable Tie	
39037	25
Cap	
801746	25
Card Insert Overlay	
511548	15
Card Reader and Bracket Assembly	
510068P	15
Card Reader Overlay	
800230	15
Card Reader Shield	
801101	63
Card Reader Wire Harness Assembly	
800125P	15
Caution Label	
500253	47
Clamp Ring	
800312	29
Clean Lint Label	
502804	47
Clip	
201572	13
Coin Drop	
38963P	11
Coin Drop Assembly	
200578P	11
38462P	11
38463	11
38464P	11
38467	11
38472	11
38519	11
38521	11
Coin Drop Overlay	
39564	15
Coin Drop Wire Harness	
201104	13
Coin Identification Paper	
38725	11, 13
Combustion Duct	
510131	59
Connector, 2 Circuit	
58799	69

N/A items do not appear in index.

Connector, 3 Circuit 58800	69	Dispenser 685756P	25
Contactors F330177P	7, 17, 55	801090P	25
70323701P	63	Dispenser Assembly 801476P	25
Contactors Bracket 511859	63	Dispenser Drawer Front 685715Q	25
Contactors Wire Harness Assembly 801120P	7, 17	685715WP	25
Control Assembly 511867P	5, 17	Dispenser Drawer Tool 318P4	75
802248P	5	Dispenser Plate 801024	25
802400P	5, 17	Dispenser-to-Tub Hose 800331	25
Control Cabinet Bottom 801777	17	Door and Liner Assembly 511636QP	45
Control Harness Assembly 801117	77	511636WP	45
801335	77	Door Assembly 800436QP	21
Control Kit 505905P	5	800436WP	21
800772P	5	801869	21
Control Panel 801778W	17	801928QP	23
Control Panel and Bracket Assembly 800034W	5	801928WP	23
Control Shield 801061	33	Door Bezel 800341Q	21
801371	7, 17	800341W	21
801372	7	Door Catch Assembly 510177	47
Conversion Kit 756P3	55	Door Glass 800343P	21, 23
Cylinder Assembly 510265P	51	Door Handle 800342	21
Cylinder Baffle 510102	51	Door Handle Wedge 510129	45
Cylinder Belt 511255P	49	Door Hinge 802934	21, 23
Cylinder Glide 510187	51	Door Latch/Switch Assembly 685429	21, 23
Cylinder Glide Bracket 510145	51	Door Liner Grill 503870W	45
Cylinder Roller 510708P	53	Door Locked Label 685947	73
Cylinder Roller Bracket 510100	53	Door Pull and Wedge Kit 510103QP	45
Cylinder Seal Assembly 510207P	51, 53	510103WP	45
<hr/>		Door Seal and Hose Assembly 800232	23, 25
D		801784	23, 25
Damper 58786	63	Door Seal Clamp 685743P	21, 23
Detergent Cover 800899	25	Door Strike 510181	45
Diagnostic Wire Harness Assembly 800374	5	Door Strike Mount 510127	45
800680	17	Door Switch 800211	21, 23
Din Rail M412693	55, 63	Door Switch Assembly 801821	21, 23
Directional Exhaust Kit 528P3	63	Drain Hose 27154	37
Disconnect Power Warning Label 505281	73	Drain Hose Elbow 35766	37
		Drain Pump 802623P	37

N/A items do not appear in index.

802624P	37
802625P	37
Drain Valve Kit	
F976P3	35
Drain-to-Cabinet Hose	
800903	35
Drive Belt	
800319P	33
Driven Pulley	
800866	31
Dryer Base	
510084	63
Dryer Door	
510082LP	45
510082QP	45
510082WP	45
Dryer Door Window	
503982	45
Dual Overlay	
39073	11

E

Elbow Shut-Off Valve	
510205	61
Electric Access Panel	
801134	9
Electrical Shock Label	
502511	29, 71, 73
Electronic Coin Drop Assembly	
70294101P	13
70294103P	13
70294104	13
70294105P	13
70294106	13
70294107	13
70294109	13
70294110	13
70294111	13
Electronic Coin Drop Kit	
CK095	13
CK099	13
CK100	13
CK101	13
CK103	13
CK106	13
CK108	13
CK109	13
CK110	13
Element to Contactor Harness	
801093P	29
End Stop	
70121001	55, 63
Exhaust Duct	
510137	63
Exhaust Warning Label	
500497	73
Expansion Clip	
70030501	17, 19
Extension Spring	
800346	21, 23
Extractor Tool	
128P4	67
190P4	67

F

Felt Pad	
510189	51
Female Piggyback Terminal	
00361	69
Female Pin Terminal	
00117	69
Female Spade Terminal	
00189	69
Female Terminal	
00188	67
00255	67
00256	67, 69
Fill Hose	
20617	27
20618	27
37380	27
37381	27
Fill Hose Kit	
28330P	27
38349P	27
Filter	
801255P	9, 19
Fitting	
801792P	9, 19
Flexible Venting Kit	
521P3	63
Front Bulkhead Assembly	
510266P	51
Front Control Harness Assembly	
801064P	77
Front Overlay	
801874	5
Front Panel	
510066QP	47
510066WP	47
800336QP	21, 23
800336WP	21, 23
Front Panel Seal	
511056	47
Fuse	
801755	33
Fuse Notice Label	
61294	63

G

Gas Valve Assembly	
60353P	61
Gas Valve Mounting Bracket	
510128	61
Gasket	
802427	37
Graphic Overlay	
801984	17
802289	17
Gravity Drain Bracket	
803291	35
Grommet	
29175	29
802218	37

N/A items do not appear in index.

Grounding Clip 00161	29
-------------------------------	----

H

Hardware Kit 838P3	31
Harness Assembly 511327	63, 77
802905	11, 13
Harness Strap 55881	23, 43, 69
Heat Duct Shroud 510101	59
Heater 511014P	55
Heater Assembly 510324P	57
510326P	57
510327P	57
510330P	57
Heater Duct and Screw Assembly 510025P	55, 57, 59
Heater Kit Assembly 61928	57
Heating Element Kit 801269P	29
801270P	29
Hinge 511036	45
Hinge Hole Plug 510186	47
Hinge Plate 802412	21, 23
Hold-Down Clip 800906	21, 23
Hose Clamp F200206	25, 37
20211	37
20391	37
36802	37
39282	29
685725	25, 35
802164	23, 25, 27
Hose Clip 36985	7, 17, 43
800553	31
Hose Mounting Plate 800552	31
Housing, 10 Position 500338	67

I

Idler Lever 510133	49
Idler Lever and Wheel Assembly 510158	49
Idler Spring 510185	49
Idler Wheel and Bearing Assembly 510142P	49

Igniter and Bracket Assembly 510184P	61
Inner Basket Assembly 800429P	31
Inner Basket Kit 800198P	31
Inner Door Bezel 800340	21
801903	23
Insert 685716	25
Insulated Female Flag Terminal 00221	69
Inverter Assembly Kit 801526P	33
801527P	33
Inverter Control Assembly 803254P	33
803255P	33

J

Jumper Configuration Assembly M413507	7, 17
Jumper Wire Assembly 511270	55
Junction Box 801403	41
Junction Box Cover 801404	41
Junction Box Seal 801425P	41

K

Key 54612	5
--------------------	---

L

Lead-In Cord 39926	41
512019	65
Lead-In Cord Assembly 503597	65
Lead-In Pipe Assembly 510204	61
Left Control Cabinet Side 801738W	17
Leveling Leg 34319	39
510135	63
Lid Assembly 801206P	37
802426P	37
Limit Thermostat 510701	55, 57
510702	59
Line Filter 201058	9, 19, 41

N/A items do not appear in index.

Liner and Seal Assembly 510098W.....	45
Liner Door Seal 510147P.....	45
Lint Filter 503980.....	51
Lock Cam 27261.....	5
Lock Kit 27260P.....	5
Locking Catch 685430.....	21, 23
Lower Junction Box 801433.....	41
L.P. Conversion Kit 458P3.....	61
600P3.....	61

M

Male Pin Terminal 00116.....	69
Manual Reset Thermostat M411941.....	49
MDC Central Pay Harness 511478.....	5, 17
Mixing Valve 802220P.....	27
802222P.....	27
Mixing Valve Plate 800323.....	27
Mixing Valve Screen 802926.....	27
Motor Access Hole Edging 801702.....	39
Motor and Pulley Assembly 505843P.....	49
505869P.....	49
511629P.....	49
Motor and Rod Assembly Kit 801684P.....	33
Motor Harness Assembly 801063P.....	77
Motor Hub Ring Kit 590P3.....	49
Motor Mount 510060.....	49
Motor Mount Clamp 510180.....	49
Motor Mount Rod 801062.....	33
Motor Pulley 500011.....	49
500222.....	49
Mounting Tool Kit CK096.....	75

N

Network Varistor Assembly 801311.....	9, 19
--	-------

Nozzle Cap 801112.....	37
Nut F430218.....	29
201216.....	13
21899.....	39
23951.....	21, 23
29786.....	11, 35
29787.....	9, 19
36020.....	21, 23
52566.....	49
56156.....	49, 53
685844.....	31
685846.....	21
70054.....	15
800452.....	29, 31
801994.....	23
N.G. Conversion Kit 459P3.....	61

O

Opto Coupler 200674P.....	11
O-Ring 801207.....	37
802429.....	37
802487.....	37
Outer Door Bezel 801868.....	21
801904Q.....	23
801904W.....	23
Outer Tub Assembly 801081P.....	29
801291.....	29
Outlet Cover 500820.....	55, 57, 59
Out-of-Balance Switch Assembly 801006.....	29
Overlay 201091.....	11, 13
800026.....	5
800027.....	5
800894.....	5
801051.....	5
801054.....	5
801138.....	5
801415.....	5
802078.....	5
Overlay Kit 38676.....	11

P

Panel Kit 727P3Q.....	63
727P3W.....	63
Panel Locator 56079.....	11, 15, 21, 23, 39, 47, 63
Pinched Fingers Label 502506.....	29, 71
Plug 23040.....	69

N/A items do not appear in index.

Plug, 9 Circuit 23033	69
Pop Rivet 685847	31
Power Cord Assembly 39925	41
39931	41
506081	65
58992	65
801450	41
Pressure Bulb 30907	29
Pressure Switch 800468P	7
801297P	7, 17
801610P	7, 17
Pump Bracket 802219	37
Pump Housing 801208	37
802428	37
Pump Housing Assembly 801209	37
802434P	37
Pump Mount 802432	37
Pump Mount Bracket 802626	37
Pump Shield 38067	37
Pump-to-Elbow Hose 685737	37

R

Ratchet Extension Tool 310P4	75
Rear Bulkhead Assembly 511082P	53
Rear Control Cabinet 801058	17, 19
Rear Panel 800010P	39
801216	39
801629	39
Rear Service Panel 801012	39
Receptacle, 2 Circuit 501223	69
Receptacle, 3 Circuit 23039	69
36170	69
Receptacle, 6 Circuit 26708	69
Relay to Heater Harness 511114P	55
Resistor 210100	7, 17
Retaining Ring 23748	33, 49, 53
Right Control Cabinet Side 800915Q	17
800915W	17

Rubber Foot 34318	39
----------------------------	----

S

Screw M400043	31, 71
M400057	33
M405188	39
02916	35
20530	65
23222	49, 55, 57, 61
31260	49
31645	39
33562	47
36048	11, 15, 63
38096	37
39733	11, 15, 21, 23, 39, 47, 63
500226	45
500824	49
501086	27
501285	37, 51, 53
501524	5, 17, 33
503661	7, 9, 11, 15, 17, 19, 21, 23, 27, 29, 33, 35, 37, 39, 41, 63
503688	7, 9, 11, 15, 17, 19, 47, 49, 51, 53, 55, 57, 59, 61, 63
505295	45, 51
505870	45
51782	59, 61
52864	51
52909	37
56124	61
61199	53
62588	51
62853	47
685831	31
70240301	17, 19
800461	29
800462	29, 31
800528	21
800548	21, 23, 25
800930	17
801001	25
801019	21, 23
801045	21, 23
801993	21, 23
802430	37
802431	37
Screw Label 685928	39
Sealant 27615P	35, 37
Secondary Coil 58804B	61
Security Cabinet Front Assembly 511208Q	15
511208W	15
511632Q	11
511632WP	11
Security Cabinet Rear Service Panel 800177	7
Security Cabinet Wire Harness Assembly 510497P	77
Security Cabinet Wrapper Assembly 800231Q	11, 15

N/A items do not appear in index.

800231W.....	11, 15
801235Q.....	11, 15
801235W.....	11, 15
Sensor	
510213.....	61
Shaft	
56461P.....	49, 53
Shipping Bracket	
685911.....	71
Shipping Bracket Label	
686901.....	71
Shipping Cord and Brace Assembly	
800364P.....	71
Shipping Materials Kit	
728P3.....	71
Side Panel Kit	
800005QP.....	39
800005WP.....	39
Snap Bushing	
M402542.....	7, 9, 17, 19, 39, 41
503235.....	35
Speed Clip	
28835.....	47
Standpipe Strap	
33489.....	37
Strain Relief	
502500.....	65
52113.....	65
52151.....	65
60298.....	65
Strain Relief Adapter	
502496.....	65
Switch	
504570.....	7, 47
Switch Mounting Bracket	
800663.....	29

T

Tension Rod Assembly	
800666.....	31
Terminal	
00252.....	69
Terminal Block Assembly	
505876.....	9, 19, 53
510190P.....	53
801250.....	9
801756.....	19
Terminal Block Shield	
510237.....	53
Terminal Block Support Bracket	
505875.....	53
Terminal Extractor Tool	
283P4.....	67
Thermal Fuse Assembly	
511412.....	55, 57
Thermistor	
803256.....	29
Thermistor Assembly	
502366.....	49
510523.....	49
Thermostat Opening Cover	
61203.....	39

Top Hinge	
510136.....	63
Top Kit	
510032QP.....	63
510032WP.....	63
Torx Bit	
282P4.....	75
Transformer	
201375P.....	7, 13
210018P.....	7
210019P.....	7, 17
Transformer Kit	
511658P.....	63
Trunnion Shaft and Hardware Kit	
800749P.....	31
Tub Front Assembly	
800430.....	29
801231.....	29
Tub Front Seal	
800432P.....	29, 31
Tub Shock Absorber Kit	
800622P.....	29
Tubing	
800648P.....	29
Tub-to-Drain Hose	
800902.....	35
Tub-to-Pump Hose	
800317.....	37

V

Valve Assembly	
60443P.....	61
Valve Kit	
685766P.....	25
801836P.....	25
Valve-to-Dispenser Inlet Hose	
801464.....	25, 27
Venting Instruction Label	
502791.....	73

W

Warning Label	
500049.....	73
500314.....	29, 71, 73
512263.....	47
800632.....	71
Warning/Caution Label	
500281.....	47
Washer	
M400014.....	71
M400017.....	35
M400080.....	33
M400081.....	29
M403958.....	31
02834.....	33
20290.....	27
26509.....	11, 15
28605.....	27
501307.....	63
504082.....	53
52549.....	33, 49, 53

N/A items do not appear in index.

800457	29, 31
800464	31
800465	37
802254	27
Window Trim	
503981Q	45
503981W	45
512006	45
Wire Assembly	
510527	57
510528	57
Wire Clamp	
800811	29
Wire Clamp Ring	
800438	21, 23
Wire Clip	
504034	43
687500	25, 43
Wire Guard	
201595P	11
Wire Harness	
510496P	77
Wire Harness Assembly	
510409P	77
510434P	77
510621P	53
510622	53
511303	63
511314P	77
511317	77
511318P	77
511321P	77
511336P	77
511338P	77
511347	77
511753	77
511757	77
801420	41
801421	41
Wire Tie	
38663	43
Wire, 12 Gauge	
45380	77
Wire, 18 Gauge	
45001	77
Wrench	
392P4	75
