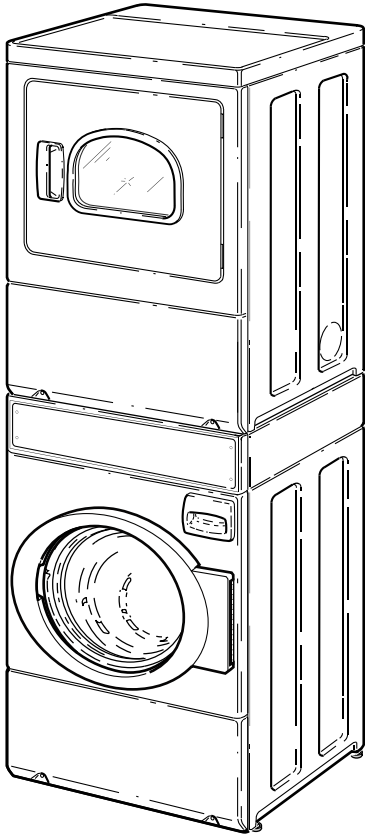


# Home Stacked Washer/Dryer

Refer to Page 3 for Model Numbers



SWD452C\_802851



# Table of Contents

Title	Page
Parts Ordering Information.....	2
Nameplate Location .....	2
Model Identification .....	3
Control Cabinet and Controls.....	4
Washer Front Panel, Door Assembly and Door Seal.....	6
Dispenser Assembly .....	8
Mixing Valve, Valve-to-Dispenser Inlet Hose and Fill Hose .....	10
Outer Tub, Front and Clamp Ring.....	12
Inner Basket, Trunnion, Bearing Housing and Pulley .....	14
Washer Motor and Belt .....	16
Drain Hose and Pump.....	18
Washer Base, Panels and Rear Panel .....	20
Washer Lead-In Cord, Wire Ties and Clips.....	22
Dryer Loading Door.....	24
Dryer Access Panel, Front Panel and Seal.....	26
Dryer Motor, Blower Fan and Belt.....	28
Front Bulkhead, Air Duct, Felt Seal and Cylinder .....	30
Rear Bulkhead, Felt Seal, Cylinder Roller and Terminal Block.....	32
Heater Duct and Element Assembly .....	34
Heater Duct Assembly .....	36
Gas Valve, Igniter and Gas Conversion Kits.....	38
Dryer Cabinet, Exhaust Duct and Base .....	40
Dryer Lead-In Cord .....	42
Dryer Motor Connection Block, Terminal Extractor Tools .....	44
Shipping Materials .....	46
Special Tools .....	48
Labels .....	50
Wire Harnesses and Wires .....	52
Parts Index.....	55

© Copyright 2010, Alliance Laundry Systems LLC

All rights reserved. No part of the contents of this book may be reproduced or transmitted in any form or by any means without the expressed written consent of the publisher.

## Parts Ordering Information

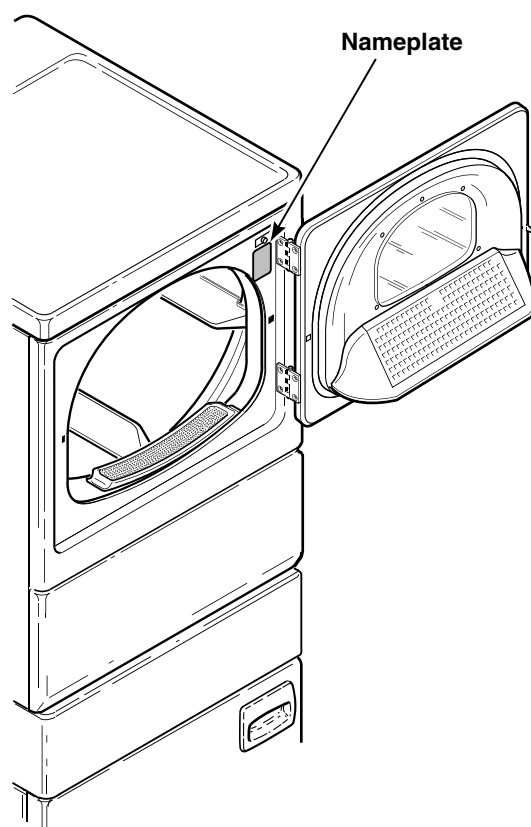
If literature or replacement parts are required, contact the source from whom the machine was purchased or contact Alliance Laundry Systems at (920) 748-3950 for the name and address of the nearest authorized parts distributor.

For technical assistance, call either of the numbers listed below:

(920) 748-3121 Ripon, Wisconsin  
+32 56 41 20 54 Wevelgem, Belgium

## Nameplate Location

When calling or writing about your product, be sure to mention model and serial numbers. Model and serial numbers are located on nameplate(s) as shown.



SWD1199P\_802851

## Model Identification

Information in this manual is applicable to these stacked washer/dryer models:

ATE50FGP171TW01

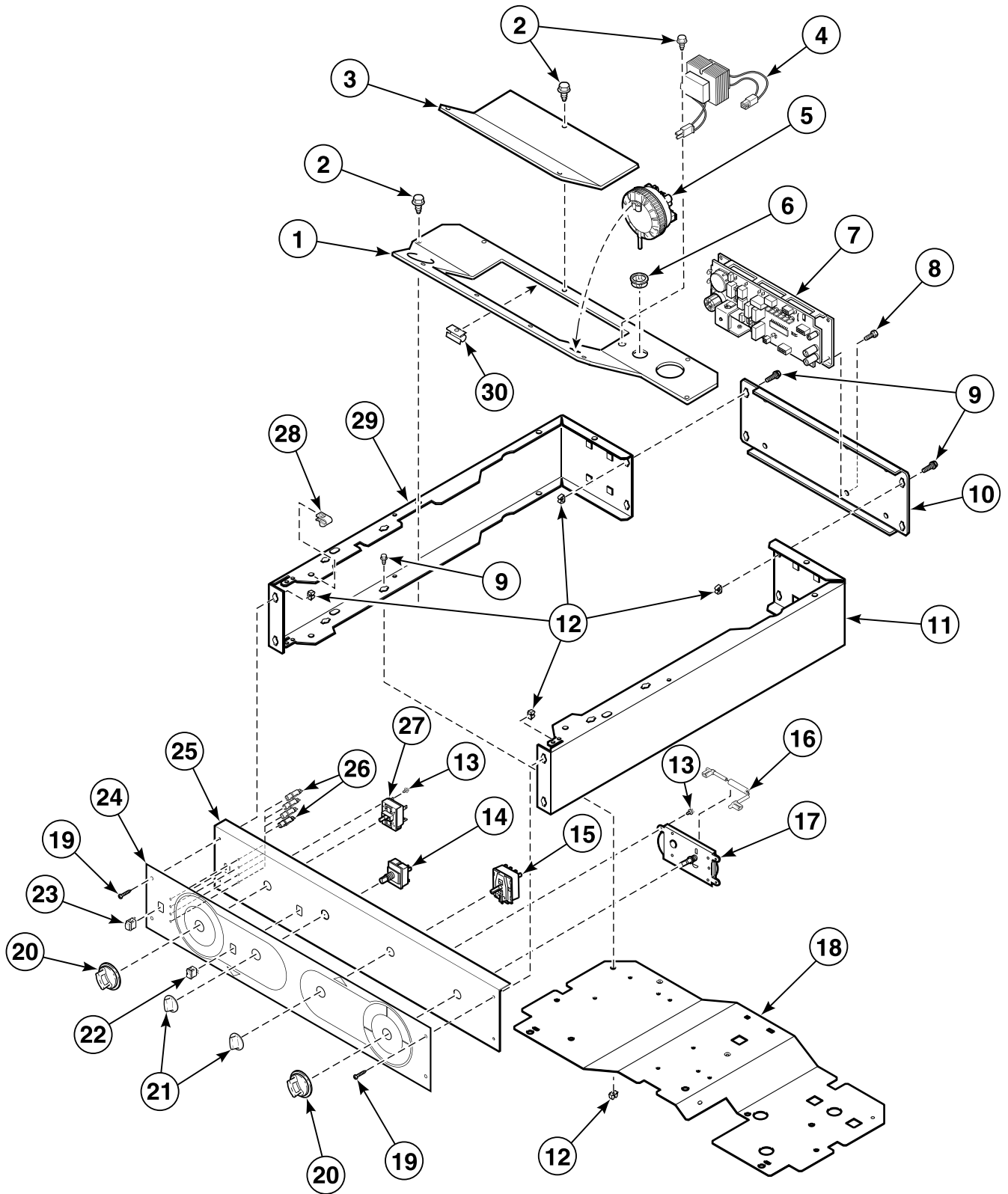
ATG50FGP111TW01

CTSA7AWN

CTSA7AWN1500

CTSA9AWN

# Control Cabinet and Controls

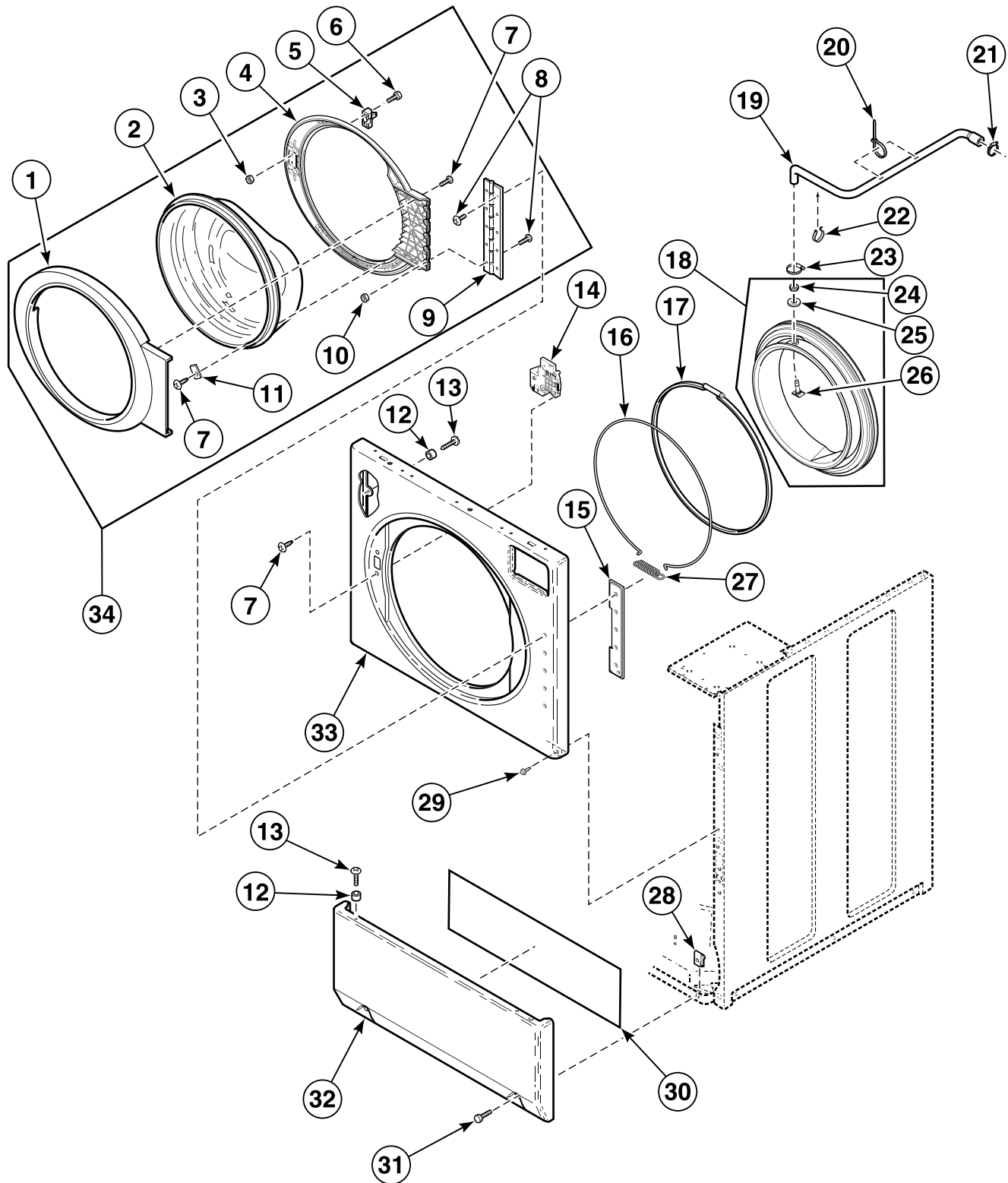


SWD1226P\_802851

## Control Cabinet and Controls

REF	PART NO.	DESCRIPTION	COMMENTS
1	801372	Control Shield	Uses service door
	801371	Control Shield	No service door
2	503661	Screw	
3	801373	Control Access Door	
4	210018P	Transformer	
5	802299P	Pressure Switch	
6	M402542	Snap Bushing	
7	802523P	Control Assembly	
8	501524	Screw	
9	430497	Screw	
10	801058	Rear Control Cabinet	
11	800915W	Right Control Cabinet Side	
12	70030501	Expansion Clip	
13	501086	Screw	
14	687542P	Temperature Switch	Washer
15	510212	Fabric Selector Switch	Dryer
16	511277	Resistor Assembly	Use with 505797 Timer; Models ATE50FGP171TW01, CTSA7AWN and CTSA7AWN1500
17	505797P	Timer and Harness Kit	Models ATE50FGP171TW01, CTSA7AWN and CTSA7AWN1500
	505794P	Timer	Models ATG50FGP111TW01 and CTSA9AWN
18	801777	Control Cabinet Bottom	
19	800930	Screw	
20	803118P	Timer Knob Assembly	Models ATE50FGP171TW01 and ATG50FGP111TW01
	512117W	Timer Knob Assembly	All other models
21	803119	Control Knob Assembly	Models ATE50FGP171TW01 and ATG50FGP111TW01
	36701W	Knob Assembly	All other models
22	38424W	Rocker Switch	Extra rinse
23	801434W	Push-to-Start Switch	
24	802983	Graphic Overlay	Models ATE50FGP171TW01 and ATG50FGP111TW01
	802184	Graphic Overlay	All other models
25	802101W	Control Panel Assembly	
26	801431	Light	
27	801240	Cycle Switch	Washer
28	800931	Nut	
29	800900WP	Left Control Cabinet Side	
30	36985	Hose Clip	

# Washer Front Panel, Door Assembly and Door Seal



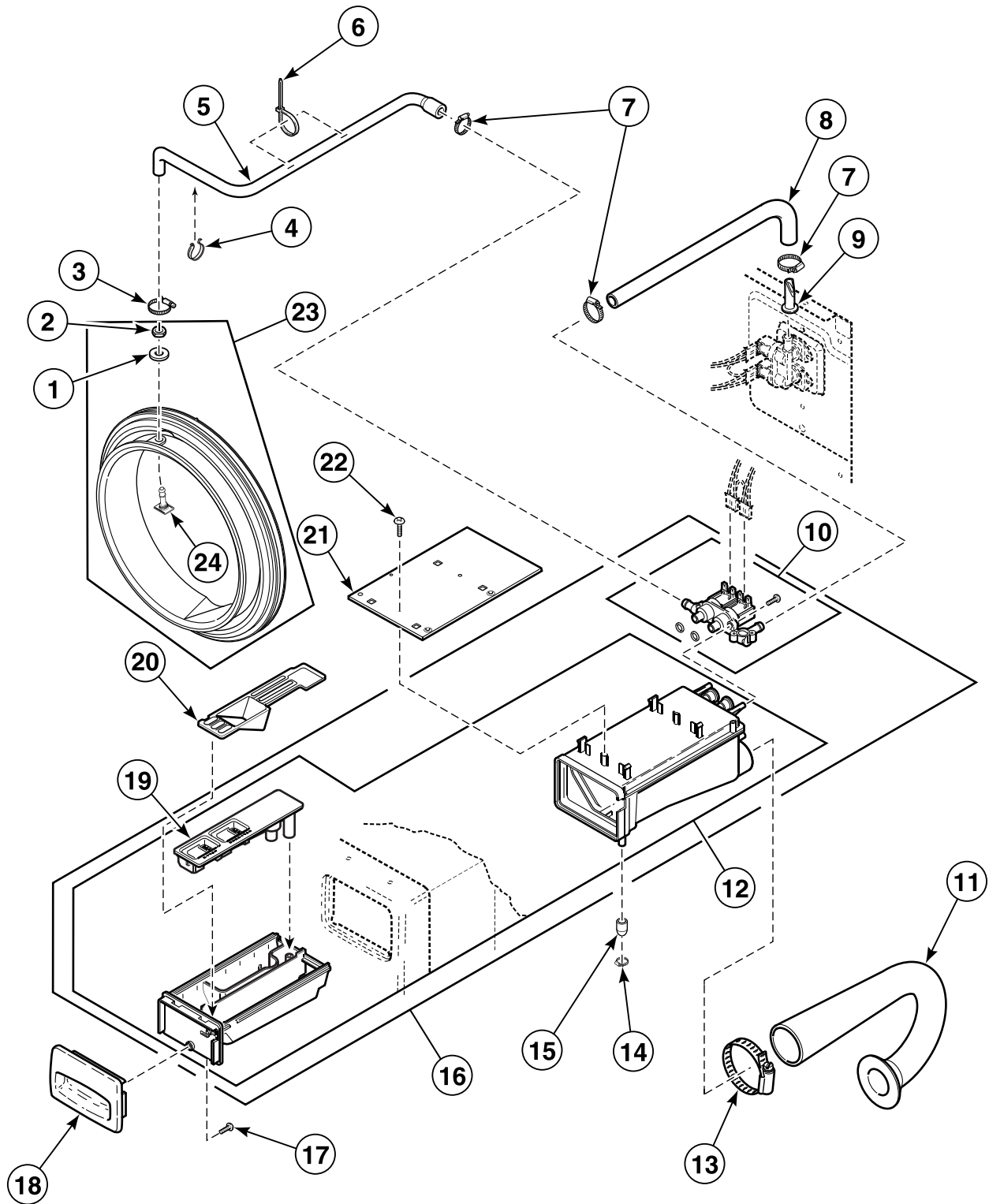
FLW938P\_802851



## Washer Front Panel, Door Assembly and Door Seal

REF	PART NO.	DESCRIPTION	COMMENTS
1	802616WP	Outer Bezel Assembly	
2	802695P	Door Glass	
3	685846	Nut	
4	802307P	Inner Door Bezel Kit	
5	802803	Door Catch Assembly	
6	801993	Screw	
7	800548	Screw	
8	801019	Screw	
9	802934	Door Hinge	
10	23951	Nut	
11	802700	Glass Mounting Clip	
12	56079	Panel Locator	
13	39733	Screw	
14	802317P	Door Latch/Switch Assembly	
15	802206	Hinge Plate	
16	802283	Wire Clamp Ring	
17	802281	Hose Clamp	Seal to outer tub front
18	802866P	Door Seal Assembly	Black; Includes items 24-26
	802830	Door Seal Assembly	Gray; Includes items 24-26
19	802256	Dispenser-to-Door Seal Hose	
20	55881	Harness Strap	
21	802164	Hose Clamp	
22	687500	Wire Clip	
23	802698	Hose Clamp	
24	802292	Nut	
25	802293	Washer	
26	802291	Boot Nozzle	
27	802285	Extension Spring	
28	36020	Nut	
29	503661	Screw	
30	685368	Access Panel Damper	
31	801045	Screw	
32	510069WP	Access Panel	
33	802277WP	Front Panel	
34	802617WP	Door Assembly	Includes items 1-11

# Dispenser Assembly

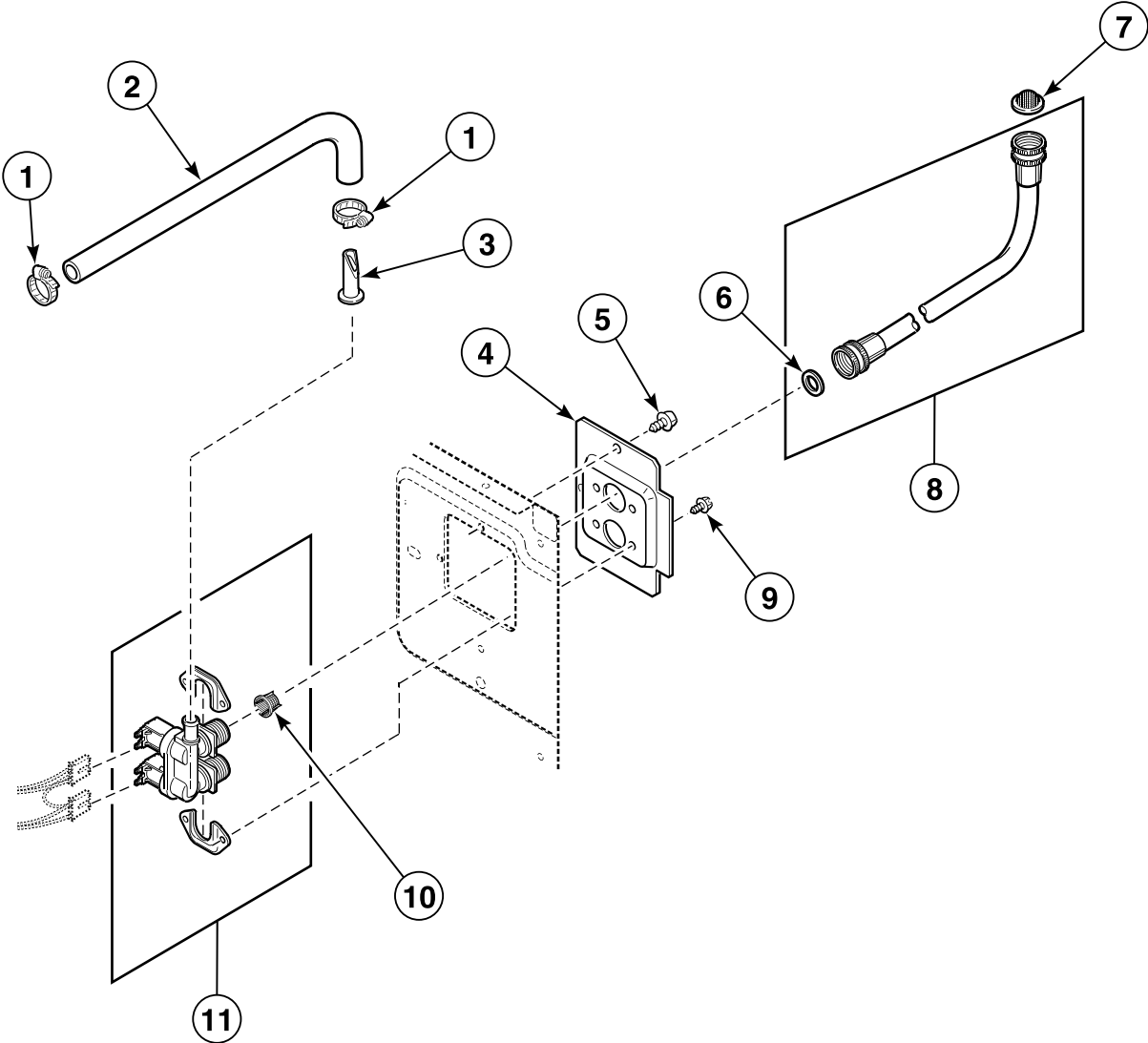


FLW940P\_802851

# Dispenser Assembly

REF	PART NO.	DESCRIPTION	COMMENTS
1	802293	Washer	
2	802292	Nut	
3	802698	Hose Clamp	
4	687500	Wire Clip	
5	802256	Dispenser-to-Door Seal Hose	
6	55881	Harness Strap	
7	802164	Hose Clamp	
8	801464	Valve-to-Dispenser Inlet Hose	
9	34500	Backflow Preventer	
10	685766P	Valve Kit	
11	800331	Dispenser-to-Tub Hose	
12	801476P	Dispenser Assembly	Includes item 19 and drawer
13	685725	Hose Clamp	
14	F200206	Hose Clamp	
15	801746	Cap	
16	685756P	Dispenser	Includes items 10, 12 and 19
17	800548	Screw	
18	685715WP	Dispenser Drawer Front	
19	685716	Insert	
20	800899	Detergent Cover	
21	801024	Dispenser Plate	
22	801001	Screw	
23	802866P	Door Seal Assembly	Black; Includes items 1, 2 and 24
	802830	Door Seal Assembly	Gray; Includes items 1, 2 and 24
24	802291	Boot Nozzle	

# Mixing Valve, Valve-to-Dispenser Inlet Hose and Fill Hose

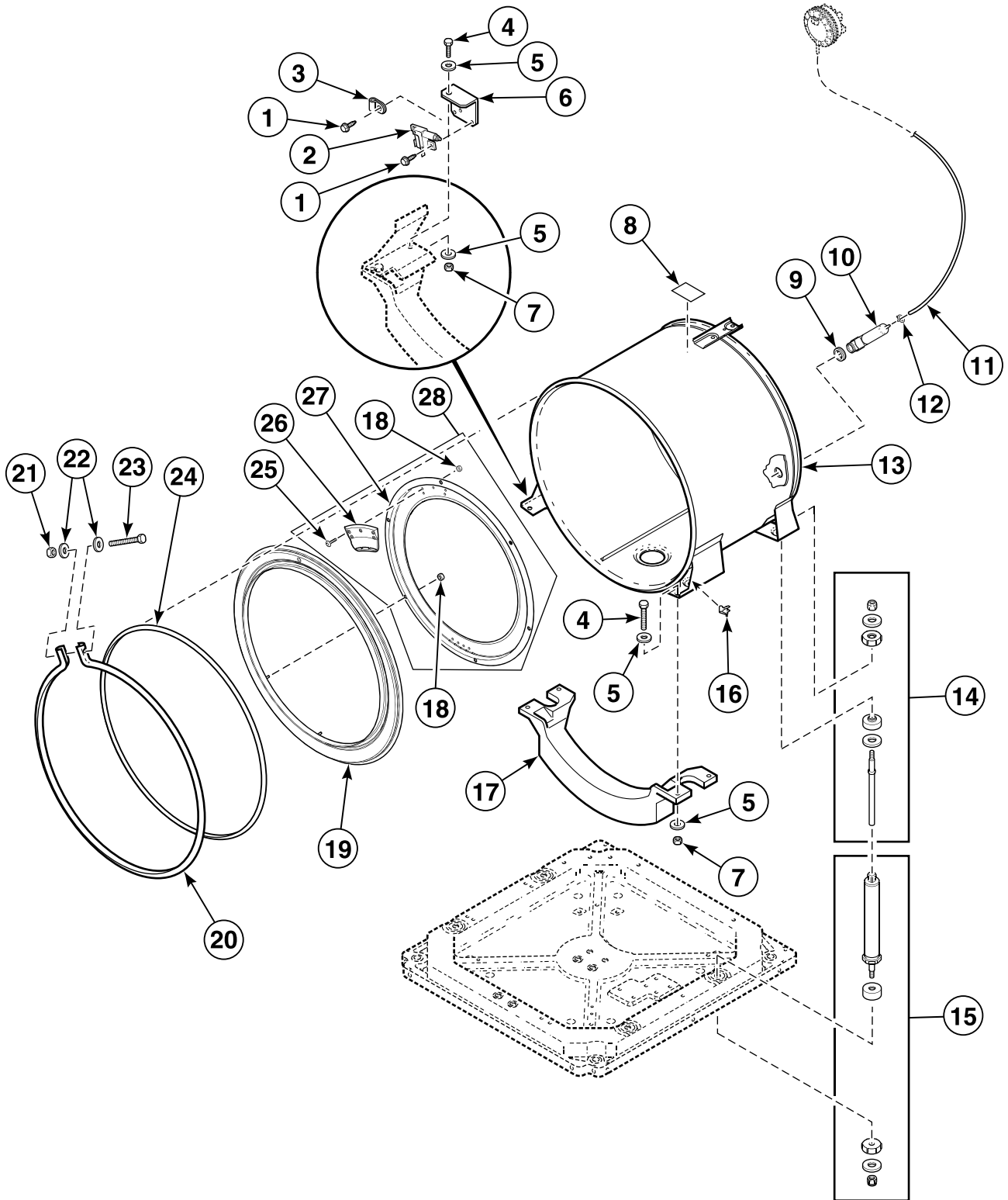


FLW881P\_802851

## Mixing Valve, Valve-to-Dispenser Inlet Hose and Fill Hose

REF	PART NO.	DESCRIPTION	COMMENTS
1	802164	Hose Clamp	
2	801464	Valve-to-Dispenser Inlet Hose	
3	34500	Backflow Preventer	
4	800323	Mixing Valve Plate	
5	503661	Screw	
6	20290	Washer	
7	28605	Washer	Filter screen
	802254	Washer	Flow restrictor; Water pressure reducer; Available for water pressure up to but not exceeding 120 psi
8	28330P	Fill Hose Kit	Includes 2 of item 6
9	501086	Screw	
10	802926	Mixing Valve Screen	
11	802220P	Mixing Valve	

# Outer Tub, Front and Clamp Ring

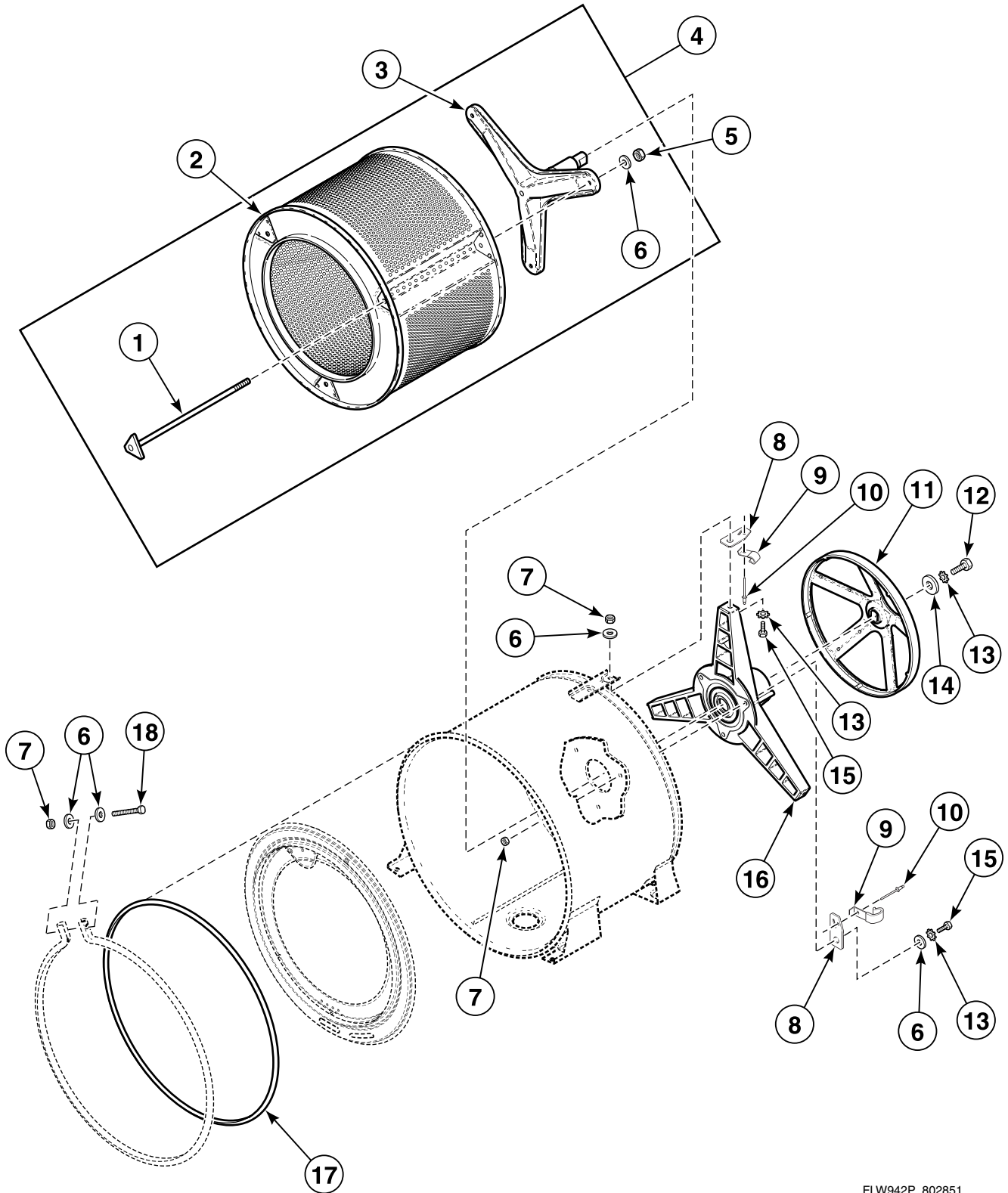


SWD1263P\_802851

## Outer Tub, Front and Clamp Ring

REF	PART NO.	DESCRIPTION	COMMENTS
1	503661	Screw	
2	801006	Out-of-Balance Switch Assembly	
3	800811	Wire Clamp	
4	800461	Screw	
5	M400081	Washer	
6	800663	Switch Mounting Bracket	
7	800452	Nut	
8	500049	Warning Label	
9	29175	Grommet	
10	30907	Pressure Bulb	
11	800648P	Tubing	
12	39282	Hose Clamp	
13	801081P	Outer Tub Assembly	
14	800622P	Tub Shock Absorber Kit	Upper
15	802881P	Base Shock Absorber Kit	Lower; Must replace all 4
16	00161	Grounding Clip	
17	800205	Ballast Weight	
18	802343	Nut	
19	802258	Tub Front Assembly	
20	800312	Clamp Ring	
21	F430218	Nut	
22	800457	Washer	
23	800462	Screw	
24	800432P	Tub Front Seal	
25	802596	Screw	
26	803038P	Clothes Guard Deflector	
27	803537	Clothes Guard	
28	984P3	Clothes Guard and Deflector Kit	Includes items 7, 18 and 22-27

# Inner Basket, Trunnion, Bearing Housing and Pulley



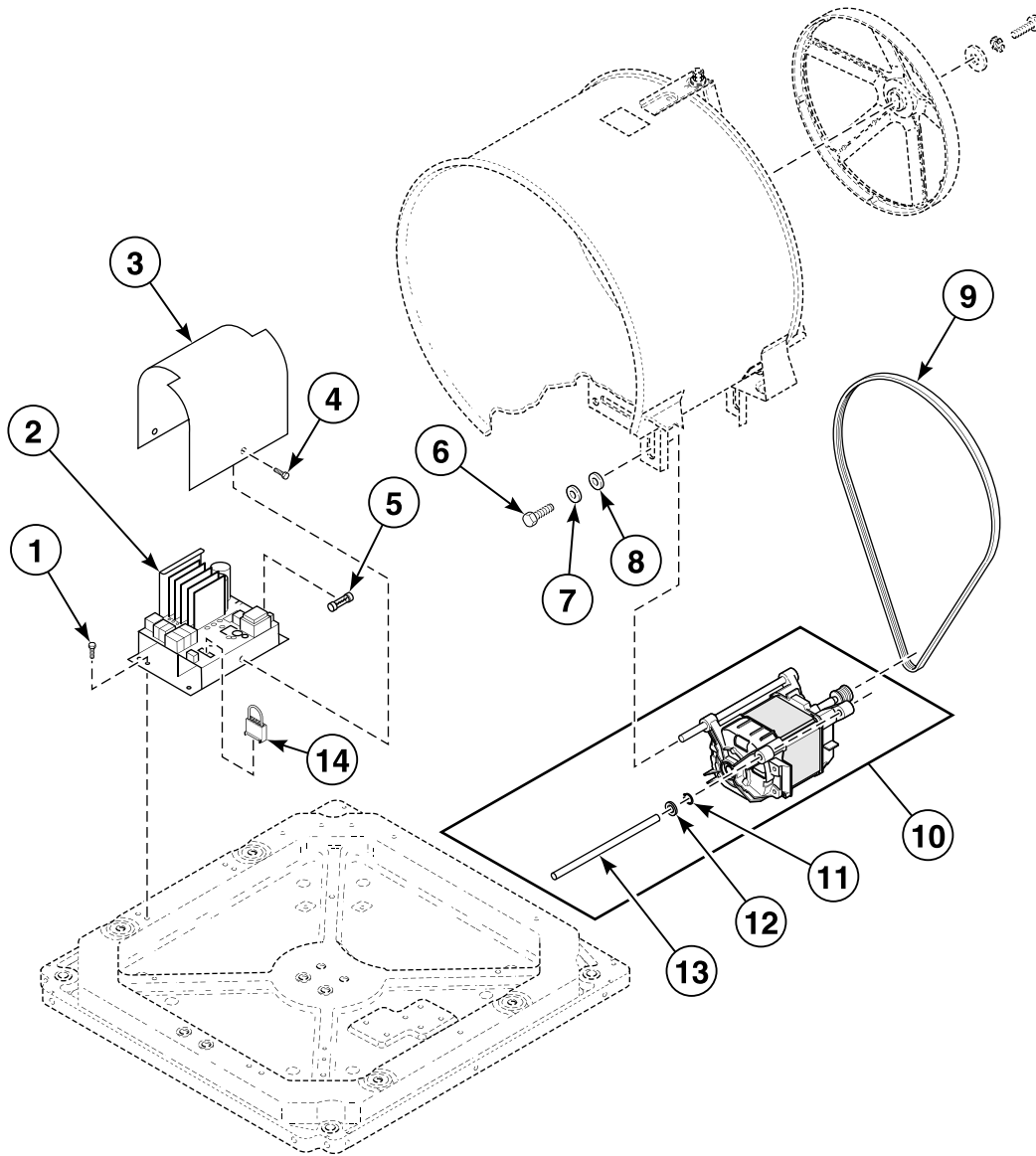
FLW942P\_802851



## Inner Basket, Trunnion, Bearing Housing and Pulley

REF	PART NO.	DESCRIPTION	COMMENTS
	27604P	Anti-Seize Compound	Pulley to inner basket shaft
	838P3	Hardware Kit	Includes (8) of item 6, (7) each of items 7 and 13, (6) of item 10, (1) each of items 12, 14, 17, 18 and 27604P Anti-Seize Compound
1	800666	Tension Rod Assembly	
2	803008P	Inner Basket Assembly	
3	800749P	Trunnion Shaft and Hardware Kit	Includes (3) each of items 1, 5, 6, and 838P3 Hardware Kit
4	802365P	Inner Basket Assembly	
5	685844	Nut	
6	800457	Washer	
7	800452	Nut	
8	800552	Hose Mounting Plate	
9	800553	Hose Clip	
10	685847	Pop Rivet	
11	800866	Driven Pulley	
12	685831	Screw	Left hand thread
13	M403958	Washer	
14	800464	Washer	
15	M400043	Screw	
16	800428P	Bearing Housing Kit	Includes 838P3 Hardware Kit
17	800432P	Tub Front Seal	
18	800462	Screw	

# Washer Motor and Belt

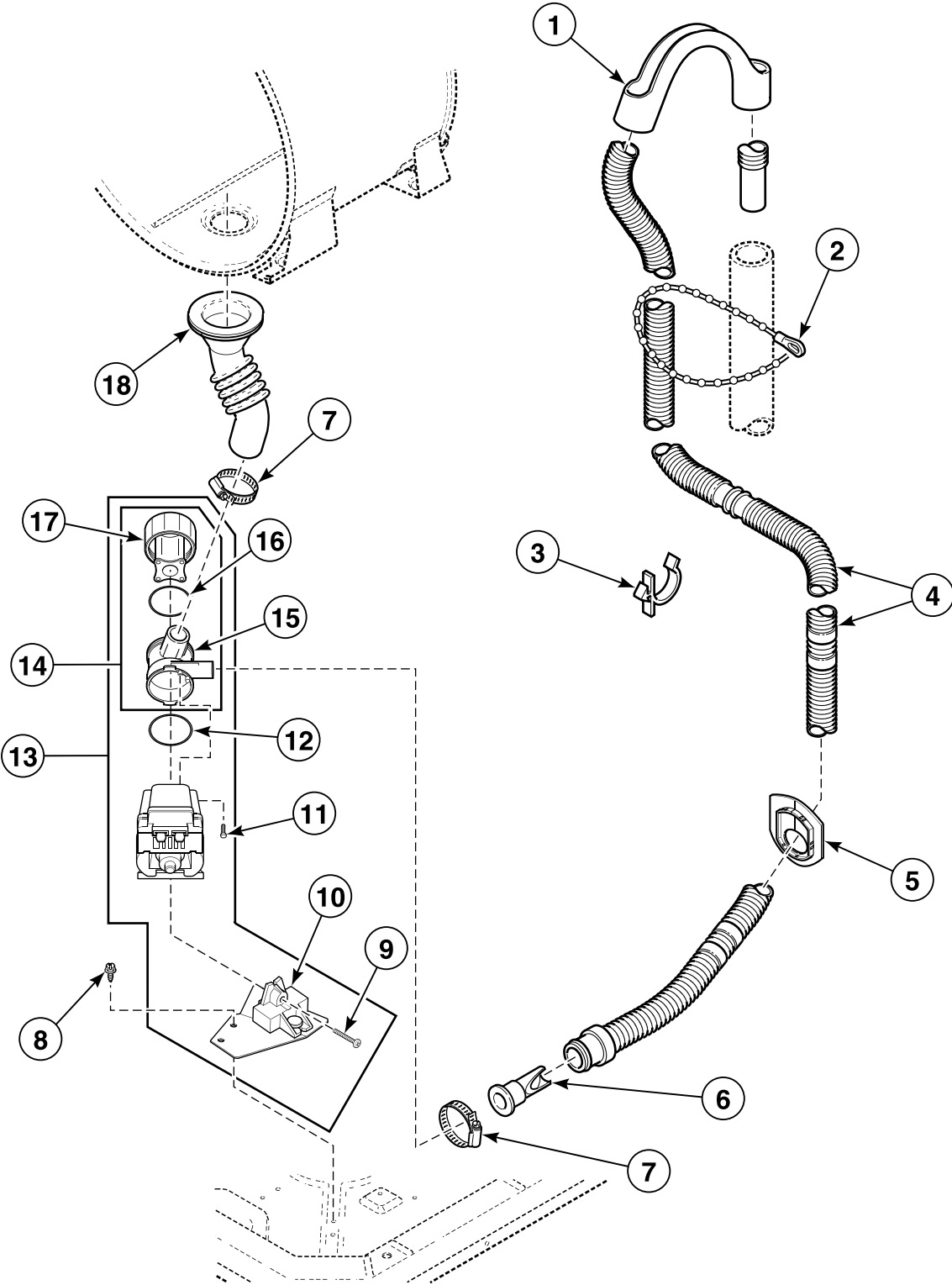


FLW1022P\_802851

## Washer Motor and Belt

REF	PART NO.	DESCRIPTION	COMMENTS
1	503661	Screw	
2	803254P	Inverter Control Assembly	
3	801061	Control Shield	
4	501524	Screw	
5	801755	Fuse	10 Amp; Slow blow
6	M400057	Screw	
7	02834	Washer	
8	M400080	Washer	
9	800319P	Drive Belt	
10	801684P	Motor and Rod Assembly Kit	Includes 2 each of items 11-13 and wire ties
11	23748	Retaining Ring	
12	52549	Washer	
13	801062	Motor Mount Rod	
14	513268	Jumper Harness	Use to limit spin RPM on inverter controls starting Serial No. 0911014603

# Drain Hose and Pump

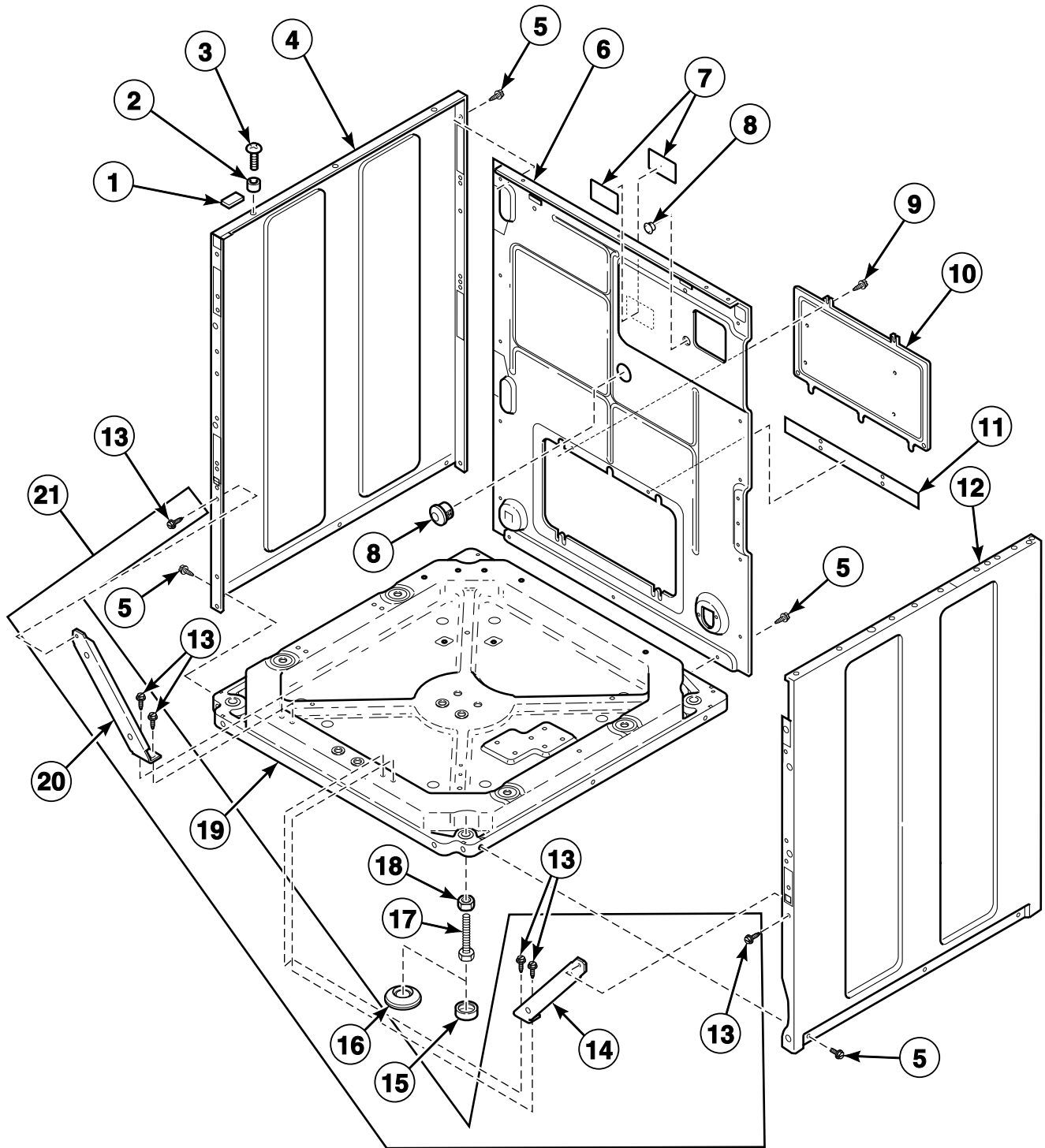


FLW951P\_802851

## Drain Hose and Pump

REF	PART NO.	DESCRIPTION	COMMENTS
1	33615	Drain Hose Sleeve	
2	33489	Standpipe Strap	
3	36014	Retainer Clip	
4	685730	Drain Hose	
5	32219	Strain Relief	
6	800310	Backflow Preventer	
7	36802	Hose Clamp	
8	503661	Screw	
9	802430	Screw	
10	802626	Pump Mount Bracket	
11	802431	Screw	
12	802429	O-Ring	
13	802623P	Drain Pump	
14	802434P	Pump Housing Assembly	Includes items 15-17
15	802428	Pump Housing	
16	802427	Gasket	
17	802426P	Lid Assembly	Includes filter
18	800317	Tub-to-Pump Hose	
	27615P	Sealant	Tub-to-pump hose to outer tub
	985P3	Drain Kit	Includes 803344 Tub-to-Pump Hose with Trap, 90554 Hose Clamp, 803400 Cap and 27615P Sealant

# Washer Base, Panels and Rear Panel

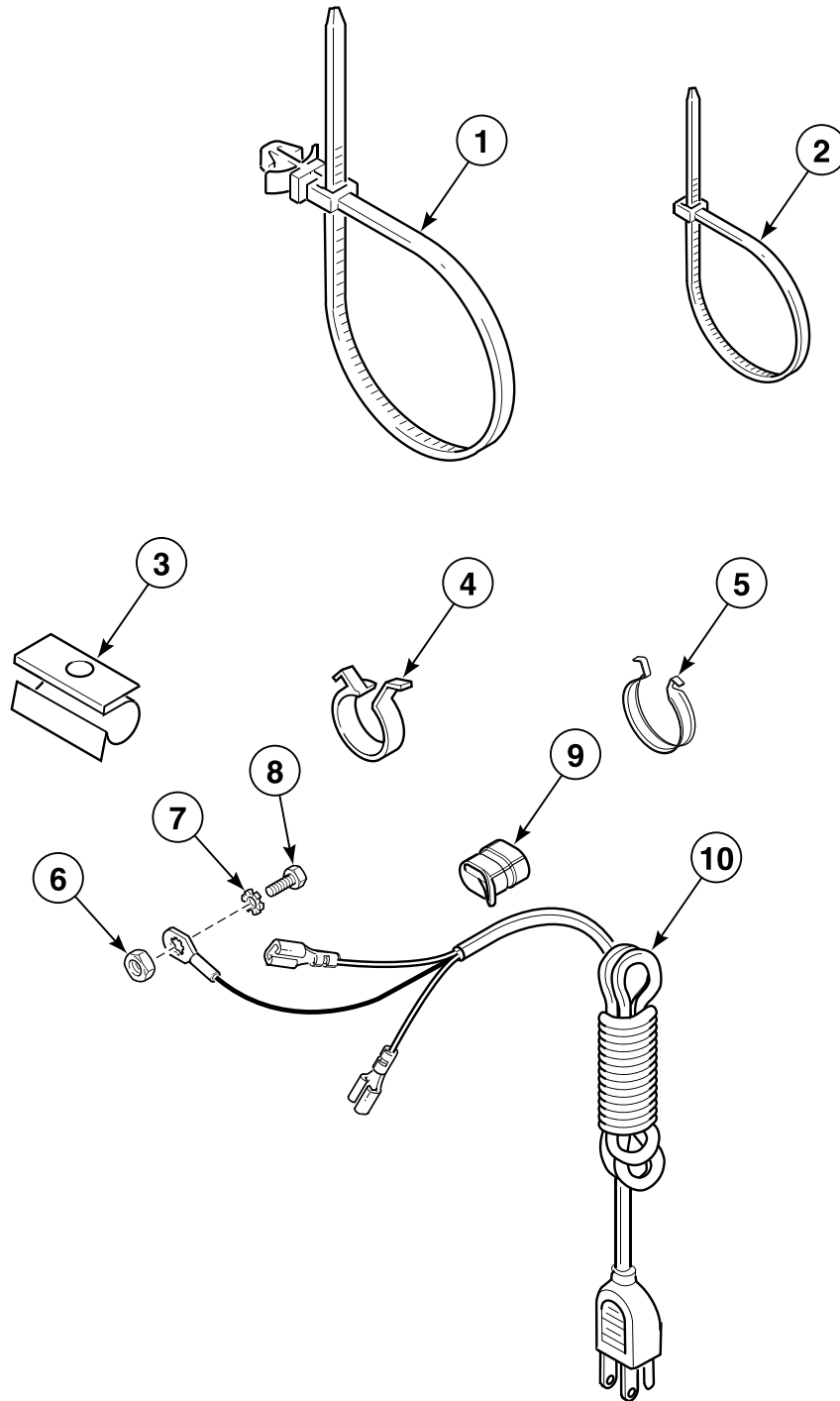


SWD1207P\_802851

## Washer Base, Panels and Rear Panel

REF	PART NO.	DESCRIPTION	COMMENTS
	122P4P	Porcelain Touch-Up Paint	
1	36226	Bumper Pad	
2	56079	Panel Locator	
3	39733	Screw	
4	800004WP	Cabinet Panel Kit	Left panel; Includes corner gusset with hardware
5	503661	Screw	
6	800010P	Rear Panel	
7	685928	Screw Label	Left hand thread
8	M412154	Hole Plug	
9	430497	Screw	
10	801012	Rear Service Panel	
11	801702	Motor Access Hole Edging	
12	800005WP	Side Panel Kit	Right panel; Includes 801024 Dispenser Plate with hardware
13	31645	Screw	
14	801492	Cabinet Brace	Right
15	34318	Rubber Foot	
16	802844P	Anchor Floor Mount Assembly	
17	34319	Leveling Leg	
18	21899	Nut	
19	802245	Base Assembly	
20	801491	Cabinet Brace	Left
21	918P3	Brace Kit	Includes items 13, 14 and 20

# Washer Lead-In Cord, Wire Ties and Clips



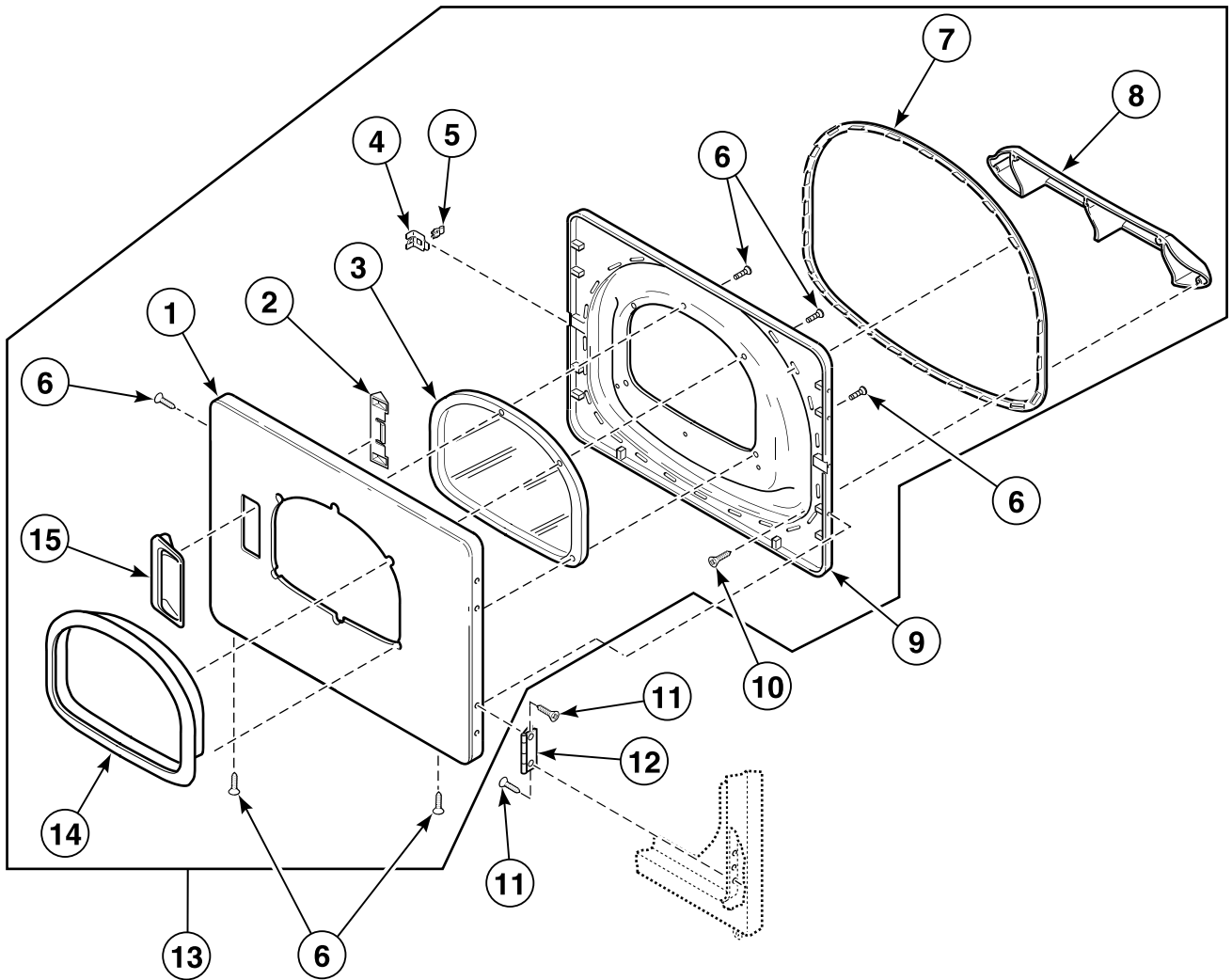
FLW823P\_802851



## Washer Lead-In Cord, Wire Ties and Clips

REF	PART NO.	DESCRIPTION	COMMENTS
1	38663	Wire Tie	Push mount
2	55881	Harness Strap	
3	36985	Hose Clip	
4	504034	Wire Clip	Small
5	687500	Wire Clip	Large
6	03673	Nut	
7	03815	Washer	
8	685837	Screw	
9	38384	Strain Relief	
10	34458	Lead-In Cord	

# Dryer Loading Door

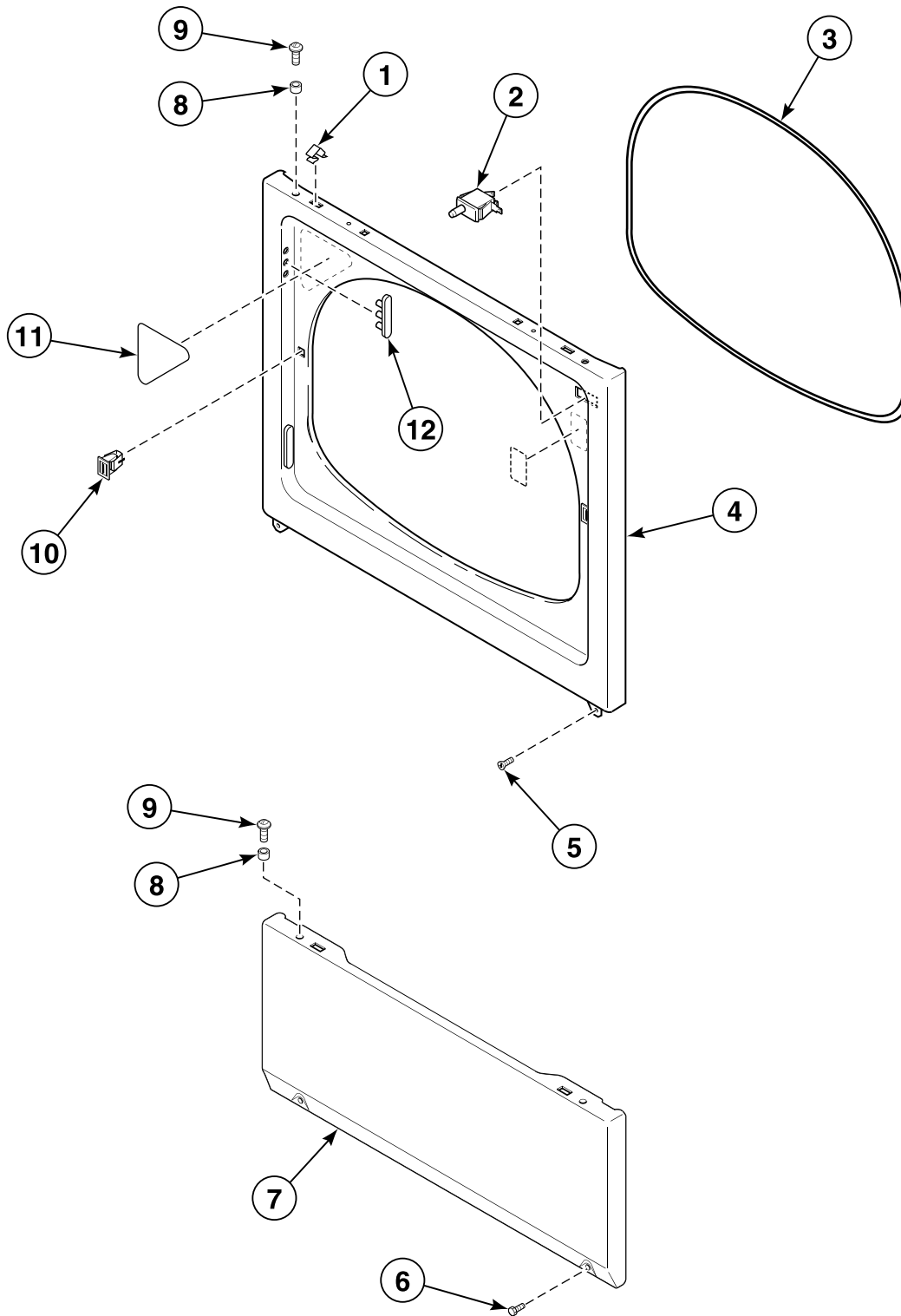


D427P\_802851

# Dryer Loading Door

REF	PART NO.	DESCRIPTION	COMMENTS
1	510082WP	Dryer Door	
2	510129	Door Handle Wedge	
3	503982	Dryer Door Window	
4	510127	Door Strike Mount	
5	510181	Door Strike	
6	500226	Screw	
7	510147P	Liner Door Seal	
8	503870W	Door Liner Grill	
9	510098W	Liner and Seal Assembly	Includes item 7
10	505870	Screw	
11	505295	Screw	
12	511036	Hinge	
13	511636WP	Door and Liner Assembly	Includes items 1-10, 14 and 15
14	512633	Window Trim	
15	510103WP	Door Pull and Wedge Kit	Includes item 2

# Dryer Access Panel, Front Panel and Seal

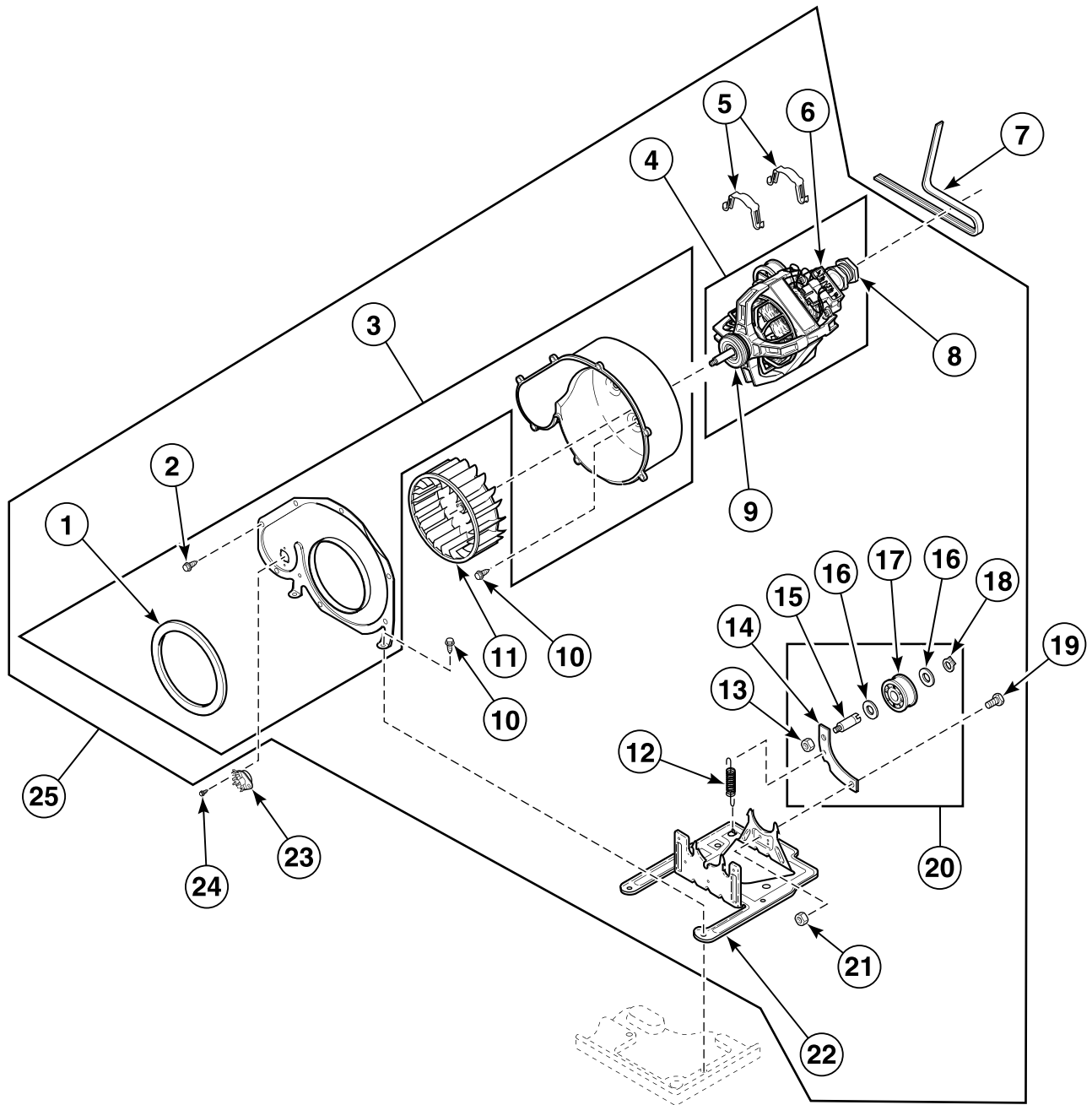


SWD648P\_802851

## Dryer Access Panel, Front Panel and Seal

REF	PART NO.	DESCRIPTION	COMMENTS
1	28835	Speed Clip	
2	504570	Switch	
3	511056	Front Panel Seal	
4	510066WP	Front Panel	
5	503688	Screw	
6	33562	Screw	
7	510069WP	Access Panel	
8	56079	Panel Locator	
9	39733	Screw	
10	510177	Door Catch Assembly	
11	500281	Warning/Caution Label	
12	510186	Hinge Hole Plug	

# Dryer Motor, Blower Fan and Belt



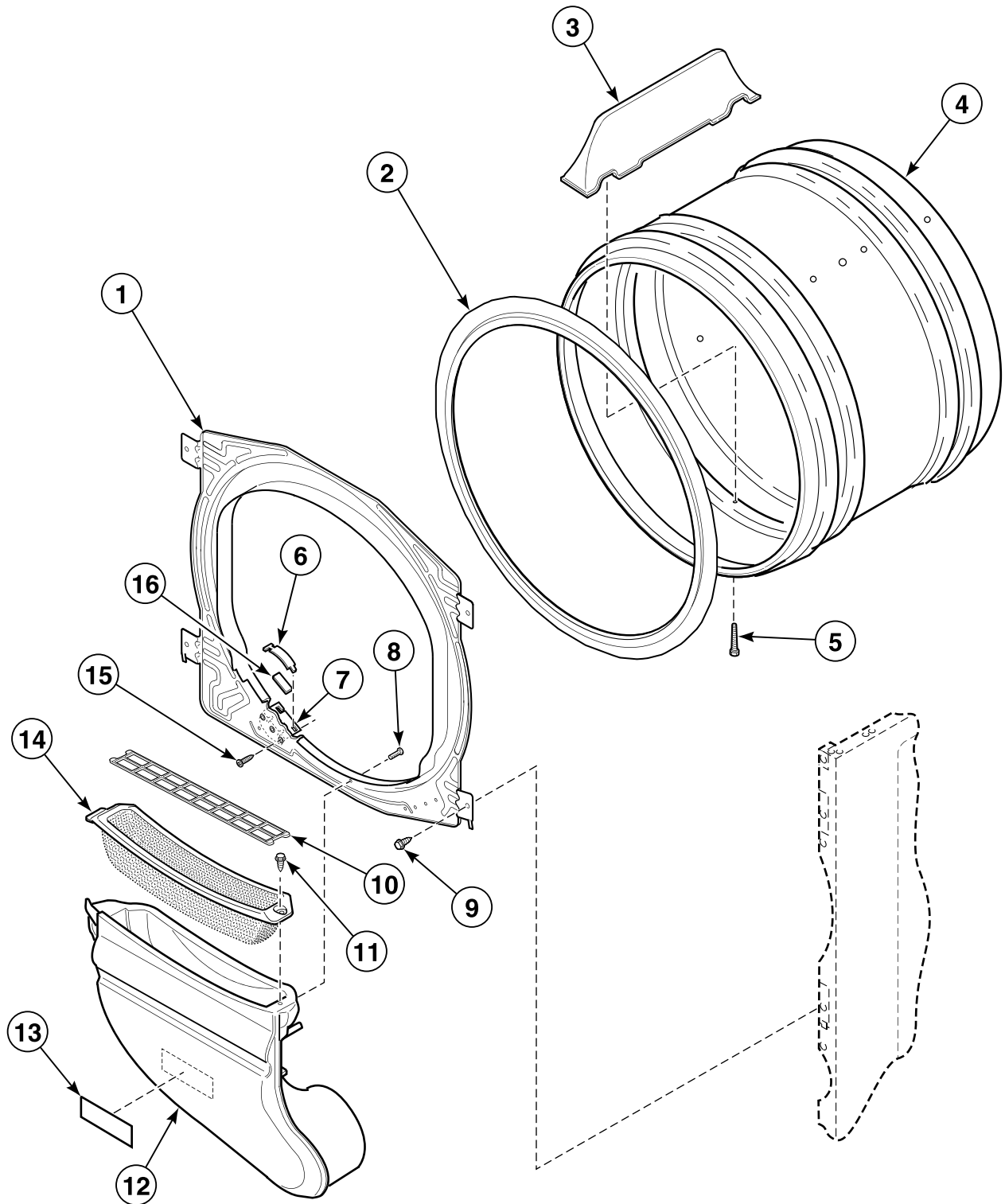
SWD1227P\_802851

## Dryer Motor, Blower Fan and Belt

REF	PART NO.	DESCRIPTION	COMMENTS
1	510238P	Blower Housing Seal	
2	31260	Screw	
3	511969P	Blower Housing and Cover Kit	
4	511629P	Motor and Pulley Assembly	120 Volt/60 Hertz; Includes items 6, 8 and 9
5	510180	Motor Mount Clamp	
6	N/A	Motor Switch Kit	Does not include thermal protector
7	511255P	Cylinder Belt	
8	500011	Motor Pulley	
9	590P3	Motor Hub Ring Kit	
10	503688	Screw	
11	510139P	Blower Fan Assembly	
12	510185	Idler Spring	
13	56156	Nut	
14	510133	Idler Lever	
15	56461P	Shaft	
16	52549	Washer	
17	510142P	Idler Wheel and Bearing Assembly	
18	23748	Retaining Ring	
19	500824	Screw	
20	510158	Idler Lever and Wheel Assembly	Includes items 13-18
21	52566	Nut	
22	510060	Motor Mount	
23	504515	Thermostat	Models ATE50FGP171TW01, CTSA7AWN and CTSA7AWN1500
	510707P	Thermostat	Models ATG50FGP1111TW01 and CTSA9AWN
24	23222	Screw	
25	510717P	Blower and Fan Kit	Includes items 1-6 and 8-22

N/A = Part no longer available

# Front Bulkhead, Air Duct, Felt Seal and Cylinder



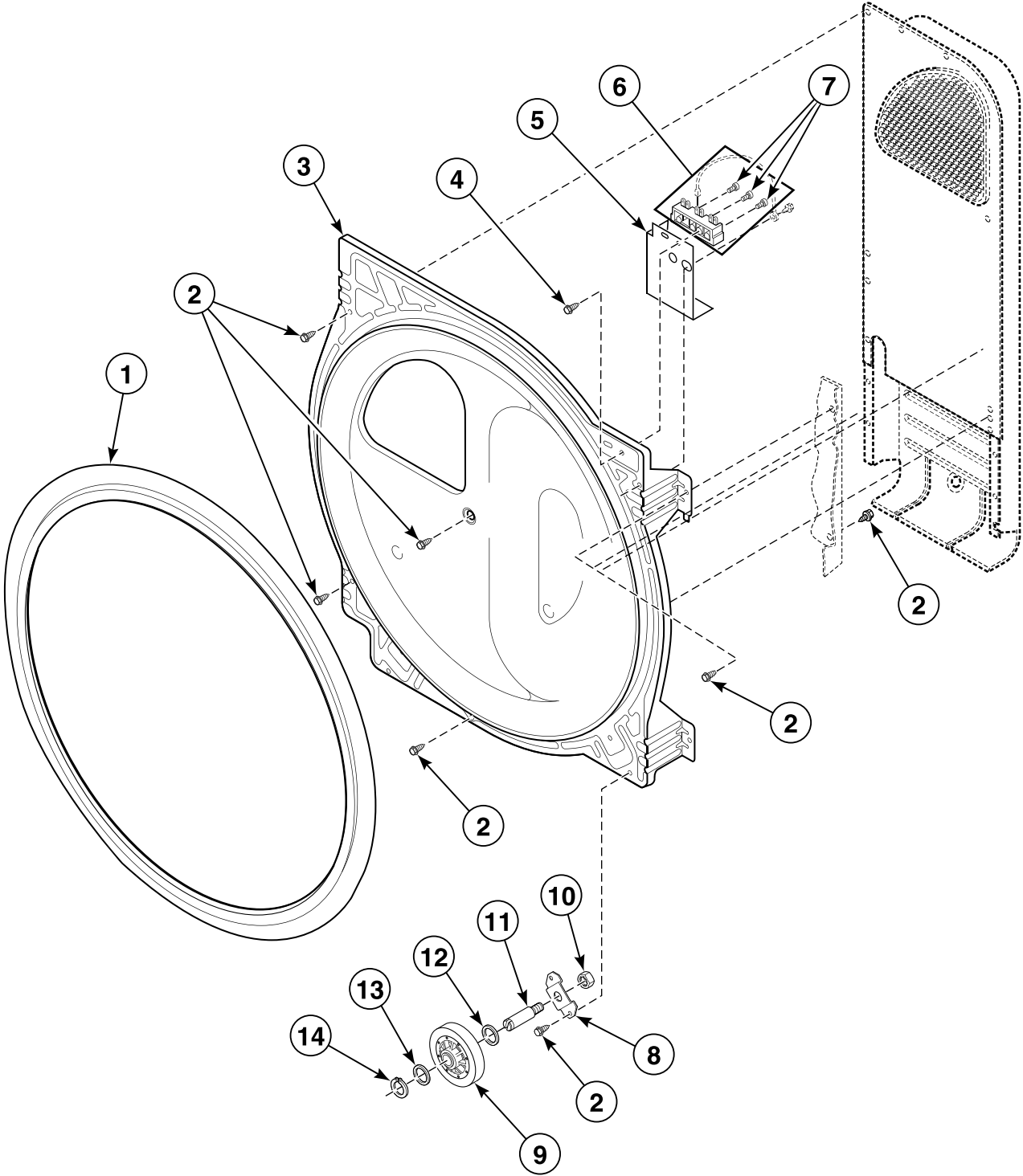
SWD1228P\_802851



## Front Bulkhead, Air Duct, Felt Seal and Cylinder

REF	PART NO.	DESCRIPTION	COMMENTS
1	510266P	Front Bulkhead Assembly	Includes item 2
2	510207P	Cylinder Seal Assembly	
	511637P	Adhesive	Use for cylinder seal
3	510102	Cylinder Baffle	
4	510265P	Cylinder Assembly	Includes item 3
5	62588	Screw	
6	510187	Cylinder Glide	
7	510145	Cylinder Glide Bracket	
8	52864	Screw	
9	503688	Screw	
10	510502	Lint Filter Cover	
11	501285	Screw	
12	510151	Air Duct Assembly	
13	61294	Fuse Notice Label	
14	503980	Lint Filter	
15	505295	Screw	
16	510189	Felt Pad	

# Rear Bulkhead, Felt Seal, Cylinder Roller and Terminal Block



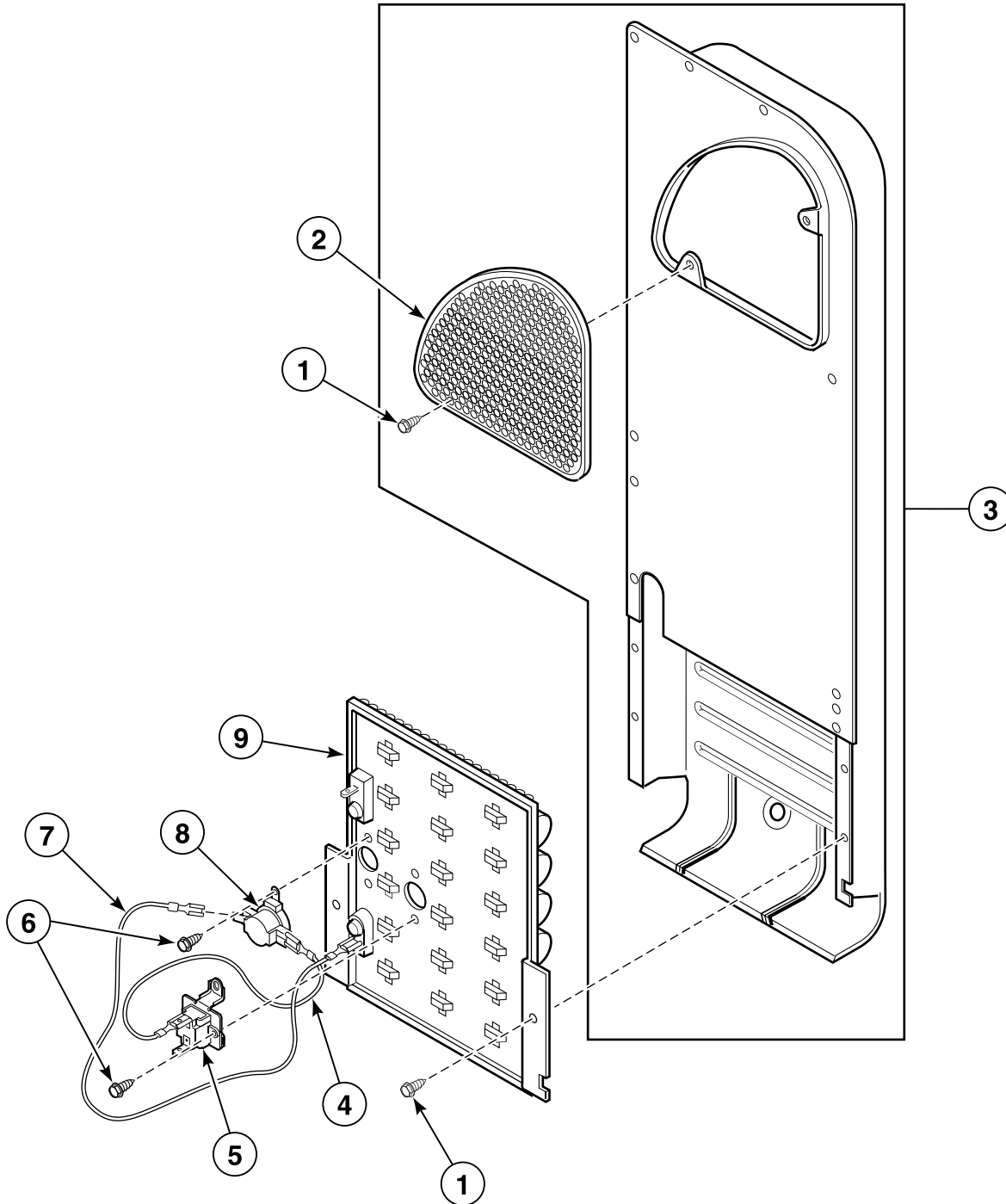
D403P\_802851

## Rear Bulkhead, Felt Seal, Cylinder Roller and Terminal Block

REF	PART NO.	DESCRIPTION	COMMENTS
1	510207P	Cylinder Seal Assembly	
	511637P	Adhesive	Use for cylinder seal
2	503688	Screw	
3	511082P	Rear Bulkhead Assembly	Includes item 1
4	501285	Screw	Use with item 5; Models ATE50FGP171TW01, CTSA7AWN and CTSA7AWN1500
5	510237	Terminal Block Shield	Models ATE50FGP171TW01, CTSA7AWN and CTSA7AWN1500
6	510190P	Terminal Block Assembly	Includes 3 of item 7; Models ATE50FGP171TW01, CTSA7AWN and CTSA7AWN1500
7	61199	Screw	
8	510100	Cylinder Roller Bracket	
9	510708P	Cylinder Roller	
10	56156	Nut	
11	56461P	Shaft	
12	504082	Washer	
13	52549	Washer	
14	23748	Retaining Ring	

# Heater Duct and Element Assembly

Models ATE50FGP171TW01, CTSA7AWN and CTSA7AWN1500



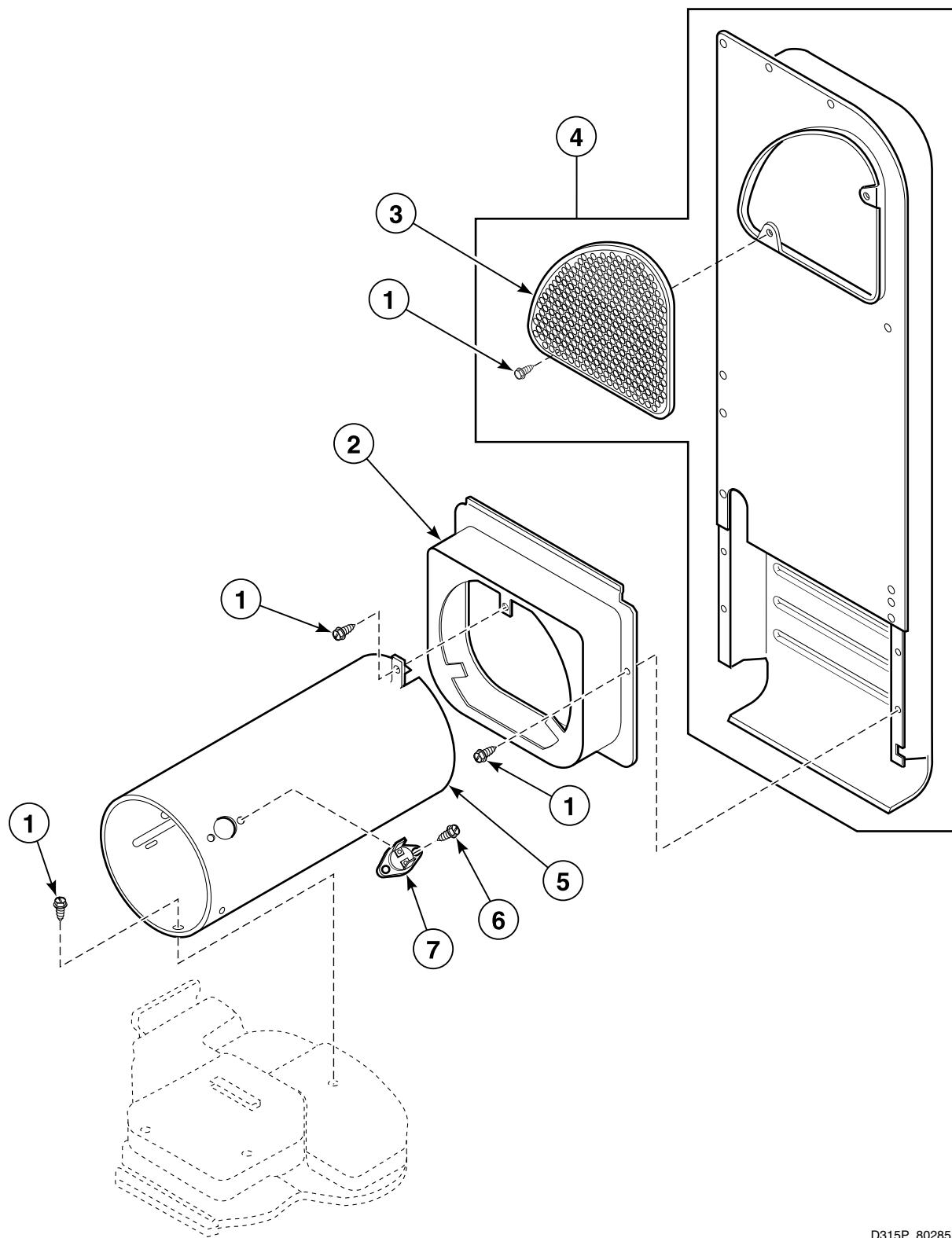
DRY1789P\_802851

## Heater Duct and Element Assembly

REF	PART NO.	DESCRIPTION	COMMENTS
1	503688	Screw	
2	500820	Outlet Cover	
3	510025P	Heater Duct and Screw Assembly	Includes items 1 and 2
4	510528	Wire Assembly	Orange; Thermostat jumper; Attaches to heater assembly
5	511412	Thermal Fuse Assembly	
6	23222	Screw	
7	510527	Wire Assembly	Black; Fuse jumper; Attaches to heater assembly
8	510701	Limit Thermostat	
9	510329P	Heater Assembly	Models ATE50FGP171TW01 and CTSA7AWN; 5350 Watt; 240 Volt/60 Hertz
	510325P	Heater	Model CTSA7AWN1500; 4750 Watt; 208 Volt/60 Hertz
	61928	Heater Kit Assembly	Models ATE50FGP171TW01 and CTSA7AWN; 4750 Watt; 208 Volt/60 Hertz

# Heater Duct Assembly

Models ATG50FGP111TW01 and CTSA9AWN



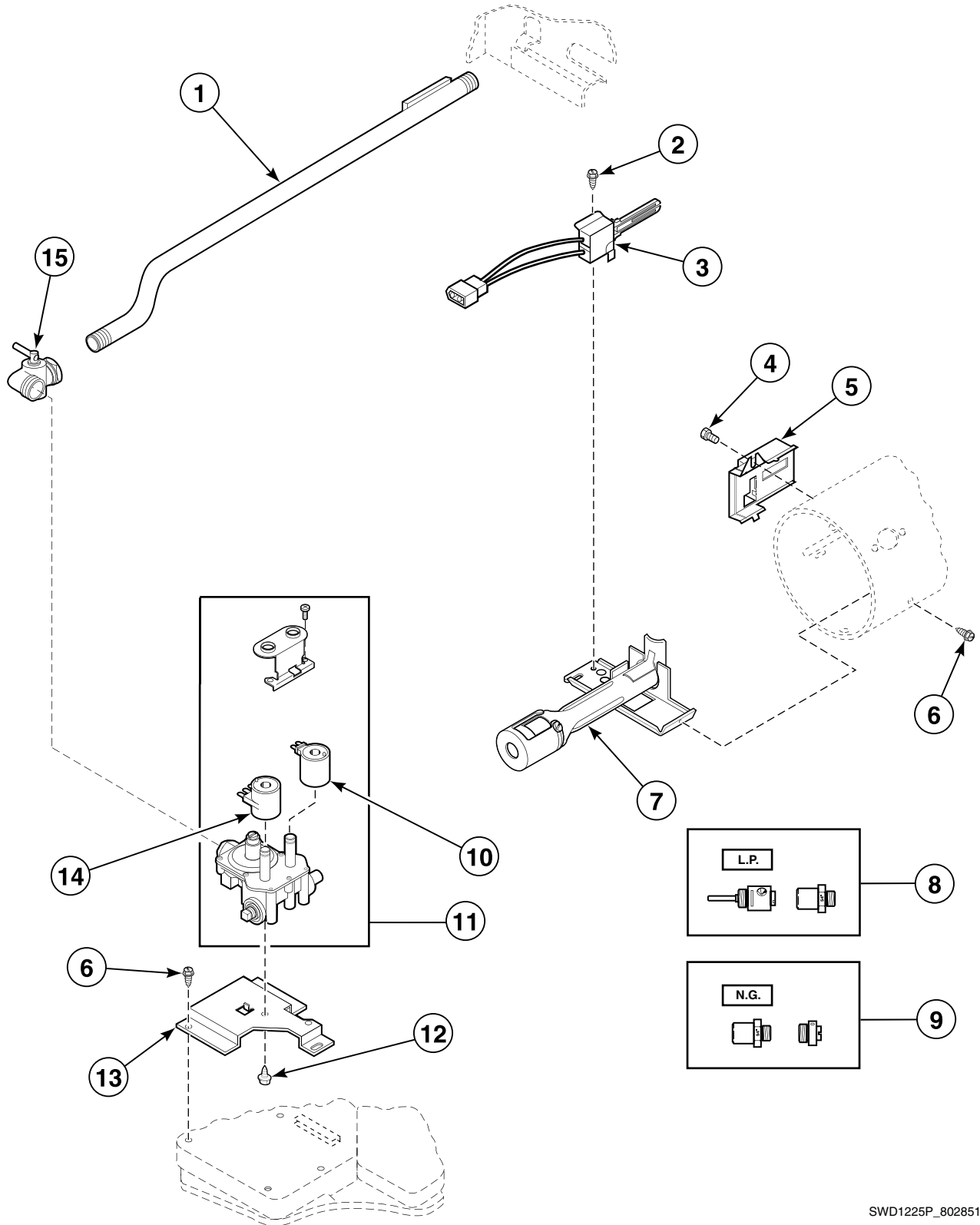
D315P\_802851

# Heater Duct Assembly

REF	PART NO.	DESCRIPTION	COMMENTS
1	503688	Screw	
2	510101	Heat Duct Shroud	
3	500820	Outlet Cover	
4	510025P	Heater Duct and Screw Assembly	Includes items 1 and 3
5	510131	Combustion Duct	
6	51782	Screw	
7	510702	Limit Thermostat	Color code "black"

# Gas Valve, Igniter and Gas Conversion Kits

Models ATG50FGP111TW01 and CTSA9AWN



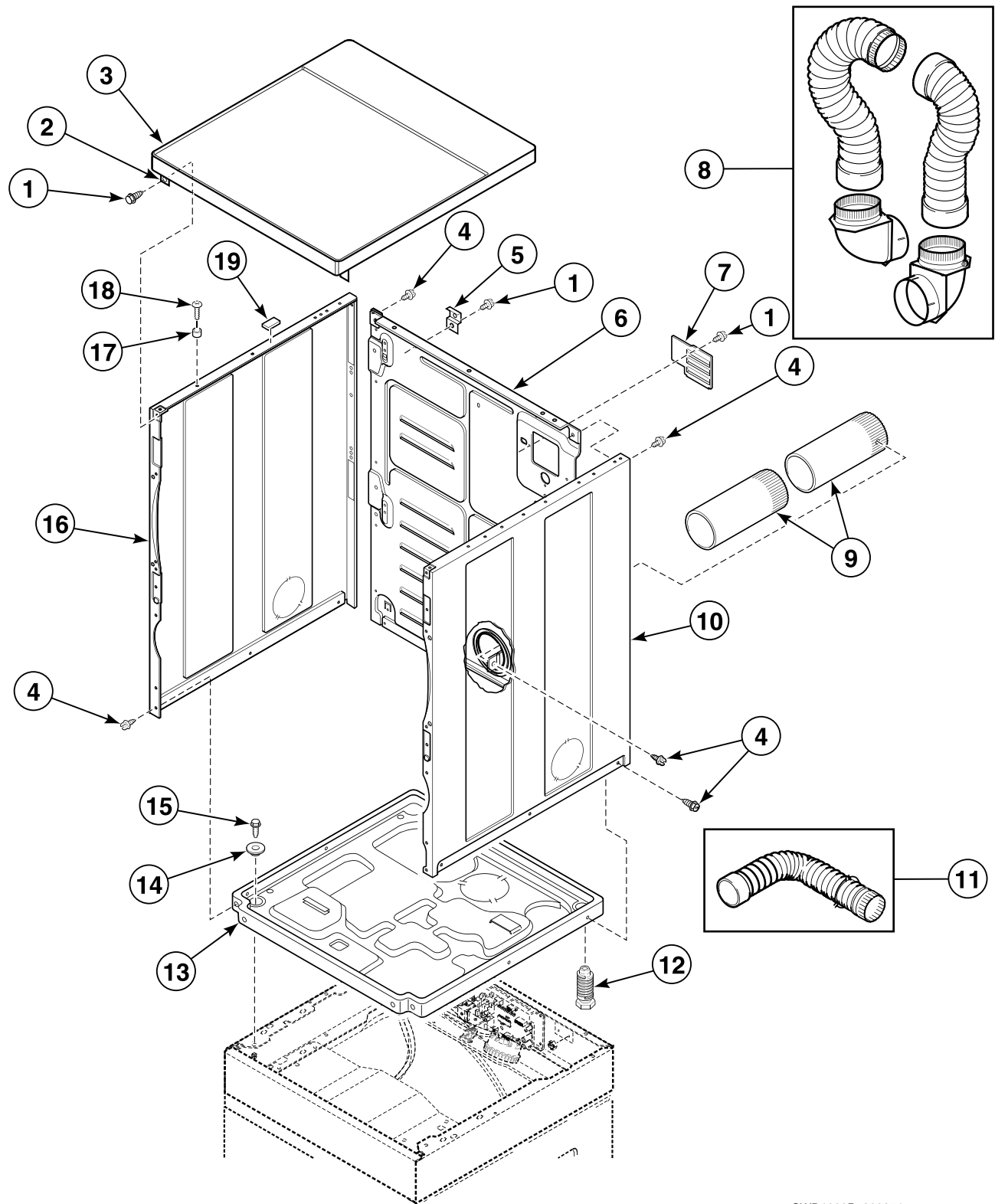
SWD1225P\_802851



## Gas Valve, Igniter and Gas Conversion Kits

REF	PART NO.	DESCRIPTION	COMMENTS
1	510204	Lead-In Pipe Assembly	
2	51782	Screw	
3	510184P	Igniter and Bracket Assembly	
4	23222	Screw	
5	510213	Sensor	
6	503688	Screw	
7	510149P	Burner Assembly	
8	649P3	L.P. Conversion Kit	Used to convert dryers from Natural Gas (N.G.) or Mixed Gas to Liquid Petroleum Gas (L.P.); 22,500 Btu
9	650P3	N.G. Conversion Kit	Used to convert dryers from L.P. to N.G. or Mixed Gas; 22,500 Btu
10	58804B	Secondary Coil	
11	510506P	Gas Valve Assembly	60 Hertz; 22,500 Btu; Includes items 10 and 14
12	56124	Screw	
13	510128	Gas Valve Mounting Bracket	
14	58804A	Booster and Holding Coil	
15	510205	Elbow Shut-Off Valve	

# Dryer Cabinet, Exhaust Duct and Base



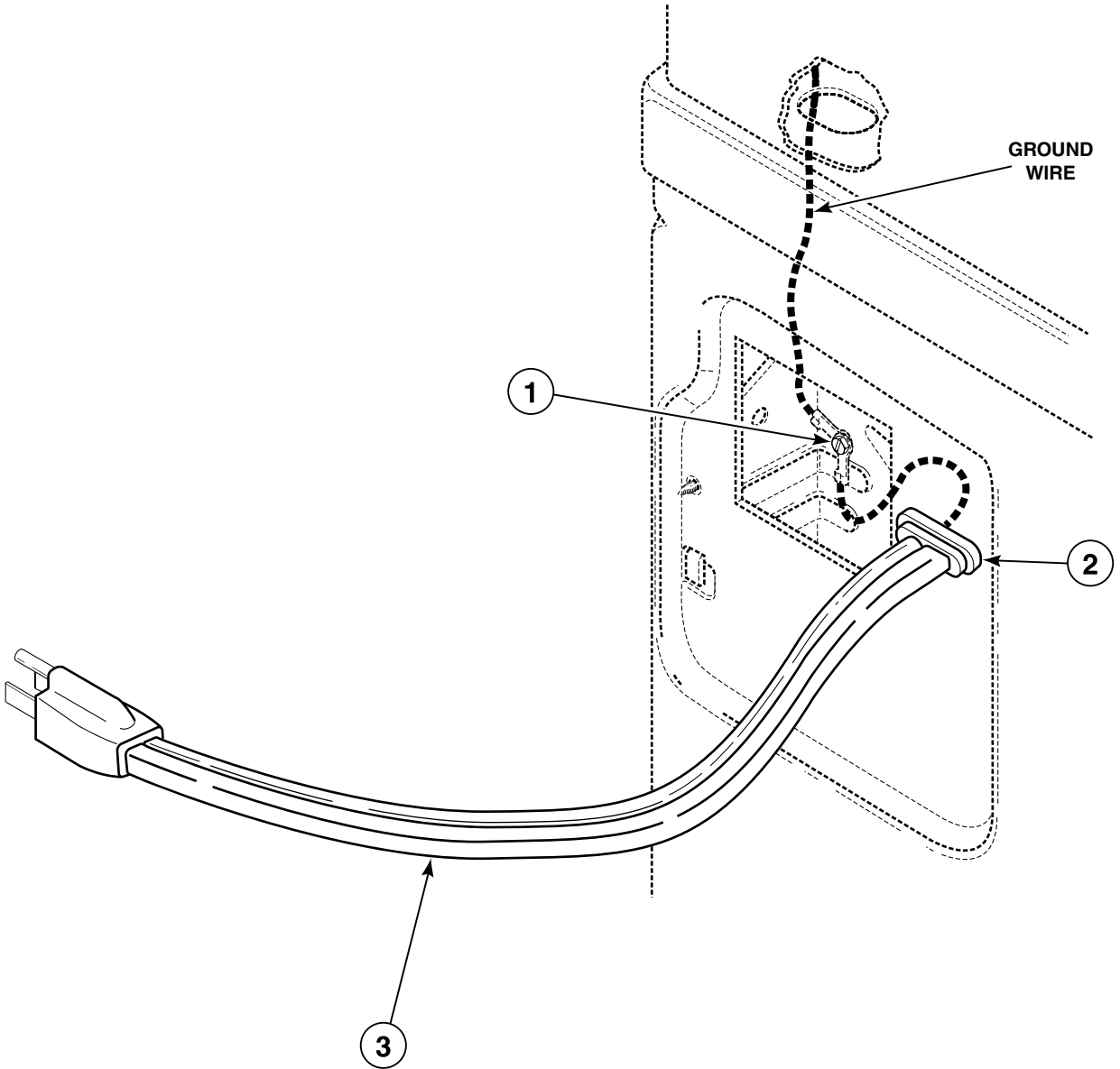
SWD1229P\_802851

## Dryer Cabinet, Exhaust Duct and Base

REF	PART NO.	DESCRIPTION	COMMENTS
	122P4P	Porcelain Touch-Up Paint	
1	503661	Screw	
2	510146	Bracket	
3	510032WP	Top Kit	
4	503688	Screw	
5	510136	Top Hinge	
6	510005P	Cabinet Rear Panel	
7	510903	Access Panel Plate	
8	521P3	Flexible Venting Kit	
9	510137	Exhaust Duct	Each dryer requires 2 pieces
10	510002WP	Cabinet Side Panel	Right
11	528P3	Directional Exhaust Kit	Used to vent dryer out the sides
12	510135	Leveling Leg	
13	510084	Dryer Base	
14	26509	Washer	
15	502431	Screw	
16	510001WP	Cabinet Side Panel	Left
17	56079	Panel Locator	
18	39733	Screw	
19	56128	Bumper Pad	

# Dryer Lead-In Cord

Models ATG50FGP111TW01 and CTSA9AWN

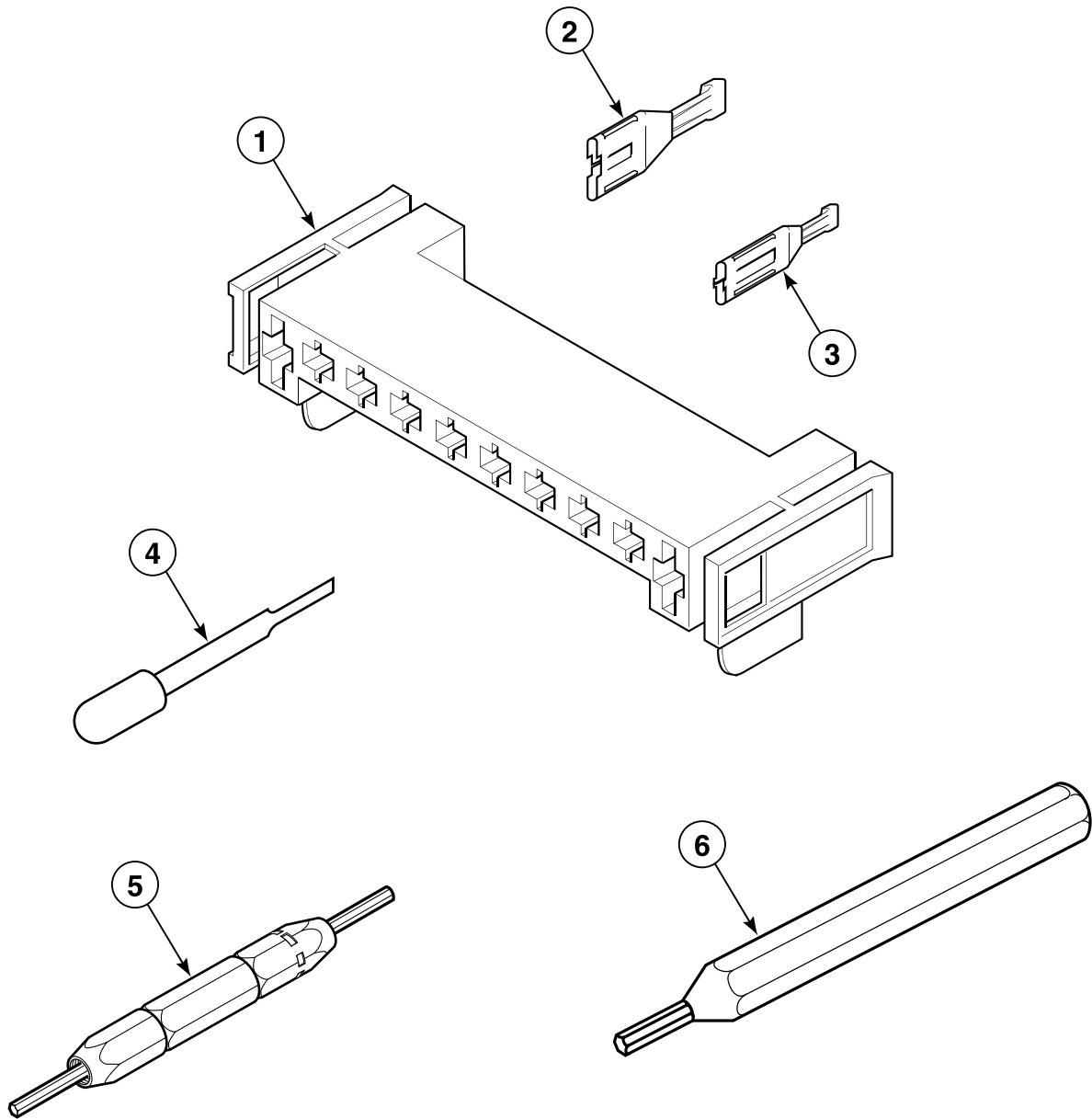


D298P\_802851

# Dryer Lead-In Cord

REF	PART NO.	DESCRIPTION	COMMENTS
1	20530	Screw	
2	38384	Strain Relief	
3	59308	Lead-In Cord	

# Dryer Motor Connection Block, Terminal Extractor Tools

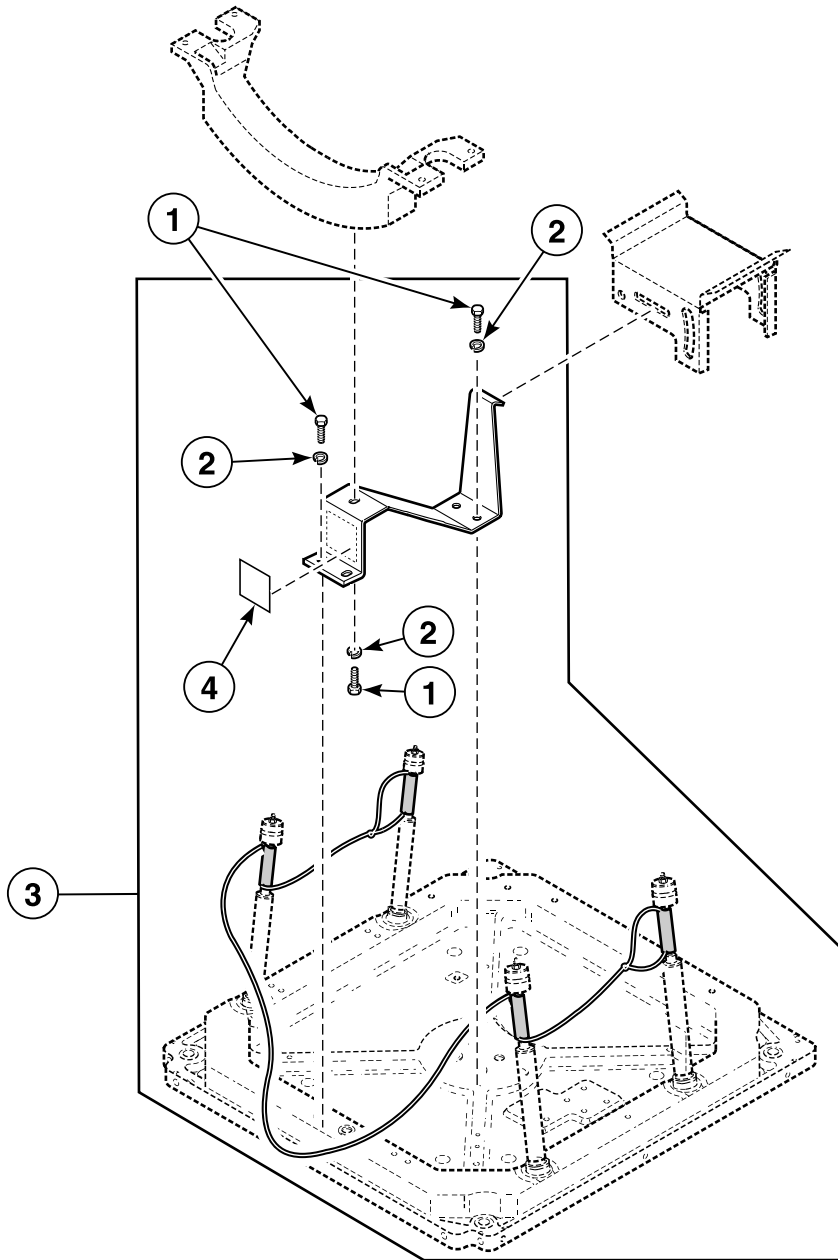


DRY1767P\_802851

## Dryer Motor Connection Block, Terminal Extractor Tools

REF	PART NO.	DESCRIPTION	COMMENTS
1	500338	10 Position Housing	Molex; 10 circuit
2	00255	Female Terminal	1/4 inch; For (1) 12 gauge wire; Models ATE50FGP171TW01, CTSA7AWN and CTSA7AWN1500
	00256	Female Terminal	1/4 inch; For (1) or (2) 18 gauge wires; Models ATG50FGP111TW01 and CTSA9AWN
3	00188	Female Terminal	For 1 or 2 wire applications
4	283P4	Terminal Extractor Tool	For use on Molex connectors
5	190P4	Extractor Tool	For use on electric dryer terminals; Models ATE50FGP171TW01, CTSA7AWN and CTSA7AWN1500
6	128P4	Extractor Tool	For use on gas dryer terminals; Models ATG50FGP111TW01 and CTSA9AWN

# Shipping Materials



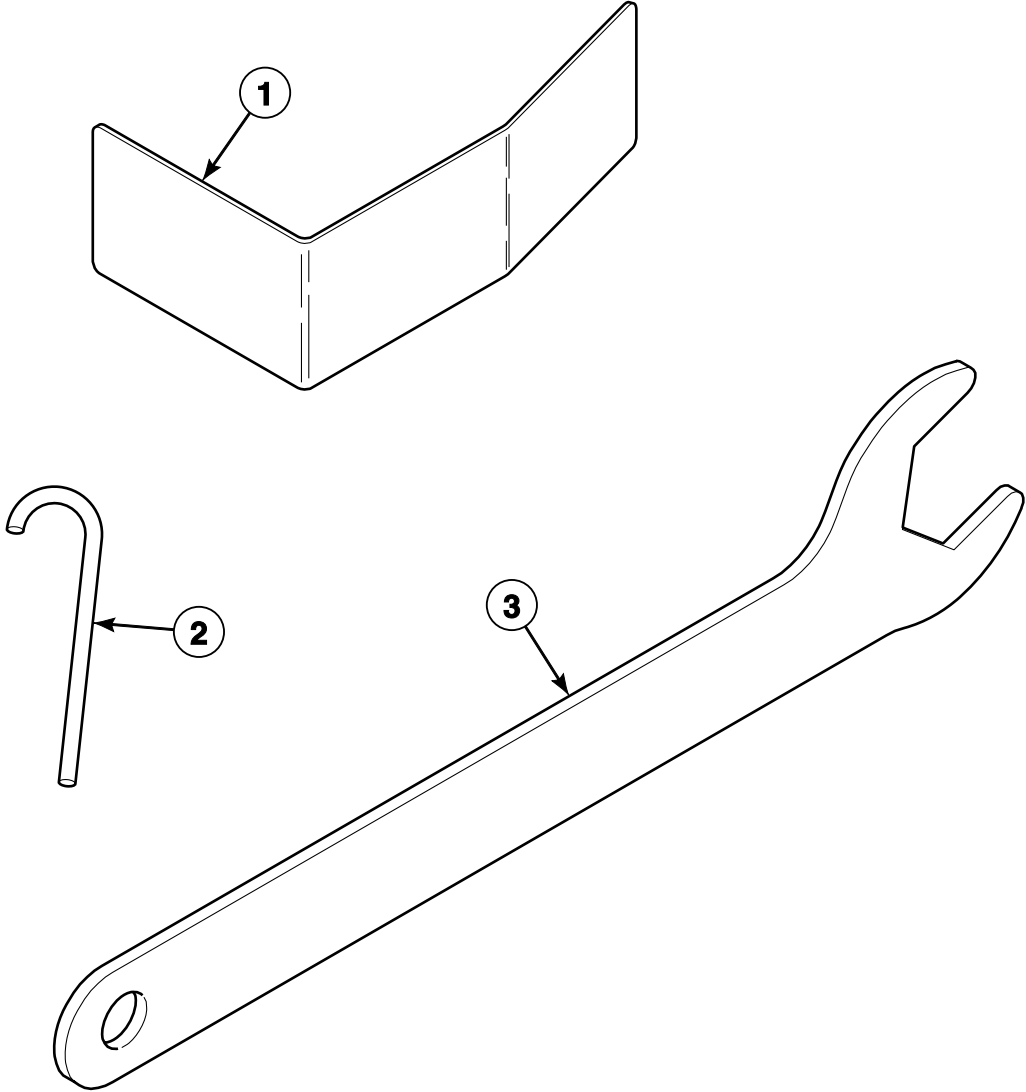
FLW1030P\_802851



# Shipping Materials

REF	PART NO.	DESCRIPTION	COMMENTS
1	M400043	Screw	
2	M400014	Washer	
3	930P3	Shipping Materials Kit	Includes items 1, 2, 4, shipping bracket and shipping cord and brace assembly
4	686901	Shipping Bracket Label	

# Special Tools

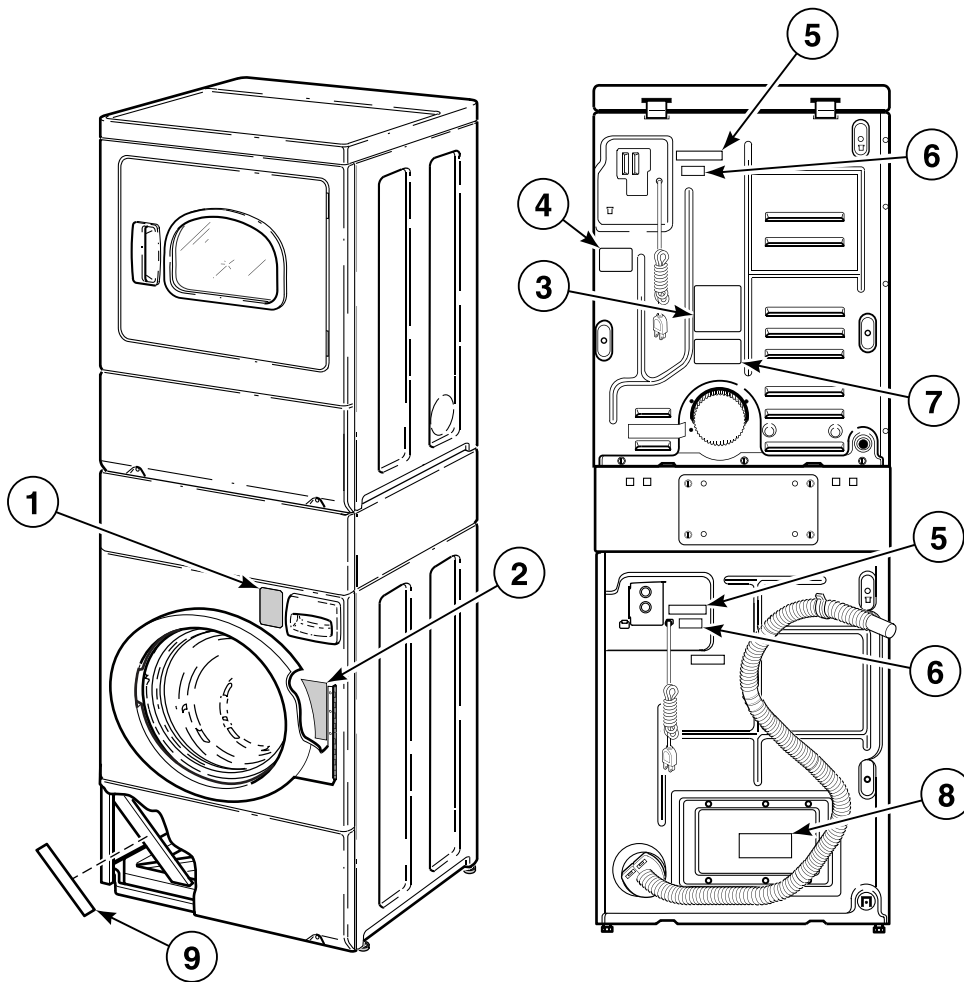


FLW986P\_802851

# Special Tools

<b>REF</b>	<b>PART NO.</b>	<b>DESCRIPTION</b>	<b>COMMENTS</b>
1	318P4	Dispenser Drawer Tool	Use to remove dispenser drawer
2	802336	Pulley Bolt Tightening Fixture	Use to install inner basket
3	392P4	Wrench	Use for adjusting leveling legs

# Labels

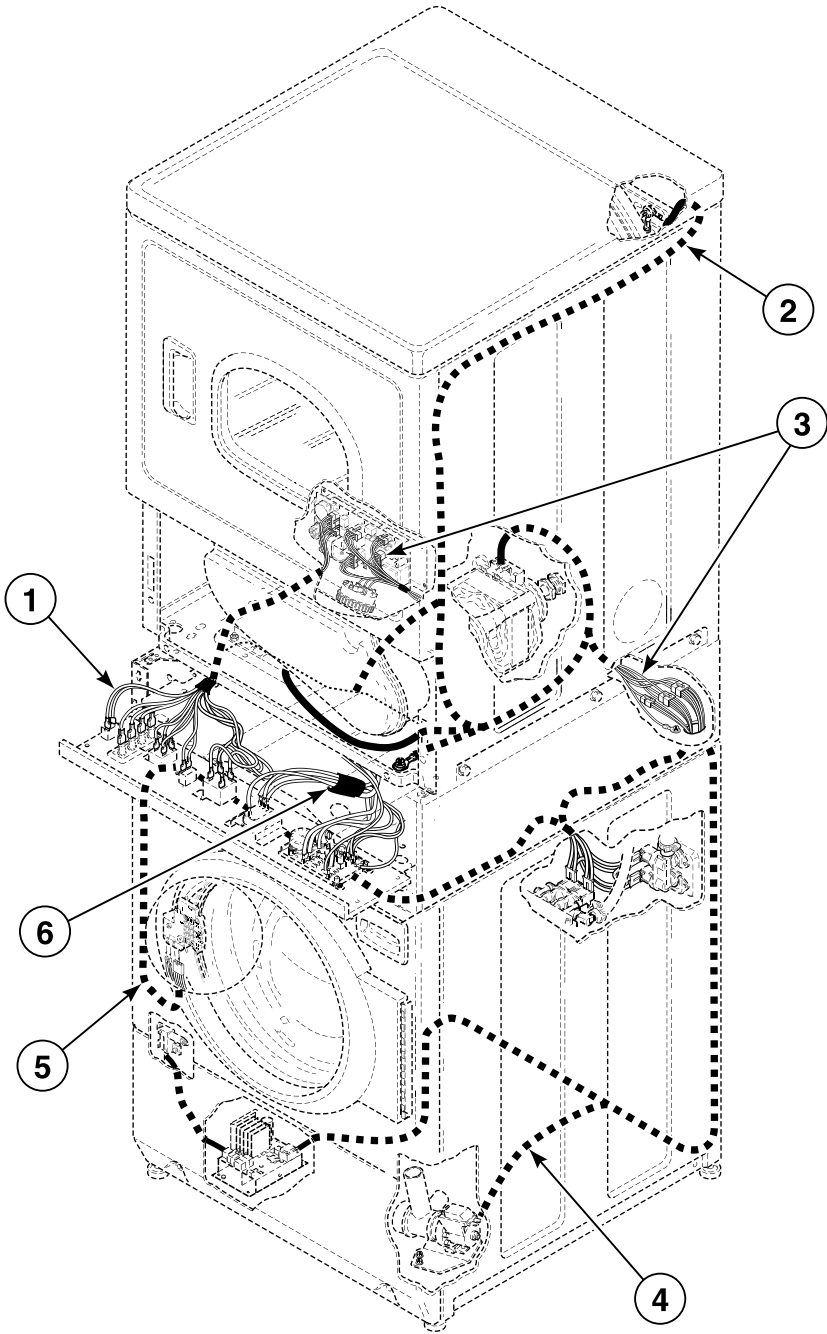


SWD1264P\_802581

# Labels

REF	PART NO.	DESCRIPTION	COMMENTS
1	802074	Oversudsing Label	English
	802838	Oversudsing Label	Spanish
2	802367	Door Locked Warning Label	
3	502791	Venting Instruction Label	
4	62104	Voltage Warning Label	Model CTSA7AWN1500
5	505281	Disconnect Power Warning Label	
6	803260	Warning Label	
7	500497	Exhaust Warning Label	
8	500049	Warning Label	
9	803522	Warning Label	

# Wire Harnesses and Wires



SWD1202P\_802851

## Wire Harnesses and Wires

REF	PART NO.	DESCRIPTION	COMMENTS
	45001	18 Gauge Wire	Black; Order wire by foot and terminals as required
	45380	12 Gauge Wire	Orange; Order wire by foot and terminals as required
<b>1</b>	801326P	Control Panel Harness Assembly	
<b>2</b>	511322P	Upper Harness Assembly	Models ATE50FGP171TW01, CTSA7AWN and CTSA7AWN1500
	511325P	Upper Harness Assembly	Models ATG50FGP111TW01 and CTSA9AWN
<b>3</b>	801324P	Control Harness Assembly	
<b>4</b>	802274P	Motor Harness Assembly	
<b>5</b>	802351P	Base Harness Assembly	
<b>6</b>	511324P	Security Cabinet Harness	Models ATE50FGP171TW01, CTSA7AWN and CTSA7AWN1500
	511323	Security Cabinet Harness Assembly	Models ATG50FGP111TW01 and CTSA9AWN

**NOTE: Individual wires are not available separately. Order complete harness, or order wire by the foot. When applying terminals to wires, it is recommended that the terminals be soldered to the wires.**





# Parts Index

## A

Access Panel	
510069WP .....	7, 27
Access Panel Damper	
685368 .....	7
Access Panel Plate	
510903 .....	41
Adhesive	
511637P .....	31, 33
Air Duct Assembly	
510151 .....	31
Anchor Floor Mount Assembly	
802844P .....	21
Anti-Seize Compound	
27604P .....	15

## B

Backflow Preventer	
34500 .....	9, 11
800310 .....	19
Ballast Weight	
800205 .....	13
Base Assembly	
802245 .....	21
Base Harness Assembly	
802351P .....	53
Base Shock Absorber Kit	
802881P .....	13
Bearing Housing Kit	
800428P .....	15
Blower and Fan Kit	
510717P .....	29
Blower Fan Assembly	
510139P .....	29
Blower Housing and Cover Kit	
511969P .....	29
Blower Housing Seal	
510238P .....	29
Booster and Holding Coil	
58804A .....	39
Boot Nozzle	
802291 .....	7, 9
Brace Kit	
918P3 .....	21
Bracket	
510146 .....	41
Bumper Pad	
36226 .....	21
56128 .....	41
Burner Assembly	
510149P .....	39

## C

Cabinet Brace	
801491 .....	21
801492 .....	21
Cabinet Panel Kit	
800004WP .....	21
Cabinet Rear Panel	
510005P .....	41
Cabinet Side Panel	
510001WP .....	41
510002WP .....	41
Cap	
801746 .....	9
Clamp Ring	
800312 .....	13
Clothes Guard	
803537 .....	13
Clothes Guard and Deflector Kit	
984P3 .....	13
Clothes Guard Deflector	
803038P .....	13
Combustion Duct	
510131 .....	37
Control Access Door	
801373 .....	5
Control Assembly	
802523P .....	5
Control Cabinet Bottom	
801777 .....	5
Control Harness Assembly	
801324P .....	53
Control Knob Assembly	
803119 .....	5
Control Panel Assembly	
802101W .....	5
Control Panel Harness Assembly	
801326P .....	53
Control Shield	
801061 .....	17
801371 .....	5
801372 .....	5
Cycle Switch	
801240 .....	5
Cylinder Assembly	
510265P .....	31
Cylinder Baffle	
510102 .....	31
Cylinder Belt	
511255P .....	29
Cylinder Glide	
510187 .....	31
Cylinder Glide Bracket	
510145 .....	31
Cylinder Roller	
510708P .....	33
Cylinder Roller Bracket	
510100 .....	33

N/A items do not appear in index.

Cylinder Seal Assembly 510207P .....	31, 33
---	--------

---

## D

Detergent Cover 800899 .....	9
Directional Exhaust Kit 528P3 .....	41
Disconnect Power Warning Label 505281 .....	51
Dispenser 685756P .....	9
Dispenser Assembly 801476P .....	9
Dispenser Drawer Front 685715WP .....	9
Dispenser Drawer Tool 318P4 .....	49
Dispenser Plate 801024 .....	9
Dispenser-to-Door Seal Hose 802256 .....	7, 9
Dispenser-to-Tub Hose 800331 .....	9
Door and Liner Assembly 511636WP .....	25
Door Assembly 802617WP .....	7
Door Catch Assembly 510177 .....	27
802803 .....	7
Door Glass 802695P .....	7
Door Handle Wedge 510129 .....	25
Door Hinge 802934 .....	7
Door Latch/Switch Assembly 802317P .....	7
Door Liner Grill 503870W .....	25
Door Locked Warning Label 802367 .....	51
Door Pull and Wedge Kit 510103WP .....	25
Door Seal Assembly 802830 .....	7, 9
802866P .....	7, 9
Door Strike 510181 .....	25
Door Strike Mount 510127 .....	25
Drain Hose 685730 .....	19
Drain Hose Sleeve 33615 .....	19
Drain Kit 985P3 .....	19
Drain Pump 802623P .....	19

Drive Belt 800319P .....	17
Driven Pulley 800866 .....	15
Dryer Base 510084 .....	41
Dryer Door 510082WP .....	25
Dryer Door Window 503982 .....	25

---

## E

Elbow Shut-Off Valve 510205 .....	39
Exhaust Duct 510137 .....	41
Exhaust Warning Label 500497 .....	51
Expansion Clip 70030501 .....	5
Extension Spring 802285 .....	7
Extractor Tool 128P4 .....	45
190P4 .....	45

---

## F

Fabric Selector Switch 510212 .....	5
Felt Pad 510189 .....	31
Female Terminal 00188 .....	45
00255 .....	45
00256 .....	45
Fill Hose Kit 28330P .....	11
Flexible Venting Kit 521P3 .....	41
Front Bulkhead Assembly 510266P .....	31
Front Panel 510066WP .....	27
802277WP .....	7
Front Panel Seal 511056 .....	27
Fuse 801755 .....	17
Fuse Notice Label 61294 .....	31

---

## G

Gas Valve Assembly 510506P .....	39
Gas Valve Mounting Bracket 510128 .....	39

N/A items do not appear in index.

Gasket	
802427 .....	19
Glass Mounting Clip	
802700 .....	7
Graphic Overlay	
802184 .....	5
802983 .....	5
Grommet	
29175 .....	13
Grounding Clip	
00161 .....	13

---

## H

Hardware Kit	
838P3 .....	15
Harness Strap	
55881 .....	7, 9, 23
Heat Duct Shroud	
510101 .....	37
Heater	
510325P .....	35
Heater Assembly	
510329P .....	35
Heater Duct and Screw Assembly	
510025P .....	35, 37
Heater Kit Assembly	
61928 .....	35
Hinge	
511036 .....	25
Hinge Hole Plug	
510186 .....	27
Hinge Plate	
802206 .....	7
Hole Plug	
M412154 .....	21
Hose Clamp	
F200206 .....	9
36802 .....	19
39282 .....	13
685725 .....	9
802164 .....	7, 9, 11
802281 .....	7
802698 .....	7, 9
Hose Clip	
36985 .....	5, 23
800553 .....	15
Hose Mounting Plate	
800552 .....	15
Housing, 10 Position	
500338 .....	45

---

## I

Idler Lever	
510133 .....	29
Idler Lever and Wheel Assembly	
510158 .....	29
Idler Spring	
510185 .....	29
Idler Wheel and Bearing Assembly	
510142P .....	29

Igniter and Bracket Assembly	
510184P .....	39
Inner Basket Assembly	
802365P .....	15
803008P .....	15
Inner Door Bezel Kit	
802307P .....	7
Insert	
685716 .....	9
Inverter Control Assembly	
803254P .....	17

---

## J

Jumper Harness	
513268 .....	17

---

## K

Knob Assembly	
36701W .....	5

---

## L

Lead-In Cord	
34458 .....	23
59308 .....	43
Lead-In Pipe Assembly	
510204 .....	39
Left Control Cabinet Side	
800900WP .....	5
Leveling Leg	
34319 .....	21
510135 .....	41
Lid Assembly	
802426P .....	19
Light	
801431 .....	5
Limit Thermostat	
510701 .....	35
510702 .....	37
Liner and Seal Assembly	
510098W .....	25
Liner Door Seal	
510147P .....	25
Lint Filter	
503980 .....	31
Lint Filter Cover	
510502 .....	31
L.P. Conversion Kit	
649P3 .....	39

---

## M

Mixing Valve	
802220P .....	11
Mixing Valve Plate	
800323 .....	11

N/A items do not appear in index.

Mixing Valve Screen 802926 .....	11
Motor Access Hole Edging 801702 .....	21
Motor and Pulley Assembly 511629P .....	29
Motor and Rod Assembly Kit 801684P .....	17
Motor Harness Assembly 802274P .....	53
Motor Hub Ring Kit 590P3 .....	29
Motor Mount 510060 .....	29
Motor Mount Clamp 510180 .....	29
Motor Mount Rod 801062 .....	17
Motor Pulley 500011 .....	29

## N

Nut	
F430218 .....	13
03673 .....	23
21899 .....	21
23951 .....	7
36020 .....	7
52566 .....	29
56156 .....	29, 33
685844 .....	15
685846 .....	7
800452 .....	13, 15
800931 .....	5
802292 .....	7, 9
802343 .....	13
N.G. Conversion Kit 650P3 .....	39

## O

O-Ring 802429 .....	19
Outer Bezel Assembly 802616WP .....	7
Outer Tub Assembly 801081P .....	13
Outlet Cover 500820 .....	35, 37
Out-of-Balance Switch Assembly 801006 .....	13
Oversudsing Label 802074 .....	51
802838 .....	51

## P

Panel Locator 56079 .....	7, 21, 27, 41
------------------------------	---------------

Pop Rivet 685847 .....	15
Porcelain Touch-Up Paint 122P4P .....	21, 41
Pressure Bulb 30907 .....	13
Pressure Switch 802299P .....	5
Pulley Bolt Tightening Fixture 802336 .....	49
Pump Housing 802428 .....	19
Pump Housing Assembly 802434P .....	19
Pump Mount Bracket 802626 .....	19
Push-to-Start Switch 801434W .....	5

## R

Rear Bulkhead Assembly 511082P .....	33
Rear Control Cabinet 801058 .....	5
Rear Panel 800010P .....	21
Rear Service Panel 801012 .....	21
Resistor Assembly 511277 .....	5
Retainer Clip 36014 .....	19
Retaining Ring 23748 .....	17, 29, 33
Right Control Cabinet Side 800915W .....	5
Rocker Switch 38424W .....	5
Rubber Foot 34318 .....	21

## S

Screw	
M400043 .....	15, 47
M400057 .....	17
20530 .....	43
23222 .....	29, 35, 39
31260 .....	29
31645 .....	21
33562 .....	27
39733 .....	7, 21, 27, 41
430497 .....	5, 21
500226 .....	25
500824 .....	29
501086 .....	5, 11
501285 .....	31, 33
501524 .....	5, 17
502431 .....	41
503661 .....	5, 7, 11, 13, 17, 19, 21, 41
503688 .....	27, 29, 31, 33, 35, 37, 39, 41
505295 .....	25, 31

N/A items do not appear in index.

505870	25
51782	37, 39
52864	31
56124	39
61199	33
62588	31
685831	15
685837	23
800461	13
800462	13, 15
800548	7, 9
800930	5
801001	9
801019	7
801045	7
801993	7
802430	19
802431	19
802596	13
Screw Label	
685928	21
Sealant	
27615P	19
Secondary Coil	
58804B	39
Security Cabinet Harness	
511324P	53
Security Cabinet Harness Assembly	
511323	53
Sensor	
510213	39
Shaft	
56461P	29, 33
Shipping Bracket Label	
686901	47
Shipping Materials Kit	
930P3	47
Side Panel Kit	
800005WP	21
Snap Bushing	
M402542	5
Speed Clip	
28835	27
Standpipe Strap	
33489	19
Strain Relief	
32219	19
38384	23, 43
Switch	
504570	27
Switch Mounting Bracket	
800663	13

## T

Temperature Switch	
687542P	5
Tension Rod Assembly	
800666	15
Terminal Block Assembly	
510190P	33
Terminal Block Shield	
510237	33

Terminal Extractor Tool	
283P4	45
Thermal Fuse Assembly	
511412	35
Thermostat	
504515	29
510707P	29
Timer	
505794P	5
Timer and Harness Kit	
505797P	5
Timer Knob Assembly	
512117W	5
803118P	5
Top Hinge	
510136	41
Top Kit	
510032WP	41
Transformer	
210018P	5
Trunnion Shaft and Hardware Kit	
800749P	15
Tub Front Assembly	
802258	13
Tub Front Seal	
800432P	13, 15
Tub Shock Absorber Kit	
800622P	13
Tubing	
800648P	13
Tub-to-Pump Hose	
800317	19

## U

Upper Harness Assembly	
511322P	53
511325P	53

## V

Valve Kit	
685766P	9
Valve-to-Dispenser Inlet Hose	
801464	9, 11
Venting Instruction Label	
502791	51
Voltage Warning Label	
62104	51

## W

Warning Label	
500049	13, 51
803260	51
803522	51
Warning/Caution Label	
500281	27
Washer	
M400014	47

N/A items do not appear in index.

M400080 .....	17
M400081 .....	13
M403958 .....	15
02834 .....	17
03815 .....	23
20290 .....	11
26509 .....	41
28605 .....	11
504082 .....	33
52549 .....	17, 29, 33
800457 .....	13, 15
800464 .....	15
802254 .....	11
802293 .....	7, 9
Window Trim	
512633 .....	25
Wire Assembly	
510527 .....	35
510528 .....	35
Wire Clamp	
800811 .....	13
Wire Clamp Ring	
802283 .....	7
Wire Clip	
504034 .....	23
687500 .....	7, 9, 23
Wire Tie	
38663 .....	23
Wire, 12 Gauge	
45380 .....	53
Wire, 18 Gauge	
45001 .....	53
Wrench	
392P4 .....	49

---