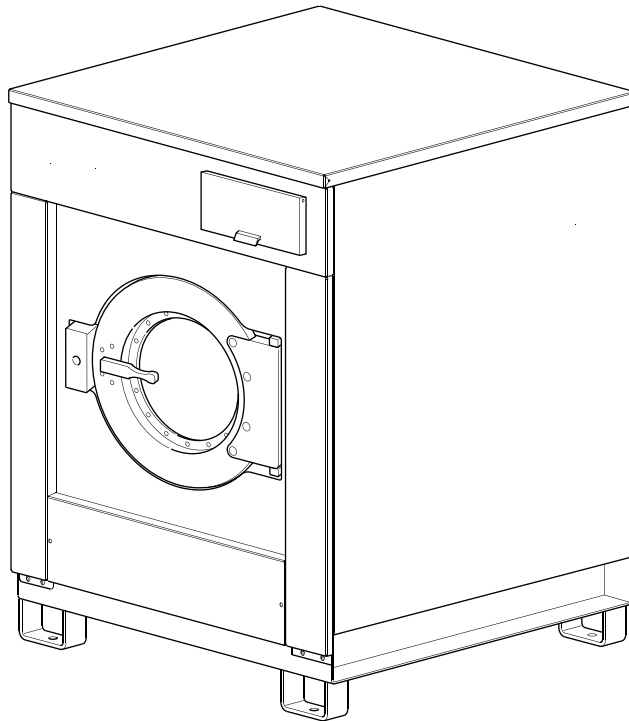


Washer-Extractor

Cabinet Freestanding
Refer to Page 3 for Model Numbers



CFD18C_9001759

Table of Contents

Title	Page
Parts Ordering Information.....	2
Model Identification	3
Cabinet Freestanding Washer-Extractor Product Overview - *X Models.....	4
Cabinet Freestanding Washer-Extractor Product Overview - *HF Models	6
Frame.....	8
Shock and Spring Assembly	10
Shell and Front Panel - *X165 Design 6 Models.....	12
Shell and Front Panel - All Models Except *X165 Design 6 Models	14
Bearing Assembly (Drawing 1 of 3)	16
Bearing Assembly (Drawing 2 of 3)	18
Bearing Assembly (Drawing 3 of 3)	20
Basket, Pulley and Belt	22
Motor	24
Drain Assembly	26
Drain Valve - Normally Open	28
Drain Valve - Normally Closed.....	30
Door Lock.....	32
Door - *X165 Design 6 Models	34
Door - All Models Except *X165 Design 6 Models.....	36
Control Panel - *X Models.....	38
Control Panel - PS40F	40
Control Panel - Cygnus Professional	42
Control Panel - Cygnus Premium	44
Control Module.....	46
Top, Left Side and Front Panels	48
Back and Right Side Panels	50
Upper Back Panel (Drawing 1 of 4)	52
Upper Back Panel (Drawing 2 of 4)	54
Upper Back Panel (Drawing 3 of 4)	56
Upper Back Panel (Drawing 4 of 4)	58
Supply Dispenser - Models Through 4/30/2009.....	60
Supply Dispenser - Models Starting 5/1/2009.....	62
Plumbing (Drawing 1 of 3)	64
Plumbing (Drawing 2 of 3)	66
Plumbing (Drawing 3 of 3)	68
Balance Switch	70
Soap Pumps	72
Spray Pump	74
Electric Heating Option	76
Steam Heating Option - *HF165, *HF730 and *X165 Models.....	78
Steam Heating Option - *HF900 and *X200 Models.....	80
Parts Index.....	83

© Copyright 2011, Alliance Laundry Systems LLC

All rights reserved. No part of the contents of this book may be reproduced or transmitted in any form or by any means without the expressed written consent of the publisher.

Parts Ordering Information

If literature or replacement parts are required, contact the source from whom the machine was purchased or contact Alliance Laundry Systems at (920) 748-3950 for the name and address of the nearest authorized parts distributor.

For technical assistance, call either of the numbers listed below:

(920) 748-3121 Ripon, Wisconsin

+32 56 41 20 54 Wevelgem, Belgium

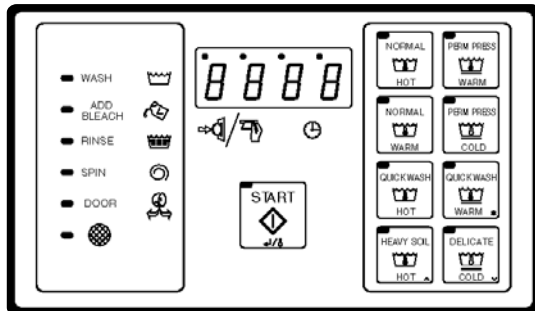
Model Identification

Information in this manual is applicable to these washer-extractor models:

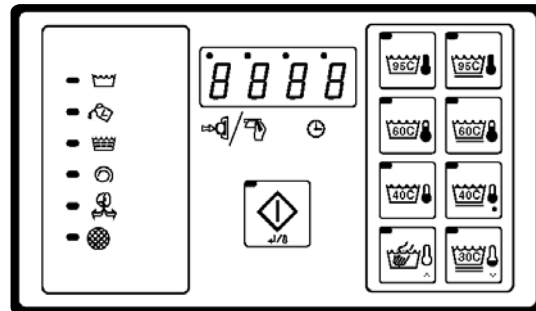
CHF165ANH	HX165PVNU6	SX165PVNU6
HF730_CYGNUS-PREM_OPL	HX165PVNU7	SX165PVNU7
HF730_CYGNUS-PRO	HX165PVPU7	SX165PVPU7
HF730_PS40F	HX165PVQU6	SX165PVQU6
HF900_CYGNUS-PREM_OPL	HX165PVQU7	SX165PVQU7
HF900_CYGNUS-PRO	HX200PVNU7	SX200PVNU7
HF900_PS40F	HX200PVPU7	SX200PVPU7
	HX200PVQU7	SX200PVQU7
	IHF165ANH	UX165PVNU6
	IHF165ZNH	UX165PVNU7
	IHF730ANH	UX165PVPU6
	IHF730ZNH	UX165PVPU7
	IHF900ANH	UX165PVQU6
	IHF900ZNH	UX165PVQU7
		UX200PVNU7
		UX200PVPU7
		UX200PVQU7

Cabinet Freestanding Washer-Extractor Product Overview - *X Models

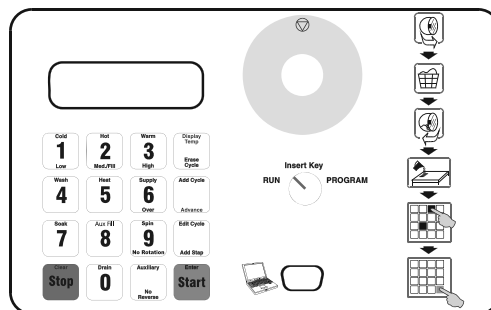
Model No. *X55PVM60001
 Serial No. 0000000000
 Voltage 200-240/50-60/1-3 Amps 12
 Required Circuit Breaker Amps 15
 Hz 50-60 Wire 2/3+PE Phase 1/3
 Max. Load 55 LB 25 KG Max. Speed 1000 RPM
 Elec. Heating KW Steam Press. PSI BAR



B Computer (Domestic)



B Computer (International)



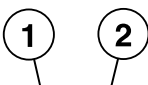
WE-8 Micro



CFD266P_9001759

Cabinet Freestanding Washer-Extractor Product Overview - *X Models

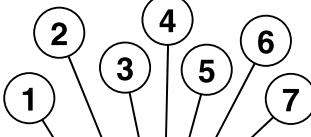
REF	PART NO.	DESCRIPTION	COMMENTS
1	-	Product Family	HX NX SX UX
2	-	Capacity (Pounds)	18 25 30 35 55 75 100 135 165 200
3	-	Control	B (B Computer) P (WE-8 Micro)
4	-	Speed	V (Variable)
5	-	Voltage	N (440-480/50-60/3/3) P (380-415/50-60/3/3) Q (200-240/50-60/3/3) X (200-240/50-60/1/3)
6	-	OEM	A F M U
7	-	Design	6 and 7



Cabinet Freestanding Washer-Extractor Product Overview - *HF Models



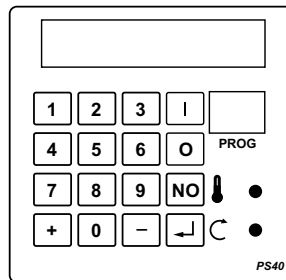
Type:	HF575P	Nr:	07110580147
Voltage:	3 ~ 380V 50Hz	Weight:	1787 kg
Motor:	7.5 kW 20 A	Capacity:	575 L
Heating:	36 kW 60 A	Dry Load:	57 kg
Total:	43.50 kW	Drum:	980 mm
Kinetic energy:	23257N/M	Speed:	800 rpm
Manufactured in:	2007		
Water Pressure: min. 2.07 max. 5.86 Kg/cm ²		IPX4	
min. 20.7 max. 58.6 N/cm ²			
sfc 741295			
 Alliance International BVBA Nieuwstraat 146 8560 Wevelgem Belgium Tel: +32 56 41 20 54 Fax: +32 56 41 86 74 www.ipso.be			

Label 1

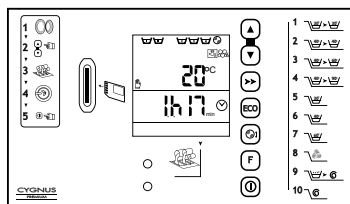


Model No:	IHF165MNHX10U01	Serial No:	0710740113
Volts Hertz:	208-240 50/60	Type:	HF730P
Phase:	3	Capacity:	165/73 lbs/kg
Amps:	20 amps	Water	30-85 psi
Recommended		Pressure:	2.07-5.86 bar
Circuit Breaker:	25 amps	Max Speed:	750 rpm
Interrupt Current:	10 kA	Motor:	15 hp
Motor:	11 kW	Net Weight:	3520 lbs
Elec Heat:	N/A kW	Weight:	5070 kg
Steam heat:	N/A psi		IPX4
	N/A bar		
 Alliance Laundry Systems		Alliance International BVBA Made in Belgium	
TEL 1-920-748-3121 www.comlaundry.com		 INTERTEK LISTED ETL US 100740 CONFORMS TO ANSI/UL STD 2157 CERTIFIED TO CAN/CSA STD C22.2 NO.169	

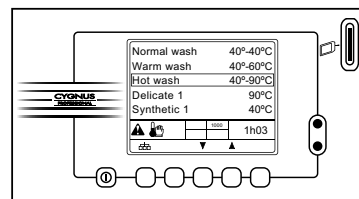
Label 2



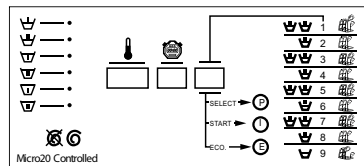
PS40



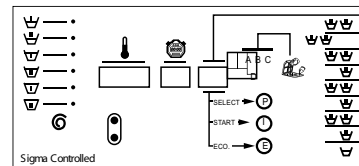
Cygnus Premium



Cygnus Professional



Micro 20



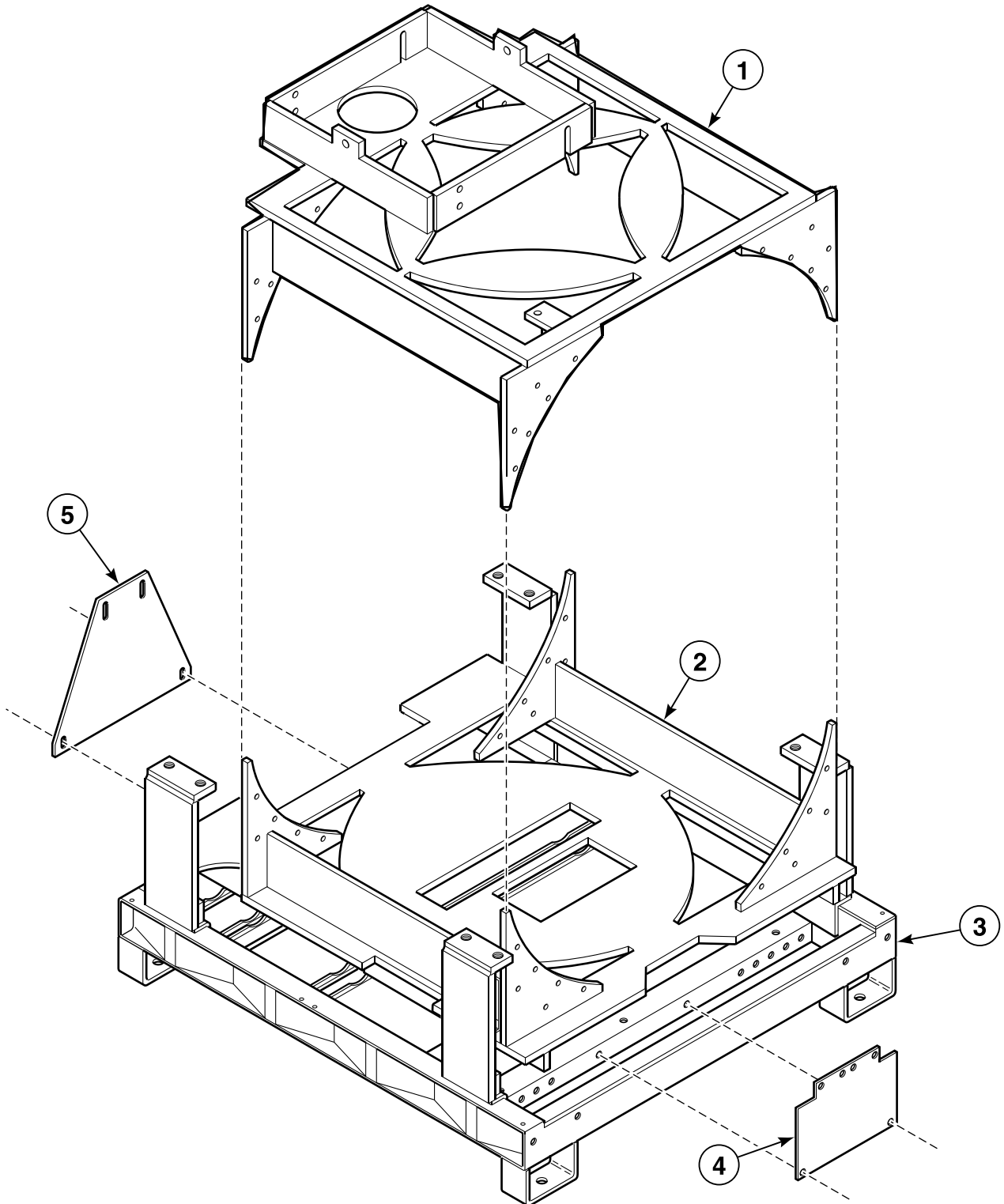
Sigma

CFD296P_9001759

Cabinet Freestanding Washer-Extractor Product Overview - *HF Models

REF	PART NO.	DESCRIPTION	COMMENTS
1	-	Product Family	CHF HF IHF
2	-	Capacity (Pounds)	165 730 900
3	-	Control	A (PS40F) CAM-Timer Cygnus-Prem M (Micro-20) Micro-9 PC30 PS40 Sigma Z (Cygnus-Pro)
4	-	Actuation	N (Non-Coin)
5	-	Speed	H (High Speed)
6	-	Voltage	N (440-480/50-60/3/3) P (380-415/50-60/3/3) Q (208-240/50-60/3/3) X (200-240/50-60/1/3)
7	-	Design	1

Frame

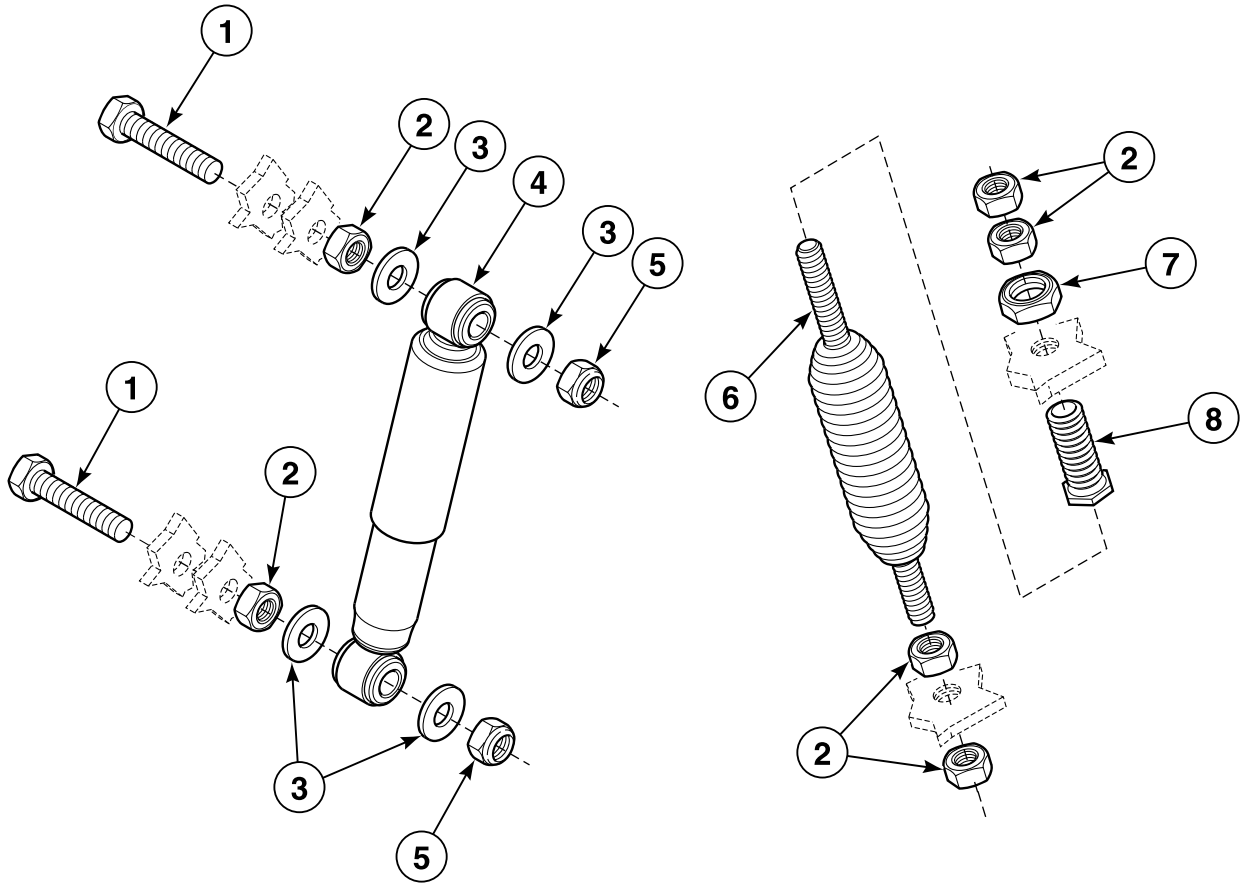


CFD264P_9001759

Frame

REF	PART NO.	DESCRIPTION	COMMENTS
1	253/10503/00	Upper Support	*HF165, *HF730 and *X165 models
	290/10503/00	Upper Support	*HF900 and *X200 models
2	253/10502/00	Lower Support	*HF165, *HF730 and *X165 models
	290/10502/00	Lower Support	*HF900 and *X200 models
3	253/10501/00	Frame	*HF165, *HF730 and *X165 models
	290/10501/00	Frame	*HF900 and *X200 models
4	173/00015/00	Shipping Bracket	Front
5	173/00054/00	Shipping Bracket	Rear

Shock and Spring Assembly

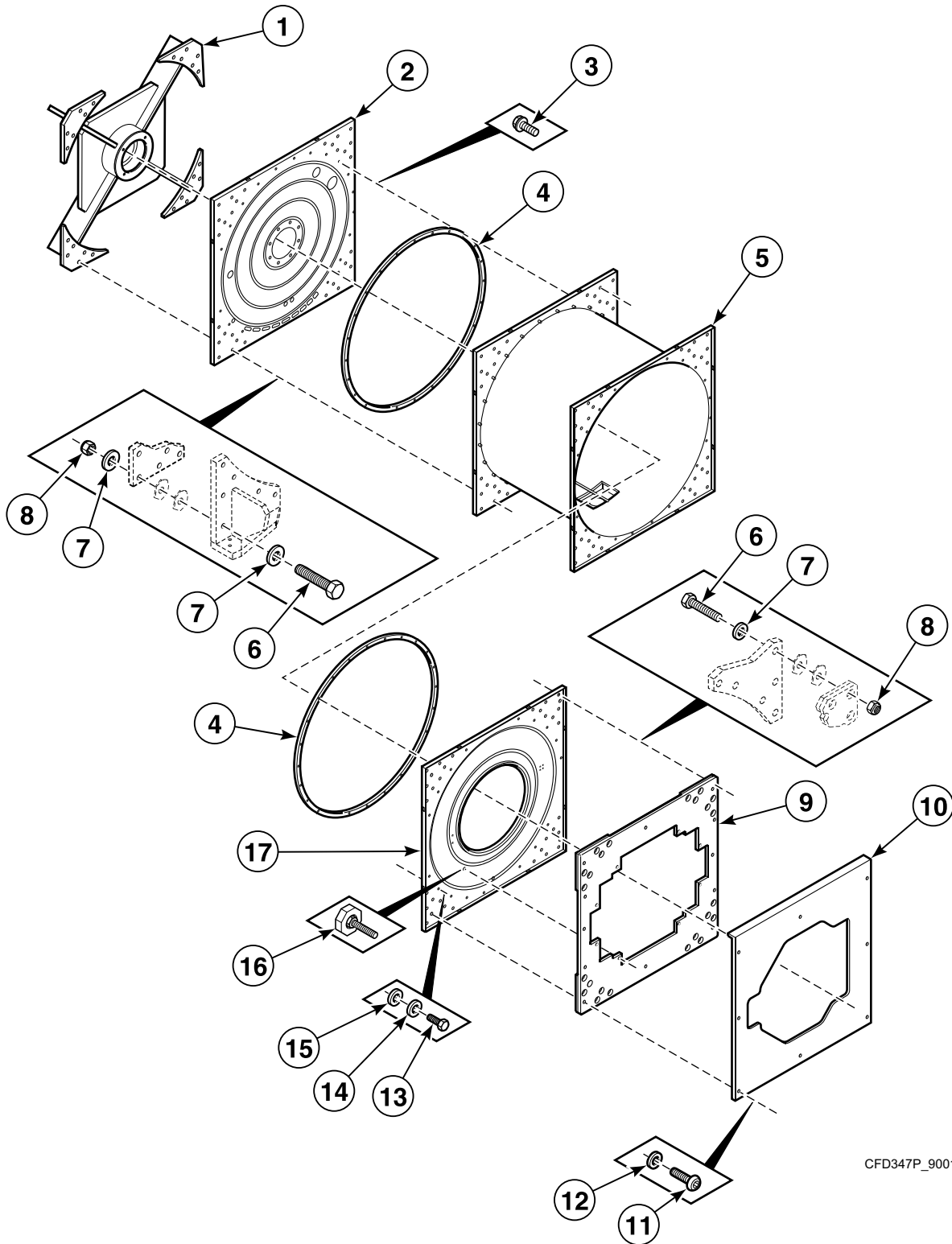


CFD58P_9001759

Shock and Spring Assembly

REF	PART NO.	DESCRIPTION	COMMENTS
1	206/00071/00	Bolt	
2	204/00012/00	Nut	
3	201/00001/00	Washer	
4	247/00008/00	Shock Absorber	
	211/00137/10	Shock Absorber Bushing	
5	204/00113/00	Nut	
6	224/00044/00	Suspension Spring	
7	204/00016/00	Nut	
8	224/00046/00	Bolt	

Shell and Front Panel - *X165 Design 6 Models

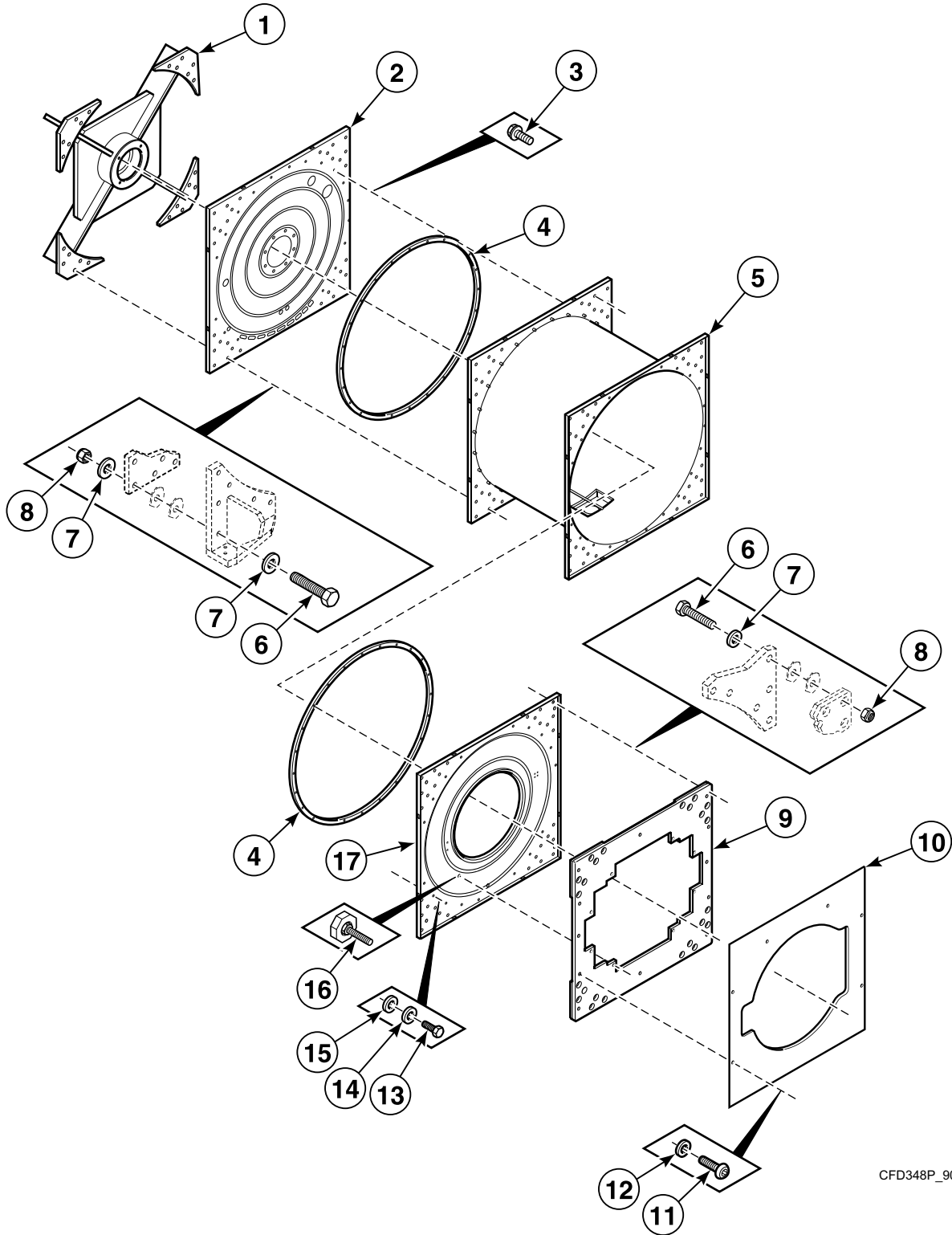


CFD347P_9001759

Shell and Front Panel - *X165 Design 6 Models

REF	PART NO.	DESCRIPTION	COMMENTS
1	253/10505/00	Bearing Housing	
2	173/00020/10	Tub Back Plate	Standard and steam heat
	173/00019/10	Tub Back Plate	Electric and steam heat
3	206/00099/00	Bolt	
4	255/00001/00	Tub Gasket	
5	173/00020/00	Tub	Standard and steam heat
	173/00019/00	Tub	Electric and steam heat
6	206/00122/00	Bolt	
7	201/00001/00	Washer	
8	204/00113/00	Nut	
9	253/10504/00	Counterweight	
10	173/00025/00	Front Panel	
11	205/00102/00	Bolt	
12	202/00105/00	Washer	
13	205/00105/00	Bolt	
14	B12300701	Washer	
15	B12300601	Washer	
16	252/00006/00	Leveling Leg	
17	173/00025/00	Front Panel	

Shell and Front Panel - All Models Except *X165 Design 6 Models

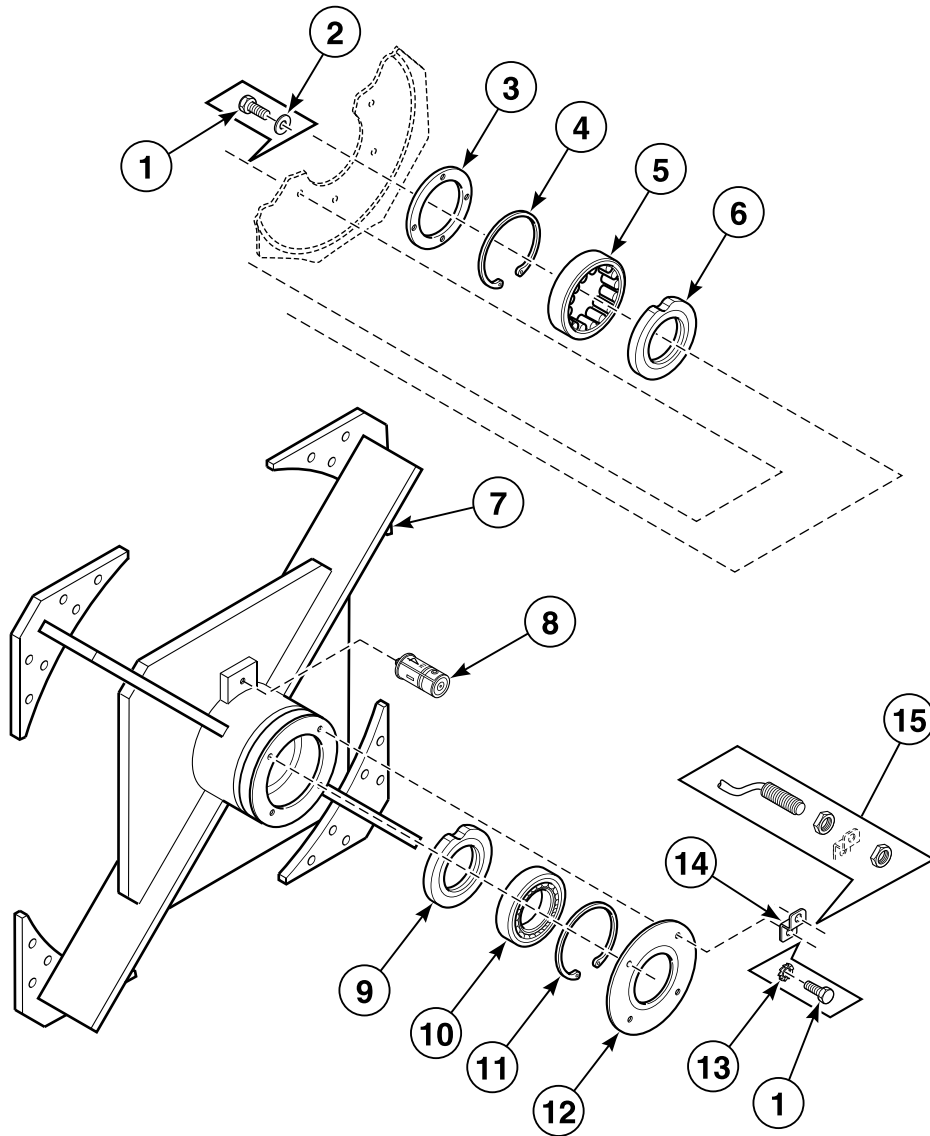


CFD348P_9001759

Shell and Front Panel - All Models Except *X165 Design 6 Models

REF	PART NO.	DESCRIPTION	COMMENTS
1	253/10505/00	Bearing Housing	
2	173/00020/10	Tub Back Plate	Standard and steam heat
	173/00019/10	Tub Back Plate	Electric and steam heat
3	206/00099/00	Bolt	
4	255/00001/00	Tub Gasket	
5	190/00020/00	Tub	*HF900 and *X200 models; Standard and steam heat
	173/00020/00	Tub	All other models; Standard and steam heat
	190/00019/00	Tub	*HF900 and *X200 models; Electric and steam heat
	173/00019/00	Tub	All other models; Electric and steam heat
6	206/00122/00	Bolt	
7	201/00001/00	Washer	
8	204/00113/00	Nut	
9	253/10504/00	Counterweight	
10	173/00010/00	Tub Front	
11	205/00102/00	Bolt	
12	202/00105/00	Washer	
13	205/00105/00	Bolt	
14	B12300701	Washer	
15	B12300601	Washer	
16	252/00006/00	Leveling Leg	
17	173/00022/00	Tub Front	

Bearing Assembly (Drawing 1 of 3)

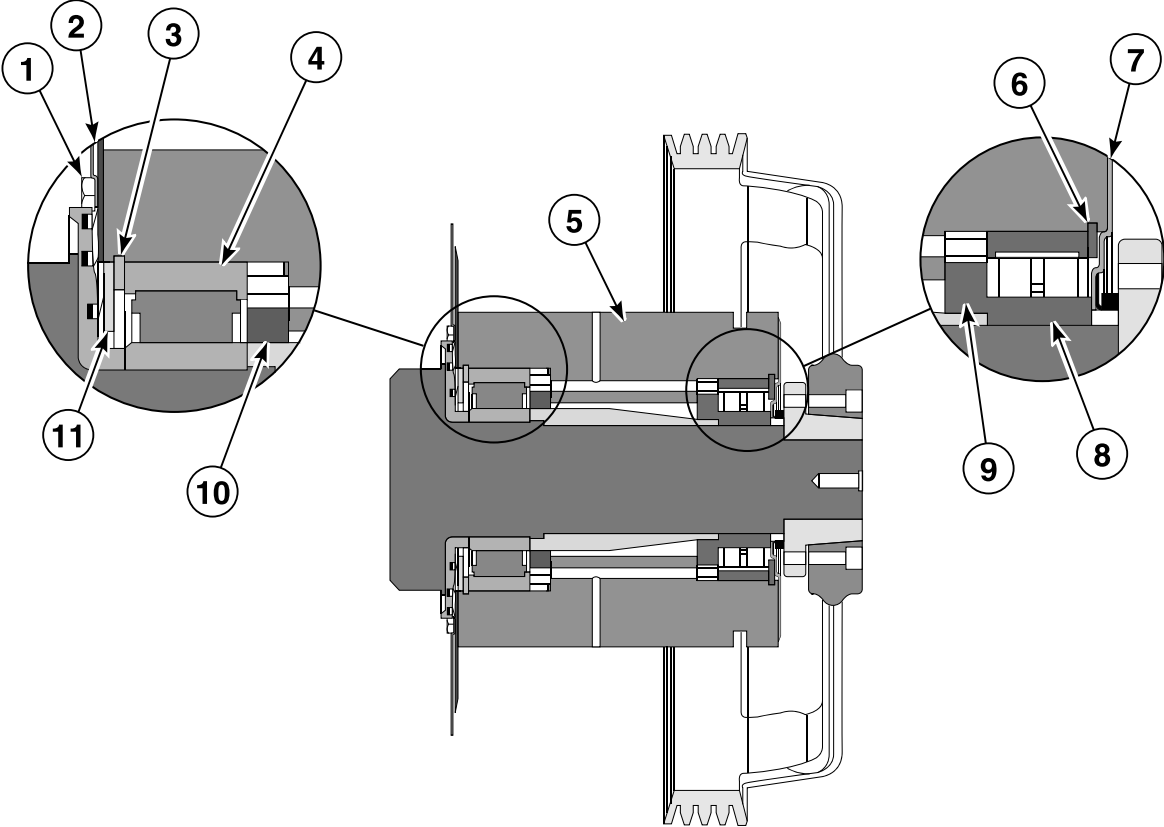


CFD95P_9001759

Bearing Assembly (Drawing 1 of 3)

REF	PART NO.	DESCRIPTION	COMMENTS
	245/00059/00	Bearing Tool Kit	
	895P3	Bearing Replacement Kit	Includes items 5, 8 and 10 and 253/00151/00 V-Ring Seal (VL220), 253/00153/00 V-Ring Seal (VL170), 253/10516/00 V-Ring Seal (VL250), 253/10515/00 V-Ring Seal (VA110) and 253/10506/00 Bearing Sleeve
1	205/00102/00	Bolt	
2	201/00204/00	Washer	
3	253/10523/00	Bearing Retainer	
4	212/00043/00	Retaining Ring	
5	253/00164/00	Bearing	
6	253/10514/00	Bearing Spacer	
7	253/10505/00	Bearing Housing	
	253/10522/00	Bearing Housing	Includes items 4-6 and 9-11
8	212/00022/00	Lubricator	
9	253/10513/00	Bearing Spacer	
10	253/00165/00	Bearing	
11	253/00157/00	Retaining Ring	
12	253/10507/00	Bearing Retainer	
13	203/00002/00	Washer	
14	153/00041/02	Speed Sensor Bracket	*X165 models; Models through 10/29/06
	153/00041/11	Speed Sensor Bracket	*X165 models; Models starting 10/30/06
	153/10028/00	Speed Sensor Bracket	All other models
15	209/00400/00	Speed Detector	

Bearing Assembly (Drawing 2 of 3)

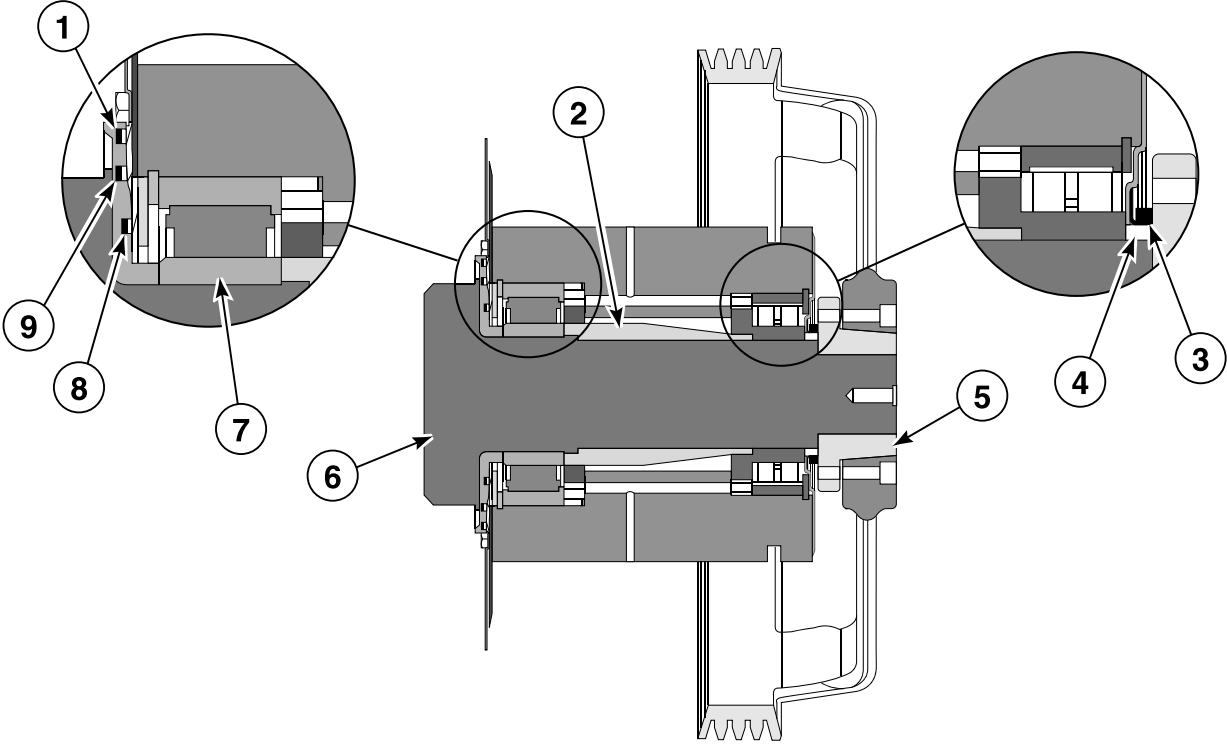


CFD135P_9001759

Bearing Assembly (Drawing 2 of 3)

REF	PART NO.	DESCRIPTION	COMMENTS
1	205/00102/00	Bolt	
2	201/00202/00	Washer	
3	212/00043/00	Retaining Ring	
4	253/00164/00	Bearing	
5	253/10505/00	Bearing Housing	
6	253/00157/00	Retaining Ring	
7	253/10507/00	Bearing Retainer	
8	253/00165/00	Bearing	
9	253/10513/00	Bearing Spacer	
10	253/10514/00	Bearing Spacer	
11	253/10523/00	Bearing Retainer	

Bearing Assembly (Drawing 3 of 3)

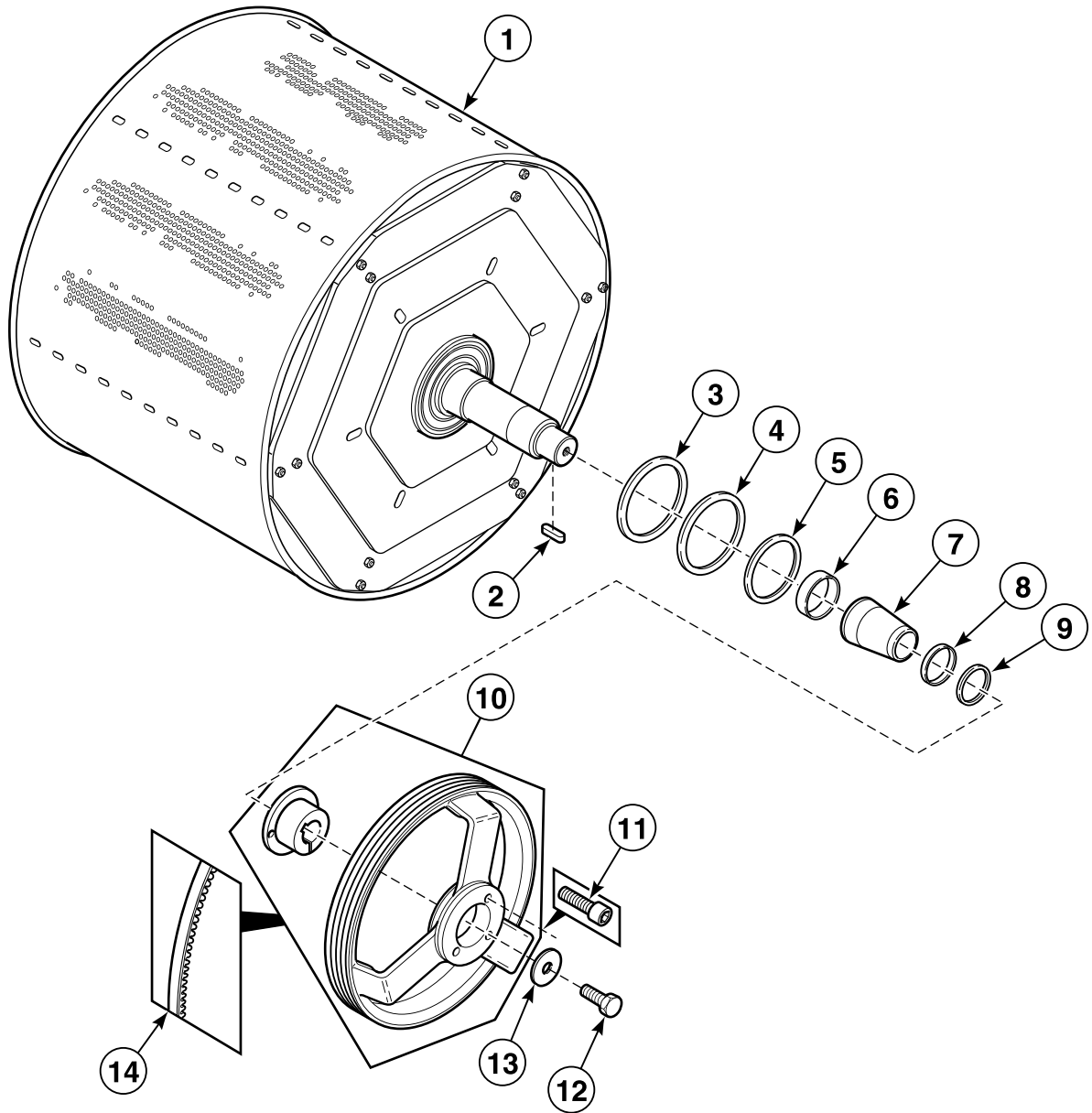


CFD135PA_9001759

Bearing Assembly (Drawing 3 of 3)

REF	PART NO.	DESCRIPTION	COMMENTS
1	253/10516/00	V-Ring Seal	Loctite 480 required for installation
2	253/10506/00	Bearing Sleeve	
3	253/10515/00	V-Ring Seal	Loctite 480 required for installation
4	253/10518/00	V-Ring Seal Ring	
5	253/10517/00	Pulley and Hub Assembly	
6	173/00023/00	Cylinder and Shaft Assembly	
7	253/00164/00	Bearing	
8	253/00153/00	V-Ring Seal	Loctite 480 required for installation
9	253/00151/00	V-Ring Seal	Loctite 480 required for installation

Basket, Pulley and Belt

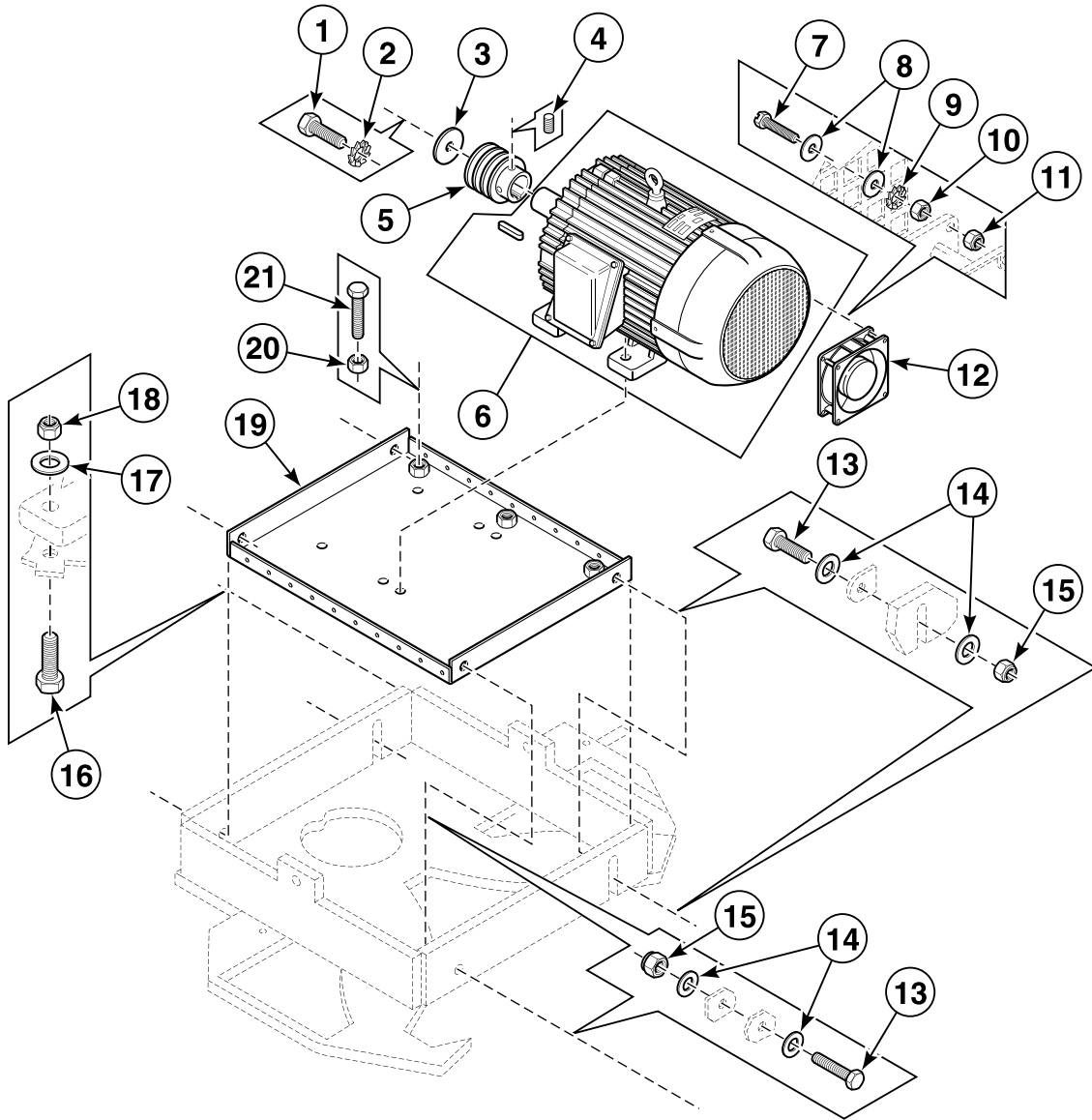


CFD94P_9001759

Basket, Pulley and Belt

REF	PART NO.	DESCRIPTION	COMMENTS
1	190/00023/00	Cylinder and Shaft Assembly	*HF900 and *X200 models
	173/00023/00	Cylinder and Shaft Assembly	All other models
2	253/00033/00	Key	
3	253/10516/00	V-Ring Seal	Loctite 480 required for installation
4	253/00151/00	V-Ring Seal	Loctite 480 required for installation
5	253/00153/00	V-Ring Seal	Loctite 480 required for installation
6	253/00164/00	Bearing	
7	253/10506/00	Bearing Sleeve	
8	253/10518/00	V-Ring Seal Ring	
9	253/10515/00	V-Ring Seal	Loctite 480 required for installation
10	253/10517/00	Pulley and Hub Assembly	
11	206/00053/00	Screw	
12	206/00147/00	Bolt	
13	201/00025/00	Washer	
14	253/00163/00	Belt	

Motor

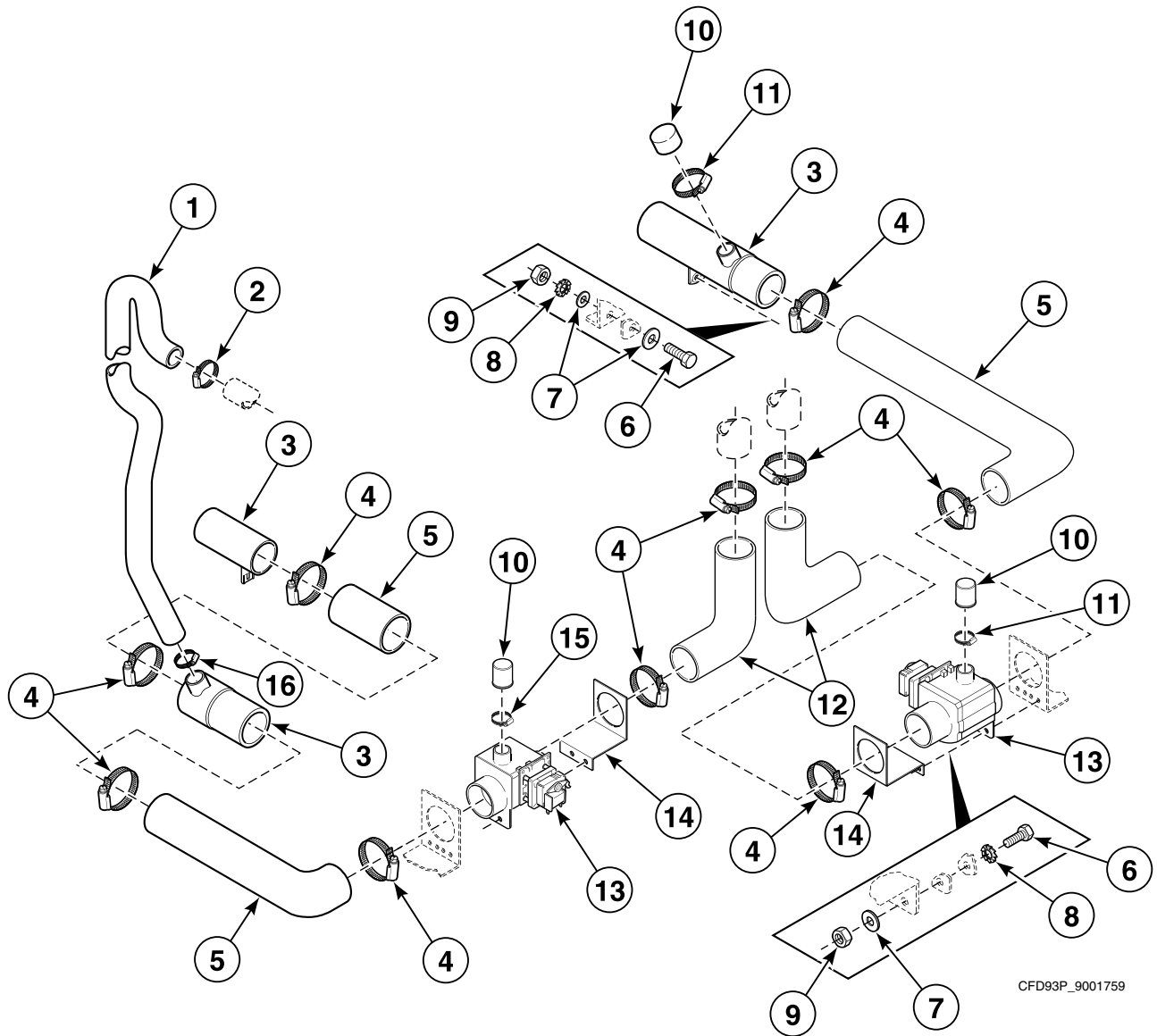


CFD56P_9001759

Motor

REF	PART NO.	DESCRIPTION	COMMENTS
1	206/00004/00	Bolt	
2	203/00001/00	Washer	
3	201/00011/00	Washer	
4	206/00031/00	Screw	
5	253/10519/00	Motor Pulley	
6	227/00246/00	Motor	15 Kw; *HF900 and *X200 models made before Serial No. 0902900007; Used when replacing 11 Kw motor with 15 Kw motor; When replacing either the 11 Kw motor or inverter drive with a 15 Kw motor or inverter drive, both the 11 Kw motor and inverter drive must be replaced with a 15 Kw motor and inverter drive
	227/00223/00	Motor	15 Kw; *HF900 and *X200 models starting Serial No. 0902900007
	227/00174/00	Motor	11 Kw; All other models; For *HF900 and *X200 models made before Serial No. 0902900007, contact customer service for replacement information
7	207/00003/00	Screw	
8	201/00008/00	Washer	
9	203/00006/00	Washer	
10	204/00007/00	Nut	
11	204/00114/00	Nut	
12	209/00287/00	Cooling Fan	
13	248/00114/00	Bolt	
14	201/00001/00	Washer	
15	204/00113/00	Nut	
16	206/00003/00	Bolt	
17	201/00004/00	Washer	
18	204/00111/00	Nut	
19	153/00025/00	Motor Plate	
20	204/00012/00	Nut	
21	206/00125/00	Screw	

Drain Assembly

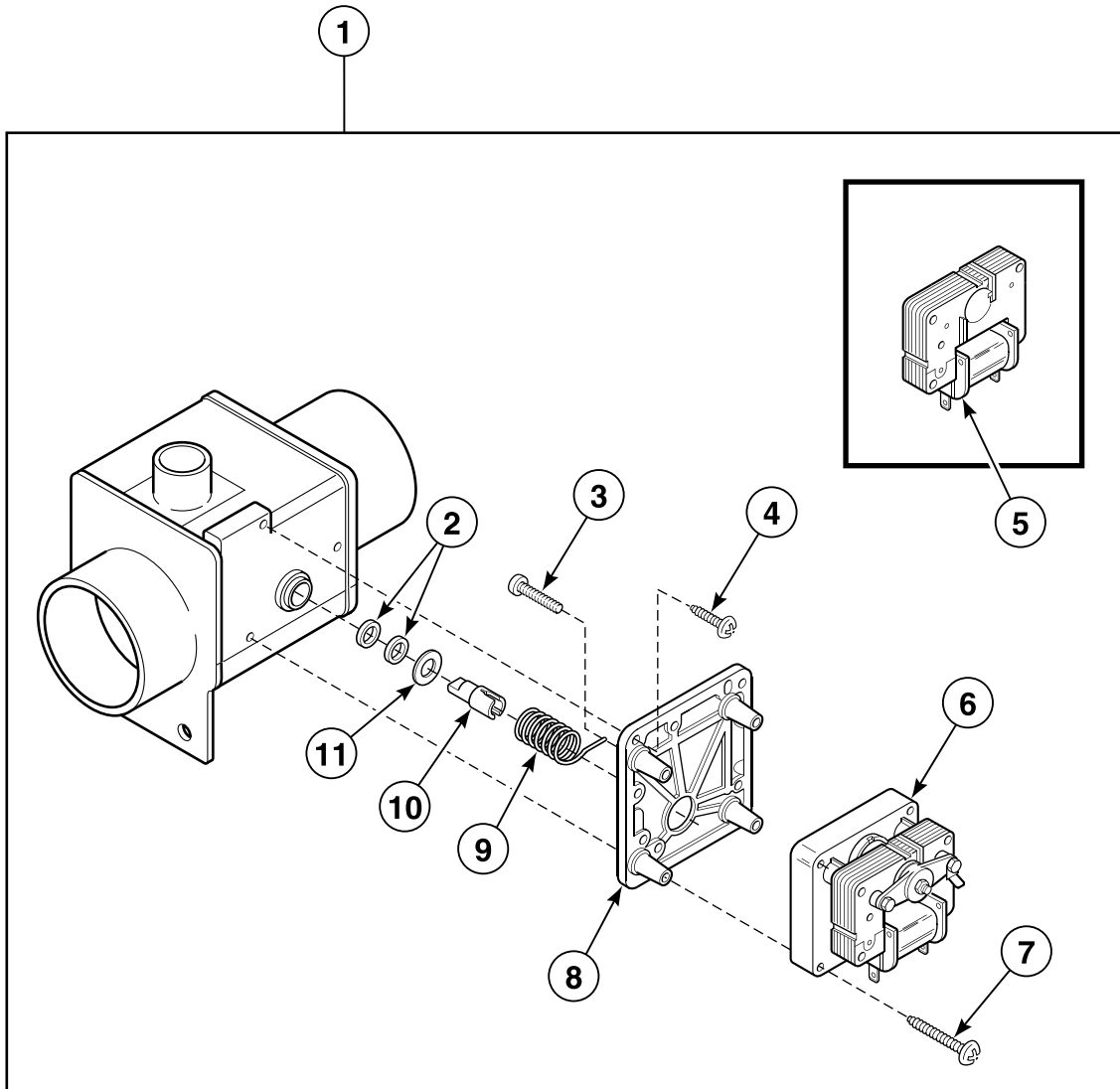


CFD93P_9001759

Drain Assembly

REF	PART NO.	DESCRIPTION	COMMENTS
	210/01575/18	Drain Valve Harness	
	210/01575/17	Wire Harness	Connects drain 1 to drain 2
1	223/00184/00	Overflow Hose	
2	223/00013/00	Hose Clamp	
3	223/00106/00	Drain Pipe	
4	223/00071/00	Hose Clamp	
5	223/00141/00	Drain Valve to Drain Pipe Hose	
6	206/00009/00	Bolt	
7	202/00002/00	Washer	
8	203/00003/00	Washer	
9	204/00004/00	Nut	
10	223/00086/00	Drain Valve Overflow Plug	
11	223/00012/00	Hose Clamp	
12	223/00133/00	Drain Tub to Drain Valve Hose	
13	209/00075/00	Drain Valve	
14	114/00010/00	Drain Valve Plate Assembly	
15	223/00223/00	Hose Clamp	
16	223/00013/00	Hose Clamp	

Drain Valve - Normally Open

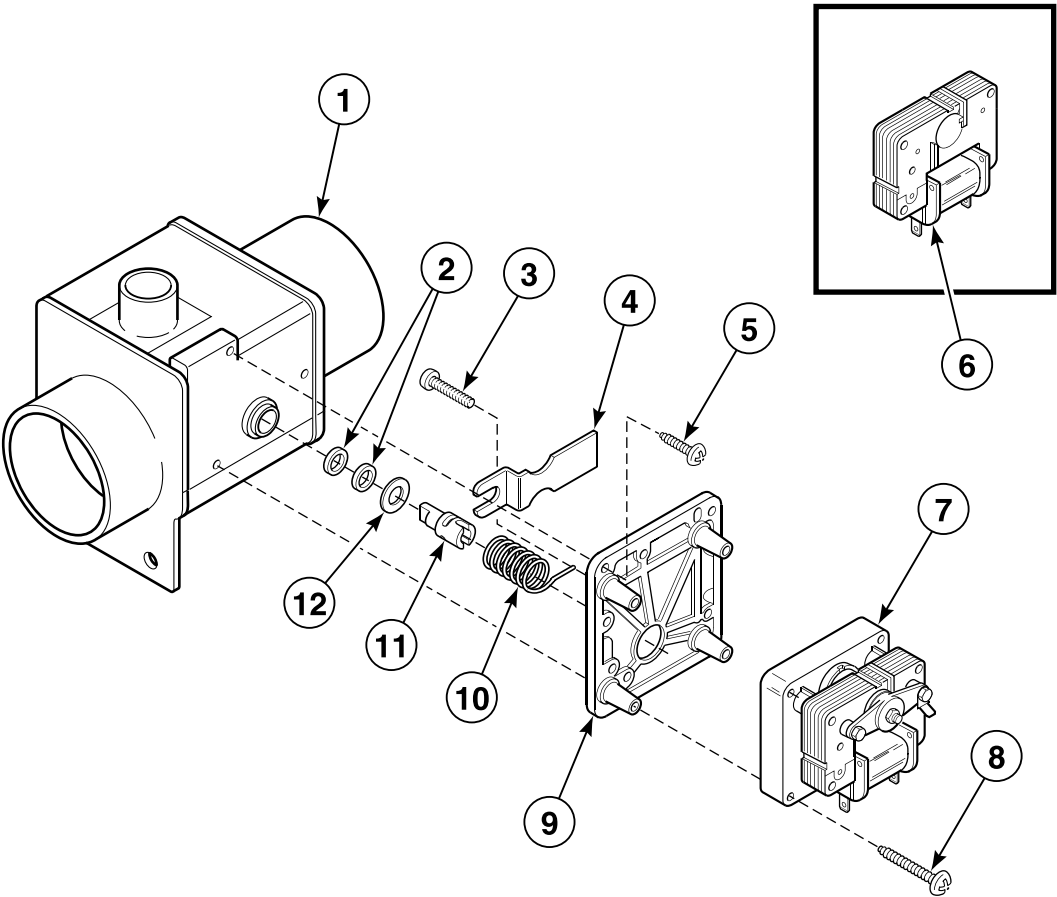


CFD98P_9001759

Drain Valve - Normally Open

REF	PART NO.	DESCRIPTION	COMMENTS
	210/01575/18	Drain Valve Harness	
	210/01575/17	Wire Harness	Connects drain 1 to drain 2
1	209/00075/00	Drain Valve	
2	209/00025/10	Drain Valve Shaft Seal	
3	209/00025/08	Screw	
4	209/00170/05	Screw	
5	209/00203/21	Coil	24 Volt
	209/00052/21	Coil	115 Volt
	209/00051/21	Coil	220 Volt
6	209/00203/11	Drain Valve Motor	24 Volt
	209/00052/11	Drain Valve Motor	110 Volt
	209/00051/11	Drain Valve Motor	220 Volt
7	209/00170/07	Screw	
8	209/00025/07	Drain Valve Motor Mounting Plate	
9	209/00025/13	Drain Valve Spring	
10	209/00170/10	Drain Valve Shaft	
11	209/00025/12	Washer	

Drain Valve - Normally Closed

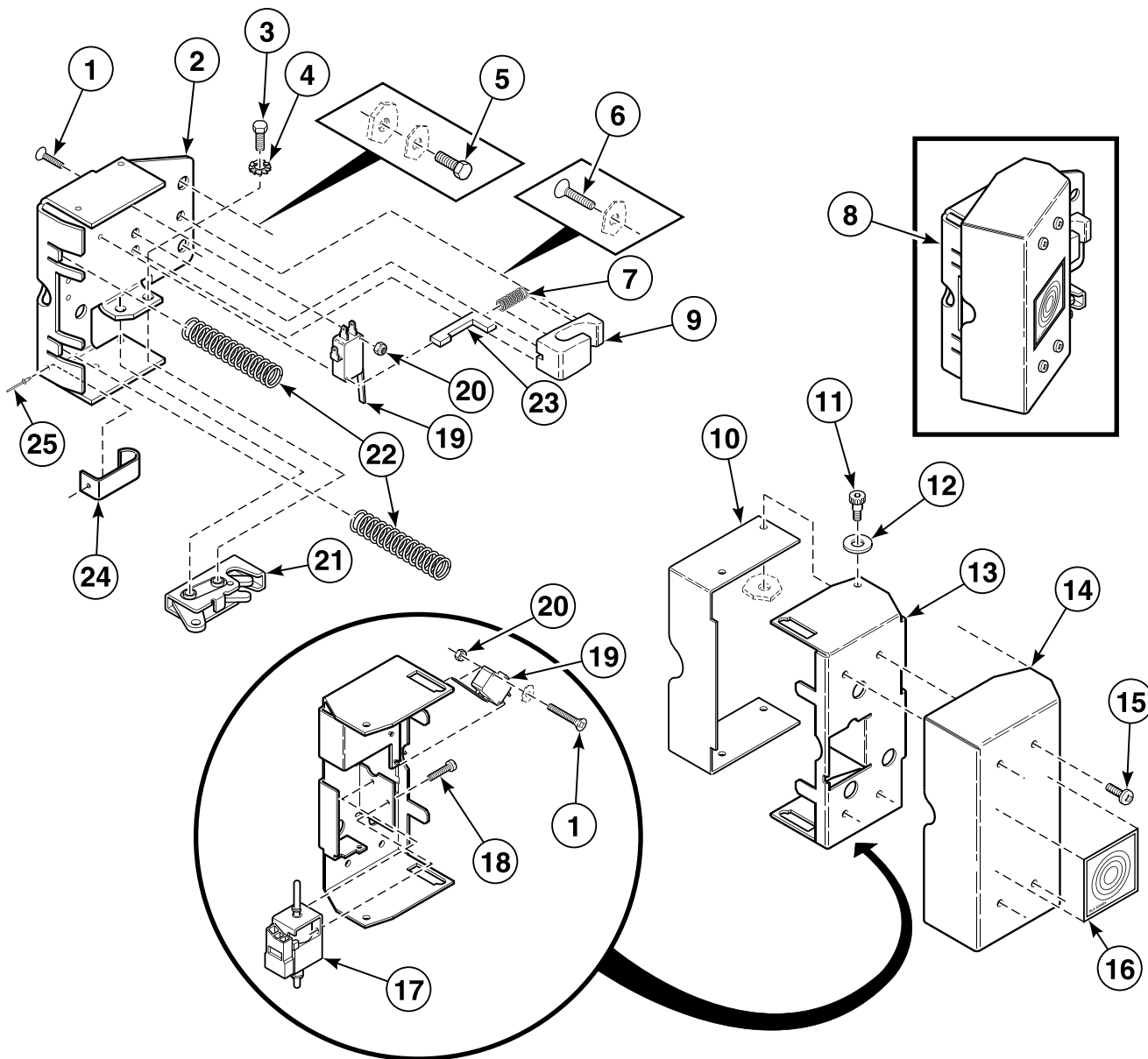


CFD99P_9001759

Drain Valve - Normally Closed

REF	PART NO.	DESCRIPTION	COMMENTS
1	209/00075/05	Drain Valve	
2	209/00025/10	Drain Valve Shaft Seal	
3	209/00025/08	Screw	
4	209/00115/11	Drain Valve Handle	
5	209/00170/05	Screw	
6	209/00212/11	Coil	24 Volt
	209/00052/21	Coil	115 Volt
	209/00051/21	Coil	220 Volt
7	209/00203/12	Drain Valve Motor	24 Volt
	209/00052/12	Drain Valve Motor	110 Volt
	209/00170/06	Drain Valve Motor Assembly	220 Volt
8	209/00170/07	Screw	
9	209/00115/04	Drain Valve Motor Mounting Plate	
10	209/00170/02	Drain Valve Spring	
11	209/00170/10	Drain Valve Shaft	
12	209/00025/12	Washer	

Door Lock

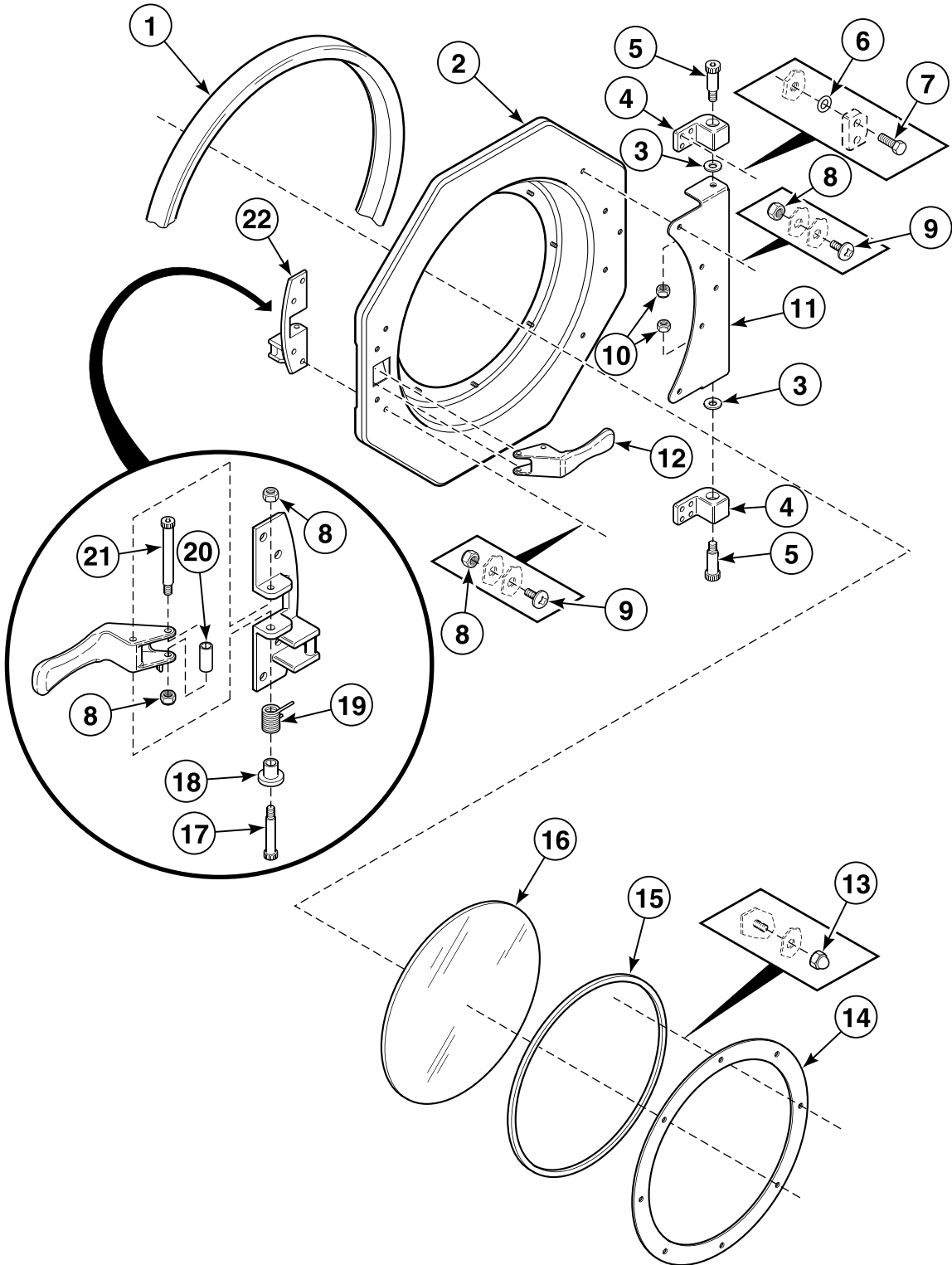


CFD349P_9001759

Door Lock

REF	PART NO.	DESCRIPTION	COMMENTS
1	253/00158/614	Screw	
2	253/00158/684	Door Lock Plate	
3	253/00158/567	Screw	
4	253/00158/571	Washer	
5	205/00123/00	Bolt	
6	253/00158/612	Screw	
7	253/00158/276	Door Lock Spring	
8	253/00159/1036	Door Latch Assembly	
9	253/00158/185	Door Lock Catch	
10	253/00158/687	Door Lock Spring Cover	
11	253/00158/430	Bolt	
12	201/00007/00	Washer	
13	253/00158/686	Door Lock Solenoid Bracket	
14	253/00158/688	Door Lock Cover	
15	253/00158/1047	Screw	
16	253/00158/694	Door Release Decal	
17	209/00274/00	Door Lock Solenoid	
18	B12322501	Screw	
19	253/00158/278	Door Lock Microswitch	
20	253/00158/578	Nut	
21	253/00158/1244	Door Latch	
22	253/00158/431	Spring	
23	253/00158/271	Door Lock Switch Actuator	
24	211/00072/00	Lock Spring Leaf	*165 and *730 models starting Serial No. 10090740022; *200 and *900 models starting Serial No. 10090900017
25	B12336401	Rivet	*165 and *730 models starting Serial No. 10090740022; *200 and *900 models starting Serial No. 10090900017

Door - *X165 Design 6 Models

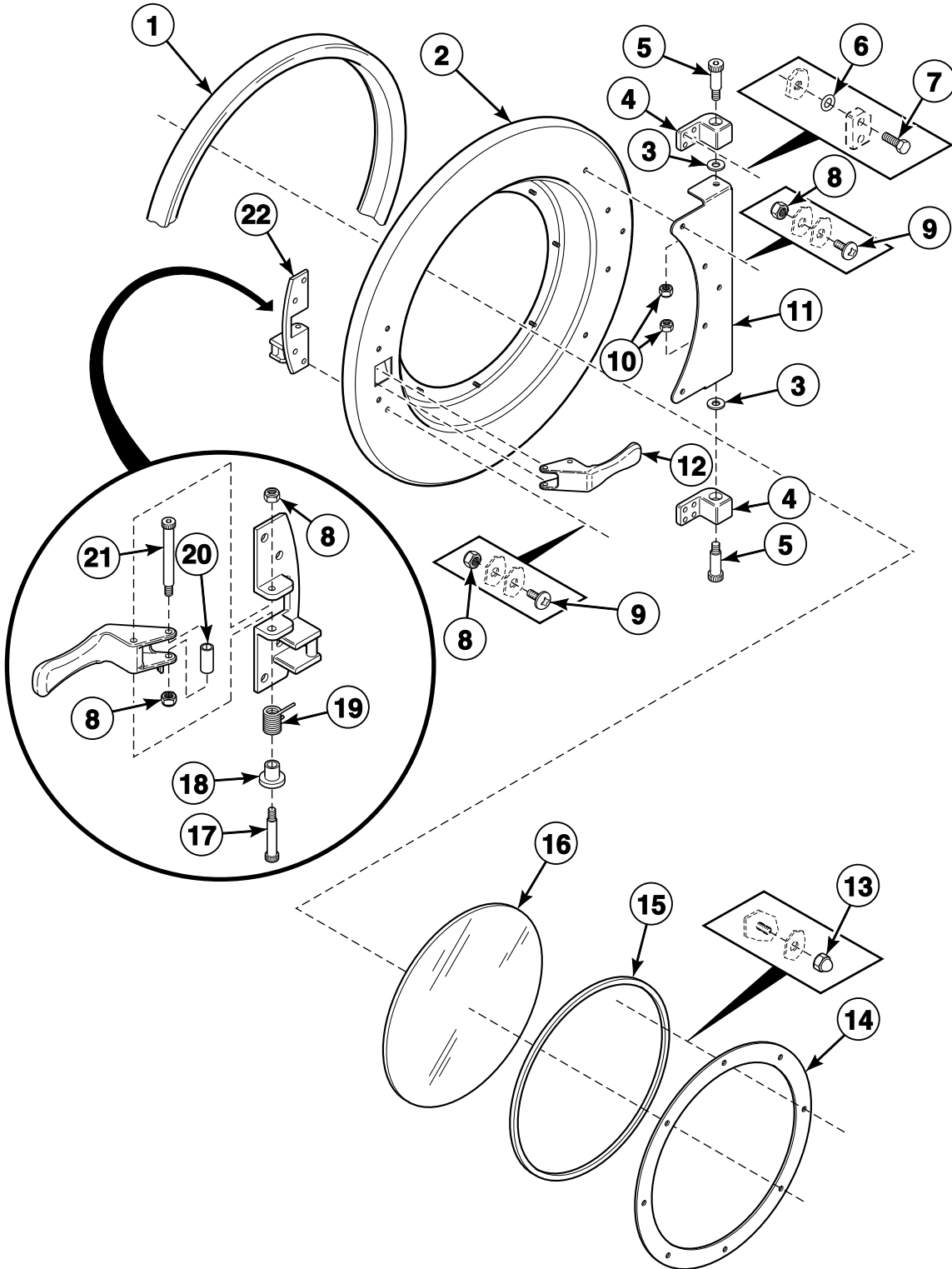


CFD65P_9001759

Door - *X165 Design 6 Models

REF	PART NO.	DESCRIPTION	COMMENTS
1	253/00162/00	Door Seal	
2	173/00028/00	Door	
3	253/00158/177	Washer	
4	253/00158/175	Door Hinge Block	
5	253/00158/178	Bolt	
6	223/00244/00	O-Ring	
7	205/00122/00	Bolt	
8	253/00158/560	Nut	
9	253/00158/561	Bolt	
10	253/00158/558	Nut	
11	253/00515/752	Door Hinge	
12	253/00515/28	Door Handle	
13	253/00158/562	Nut	
14	253/00515/751	Door Glass Seal Retaining Ring	
15	253/00515/750	Door Glass Gasket	
16	253/00515/749	Door Glass	
17	253/00158/182	Bolt	
18	253/00158/192	Door Handle Spring Bushing	
19	253/00158/187	Door Handle Torsion Spring	
20	253/00158/181	Door Handle Bushing	
21	253/00158/180	Bolt	
22	253/00158/179	Door Handle Hinge Weldment	

Door - All Models Except *X165 Design 6 Models

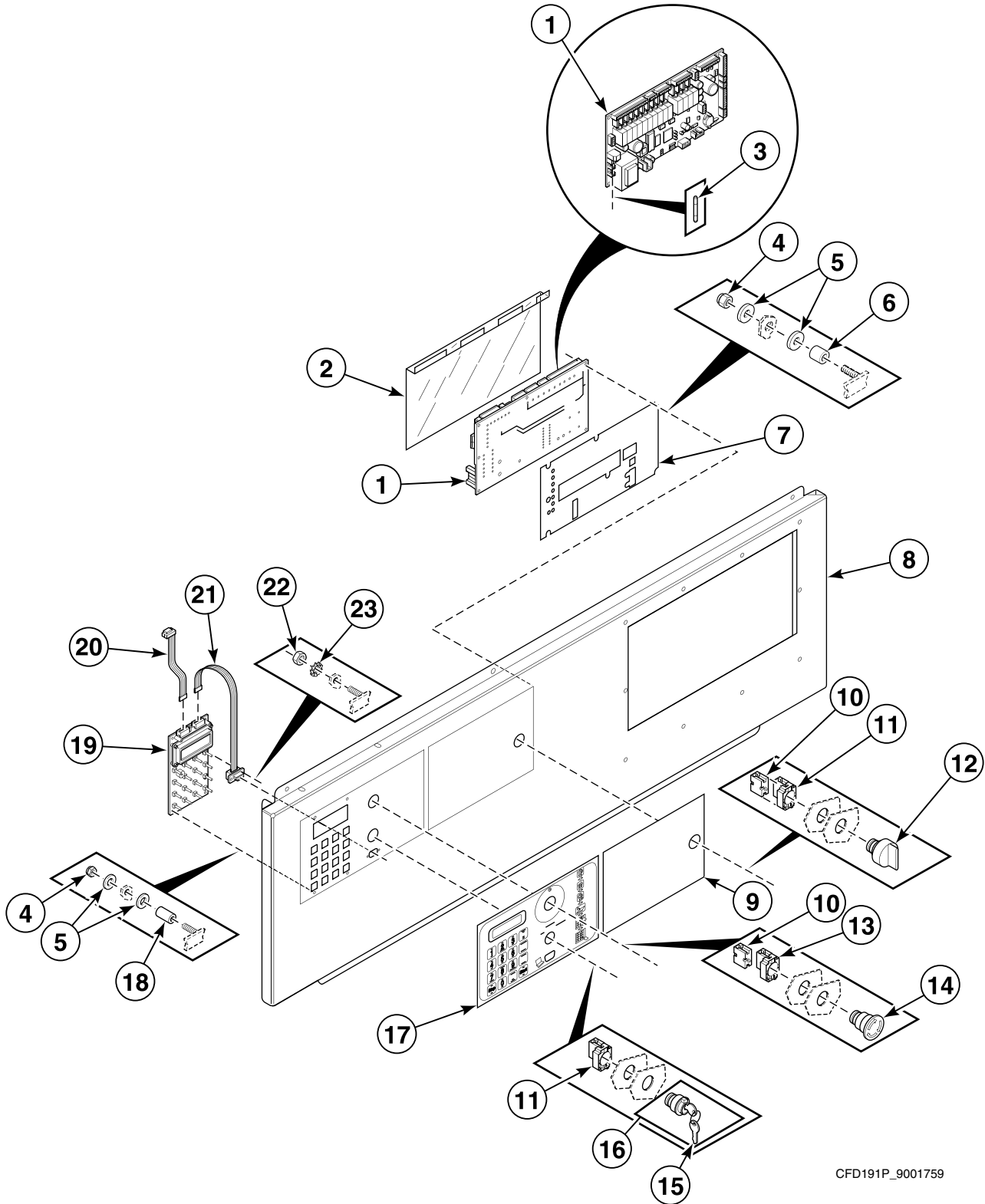


CFD209P_9001759

Door - All Models Except *X165 Design 6 Models

REF	PART NO.	DESCRIPTION	COMMENTS
1	253/00162/00	Door Seal	
2	173/00040/00	Door	
3	253/00158/177	Washer	
4	253/00158/175	Door Hinge Block	
5	253/00158/178	Bolt	
6	223/00244/00	O-Ring	
7	205/00122/00	Bolt	
8	253/00158/560	Nut	
9	253/00158/561	Bolt	
10	253/00158/558	Nut	
11	253/00515/752	Door Hinge	
12	253/00515/28	Door Handle	
13	253/00158/562	Nut	
14	173/00041/00	Door Glass Seal Retaining Ring	
15	223/00346/00	Door Glass Seal	
16	253/00515/754	Door Glass	
17	253/00158/182	Bolt	
18	253/00158/192	Door Handle Spring Bushing	
19	253/00158/187	Door Handle Torsion Spring	
20	253/00158/181	Door Handle Bushing	
21	253/00158/180	Bolt	
22	253/00158/179	Door Handle Hinge Weldment	

Control Panel - *X Models



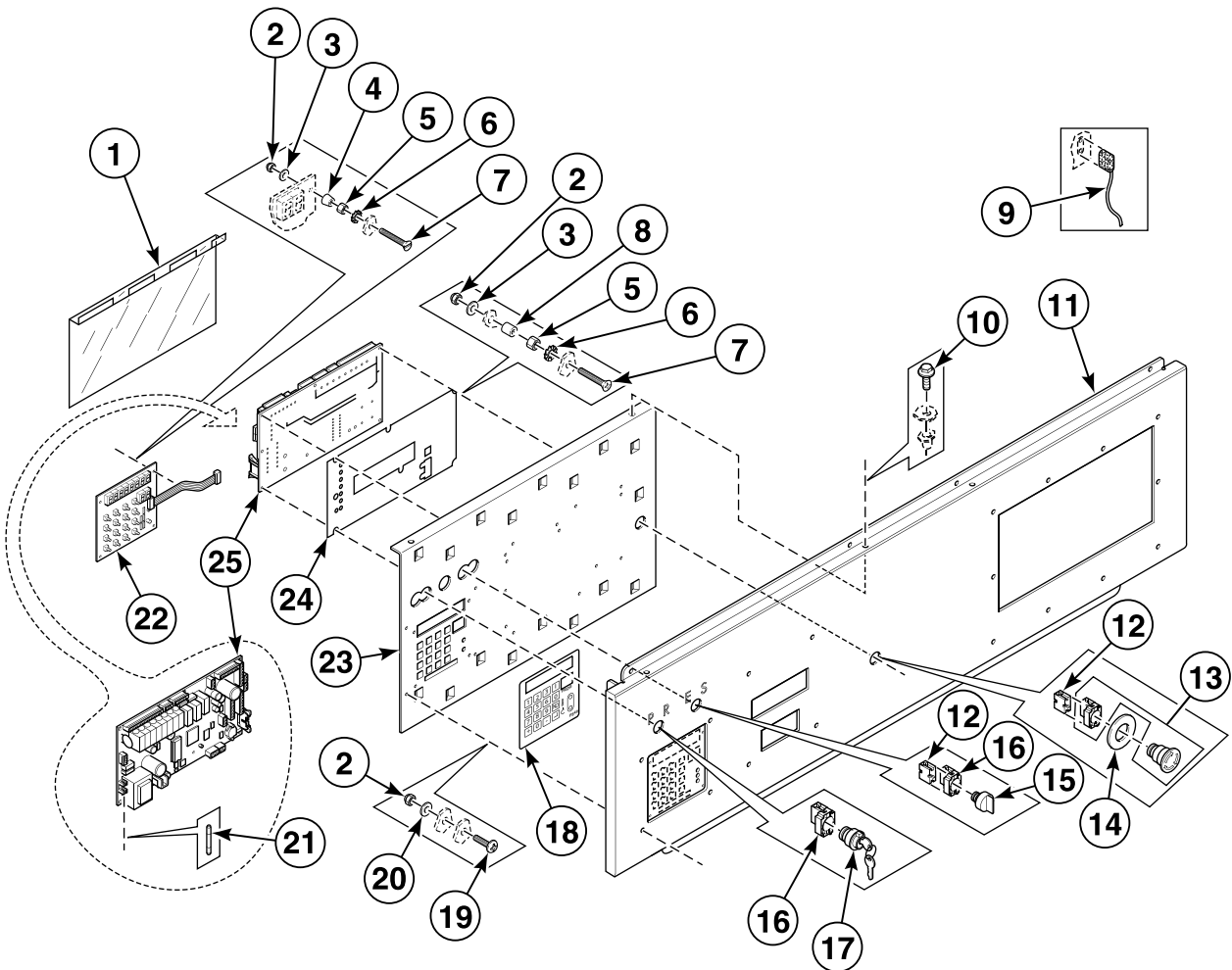
CFD191P_9001759

Control Panel - *X Models

REF	PART NO.	DESCRIPTION	COMMENTS
1	9002100	Main Control	
2	229/00262/50	Circuit Board Cover	
3	209/00372/01	Fuse	
4	204/00116/00	Nut	
5	223/00123/00	Washer	
6	211/00107/00	Spacer	
7	229/00255/00	Insulating Sticker	
8	173/00027/10	Upper Front Panel	
9	225/00391/00	Overlay	UX models
	225/00392/00	Overlay	SX models
	9001890	Logo Decal	HX models
10	44018901	Contact Block	
11	209/00099/25	Switch Base	
12	209/00099/29	Switch Knob	Steam and electric heat
13	44018701	Contact Block	
14	44018801	Pushbutton	
15	209/00326/21	Programming Key	Key code 455
16	209/00326/20	Programming Key Contact Switch	Includes item 15
17	F9001561	Overlay	
18	211/00140/00	Spacer	
19	209/00580/03	Display	
20	210/00204/00	Flat Cable	
21	210/00205/00	Programming Cable	
22	204/00008/00	Nut	
23	203/00007/00	Washer	

Control Panel - PS40F

Models CHF165ANH, HF730_PS40F, HF900_PS40F, IHF165ANH, IHF730ANH and IHF900ANH



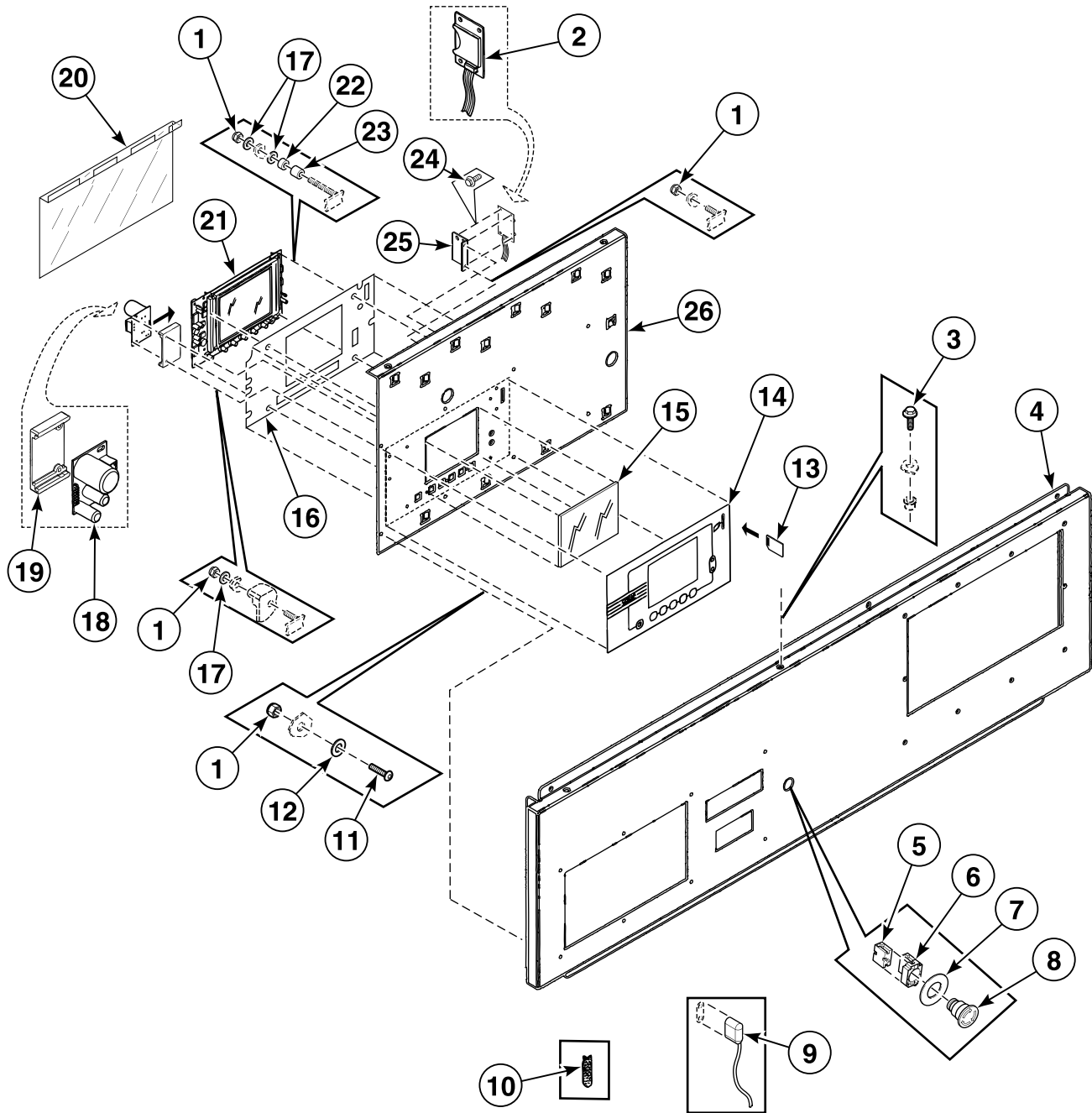
BE000567P_9001759

Control Panel - PS40F

REF	PART NO.	DESCRIPTION	COMMENTS
1	229/00262/00	Circuit Board Cover	
2	204/00116/00	Nut	
3	223/00123/00	Washer	
4	223/00008/01	Handle Grommet	
5	204/00008/00	Nut	
6	203/00007/00	Washer	
7	207/00025/00	Screw	
8	211/00122/00	Standoff	
9	210/00902/00	Infrared Cable	
10	206/00099/00	Bolt	
11	173/00002/00	Upper Front Panel	
12	209/00099/26	Contact Switch	
13	209/00248/20	Mushroom Pushbutton	
14	209/00520/00	Telem Sticker	
15	209/00099/29	Switch Knob	
16	209/00099/25	Switch Base	
17	209/00326/20	Programming Key Contact Switch	
18	225/00365/00	Keypad	
19	207/00113/00	Screw	
20	202/00004/00	Washer	
21	209/00372/01	Fuse	
22	209/00552/01	Keypad	
23	173/00012/00	Mounting Plate	
24	229/00255/00	Insulating Sticker	
25	B12351701	Main Board	

Control Panel - Cygnus Professional

Models HF730_CYGNUS-PRO, HF900_CYGNUS-PRO, IHF165ZNH, IHF730ZNH and IHF900ZNH



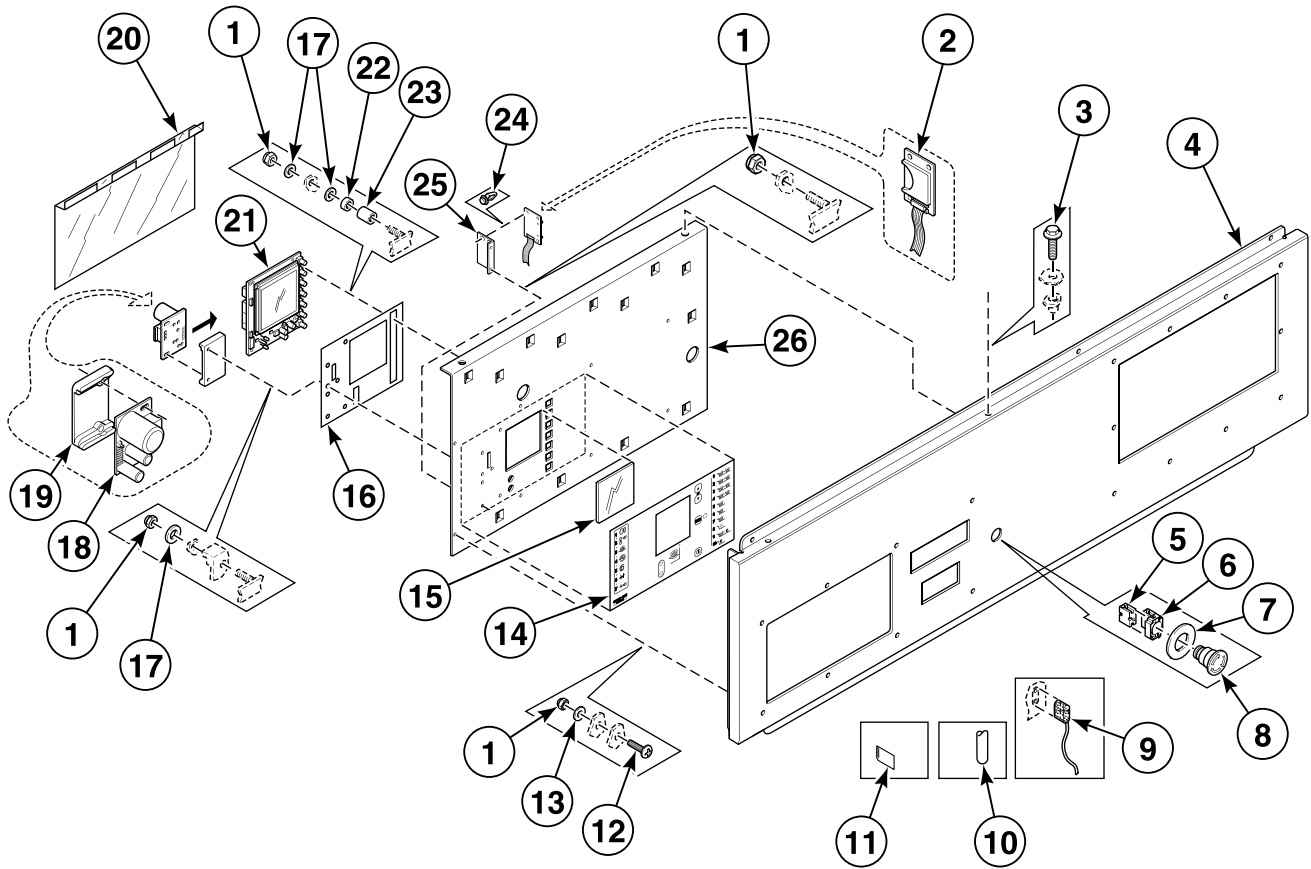
BE000890P_9001759

Control Panel - Cygnus Professional

REF	PART NO.	DESCRIPTION	COMMENTS
1	204/00116/00	Nut	
2	209/02013/00	Memory Card PC-Board	
3	206/00099/00	Bolt	
4	173/00042/00	Front Panel	
5	209/00099/26	Contact Switch	
6	209/00099/20	Emergency Switch Pushbutton	
7	209/00520/00	Telem Sticker	
8	209/00248/20	Mushroom Pushbutton	
9	210/00902/00	Infrared Cable	
10	223/00348/00	Datacard Cover	
11	207/00113/00	Screw	
12	202/00004/00	Washer	
13	209/02022/00	Datacard	
14	225/10313/00	Operating Sticker	
15	225/00321/00	Plexi Frame	
16	229/00268/00	Insulating Sticker	
17	223/00123/00	Washer	
18	209/02010/00	Door Lock PC-Board	
19	223/00374/00	Mounting Plate	
20	229/00289/00	Circuit Board Cover	
21	209/02002/Z02	Display and Printboard	
22	211/00128/00	Printboard Separator	
23	211/00122/00	Standoff	
24	211/00145/00	Standoff	
25	111/01893/00	Printboard Support Card	
26	173/00013/20	Printboard Display Plate Assembly	

Control Panel - Cygnus Premium

Models HF730_CYGNUS-PREM_OPL and HF900_CYGNUS-PREM_OPL

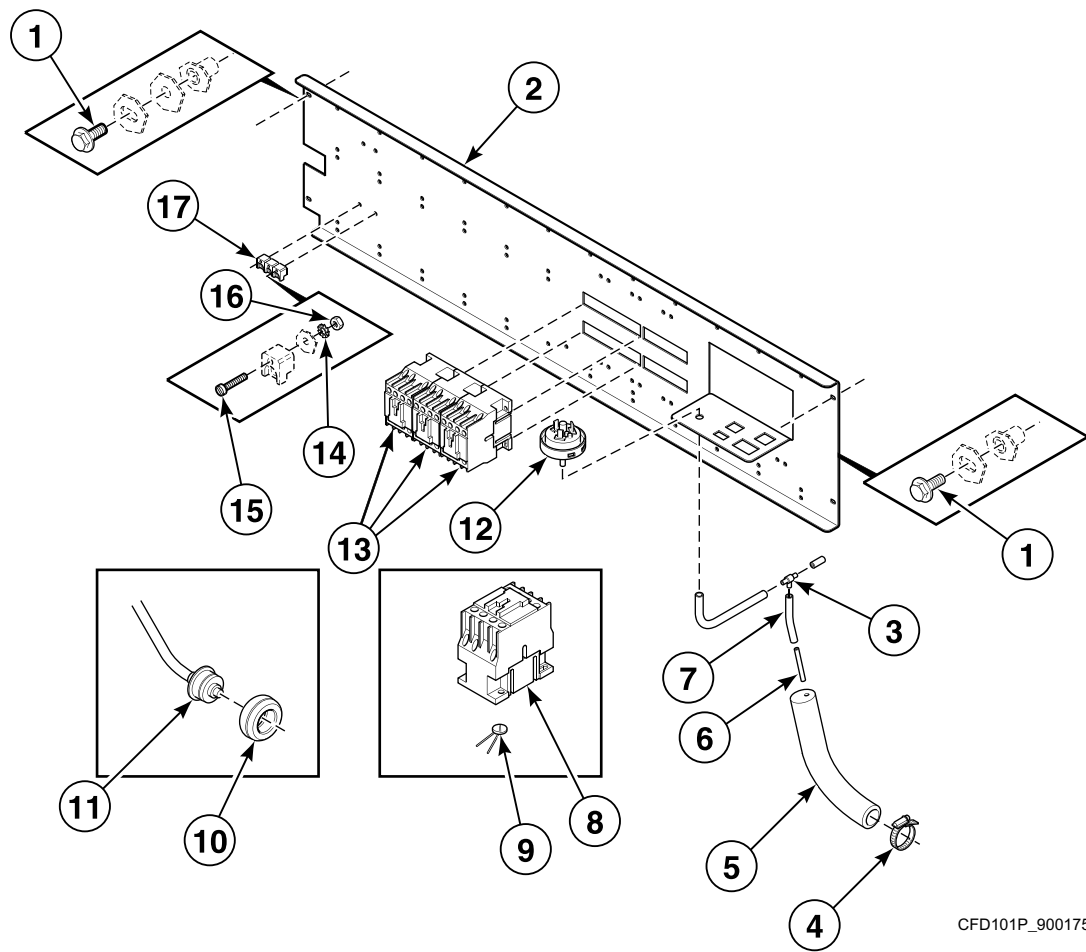


BE000891P_9001759

Control Panel - Cygnus Premium

REF	PART NO.	DESCRIPTION	COMMENTS
1	204/00116/00	Nut	
2	209/02013/00	Memory Card PC-Board	
3	206/00099/00	Bolt	
4	173/00042/00	Front Panel	
5	209/00099/26	Contact Switch	
6	209/00099/20	Emergency Switch Pushbutton	
7	209/00520/00	Telem Sticker	
8	209/00248/20	Mushroom Pushbutton	
9	210/00902/00	Infrared Cable	
10	223/00348/00	Datacard Cover	
12	207/00113/00	Screw	
13	202/00004/00	Washer	
11	209/02022/00	Datacard	
14	225/10427/00	Operating Sticker	
15	225/00323/00	Plexi Frame	
16	229/00268/00	Insulating Sticker	
17	223/00123/00	Washer	
18	209/02010/00	Door Lock PC-Board	
19	223/00374/00	Mounting Plate	
20	229/00289/00	Circuit Board Cover	
21	209/02015/02	Printboard	
22	211/00128/00	Printboard Separator	
23	211/00122/00	Standoff	
24	211/00145/00	Standoff	
25	111/01893/00	Printboard Support Card	
26	173/00013/30	Printboard Display Plate Assembly	

Control Module

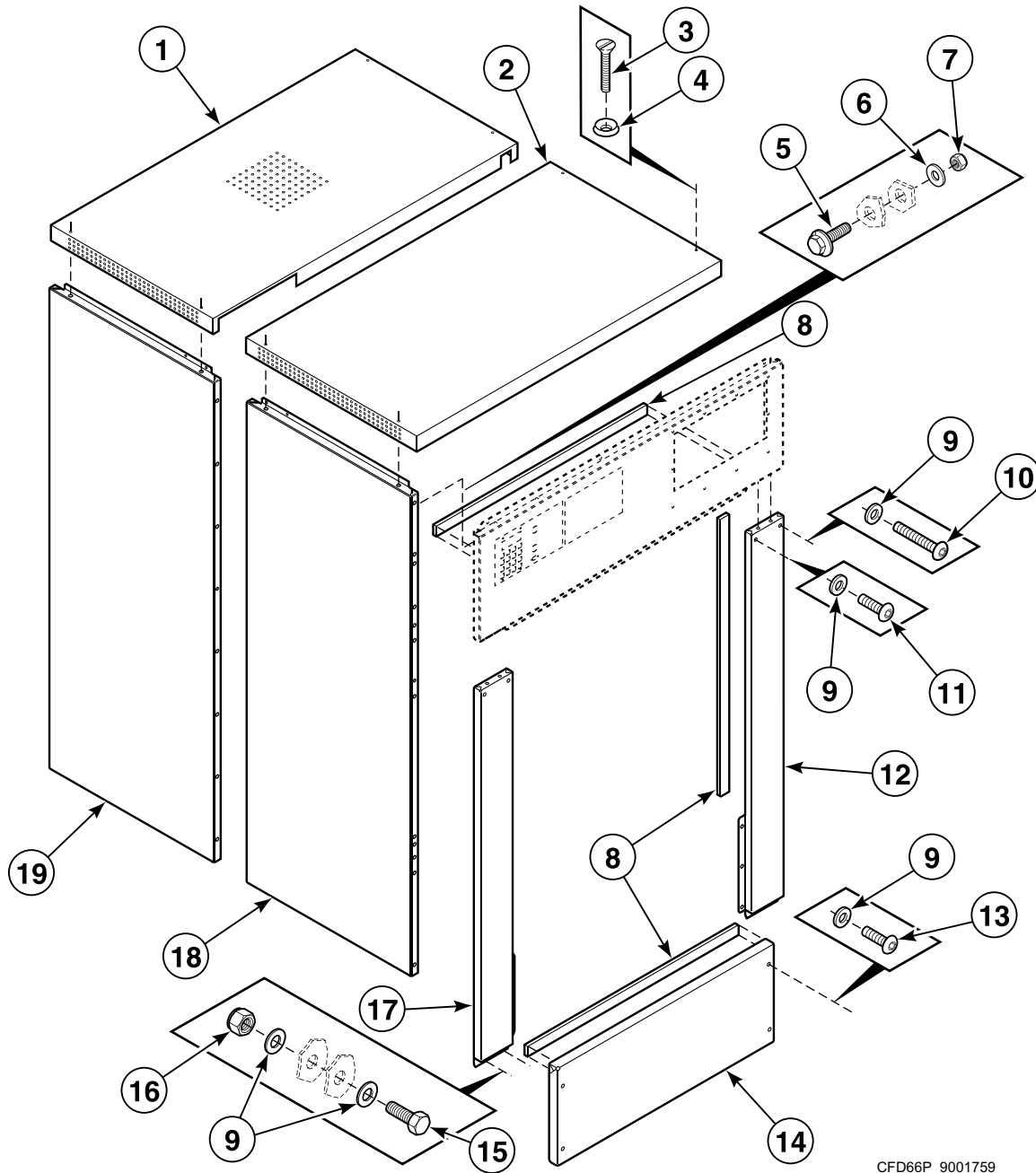


CFD101P_9001759

Control Module

REF	PART NO.	DESCRIPTION	COMMENTS
1	206/00099/00	Bolt	
2	229/00262/20	Electrical Components Plate	
3	223/00173/10	Pressure Switch Hose Tee	
4	223/00223/00	Hose Clamp	
5	223/00210/00	Pressure Switch Elbow	
6	223/00016/00	Hose Barb	
7	223/00333/00	Pressure Hose	
8	209/00041/04	Contactator	
9	209/00356/00	Noise Suppressor	
10	225/10004/00	Thermostat Seal	
11	210/01064/16	Thermostat	Cygnus control models
	210/01304/16	Thermostat	All other models
12	209/00007/50	Pressure Switch	Models through 7/8/08
	209/00029/00	Water Level Switch	Models starting 7/8/08
13	209/00148/02	Contactator	
14	203/00006/00	Washer	
15	207/00008/00	Screw	
16	204/00007/00	Nut	
17	209/00005/00	Terminal Block	

Top, Left Side and Front Panels

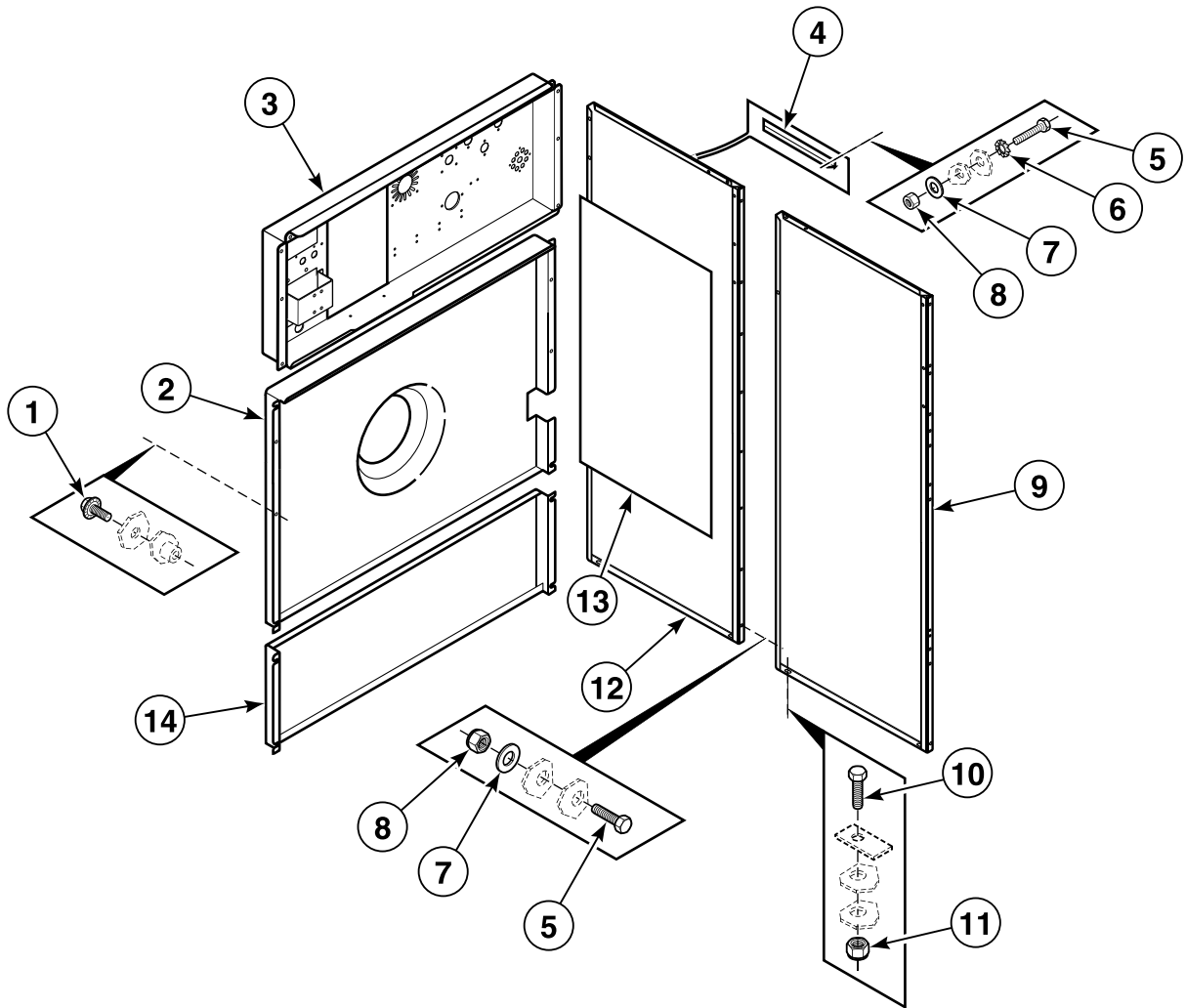


CFD66P_9001759

Top, Left Side and Front Panels

REF	PART NO.	DESCRIPTION	COMMENTS
1	173/00001/01	Rear Cabinet Top	*HF165, *HF730 and *X165 models
	190/00001/01	Rear Cabinet Top	All other models
2	173/00001/02	Front Cabinet Top	*HF165, *HF730 and *X165 models
	190/00001/02	Front Cabinet Top	All other models
3	207/00123/00	Screw	
4	208/00009/00	Washer	
5	206/00099/00	Bolt	
6	202/00106/00	Washer	
7	204/00106/00	Nut	
8	246/00149/00	Gasket	
9	208/00009/00	Washer	*X models
	202/00110/00	Washer	*HF models
10	208/00121/00	Screw	
11	208/00125/00	Screw	
12	173/00003/10	Front Right Panel	
13	208/00124/00	Screw	*X models
	207/00123/00	Screw	*HF models
14	173/00004/00	Lower Front Panel	
15	206/00042/00	Bolt	
16	204/00109/00	Nut	
17	173/00003/20	Front Left Panel	
18	173/00005/00	Side Panel	*HF165, *HF730 and *X165 models; Left front
	190/00005/00	Side Panel	All other models; Left front
19	173/00006/00	Side Panel	*HF165, *HF730 and *X165 models; Left rear
	190/00006/00	Side Panel	All other models; Left rear

Back and Right Side Panels

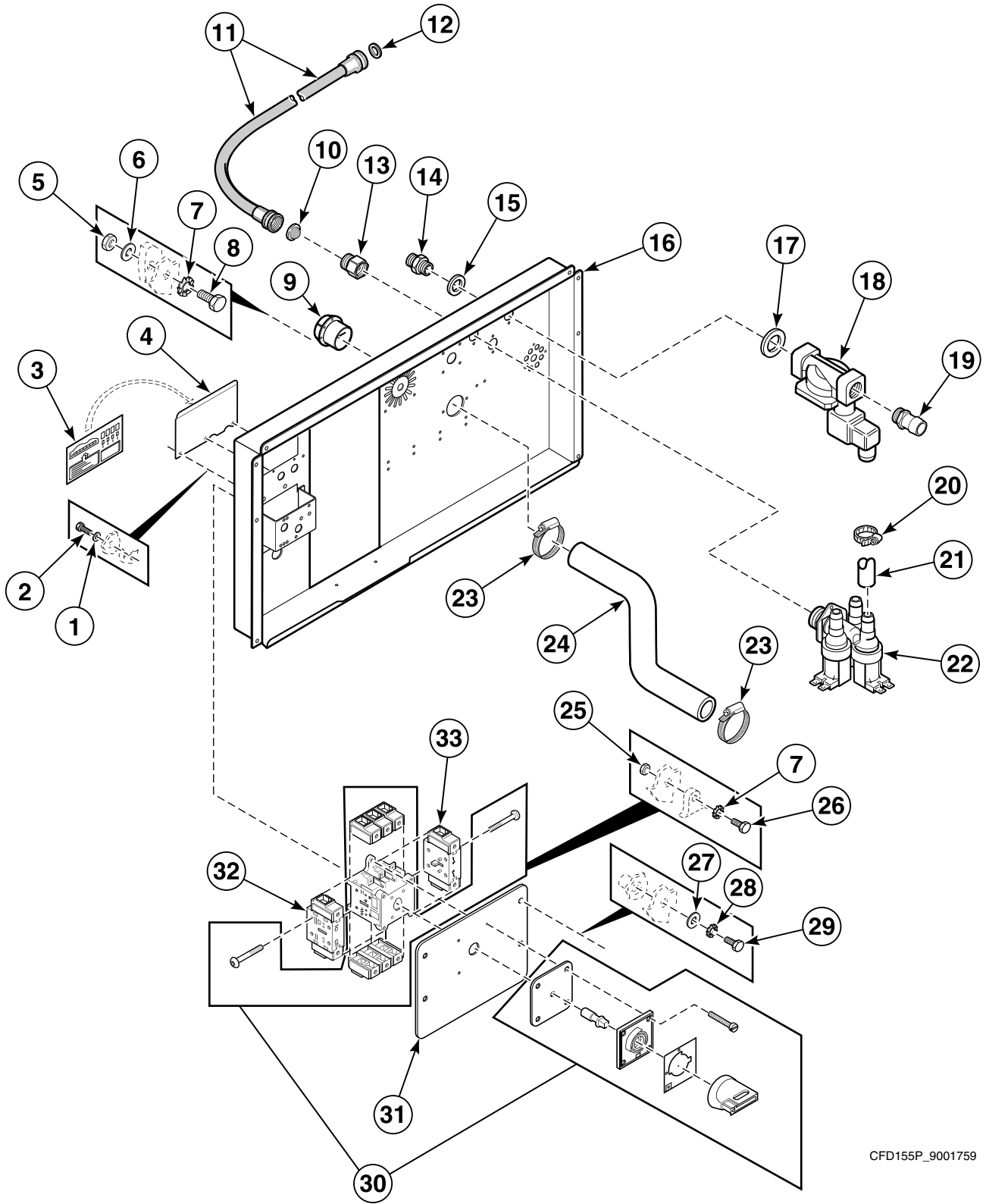


CFD89P_9001759

Back and Right Side Panels

REF	PART NO.	DESCRIPTION	COMMENTS
1	206/00099/00	Bolt	
2	173/00007/02	Lower Rear Panel	
3	173/00008/00	Upper Rear Panel	
4	153/00103/01	Side Panel Support Assembly	
5	205/00104/00	Bolt	
6	203/00004/00	Washer	
7	202/00110/00	Washer	
8	204/00106/00	Nut	
9	173/00006/00	Side Panel	*HF165, *HF730 and *X165 models; Right front
	190/00006/00	Side Panel	All other models; Right front
10	205/00105/00	Bolt	
11	204/00009/00	Nut	
12	173/00005/00	Side Panel	*HF165, *HF730 and *X165 models; Right rear
	190/00005/00	Side Panel	All other models; Right rear
13	246/00079/00	Side Panel Gasket	
14	173/00007/01	Lower Rear Panel	

Upper Back Panel (Drawing 1 of 4)

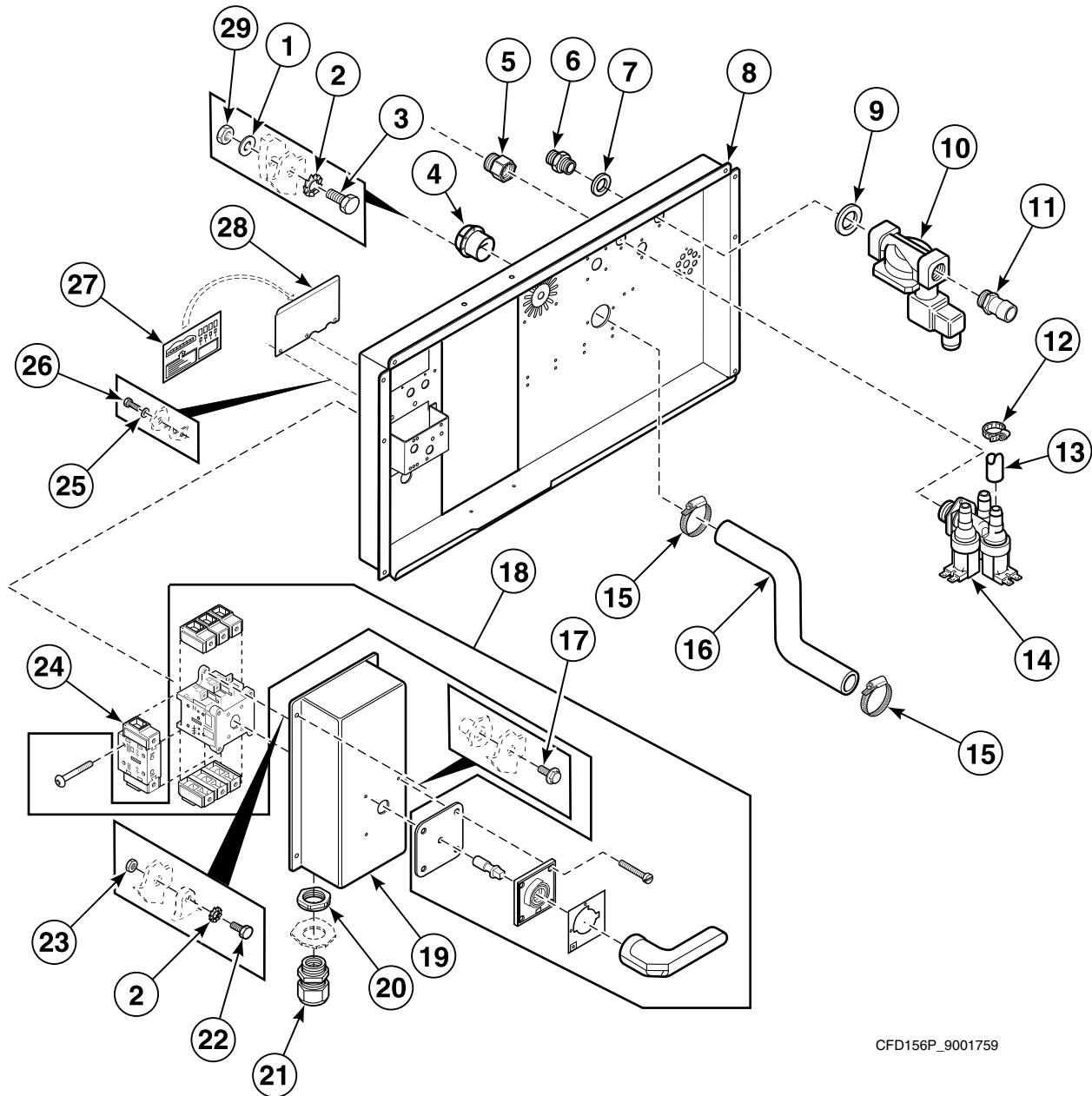


CFD155P_9001759

Upper Back Panel (Drawing 1 of 4)

REF	PART NO.	DESCRIPTION	COMMENTS
1	202/00102/00	Washer	
2	207/00110/00	Screw	
3	229/00068/02	Electrical Connection Sticker	
4	140/00010/01	Electrical Connection Cover	
5	204/00007/00	Nut	
6	202/00004/00	Washer	
7	203/00006/00	Washer	
8	206/00027/00	Bolt	
9	223/00102/07	Hose Vent	
10	28605	Washer	
11	F200185	Water Hose	
12	20290	Washer	
13	223/00050/01	Water Valve Adapter	Converts valve from metric to standard thread
14	223/00255/00	Coupling Sleeve	
15	202/00121/00	Washer	
16	173/00008/00	Upper Rear Panel	
17	223/00272/00	Washer	
18	253/10521/00	Inlet Valve	Metric thread
	253/10526/00	Inlet Valve	Standard thread; 253/10520/01 Water Valve Repair Kit
19	223/00254/00	Nipple	
20	223/00010/00	Hose Clamp	No. 10
21	223/00044/00	Water Hose	
22	209/00277/00	3-Way Inlet Valve	Metric thread; Item 13 is required to convert from metric to standard thread
23	223/00014/00	Hose Clamp	
24	223/00211/00	Vent Hose	
25	204/00105/00	Nut	
26	205/00116/00	Bolt	
27	202/00101/00	Washer	
28	203/00004/00	Washer	
29	205/00104/00	Bolt	
30	209/00526/00	Main Switch	
31	153/00027/22	Switch Bracket	
32	209/00528/00	Terminal Block	Ground
33	209/00527/00	Terminal Block	Neutral

Upper Back Panel (Drawing 2 of 4)

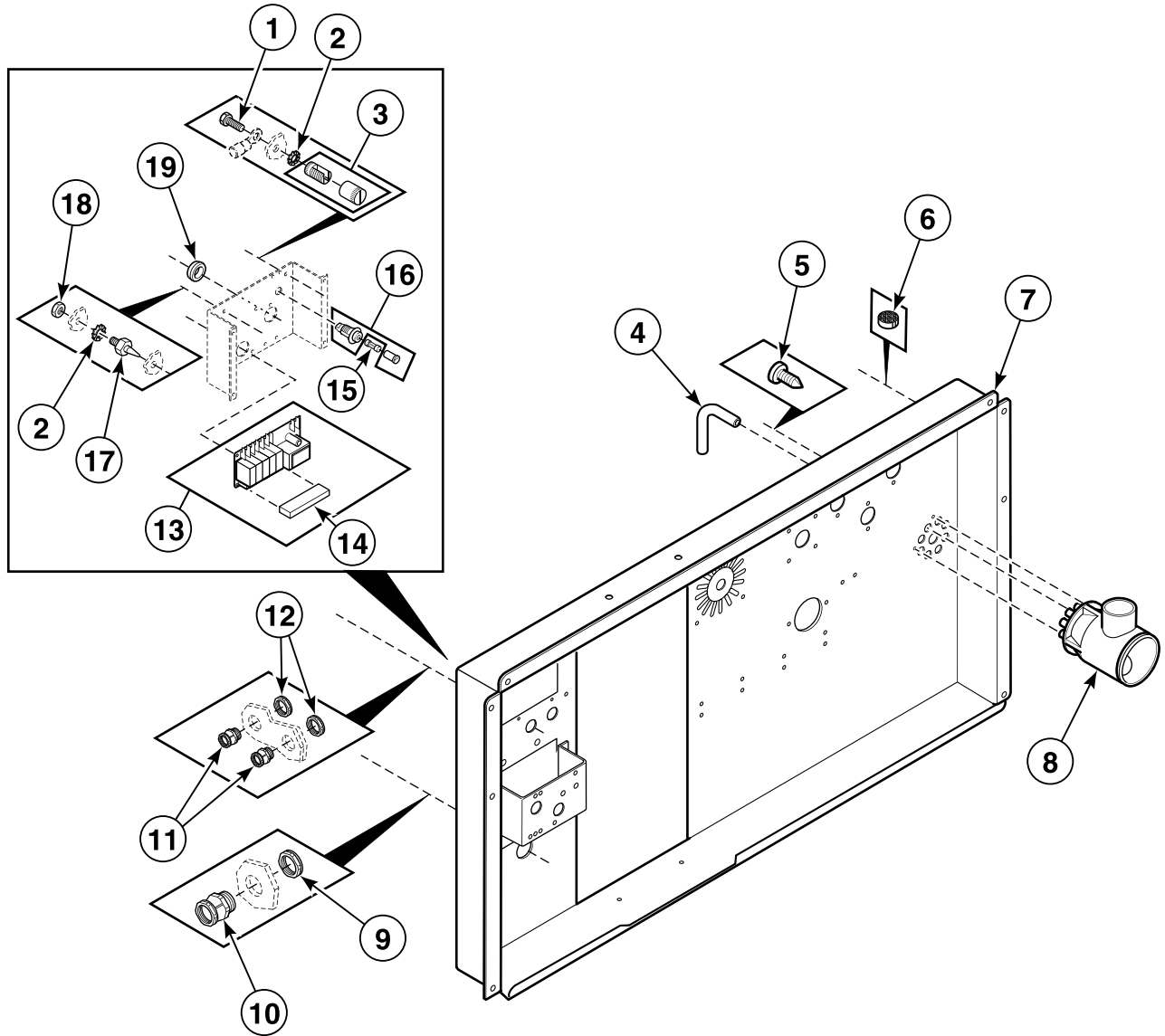


CFD156P_9001759

Upper Back Panel (Drawing 2 of 4)

REF	PART NO.	DESCRIPTION	COMMENTS
1	202/00004/00	Washer	
2	203/00006/00	Washer	
3	206/00027/00	Bolt	
4	223/00102/07	Hose Vent	
5	223/00050/01	Water Valve Adapter	Converts valve from metric to standard thread
6	223/00255/00	Coupling Sleeve	
7	202/00122/00	Washer	
8	173/00008/00	Upper Rear Panel	
9	223/00272/00	Washer	
10	253/10521/00	Inlet Valve	Metric thread
	253/10526/00	Inlet Valve	Standard thread
11	223/00254/00	Nipple	
12	223/00010/00	Hose Clamp	No. 10
13	223/00044/00	Water Hose	
14	209/00277/00	3-Way Inlet Valve	Metric thread; Item 5 is required to convert from metric to standard thread
15	223/00014/00	Hose Clamp	
16	223/00211/00	Vent Hose	
17	206/00099/00	Bolt	
18	209/00532/00	Main Switch	
19	173/00017/00	Main Switch Box	
20	211/00172/00	Nut	
21	211/00169/00	Strain Relief	
22	205/00116/00	Bolt	
23	204/00105/00	Nut	
24	209/00533/00	Terminal Block	Ground
25	202/00139/00	Washer	
26	207/00110/00	Screw	
27	229/00068/02	Electrical Connection Sticker	
28	140/00010/01	Electrical Connection Cover	
29	204/00007/00	Nut	

Upper Back Panel (Drawing 3 of 4)

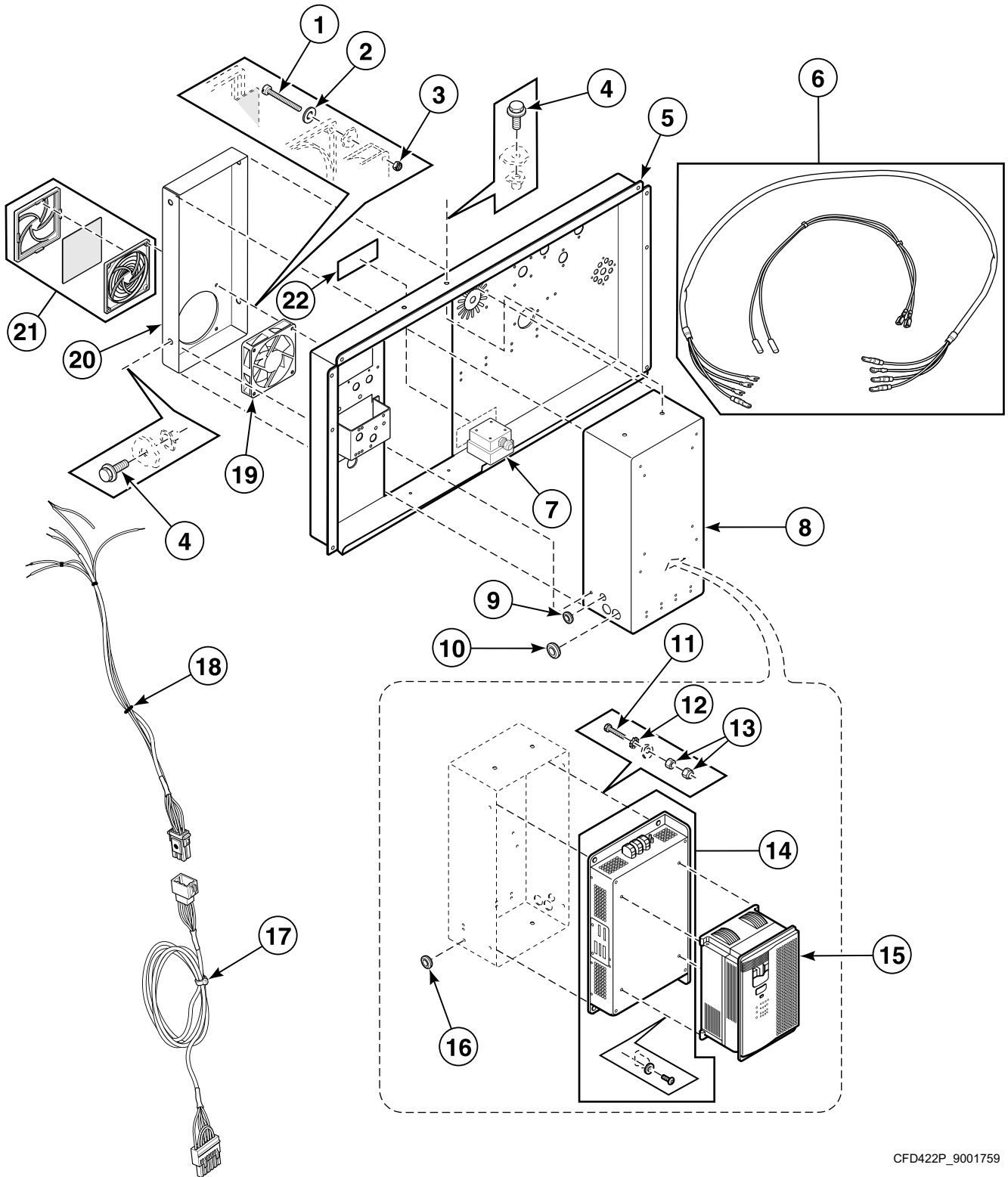


CFD126P_9001759

Upper Back Panel (Drawing 3 of 4)

REF	PART NO.	DESCRIPTION	COMMENTS
1	206/00088/00	Bolt	
2	203/00006/00	Washer	
3	209/00006/01	Ground Terminal	
4	223/00179/10	Pressure Hose	
5	B12347501	Screw	
6	211/00091/00	Plug	M20
	211/00087/00	Plug	30 mm
7	173/00008/00	Upper Rear Panel	
8	223/00249/00	Liquid Soap Manifold	
9	211/00172/00	Nut	
10	211/00169/00	Strain Relief	
11	211/00167/00	Cordlock	
12	211/00170/00	Nut	
13	209/00218/13	Soap Injection PCB with Fuse	Includes item 14
14	209/00996/00	Connector	
15	209/00468/00	Fuse	
16	209/00202/00	Fuse Holder	
17	211/00120/00	Standoff	
18	204/00007/00	Nut	
19	223/00198/00	Grommet	

Upper Back Panel (Drawing 4 of 4)

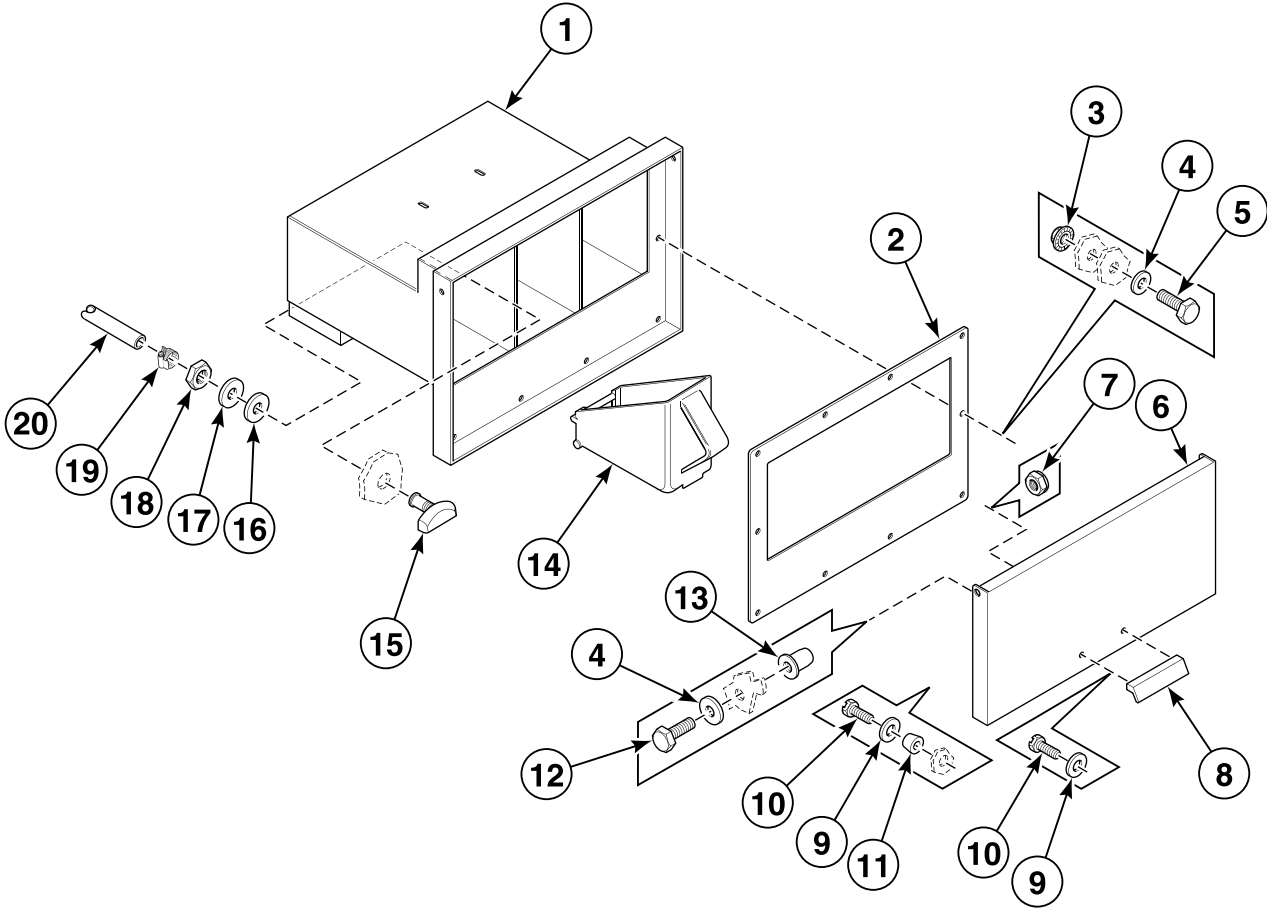


CFD422P_9001759

Upper Back Panel (Drawing 4 of 4)

REF	PART NO.	DESCRIPTION	COMMENTS
	227/00171/00	Parameter Unit Assembly	
	9001895	Parameter Unit Program Cable	
1	207/00031/00	Screw	
2	202/00004/00	Washer	
3	204/00114/00	Nut	
4	206/00099/00	Bolt	
5	173/00008/00	Upper Rear Panel	
6	210/30570/20	Inverter to Motor Harness	
7	209/00406/00	Transformer	480 to 240 Volt
	209/00311/00	Transformer	380 or 440 Volt to 220 Volt
8	173/00009/00	Inverter Box	
9	223/00174/00	Grommet	
10	223/00198/00	Grommet	
11	205/00108/00	Bolt	
12	203/00005/00	Washer	
13	204/00107/00	Nut	
14	227/00176/00	Inverter Drive Filter	
15	227/00219/00	Inverter	15 Kw; 200 Volt; A700-series; *HF900 and *X200 models; When replacing either the 11 Kw motor or inverter drive with a 15 Kw motor or inverter drive, both the 11 Kw motor and inverter drive must be replaced with a 15 Kw motor and inverter drive
	227/00213/00	Inverter	15 Kw; 400 Volt; A700-series; *HF900 and *X200 models; When replacing either the 11 Kw motor or inverter drive with a 15 Kw motor or inverter drive, both the 11 Kw motor and inverter drive must be replaced with a 15 Kw motor and inverter drive
	227/00207/00	Inverter	11 Kw; 240 Volt; A700-series; All other models; For *X200 and *HF900 models made before Serial No. 0902900007 contact customer service for replacement information
	227/00208/00	Inverter	11 Kw; 400 Volt; A700-series; All other models; For *X200 and *HF900 models made before Serial No. 0902900007 contact customer service for replacement information
16	223/00213/00	Grommet	
17	B12371101	Micro to Connector Harness	From the main control to the inverter drive; 200 Volt; Requires that the inverter jumper be in the 'sink' position
	210/01304/15	Micro to Connector Harness	From the main control to the inverter drive; 400 Volt; Requires that the inverter jumper be in the 'source' position
18	210/01064/14	Connector to Inverter Harness	From the main control to the inverter drive
19	209/00287/00	Cooling Fan	
20	173/00009/04	Inverter Box Top	
21	209/00465/01	Fan Grill	Models through 10/5/08
	209/00287/11	AC Drive Filter	Models starting 10/6/08
22	B12355001	Voltage Discharge Decal	

Supply Dispenser - Models Through 4/30/2009

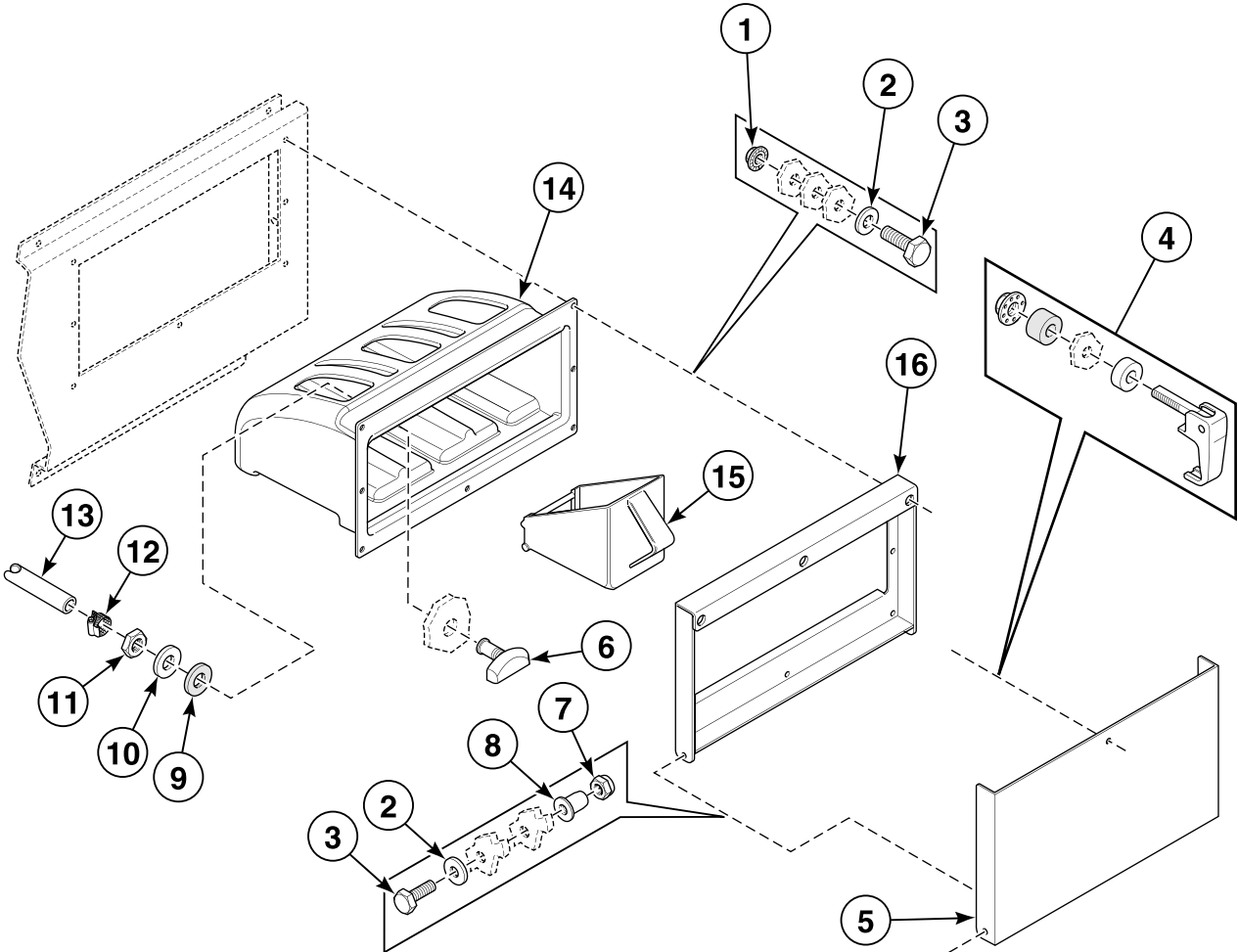


CFD61P_9001759

Supply Dispenser - Models Through 4/30/2009

REF	PART NO.	DESCRIPTION	COMMENTS
1	153/00072/00	Soap Dispenser	
2	153/00071/00	Soap Dispenser Cover Plate	
3	206/00101/00	Nut	
4	202/00101/00	Washer	
5	205/00105/00	Bolt	
6	153/00070/00	Soap Dispenser Cover	
7	204/00009/00	Nut	
8	223/00008/05	Soap Dispenser Cover Handle	
9	202/00102/00	Washer	
10	207/00110/00	Screw	
11	223/00008/01	Handle Grommet	
12	207/00126/00	Screw	
13	204/00301/00	Bushing	
14	253/00012/02	Soap Dispenser Cup	
15	223/00001/04	Prewash and Mainwash Nozzle	
16	223/00001/07	Washer	
17	201/00002/00	Washer	
18	204/00201/00	Nut	
19	223/00010/00	Hose Clamp	No. 10
20	223/00044/00	Water Hose	

Supply Dispenser - Models Starting 5/1/2009

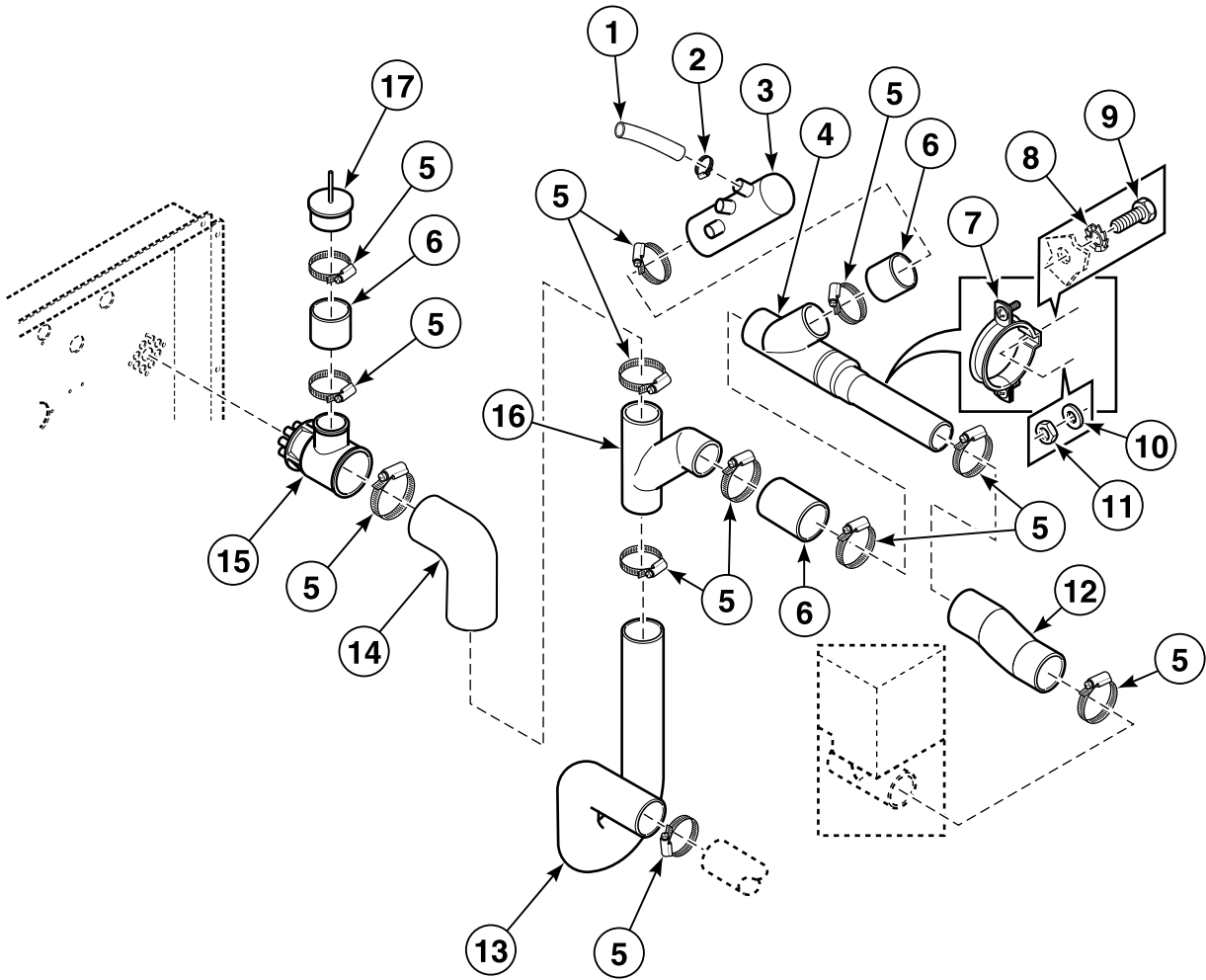


BE000920P_9001759

Supply Dispenser - Models Starting 5/1/2009

REF	PART NO.	DESCRIPTION	COMMENTS
1	206/00101/00	Nut	
2	202/00101/00	Washer	
3	205/00104/00	Bolt	
4	223/00392/00	Supply Dispenser Handle	
5	153/00089/00	Supply Dispenser Cover	
6	223/00001/04	Prewash and Mainwash Nozzle	
7	204/00009/00	Nut	
8	204/00301/00	Bushing	
9	223/00001/07	Washer	
10	201/00002/00	Washer	
11	204/00201/00	Nut	
12	223/00010/00	Hose Clamp	
13	223/00044/00	Water Hose	
14	223/00345/01	Supply Dispenser Box	

Plumbing (Drawing 1 of 3)

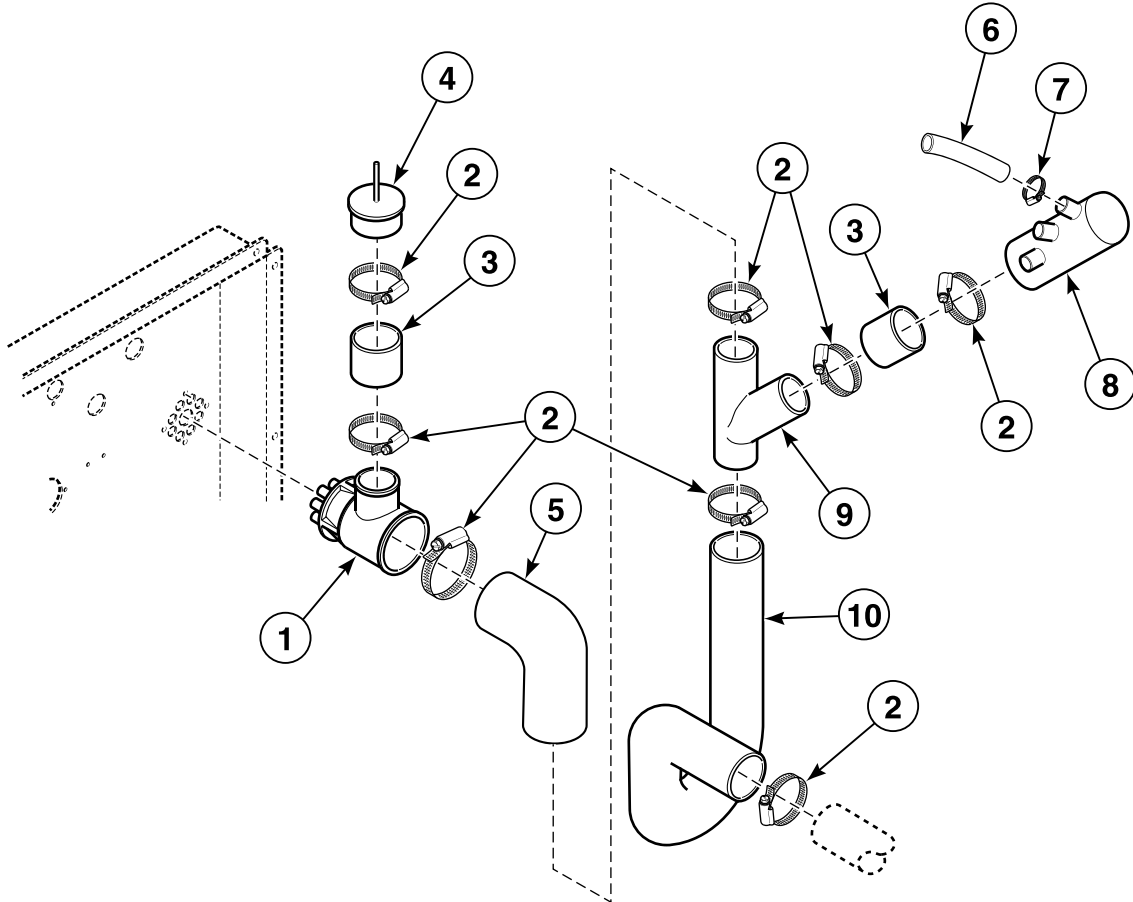


BE000572CP_9001759

Plumbing (Drawing 1 of 3)

REF	PART NO.	DESCRIPTION	COMMENTS
1	223/00269/00	Water Hose	
2	223/00223/00	Hose Clamp	
3	153/00116/00	Manifold	
4	253/00021/00	Reducing Tee	
5	223/00071/00	Hose Clamp	
6	223/00141/00	Drain Valve to Drain Pipe Hose	
7	253/00019/00	Clamp	
8	203/00004/00	Washer	
9	205/00105/00	Bolt	
10	202/00110/00	Washer	
11	204/00106/00	Nut	
12	223/00107/02	Vent Hose	
13	223/00187/00	Soap Dispenser to Tub Hose	
14	223/00302/00	Elbow	
15	223/00249/00	Liquid Soap Manifold	
16	253/00030/00	Y Pipe	
17	253/00035/00	Y Pipe	

Plumbing (Drawing 2 of 3)



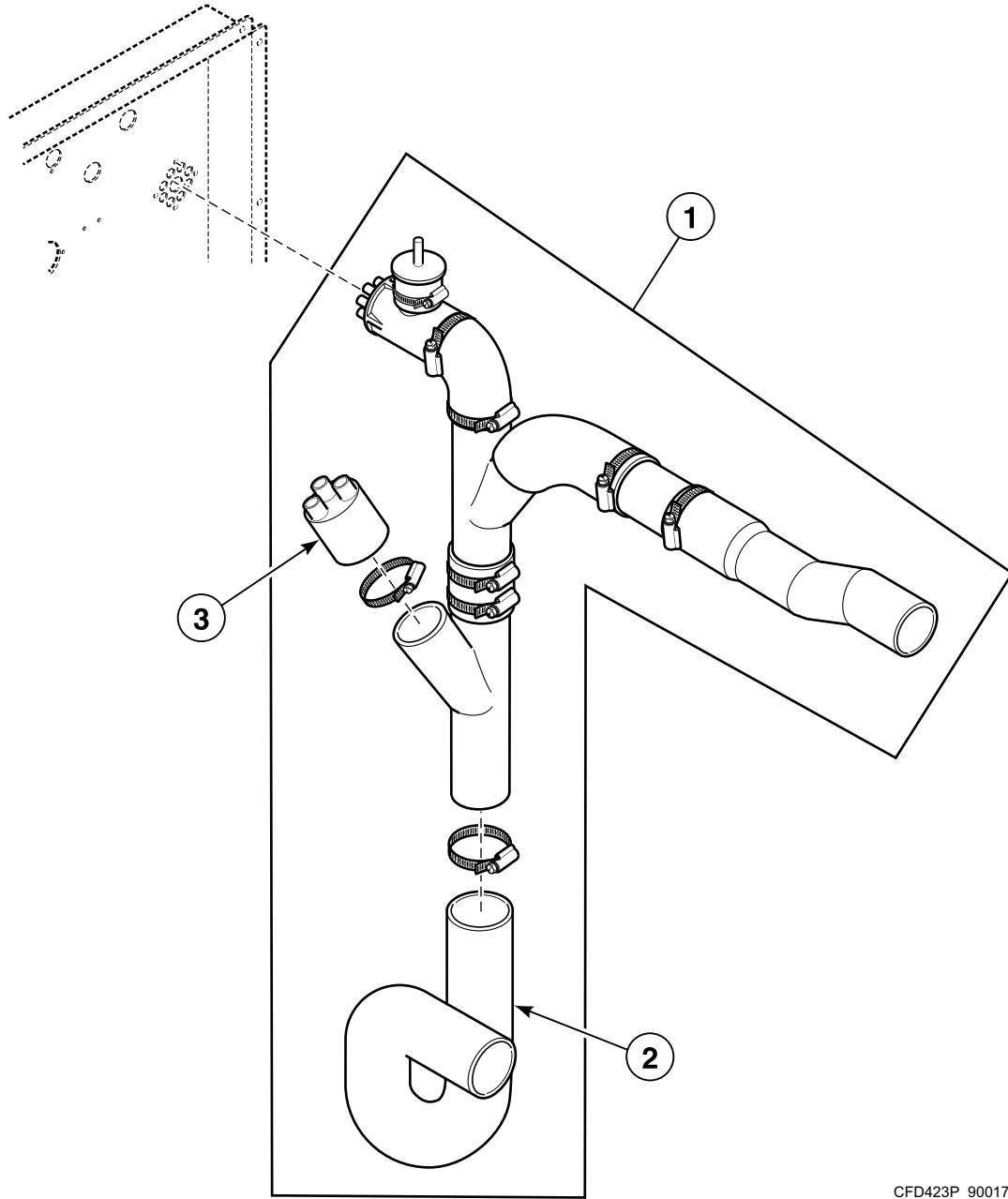
BE000571CP_9001759

Plumbing (Drawing 2 of 3)

REF	PART NO.	DESCRIPTION	COMMENTS
1	223/00249/00	Liquid Soap Manifold	
2	223/00071/00	Hose Clamp	
3	223/00141/00	Drain Valve to Drain Pipe Hose	
4	253/00035/00	Y Pipe	
5	223/00302/00	Elbow	
6	223/00269/00	Water Hose	
7	223/00223/00	Hose Clamp	
8	173/00026/00	Manifold	
9	253/00017/00	Y Pipe	
10	223/00187/00	Soap Dispenser to Tub Hose	

Plumbing (Drawing 3 of 3)

*HF165, *HF730 and *X165 Models Starting Serial No. 11010740003
*HF900 and *X200 Models Starting Serial No. 11010900006

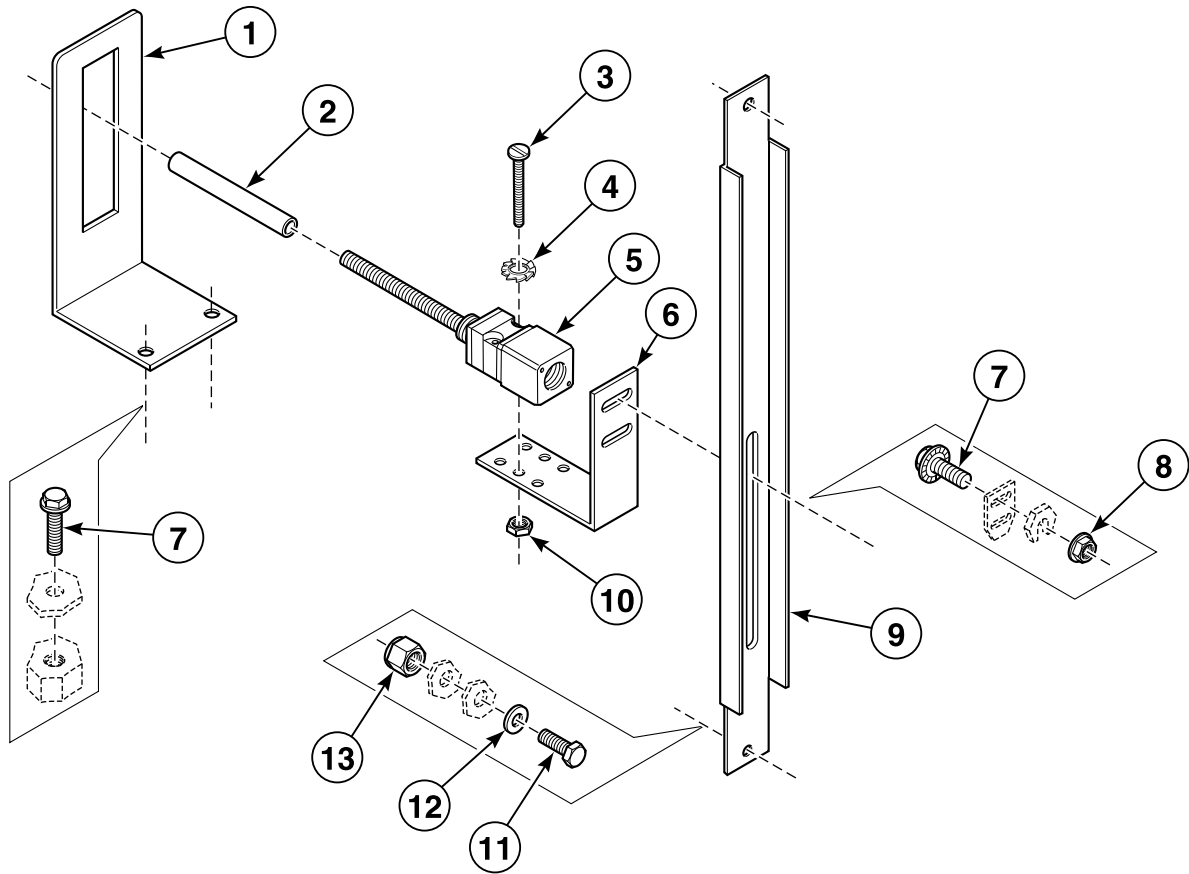


CFD423P_9001759

Plumbing (Drawing 3 of 3)

REF	PART NO.	DESCRIPTION	COMMENTS
1	B12374201	Plumbing Assembly	*HF165, *HF730 and *X165 models
	B12374301	Plumbing Assembly	*HF900 and *X200 models
2	223/00187/00	Soap Dispenser to Tub Hose	
3	173/00056/00	Liquid Soap Manifold	

Balance Switch

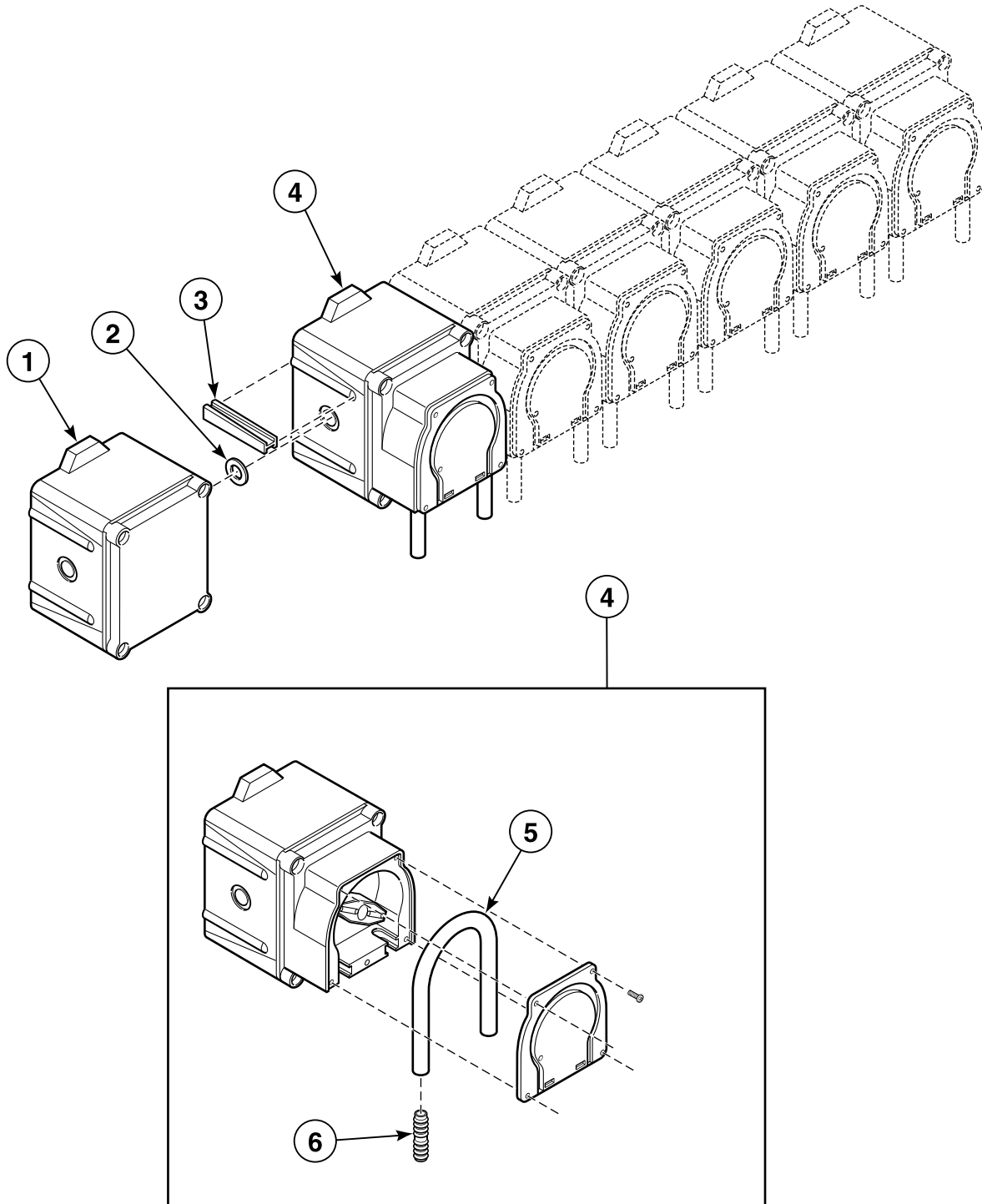


CFD64P_9001759

Balance Switch

REF	PART NO.	DESCRIPTION	COMMENTS
1	153/00046/00	Out-of-Balance Detector Plate	
2	223/00246/00	Out-of-Balance Switch Boot	
3	207/00018/00	Screw	
4	203/00006/00	Washer	
5	209/00255/00	Out-of-Balance Switch	
6	111/00107/00	Tilt Switch Bracket	
7	206/00099/00	Bolt	
8	206/00101/00	Nut	
9	153/00045/00	Out-of-Balance Switch Plate	
10	204/00007/00	Nut	
11	205/00107/00	Bolt	
12	202/00101/00	Washer	
13	204/00009/00	Nut	

Soap Pumps

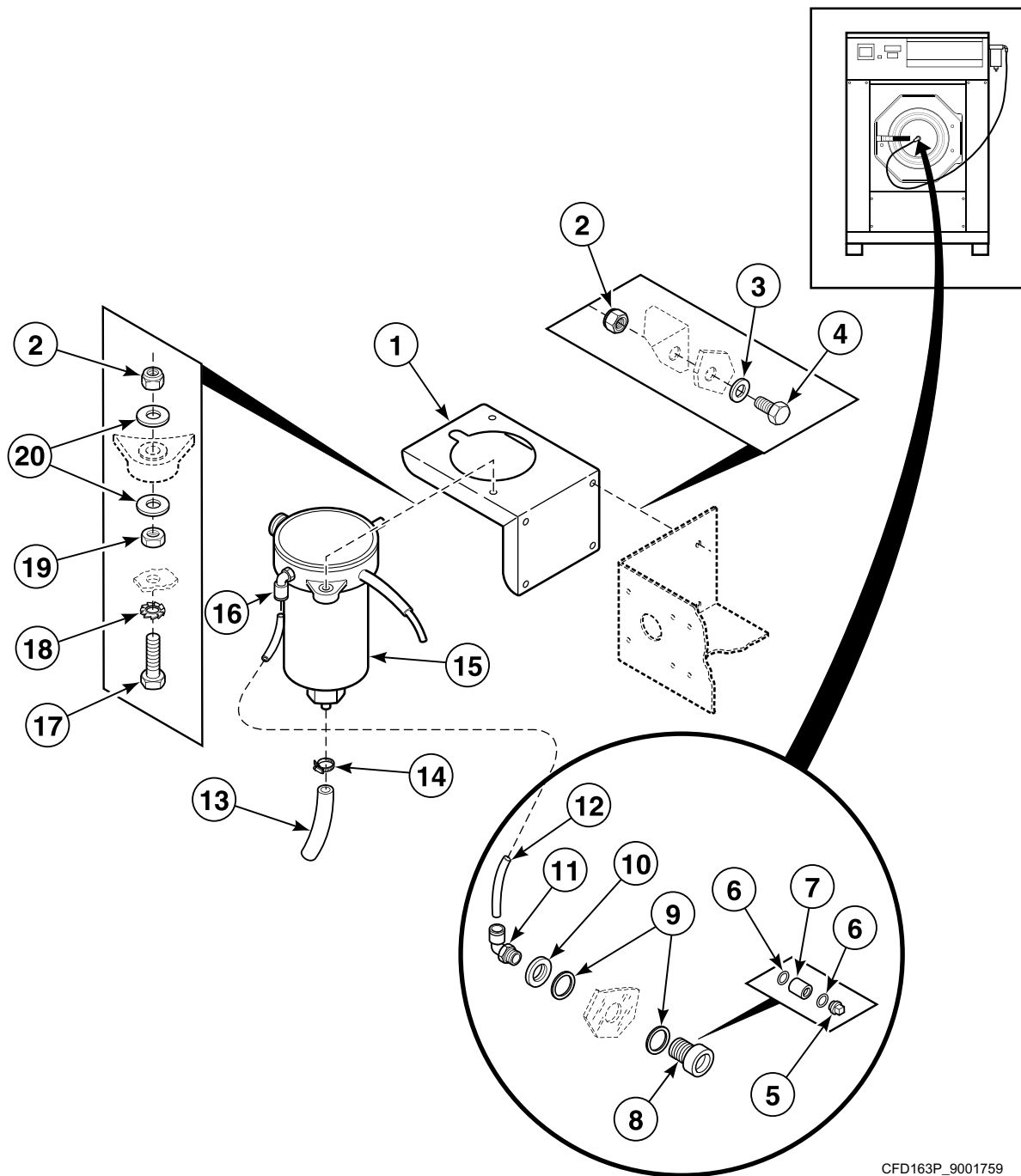


BE000499AP_9001759

Soap Pumps

REF	PART NO.	DESCRIPTION	COMMENTS
1	209/00555/01	Soap Pump Assembly	Feeding and 1 pump
	209/00555/02	Soap Pump Assembly	Feeding and 2 pumps
	209/00555/03	Soap Pump Assembly	Feeding and 3 pumps
	209/00555/04	Soap Pump Assembly	Feeding and 4 pumps
	209/00555/05	Soap Pump Assembly	Feeding and 5 pumps
	209/00555/06	Soap Pump Assembly	Feeding and 6 pumps
	209/00554/51	Feeding Liquid Soap Dosing Pump	
2	209/00554/52	Liquid Soap Dosing Pump O-Ring	
3	209/00554/53	Liquid Soap Dosing Pump Connection Piece	
4	209/00555/50	Liquid Soap Dosing Pump	
5	209/00555/98	Dosing Pump Hose	
6	209/00555/99	Dosing Pump Hose Connector	

Spray Pump

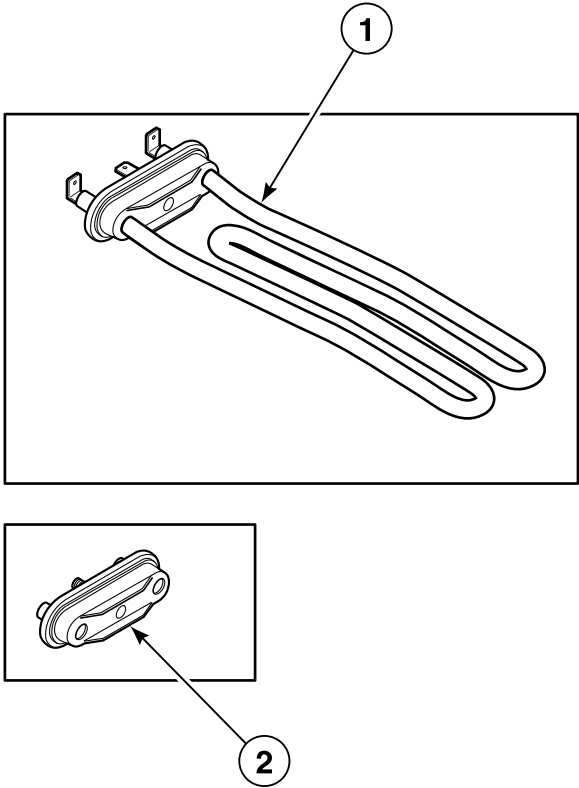


CFD163P_9001759

Spray Pump

REF	PART NO.	DESCRIPTION	COMMENTS
1	111/10179/00	Spray Pump Mounting Plate	
2	204/00009/00	Nut	
3	201/00007/00	Washer	
4	205/00107/00	Bolt	
5	223/00178/00	Soap Injector Orifice	
6	223/00177/00	O-Ring	
7	211/00126/00	Soap Injector Orifice Nipple	
8	211/00127/00	Soap Injector Connector	
9	223/00176/00	O-Ring	
10	211/10106/00	Nut	
11	223/00182/00	Soap Injector Coupling	
12	223/00180/00	Soap Injector Hose	
13	223/00179/10	Pressure Hose	
14	211/00088/00	Cable Tie	
15	209/00369/00	Liquid Soap Spray Pump	
16	223/00181/00	Soap Injector Elbow Coupling	
17	205/00103/00	Bolt	
18	203/00004/00	Washer	
19	204/00106/00	Nut	
20	202/00101/00	Washer	

Electric Heating Option

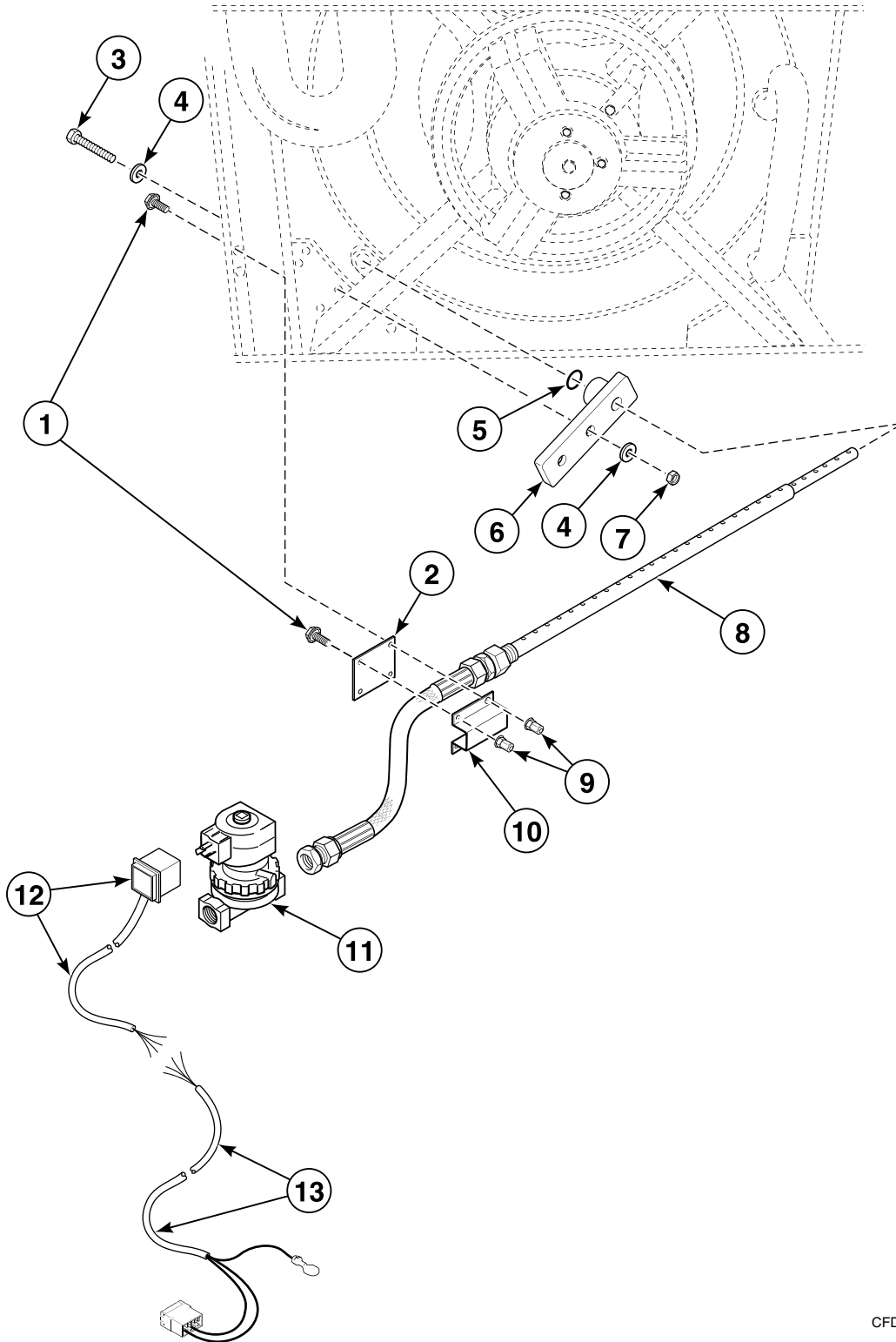


CFD84P_9001759

Electric Heating Option

REF	PART NO.	DESCRIPTION	COMMENTS
1	209/00562/20	Heating Element	3000W, 220/240 Volt
	209/00581/10	Heating Element	4000W, 380 Volt
2	209/00196/00	Heating Element Plug	

Steam Heating Option - *HF165, *HF730 and *X165 Models

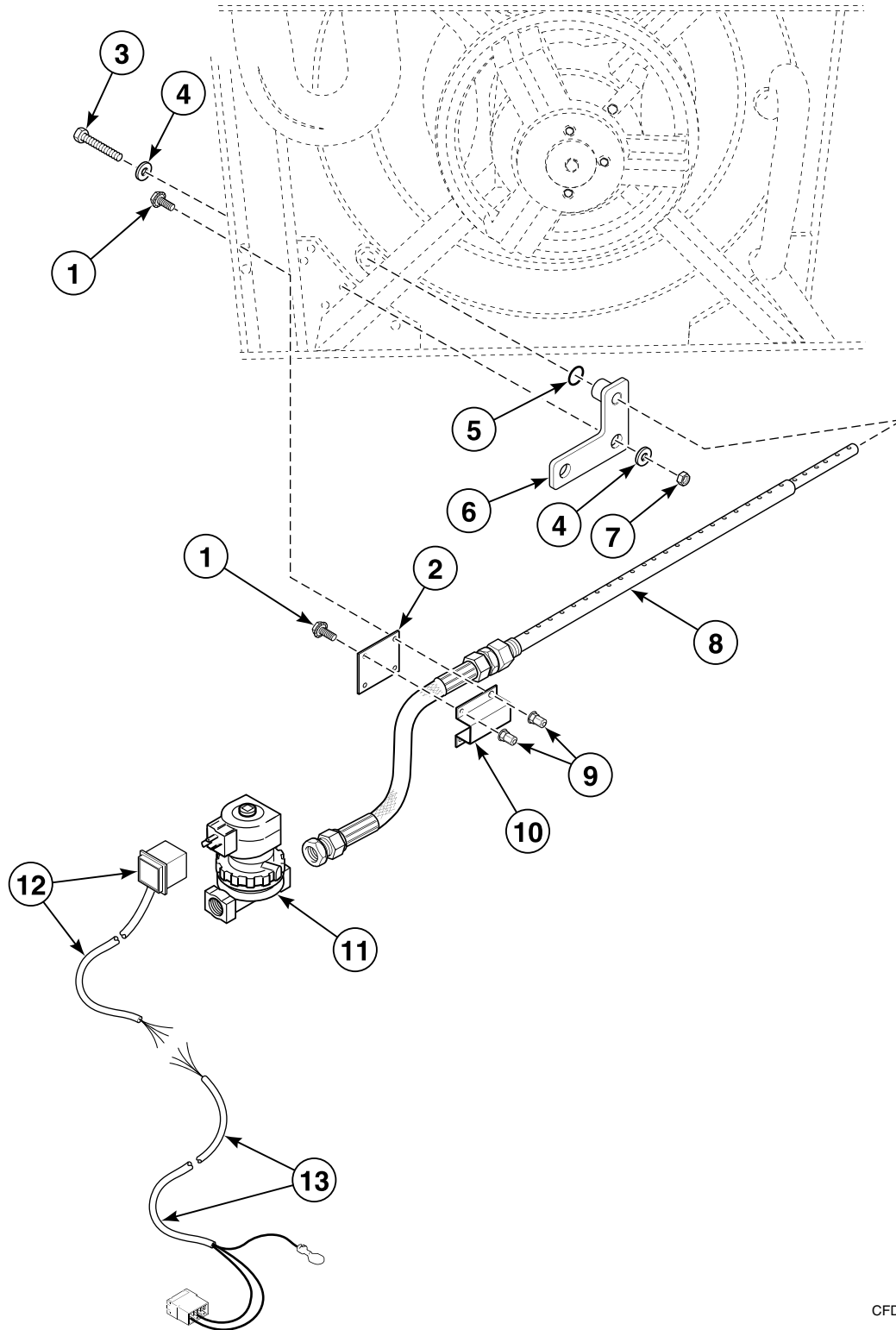


CFD208P_9001759

Steam Heating Option - *HF165, *HF730 and *X165 Models

REF	PART NO.	DESCRIPTION	COMMENTS
	861P3	Steam Heat Kit	Includes items 1, 2 and 8-13
1	206/00099/00	Bolt	
2	173/00018/10	Steam Injector Pipe Clamp Plate	
3	206/00091/00	Screw	Models starting 1/26/06
4	201/00027/00	Washer	Models starting 1/26/06
5	223/00350/00	O-Ring	Models starting 1/26/06
6	173/00032/00	Steam Injector Bracket	Models starting 1/26/06
7	204/00118/00	Nut	Models starting 1/26/06
8	119/00086/00	Steam Injector	
9	206/00101/00	Nut	
10	173/00018/00	Steam Injector Pipe Clamp	
11	253/10520/00	Steam Valve	
12	F605220	Steam Valve Harness	
13	210/01304/03	Main Control Heat Harness	

Steam Heating Option - *HF900 and *X200 Models



CFD353P_9001759

Steam Heating Option - *HF900 and *X200 Models

REF	PART NO.	DESCRIPTION	COMMENTS
	861P3	Steam Heat Kit	Includes items 1, 2 and 8-13
1	206/00099/00	Bolt	
2	173/00018/10	Steam Injector Pipe Clamp Plate	
3	206/00091/00	Screw	Models starting 1/26/06
4	201/00027/00	Washer	Models starting 1/26/06
5	223/00350/00	O-Ring	Models starting 1/26/06
6	190/00032/00	Steam Injector Bracket	Models starting 1/26/06
7	204/00118/00	Nut	Models starting 1/26/06
8	119/00086/00	Steam Injector	
9	206/00101/00	Nut	
10	173/00018/00	Steam Injector Pipe Clamp	
11	253/10520/00	Steam Valve	
12	F605220	Steam Valve Harness	
13	210/01304/03	Main Control Heat Harness	

Parts Index

A

AC Drive Filter	
209/00287/11	59

B

Bearing	
253/00164/00	17, 19, 21, 23
253/00165/00	17, 19
Bearing Housing	
253/10505/00	13, 15, 17, 19
253/10522/00	17
Bearing Replacement Kit	
895P3	17
Bearing Retainer	
253/10507/00	17, 19
253/10523/00	17, 19
Bearing Sleeve	
253/10506/00	21, 23
Bearing Spacer	
253/10513/00	17, 19
253/10514/00	17, 19
Bearing Tool Kit	
245/00059/00	17
Belt	
253/00163/00	23
Bolt	
205/00102/00	13, 15, 17, 19
205/00103/00	75
205/00104/00	51, 53, 63
205/00105/00	13, 15, 51, 61, 65
205/00107/00	71, 75
205/00108/00	59
205/00116/00	53, 55
205/00122/00	35, 37
205/00123/00	33
206/00003/00	25
206/00004/00	25
206/00009/00	27
206/00027/00	53, 55
206/00042/00	49
206/00071/00	11
206/00088/00	57
206/00099/00	13, 15, 41, 43, 45, 47, 49, 51, 55, 59, 71, 79, 81
206/00122/00	13, 15
206/00147/00	23
224/00046/00	11
248/00114/00	25
253/00158/178	35, 37
253/00158/180	35, 37
253/00158/182	35, 37
253/00158/430	33
253/00158/561	35, 37
Bushing	
204/00301/00	61, 63

C

Cable Tie	
211/00088/00	75
Circuit Board Cover	
229/00262/00	41
229/00262/50	39
229/00289/00	43, 45
Clamp	
253/00019/00	65
Coil	
209/00051/21	29, 31
209/00052/21	29, 31
209/00203/21	29
209/00212/11	31
Connector	
209/00996/00	57
Connector to Inverter Harness	
210/01064/14	59
Contact Block	
44018701	39
44018901	39
Contact Switch	
209/00099/26	41, 43, 45
Contacto	
209/00041/04	47
209/00148/02	47
Cooling Fan	
209/00287/00	25, 59
Cordlock	
211/00167/00	57
Counterweight	
253/10504/00	13, 15
Coupling Sleeve	
223/00255/00	53, 55
Cylinder and Shaft Assembly	
173/00023/00	21, 23
190/00023/00	23

D

Datacard	
209/02022/00	43, 45
Datacard Cover	
223/00348/00	43, 45
Display	
209/00580/03	39
Display and Printboard	
209/02002/Z02	43
Door	
173/00028/00	35
173/00040/00	37
Door Glass	
253/00515/749	35
253/00515/754	37
Door Glass Gasket	
253/00515/750	35
Door Glass Seal	
223/00346/00	37

N/A items do not appear in index.

Door Glass Seal Retaining Ring	209/00052/12	31
173/00041/00	209/00203/11	29
253/00515/751	209/00203/12	31
Door Handle	Drain Valve Motor Assembly	31
253/00515/28	209/00170/06	31
Door Handle Bushing	Drain Valve Motor Mounting Plate	
253/00158/181	209/00025/07	29
Door Handle Hinge Weldment	209/00115/04	31
253/00158/179	Drain Valve Overflow Plug	
Door Handle Spring Bushing	223/00086/00	27
253/00158/192	Drain Valve Plate Assembly	
Door Handle Torsion Spring	114/00010/00	27
253/00158/187	Drain Valve Shaft	
Door Hinge	209/00170/10	29, 31
253/00515/752	Drain Valve Shaft Seal	
Door Hinge Block	209/00025/10	29, 31
253/00158/175	Drain Valve Spring	
Door Latch	209/00025/13	29
253/00158/1244	209/00170/02	31
Door Latch Assembly	Drain Valve to Drain Pipe Hose	
253/00159/1036	223/00141/00	27, 65, 67
Door Lock Catch		
253/00158/185		
Door Lock Cover		
253/00158/688		
Door Lock Microswitch	E	
253/00158/278	Elbow	
Door Lock PC-Board	223/00302/00	65, 67
209/02010/00	Electrical Components Plate	
Door Lock Plate	229/00262/20	47
253/00158/684	Electrical Connection Cover	
Door Lock Solenoid	140/00010/01	53, 55
209/00274/00	Electrical Connection Sticker	
Door Lock Solenoid Bracket	229/00068/02	53, 55
253/00158/686	Emergency Switch Pushbutton	
Door Lock Spring	209/00099/20	43, 45
253/00158/276		
Door Lock Spring Cover		
253/00158/687	F	
Door Lock Switch Actuator	Fan Grill	
253/00158/271	209/00465/01	59
Door Release Decal	Feeding Liquid Soap Dosing Pump	
253/00158/694	209/00554/51	73
Door Seal	Flat Cable	
253/00162/00	210/00204/00	39
Dosing Pump Hose	Frame	
209/00555/98	253/10501/00	9
Dosing Pump Hose Connector	290/10501/00	9
209/00555/99	Front Cabinet Top	
Drain Pipe	173/00001/02	49
223/00106/00	190/00001/02	49
Drain Tub to Drain Valve Hose	Front Left Panel	
223/00133/00	173/00003/20	49
Drain Valve	Front Panel	
209/00075/00	173/00025/00	13
209/00075/05	173/00042/00	43, 45
Drain Valve Handle	Front Right Panel	
209/00115/11	173/00003/10	49
Drain Valve Harness	Fuse	
210/01575/18	209/00372/01	39, 41
Drain Valve Motor	209/00468/00	57
209/00051/11	Fuse Holder	
209/00052/11	209/00202/00	57

N/A items do not appear in index.

G

Gasket	
246/00149/00	49
Grommet	
223/00174/00	59
223/00198/00	57, 59
223/00213/00	59
Ground Terminal	
209/00006/01	57

H

Handle Grommet	
223/00008/01	41, 61
Heating Element	
209/00562/20	77
209/00581/10	77
Heating Element Plug	
209/00196/00	77
Hose Barb	
223/00016/00	47
Hose Clamp	
223/00010/00	53, 55, 61, 63
223/00012/00	27
223/00013/00	27
223/00014/00	53, 55
223/00071/00	27, 65, 67
223/00223/00	27, 47, 65, 67
Hose Vent	
223/00102/07	53, 55

I

Infrared Cable	
210/00902/00	41, 43, 45
Inlet Valve	
253/10521/00	53, 55
253/10526/00	53, 55
Inlet Valve, 3-Way	
209/00277/00	53, 55
Insulating Sticker	
229/00255/00	39, 41
229/00268/00	43, 45
Inverter	
227/00207/00	59
227/00208/00	59
227/00213/00	59
227/00219/00	59
Inverter Box	
173/00009/00	59
Inverter Box Top	
173/00009/04	59
Inverter Drive Filter	
227/00176/00	59
Inverter to Motor Harness	
210/30570/20	59

K

Key	
253/00033/00	23
Keypad	
209/00552/01	41
225/00365/00	41

L

Leveling Leg	
252/00006/00	13, 15
Liquid Soap Dosing Pump	
209/00555/50	73
Liquid Soap Dosing Pump Connection Piece	
209/00554/53	73
Liquid Soap Dosing Pump O-Ring	
209/00554/52	73
Liquid Soap Manifold	
173/00056/00	69
223/00249/00	57, 65, 67
Liquid Soap Spray Pump	
209/00369/00	75
Lock Spring Leaf	
211/00072/00	33
Logo Decal	
9001890	39
Lower Front Panel	
173/00004/00	49
Lower Rear Panel	
173/00007/01	51
173/00007/02	51
Lower Support	
253/10502/00	9
290/10502/00	9
Lubricator	
212/00022/00	17

M

Main Board	
B12351701	41
Main Control	
9002100	39
Main Control Heat Harness	
210/01304/03	79, 81
Main Switch	
209/00526/00	53
209/00532/00	55
Main Switch Box	
173/00017/00	55
Manifold	
153/00116/00	65
173/00026/00	67
Memory Card PC-Board	
209/02013/00	43, 45
Micro to Connector Harness	
B12371101	59
210/01304/15	59

N/A items do not appear in index.

Motor	
227/00174/00	25
227/00223/00	25
227/00246/00	25
Motor Plate	
153/00025/00	25
Motor Pulley	
253/10519/00	25
Mounting Plate	
173/00012/00	41
223/00374/00	43, 45
Mushroom Pushbutton	
209/00248/20	41, 43, 45

N

Nipple	
223/00254/00	53, 55
Noise Suppressor	
209/00356/00	47
Nut	
204/00004/00	27
204/00007/00	25, 47, 53, 55, 57, 71
204/00008/00	39, 41
204/00009/00	51, 61, 63, 71, 75
204/00012/00	11, 25
204/00016/00	11
204/00105/00	53, 55
204/00106/00	49, 51, 65, 75
204/00107/00	59
204/00109/00	49
204/00111/00	25
204/00113/00	11, 13, 15, 25
204/00114/00	25, 59
204/00116/00	39, 41, 43, 45
204/00118/00	79, 81
204/00201/00	61, 63
206/00101/00	61, 63, 71, 79, 81
211/00170/00	57
211/00172/00	55, 57
211/10106/00	75
253/00158/558	35, 37
253/00158/560	35, 37
253/00158/562	35, 37
253/00158/578	33

O

Operating Sticker	
225/10313/00	43
225/10427/00	45
O-Ring	
223/00176/00	75
223/00177/00	75
223/00244/00	35, 37
223/00350/00	79, 81
Out-of-Balance Detector Plate	
153/00046/00	71
Out-of-Balance Switch	
209/00255/00	71
Out-of-Balance Switch Boot	
223/00246/00	71
Out-of-Balance Switch Plate	
153/00045/00	71

N/A items do not appear in index.

Overflow Hose	
223/00184/00	27
Overlay	
F9001561	39
225/00391/00	39
225/00392/00	39

P

Parameter Unit Assembly	
227/00171/00	59
Parameter Unit Program Cable	
9001895	59
Plexi Frame	
225/00321/00	43
225/00323/00	45
Plug	
211/00087/00	57
211/00091/00	57
Plumbing Assembly	
B12374201	69
B12374301	69
Pressure Hose	
223/00179/10	57, 75
223/00333/00	47
Pressure Switch	
209/00007/50	47
Pressure Switch Elbow	
223/00210/00	47
Pressure Switch Hose Tee	
223/00173/10	47
Prewash and Mainwash Nozzle	
223/00001/04	61, 63
Printboard	
209/02015/02	45
Printboard Display Plate Assembly	
173/00013/20	43
173/00013/30	45
Printboard Separator	
211/00128/00	43, 45
Printboard Support Card	
111/01893/00	43, 45
Programming Cable	
210/00205/00	39
Programming Key	
209/00326/21	39
Programming Key Contact Switch	
209/00326/20	39, 41
Pulley and Hub Assembly	
253/10517/00	21, 23
Pushbutton	
44018801	39

R

Rear Cabinet Top	
173/00001/01	49
190/00001/01	49
Reducing Tee	
253/00021/00	65
Retaining Ring	
212/00043/00	17, 19

253/00157/00	17, 19
Rivet	
B12336401	33

S

Screw		Soap Injector Coupling	
B12322501	33	223/00182/00	75
B12347501	57	Soap Injector Elbow Coupling	
206/00031/00	25	223/00181/00	75
206/00053/00	23	Soap Injector Hose	
206/00091/00	79, 81	223/00180/00	75
206/00125/00	25	Soap Injector Orifice	
207/00003/00	25	223/00178/00	75
207/00008/00	47	Soap Injector Orifice Nipple	
207/00018/00	71	211/00126/00	75
207/00025/00	41	Soap Pump Assembly	
207/00031/00	59	209/00555/01	73
207/00110/00	53, 55, 61	209/00555/02	73
207/00113/00	41, 43, 45	209/00555/03	73
207/00123/00	49	209/00555/04	73
207/00126/00	61	209/00555/05	73
208/00121/00	49	209/00555/06	73
208/00124/00	49	Spacer	
208/00125/00	49	211/00107/00	39
209/00025/08	29, 31	211/00140/00	39
209/00170/05	29, 31	Speed Detector	
209/00170/07	29, 31	209/00400/00	17
253/00158/1047	33	Speed Sensor Bracket	
253/00158/567	33	153/00041/02	17
253/00158/612	33	153/00041/11	17
253/00158/614	33	153/10028/00	17
Shipping Bracket		Spray Pump Mounting Plate	
173/00015/00	9	111/10179/00	75
173/00054/00	9	Spring	
Shock Absorber		253/00158/431	33
247/00008/00	11	Standoff	
Shock Absorber Bushing		211/00120/00	57
211/00137/10	11	211/00122/00	41, 43, 45
Side Panel		211/00145/00	43, 45
173/00005/00	49, 51	Steam Heat Kit	
173/00006/00	49, 51	861P3	79, 81
190/00005/00	49, 51	Steam Injector	
190/00006/00	49, 51	119/00086/00	79, 81
Side Panel Gasket		Steam Injector Bracket	
246/00079/00	51	173/00032/00	79
Side Panel Support Assembly		190/00032/00	81
153/00103/01	51	Steam Injector Pipe Clamp	
Soap Dispenser		173/00018/00	79, 81
153/00072/00	61	Steam Injector Pipe Clamp Plate	
Soap Dispenser Cover		173/00018/10	79, 81
153/00070/00	61	Steam Valve	
Soap Dispenser Cover Handle		253/10520/00	79, 81
223/00008/05	61	Steam Valve Harness	
Soap Dispenser Cover Plate		F605220	79, 81
153/00071/00	61	Strain Relief	
Soap Dispenser Cup		211/00169/00	55, 57
253/00012/02	61	Supply Dispenser Box	
Soap Dispenser to Tub Hose		223/00345/01	63
223/00187/00	65, 67, 69	Supply Dispenser Cover	
Soap Injection PCB with Fuse		153/00089/00	63
209/00218/13	57	Supply Dispenser Handle	
Soap Injector Connector		223/00392/00	63
211/00127/00	75	Suspension Spring	
		224/00044/00	11
		Switch Base	
		209/00099/25	39, 41
		Switch Bracket	
		153/00027/22	53

N/A items do not appear in index.

Switch Knob	
209/00099/29	39, 41

T

Telem Sticker	
209/00520/00	41, 43, 45
Terminal Block	
209/00005/00	47
209/00527/00	53
209/00528/00	53
209/00533/00	55
Thermostat	
210/01064/16	47
210/01304/16	47
Thermostat Seal	
225/10004/00	47
Tilt Switch Bracket	
111/00107/00	71
Transformer	
209/00311/00	59
209/00406/00	59
Tub	
173/00019/00	13, 15
173/00020/00	13, 15
190/00019/00	15
190/00020/00	15
Tub Back Plate	
173/00019/10	13, 15
173/00020/10	13, 15
Tub Front	
173/00010/00	15
173/00022/00	15
Tub Gasket	
255/00001/00	13, 15

U

Upper Front Panel	
173/00002/00	41
173/00027/10	39
Upper Rear Panel	
173/00008/00	51, 53, 55, 57, 59
Upper Support	
253/10503/00	9
290/10503/00	9

V

Vent Hose	
223/00107/02	65
223/00211/00	53, 55
Voltage Discharge Decal	
B12355001	59
V-Ring Seal	
253/00151/00	21, 23
253/00153/00	21, 23
253/10515/00	21, 23
253/10516/00	21, 23
V-Ring Seal Ring	
253/10518/00	21, 23

N/A items do not appear in index.

W

Washer	
B12300601	13, 15
B12300701	13, 15
201/00001/00	11, 13, 15, 25
201/00002/00	61, 63
201/00004/00	25
201/00007/00	33, 75
201/00008/00	25
201/00011/00	25
201/00025/00	23
201/00027/00	79, 81
201/00202/00	19
201/00204/00	17
20290	53
202/00002/00	27
202/00004/00	41, 43, 45, 53, 55, 59
202/00101/00	53, 61, 63, 71, 75
202/00102/00	53, 61
202/00105/00	13, 15
202/00106/00	49
202/00110/00	49, 51, 65
202/00121/00	53
202/00122/00	55
202/00139/00	55
203/00001/00	25
203/00002/00	17
203/00003/00	27
203/00004/00	51, 53, 65, 75
203/00005/00	59
203/00006/00	25, 47, 53, 55, 57, 71
203/00007/00	39, 41
208/00009/00	49
209/00025/12	29, 31
223/00001/07	61, 63
223/00123/00	39, 41, 43, 45
223/00272/00	53, 55
253/00158/177	35, 37
253/00158/571	33
28605	53
Water Hose	
F200185	53
223/00044/00	53, 55, 61, 63
223/00269/00	65, 67
Water Level Switch	
209/00029/00	47
Water Valve Adapter	
223/00050/01	53, 55
Wire Harness	
210/01575/17	27, 29

Y

Y Pipe	
253/00017/00	67
253/00030/00	65
253/00035/00	65, 67