

# Washer-Extractor

Refer to Page 3 for Model Numbers





# Table of Contents

Title	Page
Parts Ordering Information.....	2
Nameplate Location .....	2
Model Identification .....	3
Washer-Extractor Product Overview.....	4
Frame.....	6
Bearing Housing .....	8
Shell and Basket .....	10
Pulley and Belt .....	12
Motor - Models without Inverter Drive .....	14
Motor - Models with Inverter Drive .....	16
Drain Plumbing .....	18
Drain Valve - Normally Open .....	20
Drain Valve - Normally Closed.....	22
Door and Door Lock - Models Through 12/31/87.....	24
Door Lock - Models Starting 1/1/88 .....	26
Door - Models Starting 1/1/88 .....	28
Door Handle (Drawing 1 of 2) .....	30
Door Handle (Drawing 2 of 2) .....	32
Control Panel - Micro-20 .....	34
Control Panel - PS40F .....	36
Control Panel - Sigma.....	38
Control Panel - PC30 .....	40
Coin Meter and Coin Vault.....	42
Coin Meter (Drawing 1 of 2).....	44
Coin Meter (Drawing 2 of 2).....	46
Right Side, Front, Lower Rear and Top Panels - OPL Models .....	48
Right Side, Front, Lower Rear and Top Panels - Coin Models .....	50
Left Side, Lower Front and Upper Back Panels - PC30 Models .....	52
Left Side, Lower Front and Upper Back Panels - Micro 20 Models .....	54
Upper Back Panel - PC30 Models .....	56
Upper Back Panel - Micro 20 Models .....	58
Electrical Component Mounting Plate - Micro 20 Models .....	60
Electrical Component Mounting Plate - PC30 Models .....	62
Supply Dispenser - Models Through 12/31/10 with 1.5 Inch Supply Dispenser Hose.....	64
Supply Dispenser - Models Through 12/31/10 with 4 Inch Supply Dispenser Hose.....	66
Supply Dispenser - Models Starting 1/1/93.....	68
Steam and Electric Heating Options .....	70
Soap Pump - Knight.....	72
Soap Pump - Brightwell .....	74
Parts Index.....	77

© Copyright 2011, Alliance Laundry Systems LLC

All rights reserved. No part of the contents of this book may be reproduced or transmitted in any form or by any means without the expressed written consent of the publisher.

## Parts Ordering Information

If literature or replacement parts are required, contact the source from whom the machine was purchased or contact Alliance Laundry Systems at (920) 748-3950 for the name and address of the nearest authorized parts distributor.

For technical assistance, call either of the numbers listed below:

(920) 748-3121 Ripon, Wisconsin

+32 56 41 20 54 Wevelgem, Belgium

## Nameplate Location

When calling or writing about your product, be sure to mention model and serial numbers. Model and serial numbers are located on nameplate(s).

## Model Identification

Information in this manual is applicable to these washer-extractor models:

CWE040AN2	IWE040AN2	WE181_MICRO-20
CWE040MC2	IWE040MC2	WE181_PC30
CWE040MD2	IWE040MD2	WE181_PS40F
CWE040ME2	IWE040ME2	WE181_SIGMA
CWE040ML2	IWE040ML2	
CWE040MN2	IWE040MN2	
CWE040MX2	IWE040MX2	
CWE040MY2	IWE040MY2	
CWE181AN2	IWE040SC2	
CWE181MC2	IWE040SD2	
CWE181MD2	IWE040SE2	
CWE181ME2	IWE040SL2	
CWE181ML2	IWE040SR2	
CWE181MN2	IWE040SX2	
CWE181MX2	IWE040SY2	
CWE181MY2	IWE181AN2	
	IWE181MC2	
	IWE181MD2	
	IWE181ME2	
	IWE181ML2	
	IWE181MN2	
	IWE181MX2	
	IWE181MY2	
	IWE181SC2	
	IWE181SD2	
	IWE181SE2	
	IWE181SL2	
	IWE181SR2	
	IWE181SX2	
	IWE181SY2	



# Washer-Extractor Product Overview

1 2

Type:	WE181C	Nr: 07110WD0339
Voltage:	3 ~ 400V 50Hz	Weight: 181 kg
Motor:	0.55kW 2.5A	Capacity: 73 L
Heating:	9kW 16A	Dry Load: 7,3 kg
Total:	9.55 kW	Drum: 530 mm
Kinetic energy:	592 Nm	Speed: 700 rpm
Manufactured in:	2007	
Water Pressure: min. 2.07 max. 5.86 Kg/cm <sup>2</sup> min. 20.7 max. 58.6 N/cm <sup>2</sup>		IPX4

sfc 741837

**Alliance International BVBA**  
Nieuwstraat 146  
8560 Wevelgem  
Belgium  
Tel: +32 56 41 20 54  
Fax: +32 56 41 86 74  
www.ipsob.e





Label 1


1 2 3 4 5 6 7

Model No: WE40MN2110U01	Serial No: 07110WD0152
Volts Hertz: 208-240   50/60	Type: WFF75
Phase: 1 - 3	
Amps: 6 amps	Capacity: 18/ 7 lbs/kg
Recommended Circuit Breaker: 15 amps	Water Pressure: 30-85 psi
Interrupt Current: 10 kA	Pressure: 2.07-5.86 bar
Motor: 1 hp	Max Speed: 700 rpm
0,75 kW	Net Weight: 400 lbs
Elec Heat: N/A kW	181 kg
Steam heat: N/A psi	IPX4
N/A bar	

**Alliance International BVBA**  
Made in Belgium

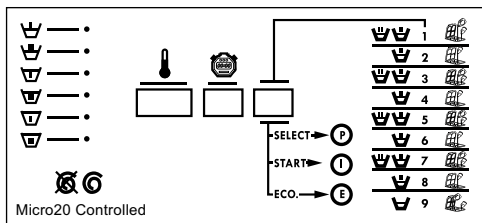


TEL 1-920-748-3121  
www.comlaundry.com

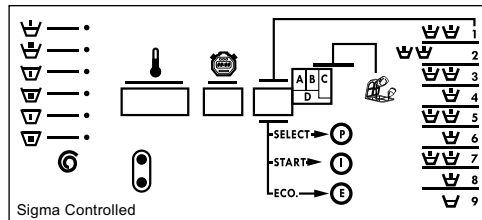


1978  
1978  
CONFORMS TO ANSI/UL STD 2157  
CERTIFIED TO CAN/CSA STD C22.2 NO.169-94

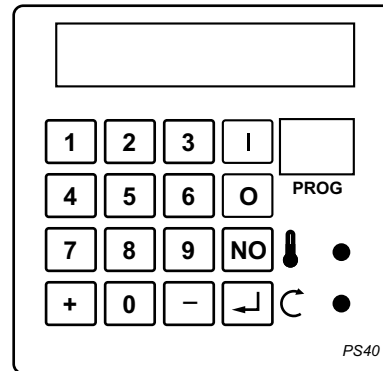
Label 2



Micro 20



Sigma



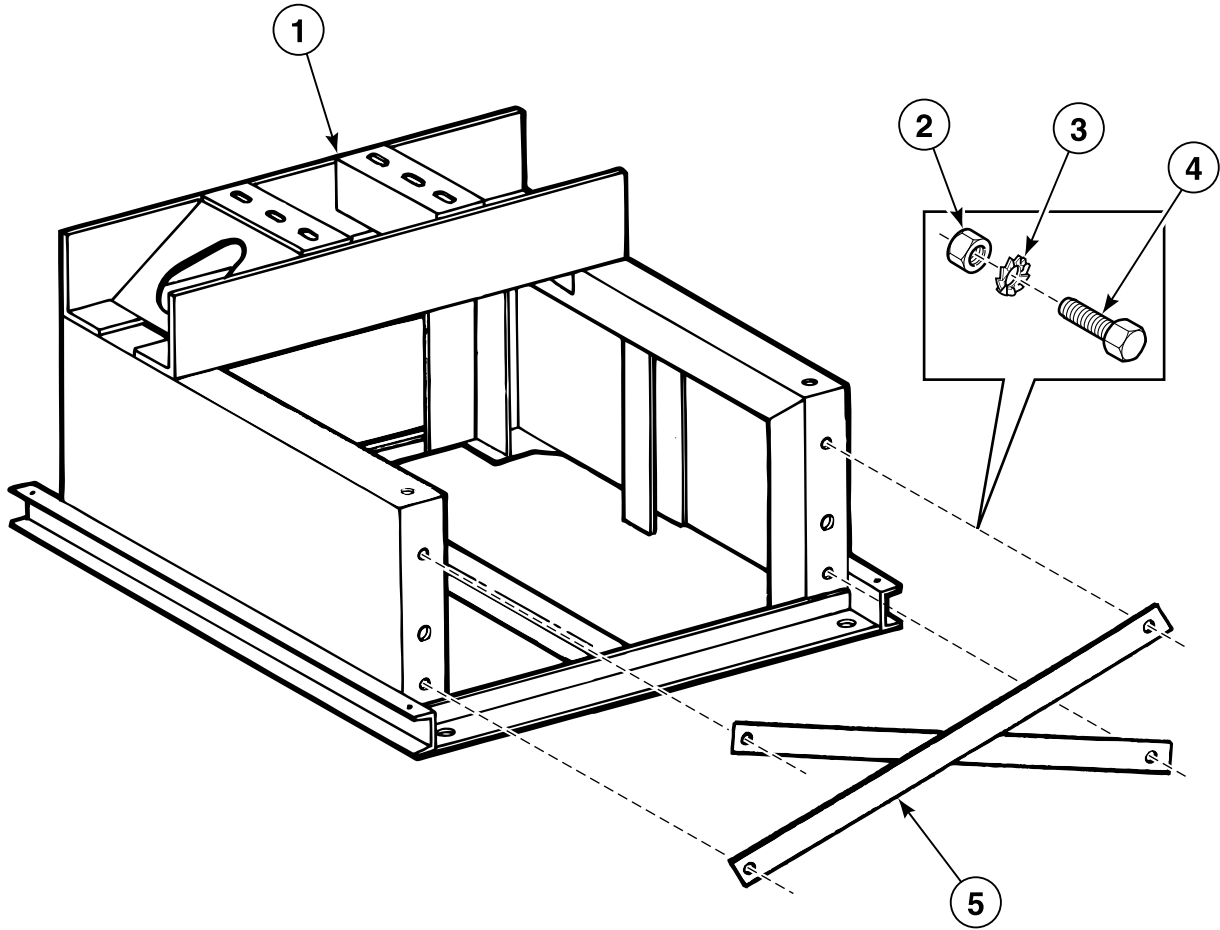
PS40

CHM3148P\_D0243

## Washer-Extractor Product Overview

REF	PART NO.	DESCRIPTION	COMMENTS
1	-	Product Family	CWE IWE WE
2	-	Capacity	040 181
3	-	Control	A (PS40F) M (Micro-20) PC30 S (Sigma)
4	-	Actuation	C (Coin Drop Meter) D (Dual Coin Drop) E (Electronic Drop) L (Prep for Remote or Central Pay) N (Non-Coin) R (Smart Card Relay) X (Prep for Coin) Y (Card Ready)
5	-	Speed	2 (Normal Spin)
6	-	Voltage	N (440-480/50-60/3/3) P (380-415/50-60/3/3) Q (208-240/50-60/3/3) X (200-240/50-60/1/3)
7	-	Design	1

# Frame



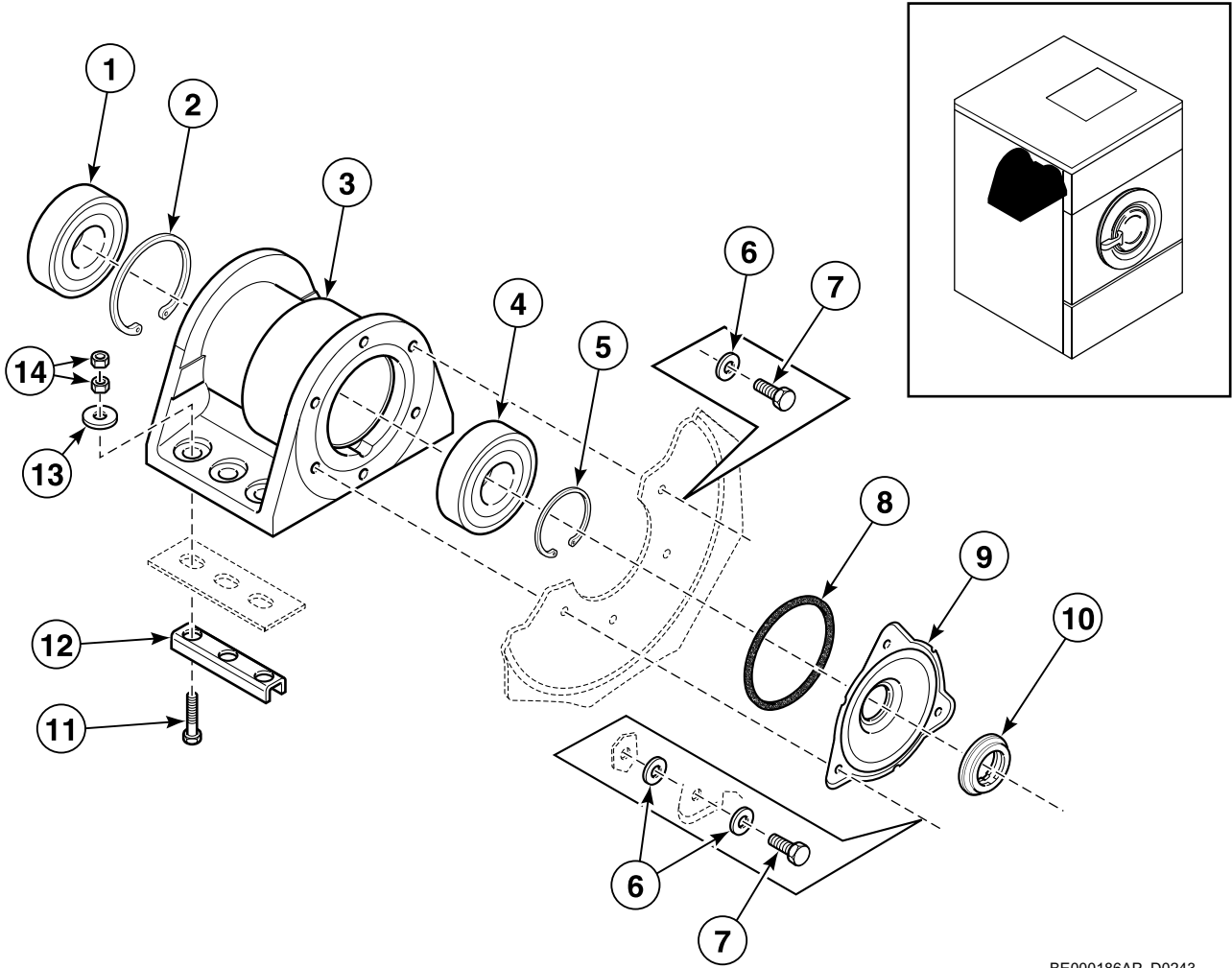
BE000185AP\_D0243



# Frame

REF	PART NO.	DESCRIPTION	COMMENTS
1	114/00029/00	Base	
2	204/00002/00	Nut	
3	203/00001/00	Washer	
4	206/00003/00	Bolt	
5	114/00006/00	Cross	

# Bearing Housing

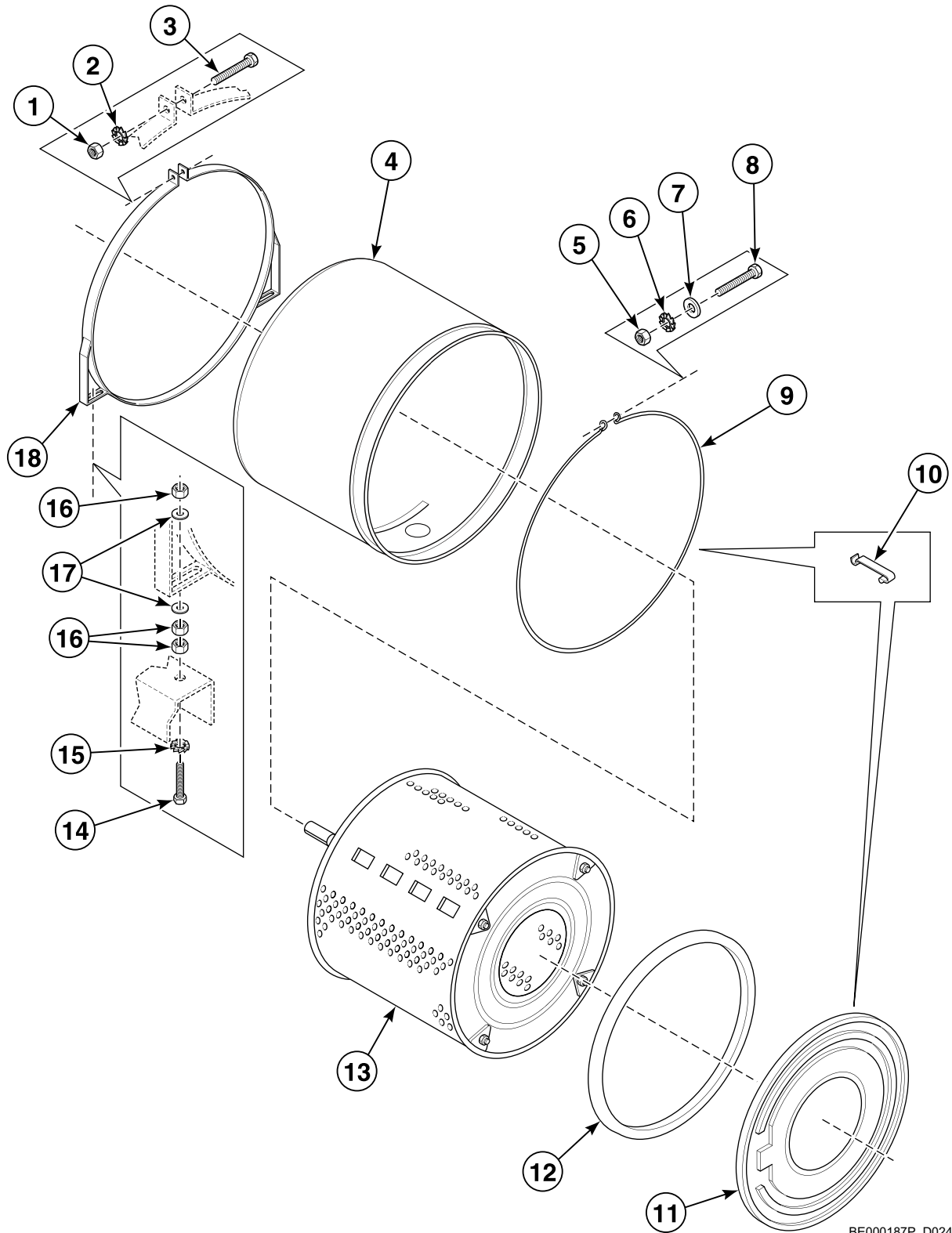


BE000186AP\_D0243

# Bearing Housing

REF	PART NO.	DESCRIPTION	COMMENTS
	KBRGWE234	Bearing Replacement Kit	
	382P3	Bearing Replacement Tool Kit	
1	212/00024/00	Ball Bearing	
2	212/00037/00	Retainer Ring	
3	212/00041/00	Bearing Housing	
	139/00002/00	Bearing Housing	Includes items 1 and 4
4	212/00004/00	Ball Bearing	
5	212/00006/00	Retainer Ring	
6	201/00201/00	Washer	
7	205/00102/00	Bolt	
8	217/00002/00	O-Ring	
9	119/00001/00	Seal Plate	
10	219/00003/00	Shaft Seal	
11	206/00045/00	Bolt	
12	113/00016/01	U-Piece	
13	201/00012/00	Washer	
14	204/00001/00	Nut	

# Shell and Basket

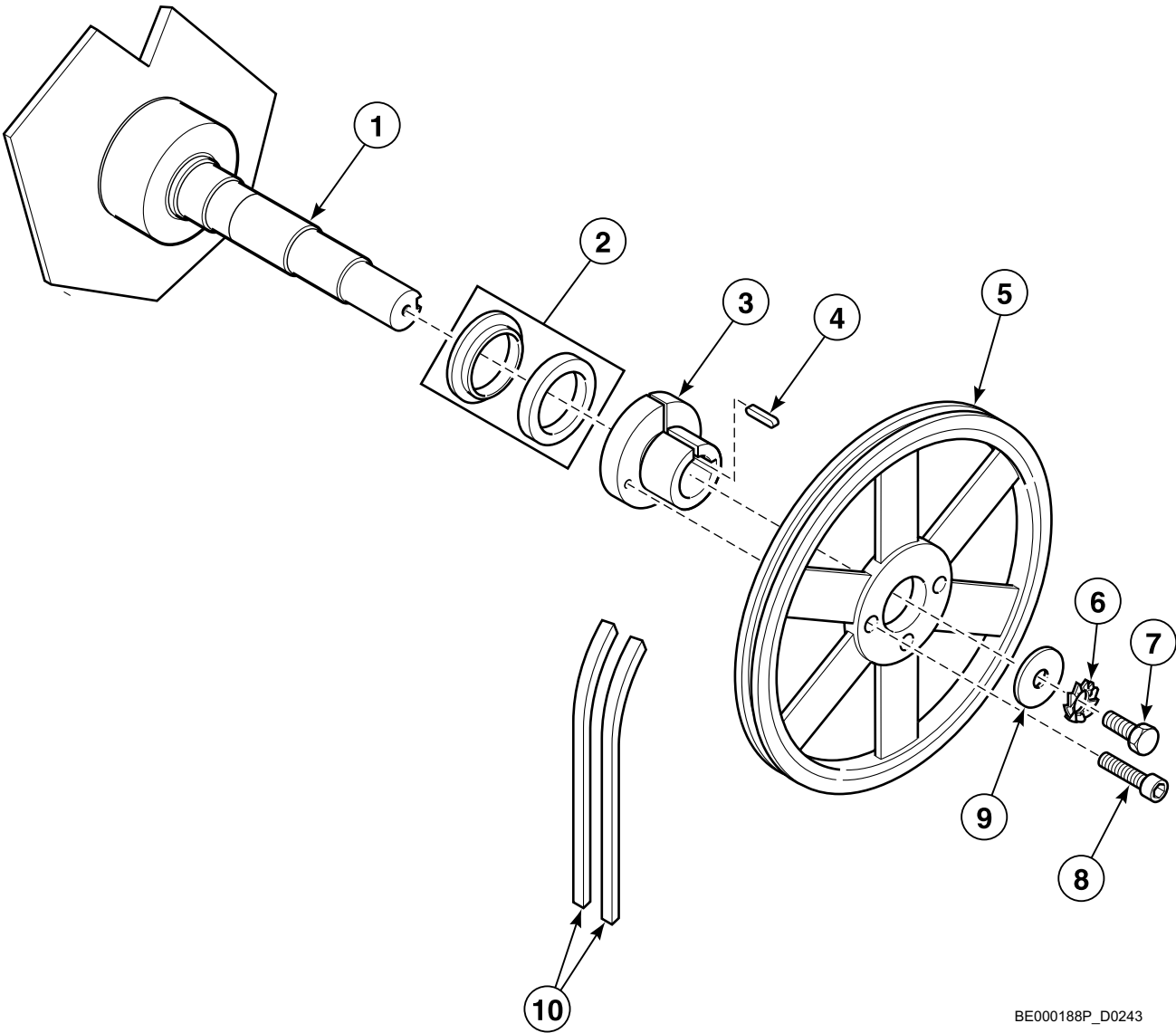


BE000187P\_D0243

# Shell and Basket

REF	PART NO.	DESCRIPTION	COMMENTS
1	204/00004/00	Nut	
2	203/00003/00	Washer	
3	206/00007/00	Screw	
4	118/00117/00	Outer Tub	Boiler heat
	118/00118/00	Outer Tub	Electric heat
	118/00119/00	Outer Tub	Steam heat
	118/00120/00	Outer Tub	Electric and steam heat
5	204/00005/00	Nut	
6	203/00004/00	Washer	
7	202/00003/00	Washer	
8	206/00011/00	Bolt	
9	219/00008/00	Ring Clip	
10	217/00008/00	Tub Front Panel Clip	
11	118/00117/03	Tub Front Panel	
12	219/00009/00	Tub Front Gasket	
13	136/00018/00	Drum and Axle	3 mm diameter holes in basket
	136/00019/00	Drum and Axle	9 mm diameter holes in basket
14	206/00001/00	Screw	
15	203/00001/00	Washer	
16	204/00002/00	Nut	
17	201/00005/00	Washer	
18	119/00138/00	Tub Ring	

# Pulley and Belt

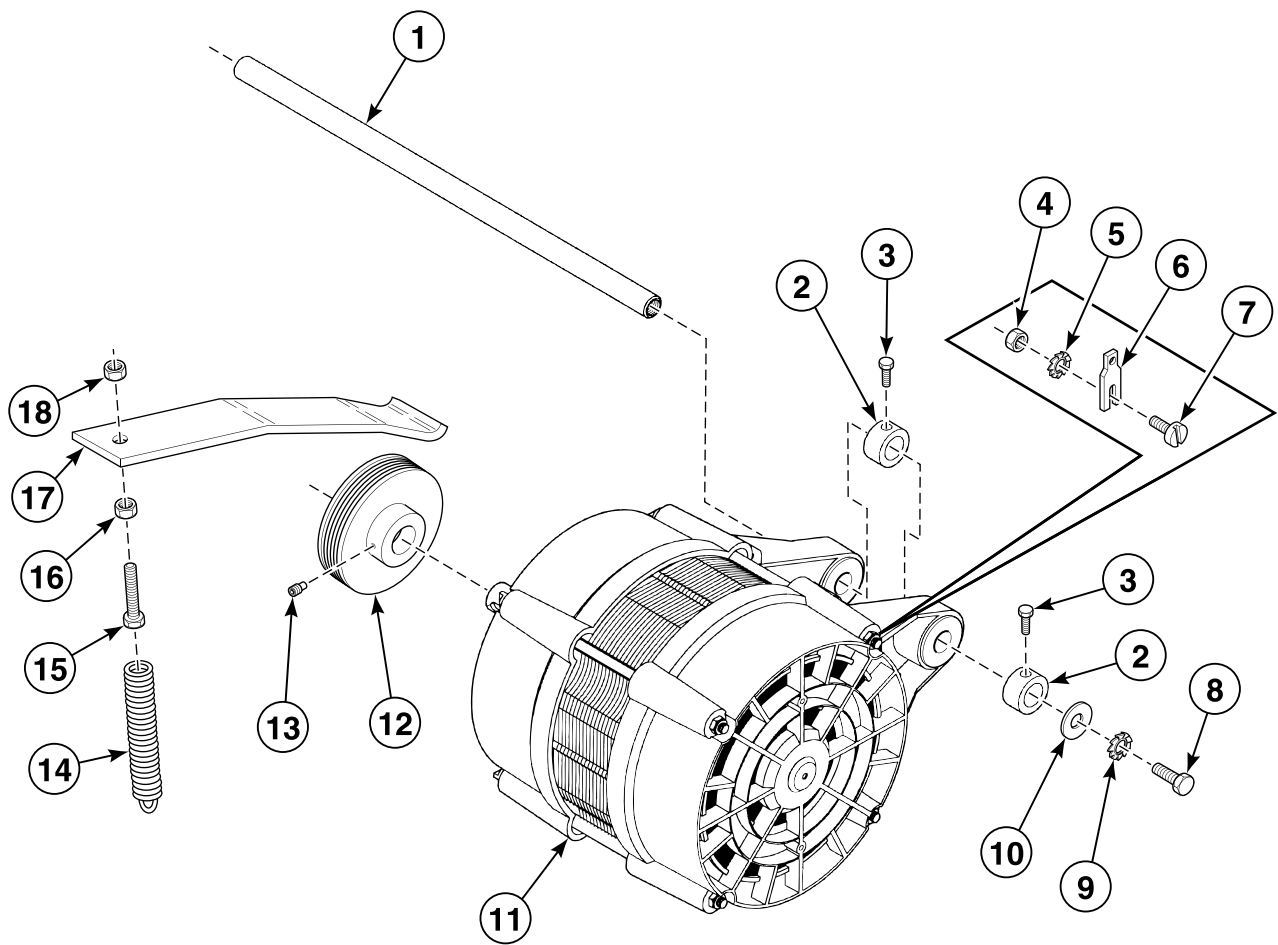


BE000188P\_D0243

## Pulley and Belt

REF	PART NO.	DESCRIPTION	COMMENTS
1	136/00018/00	Drum and Axle	3 mm diameter holes in basket
	136/00019/00	Drum and Axle	9 mm diameter holes in basket
2	219/00004/00	Counter Ring	
3	216/00003/04	Pipe Clip	
4	216/00002/04	Cylinder Shaft Key	
5	216/00003/00	Pulley	
6	203/00001/00	Washer	
7	206/00004/00	Bolt	
8	212/00016/02	Screw	
9	201/00003/00	Washer	
10	226/00057/00	V-Belt	

# Motor - Models without Inverter Drive



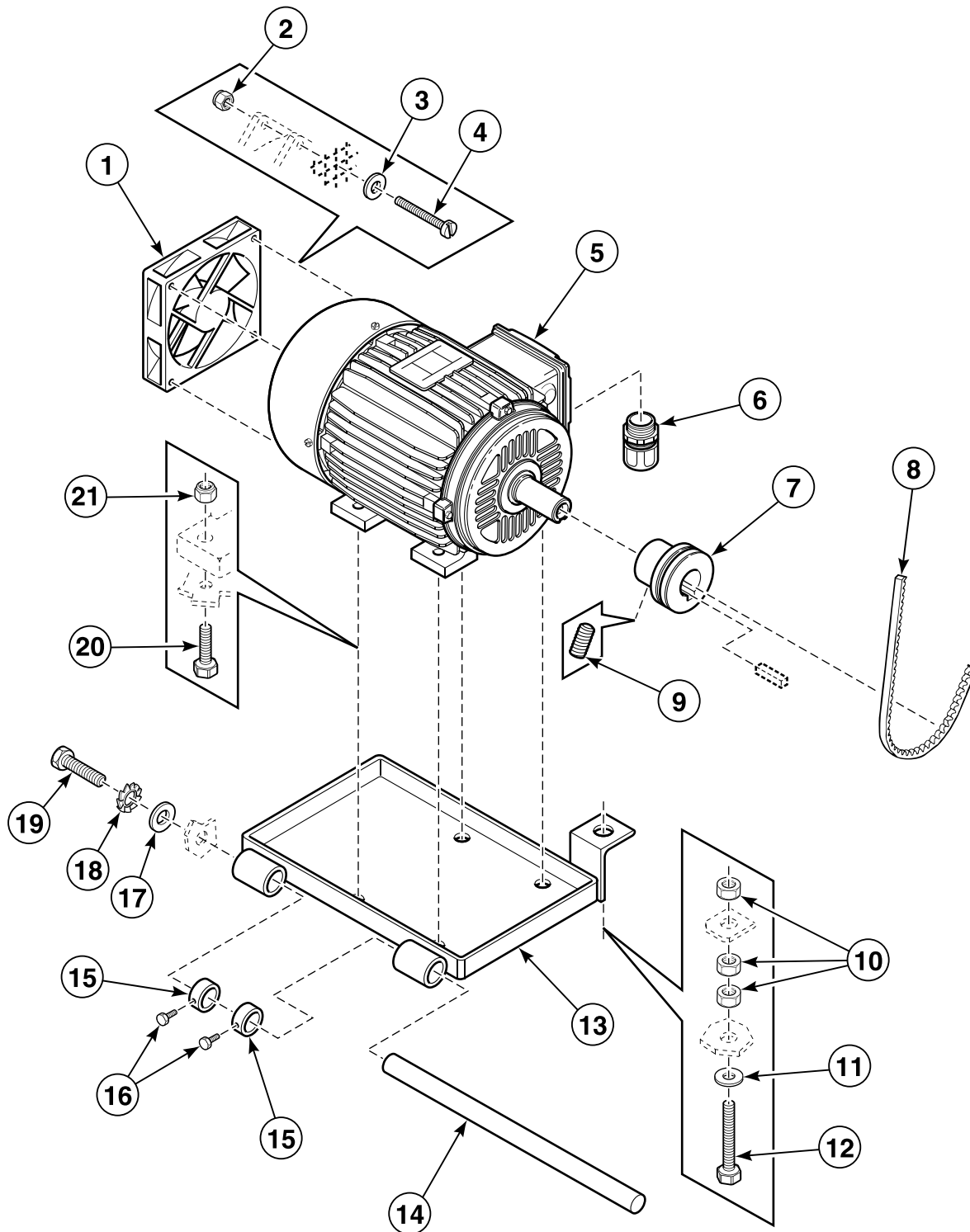
BE000189P\_D0243



## Motor - Models without Inverter Drive

REF	PART NO.	DESCRIPTION	COMMENTS
1	126/00052/00	Motor Axle	
2	226/00054/00	Safety Ring	
3	206/00015/00	Bolt	
4	204/00007/00	Nut	
5	203/00006/00	Washer	
6	209/00043/00	Terminal	
7	207/00008/00	Screw	
8	206/00006/00	Bolt	
9	203/00002/00	Washer	
10	201/00010/00	Washer	
11	228/00103/01	Motor	220-380 Volt/60 Hertz/3 Phase
	228/00004/01	Motor	220-380 Volt/50 Hertz/3 Phase
	228/00105/01	Motor	208-240 Volt/60 Hertz/3 Phase
	228/00104/00	Motor	260-440 Volt/60 Hertz/3 Phase
12	226/00058/00	Pulley	
13	206/00017/00	Rivet	
14	226/00010/00	Motor Spring	
15	206/00007/00	Screw	
16	206/00004/00	Bolt	
17	126/00056/00	Belt Tensioner	
18	204/00004/00	Nut	

# Motor - Models with Inverter Drive

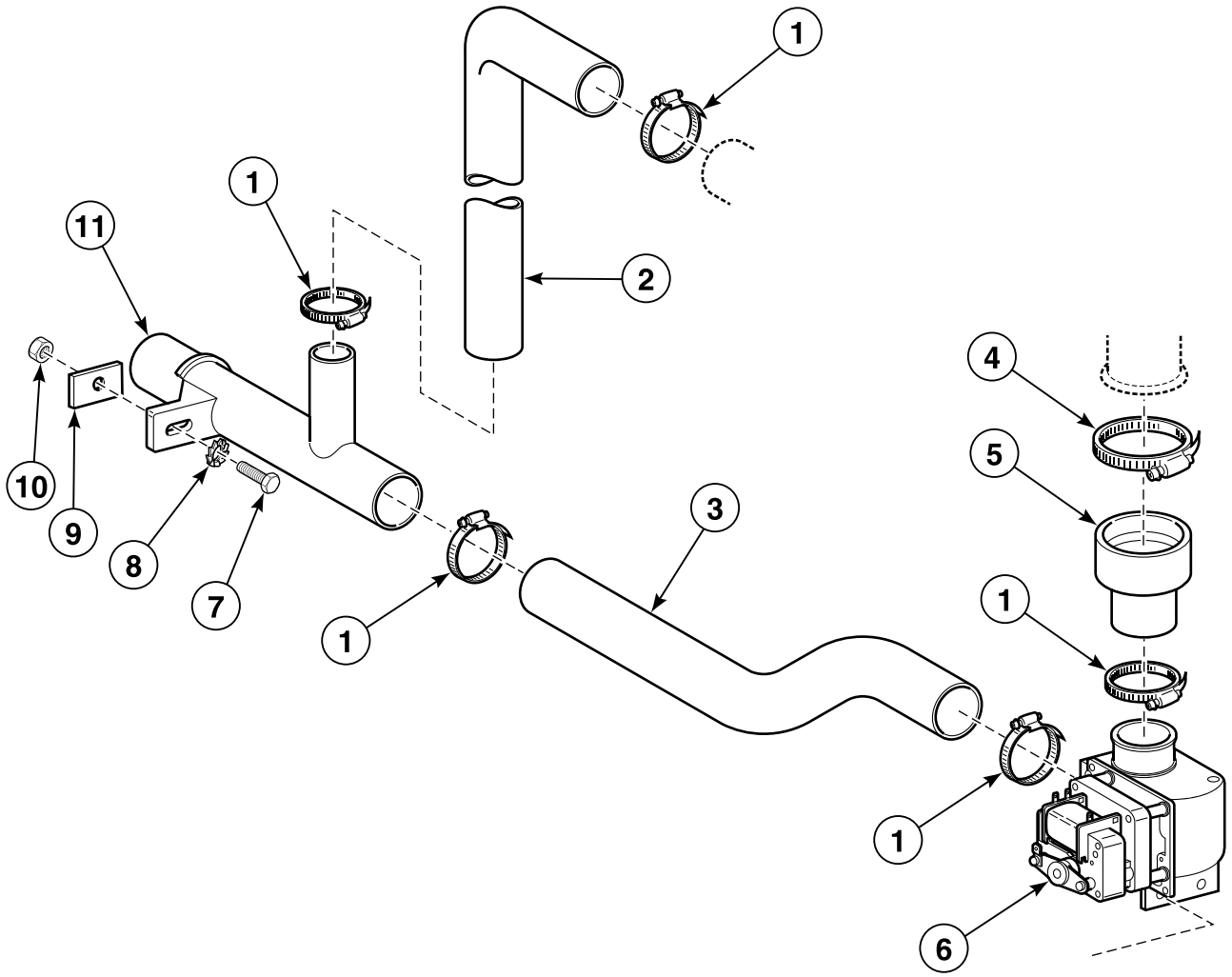


BE000440AP\_D0243

## Motor - Models with Inverter Drive

REF	PART NO.	DESCRIPTION	COMMENTS
1	209/00465/00	Fan	
2	204/00114/00	Nut	
3	201/00008/00	Washer	
4	207/00021/00	Screw	
5	227/00127/00	Motor	
6	211/00117/00	Cordlock	
7	226/00062/00	Pulley	
8	226/00115/00	V-Belt	
9	206/00056/00	Screw	
10	204/00012/00	Nut	
11	201/00001/00	Washer	
12	248/00115/00	Bolt	
13	152/00054/10	Motor Mounting Plate	
14	126/00051/00	Spindle	
15	226/00054/00	Safety Ring	
16	206/00014/00	Bolt	
17	201/00010/00	Washer	
18	203/00002/00	Washer	
19	206/00006/00	Bolt	
20	206/00005/00	Bolt	
21	204/00110/00	Nut	

# Drain Plumbing

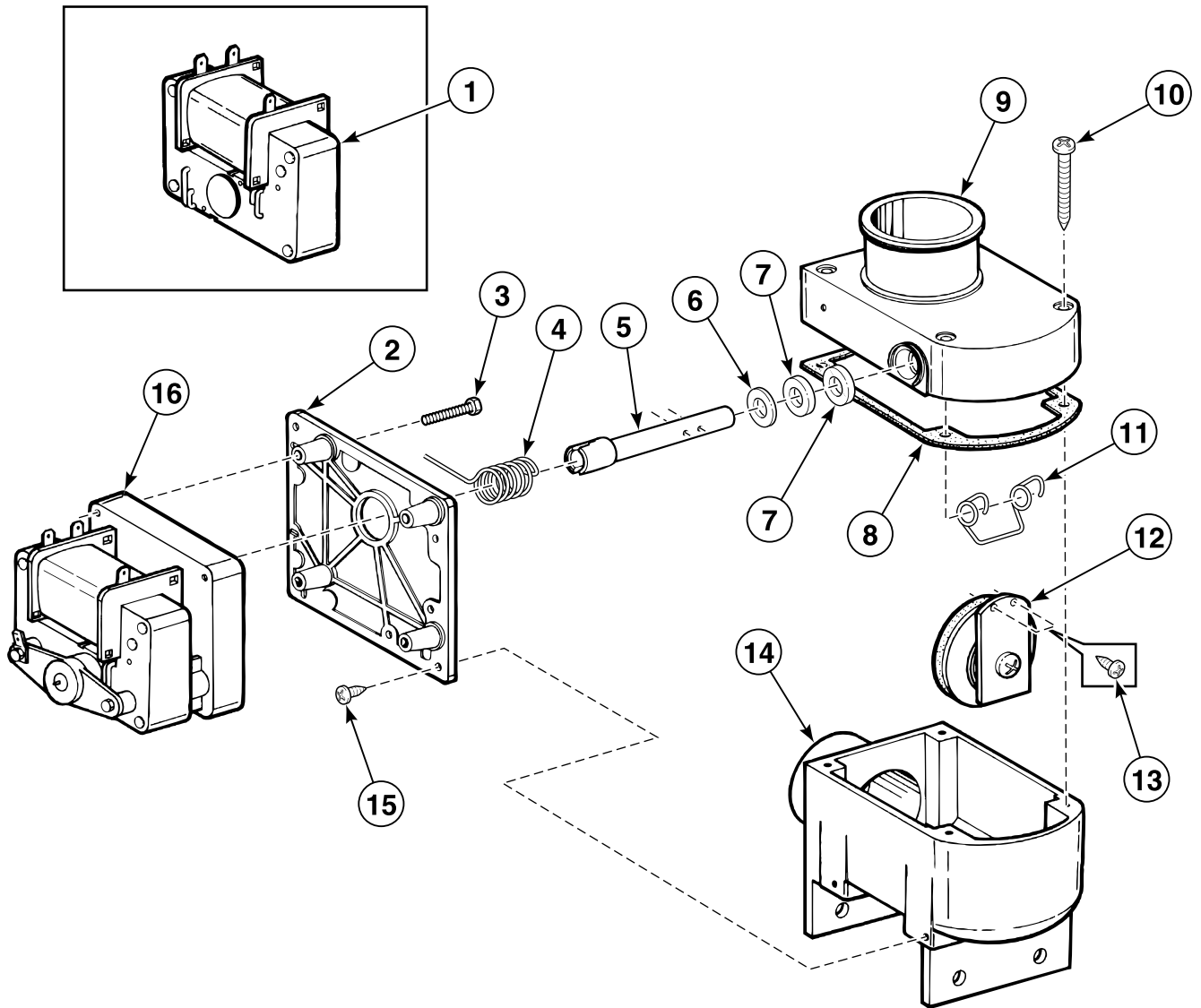


BE000137AP\_D0243

# Drain Plumbing

REF	PART NO.	DESCRIPTION	COMMENTS
1	223/00013/00	Hose Clamp	
2	223/00150/00	Overflow Hose	
3	223/00145/00	Valve	
4	223/00014/00	Hose Clamp	
5	223/00116/00	Tub Drain Exhaust Valve	
6	209/00256/00	Drain Valve	NO
	209/00292/00	Exhaust Valve	NC
7	206/00014/00	Bolt	
8	203/00004/00	Washer	
9	101/00007/00	Outlet Pipe Plate Assembly	
10	204/00005/00	Nut	
11	223/00105/00	Drain Pipe	

# Drain Valve - Normally Open

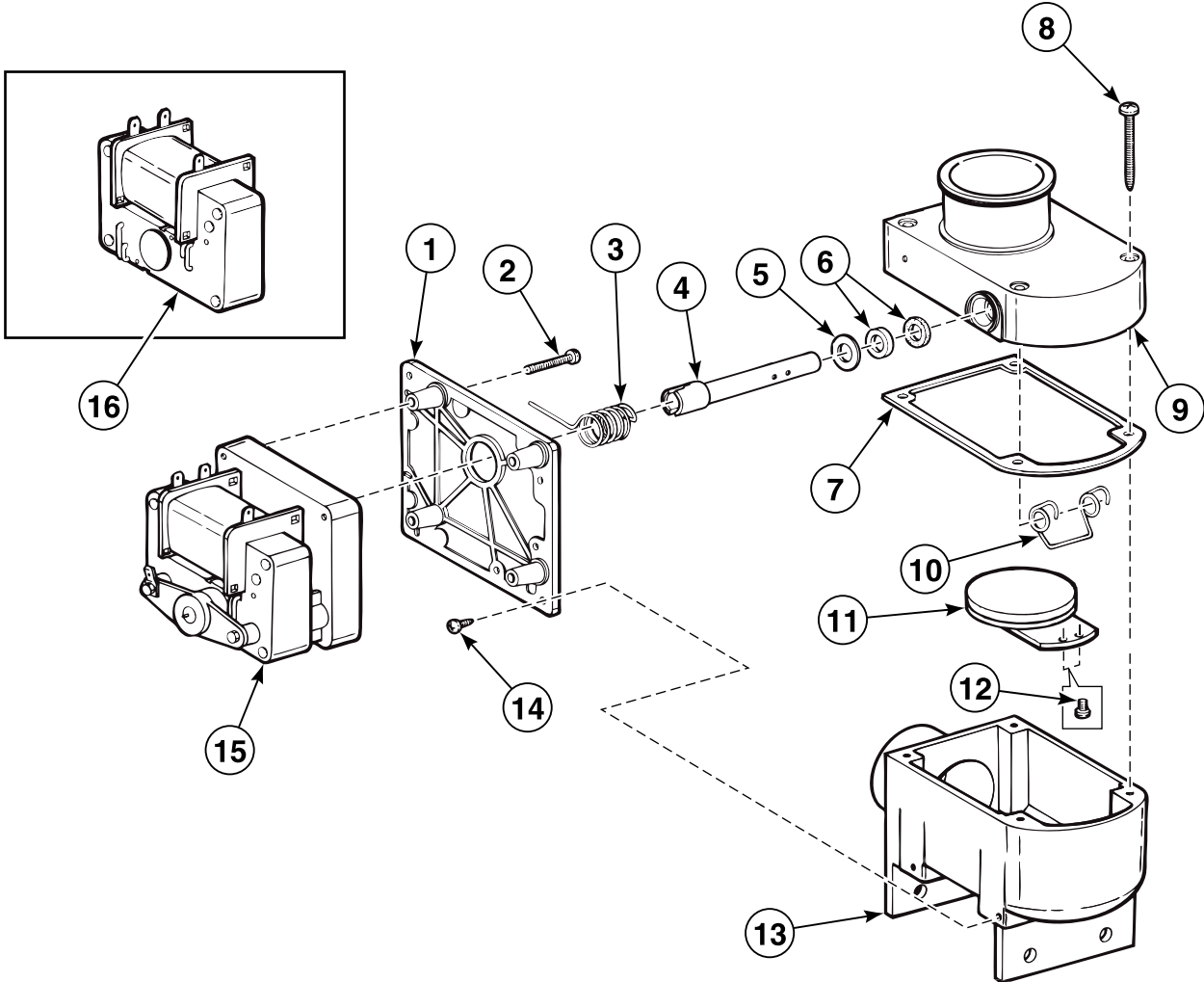


BE000030AP\_D0243

## Drain Valve - Normally Open

REF	PART NO.	DESCRIPTION	COMMENTS
1	209/00203/21	Coil	24 Volt
	209/00052/21	Coil	115 Volt/60 Hertz
	209/00051/21	Coil	220 Volt/50 or 60 Hertz
2	209/00025/07	Drain Valve Motor Mounting Plate	
3	206/00025/08	Screw	
4	209/00025/13	Drain Valve Spring	
5	209/00025/15	Valve Axle	
6	209/00025/12	Washer	
7	209/00025/10	Drain Valve Shaft Seal	
8	209/00025/02	Drain Housing Gasket	
9	209/00256/05	Valve	
10	209/00025/06	Screw	
11	209/00025/03	Drain Valve Spring	
12	209/00025/09	Screw	
13	209/00025/16	Sealing Plate Assembly	
14	209/00256/01	Valve	
15	209/00170/05	Screw	
16	209/00203/11	Drain Valve Motor	24 Volt
	209/00052/11	Drain Valve Motor	110 Volt/60 Hertz
	209/00051/11	Drain Valve Motor	220 Volt/50 or 60 Hertz

# Drain Valve - Normally Closed



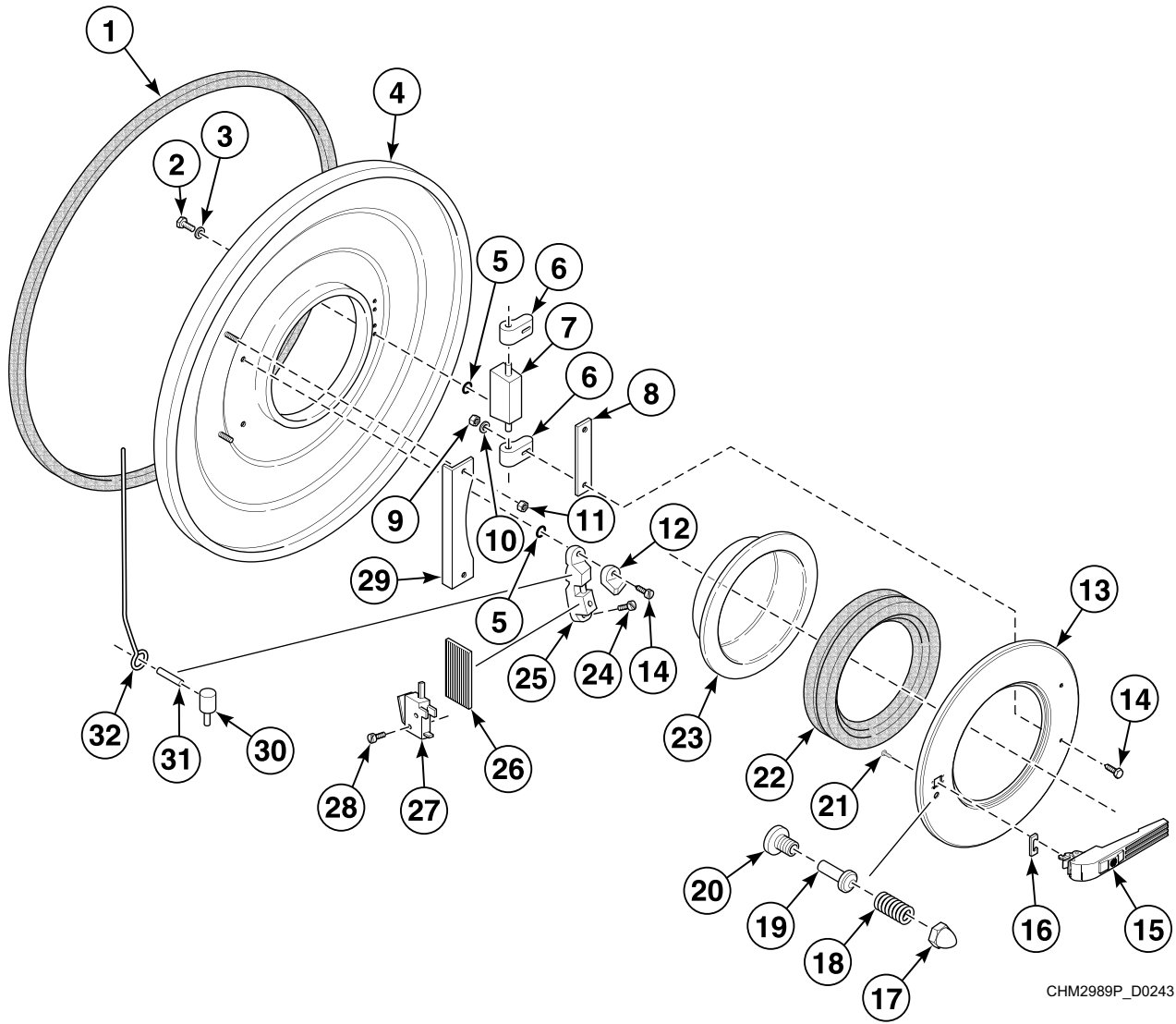
BE000031AP\_D0243



## Drain Valve - Normally Closed

REF	PART NO.	DESCRIPTION	COMMENTS
1	209/00025/07	Drain Valve Motor Mounting Plate	
2	209/00025/08	Screw	
3	209/00170/02	Drain Valve Spring	
4	209/00025/15	Valve Axle	
5	209/00025/12	Washer	
6	209/00025/10	Drain Valve Shaft Seal	
7	209/00025/02	Drain Housing Gasket	
8	209/00256/05	Valve	
9	209/00025/06	Screw	
10	209/00025/03	Drain Valve Spring	
11	209/00025/09	Screw	
12	209/00025/16	Sealing Plate Assembly	
13	209/00256/01	Valve	
14	209/00170/05	Screw	
15	209/00203/12	Drain Valve Motor	24 Volt
	209/00052/12	Drain Valve Motor	110 Volt/60 Hertz
	209/00170/06	Drain Valve Motor Assembly	220 Volt/50 or 60 Hertz
16	209/00203/21	Coil	24 Volt
	209/00052/21	Coil	115 Volt/60 Hertz
	209/00051/21	Coil	220 Volt/50 or 60 Hertz

# Door and Door Lock - Models Through 12/31/87

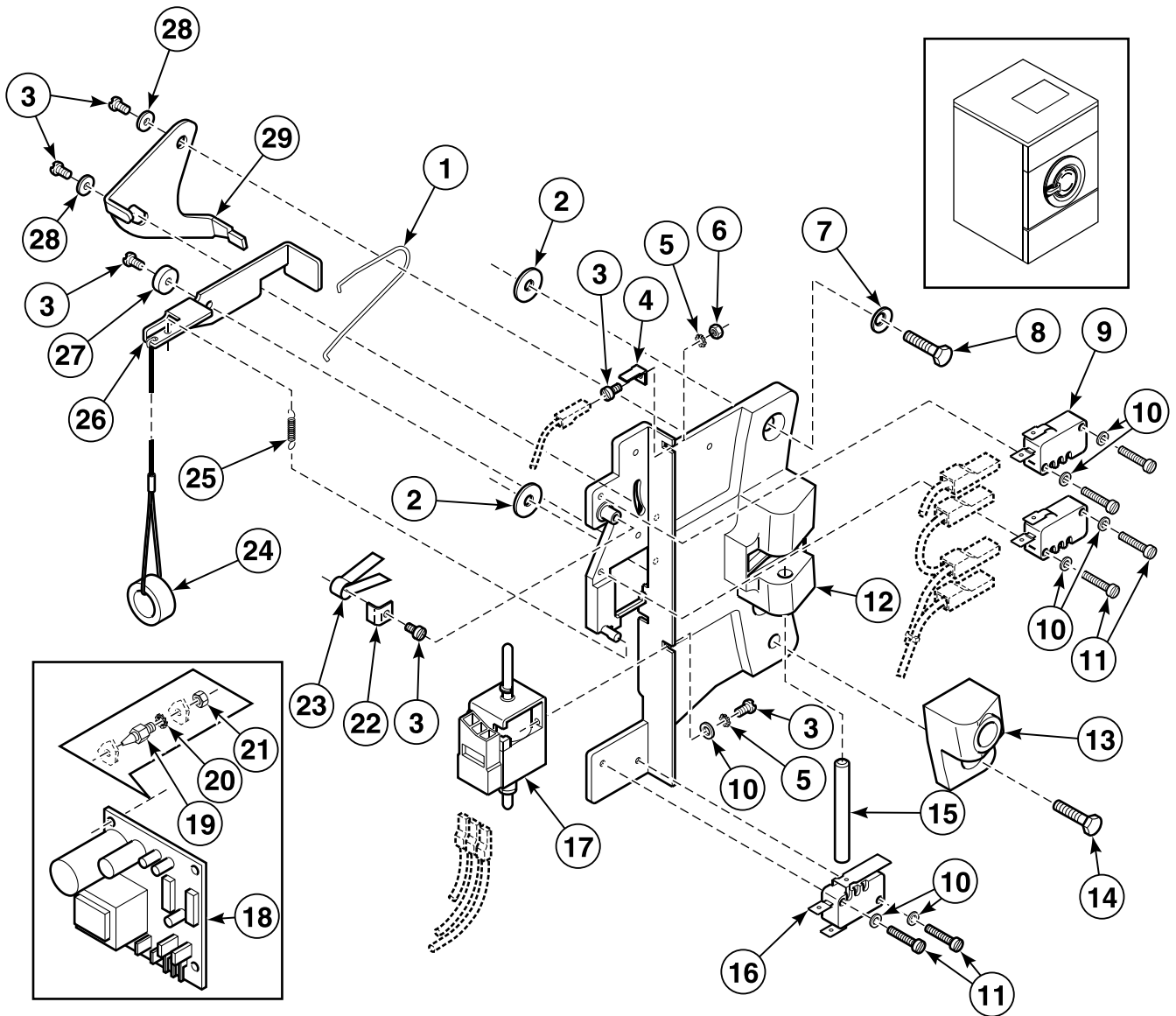


## Door and Door Lock - Models Through 12/31/87

REF	PART NO.	DESCRIPTION	COMMENTS
1	223/00242/00	Tub Front Gasket	
2	205/00104/00	Bolt	
3	202/00101/00	Washer	
4	138/00001/00	Tub Front	
5	217/00021/00	O-Ring	
6	217/00009/02	Door Hinge Assembly	
7	217/00009/01	Door Hinge	
8	117/00010/00	Door Hinge Spacer	
9	204/00106/00	Nut	
10	202/00003/00	Washer	
11	204/00009/00	Nut	
12	217/00017/02	Protection Block	
13	131/00003/00	Door Panel	
14	207/00102/00	Screw	
15	217/00065/00	Door Handle	
16	217/00016/00	Door Handle Stop	
17	204/00103/00	Nut	
18	217/00020/00	Spring	
19	211/00105/00	Pin	
20	217/00019/00	Holder	
21	207/00005/00	Screw	
	203/00008/00	Washer	
22	223/00068/00	Door Glass Seal	
23	231/00004/00	Door Glass	
24	207/00103/00	Screw	
25	217/00017/00	Door Lock Assembly	
26	217/00038/00	Insulation Plate	
27	209/00023/00	Door Switch	
28	207/00109/00	Screw	
29	N/A	Door Interlock System Protection Plate	
30	224/00003/00	Interlock Pin	
31	208/00004/00	Pin	
32	N/A	Lock Wire Bridge	

N/A = Part no longer available

# Door Lock - Models Starting 1/1/88

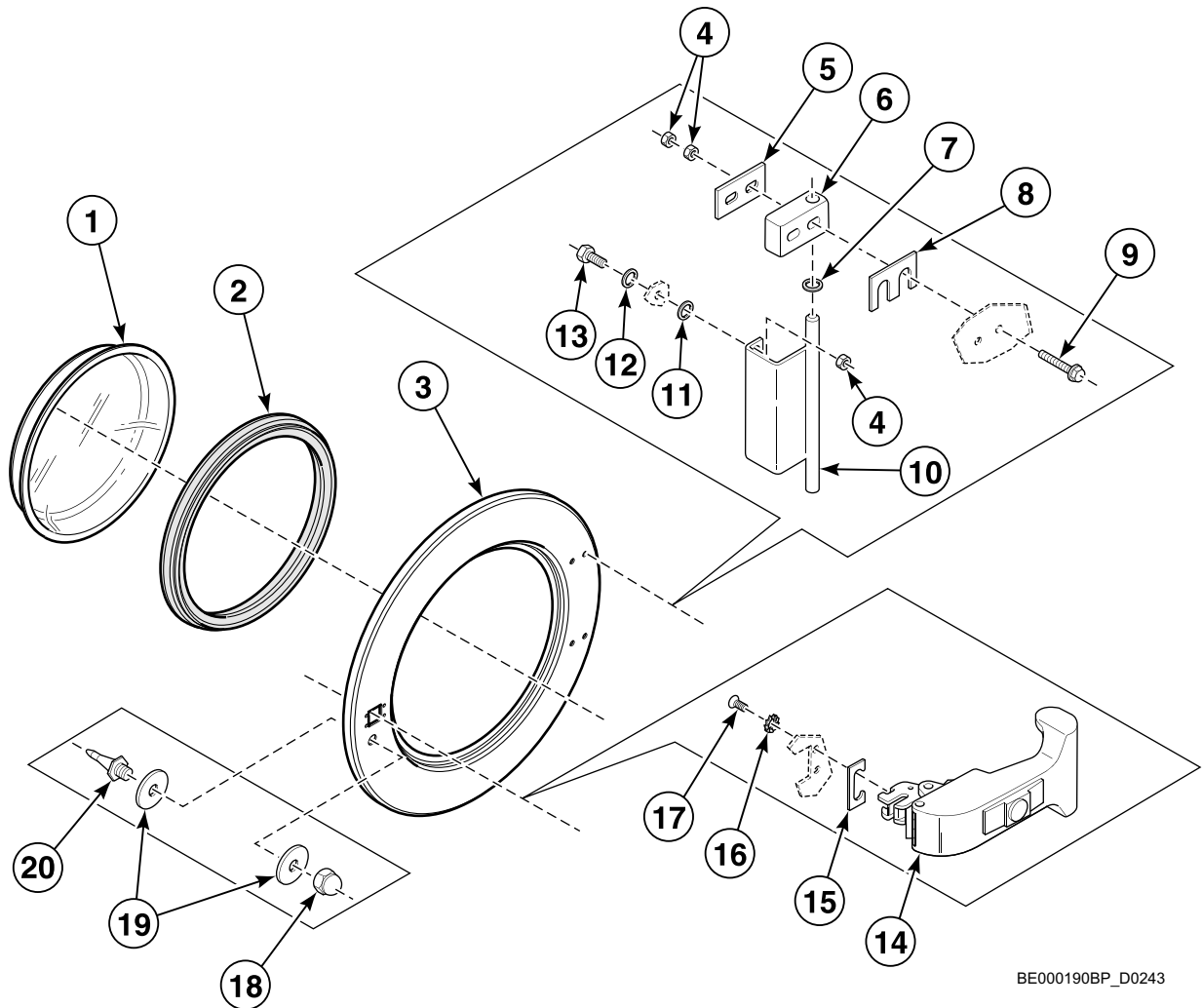


BE000059AP\_D0243

## Door Lock - Models Starting 1/1/88

REF	PART NO.	DESCRIPTION	COMMENTS
1	224/00040/00	Lever Spring	
2	217/00021/00	O-Ring	
3	207/00135/00	Screw	
4	210/10015/00	Ground Terminal	
5	203/00007/00	Washer	
6	204/00008/00	Nut	
7	203/00010/00	Washer	
8	207/00103/00	Screw	
9	209/00272/00	Door Lock Microswitch	
10	201/00018/00	Washer	
11	207/00009/00	Screw	
12	217/00052/01A	Door Lock Assembly	
13	217/00052/02	Door Lock Pin Kit	
14	207/00102/00	Screw	
15	217/00017/03	Lock Shaft	
16	209/00273/00	Light Microswitch	
17	209/00274/00	Door Lock Solenoid	
18	209/00275/04	Door Lock Board	
19	211/00120/00	Standoff	
20	203/00006/00	Washer	
21	204/00007/00	Nut	
22	217/00052/08	Washer	
23	224/00049/00	Door Lock Spring	
24	224/00015/00	Door Latch Cord	
25	224/00043/00	Interlock Coil Spring	
26	217/00052/04	Interlock Lever	
27	217/00052/03	Door Lock Spacer	
28	201/00017/00	Washer	
29	217/00052/05	Switch Lever	

# Door - Models Starting 1/1/88

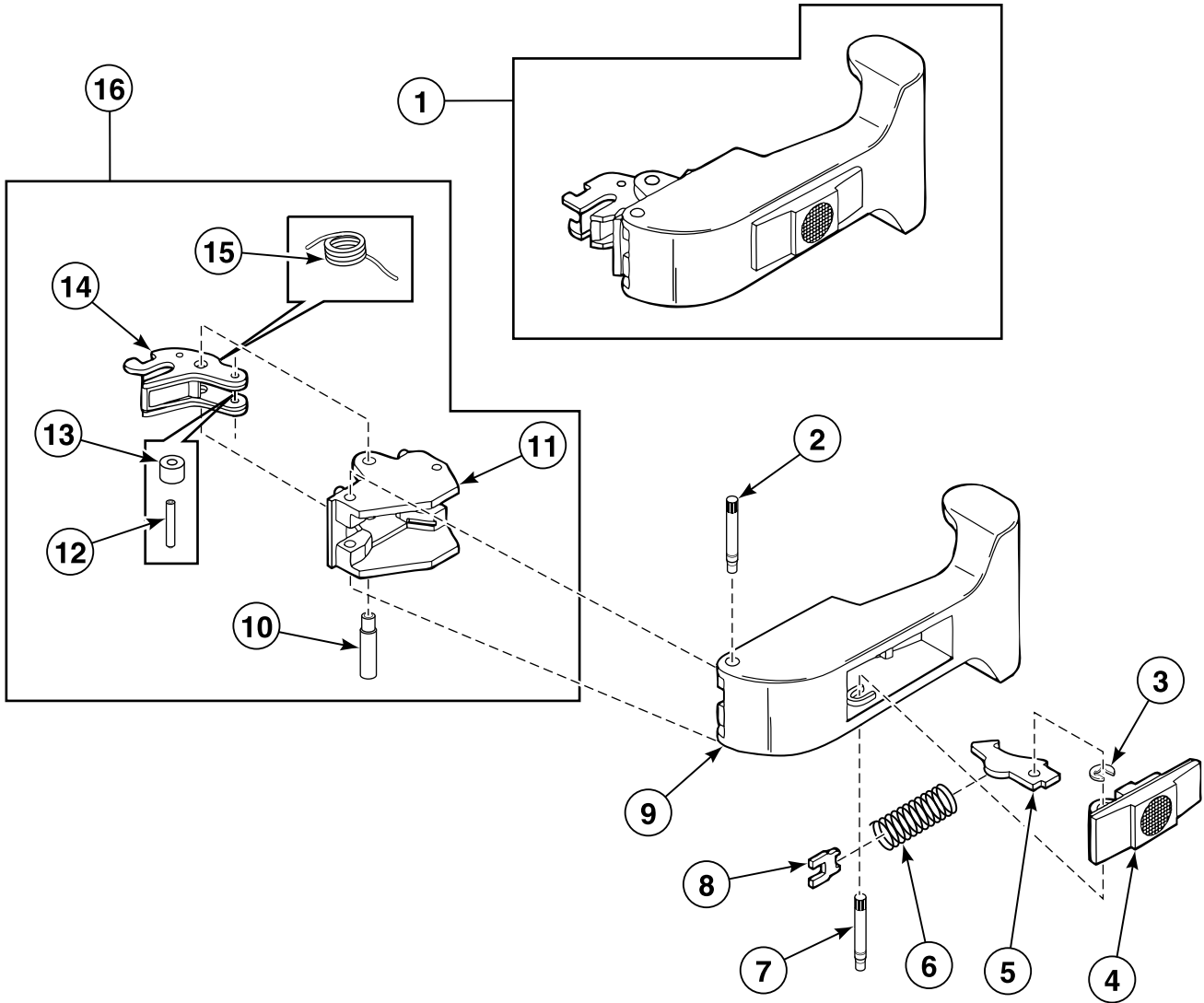


BE000190BP\_D0243

## Door - Models Starting 1/1/88

REF	PART NO.	DESCRIPTION	COMMENTS
1	231/00004/00	Door Glass	
2	223/00068/00	Door Glass Seal	
3	131/00003/00	Door Panel	
4	204/00106/00	Nut	
5	111/00003/00	Door Hinge Plate Assembly	
6	253/00022/00	Door Hinge Block	
7	202/00104/00	Washer	
8	118/00122/00	Door Hinge Spacer	1.5 mm
	118/00124/00	Door Hinge Spacer	2 mm
9	207/00126/00	Screw	
10	131/00046/00	Hinge	
11	217/00021/00	O-Ring	
12	202/00101/00	Washer	
13	205/00104/00	Bolt	
14	217/00051/00	Door Handle	
15	217/00016/00	Door Handle Stop	
16	203/00008/00	Washer	
17	207/00020/00	Screw	
18	204/00103/00	Nut	
19	202/00119/01	Washer	
20	211/00109/01	Door Lock Pin Kit	

# Door Handle (Drawing 1 of 2)



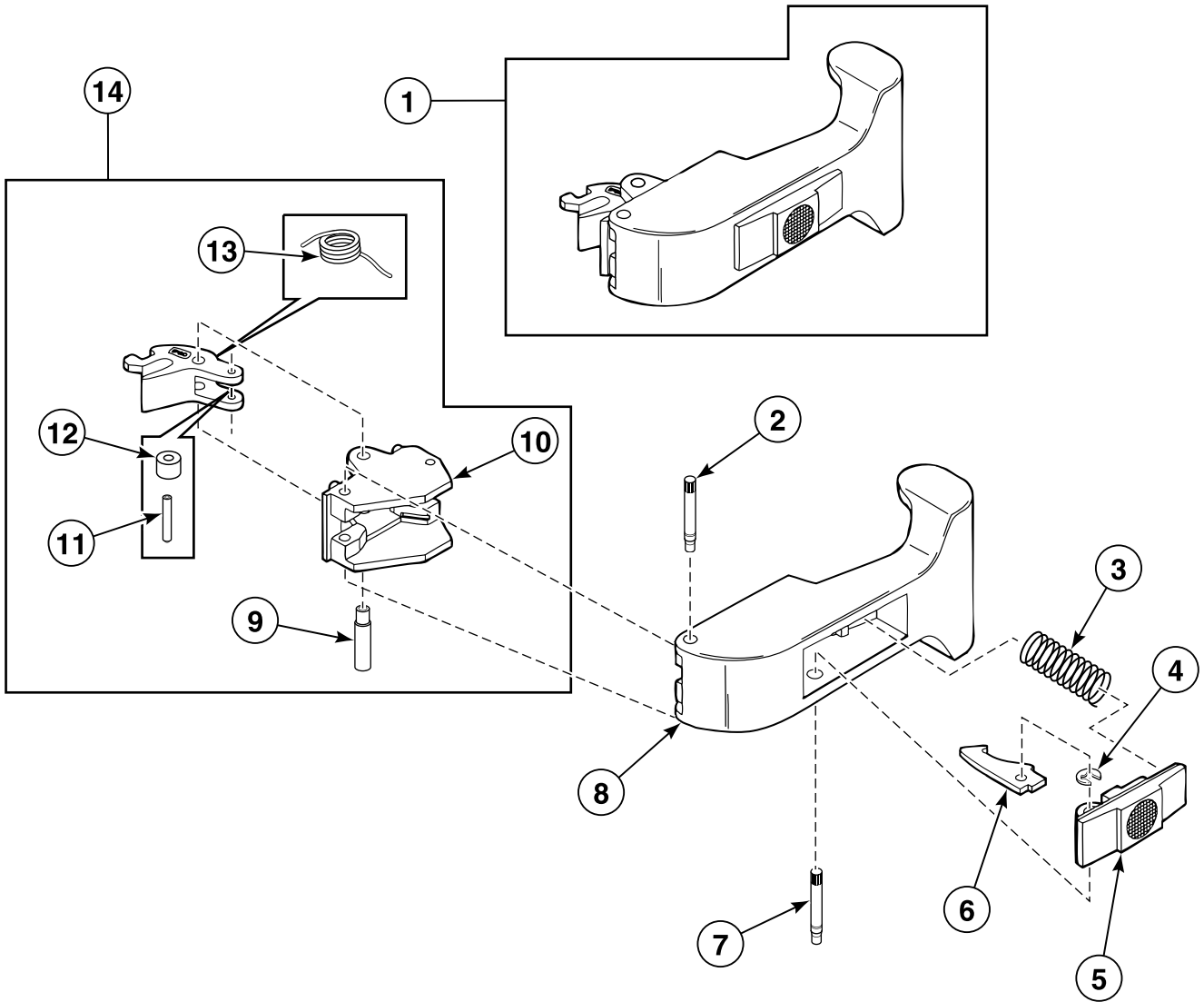
BE000034AP\_D0243



## Door Handle (Drawing 1 of 2)

REF	PART NO.	DESCRIPTION	COMMENTS
1	217/00051/00	Door Handle	
2	217/00013/09	Door Mounting Pin	
3	217/00013/11	Door Circlip	
4	217/00013/12	Door Handle	
5	217/00013/13	Door Handle Hook	
6	217/00013/14	Door Handle Spring	
7	217/00013/15	Door Handle Locking Pin	
8	217/00013/16	Door Handle Assembly Plate	
9	217/00051/10	Door Handle	
10	217/00013/08	Door Locking Pin	
11	217/00013/07	Door Locking Grip	
12	217/00013/05	Door Axle Roller	
13	217/00013/06	Door Roller	
14	217/00013/04	Door Handle Latch	
15	217/00013/03	Door Lock Spring	
16	217/00051/14	Door Handle Latch	

# Door Handle (Drawing 2 of 2)

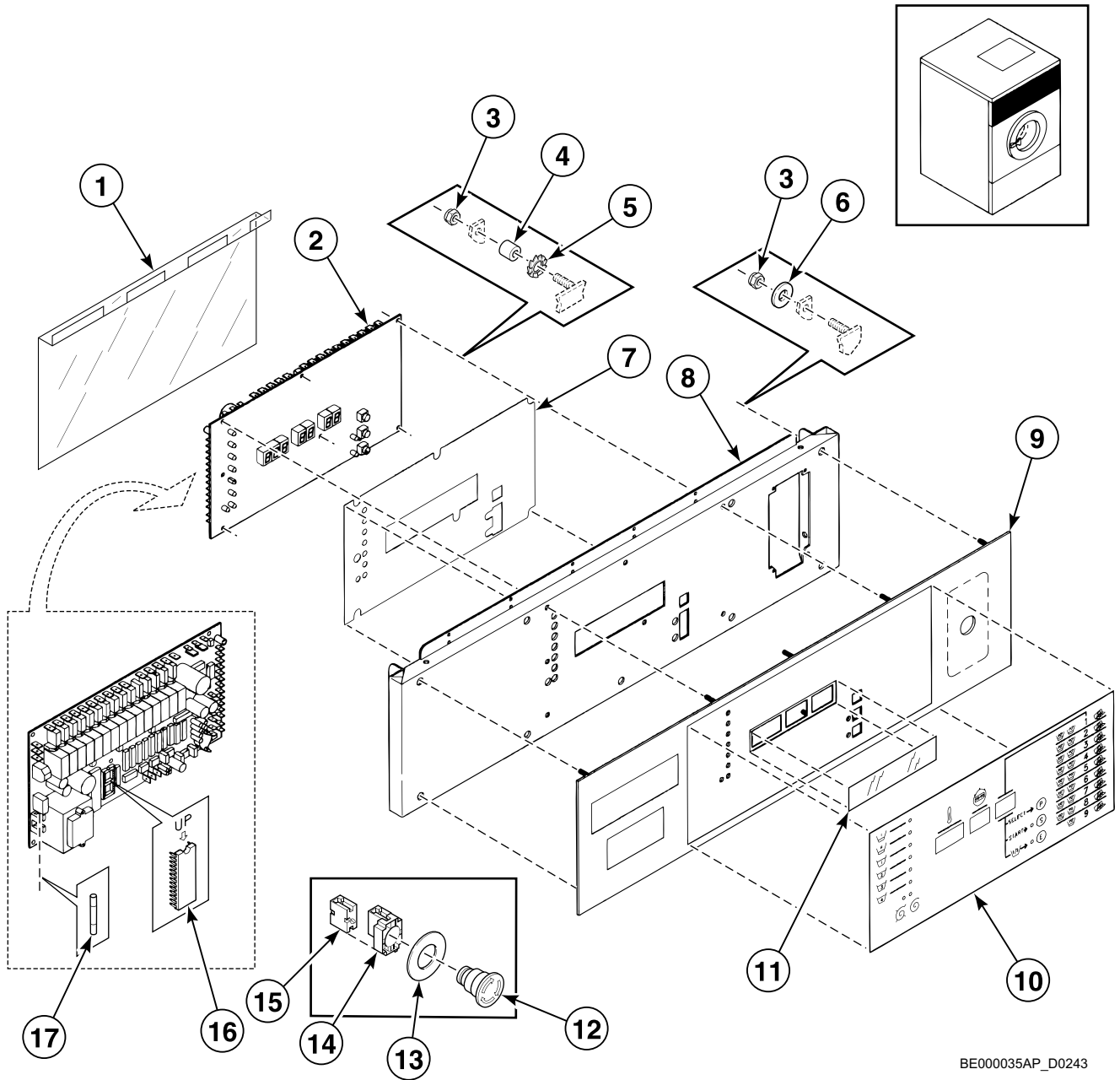


BE000034BP\_D0243

## Door Handle (Drawing 2 of 2)

REF	PART NO.	DESCRIPTION	COMMENTS
1	217/00051/00	Door Handle	
2	217/00013/09	Door Mounting Pin	
3	217/00013/14	Door Handle Spring	
4	217/00013/11	Door Circlip	
5	217/00013/12	Door Handle	
6	217/00051/13	Door Handle Catch	
7	217/00051/15	Door Locking Pin	
8	217/00051/10	Door Handle	
9	217/00013/08	Door Locking Pin	
10	217/00013/07	Door Locking Grip	
11	217/00013/05	Door Axle Roller	
12	217/00013/06	Door Roller	
13	217/00013/03	Door Lock Spring	
14	217/00051/14	Door Handle Latch	

# Control Panel - Micro-20

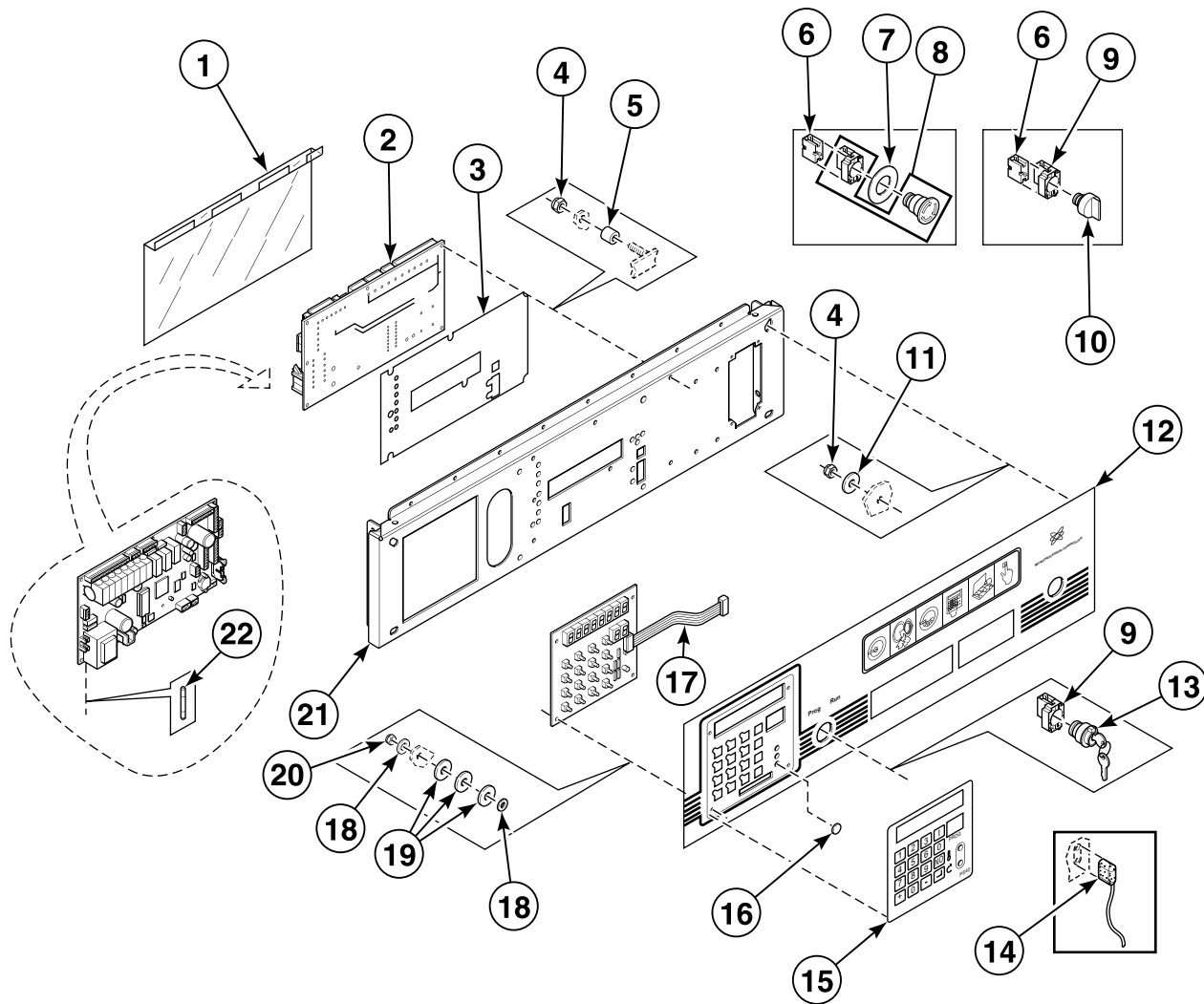


BE000035AP\_D0243

## Control Panel - Micro-20

REF	PART NO.	DESCRIPTION	COMMENTS
1	229/00262/00	Circuit Board Cover	
2	209/00440/00	Printboard	Models through 8/31/01
	209/00440/70	Printboard	Models starting 9/1/01
3	204/00114/00	Nut	
4	211/00122/00	Standoff	
5	204/00009/00	Nut	
6	201/00008/00	Washer	
7	229/00255/00	Insulating Sticker	
8	111/00181/00	Upper Front Panel	Stainless steel
	111/00181/10	Upper Front Panel	Epoxy
9	225/00291/AOL	Front Panel	Coin models
	225/00292/AOL	Front Panel	OPL models
10	225/00308/00	Sticker	Coin models
	225/00309/00	Sticker	OPL models
11	225/00316/00	Plexi Frame	
12	209/00248/00	Mushroom Pushbutton	
13	209/00520/00	Telem Sticker	
14	209/00099/05	Contact	
15	209/00099/06	Contact Switch	
16	209/00266/01	Eprom	
17	209/00439/00	Fuse	

# Control Panel - PS40F

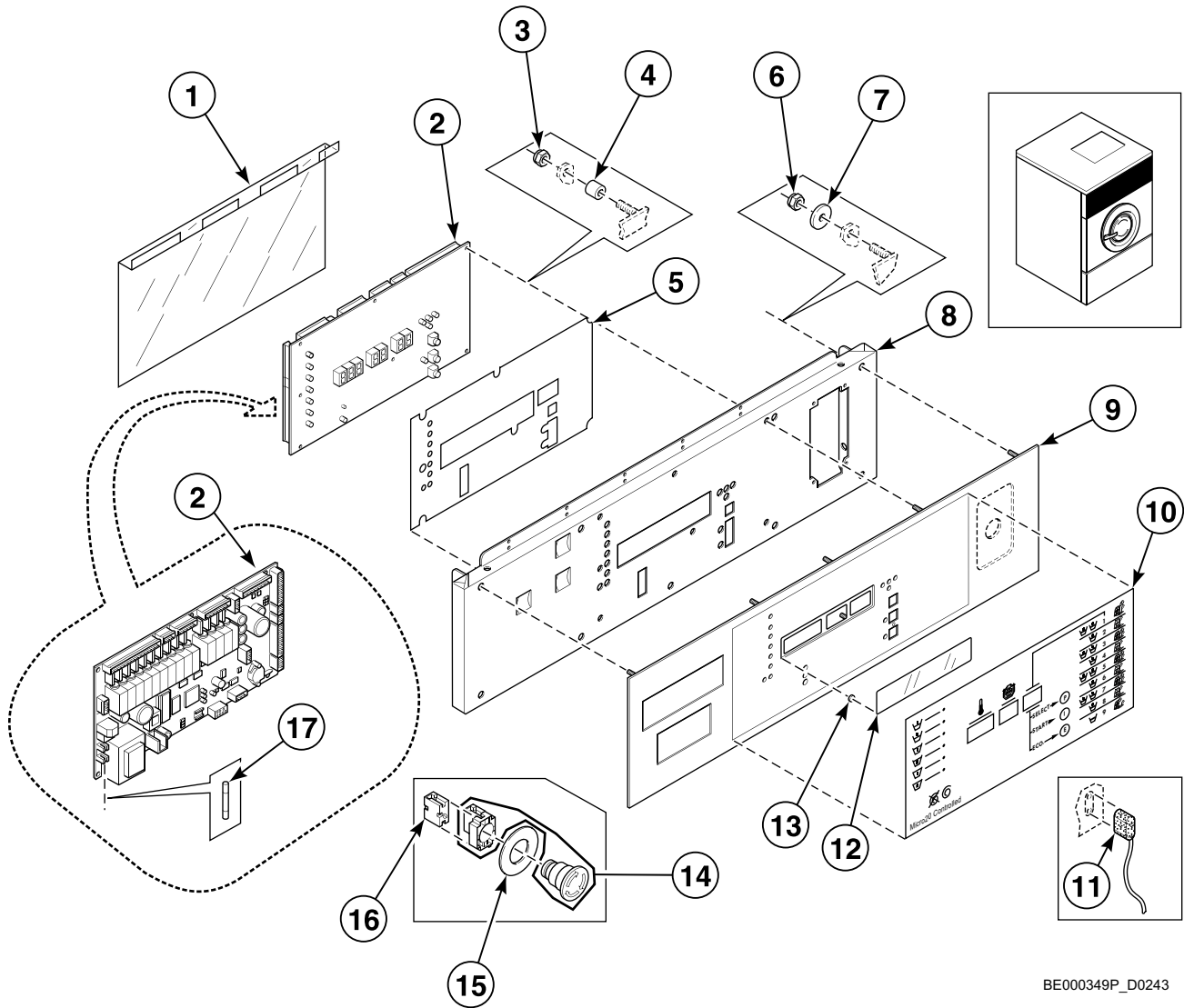


BE000558P\_D0243

## Control Panel - PS40F

REF	PART NO.	DESCRIPTION	COMMENTS
1	229/00262/00	Circuit Board Cover	
2	B12351701	Main Board	
3	229/00255/00	Insulating Sticker	
4	204/00114/00	Nut	
5	211/00122/00	Standoff	
6	209/00099/26	Contact Switch	
8	209/00248/20	Mushroom Pushbutton	
7	209/00520/00	Telem Sticker	
9	209/00099/25	Switch Base	
10	209/00099/29	Switch Knob	
11	201/00008/00	Washer	
12	225/00271/00	Front Panel	
13	209/00326/20	Programming Key Contact Switch	
14	210/00902/00	Infrared Cable	
15	225/00365/00	Overlay	
16	202/00120/00	Metal Disc	
17	209/00552/01	Keypad	
18	223/00123/00	Washer	
19	223/00051/10	Washer	
20	204/00116/00	Nut	
21	111/00222/00	Upper Front Panel	
22	209/00372/01	Fuse	

# Control Panel - Sigma

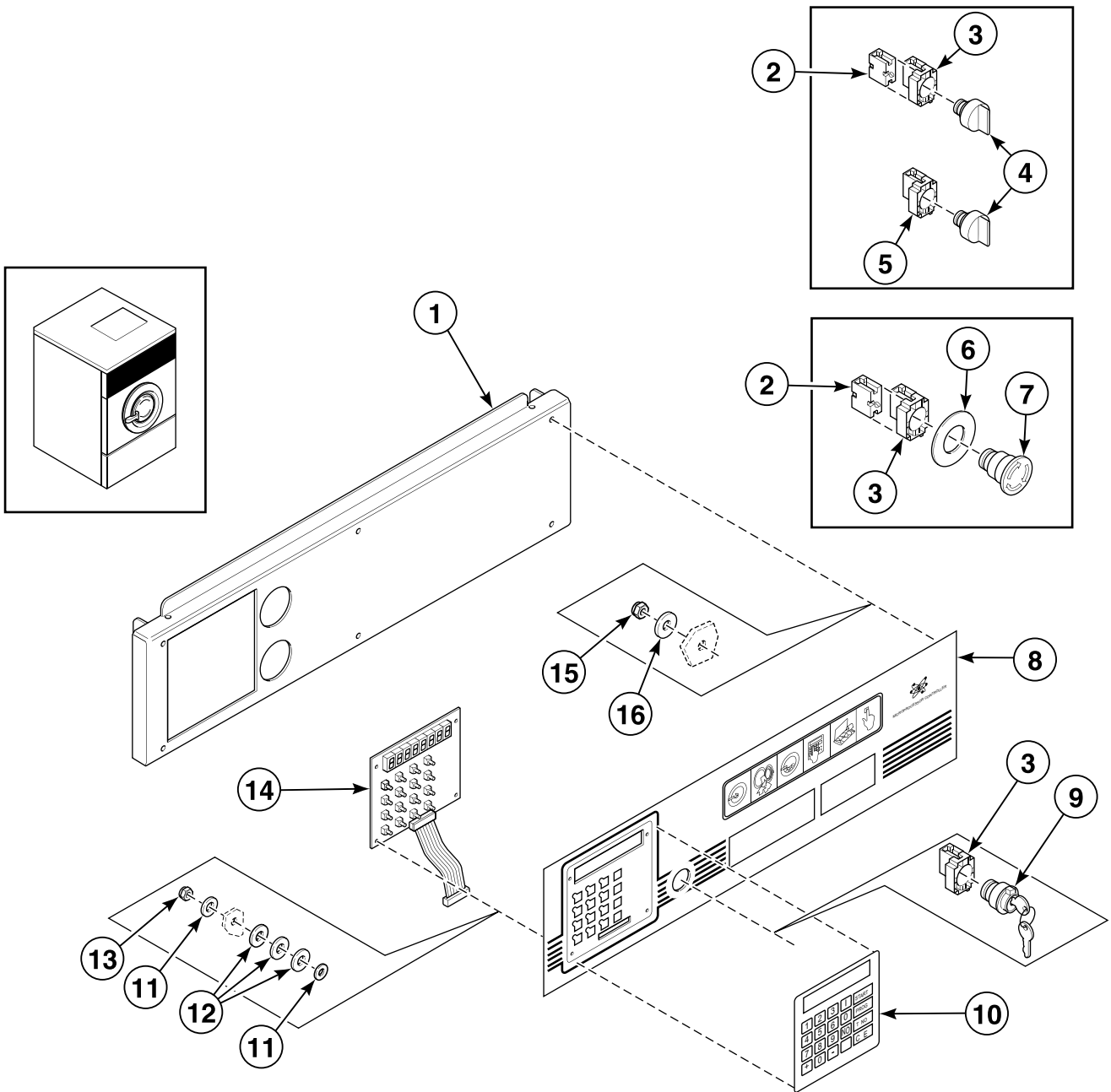




## Control Panel - Sigma

REF	PART NO.	DESCRIPTION	COMMENTS
1	229/00262/00	Circuit Board Cover	
2	209/00547/00	Control Board	
3	204/00114/00	Nut	
4	211/00122/00	Standoff	
5	229/00255/00	Insulating Sticker	
6	204/00009/00	Nut	
7	201/00008/00	Washer	
8	111/00180/00	Electrical Connection Plate	Stainless steel
	111/00180/10	Electrical Connection Plate	Epoxy
9	225/00289/AOL	Facia Panel	
10	225/00360/00	Front Label	
	225/00367/00	Front Label	Models without ECO or temperature
11	210/00902/00	Infrared Cable	
12	225/00316/00	Plexi Frame	
13	202/00120/00	Metal Disc	
14	209/00248/20	Mushroom Pushbutton	
15	209/00520/00	Telem Sticker	
16	209/00099/26	Contact Switch	
17	209/00439/00	Fuse	

# Control Panel - PC30

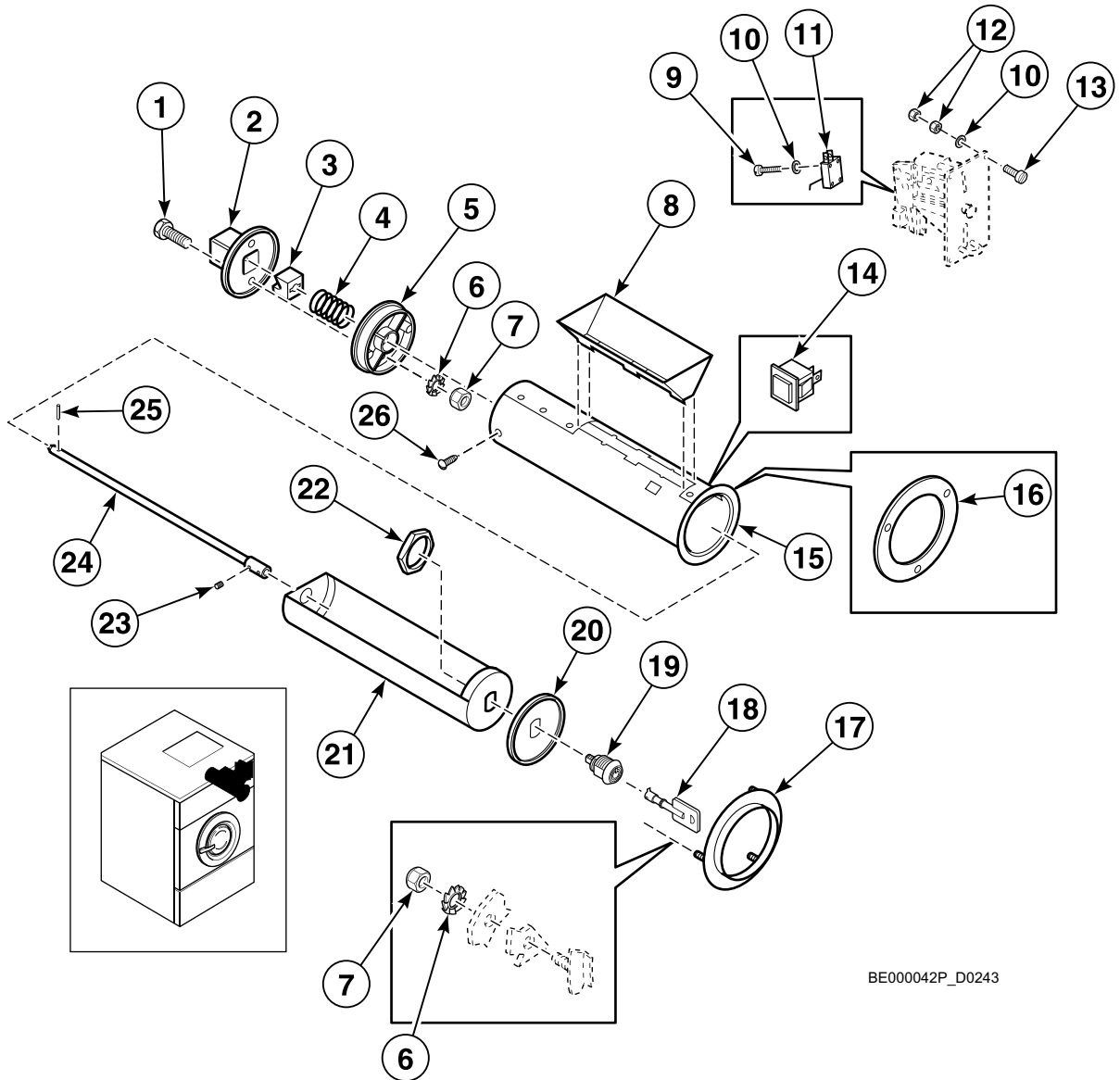


BE000114AP\_D0243

## Control Panel - PC30

REF	PART NO.	DESCRIPTION	COMMENTS
1	111/00215/00	Upper Front Panel	
2	209/00099/20	Emergency Switch Pushbutton	NC
	209/00099/07	Contact Switch	NO
3	209/00099/05	Contact	
4	209/00099/09	Button	
5	209/00253/00	Emergency Stop Button Kit	
6	209/00520/00	Telem Sticker	
7	209/00248/00	Mushroom Pushbutton	
8	225/00271/00	Front Panel	
9	209/00326/00	Programming Switch	
10	229/00245/00	Label	
11	223/00123/00	Washer	
12	223/00051/10	Washer	
13	204/00116/00	Nut	
14	209/00323/01	Keyboard	
15	204/00114/00	Nut	
16	201/00008/00	Washer	

# Coin Meter and Coin Vault

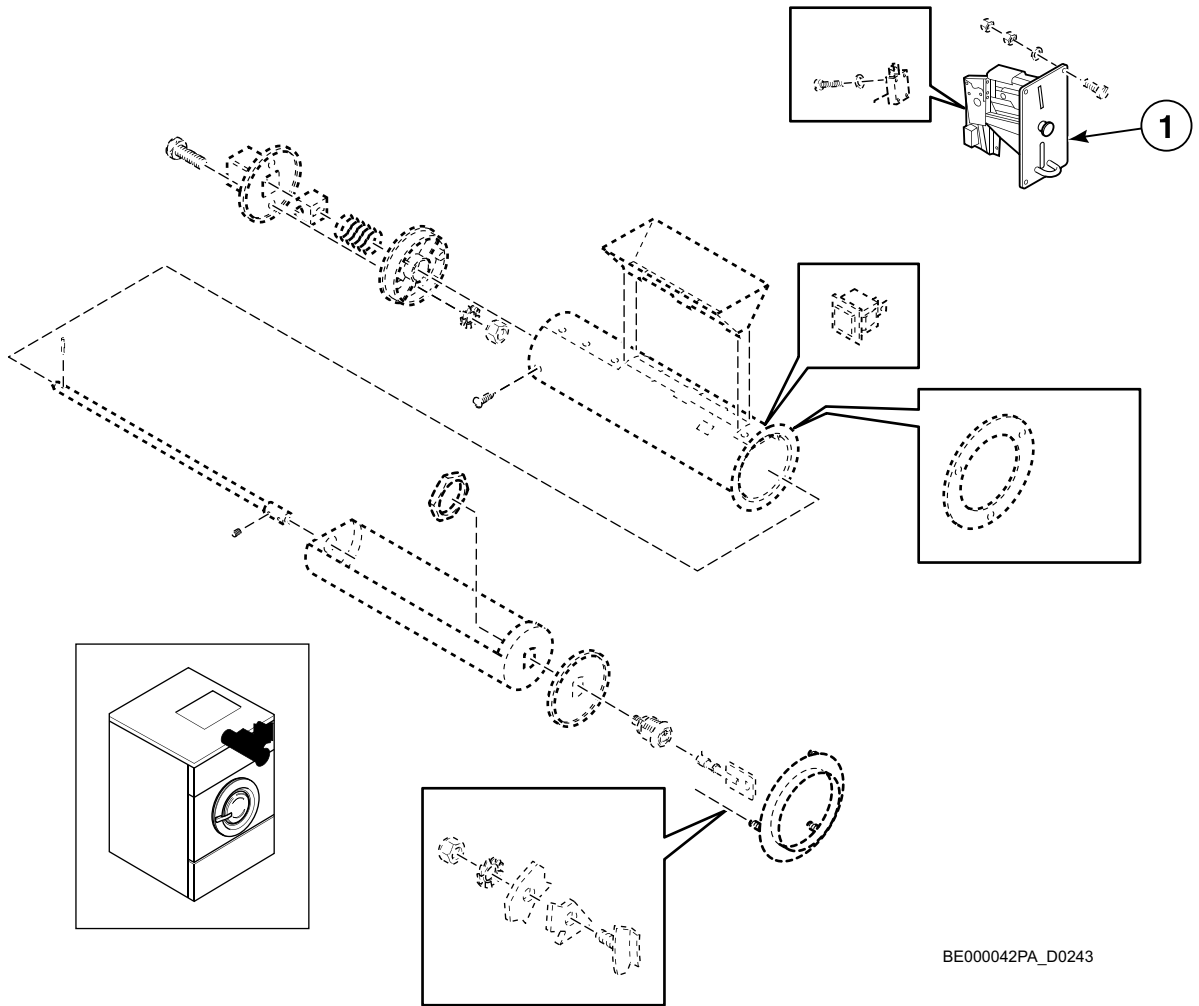


BE000042P\_D0243

## Coin Meter and Coin Vault

REF	PART NO.	DESCRIPTION	COMMENTS
1	206/00033/00	Bolt	
2	211/00070/01	Outer Cabinet Lock	
3	211/00070/02	Washer	
4	211/00070/04	Spring	
5	211/00070/03	Inner Coin Box	
6	203/00004/00	Washer	
7	204/00005/00	Nut	
8	211/00071/00	Coin Box	
9	207/00009/00	Screw	
10	203/00007/00	Washer	
11	209/00060/12	Coin Drop Microswitch	
12	204/00008/00	Nut	
13	207/00108/00	Screw	
14	209/00396/00	Pushbutton	
15	211/00100/00	Outer Coin Box	
16	111/00100/00	Coin Box Ring Assembly	
17	111/00066/00	Coin Box Ring	
18	211/00065/02	Coin Box Key	
19	211/00065/00	Coin Box Lock	
20	111/00068/00	Front Plate	
21	211/00101/00	Coin Box	
22	211/00065/01	Nut	
23	206/00038/00	Screw	
24	111/00069/00	Spindle	
25	208/00013/00	Roll Pin	
26	208/00007/00	Screw	

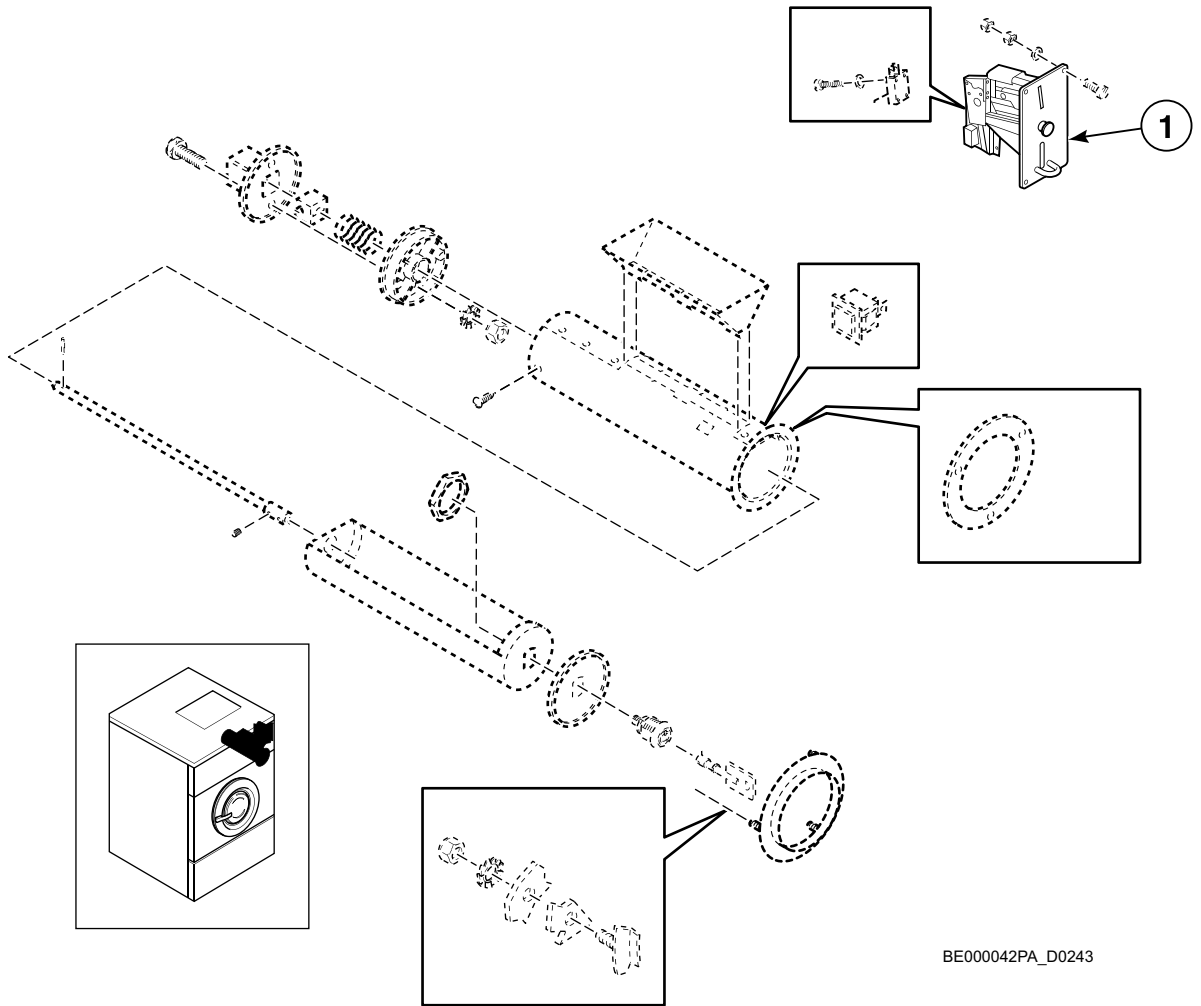
# Coin Meter (Drawing 1 of 2)



## Coin Meter (Drawing 1 of 2)

REF	PART NO.	DESCRIPTION	COMMENTS
1	209/00389/00	Coin Meter	.10 euro
	209/00388/00	Coin Meter	.20 euro
	209/00387/00	Coin Meter	.50 euro
	209/00390/00	Coin Meter	1 euro
	209/00391/00	Coin Meter	1 euro (LVN)
	209/00119/00	Coin Meter	.50 and .20 euro
	209/00120/00	Coin Meter	1 and .20 euro
	209/00166/00	Coin Meter	1 and .50 euro
	209/00576/00	Coin Meter	2 and .50 euro
	209/00111/00	Coin Meter	U.S.; \$.25
	209/00111/10	Coin Meter	U.S.; \$.25; Laundercenter
	209/00215/00	Coin Meter	.25 Hfl and 1 Hfl
	209/00414/00	Coin Meter	Canada; .25 and 1.00
	209/00214/00	Coin Meter	.25 Hfl
	209/00378/00	Coin Meter	Australia; 1 and 2
	209/00229/00	Coin Meter	Australia; 1 and .20
	209/00403/00	Coin Meter	1 fim and 5 fim
	209/00065/00	Coin Meter	Hong Kong; 1
	209/00418/00	Coin Meter	Malaysia; 1
	209/00364/00	Coin Meter	1 pound and 20 pence
	209/00437/00	Coin Meter	1 rand and 2 rand
	209/00442/00	Coin Meter	1 shekel and 5 shekel
	209/00375/00	Coin Meter	Singapore; 1
	209/00383/00	Coin Meter	New Zealand; 2 and 1
	209/00500/00	Coin Meter	5 Mdh and 10 Mdh
	209/00404/00	Coin Meter	5 NoCr an 10 NoCr
	209/00215/01	Coin Meter	1 Hfl
	209/00402/08	Coin Meter	10 dek and 2 dek
	209/00460/00	Coin Meter	2 dek
	209/00064/00	Coin Meter	Australia; .20
	209/10215/00	Coin Meter	5 Hfl and 1 Hfl
	209/00415/00	Coin Meter	Hong Kong; 5
	209/00501/00	Coin Meter	50 kronur and 100 kronur
	209/00402/01	Coin Meter	.800 token
	209/00402/03	Coin Meter	Token
	209/00402/07	Coin Meter	Token; Wash Club
	209/00428/00	Coin Meter	Token; Custruzione
	209/00502/00	Coin Meter	Token; Small Muller
	209/00402/04	Coin Meter	Prinz token; 28 x 2.7 mm
	209/00402/02	Coin Meter	Prinz token; 22.85 x 2.1 mm
	209/00407/00	Coin Meter	Prinz token; 26 x 2.05 mm
	209/00469/00	Coin Meter	NRI

# Coin Meter (Drawing 2 of 2)

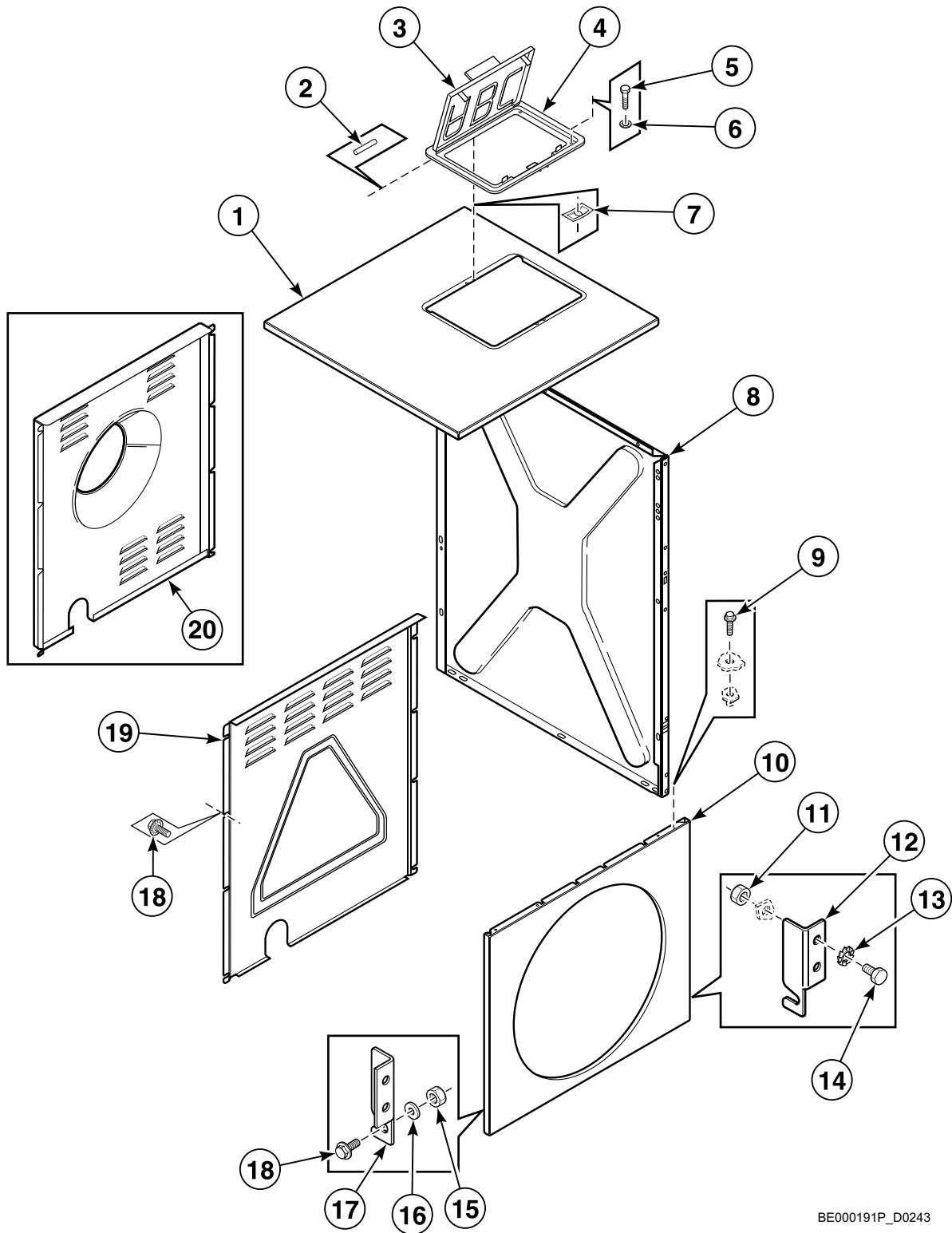




## Coin Meter (Drawing 2 of 2)

REF	PART NO.	DESCRIPTION	COMMENTS
1	209/00216/00	Coin Meter	100 yen
	209/00278/00	Coin Meter	100 yen and 500 yen
	209/00373/00	Coin Meter	500 won
	209/00522/00	Coin Meter	Trenner
	209/00060/00	Coin Drop	Token; 5K
	209/00061/00	Coin Meter	Token; 7K
	209/00068/00	Coin Meter	Token; 10K
	209/00069/00	Coin Meter	Token; 12K
	209/00070/00	Coin Meter	Token; 15K
	209/00122/00	Coin Meter	Token; Boissevain
	209/00411/00	Coin Meter	Token; Carsen
	209/00156/00	Coin Meter	Token; Gettone per
	209/00121/00	Coin Meter	Profiled token
	209/00062/00	Coin Meter	Token; Vasketeria
	209/00161/00	Coin Meter	1 dek
	209/00158/00	Coin Meter	1 rail
	209/00160/00	Coin Meter	5 dek
	209/00269/00	Coin Meter	100 won and 500 won
	209/00286/00	Coin Meter	Token; Blanc Club Lavage
	209/00296/00	Coin Meter	Token; Clean Wash
	209/00123/00	Coin Meter	Token; Jessernigg
	209/00162/00	Coin Meter	Token; Vasketeria and 5DK
	209/00066/00	Coin Meter	Token; Vasketeria and 2 x 1DK
	209/00072/00	Coin Meter	Token; Wascator
	209/00553/00	Coin Meter	U.S.; \$1.00 and \$.25
	209/00548/00	Coin Meter	100 pesetas and 25 pesetas

# Right Side, Front, Lower Rear and Top Panels - OPL Models

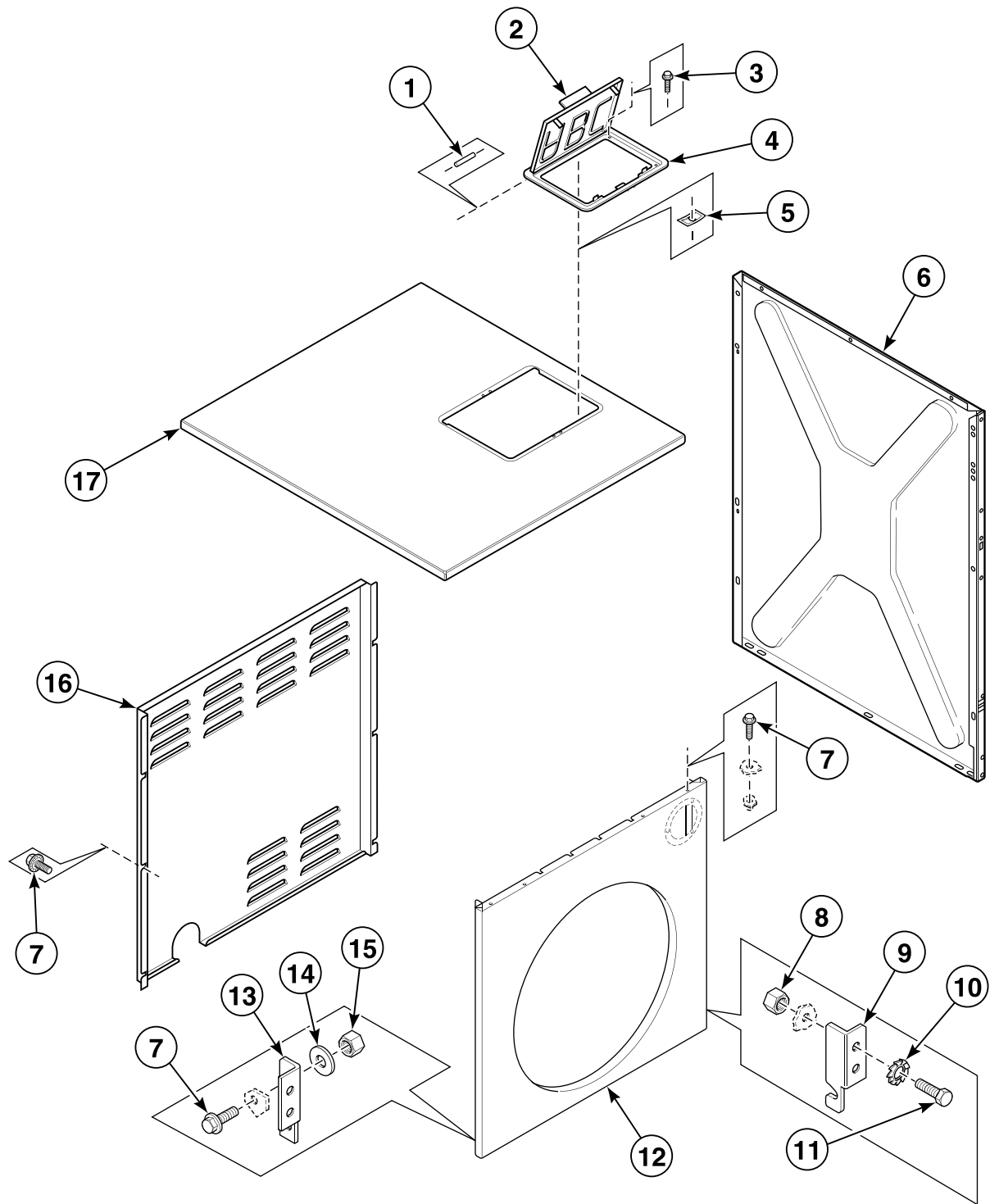


BE000191P\_D0243

## Right Side, Front, Lower Rear and Top Panels - OPL Models

REF	PART NO.	DESCRIPTION	COMMENTS
1	111/22743/00	Top Panel	Stainless steel
	111/22744/00	Top Panel	Stainless steel with lock
	111/23743/00	Top Panel	Epoxy
2	223/00103/04	Soap Dispenser Cover Hinge Rod	
3	223/00103/03	Soap Dispenser Frame	
4	223/00103/01	Soap Dispenser Cover	
5	205/00108/00	Bolt	
6	202/00101/00	Washer	
7	208/00104/00	Nut	
8	111/22728/10	Side Panel	Stainless steel
	111/23728/00	Side Panel	Epoxy
9	206/00099/00	Bolt	
10	111/00281/10	Lower Front Panel	Epoxy
	111/00281/00	Lower Front Panel	Stainless steel
11	204/00107/00	Nut	
12	111/00002/00	Hook	
13	203/00005/00	Washer	
14	206/00016/00	Bolt	
15	204/00005/00	Nut	
16	201/00006/00	Washer	
17	111/00001/00	Hook	
18	111/00036/11	Back Panel	
19	152/00053/01	Back Panel	

# Right Side, Front, Lower Rear and Top Panels - Coin Models

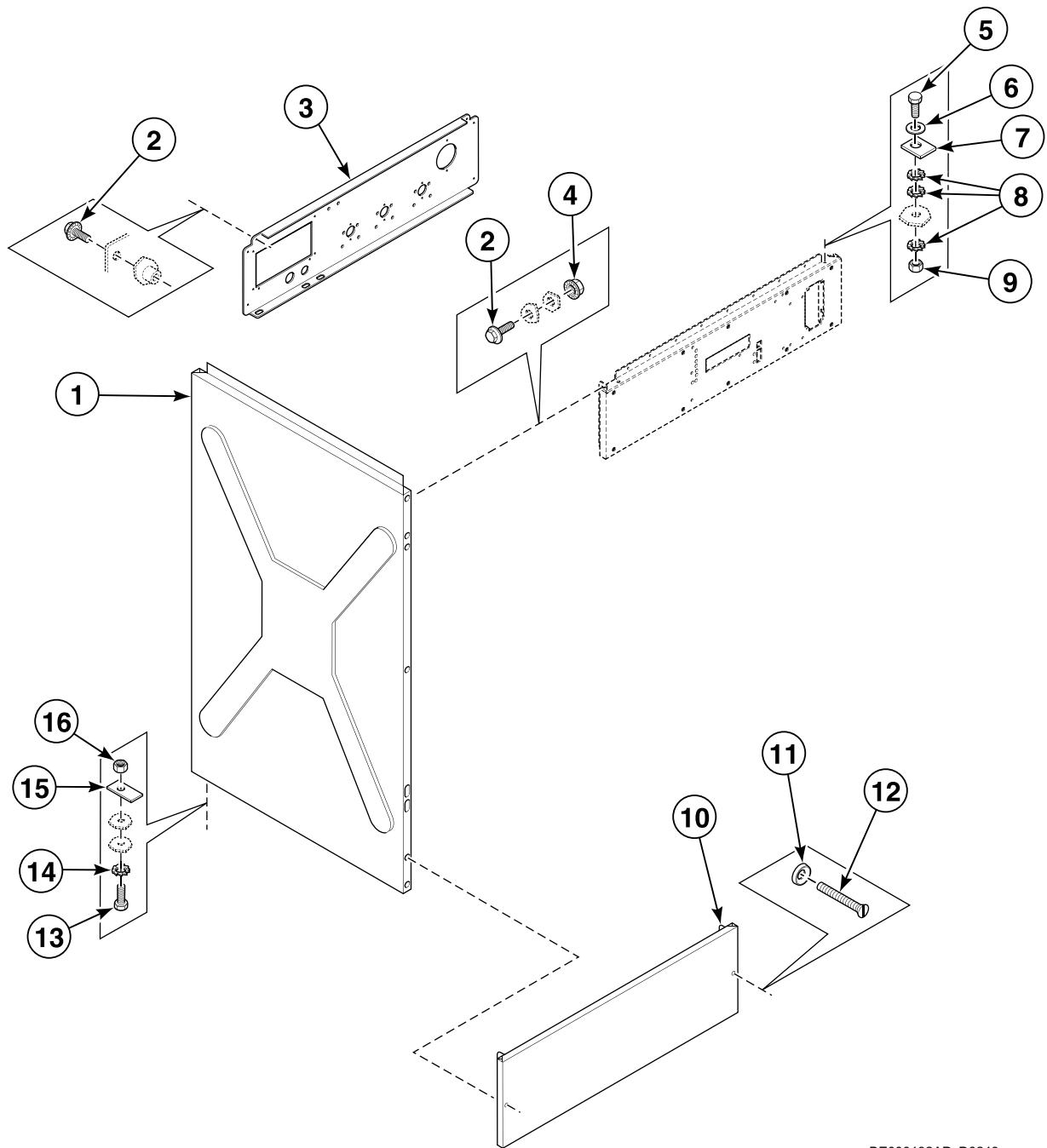


BE000296P\_D0243

## Right Side, Front, Lower Rear and Top Panels - Coin Models

REF	PART NO.	DESCRIPTION	COMMENTS
1	223/00103/04	Soap Dispenser Cover Hinge Rod	
2	223/00103/01	Soap Dispenser Cover	
3	205/00108/00	Bolt	
4	223/00103/03	Soap Dispenser Frame	
5	208/00104/00	Nut	
6	111/22728/10	Side Panel	Stainless steel
	111/23728/00	Side Panel	Epoxy
7	206/00099/00	Bolt	
8	204/00107/00	Nut	
9	111/00002/00	Hook	
10	203/00005/00	Washer	
11	206/00016/00	Bolt	
12	111/00282/00	Lower Front Panel	Stainless steel
	111/00282/10	Lower Front Panel	Epoxy
13	111/00001/00	Hook	
14	201/00006/00	Washer	
15	204/00005/00	Nut	
16	111/00036/11	Back Panel	
17	111/22743/00	Top Panel	Stainless steel
	111/22744/00	Top Panel	Stainless steel with lock
	111/23743/00	Top Panel	Epoxy

# Left Side, Lower Front and Upper Back Panels - PC30 Models

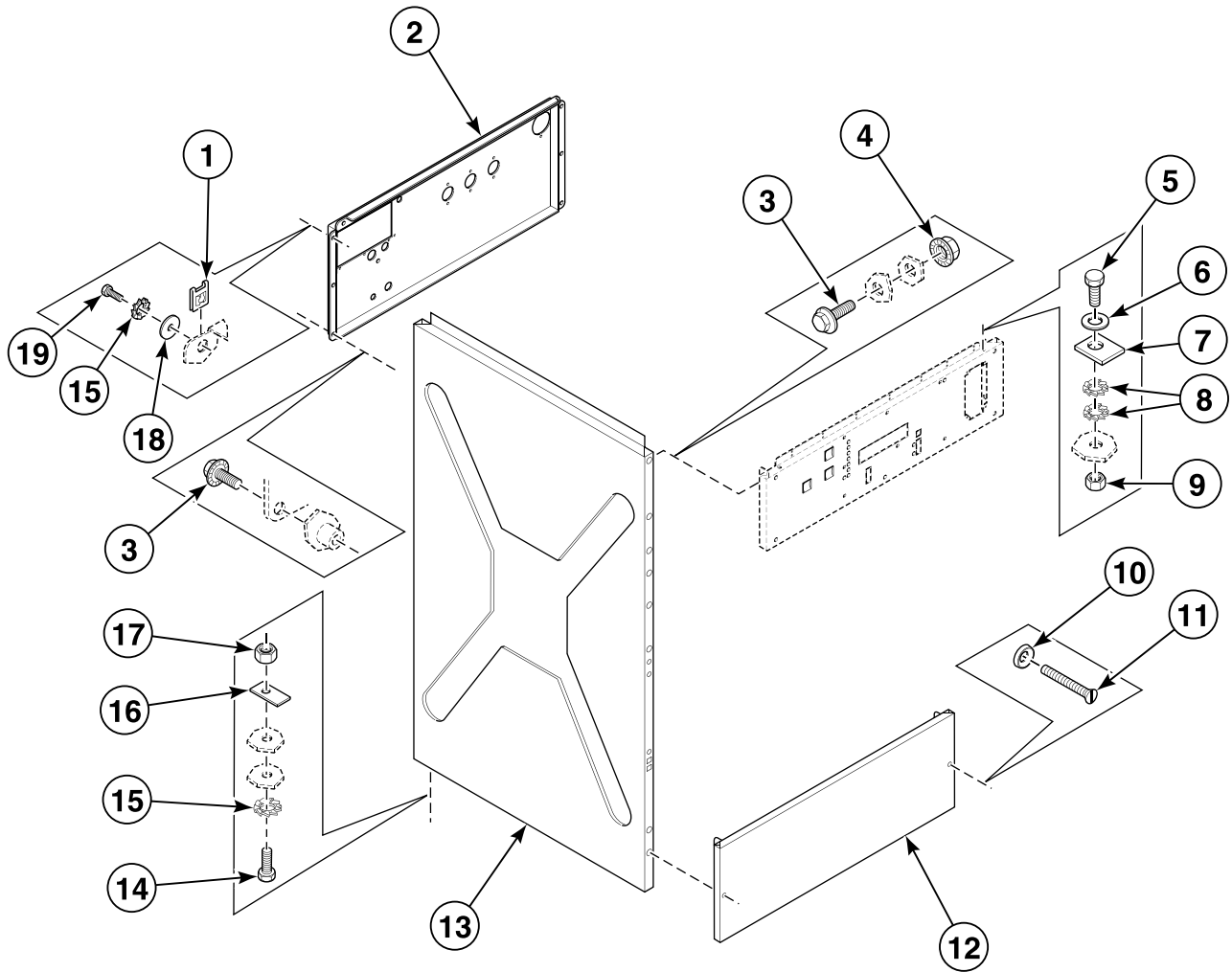


BE000192AP\_D0243

## Left Side, Lower Front and Upper Back Panels - PC30 Models

REF	PART NO.	DESCRIPTION	COMMENTS
1	111/22728/10	Side Panel	
	111/23728/00	Side Panel	
2	206/00099/00	Bolt	
3	111/01164/10	Backbridge	
4	206/00101/00	Nut	
5	205/00106/00	Bolt	
6	202/00003/00	Washer	
7	117/00042/00	Retaining Ring	
8	203/00005/00	Washer	
9	204/00006/00	Nut	
10	111/00283/00	Lower Front Panel	Stainless steel
	111/00283/10	Lower Front Panel	Epoxy
11	208/00009/00	Washer	
12	207/00130/00	Screw	
13	205/00104/00	Bolt	
14	203/00004/00	Washer	
15	101/00007/00	Outlet Pipe Plate Assembly	
16	204/00005/00	Nut	

# Left Side, Lower Front and Upper Back Panels - Micro 20 Models



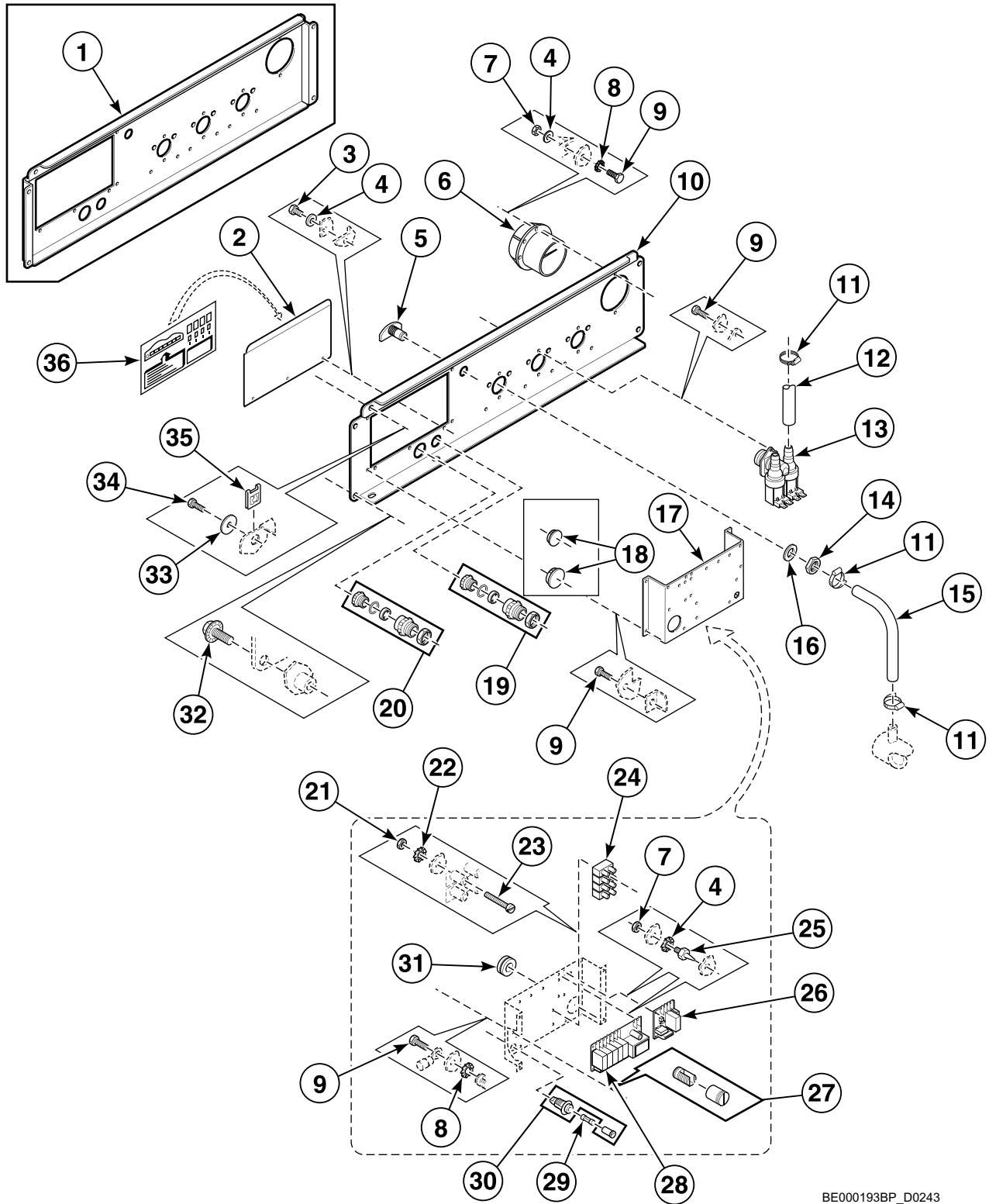
BE000297P\_D0243



## Left Side, Lower Front and Upper Back Panels - Micro 20 Models

REF	PART NO.	DESCRIPTION	COMMENTS
1	208/00002/00	Nut	
2	111/10157/10	Backbridge	
3	206/00099/00	Bolt	
4	206/00101/00	Nut	
5	205/00106/00	Bolt	
6	202/00003/00	Washer	
7	117/00042/00	Retaining Ring	
8	203/00005/00	Washer	
9	204/00006/00	Nut	
10	208/00009/00	Washer	
11	207/00130/00	Screw	
12	111/00283/00	Lower Front Panel	Stainless steel
	111/00283/10	Lower Front Panel	Epoxy
13	111/22728/10	Side Panel	Stainless steel
	111/23728/00	Side Panel	Epoxy
14	205/00104/00	Bolt	
15	203/00004/00	Washer	
16	101/00007/00	Outlet Pipe Plate Assembly	
17	204/00005/00	Nut	
18	201/00006/00	Washer	
19	208/00001/00	Screw	

# Upper Back Panel - PC30 Models

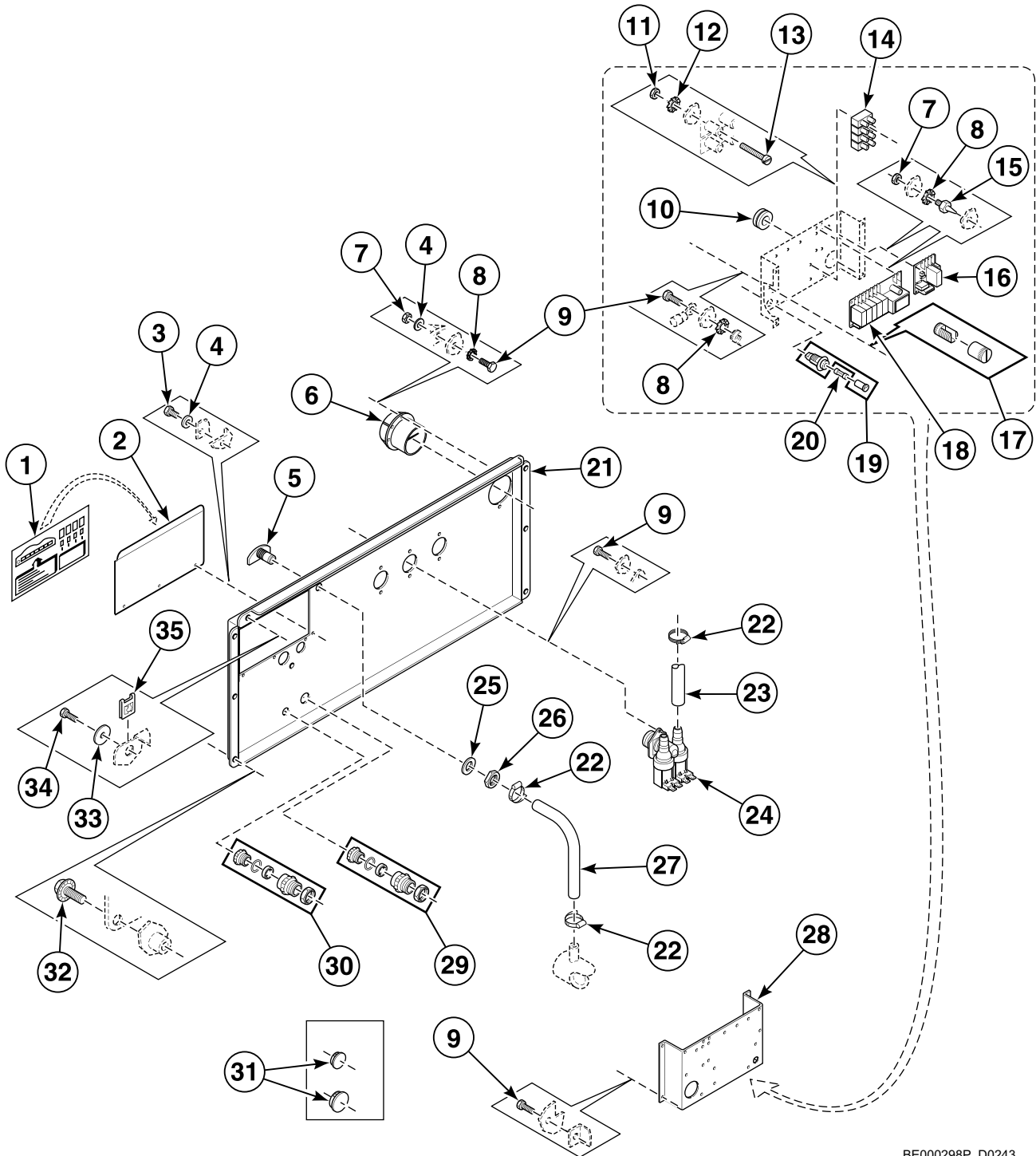


BE000193BP\_D0243

## Upper Back Panel - PC30 Models

REF	PART NO.	DESCRIPTION	COMMENTS
1	111/01164/00	Backbridge	
2	111/00426/01	Electrical Connection Cover	
3	205/00113/00	Bolt	
4	202/00004/00	Washer	
5	223/00001/04	Prewash and Mainwash Nozzle	
6	223/00102/07	Hose Vent	
7	204/00007/00	Nut	
8	203/00006/00	Washer	
9	206/00027/00	Bolt	
10	111/01164/10	Backbridge	
11	223/00010/00	Hose Clamp	
12	223/00044/01	Water Hose	
13	209/00110/00	2-Way Inlet Valve	
14	204/00201/00	Nut	
15	223/00044/00	Water Hose	
16	201/00002/00	Washer	
17	111/00188/03	Assembly Plate	
18	211/00087/00	Plug	30 mm diameter
	211/00098/00	Plug	22.2 mm diameter
19	211/00117/00	Cordlock	
20	211/00138/00	Cordlock	
21	204/00008/00	Nut	
22	203/00007/00	Washer	
23	207/00014/00	Screw	
24	209/00058/00	Terminal Block	
25	211/00120/00	Standoff	
26	209/00438/00	Central Control Board	
28	209/00218/03	Printboard	
27	209/00006/01	Ground Terminal	
29	209/00195/00	Fuse	
30	209/00202/00	Fuse Holder	
31	223/00198/00	Grommet	
32	206/00099/00	Bolt	
33	201/00006/00	Washer	
34	208/00001/00	Screw	
35	208/00002/00	Nut	
36	229/00068/01	Electrical Connection Sticker	

# Upper Back Panel - Micro 20 Models

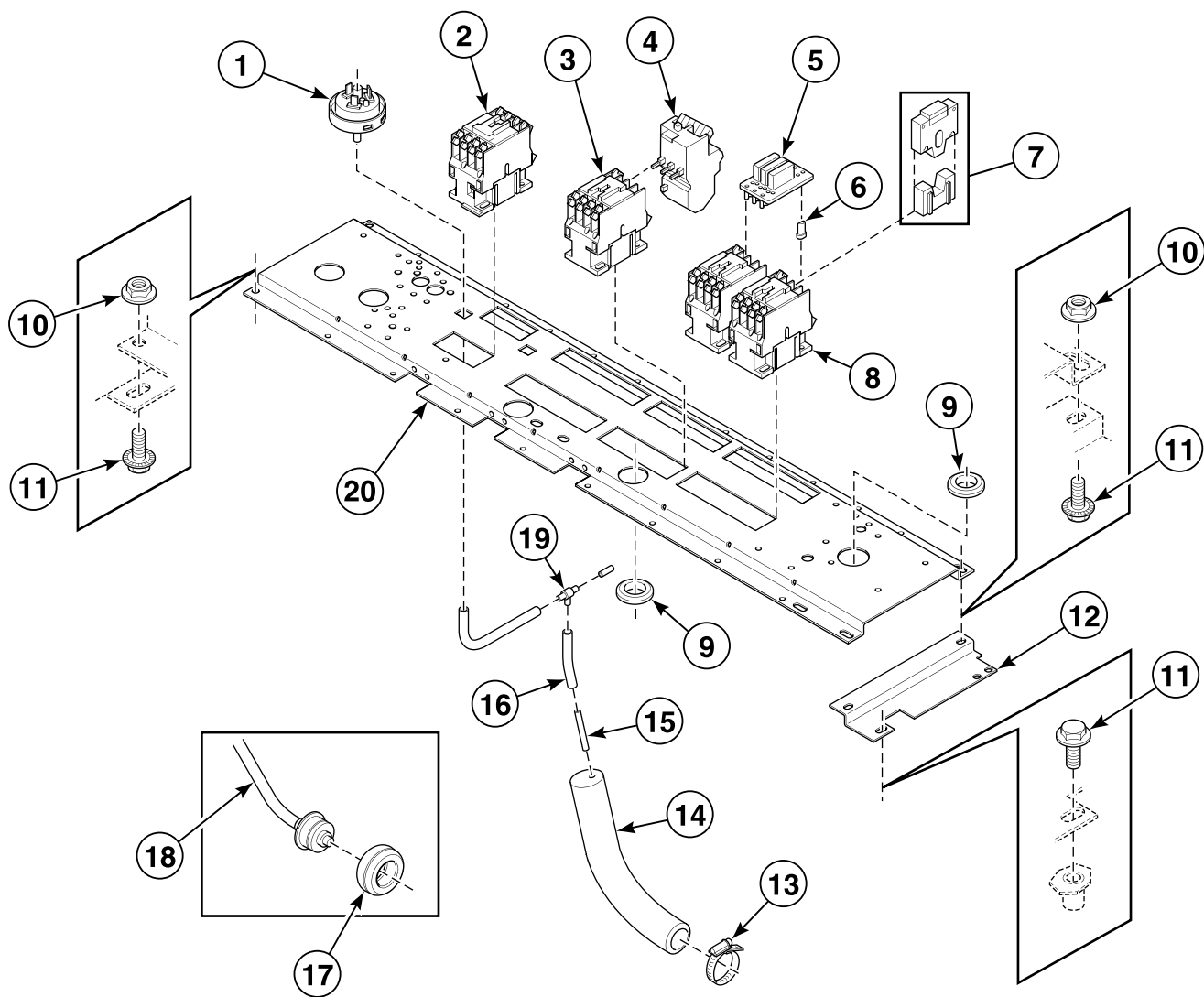


BE000298P\_D0243

## Upper Back Panel - Micro 20 Models

REF	PART NO.	DESCRIPTION	COMMENTS
1	229/00068/01	Electrical Connection Sticker	
2	111/00426/01	Electrical Connection Cover	
3	205/00113/00	Bolt	
4	202/00004/00	Washer	
5	223/00001/04	Prewash and Mainwash Nozzle	
6	223/00102/07	Hose Vent	
7	204/00007/00	Nut	
8	203/00006/00	Washer	
9	206/00027/00	Bolt	
10	223/00198/00	Grommet	
11	204/00008/00	Nut	
12	203/00007/00	Washer	
13	207/00014/00	Screw	
14	209/00058/00	Terminal Block	
15	211/00120/00	Standoff	
16	209/00438/00	Central Control Board	
17	209/00006/01	Ground Terminal	
18	209/00218/03	Printboard	
19	209/00202/00	Fuse Holder	
20	209/00195/00	Fuse	
21	111/10157/10	Backbridge	
22	223/00010/00	Hose Clamp	
23	223/00044/01	Water Hose	
24	209/00110/00	2-Way Inlet Valve	
25	201/00002/00	Washer	
26	204/00201/00	Nut	
27	223/00044/00	Water Hose	
28	111/00188/03	Assembly Plate	
29	211/00117/00	Cordlock	
30	211/00138/00	Cordlock	
31	211/00087/00	Plug	30 mm diameter
	211/00098/00	Plug	22.2 mm diameter
32	206/00099/00	Bolt	
33	201/00006/00	Washer	
34	208/00001/00	Screw	
35	208/00002/00	Nut	

# Electrical Component Mounting Plate - Micro 20 Models

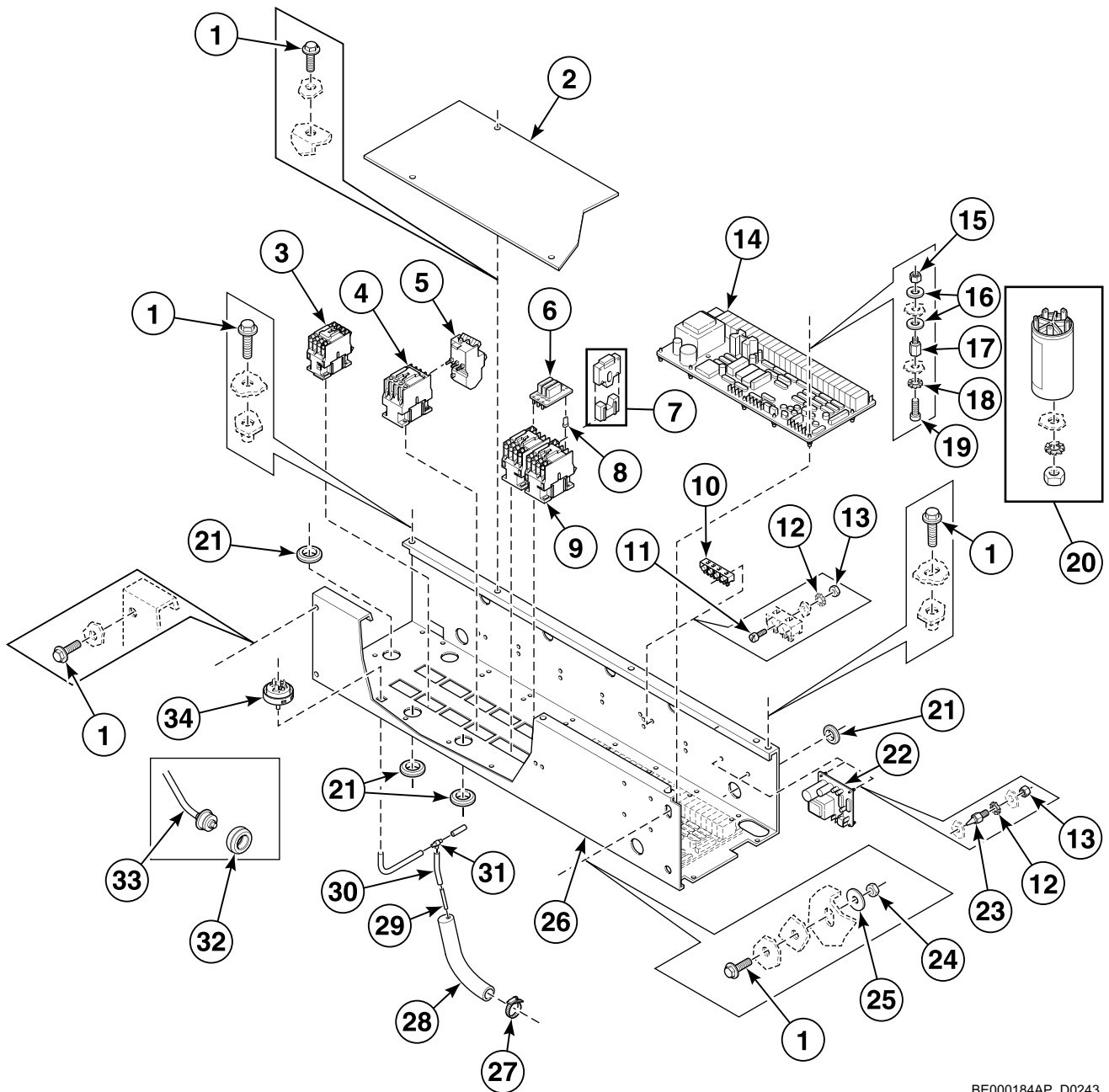


BE000194P\_D0243

## Electrical Component Mounting Plate - Micro 20 Models

REF	PART NO.	DESCRIPTION	COMMENTS
1	209/00007/50	Pressure Switch	
2	209/00148/02	Contactactor	
3	209/00041/05	Contactactor	
4	209/00263/00	Protector	LR2-D13089; 2.5-4A
	209/00264/00	Protector	LR2-D13109; 4-6A
	209/00265/00	Protector	LR2-D13149; 7-10A
	209/00285/00	Protector	LR2-D13129; 5.5-8A
	209/00132/00	Protector	LR2-D0932; 12-18A
	209/00299/00	Protector	LR2-D13169; 9-13A
5	209/00452/01	Printboard	
6	209/00452/02	Lug Holder	
7	209/00279/00	Lock	
8	209/00041/03	Contactactor	
9	223/00198/00	Grommet	
10	206/00101/00	Nut	
11	206/00099/00	Bolt	
12	111/00124/00	Mounting Plate	
13	223/00011/00	Hose Clamp	
14	223/00015/00	Level Switch Elbow	21 mm diameter
	223/00210/00	Pressure Switch Elbow	26 mm diameter
15	223/00016/00	Hose Barb	
16	223/00082/00	Pressure Hose	
17	225/10004/00	Thermostat Seal	
18	209/00309/02	Thermostat Assembly	
19	223/00179/10	Pressure Hose	
20	111/00197/00	Mounting Plate	

# Electrical Component Mounting Plate - PC30 Models



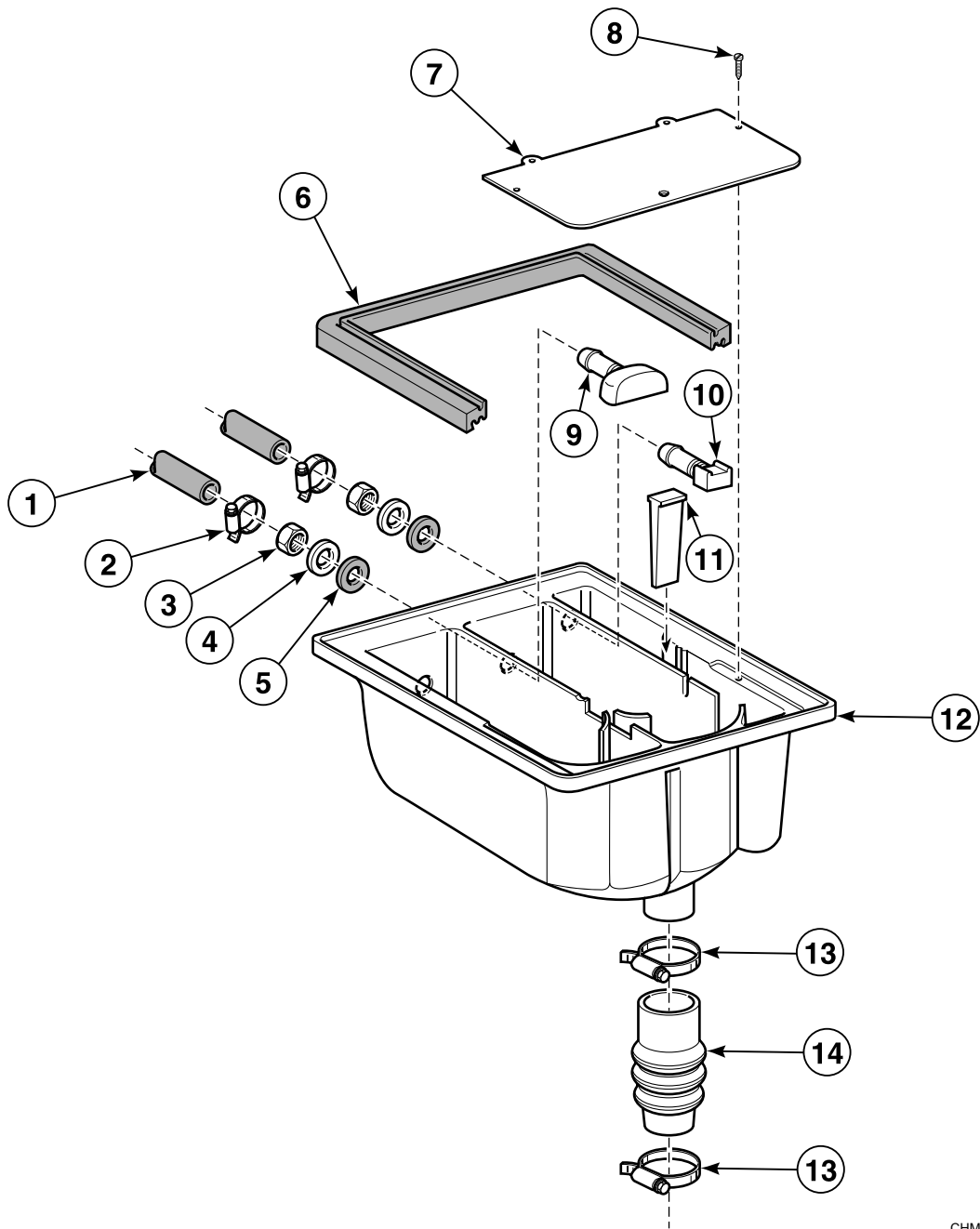
BE000184AP\_D0243



## Electrical Component Mounting Plate - PC30 Models

REF	PART NO.	DESCRIPTION	COMMENTS
1	206/00099/00	Bolt	
2	111/01167/10	Cover Plate Assembly	
3	209/00148/02	Contactactor	
4	209/00041/05	Contactactor	
5	209/00299/00	Protector	LR2-D13169; 9-13A
	209/00132/00	Protector	LR2-D0932; 12-18A
	209/00285/00	Protector	LR2-D13129; 5.5-8A
	209/00265/00	Protector	LR2-D13149; 7-10A
	209/00264/00	Protector	LR2-D13109; 4-6A
	209/00263/00	Protector	LR2-D13089; 2.5-4A
6	209/00452/01	Printboard	
7	209/00279/00	Lock	
8	209/00452/02	Lug Holder	
9	209/00041/03	Contactactor	
10	209/00005/00	Terminal Block	
11	207/00003/00	Screw	
12	203/00006/00	Washer	
13	204/00007/00	Nut	
14	209/00323/02	Printboard	
15	204/00116/00	Nut	
16	223/00123/00	Washer	
17	206/00141/00	Separator	
18	203/00007/00	Washer	
19	207/00135/00	Screw	
20	252/00032/00	Filter	
21	223/00198/00	Grommet	
22	209/00275/04	Door Lock Board	
23	211/00120/00	Standoff	
24	204/00005/00	Nut	
25	201/00006/00	Washer	
26	111/01167/00	Assembly Plate	
27	223/00011/00	Hose Clamp	
28	223/00015/00	Level Switch Elbow	21 mm diameter
	223/00210/00	Pressure Switch Elbow	26 mm diameter
29	223/00016/00	Hose Barb	
30	223/00082/00	Pressure Hose	
31	223/00173/10	Pressure Switch Hose Tee	
32	225/10004/00	Thermostat Seal	
33	209/00309/02	Thermostat Assembly	
34	209/00007/50	Pressure Switch	

# Supply Dispenser - Models Through 12/31/10 with 1.5 Inch Supply Dispenser Hose

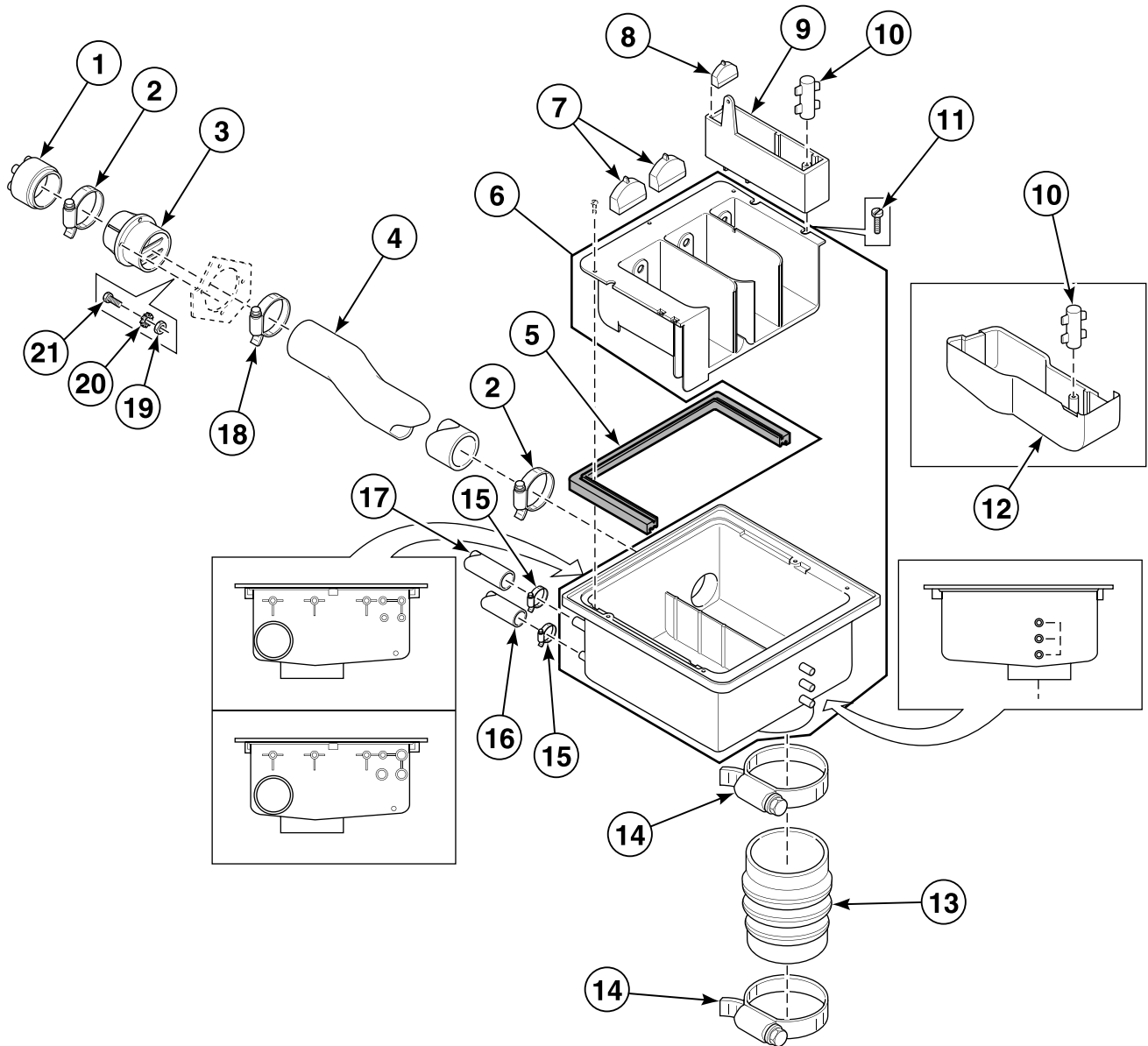


CHM2990P\_D0243

## Supply Dispenser - Models Through 12/31/10 with 1.5 Inch Supply Dispenser Hose

REF	PART NO.	DESCRIPTION	COMMENTS
1	223/00044/00	Water Hose	
2	223/00010/00	Hose Clamp	
3	204/00201/00	Nut	
4	201/00002/00	Washer	
5	223/00001/07	Washer	
6	223/00003/00	Lid Seal	
7	223/00001/06	Mounting Plate	
8	B12347501	Screw	
9	223/00001/04	Prewash and Mainwash Nozzle	
10	223/00001/05	Injector	
11	223/00001/03	Separator Plate	
12	223/00001/01	Soap Dispenser	
13	223/00013/00	Hose Clamp	
14	223/00007/00	Hose	

# Supply Dispenser - Models Through 12/31/10 with 4 Inch Supply Dispenser Hose

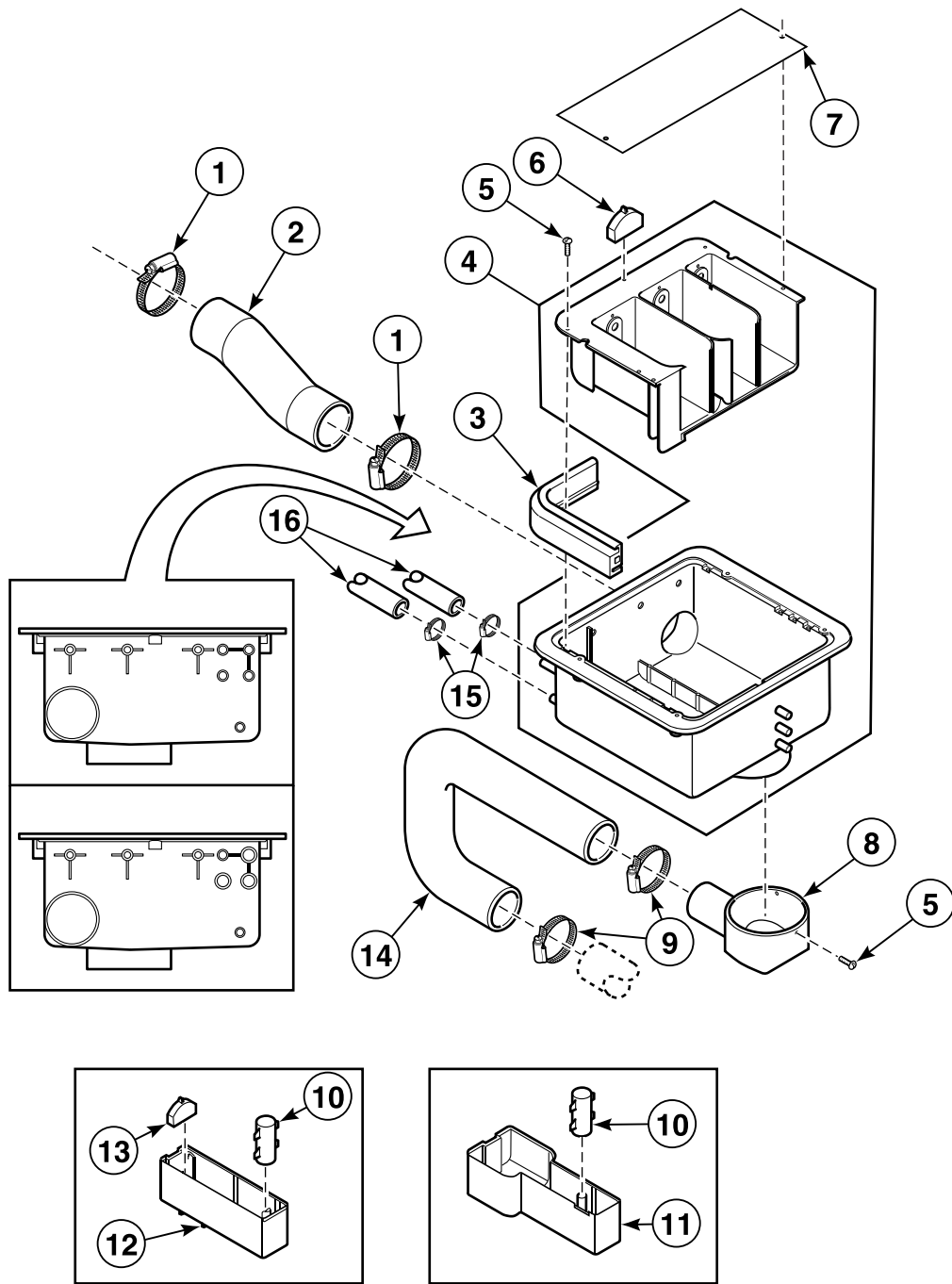


CHM2991P\_D0243

## Supply Dispenser - Models Through 12/31/10 with 4 Inch Supply Dispenser Hose

REF	PART NO.	DESCRIPTION	COMMENTS
1	223/00160/00	Liquid Soap Hose	
2	223/00014/00	Hose Clamp	
3	223/00102/07	Hose Vent	
4	223/00107/01	Ventilating Hose	
5	223/00109/00	Soap Dispenser Gasket	
6	223/00102/30	Soap Dispenser Assembly	
7	223/00102/06	Soap Spray Nozzle	
8	223/00102/05	Softener Spray Nozzle	
9	223/00102/03	Rinse Insert	
10	223/00102/04	Soap Dispenser Rinse Siphon	
11	B12347501	Screw	
12	223/00102/08	Liquid Soap Dispenser Insert	
13	223/00115/00	Hose	
14	223/00023/00	Hose Clamp	
15	223/00009/00	Clamp	
16	223/00059/00	Water Hose	20 mm diameter
17	223/00188/00	Hose	25 mm diameter
18	223/00013/00	Hose Clamp	
19	204/00105/00	Nut	
20	203/00008/00	Washer	
21	207/00106/00	Screw	

# Supply Dispenser - Models Starting 1/1/93

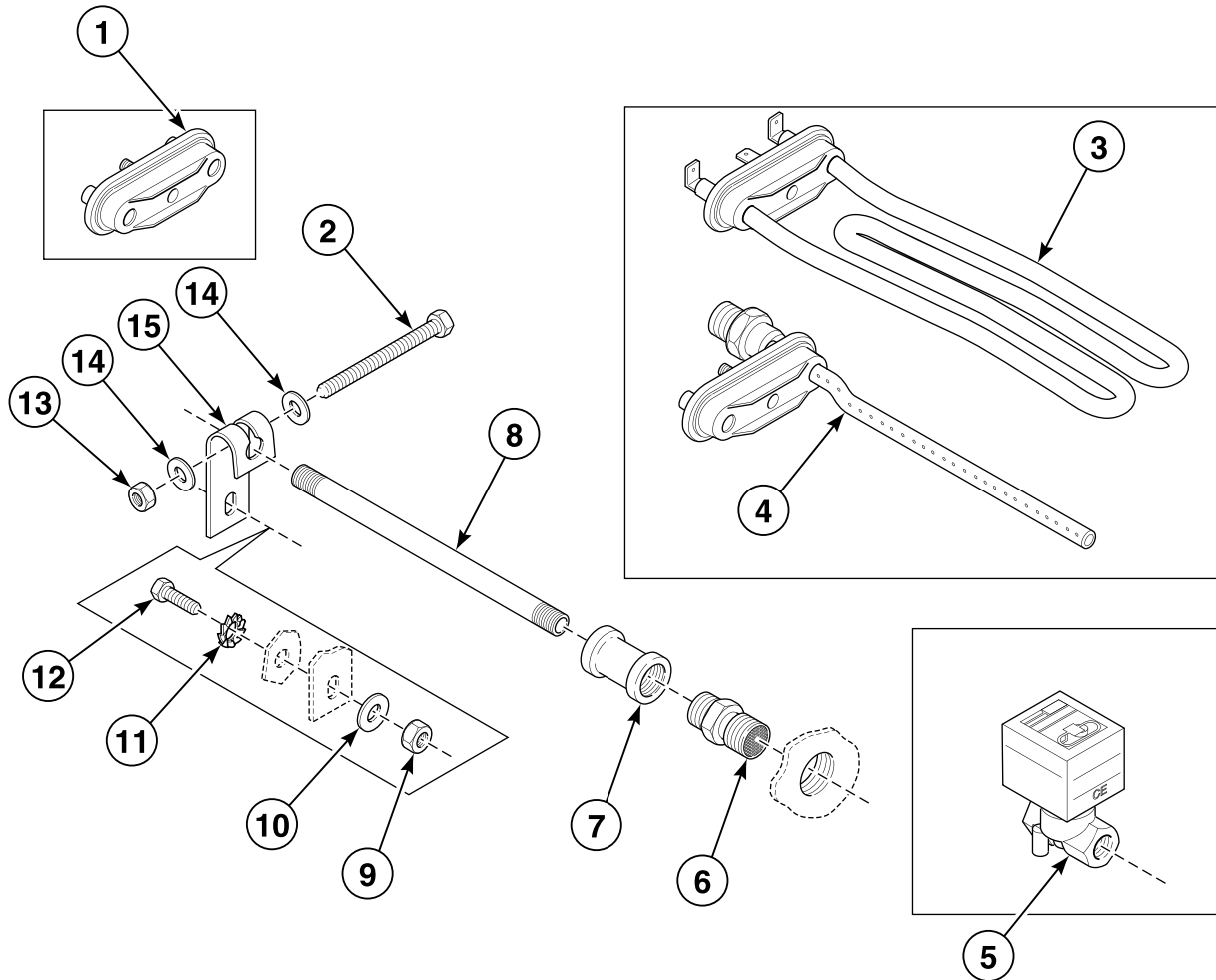


CFD440P\_D0243

## Supply Dispenser - Models Starting 1/1/93

REF	PART NO.	DESCRIPTION	COMMENTS
1	223/00014/00	Hose Clamp	
2	223/00107/00	Soap Dispenser Air Breather Hose	
3	223/00109/00	Soap Dispenser Gasket	
4	223/00102/30	Soap Dispenser Assembly	
5	B12347501	Screw	
6	223/00102/06	Soap Spray Nozzle	
7	123/00107/00	Anti-Splash Plate	Sigma models
	123/00103/06	Soap Box Assembly Plate	All other models
8	223/00195/00	Dispenser Drain Funnel	
9	223/00013/00	Hose Clamp	
10	223/00102/04	Soap Dispenser Rinse Siphon	
11	223/00102/08	Liquid Soap Dispenser Insert	
12	223/00102/03	Rinse Insert	
13	223/00102/05	Softener Spray Nozzle	
14	223/00191/00	Hose	
15	223/00010/00	Hose Clamp	
16	223/00044/01	Water Hose	

# Steam and Electric Heating Options



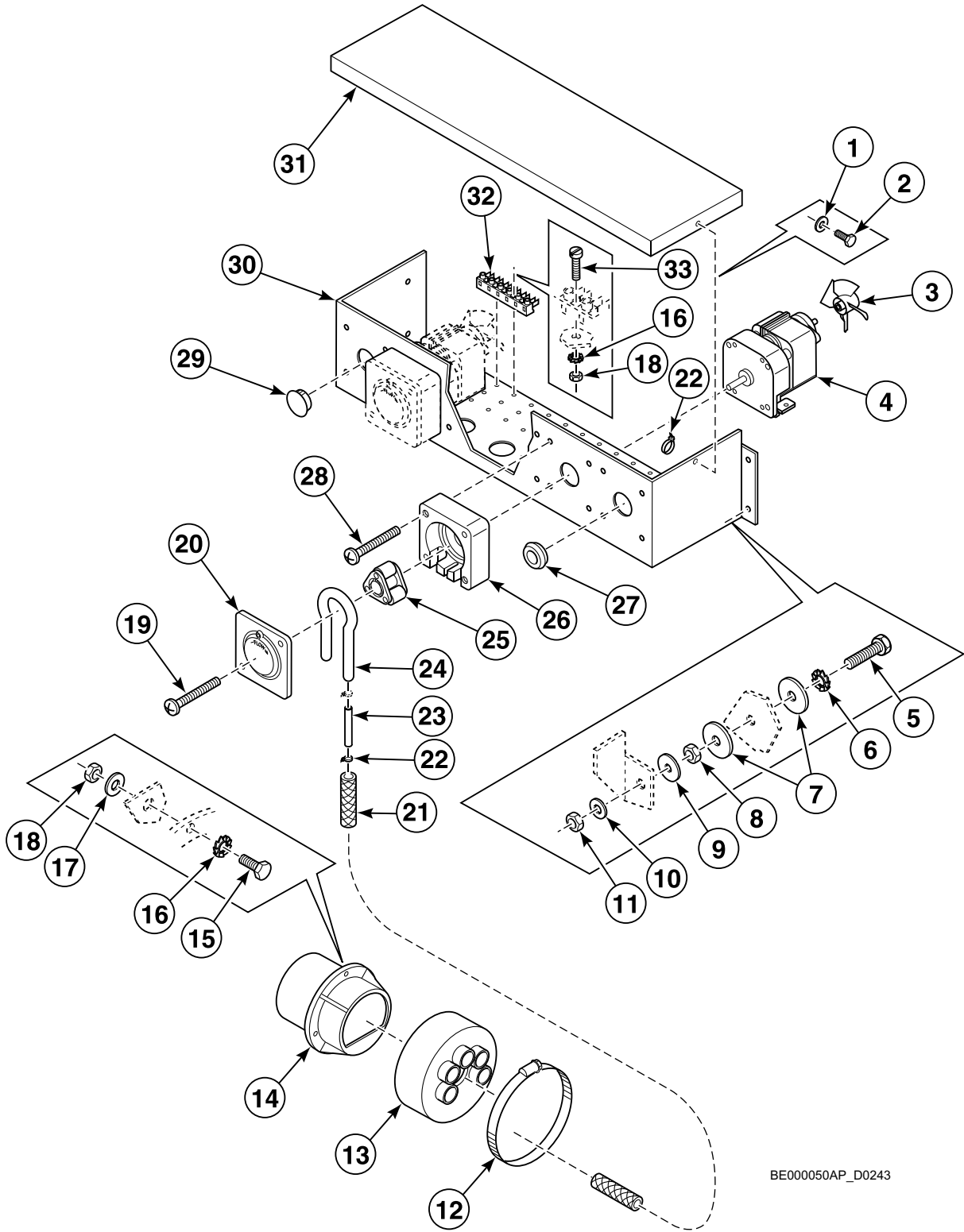
BE000299P\_D0243



## Steam and Electric Heating Options

REF	PART NO.	DESCRIPTION	COMMENTS
1	209/00196/00	Heating Element Plug	
2	206/00035/00	Bolt	
3	209/00116/01	Heating Element	1400W; 220 Volt
	209/00024/01	Heating Element	2000W; 220 Volt
	209/00049/01	Heating Element	3000W; 220 Volt
	209/00050/01	Heating Element	4000W; 380 Volt
4	118/00105/07	Steam Injector	
5	209/00189/00	Steam Valve	
6	217/00057/00	Connector	
7	710/00010/01	Nipple	
8	118/00123/00	Connector Tube	
9	204/00005/00	Nut	
10	201/00007/00	Washer	
11	203/00004/00	Washer	
12	206/00013/00	Bolt	
13	204/00004/00	Nut	
14	202/00002/00	Washer	
15	113/00025/00	Steam Injector Plate Assembly	

# Soap Pump - Knight

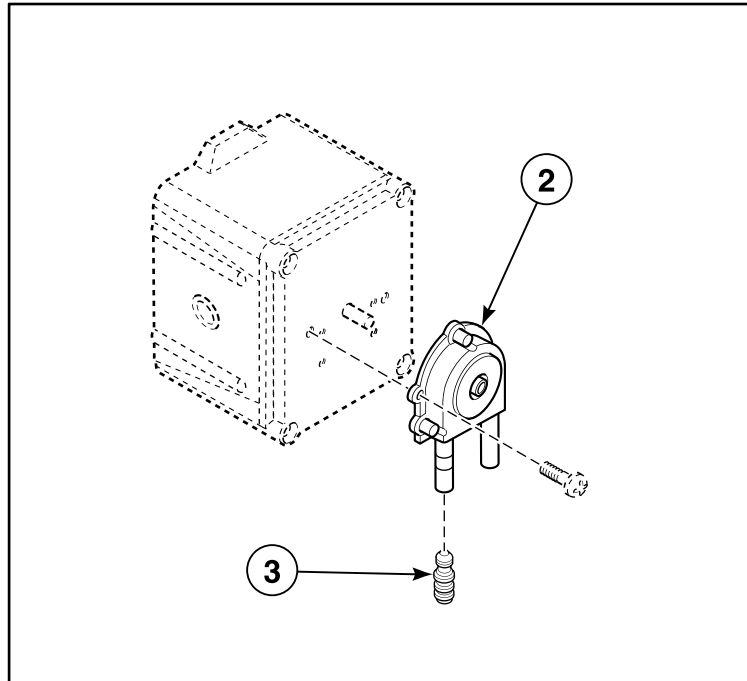
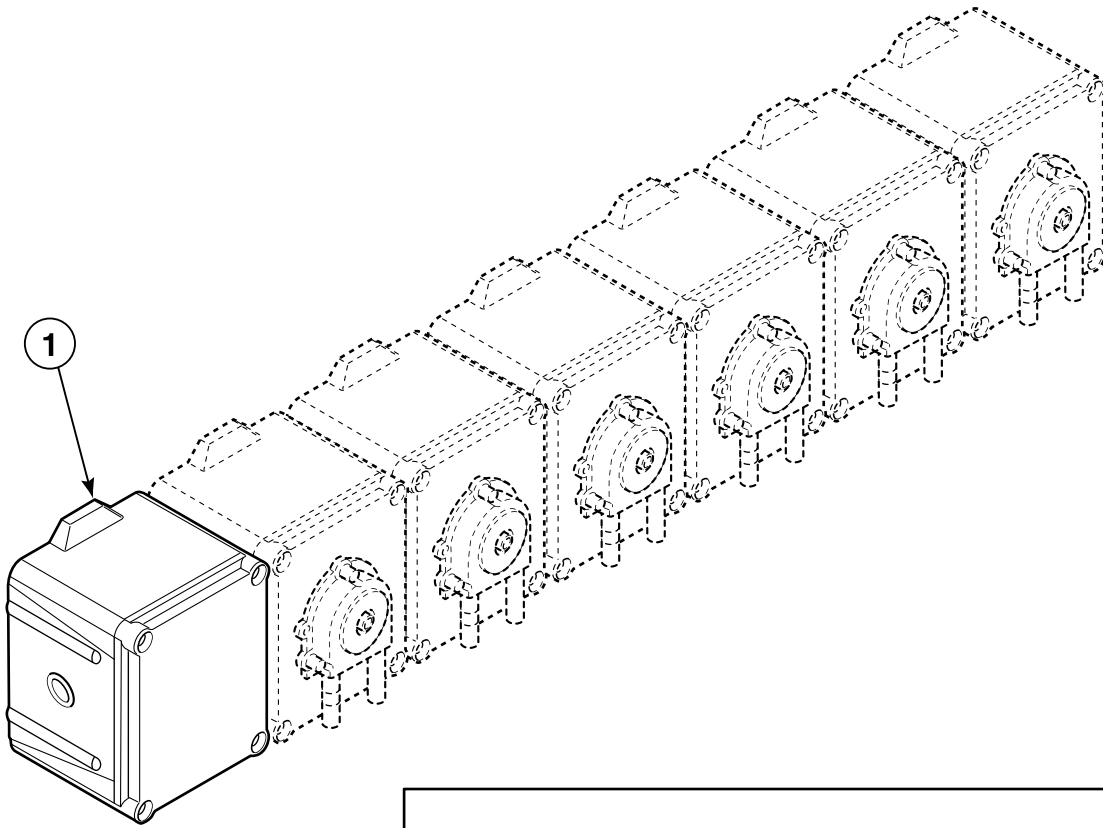


BE000050AP\_D0243

## Soap Pump - Knight

REF	PART NO.	DESCRIPTION	COMMENTS
1	202/00109/00	Washer	
2	205/00113/00	Bolt	
3	209/00413/08	Motor	
4	209/00413/06	Fan Motor	
5	205/00103/00	Bolt	
6	203/00004/00	Washer	
7	202/00108/00	Washer	
8	204/00005/00	Nut	
9	202/00106/00	Washer	
10	202/00101/00	Washer	
11	204/00009/00	Nut	
12	223/00014/00	Hose Clamp	
13	223/00160/00	Liquid Soap Hose	
14	223/00102/07	Hose Vent	
15	206/00027/00	Bolt	
16	203/00006/00	Washer	
17	202/00004/00	Washer	
18	204/00007/00	Nut	
19	209/00413/05	Screw	
20	209/00413/09	Cover Plate	
21	223/00179/00	Soap Injector Hose	
22	211/00088/00	Cable Tie	
23	223/00180/01	Hose	
24	209/00413/03	Hose	
25	209/00413/07	Pressure Roller	
26	209/00413/10	Pump Housing	
27	223/00198/00	Grommet	
28	209/00413/04	Screw	
29	211/00087/00	Plug	
30	111/00190/00	Pump Assembly Plate	
31	111/00190/01	Pump Top Plate	
32	210/10007/00	Connection	
33	207/00003/00	Screw	

# Soap Pump - Brightwell



BE000527P\_D0243

# Soap Pump - Brightwell

REF	PART NO.	DESCRIPTION	COMMENTS
1	209/00554/01	Soap Pump Assembly	1 pump
	209/00554/02	Soap Pump Assembly	2 pumps
	209/00554/03	Soap Pump Assembly	3 pumps
	209/00554/04	Soap Pump Assembly	4 pumps
	209/00554/05	Soap Pump Assembly	5 pumps
	209/00554/06	Soap Pump Assembly	6 pumps
2	209/00554/98	Hose	
3	209/00554/99	Hose Connector	



# Parts Index

## A

Anti-Splash Plate	
123/00107/00 .....	69
Assembly Plate	
111/00188/03 .....	57, 59
111/01167/00 .....	63

## B

Back Panel	
111/00036/11 .....	49, 51
152/00053/01 .....	49
Backbridge	
111/01164/00 .....	57
111/01164/10 .....	53, 57
111/10157/10 .....	55, 59
Ball Bearing	
212/00004/00 .....	9
212/00024/00 .....	9
Base	
114/00029/00 .....	7
Bearing Housing	
139/00002/00 .....	9
212/00041/00 .....	9
Bearing Replacement Kit	
KBRGWE234 .....	9
Bearing Replacement Tool Kit	
382P3 .....	9
Belt Tensioner	
126/00056/00 .....	15
Bolt	
205/00102/00 .....	9
205/00103/00 .....	73
205/00104/00 .....	25, 29, 53, 55
205/00106/00 .....	53, 55
205/00108/00 .....	49, 51
205/00113/00 .....	57, 59, 73
206/00003/00 .....	7
206/00004/00 .....	13, 15
206/00005/00 .....	17
206/00006/00 .....	15, 17
206/00011/00 .....	11
206/00013/00 .....	71
206/00014/00 .....	17, 19
206/00015/00 .....	15
206/00016/00 .....	49, 51
206/00027/00 .....	57, 59, 73
206/00033/00 .....	43
206/00035/00 .....	71
206/00045/00 .....	9
206/00099/00 .....	49, 51, 53, 55, 57, 59, 61, 63
248/00115/00 .....	17
Button	
209/00099/09 .....	41

## C

Cable Tie	
211/00088/00 .....	73
Central Control Board	
209/00438/00 .....	57, 59
Circuit Board Cover	
229/00262/00 .....	35, 37, 39
Clamp	
223/00009/00 .....	67
Coil	
209/00051/21 .....	21, 23
209/00052/21 .....	21, 23
209/00203/21 .....	21, 23
Coin Box	
211/00071/00 .....	43
211/00101/00 .....	43
Coin Box Key	
211/00065/02 .....	43
Coin Box Lock	
211/00065/00 .....	43
Coin Box Ring	
111/00066/00 .....	43
Coin Box Ring Assembly	
111/00100/00 .....	43
Coin Drop	
209/00060/00 .....	47
Coin Drop Microswitch	
209/00060/12 .....	43
Coin Meter	
209/00061/00 .....	47
209/00062/00 .....	47
209/00064/00 .....	45
209/00065/00 .....	45
209/00066/00 .....	47
209/00068/00 .....	47
209/00069/00 .....	47
209/00070/00 .....	47
209/00072/00 .....	47
209/00111/00 .....	45
209/00111/10 .....	45
209/00119/00 .....	45
209/00120/00 .....	45
209/00121/00 .....	47
209/00122/00 .....	47
209/00123/00 .....	47
209/00156/00 .....	47
209/00158/00 .....	47
209/00160/00 .....	47
209/00161/00 .....	47
209/00162/00 .....	47
209/00166/00 .....	45
209/00214/00 .....	45
209/00215/00 .....	45
209/00215/01 .....	45
209/00216/00 .....	47
209/00229/00 .....	45
209/00269/00 .....	47
209/00278/00 .....	47
209/00286/00 .....	47
209/00296/00 .....	47
209/00364/00 .....	45

N/A items do not appear in index.

209/00373/00	47
209/00375/00	45
209/00378/00	45
209/00383/00	45
209/00387/00	45
209/00388/00	45
209/00389/00	45
209/00390/00	45
209/00391/00	45
209/00402/01	45
209/00402/02	45
209/00402/03	45
209/00402/04	45
209/00402/07	45
209/00402/08	45
209/00403/00	45
209/00404/00	45
209/00407/00	45
209/00411/00	47
209/00414/00	45
209/00415/00	45
209/00418/00	45
209/00428/00	45
209/00437/00	45
209/00442/00	45
209/00460/00	45
209/00469/00	45
209/00500/00	45
209/00501/00	45
209/00502/00	45
209/00522/00	47
209/00548/00	47
209/00553/00	47
209/00576/00	45
209/10215/00	45
Connection	
210/10007/00	73
Connector	
217/00057/00	71
Connector Tube	
118/00123/00	71
Contact	
209/00099/05	35, 41
Contact Switch	
209/00099/06	35
209/00099/07	41
209/00099/26	37, 39
Contacto	
209/00041/03	61, 63
209/00041/05	61, 63
209/00148/02	61, 63
Control Board	
209/00547/00	39
Control Panel	
111/00331/30	35
Cordlock	
211/00117/00	17, 57, 59
211/00138/00	57, 59
Counter Ring	
219/00004/00	13
Cover Plate	
209/00413/09	73
Cover Plate Assembly	
111/01167/10	63
Cross	
114/00006/00	7

Cylinder Shaft Key	
216/00002/04	13

## D

Dispenser Drain Funnel	
223/00195/00	69
Door Axle Roller	
217/00013/05	31, 33
Door Circlip	
217/00013/11	31, 33
Door Glass	
231/00004/00	25, 29
Door Glass Seal	
223/00068/00	25, 29
Door Handle	
217/00013/12	31, 33
217/00051/00	29, 31, 33
217/00051/10	31, 33
217/00065/00	25
Door Handle Assembly Plate	
217/00013/16	31
Door Handle Catch	
217/00051/13	33
Door Handle Hook	
217/00013/13	31
Door Handle Latch	
217/00013/04	31
217/00051/14	31, 33
Door Handle Locking Pin	
217/00013/15	31
Door Handle Spring	
217/00013/14	31, 33
Door Handle Stop	
217/00016/00	25, 29
Door Hinge	
217/00009/01	25
Door Hinge Assembly	
217/00009/02	25
Door Hinge Block	
253/00022/00	29
Door Hinge Plate Assembly	
111/00003/00	29
Door Hinge Spacer	
117/00010/00	25
118/00122/00	29
118/00124/00	29
Door Latch Cord	
224/00015/00	27
Door Lock Assembly	
217/00017/00	25
217/00052/01A	27
Door Lock Board	
209/00275/04	27, 63
Door Lock Microswitch	
209/00272/00	27
Door Lock Pin Kit	
211/00109/01	29
217/00052/02	27
Door Lock Solenoid	
209/00274/00	27
Door Lock Spacer	
217/00052/03	27

N/A items do not appear in index.



Door Lock Spring	
217/00013/03 .....	31, 33
224/00049/00 .....	27
Door Locking Grip	
217/00013/07 .....	31, 33
Door Locking Pin	
217/00013/08 .....	31, 33
217/00051/15 .....	33
Door Mounting Pin	
217/00013/09 .....	31, 33
Door Panel	
131/00003/00 .....	25, 29
Door Roller	
217/00013/06 .....	31, 33
Door Switch	
209/00023/00 .....	25
Drain Housing Gasket	
209/00025/02 .....	21, 23
Drain Pipe	
223/00105/00 .....	19
Drain Valve	
209/00256/00 .....	19
Drain Valve Motor	
209/00051/11 .....	21
209/00052/11 .....	21
209/00052/12 .....	23
209/00203/11 .....	21
209/00203/12 .....	23
Drain Valve Motor Assembly	
209/00170/06 .....	23
Drain Valve Motor Mounting Plate	
209/00025/07 .....	21, 23
Drain Valve Shaft Seal	
209/00025/10 .....	21, 23
Drain Valve Spring	
209/00025/03 .....	21, 23
209/00025/13 .....	21
209/00170/02 .....	23
Drum and Axle	
136/00018/00 .....	11, 13
136/00019/00 .....	11, 13

## E

Electrical Connection Cover	
111/00426/01 .....	57, 59
Electrical Connection Plate	
111/00180/00 .....	39
111/00180/10 .....	39
Electrical Connection Sticker	
229/00068/01 .....	57, 59
Emergency Stop Button Kit	
209/00253/00 .....	41
Emergency Switch Pushbutton	
209/00099/20 .....	41
Eprom	
209/00266/01 .....	35
Exhaust Valve	
209/00292/00 .....	19

## F

Facia Panel	
225/00289/AOL .....	39
Fan	
209/00465/00 .....	17
Fan Motor	
209/00413/06 .....	73
Filter	
252/00032/00 .....	63
Front Label	
225/00360/00 .....	39
225/00367/00 .....	39
Front Panel	
225/00271/00 .....	37, 41
225/00291/AOL .....	35
225/00292/AOL .....	35
Front Plate	
111/00068/00 .....	43
Fuse	
209/00195/00 .....	57, 59
209/00372/01 .....	37
209/00439/00 .....	35, 39
Fuse Holder	
209/00202/00 .....	57, 59

## G

Grommet	
223/00198/00 .....	57, 59, 61, 63, 73
Ground Terminal	
209/00006/01 .....	57, 59
210/10015/00 .....	27

## H

Heating Element	
209/00024/01 .....	71
209/00049/01 .....	71
209/00050/01 .....	71
209/00116/01 .....	71
Heating Element Plug	
209/00196/00 .....	71
Hinge	
131/00046/00 .....	29
Holder	
217/00019/00 .....	25
Hook	
111/00001/00 .....	49, 51
111/00002/00 .....	49, 51
Hose	
209/00413/03 .....	73
209/00554/98 .....	75
223/00007/00 .....	65
223/00115/00 .....	67
223/00180/01 .....	73
223/00188/00 .....	67
223/00191/00 .....	69
Hose Barb	
223/00016/00 .....	61, 63

N/A items do not appear in index.

Hose Clamp	
223/00010/00	57, 59, 65, 69
223/00011/00	61, 63
223/00013/00	19, 65, 67, 69
223/00014/00	19, 67, 69, 73
223/00023/00	67
Hose Connector	
209/00554/99	75
Hose Vent	
223/00102/07	57, 59, 67, 73

## I

Infrared Cable	
210/00902/00	37, 39
Injector	
223/00001/05	65
Inlet Valve, 2-Way	
209/00110/00	57, 59
Inner Coin Box	
211/00070/03	43
Insulating Sticker	
229/00255/00	35, 37, 39
Insulation Plate	
217/00038/00	25
Interlock Coil Spring	
224/00043/00	27
Interlock Lever	
217/00052/04	27
Interlock Pin	
224/00003/00	25

## K

Keyboard	
209/00323/01	41
Keypad	
209/00552/01	37

## L

Label	
229/00245/00	41
Level Switch Elbow	
223/00015/00	61, 63
Lever Spring	
224/00040/00	27
Lid Seal	
223/00003/00	65
Light Microswitch	
209/00273/00	27
Liquid Soap Dispenser Insert	
223/00102/08	67, 69
Liquid Soap Hose	
223/00160/00	67, 73
Lock	
209/00279/00	61, 63
Lock Shaft	
217/00017/03	27

Lower Front Panel	
111/00281/00	49
111/00281/10	49
111/00282/00	51
111/00282/10	51
111/00283/00	53, 55
111/00283/10	53, 55
Lug Holder	
209/00452/02	61, 63

## M

Main Board	
B12351701	37
Metal Disc	
202/00120/00	37, 39
Motor	
209/00413/08	73
227/00127/00	17
228/00004/01	15
228/00103/01	15
228/00104/00	15
228/00105/01	15
Motor Axle	
126/00052/00	15
Motor Mounting Plate	
152/00054/10	17
Motor Spring	
226/00010/00	15
Mounting Plate	
111/00124/00	61
111/00197/00	61
223/00001/06	65
Mushroom Pushbutton	
209/00248/00	35, 41
209/00248/20	37, 39

## N

Nipple	
710/00010/01	71
Nut	
204/00001/00	9
204/00002/00	7, 11
204/00004/00	11, 15, 71
204/00005/00	11, 19, 43, 49, 51, 53, 55, 63, 71, 73
204/00006/00	53, 55
204/00007/00	15, 27, 57, 59, 63, 73
204/00008/00	27, 43, 57, 59
204/00009/00	25, 35, 39, 73
204/00012/00	17
204/00103/00	25, 29
204/00105/00	67
204/00106/00	25, 29
204/00107/00	49, 51
204/00110/00	17
204/00114/00	17, 35, 37, 39, 41
204/00116/00	37, 41, 63
204/00201/00	57, 59, 65
206/00101/00	53, 55, 61
208/00002/00	55, 57, 59
208/00104/00	49, 51
211/00065/01	43

N/A items do not appear in index.

---

**O**

O-Ring	
217/00002/00 .....	9
217/00021/00 .....	25, 27, 29
Outer Cabinet Lock	
211/00070/01 .....	43
Outer Coin Box	
211/00100/00 .....	43
Outer Tub	
118/00117/00 .....	11
118/00118/00 .....	11
118/00119/00 .....	11
118/00120/00 .....	11
Outlet Pipe Plate Assembly	
101/00007/00 .....	19, 53, 55
Overflow Hose	
223/00150/00 .....	19
Overlay	
225/00365/00 .....	37

---

**P**

Pin	
208/00004/00 .....	25
211/00105/00 .....	25
Pipe Clip	
216/00003/04 .....	13
Plexi Frame	
225/00316/00 .....	35, 39
Plug	
211/00087/00 .....	57, 59, 73
211/00098/00 .....	57, 59
Pressure Hose	
223/00082/00 .....	61, 63
223/00179/10 .....	61
Pressure Roller	
209/00413/07 .....	73
Pressure Switch	
209/00007/50 .....	61, 63
Pressure Switch Elbow	
223/00210/00 .....	61, 63
Pressure Switch Hose Tee	
223/00173/10 .....	63
Prewash and Mainwash Nozzle	
223/00001/04 .....	57, 59, 65
Printboard	
209/00218/03 .....	57, 59
209/00323/02 .....	63
209/00440/00 .....	35
209/00440/70 .....	35
209/00452/01 .....	61, 63
Programming Key Contact Switch	
209/00326/20 .....	37
Programming Switch	
209/00326/00 .....	41
Protection Block	
217/00017/02 .....	25
Protector	
209/00132/00 .....	61, 63
209/00263/00 .....	61, 63
209/00264/00 .....	61, 63

209/00265/00 .....	61, 63
209/00285/00 .....	61, 63
209/00299/00 .....	61, 63
Pulley	
216/00003/00 .....	13
226/00058/00 .....	15
226/00062/00 .....	17
Pump Assembly Plate	
111/00190/00 .....	73
Pump Housing	
209/00413/10 .....	73
Pump Top Plate	
111/00190/01 .....	73
Pushbutton	
209/00396/00 .....	43

---

**R**

Retainer Ring	
212/00006/00 .....	9
212/00037/00 .....	9
Retaining Ring	
117/00042/00 .....	53, 55
Ring Clip	
219/00008/00 .....	11
Rinse Insert	
223/00102/03 .....	67, 69
Rivet	
206/00017/00 .....	15
Roll Pin	
208/00013/00 .....	43

---

**S**

Safety Ring	
226/00054/00 .....	15, 17
Screw	
B12347501 .....	65, 67, 69
206/00001/00 .....	11
206/00007/00 .....	11, 15
206/00025/08 .....	21
206/00038/00 .....	43
206/00056/00 .....	17
207/00003/00 .....	63, 73
207/00005/00 .....	25
207/00008/00 .....	15
207/00009/00 .....	27, 43
207/00014/00 .....	57, 59
207/00020/00 .....	29
207/00021/00 .....	17
207/00102/00 .....	25, 27
207/00103/00 .....	25, 27
207/00106/00 .....	67
207/00108/00 .....	43
207/00109/00 .....	25
207/00126/00 .....	29
207/00130/00 .....	53, 55
207/00135/00 .....	27, 63
208/00001/00 .....	55, 57, 59
208/00007/00 .....	43
209/00025/06 .....	21, 23
209/00025/08 .....	23
209/00025/09 .....	21, 23
209/00170/05 .....	21, 23

N/A items do not appear in index.

209/00413/04 .....	73
209/00413/05 .....	73
212/00016/02 .....	13
Seal Plate	
119/00001/00 .....	9
Sealing Plate Assembly	
209/00025/16 .....	21, 23
Separator	
206/00141/00 .....	63
Separator Plate	
223/00001/03 .....	65
Shaft Seal	
219/00003/00 .....	9
Side Panel	
111/22728/10 .....	49, 51, 53, 55
111/23728/00 .....	49, 51, 53, 55
Soap Box Assembly Plate	
123/00103/06 .....	69
Soap Dispenser	
223/00001/01 .....	65
Soap Dispenser Air Breather Hose	
223/00107/00 .....	69
Soap Dispenser Assembly	
223/00102/30 .....	67, 69
Soap Dispenser Cover	
223/00103/01 .....	49, 51
Soap Dispenser Cover Hinge Rod	
223/00103/04 .....	49, 51
Soap Dispenser Frame	
223/00103/03 .....	49, 51
Soap Dispenser Gasket	
223/00109/00 .....	67, 69
Soap Dispenser Rinse Siphon	
223/00102/04 .....	67, 69
Soap Injector Hose	
223/00179/00 .....	73
Soap Pump Assembly	
209/00554/01 .....	75
209/00554/02 .....	75
209/00554/03 .....	75
209/00554/04 .....	75
209/00554/05 .....	75
209/00554/06 .....	75
Soap Spray Nozzle	
223/00102/06 .....	67, 69
Softener Spray Nozzle	
223/00102/05 .....	67, 69
Spindle	
111/00069/00 .....	43
126/00051/00 .....	17
Spring	
211/00070/04 .....	43
217/00020/00 .....	25
Standoff	
211/00120/00 .....	27, 57, 59, 63
211/00122/00 .....	35, 37, 39
Steam Injector	
118/00105/07 .....	71
Steam Injector Plate Assembly	
113/00025/00 .....	71
Steam Valve	
209/00189/00 .....	71
Sticker	
225/00308/00 .....	35

225/00309/00 .....	35
Switch Base	
209/00099/25 .....	37
Switch Knob	
209/00099/29 .....	37
Switch Lever	
217/00052/05 .....	27

---

## T

Telem Sticker	
209/00520/00 .....	35, 37, 39, 41
Terminal	
209/00043/00 .....	15
Terminal Block	
209/00005/00 .....	63
209/00058/00 .....	57, 59
Thermostat Assembly	
209/00309/02 .....	61, 63
Thermostat Seal	
225/10004/00 .....	61, 63
Top Panel	
111/22743/00 .....	49, 51
111/22744/00 .....	49, 51
111/23743/00 .....	49, 51
Tub Drain Exhaust Valve	
223/00116/00 .....	19
Tub Front	
138/00001/00 .....	25
Tub Front Gasket	
219/00009/00 .....	11
223/00242/00 .....	25
Tub Front Panel	
118/00117/03 .....	11
Tub Front Panel Clip	
217/00008/00 .....	11
Tub Ring	
119/00138/00 .....	11

---

## U

U-Piece	
113/00016/01 .....	9
Upper Front Panel	
111/00181/00 .....	35
111/00181/10 .....	35
111/00215/00 .....	41
111/00222/00 .....	37

---

## V

Valve	
209/00256/01 .....	21, 23
209/00256/05 .....	21, 23
223/00145/00 .....	19
Valve Axle	
209/00025/15 .....	21, 23
V-Belt	
226/00057/00 .....	13
226/00115/00 .....	17

N/A items do not appear in index.

Ventilating Hose	
223/00107/01 .....	67

---

## W

Washer	
201/00001/00 .....	17
201/00002/00 .....	57, 59, 65
201/00003/00 .....	13
201/00005/00 .....	11
201/00006/00 .....	49, 51, 55, 57, 59, 63
201/00007/00 .....	71
201/00008/00 .....	17, 35, 37, 39, 41
201/00010/00 .....	15, 17
201/00012/00 .....	9
201/00017/00 .....	27
201/00018/00 .....	27
201/00201/00 .....	9
202/00002/00 .....	71
202/00003/00 .....	11, 25, 53, 55
202/00004/00 .....	57, 59, 73
202/00101/00 .....	25, 29, 49, 73
202/00104/00 .....	29
202/00106/00 .....	73
202/00108/00 .....	73
202/00109/00 .....	73
202/00119/01 .....	29
203/00001/00 .....	7, 11, 13
203/00002/00 .....	15, 17
203/00003/00 .....	11
203/00004/00 .....	11, 19, 43, 53, 55, 71, 73
203/00005/00 .....	49, 51, 53, 55
203/00006/00 .....	15, 27, 57, 59, 63, 73
203/00007/00 .....	27, 43, 57, 59, 63
203/00008/00 .....	25, 29, 67
203/00010/00 .....	27
208/00009/00 .....	53, 55
209/00025/12 .....	21, 23
211/00070/02 .....	43
217/00052/08 .....	27
223/00001/07 .....	65
223/00051/10 .....	37, 41
223/00123/00 .....	37, 41, 63
Water Hose	
223/00044/00 .....	57, 59, 65
223/00044/01 .....	57, 59, 69
223/00059/00 .....	67

---

