

Electronic Coin Drop

Washer-Extractor

Refer to Page 3 for Model Numbers

— Programming —

Keep These Instructions for Future Reference.

(If this machine changes ownership, this manual must accompany machine.)



WARNING

Failure to install, maintain, and/or operate this machine according to the manufacturer's instructions may result in conditions which can produce bodily injury and/or property damage.

W030

NOTE: The WARNING and IMPORTANT instructions appearing in this manual are not meant to cover all possible conditions and situations that may occur. It must be understood that common sense, caution, and carefulness are factors which cannot be built into these washer-extractors. These factors MUST BE supplied by the person(s) installing, maintaining, or operating the washer-extractors.

Always contact the distributor, service agent, or the manufacturer about any problems or conditions you do not understand.

Table of Contents

Model Identification	3
Applying Overlay and Coin Label	4
Setting Dipswitches	5
Electronic Coin Drop 70294101	5
Preset 70294101 Dipswitch Settings	5
Electronic Coin Drop 70294103	6
Preset 70294103 Dipswitch Settings	6
Electronic Coin Drop 70294104	7
Preset 70294104 Dipswitch Settings	7
Electronic Coin Drop 70294105	8
Preset 70294105 Dipswitch Settings	8
Electronic Coin Drop 70294106	9
Preset 70294106 Dipswitch Settings	9
Electronic Coin Drop 70294107	10
Preset 70294107 Dipswitch Setting	10
Electronic Coin Drop 70294108	11
Preset 70294108 Dipswitch Settings	11
Electronic Coin Drop 70294109	12
Preset 70294109 Dipswitch Settings	12
Electronic Coin Drop 70294110	13
Preset 70294110 Dipswitch Settings	13
Electronic Coin Drop 70294111	14
Preset 70294111 Dipswitch Settings	14
Electronic Coin Drop 70294113	15
Preset 70294113 Dipswitch Settings	15
Electronic Coin Drop 70294114	16
Preset 70294114 Dipswitch Settings	16
Teachmode.....	17
Troubleshooting and Cleaning Coin Drop	18
Troubleshooting Coin Drop.....	18
Cleaning Coin Drop.....	18

© Published by permission of the copyright owner.

All rights reserved. No part of the contents of this book may be reproduced or transmitted in any form or by any means without the expressed written consent of the publisher.

Model Identification

Information in this manual is applicable to these models:

HC20AC2	HC60ACF	HCU040KEV	SC80NCV	SCU030JEF
HC20ACV	HC60ACV	HCU060GE2	SCL020JE2	SCU030JEV
HC20BC2	HC60BC2	HCU060KEV	SCL020JEF	SCU030WE2
HC20NC2	HC60BCF	HCU080GEF	SCL030JE2	SCU040GE2
HC25AC2	HC60NC2	SC20BC2	SCL030JEF	SCU040JE2
HC25BC2	HC60NCF	SC20NC2	SCL030LEV	SCU040JEF
HC25NC2	HC80ACV	SC25BC2	SCL040JE2	SCU040JEV
HC30AC2	HC80BCV	SC25NC2	SCL040JEF	SCU040WEV
HC30ACV	HC80NCV	SC30BC2	SCL040LE2	SCU060GE2
HC30BC2	HCL040HE2	SC30NC2	SCL060JE2	SCU060JE2
HC30NC2	HCU020GE2	SC40BC2	SCL060LE2	SCU060JEF
HC40AC2	HCU020KE2	SC40NC2	SCU020GE2	SCU060JEV
HC40ACV	HCU020KEV	SC50BC2	SCU020JE2	SCU060WEV
HC40BC2	HCU030GE2	SC50NC2	SCU020JEF	SCU080GEF
HC40NC2	HCU030KE2	SC60BC2	SCU020JEV	SCU080JEF
HC50BC2	HCU030KEV	SC60BCF	SCU020WEV	SCU080JEV
HC50NC2	HCU040GE2	SC60NC2	SCU030GE2	
HC60AC2	HCU040KE2	SC80BCV	SCU030JE2	

Applying Overlay and Coin Label

To add overlay and coin drop denomination label (supplied in accessories bag), perform the following steps:

1. Remove coin drop label and insert sheet from accessories bag.
2. Cut out appropriate label or create a label with appropriate coins if desired label is not available on 38725 insert sheet.
3. Slide appropriate label into window of adhesive backed overlay.
4. Remove paper backing from adhesive backed coin drop overlay.
5. Align and apply overlay to front of control panel.

Setting Dipswitches

To set a dipswitch to determine which coins the machine will accept, refer to information below for your coin drop.

Electronic Coin Drop 70294101

The electronic coin drop comes preset from the factory ready to accept US and Canadian coins (dipswitches 13 and 14 in OFF [Accept] position) and preset to block currency for Japan and Taiwan (dipswitches 11 and 12 in ON [Blocked] position). To change drop to accept another currency, the appropriate dipswitch must be in OFF (Accept) position and the remaining dipswitches must be in ON (Blocked) position.

NOTE: Switch is in up position when ON (Blocked) and is in down position when OFF (Accept).

The electronic coin drop is capable of accepting or blocking coins based on the electronic signal generated by the coins. If the drop is accepting invalid coins (slugs, foreign coins, etc.), the tolerances can be narrowed (valid coins may be occasionally rejected, but they will be returned to the customer). To set the drop to accept only medium tolerances, the dipswitch

for the wide tolerance must be in the ON (Blocked) position. For instance, 0.25 USD wide (dipswitch 1) should be in ON (Blocked) position. To completely block a specific coin, the wide, medium and narrow (1.00 CAD only) tolerance dipswitches for that coin must be in the ON (Blocked) position.

Coin Output 1 of the drop is used for coins listed below. For US and Canada coins, the drop gives one signal for 0.25 USD/CAD, two signals for 0.50 CAD, four signals for 1.00 USD/CAD and eight signals for 2.00 CAD. (Coin Value 1 on the electronic control must be set for 0.25. Refer to the control's Programming manual for instructions on setting coin values.) For Japan coins, the drop gives one signal for 100 JPY and five signals for 500 JPY. (Coin Value 1 on the electronic control must be set for 100. Refer to the control's Programming manual for instructions on setting coin values.) For Taiwan coins, the drop gives one signal for 10 TWD and five signals for 50 TWD. (Coin Value 1 on the electronic control must be set for 10. Refer to the control's Programming manual for instructions on setting coin values.)

Preset 70294101 Dipswitch Settings

Dipswitch	Coin/Token Type	Blocked (ON position)	Accept (OFF position)
1	0.25 CAD/0.25USD/100 JPY/10 TWD <i>wide</i>		X
2	0.25 CAD/0.25USD/100 JPY/10 TWD <i>medium</i>		X
3	0.50 CAD/500 JPY old/50 TWD old <i>wide</i>		X
4	0.50 CAD/500 JPY old/50 TWD old <i>medium</i>		X
5	1.00 CAD/1.00 USD/500 JPY new/50 TWD new/ 50 TWD 2002 <i>wide</i>		X
6	1.00 CAD/1.00 USD/500 JPY new/50 TWD new/ 50 TWD 2002 <i>medium</i>		X
7	1.00 CAD <i>narrow</i>		X
8	Teachmode		X
9	2.00 CAD <i>wide</i>		X
10	2.00 CAD <i>medium</i>		X
11	Taiwan currency	X	
12	Japan currency	X	
13	US currency		X
14	Canada currency		X
15	Teachmode 15		X
16	Teachmode 16		X

Setting Dipswitches

Electronic Coin Drop 70294103

The electronic coin drop comes preset from the factory ready to accept Great Britain coins (dipswitch 13 in OFF [Accept] position) and preset to block Euro currency (dipswitch 14 in ON [Blocked] position). To change drop to accept Euro coins, dipswitch 14 must be in OFF (Accept) position and dipswitch 13 must be in ON (Blocked) position.

NOTE: Switch is in up position when ON (Blocked) and is in down position when OFF (Accept).

The electronic coin drop is capable of accepting or blocking coins based on the electronic signal generated by the coins. If the drop is accepting invalid coins (slugs, foreign coins, etc.), the tolerances can be narrowed (valid coins may be occasionally rejected,

but they will be returned to the customer). To set the drop to accept only medium tolerances, the dipswitch for the wide tolerance must be in the ON (Blocked) position. For instance, 0.20 GBP wide (dipswitch 1) should be in ON (Blocked) position. To completely block a specific coin, the wide, medium and narrow (0.50, 1.00 and 2.00 EUR only) tolerance dipswitches for that coin must be in the ON (Blocked) position.

Coin Output 1 of the drop is used for coins listed below. The drop gives two signals for 0.20 GBP/EUR, five signals for 0.50 GBP/EUR, ten signals for 1.00 GBP/EUR, and 20 signals for 2.00 GBP/EUR. (Coin Value 1 on the electronic control must be set for 0.10. Refer to the control's Programming manual for instructions on setting coin values.)

Preset 70294103 Dipswitch Settings

Dipswitch	Coin/Token Type	Blocked (ON position)	Accept (OFF position)
1	0.20 GBP/0.20 EUR <i>wide</i>		X
2	0.20 GBP/0.20 EUR <i>medium</i>		X
3	0.50 GBP/0.50 EUR <i>wide</i>		X
4	0.50 GBP/0.50 EUR <i>medium</i>		X
5	1.00 GBP/1.00 EUR <i>wide</i>		X
6	1.00 GBP/1.00 EUR <i>medium</i>		X
7	2.00 GBP/2.00 EUR <i>wide</i>		X
8	Teachmode		X
9	2.00 GBP/2.00 EUR <i>medium</i>		X
10	0.50 EUR <i>narrow</i>		X
11	1.00 EUR <i>narrow</i>		X
12	2.00 EUR <i>narrow</i>		X
13	Great Britain currency		X
14	Euro currency	X	
15	Teachmode 15		X
16	Teachmode 16		X

Electronic Coin Drop 70294104

The electronic coin drop comes preset from the factory ready to accept Euro coins (dipswitch 15 in OFF [Accept] position) and preset to block currency for Denmark and Norway (dipswitches 13 and 14 in ON [Blocked] position). To change drop to accept another currency, the appropriate dipswitch must be in OFF (Accept) position and the remaining dipswitches must be in ON (Blocked) position.

NOTE: Switch is in up position when ON (Blocked) and is in down position when OFF (Accept).

The electronic coin drop is capable of accepting or blocking coins based on the electronic signal generated by the coins. If the drop is accepting invalid coins (slugs, foreign coins, etc.), the tolerances can be narrowed (valid coins may be occasionally rejected, but they will be returned to the customer). To set the drop to accept only medium tolerances, the dipswitch for the wide tolerance must be in the ON (Blocked)

position. For instance, 0.20 EUR wide (dipswitch 1) should be in ON (Blocked) position. To completely block a specific coin, the wide, medium and narrow (0.50, 1.00 and 2.00 EUR only) tolerance dipswitches for that coin must be in the ON (Blocked) position.

Coin Output 1 of the drop is used for coins listed below. For Euro coins, the drop gives two signals for 0.20 EUR, five signals for 0.50 EUR, 10 signals for 1.00 EUR, and 20 signals for 2.00 EUR. (Coin Value 1 on the electronic control must be set for 0.10. Refer to the control's Programming manual for instructions on setting coin values.) For Denmark and Norway coins, the drop gives one signal for 1.00 DKK/NOK, two signals for 2.00 DKK, five signals for 5.00 DKK/NOK, 10 signals for 10.00 DKK/NOK, and 20 signals for 20.00 DKK/NOK. (Coin Value 1 on the electronic control must be set for 1.00. Refer to the control's Programming manual for instructions on setting coin values.)

Preset 70294104 Dipswitch Settings

Dipswitch	Coin/Token Type	Blocked (ON position)	Accept (OFF position)
1	1.00 DKK new/ 2.00 DKK new/1.00 NOK new/0.20 EUR <i>wide</i>		X
2	1.00 DKK new/1.00 NOK new/0.20 EUR <i>medium</i>		X
3	2.00 DKK new <i>medium</i>		X
4	5.00 DKK new/5.00 NOK new/0.50 EUR <i>wide</i>		X
5	5.00 DKK new/5.00 NOK new/0.50 EUR <i>medium</i>		X
6	10.00 DKK/20.00 DKK/10.00 NOK new/20.00 NOK/1.00 EUR/2.00 EUR <i>wide</i>		X
7	10.00 DKK/10.00 NOK new/1.00 EUR <i>medium</i>		X
8	Teachmode		X
9	20.00 DKK/20.00 NOK/2.00 EUR <i>medium</i>		X
10	0.50 EUR <i>narrow</i>		X
11	1.00 EUR <i>narrow</i>		X
12	2.00 EUR <i>narrow</i>		X
13	Denmark currency	X	
14	Norway currency	X	
15	Euro currency		X
16	Teachmode 16		X

Setting Dipswitches

Electronic Coin Drop 70294105

The electronic coin drop comes preset from the factory ready to accept .20, 1.00 and 2.00 Australian coins and .20 New Zealand old coins (dipswitches 11 and 12 in OFF [Accept] position). It is also preset to block currency for New Zealand 1.00, 2.00 and .20 2006, Hong Kong and South Korea (dipswitches 9, 13 and 14 in ON [Blocked] position). To change drop to accept another currency, the appropriate dipswitch must be in OFF (Accept) position and the remaining dipswitches must be in ON (Blocked) position.

NOTE: Switch is in up position when ON (Blocked) and is in down position when OFF (Accept).

The electronic coin drop is capable of accepting or blocking coins based on the electronic signal generated by the coins. If the drop is accepting invalid coins (slugs, foreign coins, etc.), the tolerances can be narrowed (valid coins may be occasionally rejected, but they will be returned to the customer). To set the drop to accept only medium tolerances, the dipswitch for the wide tolerance must be in the ON (Blocked)

position. For instance, 0.20 AUD wide (dipswitch 2) should be in ON (Blocked) position. To completely block a specific coin, the wide and medium tolerance dipswitches for that coin must be in the ON (Blocked) position.

Coin Output 1 of the drop is used for coins listed below. For Australia and New Zealand, the drop gives one signal for 0.20 AUD/NZD (old and 2006), five signals for 1.00 AUD/NZD, and 10 signals for 2.00 AUD/NZD. (Coin Value 1 on the electronic control must be set for 0.20. Refer to the control's Programming manual for instructions on setting coin values.) For Hong Kong coins, the drop gives one signal for 5.00 HKD and two signals for 10.00 HKD. (Coin Value 1 on the electronic control must be set for 5.00. Refer to the control's Programming manual for instructions on setting coin values.) For South Korea coins, the drop gives one signal for 500 KRW. (Coin Value 1 on the electronic control must be set for 500. Refer to the control's Programming manual for instructions on setting coin values.)

Preset 70294105 Dipswitch Settings

Dipswitch	Coin/Token Type	Blocked (ON position)	Accept (OFF position)
1	5.00 HKD old/ 500 KRW <i>wide</i>		X
2	0.20 AUD/0.20 NZD old/.20 NZD 2006 <i>wide</i> /5.00 HKD old/500 KRW <i>medium</i>		X
3	0.20 AUD/0.20 NZD old/.20 NZD 2006 <i>medium</i> /5.00 HKD new <i>wide</i>		X
4	1.00 AUD/1.00 NZD <i>wide</i> /5.00 HKD new <i>medium</i>		X
5	10.00 HKD <i>wide</i> /1.00 AUD/1.00 NZD <i>medium</i>		X
6	2.00 AUD/2.00 NZD <i>wide</i> /10.00 HKD <i>medium</i>		X
7	2.00 AUD/2.00 NZD <i>medium</i>		X
8	Teachmode		X
9	South Korea currency	X	
10	Not Used	X	
11	New Zealand .20 old and Australia .20 currency		X
12	Australia 1.00 and 2.00 currency		X
13	New Zealand .20 2006, 1.00 and 2.00 currency	X	
14	Hong Kong currency	X	
15	Teachmode 15		X
16	Teachmode 16		X

Electronic Coin Drop 70294106

The electronic coin drop comes preset from the factory ready to accept US and Ecuador coins (dipswitches 13 and 14 in OFF [Accept] position) and preset to block currency for Mexico (dipswitch 12 in ON [Blocked] position). To change drop to accept another currency, the appropriate dipswitch must be in OFF (Accept) position and the remaining dipswitches must be in ON (Blocked) position.

NOTE: Switch is in up position when ON (Blocked) and is in down position when OFF (Accept).

The electronic coin drop is capable of accepting or blocking coins based on the electronic signal generated by the coins. If the drop is accepting invalid coins (slugs, foreign coins, etc.), the tolerances can be narrowed (valid coins may be occasionally rejected, but they will be returned to the customer). To set the drop to accept only medium tolerances, the dipswitch for the wide tolerance must be in the ON (Blocked) position. For instance, 0.25 USD wide (dipswitch 1)

should be in ON (Blocked) position. To completely block a specific coin, the wide and medium tolerance dipswitches for that coin must be in the ON (Blocked) position.

Coin Output 1 of the drop is used for coins listed below. For US and Ecuador coins, the drop gives one signal for 0.25 USD/ECS and four signals for 1.00 USD. (Coin Value 1 on the electronic control must be set for 0.25. Refer to the control's Programming manual for instructions on setting coin values.) For Mexico coins, the drop gives two signals for 2.00 MXN, five signals for 5.00 MXN and ten signals for 10.00 MXN. (Coin Value 1 on the electronic control must be set for 100. Refer to the control's Programming manual for instructions on setting coin values.)

Preset 70294106 Dipswitch Settings

Dipswitch	Coin/Token Type	Blocked (ON position)	Accept (OFF position)
1	0.25 ECS/0.25 USD <i>wide</i>		X
2	0.25 ECS/0.25 USD <i>medium</i>		X
3	1.00 USD <i>wide</i>		X
4	1.00 USD <i>medium</i>		X
5	2.00 MXN <i>wide</i>		X
6	2.00 MXN <i>medium</i>		X
7	5.00 MXN <i>wide</i>		X
8	Teachmode		X
9	5.00 MXN <i>medium</i>		X
10	10.00 MXN 92-95/10.00 MXN 97-98 <i>wide</i>		X
11	10.00 MXN 92-95/10.00 MXN 97-98 <i>medium</i>		X
12	Mexico currency	X	
13	Ecuador currency		X
14	United States currency		X
15	Teachmode 16		X
16	Teachmode 17		X

Setting Dipswitches

Electronic Coin Drop 70294107

The electronic coin drop comes preset from the factory ready to accept Lithuanian coins (dipswitch 13 in OFF [Accept] position) and preset to block currency for Latvian and Euro coins (dipswitches 14 and 15 in ON [Blocked] position). To change drop to accept another currency, the appropriate dipswitch must be in OFF (Accept) position and the remaining dipswitches must be in ON (Blocked) position.

NOTE: Switch is in up position when ON (Blocked) and is in down position when OFF (Accept).

The electronic coin drop is capable of accepting or blocking coins based on the electronic signal generated by the coins. If the drop is accepting invalid coins (slugs, foreign coins, etc.), the tolerances can be narrowed (valid coins may be occasionally rejected, but they will be returned to the customer). To set the drop to accept only medium tolerances, the dipswitch

for the wide tolerance must be in the ON (Blocked) position. For instance, 0.50 LTL wide (dipswitch 2) should be in ON (Blocked) position. To completely block a specific coin, the wide and medium tolerance dipswitches for that coin must be in the ON (Blocked) position.

Coin Output 1 of the drop is used for coins listed below. For Lithuanian and Latvian coins, the drop gives one signal for 0.50 LTL/LVL, two signals for 1.00 coins, and four signals for 2.00 LTL/LVL. (Coin Value 1 on the electronic control must be set for 0.50. Refer to the control's Programming manual for instructions on setting coin values.) For Euro coins, the drop gives two signals for 0.20 EURO, five signals for 0.50 EURO, ten signals for 1.00 EURO, and 20 signals for 2.00 EURO. (CoinValue 1 on the electronic control must be set for 0.10. Refer to the control's Programming manual for instructions on setting coin values.)

Preset 70294107 Dipswitch Setting

Dipswitch	Coin/Token Type	Blocked (ON position)	Accept (OFF position)
1	0.20 Euro <i>wide</i>		X
2	0.50 LTL/LVL/EURO <i>wide</i>		X
3	1.00 LTL/LVL/EURO <i>wide</i>		X
4	2.00 Old LVL <i>wide</i>		X
5	2.00 LTL/New LVL/EURO <i>wide</i>		X
6	0.20 EURO <i>medium</i>		X
7	0.50/1.00/2.00 EURO <i>medium</i>		X
8	Teachmode		X
9	0.50 LTL/LVL <i>medium</i> /0.50 EURO <i>narrow</i>		X
10	1.00 LTL/LVL <i>medium</i> /1.00 EURO <i>narrow</i>		X
11	2.00 Old LVL <i>medium</i>		X
12	2.00 LTL/new LVL <i>medium</i> /2.00 EURO <i>narrow</i>		X
13	Lithuanian currency		X
14	Latvian currency	X	
15	Euro currency	X	
16	Teachmode 16		X

Electronic Coin Drop 70294108

The electronic coin drop comes preset from the factory ready to accept Malaysian coins (dipswitch 14 in OFF [Accept] position) and preset to block Chinese and Russian currency (dipswitches 12 and 13 in ON [Blocked] position). To change drop to accept another currency, the appropriate dipswitch must be in OFF (Accept) position and the remaining dipswitches must be in ON (Blocked) position.

NOTE: Switch is in up position when ON (Blocked) and is in down position when OFF (Accept).

The electronic coin drop is capable of accepting or blocking coins based on the electronic signal generated by the coins. If the drop is accepting invalid coins (slugs, foreign coins, etc.), the tolerances can be narrowed (valid coins may be occasionally rejected, but they will be returned to the customer). To set the drop to accept only medium tolerances, the dipswitch for the wide tolerance must be in the ON (Blocked) position. For instance, 0.10 MYR wide (dipswitch 1) should be in ON (Blocked) position. To completely

block a specific coin, the wide and medium tolerance dipswitches for that coin must be in the ON (Blocked) position.

Coin Output 1 of the drop is used for coins listed below. For Malaysian coins, the drop gives one signal for .10 MYR, two signals for 0.20 MYR and five signals for .50 MYR. (Coin Value 1 on the electronic control must be set for .10. Refer to the control's Programming manual for instructions on setting coin values.) For Chinese coins, the drop gives one signal for 1.00 CNY. (Coin Value 1 on the electronic control must be set for 1.00. Refer to the control's Programming manual for instructions on setting coin values.) For Russian coins, the drop gives one signal for 5.00 RUB and two signals for 10.00 RUB. (Coin Value 1 on the electronic control must be set for 5.00. Refer to the control's Programming manual for instructions on setting coin values.)

Preset 70294108 Dipswitch Settings

Dipswitch	Coin/Token Type	Blocked (ON position)	Accept (OFF position)
1	1.00 CNY/5.00 RUB/.10 MYR <i>wide</i>		X
2	1.00 CNY/5.00 RUB/.10 MYR <i>medium</i>		X
3	10.00 RUB/.20 MYR <i>wide</i>		X
4	10.00 RUB/.20 MYR <i>medium</i>		X
5	.50 MYR <i>wide</i>		X
6	.50 MYR <i>medium</i>		X
7	Not used		X
8	Teachmode		X
9	Not used		X
10	Not used		X
11	Not used		X
12	Chinese currency	X	
13	Russian currency	X	
14	Malaysian currency		X
15	Teachmode 15		X
16	Teachmode 16		X

Setting Dipswitches

Electronic Coin Drop 70294109

The electronic coin drop comes preset from the factory ready to accept Malaysian coins (dipswitch 14 in OFF [Accept] position) and preset to block Singapore, Chinese and Russian currency (dipswitches 11, 12 and 13 in ON [Blocked] position). To change drop to accept another currency, the appropriate dipswitch must be in OFF (Accept) position and the remaining dipswitches must be in ON (Blocked) position.

NOTE: Switch is in up position when ON (Blocked) and is in down position when OFF (Accept).

The electronic coin drop is capable of accepting or blocking coins based on the electronic signal generated by the coins. If the drop is accepting invalid coins (slugs, foreign coins, etc.), the tolerances can be narrowed (valid coins may be occasionally rejected, but they will be returned to the customer). To set the drop to accept only medium tolerances, the dipswitch for the wide tolerance must be in the ON (Blocked) position. For instance, 0.10 MYR wide (dipswitch 1) should be in ON (Blocked) position. To completely block a specific coin, the wide and medium tolerance dipswitches for that coin must be in the ON (Blocked) position.

Coin Output 1 of the drop is used for coins listed below. For Malaysian coins, the drop gives one signal for .10 MYR, two signals for 0.20 MYR and five signals for .50 MYR. (Coin Value 1 on the electronic control must be set for .10. Refer to the control's Programming manual for instructions on setting coin values.) For Singapore coins, the drop gives one signal for .10 SGD, two signals for .20 SGD, five signals for .50 SGD and ten signals for 1.00 SGD. (Coin value 1 on the electronic control must be set for .10. Refer to the Control's Programming manual for instructions on setting coin values.) For Chinese coins, the drop gives one signal for 1.00 CNY. (Coin Value 1 on the electronic control must be set for 1.00. Refer to the control's Programming manual for instructions on setting coin values.) For Russian coins, the drop gives one signal for 5.00 RUB and two signals for 10.00 RUB. (Coin Value 1 on the electronic control must be set for 5.00. Refer to the control's Programming manual for instructions on setting coin values.)

Preset 70294109 Dipswitch Settings

Dipswitch	Coin/Token Type	Blocked (ON position)	Accept (OFF position)
1	1.00 CNY/5.00 RUB non-magnetic <i>wide</i> / **5.00 RUB magnetic <i>wide</i> /.10 MYR/.10 SGD <i>wide</i>		X
2	1.00 CNY/5.00 RUB non-magnetic <i>medium</i> /.10 MYR/.10 SGD <i>medium</i>		X
3	10.00 RUB/.20 MYR/.20 SGD <i>wide</i>		X
4	10.00 RUB/.20 MYR/.20 SGD <i>medium</i>		X
5	.50 MYR/.50 SGD/*10.00 RUB '09 t1 <i>wide</i>		X
6	.50 MYR/.50 SGD/*10.00 RUB '09 t1 <i>medium</i>		X
7	1.00 SGD/*10.00 RUB '09 t2 <i>wide</i>		X
8	Teachmode		X
9	1.00 SGD/*10.00 RUB '09 t2 <i>medium</i>		X
10	**5.00 RUB magnetic <i>medium</i>		X
11	Singapore currency	X	
12	Chinese currency	X	
13	Russian currency	X	
14	Malaysian currency		X
15	Teachmode 15		X
16	Teachmode 16		X

* This currency setting is available starting coin drop Serial No. 99600 and date code 12/10.

** This currency setting is available starting coin drop Serial No. 111196 and date code 10/10.

Electronic Coin Drop 70294110

The electronic coin drop comes preset from the factory ready to accept South African coins (dipswitch 14 in OFF [Accept] position).

NOTE: Switch is in up position when ON (Blocked) and is in down position when OFF (Accept).

The electronic coin drop is capable of accepting or blocking coins based on the electronic signal generated by the coins. If the drop is accepting invalid coins (slugs, foreign coins, etc.), the tolerances can be narrowed (valid coins may be occasionally rejected, but they will be returned to the customer). To set the

drop to accept only medium tolerances, the dipswitch for the wide tolerance must be in the ON (Blocked) position. For instance, 1.00 ZAR wide (dipswitch 1) should be in ON (Blocked) position. To completely block a specific coin, the wide and medium tolerance dipswitches for that coin must be in the ON (Blocked) position.

Coin Output 1 of the drop is used for coins listed below. The drop gives one signal for 1.00 ZAR, two signals for 2.00 ZAR and five signals for 5.00 ZAR. (Coin Value 1 on the electronic control must be set for 1.00. Refer to the control's Programming manual for instructions on setting coin values.)

Preset 70294110 Dipswitch Settings

Dipswitch	Coin/Token Type	Blocked (ON position)	Accept (OFF position)
1	1.00 ZAR <i>wide</i>		X
2	1.00 ZAR <i>medium</i>		X
3	2.00 ZAR <i>wide</i>		X
4	2.00 ZAR <i>medium</i>		X
5	5.00 ZAR <i>wide</i>		X
6	5.00 ZAR <i>medium</i>		X
7	Not used		X
8	Teachmode		X
9	Not used		X
10	Not used		X
11	Not used		X
12	Not used		X
13	Not used		X
14	South African currency		X
15	Teachmode 15		X
16	Teachmode 16		X

Setting Dipswitches

Electronic Coin Drop 70294111

The electronic coin drop comes preset from the factory ready to accept Euro coins (dipswitch 14 in OFF [Accept] position). To change drop to block Euro coins, dipswitch 14 must be in ON (Blocked) position.

NOTE: Switch is in up position when ON (Blocked) and is in down position when OFF (Accept).

The electronic coin drop is capable of accepting or blocking coins based on the electronic signal generated by the coins. If the drop is accepting invalid coins (slugs, foreign coins, etc.), the tolerances can be narrowed (valid coins may be occasionally rejected, but they will be returned to the customer). To set the

drop to accept only medium tolerances, the dipswitch for the wide tolerance must be in the ON (Blocked) position. For instance, 0.10 EUR wide (dipswitch 1) should be in ON (Blocked) position. To completely block a specific coin, all tolerance dipswitches for that coin must be in the ON (Blocked) position.

Coin Output 1 of the drop is used for coins listed below. The drop gives one signal for .10 EUR, two signals for 0.20 EUR, five signals for 0.50 EUR, ten signals for 1.00 EUR, and 20 signals for 2.00 EUR. (Coin Value 1 on the electronic control must be set for 0.10. Refer to the control's Programming manual for instructions on setting coin values.)

Preset 70294111 Dipswitch Settings

Dipswitch	Coin/Token Type	Blocked (ON position)	Accept (OFF position)
1	0.10 EUR <i>wide</i>		X
2	0.10 EUR <i>medium</i>		X
3	0.20 EUR <i>wide</i>		X
4	0.20 EUR <i>medium</i>		X
5	0.50 EUR <i>wide</i>		X
6	0.50 EUR <i>narrow</i>		X
7	1.00 EUR <i>wide</i>		X
8	Teachmode		X
9	1.00 EUR <i>narrow</i>		X
10	2.00 EUR <i>wide</i>		X
11	2.00 EUR <i>narrow</i>		X
12	Not used		X
13	Not used		X
14	Euro currency		X
15	Teachmode 15		X
16	Teachmode 16		X

Electronic Coin Drop 70294113

The electronic coin drop comes preset from the factory ready to accept US and Canadian coins (dipswitches 13 and 14 in OFF [Accept] position). To change drop to accept another currency, the appropriate dipswitch must be in OFF (Accept) position and the remaining dipswitches must be in ON (Blocked) position.

NOTE: Switch is in up position when ON (Blocked) and is in down position when OFF (Accept).

The electronic coin drop is capable of accepting or blocking coins based on the electronic signal generated by the coins. If the drop is accepting invalid coins (slugs, foreign coins, etc.), the tolerances can be narrowed (valid coins may be occasionally rejected,

but they will be returned to the customer). To set the drop to accept only medium tolerances, the dipswitch for the wide tolerance must be in the ON (Blocked) position. For instance, 0.25 USD wide (dipswitch 1) should be in ON (Blocked) position. To completely block a specific coin, the wide, medium and narrow (1.00 CAD only) tolerance dipswitches for that coin must be in the ON (Blocked) position.

Coin Output 1 of the drop is used for coins listed below. For US and Canada coins, the drop gives one signal for .25 USD/CAD, two signals for .50 CAD, four signals for 1.00 USD/CAD and eight signals for 2.00 CAD. (Coin Value 1 on the electronic control must be set for .25. Refer to the control's Programming manual for instructions on setting coin values.)

Preset 70294113 Dipswitch Settings

Dipswitch	Coin/Token Type	Blocked (ON position)	Accept (OFF position)
1	0.25 CAD old/0.25 CAD 1999/0.25 USD <i>wide</i>		X
2	0.25 CAD old/0.25 CAD 1999/0.25 USD <i>medium</i>		X
3	0.50 CAD 1999 <i>wide</i>		X
4	0.50 CAD 1999 <i>medium</i>		X
5	1.00 CAD/1.00 CAD 2011/1.00 USD <i>wide</i>		X
6	1.00 CAD <i>medium</i>		X
7	1.00 CAD <i>narrow</i> /1.00 USD <i>medium</i>		X
8	Teachmode		X
9	1.00 CAD 2011 <i>medium</i>		X
10	2.00 CAD/2.00 CAD 2011 <i>wide</i>		X
11	2.00 CAD <i>medium</i>		X
12	2.00 CAD 2011 <i>medium</i>		X
13	US currency		X
14	Canada currency		X
15	Teachmode 15		X
16	Teachmode 16		X

Setting Dipswitches

Electronic Coin Drop 70294114

The electronic coin drop comes preset from the factory ready to accept Japan coins (dipswitch 12 in OFF [Accept] position) and preset to block currency for Taiwan (dipswitch 11 in ON [Blocked] position). To change drop to accept another currency, the appropriate dipswitch must be in OFF (Accept) position and the remaining dipswitches must be in ON (Blocked) position.

NOTE: Switch is in up position when ON (Blocked) and is in down position when OFF (Accept).

The electronic coin drop is capable of accepting or blocking coins based on the electronic signal generated by the coins. If the drop is accepting invalid coins (slugs, foreign coins, etc.), the tolerances can be narrowed (valid coins may be occasionally rejected, but they will be returned to the customer). To set the

drop to accept only medium tolerances, the dipswitch for the wide tolerance must be in the ON (Blocked) position. For instance, 100 JPY wide (dipswitch 1) should be in ON (Blocked) position. To completely block a specific coin, the wide and medium tolerance dipswitches for that coin must be in the ON (Blocked) position.

Coin Output 1 of the drop is used for coins listed below. For Japan coins, the drop gives one signal for 100 JPY and five signals for 500 JPY. (Coin Value 1 on the electronic control must be set for 100. Refer to the control's Programming manual for instructions on setting coin values.) For Taiwan coins, the drop gives one signal for 10 TWD and five signals for 50 TWD. (Coin Value 1 on the electronic control must be set for 10. Refer to the control's Programming manual for instructions on setting coin values.)

Preset 70294114 Dipswitch Settings

Dipswitch	Coin/Token Type	Blocked (ON position)	Accept (OFF position)
1	100 JPY/10 TWD <i>wide</i>		X
2	100 JPY/10 TWD <i>medium</i>		X
3	Unused		X
4	Unused		X
5	500 JPY new/50 TWD 2002 <i>wide</i>		X
6	500 JPY new/50 TWD 2002 <i>medium</i>		X
7	Unused		X
8	Teachmode		X
9	Unused		X
10	Unused		X
11	Taiwan currency	X	
12	Japan currency		X
13	Unused		X
14	Unused		X
15	Teachmode 15		X
16	Teachmode 16		X

Teachmode

NOTE: When using second coin input for Teachmode on A-series and B-series microcomputer models, a pulse expander board, Part No. F8034701 (available at extra cost), must be installed into control module. Refer to *Figure 1*.

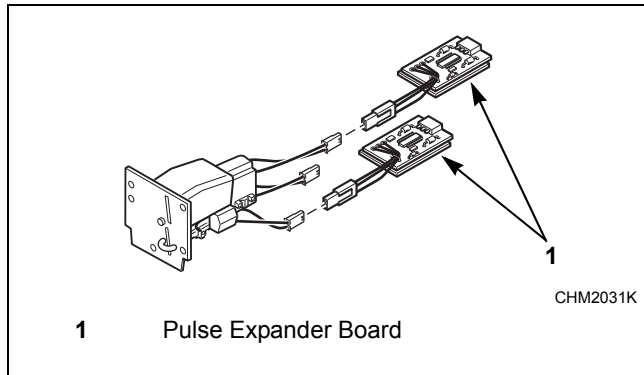


Figure 1

The Teachmode option allows the owner to program the coin drop to accept coins or tokens that differ from those shown in tables above. Refer to the following steps to set the coin selector to accept the new coins or tokens.

NOTE: The steps for setting Teachmode must be followed in the exact order shown below for the Teachmode to work properly.

1. Set dipswitch 8 to ON (Blocked) position.
2. Set dipswitch 15 **OR** dipswitch 16 to ON (Blocked) position (only dipswitches 15 and 16 are available for new coins or tokens).

IMPORTANT: DO NOT set both dipswitches 15 and 16 to ON (Blocked) position at same time.

NOTE: Dipswitch 15 is not available for Teachmode on Electronic Coin Drops 70294104 and 70294107.

3. Insert at least 10 different coins or tokens into the coin drop to program the coin selector.
4. Set dipswitch selected in step 2 to OFF (Accept) position.

NOTE: A click should be heard after setting dipswitch to OFF (Accept) position. If no click is heard, repeat steps 2-4.

5. Set dipswitch 8 to OFF (Accept) position.
6. Wait 15 seconds before testing meter with coins or tokens.

NOTE: When setting control to accept two (2) coins, repeat steps 1-6 for second coin.

When the teaching procedure has been completed, the coin drop magnet will operate briefly one time to indicate the Teachmode was successful.

If the coin or token used for the Teachmode has a signal that overlaps the signal of an already programmed coin, the coin selector magnet will operate twice briefly, indicating the new coin or token is not stored in the drop.

Coins or tokens programmed using the Teachmode will use coin output 2 of the drop and will give one signal for each coin or token entered into the drop. (Coin Value 2 on the electronic control must be set to the value desired for the coin or token. Refer to the control's Programming manual for instructions on setting coin values.)

Troubleshooting and Cleaning Coin Drop

When a coin is placed into coin slot, the coin should roll down drop and be heard dropping into coin vault. If coin does not fall into coin vault or if coin drop sensor does not register that coin has been entered, follow troubleshooting instructions below.

Troubleshooting Coin Drop

Is proper electrical power supplied to coin drop? Incorrect electrical connection may prevent coins from registering in coin drop. Refer to wiring diagram and service manual for proper connections.

Is machine level? Machines that are not level may prevent coins from following through required check stages of drop. Refer to Installation Instructions for instructions on leveling machine.

Is coin drop clean? Residue or lint build-up may prevent coins from following through required check stages of drop. Refer to **Cleaning Coin Drop** instructions below.

IMPORTANT: Never use oil to correct coin drop problems. Oil residue will prevent coins from rolling properly.

IMPORTANT: Do not bend or damage mechanical parts within coin drop.

Cleaning Coin Drop

The electronic coin drop should be cleaned once a year. Clean the drop more often if it is exposed to high levels of residue or lint build-up. Follow the instructions below for cleaning the coin drop.

1. Disconnect electrical power to machine and drop.
2. Remove coin drop from machine.
3. Open cover of coin drop. Refer to instructions for your coin drop below.

Coin Drops with Old-Style Spring (Refer to Figure 2.)

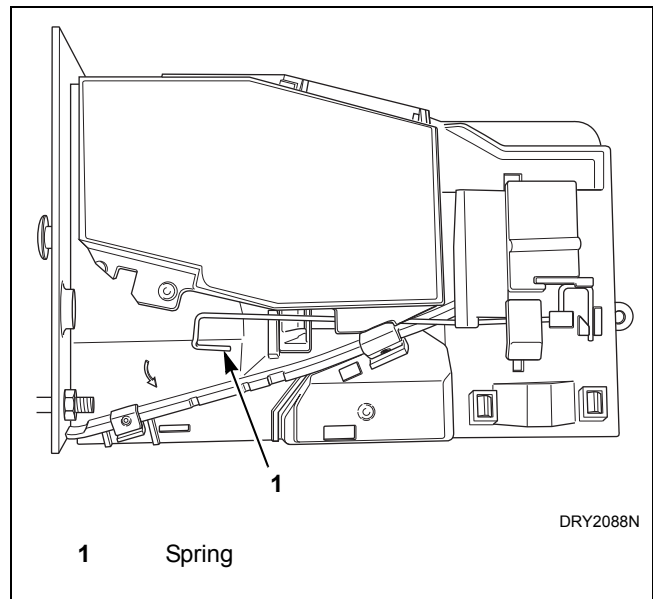


Figure 2

- a. Move spring downward until cover catch is free. Refer to *Figure 3*.

NOTE: Do not lift or overbend the spring in any direction.

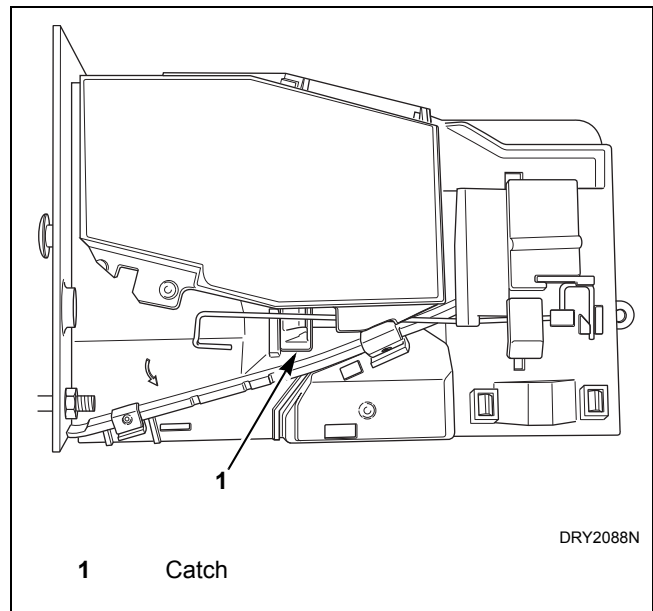


Figure 3

Troubleshooting and Cleaning Coin Drop

b. Open cover for coin drop. Refer to *Figure 4*.

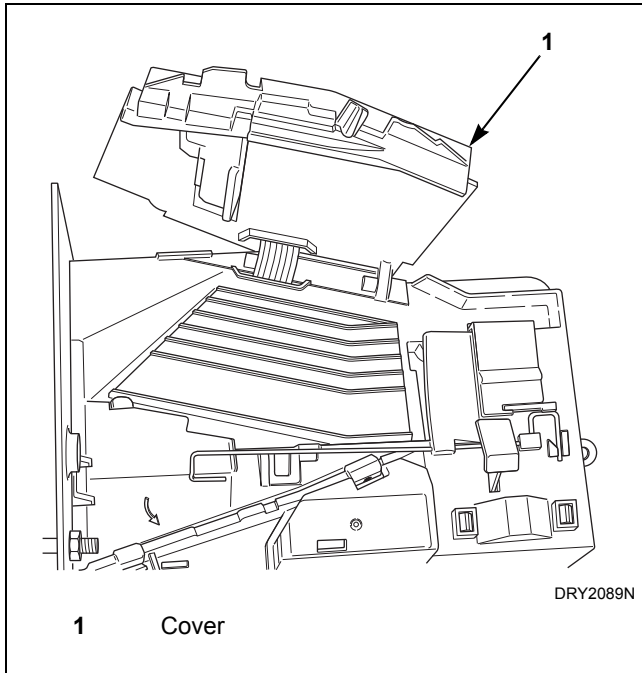


Figure 4

Coin Drops with New-Style Spring (Refer to Figure 5.)

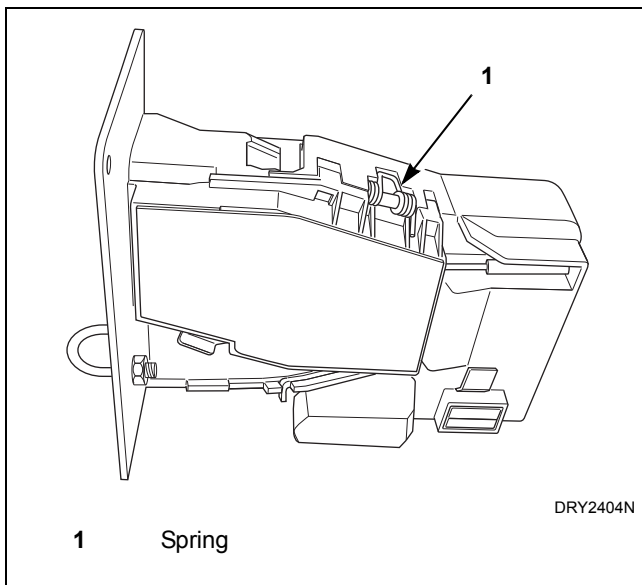


Figure 5

c. Open cover of coin drop. Refer to *Figure 6*.

NOTE: Do not overbend the spring by opening cover too far.

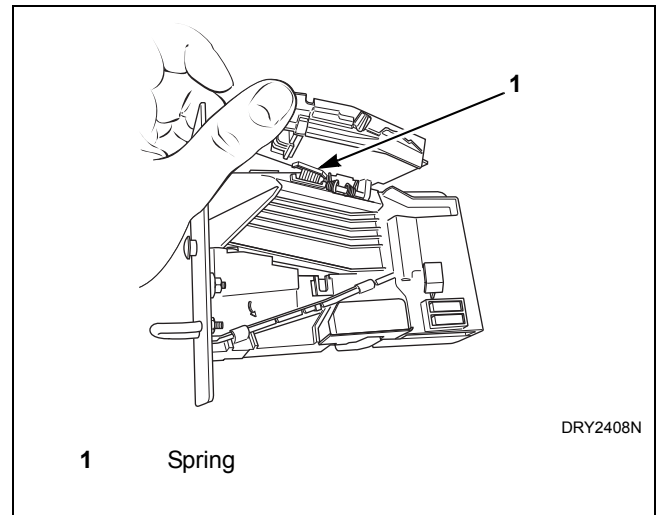


Figure 6

4. Clean the coin path with a soft brush and wipe exposed surfaces with an alcohol moistened cloth. Refer to *Figure 7* and *Figure 8*.

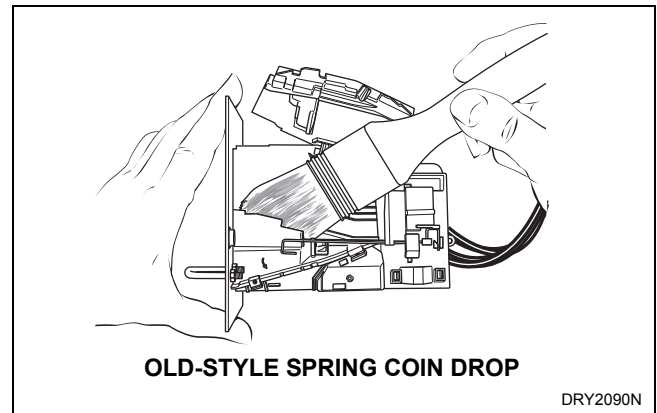


Figure 7



Figure 8

Troubleshooting and Cleaning Coin Drop

5. Clean residue from coin rail with an alcohol moistened cloth. Refer to *Figure 9*.

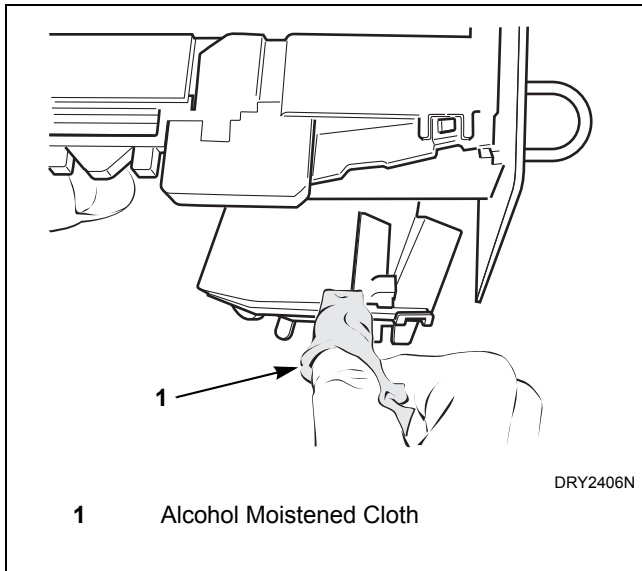


Figure 9

6. Clean light sensors with a soft brush or air spray duster. Refer to *Figure 10*.

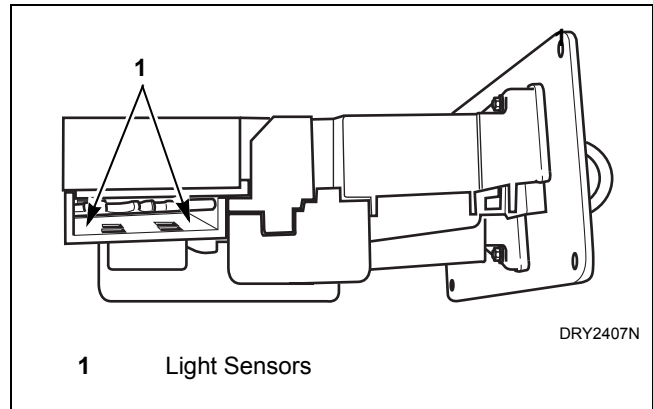


Figure 10

7. Close cover for coin drop.
8. **Coin Drops with OLD-Style Spring** – Move spring back over cover catch.
9. Reinstall coin drop into machine.
10. Reconnect electrical power to machine and drop.
11. Add a coin to drop to verify that coin drop is operating properly and that electrical connection is working properly.