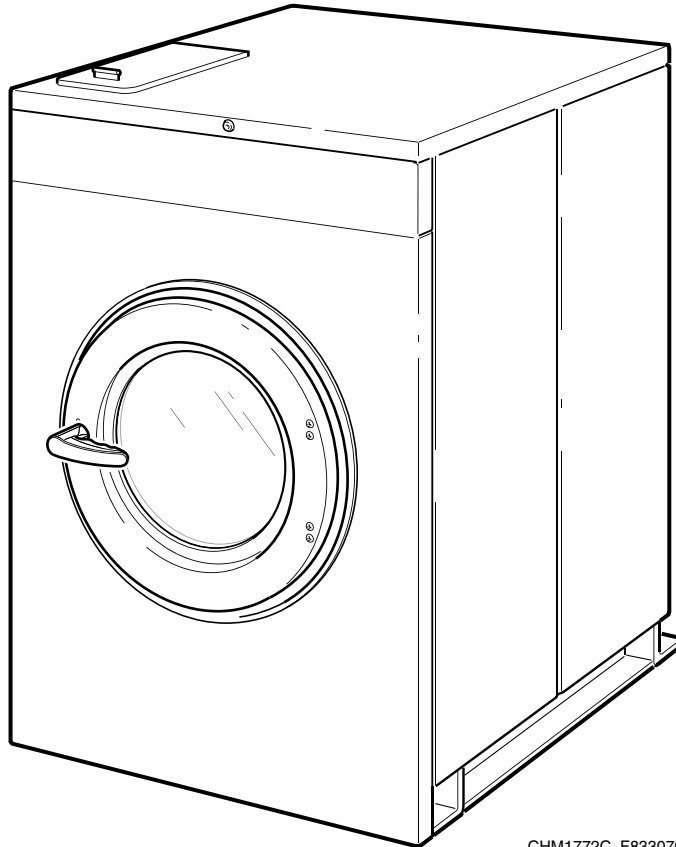


Washer-Extractor

Cabinet Hardmount

Refer to Page 3 for Model Numbers



CHM1772C_F8330701

Table of Contents

Title	Page
Parts Ordering Information.....	2
Nameplate Location	2
Model Identification	3
Product Overview - M4, M30, Galaxy 400, Galaxy 600, Quantum Silver and Quantum Gold OPL.....	4
Product Overview for M9, Galaxy 200 and Quantum Gold	6
Decals	8
Control Module - 2 Speed OPL Models	10
Control Module - F and V-Speed OPL Models	12
Control Module - 2 Speed Coin Models	14
Control Module - F and V-Speed Coin Models	16
Flush Mount Coin Meter Assembly (Drawing 1 of 2).....	18
Flush Mount Coin Meter Assembly (Drawing 2 of 2).....	20
Electronic Coin Meter Assembly	22
Card Reader - HY and KY Models.....	24
Optional Coin Box.....	26
Front Panels and Control Panel - Coin Models.....	28
Front Panel and Control Panel - Card Reader and OPL Models	30
Control Panel Overlays	32
Panels (Drawing 1 of 2)	34
Panels (Drawing 2 of 2)	36
Door	38
Door Lock.....	40
Basket, Shell, Frame and Trunnion (Drawing 1 of 3).....	42
Basket, Shell, Frame and Trunnion (Drawing 2 of 3).....	44
Basket, Shell, Frame and Trunnion (Drawing 3 of 3).....	46
Drain Plumbing	48
Drain Valve Assembly - 20 and 30 Pound Models.....	50
Drain Valve Assembly - 40 and 60 Pound Models.....	52
Filter (Optional) and Supply Hose.....	54
Fill Plumbing Assembly (Drawing 1 of 2)	56
Fill Plumbing Assembly (Drawing 2 of 2)	58
Pulley and Belt (Drawing 1 of 3)	60
Pulley and Belt (Drawing 2 of 3)	62
Pulley and Belt (Drawing 3 of 3)	64
Motor and Capacitors.....	66
Electric Heat Option	68
Steam Heat Option	70
Parts Index.....	73

© Copyright 2010, Alliance Laundry Systems LLC

All rights reserved. No part of the contents of this book may be reproduced or transmitted in any form or by any means without the expressed written consent of the publisher.

Parts Ordering Information

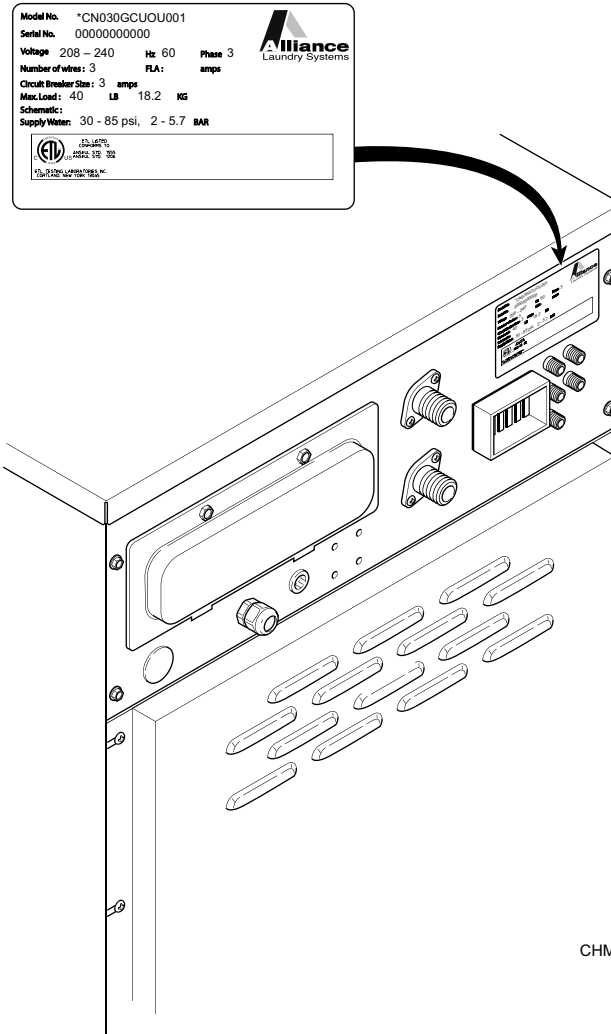
If literature or replacement parts are required, contact the source from whom the machine was purchased or contact Alliance Laundry Systems at (920) 748-3950 for the name and address of the nearest authorized parts distributor.

For technical assistance, call either of the numbers listed below:

(920) 748-3121 Ripon, Wisconsin
+32 56 41 20 54 Wevelgem, Belgium

Nameplate Location

When calling or writing about your product, be sure to mention model and serial numbers. Model and serial numbers are located on nameplate(s) as shown.



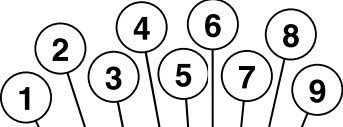
CHM3025P_F8330701

Model Identification

Information in this manual is applicable to these washer-extractor models:

HCL020HDF	HCN040HC2	HCU020HC2	SCL040HN2	UCL020HN2
HCL020HN2	HCN040HCF	HCU020HN2	SCL040HNF	UCL020KN2
HCL020KD2	HCN040HN2	HCU020HNF	SCL040KN2	UCL030HN2
HCL030HDF	HCN040HNF	HCU020HX2	SCL040KNF	UCL030HNF
HCL030HN2	HCN040HY2	HCU020KCF	SCL040KNV	UCL030KN2
HCL030HNF	HCN040HYF	HCU020KCV	SCL060HN2	UCL040HN2
HCL040HC2	HCN040KC2	HCU020KE2	SCL060HNF	UCL040HNF
HCL040HDF	HCN040KCF	HCU020KL2	SCL060KN2	UCL040KN2
HCL040HE2	HCN040KCV	HCU020KY2	SCL060KNV	UCL040KNF
HCL040HN2	HCN040KD2	HCU020KYF	SCN020HN2	UCL040KNV
HCL060HN2	HCN040KDF	HCU020KYV	SCN020HNF	UCL060HN2
HCN020HC2	HCN040KDV	HCU030HC2	SCN020KN2	UCL060HNF
HCN020HCF	HCN040KEF	HCU030HN2	SCN020KNF	UCL060KN2
HCN020HD2	HCN040KEV	HCU030HNF	SCN030HN2	UCL060KNF
HCN020HN2	HCN040KY2	HCU030HX2	SCN030HNF	UCL060KNV
HCN020HNF	HCN040KYF	HCU030KCF	SCN030KN2	UCN020HN2
HCN020HY2	HCN040KYV	HCU030KCV	SCN030KNF	UCN020HNF
HCN020HYF	HCN060HC2	HCU030KE2	SCN040HN2	UCN020KN2
HCN020KC2	HCN060HCF	HCU030KY2	SCN040HNF	UCN030HN2
HCN020KCF	HCN060HN2	HCU030KYF	SCN040KN2	UCN030HNF
HCN020KCV	HCN060HNF	HCU030KYV	SCN040KNF	UCN030KN2
HCN020KD2	HCN060HY2	HCU040HC2	SCN040KNV	UCN030KNF
HCN020KDV	HCN060HYF	HCU040HN2	SCN060HN2	UCN040HN2
HCN020KEF	HCN060KC2	HCU040HNF	SCN060HNF	UCN040HNF
HCN020KEV	HCN060KCF	HCU040HX2	SCN060KN2	UCN040KN2
HCN020KY2	HCN060KCV	HCU040KCF	SCN060KNF	UCN040KNF
HCN020KYF	HCN060KD2	HCU040KCV	SCN060KNV	UCN040KNV
HCN020KYV	HCN060KDF	HCU040KE2	SCU020HN2	UCN060HN2
HCN030HC2	HCN060KDV	HCU040KY2	SCU020HNF	UCN060HNF
HCN030HCF	HCN060KEF	HCU040KYF	SCU020KN2	UCN060KN2
HCN030HD2	HCN060KEV	HCU040KYV	SCU020KNF	UCN060KNF
HCN030HN2	HCN060KY2	HCU060HC2	SCU030HN2	UCN060KNV
HCN030HNF	HCN060KYF	HCU060HN2	SCU030HNF	UCU020HN2
HCN030HY2	HCN060KYV	HCU060HNF	SCU030KN2	UCU020HNF
HCN030HYF		HCU060HX2	SCU030KNF	UCU020KN2
HCN030KC2		HCU060KCF	SCU040HN2	UCU030HN2
HCN030KCF		HCU060KCV	SCU040HNF	UCU030HNF
HCN030KCV		HCU060KEV	SCU040KN2	UCU030KN2
HCN030KD2		HCU060KY2	SCU040KNF	UCU040HN2
HCN030KDV		HCU060KYF	SCU040KNV	UCU040HNF
HCN030KEF		HCU060KYV	SCU060HN2	UCU040KN2
HCN030KY2		HCZ020HN2	SCU060HNF	UCU040KNV
HCN030KYF		SCL020HNF	SCU060KN2	UCU060HN2
HCN030KYV		SCL030HN2	SCU060KNF	UCU060HNF
		SCL030HNF	SCU060KNV	UCU060KN2
		SCL030KN2		UCU060KNV
		SCL030KNF		
		SCL030KNV		

Product Overview - M4, M30, Galaxy 400, Galaxy 600, Quantum Silver and Quantum Gold OPL



Model No. *CN030GC2UOU001

Serial No. 00000000000

Voltage 208 – 240 Hz 60 Phase 3


Number of wires : 3 FLA: amps

Circuit Breaker Size : 3 amps

Max. Load: 40 LB 18.2 KG

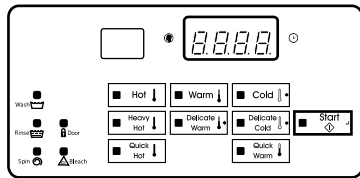
Schematic:

Supply Water: 30 - 85 psi, 2 - 5.7 BAR

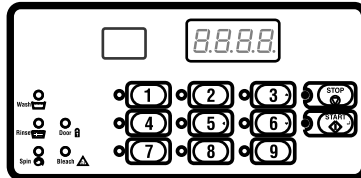


ETL LISTED
CONFORMS TO
ANSI/UL STD. 1955
US ANSI/UL STD. 1206

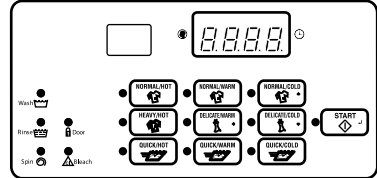
ETL TESTING LABORATORIES INC.
CORTLAND, NEW YORK 13845



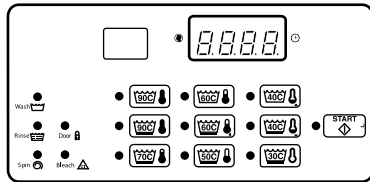
Galaxy 400 Coin



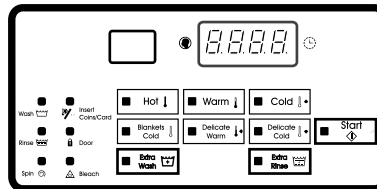
M9/Galaxy 400 OPL/Quantum Silver OPL



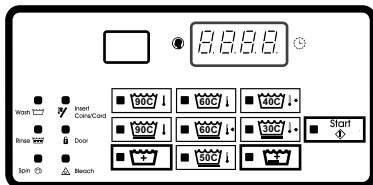
Quantum Silver Coin (Domestic)



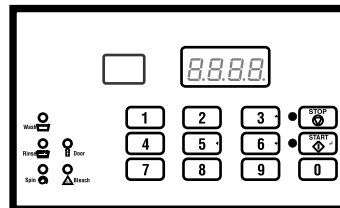
Quantum Silver Coin (International)



Galaxy 600 Coin (Domestic)



Galaxy 600 Coin (International)



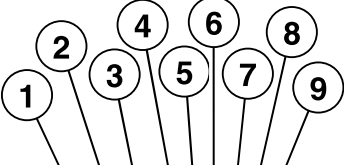
M30/Quantum Gold OPL

CHM3026P_F8330701

Product Overview - M4, M30, Galaxy 400, Galaxy 600, Quantum Silver and Quantum Gold OPL

REF	PART NO.	DESCRIPTION	COMMENTS
1	-	Product Family	HC NC SC UC
2	-	Market	N (Domestic ETL(c)) L (International ETL(c)) U (International CE) D (Daiwa) Z (No Agency International)
3	-	Capacity (Pounds)	020 030 040 060 080 125
4	-	Control	G J L H K W
5	-	Actuation	C (Drop Coin Meter) D (Digital Coin Meter) E (Electronic World Drop) L (Prep for Remote/Central Pay) N (Non-Coin OPL) X (Prep for Coin Meter) Y (Prep for Card Reader)
6	-	Speed	2 (2 Speed) F (F-Speed) V (V-Speed)
7	-	Voltage	B (120/60/1/2) C (380-415/50/3/4) F (440-480/60/3/3) J (200/50/3/3) O (208/220-240/60/3/3) R (380-415/440-480/50/60/3) Q (200-208/220-240/50/60/3) X (200-208/220-240/50/60/1/3) Y (208/220-240/60/1/2)
8	-	Side Panel	U (Standard) 1 (Stainless Steel)
9	-	Design	1

Product Overview for M9, Galaxy 200 and Quantum Gold

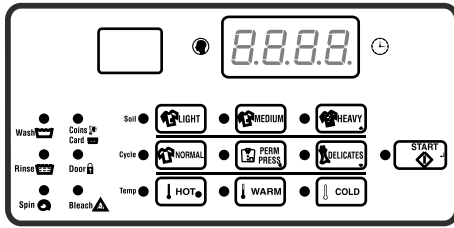


Model No. *CN030GC2U0U001
 Serial No. 0000000000

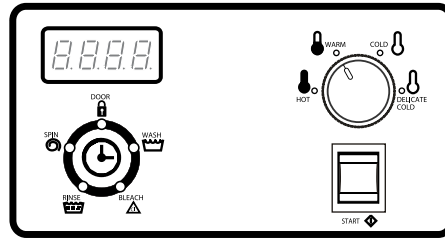
Voltage 208 – 240 Hz 60 Phase 3
 Number of wires : 3 FLA: amps
 Circuit Breaker Size : 3 amps
 Max. Load: 40 LB 18.2 KG
 Schematic:
 Supply Water: 30 - 85 psi, 2 - 5.7 BAR

Alliance
 Laundry Systems

ETL LISTED
 CONFORMS TO
 ANS/AUL STD. 1555
 US ANS/AUL STD. 1206
 ETL TESTING LABORATORIES, INC.
 CORTLAND, NEW YORK 13045



Quantum Gold



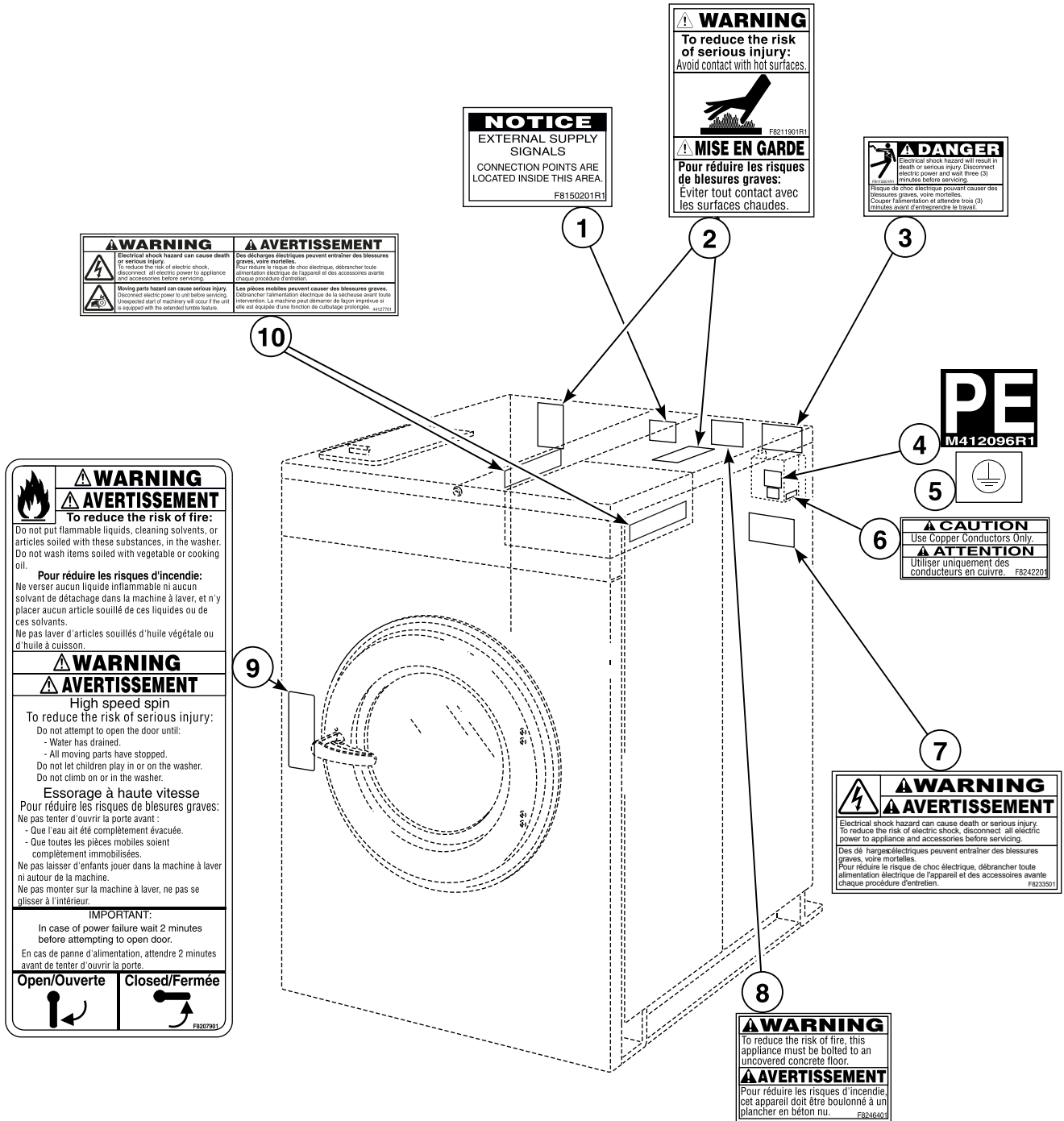
M4/Galaxy 200/Quantum Standard

CHM3034P_F8330701

Product Overview for M9, Galaxy 200 and Quantum Gold

REF	PART NO.	DESCRIPTION	COMMENTS
1	-	Product Family	HC NC SC UC
2	-	Market	N (Domestic ETL(c)) L (International ETL(c)) U (International CE) D (Daiwa) Z (No Agency International)
3	-	Capacity (Pounds)	020 030 040 060 080 125
4	-	Control	G J L H K W
5	-	Actuation	C (Drop Coin Meter) D (Digital Coin Meter) E (Electronic World Drop) L (Prep for Remote/Central Pay) N (Non-Coin OPL) X (Prep for Coin Meter) Y (Prep for Card Reader)
6	-	Speed	2 (2 Speed) F (F-Speed) V (V-Speed)
7	-	Voltage	B (120/60/1/2) C (380-415/50/3/4) F (440-480/60/3/3) J (200/50/3/3) O (208/220-240/60/3/3) R (380-415/440-480/50/60/3) Q (200-208/220-240/50/60/3) X (200-208/220-240/50/60/1/3) Y (208/220-240/60/1/2)
8	-	Side Panel	U (Standard) 1 (Stainless Steel)
9	-	Design	1

Decals

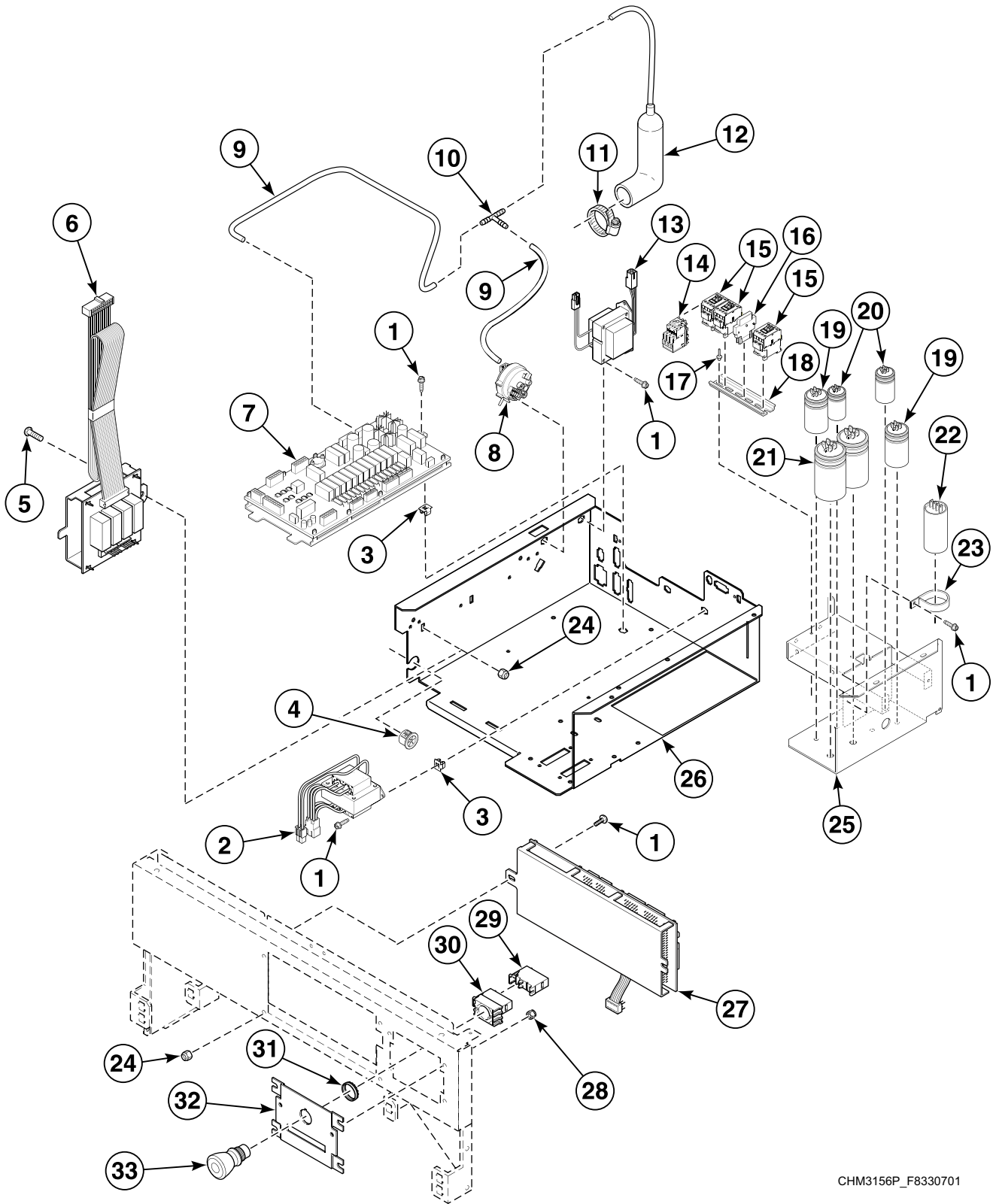


CHM3027P_F8330701

Decals

REF	PART NO.	DESCRIPTION	COMMENTS
1	F8150201	External Supply Connection Decal	
2	F8211901	Hot Surface Warning Plate	
3	F8115501	Electric Shock Danger Label	
4	M412096	Earth Terminal Sticker	
5	F230739	Ground Decal	
6	F8242201	Use Copper Conductors Only Caution Label	
7	F8233501	Warning Label	
8	F8246401	Mount on Concrete Warning Label	
9	F8207901	Warning Label	
10	44127701	Warning Label	

Control Module - 2 Speed OPL Models

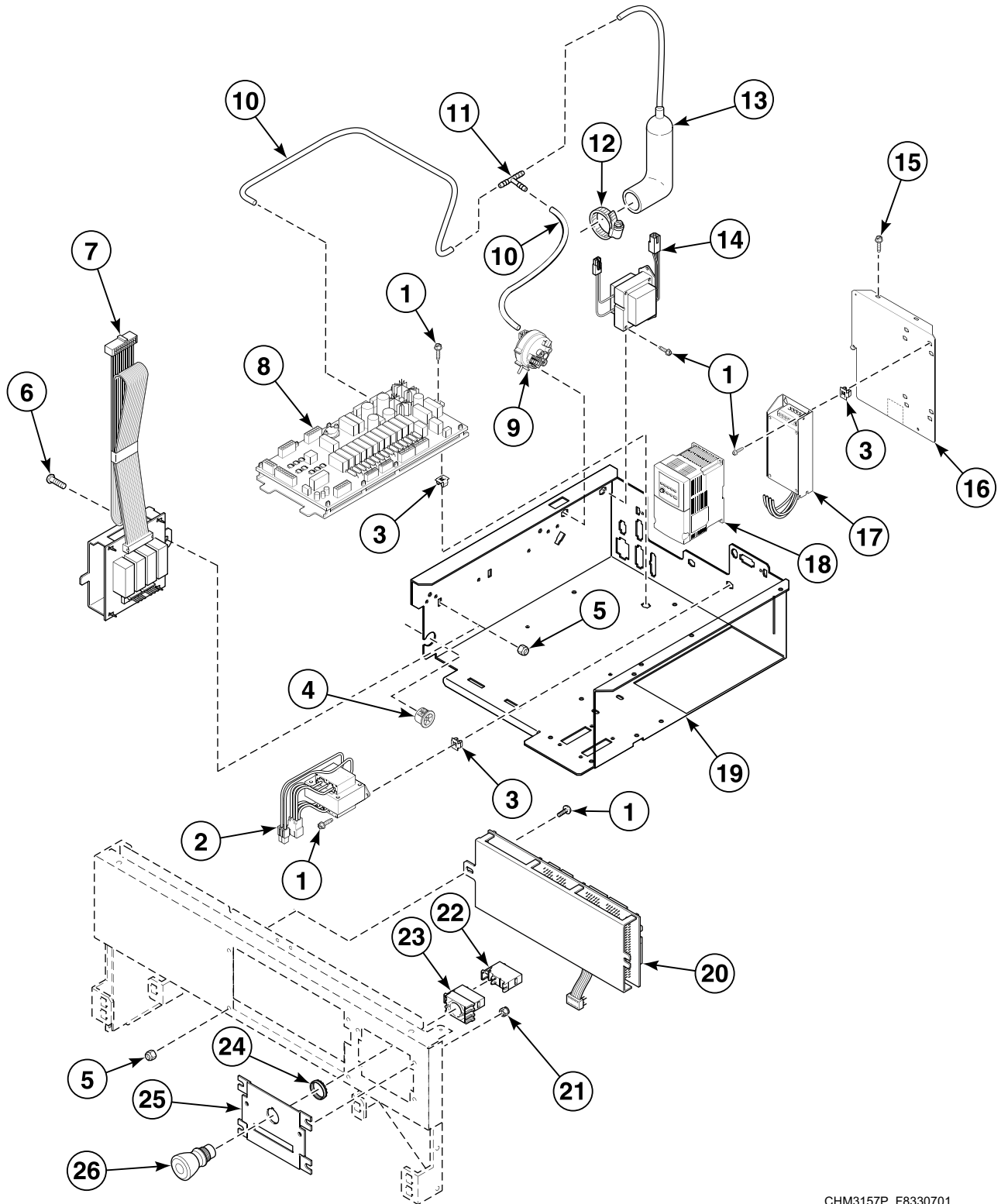


CHM3156P_F8330701

Control Module - 2 Speed OPL Models

REF	PART NO.	DESCRIPTION	COMMENTS
	F8028701	Output/Logic Harness	
	F8060501	Emergency Stop Harness	
	F8167901	USB IR Device Assembly	
	F8191201P	External Supply Harness	
	F937P3	External Supply Kit	Includes items 1, 6, 13, F8191201P External Supply Harness and screws
	M413506	Jumper Harness Assembly	208 Volt
	M413507	Jumper Configuration Assembly	240 Volt
1	F8206901	Screw	
2	210019P	Transformer	
3	70030501	Expansion Clip	
4	44071501	Snap Bushing	
5	F430903	Screw	
6	F8189401	Auxiliary Control Assembly	
7	F980P3	Control Assembly Kit	Includes item 10 and F8108001 Output Assembly
8	F8223001P	Water Pressure Switch	
9	F8153901	Tubing	
10	F8246601	Tee	
11	F200222	Hose Clamp	No. 12
12	F020014200	Air Trap Hose	
13	201616	Transformer	External supply
14	F8176101P	Overload Contactor	
15	F330177P	Contacto	
16	F330186P	Interlock Contactor	
17	70058501	Pop Rivet	
18	F8200101	Din Rail	
19	F370222	Capacitor	50 MFD
	F370220	Capacitor	130 MFD; 20 pound B-voltage models; 30 pound Y-voltage models
20	F370224P	Capacitor	20 MFD
	F370221	Capacitor	100 MFD; 20 pound B-voltage models
	F370223	Capacitor	25 MFD; 20 pound Y-voltage models
21	F370218P	Capacitor	160 MFD
22	F340002	Motor Switch	50 Amp
23	F0340722-00	Switch Clamp	
24	F430232	Nut	
25	F8199601	Capacitor Tray Assembly	20 pound models; B and Y-voltage
	F8199901	Capacitor Tray Assembly	All other models; B and Y-voltage
	F8343401	Contacto	C, F, J and O-voltage
26	F8205901	Control Tray Assembly	
27	F8099107P	Control Assembly	SCL, SCN, UCL, UCN and UCU models with KN in the 7th and 8th position in the model number
	F8099108P	Control Assembly	HCN, HCZ, SCN and UCN models with HN in the 7th and 8th position in the model number
	F8099109P	Control Assembly	HCL, HCU, SCL, SCU, UCL and UCU models with HN in the 7th and 8th position in the model number
	F8099110	Control Assembly	SC and UC models with KN in the 7th and 8th position in the model number
28	F431017	Nut	
29	F8069501	Contact Switch	
30	F200233401	Contact Block Switch	
31	24205	Nut	
32	F8201301	Emergency Stop Plate	
33	F200233500	Emergency Stop Pushbutton	

Control Module - F and V-Speed OPL Models

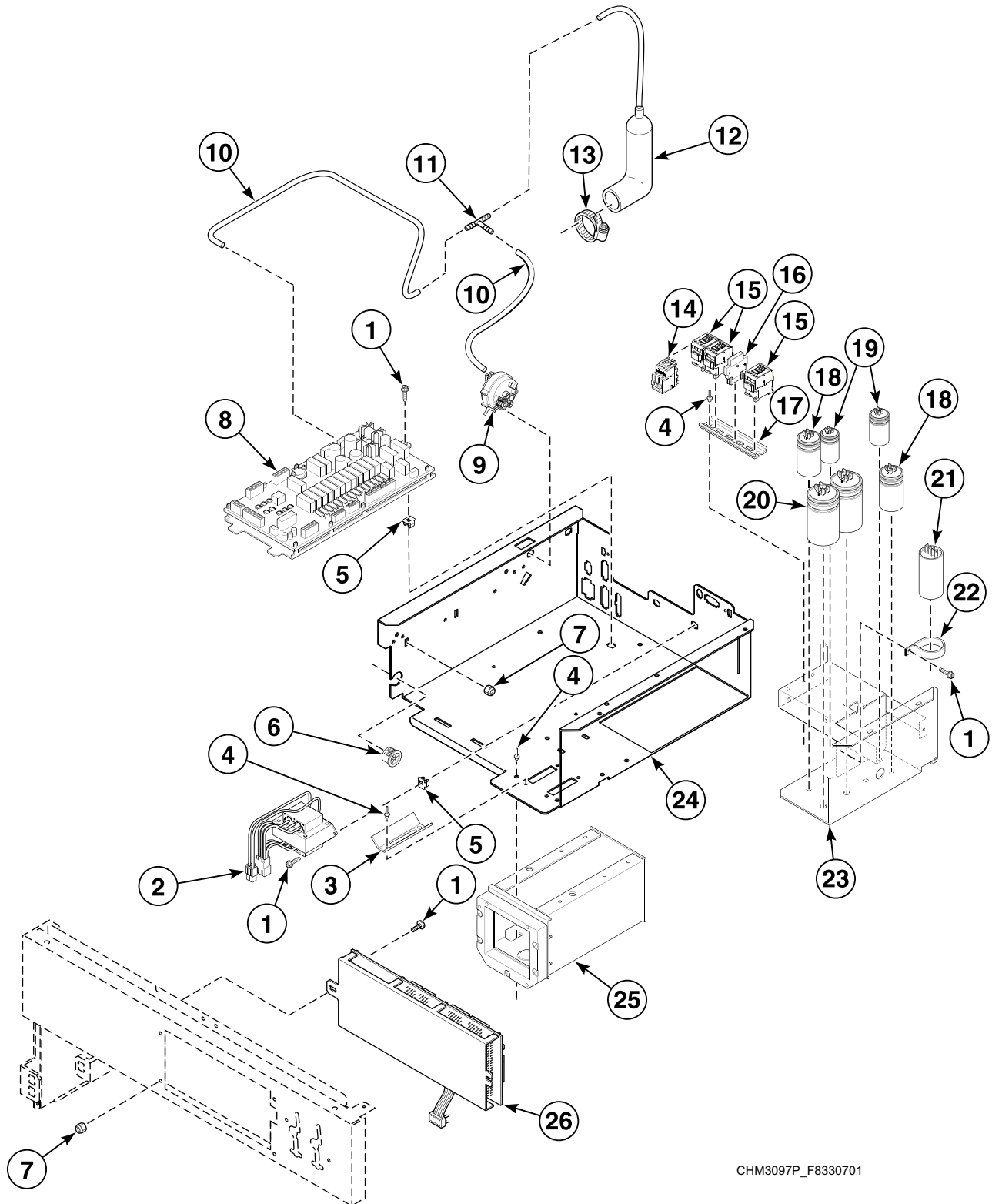


CHM3157P_F8330701

Control Module - F and V-Speed OPL Models

REF	PART NO.	DESCRIPTION	COMMENTS
	F8028701	Output/Logic Harness	
	F8060501	Emergency Stop Harness	
	F8167901	USB IR Device Assembly	
	F8191201P	External Supply Harness	
	F937P3	External Supply Kit	Includes items 1, 8, 15, F8191201P External Supply Harness and screws
	M413506	Jumper Harness Assembly	208 Volt
	M413507	Jumper Configuration Assembly	240 Volt
1	F8206901	Screw	
2	210019P	Transformer	
3	70030501	Expansion Clip	
4	44071501	Snap Bushing	
5	F430232	Nut	
6	F430903	Screw	
7	F8189401	Auxiliary Control Assembly	
8	F980P3	Control Assembly Kit	Includes item 12 and F8108001 Output Assembly
9	F8223001P	Water Pressure Switch	
10	F8153901	Tubing	
11	F8246601	Tee	
12	F200222	Hose Clamp	No. 12
13	F020014200	Air Trap Hose	
14	201616	Transformer	External supply
15	430497	Screw	
16	F8195803	Support Bracket	
17	F8053901P	EMI Filter	200 Volt
	F8053902	EMI Filter	400 Volt
18	F8169401	PowerFlex 40 Drive	20 pound models; Models through 2/28/10; Q and X-voltage
	F8169402	PowerFlex 40 Drive	20 pound models; Models through 2/28/10; N, P and R-voltage
	F8169403	PowerFlex 40 Drive	30 pound models; Models through 2/28/10; Q and X-voltage
	F8169404	PowerFlex 40 Drive	30 pound models; Models through 2/28/10; N, P and R-voltage
	F8169405	PowerFlex 40 Drive	40 pound models; Models through 3/8/10; Q and X-voltage
	F8169406	PowerFlex 40 Drive	40 pound models; Models through 3/8/10; N, P and R-voltage
	F8169407	PowerFlex 40 Drive	60 pound models; Models through 3/8/10; Q and X-voltage
	F8169408	PowerFlex 40 Drive	60 pound models; Models through 3/8/10; N, P and R-voltage
	F8169434	PowerFlex 40 Drive	20 pound models; Models starting 3/1/10; Q and X-voltage
	F8169435	PowerFlex 40 Drive	20 pound models; Models starting 3/1/10; N, P and R-voltage
	F8169436	PowerFlex 40 Drive	30 pound models; Models starting 3/1/10; Q and X-voltage
	F8169437	PowerFlex 40 Drive	30 pound models; Models starting 3/1/10; N, P and R-voltage
	F8169438	PowerFlex 40 Drive	40 pound models; Models starting 3/9/10; Q and X-voltage
	F8169439	PowerFlex 40 Drive	40 pound models; Models starting 3/9/10; N, P and R-voltage
	F8169440	PowerFlex 40 Drive	60 pound models; Models starting 3/9/10; Q and X-voltage
	F8169441	PowerFlex 40 Drive	60 pound models; Models starting 3/9/10; N, P and R-voltage
19	F8205902	Control Tray Assembly	20 and 30 pound models
	F8205903	Control Tray Assembly	40 and 60 pound models
20	F8099108P	Control Assembly	Models HCN020HNF, HCN030HNF, HCN040HNF, HCN060HNF, SCN020HNF, SCN030HNF, SCN040HNF and SCN060HNF
	F8099109P	Control Assembly	HCL, HCU, SCL, SCU, UCL and UCU models with HN in the 7th and 8th positions of the model number
	F8099110	Control Assembly	SCL, SCN, SCU, UCL, UCN and UCU models with KN in the 7th and 8th positions of the model number
21	F431017	Nut	
22	F8069501	Contact Switch	
23	F200233401	Contact Block Switch	
24	24205	Nut	
25	F8201301	Emergency Stop Plate	
26	F200233500	Emergency Stop Pushbutton	

Control Module - 2 Speed Coin Models

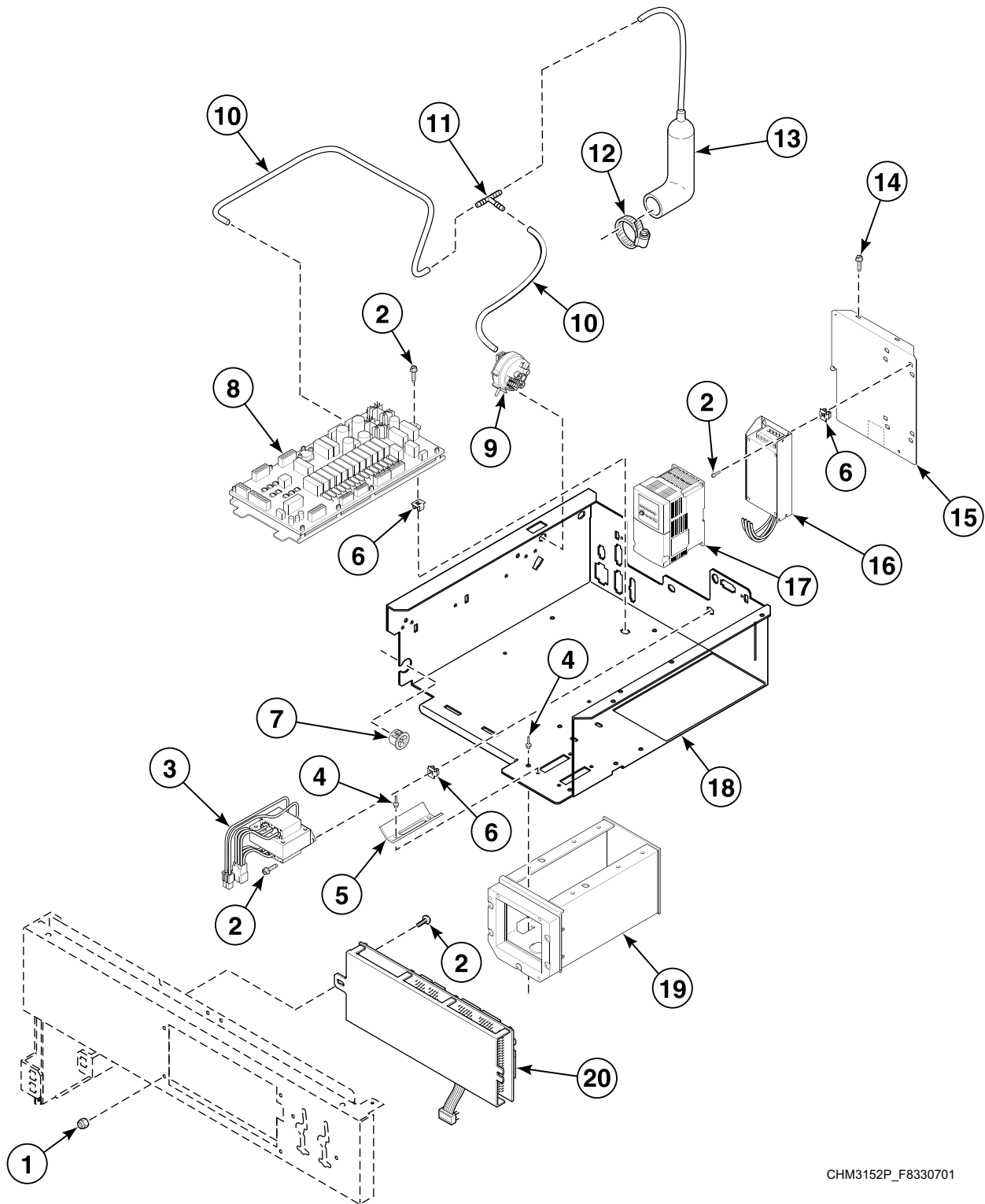


CHM3097P_F8330701

Control Module - 2 Speed Coin Models

REF	PART NO.	DESCRIPTION	COMMENTS
	F8028701	Output/Logic Harness	
	F8167901	USB IR Device Assembly	
	M413506	Jumper Harness Assembly	208 Volt
	M413507	Jumper Configuration Assembly	240 Volt
1	F8206901	Screw	
2	210019P	Transformer	
3	F8170801	Coin Chute	
4	70058501	Pop Rivet	
5	70030501	Expansion Clip	
6	44071501	Snap Bushing	
7	F430232	Nut	
8	F980P3	Control Assembly Kit	Includes item 11 and F8108001 Output Assembly
9	F8223001P	Water Pressure Switch	
10	F8153901	Tubing	
11	F8246601	Tee	
12	F020014200	Air Trap Hose	
13	F200222	Hose Clamp	No. 12
14	F8176101P	Overload Contactor	
15	F330177P	Contactor	
16	F330186P	Interlock Contactor	
17	F8200101	Din Rail	
18	F370222	Capacitor	50 MFD
	F370220	Capacitor	130 MFD; 20 pound B-voltage models; 30 pound Y-voltage models
19	F370224P	Capacitor	20 MFD
	F370221	Capacitor	100 MFD; 20 pound B-voltage models
	F370223	Capacitor	25 MFD; 20 pound Y-voltage models
20	F370218P	Capacitor	160 MFD
21	F340002	Motor Switch	50 Amp
22	F0340722-00	Switch Clamp	
23	F8199601	Capacitor Tray Assembly	20 pound models; B and Y-voltage
	F8199901	Capacitor Tray Assembly	All other models; B and Y-voltage
	F8343401	Contactor Tray Assembly	C, F, J and O-voltage
24	F8205902	Control Tray Assembly	20 and 30 pound models; Includes items 3 and 25
	F8205903	Control Tray Assembly	40 and 60 pound models; Includes items 3 and 25
25	F8182501	Coin Vault Assembly	20 and 30 pound models
	F8182601	Coin Vault Assembly	40 and 60 pound models
26	F8099102P	Control Assembly	HCN models with K in the 7th position in the model number
	F8099106P	Control Assembly	HCL and HCN models with H in the 7th position in the model number
	F8099103P	Control Assembly	HCU models with K in the 7th position in the model number
	F8099112	Control Assembly	HCN models with K in the 7th position in the model number

Control Module - F and V-Speed Coin Models

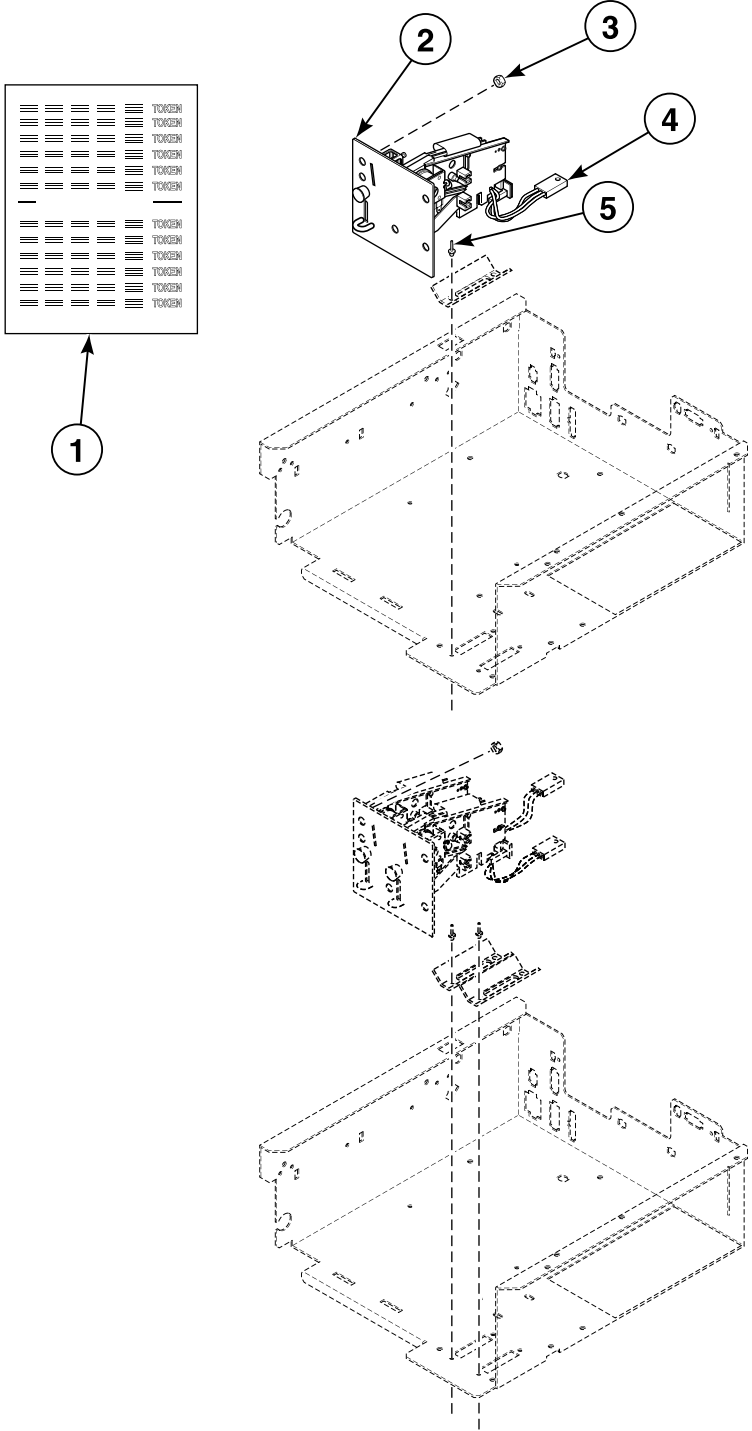


CHM3152P_F8330701

Control Module - F and V-Speed Coin Models

REF	PART NO.	DESCRIPTION	COMMENTS
	F8028701	Output/Logic Harness	
	F8167901	USB IR Device Assembly	
	M413506	Jumper Harness Assembly	208 Volt
	M413507	Jumper Configuration Assembly	240 Volt
1	F430232	Nut	
2	F8206901	Screw	
3	210019P	Transformer	
4	70058501	Pop Rivet	
5	F8170801	Coin Chute	
6	70030501	Expansion Clip	
7	44071501	Snap Bushing	
8	F980P3	Control Assembly Kit	Includes item 11 and F8108001 Output Assembly
9	F8223001P	Water Pressure Switch	
10	F8153901	Tubing	
11	F8246601	Tee	
12	F200222	Hose Clamp	No. 12
13	F020014200	Air Trap Hose	
14	430497	Screw	
15	F8195803	Support Bracket	
16	F8053901P	EMI Filter	200 Volt
	F8053902	EMI Filter	400 Volt
17	F8169401	PowerFlex 40 Drive	20 pound models; Models through 2/28/10; Q and X-voltage
	F8169402	PowerFlex 40 Drive	20 pound models; Models through 2/28/10; N, P and R-voltage
	F8169403	PowerFlex 40 Drive	30 pound models; Models through 2/28/10; Q and X-voltage
	F8169404	PowerFlex 40 Drive	30 pound models; Models through 2/28/10; N, P and R-voltage
	F8169405	PowerFlex 40 Drive	40 pound models; Models through 3/8/10; Q and X-voltage
	F8169406	PowerFlex 40 Drive	40 pound models; Models through 3/8/10; N, P and R-voltage
	F8169407	PowerFlex 40 Drive	60 pound models; Models through 3/8/10; Q and X-voltage
	F8169408	PowerFlex 40 Drive	60 pound models; Models through 3/8/10; N, P and R-voltage
	F8169434	PowerFlex 40 Drive	20 pound models; Models starting 3/1/10; Q and X-voltage
	F8169435	PowerFlex 40 Drive	20 pound models; Models starting 3/1/10; N, P and R-voltage
	F8169436	PowerFlex 40 Drive	30 pound models; Models starting 3/1/10; Q and X-voltage
	F8169437	PowerFlex 40 Drive	30 pound models; Models starting 3/1/10; N, P and R-voltage
	F8169438	PowerFlex 40 Drive	40 pound models; Models starting 3/9/10; Q and X-voltage
	F8169439	PowerFlex 40 Drive	40 pound models; Models starting 3/9/10; N, P and R-voltage
	F8169440	PowerFlex 40 Drive	60 pound models; Models starting 3/9/10; Q and X-voltage
	F8169441	PowerFlex 40 Drive	60 pound models; Models starting 3/9/10; N, P and R-voltage
18	F8205902	Control Tray Assembly	20 and 30 pound models; Includes items 5 and 19
	F8205903	Control Tray Assembly	40 and 60 pound models; Includes items 5 and 19
19	F8182501	Coin Vault Assembly	20 and 30 pound models
	F8182601	Coin Vault Assembly	40 and 60 pound models
20	F8099106P	Control Assembly	Models with HC, HD and HY in the 7th and 8th position of the model number
	F8099112	Control Assembly	HCN models with KC, KD, KE and KY in the 7th and 8th position of the model number
	F8099113	Control Assembly	HCL and HCU models with KC, KD, KE and KY in the 7th and 8th position of the model number

Flush Mount Coin Meter Assembly (Drawing 1 of 2)



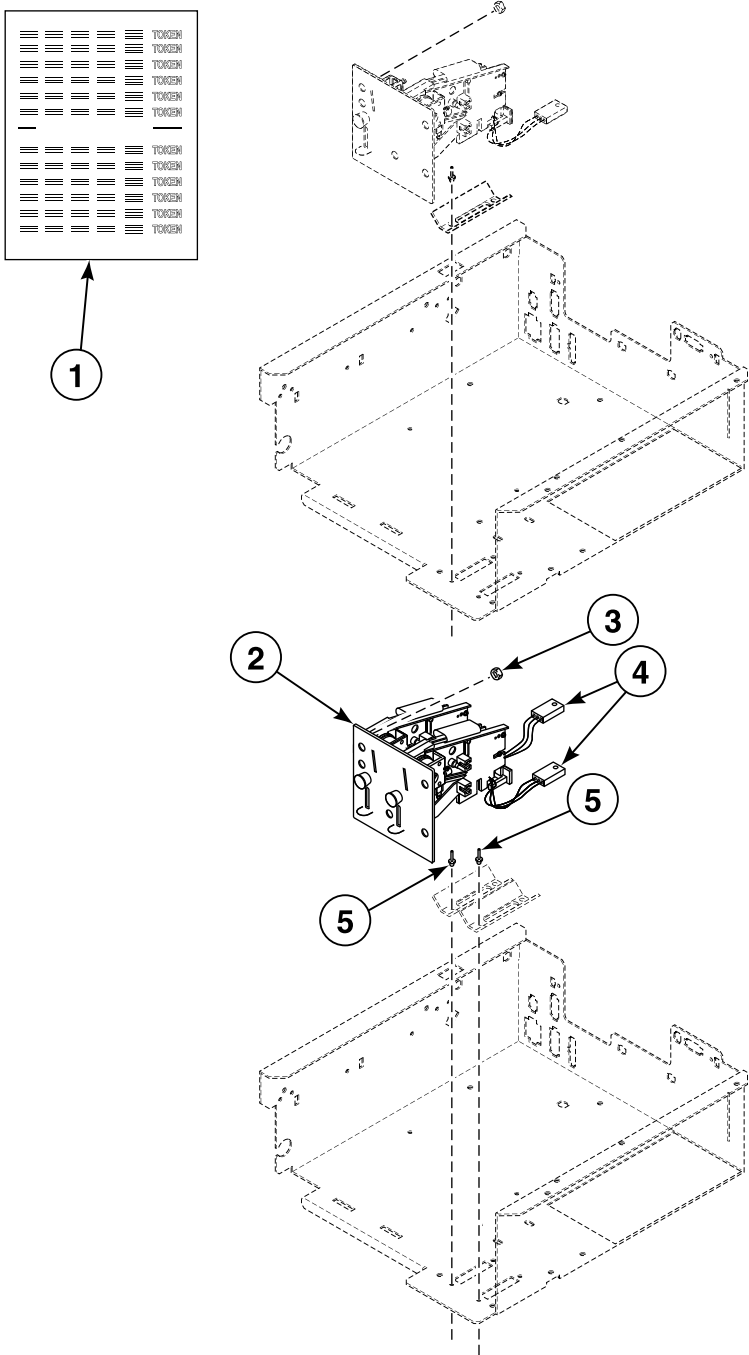
CHM3088P_F8330701

Flush Mount Coin Meter Assembly (Drawing 1 of 2)

REF	PART NO.	DESCRIPTION	COMMENTS
	F200010000P	Coin Meter Assembly	Single drop; U.S. \$.25; Includes items 2 and 3
	F200010006	Coin Meter Assembly	Single drop; .800 token; Includes items 2 and 3
	F200010007	Coin Meter Assembly	Single drop; .880 token; Includes items 2 and 3
	F200010009	Coin Meter Assembly	Single drop; .990 token; Includes items 2 and 3
	F200010011	Coin Meter Assembly	Single drop; Jeton WH121 token; Includes items 2 and 3
	F200010012	Coin Meter Assembly	Single drop; Jeton .08 token; Includes items 2 and 3
1	38725	Coin Identification Paper	
2	38464P	Coin Drop Assembly	Single drop; Canada .25
	N/A	Coin Drop Assembly	Single drop; Australia .20
	N/A	Coin Drop Assembly	Single drop; Belgium 5 franc
	N/A	Coin Drop Assembly	Single drop; Denmark 2 krone
	N/A	Coin Drop Assembly	Single drop; United Kingdom 20 pence
	N/A	Coin Drop Assembly	Single drop; France 2 franc
	N/A	Coin Drop Assembly	Single drop; Hong Kong 5 dollar
	N/A	Coin Drop Assembly	Single drop; Italy 500 lirraiget
	N/A	Coin Drop Assembly	Single drop; Japan 100 yen
	N/A	Coin Drop Assembly	Single drop; Korea 500 won
	N/A	Coin Drop Assembly	Single drop; South Africa 2 rand
	N/A	Coin Drop Assembly	Single drop; Spain 100 peseta
	N/A	Coin Drop Assembly	Single drop; Thailand 10 baht
	N/A	Coin Drop Assembly	Single drop; .886 token
	N/A	Coin Drop Assembly	Single drop; 1.000 token
	N/A	Coin Drop Assembly	Single drop; Jeton 08 token
	38479P	Coin Drop	Single drop; U.S. \$.25
	N/A	Coin Drop Assembly	Single drop; .800 token
	38462P	Coin Drop Assembly	Single drop; .880 token
	38463	Coin Drop Assembly	Single drop; .990 token
	N/A	Coin Drop Assembly	Single drop; Jeton WH121 token
	N/A	Coin Meter	Single drop; Jeton .08 token
3	685846	Nut	Single drop
4	200674P	Opto Coupler	
5	70058501	Pop Rivet	Single drop

N/A = Part no longer available

Flush Mount Coin Meter Assembly (Drawing 2 of 2)



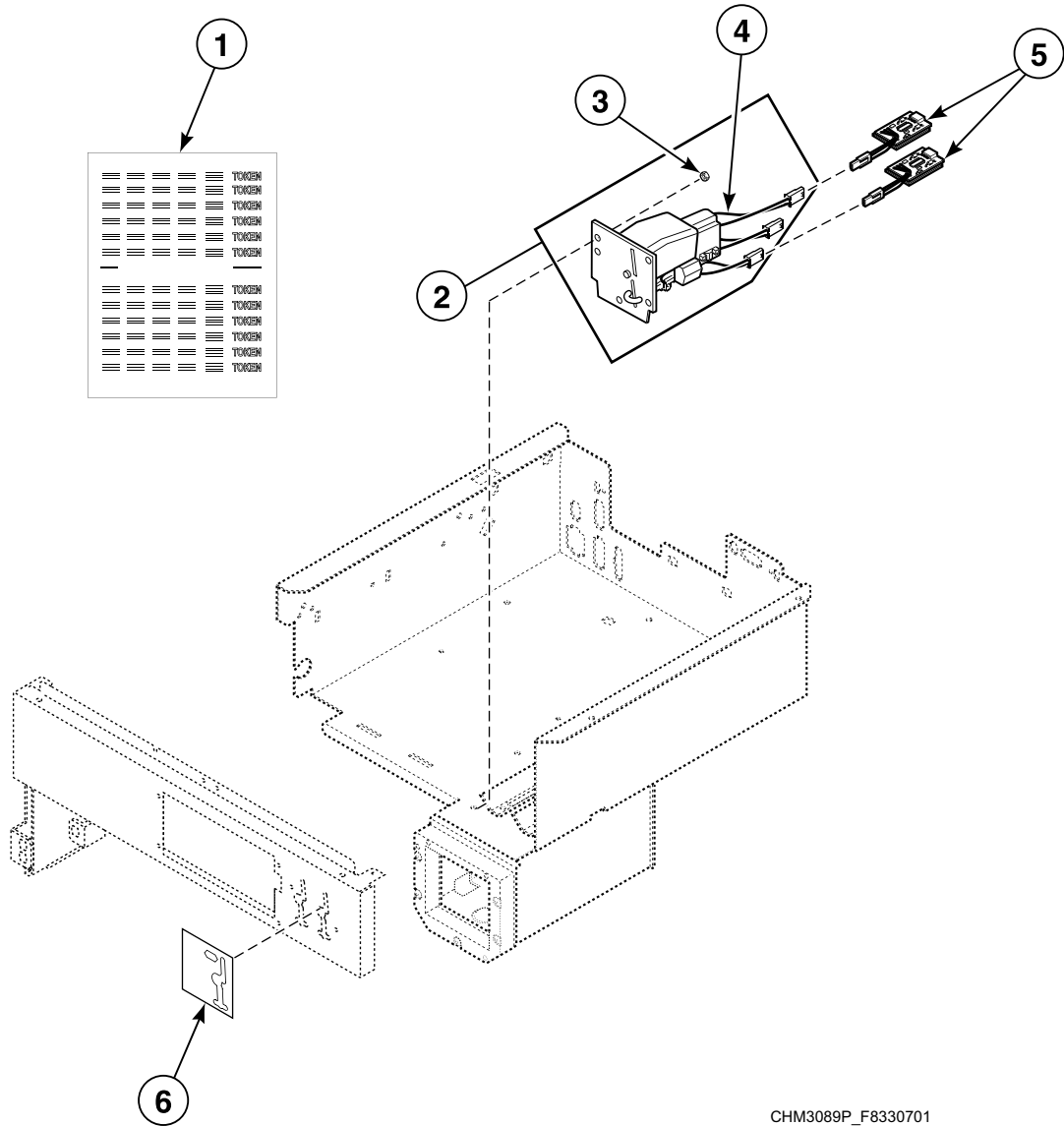
CHM3088PA_F8330701

Flush Mount Coin Meter Assembly (Drawing 2 of 2)

REF	PART NO.	DESCRIPTION	COMMENTS
	F200010001	Coin Meter Assembly	Dual drop; Australia .20 and 1; Includes items 2 and 3
	F200010002	Coin Meter Assembly	Dual drop; 100 and 500 yen; Includes items 2 and 3
	F200010003	Coin Meter Assembly	Dual drop; Canada \$1 and .25; Includes items 2 and 3
	F200010004	Coin Meter Assembly	Dual drop; New Zealand .20 and 1; Includes items 2 and 3
	F200010005	Coin Meter Assembly	Dual drop; U.S. \$1 and .25; Includes items 2 and 3
	F200010008	Coin Meter Assembly	Dual drop; .50 and 2.00 euro; Includes items 2 and 3
	F200010010	Coin Meter Assembly	Dual drop; 10 and 50 Taiwan; Includes items 2 and 3
1	38725	Coin Identification Paper	
2	N/A	Coin Meter	Dual drop; 10 and 50 Taiwan
	N/A	Coin Meter	Dual drop; Belgium 5 and 20 franc
	N/A	Coin Meter	Dual drop; Denmark 1 and 5 krone
	N/A	Coin Meter	Dual drop; Denmark 5 and 10 krone
	38472	Coin Drop Assembly	Dual drop; United Kingdom 20 pence and 1 pound
	N/A	Coin Meter	Dual drop; .20 and .50 euro
	210195	Coin Drop Assembly	Dual drop; .20 and 1.00 euro
	210196	Coin Drop Assembly	Dual drop; .50 and 1.00 euro
	N/A	Coin Meter	Dual drop; 2 and 5 franc
	N/A	Coin Meter	Dual drop; 2 and 10 franc
	39157	Coin Drop Assembly	Dual drop; Israel 1 and 5 shekel
	38521	Coin Drop Assembly	Dual drop; Korea 100 and 500 won
	N/A	Coin Meter	Dual drop; Spain 100 and 500 peseta
	N/A	Coin Drop Assembly	Dual drop; Australia .20 and 1
	N/A	Coin Drop Assembly	Dual drop; Japan 100 and 500 yen
	N/A	Coin Drop Assembly	Dual drop; Canada \$1 and .25
	N/A	Coin Drop Assembly	Dual drop; New Zealand .20 and 1
	70256402P	Coin Drop	Dual drop; U.S. \$1 and .25
	F0160737-00	Coin Meter	Dual drop; .50 and 2.00 euro
	70281102	Coin Drop Assembly	Dual drop; 10 and 50 Taiwan dollar
	N/A	Coin Meter	Dual drop; Taiwan 5 and 10 dollar
3	685846	Nut	Single drop
4	200674P	Opto Coupler	
5	70058501	Pop Rivet	Single drop

N/A = Part no longer available

Electronic Coin Meter Assembly

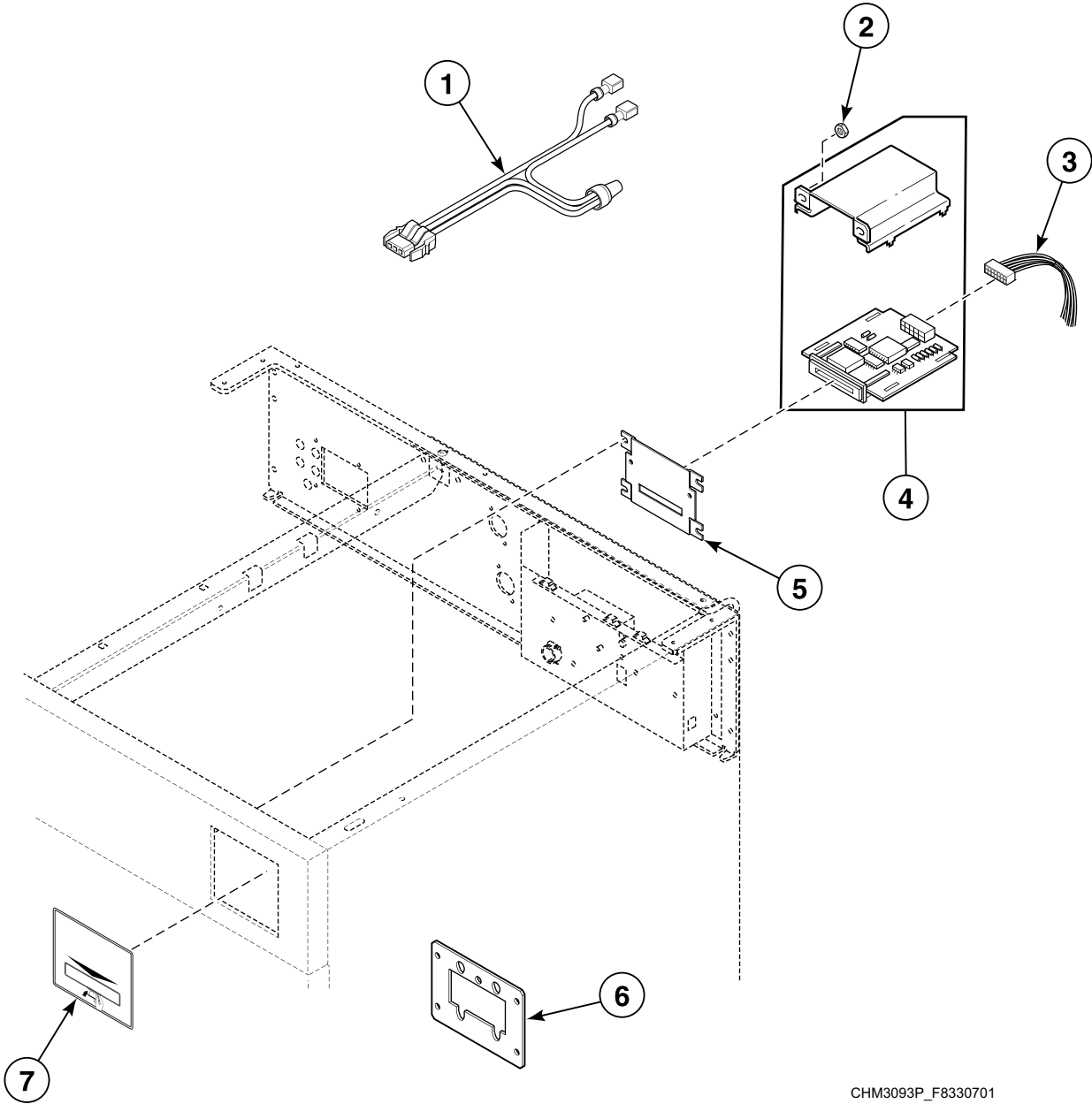


CHM3089P_F8330701

Electronic Coin Meter Assembly

REF	PART NO.	DESCRIPTION	COMMENTS
	CK500	Electronic Coin Drop Kit	Includes item 2
1	38725	Coin Identification Paper	
2	F200021600	Coin Meter Assembly	U.S., Canada, Japan and Taiwan; Includes items 3 and 4; Requires CK500 Electronic Coin Drop Kit for installation
	F200021601	Coin Meter Assembly	Australia, New Zealand, Hong Kong, South Korea and Malaysia; Includes items 3 and 4; Requires CK500 Electronic Coin Drop Kit for installation
	F200021602	Coin Meter Assembly	United Kingdom and euro; Includes items 3 and 4; Requires CK500 Electronic Coin Drop Kit for installation
	F200021603	Coin Meter Assembly	Denmark, Norway and euro; Includes items 3 and 4; Requires CK500 Electronic Coin Drop Kit for installation
	F200021604	Coin Meter Assembly	U.S., Mexico and Ecuador; Includes items 3 and 4; Requires CK500 Electronic Coin Drop Kit for installation
	F200021605	Coin Meter Assembly	Euro, Latvia and Lithuania; Includes items 3 and 4; Requires CK500 Electronic Coin Drop Kit for installation
	F8238601	Coin Meter Assembly	China, Russia and Malaysia; Includes items 3 and 4; Requires CK500 Electronic Coin Drop Kit for installation
3	685846	Nut	
4	70294101P	Electronic Coin Drop Assembly	U.S., Canada, Japan and Taiwan
	CK095	Electronic Coin Drop Kit	U.S., Canada, Japan and Taiwan; Includes item 1; Requires CK500 Electronic Coin Drop Kit for installation
	70294105P	Electronic Coin Drop Assembly	Australia, New Zealand, Hong Kong, South Korea and Malaysia
	CK099	Electronic Coin Drop Kit	Australia, New Zealand, Hong Kong, South Korea and Malaysia; Includes item 1; Requires CK500 Electronic Coin Drop Kit for installation
	70294103P	Electronic Coin Drop Assembly	United Kingdom and euro
	CK100	Electronic Coin Drop Kit	United Kingdom and euro; Includes item 1; Requires CK500 Electronic Coin Drop Kit for installation
	70294104	Electronic Coin Drop Assembly	Denmark, Norway and euro
	CK101	Electronic Coin Drop Kit	Denmark, Norway and euro; Includes item 1; Requires CK500 Electronic Coin Drop Kit for installation
	CK110	Electronic Coin Drop Kit	U.S., Mexico and Ecuador; Includes item 1; Requires CK500 Electronic Coin Drop Kit for installation
	70294106	Electronic Coin Drop Assembly	U.S., Mexico and Ecuador
	70294107	Electronic Coin Drop Assembly	Euro, Latvia and Lithuania
	CK103	Electronic Coin Drop Kit	Euro, Latvia and Lithuania; Includes item 1; Requires CK500 Electronic Coin Drop Kit for installation
	70294109	Electronic Coin Drop Assembly	Singapore, China, Russia and Malaysia
	CK106	Electronic Coin Drop Kit	Singapore, China, Russia and Malaysia; Includes item 1; Requires CK500 Electronic Coin Drop Kit for installation
	CK109	Electronic Coin Drop Kit	Euro; Includes item 1; Requires CK500 Electronic Coin Drop Kit for installation
	70294111	Electronic Coin Drop Assembly	Euro
5	F8034701P	Pulse Expander Assembly	
6	70295301	Overlay	Gray

Card Reader - HY and KY Models

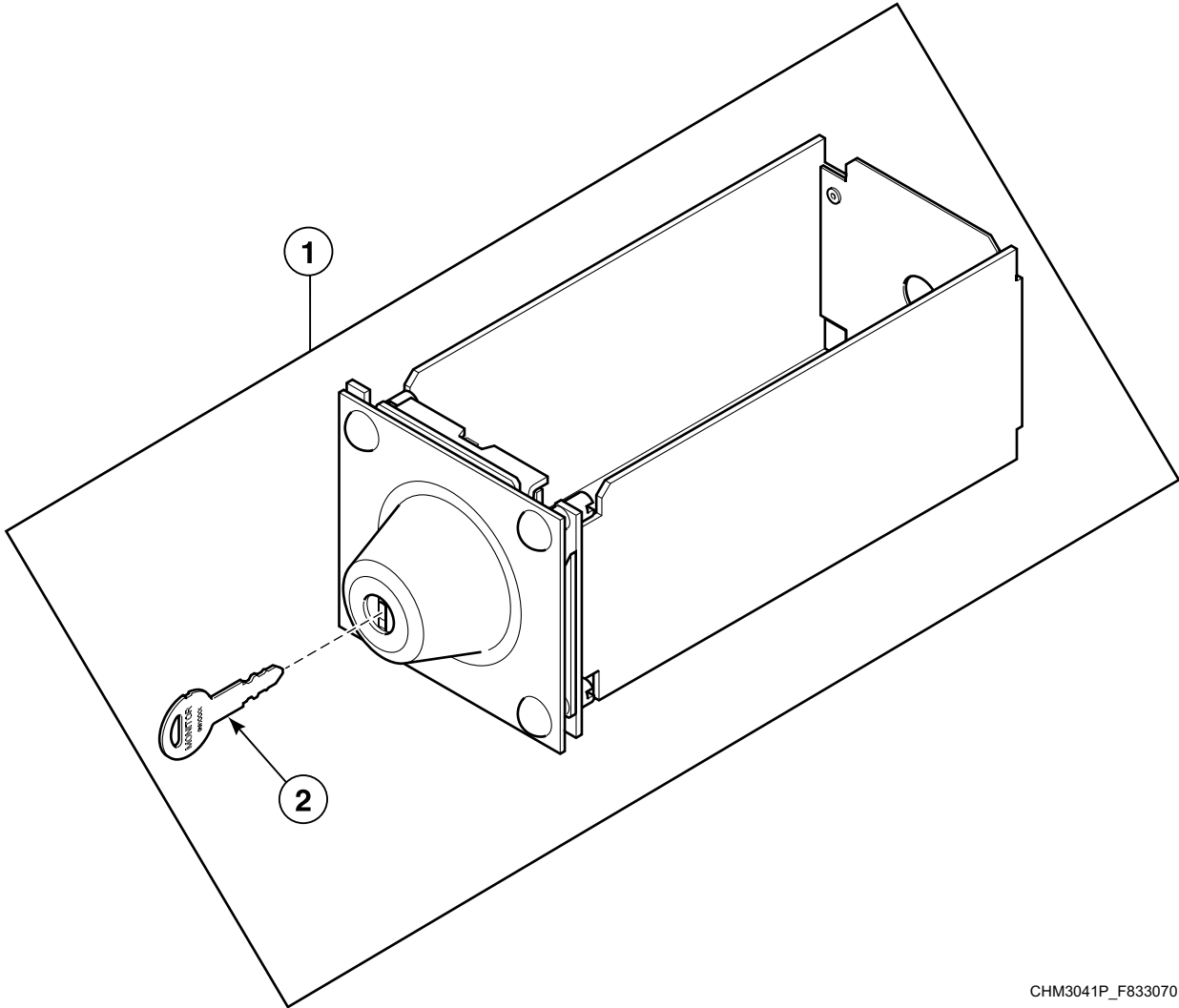


CHM3093P_F8330701

Card Reader - HY and KY Models

REF	PART NO.	DESCRIPTION	COMMENTS
1	F631973-2	Harness	Access
2	F430174	Screw	
3	F141887	Card Reader Harness	
4	510068P	Card Reader and Bracket Assembly	
5	F8201501	Card Reader Assembly	
6	70208801	Mounting Plate	
7	70334301	Card Reader Overlay	

Optional Coin Box

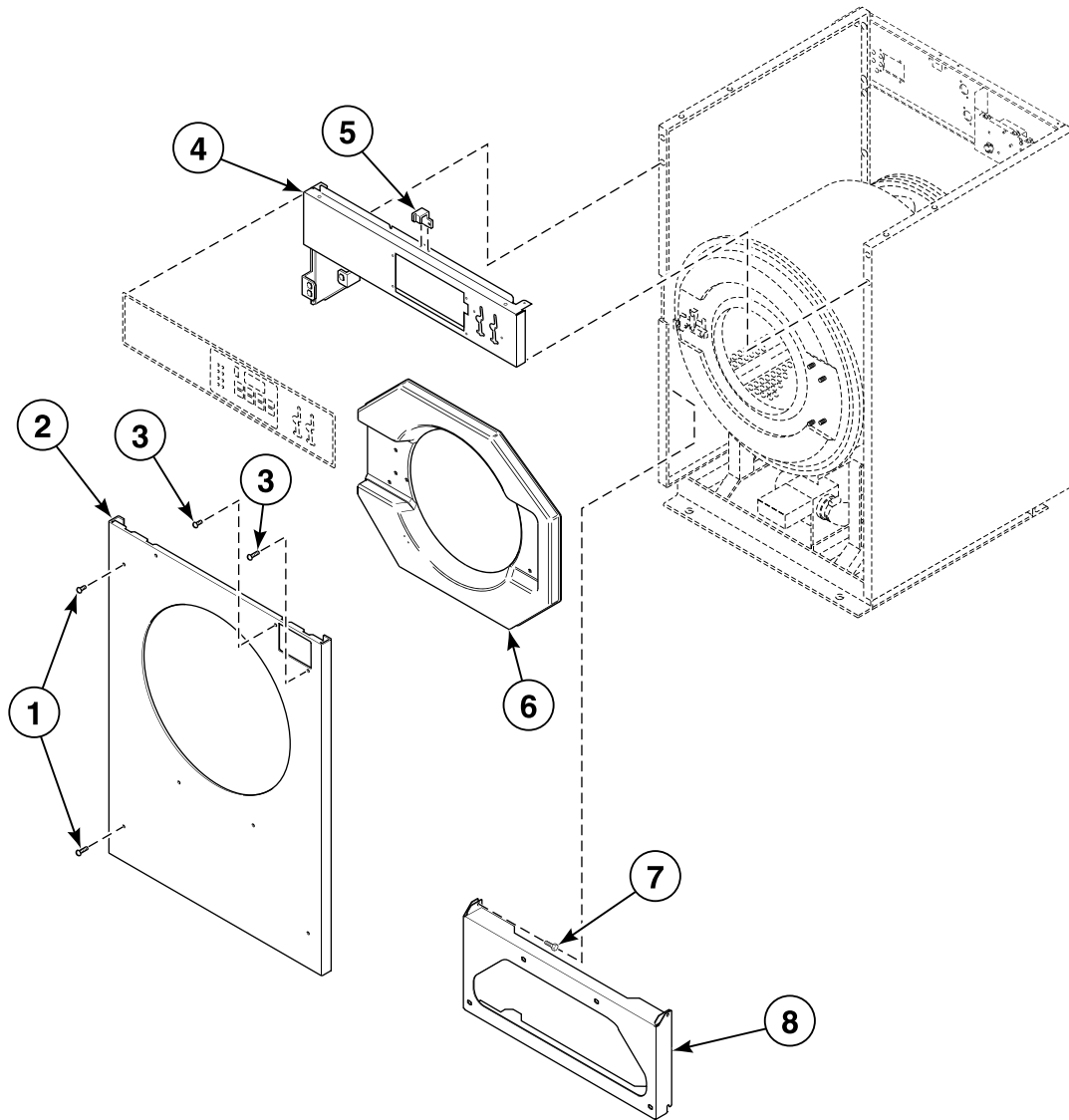


CHM3041P_F8330701

Optional Coin Box

REF	PART NO.	DESCRIPTION	COMMENTS
1	F160672	Coin Box	UG21; 20 and 30 pound models
	F8182001	Coin Drawer Assembly	40 and 60 pound models
2	F160420	Key	UG21

Front Panels and Control Panel - Coin Models

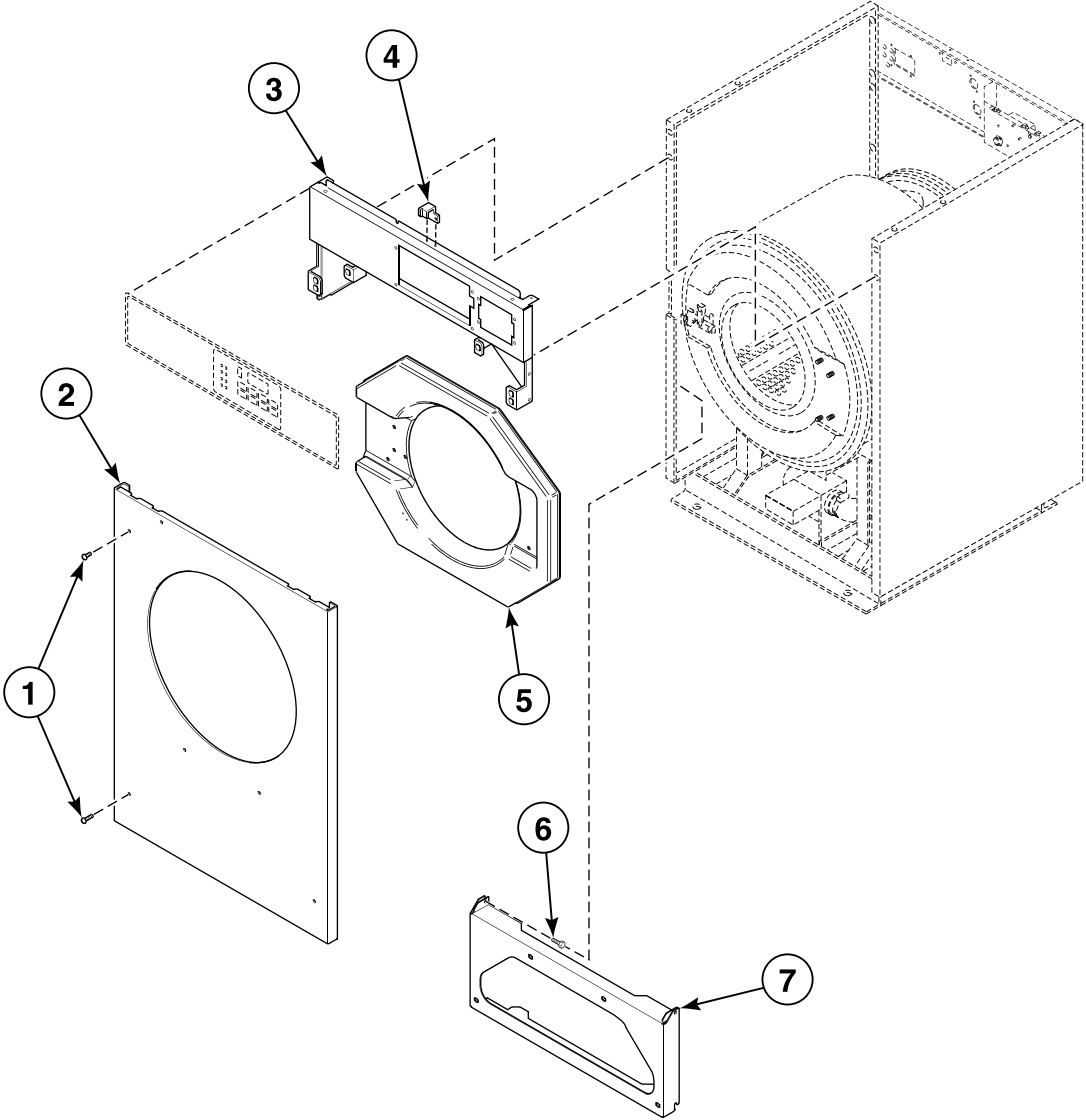


CHM3091P_F8330701

Front Panels and Control Panel - Coin Models

REF	PART NO.	DESCRIPTION	COMMENTS
1	F430956	Screw	
2	F8171301	Front Panel	Stainless steel; 20 pound models
	F8173001	Front Panel	Stainless steel; 30 pound models
	F8173101P	Front Panel	Stainless steel; 40 pound models
	F8173201P	Front Panel	Stainless steel; 60 pound models
3	801019	Screw	
4	F8038502	Control Panel Assembly	20 pound models
	F8038602	Control Panel Assembly	30 pound models
	F8038702	Control Panel Assembly	40 pound models
	F8038802	Control Panel Assembly	60 pound models
5	F8201001	Top Cover Latch	
6	F170416-1	Door Bezel	Black
	F170416-2	Door Bezel	20 pound models; Pantone 403; Models through 1/10/10
	F170416-3	Door Bezel	20 pound models; Gray; Models starting 1/11/10
	F170417-1	Door Bezel	Black
	F170417-2	Door Bezel	30 pound models; Pantone 403; Models through 1/10/10
	F170417-3	Door Bezel	30 pound models; Gray; Models starting 1/11/10
	F0170426-00	Door Bezel	Black
	F0170426-10	Door Bezel	40 and 60 pound models; Pantone 403; Models through 1/10/10
	F0170426-30	Door Bezel	40 and 60 pound models; Gray; Models starting 1/11/10
7	F430174	Screw	
8	F8173801	Front Cabinet Brace	20 pound models
	F8173901	Front Cabinet Brace	30 pound models
	F8174001	Front Cabinet Brace	40 pound models
	F8174101	Lower Cabinet Brace	60 pound models

Front Panel and Control Panel - Card Reader and OPL Models

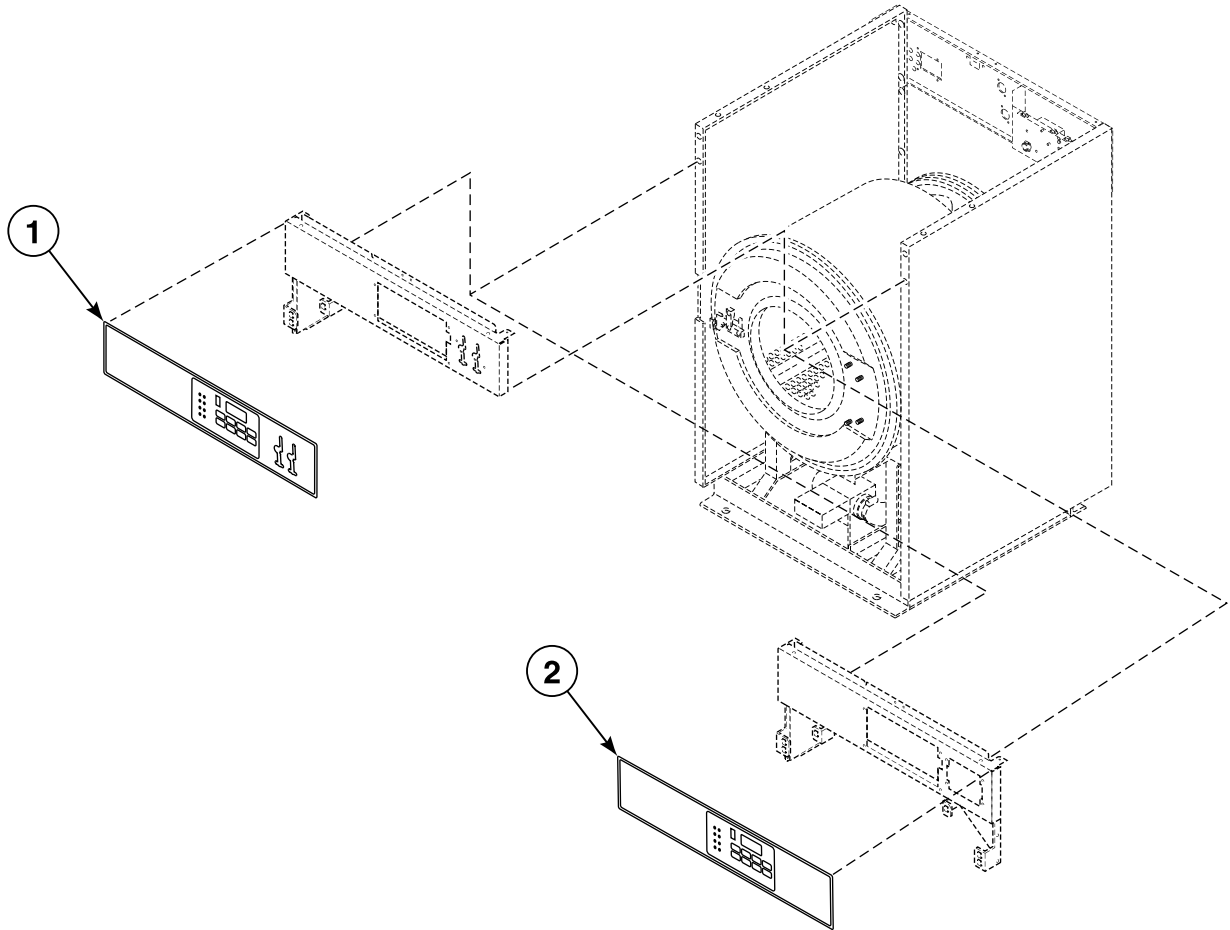


CHM3098P_F8330701

Front Panel and Control Panel - Card Reader and OPL Models

REF	PART NO.	DESCRIPTION	COMMENTS
1	F430956	Screw	
2	F8171302P	Front Panel	Stainless steel; 20 pound models
	F8173002P	Front Panel	Stainless steel; 30 pound models
	F8173102P	Front Panel	Stainless steel; 40 pound models
	F8173202P	Front Panel	Stainless steel; 60 pound models
3	F8038504	Control Panel Assembly	20 pound models
	F8038604	Control Panel Assembly	30 pound models
	F8038704	Control Panel Assembly	40 pound models
	F8038804	Control Panel Assembly	60 pound models
4	F8201001	Top Cover Latch	
5	F170416-1	Door Bezel	SCL, SCN, SCU, UCL, UCN and UCU 20 pound models; Black
	F170416-2	Door Bezel	HCL, HCN, HCU and HCZ 20 pound models; Pantone 403; Models through 1/10/10
	F170416-3	Door Bezel	HCL, HCN, HCU and HCZ 20 pound models; Gray; Models starting 1/11/10
	F170417-1	Door Bezel	SCL, SCN, SCU, UCL, UCN and UCU 30 pound models; Black
	F170417-2	Door Bezel	HCL, HCN and HCU 30 pound models; Pantone 403; Models through 1/10/10
	F170417-3	Door Bezel	HCL, HCN and HCU 30 pound models; Gray; Models starting 1/11/10
	F0170426-00	Door Bezel	SCL, SCN, SCU, UCL, UCN and UCU 40 and 60 pound models; Black
	F0170426-10	Door Bezel	HCL, HCN and HCU 40 and 60 pound models; Pantone 403; Models through 1/10/10
	F0170426-30	Door Bezel	HCL, HCN and HCU 40 and 60 pound models; Gray; Models starting 1/11/10
6	F430174	Screw	
7	F8173801	Front Cabinet Brace	20 pound models
	F8173901	Front Cabinet Brace	30 pound models
	F8174001	Front Cabinet Brace	40 pound models
	F8174101	Lower Cabinet Brace	60 pound models

Control Panel Overlays

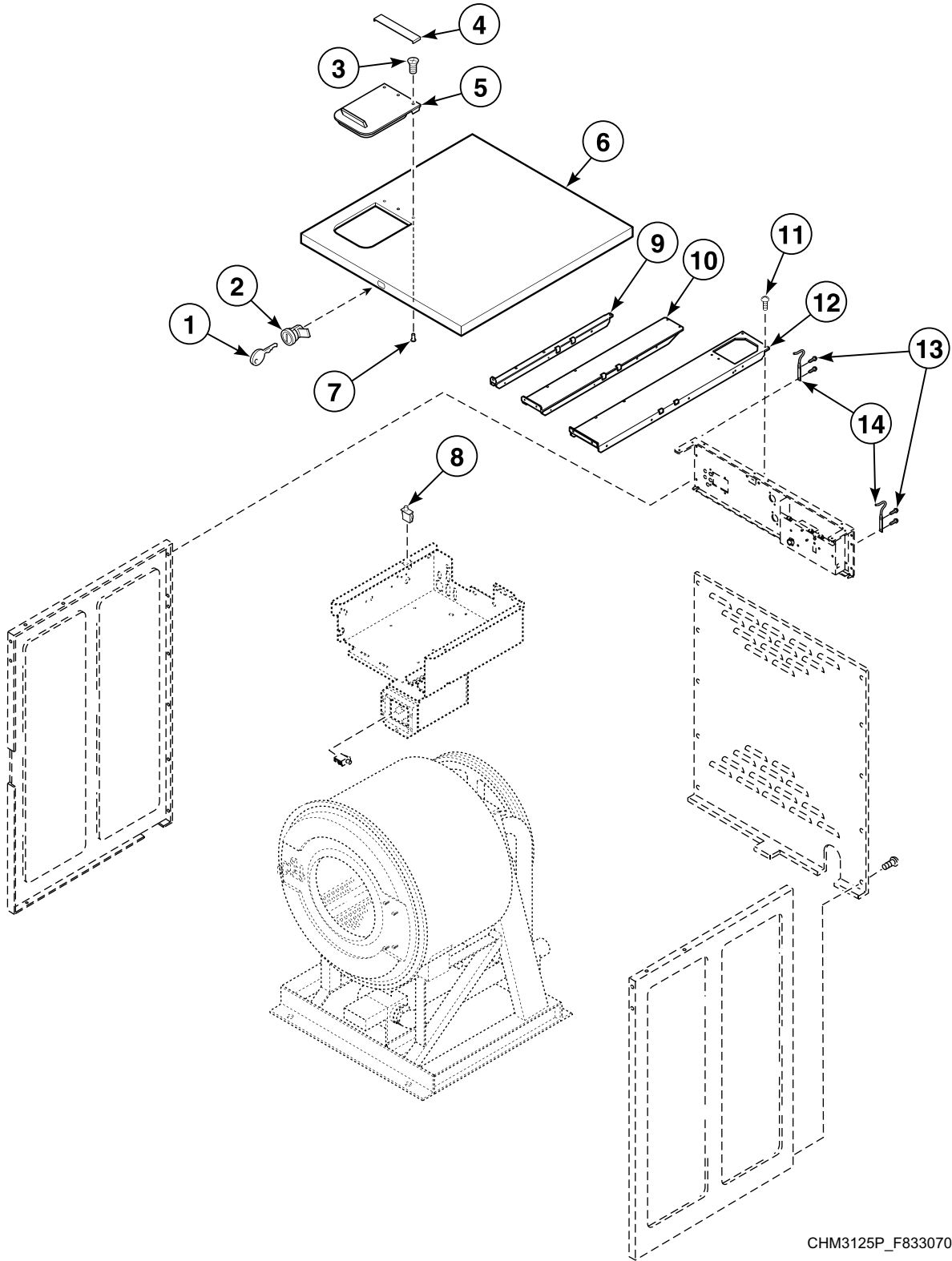


CHM3124P_F8330701

Control Panel Overlays

REF	PART NO.	DESCRIPTION	COMMENTS
1	F8295501	Control Panel Overlay	HCL, HCN and HCU 20 pound models with KC, KD, KE and KY in the 7th and 8th position in the model number; Single coin drop
	F8295502	Control Panel Overlay	Models HCL020KD2, HCN020KD2, HCN020KEF and HCN020KEV; Dual coin drop
	F8295601	Control Panel Overlay	HCN and HCU 30 pound models with KC, KD, KE and KY in the 7th and 8th position in the model number; Single coin drop
	F8295602	Control Panel Overlay	Models HCN030KD2, HCN030KDV, HCN030KEF and HCU030KE2; Dual coin drop
	F8295701	Control Panel Overlay	HCN and HCU 40 pound models with KC, KD, KE and KY in the 7th and 8th position in the model number; Single coin drop
	F8295702	Control Panel Overlay	Models HCN040KD2, HCN040KDF, HCN040KDV, HCN040KEF, HCN040KEV and HCU040KE2; Dual coin drop
	F8295801	Control Panel Overlay	HCN and HCU 60 pound models with KC, KD, KE and KY in the 7th and 8th position in the model number; Single coin drop
	F8295802	Control Panel Overlay	Models HCN060KD2, HCN060KDF, HCN060KDV, HCN060KEF, HCN060KEV and HCU060KEV; Dual coin drop
	F8294001	Control Panel Overlay	HCL, HCN and HCU 20 pound models with HC, HD, HX and HY in the 7th and 8th position in the model number; Single coin drop
	F8294002	Control Panel Overlay	Models HCL020HDF and HCN020HD2; Dual coin drop
	F8294101	Control Panel Overlay	HCL, HCN and HCU 30 pound models with HC, HD, HX and HY in the 7th and 8th position in the model number; Single coin drop
	F8294102	Control Panel Overlay	Models HCL030HDF and HCN030HD2; Dual coin drop
	F8294201	Control Panel Overlay	HCL, HCN and HCU 40 pound models with HC, HD, HE, HX and HY in the 7th and 8th position in the model number; Single coin drop
	F8294202	Control Panel Overlay	Models HCL040HDF and HCL040HE2; Dual coin drop
	F8294301	Control Panel Overlay	HCN and HCU 60 pound models with HC, HX and HY in the 7th and 8th position in the model number; Single coin drop
	F8294302	Control Panel Overlay	Models HCN060HC2, HCN060HCF, HCU060HC2 and HCU060HX2; Dual coin drop
2	F8294501	Control Panel Overlay	SCL020HN, SCN020HN and SCU020HN models
	F8294601	Control Panel Overlay	SCL030HN, SCN030HN and SCU030HN models
	F8294701	Control Panel Overlay	SCL040HN, SCN040HN and SCU040HN models
	F8294801	Control Panel Overlay	SCL060HN, SCN060HN and SCU060HN models
	F8296001	Control Panel Overlay	SCL020KN, SCN020KN and SCU020KN models
	F8296101	Control Panel Overlay	SCL030KN, SCN030KN and SCU030KN models
	F8296201	Control Panel Overlay	SCL040KN, SCN040KN and SCU040KN models
	F8296301	Control Panel Overlay	SCL060KN, SCN060KN and SCU060KN models
	F8226301	Control Panel Overlay	Models UCL020KN2, UCN020KN2 and UCU020KN2
	F8226401	Control Panel Overlay	Models UCL030KN2, UCN030KN2 and UCU030KN2
	F8226501	Control Panel Overlay	UCL040KN, UCN040KN and UCU040KN models
	F8226601	Control Panel Overlay	UCL060KN, UCN060KN and UCU060KN models
	F8224301	Control Panel Overlay	HCL020HN, HCN020HN, HCU020HN and HCZ020HN models
	F8224401	Control Panel Overlay	HCL030HN, HCN030HN, HCU030HN models
	F8224501	Control Panel Overlay	HCL040HN, HCN040HN and HCU040HN models
	F8224601	Control Panel Overlay	HCL060HN, HCN060HN and HCU060HN models
	F8224801	Control Panel Overlay	UCL020HN, UCN020HN and UCU020HN models
	F8224901	Control Panel Overlay	UCL030HN, UCN030HN and UCU030HN models
	F8225001	Control Panel Overlay	UCL040HN, UCN040HN and UCU040HN models
	F8225101	Control Panel Overlay	UCL060HN, UCN060HN and UCU060HN models

Panels (Drawing 1 of 2)

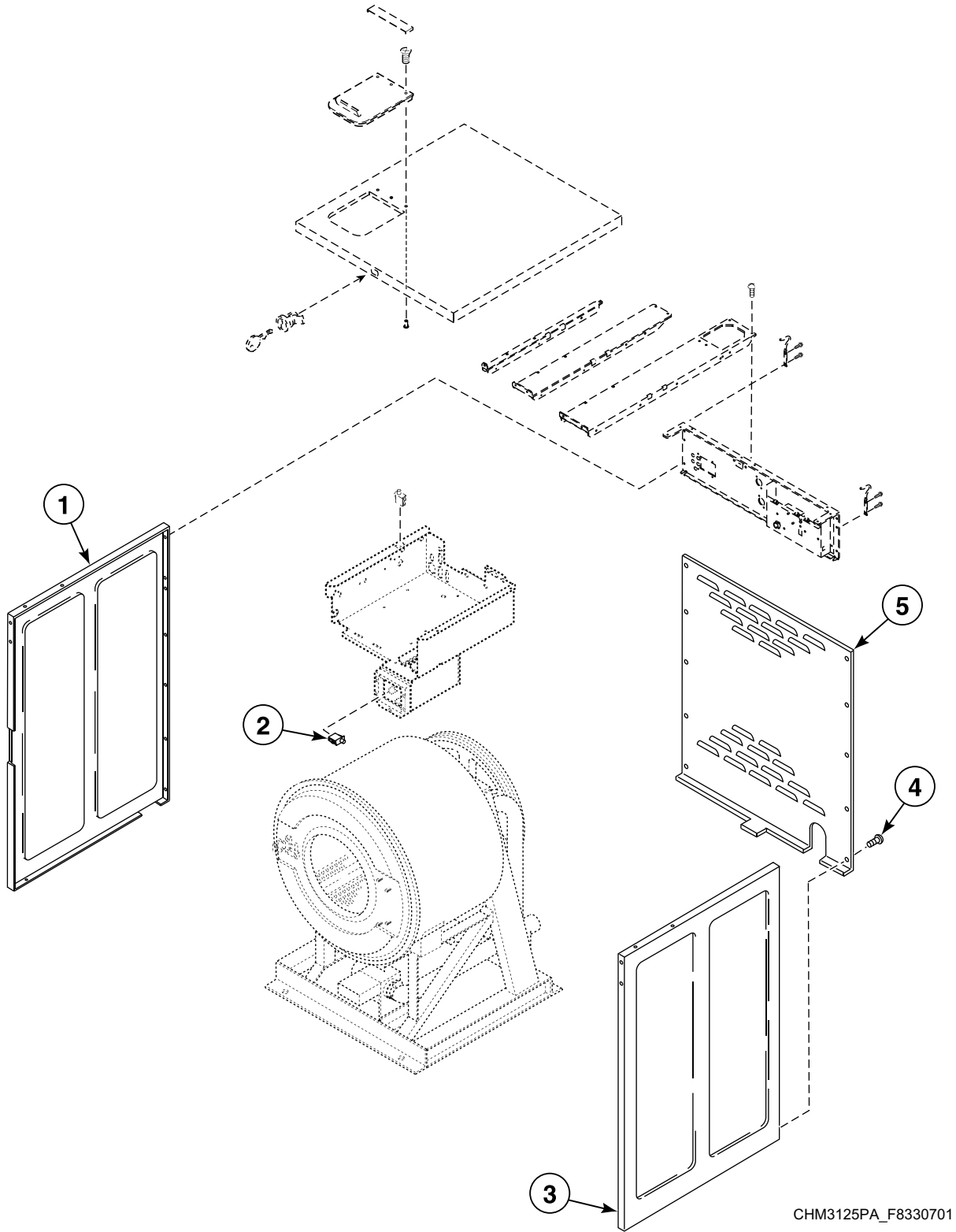


CHM3125P_F8330701

Panels (Drawing 1 of 2)

REF	PART NO.	DESCRIPTION	COMMENTS
1	70155603	Key	
2	44089303P	Panel Lock	
3	F8230601	Screw	
4	F8091701	Lid Clamp	
5	F8048101	Dispenser Lid	Gray
6	F8040201	Top Cover	20 pound models
	F8017401	Top Cover	30 pound models
	F8040301	Top Cover	40 pound models
	F8040401P	Top Cover	60 pound models
7	F8230501	Bolt	
8	70107001	Pushbutton Switch	
9	F8043501	Top Cabinet Brace	20 pound models
10	F8043701	Top Cabinet Brace	30 pound models
11	F430174	Screw	
12	F8043801	Top Cabinet Brace	40 pound models
	F8043901	Top Cabinet Brace	60 pound models
13	F8206901	Screw	
14	F8258601	Top Cover Hinge	

Panels (Drawing 2 of 2)

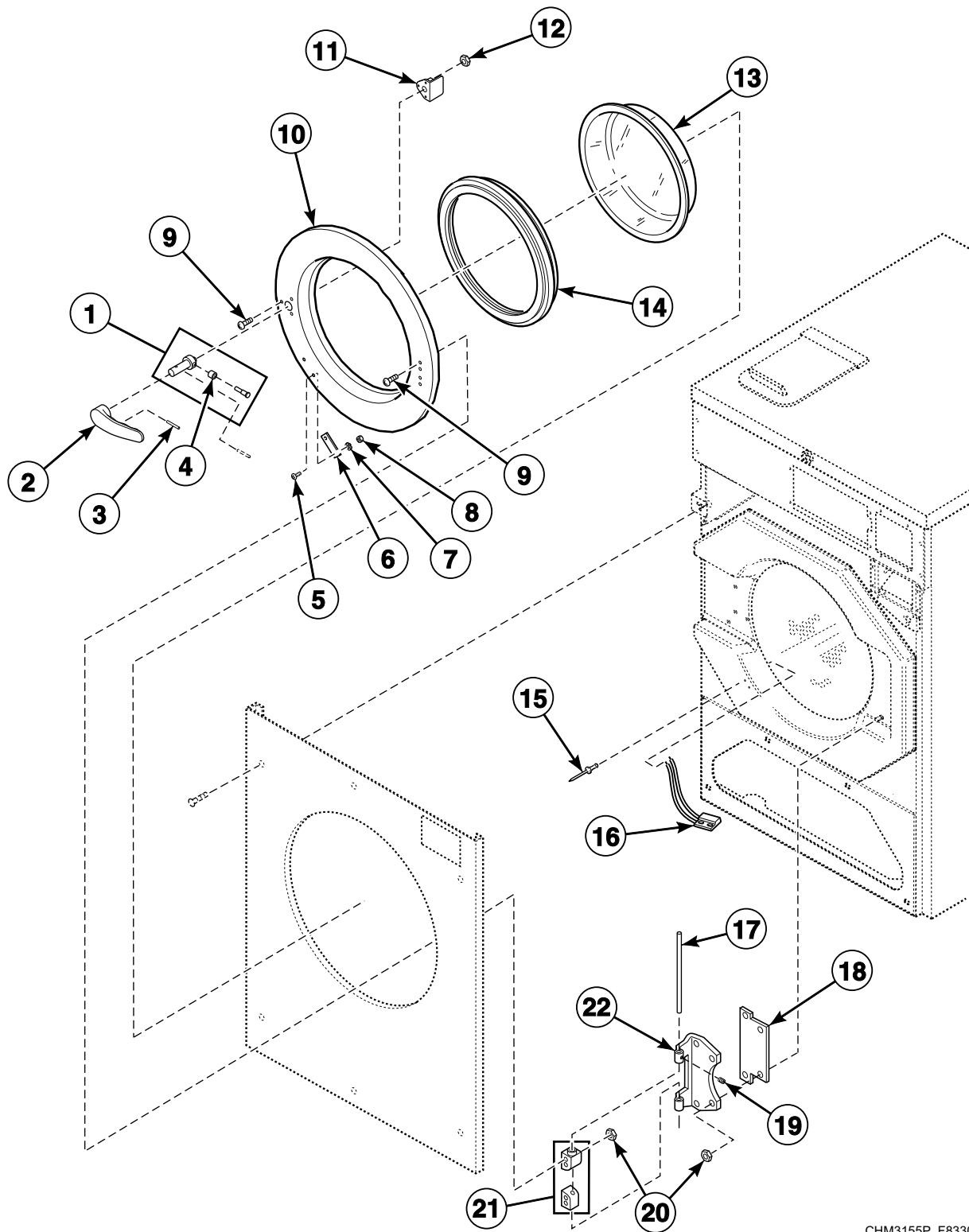


CHM3125PA_F8330701

Panels (Drawing 2 of 2)

REF	PART NO.	DESCRIPTION	COMMENTS
1	F8042902P	Left Side Panel	20 pound models; Vinyl
	F8043102P	Left Side Panel	30 pound models; Vinyl
	F8043202P	Left Side Panel	40 pound models; Vinyl
	F8043302P	Left Side Panel	60 pound models; Vinyl
2	70107001	Pushbutton Switch	Coin models
3	F8042901P	Right Side Panel	20 pound models; Vinyl
	F8043101P	Right Side Panel	30 pound models; Vinyl
	F8043201P	Right Side Panel	40 pound models; Vinyl
	F8043301P	Right Side Panel	60 pound models; Vinyl
4	F8206901	Screw	
5	F8176201P	Rear Panel	20 pound models
	F8176301	Rear Panel	30 pound models
	F8177701P	Rear Panel	40 pound models
	F8177501P	Rear Panel	60 pound models

Door

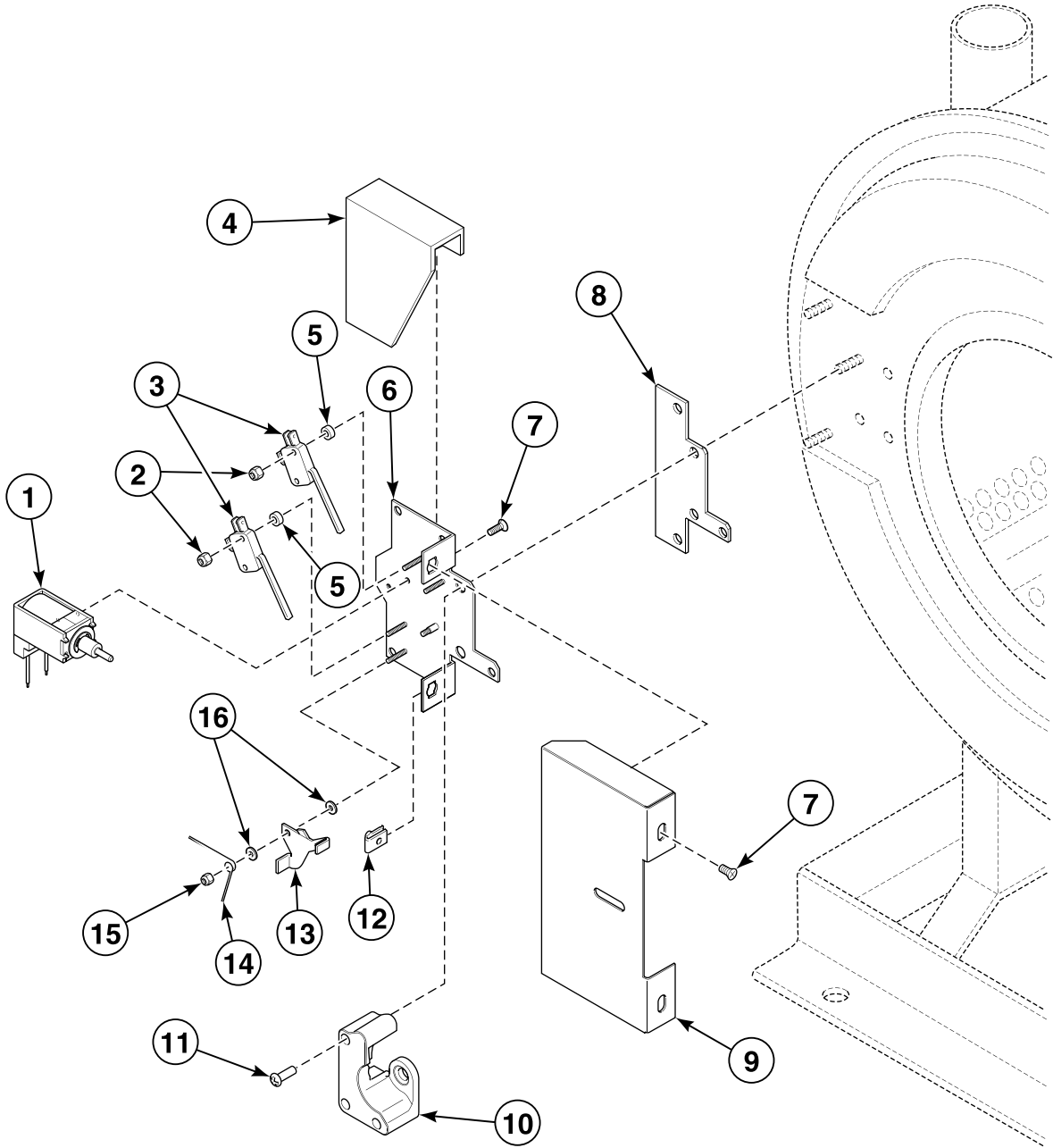


CHM3155P_F8330701

Door

REF	PART NO.	DESCRIPTION	COMMENTS
	F8187201	Door Assembly	20 pound SC and UC models; Includes items 1-14 and 17-22
	F8187203	Door Assembly	20 pound HC models; Includes items 1-14 and 17-22
	F8187301	Door Assembly	30 pound SC and UC models; Includes items 1-14 and 17-22
	F8187303	Door Assembly	30 pound HC models; Includes items 1-14 and 17-22
	F8187401	Door Assembly	40 and 60 pound SC and UC models; Includes items 1-14 and 17-22
	F8187403	Door Assembly	40 and 60 pound HC models; Includes items 1-14 and 17-22
1	F8221401	Door Latch Arm Assembly	
2	F8199401P	Door Handle	SC and UC models; Black
	F8199501	Door Handle	HC models; Gray
3	F431222	Spring Pin	
4	F8221701	Bearing Sleeve	
5	F430916	Screw	
6	F340703	Magnet	
7	F431113	Washer	
8	F431022	Nut	
9	F430976	Screw	
10	F0602431-02	Door	20 pound models
	F0602837-02	Door	30 pound models
	F602842-2	Door	40 and 60 pound models
11	F8223701	Door Handle Spacer	
12	F430232	Nut	
13	F290205P	Door Glass Kit	20 pound SC and UC models; 20 pound HC models through 1/10/10
	F8341701	Door Glass	20 pound HC models; Models starting 1/11/10
	F290207P	Door Glass Kit	30 pound SC and UC models; 30 pound HC models through 1/10/10
	F8341801P	Door Glass	30 pound HC models; Models starting 1/11/10
	F290208P	Door Glass	40 and 60 pound SC and UC models; 40 and 60 pound HC models through 1/10/10
	F8341901	Door Glass	40 and 60 pound HC models; Models starting 1/11/10
14	F200000200	Door Gasket	20 pound models
	F8111601	Door Gasket	30 pound models
	F170124	Door Gasket	40 and 60 pound models
15	F8245101	Blind Rivet	
16	F8066802	Reed Switch Assembly	
17	F602813-2	Rod	20 and 30 pound models
	F602813-3	Rod	40 and 60 pound models
18	F200131000	Door Hinge Shim	
19	F430536	Screw	
20	F430215	Nut	
21	F150271	Door Mount	
22	F190216P	Door Hinge	

Door Lock



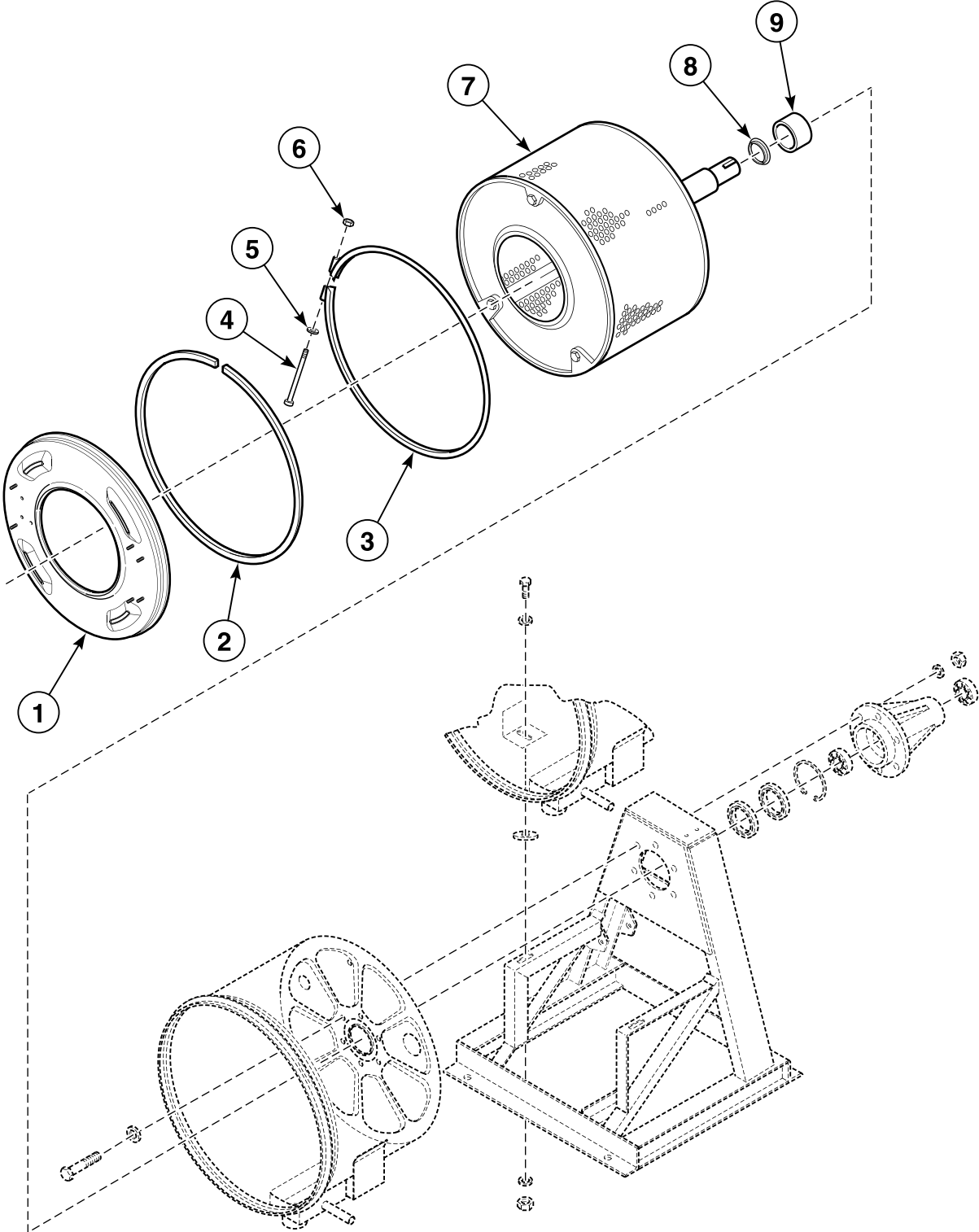
CHM3044P_F8330701

Door Lock

REF	PART NO.	DESCRIPTION	COMMENTS
	F8197101	Door Lock Assembly	Includes F8339902 External Door Lock Harness; Models through 10/31/10
	F8340501	Door Lock Assembly	Includes F8340001 External Door Lock Harness; Models starting 11/1/10
	F977P3	Door Lock Solenoid Replacement Kit	Includes F8340101 Solenoid
1	N/A	External Door Lock Harness	Includes F8224201 Solenoid; Models through 10/31/10; Order F977P3 Door Lock Solenoid Replacement Kit
	F8340001	External Door Lock Harness	Includes F8340101 Solenoid; Models starting 11/1/10
2	F430225	Nut	
3	F200203200	Door Lock Microswitch	
4	F320200	Door Lock Splash Shield	
5	F431901	Spacer	
6	F8223201	Door Lock Plate Assembly	Models through 10/31/10
	F8223202	Door Lock Plate Assembly	Models starting 11/1/10
7	F430956	Screw	
8	F8059701	Door Lock Plate Shim	Models through 9/25/09
	F8344401	Door Lock Plate Shim	Models starting 9/26/09
9	F8245001	Door Lock Cover	
10	F8223601	Door Lock Catch	Models through 10/31/10
	F8344501	Door Lock Catch	Models starting 11/1/10
11	F8221601	Bolt	Models through 10/31/10
	F8270701	Bolt	Models starting 11/1/10
12	F430264	Nut	
13	F8223401	Door Lock Switch Lever	
14	F8070301	Torsion/Door Lock Spring	
15	F430232	Nut	
16	F431902	Washer	

N/A = Part no longer available

Basket, Shell, Frame and Trunnion (Drawing 1 of 3)



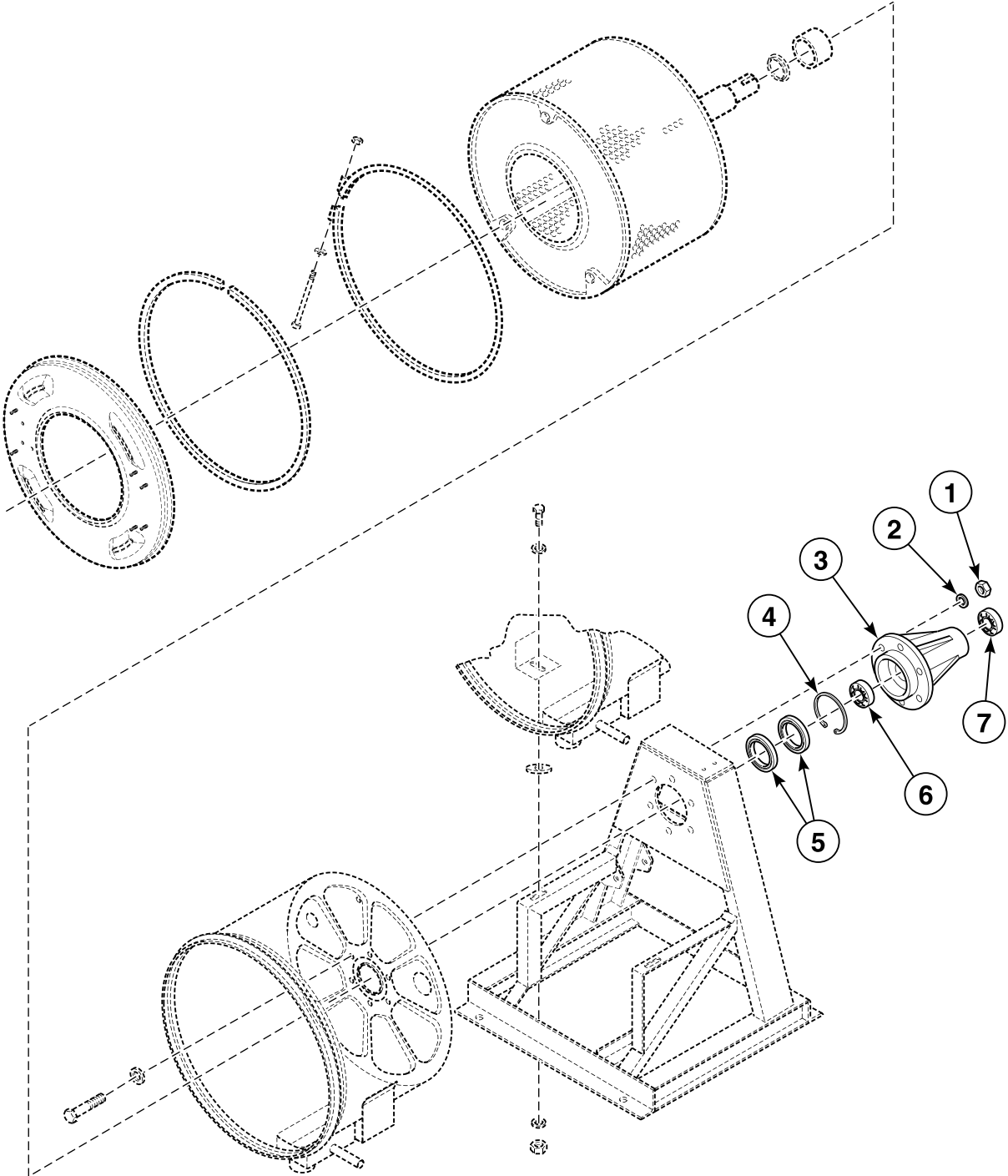
CHM3153P_F8330701

Basket, Shell, Frame and Trunnion (Drawing 1 of 3)

REF	PART NO.	DESCRIPTION	COMMENTS
1	F8229401	Shell Front Assembly	20 pound models
	F8229501	Shell Front Assembly	30 pound models
	F8229601	Shell Front Assembly	40 pound models
	F8229701	Shell Front Assembly	60 pound models
2	F200001600P	Shell Band Gasket	20 pound models
	F200001602	Shell Gasket	30 pound models
	F200001603	Shell Gasket	40 pound models
	F200001604	Shell Gasket	60 pound models
3	F602757	Shell Band Assembly	20 pound models
	F631977	Shell Band Assembly	30 pound models
	F741701	Shell Band Kit	40 pound models
	F741702	Shell Band Kit	60 pound models
4	F430518	Screw	
5	F430317	Washer	
6	F430215	Nut	
7	F8123501	Basket Assembly	20 pound models; Models through 3/31/10; Includes item 9
	F8114201P	Basket Assembly	30 pound models; Models through 3/31/10; Includes item 9
	N/A	Basket Assembly	40 pound models; Models through 3/31/10; Includes item 9
	N/A	Basket Assembly	60 pound models; Models through 3/31/10; Includes item 9
	F8347801	Basket Assembly	20 pound models; Models starting 4/1/10; Includes items 8 and 9
	F8347901	Basket Assembly	30 pound models; Models starting 4/1/10; Includes items 8 and 9
	F8336301	Basket Assembly	40 pound models; Models starting 4/1/10; Includes items 8 and 9
	F8336501	Basket Assembly	60 pound models; Models starting 4/1/10; Includes items 8 and 9
8	F8336801	Excluder Seal	20 pound models; Models starting 4/1/10
	F8336901	Excluder Seal	30 pound models; Models starting 4/1/10
	F8337001	Excluder Seal	40 pound models; Models starting 4/1/10
	F8337101	Excluder Seal	60 pound models; Models starting 4/1/10
9	F8312001P	Shaft Seal Sleeve	20 pound models; Models through 3/31/10
	F8312004P	Shaft Seal Sleeve	30 pound models; Models through 3/31/10
	F8312006P	Shaft Seal Sleeve	40 pound models; Models through 3/31/10
	F8312009P	Shaft Seal Sleeve	60 pound models; Models through 3/31/10
	F8343901	Shaft Seal Sleeve	20 pound models; Models starting 4/1/10
	F8343904	Shaft Seal Sleeve	30 pound models; Models starting 4/1/10
	F8343906	Shaft Seal Sleeve	40 pound models; Models starting 4/1/10
	F8343909	Shaft Seal Sleeve	60 pound models; Models starting 4/1/10

N/A = Part no longer available

Basket, Shell, Frame and Trunnion (Drawing 2 of 3)

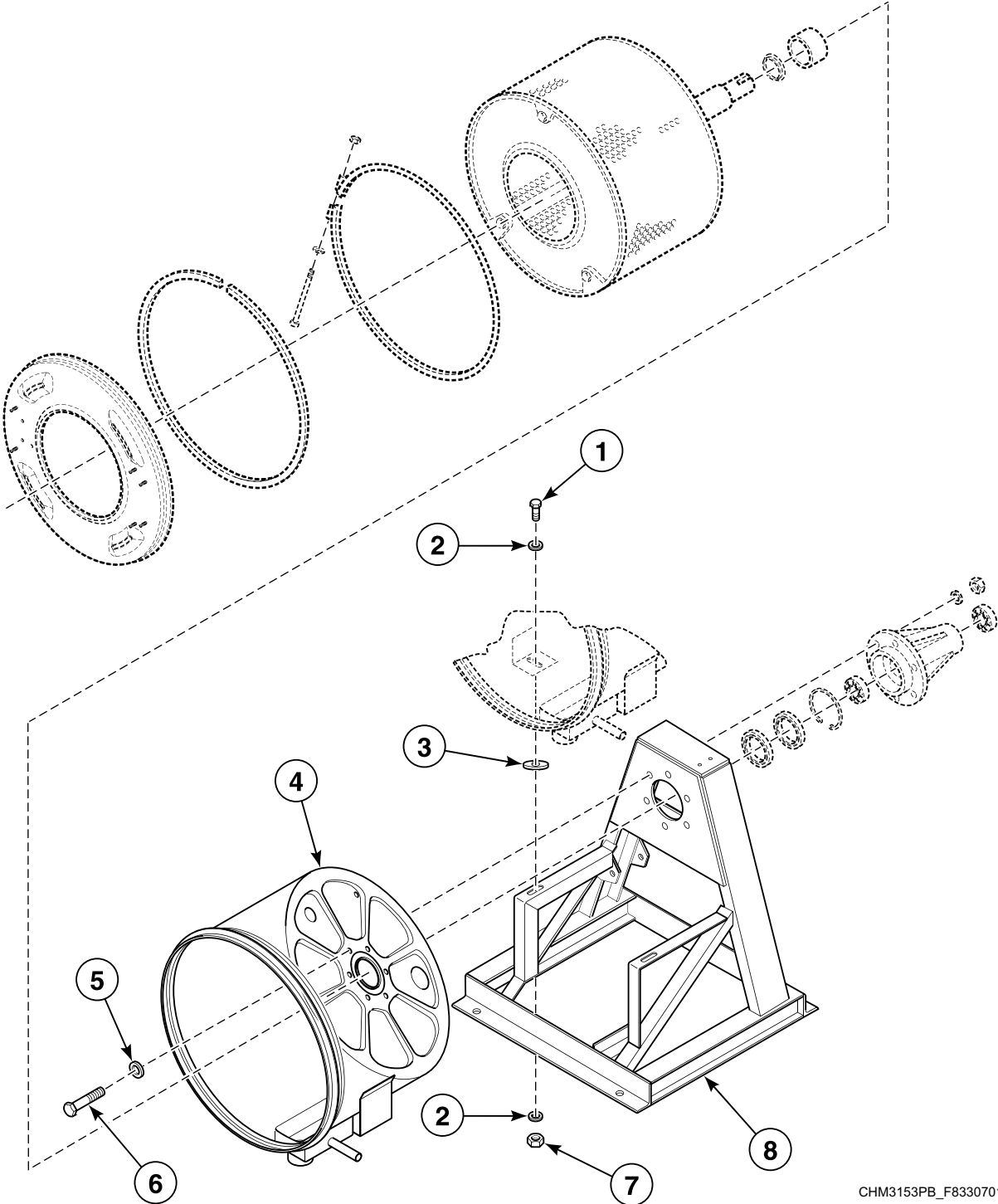


CHM3153PA_F8330701

Basket, Shell, Frame and Trunnion (Drawing 2 of 3)

REF	PART NO.	DESCRIPTION	COMMENTS
1	F430239	Nut	20 pound models
	F430240	Nut	All other models
2	F431128	Washer	20 pound models
	F431131	Washer	All other models
3	F747001	Trunnion Kit	20 pound models; Models through 4/11/10; Includes items 5-7
	F8348201	Bearing Assembly	20 pound models; Models starting 4/12/10; Includes items 4-7
	F747002	Trunnion Kit	30 pound models; Models through 4/11/10; Includes items 5-7
	F8348301	Bearing Assembly	30 pound models; Models starting 4/12/10; Includes items 4-7
	F747003	Trunnion Kit	40 pound models; Models through 3/31/10; Includes items 5-7
	F8335601	Bearing Assembly	40 pound models; Models starting 4/1/10; Includes items 4-7
	F747005	Trunnion Kit	60 pound models; Models through 3/31/10; Includes items 5-7
	F8335701	Bearing Assembly	60 pound models; Models starting 4/1/10; Includes items 4-7
4	F8344901	Retaining Ring	20 pound models; Models starting 4/1/10
	F8345001	Retaining Ring	30 pound models; Models starting 4/1/10
	F8337801	Retaining Ring	40 pound models; Models starting 4/1/10
	F8337901	Retaining Ring	60 pound models; Models starting 4/1/10
5	F8203801	Triple Lip Seal	20 pound models
	F8203802	Triple Lip Seal	30 pound models
	F8203803	Triple Lip Seal	40 pound models
	F8203806	Triple Lip Seal	60 pound models
6	F100137P	Bearing	6308 2RS C3; 20 and 40 pound models; Front
	F100123P	Bearing	6309 2RS C3; 30 pound models; Front
	F100135	Bearing	6313 2RS C3; 60 pound models; Front
7	F100136P	Bearing	6307 2RS C3; 20 pound models; Rear
	F100108	Bearing	30 pound models; Rear
	F100134	Bearing	6310 2RS C3; 40 and 60 pound models; Rear

Basket, Shell, Frame and Trunnion (Drawing 3 of 3)

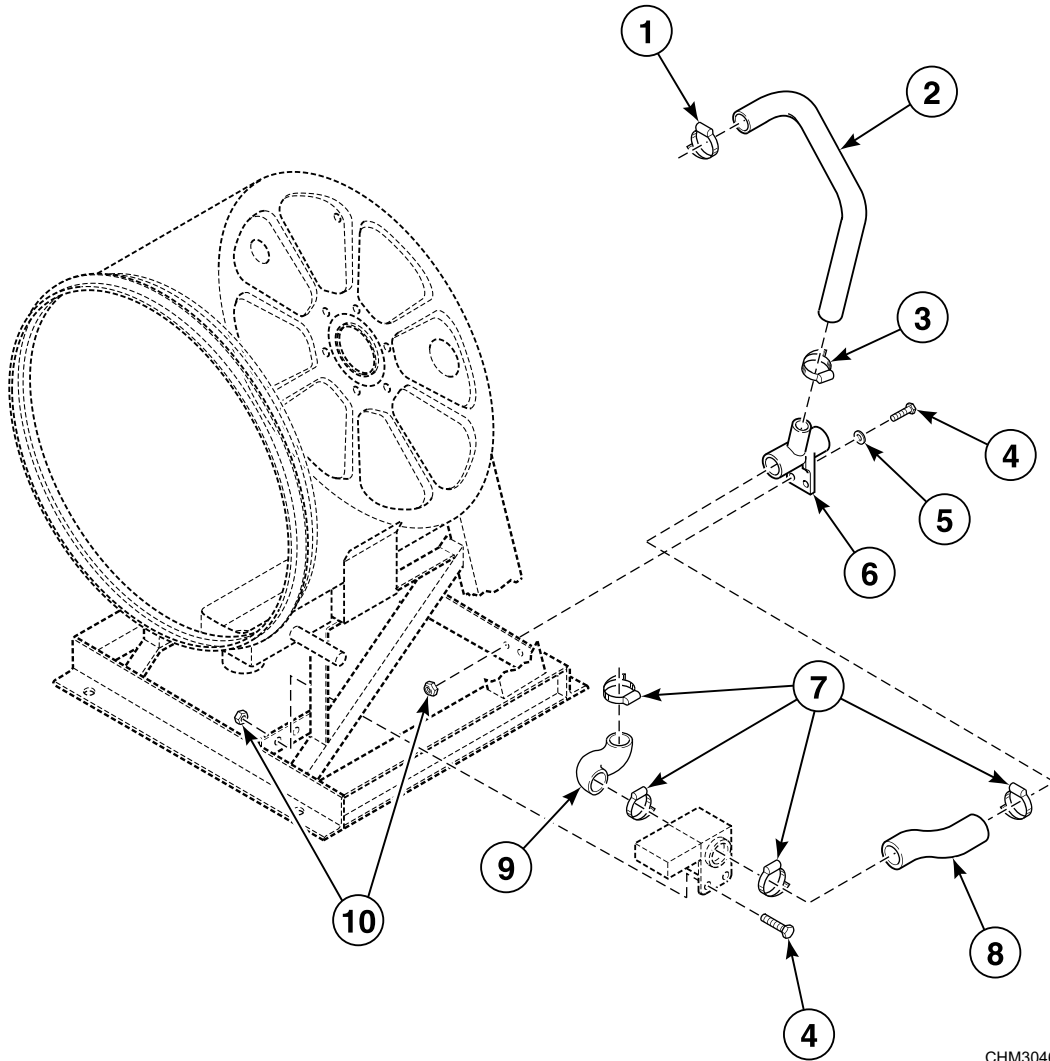


CHM3153PB_F8330701

Basket, Shell, Frame and Trunnion (Drawing 3 of 3)

REF	PART NO.	DESCRIPTION	COMMENTS
1	F430942	Screw	
2	M400081	Washer	
3	F430303	Washer	
4	F8179201	Shell Weldment	20 pound coin models; Standard
	F8179202	Shell Weldment	20 pound OPL models; Models with electric heat
	F8179203	Shell Weldment	20 pound OPL models; Standard
	F8179301	Shell Weldment	30 pound coin models; Standard
	F8179302	Shell Weldment	30 pound OPL models; Models with electric heat
	F8179303	Shell Weldment	30 pound OPL models; Standard
	F8179401	Shell Weldment	40 pound coin models; Standard
	F8179402	Shell Weldment	40 pound OPL models; Models with electric heat
	F8179403	Shell Weldment	40 pound OPL models; Standard
	F8179501	Shell Weldment	60 pound coin models; Standard
	F8179502	Shell Weldment	60 pound OPL models; Models with electric heat
	F8179503	Shell Weldment	60 pound OPL models; Standard
	5	F431128	Washer
F431131		Washer	All other models
6	F430949	Screw	20 pound models
	F430987	Screw	All other models
7	F430218	Nut	
8	F8195901	Frame Weldment	20 pound models
	F8196001	Frame Weldment	30 pound models
	F8196101	Frame Weldment	40 pound models
	F8199101	Frame Weldment	60 pound models

Drain Plumbing

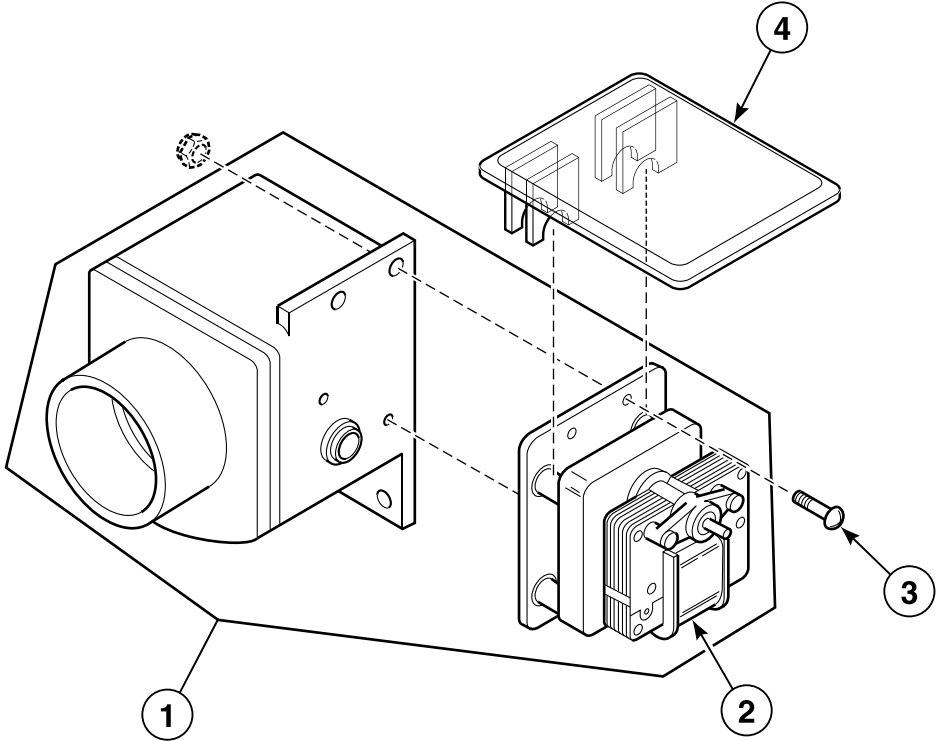


CHM3046P_F8330701

Drain Plumbing

REF	PART NO.	DESCRIPTION	COMMENTS
1	F200213	Hose Clamp	No. 40
2	F150308	Overflow Hose	20 and 30 pound models
	F0200238-00	Overflow Hose	40 pound models
	F8337701	Overflow Hose	40 pound models; Electric heat
	F150417	Overflow Hose	60 pound models
3	F200215	Hose Clamp	40 pound models
	F200213	Hose Clamp	No. 40; All other models
4	F430107	Screw	
5	F430317	Washer	
6	F0150318-00D	Drain Connector Tee	20 and 30 pound models
	F150398	Drain Tee	40 and 60 pound models
7	F200213	Hose Clamp	No. 40; 20 and 30 pound models
	F200201	Hose Clamp	No. 56; 40 and 60 pound models
8	F8233101	Drain Hose	Rear; 20 pound models
	F8233102	Drain Hose	Rear; 30 pound models
	F8231901	Drain Hose	Rear; 40 pound models
	F8231902	Drain Hose	Rear; 60 pound models
9	F8233001	Drain Hose	Front; 20 and 30 pound models
	F8232901	Drain Hose	Front; 40 and 60 pound models
10	F430215	Nut	

Drain Valve Assembly - 20 and 30 Pound Models

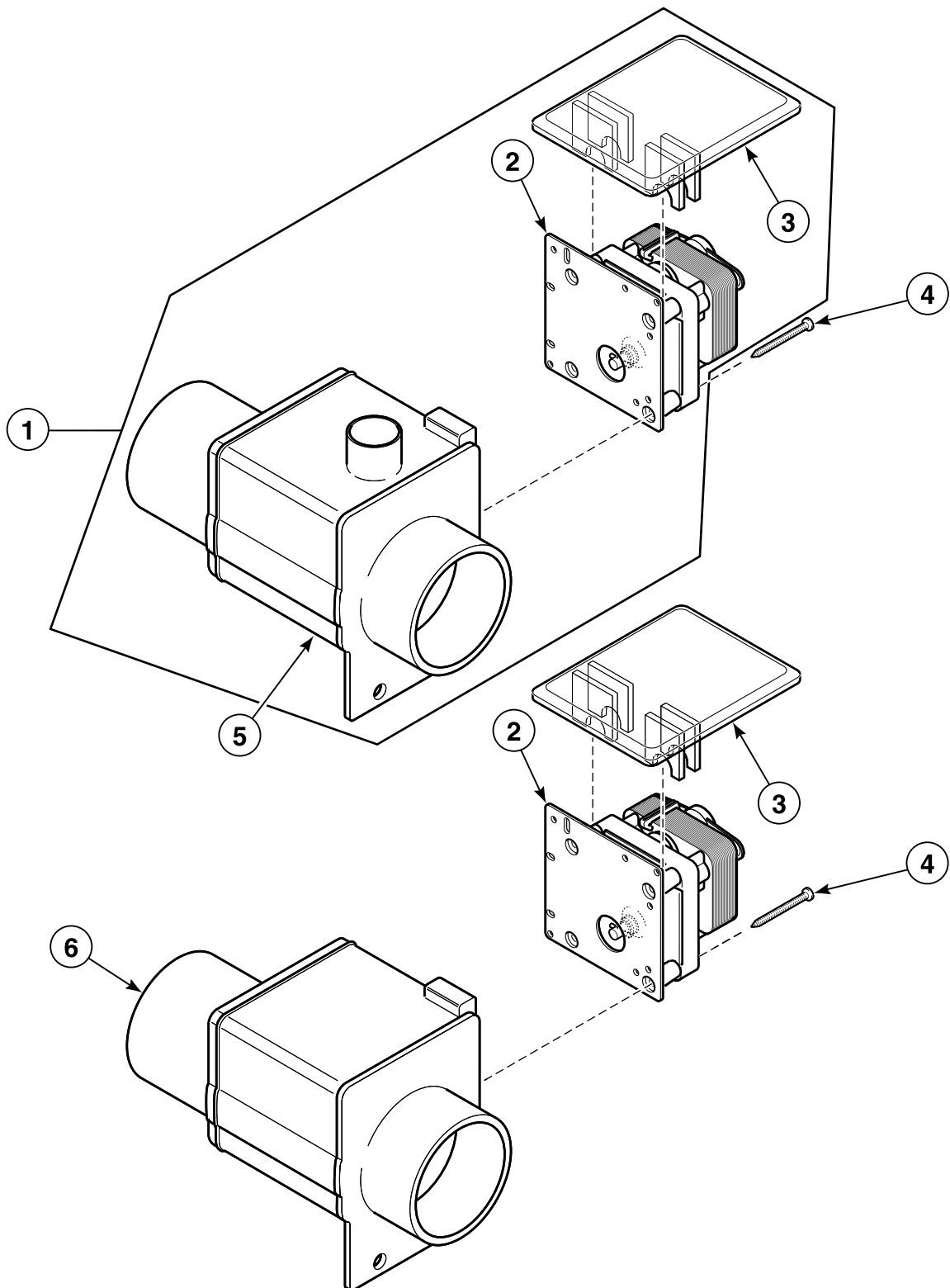


CHM2450P_F8330701

Drain Valve Assembly - 20 and 30 Pound Models

REF	PART NO.	DESCRIPTION	COMMENTS
1	803292	Gravity Drain Valve	220 Volt
2	F380933P	Drain Valve Motor	Round shaft; 220 Volt
	G159764P	Drain Valve Motor and Gear Box Assembly	Keyed shaft; 220 Volt
3	F200182700	Bolt	
4	F200133600	Drain Valve Cover	

Drain Valve Assembly - 40 and 60 Pound Models

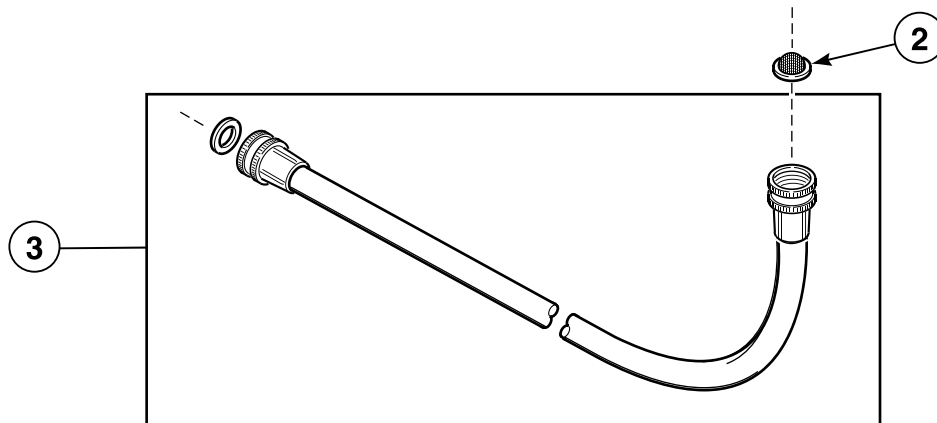
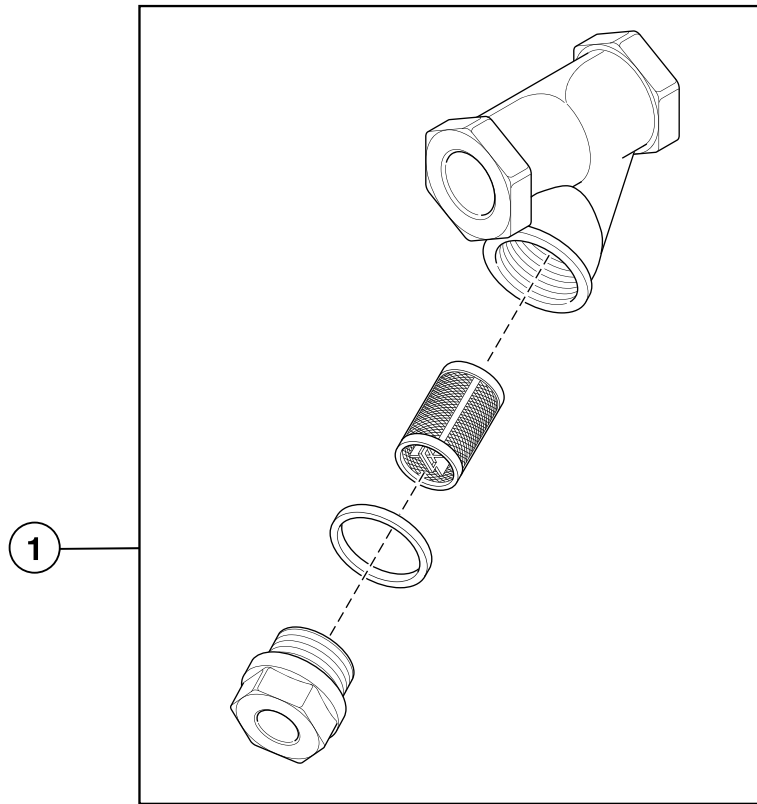


CHM3081P_F8330701

Drain Valve Assembly - 40 and 60 Pound Models

REF	PART NO.	DESCRIPTION	COMMENTS
1	F200166400	Drain Valve Kit	220 Volt; Models with heat
2	F380933P	Drain Valve Motor	Round shaft; 220 Volt
	G159764P	Drain Valve Motor and Gear Box Assembly	Keyed shaft; 220 Volt
3	F200133600	Drain Valve Cover	
4	F200182700	Bolt	
5	F038062900	Drain Valve	220 Volt; Models with heat
6	F200166402	Drain Valve Kit	220 Volt

Filter (Optional) and Supply Hose

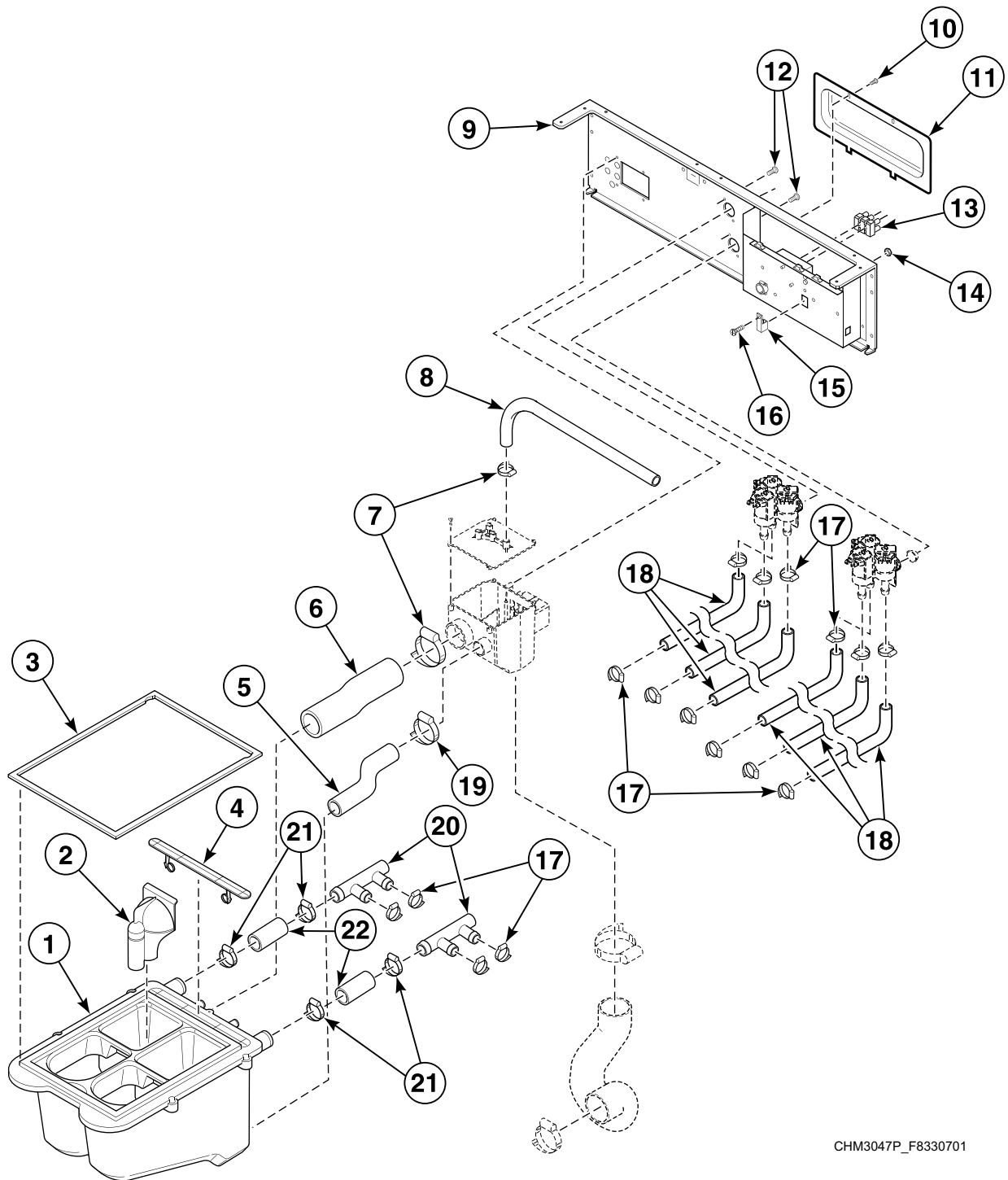


CHM3049P_F8330701

Filter (Optional) and Supply Hose

REF	PART NO.	DESCRIPTION	COMMENTS
1	F270307	Steam Filter	1/2 inch
	F270308	Steam Filter	3/4 inch
2	28605	Washer	
3	F200116	Water Hose	3/8 inch; Standard thread
	F200108P	Water Hose	1/2 inch; Standard or metric thread
	223/00049/10P	Fill Hose	Metric thread

Fill Plumbing Assembly (Drawing 1 of 2)

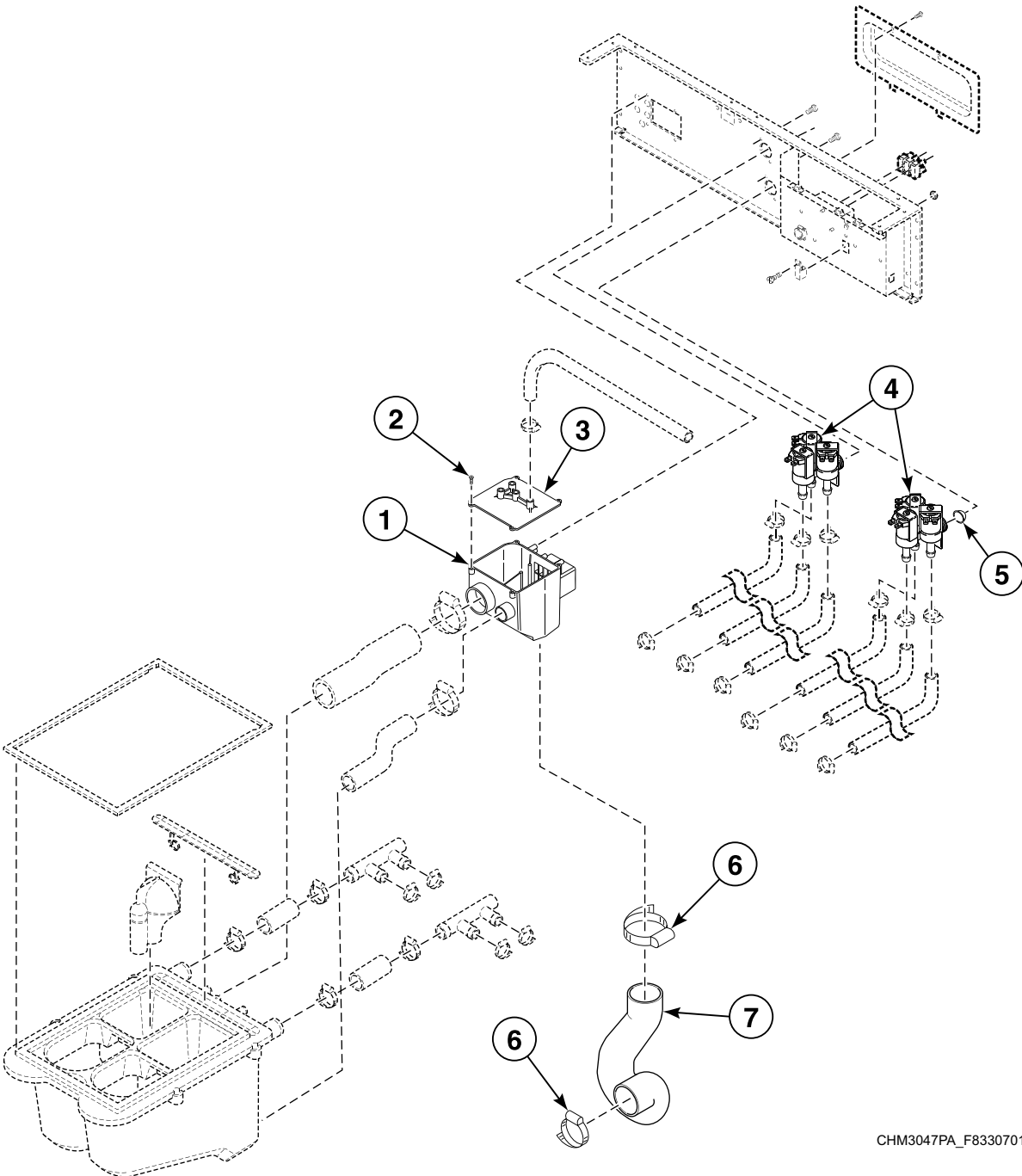


CHM3047P_F8330701

Fill Plumbing Assembly (Drawing 1 of 2)

REF	PART NO.	DESCRIPTION	COMMENTS
1	F8047401	Dispenser Assembly	
2	F8047901	Siphon Cover	
3	F8308301	Dispenser Gasket	
4	F8047801	Access Cover	
5	F8043401	Dispenser Overflow Hose	20 pound models
	F8043403	Dispenser Overflow Hose	30 pound models
	F8043404	Dispenser Overflow Hose	40 pound models
	F8043405	Supply Overflow Hose	60 pound models
6	F8042801	Vacuum Supply Hose	20 pound models
	F8042803	Vacuum Supply Hose	30 pound models
	F8042804	Vacuum Supply Hose	40 pound models
	F8042805	Vacuum Supply Hose	60 pound models
7	F200213	Hose Clamp	No. 40
8	F0200244-01	Vacuum Breaker Hose	60 pound models
	F0200244-02	Vacuum Breaker Hose	All other models
9	F8039901	Valve Panel	20 pound models
	F8017501	Valve Panel	30 pound models
	F8039601	Valve Panel	40 pound models
	F8039801	Valve Panel	60 pound models
10	F8206901	Screw	
11	F8177001	Terminal Tray Cover	
12	F8230301	Screw	
13	430642	Terminal Block	Includes screws
14	F430232	Nut	
15	M411283	Ground Lug Connector	
16	F430903	Screw	
17	36801	Hose Clamp	No. 8
18	F8232004	Hose	20 pound models
	F8232001	Hose	30 pound models
	F8232002	Hose	40 and 60 pound models
19	20211	Hose Clamp	No. 17
20	F8333201	Manifold	
21	F200222	Hose Clamp	No. 12
22	F606816-1	Hose	

Fill Plumbing Assembly (Drawing 2 of 2)

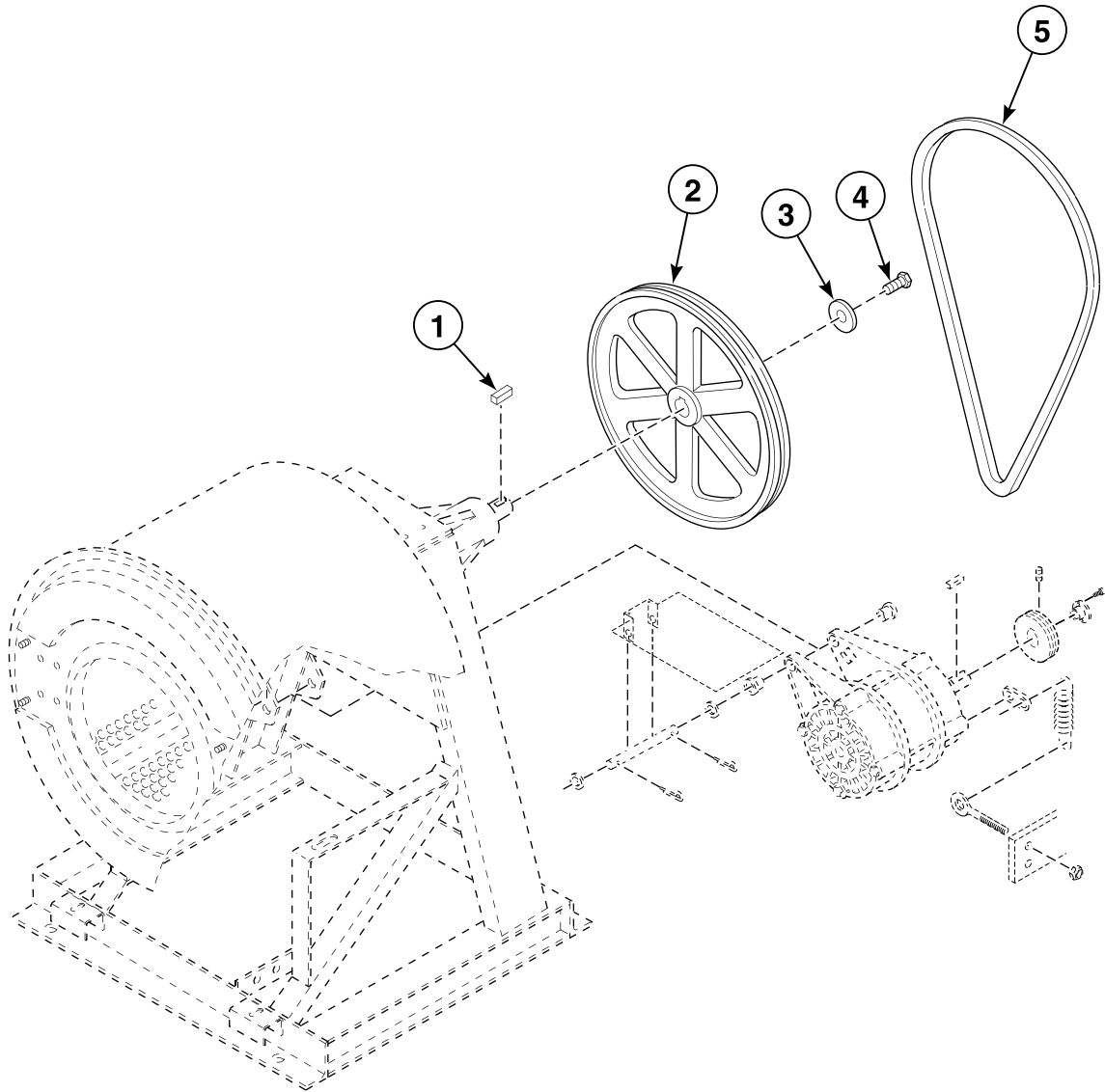


CHM3047PA_F8330701

Fill Plumbing Assembly (Drawing 2 of 2)

REF	PART NO.	DESCRIPTION	COMMENTS
1	F8048601	Vacuum Breaker Assembly	Includes items 3 and 5
2	800548	Screw	
3	F8048501	Vacuum Breaker Cover	
4	F8286401P	3-Way Valve	240 Volt/50 or 60 Hertz; U.S.
	F8286402P	3-Way Valve	240 Volt/50 or 60 Hertz; Metric
5	28605	Washer	
6	F200213	Hose Clamp	No. 40
7	F8042201	P-Trap Hose	20 pound models
	F8042202	P-Trap Hose	30 and 40 pound models
	F8042301	P-Trap Hose	60 pound models

Pulley and Belt (Drawing 1 of 3)

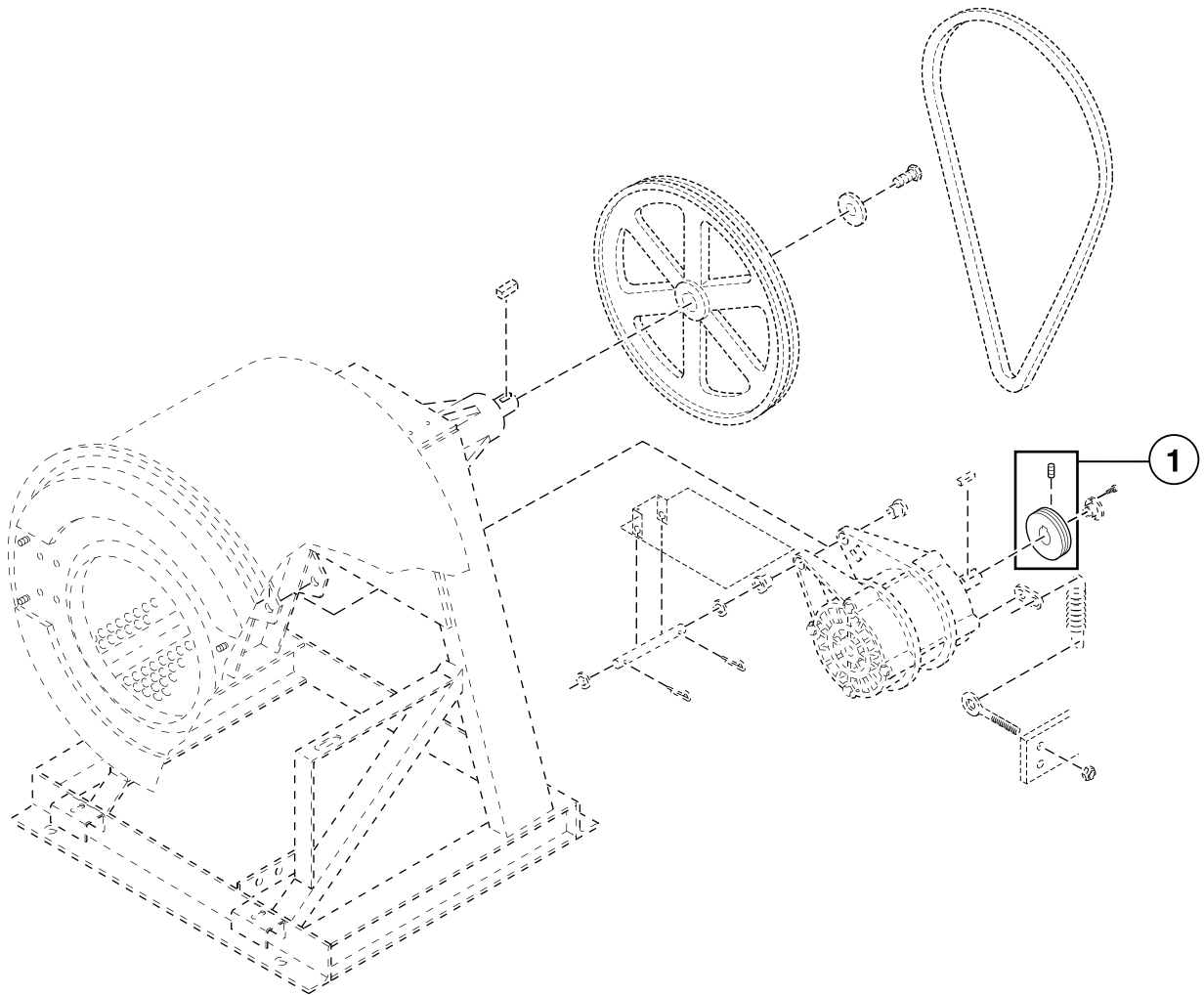


CHM3050P_F8330701

Pulley and Belt (Drawing 1 of 3)

REF	PART NO.	DESCRIPTION	COMMENTS
1	F430801	Key	
2	F280170	Sheave Pulley	20 pound models; 13V1800
	F280172	Sheave Pulley	30 pound models; 13V2200
	F280197	Pulley	40 pound models; 23V2200
	F200299700	Basket Pulley	60 pound models; X-voltage
	F280173	Pulley	60 pound models; All other voltages; 23V2400
3	F431115	Washer	
4	F430100	Screw	
5	F280343	Belt	3V730; C-voltage HCU020 and SCU020 models; O-voltage SCN020 models
	F280337	Belt	3V710; B, O and V-voltage HCL020, HCN020, SCL020 and SCN020 models; O and Y-voltage UCL020 and UCN020 models
	F280370	Belt	690J4; HCL020, HCN020, SCL020, SCN020 and SCU020 models; X-voltage
	F280321	Belt	3V800; O and Y-voltage HCL030, HCN030, SCL030 and SCN030 models; C-voltage SCU030 and UCU030 models; O-voltage UCL030 models; F, O and Y-voltage UCN030 models
	F280368P	Belt	785J4; HCL030, HCN030, SCL030, SCN030 and UCN030 models; X-voltage
	F280341	Belt	3V850; SCL040, SCN040, SCU040, UCL040 and UCU040 models; C-voltage
	F280342	Belt	3V830; O and Y-voltage HCL040 and HCN040 models; C, F, O and Y-voltage SCL040, SCN040 and UCN040 models; O-voltage UCL040 models
	F280369P	Belt	820J6; HCL040, HCN040, SCL040, SCN040 and UCN040 models; X-voltage
	F280373	Belt	3V90.65; SCL060, SCU060, UCL060 and UCU060 models; C-voltage
	F280304	Belt	3V900; O-voltage HCL060, HCN060, SCL060, UCL060 and UCN060 models; F and O-voltage SCN060 models
	F280366P	Belt	870J6; X-voltage HCL060, HCN060, SCL060, SCN060 and UCN060 models; R-voltage SCU060 models

Pulley and Belt (Drawing 2 of 3)

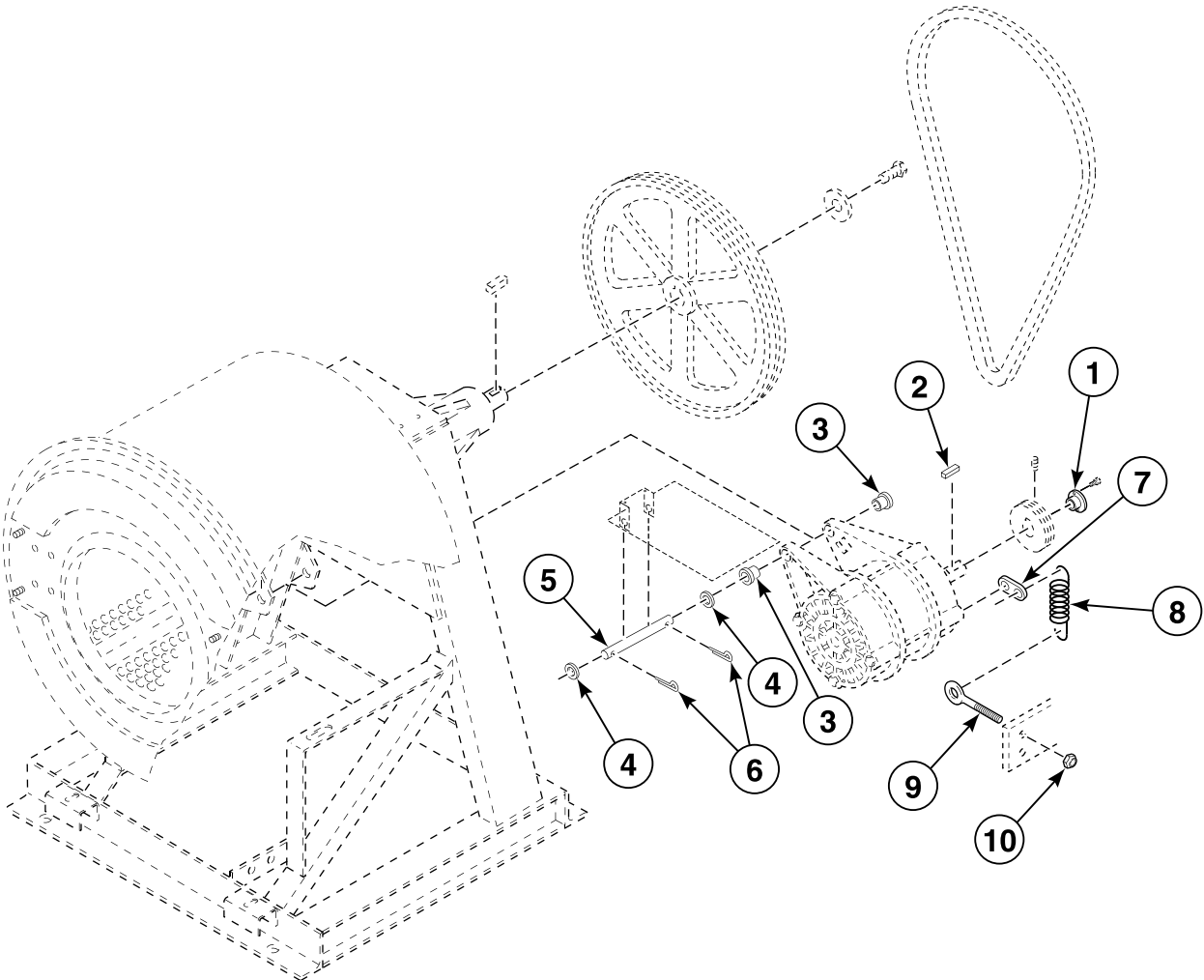


CHM3050PA_F8330701

Pulley and Belt (Drawing 2 of 3)

REF	PART NO.	DESCRIPTION	COMMENTS
1	F280427P	Pulley	1GR3V3.15JA; Requires JA bushing; HCU020, SCU020, UCL020 and UCU020 models; C-voltage
	F280170	Sheave Pulley	1GR3V2.65; O-voltage HCL020, HCU020, SCU020 and UCU020 models; B, O and Y-voltage HCL020, HCN020, SCL020 and SCN020 models; O and Y-voltage UCL020 and UCN020 models
	H87520334	Sheave	1GR3V3.35JA; Requires JA bushing; HCU030, SCU030 UCL030 and UCU030 models; C-voltage
	F280284	Pulley	1GR3V2.9; O-voltage 30 pound models; F and O-voltage UCN030 models
	F280281	Motor Pulley	1GR3V3.0; 30 pound models; Y-voltage
	F280172	Sheave Pulley	1GRV3V22.00; O and Y-voltage HCL030, HCN030, SCL030 and SCN030 models; C, O and Y-voltage HCU030, SCU030 and UCL030 models; F, O and Y-voltage UCN030 models
	F280197	Pulley	2GRV3V22.00; O and Y-voltage HCN040 models; C, O and Y-voltage HCL040, HCU040, SCL040, SCU040, UCL040 and UCU040 models; F, O and Y-voltage SCN040 and UCN040 models
	F280105P	Pulley	2GR3V3.35SH; Requires SH bushing; HCL040, HCU040, SCU040, UCL040 and UCU040 models; C-voltage
	F0280385-00	Sheave	2GR3V3.00; 40 and 60 pound models; F, O and Y-voltage
	F280422P	Pulley	2GR3V3.365SH; Requires SH bushing; HCL060, HCU060, SCU060, UCL060 and UCU060 models; C-voltage
	F280287P	Sheave Kit	X-voltage
	F280173	Pulley	F and O-voltage HCL060, HCN060, HCU060, SCN060 and UCN060 models; C-voltage HCU060, SCL060, SCU060, UCL060 and UCU060 models

Pulley and Belt (Drawing 3 of 3)

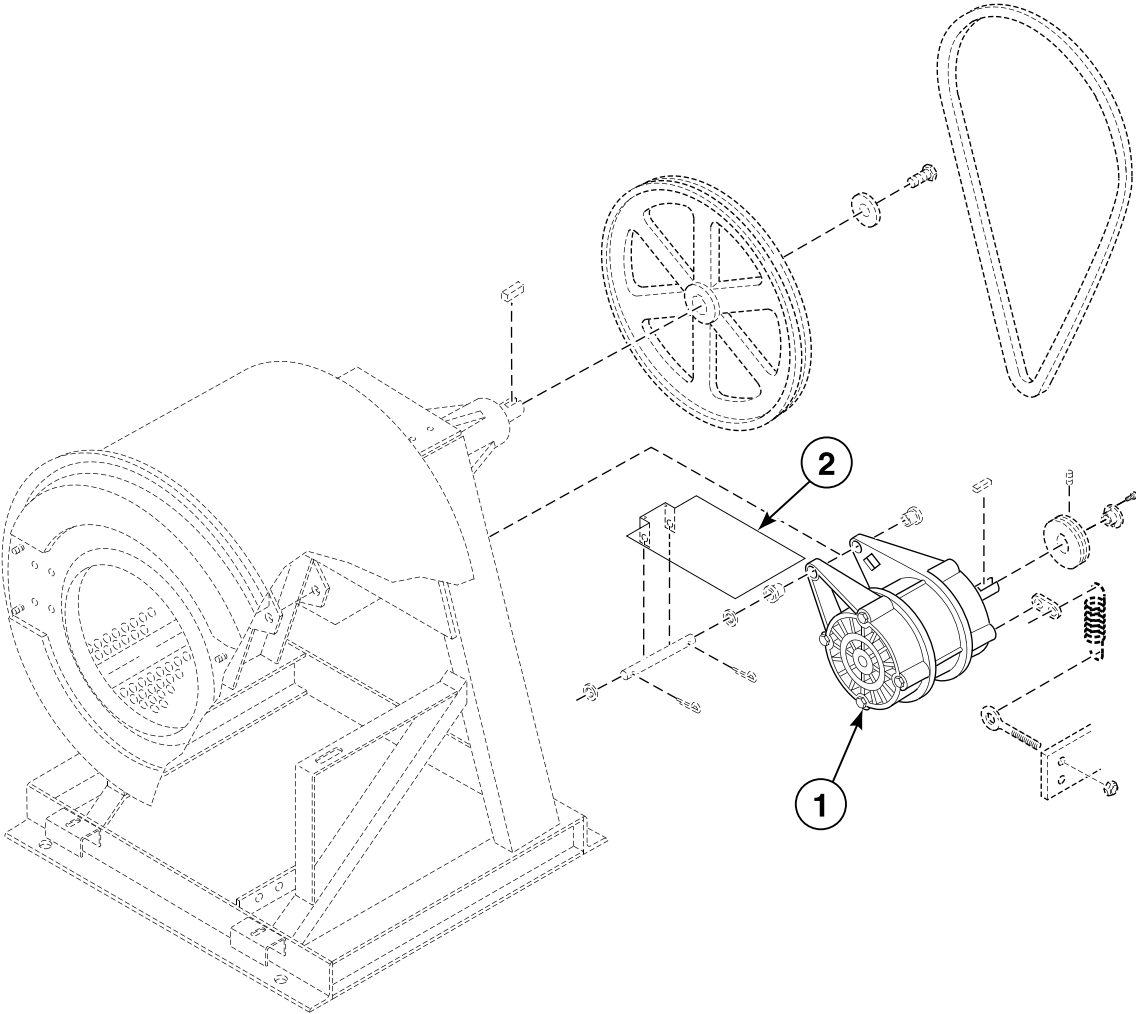


CHM3050PB_F8330701

Pulley and Belt (Drawing 3 of 3)

REF	PART NO.	DESCRIPTION	COMMENTS
1	H87529111P	Bushing	JA 5/8; HCL020, HCL030, HCU020, HCU030, SCL020, SCL030, SCU020, SCU030, UCL020, UCL030, UCU020 and UCU030 models; C-voltage
	F280298P	Pulley Bushing	JA 7/8; F-speed and variable-speed models; Q, R and X-voltage
	M412995P	Bushing	SH 7/8; HCL040, HCL060, HCU040, HCU060, SCL040, SCL060, SCU040, SCU060, UCL040, UCL060, UCU040 and UCU060 models; C-voltage
2	F430801	Key	30 pound models
	F430802	Key	All other models
3	F200186100	Motor Support Bushing	
4	901690	Washer	
5	F602844	Motor Support Rod	20 pound models; 30 pound models except X-voltage
	F603059	Motor Support Rod	X-voltage 30 pound models; 40 pound models
	F603897	Motor Support Rod	60 pound models
6	F430401	Cotter Pin	
7	F633374	Spring Clip	
8	F310148	Tension Spring	40 and 60 pound models; X-voltage
	F310124	Extension Spring	40 and 60 pound models except X-voltage; All other models
9	F430537	Screw	40 and 60 pound models; X-voltage
10	F430218	Nut	

Motor and Capacitors



CHM3050PC_F8330701

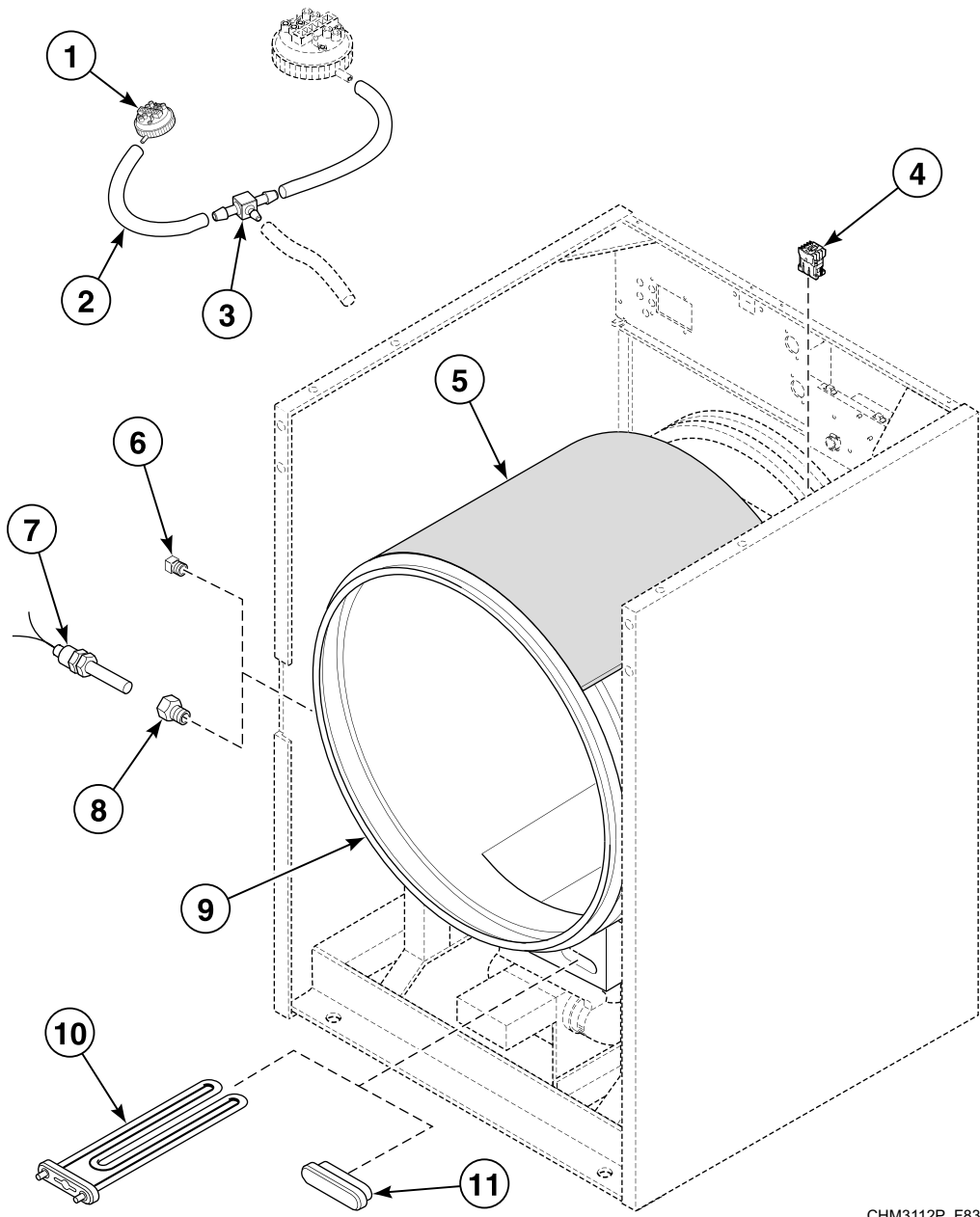
Motor and Capacitors

REF	PART NO.	DESCRIPTION	COMMENTS
1	F220110P	Motor	2 speed 20 pound models; B-voltage; Includes F200186100 Motor Support Bushing
	F022032500P	Motor	Use with F220325-H Motor; 2 speed 20 pound models; C and F-voltage; Includes F200186100 Motor Support Bushing
	N/A	Motor	Use with F220396-H Motor; 2 speed 20 pound models; Models through 7/25/10; J, K and O-voltage; Includes F200186100 Motor Support Bushing; Order F8829301 Motor
	F8329301P	Motor	20 pound models; Models starting 7/26/10; J and O-voltage; Includes motor support bushing
	N/A	Motor	F-speed and variable-speed 20 pound models; Models through 3/1/10; X-voltage; Includes F200186100 Motor Support Bushing; **, Order F8328901P Motor Conversion Kit
	F8328901P	Motor Conversion Kit	F-speed and variable-speed 20 pound models; Models starting 3/2/10; X-voltage; Includes motor support bushing; **
	F022012800P	Motor	Use with F220128-H Motor; 2 speed 20 pound models; Y-voltage; Includes F200186100 Motor Support Bushing
	F022038800P	Motor	Use with F220388-H Motor; 2 speed 30 pound models; C and F-voltage; Includes F200186100 Motor Support Bushing
	F022038700P	Motor	Use with F220387-H Motor; 2 speed 30 pound models; J, K and O-voltage; Includes F200186100 Motor Support Bushing
	N/A	Motor	F-speed and variable-speed 30 pound models; Models through 3/2/10; X-voltage; Includes F200186100 Motor Support Bushing; **, Order F8329001P Motor Conversion Kit
	F8329001P	Motor Conversion Kit	F-speed and variable-speed 30 pound models; Models starting 3/3/10; X-voltage; Includes motor support bushing; **
	F022012400P	Motor	Use with F220124-H Motor; 2 speed 30 pound models; Y-voltage; Includes F200186100 Motor Support Bushing
	F022032600P	Motor	Use with F220326-H Motor; 2 speed 40 pound models; C and F-voltage; Includes F200186100 Motor Support Bushing
	N/A	Motor	2 speed 40 pound models; Models through 7/25/10; O-voltage; Includes F200186100 Motor Support Bushing; Order F8330001 Motor
	F8330001P	Motor	40 pound models; Models starting 7/26/10; O-voltage; Includes motor support bushing
	F0220120-01P	Motor	2 speed 40 pound models; Y-voltage; Includes F200186100 Motor Support Bushing
	N/A	Motor	F-speed and variable-speed 40 pound models ; Models through 6/20/10; X-voltage; Includes F200186100 Motor Support Bushing; **, Order F8329101P Motor Conversion Kit
	F8329101P	Motor Conversion Kit	F-speed and variable-speed 40 pound models; Models starting 6/21/10; X-voltage; Includes motor support bushing; **
	F022032200P	Motor	2 speed 60 pound models; O-voltage; Includes F200186100 Motor Support Bushing
	N/A	Motor	F-speed and variable-speed 60 pound models; Models through 9/15/10; X-voltage; Order F8329201P Motor Conversion Kit; **
F8329201P	Motor Conversion Kit	F-speed and variable-speed 60 pound models; Models starting 9/16/10; X-voltage; Includes motor support bushing; **	
2	F200216900	Motor Drip Shield	2 speed 20 and 30 pound models; 2 speed 40 pound models except Y-voltage; F-speed and variable-speed 60 pound models
	F200280700	Motor Drip Shield	Y-voltage 40 pound models; 2 speed 60 pound models

N/A = Part no longer available

**** NOTE: AC drive parameters must be compatible with the motor and motor pulley. Please request the AC drive parameter illustration for parameter verification when ordering a motor.**

Electric Heat Option

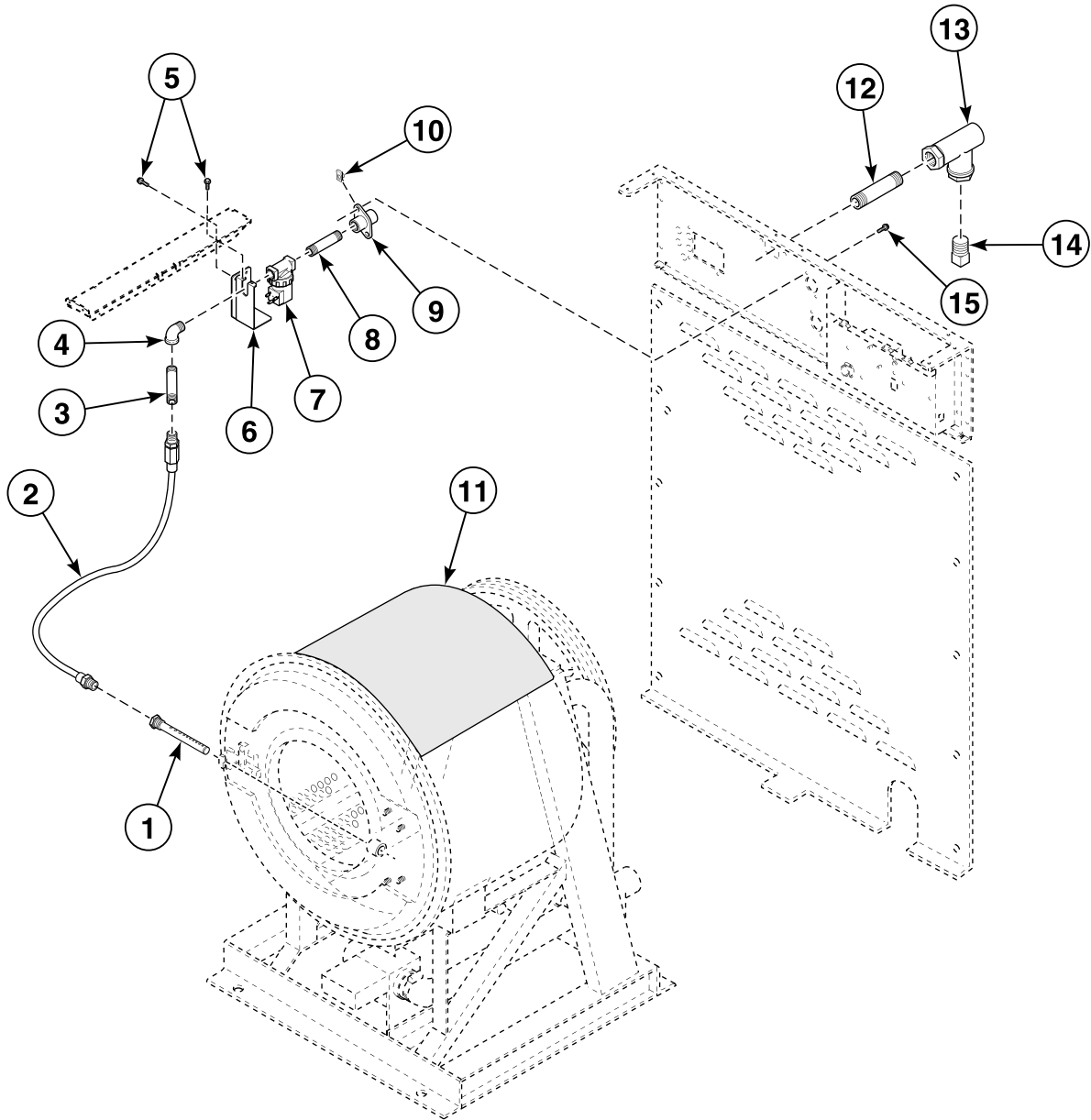


CHM3112P_F8330701

Electric Heat Option

REF	PART NO.	DESCRIPTION	COMMENTS
1	F8223001P	Water Pressure Switch	Heat safety
2	F8153901	Tubing	
3	F8246601	Tee	
4	F330188P	Contactora	
5	F410300	Pipe Insulation	
6	F421507	Plug	
7	F370609	Thermistor Sensor	
8	F421936	Reducer Bushing	
9	F8179602	Shell Weldment	
10	F360205P	Element	2.6 kW; 12 used in 20 and 30 pound models; 30 used in 40 and 60 pound models
11	F360202	Heating Element Plug	

Steam Heat Option



CHM3095P_F8330701

Steam Heat Option

REF	PART NO.	DESCRIPTION	COMMENTS
	F953P3	Steam Heat Kit	Includes items 1-10, 12, 14-15 and harness
	F380984P	Steam Valve Repair Kit	Use with item 7
1	F603131	Steam Injector Tube Assembly	
2	F200197	Steam Hose	
3	F8110601	Nipple	60 pound models
4	H86070034	Street Elbow	
5	430497	Screw	
6	F8212001	Steam Bracket	
7	F380787P	Steam Valve	220 Volt
8	70263801	Pipe Nipple	
9	F8154501	Coupling	
10	70030401	Nut	
11	F410300	Pipe Insulation	
12	431486	Pipe Nipple	
13	F270307	Steam Filter	
14	F420409	Plug	
15	20253	Screw	

Parts Index

A

Access Cover	
F8047801	57
Air Trap Hose	
F020014200	11, 13, 15, 17
Auxiliary Control Assembly	
F8189401	11, 13

B

Basket Assembly	
F8114201P	43
F8123501	43
F8336301	43
F8336501	43
F8347801	43
F8347901	43
Basket Pulley	
F200299700	61
Bearing	
F100108	45
F100123P	45
F100134	45
F100135	45
F100136P	45
F100137P	45
Bearing Assembly	
F8335601	45
F8335701	45
F8348201	45
F8348301	45
Bearing Sleeve	
F8221701	39
Belt	
F280304	61
F280321	61
F280337	61
F280341	61
F280342	61
F280343	61
F280366P	61
F280368P	61
F280369P	61
F280370	61
F280373	61
Blind Rivet	
F8245101	39
Bolt	
F200182700	51, 53
F8221601	41
F8230501	35
F8270701	41
Bushing	
H87529111P	65
M412995P	65

C

Capacitor	
F370218P	11, 15
F370220	11, 15
F370221	11, 15
F370222	11, 15
F370223	11, 15
F370224P	11, 15
Capacitor Tray Assembly	
F8199601	11, 15
F8199901	11, 15
Card Reader and Bracket Assembly	
510068P	25
Card Reader Assembly	
F8201501	25
Card Reader Harness	
F141887	25
Card Reader Overlay	
70334301	25
Coin Box	
F160672	27
Coin Chute	
F8170801	15, 17
Coin Drawer Assembly	
F8182001	27
Coin Drop	
38479P	19
70256402P	21
Coin Drop Assembly	
210195	21
210196	21
38462P	19
38463	19
38464P	19
38472	21
38521	21
39157	21
70281102	21
Coin Identification Paper	
38725	19, 21, 23
Coin Meter	
F0160737-00	21
Coin Meter Assembly	
F200010000P	19
F200010001	21
F200010002	21
F200010003	21
F200010004	21
F200010005	21
F200010006	19
F200010007	19
F200010008	21
F200010009	19
F200010010	21
F200010011	19
F200010012	19
F200021600	23
F200021601	23
F200021602	23
F200021603	23
F200021604	23

N/A items do not appear in index.

F200021605	23
F8238601	23
Coin Vault Assembly	
F8182501	15, 17
F8182601	15, 17
Contact Block Switch	
F200233401	11, 13
Contact Switch	
F8069501	11, 13
Contacto	
F330177P	11, 15
F330188P	69
Contacto Tray Assembly	
F8343401	11, 15
Control Assembly	
F8099102P	15
F8099103P	15
F8099106P	15, 17
F8099107P	11
F8099108P	11, 13
F8099109P	11, 13
F8099110	11, 13
F8099112	15, 17
F8099113	17
Control Assembly Kit	
F980P3	11, 13, 15, 17
Control Panel Assembly	
F8038502	29
F8038504	31
F8038602	29
F8038604	31
F8038702	29
F8038704	31
F8038802	29
F8038804	31
Control Panel Overlay	
F8224301	33
F8224401	33
F8224501	33
F8224601	33
F8224801	33
F8224901	33
F8225001	33
F8225101	33
F8226301	33
F8226401	33
F8226501	33
F8226601	33
F8294001	33
F8294002	33
F8294101	33
F8294102	33
F8294201	33
F8294202	33
F8294301	33
F8294302	33
F8294501	33
F8294601	33
F8294701	33
F8294801	33
F8295501	33
F8295502	33
F8295601	33
F8295602	33
F8295701	33
F8295702	33
F8295801	33

F8295802	33
F8296001	33
F8296101	33
F8296201	33
F8296301	33
Control Tray Assembly	
F8205901	11
F8205902	13, 15, 17
F8205903	13, 15, 17
Cotter Pin	
F430401	65
Coupling	
F8154501	71

D

Din Rail	
F8200101	11, 15
Dispenser Assembly	
F8047401	57
Dispenser Gasket	
F8308301	57
Dispenser Lid	
F8048101	35
Dispenser Overflow Hose	
F8043401	57
F8043403	57
F8043404	57
Door	
F0602431-02	39
F0602837-02	39
F602842-2	39
Door Assembly	
F8187201	39
F8187203	39
F8187301	39
F8187303	39
F8187401	39
F8187403	39
Door Bezel	
F0170426-00	29, 31
F0170426-10	29, 31
F0170426-30	29, 31
F170416-1	29, 31
F170416-2	29, 31
F170416-3	29, 31
F170417-1	29, 31
F170417-2	29, 31
F170417-3	29, 31
Door Gasket	
F170124	39
F200000200	39
F8111601	39
Door Glass	
F290208P	39
F8341701	39
F8341801P	39
F8341901	39
Door Glass Kit	
F290205P	39
F290207P	39
Door Handle	
F8199401P	39
F8199501	39

N/A items do not appear in index.

Door Handle Spacer F8223701	39
Door Hinge F190216P	39
Door Hinge Shim F200131000	39
Door Latch Arm Assembly F8221401	39
Door Lock Assembly F8197101	41
F8340501	41
Door Lock Catch F8223601	41
F8344501	41
Door Lock Cover F8245001	41
Door Lock Microswitch F200203200	41
Door Lock Plate Assembly F8223201	41
F8223202	41
Door Lock Plate Shim F8059701	41
F8344401	41
Door Lock Solenoid Replacement Kit F977P3	41
Door Lock Splash Shield F320200	41
Door Lock Switch Lever F8223401	41
Door Mount F150271	39
Drain Connector Tee F0150318-00D	49
Drain Hose F8231901	49
F8231902	49
F8232901	49
F8233001	49
F8233101	49
F8233102	49
Drain Tee F150398	49
Drain Valve F038062900	53
Drain Valve Cover F200133600	51, 53
Drain Valve Kit F200166400	53
F200166402	53
Drain Valve Motor F380933P	51, 53
Drain Valve Motor and Gear Box Assembly G159764P	51, 53

E

Earth Terminal Sticker M412096	9
Electric Shock Danger Label F8115501	9
Electronic Coin Drop Assembly 70294101P	23

70294103P	23
70294104	23
70294105P	23
70294106	23
70294107	23
70294109	23
70294111	23
Electronic Coin Drop Kit CK095	23
CK099	23
CK100	23
CK101	23
CK103	23
CK106	23
CK109	23
CK110	23
CK500	23
Element F360205P	69
Emergency Stop Harness F8060501	11, 13
Emergency Stop Plate F8201301	11, 13
Emergency Stop Pushbutton F200233500	11, 13
EMI Filter F8053901P	13, 17
F8053902	13, 17
Excluder Seal F8336801	43
F8336901	43
F8337001	43
F8337101	43
Expansion Clip 70030501	11, 13, 15, 17
Extension Spring F310124	65
External Door Lock Harness F8340001	41
External Supply Connection Decal F8150201	9
External Supply Harness F8191201P	11, 13
External Supply Kit F937P3	11, 13

F

Fill Hose 223/00049/10P	55
Frame Weldment F8195901	47
F8196001	47
F8196101	47
F8199101	47
Front Cabinet Brace F8173801	29, 31
F8173901	29, 31
F8174001	29, 31
Front Panel F8171301	29
F8171302P	31
F8173001	29
F8173002P	31

N/A items do not appear in index.

F8173101P	29
F8173102P	31
F8173201P	29
F8173202P	31

G

Gravity Drain Valve	
803292	51
Ground Decal	
F230739	9
Ground Lug Connector	
M411283	57

H

Harness	
F631973-2	25
Heating Element Plug	
F360202	69
Hose	
F606816-1	57
F8232001	57
F8232002	57
F8232004	57
Hose Clamp	
F200201	49
F200213	49, 57, 59
F200215	49
F200222	11, 13, 15, 17, 57
20211	57
36801	57
Hot Surface Warning Plate	
F8211901	9

I

Interlock Contactor	
F330186P	11, 15

J

Jumper Configuration Assembly	
M413507	11, 13, 15, 17
Jumper Harness Assembly	
M413506	11, 13, 15, 17

K

Key	
F160420	27
F430801	61, 65
F430802	65
70155603	35

L

Left Side Panel	
F8042902P	37
F8043102P	37
F8043202P	37
F8043302P	37
Lid Clamp	
F8091701	35
Lower Cabinet Brace	
F8174101	29, 31

M

Magnet	
F340703	39
Manifold	
F8333201	57
Motor	
F0220120-01P	67
F022012400P	67
F022012800P	67
F022032200P	67
F022032500P	67
F022032600P	67
F022038700P	67
F022038800P	67
F220110P	67
F8329301P	67
F8330001P	67
Motor Conversion Kit	
F8328901P	67
F8329001P	67
F8329101P	67
F8329201P	67
Motor Drip Shield	
F200216900	67
F200280700	67
Motor Pulley	
F280281	63
Motor Support Bushing	
F200186100	65
Motor Support Rod	
F602844	65
F603059	65
F603897	65
Motor Switch	
F340002	11, 15
Mount on Concrete Warning Label	
F8246401	9
Mounting Plate	
70208801	25

N

Nipple	
F8110601	71
Nut	
F430215	39, 43, 49
F430218	47, 65
F430225	41
F430232	11, 13, 15, 17, 39, 41, 57

N/A items do not appear in index.

F430239	45
F430240	45
F430264	41
F431017	11, 13
F431022	39
24205	11, 13
685846	19, 21, 23
70030401	71

O

Opto Coupler	
200674P	19, 21
Output/Logic Harness	
F8028701	11, 13, 15, 17
Overflow Hose	
F0200238-00	49
F150308	49
F150417	49
F8337701	49
Overlay	
70295301	23
Overload Contactor	
F8176101P	11, 15

P

Panel Lock	
44089303P	35
Pipe Insulation	
F410300	69, 71
Pipe Nipple	
431486	71
70263801	71
Plug	
F420409	71
F421507	69
Pop Rivet	
70058501	11, 15, 17, 19, 21
PowerFlex 40 Drive	
F8169401	13, 17
F8169402	13, 17
F8169403	13, 17
F8169404	13, 17
F8169405	13, 17
F8169406	13, 17
F8169407	13, 17
F8169408	13, 17
F8169434	13, 17
F8169435	13, 17
F8169436	13, 17
F8169437	13, 17
F8169438	13, 17
F8169439	13, 17
F8169440	13, 17
F8169441	13, 17
P-Trap Hose	
F8042201	59
F8042202	59
F8042301	59
Pulley	
F280105P	63
F280173	61, 63
F280197	61, 63

F280284	63
F280422P	63
F280427P	63
Pulley Bushing	
F280298P	65
Pulse Expander Assembly	
F8034701P	23
Pushbutton Switch	
70107001	35, 37

R

Rear Panel	
F8176201P	37
F8176301	37
F8177501P	37
F8177701P	37
Reducer Bushing	
F421936	69
Reed Switch Assembly	
F8066802	39
Retaining Ring	
F8337801	45
F8337901	45
F8344901	45
F8345001	45
Right Side Panel	
F8042901P	37
F8043101P	37
F8043201P	37
F8043301P	37
Rod	
F602813-2	39
F602813-3	39

S

Screw	
F430100	61
F430107	49
F430174	25, 29, 31, 35
F430518	43
F430536	39
F430537	65
F430903	11, 13, 57
F430916	39
F430942	47
F430949	47
F430956	29, 31, 41
F430976	39
F430987	47
F8206901	11, 13, 15, 17, 35, 37, 57
F8230301	57
F8230601	35
20253	71
430497	13, 17, 71
800548	59
801019	29
Shaft Seal Sleeve	
F8312001P	43
F8312004P	43
F8312006P	43
F8312009P	43
F8343901	43

N/A items do not appear in index.

F8343904	43
F8343906	43
F8343909	43
Sheave	
F0280385-00	63
H87520334	63
Sheave Kit	
F280287P	63
Sheave Pulley	
F280170	61, 63
F280172	61, 63
Shell Band Assembly	
F602757	43
F631977	43
Shell Band Gasket	
F200001600P	43
Shell Band Kit	
F741701	43
F741702	43
Shell Front Assembly	
F8229401	43
F8229501	43
F8229601	43
F8229701	43
Shell Gasket	
F200001602	43
F200001603	43
F200001604	43
Shell Weldment	
F8179201	47
F8179202	47
F8179203	47
F8179301	47
F8179302	47
F8179303	47
F8179401	47
F8179402	47
F8179403	47
F8179501	47
F8179502	47
F8179503	47
F8179602	69
Siphon Cover	
F8047901	57
Snap Bushing	
44071501	11, 13, 15, 17
Spacer	
F431901	41
Spring Clip	
F633374	65
Spring Pin	
F431222	39
Steam Bracket	
F8212001	71
Steam Filter	
F270307	55, 71
F270308	55
Steam Heat Kit	
F953P3	71
Steam Hose	
F200197	71
Steam Injector Tube Assembly	
F603131	71
Steam Valve	
F380787P	71

Steam Valve Repair Kit	
F380984P	71
Street Elbow	
H86070034	71
Supply Overflow Hose	
F8043405	57
Support Bracket	
F8195803	13, 17
Switch Clamp	
F0340722-00	11, 15

T

Tee	
F8246601	11, 13, 15, 17, 69
Tension Spring	
F310148	65
Terminal Block	
430642	57
Terminal Tray Cover	
F8177001	57
Thermistor Sensor	
F370609	69
Top Cabinet Brace	
F8043501	35
F8043701	35
F8043801	35
F8043901	35
Top Cover	
F8017401	35
F8040201	35
F8040301	35
F8040401P	35
Top Cover Hinge	
F8258601	35
Top Cover Latch	
F8201001	29, 31
Torsion/Door Lock Spring	
F8070301	41
Transformer	
201616	11, 13
210019P	11, 13, 15, 17
Triple Lip Seal	
F8203801	45
F8203802	45
F8203803	45
F8203806	45
Trunnion Kit	
F747001	45
F747002	45
F747003	45
F747005	45
Tubing	
F8153901	11, 13, 15, 17, 69

U

USB IR Device Assembly	
F8167901	11, 13, 15, 17
Use Copper Conductors Only Caution Label	
F8242201	9

N/A items do not appear in index.

V

Vacuum Breaker Assembly	
F8048601	59
Vacuum Breaker Cover	
F8048501	59
Vacuum Breaker Hose	
F0200244-01	57
F0200244-02	57
Vacuum Supply Hose	
F8042801	57
F8042803	57
F8042804	57
F8042805	57
Valve Panel	
F8017501	57
F8039601	57
F8039801	57
F8039901	57
Valve, 3-Way	
F8286401P	59
F8286402P	59

W

Warning Label	
F8207901	9
F8233501	9
44127701	9
Washer	
F430303	47
F430317	43, 49
F431113	39
F431115	61
F431128	45, 47
F431131	45, 47
F431902	41
M400081	47
28605	55, 59
901690	65
Water Hose	
F200108P	55
F200116	55
Water Pressure Switch	
F8223001P	11, 13, 15, 17, 69
