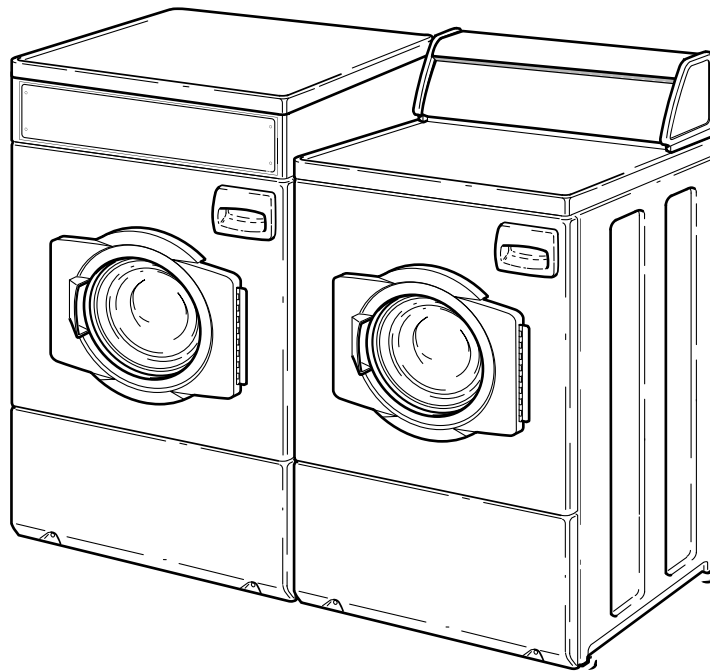


Home Frontload Washers

Refer to Page 3 for Model Numbers



FLW1517C_802105

Table of Contents

| Title | Page |
|--|------|
| Parts Ordering Information..... | 2 |
| Nameplate Location | 2 |
| Model Identification | 3 |
| Cabinet Top, Control Panel and Controls | 4 |
| Graphic Panel, Control Support Panel and Controls | 6 |
| Cabinet Top and Control Hood Rear Panel | 8 |
| Front Panel, Door Assembly and Door Seal | 10 |
| Dispenser Assembly | 12 |
| Mixing Valve, Fill Hose and Valve-to-Dispenser Hose..... | 14 |
| Outer Tub, Front and Clamp Ring..... | 16 |
| Inner Basket, Trunnion, Bearing Housing and Pulley | 18 |
| Motor and Belt..... | 20 |
| Drain Hose and Pump..... | 22 |
| Base, Side Panels and Rear Panel..... | 24 |
| Special Tools | 26 |
| Labels | 28 |
| Shipping Materials | 30 |
| Wire Ties, Harness Clips and Lead-In Cord..... | 32 |
| Wire Harnesses and Wires | 34 |
| Parts Index..... | 37 |

© Copyright 2010, Alliance Laundry Systems LLC

All rights reserved. No part of the contents of this book may be reproduced or transmitted in any form or by any means without the expressed written consent of the publisher.

Parts Ordering Information

If literature or replacement parts are required, contact the source from whom the machine was purchased or contact Alliance Laundry Systems at (920) 748-3950 for the name and address of the nearest authorized parts distributor.

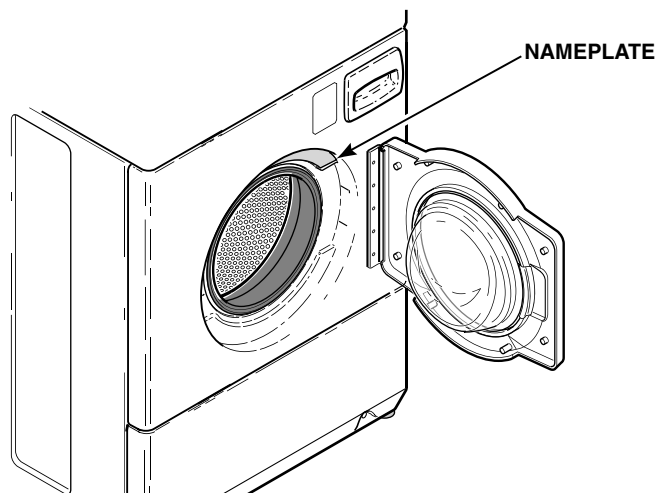
For technical assistance, call either of the numbers listed below:

(920) 748-3121 Ripon, Wisconsin

+32 56 41 20 54 Wevelgem, Belgium

Nameplate Location

When calling or writing about your product, be sure to mention model and serial numbers. Model and serial numbers are located on nameplate(s) as shown.



FLW1747S_802105

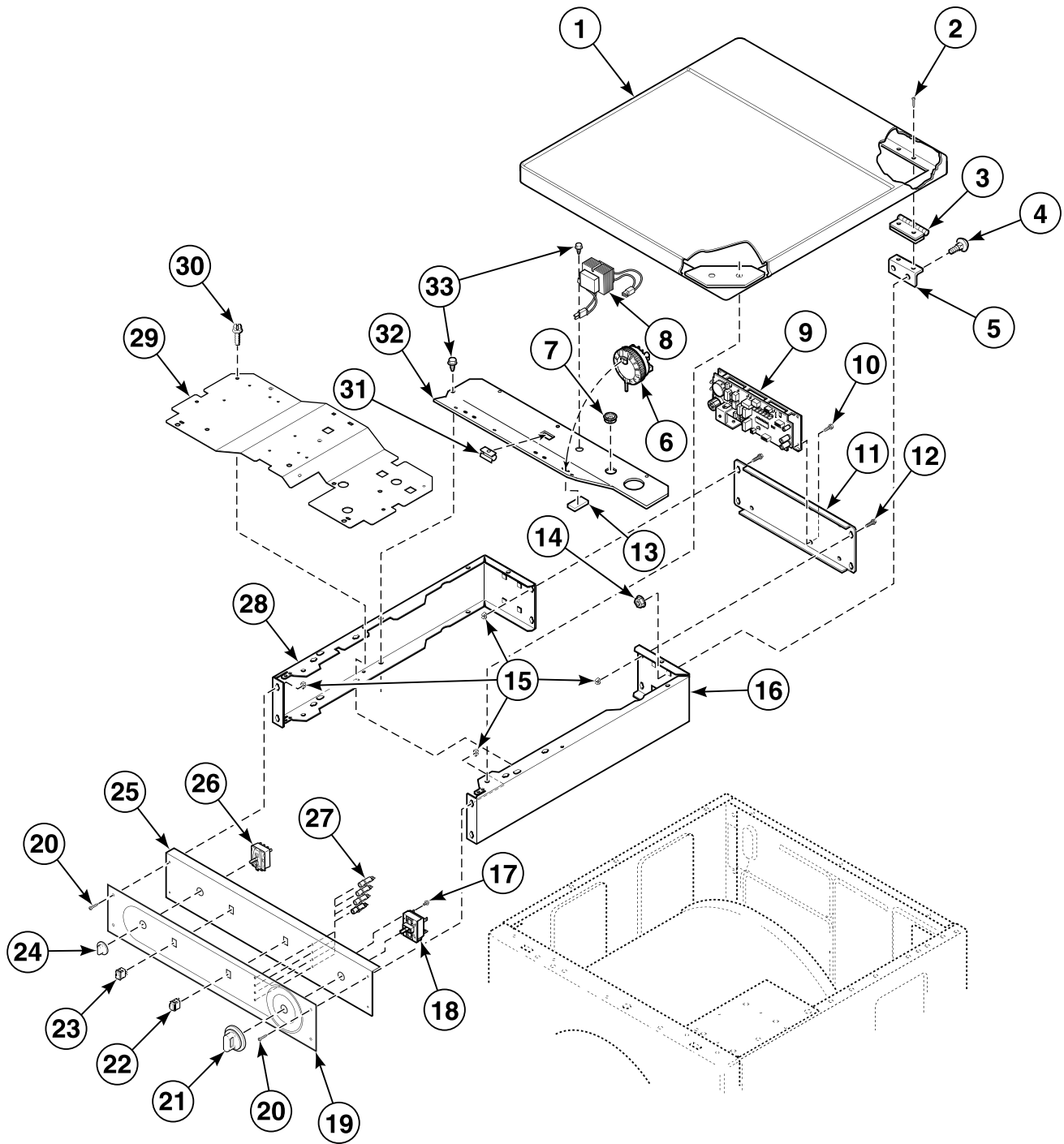
Model Identification

Information in this manual is applicable to these washer models:

ATS90AWN
ATS95AWN
CTS90AWN

Cabinet Top, Control Panel and Controls

Model CTS90AWN



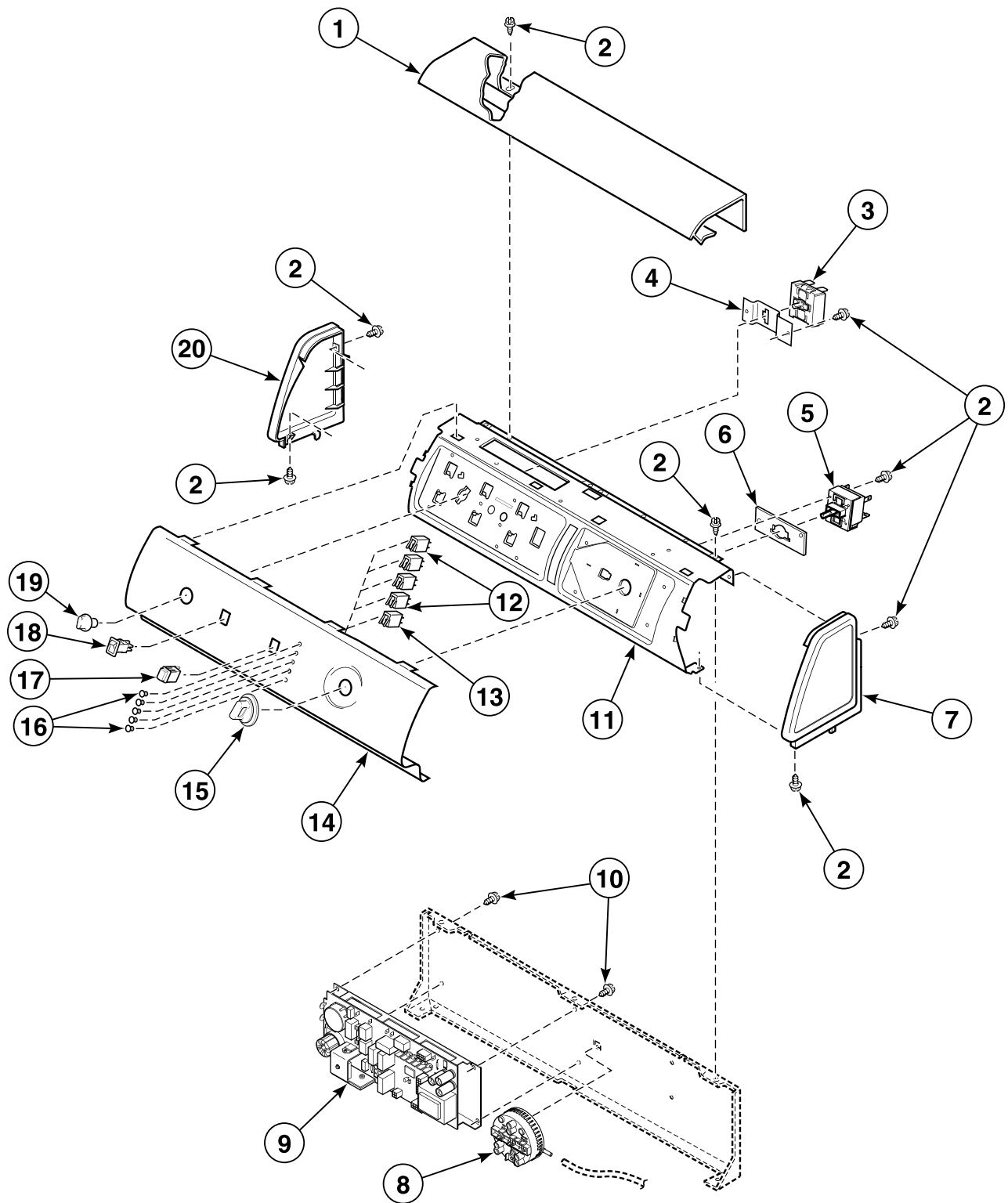
FLW914P_802105

Cabinet Top, Control Panel and Controls

| REF | PART NO. | DESCRIPTION | COMMENTS |
|-----|----------|----------------------------|-------------|
| 1 | 802247WP | Top and Gusset Assembly | |
| 2 | 685847 | Pop Rivet | |
| 3 | 511036 | Hinge | |
| 4 | 29651 | Bolt | |
| 5 | 504228 | Top Mounting Bracket | |
| 6 | 800468P | Pressure Switch | |
| 7 | M402542 | Snap Bushing | |
| 8 | 210018P | Transformer | |
| 9 | 802523P | Control Assembly | |
| 10 | 501524 | Screw | |
| 11 | 801058 | Rear Control Cabinet | |
| 12 | 70240301 | Screw | |
| 13 | 56128 | Bumper Pad | |
| 14 | M412986 | Nut | |
| 15 | 70030501 | Expansion Clip | |
| 16 | 800915W | Right Control Cabinet Side | |
| 17 | 501086 | Screw | |
| 18 | 801240 | Cycle Switch | |
| 19 | 802183 | Graphic Overlay | |
| 20 | 800930 | Screw | |
| 21 | 512117W | Timer Knob Assembly | |
| 22 | 801434W | Push-to-Start Switch | |
| 23 | 38424W | Rocker Switch | Extra rinse |
| 24 | 36701W | Knob Assembly | |
| 25 | 802045W | Control Panel Assembly | |
| 26 | 687542P | Temperature Switch | |
| 27 | 801431 | Light | |
| 28 | 800900WP | Left Control Cabinet Side | |
| 29 | 801777 | Control Cabinet Bottom | |
| 30 | 503688 | Screw | |
| 31 | 36985 | Hose Clip | |
| 32 | 801371 | Control Shield | |
| 33 | 503661 | Screw | |

Graphic Panel, Control Support Panel and Controls

Models ATS90AWN and ATS95AWN



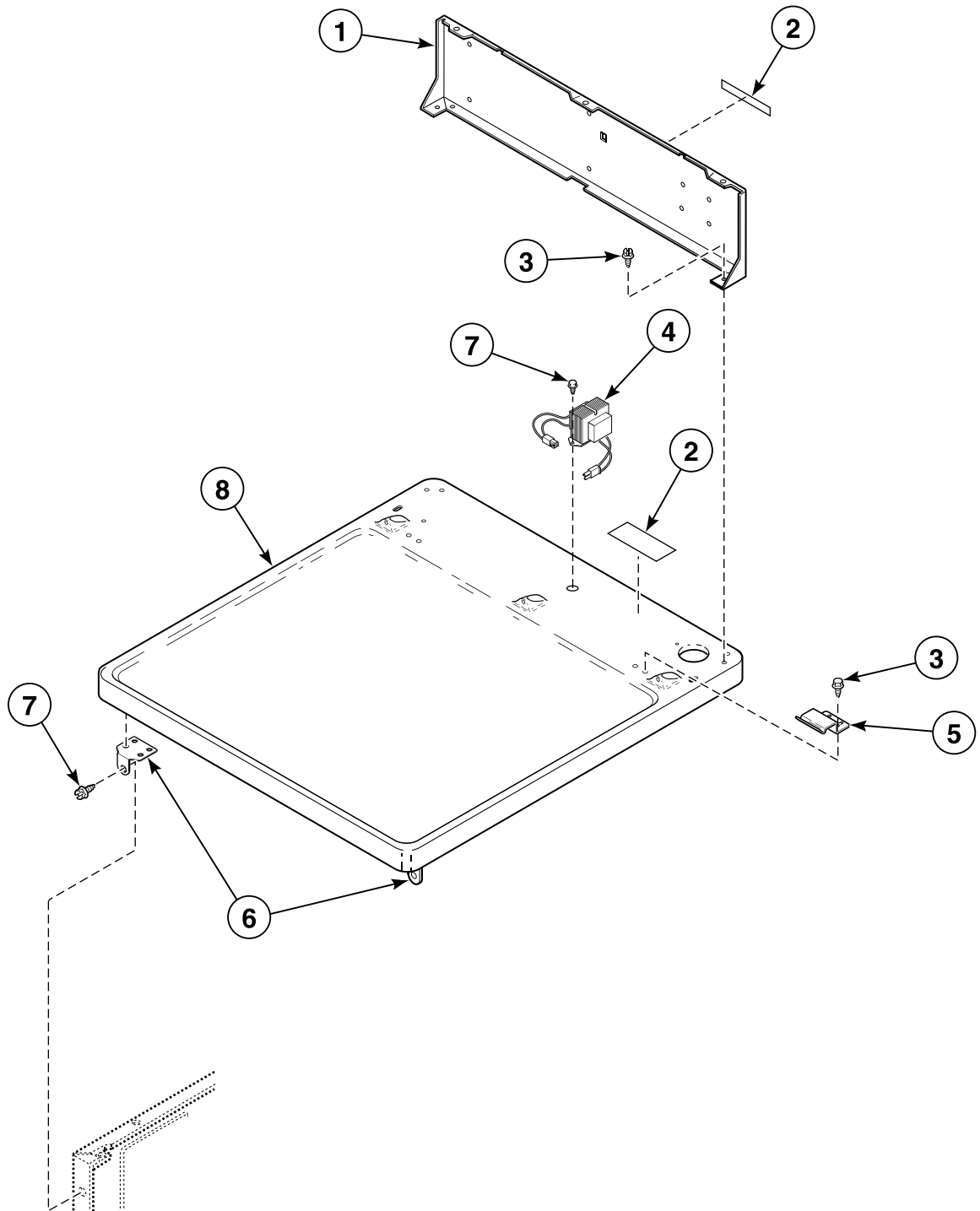
FLW890P_802105

Graphic Panel, Control Support Panel and Controls

| REF | PART NO. | DESCRIPTION | COMMENTS |
|-----|----------|----------------------------|---------------------|
| 1 | 505808W | Top Cover | |
| 2 | 501086 | Screw | |
| 3 | 687542P | Temperature Switch | Model ATS90AWN |
| | 35117 | Temperature Switch | Model ATS95AWN |
| 4 | 800669 | Temperature Switch Bracket | |
| 5 | 801240 | Cycle Switch | |
| 6 | 801390 | Cycle Switch Bracket | |
| 7 | 504008WP | End Panel | Right |
| 8 | 800468P | Pressure Switch | Model ATS90AWN |
| | 801297P | Pressure Switch | Model ATS95AWN |
| 9 | 802523P | Control Assembly | |
| 10 | 685837 | Screw | |
| 11 | 801388 | Control Support Panel | |
| 12 | 801356 | Indicator Light | Green |
| 13 | 801357 | Indicator Light | Red; Model ATS95AWN |
| 14 | 802000W | Graphic Panel | Model ATS90AWN |
| | 802178W | Graphic Panel | Model ATS95AWN |
| 15 | 512117W | Timer Knob Assembly | |
| 16 | 801435 | Indicator Light Lens | |
| 17 | 801434W | Push-to-Start Switch | |
| 18 | 38424W | Rocker Switch | Extra rinse |
| 19 | 36701W | Knob Assembly | |
| 20 | 504009WP | End Panel | Left |

Cabinet Top and Control Hood Rear Panel

Models ATS90AWN and ATS95AWN

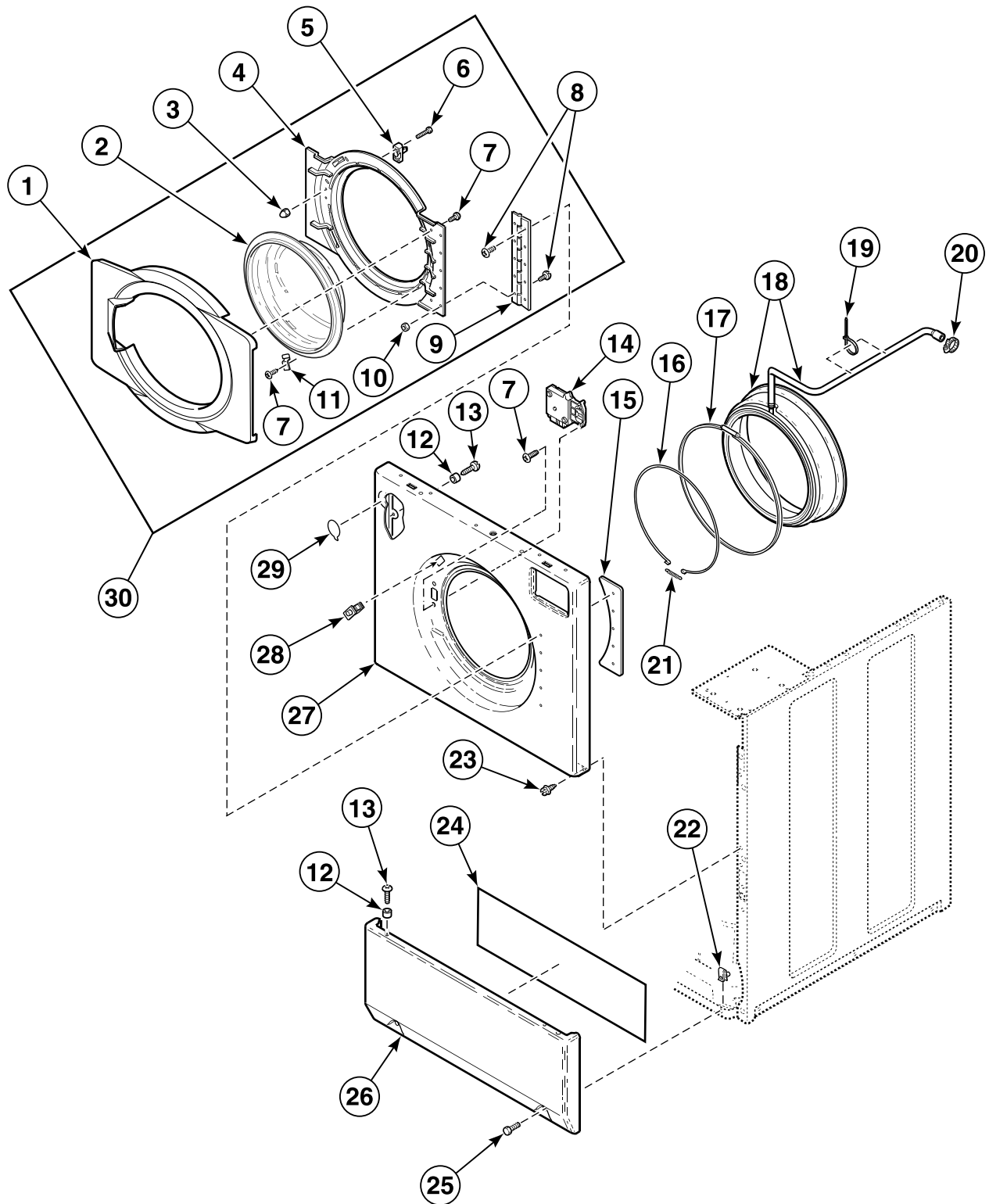


FLW915P_802105

Cabinet Top and Control Hood Rear Panel

| REF | PART NO. | DESCRIPTION | COMMENTS |
|-----|----------|--------------------------------|----------|
| 1 | 801060 | Hood Back Panel | |
| 2 | 505281 | Disconnect Power Warning Label | |
| 3 | 501086 | Screw | |
| 4 | 210018P | Transformer | |
| 5 | 35358 | Hold-Down Clip | |
| 6 | 510146 | Bracket | |
| 7 | 503661 | Screw | |
| 8 | 510029WP | Top Panel Kit | |

Front Panel, Door Assembly and Door Seal

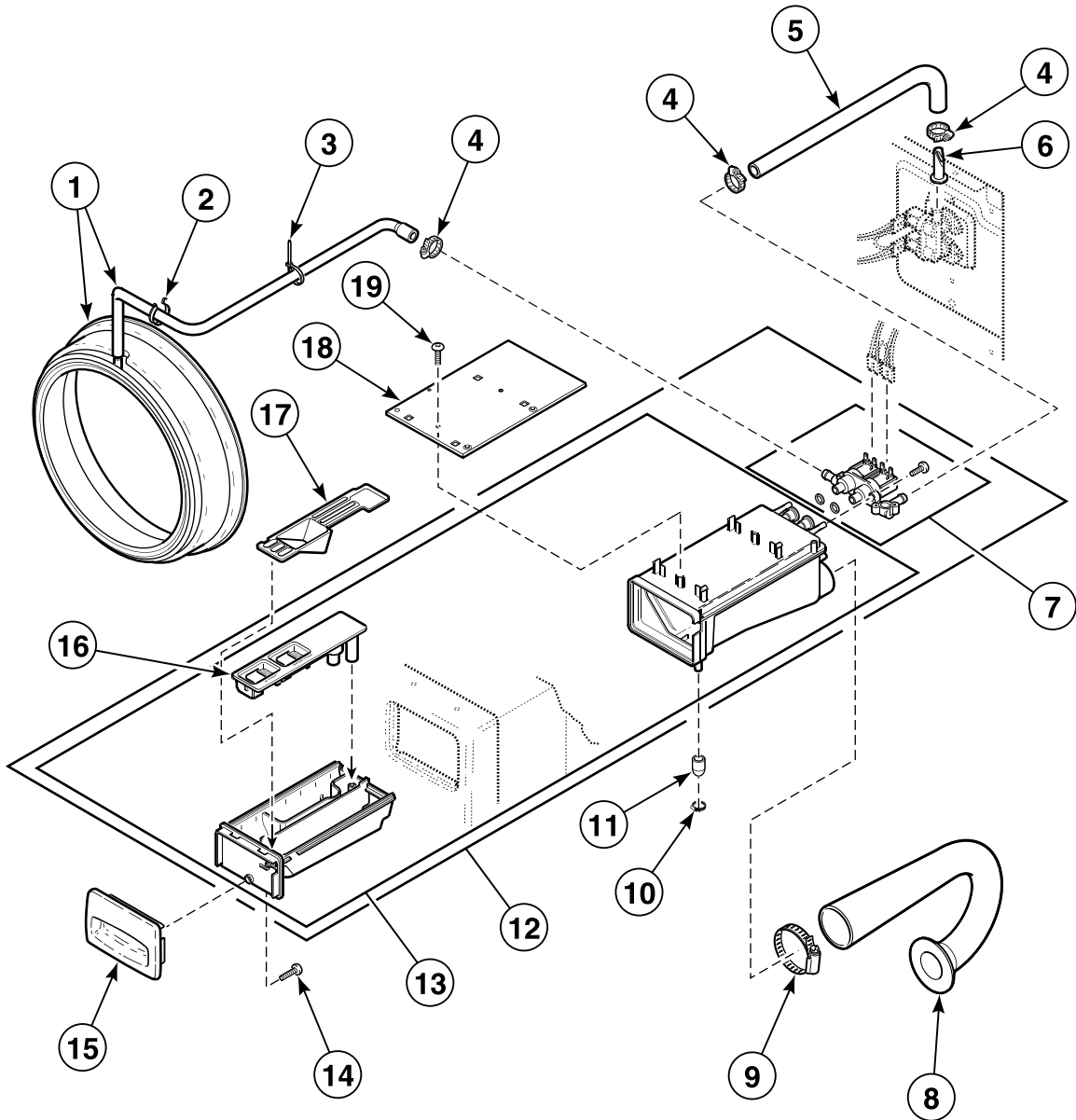


FLW880P_802105

Front Panel, Door Assembly and Door Seal

| REF | PART NO. | DESCRIPTION | COMMENTS |
|-----|----------|-----------------------------|-------------------------|
| 1 | 801904W | Outer Door Bezel | |
| 2 | 800343P | Door Glass | |
| 3 | 801994 | Nut | |
| 4 | 801903 | Inner Door Bezel | |
| 5 | 685430 | Locking Catch | |
| 6 | 801993 | Screw | |
| 7 | 800548 | Screw | |
| 8 | 801019 | Screw | |
| 9 | 802934 | Door Hinge | |
| 10 | 23951 | Nut | |
| 11 | 800906 | Hold-Down Clip | |
| 12 | 56079 | Panel Locator | |
| 13 | 39733 | Screw | |
| 14 | 685429 | Door Latch/Switch Assembly | |
| 15 | 802412 | Hinge Plate | |
| 16 | 800438 | Wire Clamp Ring | |
| 17 | 685743P | Door Seal Clamp | Seal to outer tub front |
| 18 | 800232 | Door Seal and Hose Assembly | Black |
| | 801784 | Door Seal and Hose Assembly | Gray |
| 19 | 55881 | Harness Strap | |
| 20 | 800803 | Hose Clamp | |
| 21 | 800346 | Extension Spring | |
| 22 | 36020 | Nut | |
| 23 | 503661 | Screw | |
| 24 | 685368 | Access Panel Damper | |
| 25 | 801045 | Screw | |
| 26 | 510069WP | Access Panel | |
| 27 | 800336WP | Front Panel | |
| 28 | 800211 | Door Switch | |
| 29 | 201495 | Sticker | |
| 30 | 801928WP | Door Assembly | Includes items 1-11 |

Dispenser Assembly

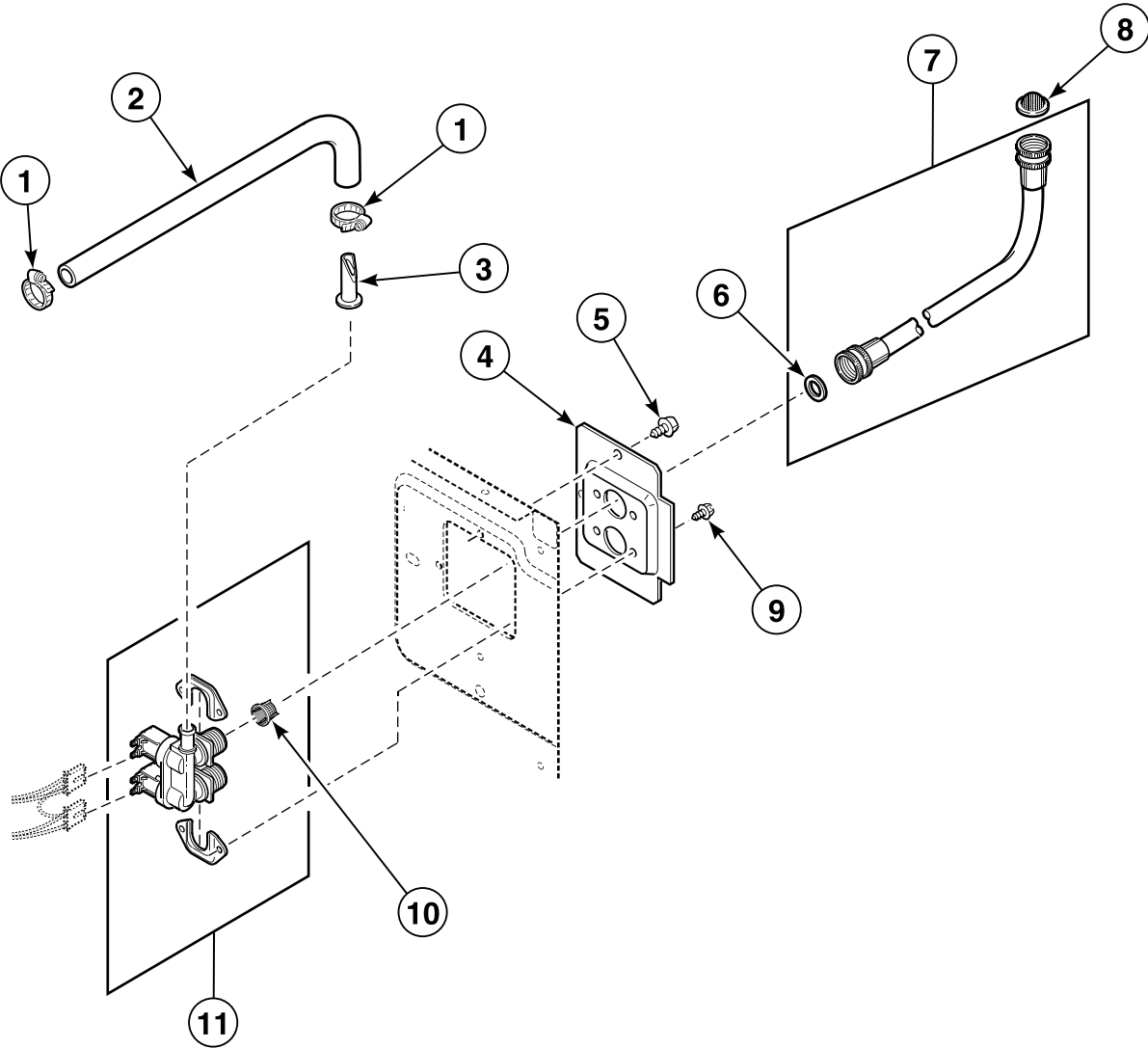


FLW820P_802105

Dispenser Assembly

| REF | PART NO. | DESCRIPTION | COMMENTS |
|-----|----------|-------------------------------|-----------------------------|
| 1 | 800232 | Door Seal and Hose Assembly | Black |
| | 801784 | Door Seal and Hose Assembly | Gray |
| 2 | 687500 | Wire Clip | |
| 3 | 55881 | Harness Strap | |
| 4 | 800803 | Hose Clamp | |
| 5 | 801464 | Valve-to-Dispenser Inlet Hose | |
| 6 | 34500 | Backflow Preventer | |
| 7 | 685766P | Valve Kit | |
| 8 | 800331 | Dispenser-to-Tub Hose | |
| 9 | 685725 | Hose Clamp | |
| 10 | F200206 | Hose Clamp | |
| 11 | 801746 | Cap | |
| 12 | 685756P | Dispenser | Includes items 7, 13 and 16 |
| 13 | 801476P | Dispenser Assembly | Includes item 16 |
| 14 | 800548 | Screw | |
| 15 | 685715WP | Dispenser Drawer Front | |
| 16 | 685716 | Insert | |
| 17 | 800899 | Detergent Cover | |
| 18 | 801024 | Dispenser Plate | |
| 19 | 801001 | Screw | |

Mixing Valve, Fill Hose and Valve-to-Dispenser Hose

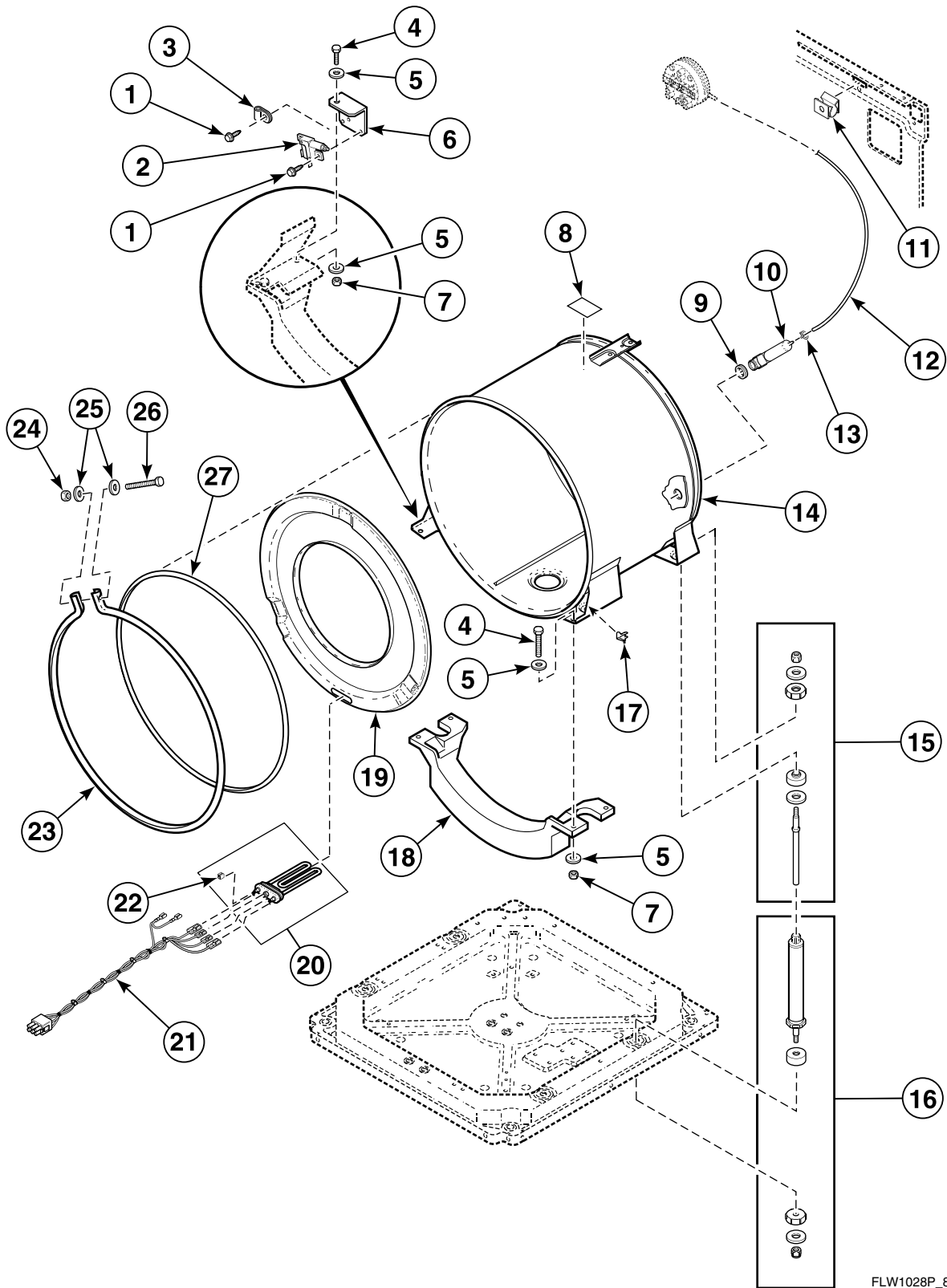


FLW881P_802105

Mixing Valve, Fill Hose and Valve-to-Dispenser Hose

| REF | PART NO. | DESCRIPTION | COMMENTS |
|-----|----------|-------------------------------|---|
| 1 | 800803 | Hose Clamp | |
| 2 | 801464 | Valve-to-Dispenser Inlet Hose | |
| 3 | 34500 | Backflow Preventer | |
| 4 | 800323 | Mixing Valve Plate | |
| 5 | 503661 | Screw | |
| 6 | 20290 | Washer | |
| 7 | 28330P | Fill Hose Kit | 4 feet; Includes 2 of item 6 |
| | 20617 | Fill Hose | 8 feet |
| | 20618 | Fill Hose | 10 feet |
| 8 | 28605 | Washer | Filter screen |
| | 802254 | Washer | Flow restrictor; Water pressure reducer; Available for water pressure up to but not exceeding 120 psi |
| 9 | 501086 | Screw | |
| 10 | 802926 | Mixing Valve Screen | |
| 11 | 802220P | Mixing Valve | |

Outer Tub, Front and Clamp Ring

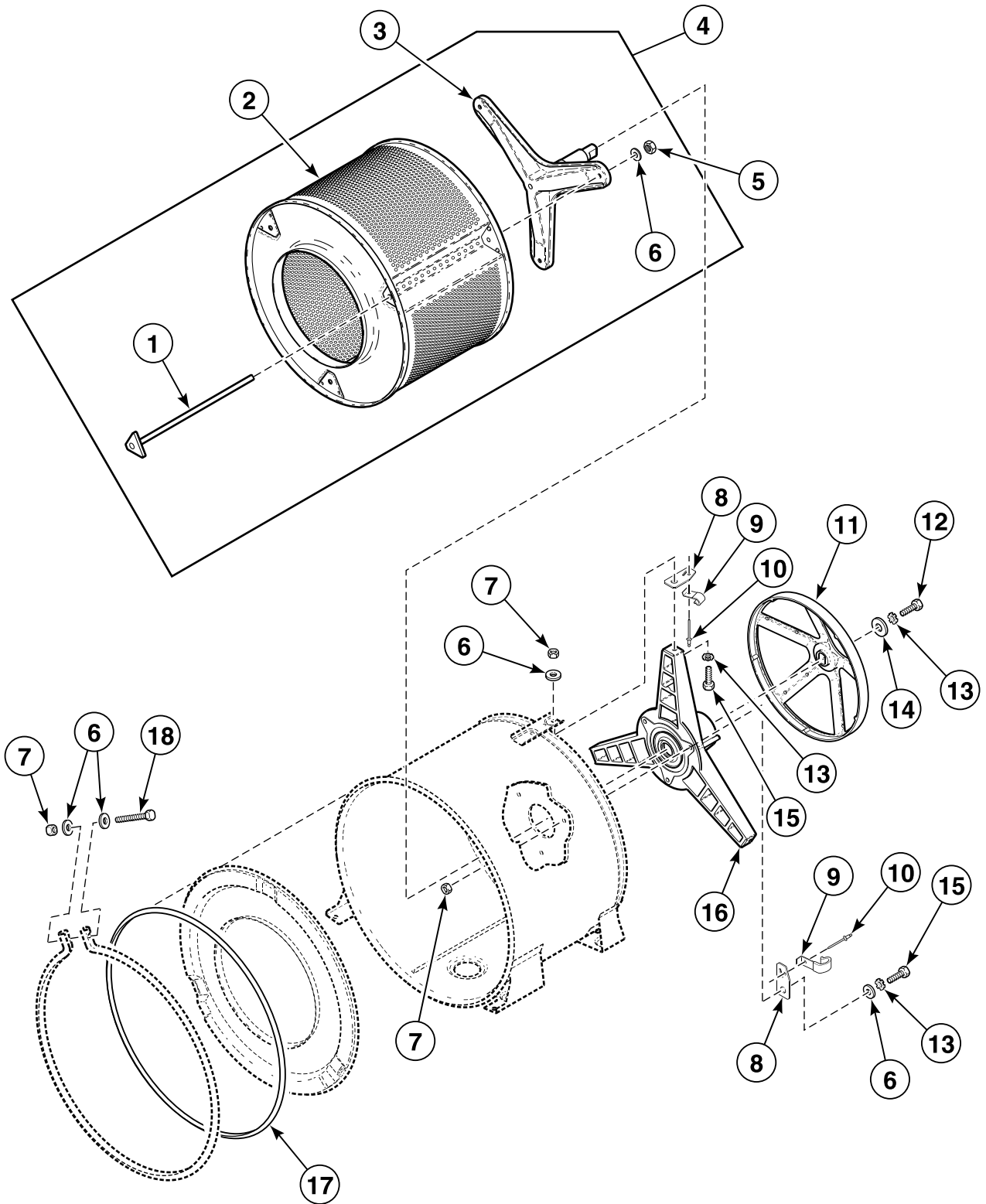


FLW1028P_802105

Outer Tub, Front and Clamp Ring

| REF | PART NO. | DESCRIPTION | COMMENTS |
|-----|----------|--------------------------------|----------------------------------|
| 1 | 503661 | Screw | |
| 2 | 801006 | Out-of-Balance Switch Assembly | |
| 3 | 800811 | Wire Clamp | |
| 4 | 800461 | Screw | |
| 5 | M400081 | Washer | |
| 6 | 800663 | Switch Mounting Bracket | |
| 7 | 800452 | Nut | |
| 8 | 500049 | Warning Label | |
| 9 | 29175 | Grommet | |
| 10 | 30907 | Pressure Bulb | |
| 11 | 36985 | Hose Clip | |
| 12 | 29214 | Tubing | Models ATS90AWN and ATS95AWN |
| | 800648P | Tubing | Model CTS90AWN |
| 13 | 39282 | Hose Clamp | |
| 14 | 801081P | Outer Tub Assembly | Models ATS90AWN and CTS90AWN |
| | 801291 | Outer Tub Assembly | Model ATS95AWN |
| 15 | 800622P | Tub Shock Absorber Kit | Upper |
| 16 | 800623P | Base Shock Absorber Kit | Lower |
| 17 | 00161 | Grounding Clip | |
| 18 | 800205 | Ballast Weight | |
| 19 | 800430 | Tub Front Assembly | Models ATS90AWN and CTS90AWN |
| | 801363 | Tub Front Assembly | Model ATS95AWN |
| 20 | 801306P | Heating Element Kit | Model ATS95AWN; Includes item 22 |
| 21 | 801350 | Heater Harness Assembly | Model ATS95AWN |
| 22 | 803256 | Thermistor | Model ATS95AWN |
| 23 | 800312 | Clamp Ring | |
| 24 | F430218 | Nut | |
| 25 | 800457 | Washer | |
| 26 | 800462 | Screw | |
| 27 | 800432P | Tub Front Seal | |

Inner Basket, Trunnion, Bearing Housing and Pulley

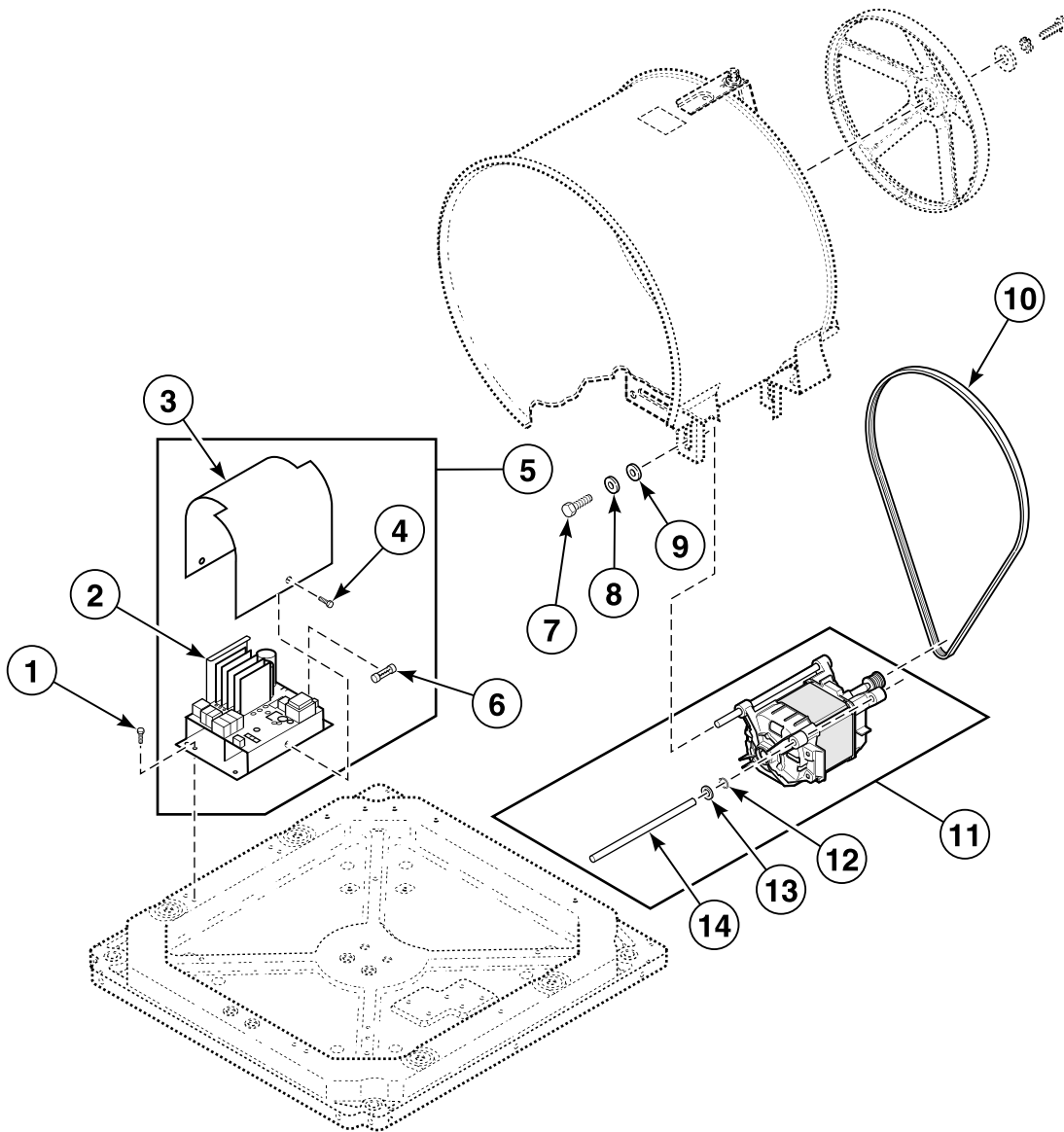


FLW865P_802105

Inner Basket, Trunnion, Bearing Housing and Pulley

| REF | PART NO. | DESCRIPTION | COMMENTS |
|-----------|----------|---------------------------------|---|
| | 27604P | Anti-Seize Compound | Pulley to inner basket shaft |
| | 838P3 | Hardware Kit | Includes (8) of item 6, (7) each of items 8 and 12, (6) of item 10, (1) each of items 7, 9, 13, 14, and 27604P Anti-Seize Compound |
| 1 | 800666 | Tension Rod Assembly | |
| 2 | 800198P | Inner Basket Kit | Includes (3) each of items 1, 5, 6, and 838P3 Hardware Kit |
| 3 | 800749P | Trunnion Shaft and Hardware Kit | Includes (3) each of items 1, 5, 6, and 838P3 Hardware Kit; If ordering trunnion shaft separately, inner basket and trunnion shaft must be properly aligned to prevent door seal damage. Refer to appropriate service manual. |
| 4 | 800429P | Inner Basket Assembly | Includes items 2, 3, (3) each of items 1, 5, 6, and 838P3 Hardware Kit |
| 5 | 685844 | Nut | |
| 6 | 800457 | Washer | |
| 7 | 800452 | Nut | |
| 8 | 800552 | Hose Mounting Plate | |
| 9 | 800553 | Hose Clip | |
| 10 | 685847 | Pop Rivet | |
| 11 | 800866 | Driven Pulley | |
| 12 | 685831 | Screw | Left hand thread |
| 13 | M403958 | Washer | |
| 14 | 800464 | Washer | |
| 15 | M400043 | Screw | |
| 16 | 800428P | Bearing Housing Kit | Includes 838P3 Hardware Kit |
| 17 | 800432P | Tub Front Seal | |
| 18 | 800462 | Screw | |

Motor and Belt

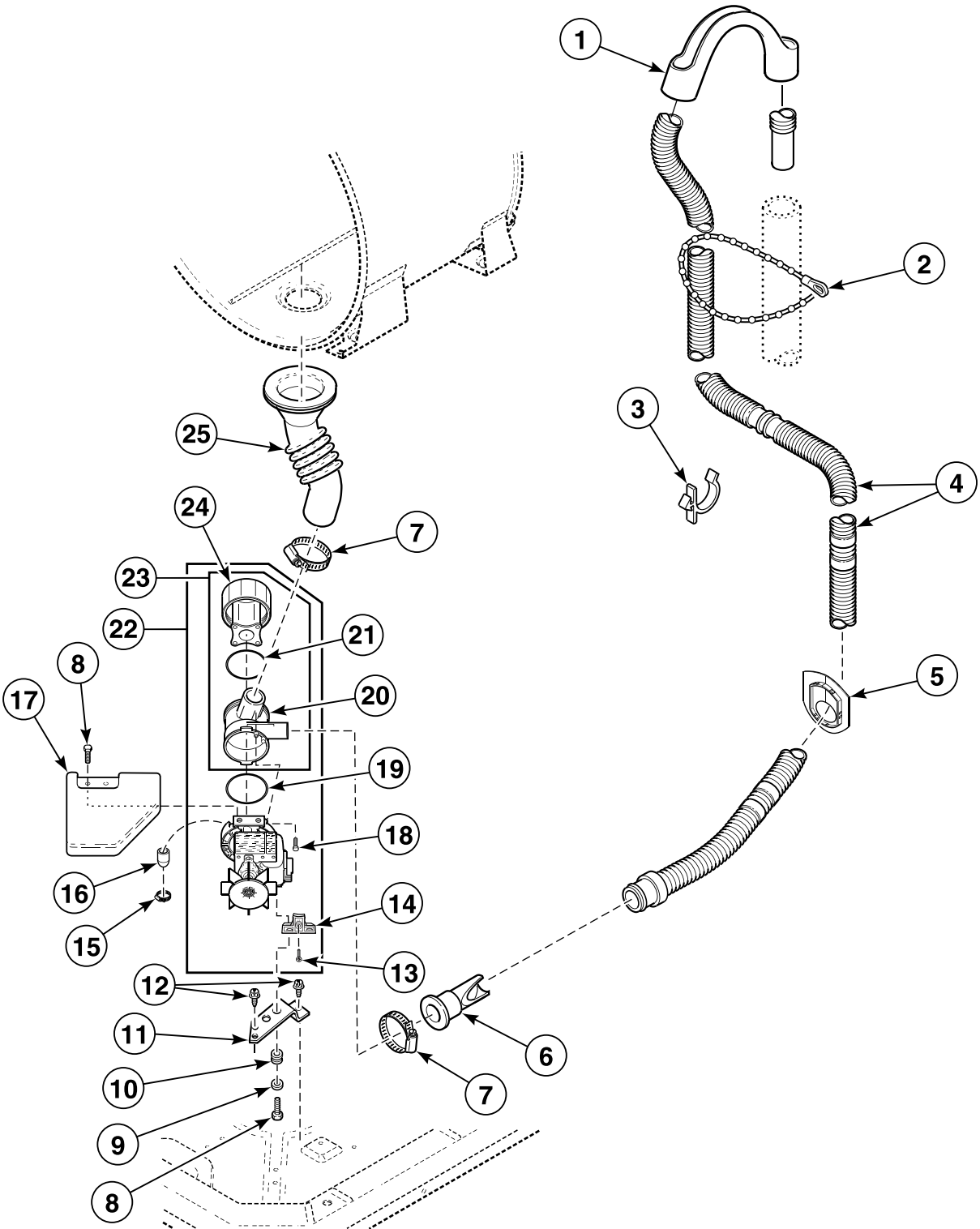


FLW967P_802105

Motor and Belt

| REF | PART NO. | DESCRIPTION | COMMENTS |
|-----|----------|----------------------------|--|
| 1 | 503661 | Screw | |
| 2 | 803254P | Inverter Control Assembly | |
| 3 | 801061 | Control Shield | |
| 4 | 501524 | Screw | |
| 5 | 801526P | Inverter Assembly Kit | Includes items 2-4, 6, 801063 Motor Harness Assembly and wire ties |
| 6 | 801755 | Fuse | Use for inverter control |
| 7 | M400057 | Screw | |
| 8 | 02834 | Washer | |
| 9 | M400080 | Washer | |
| 10 | 800319P | Drive Belt | |
| 11 | 801684P | Motor and Rod Assembly Kit | Includes 2 each of items 12-14 and wire ties |
| 12 | 23748 | Retaining Ring | |
| 13 | 52549 | Washer | |
| 14 | 801062 | Motor Mount Rod | |

Drain Hose and Pump

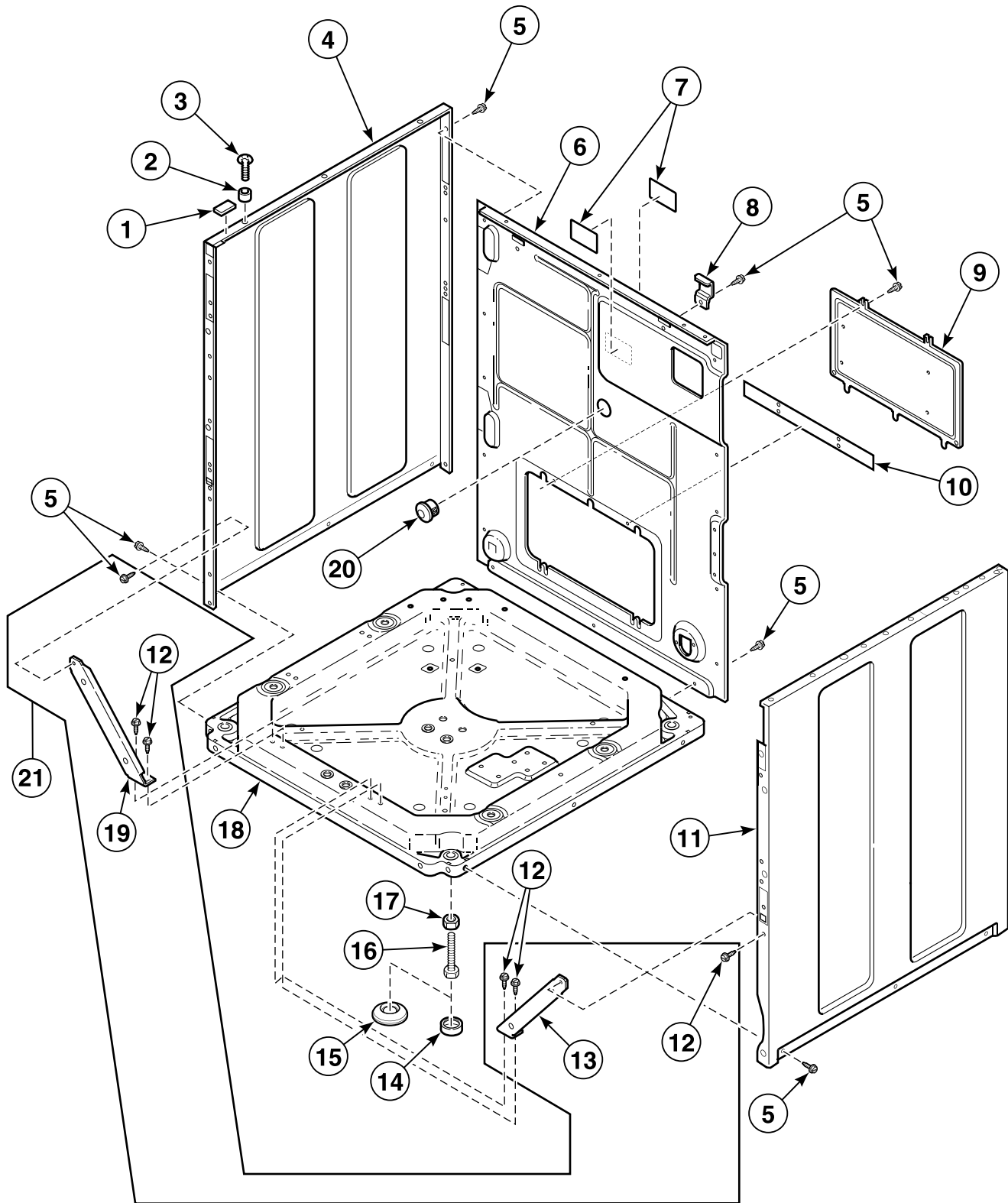


FLW916P_802105

Drain Hose and Pump

| REF | PART NO. | DESCRIPTION | COMMENTS |
|-----|----------|-----------------------|---|
| 1 | 33615 | Drain Hose Sleeve | |
| 2 | 33489 | Standpipe Strap | |
| 3 | 36014 | Retainer Clip | |
| 4 | 685730 | Drain Hose | |
| 5 | 32219 | Strain Relief | |
| 6 | 800310 | Backflow Preventer | |
| 7 | 36802 | Hose Clamp | |
| 8 | 38096 | Screw | Metric; Use with 685703 Drain Pump |
| | 501285 | Screw | Use with 801015 Drain Pump |
| 9 | 800465 | Washer | Use with 685703 and 801015 Drain Pump |
| 10 | 802218 | Grommet | Use with 685703 and 801015 Drain Pump |
| 11 | 802219 | Pump Bracket | Use with 685703 and 801015 Drain Pump |
| | 802626 | Pump Mount Bracket | Use with 802623 Drain Pump |
| 12 | 503661 | Screw | |
| 13 | 802430 | Screw | Use with 801015 and 802623 Drain Pump |
| 14 | 802432 | Pump Mount | Use with 801015 Drain Pump |
| 15 | F200206 | Hose Clamp | Use with 685703 Drain Pump |
| 16 | 801112 | Nozzle Cap | Use with 685703 Drain Pump |
| 17 | 38067 | Pump Shield | Use with 685703 Drain Pump |
| 18 | 802431 | Screw | Use with 801015 and 802623 Drain Pump |
| 19 | 37392 | O-Ring | Use with 685703 Drain Pump |
| | 802429 | O-Ring | Use with 801015 and 802623 Drain Pump |
| 20 | 801208 | Pump Housing | Use with 685703 Drain Pump |
| | 802428 | Pump Housing | Use with 801015 and 802623 Drain Pump |
| 21 | 801207 | O-Ring | Use with 685703 Drain Pump |
| | 802427 | Gasket | Use with 801015 and 802623 Drain Pump |
| 22 | 802623P | Drain Pump | Includes pump mount bracket |
| 23 | 801209 | Pump Housing Assembly | Includes items 20, 21 and 24; Use with 685703 Drain Pump |
| | 802434P | Pump Housing Assembly | Includes items 20, 21 and 24; Use with 801015 and 802623 Drain Pump |
| 24 | 801206P | Lid Assembly | Includes filter; Use with 685703 Drain Pump |
| | 802426P | Lid Assembly | Includes filter; Use with 801015 and 802623 Drain Pump |
| 25 | 800317 | Tub-to-Pump Hose | |

Base, Side Panels and Rear Panel

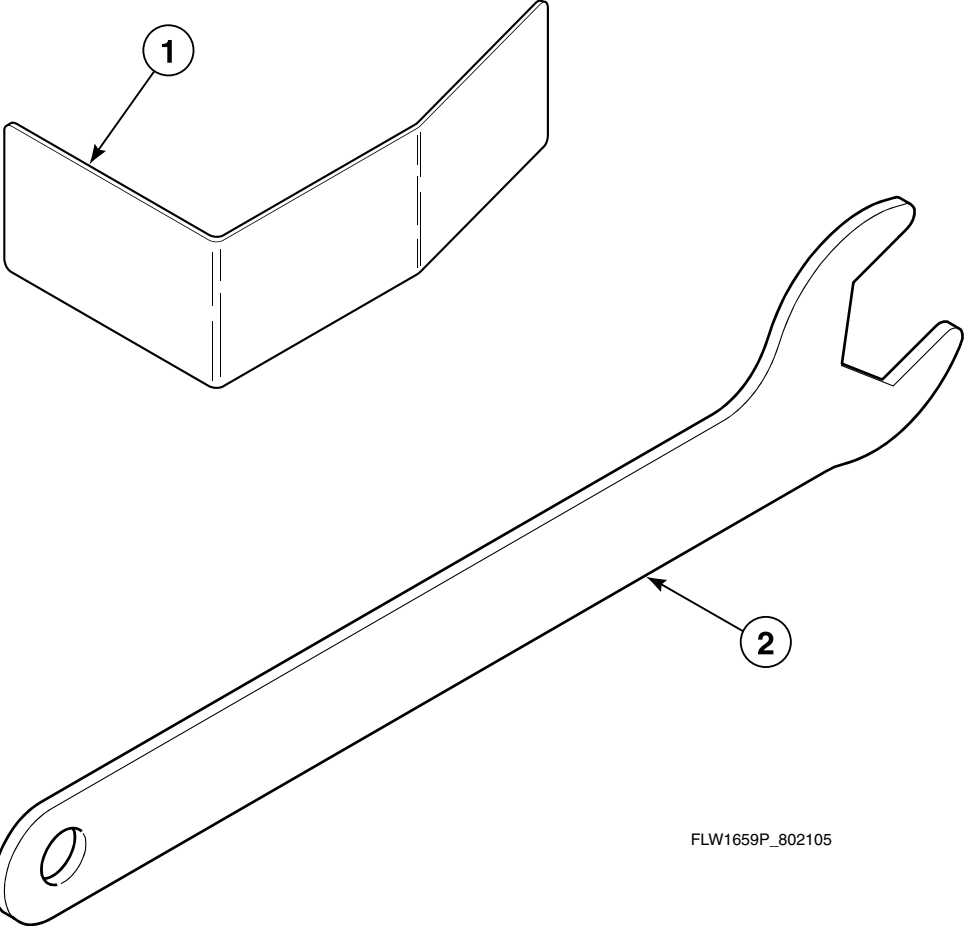


FLW969P_802105

Base, Side Panels and Rear Panel

| REF | PART NO. | DESCRIPTION | COMMENTS |
|-----|----------|-----------------------------|--|
| | 122P4P | Porcelain Touch-Up Paint | |
| 1 | 56128 | Bumper Pad | |
| 2 | 56079 | Panel Locator | |
| 3 | 39733 | Screw | |
| 4 | 800004WP | Cabinet Panel Kit | Left; Includes corner gusset with hardware |
| 5 | 503661 | Screw | |
| 6 | 800010P | Rear Panel | |
| 7 | 685928 | Screw Label | Left hand thread |
| 8 | 510136 | Top Hinge | Models ATS90AWN and ATS95AWN |
| 9 | 801012 | Rear Service Panel | |
| 10 | 801702 | Motor Access Hole Edging | |
| 11 | 800005WP | Side Panel Kit | Right; Includes 801024 Dispenser Plate with hardware |
| 12 | 31645 | Screw | |
| 13 | 801492 | Cabinet Brace | Right |
| 14 | 34318 | Rubber Foot | |
| 15 | 155P3 | Anchor | Includes 4 rubber discs with adhesive backing |
| | 802844P | Anchor Floor Mount Assembly | Includes 2 rubber discs with adhesive backing |
| 16 | 34319 | Leveling Leg | |
| 17 | 21899 | Nut | |
| 18 | 802245 | Base Assembly | |
| 19 | 801491 | Cabinet Brace | Left |
| 20 | M412154 | Hole Plug | |
| 21 | 918P3 | Brace Kit | Includes items 12, 13 and 19 |

Special Tools

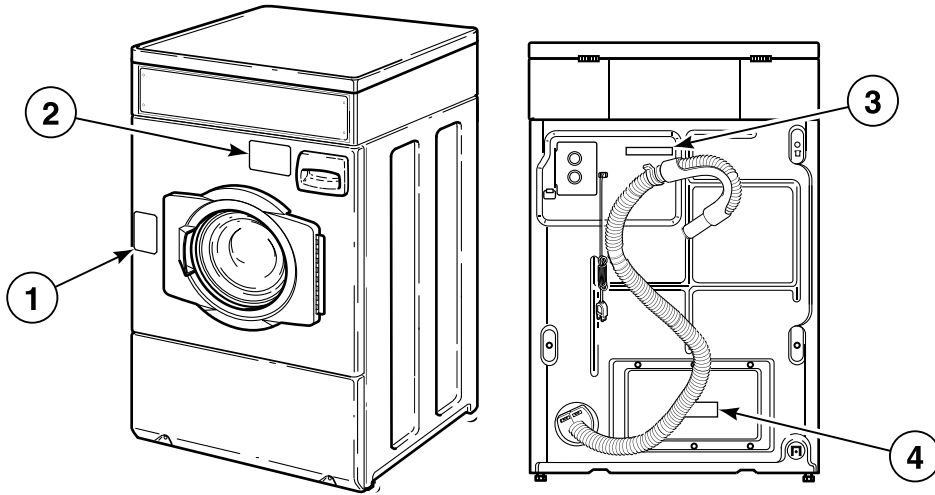


FLW1659P_802105

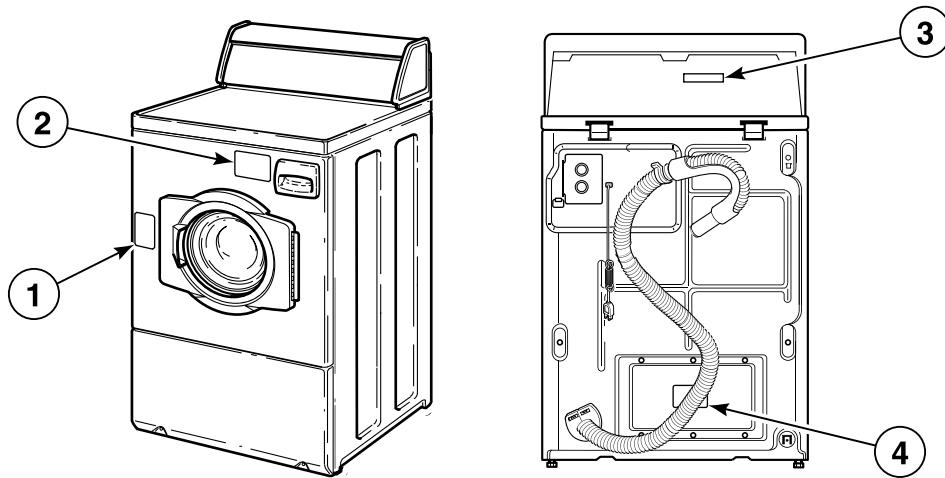
Special Tools

| REF | PART NO. | DESCRIPTION | COMMENTS |
|-----|----------|-----------------------|--------------------------------|
| 1 | 318P4 | Dispenser Drawer Tool | Use to remove dispenser drawer |
| 2 | 392P4 | Wrench | Use to adjust leveling legs |

Labels



Front Control Washers



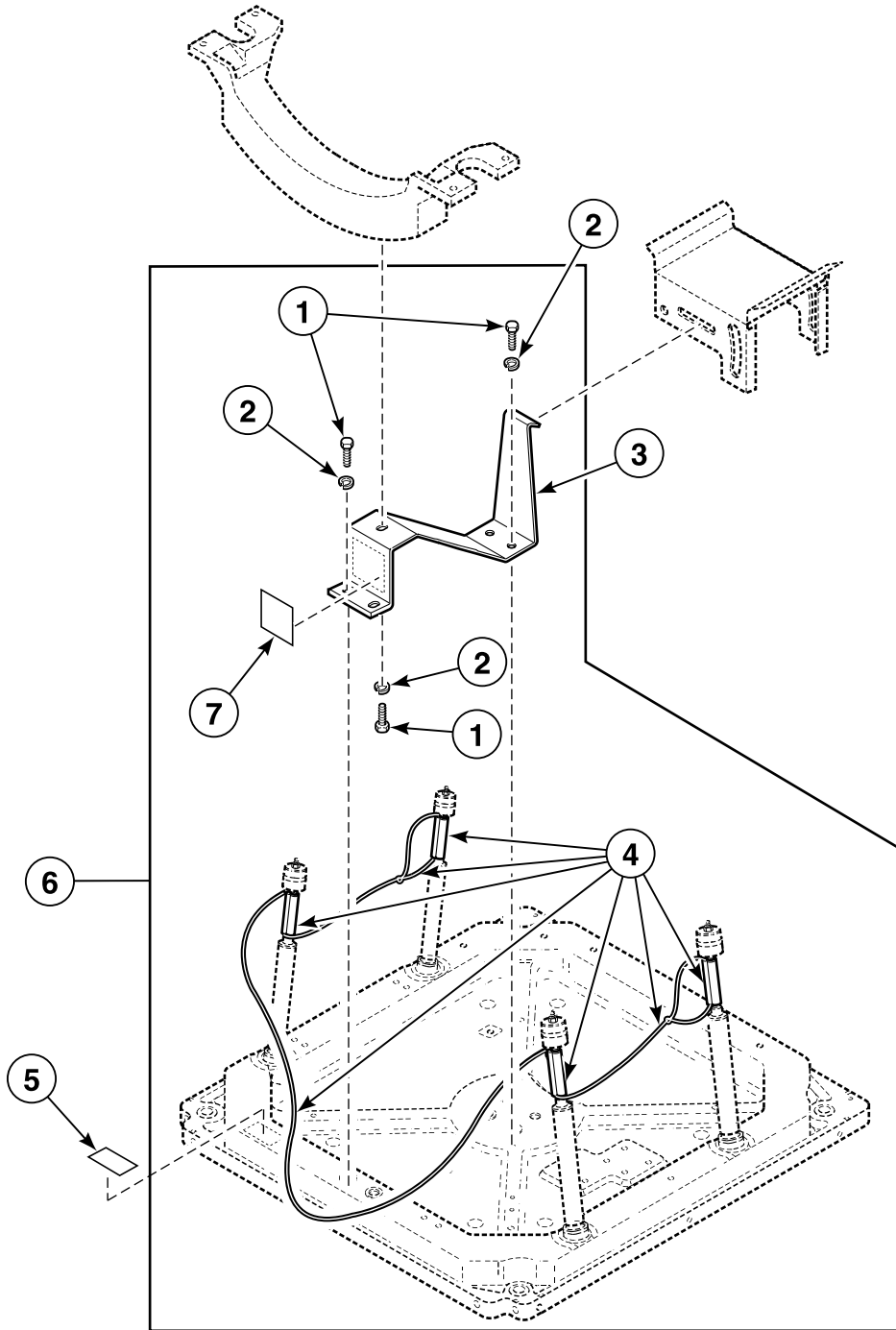
Rear Control Washers

FLW883P_802105

Labels

| REF | PART NO. | DESCRIPTION | COMMENTS |
|-----|----------|--------------------------------|----------|
| 1 | 685947 | Door Locked Label | |
| 2 | 802074 | Oversudsing Label | |
| 3 | 505281 | Disconnect Power Warning Label | |
| 4 | 500049 | Warning Label | |

Shipping Materials

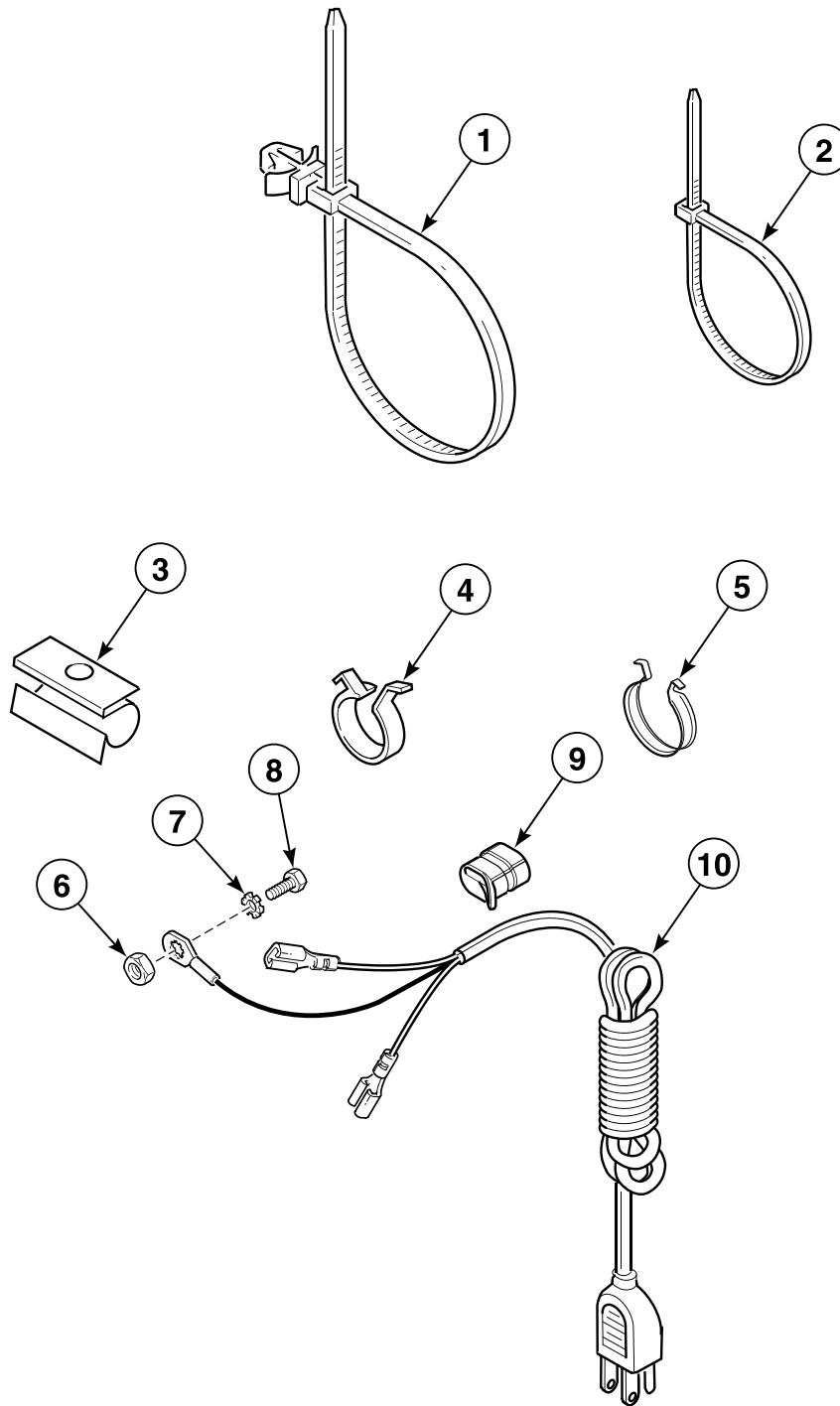


FLW822P_802105

Shipping Materials

| REF | PART NO. | DESCRIPTION | COMMENTS |
|-----|----------|----------------------------------|--------------------------|
| 1 | M400043 | Screw | |
| 2 | M400014 | Washer | |
| 3 | 685911 | Shipping Bracket | |
| 4 | 800364P | Shipping Cord and Brace Assembly | |
| 5 | 500049 | Warning Label | |
| 6 | 728P3 | Shipping Materials Kit | Includes items 1-4 and 7 |
| 7 | 686901 | Shipping Bracket Label | |

Wire Ties, Harness Clips and Lead-In Cord

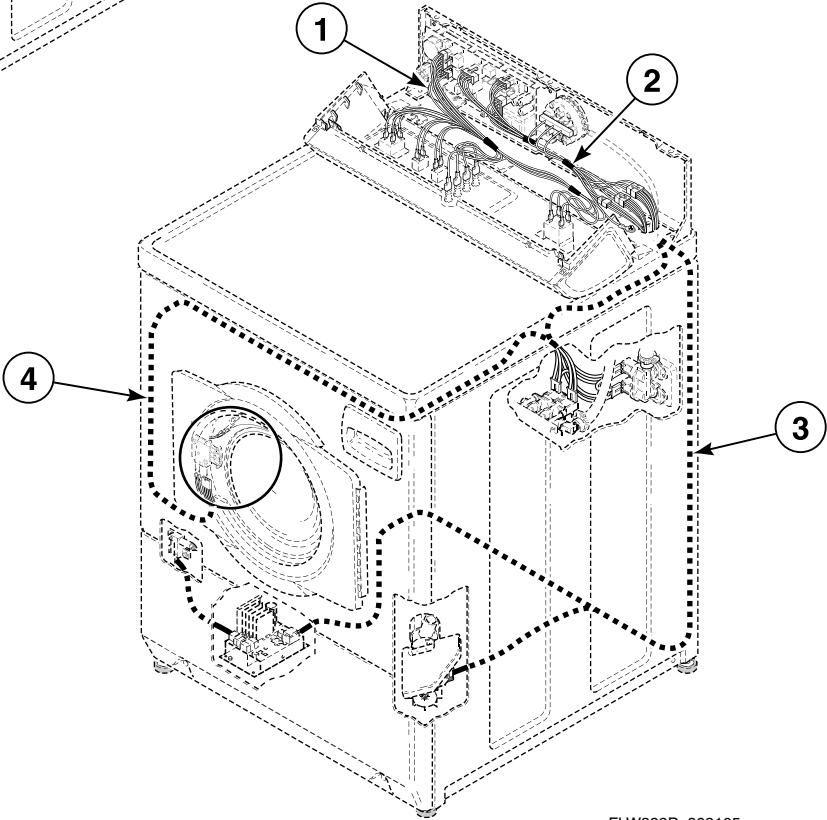
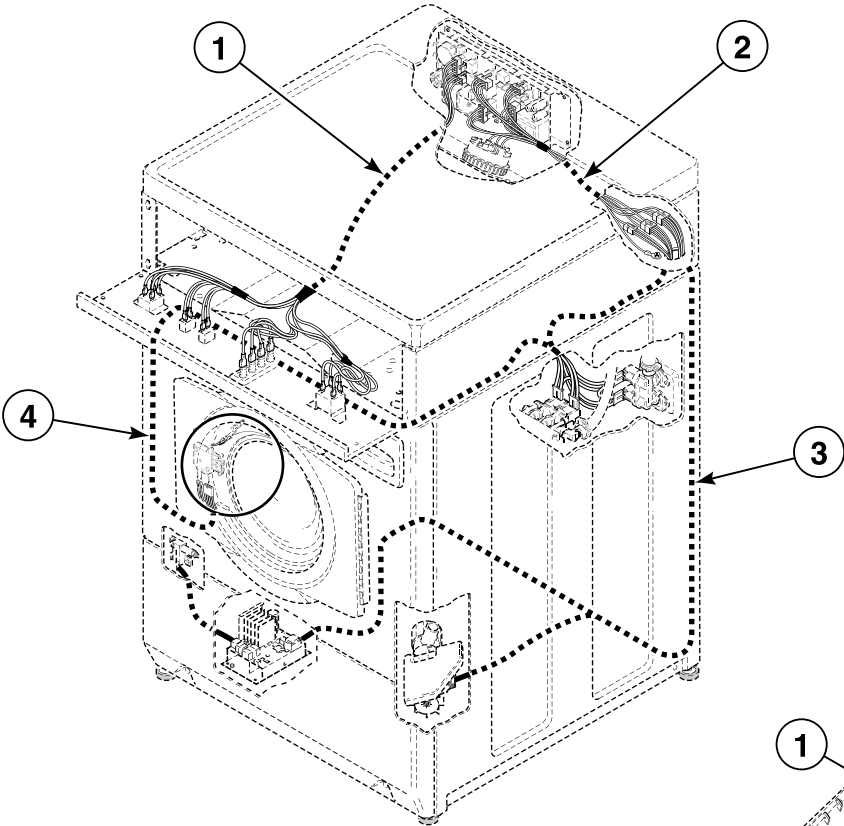


FLW823P_802105

Wire Ties, Harness Clips and Lead-In Cord

| REF | PART NO. | DESCRIPTION | COMMENTS |
|-----|----------|---------------|----------|
| 1 | 38663 | Wire Tie | |
| 2 | 55881 | Harness Strap | |
| 3 | 36985 | Hose Clip | |
| 4 | 504034 | Wire Clip | Small |
| 5 | 687500 | Wire Clip | Large |
| 6 | 03673 | Nut | |
| 7 | 03815 | Washer | |
| 8 | 685837 | Screw | |
| 9 | 38384 | Strain Relief | |
| 10 | 34458 | Lead-In Cord | |

Wire Harnesses and Wires



FLW892P_802105

Wire Harnesses and Wires

| REF | PART NO. | DESCRIPTION | COMMENTS |
|-----|----------|--------------------------|--|
| | 45001 | 18 Gauge Wire | Black; Order wire by foot and terminals as required |
| | 45380 | 12 Gauge Wire | Orange; Order wire by foot and terminals as required |
| 1 | 801347P | Hood Harness Assembly | Model ATS90AWN |
| | 802052 | Control Harness Assembly | Model CTS90AWN |
| | 801325P | Harness Assembly | Control panel; Model ATS95AWN |
| 2 | 801324P | Control Harness Assembly | Models ATS90AWN and CTS90AWN |
| | 801348P | Control Harness Assembly | Model ATS95AWN |
| 3 | 801063P | Motor Harness Assembly | |
| 4 | 800590P | Base Harness Assembly | Models ATS90AWN and CTS90AWN |
| | N/A | Base Harness Assembly | Model ATS95AWN |

N/A = Part no longer available

NOTE: Individual wires are not available separately. Order complete harness, or order wire by the foot. When applying terminals to wires, it is recommended that the terminals be soldered to the wires.

Parts Index

A

| | |
|--|----|
| Access Panel 510069WP | 11 |
| Access Panel Damper 685368 | 11 |
| Anchor 155P3 | 25 |
| Anchor Floor Mount Assembly 802844P | 25 |
| Anti-Seize Compound 27604P | 19 |

B

| | |
|--|--------|
| Backflow Preventer 34500 | 13, 15 |
| 800310 | 23 |
| Ballast Weight 800205 | 17 |
| Base Assembly 802245 | 25 |
| Base Harness Assembly 800590P | 35 |
| Base Shock Absorber Kit 800623P | 17 |
| Bearing Housing Kit 800428P | 19 |
| Bolt 29651 | 5 |
| Brace Kit 918P3 | 25 |
| Bracket 510146 | 9 |
| Bumper Pad 56128 | 5, 25 |

C

| | |
|---|------|
| Cabinet Brace 801491 | 25 |
| 801492 | 25 |
| Cabinet Panel Kit 800004WP | 25 |
| Cap 801746 | 13 |
| Clamp Ring 800312 | 17 |
| Control Assembly 802523P | 5, 7 |
| Control Cabinet Bottom 801777 | 5 |
| Control Harness Assembly 801324P | 35 |
| 801348P | 35 |
| 802052 | 35 |

| | |
|---|------|
| Control Panel Assembly 802045W | 5 |
| Control Shield 801061 | 21 |
| 801371 | 5 |
| Control Support Panel 801388 | 7 |
| Cycle Switch 801240 | 5, 7 |
| Cycle Switch Bracket 801390 | 7 |

D

| | |
|--|--------|
| Detergent Cover 800899 | 13 |
| Disconnect Power Warning Label 505281 | 9, 29 |
| Dispenser 685756P | 13 |
| Dispenser Assembly 801476P | 13 |
| Dispenser Drawer Front 685715WP | 13 |
| Dispenser Drawer Tool 318P4 | 27 |
| Dispenser Plate 801024 | 13 |
| Dispenser-to-Tub Hose 800331 | 13 |
| Door Assembly 801928WP | 11 |
| Door Glass 800343P | 11 |
| Door Hinge 802934 | 11 |
| Door Latch/Switch Assembly 685429 | 11 |
| Door Locked Label 685947 | 29 |
| Door Seal and Hose Assembly 800232 | 11, 13 |
| 801784 | 11, 13 |
| Door Seal Clamp 685743P | 11 |
| Door Switch 800211 | 11 |
| Drain Hose 685730 | 23 |
| Drain Hose Sleeve 33615 | 23 |
| Drain Pump 802623P | 23 |
| Drive Belt 800319P | 21 |
| Driven Pulley 800866 | 19 |

N/A items do not appear in index.

E

| | |
|------------------|----|
| End Panel | |
| 504008WP | 7 |
| 504009WP | 7 |
| Expansion Clip | |
| 70030501 | 5 |
| Extension Spring | |
| 800346 | 11 |

F

| | |
|----------------|----|
| Fill Hose | |
| 20617 | 15 |
| 20618 | 15 |
| Fill Hose Kit | |
| 28330P | 15 |
| Front Panel | |
| 800336WP | 11 |
| Fuse | |
| 801755 | 21 |

G

| | |
|-----------------|----|
| Gasket | |
| 802427 | 23 |
| Graphic Overlay | |
| 802183 | 5 |
| Graphic Panel | |
| 802000W | 7 |
| 802178W | 7 |
| Grommet | |
| 29175 | 17 |
| 802218 | 23 |
| Grounding Clip | |
| 00161 | 17 |

H

| | |
|-------------------------|------------|
| Hardware Kit | |
| 838P3 | 19 |
| Harness Assembly | |
| 801325P | 35 |
| Harness Strap | |
| 55881 | 11, 13, 33 |
| Heater Harness Assembly | |
| 801350 | 17 |
| Heating Element Kit | |
| 801306P | 17 |
| Hinge | |
| 511036 | 5 |
| Hinge Plate | |
| 802412 | 11 |
| Hold-Down Clip | |
| 35358 | 9 |
| 800906 | 11 |
| Hole Plug | |
| M412154 | 25 |

| | |
|-----------------------|------------|
| Hood Back Panel | |
| 801060 | 9 |
| Hood Harness Assembly | |
| 801347P | 35 |
| Hose Clamp | |
| F200206 | 13, 23 |
| 36802 | 23 |
| 39282 | 17 |
| 685725 | 13 |
| 800803 | 11, 13, 15 |
| Hose Clip | |
| 36985 | 5, 17, 33 |
| 800553 | 19 |
| Hose Mounting Plate | |
| 800552 | 19 |

I

| | |
|---------------------------|----|
| Indicator Light | |
| 801356 | 7 |
| 801357 | 7 |
| Indicator Light Lens | |
| 801435 | 7 |
| Inner Basket Assembly | |
| 800429P | 19 |
| Inner Basket Kit | |
| 800198P | 19 |
| Inner Door Bezel | |
| 801903 | 11 |
| Insert | |
| 685716 | 13 |
| Inverter Assembly Kit | |
| 801526P | 21 |
| Inverter Control Assembly | |
| 803254P | 21 |

K

| | |
|---------------|------|
| Knob Assembly | |
| 36701W | 5, 7 |

L

| | |
|---------------------------|----|
| Lead-In Cord | |
| 34458 | 33 |
| Left Control Cabinet Side | |
| 800900WP | 5 |
| Leveling Leg | |
| 34319 | 25 |
| Lid Assembly | |
| 801206P | 23 |
| 802426P | 23 |
| Light | |
| 801431 | 5 |
| Locking Catch | |
| 685430 | 11 |

N/A items do not appear in index.

M

| | |
|----------------------------|----|
| Mixing Valve | |
| 802220P | 15 |
| Mixing Valve Plate | |
| 800323 | 15 |
| Mixing Valve Screen | |
| 802926 | 15 |
| Motor Access Hole Edging | |
| 801702 | 25 |
| Motor and Rod Assembly Kit | |
| 801684P | 21 |
| Motor Harness Assembly | |
| 801063P | 35 |
| Motor Mount Rod | |
| 801062 | 21 |

N

| | |
|---------------|--------|
| Nozzle Cap | |
| 801112 | 23 |
| Nut | |
| F430218 | 17 |
| M412986 | 5 |
| 03673 | 33 |
| 21899 | 25 |
| 23951 | 11 |
| 36020 | 11 |
| 685844 | 19 |
| 800452 | 17, 19 |
| 801994 | 11 |

O

| | |
|--------------------------------|----|
| O-Ring | |
| 37392 | 23 |
| 801207 | 23 |
| 802429 | 23 |
| Outer Door Bezel | |
| 801904W | 11 |
| Outer Tub Assembly | |
| 801081P | 17 |
| 801291 | 17 |
| Out-of-Balance Switch Assembly | |
| 801006 | 17 |
| Oversudsing Label | |
| 802074 | 29 |

P

| | |
|--------------------------|--------|
| Panel Locator | |
| 56079 | 11, 25 |
| Pop Rivet | |
| 685847 | 5, 19 |
| Porcelain Touch-Up Paint | |
| 122P4P | 25 |
| Pressure Bulb | |
| 30907 | 17 |
| Pressure Switch | |
| 800468P | 5, 7 |

| | |
|-----------------------|------|
| 801297P | 7 |
| Pump Bracket | |
| 802219 | 23 |
| Pump Housing | |
| 801208 | 23 |
| 802428 | 23 |
| Pump Housing Assembly | |
| 801209 | 23 |
| 802434P | 23 |
| Pump Mount | |
| 802432 | 23 |
| Pump Mount Bracket | |
| 802626 | 23 |
| Pump Shield | |
| 38067 | 23 |
| Push-to-Start Switch | |
| 801434W | 5, 7 |

R

| | |
|----------------------------|------|
| Rear Control Cabinet | |
| 801058 | 5 |
| Rear Panel | |
| 800010P | 25 |
| Rear Service Panel | |
| 801012 | 25 |
| Retainer Clip | |
| 36014 | 23 |
| Retaining Ring | |
| 23748 | 21 |
| Right Control Cabinet Side | |
| 800915W | 5 |
| Rocker Switch | |
| 38424W | 5, 7 |
| Rubber Foot | |
| 34318 | 25 |

S

| | |
|----------------|------------------------------|
| Screw | |
| M400043 | 19, 31 |
| M400057 | 21 |
| 31645 | 25 |
| 38096 | 23 |
| 39733 | 11, 25 |
| 501086 | 5, 7, 9, 15 |
| 501285 | 23 |
| 501524 | 5, 21 |
| 503661 | 5, 9, 11, 15, 17, 21, 23, 25 |
| 503688 | 5 |
| 685831 | 19 |
| 685837 | 7, 33 |
| 70240301 | 5 |
| 800461 | 17 |
| 800462 | 17, 19 |
| 800548 | 11, 13 |
| 800930 | 5 |
| 801001 | 13 |
| 801019 | 11 |
| 801045 | 11 |
| 801993 | 11 |
| 802430 | 23 |
| 802431 | 23 |

N/A items do not appear in index.

| | |
|---|----|
| Screw Label 685928 | 25 |
| Shipping Bracket 685911 | 31 |
| Shipping Bracket Label 686901 | 31 |
| Shipping Cord and Brace Assembly 800364P | 31 |
| Shipping Materials Kit 728P3 | 31 |
| Side Panel Kit 800005WP | 25 |
| Snap Bushing M402542 | 5 |
| Standpipe Strap 33489 | 23 |
| Sticker 201495 | 11 |
| Strain Relief 32219 | 23 |
| 38384 | 33 |
| Switch Mounting Bracket 800663 | 17 |

T

| | |
|--|--------|
| Temperature Switch 35117 | 7 |
| 687542P | 5, 7 |
| Temperature Switch Bracket 800669 | 7 |
| Tension Rod Assembly 800666 | 19 |
| Thermistor 803256 | 17 |
| Timer Knob Assembly 512117W | 5, 7 |
| Top and Gusset Assembly 802247WP | 5 |
| Top Cover 505808W | 7 |
| Top Hinge 510136 | 25 |
| Top Mounting Bracket 504228 | 5 |
| Top Panel Kit 510029WP | 9 |
| Transformer 210018P | 5, 9 |
| Trunnion Shaft and Hardware Kit 800749P | 19 |
| Tub Front Assembly 800430 | 17 |
| 801363 | 17 |
| Tub Front Seal 800432P | 17, 19 |
| Tub Shock Absorber Kit 800622P | 17 |
| Tubing 29214 | 17 |
| 800648P | 17 |

| | |
|----------------------------------|----|
| Tub-to-Pump Hose 800317 | 23 |
|----------------------------------|----|

V

| | |
|---|--------|
| Valve Kit 685766P | 13 |
| Valve-to-Dispenser Inlet Hose 801464 | 13, 15 |

W

| | |
|---------------------------------|------------|
| Warning Label 500049 | 17, 29, 31 |
| Washer M400014 | 31 |
| M400080 | 21 |
| M400081 | 17 |
| M403958 | 19 |
| 02834 | 21 |
| 03815 | 33 |
| 20290 | 15 |
| 28605 | 15 |
| 52549 | 21 |
| 800457 | 17, 19 |
| 800464 | 19 |
| 800465 | 23 |
| 802254 | 15 |
| Wire Clamp 800811 | 17 |
| Wire Clamp Ring 800438 | 11 |
| Wire Clip 504034 | 33 |
| 687500 | 13, 33 |
| Wire Tie 38663 | 33 |
| Wire, 12 Gauge 45380 | 35 |
| Wire, 18 Gauge 45001 | 35 |
| Wrench 392P4 | 27 |

N/A items do not appear in index.