



AD-820
Microprocessor User's Manual
Phase II / Coin Changer

American Dispensing Company
88 Carrant Road
Fall River, MA 02720-4781
Telephone: (508) 678-9010 / Cable: AMDRY / Fax: (508) 678-9447

030195

ADC Part No. 182711

Retain This Manual In A Safe Place For Future Reference

Please read this manual carefully to thoroughly familiarize yourself with the ADC model AD-820 Water Machine Microprocessor (Computer) System features, operational instructions, and programming characteristics.

ADC products embody advanced concepts in engineering, design, and safety. If this product is properly maintained, it will provide many years of safe and trouble-free operation.

We have tried to make this manual as complete as possible and hope you will find it useful. ADC reserves the right to make changes from time to time, without notice or obligation, in prices, specifications, colors, material, and to change or discontinue models.

Replacement parts can be ordered from your distributor or the ADC factory.

When ordering replacement parts from the factory, you can FAX your orders to ADC at (508) 678-9447 or telephone your orders directly to the ADC Parts Department at (508) 678-9010. **Please specify the machine model number and serial number so that your order is processed accurately and promptly.**

IMPORTANT: Please observe **ALL** safety precautions displayed on the equipment and/or specified in the **AD-820 Installation/Owner's Manual** (ADC P/N 182705) included with the unit.

Table of Contents

SECTION I	
INTRODUCTION / FEATURES	2
SECTION II	
USER / VENDING OPERATING INSTRUCTIONS	4
SECTION III	
L.E.D. DISPLAY CODES	6
SECTION IV	
PROGRAMMING INSTRUCTIONS	8
A. Introduction To Programming	8
B. Explanation of Programming Flow Charts	11
C. Entering and Exiting Program Mode (Quick Reference)	12
SECTION V	
REVIEWING (DISPLAY) COUNTS	13
A. Cash Box Totals	13
B. Left Bay Gallon Count	14
C. Right Bay Gallon Count	15
SECTION VI	
PROGRAMMING / FLOW CHARTS (Index)	16
A. Program Location 00 ("PL00")	17
B. Program Location 01 ("PL01")	19
C. Program Location 02 ("PL02")	21
D. Program Location 03 ("PL03")	23
E. Program Location 04 ("PL04")	25
F. Program Location 05 ("PL05")	27
G. Program Location 06 ("PL06")	29
H. Program Location 07 ("PL07")	31
I. Program Location 08 ("PL08")	33
J. Program Location 09 ("PL09")	35
K. Program Location 10 ("PL10")	37
L. Teach Mode	39
SECTION VII	
FACTORY PRESET PROGRAMS / PARAMETERS	40
SECTION VIII	
PROGRAMMING LIMITS	41

SECTION I

INTRODUCTION/FEATURES

The microprocessor (computer) controller used in the model AD-820 Water Vending Machine is a fully programmable, highly sophisticated controller system which performs a variety of self checks automatically to ensure high product water quality.

USER FRIENDLY

The L.E.D. display informs the user of machine status;

- "USE" "EXACT" "CHANGE" is displayed if coin changer has been depleted.
1. Amount Per Gallon is displayed while in standby.
 - "INSERT" "\$.25" "PER" "GALLON"
 - The Amount of Credit is displayed while the coins are inserted.
 2. Easy troubleshooting with display diagnostics.
 3. Right Bay and Left Bay update information is displayed independently. The display prompts the user to use other bay if one (1) is in use or if one (1) is out of order.

PROGRAMMABLE

Changes in the programs are made at the selection keypad. Just enter the access code and the actual programs are displayed for verification.

COIN or FREE VEND

The microprocessor (computer) controller can be programmed for coins to start, or for promotions, programming allows for "FREE" vend by making a container selection.

PURCHASE AMOUNT PER GALLON

The amount of money needed to vend per gallon is programmable from ".05 to 2.00". Once this amount has been programmed, the microprocessor (computer) controller will automatically calculate the necessary amount needed for multi-gallon selections and refund change as required.

- As an example, if the amount per gallon is set for .25 cents and .50 cents is inserted, the L.E.D. display will show a .50 cent credit. After a selection is made the microprocessor will automatically deduct the value of the selection from the available credit and return your change.

CONTAINER SIZE SELECTION KEYS

The container size selection keys can each be programmed from ".5 to 6 Gallons" in .5 (1/2) gallon increments.

AUDIBLE TONE (bUZZ)

A tone will sound for every key stroke, except while in the process of vending at the end of the fill cycle. End of fill cycle tone/bUZZ can be eliminated if desired.

GALLON COUNT

The number of gallons vended (up to 65,327) for both the left side and the right side can be viewed through the computer's (microprocessor controller) L.E.D. display. The computer keeps a running count of each gallon dispensed (vended) until the limit is rolled over or until each limit is cleared manually.

DIAGNOSTICS

ALL major circuits are monitored. Should a failure occur in the monitored circuits, the L.E.D. display will show a failure error message.

ACCESS NUMBER

Every machine has an individual access number which allows the owner to quickly enter the program mode from the keypad. This number can be changed for security reasons if necessary.

SECTION II

USER/VENDING OPERATING INSTRUCTIONS

The microprocessor (computer) controller will interact with the user throughout the vending process. The following is an example of a typical water machine vending process:

| **NOTE:** Value amounts and gallon quantities noted below are shown as examples ONLY.

| **NOTE:** MINIMUM PURCHASE IS ONE (1) GALLON.

| **NOTE:** If display(s) read "USE" "EXACT" "CHANGE" the exact change for the desired vend must be used.

1. Both displays read the amount required per gallon ...

i.e., "INSERT" "\$.25" "PER" "GALLON"

2. Place containers to be filled in the appropriate vend bay (i.e., left or right).

3. For single or multiple gallon purchase:

a. User inserts coin(s).

b. The displays will inform user the amount of credit accumulated.

c. The user selects the appropriate side and makes container size selection.

| **NOTE:** If the credit inserted exceeded the actual cash value of user selection, change would be returned to the user after a selection is made.

d. The displays will read the following if the Left Side were selected;

Left Side Display
"FILL X"
("X" is the amount of gallons selected)

Right Side Display
"INSERT" "\$.25" "PER" "GALLON"

e. The Right Side is available for vending while the Left Bay fills.

f. When vend is completed, the Left Side Display will read...

"DONE" "THANK" "YOU"

g. The Left Side will then be ready for the next vend, the L.E.D. displays will read...

"INSERT" "\$.25" "PER" "GALLON"

NOTES

1. Credits ...

A) If too much money is inserted or the gallons selected is less than the amount of money inserted, the microprocessor (computer) controller will return the credit balance.

2. If there is a power outage or interruption and the unit is not equipped with a battery back-up (or if the battery is dead), when the microprocessor (computer) controller power is reestablished, the L.E.D. displays will read "PURGE" "SYSTEM" "DO NOT" "DRINK". To reset/bypass this condition, close the program switch (program mode) and open program switch (run mode). It can also be "RESET" from the keypad by pressing 6L, 6R, 5L, 5R, and 1/2L.

| **NOTE:** At the time of installation of the machine the displays will read the above mentioned codes. Refer to the Electrical Troubleshooting Booklet (ADC P/N 182710) included with the unit.

| **IMPORTANT: DO NOT OVERRIDE THE SAFETY ROUTINE FOR THE INSTALLATION.**

3. If one side of the vend bay is inoperative, one display will read "USE" "OTHER" "SIDE" and the other display the credit.

If both bays are inoperative, display(s) will show an error message and the display(s) will read "OUT" "OF" "ORDER".

| **NOTE:** "OUT" "OF" "ORDER" errors are cleared by entering the reset code 6L6R5L5R 1/2L.

| **NOTE:** For explanations of error messages, refer to the Electrical Troubleshooting Booklet (ADC P/N 182710) included with the unit.

4. Minimum purchase is one (1) gallon, however, vend is available in .5 (1/2) gallon increments.

SECTION III

L.E.D. DISPLAY CODES

NOTE: For a complete explanation of error messages refer to the Electrical Troubleshooting Booklet (ADC P/N 182710) included with the unit.

"USE" "OTHER" "SIDE"	Bay is not operative...use other bay.
"FLOW" "METER" "ERROR"	Microprocessor (computer) controller detects a flow error (dispensing problem).
"FILTER" "ERROR"	Dirty carbon filter or sediment filter...may also be caused by low incoming pressure.
"RO" "FILTER" "ERROR"	R.O. membrane needs cleaning or replacement or the R.O. Comparator has failed..
"OVER" "FLOW" "ERROR"	Indication that the base switch/tank switch has tripped...water filling within the cabinet or the switch circuit is open or is disconnected, and/or Vend bay catch basin is full of water...indication of possible clogged drain, drain pump failure, or switch circuit is open or is disconnected.
"SYSTEM" "REFILL" "PLEASE" "WAIT"	Low water level in the containment tank ... will reset when water level recovers.
"SYSTEM" "PURGE" "DO" "NOT" "DRINK"	SYSTEM INSTALLATION SAFEGUARD. This code appears when power is first applied to the machine...after initial installation, if there is a power interruption (and the unit <u>does not</u> have battery back-up) this display code will appear ... reset by program switch or keypad.

"OUT" "OF" "ORDER"	Machine/bay is inoperative...could be one of several failures ... refer to the <u>Electrical Troubleshooting Booklet</u> (ADC P/N 182710 included with machine).
"TEACH" "MODE"	Measurement used in calibration of vending bay(s) for gallon vend.
"bUZZ"	Audible tone (buzzer) which sounds at each keyboard entry and at the end of the fill cycle.
"PL .."	Program Location ... there are a total of 10 locations.

SECTION IV

PROGRAMMING INSTRUCTIONS

A. Introduction To Programming

The microprocessor (computer) controller can be programmed to operate for different applications. The various program selections or parameters are stored in the computer (microprocessor controller) memory and are cataloged as "Program Locations." There are a total of 11 program locations which are cataloged as "PL 00" through "PL 10". These parameters have been preprogrammed by the factory as noted on page 40 of this manual.

These "Program Locations" contain various registers that can be manipulated for various operations. The registers also contain information about the machine such as gallon counts, cash box totals, dispensing information, and coin denomination.

ALL programming is done through the keyboard selection buttons, or you can enter the machines access code into the keypad. Refer to the following page for the numeric value of each keypad selection. To change Vend Amount Calibration the Lock (program) Switch can be put into the program mode (switch in the horizontal position) as shown in illustration #1 below.

Lock Switch Program Mode

*Lock Switch in the Horizontal
(CALIBRATION/PROGRAM)
Position*

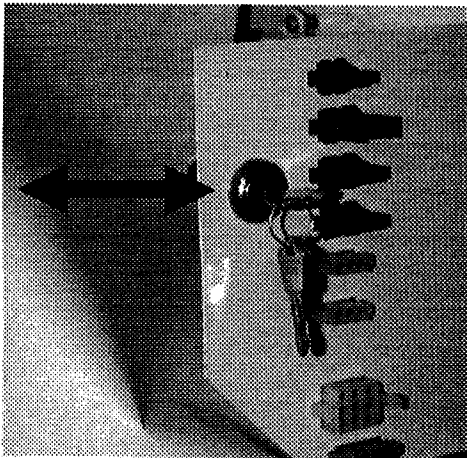


Illustration #1

Lock Switch Operation Mode

*Lock Switch in the Vertical
(OPERATION)
Position*

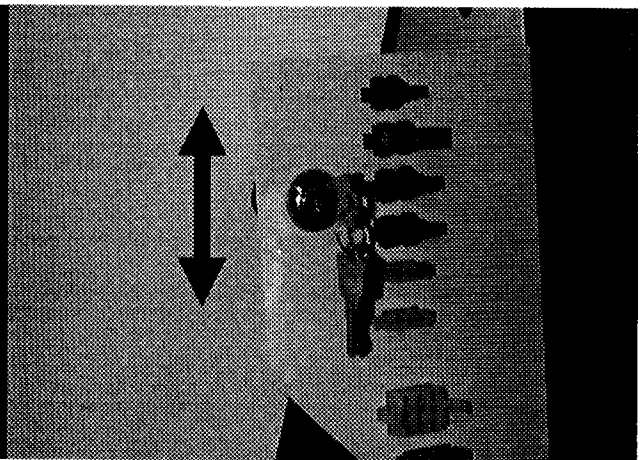


Illustration #2

The program mode is also obtainable by entering the machines access number through the keypad (only when in the Coin Mode). When entering the access number (through the keypad) the keys will represent different values. These values are as follows:

Left Keypad values...	Right Keypad values...
1/2 Key = 0 (zero)	1/2 Key = 6 (six)
1 Key = 1 (one)	1 Key = 7 (seven)
2 Key = 2 (two)	2 Key = 8 (eight)
3 Key = 3 (three)	3 Key = 9 (nine)
5 Key = 4 (four)	
6 Key = 5 (five)	

To make a program change, first make sure that there is no vend/fill cycle in progress. Enter access code or place the Lock (program) Switch (PS) in the program mode (switch in the horizontal position) as shown in **illustration #1** on the previous page (**page 8**). The left display will now read "PL 00" and the right display will be blank. From this point, any of the 10 program locations can be accessed by pressing the left [1 GAL.] selection key to enter a specific location. The left [1/2 GAL.] or [2 GAL.] selection keys can be pressed to increment or decrement the program locations.

To alter the programming, locate the specific program location or parameter to be changed. With the left display reading "PL 01", to decrement program location, press the left [2 GAL.] selection key until the desired program location is displayed (i.e., "PL 01", "PL 02", "PL 03", etc.). The left [1/2 GAL.] selection key will increment the program locations. Once the correct program location is displayed and a change is desired, press the left [1 GAL.] selection key. The left [1 GAL.] selection key provides two (2) functions:

1. Allows access into a program location.
2. Advances to the next location while storing data if it has changed.

IMPORTANT: When in a program location and the left [1 GAL.] selection key is pressed, whatever parameter is shown in the display will be stored in the computer's memory and the programming is now advanced to the next step (bit) or program location.

The left [2 GAL.] selection key or the left [1/2 GAL.] selection key provide the following functions:

1. Change numeric values ... [2 GAL.] increases ... [1/2 GAL.] decreases.
2. Toggle for status changes such as... "CASH" "BOX" "TOTAL" ...
[1/2 GAL.] toggle = "CLEAR" "CASH" "BOX" "TOTAL".

Example: If the change to be made is a status change (i.e., from "COIN" to "FREE") simply press the left [1/2 GAL.] selection key or the left [2 GAL.] selection key and the display will revert back and forth between status choices. Once the correct status is displayed, pressing the left [1 GAL.] selection key will store the change and advance you to the next step (bit) or program location.

If the change is numeric (i.e., "AMOUNT" "PER" "GALLON"), press the left [2 GAL.] selection key to increase the number value, or, press the left [1/2 GAL.] selection key to decrease the number. Pressing the left [1 GAL.] selection key will store the change and advance to the next step (bit) or program location.

NOTE: To accelerate increase/upward value, press and hold in the left [2 GAL.] selection key. To accelerate decrease/downward value, press and hold in the left [1/2 GAL.] selection key.

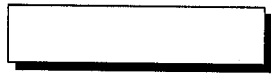
Once the changes desired are made, to exit the program mode put the Lock Switch in the run mode (vertical position). If the user entered the program mode through the keypad, pressing [6 GAL.] on the left three (3) times will also exit the program mode.

NOTE: When the user enters the Program Mode the user should exit the same way.

NOTE: You can exit the programming mode at any time by simply putting the Lock Switch in the run mode (vertical position). However, if a change was made, be sure the left [1 GAL.] selection key is pressed before exiting the program mode to insure that the change was stored in the computer's memory.

B. Explanation of Programming Flow Charts

This section explains the programming through the use of flow charts. A flow chart is nothing more than a diagram of the programming process.



Represents the microprocessor (computer) controller's L.E.D. display. For example, if the flow chart shows "PL 00" the computer display will read the same.



Represents the key on the label that is to be pressed. For example, if the flow chart shows [1/2 GAL.], you would press that key.



Represents the program path.

On the side of each flow chart is an explanation of the chart procedure, and in some cases, the programming limits.

C. ENTERING and EXITING PROGRAM MODE (Quick Reference)

(No Vend In Progress)



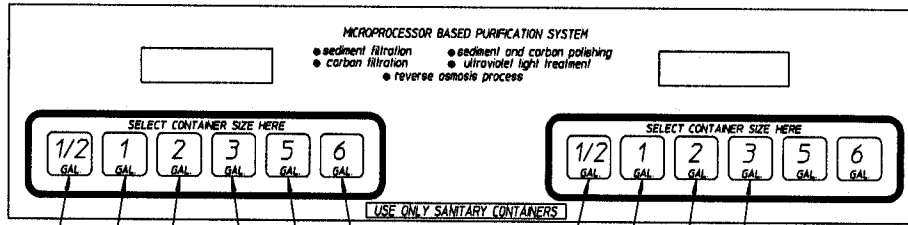
L.E.D. displays read the amount required per gallon.

(Lock Switch In Calibration/Program Mode Position)

To Enter Program Mode

or

(Enter Access Number From Keypad - only when in coin mode)



Left Keypad Values:

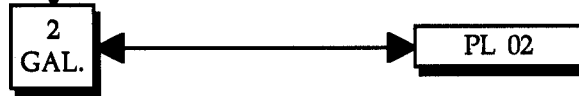
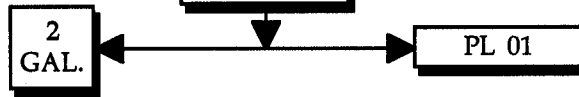
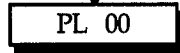
- 1/2 Key = 0 (zero)
- 1 Key = 1 (one)
- 2 Key = 2 (two)
- 3 Key = 3 (three)
- 5 Key = 4 (four)
- 6 Key = 5 (five)

Right Keypad Values:

- 1/2 Key = 6 (six)
- 1 Key = 7 (seven)
- 2 Key = 8 (eight)
- 3 Key = 9 (nine)

Keypad Entry

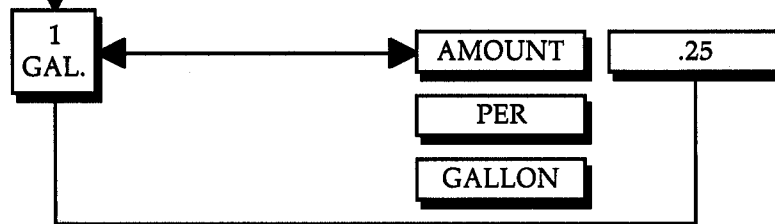
Display Message



To revert back to lower program locations, press left side [1/2 GAL.] selection key.



To enter a specific program location (i.e., PL 02), press left side [1 GAL.] selection key.



(Program Switch In Run Mode Position)

or

(Press 6 On Left Keypad 3 Times)



SECTION V

REVIEWING (DISPLAY) COUNTS

A. CASH BOX TOTALS

(No Vend In Progress)



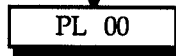
L.E.D. displays read the amount required per gallon.

(Lock Switch In Calibration/Program Mode Position)

To Enter Program Mode

or

(Enter Access Number From Keypad - only when in coin mode)



Left Display ..reads



Press left [1 GAL.] selection key.



Left Display reads

Right Display will read actual cash value derived from the mixture of coins.

Or

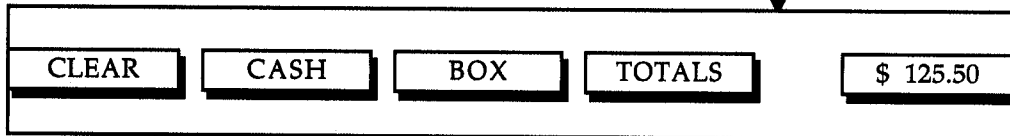
(To Retain Cash Box Totals)

(To Clear Coin Count)



To clear or delete coin amount press left side [2 GAL.] selection key.

(Left Display)

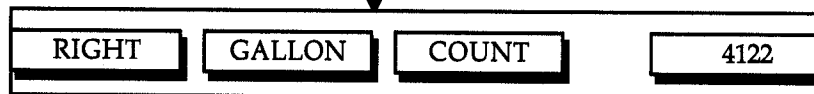


(Right Display)

To retain cash amount, press left [1 GAL.] selection key once.



(Left Display)



(Right Display)

Or

TO EXIT REVIEW MODE,
put lock switch in the
run mode.

**TO REVIEW LEFT BAY
GALLON COUNT,**
proceed to
Flow Chart B.

B. LEFT BAY GALLON COUNT

(No Vend In Progress)



L.E.D. displays read the amount required per gallon.

(Lock Switch In Calibration/Program Mode Position) To Enter Program Mode
or
(Enter Access Number From Keypad - only when in coin mode)



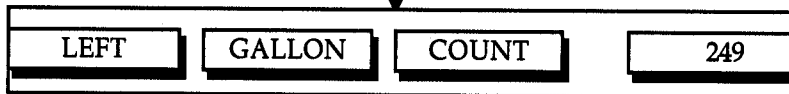
Left Display reads



Press left [1 GAL.] selection key two (2) times in quick succession.



Left Display reads



Right Display will read actual gallons vended.

Or

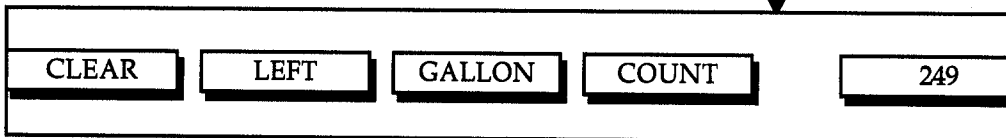
(To Retain Gallon Count)

(To Clear Left Gallon Count)



To clear or delete gallon count, press [2 GAL.] selection key.

(Left Display)



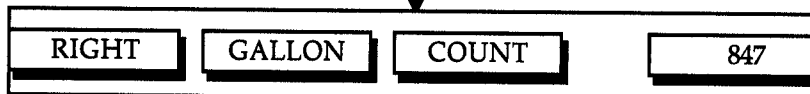
(Right Display)

To retain gallon count, press left [1 GAL.] selection key once.

Press left [1 GAL.] selection key twice.



(Left Display)



(Right Display)

Or

TO EXIT REVIEW MODE,
 put lock switch in the
 run mode.

**TO REVIEW RIGHT BAY
 GALLON COUNT,**
 proceed to
Flow Chart C

C. RIGHT BAY GALLON COUNT

(No Vend In Progress)



L.E.D. displays read the amount required per gallon.

(Lock Switch In Calibration/Program Mode Position)
or
(Enter Access Number From Keypad - only when in coin mode)

To Enter Program Mode



Left Display reads



Press left [1 GAL.] selection key three (3) times in quick succession.



Left Display reads



Right Display will read actual gallons vended.

Or

(To Retain Gallon Count)

(To Clear Right Gallon Count)

To retain gallon count, press left [1 GAL.] selection key once.

(Left Display)

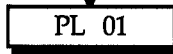


Right Display



To clear or delete gallon count, press [2 GAL.] selection key.

Press left [1 GAL.] selection key twice.



Or

TO EXIT REVIEW MODE,
 put lock switch in the
 run mode.

**PROCEED TO NEXT
 PROGRAM LOCATION**

SECTION VI

PROGRAMMING/FLOW CHARTS

Listed below, is an index of the flow charts on the following pages.

	<u>Page</u>
A. PROGRAM LOCATION 00 (PL00)	17, 18
"CASH" "BOX" "TOTALS" "LEFT" and "RIGHT" "GALLON" "COUNT"	
B. PROGRAM LOCATION 01 (PL01)	19, 20
"COIN" or "FREE" Status "buzz" or "NO buzz" Status	
C. PROGRAM LOCATION 02 (PL02)	21, 22
Amount Per Gallon	
D. PROGRAM LOCATION 03 (PL03)	23, 24
No. 1 Left Key Gallon Vend Value No. 1 Right Key Gallon Vend Value	
E. PROGRAM LOCATION 04 (PL04)	25, 26
No. 2 Left Key Gallon Vend Value No. 2 Right Key Gallon Vend Value	
F. PROGRAM LOCATION 05 (PL05)	27, 28
No. 3 Left Key Gallon Vend Value No. 3 Right Key Gallon Vend Value	
G. PROGRAM LOCATION 06 (PL06)	29, 30
No. 4 Left Key Gallon Vend Value No. 4 Right Key Gallon Vend Value	
H. PROGRAM LOCATION 07 (PL07)	31, 32
No. 5 Left Key Gallon Vend Value No. 5 Right Key Gallon Vend Value	
I. PROGRAM LOCATION 08 (PL08)	33, 34
No. 6 Left Key Gallon Vend Value No. 6 Right Key Gallon Vend Value	
J. PROGRAM LOCATION 09 (PL09)	35, 36
"FLUSH" or "NO FLUSH"	
K. PROGRAM LOCATION 10 (PL10)	37, 38
ACCESS NUMBER (Keypad Code)	
L. TEACH MODE	39

A. PROGRAM LOCATION 00 (PL00)

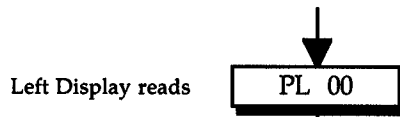
(No Vend In Progress)



L.E.D. displays read the amount required per gallon.

**(Lock Switch In Calibration/Program Mode Position)
or
(Enter Access Number From Keypad)**

To Enter Program Mode



Press left [1 GAL.] selection key. Left display will read "CASH" "BOX" "TOTALS". Right display will show numeric amount.

Or



Press left [1 GAL.] selection key to continue without clearing the numeric amount. Left display will read "LEFT" "GALLON" "COUNT".



Press left [2 GAL.] selection key to clear coin count. Left display will read "CLEAR" "CASH" "BOX" "TOTALS". Right display will show numeric count.



Press left [1 GAL.] selection key to finalize clearing the register.



Press left [1 GAL.] selection key a second time to continue.



Press left [2 GAL.] selection key to clear coin count. Left display will read "CLEAR" "LEFT" "GALLON" "COUNT". Right display will show numeric count.



Press left [1 GAL.] selection key to finalize clearing the register.

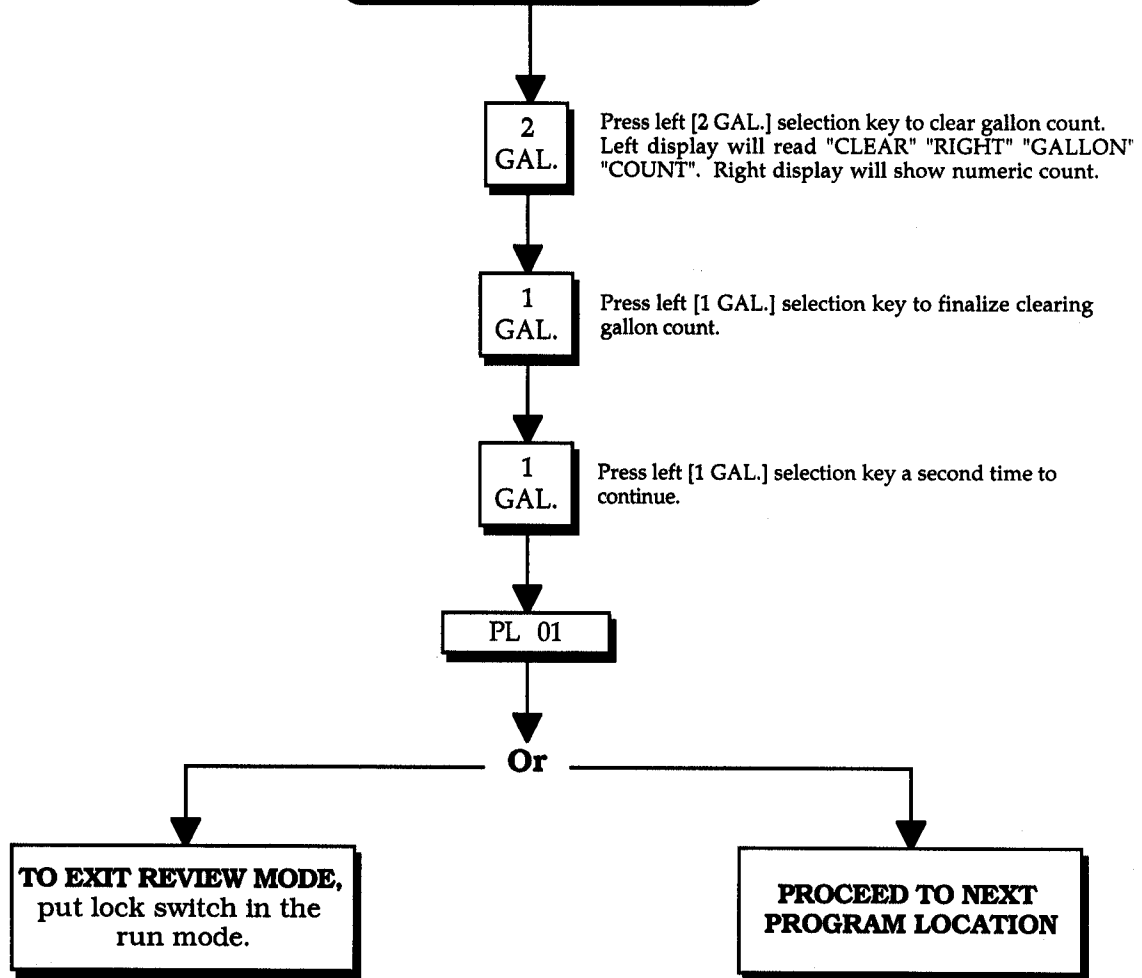


Press left [1 GAL.] selection key a second time to continue.

Press left [1 GAL.] selection key to continue without clearing the numeric coin count. Left display will read "RIGHT" "GALLON" "COUNT". Right display will show numeric count.

continue to next page

continued from previous page



B. PROGRAM LOCATION 01 (PL 01)

(No Vend In Progress)



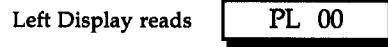
L.E.D. displays read the amount required per gallon.

(Lock Switch In Calibration/Program Mode Position)

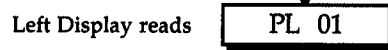
To Enter Program Mode

or

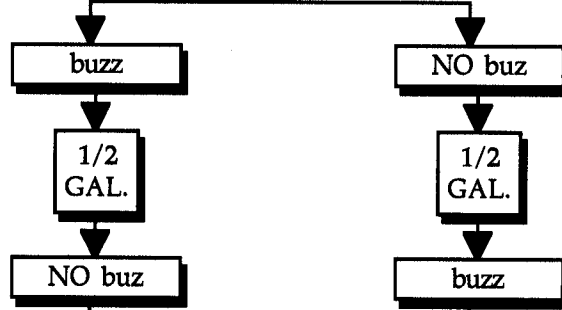
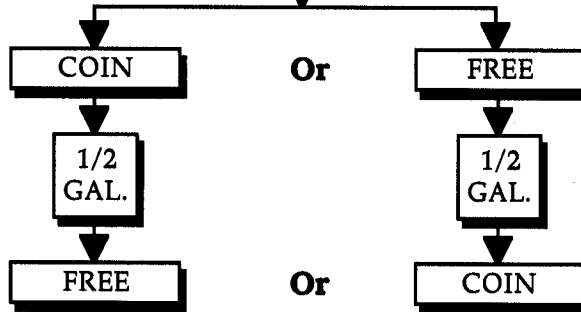
(Enter Access Number From Keypad - only when in coin mode)



Press left [2 GAL.] selection key once.

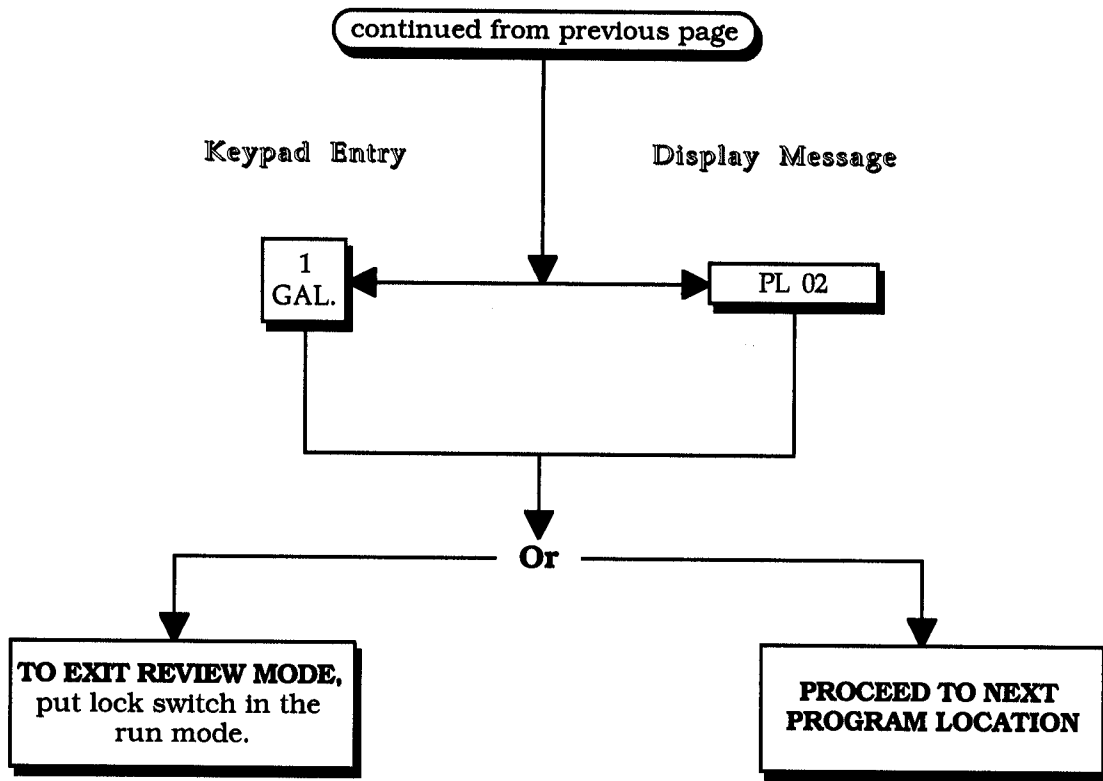


Press left [1 GAL.] selection key. Left display will read vend status, either "COIN" (coins required) or "FREE" (no coins required). If no change is required, press [1 GAL.] selection key. Should a change be necessary, press [1/2 GAL.] selection key and then press [1 GAL.] selection key.



Left display will read buzz (tone) status, either "buzz" or "NO buz". If no change is required, press [1 GAL.] selection key. Should a change be necessary, press [1/2 GAL.] selection key and then press [1 GAL.] selection key.

continue to next page



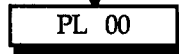
C. PROGRAM LOCATION 02 (PL 02)

**AMOUNT PER GALLON
(No Vend In Progress)**



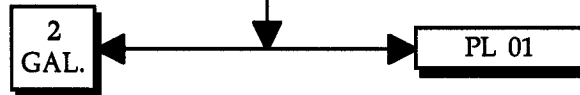
L.E.D. displays read the amount required per gallon.

(Lock Switch In Calibration/Program Mode Position) To Enter Program Mode
or
(Enter Access Number From Keypad - only when in coin mode)



Keypad Entry

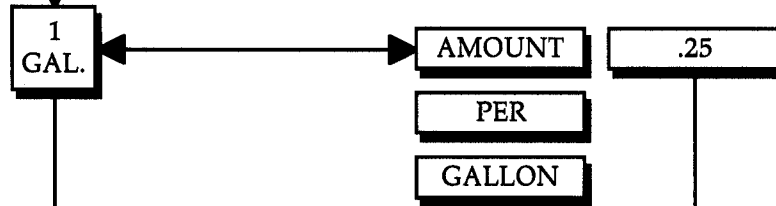
Display Message



Press left [2 GAL.] selection key two (2) times.

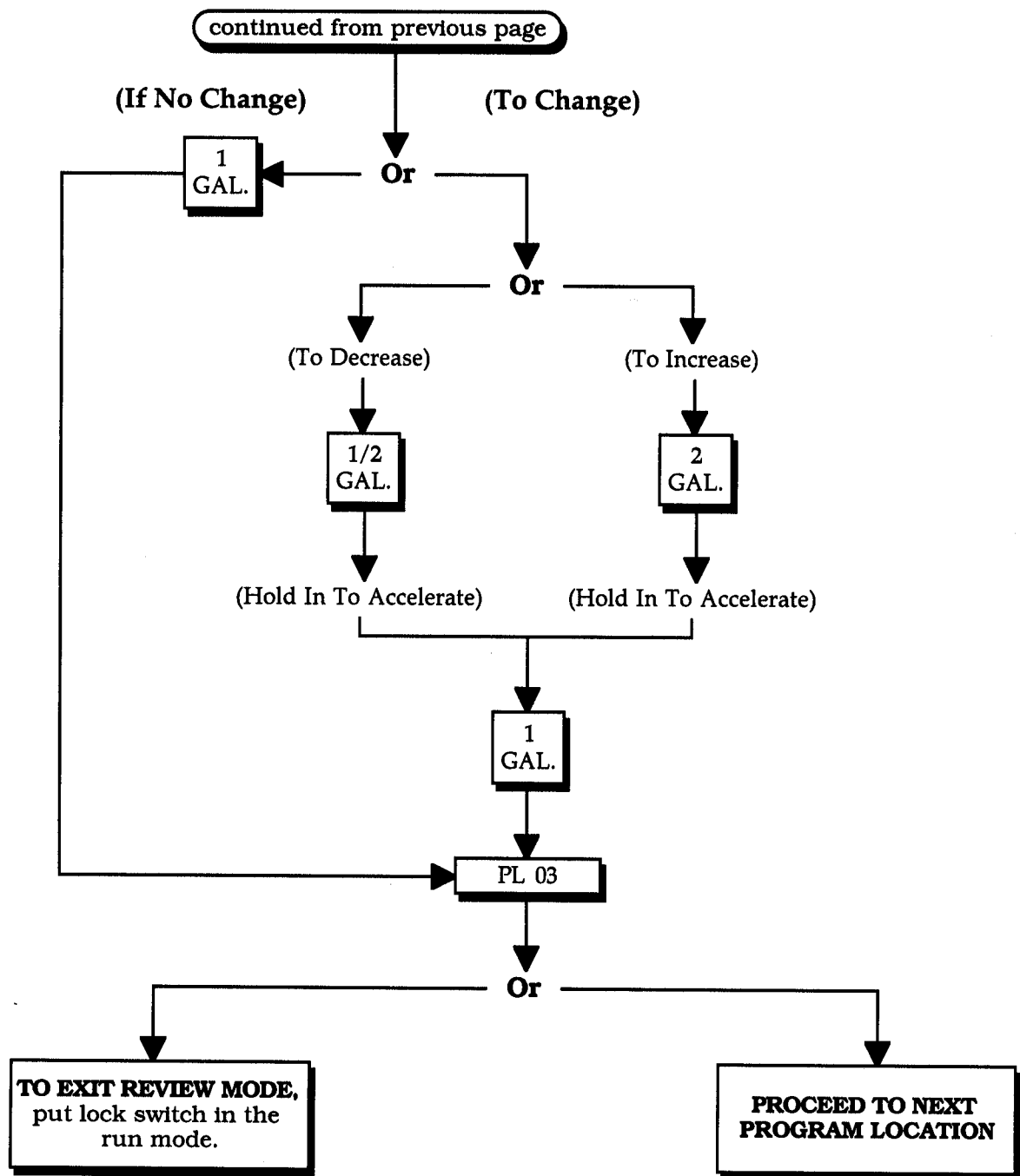


Press left [1 GAL.] selection key once.



Left display will read "AMOUNT" "PER" "GALLON" and right display will read actual value required. If no change is required, press [1 GAL.]selection key. Should a change be necessary, press [1/2 GAL.] or [2 GAL.] selection key and then press [1 GAL.] selection key.

continue to next page



D. PROGRAM LOCATION 03 (PL 03)

NO. 1 LEFT and RIGHT KEYS GALLON VEND VALUE

(No Vend In Progress)



L.E.D. displays read the amount required per gallon.

(Lock Switch In Calibration/Program Mode Position)

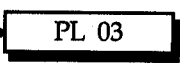
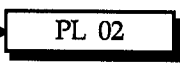
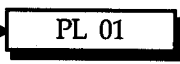
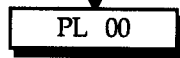
To Enter Program Mode

or

(Enter Access Number From Keypad - only when in coin mode)

Keypad Entry

Display Message

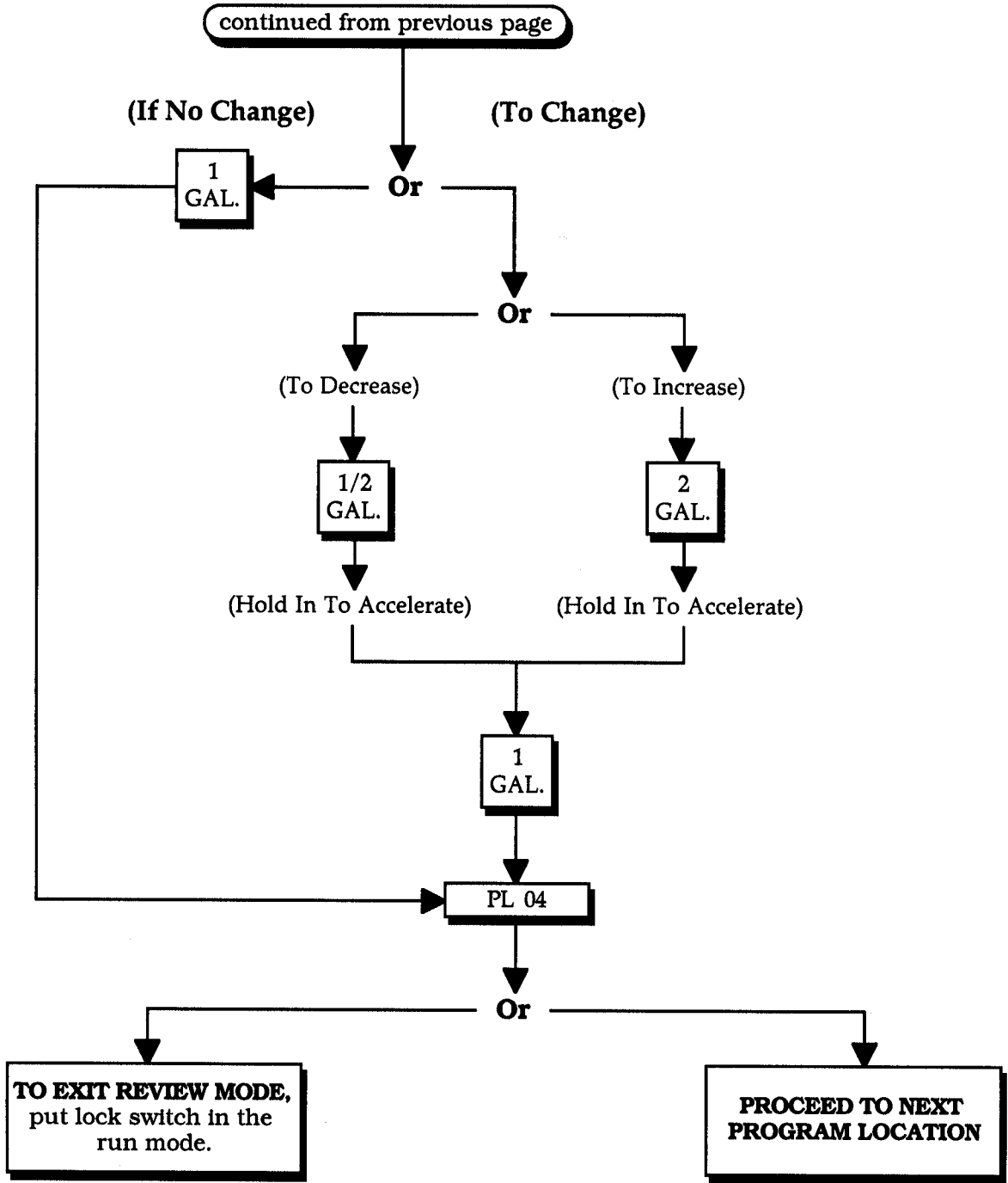


Press left [2 GAL.] selection key three (3) times.

Press left [1 GAL.] selection key once.

Left display will read "KEY 1" and right display will read actual gallon amount that will be vended (i.e., .5 GAL). If no change is required, press left [1 GAL.] selection key. Should a change be necessary, press [1/2 GAL.] or [2 GAL.] selection key and then press [1 GAL.] selection key.

continue to next page



NOTE: Gallon vend value can be programmed from .5 GAL (1/2 gallon) to 6 gallons in .5 GAL. (1/2 gallon) increments.

E. PROGRAM LOCATION 04 (PL 04)

NO. 2 LEFT and RIGHT KEYS GALLON VEND VALUE

(No Vend In Progress)



L.E.D. displays read the amount required per gallon.

(Lock Switch In Calibration/Program Mode Position)

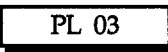
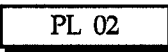
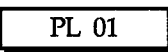
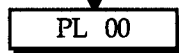
To Enter Program Mode

or

(Enter Access Number From Keypad - only when in coin mode)

Keypad Entry

Display Message



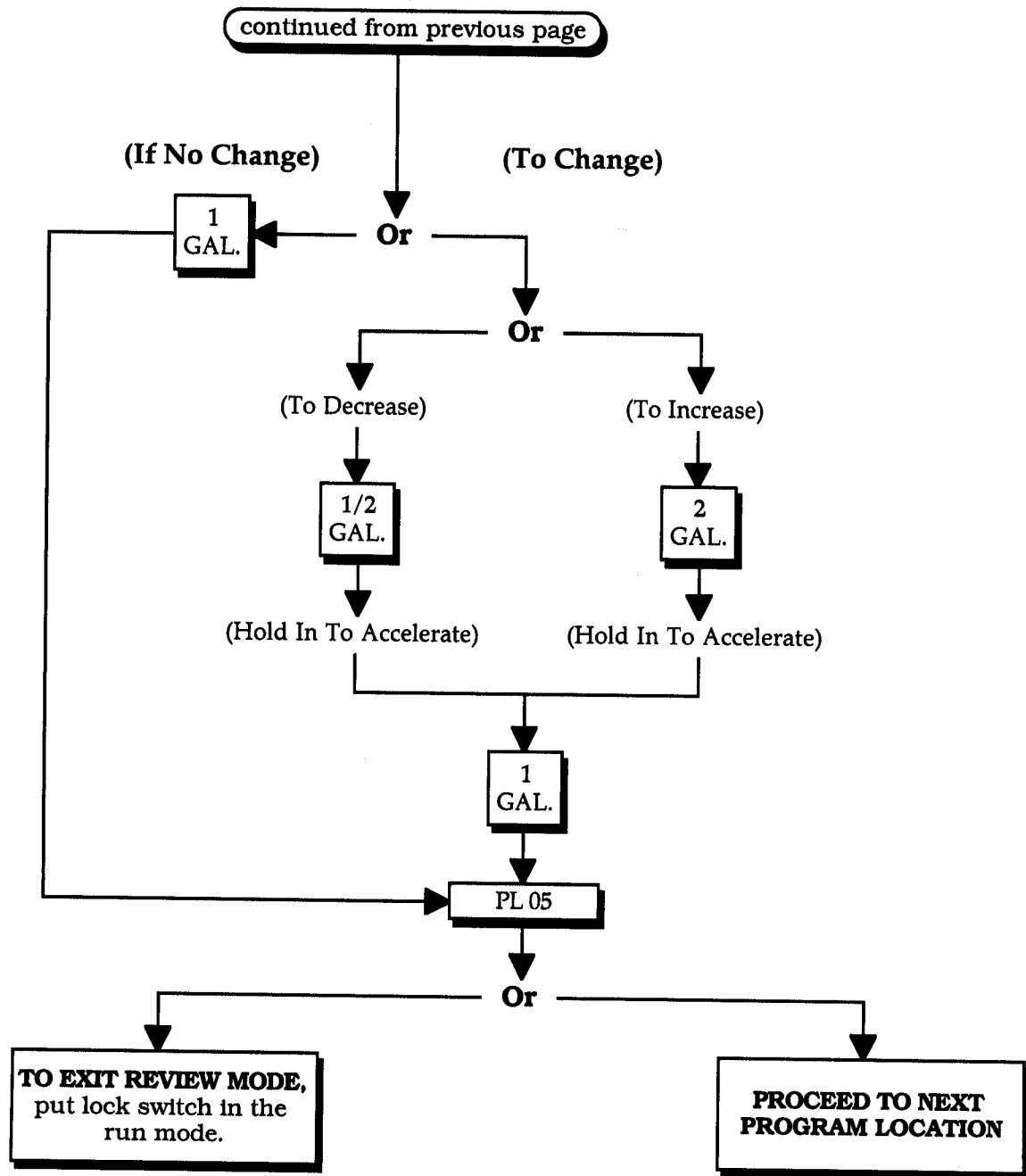
Press left [2 GAL.] selection key four (4) times.



Press left [1 GAL.] selection key once.

Left display will read "KEY 2" and right display will read actual gallon amount that will be vended (i.e., 1 GAL). If no change is required, press left [1 GAL.] selection key. Should a change be necessary, press [1/2 GAL.] or [2 GAL.] selection key and then press [1 GAL.] selection key.

continue to next page



NOTE: Gallon vend value can be programmed from .5 GAL (1/2 gallon) to 6 gallons in .5 GAL. (1/2 gallon) increments.

F. PROGRAM LOCATION 05 (PL 05)

NO. 3 LEFT and RIGHT KEYS GALLON VEND VALUE

(No Vend In Progress)



L.E.D. displays read the amount required per gallon.

(Lock Switch In Calibration/Program Mode Position)

To Enter Program Mode

or

(Enter Access Number From Keypad - only when in coin mode)

Keypad Entry

Display Message

PL 00

2
GAL.

PL 01

2
GAL.

PL 02

2
GAL.

PL 03

2
GAL.

PL 04

2
GAL.

PL 05

1
GAL.

KEY 3

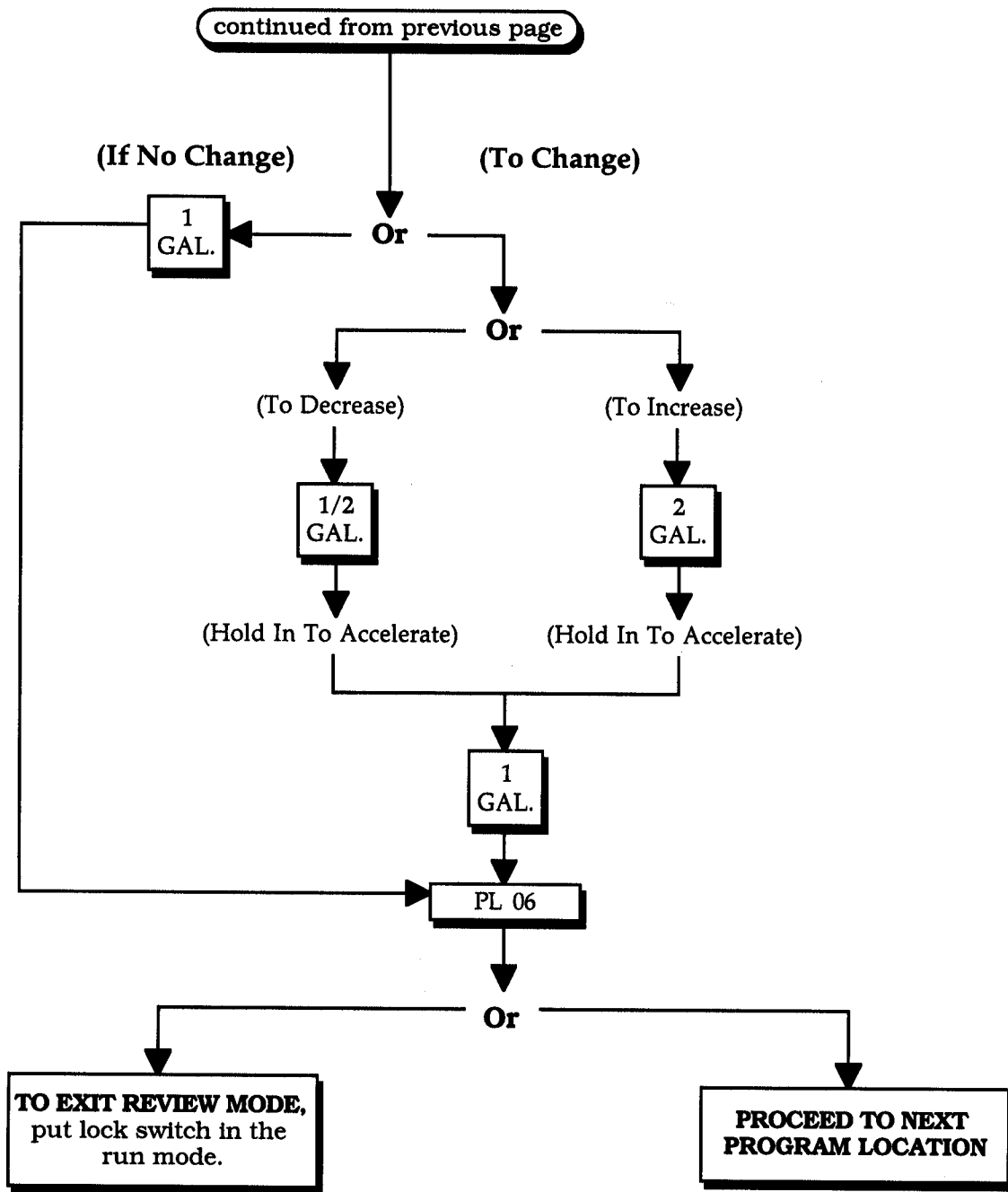
2 GAL.

Press left [2 GAL.] selection key five (5) times.

Press left [1 GAL.] selection key once.

Left display will read "KEY 3" and right display will read actual gallon amount that will be vended (i.e., 2 GAL). If no change is required, press left [1 GAL.] selection key. Should a change be necessary, press [1/2 GAL.] or [2 GAL.] selection key and then press [1 GAL.] selection key.

continue to next page



G. PROGRAM LOCATION 06 (PL 06)

NO. 4 LEFT and RIGHT KEYS GALLON VEND VALUE

(No Vend In Progress)

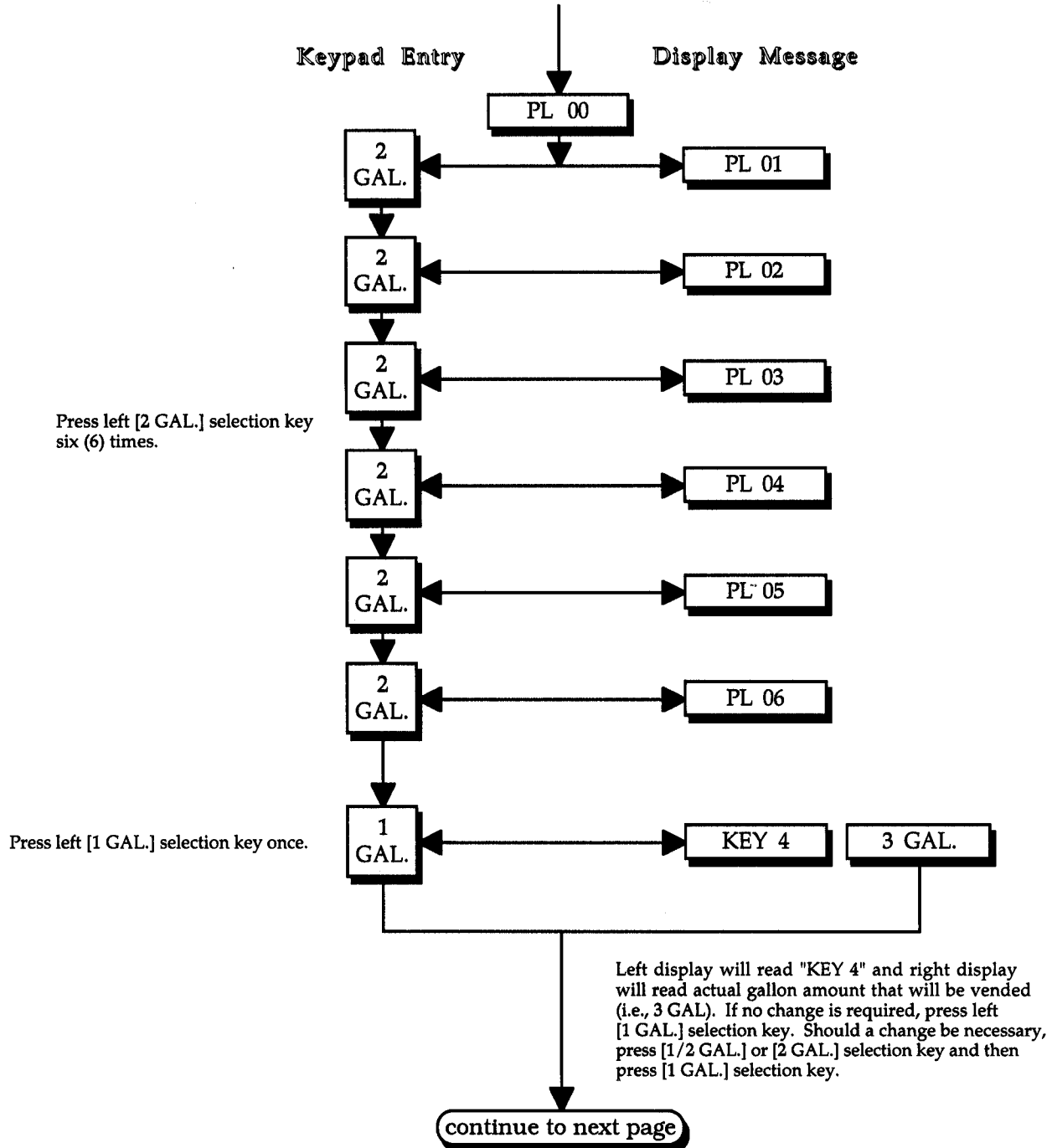


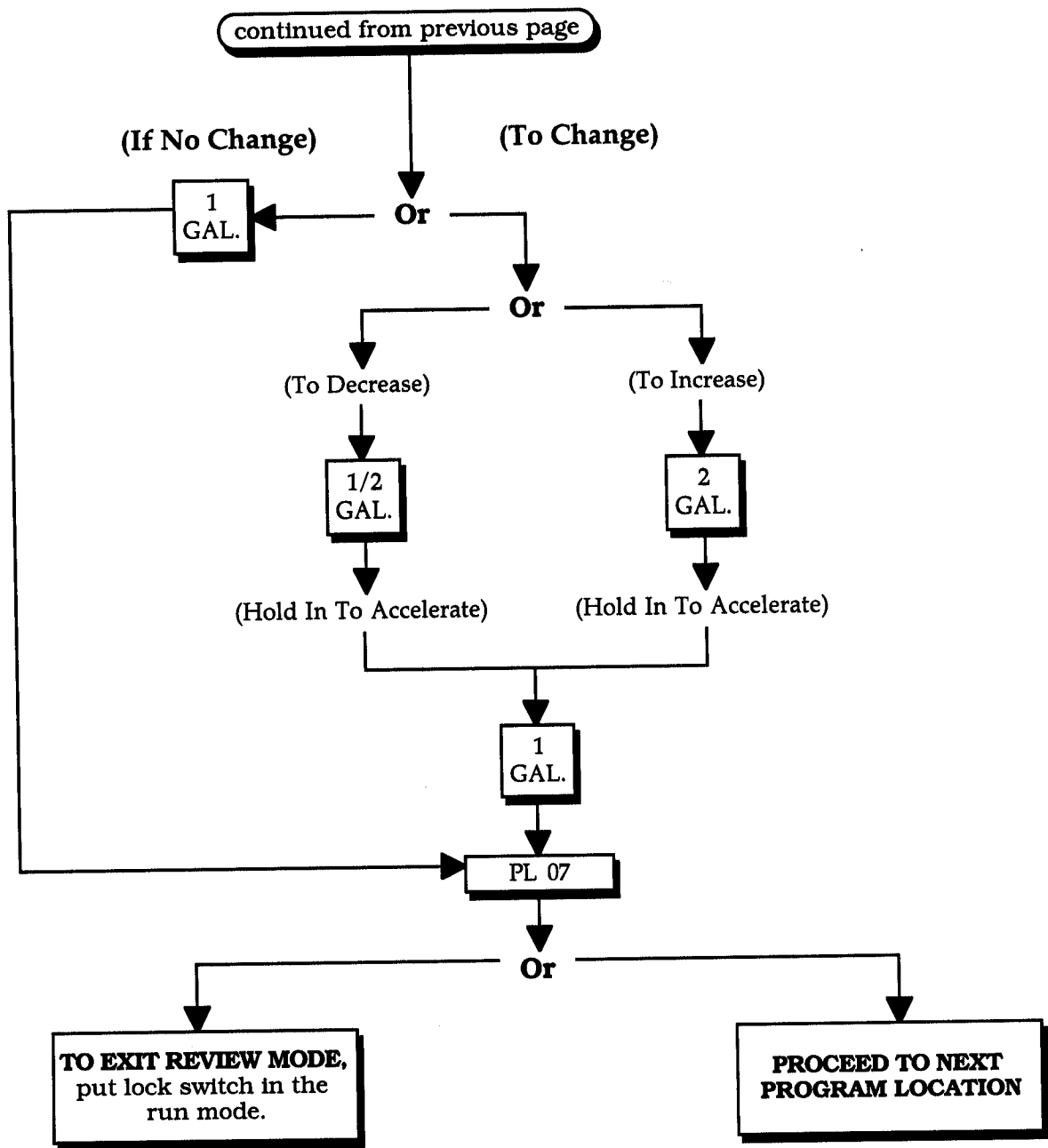
L.E.D. displays read the amount required per gallon.

(Lock Switch In Calibration/Program Mode Position) To Enter Program Mode

or

(Enter Access Number From Keypad - only when in coin mode)





NOTE: Gallon vend value can be programmed from .5 GAL (1/2 gallon) to 6 gallons in .5 GAL. (1/2 gallon) increments.

H. PROGRAM LOCATION 07 (PL 07)

NO. 5 LEFT and RIGHT KEYS GALLON VEND VALUE

(No Vend In Progress)



L.E.D. displays read the amount required per gallon.

(Lock Switch In Calibration/Program Mode Position)

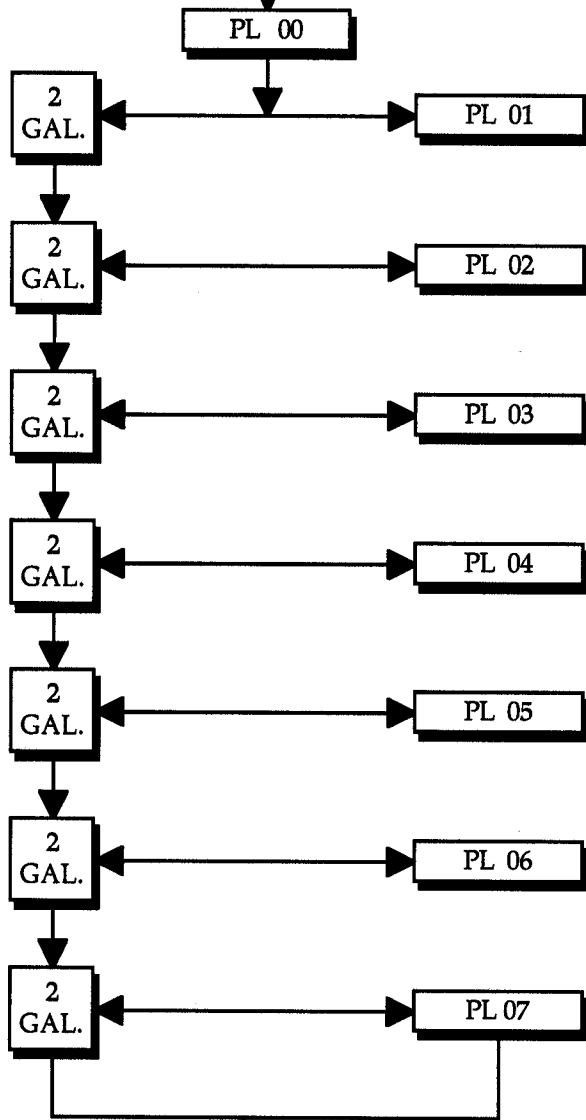
To Enter Program Mode

or

(Enter Access Number From Keypad - only when in coin mode)

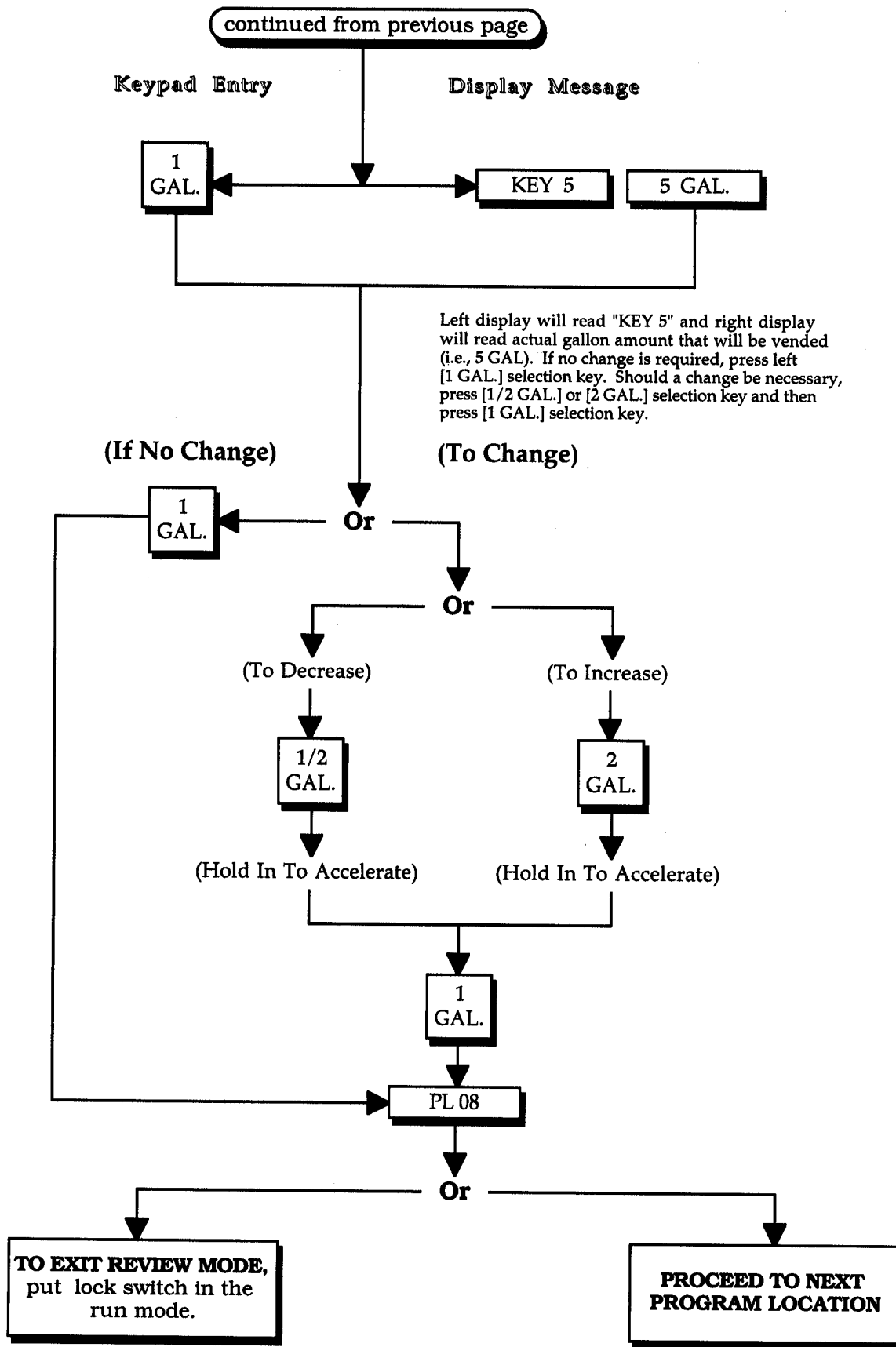
Keypad Entry

Display Message



Press left [2 GAL.] selection key seven (7) times.

continue to next page



NOTE: Gallon vend value can be programmed from .5 GAL (1/2 gallon) to 6 gallons in .5 GAL. (1/2 gallon) increments.

I. PROGRAM LOCATION 08 (PL 08)

NO. 6 LEFT and RIGHT KEYS GALLON VEND VALUE

(No Vend In Progress)



L.E.D. displays read the amount required per gallon.

(Lock Switch In Calibration/Program Mode Position)

To Enter Program Mode

or

(Enter Access Number From Keypad - only when in coin mode)

Keypad Entry

Display Message

PL 00

2
GAL.

PL 01

2
GAL.

PL 02

2
GAL.

PL 03

2
GAL.

PL 04

2
GAL.

PL 05

2
GAL.

PL 06

2
GAL.

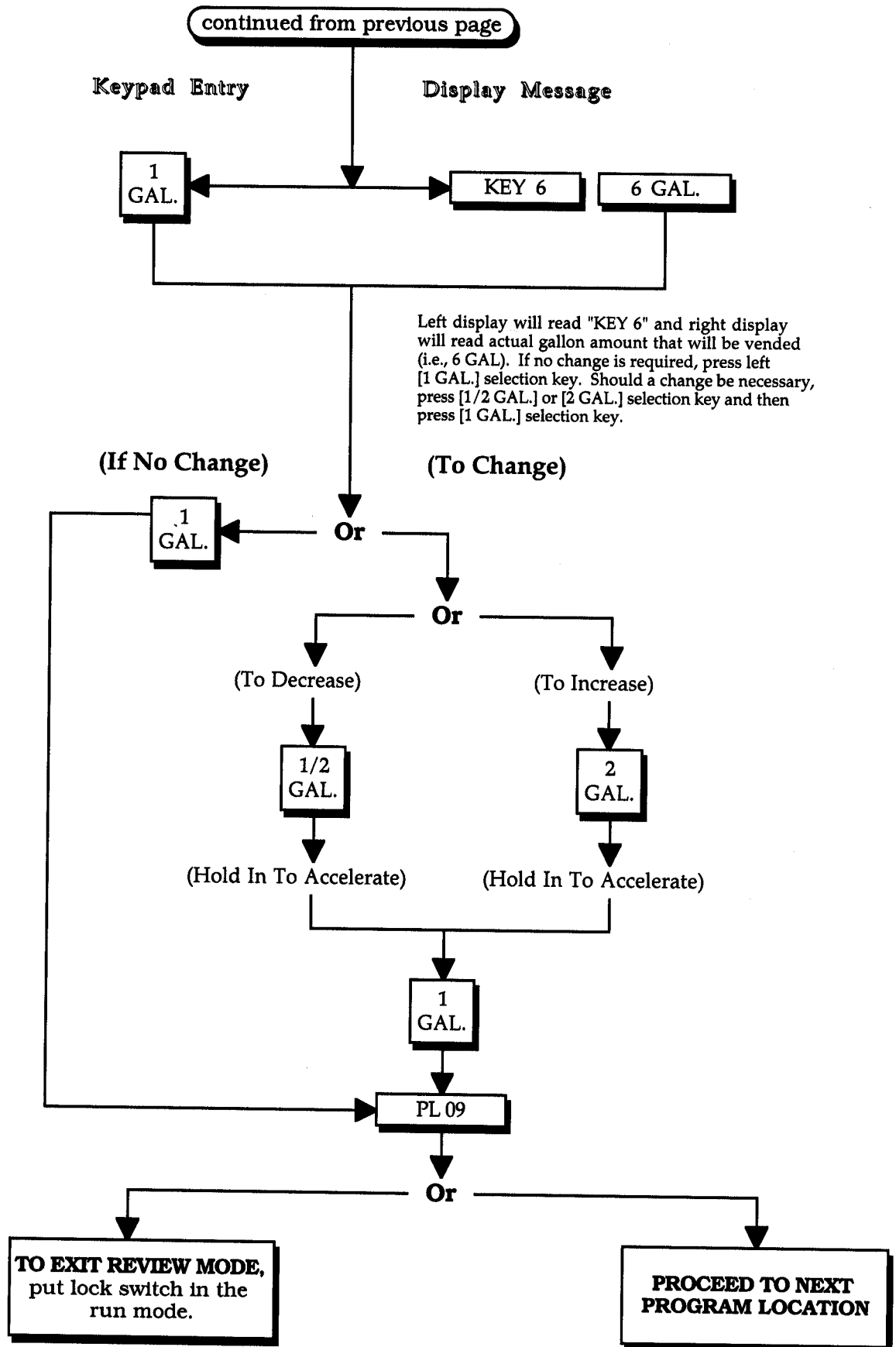
PL 07

2
GAL.

PL 08

Press left [2 GAL.] selection key eight (8) times.

continue to next page



NOTE: Gallon vend value can be programmed from .5 GAL (1/2 gallon) to 6 gallons in .5 GAL. (1/2 gallon) increments.

I. PROGRAM LOCATION 09 (PL 09)

SYSTEM FLUSH (No Vend In Progress)

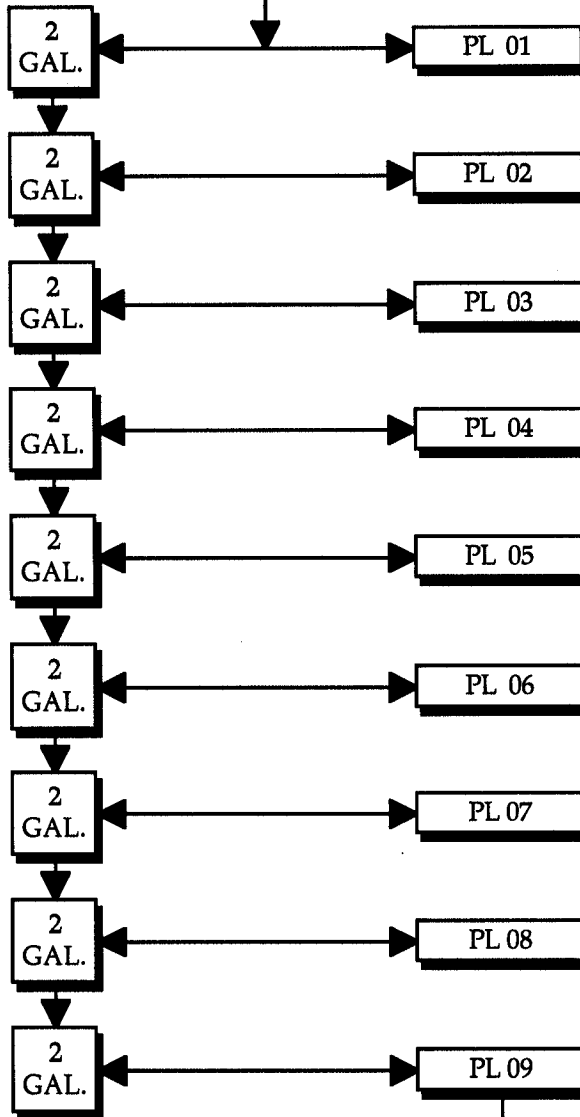


L.E.D. displays read the amount required per gallon.

(Lock Switch In Calibration/Program Mode Position) To Enter Program Mode
or
(Enter Access Number From Keypad - only when in coin mode)

Keypad Entry Display Message

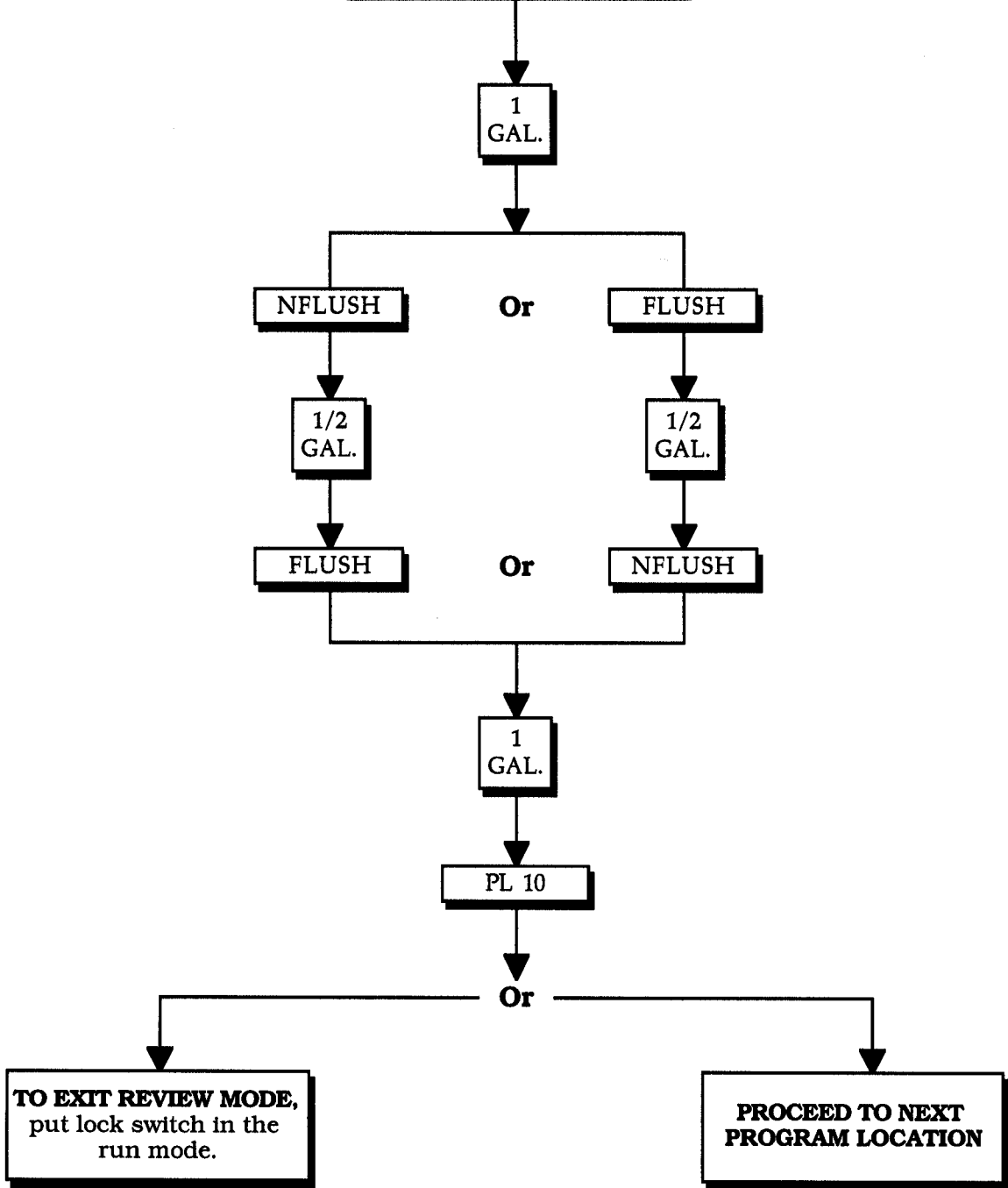
PL 00



Press left [2 GAL.] selection key nine (9) times.

continue to next page

continued from previous page



K. PROGRAM LOCATION 10 (PL 10)

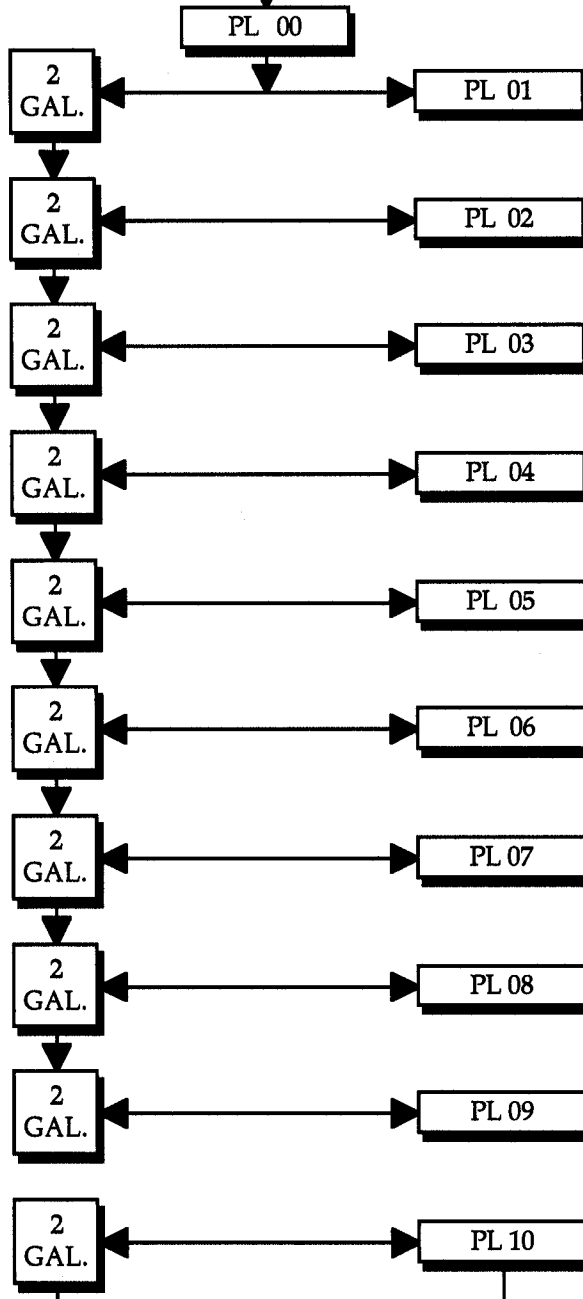
TO VIEW or CHANGE PROGRAM ENTRY CODE (No Vend In Progress)



L.E.D. displays read the amount required per gallon.

(Lock Switch In Calibration/Program Mode Position) To Enter Program Mode
or
(Enter Access Number From Keypad - only when in coin mode)

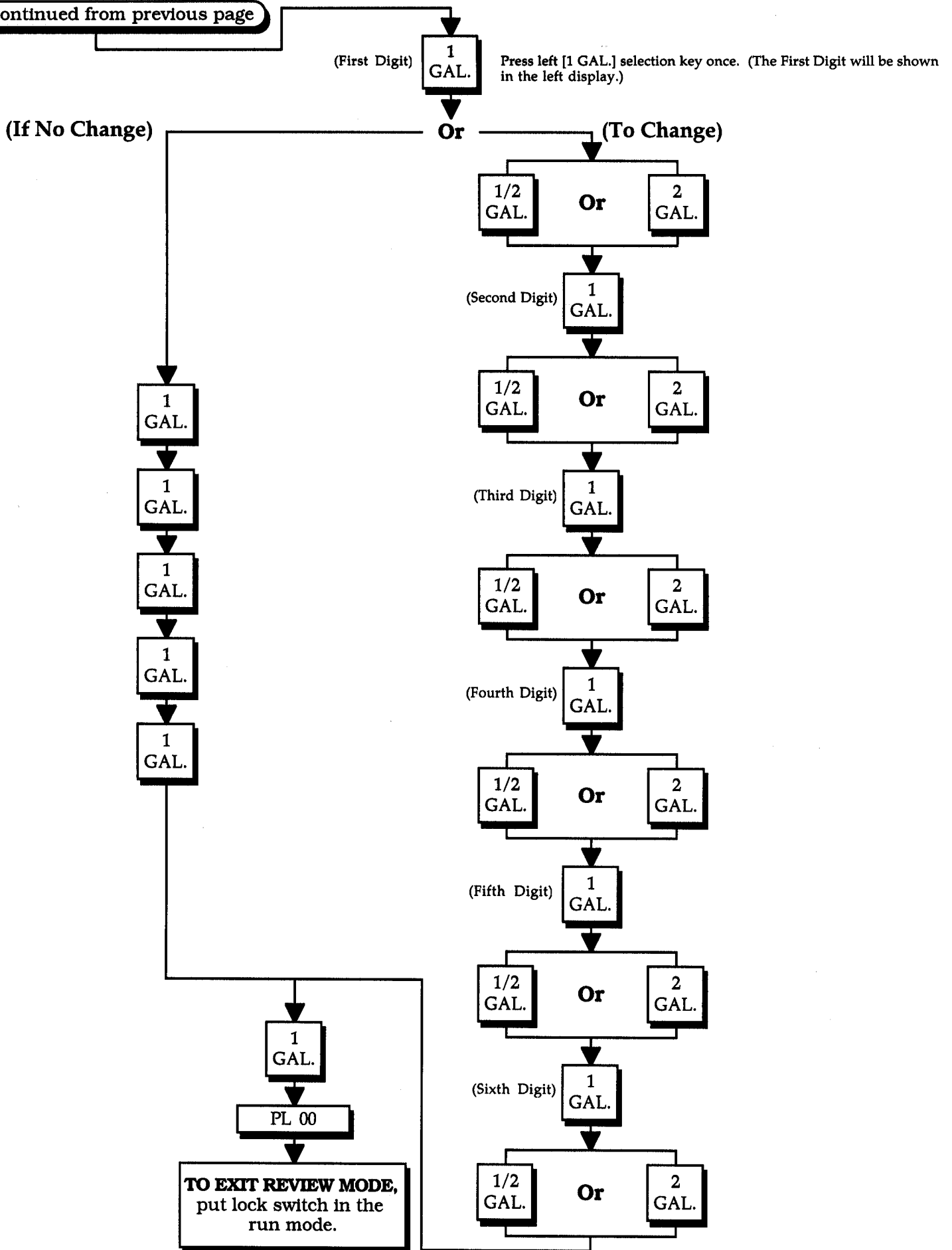
Keypad Entry Display Message



Press left [2 GAL.] selection key ten (10) times.

continue to next page

continued from previous page



L. TEACH MODE

(No Vend In Progress)



L.E.D. displays read the amount required per gallon.

(Lock Switch In Calibration/Program Mode Position)

To Enter Program MOde

PL 00

Left side [1/2 GAL.] selection key.

1/2 GAL.

1/2 GAL.

Right side [1/2 GAL.] selection key.

TEACH MODE

L.E.D. displays read TEACH MODE.

Or

Right [1/2 GAL.] selection key will vend the Left Side ONLY.

1/2 GAL.

1 GAL.

2 GAL.

Right [1 GAL.] selection key will vend the Both Sides Simultaneously.

Right [2 GAL.] selection key will vend the Right Side ONLY.

"Left" → 1 GAL.

Press "Left" [1 GAL.] selection key then "Right" [1 GAL.] selection key to save.

"Right" → 1 GAL.

1 GAL.

Press left [1 GAL.] selection key twice.

1 GAL.

PL 00

Or

TO EXIT REVIEW MODE,
put program switch in the run mode.

PROCEED TO NEXT PROGRAM LOCATION

SECTION VII

FACTORY PRESET PROGRAMS/PARAMETERS

Unless otherwise stated at the time of ordering, the microprocessor (computer) controller has been preprogrammed by the factory with the programs/parameters shown in the chart below. Should changes be found necessary, please read this manual carefully to thoroughly familiarize yourself with the microprocessor (computer) controller's programming characteristics.

Program Location	Display Code	
PL 01	COIN	Coin(s) required to vend.
	bUZZ	Buzz at the end of the fill cycle.
PL 02	AMOUNT PER GALLON \$.35	Purchase amount required for each gallon.
PL 03	KEY 15 GAL	1/2 Gallon
PL 04	KEY 2 1 GAL	
PL 05	KEY 3 2 GAL	
PL 06	KEY 4 3 GAL	
PL 07	KEY 5 5 GAL	
PL 08	KEY 6 6 GAL	
PL 09	NO FLUSH	
PL 10	YOUR MACHINE'S ACCESS NUMBER	

SECTION VIII

PROGRAMMING LIMITS

Program Location	Parameter	Range	Increments
PL 02	AMOUNT PER GALLON	\$ 0 TO 2.00	.05
PL 03	KEY 1 Gallon Vend	0 to 6 GALLONS	.5
PL 04	KEY 2 Gallon Vend	0 to 6 GALLONS	.5
PL 05	KEY 3 Gallon Vend	0 to 6 GALLONS	.5
PL 06	KEY 4 Gallon Vend	0 to 6 GALLONS	.5
PL 07	KEY 5 Gallon Vend	0 to 6 GALLONS	.5
PL 08	KEY 6 Gallon Vend	0 to 6 GALLONS	.5

Phase II/Coin Changer
ADC 182711 1--03/09/95-20 2-07/25/95-100

