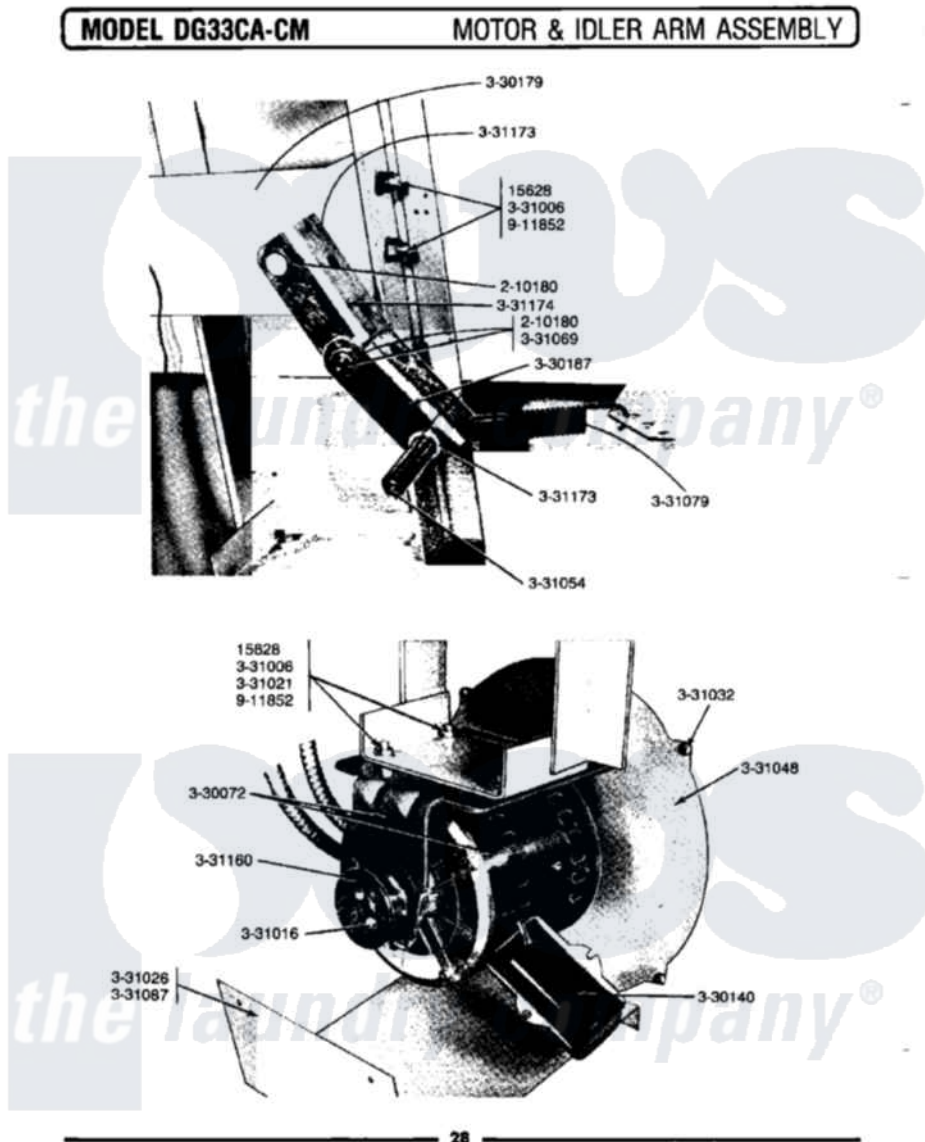


# Maytag GDG33CM 12 - MOTOR & IDLER ARM ASSEMBLY



Maytag [Commercial Maytag GDG33CM Dryer Parts](#) Parts Diagram 12 - MOTOR & IDLER ARM ASSEMBLY  
 Click on the part number to view part

| Item | Original Part Number    | Replaced By              | Status        | Part Description                        |
|------|-------------------------|--------------------------|---------------|---|
| NI   | NLA                     |                          | Not Available | BOLT, 5/16 X 3/4 HEX                    |
| 002  | 210180                  |                          | Not Available | RETAINING RING                          |
| 003  | Y330072                 |                          | Not Available | MOTOR COMPLETE                          |
| NI   | NLA                     |                          | Not Available | CAPICATOR                               |
| 005  | <a href="#">Y330179</a> |                          |               | Bracket And Pin                         |
| 006  | 330187                  |                          | Not Available | IDLER ARM ASSEMBLY WITH PIN             |
| NI   | NLA                     |                          | Not Available | INTERNAL MOTOR SWITCH                   |
| "    | NLA                     |                          | Not Available | NUT-DRUM SUPPORT BOLT, 5/16             |
| "    | NLA                     |                          | Not Available | SET SCREW, MOTOR PULLEY                 |
| "    | NLA                     |                          | Not Available | WASHER - MOTOR SUPPORT BOLT             |
| 011  | 331026                  | <a href="#">90767</a>    |               | Screw, 8A X 3/8 HeX Washer Head Tapping |
| 012  | 331032                  | <a href="#">61002031</a> |               | Screw, Handle                           |
| 013  | 331048                  |                          | Not Available | COVER FOR BLOWER IMPELLER               |

|     |                        |                        |                             |
|-----|------------------------|------------------------|-----------------------------|
| 014 | <a href="#">331054</a> |                        | Grease Fitting - Pulley Pin |
| 015 | <a href="#">331069</a> |                        | Pivot Pin For Tension Arms  |
| 016 | 331079                 | Not Available          | TENSION SPRING              |
| NI  | NLA                    | Not Available          | SHIELD, MOTOR               |
| "   | NLA                    | Not Available          | SUPPORT, REAR COVER (LT)    |
| "   | NLA                    | Not Available          | SUPPORT, REAR COVER (RT)    |
| 020 | <a href="#">331160</a> |                        | Motor Pulley                |
| NI  | <a href="#">331162</a> | <a href="#">A55</a>    | Multiplus Dual Brand V Belt |
| 022 | 331173                 | Not Available          | WASHER                      |
| 023 | 331174                 | Not Available          | IDLER BRACKET               |
| 024 | 911852                 | <a href="#">486009</a> | Lockwasher                  |

*the laundry company*<sup>®</sup>

*the laundry company*<sup>®</sup>

*the laundry company*<sup>®</sup>