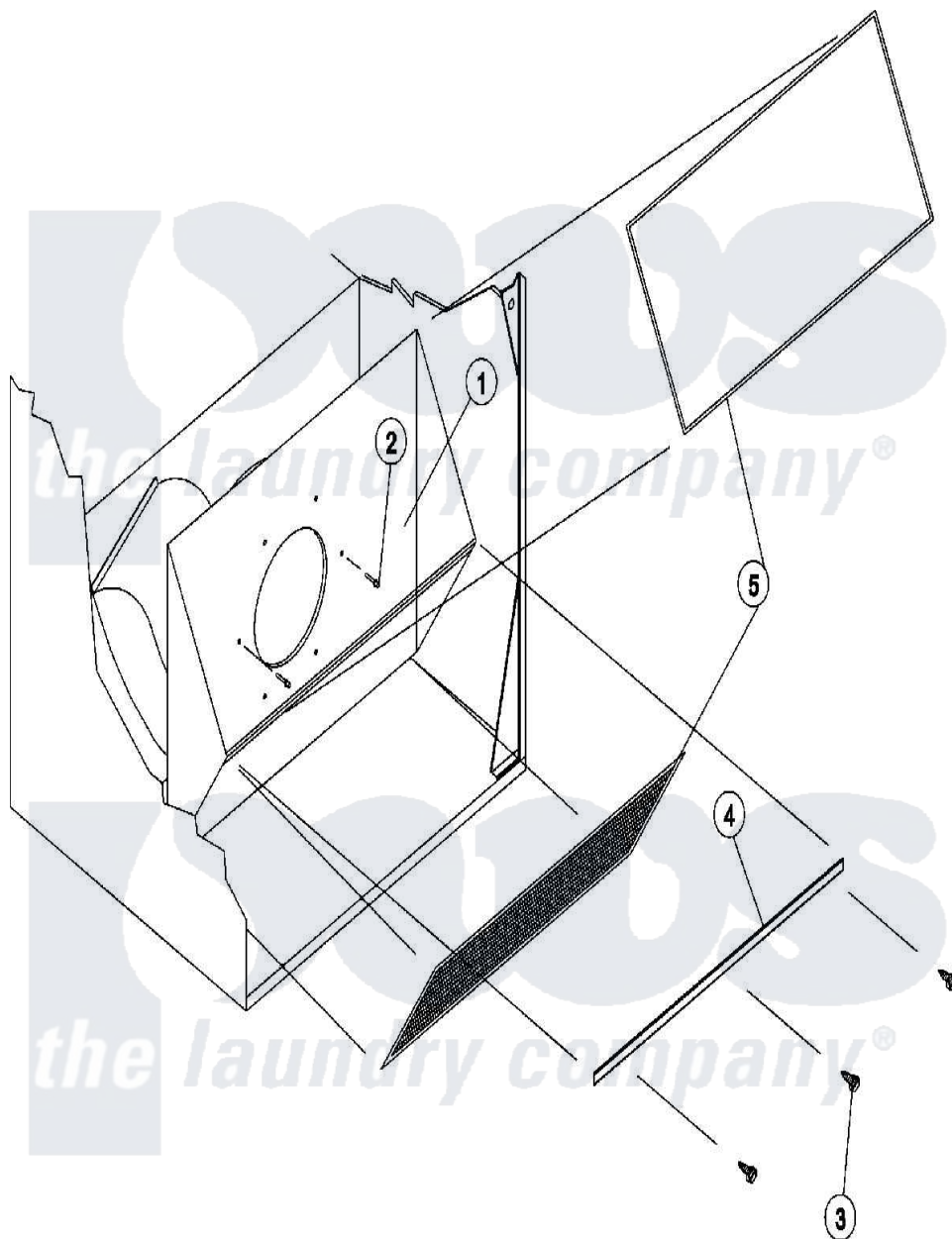


# Maytag MDG30MNVWQ 08 - LINT TRAP



Maytag [Commercial Maytag MDG30MNVWQ Dryer Parts](#) Parts Diagram 08 - LINT TRAP  
 Click on the part number to view part

| Item | Original Part Number    | Replaced By                | Status | Part Description                                     |
|------|-------------------------|----------------------------|--------|--|
| 000  | <a href="#">A000000</a> |                            |        | Order Part From American Dryer Phone No.508-678-9000 |
| 001  | A800401                 | <a href="#">W10147049</a>  |        | AD25V 30V-   |
| "    | A800443                 | <a href="#">800443</a>     |        | AD25V 30V-   |
| 002  | A154200                 | <a href="#">154200</a>     |        | 5 32 RIVE  |
| 003  | A150300                 | <a href="#">5307527001</a> |        | Switch   |
| 004  | A304100                 | <a href="#">304100</a>     |        | SM LINT TR   |
| 005  | A800500                 | <a href="#">800500</a>     |        | Screen, Lint   |