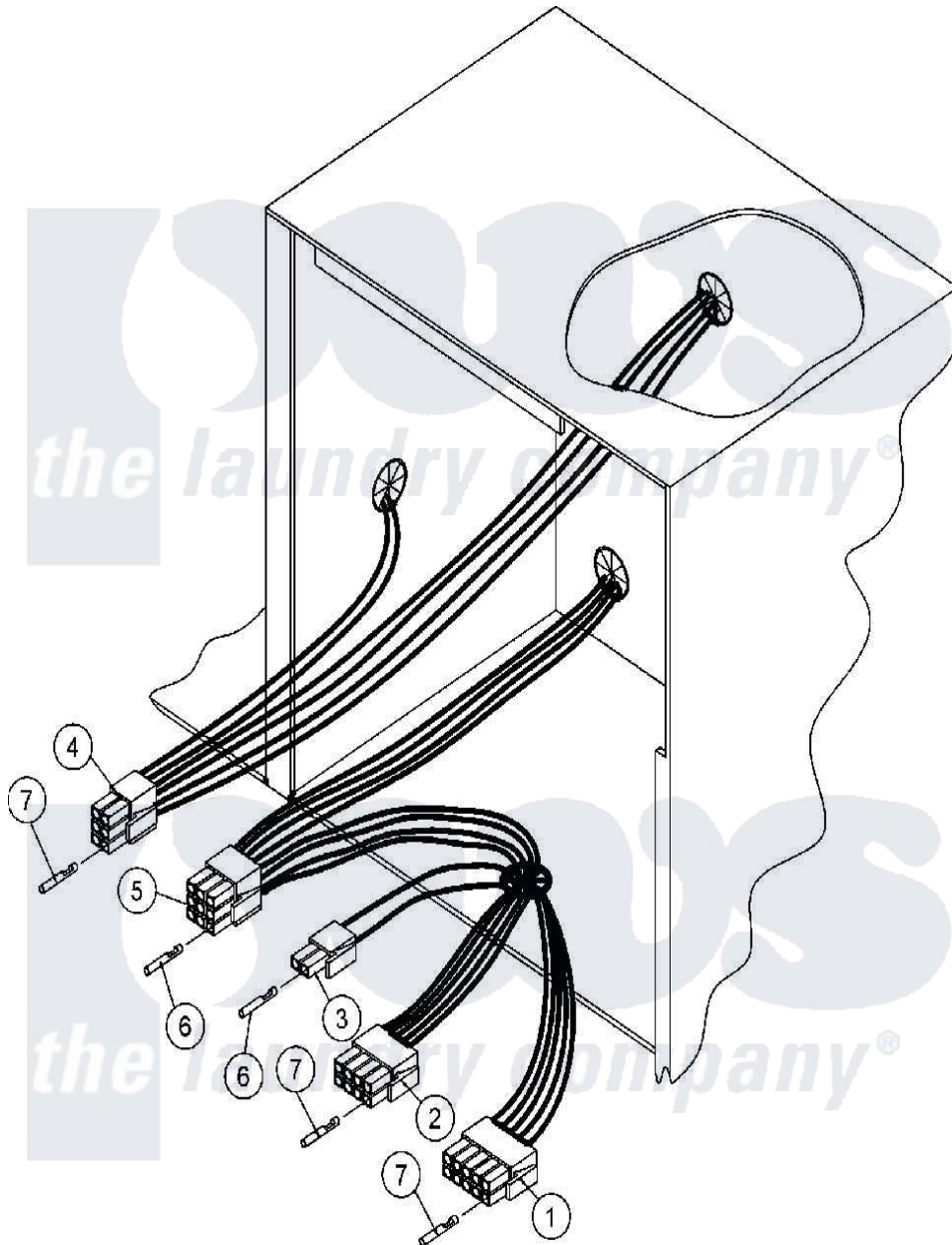


# Maytag MDG30PNHWQ 03 - CONTROL BOX (MICROPROCESSOR)



Maytag [Commercial Maytag MDG30PNHWQ Dryer Parts](#) Parts Diagram 03 - CONTROL BOX (MICROPROCESSOR)  
 Click on the part number to view part

| Item | Original Part Number    | Replaced By               | Status | Part Description                                     |
|------|-------------------------|---------------------------|--------|--|
| 000  | <a href="#">A000000</a> |                           |        | Order Part From American Dryer Phone No.508-678-9000 |
| 001  | A122681                 | <a href="#">122681</a>    |        | 10 Pin Mol   |
| 002  | A122676                 | <a href="#">122676</a>    |        | 8 Pin Mole   |
| 003  | A122646                 | <a href="#">W10149172</a> |        | 2-Pin Amp  |
| 004  | A122683                 | <a href="#">122683</a>    |        | 6-Pin Mini   |
| 005  | A122640                 | <a href="#">122640</a>    |        | 9 Pos. Min   |
| 006  | A122706                 | <a href="#">122706</a>    |        | 20-16 AWG  |
| 007  | A122669                 | <a href="#">122669</a>    |        | 5556 Femal   |