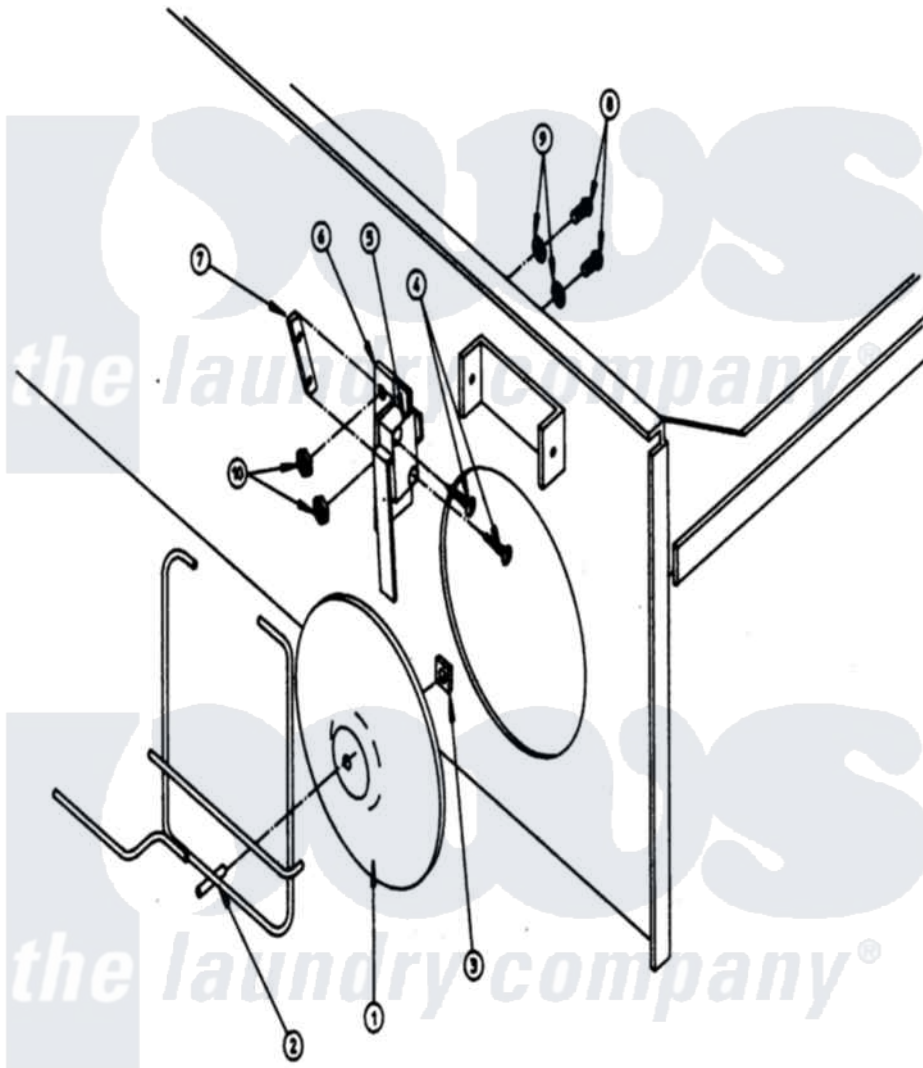


# Maytag MDG32PC2 14 - SAIL SWITCH ASSEMBLY



Maytag [Commercial Maytag MDG32PC2 Dryer Parts](#) Parts Diagram 14 - SAIL SWITCH ASSEMBLY  
 Click on the part number to view part

Item	Original Part Number	Replaced By	Status	Part Description
000	W10124350		Not Available	ORDER PARTS FROM AMERICAN DRYER CORP AT 508-678-9000
001	A309206		Not Available	DAMPER, SAIL SWITCH
"	A802805		Not Available	SAIL SWITCH ROD & DAMPER ASSY. (INCL. ITEMS 1 THRU 3)
002	A105550	<a href="#">W10146642</a>		320 330 43
003	A154002	<a href="#">154002</a>		1 8 Push O
004	A150303	<a href="#">150303</a>		4 X 3 4 P
005	A122200	<a href="#">122200</a>		Sail Switch
"	A802807	<a href="#">W10147081</a>		320 330 43
006	A319208	<a href="#">319208</a>		320 330 43
007	A154004	<a href="#">154004</a>		Tinneman
008	A150001	<a href="#">150001</a>		6-32 X 1 2
009	A153010	<a href="#">153010</a>		6 Internal
010	A152000	<a href="#">152000</a>		6-32 HEX N