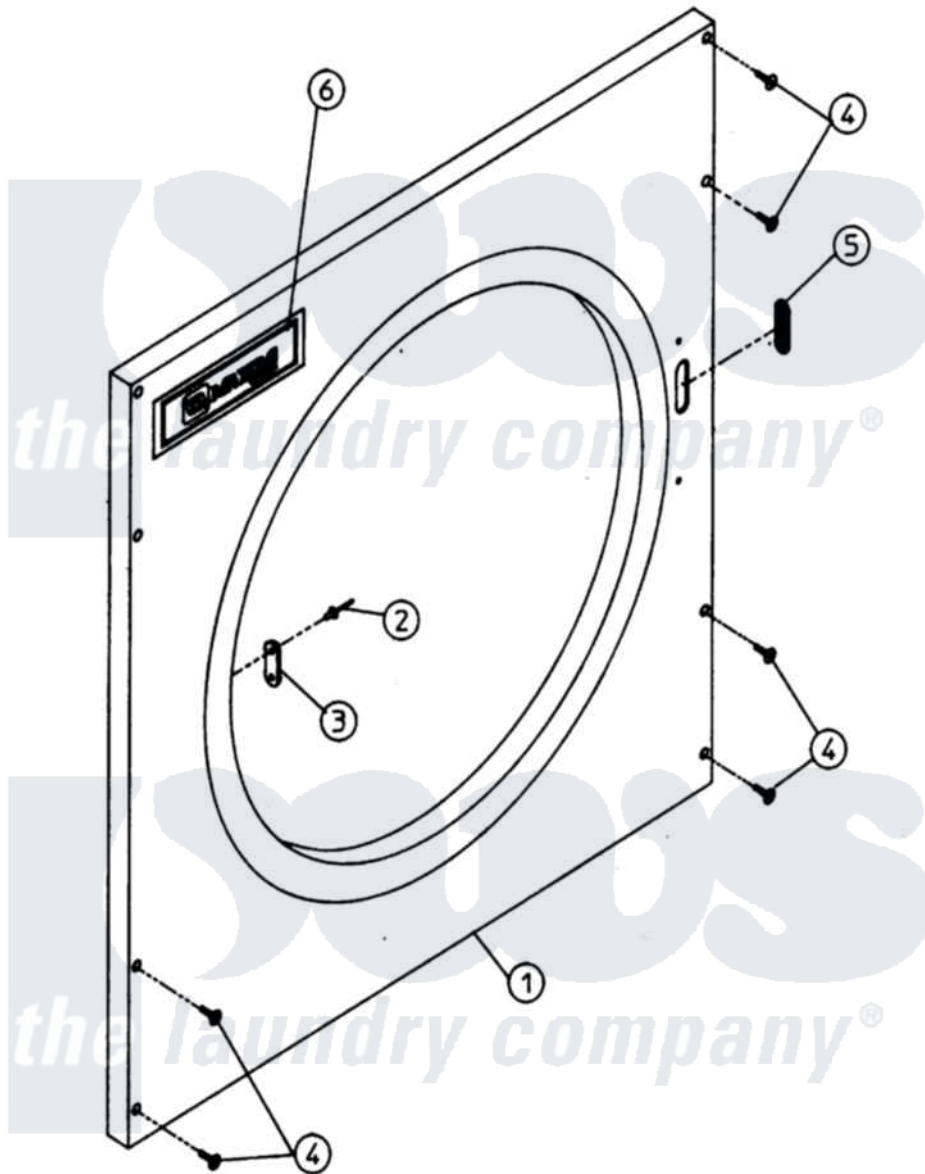


Maytag MDG32PC2AW 03 - CABINET - UPPER FRONT PANEL



Maytag [Commercial Maytag MDG32PC2AW Dryer Parts](#) Parts Diagram 03 - CABINET - UPPER FRONT PANEL
 Click on the part number to view part

| Item | Original Part Number | Replaced By | Status | Part Description |
|------|----------------------|---------------------------|---------------|---|
| 000 | W10124350 | | Not Available | ORDER PARTS FROM AMERICAN DRYER CORP AT 508-678-9000 |
| 001 | A800684 | 800684 | | 320 330 43 |
| 002 | A154215 | 154215 | | 5 32 X 1 4 |
| 003 | A170330 | | Not Available | LATCH, DOOR (FRICTION) |
| 004 | A150415 | | Not Available | SCREW, CRIMPTITE (PH. RD.HD.) (No.10-16 X 1/2" PH. RD. HD.) |
| 005 | A121405 | 121405 | | Rubber Gro |
| 006 | A112343 | 112343 | | Maytag Log |
| " | A870011 | W10147884 | | Logo Doubl |