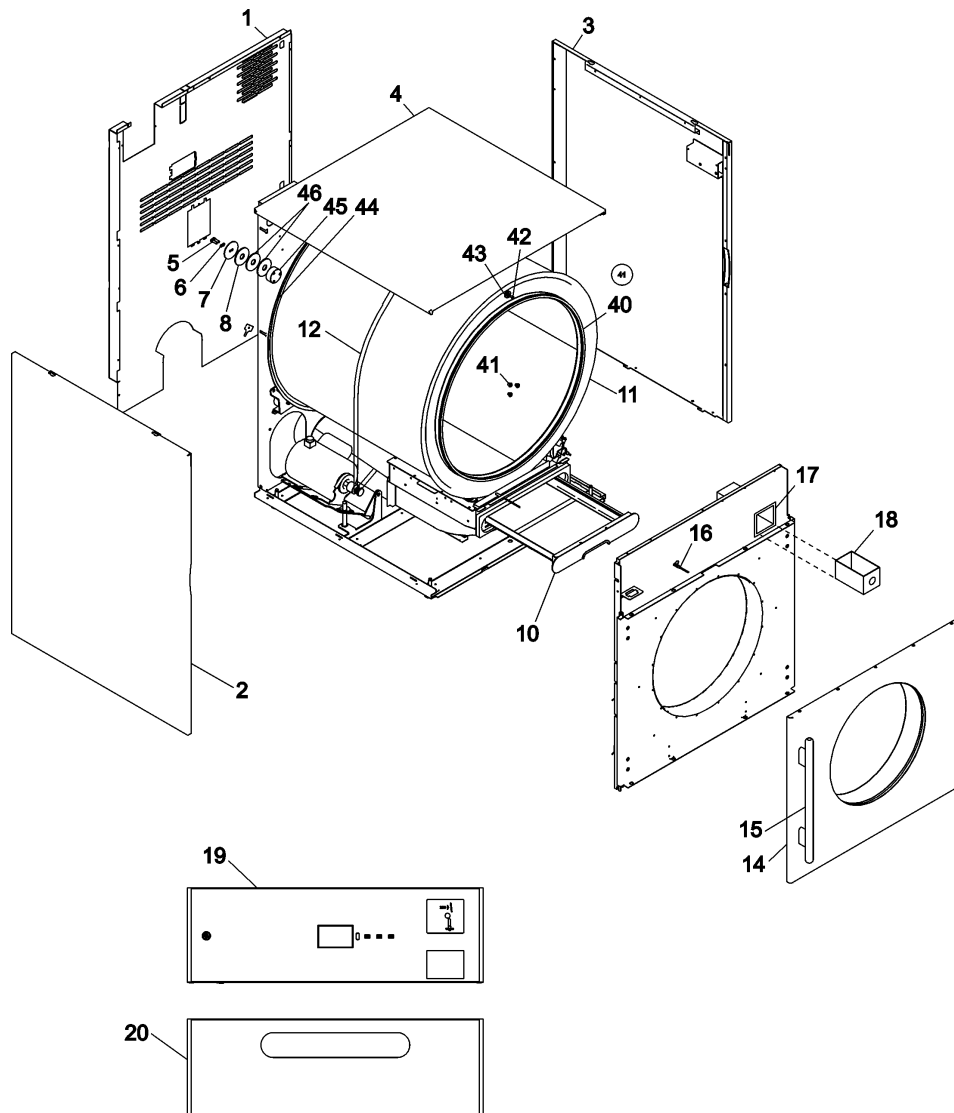
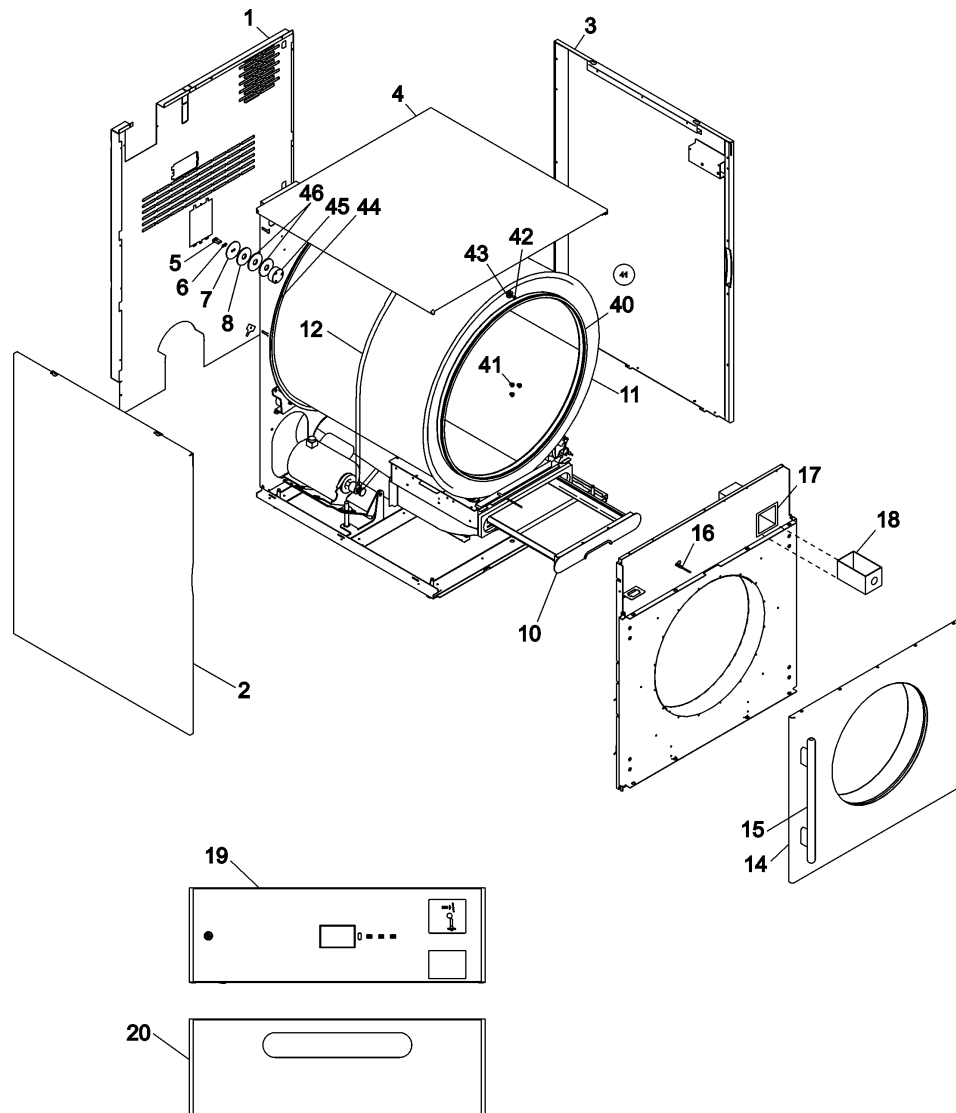


MAYTAG MDG77PNAWW Parts Diagram - 01 - CABINET



| Item | Part Number | Part Description |
|------|-------------|----------------------------|
| 1 | A851399 | BACK GUARD ASY |
| 2 | A851345 | PANEL, LH SIDE ASY 77 |
| 3 | A851343 | PANEL, RH SIDE ASY 77 |
| 4 | A851367 | PANEL, TOP ASY 77 |
| 5 | A150445 | CAP SCREW, BLACK |
| 6 | A153072 | WASHER, SPRING |
| 7 | A318891 | WASHER, BACKUP |
| 8 | A354217 | 3/4 PLATE SPACER |
| 10 | A819295 | LG LINT DRWR ASY |
| 10 | A851380 | SS LG LINT DRWR ASY |
| 11 | A851370 | SS TUMBLER ASY MDG77 |
| 11 | A851376 | GALVANIZED TUMBLER ASY 77 |
| 12 | A102410 | DRIVE BELT 77 |
| 13 | A180051 | WHEEL ONLY |
| 13 | A851371 | FRT WHL TUMBLER SUP ASY |
| 13 | A884344 | PANEL, FRT TUMBLER SUP ASY |
| 14 | A103067 | DOOR HINGE |
| 14 | A851351 | MAIN DOOR COMPLETE ASY |
| 14 | A851532 | SS MAIN DOOR COMP ASY |
| 15 | A884360 | MAIN DOOR HANDLE |
| 16 | A818370 | SENSOR, ROTATION |
| 17 | W10124350 | PARTS NOTE |
| 18 | W10124350 | PARTS NOTE |

MAYTAG MDG77PNAWW Parts Diagram - 01 - CABINET



| Item | Part Number | Part Description |
|------|-------------|------------------------------|
| 19 | A851394 | PH 8 OPL CONTROL PANEL COMP |
| 20 | A185121 | PANEL, LOWER |
| 20 | A185122 | SS PANEL, LOWER |
| 40 | A115911 | FT TUMBLER FELT |
| 40 | A401010 | ADHESIVE, FELT COLLAR No.847 |
| 41 | A150123 | 1/4 20X.25 CAP SCREW |
| 42 | A102004 | MAGNET |
| 43 | A154217 | 1/8 POP RIVET |
| 44 | A115909 | REAR TUMBLER FELT |
| 44 | A401010 | ADHESIVE, FELT COLLAR No.847 |
| 45 | A185240 | TUMBLER SHAFT |
| 46 | A153048 | PAD, INNER FRICTION |
| 47 | A851411 | DRYER PEDESTAL 77 |