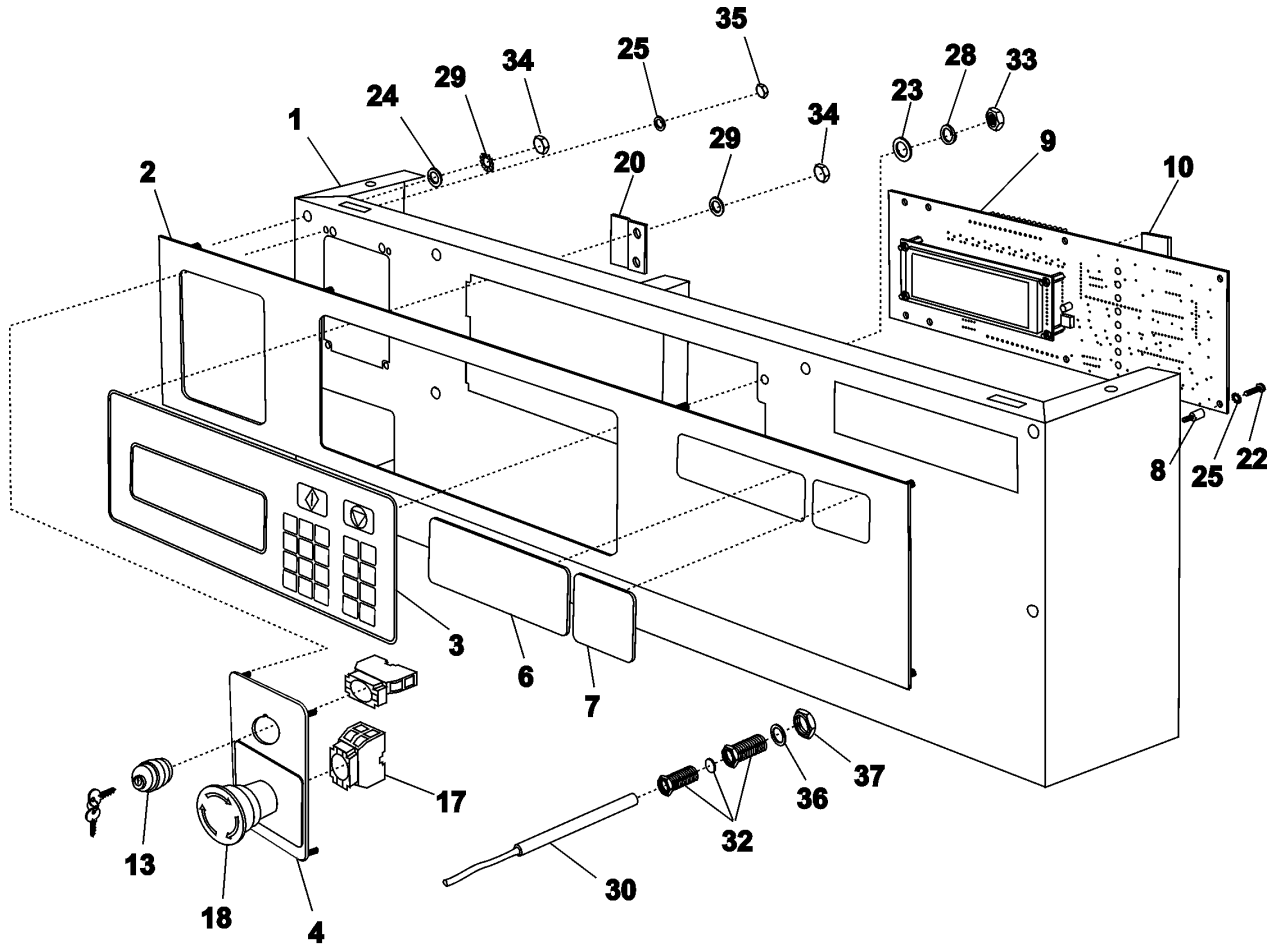


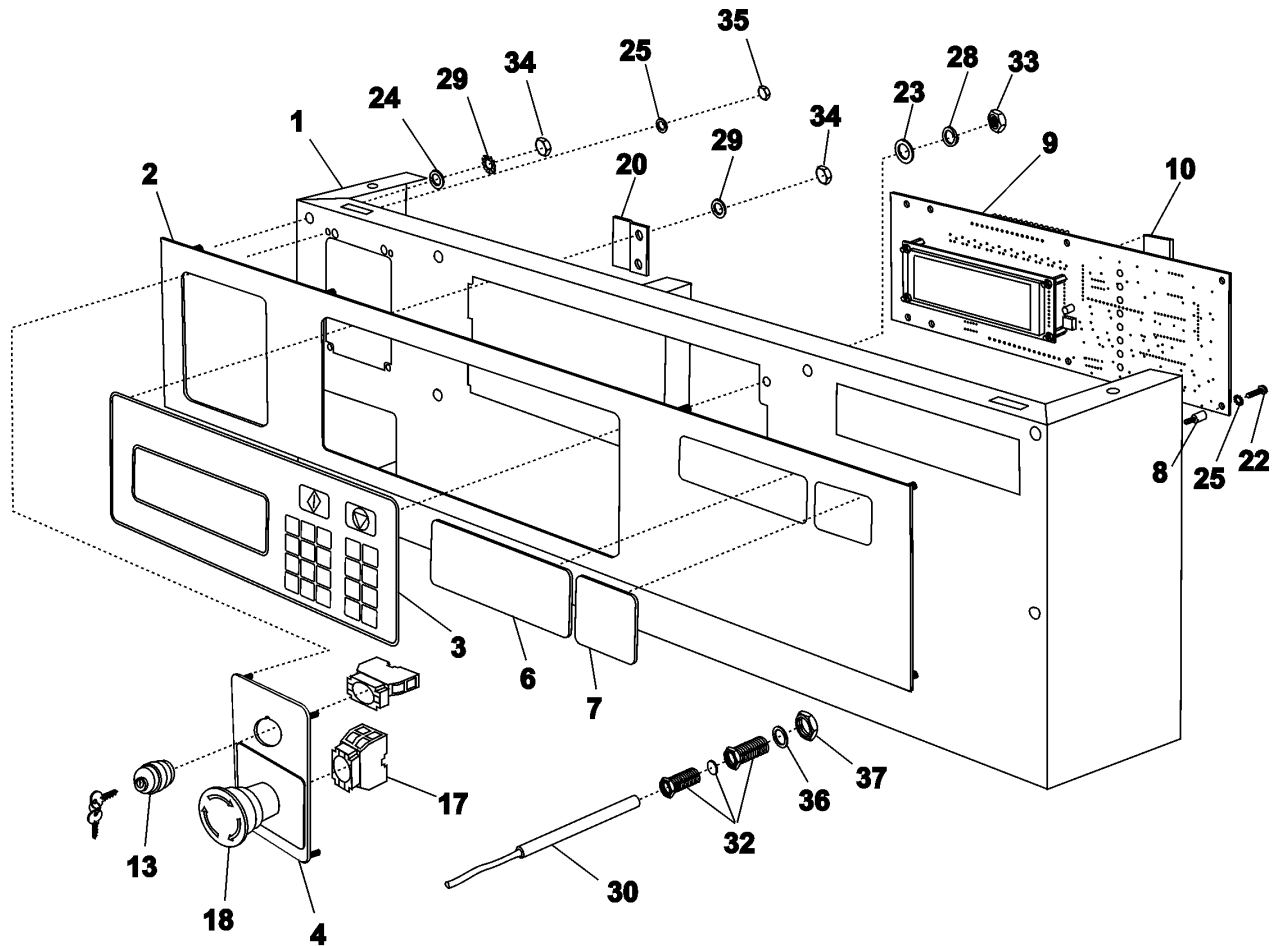
MAYTAG MFS25PNFTS Parts Diagram - 03 - CONTROL PANEL



10-Apr-05
504745C

Item	Part Number	Part Description
9	23003991	MCG CONTROLLER
10	23003992	MCG EEPROM CHIP LU
13	23001082	BLOCK, PROGRAMMING KEY
17	23004137	CONTACT BLOCK
18	23004136	STOP BUTTON EMERGENCY
20	23003871	BRACKET, Z
22	23002869	SCREW (M3X6)
23	23002862	WASHER (5,3)
24	23002504	WASHER
25	23002865	LOCK WASHER (M3)
28	23002465	WASHER, LOCK
29	23002950	LOCK WASHER M4
30	23003831	TEMPERATURE SENSOR
32	23003807	HOLDER THERMOSTAT SENSOR
33	23002452	NUT (M4) LU
34	23003666	NUT (M4)
35	23002958	NUT (M3)
36	23002179	O RING
37	23002936	TEMPERATURE, SENSOR HOLDER, NUT M14
1	23004482	BRACKET, CONTROL PANEL
2	23004483	PANEL, FACIA
3	23004133	KEY BOARD, FULL CONTROL
4	23004389	PLATE, INSERT

MAYTAG MFS25PNFTS Parts Diagram - 03 - CONTROL PANEL



10-Apr-05
504745C

Item	Part Number	Part Description
6	23004390	LOGO, LABEL
7	23004484	INSERT LABEL
8	23004134	SPACER M3XM5X3